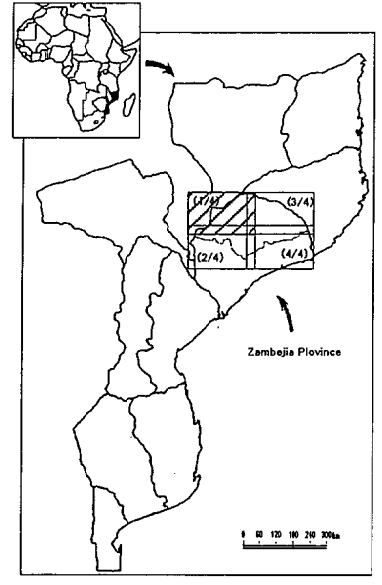
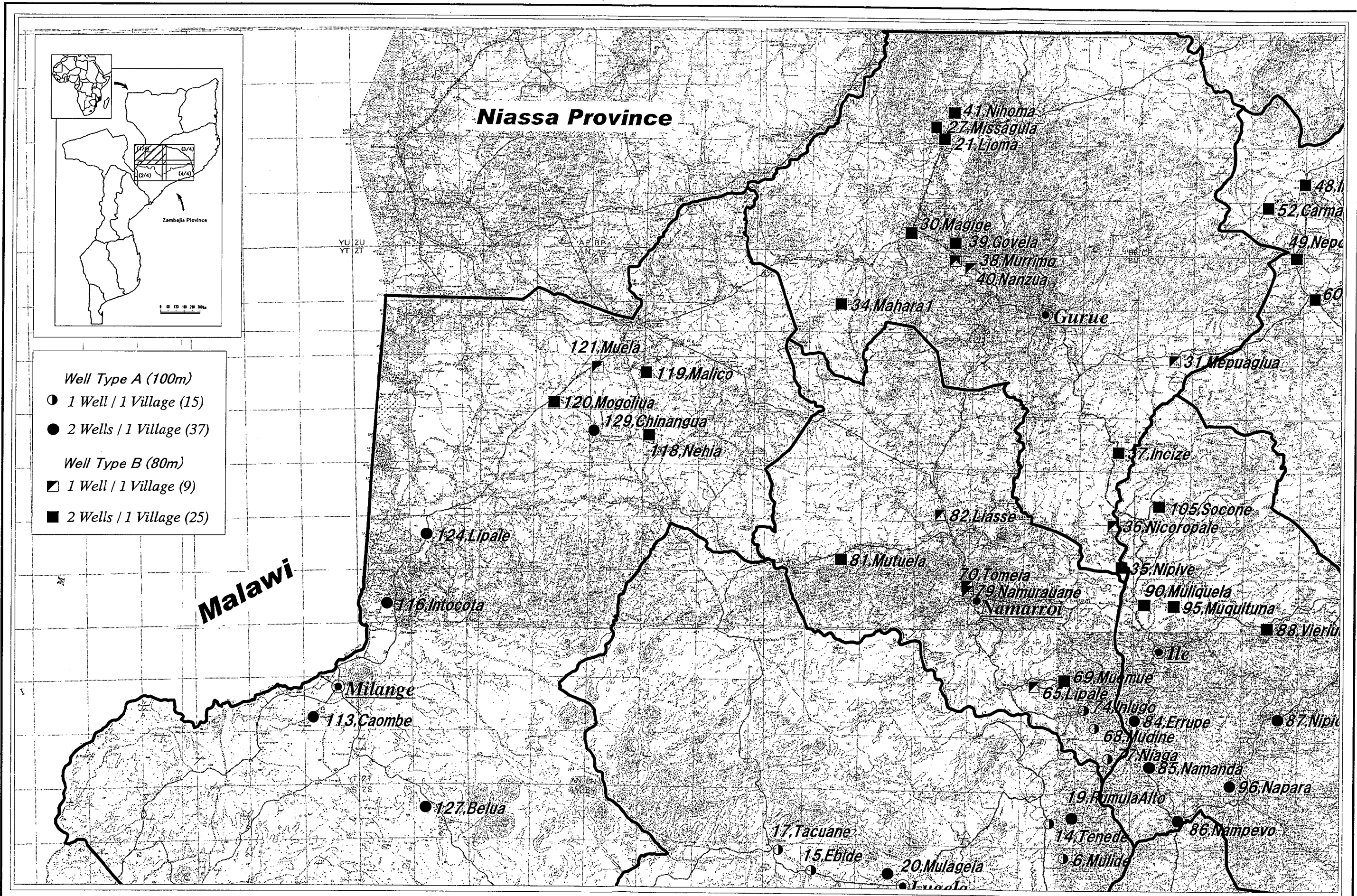


Appendix 5 Basic Design Drawings

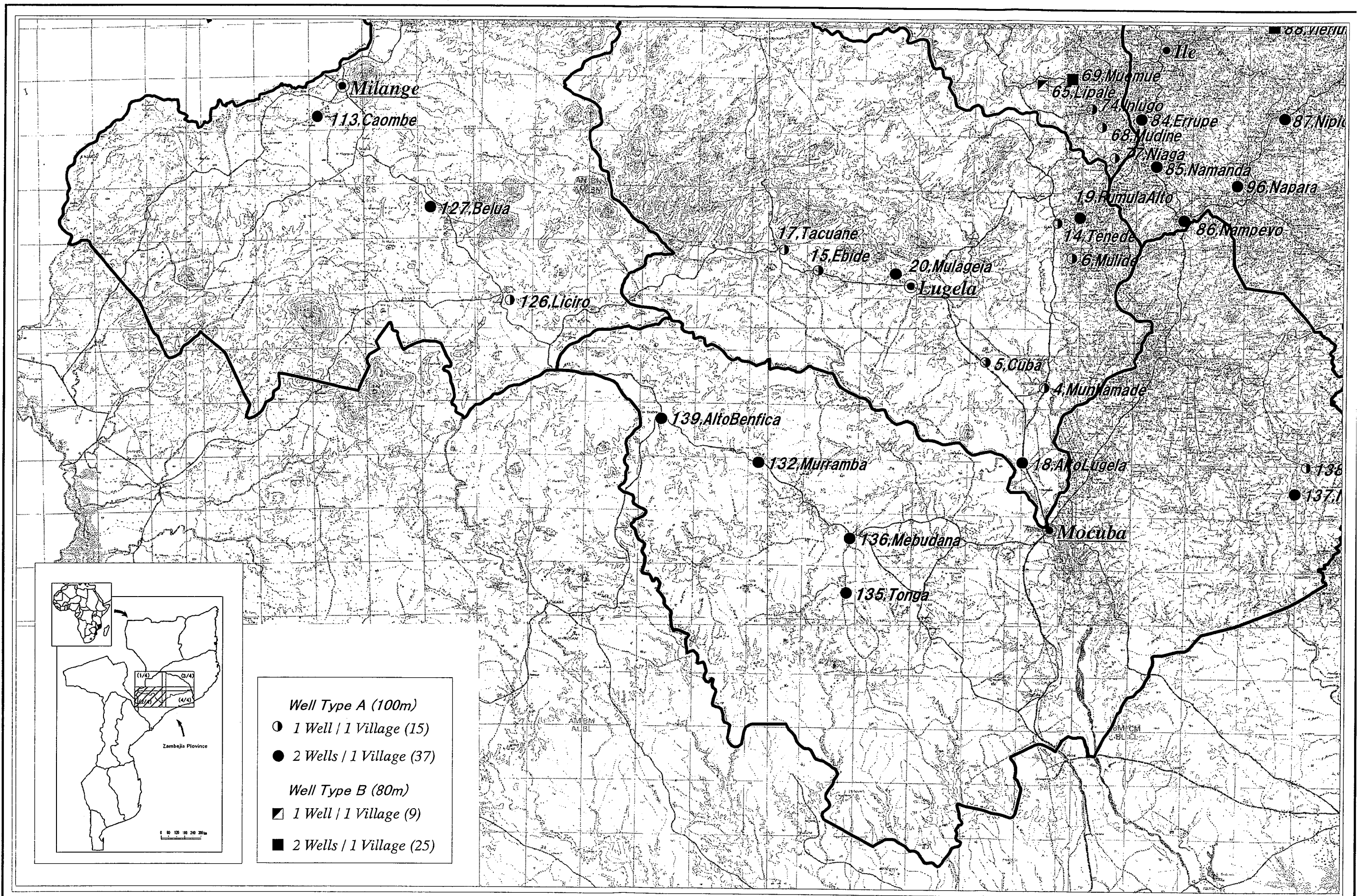
List of Basic Design Drawings

No.	Title
1	Location Map of Villages for Tubewell Construction (1/4)
2	Location Map of Villages for Tubewell Construction (2/4)
3	Location Map of Villages for Tubewell Construction (3/4)
4	Location Map of Villages for Tubewell Construction (4/4)
5	Standard Structure of Tubewell
6	Pump Installation and Apron Structure

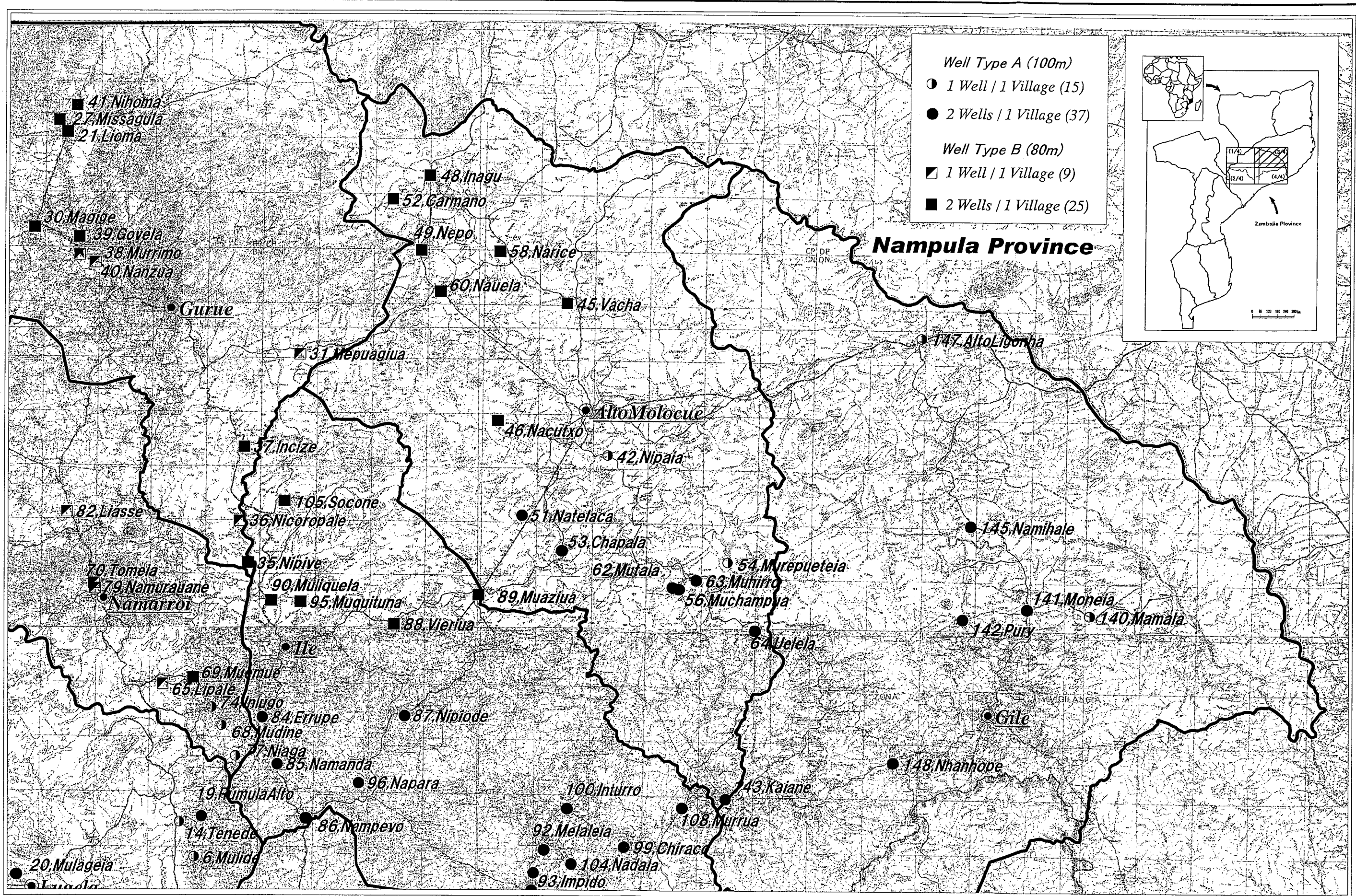


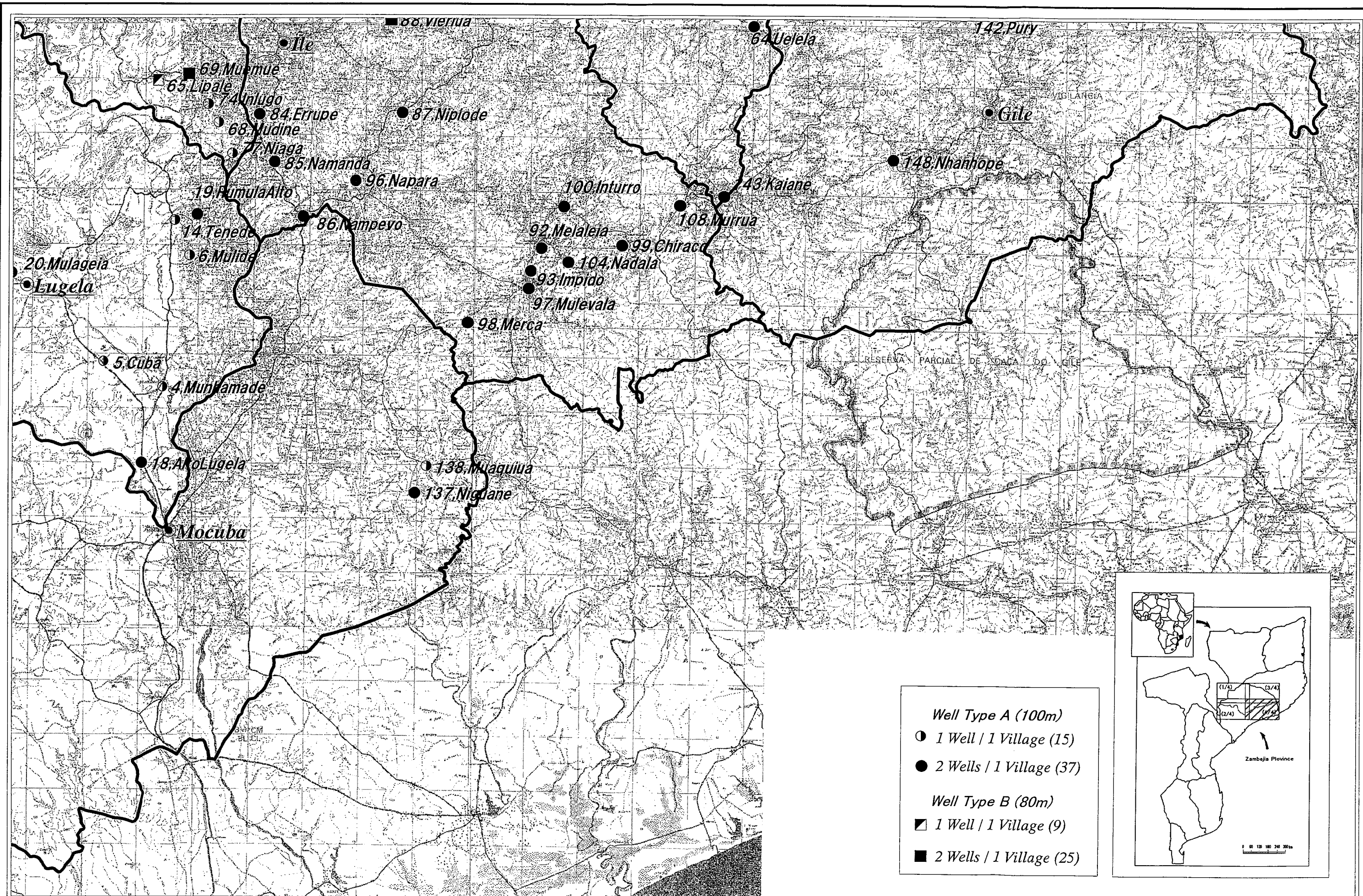
- Well Type A (100m)
- 1 Well / 1 Village (15)
- 2 Wells / 1 Village (37)
- Well Type B (80m)
- ◻ 1 Well / 1 Village (9)
- 2 Wells / 1 Village (25)

1. Location Map of Villages for Tubewell Construction(1/4)

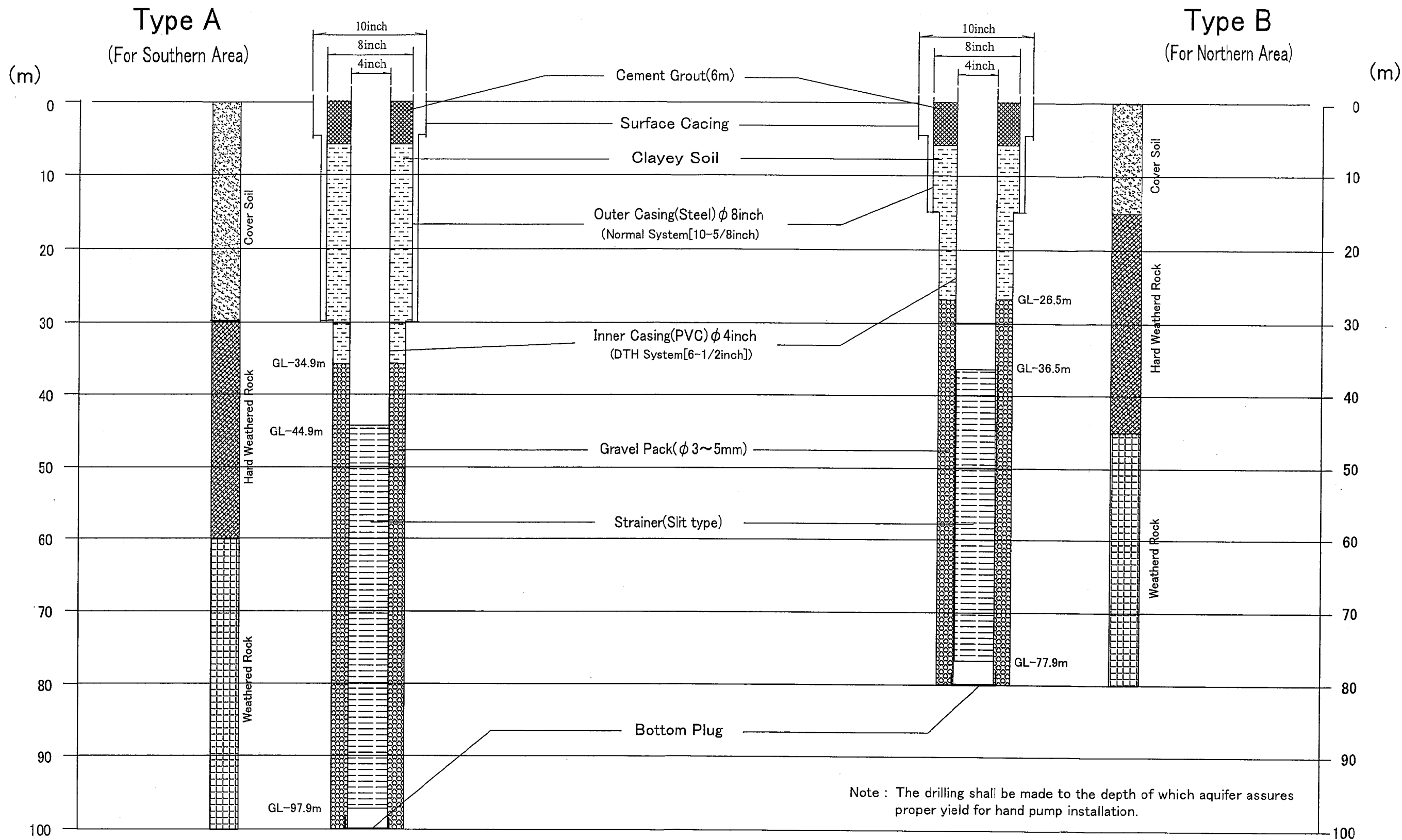


2. Location Map of Villages for Tubewell Construction(2/4)





4. Location Map of Villages for Tubewell Construction(4/4)



Note : The drilling shall be made to the depth of which aquifer assures proper yield for hand pump installation.

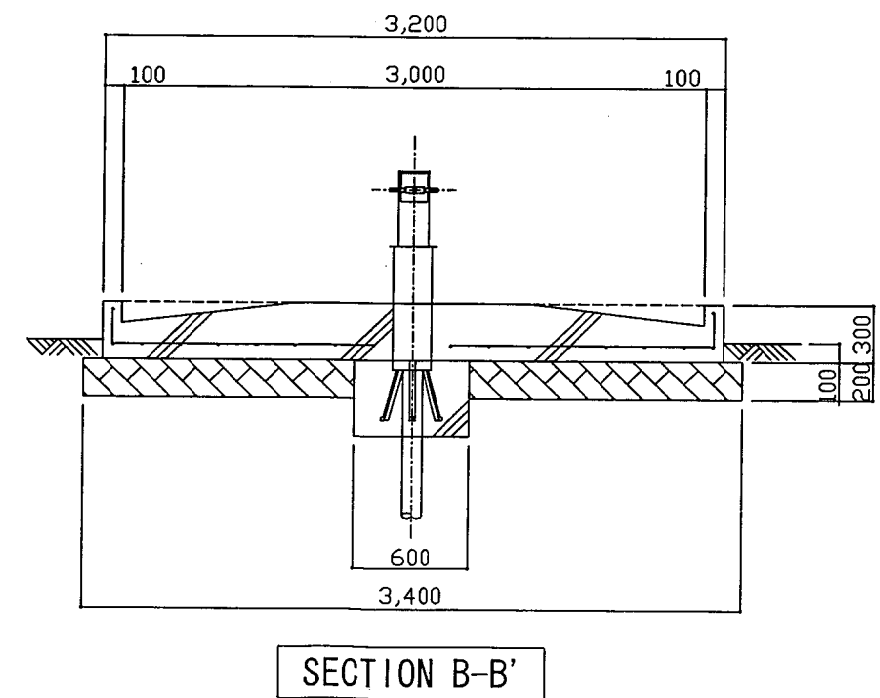
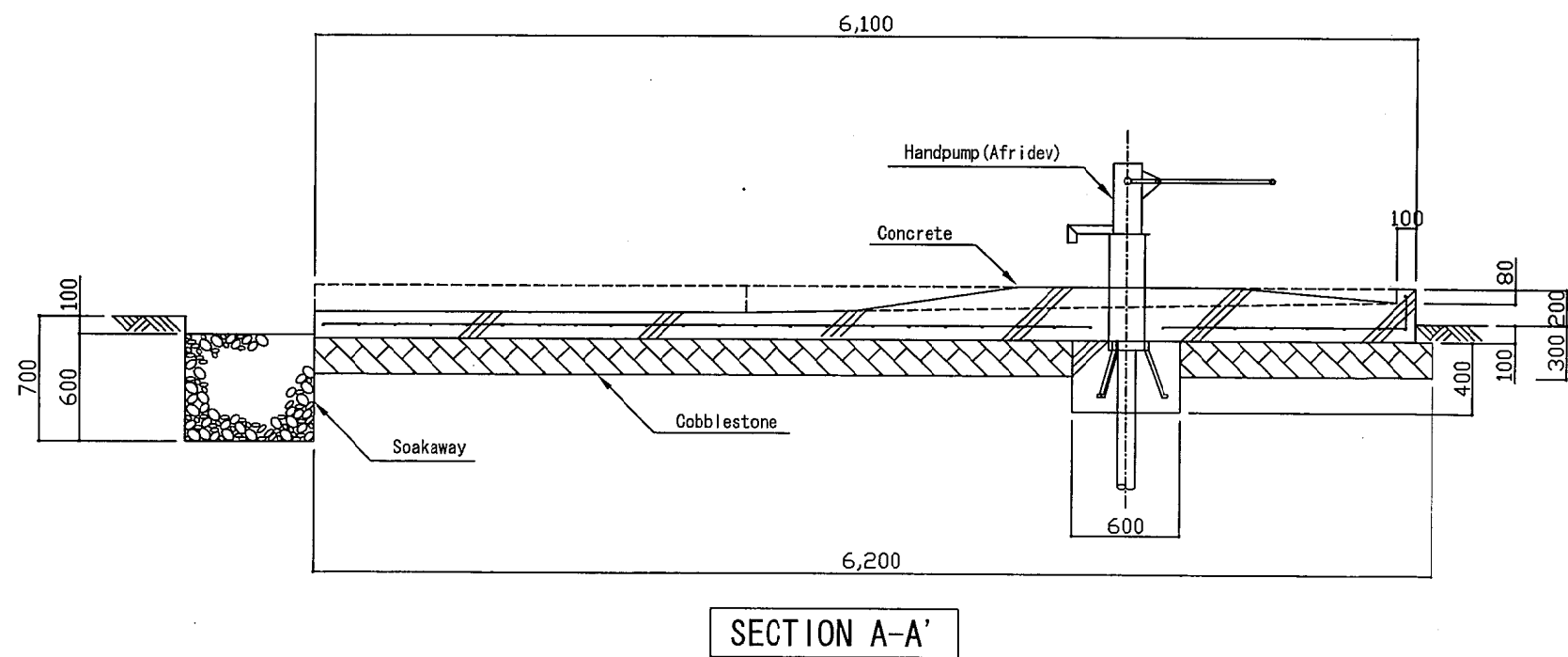
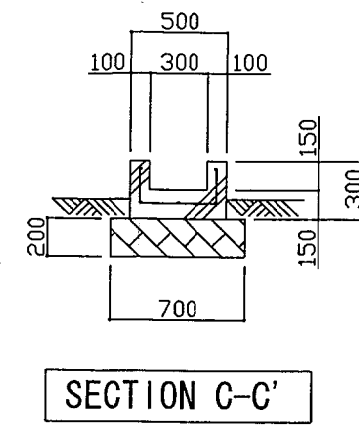
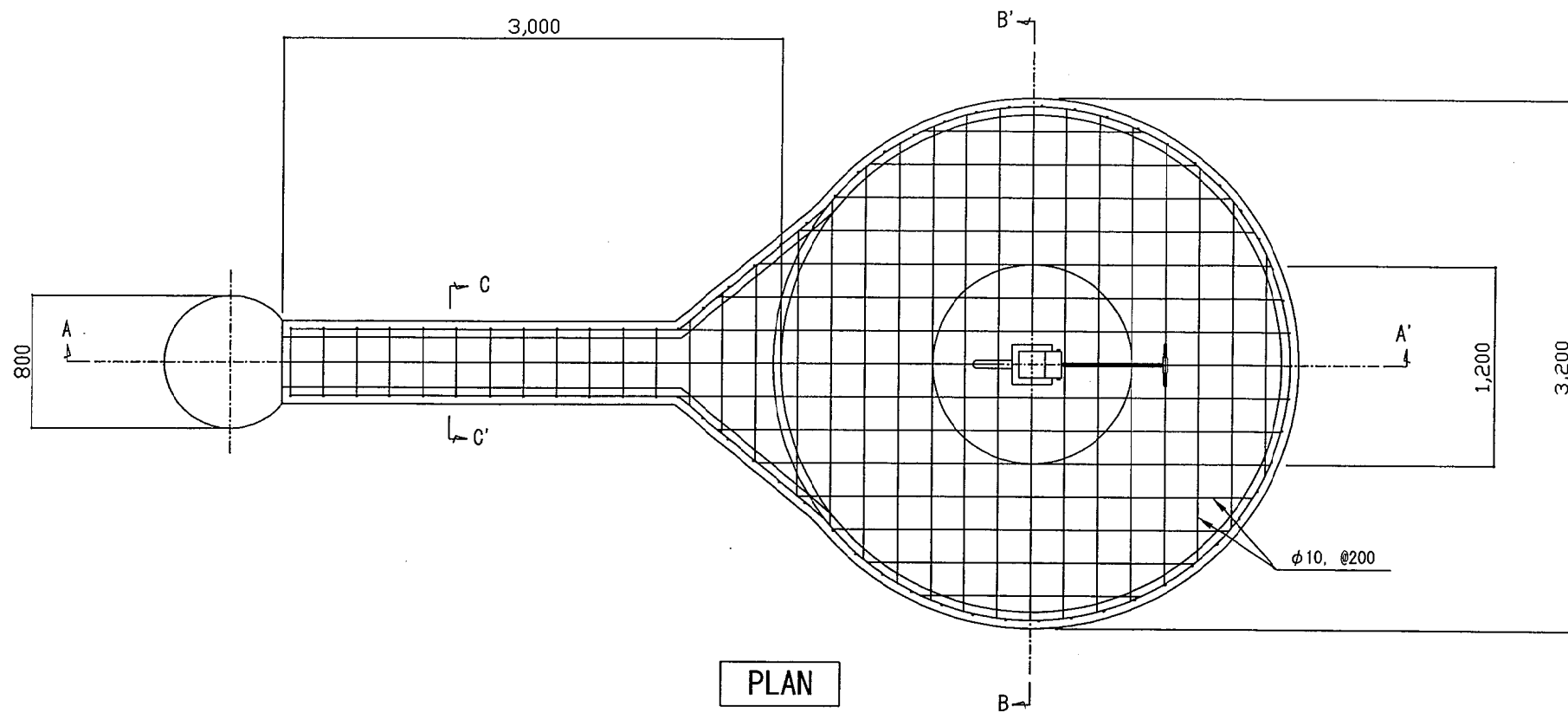
Village of Well Construct and Well Number(Type A)

No.	Village Name	No.	Village Name	No.	Village Name	No.	Village Name	No.	Village Name
4	Munhamade (1)	54	Murepueteia (1)	92	Melaleia (2)	126	Liciro (1)	143	Kaiane (2)
5	Cuba (1)	56	Muchampua (2)	93	Impido (2)	127	Belua (2)	145	Namihale (2)
6	Mulide (1)	62	Mutala (2)	96	Napara (2)	129	Chinangua (2)	147	AltoLigonha (1)
14	Tenede (1)	63	Muhirro (2)	97	Mulevala (2)	132	Murramba (2)	148	Nhanhope (2)
15	Ebide (1)	64	Ujelela (2)	98	Merca (2)	135	Tonga (2)		
17	Tacuane (1)	68	Mudine (1)	99	Chiraco (2)	136	Mebudana (2)		
18	AltoLugela (2)	74	Inlugo (1)	100	Inturro (2)	137	Niguane (2)		
19	RumulaAlto (2)	77	Niaga (1)	104	Nadala (2)	138	Muaquiua (1)		
20	Mulageia (2)	84	Errupe (2)	108	Murrua (2)	139	AltoBenfica (2)		
42	Nipaia (1)	85	Namanda (2)	113	Caombe (2)	140	Mamala (1)		
51	Natelaca (2)	86	Nampevo (2)	116	Intocota (2)	141	Moneia (2)		
53	Chapala (2)	87	Nipiode (2)	124	Lipale (2)	142	Pury (2)	Total	52Village(89Wells)

Village of Well Construct and Well Number(Type B)

No.	Village Name	No.	Village Name	No.	Village Name
21	Lioma (2)	45	Vacha (2)	82	Liasse (1)
27	Missagula (2)	46	Nacutxo (2)	88	Vieruia (2)
30	Magige (2)	48	Inagu (2)	89	Muaziua (2)
31	Mepuagiu (1)	49	Nepo (2)	90	Muliquela (2)
34	Mahara1 (2)	52	Carmano (2)	95	Muquituna (2)
35	Nipive (2)	58	Narice (2)	105	Socone (2)
36	Nicoropale (1)	60	Nauela (2)	118	Nehia (2)
37	Incize (2)	65	Lipale (1)	119	Nehia (2)
38	Murrimo (1)	69	Muemue (2)	120	Mogoliua (2)
39	Goveia (2)	70	Tomeia (1)	121	Muela (1)
40	Nanzua (1)	79	Namurauane (1)		
41	Nihoma (2)	81	Mutuela (2)	Total	34Village(59Wells)

5. STANDARD STRUCTURE OF TUBEWELL



6. PUMP INSTALLATION AND APRON STRUCTURE