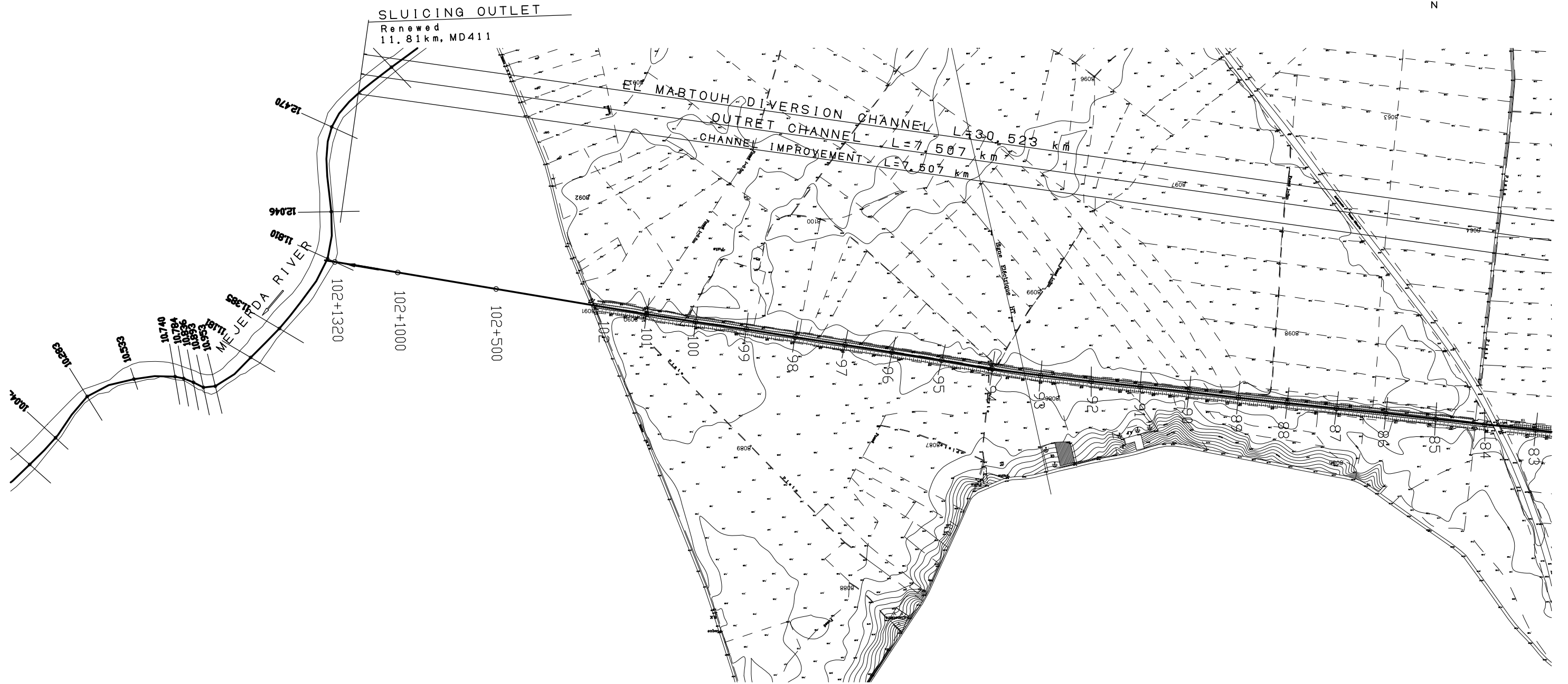
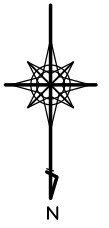


EL MABTOUH DIVERSION CHANNEL PLAN (1/5)

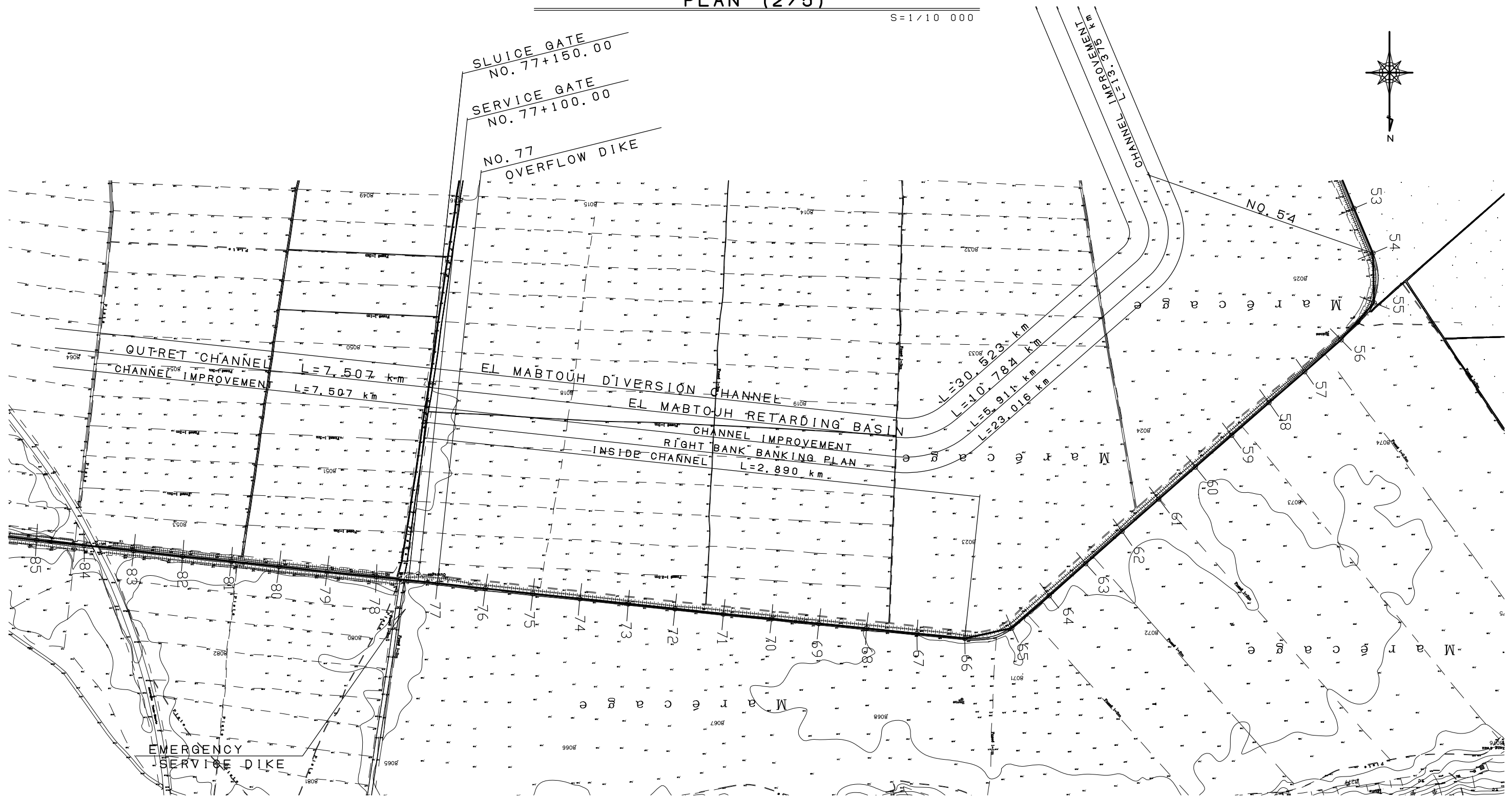
S=1/10 000



REPUBLIC OF TUNISIA GENERAL DIRECTORATE OF DAMS AND LARGE HYDRAULIC WORKS, MINISTRY OF AGRICULTURE	JAPAN INTERNATIONAL COOPERATION AGENCY	
PREPARATORY SURVEY ON INTEGRATED BASIN MANAGEMENT AND FLOOD CONTROL PROJECT FOR MEJERDA RIVER : DEVELOPMENT OF FLOOD PREVENTION MEASURES		
DRAWING TITLE	EL MABTOUH DIVERSION CHANNEL PLAN (1/5)	SHEET NO. 63
YEO YACHIYO ENGINEERING Co.,LTD. TOKYO JAPAN		

EL MABTOUH DIVERSION CHANNEL PLAN (2/5)

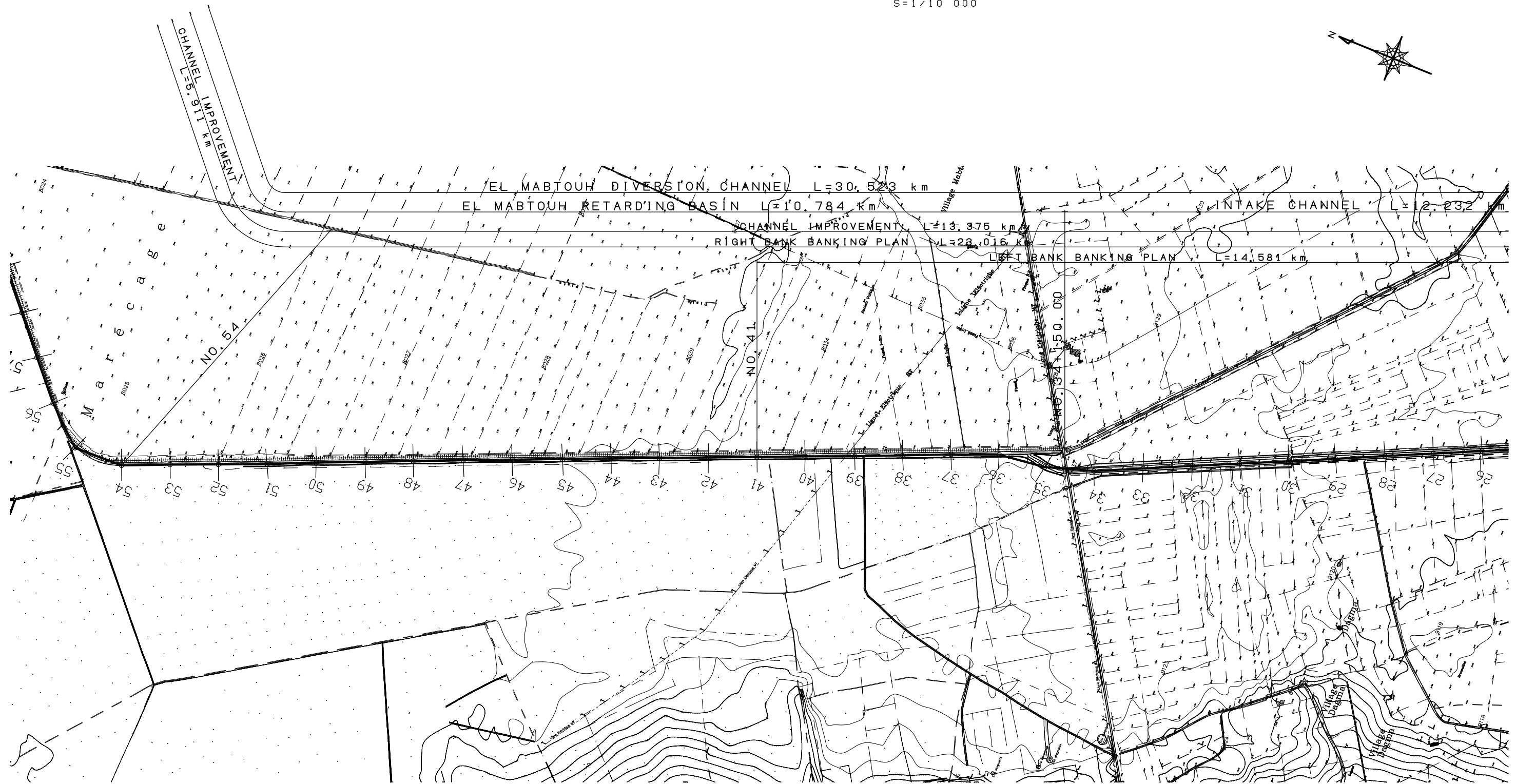
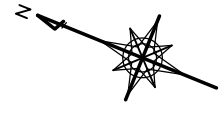
S=1/10 000



REPUBLIC OF TUNISIA GENERAL DIRECTORATE OF DAMS AND LARGE HYDRAULIC WORKS, MINISTRY OF AGRICULTURE	JAPAN INTERNATIONAL COOPERATION AGENCY	
PREPARATORY SURVEY ON INTEGRATED BASIN MANAGEMENT AND FLOOD CONTROL PROJECT FOR MEJERDA RIVER : DEVELOPMENT OF FLOOD PREVENTION MEASURES		
DRAWING TITLE	EL MABTOUH DIVERSION CHANNEL PLAN (2/5)	SHEET NO. 64
YEO YACHIYO ENGINEERING Co.,LTD. TOKYO JAPAN		

EL MABTOUH DIVERSION CHANNEL PLAN (3/5)

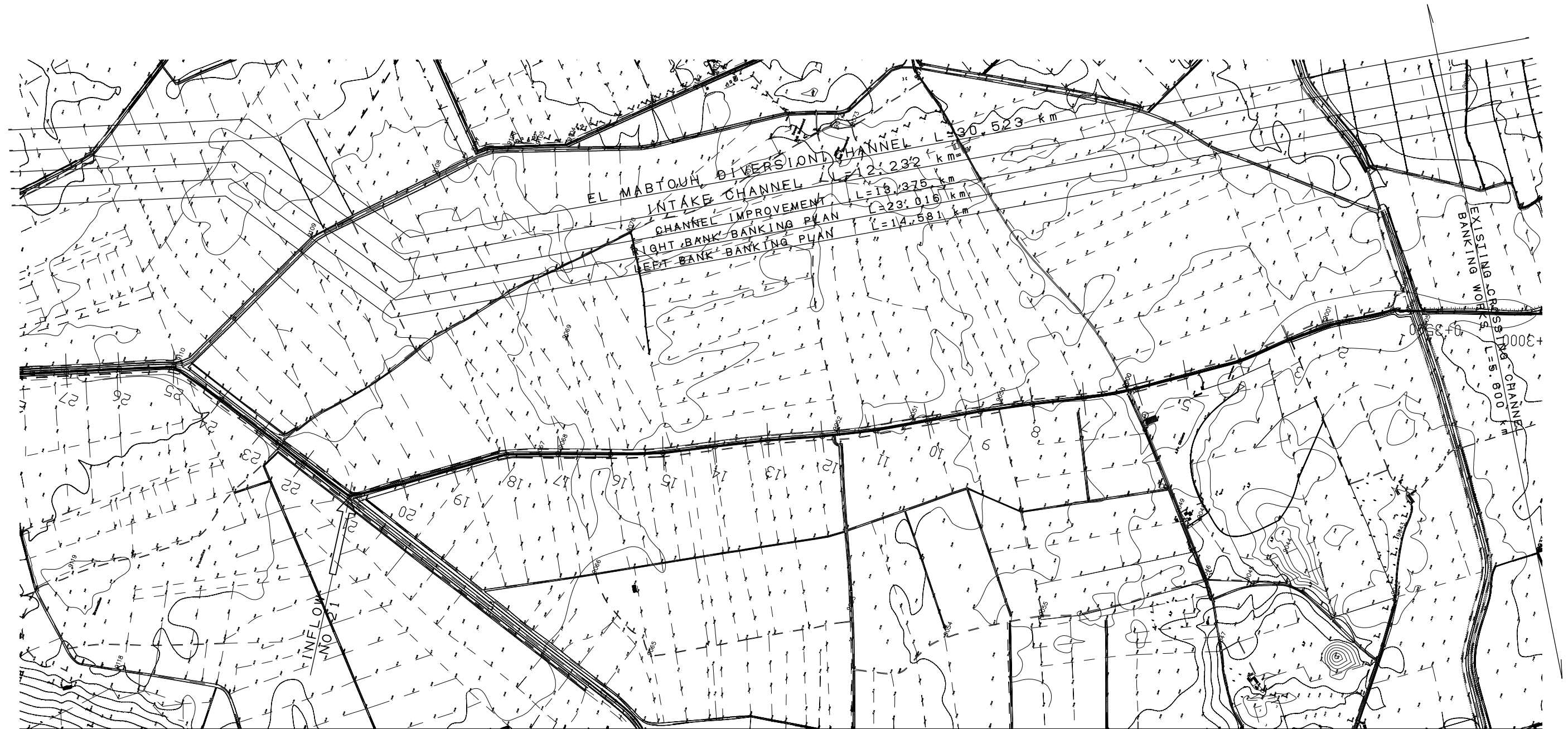
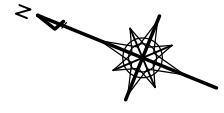
S=1/10 000



REPUBLIC OF TUNISIA GENERAL DIRECTORATE OF DAMS AND LARGE HYDRAULIC WORKS, MINISTRY OF AGRICULTURE	JAPAN INTERNATIONAL COOPERATION AGENCY	
PREPARATORY SURVEY ON INTEGRATED BASIN MANAGEMENT AND FLOOD CONTROL PROJECT FOR MEJERDA RIVER : DEVELOPMENT OF FLOOD PREVENTION MEASURES		
DRAWING TITLE	EL MABTOUH DIVERSION CHANNEL PLAN (3/5)	SHEET NO. 65
YEO YACHIYO ENGINEERING Co.,LTD. TOKYO JAPAN		

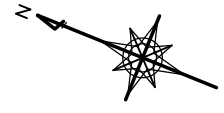
EL MABTOUH DIVERSION CHANNEL PLAN (4/5)

S=1/10 000



EL MABTOUH DIVERSION CHANNEL PLAN (5/5)

S=1/10 000

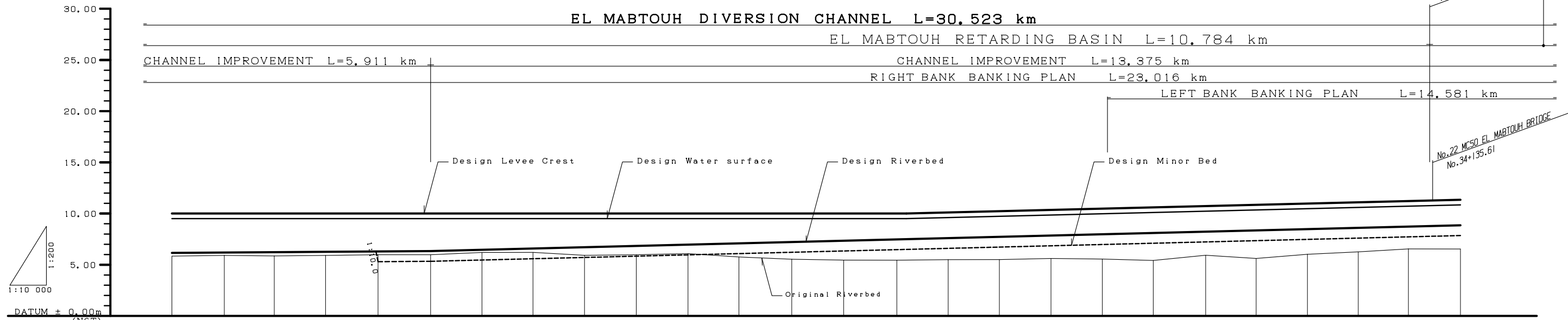


REPUBLIC OF TUNISIA GENERAL DIRECTORATE OF DAMS AND LARGE HYDRAULIC WORKS, MINISTRY OF AGRICULTURE	JAPAN INTERNATIONAL COOPERATION AGENCY	
PREPARATORY SURVEY ON INTEGRATED BASIN MANAGEMENT AND FLOOD CONTROL PROJECT FOR MEJERDA RIVER : DEVELOPMENT OF FLOOD PREVENTION MEASURES		
DRAWING TITLE	EL MABTOUH DIVERSION CHANNEL PLAN (5/5)	SHEET NO. 67
YEO YACHIYO ENGINEERING Co.,LTD. TOKYO JAPAN		

EL MABTOUH DIVERSION CHANNEL LONGITUDINAL SECTION (3/5)

S : V=1/ 200
H=1/10 000

INTAKE CHANNEL
L=12,232 km

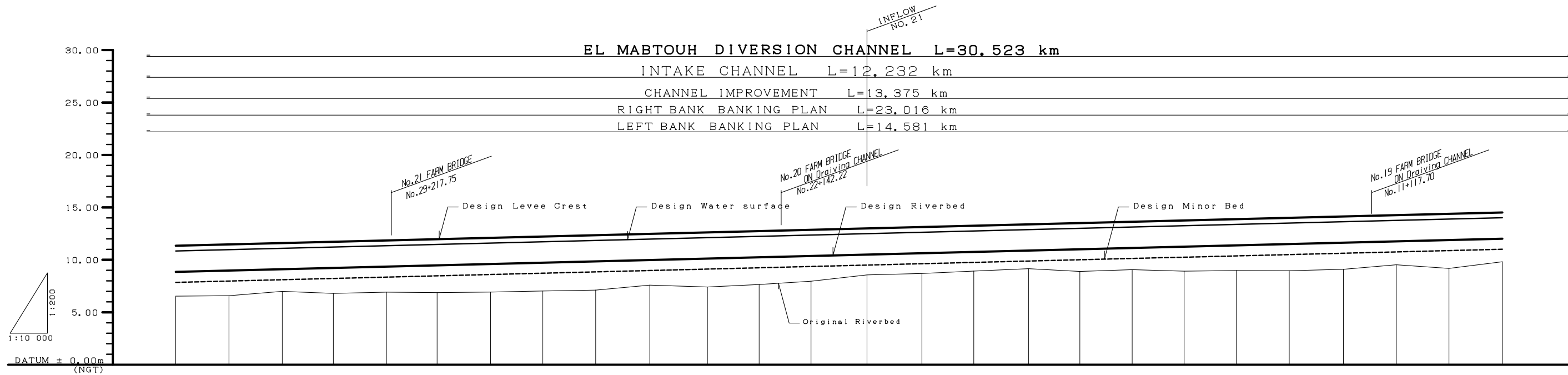


DESIGN	SLOPE OF LEVEE CREST	LEVEL L = 8 231.3m																											
	SLOPE OF WATER SURFACE	LEVEL L = 8 231.3m																											
	SLOPE OF RIVERBED	$i = 1/7 000$ L = 7 842.6m					6.340					$i = 1/2 000$ L = 17 105.5m					$i = 1/2 000$ L = 14 784.7m												
	LEVEE ELEVATION	10.000	10.000	10.000	10.000	10.000	10.000	10.000	10.000	10.000	10.000	10.000	10.000	10.000	10.000	10.000	10.000	10.000	10.102	10.227	10.352	10.478	10.602	10.730	10.853	10.978	11.102	11.224	11.351
	WATER LEVEL	9.500	9.500	9.500	9.500	9.500	9.500	9.500	9.500	9.500	9.500	9.500	9.500	9.500	9.500	9.500	9.500	9.500	9.602	9.727	9.852	9.978	10.102	10.230	10.353	10.478	10.602	10.724	10.851
	RIVERBED ELEVATION	6.158	6.195	6.230	6.266	6.303	6.340	6.465	6.590	6.715	6.841	6.968	7.092	7.220	7.347	7.477	7.602	7.727	7.852	7.978	8.102	8.230	8.353	8.478	8.602	8.724	8.851		
	MINOR RIVERBED ELEVATION					5.303	5.340	5.465	5.590	5.715	5.841	5.968	6.092	6.220	6.347	6.477	6.602	6.727	6.852	6.978	7.102	7.230	7.353	7.478	7.602	7.724	7.851		
	RIVERBED ELEVATION	5.850	5.910	5.980	5.910	5.980	5.990	6.200	6.210	5.920	5.990	6.090	5.760	5.540	5.460	5.450	5.500	5.510	5.620	5.560	5.420	5.390	5.620	6.020	6.260	6.550	6.540		
	ACCUMULATIVE DISTANCE	12155.12	12410.76	12654.59	12904.59	13160.38	13417.22	13667.48	13916.42	14167.64	14420.47	14672.71	14921.09	15178.53	15431.77	15681.40	15941.75	16191.43	16442.99	16693.80	16942.21	17197.64	17443.94	17694.19	17942.36	18186.41	18440.63		
	DISTANCE	249.60	255.64	243.63	250.00	255.79	256.84	250.26	248.94	251.22	252.63	252.24	248.38	257.44	253.24	259.63	203.79	249.68	211.51	250.81	248.41	255.43	246.30	250.25	248.17	244.05	254.22		
STATION No.	NO.59	NO.58	NO.57	NO.56	NO.55	NO.54	NO.53	NO.52	NO.51	NO.50	NO.49	NO.48	NO.47	NO.46	NO.45	NO.44	NO.43	NO.42	NO.41	NO.40	NO.39	NO.38	NO.37	NO.36	NO.35	NO.34			

REPUBLIC OF TUNISIA GENERAL DIRECTORATE OF DAMS AND LARGE HYDRAULIC WORKS, MINISTRY OF AGRICULTURE	JAPAN INTERNATIONAL COOPERATION AGENCY	
PREPARATORY SURVEY ON INTEGRATED BASIN MANAGEMENT AND FLOOD CONTROL PROJECT FOR MEJERDA RIVER : DEVELOPMENT OF FLOOD PREVENTION MEASURES		
DRAWING TITLE	EL MABTOUH DIVERSION CHANNEL LONGITUDINAL SECTION (3/5)	SHEET NO. 70
YACHIYO ENGINEERING Co.,LTD. TOKYO JAPAN		

EL MABTOUH DIVERSION CHANNEL LONGITUDINAL SECTION (4/5)

S : V=1/ 200
H=1/10 000

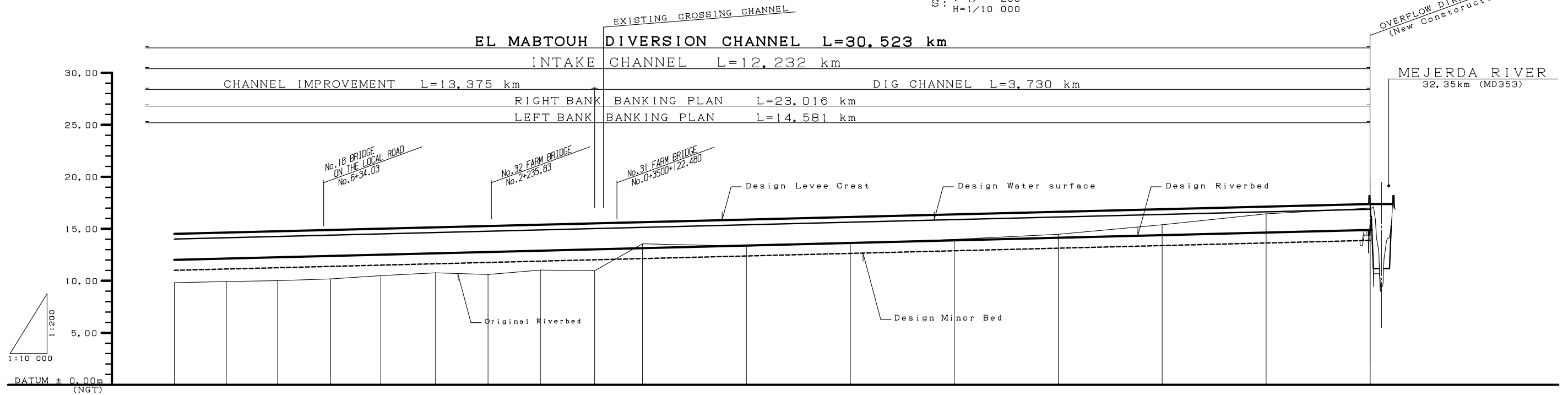


D E S I G N	SLOPE OF LEVEE CREST	$i = \frac{1}{2000}$ $L = 14\ 784.7\text{m}$																									
	SLOPE OF WATER SURFACE	$i = \frac{1}{2000}$ $L = 14\ 784.7\text{m}$																									
	SLOPE OF RIVERBED	$i = \frac{1}{2000}$ $L = 17\ 105.5\text{m}$																									
	LEVEE ELEVATION	11.351	11.478	11.605	11.727	11.854	11.974	12.102	12.226	12.352	12.482	12.619	12.742	12.866	13.000	13.130	13.254	13.385	13.507	13.632	13.756	13.880	14.007	14.136	14.262	14.388	14.515
	WATER LEVEL	10.851	10.978	11.105	11.227	11.354	11.474	11.602	11.726	11.852	11.982	12.119	12.242	12.366	12.500	12.630	12.754	12.885	13.007	13.132	13.256	13.380	13.507	13.636	13.762	13.888	14.015
	RIVERBED ELEVATION	8.851	8.978	9.105	9.227	9.354	9.474	9.602	9.726	9.852	9.982	10.119	10.242	10.366	10.500	10.630	10.754	10.885	11.007	11.132	11.256	11.380	11.507	11.636	11.762	11.888	12.015
	MINOR RIVERBED ELEVATION	7.851	7.978	8.105	8.227	8.354	8.474	8.602	8.726	8.852	8.982	9.119	9.242	9.366	9.500	9.630	9.754	9.885	10.007	10.132	10.256	10.380	10.507	10.636	10.762	10.888	11.015
RIVERBED ELEVATION	6.540	6.590	7.000	6.800	6.920	6.880	6.930	7.030	7.120	7.590	7.410	7.650	7.990	8.590	8.700	8.930	9.160	8.890	9.060	8.920	8.990	8.960	9.100	9.530	9.180	9.820	
ACCUMULATIVE DISTANCE	18440.63	18694.39	18949.02	19192.63	19446.15	19687.60	19943.17	20192.19	20444.42	20702.67	20977.60	21224.65	21471.56	21739.02	22000.75	22248.70	22509.98	22754.72	23004.23	23252.51	23501.25	23753.73	24012.39	24264.81	24516.28	24770.70	
DISTANCE	254.22	253.76	254.63	243.61	253.52	241.45	255.57	249.02	252.23	258.25	274.93	247.05	246.91	267.46	261.73	247.95	261.28	244.74	249.51	248.28	246.74	252.48	258.66	252.42	251.47	254.42	
STATION No.	No. 34	No. 33	No. 32	No. 31	No. 30	No. 29	No. 28	No. 27	No. 26	No. 25	No. 24	No. 23	No. 22	No. 21	No. 20	No. 19	No. 18	No. 17	No. 16	No. 15	No. 14	No. 13	No. 12	No. 11	No. 10	No. 9	

REPUBLIC OF TUNISIA GENERAL DIRECTORATE OF DAMS AND LARGE HYDRAULIC WORKS, MINISTRY OF AGRICULTURE	JAPAN INTERNATIONAL COOPERATION AGENCY
PREPARATORY SURVEY ON INTEGRATED BASIN MANAGEMENT AND FLOOD CONTROL PROJECT FOR MEJERDA RIVER : DEVELOPMENT OF FLOOD PREVENTION MEASURES	
DRAWING TITLE	EL MABTOUH DIVERSION CHANNEL LONGITUDINAL SECTION (4/5)
YACHIYO ENGINEERING Co.,LTD. TOKYO JAPAN	
SHEET NO.	
71	

EL MABTOUH DIVERSION CHANNEL LONGITUDINAL SECTION (5/5)

S: V=1/ 200
H=1/10 000



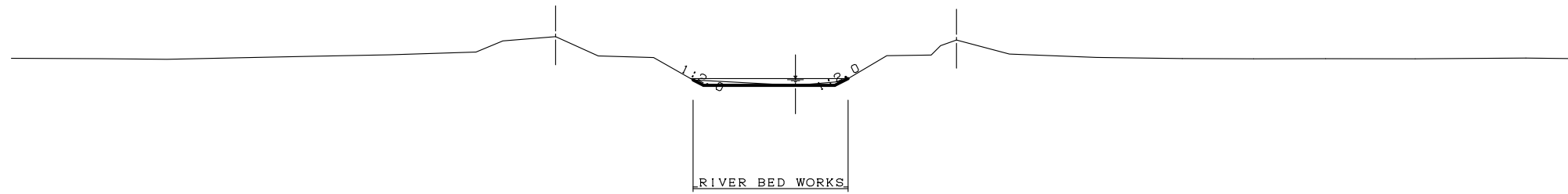
D E S I G N	SLOPE OF LEVEE CREST	$i = 1/2\ 000$ $L = 14\ 784.7m$																
	SLOPE OF WATER SURFACE	$i = 1/2\ 000$ $L = 14\ 784.7m$																
	SLOPE OF RIVERBED	$i = 1/2\ 000$ $L = 17\ 105.5m$																
	LEVEE ELEVATION	14.515	14.640	14.763	14.891	15.011	15.143	15.269	15.395	15.526	15.641	15.890	16.140	16.390	16.640	16.890	17.140	17.390
	WATER LEVEL	14.015	14.140	14.263	14.391	14.511	14.643	14.769	14.895	15.026	15.141	15.390	15.640	15.890	16.140	16.390	16.640	16.890
	RIVERBED ELEVATION	12.015	12.140	12.263	12.391	12.511	12.643	12.769	12.895	13.026	13.141	13.390	13.640	13.890	14.140	14.390	14.640	14.890
	MINOR RIVERBED ELEVATION	11.015	11.140	11.263	11.391	11.511	11.643	11.769	11.895	12.026	12.141	12.390	12.640	12.890	13.140	13.390	13.640	13.890
	RIVERBED ELEVATION	9.820	9.930	10.010	10.180	10.500	10.770	10.610	11.040	10.980	13.560	13.330	13.620	13.980	14.470	15.390	16.440	17.000
	ACCUMULATIVE DISTANCE	24770.70	25020.66	25267.74	25523.40	25763.78	26027.26	26279.80	26531.74	26792.67	27022.67	27522.67	28022.67	28522.67	29022.67	29522.67	30022.67	30522.67
	DISTANCE	254.42	249.96	247.08	255.66	240.38	263.48	252.54	251.94	260.93	230.00	500.00	500.00	500.00	500.00	500.00	500.00	500.00
STATION No.	NO.9	NO.8	NO.7	NO.6	NO.5	NO.4	NO.3	NO.2	NO.1	NO.0 +3500	+3000	+2500	+2000	+1500	+1000	+500	NO.0	

REPUBLIC OF TUNISIA GENERAL DIRECTORATE OF DAMS AND LARGE HYDRAULIC WORKS, MINISTRY OF AGRICULTURE	JAPAN INTERNATIONAL COOPERATION AGENCY	
PREPARATORY SURVEY ON INTEGRATED BASIN MANAGEMENT AND FLOOD CONTROL PROJECT FOR MEJERDA RIVER : DEVELOPMENT OF FLOOD PREVENTION MEASURES		
DRAWING TITLE	EL MABTOUH DIVERSION CHANNEL LONGITUDINAL SECTION (5/5)	SHEET NO. 72
YACHIYO ENGINEERING Co.,LTD. TOKYO JAPAN		

**EL MABTOUH DIVERSION CHANNEL
TYPICAL CROSS SECTION (1/3)**
S=1/300

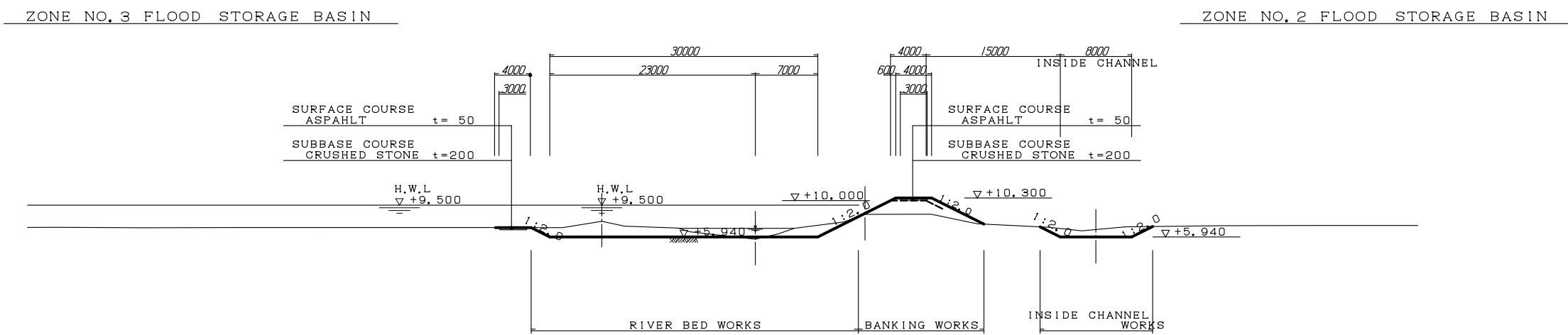
NO. 90

GH = +4.89
FH = +4.900



NO. 65

GH = +5.69
FH = +5.940



REPUBLIC OF TUNISIA GENERAL DIRECTORATE OF DAMS AND LARGE HYDRAULIC WORKS, MINISTRY OF AGRICULTURE	JAPAN INTERNATIONAL COOPERATION AGENCY	
PREPARATORY SURVEY ON INTEGRATED BASIN MANAGEMENT AND FLOOD CONTROL PROJECT FOR MEJERDA RIVER : DEVELOPMENT OF FLOOD PREVENTION MEASURES		
DRAWING TITLE	EL MABTOUH DIVERSION CHANNEL TYPICAL CROSS SECTION (1/3)	SHEET NO. 73
Y&E YACHIYO ENGINEERING Co.,LTD. TOKYO JAPAN		

EL MABTOUH DIVERSION CHANNEL TYPICAL CROSS SECTION (2/3)

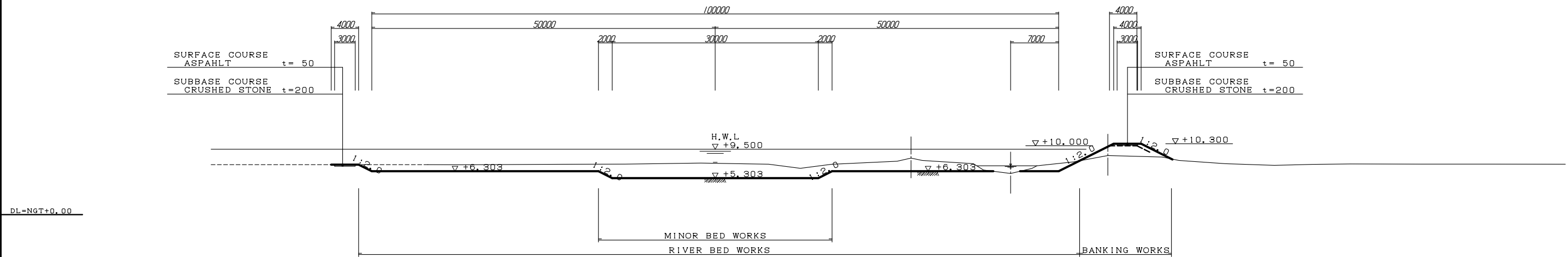
S=1/300

NO. 55

GH = +5.98
FH = +6.303
(+5.303)

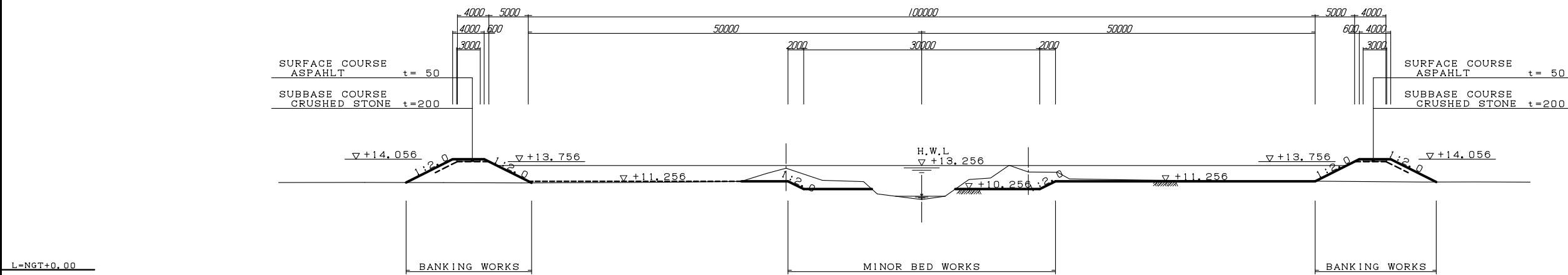
ZONE NO. 3 FLOOD STORAGE BASIN

ZONE NO. 2 FLOOD STORAGE BASIN



NO. 15

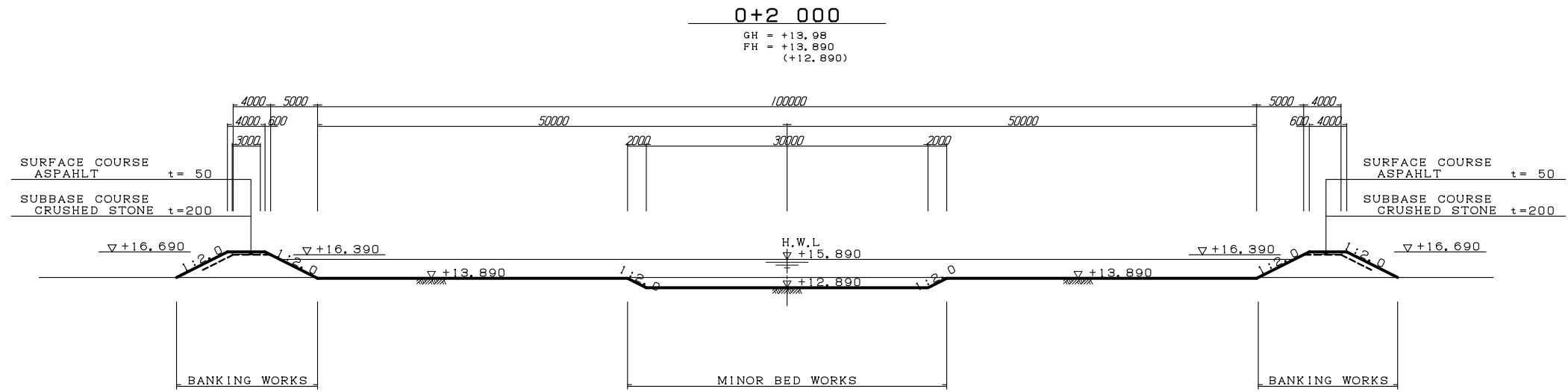
GH = + 8.92
FH = +11.256
(+10.256)



REPUBLIC OF TUNISIA GENERAL DIRECTORATE OF DAMS AND LARGE HYDRAULIC WORKS, MINISTRY OF AGRICULTURE	JAPAN INTERNATIONAL COOPERATION AGENCY	
PREPARATORY SURVEY ON INTEGRATED BASIN MANAGEMENT AND FLOOD CONTROL PROJECT FOR MEJERDA RIVER : DEVELOPMENT OF FLOOD PREVENTION MEASURES		
DRAWING TITLE	EL MABTOUH DIVERSION CHANNEL TYPICAL CROSS SECTION (2/3)	SHEET NO. 74
Y&E YACHIYO ENGINEERING Co.,LTD. TOKYO JAPAN		

EL MABTOUH DIVERSION CHANNEL TYPICAL CROSS SECTION (3/3)

S=1/300



DL=NGT+0,00

REPUBLIC OF TUNISIA GENERAL DIRECTORATE OF DAMS AND LARGE HYDRAULIC WORKS, MINISTRY OF AGRICULTURE	JAPAN INTERNATIONAL COOPERATION AGENCY
PREPARATORY SURVEY ON INTEGRATED BASIN MANAGEMENT AND FLOOD CONTROL PROJECT FOR MEJERDA RIVER : DEVELOPMENT OF FLOOD PREVENTION MEASURES	
DRAWING TITLE	EL MABTOUH DIVERSION CHANNEL TYPICAL CROSS SECTION (3/3)
	SHEET NO. 75
Y&E YACHIYO ENGINEERING Co.,LTD. TOKYO JAPAN	

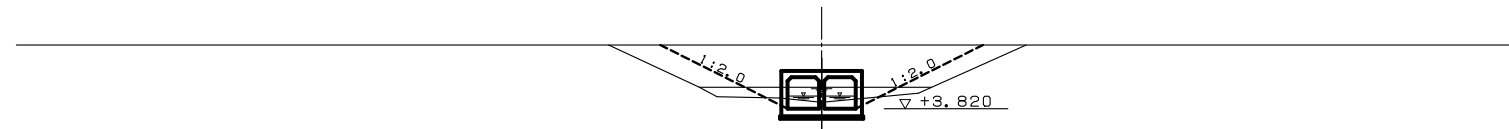
EL MABTOUH DIVERSION CHANNEL TRANSVERSE SECTION (1/9)

S=1/300

	Unit	Diversion channel
Excavation	m ²	4.9
Embankment	m ²	27.6
Trimming of slope	m	22.6
Stripping	m	16.2
Clearing and grubbing	m	16.2
Land aquisition	m	

NO. 102+1320 (MD411)

GH = +8.88
FH = +3.820

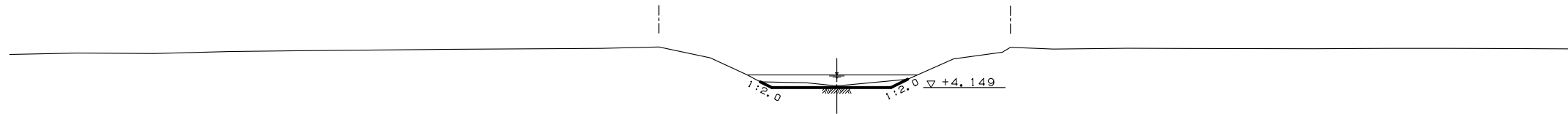


DL=NGT+0.00

	Unit	Diversion channel
Excavation	m ²	7.0
Embankment	m ²	
Trimming of slope	m	
Stripping	m	
Clearing and grubbing	m	
Land aquisition	m	

NO. 102

GH = +4.38
FH = +4.149

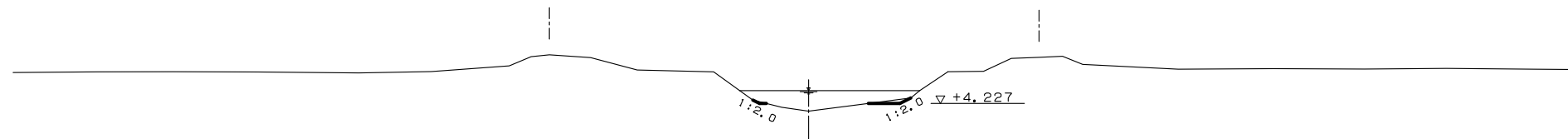


DL=NGT+0.00

	Unit	Diversion channel
Excavation	m ²	0.9
Embankment	m ²	
Trimming of slope	m	
Stripping	m	
Clearing and grubbing	m	
Land aquisition	m	

NO. 100

GH = +3.49
FH = +4.277



DL=NGT+0.00

REPUBLIC OF TUNISIA GENERAL DIRECTORATE OF DAMS AND LARGE HYDRAULIC WORKS, MINISTRY OF AGRICULTURE		JAPAN INTERNATIONAL COOPERATION AGENCY	
PREPARATORY SURVEY ON INTEGRATED BASIN MANAGEMENT AND FLOOD CONTROL PROJECT FOR MEJERDA RIVER : DEVELOPMENT OF FLOOD PREVENTION MEASURES			
DRAWING TITLE	EL MABTOUH DIVERSION CHANNEL TRANSVERSE SECTION (1/9)		SHEET NO.
			76
YEO YACHIYO ENGINEERING Co.,LTD. TOKYO JAPAN			

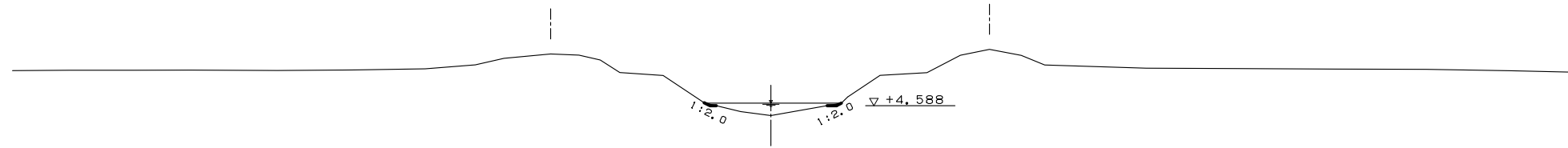
EL MABTOUH DIVERSION CHANNEL TRANSVERSE SECTION (2/9)

S=1/300

	Unit	Diversion channel
Excavation	m ²	0.2
Embankment	m ²	
Trimming of slope	m	
Stripping	m	
Clearing and grubbing	m	
Land aquisition	m	

NO. 95

GH = +3.61
FH = +4.588

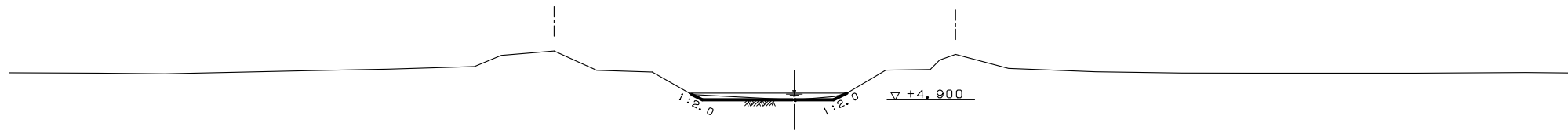


DL=NGT+0.00

	Unit	Diversion channel
Excavation	m ²	3.3
Embankment	m ²	
Trimming of slope	m	
Stripping	m	
Clearing and grubbing	m	
Land aquisition	m	

NO. 90

GH = +4.89
FH = +4.900

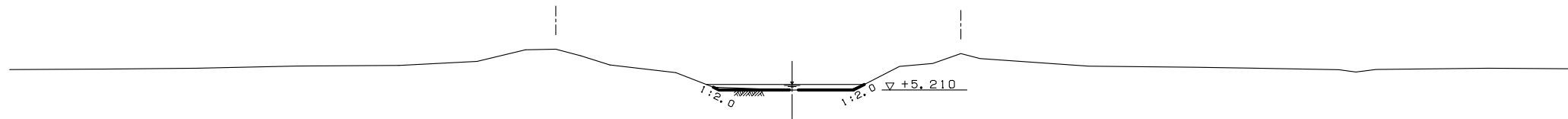


DL=NGT+0.00

	Unit	Diversion channel
Excavation	m ²	1.4
Embankment	m ²	
Trimming of slope	m	
Stripping	m	
Clearing and grubbing	m	
Land aquisition	m	

NO. 85

GH = +5.20
FH = +5.210



DL=NGT+0.00

REPUBLIC OF TUNISIA GENERAL DIRECTORATE OF DAMS AND LARGE HYDRAULIC WORKS, MINISTRY OF AGRICULTURE		JAPAN INTERNATIONAL COOPERATION AGENCY	
PREPARATORY SURVEY ON INTEGRATED BASIN MANAGEMENT AND FLOOD CONTROL PROJECT FOR MEJERDA RIVER : DEVELOPMENT OF FLOOD PREVENTION MEASURES			
DRAWING TITLE	EL MABTOUH DIVERSION CHANNEL TRANSVERSE SECTION (2/9)		SHEET NO.
			77
Y&E YACHIYO ENGINEERING Co.,LTD. TOKYO JAPAN			

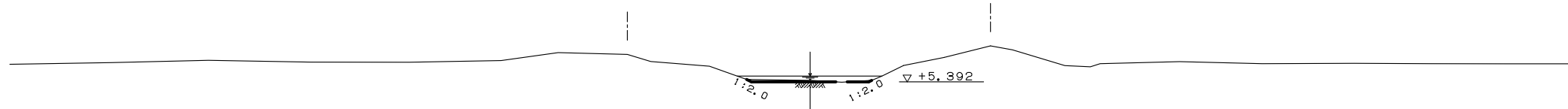
EL MABTOUH DIVERSION CHANNEL TRANSVERSE SECTION (3/9)

S=1/300

	Unit	Diversion channel
Excavation	m ²	1.7
Embankment	m ²	
Trimming of slope	m	
Stripping	m	
Clearing and grubbing	m	
Land aquisition	m	

NO. 80

GH = +5.54
FH = +5.392

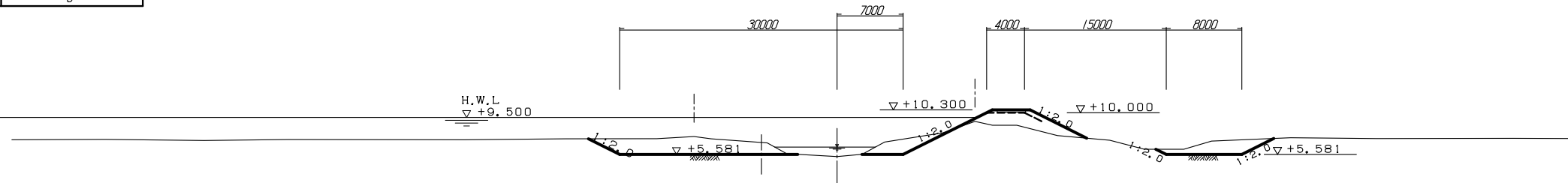


DL=NGT+0.00

	Unit	Diversion channel
Excavation	m ²	38.2
Embankment	m ²	15.5
Trimming of slope	m	21.0
Stripping	m	40.1
Clearing and grubbing	m	40.1
Land aquisition	m	0

NO. 75

GH = +5.35
FH = +5.581



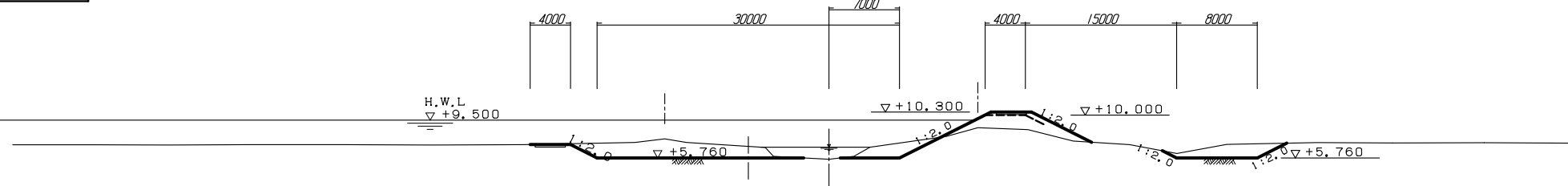
DL=NGT+0.00

	Unit	Diversion channel
Excavation	m ²	11.6
Embankment	m ²	
Trimming of slope	m	5.0
Stripping	m	12.7
Clearing and grubbing	m	12.7
Land aquisition	m	

	Unit	Diversion channel
Excavation	m ²	35.2
Embankment	m ²	16.3
Trimming of slope	m	19.8
Stripping	m	45.7
Clearing and grubbing	m	45.7
Land aquisition	m	0

NO. 70

GH = +5.63
FH = +5.760



DL=NGT+0.00

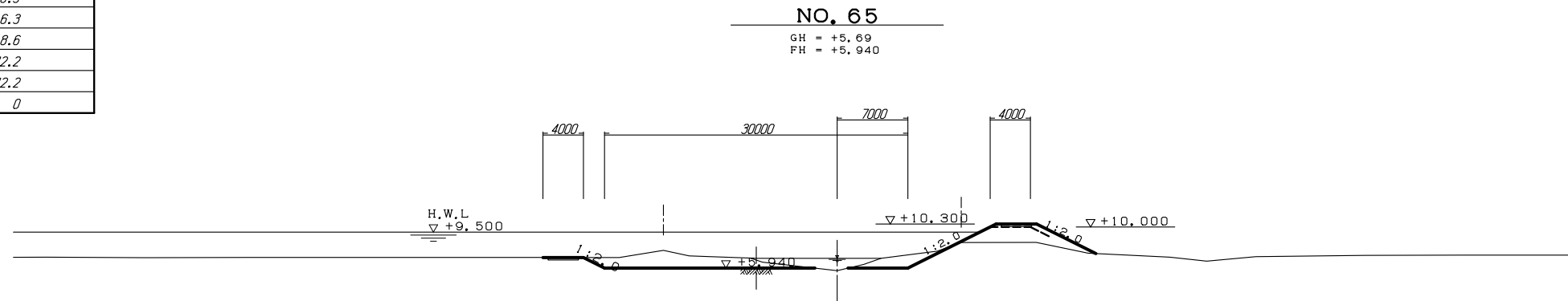
	Unit	Diversion channel
Excavation	m ²	11.0
Embankment	m ²	
Trimming of slope	m	4.9
Stripping	m	12.5
Clearing and grubbing	m	12.5
Land aquisition	m	

REPUBLIC OF TUNISIA GENERAL DIRECTORATE OF DAMS AND LARGE HYDRAULIC WORKS, MINISTRY OF AGRICULTURE	JAPAN INTERNATIONAL COOPERATION AGENCY	
PREPARATORY SURVEY ON INTEGRATED BASIN MANAGEMENT AND FLOOD CONTROL PROJECT FOR MEJERDA RIVER : DEVELOPMENT OF FLOOD PREVENTION MEASURES		
DRAWING TITLE	EL MABTOUH DIVERSION CHANNEL TRANSVERSE SECTION (3/9)	SHEET NO. 78
Y&E YACHIYO ENGINEERING Co.,LTD. TOKYO JAPAN		

EL MABTOUH DIVERSION CHANNEL TRANSVERSE SECTION (4/9)

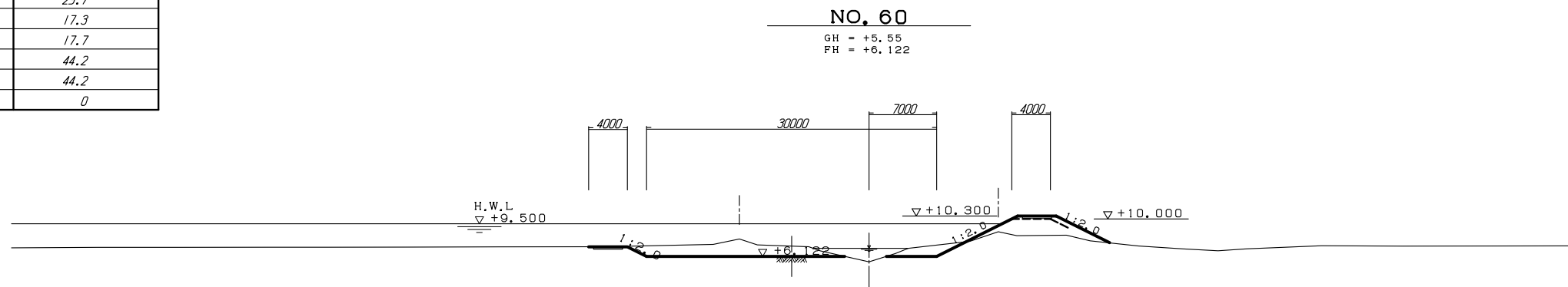
S=1/300

	Unit	Diversion channel
Excavation	m ²	28.5
Embankment	m ²	16.3
Trimming of slope	m	18.6
Stripping	m	42.2
Clearing and grubbing	m	42.2
Land aquisition	m	0



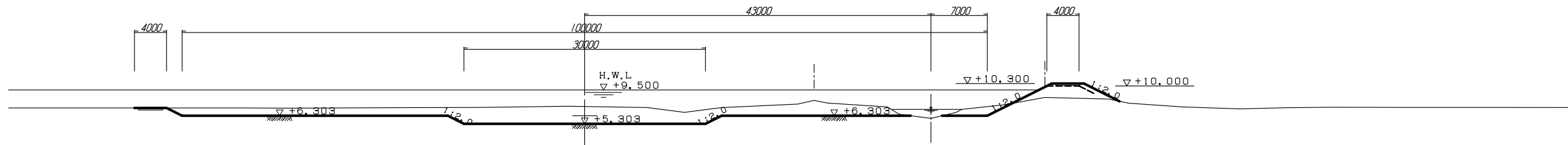
DL=NGT+0.00

	Unit	Diversion channel
Excavation	m ²	29.7
Embankment	m ²	17.3
Trimming of slope	m	17.7
Stripping	m	44.2
Clearing and grubbing	m	44.2
Land aquisition	m	0



DL=NGT+0.00

	Unit	Diversion channel
Excavation	m ²	133.6
Embankment	m ²	14.8
Trimming of slope	m	20.5
Stripping	m	113.4
Clearing and grubbing	m	113.4
Land aquisition	m	0



DL=NGT+0.00

REPUBLIC OF TUNISIA GENERAL DIRECTORATE OF DAMS AND LARGE HYDRAULIC WORKS, MINISTRY OF AGRICULTURE	JAPAN INTERNATIONAL COOPERATION AGENCY	
PREPARATORY SURVEY ON INTEGRATED BASIN MANAGEMENT AND FLOOD CONTROL PROJECT FOR MEJERDA RIVER : DEVELOPMENT OF FLOOD PREVENTION MEASURES		
DRAWING TITLE	EL MABTOUH DIVERSION CHANNEL TRANSVERSE SECTION (4/9)	SHEET NO. 79
Y&E YACHIYO ENGINEERING Co.,LTD. TOKYO JAPAN		

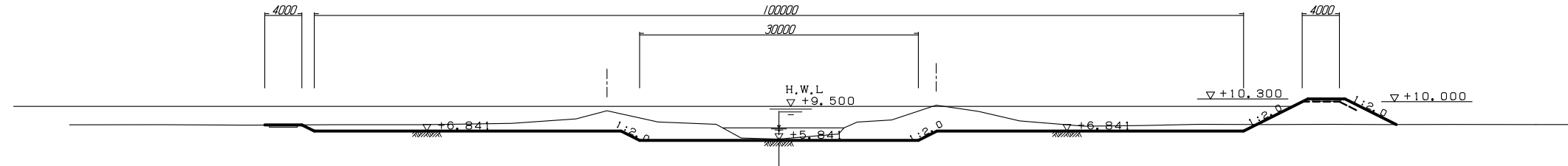
EL MABTOUH DIVERSION CHANNEL TRANSVERSE SECTION (5/9)

S=1/300

	Unit	Diversion channel
Excavation	m ²	117.2
Embankment	m ²	26.2
Trimming of slope	m	19.9
Stripping	m	108.9
Clearing and grubbing	m	108.9
Land aquisition	m	0

NO. 50

GH = +5.69
FH = +6.841

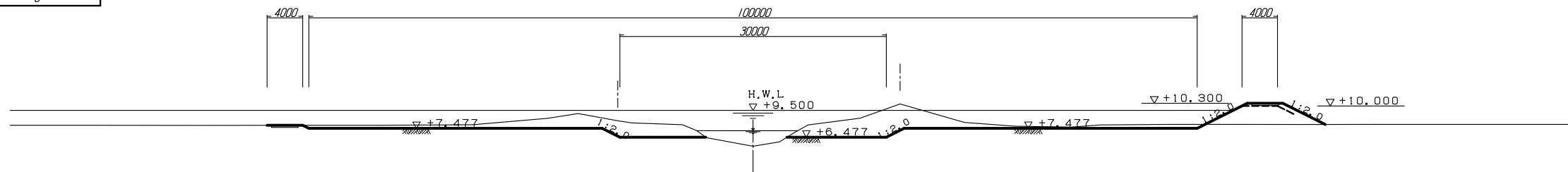


DL=NGT+0.00

	Unit	Diversion channel
Excavation	m ²	83.1
Embankment	m ²	20.8
Trimming of slope	m	16.9
Stripping	m	109.3
Clearing and grubbing	m	109.3
Land aquisition	m	0

NO. 45

GH = +5.45
FH = +7.477

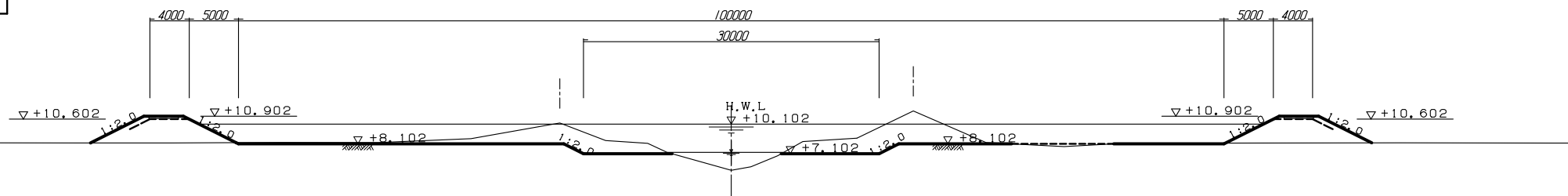


DL=NGT+0.00

	Unit	Diversion channel
Excavation	m ²	68.8
Embankment	m ²	50.8
Trimming of slope	m	29.1
Stripping	m	110.3
Clearing and grubbing	m	110.3
Land aquisition	m	0

NO. 40

GH = +5.42
FH = +8.102



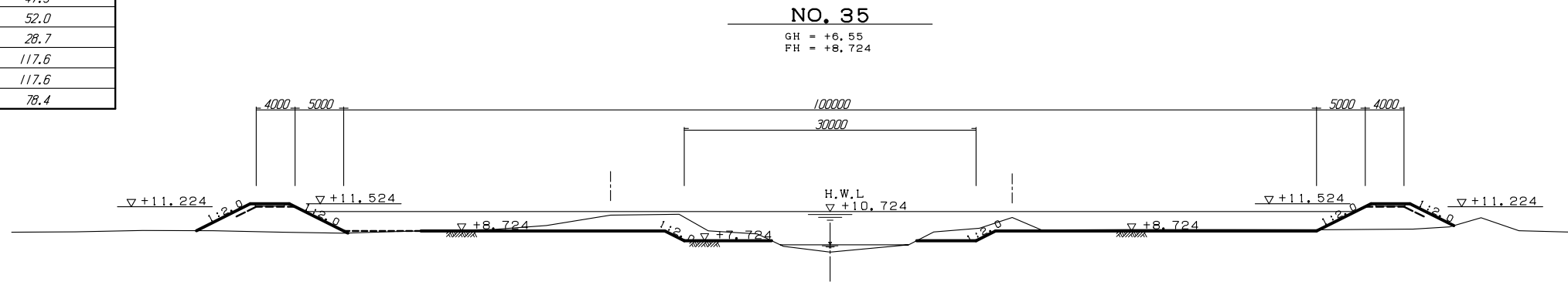
DL=NGT+0.00

REPUBLIC OF TUNISIA GENERAL DIRECTORATE OF DAMS AND LARGE HYDRAULIC WORKS, MINISTRY OF AGRICULTURE	JAPAN INTERNATIONAL COOPERATION AGENCY	
PREPARATORY SURVEY ON INTEGRATED BASIN MANAGEMENT AND FLOOD CONTROL PROJECT FOR MEJERDA RIVER : DEVELOPMENT OF FLOOD PREVENTION MEASURES		
DRAWING TITLE	EL MABTOUH DIVERSION CHANNEL TRANSVERSE SECTION (5/9)	SHEET NO. 80
YEO YACHIYO ENGINEERING Co.,LTD. TOKYO JAPAN		

EL MABTOUH DIVERSION CHANNEL TRANSVERSE SECTION (6/9)

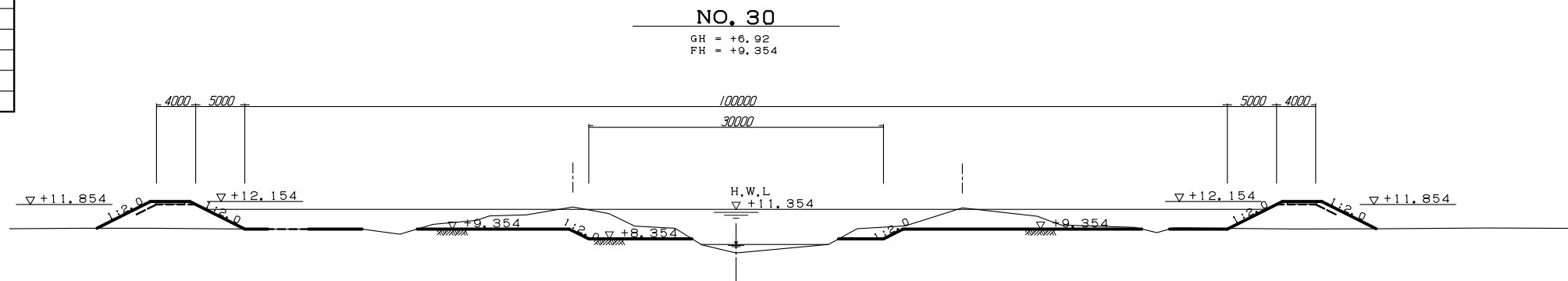
S=1/300

	Unit	Diversion channel
Excavation	m ²	47.3
Embankment	m ²	52.0
Trimming of slope	m	28.7
Stripping	m	117.6
Clearing and grubbing	m	117.6
Land aquisition	m	78.4



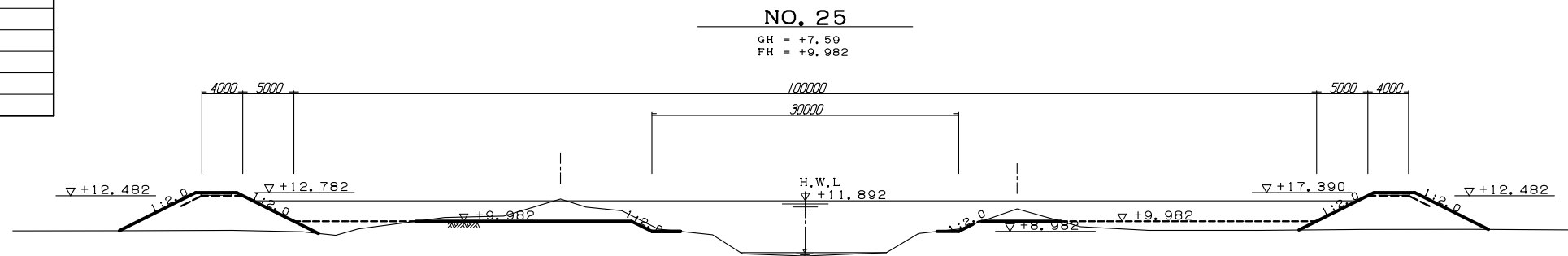
DL=NGT+0.00

	Unit	Diversion channel
Excavation	m ²	70.7
Embankment	m ²	52.4
Trimming of slope	m	29.3
Stripping	m	120.4
Clearing and grubbing	m	120.4
Land aquisition	m	75.8



DL=NGT+0.00

	Unit	Diversion channel
Excavation	m ²	26.6
Embankment	m ²	84.7
Trimming of slope	m	37.3
Stripping	m	122.1
Clearing and grubbing	m	122.1
Land aquisition	m	77.5



DL=NGT+0.00

REPUBLIC OF TUNISIA GENERAL DIRECTORATE OF DAMS AND LARGE HYDRAULIC WORKS, MINISTRY OF AGRICULTURE	JAPAN INTERNATIONAL COOPERATION AGENCY	
PREPARATORY SURVEY ON INTEGRATED BASIN MANAGEMENT AND FLOOD CONTROL PROJECT FOR MEJERDA RIVER : DEVELOPMENT OF FLOOD PREVENTION MEASURES		
DRAWING TITLE	EL MABTOUH DIVERSION CHANNEL TRANSVERSE SECTION (6/9)	SHEET NO. 81
YEO YACHIYO ENGINEERING Co.,LTD. TOKYO JAPAN		

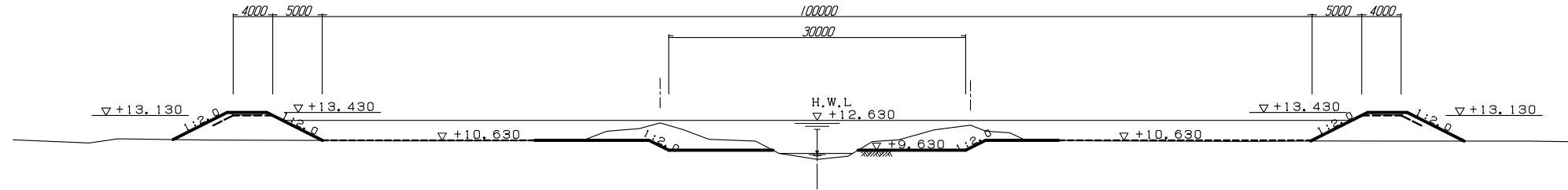
EL MABTOUH DIVERSION CHANNEL TRANSVERSE SECTION (7/9)

S=1/300

	Unit	Diversion channel
Excavation	m ²	45.4
Embankment	m ²	53.8
Trimming of slope	m	29.7
Stripping	m	125.1
Clearing and grubbing	m	125.1
Land aquisition	m	86.0

NO. 20

GH = +8.70
FH = +10.630

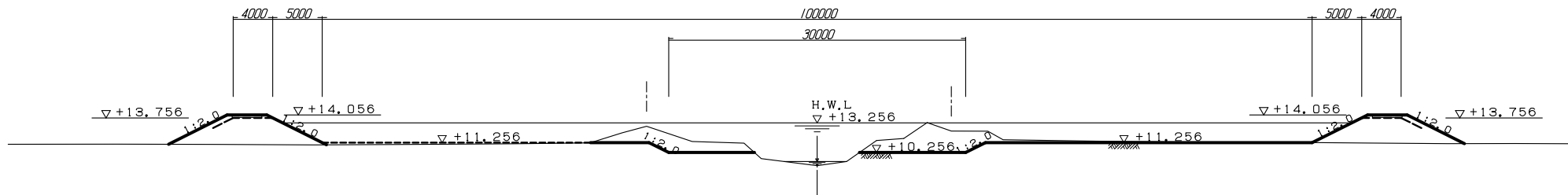


DL=NGT+5.00

	Unit	Diversion channel
Excavation	m ²	50.1
Embankment	m ²	57.4
Trimming of slope	m	30.6
Stripping	m	124.9
Clearing and grubbing	m	124.9
Land aquisition	m	89.2

NO. 15

GH = +8.92
FH = +11.256

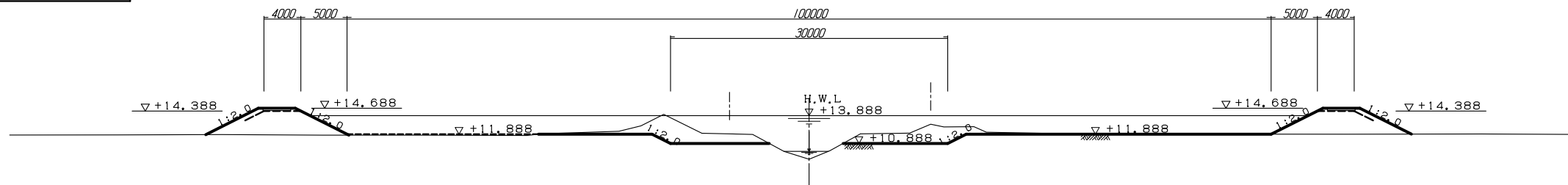


DL=NGT+5.00

	Unit	Diversion channel
Excavation	m ²	41.0
Embankment	m ²	54.8
Trimming of slope	m	29.8
Stripping	m	127.7
Clearing and grubbing	m	127.7
Land aquisition	m	90.7

NO. 10

GH = +9.18
FH = +11.888



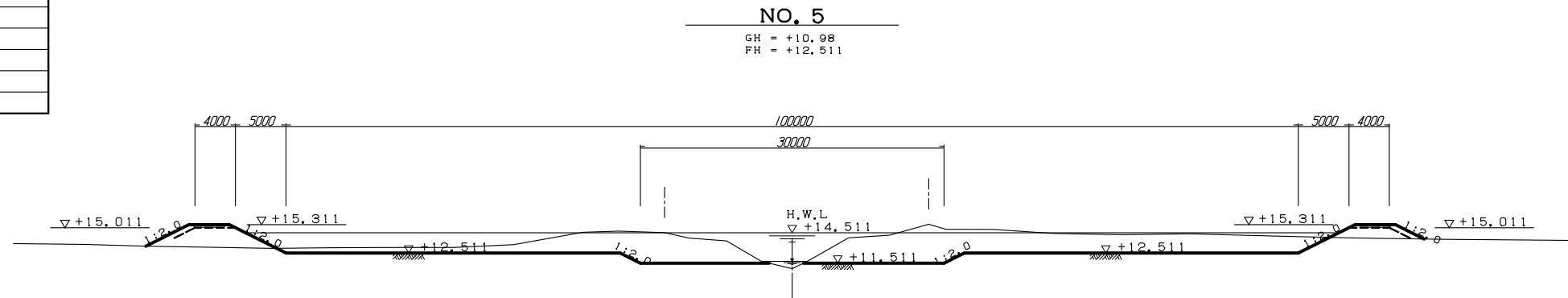
DL=NGT+5.00

REPUBLIC OF TUNISIA GENERAL DIRECTORATE OF DAMS AND LARGE HYDRAULIC WORKS, MINISTRY OF AGRICULTURE	JAPAN INTERNATIONAL COOPERATION AGENCY	
PREPARATORY SURVEY ON INTEGRATED BASIN MANAGEMENT AND FLOOD CONTROL PROJECT FOR MEJERDA RIVER : DEVELOPMENT OF FLOOD PREVENTION MEASURES		
DRAWING TITLE	EL MABTOUH DIVERSION CHANNEL TRANSVERSE SECTION (7/9)	SHEET NO. 82
YACHIYO ENGINEERING Co.,LTD. TOKYO JAPAN		

EL MABTOUH DIVERSION CHANNEL TRANSVERSE SECTION (8/9)

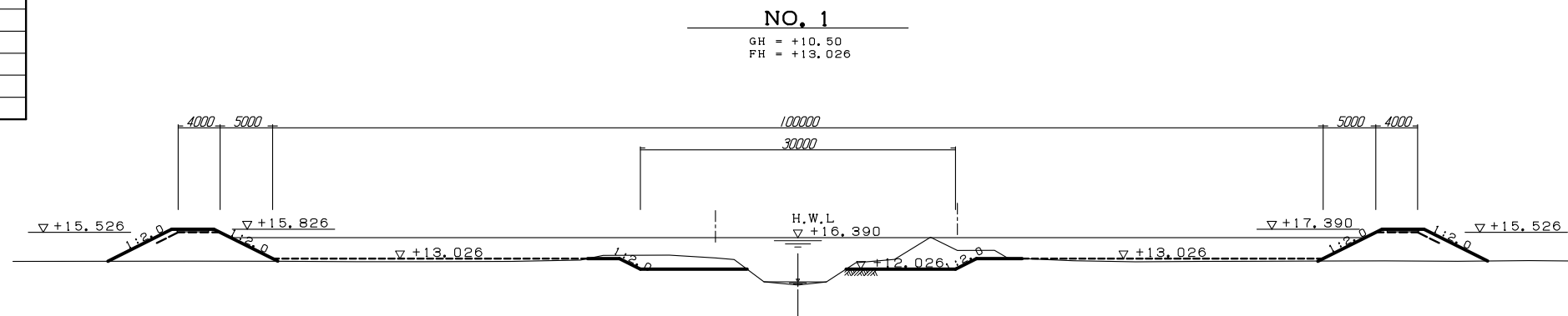
S=1/300

	Unit	Diversion channel
Excavation	m ²	169.3
Embankment	m ²	27.7
Trimming of slope	m	24.9
Stripping	m	123.4
Clearing and grubbing	m	123.4
Land aquisition	m	83.6



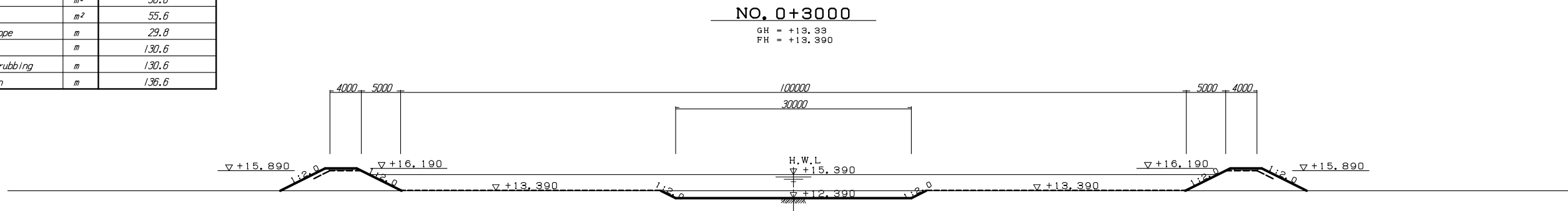
DL=NGT+5.00

	Unit	Diversion channel
Excavation	m ²	33.7
Embankment	m ²	61.4
Trimming of slope	m	31.7
Stripping	m	123.6
Clearing and grubbing	m	123.6
Land aquisition	m	91.9



DL=NGT+5.00

	Unit	Diversion channel
Excavation	m ²	30.0
Embankment	m ²	55.6
Trimming of slope	m	29.8
Stripping	m	130.6
Clearing and grubbing	m	130.6
Land aquisition	m	136.6



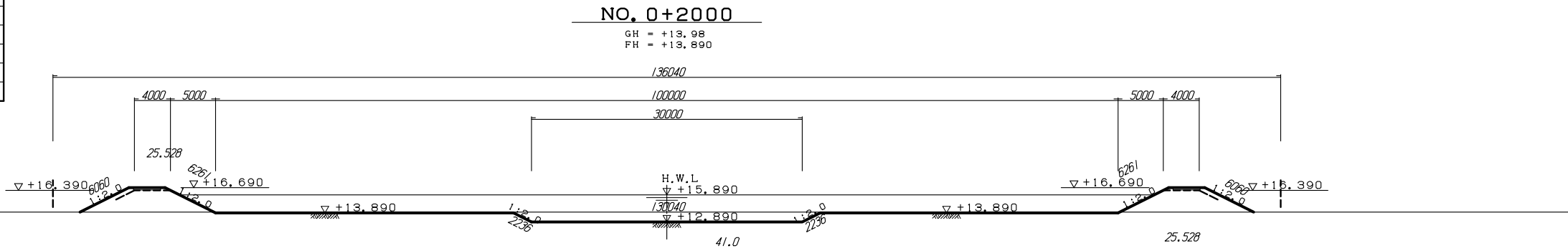
DL=NGT+5.00

REPUBLIC OF TUNISIA GENERAL DIRECTORATE OF DAMS AND LARGE HYDRAULIC WORKS, MINISTRY OF AGRICULTURE	JAPAN INTERNATIONAL COOPERATION AGENCY	
PREPARATORY SURVEY ON INTEGRATED BASIN MANAGEMENT AND FLOOD CONTROL PROJECT FOR MEJERDA RIVER : DEVELOPMENT OF FLOOD PREVENTION MEASURES		
DRAWING TITLE	EL MABTOUH DIVERSION CHANNEL TRANSVERSE SECTION (8/9)	SHEET NO. 83
Y&E YACHIYO ENGINEERING Co.,LTD. TOKYO JAPAN		

EL MABTOUH DIVERSION CHANNEL TRANSVERSE SECTION (9/9)

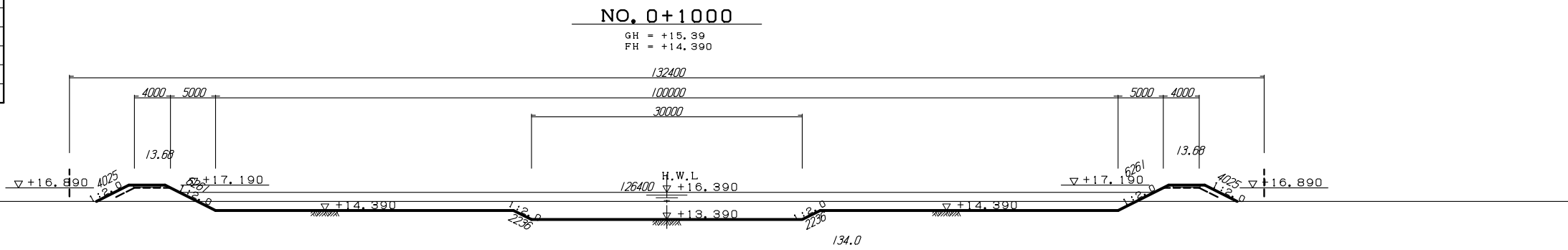
S=1/300

	Unit	Diversion channel
Excavation	m ²	41.0
Embankment	m ²	51.1
Trimming of slope	m	29.1
Stripping	m	130.0
Clearing and grubbing	m	130.0
Land aquisition	m	136.0



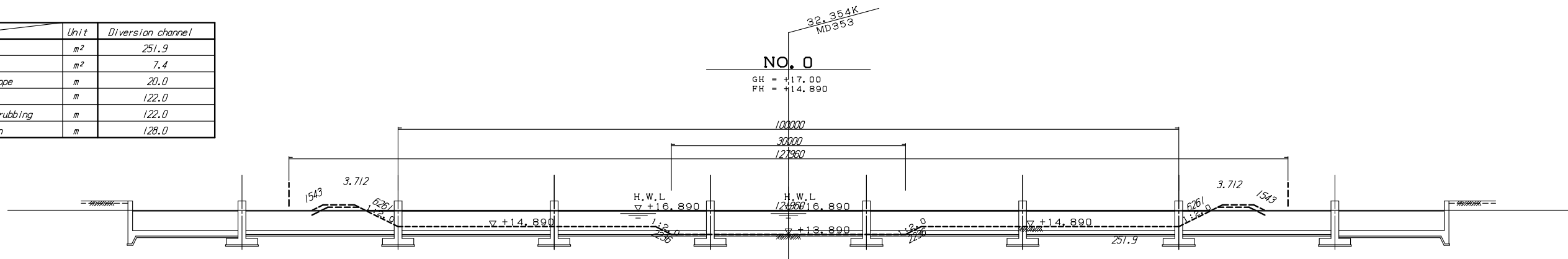
DL=NGT+5.00

	Unit	Diversion channel
Excavation	m ²	134.0
Embankment	m ²	27.4
Trimming of slope	m	25.0
Stripping	m	126.4
Clearing and grubbing	m	126.4
Land aquisition	m	132.4



DL=NGT+5.00

	Unit	Diversion channel
Excavation	m ²	251.9
Embankment	m ²	7.4
Trimming of slope	m	20.0
Stripping	m	122.0
Clearing and grubbing	m	122.0
Land aquisition	m	128.0



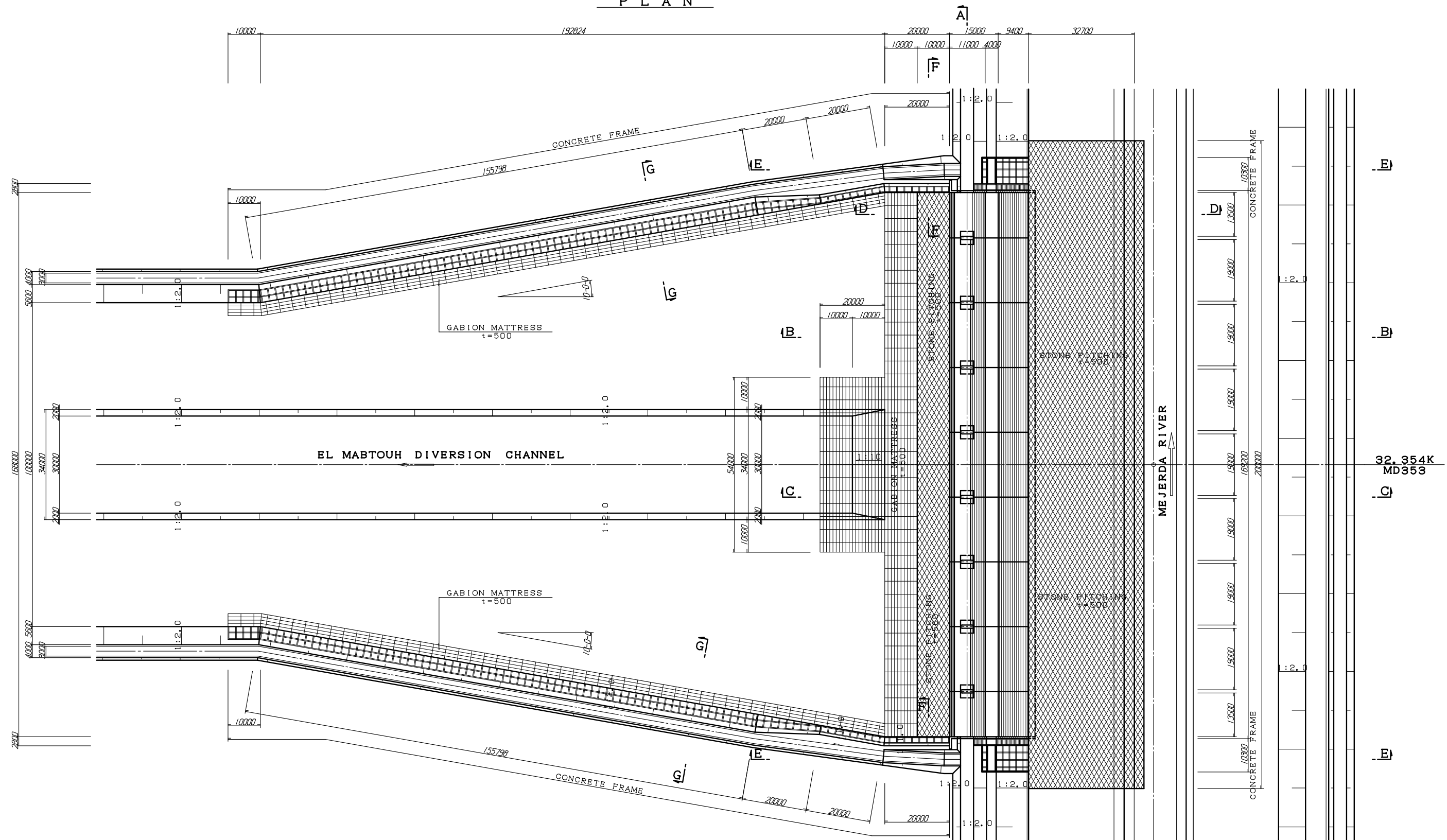
DL=NGT+5.00

REPUBLIC OF TUNISIA GENERAL DIRECTORATE OF DAMS AND LARGE HYDRAULIC WORKS, MINISTRY OF AGRICULTURE	JAPAN INTERNATIONAL COOPERATION AGENCY	
PREPARATORY SURVEY ON INTEGRATED BASIN MANAGEMENT AND FLOOD CONTROL PROJECT FOR MEJERDA RIVER : DEVELOPMENT OF FLOOD PREVENTION MEASURES		
DRAWING TITLE	EL MABTOUH DIVERSION CHANNEL TRANSVERSE SECTION (9/9)	SHEET NO. 84
YEO YACHIYO ENGINEERING Co.,LTD. TOKYO JAPAN		

EL MABTOUH DIVERSION CHANNEL
INLET OVERFLOW DIKE ON MEJERDA RIVER (1/4)

P L A N

S=1/600

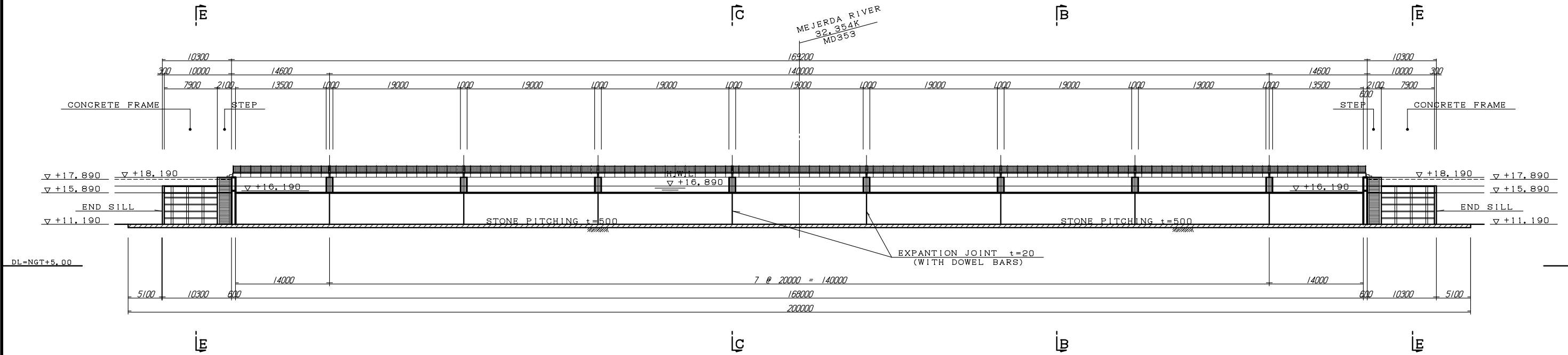


REPUBLIC OF TUNISIA GENERAL DIRECTORATE OF DAMS AND LARGE HYDRAULIC WORKS, MINISTRY OF AGRICULTURE	JAPAN INTERNATIONAL COOPERATION AGENCY
PREPARATORY SURVEY ON INTEGRATED BASIN MANAGEMENT AND FLOOD CONTROL PROJECT FOR MEJERDA RIVER : DEVELOPMENT OF FLOOD PREVENTION MEASURES	
DRAWING TITLE	SHEET NO.
EL MABTOUH DIVERSION CHANNEL INLET OVERFLOW DIKE ON MEJERDA RIVER (1/4)	85
YACHIYO ENGINEERING Co.,LTD. TOKYO JAPAN	

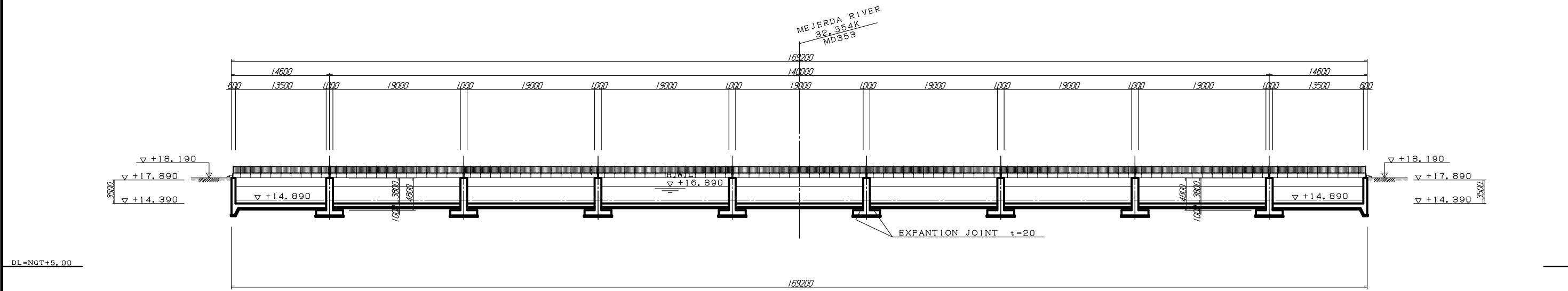
EL MABTOUH DIVERSION CHANNEL
INLET OVERFLOW DIKE ON MEJERDA RIVER (2/4)

S=1/300

FRONT VIEW



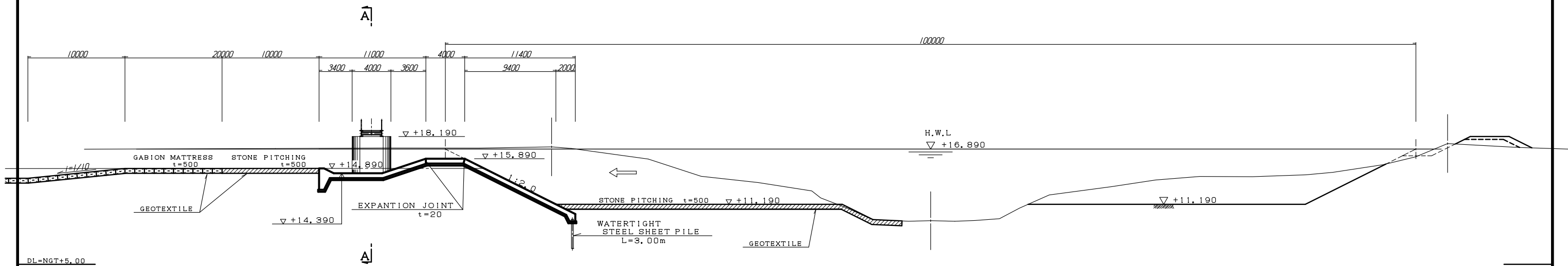
SECTION A - A



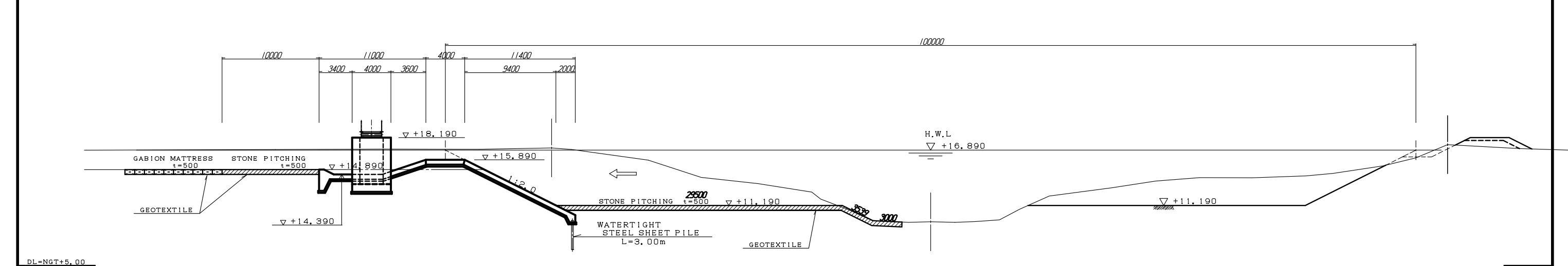
REPUBLIC OF TUNISIA GENERAL DIRECTORATE OF DAMS AND LARGE HYDRAULIC WORKS, MINISTRY OF AGRICULTURE	JAPAN INTERNATIONAL COOPERATION AGENCY
PREPARATORY SURVEY ON INTEGRATED BASIN MANAGEMENT AND FLOOD CONTROL PROJECT FOR MEJERDA RIVER : DEVELOPMENT OF FLOOD PREVENTION MEASURES	
DRAWING TITLE	SHEET NO.
EL MABTOUH DIVERSION CHANNEL INLET OVERFLOW DIKE ON MEJERDA RIVER (2/4)	86
Y&E YACHIYO ENGINEERING Co.,LTD. TOKYO JAPAN	

EL MABTOUH DIVERSION CHANNEL
INLET OVERFLOW DIKE ON MEJERDA RIVER (3/4)
S=1/200

SECTION B - B



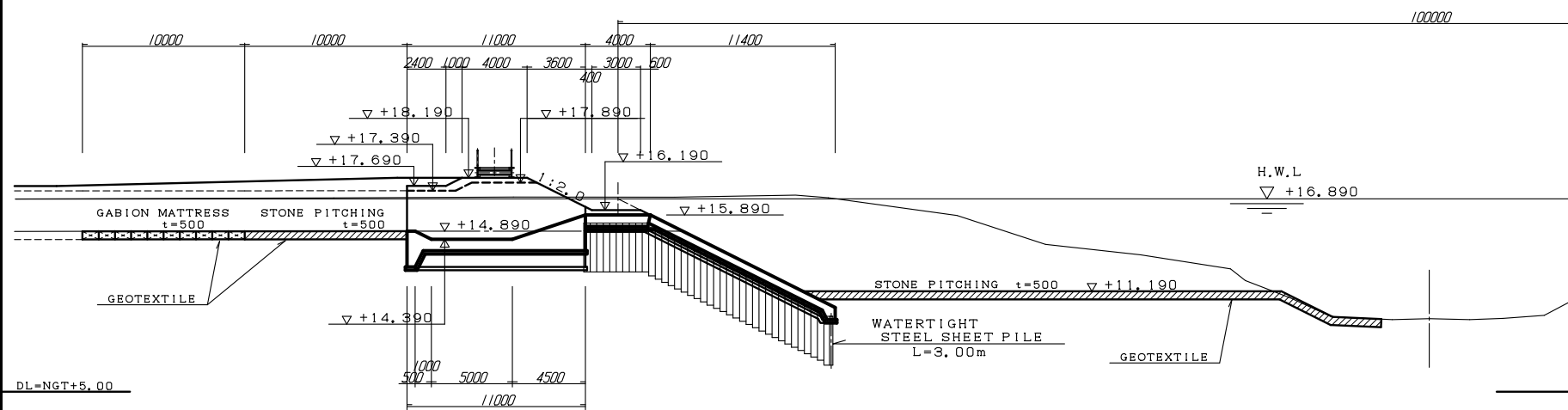
SECTION C - C



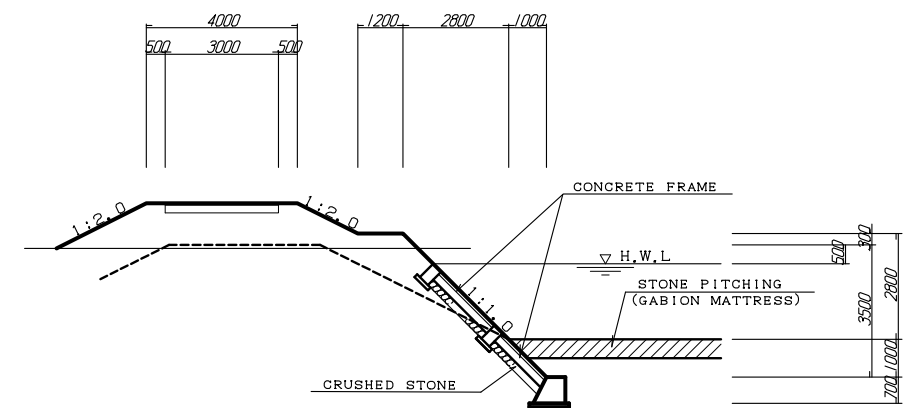
REPUBLIC OF TUNISIA GENERAL DIRECTORATE OF DAMS AND LARGE HYDRAULIC WORKS, MINISTRY OF AGRICULTURE	JAPAN INTERNATIONAL COOPERATION AGENCY
PREPARATORY SURVEY ON INTEGRATED BASIN MANAGEMENT AND FLOOD CONTROL PROJECT FOR MEJERDA RIVER : DEVELOPMENT OF FLOOD PREVENTION MEASURES	
DRAWING TITLE	SHEET NO.
EL MABTOUH DIVERSION CHANNEL INLET OVERFLOW DIKE ON MEJERDA RIVER (3/4)	87
Y&E YACHIYO ENGINEERING Co.,LTD. TOKYO JAPAN	

**EL MABTOUH DIVERSION CHANNEL
INLET OVERFLOW DIKE ON MEJERDA RIVER (4/4)**

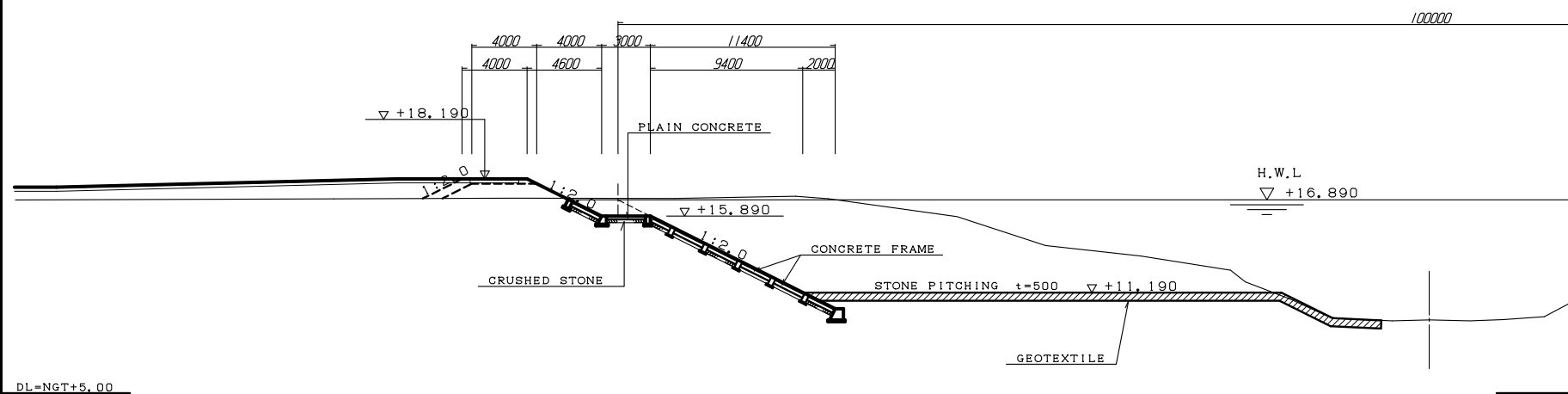
SECTION D - D
S=1/200



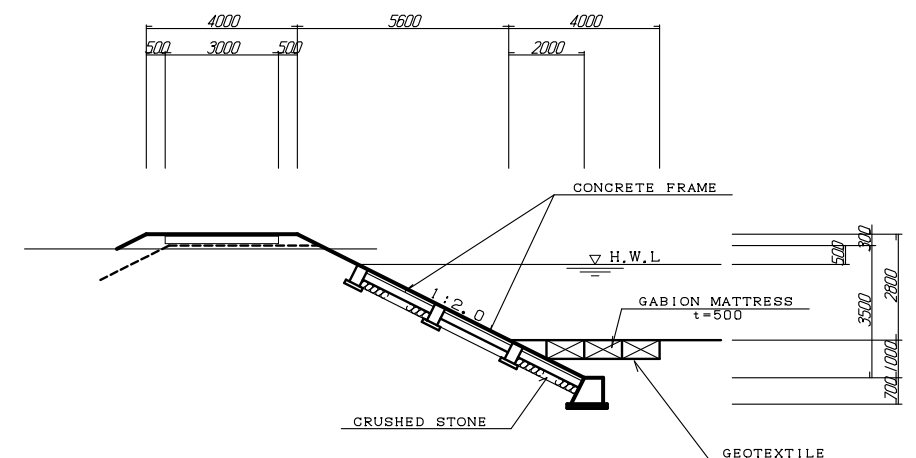
SECTION F - F
S=1/100



SECTION E - E
S=1/200



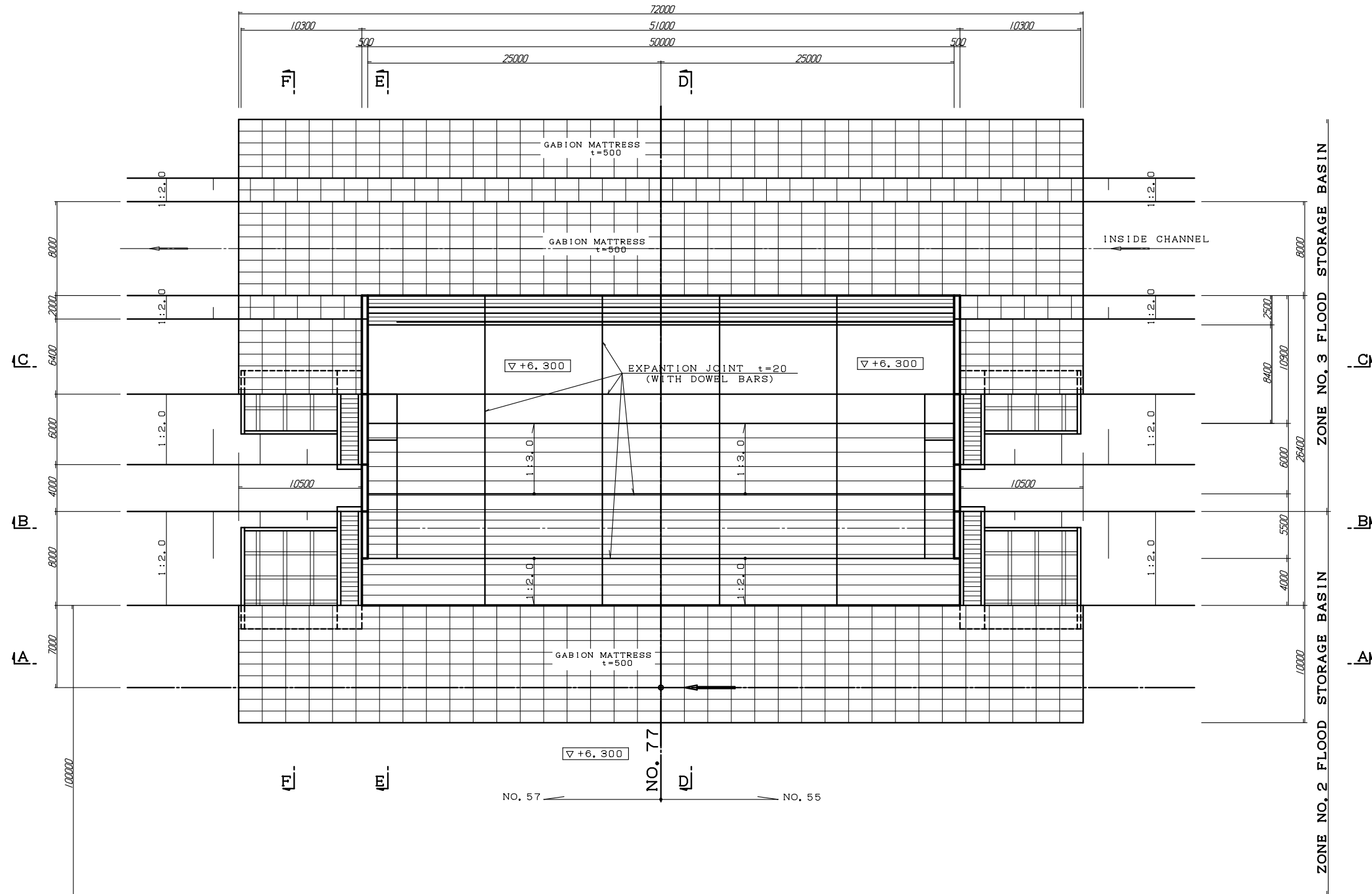
SECTION G - G
S=1/100



REPUBLIC OF TUNISIA GENERAL DIRECTORATE OF DAMS AND LARGE HYDRAULIC WORKS, MINISTRY OF AGRICULTURE	JAPAN INTERNATIONAL COOPERATION AGENCY	
PREPARATORY SURVEY ON INTEGRATED BASIN MANAGEMENT AND FLOOD CONTROL PROJECT FOR MEJERDA RIVER : DEVELOPMENT OF FLOOD PREVENTION MEASURES		
DRAWING TITLE	EL MABTOUH DIVERSION CHANNEL INLET OVERFLOW DIKE ON MEJERDA RIVER (4/4)	SHEET NO. 88
YACHIYO ENGINEERING Co.,LTD. TOKYO JAPAN		

EL MABTOUH DIVERSION CHANNEL
 No. 77 OVERFLOW DIKE (1/3)
 S=1/200

P L A N



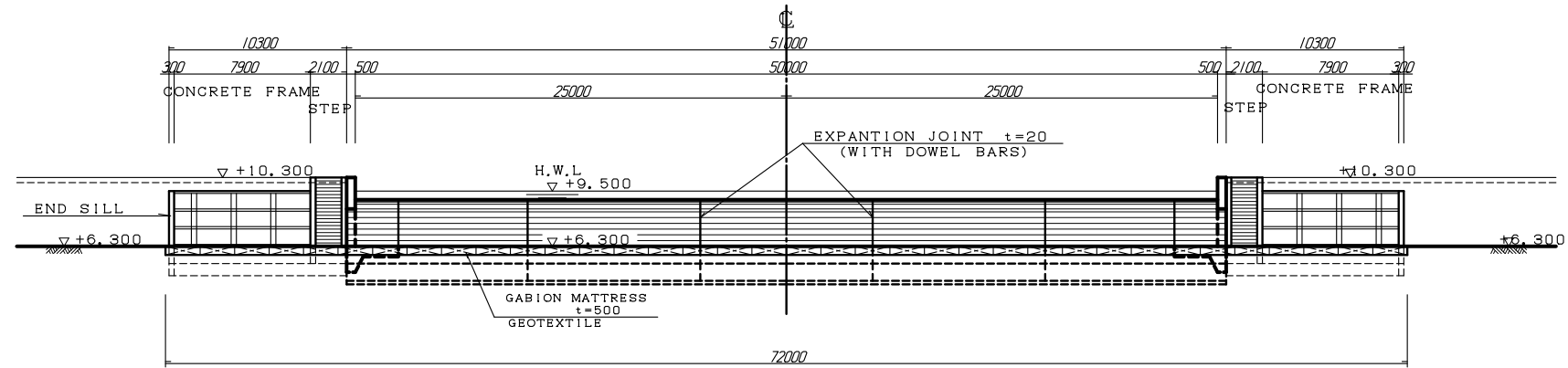
REPUBLIC OF TUNISIA GENERAL DIRECTORATE OF DAMS AND LARGE HYDRAULIC WORKS, MINISTRY OF AGRICULTURE	JAPAN INTERNATIONAL COOPERATION AGENCY	
PREPARATORY SURVEY ON INTEGRATED BASIN MANAGEMENT AND FLOOD CONTROL PROJECT FOR MEJERDA RIVER : DEVELOPMENT OF FLOOD PREVENTION MEASURES		
DRAWING TITLE	EL MABTOUH DIVERSION CHANNEL No. 77 OVERFLOW DIKE (1/3)	SHEET NO. 89
YEO YACHIYO ENGINEERING Co.,LTD. TOKYO JAPAN		

EL MABTOUH DIVERSION CHANNEL
No. 77 OVERFLOW DIKE (2/3)

S=1/200

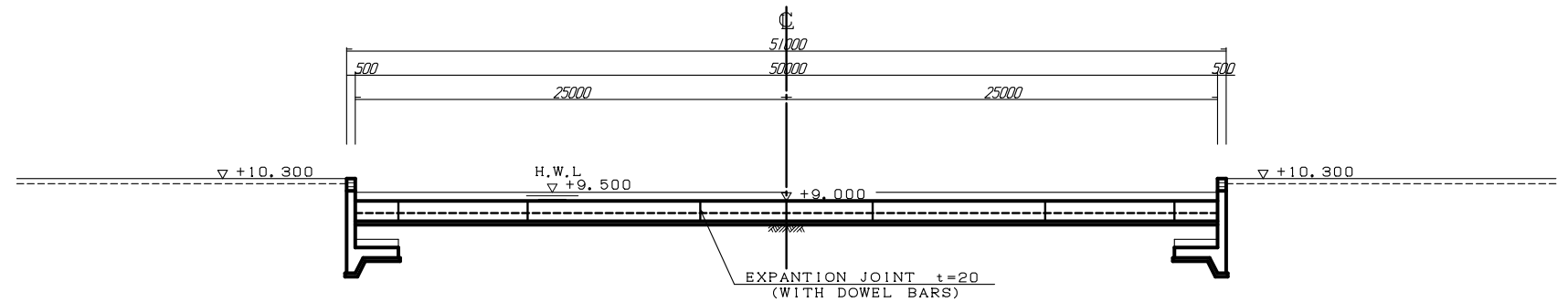
SECTION A - A

ZONE NO. 3 FLOOD STORAGE BASIN



DL=NGT+0.00

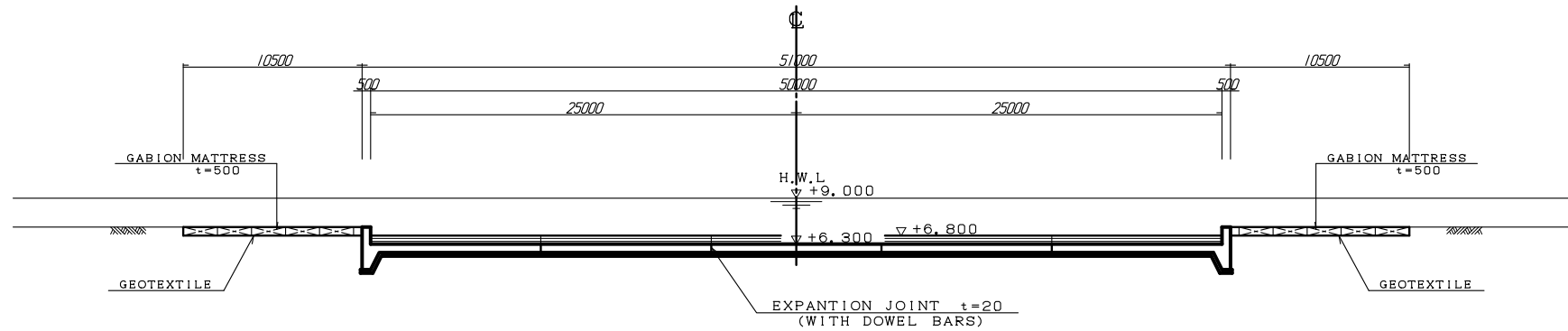
SECTION B - B



DL=NGT+0.00

SECTION C - C

ZONE NO. 2 FLOOD STORAGE BASIN



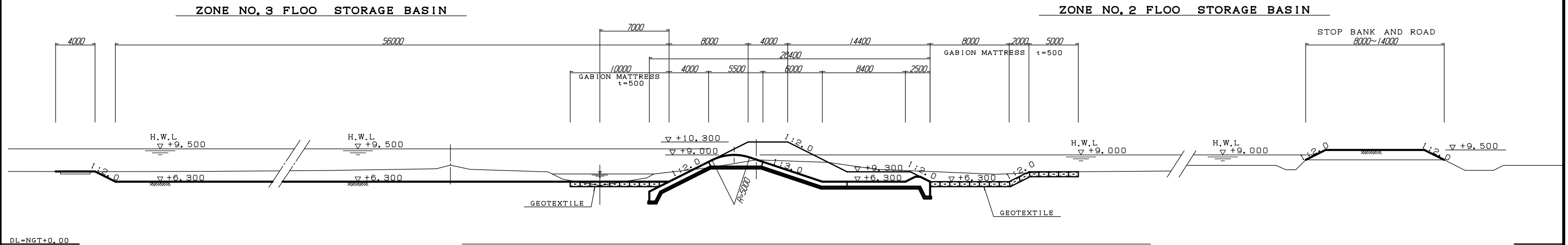
DL=NGT+0.00

REPUBLIC OF TUNISIA GENERAL DIRECTORATE OF DAMS AND LARGE HYDRAULIC WORKS, MINISTRY OF AGRICULTURE	JAPAN INTERNATIONAL COOPERATION AGENCY	
PREPARATORY SURVEY ON INTEGRATED BASIN MANAGEMENT AND FLOOD CONTROL PROJECT FOR MEJERDA RIVER : DEVELOPMENT OF FLOOD PREVENTION MEASURES		
DRAWING TITLE	EL MABTOUH DIVERSION CHANNEL No. 77 OVERFLOW DIKE (2/3)	SHEET NO. 90
YACHIYO ENGINEERING Co.,LTD. TOKYO JAPAN		

EL MABTOUH DIVERSION CHANNEL No. 77 OVERFLOW DIKE (3/3)

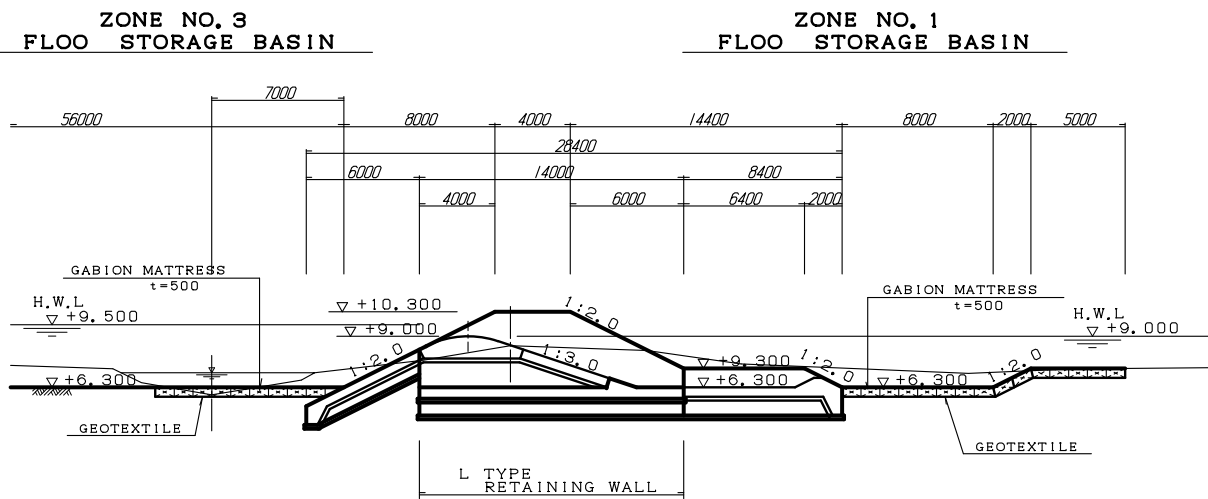
S=1/200

SECTION D - D



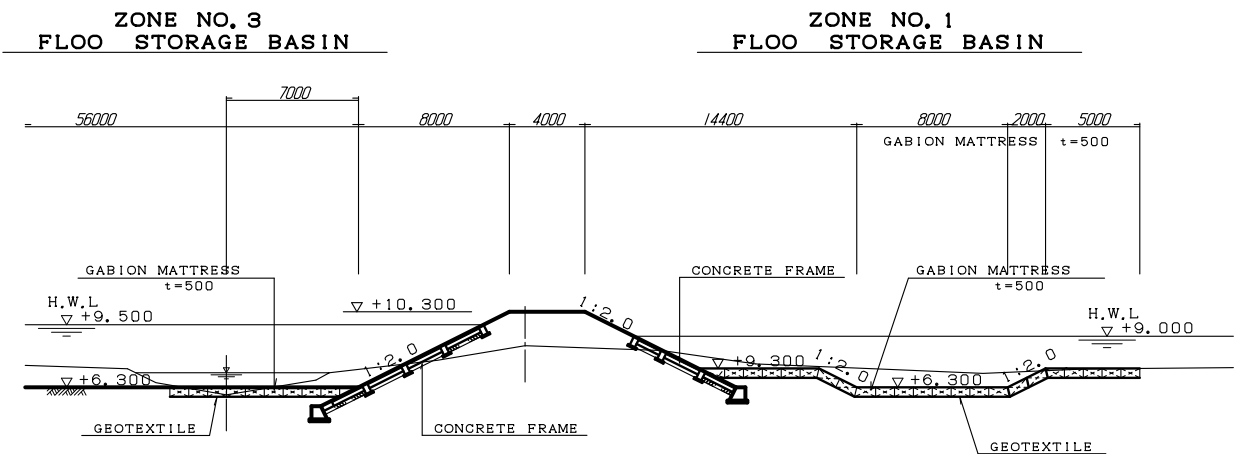
DL=NGT+0.00

SECTION E - E



DL=NGT+0.00

SECTION F - F

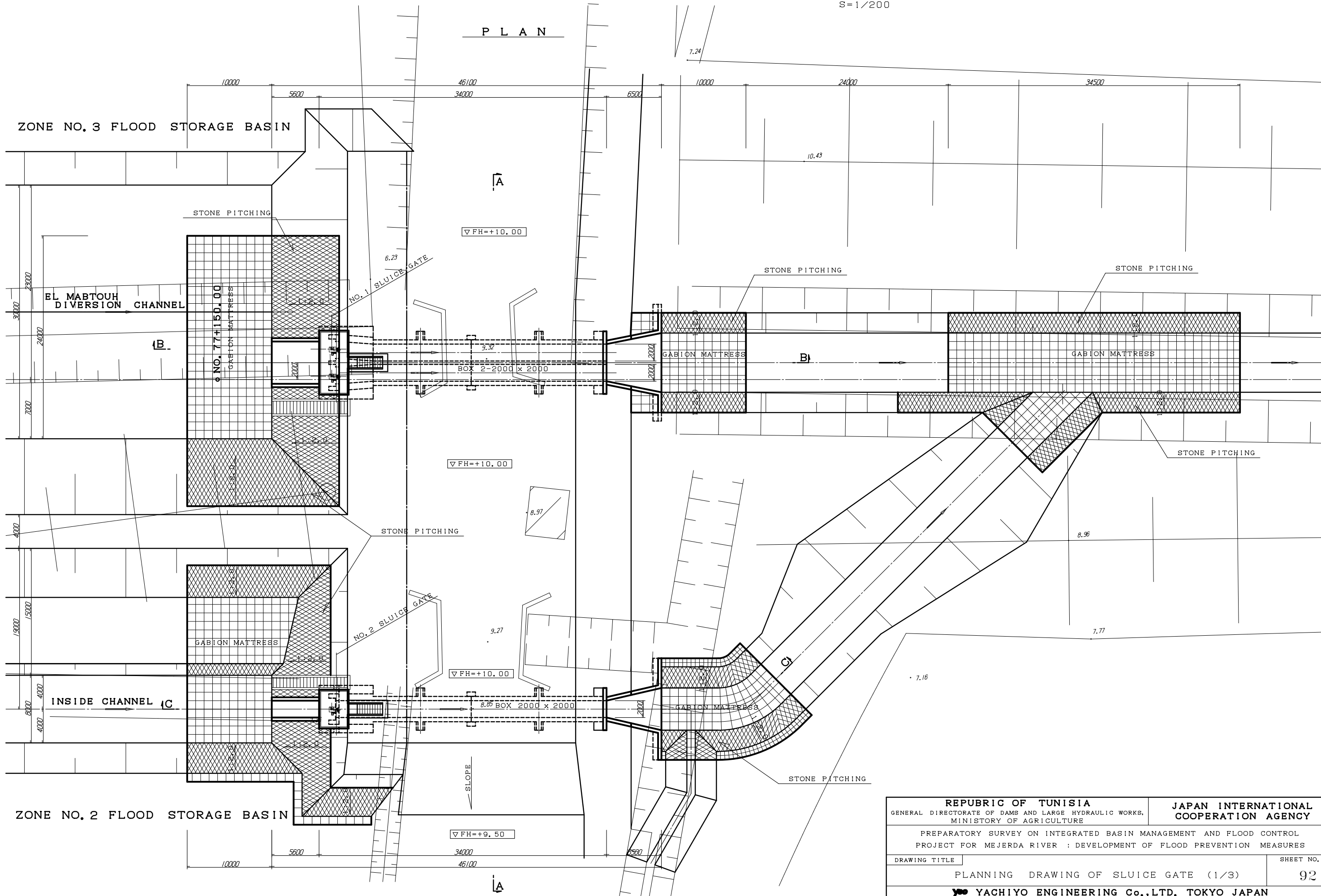


REPUBLIC OF TUNISIA GENERAL DIRECTORATE OF DAMS AND LARGE HYDRAULIC WORKS, MINISTRY OF AGRICULTURE	JAPAN INTERNATIONAL COOPERATION AGENCY	
PREPARATORY SURVEY ON INTEGRATED BASIN MANAGEMENT AND FLOOD CONTROL PROJECT FOR MEJERDA RIVER : DEVELOPMENT OF FLOOD PREVENTION MEASURES		
DRAWING TITLE	EL MABTOUH DIVERSION CHANNEL No. 77 OVERFLOW DIKE (3/3)	SHEET NO. 91
YACHIYO ENGINEERING Co.,LTD. TOKYO JAPAN		

PLANNING DRAWING OF SLUICE GATE (1/3)

S=1/200

P L A N

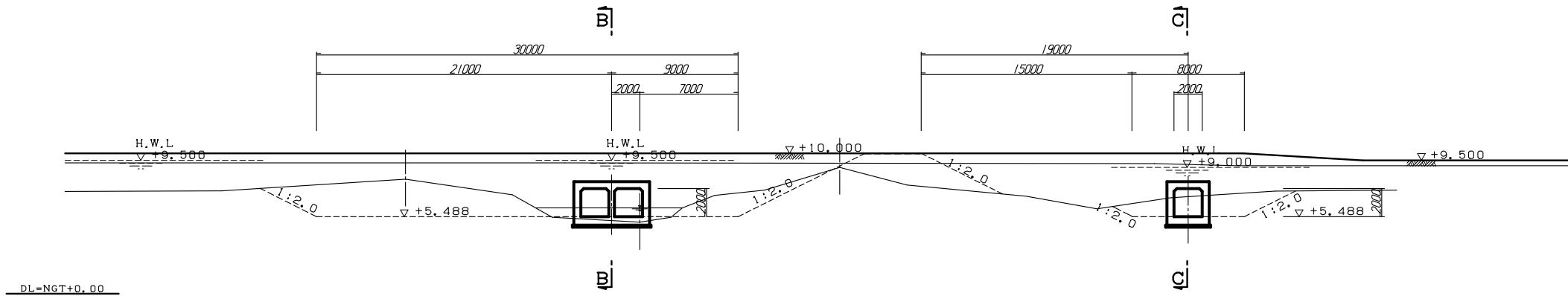


REPUBLIC OF TUNISIA GENERAL DIRECTORATE OF DAMS AND LARGE HYDRAULIC WORKS, MINISTRY OF AGRICULTURE		JAPAN INTERNATIONAL COOPERATION AGENCY	
PREPARATORY SURVEY ON INTEGRATED BASIN MANAGEMENT AND FLOOD CONTROL PROJECT FOR MEJERDA RIVER : DEVELOPMENT OF FLOOD PREVENTION MEASURES			
DRAWING TITLE			SHEET NO.
PLANNING DRAWING OF SLUICE GATE (1/3)			92
YACHIYO ENGINEERING Co.,LTD. TOKYO JAPAN			

PLANNING DRAWING OF SLUICE GATE (2/3)

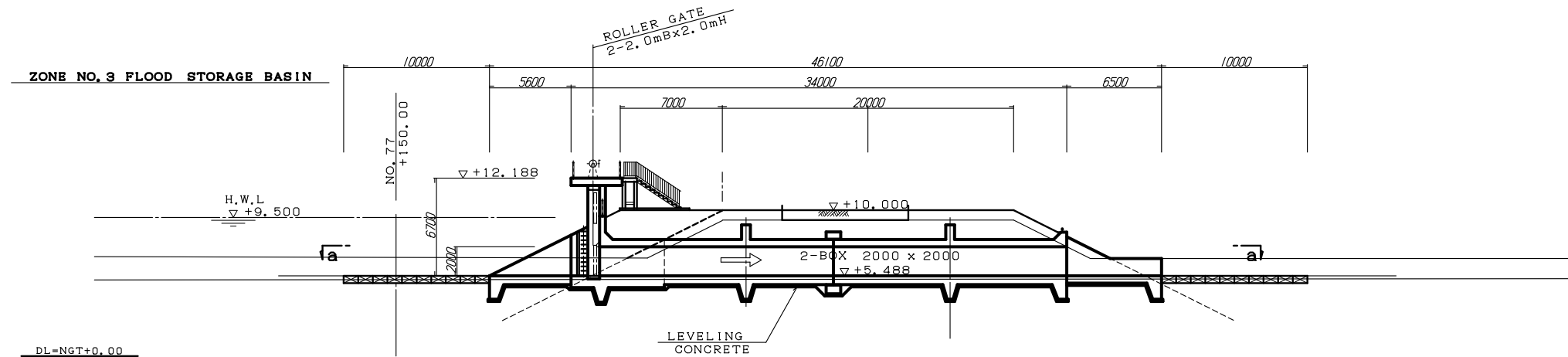
S=1/200

SECTION A - A



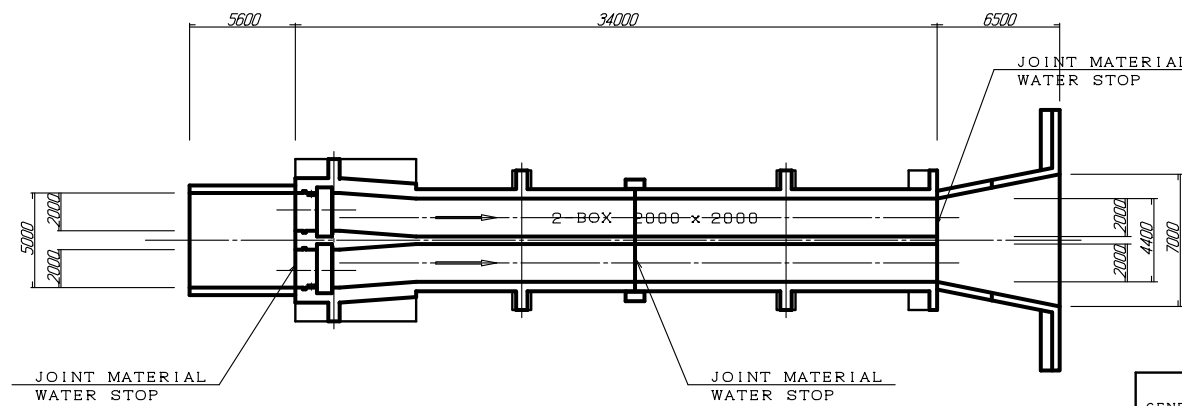
DL=NGT+0.00

SECTION B - B



DL=NGT+0.00

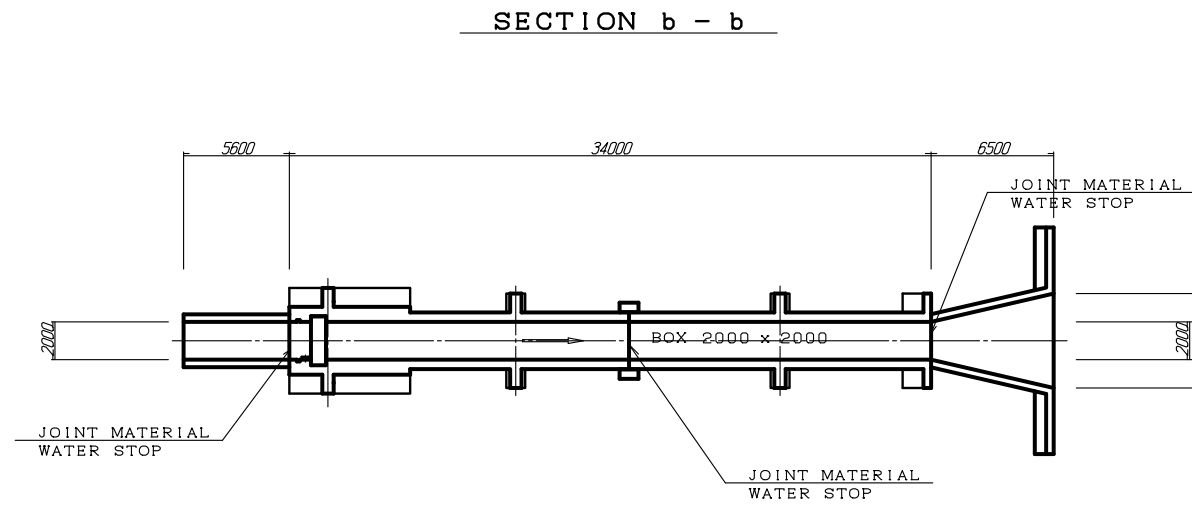
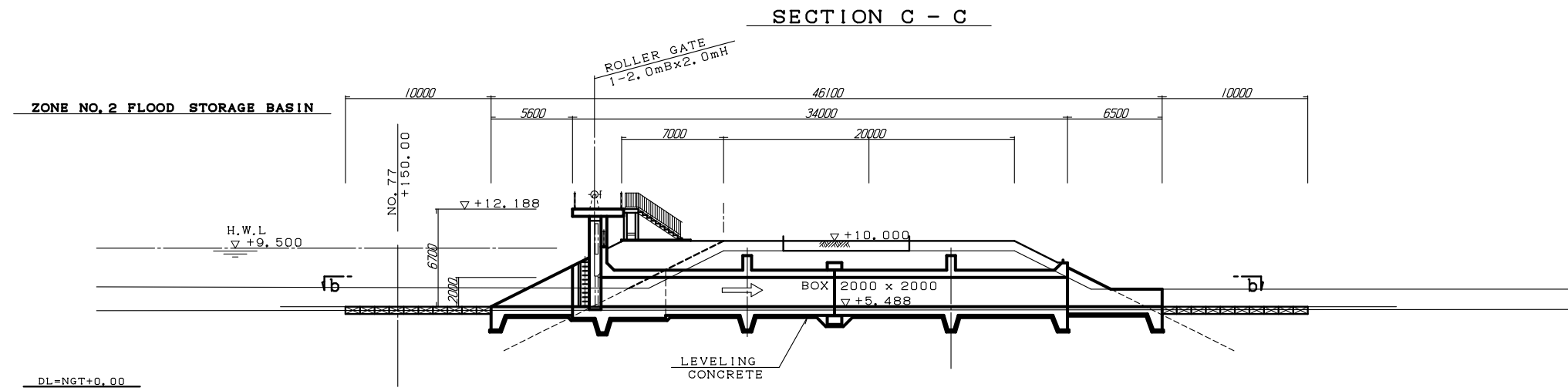
SECTION a - a



REPUBLIC OF TUNISIA GENERAL DIRECTORATE OF DAMS AND LARGE HYDRAULIC WORKS, MINISTRY OF AGRICULTURE		JAPAN INTERNATIONAL COOPERATION AGENCY	
PREPARATORY SURVEY ON INTEGRATED BASIN MANAGEMENT AND FLOOD CONTROL PROJECT FOR MEJERDA RIVER : DEVELOPMENT OF FLOOD PREVENTION MEASURES			
DRAWING TITLE			SHEET NO.
PLANNING DRAWING OF SLUICE GATE (2/3)			93
YAO YACHIYO ENGINEERING Co.,LTD. TOKYO JAPAN			

PLANNING DRAWING OF SLUICE GATE (3/3)

S=1/200

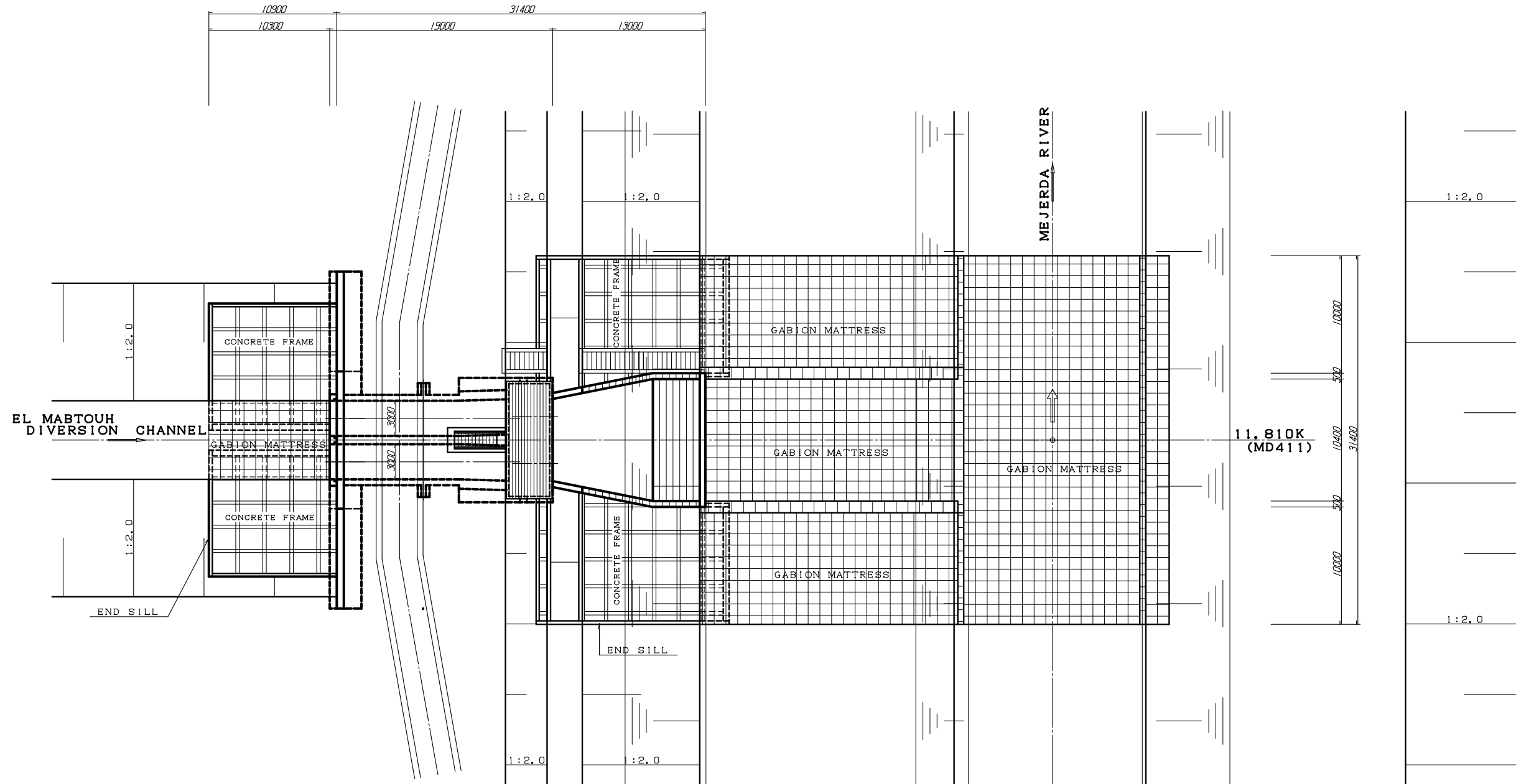


REPUBLIC OF TUNISIA GENERAL DIRECTORATE OF DAMS AND LARGE HYDRAULIC WORKS, MINISTRY OF AGRICULTURE		JAPAN INTERNATIONAL COOPERATION AGENCY	
PREPARATORY SURVEY ON INTEGRATED BASIN MANAGEMENT AND FLOOD CONTROL PROJECT FOR MEJERDA RIVER : DEVELOPMENT OF FLOOD PREVENTION MEASURES			
DRAWING TITLE			SHEET NO.
PLANNING DRAWING OF SLUICE GATE (3/3)			94
YEO YACHIYO ENGINEERING Co.,LTD. TOKYO JAPAN			

PLANNING DRAWING OF SLUICING OUTLET (1/3)

S=1/200

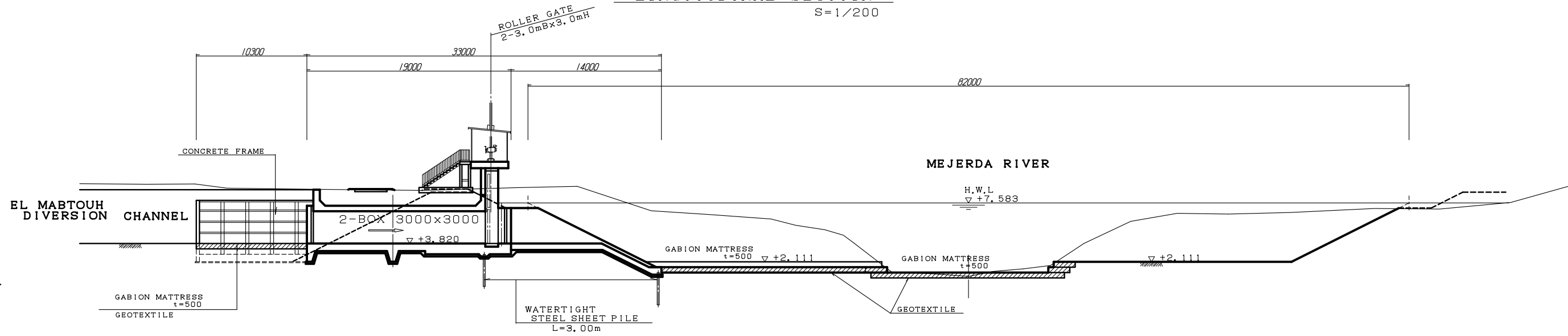
PLAN



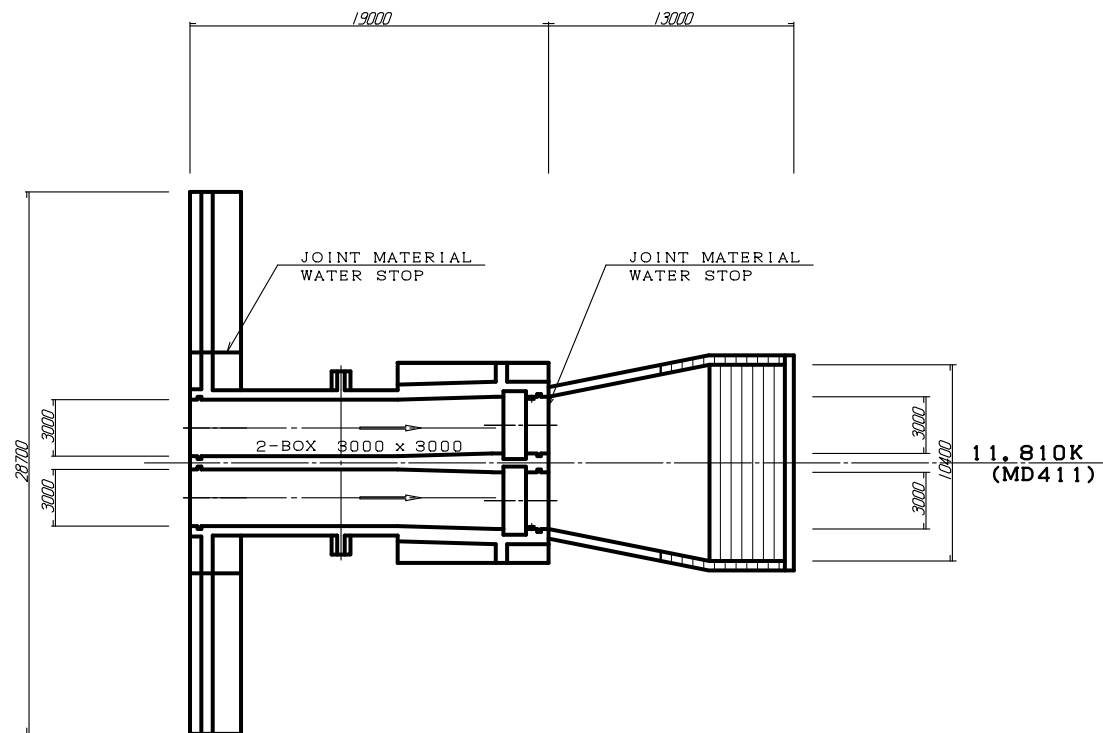
REPUBLIC OF TUNISIA GENERAL DIRECTORATE OF DAMS AND LARGE HYDRAULIC WORKS, MINISTRY OF AGRICULTURE		JAPAN INTERNATIONAL COOPERATION AGENCY	
PREPARATORY SURVEY ON INTEGRATED BASIN MANAGEMENT AND FLOOD CONTROL PROJECT FOR MEJERDA RIVER : DEVELOPMENT OF FLOOD PREVENTION MEASURES			
DRAWING TITLE			SHEET NO.
PLANNING DRAWING OF SLUICING OUTLET (1/3)			95
Y&E YACHIYO ENGINEERING Co.,LTD. TOKYO JAPAN			

PLANNING DRAWING OF SLUICING OUTLET (2/3)

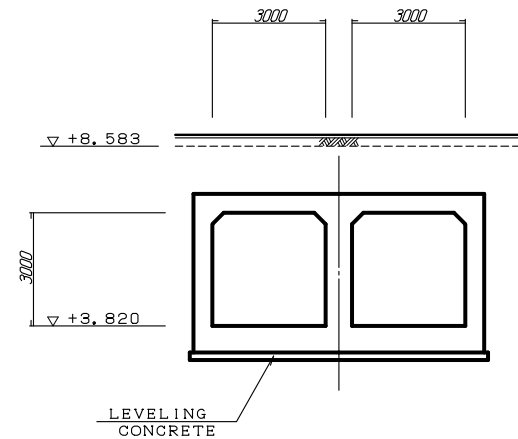
LONGITUDINAL SECTION
S=1/200



HORIZONTAL SECTION
S=1/200



TYPICAL CROSS SECTION
S=1/100



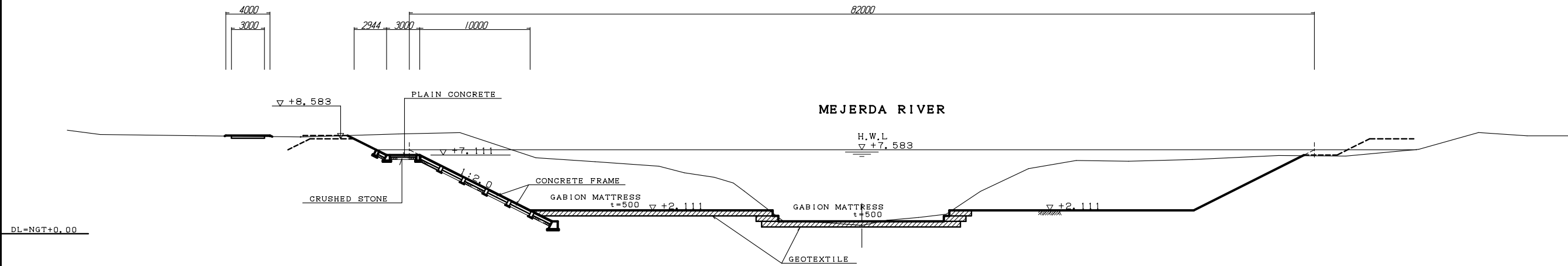
REPUBLIC OF TUNISIA GENERAL DIRECTORATE OF DAMS AND LARGE HYDRAULIC WORKS, MINISTRY OF AGRICULTURE		JAPAN INTERNATIONAL COOPERATION AGENCY	
PREPARATORY SURVEY ON INTEGRATED BASIN MANAGEMENT AND FLOOD CONTROL PROJECT FOR MEJERDA RIVER : DEVELOPMENT OF FLOOD PREVENTION MEASURES			
DRAWING TITLE			SHEET NO.
PLANNING DRAWING OF SLUICING OUTLET (2/3)			96
Y&E YACHIYO ENGINEERING Co.,LTD. TOKYO JAPAN			

PLANNING DRAWING OF SLUICING OUTLET (3/3)

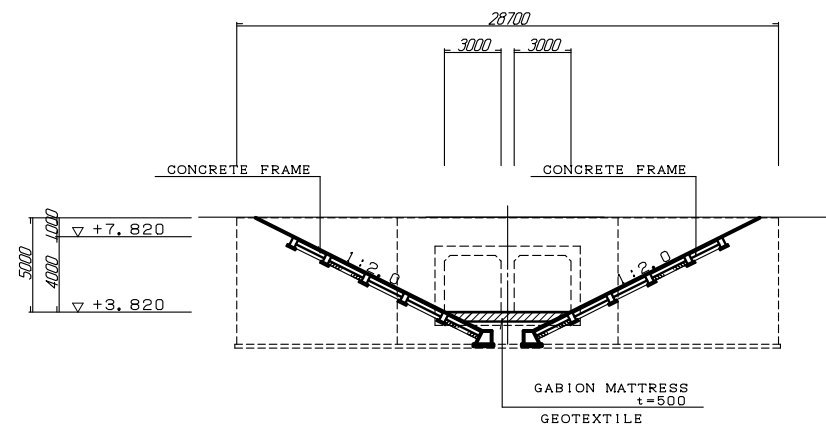
S=1/200

REVETMENT WORKS

MEJERDA RIVER



EL MABTOUH DIVERSION CHANNEL



REPUBLIC OF TUNISIA GENERAL DIRECTORATE OF DAMS AND LARGE HYDRAULIC WORKS, MINISTRY OF AGRICULTURE		JAPAN INTERNATIONAL COOPERATION AGENCY	
PREPARATORY SURVEY ON INTEGRATED BASIN MANAGEMENT AND FLOOD CONTROL PROJECT FOR MEJERDA RIVER : DEVELOPMENT OF FLOOD PREVENTION MEASURES			
DRAWING TITLE			SHEET NO.
PLANNING DRAWING OF SLUICING OUTLET (3/3)			97
Y&E YACHIYO ENGINEERING Co.,LTD. TOKYO JAPAN			

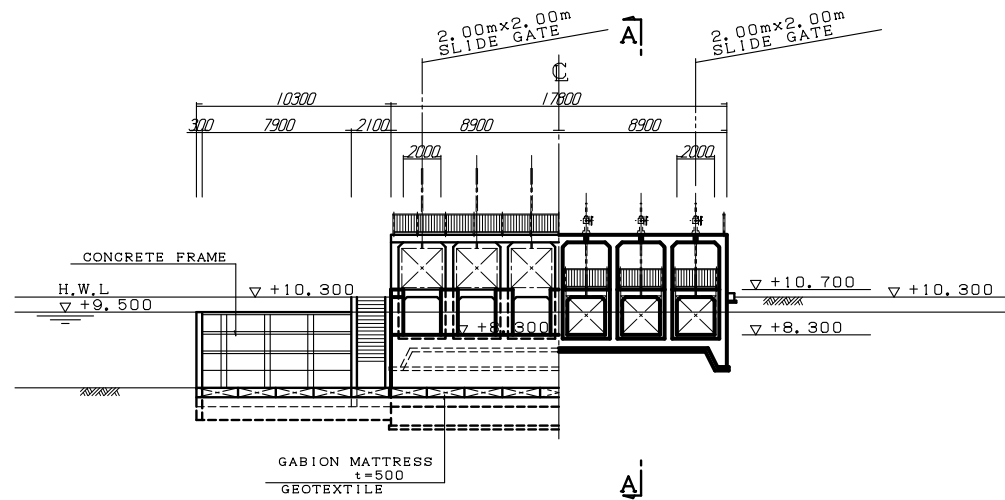
SERVICE GATE AND DIKE

S=1/200

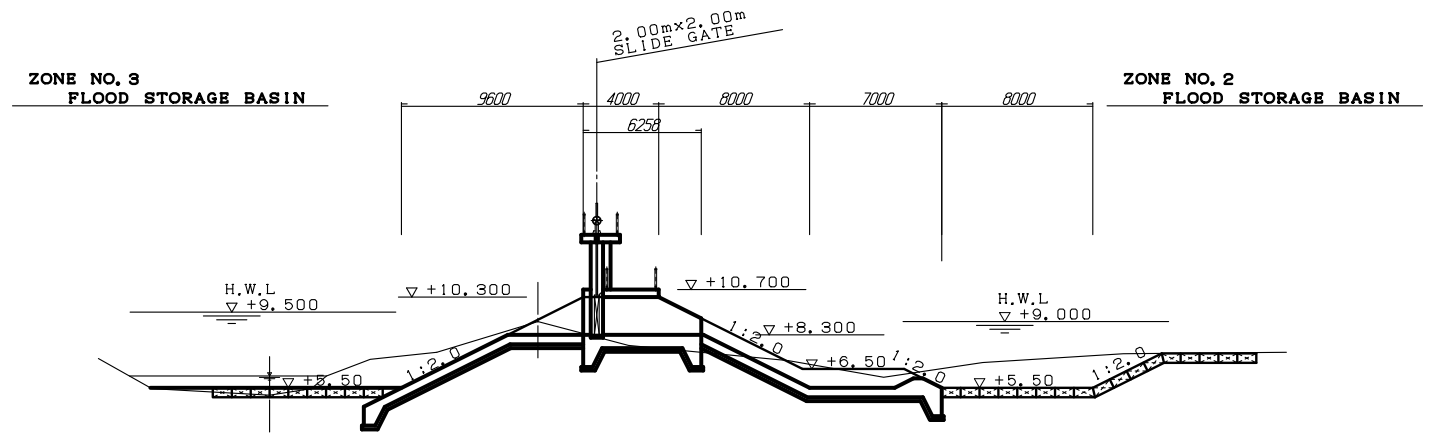
SERVICE GATE

NO. 77+100.00

LONGITUDINAL SECTION

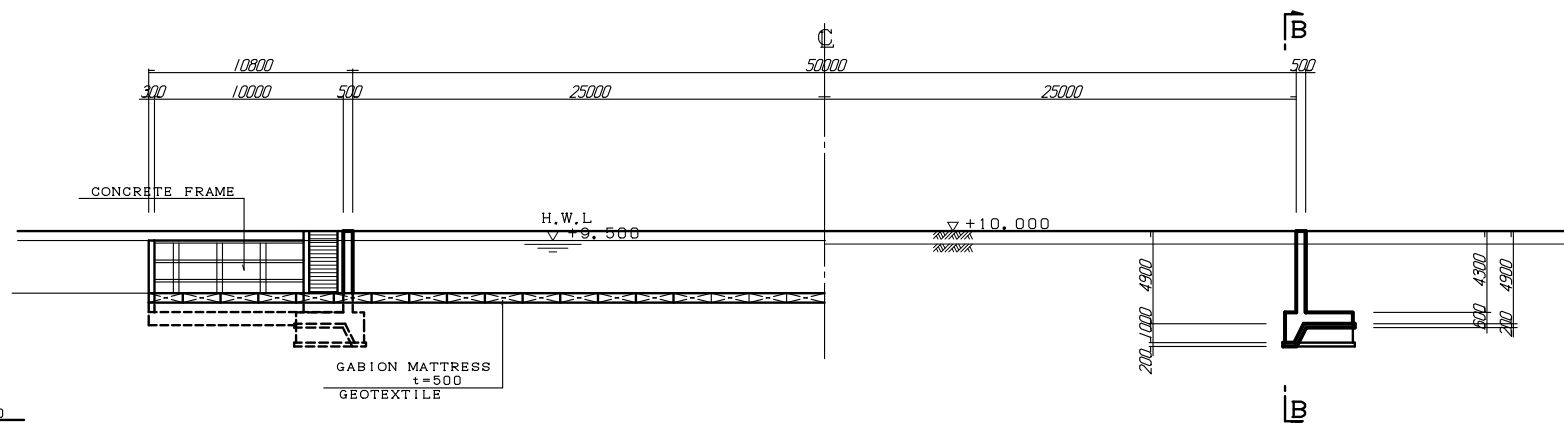


SECTION A - A

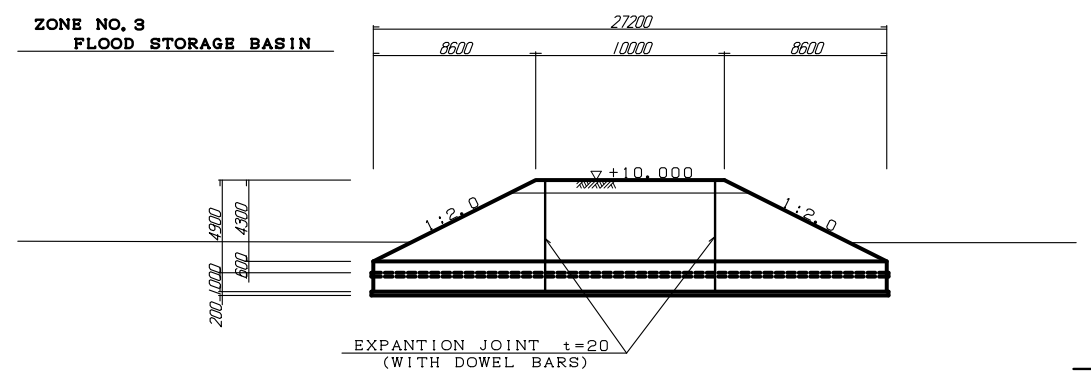


EMERGENCY SERVICE DIKE

LONGITUDINAL SECTION



SECTION B - B



REPUBLIC OF TUNISIA GENERAL DIRECTORATE OF DAMS AND LARGE HYDRAULIC WORKS, MINISTRY OF AGRICULTURE		JAPAN INTERNATIONAL COOPERATION AGENCY	
PREPARATORY SURVEY ON INTEGRATED BASIN MANAGEMENT AND FLOOD CONTROL PROJECT FOR MEJERDA RIVER : DEVELOPMENT OF FLOOD PREVENTION MEASURES			
DRAWING TITLE		SHEET NO.	
SERVICE GATE AND DIKE		98	
YEO YACHIYO ENGINEERING Co.,LTD. TOKYO JAPAN			