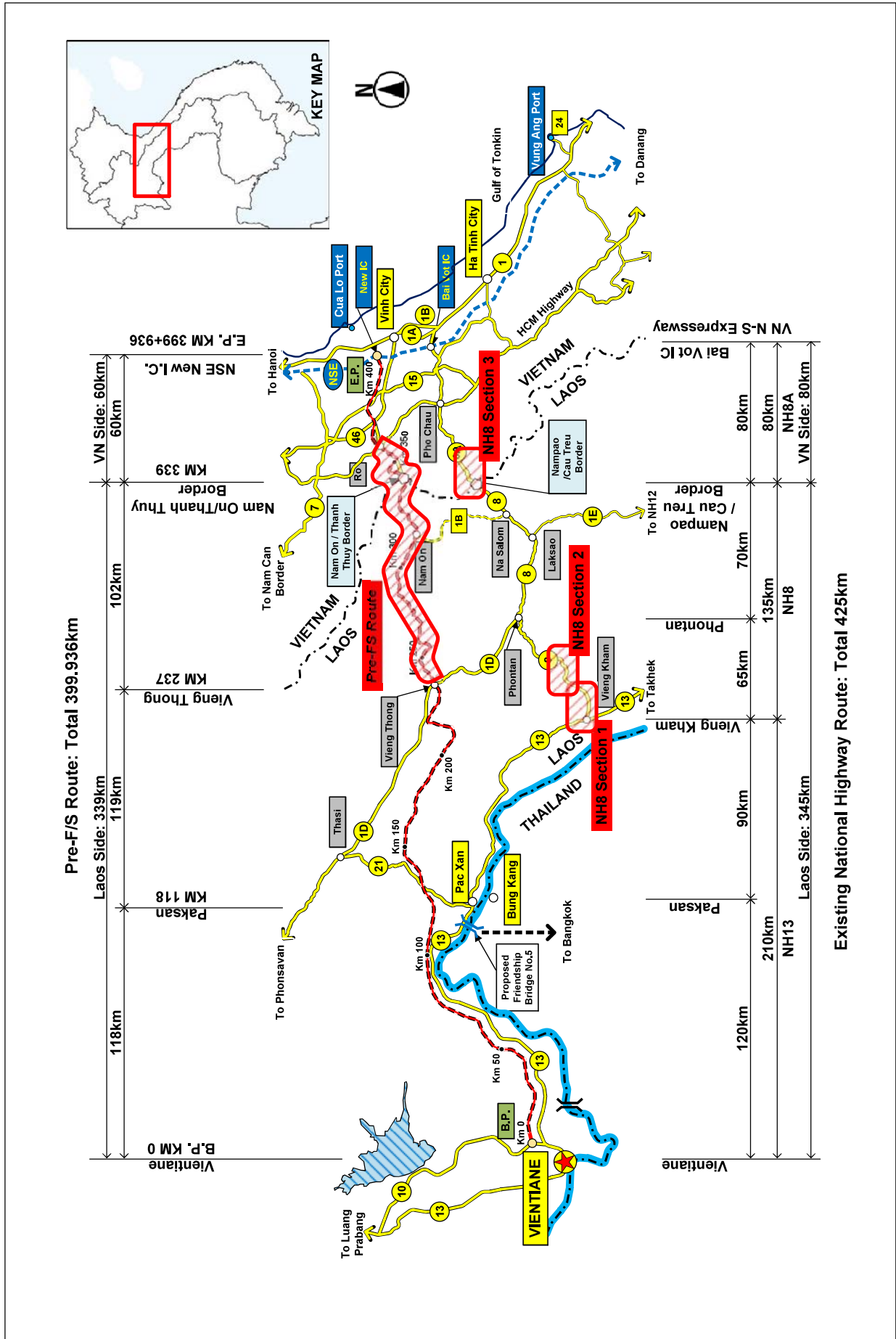


6. : Drawings of road design

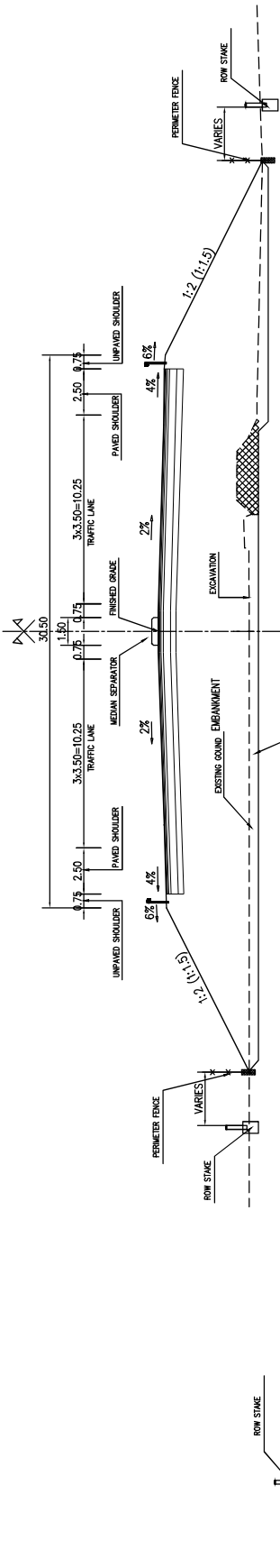
DRAWINGS

- A. TYPICAL CROSS SECTION**
- B. PLAN & PROFILE OF PRE-F/S CORRIDOR**
- C. PLAN & PROFILE OF NH8 CORRIDOR**

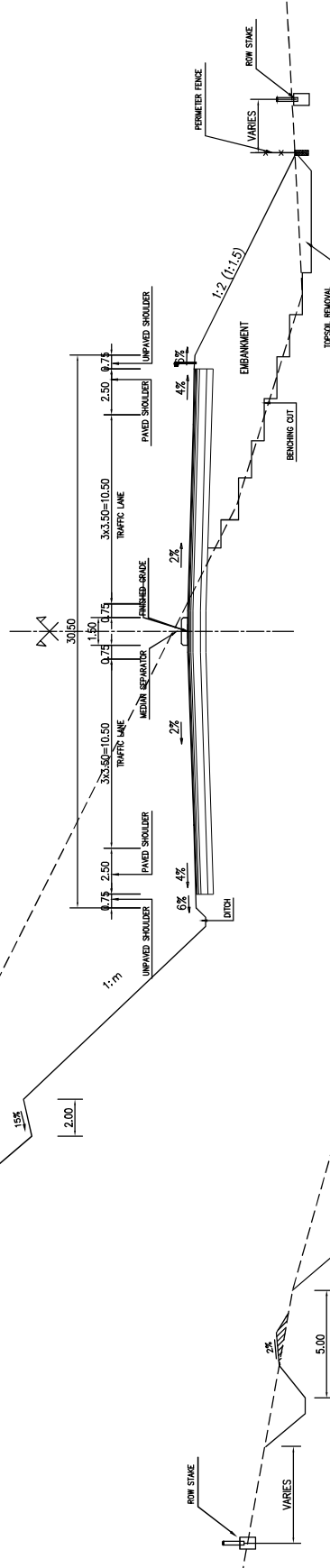


A. TYPICAL CROSS SECTION

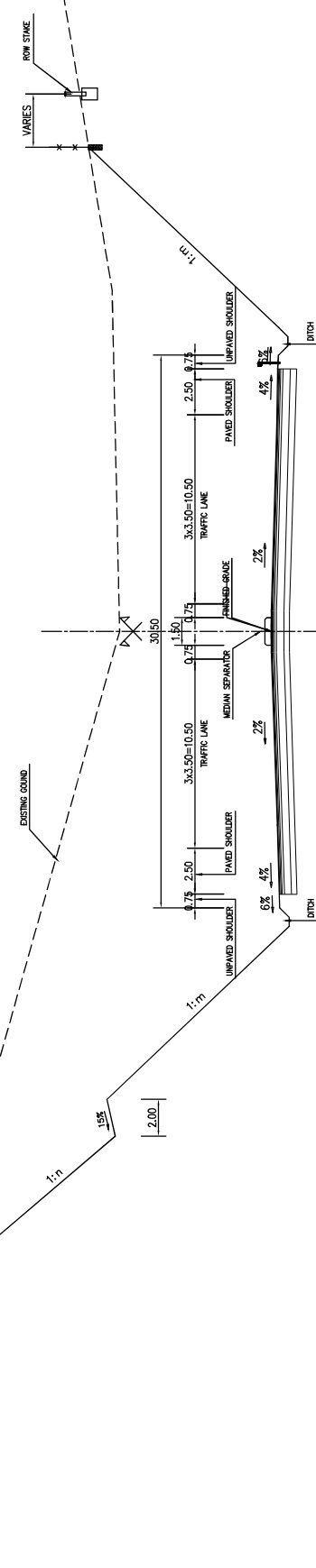
1. 6-Lane, General Section
2. 4-Lane, General Section
3. 4-Lane, 6-Lane, Bridge Section
4. 4-Lane, Tunnel Section



6-LANE_FILL & FILL SECTION

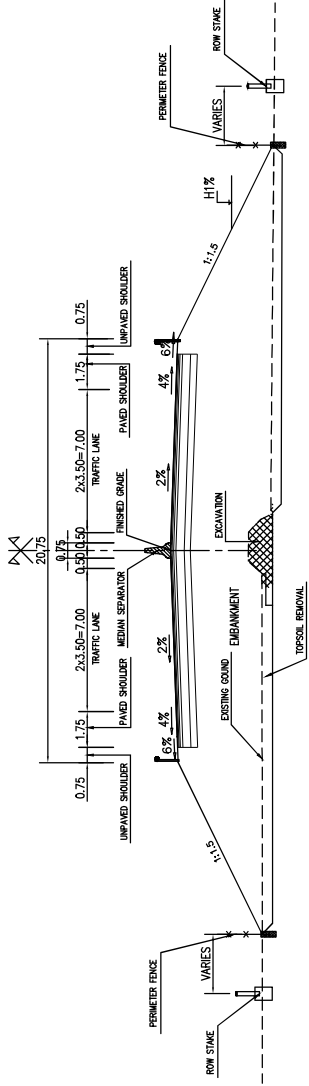


6-LANE_CUT & FILL SECTION

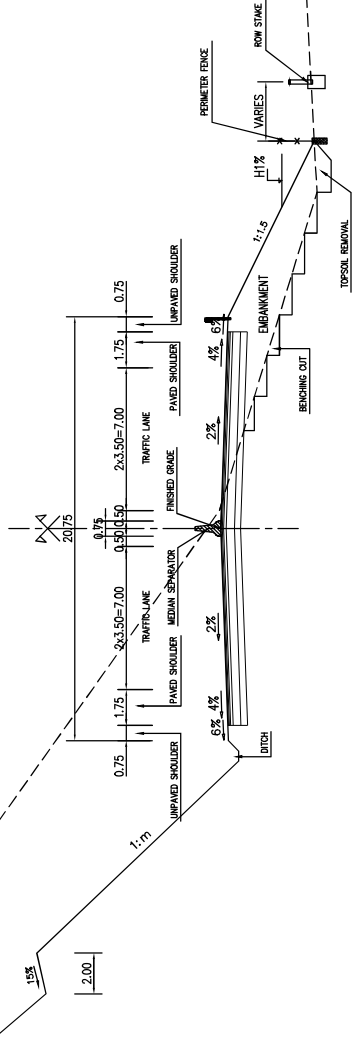


6-LANE_CUT & CUT SECTION

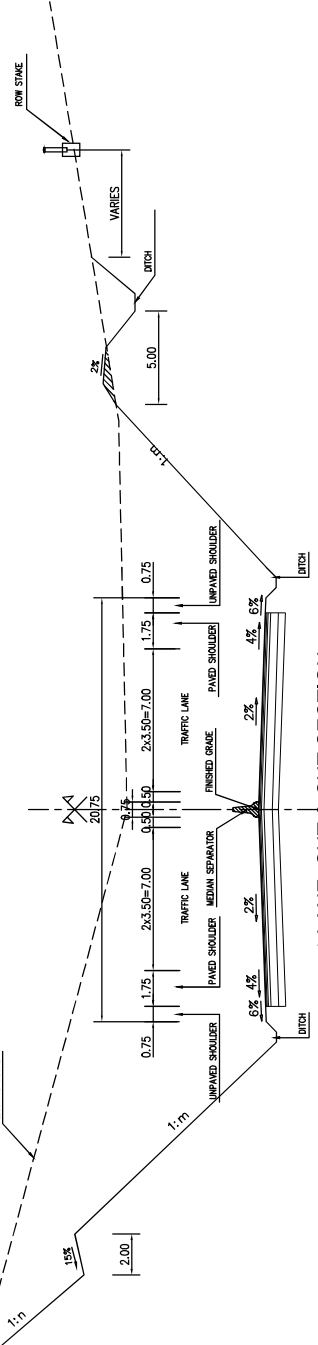
LAO PEOPLE'S DEMOCRATIC REPUBLIC SOCIALIST REPUBLIC OF VIETNAM	JAPAN INTERNATIONAL COOPERATION AGENCY Yachiyo Engineering Co., Ltd. NIPPON KOEI Nippon Koei Co., Ltd.		DATA COLLECTION SURVEY FOR ENHANCEMENT OF CONNECTIVITY BETWEEN HANOI AND VIENTIANE IN ASIA		PRE-F/S, NH8 ROUTE		SHEET CONTENTS	
	CENTRAL Central Consultant Inc. PASCO Pasco Corporation		TYPICAL CROSS SECTION		6-LANE, GENERAL SECTION		6-LANE, GENERAL SECTION	
							SCALE	1:100
							DATE	MAR 2018
							PAGE NO.	/



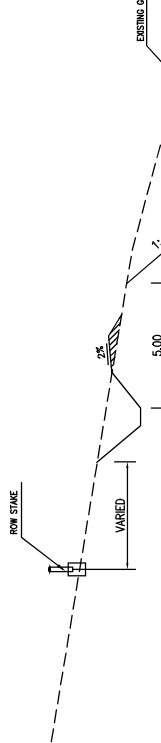
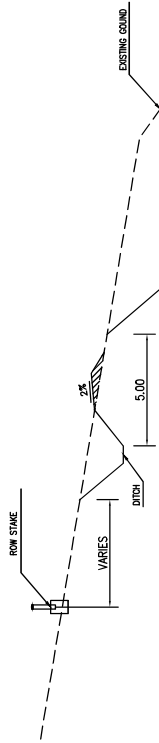
4-LANE_FILL & FILL SECTION



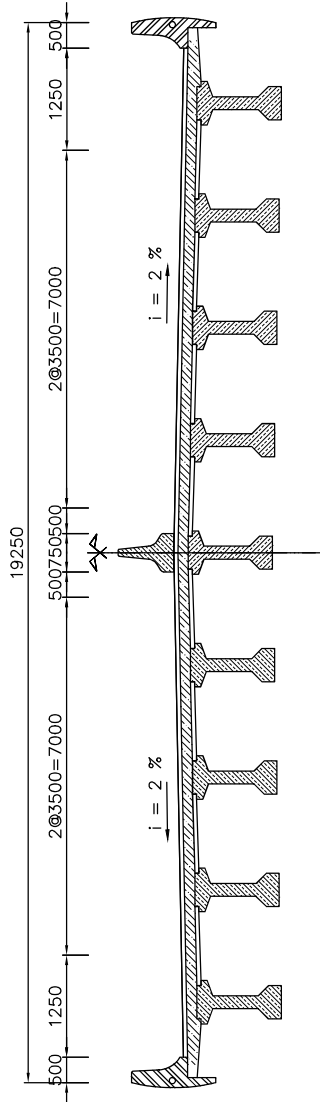
4-LANE_CUT & FILL SECTION



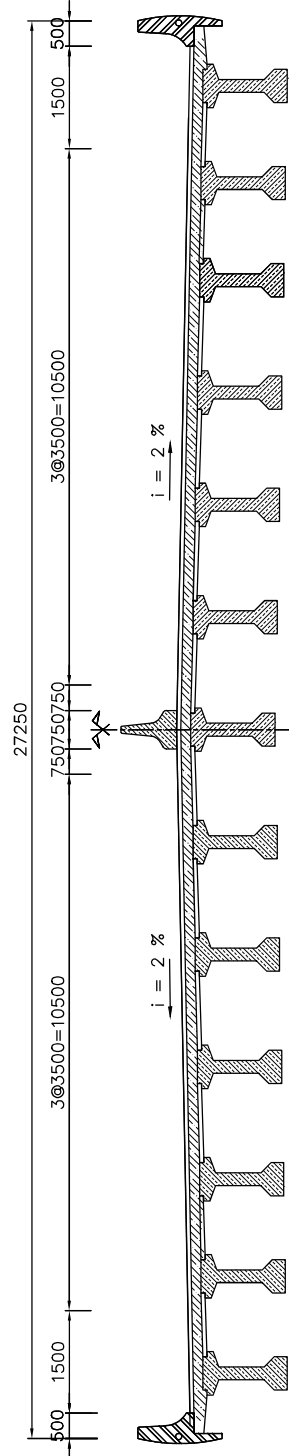
4-LANE_CUT & CUT SECTION



LAO PEOPLE'S DEMOCRATIC REPUBLIC SOCIALIST REPUBLIC OF VIETNAM	JAPAN INTERNATIONAL COOPERATION AGENCY Yachiyo Engineering Co., Ltd. NIPPON KOEI Nippon Koei Co., Ltd.		DATA COLLECTION SURVEY FOR ENHANCEMENT OF CONNECTIVITY BETWEEN HANOI AND VIENTIANE IN ASIA		PRE-F/S, NH8 ROUTE	SHEET CONTENTS	
	CENTRAL Consultant Inc. PASCO Pasco Corporation		TYPICAL CROSS SECTION		4-LANE, GENERAL SECTION		
					SCALE	1:100	
					DATE	MAR 2018	
					PAGE NO.	/	

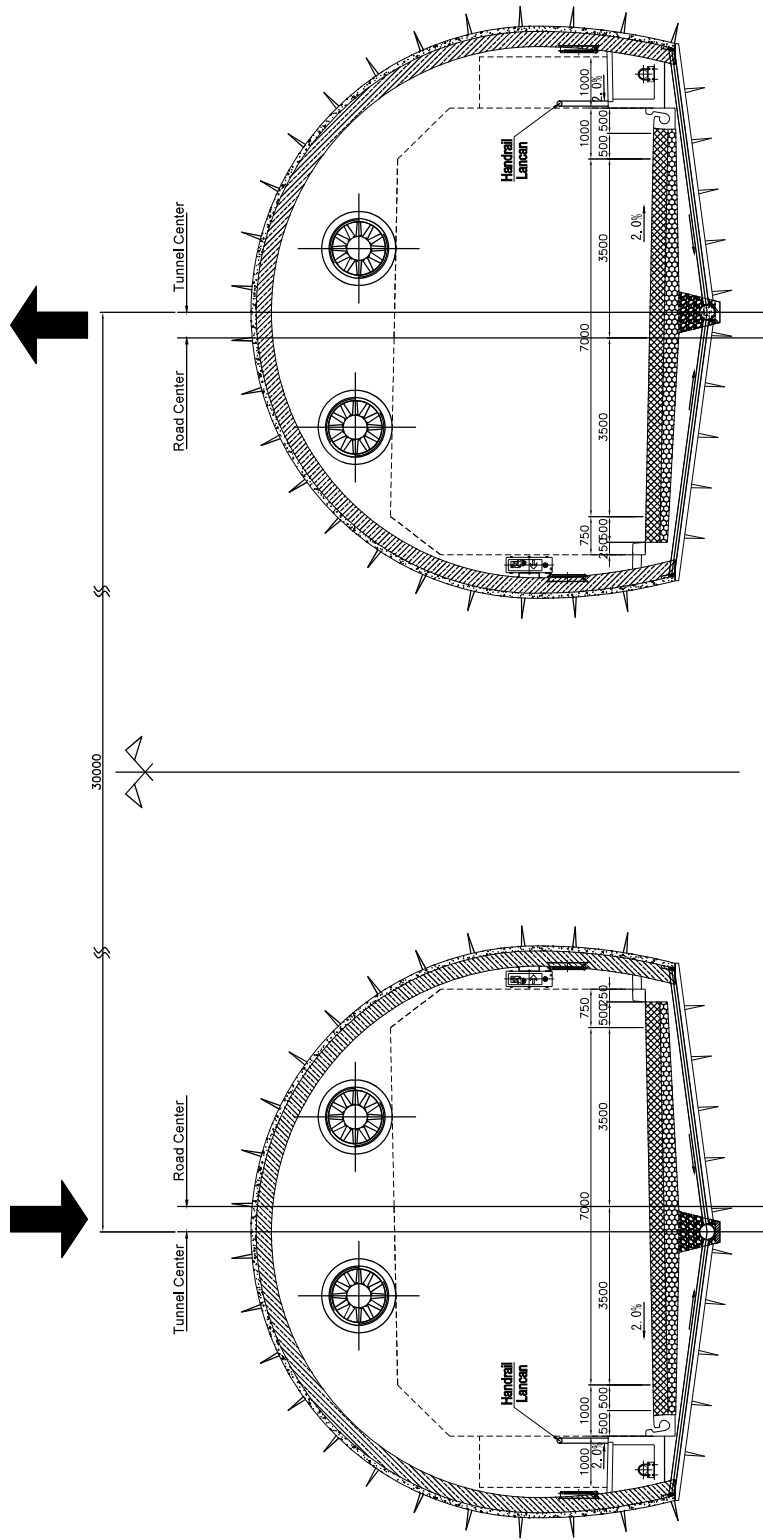


4-LANE_BRIDGE SECTION



6-LANE_BRIDGE SECTION

LAO PEOPLE'S DEMOCRATIC REPUBLIC SOCIALIST REPUBLIC OF VIETNAM	 JAPAN INTERNATIONAL COOPERATION AGENCY Yachyo Engineering Co., Ltd. NIPPON KOEI Nippon Koei Co., Ltd. PASCO Pasco Corporation	DATA COLLECTION SURVEY FOR ENHANCEMENT OF CONNECTIVITY BETWEEN HANOI AND VIENTIANE IN ASIA	PRE-F/S, NH8 ROUTE TYPICAL CROSS SECTION	SHEET CONTENTS 4-LANE, 6-LANE, BRIDGE SECTION	SCALE DATE PAGE NO.	1:100 MAR 2018 /

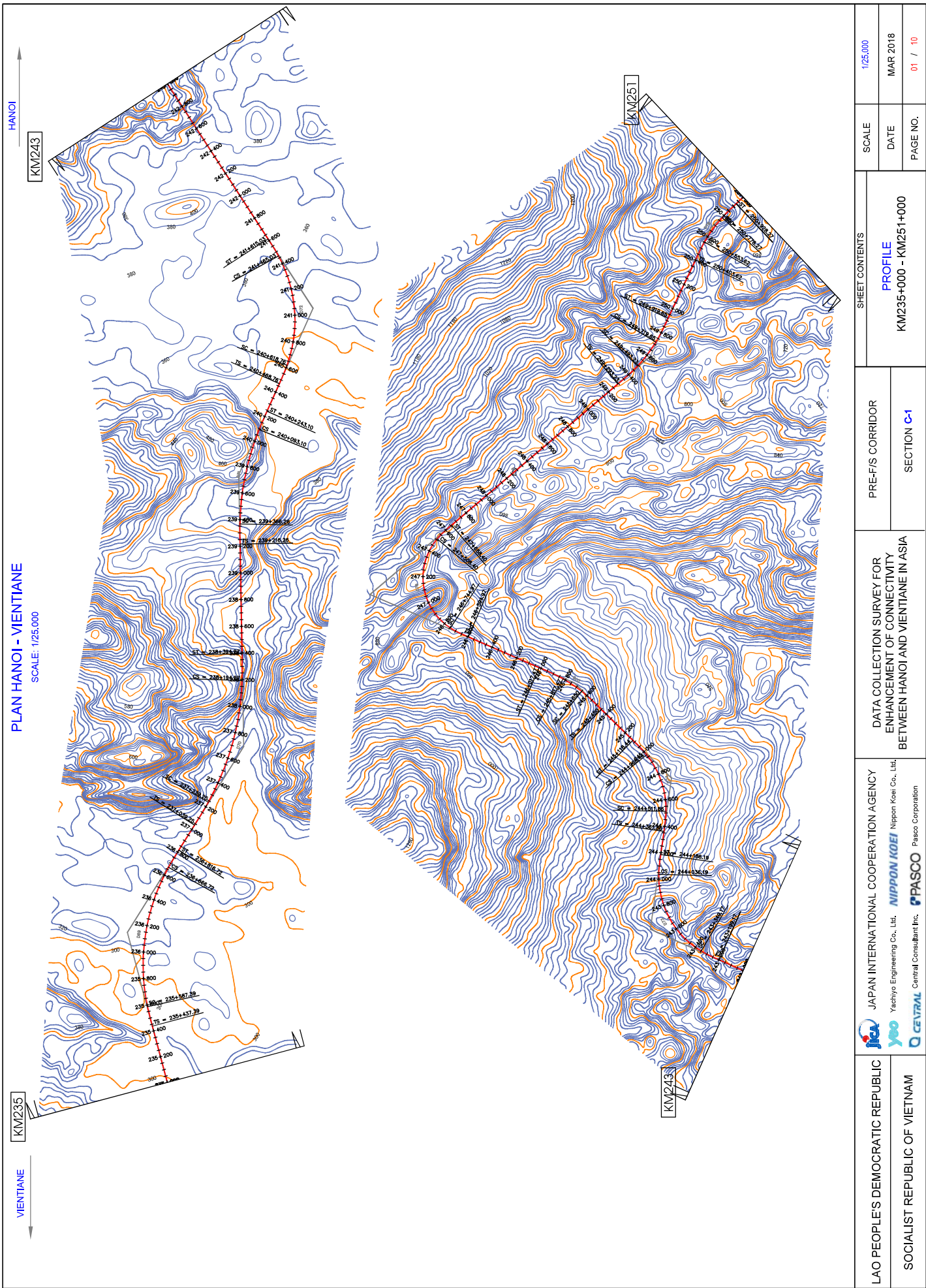


4-LANE_TUNNEL_SECTION

LAO PEOPLES DEMOCRATIC REPUBLIC SOCIALIST REPUBLIC OF VIETNAM	<p>JAPAN INTERNATIONAL COOPERATION AGENCY Yachyo Engineering Co., Ltd. NIPPON KOEI Nippon Koei Co., Ltd. CENTRAL Central Consultant Inc. PASCO Pasco Corporation</p>	DATA COLLECTION SURVEY FOR ENHANCEMENT OF CONNECTIVITY BETWEEN HANOI AND VIENTIANE IN ASIA	PRE-F/S, NH8 ROUTE TYPICAL CROSS SECTION	SHEET CONTENTS	
				4-LANE, TUNNEL SECTION	
				SCALE	1:100
				DATE	MAR 2018
				PAGE NO.	/

B. PLAN & PROFILE OF PRE-F/S CORRIDOR

(Vieng Thong – Nam On/Thanh Thuy – Ro)



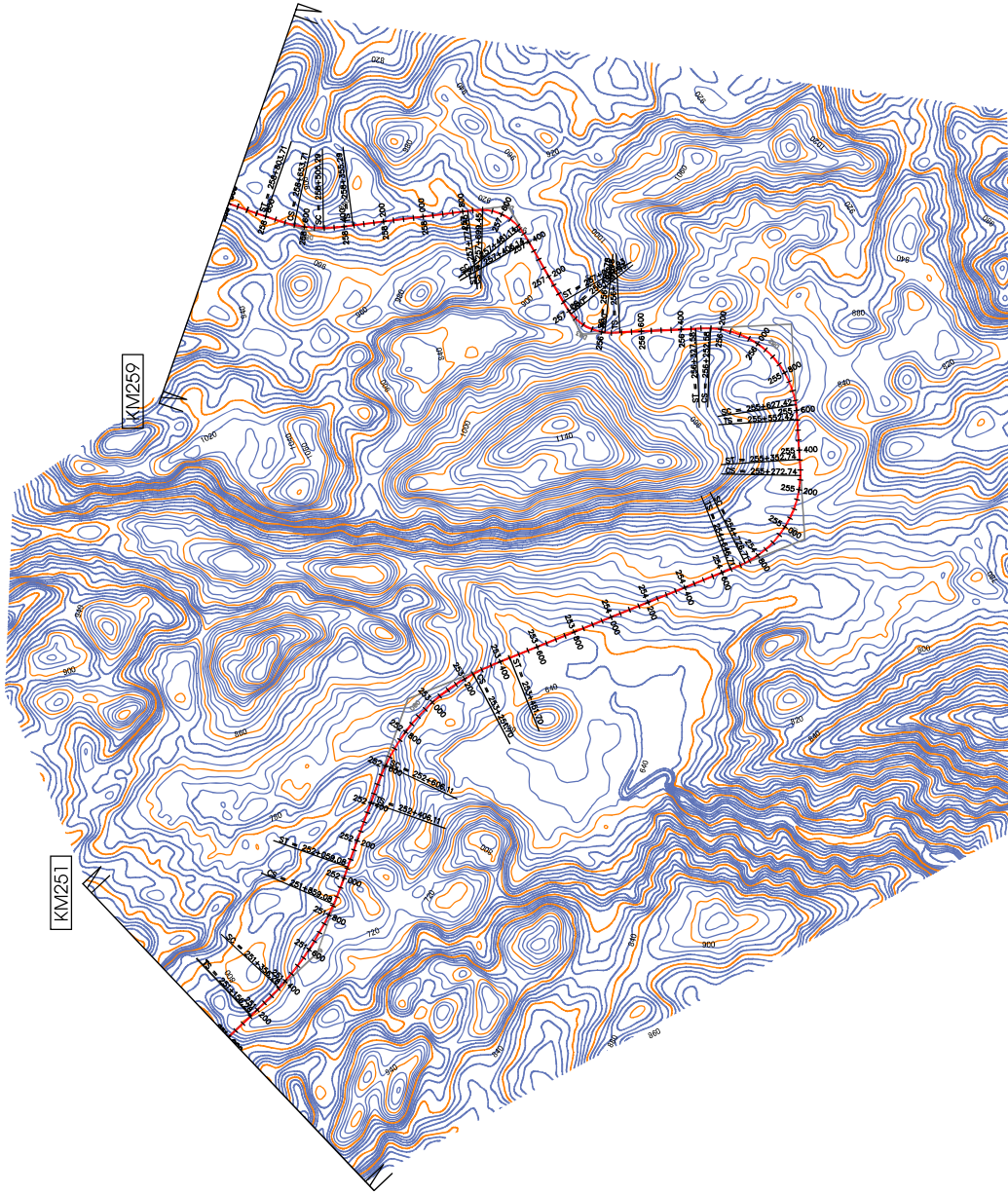
LAO PEOPLE'S DEMOCRATIC REPUBLIC SOCIALIST REPUBLIC OF VIETNAM	SHEET CONTENTS		SCALE	1/25,000
	PRE-F/S CORRIDOR		DATE	MAR 2018
DATA COLLECTION SURVEY FOR ENHANCEMENT OF CONNECTIVITY BETWEEN HANOI AND VIENTIANE IN ASIA		SECTION C-1	PAGE NO. 01 / 10	
JAPAN INTERNATIONAL COOPERATION AGENCY Yachiyo Engineering Co., Ltd. NIPPON KOEI Nippon Koei Co., Ltd. CENTRAL Central Consultant Inc. PASCO Pasco Corporation		PROFILE KM235+000 - KM251+000		

HANOI

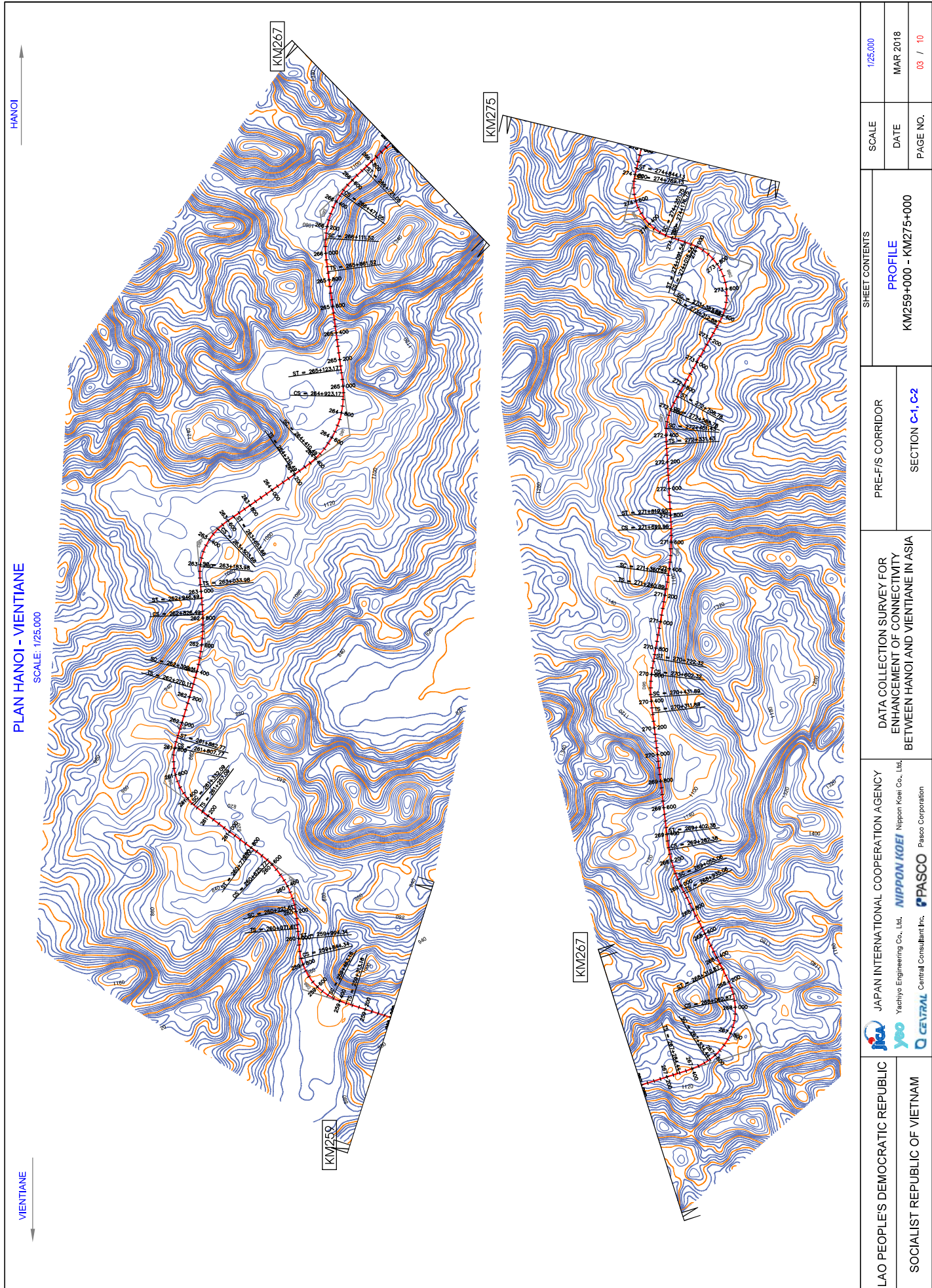
PLAN HANOI - VIENTIANE

SCALE: 1/25,000

VIENTIANE



LAO PEOPLE'S DEMOCRATIC REPUBLIC SOCIALIST REPUBLIC OF VIETNAM	JAPAN INTERNATIONAL COOPERATION AGENCY Yachiyo Engineering Co., Ltd. NIPPON KOEI Nippon Koei Co., Ltd. CENTRAL Central Consultant Inc. PASCO Pasco Corporation		DATA COLLECTION SURVEY FOR ENHANCEMENT OF CONNECTIVITY BETWEEN HANOI AND VIENTIANE IN ASIA		PRE-F/S CORRIDOR SECTION C-1		SHEET CONTENTS PROFILE KM251+000 - KM259+000		SCALE 1/25,000
									DATE MAR 2018
								PAGE NO. 02 / 10	



PLAN HANOI - VIENTIANE
SCALE: 1/25,000

HANOI

VIENTIANE

LAO PEOPLE'S DEMOCRATIC REPUBLIC SOCIALIST REPUBLIC OF VIETNAM	JAPAN INTERNATIONAL COOPERATION AGENCY Yachiyo Engineering Co., Ltd. NIPPON KOEI Nippon Koei Co., Ltd. YOO Q CENTRAL Central Consultant Inc. PASCO Pasco Corporation		DATA COLLECTION SURVEY FOR ENHANCEMENT OF CONNECTIVITY BETWEEN HANOI AND VIENTIANE IN ASIA		PRE-F/S CORRIDOR	SHEET CONTENTS PROFILE KM259+000 - KM275+000		SCALE 1/25,000
					SECTION C-1, C-2			DATE MAR 2018
								PAGE NO. 03 / 10