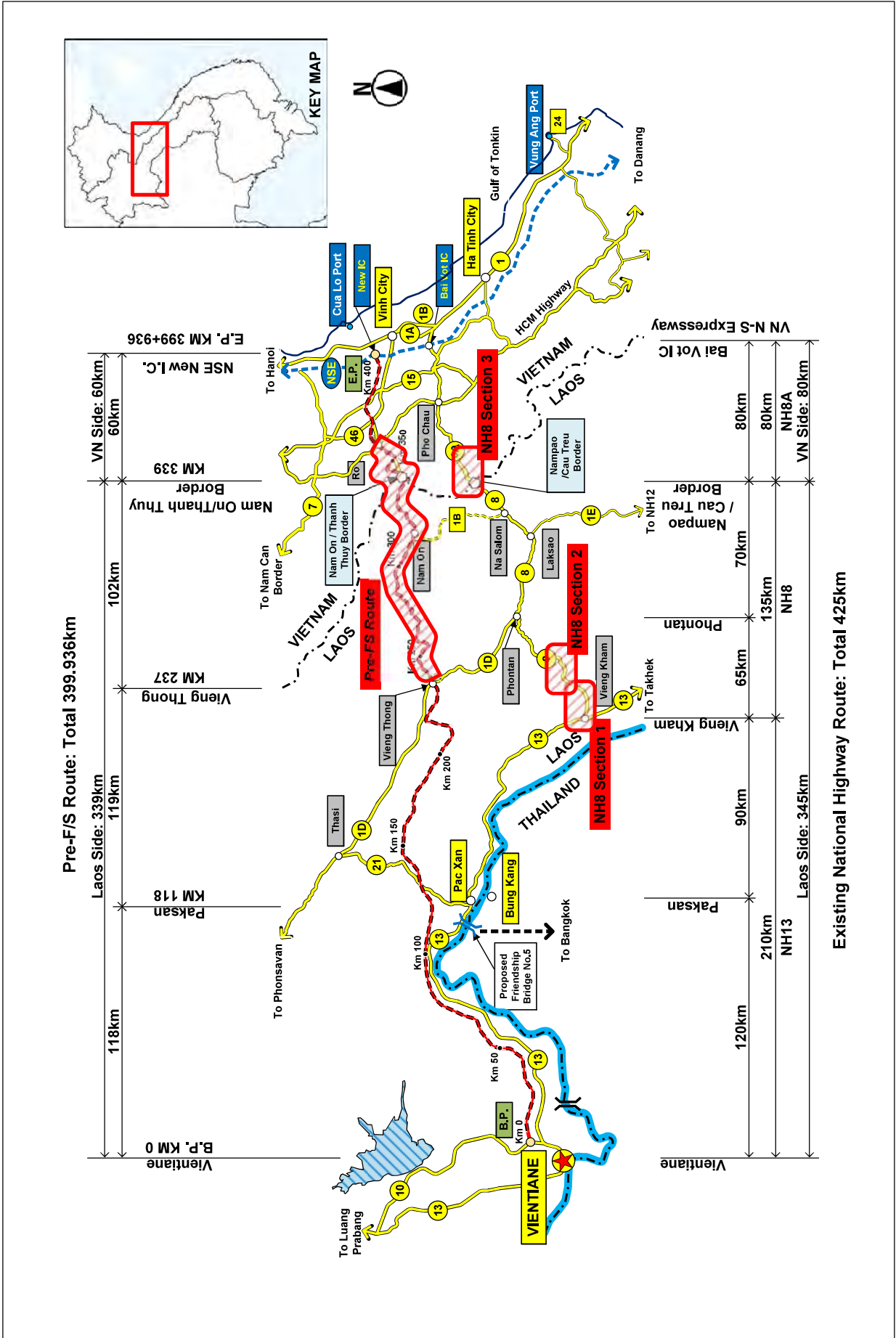


6. : Drawings of road design

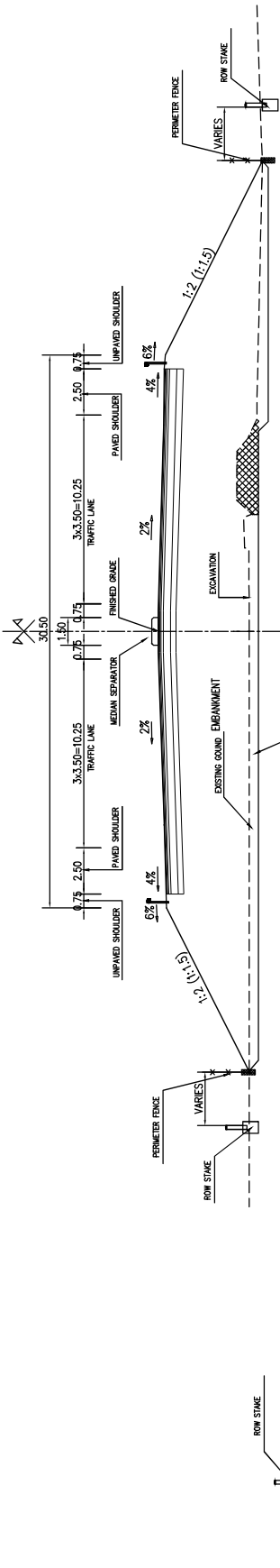
DRAWINGS

- A. TYPICAL CROSS SECTION**
- B. PLAN & PROFILE OF PRE-F/S CORRIDOR**
- C. PLAN & PROFILE OF NH8 CORRIDOR**

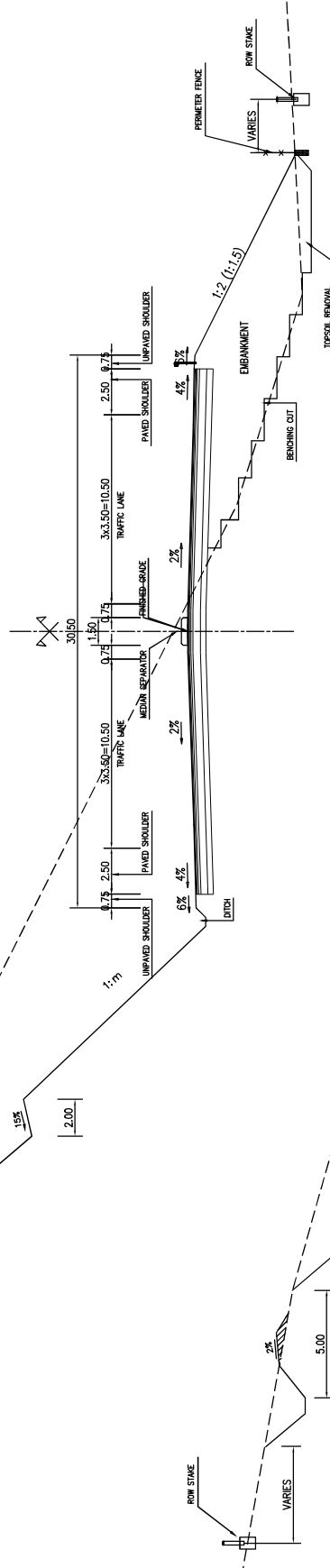


A. TYPICAL CROSS SECTION

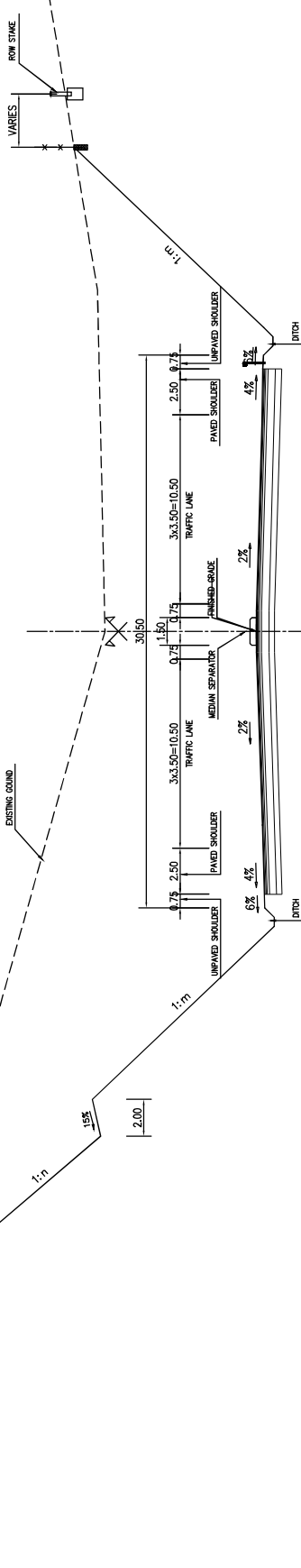
1. 6-Lane, General Section
2. 4-Lane, General Section
3. 4-Lane, 6-Lane, Bridge Section
4. 4-Lane, Tunnel Section



6-LANE_FILL & FILL SECTION

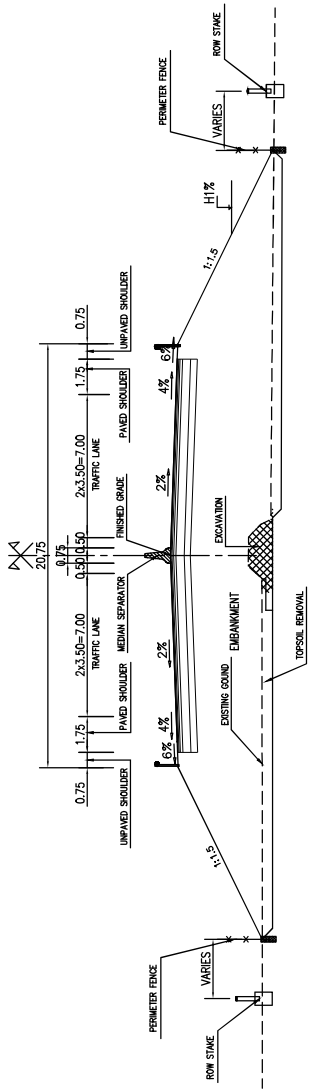


6-LANE_CUT & FILL SECTION

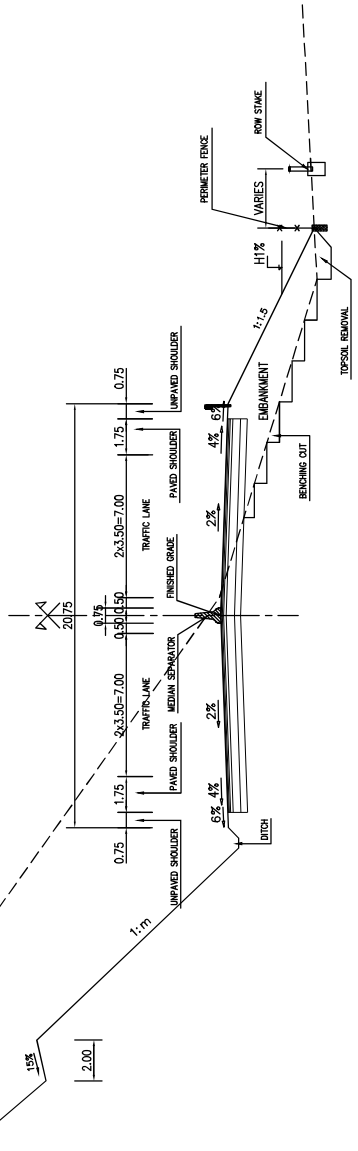


6-LANE_CUT & CUT SECTION

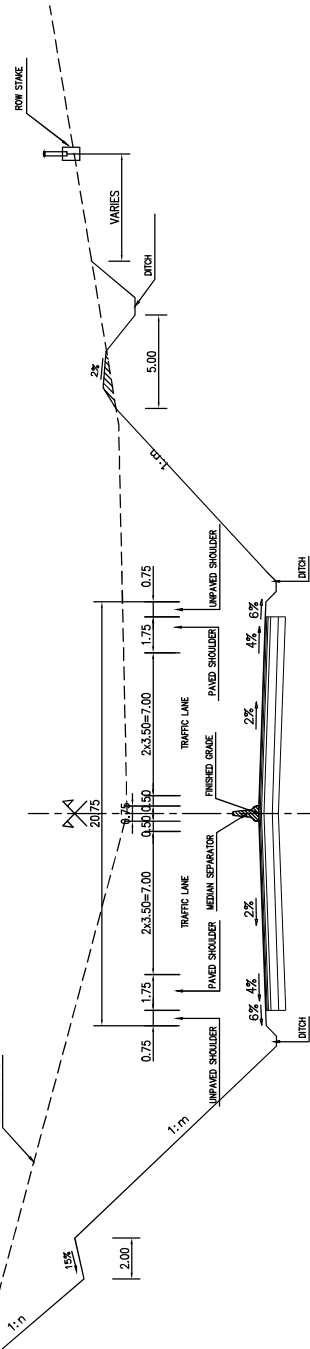
LAO PEOPLE'S DEMOCRATIC REPUBLIC SOCIALIST REPUBLIC OF VIETNAM	JAPAN INTERNATIONAL COOPERATION AGENCY Yachiyo Engineering Co., Ltd. NIPPON KOEI Nippon Koei Co., Ltd.	DATA COLLECTION SURVEY FOR ENHANCEMENT OF CONNECTIVITY BETWEEN HANOI AND VIENTIANE IN ASIA	PRE-F/S, NH8 ROUTE	SHEET CONTENTS		
				6-LANE, GENERAL SECTION		
	CENTRAL Central Consultant Inc. PASCO Pasco Corporation			SCALE	1:100	
				DATE	MAR 2018	
				PAGE NO.	/	



4-LANE_FILL & FILL SECTION

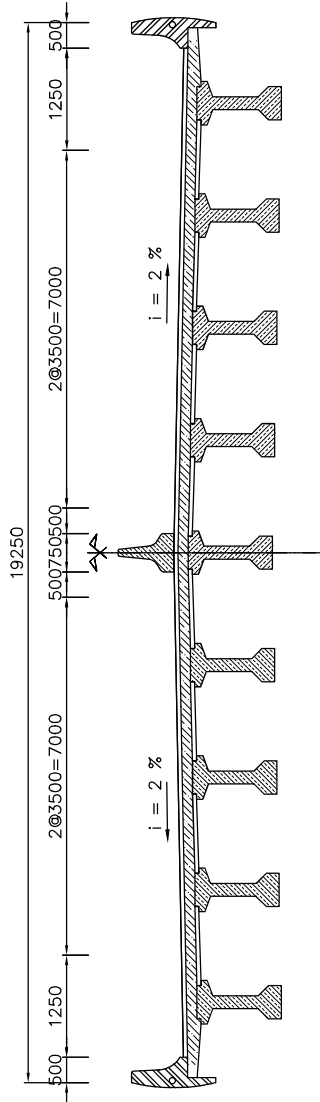


4-LANE_CUT & FILL SECTION

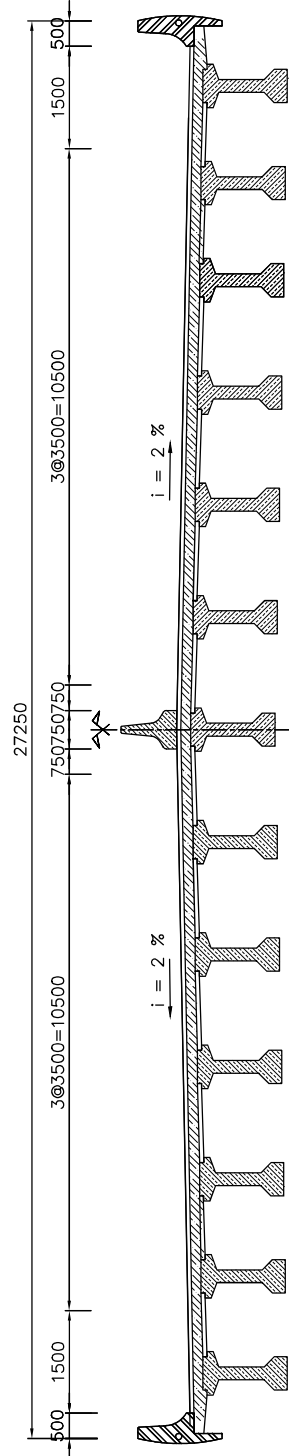


4-LANE_CUT & CUT SECTION

LAO PEOPLE'S DEMOCRATIC REPUBLIC SOCIALIST REPUBLIC OF VIETNAM	JAPAN INTERNATIONAL COOPERATION AGENCY Yachyo Engineering Co., Ltd. NIPPON KOEI Nippon Koei Co., Ltd.	PRE-F/S, NH8 ROUTE TYPICAL CROSS SECTION	SHEET CONTENTS	
			4-LANE, GENERAL SECTION	
	JAPAN INTERNATIONAL COOPERATION AGENCY Yachyo Engineering Co., Ltd. NIPPON KOEI Nippon Koei Co., Ltd.		SCALE	1:100
	CPASCO Pasco Corporation		DATE	MAR 2018
			PAGE NO.	/

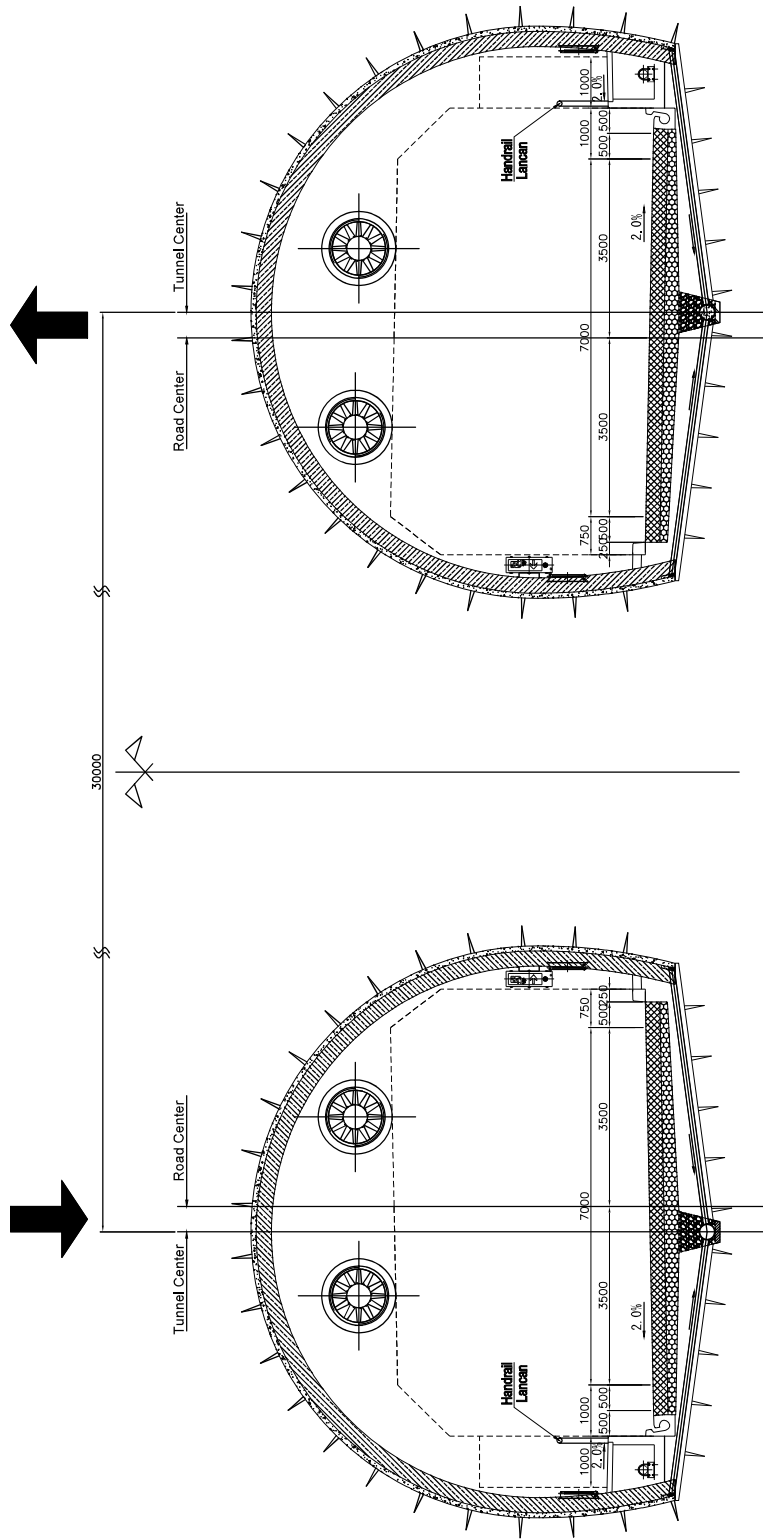


4-LANE_BRIDGE SECTION



6-LANE_BRIDGE SECTION

LAO PEOPLE'S DEMOCRATIC REPUBLIC SOCIALIST REPUBLIC OF VIETNAM	 JAPAN INTERNATIONAL COOPERATION AGENCY Yachyo Engineering Co., Ltd. NIPPON KOEI Nippon Koei Co., Ltd. PASCO Pasco Corporation	DATA COLLECTION SURVEY FOR ENHANCEMENT OF CONNECTIVITY BETWEEN HANOI AND VIENTIANE IN ASIA	PRE-F/S, NH8 ROUTE TYPICAL CROSS SECTION	SHEET CONTENTS 4-LANE, 6-LANE, BRIDGE SECTION	SCALE DATE PAGE NO.	1:100 MAR 2018 /

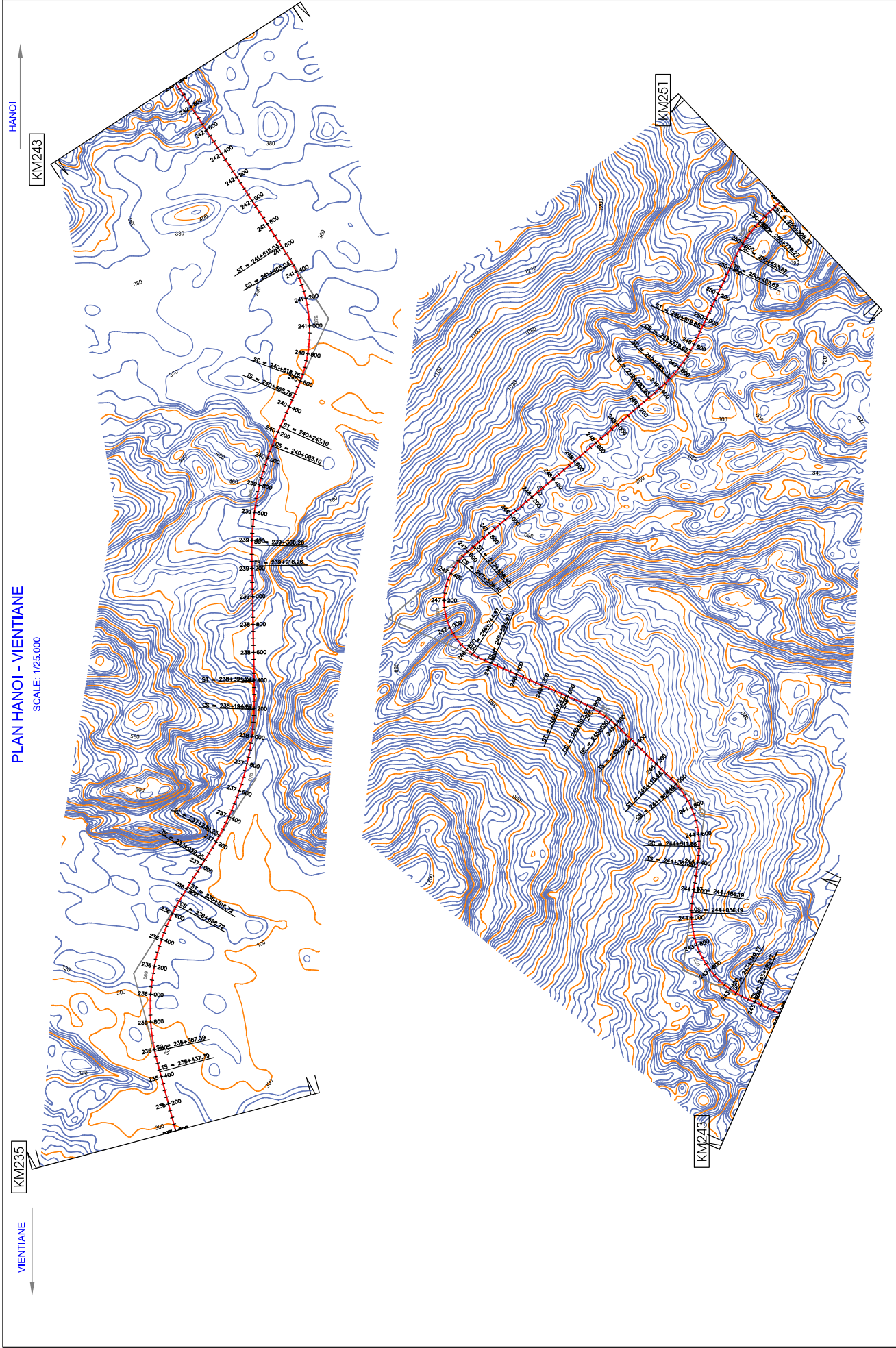


4-LANE_TUNNEL_SECTION

LAO PEOPLES DEMOCRATIC REPUBLIC SOCIALIST REPUBLIC OF VIETNAM	<p>JAPAN INTERNATIONAL COOPERATION AGENCY Yachyo Engineering Co., Ltd. NIPPON KOEI Nippon Koei Co., Ltd. PASCO Pasco Corporation</p>	DATA COLLECTION SURVEY FOR ENHANCEMENT OF CONNECTIVITY BETWEEN HANOI AND VIENTIANE IN ASIA	PRE-F/S, NH8 ROUTE	SHEET CONTENTS		SCALE	1:100
			TYPICAL CROSS SECTION	4-LANE, TUNNEL SECTION		DATE	MAR 2018
						PAGE NO.	/

B. PLAN & PROFILE OF PRE-F/S CORRIDOR

(Vieng Thong – Nam On/Thanh Thuy – Ro)



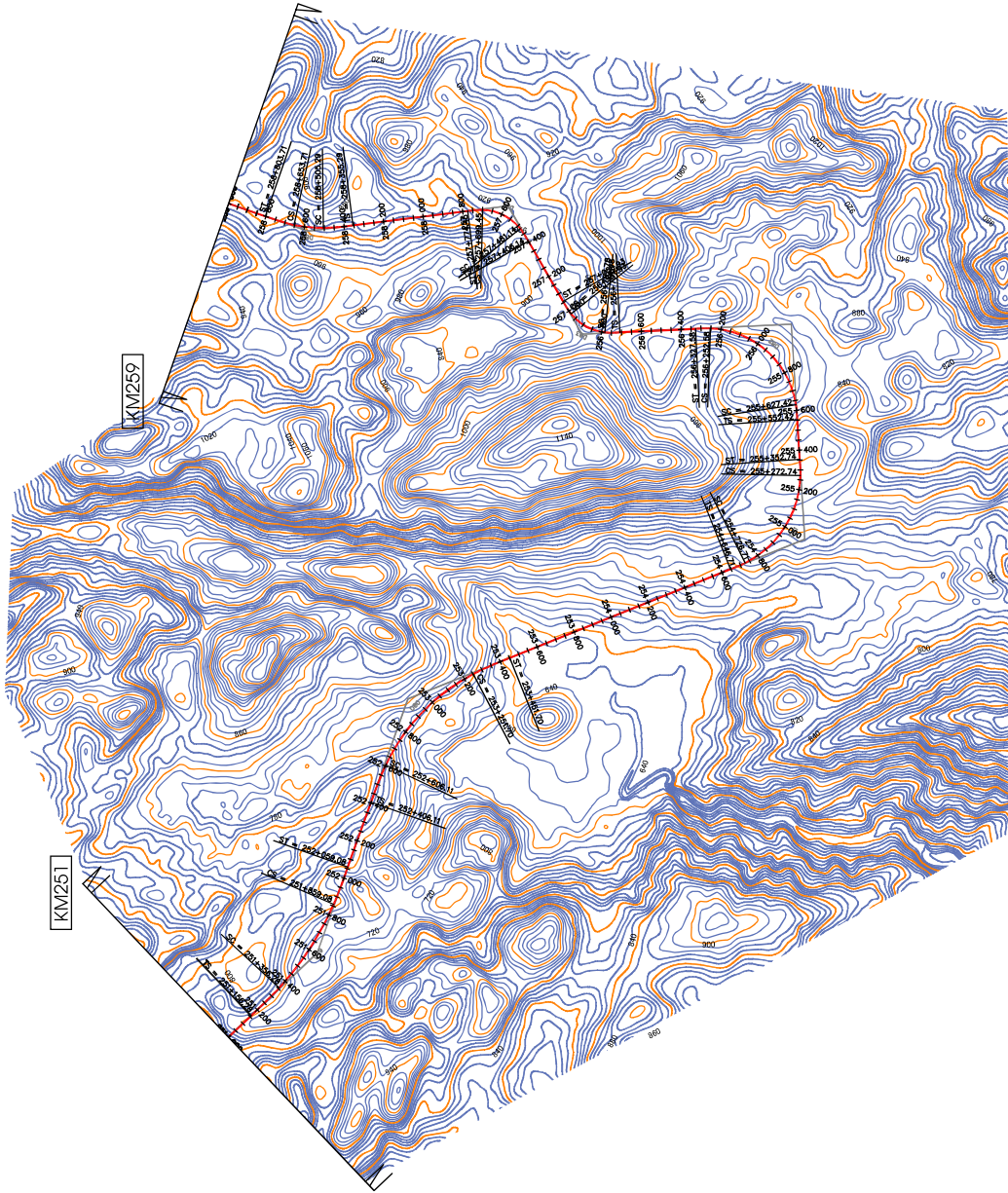
LAO PEOPLE'S DEMOCRATIC REPUBLIC SOCIALIST REPUBLIC OF VIETNAM	JAPAN INTERNATIONAL COOPERATION AGENCY Yachiyo Engineering Co., Ltd. NIPPON KOEI Nippon Koei Co., Ltd. YOO Central Consultant Inc. FPASCO Pasco Corporation		DATA COLLECTION SURVEY FOR ENHANCEMENT OF CONNECTIVITY BETWEEN HANOI AND VIENTIANE IN ASIA		PRE-F/S CORRIDOR	SHEET CONTENTS PROFILE KM235+000 - KM251+000		SCALE 1:25,000
					SECTION C-1			DATE MAR 2018
								PAGE NO. 01 / 10

HANOI

PLAN HANOI - VIENTIANE

SCALE: 1/25,000

VIENTIANE



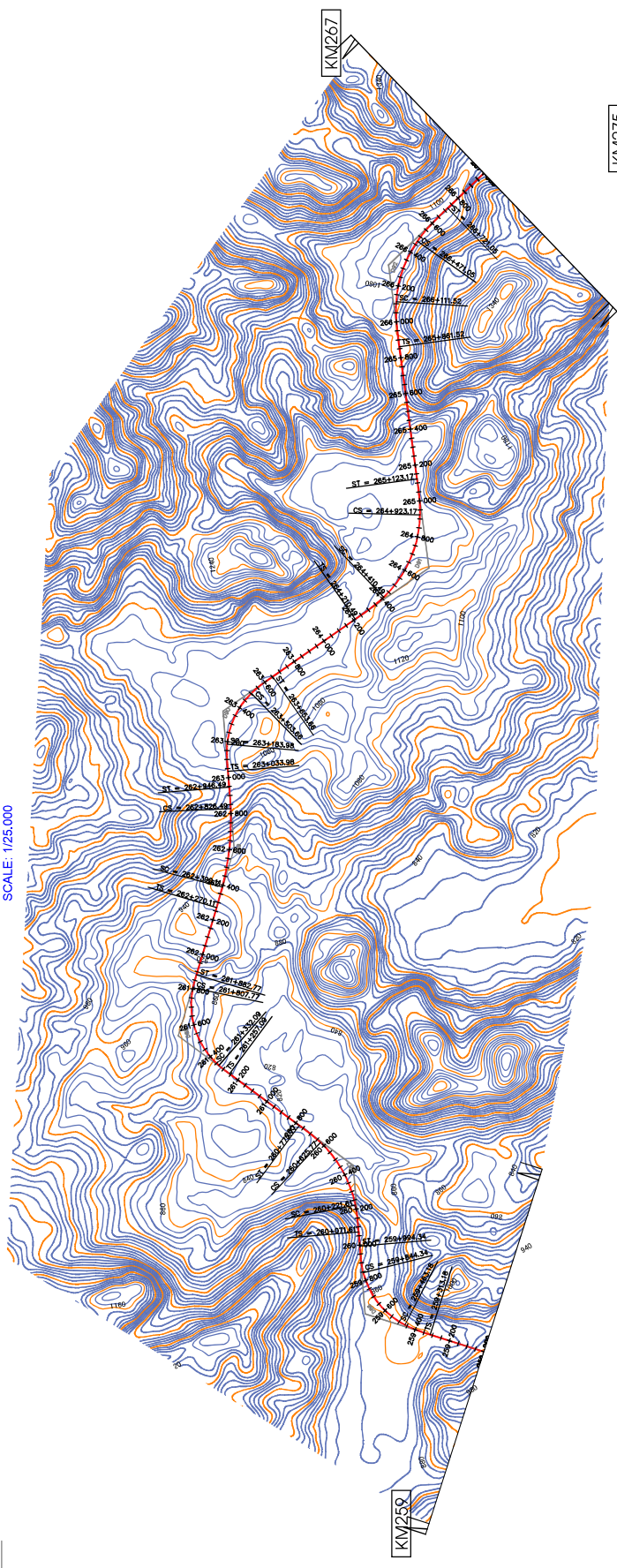
LAO PEOPLE'S DEMOCRATIC REPUBLIC	JAPAN INTERNATIONAL COOPERATION AGENCY Yachiyo Engineering Co., Ltd. NIPPON KOEI Nippon Koei Co., Ltd.	DATA COLLECTION SURVEY FOR ENHANCEMENT OF CONNECTIVITY BETWEEN HANOI AND VIENTIANE IN ASIA	PRE-F/S CORRIDOR	SHEET CONTENTS		SCALE	1/25,000
				PROFILE		DATE	MAR 2018
SOCIALIST REPUBLIC OF VIETNAM	YEO Yachiyo Engineering Co., Ltd. NIPPON KOEI Nippon Koei Co., Ltd. Q CENTRAL Central Consultant Inc. PFASCO Pasco Corporation		SECTION C-1	KM251+000 - KM259+000		PAGE NO.	02 / 10

HANOI

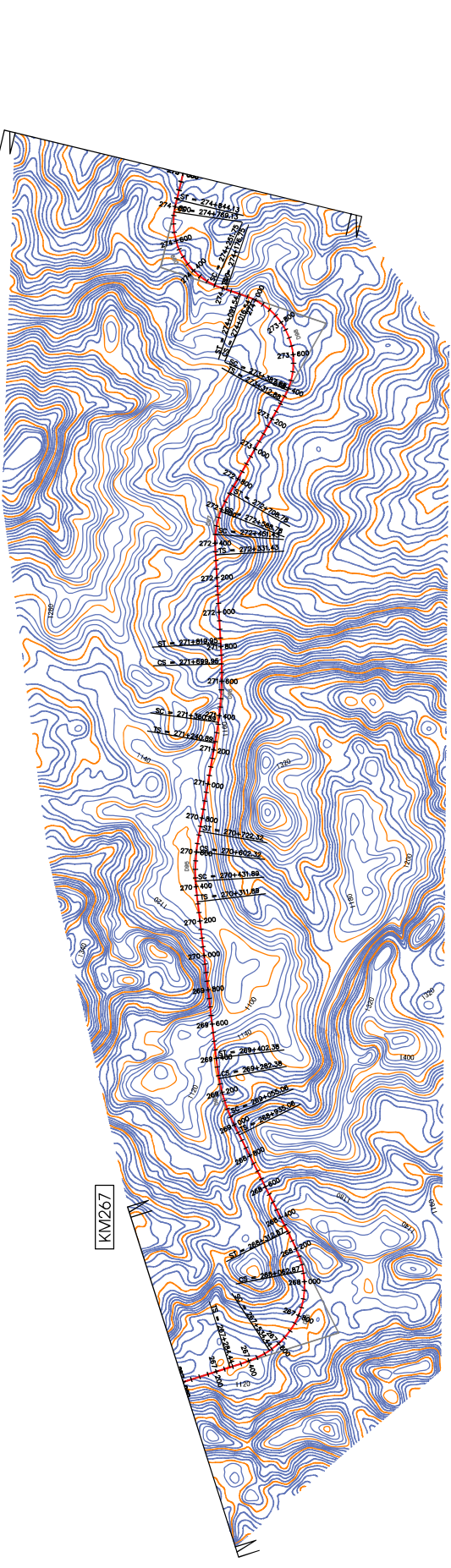
PLAN HANOI - VIENTIANE

SCALE: 1/25,000

VIENTIANE



KM275



LAO PEOPLE'S DEMOCRATIC REPUBLIC SOCIALIST REPUBLIC OF VIETNAM	JAPAN INTERNATIONAL COOPERATION AGENCY Yachiyo Engineering Co., Ltd. NIPPON KOEI Nippon Koei Co., Ltd. YOO Yoo Engineering Co., Ltd. NIPPON KOEI Nippon Koei Co., Ltd. Q CENTRAL Central Consultant Inc. FPASCO Pasco Corporation		DATA COLLECTION SURVEY FOR ENHANCEMENT OF CONNECTIVITY BETWEEN HANOI AND VIENTIANE IN ASIA		PRE-F/S CORRIDOR SECTION C-1, C-2		SHEET CONTENTS PROFILE KM259+000 - KM275+000		SCALE 1/25,000
									DATE MAR 2018
								PAGE NO. 03 / 10	