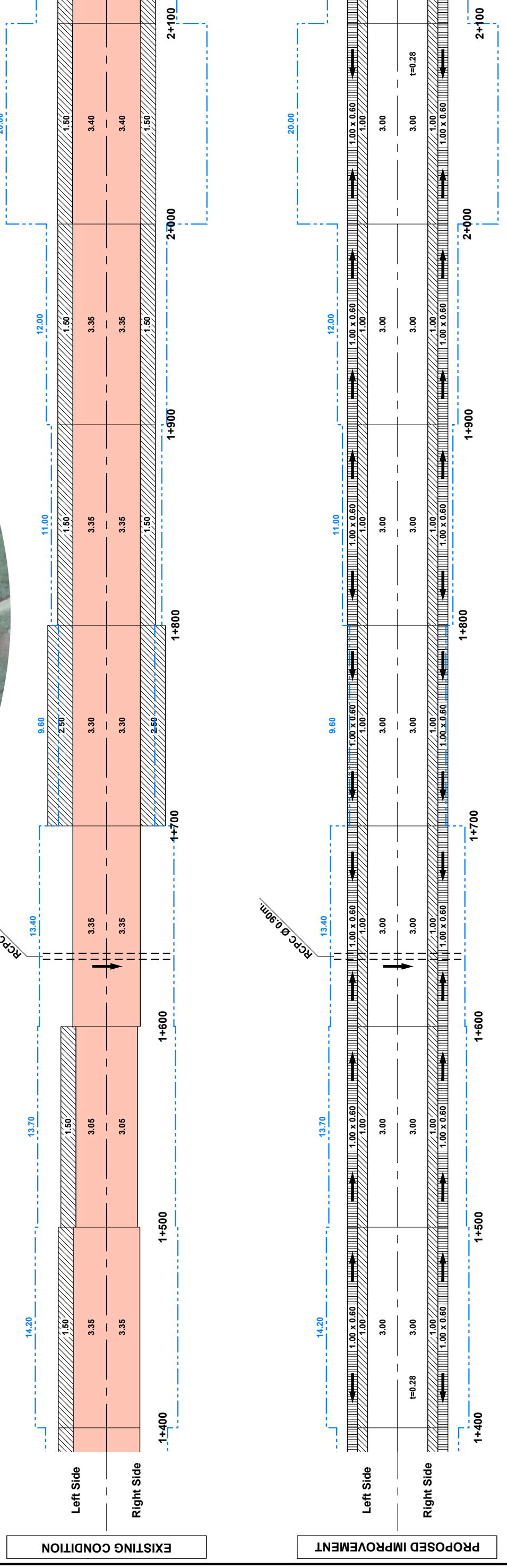


ROAD CLASS	SHEET CONTENTS	DRAWING NO.
2	ROAD-16 MARAWI-KAPAI ROAD STA. 1+400 ~ STA. 2+100	R16-03



LEGEND :

Good	Bad
Fair	Very Bad
Shoulder	Side Ditch
ROW Width	



ROAD CLASS	SHEET CONTENTS	DRAWING NO.
2	ROAD-16 MARAWI-KAPAI ROAD STA. 2+100 ~ STA. 2+800	R16-04



LEGEND :

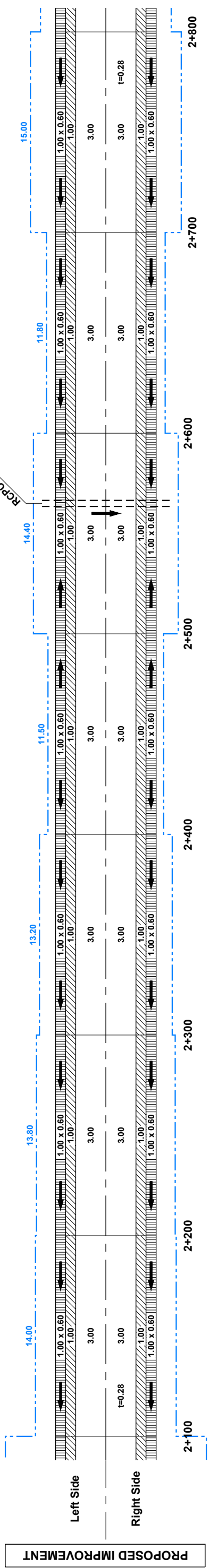
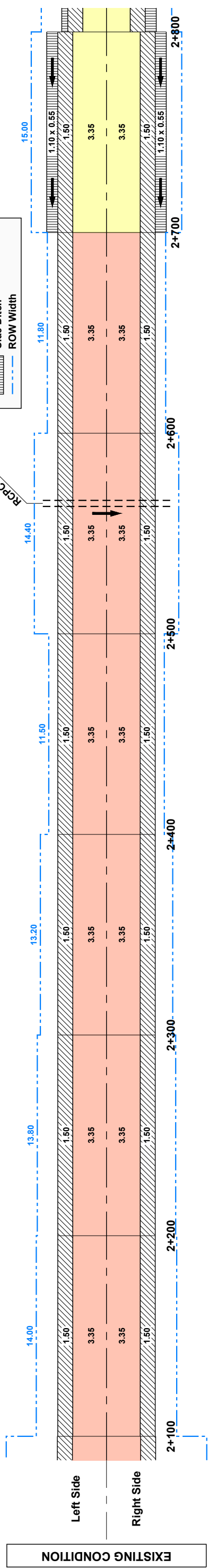
Road Condition

- Good
- Fair
- Bad
- Very Bad

Shoulder

Side Ditch

ROW Width

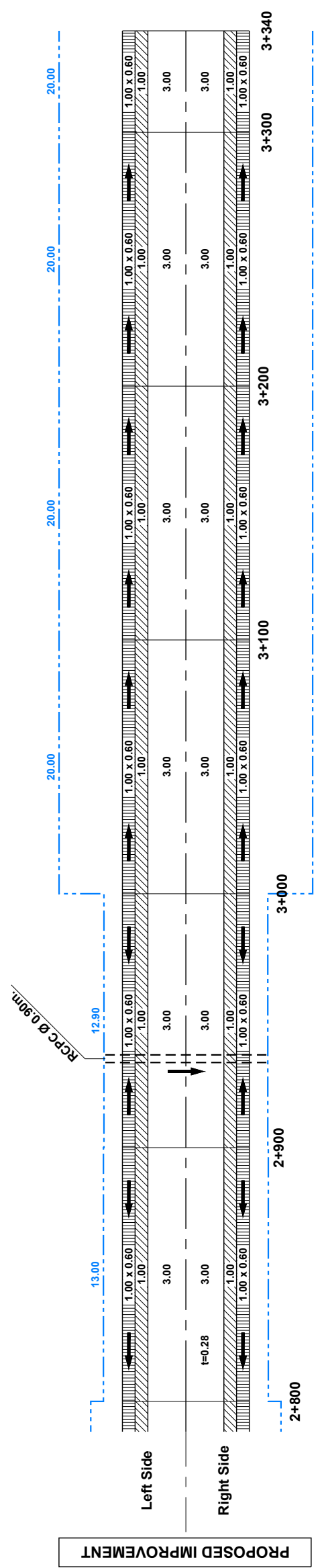
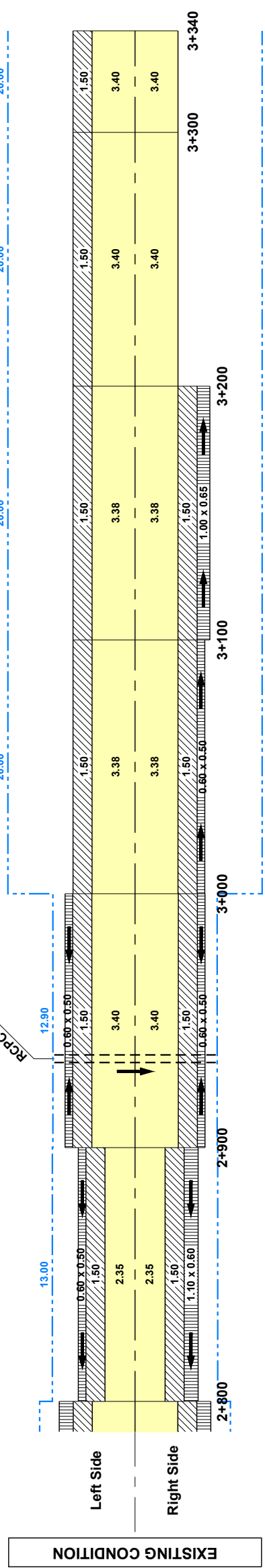


ROAD CLASS	SHEET CONTENTS	DRAWING NO.
2	ROAD-16 MARAWI-KAPAI ROAD STA. 2+800 ~ STA. 3+340	R16-05



LEGEND :

	Good		Bad
	Fair		Very Bad
	Shoulder		Side Ditch
	ROW Width		

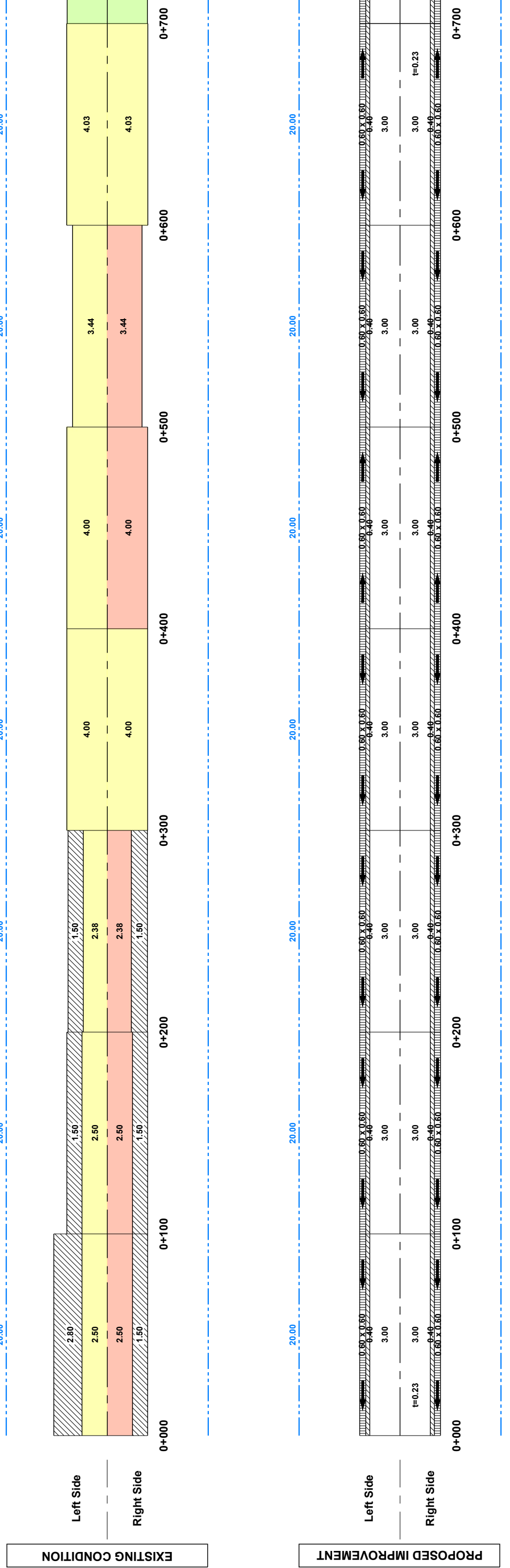


ROAD CLASS	SHEET CONTENTS	DRAWING NO.
3	ROAD-17 LASURECO ROAD STA. 0+000 ~ STA. 0+700	R17-01



LEGEND :

Good	Bad
Fair	Very Bad
Shoulder	Side Ditch
ROW Width	



EXISTING CONDITION

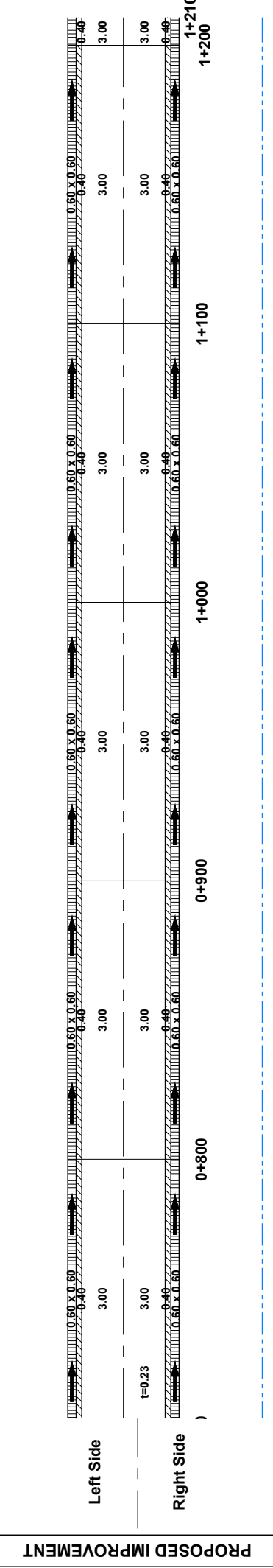
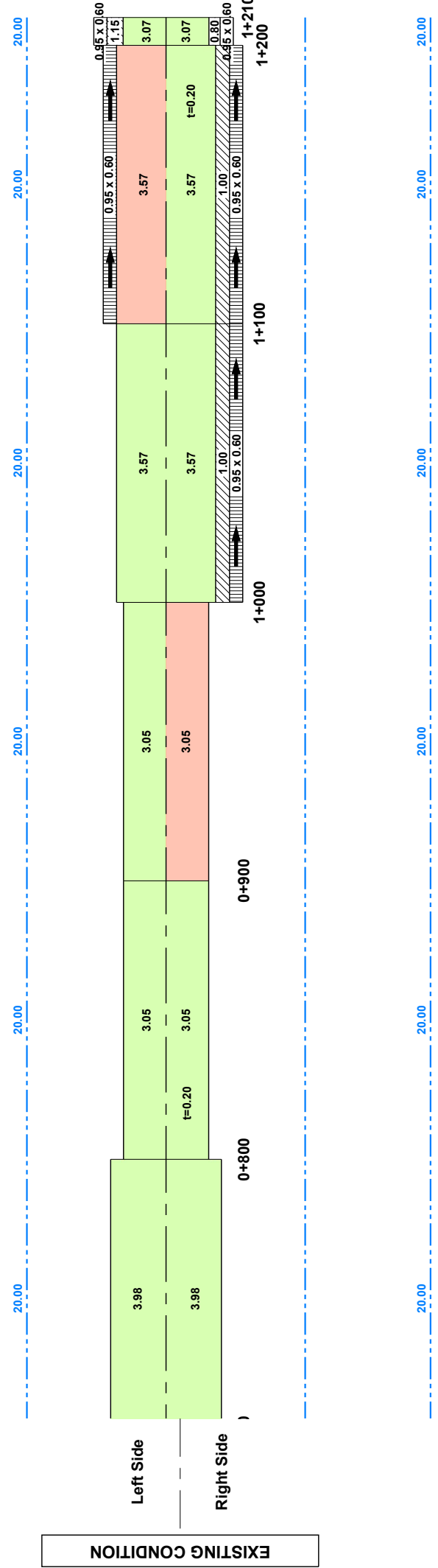
PROPOSED IMPROVEMENT

ROAD CLASS	SHEET CONTENTS	DRAWING NO.
3	ROAD-17 LASURECO ROAD STA. 0+700 ~ STA. 1+210	R17-02



LEGEND :

	Good		Bad
	Fair		Very Bad
	Shoulder		Side Ditch
	ROW Width		

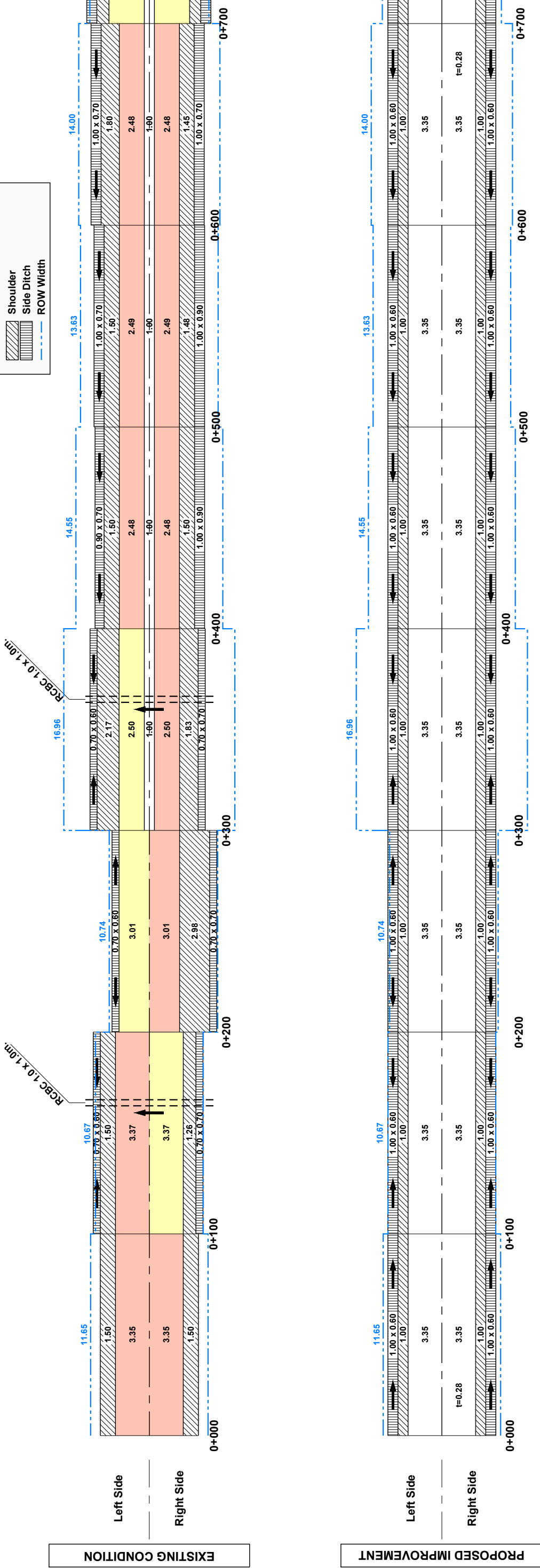


ROAD CLASS	SHEET CONTENTS	DRAWING NO.
1	ROAD-18 MARAWI-CADRE ROAD STA. 0+000 ~ STA. 0+700	R18-01



LEGEND :

Good	Bad
Fair	Very Bad
Shoulder	
Side Ditch	
ROW Width	

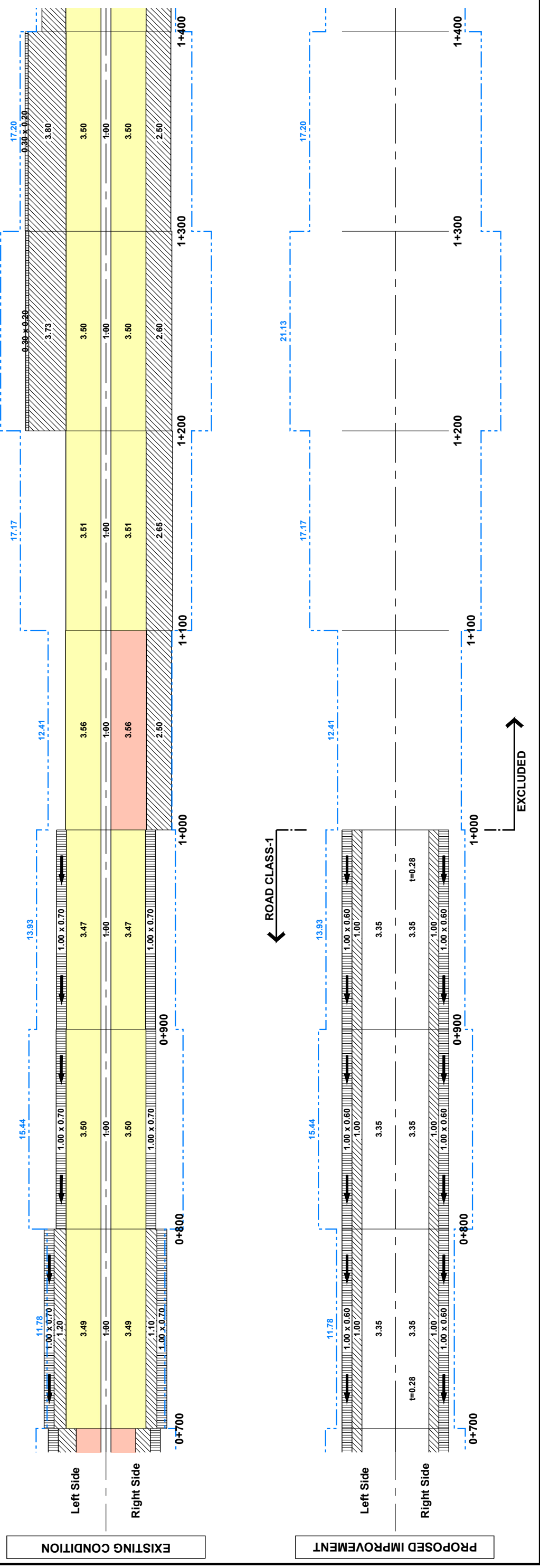


ROAD CLASS	SHEET CONTENTS	DRAWING NO.
1	ROAD-18 MARAWI-CADRE ROAD STA. 0+700 ~ STA. 1+400	R18-02

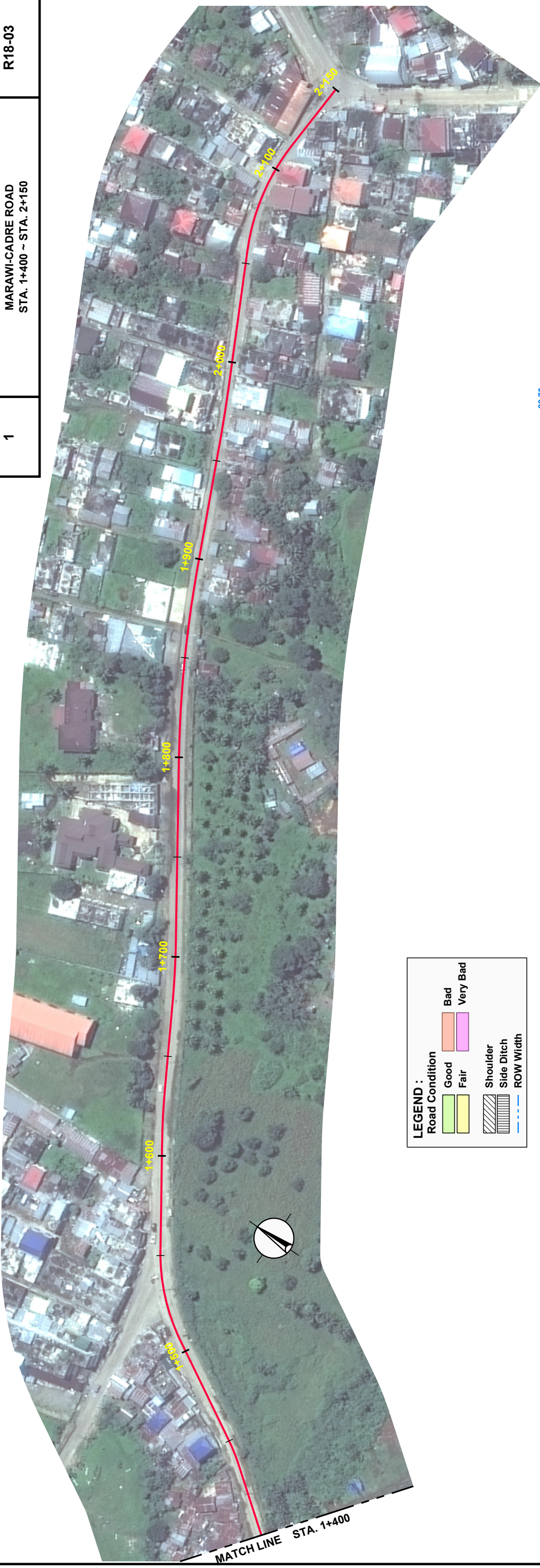


LEGEND :

Road Condition	Good	Fair	Bad	Very Bad
Shoulder				
Side Ditch				
ROW Width				

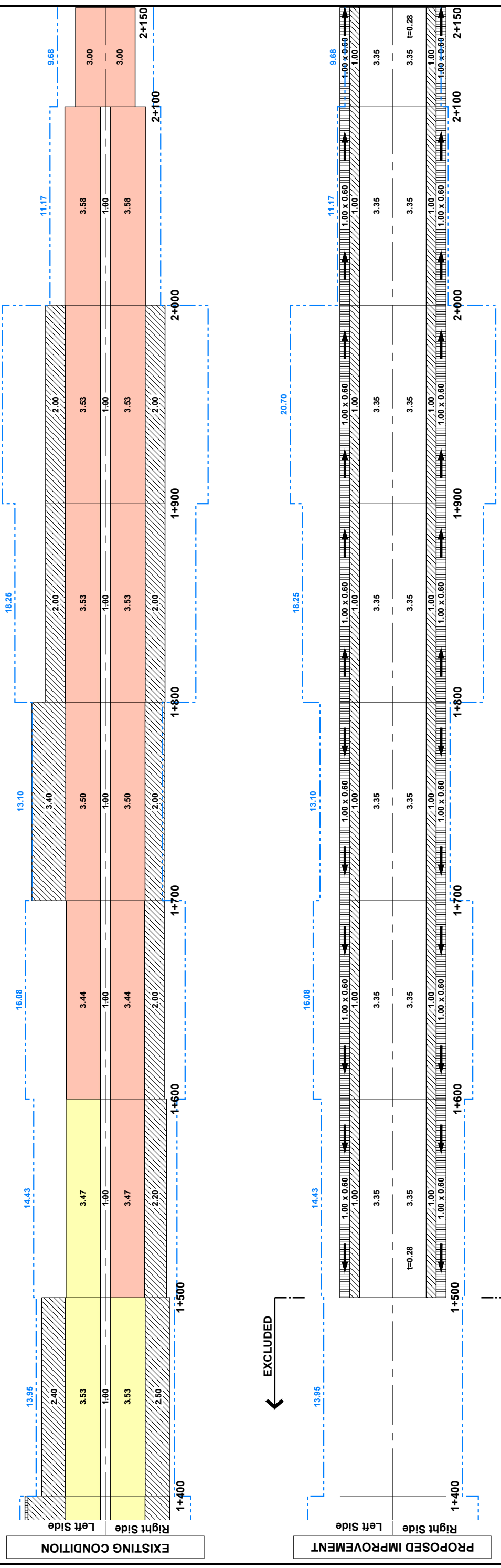


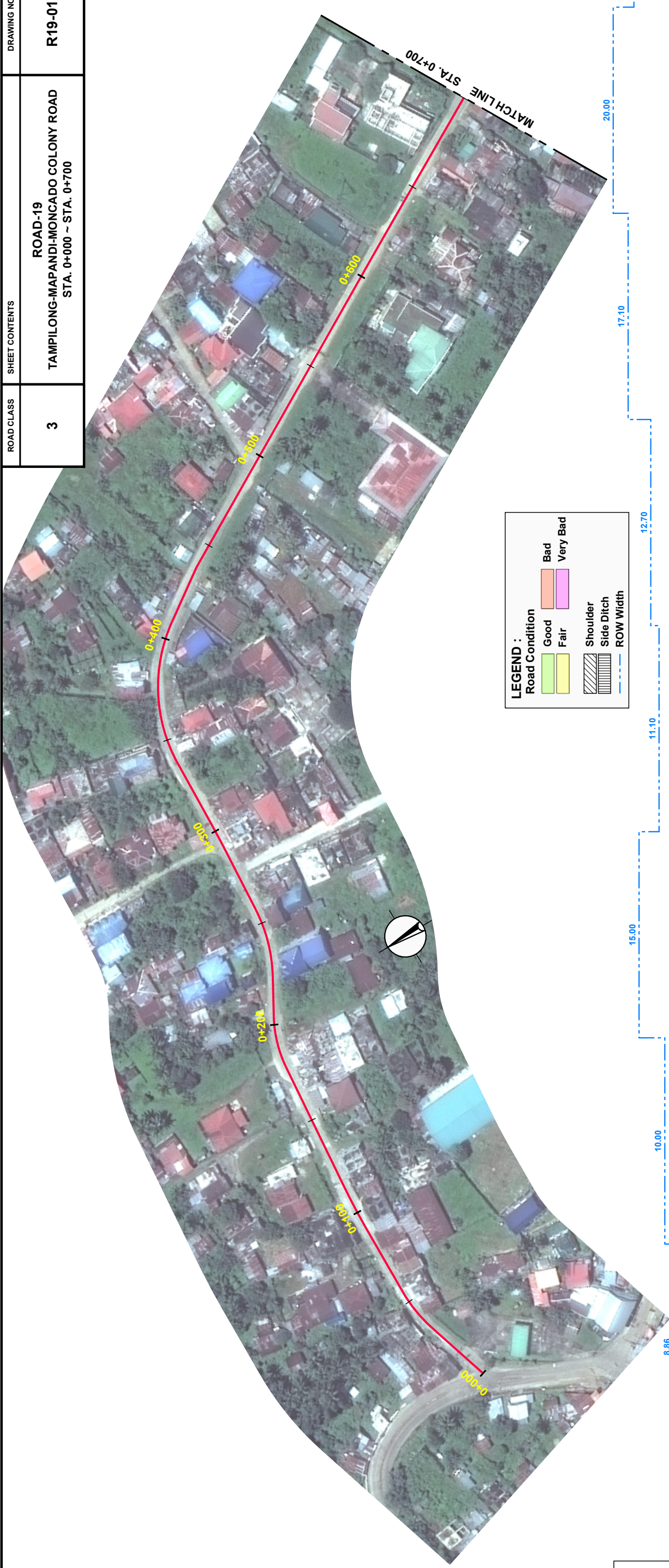
ROAD CLASS	SHEET CONTENTS	DRAWING NO.
1	ROAD-18 MARAWI-CADRE ROAD STA. 1+400 ~ STA. 2+150	R18-03



LEGEND :

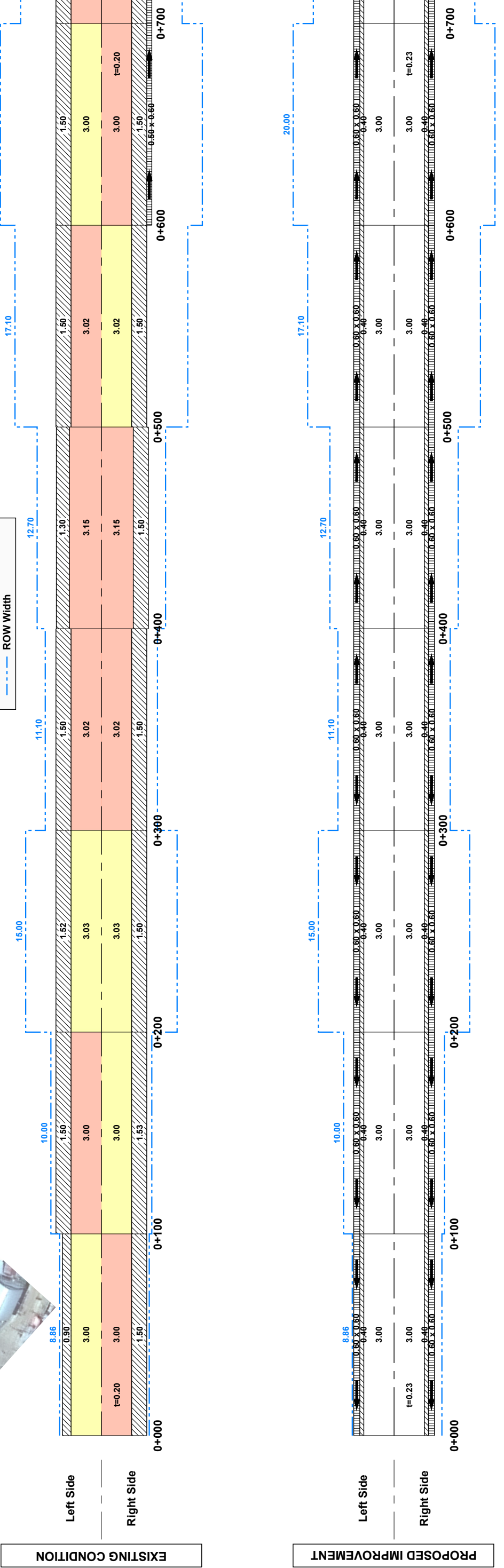
Good	Bad
Fair	Very Bad
Shoulder	
Side Ditch	
ROW Width	





LEGEND :

Good	Bad
Fair	Very Bad
Shoulder	
Side Ditch	
ROW Width	

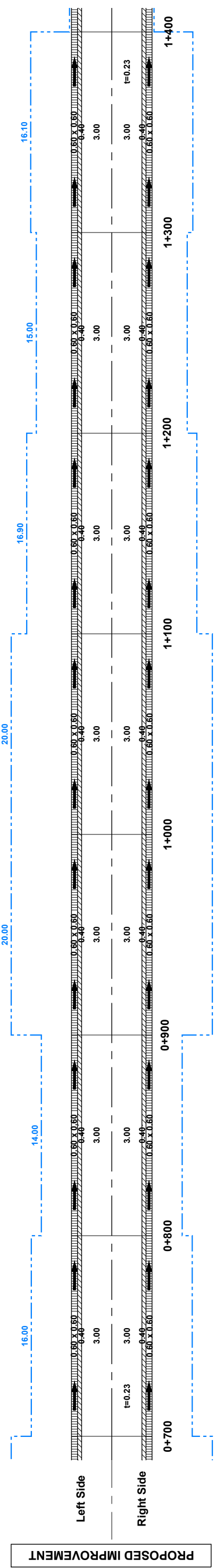
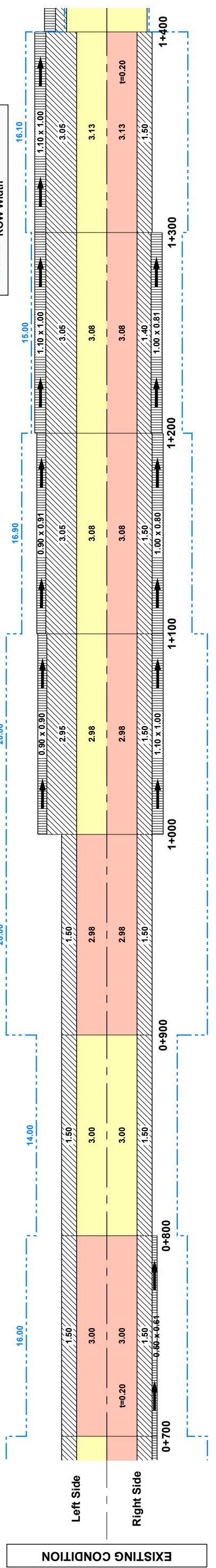


ROAD CLASS	SHEET CONTENTS	DRAWING NO.
3	ROAD-19 TAMPILONG-MAPANDI-MONCADO COLONY ROAD STA. 0+700 ~ STA. 1+400	R19-02



LEGEND :

Good	Bad
Fair	Very Bad
Shoulder	
Side Ditch	
ROW Width	

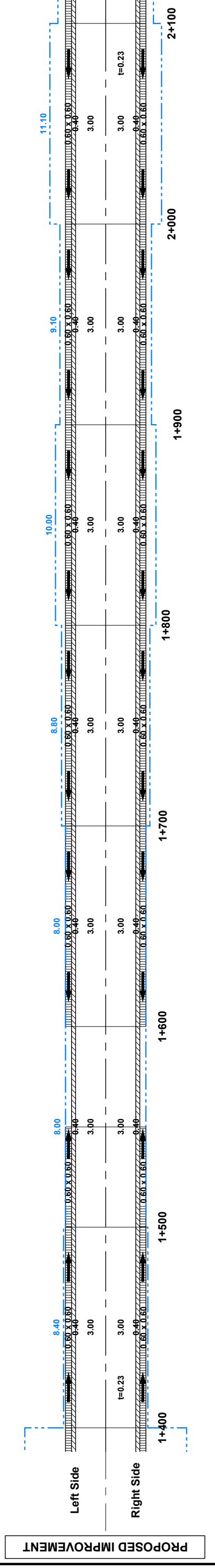
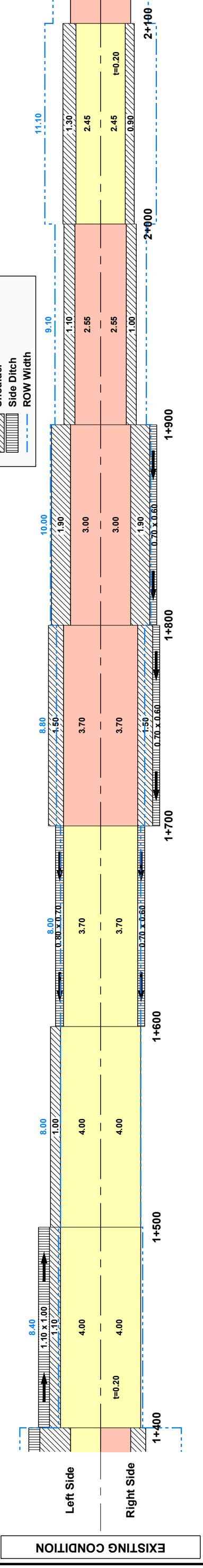


ROAD CLASS	SHEET CONTENTS	DRAWING NO.
3	ROAD-19 TAMPILONG-MAPANDI-MONCADO COLONY ROAD STA. 1+400 ~ STA. 2+100	R19-03



LEGEND :

	Good		Bad
	Fair		Very Bad
	Shoulder		
	Side Ditch		
	ROW Width		

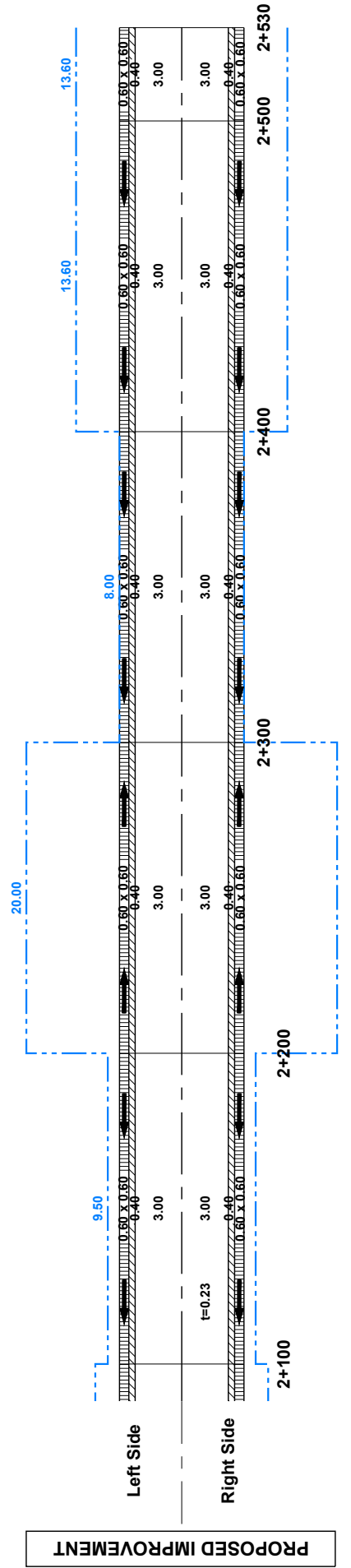
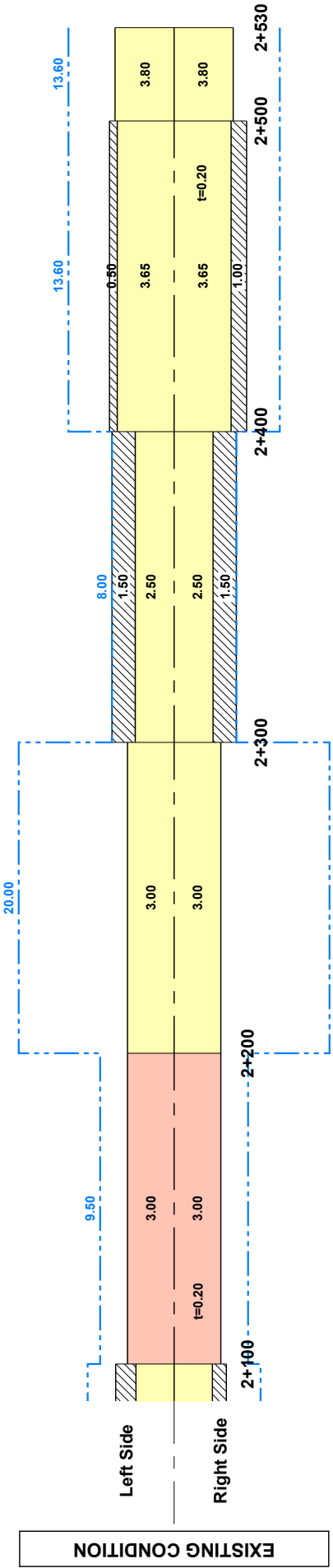


ROAD CLASS	SHEET CONTENTS	DRAWING NO.
3	ROAD-19 TAMPILONG-MAPANDI-MONCADO COLONY ROAD STA. 2+100 ~ STA. 2+530	R19-04



LEGEND :

	Road Condition		Bad
	Good		Very Bad
	Fair		
	Shoulder		
	Side Ditch		
	ROW Width		

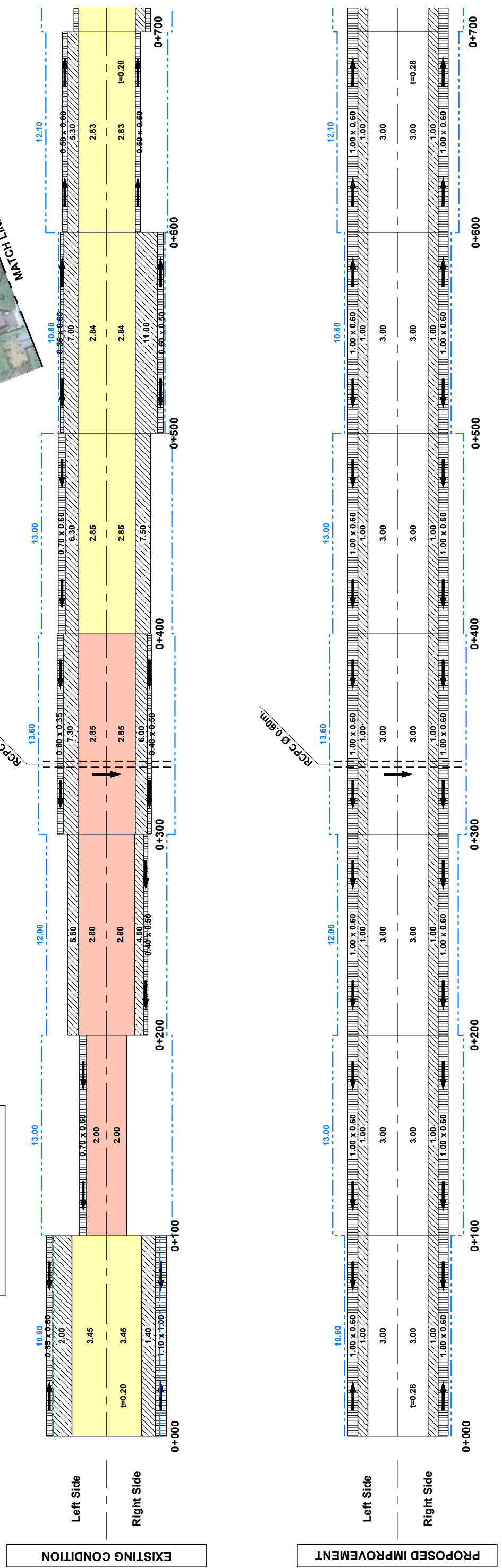


ROAD CLASS	SHEET CONTENTS	DRAWING NO.
2	ROAD-20 RAPASAN-BAYABA ROAD STA. 0+000 ~ STA. 0+700	R20-01

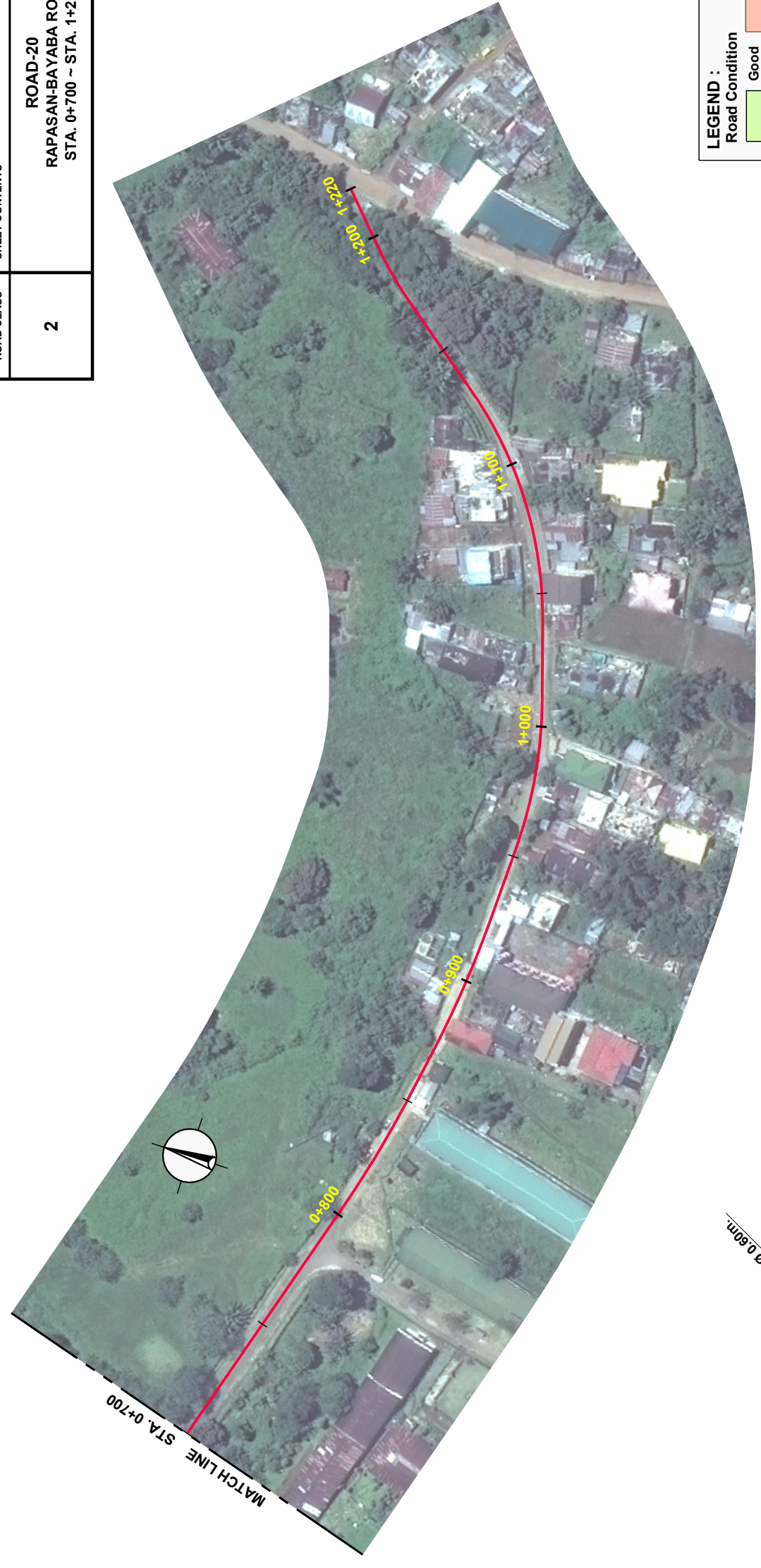


LEGEND :

Road Condition	Good	Fair	Bad	Very Bad
	(Green)	(Yellow)	(Orange)	(Pink)
Shoulder	[Hatched pattern]			
Side Ditch	[Dashed line]			
ROW Width	[Dotted line]			

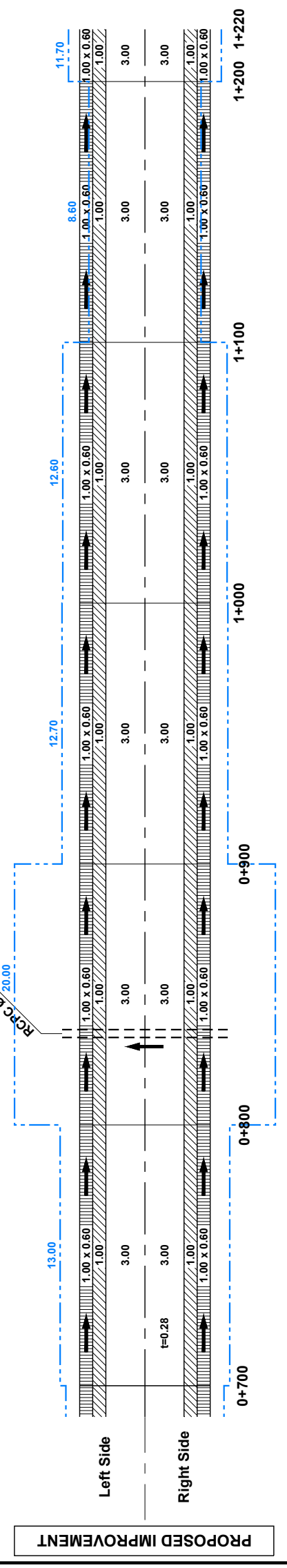
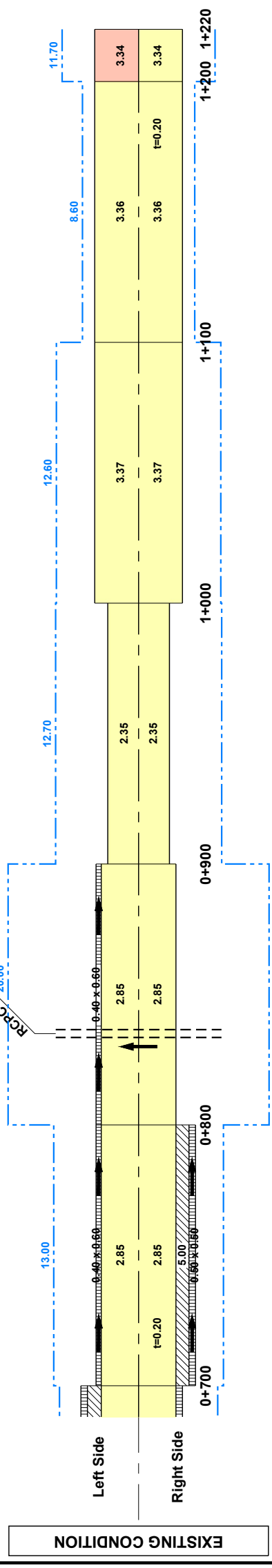


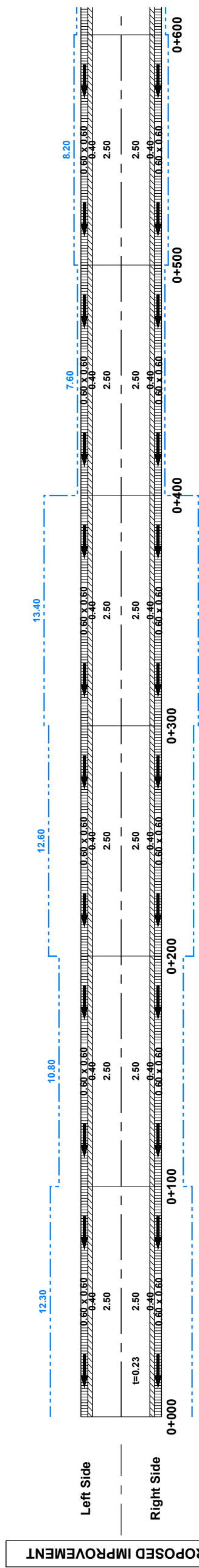
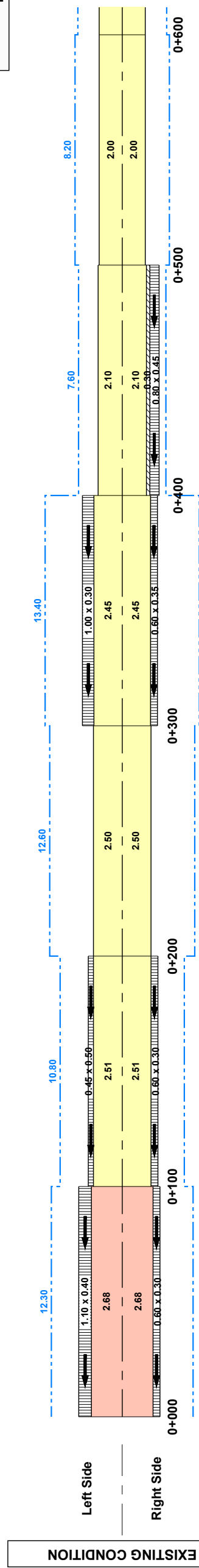
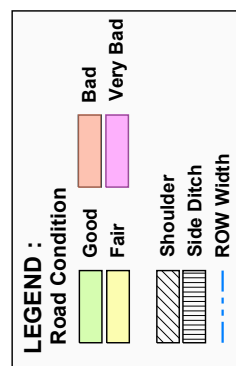
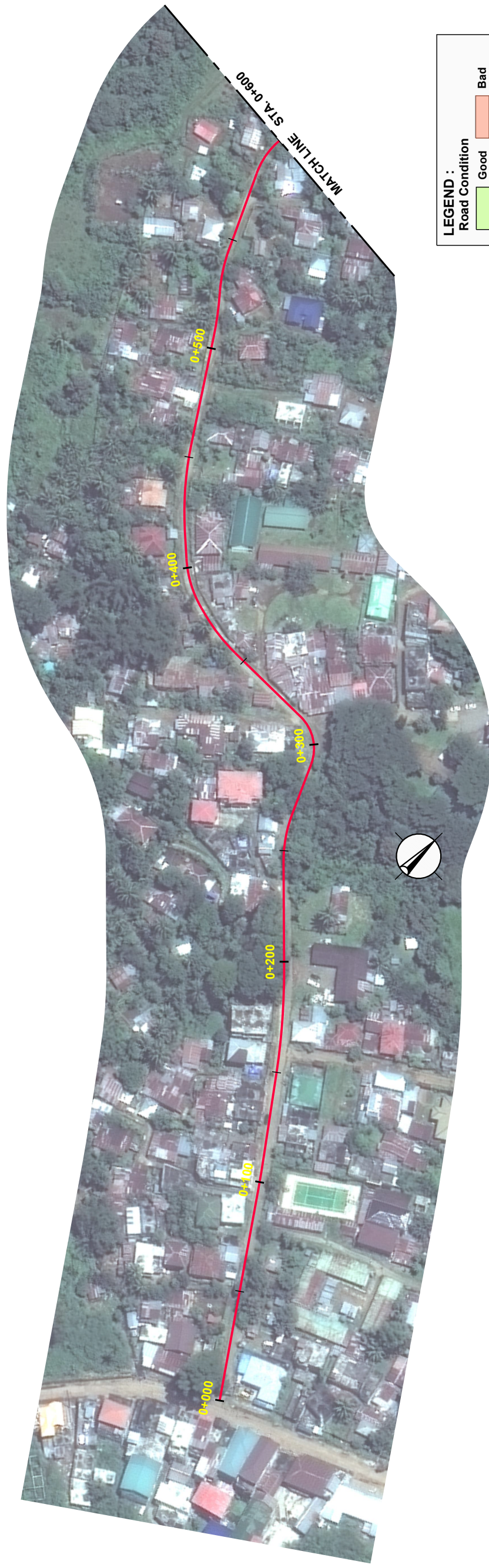
ROAD CLASS	SHEET CONTENTS	DRAWING NO.
2	ROAD-20 RAPASAN-BAYABA ROAD STA. 0+700 ~ STA. 1+220	R20-02



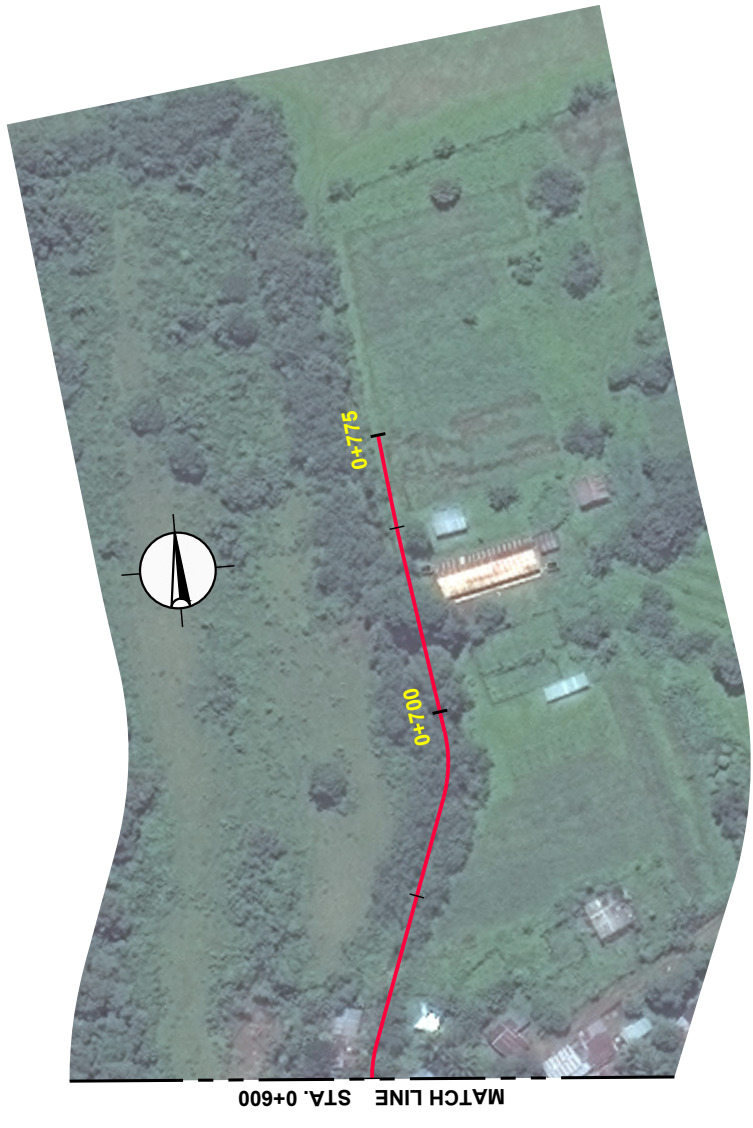
LEGEND :

Good	Bad
Fair	Very Bad
Shoulder	
Side Ditch	
ROW Width	



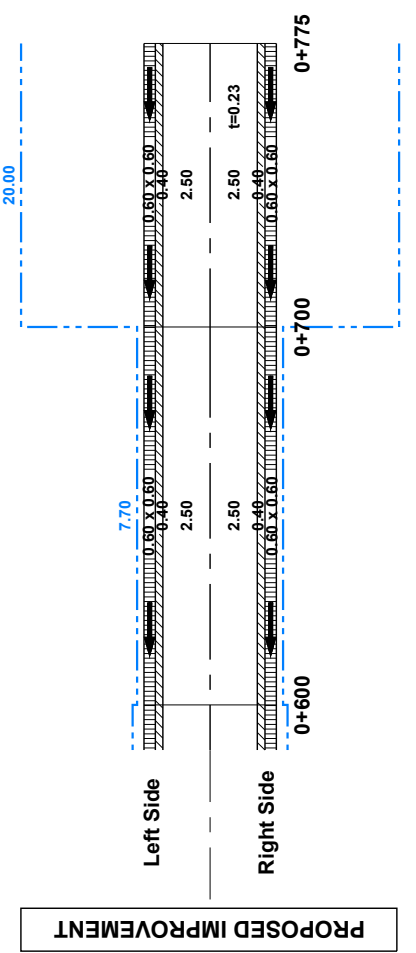
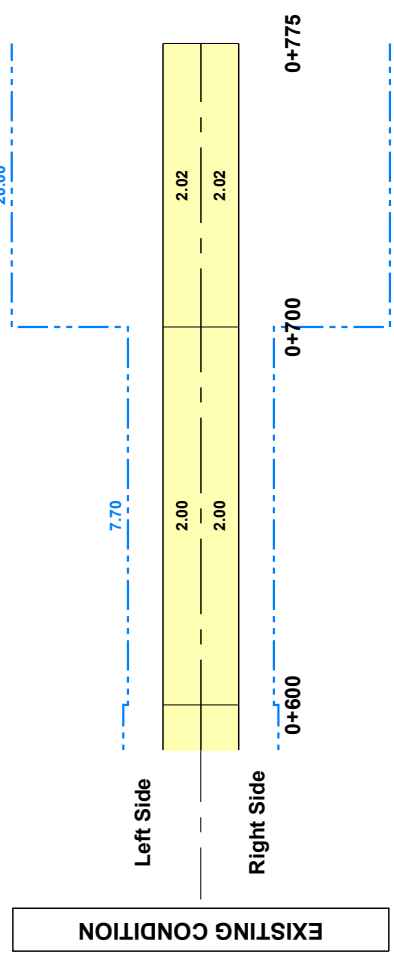


ROAD CLASS	SHEET CONTENTS	DRAWING NO.
4	ROAD-21 LUMINDONG-AMAI PAKPAK ROAD STA. 0+600 ~ STA. 0+775	R21-02



LEGEND :

Road Condition	
Good	Bad
Fair	Very Bad
Shoulder	Side Ditch
ROW Width	



ROAD CLASS	SHEET CONTENTS	DRAWING NO.
1	ROAD-22 MARAWI-LANDING ROAD STA. 0+000 ~ STA. 0+700	R22-01



LEGEND :

Good	Bad
Fair	Very Bad
Shoulder	Side Ditch
Side Ditch	ROW Width

