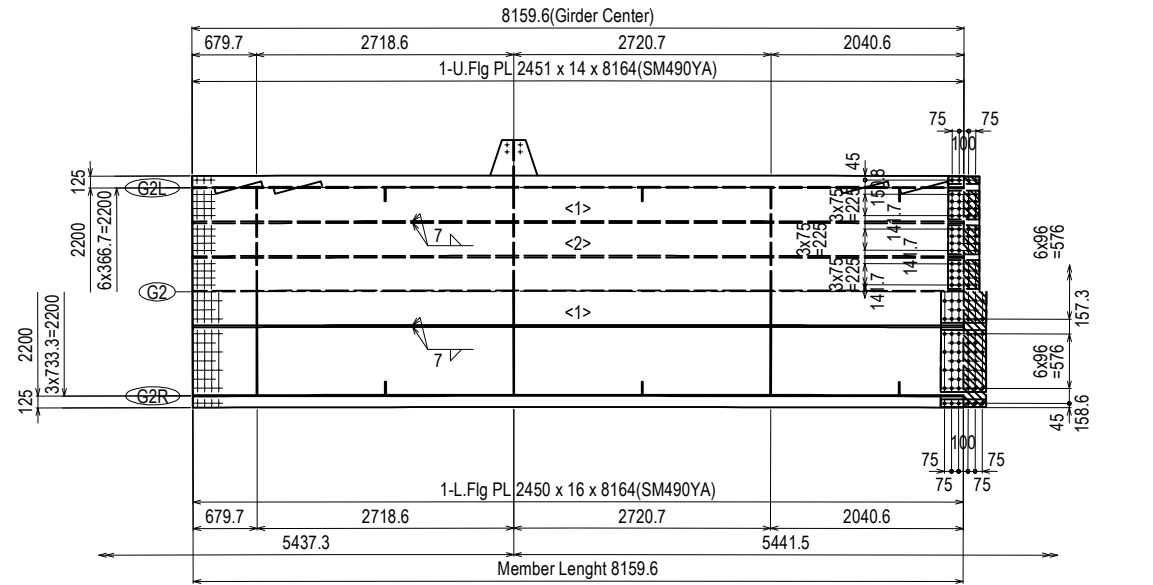
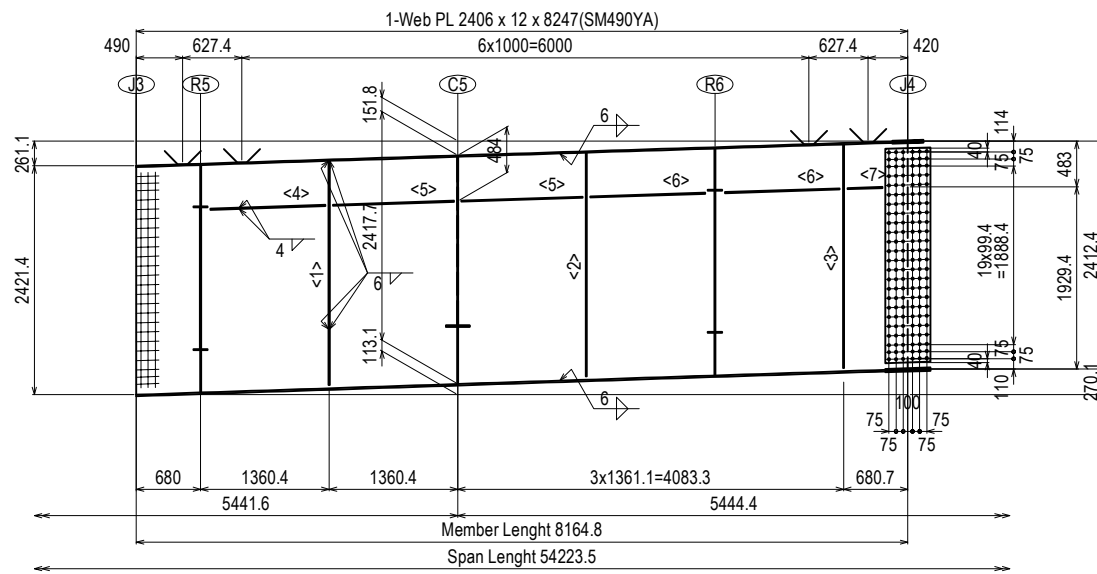


DETAIL OF MAIN GIRDER G2 (PF2-PF5) (4)

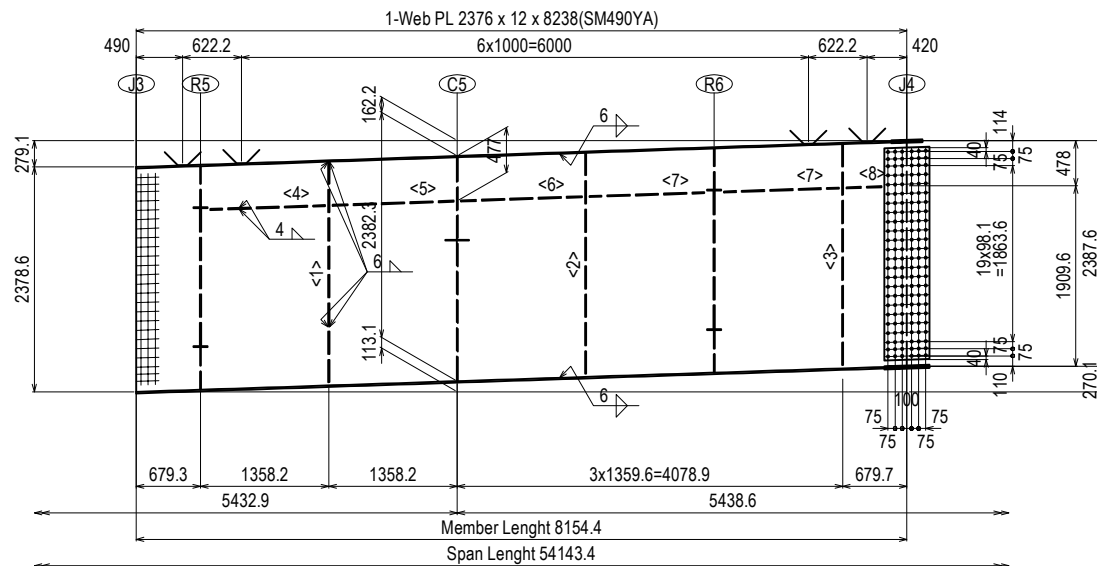
S=1:80



- <Upper Flg>
 18-RB φ16 x 600(SS400)
 <1>1-Rib PL 190 x 19 x 8154(SM490YB)
 <2>1-Rib PL 190 x 19 x 8152(SM490YB)
 1-Rib PL 190 x 19 x 8150(SM490YB)
 1-Rib PL 190 x 19 x 8149(SM490YB)
 1-Rib PL 190 x 19 x 8147(SM490YB)
 1-Spl PL 80 x 9 x 330(SM490YA)
 6-Spl PL 305 x 9 x 330(SM490YA)
 1-Spl PL 80 x 9 x 330(SM490YA)
 1-Spl PL 2440 x 9 x 330(SM490YA)
 2-Fill PL 80 x 3.2 x 165(SS400)
 6-Fill PL 305 x 3.2 x 165(SS400)
 4-TCB M22 x 70(S10T)
 96-TCB M22 x 70(S10T)
 4-TCB M22 x 70(S10T)
 <Lower Flg>
 1-Rib PL 190 x 19 x 8152(SM490YB)
 <1>1-Rib PL 190 x 19 x 8149(SM490YB)
 1-Spl PL 80 x 9 x 480(SM490YA)
 3-Spl PL 656 x 9 x 480(SM490YA)
 1-Spl PL 80 x 9 x 480(SM490YA)
 1-Spl PL 2440 x 9 x 480(SM490YA)
 1-Fill PL 2440 x 6 x 240(SS400)
 6-TCB M22 x 70(S10T)
 108-TCB M22 x 70(S10T)
 6-TCB M22 x 70(S10T)

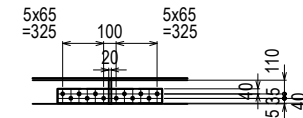


- <1>1-V.Stiff PL 140 x 12 x 2370
 <2>1-V.Stiff PL 140 x 12 x 2367
 <3>1-V.Stiff PL 140 x 12 x 2364
 <4>1-H.Stiff PL 140 x 12 x 1215
 <5>2-H.Stiff PL 140 x 12 x 1281
 <6>2-H.Stiff PL 140 x 12 x 1216
 <7>1-H.Stiff PL 140 x 12 x 370
 1-Spl PL 2284 x 9 x 480(SM490YA)
 1-Spl PL 2284 x 9 x 480(SM490YA)
 144-TCB M22 x 65(S10T)



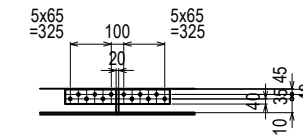
- <1>1-V.Stiff PL 140 x 12 x 2334
 <2>1-V.Stiff PL 140 x 12 x 2337
 <3>1-V.Stiff PL 140 x 12 x 2340
 <4>1-H.Stiff PL 140 x 12 x 1213
 <5>1-H.Stiff PL 140 x 12 x 1279
 <6>1-H.Stiff PL 140 x 12 x 1280
 <7>2-H.Stiff PL 140 x 12 x 1214
 <8>1-H.Stiff PL 140 x 12 x 369
 1-Spl PL 2259 x 9 x 480(SM490YA)
 1-Spl PL 2259 x 9 x 480(SM490YA)
 144-TCB M22 x 65(S10T)

Top Long Rib Joint J4
 (Numbers : 5)

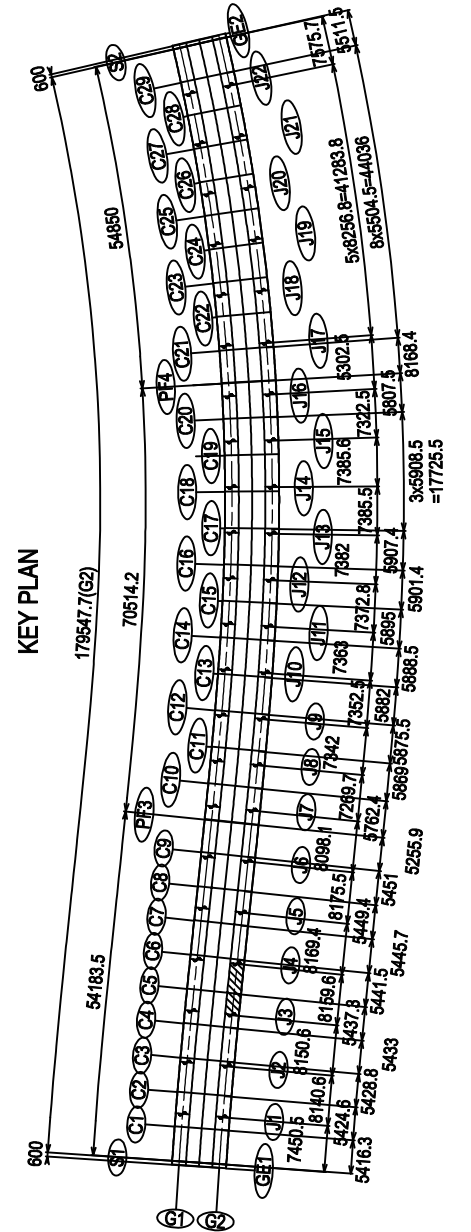


2-Spl PL 115 x 16 x 830(SM490YA)
 12-TCB M22 x 90(S10T)

Bot Long Rib Joint J4
 (Numbers : 2)

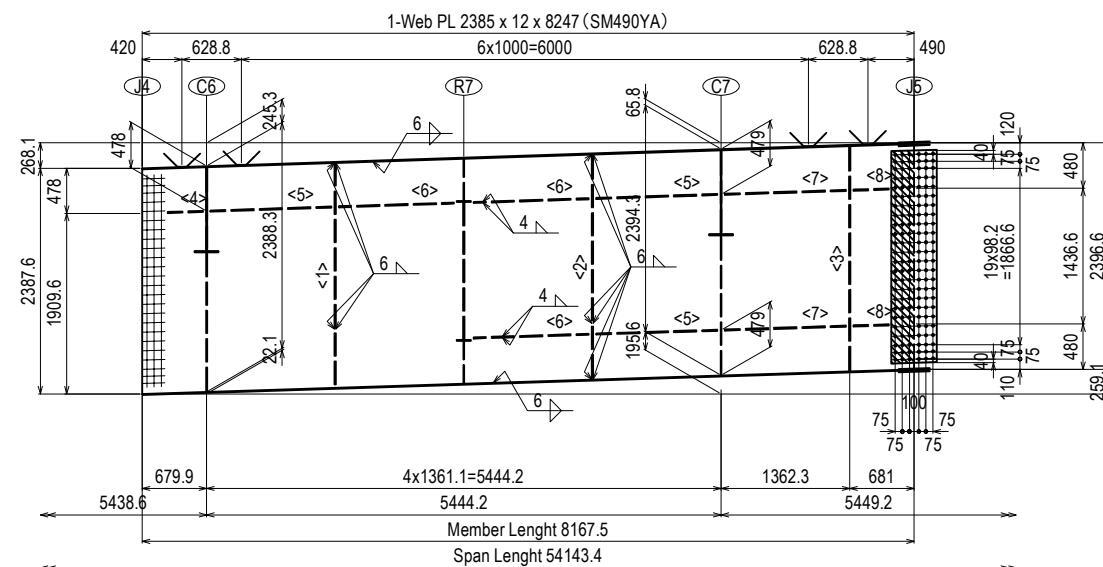
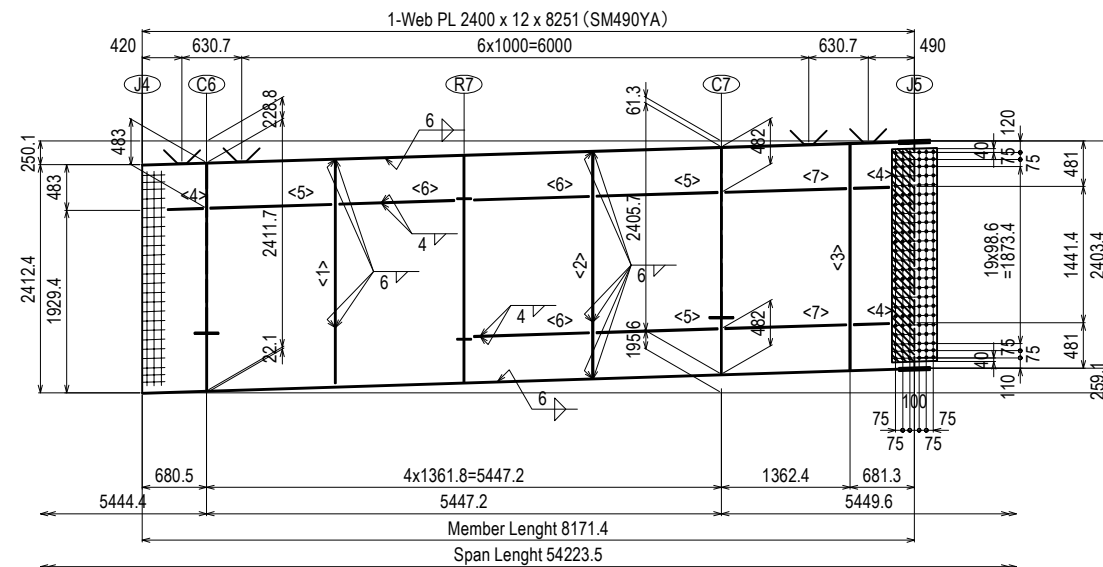
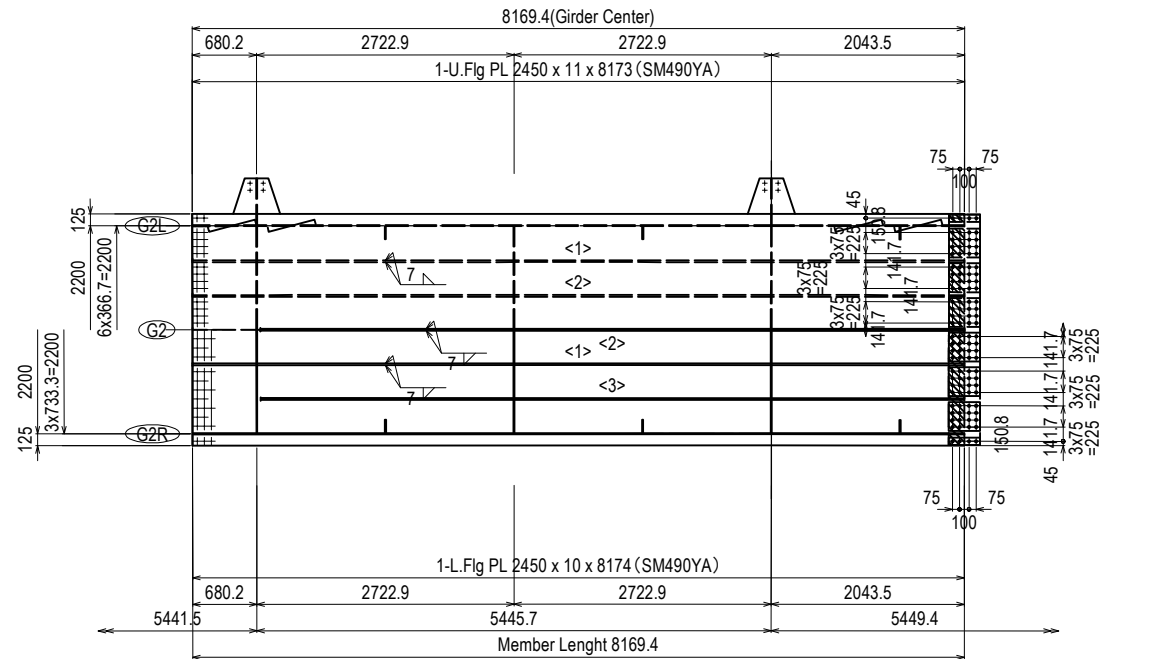


2-Spl PL 115 x 19 x 830(SM490YB)
 12-TCB M22 x 95(S10T)



DETAIL OF MAIN GIRDER G2 (PF2-PF5) (5)

S=1:80

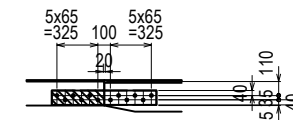


- <Upper Flg>
- 18-RB ϕ 16 x 600 (SS400)
 - <1> 1-Rib PL 190 x 19 x 8161 (SM490YB)
 - <2> 1-Rib PL 190 x 19 x 8160 (SM490YB)
 - 2-Rib PL 190 x 19 x 8159 (SM490YB)
 - 1-Rib PL 190 x 19 x 8158 (SM490YB)
 - 1-Spl PL 80 x 9 x 330 (SM490YA)
 - 6-Spl PL 305 x 9 x 330 (SM490YA)
 - 1-Spl PL 80 x 9 x 330 (SM490YA)
 - 1-Spl PL 2440 x 9 x 330 (SM490YA)
 - 2-Fill PL 80 x 9 x 165 (SS400)
 - 6-Fill PL 305 x 9 x 165 (SS400)
 - 4-TCB M22 x 75 (S10T)
 - 96-TCB M22 x 75 (S10T)
 - 4-TCB M22 x 75 (S10T)
- <Lower Flg>
- 1-Rib PL 190 x 19 x 8160 (SM490YB)
 - <1> 1-Rib PL 190 x 19 x 8159 (SM490YB)
 - 1-Rib PL 190 x 19 x 7451 (SM490YB)
 - <2> 1-Rib PL 190 x 19 x 7449 (SM490YB)
 - <3> 1-Rib PL 190 x 19 x 7448 (SM490YB)
 - 1-Spl PL 80 x 9 x 330 (SM490YA)
 - 6-Spl PL 305 x 9 x 330 (SM490YA)
 - 1-Spl PL 80 x 9 x 330 (SM490YA)
 - 1-Spl PL 2440 x 9 x 330 (SM490YA)
 - 1-Fill PL 2440 x 4.5 x 165 (SS400)
 - 4-TCB M22 x 70 (S10T)
 - 96-TCB M22 x 70 (S10T)
 - 4-TCB M22 x 70 (S10T)

- <1> 1-V.Stiff PL 140 x 12 x 2364
- <2> 1-V.Stiff PL 140 x 12 x 2396
- <3> 1-V.Stiff PL 140 x 12 x 2393
- <4> 3-H.Stiff PL 140 x 12 x 371
- <5> 3-H.Stiff PL 140 x 12 x 1282
- <6> 3-H.Stiff PL 140 x 12 x 1216
- <7> 2-H.Stiff PL 140 x 12 x 1283
- 1-Spl PL 2268 x 9 x 480 (SM490YA)
- 1-Spl PL 2268 x 9 x 480 (SM490YA)
- 1-Fill PL 2261 x 2.3 x 240 (SS400)
- 144-TCB M22 x 70 (S10T)

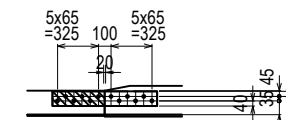
- <1> 1-V.Stiff PL 140 x 12 x 2345
- <2> 1-V.Stiff PL 140 x 12 x 2383
- <3> 1-V.Stiff PL 140 x 12 x 2385
- <4> 1-H.Stiff PL 140 x 12 x 371
- <5> 3-H.Stiff PL 140 x 12 x 1281
- <6> 3-H.Stiff PL 140 x 12 x 1216
- <7> 2-H.Stiff PL 140 x 12 x 1283
- <8> 2-H.Stiff PL 140 x 12 x 370
- 1-Spl PL 2262 x 9 x 480 (SM490YA)
- 1-Spl PL 2262 x 9 x 480 (SM490YA)
- 1-Fill PL 2254 x 2.3 x 240 (SS400)
- 144-TCB M22 x 70 (S10T)

Top Long Rib Joint J5
(Numbers : 5)

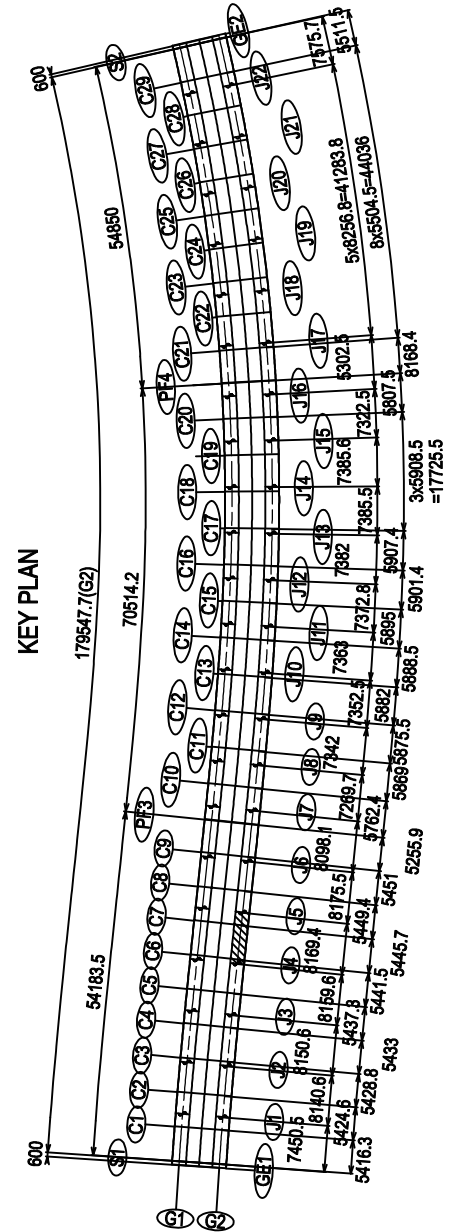


- 2-Spl PL 115 x 19 x 830 (SM490YB)
- 1-Fill PL 115 x 3.2 x 415 (SS400)
- 12-TCB M22 x 95 (S10T)

Bot Long Rib Joint J5
(Numbers : 5)



- 2-Spl PL 115 x 19 x 830 (SM490YB)
- 1-Fill PL 115 x 3.2 x 415 (SS400)
- 12-TCB M22 x 95 (S10T)

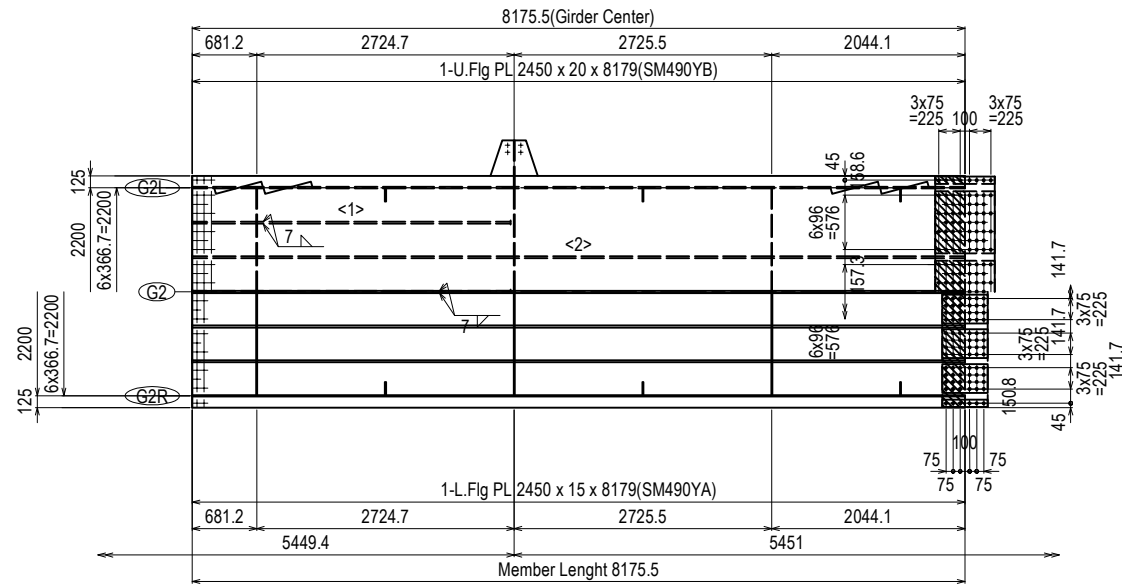


- Note
- All material without the reports is made SM400A
 - + : High-tension bolt M22 (S10T)
 - All scar laps without the reports are made R35

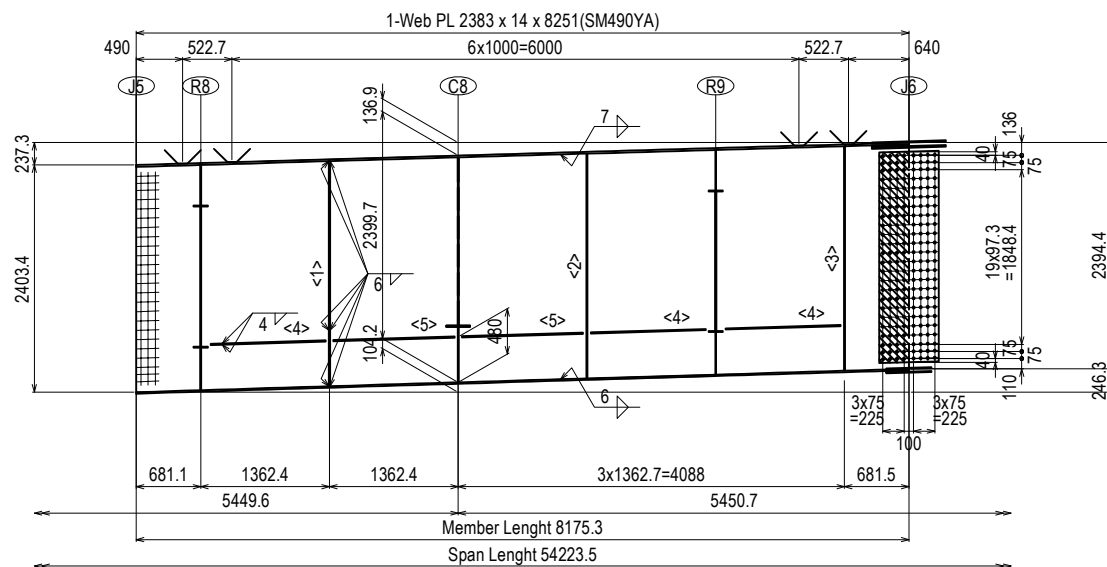
PROJECT NAME DETAILED DESIGN ON BAGO RIVER BRIDGE CONSTRUCTION PROJECT	FINANCED BY JICA JAPAN INTERNATIONAL COOPERATION AGENCY	COUNTERPART REPUBLIC OF THE UNION OF MYANMAR MINISTRY OF CONSTRUCTION DEPARTMENT OF BRIDGE	JICA STUDY TEAM NIPPON KOEI CO., LTD. ORIENTAL CONSULTANTS GLOBAL CO., LTD. METROPOLITAN EXPRESSWAY COMPANY LIMITED CHODAI CO., LTD. NIPPON ENGINEERING CONSULTANTS CO., LTD.	NAME Y. SUZUKI	SIGNATURE <i>YS</i>	DATE 14 Jul. 2017	DRAWING TITLE DETAIL OF MAIN GIRDER G2 (PF2-PF5) (5)	PACKAGE 3
				CHECKED BY T. HAYAKAWA	<i>平川 知寿</i>	20 Jul. 2017		DWG No.
				APPROVED BY Y. SANO	<i>佐野 洋一</i>	25 Jul. 2017		P3-FO-1437

DETAIL OF MAIN GIRDER G2 (PF2-PF5) (6)

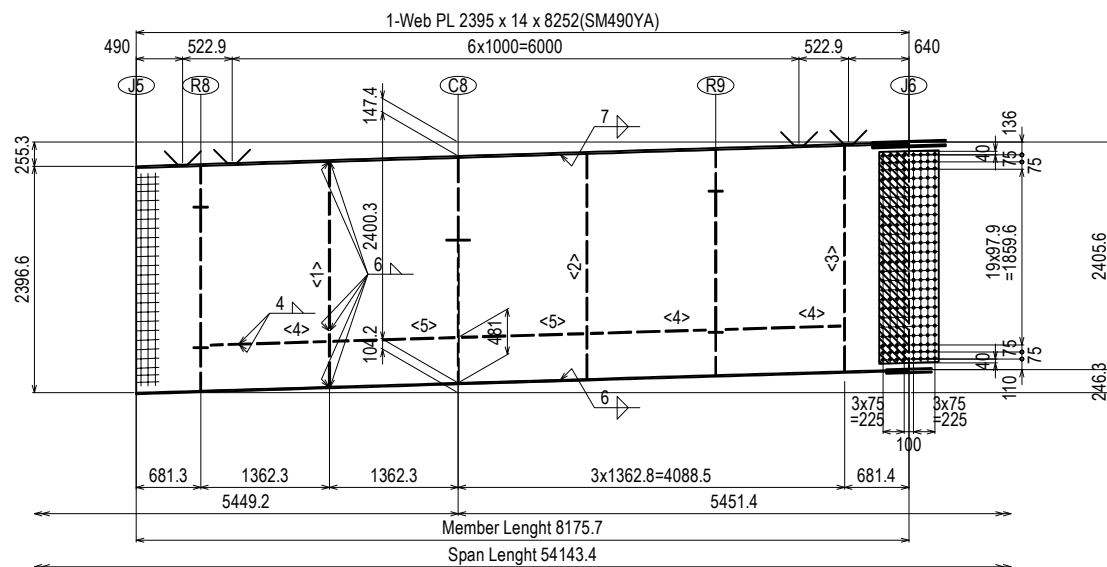
S=1:80



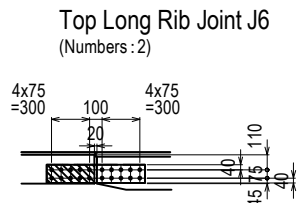
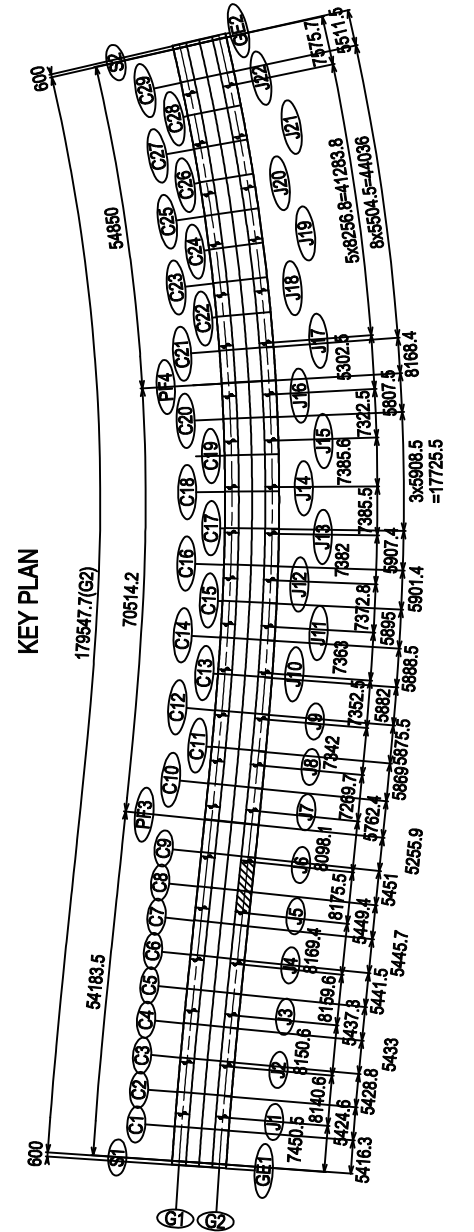
- <Upper Flg>
 18-RB φ16 x 600(SS400)
 <1>-3-Rib PL 230 x 22 x 3365(SM490YB)
 <2>-2-Rib PL 230 x 22 x 8166(SM490YB)
 1-Spl PL 80 x 15 x 630(SM490YA)
 3-Spl PL 656 x 15 x 630(SM490YA)
 1-Spl PL 80 x 15 x 630(SM490YA)
 1-Spl PL 2440 x 12 x 630(SM490YA)
 2-Fill PL 80 x 16 x 315(SS400)
 3-Fill PL 656 x 16 x 315(SS400)
 8-TCB M22 x 100(S10T)
 150-TCB M22 x 100(S10T)
 8-TCB M22 x 100(S10T)
 <Lower Flg>
 5-Rib PL 230 x 22 x 8166(SM490YB)
 1-Spl PL 80 x 10 x 480(SM490YA)
 6-Spl PL 305 x 10 x 480(SM490YA)
 1-Spl PL 80 x 10 x 480(SM490YA)
 1-Spl PL 2440 x 9 x 480(SM490YA)
 1-Fill PL 2440 x 14 x 240(SS400)
 6-TCB M22 x 85(S10T)
 144-TCB M22 x 85(S10T)
 6-TCB M22 x 85(S10T)



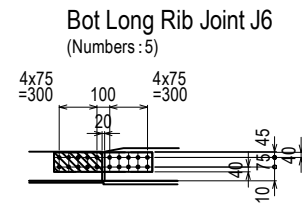
- <1>-1-V.Stiff PL 140 x 12 x 2381
 <2>-1-V.Stiff PL 140 x 12 x 2378
 <3>-1-V.Stiff PL 140 x 12 x 2376
 <4>-3-H.Stiff PL 140 x 12 x 1217
 <5>-2-H.Stiff PL 140 x 12 x 1283
 1-Spl PL 2247 x 9 x 630(SM490YA)
 1-Spl PL 2247 x 9 x 630(SM490YA)
 1-Fill PL 2238 x 2.3 x 315(SS400)
 192-TCB M22 x 70(S10T)



- <1>-1-V.Stiff PL 140 x 12 x 2379
 <2>-1-V.Stiff PL 140 x 12 x 2382
 <3>-1-V.Stiff PL 140 x 12 x 2385
 <4>-3-H.Stiff PL 140 x 12 x 1217
 <5>-2-H.Stiff PL 140 x 12 x 1283
 1-Spl PL 2258 x 9 x 630(SM490YA)
 1-Spl PL 2258 x 9 x 630(SM490YA)
 1-Fill PL 2249 x 2.3 x 315(SS400)
 192-TCB M22 x 70(S10T)



- 2-Spl PL 155 x 22 x 780(SM490YB)
 1-Fill PL 155 x 3.2 x 390(SS400)
 20-TCB M22 x 105(S10T)

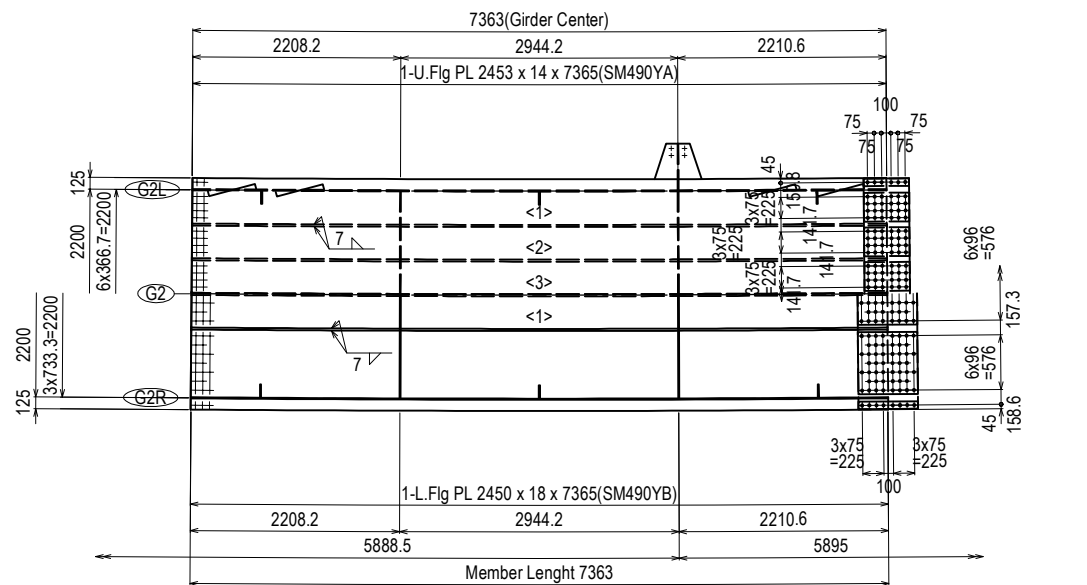


- 2-Spl PL 155 x 19 x 780(SM490YB)
 1-Fill PL 155 x 3.2 x 390(SS400)
 20-TCB M22 x 100(S10T)

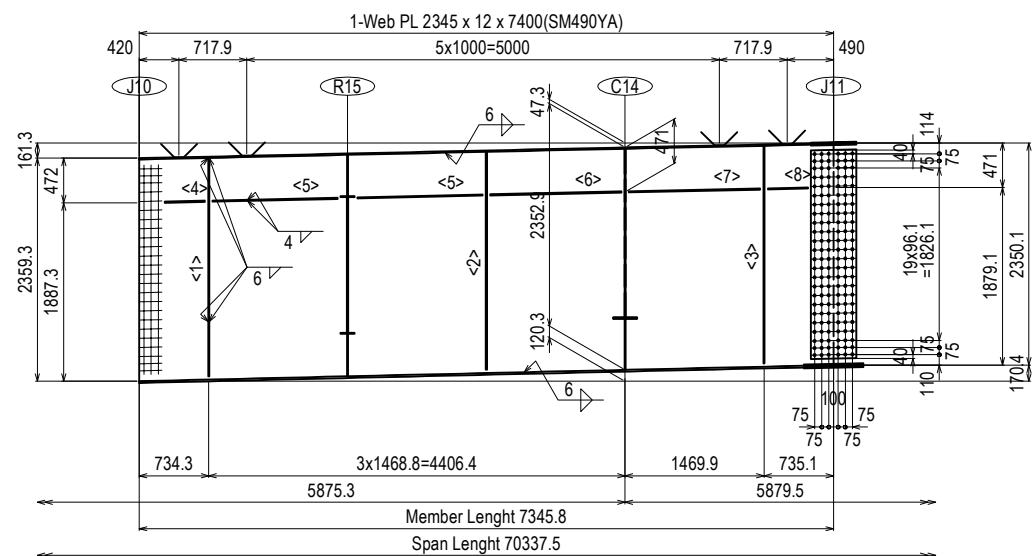
Note
 1. All material without the reports is made SM400A
 2. + : High-tension bolt M22 (S10T)
 3. All scar laps without the reports are made R35

PROJECT NAME DETAILED DESIGN ON BAGO RIVER BRIDGE CONSTRUCTION PROJECT	FINANCED BY JICA JAPAN INTERNATIONAL COOPERATION AGENCY	COUNTERPART REPUBLIC OF THE UNION OF MYANMAR MINISTRY OF CONSTRUCTION DEPARTMENT OF BRIDGE	JICA STUDY TEAM NIPPON KOEI CO., LTD. ORIENTAL CONSULTANTS GLOBAL CO., LTD. METROPOLITAN EXPRESSWAY COMPANY LIMITED CHODAI CO., LTD. NIPPON ENGINEERING CONSULTANTS CO., LTD.	NAME Y. SUZUKI T. HAYAKAWA Y. SANO	SIGNATURE <i>YS</i> <i>平川知邦</i> <i>佐藤 祐一</i>	DATE 14 Jul. 2017 20 Jul. 2017 25 Jul. 2017	DRAWING TITLE DETAIL OF MAIN GIRDER G2 (PF2-PF5) (6)	PACKAGE 3 DWG No. P3-FO-1438
---	--	---	--	---	---	--	---	---------------------------------------

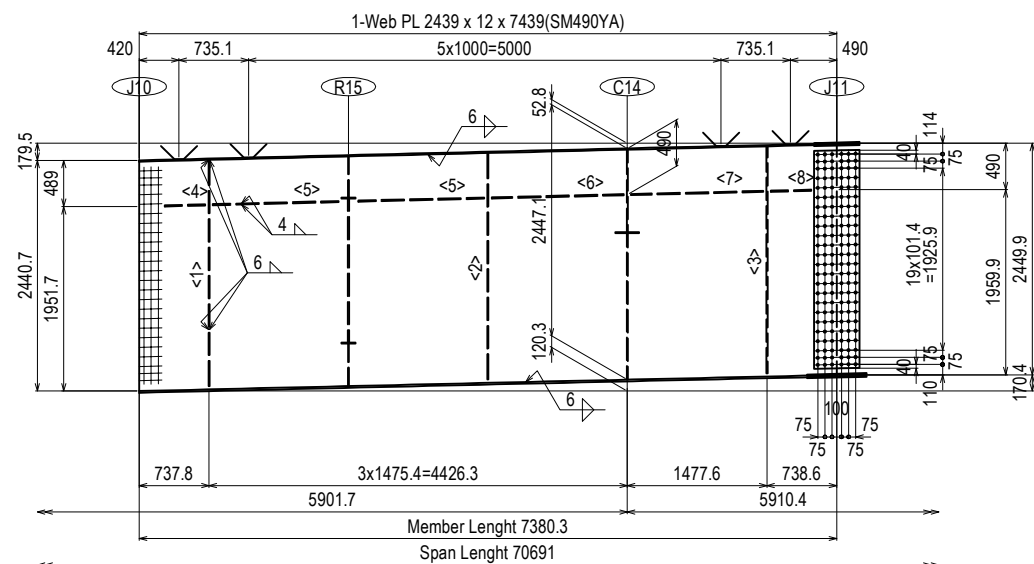
DETAIL OF MAIN GIRDER G2 (PF2-PF5) (11) S=1:80



- <Upper Flg>
- 16-RB φ16 x 600(SS400)
 - <1>1-Rib PL 230 x 22 x 7338(SM490YB)
 - <2>1-Rib PL 230 x 22 x 7344(SM490YB)
 - <3>1-Rib PL 230 x 22 x 7350(SM490YB)
 - 1-Rib PL 230 x 22 x 7356(SM490YB)
 - 1-Rib PL 230 x 22 x 7362(SM490YB)
 - 1-Spl PL 80 x 9 x 480(SM490YA)
 - 6-Spl PL 305 x 9 x 480(SM490YA)
 - 1-Spl PL 80 x 9 x 480(SM490YA)
 - 1-Spl PL 2440 x 9 x 480(SM490YA)
 - 6-TCB M22 x 70(S10T)
 - 144-TCB M22 x 70(S10T)
 - 6-TCB M22 x 70(S10T)
- <Lower Flg>
- 1-Rib PL 230 x 22 x 7344(SM490YB)
 - <1>1-Rib PL 230 x 22 x 7356(SM490YB)
 - 1-Spl PL 80 x 12 x 630(SM490YA)
 - 3-Spl PL 656 x 12 x 630(SM490YA)
 - 1-Spl PL 80 x 12 x 630(SM490YA)
 - 1-Spl PL 2440 x 10 x 630(SM490YA)
 - 8-TCB M22 x 75(S10T)
 - 150-TCB M22 x 75(S10T)
 - 8-TCB M22 x 75(S10T)

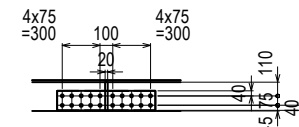


- <1>1-V.Stiff PL 140 x 12 x 2315
- <2>1-V.Stiff PL 140 x 12 x 2311
- <3>1-V.Stiff PL 140 x 12 x 2308
- <4>1-H.Stiff PL 140 x 12 x 423
- <5>2-H.Stiff PL 140 x 12 x 1323
- <6>1-H.Stiff PL 140 x 12 x 1389
- <7>1-H.Stiff PL 140 x 12 x 1390
- <8>1-H.Stiff PL 140 x 12 x 424
- 1-Spl PL 2217 x 9 x 480(SM490YA)
- 1-Spl PL 2217 x 9 x 480(SM490YA)
- 144-TCB M22 x 65(S10T)

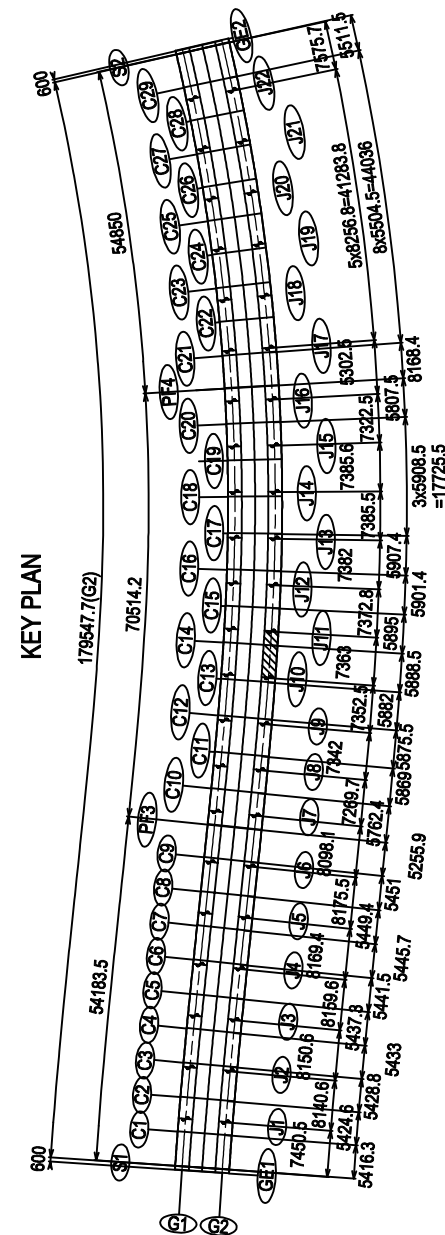
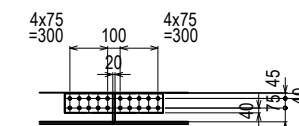


- <1>1-V.Stiff PL 140 x 12 x 2393
- <2>1-V.Stiff PL 140 x 12 x 2396
- <3>1-V.Stiff PL 140 x 12 x 2400
- <4>1-H.Stiff PL 140 x 12 x 427
- <5>2-H.Stiff PL 140 x 12 x 1330
- <6>1-H.Stiff PL 140 x 12 x 1395
- <7>1-H.Stiff PL 140 x 12 x 1398
- <8>1-H.Stiff PL 140 x 12 x 428
- 1-Spl PL 2317 x 9 x 480(SM490YA)
- 1-Spl PL 2317 x 9 x 480(SM490YA)
- 144-TCB M22 x 65(S10T)

Top Long Rib Joint J11
(Numbers : 5)



Bot Long Rib Joint J11
(Numbers : 2)

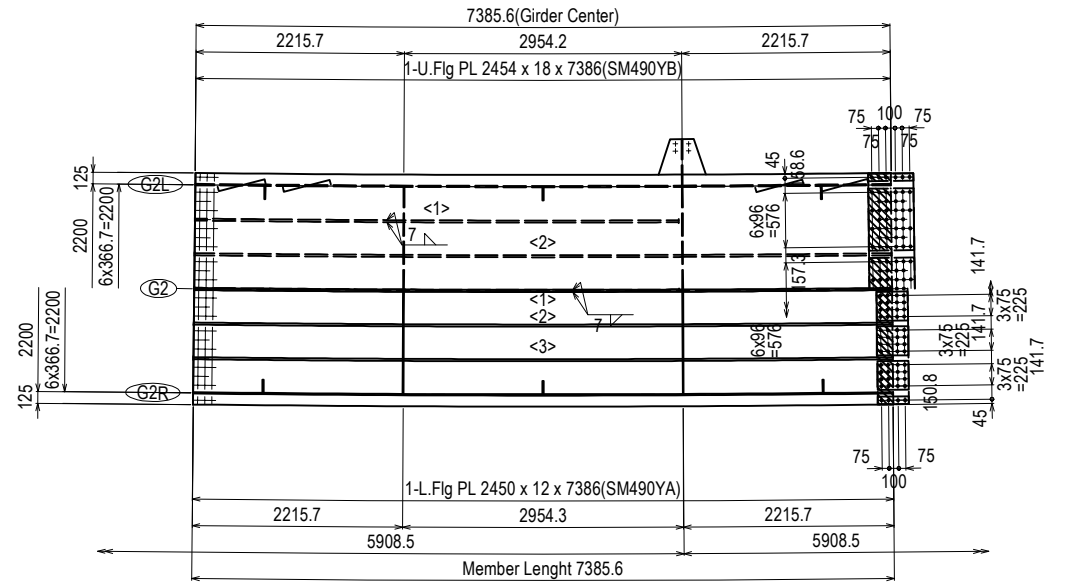


Note

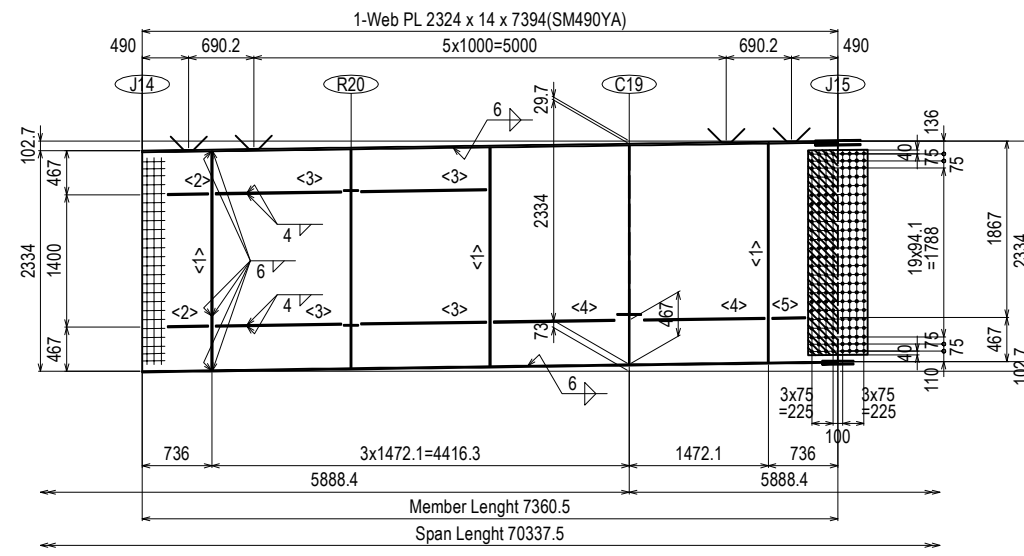
1. All material without the reports is made SM400A
2. + : High-tension bolt M22 (S10T)
3. All scar laps without the reports are made R35

PROJECT NAME	FINANCED BY	COUNTERPART	JICA STUDY TEAM	NAME	SIGNATURE	DATE	DRAWING TITLE	PACKAGE
DETAILED DESIGN ON BAGO RIVER BRIDGE CONSTRUCTION PROJECT	JICA JAPAN INTERNATIONAL COOPERATION AGENCY	REPUBLIC OF THE UNION OF MYANMAR MINISTRY OF CONSTRUCTION DEPARTMENT OF BRIDGE	NIPPON KOEI CO., LTD. ORIENTAL CONSULTANTS GLOBAL CO., LTD. METROPOLITAN EXPRESSWAY COMPANY LIMITED CHODAI CO., LTD. NIPPON ENGINEERING CONSULTANTS CO., LTD.	Y. SUZUKI	<i>[Signature]</i>	14 Jul. 2017	DETAIL OF MAIN GIRDER G2 (PF2-PF5) (11)	3
				T. HAYAKAWA	<i>[Signature]</i>	20 Jul. 2017		DWG No.
				Y. SANO	<i>[Signature]</i>	25 Jul. 2017		P3-FO-1443

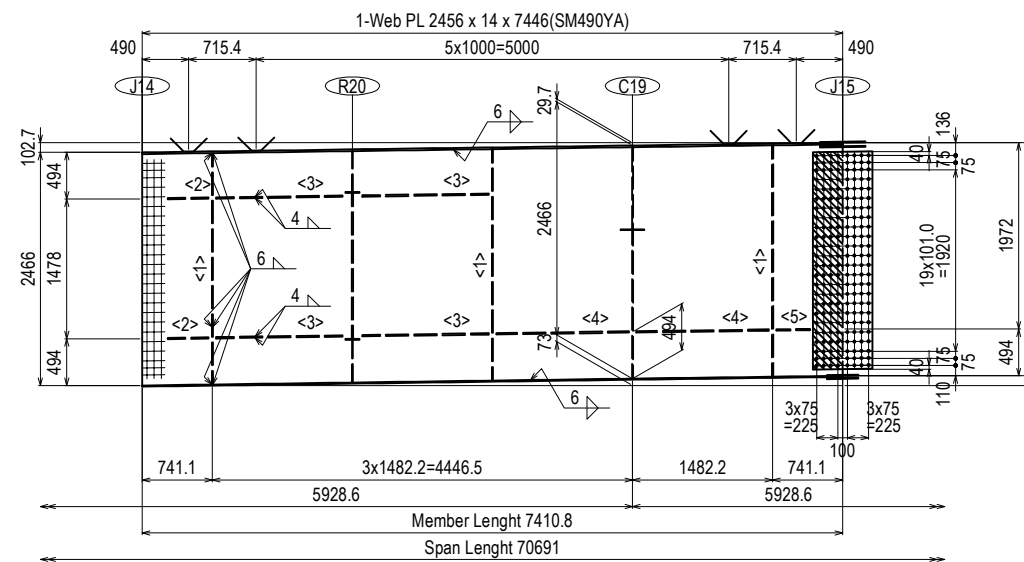
DETAIL OF MAIN GIRDER G2 (PF2-PF5) (15) S=1:80



- <Upper Flg>
 16-RB φ16 x 600(SS400)
 <1>1-Rib PL 230 x 22 x 5112(SM490YB)
 <2>1-Rib PL 230 x 22 x 7361(SM490YB)
 1-Rib PL 230 x 22 x 5124(SM490YB)
 1-Rib PL 230 x 22 x 7378(SM490YB)
 1-Rib PL 230 x 22 x 5136(SM490YB)
 1-Spl PL 80 x 12 x 480(SM490YA)
 3-Spl PL 656 x 12 x 480(SM490YA)
 1-Spl PL 80 x 12 x 480(SM490YA)
 1-Spl PL 2440 x 10 x 480(SM490YA)
 2-Fill PL 80 x 18 x 240(SS400)
 3-Fill PL 656 x 18 x 240(SS400)
 6-TCB M22 x 95(S10T)
 108-TCB M22 x 95(S10T)
 6-TCB M22 x 95(S10T)
- <Lower Flg>
 1-Rib PL 230 x 22 x 7352(SM490YB)
 1-Rib PL 230 x 22 x 7361(SM490YB)
 <1>1-Rib PL 230 x 22 x 7369(SM490YB)
 <2>1-Rib PL 230 x 22 x 7378(SM490YB)
 <3>1-Rib PL 230 x 22 x 7386(SM490YB)
 1-Spl PL 80 x 9 x 330(SM490YA)
 6-Spl PL 305 x 9 x 330(SM490YA)
 1-Spl PL 80 x 9 x 330(SM490YA)
 1-Spl PL 2440 x 9 x 330(SM490YA)
 1-Fill PL 2440 x 12 x 165(SS400)
 4-TCB M22 x 80(S10T)
 96-TCB M22 x 80(S10T)
 4-TCB M22 x 80(S10T)

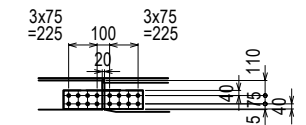


- <1>3-V.Stiff PL 140 x 12 x 2324
 <2>2-H.Stiff PL 160 x 14 x 425
 <3>4-H.Stiff PL 160 x 14 x 1326
 <4>2-H.Stiff PL 160 x 14 x 1276
 <5>1-H.Stiff PL 160 x 14 x 350
 1-Spl PL 2176 x 9 x 630(SM490YA)
 1-Spl PL 2176 x 9 x 630(SM490YA)
 1-Fill PL 2172 x 2.3 x 315(SS400)
 192-TCB M22 x 70(S10T)



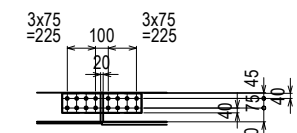
- <1>3-V.Stiff PL 140 x 12 x 2448
 <2>2-H.Stiff PL 160 x 14 x 430
 <3>4-H.Stiff PL 160 x 14 x 1336
 <4>2-H.Stiff PL 160 x 14 x 1402
 <5>1-H.Stiff PL 160 x 14 x 355
 1-Spl PL 2308 x 9 x 630(SM490YA)
 1-Spl PL 2308 x 9 x 630(SM490YA)
 1-Fill PL 2304 x 2.3 x 315(SS400)
 192-TCB M22 x 70(S10T)

Top Long Rib Joint J15
(Numbers : 2)

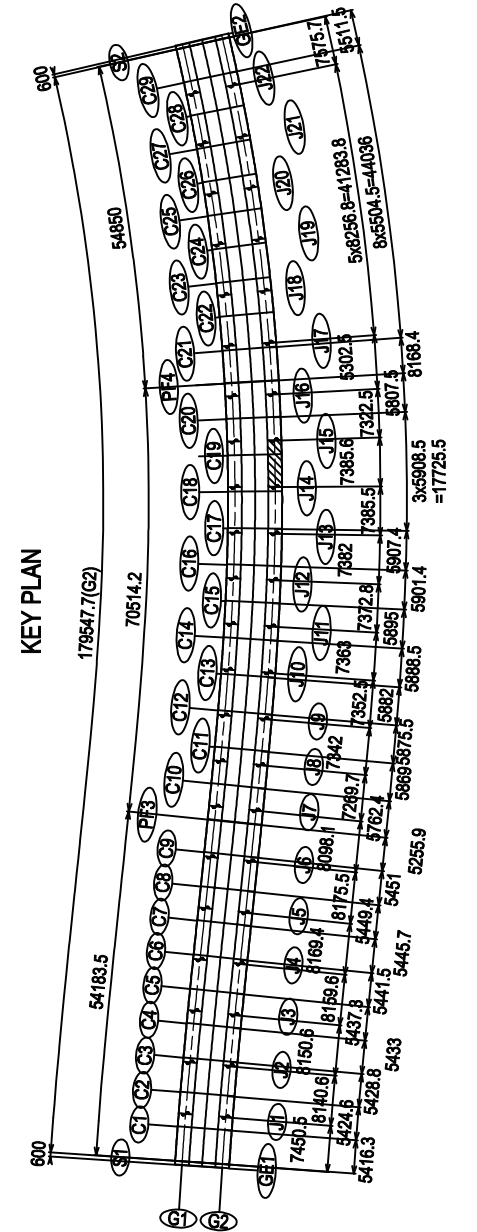


2-Spl PL 155 x 22 x 630(SM490YB)
16-TCB M22 x 105(S10T)

Bot Long Rib Joint J15
(Numbers : 5)



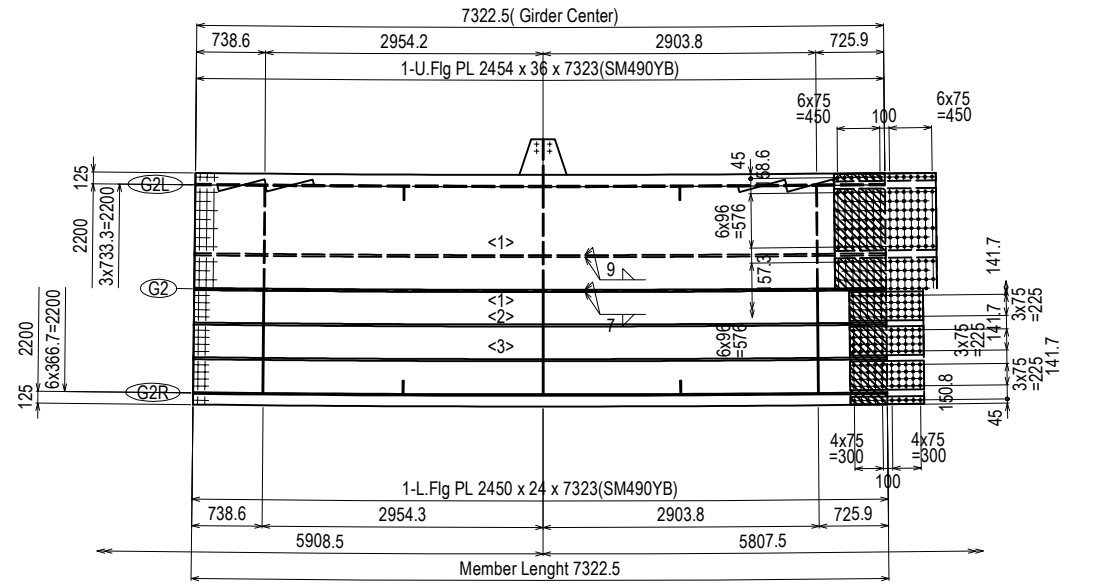
2-Spl PL 155 x 19 x 630(SM490YB)
16-TCB M22 x 95(S10T)



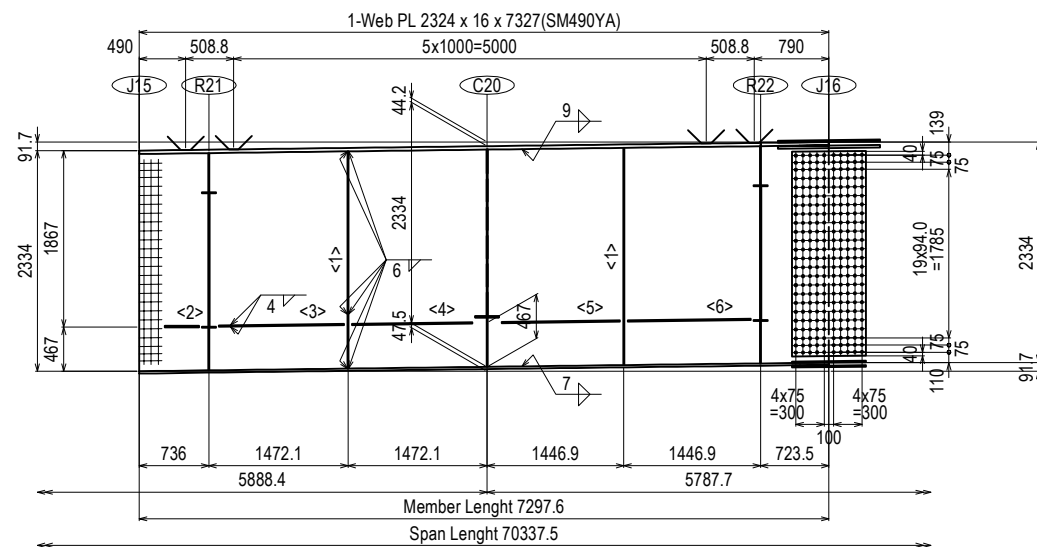
- Note
1. All material without the reports is made SM400A
 2. + : High-tension bolt M22 (S10T)
 3. All scar laps without the reports are made R35

PROJECT NAME DETAILED DESIGN ON BAGO RIVER BRIDGE CONSTRUCTION PROJECT	FINANCED BY JAPAN INTERNATIONAL COOPERATION AGENCY	COUNTERPART REPUBLIC OF THE UNION OF MYANMAR MINISTRY OF CONSTRUCTION DEPARTMENT OF BRIDGE	JICA STUDY TEAM NIPPON KOEI CO., LTD. ORIENTAL CONSULTANTS GLOBAL CO., LTD. METROPOLITAN EXPRESSWAY COMPANY LIMITED CHODAI CO., LTD. NIPPON ENGINEERING CONSULTANTS CO., LTD.	NAME Y. SUZUKI	SIGNATURE 	DATE 14 Jul. 2017	DRAWING TITLE DETAIL OF MAIN GIRDER G2 (PF2-PF5) (15)	PACKAGE 3 DWG No. P3-FO-1447
				PREPARED BY Y. SUZUKI	SIGNATURE 	DATE 20 Jul. 2017		
				CHECKED BY T. HAYAKAWA	SIGNATURE 	DATE 25 Jul. 2017		
				APPROVED BY Y. SANO	SIGNATURE 	DATE 25 Jul. 2017		

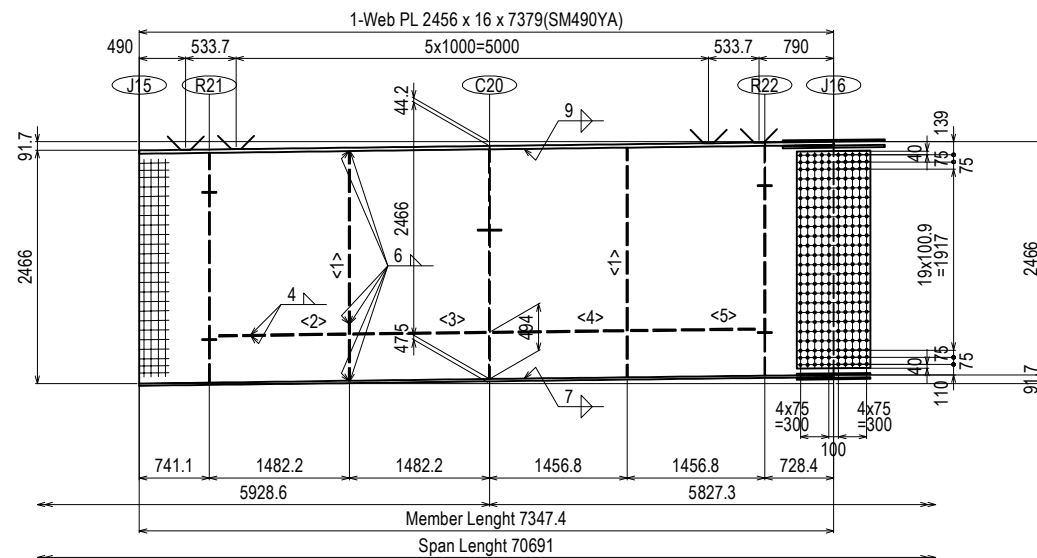
DETAIL OF MAIN GIRDER G2 (PF2-PF5) (16) S=1:80



- <Upper Flg>
 16-RB φ16 x 600(SS400)
 <1>-1-Rib PL 230 x 22 x 7297(SM490YB)
 1-Rib PL 230 x 22 x 7314(SM490YB)
 1-Spl PL 80 x 24 x 1080(SM490YB)
 3-Spl PL 656 x 24 x 1080(SM490YB)
 1-Spl PL 80 x 24 x 1080(SM490YB)
 1-Spl PL 2440 x 20 x 1080(SM490YB)
 2-Fill PL 80 x 3.2 x 540(SS400)
 3-Fill PL 656 x 3.2 x 540(SS400)
 14-TCB M22 x 120(S10T)
 276-TCB M22 x 120(S10T)
 14-TCB M22 x 120(S10T)
- <Lower Flg>
 1-Rib PL 230 x 22 x 7289(SM490YB)
 1-Rib PL 230 x 22 x 7297(SM490YB)
 <1>-1-Rib PL 230 x 22 x 7306(SM490YB)
 <2>-1-Rib PL 230 x 22 x 7314(SM490YB)
 <3>-1-Rib PL 230 x 22 x 7322(SM490YB)
 1-Spl PL 80 x 15 x 780(SM490YA)
 6-Spl PL 305 x 15 x 780(SM490YA)
 1-Spl PL 80 x 15 x 780(SM490YA)
 1-Spl PL 2440 x 13 x 780(SM490YA)
 1-Fill PL 2440 x 7 x 390(SS400)
 10-TCB M22 x 95(S10T)
 240-TCB M22 x 95(S10T)
 10-TCB M22 x 95(S10T)

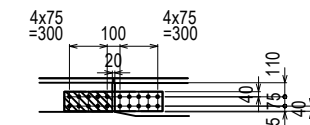


- <1>-2-V.Stiff PL 140 x 12 x 2306
 <2>-1-H.Stiff PL 160 x 14 x 361
 <3>-1-H.Stiff PL 160 x 14 x 1326
 <4>-1-H.Stiff PL 160 x 14 x 1276
 <5>-1-H.Stiff PL 160 x 14 x 1251
 <6>-1-H.Stiff PL 160 x 14 x 1301
 1-Spl PL 2174 x 10 x 780(SM490YA)
 1-Spl PL 2174 x 10 x 780(SM490YA)
 240-TCB M22 x 75(S10T)

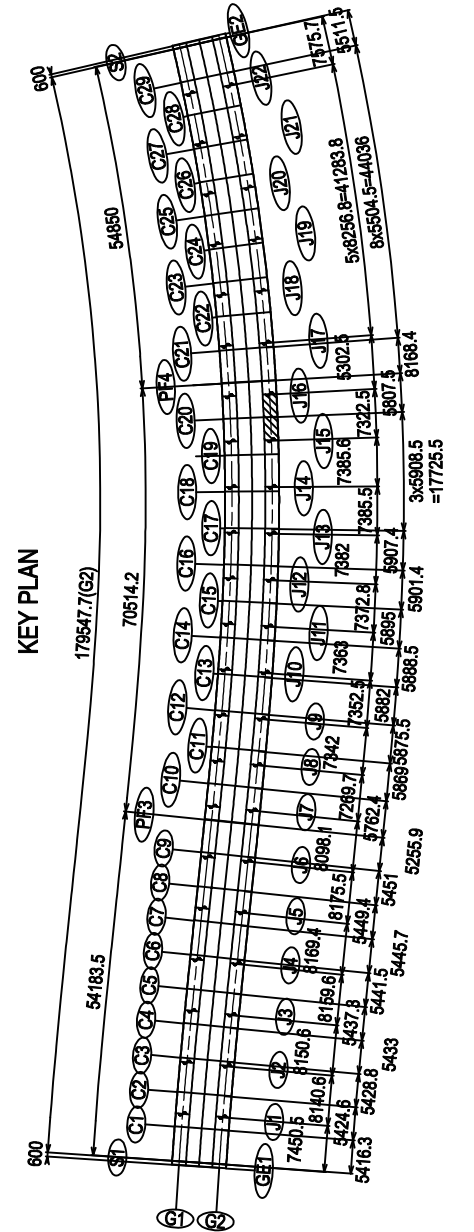
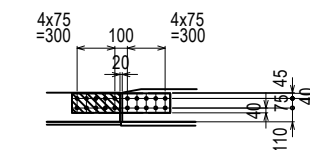


- <1>-2-V.Stiff PL 140 x 12 x 2430
 <2>-1-H.Stiff PL 160 x 14 x 1336
 <3>-1-H.Stiff PL 160 x 14 x 1402
 <4>-1-H.Stiff PL 160 x 14 x 1376
 <5>-1-H.Stiff PL 160 x 14 x 1311
 1-Spl PL 2306 x 10 x 780(SM490YA)
 1-Spl PL 2306 x 10 x 780(SM490YA)
 240-TCB M22 x 75(S10T)

Top Long Rib Joint J16
(Numbers : 2)



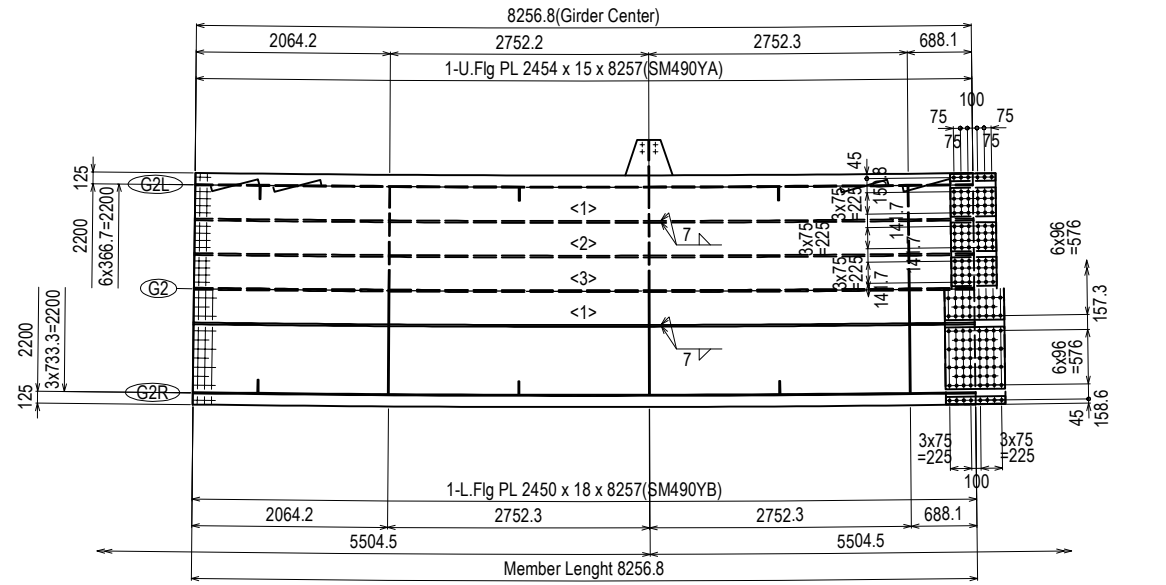
Bot Long Rib Joint J16
(Numbers : 5)



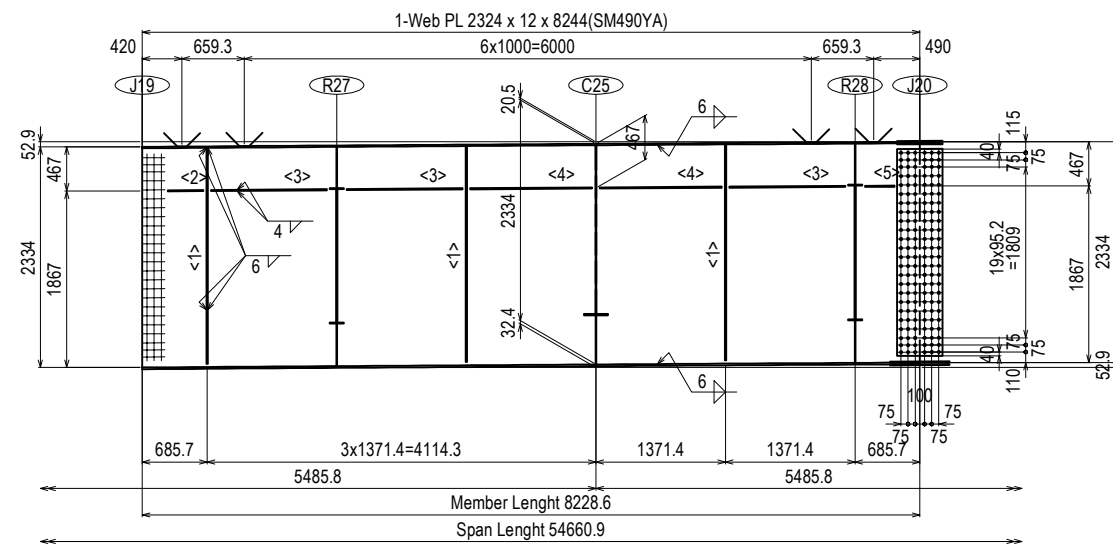
- Note
 1. All material without the reports is made SM400A
 2. + : High-tension bolt M22 (S10T)
 3. All scar laps without the reports are made R35

PROJECT NAME DETAILED DESIGN ON BAGO RIVER BRIDGE CONSTRUCTION PROJECT	FINANCED BY JAPAN INTERNATIONAL COOPERATION AGENCY	COUNTERPART REPUBLIC OF THE UNION OF MYANMAR MINISTRY OF CONSTRUCTION DEPARTMENT OF BRIDGE	JICA STUDY TEAM NIPPON KOEI CO., LTD. ORIENTAL CONSULTANTS GLOBAL CO., LTD. METROPOLITAN EXPRESSWAY COMPANY LIMITED CHODAI CO., LTD. NIPPON ENGINEERING CONSULTANTS CO., LTD.	NAME PREPARED BY Y. SUZUKI CHECKED BY T. HAYAKAWA APPROVED BY Y. SANO	SIGNATURE 	DATE 14 Jul. 2017 20 Jul. 2017 25 Jul. 2017	DRAWING TITLE DETAIL OF MAIN GIRDER G2 (PF2-PF5) (16)	PACKAGE 3 DWG No. P3-FO-1448
---	--	---	--	--	-----------------------	--	--	---------------------------------------

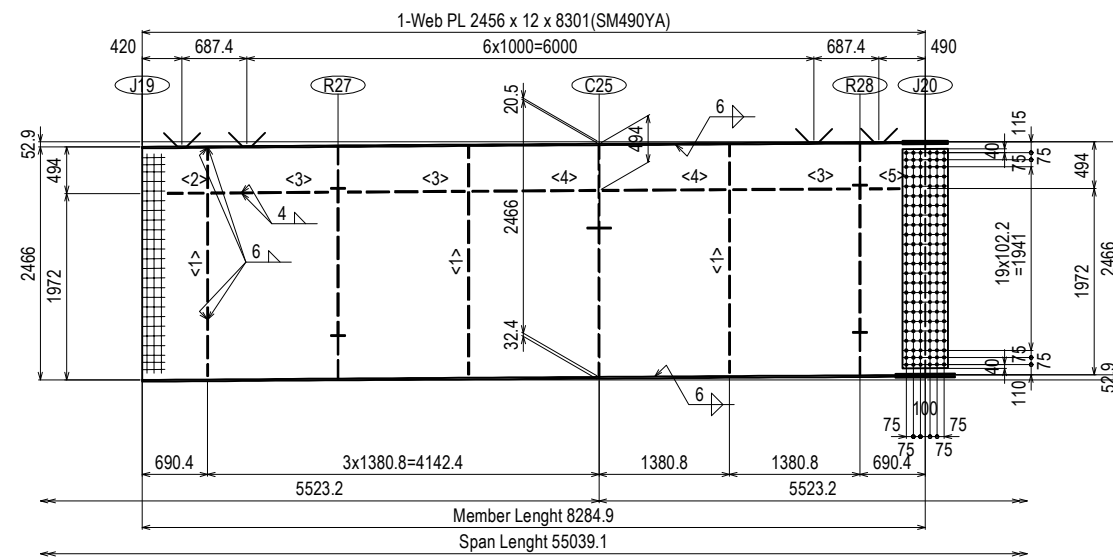
DETAIL OF MAIN GIRDER G2 (PF2-PF5) (20) S=1:80



- <Upper Flg>**
 18-RB ϕ 16 x 600(SS400)
 <1>1-Rib PL 190 x 19 x 8219(SM490YB)
 <2>1-Rib PL 190 x 19 x 8228(SM490YB)
 <3>1-Rib PL 190 x 19 x 8238(SM490YB)
 1-Rib PL 190 x 19 x 8247(SM490YB)
 1-Rib PL 190 x 19 x 8256(SM490YB)
 1-Spl PL 80 x 10 x 480(SM490YA)
 6-Spl PL 305 x 10 x 480(SM490YA)
 1-Spl PL 80 x 10 x 480(SM490YA)
 1-Spl PL 2440 x 9 x 480(SM490YA)
 6-TCB M22 x 70(S10T)
 144-TCB M22 x 70(S10T)
 6-TCB M22 x 70(S10T)
- <Lower Flg>**
 1-Rib PL 190 x 19 x 8228(SM490YB)
 <1>1-Rib PL 190 x 19 x 8247(SM490YB)
 1-Spl PL 80 x 12 x 630(SM490YA)
 3-Spl PL 656 x 12 x 630(SM490YA)
 1-Spl PL 80 x 12 x 630(SM490YA)
 1-Spl PL 2440 x 10 x 630(SM490YA)
 8-TCB M22 x 75(S10T)
 150-TCB M22 x 75(S10T)
 8-TCB M22 x 75(S10T)

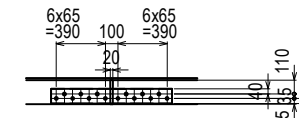


- <1>3-V.Stiff PL 140 x 12 x 2292
 <2>1-H.Stiff PL 140 x 12 x 375
 <3>3-H.Stiff PL 140 x 12 x 1226
 <4>2-H.Stiff PL 140 x 12 x 1291
 <5>1-H.Stiff PL 140 x 12 x 311
 1-Spl PL 2192 x 9 x 480(SM490YA)
 1-Spl PL 2192 x 9 x 480(SM490YA)
 144-TCB M22 x 65(S10T)

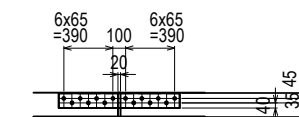


- <1>3-V.Stiff PL 140 x 12 x 2416
 <2>1-H.Stiff PL 140 x 12 x 379
 <3>3-H.Stiff PL 140 x 12 x 1235
 <4>2-H.Stiff PL 140 x 12 x 1300
 <5>1-H.Stiff PL 140 x 12 x 315
 1-Spl PL 2324 x 9 x 480(SM490YA)
 1-Spl PL 2324 x 9 x 480(SM490YA)
 144-TCB M22 x 65(S10T)

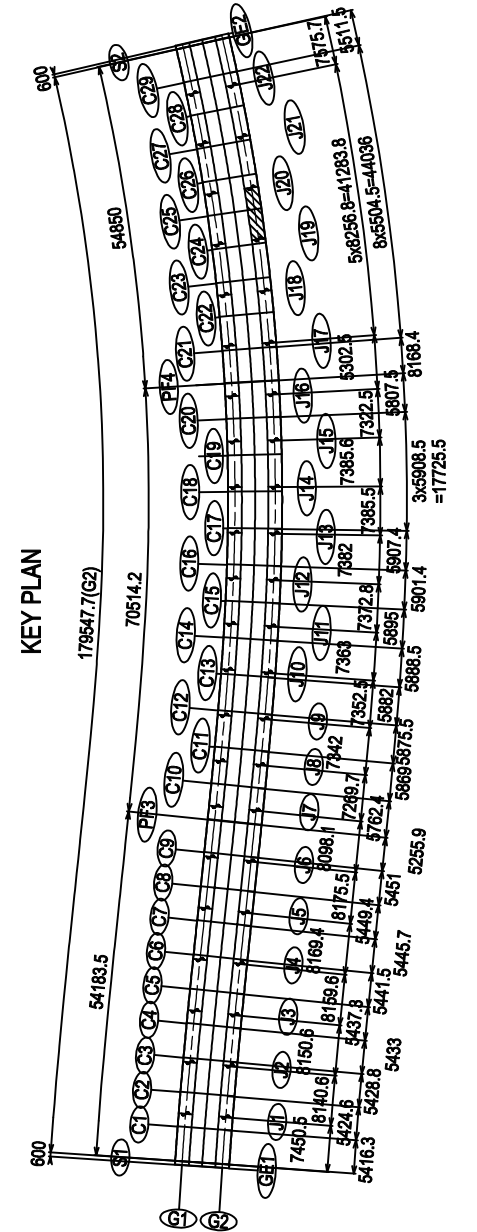
Top Long Rib Joint J20
(Numbers : 5)



Bot Long Rib Joint J20
(Numbers : 2)



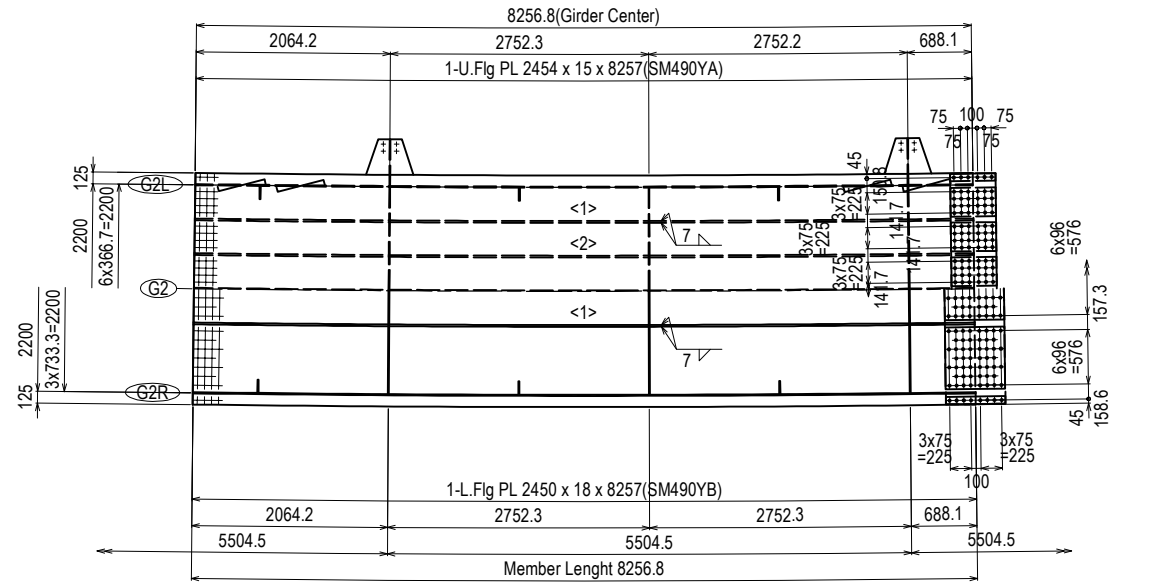
2-Spl PL 115 x 19 x 960(SM490YB)
 14-TCB M22 x 95(S10T)



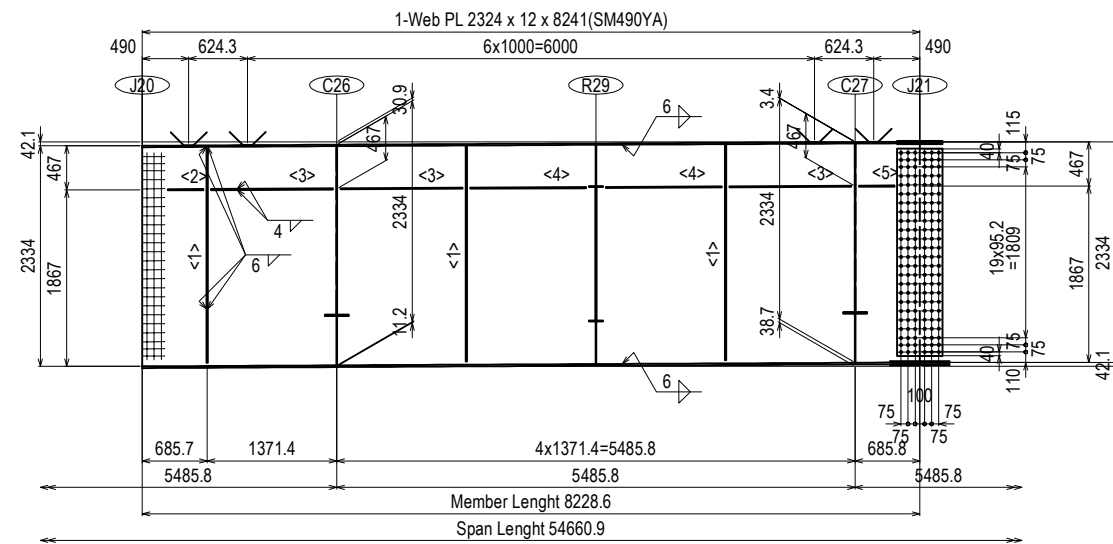
- Note**
 1. All material without the reports is made SM400A
 2. + : High-tension bolt M22 (S10T)
 3. All scar laps without the reports are made R35

PROJECT NAME DETAILED DESIGN ON BAGO RIVER BRIDGE CONSTRUCTION PROJECT	FINANCED BY JAPAN INTERNATIONAL COOPERATION AGENCY	COUNTERPART REPUBLIC OF THE UNION OF MYANMAR MINISTRY OF CONSTRUCTION DEPARTMENT OF BRIDGE	JICA STUDY TEAM NIPPON KOEI CO., LTD. ORIENTAL CONSULTANTS GLOBAL CO., LTD. METROPOLITAN EXPRESSWAY COMPANY LIMITED CHODAI CO., LTD. NIPPON ENGINEERING CONSULTANTS CO., LTD.	<table border="1" style="width: 100%; border-collapse: collapse;"> <tr> <th>NAME</th> <th>SIGNATURE</th> <th>DATE</th> </tr> <tr> <td>PREPARED BY</td> <td>Y. SUZUKI</td> <td>14 Jul. 2017</td> </tr> <tr> <td>CHECKED BY</td> <td>T. HAYAKAWA</td> <td>20 Jul. 2017</td> </tr> <tr> <td>APPROVED BY</td> <td>Y. SANO</td> <td>25 Jul. 2017</td> </tr> </table>	NAME	SIGNATURE	DATE	PREPARED BY	Y. SUZUKI	14 Jul. 2017	CHECKED BY	T. HAYAKAWA	20 Jul. 2017	APPROVED BY	Y. SANO	25 Jul. 2017	DRAWING TITLE DETAIL OF MAIN GIRDER G2 (PF2-PF5) (20)	PACKAGE 3 DWG No. P3-FO-1452
NAME	SIGNATURE	DATE																
PREPARED BY	Y. SUZUKI	14 Jul. 2017																
CHECKED BY	T. HAYAKAWA	20 Jul. 2017																
APPROVED BY	Y. SANO	25 Jul. 2017																

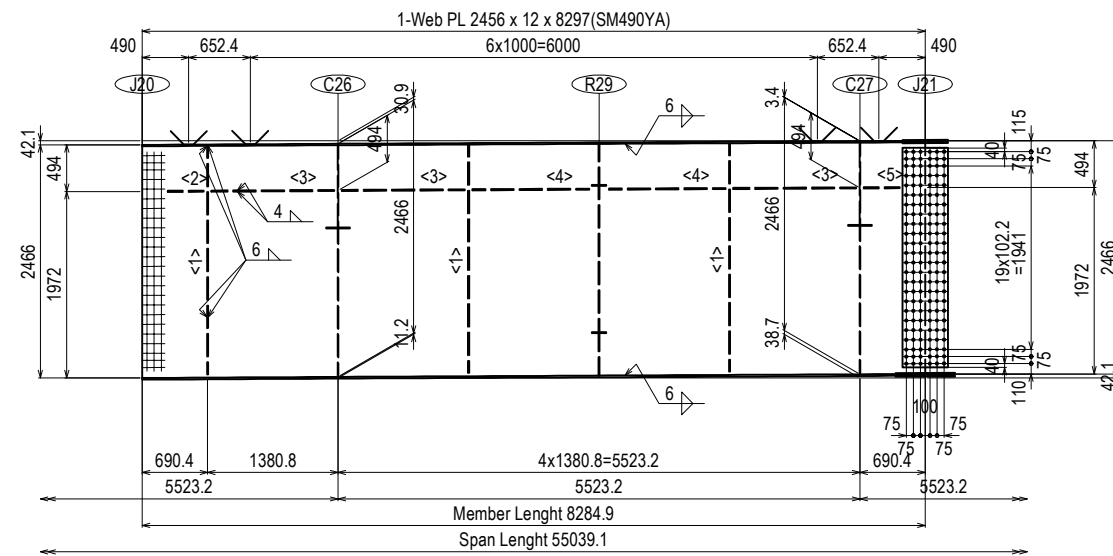
DETAIL OF MAIN GIRDER G2 (PF2-PF5) (21) S=1:80



- <Upper Flg>
 18-RB φ16 x 600(SS400)
 <1>1-Rib PL 190 x 19 x 8219(SM490YB)
 <2>1-Rib PL 190 x 19 x 8228(SM490YB)
 1-Rib PL 190 x 19 x 8238(SM490YB)
 1-Rib PL 190 x 19 x 8247(SM490YB)
 1-Rib PL 190 x 19 x 8256(SM490YB)
 1-Spl PL 80 x 10 x 480(SM490YA)
 6-Spl PL 305 x 10 x 480(SM490YA)
 1-Spl PL 80 x 10 x 480(SM490YA)
 1-Spl PL 2440 x 9 x 480(SM490YA)
 6-TCB M22 x 70(S10T)
 144-TCB M22 x 70(S10T)
 6-TCB M22 x 70(S10T)
- <Lower Flg>
 1-Rib PL 190 x 19 x 8228(SM490YB)
 <1>1-Rib PL 190 x 19 x 8247(SM490YB)
 1-Spl PL 80 x 12 x 630(SM490YA)
 3-Spl PL 656 x 12 x 630(SM490YA)
 1-Spl PL 80 x 12 x 630(SM490YA)
 1-Spl PL 2440 x 10 x 630(SM490YA)
 8-TCB M22 x 75(S10T)
 150-TCB M22 x 75(S10T)
 8-TCB M22 x 75(S10T)

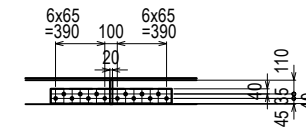


- <1>3-V.Stiff PL 140 x 12 x 2292
 <2>1-H.Stiff PL 140 x 12 x 375
 <3>3-H.Stiff PL 140 x 12 x 1291
 <4>2-H.Stiff PL 140 x 12 x 1226
 <5>1-H.Stiff PL 140 x 12 x 376
 1-Spl PL 2191 x 9 x 480(SM490YA)
 1-Spl PL 2191 x 9 x 480(SM490YA)
 144-TCB M22 x 65(S10T)

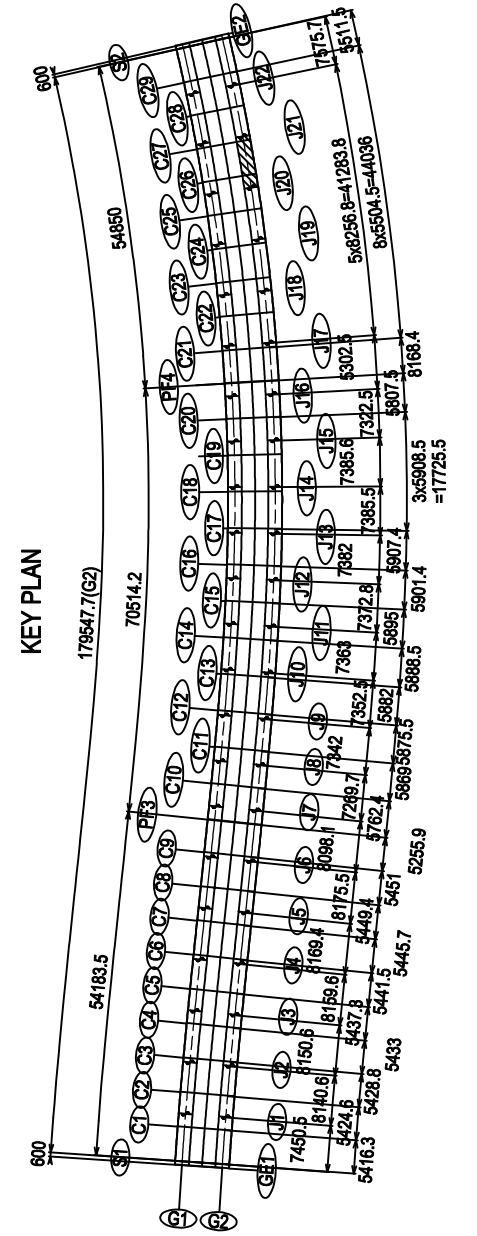
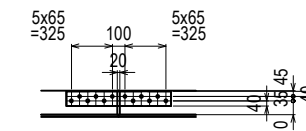


- <1>3-V.Stiff PL 140 x 12 x 2416
 <2>1-H.Stiff PL 140 x 12 x 379
 <3>3-H.Stiff PL 140 x 12 x 1300
 <4>2-H.Stiff PL 140 x 12 x 1235
 <5>1-H.Stiff PL 140 x 12 x 381
 1-Spl PL 2323 x 9 x 480(SM490YA)
 1-Spl PL 2323 x 9 x 480(SM490YA)
 144-TCB M22 x 65(S10T)

Top Long Rib Joint J21
(Numbers : 5)



Bot Long Rib Joint J21
(Numbers : 2)

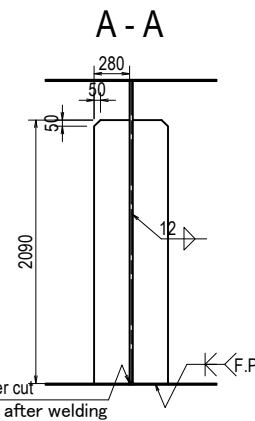
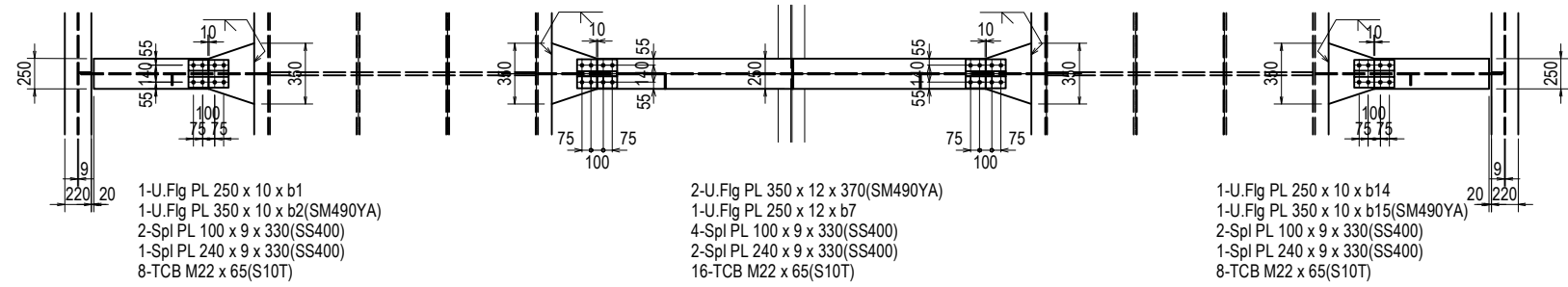


- Note
1. All material without the reports is made SM400A
 2. + : High-tension bolt M22 (S10T)
 3. All scar laps without the reports are made R35

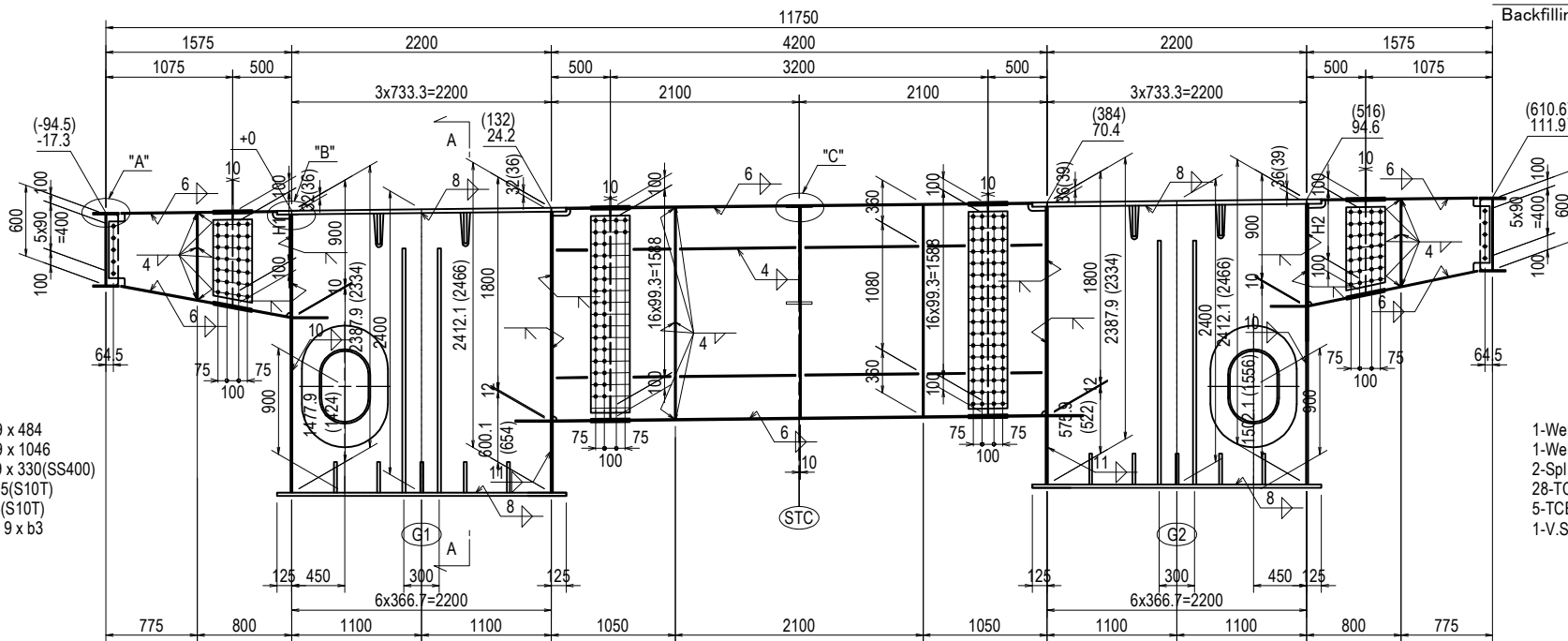
PROJECT NAME DETAILED DESIGN ON BAGO RIVER BRIDGE CONSTRUCTION PROJECT	FINANCED BY JAPAN INTERNATIONAL COOPERATION AGENCY	COUNTERPART REPUBLIC OF THE UNION OF MYANMAR MINISTRY OF CONSTRUCTION DEPARTMENT OF BRIDGE	JICA STUDY TEAM NIPPON KOEI CO., LTD. ORIENTAL CONSULTANTS GLOBAL CO., LTD. METROPOLITAN EXPRESSWAY COMPANY LIMITED CHODAI CO., LTD. NIPPON ENGINEERING CONSULTANTS CO., LTD.	NAME PREPARED BY Y. SUZUKI CHECKED BY T. HAYAKAWA APPROVED BY Y. SANO	SIGNATURE 	DATE 14 Jul. 2017 20 Jul. 2017 25 Jul. 2017	DRAWING TITLE DETAIL OF MAIN GIRDER G2 (PF2-PF5) (21)	PACKAGE 3 DWG No. P3-FO-1453
---	--	---	--	--	-----------------------	--	--	---------------------------------------

DETAIL OF CROSSBEAM (PF2-PF5) (2) S=1:60

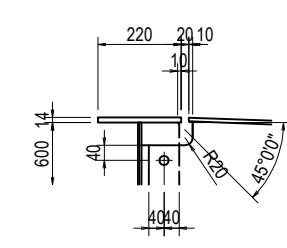
SECTION PF.3 (PF.4)



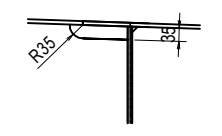
	PF.3	PF.4
H1	6x98.7=592.4	6x98.8=592.8
H2	6x98.7=592.3	6x98.7=592
b1	940	942
b2	370	371
b3	734	737
b4	956	948
b5	492	488
b6	2064	2061
b7	3190	3196
b8	3210	3303
b9	315	316
b10	980	982
b11	960	962
b12	3190	3196
b13	2064	2061
b14	940	942
b15	370	371
b16	960	971
b17	494	500
h1	881	862
h2	791	792
h3	2380	2430
h4	1793	1817
h5	1788	1785
h6	1792	1810
h7	1672	1688
h8	2376	2427
h9	892	918
h10	800	851
h11	708	726



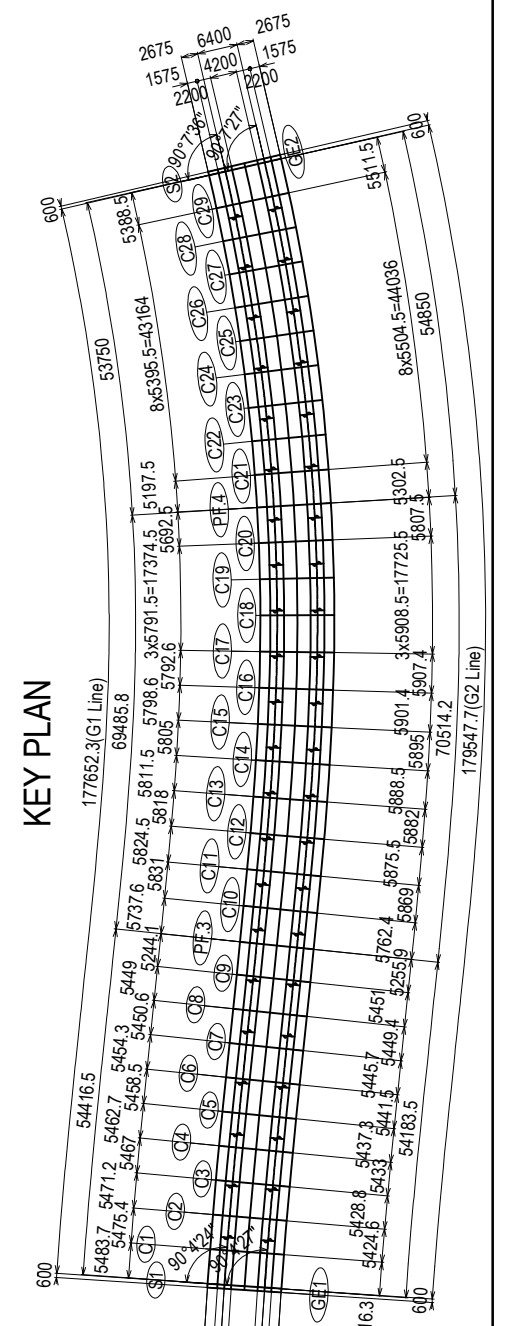
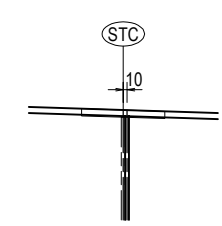
"A" Details S=1:20



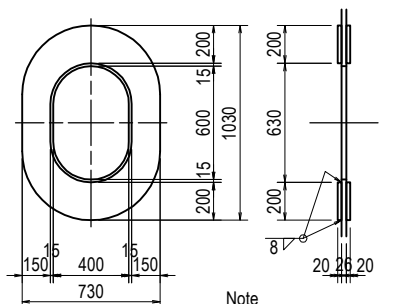
"B" Details S=1:20



"C" Details S=1:20



MANHOLE DETAIL S=1:40

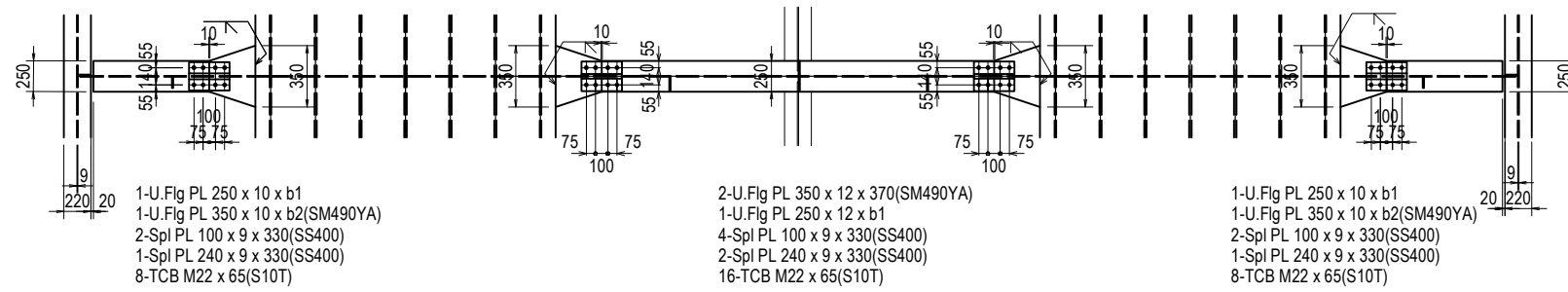


Note
1. All material without the reports is made SM400A
2. + : High-tension bolt M22 (S10T)
3. All scar laps without the reports are made R35

PROJECT NAME	FINANCED BY	COUNTERPART	JICA STUDY TEAM	NAME	SIGNATURE	DATE	DRAWING TITLE	PACKAGE
DETAILED DESIGN ON BAGO RIVER BRIDGE CONSTRUCTION PROJECT	JICA JAPAN INTERNATIONAL COOPERATION AGENCY	REPUBLIC OF THE UNION OF MYANMAR MINISTRY OF CONSTRUCTION DEPARTMENT OF BRIDGE	NIPPON KOEI CO., LTD. ORIENTAL CONSULTANTS GLOBAL CO., LTD. METROPOLITAN EXPRESSWAY COMPANY LIMITED CHODAI CO., LTD. NIPPON ENGINEERING CONSULTANTS CO., LTD.	Y. SUZUKI	<i>[Signature]</i>	14 Jul. 2017	DETAIL OF CROSSBEAM (PF2-PF5) (2)	3
				T. HAYAKAWA	<i>[Signature]</i>	20 Jul. 2017		DWG No.
				Y. SANO	<i>[Signature]</i>	25 Jul. 2017		P3-FO-1457

DETAIL OF CROSSBEAM (PF2-PF5) (3) S=1:60

SECTION C1~C20



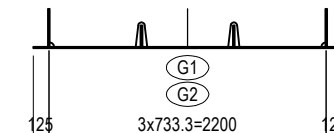
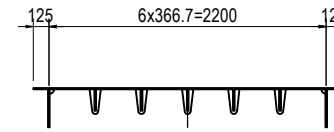
- 1-U.Flg PL 250 x 10 x b1
- 1-U.Flg PL 350 x 10 x b2(SM490YA)
- 2-Spl PL 100 x 9 x 330(SS400)
- 1-Spl PL 240 x 9 x 330(SS400)
- 8-TCB M22 x 65(S10T)

- 2-U.Flg PL 350 x 12 x 370(SM490YA)
- 1-U.Flg PL 250 x 12 x b1
- 4-Spl PL 100 x 9 x 330(SS400)
- 2-Spl PL 240 x 9 x 330(SS400)
- 16-TCB M22 x 65(S10T)

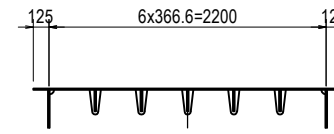
- 1-U.Flg PL 250 x 10 x b1
- 1-U.Flg PL 350 x 10 x b2(SM490YA)
- 2-Spl PL 100 x 9 x 330(SS400)
- 1-Spl PL 240 x 9 x 330(SS400)
- 8-TCB M22 x 65(S10T)

Number of ribs

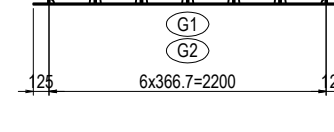
C1~C6,C13~C17,C24~C29



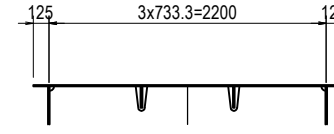
C7,C12,C18,C23



C8~C11,C19~C22



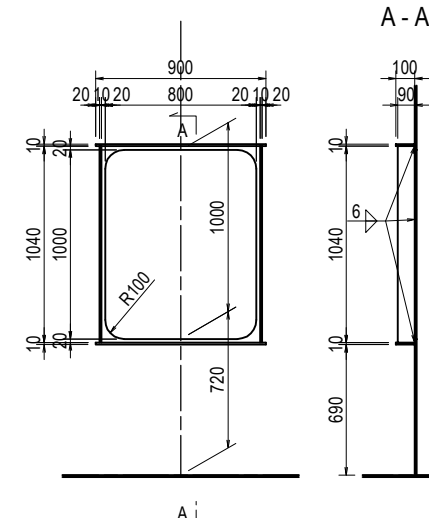
C8~C11,C19~C22



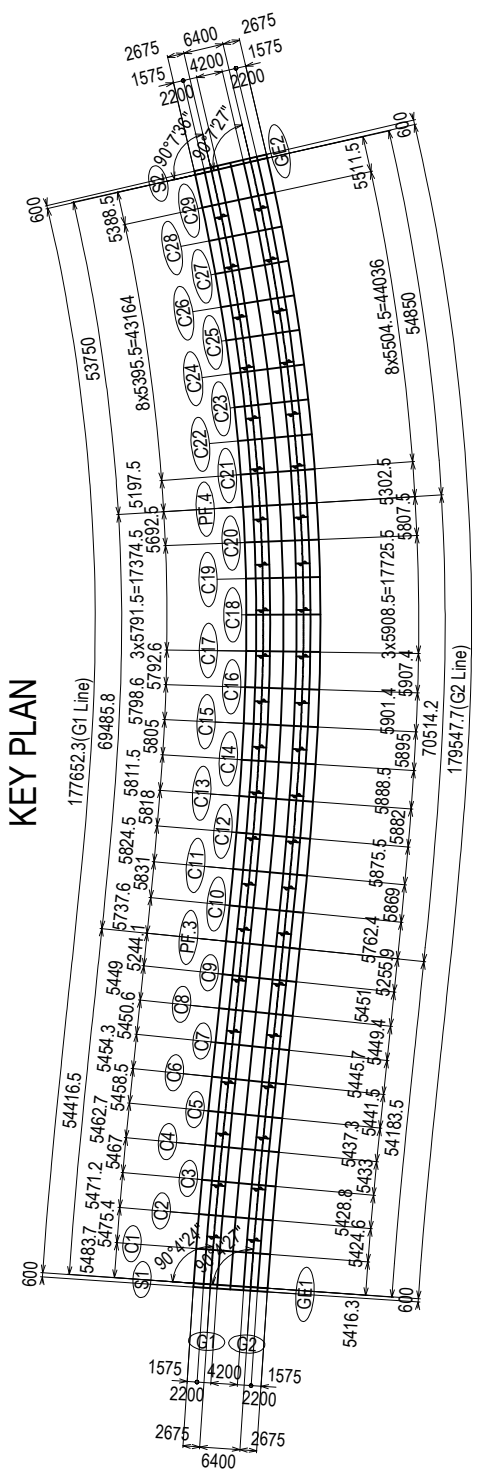
C8~C11,C19~C22



APERTURE DETAILS S=1:40



KEY PLAN



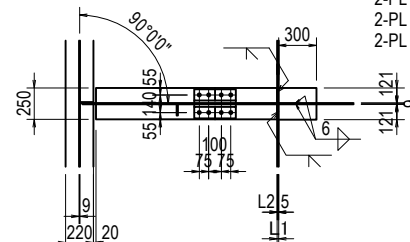
- 1-Web PL h1 x 9 x b3
- 1-Web PL h2 x 9 x 1046
- 2-Spl PL h3 x 9 x 330(SS400)
- 28-TCB M22 x 65(S10T)
- 5-TCB M22 x 55(S10T)
- 1-V.Stiff PL 90 x 9 x b4

- 1-Web PL h1 x 9 x b3
- 1-Web PL h2 x 9 x 1046
- 2-Spl PL h3 x 9 x 330(SS400)
- 28-TCB M22 x 65(S10T)
- 5-TCB M22 x 55(S10T)
- 1-V.Stiff PL 90 x 9 x b4

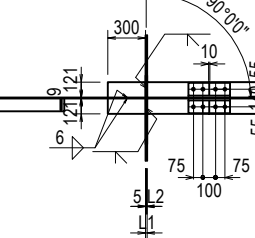
- 1-Dia PL h1 x 9 x 2190
- 2-PL 121 x 10 x 300
- 2-PL 121 x 12 x 300
- 2-PL 100 x 10 x 900
- 2-PL 90 x 10 x 1040

- 1-Web PL h2 x 9 x b2
- 1-Web PL h3 x 9 x b3
- 1-Web PL h4 x 9 x b4
- 4-Spl PL h1 x 9 x 330(SS400)
- 136-TCB M22 x 65(S10T)
- 4-V.Stiff PL 120 x 10 x 1788
- 2-H.Stiff PL 100 x 10 x b8
- 2-H.Stiff PL 100 x 10 x b9
- 2-H.Stiff PL 100 x 10 x b10
- 2-H.Stiff PL 100 x 10 x b11
- 2-H.Stiff PL 100 x 10 x b12
- 2-PL 100 x 10 x b13

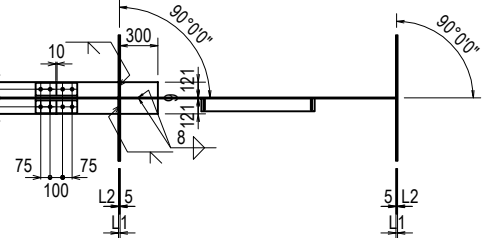
- 1-Dia PL h1 x 9 x 2190
- 2-PL 121 x 12 x 300
- 2-PL 121 x 10 x 300
- 2-PL 100 x 10 x 900
- 2-PL 90 x 10 x 1040



- 1-L.Flg PL 250 x 10 x b5
- 1-L.Flg PL 250 x 10 x b6
- 2-Spl PL 100 x 9 x 330(SS400)
- 1-Spl PL 240 x 9 x 330(SS400)
- 8-TCB M22 x 65(S10T)

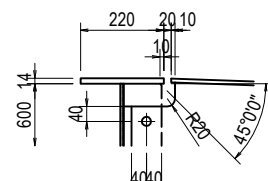


- 1-L.Flg PL 250 x 12 x b5
- 1-L.Flg PL 250 x 12 x b6
- 1-L.Flg PL 250 x 12 x b7
- 4-Spl PL 100 x 9 x 330(SS400)
- 2-Spl PL 240 x 9 x 330(SS400)
- 16-TCB M22 x 65(S10T)

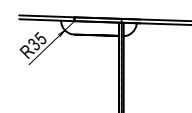


- 1-L.Flg PL 250 x 10 x b5
- 1-L.Flg PL 250 x 10 x b6
- 2-Spl PL 100 x 9 x 330(SS400)
- 1-Spl PL 240 x 9 x 330(SS400)
- 8-TCB M22 x 65(S10T)

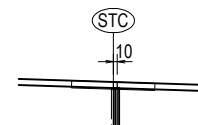
"A" Details S=1:20



"B" Details S=1:20



"C" Details S=1:20

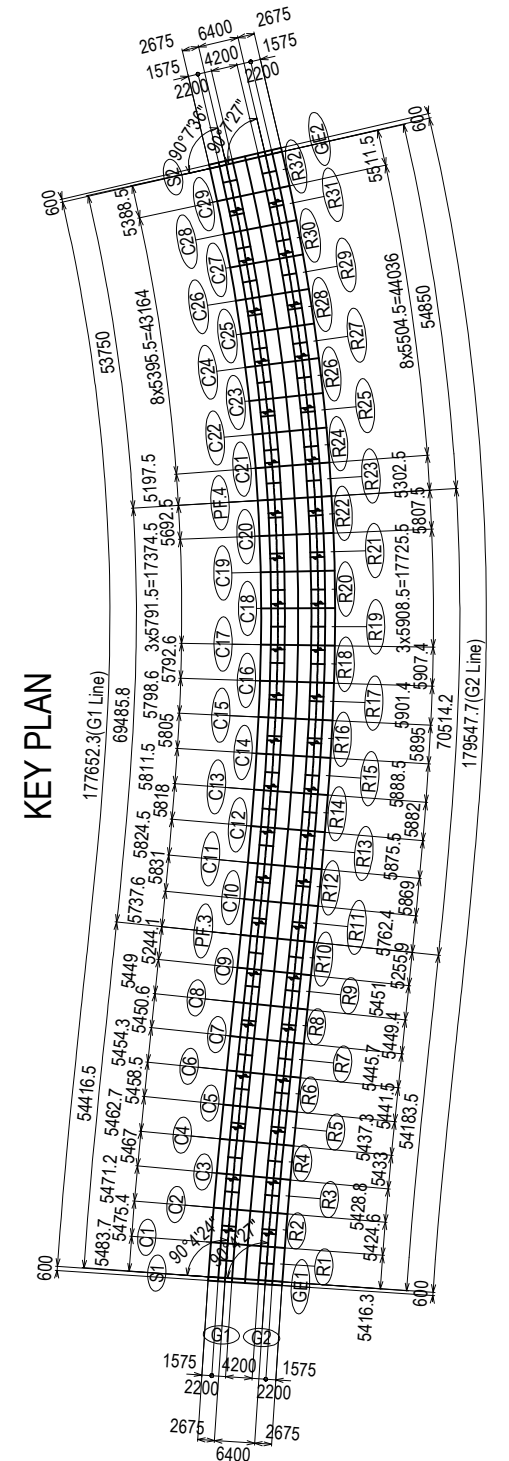
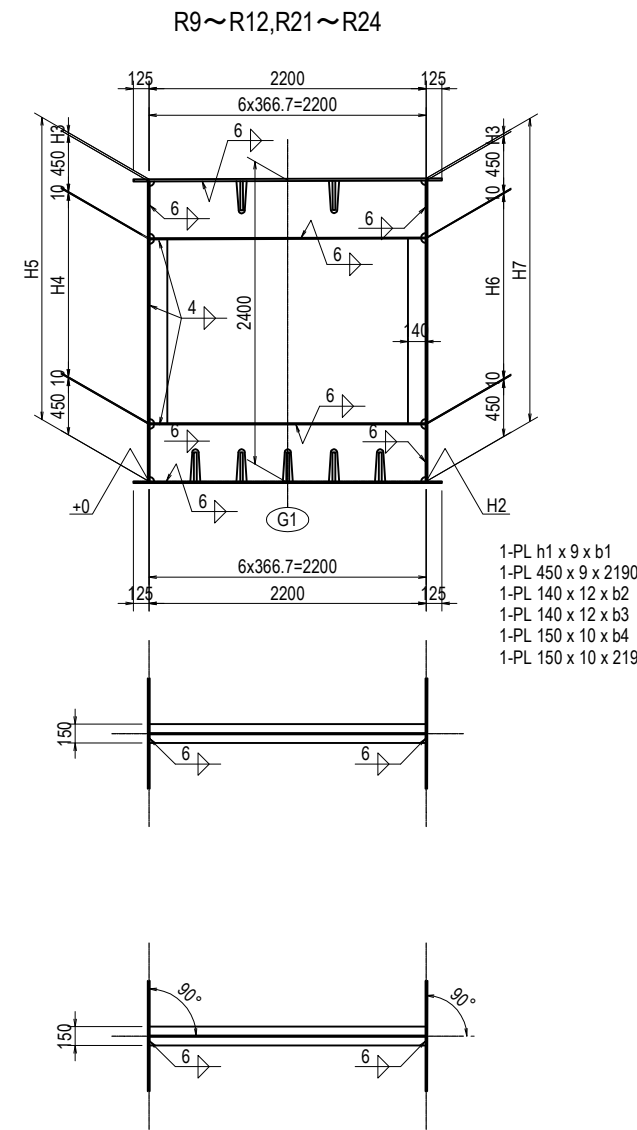
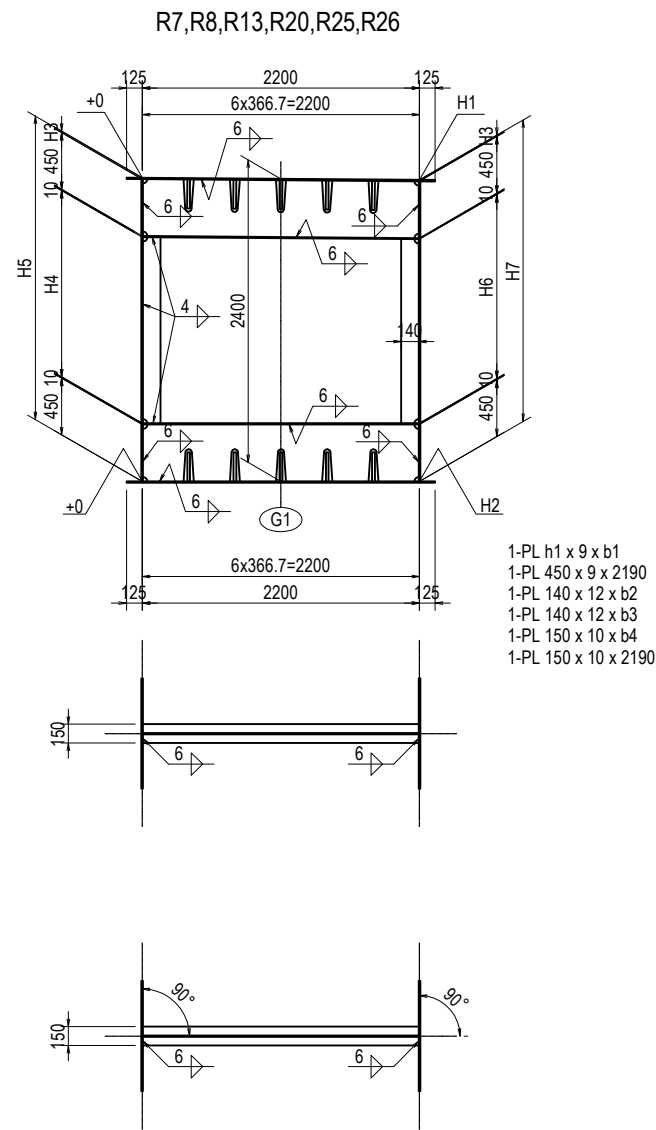
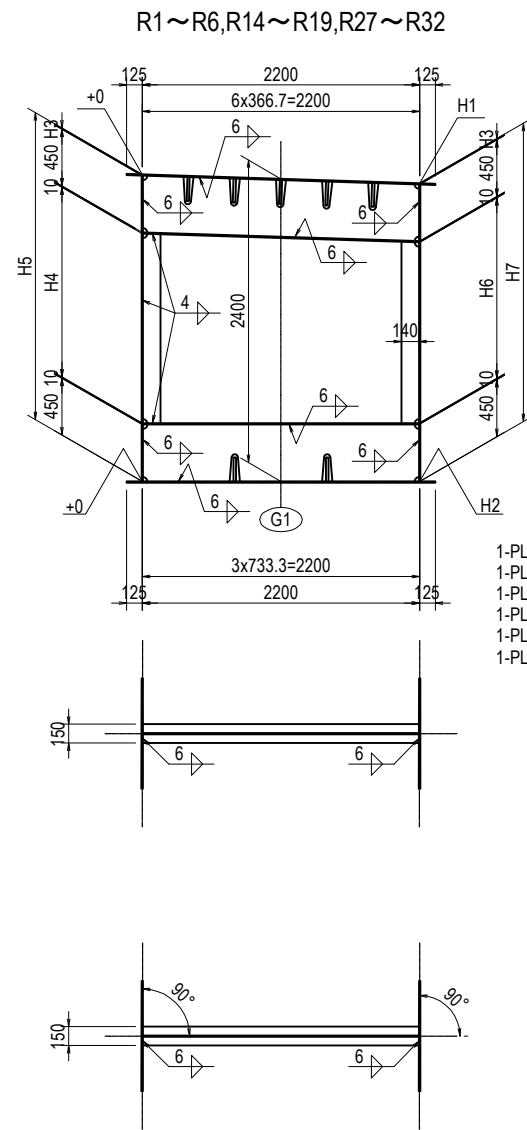


- Note
- All material without the reports is made SM400A
 - + : High-tension bolt M22 (S10T)
 - All scar laps without the reports are made R35

PROJECT NAME DETAILED DESIGN ON BAGO RIVER BRIDGE CONSTRUCTION PROJECT	FINANCED BY JICA JAPAN INTERNATIONAL COOPERATION AGENCY	COUNTERPART REPUBLIC OF THE UNION OF MYANMAR MINISTRY OF CONSTRUCTION DEPARTMENT OF BRIDGE	JICA STUDY TEAM NIPPON KOEI CO., LTD. ORIENTAL CONSULTANTS GLOBAL CO., LTD. METROPOLITAN EXPRESSWAY COMPANY LIMITED CHODAI CO., LTD. NIPPON ENGINEERING CONSULTANTS CO., LTD.	NAME PREPARED BY Y. SUZUKI CHECKED BY T. HAYAKAWA APPROVED BY Y. SANO	SIGNATURE DATE 14 Jul. 2017 20 Jul. 2017 25 Jul. 2017	DRAWING TITLE DETAIL OF CROSSBEAM (PF2-PF5) (3)	PACKAGE 3 DWG No. P3-FO-1458
---	--	---	--	--	---	--	---------------------------------------

DETAIL OF LATERAL RIB (PF2-PF5) (1) S=1:60

G1

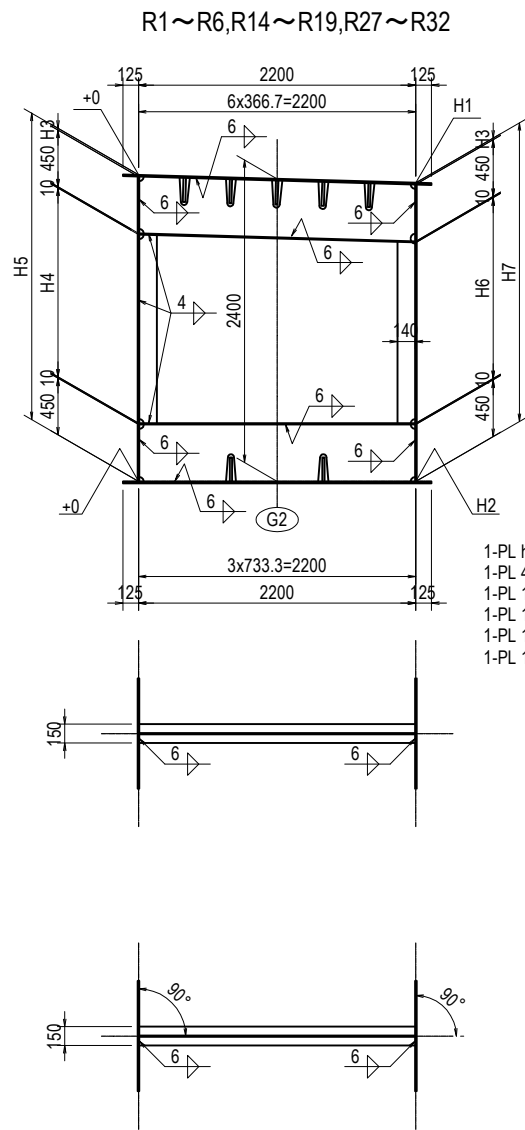


	R1	R2	R3	R4	R5	R6	R7	R8	R9	R10	R11	R12	R13	R14	R15	R16	R17	R18	R19	R20	R21	R22	R23	R24	R25	R26	R27	R28	R29	R30	R31	R32
H1	-69.2	-62.5	-55.8	-49.3	-41.5	-29.3	-17.3	-5.3	+6.7	+18.4	+30.5	+43.3	+57.8	+72.4	+87	+101.5	+116.1	+129.7	+132	+132	+132	+132	+132	+132	+132	+132	+132	+132	+132	+132	+132	
H2	+0.1	+0	+0	+0	+0	+0	+0	+0	+0	+0	+0	+0	+0	+0	+0	+0	+0	+0	-0	-0	-0	-0	-0	-0	-0	-0	-0	-0	-0	-0	-0	
H3	10	14	14	14	14	14	11	18	18	32	32	32	16	11	13	13	13	13	11	17	34	34	36	20	20	11	14	14	14	10		
H4	1504.6	1497.3	1493.9	1490.7	1486.8	1480.7	1477.7	1464.7	1458.7	1438.8	1432.7	1426.4	1435.1	1432.8	1423.5	1416.2	1408.9	1402.2	1403	1397	1380	1380	1378	1394	1394	1403	1400	1400	1400	1404		
H5	2434.6	2431.3	2427.9	2424.7	2420.8	2414.7	2408.7	2402.7	2396.7	2390.8	2384.7	2378.4	2371.1	2363.8	2356.5	2349.2	2341.9	2335.2	2334	2334	2334	2334	2334	2334	2334	2334	2334	2334	2334	2334	2334	
H6	1435.4	1434.7	1438.1	1441.3	1445.3	1451.3	1460.3	1459.3	1465.3	1457.2	1463.3	1469.7	1492.9	1505.2	1510.5	1517.8	1525.1	1531.8	1535	1529	1512	1512	1510	1526	1526	1535	1532	1532	1532	1532	1536	
H7	2365.4	2368.7	2372.1	2375.3	2379.3	2385.3	2391.3	2397.3	2403.3	2409.2	2415.3	2421.7	2428.9	2436.2	2443.5	2450.8	2458.1	2464.8	2466	2466	2466	2466	2466	2466	2466	2466	2466	2466	2466	2466	2466	
h1	450	450	450	450	450	450	450	450	450	450	450	450	450	450	450	450	449	449	449	449	449	449	449	449	449	449	449	449	449	449		
b1	2205	2204	2202	2201	2199	2196	2194	2191	2191	2194	2197	2199	2203	2206	2210	2213	2217	2220	2221	2221	2221	2221	2221	2221	2221	2221	2221	2221	2221	2221	2221	
b2	1504	1497	1494	1491	1487	1481	1478	1465	1459	1440	1435	1429	1439	1438	1429	1423	1417	1411	1412	1406	1389	1389	1387	1403	1403	1412	1409	1409	1409	1413		
b3	1440	1439	1442	1445	1448	1453	1462	1460	1465	1457	1463	1470	1493	1505	1510	1518	1525	1532	1535	1529	1512	1512	1510	1526	1526	1535	1532	1532	1532	1536		
b4	2191	2191	2191	2191	2191	2190	2190	2190	2190	2190	2190	2190	2191	2192	2192	2193	2194	2194	2195	2195	2195	2195	2195	2195	2195	2195	2195	2195	2195	2195	2195	

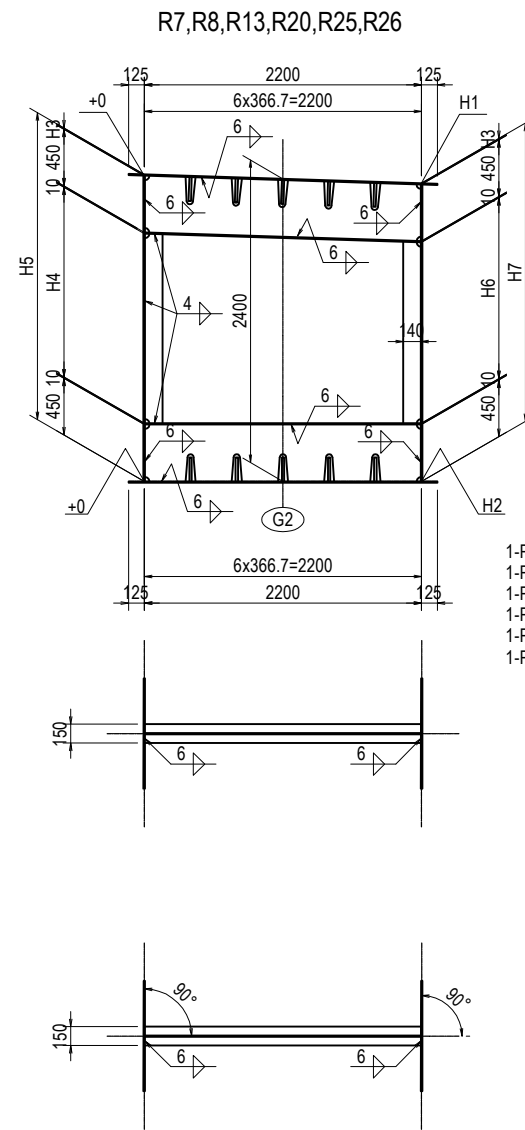
Note
 1. All material without the reports is made SM400A
 2. + : High-tension bolt M22 (S10T)
 3. All scar laps without the reports are made R35

DETAIL OF LATERAL RIB (PF2-PF5) (2) S=1:60

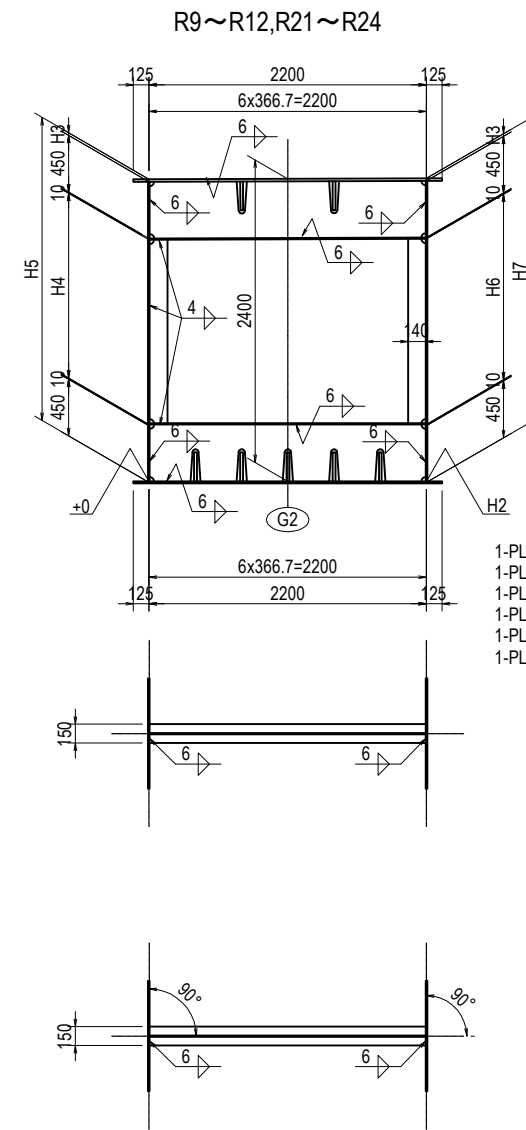
G2



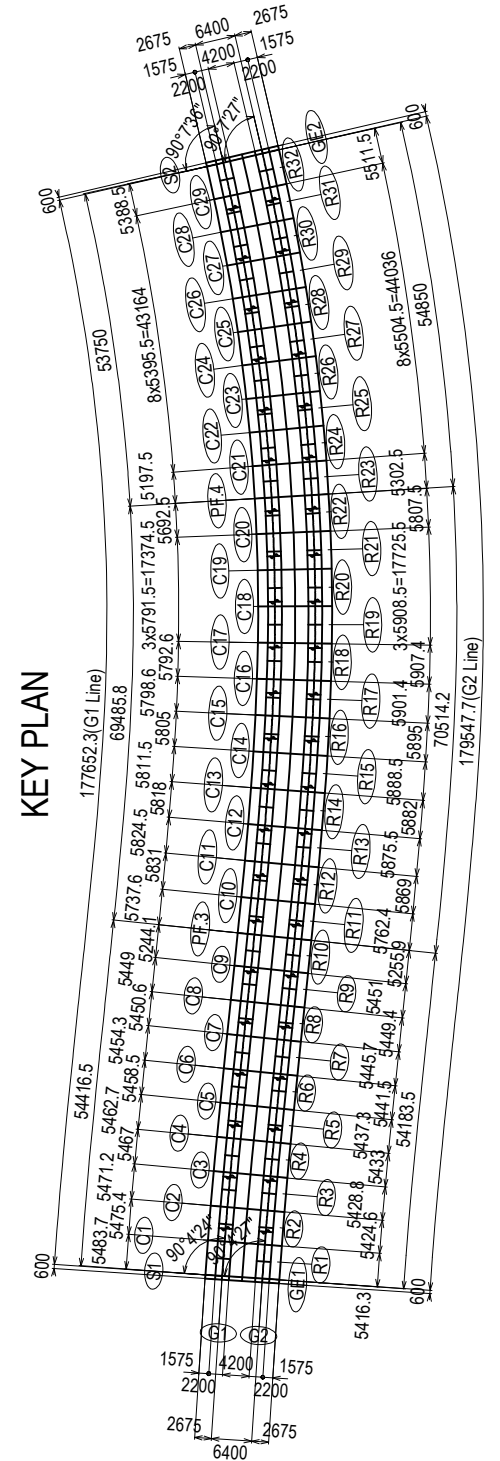
- 1-PL h1 x 9 x b1
- 1-PL 450 x 9 x 2190
- 1-PL 140 x 12 x b2
- 1-PL 140 x 12 x b3
- 1-PL 150 x 10 x b4
- 1-PL 150 x 10 x 2190



- 1-PL h1 x 9 x b1
- 1-PL 450 x 9 x 2190
- 1-PL 140 x 12 x b2
- 1-PL 140 x 12 x b3
- 1-PL 150 x 10 x b4
- 1-PL 150 x 10 x 2190



- 1-PL h1 x 9 x b1
- 1-PL 450 x 9 x 2190
- 1-PL 140 x 12 x b2
- 1-PL 140 x 12 x b3
- 1-PL 150 x 10 x b4
- 1-PL 150 x 10 x 2190

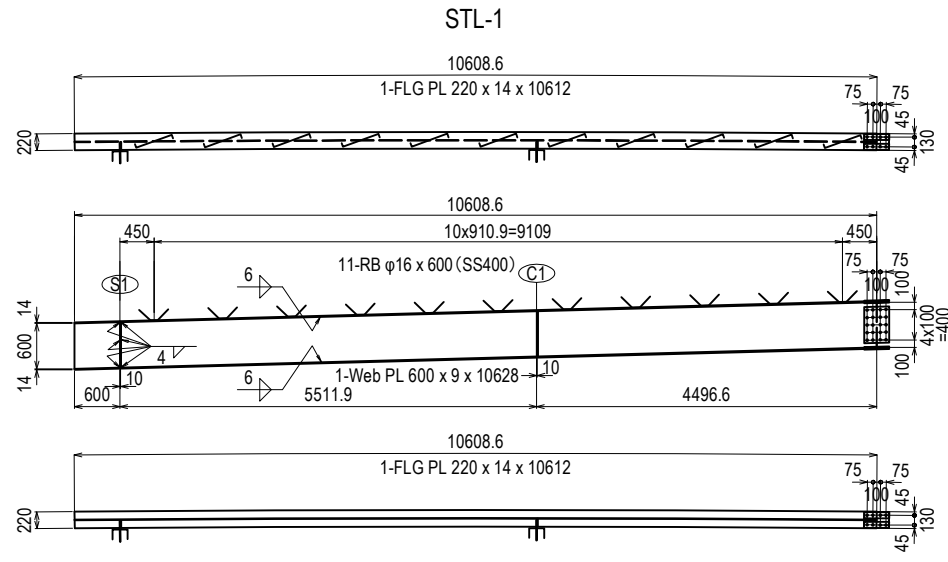


	R1	R2	R3	R4	R5	R6	R7	R8	R9	R10	R11	R12	R13	R14	R15	R16	R17	R18	R19	R20	R21	R22	R23	R24	R25	R26	R27	R28	R29	R30	R31	R32	
H1	-69.1	-62.5	-55.8	-49.3	-41.5	-29.3	-17.3	-5.3	+6.7	+18.4	+30.5	+43.3	+57.8	+72.4	+87	+101.5	+116.1	+129.7	+132	+132	+132	+132	+132	+132	+132	+132	+132	+132	+132	+132	+132	+132	
H2	+0.1	+0	+0	+0	+0	+0	+0	+0	+0	+0	+0	+0	+0	+0	+0	+0	+0	+0	-0	-0	-0	-0	-0	-0	-0	-0	-0	-0	-0	-0	-0	-0	
H3	10	14	14	14	14	14	11	20	20	36	34	34	17	11	14	14	14	14	12	18	36	36	39	22	22	11	15	15	15	15	15	11	
H4	1504.6	1497.3	1493.9	1490.7	1486.7	1480.7	1477.7	1462.7	1456.7	1434.8	1430.7	1424.3	1434.1	1432.8	1422.5	1415.2	1407.9	1401.2	1402	1396	1378	1378	1375	1392	1392	1403	1399	1399	1399	1399	1399	1403	
H5	2434.6	2431.3	2427.9	2424.7	2420.7	2414.7	2408.7	2402.7	2396.7	2390.8	2384.7	2378.3	2371.1	2363.8	2356.5	2349.2	2341.9	2335.2	2334	2334	2334	2334	2334	2334	2334	2334	2334	2334	2334	2334	2334	2334	2334
H6	1435.4	1434.7	1438.1	1441.3	1445.2	1451.3	1460.3	1457.3	1463.3	1453.2	1461.3	1467.7	1491.9	1505.2	1509.5	1516.8	1524.1	1530.8	1534	1528	1510	1510	1507	1524	1524	1535	1531	1531	1531	1531	1531	1531	1535
H7	2365.4	2368.7	2372.1	2375.3	2379.2	2385.3	2391.3	2397.3	2403.3	2409.2	2415.3	2421.7	2428.9	2436.2	2443.5	2450.8	2458.1	2464.8	2466	2466	2466	2466	2466	2466	2466	2466	2466	2466	2466	2466	2466	2466	2466
h1	450	450	450	450	450	450	450	450	450	450	450	450	450	450	450	449	449	449	449	449	449	449	449	449	449	449	449	449	449	449	449	449	
b1	2205	2204	2202	2201	2199	2196	2194	2191	2191	2194	2197	2199	2203	2206	2210	2213	2217	2220	2221	2221	2221	2221	2221	2221	2221	2221	2221	2221	2221	2221	2221	2221	
b2	1504	1497	1494	1491	1487	1481	1478	1463	1457	1436	1433	1427	1438	1438	1428	1422	1416	1410	1411	1405	1387	1387	1384	1401	1401	1412	1408	1408	1408	1408	1408	1412	
b3	1440	1439	1442	1445	1448	1453	1462	1458	1463	1453	1461	1468	1492	1505	1509	1517	1524	1531	1534	1528	1510	1510	1507	1524	1524	1535	1531	1531	1531	1531	1531	1535	
b4	2191	2191	2191	2191	2191	2190	2190	2190	2190	2190	2190	2191	2191	2192	2192	2193	2194	2194	2195	2195	2195	2195	2195	2195	2195	2195	2195	2195	2195	2195	2195	2195	

Note
 1. All material without the reports is made SM400A
 2. + : High-tension bolt M22 (S10T)
 3. All scar laps without the reports are made R35

DETAIL OF OUTSIDE STRINGER (PF2-PF5) (1) S=1:100

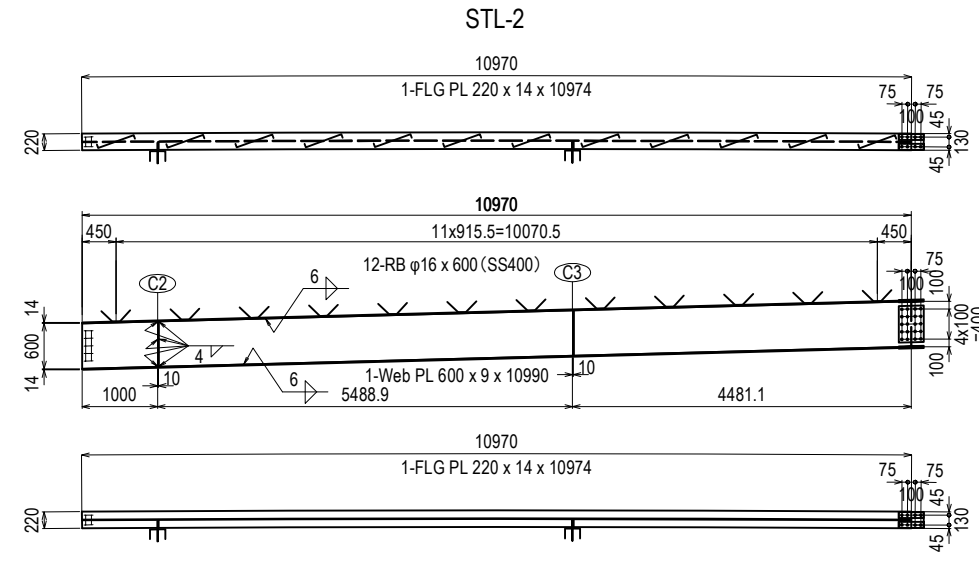
LEFT



1-Spl 210 x 9 x 331 (SS400)
2-Spl 80 x 12 x 331 (SS400)
8-TCB M22 x 70 (S10T)

2-V.Stiff PL 100 x 10 x 600
2-Spl 489 x 9 x 330 (SS400)
20-TCB M22 x 65 (S10T)

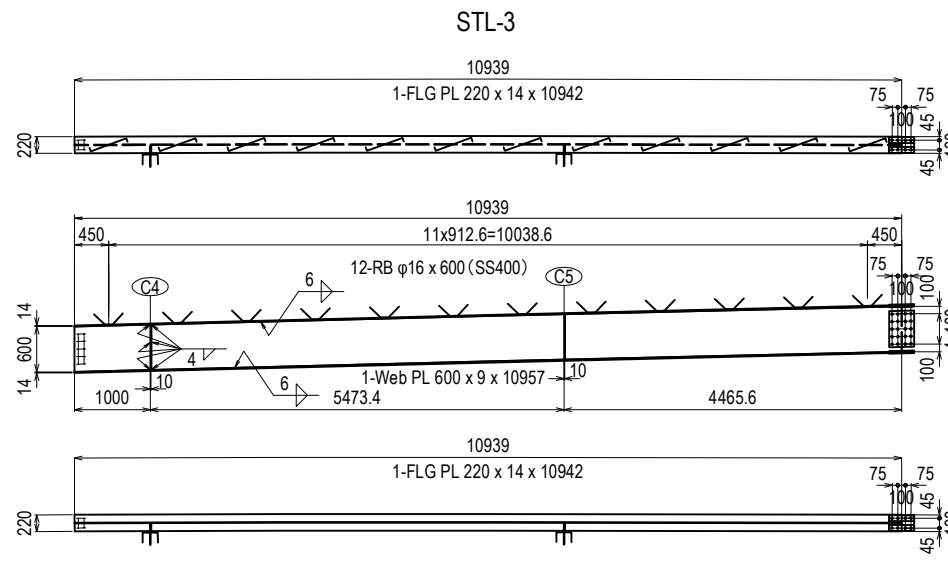
1-Spl 210 x 9 x 331 (SS400)
2-Spl 80 x 10 x 331 (SS400)
8-TCB M22 x 70 (S10T)



1-Spl 210 x 9 x 331 (SS400)
2-Spl 80 x 12 x 330 (SS400)
8-TCB M22 x 70 (S10T)

2-V.Stiff PL 100 x 10 x 600
2-Spl 489 x 9 x 330 (SS400)
20-TCB M22 x 65 (S10T)

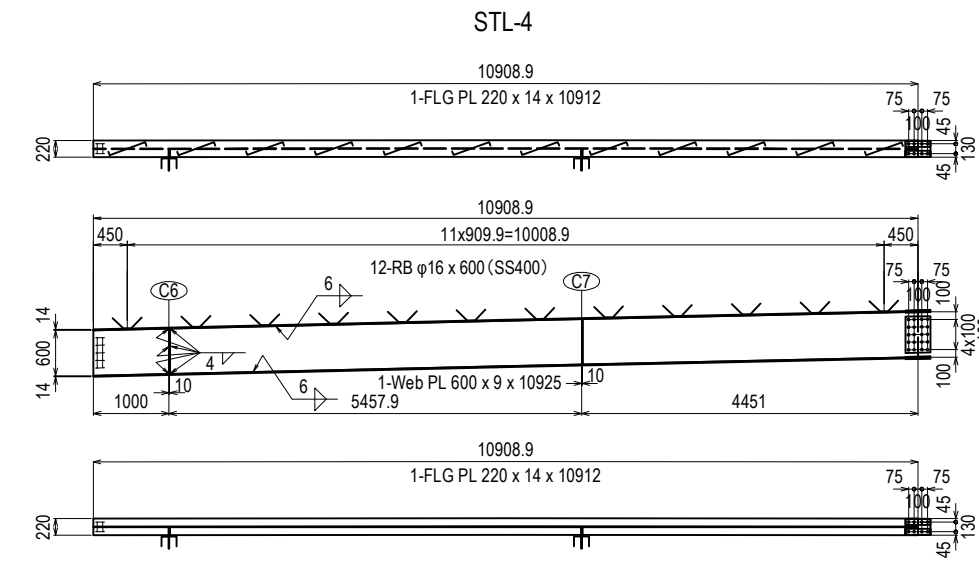
1-Spl 210 x 9 x 331 (SS400)
2-Spl 80 x 10 x 330 (SS400)
8-TCB M22 x 70 (S10T)



1-Spl 210 x 9 x 330 (SS400)
2-Spl 80 x 12 x 330 (SS400)
8-TCB M22 x 70 (S10T)

2-V.Stiff PL 100 x 10 x 600
2-Spl 488 x 9 x 330 (SS400)
20-TCB M22 x 65 (S10T)

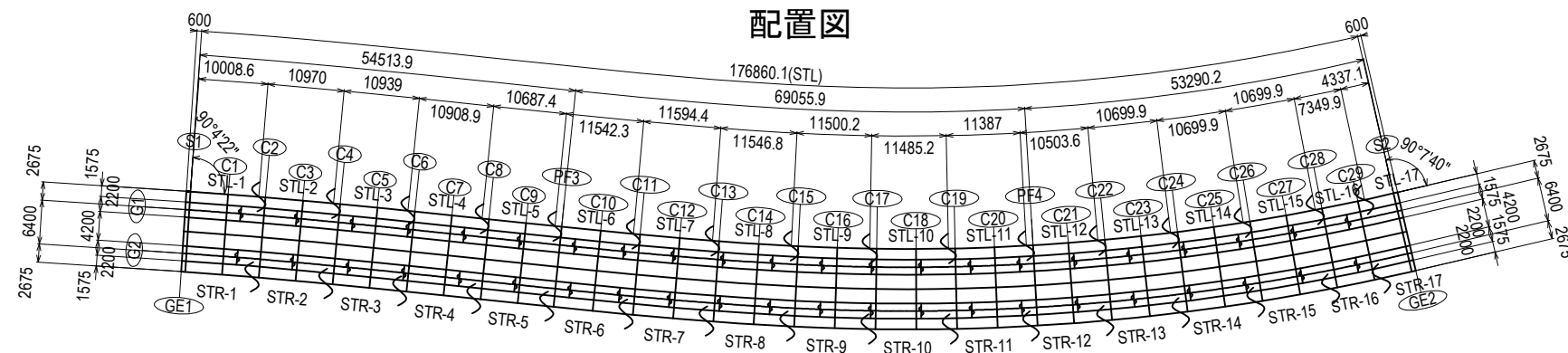
1-Spl 210 x 9 x 330 (SS400)
2-Spl 80 x 10 x 330 (SS400)
8-TCB M22 x 70 (S10T)



1-Spl 210 x 9 x 330 (SS400)
2-Spl 80 x 12 x 330 (SS400)
8-TCB M22 x 70 (S10T)

2-V.Stiff PL 100 x 10 x 600
2-Spl 487 x 9 x 330 (SS400)
20-TCB M22 x 65 (S10T)

1-Spl 210 x 9 x 330 (SS400)
2-Spl 80 x 10 x 330 (SS400)
8-TCB M22 x 70 (S10T)

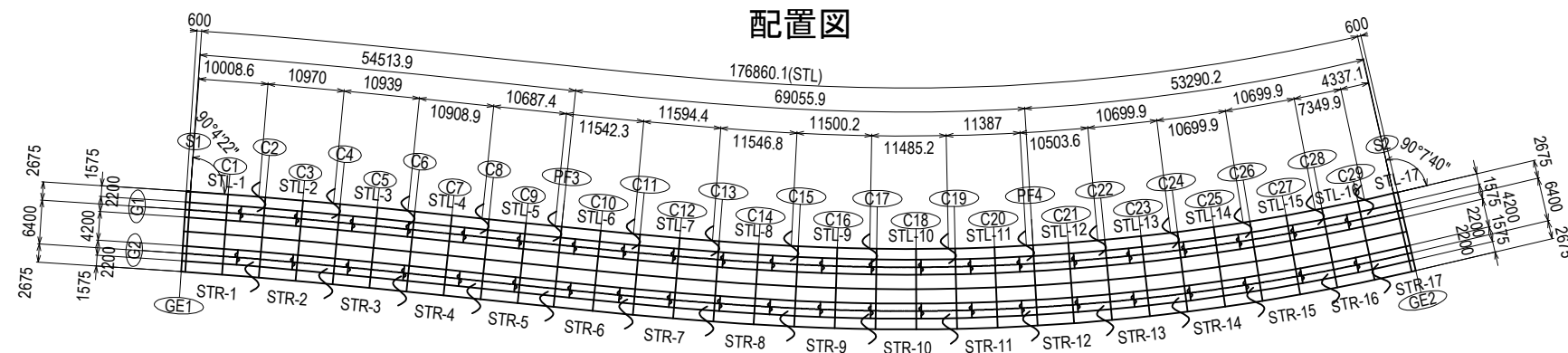
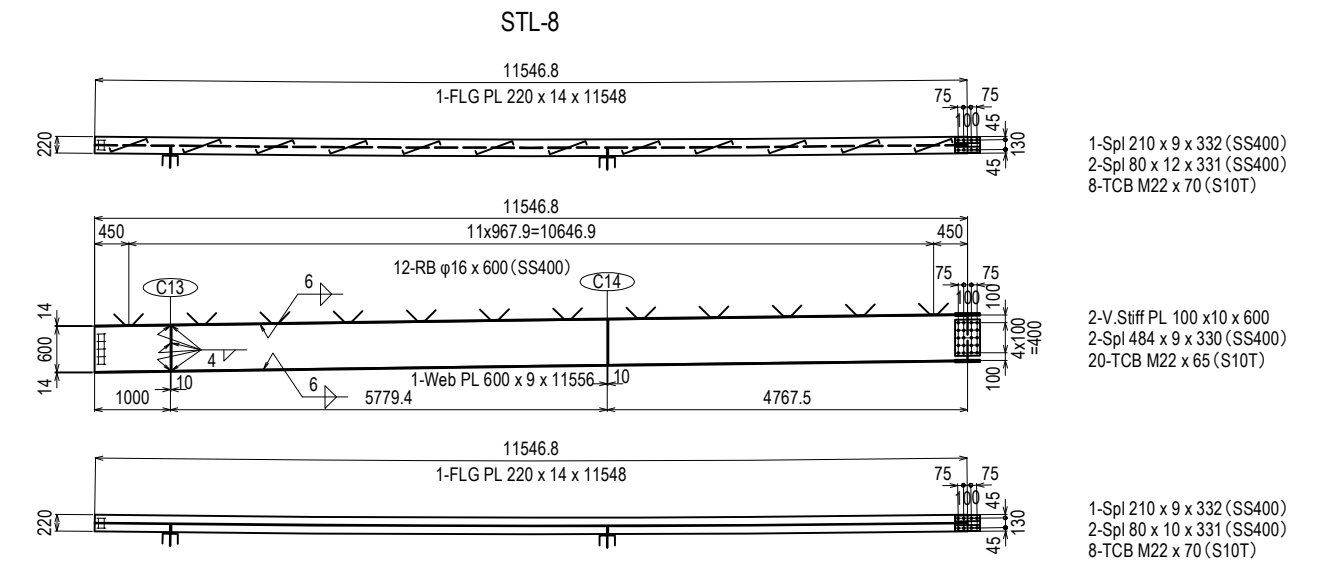
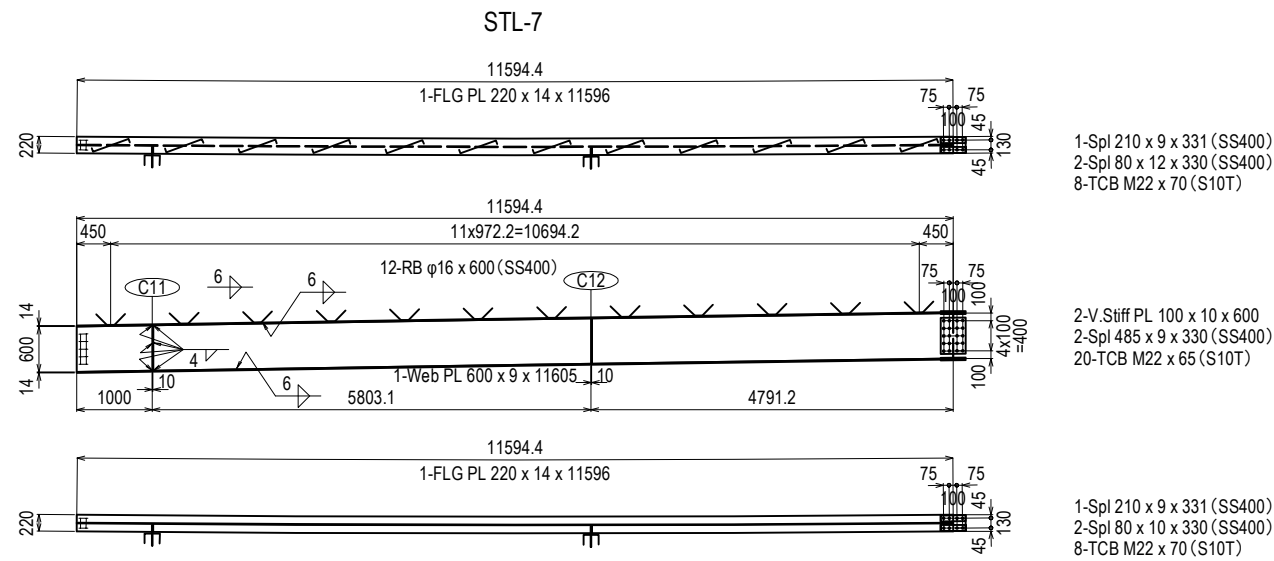
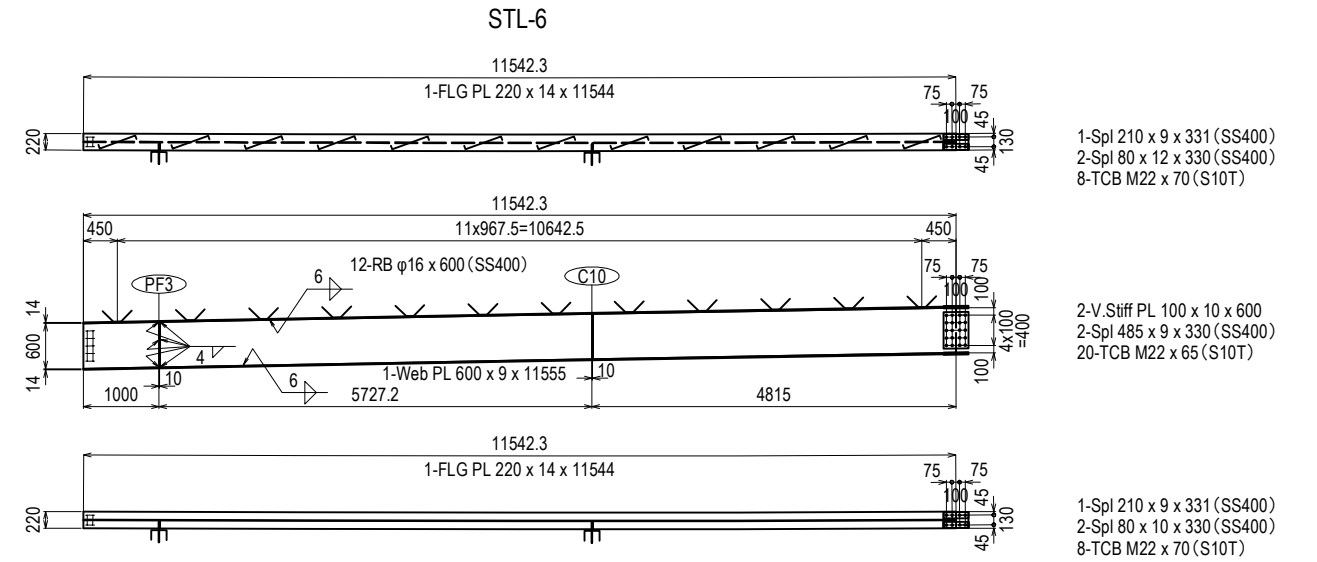
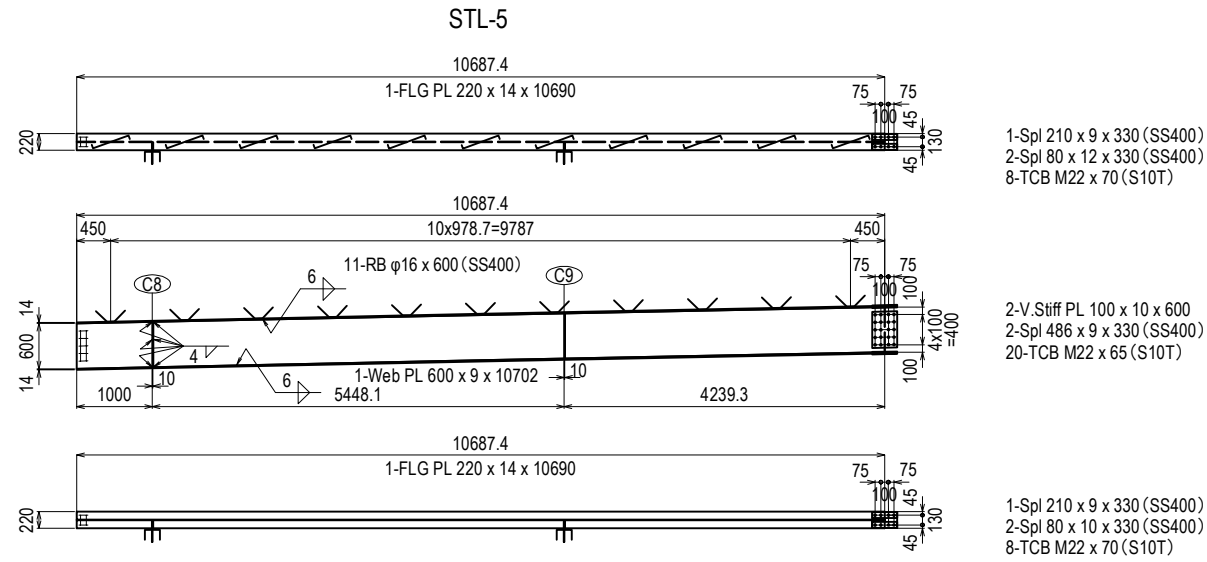


Note
1. All material without the reports is made SM400A
2. + : High-tension bolt M22 (S10T)
3. All scar laps without the reports are made R35

PROJECT NAME DETAILED DESIGN ON BAGO RIVER BRIDGE CONSTRUCTION PROJECT	FINANCED BY JICA JAPAN INTERNATIONAL COOPERATION AGENCY	COUNTERPART REPUBLIC OF THE UNION OF MYANMAR MINISTRY OF CONSTRUCTION DEPARTMENT OF BRIDGE	JICA STUDY TEAM NIPPON KOEI CO., LTD. ORIENTAL CONSULTANTS GLOBAL CO., LTD. METROPOLITAN EXPRESSWAY COMPANY LIMITED CHODAI CO., LTD. NIPPON ENGINEERING CONSULTANTS CO., LTD.	NAME	SIGNATURE	DATE	DRAWING TITLE DETAIL OF OUTSIDE STRINGER (PF2-PF5) (1)	PACKAGE 3 DWG No. P3-FO-1462
				PREPARED BY	Y. SUZUKI	14 Jul. 2017		
				CHECKED BY	T. HAYAKAWA	20 Jul. 2017		
				APPROVED BY	Y. SANO	25 Jul. 2017		

DETAIL OF OUTSIDE STRINGER (PF2-PF5) (2) S=1:100

LEFT

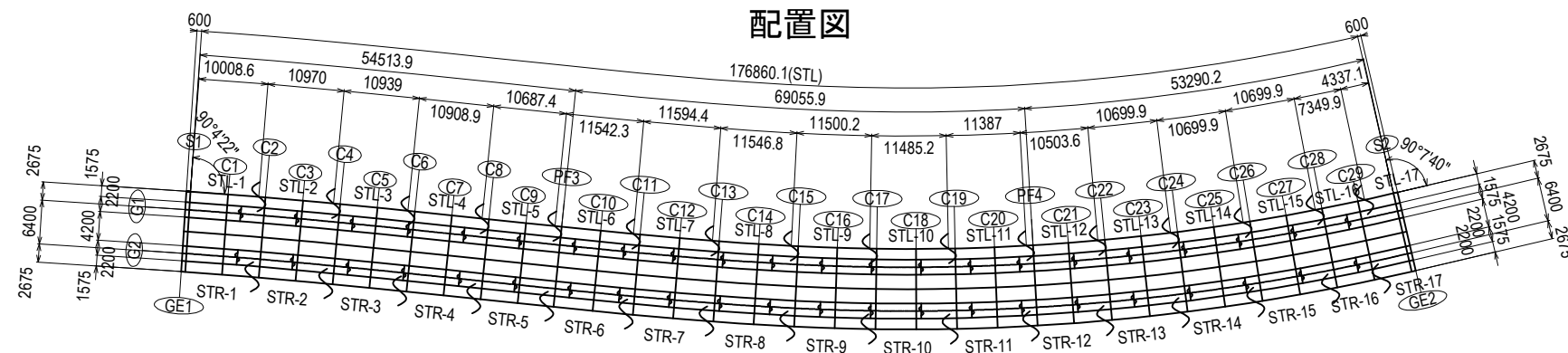
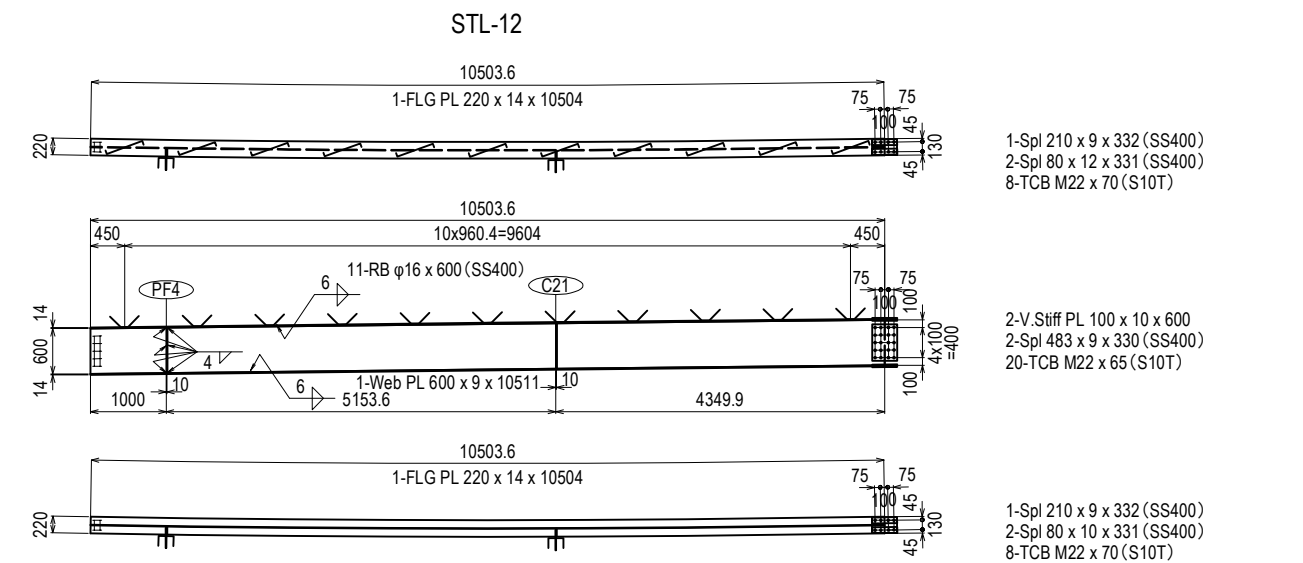
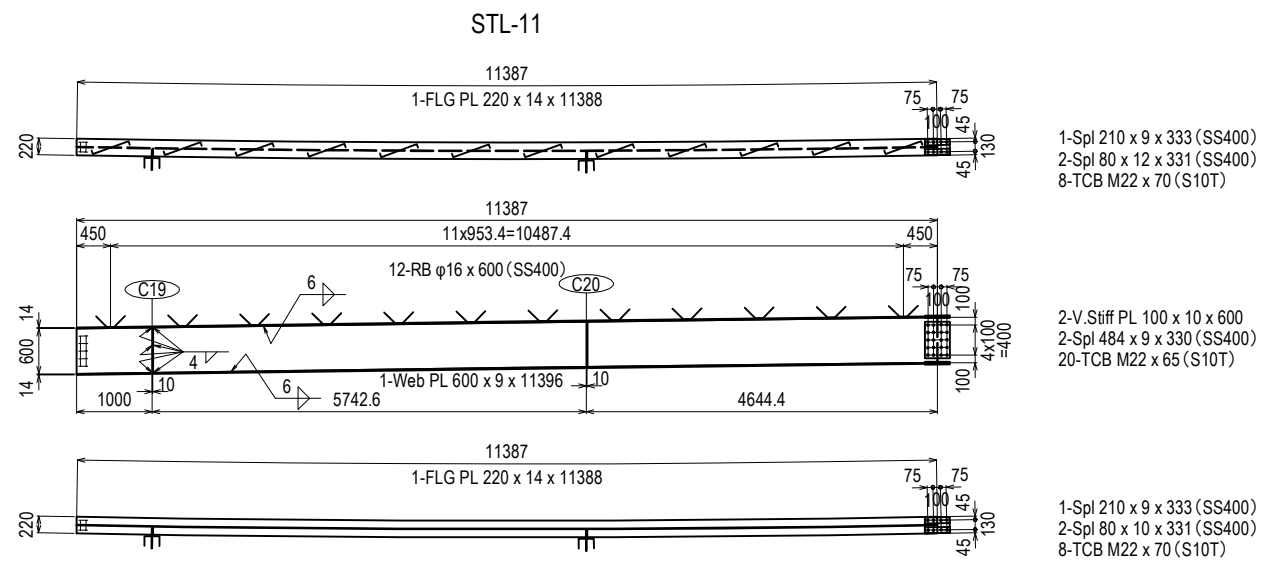
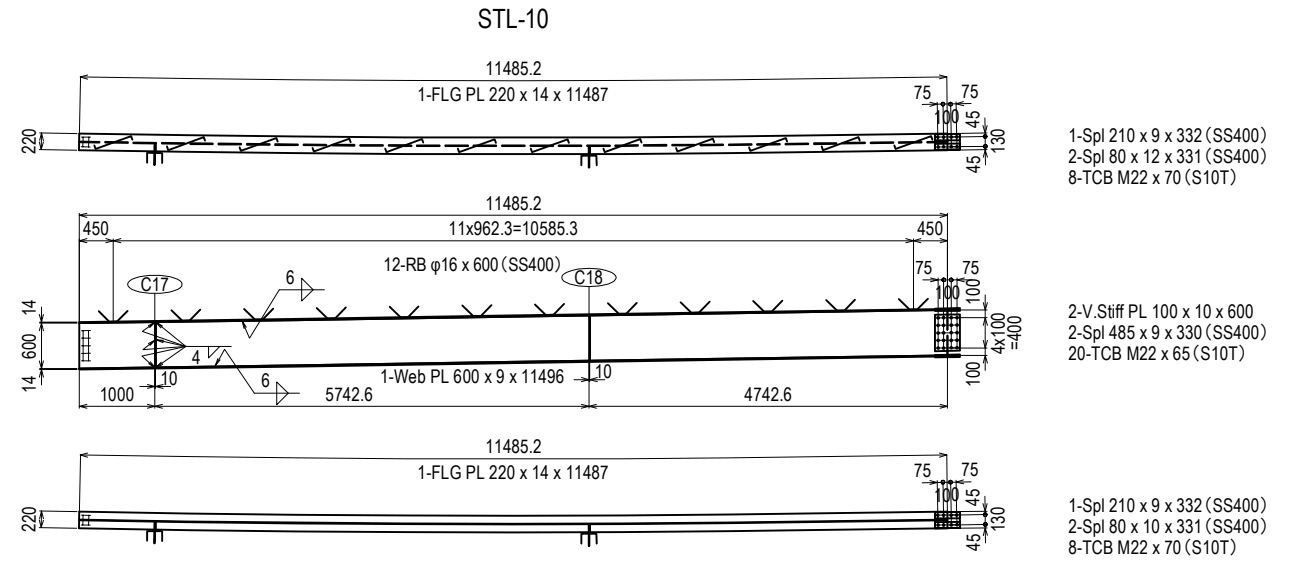
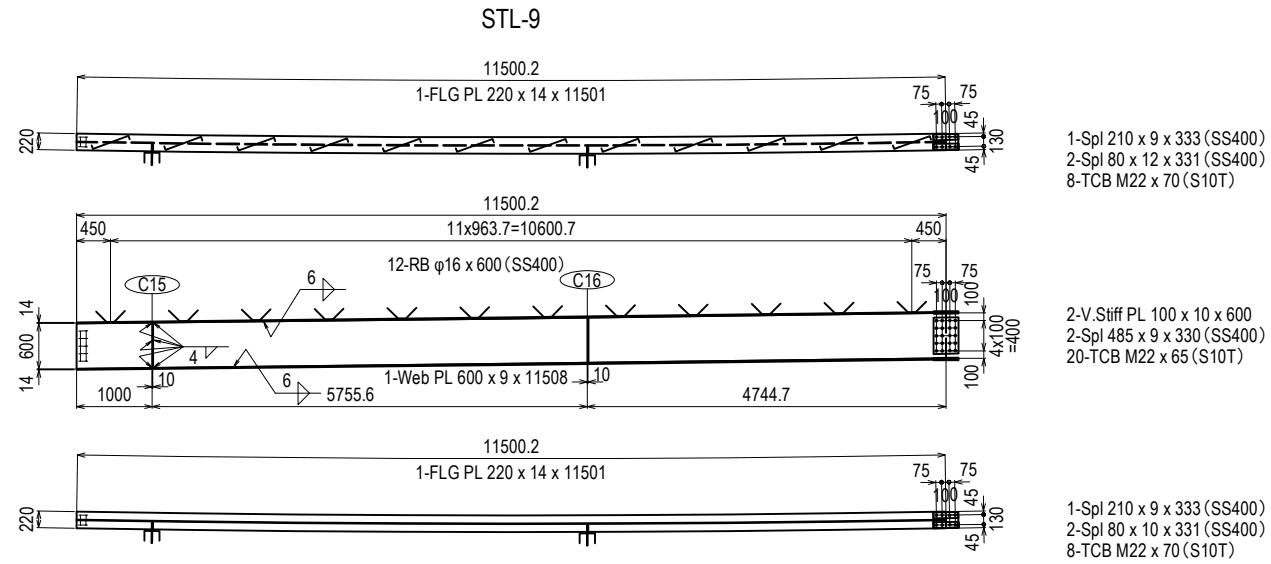


Note
 1. All material without the reports is made SM400A
 2. + : High-tension bolt M22 (S10T)
 3. All scar laps without the reports are made R35

PROJECT NAME DETAILED DESIGN ON BAGO RIVER BRIDGE CONSTRUCTION PROJECT	FINANCED BY JAPAN INTERNATIONAL COOPERATION AGENCY	COUNTERPART REPUBLIC OF THE UNION OF MYANMAR MINISTRY OF CONSTRUCTION DEPARTMENT OF BRIDGE	JICA STUDY TEAM NIPPON KOEI CO., LTD. ORIENTAL CONSULTANTS GLOBAL CO., LTD. METROPOLITAN EXPRESSWAY COMPANY LIMITED CHODAI CO., LTD. NIPPON ENGINEERING CONSULTANTS CO., LTD.	<table border="1" style="width: 100%; border-collapse: collapse;"> <thead> <tr> <th>NAME</th> <th>SIGNATURE</th> <th>DATE</th> </tr> </thead> <tbody> <tr> <td>PREPARED BY</td> <td>Y. SUZUKI</td> <td>14 Jul. 2017</td> </tr> <tr> <td>CHECKED BY</td> <td>T. HAYAKAWA</td> <td>20 Jul. 2017</td> </tr> <tr> <td>APPROVED BY</td> <td>Y. SANO</td> <td>25 Jul. 2017</td> </tr> </tbody> </table>	NAME	SIGNATURE	DATE	PREPARED BY	Y. SUZUKI	14 Jul. 2017	CHECKED BY	T. HAYAKAWA	20 Jul. 2017	APPROVED BY	Y. SANO	25 Jul. 2017	DRAWING TITLE DETAIL OF OUTSIDE STRINGER (PF2-PF5) (2)	PACKAGE 3 DWG No. P3-FO-1463
NAME	SIGNATURE	DATE																
PREPARED BY	Y. SUZUKI	14 Jul. 2017																
CHECKED BY	T. HAYAKAWA	20 Jul. 2017																
APPROVED BY	Y. SANO	25 Jul. 2017																

DETAIL OF OUTSIDE STRINGER (PF2-PF5) (3) S=1:100

LEFT

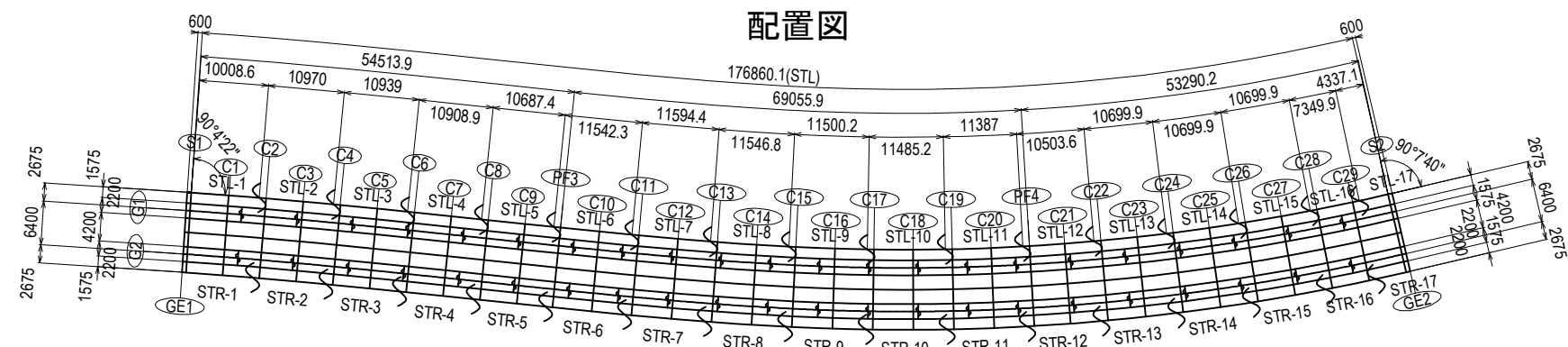
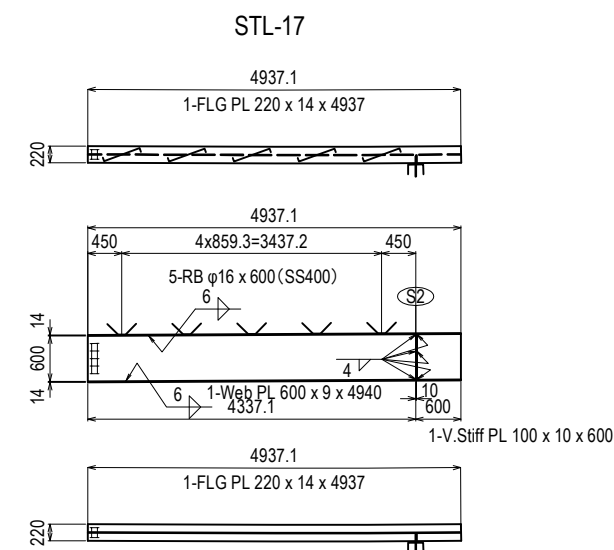
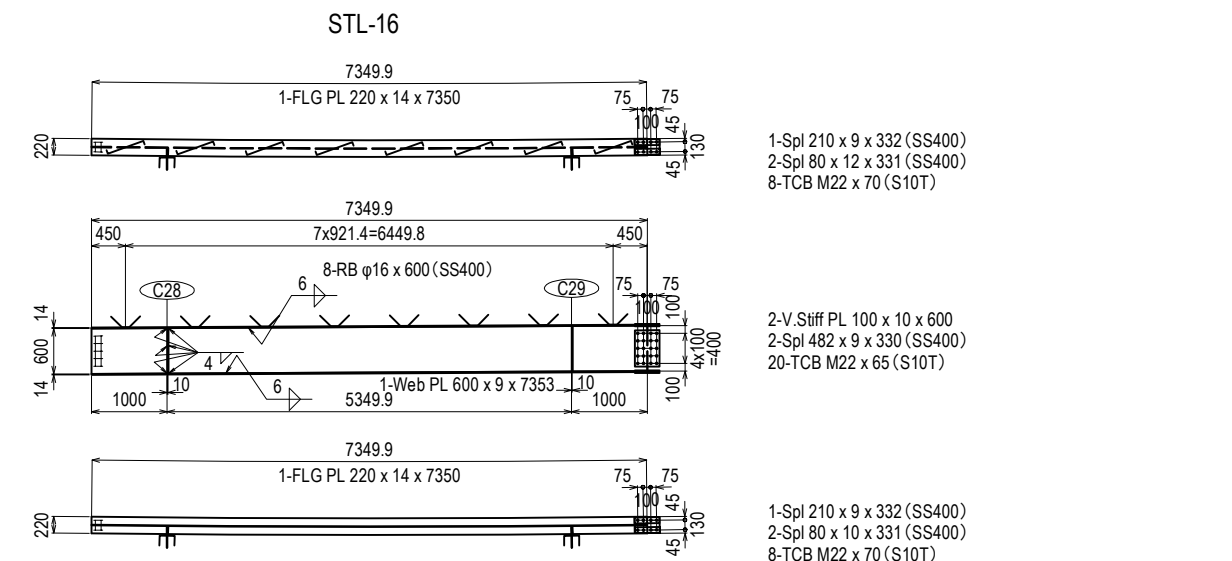
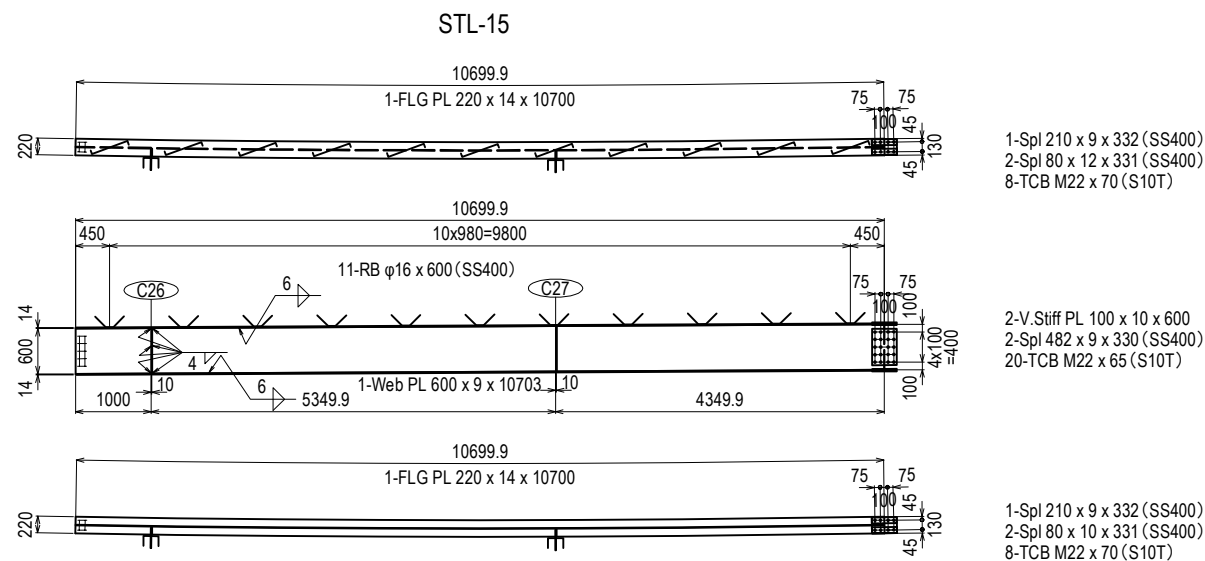
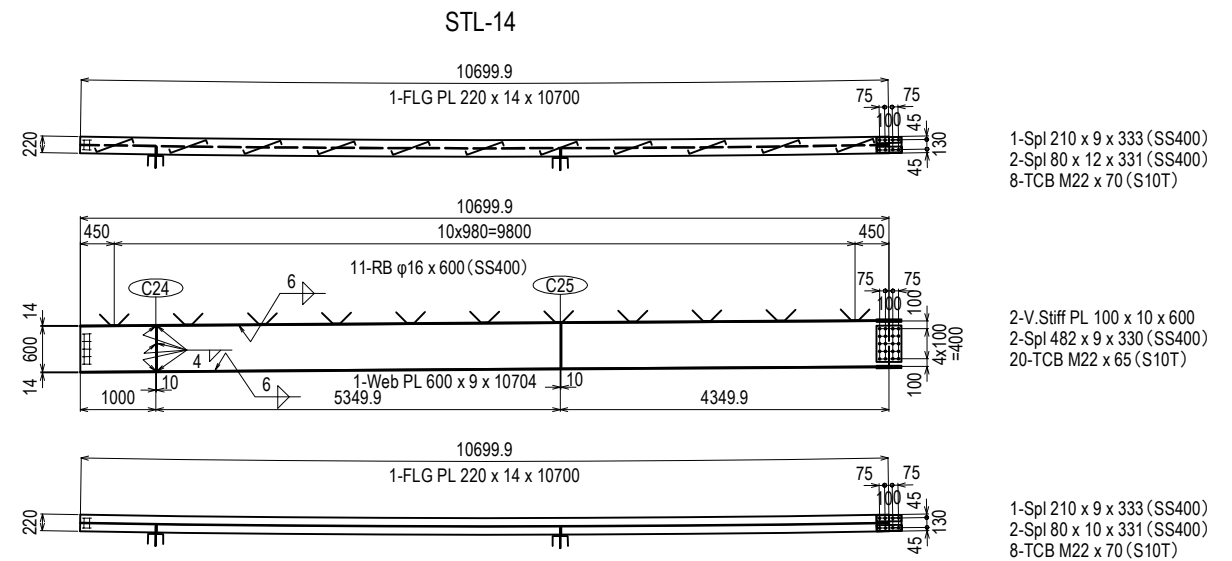
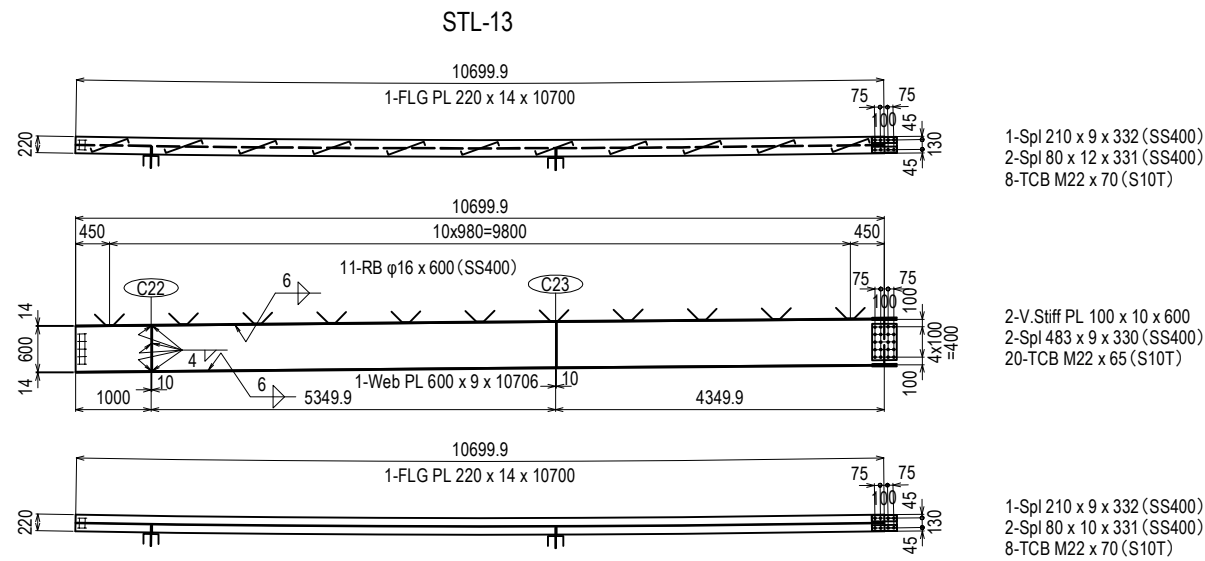


Note
 1. All material without the reports is made SM400A
 2. + : High-tension bolt M22 (S10T)
 3. All scar laps without the reports are made R35

PROJECT NAME DETAILED DESIGN ON BAGO RIVER BRIDGE CONSTRUCTION PROJECT	FINANCED BY JICA JAPAN INTERNATIONAL COOPERATION AGENCY	COUNTERPART REPUBLIC OF THE UNION OF MYANMAR MINISTRY OF CONSTRUCTION DEPARTMENT OF BRIDGE	JICA STUDY TEAM NIPPON KOEI CO., LTD. ORIENTAL CONSULTANTS GLOBAL CO., LTD. METROPOLITAN EXPRESSWAY COMPANY LIMITED CHODAI CO., LTD. NIPPON ENGINEERING CONSULTANTS CO., LTD.	NAME	SIGNATURE	DATE	DRAWING TITLE DETAIL OF OUTSIDE STRINGER (PF2-PF5) (3)	PACKAGE 3 DWG No. P3-FO-1464
				PREPARED BY	Y. SUZUKI	14 Jul. 2017		
				CHECKED BY	T. HAYAKAWA	20 Jul. 2017		
				APPROVED BY	Y. SANO	25 Jul. 2017		

DETAIL OF OUTSIDE STRINGER (PF2-PF5) (4) S=1:100

LEFT

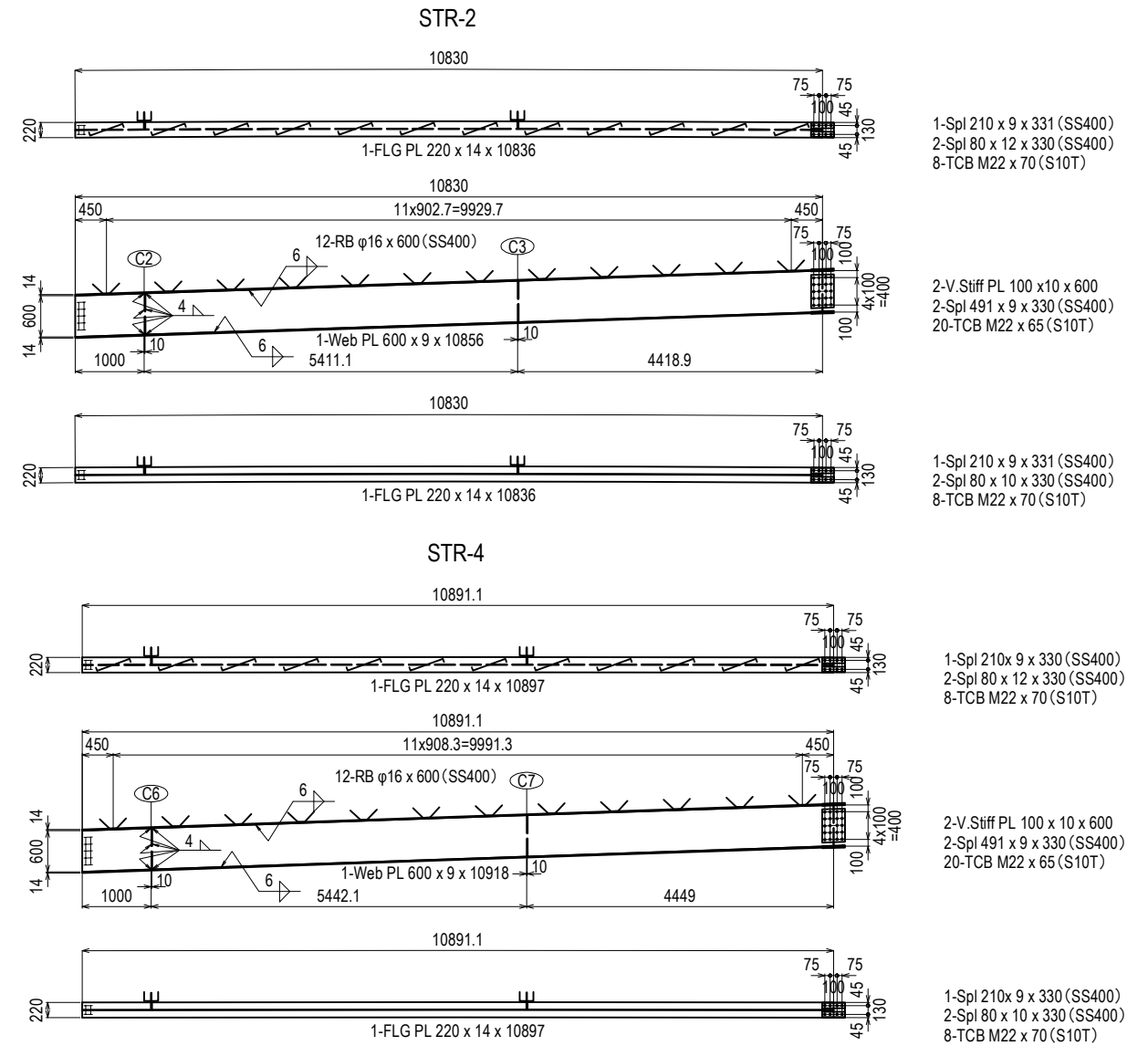
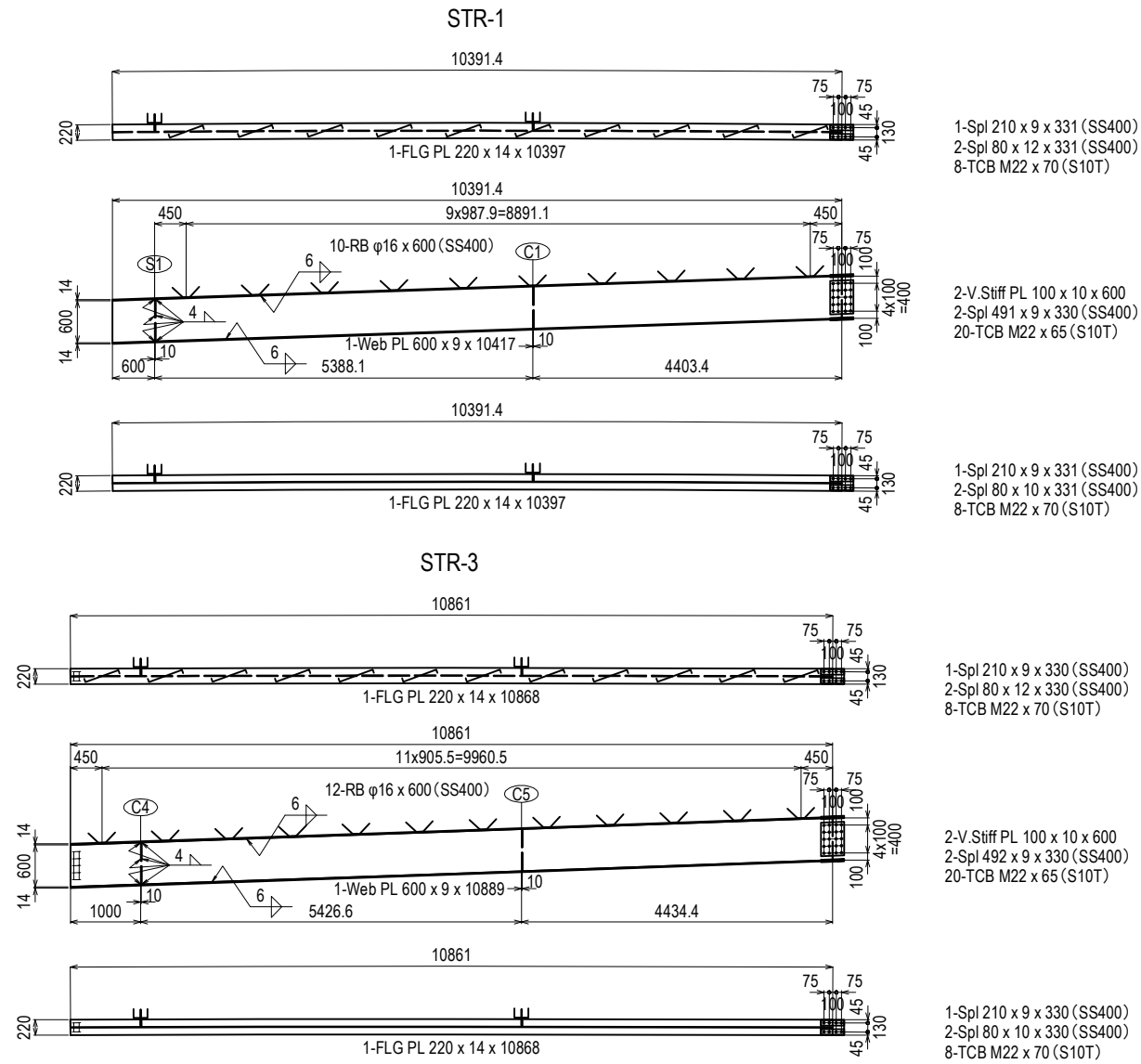


Note
 1. All material without the reports is made SM400A
 2. + : High-tension bolt M22 (S10T)
 3. All scar laps without the reports are made R35

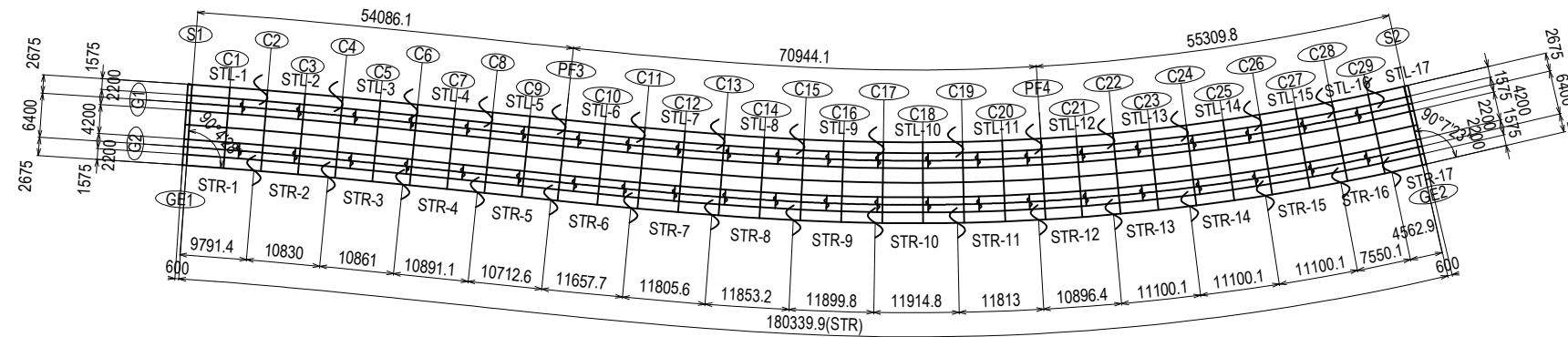
PROJECT NAME DETAILED DESIGN ON BAGO RIVER BRIDGE CONSTRUCTION PROJECT	FINANCED BY JAPAN INTERNATIONAL COOPERATION AGENCY	COUNTERPART REPUBLIC OF THE UNION OF MYANMAR MINISTRY OF CONSTRUCTION DEPARTMENT OF BRIDGE	JICA STUDY TEAM NIPPON KOEI CO., LTD. ORIENTAL CONSULTANTS GLOBAL CO., LTD. METROPOLITAN EXPRESSWAY COMPANY LIMITED CHODAI CO., LTD. NIPPON ENGINEERING CONSULTANTS CO., LTD.	NAME PREPARED BY Y. SUZUKI CHECKED BY T. HAYAKAWA APPROVED BY Y. SANO	SIGNATURE 	DATE 14 Jul. 2017 20 Jul. 2017 25 Jul. 2017	DRAWING TITLE DETAIL OF OUTSIDE STRINGER (PF2-PF5) (4)	PACKAGE 3 DWG No. P3-FO-1465
---	--	---	--	--	-----------------------	--	---	---------------------------------------

DETAIL OF OUTSIDE STRINGER (PF2-PF5) (5) S=1:100

RIGHT



配置図

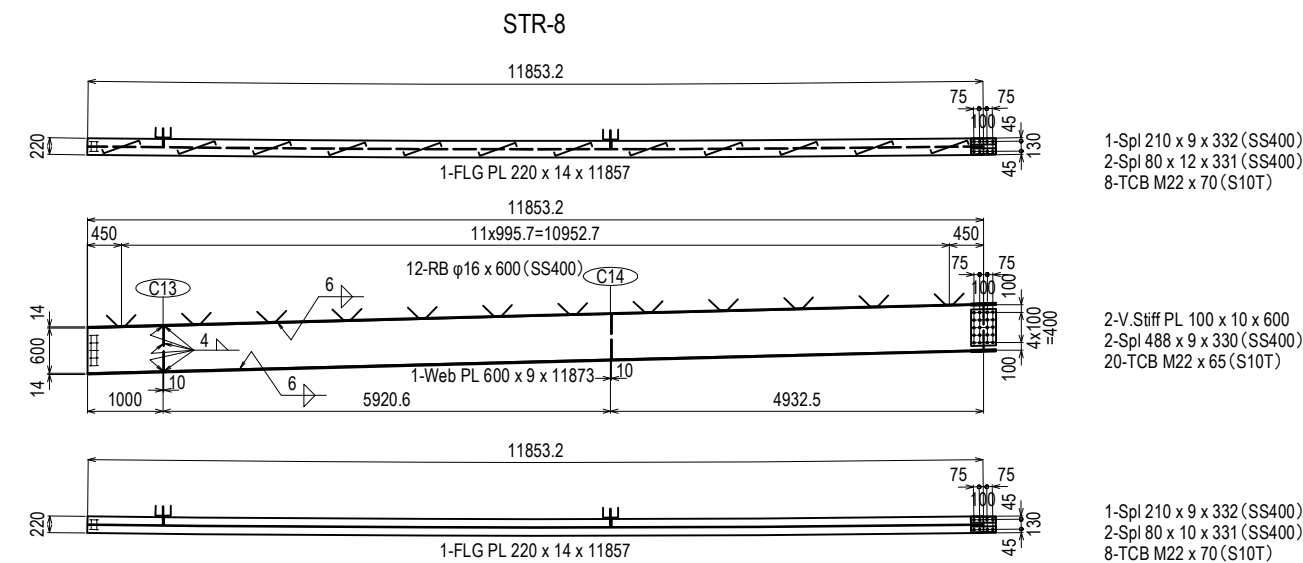
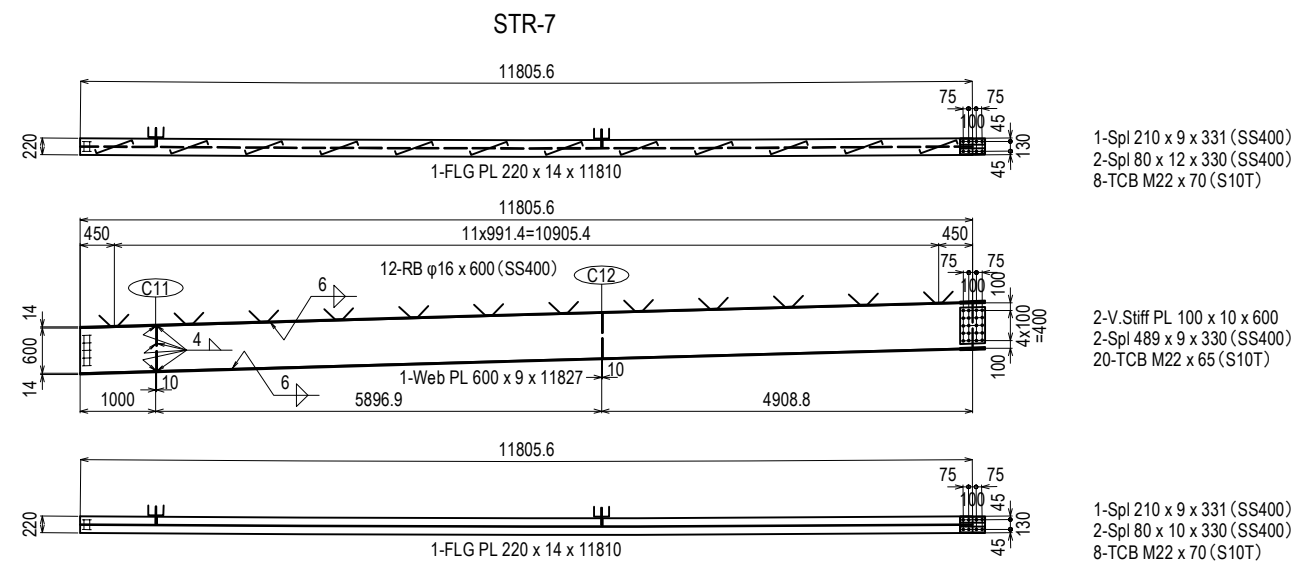
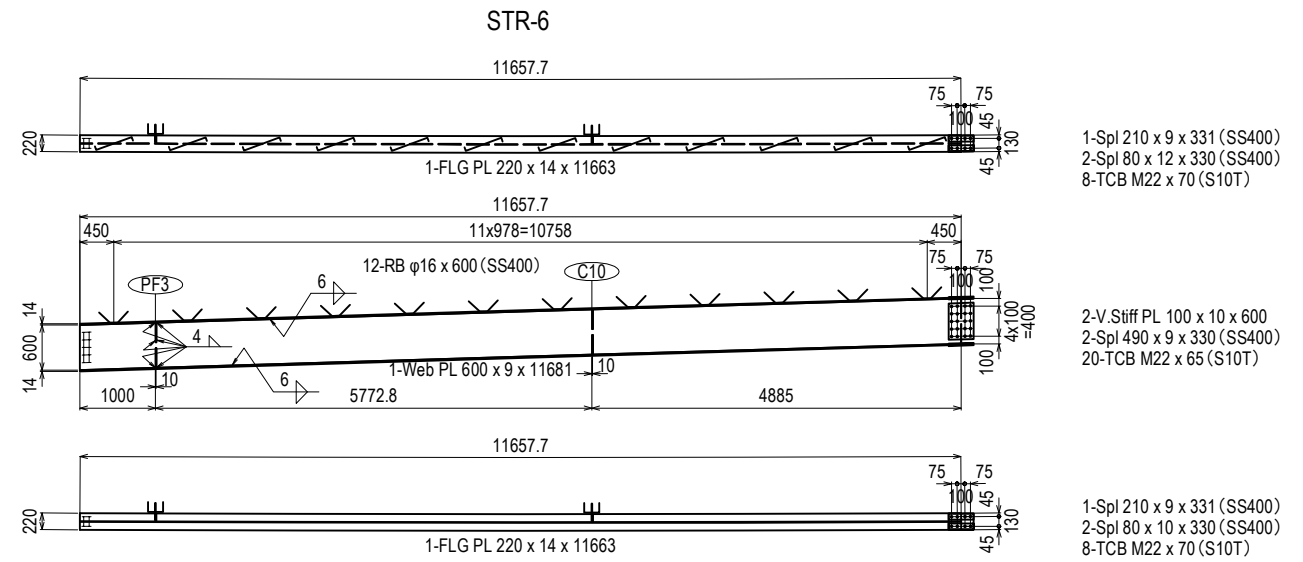
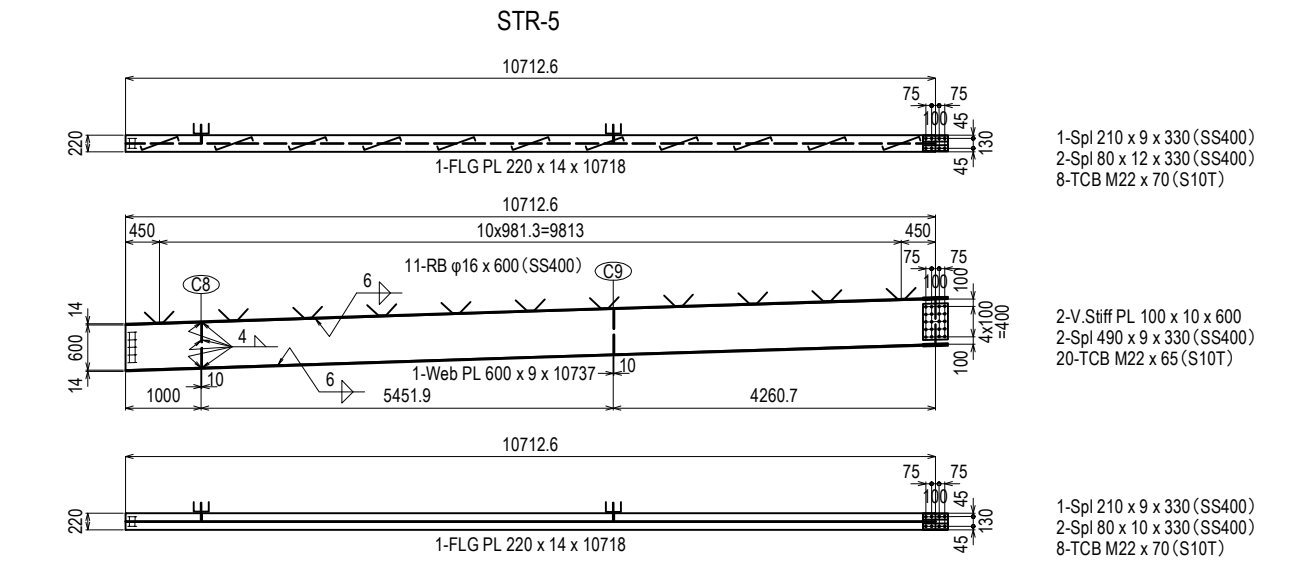


- Note
1. All material without the reports is made SM400A
 2. + : High-tension bolt M22 (S10T)
 3. All scar laps without the reports are made R35

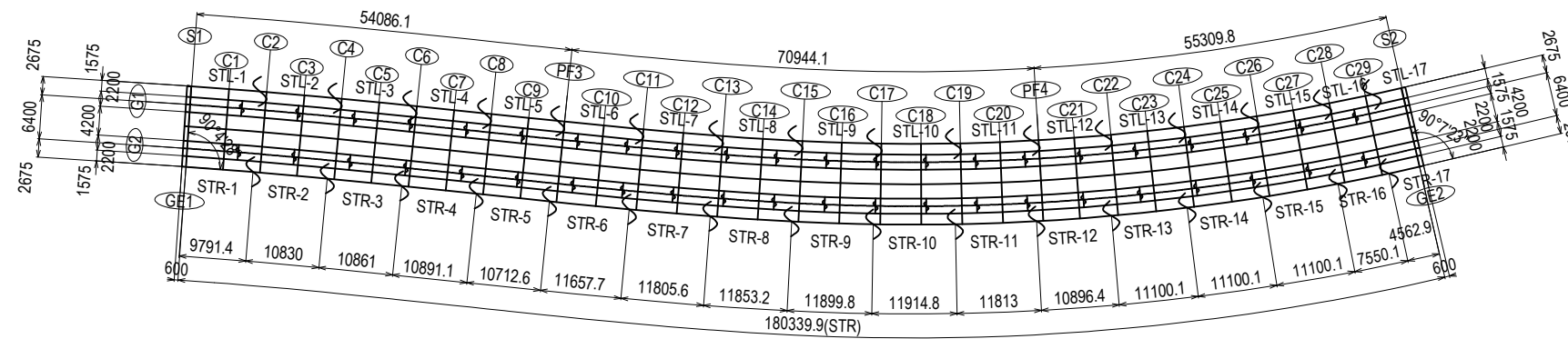
PROJECT NAME DETAILED DESIGN ON BAGO RIVER BRIDGE CONSTRUCTION PROJECT	FINANCED BY JAPAN INTERNATIONAL COOPERATION AGENCY	COUNTERPART REPUBLIC OF THE UNION OF MYANMAR MINISTRY OF CONSTRUCTION DEPARTMENT OF BRIDGE	JICA STUDY TEAM NIPPON KOEI CO., LTD. ORIENTAL CONSULTANTS GLOBAL CO., LTD. METROPOLITAN EXPRESSWAY COMPANY LIMITED CHODAI CO., LTD. NIPPON ENGINEERING CONSULTANTS CO., LTD.	<table border="1" style="width: 100%; border-collapse: collapse;"> <thead> <tr> <th style="width: 10%;">NAME</th> <th style="width: 10%;">SIGNATURE</th> <th style="width: 10%;">DATE</th> </tr> </thead> <tbody> <tr> <td>PREPARED BY</td> <td>Y. SUZUKI</td> <td>14 Jul. 2017</td> </tr> <tr> <td>CHECKED BY</td> <td>T. HAYAKAWA</td> <td>20 Jul. 2017</td> </tr> <tr> <td>APPROVED BY</td> <td>Y. SANO</td> <td>25 Jul. 2017</td> </tr> </tbody> </table>	NAME	SIGNATURE	DATE	PREPARED BY	Y. SUZUKI	14 Jul. 2017	CHECKED BY	T. HAYAKAWA	20 Jul. 2017	APPROVED BY	Y. SANO	25 Jul. 2017	DRAWING TITLE DETAIL OF OUTSIDE STRINGER (PF2-PF5) (5)	PACKAGE 3 DWG No. P3-FO-1466
NAME	SIGNATURE	DATE																
PREPARED BY	Y. SUZUKI	14 Jul. 2017																
CHECKED BY	T. HAYAKAWA	20 Jul. 2017																
APPROVED BY	Y. SANO	25 Jul. 2017																

DETAIL OF OUTSIDE STRINGER (PF2-PF5) (6) S=1:100

RIGHT



配置図



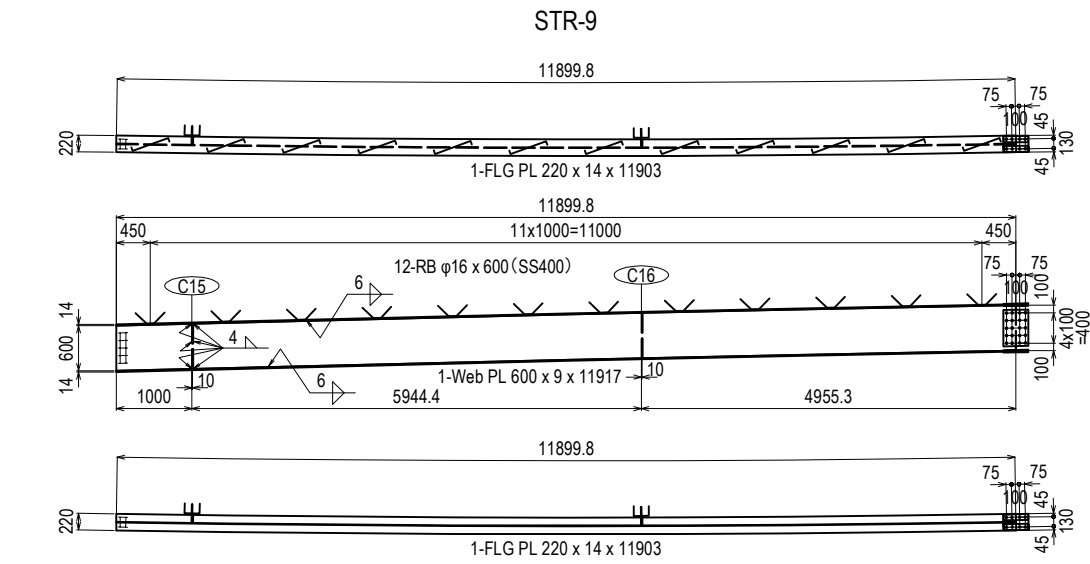
Note

1. All material without the reports is made SM400A
2. + : High-tension bolt M22 (S10T)
3. All scar laps without the reports are made R35

PROJECT NAME DETAILED DESIGN ON BAGO RIVER BRIDGE CONSTRUCTION PROJECT	FINANCED BY JAPAN INTERNATIONAL COOPERATION AGENCY	COUNTERPART REPUBLIC OF THE UNION OF MYANMAR MINISTRY OF CONSTRUCTION DEPARTMENT OF BRIDGE	JICA STUDY TEAM NIPPON KOEI CO., LTD. ORIENTAL CONSULTANTS GLOBAL CO., LTD. METROPOLITAN EXPRESSWAY COMPANY LIMITED CHODAI CO., LTD. NIPPON ENGINEERING CONSULTANTS CO., LTD.	NAME	SIGNATURE	DATE	DRAWING TITLE	PACKAGE	
				PREPARED BY	Y. SUZUKI				14 Jul. 2017
				CHECKED BY	T. HAYAKAWA				20 Jul. 2017
				APPROVED BY	Y. SANO				25 Jul. 2017
DETAIL OF OUTSIDE STRINGER (PF2-PF5) (6)							3	DWG No.	P3-FO-1467

DETAIL OF OUTSIDE STRINGER (PF2-PF5) (7) S=1:100

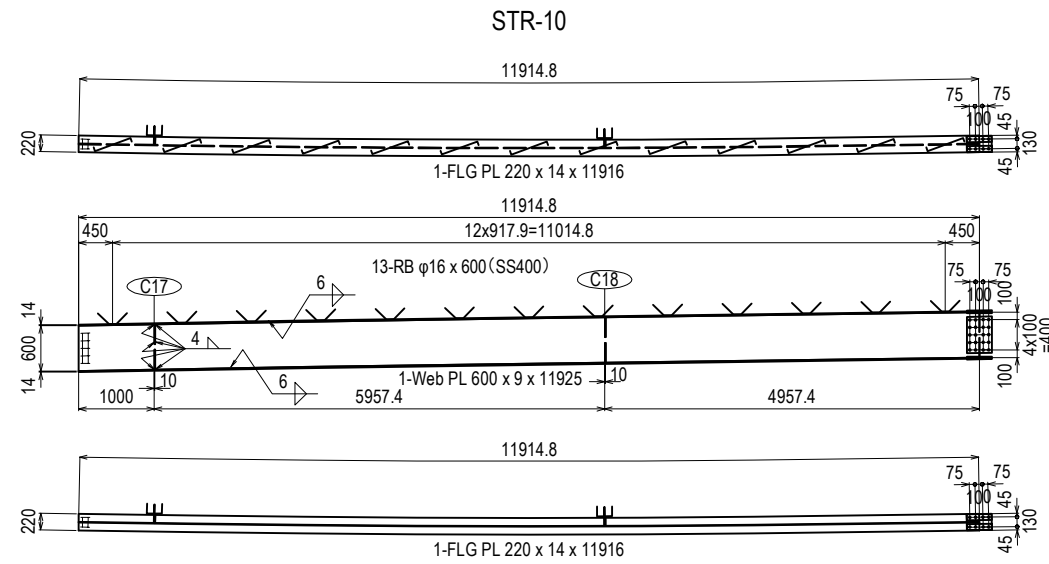
RIGHT



1-Spl 210 x 9 x 333 (SS400)
2-Spl 80 x 12 x 331 (SS400)
8-TCB M22 x 70 (S10T)

2-V. Stiff PL 100 x 10 x 600
2-Spl 486 x 9 x 330 (SS400)
20-TCB M22 x 65 (S10T)

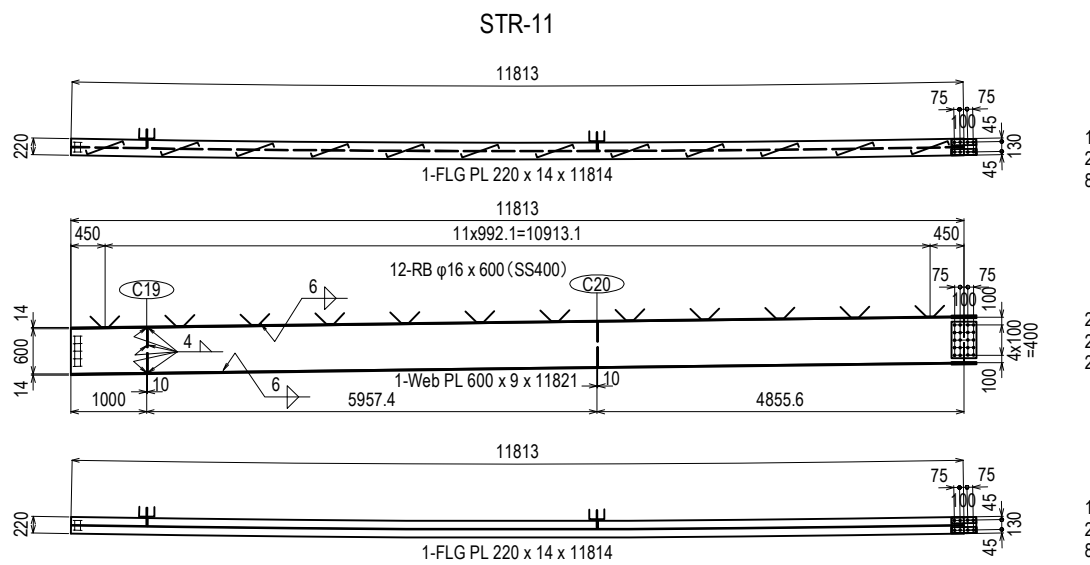
1-Spl 210 x 9 x 333 (SS400)
2-Spl 80 x 10 x 331 (SS400)
8-TCB M22 x 70 (S10T)



1-Spl 210 x 9 x 332 (SS400)
2-Spl 80 x 12 x 331 (SS400)
8-TCB M22 x 70 (S10T)

2-V. Stiff PL 100 x 10 x 600
2-Spl 485 x 9 x 330 (SS400)
20-TCB M22 x 65 (S10T)

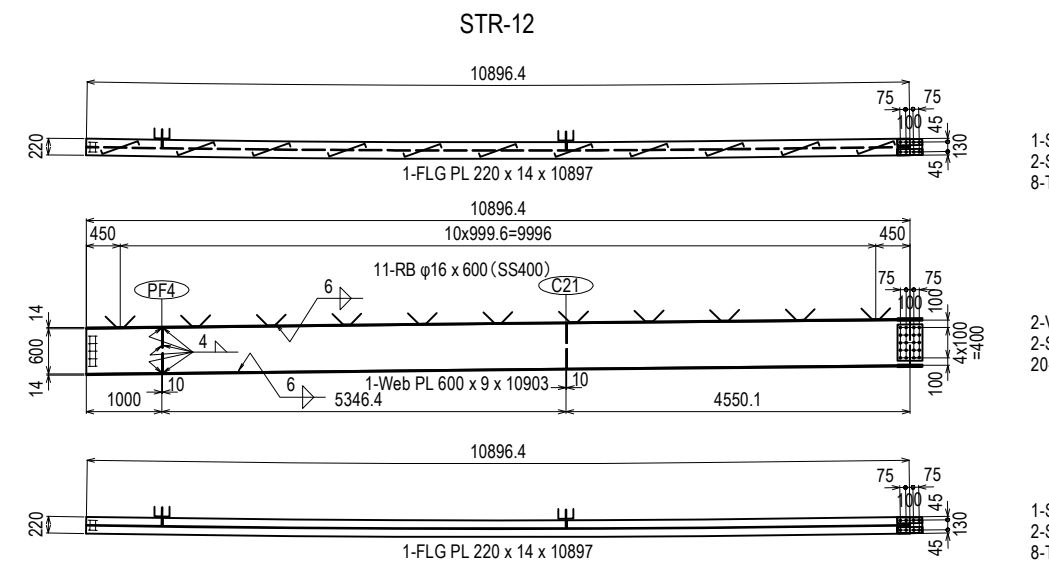
1-Spl 210 x 9 x 332 (SS400)
2-Spl 80 x 10 x 331 (SS400)
8-TCB M22 x 70 (S10T)



1-Spl 210 x 9 x 333 (SS400)
2-Spl 80 x 12 x 331 (SS400)
8-TCB M22 x 70 (S10T)

2-V. Stiff PL 100 x 10 x 600
2-Spl 484 x 9 x 330 (SS400)
20-TCB M22 x 65 (S10T)

1-Spl 210 x 9 x 333 (SS400)
2-Spl 80 x 10 x 331 (SS400)
8-TCB M22 x 70 (S10T)

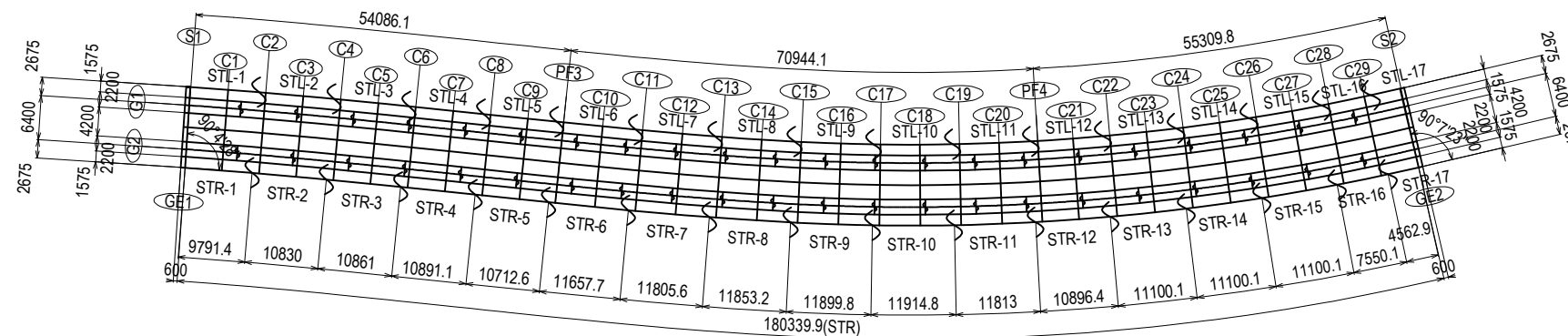


1-Spl 210 x 9 x 332 (SS400)
2-Spl 80 x 12 x 331 (SS400)
8-TCB M22 x 70 (S10T)

2-V. Stiff PL 100 x 10 x 600
2-Spl 483 x 9 x 330 (SS400)
20-TCB M22 x 65 (S10T)

1-Spl 210 x 9 x 332 (SS400)
2-Spl 80 x 10 x 331 (SS400)
8-TCB M22 x 70 (S10T)

配置図

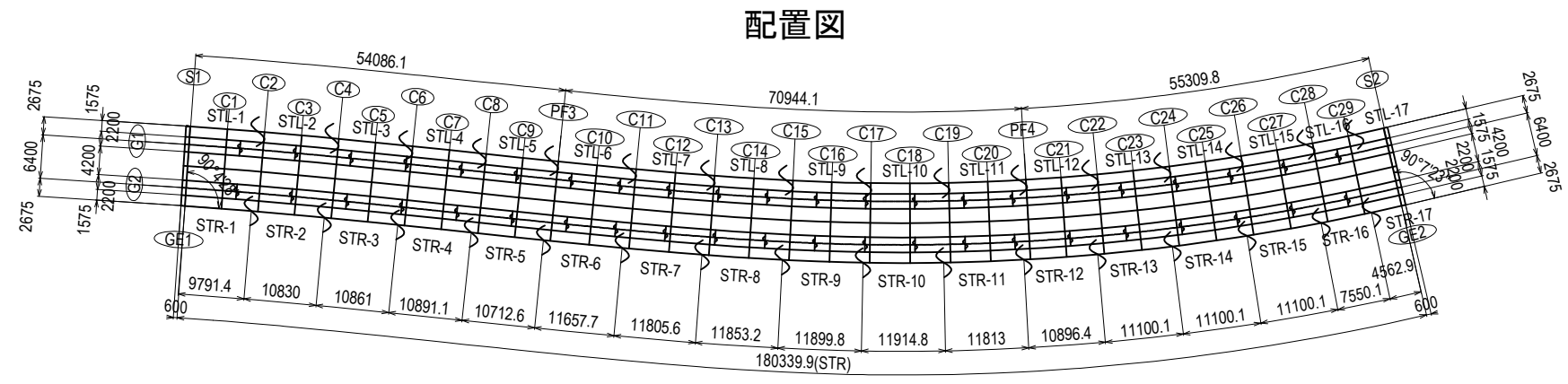
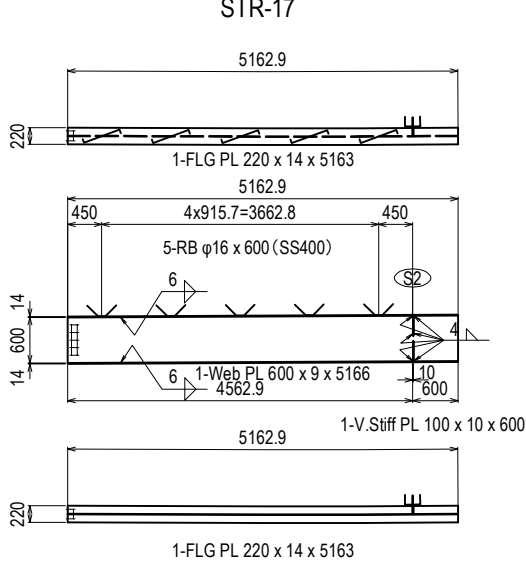
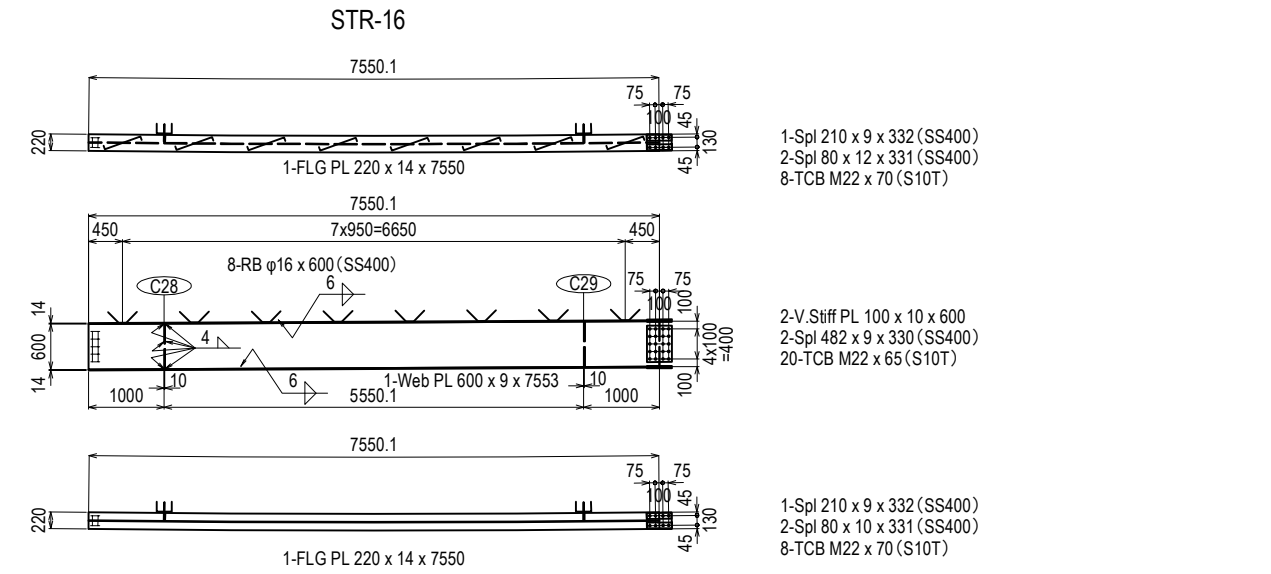
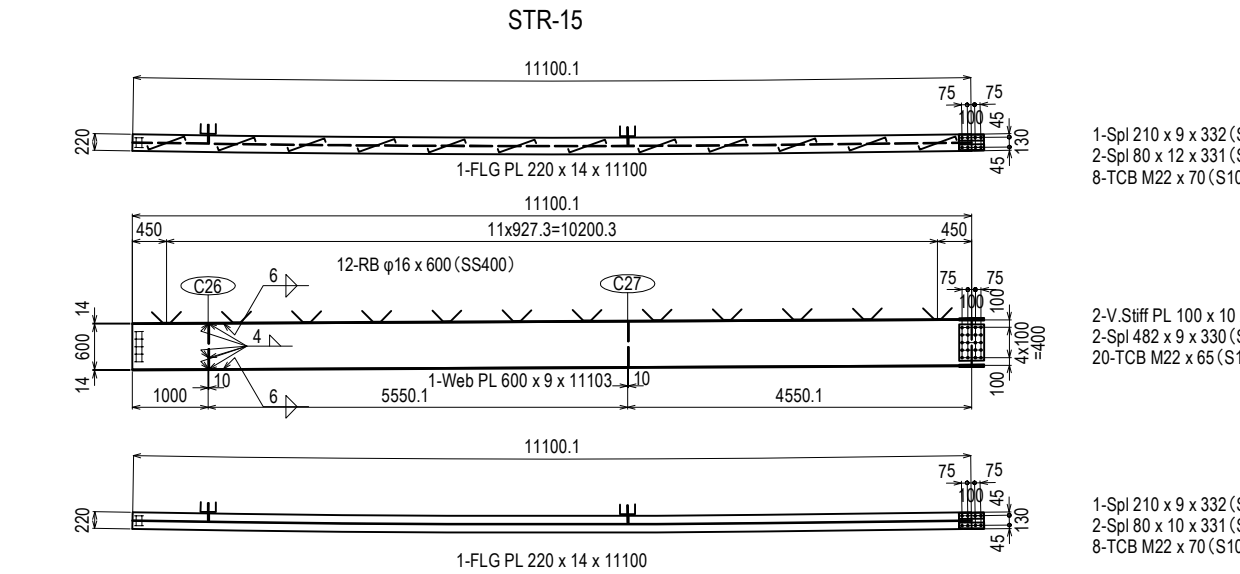
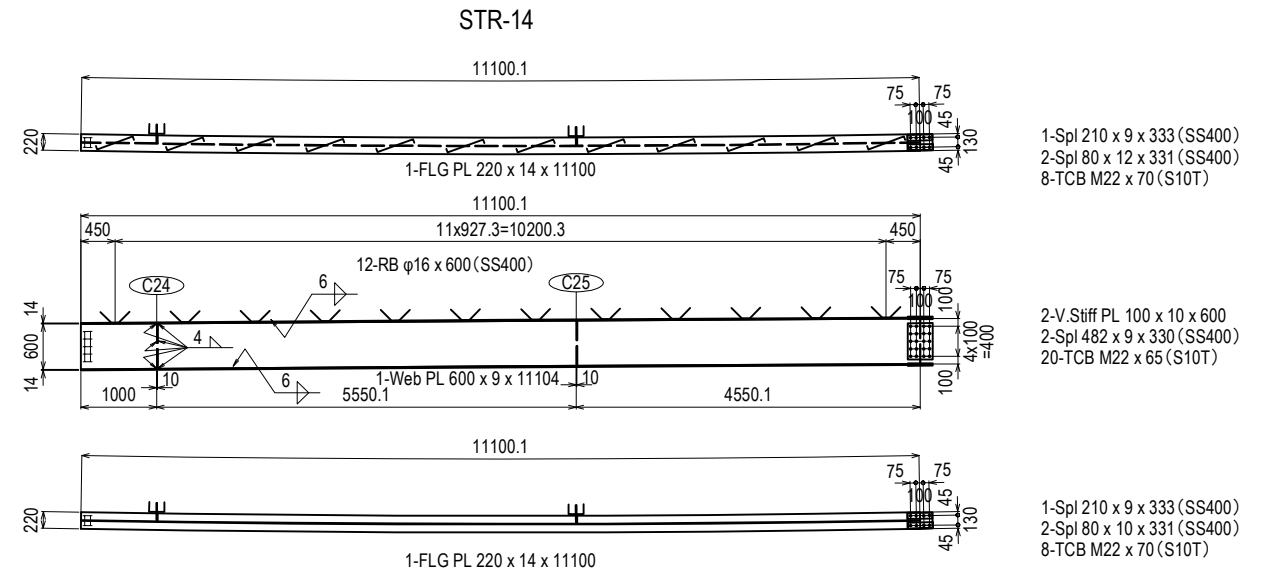
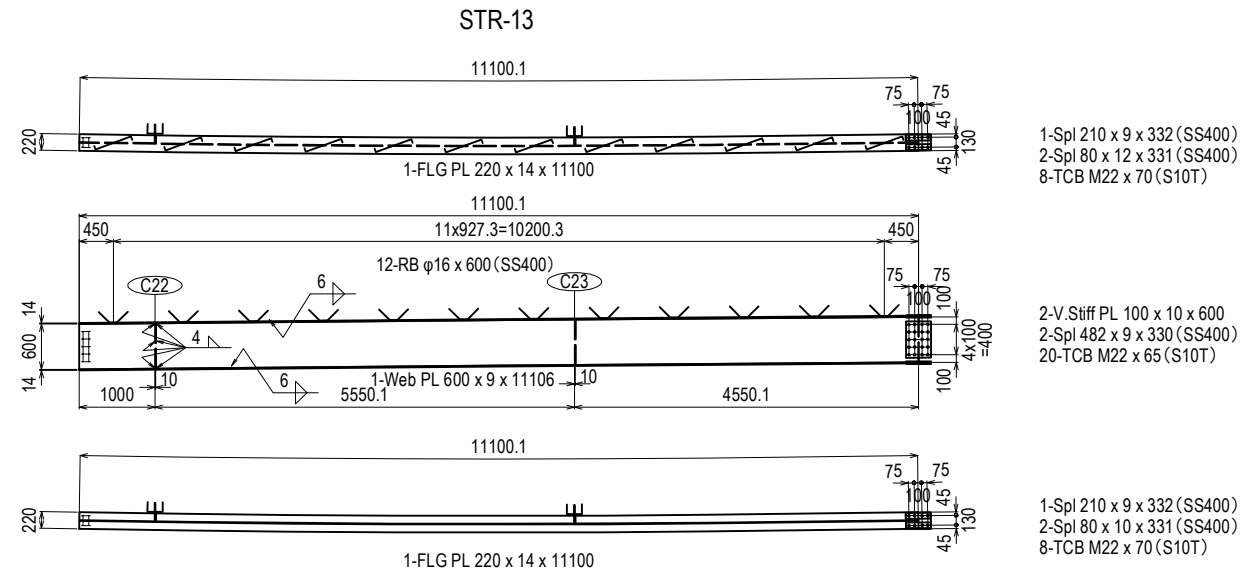


Note
1. All material without the reports is made SM400A
2. + : High-tension bolt M22 (S10T)
3. All scar laps without the reports are made R35

PROJECT NAME DETAILED DESIGN ON BAGO RIVER BRIDGE CONSTRUCTION PROJECT	FINANCED BY JICA JAPAN INTERNATIONAL COOPERATION AGENCY	COUNTERPART REPUBLIC OF THE UNION OF MYANMAR MINISTRY OF CONSTRUCTION DEPARTMENT OF BRIDGE	JICA STUDY TEAM NIPPON KOEI CO., LTD. ORIENTAL CONSULTANTS GLOBAL CO., LTD. METROPOLITAN EXPRESSWAY COMPANY LIMITED CHODAI CO., LTD. NIPPON ENGINEERING CONSULTANTS CO., LTD.	NAME	SIGNATURE	DATE	DRAWING TITLE DETAIL OF OUTSIDE STRINGER (PF2-PF5) (7)	PACKAGE 3 DWG No. P3-FO-1468
				PREPARED BY	Y. SUZUKI	14 Jul. 2017		
				CHECKED BY	T. HAYAKAWA	20 Jul. 2017		
				APPROVED BY	Y. SANO	25 Jul. 2017		

DETAIL OF OUTSIDE STRINGER (PF2-PF5) (8) S=1:100

RIGHT

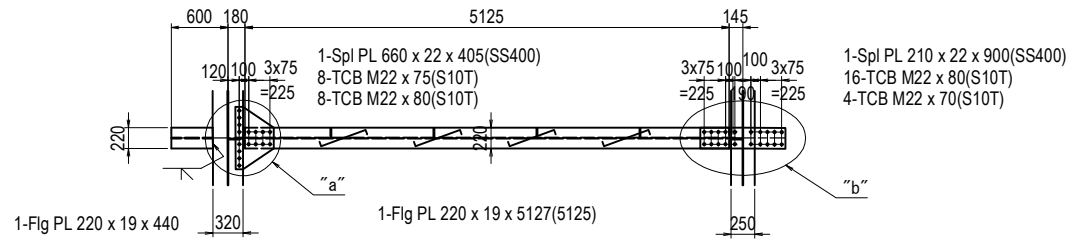


Note
 1. All material without the reports is made SM400A
 2. + : High-tension bolt M22 (S10T)
 3. All scar laps without the reports are made R35

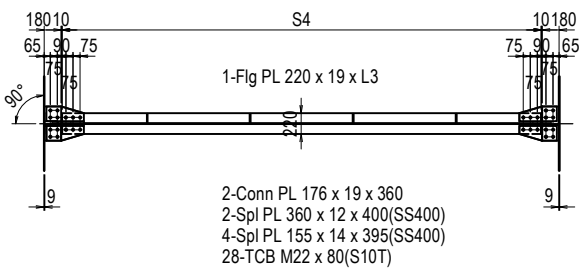
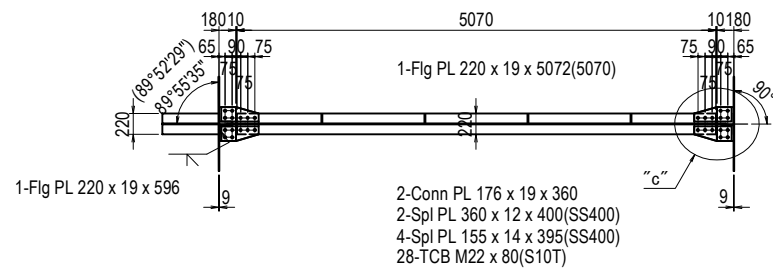
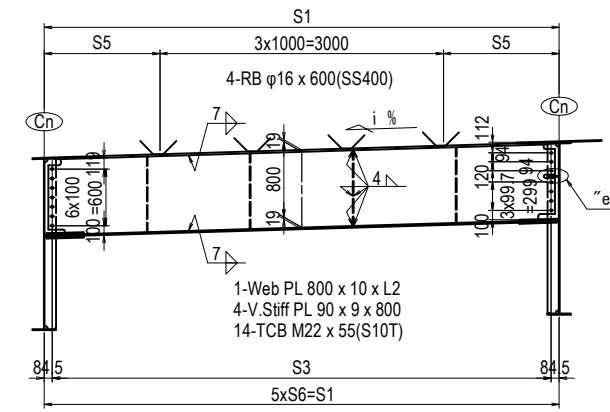
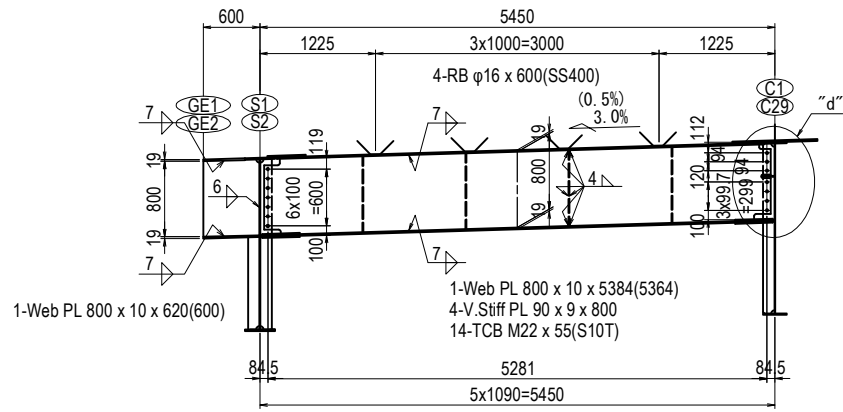
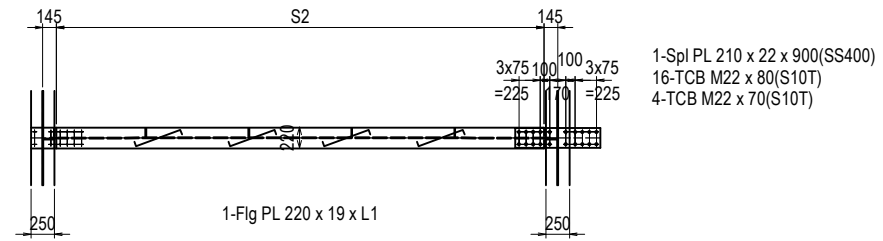
PROJECT NAME DETAILED DESIGN ON BAGO RIVER BRIDGE CONSTRUCTION PROJECT	FINANCED BY JAPAN INTERNATIONAL COOPERATION AGENCY	COUNTERPART REPUBLIC OF THE UNION OF MYANMAR MINISTRY OF CONSTRUCTION DEPARTMENT OF BRIDGE	JICA STUDY TEAM NIPPON KOEI CO., LTD. ORIENTAL CONSULTANTS GLOBAL CO., LTD. METROPOLITAN EXPRESSWAY COMPANY LIMITED CHODAI CO., LTD. NIPPON ENGINEERING CONSULTANTS CO., LTD.	NAME	SIGNATURE	DATE	DRAWING TITLE DETAIL OF OUTSIDE STRINGER (PF2-PF5) (8)	PACKAGE	
				PREPARED BY	Y. SUZUKI			14 Jul. 2017	DWG No.
				CHECKED BY	T. HAYAKAWA			20 Jul. 2017	P3-FO-1469
				APPROVED BY	Y. SANO			25 Jul. 2017	

DETAIL OF INSIDE STRINGER (PF2-PF5) S=1:80

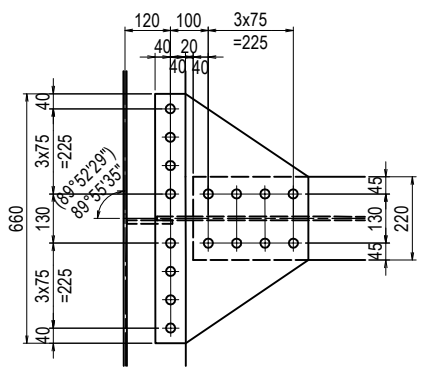
STC-1,(STC-27)



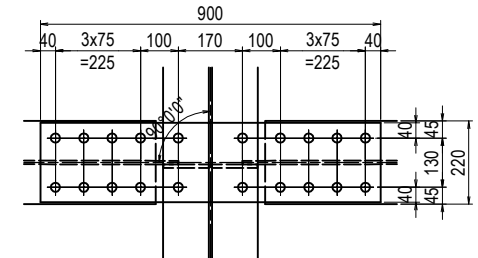
STC-2~STC-26



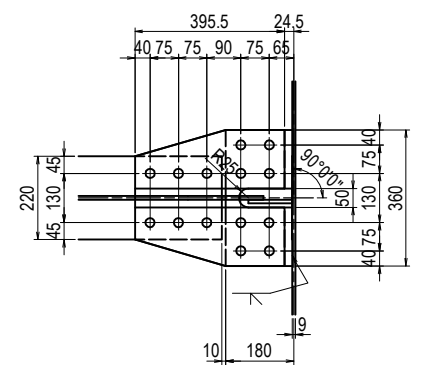
"a"Details S=1:20



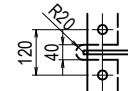
"b"Details S=1:20



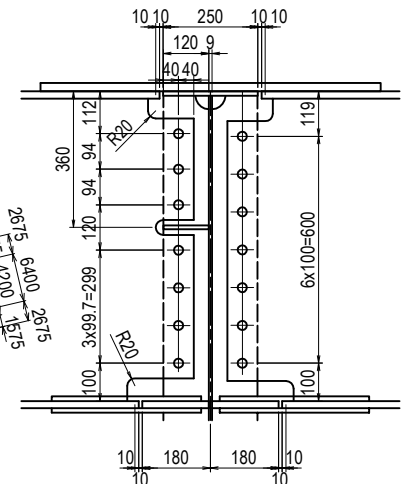
"c"Details S=1:20



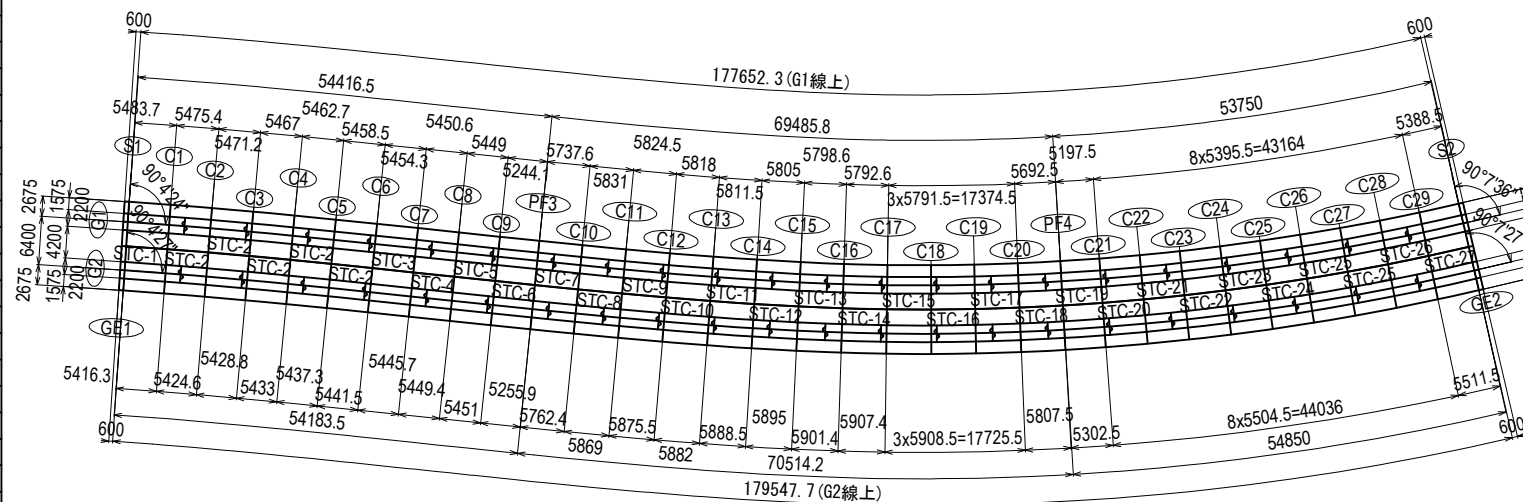
"e"Details S=1:20



"d"Details S=1:20



KEY PLAN

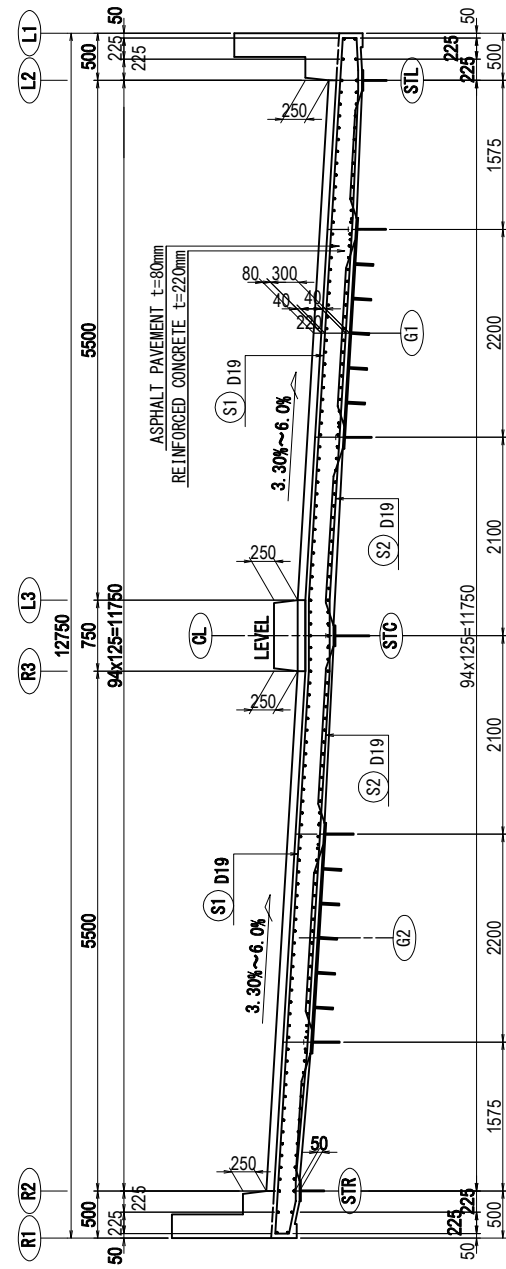


- Note
- All material without the reports is made SM400A
 - + : High-tension bolt M22 (S10T)
 - All scar laps without the reports are made R35

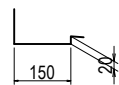
	i%	S1	S2	S3	S4	S5	S6	L1	L2	L3	製作数
STC-2	3.000%	5450	5160	5321	5070	1225	1090	5162	5384	5072	5
STC-3	2.863%	5450	5160	5321	5070	1225	1090	5162	5383	5072	1
STC-4	2.758%	5450	5160	5321	5070	1225	1090	5162	5382	5072	1
STC-5	2.653%	5450	5160	5321	5070	1225	1090	5162	5381	5072	1
STC-6	2.550%	5250	4960	5121	4870	1125	1050	4962	5180	4872	1
STC-7	2.445%	5750	5460	5621	5370	1375	1150	5462	5679	5372	1
STC-8	2.333%	5850	5560	5721	5470	1425	1170	5562	5779	5471	1
STC-9	2.221%	5850	5560	5721	5470	1425	1170	5561	5778	5471	1
STC-10	2.108%	5850	5560	5721	5470	1425	1170	5561	5777	5471	1
STC-11	1.996%	5850	5560	5721	5470	1425	1170	5561	5776	5471	1
STC-12	1.883%	5850	5560	5721	5470	1425	1170	5561	5775	5471	1
STC-13	1.771%	5850	5560	5721	5470	1425	1170	5561	5774	5471	1
STC-14	1.658%	5850	5560	5721	5470	1425	1170	5561	5773	5471	1
STC-15	1.546%	5850	5560	5721	5470	1425	1170	5561	5772	5471	1
STC-16	1.433%	5850	5560	5721	5470	1425	1170	5561	5771	5471	1
STC-17	1.321%	5850	5560	5721	5470	1425	1170	5560	5771	5470	1
STC-18	1.209%	5750	5460	5621	5370	1375	1150	5460	5670	5370	1
STC-19	1.103%	5250	4960	5121	4870	1125	1050	4960	5169	4870	1
STC-20	1.001%	5450	5160	5321	5070	1225	1090	5160	5368	5070	1
STC-21	0.896%	5450	5160	5321	5070	1225	1090	5160	5367	5070	1
STC-22	0.791%	5450	5160	5321	5070	1225	1090	5160	5367	5070	1
STC-23	0.686%	5450	5160	5321	5070	1225	1090	5160	5366	5070	1
STC-24	0.581%	5450	5160	5321	5070	1225	1090	5160	5365	5070	1
STC-25	0.504%	5450	5160	5321	5070	1225	1090	5160	5365	5070	1
STC-26	0.500%	5450	5160	5321	5070	1225	1090	5160	5364	5070	2

DETAIL OF DECK SLAB (PF2-PF5) (1) S=1:80

EDGE CROSS SECTION

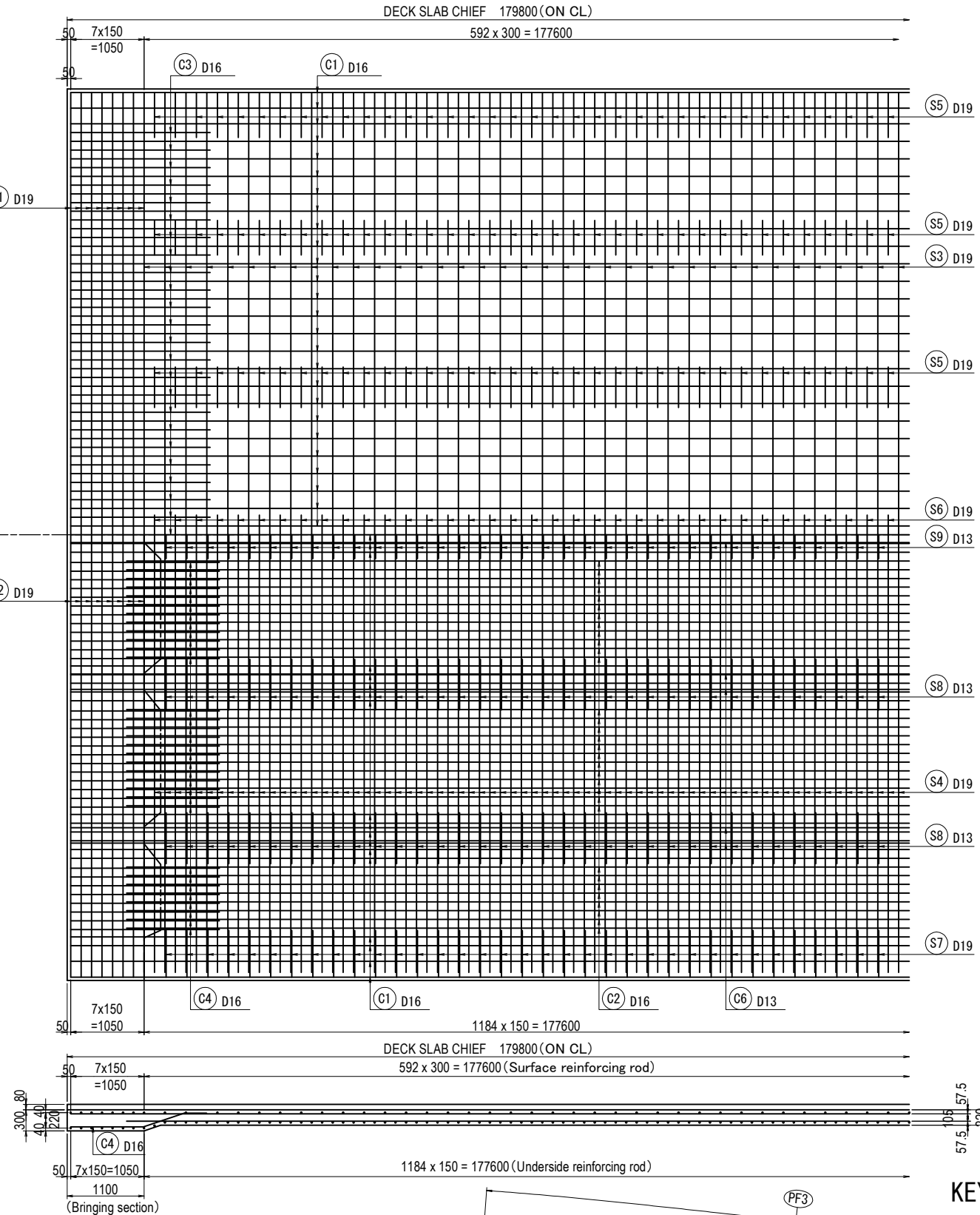


THE DRAINER PART DETAILS S=1 : 20

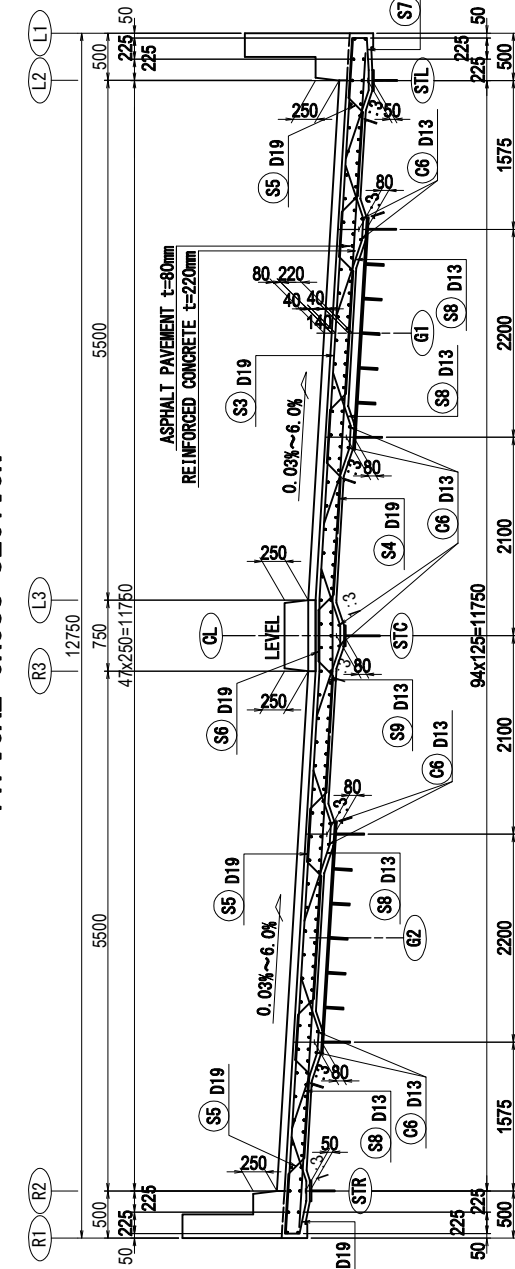


SURFACE REBAR WORK

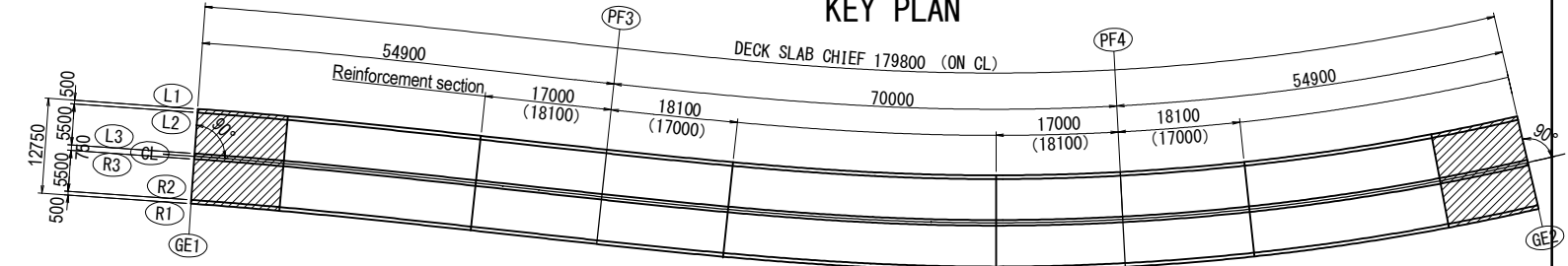
UNDERSIDE REBAR WORK



TYPICAL CROSS SECTION



KEY PLAN



PROJECT NAME DETAILED DESIGN ON BAGO RIVER BRIDGE CONSTRUCTION PROJECT	FINANCED BY JAPAN INTERNATIONAL COOPERATION AGENCY	COUNTERPART REPUBLIC OF THE UNION OF MYANMAR MINISTRY OF CONSTRUCTION DEPARTMENT OF BRIDGE	JICA STUDY TEAM NIPPON KOEI CO., LTD. ORIENTAL CONSULTANTS GLOBAL CO., LTD. METROPOLITAN EXPRESSWAY COMPANY LIMITED CHODAI CO., LTD. NIPPON ENGINEERING CONSULTANTS CO., LTD.	NAME	SIGNATURE	DATE	DRAWING TITLE	PACKAGE	
				PREPARED BY	Y. SUZUKI				14 Jul. 2017
				CHECKED BY	T. HAYAKAWA				20 Jul. 2017
				APPROVED BY	Y. SANO				25 Jul. 2017
							DETAIL OF DECK SLAB (PF2-PF5) (1)	3	
								DWG No.	
								P3-FO-1471	

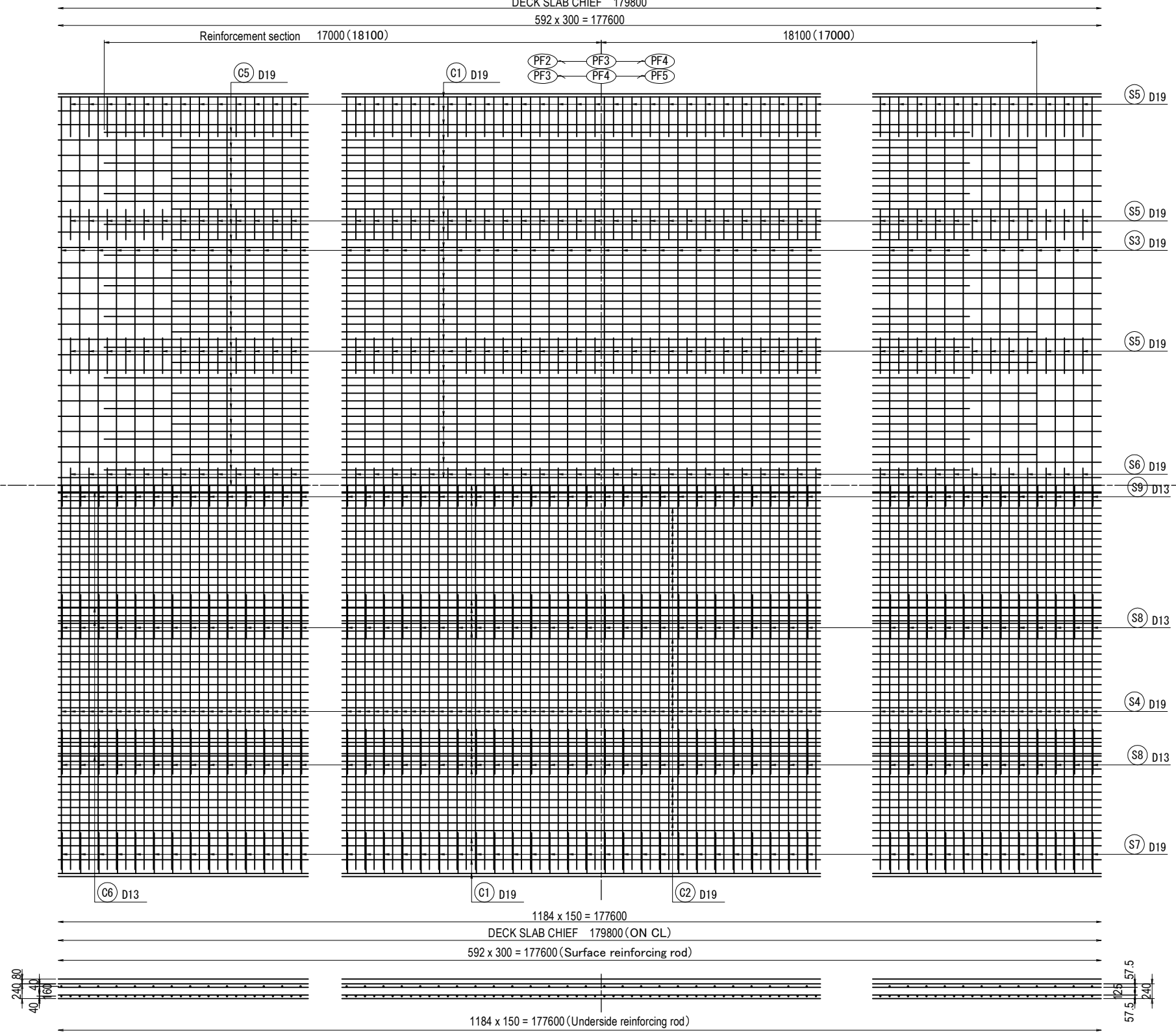
DETAIL OF DECK SLAB (PF2-PF5) (2) S=1:80

DECK SLAB CHIEF 179800

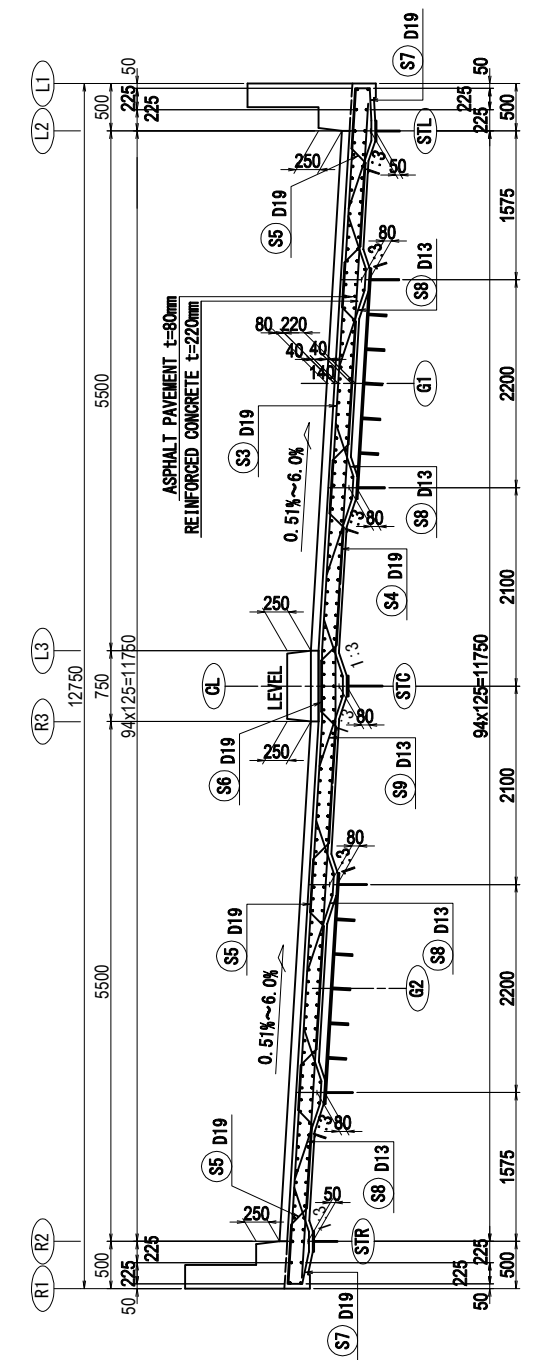
592 x 300 = 177600

SURFACE REBAR WORK

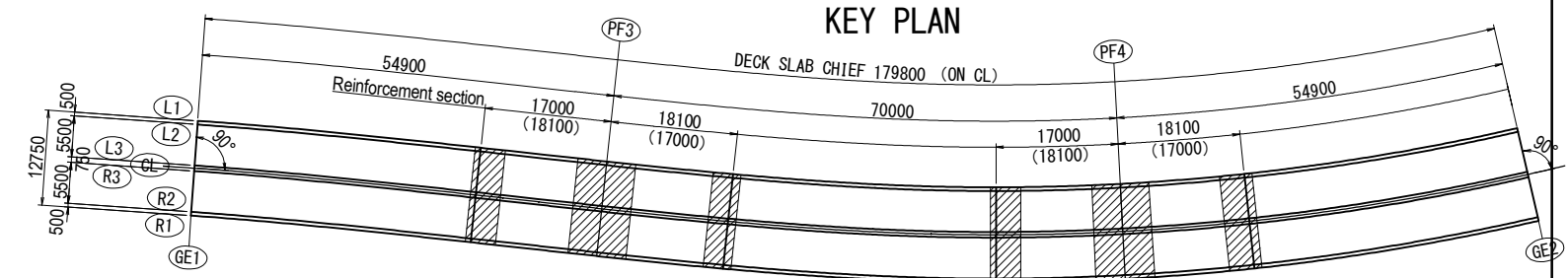
UNDERSIDE REBAR WORK



MIDDLE FULCRUM CROSS SECTION



KEY PLAN



PROJECT NAME
DETAILED DESIGN ON
BAGO RIVER BRIDGE
CONSTRUCTION PROJECT

FINANCED BY
 JAPAN INTERNATIONAL
COOPERATION AGENCY

COUNTERPART
 REPUBLIC OF THE UNION OF MYANMAR
MINISTRY OF CONSTRUCTION
DEPARTMENT OF BRIDGE

JICA STUDY TEAM
 NIPPON KOEI CO., LTD.
ORIENTAL CONSULTANTS GLOBAL CO., LTD.
METROPOLITAN EXPRESSWAY COMPANY LIMITED
CHODAI CO., LTD.
NIPPON ENGINEERING CONSULTANTS CO., LTD.

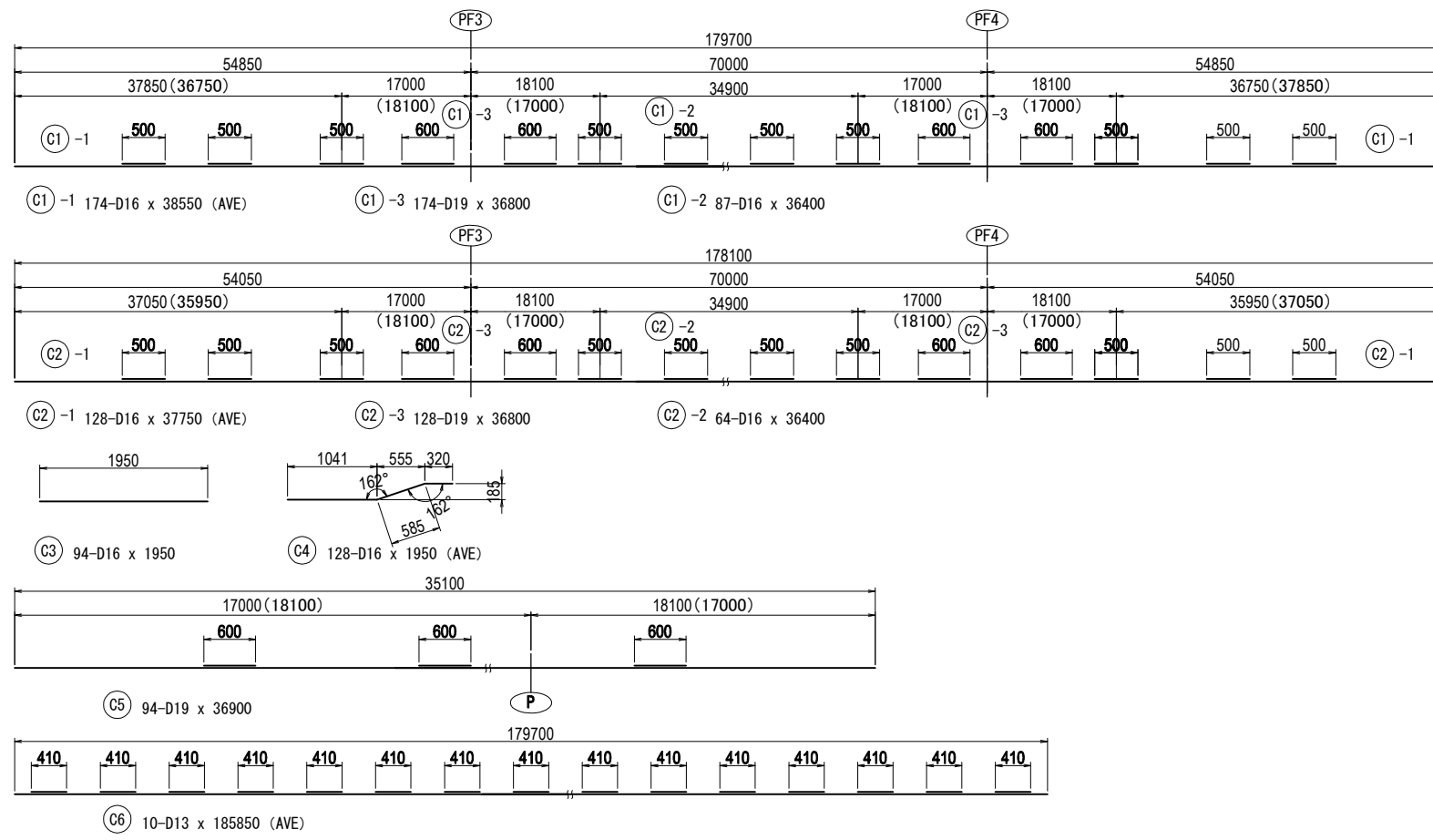
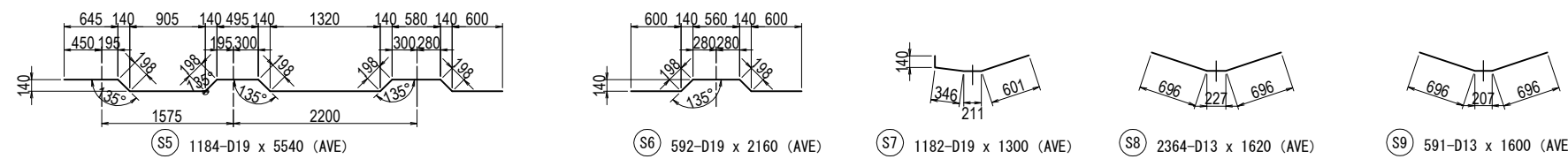
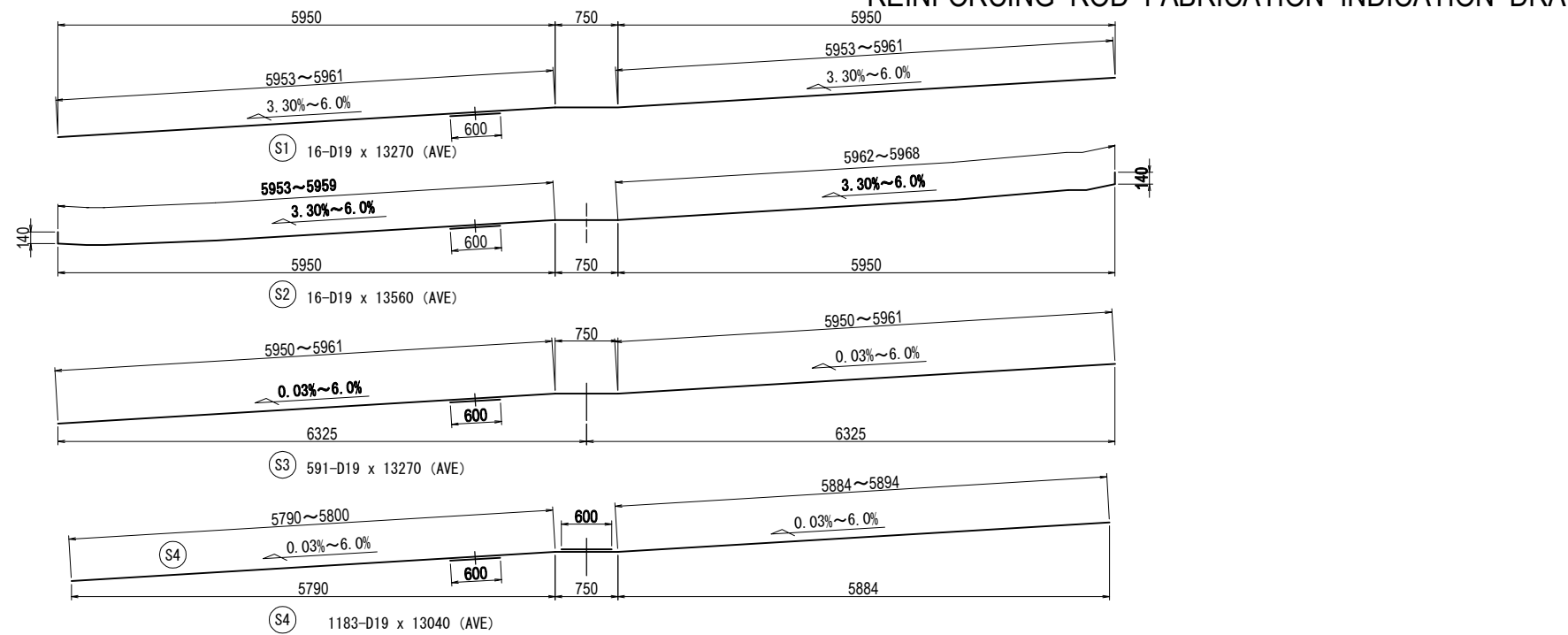
	NAME	SIGNATURE	DATE
PREPARED BY	Y. SUZUKI	<i>YS</i>	14 Jul. 2017
CHECKED BY	T. HAYAKAWA	<i>平川知邦</i>	20 Jul. 2017
APPROVED BY	Y. SANO	<i>佐野 祐一</i>	25 Jul. 2017

DRAWING TITLE
DETAIL OF DECK SLAB (PF2-PF5) (2)

PACKAGE
3
DWG No.
P3-FO-1472

DETAIL OF DECK SLAB (PF2-PF5) (3) S=1:80

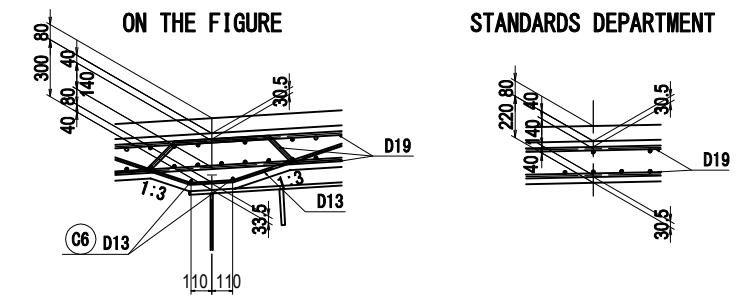
REINFORCING ROD FABRICATION INDICATION DRAWING



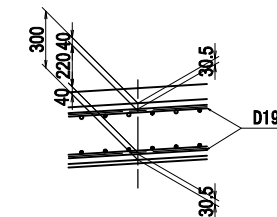
BAR LIST

REBAR NO.	DIA (mm)	LENGTH (mm)	NUMBEA	UNIT WEIGHT (kg/m)	WEIGHT/ONE (kg)	WEIGHT (kg)	REMARKS	
S1	D19	13270	16	2.25	29.86	478	AVE	
S2	D19	13560	16	2.25	30.51	488	AVE	
S3	D19	13270	591	2.25	29.86	17647	AVE	
S4	D19	13040	1183	2.25	29.34	34709	AVE	
S5	D19	5540	1184	2.25	12.47	14764	AVE	
S6	D19	2160	592	2.25	4.86	2877	AVE	
S7	D19	1300	1182	2.25	2.93	3463	AVE	
S8	D13	1620	2364	0.995	1.61	3806	AVE	
S9	D13	1600	591	0.995	1.59	940	AVE	
C1_1	D16	38550	174	1.56	60.14	10464	AVE	
C1_2	D16	36400	87	1.56	56.78	4940	AVE	
C1_3	D19	36800	174	2.25	82.80	14407	AVE	
C2_1	D16	37750	128	1.56	58.89	7538	AVE	
C2_2	D16	36400	64	1.56	56.78	3634	AVE	
C2_3	D19	36800	128	2.25	82.80	10598	AVE	
C3	D16	1950	94	1.56	3.04	286	AVE	
C4	D16	1950	128	1.56	3.04	389	AVE	
C5	D19	36900	94	2.25	83.03	7805	AVE	
C6	D13	185850	10	0.995	184.92	1849	AVE	
Σ =						141,082	kg	
				D19 (SD345) =	107,236	kg		
				D16 (SD345) =	27,251	kg		
				D13 (SD345) =	6,595	kg		
THE CONCRETE VOLUME (σ _{ck} =24N/mm ²)						548.2	m ³	
The MOLD AREA						2098.0	m ²	

HEAD DETAILS S=1:40

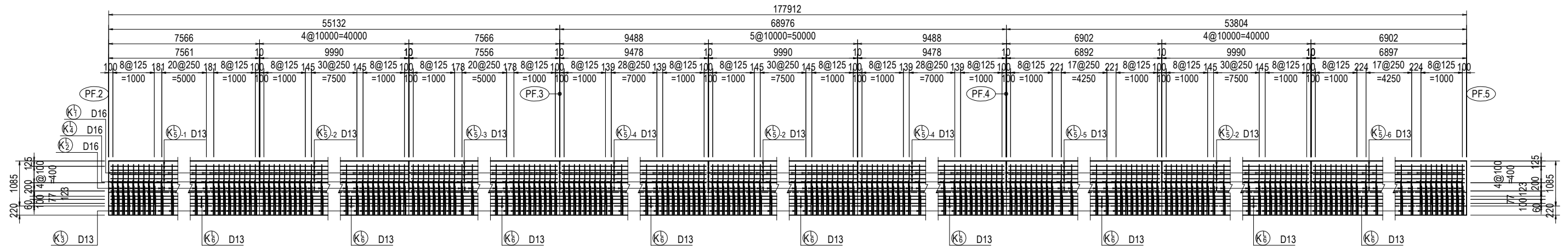


THE YARDARM BRINGING PART

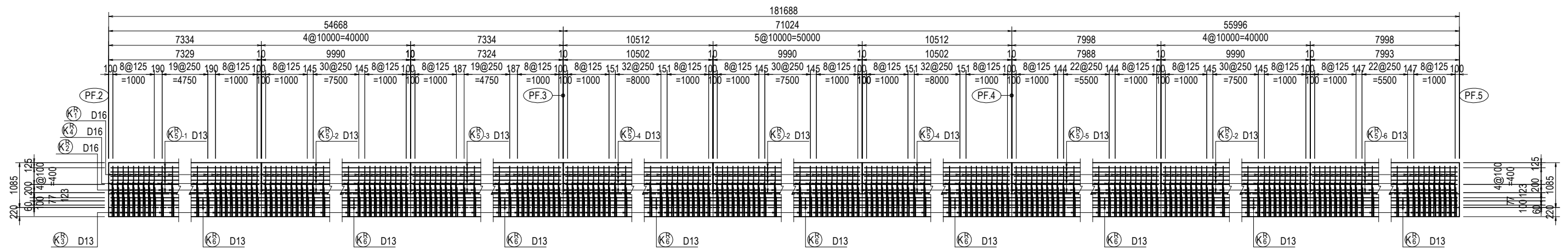


DETAIL OF CONCRETE CURB, BARRIER AND MEDIAN (PF2-PF5) (1)

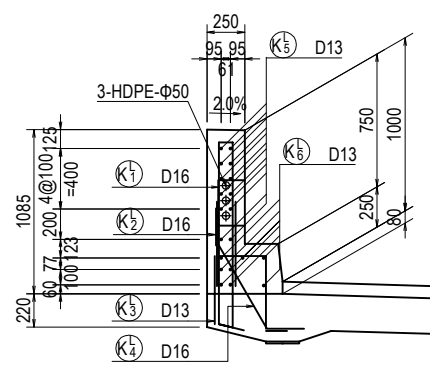
PROFILE S=1:100
(L)



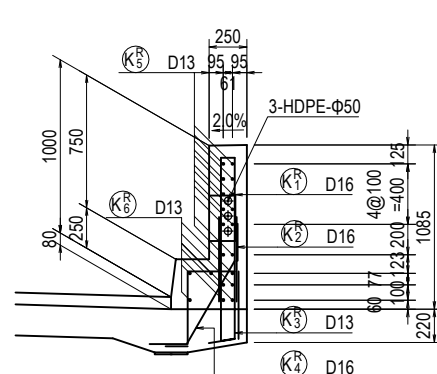
(R)



CROSS SECTION S=1:50

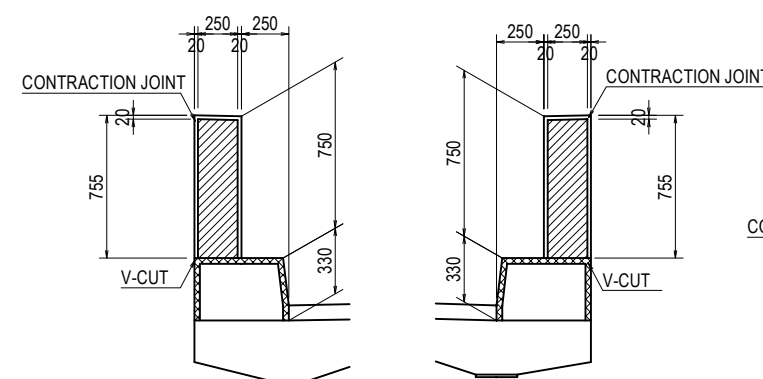


PULLBOX DETAILS S=1:40

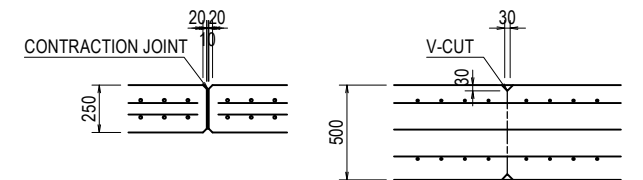


JOINT DETAILS S=1:40

CROSS SECTION

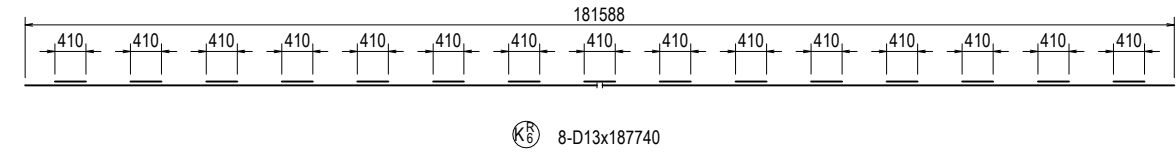
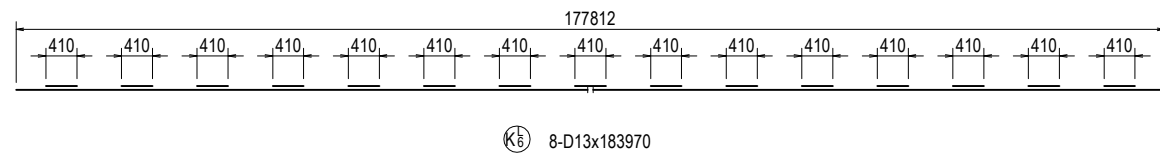
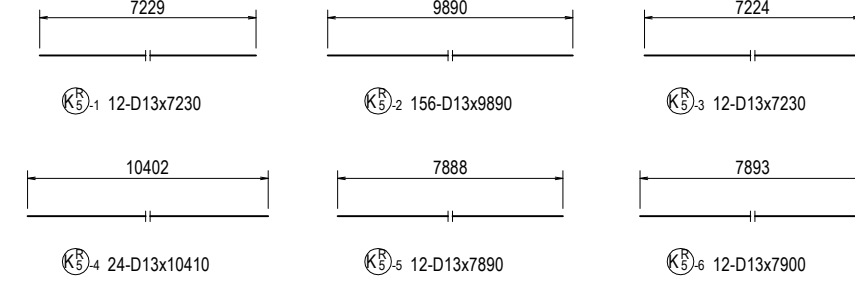
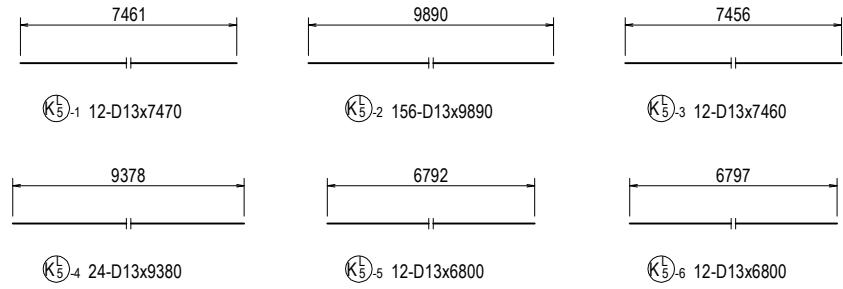
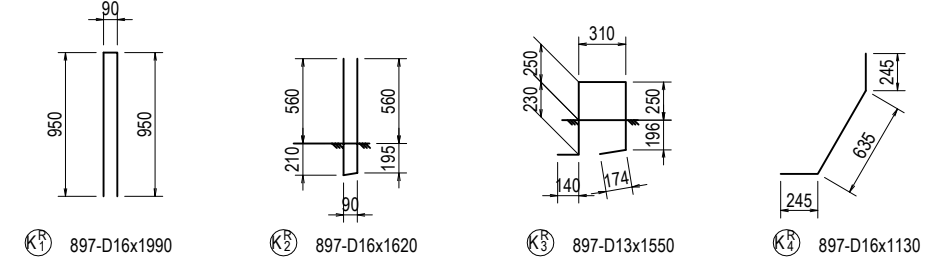
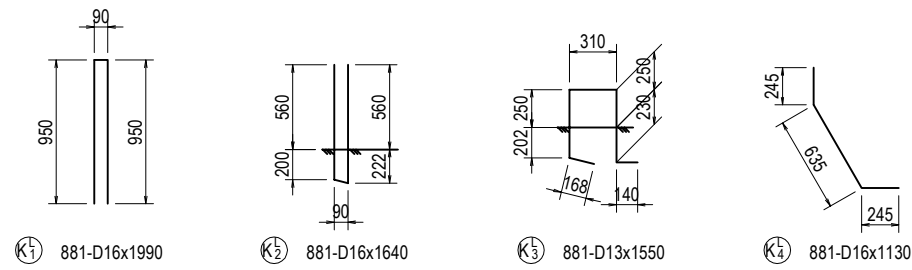


PLAN

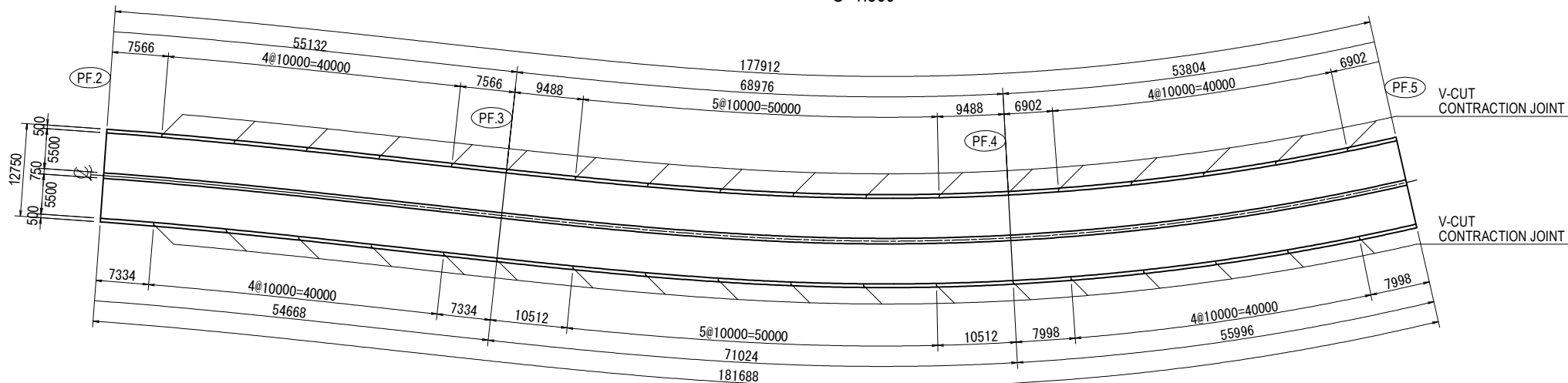


PROJECT NAME DETAILED DESIGN ON BAGO RIVER BRIDGE CONSTRUCTION PROJECT	FINANCED BY JAPAN INTERNATIONAL COOPERATION AGENCY	COUNTERPART REPUBLIC OF THE UNION OF MYANMAR MINISTRY OF CONSTRUCTION DEPARTMENT OF BRIDGE	JICA STUDY TEAM NIPPON KOEI CO., LTD. ORIENTAL CONSULTANTS GLOBAL CO., LTD. METROPOLITAN EXPRESSWAY COMPANY LIMITED CHODAI CO., LTD. NIPPON ENGINEERING CONSULTANTS CO., LTD.	NAME	SIGNATURE	DATE	DRAWING TITLE DETAIL OF CONCRETE CURB, BARRIER AND MEDIAN (PF2-PF5) (1)	PACKAGE	
				PREPARED BY	Y. SUZUKI			14 Jul. 2017	3
				CHECKED BY	T. HAYAKAWA			20 Jul. 2017	DWG No.
				APPROVED BY	Y. SANO			25 Jul. 2017	P3-FO-1474

DETAIL OF CONCRETE CURB, BARRIER AND MEDIAN (PF2-PF5) (2)



KEY PLAN S=1:800

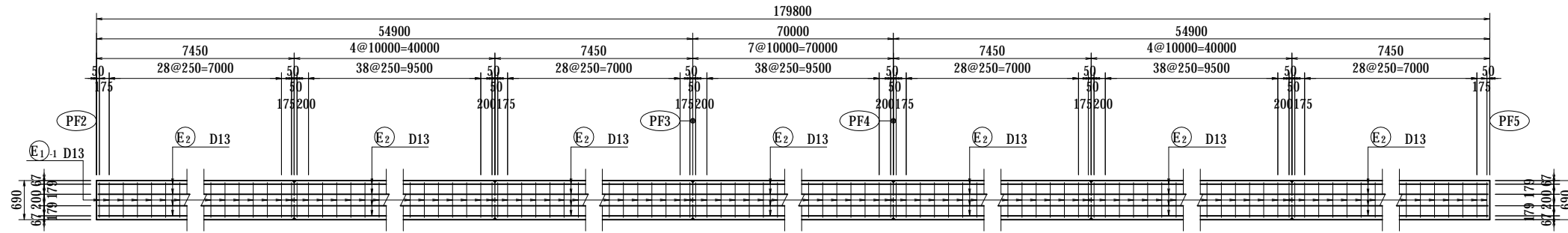


BAR LIST

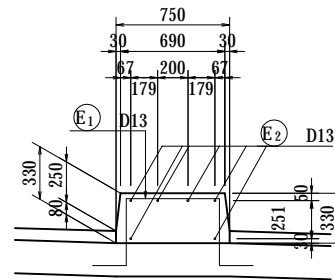
REBAR NO.	DIA (mm)	LENGHT (mm)	NUMBER	UNIT WEIGHT (kg/m)	WEIGHT/ONE (kg)	WEIGHT (kg)	REMARKS
K ₁ ^L	D16	1990	881	1.56	3.10	2731	
K ₂ ^L	D16	1640	881	1.56	2.56	2255	
K ₃ ^L	D13	1550	881	0.995	1.54	1357	
K ₄ ^L	D16	1130	881	1.56	1.76	1551	
K ₅₋₁ ^L	D13	7470	12	0.995	7.43	89	
K ₅₋₂ ^L	D13	9890	156	0.995	9.84	1535	
K ₅₋₃ ^L	D13	7460	12	0.995	7.42	89	
K ₅₋₄ ^L	D13	9380	24	0.995	9.33	224	
K ₅₋₅ ^L	D13	6800	12	0.995	6.77	81	
K ₅₋₆ ^L	D13	6800	12	0.995	6.77	81	
K ₆ ^L	D13	183970	8	0.995	183.05	1464	
K ₁ ^R	D16	1990	897	1.56	3.10	2781	
K ₂ ^R	D16	1620	897	1.56	2.53	2269	
K ₃ ^R	D13	1550	897	0.995	1.54	1381	
K ₄ ^R	D16	1130	897	1.56	1.76	1551	
K ₅₋₁ ^R	D13	7230	12	0.995	7.19	86	
K ₅₋₂ ^R	D13	9890	156	0.995	9.84	1535	
K ₅₋₃ ^R	D13	7230	12	0.995	7.19	86	
K ₅₋₄ ^R	D13	10410	24	0.995	10.36	249	
K ₅₋₅ ^R	D13	7890	12	0.995	7.85	94	
K ₅₋₆ ^R	D13	7900	12	0.995	7.86	94	
K ₆ ^R	D13	187740	8	0.995	186.80	1494	
					D16	13166	
					D13	9939	
					TOTAL	23105	

DETAIL OF CONCRETE CURB, BARRIER AND MEDIAN (PF2-PF5) (3)

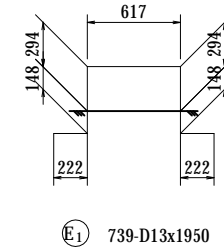
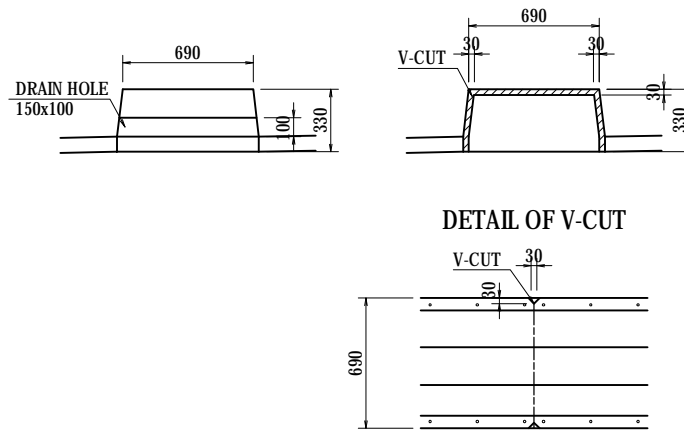
PLAN S=1:100



CROSS SECTION S=1:50

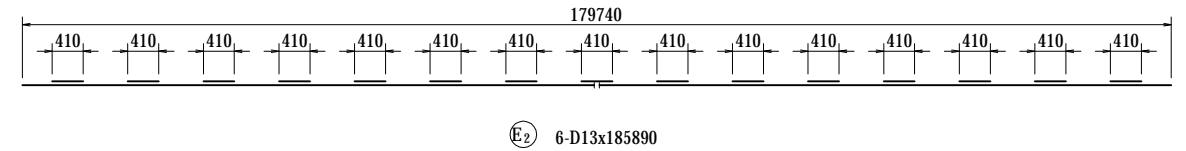


CROSS SECTION S=1:40

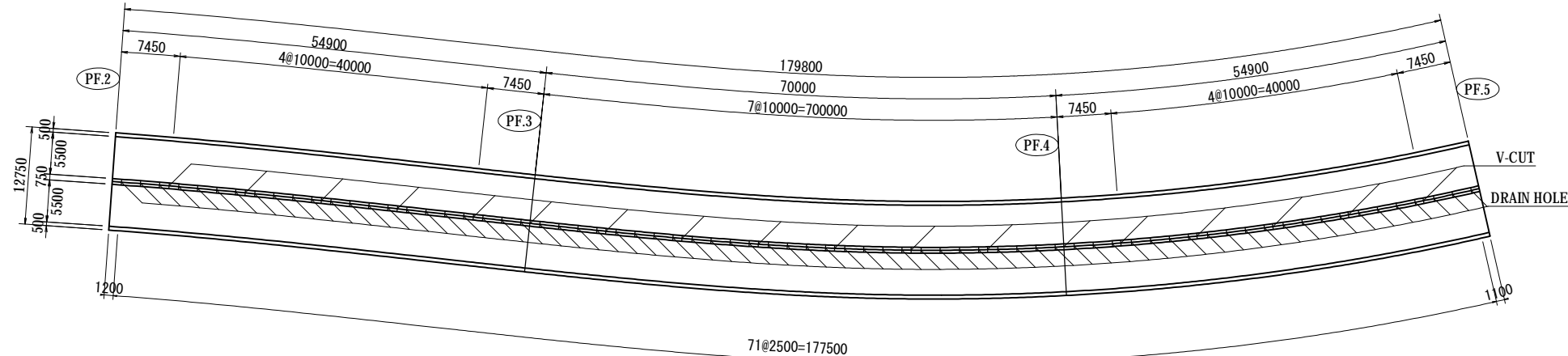


BAR LIST

REBAR NO.	DIA (mm)	LENGTH (mm)	NUMBER	UNIT WEIGHT (kg/m)	WEIGHT/ONE (kg)	WEIGHT (kg)	REMARKS
E1	D13	1950	739	0.995	1.94	1434	
E2	D13	185890	6	0.995	184.96	1110	
						2544	

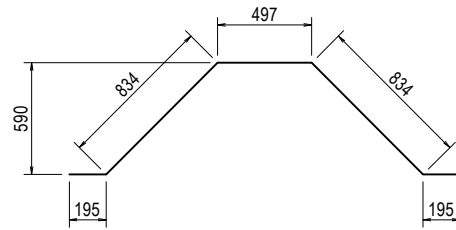
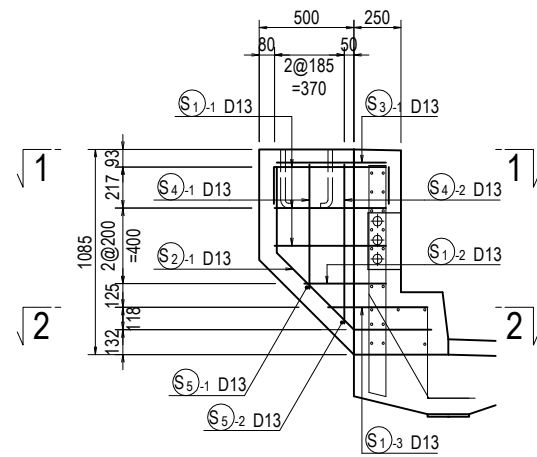


KEY PLAN S=1:800

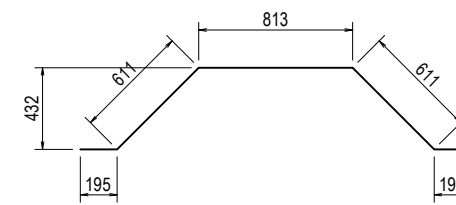


DETAIL OF LIGHTING FOUNDATION (PF2-PF5)

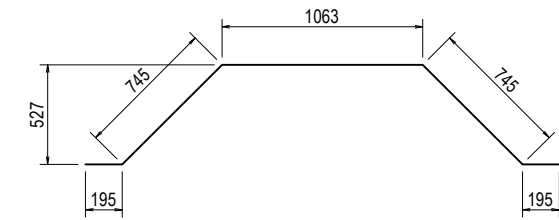
CROSS SECTION S=1:40



S1-1 3-D13x2560

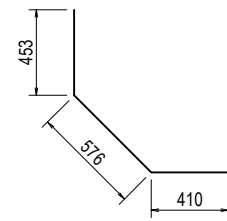
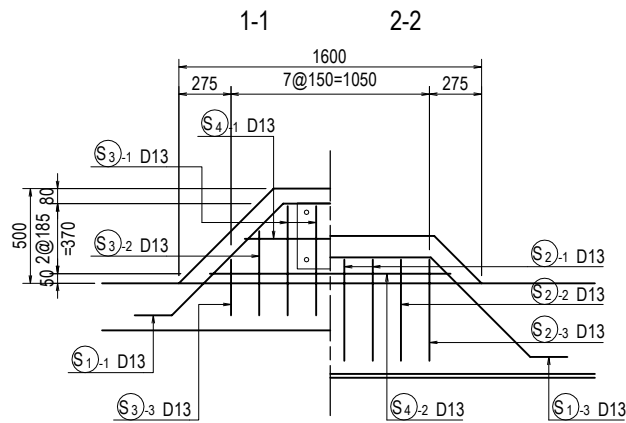


S1-2 1-D13x2430

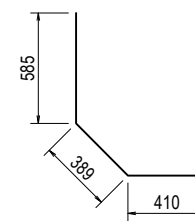


S1-3 1-D13x2950

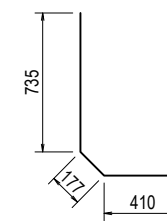
PLAN S=1:40



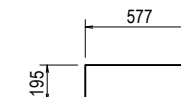
S2-1 4-D13x1440



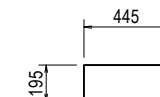
S2-2 2-D13x1390



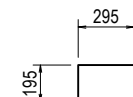
S2-3 2-D13x1330



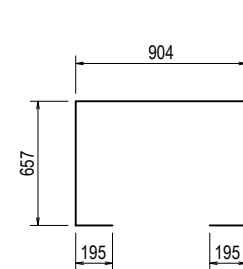
S3-1 4-D13x970



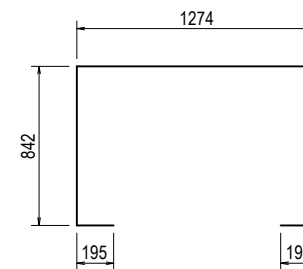
S3-2 2-D13x840



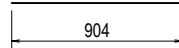
S3-3 2-D13x690



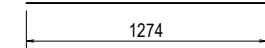
S4-1 1-D13x2610



S4-2 1-D13x3350



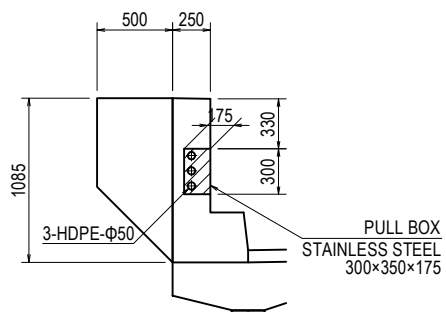
S5-1 1-D13x910



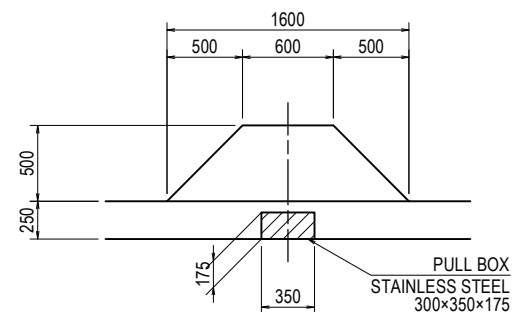
S5-2 1-D13x1280

PULLBOX DETAIL S=1:50

CROSS SECTION



PLAN



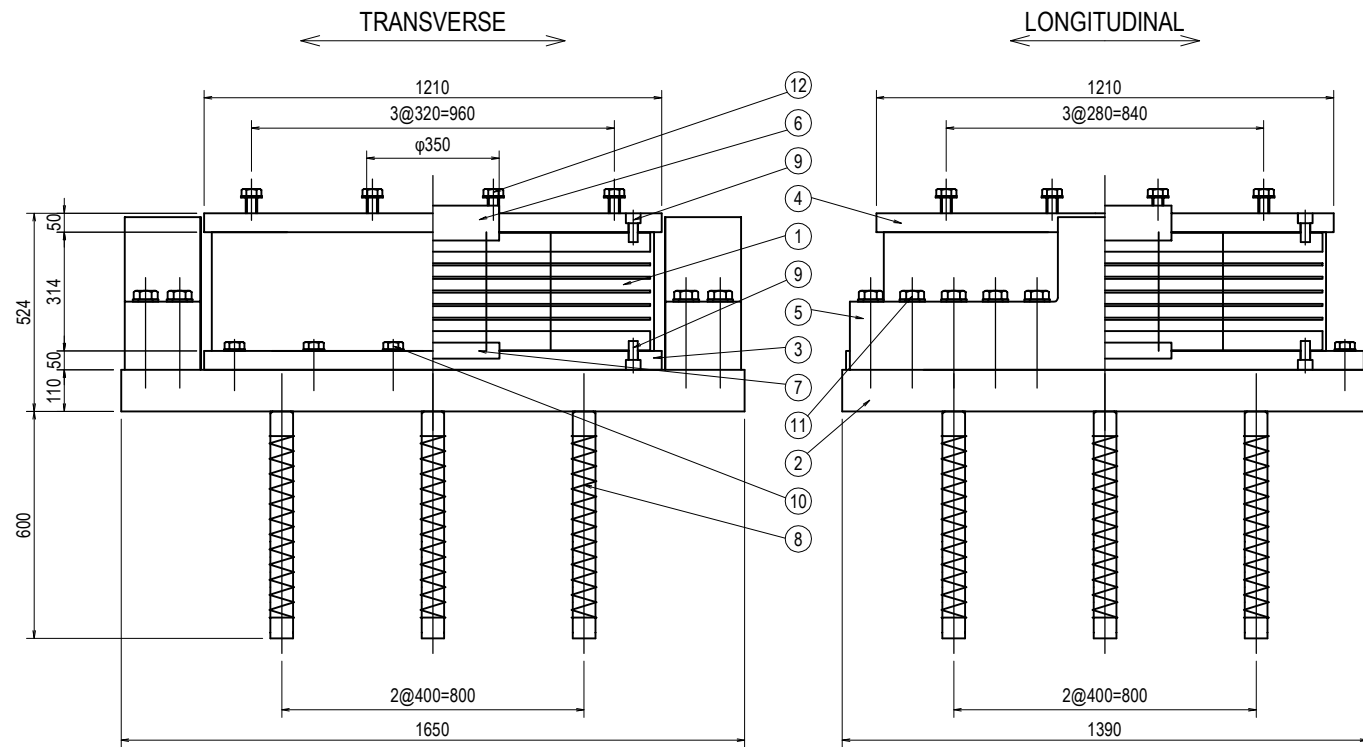
BAR LIST

REBAR NO.	DIA (mm)	LENGTH (mm)	NUMBER	UNIT WEIGHT (kg/m)	WEIGHT/ONE (kg)	WEIGHT (kg)	REMARKS
S1-1	D13	2560	3	0.995	2.55	8	
S1-2	D13	2430	1	0.995	2.42	2	
S1-3	D13	2950	1	0.995	2.94	3	
S2-1	D13	1440	4	0.995	1.43	6	
S2-2	D13	1390	2	0.995	1.38	3	
S2-3	D13	1330	2	0.995	1.32	3	
S3-1	D13	970	4	0.995	0.97	4	
S3-2	D13	840	2	0.995	0.84	2	
S3-3	D13	690	2	0.995	0.69	1	
S4-1	D13	2610	1	0.995	2.60	3	
S4-2	D13	3350	1	0.995	3.33	3	
S5-1	D13	910	1	0.995	0.91	1	
S5-2	D13	1280	1	0.995	1.27	1	
						40	kg
TOTAL						40	kg

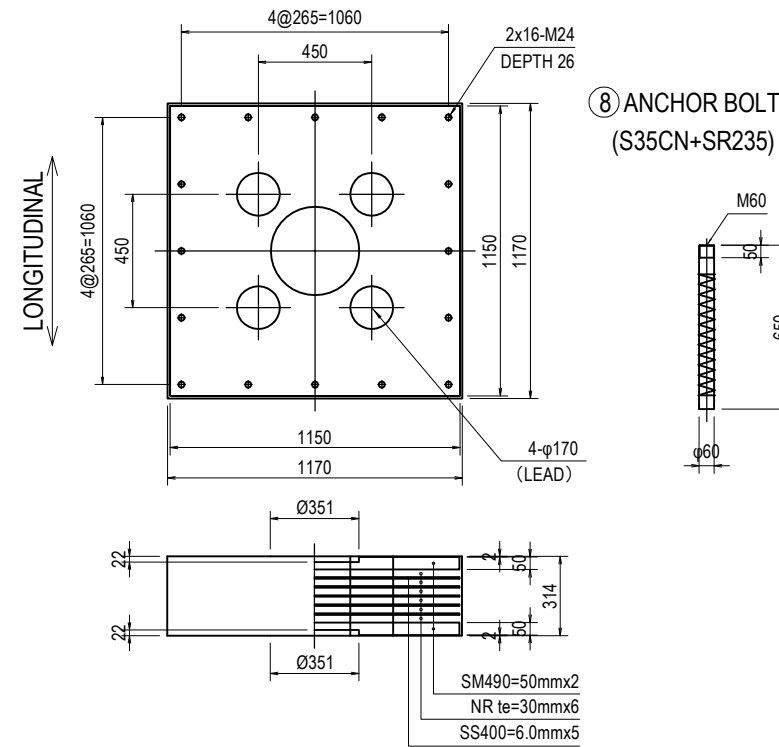
DETAIL OF RUBBER BEARING (PF2-PF5) (2) S=1:30

PF3,PF4

S=1:20

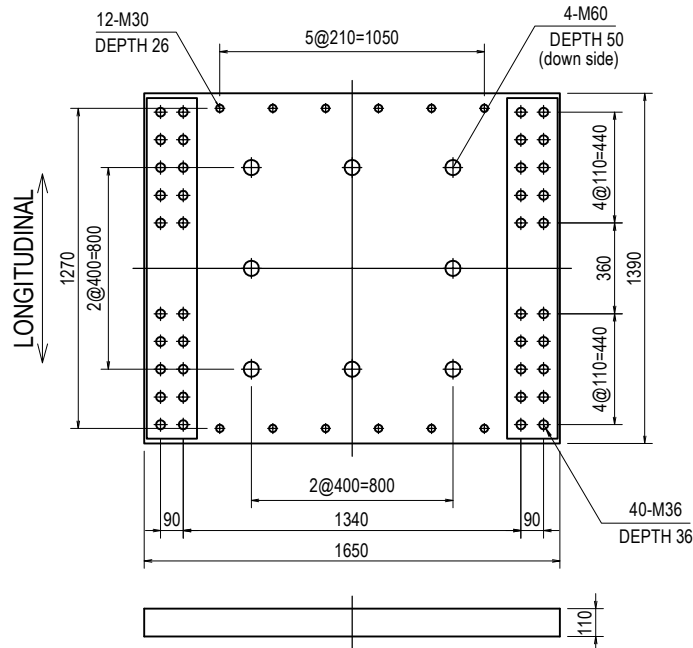


① LEAD RUBBER BEARING (NR+SS400+SM490+Pb)

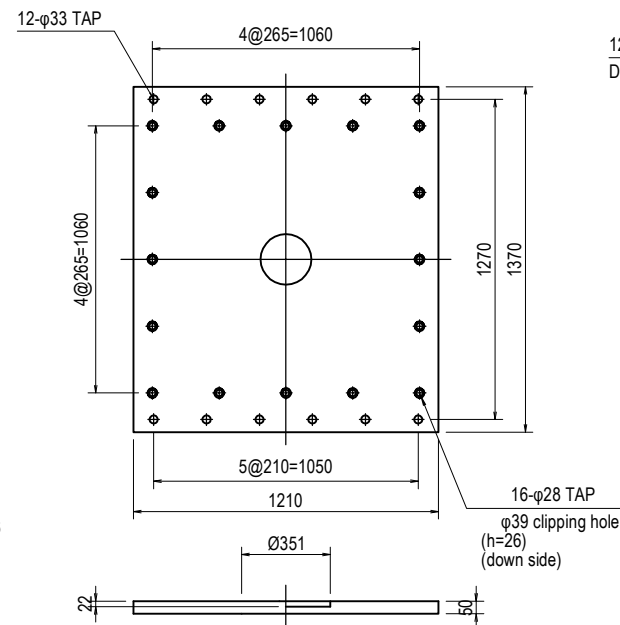


⑧ ANCHOR BOLT (S35CN+SR235)

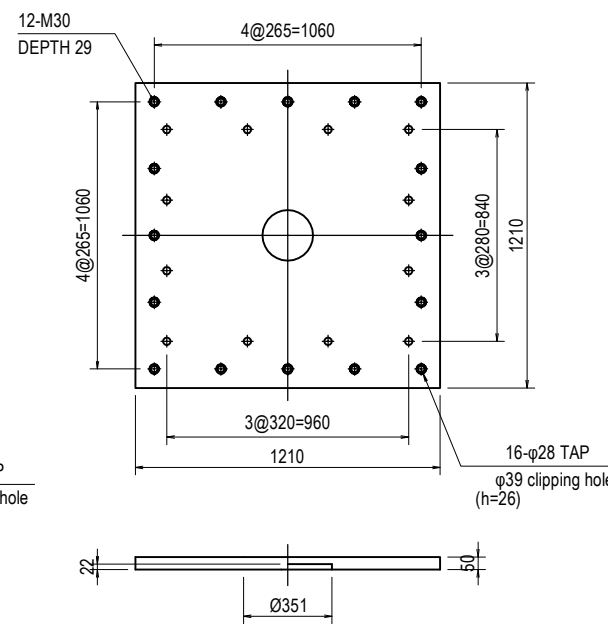
② BASE PLATE (SM490)



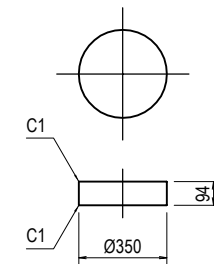
③ LOWER PLATE (SM490)



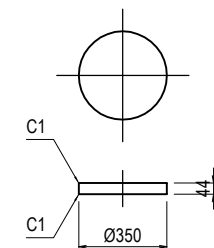
④ UPPER PLATE (SM490)



⑥ BOSS PLATE (SM490)



⑦ BOSS PLATE (SM490)



DESIGN CONDITION

REACTION		PF3	PF4		
MAXIMUM REACTION	Rmax	7428 kN	7481 kN		
MAXIMUM REACTION	Rmax2	7292 kN	7277 kN		
DEAD LOAD REACTION	Rd	5568 kN	5628 kN		
VERTICAL STRAIN DUE TO LIVE LOAD	R1L	— kN	— kN		
MAXIMUM STRAIN FORCE	LONGITUDIAL	Rhe1	1557 kN		
	TRANSVERSE	Rhe2	1745 kN		
LIFT UP FORCE	Ru	1670 kN	1688 kN		
ROTATIONAL STRAIN VOLUME	δr	1.92 mm	1.98 mm		
VERTICAL STRAIN DUE TO LIVE LOAD VOLUME	δcl	— mm	— mm		
STRAIN VOLUME	ORDINARY	LONGITUDIAL	ΔL	15.8 mm	16.0 mm
		TRANSVERSE	ΔLe2	— mm	— mm
	LEVEL1	LONGITUDIAL	ΔLe1	76.2 mm	62.3 mm
TEST VOLUME	SHEAR STRAIN VOLUME	ys	105 %	105 %	
		UB	189 mm	189 mm	
BEARING STIFFNESS	KB	9.65 kN/mm	9.65 kN/mm		
EQUIVALENT DAMPING CONSTANT	hB	23.0 %	23.0 %		

MATERIAL LIST (1 SET PER)

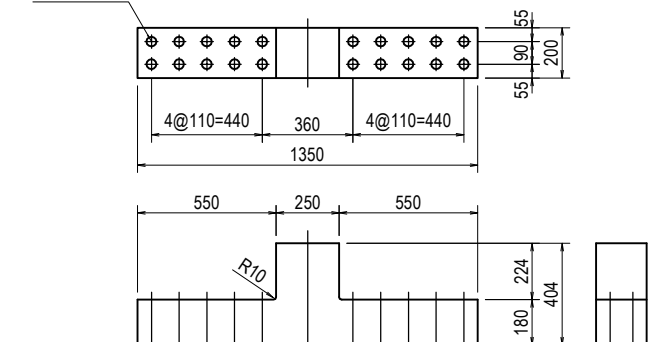
No.	ITEM	MATERIAL	NUMBER	WEIGHT (kg)	REMARKS
1	LEAD RUBBER BEARING	NR+SS400+SM490+Pb	1	1847.9	NR Ge=1.0
2	BASE PLATE	SM490A	1	1962.8	
3	LOWER PLATE	SM490A	1	624.2	
4	UPPER PLATE	SM490A	1	550.3	
5	SIDE BLOCK	SM490A	2	871.4	
6	BOSS PLATE	SM490A	1	71.0	
7	BOSS PLATE	SM490A	1	33.2	
8	ANCHOR BOLT	S35CN+SR235	8	115.4	
9	HEXAGON SOCKET HEAD CAP SCREWS	---	32	8.4	
10	HEXAGON HEAD BOLTS	---	12	8.8	Plain washers
11	SIDE BLOCK BOLTS	---	40	98.6	Plain washers
12	SET BOLTS	---	12	10.1	Plain washers
TOTAL WEIGHT (kg)				6202.1	

NOTE:

- Details of the slab and girder are designed based on the product shown in this Drawing.
- The Contractor has option to propose an alternative equivalent to the specified product, which shall be subjected to the Engineer's approval.
- All the structural steels shall be galvanized to the requirements specified by JIS H8641.
- The materials, which marked with double circle, shall be galvanized and nylon-coated, however, bolts are only nylon-coated on the head.
- The materials, which marked with circle, shall be SG-galvanized.
- The weight of Lead Rubber Bearing is the reference value.
- Eyebolt holes for necessary for production and construction are appropriately provided.
- Hexagon socket head cap screws shall be black oxygen film.
- Adjust the length of Set bolts appropriately.

⑨	HEXAGON SOCKET HEAD CAP SCREWS	M24 × 50	10.9
⑩	HEXAGON HEAD BOLTS	M30 × 80	8.8
⑪	SIDE BLOCK BOLTS	M36 × 220	8.8
⑫	SET BOLTS	M30 × 100	8.8

⑤ SIDE BLOCK (SM490)



PROJECT NAME
DETAILED DESIGN ON
BAGO RIVER BRIDGE
CONSTRUCTION PROJECT

FINANCED BY
JICA
JAPAN INTERNATIONAL
COOPERATION AGENCY

COUNTERPART
REPUBLIC OF THE UNION OF MYANMAR
MINISTRY OF CONSTRUCTION
DEPARTMENT OF BRIDGE

JICA STUDY TEAM
NIPPON KOEI CO., LTD.
ORIENTAL CONSULTANTS GLOBAL CO., LTD.
METROPOLITAN EXPRESSWAY COMPANY LIMITED
CHODAI CO., LTD.
NIPPON ENGINEERING CONSULTANTS CO., LTD.

	NAME	SIGNATURE	DATE
PREPARED BY	Y. SUZUKI	<i>YS</i>	14 Jul. 2017
CHECKED BY	T. HAYAKAWA	<i>平川 知平</i>	20 Jul. 2017
APPROVED BY	Y. SANO	<i>佐野 一</i>	25 Jul. 2017

DRAWING TITLE
DETAIL OF RUBBER BEARING (PF2-PF5) (2)

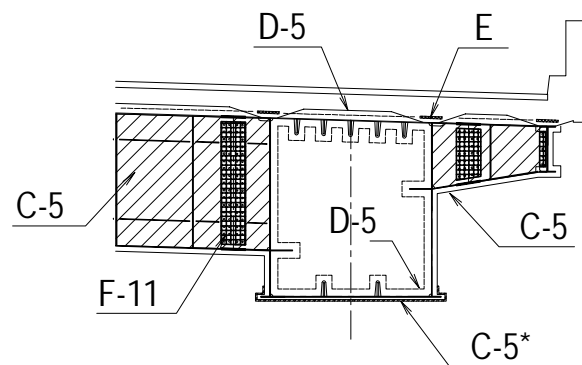
PACKAGE
3
DWG No.
P3-FO-1479

DETAIL OF PAINTING SYSTEM (1)

Description	General Surface			Joint Connection (Steel Mills and Fabrication Shop: splice plate, filler plate and contact surface of girder) (Construction Site: Splice Plate and Bolts)			Surface in Contact with Concrete Surface of Bolted Connection	
	I. Exterior (C-5)		II. Interior (D-5)	III. Exterior (F11)		IV. Internal (F12)	VI. Joint Connection (J)	V. Contact with Concrete (E)
	(A) Normal	(B) Particular		(A) Normal	(B) Particular			
Steel Mills								
1. First Surface Preparation	Blast Cleaned (ISO Sa2.5)	Blast Cleaned (ISO Sa2.5)	Blast Cleaned (ISO Sa2.5)	Blast Cleaned (ISO Sa2.5)	Blast Cleaned (ISO Sa2.5)	Blast Cleaned (ISO Sa2.5)	SSPC-SP10 Near - white Blast Cleaning	SSPC-SP10 Near - white Blast Cleaning
2. Primer coating	Inorganic Zinc-Rich Shop Primer DFT : 15µm (160g/m ²)	Inorganic Zinc-Rich Shop Primer DFT : 15µm (160g/m ²)	Inorganic Zinc-Rich Shop Primer DFT : 15µm (160g/m ²)	Inorganic Zinc-Rich Shop Primer DFT : 15µm (160g/m ²)	Inorganic Zinc-Rich Shop Primer DFT : 15µm (160g/m ²)	Inorganic Zinc-Rich Shop Primer DFT : 15µm (160g/m ²)	Inorganic Zinc-Rich Shop Primer DFT : 15µm (160g/m ²)	Inorganic Zinc-Rich Shop Primer DFT : 15µm (160g/m ²)
Shop								
3. Second Surface Preparation	Blast Cleaned (ISO Sa2.5)	Blast Cleaned (ISO Sa2.5)	Power Tool Cleaned (ISO Sa3)	Blast Cleaned (ISO Sa2.5)	Blast Cleaned (ISO Sa2.5)	Blast Cleaned (ISO Sa2.5)	SSPC-SP10 Near - white Blast Cleaning	SSPC-SP10 Near - white Blast Cleaning
4. 1st Coating	Inorganic Zinc-Rich Paint DFT : 75µm (600g/m ²)	Inorganic Zinc-Rich Paint DFT : 75µm (600g/m ²)	Formulated Epoxy Resin DFT : 120µm (410g/m ²)	Inorganic Zinc-Rich Paint DFT : 75µm (600g/m ²)	Inorganic Zinc-Rich Paint DFT : 75µm (600g/m ²)	Inorganic Zinc-Rich Paint DFT : 75µm (600g/m ²)	High Build Type Inorganic Zinc Rich Paint (Self-Curing Solvent Type) DFT : 75µm (600g/m ²) TOTAL 100-200 µm	High Build Type Inorganic Zinc Rich Paint (Self-Curing Solvent Type) DFT : 75µm (600g/m ²)
5. 2nd Coating mist coat	Epoxy Resin DFT : (160g/m ²)	Epoxy Resin DFT : (160g/m ²)	Formulated Epoxy Resin DFT : 120µm (410g/m ²)	(N.A.)	(N.A.)	(N.A.)	(N.A.)	(N.A.)
6. 3rd Coating	Epoxy Resin DFT : 120µm (540g/m ²)	Epoxy Resin DFT : 240µm (1080g/m ²)	(N.A.)	(N.A.)	(N.A.)	(N.A.)	(N.A.)	(N.A.)
7. 4th Coating	Fluorescent Resin DFT : 30µm (170g/m ²)	Fluorescent Resin DFT : 30µm (170g/m ²)	(N.A.)	(N.A.)	(N.A.)	(N.A.)	(N.A.)	(N.A.)
8. 5th Coating	Fluorescent Resin DFT : 25µm (140g/m ²)	Fluorescent Resin DFT : 25µm (140g/m ²)	(N.A.)	(N.A.)	(N.A.)	(N.A.)	(N.A.)	(N.A.)
9. Finish Coating	(N.A.)	(N.A.)	(N.A.)	(N.A.)	(N.A.)	(N.A.)	(N.A.)	(N.A.)
Construction Site								
10. Surface Treatment	(N.A.)	(N.A.)	(N.A.)	Power Tool Cleaned (ISO St3)	Power Tool Cleaned (ISO St3)	Power Tool Cleaned (ISO St3)	(N.A.)	(N.A.)
11. 1st Under-Coat	(N.A.)	(N.A.)	(N.A.)	(N.A.)	(N.A.)	(N.A.)	(N.A.)	(N.A.)
12. 2nd Under-Coat	(N.A.)	(N.A.)	(N.A.)	Formulated Epoxy Resin DFT : 120µm (410g/m ²)	Formulated Epoxy Resin DFT : 120µm (410g/m ²)	Formulated Epoxy Resin DFT : 160g/m ²	(N.A.)	(N.A.)
13. 3rd Under-Coat	(N.A.)	(N.A.)	(N.A.)	Ultra Thick Epoxy Resin DFT : 300µm (1100g/m ²)	Ultra Thick Epoxy Resin DFT : 450µm (1500g/m ²)	Ultra Thick Epoxy Resin DFT : 300µm (1100g/m ²)	(N.A.)	(N.A.)
14. 4th Under-Coat	(N.A.)	(N.A.)	(N.A.)	Fluorescent Resin DFT : 30µm (170g/m ²) (140g/m ² by brush)	Fluorescent Resin DFT : 30µm (170g/m ²) (140g/m ² by brush)	(N.A.)	(N.A.)	(N.A.)
15. 5th Under-Coat	(N.A.)	(N.A.)	(N.A.)	Fluorescent Resin DFT : 25µm (140g/m ²) (120g/m ² by brush)	Fluorescent Resin DFT : 25µm (140g/m ²) (120g/m ² by brush)	(N.A.)	(N.A.)	(N.A.)
16. Intermediate Coat	(N.A.)	(N.A.)	(N.A.)	(N.A.)	(N.A.)	(N.A.)	(N.A.)	(N.A.)
17. Finish Coat	(N.A.)	(N.A.)	(N.A.)	(N.A.)	(N.A.)	(N.A.)	(N.A.)	(N.A.)

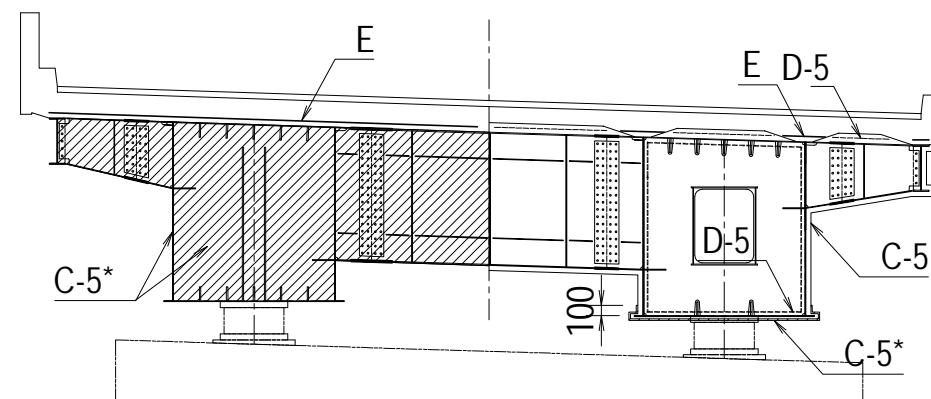
DETAIL OF PAINTING SYSTEM (2)

BOX GIRDER

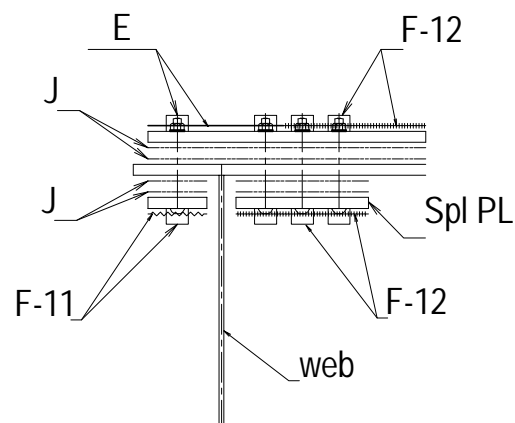


PE2, PE5

CROSS BEAM

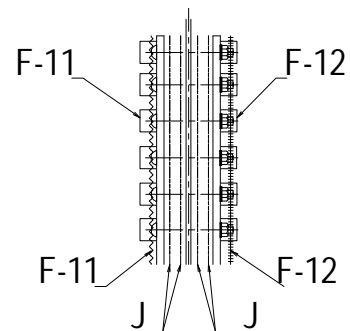


U. FLG



WEB

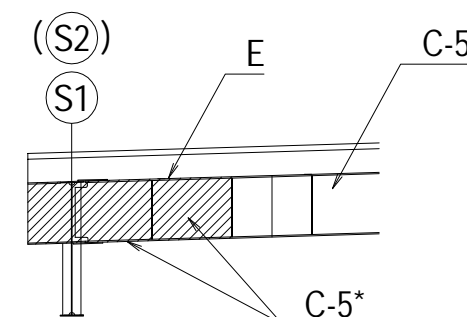
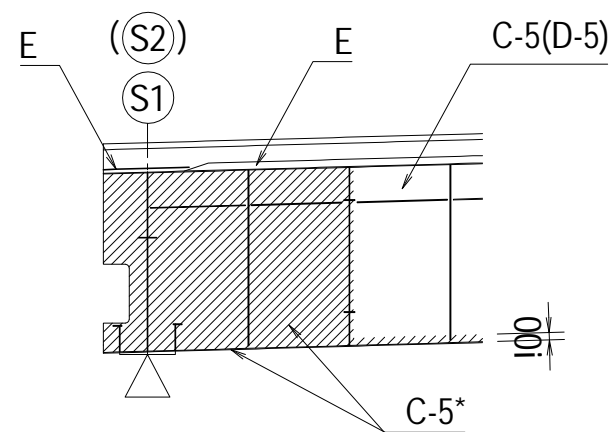
outside ← Inside



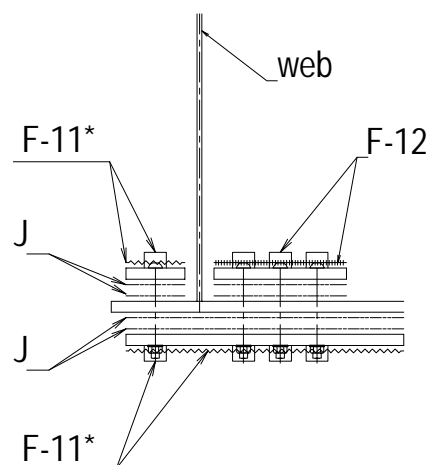
END of GIRDER

GIRDER

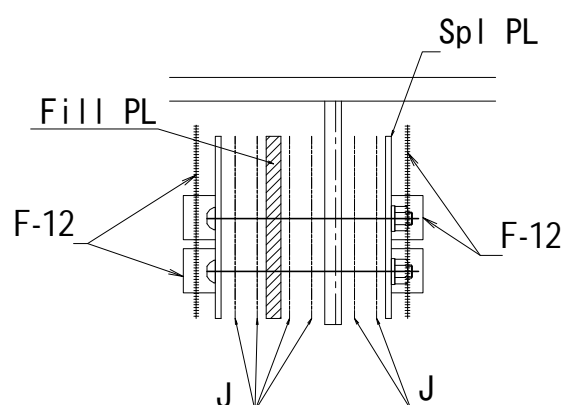
INSIDE STRINGER



L. FLG



VERTICAL RIB



- C-5 : Exterior painting
- D-5 : Inner painting
- F-11 : Exterior surface of bolted connection
- F-12 : Interior surface of bolted connection
- E : Concrete contact surface painting
- * : Additional coating
- J : Contact surface of bolted connection

PROJECT NAME DETAILED DESIGN ON BAGO RIVER BRIDGE CONSTRUCTION PROJECT	FINANCED BY JAPAN INTERNATIONAL COOPERATION AGENCY	COUNTERPART REPUBLIC OF THE UNION OF MYANMAR MINISTRY OF CONSTRUCTION DEPARTMENT OF BRIDGE	JICA STUDY TEAM NIPPON KOEI CO., LTD. ORIENTAL CONSULTANTS GLOBAL CO., LTD. METROPOLITAN EXPRESSWAY COMPANY LIMITED CHODAI CO., LTD. NIPPON ENGINEERING CONSULTANTS CO., LTD.	NAME	SIGNATURE	DATE	DRAWING TITLE	PACKAGE	
				PREPARED BY	Y. SUZUKI				29 Sep. 2017
				CHECKED BY	T. HAYAKAWA				3 Oct. 2017
				APPROVED BY	Y. SANO				6 Oct. 2017
DETAIL OF PAINTING SYSTEM (2)							3	DWG No.	
								P3-FO-1481	

QUANTITY TABLE OF SUPERSTRUCTRE (STEEL BOX GIRDE) (REFERENCE DRAWING)

QUANTITY OF STEEL MATERIAL [Unit:kg]

Shape	Quality	Size	Main construction					Superstructure	Main body		
			Bridge body mechanic								
			Girder	Cross beam	Bracket	Outside stringer	Inner stringer	Total	Drainage	meter	
PL	SM490YB	39	6,159					6,159		6,159	
		36	16,298					16,298		16,298	
		34	9,492					9,492		9,492	
		32	9,459					9,459		9,459	
		31	4,870					4,870		4,870	
		29	4,518					4,518		4,518	
		28	2,032					2,032		2,032	
		27	4,159					4,159		4,159	
		26	8,336					8,336		8,336	
		25	12,432					12,432		12,432	
		24	4,242					4,242		4,242	
		22	60,395					60,395		60,395	
		21	5,819					5,819		5,819	
		20	9,491					9,491		9,491	
		19	42,198					42,198		42,198	
		18	30,161					30,161		30,161	
		17	4,790					4,790		4,790	
	Subtotal		234,851				234,851		234,851		
PL	SM490YA	16	62,957					62,957		62,957	
		15	10,263					10,263		10,263	
		14	65,984					65,984		65,984	
		13	5,857					5,857		5,857	
		12	119,516					119,516		119,516	
		11	19,473					19,473		19,473	
		10	21,509					21,509		21,509	
		9	20,938					20,938		20,938	
			Subtotal		326,497				326,497		326,497
		PL	SM490C	59	678					678	
52	598							598		598	
50	242							242		242	
46	222							222		222	
	Subtotal				1,740				1,740		1,740
PL	SM490B	40	460					460		460	
		38	437					437		437	
		270	270					270		270	
			Subtotal		1,167				1,167		1,167
PL	SM400A	31	30					30		30	
		30	89					89		89	
		29	57					57		57	
		26	102					102		102	
		24	48					48		48	
		22	376					376		376	
		20	408					408		408	
		19					11,689	11,689		11,689	
		16	124	512				636		636	
		14	3,089			17,392		20,481		20,481	
		12	17,993	4,650				22,643		22,643	
		10	7,290	3,515	2,442	299	11,143	24,689		24,689	
		9	38,909	13,219	4,272	15,367	725	72,492		72,492	
		8						106		106	
		6	74					74		74	
4.5	88					88		88			
	Subtotal		68,677	21,896	6,714	33,058	23,557	153,902	871	154,773	
PL	SS400	22	1,091					1,091		1,091	
		18	72					72		72	
		17	246					246		246	
		16	252					252		252	
		15	69					69		69	
		14	138				736	874		874	
		13	60					60		60	
		12	93					93		93	
		11	28	104			384	768		1,245	
		10	96				128	224		1,245	
		9	266	6,521	3,648	889		11,324		1,245	
		8	148					148		1,245	
		7	122					122		1,245	
		6	240					240		1,245	
		4.5	204					204		1,245	
		3.2	229					229		1,245	
		2.3	432					432		1,245	
	Subtotal		2,695	6,625	3,648	1,401	2,595	16,964		16,964	
L	SS400	40 x 40 x 3.0	44					44		44	
		100 x 6.0							262	262	
FB	SS400	D 16	730	4	4	347	128	1,213		1,213	
		D 13	4				4			4	
	Subtotal		734	4	4	347	128	1,217		1,217	
	Subtotal		3,473	6,629	3,652	1,748	2,723	18,225	262	18,487	
SP5	SUS304	20A	4					4		4	
			4					4		4	
	Subtotal of steel		636,409	28,525	10,366	34,806	26,280	736,386	1,133	737,519	

Shape	Quality	Size	Main construction					Superstructure	Main body	
			Bridge body mechanic							
			Girder	Cross beam	Bracket	Outside stringer	Inner stringer	Total	Drainage	meter
B.N	SS400	M 16 x 110	1					1		1
		M 16 x 100	5					5		5
		M 16 x 95	2					2		2
		M 16 x 75	1					1		1
		M 16 x 70	2					2		2
		M 16 x 65	4					4		4
		M 16 x 60	16					16		16
		M 16 x 55	4					4		4
		M 16 x 50	9					9		9
		M 12 x 45							4	4
W	SS400	M 12 x 40						106	106	
		M 12						110	110	
	Subtotal		44				44	220	264	
TCB	S10T	M 22 x 120	204					204		204
		M 22 x 115	600					600		600
		M 22 x 105	998					998		998
		M 22 x 100	720					720		720
		M 22 x 95	1,607					1,607		1,607
		M 22 x 85	1,045					1,045		1,045
		M 22 x 80	176					176		176
		M 22 x 75	229					229		229
		M 22 x 70	2,843					2,843		2,843
		M 22 x 65	5,178					5,178		5,178
M 22 x 60	3,716	2,773	1,452	256	62	8,261		8,261		
M 22 x 55			132	224		356		356		
	Subtotal		17,316	2,841	1,584	576	1,061	23,378		23,378
B.N	SUS304	M 16 x 40	4					4		4
		5.0 x 36	4					4		4
WPIN	SUS304		8					8		8
			8					8		8
	Subtotal of purchased part		17,368	2,841	1,584	576	1,061	23,430	220	23,650
	Total		653,777	31,366	11,950	35,382	27,341	759,816	1,353	761,169

QUANTITY OF PAINTING AREA

Classification of painting	Painting area(m2)	Painting division (Painting system)
Exterior painting	Factory painting	3421.1 C-5
	Spot painting	360.2 F-11
Internal painting	Factory painting(B1+D1)	6448.8 D-5
	Spot painting(B2+F2+D2)	488.3 F-12
Concrete contact	Factory painting	289.3 INORGANIC ZINC-RICH PAINT
	Spot painting	22.9 INORGANIC ZINC-RICH PAINT
Additional painting	Factory painting	1189.0 C-5*
	Spot painting	91.6 F-11*
Contact surface of splicing part	1435.2	INORGANIC ZINC-RICH PAINT

QUANTITY OF Galvanizing [Unit:kg]

Shape	Quality	Size	Main construction		Superstructure	Main body	Total	Standard
			Bridge body mechanic	Drainage				
			Girder	Inner stringer		meter		
PL	SM400A	6	44	44		809	809	HDZ55
		Subtotal	44	44		765	809	-
L	SS400	40 x 40 x 3.0	44	44		44	44	HDZ55
		100 x 6.0				262	262	"
FB	SS400		88	88	1,027	1,115	1,115	"
		Subtotal of steel						
B.N	SS400	M 16 x 110	1	1		1	1	HDZ35
		M 16 x 100	5	5		5	5	"
		M 16 x 95	2	2		2	2	"
		M 16 x 75	1	1		1	1	"
		M 16 x 70	2	2		2	2	"
		M 16 x 65	4	4		4	4	"
		M 16 x 60	16	16		16	16	"
		M 16 x 55	4	4		4	4	"
		M 16 x 50	9	9		9	9	"
		M 12 x 45			4	4	4	"
Subtotal	SS400		44	44	106	106	106	"
		W			110	110	154	154
	Subtotal		44	44	220	264	264	-
	Subtotal of purchased part		44	44	220	264	264	-
	Total		132	132	1,247	1,379	1,379	-

Standard	Volume
HDZ55	1,115
HDZ35	264

QUANTITY OF RC SLAB

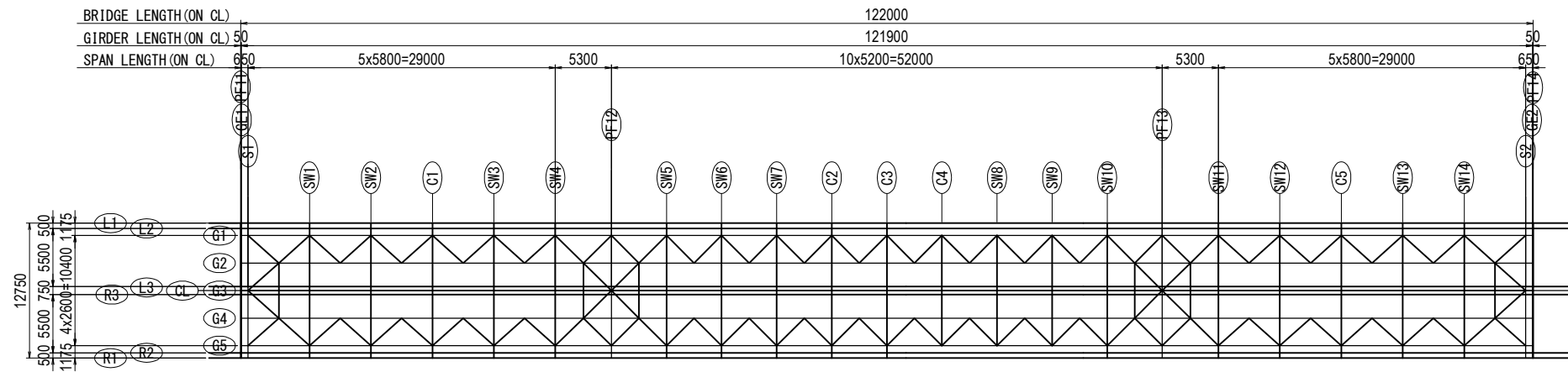
Item	Unit	Quantity	Remarks
Concrete	RC slab	m3	548.2
Form	Slab	m2	1394.5
	buried form	m2	703.5
	Total	m2	2098.0
Reinforcement bar	RC Slab	D19	107,236
		D16	27,251
		D13	6,595
		Total	141,082
Asphalt pavement	Roadway	m2	1977.8
			t=80mm Surface layer t=40mm Leveling layer t=40mm

QUANTITY OF CONCRETE CUBE BARRIER

Item	Specification	Unit	Quantity	Remarks
Bridge deck	Concrete volume	σck = 24 N/mm2	m3	168.8
	Form area	Side-edge-bottom molding box	m2	900.5
	Contraction joint	t= 10 mm	m2	

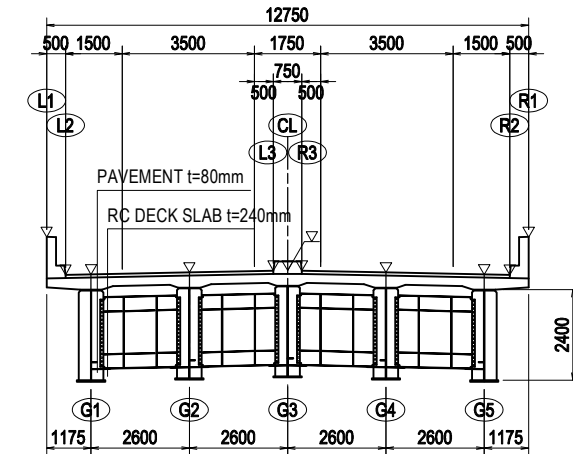
SUPERSTRUCTURE COORDINATES (PF11-PF14) (1) S=1:600

PLAN

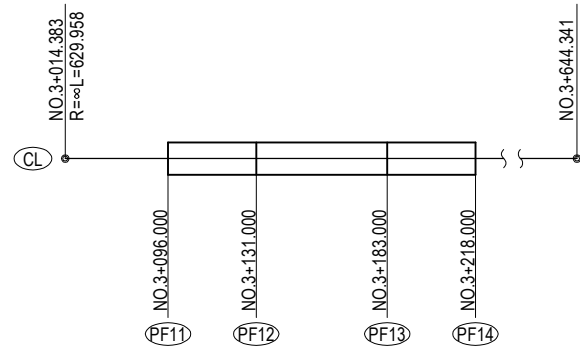


TYPICAL CROSSSECTION

S=1:200

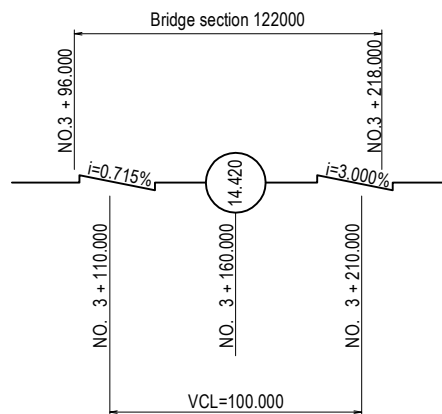


CURVE ELEMENTS

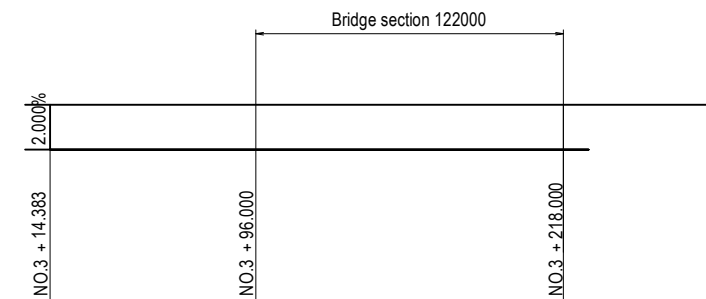


Changing point	Stationary point	X coordinate	Y coordinate	Element
	3+014.383	1859738.6113	204172.2029	R=∞
	3+644.341	1860152.6530	203697.4219	

GRADE FOR LONGITUDINAL

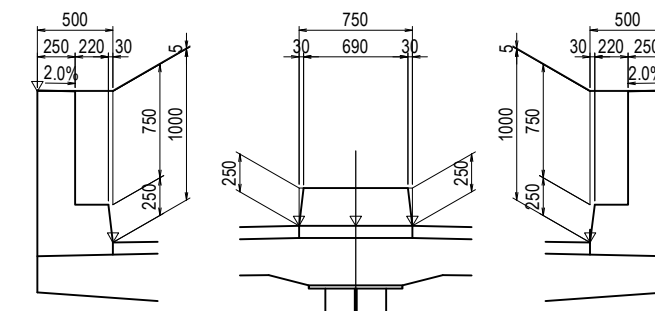


SUPER ELEVATION

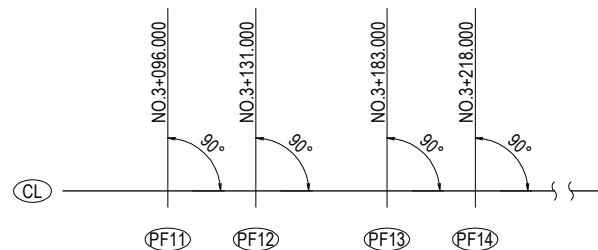


CONCRETE CURB BARRIER AND MEDIAN

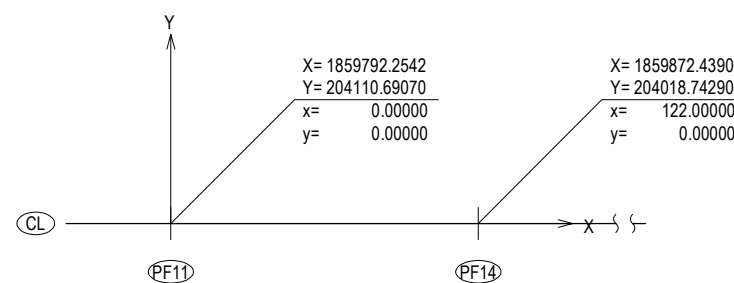
S=1:50



SETTING PIER ANGLE

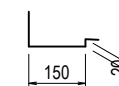


SMALL COORDINATES



How to set the small coordinates
 X coordinate : Starting point is intersection of PF11 and CL
 Ending point is intersection of PF14 and CL
 Y coordinate : Perpendicular to X line

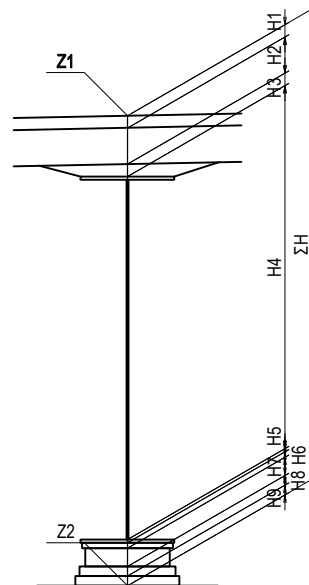
DRAINER PART DETAILS S=1:20



PROJECT NAME DETAILED DESIGN ON BAGO RIVER BRIDGE CONSTRUCTION PROJECT	FINANCED BY JAPAN INTERNATIONAL COOPERATION AGENCY	COUNTERPART REPUBLIC OF THE UNION OF MYANMAR MINISTRY OF CONSTRUCTION DEPARTMENT OF BRIDGE	JICA STUDY TEAM NIPPON KOEI CO., LTD. ORIENTAL CONSULTANTS GLOBAL CO., LTD. METROPOLITAN EXPRESSWAY COMPANY LIMITED CHODAI CO., LTD. NIPPON ENGINEERING CONSULTANTS CO., LTD.	NAME	SIGNATURE	DATE	DRAWING TITLE SUPERSTRUCTURE COORDINATES (PF11-PF14) (1)	PACKAGE	
				PREPARED BY	Y. SUZUKI			14 Jul. 2017	3
				CHECKED BY	T. HAYAKAWA			20 Jul. 2017	DWG No.
				APPROVED BY	Y. SANO			25 Jul. 2017	P3-FO-1501

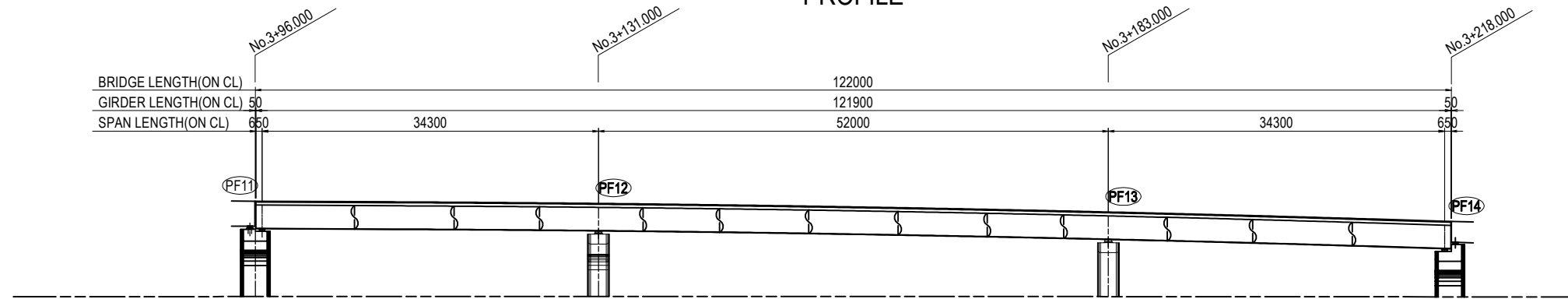
SUPERSTRUCTURE COORDINATES (PF11-PF14) (2) S=1:600

		PF11	GE1	S1	SW1	SW2	C1	SW3	SW4	PF12	SW5	SW6	SW7	C2	C3	C4	SW8	SW9	SW10	PF13	SW11	SW12	C5	SW13	SW14	S2	GE2	PF14
L1	X	0.0000	0.0500	0.7000	6.5000	12.3000	18.1000	23.9000	29.7000	35.0000	40.2000	45.4000	50.6000	55.8000	61.0000	66.2000	71.4000	76.6000	81.8000	87.0000	92.3000	98.1000	103.9000	109.7000	115.5000	121.3000	121.9500	122.0000
	Y	6.3750	6.3750	6.3750	6.3750	6.3750	6.3750	6.3750	6.3750	6.3750	6.3750	6.3750	6.3750	6.3750	6.3750	6.3750	6.3750	6.3750	6.3750	6.3750	6.3750	6.3750	6.3750	6.3750	6.3750	6.3750	6.3750	6.3750
	Z	15.7676	15.7672	15.7626	15.7211	15.6797	15.6363	15.5855	15.5271	15.4670	15.4017	15.3303	15.2528	15.1690	15.0791	14.9830	14.8807	14.7722	14.6575	14.5367	14.4072	14.2581	14.1013	13.9369	13.7650	13.5910	13.5715	13.5700
L2	X	0.0000	0.0500	0.7000	6.5000	12.3000	18.1000	23.9000	29.7000	35.0000	40.2000	45.4000	50.6000	55.8000	61.0000	66.2000	71.4000	76.6000	81.8000	87.0000	92.3000	98.1000	103.9000	109.7000	115.5000	121.3000	121.9500	122.0000
	Y	5.8750	5.8750	5.8750	5.8750	5.8750	5.8750	5.8750	5.8750	5.8750	5.8750	5.8750	5.8750	5.8750	5.8750	5.8750	5.8750	5.8750	5.8750	5.8750	5.8750	5.8750	5.8750	5.8750	5.8750	5.8750	5.8750	5.8750
	Z	14.7676	14.7672	14.7626	14.7211	14.6797	14.6363	14.5855	14.5271	14.4670	14.4017	14.3303	14.2528	14.1690	14.0791	13.9830	13.8807	13.7722	13.6575	13.5367	13.4072	13.2581	13.1013	12.9369	12.7650	12.5910	12.5715	12.5700
G1	X	0.0000	0.0500	0.7000	6.5000	12.3000	18.1000	23.9000	29.7000	35.0000	40.2000	45.4000	50.6000	55.8000	61.0000	66.2000	71.4000	76.6000	81.8000	87.0000	92.3000	98.1000	103.9000	109.7000	115.5000	121.3000	121.9500	122.0000
	Y	5.2000	5.2000	5.2000	5.2000	5.2000	5.2000	5.2000	5.2000	5.2000	5.2000	5.2000	5.2000	5.2000	5.2000	5.2000	5.2000	5.2000	5.2000	5.2000	5.2000	5.2000	5.2000	5.2000	5.2000	5.2000	5.2000	5.2000
	Z	14.7811	14.7807	14.7761	14.7346	14.6932	14.6498	14.5990	14.5406	14.4805	14.4152	14.3438	14.2663	14.1825	14.0926	13.9965	13.8942	13.7857	13.6710	13.5502	13.4207	13.2716	13.1148	12.9504	12.7785	12.6045	12.5850	12.5835
G2	X	0.0000	0.0500	0.7000	6.5000	12.3000	18.1000	23.9000	29.7000	35.0000	40.2000	45.4000	50.6000	55.8000	61.0000	66.2000	71.4000	76.6000	81.8000	87.0000	92.3000	98.1000	103.9000	109.7000	115.5000	121.3000	121.9500	122.0000
	Y	2.6000	2.6000	2.6000	2.6000	2.6000	2.6000	2.6000	2.6000	2.6000	2.6000	2.6000	2.6000	2.6000	2.6000	2.6000	2.6000	2.6000	2.6000	2.6000	2.6000	2.6000	2.6000	2.6000	2.6000	2.6000	2.6000	2.6000
	Z	14.8331	14.8327	14.8281	14.7866	14.7452	14.7018	14.6510	14.5926	14.5325	14.4672	14.3958	14.3183	14.2345	14.1446	14.0485	13.9462	13.8377	13.7230	13.6022	13.4727	13.3236	13.1668	13.0024	12.8305	12.6565	12.6370	12.6355
L3	X	0.0000	0.0500	0.7000	6.5000	12.3000	18.1000	23.9000	29.7000	35.0000	40.2000	45.4000	50.6000	55.8000	61.0000	66.2000	71.4000	76.6000	81.8000	87.0000	92.3000	98.1000	103.9000	109.7000	115.5000	121.3000	121.9500	122.0000
	Y	0.3750	0.3750	0.3750	0.3750	0.3750	0.3750	0.3750	0.3750	0.3750	0.3750	0.3750	0.3750	0.3750	0.3750	0.3750	0.3750	0.3750	0.3750	0.3750	0.3750	0.3750	0.3750	0.3750	0.3750	0.3750	0.3750	0.3750
	Z	14.8776	14.8772	14.8726	14.8311	14.7897	14.7463	14.6955	14.6371	14.5770	14.5117	14.4403	14.3628	14.2790	14.1891	14.0930	13.9907	13.8822	13.7675	13.6467	13.5172	13.3681	13.2113	13.0469	12.8750	12.7010	12.6815	12.6800
CL	X	0.0000	0.0500	0.7000	6.5000	12.3000	18.1000	23.9000	29.7000	35.0000	40.2000	45.4000	50.6000	55.8000	61.0000	66.2000	71.4000	76.6000	81.8000	87.0000	92.3000	98.1000	103.9000	109.7000	115.5000	121.3000	121.9500	122.0000
	Y	0.0000	0.0000	0.0000	0.0000	0.0000	0.0000	0.0000	0.0000	0.0000	0.0000	0.0000	0.0000	0.0000	0.0000	0.0000	0.0000	0.0000	0.0000	0.0000	0.0000	0.0000	0.0000	0.0000	0.0000	0.0000	0.0000	0.0000
	Z	14.8776	14.8772	14.8726	14.8311	14.7897	14.7463	14.6955	14.6371	14.5770	14.5117	14.4403	14.3628	14.2790	14.1891	14.0930	13.9907	13.8822	13.7675	13.6467	13.5172	13.3681	13.2113	13.0469	12.8750	12.7010	12.6815	12.6800
G3	X	0.0000	0.0500	0.7000	6.5000	12.3000	18.1000	23.9000	29.7000	35.0000	40.2000	45.4000	50.6000	55.8000	61.0000	66.2000	71.4000	76.6000	81.8000	87.0000	92.3000	98.1000	103.9000	109.7000	115.5000	121.3000	121.9500	122.0000
	Y	0.0000	0.0000	0.0000	0.0000	0.0000	0.0000	0.0000	0.0000	0.0000	0.0000	0.0000	0.0000	0.0000	0.0000	0.0000	0.0000	0.0000	0.0000	0.0000	0.0000	0.0000	0.0000	0.0000	0.0000	0.0000	0.0000	0.0000
	Z	14.8776	14.8772	14.8726	14.8311	14.7897	14.7463	14.6955	14.6371	14.5770	14.5117	14.4403	14.3628	14.2790	14.1891	14.0930	13.9907	13.8822	13.7675	13.6467	13.5172	13.3681	13.2113	13.0469	12.8750	12.7010	12.6815	12.6800
R3	X	0.0000	0.0500	0.7000	6.5000	12.3000	18.1000	23.9000	29.7000	35.0000	40.2000	45.4000	50.6000	55.8000	61.0000	66.2000	71.4000	76.6000	81.8000	87.0000	92.3000	98.1000	103.9000	109.7000	115.5000	121.3000	121.9500	122.0000
	Y	0.0000	0.0500	0.7000	6.5000	12.3000	18.1000	23.9000	29.7000	35.0000	40.2000	45.4000	50.6000	55.8000	61.0000	66.2000	71.4000	76.6000	81.8000	87.0000	92.3000	98.1000	103.9000	109.7000	115.5000	121.3000	121.9500	122.0000
	Z	14.8776	14.8772	14.8726	14.8311	14.7897	14.7463	14.6955	14.6371	14.5770	14.5117	14.4403	14.3628	14.2790	14.1891	14.0930	13.9907	13.8822	13.7675	13.6467	13.5172	13.3681	13.2113	13.0469	12.8750	12.7010	12.6815	12.6800
G4	X	0.0000	0.0500	0.7000	6.5000	12.3000	18.1000	23.9000	29.7000	35.0000	40.2000	45.4000	50.6000	55.8000	61.0000	66.2000	71.4000	76.6000	81.8000	87.0000	92.3000	98.1000	103.9000	109.7000	115.5000	121.3000	121.9500	122.0000
	Y	-2.6000	-2.6000	-2.6000	-2.6000	-2.6000	-2.6000	-2.6000	-2.6000	-2.6000	-2.6000	-2.6000	-2.6000	-2.6000	-2.6000	-2.6000	-2.6000	-2.6000	-2.6000	-2.6000	-2.6000	-2.6000	-2.6000	-2.6000	-2.6000	-2.6000	-2.6000	-2.6000
	Z	14.8331	14.8327	14.8281	14.7866	14.7452	14.7018	14.6510	14.5926	14.5325	14.4672	14.3958	14.3183	14.2345	14.1446	14.0485	13.9462	13.8377	13.7230	13.6022	13.4727	13.3236	13.1668	13.0024	12.8305	12.6565	12.6370	12.6355
G5	X	0.0000	0.0500	0.7000	6.5000	12.3000	18.1000	23.9000	29.7000	35.0000	40.2000	45.4000	50.6000	55.8000	61.0000	66.2000	71.4000	76.6000	81.8000	87.0000	92.3000	98.1000	103.9000	109.7000	115.5000	121.3000	121.9500	122.0000
	Y	-5.2000	-5.2000	-5.2000	-5.2000	-5.2000	-5.2000	-5.2000	-5.2000	-5.2000	-5.2000	-5.2000	-5.2000	-5.2000	-5.2000	-5.2000	-5.2000	-5.2000	-5.2000	-5.2000	-5.2000	-5.2000	-5.2000	-5.2000	-5.2000	-5.2000	-5.2000	-5.2000
	Z	14.7811	14.7807	14.7761	14.7346	14.6932	14.6498	14.5990	14.5406	14.4805	14.4152	14.3438	14.2663	14.1825	14.0926	13.9965	13.8942	13.7857	13.6710	13.5502	13.4207	13.2716	13.1148	12.9504	12.7785	12.6045	12.5850	12.5835
R2	X	0.0000	0.0500	0.7000	6.5000	12.3000	18.1000	23.9000	29.7000	35.0000	40.2000	45.4000	50.6000	55.8000	61.0000	66.2000	71.4000	76.6000	81.8000	87.0000	92.3000	98.1000	103.9000	109.7000	115.5000	121.3000	121.9500	122.0000
	Y	-5.8750	-5.8750	-5.8750	-5.8750	-5.8750	-5.8750	-5.8750	-5.8750	-5.8750	-5.8750	-5.8750	-5.8750	-5.8750	-5.8750	-5.8750	-5.8750	-5.8750	-5.8750	-5.8750	-5.8750	-5.8750	-5.8750	-5.8750	-5.8750	-5.8750	-5.8750	-5.8750
	Z	14.7676	14.7672	14.7626	14.7211	14.6797	14.6363	14.5855	14.5271	14.4670	14.4017	14.3303	14.2528	14.1690	14.0791	13.9830	13.8807	13.7722	13.6575	13.5367	13.4072	13.2581	13.1013	12.9369	12.7650	12.5910	12.5715	12.5700
R1	X	0.0000	0.0500	0.7000	6.5000	12.3000	18.1000	23.9000	29.7000	35.0000	40.2000	45.4000	50.6000	55.8000	61.0000	66.2000	71.4000	76.6000	81.8000	87.0000	92.3000	98.1000	103.9000	109.7000	115.5000	121.3000	121.9500	122.0000
	Y	-6.3750	-6.3750	-6.3750	-6.3750	-6.3750	-6.3750	-6.3750	-6.3750	-6.3750	-6.3750	-6.3750	-6.3750	-6.3750	-6.3750	-6.3750	-6.3750	-6.3750	-6.3750	-6.3750	-6.3750	-6.3750	-6.3750	-6.3750	-6.3750	-6.3750	-6.3750	-6.3750
	Z	15.7676	15.7672	15.7626	15.7211	15.6797	15.6363	15.5855	15.5271	15.4670	15.4017	15.3303	15.2528	15.1690	15.0791	14.9830	14.8807	14.7722	14.6575	14.5367	14.4072	14.2581	14.1013	13.9369	13.7650	13.5910	13.5715	13.5700

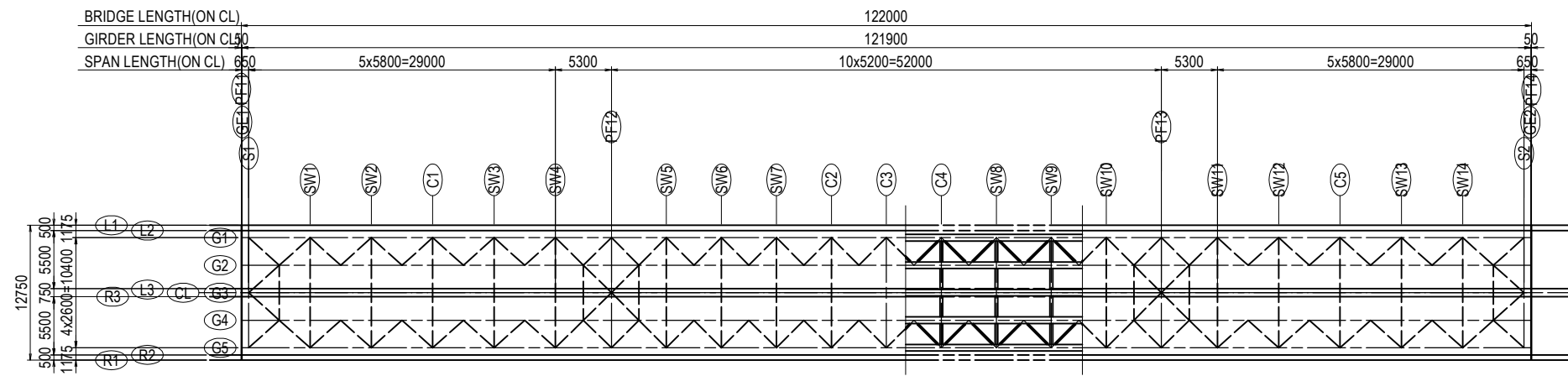


GENERAL VIEW OF SUPERSTRUCTURE (PF11-PF14) S=1:600

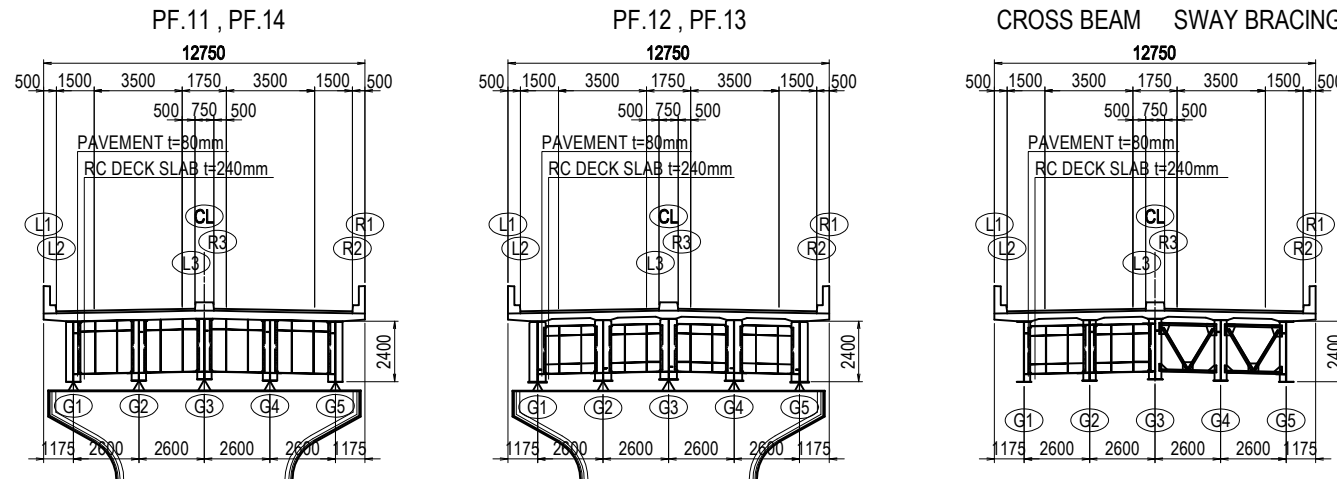
PROFILE



PLAN



TYPICAL CROSS SECTION S=1:300

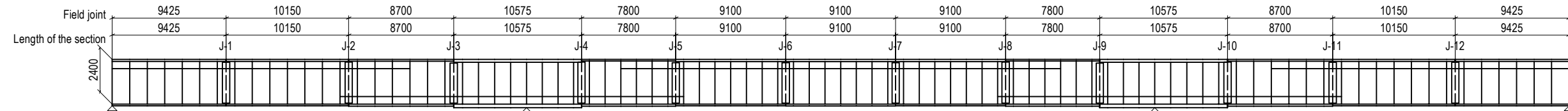
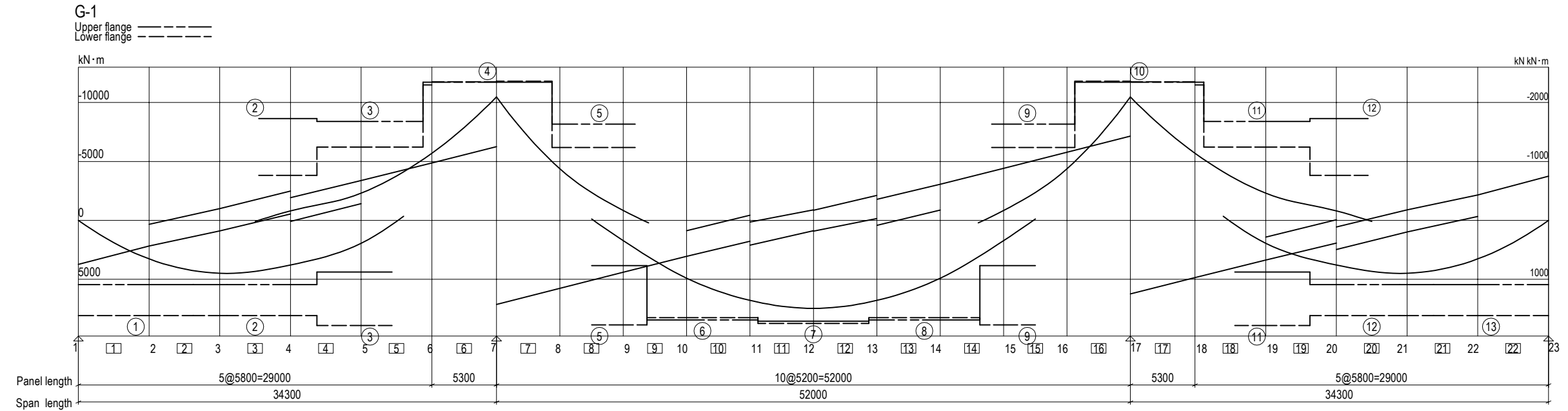


DESIGN CONDITION

ROAD GRADE	Equivalent to class 4-1
BRIDGE TYPE	3 span continuous steel I girder
BRIDGE LENGTH	L = 122.000 m
SPAN LENGTH	L = 34.300 + 52.000 + 34.300 m
WIDTH OF THE ROAD	TOTAL : 12.750 m L = 0.500 + 5.500 + 0.750 + 5.500 + 0.500 m
PLANE CONFIGURATION	R=∞
LONGITUDINAL SLOPE	0.715% ↘ 3.000%(VCL=100) ↘
SECTIN SLOPE	2.000% ↘ ↘
ANGLE OF SKEW	90°00'00"
PAVEMENT	ASPHALT PAVEMENT t = 80 mm
SLAB	REINFORCED CONCRETE t = 240 mm
LIVE ROAD	AASHTO HL-93
DESIGN STANDARD	AASHTO LRFD BRIDGE DESIGN 2014(LIVE ROAD) Specifications for highway bridges(Japan Road Association) I Common matters, II Steel bridges, V Seismic design(April 2012)

PROJECT NAME DETAILED DESIGN ON BAGO RIVER BRIDGE CONSTRUCTION PROJECT	FINANCED BY JICA JAPAN INTERNATIONAL COOPERATION AGENCY	COUNTERPART REPUBLIC OF THE UNION OF MYANMAR MINISTRY OF CONSTRUCTION DEPARTMENT OF BRIDGE	JICA STUDY TEAM NIPPON KOEI CO., LTD. ORIENTAL CONSULTANTS GLOBAL CO., LTD. METROPOLITAN EXPRESSWAY COMPANY LIMITED CHODAI CO., LTD. NIPPON ENGINEERING CONSULTANTS CO., LTD.	NAME Y. SUZUKI T. HAYAKAWA Y. SANO	SIGNATURE <i>YS</i> <i>平川知邦</i> <i>佐野 祐一</i>	DATE 14 Jul. 2017 20 Jul. 2017 25 Jul. 2017	DRAWING TITLE GENERAL VIEW OF SUPERSTRUCTURE (PF11-PF14)	PACKAGE 3 DWG No. P3-FO-1503
---	--	---	--	---	---	--	---	---------------------------------------

STRESS DIAGRAM OF MAIN GIRDER (PF11-PF14) (1) S=1:400

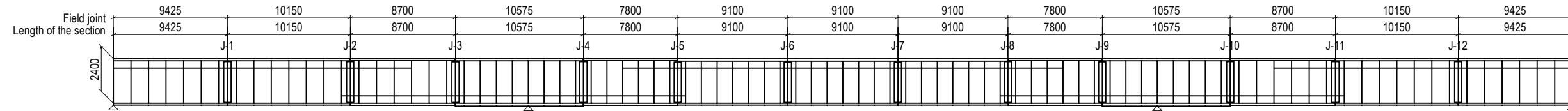
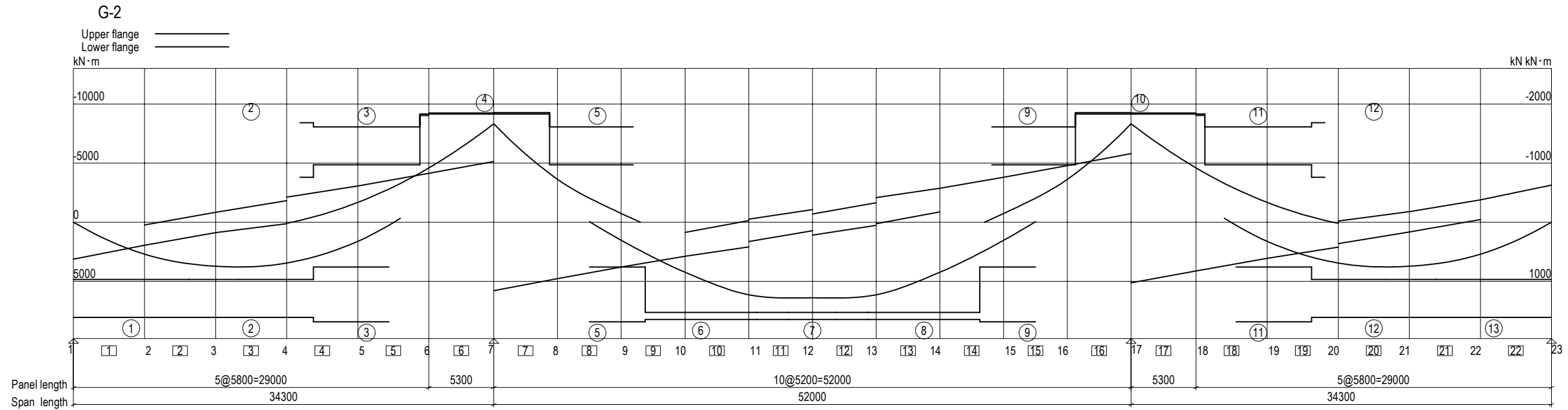


		Unit: mm N/mm ²																											
		1		2		3		4		5		6		7		8		9		10		11		12		13			
Section		Sec-2		Sec-2		Sec-3		Sec-4		Sec-5		Sec-6		Sec-7		Sec-8		Sec-9		Sec-10		Sec-11		Sec-12		Sec-13			
Upper flange	Width	590		590		590		590		590		590		590		590		590		590		590		590		590			
	Thickness	22(3)		22(3)		20(3)		31(3)		19(3)		26(3)		26(3)		26(3)		19(3)		31(3)		20(3)		22(3)		22(3)			
Web	Height	2378	2378	2378	2378	2378	2380	2380	2380	2369	2369	2381	2381	2374	2374	2374	2374	2381	2381	2369	2369	2380	2380	2380	2378	2378	2378	2378	2378
	Thickness	12(3)		12(3)		12(3)		12(3)		12(3)		12(3)		12(3)		12(3)		12(3)		12(3)		12(3)		12(3)		12(3)			
Lower flange	Width	590		590		590		590		590		590		590		590		590		590		590		590		590			
	Thickness	19(3)		19(3)		23(3)		39(3)		23(3)		19(3)		21(3)		19(3)		23(3)		39(3)		23(3)		19(3)		19(3)			
Upper flange	σ	0	-104	-110	-80	31	-82	32	129	188	188	128	-78	-153	-162	-153	-78	128	188	188	129	-82	32	-80	31	-110	-104	0	
	σ_a	210	133	133	133	210	110	210	210	210	210	99	186	186	186	99	210	210	210	210	110	210	133	210	133	133	210		
	$\sigma_a - \sigma$	210	29	23	53	179	28	178	81	22	22	82	21	33	24	33	21	82	22	22	81	28	178	53	179	23	29	210	
Lower flange	σ	0	111	117	85	-33	77	-30	-121	-165	-165	-118	72	177	179	177	72	-118	-165	-165	-121	77	-30	85	-33	117	111	0	
	σ_a	210	210	210	210	99	210	146	146	185	186	146	210	210	210	210	210	146	186	185	146	210	146	210	99	210	210		
	$\sigma_a - \sigma$	210	99	93	125	66	133	116	25	20	21	28	138	33	31	33	138	28	21	20	25	133	116	125	66	93	99	210	
Web	τ	26	10	8	17	17	17	17	33	44	50	42	27	14	6	14	27	42	50	44	33	17	17	17	17	8	10	26	
	τ_a	120	120	120	120	120	120	120	120	120	120	120	120	120	120	120	120	120	120	120	120	120	120	120	120	120	120	120	
	Combined	0.05	0.28	0.31	0.18	0.05	0.17	0.04	0.44	0.89	0.94	0.48	0.19	0.70	0.71	0.70	0.19	0.48	0.94	0.89	0.44	0.17	0.04	0.18	0.05	0.31	0.28	0.05	
Calculated points		Left	J-1		J-2	J-2	Left	Left	J-3	Max Left	Max Right	J-4	J-5	J-6		J-7	J-8	J-9	Max Left	Max Right	J-10	Right	Right	J-11	J-11		J-12	Right	
Uflg σ_{spl}																													
Lflg σ_{spl}			121		93																							121	

Grade (1):SM400
 (2):SM490
 (3):SM490Y
 (4):SM570

Bago bridge girder part G-1

STRESS DIAGRAM OF MAIN GIRDER (PF11-PF14) (2) S=1:400



		Unit: mm N/mm ²																																															
Section		1		2		3		4		5		6		7		8		9		10		11		12		13																							
		Sec-1		Sec-2		Sec-3		Sec-4		Sec-5		Sec-6		Sec-7		Sec-8		Sec-9		Sec-10		Sec-11		Sec-12		Sec-13																							
Upper flange	Width	590																																															
	Thickness	21(3)		21(3)		19(3)		22(3)		19(3)		25(3)		25(3)		19(3)		22(3)		19(3)		21(3)		21(3)		21(3)																							
Web	Height	2379	2379	2379	2379	2381	2381	2378	2381	2381	2375	2375	2375	2375	2381	2381	2378	2378	2381	2381	2379	2379	2379	2379	2379	2379	2379	2379																					
	Thickness	12(3)		12(3)		12(3)		12(3)		12(3)		12(3)		12(3)		12(3)		12(3)		12(3)		12(3)		12(3)		12(3)																							
Lower flange	Width	590																																															
	Thickness	19(3)		19(3)		21(3)		29(3)		21(3)		19(3)		19(3)		21(3)		29(3)		21(3)		21(3)		19(3)		19(3)																							
Upper flange	σ	0	-88	-95	-74	11	-77	11	108	191	191	107	-68	-141	-144	-144	-141	-68	107	191	191	108	-77	11	-74	11	-95	-88	0																				
	σ _a	210	121	121	121	210	99	210	210	210	210	99	172	172	172	172	99	210	210	210	210	99	210	121	210	121	121	210																					
	σ _{a-σ}	210	33	26	47	199	22	199	102	19	19	103	31	31	28	28	31	31	103	19	19	102	22	199	47	199	26	33	210																				
Lower flange	σ	0	92	99	77	-11	74	-11	-104	-167	-167	-103	66	160	164	164	160	66	-103	-167	-167	-104	74	-11	77	-11	99	92	0																				
	σ _a	210	210	210	210	99	210	121	121	185	186	121	210	210	210	210	210	121	186	185	121	210	121	210	99	210	210	210																					
	σ _{a-σ}	210	118	111	133	88	136	110	17	18	19	18	144	50	46	46	50	144	18	19	18	17	136	110	133	88	111	118	210																				
Web	τ	22	9	8	17	17	17	28	36	41	34	24	11	8	7	11	24	34	41	36	28	17	17	17	17	17	8	9	22																				
	τ _a	120	120	120	120	120	120	120	120	120	120	120	120	120	120	120	120	120	120	120	120	120	120	120	120	120	120	120	120																				
	Combined	0.03	0.19	0.22	0.15	0.02	0.15	0.02	0.31	0.89	0.92	0.33	0.14	0.57	0.59	0.59	0.57	0.14	0.33	0.92	0.31	0.15	0.02	0.15	0.02	0.15	0.02	0.22	0.19	0.03																			
Calculated points		Left		J-1		J-2		J-2		Left		Left		J-3		Max Left		Max Right		J-4		J-5		J-6		J-7		J-8		J-9		Max Left		Max Right		J-10		J-11		J-11		Left		Left		J-12		Right	
Uflg σspl		100																																															
Lflg σspl		100																																															

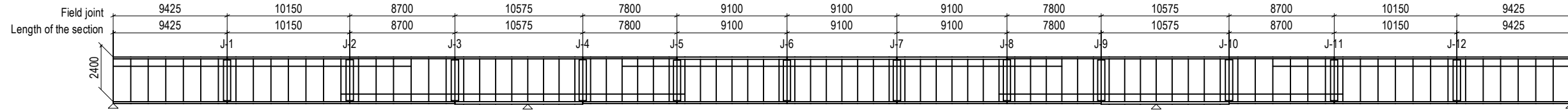
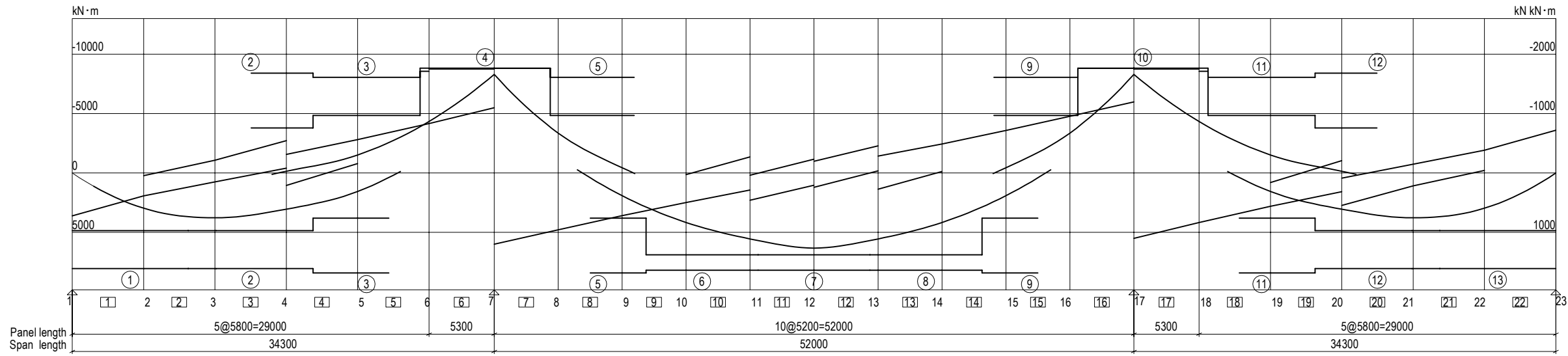
Grade (1):SM400
 (2):SM490
 (3):SM490Y
 (4):SM570

Bago bridge girder part G-2

STRESS DIAGRAM OF MAIN GIRDER (PF11-PF14) (3) S=1:400

G-3

Upper flange
Lower flange



		Unit: mm N/mm ²																																															
		1		2		3		4		5		6		7		8		9		10		11		12		13																							
Section		Sec-1		Sec-2		Sec-3		Sec-4		Sec-5		Sec-6		Sec-7		Sec-8		Sec-9		Sec-10		Sec-11		Sec-12		Sec-13																							
Upper flange	Width	590		590		590		590		590		590		590		590		590		590		590		590		590																							
	Thickness	21(3)		21(3)		19(3)		21(3)		19(3)		24(3)		24(3)		24(3)		19(3)		21(3)		19(3)		21(3)		21(3)																							
Web	Height	2379	2379	2379	2379	2379	2381	2381	2381	2379	2379	2381	2381	2376	2376	2376	2381	2381	2379	2379	2381	2381	2381	2379	2379	2379	2379	2379	2379																				
	Thickness	12(3)		12(3)		12(3)		12(3)		12(3)		12(3)		12(3)		12(3)		12(3)		12(3)		12(3)		12(3)		12(3)		12(3)																					
Lower flange	Width	590		590		590		590		590		590		590		590		590		590		590		590		590		590																					
	Thickness	19(3)		19(3)		21(3)		27(3)		21(3)		19(3)		19(3)		19(3)		21(3)		27(3)		21(3)		19(3)		19(3)		19(3)																					
Upper flange	σ	0	-92	-94	-65	15	-68	15	101	198	198	101	-75	-131	-146	-131	-75	101	198	198	101	-68	15	-65	15	-94	-92	0																					
	σ_a	210	121	121	121	210	99	210	210	210	210	99	159	159	159	99	210	210	210	210	99	210	121	210	121	121	210																						
	$\sigma_a - \sigma$	210	29	27	56	195	31	195	109	12	12	109	24	28	13	28	24	109	12	12	109	31	195	56	195	27	29	210																					
Lower flange	σ	0	96	98	68	-15	65	-15	-97	-175	-175	-97	71	146	162	146	71	-97	-175	-175	-97	65	-15	68	-15	98	96	0																					
	σ_a	210	210	210	210	99	210	121	121	185	186	121	210	210	210	210	210	121	186	185	121	210	121	210	99	210	210	210																					
	$\sigma_a - \sigma$	210	114	112	142	84	145	106	24	10	11	24	139	64	48	64	139	24	11	10	24	145	106	142	84	112	114	210																					
Web	τ	25	8	8	14	14	14	14	28	39	42	34	22	15	8	15	22	34	42	39	28	14	14	14	14	8	8	25																					
	τ_a	120	120	120	120	120	120	120	120	120	120	120	120	120	120	120	120	120	120	120	120	120	120	120	120	120	120	120																					
	Combined	0.04	0.21	0.22	0.12	0.02	0.12	0.02	0.28	0.96	0.98	0.31	0.16	0.48	0.58	0.48	0.16	0.31	0.98	0.96	0.28	0.12	0.02	0.12	0.02	0.22	0.21	0.04																					
Calculated points		Left		J-1		J-2		J-2		Left		Left		J-3		Max Left		Max Right		J-4		J-5		J-6		J-7		J-8		J-9		Max Left		Max Right		J-10		J-11		J-11		Left		Left		J-12		Right	
Uflg ospl																																																	
Lflg ospl		105		75										78		160										78																105							

Grade (1):SM400
(2):SM490
(3):SM490Y
(4):SM570

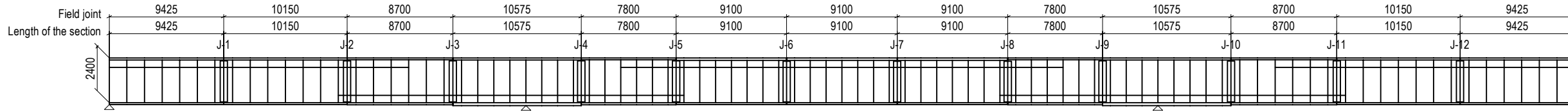
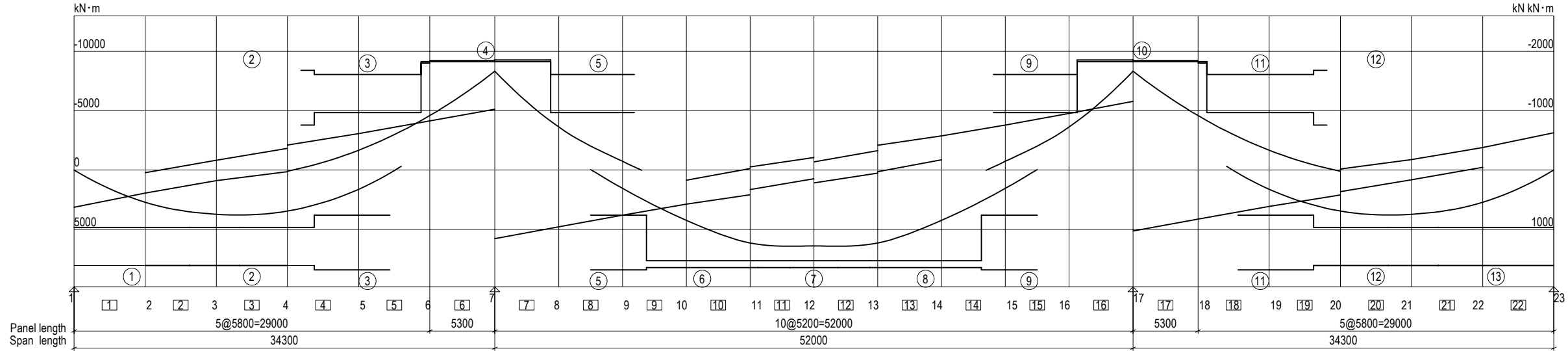
Bago bridge girder part G-3

PROJECT NAME DETAILED DESIGN ON BAGO RIVER BRIDGE CONSTRUCTION PROJECT	FINANCED BY JAPAN INTERNATIONAL COOPERATION AGENCY	COUNTERPART REPUBLIC OF THE UNION OF MYANMAR MINISTRY OF CONSTRUCTION DEPARTMENT OF BRIDGE	JICA STUDY TEAM NIPPON KOEI CO., LTD. ORIENTAL CONSULTANTS GLOBAL CO., LTD. METROPOLITAN EXPRESSWAY COMPANY LIMITED CHODAI CO., LTD. NIPPON ENGINEERING CONSULTANTS CO., LTD.	NAME PREPARED BY Y. SUZUKI CHECKED BY T. HAYAKAWA APPROVED BY Y. SANO	SIGNATURE 	DATE 14 Jul. 2017 20 Jul. 2017 25 Jul. 2017	DRAWING TITLE STRESS DIAGRAM OF MAIN GIRDER (PF11-PF14) (3)	PACKAGE 3 DWG No. P3-FO-1506
---	--	---	--	--	-----------------------	--	--	---------------------------------------

STRESS DIAGRAM OF MAIN GIRDER (PF11-PF14) (4) S=1:400

G-4

Upper flange
Lower flange



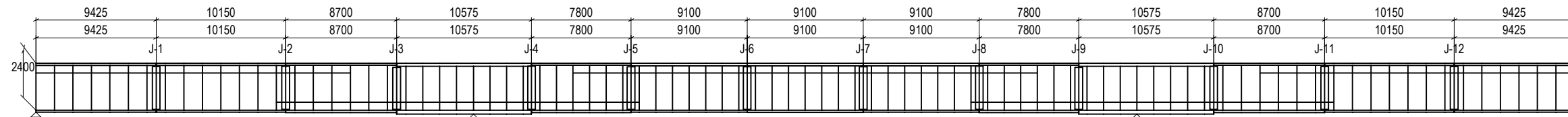
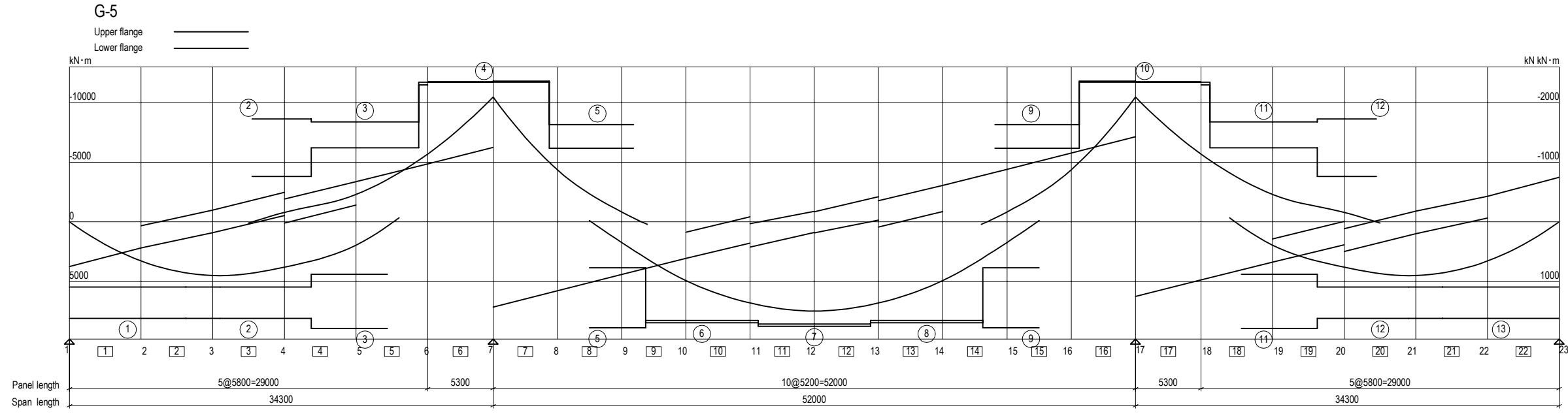
		Unit: mm N/mm ²																										
		1		2		3		4		5		6		7		8		9		10		11		12		13		
Section		Sec-1		Sec-2		Sec-3		Sec-4		Sec-5		Sec-6		Sec-7		Sec-8		Sec-9		Sec-10		Sec-11		Sec-12		Sec-13		
Upper flange	Width	590		590		590		590		590		590		590		590		590		590		590		590		590		
	Thickness	21(3)		21(3)		19(3)		22(3)		19(3)		25(3)		25(3)		19(3)		22(3)		19(3)		21(3)		21(3)		21(3)		
Web	Height	2379	2379	2379	2379	2381	2381	2378	2381	2375	2375	2375	2375	2381	2381	2378	2378	2381	2381	2378	2378	2381	2381	2379	2379	2379	2379	2379
	Thickness	12(3)		12(3)		12(3)		12(3)		12(3)		12(3)		12(3)		12(3)		12(3)		12(3)		12(3)		12(3)		12(3)		
Lower flange	Width	590		590		590		590		590		590		590		590		590		590		590		590		590		
	Thickness	19(3)		19(3)		21(3)		29(3)		21(3)		19(3)		19(3)		21(3)		29(3)		21(3)		19(3)		19(3)		19(3)		
Upper flange	σ	0	-88	-95	-74	11	-77	11	108	191	191	107	-68	-141	-144	-141	-68	107	191	191	108	-77	11	-74	11	-95	-88	0
	σ_a	210	121	121	121	210	99	210	210	210	210	99	172	172	172	172	99	210	210	210	99	210	121	210	121	121	210	
	$\sigma_a - \sigma$	210	33	26	47	199	22	199	102	19	19	103	31	31	28	28	31	31	103	19	19	102	22	199	47	199	26	33
Lower flange	σ	0	92	99	77	-11	74	-11	-104	-167	-167	-103	66	160	164	164	160	66	-103	-167	-167	-104	74	-11	77	-11	99	92
	σ_a	210	210	210	210	99	210	121	185	186	121	210	210	210	210	210	210	121	186	185	121	210	99	210	210	210	210	
	$\sigma_a - \sigma$	210	118	111	133	88	136	110	17	18	19	18	144	50	46	46	50	144	18	19	18	17	136	110	133	88	111	118
Web	τ	22	9	8	17	17	17	17	28	36	41	34	24	11	8	7	11	24	34	41	36	28	17	17	17	17	8	9
	τ_a	120	120	120	120	120	120	120	120	120	120	120	120	120	120	120	120	120	120	120	120	120	120	120	120	120	120	120
	Combined	0.03	0.19	0.22	0.15	0.02	0.15	0.02	0.31	0.89	0.92	0.33	0.14	0.57	0.59	0.59	0.57	0.14	0.33	0.92	0.89	0.31	0.15	0.02	0.15	0.02	0.19	0.03
Calculated points		Left	J-1		J-2	J-2	Left	Left	J-3	Max Left	Max Right	J-4	J-5	J-6		J-7	J-8	J-9	Max Left	Max Right	J-10	J-11	J-11	Left	Left		J-12	Right
Ufig σ_{spl}					13			132			117							131			132		14					
Lfig σ_{spl}		100		84								80	195				195	80				81					100	

Grade (1):SM400
(2):SM490
(3):SM490Y
(4):SM570

Determinant factor
A:Tensile stress degree
B:Compressive stress degree
C:Pore resilience
D:Flange free protrusion
E:Flange thickness difference

Bago bridge girder part G-4

STRESS DIAGRAM OF MAIN GIRDER (PF11-PF14) (5) S=1:400



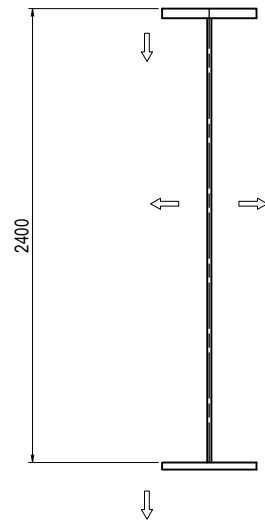
		1		2		3		4		5		6		7		8		9		10		11		12		13		
Section		Sec-1		Sec-2		Sec-3		Sec-4		Sec-5		Sec-6		Sec-7		Sec-8		Sec-9		Sec-10		Sec-11		Sec-12		Sec-13		
Upper flange	Width	590		590		590		590		590		590		590		590		590		590		590		590		590		
	Thickness	22(3)		22(3)		20(3)		31(3)		19(3)		26(3)		26(3)		26(3)		19(3)		31(3)		20(3)		22(3)		22(3)		
Web	Height	2378	2378	2378	2378	2380	2380	2380	2369	2369	2381	2381	2374	2374	2374	2374	2381	2381	2369	2369	2380	2380	2380	2378	2378	2378	2378	2378
	Thickness	12(3)		12(3)		12(3)		12(3)		12(3)		12(3)		12(3)		12(3)		12(3)		12(3)		12(3)		12(3)		12(3)		
Lower flange	Width	590		590		590		590		590		590		590		590		590		590		590		590		590		
	Thickness	19(3)		19(3)		23(3)		39(3)		23(3)		19(3)		21(3)		19(3)		23(3)		39(3)		23(3)		19(3)		19(3)		
Upper flange	σ	0	-104	-110	-80	31	-82	32	129	188	188	128	-78	-153	-162	-153	-78	128	188	188	129	-82	32	-80	31	-110	-104	0
	σ_a	210	133	133	133	210	110	210	210	210	210	99	186	186	186	99	210	210	210	210	210	110	210	133	210	133	133	210
	$\sigma_a - \sigma$	210	29	23	53	179	28	178	81	22	22	82	21	33	24	33	21	82	22	22	81	28	178	53	179	23	29	210
Lower flange	σ	0	111	117	85	-33	77	-30	-121	-165	-165	-118	72	177	179	177	72	-118	-165	-165	-121	77	-30	85	-33	117	111	0
	σ_a	210	210	210	210	99	210	146	146	185	186	146	210	210	210	210	210	146	186	185	146	210	146	210	99	210	210	210
	$\sigma_a - \sigma$	210	99	93	125	66	133	116	25	20	21	28	138	33	31	33	138	28	21	20	25	133	116	125	66	93	99	210
Web	τ	26	10	8	17	17	17	17	33	44	50	42	27	14	6	14	27	42	50	44	33	17	17	17	17	8	10	26
	τ_a	120	120	120	120	120	120	120	120	120	120	120	120	120	120	120	120	120	120	120	120	120	120	120	120	120	120	120
	Combined	0.05	0.28	0.31	0.18	0.05	0.17	0.04	0.44	0.89	0.94	0.48	0.19	0.70	0.71	0.70	0.19	0.48	0.94	0.89	0.44	0.17	0.04	0.18	0.05	0.31	0.28	0.05
Calculated points		Left	J-1		J-2	J-2	Left	Left	J-3	Max Left	Max Right	J-4	J-5	J-6		J-7	J-8	J-9	Max Left	Max Right	J-10	Right	Right	J-11	J-11	J-12	Right	
Uflg σ_{spl}					34				141			141						141										
Lflg σ_{spl}		121		93								78	193			177	78							93	34		121	

Grade (1):SM400
 (2):SM490
 (3):SM490Y
 (4):SM570

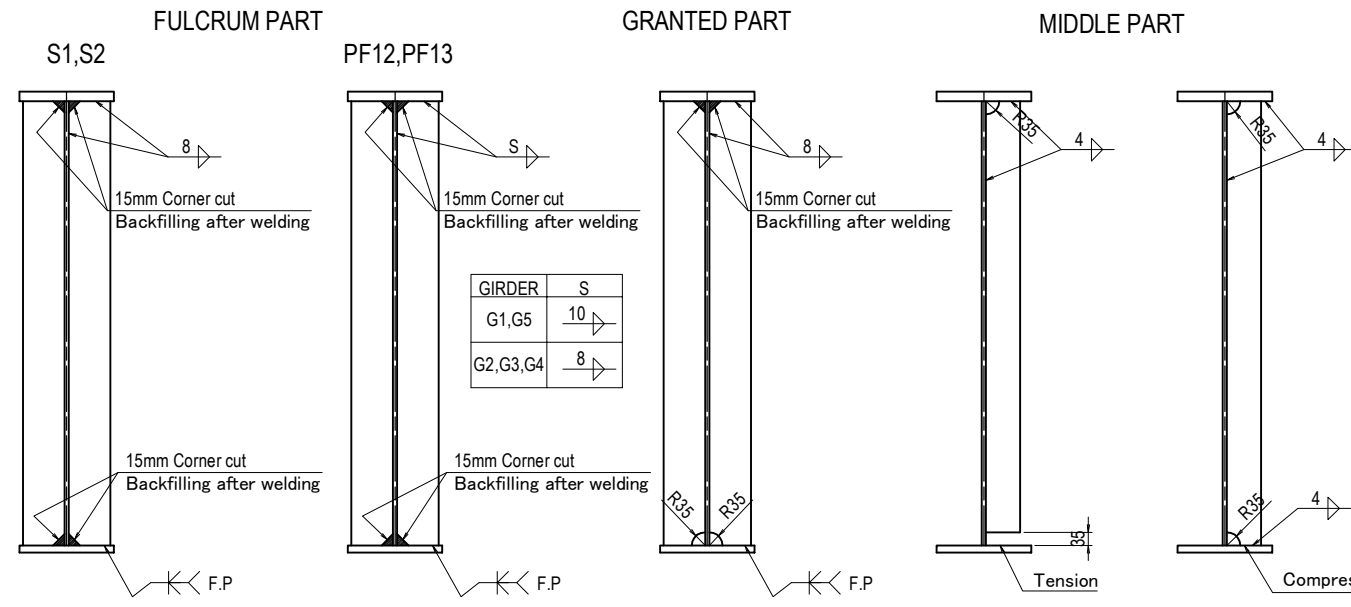
Bago bridge girder part G-5

COMMON DETAIL (PF11-PF14) (1) S=1:20

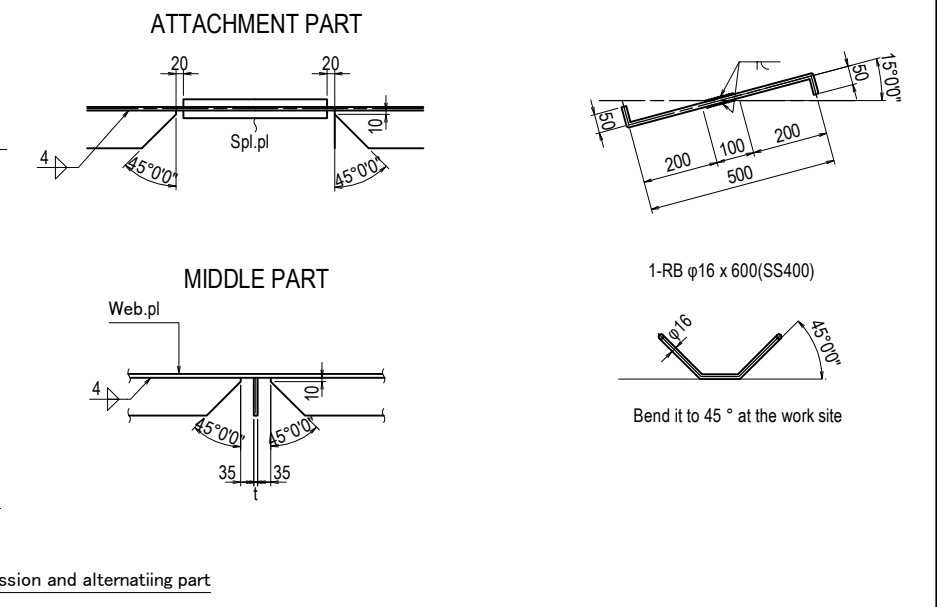
PLATE THICKNESS CHANGE DETAIL



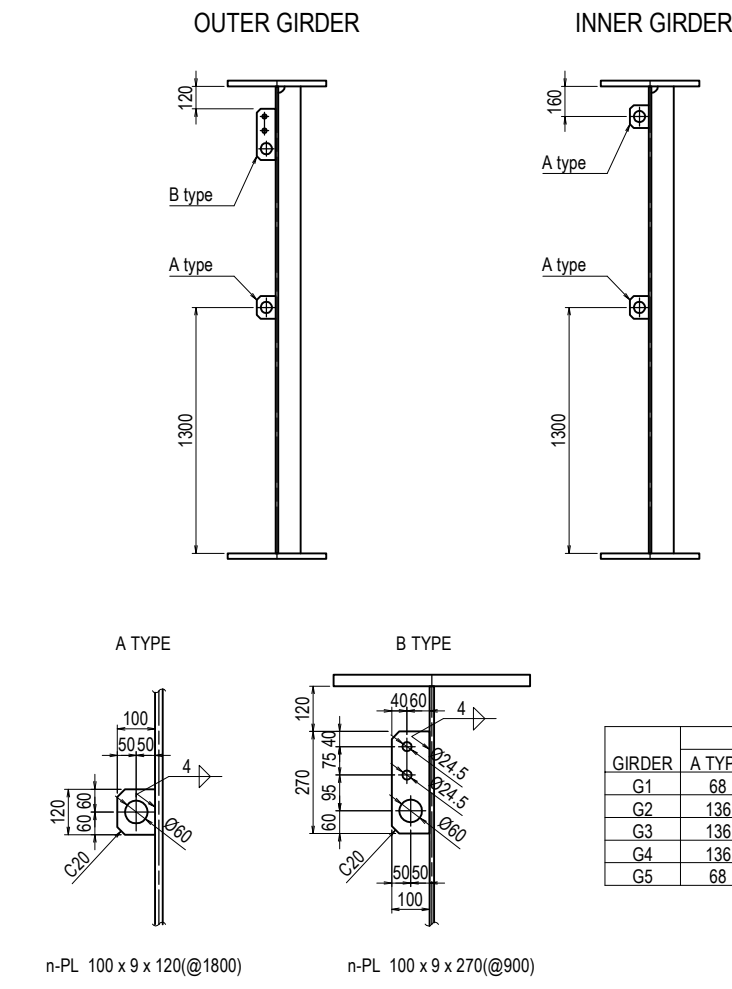
VERTICAL STIFFENER DETAIL S=1:40



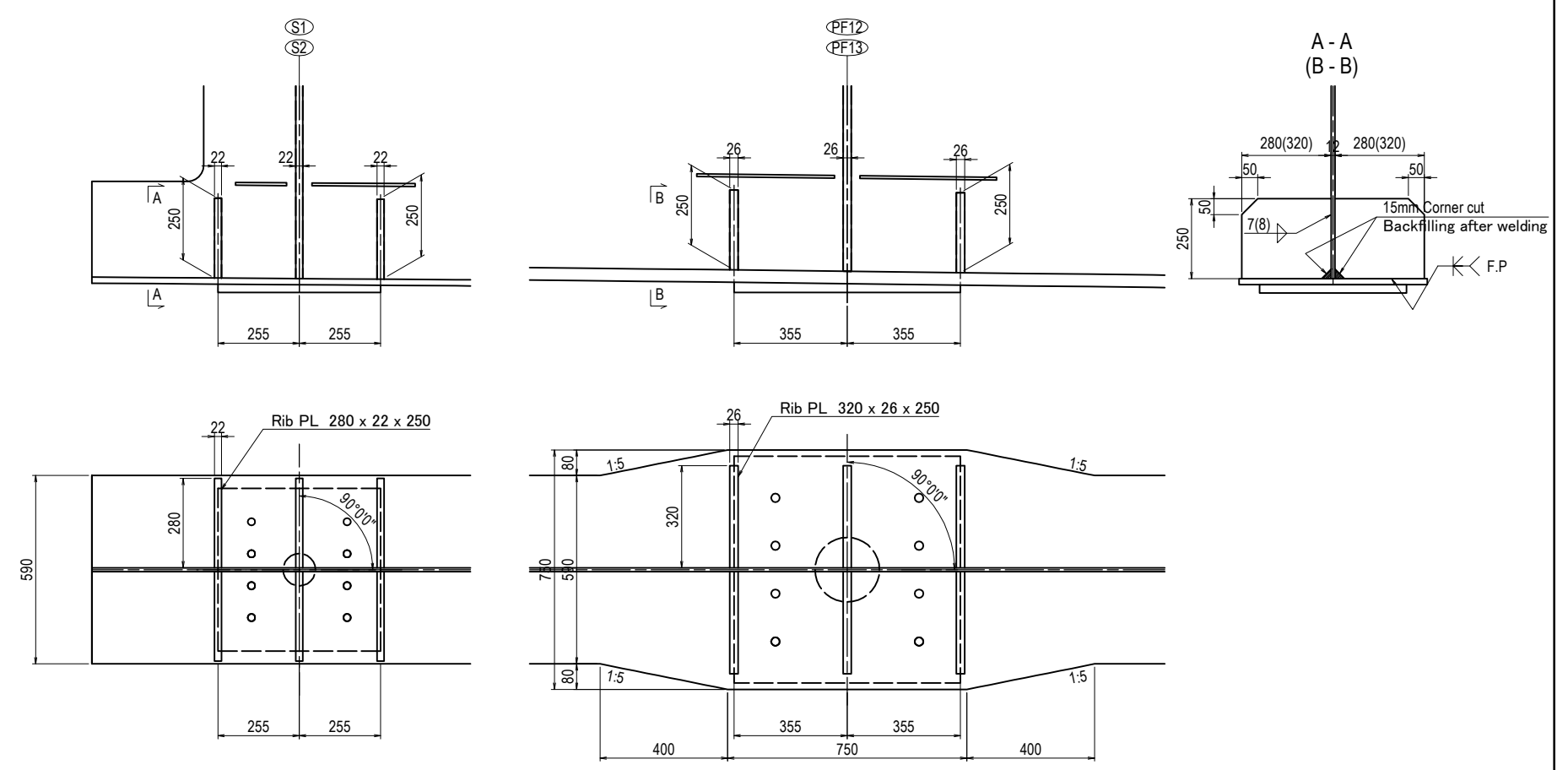
HORIZONTAL STIFFENER DETAIL SLAB ANCHOR DETAIL



HANGING BRACKET DETAILED



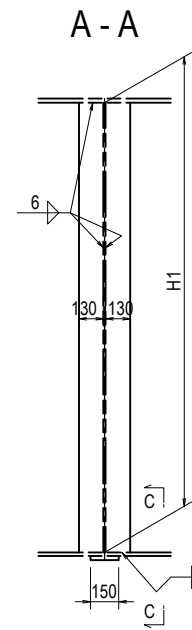
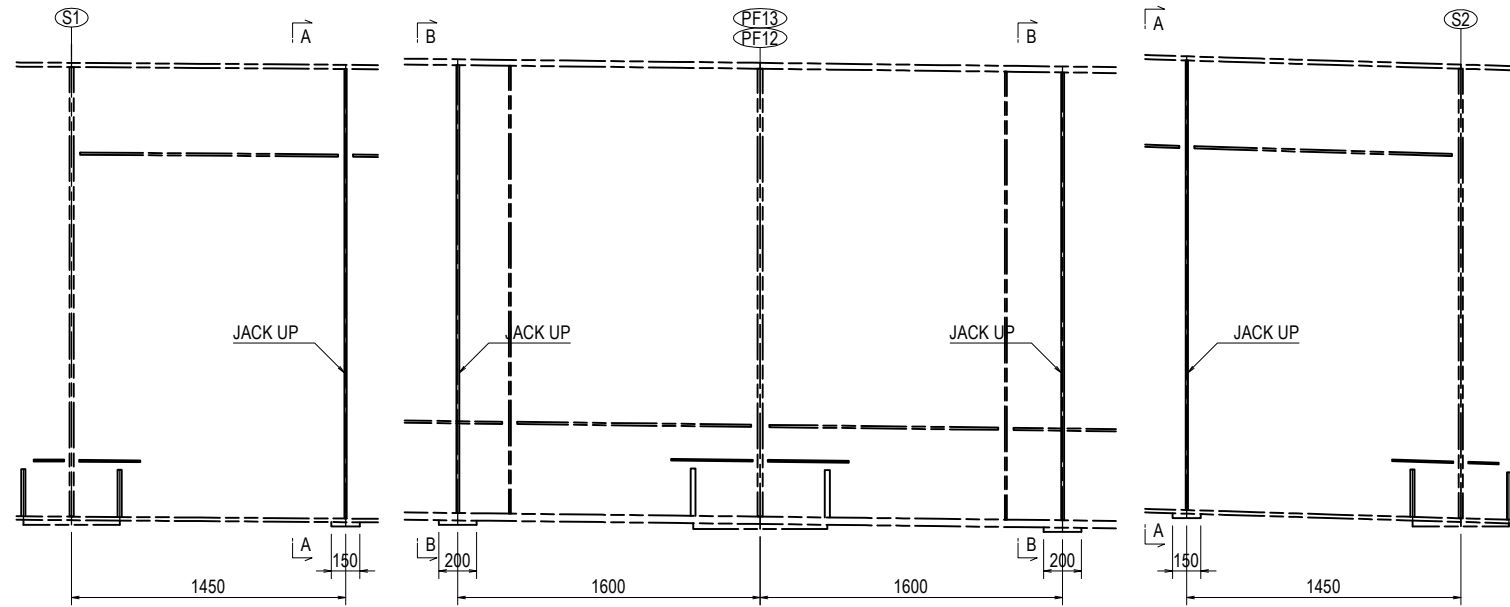
FULCRUM REINFORCEMENT DETAILED



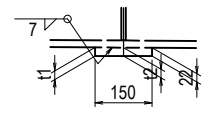
Note
 1. All material without the reports is made SM400A
 2. + : High-tension bolt M22 (S10T)
 3. All scar laps without the reports are made R35

COMMON DETAIL (PF11-PF14) (2) S=1:20

JACK UP DETAIL S=1:80 G1~G5



C - C S=1:20

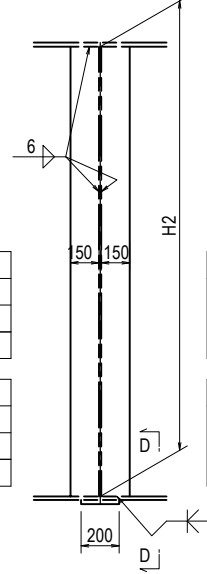


<S1,S2> - Per point part
2-JACK PL 130 x 12 x H1 (SM490YA)
1-BASE PL 150 x t3 x 150 (SM400A)

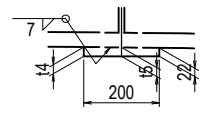
	H1	t1	t2	t3	
S1	G1,G5	2378	23.1	22.5	24
	G3	2379	23.1	22.5	24
	G2,G4	2379	23.1	22.5	24

	H1	t1	t2	t3	
S2	G1,G5	2378	26.5	24.3	28
	G3	2379	26.5	24.3	28
	G2,G4	2379	26.5	24.3	28

B - B



D - D S=1:20



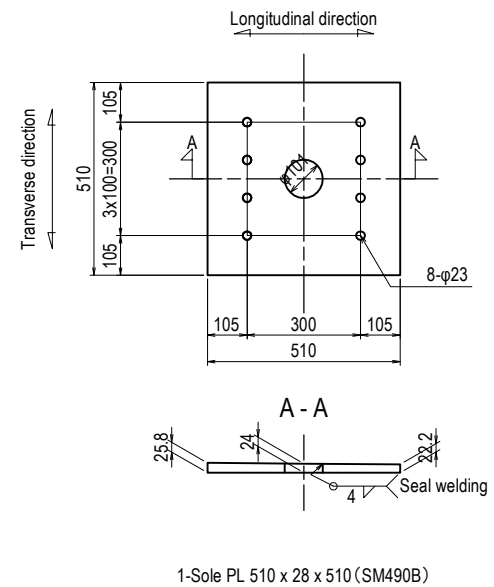
<PF12,PF13> - Per point part
4-JACK PL 150 x 15 x H2 (SM490YA)
2-BASE PL 200 x t6 x 200 (SM400A)

	H2	t4	t5	t6	
PF12	G1,G5	2369	24.3	23.2	25
	G3	2379	24.3	23.2	25
	G2,G4	2378	24.3	23.2	25

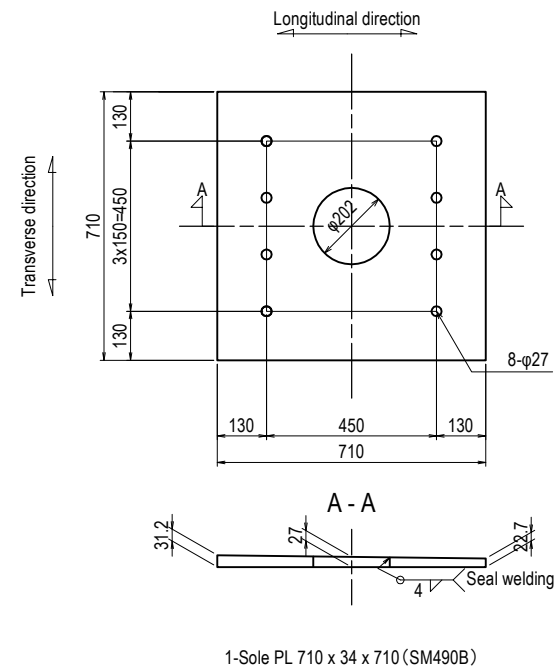
	H2	t4	t5	t6	
PF13	G1,G5	2369	26.7	24.3	28
	G3	2379	26.7	24.3	28
	G2,G4	2378	26.7	24.3	28

SOLE PLATE DETAIL

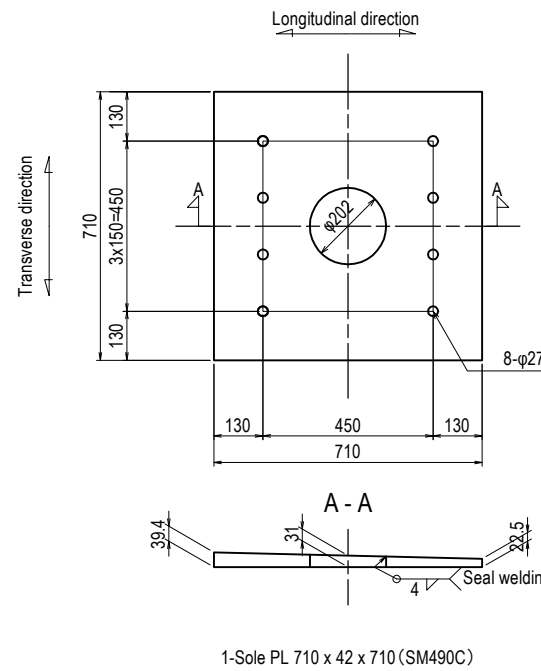
S1



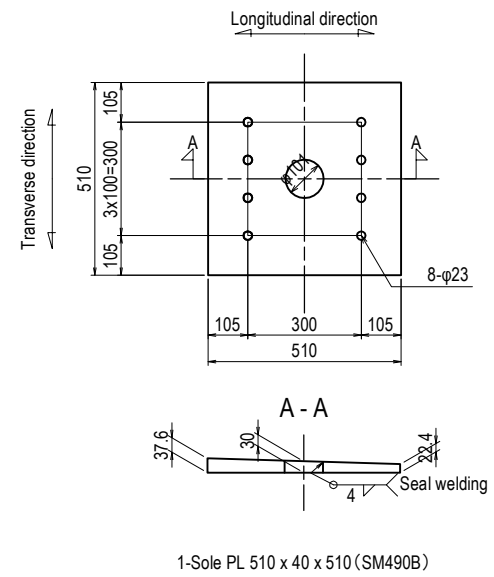
PF12



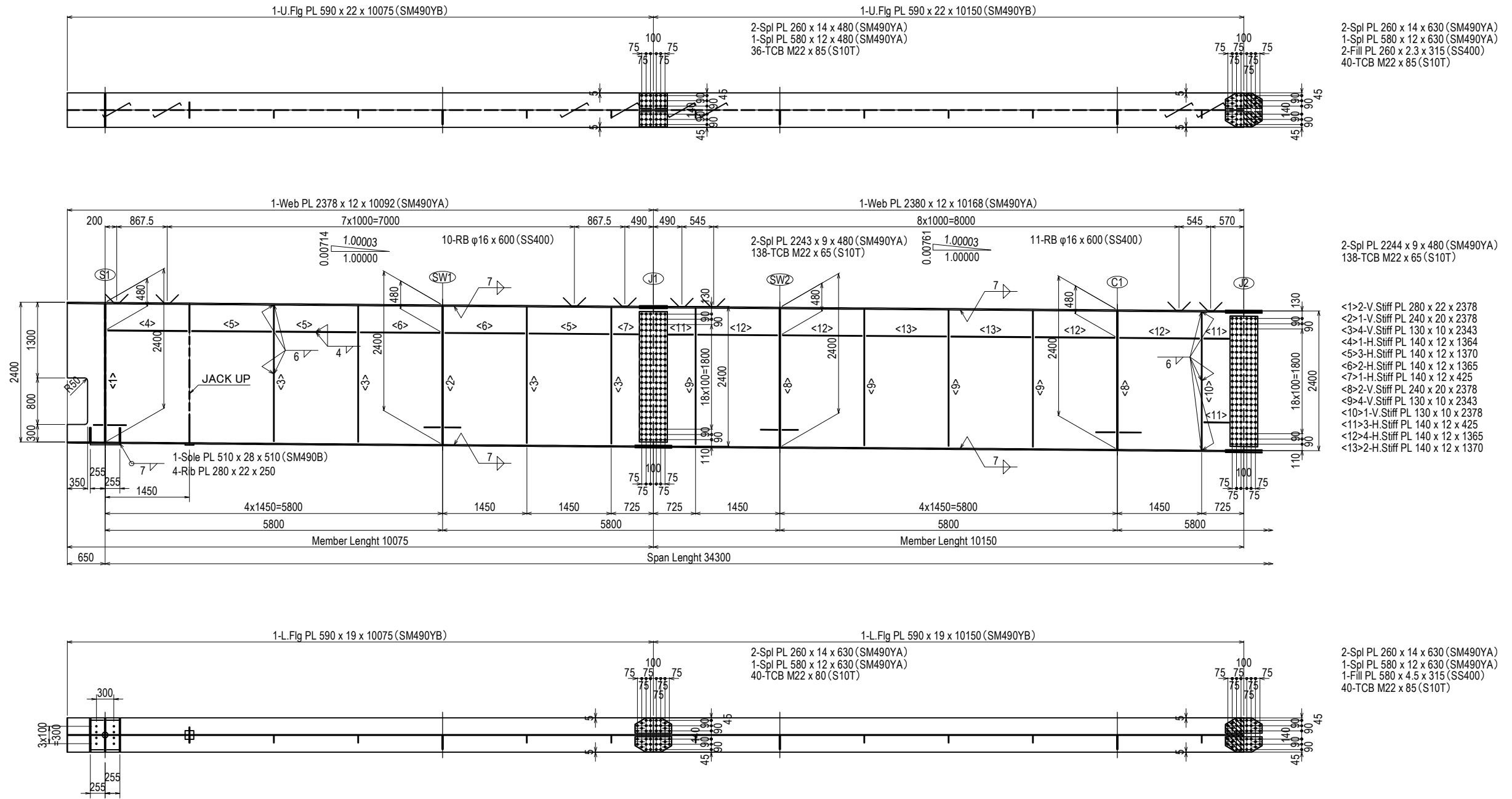
PF13



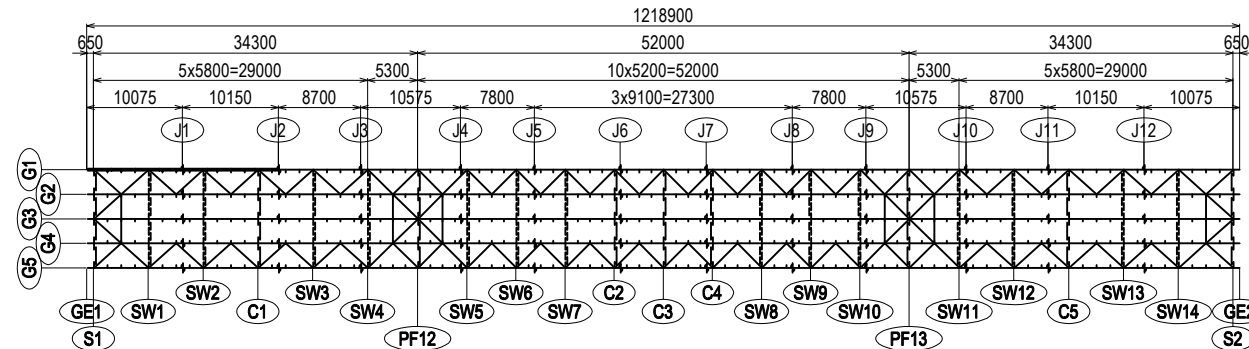
S2



DETAIL OF MAIN GIRDER G1 (PF11-PF14) (1) S=1:80



KEY PLAN

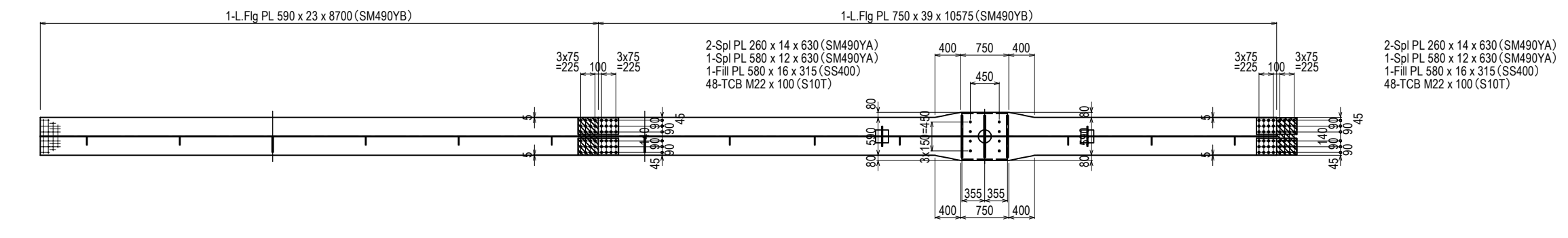
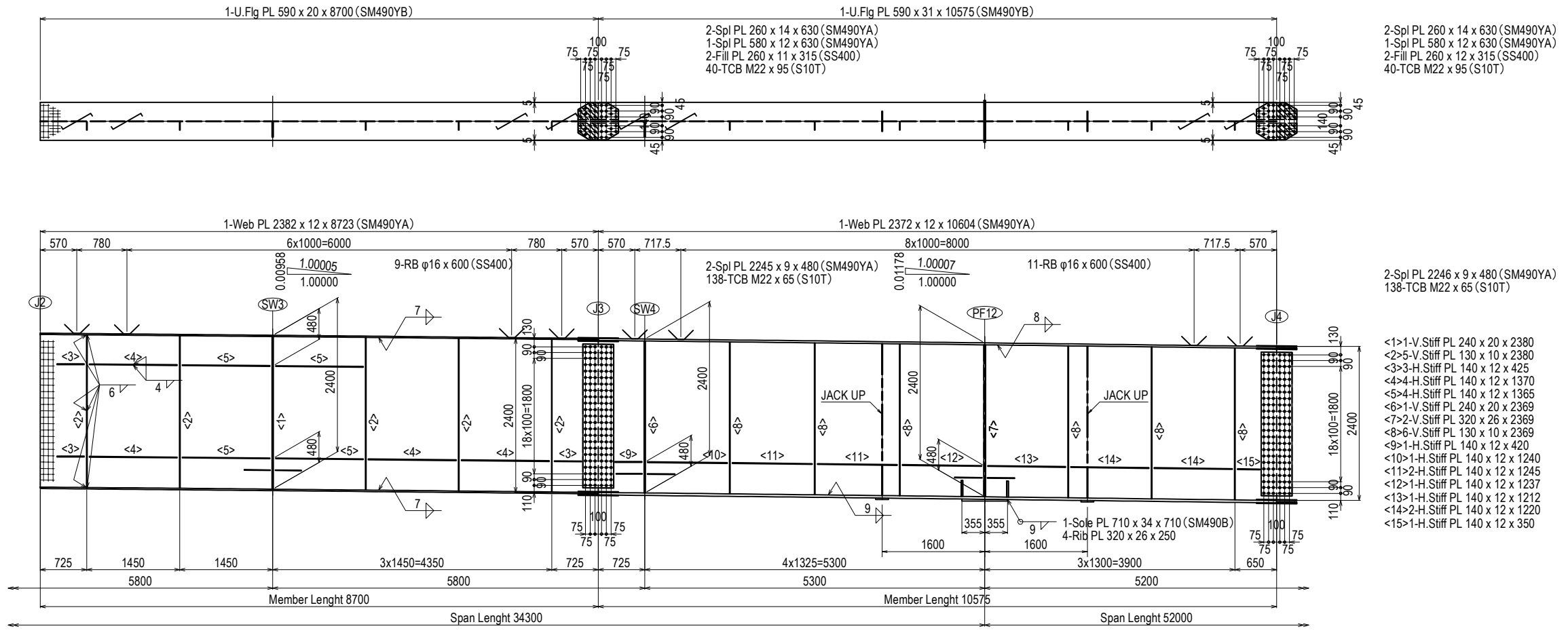


Note

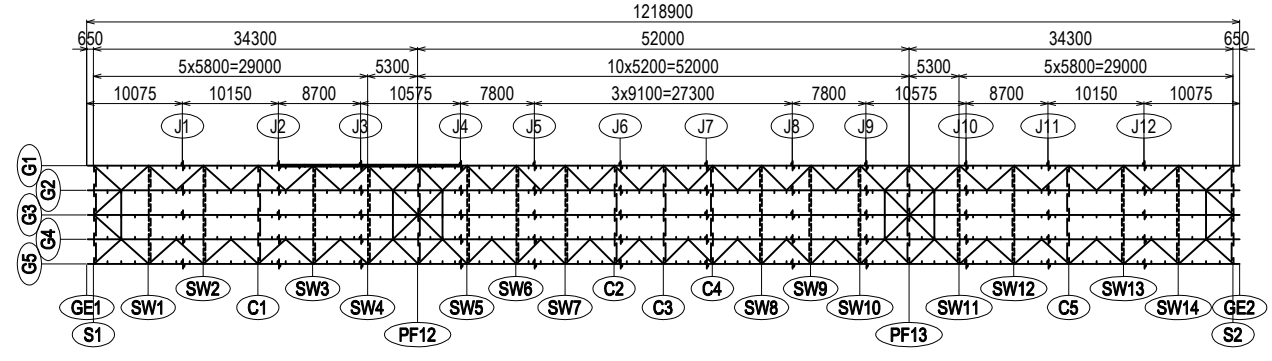
- All material without the reports is made SM400A
- + : High-tension bolt M22 (S10T)
- All scar laps without the reports are made R35

PROJECT NAME DETAILED DESIGN ON BAGO RIVER BRIDGE CONSTRUCTION PROJECT	FINANCED BY JAPAN INTERNATIONAL COOPERATION AGENCY	COUNTERPART REPUBLIC OF THE UNION OF MYANMAR MINISTRY OF CONSTRUCTION DEPARTMENT OF BRIDGE	JICA STUDY TEAM NIPPON KOEI CO., LTD. ORIENTAL CONSULTANTS GLOBAL CO., LTD. METROPOLITAN EXPRESSWAY COMPANY LIMITED CHODAI CO., LTD. NIPPON ENGINEERING CONSULTANTS CO., LTD.	<table border="1" style="width: 100%; border-collapse: collapse;"> <tr> <th>NAME</th> <th>SIGNATURE</th> <th>DATE</th> </tr> <tr> <td>PREPARED BY</td> <td>Y. SUZUKI</td> <td>14 Jul. 2017</td> </tr> <tr> <td>CHECKED BY</td> <td>T. HAYAKAWA</td> <td>20 Jul. 2017</td> </tr> <tr> <td>APPROVED BY</td> <td>Y. SANO</td> <td>25 Jul. 2017</td> </tr> </table>	NAME	SIGNATURE	DATE	PREPARED BY	Y. SUZUKI	14 Jul. 2017	CHECKED BY	T. HAYAKAWA	20 Jul. 2017	APPROVED BY	Y. SANO	25 Jul. 2017	DRAWING TITLE DETAIL OF MAIN GIRDER G1 (PF11-PF14) (1)	PACKAGE 3 DWG No. P3-FO-1511
NAME	SIGNATURE	DATE																
PREPARED BY	Y. SUZUKI	14 Jul. 2017																
CHECKED BY	T. HAYAKAWA	20 Jul. 2017																
APPROVED BY	Y. SANO	25 Jul. 2017																

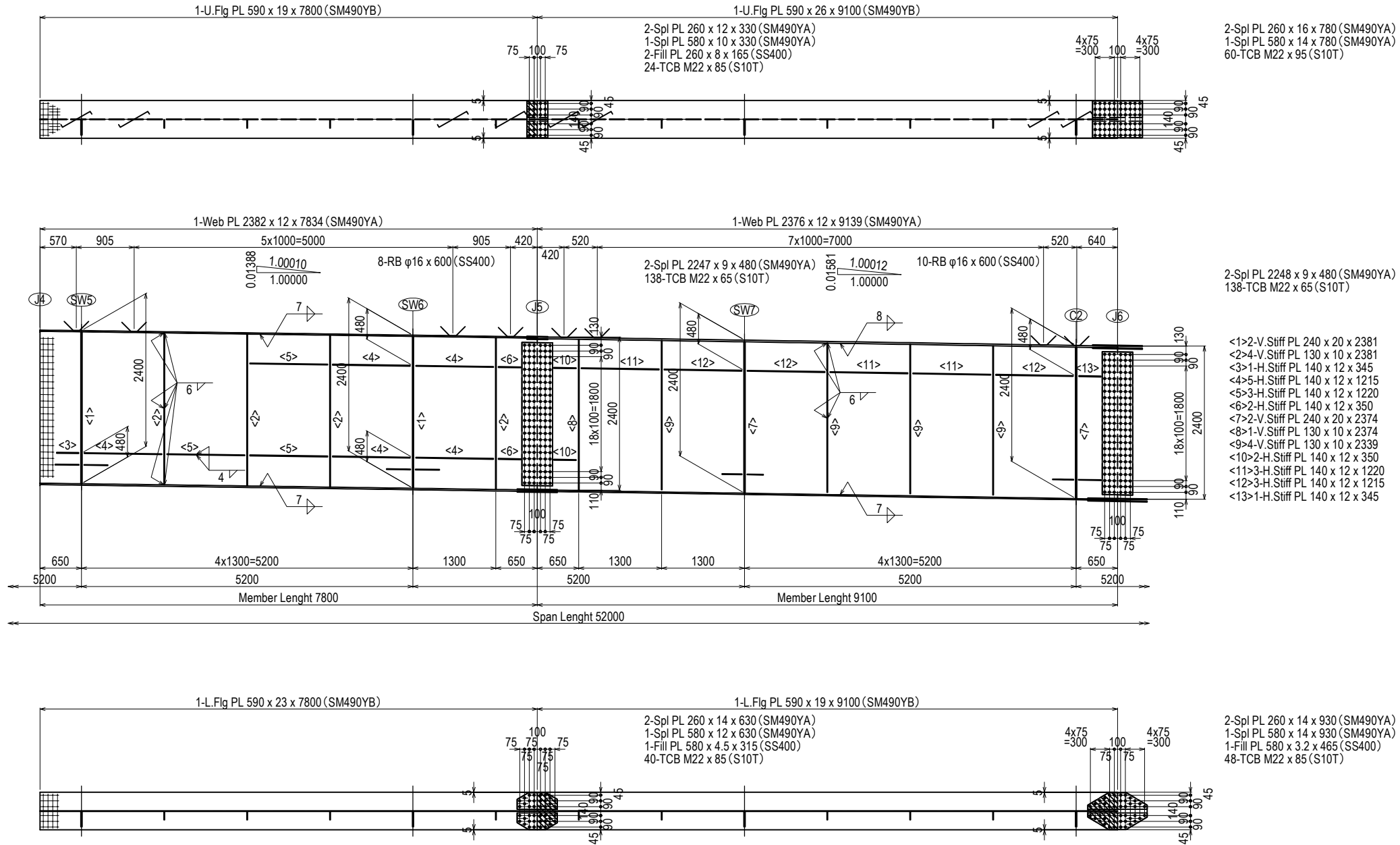
DETAIL OF MAIN GIRDER G1 (PF11-PF14) (2) S=1:80



KEY PLAN

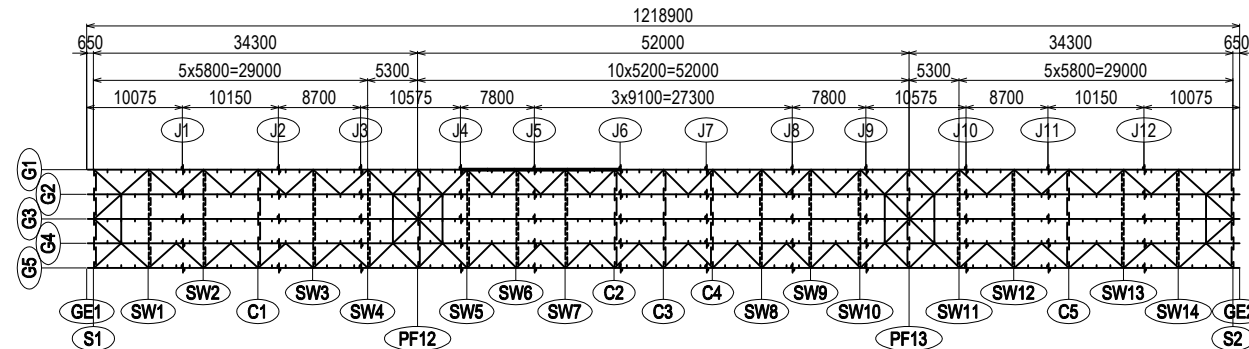


DETAIL OF MAIN GIRDER G1 (PF11-PF14) (3) S=1:80



- <1>2-V.Stiff PL 240 x 20 x 2381
- <2>4-V.Stiff PL 130 x 10 x 2381
- <3>1-H.Stiff PL 140 x 12 x 345
- <4>5-H.Stiff PL 140 x 12 x 1215
- <5>3-H.Stiff PL 140 x 12 x 1220
- <6>2-H.Stiff PL 140 x 12 x 350
- <7>2-V.Stiff PL 240 x 20 x 2374
- <8>1-V.Stiff PL 130 x 10 x 2374
- <9>4-V.Stiff PL 130 x 10 x 2339
- <10>2-H.Stiff PL 140 x 12 x 350
- <11>3-H.Stiff PL 140 x 12 x 1220
- <12>3-H.Stiff PL 140 x 12 x 1215
- <13>1-H.Stiff PL 140 x 12 x 345

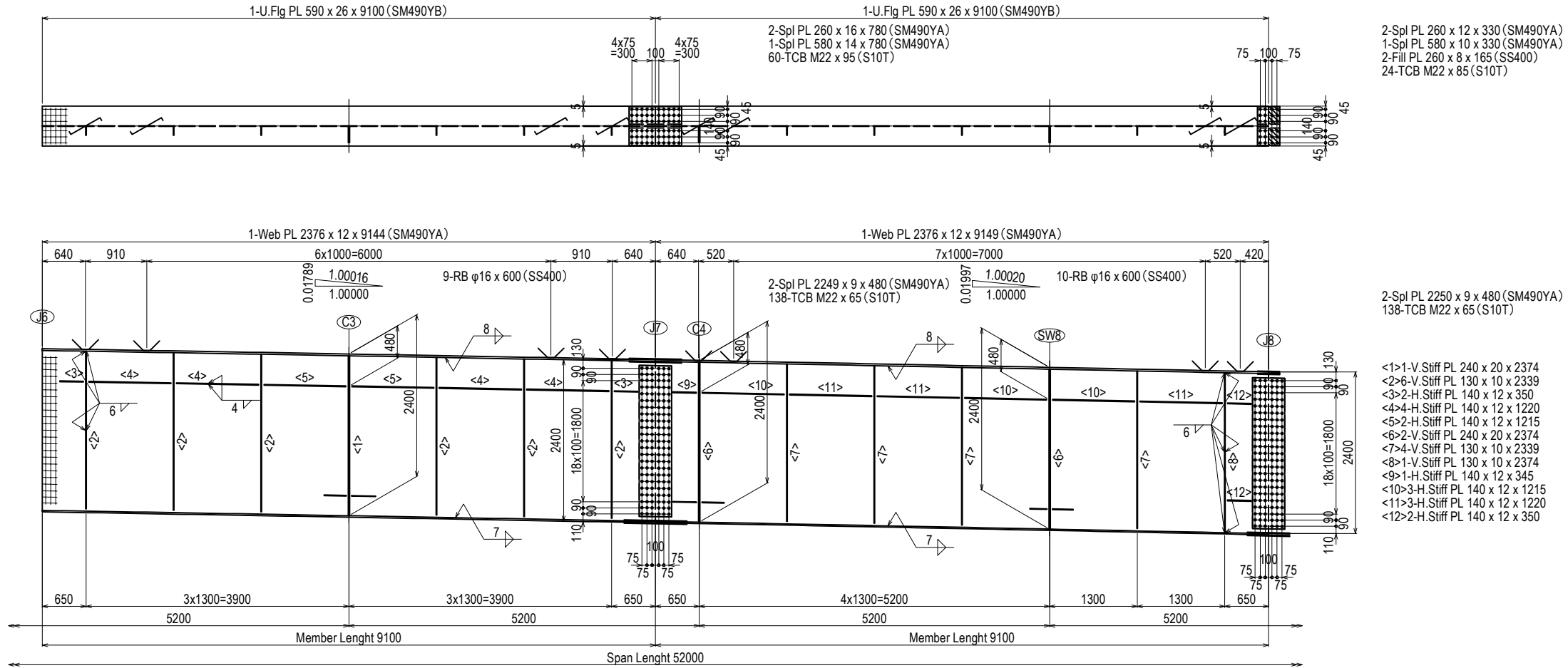
KEY PLAN



Note
 1. All material without the reports is made SM400A
 2. + : High-tension bolt M22 (S10T)
 3. All scar laps without the reports are made R35

PROJECT NAME DETAILED DESIGN ON BAGO RIVER BRIDGE CONSTRUCTION PROJECT	FINANCED BY JAPAN INTERNATIONAL COOPERATION AGENCY	COUNTERPART REPUBLIC OF THE UNION OF MYANMAR MINISTRY OF CONSTRUCTION DEPARTMENT OF BRIDGE	JICA STUDY TEAM NIPPON KOEI CO., LTD. ORIENTAL CONSULTANTS GLOBAL CO., LTD. METROPOLITAN EXPRESSWAY COMPANY LIMITED CHODAI CO., LTD. NIPPON ENGINEERING CONSULTANTS CO., LTD.	NAME PREPARED BY Y. SUZUKI CHECKED BY T. HAYAKAWA APPROVED BY Y. SANO	SIGNATURE 	DATE 14 Jul. 2017 20 Jul. 2017 25 Jul. 2017	DRAWING TITLE DETAIL OF MAIN GIRDER G1 (PF11-PF14) (3)	PACKAGE 3 DWG No. P3-FO-1513
---	--	---	--	--	-----------------------	--	---	---------------------------------------

DETAIL OF MAIN GIRDER G1 (PF11-PF14) (4) S=1:80



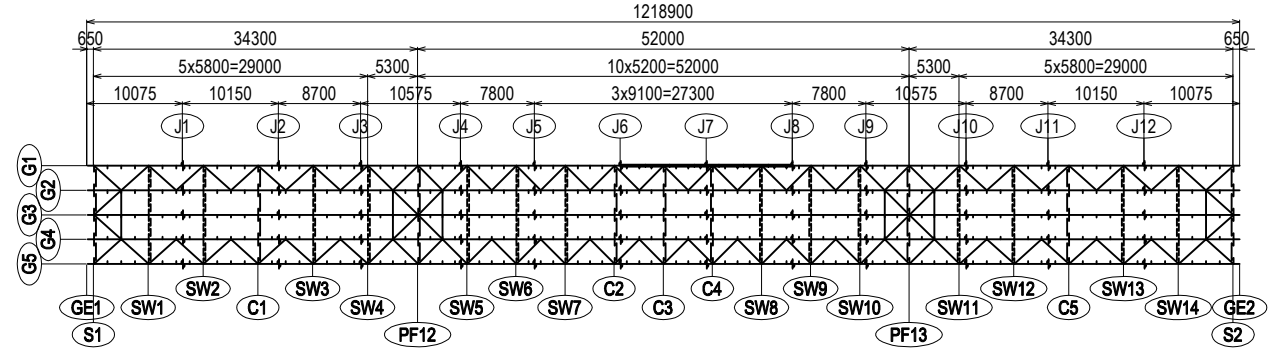
2-Spl PL 260 x 12 x 330 (SM490YA)
 1-Spl PL 580 x 10 x 330 (SM490YA)
 2-Fill PL 260 x 8 x 165 (SS400)
 24-TCB M22 x 85 (S10T)

2-Spl PL 2250 x 9 x 480 (SM490YA)
 138-TCB M22 x 65 (S10T)

<1>1-V.Stiff PL 240 x 20 x 2374
 <2>6-V.Stiff PL 130 x 10 x 2339
 <3>2-H.Stiff PL 140 x 12 x 350
 <4>4-H.Stiff PL 140 x 12 x 1220
 <5>2-H.Stiff PL 140 x 12 x 1215
 <6>2-V.Stiff PL 240 x 20 x 2374
 <7>4-V.Stiff PL 130 x 10 x 2339
 <8>1-V.Stiff PL 130 x 10 x 2374
 <9>1-H.Stiff PL 140 x 12 x 345
 <10>3-H.Stiff PL 140 x 12 x 1215
 <11>3-H.Stiff PL 140 x 12 x 1220
 <12>2-H.Stiff PL 140 x 12 x 350

2-Spl PL 260 x 14 x 630 (SM490YA)
 1-Spl PL 580 x 12 x 630 (SM490YA)
 1-Fill PL 580 x 4.5 x 315 (SS400)
 40-TCB M22 x 85 (S10T)

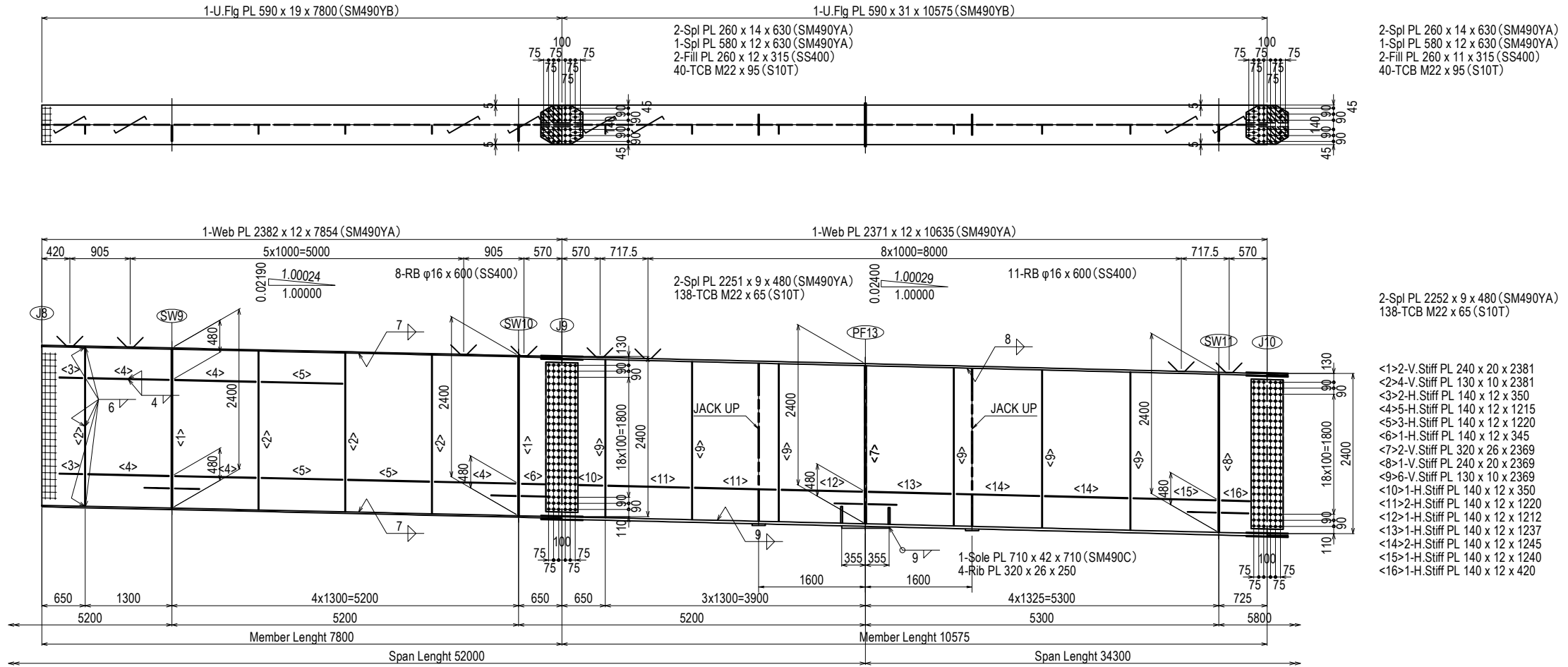
KEY PLAN



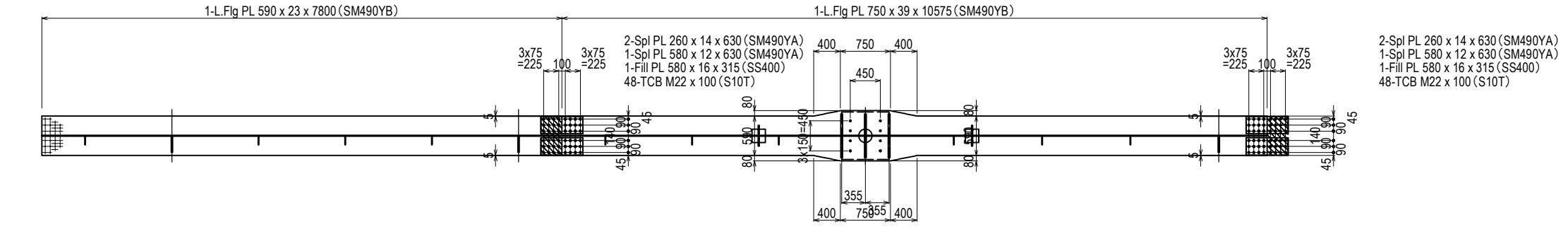
Note
 1. All material without the reports is made SM400A
 2. + : High-tension bolt M22 (S10T)
 3. All scar laps without the reports are made R35

PROJECT NAME DETAILED DESIGN ON BAGO RIVER BRIDGE CONSTRUCTION PROJECT	FINANCED BY JAPAN INTERNATIONAL COOPERATION AGENCY	COUNTERPART REPUBLIC OF THE UNION OF MYANMAR MINISTRY OF CONSTRUCTION DEPARTMENT OF BRIDGE	JICA STUDY TEAM NIPPON KOEI CO., LTD. ORIENTAL CONSULTANTS GLOBAL CO., LTD. METROPOLITAN EXPRESSWAY COMPANY LIMITED CHODAI CO., LTD. NIPPON ENGINEERING CONSULTANTS CO., LTD.	NAME Y. SUZUKI T. HAYAKAWA Y. SANO	SIGNATURE 	DATE 14 Jul. 2017 20 Jul. 2017 25 Jul. 2017	DRAWING TITLE DETAIL OF MAIN GIRDER G1 (PF11-PF14) (4)	PACKAGE 3 DWG No. P3-FO-1514
---	--	---	--	---	-----------------------	--	---	---------------------------------------

DETAIL OF MAIN GIRDER G1 (PF11-PF14) (5) S=1:80

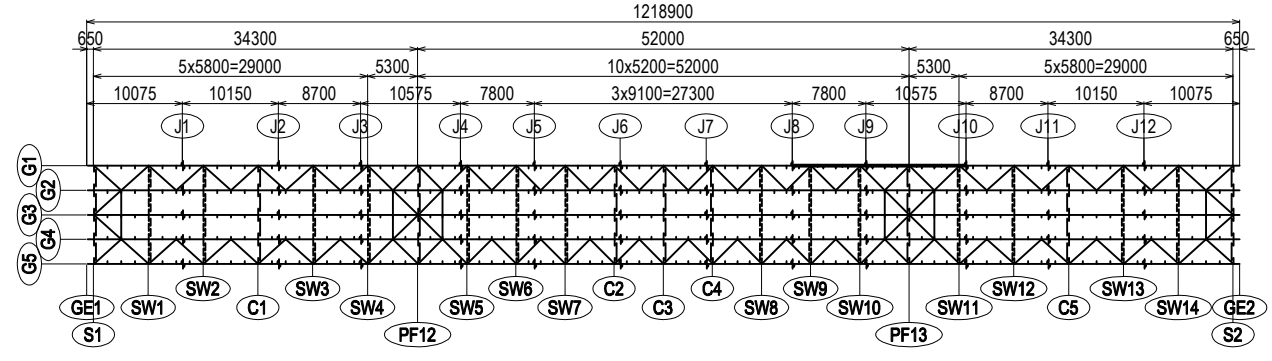


- 2-Spl PL 260 x 14 x 630 (SM490YA)
 - 1-Spl PL 580 x 12 x 630 (SM490YA)
 - 2-Fill PL 260 x 11 x 315 (SS400)
 - 40-TCB M22 x 95 (S10T)
-
- 2-Spl PL 2252 x 9 x 480 (SM490YA)
 - 138-TCB M22 x 65 (S10T)
-
- <1>-2-V.Stiff PL 240 x 20 x 2381
 - <2>-4-V.Stiff PL 130 x 10 x 2381
 - <3>-2-H.Stiff PL 140 x 12 x 350
 - <4>-5-H.Stiff PL 140 x 12 x 1215
 - <5>-3-H.Stiff PL 140 x 12 x 1220
 - <6>-1-H.Stiff PL 140 x 12 x 345
 - <7>-2-V.Stiff PL 320 x 26 x 2369
 - <8>-1-V.Stiff PL 240 x 20 x 2369
 - <9>-6-V.Stiff PL 130 x 10 x 2369
 - <10>-1-H.Stiff PL 140 x 12 x 350
 - <11>-2-H.Stiff PL 140 x 12 x 1220
 - <12>-1-H.Stiff PL 140 x 12 x 1212
 - <13>-1-H.Stiff PL 140 x 12 x 1237
 - <14>-2-H.Stiff PL 140 x 12 x 1245
 - <15>-1-H.Stiff PL 140 x 12 x 1240
 - <16>-1-H.Stiff PL 140 x 12 x 420



- 2-Spl PL 260 x 14 x 630 (SM490YA)
- 1-Spl PL 580 x 12 x 630 (SM490YA)
- 1-Fill PL 580 x 16 x 315 (SS400)
- 48-TCB M22 x 100 (S10T)

KEY PLAN

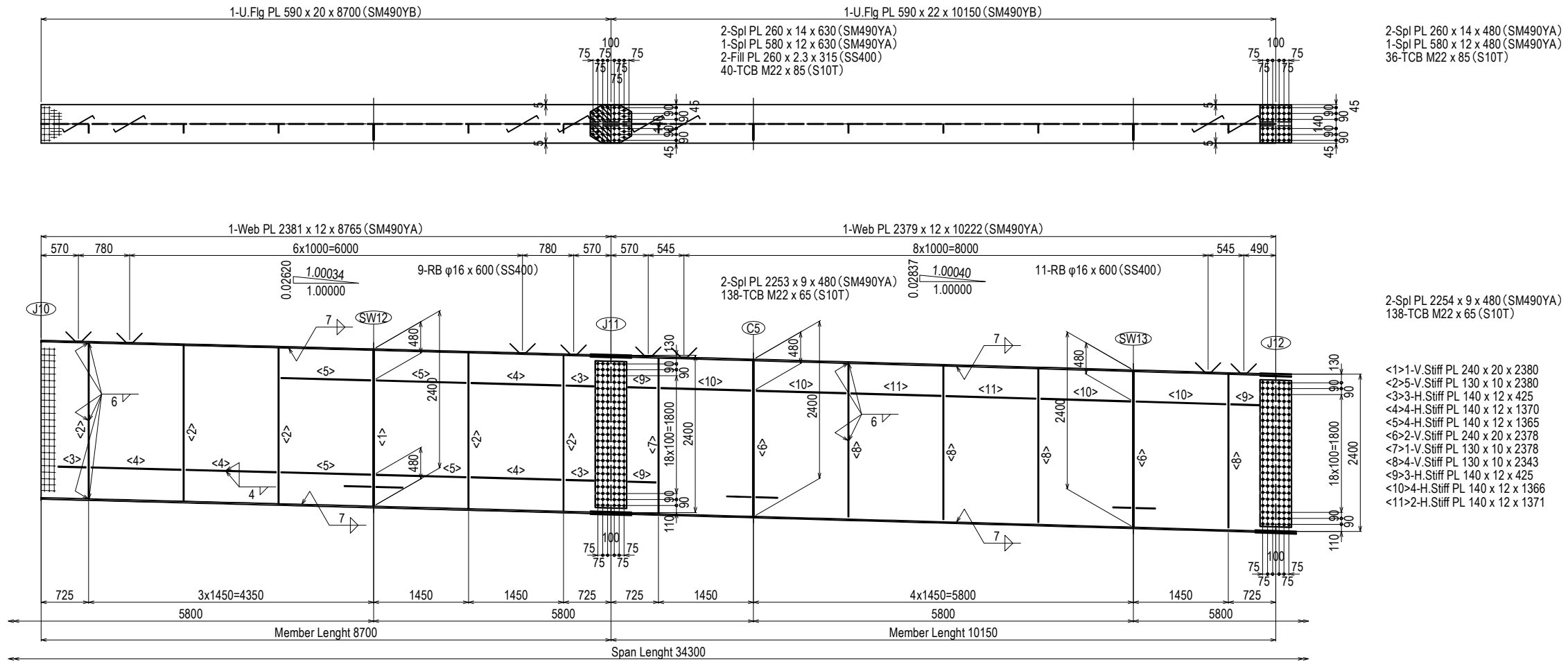


Note

1. All material without the reports is made SM400A
2. + : High-tension bolt M22 (S10T)
3. All scar laps without the reports are made R35

PROJECT NAME	FINANCED BY	COUNTERPART	JICA STUDY TEAM	NAME	SIGNATURE	DATE	DRAWING TITLE	PACKAGE
DETAILED DESIGN ON BAGO RIVER BRIDGE CONSTRUCTION PROJECT	JICA JAPAN INTERNATIONAL COOPERATION AGENCY	REPUBLIC OF THE UNION OF MYANMAR MINISTRY OF CONSTRUCTION DEPARTMENT OF BRIDGE	NIPPON KOEI CO., LTD. ORIENTAL CONSULTANTS GLOBAL CO., LTD. METROPOLITAN EXPRESSWAY COMPANY LIMITED CHODAI CO., LTD. NIPPON ENGINEERING CONSULTANTS CO., LTD.	Y. SUZUKI	<i>[Signature]</i>	14 Jul. 2017	DETAIL OF MAIN GIRDER G1 (PF11-PF14) (5)	3
				T. HAYAKAWA	<i>[Signature]</i>	20 Jul. 2017		DWG No.
				Y. SANO	<i>[Signature]</i>	25 Jul. 2017		P3-FO-1515

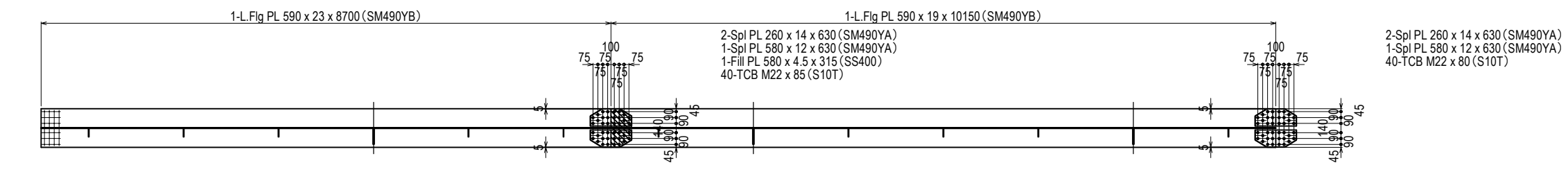
DETAIL OF MAIN GIRDER G1 (PF11-PF14) (6) S=1:80



- 2-Spl PL 260 x 14 x 480 (SM490YA)
- 1-Spl PL 580 x 12 x 480 (SM490YA)
- 36-TCB M22 x 85 (S10T)

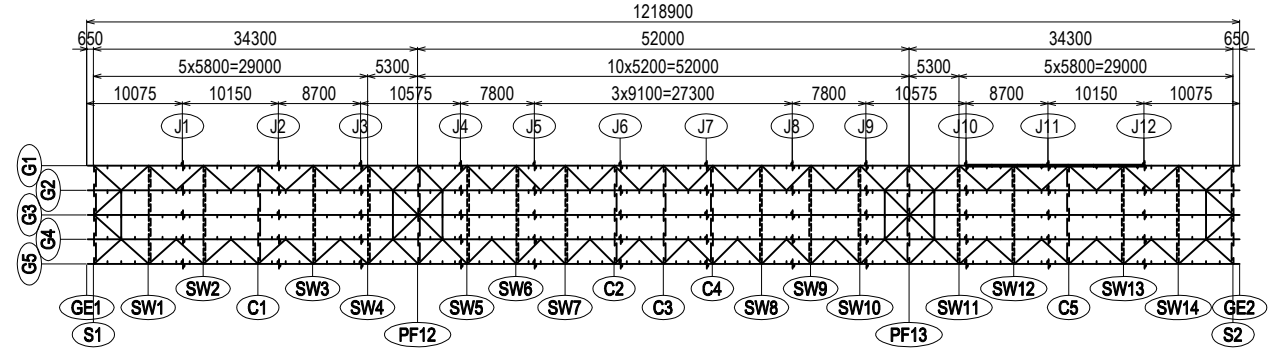
- 2-Spl PL 2254 x 9 x 480 (SM490YA)
- 138-TCB M22 x 65 (S10T)

- <1>1-V.Stiff PL 240 x 20 x 2380
- <2>5-V.Stiff PL 130 x 10 x 2380
- <3>3-H.Stiff PL 140 x 12 x 425
- <4>4-H.Stiff PL 140 x 12 x 1370
- <5>4-H.Stiff PL 140 x 12 x 1365
- <6>2-V.Stiff PL 240 x 20 x 2378
- <7>1-V.Stiff PL 130 x 10 x 2378
- <8>4-V.Stiff PL 130 x 10 x 2343
- <9>3-H.Stiff PL 140 x 12 x 425
- <10>4-H.Stiff PL 140 x 12 x 1366
- <11>2-H.Stiff PL 140 x 12 x 1371



- 2-Spl PL 260 x 14 x 630 (SM490YA)
- 1-Spl PL 580 x 12 x 630 (SM490YA)
- 40-TCB M22 x 80 (S10T)

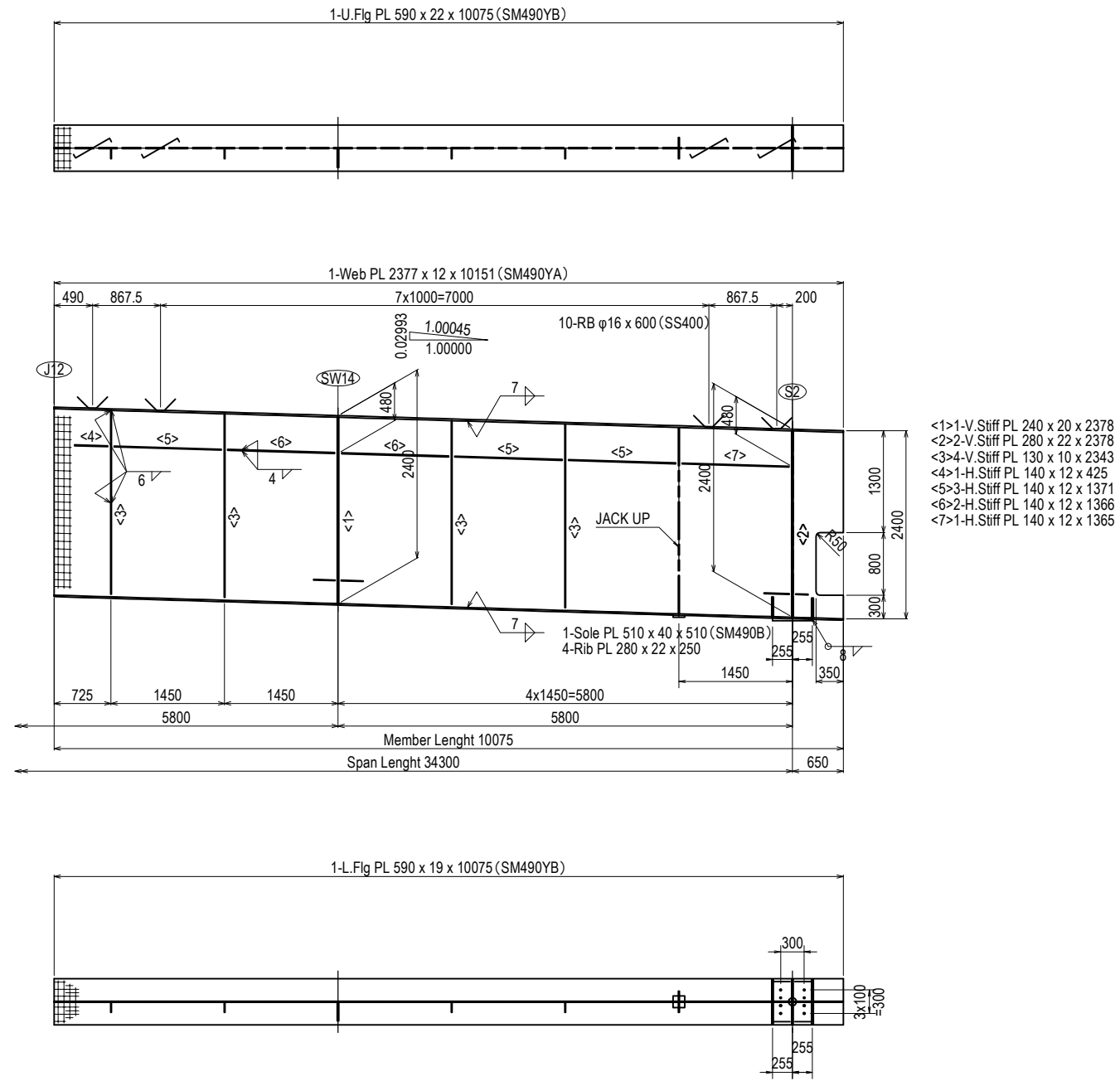
KEY PLAN



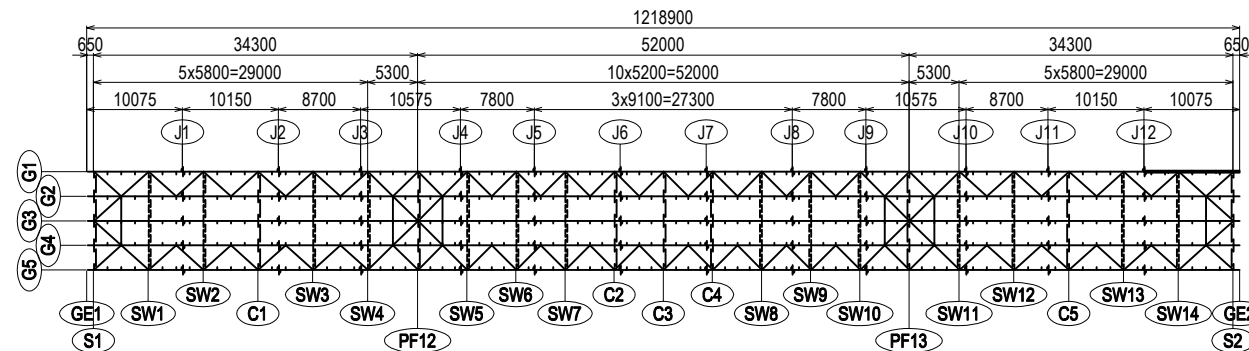
- Note**
1. All material without the reports is made SM400A
 2. + : High-tension bolt M22 (S10T)
 3. All scar laps without the reports are made R35

PROJECT NAME DETAILED DESIGN ON BAGO RIVER BRIDGE CONSTRUCTION PROJECT	FINANCED BY JAPAN INTERNATIONAL COOPERATION AGENCY	COUNTERPART REPUBLIC OF THE UNION OF MYANMAR MINISTRY OF CONSTRUCTION DEPARTMENT OF BRIDGE	JICA STUDY TEAM NIPPON KOEI CO., LTD. ORIENTAL CONSULTANTS GLOBAL CO., LTD. METROPOLITAN EXPRESSWAY COMPANY LIMITED CHODAI CO., LTD. NIPPON ENGINEERING CONSULTANTS CO., LTD.	NAME PREPARED BY Y. SUZUKI CHECKED BY T. HAYAKAWA APPROVED BY Y. SANO	SIGNATURE 	DATE 14 Jul. 2017 20 Jul. 2017 25 Jul. 2017	DRAWING TITLE DETAIL OF MAIN GIRDER G1 (PF11-PF14) (6)	PACKAGE 3 DWG No. P3-FO-1516
---	--	---	--	--	-----------------------	--	---	---------------------------------------

DETAIL OF MAIN GIRDER G1 (PF11-PF14) (7) S=1:80



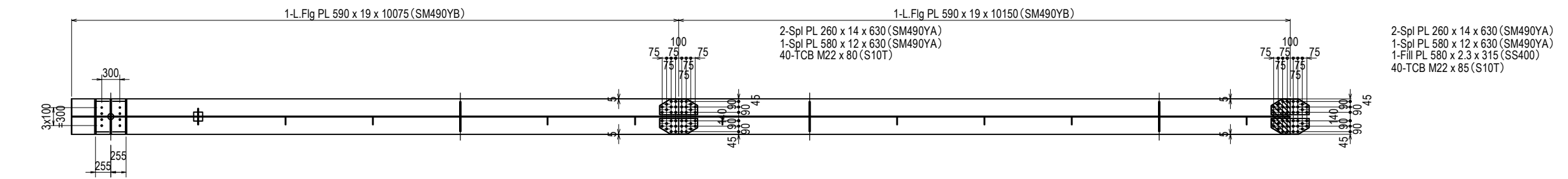
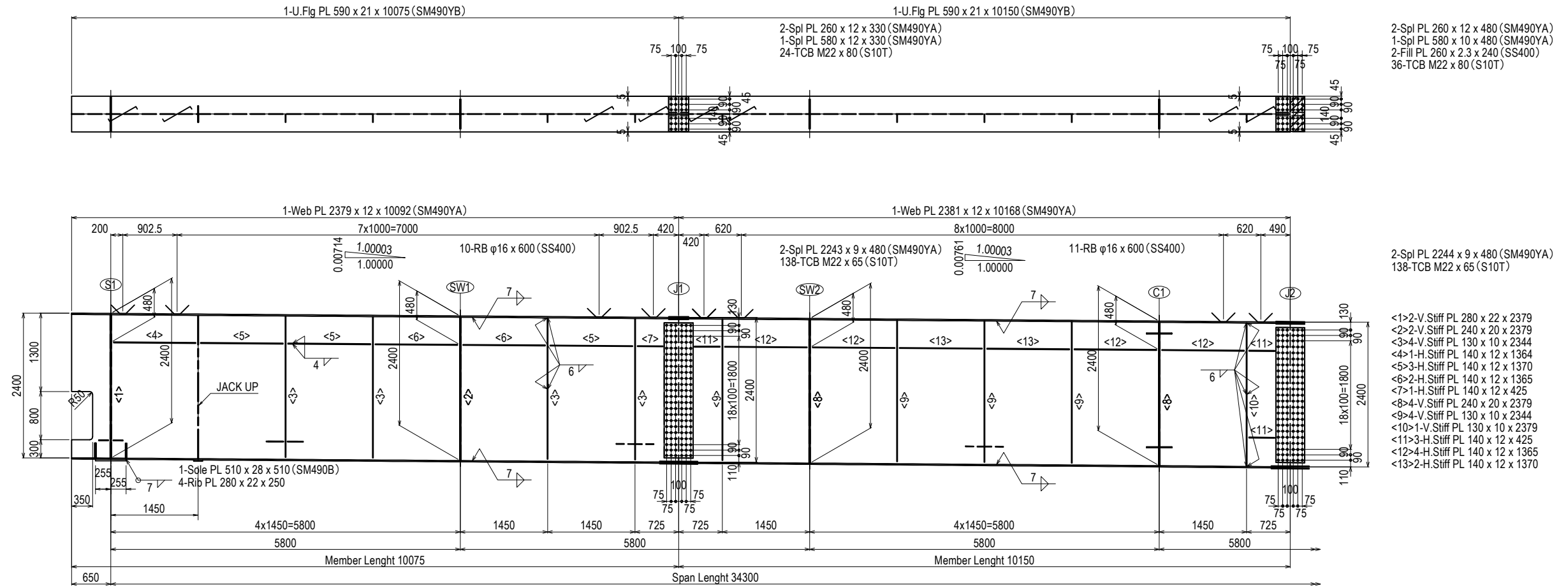
KEY PLAN



- Note
1. All material without the reports is made SM400A
 2. + : High-tension bolt M22 (S10T)
 3. All scar laps without the reports are made R35

PROJECT NAME DETAILED DESIGN ON BAGO RIVER BRIDGE CONSTRUCTION PROJECT	FINANCED BY JAPAN INTERNATIONAL COOPERATION AGENCY	COUNTERPART REPUBLIC OF THE UNION OF MYANMAR MINISTRY OF CONSTRUCTION DEPARTMENT OF BRIDGE	JICA STUDY TEAM NIPPON KOEI CO., LTD. ORIENTAL CONSULTANTS GLOBAL CO., LTD. METROPOLITAN EXPRESSWAY COMPANY LIMITED CHODAI CO., LTD. NIPPON ENGINEERING CONSULTANTS CO., LTD.	<table border="1" style="width: 100%; border-collapse: collapse;"> <thead> <tr> <th style="width: 10%;"></th> <th style="width: 20%;">NAME</th> <th style="width: 20%;">SIGNATURE</th> <th style="width: 20%;">DATE</th> </tr> </thead> <tbody> <tr> <td>PREPARED BY</td> <td>Y. SUZUKI</td> <td><i>YS</i></td> <td>14 Jul. 2017</td> </tr> <tr> <td>CHECKED BY</td> <td>T. HAYAKAWA</td> <td><i>TH</i></td> <td>20 Jul. 2017</td> </tr> <tr> <td>APPROVED BY</td> <td>Y. SANO</td> <td><i>YS</i></td> <td>25 Jul. 2017</td> </tr> </tbody> </table>		NAME	SIGNATURE	DATE	PREPARED BY	Y. SUZUKI	<i>YS</i>	14 Jul. 2017	CHECKED BY	T. HAYAKAWA	<i>TH</i>	20 Jul. 2017	APPROVED BY	Y. SANO	<i>YS</i>	25 Jul. 2017	DRAWING TITLE DETAIL OF MAIN GIRDER G1 (PF11-PF14) (7)	PACKAGE 3 DWG No. P3-FO-1517
	NAME	SIGNATURE	DATE																			
PREPARED BY	Y. SUZUKI	<i>YS</i>	14 Jul. 2017																			
CHECKED BY	T. HAYAKAWA	<i>TH</i>	20 Jul. 2017																			
APPROVED BY	Y. SANO	<i>YS</i>	25 Jul. 2017																			

DETAIL OF MAIN GIRDER G2 (PF11-PF14) (1) S=1:80

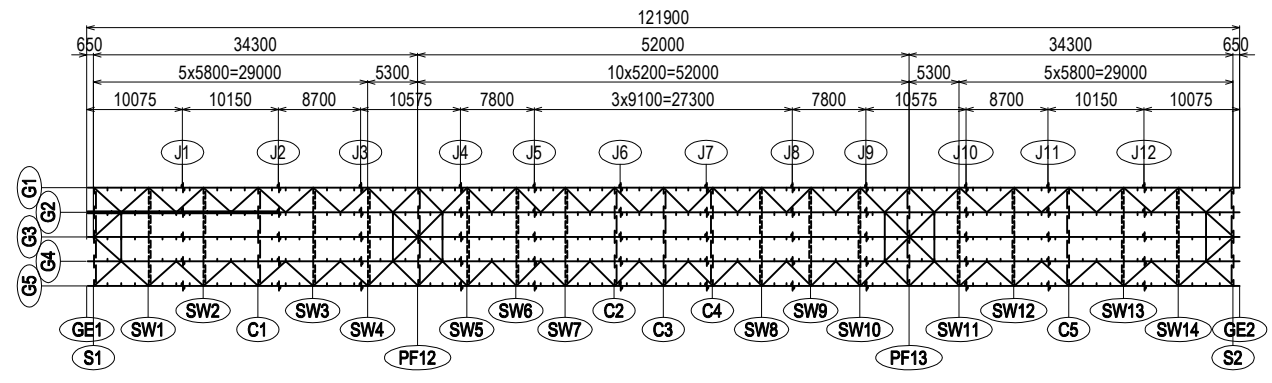


- 2-Spl PL 260 x 12 x 480 (SM490YA)
- 1-Spl PL 580 x 10 x 480 (SM490YA)
- 2-Fill PL 260 x 2.3 x 240 (SS400)
- 36-TCB M22 x 80 (S10T)

- 2-Spl PL 2244 x 9 x 480 (SM490YA)
- 138-TCB M22 x 65 (S10T)

- <1>2-V.Stiff PL 280 x 22 x 2379
- <2>2-V.Stiff PL 240 x 20 x 2379
- <3>4-V.Stiff PL 130 x 10 x 2344
- <4>1-H.Stiff PL 140 x 12 x 1364
- <5>3-H.Stiff PL 140 x 12 x 1370
- <6>2-H.Stiff PL 140 x 12 x 1365
- <7>1-H.Stiff PL 140 x 12 x 425
- <8>4-V.Stiff PL 240 x 20 x 2379
- <9>4-V.Stiff PL 130 x 10 x 2344
- <10>1-V.Stiff PL 130 x 10 x 2379
- <11>3-H.Stiff PL 140 x 12 x 425
- <12>4-H.Stiff PL 140 x 12 x 1365
- <13>2-H.Stiff PL 140 x 12 x 1370

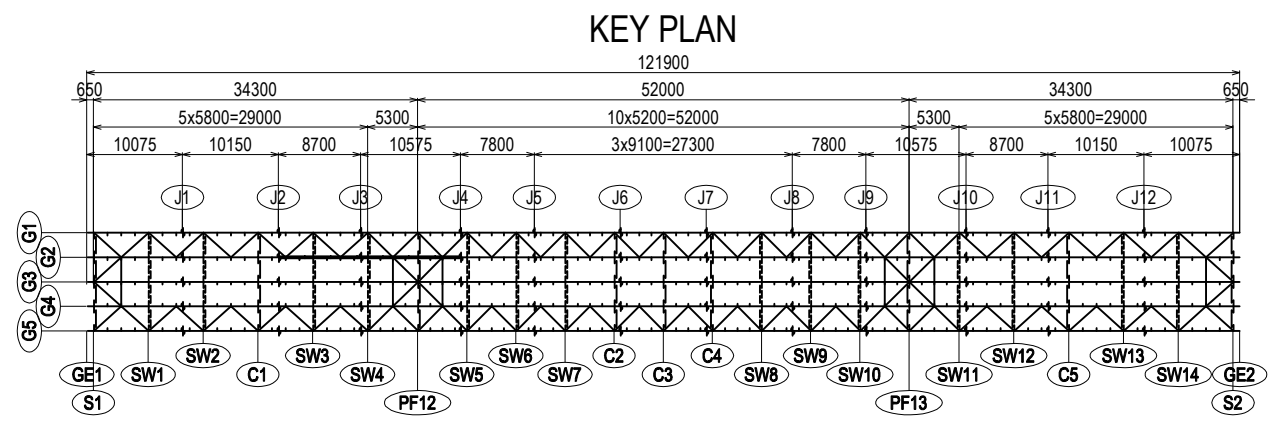
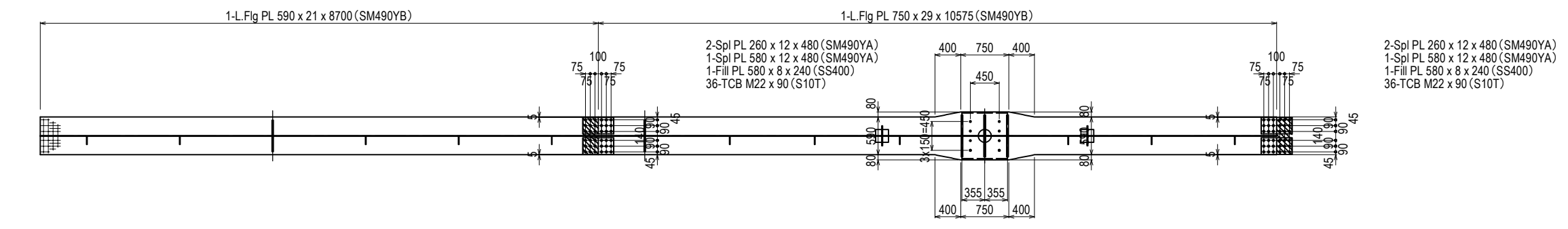
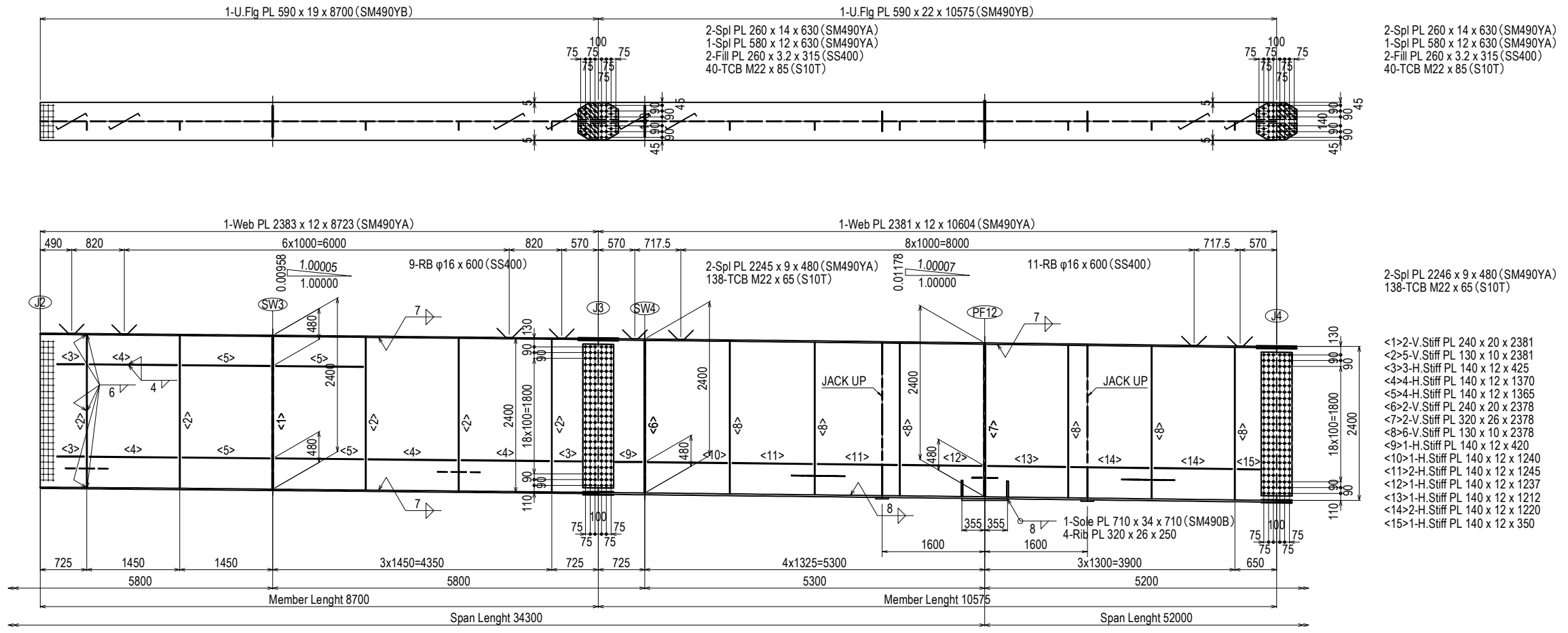
KEY PLAN



- Note
1. All material without the reports is made SM400A
 2. + : High-tension bolt M22 (S10T)
 3. All scar laps without the reports are made R35

PROJECT NAME DETAILED DESIGN ON BAGO RIVER BRIDGE CONSTRUCTION PROJECT	FINANCED BY JAPAN INTERNATIONAL COOPERATION AGENCY	COUNTERPART REPUBLIC OF THE UNION OF MYANMAR MINISTRY OF CONSTRUCTION DEPARTMENT OF BRIDGE	JICA STUDY TEAM NIPPON KOEI CO., LTD. ORIENTAL CONSULTANTS GLOBAL CO., LTD. METROPOLITAN EXPRESSWAY COMPANY LIMITED CHODAI CO., LTD. NIPPON ENGINEERING CONSULTANTS CO., LTD.	NAME Y. SUZUKI T. HAYAKAWA Y. SANO	SIGNATURE 	DATE 14 Jul. 2017 20 Jul. 2017 25 Jul. 2017	DRAWING TITLE DETAIL OF MAIN GIRDER G2 (PF11-PF14) (1)	PACKAGE 3 DWG No. P3-FO-1518
---	--	---	--	---	-----------------------	--	---	---------------------------------------

DETAIL OF MAIN GIRDER G2 (PF11-PF14) (2) S=1:80



2-Spl PL 260 x 14 x 630 (SM490YA)
 1-Spl PL 580 x 12 x 630 (SM490YA)
 2-Fill PL 260 x 3.2 x 315 (SS400)
 40-TCB M22 x 85 (S10T)

2-Spl PL 2246 x 9 x 480 (SM490YA)
 138-TCB M22 x 65 (S10T)

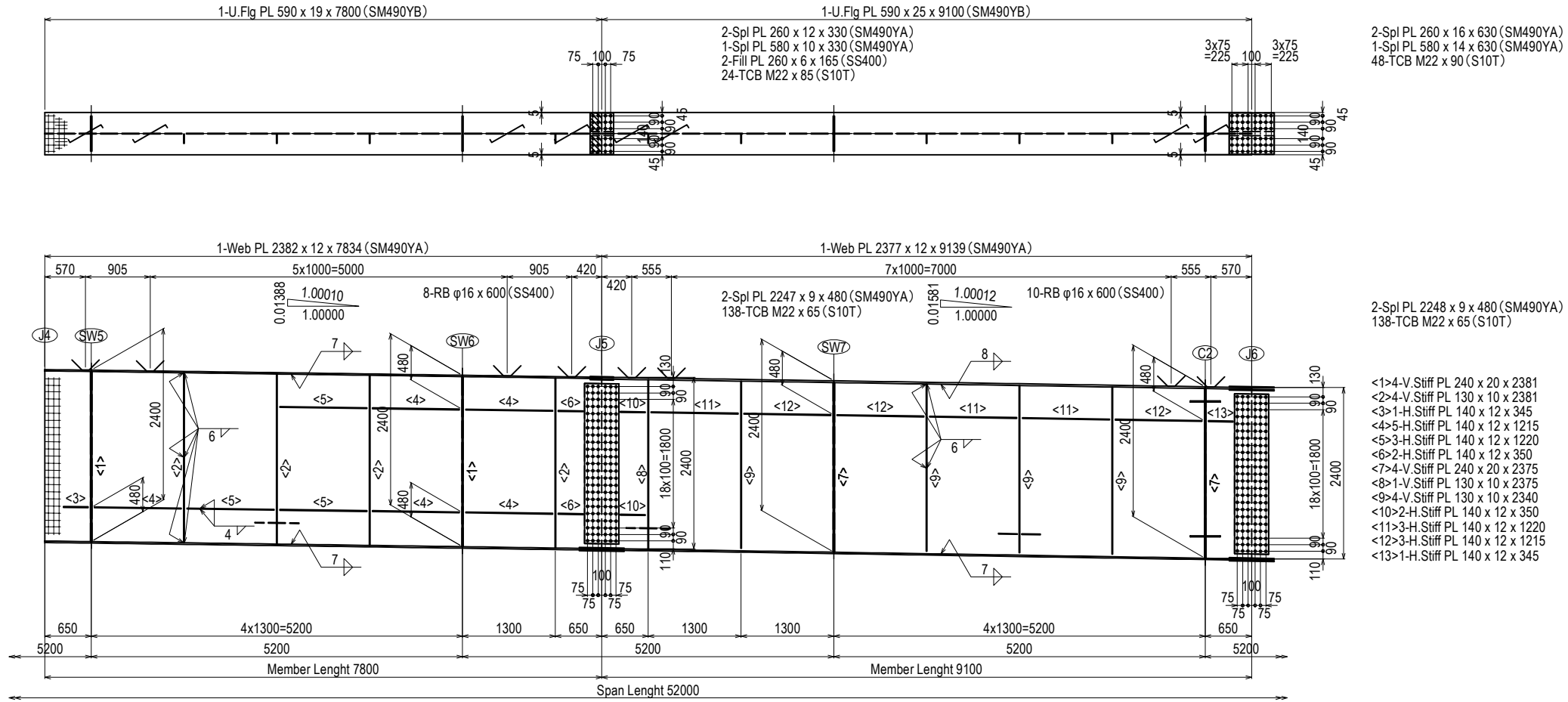
<1>-2-V.Stiff PL 240 x 20 x 2381
 <2>-5-V.Stiff PL 130 x 10 x 2381
 <3>-3-H.Stiff PL 140 x 12 x 425
 <4>-4-H.Stiff PL 140 x 12 x 1370
 <5>-4-H.Stiff PL 140 x 12 x 1365
 <6>-2-V.Stiff PL 240 x 20 x 2378
 <7>-2-V.Stiff PL 320 x 26 x 2378
 <8>-6-V.Stiff PL 130 x 10 x 2378
 <9>-1-H.Stiff PL 140 x 12 x 420
 <10>-1-H.Stiff PL 140 x 12 x 1240
 <11>-2-H.Stiff PL 140 x 12 x 1245
 <12>-1-H.Stiff PL 140 x 12 x 1237
 <13>-1-H.Stiff PL 140 x 12 x 1212
 <14>-2-H.Stiff PL 140 x 12 x 1220
 <15>-1-H.Stiff PL 140 x 12 x 350

2-Spl PL 260 x 12 x 480 (SM490YA)
 1-Spl PL 580 x 12 x 480 (SM490YA)
 1-Fill PL 580 x 8 x 240 (SS400)
 36-TCB M22 x 90 (S10T)

Note
 1. All material without the reports is made SM400A
 2. + : High-tension bolt M22 (S10T)
 3. All scar laps without the reports are made R35

PROJECT NAME DETAILED DESIGN ON BAGO RIVER BRIDGE CONSTRUCTION PROJECT	FINANCED BY JAPAN INTERNATIONAL COOPERATION AGENCY	COUNTERPART REPUBLIC OF THE UNION OF MYANMAR MINISTRY OF CONSTRUCTION DEPARTMENT OF BRIDGE	JICA STUDY TEAM NIPPON KOEI CO., LTD. ORIENTAL CONSULTANTS GLOBAL CO., LTD. METROPOLITAN EXPRESSWAY COMPANY LIMITED CHODAI CO., LTD. NIPPON ENGINEERING CONSULTANTS CO., LTD.	<table border="1" style="width: 100%; border-collapse: collapse;"> <thead> <tr> <th>NAME</th> <th>SIGNATURE</th> <th>DATE</th> </tr> </thead> <tbody> <tr> <td>PREPARED BY</td> <td>Y. SUZUKI</td> <td>14 Jul. 2017</td> </tr> <tr> <td>CHECKED BY</td> <td>T. HAYAKAWA</td> <td>20 Jul. 2017</td> </tr> <tr> <td>APPROVED BY</td> <td>Y. SANO</td> <td>25 Jul. 2017</td> </tr> </tbody> </table>	NAME	SIGNATURE	DATE	PREPARED BY	Y. SUZUKI	14 Jul. 2017	CHECKED BY	T. HAYAKAWA	20 Jul. 2017	APPROVED BY	Y. SANO	25 Jul. 2017	DRAWING TITLE DETAIL OF MAIN GIRDER G2 (PF11-PF14) (2)	PACKAGE 3 DWG No. P3-FO-1519
NAME	SIGNATURE	DATE																
PREPARED BY	Y. SUZUKI	14 Jul. 2017																
CHECKED BY	T. HAYAKAWA	20 Jul. 2017																
APPROVED BY	Y. SANO	25 Jul. 2017																

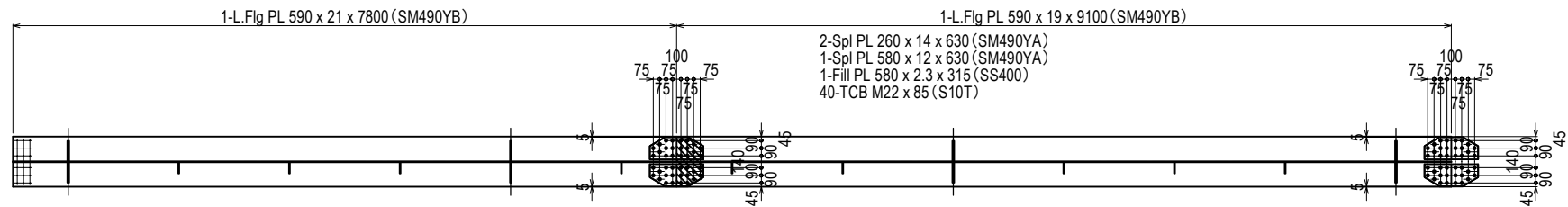
DETAIL OF MAIN GIRDER G2 (PF11-PF14) (3) S=1:80



2-Spl PL 260 x 16 x 630 (SM490YA)
1-Spl PL 580 x 14 x 630 (SM490YA)
48-TCB M22 x 90 (S10T)

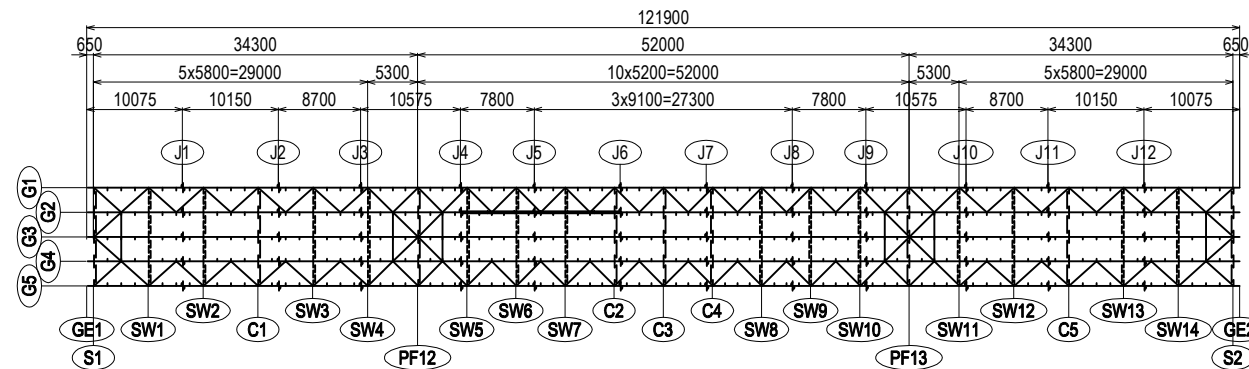
2-Spl PL 2248 x 9 x 480 (SM490YA)
138-TCB M22 x 65 (S10T)

- <1>4-V.Stiff PL 240 x 20 x 2381
- <2>4-V.Stiff PL 130 x 10 x 2381
- <3>1-H.Stiff PL 140 x 12 x 345
- <4>5-H.Stiff PL 140 x 12 x 1215
- <5>3-H.Stiff PL 140 x 12 x 1220
- <6>2-H.Stiff PL 140 x 12 x 350
- <7>4-V.Stiff PL 240 x 20 x 2375
- <8>1-V.Stiff PL 130 x 10 x 2375
- <9>4-V.Stiff PL 130 x 10 x 2340
- <10>2-H.Stiff PL 140 x 12 x 350
- <11>3-H.Stiff PL 140 x 12 x 1220
- <12>3-H.Stiff PL 140 x 12 x 1215
- <13>1-H.Stiff PL 140 x 12 x 345



2-Spl PL 260 x 14 x 630 (SM490YA)
1-Spl PL 580 x 12 x 630 (SM490YA)
40-TCB M22 x 80 (S10T)

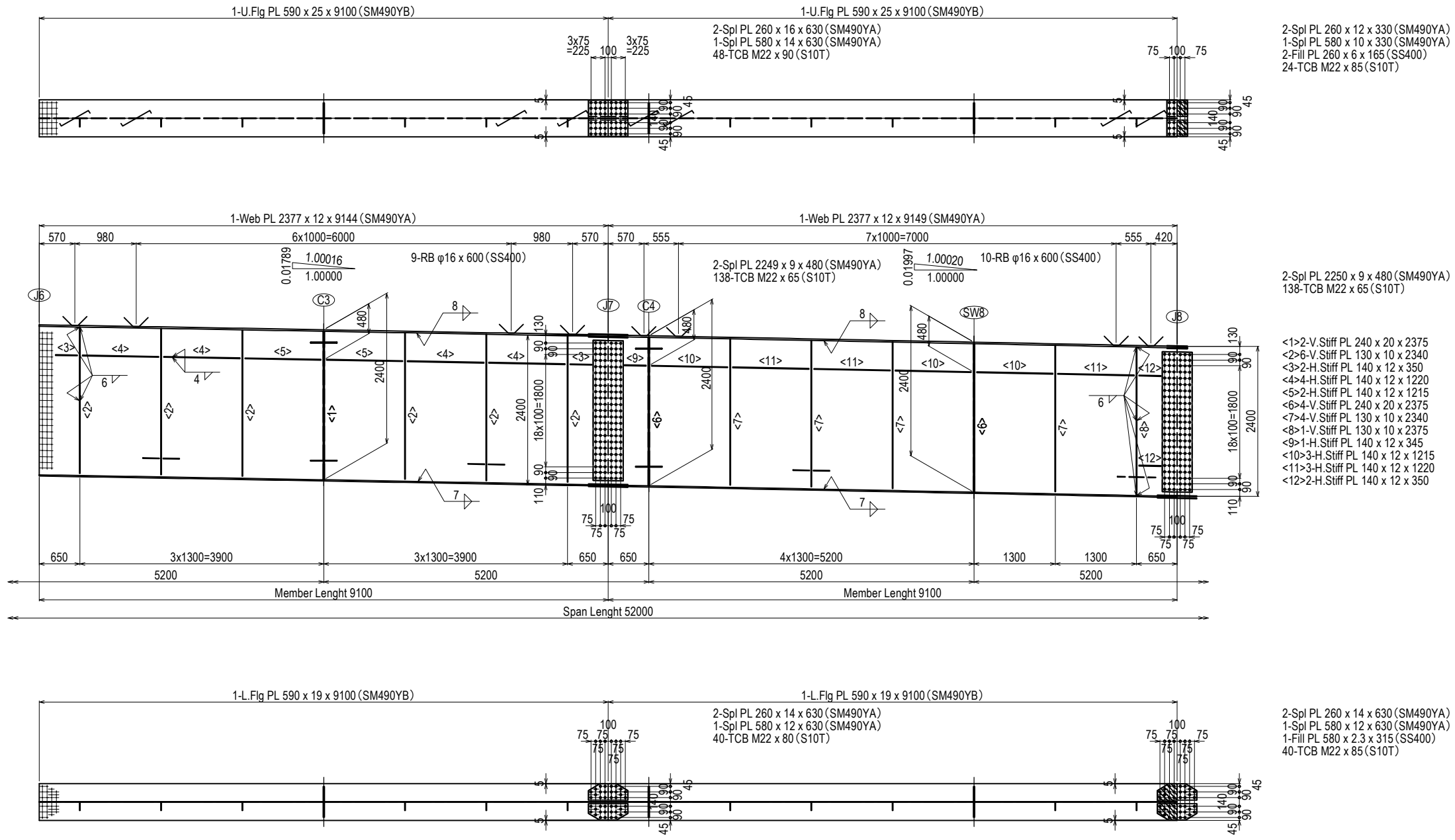
KEY PLAN



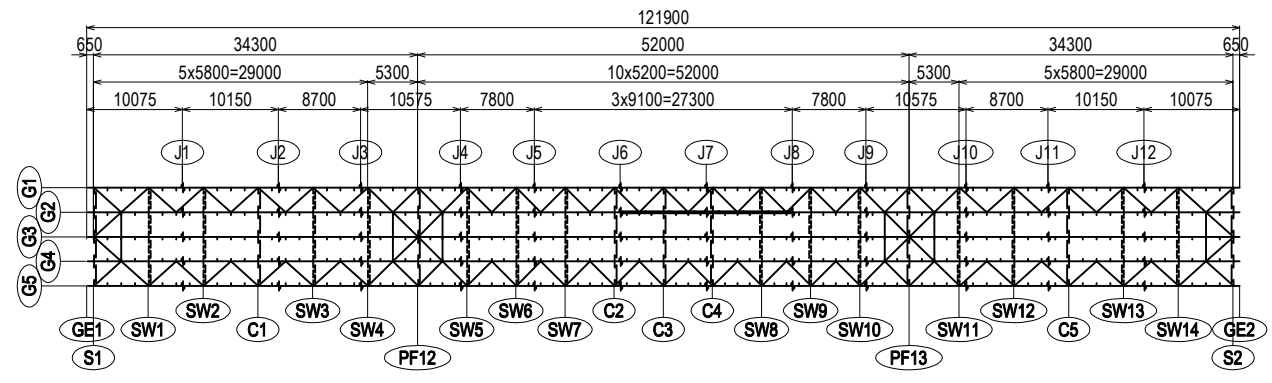
- Note**
- All material without the reports is made SM400A
 - + : High-tension bolt M22 (S10T)
 - All scar laps without the reports are made R35

PROJECT NAME DETAILED DESIGN ON BAGO RIVER BRIDGE CONSTRUCTION PROJECT	FINANCED BY JAPAN INTERNATIONAL COOPERATION AGENCY	COUNTERPART REPUBLIC OF THE UNION OF MYANMAR MINISTRY OF CONSTRUCTION DEPARTMENT OF BRIDGE	JICA STUDY TEAM NIPPON KOEI CO., LTD. ORIENTAL CONSULTANTS GLOBAL CO., LTD. METROPOLITAN EXPRESSWAY COMPANY LIMITED CHODAI CO., LTD. NIPPON ENGINEERING CONSULTANTS CO., LTD.	NAME Y. SUZUKI T. HAYAKAWA Y. SANO	SIGNATURE 	DATE 14 Jul. 2017 20 Jul. 2017 25 Jul. 2017	DRAWING TITLE DETAIL OF MAIN GIRDER G2 (PF11-PF14) (3)	PACKAGE 3 DWG No. P3-FO-1520
---	--	---	--	---	-----------------------	--	--	---------------------------------------

DETAIL OF MAIN GIRDER G2 (PF11-PF14) (4) S=1:80



KEY PLAN

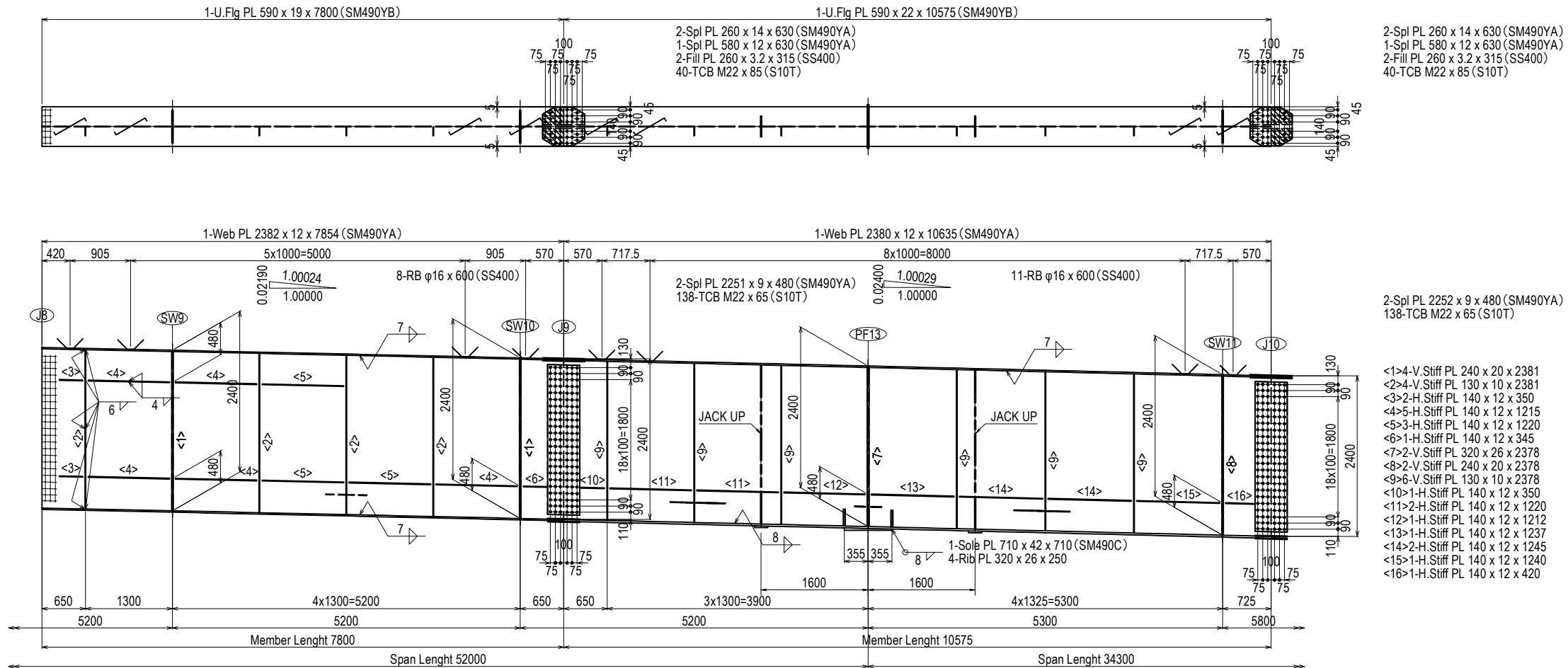


Note

- All material without the reports is made SM400A
- + : High-tension bolt M22 (S10T)
- All scar laps without the reports are made R35

PROJECT NAME DETAILED DESIGN ON BAGO RIVER BRIDGE CONSTRUCTION PROJECT	FINANCED BY JAPAN INTERNATIONAL COOPERATION AGENCY	COUNTERPART REPUBLIC OF THE UNION OF MYANMAR MINISTRY OF CONSTRUCTION DEPARTMENT OF BRIDGE	JICA STUDY TEAM NIPPON KOEI CO., LTD. ORIENTAL CONSULTANTS GLOBAL CO., LTD. METROPOLITAN EXPRESSWAY COMPANY LIMITED CHODAI CO., LTD. NIPPON ENGINEERING CONSULTANTS CO., LTD.	NAME PREPARED BY Y. SUZUKI CHECKED BY T. HAYAKAWA APPROVED BY Y. SANO	SIGNATURE 	DATE 14 Jul. 2017 20 Jul. 2017 25 Jul. 2017	DRAWING TITLE DETAIL OF MAIN GIRDER G2 (PF11-PF14) (4)	PACKAGE 3 DWG No. P3-FO-1521
---	--	---	--	--	---------------	--	---	---------------------------------------

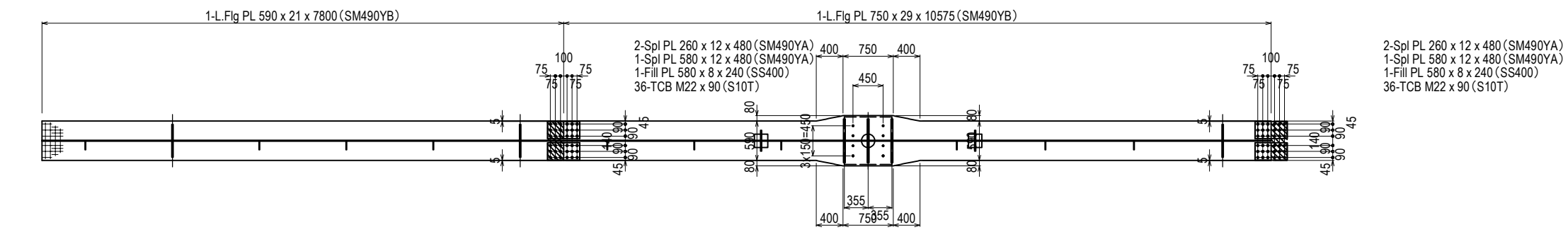
DETAIL OF MAIN GIRDER G2 (PF11-PF14) (5) S=1:80



2-Spl PL 260 x 14 x 630 (SM490YA)
 1-Spl PL 580 x 12 x 630 (SM490YA)
 2-Fill PL 260 x 3.2 x 315 (SS400)
 40-TCB M22 x 85 (S10T)

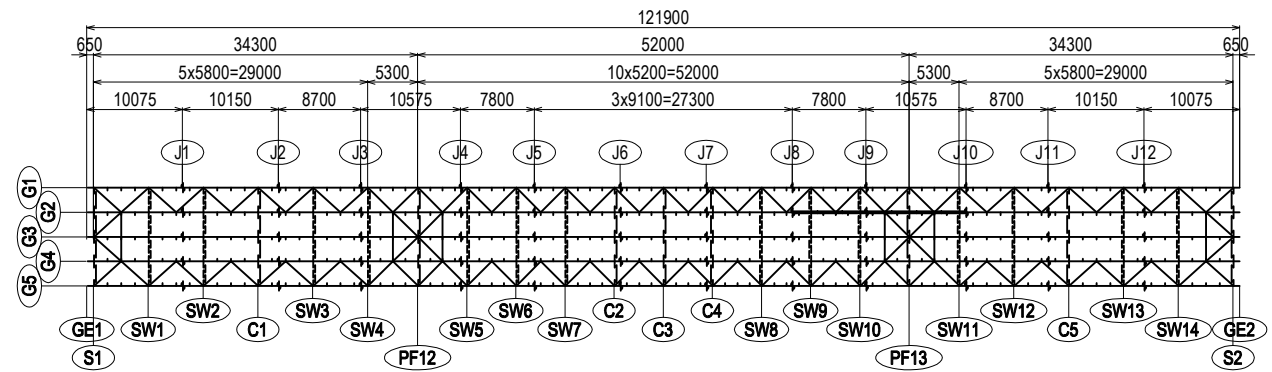
2-Spl PL 2252 x 9 x 480 (SM490YA)
 138-TCB M22 x 65 (S10T)

<1>-4-V.Stiff PL 240 x 20 x 2381
 <2>-4-V.Stiff PL 130 x 10 x 2381
 <3>-2-H.Stiff PL 140 x 12 x 350
 <4>-5-H.Stiff PL 140 x 12 x 1215
 <5>-3-H.Stiff PL 140 x 12 x 1220
 <6>-1-H.Stiff PL 140 x 12 x 345
 <7>-2-V.Stiff PL 320 x 26 x 2378
 <8>-2-V.Stiff PL 240 x 20 x 2378
 <9>-6-V.Stiff PL 130 x 10 x 2378
 <10>-1-H.Stiff PL 140 x 12 x 350
 <11>-2-H.Stiff PL 140 x 12 x 1220
 <12>-1-H.Stiff PL 140 x 12 x 1212
 <13>-1-H.Stiff PL 140 x 12 x 1237
 <14>-2-H.Stiff PL 140 x 12 x 1245
 <15>-1-H.Stiff PL 140 x 12 x 1240
 <16>-1-H.Stiff PL 140 x 12 x 420



2-Spl PL 260 x 12 x 480 (SM490YA)
 1-Spl PL 580 x 12 x 480 (SM490YA)
 1-Fill PL 580 x 8 x 240 (SS400)
 36-TCB M22 x 90 (S10T)

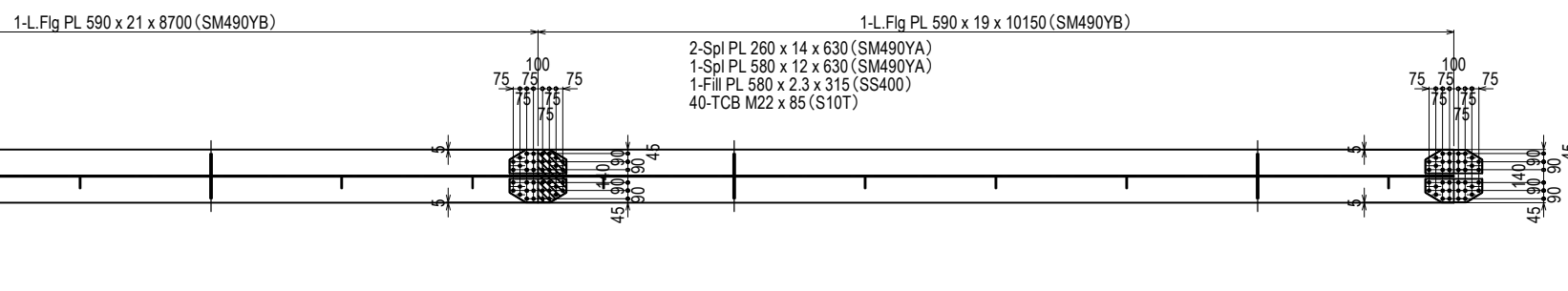
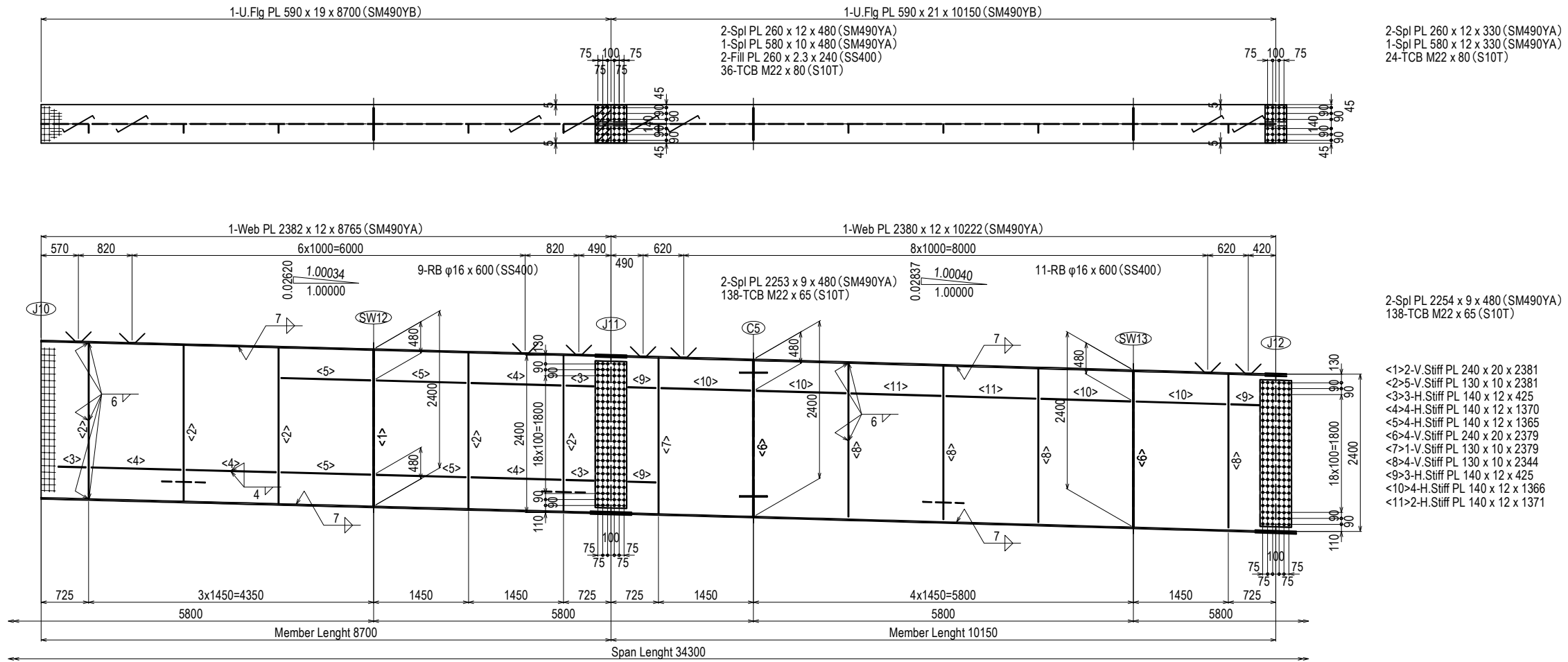
KEY PLAN



Note
 1. All material without the reports is made SM400A
 2. + : High-tension bolt M22 (S10T)
 3. All scar laps without the reports are made R35

PROJECT NAME DETAILED DESIGN ON BAGO RIVER BRIDGE CONSTRUCTION PROJECT	FINANCED BY JAPAN INTERNATIONAL COOPERATION AGENCY	COUNTERPART REPUBLIC OF THE UNION OF MYANMAR MINISTRY OF CONSTRUCTION DEPARTMENT OF BRIDGE	JICA STUDY TEAM NIPPON KOEI CO., LTD. ORIENTAL CONSULTANTS GLOBAL CO., LTD. METROPOLITAN EXPRESSWAY COMPANY LIMITED CHODAI CO., LTD. NIPPON ENGINEERING CONSULTANTS CO., LTD.	<table border="1" style="width: 100%; border-collapse: collapse;"> <thead> <tr> <th>NAME</th> <th>SIGNATURE</th> <th>DATE</th> </tr> </thead> <tbody> <tr> <td>PREPARED BY</td> <td>Y. SUZUKI</td> <td>14 Jul. 2017</td> </tr> <tr> <td>CHECKED BY</td> <td>T. HAYAKAWA</td> <td>20 Jul. 2017</td> </tr> <tr> <td>APPROVED BY</td> <td>Y. SANO</td> <td>25 Jul. 2017</td> </tr> </tbody> </table>	NAME	SIGNATURE	DATE	PREPARED BY	Y. SUZUKI	14 Jul. 2017	CHECKED BY	T. HAYAKAWA	20 Jul. 2017	APPROVED BY	Y. SANO	25 Jul. 2017	DRAWING TITLE DETAIL OF MAIN GIRDER G2 (PF11-PF14) (5)	PACKAGE 3 DWG No. P3-FO-1522
NAME	SIGNATURE	DATE																
PREPARED BY	Y. SUZUKI	14 Jul. 2017																
CHECKED BY	T. HAYAKAWA	20 Jul. 2017																
APPROVED BY	Y. SANO	25 Jul. 2017																

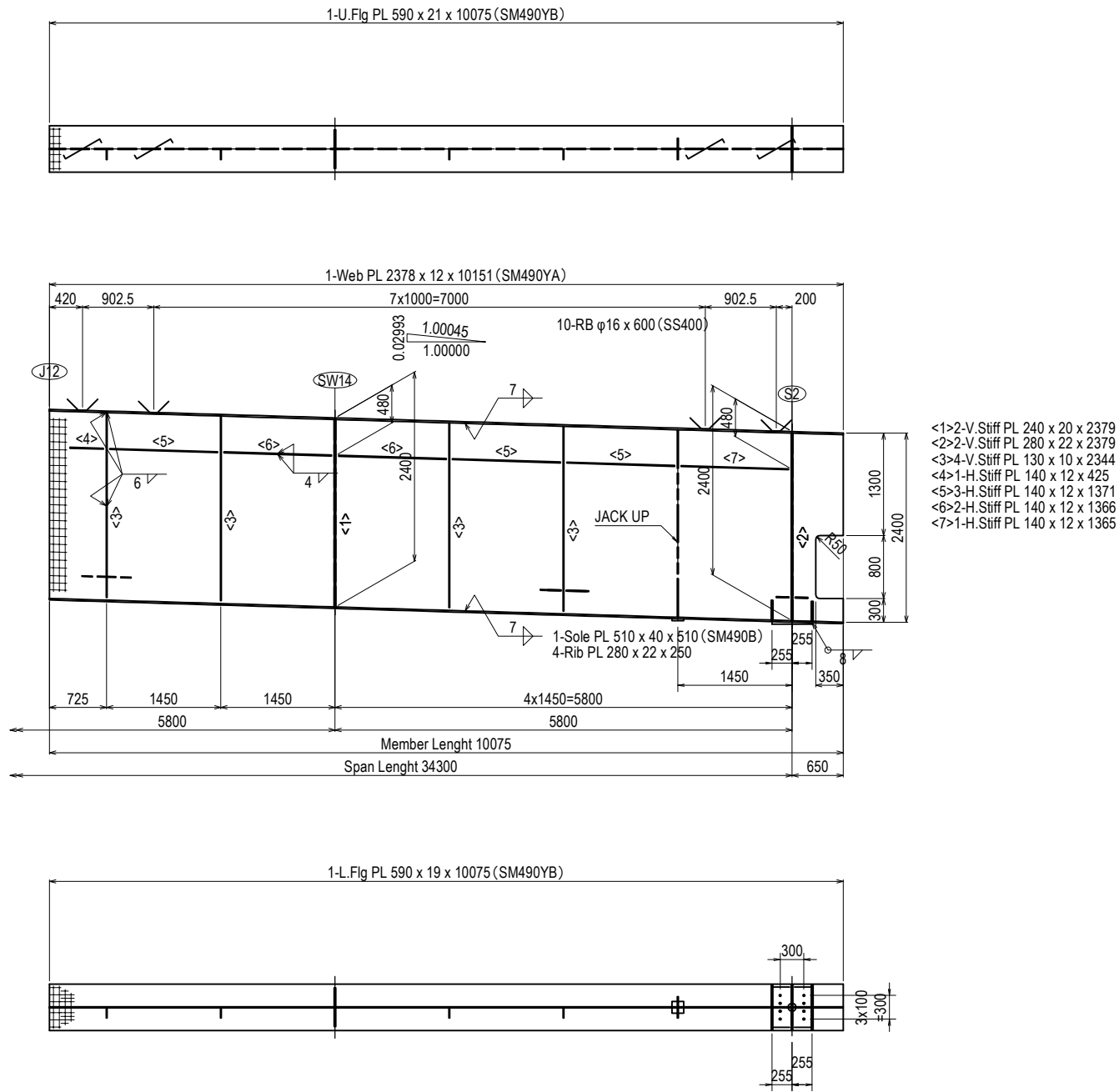
DETAIL OF MAIN GIRDER G2 (PF11-PF14) (6) S=1:80



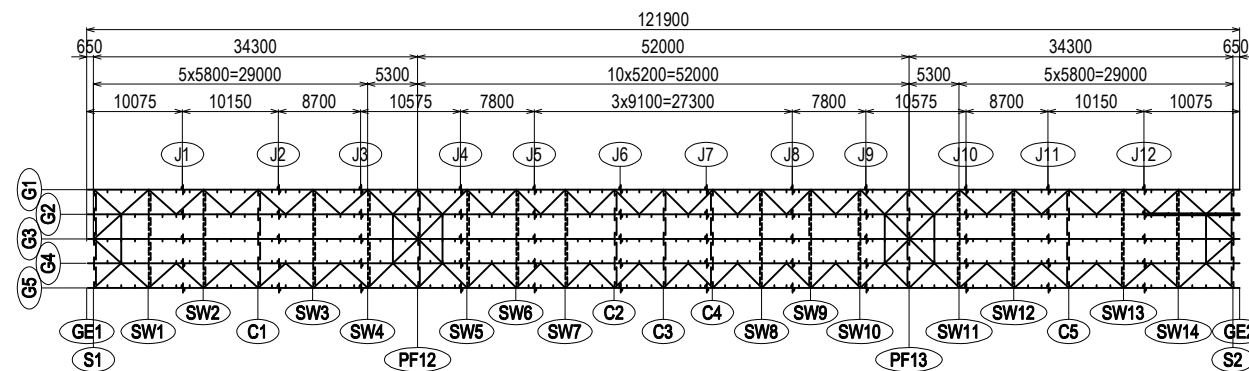
Note
 1. All material without the reports is made SM400A
 2. + : High-tension bolt M22 (S10T)
 3. All scar laps without the reports are made R35

PROJECT NAME DETAILED DESIGN ON BAGO RIVER BRIDGE CONSTRUCTION PROJECT	FINANCED BY JAPAN INTERNATIONAL COOPERATION AGENCY	COUNTERPART REPUBLIC OF THE UNION OF MYANMAR MINISTRY OF CONSTRUCTION DEPARTMENT OF BRIDGE	JICA STUDY TEAM NIPPON KOEI CO., LTD. ORIENTAL CONSULTANTS GLOBAL CO., LTD. METROPOLITAN EXPRESSWAY COMPANY LIMITED CHODAI CO., LTD. NIPPON ENGINEERING CONSULTANTS CO., LTD.	NAME Y. SUZUKI T. HAYAKAWA Y. SANO	SIGNATURE 	DATE 14 Jul. 2017 20 Jul. 2017 25 Jul. 2017	DRAWING TITLE DETAIL OF MAIN GIRDER G2 (PF11-PF14) (6)	PACKAGE 3 DWG No. P3-FO-1523
---	--	---	--	---	-----------------------	--	---	---------------------------------------

DETAIL OF MAIN GIRDER G2 (PF11-PF14) (7) S=1:80



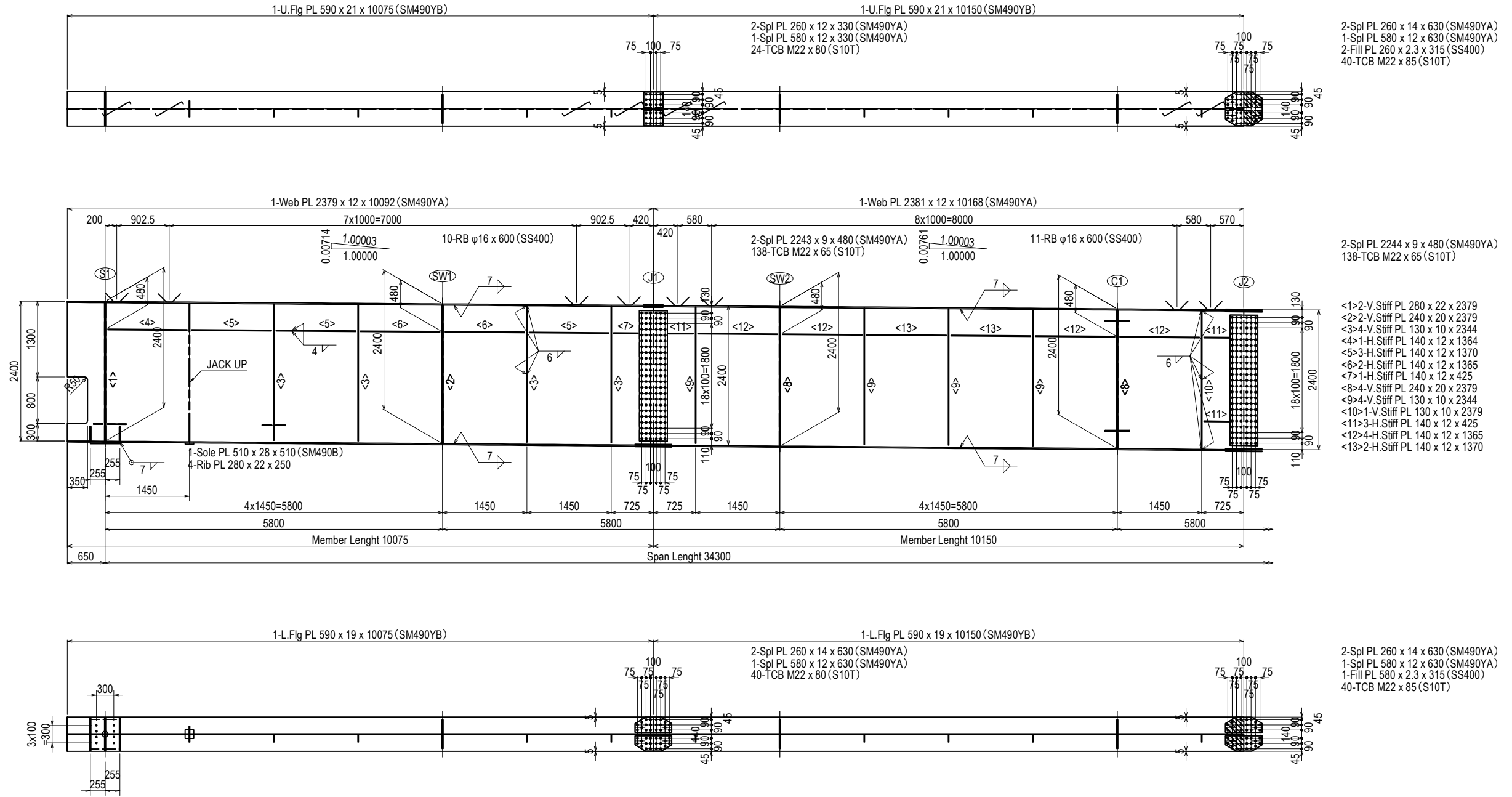
KEY PLAN



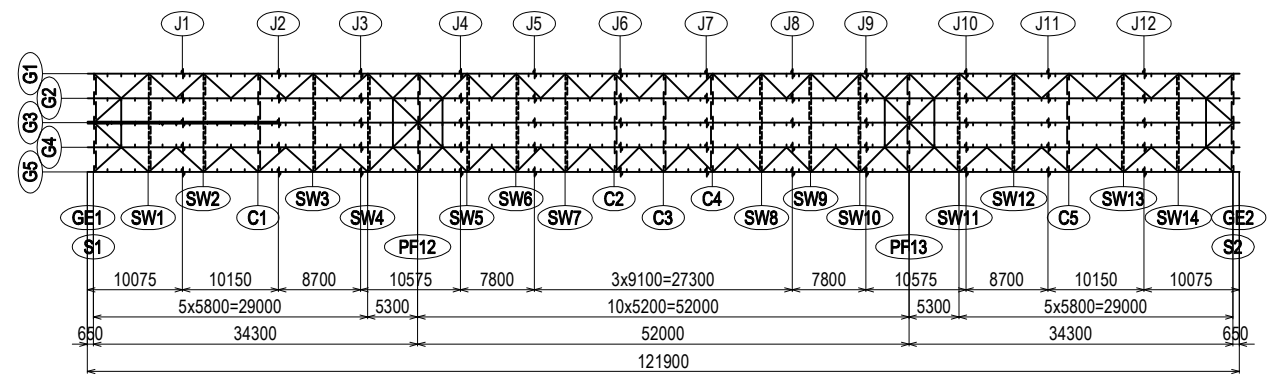
- Note
1. All material without the reports is made SM400A
 2. + : High-tension bolt M22 (S10T)
 3. All scar laps without the reports are made R35

PROJECT NAME DETAILED DESIGN ON BAGO RIVER BRIDGE CONSTRUCTION PROJECT	FINANCED BY JAPAN INTERNATIONAL COOPERATION AGENCY	COUNTERPART REPUBLIC OF THE UNION OF MYANMAR MINISTRY OF CONSTRUCTION DEPARTMENT OF BRIDGE	JICA STUDY TEAM NIPPON KOEI CO., LTD. ORIENTAL CONSULTANTS GLOBAL CO., LTD. METROPOLITAN EXPRESSWAY COMPANY LIMITED CHODAI CO., LTD. NIPPON ENGINEERING CONSULTANTS CO., LTD.	<table border="1" style="width: 100%; border-collapse: collapse;"> <tr> <th style="width: 10%;">NAME</th> <th style="width: 10%;">SIGNATURE</th> <th style="width: 10%;">DATE</th> </tr> <tr> <td>PREPARED BY</td> <td>Y. SUZUKI</td> <td>14 Jul. 2017</td> </tr> <tr> <td>CHECKED BY</td> <td>T. HAYAKAWA</td> <td>20 Jul. 2017</td> </tr> <tr> <td>APPROVED BY</td> <td>Y. SANO</td> <td>25 Jul. 2017</td> </tr> </table>	NAME	SIGNATURE	DATE	PREPARED BY	Y. SUZUKI	14 Jul. 2017	CHECKED BY	T. HAYAKAWA	20 Jul. 2017	APPROVED BY	Y. SANO	25 Jul. 2017	DRAWING TITLE DETAIL OF MAIN GIRDER G2 (PF11-PF14) (7)	PACKAGE 3 DWG No. P3-FO-1524
NAME	SIGNATURE	DATE																
PREPARED BY	Y. SUZUKI	14 Jul. 2017																
CHECKED BY	T. HAYAKAWA	20 Jul. 2017																
APPROVED BY	Y. SANO	25 Jul. 2017																

DETAIL OF MAIN GIRDER G3 (PF11-PF14) (1) S=1:80



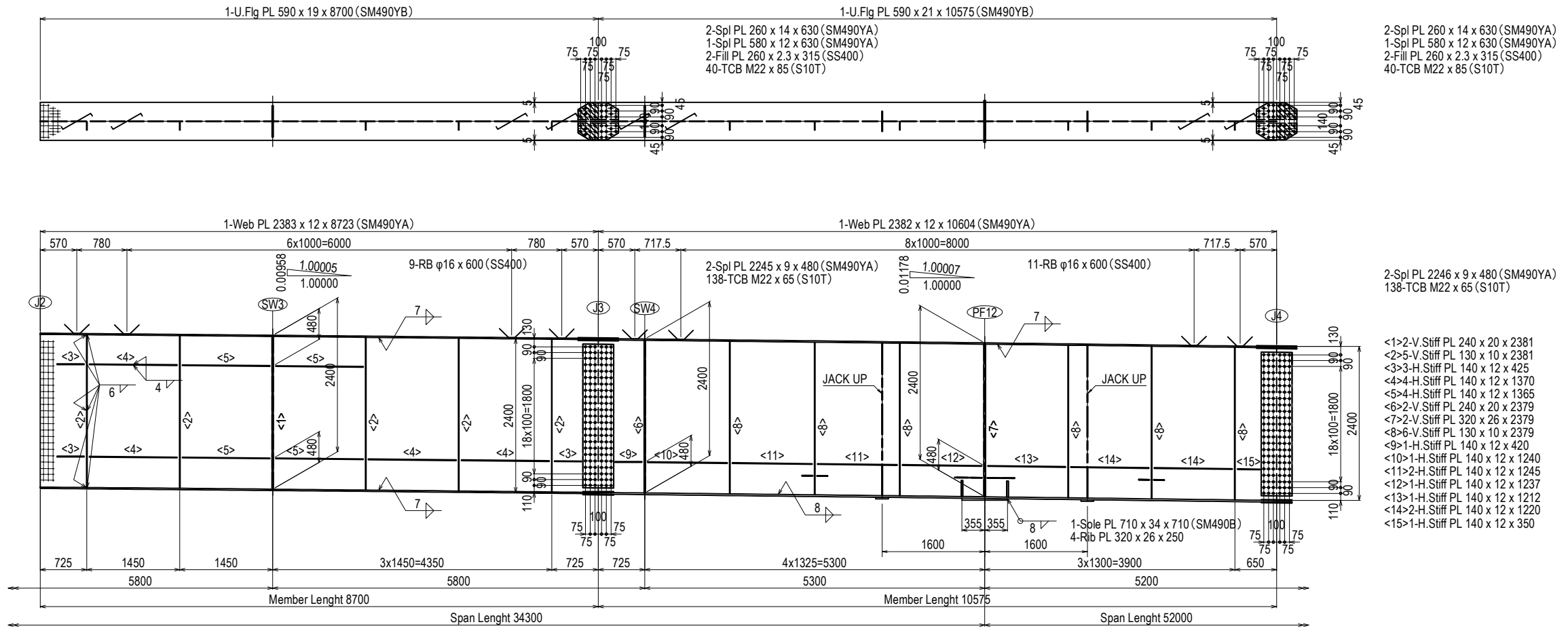
KEY PLAN



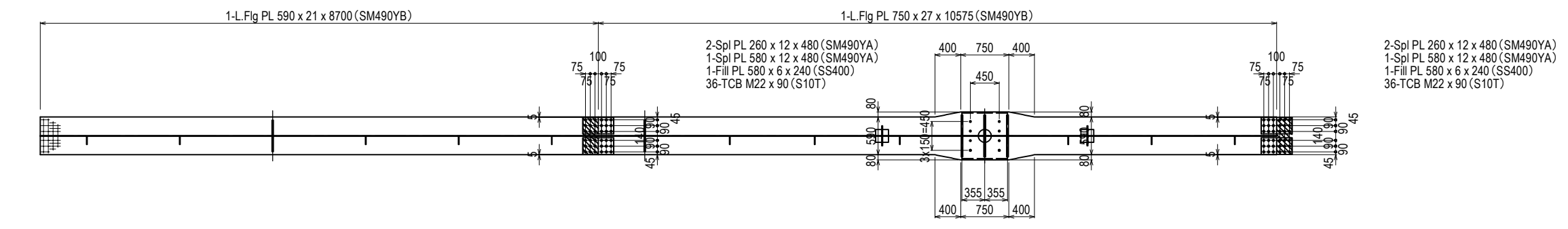
Note
 1. All material without the reports is made SM400A
 2. + : High-tension bolt M22 (S10T)
 3. All scar laps without the reports are made R35

PROJECT NAME DETAILED DESIGN ON BAGO RIVER BRIDGE CONSTRUCTION PROJECT	FINANCED BY JAPAN INTERNATIONAL COOPERATION AGENCY	COUNTERPART REPUBLIC OF THE UNION OF MYANMAR MINISTRY OF CONSTRUCTION DEPARTMENT OF BRIDGE	JICA STUDY TEAM NIPPON KOEI CO., LTD. ORIENTAL CONSULTANTS GLOBAL CO., LTD. METROPOLITAN EXPRESSWAY COMPANY LIMITED CHODAI CO., LTD. NIPPON ENGINEERING CONSULTANTS CO., LTD.	<table border="1" style="width: 100%; border-collapse: collapse;"> <thead> <tr> <th style="width: 10%;"></th> <th style="width: 20%;">NAME</th> <th style="width: 20%;">SIGNATURE</th> <th style="width: 20%;">DATE</th> </tr> </thead> <tbody> <tr> <td>PREPARED BY</td> <td>Y. SUZUKI</td> <td></td> <td>14 Jul. 2017</td> </tr> <tr> <td>CHECKED BY</td> <td>T. HAYAKAWA</td> <td></td> <td>20 Jul. 2017</td> </tr> <tr> <td>APPROVED BY</td> <td>Y. SANO</td> <td></td> <td>25 Jul. 2017</td> </tr> </tbody> </table>		NAME	SIGNATURE	DATE	PREPARED BY	Y. SUZUKI		14 Jul. 2017	CHECKED BY	T. HAYAKAWA		20 Jul. 2017	APPROVED BY	Y. SANO		25 Jul. 2017	DRAWING TITLE DETAIL OF MAIN GIRDER G3 (PF11-PF14) (1)	PACKAGE 3 DWG No. P3-FO-1525
	NAME	SIGNATURE	DATE																			
PREPARED BY	Y. SUZUKI		14 Jul. 2017																			
CHECKED BY	T. HAYAKAWA		20 Jul. 2017																			
APPROVED BY	Y. SANO		25 Jul. 2017																			

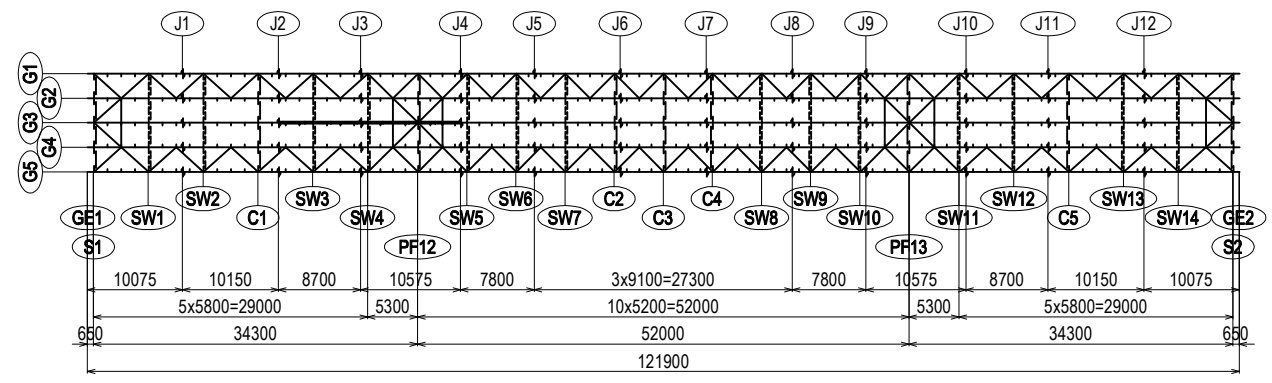
DETAIL OF MAIN GIRDER G3 (PF11-PF14) (2) S=1:80



- <1>-2-V.Stiff PL 240 x 20 x 2381
- <2>-5-V.Stiff PL 130 x 10 x 2381
- <3>-3-H.Stiff PL 140 x 12 x 425
- <4>-4-H.Stiff PL 140 x 12 x 1370
- <5>-4-H.Stiff PL 140 x 12 x 1365
- <6>-2-V.Stiff PL 240 x 20 x 2379
- <7>-2-V.Stiff PL 320 x 26 x 2379
- <8>-6-V.Stiff PL 130 x 10 x 2379
- <9>-1-H.Stiff PL 140 x 12 x 420
- <10>-1-H.Stiff PL 140 x 12 x 1240
- <11>-2-H.Stiff PL 140 x 12 x 1245
- <12>-1-H.Stiff PL 140 x 12 x 1237
- <13>-1-H.Stiff PL 140 x 12 x 1212
- <14>-2-H.Stiff PL 140 x 12 x 1220
- <15>-1-H.Stiff PL 140 x 12 x 350



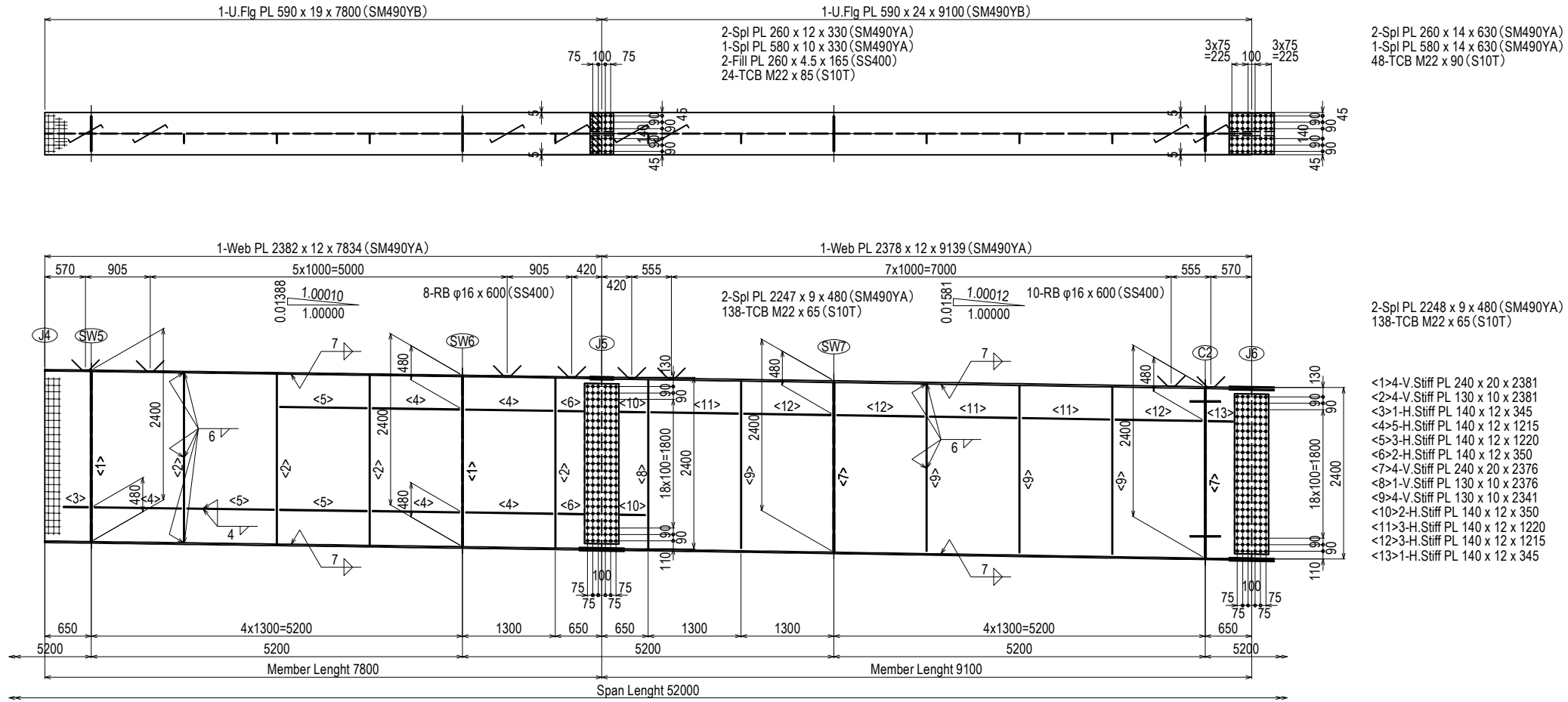
KEY PLAN



- Note
1. All material without the reports is made SM400A
 2. + : High-tension bolt M22 (S10T)
 3. All scar laps without the reports are made R35

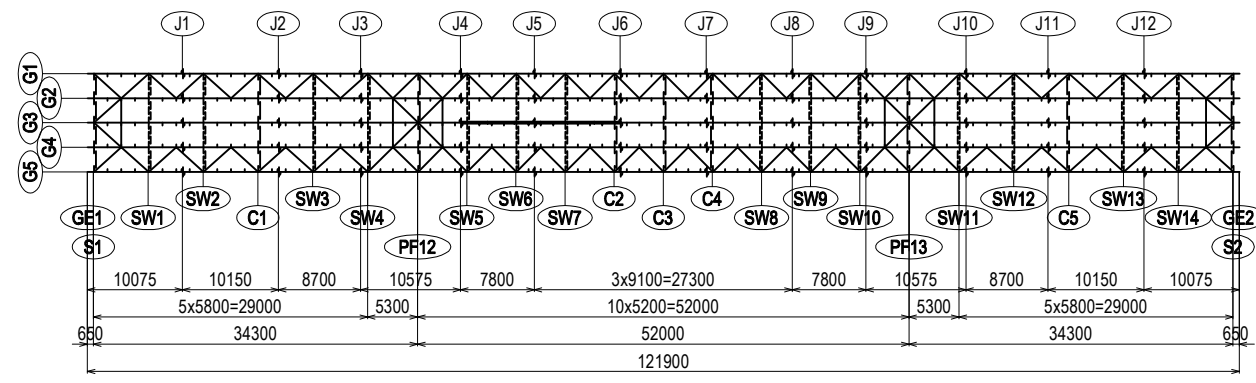
PROJECT NAME DETAILED DESIGN ON BAGO RIVER BRIDGE CONSTRUCTION PROJECT	FINANCED BY JAPAN INTERNATIONAL COOPERATION AGENCY	COUNTERPART REPUBLIC OF THE UNION OF MYANMAR MINISTRY OF CONSTRUCTION DEPARTMENT OF BRIDGE	JICA STUDY TEAM NIPPON KOEI CO., LTD. ORIENTAL CONSULTANTS GLOBAL CO., LTD. METROPOLITAN EXPRESSWAY COMPANY LIMITED CHODAI CO., LTD. NIPPON ENGINEERING CONSULTANTS CO., LTD.	NAME Y. SUZUKI T. HAYAKAWA Y. SANO	SIGNATURE 	DATE 14 Jul. 2017 20 Jul. 2017 25 Jul. 2017	DRAWING TITLE DETAIL OF MAIN GIRDER G3 (PF11-PF14) (2)	PACKAGE 3 DWG No. P3-FO-1526
---	--	---	--	---	-----------------------	--	---	---------------------------------------

DETAIL OF MAIN GIRDER G3 (PF11-PF14) (3) S=1:80



- <1>4-V.Stiff PL 240 x 20 x 2381
- <2>4-V.Stiff PL 130 x 10 x 2381
- <3>1-H.Stiff PL 140 x 12 x 345
- <4>5-H.Stiff PL 140 x 12 x 1215
- <5>3-H.Stiff PL 140 x 12 x 1220
- <6>2-H.Stiff PL 140 x 12 x 350
- <7>4-V.Stiff PL 240 x 20 x 2376
- <8>1-V.Stiff PL 130 x 10 x 2376
- <9>4-V.Stiff PL 130 x 10 x 2341
- <10>2-H.Stiff PL 140 x 12 x 350
- <11>3-H.Stiff PL 140 x 12 x 1220
- <12>3-H.Stiff PL 140 x 12 x 1215
- <13>1-H.Stiff PL 140 x 12 x 345

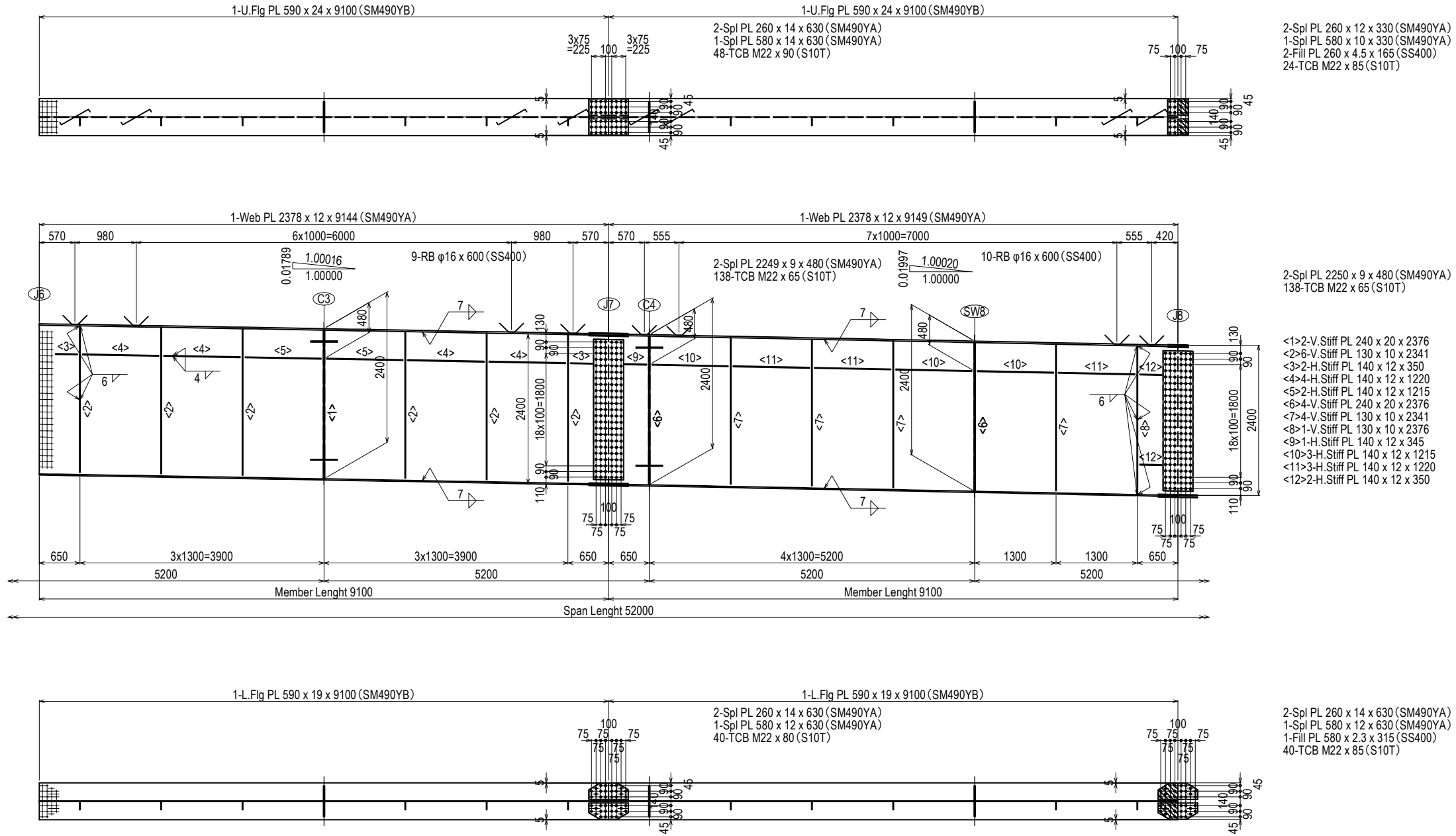
KEY PLAN



- Note
1. All material without the reports is made SM400A
 2. + : High-tension bolt M22 (S10T)
 3. All scar laps without the reports are made R35

PROJECT NAME DETAILED DESIGN ON BAGO RIVER BRIDGE CONSTRUCTION PROJECT	FINANCED BY JAPAN INTERNATIONAL COOPERATION AGENCY	COUNTERPART REPUBLIC OF THE UNION OF MYANMAR MINISTRY OF CONSTRUCTION DEPARTMENT OF BRIDGE	JICA STUDY TEAM NIPPON KOEI CO., LTD. ORIENTAL CONSULTANTS GLOBAL CO., LTD. METROPOLITAN EXPRESSWAY COMPANY LIMITED CHODAI CO., LTD. NIPPON ENGINEERING CONSULTANTS CO., LTD.	NAME Y. SUZUKI T. HAYAKAWA Y. SANO	SIGNATURE 	DATE 14 Jul. 2017 20 Jul. 2017 25 Jul. 2017	DRAWING TITLE DETAIL OF MAIN GIRDER G3 (PF11-PF14) (3)	PACKAGE 3 DWG No. P3-FO-1527
---	--	---	--	---	-----------------------	--	---	---------------------------------------

DETAIL OF MAIN GIRDER G3 (PF11-PF14) (4) S=1:80



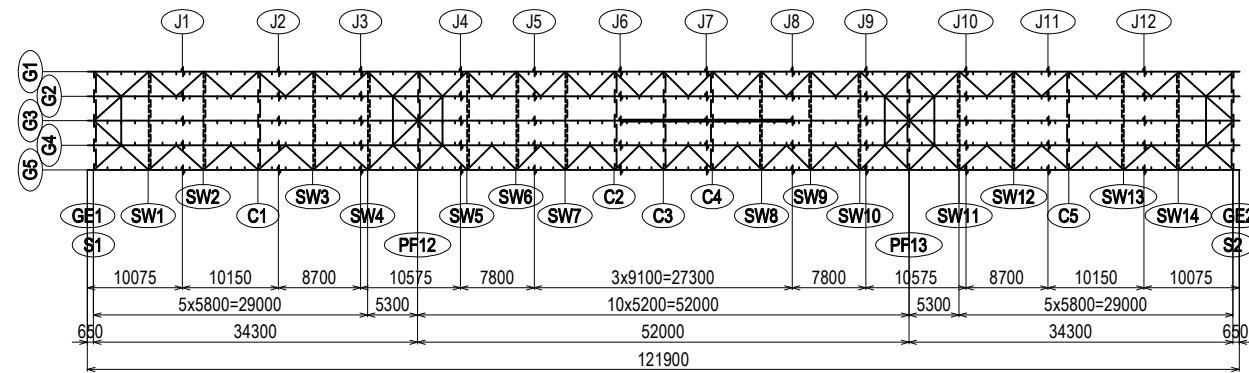
2-Spl PL 260 x 12 x 330 (SM490YA)
 1-Spl PL 580 x 10 x 330 (SM490YA)
 2-Fill PL 260 x 4.5 x 165 (SS400)
 24-TCB M22 x 85 (S10T)

2-Spl PL 2250 x 9 x 480 (SM490YA)
 138-TCB M22 x 65 (S10T)

<1>2-V.Stiff PL 240 x 20 x 2376
 <2>6-V.Stiff PL 130 x 10 x 2341
 <3>2-H.Stiff PL 140 x 12 x 350
 <4>4-H.Stiff PL 140 x 12 x 1220
 <5>2-H.Stiff PL 140 x 12 x 1215
 <6>4-V.Stiff PL 240 x 20 x 2376
 <7>4-V.Stiff PL 130 x 10 x 2341
 <8>1-V.Stiff PL 130 x 10 x 2376
 <9>1-H.Stiff PL 140 x 12 x 345
 <10>3-H.Stiff PL 140 x 12 x 1215
 <11>3-H.Stiff PL 140 x 12 x 1220
 <12>2-H.Stiff PL 140 x 12 x 350

2-Spl PL 260 x 14 x 630 (SM490YA)
 1-Spl PL 580 x 12 x 630 (SM490YA)
 1-Fill PL 580 x 2.3 x 315 (SS400)
 40-TCB M22 x 85 (S10T)

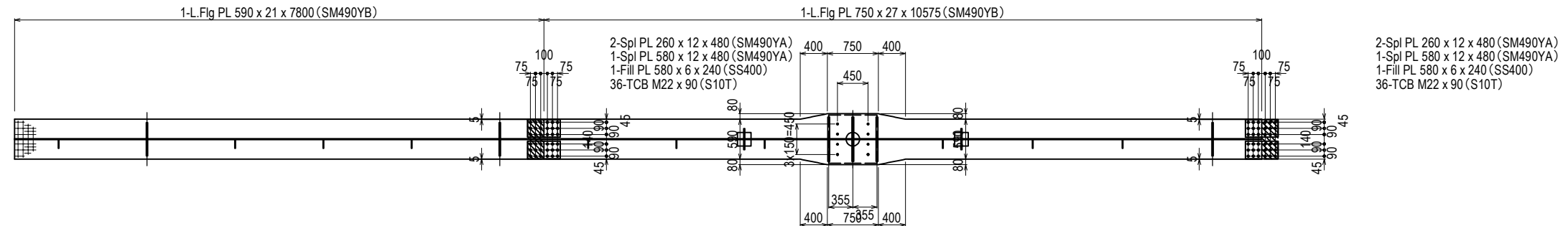
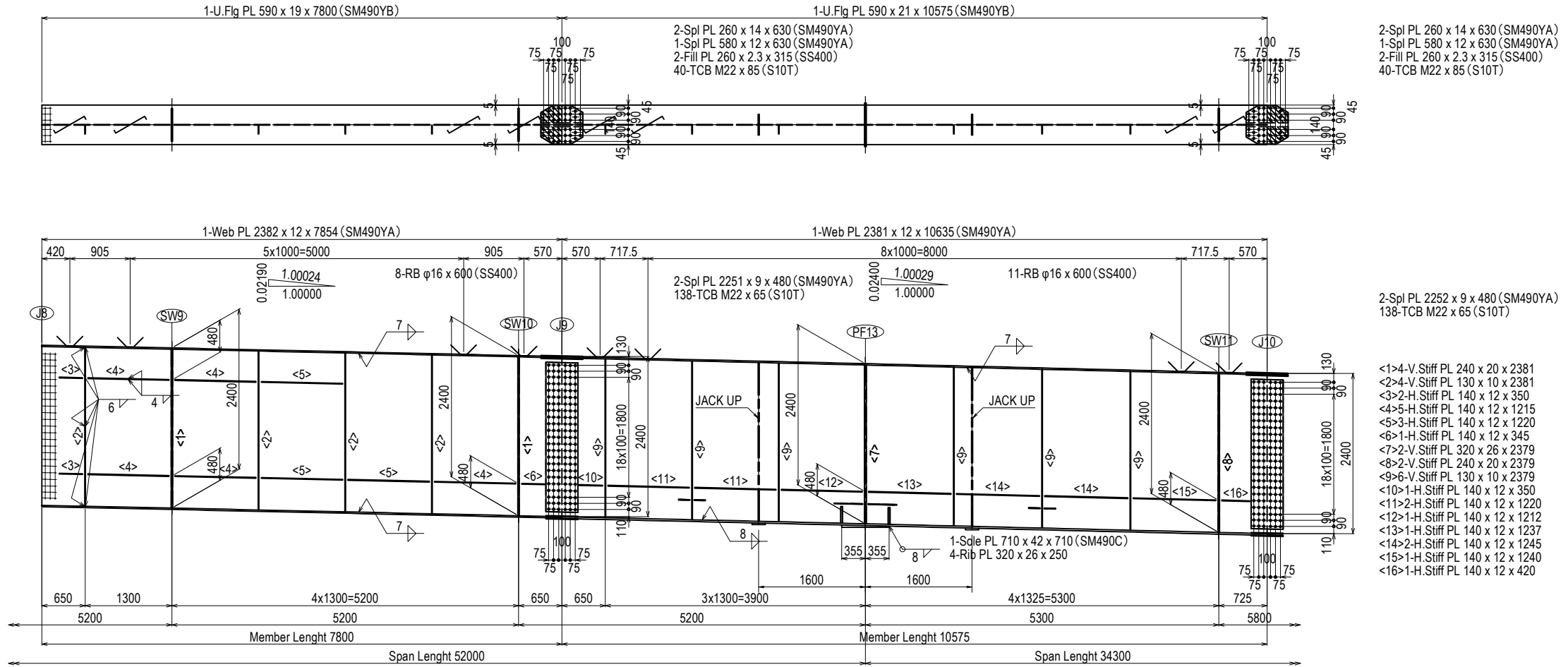
KEY PLAN



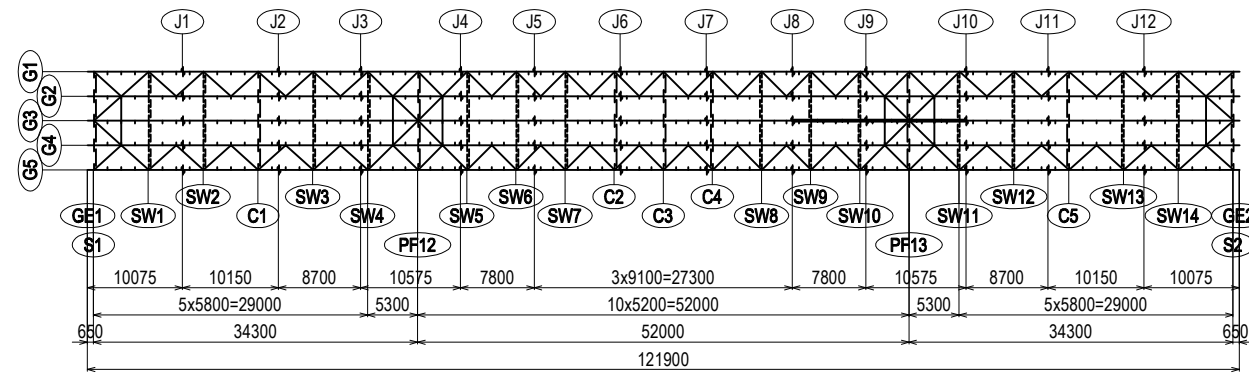
Note
 1. All material without the reports is made SM400A
 2. + : High-tension bolt M22 (S10T)
 3. All scar laps without the reports are made R35

PROJECT NAME DETAILED DESIGN ON BAGO RIVER BRIDGE CONSTRUCTION PROJECT	FINANCED BY JAPAN INTERNATIONAL COOPERATION AGENCY	COUNTERPART REPUBLIC OF THE UNION OF MYANMAR MINISTRY OF CONSTRUCTION DEPARTMENT OF BRIDGE	JICA STUDY TEAM NIPPON KOEI CO., LTD. ORIENTAL CONSULTANTS GLOBAL CO., LTD. METROPOLITAN EXPRESSWAY COMPANY LIMITED CHODAI CO., LTD. NIPPON ENGINEERING CONSULTANTS CO., LTD.	NAME PREPARED BY Y. SUZUKI CHECKED BY T. HAYAKAWA APPROVED BY Y. SANO	SIGNATURE 	DATE 14 Jul. 2017 20 Jul. 2017 25 Jul. 2017	DRAWING TITLE DETAIL OF MAIN GIRDER G3 (PF11-PF14) (4)	PACKAGE 3 DWG No. P3-FO-1528
---	--	---	--	--	-----------------------	--	---	---------------------------------------

DETAIL OF MAIN GIRDER G3 (PF11-PF14) (5) S=1:80



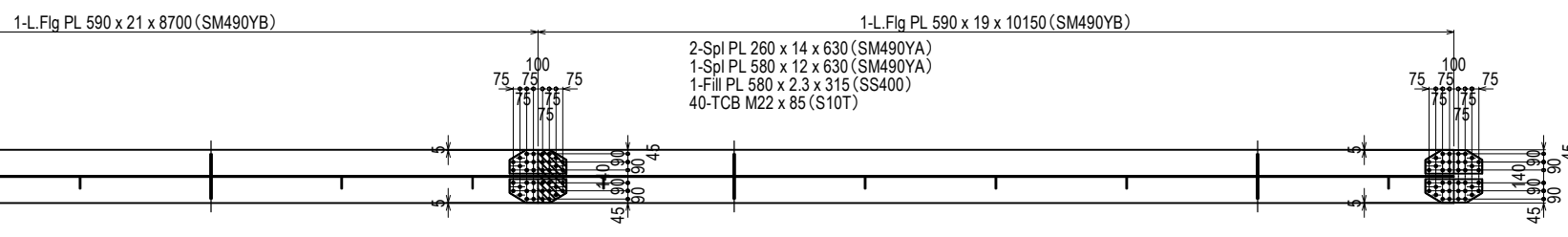
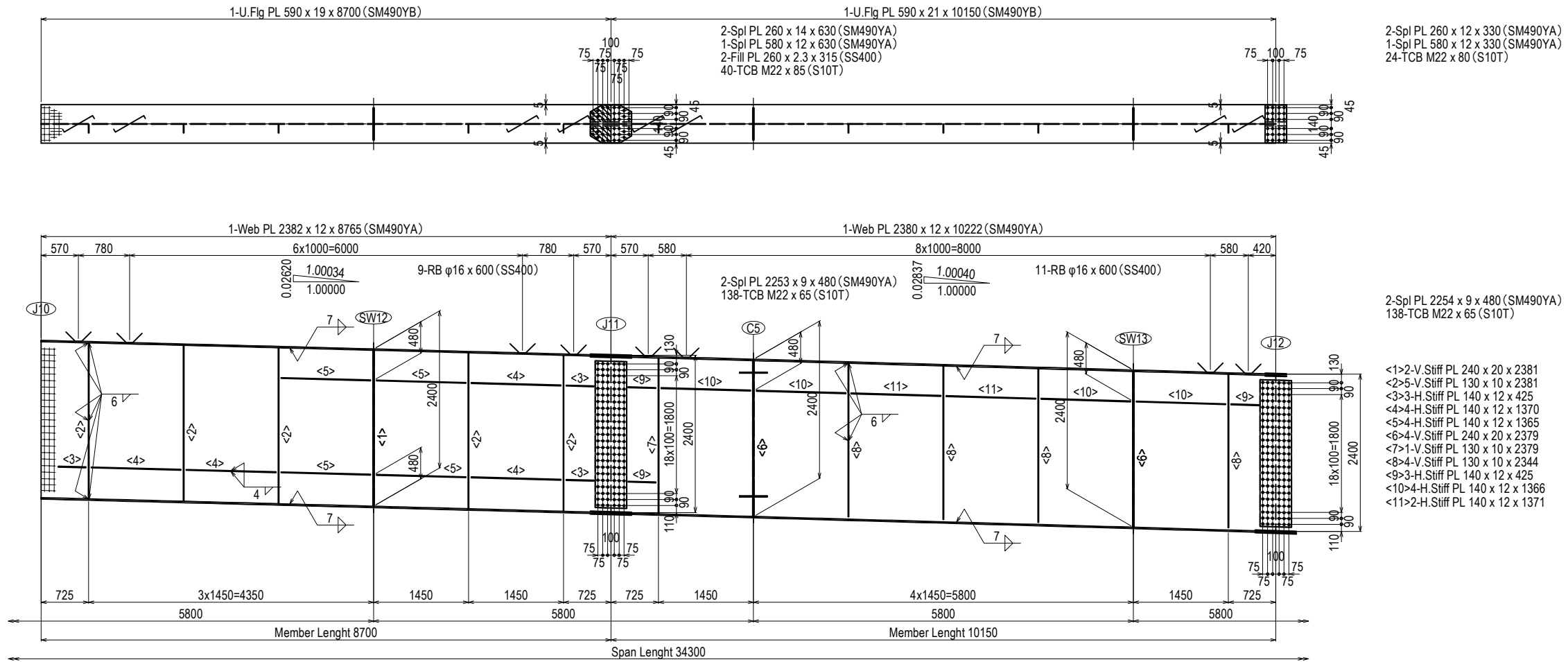
KEY PLAN



- Note
1. All material without the reports is made SM400A
 2. + : High-tension bolt M22 (S10T)
 3. All scar laps without the reports are made R35

PROJECT NAME DETAILED DESIGN ON BAGO RIVER BRIDGE CONSTRUCTION PROJECT	FINANCED BY JAPAN INTERNATIONAL COOPERATION AGENCY	COUNTERPART REPUBLIC OF THE UNION OF MYANMAR MINISTRY OF CONSTRUCTION DEPARTMENT OF BRIDGE	JICA STUDY TEAM NIPPON KOEI CO., LTD. ORIENTAL CONSULTANTS GLOBAL CO., LTD. METROPOLITAN EXPRESSWAY COMPANY LIMITED CHODAI CO., LTD. NIPPON ENGINEERING CONSULTANTS CO., LTD.	NAME PREPARED BY Y. SUZUKI CHECKED BY T. HAYAKAWA APPROVED BY Y. SANO	SIGNATURE 	DATE 14 Jul. 2017 20 Jul. 2017 25 Jul. 2017	DRAWING TITLE DETAIL OF MAIN GIRDER G3 (PF11-PF14) (5)	PACKAGE 3 DWG No. P3-FO-1529
---	--	---	--	--	-----------------------	--	---	---------------------------------------

DETAIL OF MAIN GIRDER G3 (PF11-PF14) (6) S=1:80



2-Spl PL 260 x 12 x 330 (SM490YA)
1-Spl PL 580 x 12 x 330 (SM490YA)
24-TCB M22 x 80 (S10T)

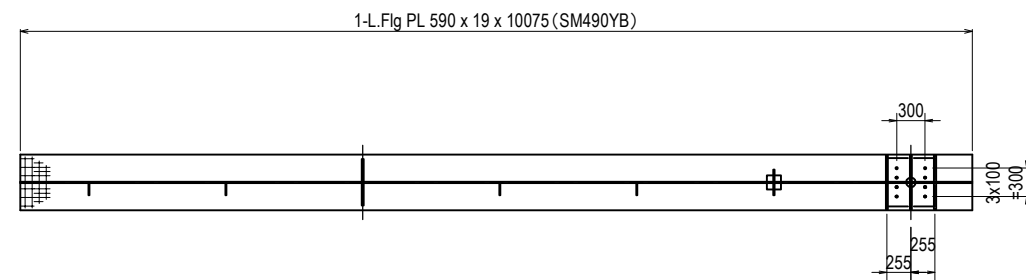
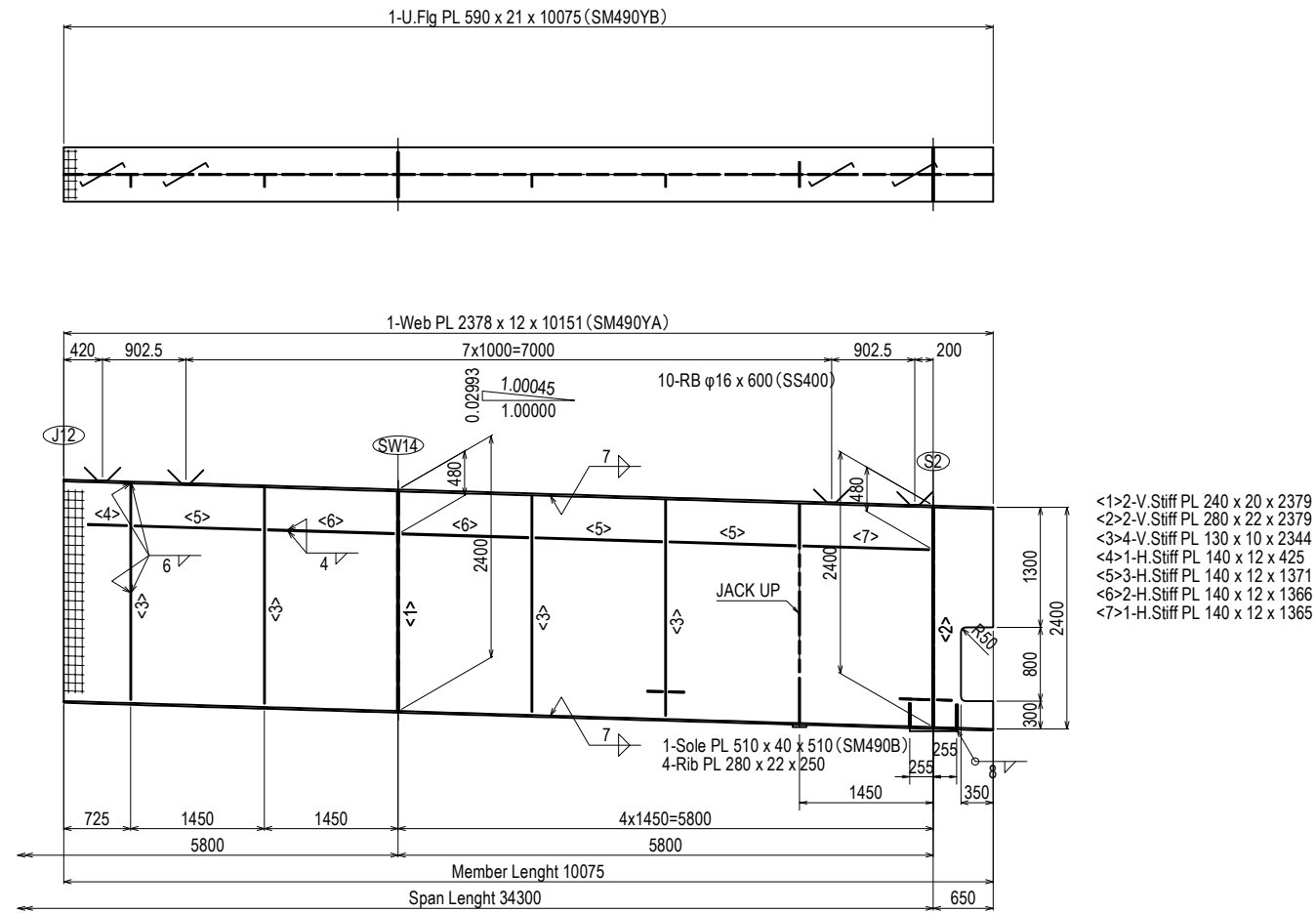
2-Spl PL 2254 x 9 x 480 (SM490YA)
138-TCB M22 x 65 (S10T)

2-Spl PL 260 x 14 x 630 (SM490YA)
1-Spl PL 580 x 12 x 630 (SM490YA)
40-TCB M22 x 80 (S10T)

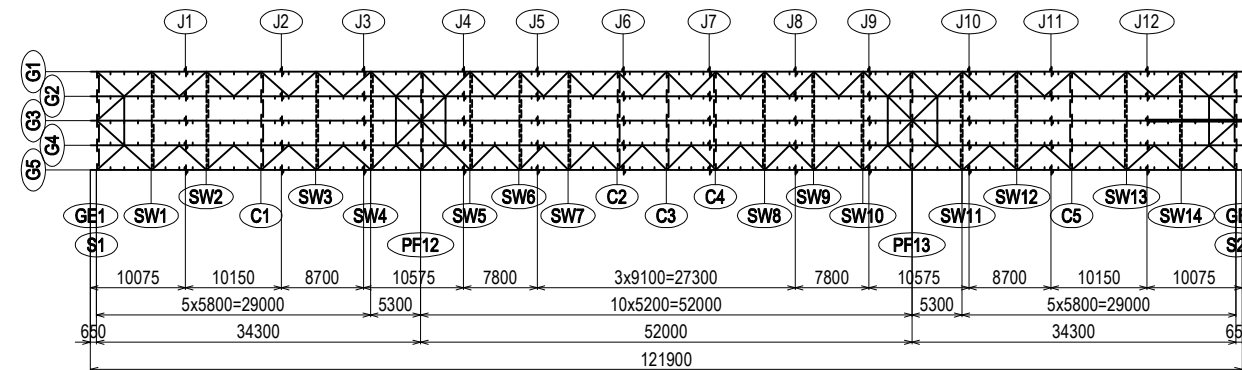
Note
1. All material without the reports is made SM400A
2. + : High-tension bolt M22 (S10T)
3. All scar laps without the reports are made R35

PROJECT NAME DETAILED DESIGN ON BAGO RIVER BRIDGE CONSTRUCTION PROJECT	FINANCED BY JAPAN INTERNATIONAL COOPERATION AGENCY	COUNTERPART REPUBLIC OF THE UNION OF MYANMAR MINISTRY OF CONSTRUCTION DEPARTMENT OF BRIDGE	JICA STUDY TEAM NIPPON KOEI CO., LTD. ORIENTAL CONSULTANTS GLOBAL CO., LTD. METROPOLITAN EXPRESSWAY COMPANY LIMITED CHODAI CO., LTD. NIPPON ENGINEERING CONSULTANTS CO., LTD.	NAME PREPARED BY Y. SUZUKI CHECKED BY T. HAYAKAWA APPROVED BY Y. SANO	SIGNATURE 	DATE 14 Jul. 2017 20 Jul. 2017 25 Jul. 2017	DRAWING TITLE DETAIL OF MAIN GIRDER G3 (PF11-PF14) (6)	PACKAGE 3 DWG No. P3-FO-1530
---	--	---	--	--	---------------	--	---	---------------------------------------

DETAIL OF MAIN GIRDER G3 (PF11-PF14) (7) S=1:80



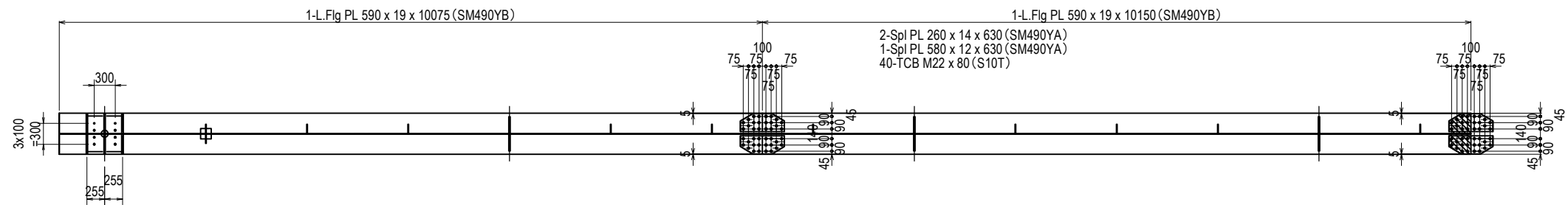
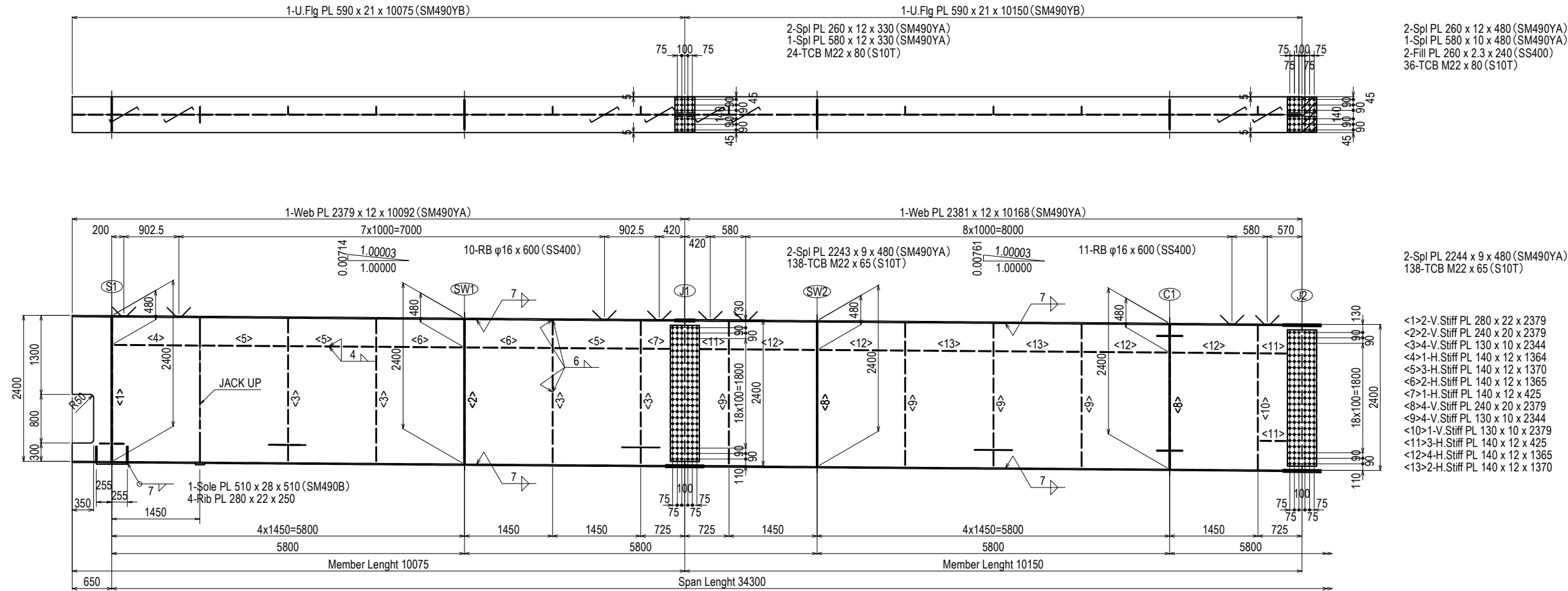
KEY PLAN



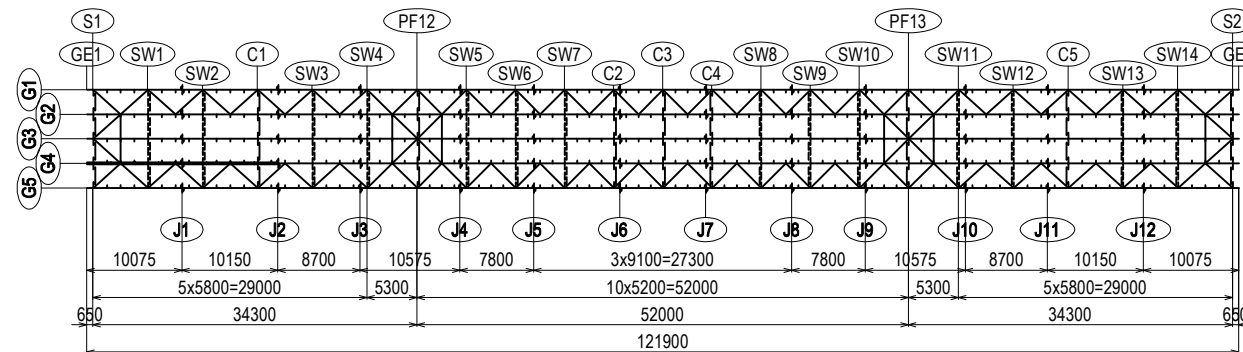
- Note
1. All material without the reports is made SM400A
 2. + : High-tension bolt M22 (S10T)
 3. All scar laps without the reports are made R35

PROJECT NAME DETAILED DESIGN ON BAGO RIVER BRIDGE CONSTRUCTION PROJECT	FINANCED BY JAPAN INTERNATIONAL COOPERATION AGENCY	COUNTERPART REPUBLIC OF THE UNION OF MYANMAR MINISTRY OF CONSTRUCTION DEPARTMENT OF BRIDGE	JICA STUDY TEAM NIPPON KOEI CO., LTD. ORIENTAL CONSULTANTS GLOBAL CO., LTD. METROPOLITAN EXPRESSWAY COMPANY LIMITED CHODAI CO., LTD. NIPPON ENGINEERING CONSULTANTS CO., LTD.	<table border="1" style="width: 100%; border-collapse: collapse;"> <thead> <tr> <th></th> <th>NAME</th> <th>SIGNATURE</th> <th>DATE</th> </tr> </thead> <tbody> <tr> <td>PREPARED BY</td> <td>Y. SUZUKI</td> <td><i>YS</i></td> <td>14 Jul. 2017</td> </tr> <tr> <td>CHECKED BY</td> <td>T. HAYAKAWA</td> <td><i>TH</i></td> <td>20 Jul. 2017</td> </tr> <tr> <td>APPROVED BY</td> <td>Y. SANO</td> <td><i>YS</i></td> <td>25 Jul. 2017</td> </tr> </tbody> </table>		NAME	SIGNATURE	DATE	PREPARED BY	Y. SUZUKI	<i>YS</i>	14 Jul. 2017	CHECKED BY	T. HAYAKAWA	<i>TH</i>	20 Jul. 2017	APPROVED BY	Y. SANO	<i>YS</i>	25 Jul. 2017	DRAWING TITLE <h3 style="text-align: center;">DETAIL OF MAIN GIRDER G3 (PF11-PF14) (7)</h3>	PACKAGE 3 DWG No. P3-FO-1531
	NAME	SIGNATURE	DATE																			
PREPARED BY	Y. SUZUKI	<i>YS</i>	14 Jul. 2017																			
CHECKED BY	T. HAYAKAWA	<i>TH</i>	20 Jul. 2017																			
APPROVED BY	Y. SANO	<i>YS</i>	25 Jul. 2017																			

DETAIL OF MAIN GIRDER G4 (PF11-PF14) (1) S=1:80



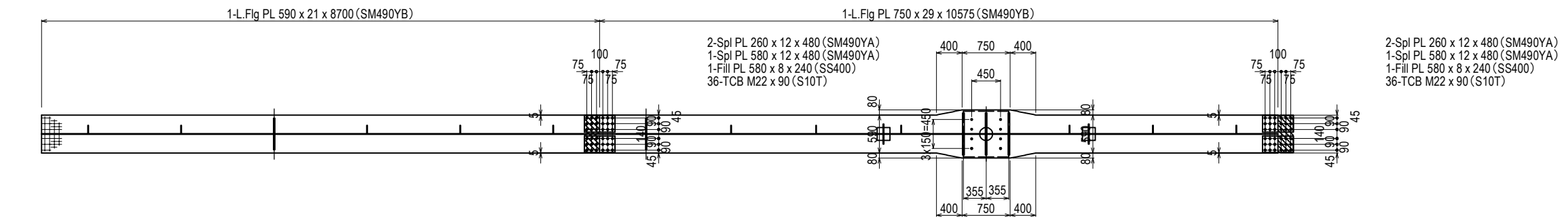
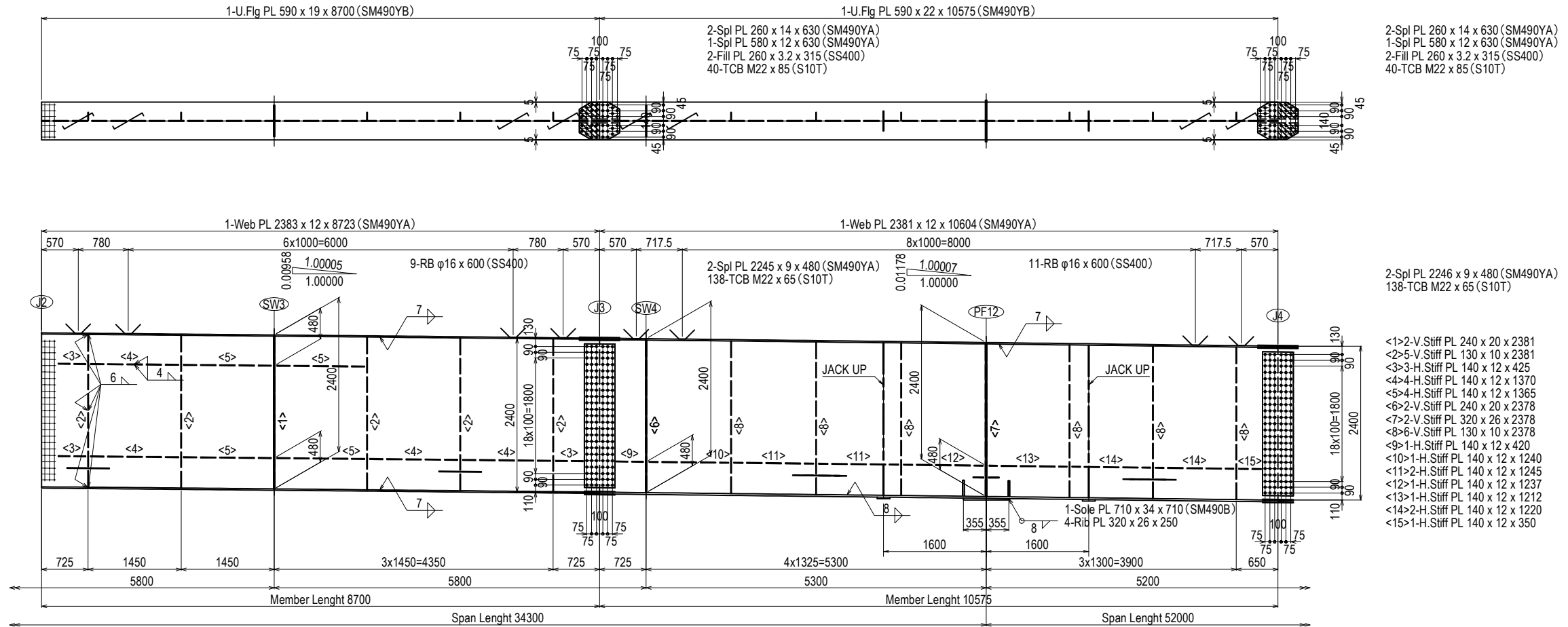
KEY PLAN



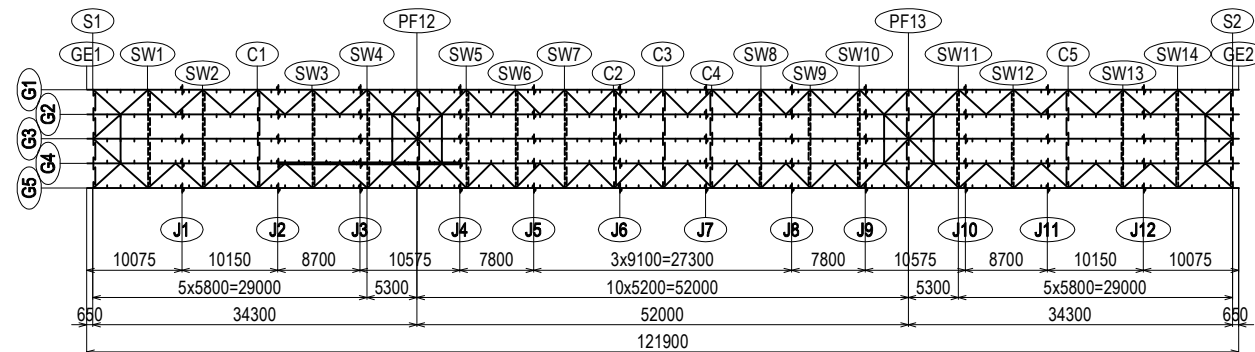
- Note
1. All material without the reports is made SM400A
 2. + : High-tension bolt M22 (S10T)
 3. All scar laps without the reports are made R35

PROJECT NAME DETAILED DESIGN ON BAGO RIVER BRIDGE CONSTRUCTION PROJECT	FINANCED BY JAPAN INTERNATIONAL COOPERATION AGENCY	COUNTERPART REPUBLIC OF THE UNION OF MYANMAR MINISTRY OF CONSTRUCTION DEPARTMENT OF BRIDGE	JICA STUDY TEAM NIPPON KOEI CO., LTD. ORIENTAL CONSULTANTS GLOBAL CO., LTD. METROPOLITAN EXPRESSWAY COMPANY LIMITED CHODAI CO., LTD. NIPPON ENGINEERING CONSULTANTS CO., LTD.	NAME PREPARED BY Y. SUZUKI CHECKED BY T. HAYAKAWA APPROVED BY Y. SANO	SIGNATURE 	DATE 14 Jul. 2017 20 Jul. 2017 25 Jul. 2017	DRAWING TITLE DETAIL OF MAIN GIRDER G4 (PF11-PF14) (1)	PACKAGE 3 DWG No. P3-FO-1532
---	--	---	--	--	-----------------------	--	---	---------------------------------------

DETAIL OF MAIN GIRDER G4 (PF11-PF14) (2) S=1:80



KEY PLAN



2-Spl PL 260 x 14 x 630 (SM490YA)
1-Spl PL 580 x 12 x 630 (SM490YA)
2-Fill PL 260 x 3.2 x 315 (SS400)
40-TCB M22 x 85 (S10T)

2-Spl PL 2246 x 9 x 480 (SM490YA)
138-TCB M22 x 65 (S10T)

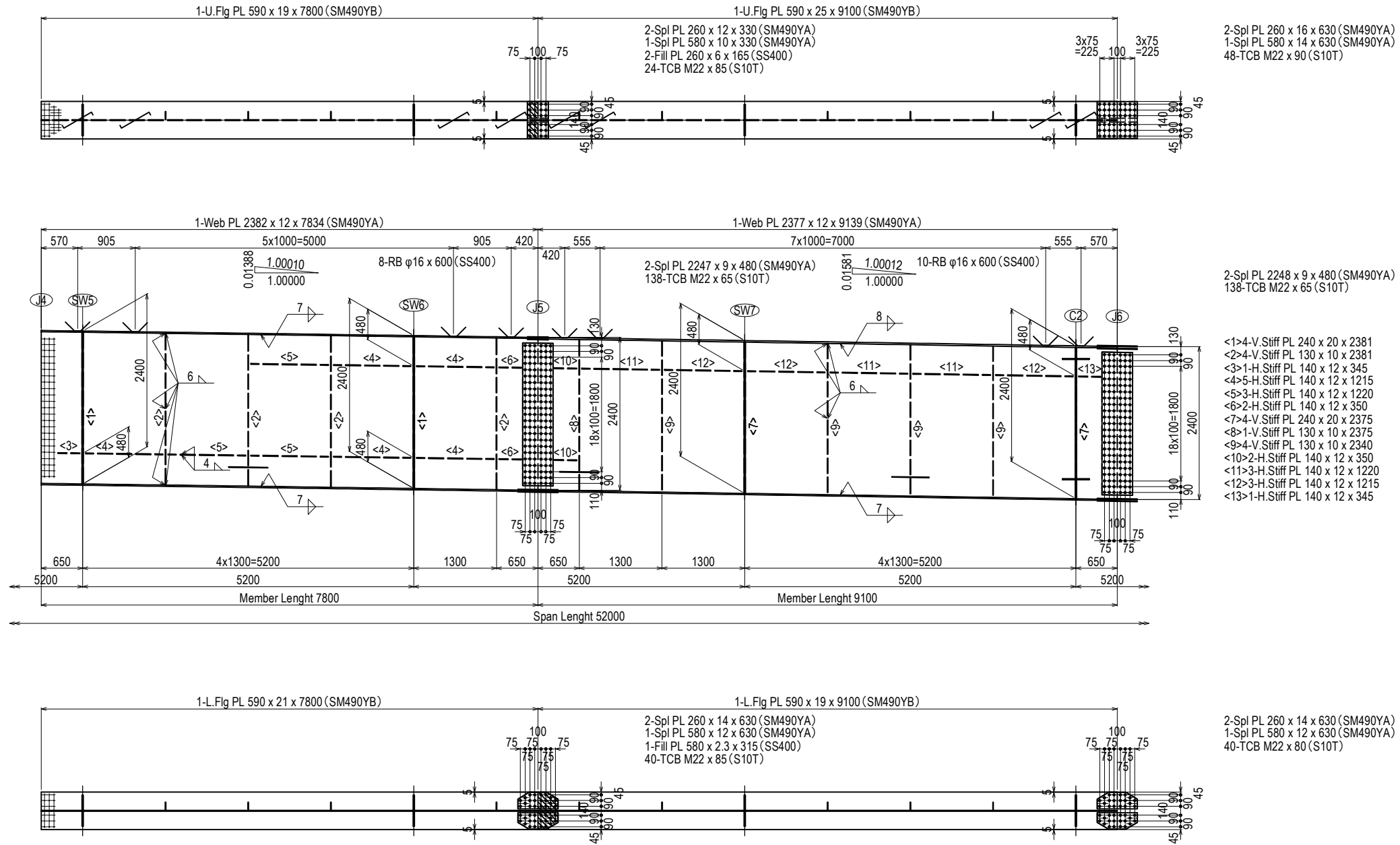
- <1>2-V.Stiff PL 240 x 20 x 2381
- <2>5-V.Stiff PL 130 x 10 x 2381
- <3>3-H.Stiff PL 140 x 12 x 425
- <4>4-H.Stiff PL 140 x 12 x 1370
- <5>4-H.Stiff PL 140 x 12 x 1365
- <6>2-V.Stiff PL 240 x 20 x 2378
- <7>2-V.Stiff PL 320 x 26 x 2378
- <8>6-V.Stiff PL 130 x 10 x 2378
- <9>1-H.Stiff PL 140 x 12 x 420
- <10>1-H.Stiff PL 140 x 12 x 1240
- <11>2-H.Stiff PL 140 x 12 x 1245
- <12>1-H.Stiff PL 140 x 12 x 1237
- <13>1-H.Stiff PL 140 x 12 x 1212
- <14>2-H.Stiff PL 140 x 12 x 1220
- <15>1-H.Stiff PL 140 x 12 x 350

2-Spl PL 260 x 12 x 480 (SM490YA)
1-Spl PL 580 x 12 x 480 (SM490YA)
1-Fill PL 580 x 8 x 240 (SS400)
36-TCB M22 x 90 (S10T)

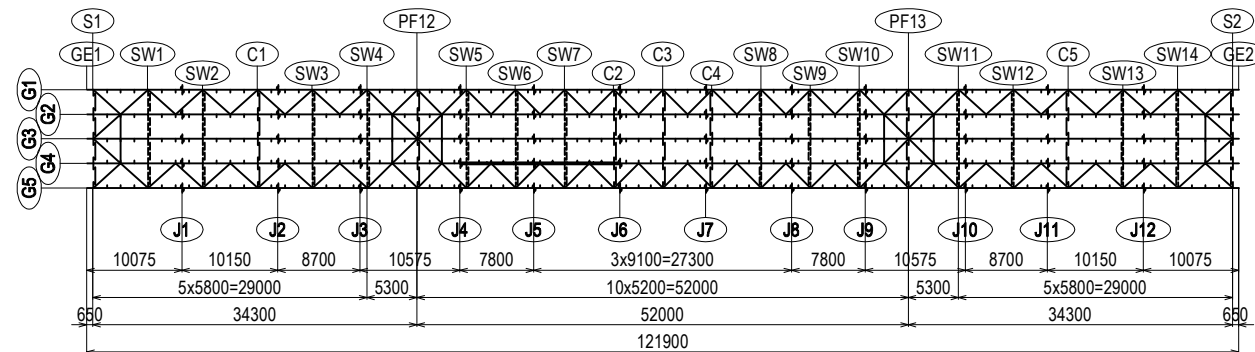
Note
1. All material without the reports is made SM400A
2. + : High-tension bolt M22 (S10T)
3. All scar laps without the reports are made R35

PROJECT NAME DETAILED DESIGN ON BAGO RIVER BRIDGE CONSTRUCTION PROJECT	FINANCED BY JAPAN INTERNATIONAL COOPERATION AGENCY	COUNTERPART REPUBLIC OF THE UNION OF MYANMAR MINISTRY OF CONSTRUCTION DEPARTMENT OF BRIDGE	JICA STUDY TEAM NIPPON KOEI CO., LTD. ORIENTAL CONSULTANTS GLOBAL CO., LTD. METROPOLITAN EXPRESSWAY COMPANY LIMITED CHODAI CO., LTD. NIPPON ENGINEERING CONSULTANTS CO., LTD.	<table border="1" style="width: 100%; border-collapse: collapse;"> <tr> <th style="width: 15%;">NAME</th> <th style="width: 15%;">SIGNATURE</th> <th style="width: 15%;">DATE</th> </tr> <tr> <td>PREPARED BY Y. SUZUKI</td> <td></td> <td>14 Jul. 2017</td> </tr> <tr> <td>CHECKED BY T. HAYAKAWA</td> <td></td> <td>20 Jul. 2017</td> </tr> <tr> <td>APPROVED BY Y. SANO</td> <td></td> <td>25 Jul. 2017</td> </tr> </table>	NAME	SIGNATURE	DATE	PREPARED BY Y. SUZUKI		14 Jul. 2017	CHECKED BY T. HAYAKAWA		20 Jul. 2017	APPROVED BY Y. SANO		25 Jul. 2017	DRAWING TITLE DETAIL OF MAIN GIRDER G4 (PF11-PF14) (2)	PACKAGE 3 DWG No. P3-FO-1533
NAME	SIGNATURE	DATE																
PREPARED BY Y. SUZUKI		14 Jul. 2017																
CHECKED BY T. HAYAKAWA		20 Jul. 2017																
APPROVED BY Y. SANO		25 Jul. 2017																

DETAIL OF MAIN GIRDER G4 (PF11-PF14) (3) S=1:80



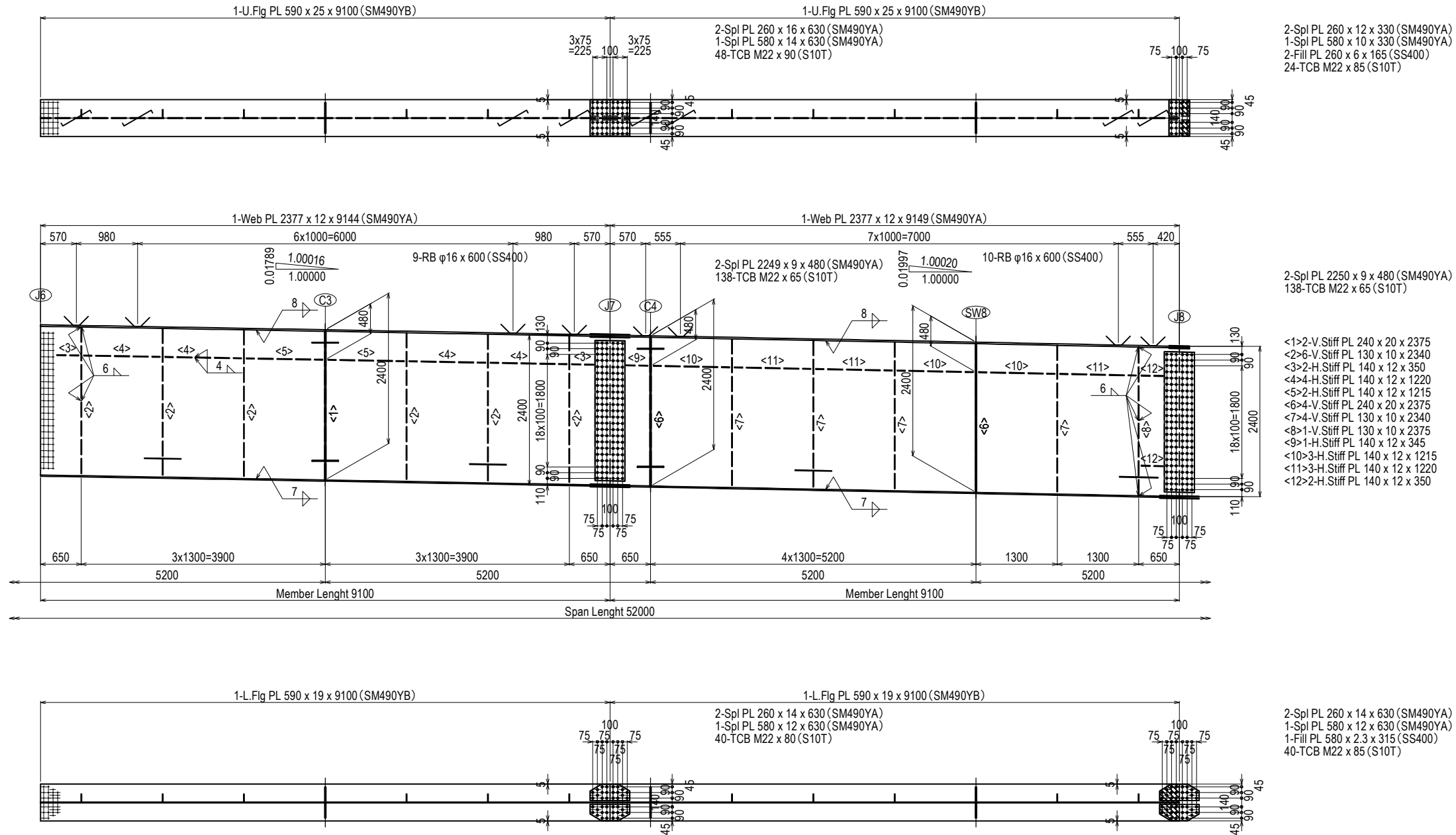
KEY PLAN



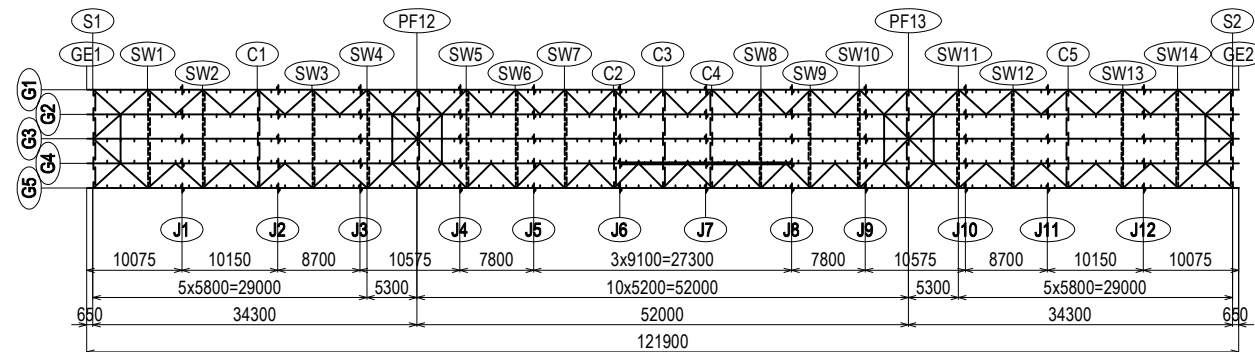
Note
 1. All material without the reports is made SM400A
 2. + : High-tension bolt M22 (S10T)
 3. All scar laps without the reports are made R35

PROJECT NAME DETAILED DESIGN ON BAGO RIVER BRIDGE CONSTRUCTION PROJECT	FINANCED BY JAPAN INTERNATIONAL COOPERATION AGENCY	COUNTERPART REPUBLIC OF THE UNION OF MYANMAR MINISTRY OF CONSTRUCTION DEPARTMENT OF BRIDGE	JICA STUDY TEAM NIPPON KOEI CO., LTD. ORIENTAL CONSULTANTS GLOBAL CO., LTD. METROPOLITAN EXPRESSWAY COMPANY LIMITED CHODAI CO., LTD. NIPPON ENGINEERING CONSULTANTS CO., LTD.	<table border="1" style="width: 100%; border-collapse: collapse;"> <thead> <tr> <th style="width: 15%;">NAME</th> <th style="width: 15%;">SIGNATURE</th> <th style="width: 15%;">DATE</th> </tr> </thead> <tbody> <tr> <td>PREPARED BY Y. SUZUKI</td> <td></td> <td>14 Jul. 2017</td> </tr> <tr> <td>CHECKED BY T. HAYAKAWA</td> <td></td> <td>20 Jul. 2017</td> </tr> <tr> <td>APPROVED BY Y. SANO</td> <td></td> <td>25 Jul. 2017</td> </tr> </tbody> </table>	NAME	SIGNATURE	DATE	PREPARED BY Y. SUZUKI		14 Jul. 2017	CHECKED BY T. HAYAKAWA		20 Jul. 2017	APPROVED BY Y. SANO		25 Jul. 2017	DRAWING TITLE DETAIL OF MAIN GIRDER G4 (PF11-PF14) (3)	PACKAGE 3 DWG No. P3-FO-1534
NAME	SIGNATURE	DATE																
PREPARED BY Y. SUZUKI		14 Jul. 2017																
CHECKED BY T. HAYAKAWA		20 Jul. 2017																
APPROVED BY Y. SANO		25 Jul. 2017																

DETAIL OF MAIN GIRDER G4 (PF11-PF14) (4) S=1:80



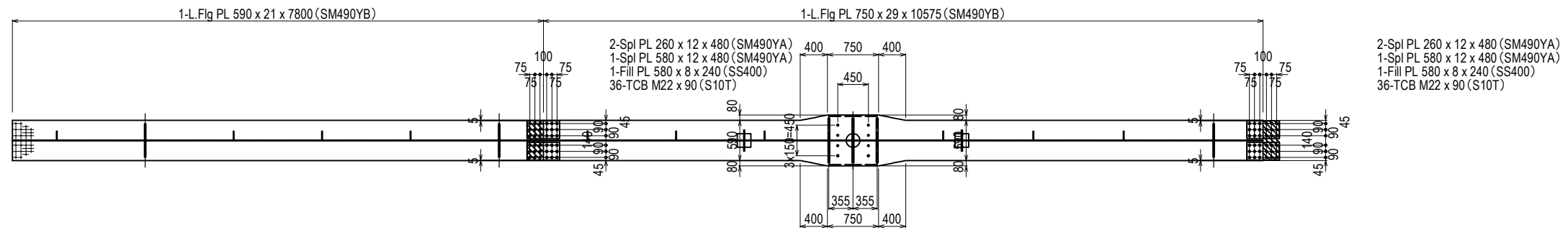
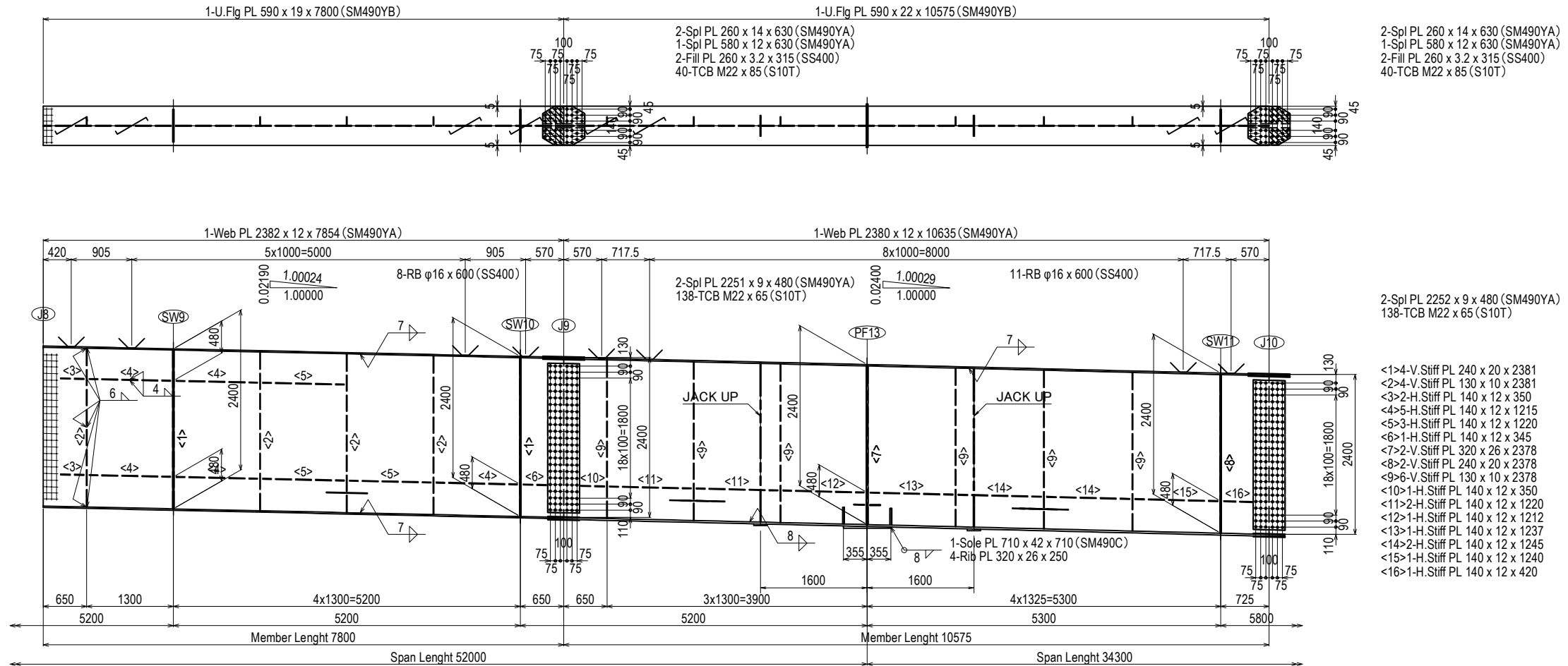
KEY PLAN



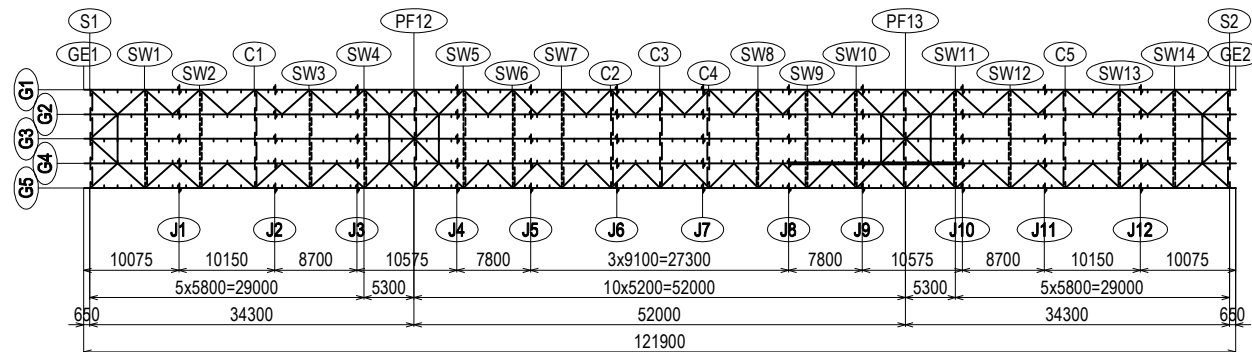
- Note
1. All material without the reports is made SM400A
 2. + : High-tension bolt M22 (S10T)
 3. All scar laps without the reports are made R35

PROJECT NAME DETAILED DESIGN ON BAGO RIVER BRIDGE CONSTRUCTION PROJECT	FINANCED BY JAPAN INTERNATIONAL COOPERATION AGENCY	COUNTERPART REPUBLIC OF THE UNION OF MYANMAR MINISTRY OF CONSTRUCTION DEPARTMENT OF BRIDGE	JICA STUDY TEAM NIPPON KOEI CO., LTD. ORIENTAL CONSULTANTS GLOBAL CO., LTD. METROPOLITAN EXPRESSWAY COMPANY LIMITED CHODAI CO., LTD. NIPPON ENGINEERING CONSULTANTS CO., LTD.	NAME PREPARED BY Y. SUZUKI CHECKED BY T. HAYAKAWA APPROVED BY Y. SANO	SIGNATURE 	DATE 14 Jul. 2017 20 Jul. 2017 25 Jul. 2017	DRAWING TITLE DETAIL OF MAIN GIRDER G4 (PF11-PF14) (4)	PACKAGE 3 DWG No. P3-FO-1535
---	--	---	--	--	-----------------------	--	---	---------------------------------------

DETAIL OF MAIN GIRDER G4 (PF11-PF14) (5) S=1:80



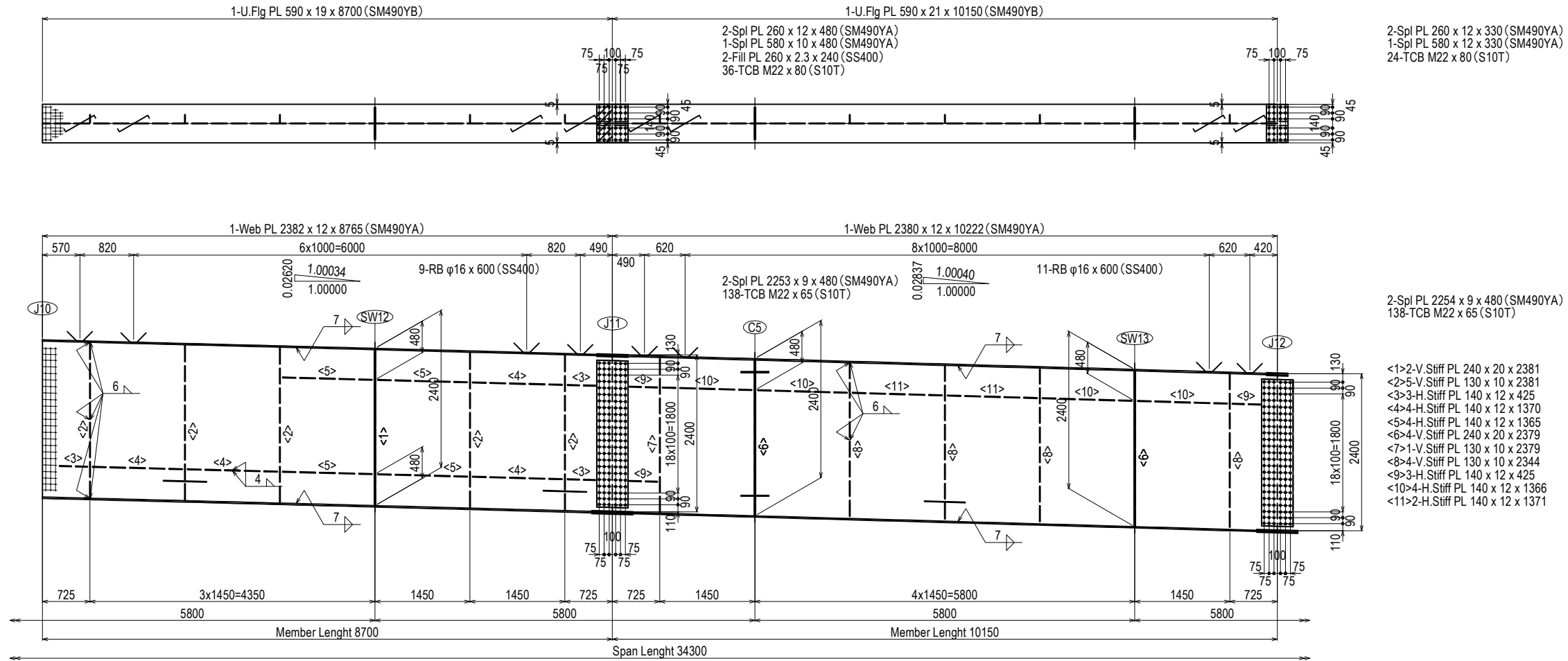
KEY PLAN



- Note
1. All material without the reports is made SM400A
 2. + : High-tension bolt M22 (S10T)
 3. All scar laps without the reports are made R35

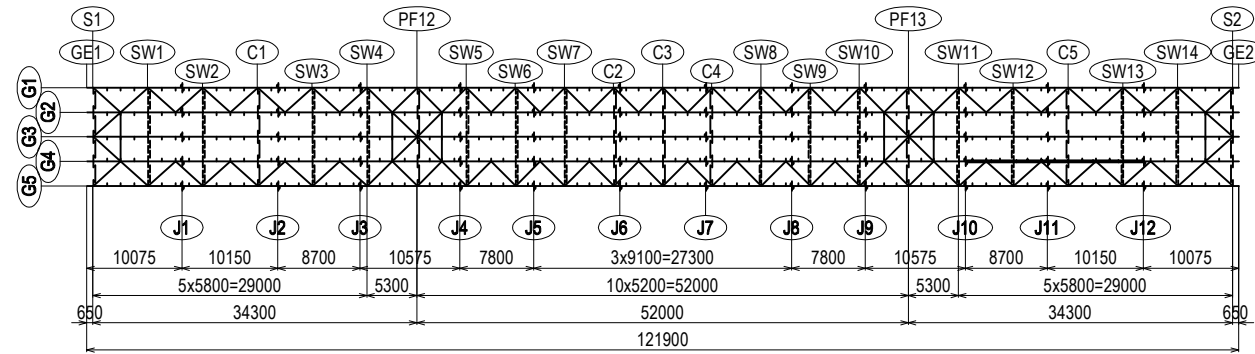
PROJECT NAME DETAILED DESIGN ON BAGO RIVER BRIDGE CONSTRUCTION PROJECT	FINANCED BY JAPAN INTERNATIONAL COOPERATION AGENCY	COUNTERPART REPUBLIC OF THE UNION OF MYANMAR MINISTRY OF CONSTRUCTION DEPARTMENT OF BRIDGE	JICA STUDY TEAM NIPPON KOEI CO., LTD. ORIENTAL CONSULTANTS GLOBAL CO., LTD. METROPOLITAN EXPRESSWAY COMPANY LIMITED CHODAI CO., LTD. NIPPON ENGINEERING CONSULTANTS CO., LTD.	NAME PREPARED BY Y. SUZUKI CHECKED BY T. HAYAKAWA APPROVED BY Y. SANO	SIGNATURE 	DATE 14 Jul. 2017 20 Jul. 2017 25 Jul. 2017	DRAWING TITLE DETAIL OF MAIN GIRDER G4 (PF11-PF14) (5)	PACKAGE 3 DWG No. P3-FO-1536
---	--	---	--	--	-----------------------	--	---	---------------------------------------

DETAIL OF MAIN GIRDER G4 (PF11-PF14) (6) S=1:80



- <1>2-V.Stiff PL 240 x 20 x 2381
- <2>5-V.Stiff PL 130 x 10 x 2381
- <3>3-H.Stiff PL 140 x 12 x 425
- <4>4-H.Stiff PL 140 x 12 x 1370
- <5>4-H.Stiff PL 140 x 12 x 1365
- <6>4-V.Stiff PL 240 x 20 x 2379
- <7>1-V.Stiff PL 130 x 10 x 2379
- <8>4-V.Stiff PL 130 x 10 x 2344
- <9>3-H.Stiff PL 140 x 12 x 425
- <10>4-H.Stiff PL 140 x 12 x 1366
- <11>2-H.Stiff PL 140 x 12 x 1371

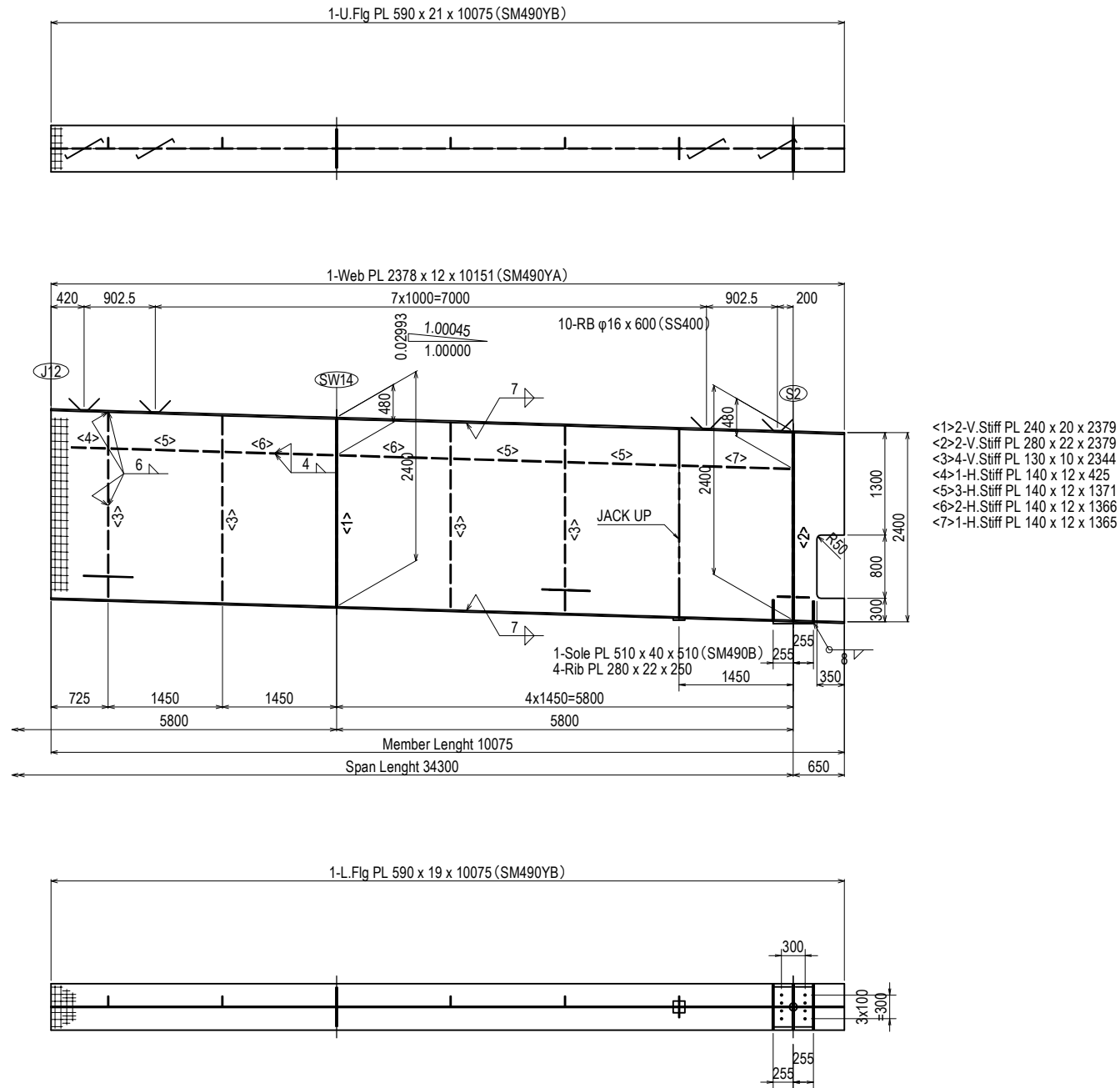
KEY PLAN



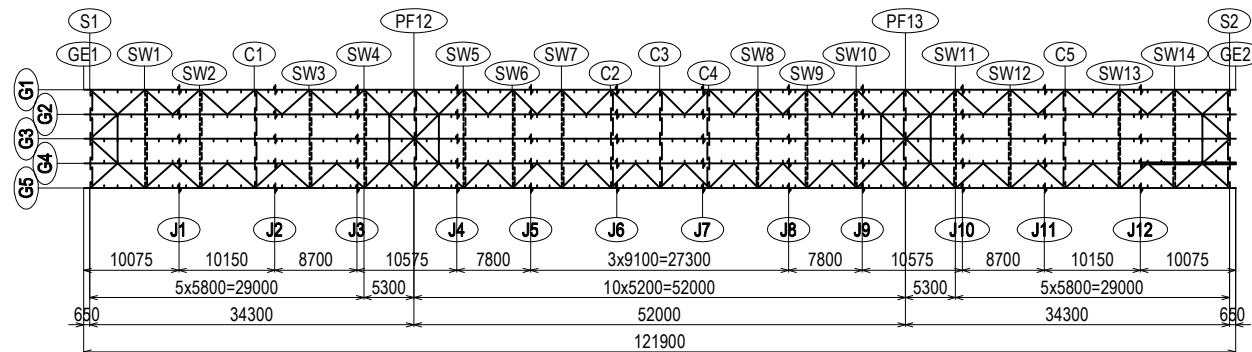
- Note
1. All material without the reports is made SM400A
 2. + : High-tension bolt M22 (S10T)
 3. All scar laps without the reports are made R35

PROJECT NAME DETAILED DESIGN ON BAGO RIVER BRIDGE CONSTRUCTION PROJECT	FINANCED BY JAPAN INTERNATIONAL COOPERATION AGENCY	COUNTERPART REPUBLIC OF THE UNION OF MYANMAR MINISTRY OF CONSTRUCTION DEPARTMENT OF BRIDGE	JICA STUDY TEAM NIPPON KOEI CO., LTD. ORIENTAL CONSULTANTS GLOBAL CO., LTD. METROPOLITAN EXPRESSWAY COMPANY LIMITED CHODAI CO., LTD. NIPPON ENGINEERING CONSULTANTS CO., LTD.	NAME PREPARED BY Y. SUZUKI CHECKED BY T. HAYAKAWA APPROVED BY Y. SANO	SIGNATURE 	DATE 14 Jul. 2017 20 Jul. 2017 25 Jul. 2017	DRAWING TITLE DETAIL OF MAIN GIRDER G4 (PF11-PF14) (6)	PACKAGE 3 DWG No. P3-FO-1537
---	--	---	--	--	-----------------------	--	---	---------------------------------------

DETAIL OF MAIN GIRDER G4 (PF11-PF14) (7) S=1:80



KEY PLAN

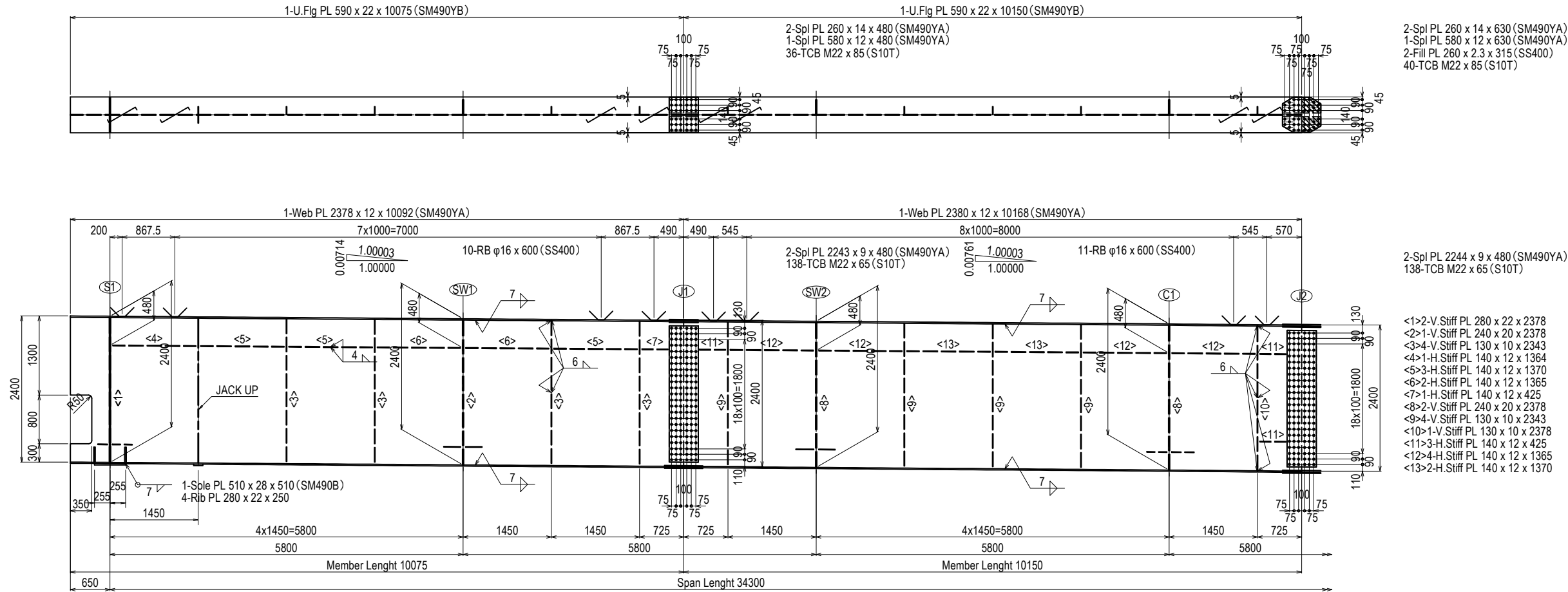


Note

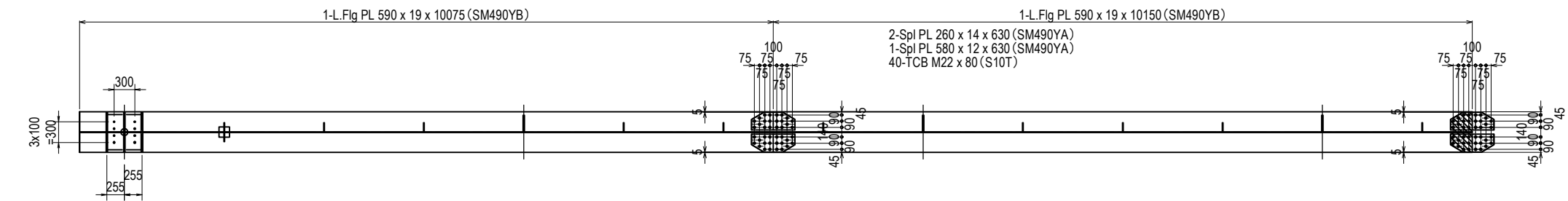
1. All material without the reports is made SM400A
2. + : High-tension bolt M22 (S10T)
3. All scar laps without the reports are made R35

PROJECT NAME DETAILED DESIGN ON BAGO RIVER BRIDGE CONSTRUCTION PROJECT	FINANCED BY JAPAN INTERNATIONAL COOPERATION AGENCY	COUNTERPART REPUBLIC OF THE UNION OF MYANMAR MINISTRY OF CONSTRUCTION DEPARTMENT OF BRIDGE	JICA STUDY TEAM NIPPON KOEI CO., LTD. ORIENTAL CONSULTANTS GLOBAL CO., LTD. METROPOLITAN EXPRESSWAY COMPANY LIMITED CHODAI CO., LTD. NIPPON ENGINEERING CONSULTANTS CO., LTD.	<table border="1" style="width: 100%; border-collapse: collapse;"> <thead> <tr> <th style="width: 15%;">NAME</th> <th style="width: 15%;">SIGNATURE</th> <th style="width: 15%;">DATE</th> </tr> </thead> <tbody> <tr> <td>PREPARED BY</td> <td>Y. SUZUKI</td> <td>14 Jul. 2017</td> </tr> <tr> <td>CHECKED BY</td> <td>T. HAYAKAWA</td> <td>20 Jul. 2017</td> </tr> <tr> <td>APPROVED BY</td> <td>Y. SANO</td> <td>25 Jul. 2017</td> </tr> </tbody> </table>	NAME	SIGNATURE	DATE	PREPARED BY	Y. SUZUKI	14 Jul. 2017	CHECKED BY	T. HAYAKAWA	20 Jul. 2017	APPROVED BY	Y. SANO	25 Jul. 2017	DRAWING TITLE <p style="text-align: center; font-weight: bold;">DETAIL OF MAIN GIRDER G4 (PF11-PF14) (7)</p>	PACKAGE 3 DWG No. P3-FO-1538
NAME	SIGNATURE	DATE																
PREPARED BY	Y. SUZUKI	14 Jul. 2017																
CHECKED BY	T. HAYAKAWA	20 Jul. 2017																
APPROVED BY	Y. SANO	25 Jul. 2017																

DETAIL OF MAIN GIRDER G5 (PF11-PF14) (1) S=1:80

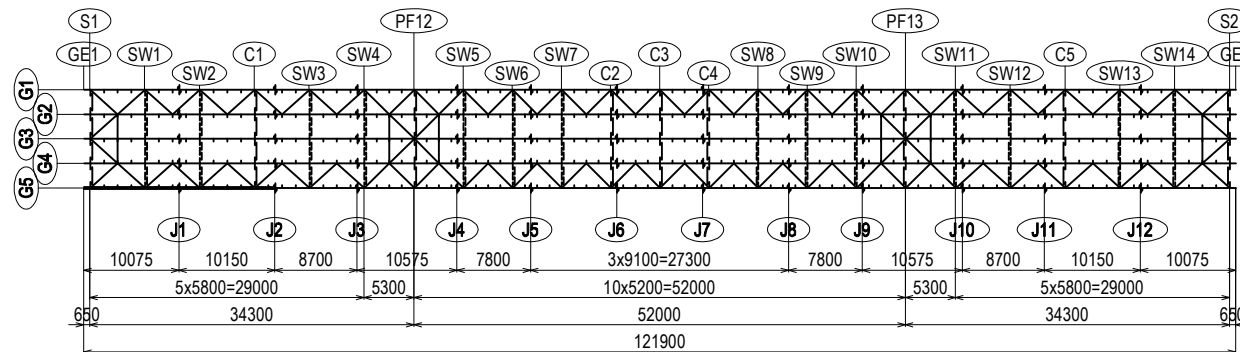


- 2-Spl PL 260 x 14 x 630 (SM490YA)
 - 1-Spl PL 580 x 12 x 630 (SM490YA)
 - 2-Fill PL 260 x 2.3 x 315 (SS400)
 - 40-TCB M22 x 85 (S10T)
-
- 2-Spl PL 2244 x 9 x 480 (SM490YA)
 - 138-TCB M22 x 65 (S10T)
-
- <1>2-V.Stiff PL 280 x 22 x 2378
 - <2>1-V.Stiff PL 240 x 20 x 2378
 - <3>4-V.Stiff PL 130 x 10 x 2343
 - <4>1-H.Stiff PL 140 x 12 x 1364
 - <5>3-H.Stiff PL 140 x 12 x 1370
 - <6>2-H.Stiff PL 140 x 12 x 1365
 - <7>1-H.Stiff PL 140 x 12 x 425
 - <8>2-V.Stiff PL 240 x 20 x 2378
 - <9>4-V.Stiff PL 130 x 10 x 2343
 - <10>1-V.Stiff PL 130 x 10 x 2378
 - <11>3-H.Stiff PL 140 x 12 x 425
 - <12>4-H.Stiff PL 140 x 12 x 1365
 - <13>2-H.Stiff PL 140 x 12 x 1370



- 2-Spl PL 260 x 14 x 630 (SM490YA)
- 1-Spl PL 580 x 12 x 630 (SM490YA)
- 1-Fill PL 580 x 4.5 x 315 (SS400)
- 40-TCB M22 x 85 (S10T)

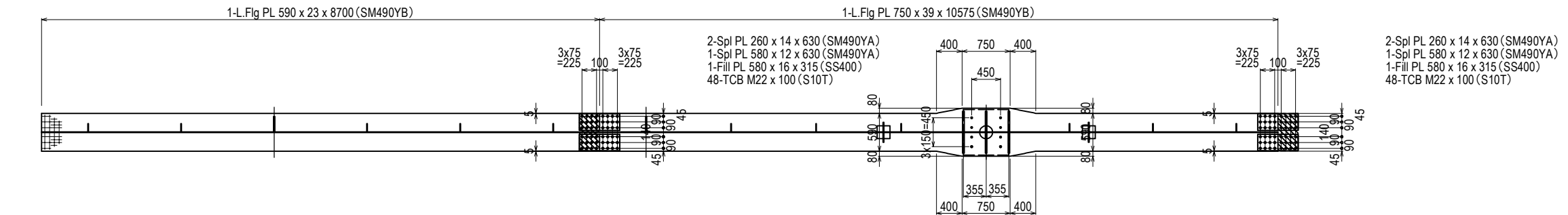
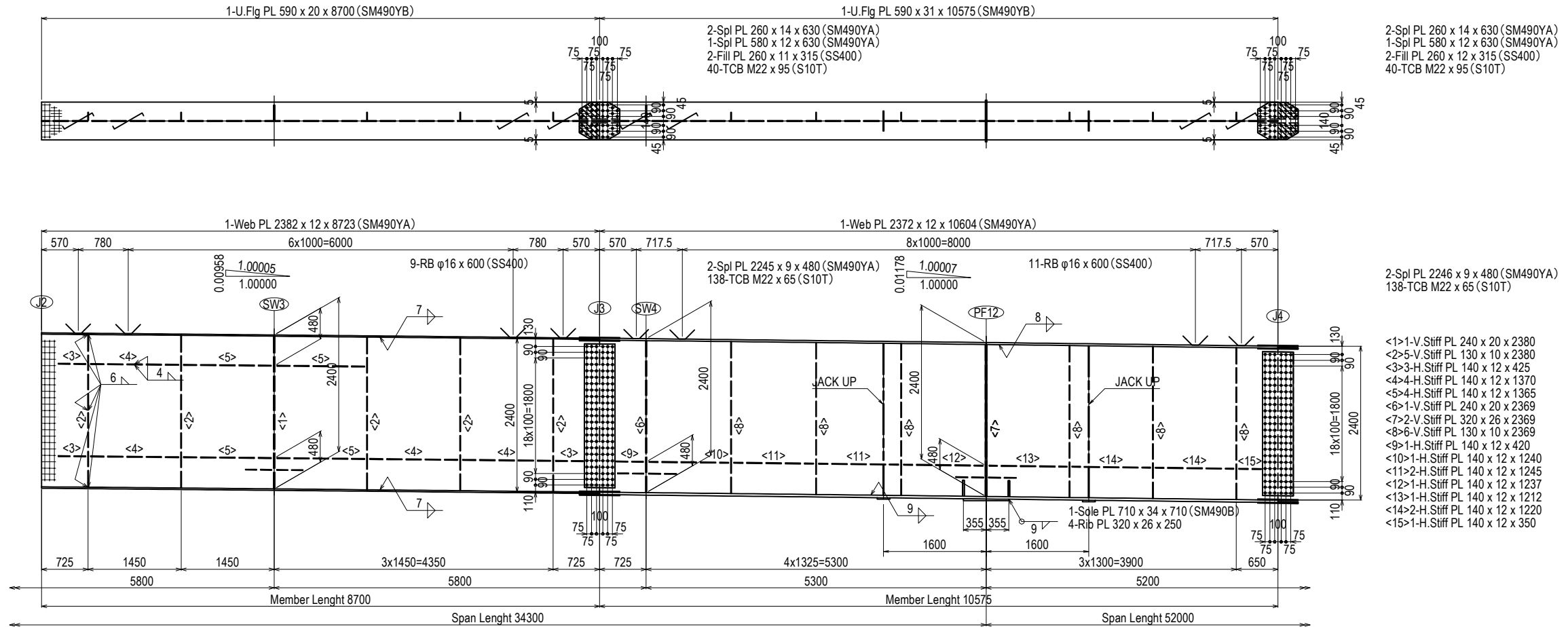
KEY PLAN



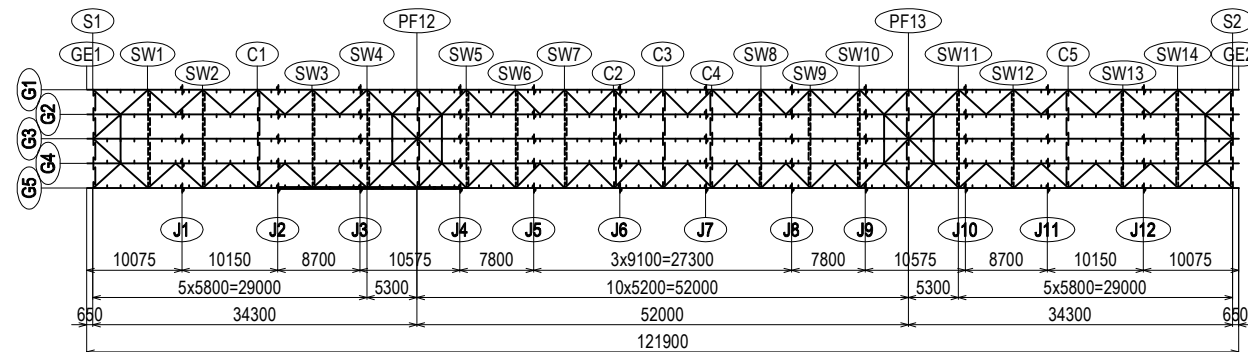
- Note
1. All material without the reports is made SM400A
 2. + : High-tension bolt M22 (S10T)
 3. All scar laps without the reports are made R35

PROJECT NAME DETAILED DESIGN ON BAGO RIVER BRIDGE CONSTRUCTION PROJECT	FINANCED BY JAPAN INTERNATIONAL COOPERATION AGENCY	COUNTERPART REPUBLIC OF THE UNION OF MYANMAR MINISTRY OF CONSTRUCTION DEPARTMENT OF BRIDGE	JICA STUDY TEAM NIPPON KOEI CO., LTD. ORIENTAL CONSULTANTS GLOBAL CO., LTD. METROPOLITAN EXPRESSWAY COMPANY LIMITED CHODAI CO., LTD. NIPPON ENGINEERING CONSULTANTS CO., LTD.	NAME PREPARED BY Y. SUZUKI CHECKED BY T. HAYAKAWA APPROVED BY Y. SANO	SIGNATURE 	DATE 14 Jul. 2017 20 Jul. 2017 25 Jul. 2017	DRAWING TITLE DETAIL OF MAIN GIRDER G5 (PF11-PF14) (1)	PACKAGE 3 DWG No. P3-FO-1539
---	--	---	--	--	-----------------------	--	---	---------------------------------------

DETAIL OF MAIN GIRDER G5 (PF11-PF14) (2) S=1:80



KEY PLAN



2-Spl PL 260 x 14 x 630 (SM490YA)
1-Spl PL 580 x 12 x 630 (SM490YA)
2-Fill PL 260 x 11 x 315 (SS400)
40-TCB M22 x 95 (S10T)

2-Spl PL 2246 x 9 x 480 (SM490YA)
138-TCB M22 x 65 (S10T)

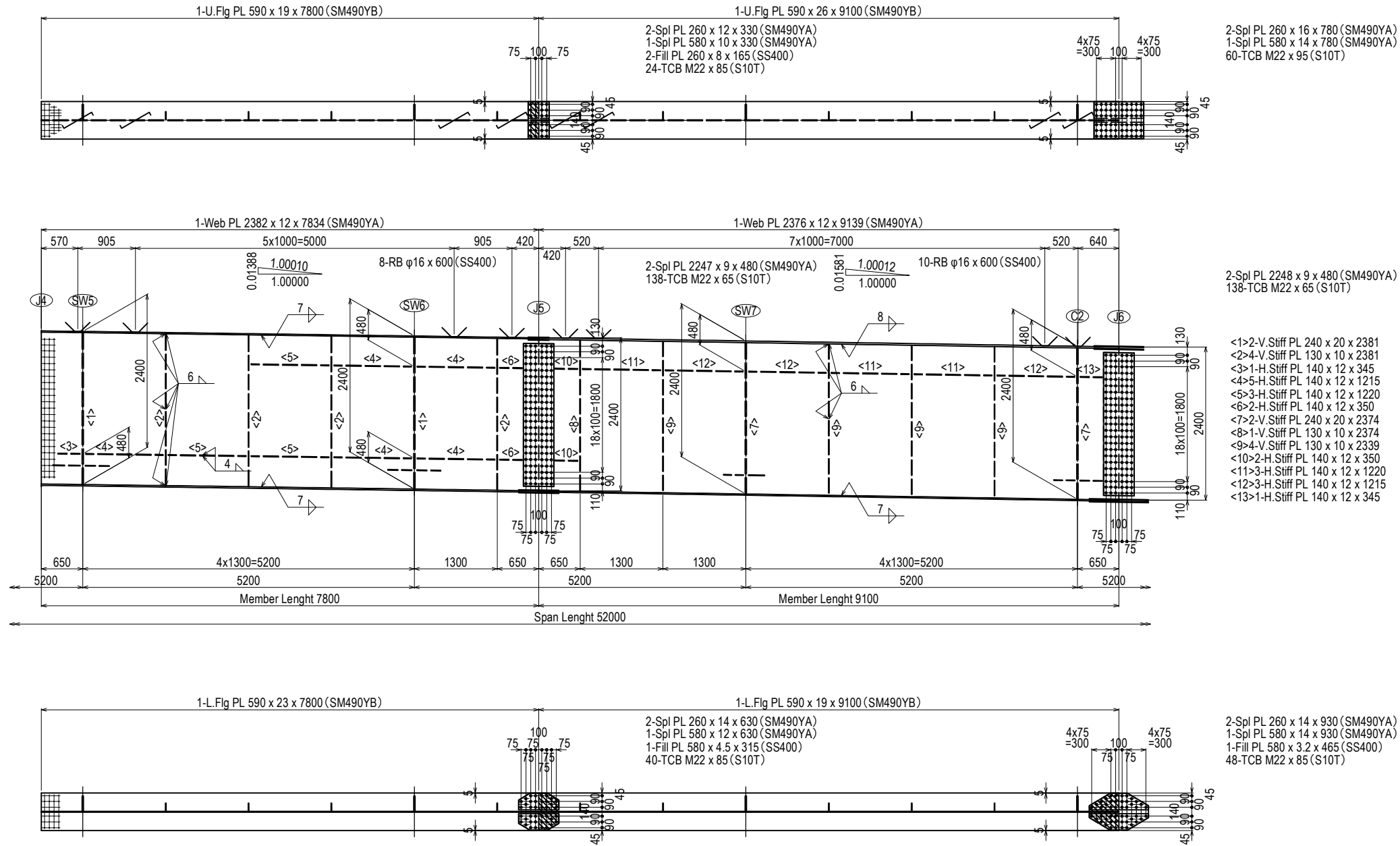
- <1>1-V.Stiff PL 240 x 20 x 2380
- <2>5-V.Stiff PL 130 x 10 x 2380
- <3>3-H.Stiff PL 140 x 12 x 425
- <4>4-H.Stiff PL 140 x 12 x 1370
- <5>4-H.Stiff PL 140 x 12 x 1365
- <6>1-V.Stiff PL 240 x 20 x 2369
- <7>2-V.Stiff PL 320 x 26 x 2369
- <8>6-V.Stiff PL 130 x 10 x 2369
- <9>1-H.Stiff PL 140 x 12 x 420
- <10>1-H.Stiff PL 140 x 12 x 1240
- <11>2-H.Stiff PL 140 x 12 x 1245
- <12>1-H.Stiff PL 140 x 12 x 1237
- <13>1-H.Stiff PL 140 x 12 x 1212
- <14>2-H.Stiff PL 140 x 12 x 1220
- <15>1-H.Stiff PL 140 x 12 x 350

2-Spl PL 260 x 14 x 630 (SM490YA)
1-Spl PL 580 x 12 x 630 (SM490YA)
1-Fill PL 580 x 16 x 315 (SS400)
48-TCB M22 x 100 (S10T)

Note
1. All material without the reports is made SM400A
2. + : High-tension bolt M22 (S10T)
3. All scar laps without the reports are made R35

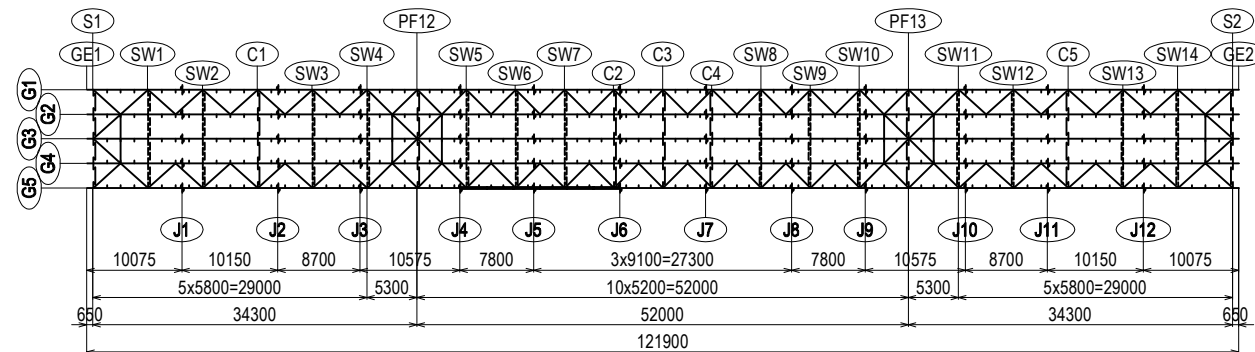
PROJECT NAME DETAILED DESIGN ON BAGO RIVER BRIDGE CONSTRUCTION PROJECT	FINANCED BY JAPAN INTERNATIONAL COOPERATION AGENCY	COUNTERPART REPUBLIC OF THE UNION OF MYANMAR MINISTRY OF CONSTRUCTION DEPARTMENT OF BRIDGE	JICA STUDY TEAM NIPPON KOEI CO., LTD. ORIENTAL CONSULTANTS GLOBAL CO., LTD. METROPOLITAN EXPRESSWAY COMPANY LIMITED CHODAI CO., LTD. NIPPON ENGINEERING CONSULTANTS CO., LTD.	<table border="1" style="width: 100%; border-collapse: collapse;"> <tr> <th>NAME</th> <th>SIGNATURE</th> <th>DATE</th> </tr> <tr> <td>PREPARED BY Y. SUZUKI</td> <td></td> <td>14 Jul. 2017</td> </tr> <tr> <td>CHECKED BY T. HAYAKAWA</td> <td></td> <td>20 Jul. 2017</td> </tr> <tr> <td>APPROVED BY Y. SANO</td> <td></td> <td>25 Jul. 2017</td> </tr> </table>	NAME	SIGNATURE	DATE	PREPARED BY Y. SUZUKI		14 Jul. 2017	CHECKED BY T. HAYAKAWA		20 Jul. 2017	APPROVED BY Y. SANO		25 Jul. 2017	DRAWING TITLE DETAIL OF MAIN GIRDER G5 (PF11-PF14) (2)	PACKAGE 3 DWG No. P3-FO-1540
NAME	SIGNATURE	DATE																
PREPARED BY Y. SUZUKI		14 Jul. 2017																
CHECKED BY T. HAYAKAWA		20 Jul. 2017																
APPROVED BY Y. SANO		25 Jul. 2017																

DETAIL OF MAIN GIRDER G5 (PF11-PF14) (3) S=1:80



- <1>2-V.Stiff PL 240 x 20 x 2381
- <2>4-V.Stiff PL 130 x 10 x 2381
- <3>1-H.Stiff PL 140 x 12 x 345
- <4>5-H.Stiff PL 140 x 12 x 1215
- <5>3-H.Stiff PL 140 x 12 x 1220
- <6>2-H.Stiff PL 140 x 12 x 350
- <7>2-V.Stiff PL 240 x 20 x 2374
- <8>1-V.Stiff PL 130 x 10 x 2374
- <9>4-V.Stiff PL 130 x 10 x 2339
- <10>2-H.Stiff PL 140 x 12 x 350
- <11>3-H.Stiff PL 140 x 12 x 1220
- <12>3-H.Stiff PL 140 x 12 x 1215
- <13>1-H.Stiff PL 140 x 12 x 345

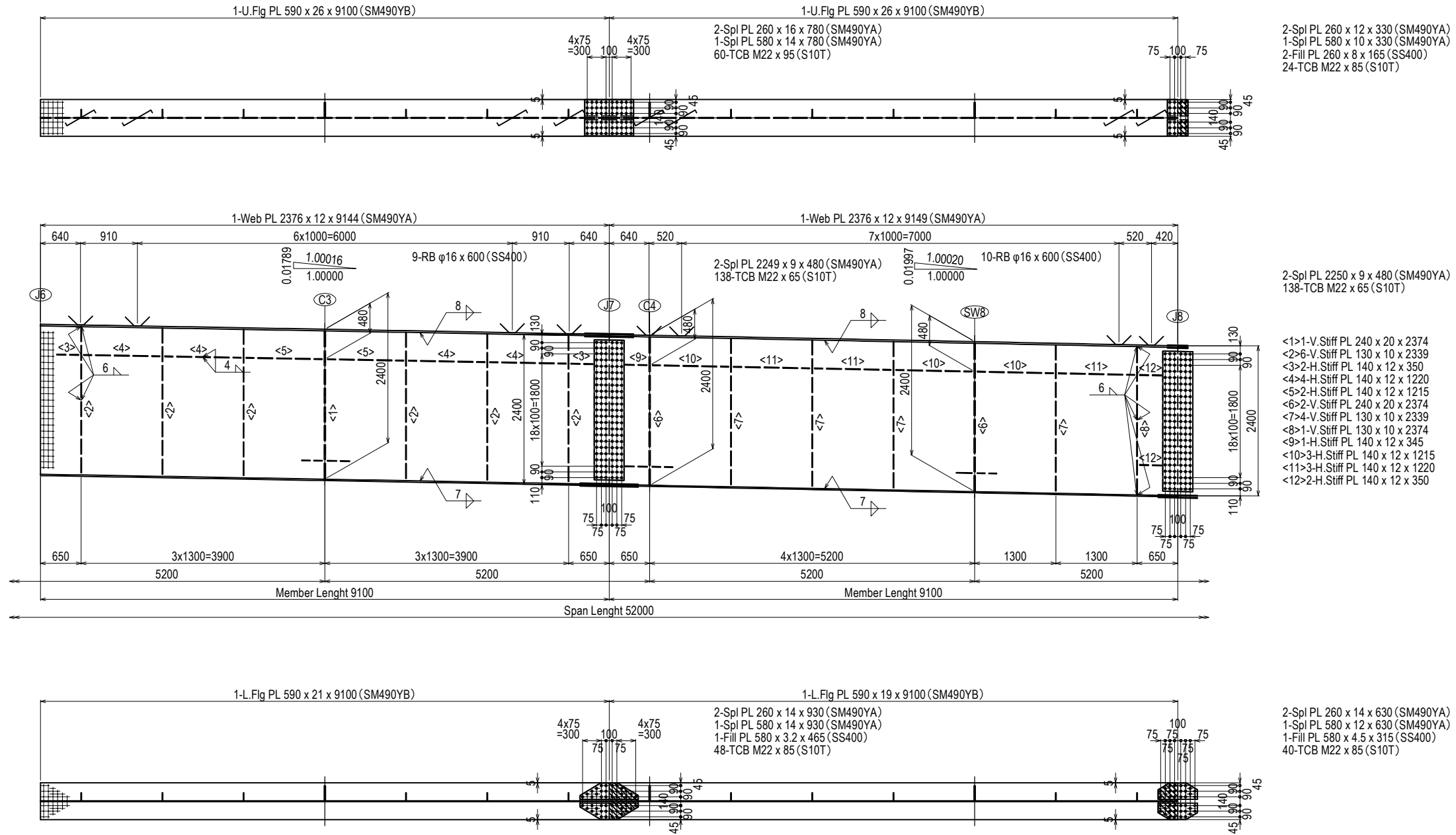
KEY PLAN



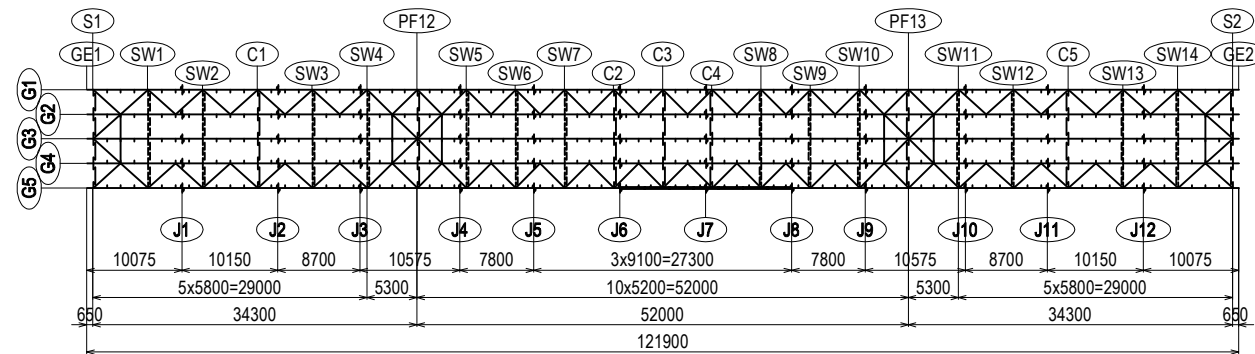
Note
 1. All material without the reports is made SM400A
 2. + : High-tension bolt M22 (S10T)
 3. All scar laps without the reports are made R35

PROJECT NAME DETAILED DESIGN ON BAGO RIVER BRIDGE CONSTRUCTION PROJECT	FINANCED BY JAPAN INTERNATIONAL COOPERATION AGENCY	COUNTERPART REPUBLIC OF THE UNION OF MYANMAR MINISTRY OF CONSTRUCTION DEPARTMENT OF BRIDGE	JICA STUDY TEAM NIPPON KOEI CO., LTD. ORIENTAL CONSULTANTS GLOBAL CO., LTD. METROPOLITAN EXPRESSWAY COMPANY LIMITED CHODAI CO., LTD. NIPPON ENGINEERING CONSULTANTS CO., LTD.	NAME Y. SUZUKI T. HAYAKAWA Y. SANO	SIGNATURE 	DATE 14 Jul. 2017 20 Jul. 2017 25 Jul. 2017	DRAWING TITLE DETAIL OF MAIN GIRDER G5 (PF11-PF14) (3)	PACKAGE 3 DWG No. P3-FO-1541
---	--	---	--	---	-----------------------	--	---	---------------------------------------

DETAIL OF MAIN GIRDER G5 (PF11-PF14) (4) S=1:80



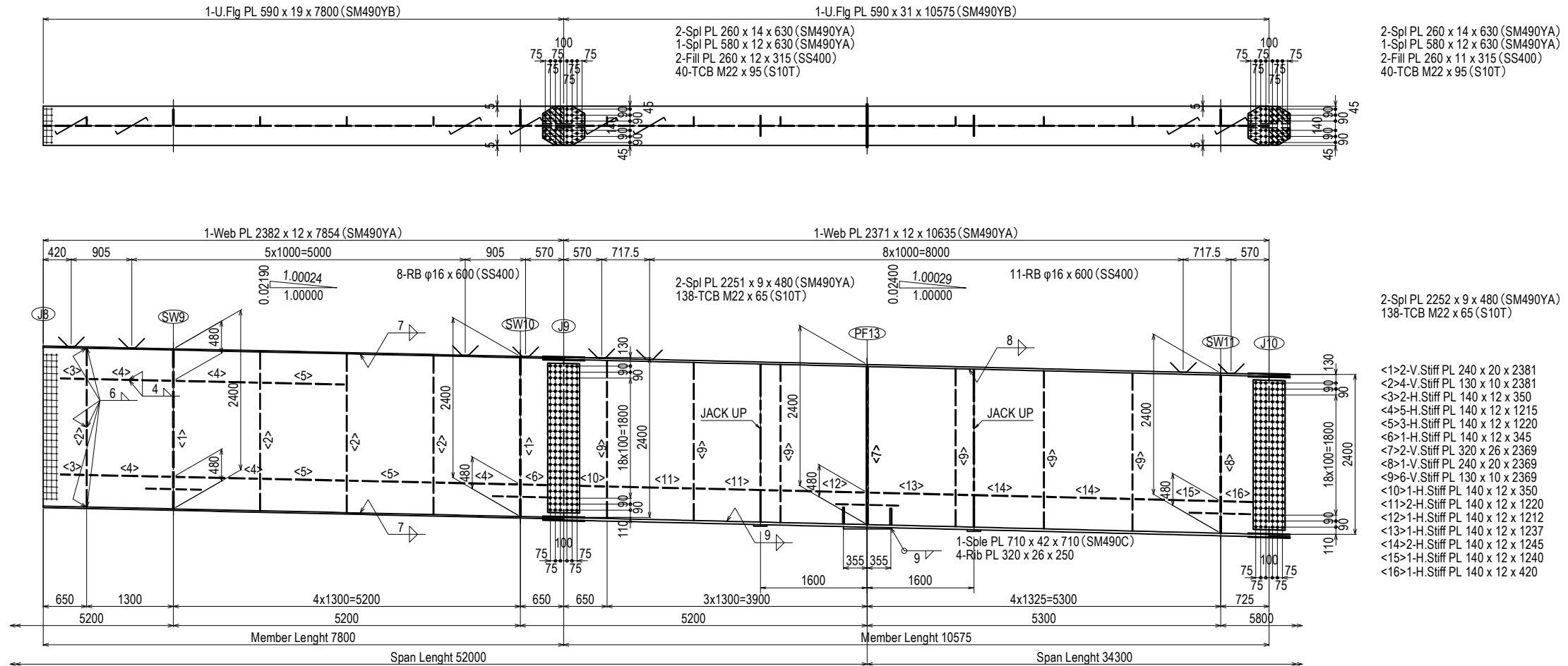
KEY PLAN



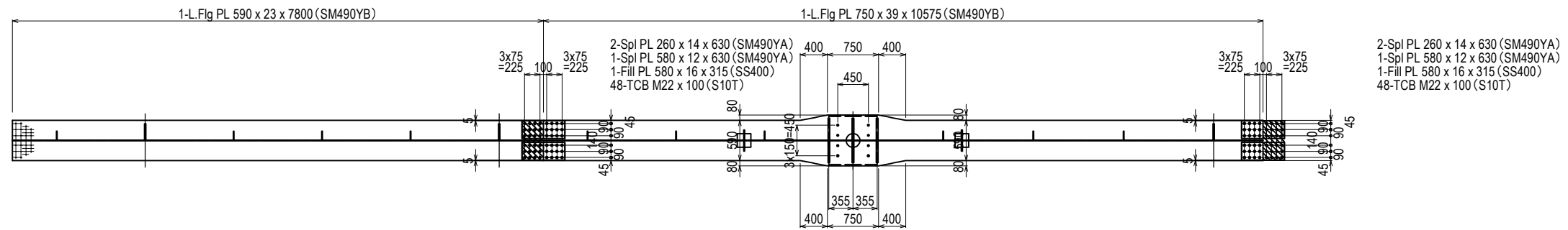
Note
 1. All material without the reports is made SM400A
 2. + : High-tension bolt M22 (S10T)
 3. All scar laps without the reports are made R35

PROJECT NAME DETAILED DESIGN ON BAGO RIVER BRIDGE CONSTRUCTION PROJECT	FINANCED BY JAPAN INTERNATIONAL COOPERATION AGENCY	COUNTERPART REPUBLIC OF THE UNION OF MYANMAR MINISTRY OF CONSTRUCTION DEPARTMENT OF BRIDGE	JICA STUDY TEAM NIPPON KOEI CO., LTD. ORIENTAL CONSULTANTS GLOBAL CO., LTD. METROPOLITAN EXPRESSWAY COMPANY LIMITED CHODAI CO., LTD. NIPPON ENGINEERING CONSULTANTS CO., LTD.	NAME PREPARED BY Y. SUZUKI CHECKED BY T. HAYAKAWA APPROVED BY Y. SANO	SIGNATURE 	DATE 14 Jul. 2017 20 Jul. 2017 25 Jul. 2017	DRAWING TITLE DETAIL OF MAIN GIRDER G5 (PF11-PF14) (4)	PACKAGE 3 DWG No. P3-FO-1542
---	--	---	--	--	-----------------------	--	---	---------------------------------------

DETAIL OF MAIN GIRDER G5 (PF11-PF14) (5) S=1:80

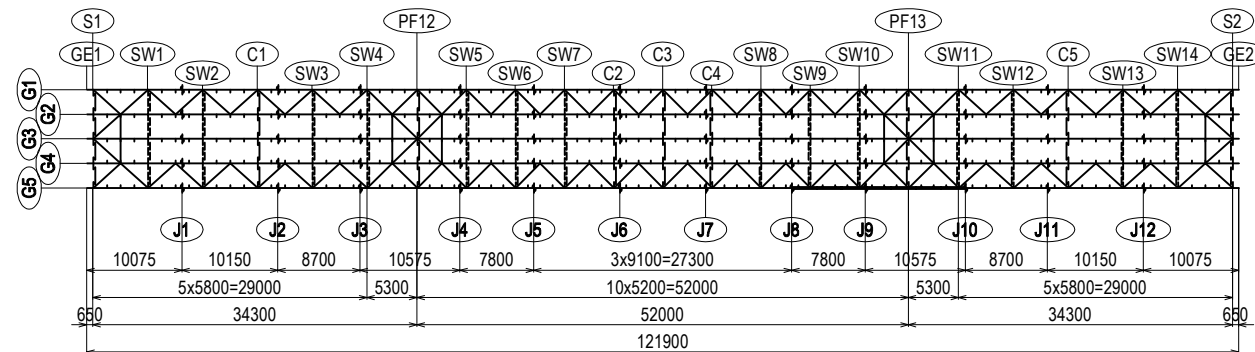


- <1>-2-V.Stiff PL 240 x 20 x 2381
- <2>-4-V.Stiff PL 130 x 10 x 2381
- <3>-2-H.Stiff PL 140 x 12 x 350
- <4>-5-H.Stiff PL 140 x 12 x 1215
- <5>-3-H.Stiff PL 140 x 12 x 1220
- <6>-1-H.Stiff PL 140 x 12 x 345
- <7>-2-V.Stiff PL 320 x 26 x 2369
- <8>-1-V.Stiff PL 240 x 20 x 2369
- <9>-6-V.Stiff PL 130 x 10 x 2369
- <10>-1-H.Stiff PL 140 x 12 x 350
- <11>-2-H.Stiff PL 140 x 12 x 1220
- <12>-1-H.Stiff PL 140 x 12 x 1212
- <13>-1-H.Stiff PL 140 x 12 x 1237
- <14>-2-H.Stiff PL 140 x 12 x 1245
- <15>-1-H.Stiff PL 140 x 12 x 1240
- <16>-1-H.Stiff PL 140 x 12 x 420



- 2-Spl PL 260 x 14 x 630 (SM490YA)
- 1-Spl PL 580 x 12 x 630 (SM490YA)
- 1-Fill PL 580 x 16 x 315 (SS400)
- 48-TCB M22 x 100 (S10T)

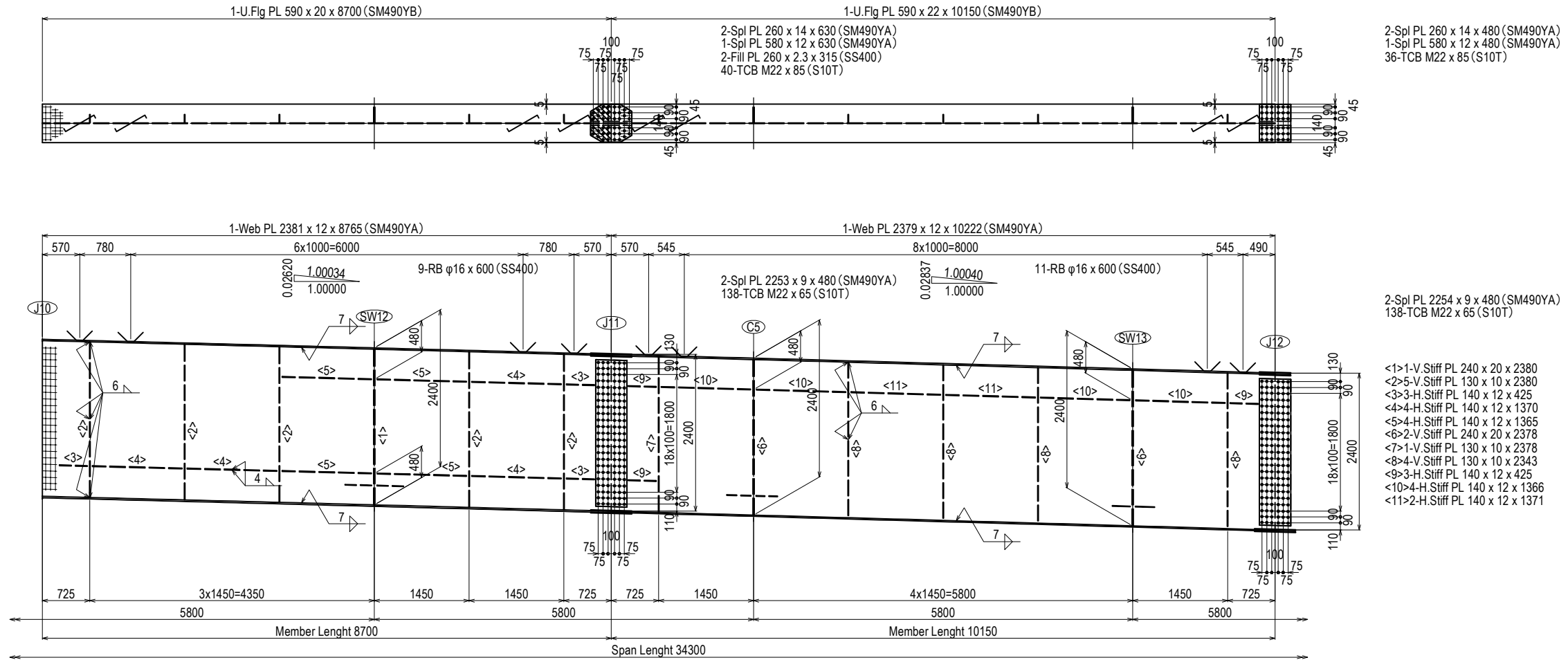
KEY PLAN



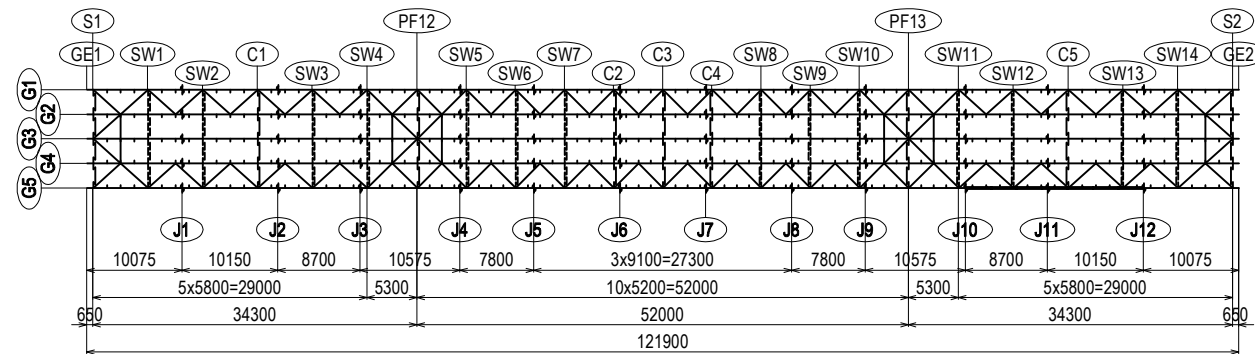
- Note
1. All material without the reports is made SM400A
 2. + : High-tension bolt M22 (S10T)
 3. All scar laps without the reports are made R35

PROJECT NAME DETAILED DESIGN ON BAGO RIVER BRIDGE CONSTRUCTION PROJECT	FINANCED BY JAPAN INTERNATIONAL COOPERATION AGENCY	COUNTERPART REPUBLIC OF THE UNION OF MYANMAR MINISTRY OF CONSTRUCTION DEPARTMENT OF BRIDGE	JICA STUDY TEAM NIPPON KOEI CO., LTD. ORIENTAL CONSULTANTS GLOBAL CO., LTD. METROPOLITAN EXPRESSWAY COMPANY LIMITED CHODAI CO., LTD. NIPPON ENGINEERING CONSULTANTS CO., LTD.	<table border="1" style="width: 100%; border-collapse: collapse;"> <tr> <th>NAME</th> <th>SIGNATURE</th> <th>DATE</th> </tr> <tr> <td>PREPARED BY</td> <td>Y. SUZUKI</td> <td>14 Jul. 2017</td> </tr> <tr> <td>CHECKED BY</td> <td>T. HAYAKAWA</td> <td>20 Jul. 2017</td> </tr> <tr> <td>APPROVED BY</td> <td>Y. SANO</td> <td>25 Jul. 2017</td> </tr> </table>	NAME	SIGNATURE	DATE	PREPARED BY	Y. SUZUKI	14 Jul. 2017	CHECKED BY	T. HAYAKAWA	20 Jul. 2017	APPROVED BY	Y. SANO	25 Jul. 2017	DRAWING TITLE DETAIL OF MAIN GIRDER G5 (PF11-PF14) (5)	PACKAGE 3 DWG No. P3-FO-1543
NAME	SIGNATURE	DATE																
PREPARED BY	Y. SUZUKI	14 Jul. 2017																
CHECKED BY	T. HAYAKAWA	20 Jul. 2017																
APPROVED BY	Y. SANO	25 Jul. 2017																

DETAIL OF MAIN GIRDER G5 (PF11-PF14) (6) S=1:80



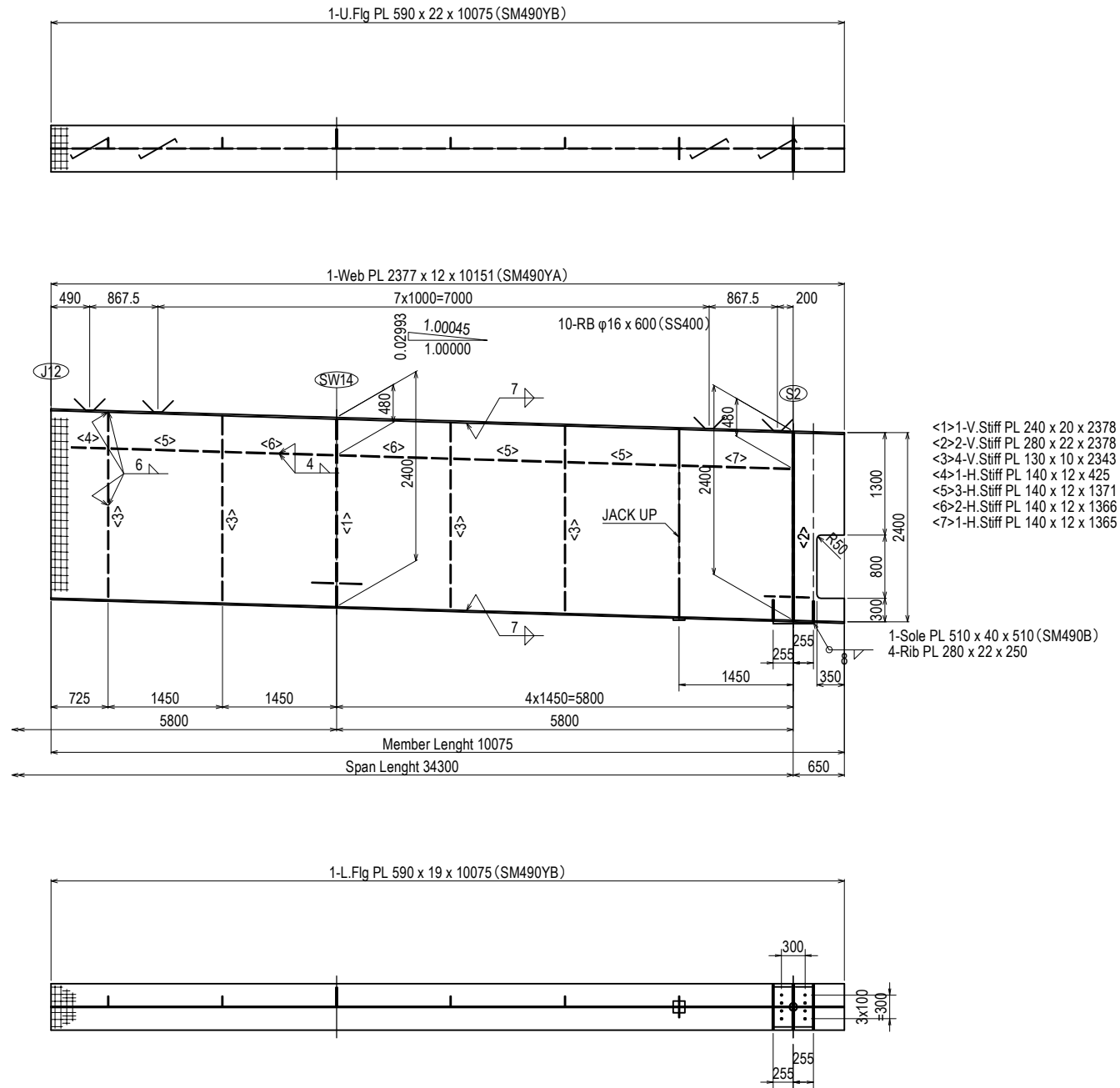
KEY PLAN



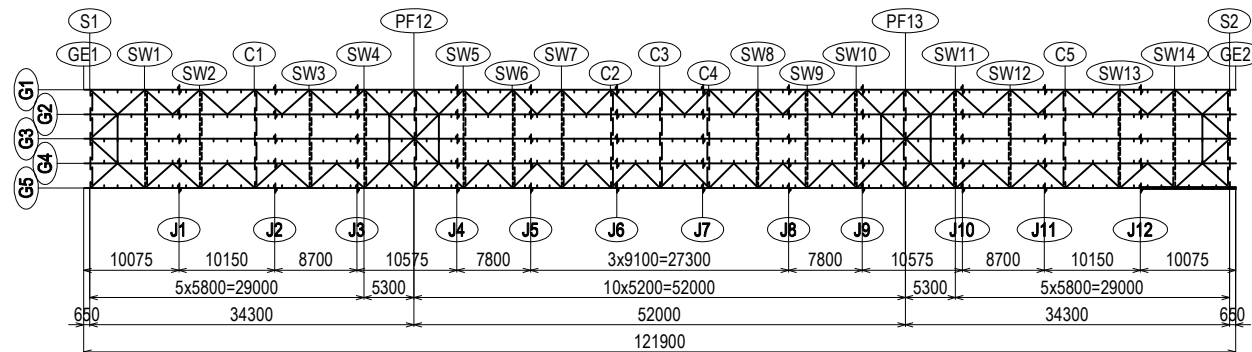
- Note
1. All material without the reports is made SM400A
 2. + : High-tension bolt M22 (S10T)
 3. All scar laps without the reports are made R35

PROJECT NAME DETAILED DESIGN ON BAGO RIVER BRIDGE CONSTRUCTION PROJECT	FINANCED BY JAPAN INTERNATIONAL COOPERATION AGENCY	COUNTERPART REPUBLIC OF THE UNION OF MYANMAR MINISTRY OF CONSTRUCTION DEPARTMENT OF BRIDGE	JICA STUDY TEAM NIPPON KOEI CO., LTD. ORIENTAL CONSULTANTS GLOBAL CO., LTD. METROPOLITAN EXPRESSWAY COMPANY LIMITED CHODAI CO., LTD. NIPPON ENGINEERING CONSULTANTS CO., LTD.	<table border="1" style="width: 100%; border-collapse: collapse;"> <thead> <tr> <th style="width: 10%;">NAME</th> <th style="width: 10%;">SIGNATURE</th> <th style="width: 10%;">DATE</th> </tr> </thead> <tbody> <tr> <td>PREPARED BY Y. SUZUKI</td> <td></td> <td>14 Jul. 2017</td> </tr> <tr> <td>CHECKED BY T. HAYAKAWA</td> <td></td> <td>20 Jul. 2017</td> </tr> <tr> <td>APPROVED BY Y. SANO</td> <td></td> <td>25 Jul. 2017</td> </tr> </tbody> </table>	NAME	SIGNATURE	DATE	PREPARED BY Y. SUZUKI		14 Jul. 2017	CHECKED BY T. HAYAKAWA		20 Jul. 2017	APPROVED BY Y. SANO		25 Jul. 2017	DRAWING TITLE DETAIL OF MAIN GIRDER G5 (PF11-PF14) (6)	PACKAGE 3 DWG No. P3-FO-1544
NAME	SIGNATURE	DATE																
PREPARED BY Y. SUZUKI		14 Jul. 2017																
CHECKED BY T. HAYAKAWA		20 Jul. 2017																
APPROVED BY Y. SANO		25 Jul. 2017																

DETAIL OF MAIN GIRDER G5 (PF11-PF14) (7) S=1:80



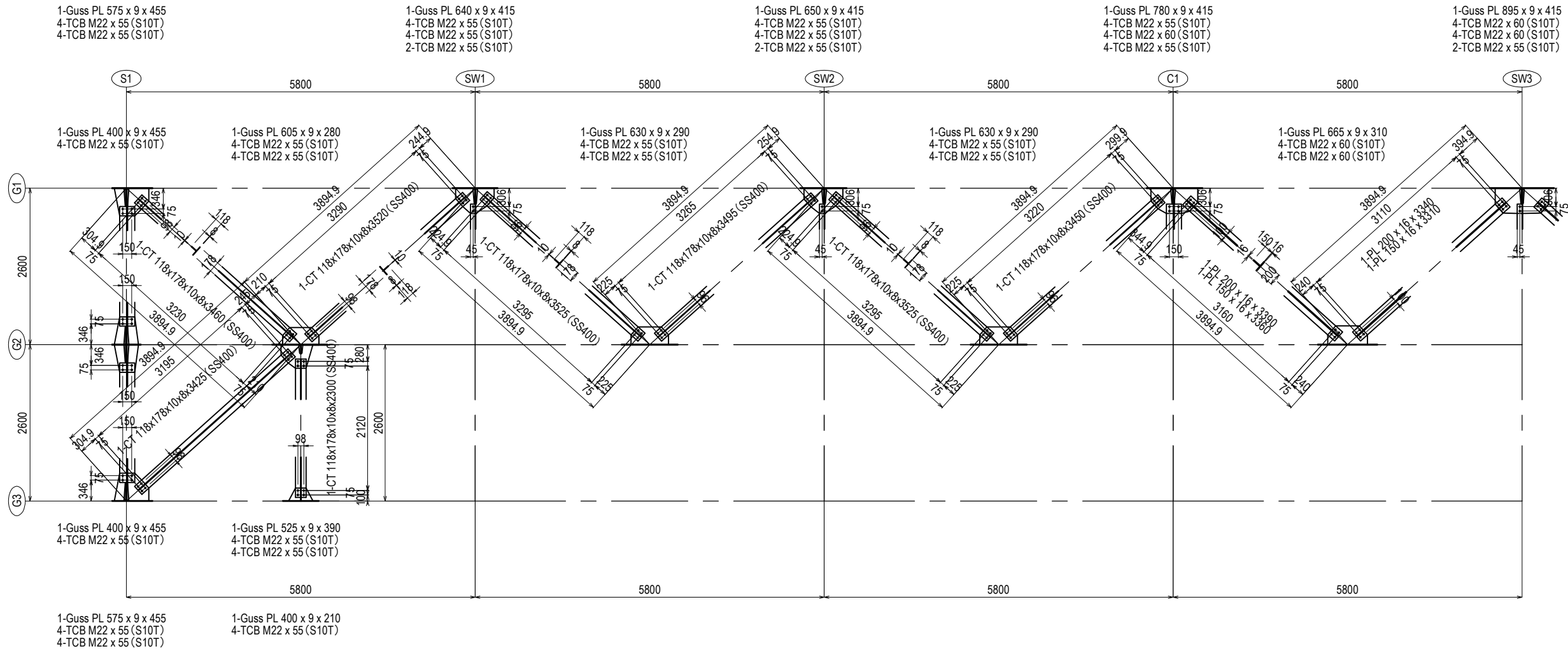
KEY PLAN



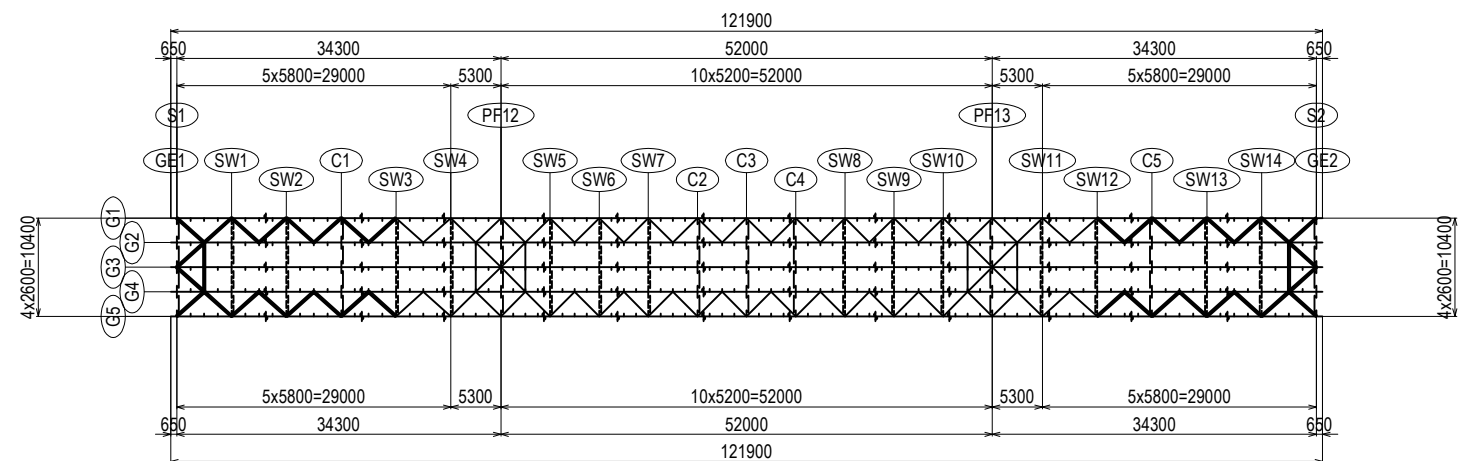
- Note
1. All material without the reports is made SM400A
 2. + : High-tension bolt M22 (S10T)
 3. All scar laps without the reports are made R35

PROJECT NAME DETAILED DESIGN ON BAGO RIVER BRIDGE CONSTRUCTION PROJECT	FINANCED BY JAPAN INTERNATIONAL COOPERATION AGENCY	COUNTERPART REPUBLIC OF THE UNION OF MYANMAR MINISTRY OF CONSTRUCTION DEPARTMENT OF BRIDGE	JICA STUDY TEAM NIPPON KOEI CO., LTD. ORIENTAL CONSULTANTS GLOBAL CO., LTD. METROPOLITAN EXPRESSWAY COMPANY LIMITED CHODAI CO., LTD. NIPPON ENGINEERING CONSULTANTS CO., LTD.	<table border="1" style="width: 100%; border-collapse: collapse;"> <tr> <th style="width: 20%;">NAME</th> <th style="width: 20%;">SIGNATURE</th> <th style="width: 20%;">DATE</th> </tr> <tr> <td>PREPARED BY Y. SUZUKI</td> <td></td> <td>14 Jul. 2017</td> </tr> <tr> <td>CHECKED BY T. HAYAKAWA</td> <td></td> <td>20 Jul. 2017</td> </tr> <tr> <td>APPROVED BY Y. SANO</td> <td></td> <td>25 Jul. 2017</td> </tr> </table>	NAME	SIGNATURE	DATE	PREPARED BY Y. SUZUKI		14 Jul. 2017	CHECKED BY T. HAYAKAWA		20 Jul. 2017	APPROVED BY Y. SANO		25 Jul. 2017	DRAWING TITLE DETAIL OF MAIN GIRDER G5 (PF11-PF14) (7)	PACKAGE 3 DWG No. P3-FO-1545
NAME	SIGNATURE	DATE																
PREPARED BY Y. SUZUKI		14 Jul. 2017																
CHECKED BY T. HAYAKAWA		20 Jul. 2017																
APPROVED BY Y. SANO		25 Jul. 2017																

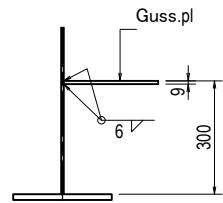
DETAIL OF LATERAL (PF11-PF14) (1) S=1:80



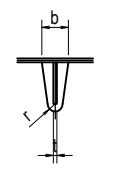
KEY PLAN



GUSSET MOUNTING PROCEDURE S=1:20



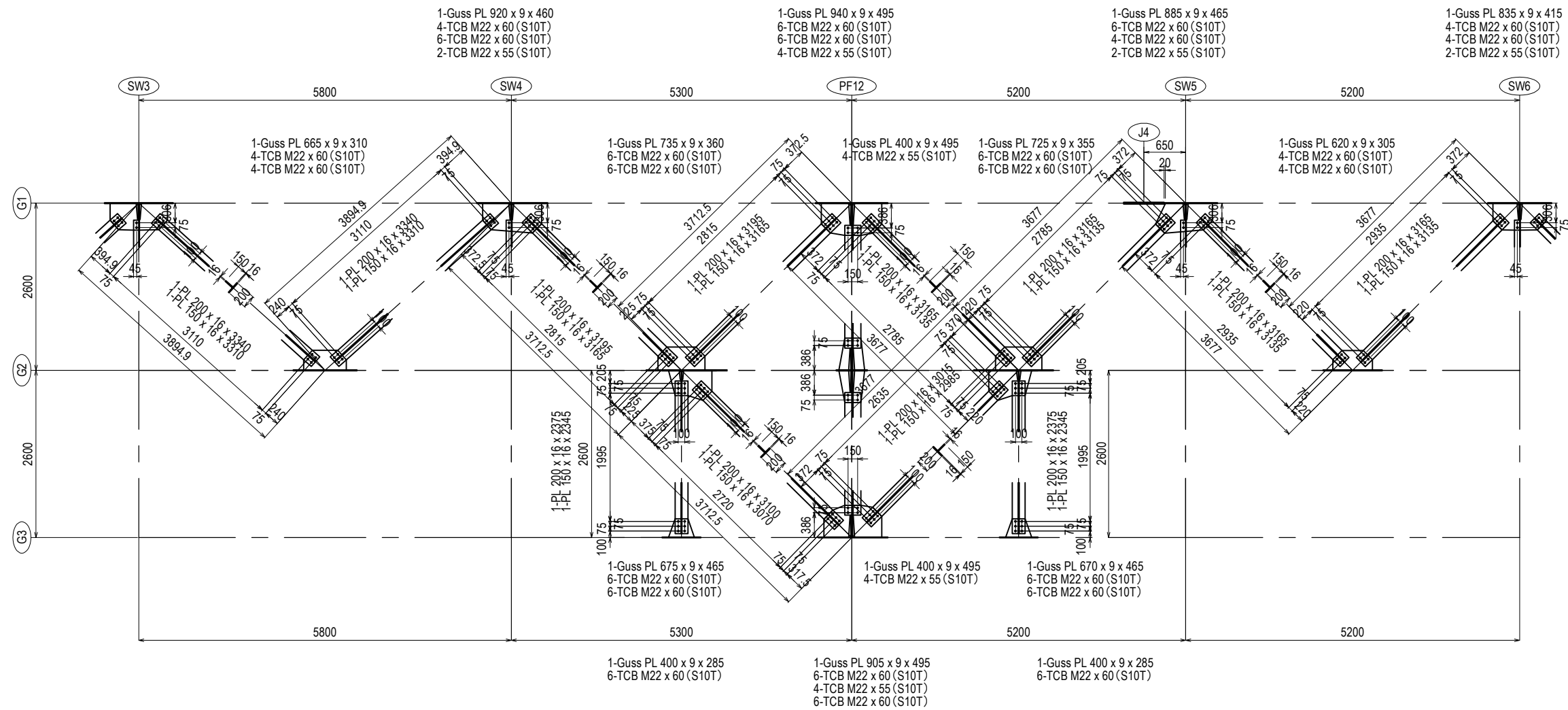
GUSSET SCALLOP DETAILS S=1:20



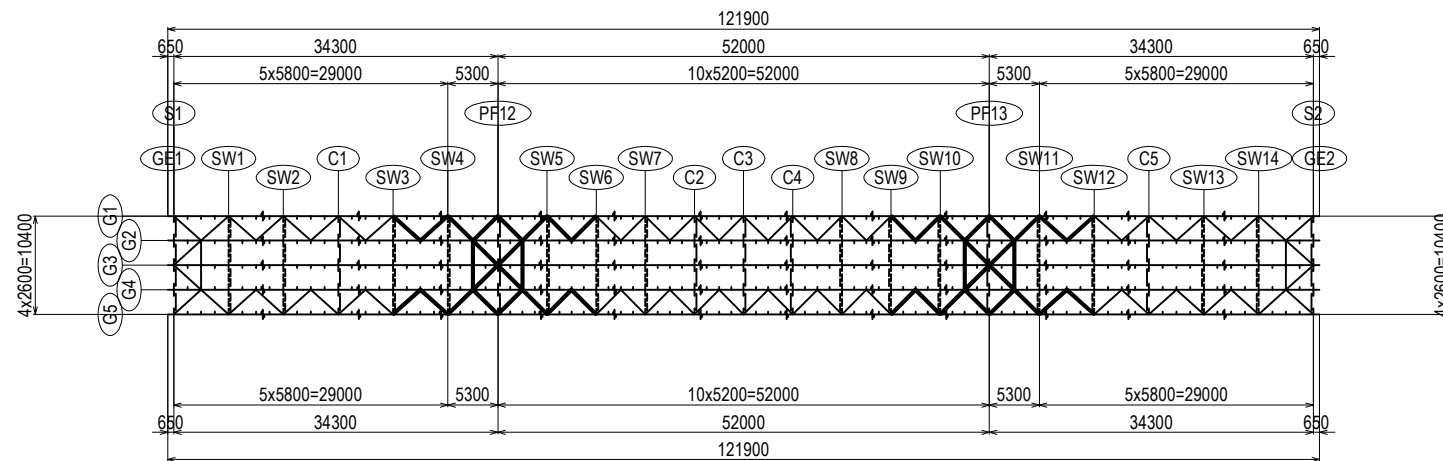
t	b	r
12 or less	70	20
13-22	80	20
23-32	90	25

Note
 1. All material without the reports is made SM400A
 2. + : High-tension bolt M22 (S10T)
 3. All scar laps without the reports are made R35

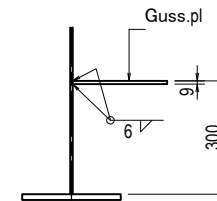
DETAIL OF LATERAL (PF11-PF14) (2) S=1:80



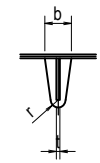
KEY PLAN



GUSSET MOUNTING PROCEDURE S=1:20



GUSSET SCALLOP DETAILS S=1:20



t	b	r
12 or less	70	20
13-22	80	20
23-32	90	25

- Note
1. All material without the reports is made SM400A
 2. + : High-tension bolt M22 (S10T)
 3. All scar laps without the reports are made R35

PROJECT NAME
DETAILED DESIGN ON
BAGO RIVER BRIDGE
CONSTRUCTION PROJECT

FINANCED BY
JICA
JAPAN INTERNATIONAL
COOPERATION AGENCY

COUNTERPART
REPUBLIC OF THE UNION OF MYANMAR
MINISTRY OF CONSTRUCTION
DEPARTMENT OF BRIDGE

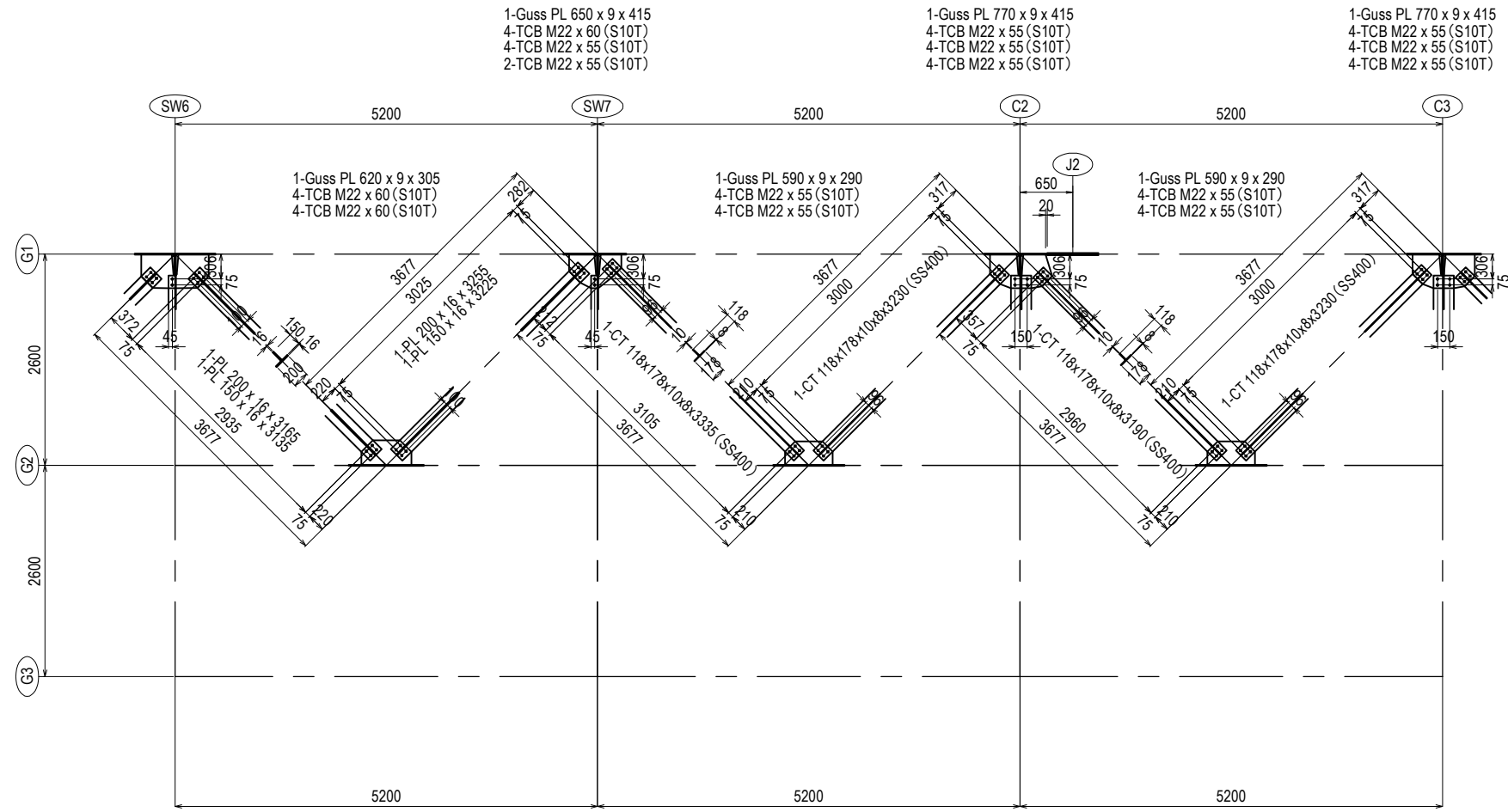
JICA STUDY TEAM
NIPPON KOEI CO., LTD.
ORIENTAL CONSULTANTS GLOBAL CO., LTD.
METROPOLITAN EXPRESSWAY COMPANY LIMITED
CHODAI CO., LTD.
NIPPON ENGINEERING CONSULTANTS CO., LTD.

	NAME	SIGNATURE	DATE
PREPARED BY	Y. SUZUKI	<i>YS</i>	14 Jul. 2017
CHECKED BY	T. HAYAKAWA	<i>TH</i>	20 Jul. 2017
APPROVED BY	Y. SANO	<i>YS</i>	25 Jul. 2017

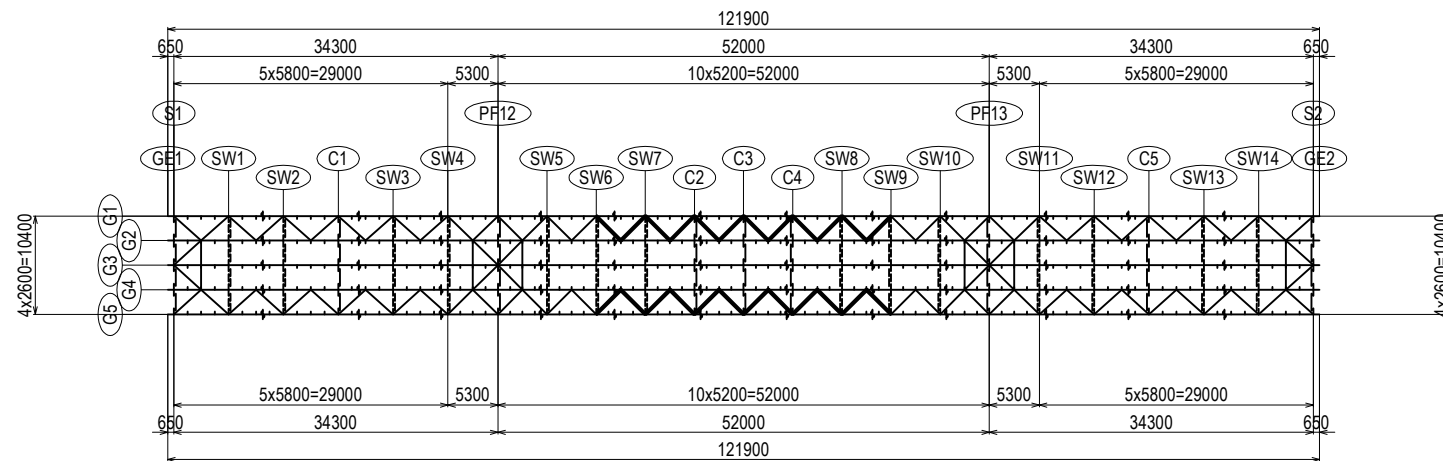
DRAWING TITLE
DETAIL OF LATERAL (PF11-PF14) (2)

PACKAGE
3
DWG No.
P3-FO-1547

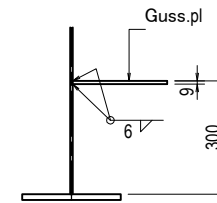
DETAIL OF LATERAL (PF11-PF14) (3) S=1:80



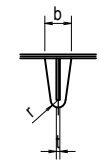
KEY PLAN



GUSSET MOUNTING PROCEDURE S=1:20



GUSSET SCALLOP DETAILS S=1:20



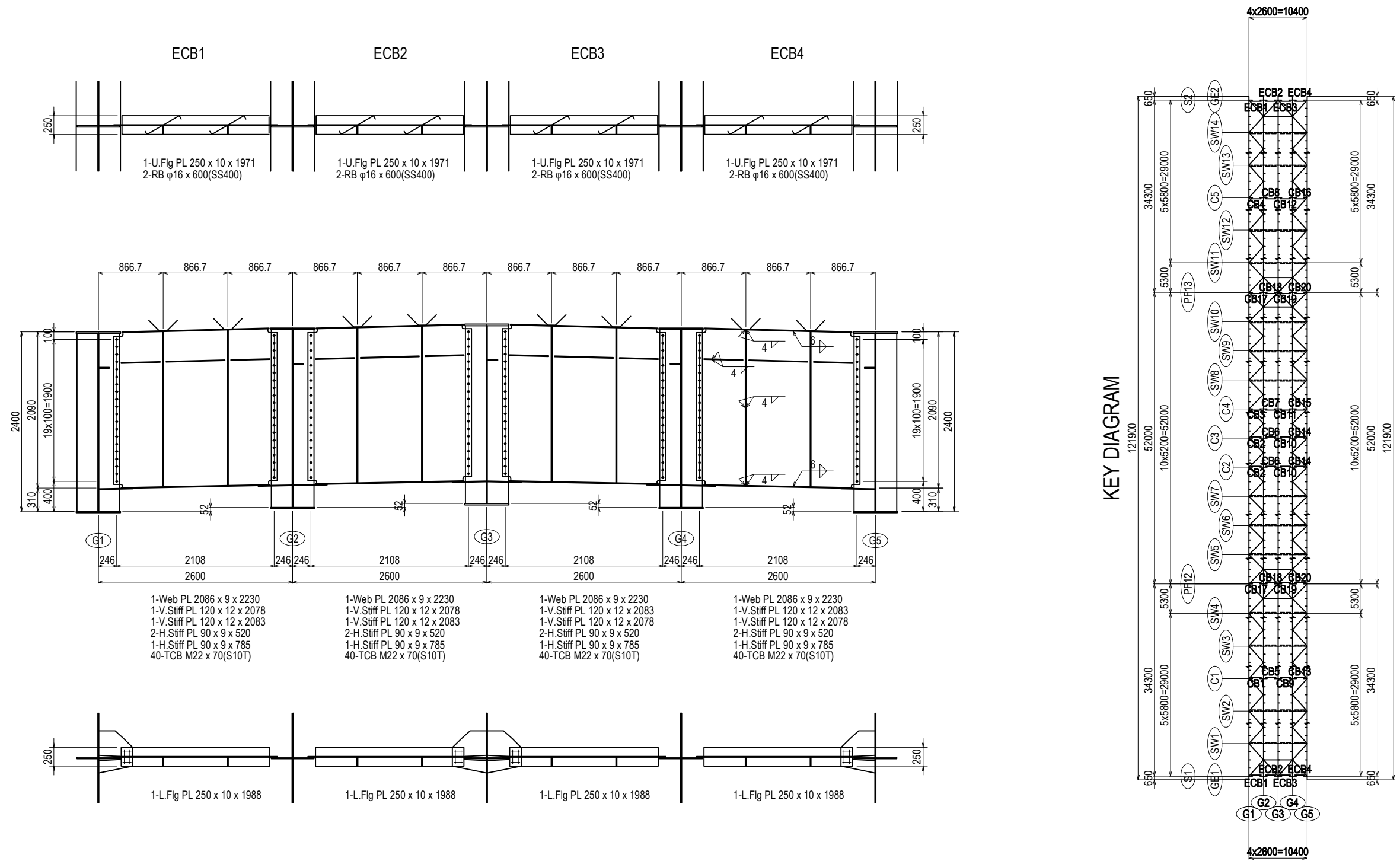
t	b	r
12 or less	70	20
13-22	80	20
23-32	90	25

- Note
- All material without the reports is made SM400A
 - + : High-tension bolt M22 (S10T)
 - All scar laps without the reports are made R35

PROJECT NAME DETAILED DESIGN ON BAGO RIVER BRIDGE CONSTRUCTION PROJECT	FINANCED BY JAPAN INTERNATIONAL COOPERATION AGENCY	COUNTERPART REPUBLIC OF THE UNION OF MYANMAR MINISTRY OF CONSTRUCTION DEPARTMENT OF BRIDGE	JICA STUDY TEAM NIPPON KOEI CO., LTD. ORIENTAL CONSULTANTS GLOBAL CO., LTD. METROPOLITAN EXPRESSWAY COMPANY LIMITED CHODAI CO., LTD. NIPPON ENGINEERING CONSULTANTS CO., LTD.	NAME	SIGNATURE	DATE	DRAWING TITLE	PACKAGE	
				PREPARED BY	Y. SUZUKI				14 Jul. 2017
				CHECKED BY	T. HAYAKAWA				20 Jul. 2017
				APPROVED BY	Y. SANO				25 Jul. 2017
DETAIL OF LATERAL (PF11-PF14) (3)							3	DWG No.	P3-FO-1548

DETAIL OF CROSSBEAM (PF11-PF14) (1) S=1:60

SECTION S1,S2

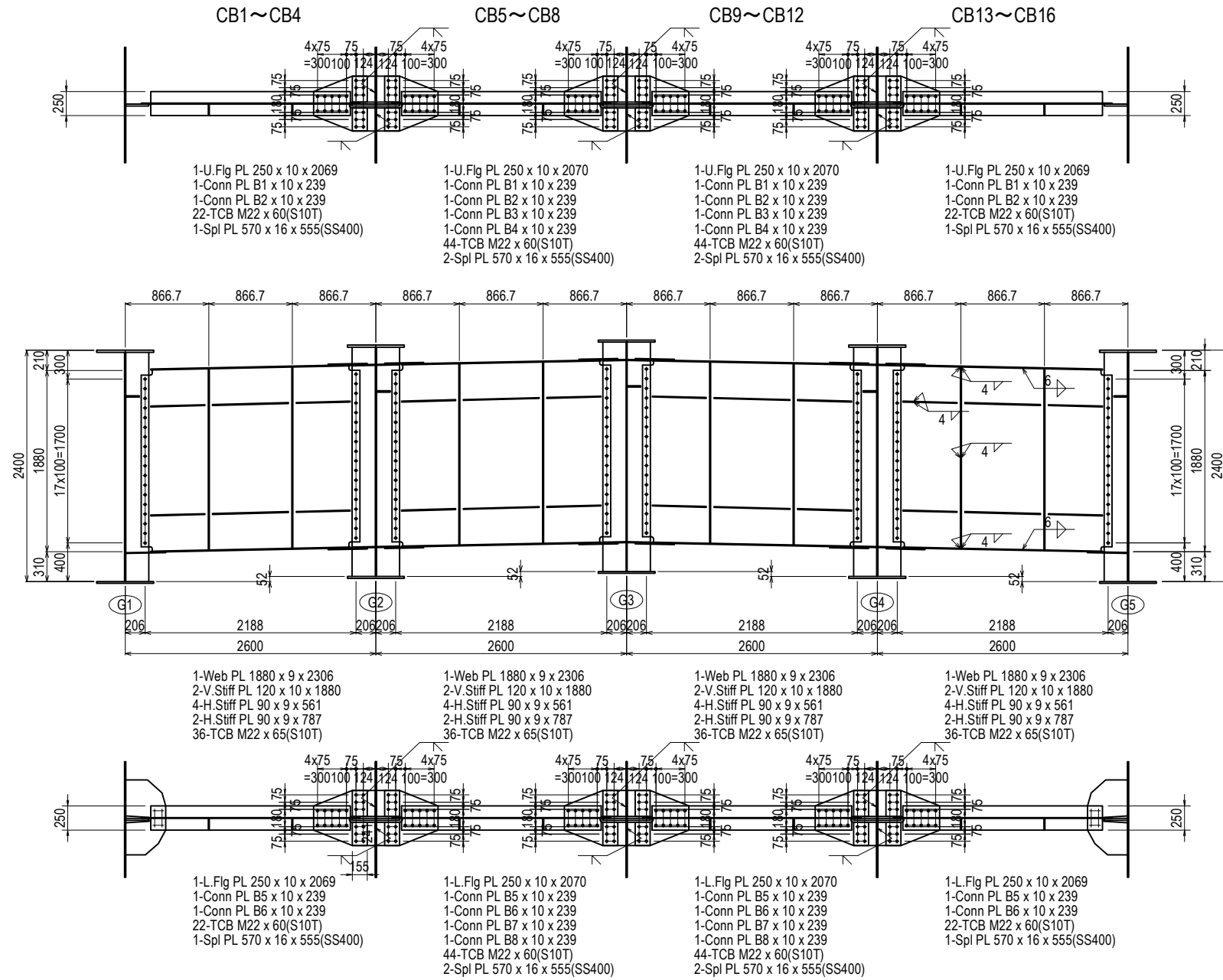


Note
 1. All material without the reports is made SM400A
 2. + : High-tension bolt M22 (S10T)
 3. All scar laps without the reports are made R35

PROJECT NAME DETAILED DESIGN ON BAGO RIVER BRIDGE CONSTRUCTION PROJECT	FINANCED BY JAPAN INTERNATIONAL COOPERATION AGENCY	COUNTERPART REPUBLIC OF THE UNION OF MYANMAR MINISTRY OF CONSTRUCTION DEPARTMENT OF BRIDGE	JICA STUDY TEAM NIPPON KOEI CO., LTD. ORIENTAL CONSULTANTS GLOBAL CO., LTD. METROPOLITAN EXPRESSWAY COMPANY LIMITED CHODAI CO., LTD. NIPPON ENGINEERING CONSULTANTS CO., LTD.	<table border="1" style="width: 100%; border-collapse: collapse;"> <thead> <tr> <th style="width: 10%;">NAME</th> <th style="width: 10%;">SIGNATURE</th> <th style="width: 10%;">DATE</th> </tr> </thead> <tbody> <tr> <td>PREPARED BY</td> <td>Y. SUZUKI</td> <td>14 Jul. 2017</td> </tr> <tr> <td>CHECKED BY</td> <td>T. HAYAKAWA</td> <td>20 Jul. 2017</td> </tr> <tr> <td>APPROVED BY</td> <td>Y. SANO</td> <td>25 Jul. 2017</td> </tr> </tbody> </table>	NAME	SIGNATURE	DATE	PREPARED BY	Y. SUZUKI	14 Jul. 2017	CHECKED BY	T. HAYAKAWA	20 Jul. 2017	APPROVED BY	Y. SANO	25 Jul. 2017	DRAWING TITLE DETAIL OF CROSSBEAM (PF11-PF14) (1)	PACKAGE 3 DWG No. P3-FO-1549
NAME	SIGNATURE	DATE																
PREPARED BY	Y. SUZUKI	14 Jul. 2017																
CHECKED BY	T. HAYAKAWA	20 Jul. 2017																
APPROVED BY	Y. SANO	25 Jul. 2017																

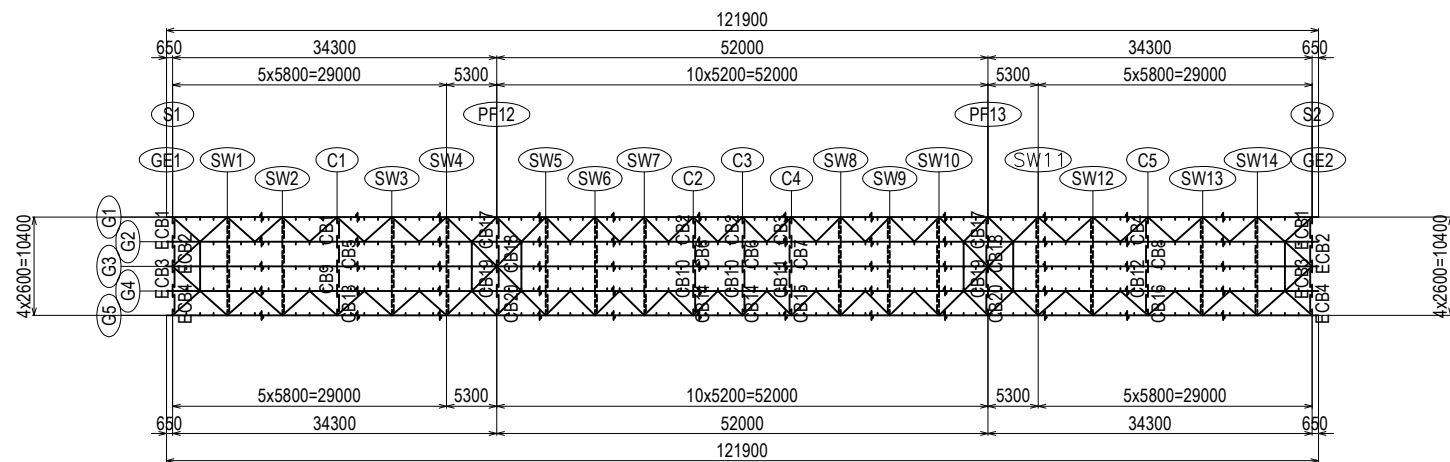
DETAIL OF CROSSBEAM (PF11-PF14) (2) S=1:60

SECTION C1~C5



	B1	B2	B3	B4	B5	B6	B7	B8
CB1	270	241			270	241		
CB2	270	241			270	241		
CB3	241	270			241	270		
CB4	241	270			241	270		
CB5	270	241	270	241	270	241	270	241
CB6	270	241	270	241	270	241	270	241
CB7	241	270	241	270	241	270	241	270
CB8	241	270	241	270	241	270	241	270
CB9	270	241	270	241	270	241	270	241
CB10	270	241	270	241	270	241	270	241
CB11	241	270	241	270	241	270	241	270
CB12	241	270	241	270	241	270	241	270
CB13	270	241			270	241		
CB14	270	241			270	241		
CB15	241	270			241	270		
CB16	241	270			241	270		

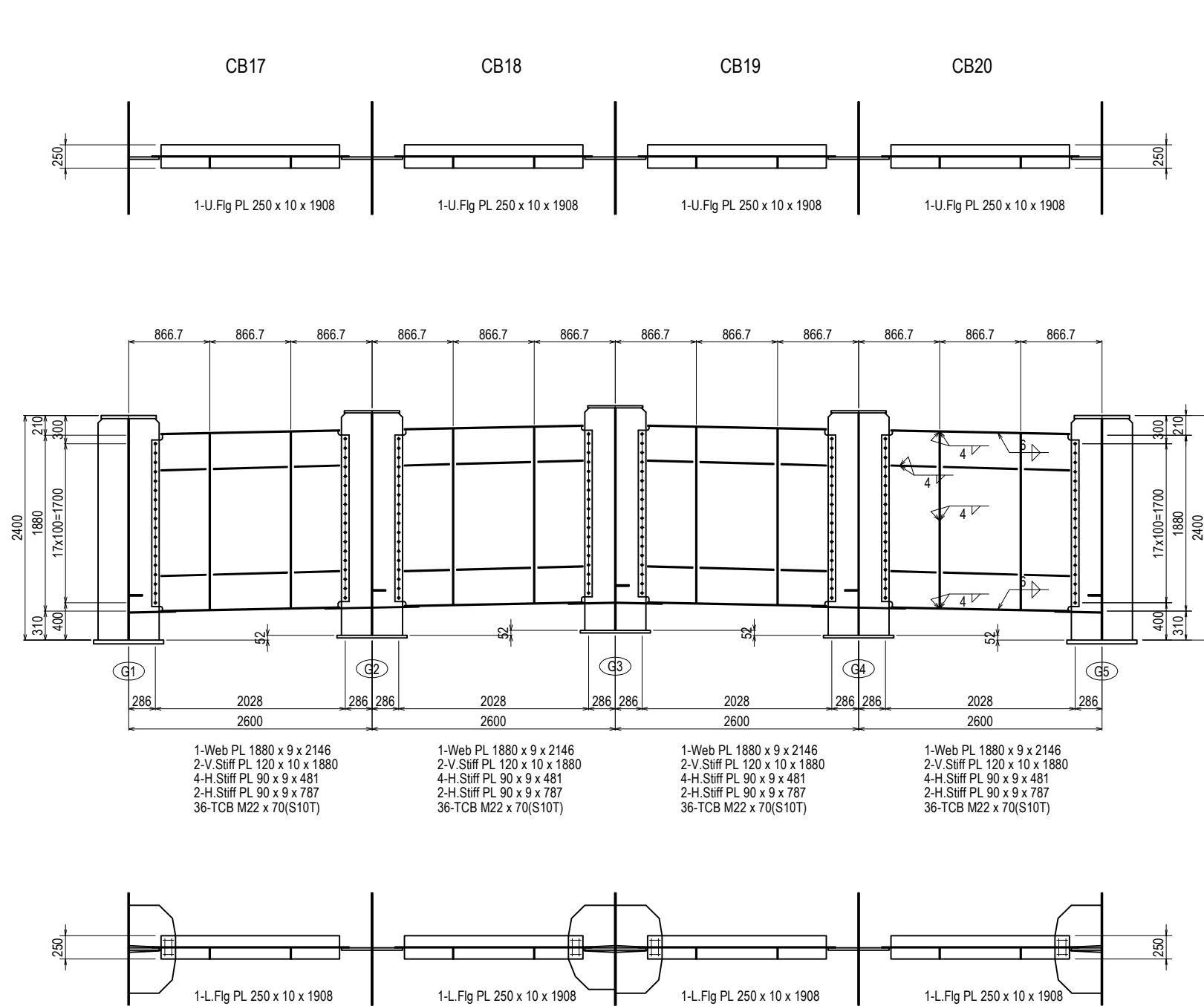
KEY DIAGRAM



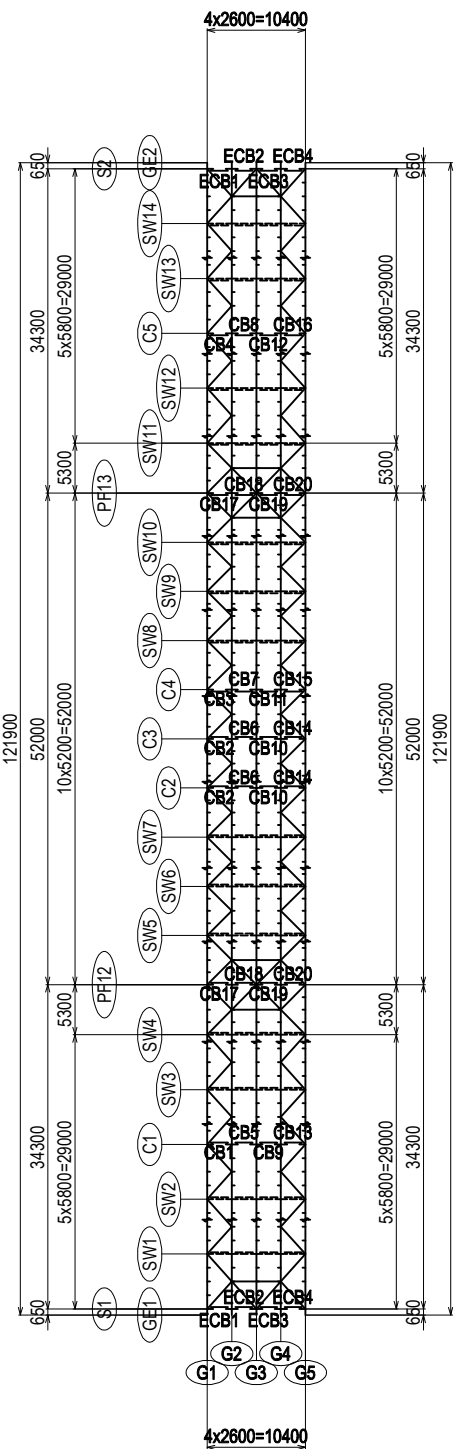
Note
 1. All material without the reports is made SM400A
 2. + : High-tension bolt M22 (S10T)
 3. All scar laps without the reports are made R35

DETAIL OF CROSSBEAM (PF11-PF14) (3) S=1:60

SECTION PF12,PF13



KEY DIAGRAM

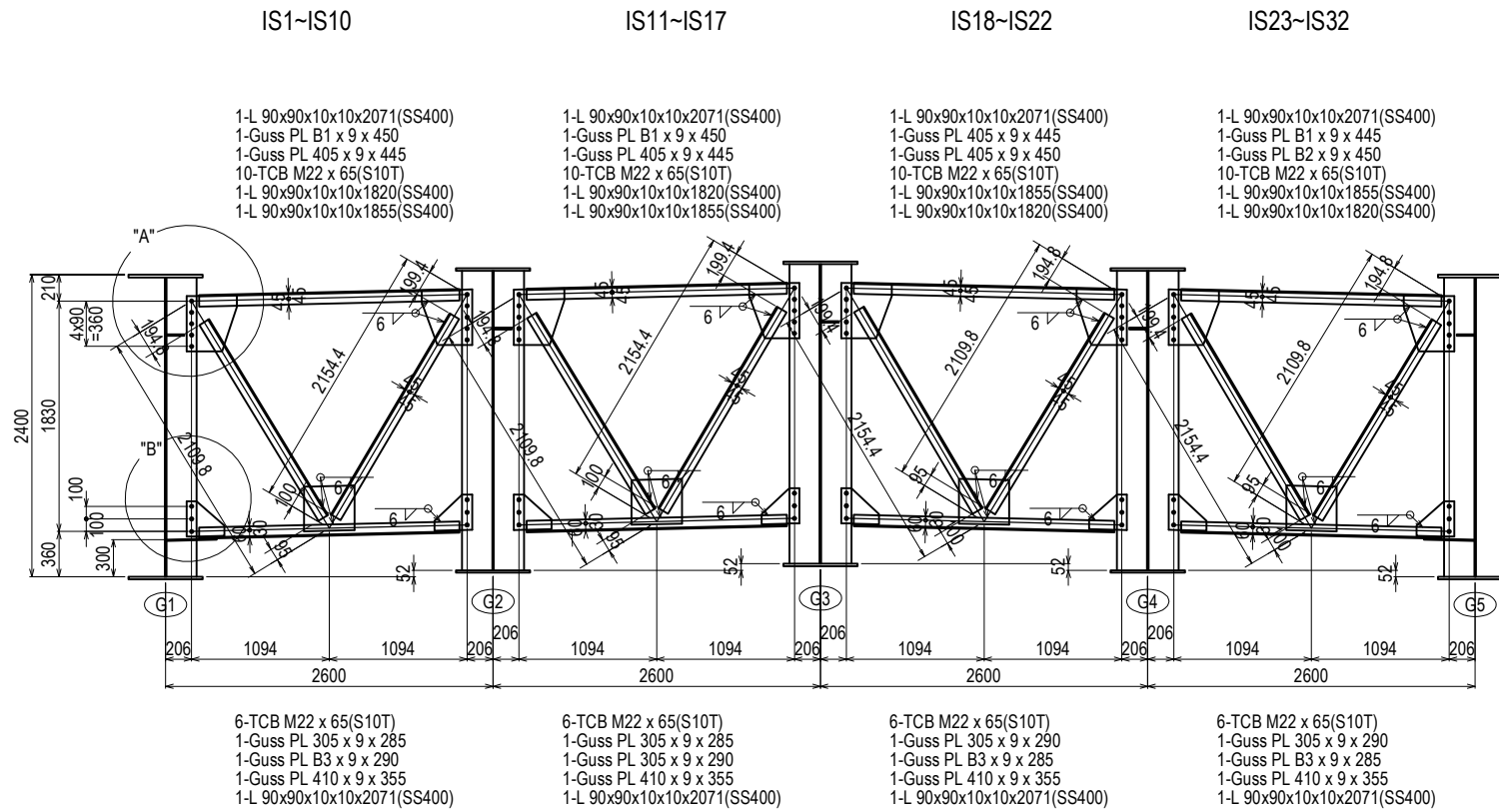


- Note
1. All material without the reports is made SM400A
 2. + : High-tension bolt M22 (S10T)
 3. All scar laps without the reports are made R35

<small>PROJECT NAME</small> DETAILED DESIGN ON BAGO RIVER BRIDGE CONSTRUCTION PROJECT	<small>FINANCED BY</small> JAPAN INTERNATIONAL COOPERATION AGENCY	<small>COUNTERPART</small> REPUBLIC OF THE UNION OF MYANMAR MINISTRY OF CONSTRUCTION DEPARTMENT OF BRIDGE	<small>JICA STUDY TEAM</small> NIPPON KOEI CO., LTD. ORIENTAL CONSULTANTS GLOBAL CO., LTD. METROPOLITAN EXPRESSWAY COMPANY LIMITED CHODAI CO., LTD. NIPPON ENGINEERING CONSULTANTS CO., LTD.	<table border="1" style="width: 100%; border-collapse: collapse;"> <tr> <th style="width: 10%;">NAME</th> <th style="width: 10%;">SIGNATURE</th> <th style="width: 10%;">DATE</th> </tr> <tr> <td>PREPARED BY</td> <td>Y. SUZUKI</td> <td>14 Jul. 2017</td> </tr> <tr> <td>CHECKED BY</td> <td>T. HAYAKAWA</td> <td>20 Jul. 2017</td> </tr> <tr> <td>APPROVED BY</td> <td>Y. SANO</td> <td>25 Jul. 2017</td> </tr> </table>	NAME	SIGNATURE	DATE	PREPARED BY	Y. SUZUKI	14 Jul. 2017	CHECKED BY	T. HAYAKAWA	20 Jul. 2017	APPROVED BY	Y. SANO	25 Jul. 2017	<small>DRAWING TITLE</small> DETAIL OF CROSSBEAM (PF11-PF14) (3)	<small>PACKAGE</small> 3 DWG No. P3-FO-1551
NAME	SIGNATURE	DATE																
PREPARED BY	Y. SUZUKI	14 Jul. 2017																
CHECKED BY	T. HAYAKAWA	20 Jul. 2017																
APPROVED BY	Y. SANO	25 Jul. 2017																

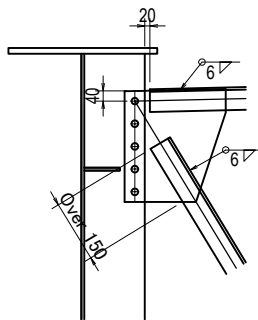
DETAIL OF CROSSBEAM (PF11-PF14) (4) S=1:60

SECTION SW1~SW14

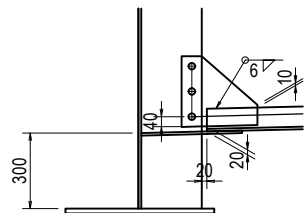


	B1	B2	B3
IS1	400		305
IS2	400		300
IS3	400		300
IS4	400		305
IS5	405		305
IS6	400		305
IS7	400		305
IS8	400		300
IS9	400		300
IS10	405		305
IS11	400		
IS12	405		
IS13	405		
IS14	400		
IS15	405		
IS16	400		
IS17	405		
IS18			305
IS19			305
IS20			305
IS21			305
IS22			300
IS23	400	405	305
IS24	400	405	300
IS25	405	405	305
IS26	400	405	300
IS27	400	400	305
IS28	405	400	300
IS29	400	405	300
IS30	405	405	300
IS31	405	405	300
IS32	405	405	305

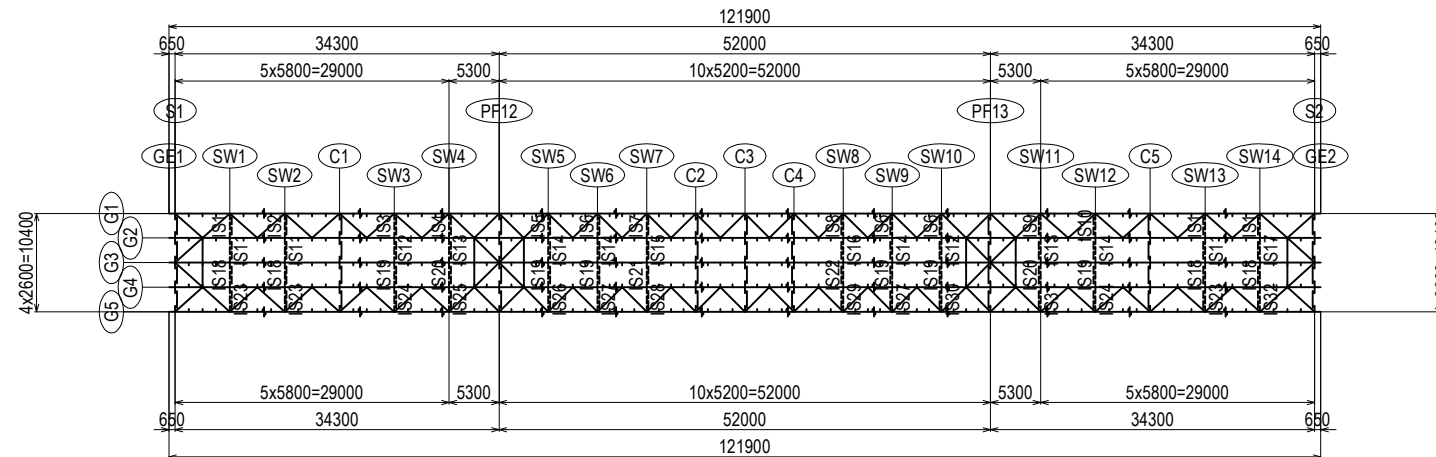
"A" Details S=1:30



"B" Details S=1:30



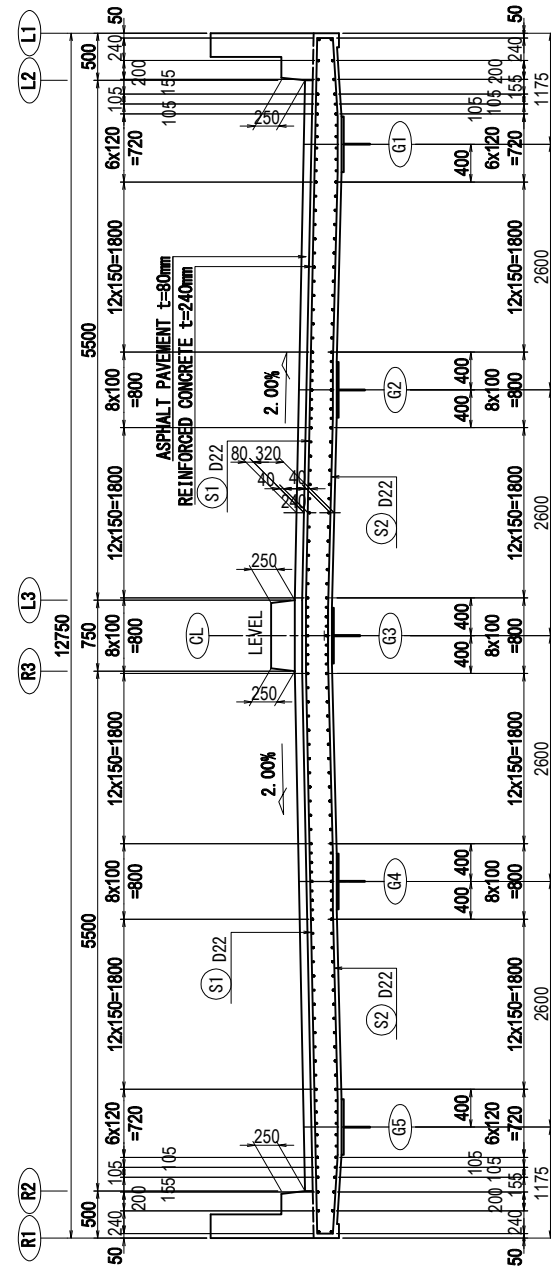
KEY DIAGRAM



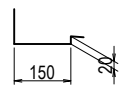
- Note
1. All material without the reports is made SM400A
 2. + : High-tension bolt M22 (S10T)
 3. All scar laps without the reports are made R35

DETAIL OF DECK SLAB (PF11-PF14) (1) S=1:80

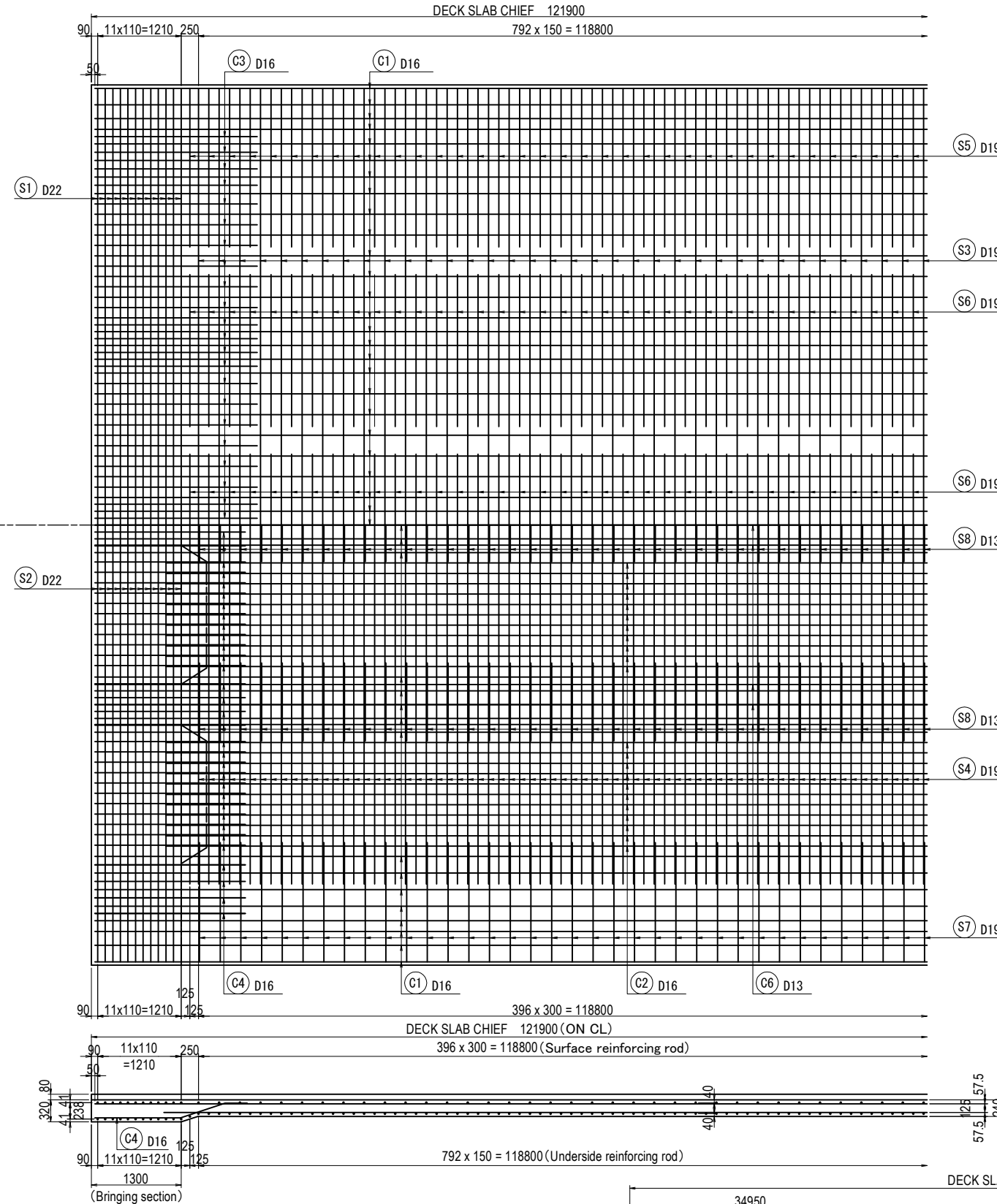
EDGE CROSS SECTION



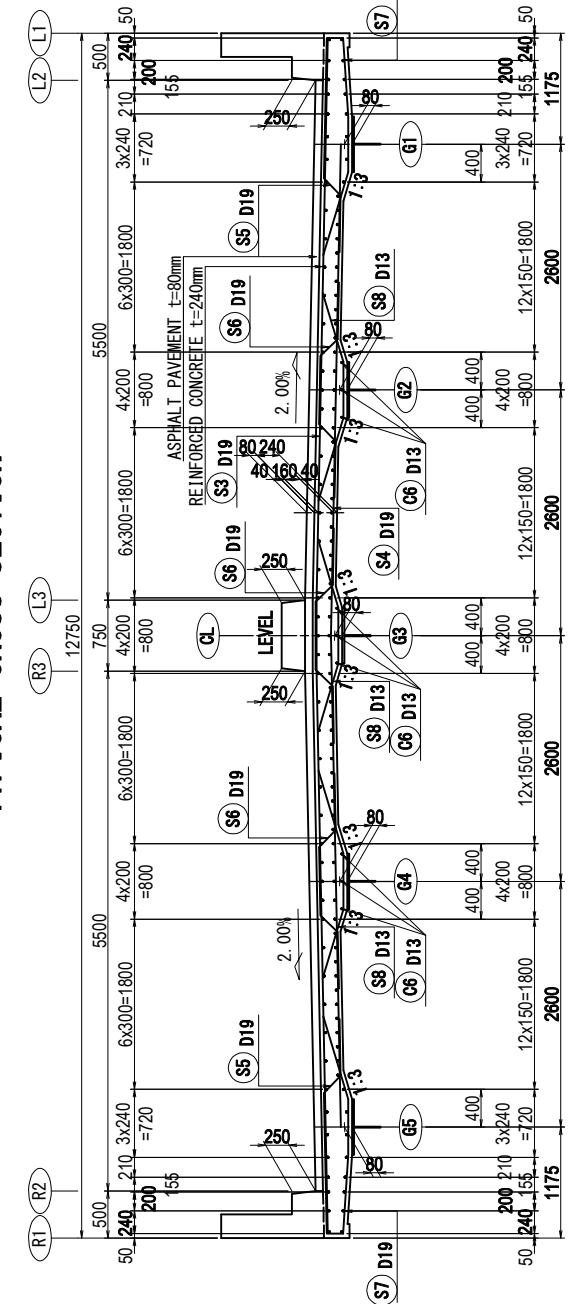
THE DRAINER PART DETAILS S=1 : 20



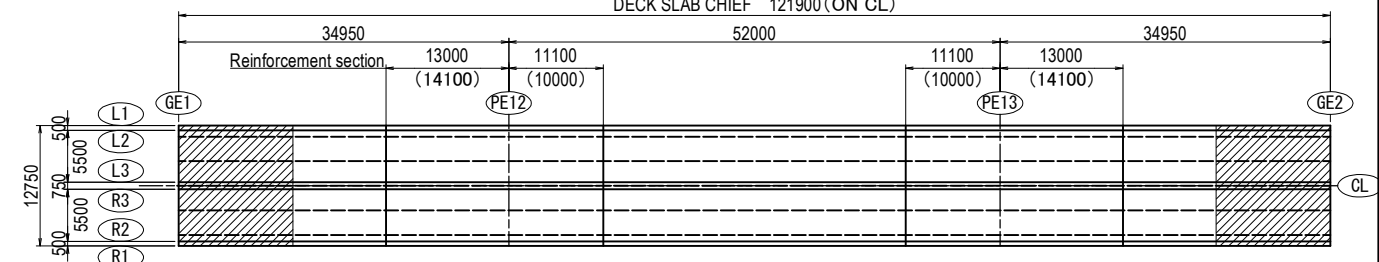
SURFACE REBAR WORK



TYPICAL CROSS SECTION



KEY PLAN



PROJECT NAME
DETAILED DESIGN ON
BAGO RIVER BRIDGE
CONSTRUCTION PROJECT

FINANCED BY
 JAPAN INTERNATIONAL
COOPERATION AGENCY

COUNTERPART
 REPUBLIC OF THE UNION OF MYANMAR
MINISTRY OF CONSTRUCTION
DEPARTMENT OF BRIDGE

JICA STUDY TEAM
 NIPPON KOEI CO., LTD.
ORIENTAL CONSULTANTS GLOBAL CO., LTD.
METROPOLITAN EXPRESSWAY COMPANY LIMITED
CHODAI CO., LTD.
NIPPON ENGINEERING CONSULTANTS CO., LTD.

	NAME	SIGNATURE	DATE
PREPARED BY	Y. SUZUKI		14 Jul. 2017
CHECKED BY	T. HAYAKAWA		20 Jul. 2017
APPROVED BY	Y. SANO		25 Jul. 2017

DRAWING TITLE
DETAIL OF DECK SLAB (PF11-PF14) (1)

PACKAGE
3
DWG No.
P3-FO-1553

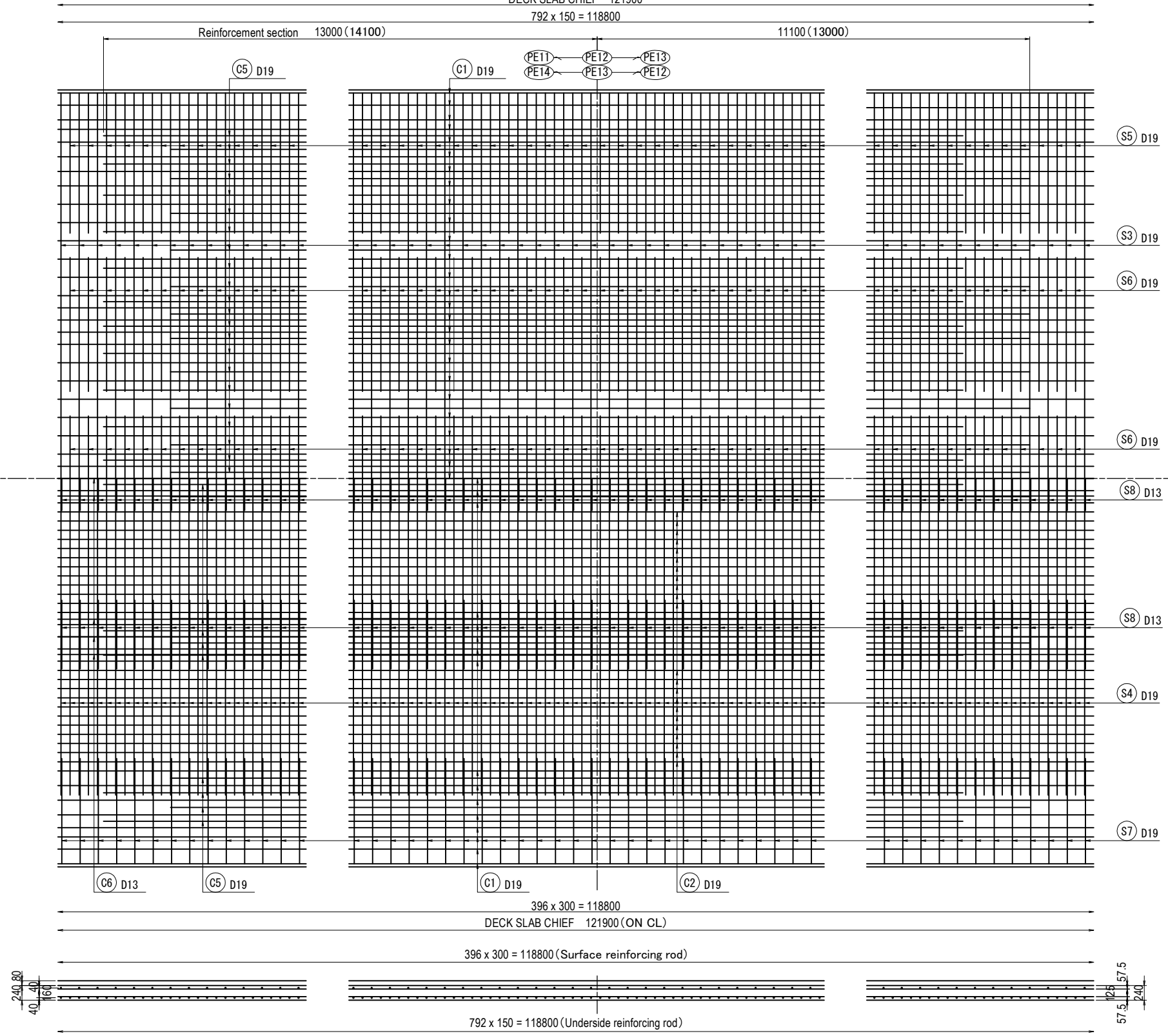
DETAIL OF DECK SLAB (PF11-PF14) (2) S=1:80

DECK SLAB CHIEF 121900

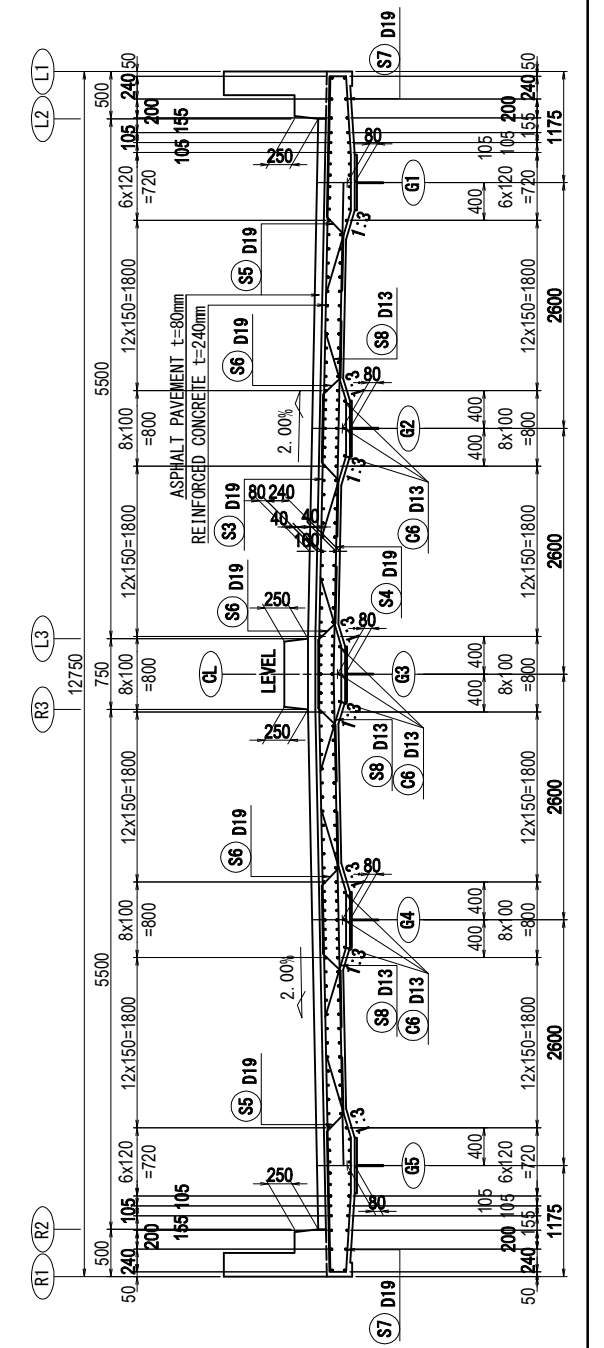
792 x 150 = 118800

SURFACE REBAR WORK

UNDERSIDE REBAR WORK

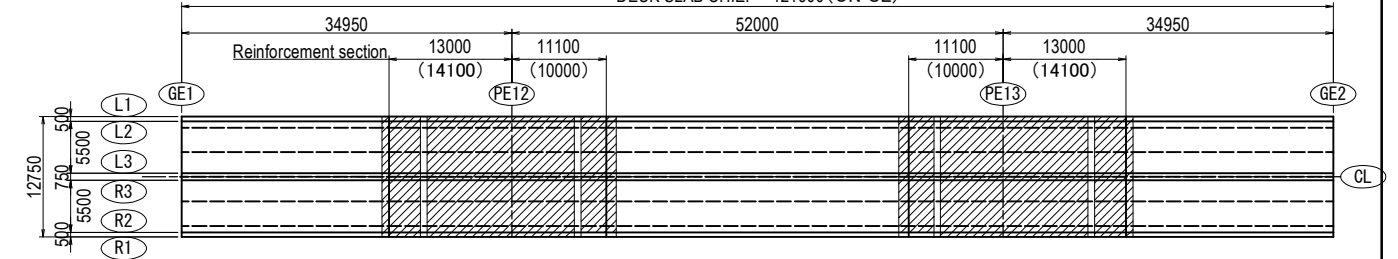


MIDDLE FULCRUM CROSS SECTION



KEY PLAN

DECK SLAB CHIEF 121900 (ON CL)



PROJECT NAME
DETAILED DESIGN ON
BAGO RIVER BRIDGE
CONSTRUCTION PROJECT

FINANCED BY
 JAPAN INTERNATIONAL
COOPERATION AGENCY

COUNTERPART
 REPUBLIC OF THE UNION OF MYANMAR
MINISTRY OF CONSTRUCTION
DEPARTMENT OF BRIDGE

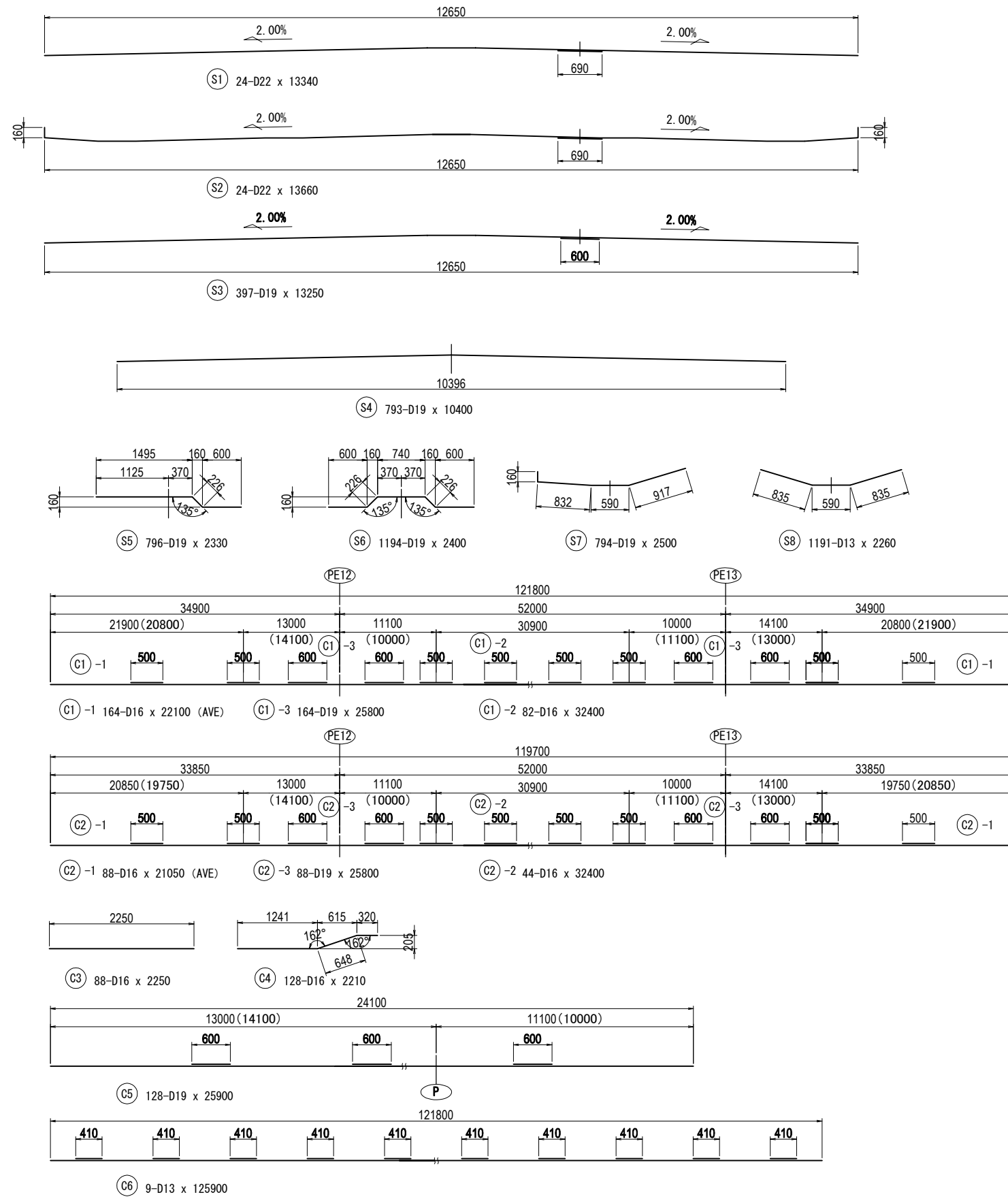
JICA STUDY TEAM
 NIPPON KOEI CO., LTD.
ORIENTAL CONSULTANTS GLOBAL CO., LTD.
METROPOLITAN EXPRESSWAY COMPANY LIMITED
CHODAI CO., LTD.
NIPPON ENGINEERING CONSULTANTS CO., LTD.

	NAME	SIGNATURE	DATE
PREPARED BY	Y. SUZUKI	<i>YS</i>	14 Jul. 2017
CHECKED BY	T. HAYAKAWA	<i>Hayakawa</i>	20 Jul. 2017
APPROVED BY	Y. SANO	<i>Y. Sano</i>	25 Jul. 2017

DRAWING TITLE	PACKAGE
DETAIL OF DECK SLAB (PF11-PF14) (2)	3
	DWG No.
	P3-FO-1554

DETAIL OF DECK SLAB (PF11-PF14) (3) S=1:80

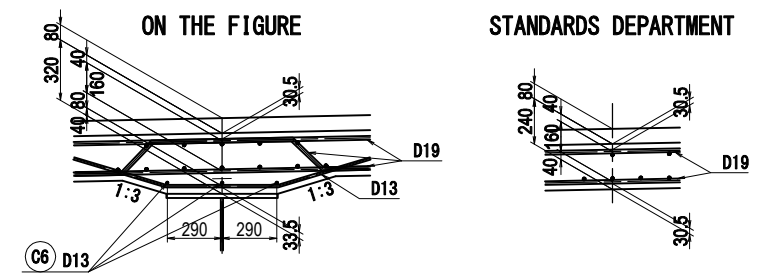
REINFORCING ROD FABRICATION INDICATION DRAWING



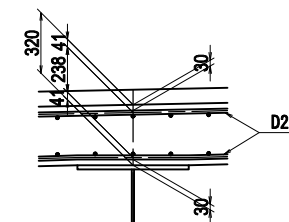
BAR LIST

REBAR NO.	DIA (mm)	LENGTH (mm)	NUMBEA	UNIT WEIGHT (kg/m)	WEIGHT/ONE (kg)	WEIGHT (kg)	REMARKS
S1	D22	13340	24	3.04	40.55	973	
S2	D22	13660	24	3.04	41.53	997	
S3	D19	13250	397	2.25	29.81	11835	
S4	D19	10400	793	2.25	23.40	18556	
S5	D19	2330	796	2.25	5.24	4171	
S6	D19	2400	1194	2.25	5.40	6448	
S7	D19	2500	794	2.25	5.63	4470	
S8	D13	2260	1191	0.995	2.25	2680	
C1_1	D16	22100	164	1.56	34.48	5655	AVE
C1_2	D16	32400	82	1.56	50.54	4144	
C1_3	D19	25800	164	2.25	58.05	9520	
C2_1	D16	21050	88	1.56	32.84	2890	AVE
C2_2	D16	32400	44	1.56	50.54	2224	
C2_3	D19	25800	88	2.25	58.05	5108	
C3	D16	2250	88	1.56	3.51	309	
C4	D16	2210	128	1.56	3.45	442	
C5	D19	25900	128	2.25	58.28	7460	
C6	D13	125900	9	0.995	125.27	1127	
Σ =						89,009 kg	
				D22 (SD345) =	1.970 kg		
				D19 (SD345) =	67.568 kg		
				D16 (SD345) =	15.664 kg		
				D13 (SD345) =	3.807 kg		
THE CONCRETE VOLUME (σ _{ck} =24N/mm ²)						420.5 m ³	
The MOLD AREA						1264.2 m ²	

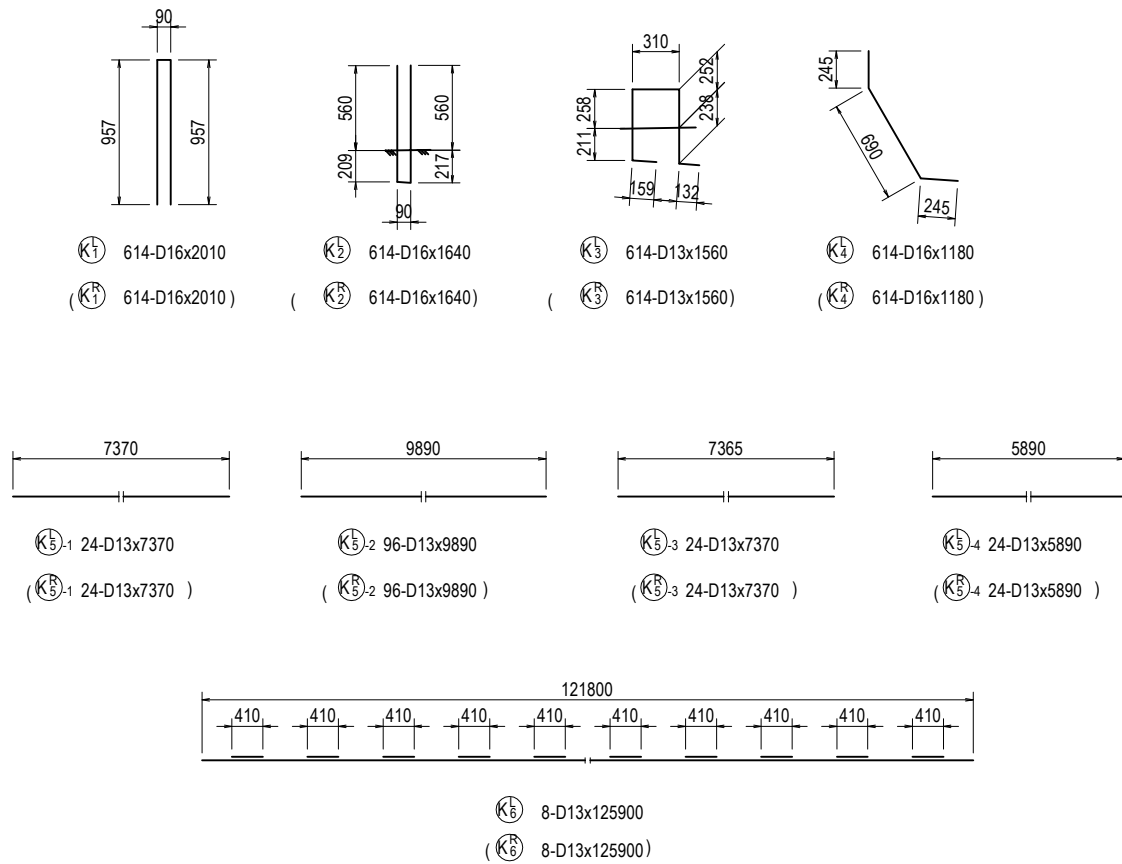
HEAD DETAILS S=1:40



THE YARDARM BRINGING PART



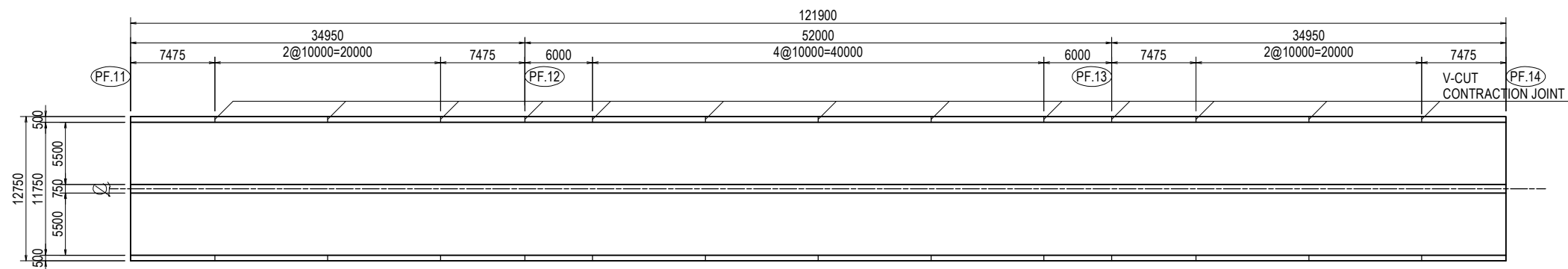
DETAIL OF CONCRETE CURB, BARRIER AND MEDIAN (PF11-PF14) (2)



BAR LIST

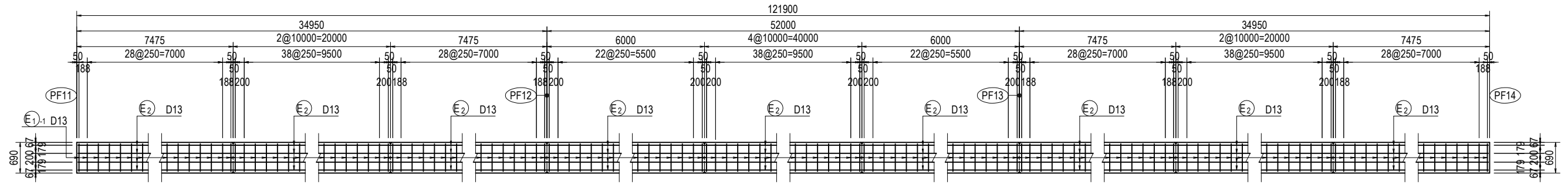
REBAR NO.	DIA (mm)	LENGTH (mm)	NUMBER	UNIT WEIGHT (kg/m)	WEIGHT/ONE (kg)	WEIGHT (kg)	REMARKS
K ₁ ^L	D16	2010	614	1.56	3.14	1928	
K ₂ ^L	D16	1640	614	1.56	2.56	1572	
K ₃ ^L	D13	1560	614	0.995	1.55	952	
K ₄ ^L	D16	1180	614	1.56	1.84	1130	
K ₅₋₁ ^L	D13	7370	24	0.995	7.33	176	
K ₅₋₂ ^L	D13	9890	96	0.995	9.84	945	
K ₅₋₃ ^L	D13	7370	24	0.995	7.33	176	
K ₅₋₄ ^L	D13	5890	24	0.995	5.86	141	
K ₆ ^L	D13	125900	8	0.995	125.27	1002	
K ₁ ^R	D16	2010	614	1.56	3.14	1928	
K ₂ ^R	D16	1640	614	1.56	2.56	1572	
K ₃ ^R	D13	1560	614	0.995	1.55	952	
K ₄ ^R	D16	1180	614	1.56	1.84	1130	
K ₅₋₁ ^R	D13	7370	24	0.995	7.33	176	
K ₅₋₂ ^R	D13	9890	96	0.995	9.84	945	
K ₅₋₃ ^R	D13	7370	24	0.995	7.33	176	
K ₅₋₄ ^R	D13	5890	24	0.995	5.86	141	
K ₆ ^R	D13	125900	8	0.995	125.27	1002	
					D16	9260 kg	
					D13	6784 kg	
					TOTAL	16044 kg	

KEY PLAN S=1:500

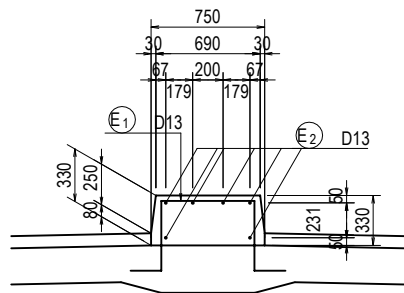


DETAIL OF CONCRETE CURB, BARRIER AND MEDIAN (PF11-PF14) (3)

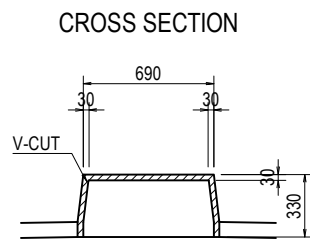
PLAN S=1:100



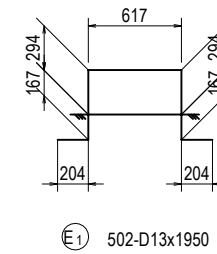
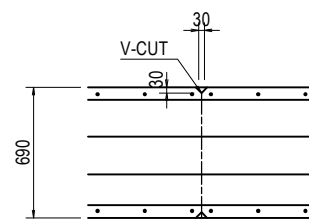
CROSS SECTION S=1:50



V-CUT DETAILS S=1:40



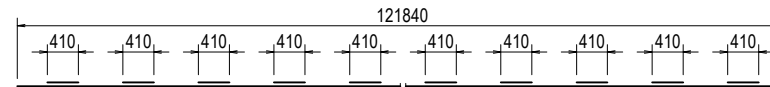
PLAN



E1 502-D13x1950

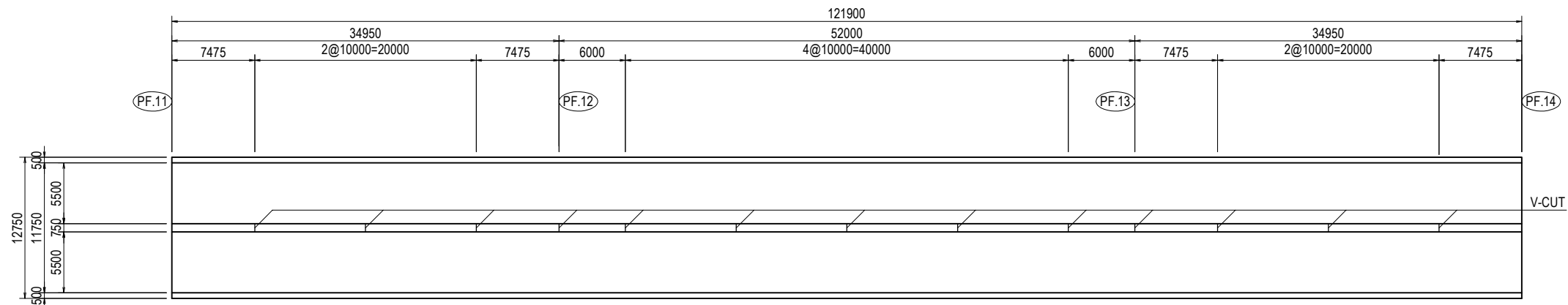
BAR LIST

REBAR NO.	DIA (mm)	LENGTH (mm)	NUMBER	UNIT WEIGHT (kg/m)	WEIGHT/ONE (kg)	WEIGHT (kg)	REMARKS
E1	D13	1950	502	0.995	1.94	974	
E2	D13	125940	6	0.995	125.31	752	
						1726	



E2 6-D13x125940

KEY PLAN S=1:500



DETAIL OF RUBBER BEARING (PF11-PF14) (1) S=1:20

PF11,PF14

DESIGN CONDITION

REACTION		PF11	PF14	
MAXIMUM REACTION	Rmax	774 kN	774 kN	
MAXIMUM REACTION	Rmax2	653 kN	653 kN	
DEAD LOAD REACTION	Rd	451 kN	451 kN	
VERTICAL STRAIN DUE TO LIVE LOAD	R1L	186 kN	186 kN	
MAXIMUM STRAIN FORCE	LONGITUDIAL	Rhe1	213 kN	
	TRANSVERSE	Rhe2	155 kN	
LIFT UP FORCE	Ru	135 kN	135 kN	
ROTATIONAL STRAIN VOLUME	δr	0.56 mm	0.56 mm	
VERTICAL STRAIN DUE TO LIVE LOAD VOLUME		δcl	0.21 mm	
STRAIN VOLUME	ORDINARY	LONGITUDIAL	ΔL	21.7 mm
	LEVEL 1	LONGITUDIAL	$\Delta Le1$	27.2 mm
		TRANSVERSE	$\Delta Le2$	- mm
TEST VOLUME	SHEAR STRAIN	vs	105 %	
	VOLUME	UB	67 mm	
BEARING STIFFNESS	KB	3.97 kN/mm	3.97 kN/mm	
EQUIVALENT DAMPING CONSTANT	hB	20.3 %	20.3 %	

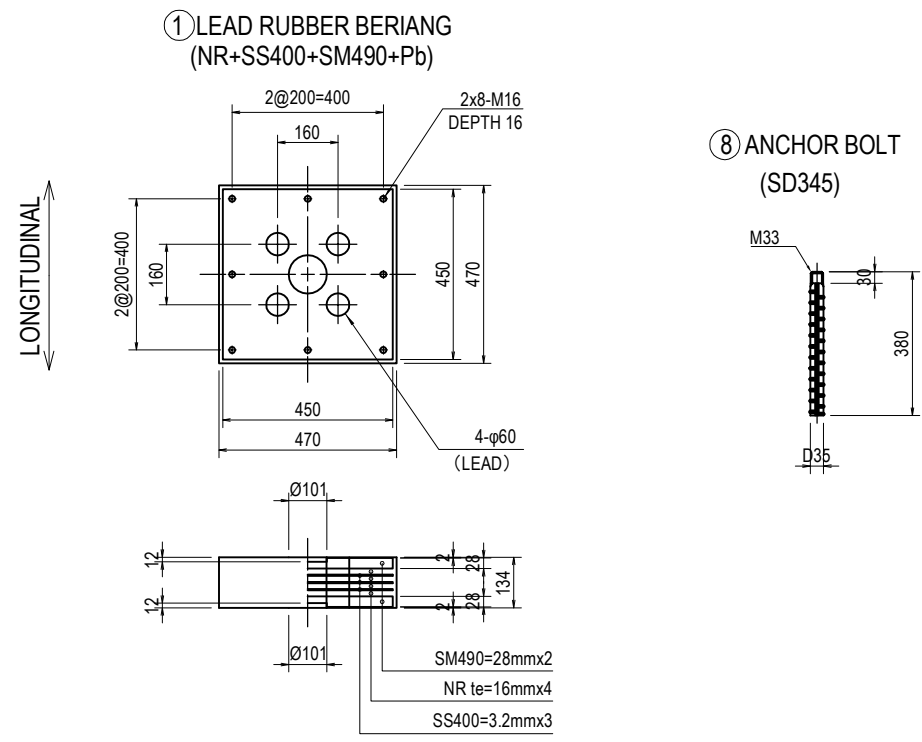
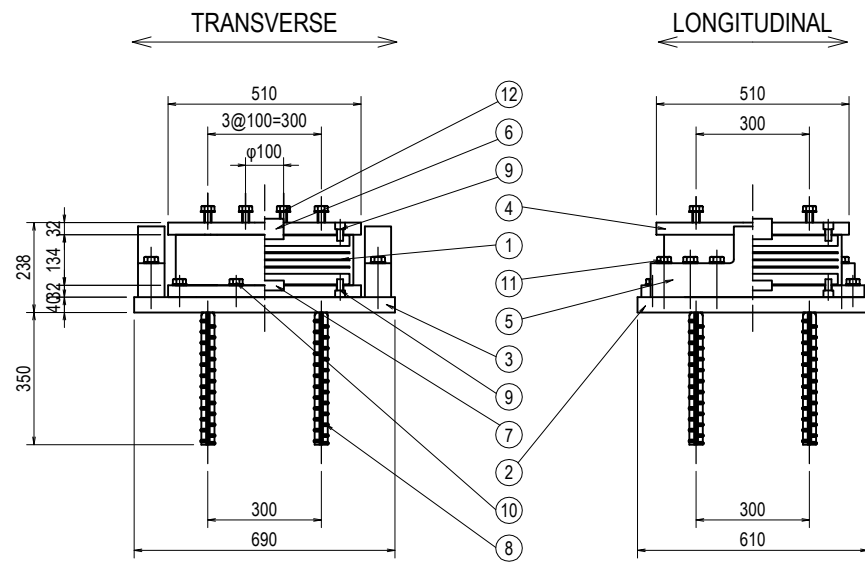
MATERIAL LIST (1 SET PER)

No.	ITEM	MATERIAL	NUMBER	WEIGHT (kg)	REMARKS
1	LEAD RUBBER BEARING	NR+SS400+SM490A+Pb	1	119.0	NR Ge=1.0
2	BASE PLATE	SM490A	1	129.7	
3	LOWER PLATE	SM490A	1	73.2	
4	UPPER PLATE	SM490A	1	63.3	
5	SIDE BLOCK	SM490A	2	58.4	
6	BOSS PLATE	SM490A	1	3.5	
7	BOSS PLATE	SM490A	1	1.5	
8	ANCHOR BOLT	SD345	4	11.5	
9	HEXAGON SOCKET HEAD CAP SCREWS	---	16	1.3	
10	HEXAGON HEAD BOLTS	---	8	1.7	Plain washers
11	SIDE BLOCK BOLTS	---	12	5.4	Plain washers
12	SET BOLTS	---	8	2.6	Plain washers
TOTAL WEIGHT (kg)				471.1	

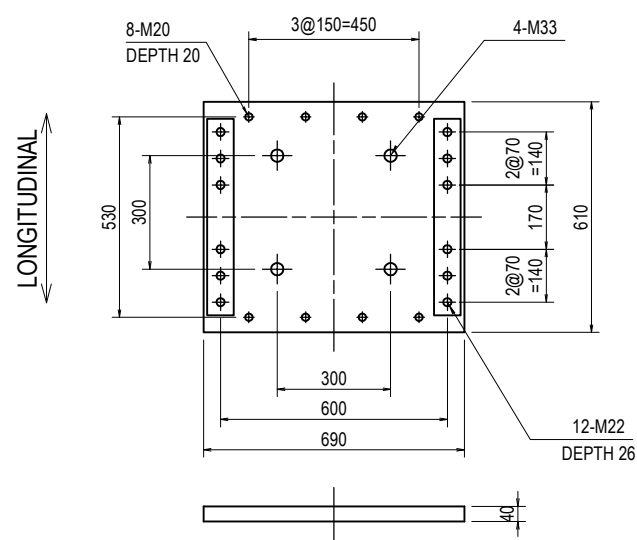
NOTE:

- Details of the slab and girder are designed based on the product shown in this Drawing.
- The Contractor has option to propose an alternative equivalent to the specified product, which shall be subjected to the Engineer's approval.
- All the structural steels shall be galvanized to the requirements specified by JIS H8641.
- The materials, which marked with double circle, shall be galvanized and nylon-coated, however, bolts are only nylon-coated on the head.
- The materials, which marked with circle, shall be SG-galvanized.
- The weight of Lead Rubber Bearing is the reference value.
- Eyebolt holes for necessary for production and construction are appropriately provided.
- Hexagon socket head cap screws shall be black oxygen film.
- Adjust the length of Set bolts appropriately.

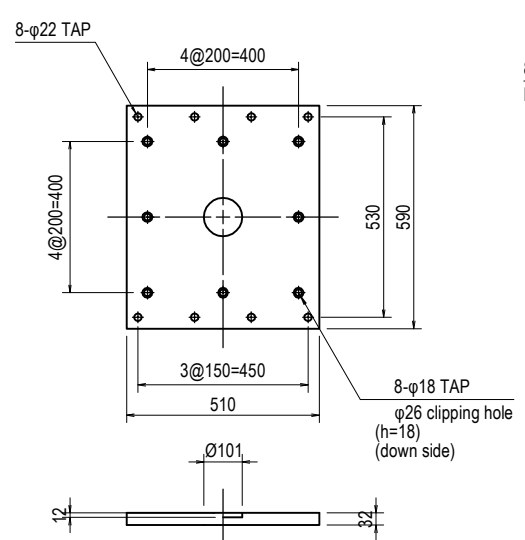
9	HEXAGON SOCKET HEAD CAP SCREWS	M16×30	12.9
10	HEXAGON HEAD BOLTS	M20×55	8.8
11	SIDE BLOCK BOLTS	M22×120	8.8
12	SET BOLTS	M20×100	8.8



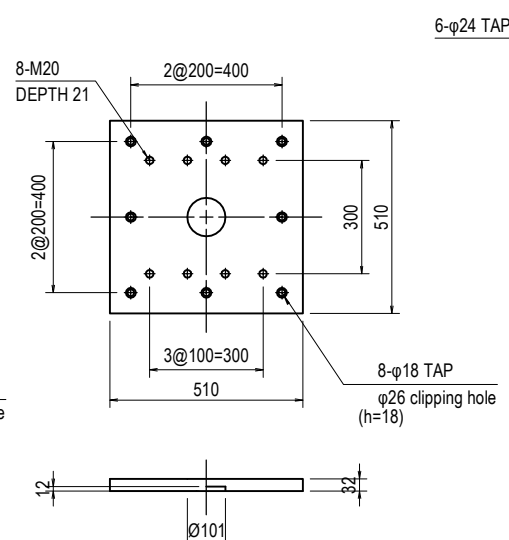
2 BASE PLATE (SM490)



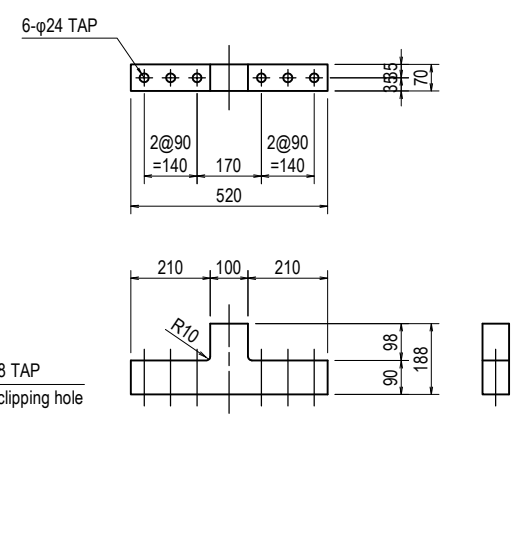
3 LOWER PLATE (SM490)



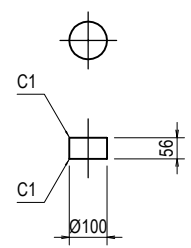
4 UPPER PLATE (SM490)



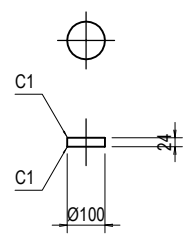
5 SIDE BLOCK (SM490)



6 BOSS PLATE (SM490)



7 BOSS PLATE (SM490)



DETAIL OF RUBBER BEARING (PF11-PF14) (2) S=1:20

PF12,PF13

DESIGN CONDITION

REACTION		PF12	PF13	
MAXIMUM REACTION	Rmax	2491 kN	2491 kN	
MAXIMUM REACTION	Rmax2	1970 kN	1970 kN	
DEAD LOAD REACTION	Rd	1825 kN	1825 kN	
VERTICAL STRAIN DUE TO LIVE LOAD	R1L	— kN	— kN	
MAXIMUM STRAIN FORCE	LONGITUDIAL	Rhe1 333 kN	366 kN	
	TRANSVERSE	Rhe2 422 kN	443 kN	
LIFT UP FORCE	Ru	547 kN	547 kN	
ROTATIONAL STRAIN VOLUME	δr	0.81 mm	0.81 mm	
VERTICAL STRAIN DUE TO LIVE LOAD VOLUME	δcl	— mm	— mm	
STRAIN VOLUME	ORDINARY LEVEL1	LONGITUDIAL	ΔLe1 11.8 mm	11.8 mm
		TRANSVERSE	ΔLe2 — mm	— mm
	SHEAR STRAIN VOLUME	ys	105 %	105 %
TEST VOLUME	UB	92 mm	92 mm	
BEARING STIFFNESS	KB	6.12 kN/mm	6.12 kN/mm	
EQUIVALENT DAMPING CONSTANT	hB	21.3 %	21.3 %	

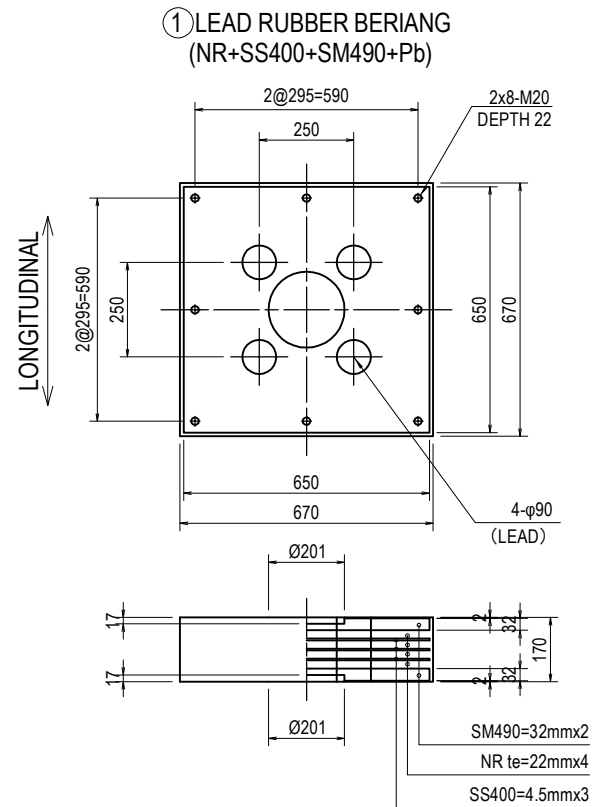
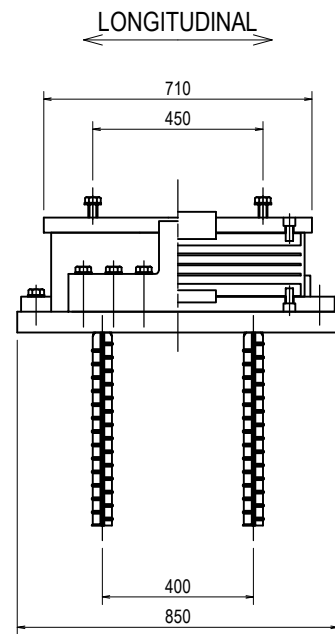
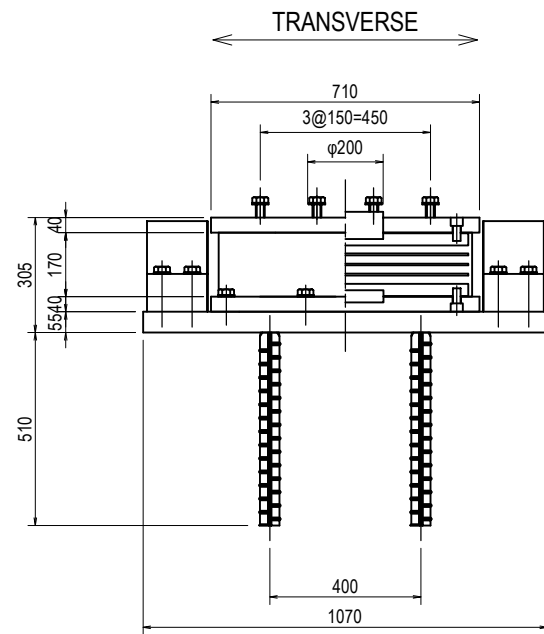
MATERIAL LIST (1 SET PER)

No.	ITEM	MATERIAL	NUMBER	WEIGHT (kg)	REMARKS
1	LEAD RUBBER BEARING	NR+SS400+SM490A+Pb	1	287.2	NR Ge=1.0
2	BASE PLATE	SM490A	1	386.9	
3	LOWER PLATE	SM490A	1	177.9	
4	UPPER PLATE	SM490A	1	151.8	
5	SIDE BLOCK	SM490A	2	170.8	
6	BOSS PLATE	SM490A	1	18.2	
7	BOSS PLATE	SM490A	1	8.4	
8	ANCHOR BOLT	SD345	4	35.6	
9	HEXAGON SOCKET HEAD CAP SCREWS	---	16	2.7	
10	HEXAGON HEAD BOLTS	---	8	2.9	Plain washers
11	SIDE BLOCK BOLTS	---	12	14.3	Plain washers
12	SET BOLTS	---	8	3.9	Plain washers
TOTAL WEIGHT (kg)				1260.6	

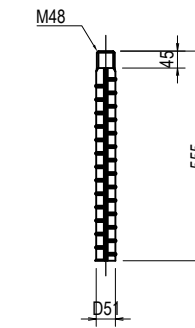
NOTE:

- Details of the slab and girder are designed based on the product shown in this Drawing.
- The Contractor has option to propose an alternative equivalent to the specified product, which shall be subjected to the Engineer's approval.
- All the structural steels shall be galvanized to the requirements specified by JIS H8641.
- The materials, which marked with double circle, shall be galvanized and nylon-coated, however, bolts are only nylon-coated on the head.
- The materials, which marked with circle, shall be SG-galvanized.
- The weight of Lead Rubber Bearing is the reference value.
- Eyebolt holes for necessary for production and construction are appropriately provided.
- Hexagon socket head cap screws shall be black oxigen film.
- Adjust the length of Set bolts appropriately.

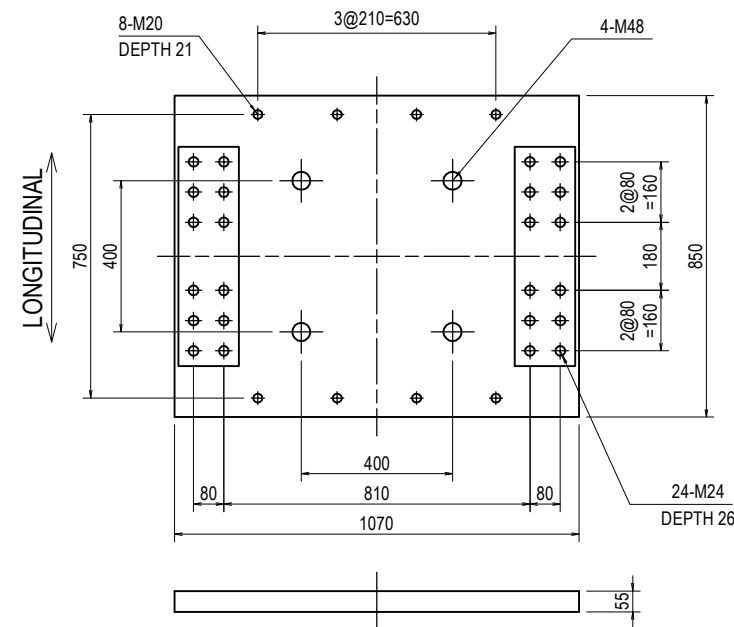
9	HEXAGON SOCKET HEAD CAP SCREWS	M20×40	12.9
10	HEXAGON HEAD BOLTS	M24×65	8.8
11	SIDE BLOCK BOLTS	M24×130	8.8
12	SET BOLTS	M20×100	8.8



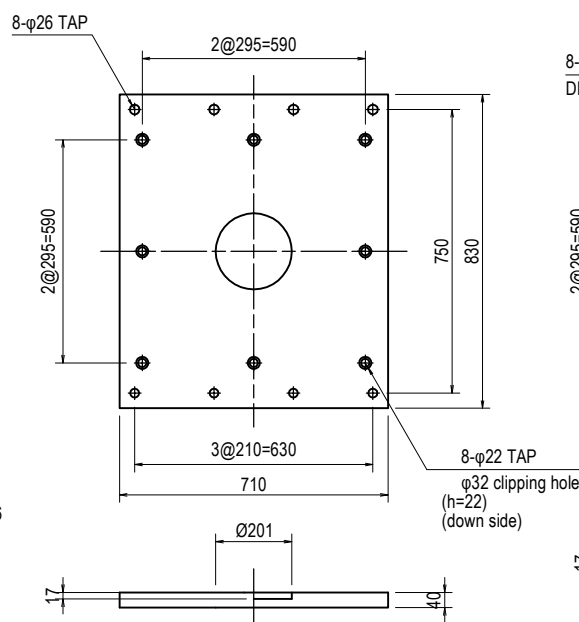
⑧ ANCHOR BOLT (SD345)



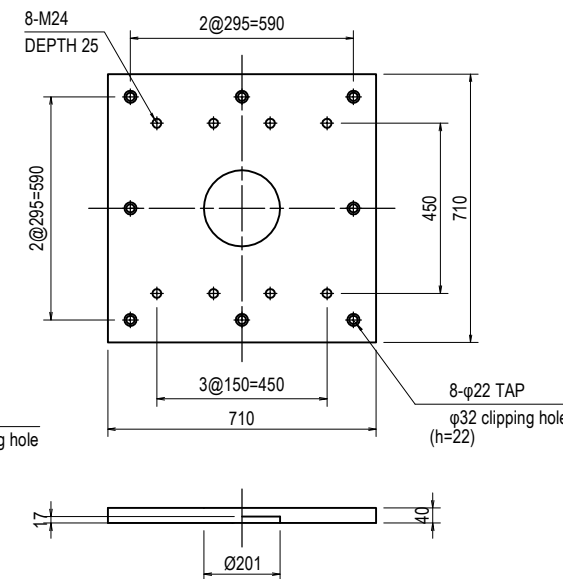
② BASE PLATE (SM490)



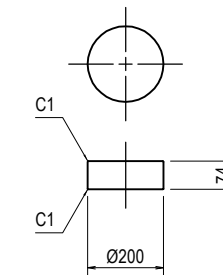
③ LOWER PLATE (SM490)



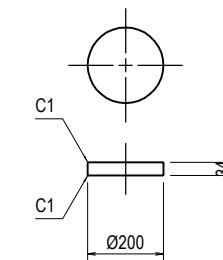
④ UPPER PLATE (SM490)



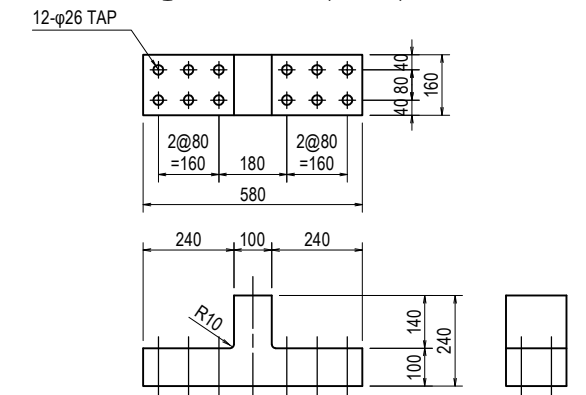
⑥ BOSS PLATE (SM490)



⑦ BOSS PLATE (SM490)



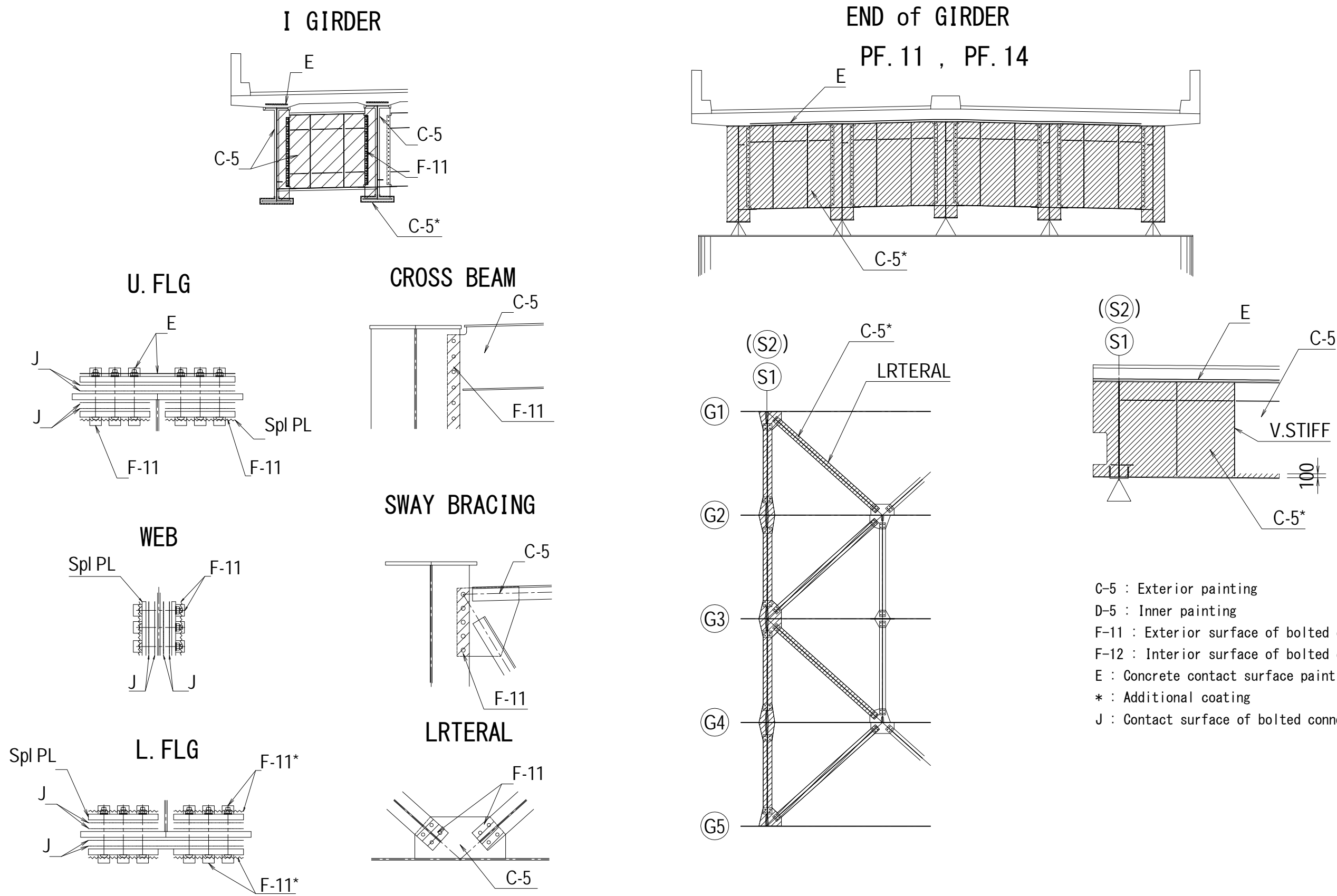
⑤ SIDE BLOCK (SM490)



DETAIL OF PAINTING SYSTEM (1)

Description	General Surface			Joint Connection (Steel Mills and Fabrication Shop: splice plate, filler plate and contact surface of girder) (Construction Site: Splice Plate and Bolts)			Surface in Contact with Concrete Surface of Bolted Connection	
	I. Exterior (C-5)		II. Interior (D-5)	III. Exterior (F11)		IV. Internal (F12)	VI. Joint Connection (J)	V. Contact with Concrete (E)
	(A) Normal	(B) Particular		(A) Normal	(B) Particular			
Steel Mills								
1. First Surface Preparation	Blast Cleaned (ISO Sa2.5)	Blast Cleaned (ISO Sa2.5)	Blast Cleaned (ISO Sa2.5)	Blast Cleaned (ISO Sa2.5)	Blast Cleaned (ISO Sa2.5)	Blast Cleaned (ISO Sa2.5)	SSPC-SP10 Near - white Blast Cleaning	SSPC-SP10 Near - white Blast Cleaning
2. Primer coating	Inorganic Zinc-Rich Shop Primer DFT : 15µm (160g/m ²)	Inorganic Zinc-Rich Shop Primer DFT : 15µm (160g/m ²)	Inorganic Zinc-Rich Shop Primer DFT : 15µm (160g/m ²)	Inorganic Zinc-Rich Shop Primer DFT : 15µm (160g/m ²)	Inorganic Zinc-Rich Shop Primer DFT : 15µm (160g/m ²)	Inorganic Zinc-Rich Shop Primer DFT : 15µm (160g/m ²)	Inorganic Zinc-Rich Shop Primer DFT : 15µm (160g/m ²)	Inorganic Zinc-Rich Shop Primer DFT : 15µm (160g/m ²)
Shop								
3. Second Surface Preparation	Blast Cleaned (ISO Sa2.5)	Blast Cleaned (ISO Sa2.5)	Power Tool Cleaned (ISO Sa3)	Blast Cleaned (ISO Sa2.5)	Blast Cleaned (ISO Sa2.5)	Blast Cleaned (ISO Sa2.5)	SSPC-SP10 Near - white Blast Cleaning	SSPC-SP10 Near - white Blast Cleaning
4. 1st Coating	Inorganic Zinc-Rich Paint DFT : 75µm (600g/m ²)	Inorganic Zinc-Rich Paint DFT : 75µm (600g/m ²)	Formulated Epoxy Resin DFT : 120µm (410g/m ²)	Inorganic Zinc-Rich Paint DFT : 75µm (600g/m ²)	Inorganic Zinc-Rich Paint DFT : 75µm (600g/m ²)	Inorganic Zinc-Rich Paint DFT : 75µm (600g/m ²)	High Build Type Inorganic Zinc Rich Paint (Self-Curing Solvent Type) DFT : 75µm (600g/m ²) TOTAL 100-200 µm	High Build Type Inorganic Zinc Rich Paint (Self-Curing Solvent Type) DFT : 75µm (600g/m ²)
5. 2nd Coating mist coat	Epoxy Resin DFT : (160g/m ²)	Epoxy Resin DFT : (160g/m ²)	Formulated Epoxy Resin DFT : 120µm (410g/m ²)	(N.A.)	(N.A.)	(N.A.)	(N.A.)	(N.A.)
6. 3rd Coating	Epoxy Resin DFT : 120µm (540g/m ²)	Epoxy Resin DFT : 240µm (1080g/m ²)	(N.A.)	(N.A.)	(N.A.)	(N.A.)	(N.A.)	(N.A.)
7. 4th Coating	Fluorescent Resin DFT : 30µm (170g/m ²)	Fluorescent Resin DFT : 30µm (170g/m ²)	(N.A.)	(N.A.)	(N.A.)	(N.A.)	(N.A.)	(N.A.)
8. 5th Coating	Fluorescent Resin DFT : 25µm (140g/m ²)	Fluorescent Resin DFT : 25µm (140g/m ²)	(N.A.)	(N.A.)	(N.A.)	(N.A.)	(N.A.)	(N.A.)
9. Finish Coating	(N.A.)	(N.A.)	(N.A.)	(N.A.)	(N.A.)	(N.A.)	(N.A.)	(N.A.)
Construction Site								
10. Surface Treatment	(N.A.)	(N.A.)	(N.A.)	Power Tool Cleaned (ISO St3)	Power Tool Cleaned (ISO St3)	Power Tool Cleaned (ISO St3)	(N.A.)	(N.A.)
11. 1st Under-Coat	(N.A.)	(N.A.)	(N.A.)	(N.A.)	(N.A.)	(N.A.)	(N.A.)	(N.A.)
12. 2nd Under-Coat	(N.A.)	(N.A.)	(N.A.)	Formulated Epoxy Resin DFT : 120µm (410g/m ²)	Formulated Epoxy Resin DFT : 120µm (410g/m ²)	Formulated Epoxy Resin DFT : 160g/m ²	(N.A.)	(N.A.)
13. 3rd Under-Coat	(N.A.)	(N.A.)	(N.A.)	Ultra Thick Epoxy Resin DFT : 300µm (1100g/m ²)	Ultra Thick Epoxy Resin DFT : 450µm (1500g/m ²)	Ultra Thick Epoxy Resin DFT : 300µm (1100g/m ²)	(N.A.)	(N.A.)
14. 4th Under-Coat	(N.A.)	(N.A.)	(N.A.)	Fluorescent Resin DFT : 30µm (170g/m ²) (140g/m ² by brush)	Fluorescent Resin DFT : 30µm (170g/m ²) (140g/m ² by brush)	(N.A.)	(N.A.)	(N.A.)
15. 5th Under-Coat	(N.A.)	(N.A.)	(N.A.)	Fluorescent Resin DFT : 25µm (140g/m ²) (120g/m ² by brush)	Fluorescent Resin DFT : 25µm (140g/m ²) (120g/m ² by brush)	(N.A.)	(N.A.)	(N.A.)
16. Intermediate Coat	(N.A.)	(N.A.)	(N.A.)	(N.A.)	(N.A.)	(N.A.)	(N.A.)	(N.A.)
17. Finish Coat	(N.A.)	(N.A.)	(N.A.)	(N.A.)	(N.A.)	(N.A.)	(N.A.)	(N.A.)

DETAIL OF PAINTING SYSTEM (2)



- C-5 : Exterior painting
- D-5 : Inner painting
- F-11 : Exterior surface of bolted connection
- F-12 : Interior surface of bolted connection
- E : Concrete contact surface painting
- * : Additional coating
- J : Contact surface of bolted connection

PROJECT NAME DETAILED DESIGN ON BAGO RIVER BRIDGE CONSTRUCTION PROJECT	FINANCED BY JAPAN INTERNATIONAL COOPERATION AGENCY	COUNTERPART REPUBLIC OF THE UNION OF MYANMAR MINISTRY OF CONSTRUCTION DEPARTMENT OF BRIDGE	JICA STUDY TEAM NIPPON KOEI CO., LTD. ORIENTAL CONSULTANTS GLOBAL CO., LTD. METROPOLITAN EXPRESSWAY COMPANY LIMITED CHODAI CO., LTD. NIPPON ENGINEERING CONSULTANTS CO., LTD.	NAME	SIGNATURE	DATE	DRAWING TITLE DETAIL OF PAINTING SYSTEM (2)	PACKAGE 3 DWG No. P3-FO-1563	
				PREPARED BY	Y. SUZUKI				14 Jul. 2017
				CHECKED BY	T. HAYAKAWA				20 Jul. 2017
				APPROVED BY	Y. SANO				25 Jul. 2017

QUANTITY TABLE OF SUPERSTRUCTURE (STEEL-I GIRDER) (REFERENCE DRAWING)

QUANTITY OF STEEL MATERIAL [Unit:kg]											
Shape	Quality	Size	Main construction					Superstructure Drainage	Main body meter		
			Bridge body mechanic								
			Girder	Cross beam	Cross frame	Lateral	Inner stringer				
PL	SM490YB	39	7,868					7,868	7,868		
		31	6,076					6,076	6,076		
		29	5,848					5,848	5,848		
		27	2,724					2,724	2,724		
		26	6,576					6,576	6,576		
		25	6,318					6,318	6,318		
		24	3,036					3,036	3,036		
		23	7,032					7,032	7,032		
		22	12,552					12,552	12,552		
		21	25,252					25,252	25,252		
		20	3,224					3,224	3,224		
		19	39,679					39,679	39,679		
			Subtotal		126,185				126,185	126,185	
		PL	SM490YA	16	368					368	368
15	1,680							1,680	1,680		
14	3,228							3,228	3,228		
12	140,116							140,116	140,116		
10	238							238	238		
9	9,150							9,150	9,150		
	Subtotal		154,780				154,780	154,780			
PL	SM490C	42	830					830	830		
	Subtotal		830					830	830		
PL	SM490B	40	410					410	410		
		34	675					675	675		
		28	285					285	285		
			Subtotal		1,370				1,370	1,370	
PL	SM400A	28	97					97	97		
		26	3,540					3,540	3,540		
		25	64					64	64		
		24	20					20	20		
		22	2,620					2,620	2,620		
		20	13,628					13,628	13,628		
		16	8,720			8,720		8,720	8,720		
		12	8,321	384				8,705	8,705		
		10	8,321	3,836				12,157	12,157		
		9	981	11,560	2,240		2,180	16,961	16,961		
		8							114	114	
		6							972	972	
			Subtotal		37,592	15,780	2,240	10,900	66,512	1,086	67,598
		PL	SS400	16	184	2,080				2,264	2,264
12	56							56	56		
11	48							48	48		
8	92							92	92		
6	44							44	44		
4.5	54							54	54		
3.2	52							52	52		
2.3	74							74	74		
	Subtotal				604	2,080		5,880	2,684	2,684	
L	SS400			90 x 90 x 10.0					5,880	5,880	
CT	SS400	118x178x10.0x 8.0				3,236	3,236	3,236			
FB	SS400	100 x 6.0					252	252			
RB	SS400	D 16	595	16		611	611	611			
	Subtotal of steel		321,956	17,876	8,120	14,136	362,088	1,338	363,426		
B.N	SS400	M 12 x 45					6	6			
		M 12 x 40					114	114			
W	SS400	M 12					120	120			
	Subtotal						240	240			
TCB	S10T	M 22 x 100	232					232	232		
		M 22 x 95	336					336	336		
		M 22 x 90	420					420	420		
		M 22 x 85	1,202					1,202	1,202		
		M 22 x 80	510					510	510		
		M 22 x 70	320	320				320	320		
		M 22 x 65	4,200	360	448			5,008	5,008		
		M 22 x 60	660			320		980	980		
		M 22 x 55	304			304		304	304		
			Subtotal		6,900	1,340	448	624	9,312	9,312	
	Subtotal of purchased part		6,900	1,340	448	624	9,312	240	9,552		
	Total		328,856	19,216	8,568	14,760	371,400	1,578	372,978		

QUANTITY OF PAINTING AREA

Classification of painting	Painting area(m2)	Painting division (Painting system)
Exterior painting	4151.3	C-5
Spot painting	278.8	F-11
Internal painting	0.0	D-5
Spot painting(B1+D1)	0.0	F-12
Spot painting(B2+F2+D2)	0.0	
Concrete contact	345.7	INORGANIC ZINC-RICH PAINT
Spot painting	27.3	INORGANIC ZINC-RICH PAINT
Contact surface of splicing part	499.6	INORGANIC ZINC-RICH PAINT
Additional painting	1174.1	C-5*
Spot painting	58.4	F-11*

QUANTITY OF GALVANIZING

Shape	Quality	Size	Main construction		The sum total	Standard
			Superstructure drainage	Main body meter		
PL	SM400A	6	972	972	972	HDZ55
FB	Subtotal		972	972	972	-
	SS400	100 x 6.0	252	252	252	HDZ55
B.N	Subtotal of steel		1,224	1,224	1,224	-
	SS400	M 12 x 45	6	6	6	HDZ35
Subtotal W		M 12 x 40	114	114	114	"
	SS400	M 12	120	120	120	HDZ35
	Subtotal		240	240	240	-
	Total		1,464	1,464	1,464	

[Unit:kg]	
Standard	Volume
HDZ55	1,224
HDZ45	0
HDZ35	240

QUANTITY OF RC SLAB

Item	Unit	Quantity	Remarks
Concrete	RC slab	m3	420.5
	Slab	m2	1264.2
Form			
Reinforcement bar	D22	kg	1,970 (SD345)
	D19	kg	67,568 (SD345)
	D16	kg	15,664 (SD345)
	D13	kg	3,807 (SD345)
	Total	kg	89,009 (SD345)
Asphalt pavement	Roadway	m2	1340.9
			t=80mm Surface layer t=40mm Leveling layer t=40mm

QUANTITY OF CONCRETE CUBE BARRIER

	Specification	Unit	Quantity	Remarks
Bridge deck	Concrete volume	σck = 24 N/mm2	m3	114.4
	Form area	Side-edge-bottom molding box	m2	611.1
	Contraction joint	t= 10 mm	m2	4.0
	V cut		ℓ	40.2
	Reinforcement bar	SD345		
	D16	kg	9260	
	D13	"	8510	
	Total	"	17770	
Illumination post pedestal	Concrete volume	σck = 24 N/mm2	m3	8.3
	Form area		m2	46.8
	Reinforcement bar		kg	720
				3 unit