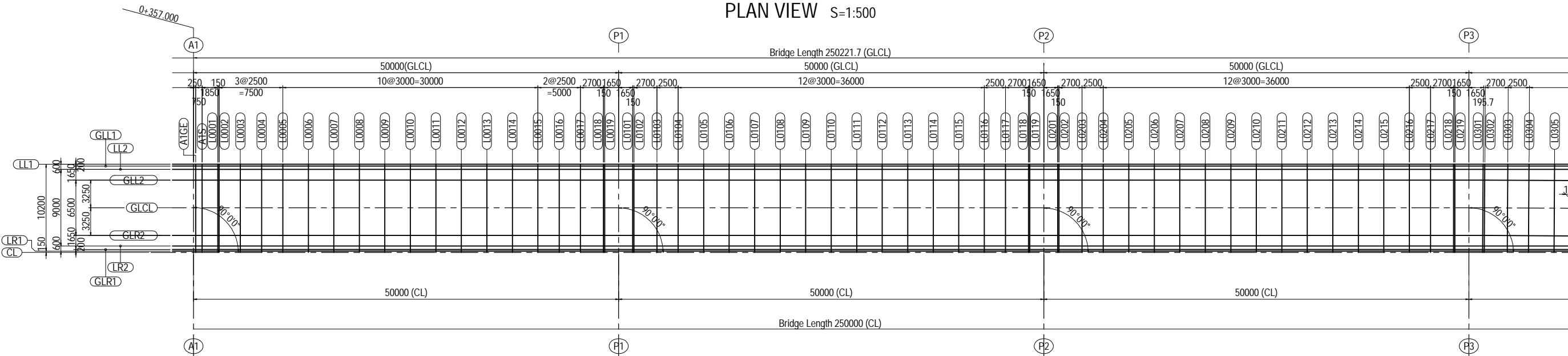


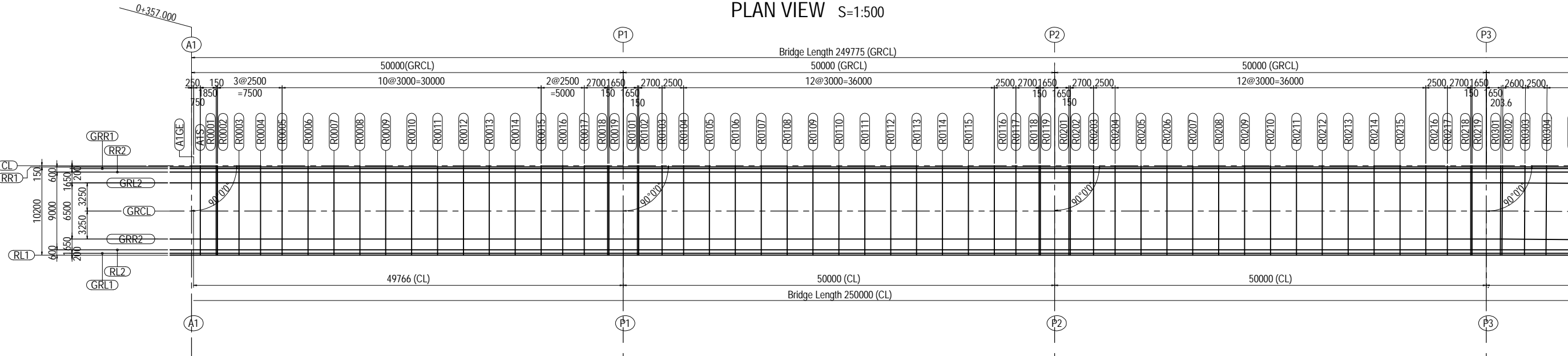
C. PC BOX GIRDER BRIDGE

COORDINATES OF SUPERSTRUCTURE A1-P5 <L,R> (1)

A1-P5< L >



A1-P5< R >

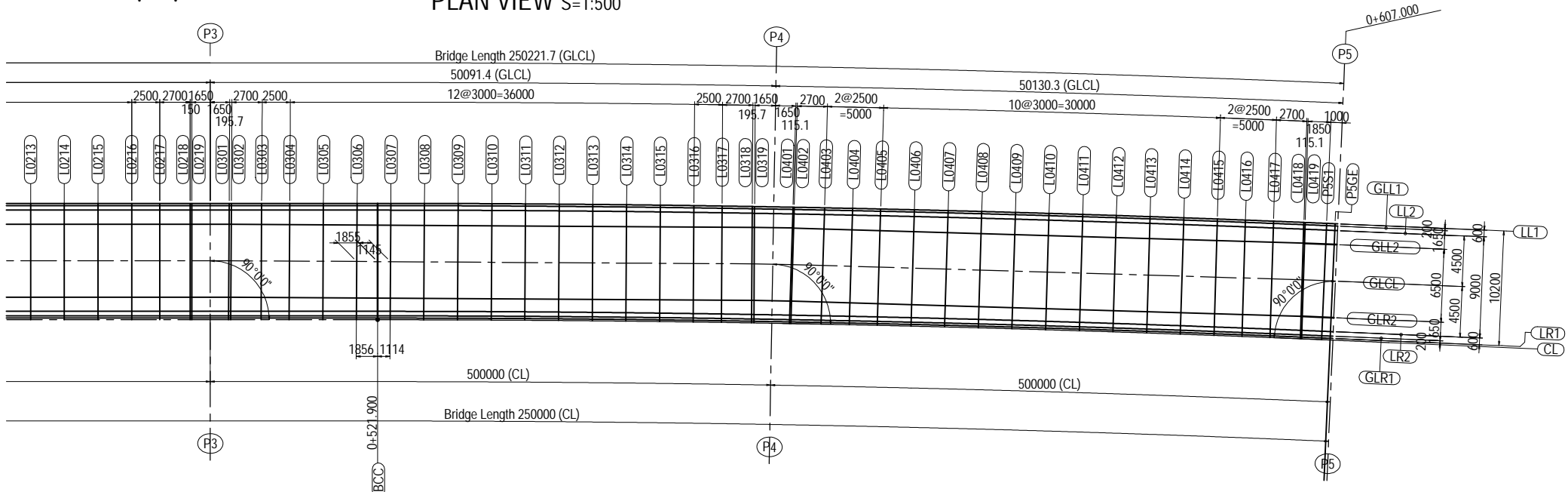


<small>PROJECT NAME</small> DETAILED DESIGN ON BAGO RIVER BRIDGE CONSTRUCTION PROJECT	<small>FINANCED BY</small> JAPAN INTERNATIONAL COOPERATION AGENCY	<small>COUNTERPART</small> REPUBLIC OF THE UNION OF MYANMAR MINISTRY OF CONSTRUCTION DEPARTMENT OF BRIDGE	<small>JICA STUDY TEAM</small> NIPPON KOEI CO., LTD. ORIENTAL CONSULTANTS GLOBAL CO., LTD. METROPOLITAN EXPRESSWAY COMPANY LIMITED CHODAI CO., LTD. NIPPON ENGINEERING CONSULTANTS CO., LTD.	<table border="1" style="width: 100%; border-collapse: collapse;"> <thead> <tr> <th style="width: 15%;"></th> <th style="width: 15%;">NAME</th> <th style="width: 15%;">SIGNATURE</th> <th style="width: 15%;">DATE</th> </tr> </thead> <tbody> <tr> <td>PREPARED BY</td> <td>M. OHYAMA</td> <td></td> <td>15 Jun.2017</td> </tr> <tr> <td>CHECKED BY</td> <td>T. HAYAKAWA</td> <td></td> <td>20 Jun.2017</td> </tr> <tr> <td>APPROVED BY</td> <td>Y. SANO</td> <td></td> <td>21 Jun.2017</td> </tr> </tbody> </table>		NAME	SIGNATURE	DATE	PREPARED BY	M. OHYAMA		15 Jun.2017	CHECKED BY	T. HAYAKAWA		20 Jun.2017	APPROVED BY	Y. SANO		21 Jun.2017	<small>DRAWING TITLE</small> COORDINATES OF SUPERSTRUCTURE A1-P5 <L,R> (1)	<small>PACKAGE</small> 1 DWG No. P1-PB-001
	NAME	SIGNATURE	DATE																			
PREPARED BY	M. OHYAMA		15 Jun.2017																			
CHECKED BY	T. HAYAKAWA		20 Jun.2017																			
APPROVED BY	Y. SANO		21 Jun.2017																			

COORDINATES OF SUPERSTRUCTURE A1-P5 <L,R> (2)

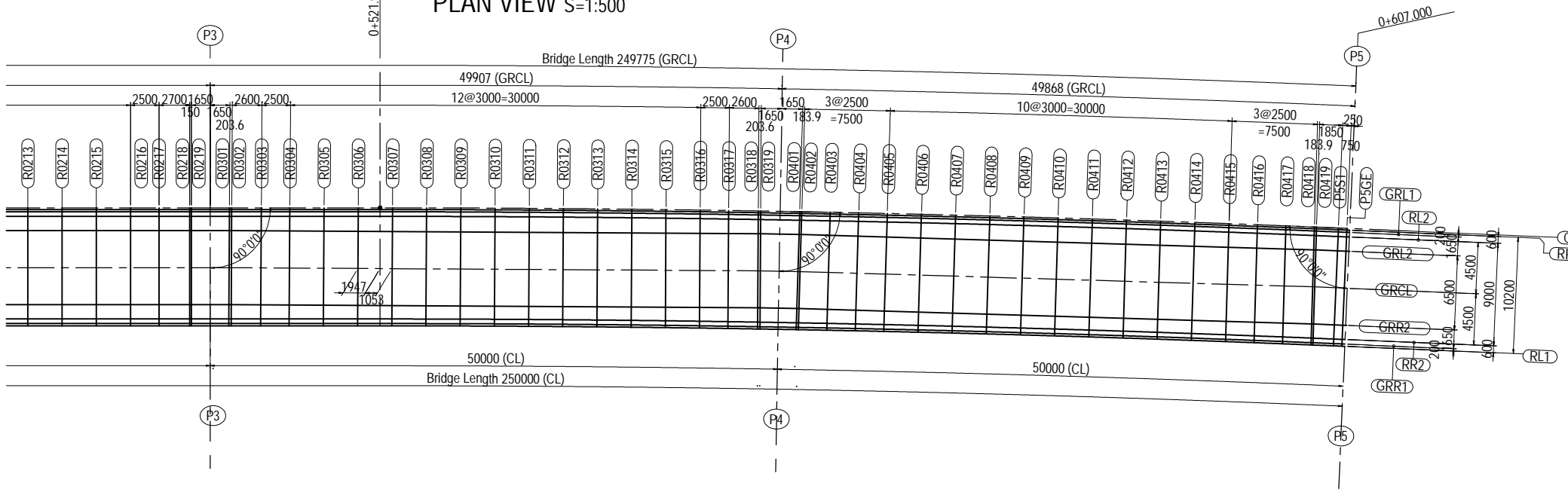
A1-P5< L >

PLAN VIEW S=1:500



A1-P5< R >

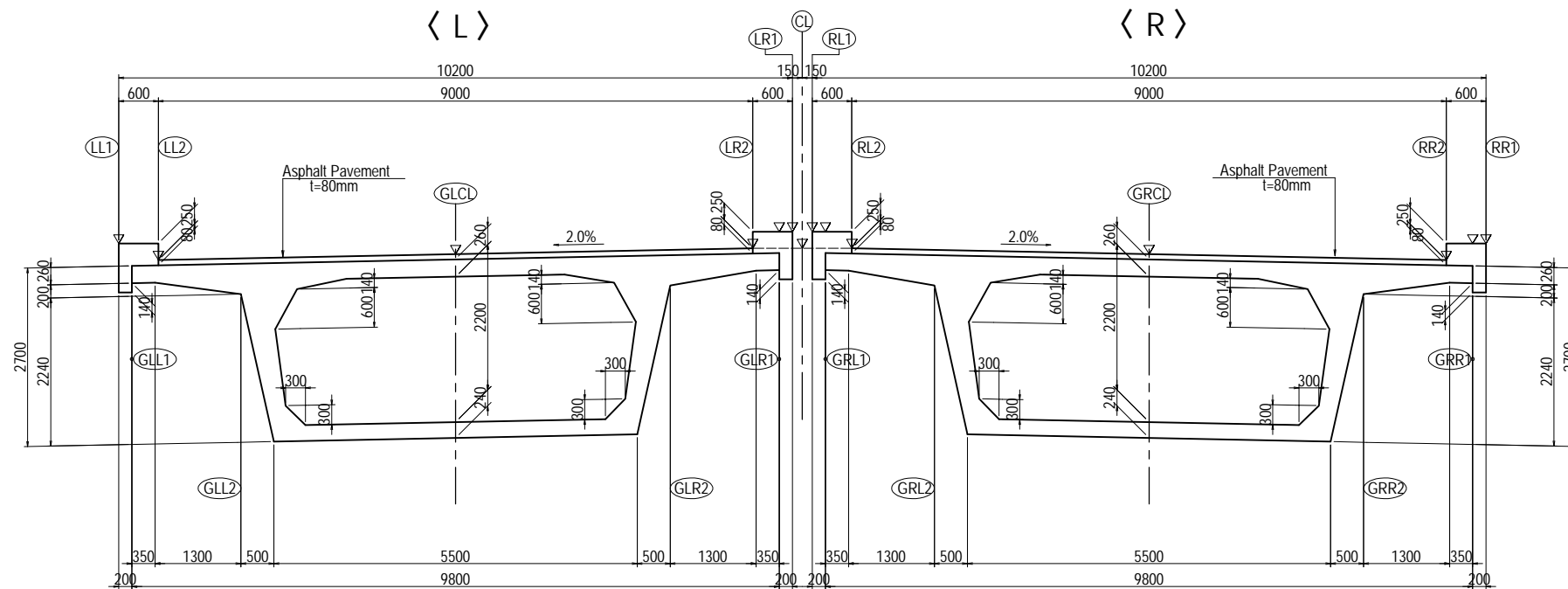
PLAN VIEW S=1:500



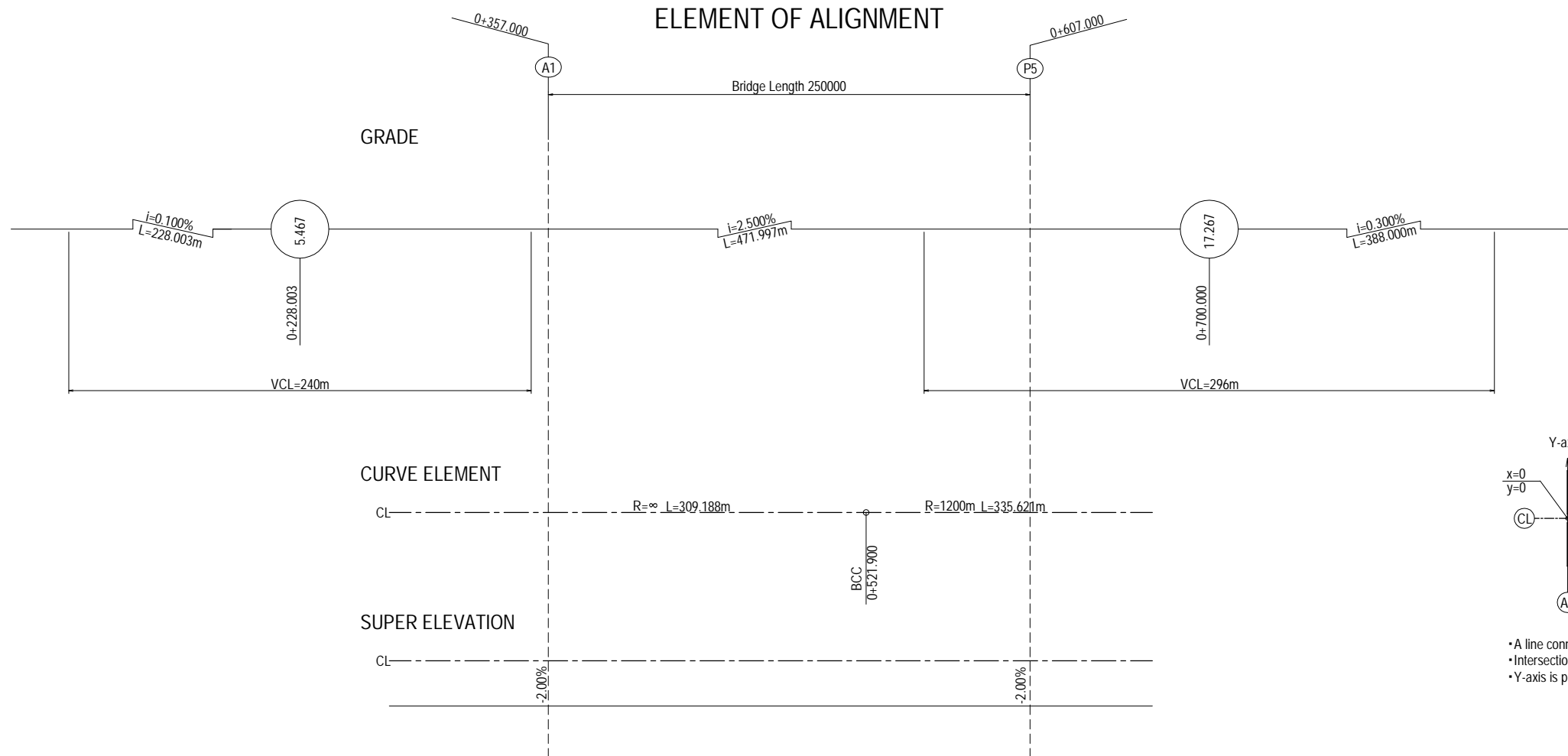
<p>PROJECT NAME DETAILED DESIGN ON BAGO RIVER BRIDGE CONSTRUCTION PROJECT</p>	<p>FINANCED BY JAPAN INTERNATIONAL COOPERATION AGENCY</p>	<p>COUNTERPART REPUBLIC OF THE UNION OF MYANMAR MINISTRY OF CONSTRUCTION DEPARTMENT OF BRIDGE</p>	<p>JICA STUDY TEAM NIPPON KOEI CO., LTD. ORIENTAL CONSULTANTS GLOBAL CO., LTD. METROPOLITAN EXPRESSWAY COMPANY LIMITED CHODAI CO., LTD. NIPPON ENGINEERING CONSULTANTS CO., LTD.</p>	<table border="1" style="width: 100%; border-collapse: collapse;"> <tr> <th style="text-align: left;">NAME</th> <th style="text-align: left;">SIGNATURE</th> <th style="text-align: left;">DATE</th> </tr> <tr> <td>PREPARED BY M. OHYAMA</td> <td></td> <td>15 Jun.2017</td> </tr> <tr> <td>CHECKED BY T. HAYAKAWA</td> <td></td> <td>20 Jun.2017</td> </tr> <tr> <td>APPROVED BY Y. SANO</td> <td></td> <td>21 Jun.2017</td> </tr> </table>	NAME	SIGNATURE	DATE	PREPARED BY M. OHYAMA		15 Jun.2017	CHECKED BY T. HAYAKAWA		20 Jun.2017	APPROVED BY Y. SANO		21 Jun.2017	<p style="text-align: center;">DRAWING TITLE</p> <p style="text-align: center;">COORDINATES OF SUPERSTRUCTURE A1-P5 <L,R> (2)</p>	<p>PACKAGE 1 DWG No. P1-PB-0002</p>
NAME	SIGNATURE	DATE																
PREPARED BY M. OHYAMA		15 Jun.2017																
CHECKED BY T. HAYAKAWA		20 Jun.2017																
APPROVED BY Y. SANO		21 Jun.2017																

COORDINATES OF SUPERSTRUCTURE A1-P5 <L,R> (3)

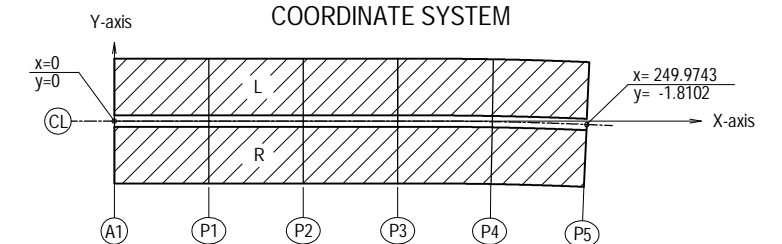
CROSS SECTION S=1:100



ELEMENT OF ALIGNMENT



COORDINATE SYSTEM



- A line connecting the intersection of road center line CL and A1 and P1 in X-axis.
- Intersection Point of A1 and X-axis(0.000,0.000).
- Y-axis is perpendicular to X-axis through(0.000,0.000).

PROJECT NAME
DETAILED DESIGN ON
BAGO RIVER BRIDGE
CONSTRUCTION PROJECT

FINANCED BY
 JAPAN INTERNATIONAL
COOPERATION AGENCY

COUNTERPART
 REPUBLIC OF THE UNION OF MYANMAR
MINISTRY OF CONSTRUCTION
DEPARTMENT OF BRIDGE

JICA STUDY TEAM
 NIPPON KOEI CO., LTD.
 ORIENTAL CONSULTANTS GLOBAL CO., LTD.
 METROPOLITAN EXPRESSWAY COMPANY LIMITED
 CHODAI CO., LTD.
 NIPPON ENGINEERING CONSULTANTS CO., LTD.

	NAME	SIGNATURE	DATE
PREPARED BY	M. OHYAMA		15 Jun.2017
CHECKED BY	T. HAYAKAWA		20 Jun.2017
APPROVED BY	Y. SANO		21 Jun.2017

DRAWING TITLE
COORDINATES OF SUPERSTRUCTURE
A1-P5 <L,R> (3)

PACKAGE
1
DWG No.
P1-PB-003

COORDINATES OF SUPERSTRUCTURE A1-P5 <L,R> (4)

A1-P5< L > COORDINATES LIST (UNIT: m)

	A1	A1GE	A1S	L001	L002	L003	L004	L005	L006	L007	L008	L009	L010	L011	L012	L013	L014	L015	L016	L017	L018	L019	P1	L0101	L0102	L0103	L0104	
LL1	X	0.0000	0.2500	1.0000	2.8500	3.0000	5.5000	8.0000	10.5000	13.5000	16.5000	19.5000	22.5000	25.5000	28.5000	31.5000	34.5000	37.5000	40.5000	43.0000	45.5000	48.2000	48.3500	50.0000	51.6500	51.8000	54.5000	57.0000
	Y	10.3500	10.3500	10.3500	10.3500	10.3500	10.3500	10.3500	10.3500	10.3500	10.3500	10.3500	10.3500	10.3500	10.3500	10.3500	10.3500	10.3500	10.3500	10.3500	10.3500	10.3500	10.3500	10.3500	10.3500	10.3500	10.3500	10.3500
	Z	8.7619	8.7682	8.7869	8.8332	8.8369	8.8994	8.9619	9.0244	9.0994	9.1744	9.2494	9.3244	9.3994	9.4745	9.5495	9.6245	9.6995	9.7745	9.8370	9.8995	9.9670	9.9707	10.0120	10.0532	10.0570	10.1245	10.1870
GLL1	X	0.0000	0.2500	1.0000	2.8500	3.0000	5.5000	8.0000	10.5000	13.5000	16.5000	19.5000	22.5000	25.5000	28.5000	31.5000	34.5000	37.5000	40.5000	43.0000	45.5000	48.2000	48.3500	50.0000	51.6500	51.8000	54.5000	57.0000
	Y	10.1500	10.1500	10.1500	10.1500	10.1500	10.1500	10.1500	10.1500	10.1500	10.1500	10.1500	10.1500	10.1500	10.1500	10.1500	10.1500	10.1500	10.1500	10.1500	10.1500	10.1500	10.1500	10.1500	10.1500	10.1500	10.1500	10.1500
	Z	8.7619	8.7682	8.7869	8.8332	8.8369	8.8994	8.9619	9.0244	9.0994	9.1744	9.2494	9.3244	9.3994	9.4745	9.5495	9.6245	9.6995	9.7745	9.8370	9.8995	9.9670	9.9707	10.0120	10.0532	10.0570	10.1245	10.1870
LL2	X	0.0000	0.2500	1.0000	2.8500	3.0000	5.5000	8.0000	10.5000	13.5000	16.5000	19.5000	22.5000	25.5000	28.5000	31.5000	34.5000	37.5000	40.5000	43.0000	45.5000	48.2000	48.3500	50.0000	51.6500	51.8000	54.5000	57.0000
	Y	9.7500	9.7500	9.7500	9.7500	9.7500	9.7500	9.7500	9.7500	9.7500	9.7500	9.7500	9.7500	9.7500	9.7500	9.7500	9.7500	9.7500	9.7500	9.7500	9.7500	9.7500	9.7500	9.7500	9.7500	9.7500	9.7500	9.7500
	Z	8.5119	8.5182	8.5369	8.5832	8.5869	8.6494	8.7119	8.7744	8.8494	8.9244	8.9994	9.0744	9.1494	9.2245	9.2995	9.3745	9.4495	9.5245	9.5870	9.6495	9.7170	9.7207	9.7620	9.8032	9.8070	9.8745	9.9370
GLL2	X	0.0000	0.2500	1.0000	2.8500	3.0000	5.5000	8.0000	10.5000	13.5000	16.5000	19.5000	22.5000	25.5000	28.5000	31.5000	34.5000	37.5000	40.5000	43.0000	45.5000	48.2000	48.3500	50.0000	51.6500	51.8000	54.5000	57.0000
	Y	8.5000	8.5000	8.5000	8.5000	8.5000	8.5000	8.5000	8.5000	8.5000	8.5000	8.5000	8.5000	8.5000	8.5000	8.5000	8.5000	8.5000	8.5000	8.5000	8.5000	8.5000	8.5000	8.5000	8.5000	8.5000	8.5000	8.5000
	Z	8.5369	8.5432	8.5619	8.6082	8.6119	8.6744	8.7369	8.7994	8.8744	8.9494	9.0244	9.0994	9.1744	9.2495	9.3245	9.3995	9.4745	9.5495	9.6120	9.6745	9.7420	9.7457	9.7870	9.8282	9.8320	9.8995	9.9620
GLCL	X	-0.0000	0.2500	1.0000	2.8500	3.0000	5.5000	8.0000	10.5000	13.5000	16.5000	19.5000	22.5000	25.5000	28.5000	31.5000	34.5000	37.5000	40.5000	43.0000	45.5000	48.2000	48.3500	50.0000	51.6500	51.8000	54.5000	57.0000
	Y	5.2500	5.2500	5.2500	5.2500	5.2500	5.2500	5.2500	5.2500	5.2500	5.2500	5.2500	5.2500	5.2500	5.2500	5.2500	5.2500	5.2500	5.2500	5.2500	5.2500	5.2500	5.2500	5.2500	5.2500	5.2500	5.2500	5.2500
	Z	8.6019	8.6082	8.6269	8.6732	8.6769	8.7394	8.8019	8.8644	8.9394	9.0144	9.0894	9.1644	9.2394	9.3145	9.3895	9.4645	9.5395	9.6145	9.6770	9.7395	9.8070	9.8107	9.8520	9.8932	9.8970	9.9645	10.0270
GLR2	X	0.0000	0.2500	1.0000	2.8500	3.0000	5.5000	8.0000	10.5000	13.5000	16.5000	19.5000	22.5000	25.5000	28.5000	31.5000	34.5000	37.5000	40.5000	43.0000	45.5000	48.2000	48.3500	50.0000	51.6500	51.8000	54.5000	57.0000
	Y	2.0000	2.0000	2.0000	2.0000	2.0000	2.0000	2.0000	2.0000	2.0000	2.0000	2.0000	2.0000	2.0000	2.0000	2.0000	2.0000	2.0000	2.0000	2.0000	2.0000	2.0000	2.0000	2.0000	2.0000	2.0000	2.0000	2.0000
	Z	8.6669	8.6732	8.6919	8.7382	8.7419	8.8044	8.8669	8.9294	9.0044	9.0794	9.1544	9.2294	9.3044	9.3795	9.4545	9.5295	9.6045	9.6795	9.7420	9.8045	9.8720	9.8757	9.9170	9.9582	9.9620	10.0295	10.0920
LR2	X	0.0000	0.2500	1.0000	2.8500	3.0000	5.5000	8.0000	10.5000	13.5000	16.5000	19.5000	22.5000	25.5000	28.5000	31.5000	34.5000	37.5000	40.5000	43.0000	45.5000	48.2000	48.3500	50.0000	51.6500	51.8000	54.5000	57.0000
	Y	0.7500	0.7500	0.7500	0.7500	0.7500	0.7500	0.7500	0.7500	0.7500	0.7500	0.7500	0.7500	0.7500	0.7500	0.7500	0.7500	0.7500	0.7500	0.7500	0.7500	0.7500	0.7500	0.7500	0.7500	0.7500	0.7500	0.7500
	Z	8.6919	8.6982	8.7169	8.7632	8.7669	8.8294	8.8919	8.9544	9.0294	9.1044	9.1794	9.2544	9.3294	9.4045	9.4795	9.5545	9.6295	9.7045	9.7670	9.8295	9.8970	9.9007	9.9420	9.9832	9.9870	10.0545	10.1170
GLR1	X	0.0000	0.2500	1.0000	2.8500	3.0000	5.5000	8.0000	10.5000	13.5000	16.5000	19.5000	22.5000	25.5000	28.5000	31.5000	34.5000	37.5000	40.5000	43.0000	45.5000	48.2000	48.3500	50.0000	51.6500	51.8000	54.5000	57.0000
	Y	0.3500	0.3500	0.3500	0.3500	0.3500	0.3500	0.3500	0.3500	0.3500	0.3500	0.3500	0.3500	0.3500	0.3500	0.3500	0.3500	0.3500	0.3500	0.3500	0.3500	0.3500	0.3500	0.3500	0.3500	0.3500	0.3500	0.3500
	Z	8.9419	8.9482	8.9669	9.0132	9.0169	9.0794	9.1419	9.2044	9.2794	9.3544	9.4294	9.5044	9.5794	9.6545	9.7295	9.8045	9.8795	9.9545	10.0170	10.0795	10.1470	10.1507	10.1920	10.2332	10.2370	10.3045	10.3670
LR1	X	0.0000	0.2500	1.0000	2.8500	3.0000	5.5000	8.0000	10.5000	13.5000	16.5000	19.5000	22.5000	25.5000	28.5000	31.5000	34.5000	37.5000	40.5000	43.0000	45.5000	48.2000	48.3500	50.0000	51.6500	51.8000	54.5000	57.0000
	Y	0.1500	0.1500	0.1500	0.1500	0.1500	0.1500	0.1500	0.1500	0.1500	0.1500	0.1500	0.1500	0.1500	0.1500	0.1500	0.1500	0.1500	0.1500	0.1500	0.1500	0.1500	0.1500	0.1500	0.1500	0.1500	0.1500	0.1500
	Z	8.9419	8.9482	8.9669	9.0132	9.0169	9.0794	9.1419	9.2044	9.2794	9.3544	9.4294	9.5044	9.5794	9.6545	9.7295	9.8045	9.8795	9.9545	10.0170	10.0795	10.1470	10.1507	10.1920	10.2332	10.2370	10.3045	10.3670
CL	X	0.0000	0.2500	1.0000	2.8500	3.0000	5.5000	8.0000	10.5000	13.5000	16.5000	19.5000	22.5000	25.5000	28.5000	31.5000	34.5000	37.5000	40.5000	43.0000	45.5000	48.2000	48.3500	50.0000	51.6500	51.8000	54.5000	57.0000
	Y	0.0000	-0.0000	-0.0000	-0.0000	-0.0000	-0.0000	-0.0000	-0.0000	-0.0000	-0.0000	-0.0000	-0.0000	-0.0000	-0.0000	-0.0000	-0.0000	-0.0000	-0.0000	-0.0000	-0.0000	-0.0000	-0.0000	-0.0000	-0.0000	-0.0000	-0.0000	-0.0000
	Z	8.6919	8.6982	8.7169	8.7632	8.7669	8.8294	8.8919	8.9544	9.0294	9.1044	9.1794	9.2544	9.3294	9.4045	9.4795	9.5545	9.6295	9.7045	9.7670	9.8295	9.8970	9.9007	9.9420	9.9832	9.9870	10.0545	10.1170

A-P5< R > COORDINATES LIST (UNIT: m)

	A1	A1GE	A1S	R001	R002	R003	R004	R005	R006	R007	R008	R009	R010	R011	R012	R013	R014	R015	R016	R017	R018	R019	P1	R0101	R0102	R0103	R0104	
CL	X	0.0000	0.2500	1.0000	2.8500	3.0000	5.5000	8.0000	10.5000	13.5000	16.5000	19.5000	22.5000	25.5000	28.5000	31.5000	34.5000	37.5000	40.5000	43.0000	45.5000	48.2000	48.3500	50.0000	51.6500	51.8000	54.5000	57.0000
	Y	0.0000	-0.0000	-0.0000	-0.0000	-0.0000	-0.0000	-0.0000	-0.0000	-0.0000	-0.0000	0.0000	0.0000	-0.0000	-0.0000	0.0000	0.0000	0.0000	-0.0000	0.0000	-0.0000	-0.0000	0.0000	-0.0000	-0.0000	-0.0000	-0.0000	0.0000
	Z	8.6919	8.6982	8.7169	8.7632	8.7669	8.8294	8.8919	8.9544	9.0294	9.1044	9.1794	9.2544	9.3294	9.4045	9.4795	9.5545	9.6295	9.7045	9.7670	9.8295	9.8970	9.9007	9.9420	9.9832	9.9870	10.0545	10.1170
RL1	X	0.0000																										

COORDINATES OF SUPERSTRUCTURE A1-P5 <L,R> (5)

A1-P5< L > COORDINATES LIST (UNIT : m)

	L0105	L0106	L0107	L0108	L0109	L0110	L0111	L0112	L0113	L0114	L0115	L0116	L0117	L0118	L0119	P2	L0201	L0202	L0203	L0204	L0205	L0206	L0207	L0208	L0209	L0210	L0211	L0212		
LL1	X	60.0000	63.0000	66.0000	69.0000	72.0000	75.0000	78.0000	81.0000	84.0000	87.0000	90.0000	93.0000	95.5000	98.2000	98.3500	100.0000	101.6500	101.8000	104.5000	107.0000	110.0000	113.0000	116.0000	119.0000	122.0000	125.0000	128.0000	131.0000	
	Y	10.3500	10.3500	10.3500	10.3500	10.3500	10.3500	10.3500	10.3500	10.3500	10.3500	10.3500	10.3500	10.3500	10.3500	10.3500	10.3500	10.3500	10.3500	10.3500	10.3500	10.3500	10.3500	10.3500	10.3500	10.3500	10.3500	10.3500	10.3500	10.3500
	Z	10.2620	10.3370	10.4120	10.4870	10.5620	10.6370	10.7120	10.7870	10.8620	10.9370	11.0120	11.0870	11.1495	11.2170	11.2207	11.2620	11.3032	11.3070	11.3745	11.4370	11.5120	11.5870	11.6620	11.7370	11.8120	11.8870	11.9620	12.0370	
GLL1	X	60.0000	63.0000	66.0000	69.0000	72.0000	75.0000	78.0000	81.0000	84.0000	87.0000	90.0000	93.0000	95.5000	98.2000	98.3500	100.0000	101.6500	101.8000	104.5000	107.0000	110.0000	113.0000	116.0000	119.0000	122.0000	125.0000	128.0000	131.0000	
	Y	10.1500	10.1500	10.1500	10.1500	10.1500	10.1500	10.1500	10.1500	10.1500	10.1500	10.1500	10.1500	10.1500	10.1500	10.1500	10.1500	10.1500	10.1500	10.1500	10.1500	10.1500	10.1500	10.1500	10.1500	10.1500	10.1500	10.1500	10.1500	10.1500
	Z	10.2620	10.3370	10.4120	10.4870	10.5620	10.6370	10.7120	10.7870	10.8620	10.9370	11.0120	11.0870	11.1495	11.2170	11.2207	11.2620	11.3032	11.3070	11.3745	11.4370	11.5120	11.5870	11.6620	11.7370	11.8120	11.8870	11.9620	12.0370	
LL2	X	60.0000	63.0000	66.0000	69.0000	72.0000	75.0000	78.0000	81.0000	84.0000	87.0000	90.0000	93.0000	95.5000	98.2000	98.3500	100.0000	101.6500	101.8000	104.5000	107.0000	110.0000	113.0000	116.0000	119.0000	122.0000	125.0000	128.0000	131.0000	
	Y	9.7500	9.7500	9.7500	9.7500	9.7500	9.7500	9.7500	9.7500	9.7500	9.7500	9.7500	9.7500	9.7500	9.7500	9.7500	9.7500	9.7500	9.7500	9.7500	9.7500	9.7500	9.7500	9.7500	9.7500	9.7500	9.7500	9.7500	9.7500	9.7500
	Z	10.1020	10.0870	10.1620	10.2370	10.3120	10.3870	10.4620	10.5370	10.6120	10.6870	10.7620	10.8370	10.8995	10.9670	10.9707	11.0120	11.0532	11.0570	11.1245	11.1870	11.2620	11.3370	11.4120	11.4870	11.5620	11.6370	11.7120	11.7870	
GLL2	X	60.0000	63.0000	66.0000	69.0000	72.0000	75.0000	78.0000	81.0000	84.0000	87.0000	90.0000	93.0000	95.5000	98.2000	98.3500	100.0000	101.6500	101.8000	104.5000	107.0000	110.0000	113.0000	116.0000	119.0000	122.0000	125.0000	128.0000	131.0000	
	Y	8.5000	8.5000	8.5000	8.5000	8.5000	8.5000	8.5000	8.5000	8.5000	8.5000	8.5000	8.5000	8.5000	8.5000	8.5000	8.5000	8.5000	8.5000	8.5000	8.5000	8.5000	8.5000	8.5000	8.5000	8.5000	8.5000	8.5000	8.5000	8.5000
	Z	10.0370	10.1120	10.1870	10.2620	10.3370	10.4120	10.4870	10.5620	10.6370	10.7120	10.7870	10.8620	10.9245	10.9920	10.9957	11.0370	11.0782	11.0820	11.1495	11.2120	11.2870	11.3620	11.4370	11.5120	11.5870	11.6620	11.7370	11.8120	
GLCL	X	60.0000	63.0000	66.0000	69.0000	72.0000	75.0000	78.0000	81.0000	84.0000	87.0000	90.0000	93.0000	95.5000	98.2000	98.3500	100.0000	101.6500	101.8000	104.5000	107.0000	110.0000	113.0000	116.0000	119.0000	122.0000	125.0000	128.0000	131.0000	
	Y	5.2500	5.2500	5.2500	5.2500	5.2500	5.2500	5.2500	5.2500	5.2500	5.2500	5.2500	5.2500	5.2500	5.2500	5.2500	5.2500	5.2500	5.2500	5.2500	5.2500	5.2500	5.2500	5.2500	5.2500	5.2500	5.2500	5.2500	5.2500	5.2500
	Z	10.1020	10.1770	10.2520	10.3270	10.4020	10.4770	10.5520	10.6270	10.7020	10.7770	10.8520	10.9270	10.9895	11.0570	11.0607	11.1020	11.1432	11.1470	11.2145	11.2770	11.3520	11.4270	11.5020	11.5770	11.6520	11.7270	11.8020	11.8770	
GLR2	X	60.0000	63.0000	66.0000	69.0000	72.0000	75.0000	78.0000	81.0000	84.0000	87.0000	90.0000	93.0000	95.5000	98.2000	98.3500	100.0000	101.6500	101.8000	104.5000	107.0000	110.0000	113.0000	116.0000	119.0000	122.0000	125.0000	128.0000	131.0000	
	Y	2.0000	2.0000	2.0000	2.0000	2.0000	2.0000	2.0000	2.0000	2.0000	2.0000	2.0000	2.0000	2.0000	2.0000	2.0000	2.0000	2.0000	2.0000	2.0000	2.0000	2.0000	2.0000	2.0000	2.0000	2.0000	2.0000	2.0000	2.0000	2.0000
	Z	10.1670	10.2420	10.3170	10.3920	10.4670	10.5420	10.6170	10.6920	10.7670	10.8420	10.9170	10.9920	11.0545	11.1220	11.1257	11.1670	11.2082	11.2120	11.2795	11.3420	11.4170	11.4920	11.5670	11.6420	11.7170	11.7920	11.8670	11.9420	
LR2	X	60.0000	63.0000	66.0000	69.0000	72.0000	75.0000	78.0000	81.0000	84.0000	87.0000	90.0000	93.0000	95.5000	98.2000	98.3500	100.0000	101.6500	101.8000	104.5000	107.0000	110.0000	113.0000	116.0000	119.0000	122.0000	125.0000	128.0000	131.0000	
	Y	0.7500	0.7500	0.7500	0.7500	0.7500	0.7500	0.7500	0.7500	0.7500	0.7500	0.7500	0.7500	0.7500	0.7500	0.7500	0.7500	0.7500	0.7500	0.7500	0.7500	0.7500	0.7500	0.7500	0.7500	0.7500	0.7500	0.7500	0.7500	0.7500
	Z	10.1920	10.2670	10.3420	10.4170	10.4920	10.5670	10.6420	10.7170	10.7920	10.8670	10.9420	11.0170	11.0795	11.1470	11.1507	11.1920	11.2332	11.2370	11.3045	11.3670	11.4420	11.5170	11.5920	11.6670	11.7420	11.8170	11.8920	11.9670	
GLR1	X	60.0000	63.0000	66.0000	69.0000	72.0000	75.0000	78.0000	81.0000	84.0000	87.0000	90.0000	93.0000	95.5000	98.2000	98.3500	100.0000	101.6500	101.8000	104.5000	107.0000	110.0000	113.0000	116.0000	119.0000	122.0000	125.0000	128.0000	131.0000	
	Y	0.3500	0.3500	0.3500	0.3500	0.3500	0.3500	0.3500	0.3500	0.3500	0.3500	0.3500	0.3500	0.3500	0.3500	0.3500	0.3500	0.3500	0.3500	0.3500	0.3500	0.3500	0.3500	0.3500	0.3500	0.3500	0.3500	0.3500	0.3500	0.3500
	Z	10.4420	10.5170	10.5920	10.6670	10.7420	10.8170	10.8920	10.9670	11.0420	11.1170	11.1920	11.2670	11.3295	11.3970	11.4007	11.4420	11.4832	11.4870	11.5545	11.6170	11.6920	11.7670	11.8420	11.9170	11.9920	12.0670	12.1420	12.2170	
LR1	X	60.0000	63.0000	66.0000	69.0000	72.0000	75.0000	78.0000	81.0000	84.0000	87.0000	90.0000	93.0000	95.5000	98.2000	98.3500	100.0000	101.6500	101.8000	104.5000	107.0000	110.0000	113.0000	116.0000	119.0000	122.0000	125.0000	128.0000	131.0000	
	Y	0.1500	0.1500	0.1500	0.1500	0.1500	0.1500	0.1500	0.1500	0.1500	0.1500	0.1500	0.1500	0.1500	0.1500	0.1500	0.1500	0.1500	0.1500	0.1500	0.1500	0.1500	0.1500	0.1500	0.1500	0.1500	0.1500	0.1500	0.1500	0.1500
	Z	10.4420	10.5170	10.5920	10.6670	10.7420	10.8170	10.8920	10.9670	11.0420	11.1170	11.1920	11.2670	11.3295	11.3970	11.4007	11.4420	11.4832	11.4870	11.5545	11.6170	11.6920	11.7670	11.8420	11.9170	11.9920	12.0670	12.1420	12.2170	
CL	X	60.0000	63.0000	66.0000	69.0000	72.0000	75.0000	78.0000	81.0000	84.0000	87.0000	90.0000	93.0000	95.5000	98.2000	98.3500	100.0000	101.6500	101.8000	104.5000	107.0000	110.0000	113.0000	116.0000	119.0000	122.0000	125.0000	128.0000	131.0000	
	Y	-0.0000	-0.0000	0.0000	0.0000	0.0000	0.0000	-0.0000	0.0000	0.0000	0.0000	0.0000	-0.0000	0.0000	0.0000	0.0000	0.0000	0.0000	0.0000	0.0000	0.0000	0.0000	0.0000	0.0000	0.0000	0.0000	0.0000	0.0000	0.0000	
	Z	10.1920	10.2670	10.3420	10.4170	10.4920	10.5670	10.6420	10.7170	10.7920	10.8670	10.9420	11.0170	11.0795	11.1470	11.1507	11.1920	11.2332	11.2370	11.3045	11.3670	11.4420	11.5170	11.5920	11.6670	11.7420	11.8170	11.8920	11.9670	

A1-P5< R > COORDINATES LIST (UNIT : m)

	R0105	R0106	R0107	R0108	R0109	R0110	R0111	R0112	R0113	R0114	R0115	R0116	R0117	R0118	R0119	P2	R0201	R0202	R0203	R0204	R0205	R0206	R0207	R0208	R0209	R0210	R0211	R0212
CL	X	60.0000	63.0000	66.0000	69.0000	72.																						

COORDINATES OF SUPERSTRUCTURE A1-P5 <L,R> (6)

A1-P5< L > COORDINATES LIST (UNIT: m)

		L0213	L0214	L0215	L0216	L0217	L0218	L0219	P3	L0301	L0302	L0303	L0304	L0305	L0306	L0307	L0308	L0309	L0310	L0311	L0312	L0313	L0314	L0315	L0316	L0317	L0318	L0319
LL1	X	134.0000	137.0000	140.0000	143.0000	145.5000	148.2000	148.3500	150.0000	151.6805	151.8762	154.5763	157.0763	160.0764	163.0764	166.0765	169.0765	172.0765	175.0765	178.0764	181.0763	184.0762	187.0761	190.0760	193.0758	195.5756	198.2754	198.4711
	Y	10.3500	10.3500	10.3500	10.3500	10.3500	10.3500	10.3500	10.3500	10.3500	10.3500	10.3500	10.3500	10.3500	10.3500	10.3497	10.3457	10.3372	10.3242	10.3068	10.2849	10.2585	10.2277	10.1924	10.1525	10.1160	10.0729	10.0697
	Z	12.1120	12.1870	12.2620	12.3370	12.3995	12.4670	12.4707	12.5120	12.5540	12.5589	12.6264	12.6889	12.7639	12.8389	12.9137	12.9883	13.0630	13.1376	13.2122	13.2868	13.3614	13.4360	13.5107	13.5853	13.6474	13.7142	13.7191
GLL1	X	134.0000	137.0000	140.0000	143.0000	145.5000	148.2000	148.3500	150.0000	151.6793	151.8750	154.5751	157.0751	160.0752	163.0752	166.0753	169.0753	172.0753	175.0753	178.0752	181.0752	184.0750	187.0749	190.0748	193.0746	195.5744	198.2742	198.4699
	Y	10.1500	10.1500	10.1500	10.1500	10.1500	10.1500	10.1500	10.1500	10.1500	10.1500	10.1500	10.1500	10.1500	10.1500	10.1497	10.1457	10.1372	10.1242	10.1068	10.0849	10.0585	10.0277	9.9924	9.9525	9.9159	9.8729	9.8697
	Z	12.1120	12.1870	12.2620	12.3370	12.3995	12.4670	12.4707	12.5120	12.5540	12.5589	12.6263	12.6888	12.7639	12.8389	12.9137	12.9883	13.0630	13.1376	13.2122	13.2868	13.3614	13.4361	13.5107	13.5853	13.6475	13.7143	13.7191
LL2	X	134.0000	137.0000	140.0000	143.0000	145.5000	148.2000	148.3500	150.0000	151.6769	151.8726	154.5727	157.0727	160.0728	163.0728	166.0729	169.0729	172.0729	175.0729	178.0728	181.0728	184.0725	187.0725	190.0724	193.0722	195.5720	198.2718	198.4675
	Y	9.7500	9.7500	9.7500	9.7500	9.7500	9.7500	9.7500	9.7500	9.7500	9.7500	9.7500	9.7500	9.7500	9.7500	9.7497	9.7457	9.7372	9.7243	9.7068	9.6849	9.6585	9.6277	9.5924	9.5525	9.5159	9.4729	9.4697
	Z	11.8620	11.9370	12.0120	12.0870	12.1495	12.2170	12.2207	12.2620	12.3039	12.3088	12.3763	12.4388	12.5138	12.5888	12.6637	12.7383	12.8129	12.8876	12.9622	13.0368	13.1115	13.1861	13.2607	13.3354	13.3976	13.4644	13.4692
GLL2	X	134.0000	137.0000	140.0000	143.0000	145.5000	148.2000	148.3500	150.0000	151.6694	151.8651	154.5651	157.0651	160.0650	163.0649	166.0649	169.0648	172.0648	175.0647	178.0647	181.0646	184.0646	187.0645	190.0645	193.0644	195.5644	198.2643	198.4600
	Y	8.5000	8.5000	8.5000	8.5000	8.5000	8.5000	8.5000	8.5000	8.5000	8.4988	8.4826	8.4677	8.4497	8.4318	8.4138	8.3959	8.3780	8.3600	8.3421	8.3241	8.3062	8.2883	8.2703	8.2524	8.2374	8.2213	8.2203
	Z	11.8870	11.9620	12.0370	12.1120	12.1745	12.2420	12.2457	12.2870	12.3287	12.3336	12.4011	12.4642	12.5396	12.6150	12.6902	12.7652	12.8400	12.9148	12.9895	13.0641	13.1386	13.2131	13.2874	13.3617	13.4364	13.5111	13.4945
GLCL	X	134.0000	137.0000	140.0000	143.0000	145.5000	148.2000	148.3500	150.0000	151.6500	151.8457	154.5457	157.0456	160.0456	163.0455	166.0455	169.0454	172.0453	175.0453	178.0452	181.0452	184.0451	187.0451	190.0450	193.0450	195.5449	198.2449	198.4406
	Y	5.2500	5.2500	5.2500	5.2500	5.2500	5.2500	5.2500	5.2500	5.2500	5.2488	5.2327	5.2177	5.1998	5.1818	5.1639	5.1460	5.1280	5.1101	5.0921	5.0742	5.0563	5.0383	5.0204	5.0024	4.9875	4.9713	4.9702
	Z	11.9520	12.0270	12.1020	12.1770	12.2395	12.3070	12.3107	12.3520	12.3932	12.3981	12.4660	12.5288	12.6041	12.6795	12.7547	12.8298	12.9048	12.9797	13.0546	13.1293	13.2039	13.2785	13.3529	13.4273	13.4892	13.5556	13.5604
GLR2	X	134.0000	137.0000	140.0000	143.0000	145.5000	148.2000	148.3500	150.0000	151.6306	151.8263	154.5262	157.0262	160.0261	163.0261	166.0260	169.0260	172.0259	175.0259	178.0258	181.0257	184.0257	187.0256	190.0256	193.0255	195.5255	198.2254	198.4211
	Y	2.0000	2.0000	2.0000	2.0000	2.0000	2.0000	2.0000	2.0000	2.0000	1.9989	1.9827	1.9678	1.9498	1.9319	1.9140	1.8960	1.8781	1.8601	1.8422	1.8243	1.8063	1.7884	1.7704	1.7525	1.7375	1.7214	1.7200
	Z	12.0170	12.0920	12.1670	12.2420	12.3045	12.3720	12.3757	12.4170	12.4577	12.4626	12.5305	12.5933	12.6686	12.7440	12.8193	12.8945	12.9696	13.0447	13.1196	13.1945	13.2692	13.3439	13.4185	13.4930	13.5549	13.6215	13.6263
LR2	X	134.0000	137.0000	140.0000	143.0000	145.5000	148.2000	148.3500	150.0000	151.6231	151.8188	154.5188	157.0189	160.0189	163.0189	166.0191	169.0191	172.0191	175.0191	178.0190	181.0189	184.0188	187.0187	190.0185	193.0184	195.5182	198.2180	198.4137
	Y	0.7500	0.7500	0.7500	0.7500	0.7500	0.7500	0.7500	0.7500	0.7500	0.7500	0.7500	0.7500	0.7500	0.7500	0.7497	0.7458	0.7373	0.7244	0.7070	0.6851	0.6587	0.6277	0.5923	0.5524	0.5157	0.4726	0.4693
	Z	12.0420	12.1170	12.1920	12.2670	12.3295	12.3970	12.4007	12.4420	12.4825	12.4874	12.5549	12.6174	12.6924	12.7674	12.8424	12.9174	12.9924	13.0674	13.1423	13.2173	13.2923	13.3672	13.4422	13.5172	13.5797	13.6468	13.6516
GLR1	X	134.0000	137.0000	140.0000	143.0000	145.5000	148.2000	148.3500	150.0000	151.6207	151.8164	154.5165	157.0165	160.0166	163.0166	166.0167	169.0167	172.0167	175.0167	178.0166	181.0165	184.0164	187.0163	190.0161	193.0160	195.5158	198.2156	198.4113
	Y	0.3500	0.3500	0.3500	0.3500	0.3500	0.3500	0.3500	0.3500	0.3500	0.3500	0.3500	0.3500	0.3500	0.3500	0.3497	0.3458	0.3373	0.3244	0.3070	0.2851	0.2587	0.2277	0.1923	0.1524	0.1157	0.0726	0.0693
	Z	12.2920	12.3670	12.4420	12.5170	12.5795	12.6470	12.6507	12.6920	12.7325	12.7374	12.8049	12.8674	12.9424	13.0174	13.0924	13.1674	13.2424	13.3173	13.3923	13.4673	13.5423	13.6173	13.6923	13.7673	13.8298	13.8969	13.9017
LR1	X	134.0000	137.0000	140.0000	143.0000	145.5000	148.2000	148.3500	150.0000	151.6195	151.8152	154.5153	157.0153	160.0154	163.0154	166.0155	169.0155	172.0155	175.0155	178.0154	181.0153	184.0152	187.0151	190.0150	193.0148	195.5146	198.2144	198.4101
	Y	0.1500	0.1500	0.1500	0.1500	0.1500	0.1500	0.1500	0.1500	0.1500	0.1500	0.1500	0.1500	0.1500	0.1500	0.1497	0.1458	0.1373	0.1244	0.1070	0.0851	0.0587	0.0277	-0.0077	-0.0476	-0.0843	-0.1275	-0.1307
	Z	12.2920	12.3670	12.4420	12.5170	12.5795	12.6470	12.6507	12.6920	12.7325	12.7373	12.8049	12.8674	12.9424	13.0174	13.0924	13.1674	13.2423	13.3173	13.3923	13.4673	13.5423	13.6173	13.6923	13.7673	13.8298	13.8969	13.9018
CL	X	134.0000	137.0000	140.0000	143.0000	145.5000	148.2000	148.3500	150.0000	151.6186	151.8143	154.5144	157.0144	160.0145	163.0145	166.0146	169.0146	172.0146	175.0146	178.0145	181.0144	184.0143	187.0142	190.0141	193.0139	195.5137	198.2135	198.4092
	Y	0.0000	0.0000	0.0000	0.0000	0.0000	0.0000	0.0000	0.0000	0.0000	0.0000	0.0000	0.0000	0.0000	0.0000	0.0000	0.0000	0.0000	0.0000	0.0000	0.0000	0.0000	0.0000	0.0000	0.0000	0.0000	0.0000	
	Z	12.0420	12.1170	12.1920	12.2670	12.3295	12.3970	12.4007	12.4420	12.4824	12.4873	12.5548	12.6173	12.6923	12.7673	12.8423	12.9173	12.9923	13.0673	13.1423	13.2173	13.2923	13.3673	13.4423	13.5173	13.5798	13.6470	13.6518

A1-P5< R > COORDINATES LIST (UNIT: m)

		R0213	R0214	R0215	R0216	R0217	R0218	R0219	P3	R0301	R0302	R0303	R0304	R0305	R0306	R0307	R0308	R0309	R0310	R0311	R0312	R0313	R0314	R0315	R0316	R0317	R0318	R0319
CL	X	134.0000	137.0000	140.0000	143.0000	145.5000	148.2000	148.3500	150.0000	151.6814	151.8849	154.4850	156.9850	159.9851	162.9851	165.9852	168.9852	171.9852	174.9852	177.9851	180.9851	183.9849	186.9848	189.9847	192.9845	195.4843	198.0841	198.2876
	Y	0.0000	0.0000	0.0000	0.0000																							

COORDINATES OF SUPERSTRUCTURE A1-P5 <L,R> (7)

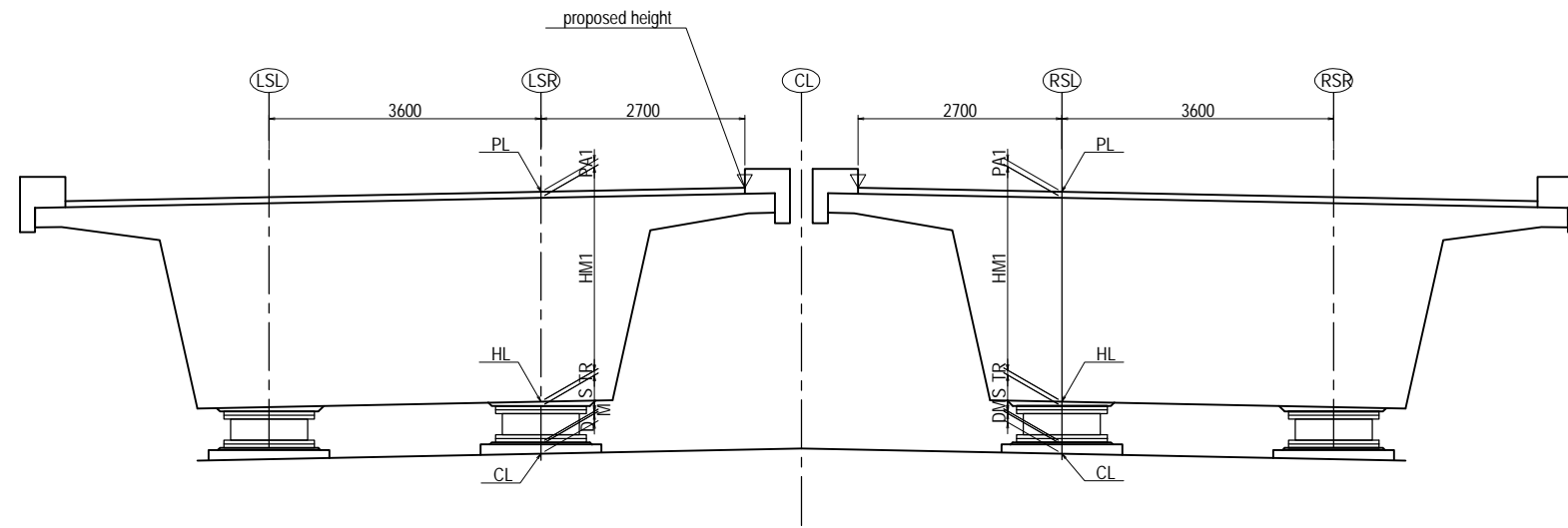
A1-P5< L > COORDINATES LIST (UNIT :m)

	P4	L0401	L0402	L0403	L0404	L0405	L0406	L0407	L0408	L0409	L0410	L0411	L0412	L0413	L0414	L0415	L0416	L0417	L0418	L0419	P5S1	P5GE	P5	
LL1	X	200.1798	201.8916	202.1067	204.8064	207.3060	209.8055	212.8047	215.8039	218.8029	221.8017	224.8005	227.7991	230.7975	233.7959	236.7941	239.7922	242.2904	244.7886	247.2867	247.5017	249.4155	250.1648	250.4146
	Y	10.0404	10.0096	10.0057	9.9539	9.9027	9.8484	9.7792	9.7054	9.6272	9.5446	9.4574	9.3658	9.2697	9.1691	9.0641	8.9545	8.8598	8.7620	8.6611	8.5523	8.5727	8.5410	8.5304
	Z	13.7610	13.8029	13.8081	13.8736	13.9338	13.9935	14.0646	14.1350	14.2047	14.2738	14.3422	14.4099	14.4770	14.5434	14.6091	14.6742	14.7280	14.7813	14.8341	14.8386	14.8787	14.8944	14.8996
GLL1	X	200.1763	201.8857	202.1008	204.8005	207.3000	209.7995	212.7988	215.7979	218.7969	221.7958	224.7945	227.7931	230.7916	233.7899	236.7881	239.7862	242.2845	244.7827	247.2808	247.4958	249.4070	250.1563	250.4061
	Y	9.8404	9.8097	9.8057	9.7540	9.7028	9.6485	9.5792	9.5055	9.4273	9.3446	9.2575	9.1659	9.0698	8.9692	8.8641	8.7546	8.6599	8.5621	8.4612	8.4524	8.3729	8.3412	8.3306
	Z	13.7610	13.8028	13.8081	13.8736	13.9338	13.9935	14.0646	14.1350	14.2047	14.2738	14.3422	14.4099	14.4770	14.5434	14.6092	14.6743	14.7280	14.7813	14.8341	14.8386	14.8787	14.8944	14.8996
LL2	X	200.1693	201.8738	202.0889	204.7886	207.2882	209.7876	212.7869	215.7860	218.7850	221.7839	224.7826	227.7812	230.7797	233.7781	236.7763	239.7743	242.2726	244.7708	247.2689	247.4839	249.3900	250.1393	250.3891
	Y	9.4405	9.4099	9.4059	9.3541	9.3029	9.2487	9.1794	9.1057	9.0275	8.9448	8.8577	8.7660	8.6699	8.5694	8.4643	8.3548	8.2601	8.1623	8.0614	8.0525	7.9732	7.9416	7.9310
	Z	13.5110	13.5527	13.5580	13.6235	13.6837	13.7434	13.8145	13.8849	13.9547	14.0237	14.0922	14.1599	14.2270	14.2935	14.3592	14.4243	14.4781	14.5314	14.5842	14.5887	14.6287	14.6444	14.6496
GLL2	X	200.1474	201.8367	202.0517	204.7505	207.2494	209.7483	212.7470	215.7457	218.7443	221.7430	224.7417	227.7404	230.7390	233.7377	236.7364	239.7351	242.2340	244.7329	247.2317	247.4468	249.3368	250.0861	250.3359
	Y	8.1907	8.1611	8.1544	8.0742	7.9999	7.9256	7.8364	7.7473	7.6581	7.5690	7.4798	7.3907	7.3015	7.2124	7.1232	7.0341	6.9598	6.8855	6.8112	6.8051	6.7246	6.6927	6.6821
	Z	13.5360	13.5774	13.5827	13.6488	13.7095	13.7697	13.8412	13.9119	13.9820	14.0512	14.1197	14.1875	14.2545	14.3207	14.3862	14.4510	14.5044	14.5572	14.6095	14.6140	14.6537	14.6694	14.6746
GLCL	X	200.0903	201.7401	202.0539	204.6539	207.1528	209.6517	212.6504	215.6491	218.6478	221.6464	224.6451	227.6438	230.6425	233.6411	236.6398	239.6385	242.1374	244.6363	247.1352	247.3502	249.1985	249.9479	250.1976
	Y	4.9412	4.9122	4.9059	4.8256	4.7513	4.6770	4.5879	4.4987	4.4096	4.3204	4.2313	4.1421	4.0530	3.9638	3.8747	3.7855	3.7112	3.6369	3.5627	3.5563	3.4776	3.4457	3.4350
	Z	13.6010	13.6415	13.6468	13.7130	13.7738	13.8341	13.9057	13.9766	14.0467	14.1161	14.1847	14.2526	14.3197	14.3861	14.4517	14.5165	14.5700	14.6229	14.6753	14.6798	14.7187	14.7344	14.7396
GLR2	X	200.0333	201.6435	201.8586	204.5574	207.0563	209.5552	212.5538	215.5525	218.5512	221.5499	224.5485	227.5472	230.5459	233.5446	236.5432	239.5419	242.0408	244.5397	247.0386	247.2536	249.0603	249.8096	250.0594
	Y	1.6917	1.6634	1.6573	1.5771	1.5028	1.4285	1.3393	1.2502	1.1610	1.0719	0.9827	0.8936	0.8044	0.7153	0.6261	0.5370	0.4627	0.3884	0.3141	0.3074	0.2305	0.1986	0.1880
	Z	13.6660	13.7056	13.7109	13.7772	13.8381	13.8985	13.9703	14.0413	14.1115	14.1810	14.2497	14.3177	14.3849	14.4514	14.5171	14.5820	14.6356	14.6886	14.7411	14.7456	14.7836	14.7993	14.8046
LR2	X	200.0114	201.6063	201.8214	204.5211	207.0207	209.5202	212.5195	215.5186	218.5176	221.5165	224.5152	227.5138	230.5123	233.5106	236.5088	239.5069	242.0052	244.5033	247.0014	247.2164	249.0071	249.7565	250.0062
	Y	0.4419	0.4133	0.4093	0.3577	0.3066	0.2524	0.1832	0.1096	0.0314	-0.0512	-0.1384	-0.2300	-0.3261	-0.4268	-0.5319	-0.6415	-0.7363	-0.8342	-0.9352	-0.9441	-1.0186	-1.0503	-1.0609
	Z	13.6910	13.7302	13.7355	13.8013	13.8618	13.9218	13.9932	14.0640	14.1340	14.2034	14.2722	14.3402	14.4076	14.4744	14.5404	14.6058	14.6598	14.7133	14.7664	14.7709	14.8086	14.8243	14.8296
GLR1	X	200.0043	201.5944	201.8096	204.5092	207.0088	209.5083	212.5076	215.5067	218.5057	221.5046	224.5033	227.5019	230.5004	233.4987	236.4969	239.4950	241.9933	244.4915	246.9896	247.2045	248.9901	249.7394	249.9892
	Y	0.0420	0.0134	0.0095	-0.0422	-0.0933	-0.1474	-0.2166	-0.2902	-0.3684	-0.4510	-0.5382	-0.6298	-0.7259	-0.8266	-0.9317	-1.0413	-1.1361	-1.2340	-1.3351	-1.3439	-1.4182	-1.4499	-1.4605
	Z	13.9410	13.9801	13.9854	14.0512	14.1117	14.1718	14.2432	14.3139	14.3840	14.4534	14.5222	14.5903	14.6577	14.7244	14.7905	14.8559	14.9099	14.9634	15.0165	15.0210	15.0586	15.0743	15.0796
LR1	X	200.0008	201.5885	201.8036	204.5033	207.0029	209.5024	212.5016	215.5008	218.4998	221.4986	224.4974	227.4960	230.4944	233.4928	236.4910	239.4891	241.9873	244.4855	246.9836	247.1986	248.9816	249.7309	249.9807
	Y	-0.1580	-0.1865	-0.1905	-0.2421	-0.2932	-0.3474	-0.4165	-0.4902	-0.5683	-0.6509	-0.7381	-0.8297	-0.9259	-1.0265	-1.1316	-1.2413	-1.3360	-1.4340	-1.5350	-1.5438	-1.6181	-1.6497	-1.6604
	Z	13.9410	13.9801	13.9853	14.0512	14.1117	14.1717	14.2432	14.3139	14.3840	14.4534	14.5222	14.5903	14.6577	14.7244	14.7905	14.8559	14.9099	14.9634	15.0165	15.0210	15.0586	15.0743	15.0796
CL	X	199.9982	201.5840	201.7992	204.4988	206.9984	209.4979	212.4972	215.4963	218.4953	221.4942	224.4929	227.4915	230.4900	233.4883	236.4865	239.4846	241.9829	244.4811	246.9792	247.1941	248.9752	249.7245	249.9743
	Y	-0.3080	-0.3365	-0.3404	-0.3921	-0.4431	-0.4973	-0.5664	-0.6401	-0.7182	-0.8009	-0.8880	-0.9797	-1.0758	-1.1764	-1.2816	-1.3912	-1.4860	-1.5839	-1.6849	-1.6938	-1.7679	-1.7996	-1.8102
	Z	13.6910	13.7300	13.7353	13.8012	13.8617	13.9217	13.9931	14.0639	14.1340	14.2034	14.2722	14.3403	14.4077	14.4744	14.5405	14.6059	14.6599	14.7135	14.7665	14.7711	14.8086	14.8243	14.8296

A1-P5< R > COORDINATES LIST (UNIT :m)

	P4	R0401	R0402	R0403	R0404	R0405	R0406	R0407	R0408	R0409	R0410	R0411	R0412	R0413	R0414	R0415	R0416	R0417	R0418	R0419	P5S1	P5GE	P5	
CL	X	199.9982	201.7118	201.8957	204.3954	206.8950	209.3945	212.3937	215.3929	218.3919	221.3908	224.3895	227.3881	230.3866	233.3849	236.3831	239.3812	241.8795	244.3777	246.8758	247.0595	248.9752	249.7245	249.9743
	Y	-0.3080	-0.3388	-0.3422	-0.3900	-0.4409	-0.4950	-0.5640	-0.6375	-0.7155	-0.7980	-0.8849	-0.9764	-1.0724	-1.1729	-1.2779	-1.3873	-1.4820	-1.5798	-1.6807	-1.6883	-1.7679	-1.7996	-1.8102
	Z	13.6910	13.7331	13.7377	13.7986	13.8592	13.9192	13.9907	14.0615	14.1316	14.2010	14.2698	14.3379	14.4054	14.4721	14.5383	14.6037	14.6577	14.7113	14.7644	14.7682	14.8086	14.8243	14.8296
RL1	X	199.9956	201.7074	201.8912	204.3909	206.8905	209.3900	212.3893	215.3884	218.3874	221.3863	224.3850	227.3836	230.3821	233.3805	236.3787	239.3767	241.8750	244.3732	246.8713	247.0551	248.9688	249.7182	249.9679
	Y	-0.4580	-0.4887	-0.4921	-0.5399	-0.5909	-0.6449	-0.7139	-0.7874	-0.8654	-0.9479	-1.0349	-1.1264	-1.2223	-1.3228	-1.4278	-1.5373	-1.6319	-1.7297	-1.8306	-1.8382	-1.9178	-1.9495	-1.9601
	Z	13.9410	13.9831	13.9876	14.0486	14.1091	14.1692	14.2407	14.3115	14.3816	14.4510	14.5198	14.5879	14.6554	14.7222	14.7883	14.8537	14.9077	14.9613	15.0144	15.0183	15.0586	15.0743	15.0796
GRL1	X	199.9921	201.7014	201.8853	204.3850	206.8846	209.3841	212.3833	215.3825	218.3815	221.3804	224.3791	227.3777	230.3762	233.3745	236.3727	239.3708	241.8691</						

COORDINATES OF SUPERSTRUCTURE A1-P5 <L,R> (8)



LIST OF STRUCTURE HEIGHT UNIT(m)

		A1					P1					P2					P3					P4						
		LSL	LSR	Plan Height	RSL	RSR	LSL	LSR	Plan Height	RSL	RSR	LSL	LSR	Plan Height	RSL	RSR	LSL	LSR	Plan Height	RSL	RSR	LSL	LSR	Plan Height	RSL	RSR		
distance from proposed height	ΔL	6.300	2.700		2.700	6.300	6.300	2.700		2.700	6.300	6.300	2.700		2.700	6.300	2.700		2.700	6.300	6.300	2.700		2.700	6.300		2.700	6.300
super elevation	i	0.020	0.020		0.020	0.020	0.020		0.020	0.020	0.020	0.020		0.020	0.020	0.020	0.020		0.020	0.020	0.020	0.020		0.020	0.020		0.020	0.020
proposed height	P.L	8.5909	8.6629	8.7169	8.6629	8.5909	9.8160	9.8880	9.9420	9.8880	9.8160	11.0660	11.1380	11.1920	11.1380	11.0660	12.3160	12.3880	12.4420	12.3880	12.3160	13.5650	13.6370	13.6910	13.6370	13.5650		
pavement	PA1	0.080	0.080		0.080	0.080	0.080	0.080		0.080	0.080	0.080	0.080		0.080	0.080	0.080	0.080		0.080	0.080	0.080	0.080		0.080	0.080		0.080
girder height	HM1	2.700	2.700		2.700	2.700	2.700	2.700		2.700	2.700	2.700	2.700		2.700	2.700	2.700	2.700		2.700	2.700	2.700	2.700		2.700	2.700		2.700
elevation of girder bottom	HL	5.811	5.883		5.883	5.811	7.036	7.108		7.108	7.036	8.286	8.358		8.358	8.286	9.536	9.608		9.608	9.536	10.785	10.857		10.857	10.785		10.857
adjustment layer	TR	0.060	0.060		0.060	0.060	0.070	0.070		0.070	0.070	0.070	0.070		0.070	0.070	0.070	0.070		0.070	0.070	0.070	0.070		0.070	0.070		0.070
bearing thickness	S	0.493	0.493		0.493	0.493	0.523	0.523		0.523	0.523	0.488	0.488		0.488	0.488	0.488	0.488		0.488	0.488	0.523	0.523		0.523	0.523		0.523
leveling thickness	M	0.032	0.032		0.032	0.032	0.040	0.040		0.040	0.040	0.040	0.040		0.040	0.040	0.040	0.040		0.040	0.040	0.040	0.040		0.040	0.040		0.040
base height	D	0.140	0.140		0.140	0.140	0.120	0.120		0.120	0.120	0.120	0.120		0.120	0.120	0.120	0.120		0.120	0.120	0.120	0.120		0.120	0.120		0.120
top elevation of substructure	CL	5.086	5.158		5.158	5.086	6.283	6.355		6.355	6.283	7.568	7.640		7.640	7.568	8.818	8.890		8.890	8.818	10.032	10.104		10.104	10.032		10.032

		P5				
		LSL	LSR	Plan Height	RSL	RSR
distance from proposed height	ΔL	6.300	2.700		2.700	6.300
super elevation	i	0.020	0.020		0.020	0.020
proposed height	P.L	14.6827	14.7547	14.8086	14.7546	14.6825
pavement	PA1	0.080	0.080		0.080	0.080
girder height	HM1	2.700	2.700		2.700	2.700
elevation of girder bottom	HL	11.903	11.975		11.975	11.903
adjustment layer	TR	0.060	0.060		0.060	0.060
bearing thickness	S	0.459	0.459		0.459	0.459
leveling thickness	M	0.046	0.046		0.038	0.036
base height	D	0.250	0.250		0.120	0.100
top elevation of substructure	CL	11.088	11.160		11.298	11.248

PROJECT NAME
DETAILED DESIGN ON
BAGO RIVER BRIDGE
CONSTRUCTION PROJECT

FINANCED BY
 JAPAN INTERNATIONAL
COOPERATION AGENCY

COUNTERPART
 REPUBLIC OF THE UNION OF MYANMAR
MINISTRY OF CONSTRUCTION
DEPARTMENT OF BRIDGE

JICA STUDY TEAM
 NIPPON KOEI CO., LTD.
 ORIENTAL CONSULTANTS GLOBAL CO., LTD.
 METROPOLITAN EXPRESSWAY COMPANY LIMITED
 CHODAI CO., LTD.
 NIPPON ENGINEERING CONSULTANTS CO., LTD.

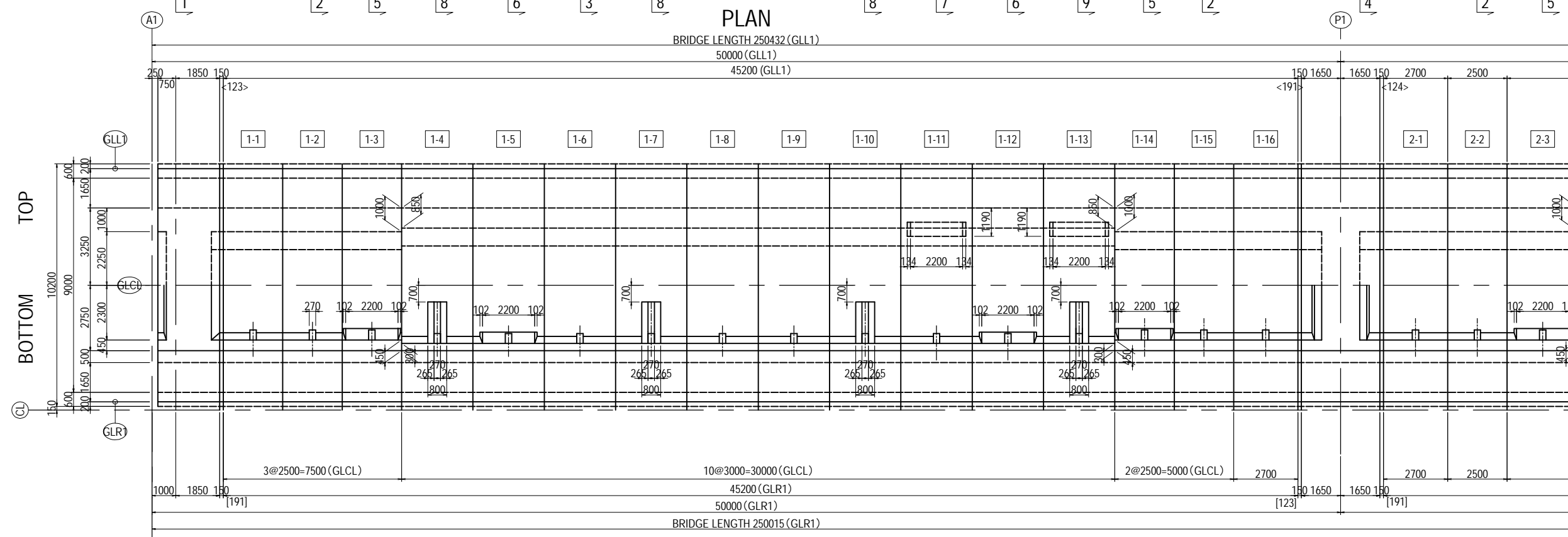
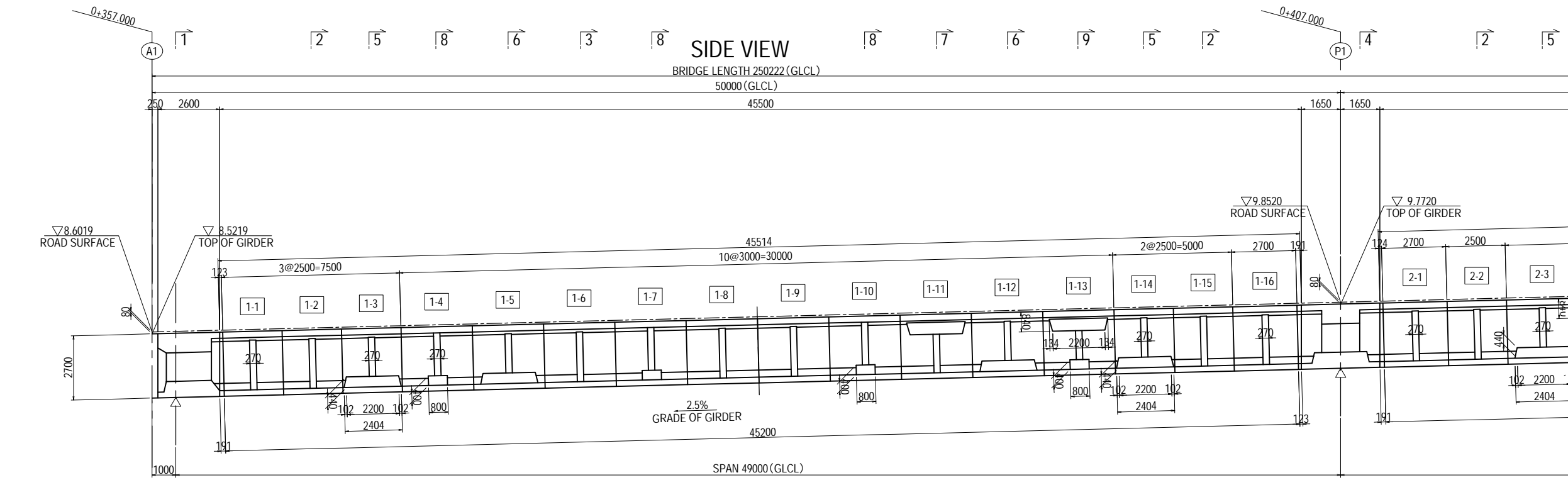
	NAME	SIGNATURE	DATE
PREPARED BY	M. OHYAMA		15 Jun.2017
CHECKED BY	T. HAYAKAWA		20 Jun.2017
APPROVED BY	Y. SANO		21 Jun.2017

DRAWING TITLE
COORDINATES OF SUPERSTRUCTURE
A1-P5 <L,R> (8)

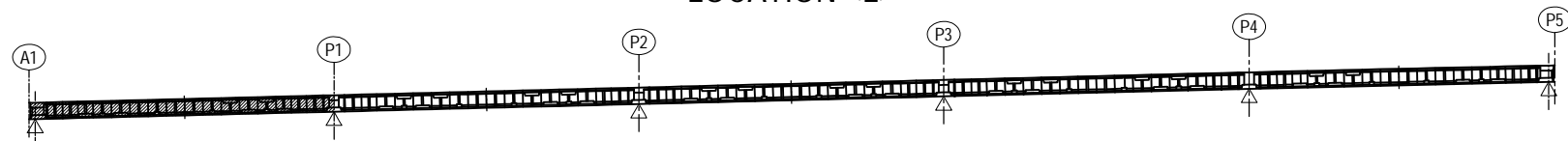
PACKAGE
1
DWG No.
P1-PB-0008

GENERAL VIEW OF SUPERSTRUCTURE A1-P5 <L> (1)

S=1:200



LOCATION <L>

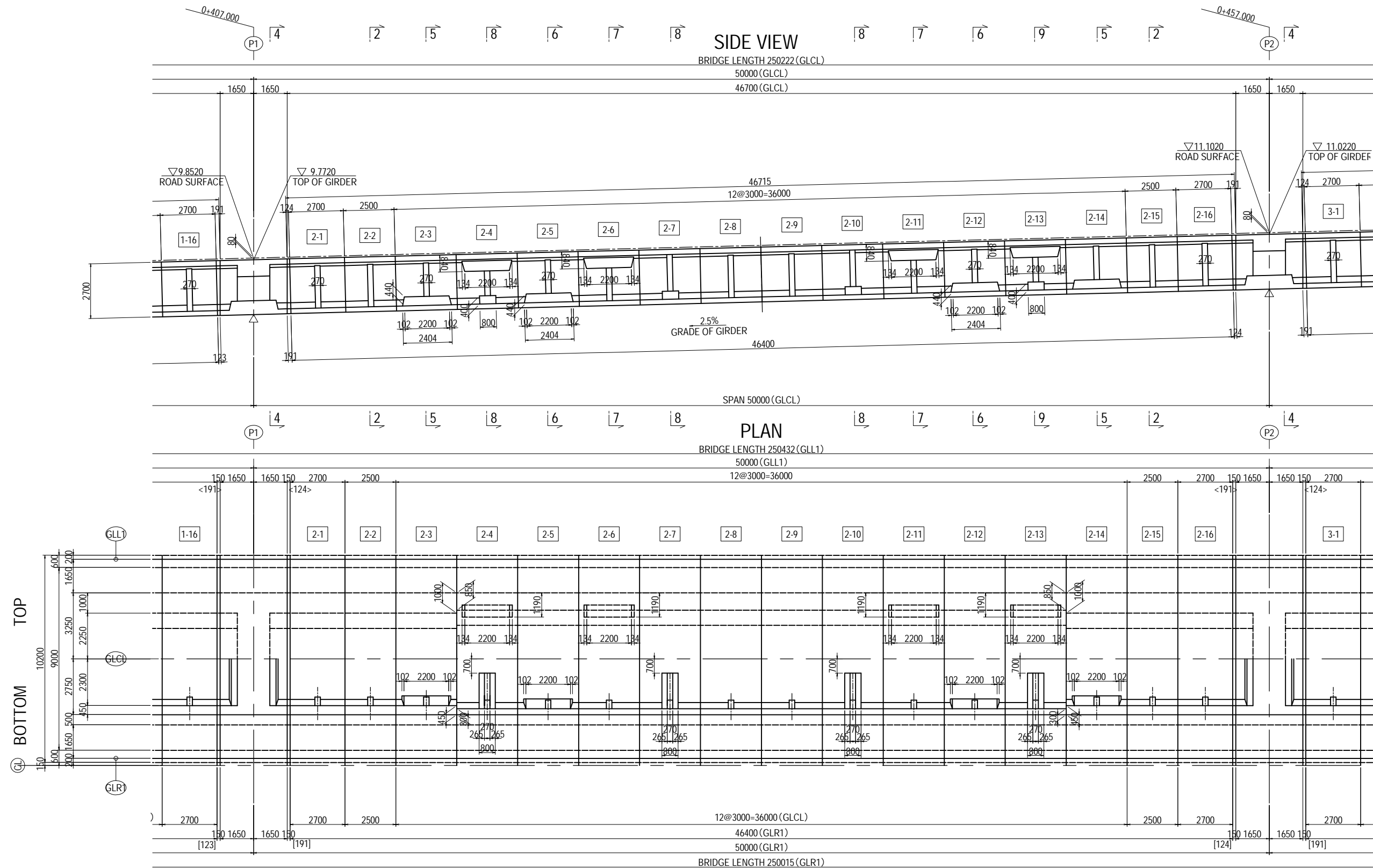


Notes
-Values in <>/[] are at the top/bottom of the girder accordingly.

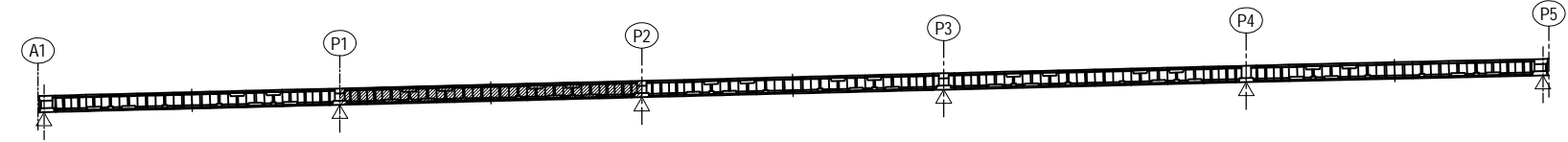
PROJECT NAME DETAILED DESIGN ON BAGO RIVER BRIDGE CONSTRUCTION PROJECT	FINANCED BY JAPAN INTERNATIONAL COOPERATION AGENCY	COUNTERPART REPUBLIC OF THE UNION OF MYANMAR MINISTRY OF CONSTRUCTION DEPARTMENT OF BRIDGE	JICA STUDY TEAM NIPPON KOEI CO., LTD. ORIENTAL CONSULTANTS GLOBAL CO., LTD. METROPOLITAN EXPRESSWAY COMPANY LIMITED CHODAI CO., LTD. NIPPON ENGINEERING CONSULTANTS CO., LTD.	NAME	SIGNATURE	DATE	DRAWING TITLE GENERAL VIEW OF SUPERSTRUCTURE A1-P5 <L> (1)	PACKAGE	
				PREPARED BY	M. OHYAMA			15 Jun.2017	DWG No.
				CHECKED BY	T. HAYAKAWA			20 Jun.2017	P1-PB-1001
				APPROVED BY	Y. SANO			21 Jun.2017	

GENERAL VIEW OF SUPERSTRUCTURE A1-P5 <L> (2)

S=1:200



LOCATION <L>

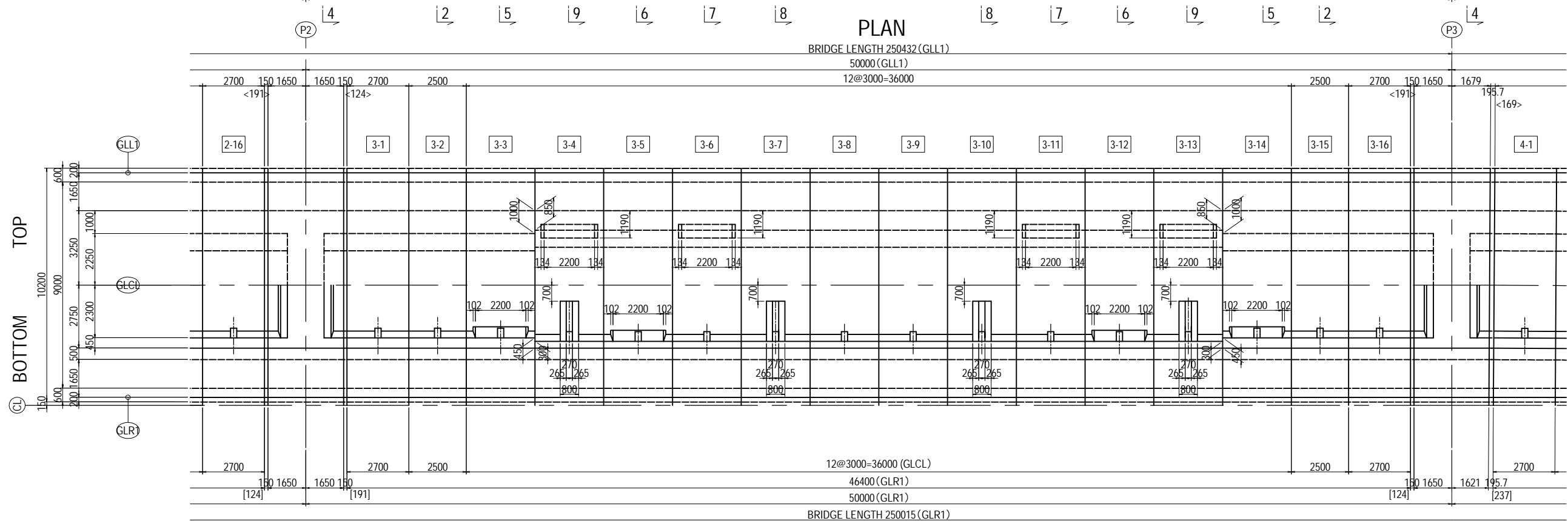
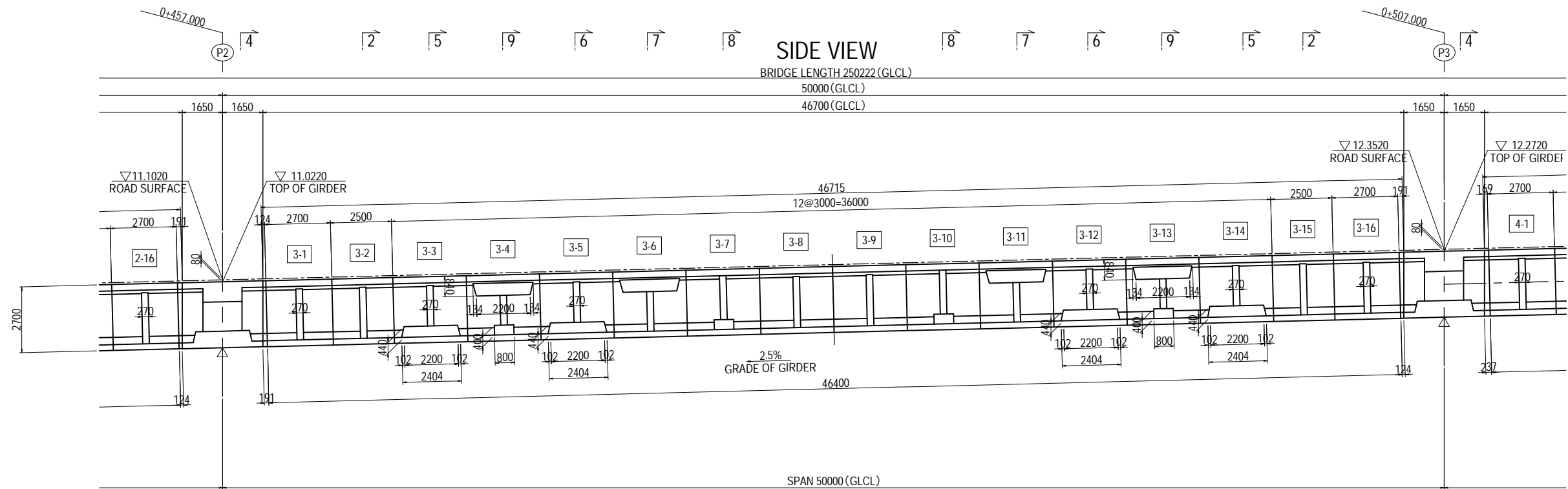


Notes
-Values in <> / [] are at the top/bottom of the girder accordingly.

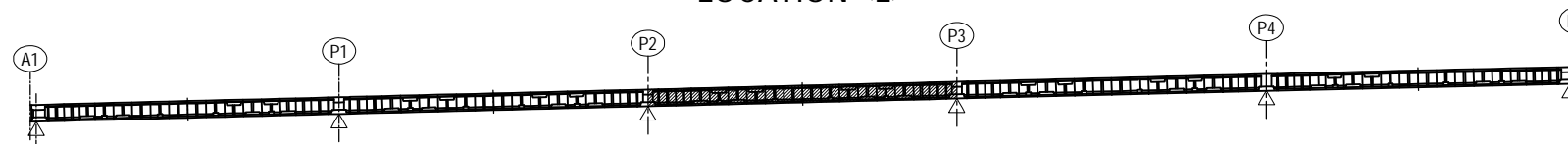
PROJECT NAME DETAILED DESIGN ON BAGO RIVER BRIDGE CONSTRUCTION PROJECT	FINANCED BY JAPAN INTERNATIONAL COOPERATION AGENCY	COUNTERPART REPUBLIC OF THE UNION OF MYANMAR MINISTRY OF CONSTRUCTION DEPARTMENT OF BRIDGE	JICA STUDY TEAM NIPPON KOEI CO., LTD. ORIENTAL CONSULTANTS GLOBAL CO., LTD. METROPOLITAN EXPRESSWAY COMPANY LIMITED CHODAI CO., LTD. NIPPON ENGINEERING CONSULTANTS CO., LTD.	NAME	SIGNATURE	DATE	DRAWING TITLE GENERAL VIEW OF SUPERSTRUCTURE A1-P5 <L> (2)	PACKAGE	
				PREPARED BY	M. OHYAMA	大山 満弘		15 Jun.2017	1
				CHECKED BY	T. HAYAKAWA	平川 知邦		20 Jun.2017	DWG No.
				APPROVED BY	Y. SANO	佐野 祐一		21 Jun.2017	P1-PB-1002

GENERAL VIEW OF SUPERSTRUCTURE A1-P5 <L> (3)

S=1:200



LOCATION <L>



Notes
-Values in < > / [] are at the top/bottom of the girder accordingly.

PROJECT NAME
DETAILED DESIGN ON
BAGO RIVER BRIDGE
CONSTRUCTION PROJECT

FINANCED BY
JICA
JAPAN INTERNATIONAL
COOPERATION AGENCY

COUNTERPART
REPUBLIC OF THE UNION OF MYANMAR
MINISTRY OF CONSTRUCTION
DEPARTMENT OF BRIDGE

JICA STUDY TEAM
NIPPON KOEI CO., LTD.
ORIENTAL CONSULTANTS GLOBAL CO., LTD.
METROPOLITAN EXPRESSWAY COMPANY LIMITED
CHODAI CO., LTD.
NIPPON ENGINEERING CONSULTANTS CO., LTD.

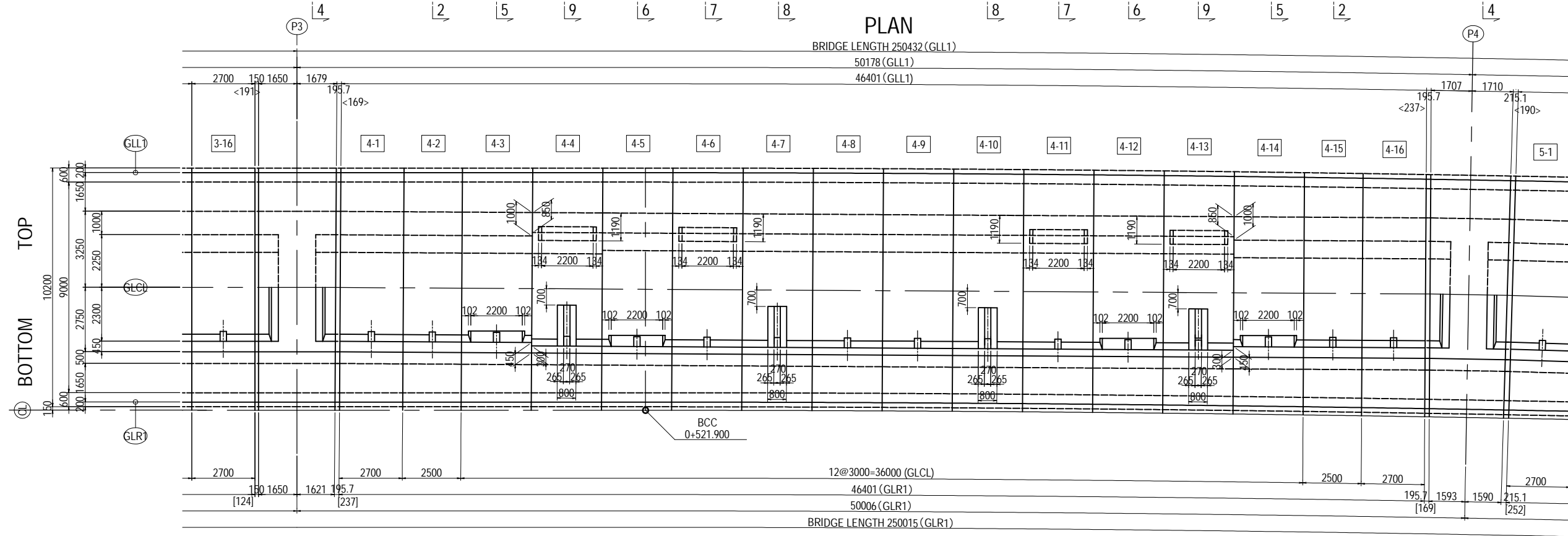
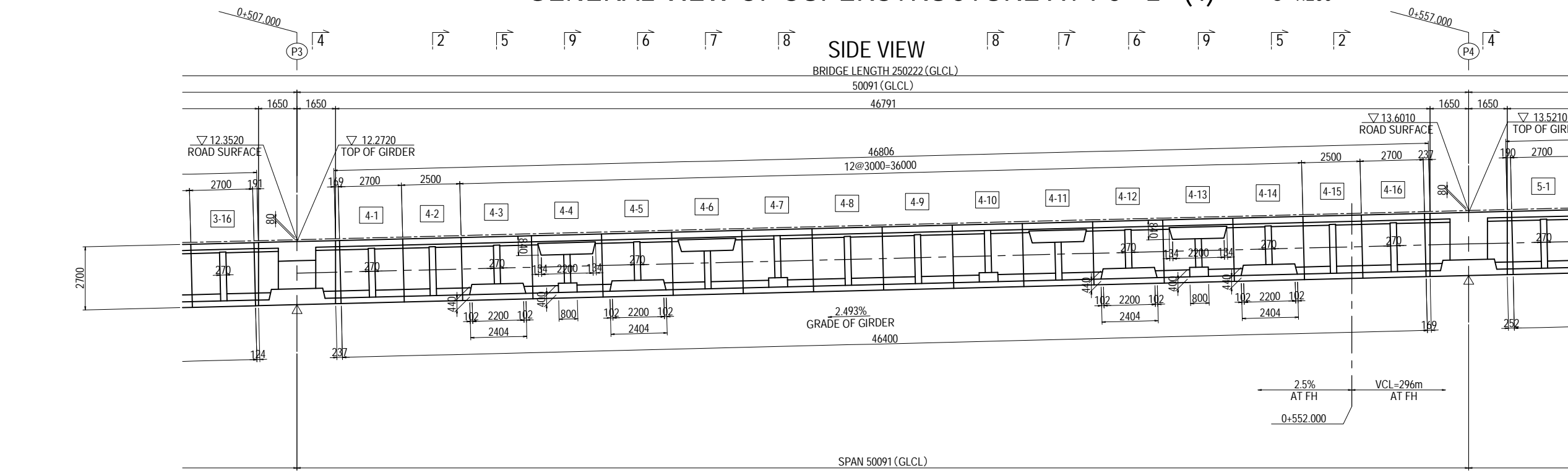
	NAME	SIGNATURE	DATE
PREPARED BY	M. OHYAMA	大山 満弘	15 Jun.2017
CHECKED BY	T. HAYAKAWA	平川 知寿	20 Jun.2017
APPROVED BY	Y. SANO	佐野 祐一	21 Jun.2017

DRAWING TITLE
GENERAL VIEW OF SUPERSTRUCTURE
A1-P5 <L> (3)

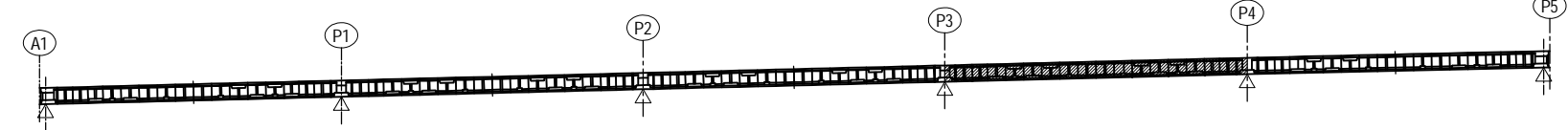
PACKAGE
1
DWG No.
P1-PB-1003

GENERAL VIEW OF SUPERSTRUCTURE A1-P5 <L> (4)

S=1:200



LOCATION <L>

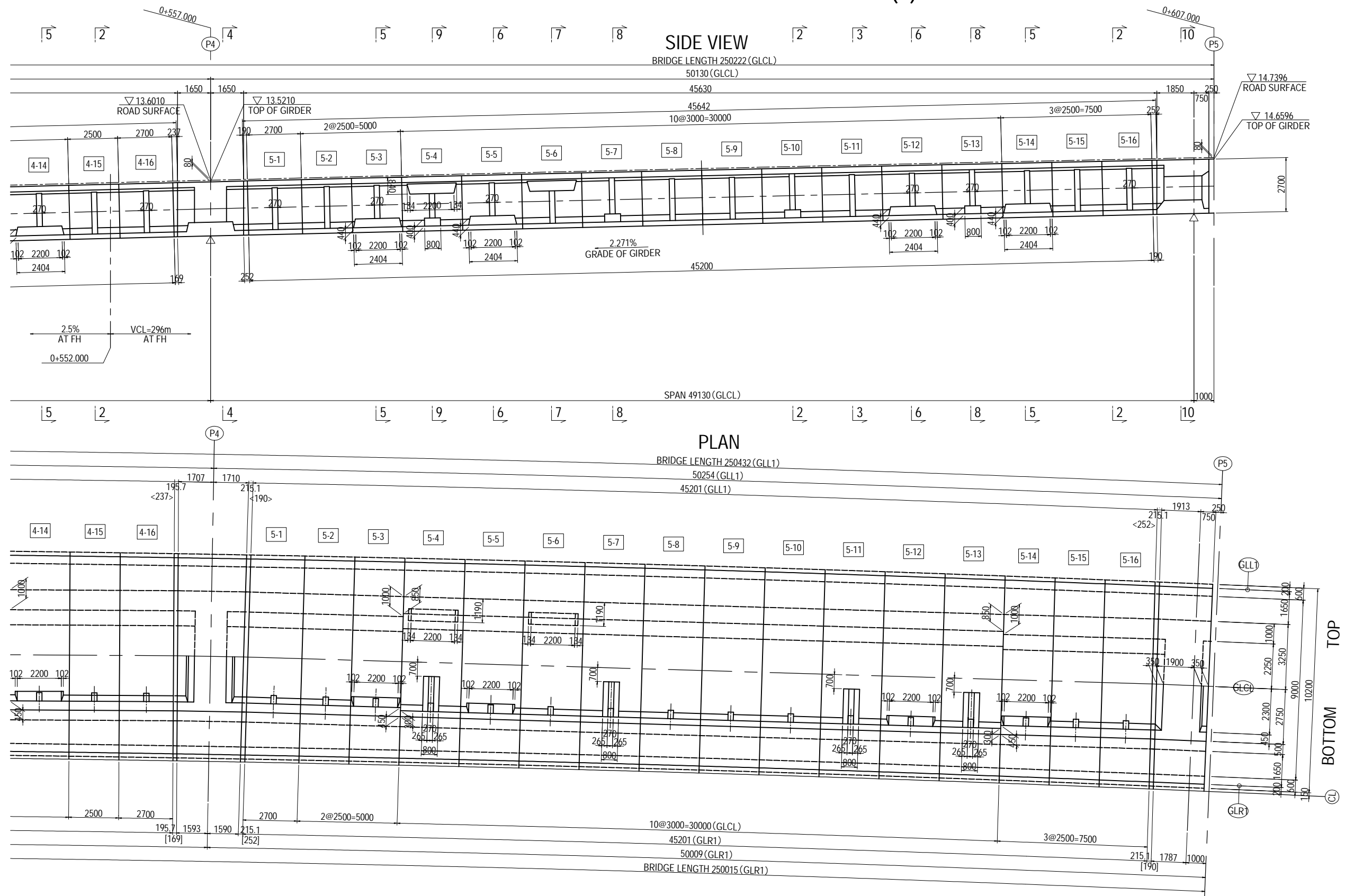


Notes
-Values in < > / [] are at the top/bottom of the girder accordingly.

PROJECT NAME DETAILED DESIGN ON BAGO RIVER BRIDGE CONSTRUCTION PROJECT	FINANCED BY JAPAN INTERNATIONAL COOPERATION AGENCY	COUNTERPART REPUBLIC OF THE UNION OF MYANMAR MINISTRY OF CONSTRUCTION DEPARTMENT OF BRIDGE	JICA STUDY TEAM NIPPON KOEI CO., LTD. ORIENTAL CONSULTANTS GLOBAL CO., LTD. METROPOLITAN EXPRESSWAY COMPANY LIMITED CHODAI CO., LTD. NIPPON ENGINEERING CONSULTANTS CO., LTD.	NAME	SIGNATURE	DATE	DRAWING TITLE GENERAL VIEW OF SUPERSTRUCTURE A1-P5 <L> (4)	PACKAGE 1 DWG No. P1-PB-1004	
				PREPARED BY	M. OHYAMA				15 Jun.2017
				CHECKED BY	T. HAYAKAWA				20 Jun.2017
				APPROVED BY	Y. SANO				21 Jun.2017

GENERAL VIEW OF SUPERSTRUCTURE A1-P5 <L> (5)

S=1:200



Notes
 -Values in <>/[] are at the top/bottom of the girder accordingly.

PROJECT NAME
 DETAILED DESIGN ON
 BAGO RIVER BRIDGE
 CONSTRUCTION PROJECT

FINANCED BY
 JAPAN INTERNATIONAL
 COOPERATION AGENCY

COUNTERPART
 REPUBLIC OF THE UNION OF MYANMAR
 MINISTRY OF CONSTRUCTION
 DEPARTMENT OF BRIDGE

JICA STUDY TEAM
 NIPPON KOEI CO., LTD.
 ORIENTAL CONSULTANTS GLOBAL CO., LTD.
 METROPOLITAN EXPRESSWAY COMPANY LIMITED
 CHODAI CO. LTD.
 NIPPON ENGINEERING CONSULTANTS CO., LTD.

	NAME	SIGNATURE	DATE
PREPARED BY	M. OHYAMA		15 Jun.2017
CHECKED BY	T. HAYAKAWA		20 Jun.2017
APPROVED BY	Y. SANO		21 Jun.2017

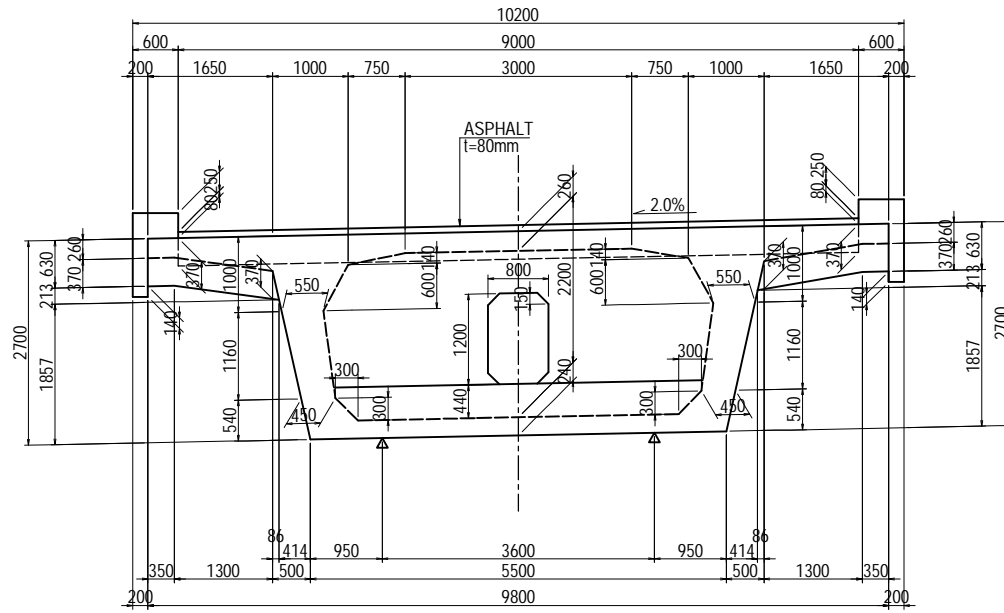
DRAWING TITLE
 GENERAL VIEW OF SUPERSTRUCTURE
 A1-P5 <L> (5)

PACKAGE
 1
 DWG No.
 P1-PB-1005

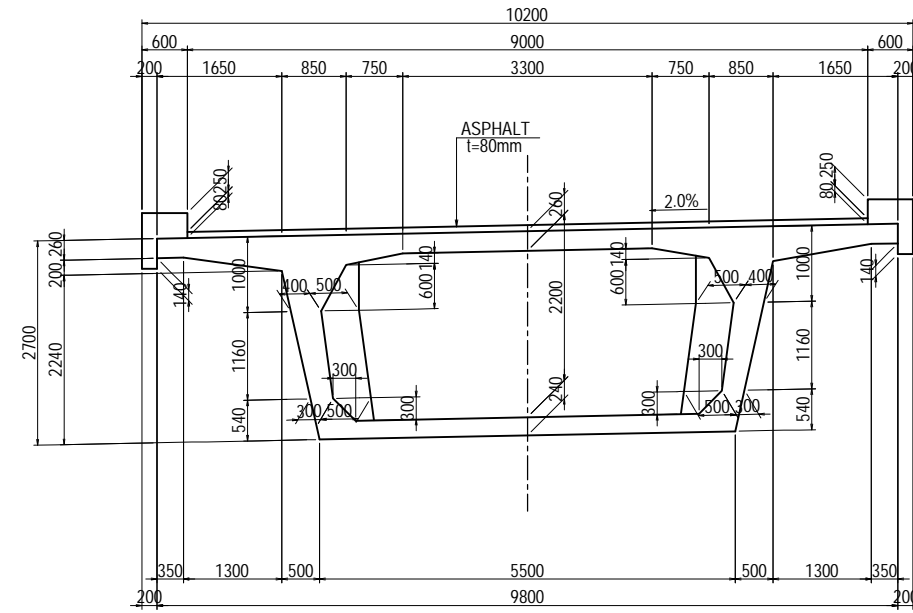
GENERAL VIEW OF SUPERSTRUCTURE A1-P5 <L> (6)

CROSS SECTIONS S=1:100

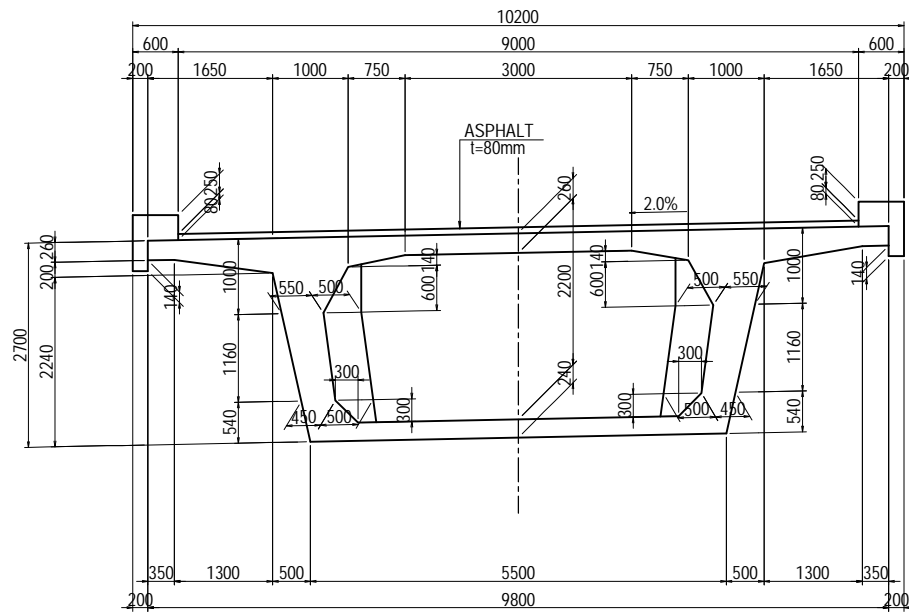
AT A1(1-1)



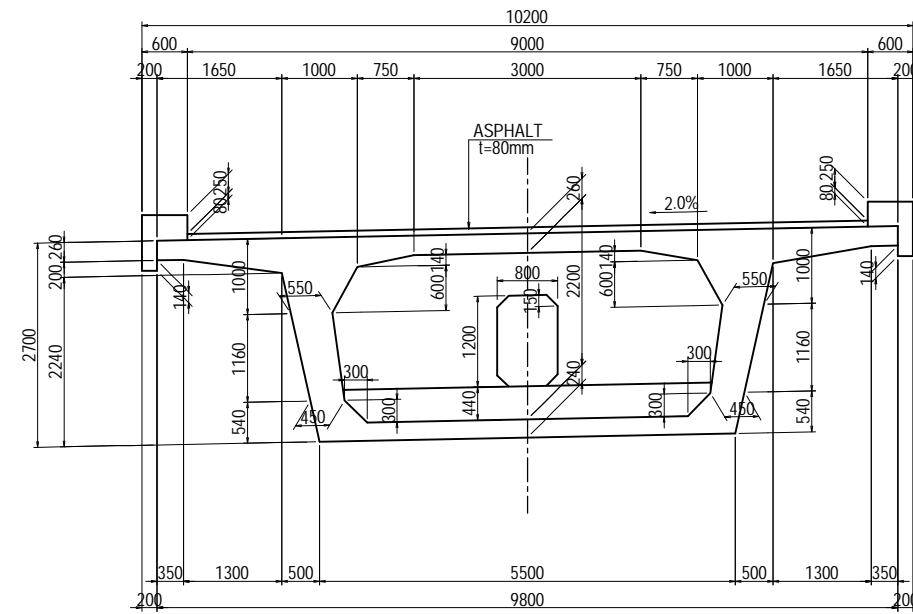
AT RIBS(3-3)



AT RIBS(2-2)

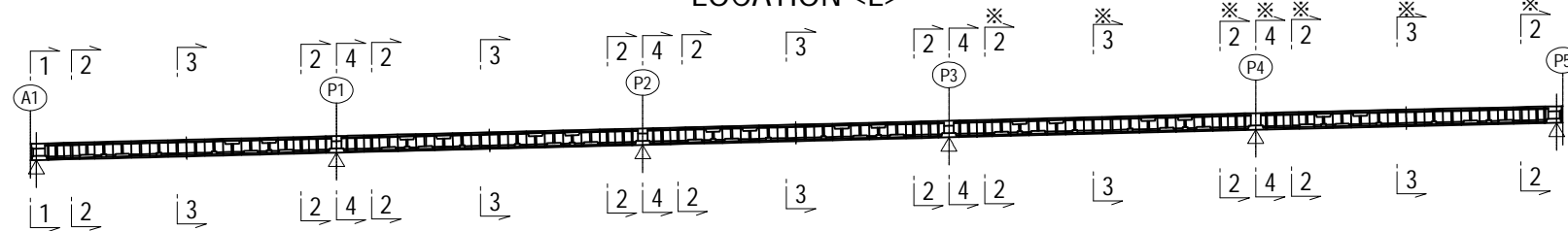


AT PIERS(4-4)

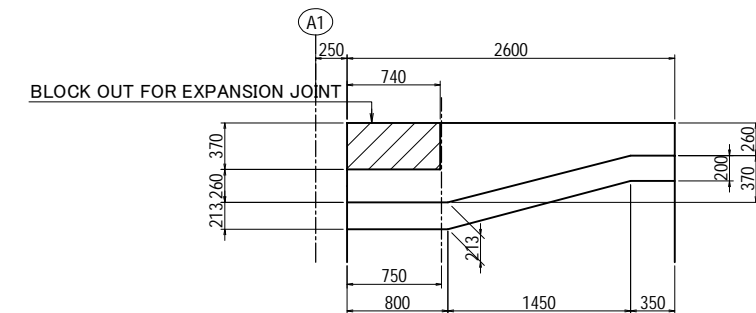


Notes
-Cantilever length of※mark sections are changed by curvature.

LOCATION <L>



DETAIL OF CATILEVER SLAB (1-1) S=1:30

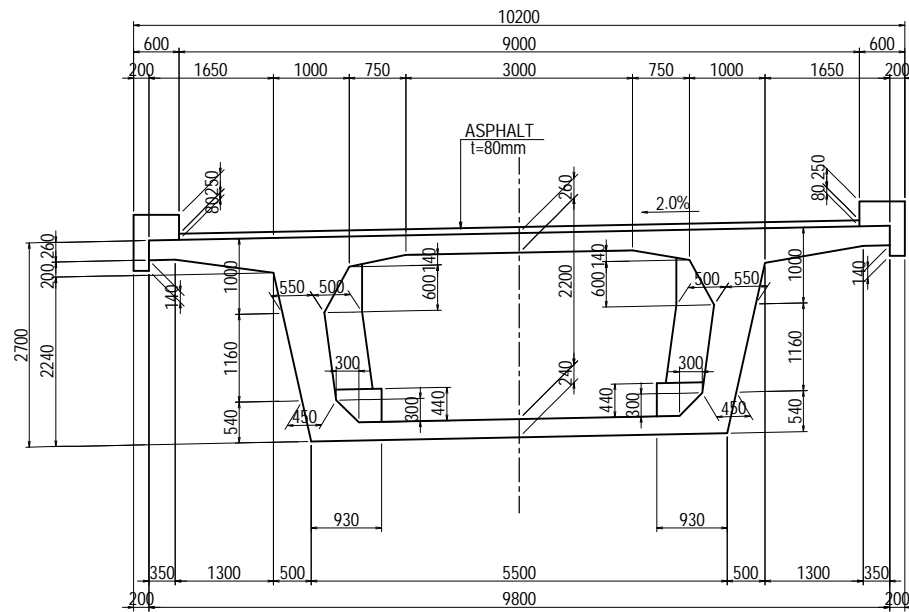


PROJECT NAME DETAILED DESIGN ON BAGO RIVER BRIDGE CONSTRUCTION PROJECT	FINANCED BY JAPAN INTERNATIONAL COOPERATION AGENCY	COUNTERPART REPUBLIC OF THE UNION OF MYANMAR MINISTRY OF CONSTRUCTION DEPARTMENT OF BRIDGE	JICA STUDY TEAM NIPPON KOEI CO., LTD. ORIENTAL CONSULTANTS GLOBAL CO., LTD. METROPOLITAN EXPRESSWAY COMPANY LIMITED CHODAI CO., LTD. NIPPON ENGINEERING CONSULTANTS CO., LTD.	NAME	SIGNATURE	DATE	DRAWING TITLE GENERAL VIEW OF SUPERSTRUCTURE A1-P5 <L> (6)	PACKAGE	
				PREPARED BY	M. OHYAMA			15 Jun.2017	1
				CHECKED BY	T. HAYAKAWA			20 Jun.2017	DWG No.
				APPROVED BY	Y. SANO			21 Jun.2017	P1-PB-1006

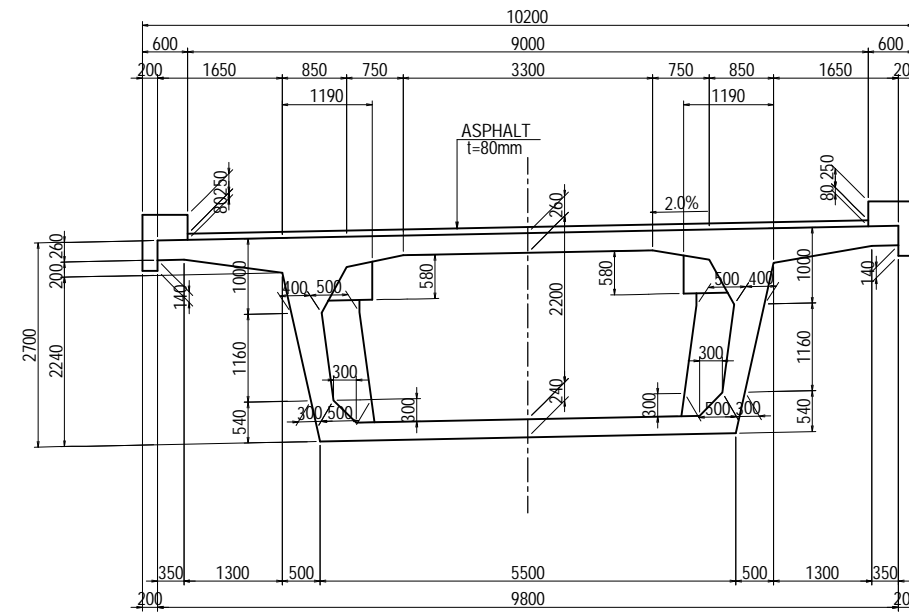
GENERAL VIEW OF SUPERSTRUCTURE A1-P5 <L> (7)

CROSS SECTIONS S=1:100

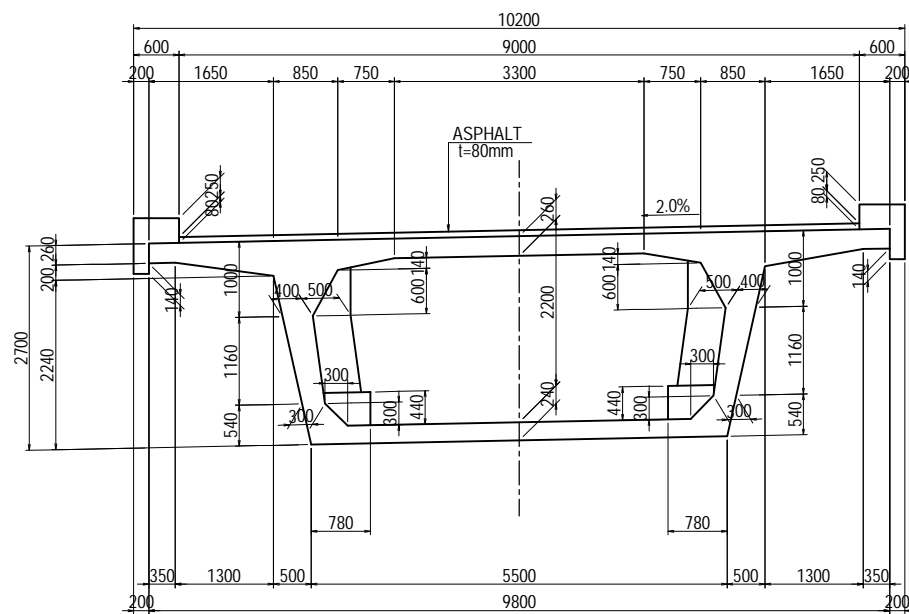
AT RIBS(5-5)



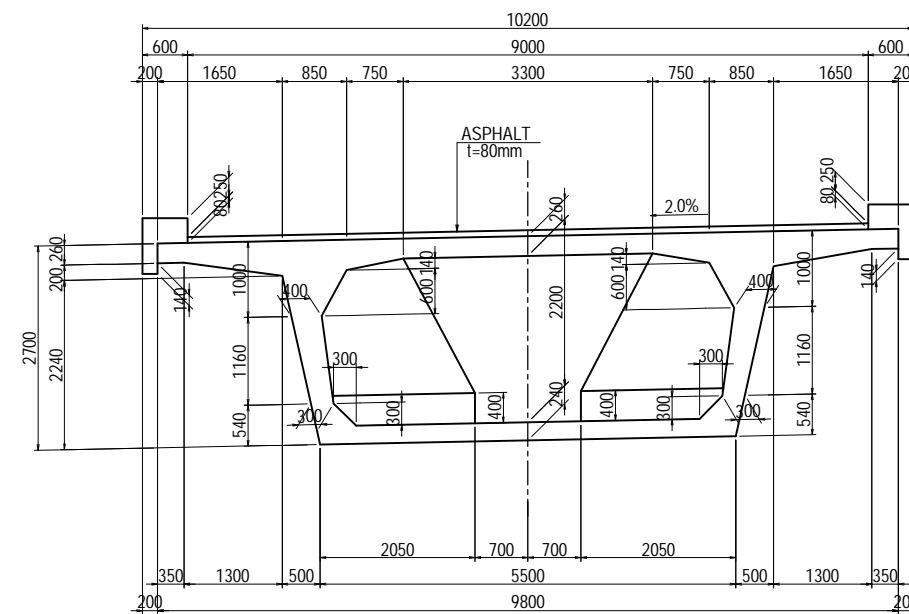
AT RIBS(7-7)



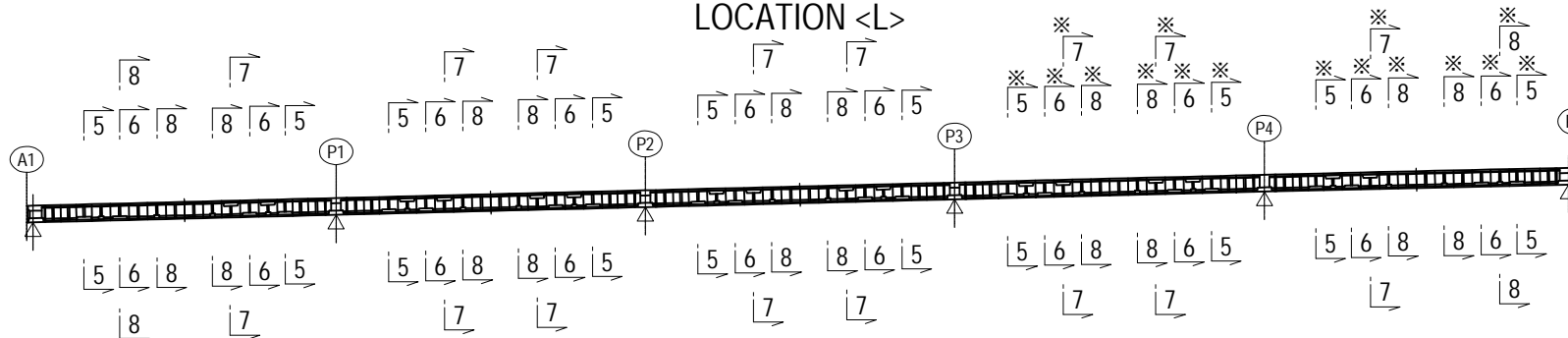
AT RIBS(6-6)



AT DEVIATOR(8-8)



LOCATION <L>

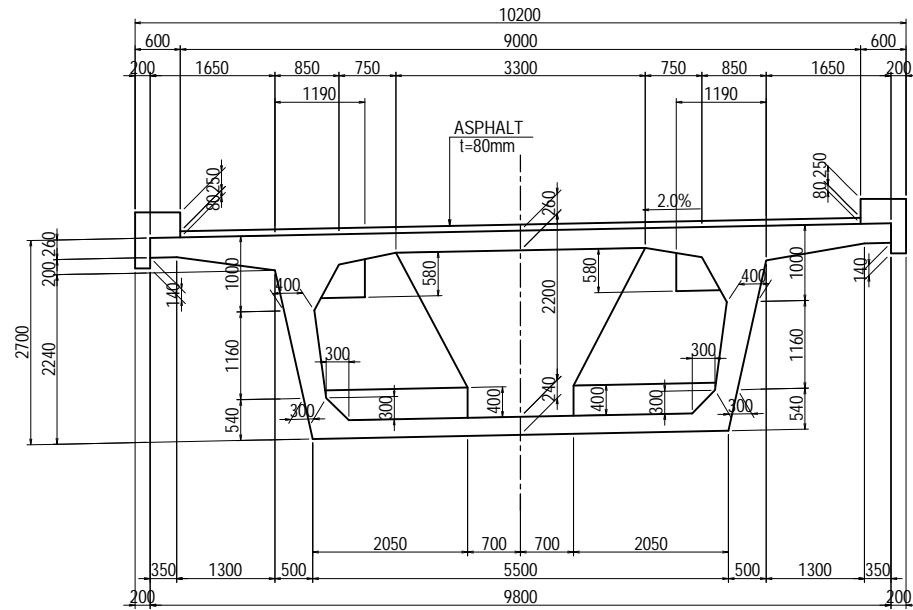


Notes
- Cantilever length of * mark sections are changed by curvature.

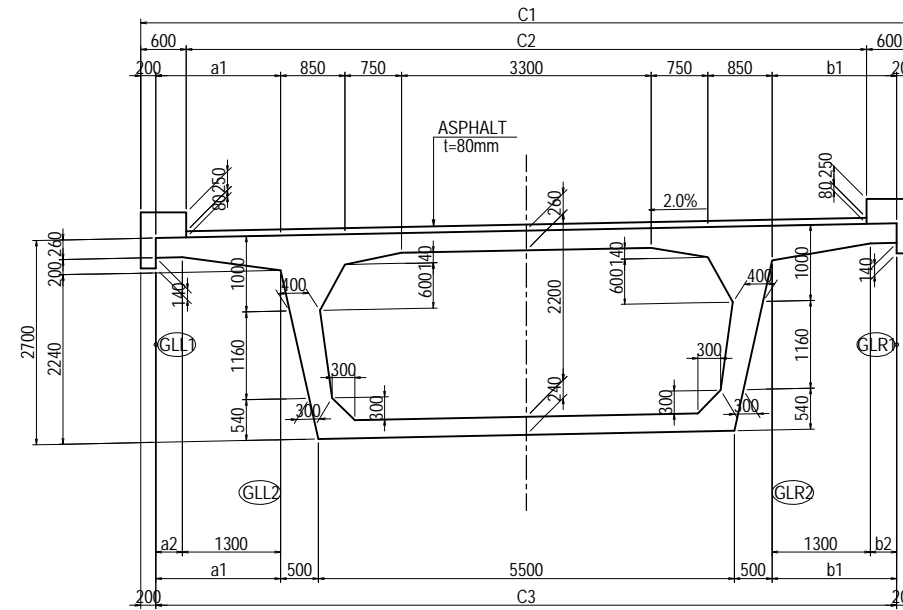
PROJECT NAME DETAILED DESIGN ON BAGO RIVER BRIDGE CONSTRUCTION PROJECT	FINANCED BY JAPAN INTERNATIONAL COOPERATION AGENCY	COUNTERPART REPUBLIC OF THE UNION OF MYANMAR MINISTRY OF CONSTRUCTION DEPARTMENT OF BRIDGE	JICA STUDY TEAM NIPPON KOEI CO., LTD. ORIENTAL CONSULTANTS GLOBAL CO., LTD. METROPOLITAN EXPRESSWAY COMPANY LIMITED CHODAI CO., LTD. NIPPON ENGINEERING CONSULTANTS CO., LTD.	NAME	SIGNATURE	DATE	DRAWING TITLE GENERAL VIEW OF SUPERSTRUCTURE A1-P5 <L> (7)	PACKAGE	
				PREPARED BY	M. OHYAMA			15 Jun.2017	1
				CHECKED BY	T. HAYAKAWA			20 Jun.2017	DWG No.
				APPROVED BY	Y. SANO			21 Jun.2017	P1-PB-1007

GENERAL VIEW OF SUPERSTRUCTURE A1-P5 <L> (8)

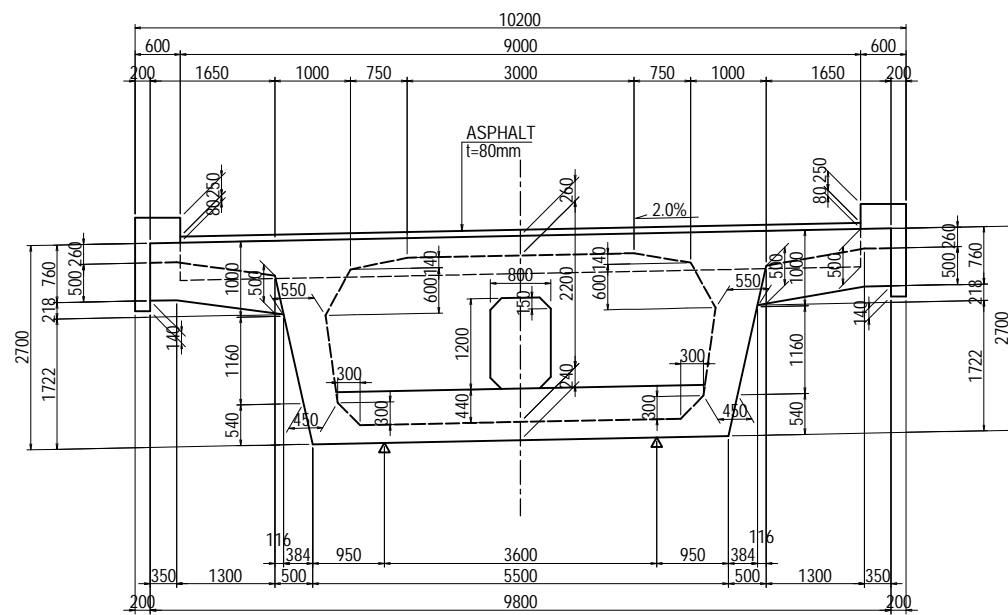
CROSS SECTIONS S=1:100
AT DEVIATOR(9-9)



CROSS SECTIONS S=1:100
STANDARD SECTION



AT P5(10-10)



MEMBER DIMENSIONS

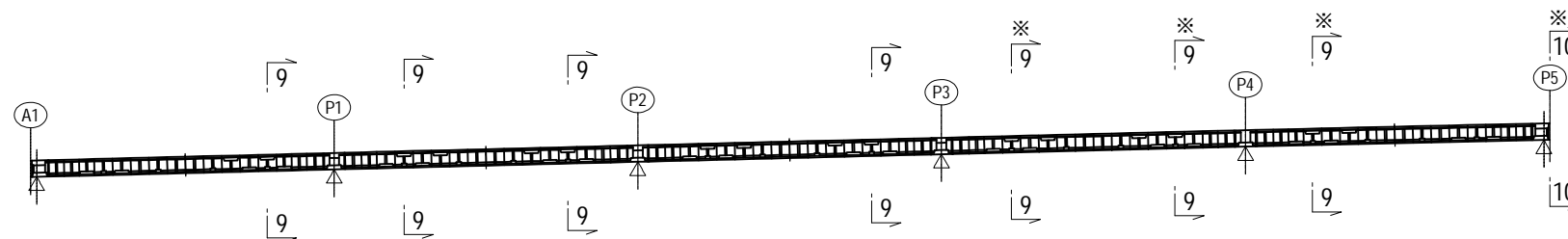
(UNIT: mm)

	A1	~	P3	L0301	L0302	L0303	L0304	L0305	L0306	BCC	L0307	L0308	L0309	L0310	L0311	L0312	L0313	L0314	L0315	L0316	L0317	L0318	L0319	
a1	1650	←→	1650	1650	1651	1667	1682	1700	1718	1729	1736	1750	1759	1764	1765	1761	1752	1739	1722	1700	1678	1652	1649	
a2	350	←→	350	350	351	367	382	400	418	429	436	450	459	464	465	461	452	439	422	400	378	352	349	
b1	1650	←→	1650	1650	1649	1633	1618	1600	1582	1571	1564	1550	1541	1536	1535	1539	1548	1561	1578	1600	1622	1649	1651	
b2	350	←→	350	350	349	333	318	300	282	271	264	250	241	236	235	239	248	261	278	300	322	349	351	
C1	10200	←→	10200	←																	10200	10201	10201	
C2	9000	←→	9000	←																		9000	9001	9001
C3	9800	←→	9800	←																		9800	9801	9801

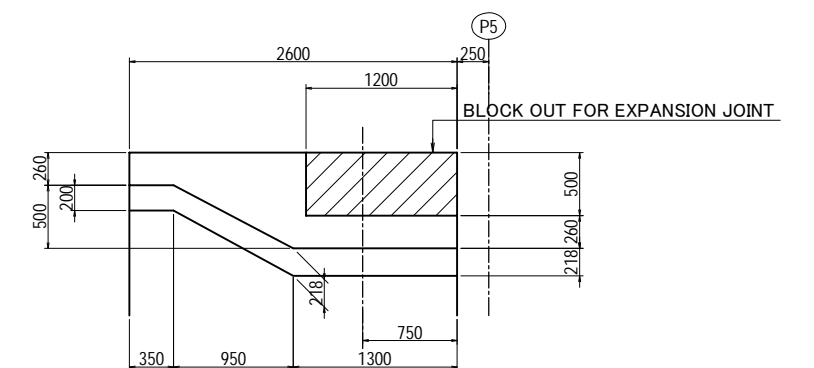
	P4	L0401	L0402	L0403	L0404	L0405	L0406	L0407	L0408	L0409	L0410	L0411	L0412	L0413	L0414	L0415	L0416	L0417	L0418	L0419	P5S1	P5
a1	1650	1649	1651	1680	1703	1723	1743	1759	1770	1776	1778	1776	1769	1758	1742	1722	1702	1678	1650	1648	1650	1650
a2	350	349	351	380	403	423	443	459	470	476	478	476	469	458	442	422	402	378	350	348	350	350
b1	1650	1651	1650	1621	1598	1577	1557	1541	1530	1524	1522	1524	1531	1542	1558	1578	1599	1622	1651	1652	1650	1650
b2	350	351	350	321	298	277	257	241	230	224	222	224	231	242	258	278	299	322	351	352	350	350
C1	10200	10201	10201	10201	10200	←											10200	10201	10201	10201	10200	10200
C2	9000	9001	9001	9001	9000	←											9000	9001	9001	9001	9000	9000
C3	9800	9801	9801	9801	9800	←											9800	9801	9801	9801	9800	9800

Notes
-Cantilever length of ※mark sections are changed by curvature.

LOCATION <L>



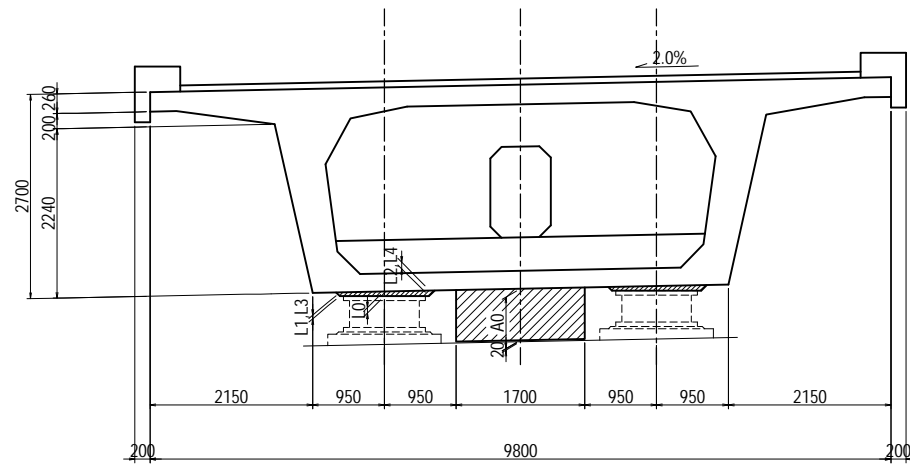
DETAIL OF CATILEVER SLAB (10-10) S=1:30



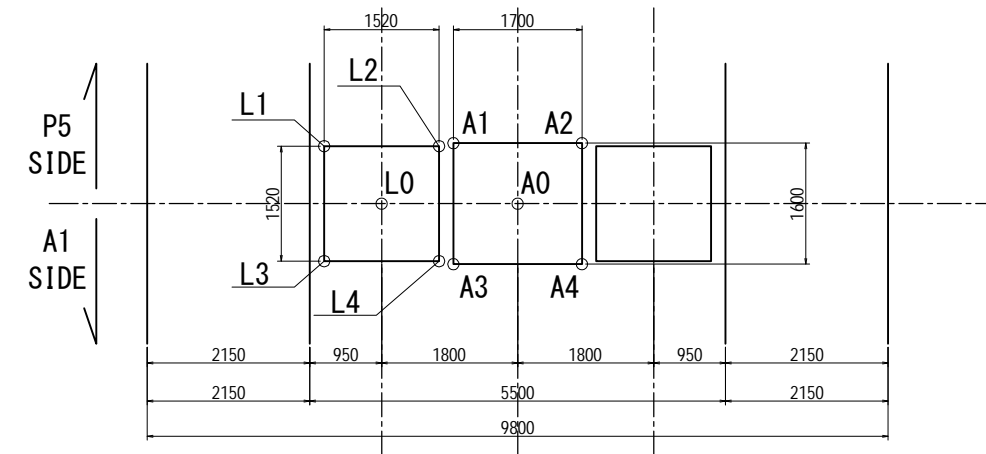
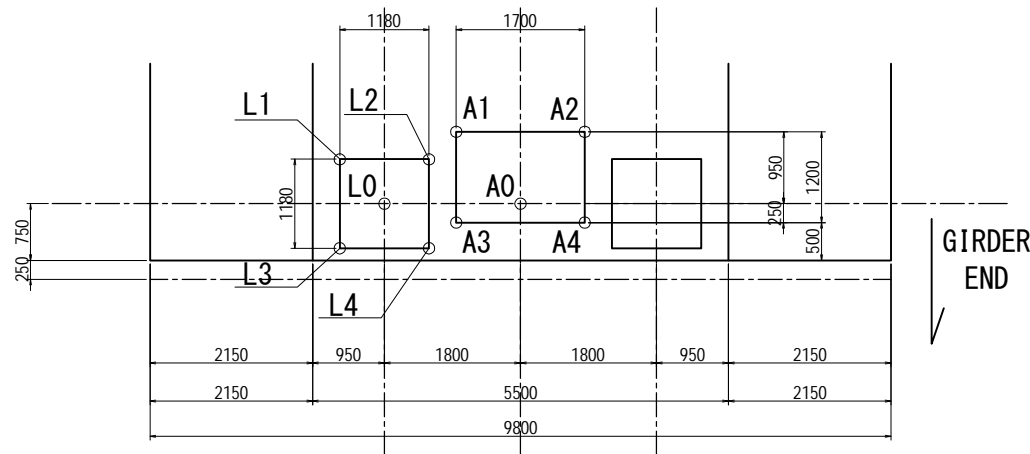
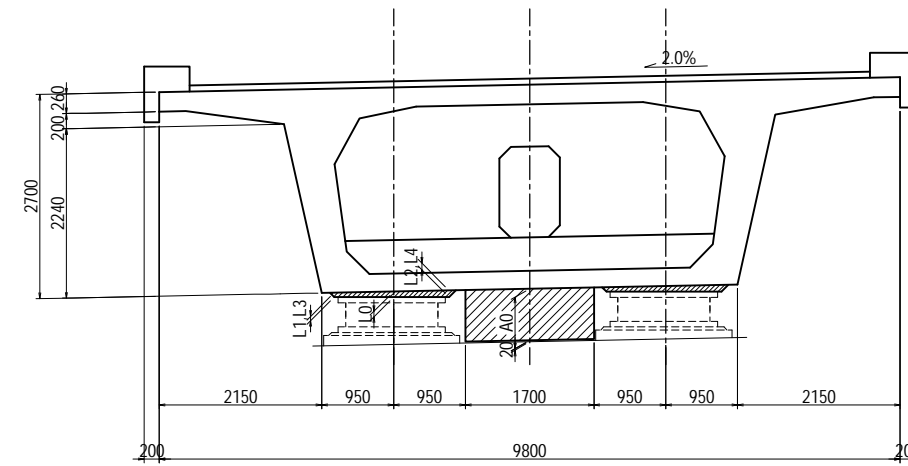
GENERAL VIEW OF SUPERSTRUCTURE A1-P5 <L> (9)

CROSS SECTIONS S=1:100

AT END SUPPORT



AT INTERMEDIATE SUPPORT



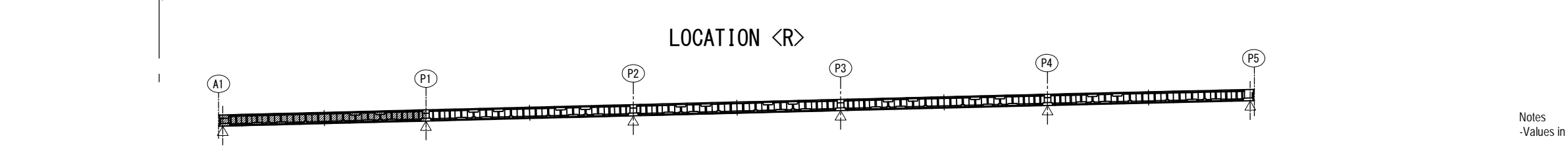
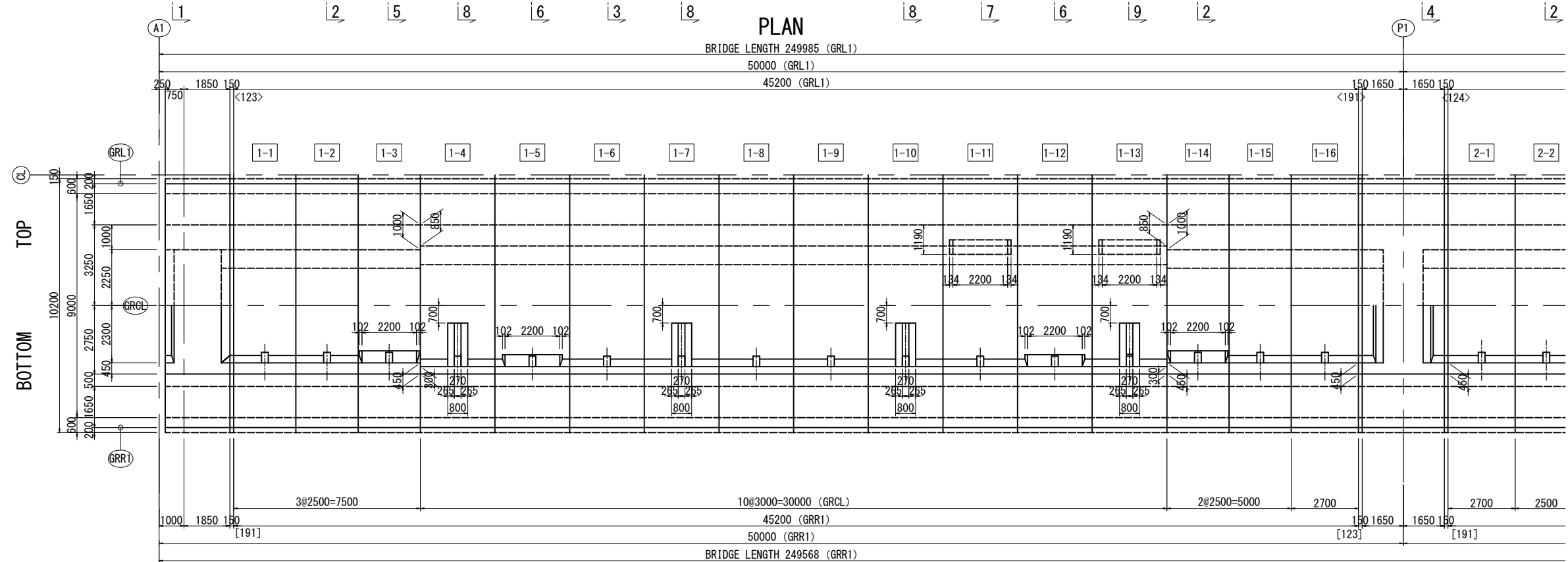
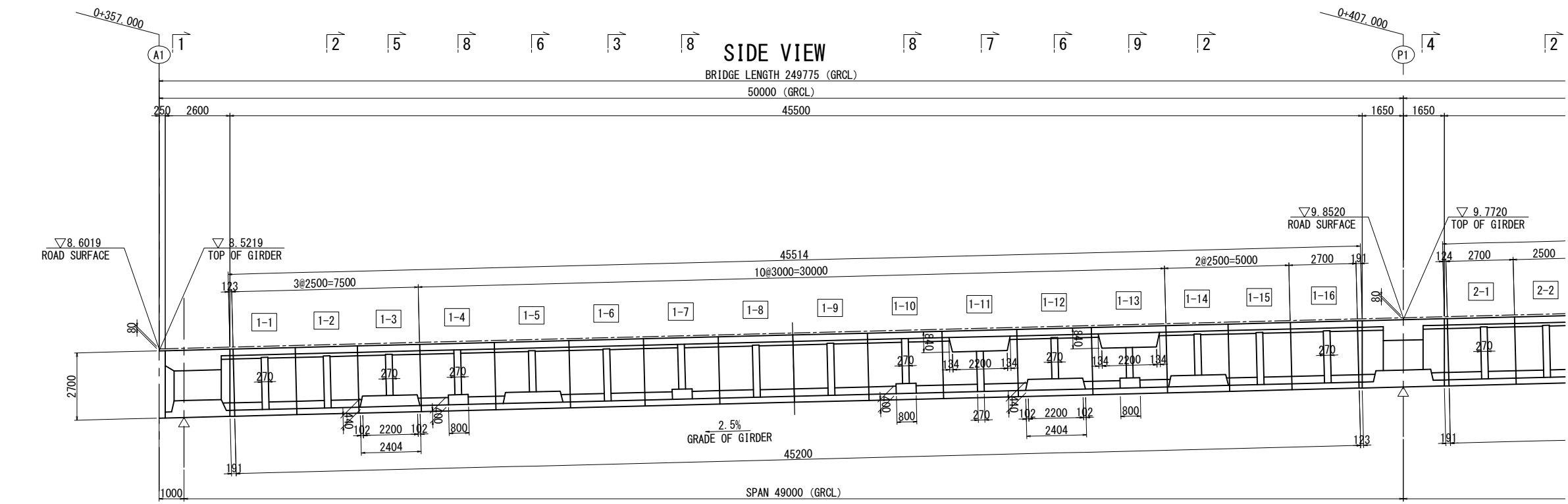
HEIGHT (mm)

	L0	L1	L2	L3	L4	A0	A1	A2	A3	A4
A1 (L)	60	63	87	33	57	705	729	729	699	699
P5 (L)	60	35	58	62	85	795	773	773	801	801

HEIGHT (mm)

	L0	L1	L2	L3	L4	A0	A1	A2	A3	A4
P1 (L)	70	74	104	36	66	733	753	753	713	713
P2 (L)	70	74	104	36	66	698	718	718	678	678
P3 (L)	70	74	104	36	66	698	718	718	678	678
P4 (L)	70	72	102	36	66	733	751	751	713	713

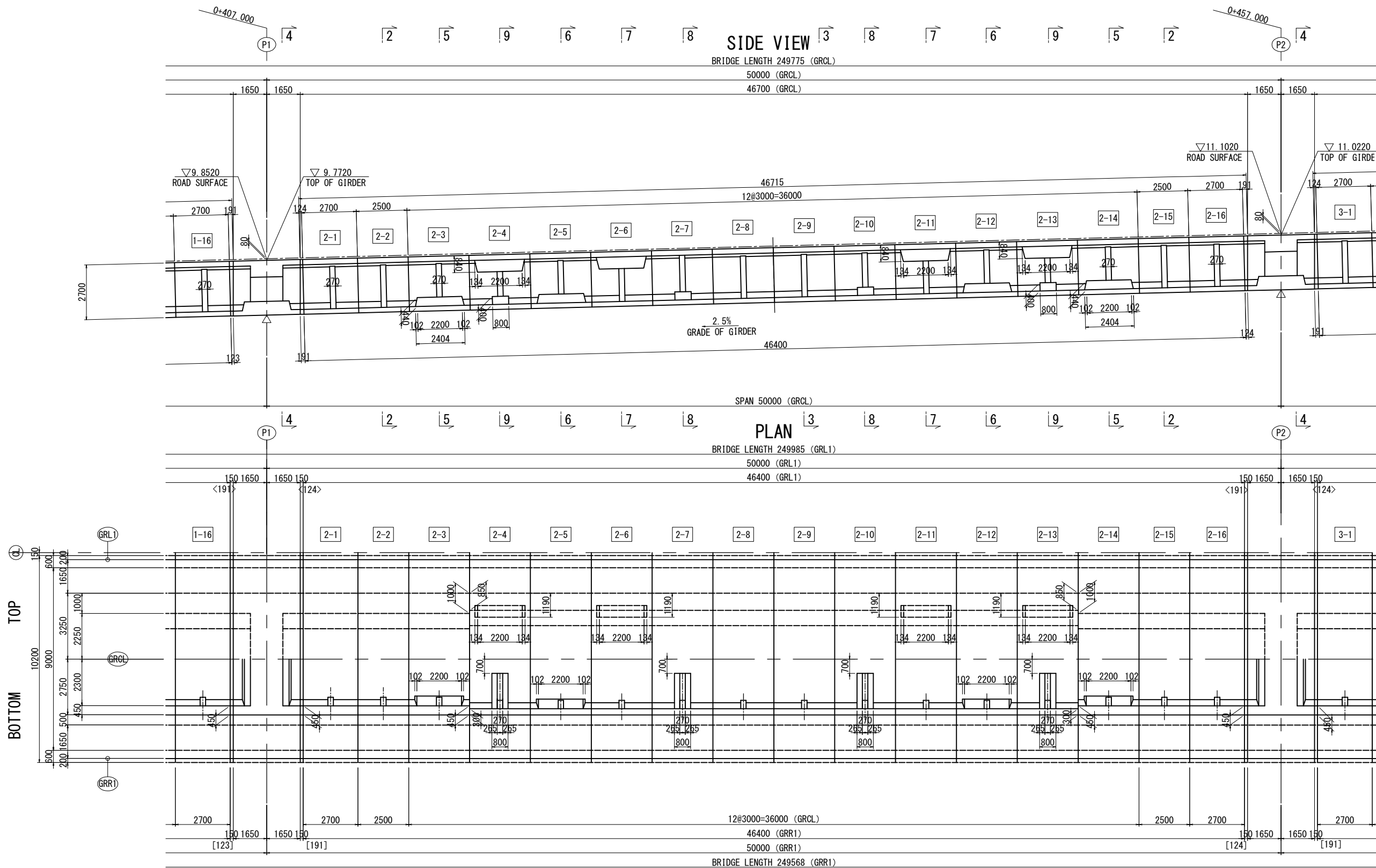
GENERAL VIEW OF SUPERSTRUCTURE A1-P5 <R> (1) S=1:200



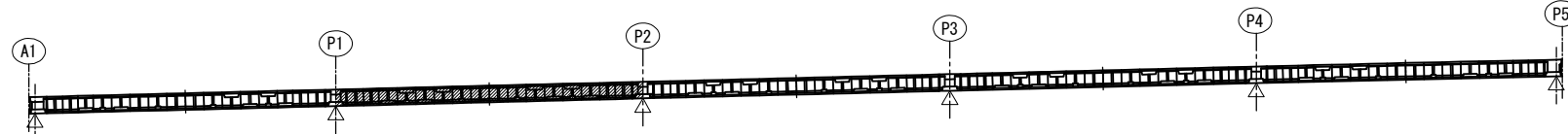
Notes
-Values in < > / [] are at the top/bottom of the girder accordingly.

PROJECT NAME DETAILED DESIGN ON BAGO RIVER BRIDGE CONSTRUCTION PROJECT	FINANCED BY JAPAN INTERNATIONAL COOPERATION AGENCY	COUNTERPART REPUBLIC OF THE UNION OF MYANMAR MINISTRY OF CONSTRUCTION DEPARTMENT OF BRIDGE	JICA STUDY TEAM NIPPON KOEI CO., LTD. ORIENTAL CONSULTANTS GLOBAL CO., LTD. METROPOLITAN EXPRESSWAY COMPANY LIMITED CHODAI CO., LTD. NIPPON ENGINEERING CONSULTANTS CO., LTD.	NAME PREPARED BY CHECKED BY APPROVED BY	M. OHYAMA T. HAYAKAWA Y. SANO	SIGNATURE 	DATE 15 Jun.2017 20 Jun.2017 21 Jun.2017	DRAWING TITLE GENERAL VIEW OF SUPERSTRUCTURE A1-P5 <R> (1)	PACKAGE 1 DWG No. P1-PB-1051
---	--	---	--	--	-------------------------------------	-----------------------	---	--	---------------------------------------

GENERAL VIEW OF SUPERSTRUCTURE A1-P5 <R> (2) S=1:200



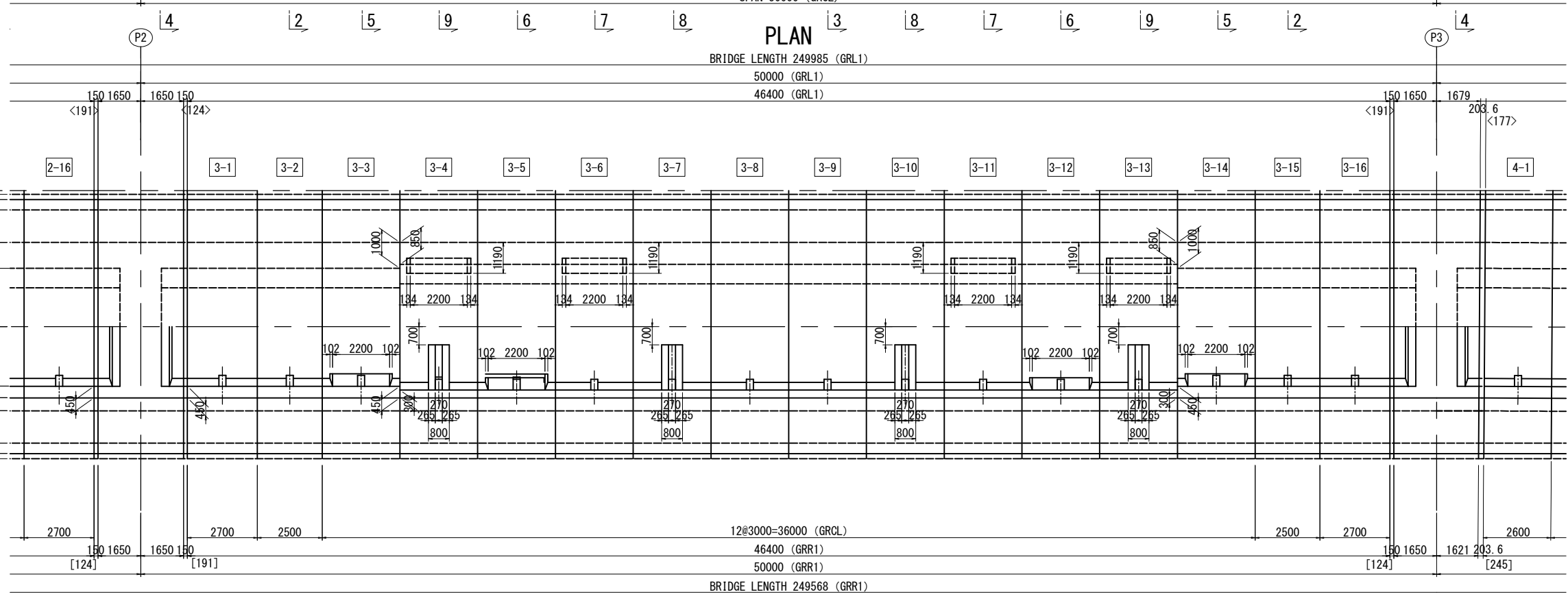
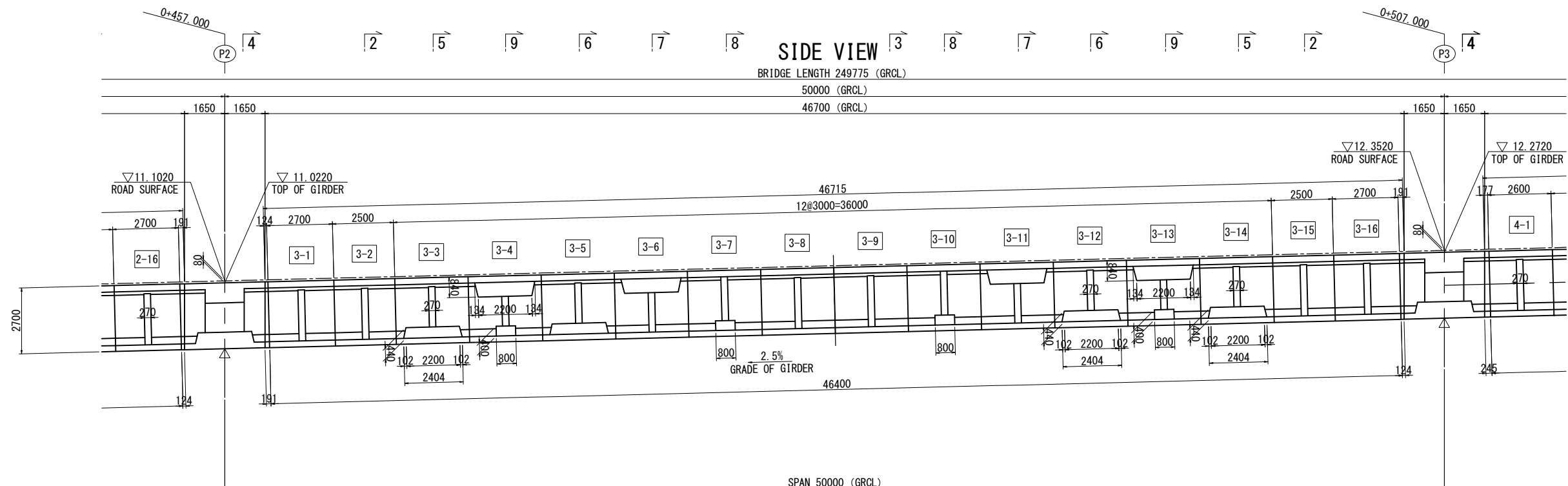
LOCATION <R>



Notes
-Values in <>/[] are at the top/bottom of the girder accordingly.

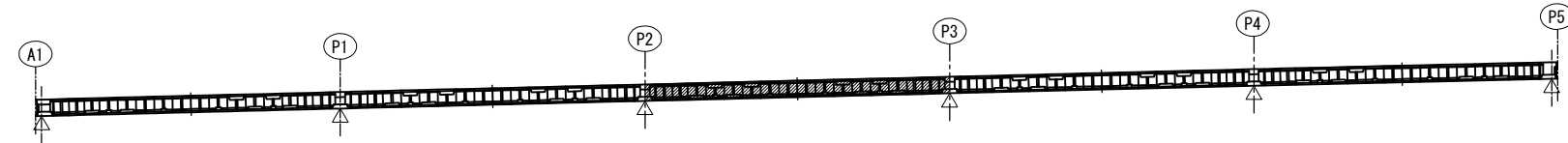
PROJECT NAME DETAILED DESIGN ON BAGO RIVER BRIDGE CONSTRUCTION PROJECT	FINANCED BY JAPAN INTERNATIONAL COOPERATION AGENCY	COUNTERPART REPUBLIC OF THE UNION OF MYANMAR MINISTRY OF CONSTRUCTION DEPARTMENT OF BRIDGE	JICA STUDY TEAM NIPPON KOEI CO., LTD. ORIENTAL CONSULTANTS GLOBAL CO., LTD. METROPOLITAN EXPRESSWAY COMPANY LIMITED CHODAI CO., LTD. NIPPON ENGINEERING CONSULTANTS CO., LTD.	<table border="1" style="width: 100%; border-collapse: collapse;"> <thead> <tr> <th>NAME</th> <th>SIGNATURE</th> <th>DATE</th> </tr> </thead> <tbody> <tr> <td>PREPARED BY</td> <td>M. OHYAMA</td> <td>15 Jun.2017</td> </tr> <tr> <td>CHECKED BY</td> <td>T. HAYAKAWA</td> <td>20 Jun.2017</td> </tr> <tr> <td>APPROVED BY</td> <td>Y. SANO</td> <td>21 Jun.2017</td> </tr> </tbody> </table>	NAME	SIGNATURE	DATE	PREPARED BY	M. OHYAMA	15 Jun.2017	CHECKED BY	T. HAYAKAWA	20 Jun.2017	APPROVED BY	Y. SANO	21 Jun.2017	DRAWING TITLE GENERAL VIEW OF SUPERSTRUCTURE A1-P5 <R> (2)	PACKAGE 1 DWG No. P1-PB-1052
NAME	SIGNATURE	DATE																
PREPARED BY	M. OHYAMA	15 Jun.2017																
CHECKED BY	T. HAYAKAWA	20 Jun.2017																
APPROVED BY	Y. SANO	21 Jun.2017																

GENERAL VIEW OF SUPERSTRUCTURE A1-P5 <R> (3) S=1:200



TOP
BOTTOM

LOCATION <R>

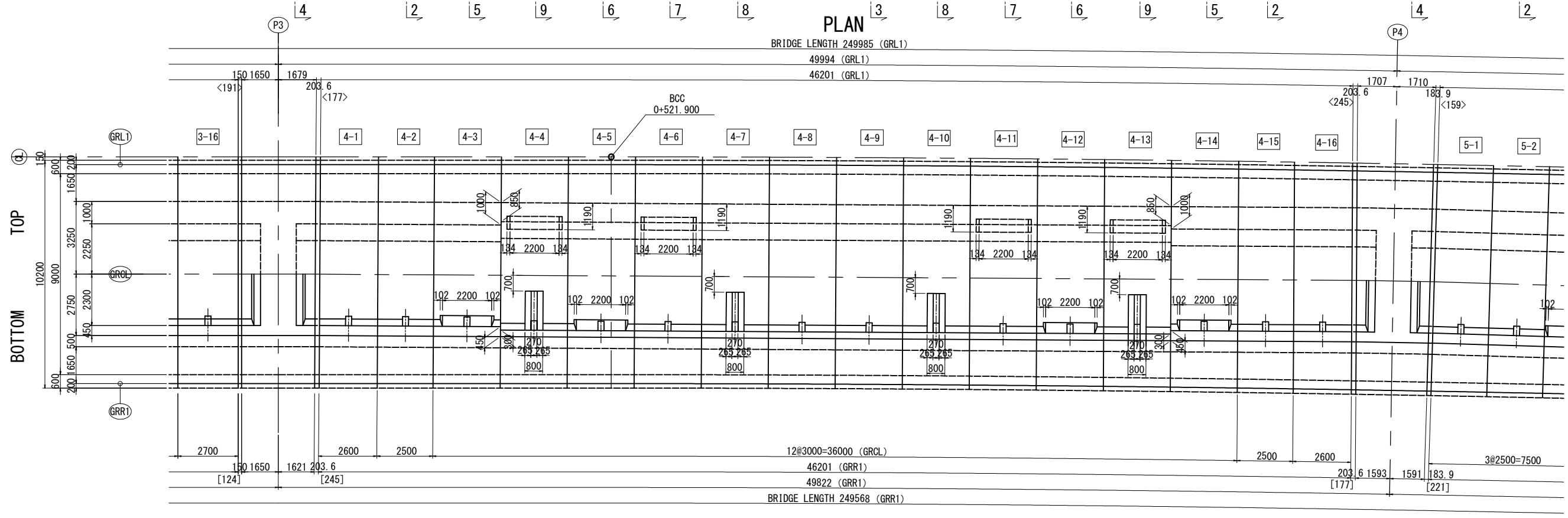
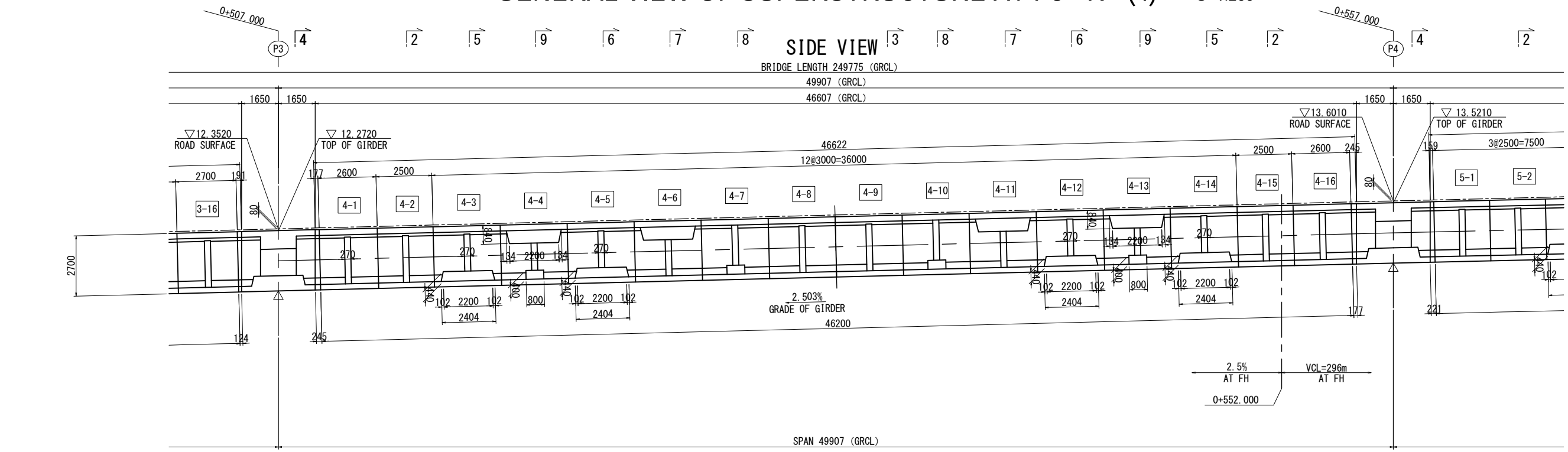


Notes
-Values in <>/[] are at the top/bottom of the girder accordingly.

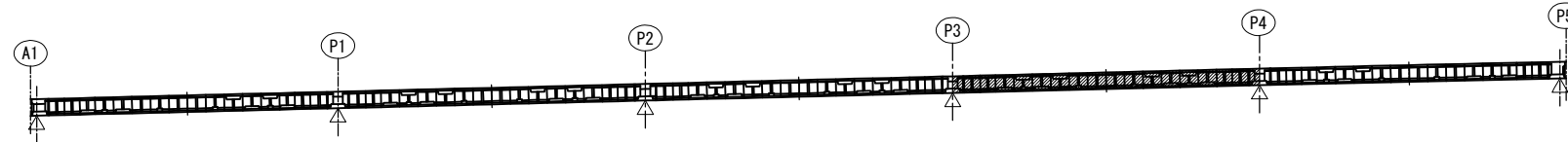
PROJECT NAME DETAILED DESIGN ON BAGO RIVER BRIDGE CONSTRUCTION PROJECT	FINANCED BY JAPAN INTERNATIONAL COOPERATION AGENCY	COUNTERPART REPUBLIC OF THE UNION OF MYANMAR MINISTRY OF CONSTRUCTION DEPARTMENT OF BRIDGE	JICA STUDY TEAM NIPPON KOEI CO., LTD. ORIENTAL CONSULTANTS GLOBAL CO., LTD. METROPOLITAN EXPRESSWAY COMPANY LIMITED CHODAI CO., LTD. NIPPON ENGINEERING CONSULTANTS CO., LTD.	<table border="1" style="width: 100%; border-collapse: collapse;"> <thead> <tr> <th style="width: 15%;">NAME</th> <th style="width: 15%;">SIGNATURE</th> <th style="width: 15%;">DATE</th> </tr> </thead> <tbody> <tr> <td>PREPARED BY M. OHYAMA</td> <td></td> <td>15 Jun.2017</td> </tr> <tr> <td>CHECKED BY T. HAYAKAWA</td> <td></td> <td>20 Jun.2017</td> </tr> <tr> <td>APPROVED BY Y. SANO</td> <td></td> <td>21 Jun.2017</td> </tr> </tbody> </table>	NAME	SIGNATURE	DATE	PREPARED BY M. OHYAMA		15 Jun.2017	CHECKED BY T. HAYAKAWA		20 Jun.2017	APPROVED BY Y. SANO		21 Jun.2017	DRAWING TITLE GENERAL VIEW OF SUPERSTRUCTURE A1-P5 <R> (3)	PACKAGE 1 DWG No. P1-PB-1053
NAME	SIGNATURE	DATE																
PREPARED BY M. OHYAMA		15 Jun.2017																
CHECKED BY T. HAYAKAWA		20 Jun.2017																
APPROVED BY Y. SANO		21 Jun.2017																

GENERAL VIEW OF SUPERSTRUCTURE A1-P5 <R> (4)

S=1:200



LOCATION <R>



Notes
 -Values in < > / [] are at the top/bottom of the girder accordingly.

PROJECT NAME
 DETAILED DESIGN ON
 BAGO RIVER BRIDGE
 CONSTRUCTION PROJECT

FINANCED BY
 JAPAN INTERNATIONAL
 COOPERATION AGENCY

COUNTERPART
 REPUBLIC OF THE UNION OF MYANMAR
 MINISTRY OF CONSTRUCTION
 DEPARTMENT OF BRIDGE

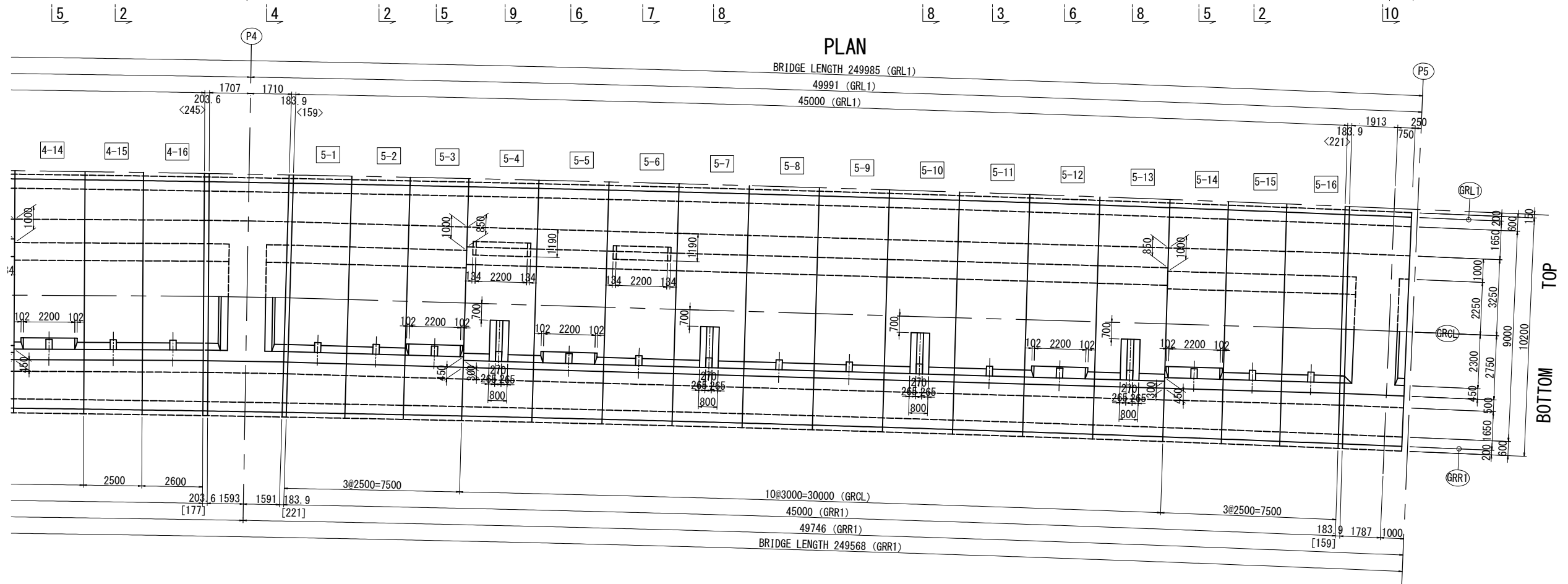
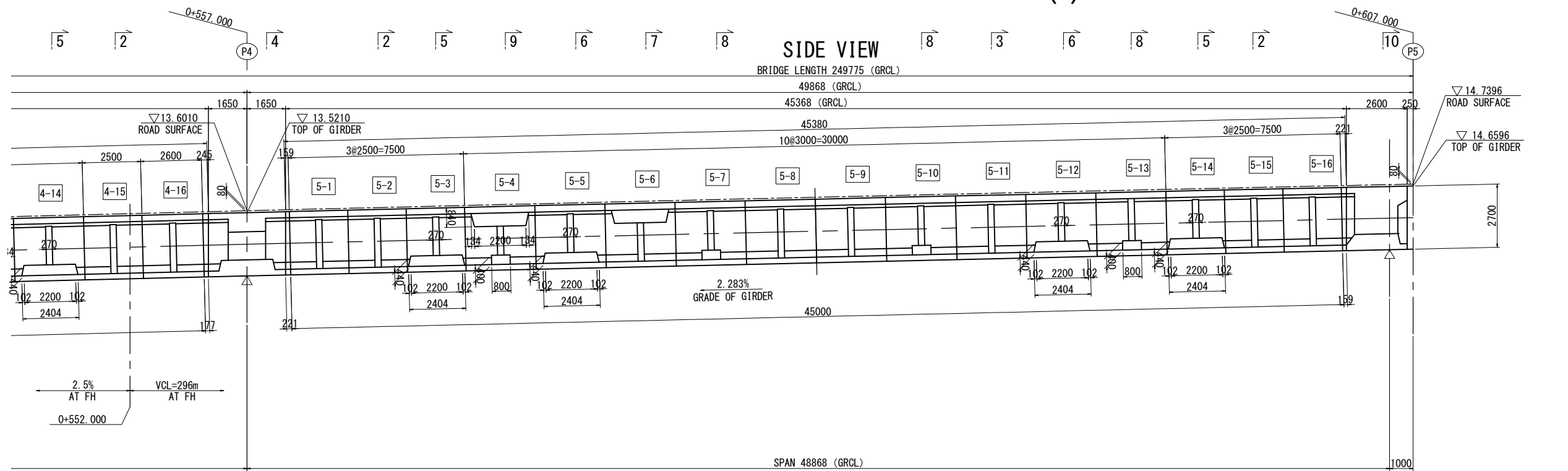
JICA STUDY TEAM
 NIPPON KOEI CO., LTD.
 ORIENTAL CONSULTANTS GLOBAL CO., LTD.
 METROPOLITAN EXPRESSWAY COMPANY LIMITED
 CHODAI CO. LTD.
 NIPPON ENGINEERING CONSULTANTS CO., LTD.

	NAME	SIGNATURE	DATE
PREPARED BY	M. OHYAMA		15 Jun.2017
CHECKED BY	T. HAYAKAWA		20 Jun.2017
APPROVED BY	Y. SANO		21 Jun.2017

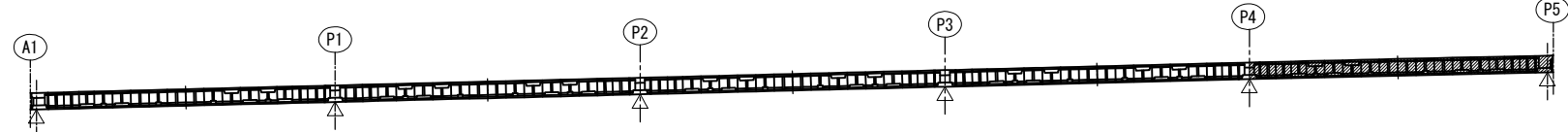
DRAWING TITLE
 GENERAL VIEW OF SUPERSTRUCTURE
 A1-P5 <R> (4)

PACKAGE
 1
 DWG No.
 P1-PB-1054

GENERAL VIEW OF SUPERSTRUCTURE A1-P5 <R> (5) S=1:200



LOCATION <R>



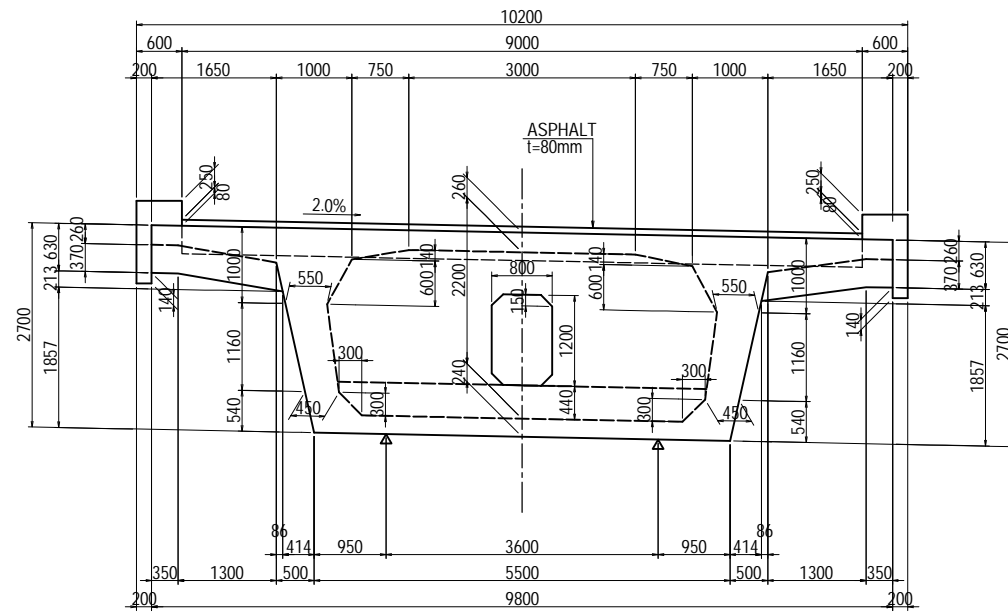
Notes
 -Values in < > / [] are at the top/bottom of the girder accordingly.

PROJECT NAME DETAILED DESIGN ON BAGO RIVER BRIDGE CONSTRUCTION PROJECT	FINANCED BY JAPAN INTERNATIONAL COOPERATION AGENCY	COUNTERPART REPUBLIC OF THE UNION OF MYANMAR MINISTRY OF CONSTRUCTION DEPARTMENT OF BRIDGE	JICA STUDY TEAM NIPPON KOEI CO., LTD. ORIENTAL CONSULTANTS GLOBAL CO., LTD. METROPOLITAN EXPRESSWAY COMPANY LIMITED CHODAI CO., LTD. NIPPON ENGINEERING CONSULTANTS CO., LTD.	<table border="1" style="width: 100%; border-collapse: collapse;"> <thead> <tr> <th style="width: 15%;">NAME</th> <th style="width: 15%;">SIGNATURE</th> <th style="width: 15%;">DATE</th> </tr> </thead> <tbody> <tr> <td>PREPARED BY M. OHYAMA</td> <td></td> <td>15 Jun.2017</td> </tr> <tr> <td>CHECKED BY T. HAYAKAWA</td> <td></td> <td>20 Jun.2017</td> </tr> <tr> <td>APPROVED BY Y. SANO</td> <td></td> <td>21 Jun.2017</td> </tr> </tbody> </table>	NAME	SIGNATURE	DATE	PREPARED BY M. OHYAMA		15 Jun.2017	CHECKED BY T. HAYAKAWA		20 Jun.2017	APPROVED BY Y. SANO		21 Jun.2017	DRAWING TITLE GENERAL VIEW OF SUPERSTRUCTURE A1-P5 <R> (5)	PACKAGE 1 DWG No. P1-PB-1055
NAME	SIGNATURE	DATE																
PREPARED BY M. OHYAMA		15 Jun.2017																
CHECKED BY T. HAYAKAWA		20 Jun.2017																
APPROVED BY Y. SANO		21 Jun.2017																

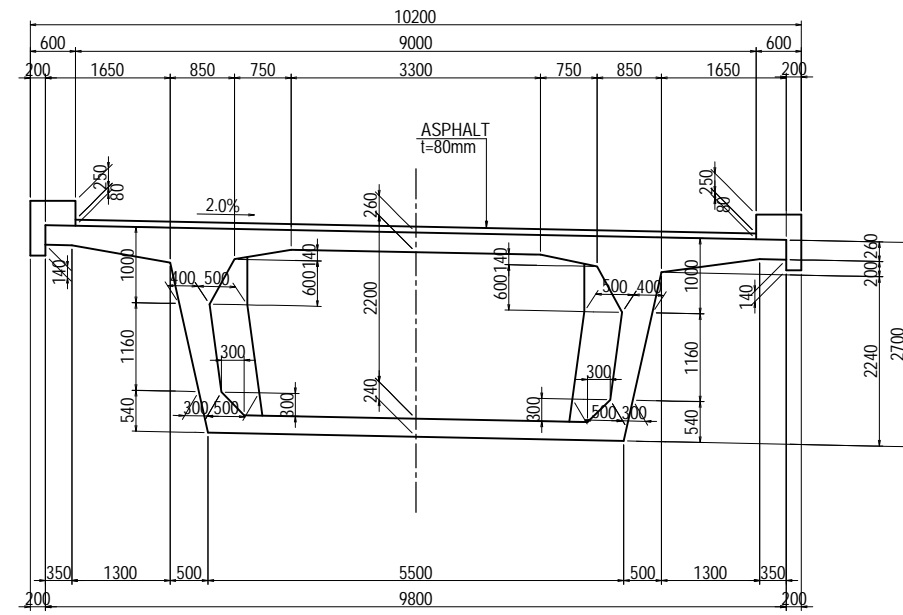
GENERAL VIEW OF SUPERSTRUCTURE A1-P5 <R> (6)

CROSS SECTIONS S=1:100

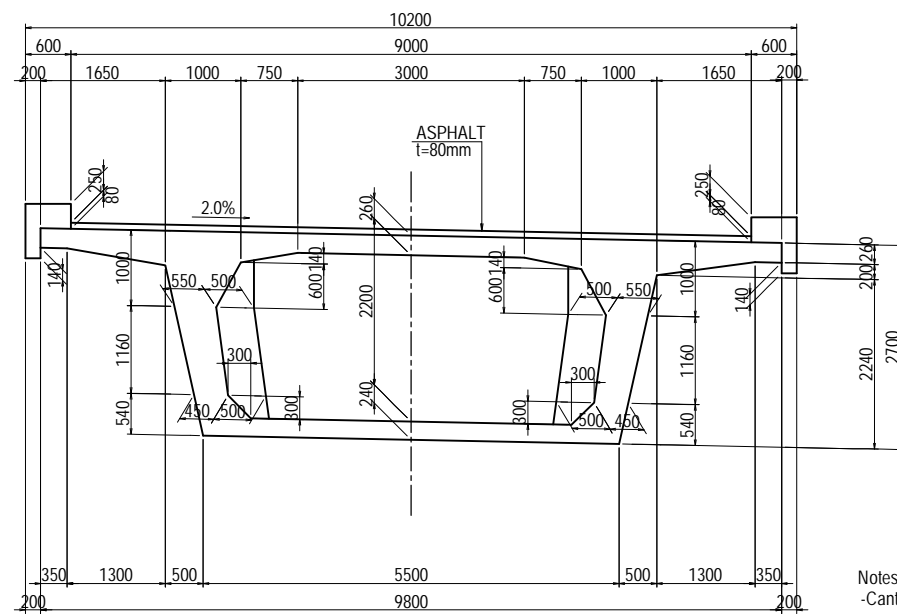
AT A1(1-1)



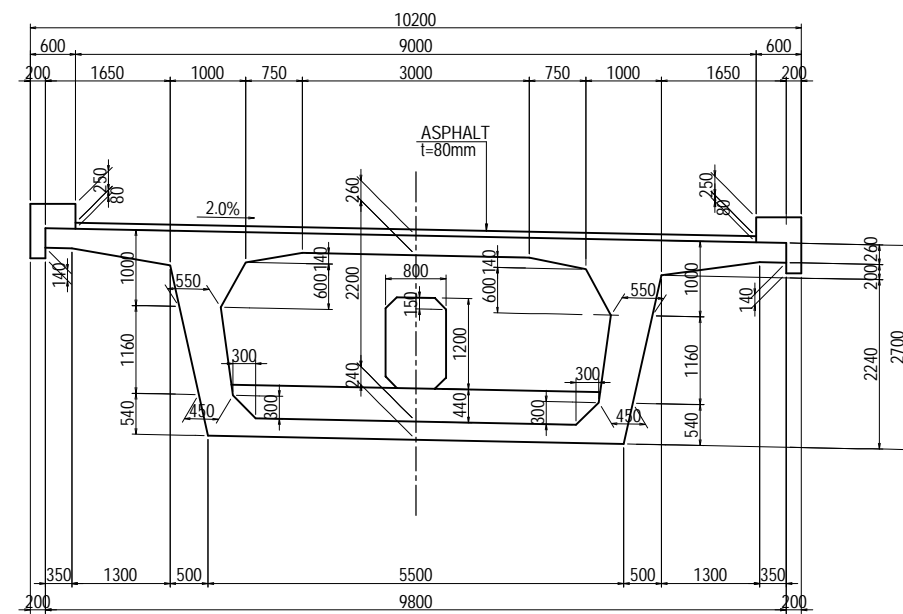
AT RIBS(3-3)



AT RIBS(2-2)

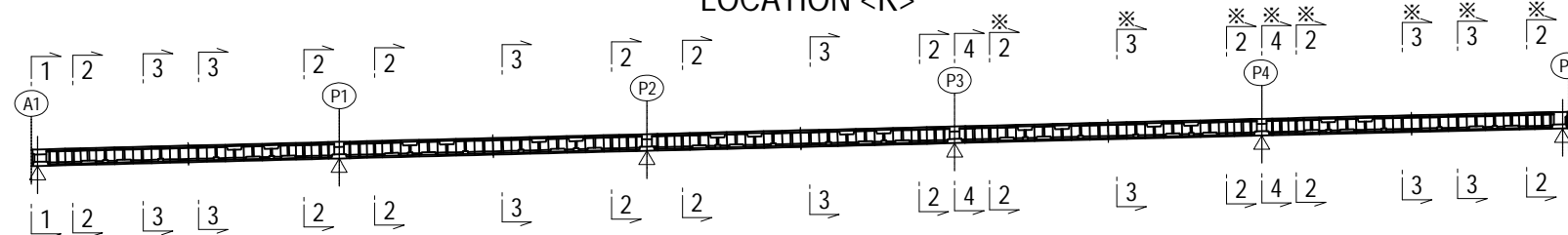


AT PIERS(4-4)

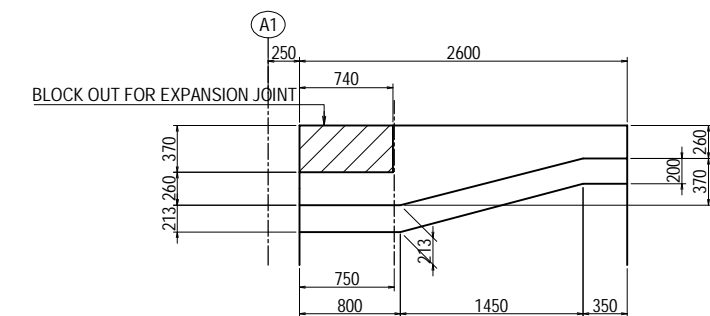


Notes
- Cantilever length of ※ mark sections are changed by curvature.

LOCATION <R>



DETAIL OF CATILEVER SLAB (1-1) S=1:30

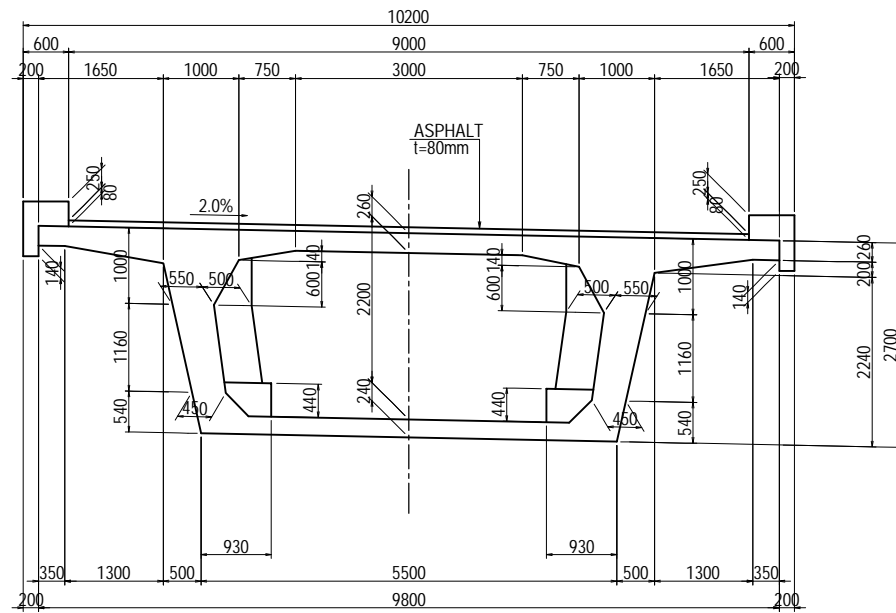


PROJECT NAME DETAILED DESIGN ON BAGO RIVER BRIDGE CONSTRUCTION PROJECT	FINANCED BY JAPAN INTERNATIONAL COOPERATION AGENCY	COUNTERPART REPUBLIC OF THE UNION OF MYANMAR MINISTRY OF CONSTRUCTION DEPARTMENT OF BRIDGE	JICA STUDY TEAM NIPPON KOEI CO., LTD. ORIENTAL CONSULTANTS GLOBAL CO., LTD. METROPOLITAN EXPRESSWAY COMPANY LIMITED CHODAI CO. LTD. NIPPON ENGINEERING CONSULTANTS CO., LTD.	NAME	SIGNATURE	DATE	DRAWING TITLE GENERAL VIEW OF SUPERSTRUCTURE A1-P5 <R> (6)	PACKAGE	
				PREPARED BY	M. OHYAMA			15 Jun.2017	DWG No.
				CHECKED BY	T. HAYAKAWA			20 Jun.2017	P1-PB-1056
				APPROVED BY	Y. SANO			21 Jun.2017	

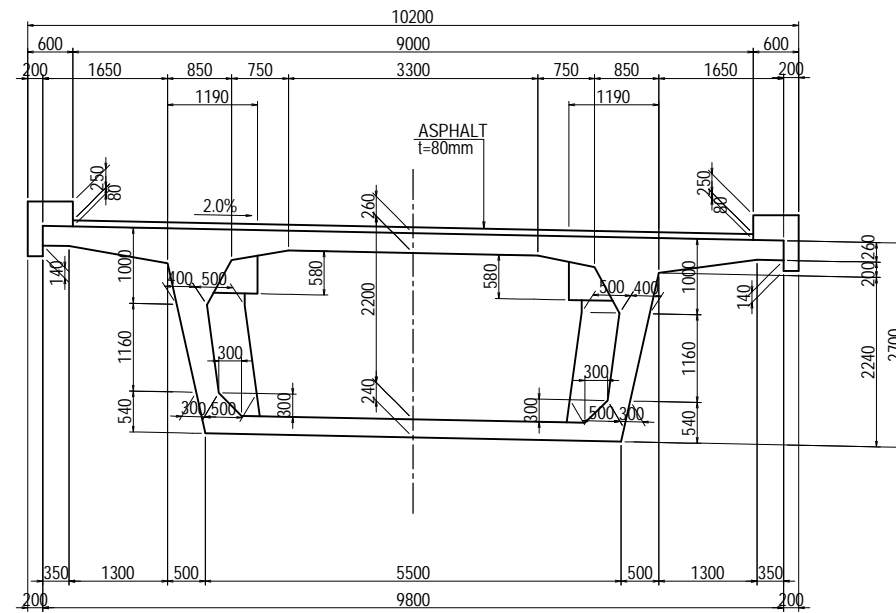
GENERAL VIEW OF SUPERSTRUCTURE A1-P5 <R> (7)

CROSS SECTIONS S=1:100

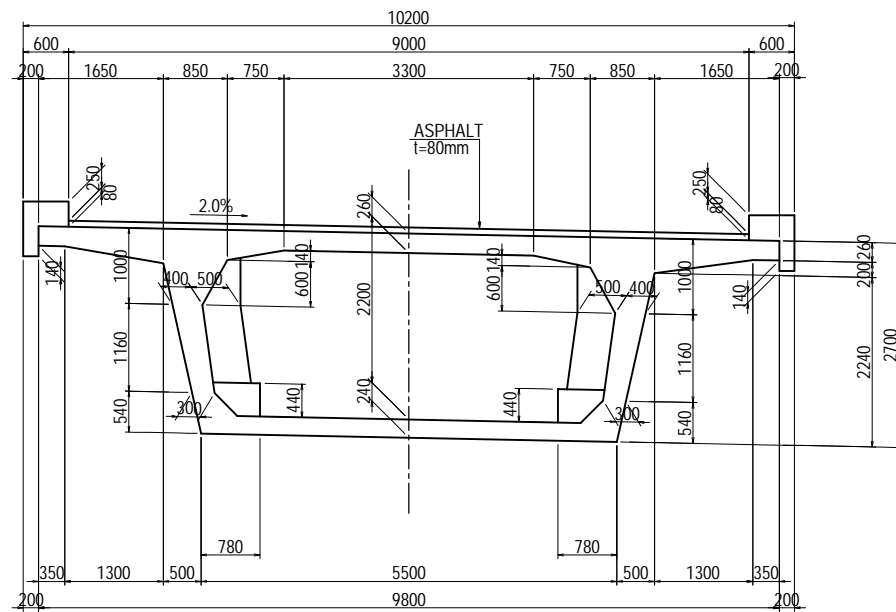
AT RIBS(5-5)



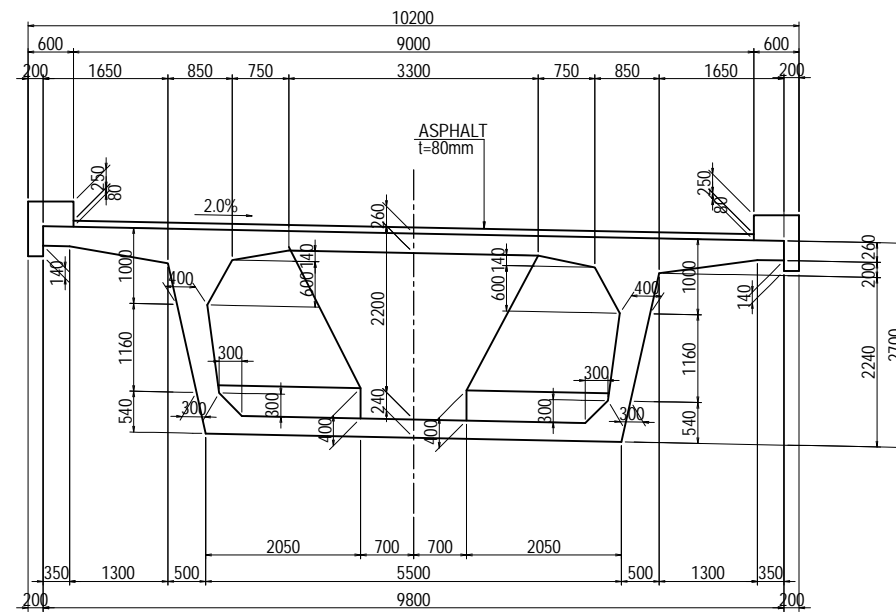
AT RIBS(7-7)



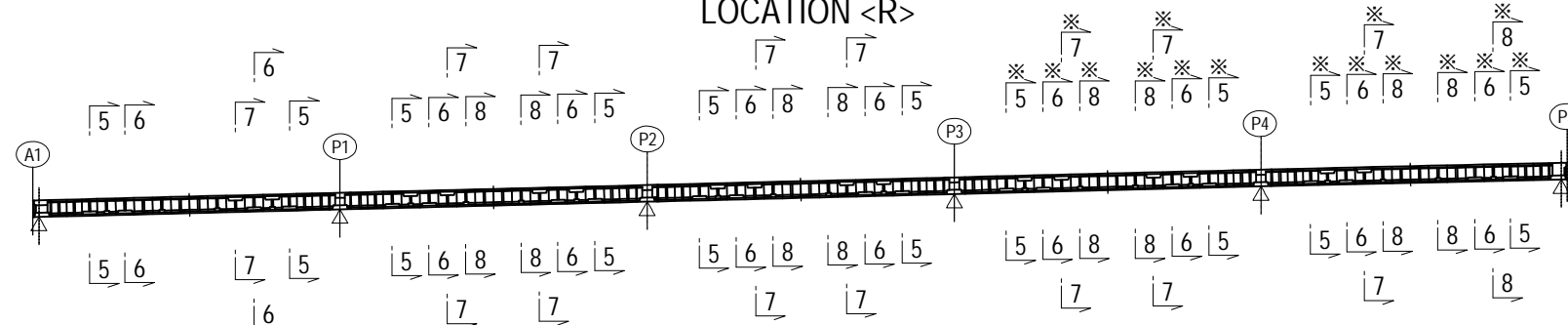
AT RIBS(6-6)



AT DEVIATOR(8-8)



LOCATION <R>



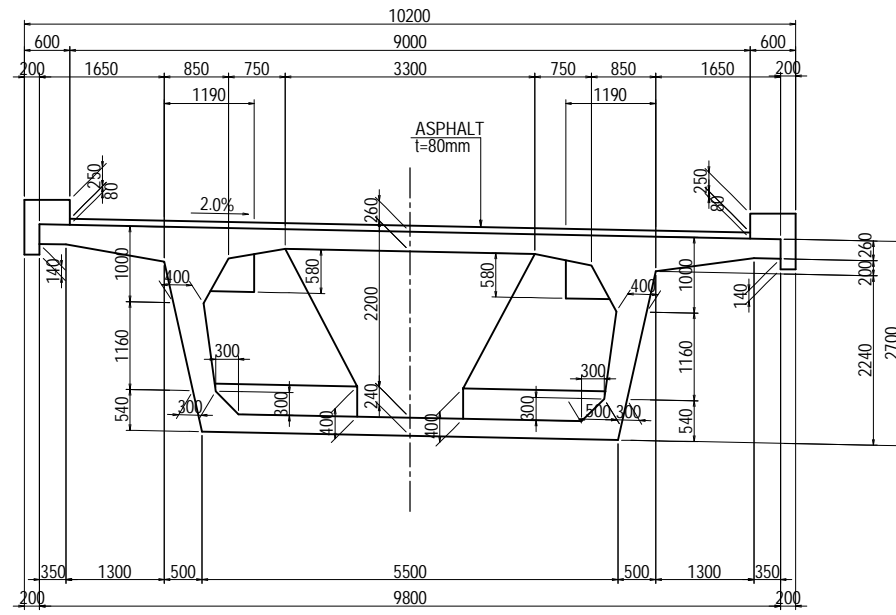
Notes
-Cantilever length of ※mark sections are changed by curvature.

PROJECT NAME DETAILED DESIGN ON BAGO RIVER BRIDGE CONSTRUCTION PROJECT	FINANCED BY JAPAN INTERNATIONAL COOPERATION AGENCY	COUNTERPART REPUBLIC OF THE UNION OF MYANMAR MINISTRY OF CONSTRUCTION DEPARTMENT OF BRIDGE	JICA STUDY TEAM NIPPON KOEI CO., LTD. ORIENTAL CONSULTANTS GLOBAL CO., LTD. METROPOLITAN EXPRESSWAY COMPANY LIMITED CHODAI CO. LTD. NIPPON ENGINEERING CONSULTANTS CO.,LTD.	NAME	SIGNATURE	DATE	DRAWING TITLE GENERAL VIEW OF SUPERSTRUCTURE A1-P5 <R> (7)	PACKAGE	
				PREPARED BY	M. OHYAMA			15 Jun.2017	DWG No.
				CHECKED BY	T. HAYAKAWA			20 Jun.2017	P1-PB-1057
				APPROVED BY	Y. SANO			21 Jun.2017	

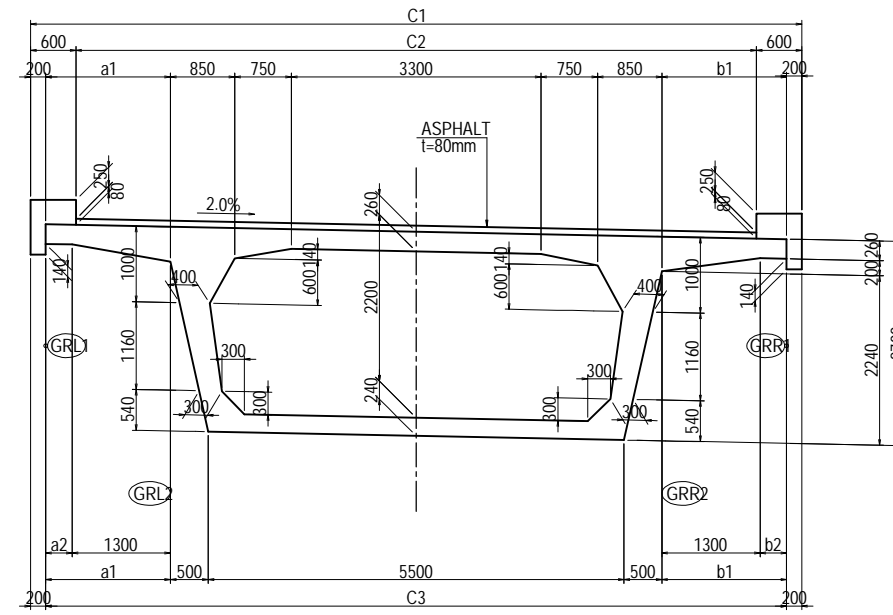
GENERAL VIEW OF SUPERSTRUCTURE A1-P5 <R> (8)

CROSS SECTIONS S=1:100

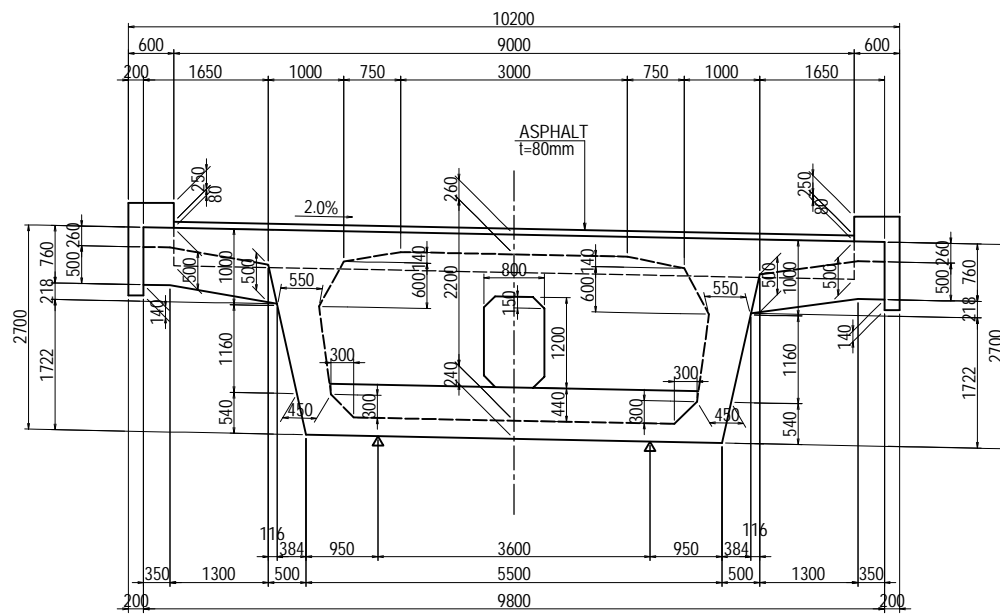
AT DEVIATOR(9-9)



STANDARD SECTION



AT P5(10-10)



MEMBER DIMENSIONS

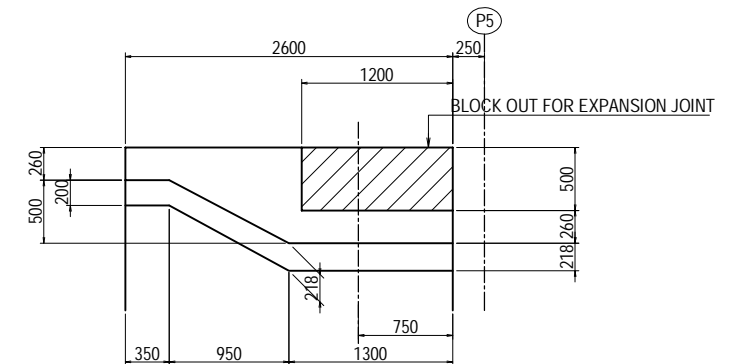
(UNIT : mm)

	A1	~	P3	R0301	R0302	R0303	R0304	R0305	R0306	BCC	R0307	R0308	R0309	R0310	R0311	R0312	R0313	R0314	R0315	R0316	R0317	R0318	R0319	
a1	1650	←	1650	1650	1651	1667	1682	1700	1718	1729	1735	1749	1759	1764	1764	1760	1752	1739	1721	1699	1678	1652	1649	
a2	350	←	350	350	351	367	382	400	418	429	435	449	459	464	464	460	452	439	421	399	378	352	349	
b1	1650	←	1650	1650	1649	1633	1618	1600	1582	1571	1565	1551	1541	1536	1536	1540	1548	1561	1579	1601	1623	1649	1651	
b2	350	←	350	350	349	333	318	300	282	271	265	251	241	236	236	240	248	261	279	301	323	349	351	
C1	10200	←	10200	←																		10200	10201	10201
C2	9000	←	9000	←																		9000	9001	9001
C3	9800	←	9800	←																		9800	9801	9801

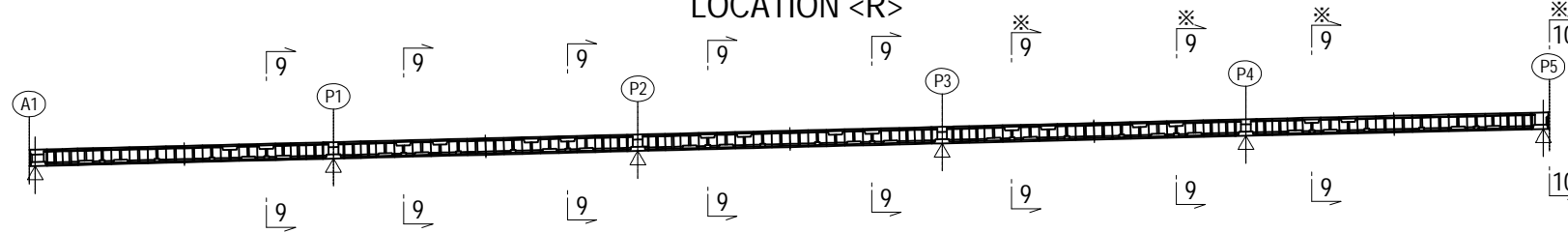
	P4	R0401	R0402	R0403	R0404	R0405	R0406	R0407	R0408	R0409	R0410	R0411	R0412	R0413	R0414	R0415	R0416	R0417	R0418	R0419	P5S1	P5							
a1	1650	1649	1652	1678	1702	1722	1742	1758	1769	1776	1778	1775	1768	1757	1741	1721	1721	1677	1650	1648	1650	1650							
a2	350	349	352	378	402	422	442	458	469	476	478	475	468	457	441	421	401	377	350	348	350	350							
b1	1650	1651	1649	1622	1599	1578	1558	1542	1531	1524	1522	1525	1532	1543	1559	1579	1600	1624	1650	1652	1650	1650							
b2	350	351	349	322	299	278	258	242	231	224	222	225	232	243	259	279	300	324	350	352	350	350							
C1	10200	10201	10201	10201	10200	←																		10200	10201	10201	10201	10201	10200
C2	9000	9001	9001	9001	9000	←																		9000	9001	9001	9001	9001	9000
C3	9800	9801	9801	9801	9800	←																		9800	9801	9801	9801	9800	9800

Notes
- Cantilever length of ※ mark sections are changed by curvature.

DETAIL OF CATILEVER SLAB (10-10) S=1:30



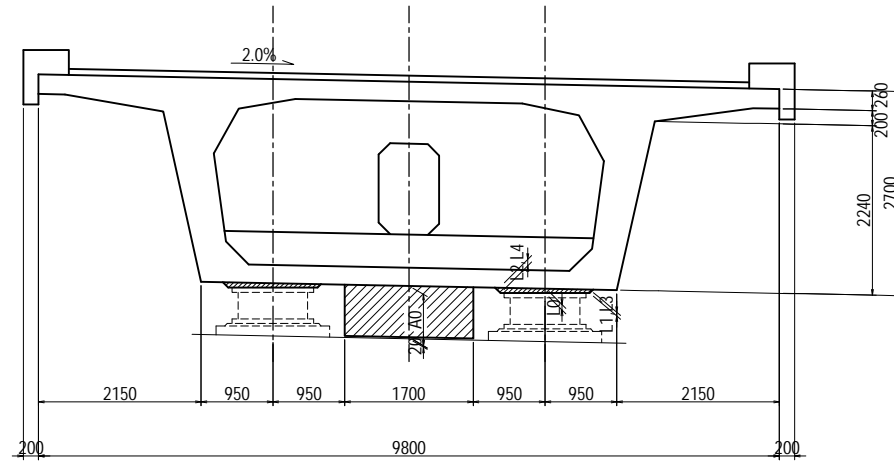
LOCATION <R>



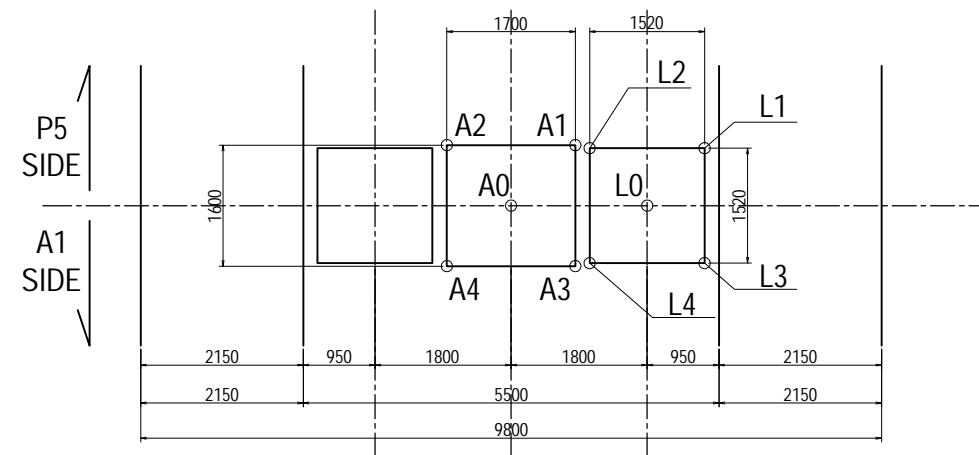
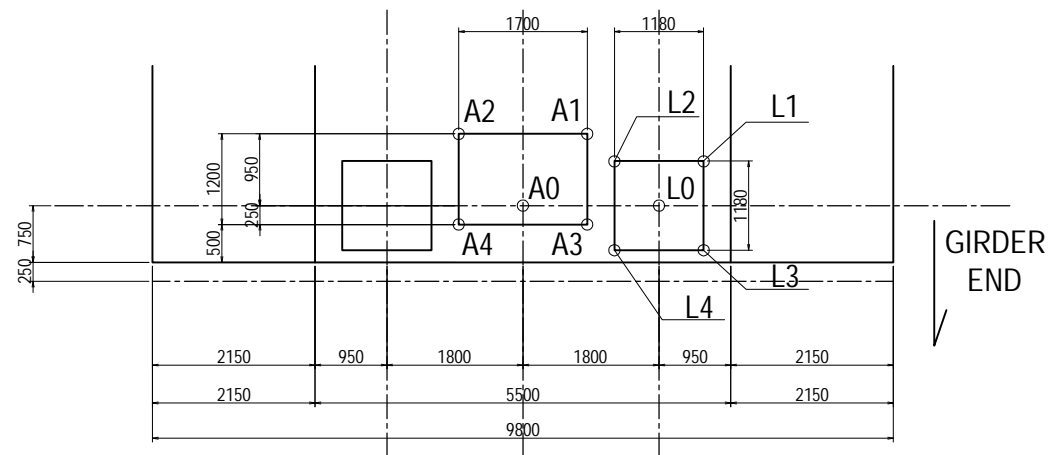
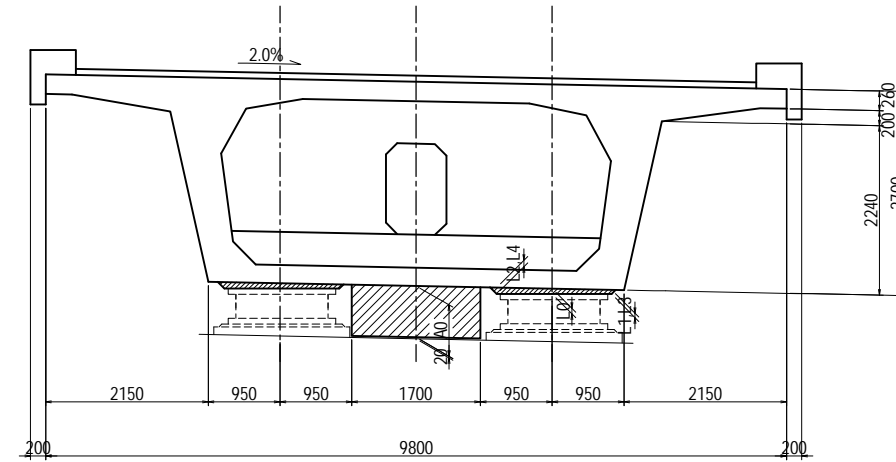
GENERAL VIEW OF SUPERSTRUCTURE A1-P5 <R> (9)

CROSS SECTIONS S=1:100

AT END SUPPORT



AT INTERMEDIATE SUPPORT



HEIGHT (mm)

	L0	L1	L2	L3	L4	A0	A1	A2	A3	A4
A1(R)	60	63	87	33	57	705	729	729	699	699
P5(R)	60	35	58	62	85	635	613	613	641	641

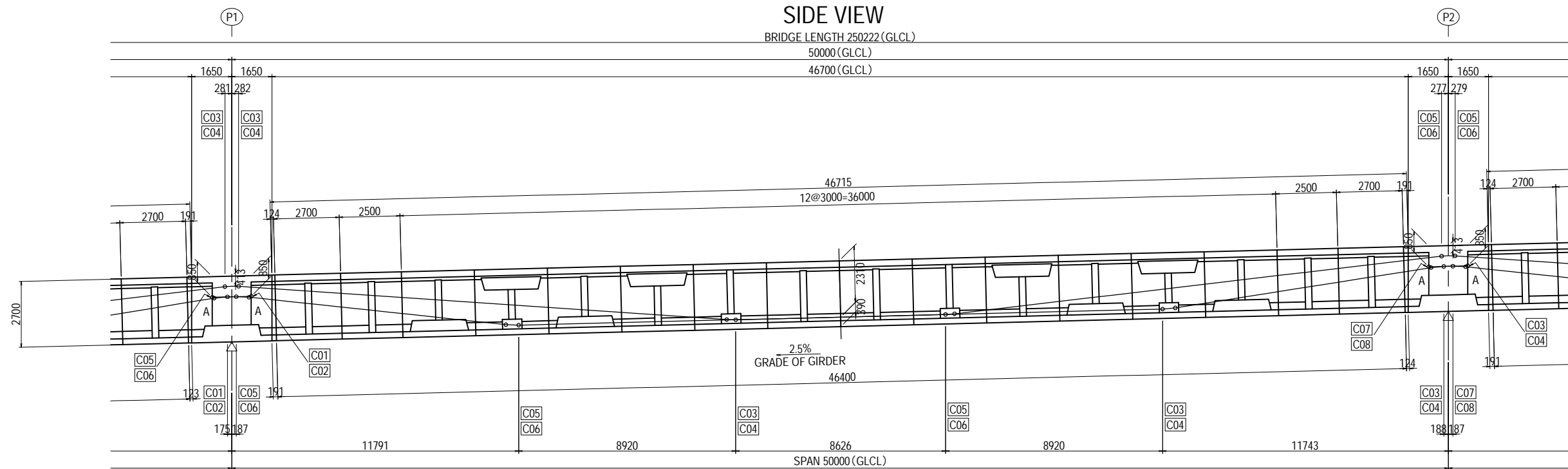
HEIGHT (mm)

	L0	L1	L2	L3	L4	A0	A1	A2	A3	A4
P1(R)	70	74	104	36	66	733	753	753	713	713
P2(R)	70	74	104	36	66	698	718	718	678	678
P3(R)	70	74	104	36	66	698	718	718	678	678
P4(R)	70	72	102	36	66	733	751	751	713	713

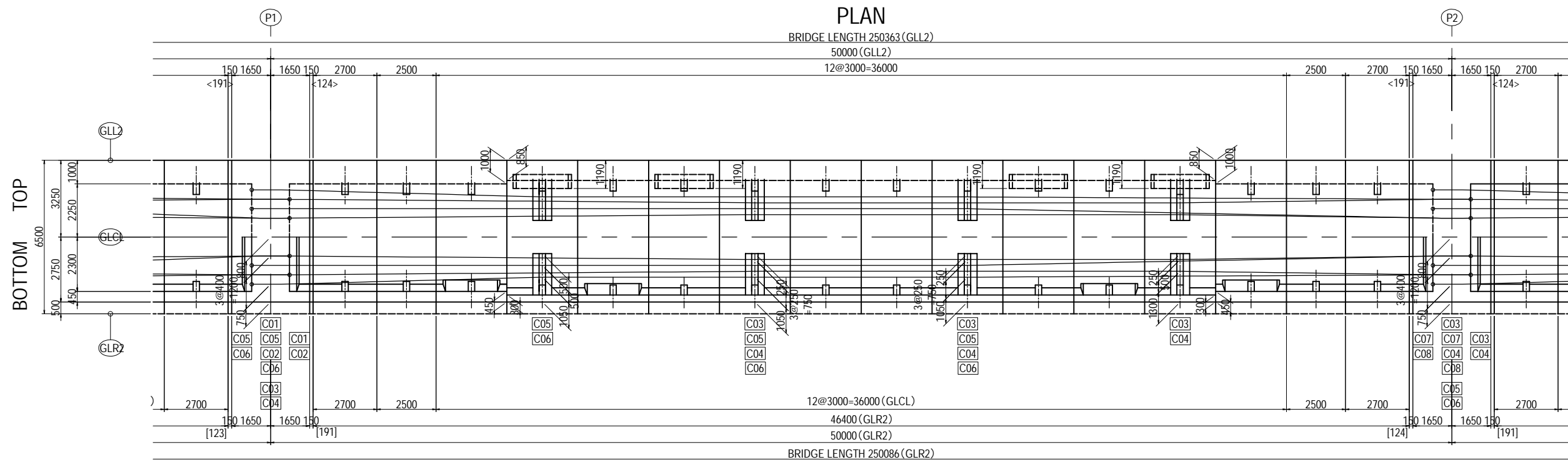
DETAIL OF PRESTERSSING A1-P5 <L> (2) [EXTERNAL TENDON]

S=1:200

SIDE VIEW

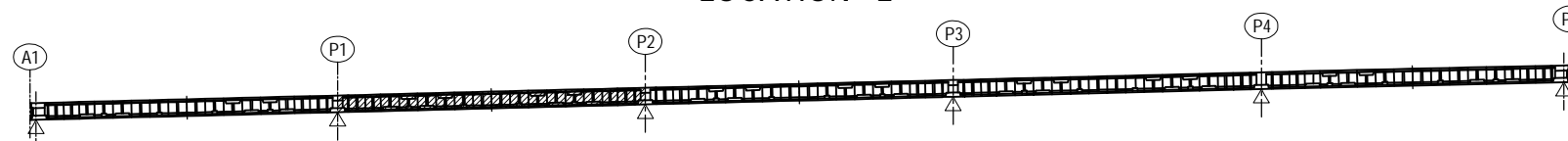


PLAN



Notes : Values in < > / [] are at the top/bottom of the girder accordingly.

LOCATION <L>

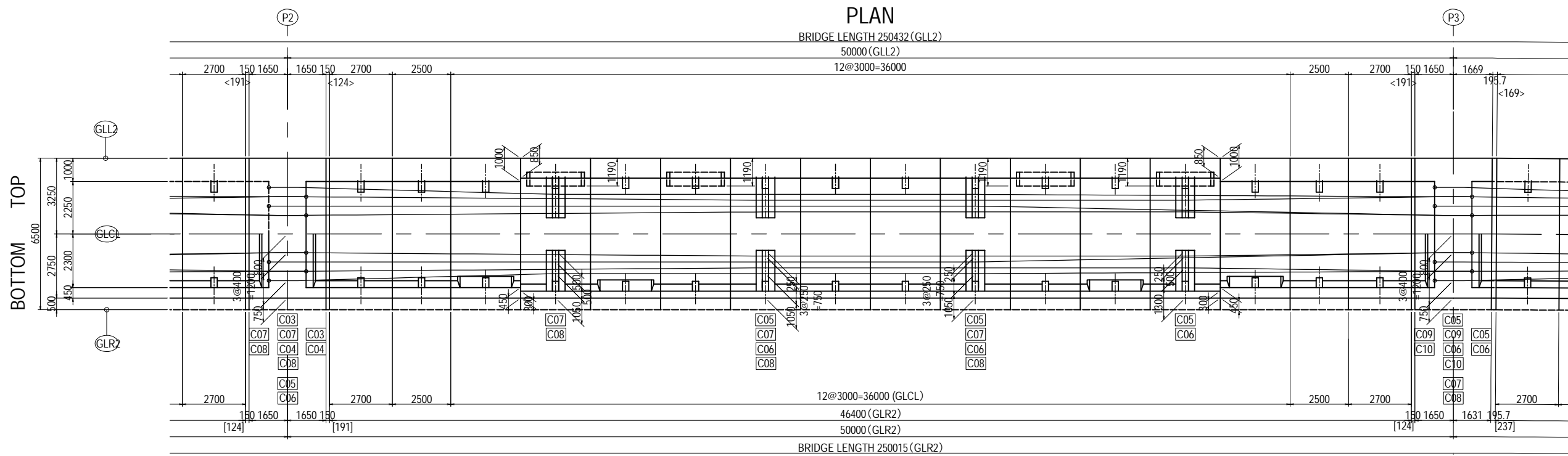
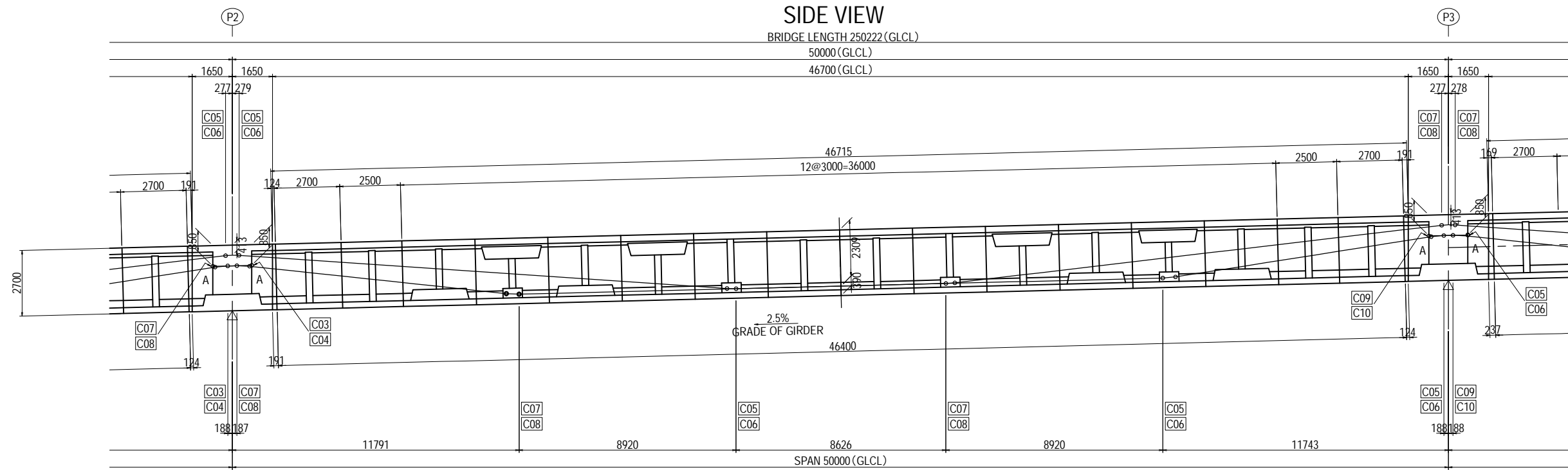


Notes
-Values in < > / [] are at the top/bottom of the girder accordingly.
-Reinforcement for tendon anchorage such as grid rebar shall be arranged sufficiently.
-Jacking force = 1250 N/mm²
-A:Tension
-B:Fixed

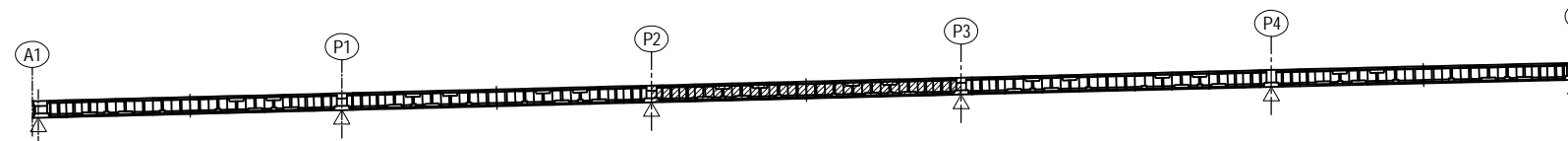
PROJECT NAME DETAILED DESIGN ON BAGO RIVER BRIDGE CONSTRUCTION PROJECT	FINANCED BY JAPAN INTERNATIONAL COOPERATION AGENCY	COUNTERPART REPUBLIC OF THE UNION OF MYANMAR MINISTRY OF CONSTRUCTION DEPARTMENT OF BRIDGE	JICA STUDY TEAM NIPPON KOEI CO., LTD. ORIENTAL CONSULTANTS GLOBAL CO., LTD. METROPOLITAN EXPRESSWAY COMPANY LIMITED CHODAI CO., LTD. NIPPON ENGINEERING CONSULTANTS CO., LTD.	NAME	SIGNATURE	DATE	DRAWING TITLE DETAIL OF PRESTERSSING A1-P5 <L> (2) [EXTERNAL TENDON]	PACKAGE	
				PREPARED BY	M. OHYAMA	大山 満弘		15 Jun.2017	1
				CHECKED BY	T. HAYAKAWA	平川 和孝		20 Jun.2017	DWG No.
				APPROVED BY	Y. SANO	酒野 祐一		21 Jun.2017	P1-PB-1102

DETAIL OF PRESTERSSING A1-P5 <L> (3) [EXTERNAL TENDON]

S=1:200



LOCATION <L>

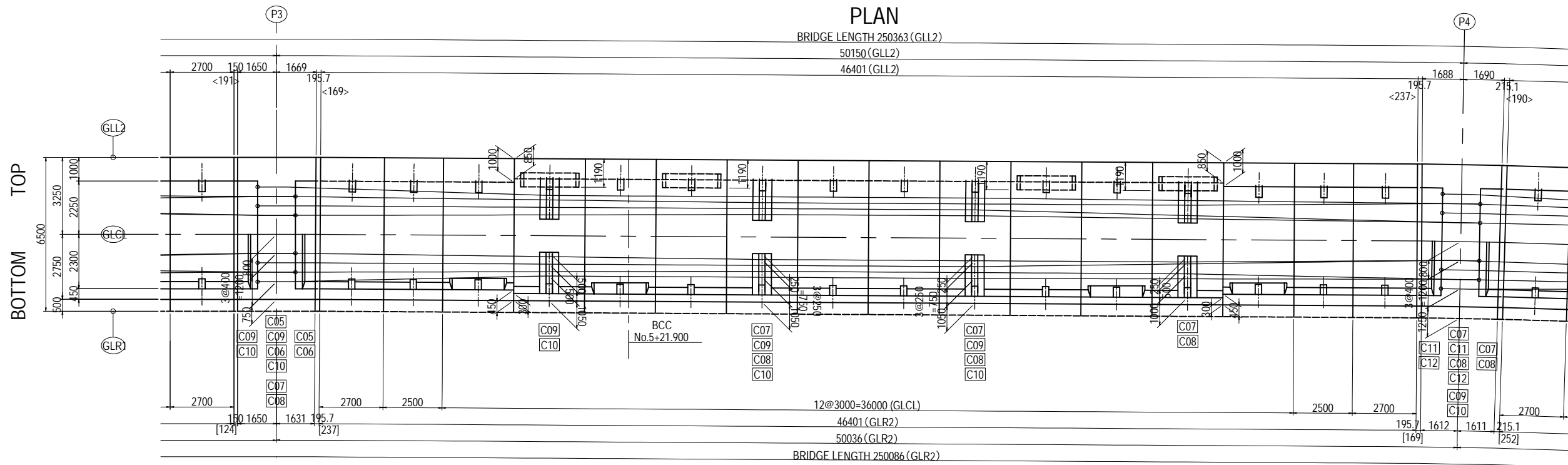
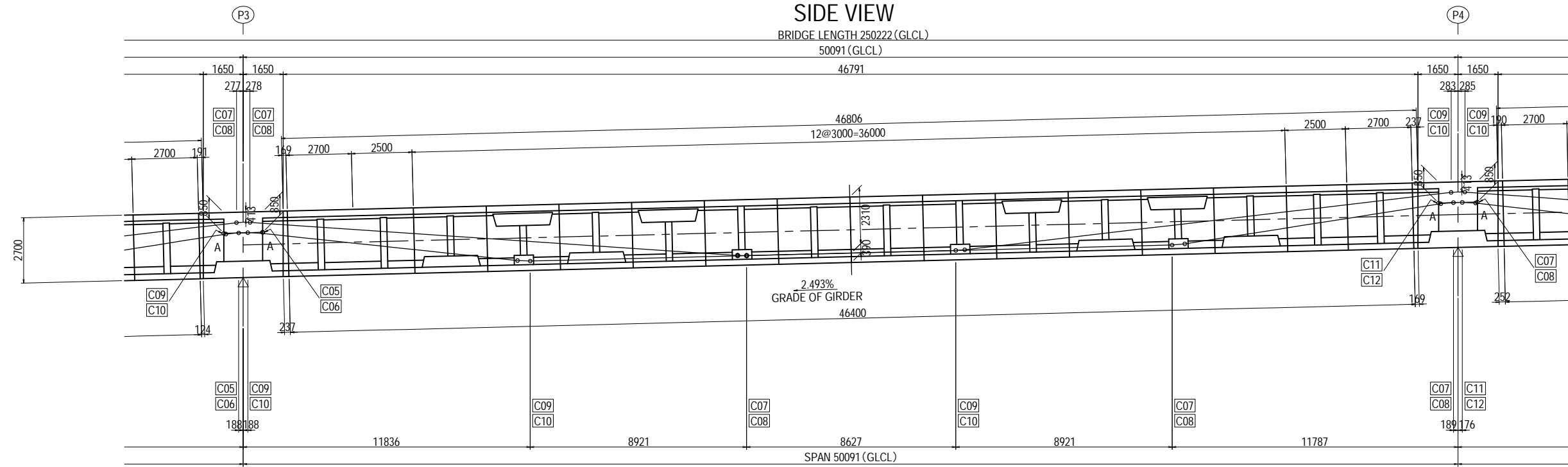


- Notes
- Values in < > / [] are at the top/bottom of the girder accordingly.
 - Reinforcement for tendon anchorage such as grid rebar shall be arranged sufficiently.
 - Jacking force = 1250 N/mm²
 - A: Tension
 - B: Fixed

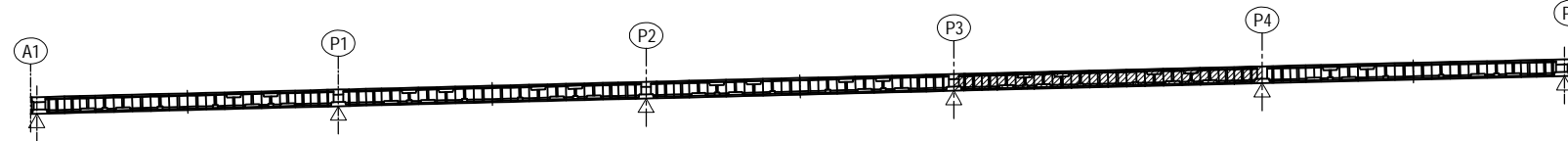
PROJECT NAME DETAILED DESIGN ON BAGO RIVER BRIDGE CONSTRUCTION PROJECT	FINANCED BY JAPAN INTERNATIONAL COOPERATION AGENCY	COUNTERPART REPUBLIC OF THE UNION OF MYANMAR MINISTRY OF CONSTRUCTION DEPARTMENT OF BRIDGE	JICA STUDY TEAM NIPPON KOEI CO., LTD. ORIENTAL CONSULTANTS GLOBAL CO., LTD. METROPOLITAN EXPRESSWAY COMPANY LIMITED CHODAI CO., LTD. NIPPON ENGINEERING CONSULTANTS CO., LTD.	NAME	SIGNATURE	DATE	DRAWING TITLE DETAIL OF PRESTRESSING A1-P5 <L> (3) EXTERNAL TENDON	PACKAGE 1 DWG No. P1-PB-1103	
				PREPARED BY	M. OHYAMA				15 Jun.2017
				CHECKED BY	T. HAYAKAWA				20 Jun.2017
				APPROVED BY	Y. SANO		21 Jun.2017		

DETAIL OF PRESTERSSING A1-P5 <L> (4) [EXTERNAL TENDON]

S=1:200



LOCATION <L>

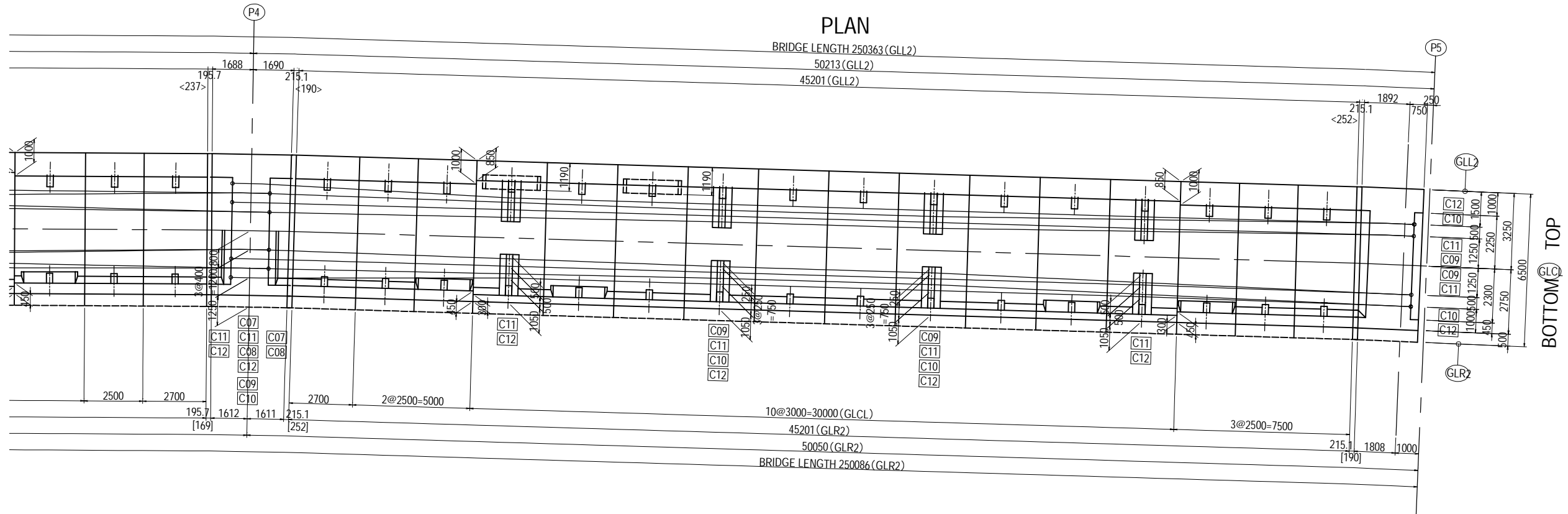
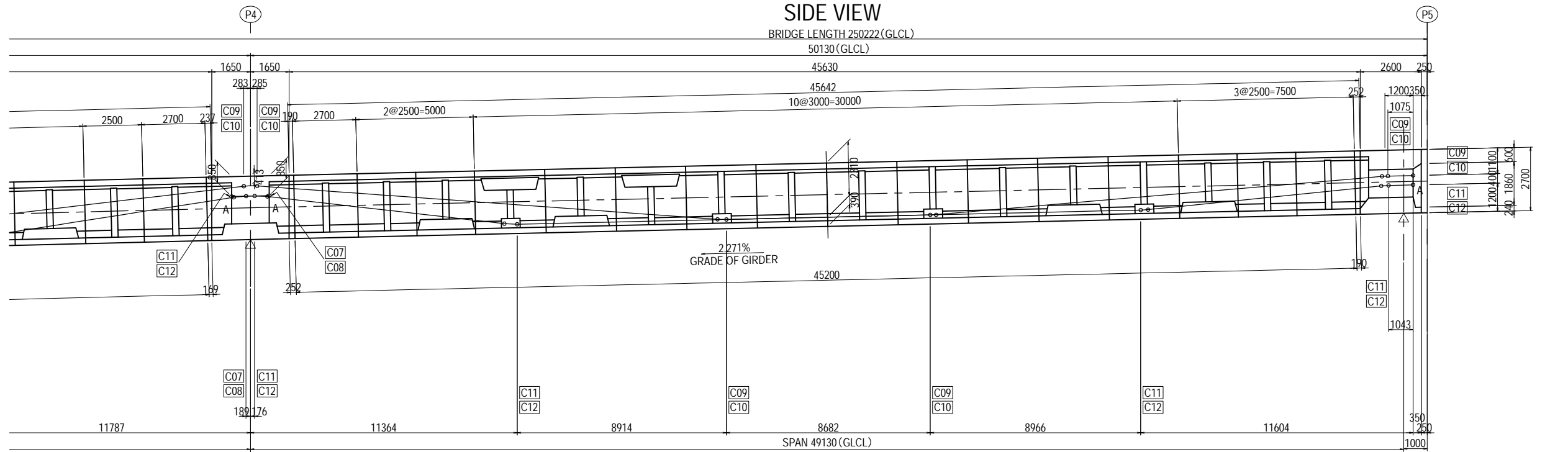


- Notes
- Values in <> / [] are at the top/bottom of the girder accordingly.
 - Reinforcement for tendon anchorage such as grid rebar shall be arranged sufficiently.
 - Jacking force = 1250 N/mm²
 - A:Tension
 - B:Fixed

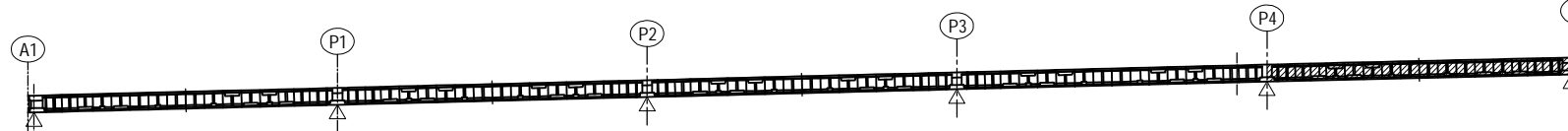
PROJECT NAME DETAILED DESIGN ON BAGO RIVER BRIDGE CONSTRUCTION PROJECT	FINANCED BY JAPAN INTERNATIONAL COOPERATION AGENCY	COUNTERPART REPUBLIC OF THE UNION OF MYANMAR MINISTRY OF CONSTRUCTION DEPARTMENT OF BRIDGE	JICA STUDY TEAM NIPPON KOEI CO., LTD. ORIENTAL CONSULTANTS GLOBAL CO., LTD. METROPOLITAN EXPRESSWAY COMPANY LIMITED CHODAI CO., LTD. NIPPON ENGINEERING CONSULTANTS CO., LTD.	NAME	SIGNATURE	DATE	DRAWING TITLE DETAIL OF PRESTERSSING A1-P5 <L> (4) [EXTERNAL TENDON]	PACKAGE	
				PREPARED BY	M. OHYAMA	大山 満弘		15 Jun.2017	1
				CHECKED BY	T. HAYAKAWA	平川 知寿		20 Jun.2017	DWG No.
				APPROVED BY	Y. SANO	酒野 裕一		21 Jun.2017	P1-PB-1104

DETAIL OF PRESTERSSING A1-P5 <L> (5) [EXTERNAL TENDON]

S=1:200



LOCATION <L>

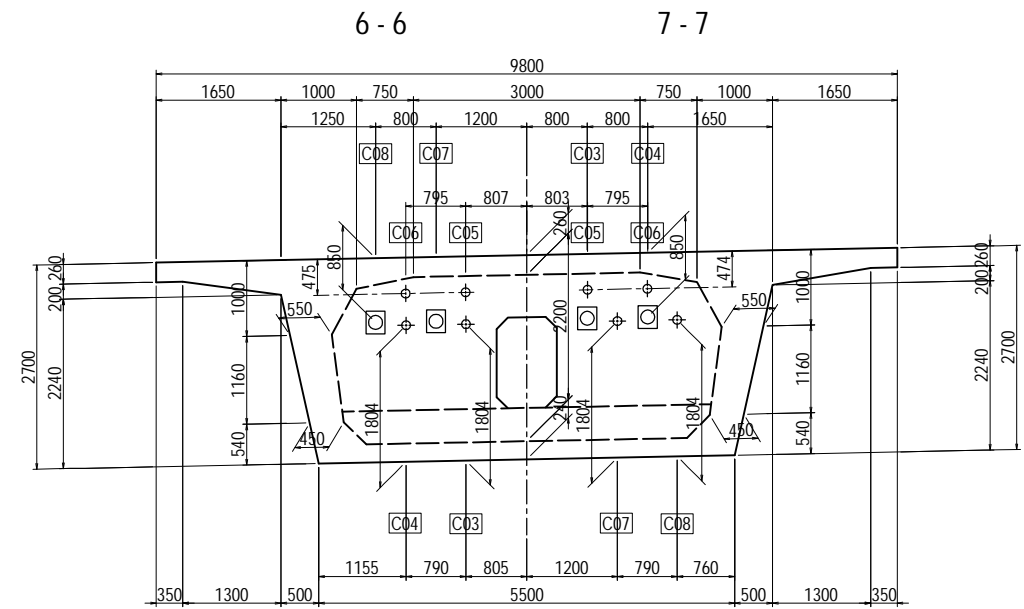
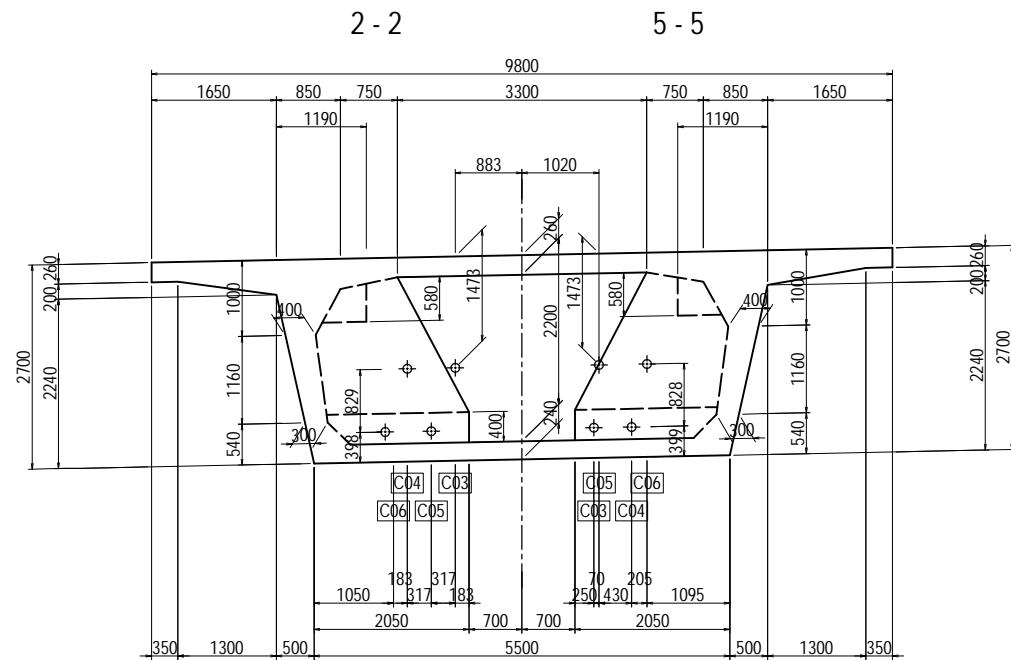
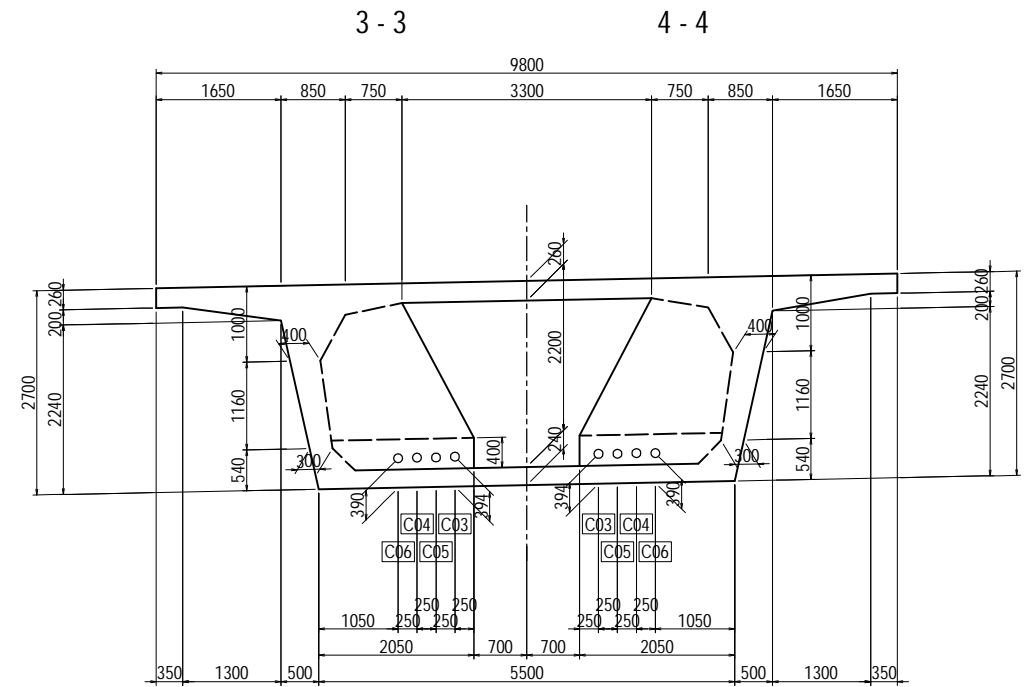
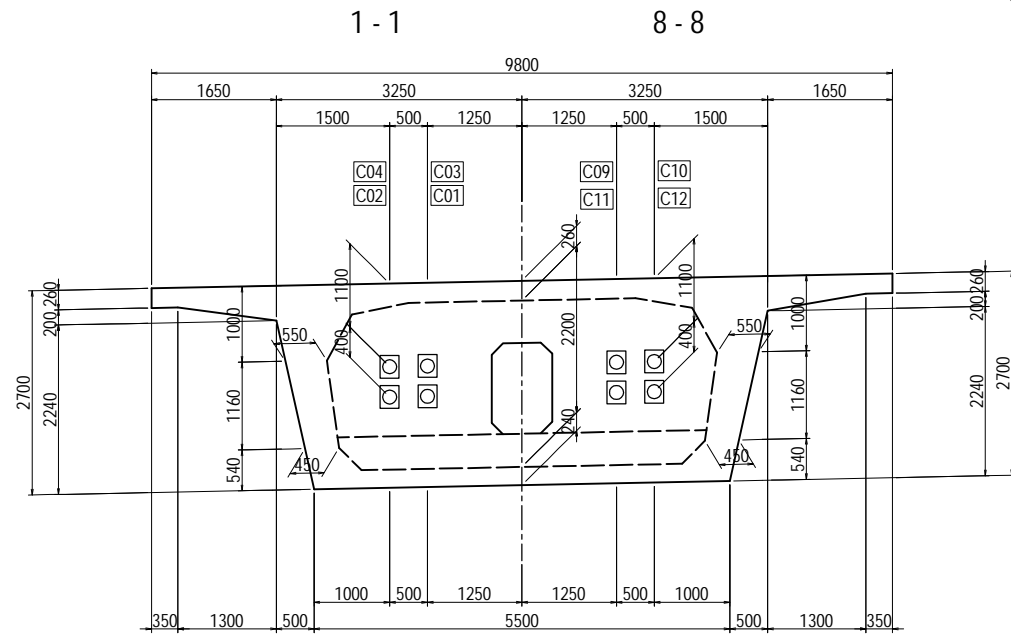


- Notes
- Values in < > / [] are at the top/bottom of the girder accordingly.
 - Reinforcement for tendon anchorage such as grid rebar shall be arranged sufficiently.
 - Jacking force = 1250 N/mm²
 - A:Tension
 - B:Fixed

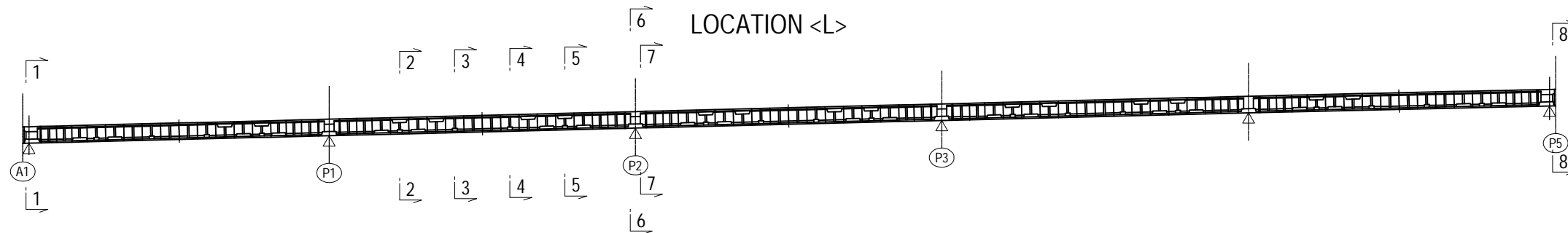
PROJECT NAME DETAILED DESIGN ON BAGO RIVER BRIDGE CONSTRUCTION PROJECT	FINANCED BY JAPAN INTERNATIONAL COOPERATION AGENCY	COUNTERPART REPUBLIC OF THE UNION OF MYANMAR MINISTRY OF CONSTRUCTION DEPARTMENT OF BRIDGE	JICA STUDY TEAM NIPPON KOEI CO., LTD. ORIENTAL CONSULTANTS GLOBAL CO., LTD. METROPOLITAN EXPRESSWAY COMPANY LIMITED CHODAI CO., LTD. NIPPON ENGINEERING CONSULTANTS CO., LTD.	NAME	SIGNATURE	DATE	DRAWING TITLE DETAIL OF PRESTRESSING A1-P5 <L> (5) [EXTERNAL TENDON]	PACKAGE 1 DWG No. P1-PB-1105	
				PREPARED BY	M. OHYAMA				15 Jun.2017
				CHECKED BY	T. HAYAKAWA				20 Jun.2017
				APPROVED BY	Y. SANO		21 Jun.2017		

DETAIL OF PRESTRESSING A1-P5 <L> (6) [EXTERNAL TENDON] S=1:100

CROSS SECTIONS



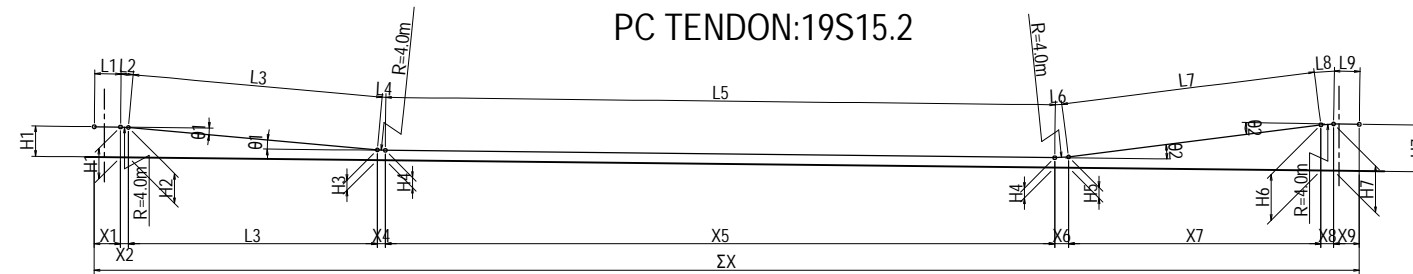
NOTES: In case of the deviator interferes the cable, a hole or notch for cable passing is should be arranged in the deviator, and the hole and notch should be reinforced property.



PROJECT NAME DETAILED DESIGN ON BAGO RIVER BRIDGE CONSTRUCTION PROJECT	FINANCED BY JAPAN INTERNATIONAL COOPERATION AGENCY	COUNTERPART REPUBLIC OF THE UNION OF MYANMAR MINISTRY OF CONSTRUCTION DEPARTMENT OF BRIDGE	JICA STUDY TEAM NIPPON KOEI CO., LTD. ORIENTAL CONSULTANTS GLOBAL CO., LTD. METROPOLITAN EXPRESSWAY COMPANY LIMITED CHODAI CO., LTD. NIPPON ENGINEERING CONSULTANTS CO., LTD.	NAME	SIGNATURE	DATE	DRAWING TITLE DETAIL OF PRESTRESSING A1-P5 <L> (6) [EXTERNAL TENDON]	PACKAGE	
				PREPARED BY	M. OHYAMA			15 Jun.2017	1
				CHECKED BY	T. HAYAKAWA			20 Jun.2017	DWG No.
				APPROVED BY	Y. SANO			21 Jun.2017	P1-PB-1106

DETAIL OF PRESTRESSING A1-P5 <L> (7) [EXTERNAL TENDON]

S=1:300



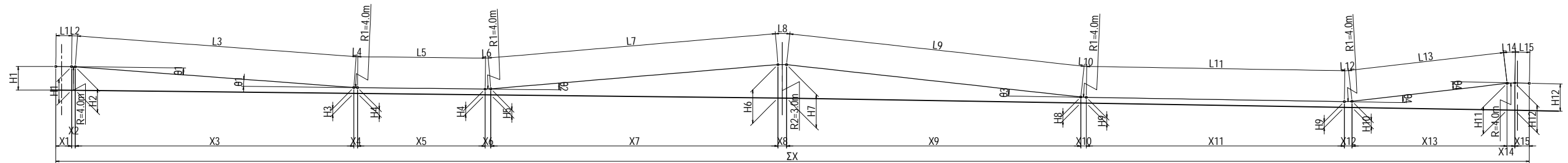
PC TENDON:19S15.2 (mm)

CABLE NUMBER	H1	H2	H3	H4	H5	H6	H7	X1	X2	X3	X4	X5	X6	X7	X8	X9	ΣX
C01	1200	1187	403	390	428	1812	1850	1042	317	9912	316	26558	546	9988	546	975	50200
C02	1200	1187	403	390	428	1812	1850	1042	317	9912	316	26558	546	9988	546	975	50200
C11	1850	1813	427	390	402	1188	1200	1042	314	9934	314	26562	546	10096	546	976	50330
C12	1850	1813	427	390	402	1188	1200	1042	314	9934	314	26562	546	10096	546	976	50330

(mm)

CABLE NUMBER	θ1	θ2	R	L1	L2	L3	L4	L5	L6	L7	L8	L9	TOTAL LENGTH	NUMBER
C01	4.53417°	7.86194°	4000	1042	317	9926	317	26567	549	10121	549	976	50364	2
C02	4.53417°	7.86194°	4000	1042	317	9926	317	26567	549	10121	549	976	50364	2
C11	4.50944°	7.83306°	4000	1043	315	9985	315	26569	547	10162	547	977	50460	2
C12	4.50944°	7.83306°	4000	1043	315	9985	315	26569	547	10162	547	977	50460	2

PC TENDON:19S15.2



PC TENDON:19S15.2 (mm)

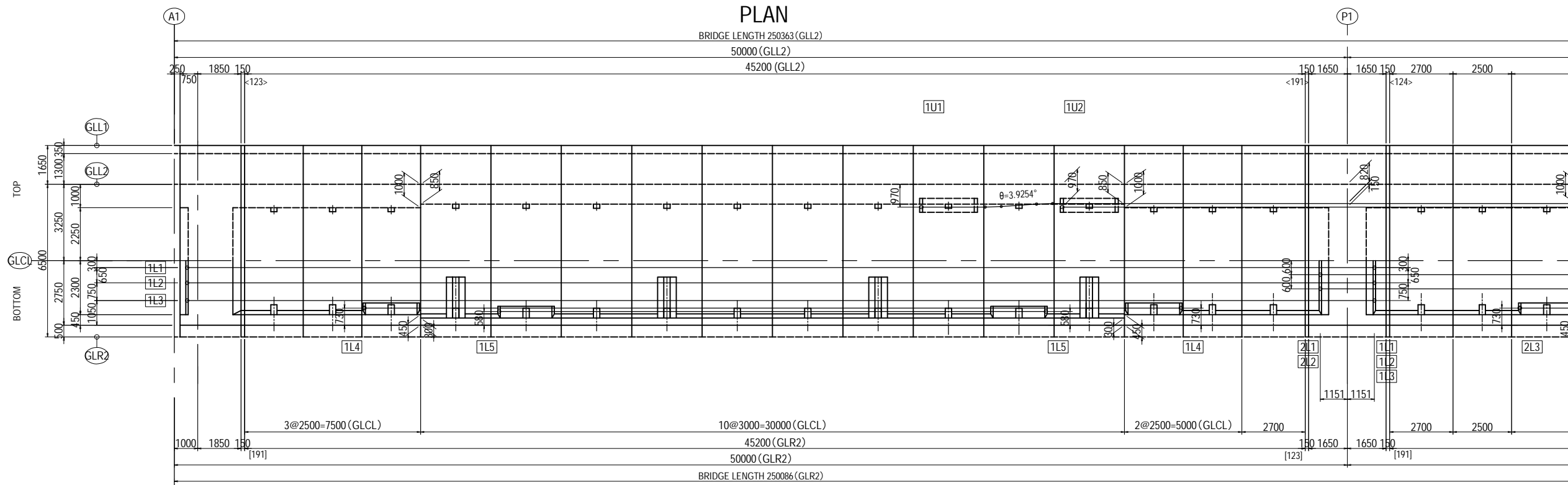
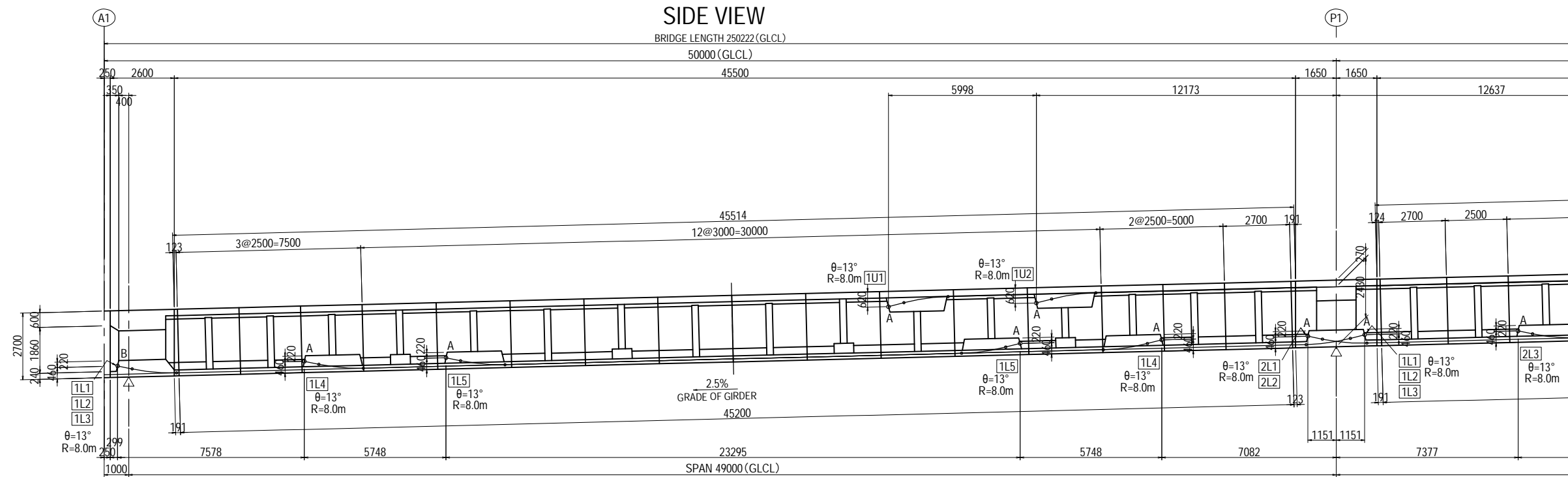
CABLE NUMBER	H1	H2	H3	H4	H5	H6	H7	H8	H9	H10	H11	H12	X1	X2	X3	X4	X5	X6	X7	X8	X9	X10	X11	X12	X13	X14	X15	ΣX
C03	1600	1592	398	390	408	2273	2274	407	390	424	1816	1850	1074	252	18974	252	8681	379	19508	563	20058	371	17546	522	10511	522	987	100200
C04	1600	1592	398	390	408	2273	2274	407	390	424	1816	1850	1074	252	18974	252	8681	379	19508	563	20058	371	17546	522	10511	522	987	100200
C05	1850	1816	424	390	407	2274	2274	407	390	424	1816	1850	987	525	10555	525	17546	370	20016	556	20061	371	17546	522	10511	522	987	101600
C06	1850	1816	424	390	407	2274	2274	407	390	424	1816	1850	987	525	10555	525	17546	370	20016	556	20061	371	17546	522	10511	522	987	101600
C07	1850	1816	424	390	407	2274	2274	407	390	424	1816	1850	987	524	10555	525	17546	370	20016	556	20107	371	17547	520	10559	520	988	101691
C08	1850	1816	424	390	407	2274	2274	407	390	424	1816	1850	987	524	10555	525	17546	370	20016	556	20107	371	17547	520	10559	520	988	101691
C09	1850	1816	424	390	407	2274	2273	408	390	398	1592	1600	988	523	10603	522	17547	369	20056	568	19614	379	8682	250	18995	250	1075	100421
C10	1850	1816	424	390	407	2274	2273	408	390	398	1592	1600	988	523	10603	522	17547	369	20056	568	19614	379	8682	250	18995	250	1075	100421

(mm)

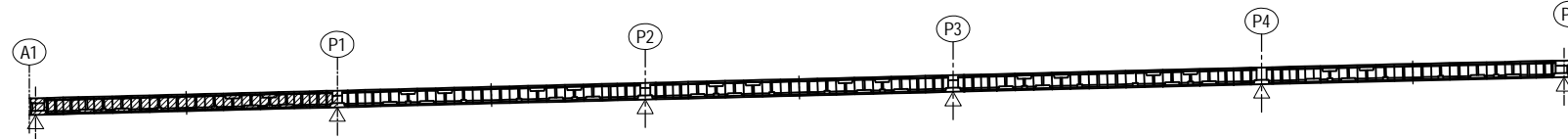
CABLE NUMBER	θ1	θ2	θ3	θ4	R1	R2	L1	L2	L3	L4	L5	L6	L7	L8	L9	L10	L11	L12	L13	L14	L15	TOTAL LENGTH	NUMBER
C03	3.60472°	5.443062°	5.325282°	7.51083°	4000	3000	1074	252	18987	252	8684	380	19649	564	20104	372	17551	524	10641	524	988	100546	2
C04	3.60472°	5.443062°	5.325282°	7.51083°	4000	3000	1074	252	18987	252	8684	380	19649	564	20104	372	17551	524	10641	524	988	100546	2
C05	7.5275°	5.31306°	5.325282°	7.51083°	4000	3000	987	525	10615	526	17551	371	20155	557	20108	372	17551	524	10641	524	988	101995	2
C06	7.5275°	5.31306°	5.325282°	7.51083°	4000	3000	987	525	10615	526	17551	371	20155	557	20108	372	17551	524	10641	524	988	101995	2
C07	7.5275°	5.31306°	5.31361°	7.48028°	4000	3000	987	525	10615	526	17551	371	20155	557	20154	371	17553	522	10688	522	989	102086	2
C08	7.5275°	5.31306°	5.31361°	7.48028°	4000	3000	987	525	10615	526	17551	371	20155	557	20154	371	17553	522	10688	522	989	102086	2
C09	7.49694°	5.30139°	5.44028°	3.59083°	4000	3000	988	523	10662	523	17553	370	20195	569	19665	380	8685	275	19040	251	1075	100754	2
C10	7.49694°	5.30139°	5.44028°	3.59083°	4000	3000	988	523	10662	523	17553	370	20195	569	19665	380	8685	275	19040	251	1075	100754	2

DETAIL OF PRESTRESSING A1-P5 <L> (8) [INTERNAL TENDON]

S=1:200



LOCATION <L>



- Notes
- Values in < > / [] are at the top/bottom of the girder accordingly.
 - Reinforcement for tendon anchorage such as grid rebar shall be arranged sufficiently.
 - Bending radii of PC tendon in Plan is 10m.
 - Jacking force = 1350 N/mm²
 - A: Tension
 - B: Fixed

PROJECT NAME
DETAILED DESIGN ON
BAGO RIVER BRIDGE
CONSTRUCTION PROJECT

FINANCED BY
JICA
JAPAN INTERNATIONAL
COOPERATION AGENCY

COUNTERPART
REPUBLIC OF THE UNION OF MYANMAR
MINISTRY OF CONSTRUCTION
DEPARTMENT OF BRIDGE

JICA STUDY TEAM
NIPPON KOEI CO., LTD.
ORIENTAL CONSULTANTS GLOBAL CO., LTD.
METROPOLITAN EXPRESSWAY COMPANY LIMITED
CHODAI CO., LTD.
NIPPON ENGINEERING CONSULTANTS CO., LTD.

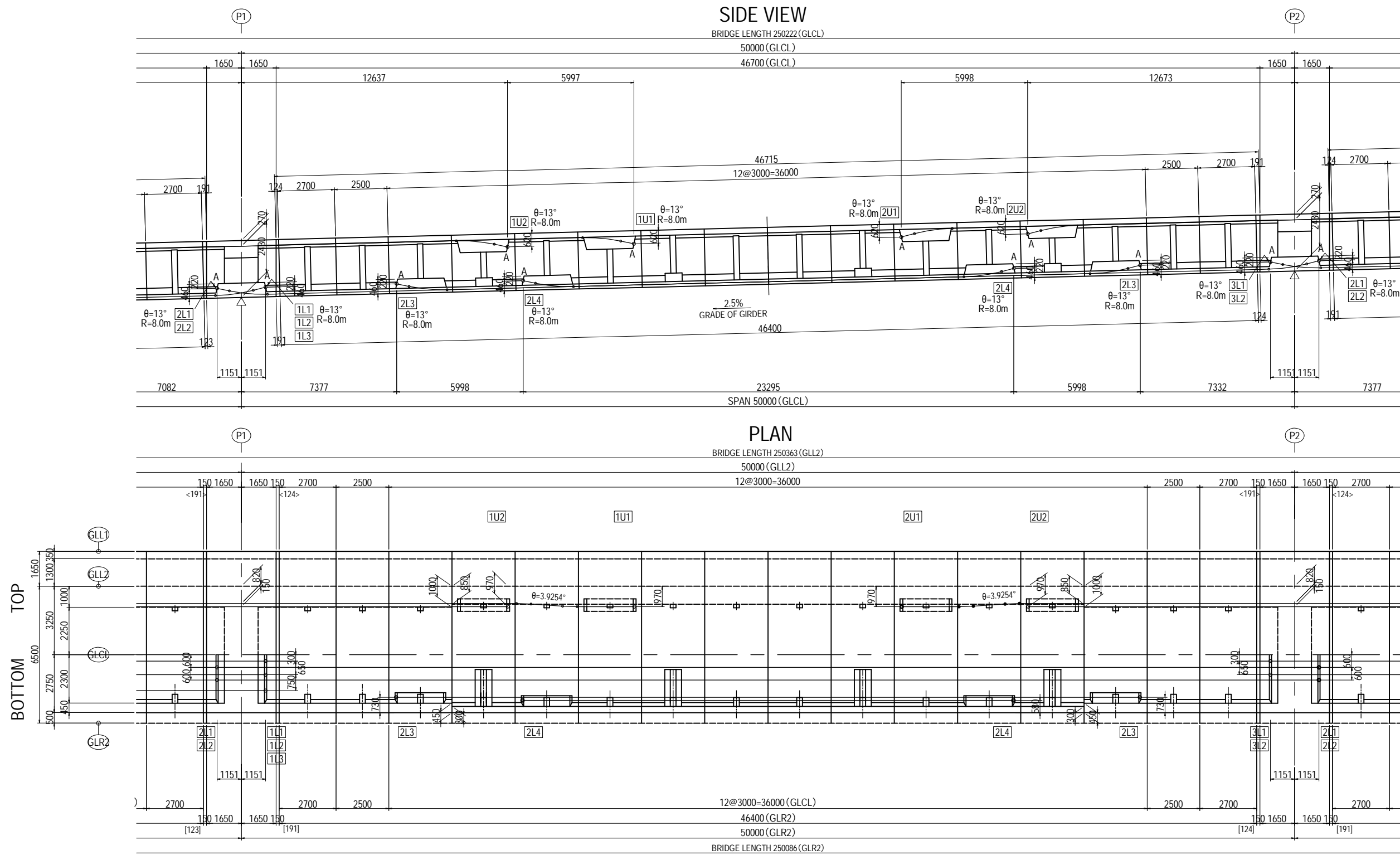
	NAME	SIGNATURE	DATE
PREPARED BY	M. OHYAMA	大山 満弘	15 Jun.2017
CHECKED BY	T. HAYAKAWA	平川 知寿	20 Jun.2017
APPROVED BY	Y. SANO	佐野 祐一	21 Jun.2017

DRAWING TITLE
DETAIL OF PRESTRESSING A1-P5 <L> (8)
[INTERNAL TENDON]

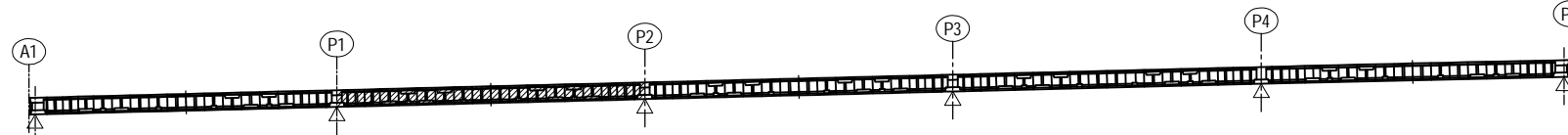
PACKAGE
1
DWG No.
P1-PB-1108

DETAIL OF PRESTRESSING A1-P5 <L> (9) [INTERNAL TENDON]

S=1:200



LOCATION <L>



- Notes
- Values in < > / [] are at the top/bottom of the girder accordingly.
 - Reinforcement for tendon anchorage such as grid rebar shall be arranged sufficiently.
 - Bending radii of PC tendon in Plan is 10m.
 - Jacking force = 1350 N/mm²
 - A: Tension
 - B: Fixed

PROJECT NAME
DETAILED DESIGN ON
BAGO RIVER BRIDGE
CONSTRUCTION PROJECT

FINANCED BY
JICA
JAPAN INTERNATIONAL
COOPERATION AGENCY

COUNTERPART
REPUBLIC OF THE UNION OF MYANMAR
MINISTRY OF CONSTRUCTION
DEPARTMENT OF BRIDGE

JICA STUDY TEAM
NIPPON KOEI CO., LTD.
ORIENTAL CONSULTANTS GLOBAL CO., LTD.
METROPOLITAN EXPRESSWAY COMPANY LIMITED
CHODAI CO., LTD.
NIPPON ENGINEERING CONSULTANTS CO., LTD.

	NAME	SIGNATURE	DATE
PREPARED BY	M. OHYAMA	大山 満弘	15 Jun.2017
CHECKED BY	T. HAYAKAWA	平川 知邦	20 Jun.2017
APPROVED BY	Y. SANO	佐野 祐一	21 Jun.2017

DRAWING TITLE
DETAIL OF PRESTRESSING A1-P5 <L> (9)
[INTERNAL TENDON]

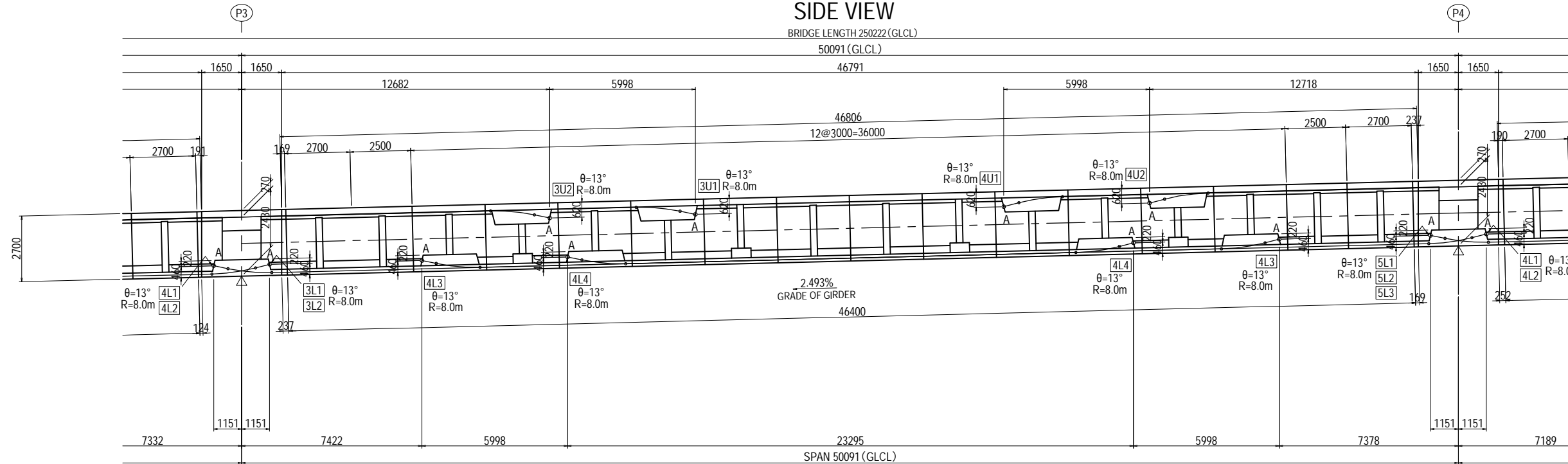
PACKAGE
1
DWG No.
P1-PB-1109

DETAIL OF PRESTRESSING A1-P5 <L> (11) [INTERNAL TENDON]

S=1:200

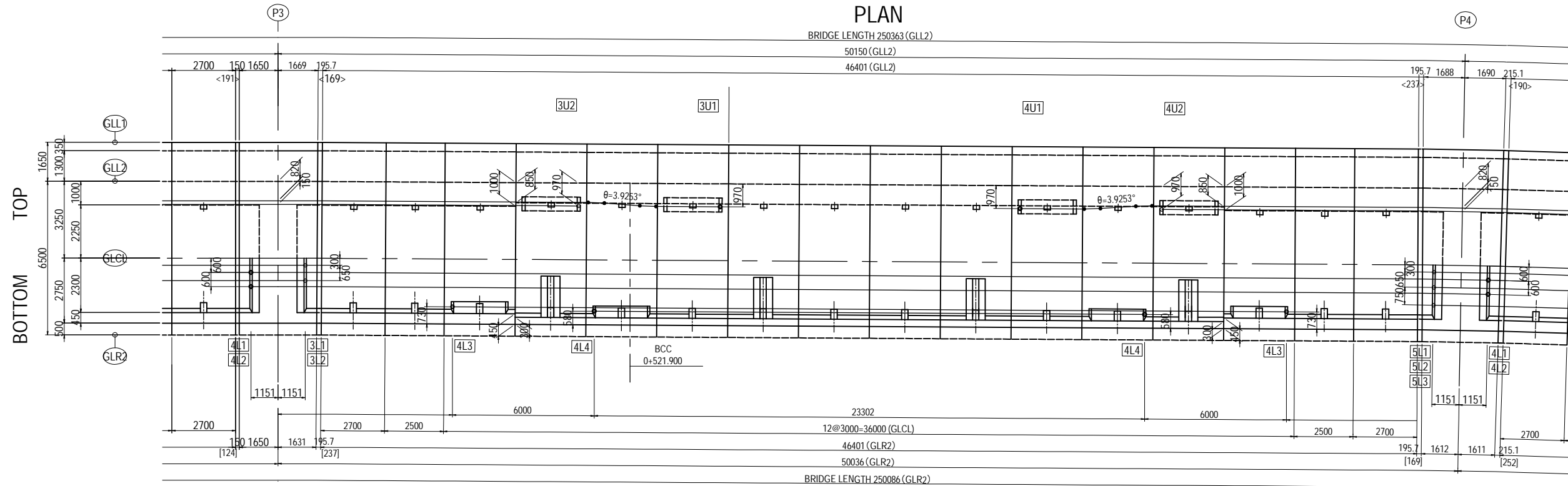
SIDE VIEW

BRIDGE LENGTH 250222 (GLCL)
50091 (GLCL)

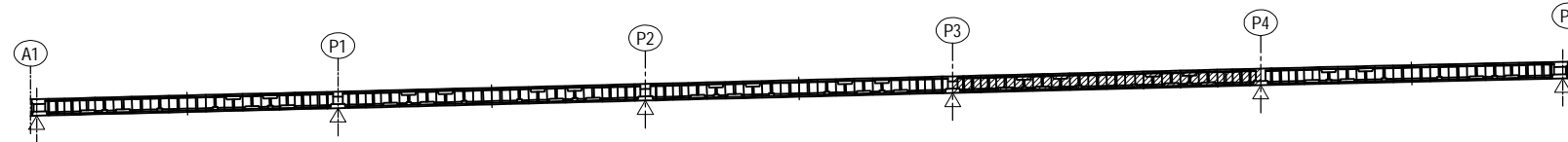


PLAN

BRIDGE LENGTH 250363 (GLL2)
50150 (GLL2)
46401 (GLL2)



LOCATION <L>



Notes

- Values in < > / [] are at the top/bottom of the girder accordingly.
- Reinforcement for tendon anchorage such as grid rebar shall be arranged sufficiently.
- Bending radii of PC tendon in Plan is 10m.
- Jacking force = 1350 N/mm²
- A:Tension
- B:Fixed

PROJECT NAME
DETAILED DESIGN ON
BAGO RIVER BRIDGE
CONSTRUCTION PROJECT

FINANCED BY
 JAPAN INTERNATIONAL
COOPERATION AGENCY

COUNTERPART
 REPUBLIC OF THE UNION OF MYANMAR
MINISTRY OF CONSTRUCTION
DEPARTMENT OF BRIDGE

JICA STUDY TEAM
 NIPPON KOEI CO., LTD.
 ORIENTAL CONSULTANTS GLOBAL CO., LTD.
 METROPOLITAN EXPRESSWAY COMPANY LIMITED
 CHODAI CO., LTD.
 NIPPON ENGINEERING CONSULTANTS CO., LTD.

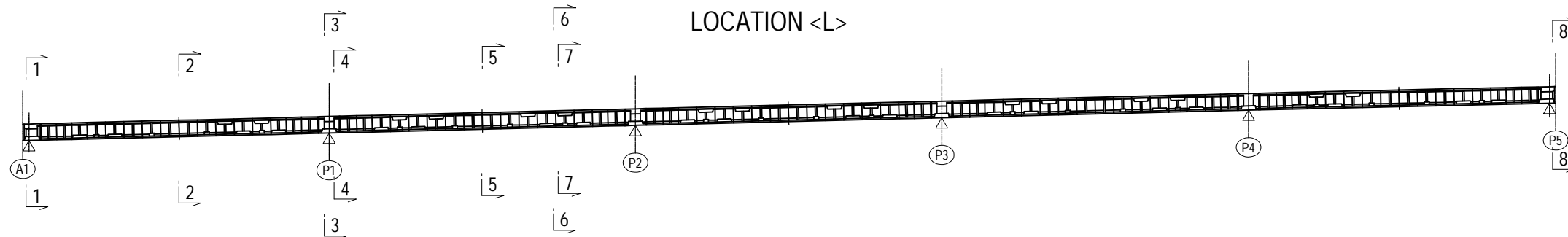
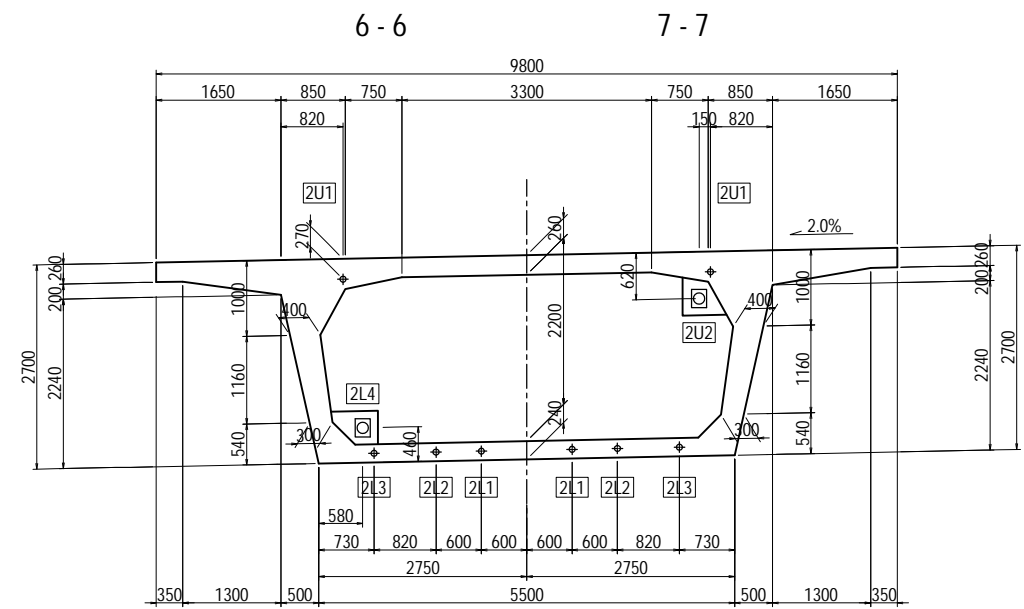
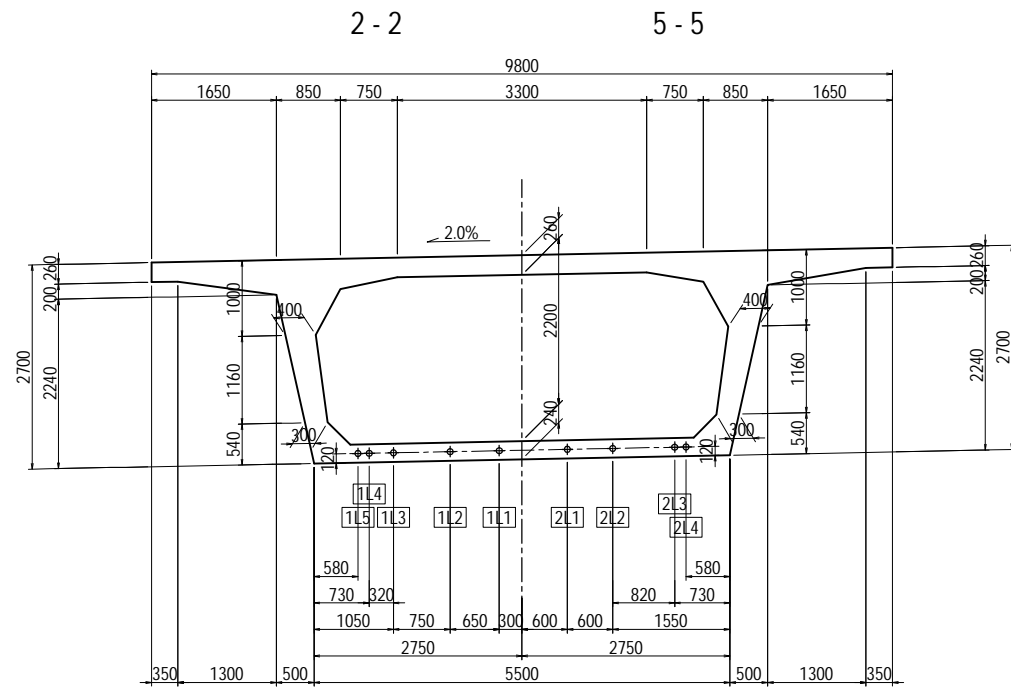
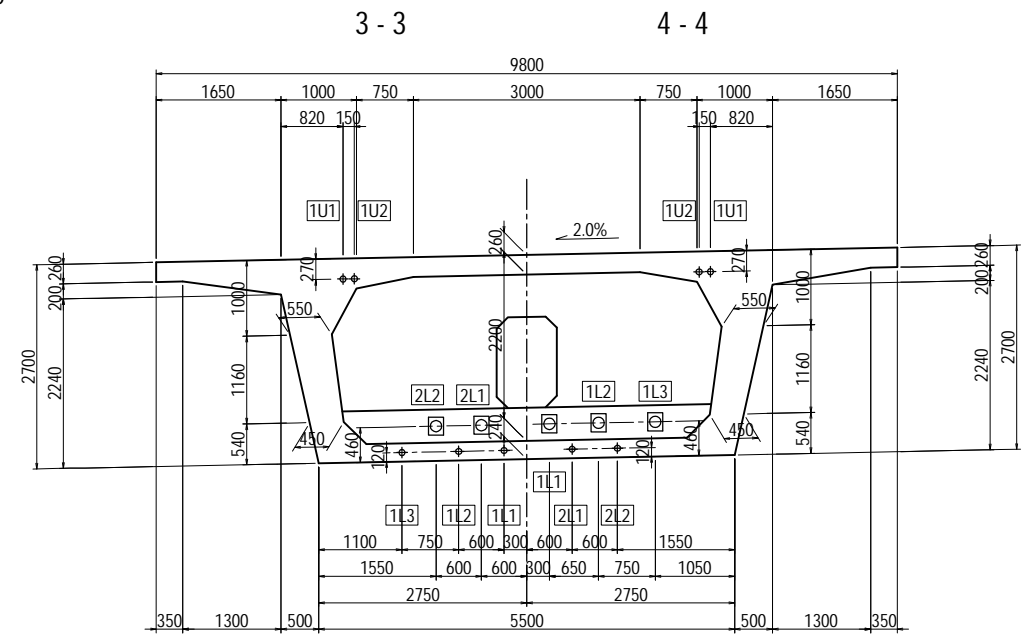
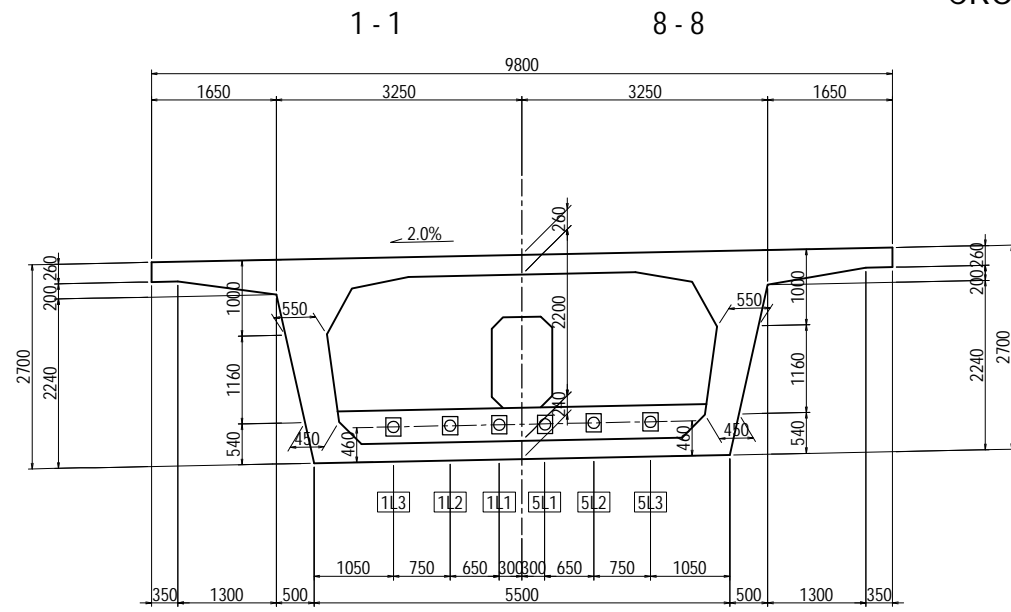
	NAME	SIGNATURE	DATE
PREPARED BY	M. OHYAMA		15 Jun.2017
CHECKED BY	T. HAYAKAWA		20 Jun.2017
APPROVED BY	Y. SANO		21 Jun.2017

DRAWING TITLE
DETAIL OF PRESTRESSING A1-P5 <L> (11)
[INTERNAL TENDON]

PACKAGE
1
DWG No.
P1-PB-1111

DETAIL OF PRESTERSSING A1-P5 <L> (13) [INTERNAL TENDON] S=1:100

CROSS SECTIONS S=1:100

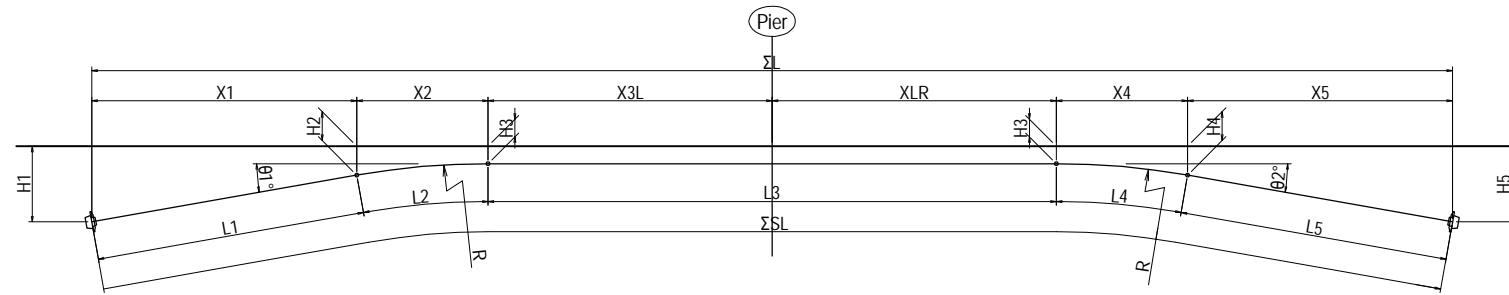


PROJECT NAME DETAILED DESIGN ON BAGO RIVER BRIDGE CONSTRUCTION PROJECT	FINANCED BY JAPAN INTERNATIONAL COOPERATION AGENCY	COUNTERPART REPUBLIC OF THE UNION OF MYANMAR MINISTRY OF CONSTRUCTION DEPARTMENT OF BRIDGE	JICA STUDY TEAM NIPPON KOEI CO., LTD. ORIENTAL CONSULTANTS GLOBAL CO., LTD. METROPOLITAN EXPRESSWAY COMPANY LIMITED CHODAI CO. LTD. NIPPON ENGINEERING CONSULTANTS CO., LTD.	<table border="1" style="width: 100%; border-collapse: collapse;"> <thead> <tr> <th style="width: 15%;">NAME</th> <th style="width: 15%;">SIGNATURE</th> <th style="width: 15%;">DATE</th> </tr> </thead> <tbody> <tr> <td>PREPARED BY M. OHYAMA</td> <td></td> <td>15 Jun.2017</td> </tr> <tr> <td>CHECKED BY T. HAYAKAWA</td> <td></td> <td>20 Jun.2017</td> </tr> <tr> <td>APPROVED BY Y. SANO</td> <td></td> <td>21 Jun.2017</td> </tr> </tbody> </table>	NAME	SIGNATURE	DATE	PREPARED BY M. OHYAMA		15 Jun.2017	CHECKED BY T. HAYAKAWA		20 Jun.2017	APPROVED BY Y. SANO		21 Jun.2017	DRAWING TITLE DETAIL OF PRESTERSSING A1-P5 <L> (13) [INTERNAL TENDON]	PACKAGE 1 DWG No. P1-PB-1113
NAME	SIGNATURE	DATE																
PREPARED BY M. OHYAMA		15 Jun.2017																
CHECKED BY T. HAYAKAWA		20 Jun.2017																
APPROVED BY Y. SANO		21 Jun.2017																

DETAIL OF PRESTRESSING A1-P5 <L> (14) [INTERNAL TENDON]

S=1:100

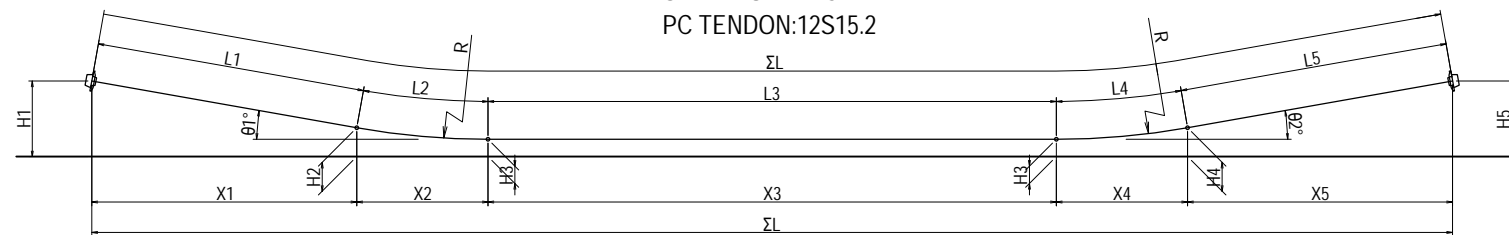
UPPER SLAB CABLE PC TENDON:12S15.2



PC TENDON:12S15.2 (mm)

CABLE NUMBER	NUMBER	θ1	θ2	R	H1	H2	H3	H4	H5	X1	X2	X3L	X3R	X4	X5	ΣX	L1	L2	L3	L4	L5	TOTAL LENGTH
1U1	2	13°	13°	8000	620	475	270	475	620	624	1794	15754	16201	1802	631	36806	644	1815	31963	1815	644	36881
1U2	2	13°	13°	8000	620	475	270	475	620	624	1794	9755	10202	1804	631	24810	644	1815	19964	1815	644	24882
2U1	2	13°	13°	8000	620	475	270	475	620	624	1794	16254	16200	1804	631	37306	644	1815	32463	1815	644	37381
2U2	2	13°	13°	8000	620	475	270	475	620	624	1794	10255	10201	1804	631	25304	644	1815	20463	1815	644	25381
3U1	2	13°	13°	8000	620	475	270	475	620	624	1794	16254	16245	1804	631	37351	644	1815	32509	1815	644	37427
3U2	2	13°	13°	8000	620	475	270	475	620	624	1794	10255	10247	1804	631	25355	644	1815	20509	1815	644	25427
4U1	2	13°	13°	8000	620	475	270	475	620	624	1794	16299	15767	1804	631	36917	644	1815	32074	1815	644	36993
4U2	2	13°	13°	8000	620	475	270	475	620	624	1794	10301	9768	1804	631	24921	644	1815	20074	1815	644	24993

LOWER SLAB CABLE PC TENDON:12S15.2

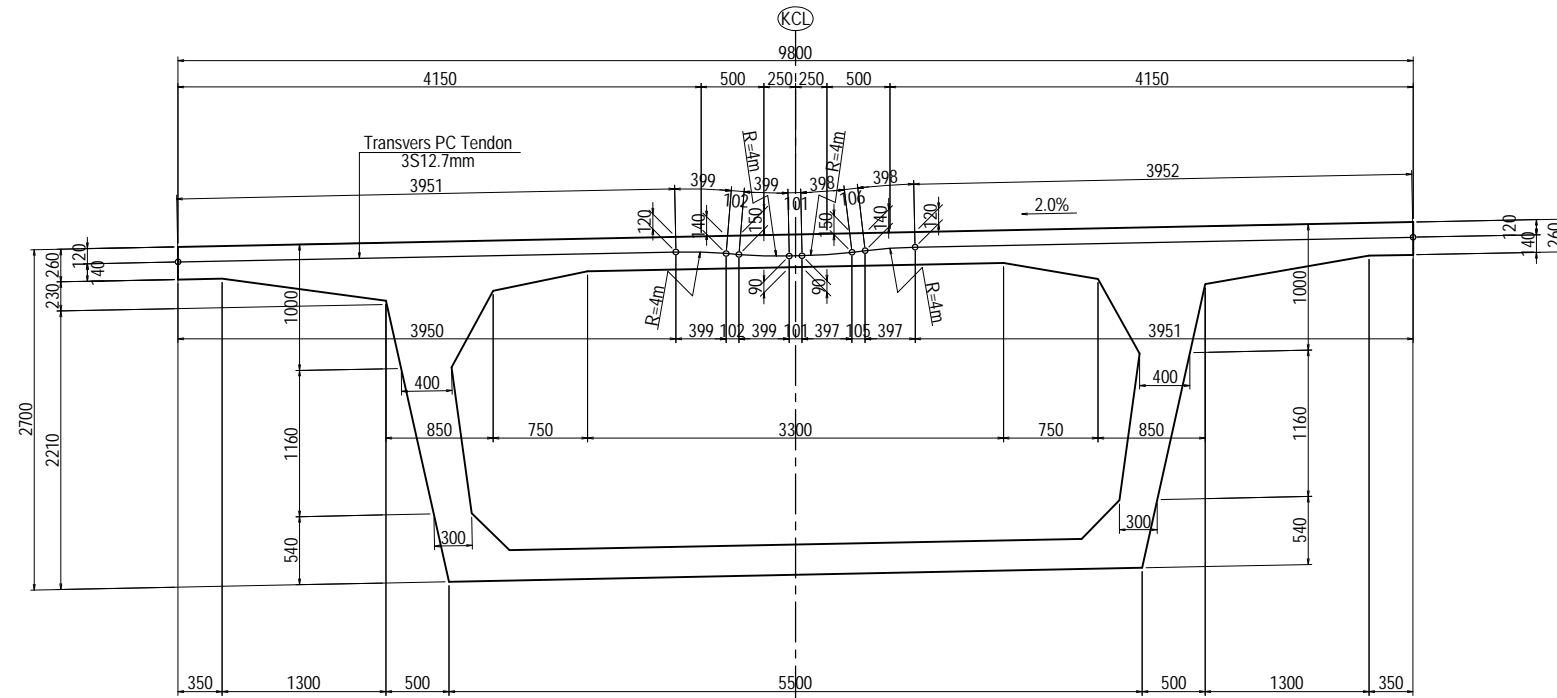


PC TENDON:12S15.2 (mm)

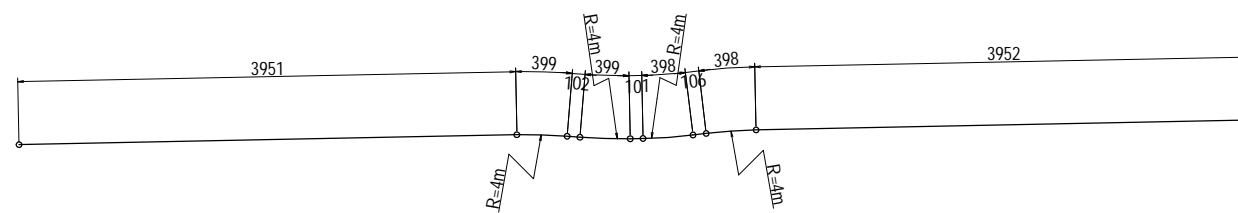
CABLE NUMBER	NUMBER	θ1	θ2	R	H1	H2	H3	H4	H5	X1	X2	X3	X4	X5	ΣX	L1	L2	L3	L4	L5	TOTAL LENGTH
1L1	2	13°	13°	8000	460	325	120	325	460	588	1804	45836	1793	581	50602	600	1815	45850	1815	600	50680
1L2	2	13°	13°	8000	460	325	120	325	460	588	1804	45836	1793	581	50602	600	1815	45850	1815	600	50680
1L3	2	13°	13°	8000	460	325	120	325	460	588	1804	45836	1793	581	50602	600	1815	45850	1815	600	50680
1L4	2	13°	13°	8000	460	325	120	325	460	587	1804	30025	1794	581	34864	599	1815	30035	1815	599	34864
1L5	2	13°	13°	8000	460	325	120	325	460	587	1804	18529	1794	581	23295	599	1815	18535	1815	599	23364
2L1	2	13°	13°	8000	460	325	120	325	460	588	1804	47536	1793	581	52302	600	1815	47551	1815	600	52381
2L2	2	13°	13°	8000	460	325	120	325	460	588	1804	47536	1793	581	52302	600	1815	47551	1815	600	52381
2L3	2	13°	13°	8000	460	325	120	325	460	587	1804	30525	1794	581	35291	599	1815	30535	1815	599	35364
2L4	2	13°	13°	8000	460	325	120	325	460	587	1804	18529	1794	581	23295	599	1815	18535	1815	599	23364
3L1	2	13°	13°	8000	460	325	120	325	460	588	1804	47536	1793	581	52302	600	1815	47551	1815	600	52381
3L2	2	13°	13°	8000	460	325	120	325	460	588	1804	47536	1793	581	52302	600	1815	47551	1815	600	52381
3L3	2	13°	13°	8000	460	325	120	325	460	587	1804	30525	1794	581	35291	599	1815	30535	1815	599	35364
3L4	2	13°	13°	8000	460	325	120	325	460	587	1804	18529	1794	581	23295	599	1815	18535	1815	599	23364
4L1	2	13°	13°	8000	460	325	120	322	460	588	1803	47633	1777	593	52393	600	1814	47648	1797	612	52471
4L2	2	13°	13°	8000	460	325	120	322	460	588	1803	47633	1777	593	52393	600	1814	47648	1797	612	52471
4L3	2	13°	13°	8000	460	325	120	325	460	587	1804	30525	1794	581	35291	599	1815	30535	1815	599	35364
4L4	2	13°	13°	8000	460	325	120	325	460	587	1804	18529	1794	581	23295	599	1815	18535	1815	599	23364
5L1	2	13°	13°	8000	460	322	120	325	460	599	1786	45971	1794	581	50732	612	1797	45983	1815	600	50807
5L2	2	13°	13°	8000	460	322	120	325	460	599	1786	45971	1794	581	50732	612	1797	45983	1815	600	50807
5L3	2	13°	13°	8000	460	322	120	325	460	599	1786	45971	1794	581	50732	612	1797	45983	1815	600	50807
5L4	2	13°	13°	8000	460	325	120	325	460	587	1804	30027	1794	581	34793	600	1815	30034	1815	600	34864
5L5	2	13°	13°	8000	460	325	120	325	460	587	1804	18530	1794	581	23296	600	1815	18534	1815	600	23364

DETAIL OF PRESTRESSING A1-P5 <L> (15) [SLAB]

CROSS SECTIONS S=1:60



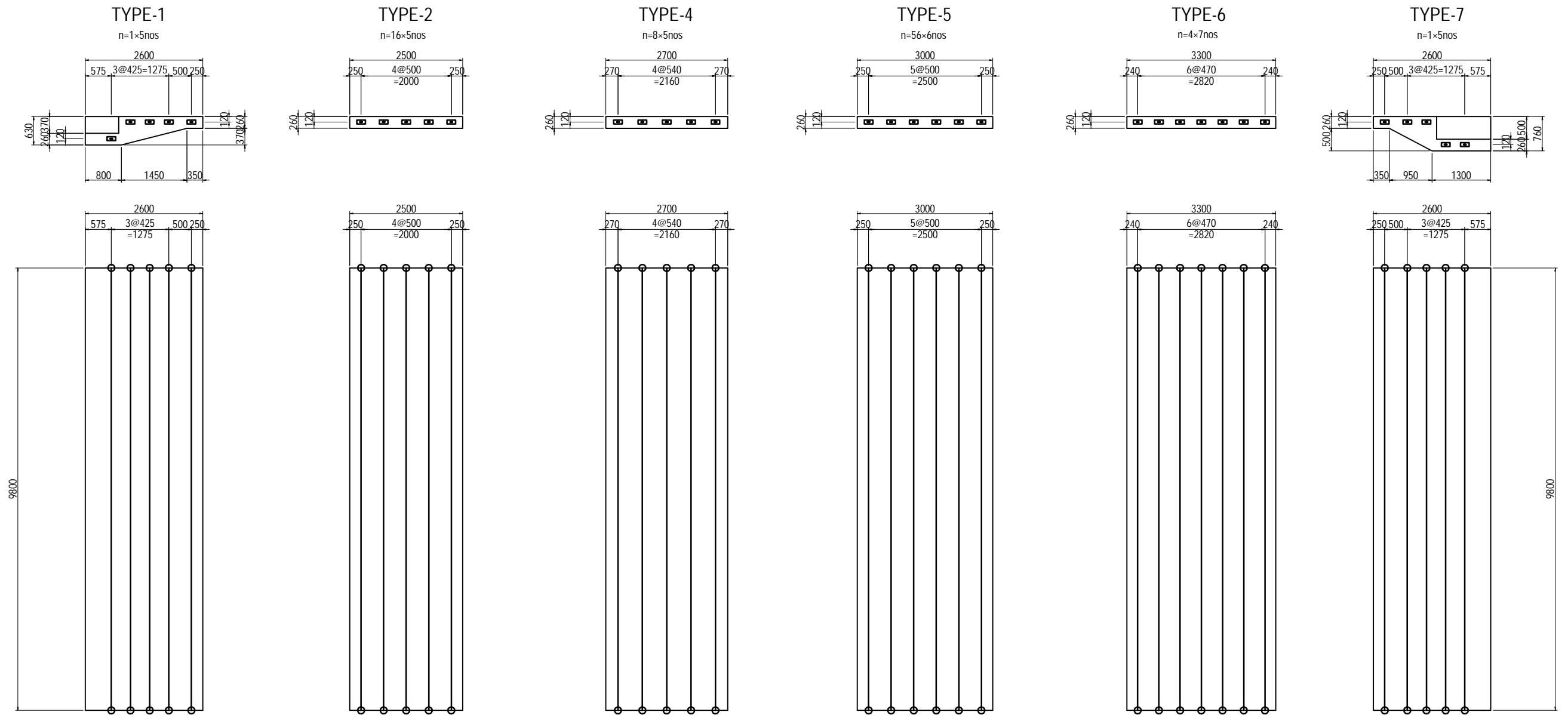
TRANSVERSAL CABLE



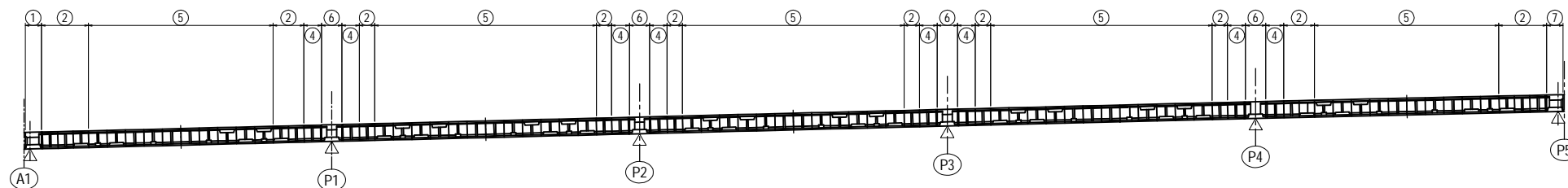
(S1) 3S12.7 L=9806mm
n=494 nos

PROJECT NAME	FINANCED BY	COUNTERPART	JICA STUDY TEAM	NAME	SIGNATURE	DATE	DRAWING TITLE	PACKAGE	
DETAILED DESIGN ON BAGO RIVER BRIDGE CONSTRUCTION PROJECT	JAPAN INTERNATIONAL COOPERATION AGENCY	REPUBLIC OF THE UNION OF MYANMAR MINISTRY OF CONSTRUCTION DEPARTMENT OF BRIDGE	NIPPON KOEI CO., LTD. ORIENTAL CONSULTANTS GLOBAL CO., LTD. METROPOLITAN EXPRESSWAY COMPANY LIMITED CHODAI CO., LTD. NIPPON ENGINEERING CONSULTANTS CO., LTD.	PREPARED BY	M. OHYAMA	大山 満弘	15 Jun.2017	DETAIL OF PRESTRESSING A1-P5 <L> (15) [SLAB]	1
				CHECKED BY	T. HAYAKAWA	平川 和孝	20 Jun.2017		DWG No.
				APPROVED BY	Y. SANO	佐野 祐一	21 Jun.2017		P1-PB-1115

DETAIL OF PRESTRESSING A1-P5 <L> (16) [SLAB] S=1:100



LOCATION <L>



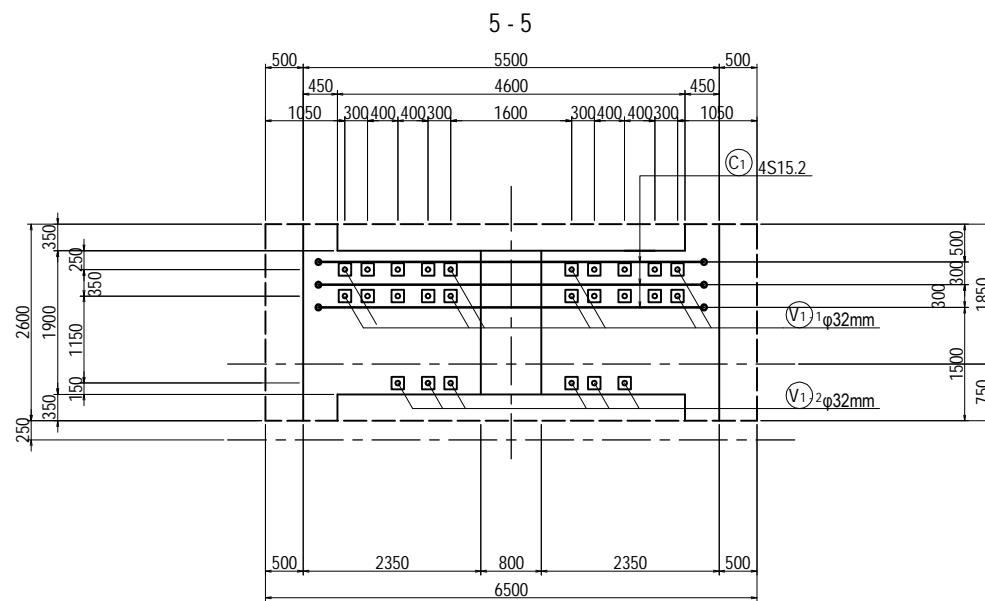
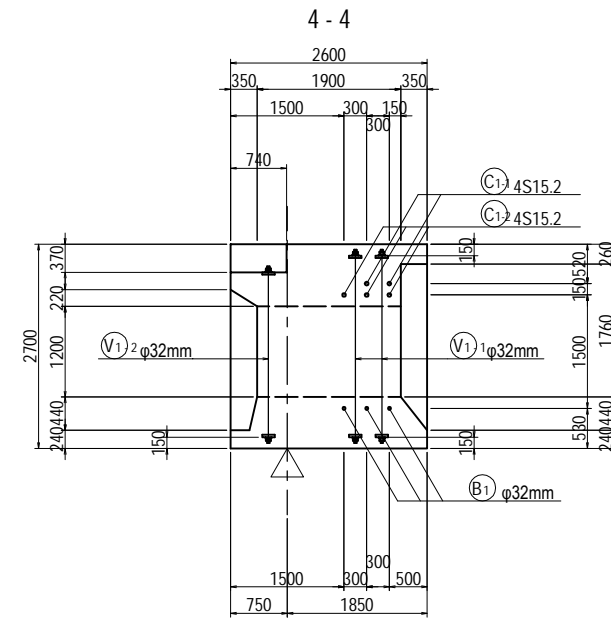
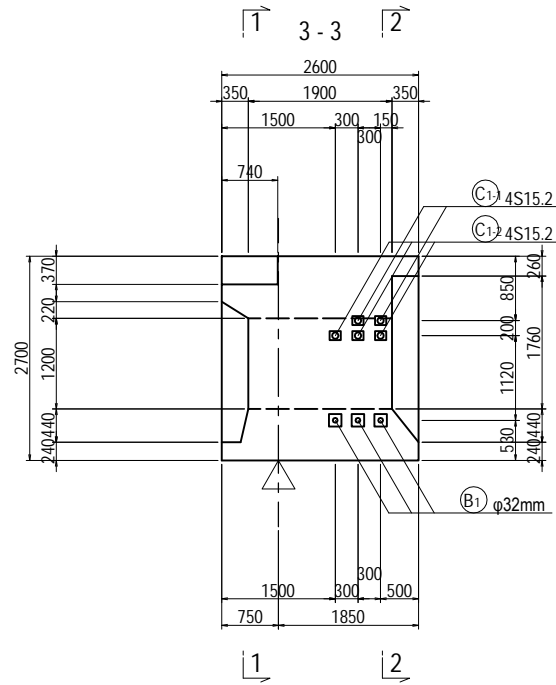
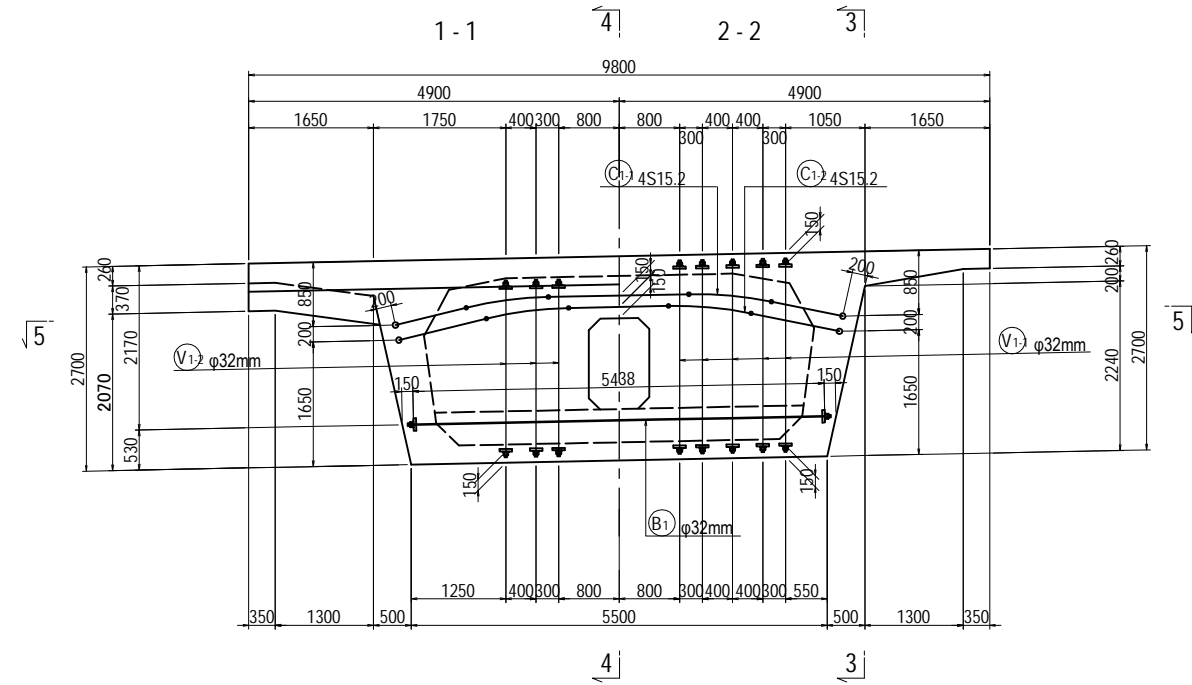
- Notes
- Alternating tension from one side.
 - Reinforcement for tendon anchorage such as grid rebar shall be arranged sufficiently.
 - Jacking force = 1300N/mm²

PROJECT NAME DETAILED DESIGN ON BAGO RIVER BRIDGE CONSTRUCTION PROJECT	FINANCED BY JAPAN INTERNATIONAL COOPERATION AGENCY	COUNTERPART REPUBLIC OF THE UNION OF MYANMAR MINISTRY OF CONSTRUCTION DEPARTMENT OF BRIDGE	JICA STUDY TEAM NIPPON KOEI CO., LTD. ORIENTAL CONSULTANTS GLOBAL CO., LTD. METROPOLITAN EXPRESSWAY COMPANY LIMITED CHODAI CO., LTD. NIPPON ENGINEERING CONSULTANTS CO., LTD.	<table border="1" style="width: 100%; border-collapse: collapse;"> <thead> <tr> <th style="width: 10%;">NAME</th> <th style="width: 10%;">SIGNATURE</th> <th style="width: 10%;">DATE</th> </tr> </thead> <tbody> <tr> <td>PREPARED BY</td> <td>M. OHYAMA</td> <td>15 Jun.2017</td> </tr> <tr> <td>CHECKED BY</td> <td>T. HAYAKAWA</td> <td>20 Jun.2017</td> </tr> <tr> <td>APPROVED BY</td> <td>Y. SANO</td> <td>21 Jun.2017</td> </tr> </tbody> </table>	NAME	SIGNATURE	DATE	PREPARED BY	M. OHYAMA	15 Jun.2017	CHECKED BY	T. HAYAKAWA	20 Jun.2017	APPROVED BY	Y. SANO	21 Jun.2017	DRAWING TITLE DETAIL OF PRESTRESSING A1-P5 <L> (16) [SLAB]	PACKAGE 1 DWG No. P1-PB-1116
NAME	SIGNATURE	DATE																
PREPARED BY	M. OHYAMA	15 Jun.2017																
CHECKED BY	T. HAYAKAWA	20 Jun.2017																
APPROVED BY	Y. SANO	21 Jun.2017																

DETAIL OF PRESTRESSING A1-P5 <L> (17) [END CROSSBEAM]

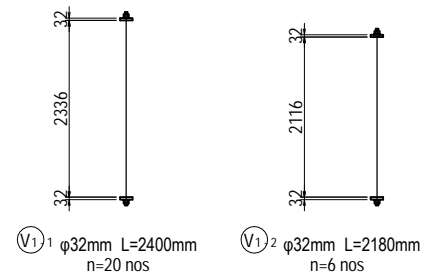
S=1:100

CROSS SECTIONS

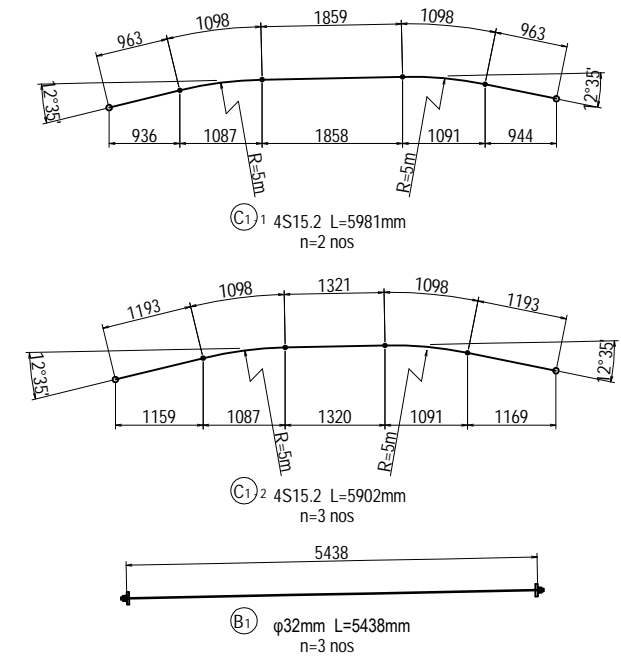


DETAIL DIMENSION OF TENDON

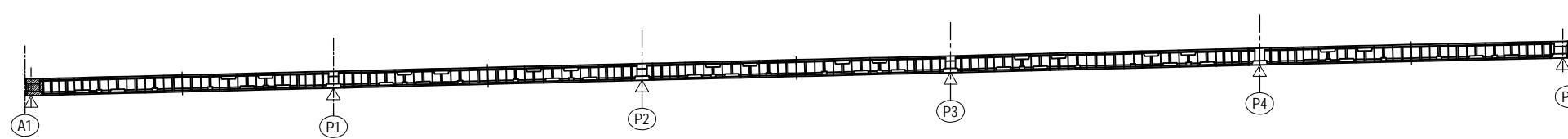
VERTICAL CABLE



TRANSVERSAL CABLE



LOCATION <L>



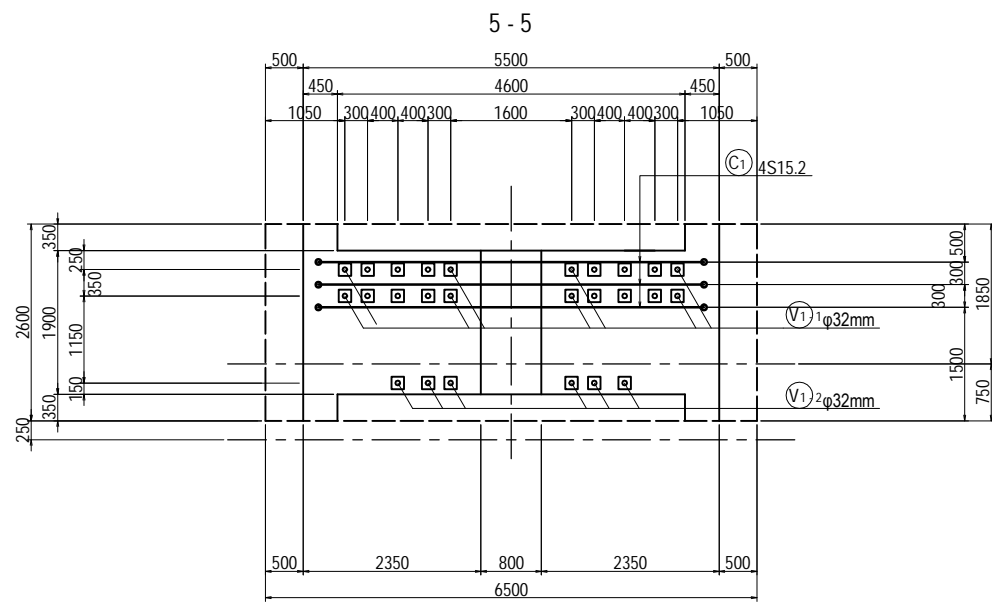
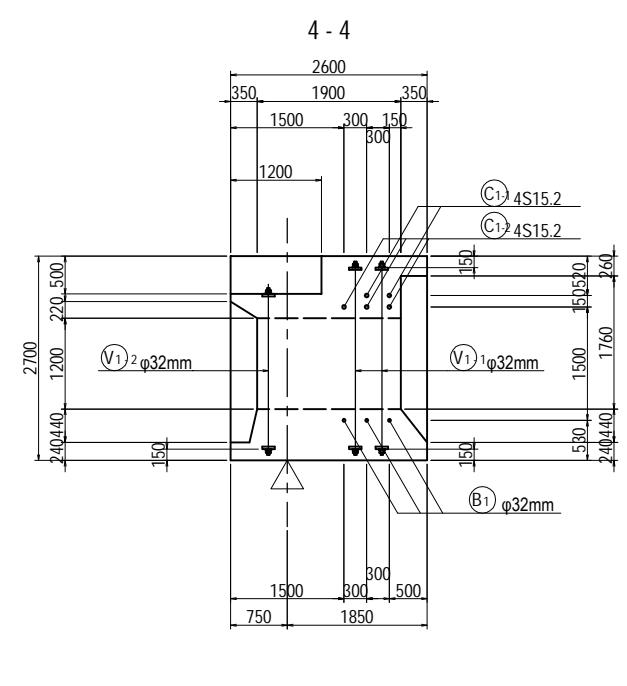
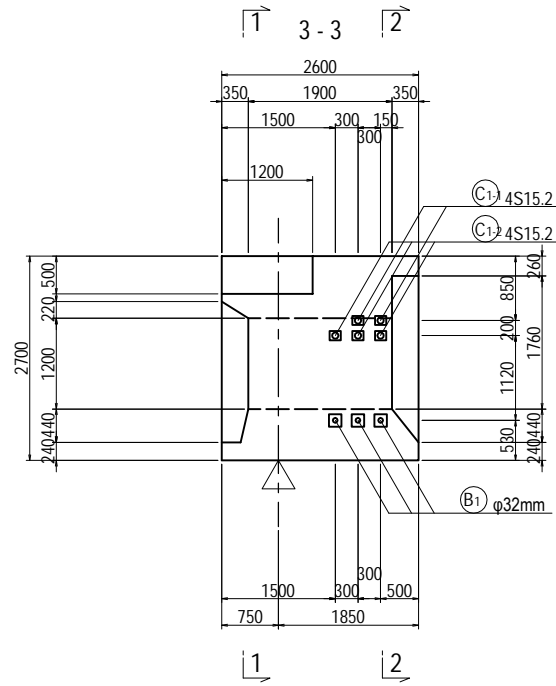
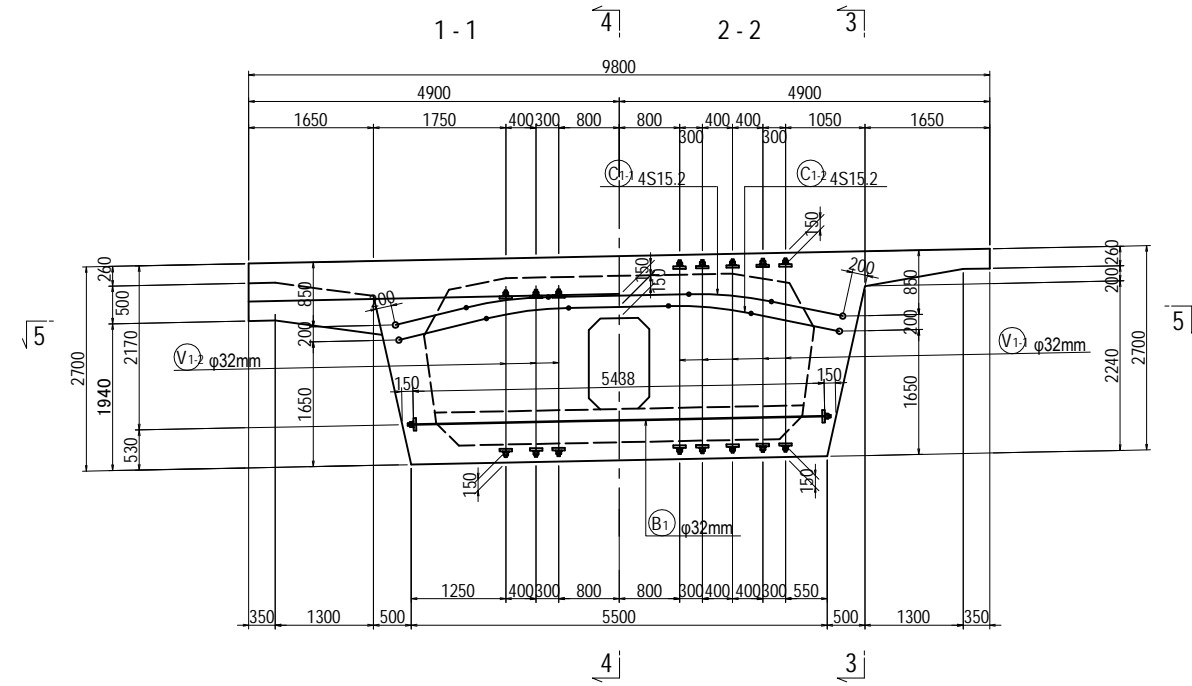
- Notes
- Transverse tendon shall be tensioned from one side alternately.
 - Vertical tendon shall be tensioned at top.
 - Reinforcement for tendon anchorage such as grid rebar shall be arranged sufficiently.
 - Jacking force = 1300N/mm²(4S15.2)
 - Jacking force = 800N/mm²(PT bar)

PROJECT NAME DETAILED DESIGN ON BAGO RIVER BRIDGE CONSTRUCTION PROJECT	FINANCED BY JICA JAPAN INTERNATIONAL COOPERATION AGENCY	COUNTERPART REPUBLIC OF THE UNION OF MYANMAR MINISTRY OF CONSTRUCTION DEPARTMENT OF BRIDGE	JICA STUDY TEAM NIPPON KOEI CO., LTD. ORIENTAL CONSULTANTS GLOBAL CO., LTD. METROPOLITAN EXPRESSWAY COMPANY LIMITED CHODAI CO., LTD. NIPPON ENGINEERING CONSULTANTS CO., LTD.	NAME	SIGNATURE	DATE	DRAWING TITLE DETAIL OF PRESTRESSING A1-P5 <L> (17) [END CROSSBEAM]	PACKAGE 1 DWG No. P1-PB-1117	
				PREPARED BY	M. OHYAMA	大山 満弘			15 Jun.2017
				CHECKED BY	T. HAYAKAWA	林川 知寿			20 Jun.2017
				APPROVED BY	Y. SANO	酒野 裕一			21 Jun.2017

DETAIL OF PRESTRESSING A1-P5 <L> (18) [END CROSSBEAM]

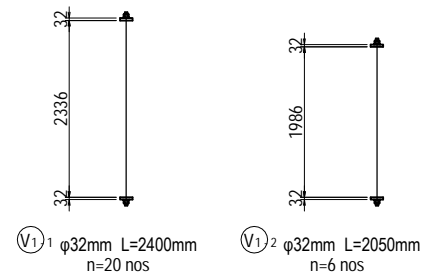
S=1:100

CROSS SECTIONS

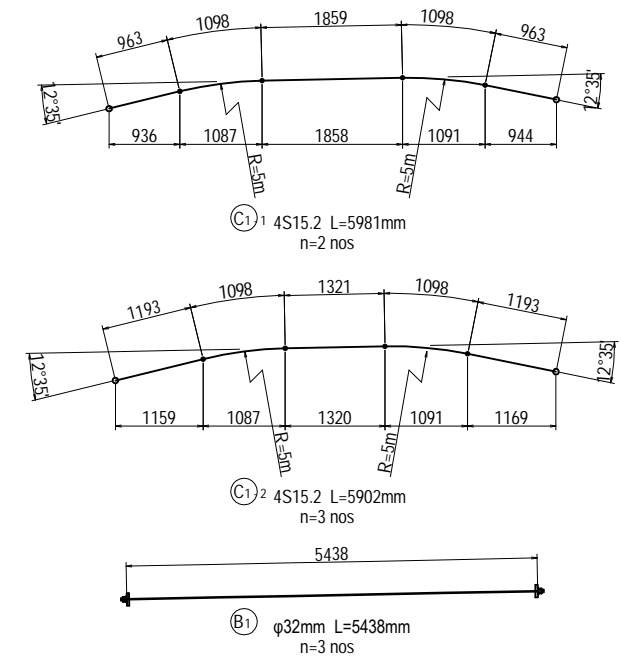


DETAIL DIMENSION OF TENDON

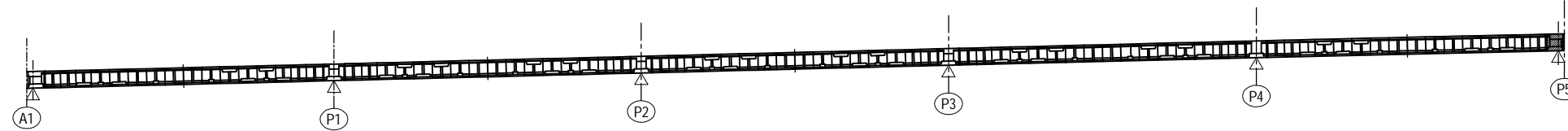
VERTICAL CABLE



TRANSVERSAL CABLE



LOCATION <L>

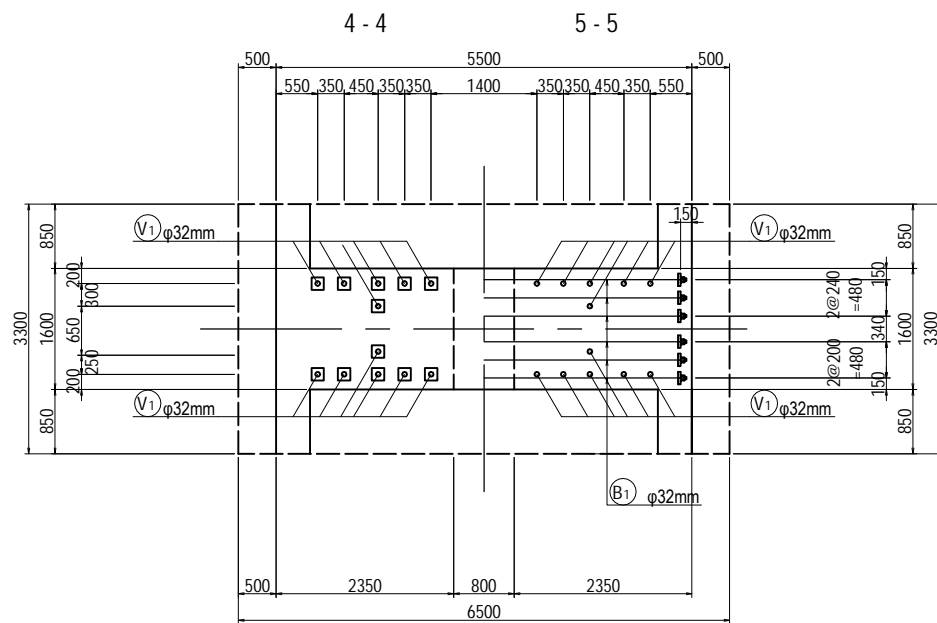
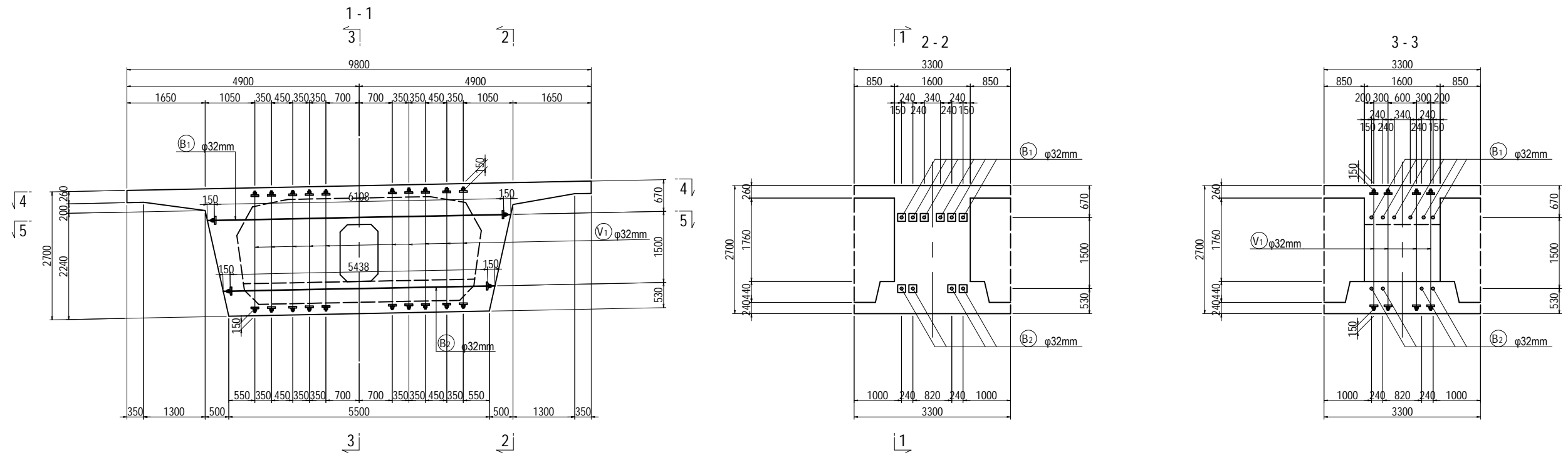


- Notes
- Transverse tendon shall be tensioned from one side alternately.
 - Vertical tendon shall be tensioned at top.
 - Reinforcement for tendon anchorage such as grid rebar shall be arranged sufficiently.
 - Jacking force = 1300N/mm²(4S15.2)
 - Jacking force = 800N/mm²(PT bar)

PROJECT NAME DETAILED DESIGN ON BAGO RIVER BRIDGE CONSTRUCTION PROJECT	FINANCED BY JAPAN INTERNATIONAL COOPERATION AGENCY	COUNTERPART REPUBLIC OF THE UNION OF MYANMAR MINISTRY OF CONSTRUCTION DEPARTMENT OF BRIDGE	JICA STUDY TEAM NIPPON KOEI CO., LTD. ORIENTAL CONSULTANTS GLOBAL CO., LTD. METROPOLITAN EXPRESSWAY COMPANY LIMITED CHODAI CO., LTD. NIPPON ENGINEERING CONSULTANTS CO., LTD.	NAME	SIGNATURE	DATE	DRAWING TITLE DETAIL OF PRESTRESSING A1-P5 <L> (18) [END CROSSBEAM]	PACKAGE 1 DWG No. P1-PB-1118	
				PREPARED BY	M. OHYAMA				15 Jun.2017
				CHECKED BY	T. HAYAKAWA				20 Jun.2017
				APPROVED BY	Y. SANO				21 Jun.2017

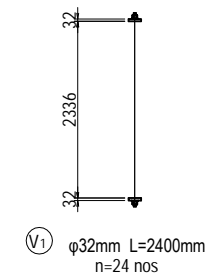
DETAIL OF PRESTRESSING A1-P5 <L> (19) [INTERMEDIATE CROSSBEAM]

S=1:100

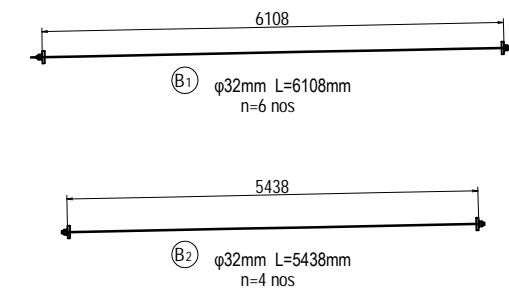


DETAIL DIMENSION OF TENDON

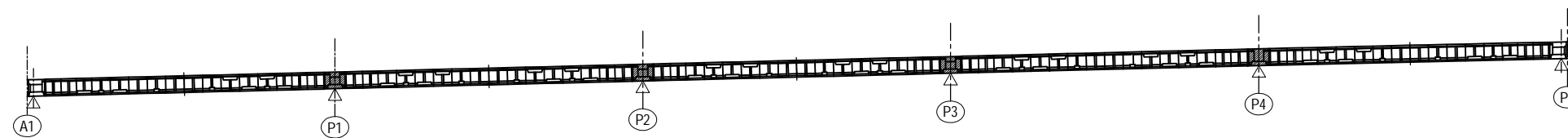
VERTICAL CABLE



TRANSVERSAL CABLE



LOCATION <L>

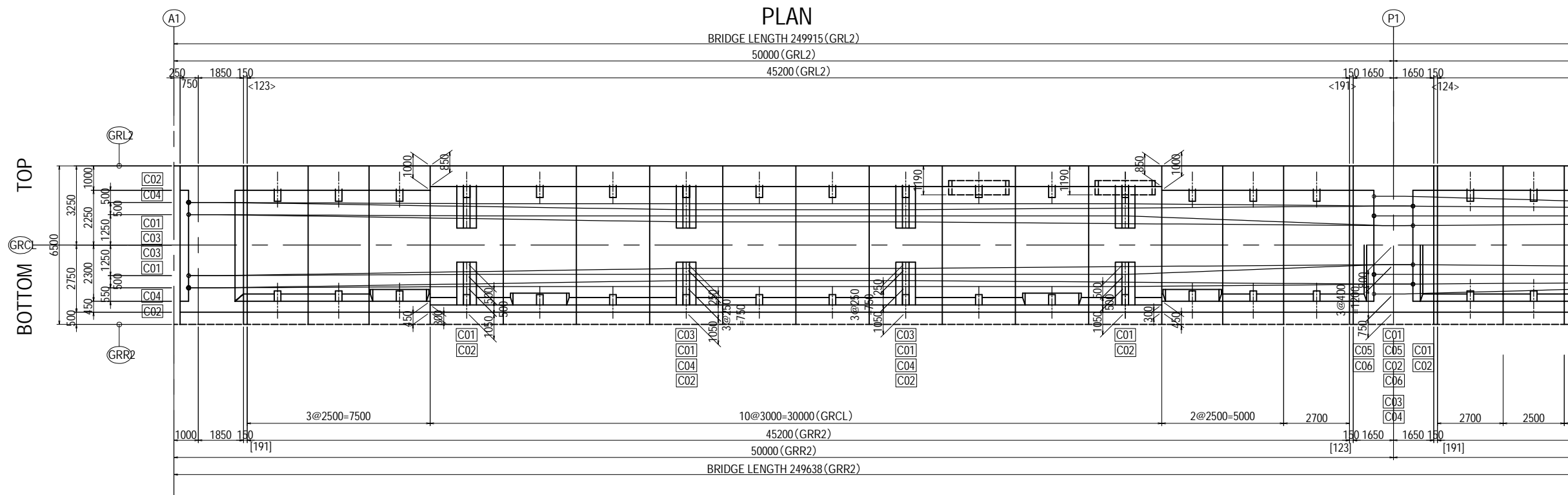
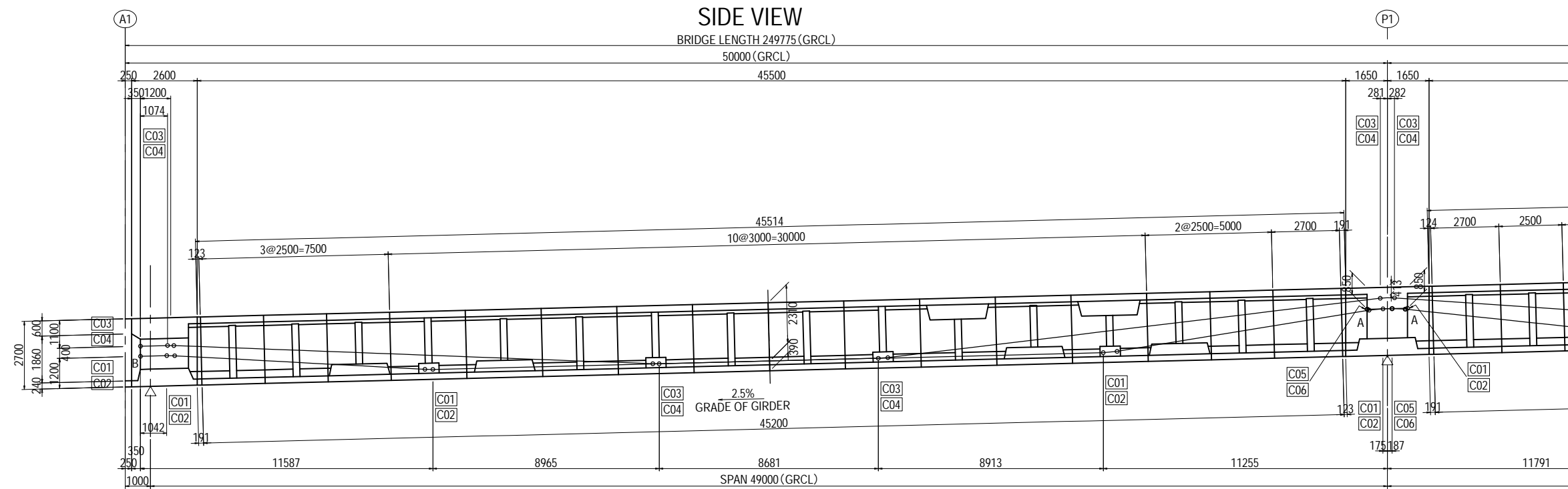


- Notes
- Transverse tendon shall be tensioned from one side alternately.
 - Vertical tendon shall be tensioned at top.
 - Reinforcement for tendon anchorage such as grid rebar shall be arranged sufficiently.
 - Jacking force = 800N/mm²(PT bar)

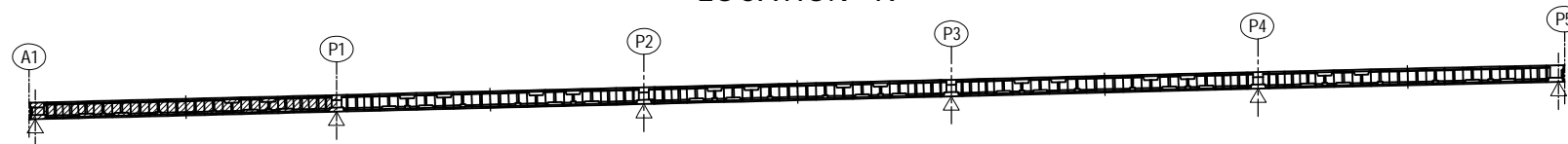
PROJECT NAME DETAILED DESIGN ON BAGO RIVER BRIDGE CONSTRUCTION PROJECT	FINANCED BY JAPAN INTERNATIONAL COOPERATION AGENCY	COUNTERPART REPUBLIC OF THE UNION OF MYANMAR MINISTRY OF CONSTRUCTION DEPARTMENT OF BRIDGE	JICA STUDY TEAM NIPPON KOEI CO., LTD. ORIENTAL CONSULTANTS GLOBAL CO., LTD. METROPOLITAN EXPRESSWAY COMPANY LIMITED CHODAI CO., LTD. NIPPON ENGINEERING CONSULTANTS CO., LTD.	NAME	SIGNATURE	DATE	DRAWING TITLE DETAIL OF PRESTRESSING A1-P5 <L> (19) [INTERMEDIATE CROSSBEAM]	PACKAGE	
				PREPARED BY	M. OHYAMA			15 Jun.2017	1
				CHECKED BY	T. HAYAKAWA			20 Jun.2017	DWG No.
				APPROVED BY	Y. SANO			21 Jun.2017	P1-PB-1119

DETAIL OF PRESTRESSING A1-P5 <R> (1) [EXTERNAL TENDON]

S=1:200



LOCATION <R>

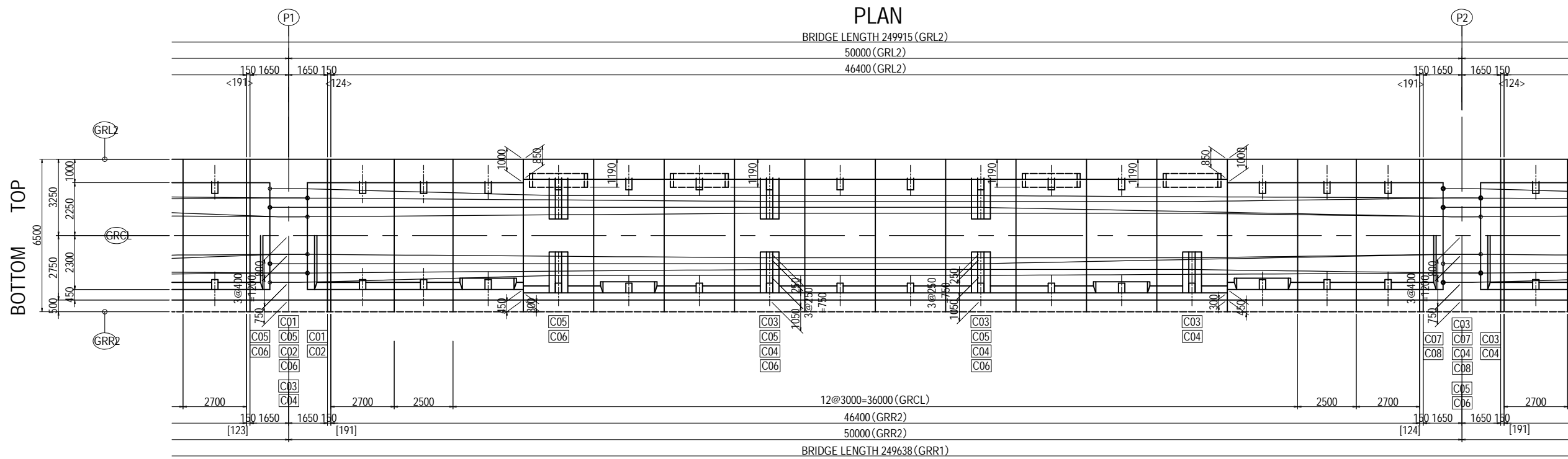
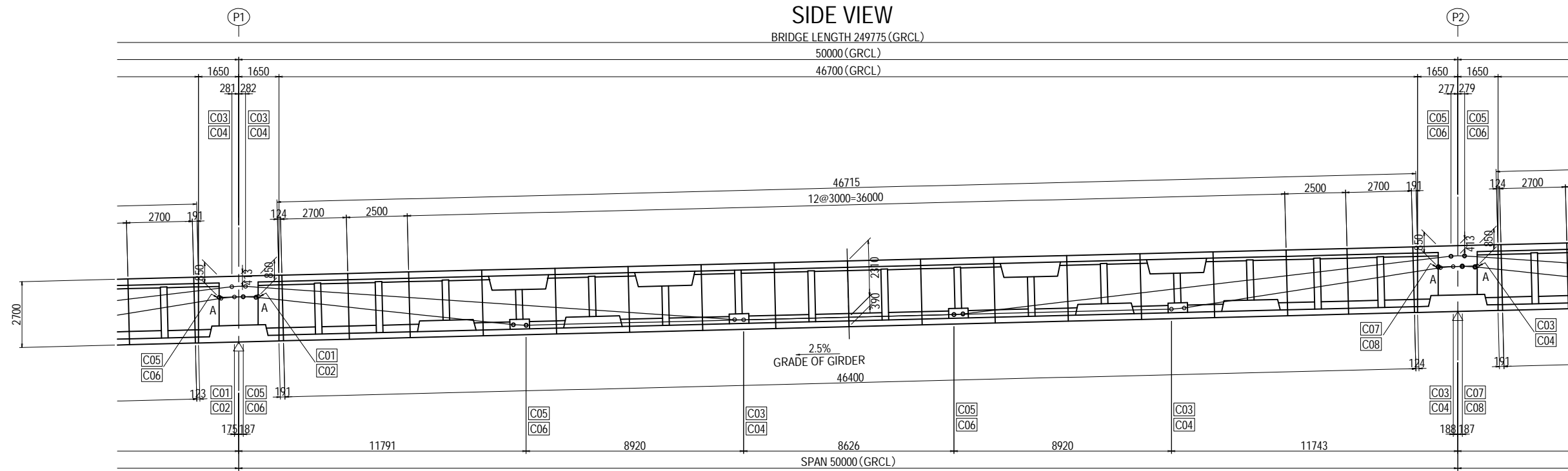


- Notes
- Values in <> / [] are at the top/bottom of the girder accordingly.
 - Reinforcement for tendon anchorage such as grid rebar shall be arranged sufficiently.
 - Jacking force = 1250 N/mm²
 - A:Tension
 - B:Fixed

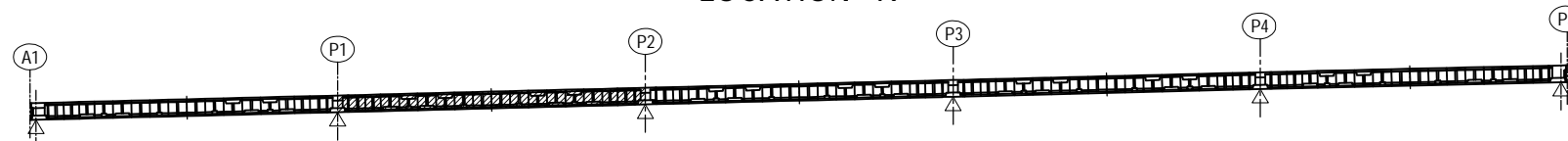
PROJECT NAME DETAILED DESIGN ON BAGO RIVER BRIDGE CONSTRUCTION PROJECT	FINANCED BY JAPAN INTERNATIONAL COOPERATION AGENCY	COUNTERPART REPUBLIC OF THE UNION OF MYANMAR MINISTRY OF CONSTRUCTION DEPARTMENT OF BRIDGE	JICA STUDY TEAM NIPPON KOEI CO., LTD. ORIENTAL CONSULTANTS GLOBAL CO., LTD. METROPOLITAN EXPRESSWAY COMPANY LIMITED CHODAI CO., LTD. NIPPON ENGINEERING CONSULTANTS CO., LTD.	NAME	SIGNATURE	DATE	DRAWING TITLE DETAIL OF PRESTRESSING A1-P5 <R> (1) [EXTERNAL TENDON]	PACKAGE 1 DWG No. P1-PB-1151	
				PREPARED BY	M. OHYAMA				15 Jun.2017
				CHECKED BY	T. HAYAKAWA				20 Jun.2017
				APPROVED BY	Y. SANO				21 Jun.2017

DETAIL OF PRESTRESSING A1-P5 <R> (2) [EXTERNAL TENDON]

S=1:200



LOCATION <R>

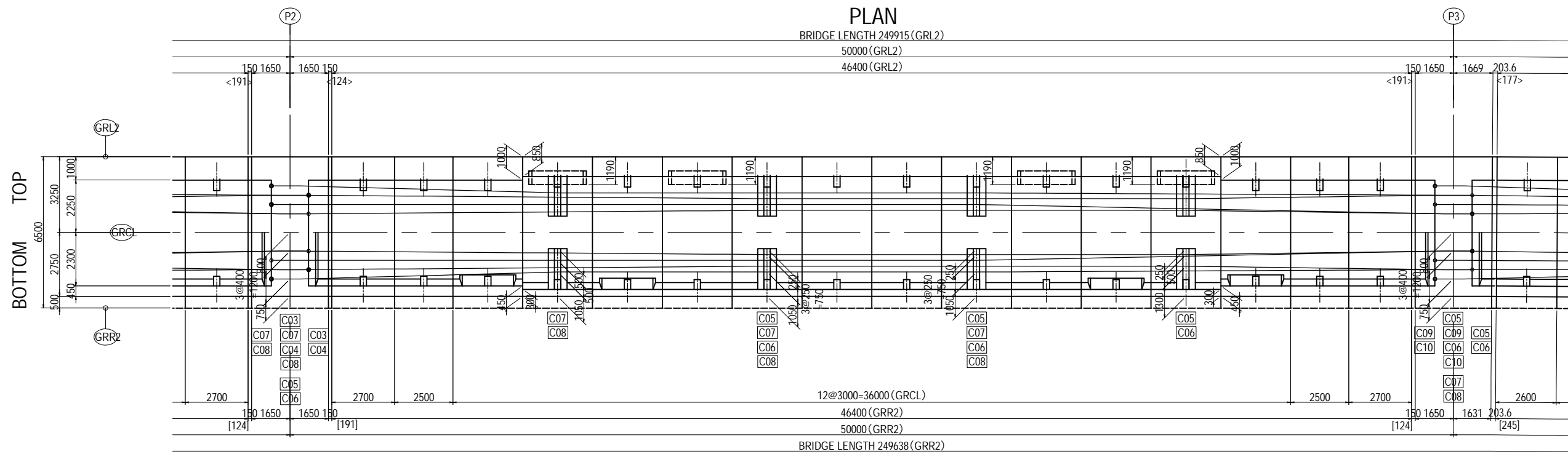
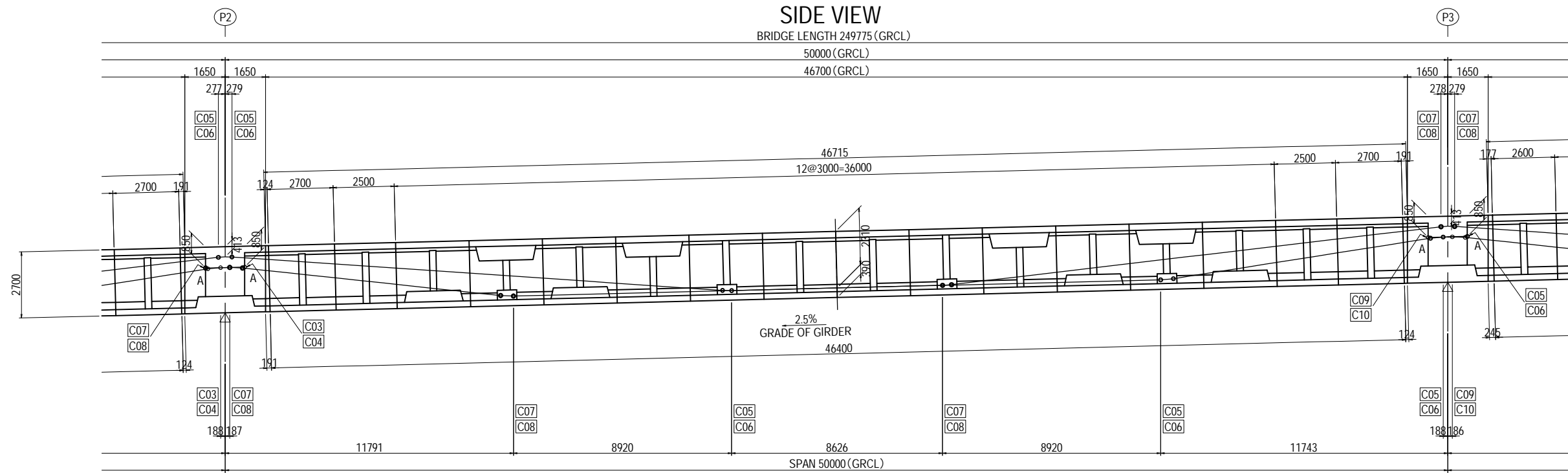


- Notes
- Values in < > / [] are at the top/bottom of the girder accordingly.
 - Reinforcement for tendon anchorage such as grid rebar shall be arranged sufficiently.
 - Jacking force = 1250 N/mm²
 - A:Tension
 - B:Fixed

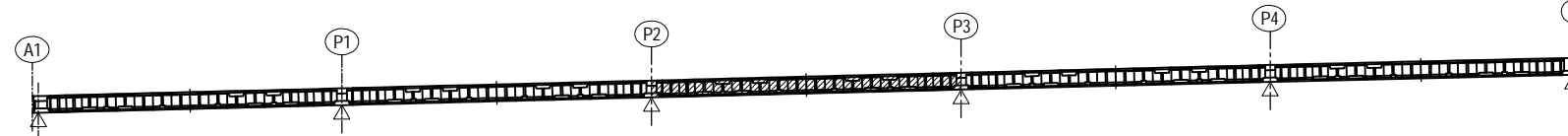
PROJECT NAME DETAILED DESIGN ON BAGO RIVER BRIDGE CONSTRUCTION PROJECT	FINANCED BY JAPAN INTERNATIONAL COOPERATION AGENCY	COUNTERPART REPUBLIC OF THE UNION OF MYANMAR MINISTRY OF CONSTRUCTION DEPARTMENT OF BRIDGE	JICA STUDY TEAM NIPPON KOEI CO., LTD. ORIENTAL CONSULTANTS GLOBAL CO., LTD. METROPOLITAN EXPRESSWAY COMPANY LIMITED CHODAI CO., LTD. NIPPON ENGINEERING CONSULTANTS CO., LTD.	NAME	SIGNATURE	DATE	DRAWING TITLE DETAIL OF PRESTRESSING A1-P5 <R> (2) [EXTERNAL TENDON]	PACKAGE 1 DWG No. P1-PB-1152	
				PREPARED BY	M. OHYAMA				15 Jun.2017
				CHECKED BY	T. HAYAKAWA				20 Jun.2017
				APPROVED BY	Y. SANO				21 Jun.2017

DETAIL OF PRESTRESSING A1-P5 <R> (3) [EXTERNAL TENDON]

S=1:200



LOCATION <R>

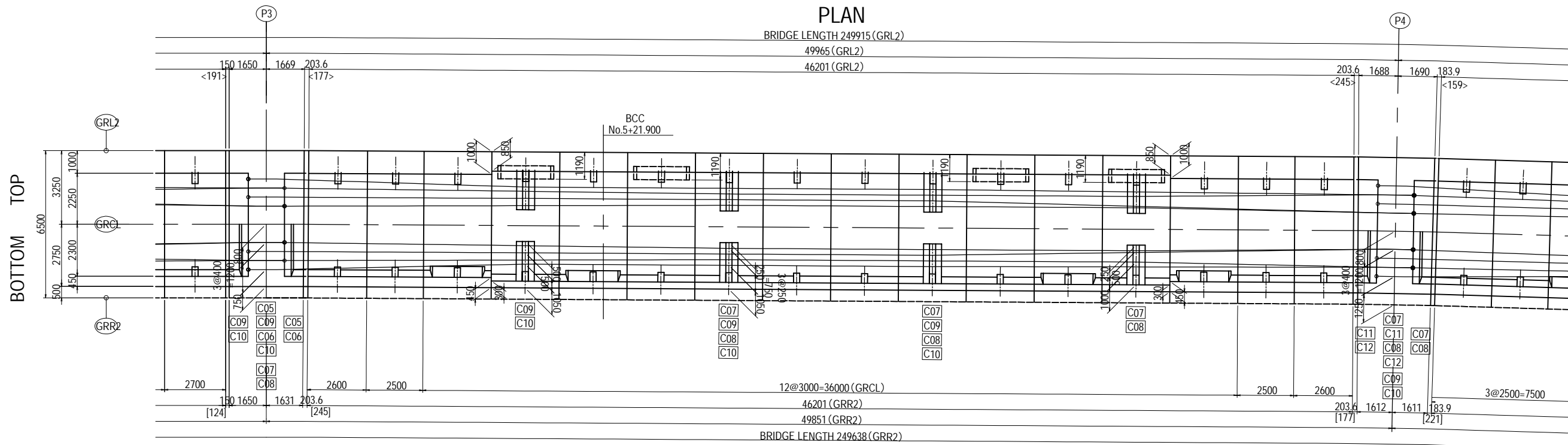
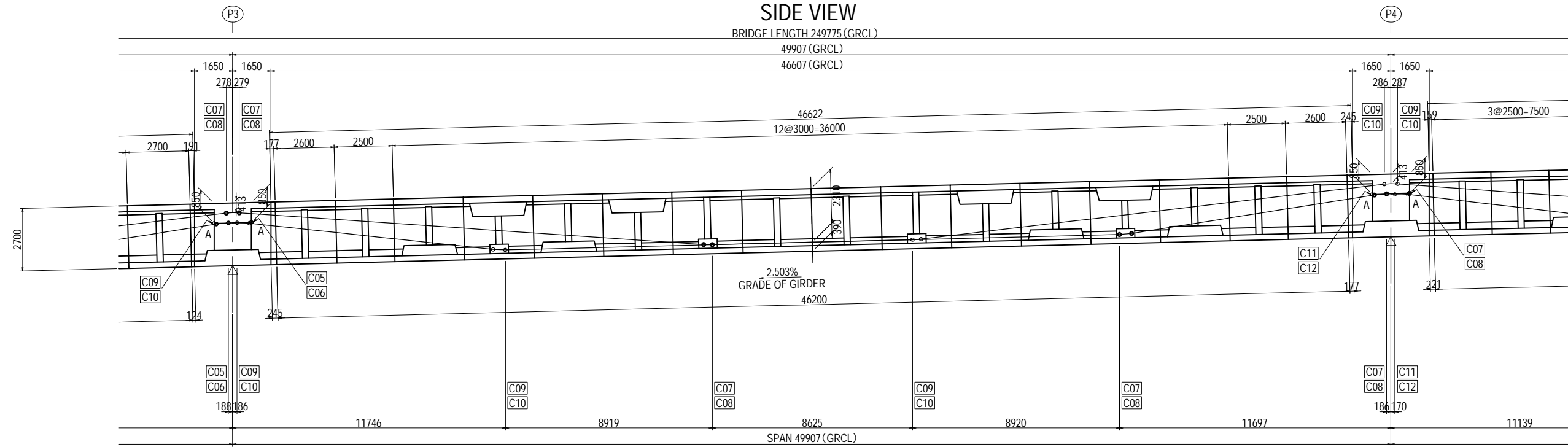


- Notes
- Values in < > / [] are at the top/bottom of the girder accordingly.
 - Reinforcement for tendon anchorage such as grid rebar shall be arranged sufficiently.
 - Jacking force = 1250 N/mm²
 - A:Tension
 - B:Fixed

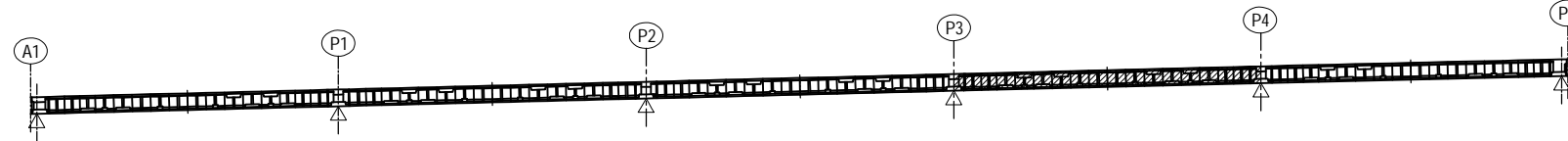
PROJECT NAME DETAILED DESIGN ON BAGO RIVER BRIDGE CONSTRUCTION PROJECT	FINANCED BY JAPAN INTERNATIONAL COOPERATION AGENCY	COUNTERPART REPUBLIC OF THE UNION OF MYANMAR MINISTRY OF CONSTRUCTION DEPARTMENT OF BRIDGE	JICA STUDY TEAM NIPPON KOEI CO., LTD. ORIENTAL CONSULTANTS GLOBAL CO., LTD. METROPOLITAN EXPRESSWAY COMPANY LIMITED CHODAI CO., LTD. NIPPON ENGINEERING CONSULTANTS CO., LTD.	NAME	SIGNATURE	DATE	DRAWING TITLE DETAIL OF PRESTRESSING A1-P5 <R> (3) [EXTERNAL PC TENDON]	PACKAGE 1 DWG No. P1-PB-1153	
				PREPARED BY	M. OHYAMA				15 Jun.2017
				CHECKED BY	T. HAYAKAWA				20 Jun.2017
				APPROVED BY	Y. SANO				21 Jun.2017

DETAIL OF PRESTRESSING A1-P5 <R> (4) [EXTERNAL TENDON]

S=1:200



LOCATION <R>

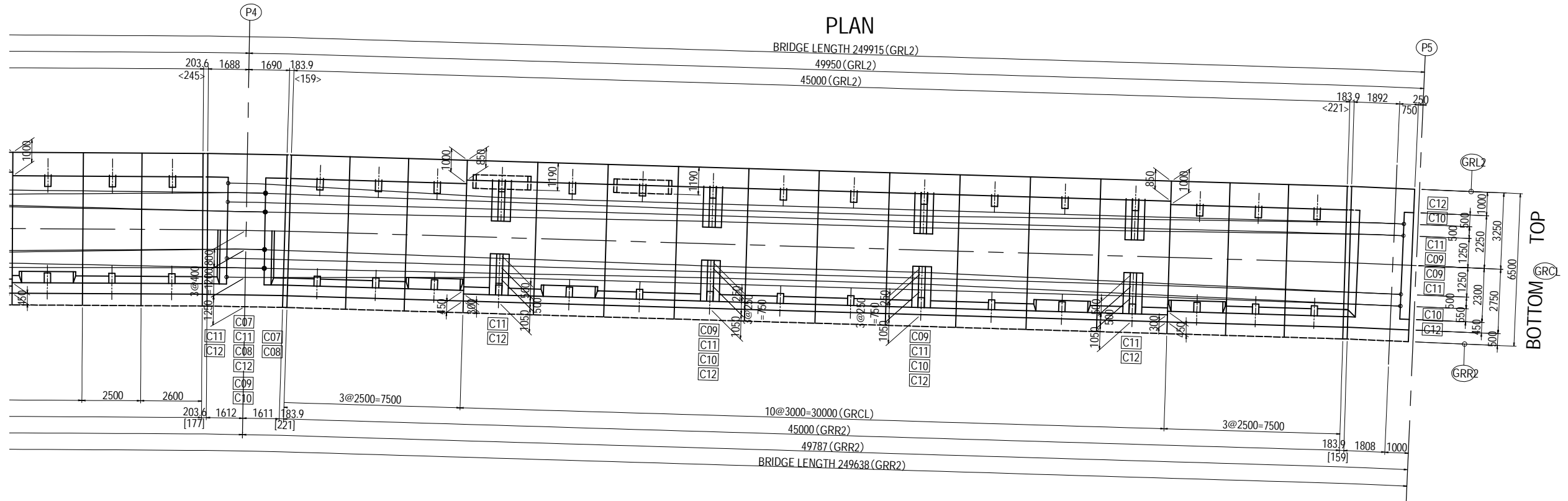
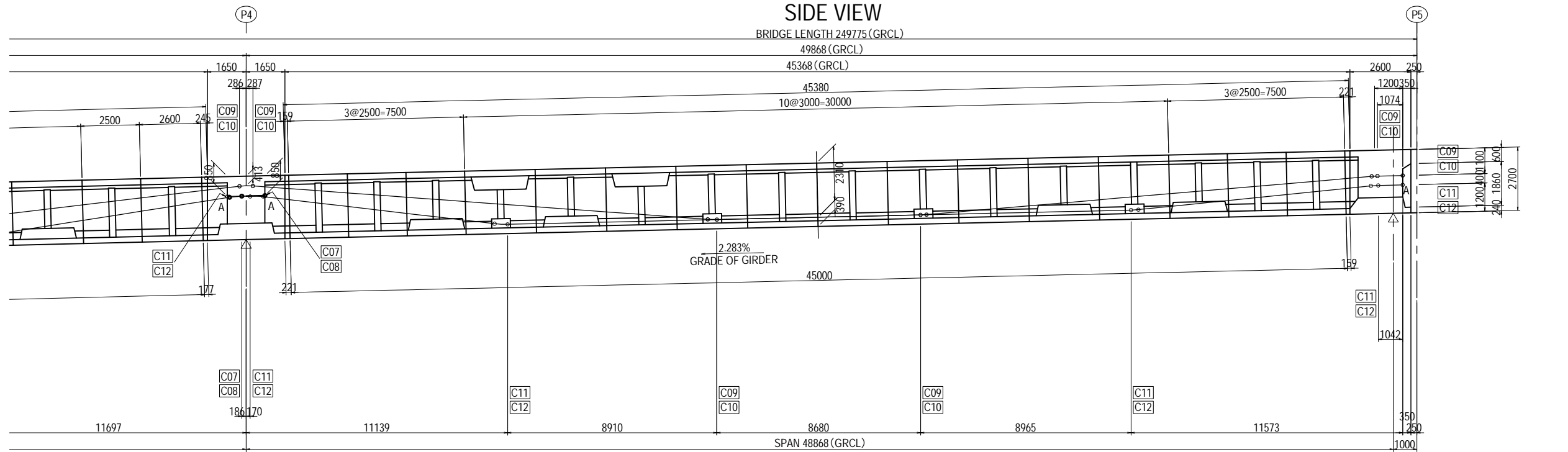


- Notes
- Values in < > / [] are at the top/bottom of the girder accordingly.
 - Reinforcement for tendon anchorage such as grid rebar shall be arranged sufficiently.
 - Jacking force = 1250 N/mm²
 - A: Tension
 - B: Fixed

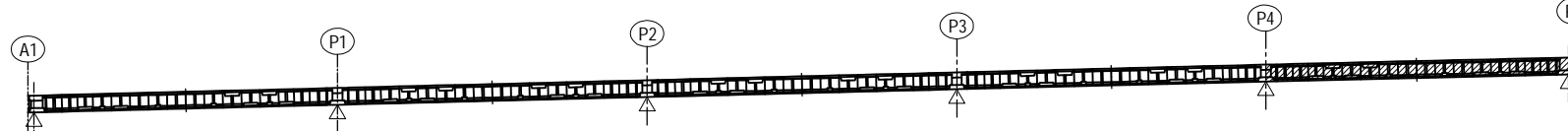
PROJECT NAME DETAILED DESIGN ON BAGO RIVER BRIDGE CONSTRUCTION PROJECT	FINANCED BY JAPAN INTERNATIONAL COOPERATION AGENCY	COUNTERPART REPUBLIC OF THE UNION OF MYANMAR MINISTRY OF CONSTRUCTION DEPARTMENT OF BRIDGE	JICA STUDY TEAM NIPPON KOEI CO., LTD. ORIENTAL CONSULTANTS GLOBAL CO., LTD. METROPOLITAN EXPRESSWAY COMPANY LIMITED CHODAI CO., LTD. NIPPON ENGINEERING CONSULTANTS CO., LTD.	NAME	SIGNATURE	DATE	DRAWING TITLE DETAIL OF PRESTRESSING A1-P5 <R> (4) [EXTERNAL TENDON]	PACKAGE 1 DWG No. P1-PB-1154	
				PREPARED BY	M. OHYAMA				15 Jun.2017
				CHECKED BY	T. HAYAKAWA				20 Jun.2017
				APPROVED BY	Y. SANO				21 Jun.2017

DETAIL OF PRESTRESSING A1-P5 <R> (5) [EXTERNAL TENDON]

S=1:200



LOCATION <R>

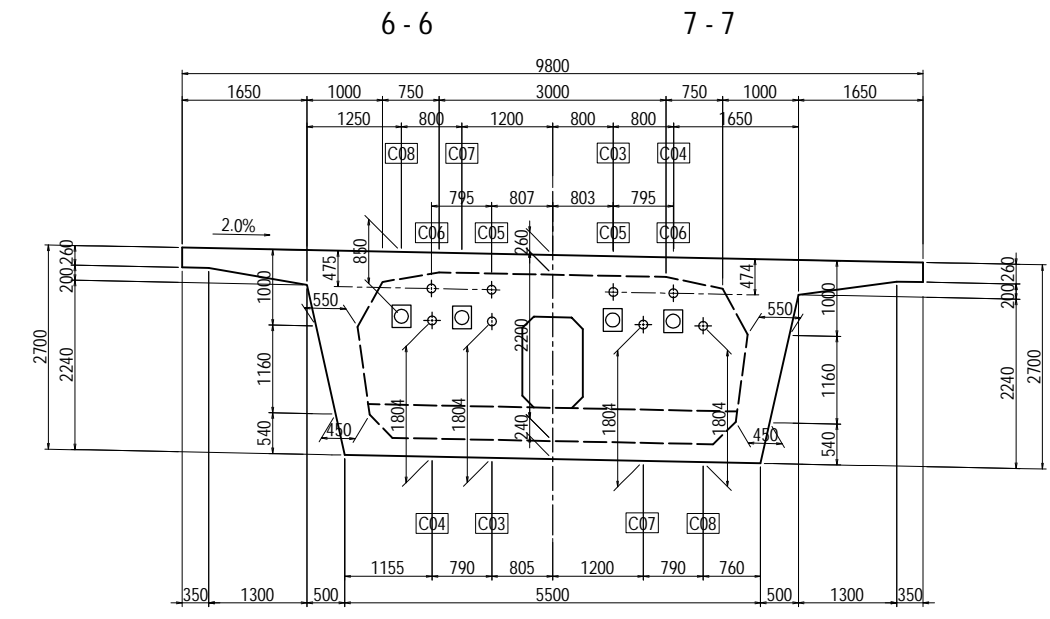
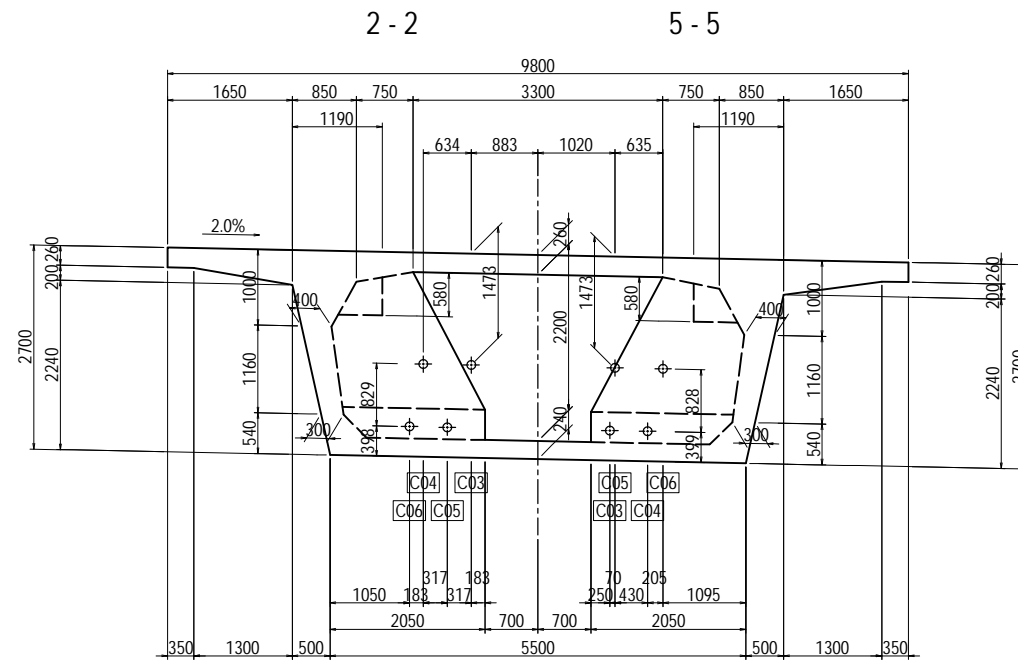
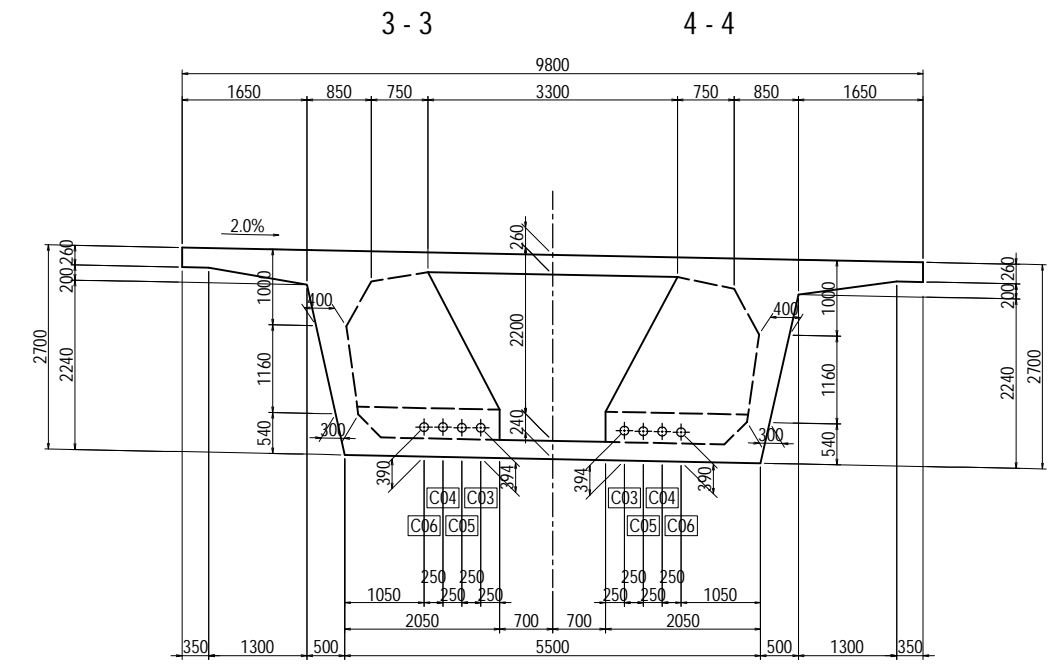
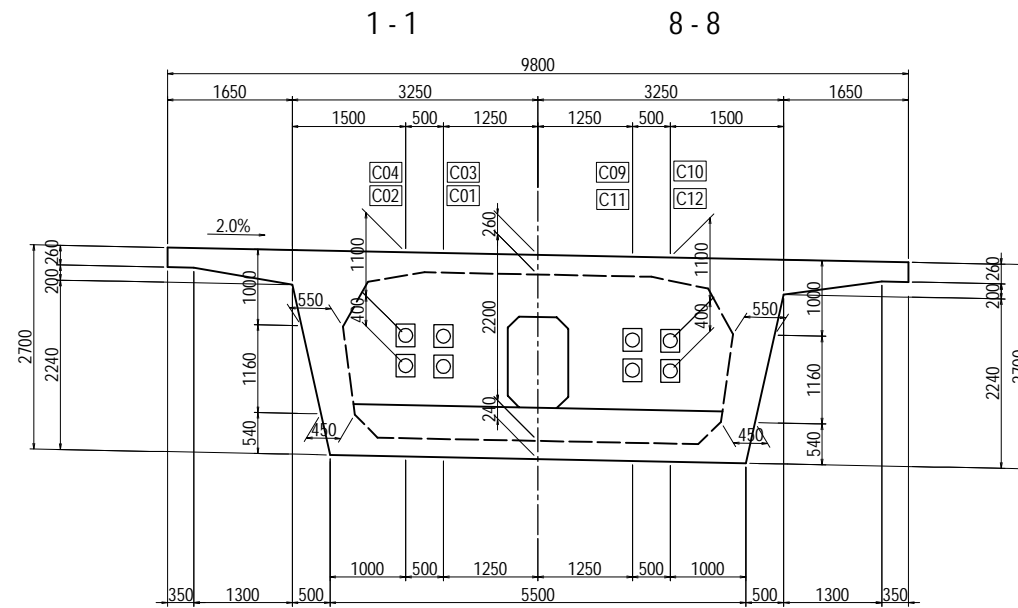


- Notes
- Values in < > / [] are at the top/bottom of the girder accordingly.
 - Reinforcement for tendon anchorage such as grid rebar shall be arranged sufficiently.
 - Jacking force = 1250 N/mm²
 - A: Tension
 - B: Fixed

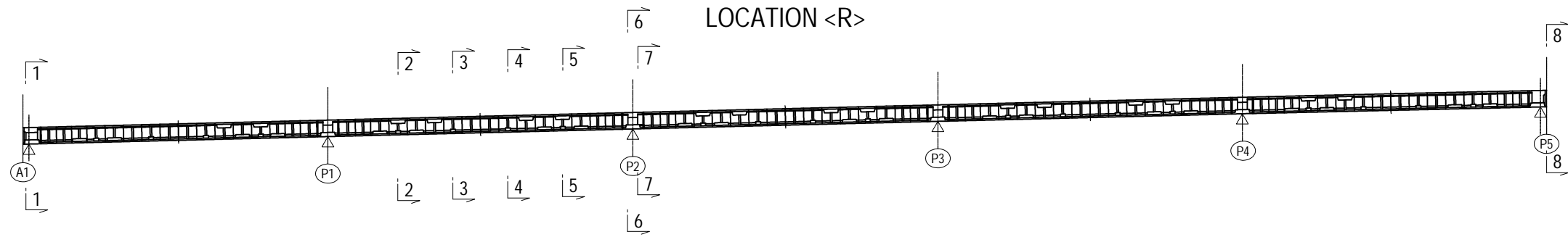
PROJECT NAME DETAILED DESIGN ON BAGO RIVER BRIDGE CONSTRUCTION PROJECT	FINANCED BY JICA JAPAN INTERNATIONAL COOPERATION AGENCY	COUNTERPART REPUBLIC OF THE UNION OF MYANMAR MINISTRY OF CONSTRUCTION DEPARTMENT OF BRIDGE	JICA STUDY TEAM NIPPON KOEI CO., LTD. ORIENTAL CONSULTANTS GLOBAL CO., LTD. METROPOLITAN EXPRESSWAY COMPANY LIMITED CHODAI CO., LTD. NIPPON ENGINEERING CONSULTANTS CO., LTD.	NAME	SIGNATURE	DATE	DRAWING TITLE DETAIL OF PRESTRESSING A1-P5 <R> (5) [EXTERNAL TENDON]	PACKAGE 1 DWG No. P1-PB-1155	
				PREPARED BY	M. OHYAMA	大山 満弘			15 Jun.2017
				CHECKED BY	T. HAYAKAWA	早川 知那			20 Jun.2017
				APPROVED BY	Y. SANO	沼野 祐一	21 Jun.2017		

DETAIL OF PRESTERSSING A1-P5 <R> (6) [EXTERNAL TENDON] S=1:100

CROSS SECTIONS

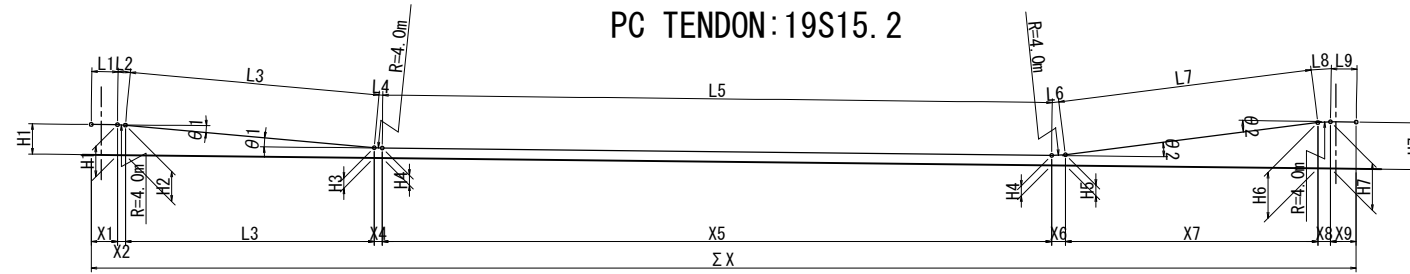


NOTES: In case of the deviator interferes the cable, a hole or notch for cable passing is should be arranged in the deviator, and the hole and notch should be reinforced properly.



PROJECT NAME DETAILED DESIGN ON BAGO RIVER BRIDGE CONSTRUCTION PROJECT	FINANCED BY JAPAN INTERNATIONAL COOPERATION AGENCY	COUNTERPART REPUBLIC OF THE UNION OF MYANMAR MINISTRY OF CONSTRUCTION DEPARTMENT OF BRIDGE	JICA STUDY TEAM NIPPON KOEI CO., LTD. ORIENTAL CONSULTANTS GLOBAL CO., LTD. METROPOLITAN EXPRESSWAY COMPANY LIMITED CHODAI CO., LTD. NIPPON ENGINEERING CONSULTANTS CO., LTD.	NAME	SIGNATURE	DATE	DRAWING TITLE DETAIL OF PRESTERSSING A1-P5 <R> (6) [EXTERNAL TENDON]	PACKAGE	
				PREPARED BY	M. OHYAMA			15 Jun.2017	1
				CHECKED BY	T. HAYAKAWA			20 Jun.2017	DWG No.
				APPROVED BY	Y. SANO			21 Jun.2017	P1-PB-1156

DETAIL OF PRESTRESSING A1-P5 <R> (7) [EXTERNAL TENDON] S=1:300



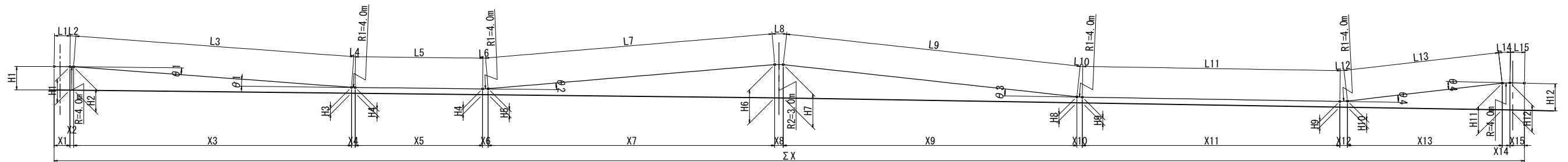
PC TENDON: 19S15. 2 (mm)

CABLE NUMBER	H1	H2	H3	H4	H5	H6	H7	X1	X2	X3	X4	X5	X6	X7	X8	X9	Σ X
C01	1200	1187	403	390	428	1812	1850	1042	317	9912	316	26558	546	9988	546	975	50200
C02	1200	1187	403	390	428	1812	1850	1042	317	9912	316	26558	546	9988	546	975	50200
C11	1850	1811	429	390	402	1188	1200	1042	315	9901	315	26555	558	9854	558	970	50068
C12	1850	1811	429	390	402	1188	1200	1042	315	9901	315	26555	558	9854	558	970	50068

(mm)

Cable number	θ 1	θ 2	R	L1	L2	L3	L4	L5	L6	L7	L8	L9	TOTAL LENGTH	NUMBER
C01	4.53417°	7.86194°	4000	1042	317	9927	317	26567	549	10121	549	976	50365	2
C02	4.53417°	7.86194°	4000	1042	317	9927	317	26567	549	10121	549	976	50365	2
C11	4.52306°	8.00528°	4000	1042	316	9953	316	26562	559	9921	559	970	50198	2
C12	4.52306°	8.00528°	4000	1042	316	9953	316	26562	559	9921	559	970	50198	2

PC TENDON: 19S15. 2



PC TENDON: 19S15. 2 (mm)

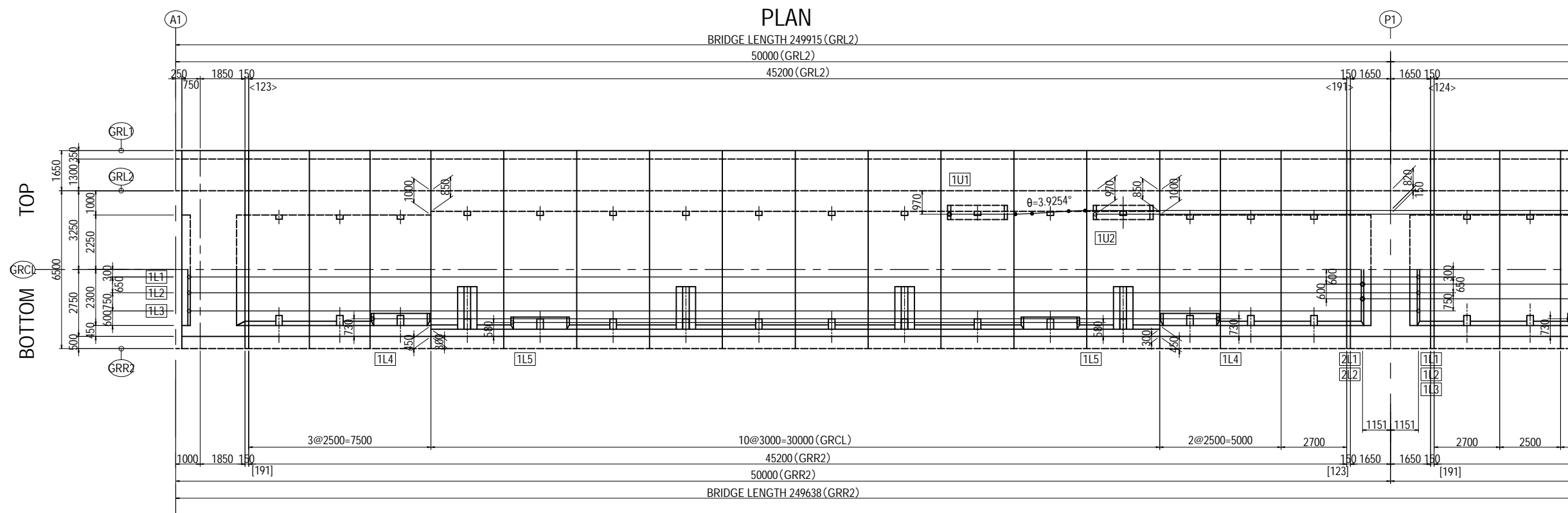
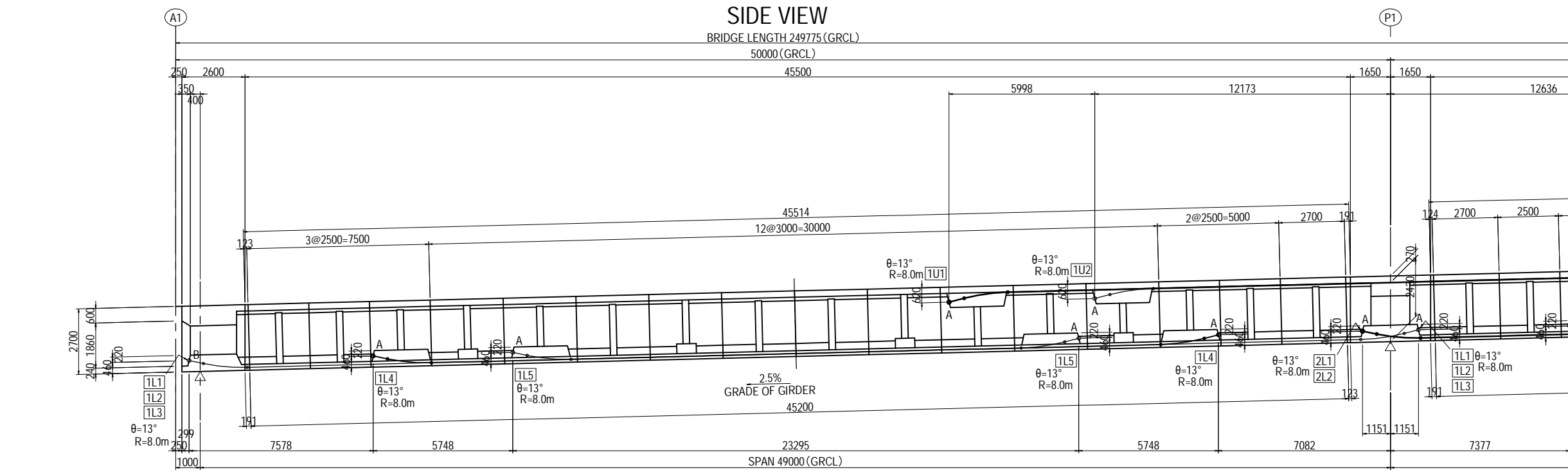
CABLE NUMBER	H1	H2	H3	H4	H5	H6	H7	H8	H9	H10	H11	H12	X1	X2	X3	X4	X5	X6	X7	X8	X9	X10	X11	X12	X13	X14	X15	Σ X
C03	1600	1592	398	390	408	2273	2274	407	390	424	1816	1850	1074	252	18974	252	8681	379	19508	563	20058	371	17546	522	10511	522	987	100200
C04	1600	1592	398	390	408	2273	2274	407	390	424	1816	1850	1074	252	18974	252	8681	379	19508	563	20058	371	17546	522	10511	522	987	100200
C05	1850	1816	424	390	407	2274	2274	407	390	424	1816	1850	987	525	10555	525	17546	370	20016	556	20061	371	17546	522	10511	522	987	101600
C06	1850	1816	424	390	407	2274	2274	407	390	424	1816	1850	987	525	10555	525	17546	370	20016	556	20061	371	17546	522	10511	522	987	101600
C07	1850	1816	424	390	407	2274	2274	407	390	425	1815	1850	987	525	10555	525	17546	370	20015	557	20014	372	17544	524	10463	524	986	101507
C08	1850	1816	424	390	407	2274	2274	407	390	425	1815	1850	987	525	10555	525	17546	370	20015	557	20014	372	17544	524	10463	524	986	101507
C09	1850	1815	425	390	407	2273	2272	408	390	398	1592	1600	986	527	10506	527	17544	371	19961	572	19378	384	8680	251	18963	251	1074	99975
C10	1850	1815	425	390	407	2273	2272	408	390	398	1592	1600	986	527	10506	527	17544	371	19961	572	19378	384	8680	251	18963	251	1074	99975

(mm)

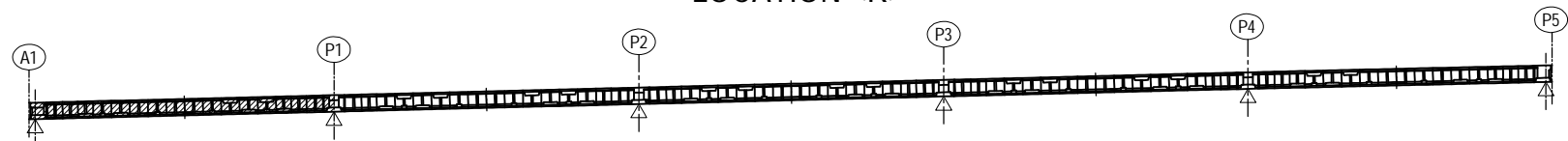
CABLE NUMBER	θ 1	θ 2	θ 3	θ 4	R1	R2	L1	L2	L3	L4	L5	L6	L7	L8	L9	L10	L11	L12	L13	L14	L15	TOTAL LENGTH	NUMBER
C03	3.60477°	5.44503°	5.32538°	7.51076°	4000	3000	1074	252	18987	252	8684	380	19649	564	20104	372	17551	524	10641	524	988	100546	2
C04	3.60477°	5.44503°	5.32538°	7.51076°	4000	3000	1074	252	18987	252	8684	380	19649	564	20104	372	17551	524	10641	524	988	100546	2
C05	7.52756°	5.31314°	5.32538°	7.51076°	4000	3000	987	525	10615	526	17551	371	20155	557	20108	372	17551	524	10641	524	988	101995	2
C06	7.52756°	5.31314°	5.32538°	7.51076°	4000	3000	987	525	10615	526	17551	371	20155	557	20108	372	17551	524	10641	524	988	101995	2
C07	7.52756°	5.31314°	5.33741°	7.54207°	4000	3000	987	525	10615	526	17551	371	20155	558	20061	373	17550	527	10593	527	988	101907	2
C08	7.52756°	5.31314°	5.33741°	7.54207°	4000	3000	987	525	10615	526	17551	371	20155	558	20061	373	17550	527	10593	527	988	101907	2
C09	7.55903°	5.30529°	5.50342°	3.59657°	4000	3000	986	528	10567	528	17550	372	20100	574	19430	384	8682	251	19033	251	1075	100311	2
C10	7.55903°	5.30529°	5.50342°	3.59657°	4000	3000	986	528	10567	528	17550	372	20100	574	19430	384	8682	251	19033	251	1075	100311	2

DETAIL OF PRESTRESSING A1-P5 <R> (8) [INTERNAL TENDON]

S=1:200



LOCATION <R>

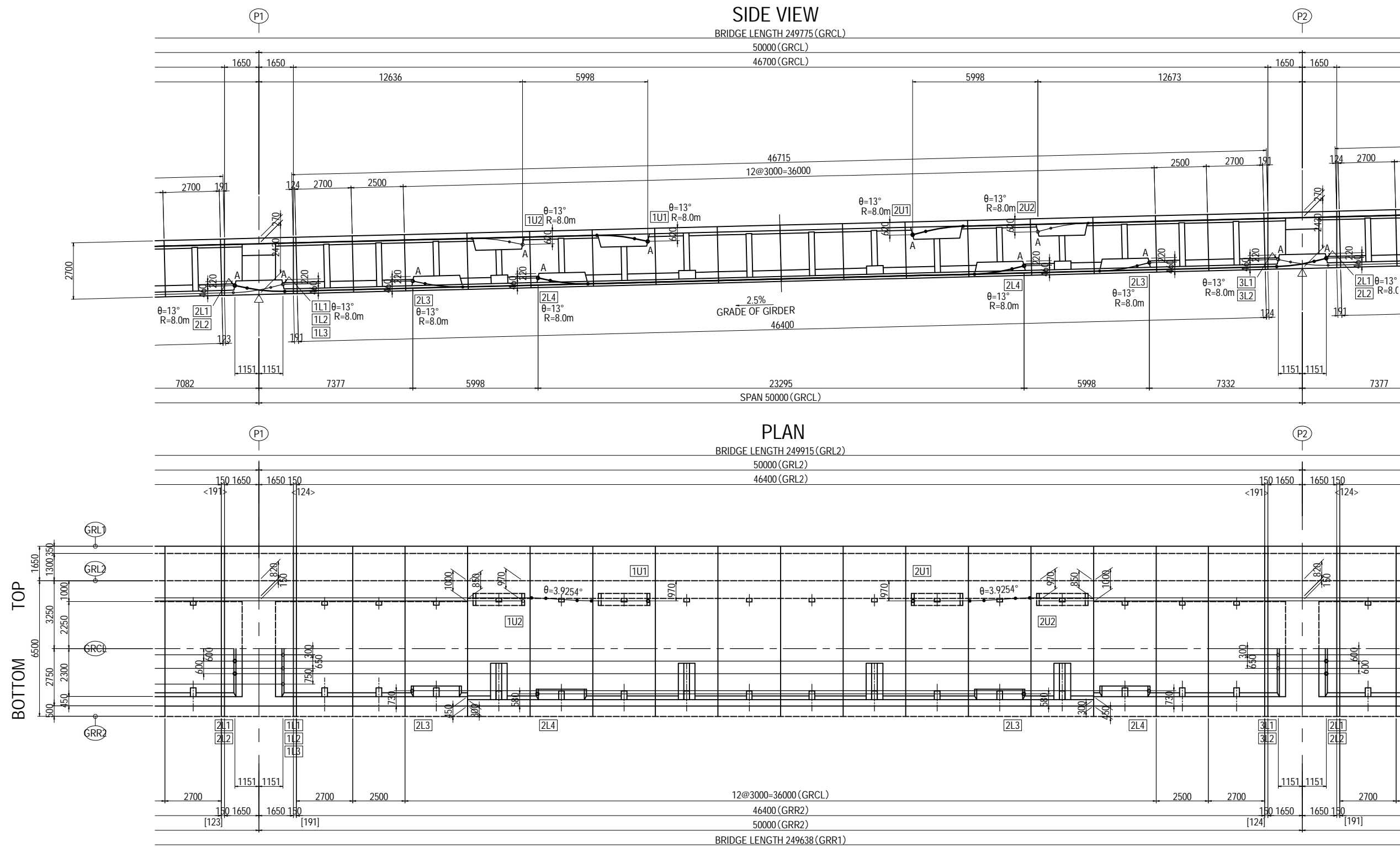


- Notes
- Values in < > / [] are at the top/bottom of the girder accordingly.
 - Reinforcement for tendon anchorage such as grid rebar shall be arranged sufficiently.
 - Bending radii of PC tendon in Plan is 10m.
 - Jacking force = 1350 N/mm²
 - A:Tension
 - B:Fixed

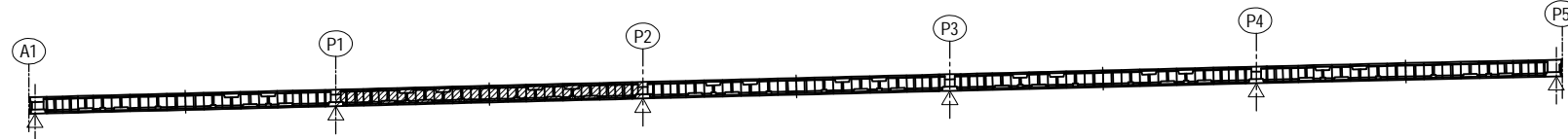
PROJECT NAME DETAILED DESIGN ON BAGO RIVER BRIDGE CONSTRUCTION PROJECT	FINANCED BY JAPAN INTERNATIONAL COOPERATION AGENCY	COUNTERPART REPUBLIC OF THE UNION OF MYANMAR MINISTRY OF CONSTRUCTION DEPARTMENT OF BRIDGE	JICA STUDY TEAM NIPPON KOEI CO., LTD. ORIENTAL CONSULTANTS GLOBAL CO., LTD. METROPOLITAN EXPRESSWAY COMPANY LIMITED CHODAI CO., LTD. NIPPON ENGINEERING CONSULTANTS CO., LTD.	NAME	SIGNATURE	DATE	DRAWING TITLE DETAIL OF PRESTRESSING A1-P5 <R> (8) [INTERNAL TENDON]	PACKAGE 1 DWG No. P1-PB-1158	
				PREPARED BY	M. OHYAMA				15 Jun.2017
				CHECKED BY	T. HAYAKAWA				20 Jun.2017
				APPROVED BY	Y. SANO				21 Jun.2017

DETAIL OF PRESTRESSING A1-P5 <R> (9) [INTERNAL TENDON]

S=1:200



LOCATION <R>

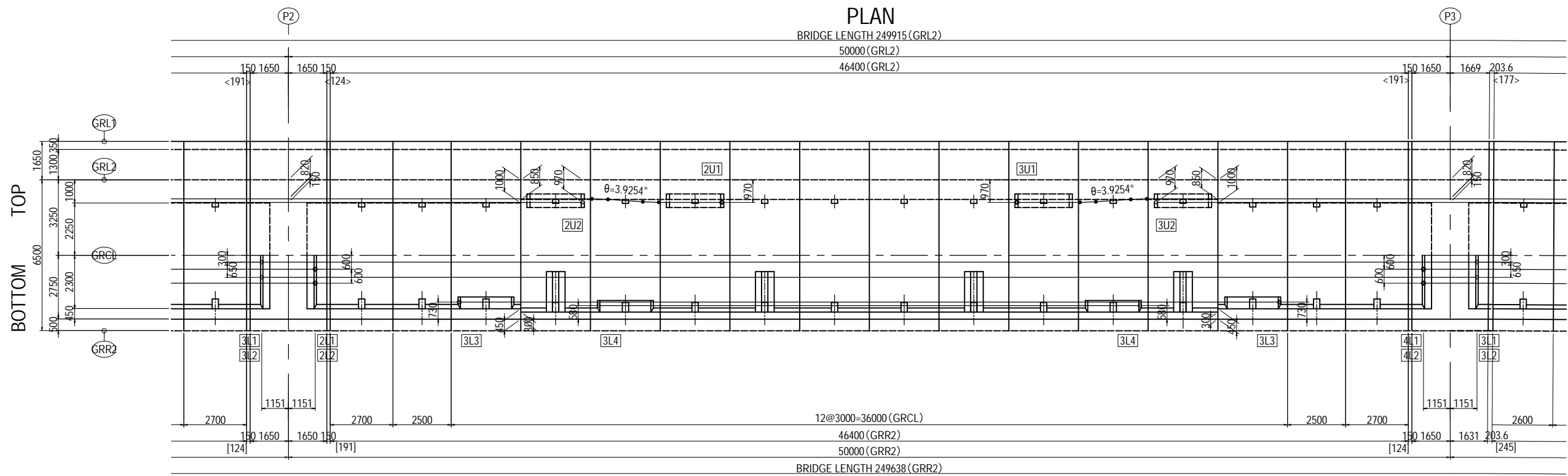
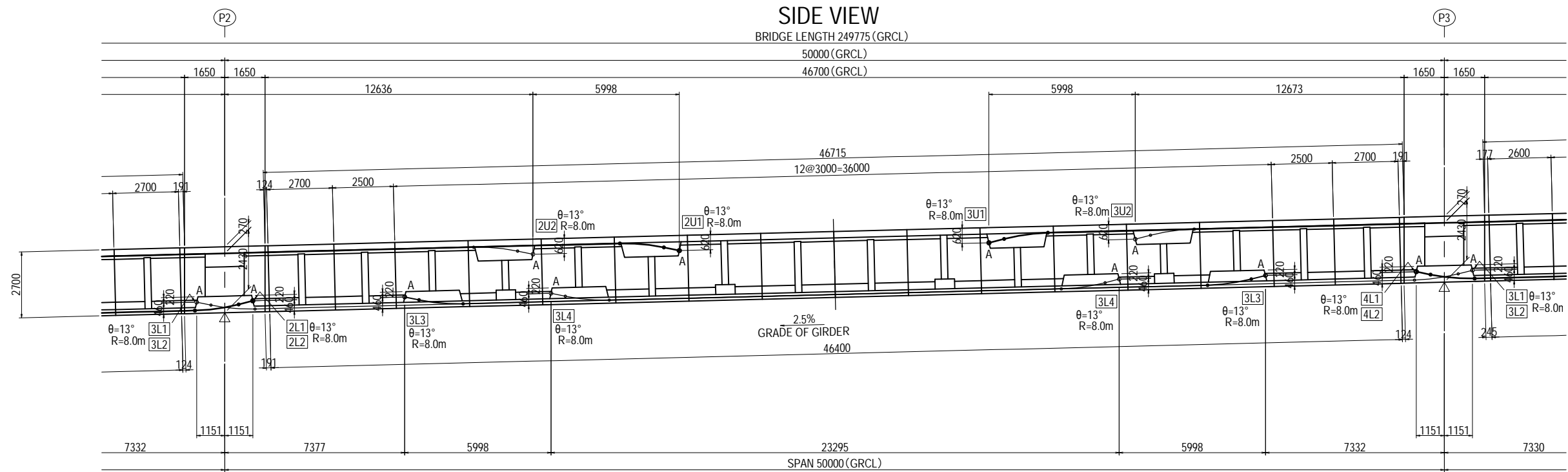


- Notes
- Values in < > / [] are at the top/bottom of the girder accordingly.
 - Reinforcement for tendon anchorage such as grid rebar shall be arranged sufficiently.
 - Bending radii of PC tendon in Plan is 10m.
 - Jacking force = 1350 N/mm²
 - A:Tension
 - B:Fixed

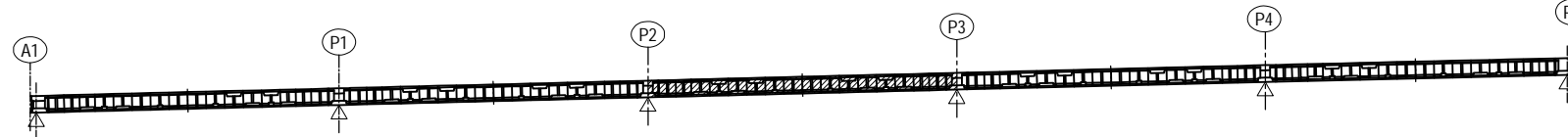
PROJECT NAME DETAILED DESIGN ON BAGO RIVER BRIDGE CONSTRUCTION PROJECT	FINANCED BY JAPAN INTERNATIONAL COOPERATION AGENCY	COUNTERPART REPUBLIC OF THE UNION OF MYANMAR MINISTRY OF CONSTRUCTION DEPARTMENT OF BRIDGE	JICA STUDY TEAM NIPPON KOEI CO., LTD. ORIENTAL CONSULTANTS GLOBAL CO., LTD. METROPOLITAN EXPRESSWAY COMPANY LIMITED CHODAI CO., LTD. NIPPON ENGINEERING CONSULTANTS CO., LTD.	NAME	SIGNATURE	DATE	DRAWING TITLE DETAIL OF PRESTRESSING A1-P5 <R> (9) [INTERNAL TENDON]	PACKAGE	
				PREPARED BY	M. OHYAMA			15 Jun.2017	1
				CHECKED BY	T. HAYAKAWA			20 Jun.2017	DWG No.
			APPROVED BY	Y. SANO		21 Jun.2017		P1-PB-1159	

DETAIL OF PRESTRESSING A1-P5 <R> (10) [INTERNAL TENDON]

S=1:200



LOCATION <R>



- Notes
- Values in < > / [] are at the top/bottom of the girder accordingly.
 - Reinforcement for tendon anchorage such as grid rebar shall be arranged sufficiently.
 - Bending radius of PC tendon in Plan is 10m.
 - Jacking force = 1350 N/mm²
 - A:Tension
 - B:Fixed

PROJECT NAME
DETAILED DESIGN ON
BAGO RIVER BRIDGE
CONSTRUCTION PROJECT

FINANCED BY
JICA
JAPAN INTERNATIONAL
COOPERATION AGENCY

COUNTERPART
 REPUBLIC OF THE UNION OF MYANMAR
MINISTRY OF CONSTRUCTION
DEPARTMENT OF BRIDGE

JICA STUDY TEAM
 NIPPON KOEI CO., LTD.
ORIENTAL CONSULTANTS GLOBAL CO., LTD.
METROPOLITAN EXPRESSWAY COMPANY LIMITED
CHODAI CO., LTD.
NIPPON ENGINEERING CONSULTANTS CO., LTD.

	NAME	SIGNATURE	DATE
PREPARED BY	M. OHYAMA		15 Jun.2017
CHECKED BY	T. HAYAKAWA		20 Jun.2017
APPROVED BY	Y. SANO		21 Jun.2017

DRAWING TITLE
DETAIL OF PRESTRESSING A1-P5 <R> (10)
[INTERNAL TENDON]

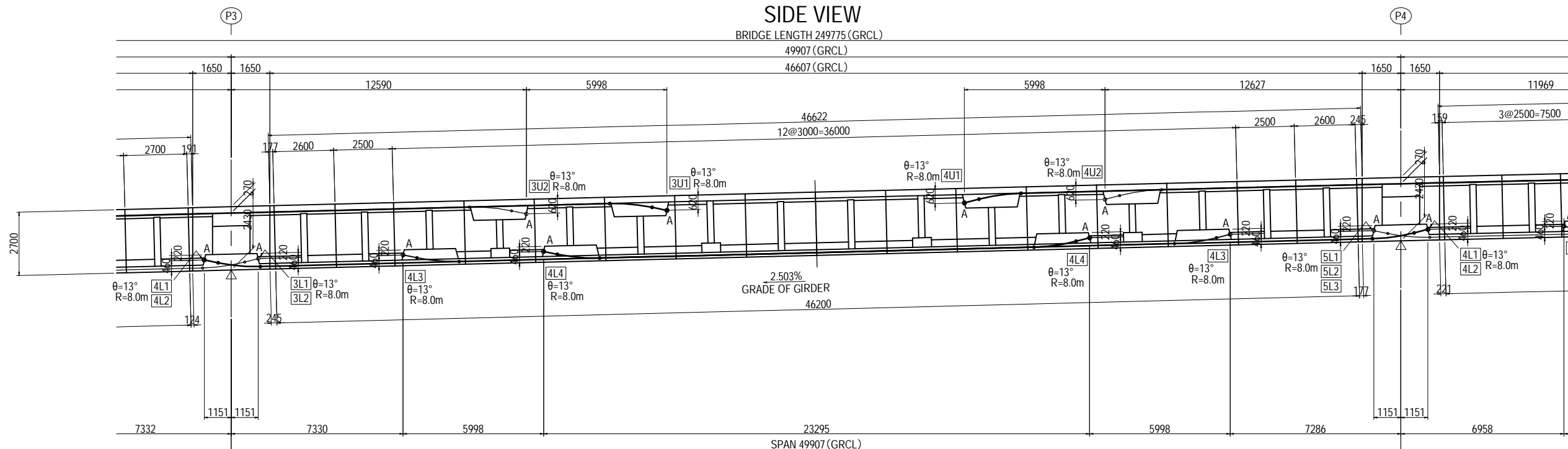
PACKAGE
1
DWG No.
P1-PB-1160

DETAIL OF PRESTRESSING A1-P5 <R> (11) [INTERNAL TENDON]

S=1:200

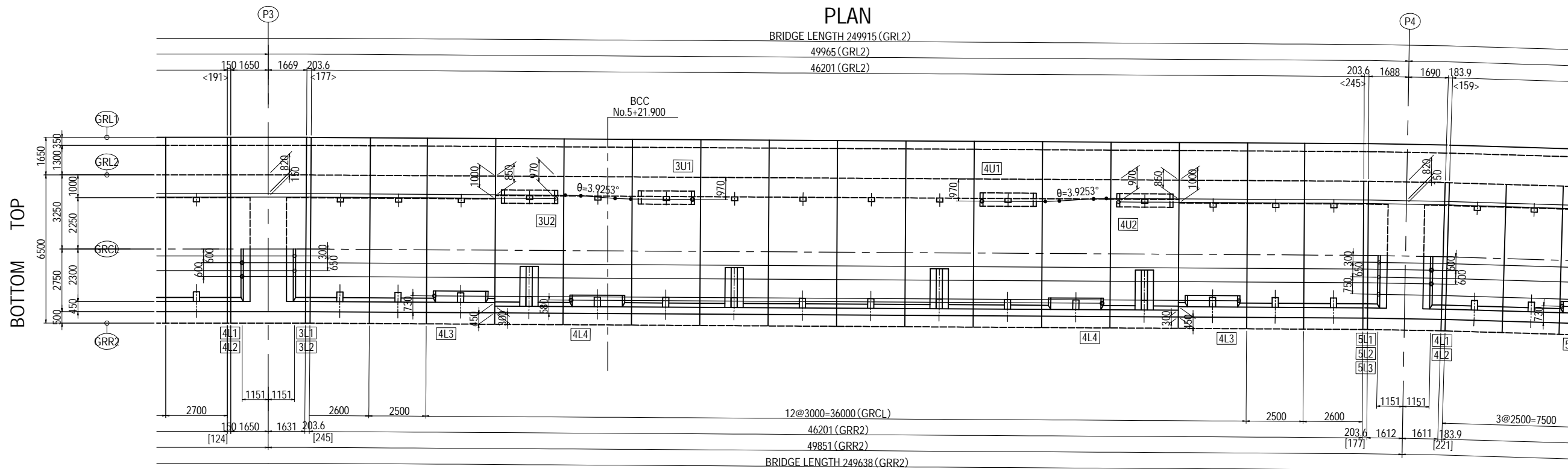
SIDE VIEW

BRIDGE LENGTH 249775 (GRCL)
49907 (GRCL)
46607 (GRCL)

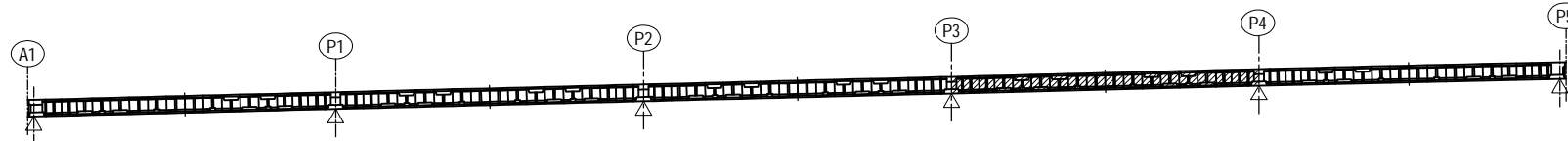


PLAN

BRIDGE LENGTH 249915 (GRL2)
49965 (GRL2)
46201 (GRL2)



LOCATION <R>



- Notes
- Values in < > / [] are at the top/bottom of the girder accordingly.
 - Reinforcement for tendon anchorage such as grid rebar shall be arranged sufficiently.
 - Bending radii of PC tendon in Plan is 10m.
 - Jacking force = 1350 N/mm²
 - A:Tension
 - B:Fixed

PROJECT NAME
DETAILED DESIGN ON
BAGO RIVER BRIDGE
CONSTRUCTION PROJECT

FINANCED BY
JICA
JAPAN INTERNATIONAL
COOPERATION AGENCY

COUNTERPART
REPUBLIC OF THE UNION OF MYANMAR
MINISTRY OF CONSTRUCTION
DEPARTMENT OF BRIDGE

JICA STUDY TEAM
NIPPON KOEI CO., LTD.
ORIENTAL CONSULTANTS GLOBAL CO., LTD.
METROPOLITAN EXPRESSWAY COMPANY LIMITED
CHODAI CO. LTD.
NIPPON ENGINEERING CONSULTANTS CO., LTD.

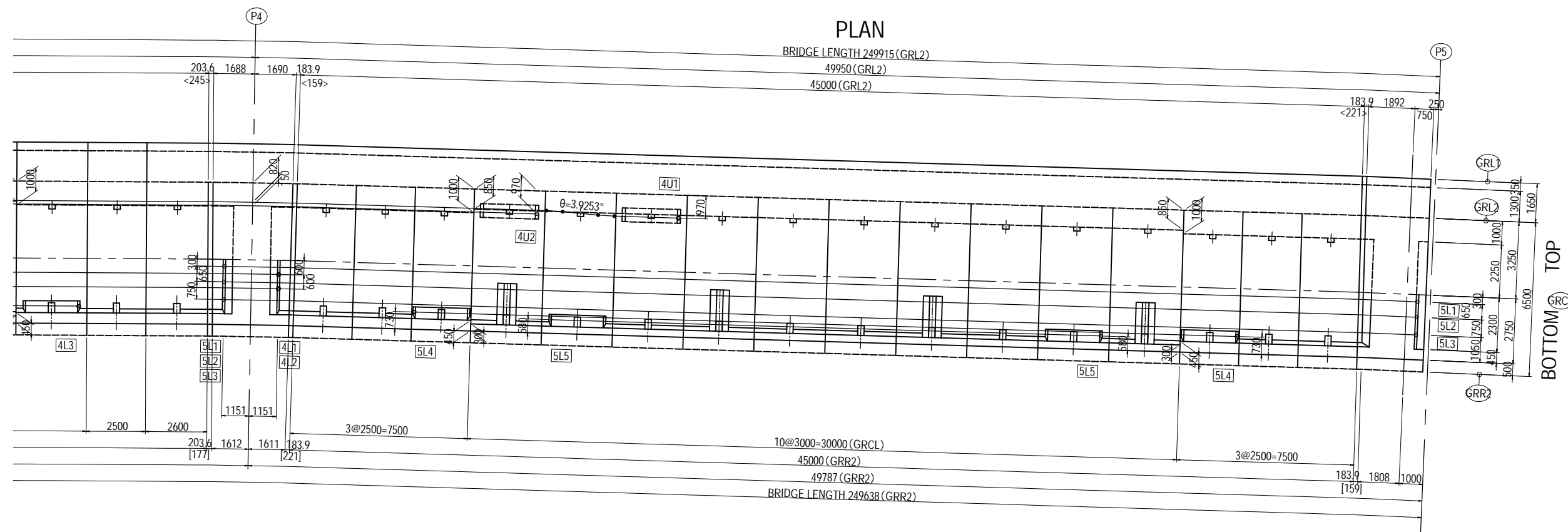
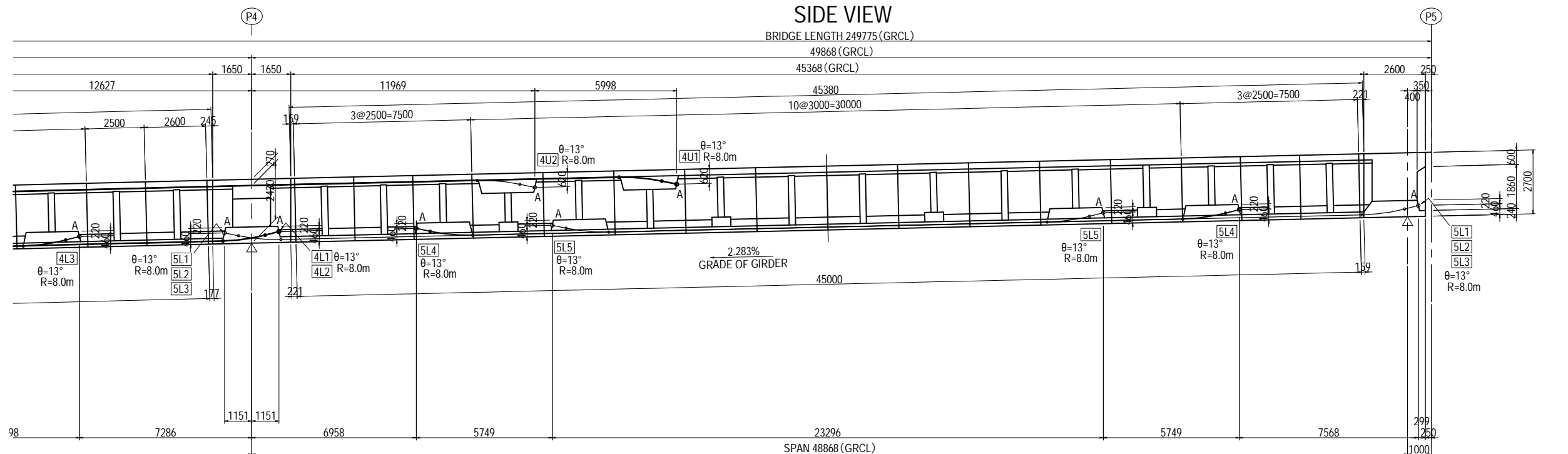
	NAME	SIGNATURE	DATE
PREPARED BY	M. OHYAMA	大山 満弘	15 Jun.2017
CHECKED BY	T. HAYAKAWA	平川 知寿	20 Jun.2017
APPROVED BY	Y. SANO	佐野 祐一	21 Jun.2017

DRAWING TITLE
DETAIL OF PRESTRESSING A1-P5 <R> (11)
[INTERNAL TENDON]

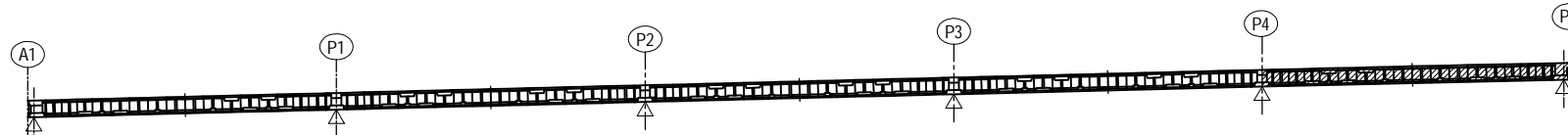
PACKAGE
1
DWG No.
P1-PB-1161

DETAIL OF PRESTRESSING A1-P5 <R> (12) [INTERNAL TENDON]

S=1:200



LOCATION <R>



- Notes
- Values in < > / [] are at the top/bottom of the girder accordingly.
 - Reinforcement for tendon anchorage such as grid rebar shall be arranged sufficiently.
 - Bending radius of PC tendon in Plan is 10m.
 - Jacking force = 1350 N/mm²
 - A: Tension
 - B: Fixed

PROJECT NAME
DETAILED DESIGN ON
BAGO RIVER BRIDGE
CONSTRUCTION PROJECT

FINANCED BY
JICA
JAPAN INTERNATIONAL
COOPERATION AGENCY

COUNTERPART
 REPUBLIC OF THE UNION OF MYANMAR
MINISTRY OF CONSTRUCTION
DEPARTMENT OF BRIDGE

JICA STUDY TEAM
 NIPPON KOEI CO., LTD.
ORIENTAL CONSULTANTS GLOBAL CO., LTD.
METROPOLITAN EXPRESSWAY COMPANY LIMITED
CHODAI CO., LTD.
NIPPON ENGINEERING CONSULTANTS CO., LTD.

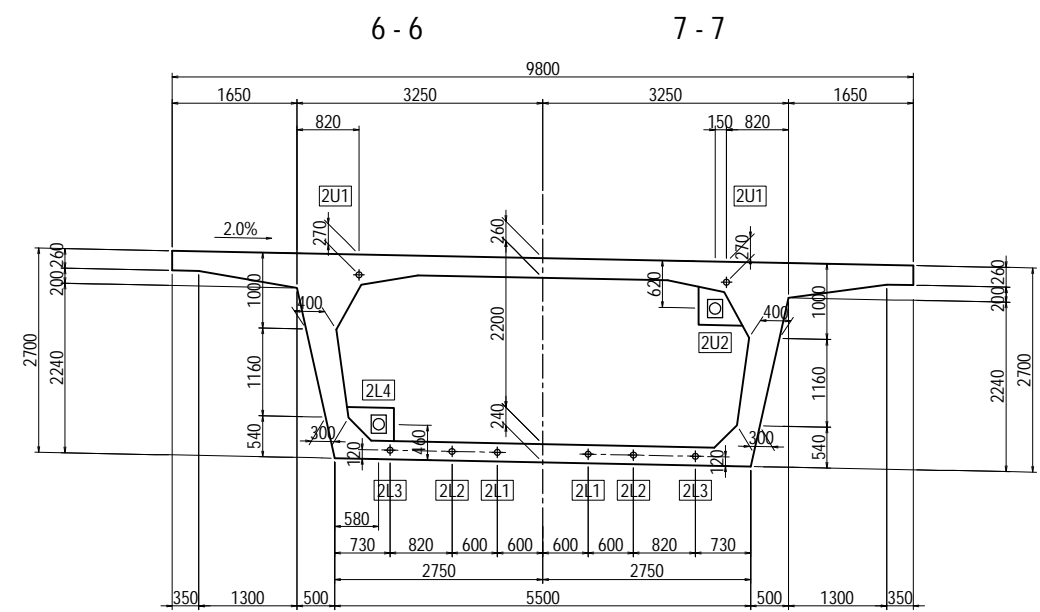
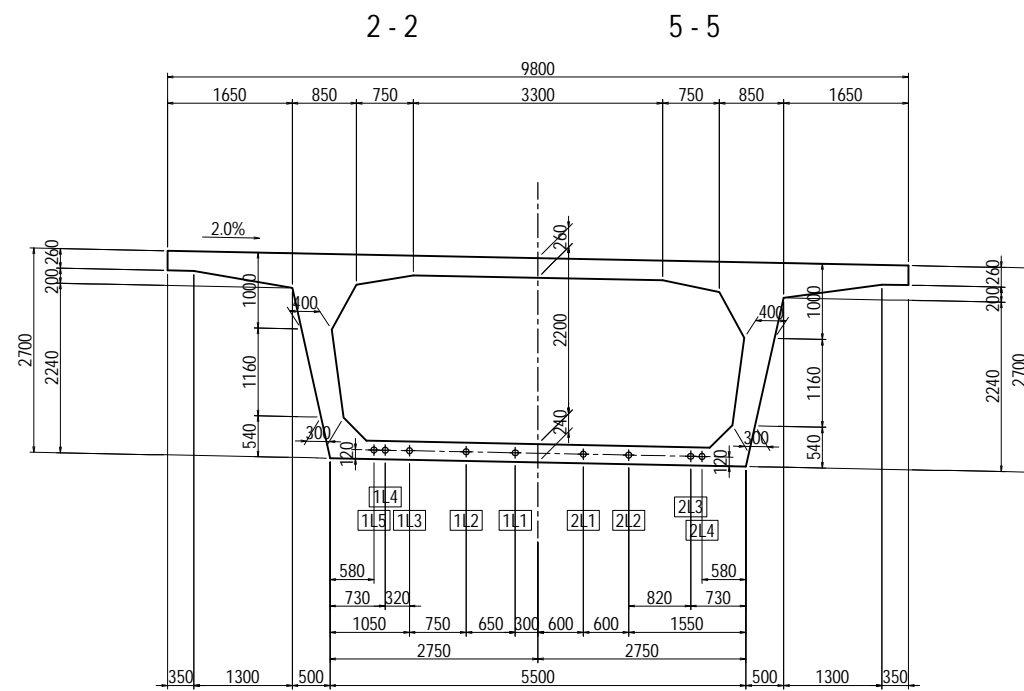
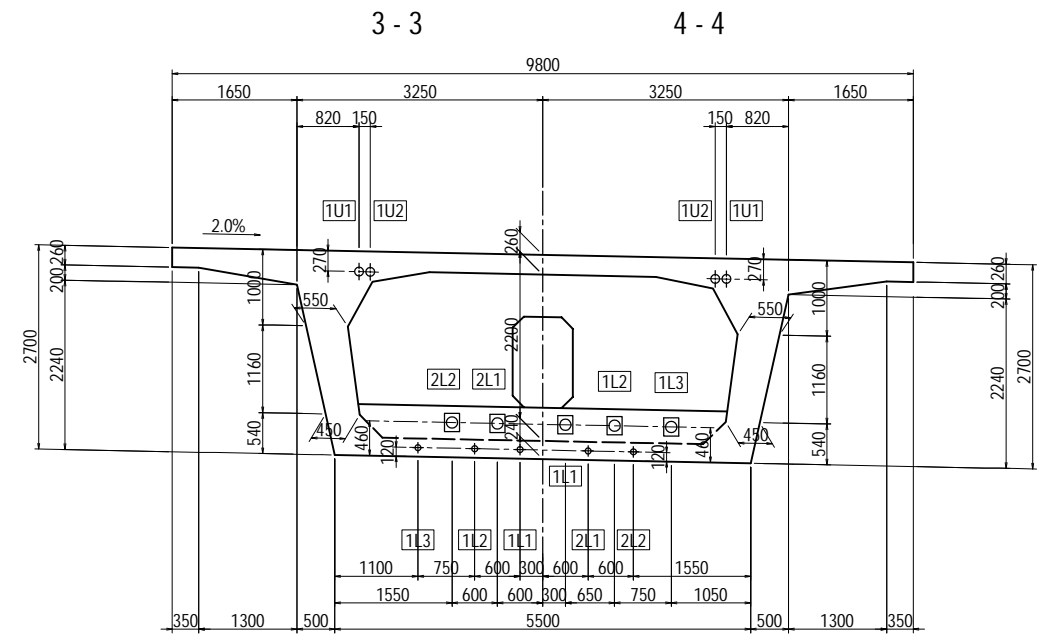
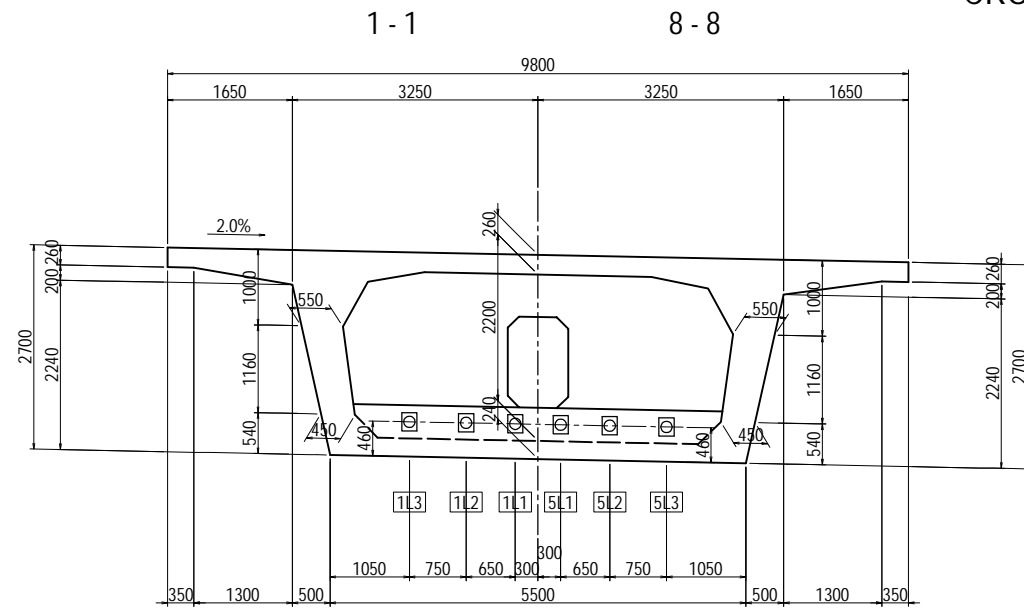
	NAME	SIGNATURE	DATE
PREPARED BY	M. OHYAMA		15 Jun.2017
CHECKED BY	T. HAYAKAWA		20 Jun.2017
APPROVED BY	Y. SANO		21 Jun.2017

DRAWING TITLE
DETAIL OF PRESTRESSING A1-P5 <R> (12)
[INTERNAL TENDON]

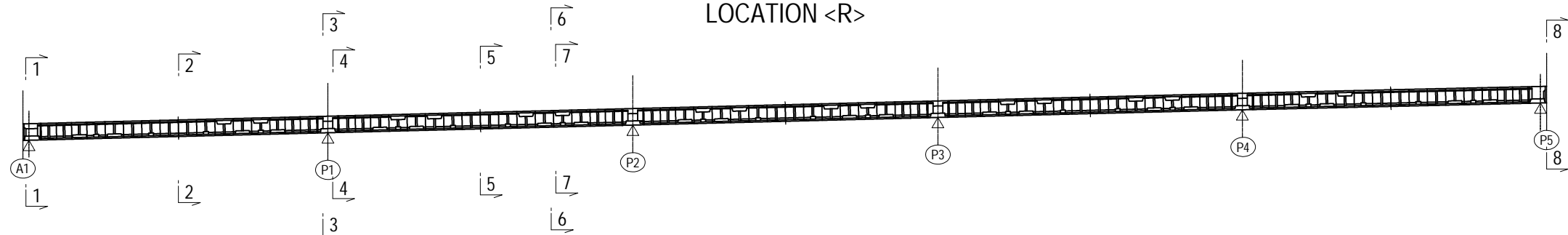
PACKAGE
1
DWG No.
P1-PB-1162

DETAIL OF PRESTERSSING A1-P5 <R> (13) [INTERNAL TENDON] S=1:100

CROSS SECTIONS



LOCATION <R>

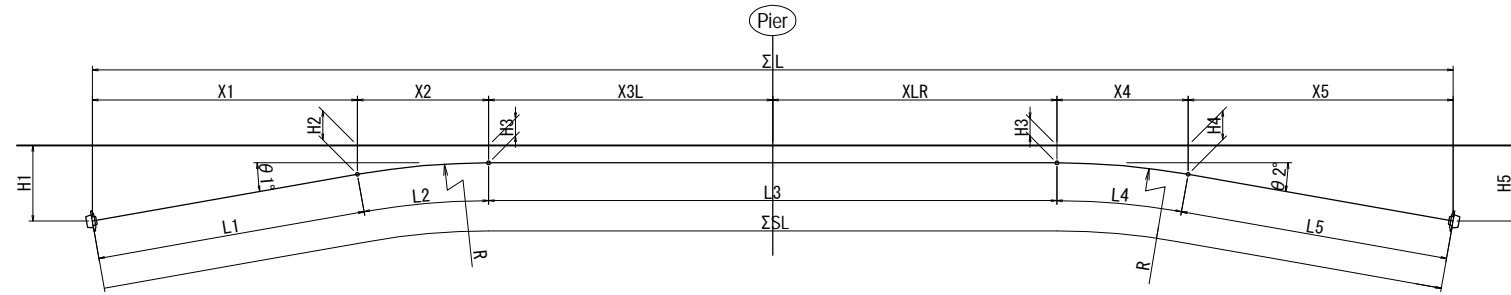


PROJECT NAME DETAILED DESIGN ON BAGO RIVER BRIDGE CONSTRUCTION PROJECT	FINANCED BY JAPAN INTERNATIONAL COOPERATION AGENCY	COUNTERPART REPUBLIC OF THE UNION OF MYANMAR MINISTRY OF CONSTRUCTION DEPARTMENT OF BRIDGE	JICA STUDY TEAM NIPPON KOEI CO., LTD. ORIENTAL CONSULTANTS GLOBAL CO., LTD. METROPOLITAN EXPRESSWAY COMPANY LIMITED CHODAI CO., LTD. NIPPON ENGINEERING CONSULTANTS CO., LTD.	NAME	SIGNATURE	DATE	DRAWING TITLE DETAIL OF PRESTERSSING A1-P5 <R> (13) [INTERNAL TENDON]	PACKAGE	
				PREPARED BY	M. OHYAMA			15 Jun.2017	1
				CHECKED BY	T. HAYAKAWA			20 Jun.2017	DWG No.
				APPROVED BY	Y. SANO			21 Jun.2017	P1-PB-1163

DETAIL OF PRESTRESSING A1-P5 <R> (14) [INTERNAL TENDON]

S=1:100

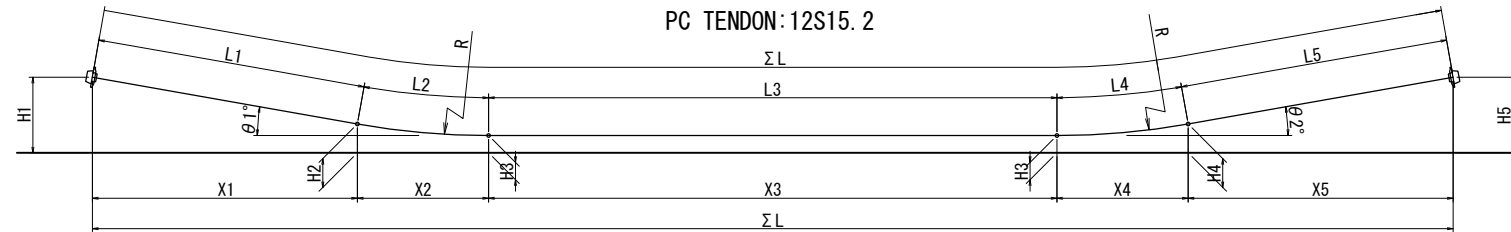
UPPER SLAB CABLE PC TENDON: 12S15. 2



PC TENDON: 12S15. 2

CABLE NUMBER	NUMBER	$\theta 1$	$\theta 2$	R	H1	H2	H3	H4	H5	X1	X2	X3L	X3R	X4	X5	ΣX	L1	L2	L3	L4	L5	TOTAL LENGTH
1U1	2	13°	13°	8000	620	475	270	475	620	624	1794	15754	16200	1804	631	36807	644	1815	31963	1815	644	36881
1U2	2	13°	13°	8000	620	475	270	475	620	624	1794	9755	10202	1804	631	24810	644	1815	19964	1815	644	24882
2U1	2	13°	13°	8000	620	475	270	475	620	624	1794	16254	16200	1804	631	37307	644	1815	32463	1815	644	37381
2U2	2	13°	13°	8000	620	475	270	475	620	624	1794	10255	10201	1804	631	25309	644	1815	20463	1815	644	25381
3U1	2	13°	13°	8000	620	475	270	475	620	624	1794	16254	16153	1804	631	37260	644	1815	32417	1815	644	37335
3U2	2	13°	13°	8000	620	475	270	475	620	624	1794	10255	10155	1804	631	25236	644	1815	20417	1815	644	25335
4U1	2	13°	13°	8000	620	475	270	475	620	624	1794	16207	15532	1804	631	36592	644	1815	31749	1815	644	36667
4U2	2	13°	13°	8000	620	475	270	475	620	624	1794	10209	9535	1804	631	24596	644	1815	19749	1815	644	24668

LOWER SLAB CABLE PC TENDON: 12S15. 2

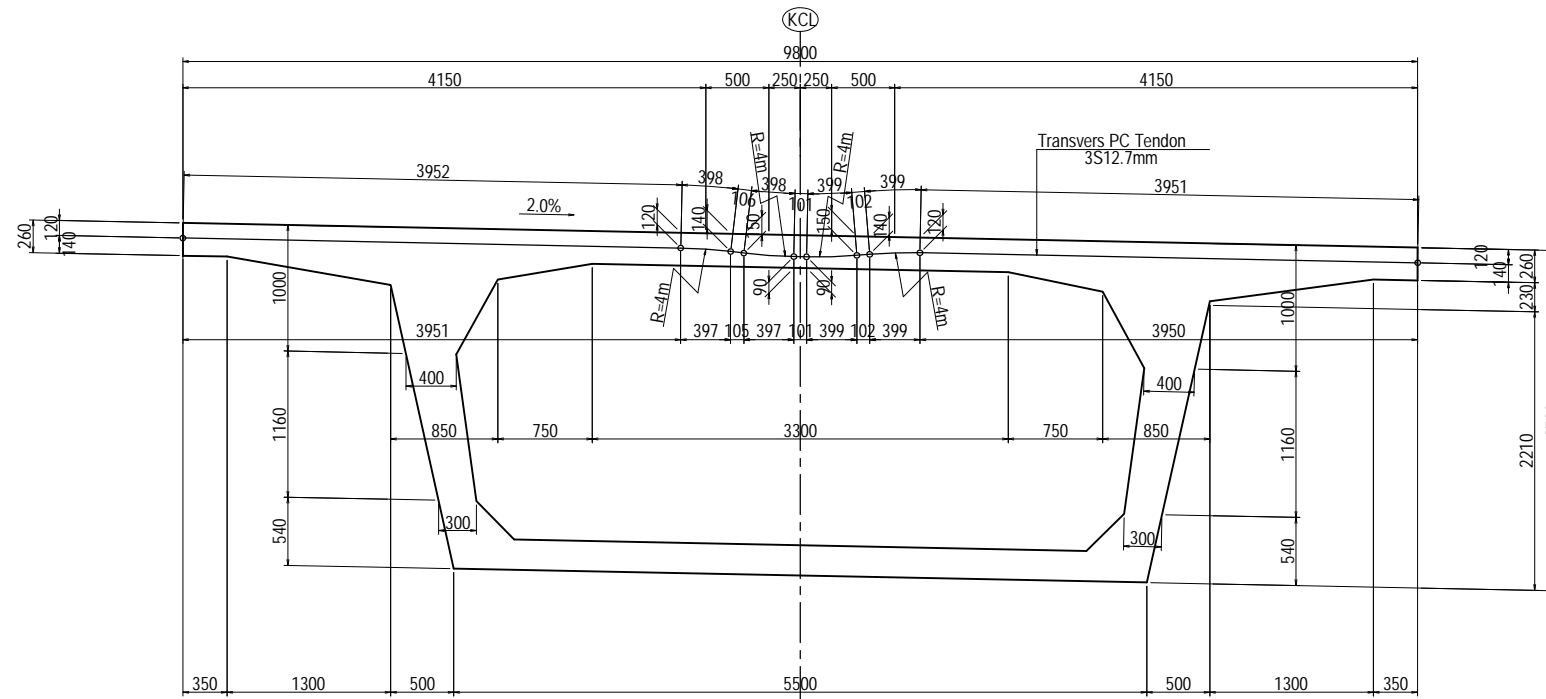


PC TENDON: 12S15. 2

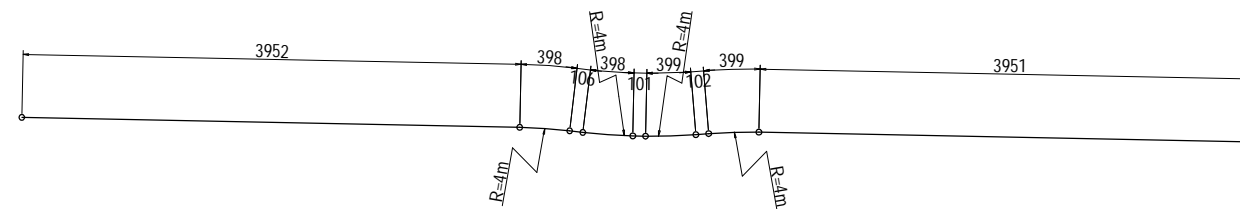
CABLE NUMBER	NUMBER	$\theta 1$	$\theta 2$	R	H1	H2	H3	H4	H5	X1	X2	X3	X4	X5	ΣX	L1	L2	L3	L4	L5	TOTAL LENGTH
1L1	2	13°	13°	8000	460	325	120	325	460	588	1804	45836	1793	581	50602	600	1815	45850	1815	600	50680
1L2	2	13°	13°	8000	460	325	120	325	460	588	1804	45836	1793	581	50602	600	1815	45850	1815	600	50680
1L3	2	13°	13°	8000	460	325	120	325	460	588	1804	45836	1793	581	50602	600	1815	45850	1815	600	50680
1L4	2	13°	13°	8000	460	325	120	325	460	587	1804	30025	1794	581	34791	599	1815	30035	1815	599	34863
1L5	2	13°	13°	8000	460	325	120	325	460	587	1804	18529	1794	581	23295	599	1815	18535	1815	599	23363
2L1	2	13°	13°	8000	460	325	120	325	460	588	1804	47536	1793	581	52302	600	1815	47551	1815	600	52381
2L2	2	13°	13°	8000	460	325	120	325	460	588	1804	47536	1793	581	52302	600	1815	47551	1815	600	52381
2L3	2	13°	13°	8000	460	325	120	325	460	587	1804	30525	1794	581	35291	599	1815	30535	1815	599	35363
2L4	2	13°	13°	8000	460	325	120	325	460	587	1804	18529	1794	581	23295	599	1815	18535	1815	599	23363
3L1	2	13°	13°	8000	460	325	120	325	460	588	1804	47536	1793	581	52302	600	1815	47551	1815	600	52381
3L2	2	13°	13°	8000	460	325	120	325	460	588	1804	47536	1793	581	52302	600	1815	47551	1815	600	52381
3L3	2	13°	13°	8000	460	325	120	325	460	587	1804	30525	1794	581	35291	599	1815	30535	1815	599	35363
3L4	2	13°	13°	8000	460	325	120	325	460	587	1804	18529	1794	581	23295	599	1815	18535	1815	599	23363
4L1	2	13°	13°	8000	460	325	120	324	460	587	1804	47450	1783	585	52209	599	1815	47465	1804	603	52287
4L2	2	13°	13°	8000	460	325	120	324	460	587	1804	47450	1783	585	52209	599	1815	47465	1804	603	52287
4L3	2	13°	13°	8000	460	325	120	325	460	587	1804	30525	1794	581	35291	599	1815	30535	1815	599	35364
4L4	2	13°	13°	8000	460	325	120	325	460	587	1804	18529	1794	581	23295	599	1815	18535	1815	599	23364
5L1	2	13°	13°	8000	460	324	120	325	460	589	1794	45711	1794	581	50470	602	1805	45723	1815	600	50544
5L2	2	13°	13°	8000	460	324	120	325	460	589	1794	45711	1794	581	50470	602	1805	45723	1815	600	50544
5L3	2	13°	13°	8000	460	324	120	325	460	587	1794	45711	1794	581	50470	602	1805	45723	1815	600	50544
5L4	2	13°	13°	8000	460	325	120	325	460	587	1804	30027	1794	581	34793	600	1815	30034	1815	600	34864
5L5	2	13°	13°	8000	460	325	120	325	460	587	1804	18530	1794	581	23296	600	1815	18534	1815	600	23364

DETAIL OF PRESTRESSING A1-P5 <R> (15) [SLAB]

CROSS SECTIONS S=1:60



Transversal Cable

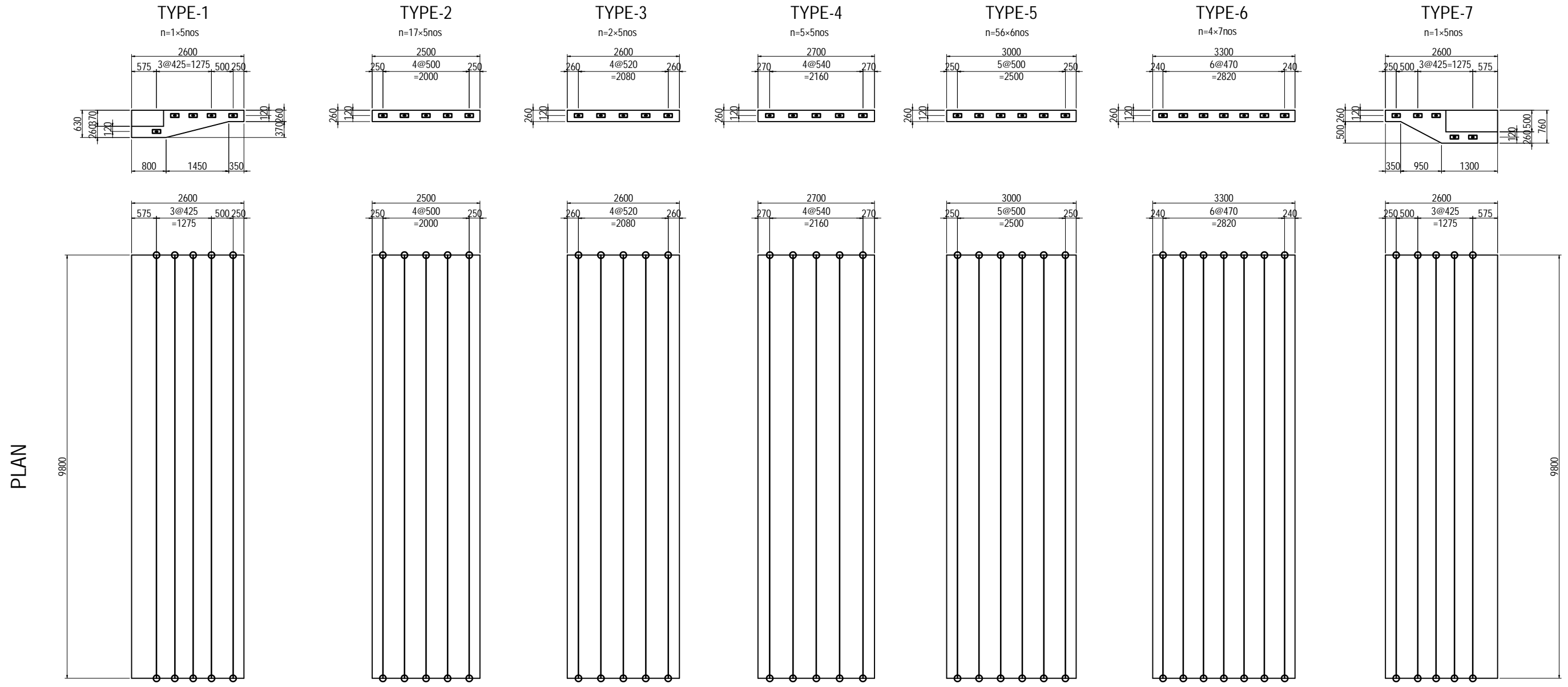


(S1) 3S12.7 L=9806mm
n=494 nos

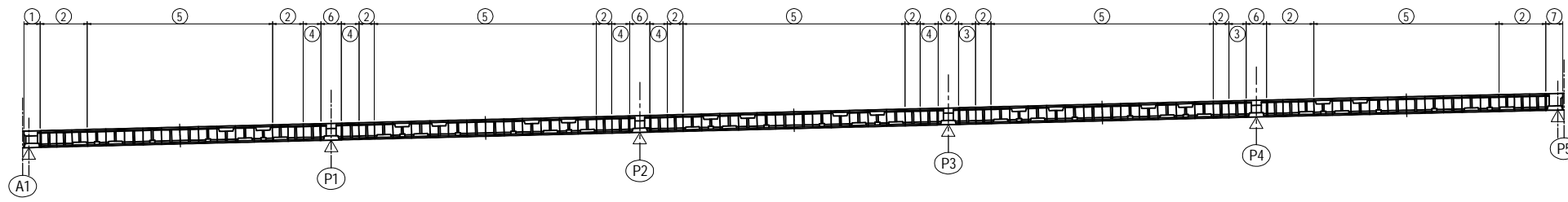
PROJECT NAME DETAILED DESIGN ON BAGO RIVER BRIDGE CONSTRUCTION PROJECT	FINANCED BY jica JAPAN INTERNATIONAL COOPERATION AGENCY	COUNTERPART REPUBLIC OF THE UNION OF MYANMAR MINISTRY OF CONSTRUCTION DEPARTMENT OF BRIDGE	JICA STUDY TEAM NIPPON KOEI CO., LTD. ORIENTAL CONSULTANTS GLOBAL CO., LTD. METROPOLITAN EXPRESSWAY COMPANY LIMITED CHODAI CO., LTD. NIPPON ENGINEERING CONSULTANTS CO., LTD.	NAME	SIGNATURE	DATE	DRAWING TITLE DETAIL OF PRESTRESSING A1-P5 <R> (15) [SLAB]	PACKAGE 1 DWG No. P1-PB-1165	
				PREPARED BY	M. OHYAMA	大山 満弘			15 Jun.2017
				CHECKED BY	T. HAYAKAWA	平川 知那			20 Jun.2017
				APPROVED BY	Y. SANO	酒野 祐一			21 Jun.2017

DETAIL OF PRESTRESSING A1-P5 <R> (16) [SLAB]

S=1:100



LOCATION <R>



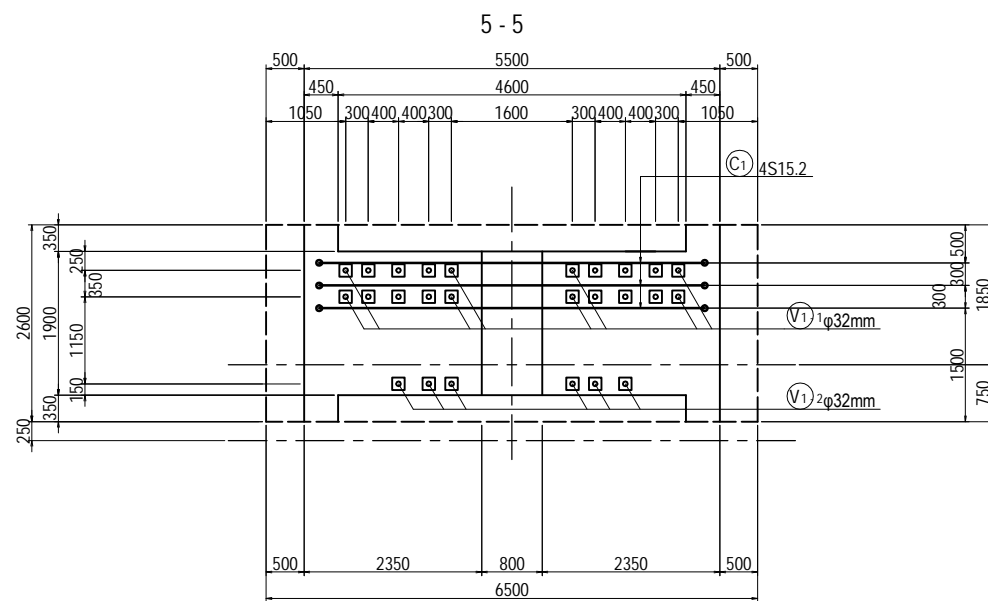
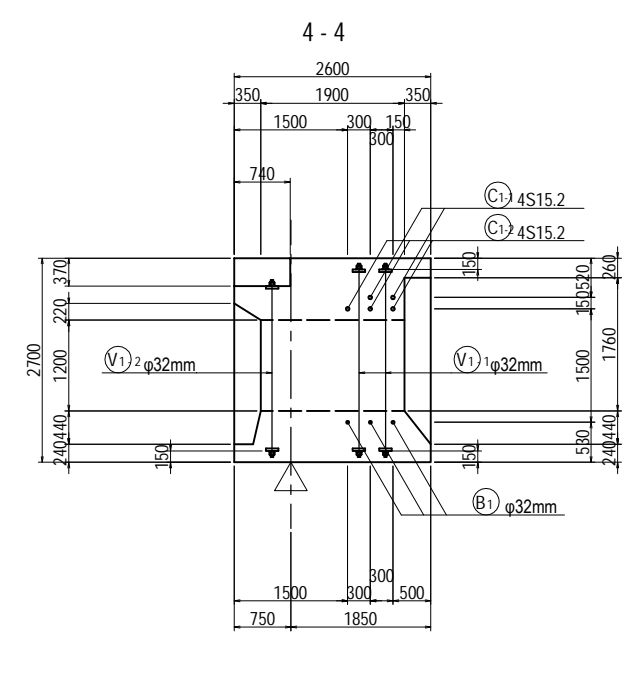
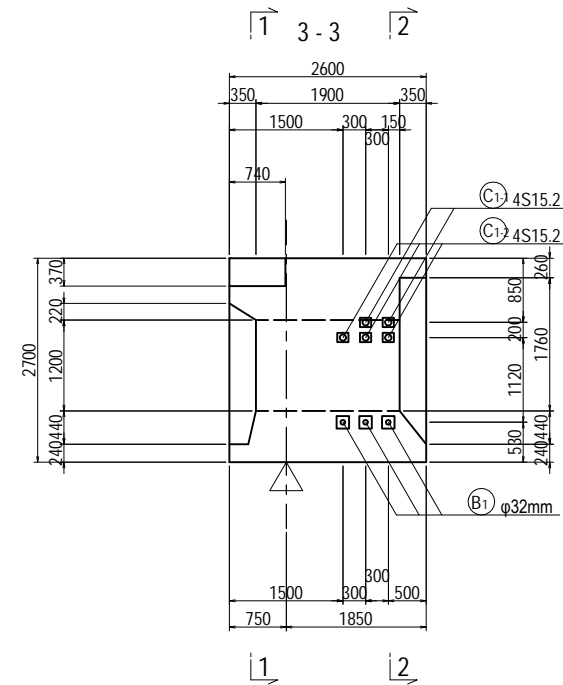
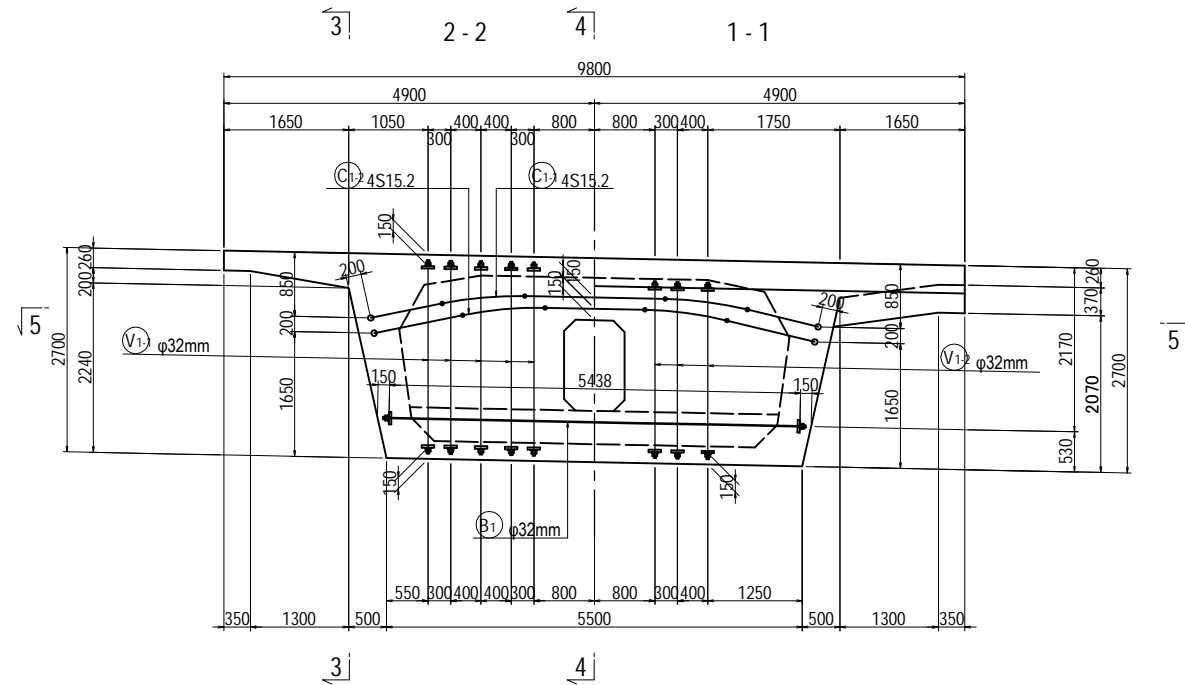
Notes
 -Alternating tension from one side.
 -Reinforcement for tendon anchorage such as grid rebar shall be arranged sufficiently.
 -Jacking force = 1300N/mm²

PROJECT NAME DETAILED DESIGN ON BAGO RIVER BRIDGE CONSTRUCTION PROJECT	FINANCED BY JAPAN INTERNATIONAL COOPERATION AGENCY	COUNTERPART REPUBLIC OF THE UNION OF MYANMAR MINISTRY OF CONSTRUCTION DEPARTMENT OF BRIDGE	JICA STUDY TEAM NIPPON KOEI CO., LTD. ORIENTAL CONSULTANTS GLOBAL CO., LTD. METROPOLITAN EXPRESSWAY COMPANY LIMITED CHODAI CO., LTD. NIPPON ENGINEERING CONSULTANTS CO., LTD.	NAME	SIGNATURE	DATE	DRAWING TITLE DETAIL OF PRESTRESSING A1-P5 <R> (16) [SLAB]	PACKAGE	
				PREPARED BY	M. OHYAMA			15 Jun.2017	1
				CHECKED BY	T. HAYAKAWA			20 Jun.2017	DWG No.
				APPROVED BY	Y. SANO			21 Jun.2017	P1-PB-1166

DETAIL OF PRESTRESSING A1-P5 <R> (17) [END CROSSBEAM]

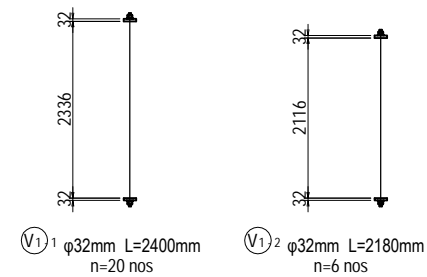
S=1:100

CROSS SECTIONS

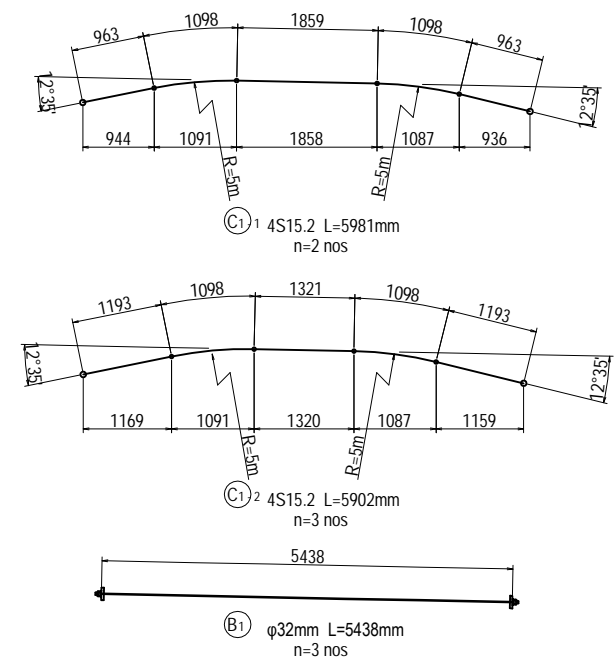


DETAIL DIMENSION OF TENDON

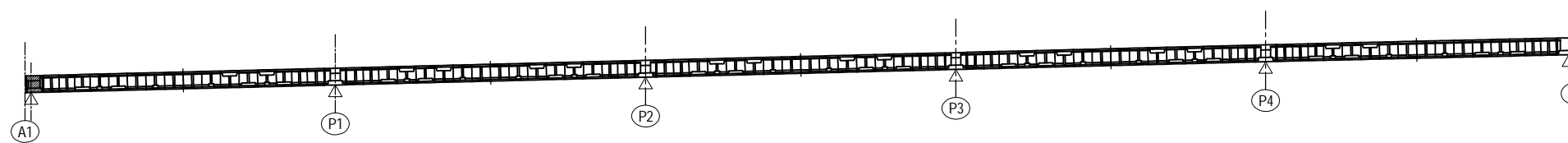
VERTICAL CABLE



TRANSVERSAL CABLE



LOCATION <R>



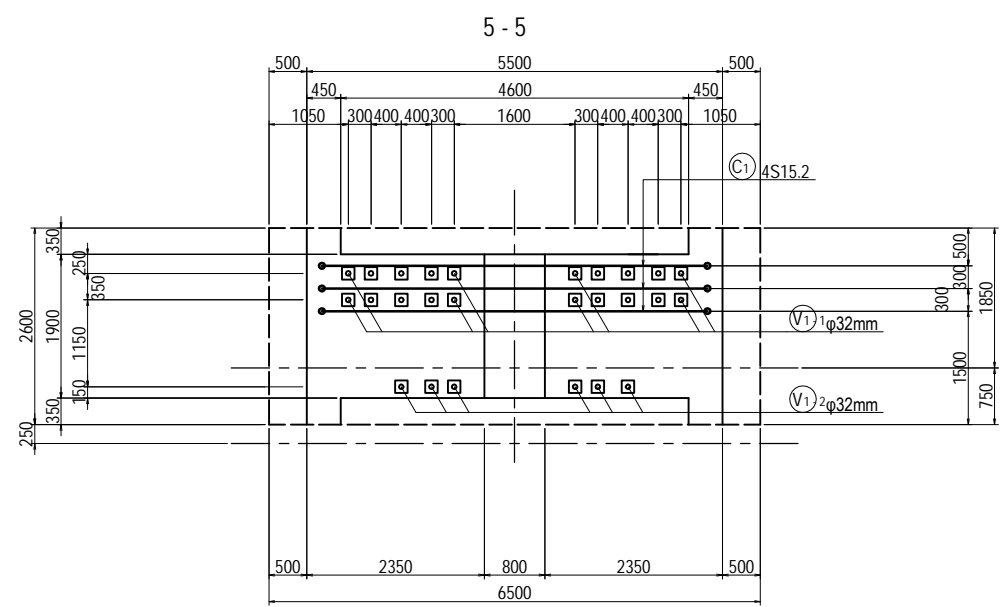
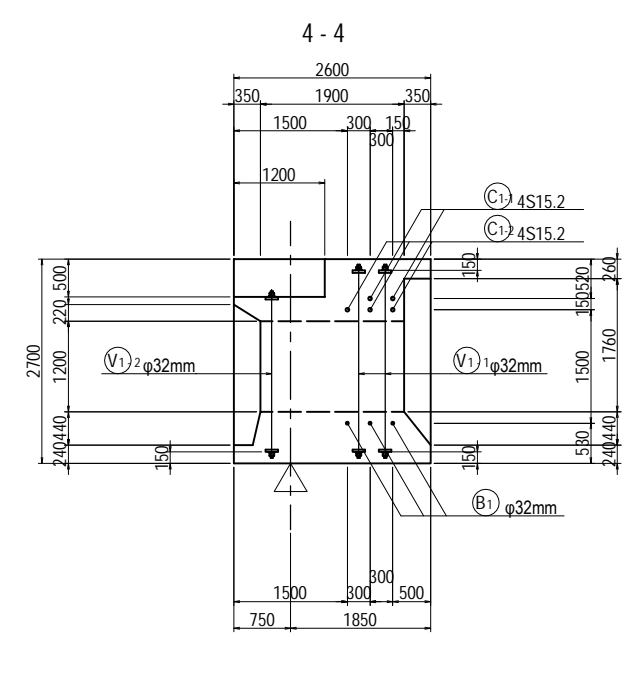
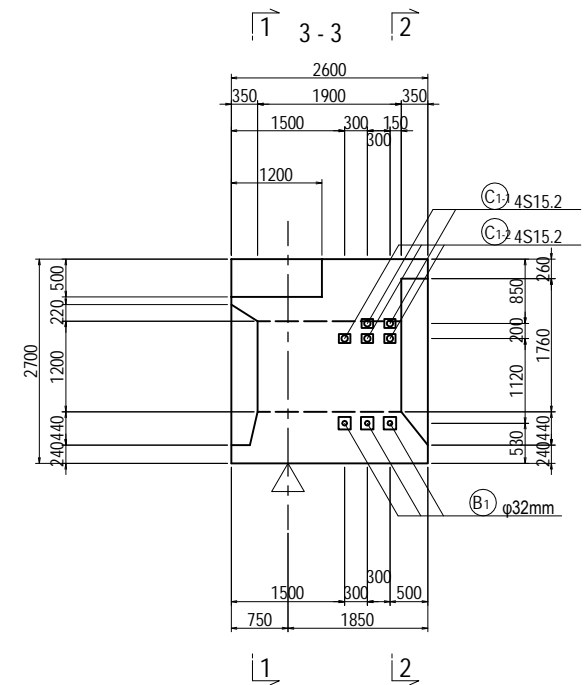
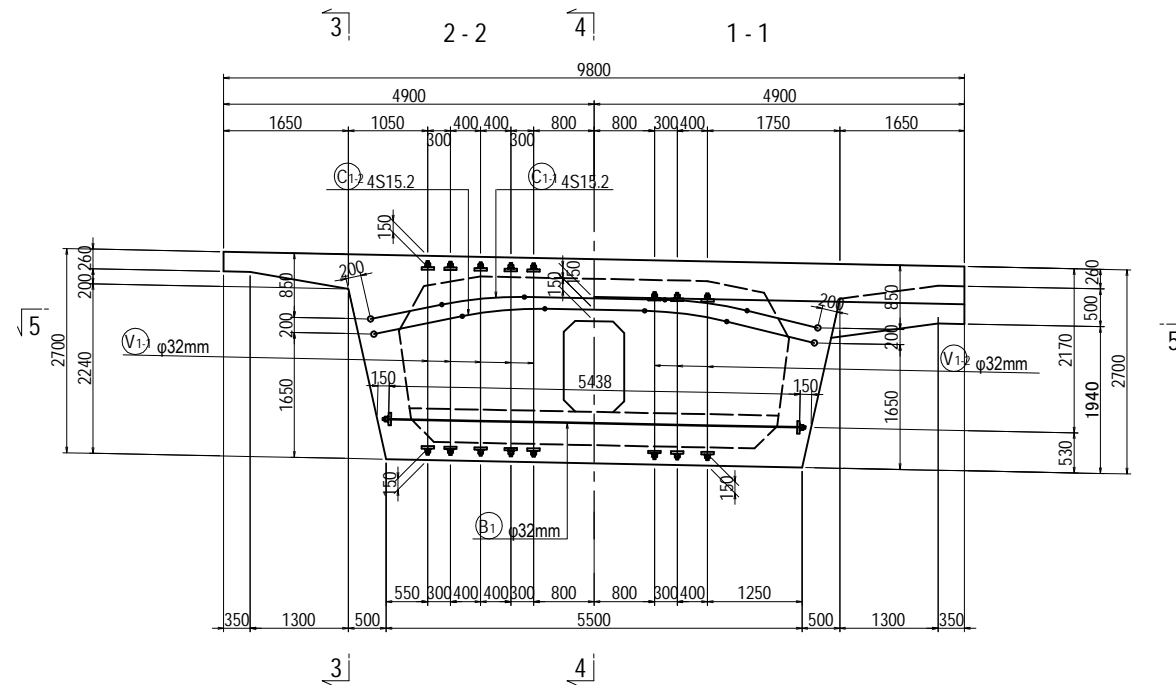
- Notes
- Transverse tendon shall be tensioned from one side alternately.
 - Vertical tendon shall be tensioned at top.
 - Reinforcement for tendon anchorage such as grid rebar shall be arranged sufficiently.
 - Jacking force = 1300N/mm²(4S15.2)
 - Jacking force = 800N/mm²(PT bar)

PROJECT NAME DETAILED DESIGN ON BAGO RIVER BRIDGE CONSTRUCTION PROJECT	FINANCED BY JICA JAPAN INTERNATIONAL COOPERATION AGENCY	COUNTERPART REPUBLIC OF THE UNION OF MYANMAR MINISTRY OF CONSTRUCTION DEPARTMENT OF BRIDGE	JICA STUDY TEAM NIPPON KOEI CO., LTD. ORIENTAL CONSULTANTS GLOBAL CO., LTD. METROPOLITAN EXPRESSWAY COMPANY LIMITED CHODAI CO., LTD. NIPPON ENGINEERING CONSULTANTS CO., LTD.	NAME	SIGNATURE	DATE	DRAWING TITLE DETAIL OF PRESTRESSING A1-P5 <R> (17) [END CROSSBEAM]	PACKAGE 1 DWG No. P1-PB-1167	
				PREPARED BY	M. OHYAMA	大山 満弘			15 Jun.2017
				CHECKED BY	T. HAYAKAWA	早川 知寿			20 Jun.2017
				APPROVED BY	Y. SANO	酒野 裕一			21 Jun.2017

DETAIL OF PRESTRESSING A1-P5 <R> (18) [END CROSSBEAM]

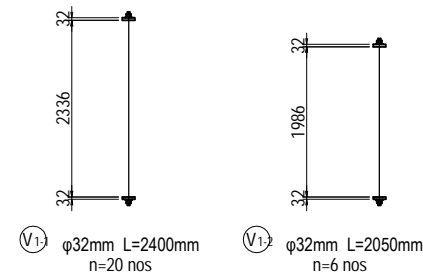
S=1:100

CROSS SECTIONS

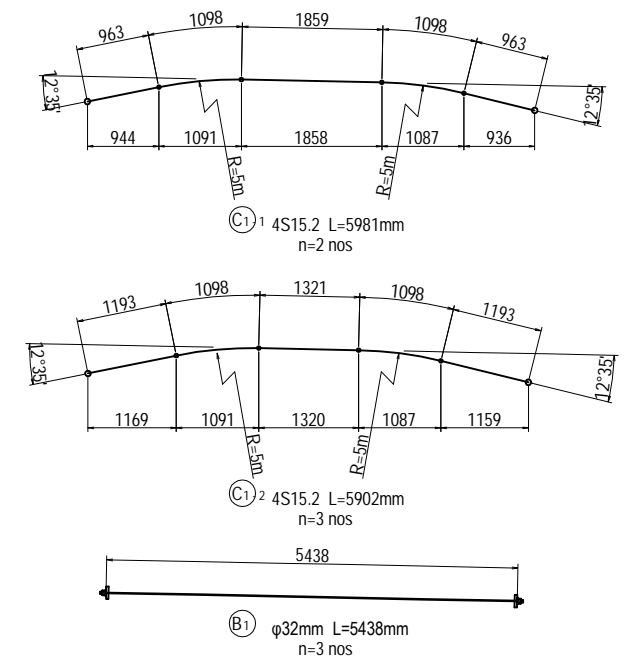


DETAIL DIMENSION OF TENDON

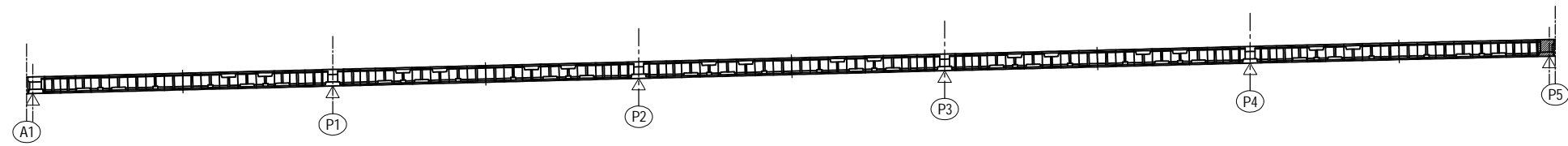
VERTICAL CABLE



TRANSVERSAL CABLE



LOCATION <R>

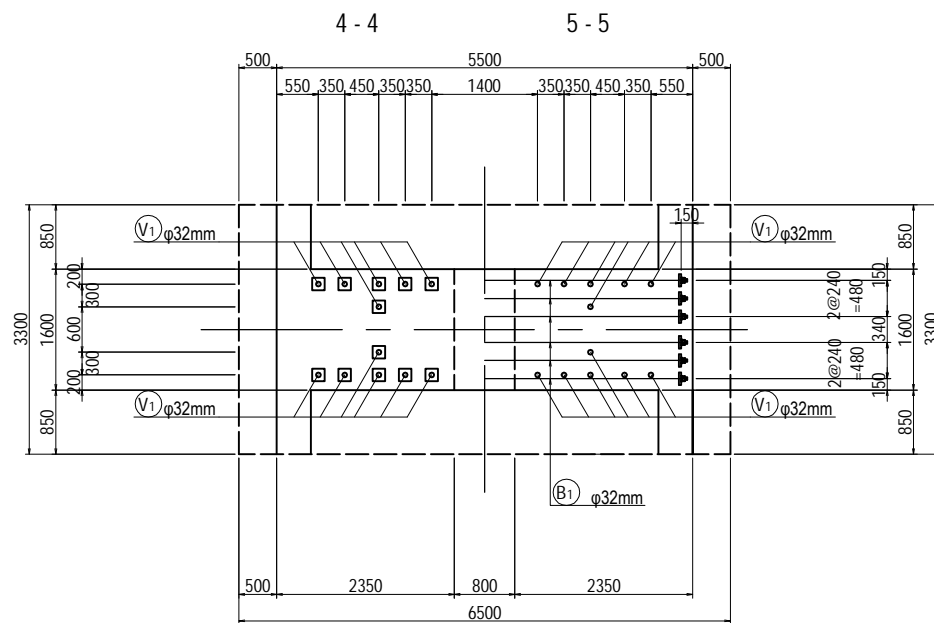
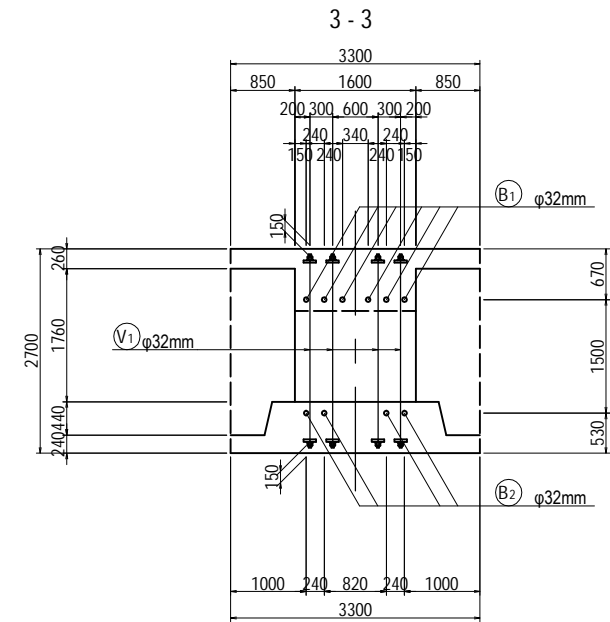
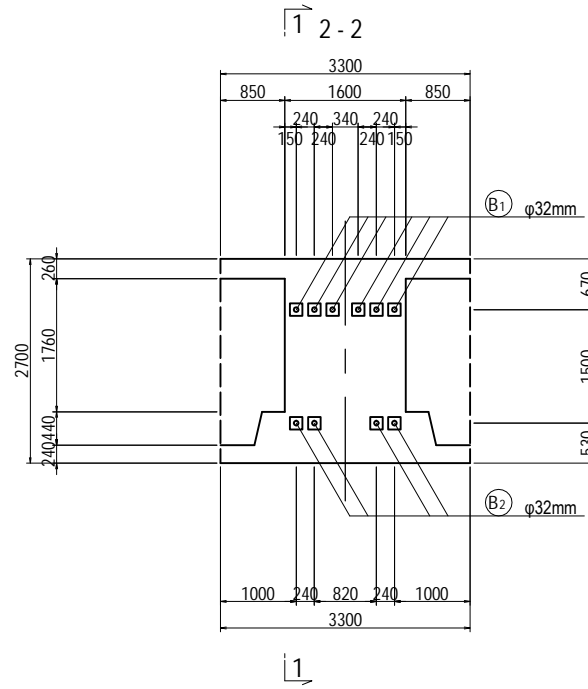
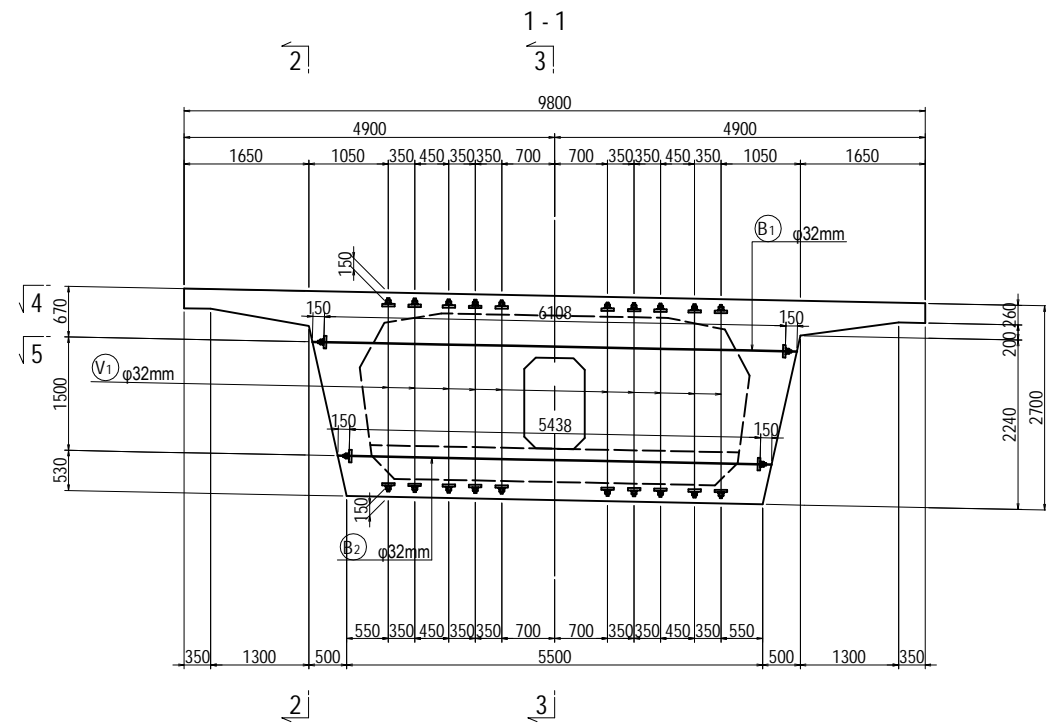


- Notes
- Transverse tendon shall be tensioned from one side alternately.
 - Vertical tendon shall be tensioned at top.
 - Reinforcement for tendon anchorage such as grid rebar shall be arranged sufficiently.
 - Jacking force = 1300N/mm²(4S15.2)
 - Jacking force = 800N/mm²(PT bar)

PROJECT NAME DETAILED DESIGN ON BAGO RIVER BRIDGE CONSTRUCTION PROJECT	FINANCED BY JICA JAPAN INTERNATIONAL COOPERATION AGENCY	COUNTERPART REPUBLIC OF THE UNION OF MYANMAR MINISTRY OF CONSTRUCTION DEPARTMENT OF BRIDGE	JICA STUDY TEAM NIPPON KOEI CO., LTD. ORIENTAL CONSULTANTS GLOBAL CO., LTD. METROPOLITAN EXPRESSWAY COMPANY LIMITED CHODAI CO., LTD. NIPPON ENGINEERING CONSULTANTS CO., LTD.	NAME	SIGNATURE	DATE	DRAWING TITLE DETAIL OF PRESTRESSING A1-P5 <R> (18) [END CROSSBEAM]	PACKAGE 1 DWG No. P1-PB-1168	
				PREPARED BY	M. OHYAMA	大山 満弘			15 Jun.2017
				CHECKED BY	T. HAYAKAWA	早川 知那			20 Jun.2017
				APPROVED BY	Y. SANO	酒野 裕一			21 Jun.2017

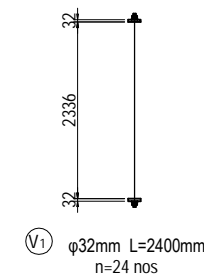
DETAIL OF PRESTRESSING A1-P5 <R> (19) [INTERMEDIATE CROSSBEAM]

S=1:100

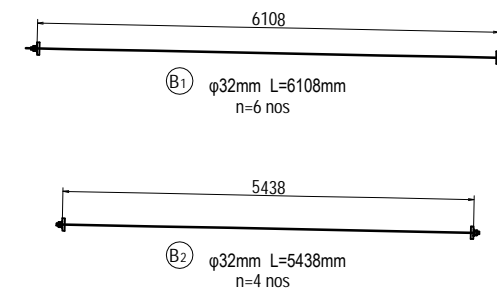


DETAIL DIMENSION OF TENDON

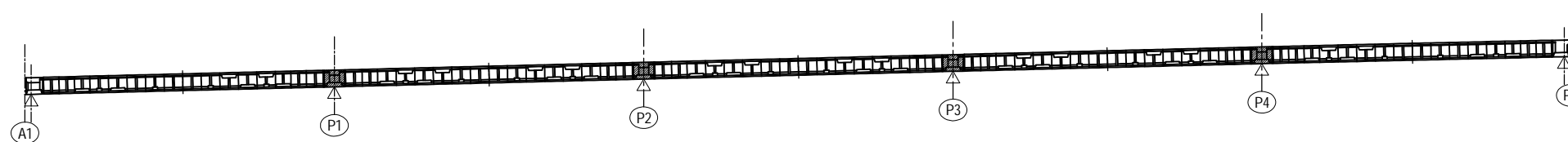
VERTICAL CABLE



TRANSVERSAL CABLE



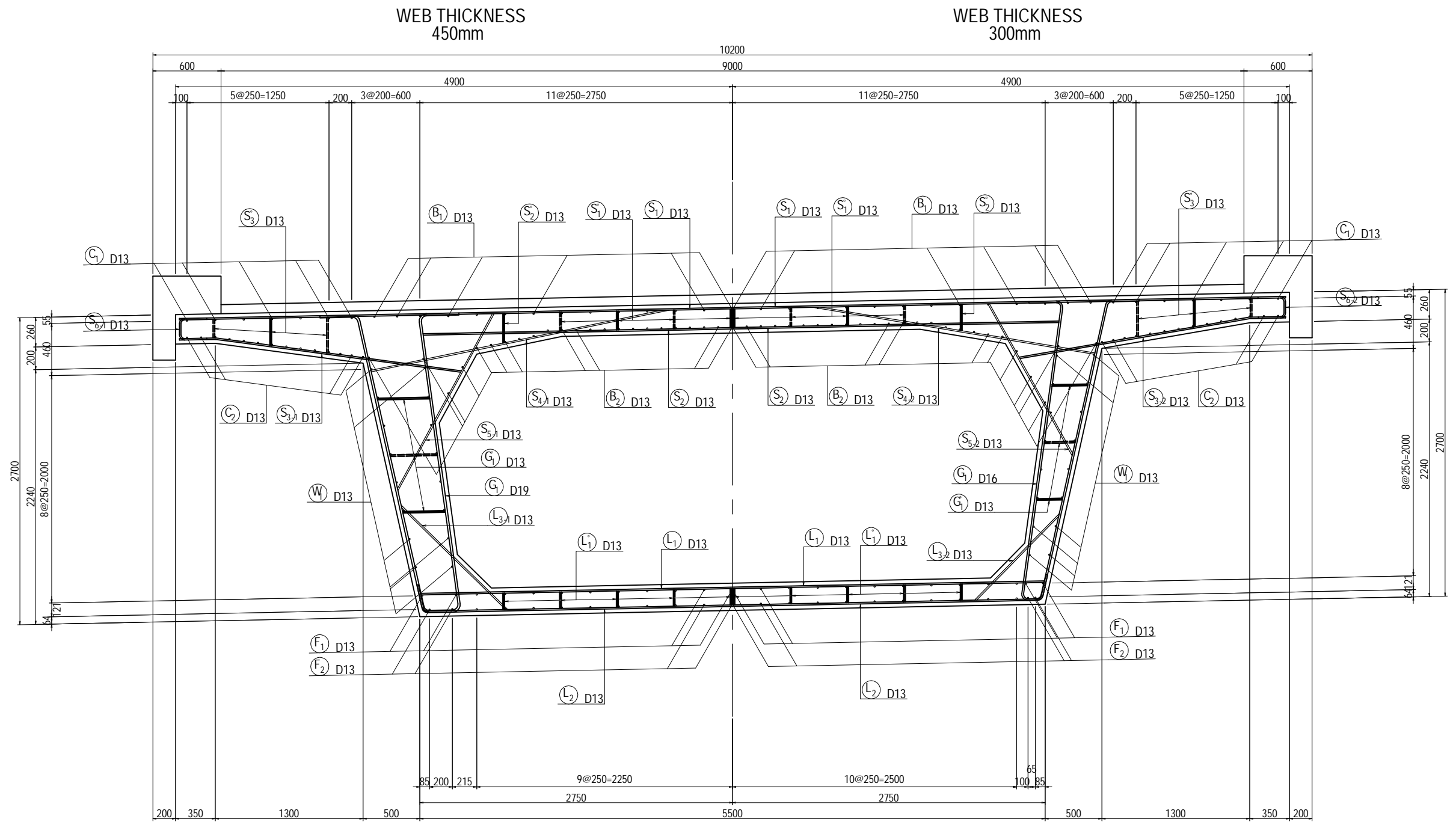
LOCATION <R>



- Notes
- Transverse tendon shall be tensioned from one side alternately.
 - Vertical tendon shall be tensioned at top.
 - Reinforcement for tendon anchorage such as grid rebar shall be arranged sufficiently.
 - Jacking force = 800N/mm²(PT bar)


PROJECT NAME DETAILED DESIGN ON BAGO RIVER BRIDGE CONSTRUCTION PROJECT	FINANCED BY JICA JAPAN INTERNATIONAL COOPERATION AGENCY	COUNTERPART REPUBLIC OF THE UNION OF MYANMAR MINISTRY OF CONSTRUCTION DEPARTMENT OF BRIDGE	JICA STUDY TEAM NIPPON KOEI CO., LTD. ORIENTAL CONSULTANTS GLOBAL CO., LTD. METROPOLITAN EXPRESSWAY COMPANY LIMITED CHODAI CO., LTD. NIPPON ENGINEERING CONSULTANTS CO., LTD.	NAME	SIGNATURE	DATE	DRAWING TITLE DETAIL OF PRESTRESSING A1-P5 <R> (19) [INTERMEDIATE CROSSBEAM]	PACKAGE 1 DWG No. P1-PB-1169	
				PREPARED BY	M. OHYAMA	大山 満弘			15 Jun.2017
				CHECKED BY	T. HAYAKAWA	早川 知那			20 Jun.2017
				APPROVED BY	Y. SANO	酒野 祐一			21 Jun.2017

TYPICAL CROSS SECTION OF GIRDER A1-P5 <L,R> S=1:40

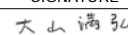
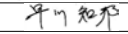
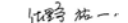


PROJECT NAME
 DETAILED DESIGN ON
 BAGO RIVER BRIDGE
 CONSTRUCTION PROJECT

FINANCED BY
 JAPAN INTERNATIONAL
 COOPERATION AGENCY

COUNTERPART
 REPUBLIC OF THE UNION OF MYANMAR
 MINISTRY OF CONSTRUCTION
 DEPARTMENT OF BRIDGE

JICA STUDY TEAM
 NIPPON KOEI CO., LTD.
 ORIENTAL CONSULTANTS GLOBAL CO., LTD.
 METROPOLITAN EXPRESSWAY COMPANY LIMITED
 CHODAI CO., LTD.
 NIPPON ENGINEERING CONSULTANTS CO., LTD.

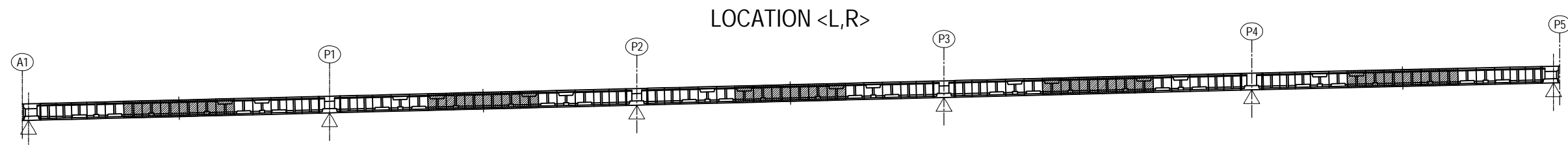
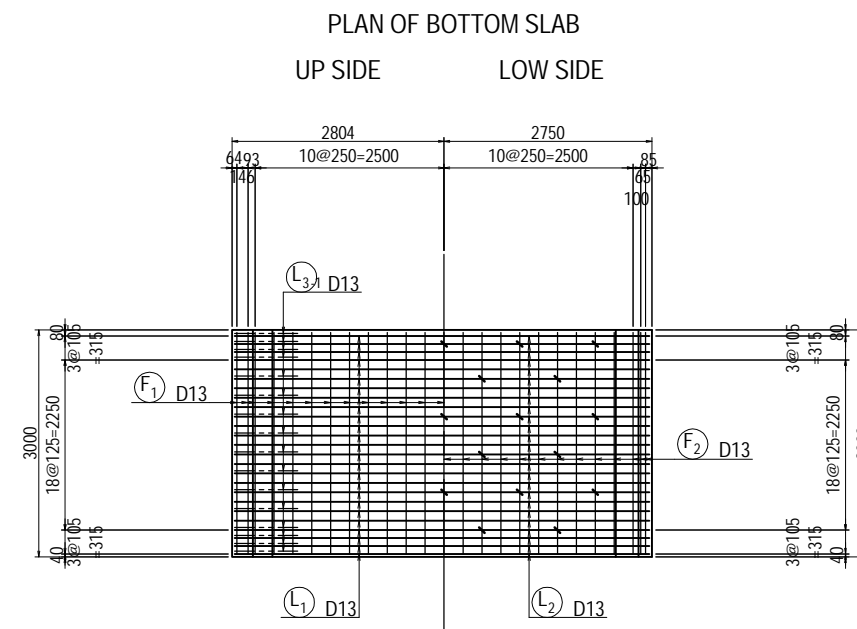
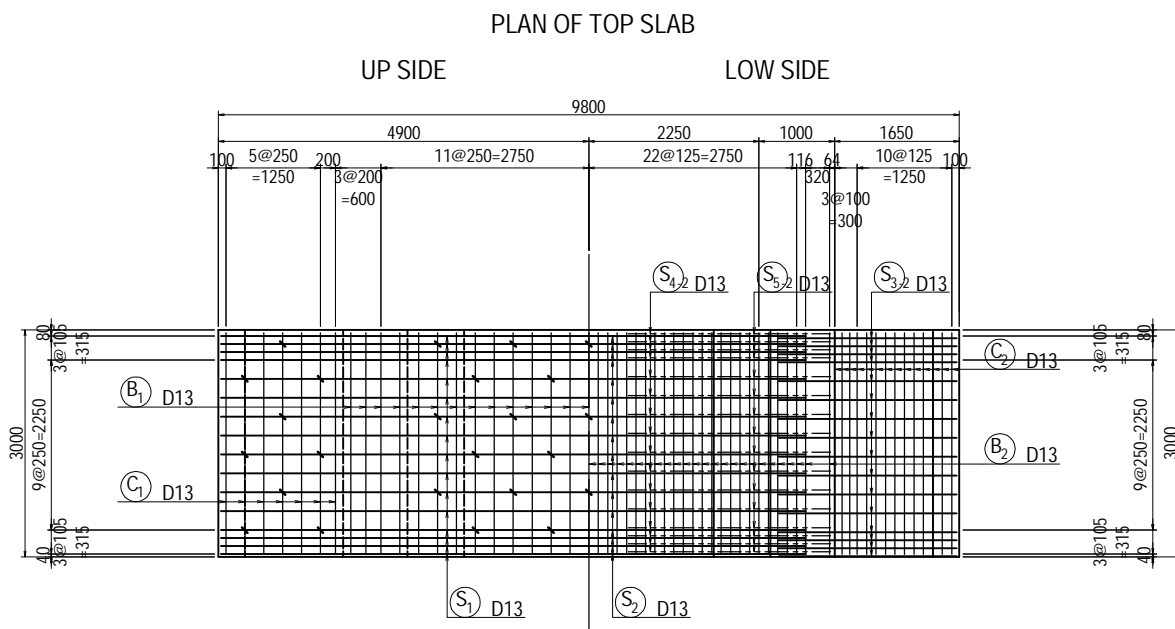
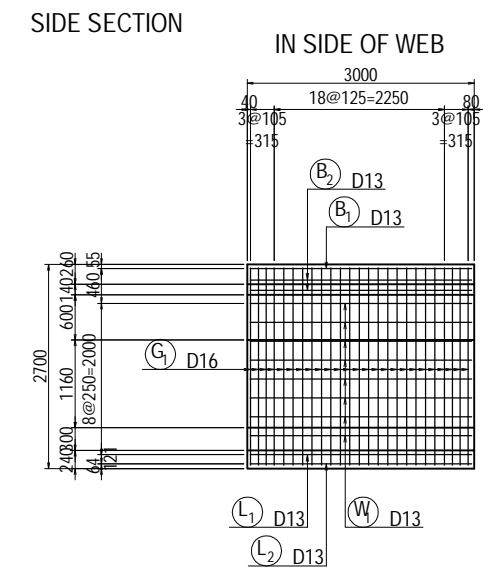
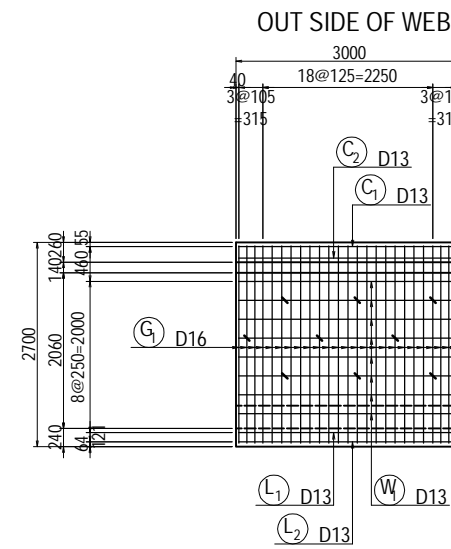
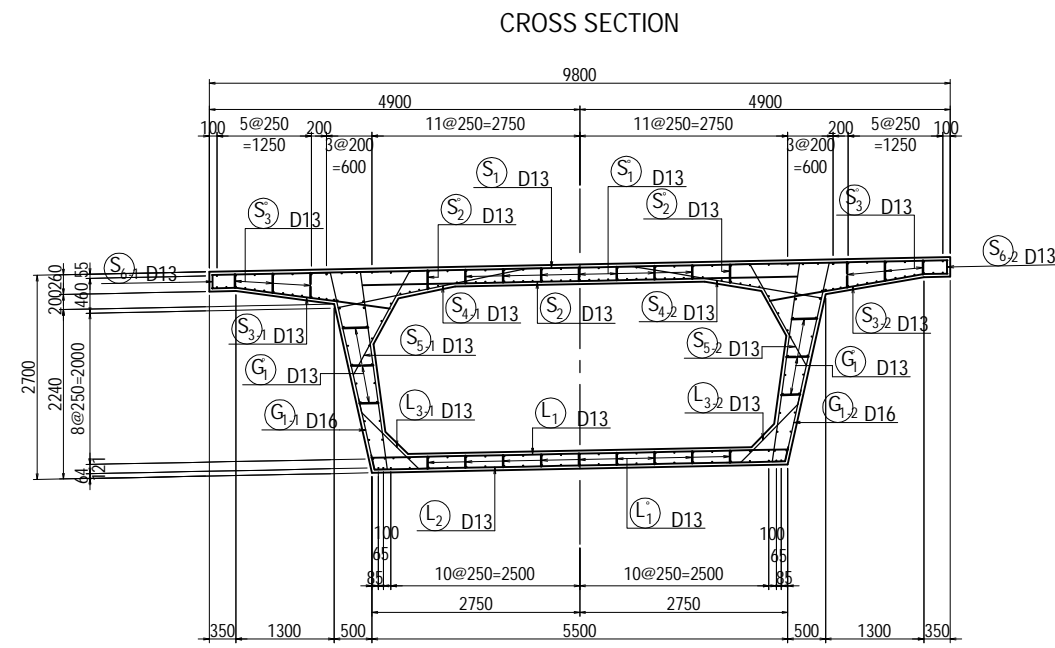
	NAME	SIGNATURE	DATE
PREPARED BY	M. OHYAMA		15 Jun.2017
CHECKED BY	T. HAYAKAWA		20 Jun.2017
APPROVED BY	Y. SANO		21 Jun.2017

DRAWING TITLE
 TYPICAL CROSS SECTION OF GIRDER
 A1-P5 <L,R>

PACKAGE
 1
 DWG No.
 P1-PB-1201

BAR ARRANGEMENT OF SEGMENT A1-P5 <L,R> (1) S=1:100

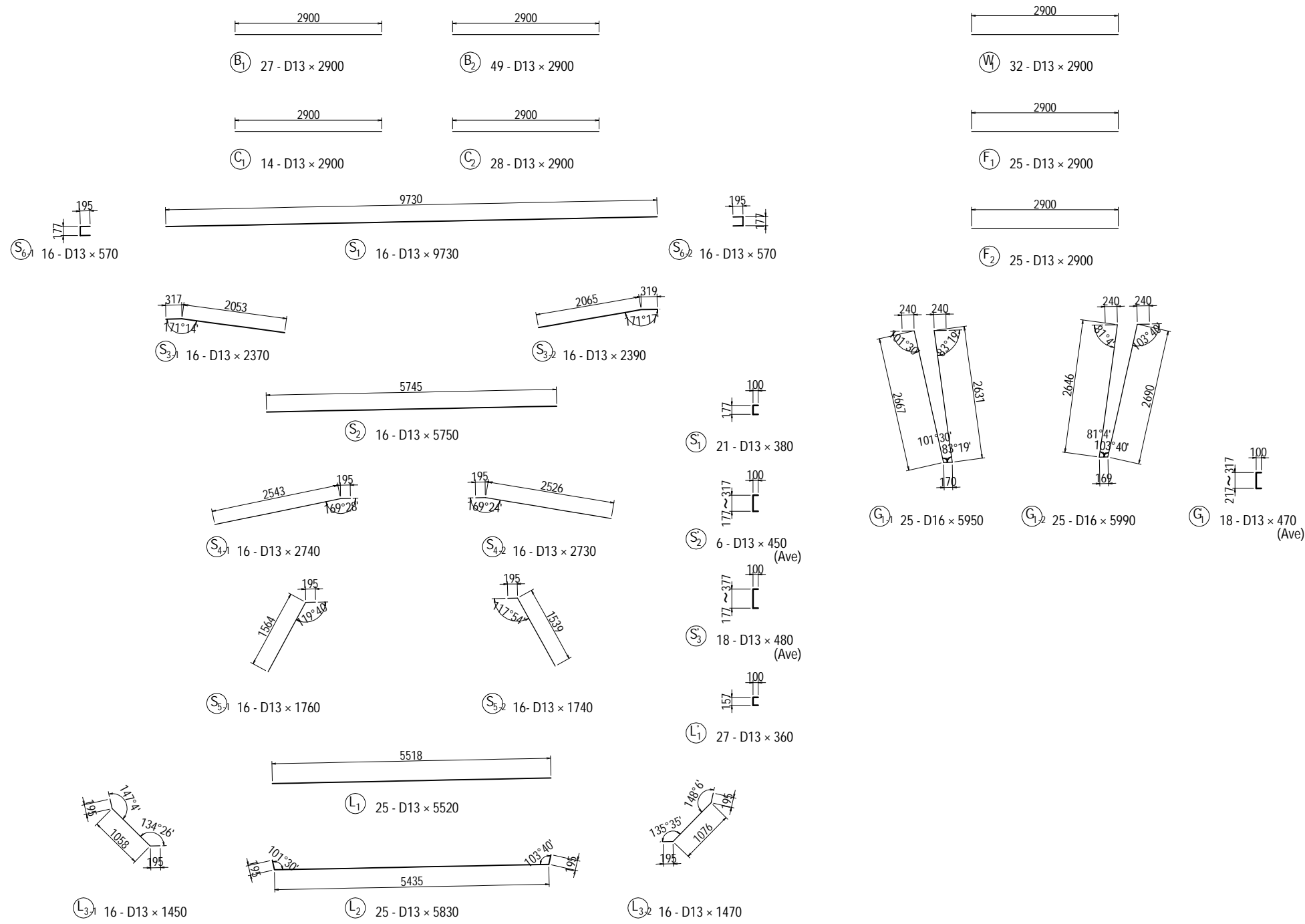
TYPE 1 (BL=3.0m)



PROJECT NAME DETAILED DESIGN ON BAGO RIVER BRIDGE CONSTRUCTION PROJECT	FINANCED BY JAPAN INTERNATIONAL COOPERATION AGENCY	COUNTERPART REPUBLIC OF THE UNION OF MYANMAR MINISTRY OF CONSTRUCTION DEPARTMENT OF BRIDGE	JICA STUDY TEAM NIPPON KOEI CO., LTD. ORIENTAL CONSULTANTS GLOBAL CO., LTD. METROPOLITAN EXPRESSWAY COMPANY LIMITED CHODAI CO., LTD. NIPPON ENGINEERING CONSULTANTS CO., LTD.	NAME	SIGNATURE	DATE	DRAWING TITLE BAR ARRANGEMENT OF SEGMENT A1-P5 <L,R> (1)	PACKAGE	
				PREPARED BY	M. OHYAMA			15 Jun.2017	1
				CHECKED BY	T. HAYAKAWA			20 Jun.2017	DWG No.
				APPROVED BY	Y. SANO			21 Jun.2017	P1-PB-1301

BAR ARRANGEMENT OF SEGMENT A1-P5 <L,R> (2) S=1:100

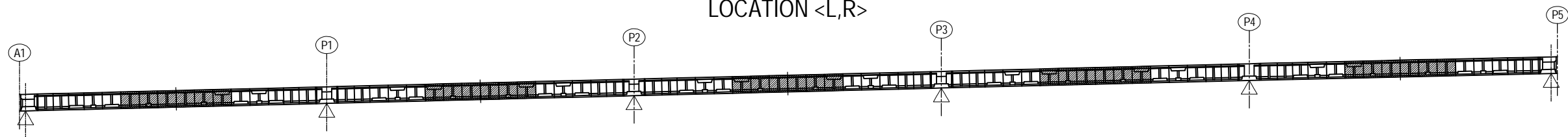
TYPE 1 (BL=3.0m)



BAR STATISTICS TABLE (For 1 Block)

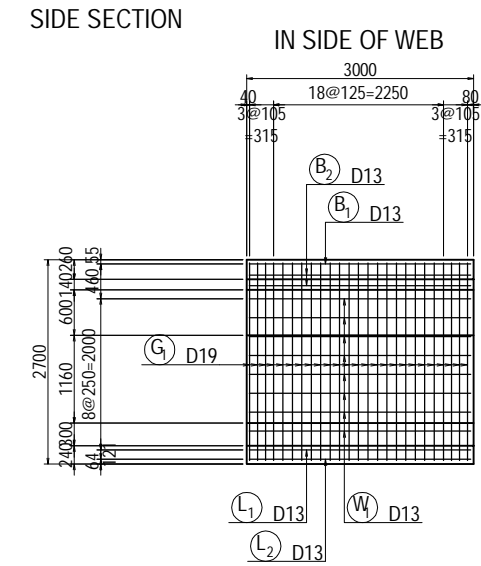
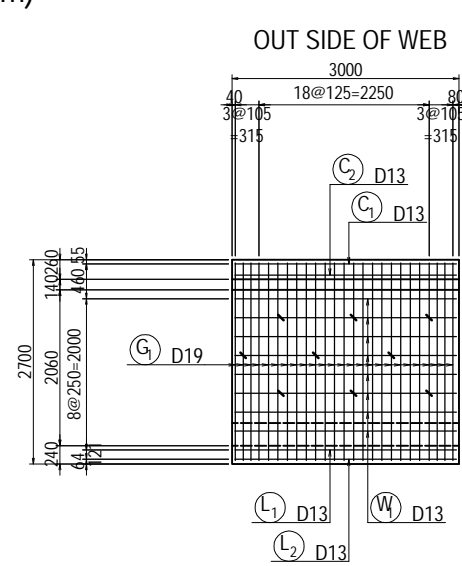
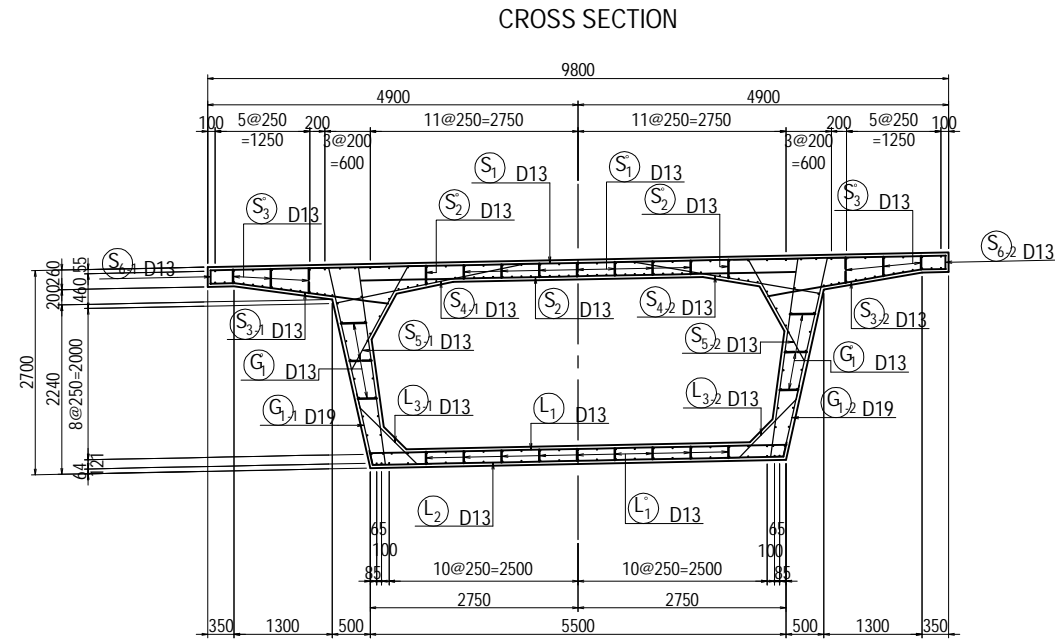
Bar Mark	Bar Size	Length (mm)	No.Of Bar (Nos)	Unit Wt (kg/m)	Rod Wt (kg)	Total Weight (kg)	Shape
B	1 D13	2900	27	0.995	2.89	78	—
	2 D13	2900	49	0.995	2.89	142	—
C	1 D13	2900	14	0.995	2.89	40	—
	2 D13	2900	28	0.995	2.89	81	—
S	1 D13	9730	16	0.995	9.68	155	—
	2 D13	5750	16	0.995	5.72	92	—
	3-1 D13	2370	16	0.995	2.36	38	↘
	3-2 D13	2390	16	0.995	2.38	38	↗
	4-1 D13	2740	16	0.995	2.73	44	↘
	4-2 D13	2730	16	0.995	2.72	44	↗
S'	1 D13	380	21	0.995	0.38	8	⊥
	2 D13	450	6	0.995	0.45	3	⊥ (Ave)
	3 D13	480	18	0.995	0.48	9	⊥ (Ave)
L	1 D13	5520	25	0.995	5.49	137	—
	2 D13	5830	25	0.995	5.80	145	↘
	3-1 D13	1450	16	0.995	1.44	23	↘
	3-2 D13	1470	16	0.995	1.46	23	↗
L'	1 D13	360	27	0.995	0.36	10	⊥
W	1 D13	2900	32	0.995	2.89	93	—
F	1 D13	2900	25	0.995	2.89	72	—
	2 D13	2900	25	0.995	2.89	72	—
G1-1	D16	5950	25	1.56	9.28	232	↘
	D16	5990	25	1.56	9.34	234	↗
G'	1 D13	470	18	0.995	0.47	8	⊥ (Ave)
				D13	1429 kg		
				D16	466 kg		
				Total Weight	1895 kg		

LOCATION <L,R>



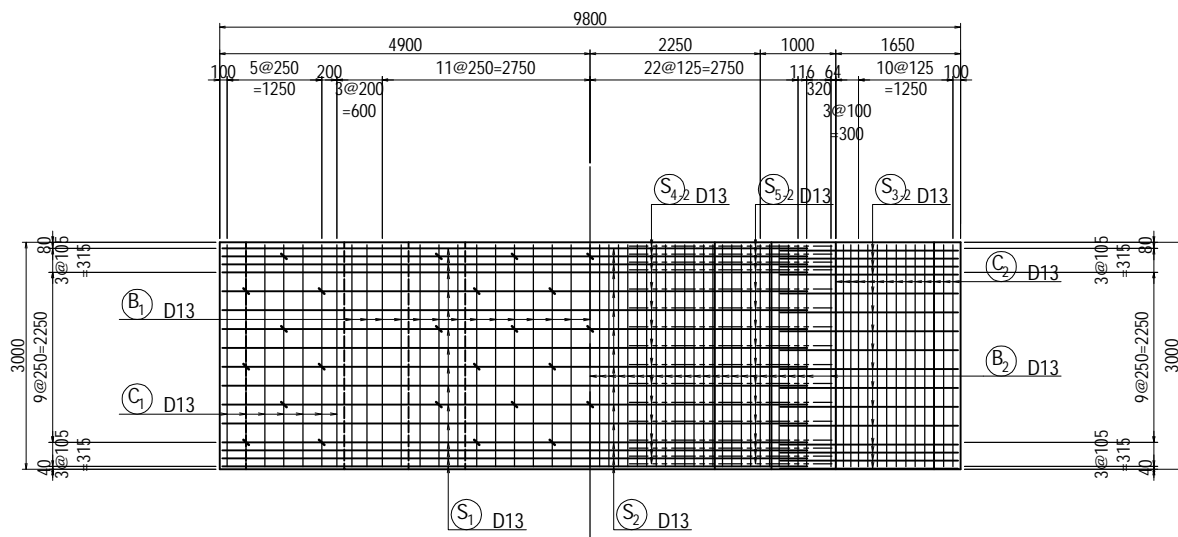
BAR ARRANGEMENT OF SEGMENT A1-P5 <L,R> (3) S=1:100

TYPE 2 (BL=3.0m)



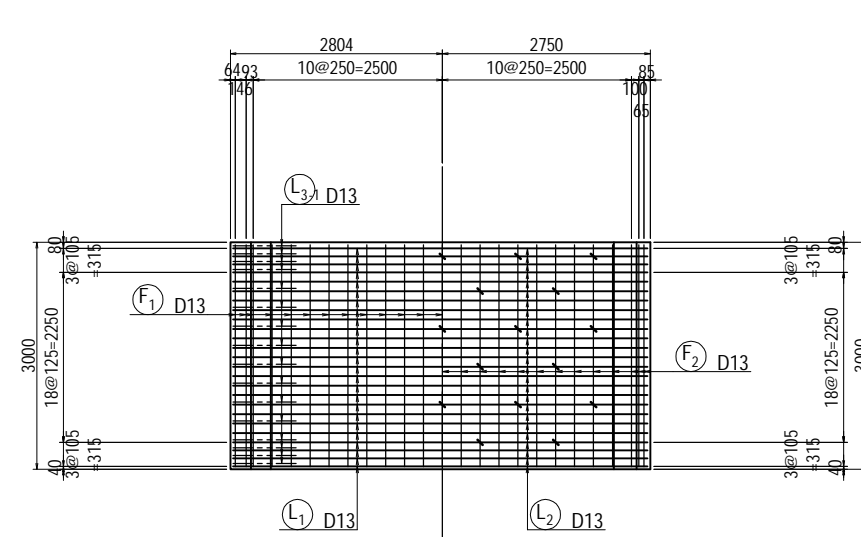
PLAN OF TOP SLAB

UP SIDE LOW SIDE

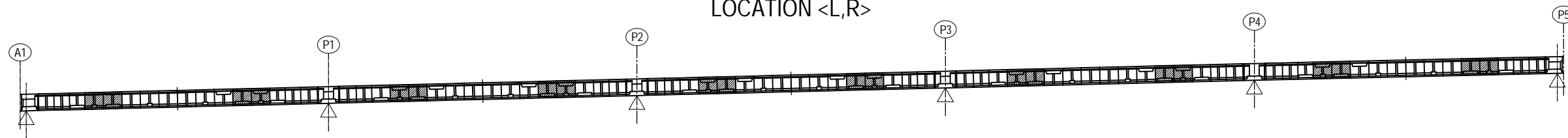


PLAN OF BOTTOM SLAB

UP SIDE LOW SIDE



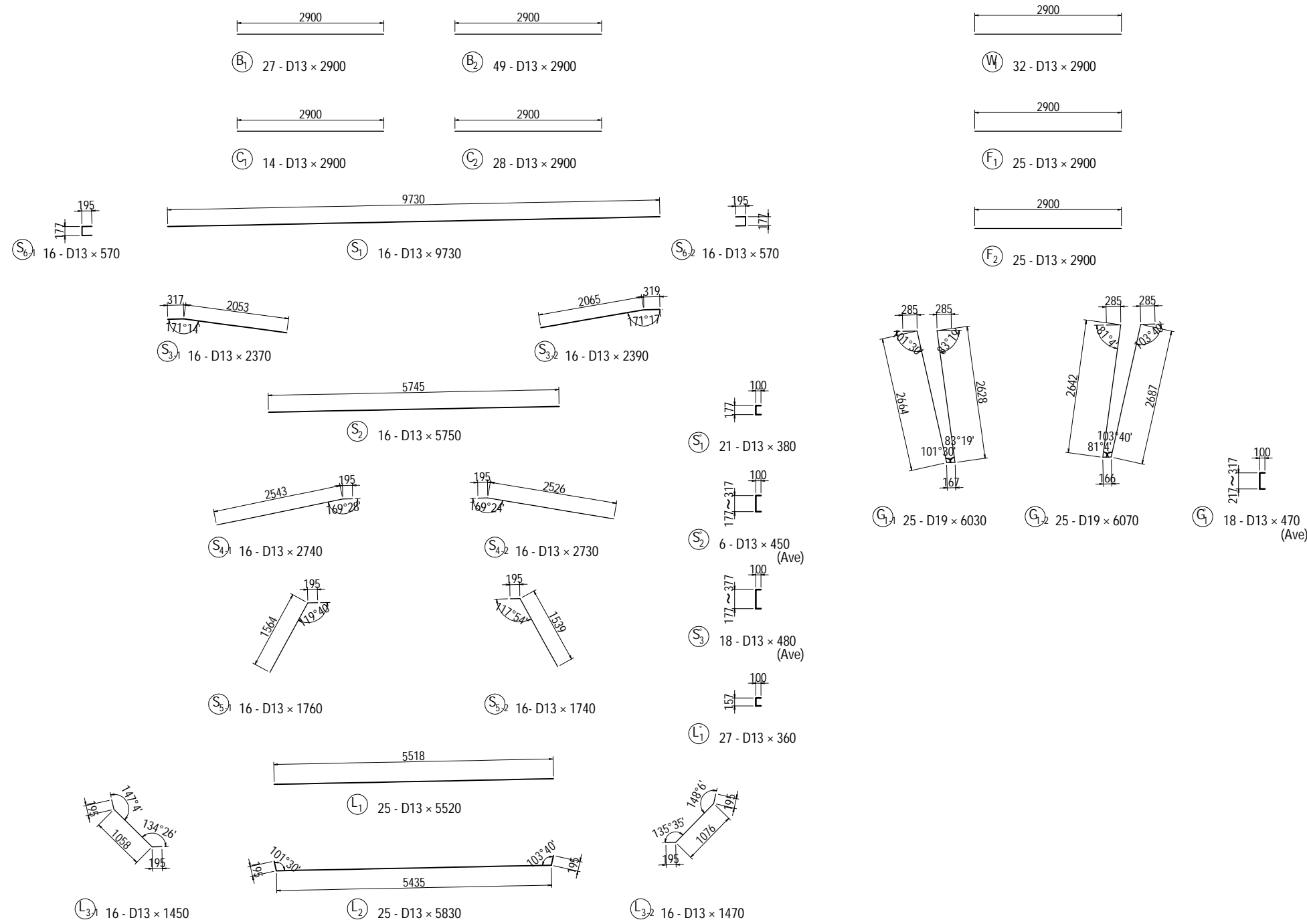
LOCATION <L,R>



PROJECT NAME DETAILED DESIGN ON BAGO RIVER BRIDGE CONSTRUCTION PROJECT	FINANCED BY JAPAN INTERNATIONAL COOPERATION AGENCY	COUNTERPART REPUBLIC OF THE UNION OF MYANMAR MINISTRY OF CONSTRUCTION DEPARTMENT OF BRIDGE	JICA STUDY TEAM NIPPON KOEI CO., LTD. ORIENTAL CONSULTANTS GLOBAL CO., LTD. METROPOLITAN EXPRESSWAY COMPANY LIMITED CHODAI CO., LTD. NIPPON ENGINEERING CONSULTANTS CO., LTD.	NAME	SIGNATURE	DATE	DRAWING TITLE BAR ARRANGEMENT OF SEGMENT A1-P5 <L,R> (3)	PACKAGE	
				PREPARED BY	M. OHYAMA			15 Jun.2017	DWG No.
				CHECKED BY	T. HAYAKAWA			20 Jun.2017	P1-PB-1303
				APPROVED BY	Y. SANO			21 Jun.2017	

BAR ARRANGEMENT OF SEGMENT A1-P5 <L,R> (4) S=1:100

TYPE 2 (BL=3.0m)

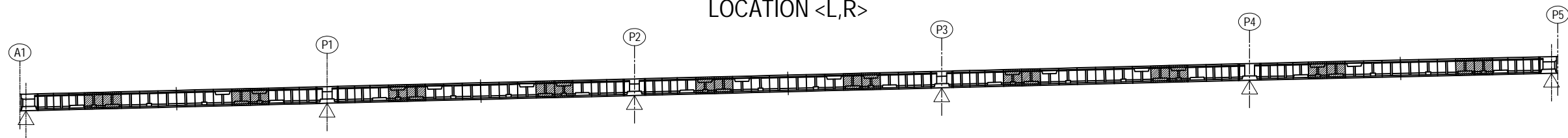


BAR STATISTICS TABLE

(For 1 Block)

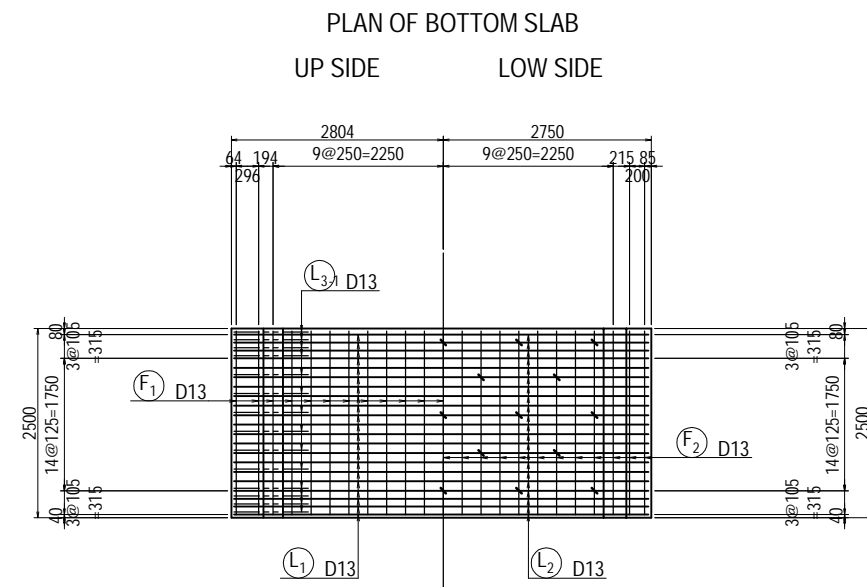
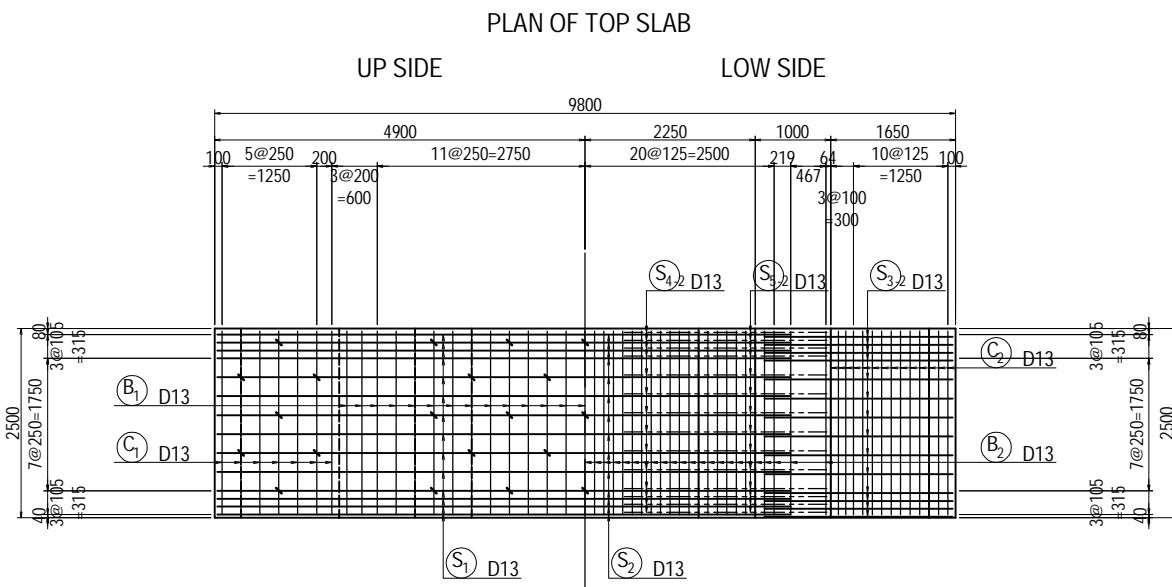
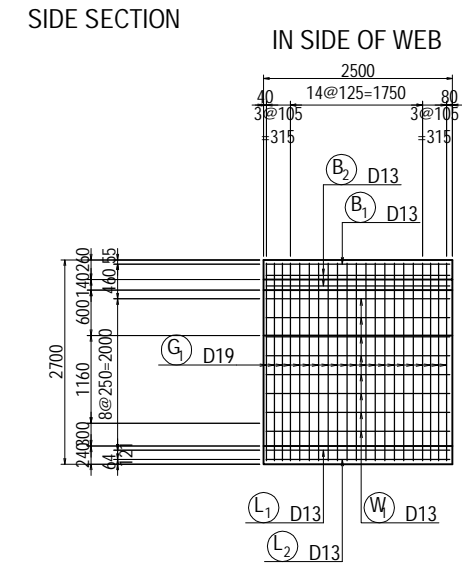
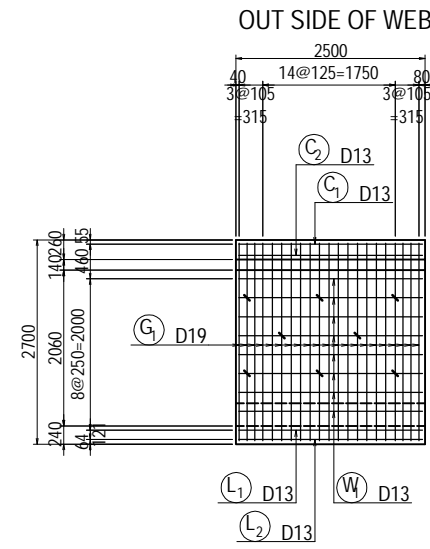
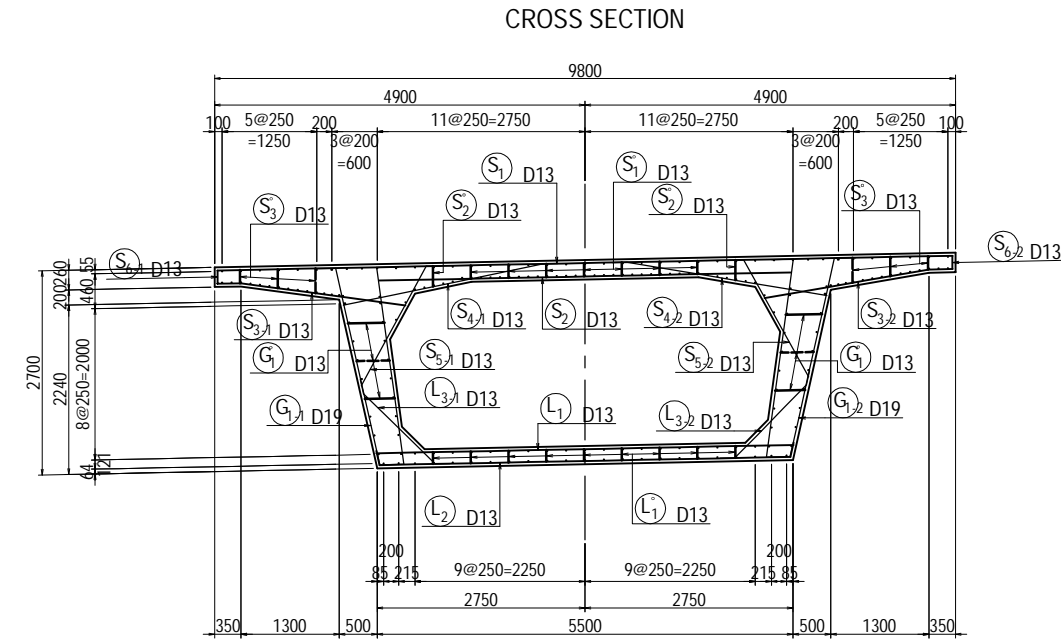
Bar Mark	Bar Size	Length (mm)	No. Of Bar (Nos)	Unit Wt (kg/m)	Rod Wt (kg)	Total Weight (kg)	Shape	
B	1	D13	2900	27	0.995	2.89	78	—
	2	D13	2900	49	0.995	2.89	142	—
C	1	D13	2900	14	0.995	2.89	40	—
	2	D13	2900	28	0.995	2.89	81	—
S	1	D13	9730	16	0.995	9.68	155	—
	2	D13	5750	16	0.995	5.72	92	—
	3-1	D13	2370	16	0.995	2.36	38	↘
	3-2	D13	2390	16	0.995	2.38	38	↘
	4-1	D13	2740	16	0.995	2.73	44	↘
	4-2	D13	2730	16	0.995	2.72	44	↘
	5-1	D13	1760	16	0.995	1.75	28	↘
	5-2	D13	1740	16	0.995	1.73	28	↘
S'	1	D13	380	21	0.995	0.38	8	⊠
	2	D13	450	6	0.995	0.45	3	⊠ (Ave)
	3	D13	480	18	0.995	0.48	9	⊠ (Ave)
L	1	D13	5520	25	0.995	5.49	137	—
	2	D13	5830	25	0.995	5.80	145	↘
	3-1	D13	1450	16	0.995	1.44	23	↘
L'	1	D13	360	27	0.995	0.36	10	⊠
	2	D13	470	18	0.995	0.47	9	⊠ (Ave)
W	1	D13	2900	32	0.995	2.89	93	—
	2	D13	2900	25	0.995	2.89	72	—
G	1-1	D19	6030	25	2.25	14.18	355	↘
	1-2	D19	6070	25	2.25	15.08	377	↘
G'	1	D13	470	18	0.995	0.47	8	⊠ (Ave)
					D13	1429 kg		
				D19	732 kg			
				Total Weight	2161 kg			

LOCATION <L,R>

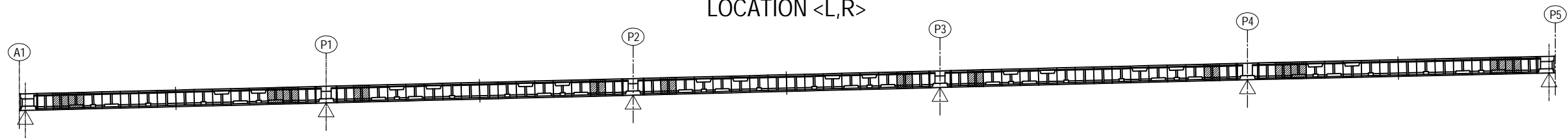


BAR ARRANGEMENT OF SEGMENT A1-P5 <L,R> (5) S=1:100

TYPE 3 (BL=2.5m)



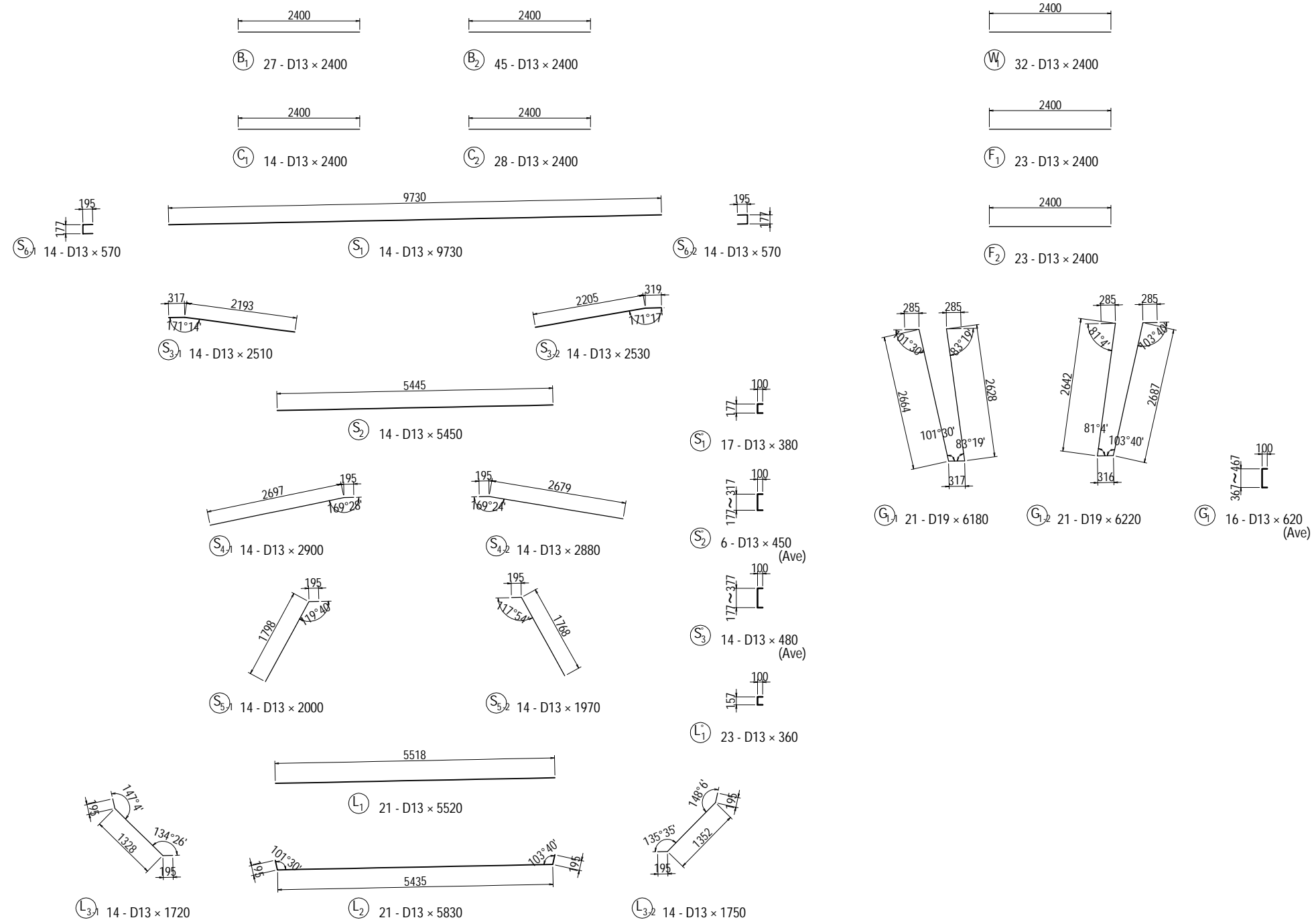
LOCATION <L,R>



PROJECT NAME DETAILED DESIGN ON BAGO RIVER BRIDGE CONSTRUCTION PROJECT	FINANCED BY JAPAN INTERNATIONAL COOPERATION AGENCY	COUNTERPART REPUBLIC OF THE UNION OF MYANMAR MINISTRY OF CONSTRUCTION DEPARTMENT OF BRIDGE	JICA STUDY TEAM NIPPON KOEI CO., LTD. ORIENTAL CONSULTANTS GLOBAL CO., LTD. METROPOLITAN EXPRESSWAY COMPANY LIMITED CHODAI CO., LTD. NIPPON ENGINEERING CONSULTANTS CO., LTD.	NAME	SIGNATURE	DATE	DRAWING TITLE BAR ARRANGEMENT OF SEGMENT A1-P5 <L,R> (5)	PACKAGE	
				PREPARED BY	M. OHYAMA			15 Jun.2017	1
				CHECKED BY	T. HAYAKAWA			20 Jun.2017	DWG No.
				APPROVED BY	Y. SANO			21 Jun.2017	P1-PB-1305

BAR ARRANGEMENT OF SEGMENT A1-P5 <L,R> (6) S=1:100

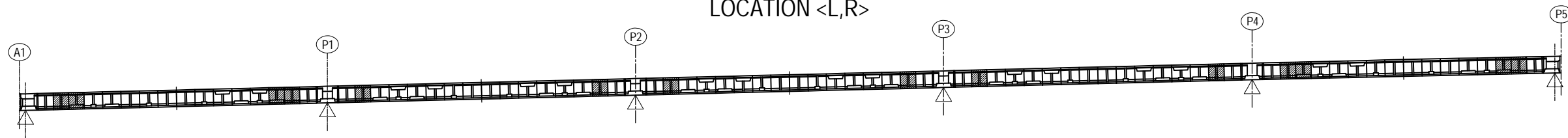
TYPE 3 (BL=2.5m)



BAR STATISTICS TABLE (For 1 Block)

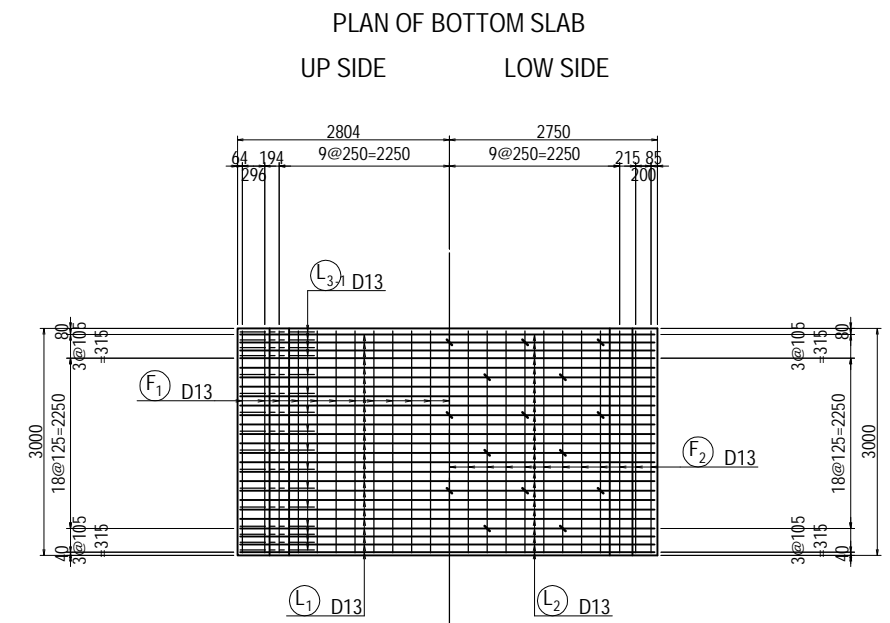
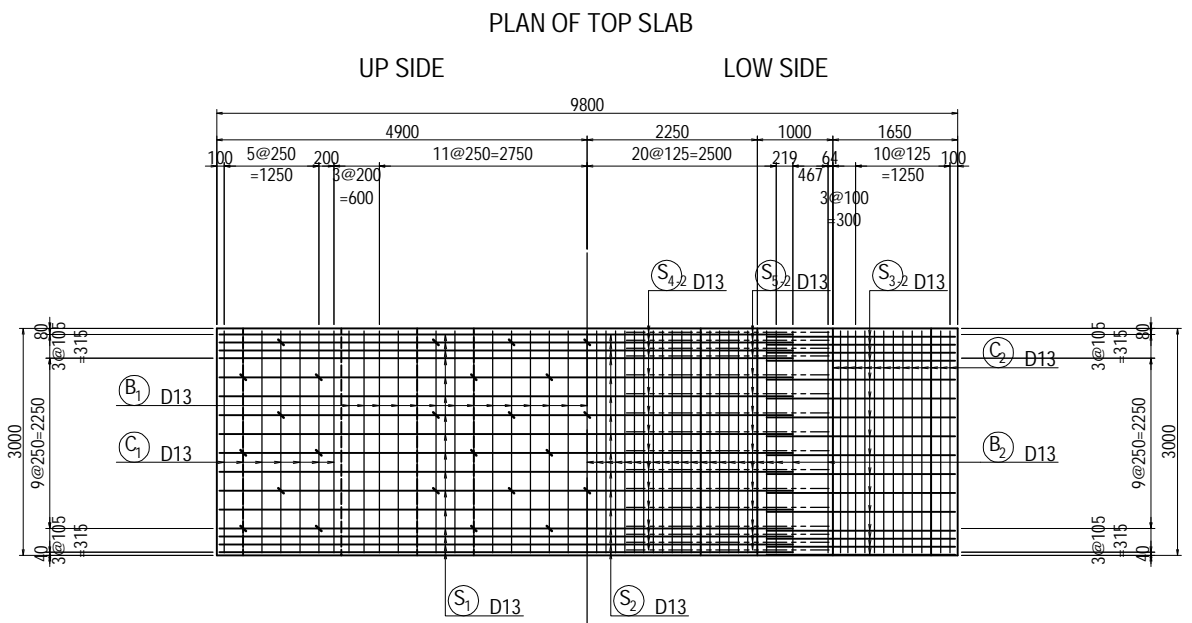
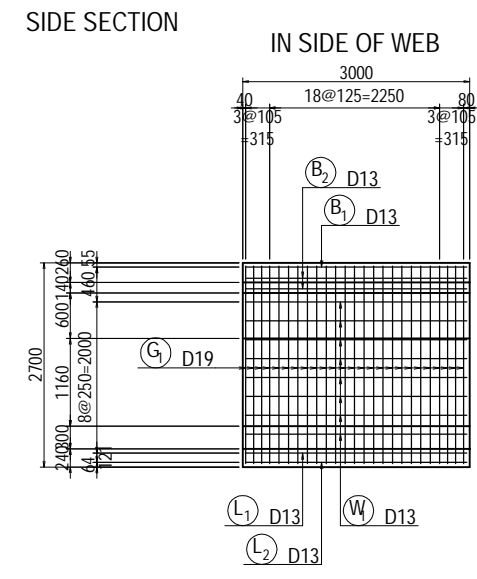
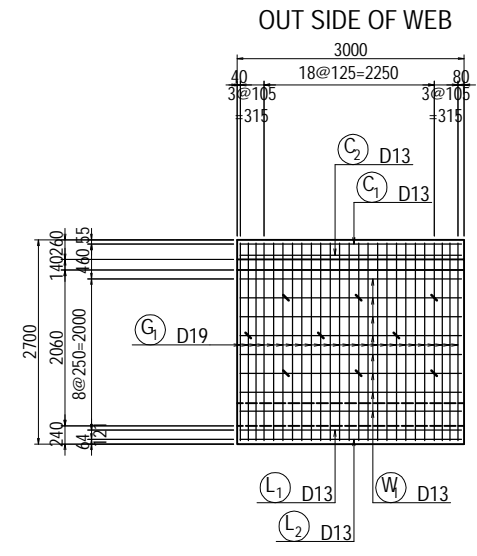
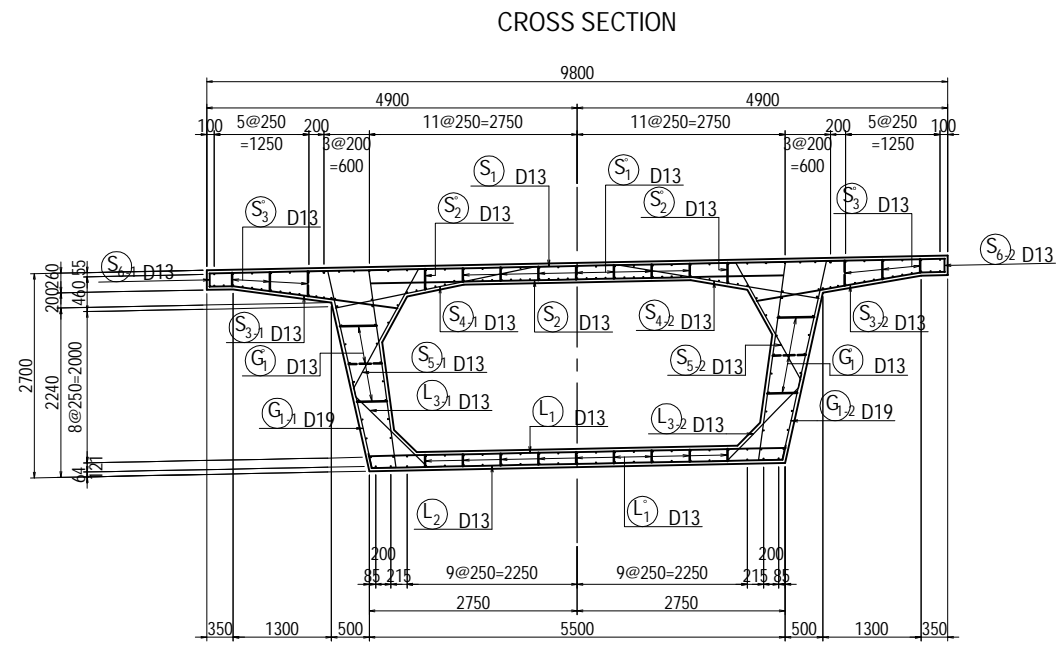
Bar Mark	Bar Size	Length (mm)	No. Of Bar (Nos)	Unit Wt (kg/m)	Rod Wt (kg)	Total Weight (kg)	Shape	
B	1	D13	2400	27	0.995	2.39	65	—
	2	D13	2400	45	0.995	2.39	108	—
C	1	D13	2400	14	0.995	2.39	33	—
	2	D13	2400	28	0.995	2.39	67	—
S	1	D13	9730	14	0.995	9.68	136	—
	2	D13	5450	14	0.995	5.42	76	—
	3-1	D13	2510	14	0.995	2.50	35	↘
	3-2	D13	2530	14	0.995	2.52	35	↘
	4-1	D13	2900	14	0.995	2.89	40	↘
	4-2	D13	2880	14	0.995	2.87	40	↘
	5-1	D13	2000	14	0.995	1.99	28	↘
	5-2	D13	1970	14	0.995	1.96	27	↘
S'	1	D13	380	17	0.995	0.38	6	⊠
	2	D13	450	6	0.995	0.45	3	⊠ (Ave)
	3	D13	480	14	0.995	0.48	7	⊠ (Ave)
L	1	D13	5520	21	0.995	5.49	115	—
	2	D13	5830	21	0.995	5.80	122	↘
	3-1	D13	1720	14	0.995	1.71	24	↘
L'	1	D13	360	23	0.995	0.36	8	⊠
	2	D13	367	23	0.995	0.367	8	⊠
W	1	D13	2400	32	0.995	2.39	76	—
	2	D13	2400	32	0.995	2.39	76	—
F	1	D13	2400	23	0.995	2.39	55	—
	2	D13	2400	23	0.995	2.39	55	—
G1-1	1	D19	6180	21	2.25	13.91	292	↘
	1-2	D19	6220	21	2.25	14.00	294	↘
G	1	D13	620	16	0.995	0.62	10	⊠ (Ave)
			D13	1211			kg	
		D19	586			kg		
		Total Weight	1797			kg		

LOCATION <L,R>

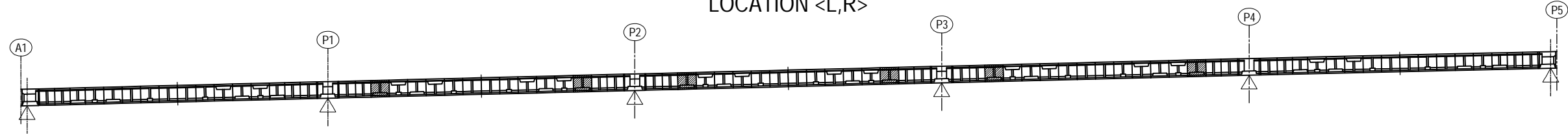


BAR ARRANGEMENT OF SEGMENT A1-P5 <L,R> (7) S=1:100

TYPE 3 (BL=3.0m)



LOCATION <L,R>

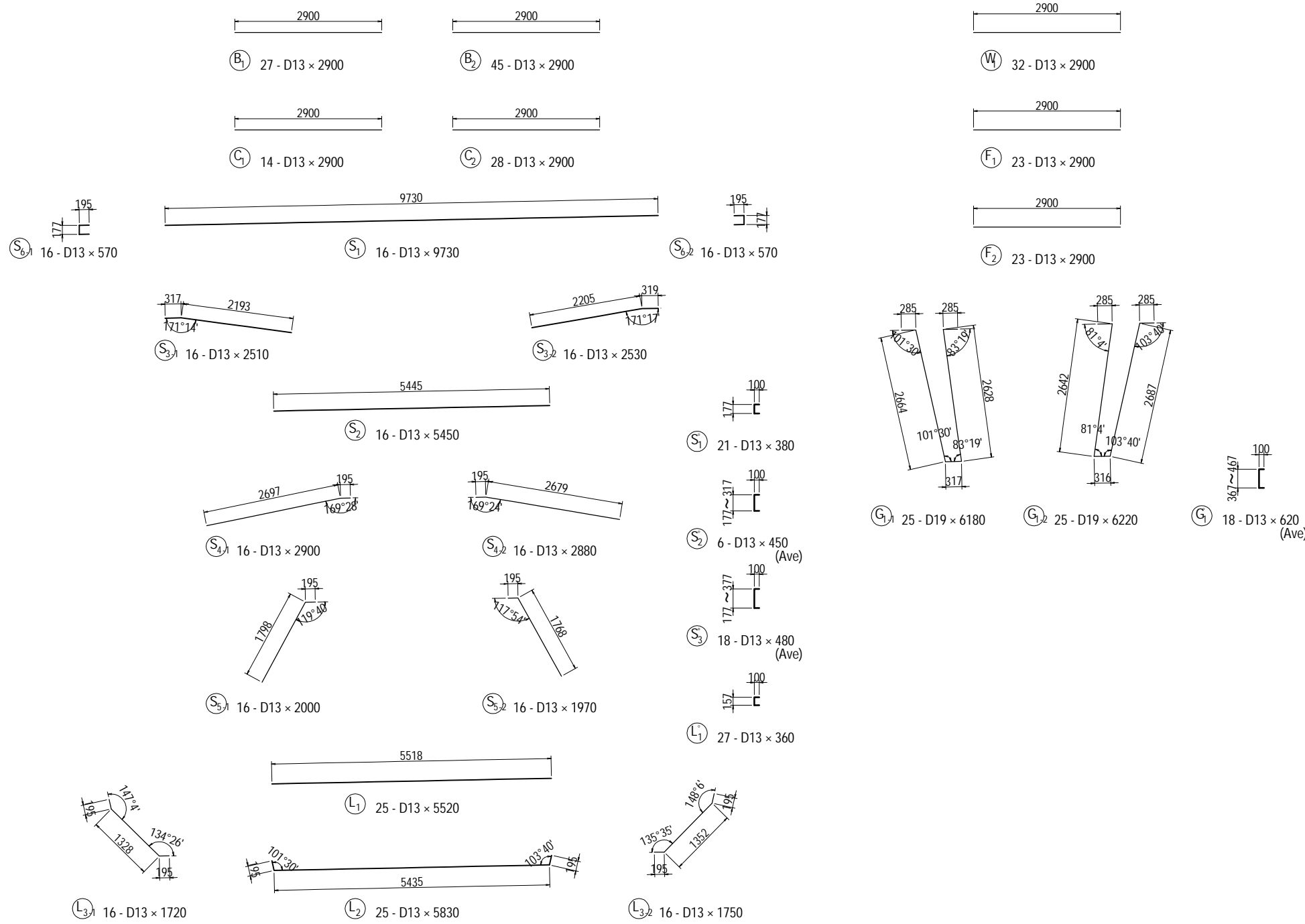


PROJECT NAME DETAILED DESIGN ON BAGO RIVER BRIDGE CONSTRUCTION PROJECT	FINANCED BY JAPAN INTERNATIONAL COOPERATION AGENCY	COUNTERPART REPUBLIC OF THE UNION OF MYANMAR MINISTRY OF CONSTRUCTION DEPARTMENT OF BRIDGE	JICA STUDY TEAM NIPPON KOEI CO., LTD. ORIENTAL CONSULTANTS GLOBAL CO., LTD. METROPOLITAN EXPRESSWAY COMPANY LIMITED CHODAI CO., LTD. NIPPON ENGINEERING CONSULTANTS CO., LTD.	NAME	SIGNATURE	DATE	DRAWING TITLE BAR ARRANGEMENT OF SEGMENT A1-P5 <L,R> (7)	PACKAGE	
				PREPARED BY	M. OHYAMA			15 Jun.2017	DWG No.
				CHECKED BY	T. HAYAKAWA			20 Jun.2017	P1-PB-1307
				APPROVED BY	Y. SANO			21 Jun.2017	

BAR ARRANGEMENT OF SEGMENT A1-P5 <L,R> (8)

S=1:100

TYPE 3 (BL=3.0m)

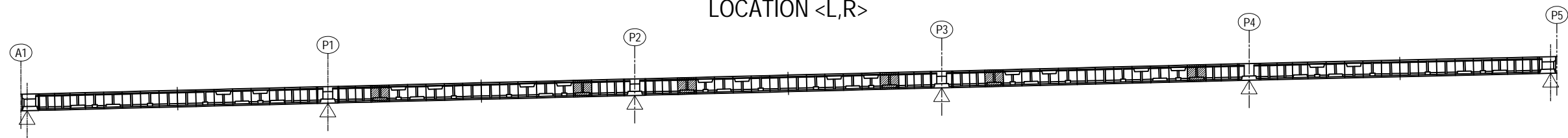


BAR STATISTICS TABLE

(For 1 Block)

Bar Mark	Bar Size	Length (mm)	No. Of Bar (Nos)	Unit Wt (kg/m)	Rod Wt (kg)	Total Weight (kg)	Shape		
B	1	D13	27	0.995	2.89	78	—		
	2	D13	45	0.995	2.89	130	—		
C	1	D13	14	0.995	2.89	40	—		
	2	D13	28	0.995	2.89	81	—		
S	1	D13	9730	16	0.995	9.68	155	—	
	2	D13	5450	16	0.995	5.42	87	—	
	3-1	D13	2510	16	0.995	2.50	40	↘	
	3-2	D13	2530	16	0.995	2.52	35	↘	
	4-1	D13	2900	16	0.995	2.89	46	↘	
	4-2	D13	2880	16	0.995	2.87	46	↘	
S'	1	D13	380	21	0.995	0.37	8	⊔	
	2	D13	450	6	0.995	0.45	3	⊔ (Ave)	
	3	D13	480	18	0.995	0.48	9	⊔ (Ave)	
	L	1	D13	5520	25	0.995	5.49	137	—
		2	D13	5830	25	0.995	5.80	145	↘
		3-1	D13	1720	16	0.995	1.71	27	↘
3-2	D13	1750	16	0.995	1.74	28	↘		
L'	1	D13	360	27	0.995	0.36	10	⊔	
	2	D13	360	27	0.995	0.36	10	⊔	
W	1	D13	2900	32	0.995	2.89	92	—	
	2	D13	2900	32	0.995	2.89	92	—	
F	1	D13	2900	23	0.995	2.89	66	—	
	2	D13	2900	23	0.995	2.89	66	—	
G1-1	1	D19	6180	25	2.25	13.91	348	↘	
	1-2	D19	6220	25	2.25	14.00	350	↘	
G	1	D13	620	18	0.995	0.62	11	⊔ (Ave)	
	2	D13	620	18	0.995	0.62	11	⊔ (Ave)	
		D13	1421	kg					
		D19	698	kg					
		Total Weight	2119	kg					

LOCATION <L,R>



PROJECT NAME
DETAILED DESIGN ON
BAGO RIVER BRIDGE
CONSTRUCTION PROJECT

FINANCED BY
JICA
JAPAN INTERNATIONAL
COOPERATION AGENCY

COUNTERPART
REPUBLIC OF THE UNION OF MYANMAR
MINISTRY OF CONSTRUCTION
DEPARTMENT OF BRIDGE

JICA STUDY TEAM
NIPPON KOEI CO., LTD.
ORIENTAL CONSULTANTS GLOBAL CO., LTD.
METROPOLITAN EXPRESSWAY COMPANY LIMITED
CHODAI CO. LTD.
NIPPON ENGINEERING CONSULTANTS CO., LTD.

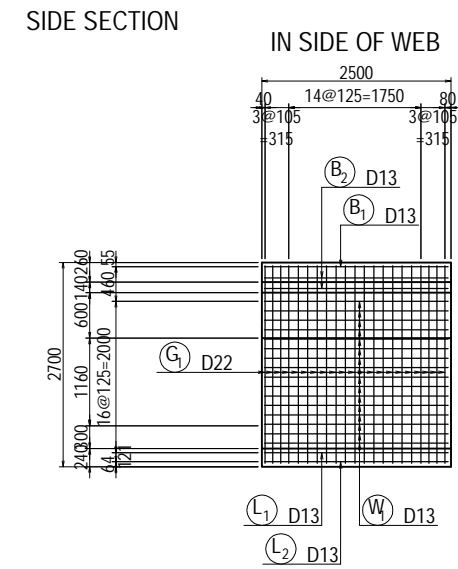
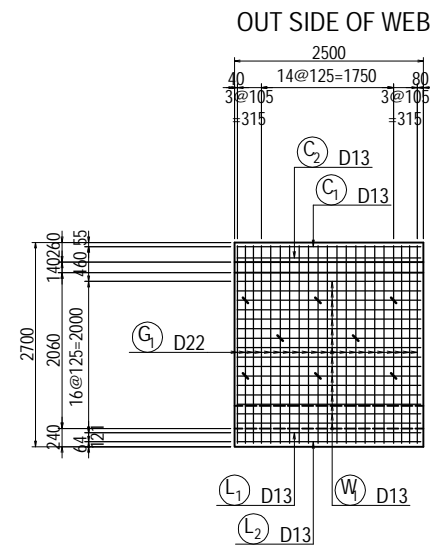
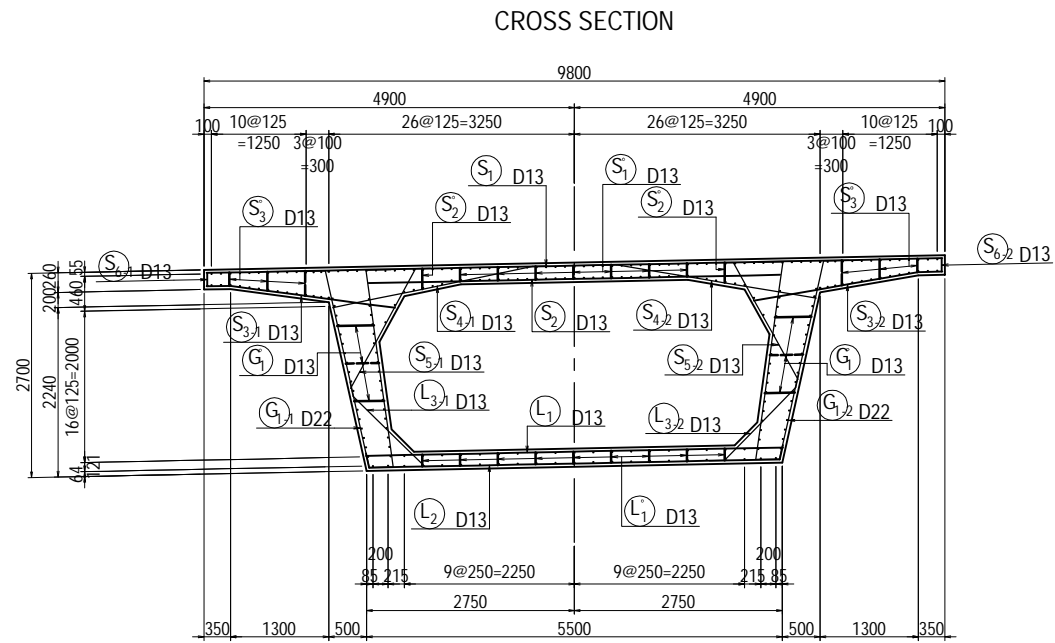
	NAME	SIGNATURE	DATE
PREPARED BY	M. OHYAMA	大山 満弘	15 Jun.2017
CHECKED BY	T. HAYAKAWA	平川 知邦	20 Jun.2017
APPROVED BY	Y. SANO	佐野 祐一	21 Jun.2017

DRAWING TITLE
BAR ARRANGEMENT OF SEGMENT
A1-P5 <L,R> (8)

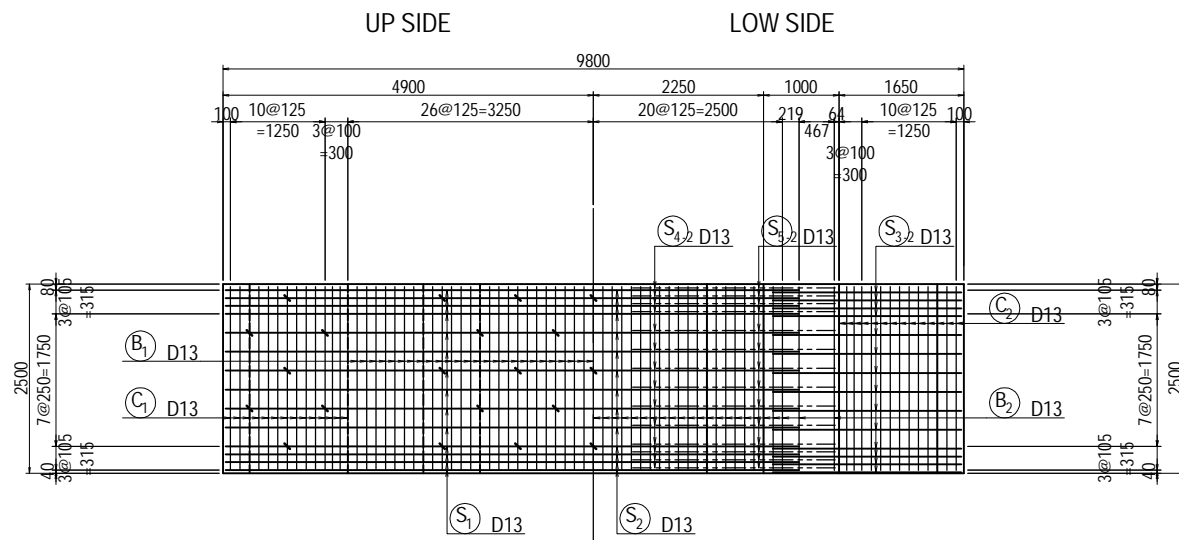
PACKAGE
1
DWG No.
P1-PB-1308

BAR ARRANGEMENT OF SEGMENT A1-P5 <L,R> (9) S=1:100

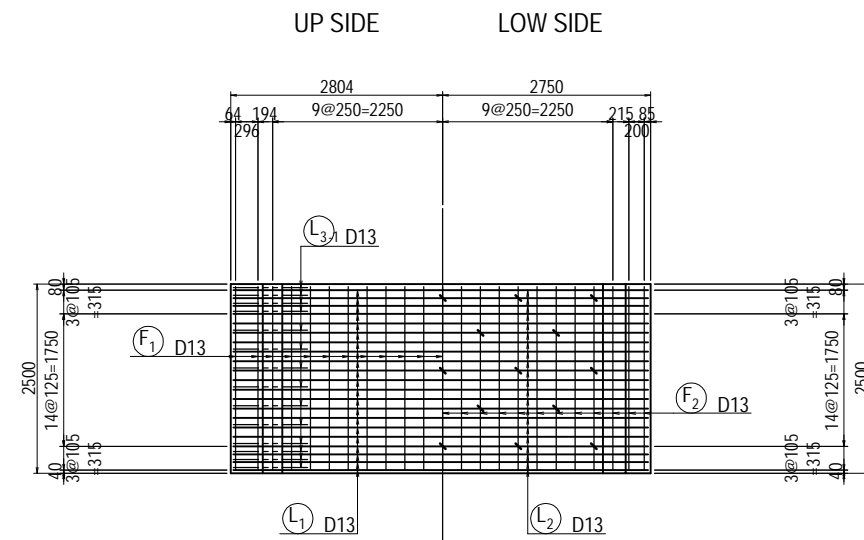
TYPE 4 (BL=2.5m)



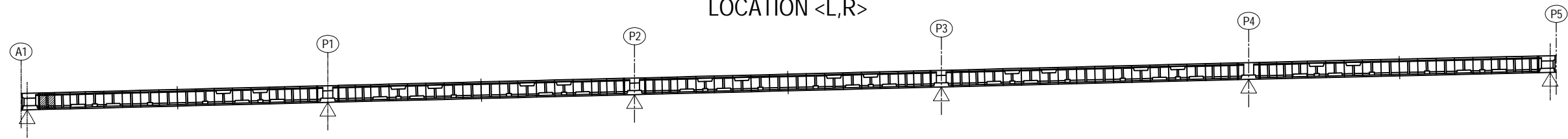
PLAN OF TOP SLAB



PLAN OF BOTTOM SLAB



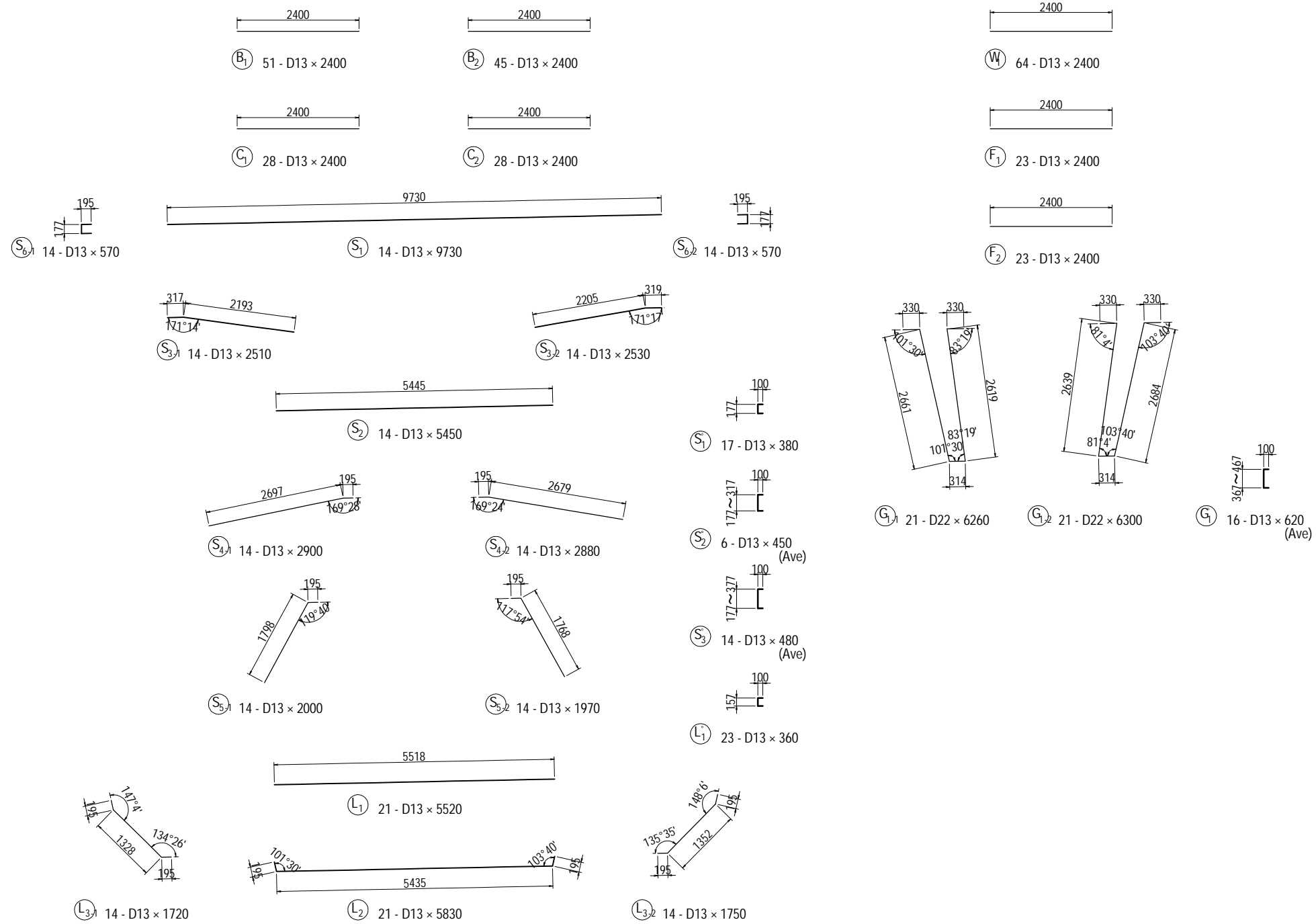
LOCATION <L,R>



PROJECT NAME DETAILED DESIGN ON BAGO RIVER BRIDGE CONSTRUCTION PROJECT	FINANCED BY JAPAN INTERNATIONAL COOPERATION AGENCY	COUNTERPART REPUBLIC OF THE UNION OF MYANMAR MINISTRY OF CONSTRUCTION DEPARTMENT OF BRIDGE	JICA STUDY TEAM NIPPON KOEI CO., LTD. ORIENTAL CONSULTANTS GLOBAL CO., LTD. METROPOLITAN EXPRESSWAY COMPANY LIMITED CHODAI CO., LTD. NIPPON ENGINEERING CONSULTANTS CO., LTD.	NAME	SIGNATURE	DATE	DRAWING TITLE BAR ARRANGEMENT OF SEGMENT A1-P5 <L,R> (9)	PACKAGE	
				PREPARED BY	M. OHYAMA			15 Jun.2017	1
				CHECKED BY	T. HAYAKAWA			20 Jun.2017	DWG No.
				APPROVED BY	Y. SANO			21 Jun.2017	P1-PB-1309

BAR ARRANGEMENT OF SEGMENT A1-P5 <L,R> (10) S=1:100

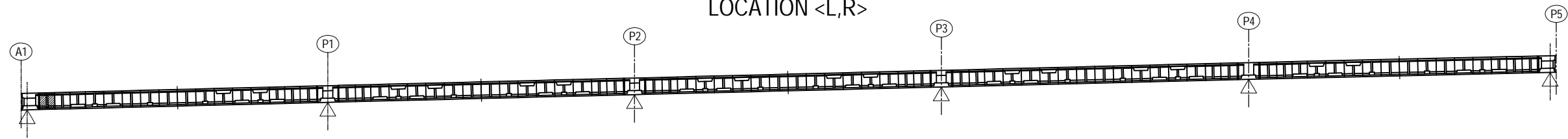
TYPE 4 (BL=2.5m)



BAR STATISTICS TABLE (For 1 Block)

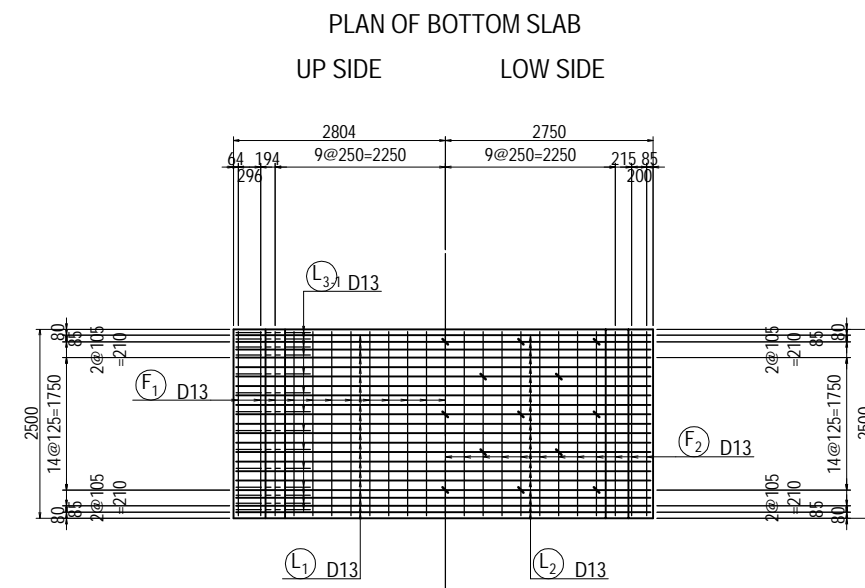
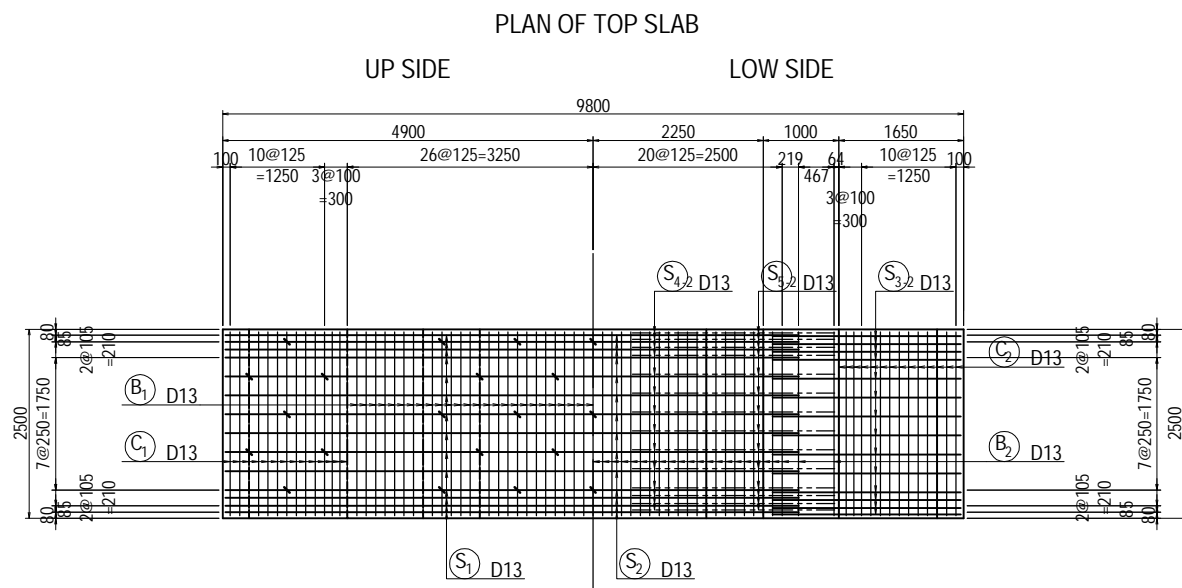
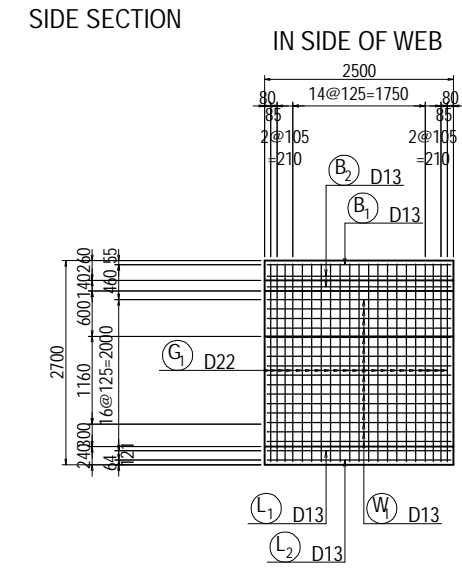
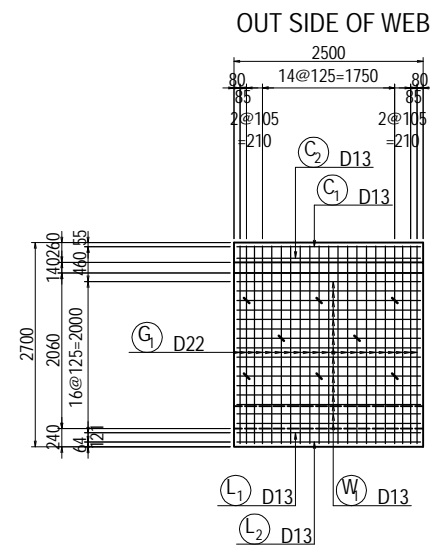
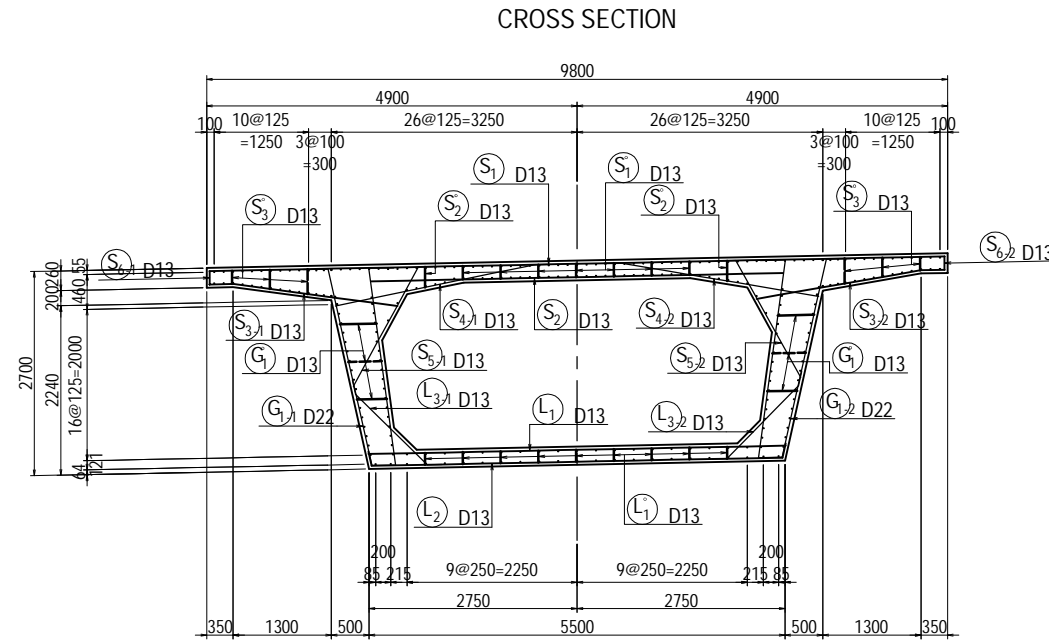
Bar Mark	Bar Size	Length (mm)	No.Of Bar (Nos)	Unit Wt (kg/m)	Rod Wt (kg)	Total Weight (kg)	Shape	
B	1	D13	2400	51	0.995	2.39	122	—
	2	D13	2400	45	0.995	2.39	108	—
C	1	D13	2400	28	0.995	2.39	67	—
	2	D13	2400	28	0.995	2.39	67	—
S	1	D13	9730	14	0.995	9.68	136	—
	2	D13	5450	14	0.995	5.42	76	—
	3-1	D13	2510	14	0.995	2.50	35	—
	3-2	D13	2530	14	0.995	2.52	35	—
	4-1	D13	2900	14	0.995	2.89	40	—
	4-2	D13	2880	14	0.995	2.87	40	—
5	1	D13	2000	14	0.995	1.99	28	—
	2	D13	1970	14	0.995	1.96	27	—
6	1	D13	570	14	0.995	0.57	8	—
	2	D13	570	14	0.995	0.57	8	—
S'	1	D13	380	17	0.995	0.38	6	—
	2	D13	450	6	0.995	0.45	3	(Ave)
	3	D13	480	14	0.995	0.48	7	(Ave)
L	1	D13	5520	21	0.995	5.49	115	—
	2	D13	5830	21	0.995	5.80	122	—
	3-1	D13	1720	14	0.995	1.71	24	—
3-2	D13	1750	14	0.995	1.74	24	—	
	L'	D13	360	23	0.995	0.36	8	—
W	D13	2400	64	0.995	2.39	153	—	
F	1	D13	2400	23	0.995	2.39	55	—
	2	D13	2400	23	0.995	2.39	55	—
G1-1	D22	6260	21	3.04	19.03	400	—	
	1-2	D22	6300	21	3.04	19.15	402	—
G	D13	620	16	0.995	0.62	10	(Ave)	
				D13	1379	kg		
				D22	802	kg		
				Total Weight	2181	kg		

LOCATION <L,R>

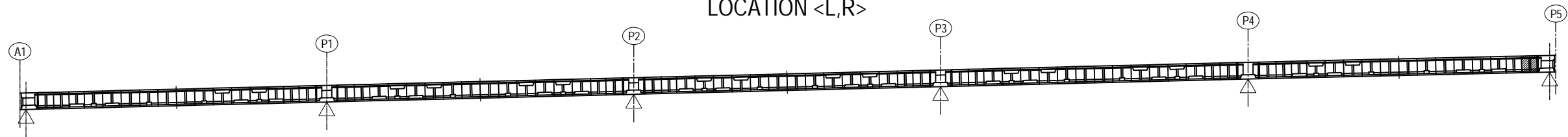


BAR ARRANGEMENT OF SEGMENT A1-P5 <L,R> (11) S=1:100

TYPE 4 (BL=2.5m)



LOCATION <L,R>



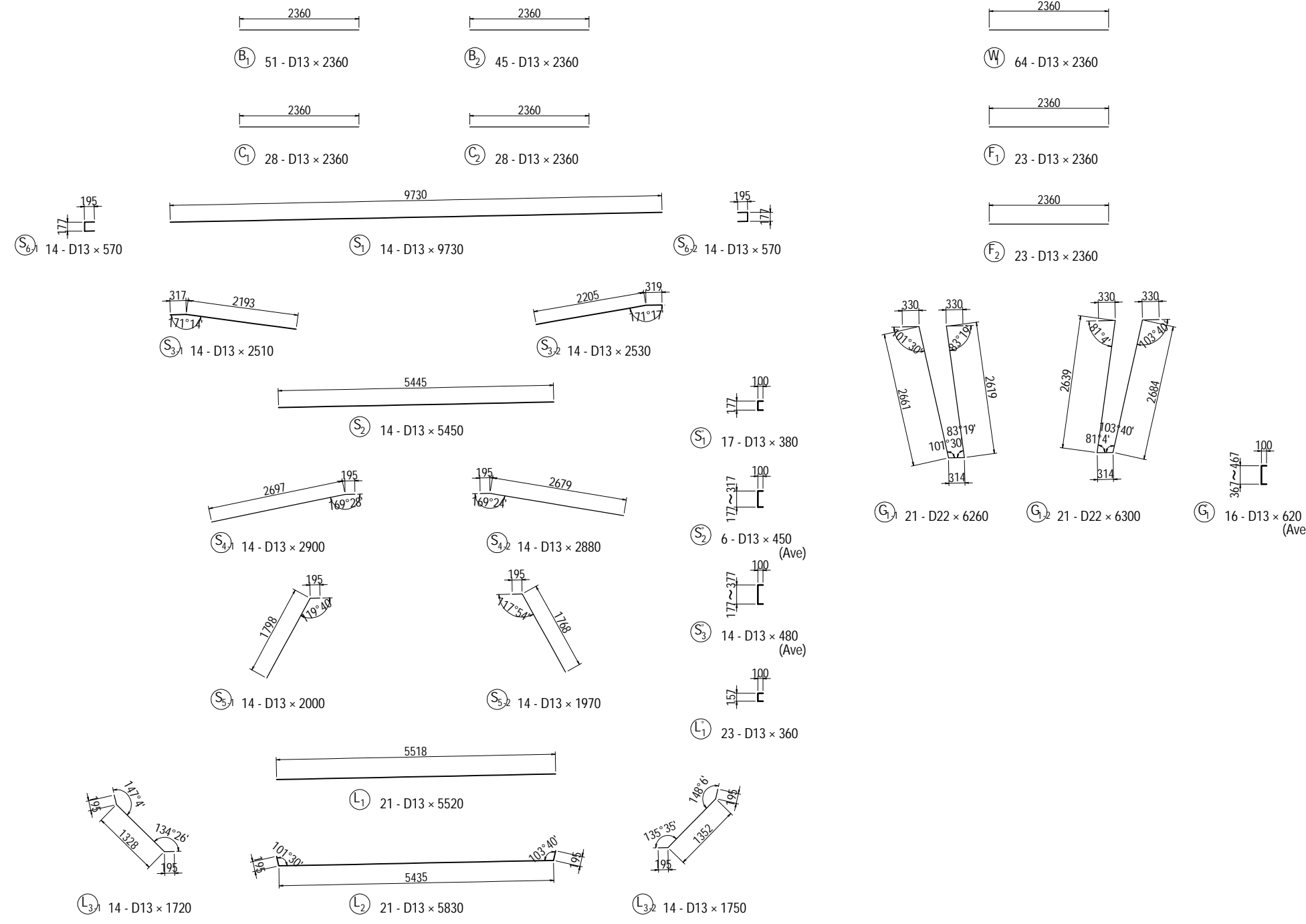
PROJECT NAME DETAILED DESIGN ON BAGO RIVER BRIDGE CONSTRUCTION PROJECT	FINANCED BY JAPAN INTERNATIONAL COOPERATION AGENCY	COUNTERPART REPUBLIC OF THE UNION OF MYANMAR MINISTRY OF CONSTRUCTION DEPARTMENT OF BRIDGE	JICA STUDY TEAM NIPPON KOEI CO., LTD. ORIENTAL CONSULTANTS GLOBAL CO., LTD. METROPOLITAN EXPRESSWAY COMPANY LIMITED CHODAI CO., LTD. NIPPON ENGINEERING CONSULTANTS CO., LTD.	NAME	SIGNATURE	DATE	DRAWING TITLE BAR ARRANGEMENT OF SEGMENT A1-P5 <L,R> (11)	PACKAGE	
				PREPARED BY	M. OHYAMA			15 Jun.2017	1
				CHECKED BY	T. HAYAKAWA			20 Jun.2017	DWG No.
				APPROVED BY	Y. SANO			21 Jun.2017	P1-PB-1311

BAR ARRANGEMENT OF SEGMENT A1-P5 <L,R> (12) S=1:100

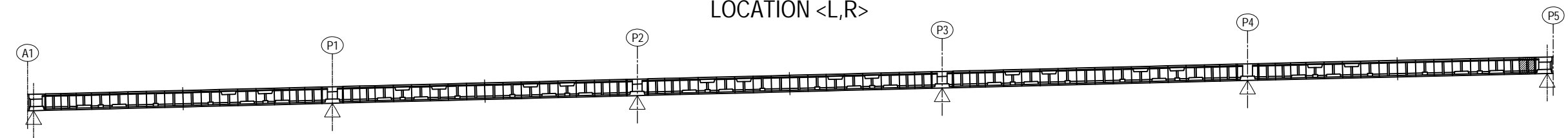
TYPE 4 (BL=2.5m)

BAR STATISTICS TABLE (For 1 Block)

Bar Mark	Bar Size	Length (mm)	No. Of Bar (Nos)	Unit Wt (kg/m)	Rod Wt (kg)	Total Weight (kg)	Shape
B	1 D13	2360	51	0.995	2.35	120	—
	2 D13	2360	45	0.995	2.35	106	—
C	1 D13	2360	28	0.995	2.35	66	—
	2 D13	2360	28	0.995	2.35	66	—
S	1 D13	9730	14	0.995	9.68	136	—
	2 D13	5450	14	0.995	5.42	76	—
	3-1 D13	2510	14	0.995	2.50	35	↗
	3-2 D13	2530	14	0.995	2.52	35	↘
	4-1 D13	2900	14	0.995	2.89	40	↗
	4-2 D13	2880	14	0.995	2.87	40	↘
	5-1 D13	2000	14	0.995	1.99	28	↗
	5-2 D13	1970	14	0.995	1.96	27	↘
6-1 D13	570	14	0.995	0.57	8	□	
	570	14	0.995	0.57	8	□	
S'	1 D13	380	17	0.995	0.38	6	□
	2 D13	450	6	0.995	0.45	3	□ (Ave)
	3 D13	480	14	0.995	0.48	7	□ (Ave)
L	1 D13	5520	21	0.995	5.49	115	—
	2 D13	5830	21	0.995	5.80	122	↗
3-1 D13	1720	14	0.995	1.71	24	↘	
	1750	14	0.995	1.74	24	↗	
L'	1 D13	360	23	0.995	0.36	8	□
W	1 D13	2360	64	0.995	2.35	150	—
F	1 D13	2360	23	0.995	2.35	54	—
	2 D13	2360	23	0.995	2.35	54	—
G1-1 D22	6260	21	3.04	19.03	400	↗	
	6300	21	3.04	19.15	402	↘	
G	1 D13	620	16	0.995	0.62	10	□ (Ave)
				D13	1368 kg		
				D22	802 kg		
				Total Weight	2170 kg		

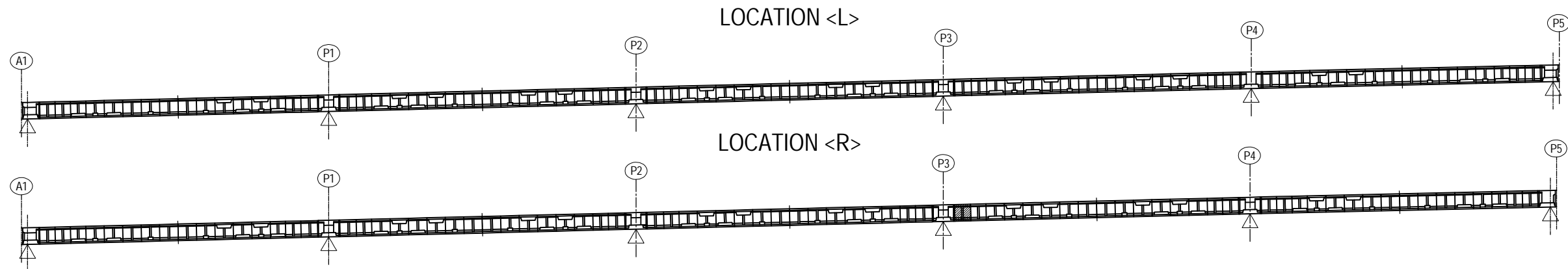
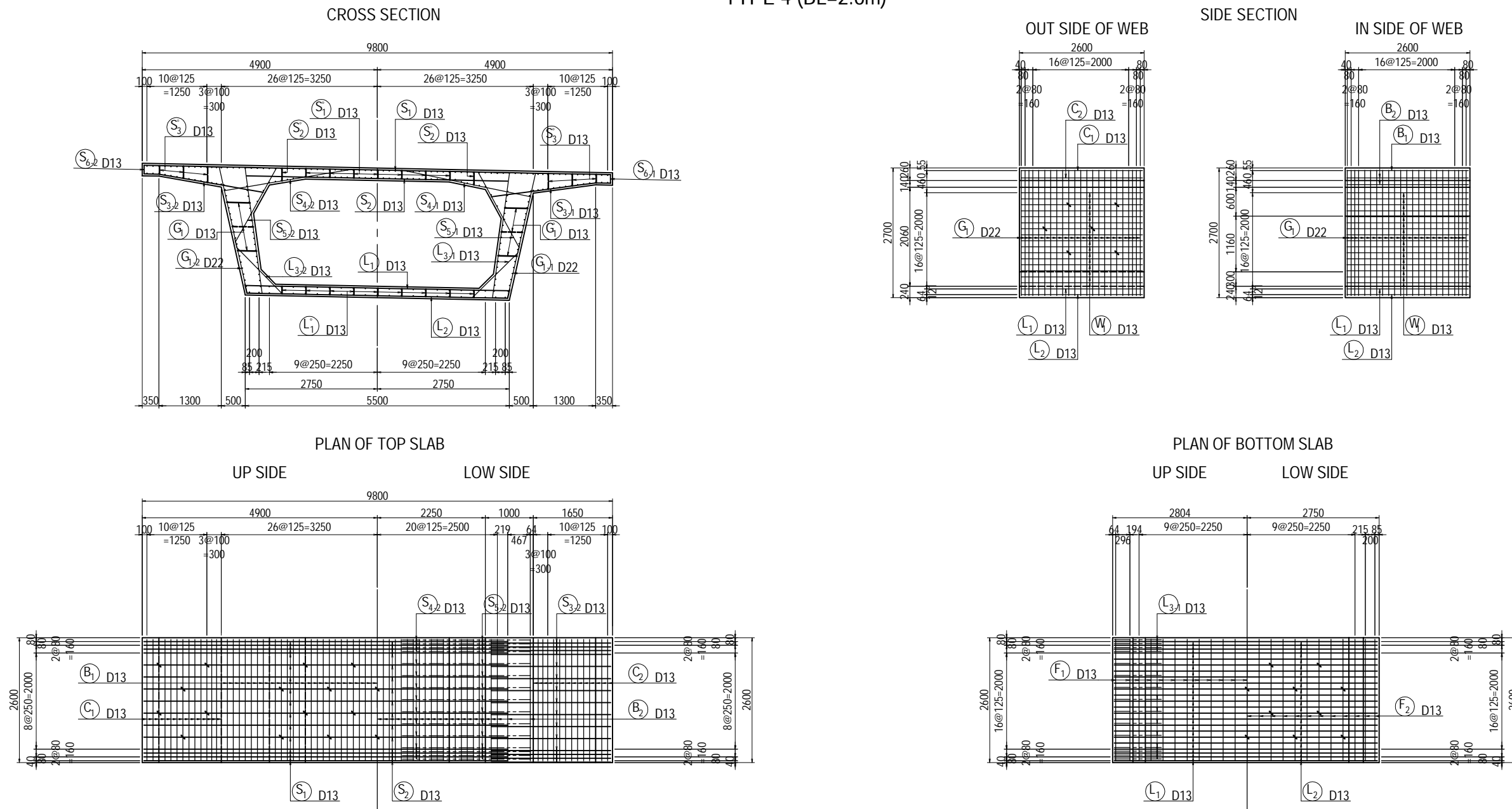


LOCATION <L,R>



BAR ARRANGEMENT OF SEGMENT A1-P5 <L,R> (13) S=1:100

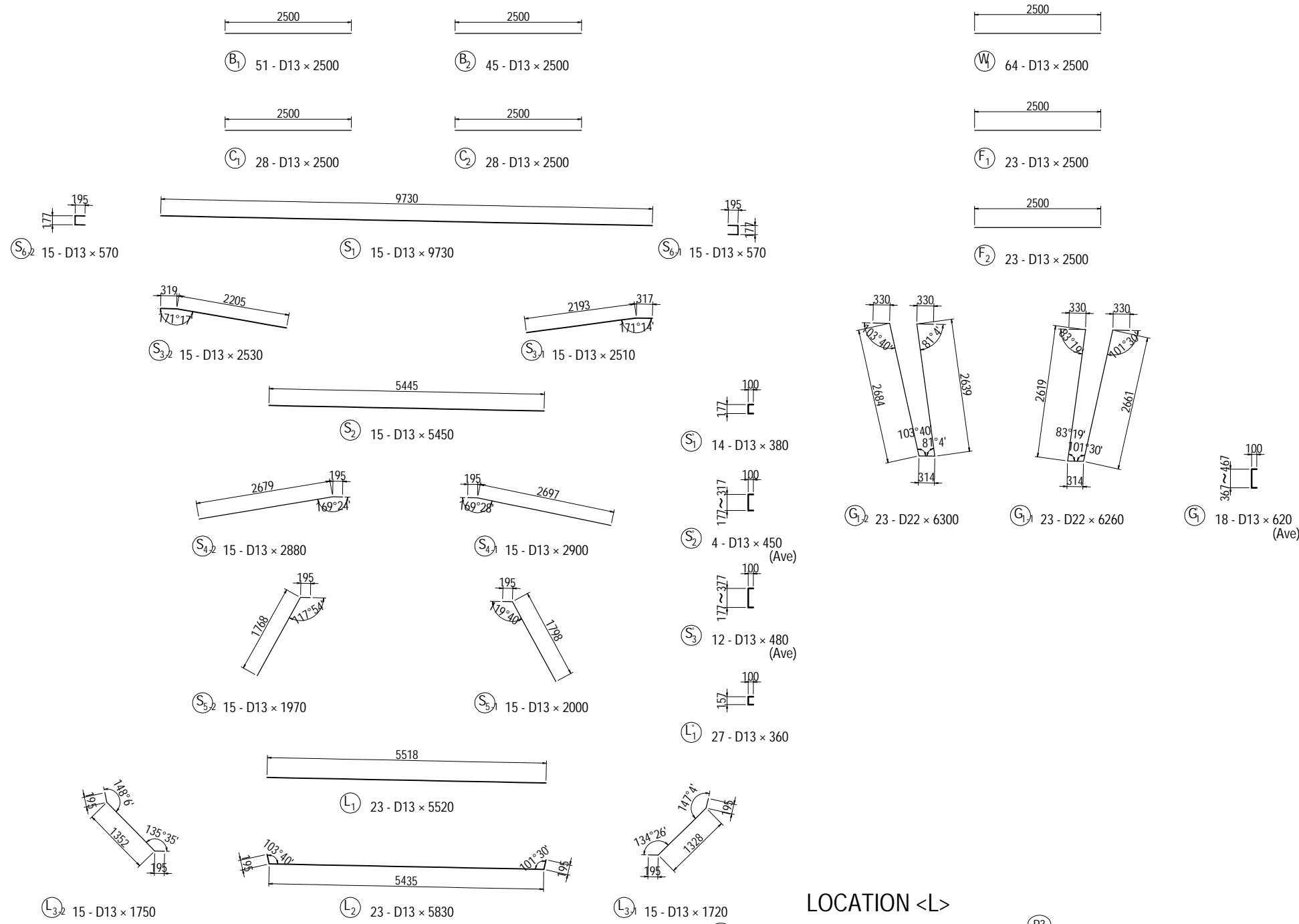
TYPE 4 (BL=2.6m)



PROJECT NAME DETAILED DESIGN ON BAGO RIVER BRIDGE CONSTRUCTION PROJECT	FINANCED BY JAPAN INTERNATIONAL COOPERATION AGENCY	COUNTERPART REPUBLIC OF THE UNION OF MYANMAR MINISTRY OF CONSTRUCTION DEPARTMENT OF BRIDGE	JICA STUDY TEAM NIPPON KOEI CO., LTD. ORIENTAL CONSULTANTS GLOBAL CO., LTD. METROPOLITAN EXPRESSWAY COMPANY LIMITED CHODAI CO., LTD. NIPPON ENGINEERING CONSULTANTS CO., LTD.	NAME	SIGNATURE	DATE	DRAWING TITLE BAR ARRANGEMENT OF SEGMENT A1-P5 <L,R> (13)	PACKAGE	
				PREPARED BY	M. OHYAMA			15 Jun.2017	1
				CHECKED BY	T. HAYAKAWA			20 Jun.2017	DWG No.
				APPROVED BY	Y. SANO			21 Jun.2017	P1-PB-1313

BAR ARRANGEMENT OF SEGMENT A1-P5 <L,R> (14) S=1:100

TYPE 4 (BL=2.6m)



BAR STATISTICS TABLE (For 1 Block)

Bar Mark	Bar Size	Length (mm)	No. Of Bar (Nos)	Unit Wt (kg/m)	Rod Wt (kg)	Total Weight (kg)	Shape	
B	1	D13	2500	51	0.995	2.49	127	—
	2	D13	2500	45	0.995	2.49	112	—
C	1	D13	2500	28	0.995	2.49	70	—
	2	D13	2500	28	0.995	2.49	70	—
S	1	D13	9730	15	0.995	9.68	145	—
	2	D13	5450	15	0.995	5.42	81	—
	3-1	D13	2510	15	0.995	2.50	38	↘
	3-2	D13	2530	15	0.995	2.52	38	↘
	4-1	D13	2900	15	0.995	2.89	43	↘
	4-2	D13	2880	15	0.995	2.87	43	↘
	5-1	D13	2000	15	0.995	1.99	30	↘
5-2	D13	1970	15	0.995	1.96	29	↘	
6-1	D13	570	15	0.995	0.57	9	⊥	
6-2	D13	570	15	0.995	0.57	9	⊥	
S'	1	D13	380	14	0.995	0.38	5	⊥
	2	D13	450	4	0.995	0.45	2	⊥ (Ave)
	3	D13	480	12	0.995	0.48	6	⊥ (Ave)
L	1	D13	5520	23	0.995	5.49	126	—
	2	D13	5830	23	0.995	5.80	133	↘
	3-1	D13	1720	15	0.995	1.71	26	↘
	3-2	D13	1750	15	0.995	1.74	26	↘
L'	1	D13	360	27	0.995	0.36	10	⊥
W	1	D13	2500	64	0.995	2.49	159	—
F	1	D13	2500	23	0.995	2.49	57	—
	2	D13	2500	23	0.995	2.49	57	—
G1-1	D22	6260	23	3.04	19.03	438	↘	
	1-2	D22	6300	23	3.04	19.15	440	↘
G'	1	D13	620	18	0.995	0.62	11	⊥ (Ave)
				D13	1462	kg		
				D22	878	kg		
				Total Weight	2340	kg		

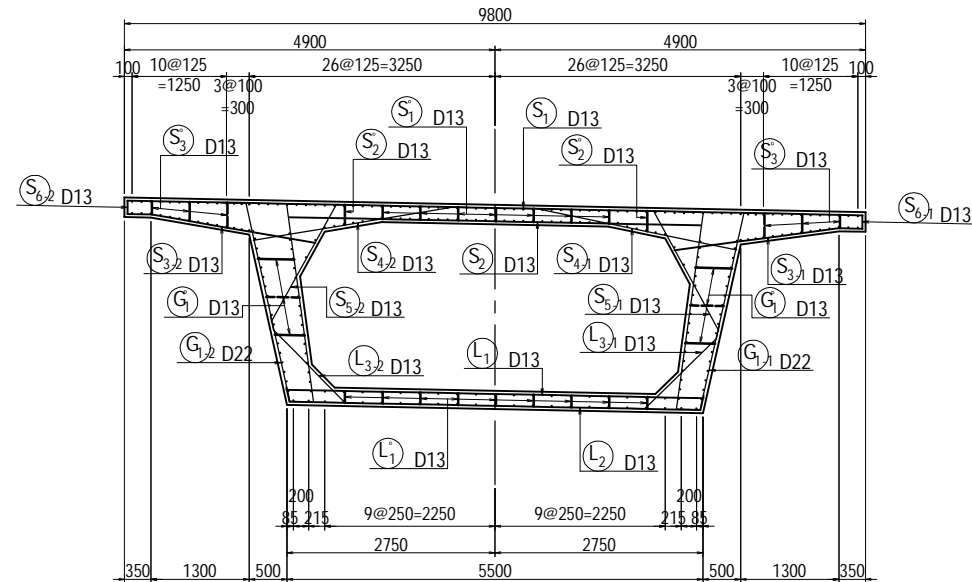
LOCATION <L>

LOCATION <R>

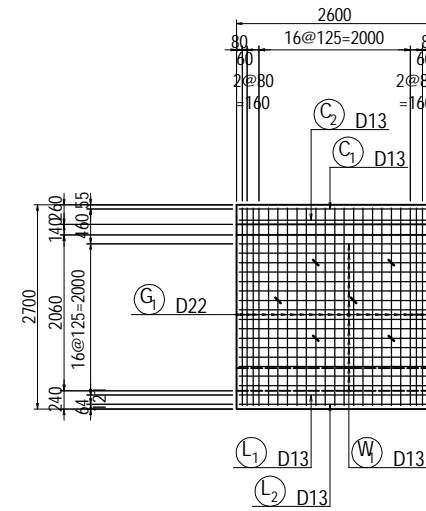
BAR ARRANGEMENT OF SEGMENT A1-P5 <L,R> (15) S=1:100

TYPE 4 (BL=2.6m)

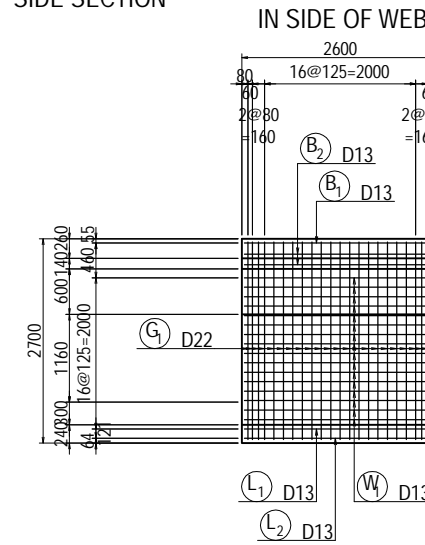
CROSS SECTION



OUT SIDE OF WEB

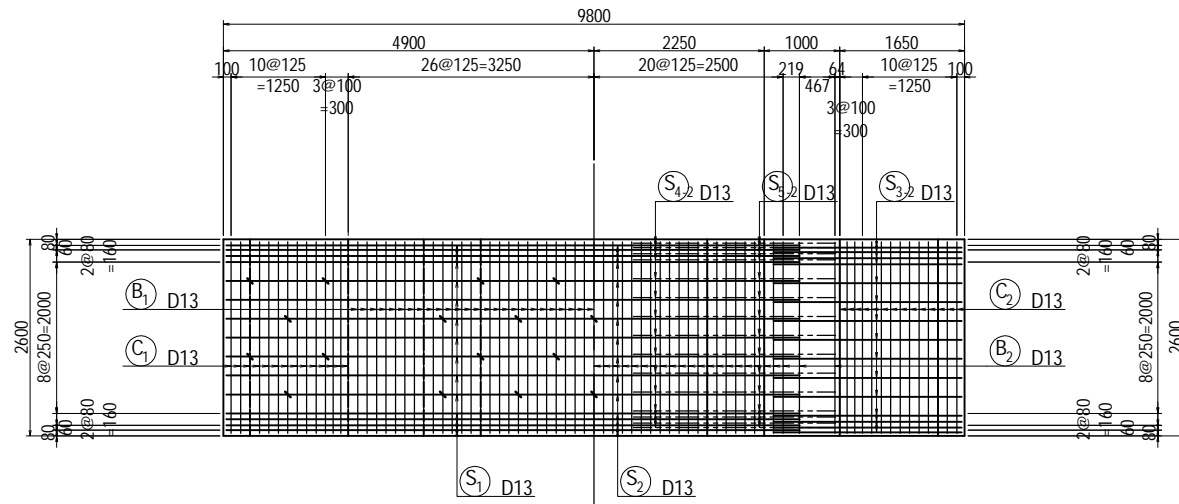


SIDE SECTION



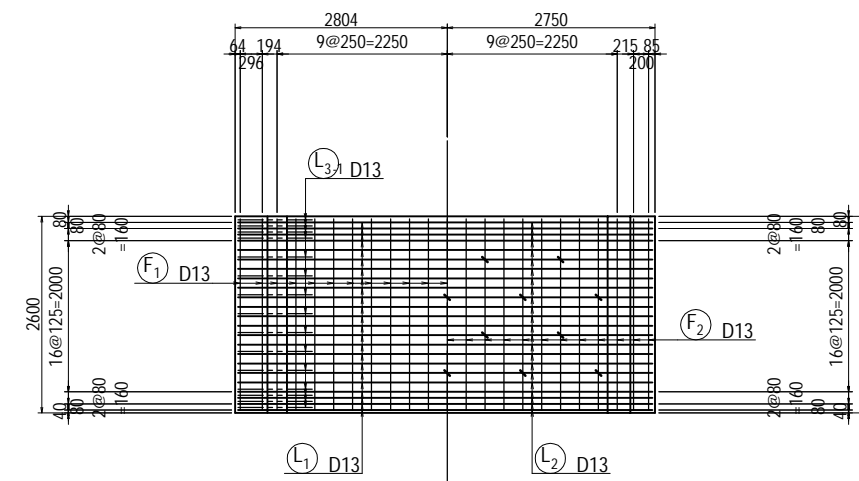
PLAN OF TOP SLAB

UP SIDE LOW SIDE



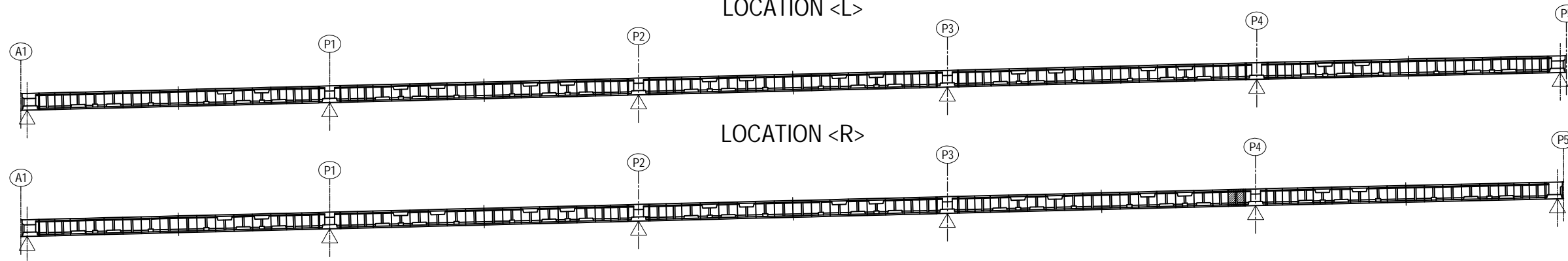
PLAN OF BOTTOM SLAB

UP SIDE LOW SIDE



LOCATION <L>

LOCATION <R>



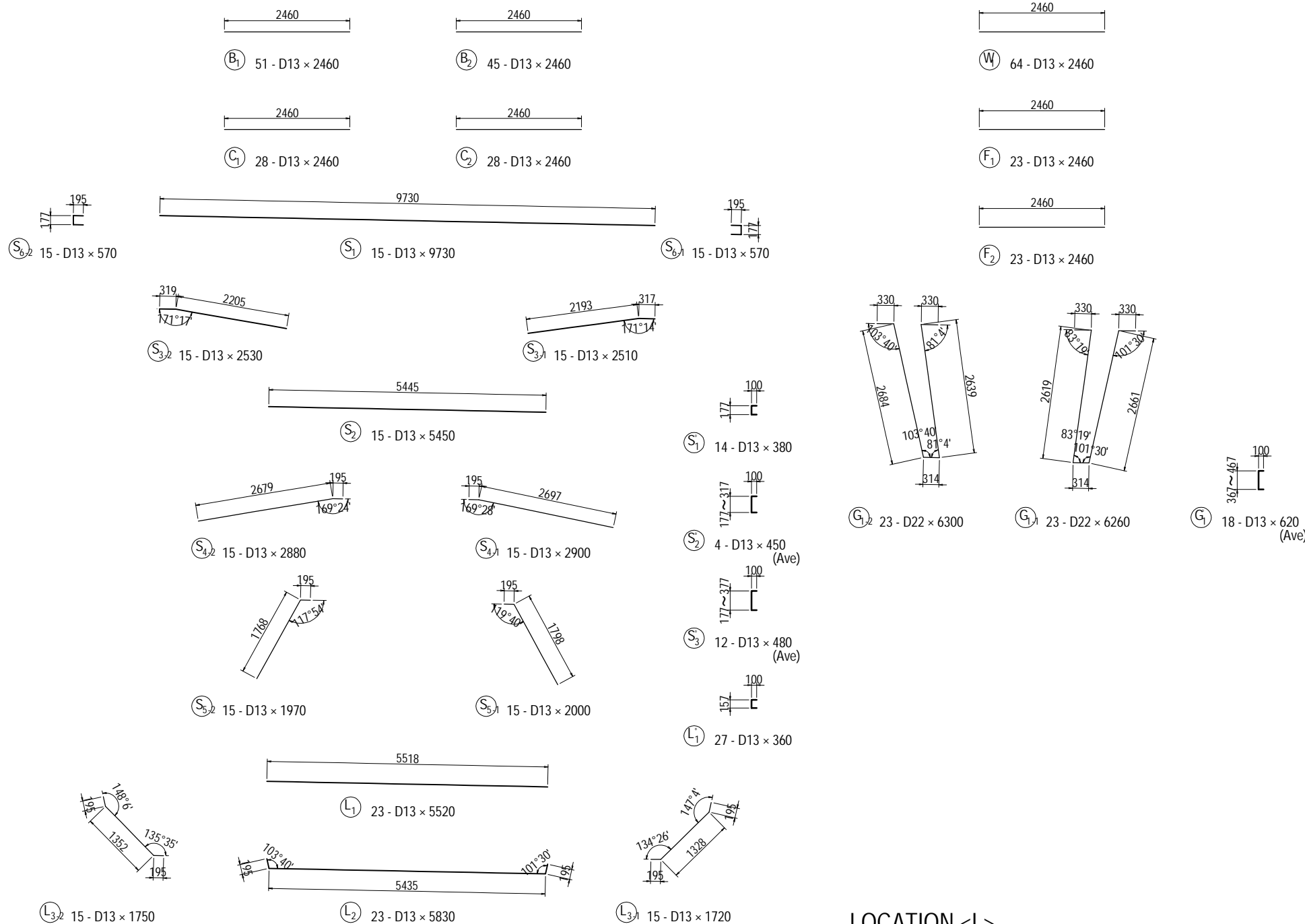
PROJECT NAME DETAILED DESIGN ON BAGO RIVER BRIDGE CONSTRUCTION PROJECT	FINANCED BY JAPAN INTERNATIONAL COOPERATION AGENCY	COUNTERPART REPUBLIC OF THE UNION OF MYANMAR MINISTRY OF CONSTRUCTION DEPARTMENT OF BRIDGE	JICA STUDY TEAM NIPPON KOEI CO., LTD. ORIENTAL CONSULTANTS GLOBAL CO., LTD. METROPOLITAN EXPRESSWAY COMPANY LIMITED CHODAI CO., LTD. NIPPON ENGINEERING CONSULTANTS CO., LTD.	NAME	SIGNATURE	DATE	DRAWING TITLE BAR ARRANGEMENT OF SEGMENT A1-P5 <L,R> (15)	PACKAGE	
				PREPARED BY	M. OHYAMA			15 Jun.2017	1
				CHECKED BY	T. HAYAKAWA			20 Jun.2017	DWG No.
				APPROVED BY	Y. SANO			21 Jun.2017	P1-PB-1315

BAR ARRANGEMENT OF SEGMENT A1-P5 <L,R> (16) S=1:100

TYPE 4 (BL=2.6m)

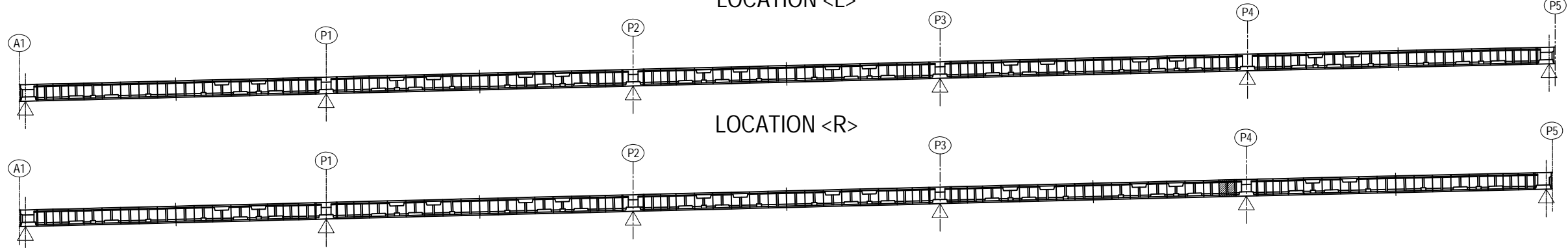
BAR STATISTICS TABLE (For 1 Block)

Bar Mark	Bar Size	Length (mm)	No. Of Bar (Nos)	Unit Wt (kg/m)	Rod Wt (kg)	Total Weight (kg)	Shape	
B	1	D13	2460	51	0.995	2.45	125	—
	2	D13	2460	45	0.995	2.45	110	—
C	1	D13	2460	28	0.995	2.45	69	—
	2	D13	2460	28	0.995	2.45	69	—
S	1	D13	9730	15	0.995	9.68	145	—
	2	D13	5450	15	0.995	5.42	81	—
	3-1	D13	2510	15	0.995	2.50	38	↘
	3-2	D13	2530	15	0.995	2.52	38	↘
	4-1	D13	2900	15	0.995	2.89	43	↘
	4-2	D13	2880	15	0.995	2.87	43	↘
	5-1	D13	2000	15	0.995	1.99	30	↘
	5-2	D13	1970	15	0.995	1.96	29	↘
S'	1	D13	380	14	0.995	0.38	5	⊠
	2	D13	450	4	0.995	0.45	2	⊠ (Ave)
	3	D13	480	12	0.995	0.48	6	⊠ (Ave)
L	1	D13	5520	23	0.995	5.49	126	—
	2	D13	5830	23	0.995	5.80	133	↘
	3-1	D13	1720	15	0.995	1.71	26	↘
3-2	D13	1750	15	0.995	1.74	26	↘	
L'	1	D13	360	27	0.995	0.36	10	⊠
W	1	D13	2460	64	0.995	2.45	157	—
F	1	D13	2460	23	0.995	2.45	56	—
	2	D13	2460	23	0.995	2.45	56	—
G1-1	1	D22	6260	23	3.04	19.03	438	↘
	1-2	D22	6300	23	3.04	19.15	440	↘
G	1	D13	620	18	0.995	0.62	11	⊠ (Ave)
				D13	1452 kg			
				D22	878 kg			
				Total Weight	2330 kg			



LOCATION <L>

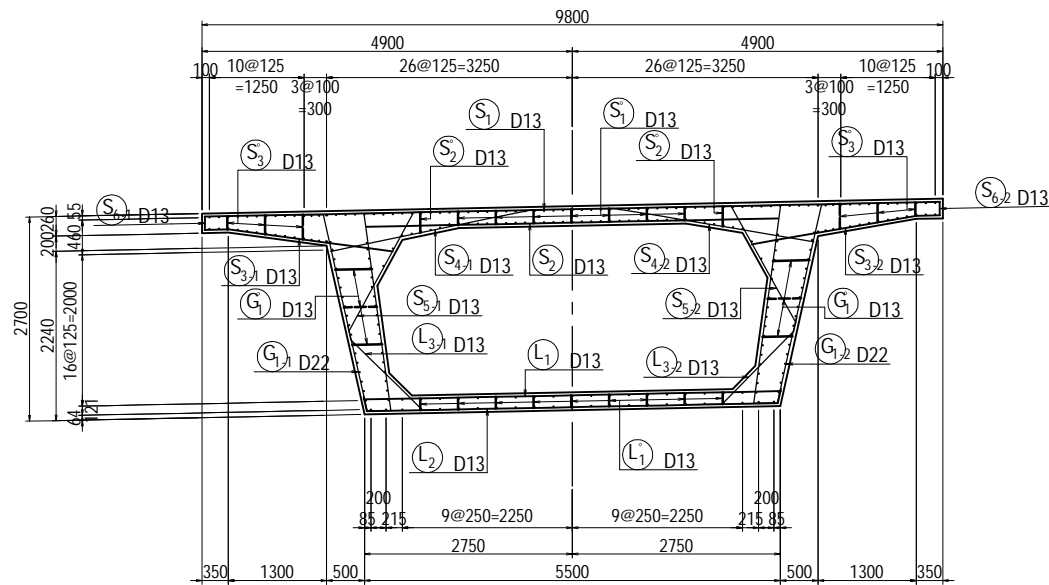
LOCATION <R>



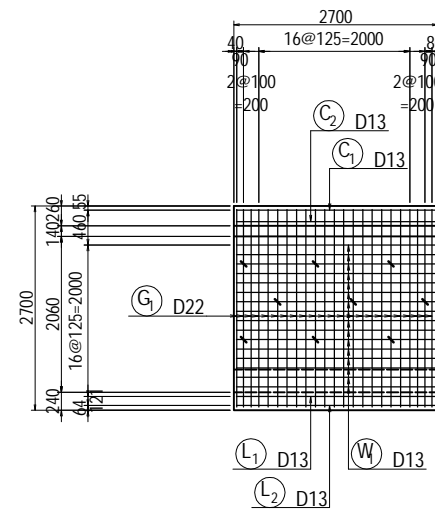
BAR ARRANGEMENT OF SEGMENT A1-P5 <L,R> (17) S=1:100

TYPE 4 (BL=2.7m)

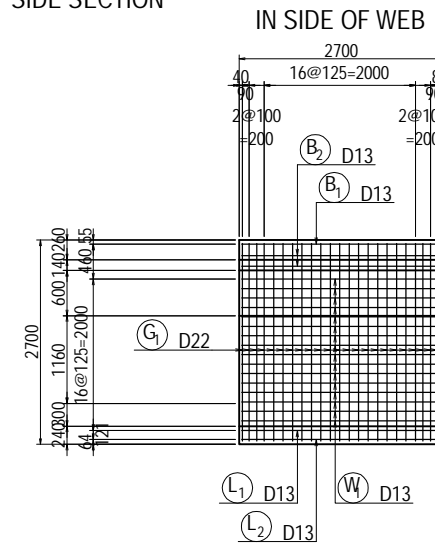
CROSS SECTION



OUT SIDE OF WEB

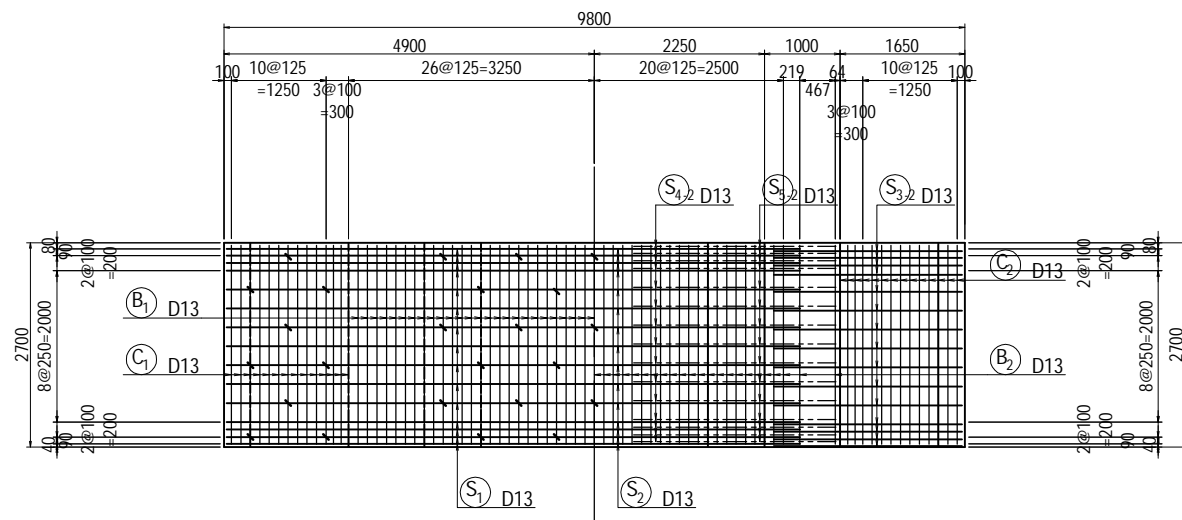


SIDE SECTION



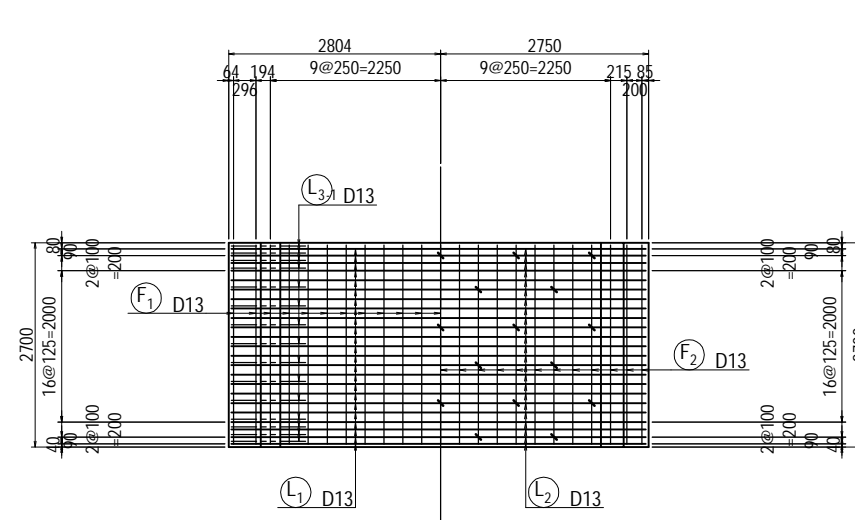
PLAN OF TOP SLAB

UP SIDE LOW SIDE



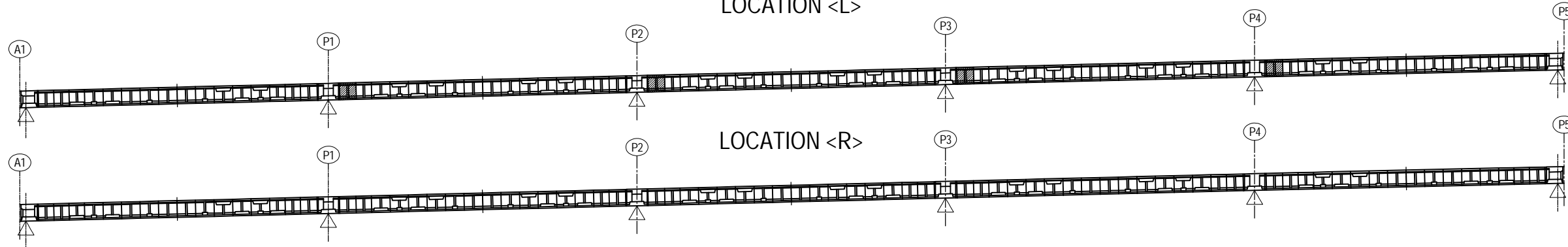
PLAN OF BOTTOM SLAB

UP SIDE LOW SIDE



LOCATION <L>

LOCATION <R>



PROJECT NAME DETAILED DESIGN ON BAGO RIVER BRIDGE CONSTRUCTION PROJECT	FINANCED BY JAPAN INTERNATIONAL COOPERATION AGENCY	COUNTERPART REPUBLIC OF THE UNION OF MYANMAR MINISTRY OF CONSTRUCTION DEPARTMENT OF BRIDGE	JICA STUDY TEAM NIPPON KOEI CO., LTD. ORIENTAL CONSULTANTS GLOBAL CO., LTD. METROPOLITAN EXPRESSWAY COMPANY LIMITED CHODAI CO. LTD. NIPPON ENGINEERING CONSULTANTS CO., LTD.	NAME	SIGNATURE	DATE	DRAWING TITLE BAR ARRANGEMENT OF SEGMENT A1-P5 <L,R> (17)	PACKAGE	
				PREPARED BY	M. OHYAMA			15 Jun.2017	1
				CHECKED BY	T. HAYAKAWA			20 Jun.2017	DWG No.
				APPROVED BY	Y. SANO			21 Jun.2017	P1-PB-1317

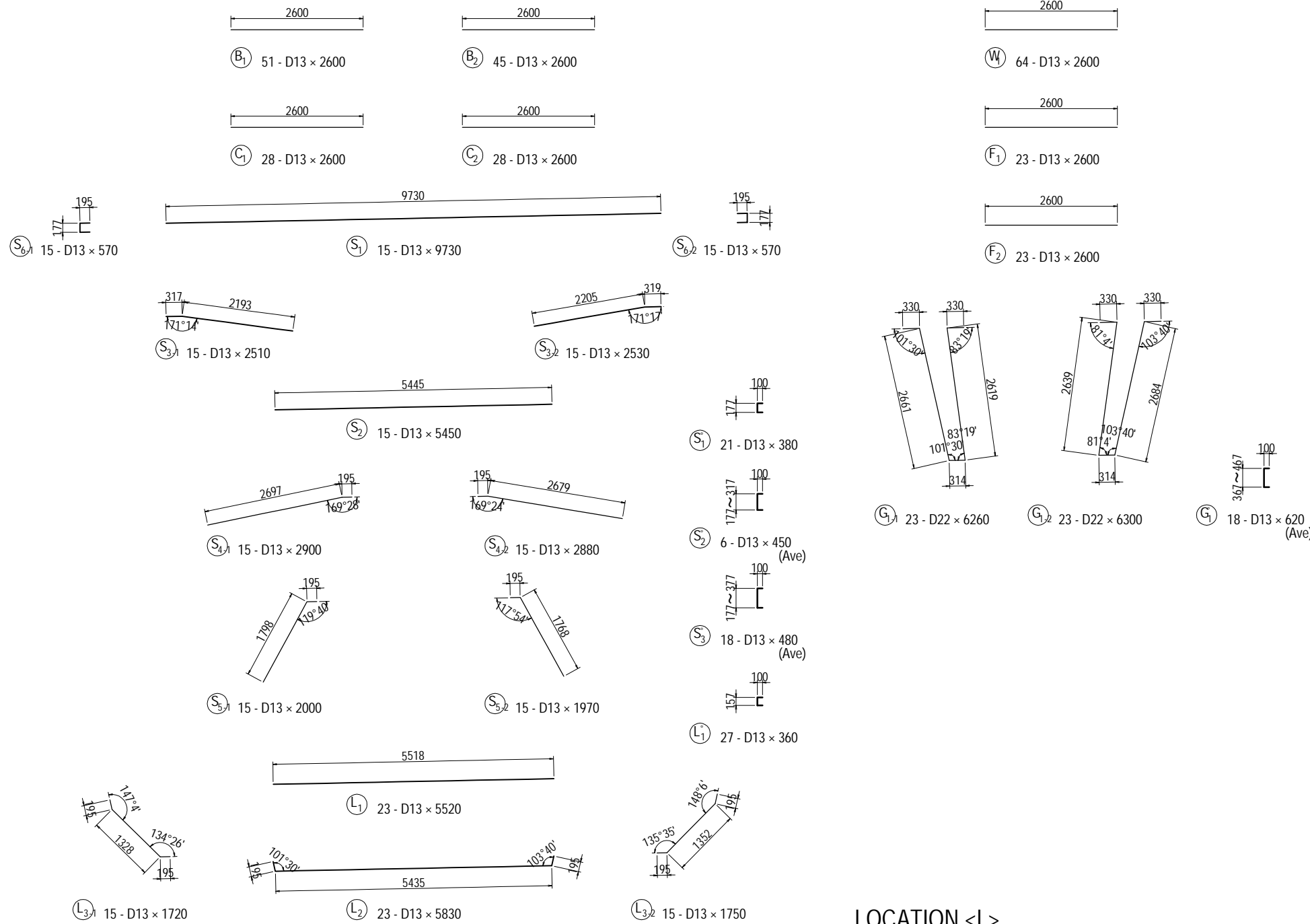
BAR ARRANGEMENT OF SEGMENT A1-P5 <L,R> (18) S=1:100

TYPE 4 (BL=2.7m)

BAR STATISTICS TABLE

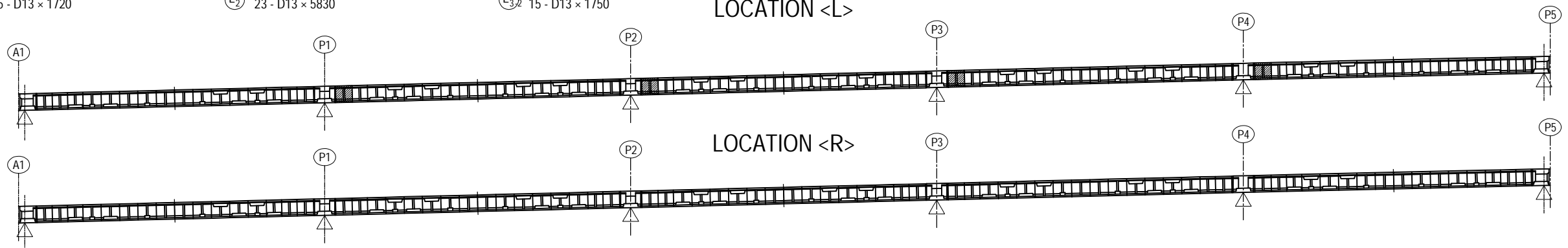
(For 1 Block)

Bar Mark	Bar Size	Length (mm)	No.Of Bar (Nos)	Unit Wt (kg/m)	Rod Wt (kg)	Total Weight (kg)	Shape	
B	1	D13	2600	51	0.995	2.59	132	—
	2	D13	2600	45	0.995	2.59	117	—
C	1	D13	2600	28	0.995	2.59	73	—
	2	D13	2600	28	0.995	2.59	73	—
S	1	D13	9730	15	0.995	9.68	145	—
	2	D13	5450	15	0.995	5.42	81	—
	3-1	D13	2510	15	0.995	2.50	38	↘
	3-2	D13	2530	15	0.995	2.52	38	↘
	4-1	D13	2900	15	0.995	2.89	43	↘
	4-2	D13	2880	15	0.995	2.87	43	↘
	5-1	D13	2000	15	0.995	1.99	30	↘
	5-2	D13	1970	15	0.995	1.96	29	↘
S'	1	D13	380	21	0.995	0.38	8	⊥
	2	D13	450	6	0.995	0.45	3	⊥ (Ave)
	3	D13	480	18	0.995	0.48	9	⊥ (Ave)
L	1	D13	5520	23	0.995	5.49	126	—
	2	D13	5830	23	0.995	5.80	133	↘
	3-1	D13	1720	15	0.995	1.71	26	↘
	3-2	D13	1750	15	0.995	1.74	26	↘
L'	1	D13	360	27	0.995	0.36	10	⊥
W	1	D13	2600	64	0.995	2.59	166	—
F	1	D13	2600	23	0.995	2.59	60	—
	2	D13	2600	23	0.995	2.59	60	—
G1-1	1	D22	6260	23	3.04	19.03	438	↘
	1-2	D22	6300	23	3.04	19.15	440	↘
G	1	D13	620	18	0.995	0.62	11	⊥ (Ave)
				D13	1498 kg			
				D22	878 kg			
				Total Weight	2376 kg			



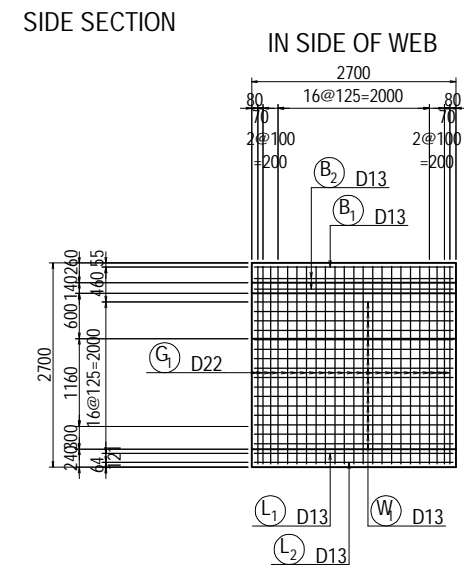
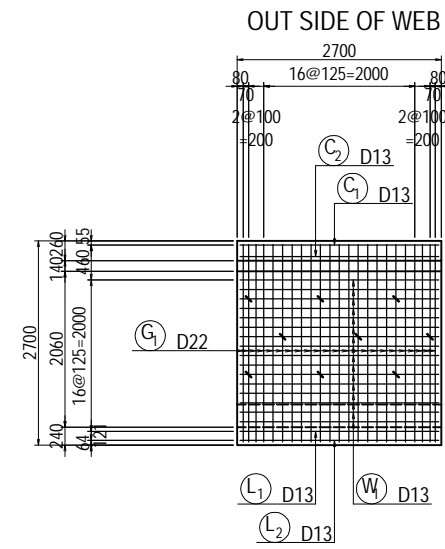
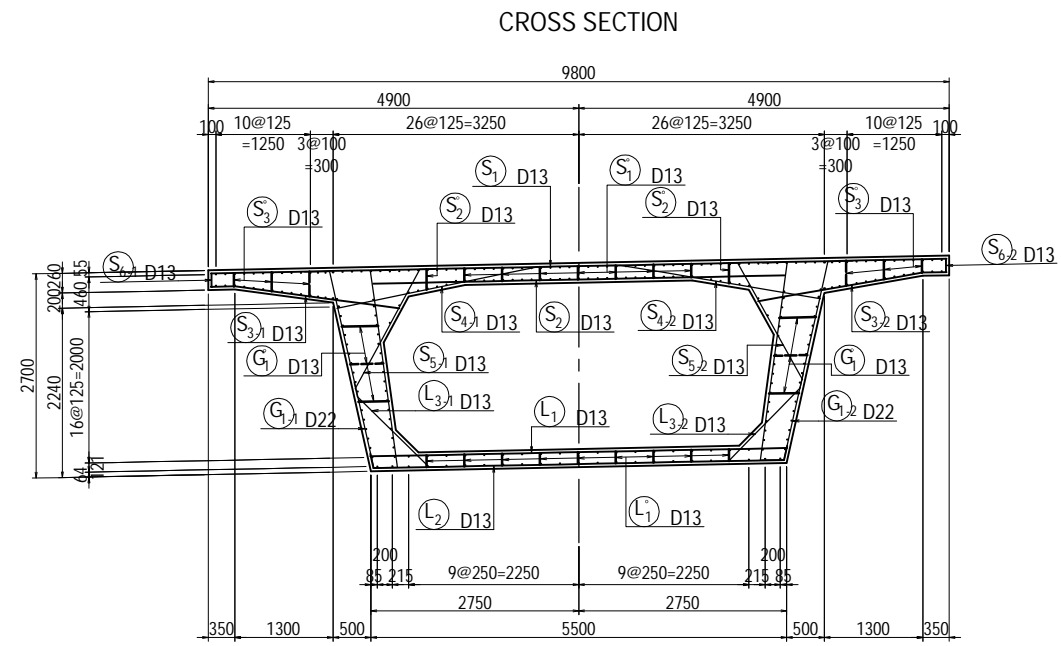
LOCATION <L>

LOCATION <R>



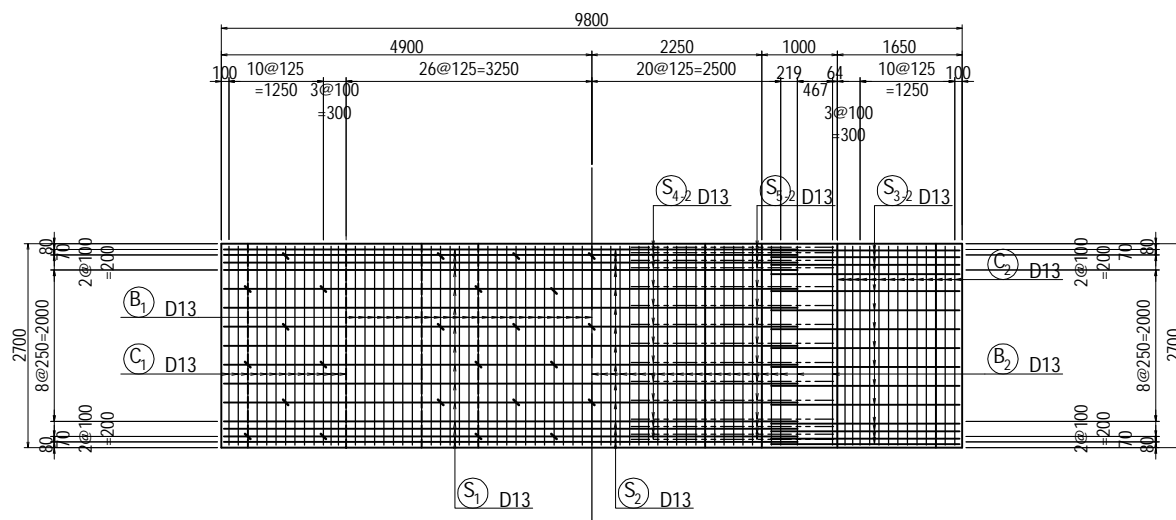
BAR ARRANGEMENT OF SEGMENT A1-P5 <L,R> (19) S=1:100

TYPE 4 (BL=2.7m)



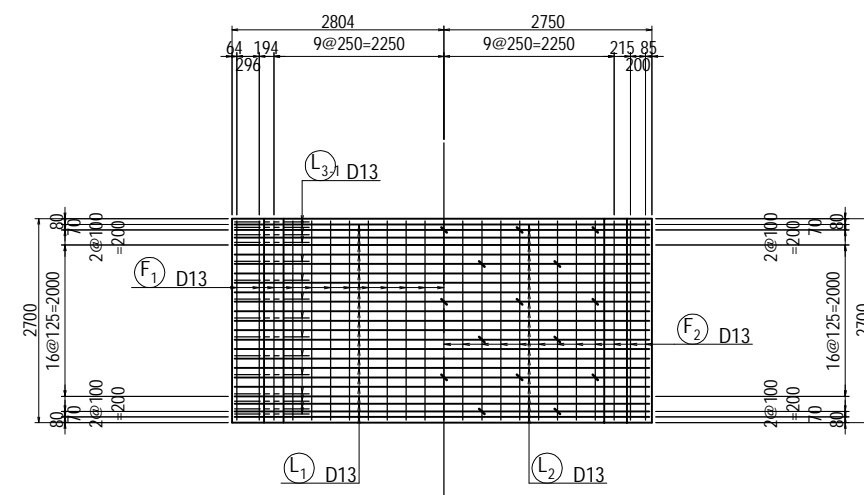
PLAN OF TOP SLAB

UP SIDE LOW SIDE

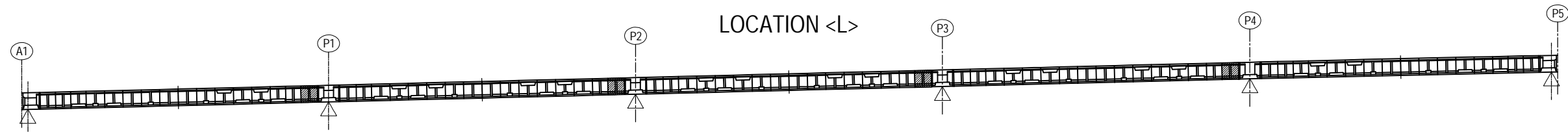


PLAN OF BOTTOM SLAB

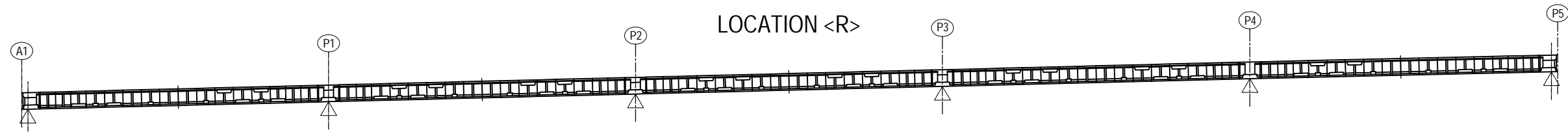
UP SIDE LOW SIDE



LOCATION <L>



LOCATION <R>



PROJECT NAME
DETAILED DESIGN ON
BAGO RIVER BRIDGE
CONSTRUCTION PROJECT

FINANCED BY
JICA
JAPAN INTERNATIONAL
COOPERATION AGENCY

COUNTERPART
REPUBLIC OF THE UNION OF MYANMAR
MINISTRY OF CONSTRUCTION
DEPARTMENT OF BRIDGE

JICA STUDY TEAM
NIPPON KOEI CO., LTD.
ORIENTAL CONSULTANTS GLOBAL CO., LTD.
METROPOLITAN EXPRESSWAY COMPANY LIMITED
CHODAI CO., LTD.
NIPPON ENGINEERING CONSULTANTS CO., LTD.

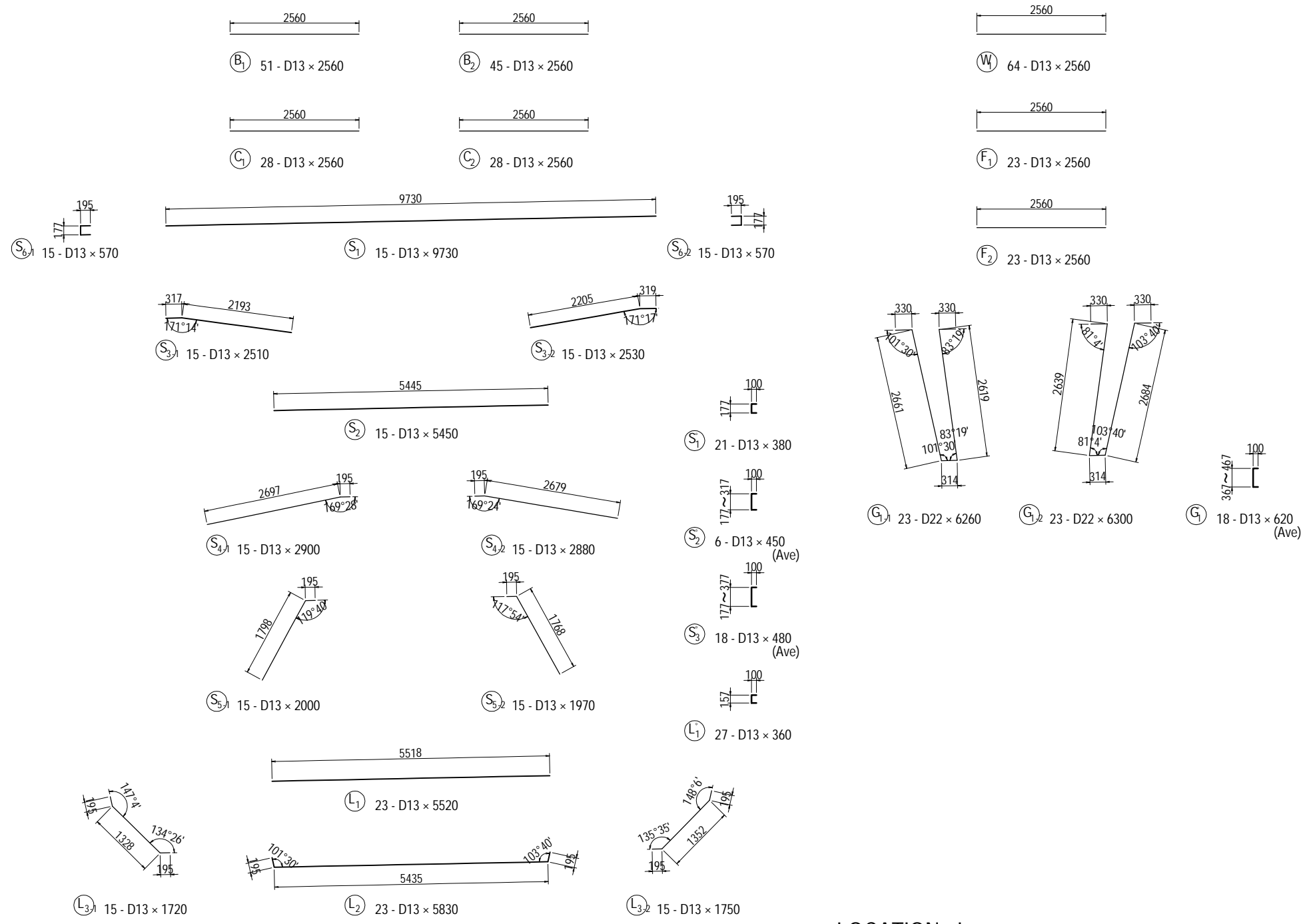
	NAME	SIGNATURE	DATE
PREPARED BY	M. OHYAMA	大山 満弘	15 Jun.2017
CHECKED BY	T. HAYAKAWA	平川 知寿	20 Jun.2017
APPROVED BY	Y. SANO	佐野 祐一	21 Jun.2017

DRAWING TITLE
BAR ARRANGEMENT OF SEGMENT
A1-P5 <L,R> (19)

PACKAGE
1
DWG No.
P1-PB-1319

BAR ARRANGEMENT OF SEGMENT A1-P5 <L,R> (20) S=1:100

TYPE 4 (BL=2.7m)

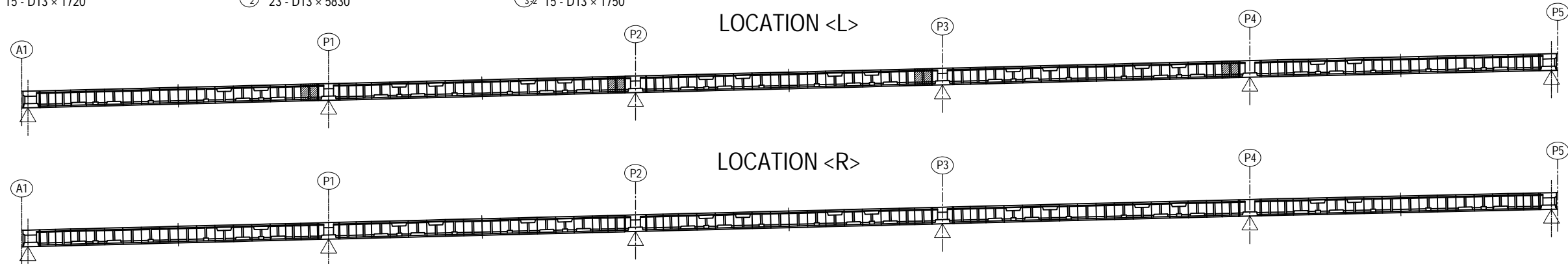


BAR STATISTICS TABLE (For 1 Block)

Bar Mark	Bar Size	Length (mm)	No. Of Bar (Nos)	Unit Wt (kg/m)	Rod Wt (kg)	Total Weight (kg)	Shape
B 1	D13	2560	51	0.995	2.55	130	—
2	D13	2560	45	0.995	2.55	115	—
C 1	D13	2560	28	0.995	2.55	71	—
2	D13	2560	28	0.995	2.55	71	—
S 1	D13	9730	15	0.995	9.68	145	—
2	D13	5450	15	0.995	5.42	81	—
3-1	D13	2510	15	0.995	2.50	38	↘
3-2	D13	2530	15	0.995	2.52	38	↘
4-1	D13	2900	15	0.995	2.89	43	↘
4-2	D13	2880	15	0.995	2.87	43	↘
5-1	D13	2000	15	0.995	1.99	30	↘
5-2	D13	1970	15	0.995	1.96	29	↘
6-1	D13	570	15	0.995	0.57	9	⊥
6-2	D13	570	15	0.995	0.57	9	⊥
S' 1	D13	380	21	0.995	0.38	8	⊥
2	D13	450	6	0.995	0.45	3	⊥ (Ave)
3	D13	480	18	0.995	0.48	9	⊥ (Ave)
L 1	D13	5520	23	0.995	5.49	126	—
2	D13	5830	23	0.995	5.80	133	↘
3-1	D13	1720	15	0.995	1.71	26	↘
3-2	D13	1750	15	0.995	1.74	26	↘
L' 1	D13	360	27	0.995	0.36	10	⊥
W 1	D13	2560	64	0.995	2.55	163	—
F 1	D13	2560	23	0.995	2.55	59	—
2	D13	2560	23	0.995	2.55	59	—
G1-1	D22	6260	23	3.04	19.03	438	↘
1-2	D22	6300	23	3.04	19.15	440	↘
G 1	D13	620	18	0.995	0.62	11	⊥ (Ave)
				D13	1485 kg		
				D22	878 kg		
				Total Weight	2363 kg		

LOCATION <L>

LOCATION <R>



BAR ARRANGEMENT OF SEGMENT A1-P5 <L,R> (21) S=1:100

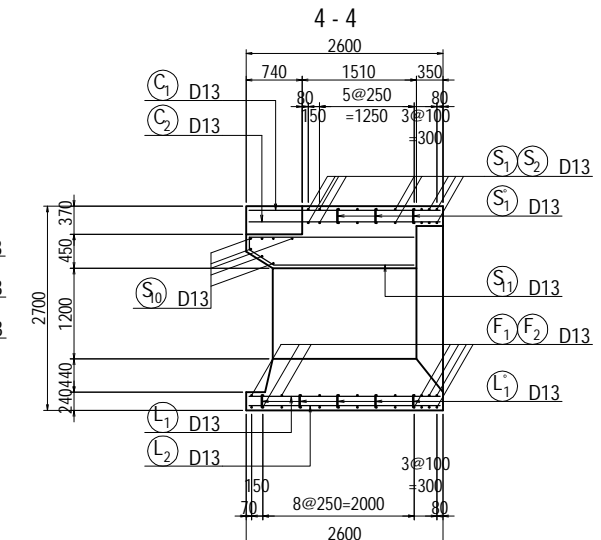
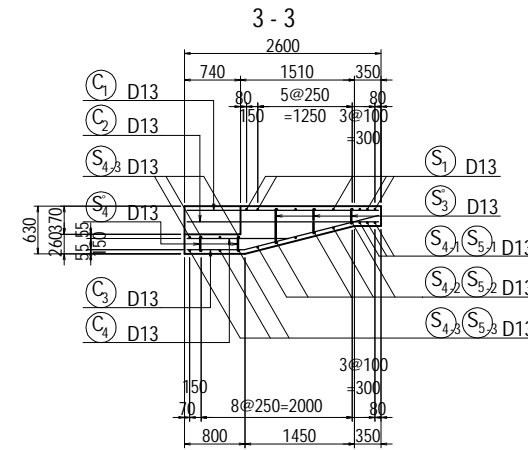
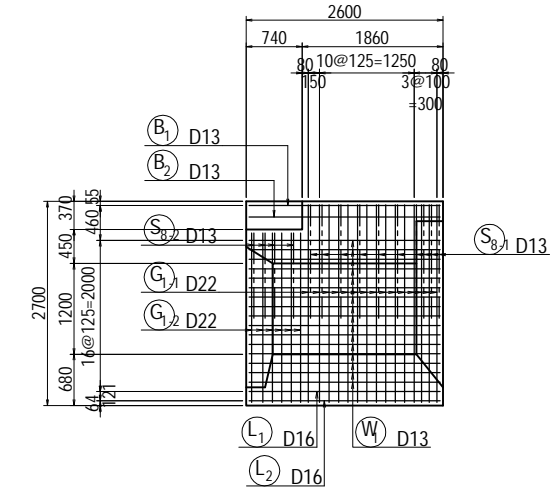
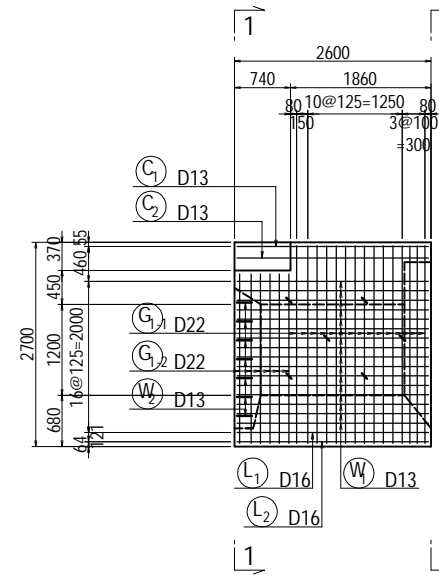
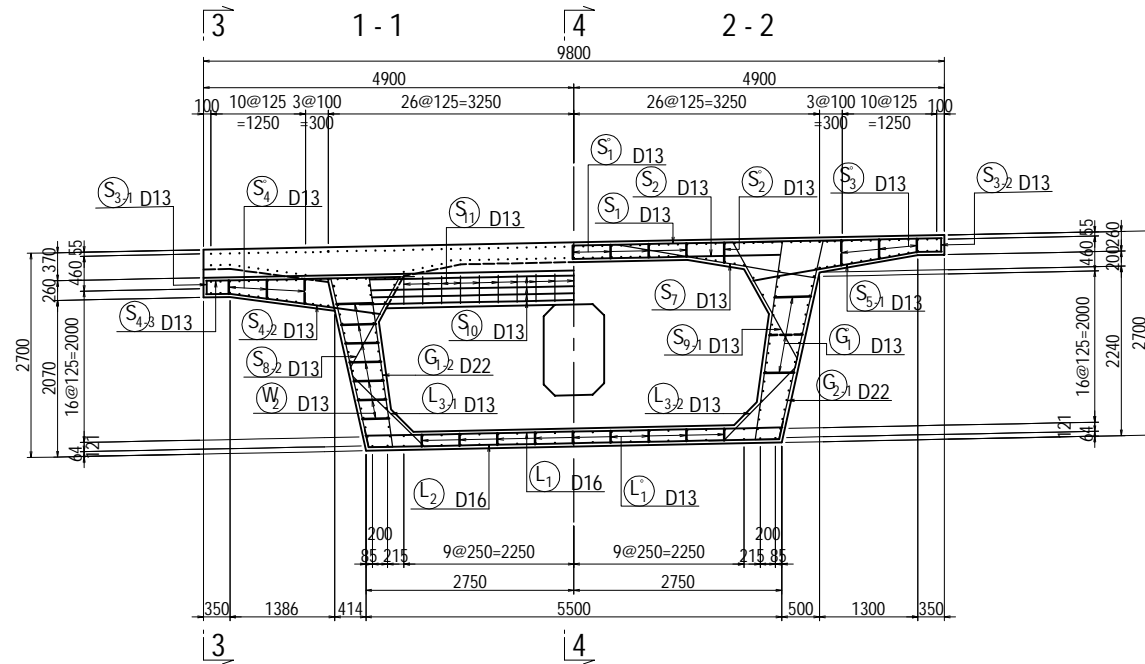
CROSS SECTION

TYPE 5 (BL=2.6m)

OUT SIDE OF WEB

SIDE SECTION

IN SIDE OF WEB

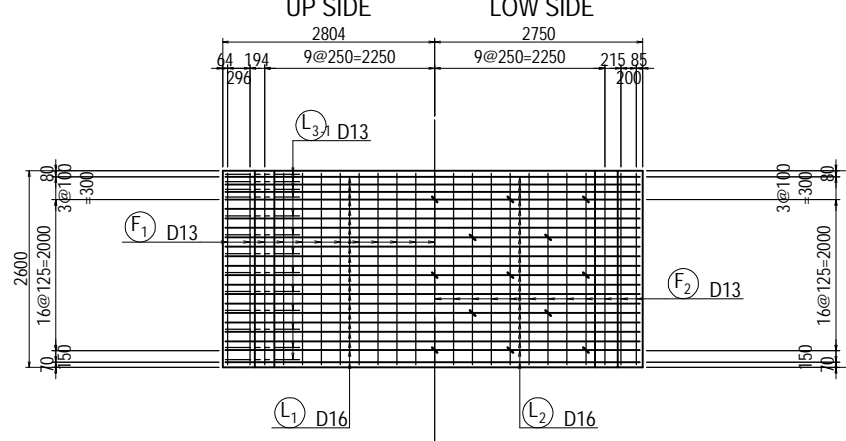
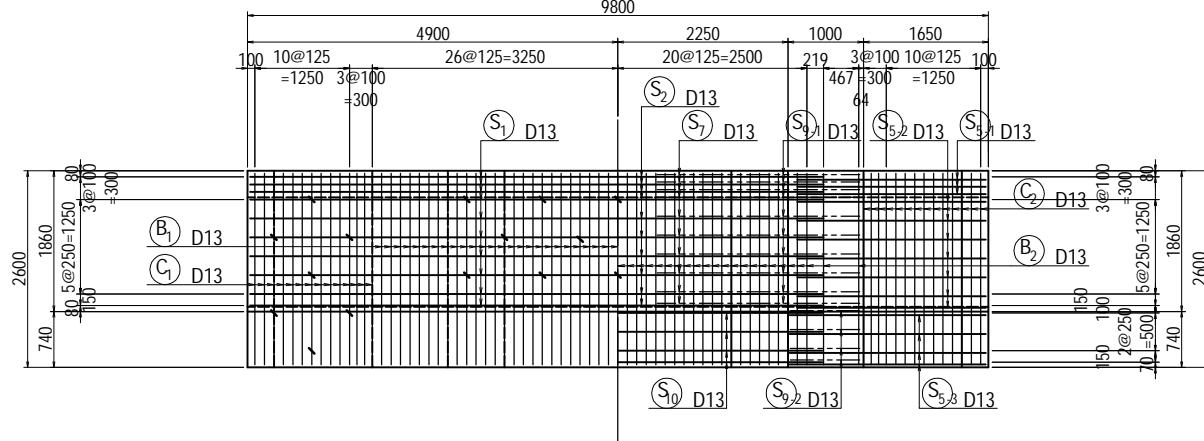


PLAN OF TOP SLAB

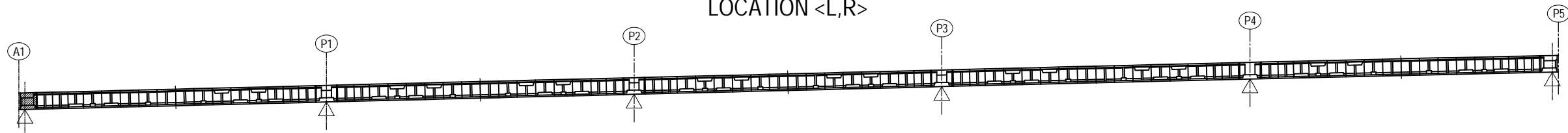
UP SIDE LOW SIDE

PLAN OF BOTTOM SLAB

UP SIDE LOW SIDE



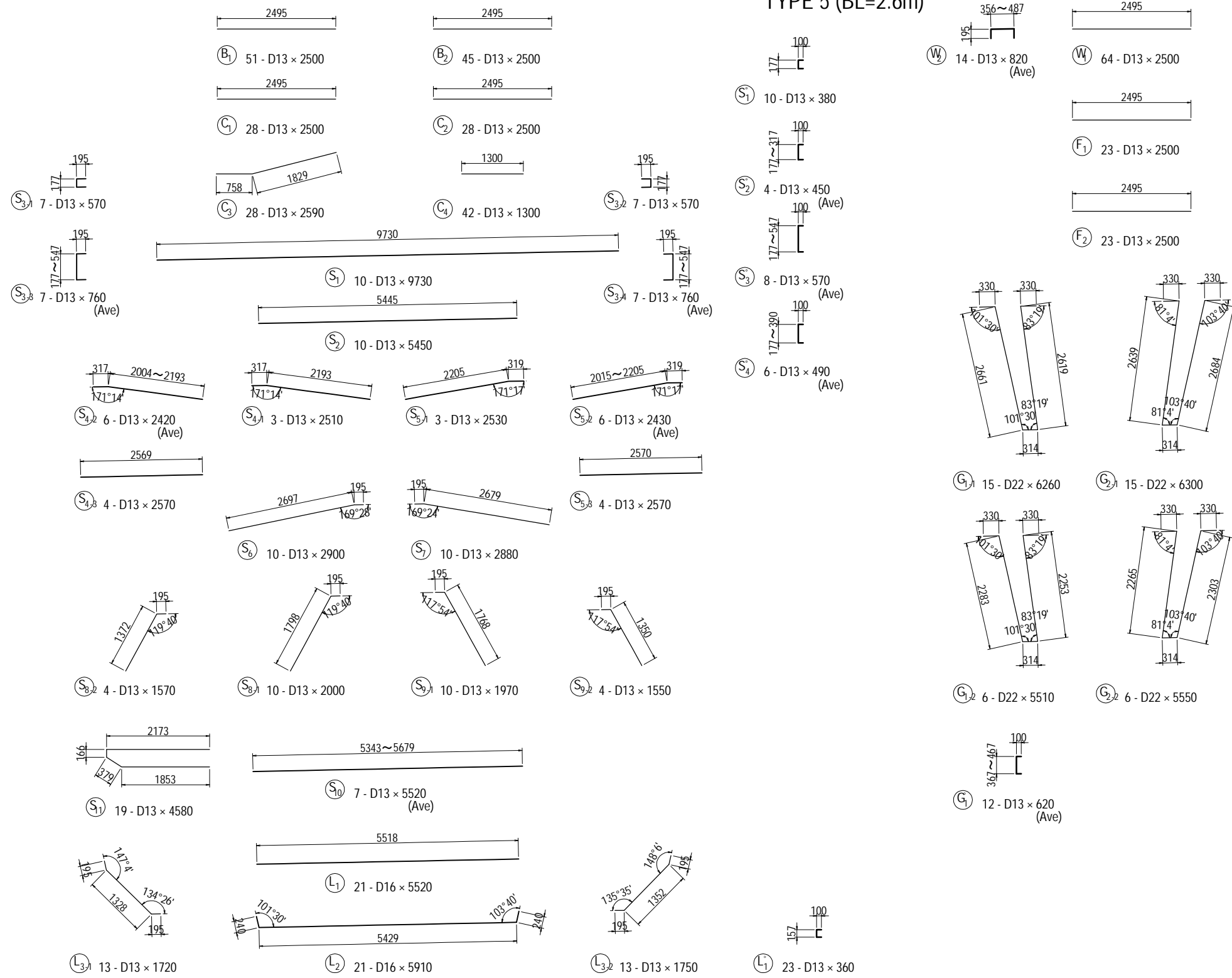
LOCATION <L,R>



PROJECT NAME DETAILED DESIGN ON BAGO RIVER BRIDGE CONSTRUCTION PROJECT	FINANCED BY JAPAN INTERNATIONAL COOPERATION AGENCY	COUNTERPART REPUBLIC OF THE UNION OF MYANMAR MINISTRY OF CONSTRUCTION DEPARTMENT OF BRIDGE	JICA STUDY TEAM NIPPON KOEI CO., LTD. ORIENTAL CONSULTANTS GLOBAL CO., LTD. METROPOLITAN EXPRESSWAY COMPANY LIMITED CHODAI CO. LTD. NIPPON ENGINEERING CONSULTANTS CO., LTD.	NAME	SIGNATURE	DATE	DRAWING TITLE BAR ARRANGEMENT OF SEGMENT A1-P5 <L,R> (21)	PACKAGE	
				PREPARED BY	M. OHYAMA			15 Jun.2017	1
				CHECKED BY	T. HAYAKAWA			20 Jun.2017	DWG No.
				APPROVED BY	Y. SANO			21 Jun.2017	P1-PB-1321

BAR ARRANGEMENT OF SEGMENT A1-P5 <L,R> (22) S=1:100

TYPE 5 (BL=2.6m)

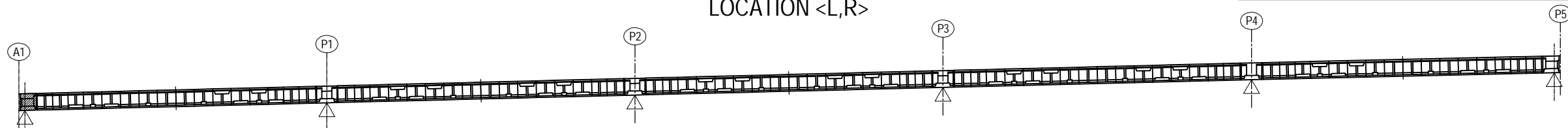


BAR STATISTICS TABLE

(For 1 Block)

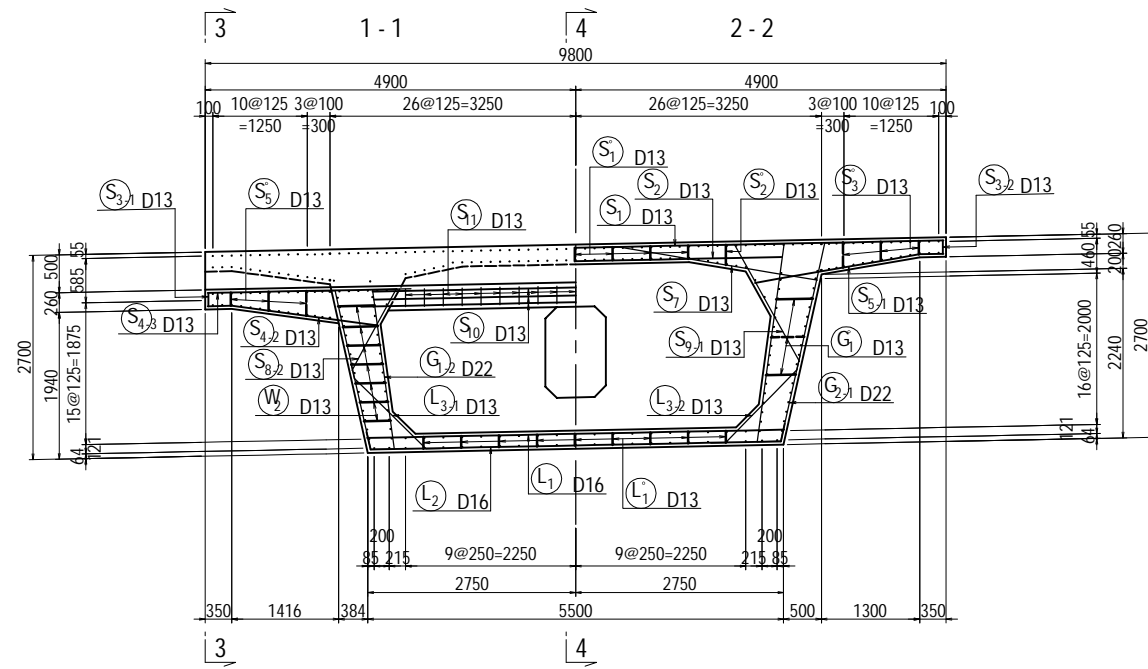
Bar Mark	Bar Size	Length (mm)	No. Of Bar (Nos)	Unit Wt (kg/m)	Rod Wt (kg)	Total Weight (kg)	Shape
B 1	D13	2500	51	0.995	2.49	127	—
2	D13	2500	45	0.995	2.49	112	—
C 1	D13	2500	28	0.995	2.49	67	—
2	D13	2500	28	0.995	2.49	67	—
3	D13	2590	28	0.995	2.58	72	—
4	D13	1300	42	0.995	1.29	54	—
S 1	D13	9730	10	0.995	9.68	97	—
2	D13	5450	10	0.995	5.42	54	—
3-1	D13	570	7	0.995	0.57	4	C
3-2	D13	570	7	0.995	0.57	4	C (Ave)
3-3	D13	760	7	0.995	0.76	5	C
3-4	D13	760	7	0.995	0.76	5	C (Ave)
4-1	D13	2510	3	0.995	2.50	8	—
4-2	D13	2420	6	0.995	2.41	14	— (Ave)
4-3	D13	2570	4	0.995	2.56	10	—
5-1	D13	2530	3	0.995	2.52	8	—
5-2	D13	2430	6	0.995	2.42	15	— (Ave)
5-3	D13	2570	4	0.995	2.56	10	—
6	D13	2900	10	0.995	2.89	29	—
7	D13	2880	10	0.995	2.87	29	—
8-1	D13	2000	10	0.995	1.99	20	—
8-2	D13	1570	4	0.995	1.56	6	—
9-1	D13	1970	10	0.995	1.96	20	—
9-2	D13	1550	4	0.995	1.54	6	—
10	D13	5520	7	0.995	5.49	38	— (Ave)
11	D13	4580	19	0.995	4.56	87	—
S* 1	D13	380	10	0.995	0.38	4	C
2	D13	450	4	0.995	0.45	2	C (Ave)
3	D13	570	8	0.995	0.57	5	C (Ave)
4	D13	490	6	0.995	0.49	3	C (Ave)
L 1	D16	5520	21	1.56	8.61	180	—
2	D16	5910	21	1.56	9.22	194	—
3-1	D13	1720	13	0.995	1.71	22	—
3-2	D13	1750	13	0.995	1.74	23	—
L* 1	D13	360	23	0.995	0.36	8	C
W 1	D13	2500	64	0.995	2.49	159	—
2	D13	820	14	0.995	0.82	11	C (Ave)
F 1	D13	2500	23	0.995	2.49	57	—
2	D13	2500	23	0.995	2.49	57	—
G 1-1	D22	6260	15	3.04	19.03	285	—
1-2	D22	5510	6	3.04	18.73	112	—
2-1	D22	6300	15	3.04	19.15	287	—
2-2	D22	5550	6	3.04	16.87	101	—
G* 1	D13	620	12	0.995	0.62	7	C (Ave)
				D13	1326 kg		
				D16	374 kg		
				D22	785 kg		
				Total Weight	2485 kg		

LOCATION <L,R>



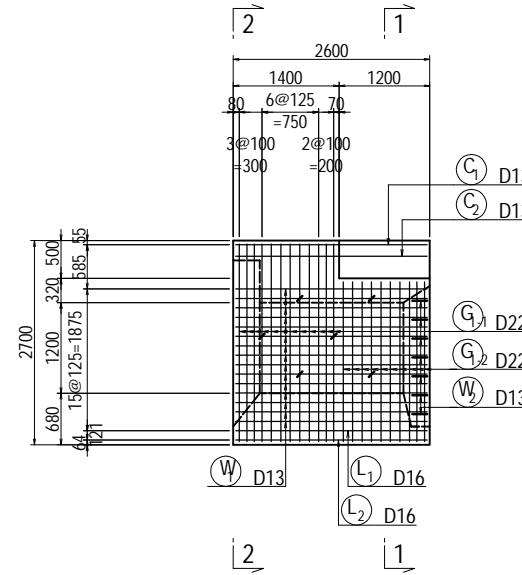
BAR ARRANGEMENT OF SEGMENT A1-P5 <L,R> (23) S=1:100

CROSS SECTION



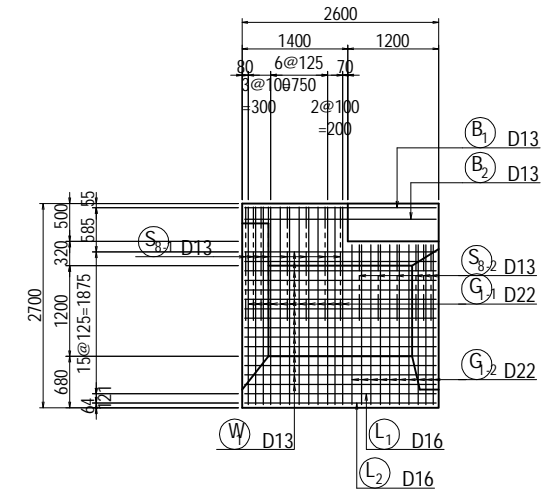
TYPE 5 (BL=2.6m)

OUT SIDE OF WEB

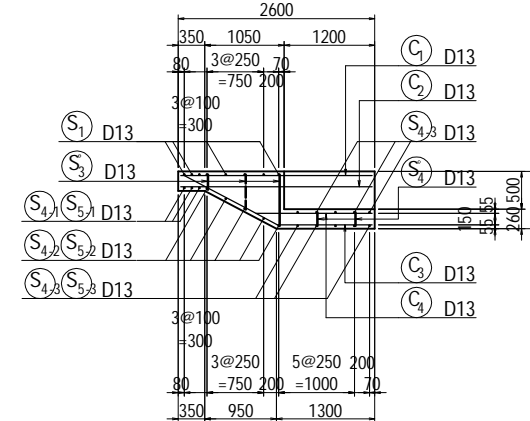


SIDE SECTION

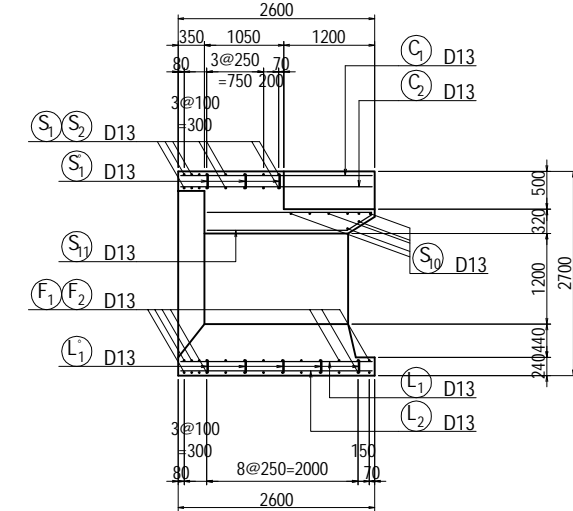
IN SIDE OF WEB



3 - 3



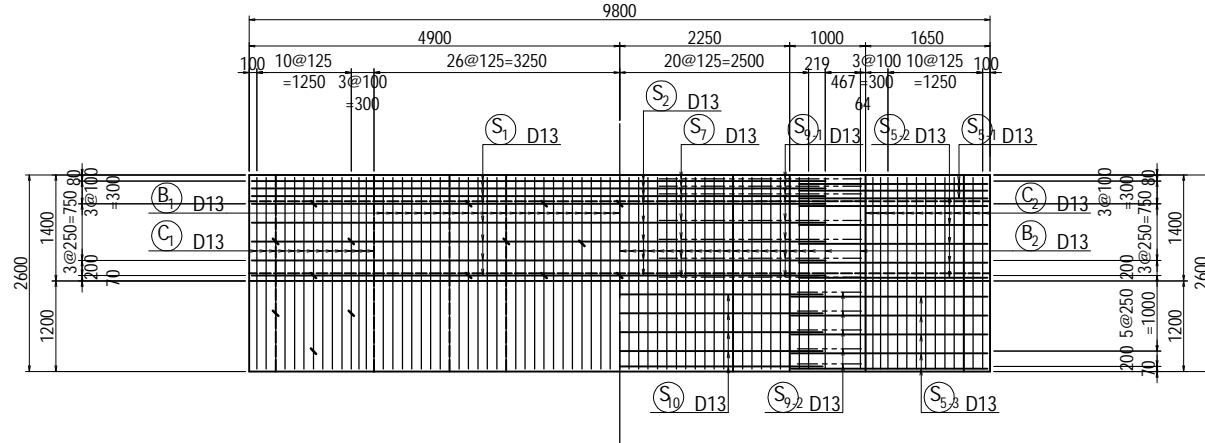
4 - 4



PLAN OF TOP SLAB

UP SIDE

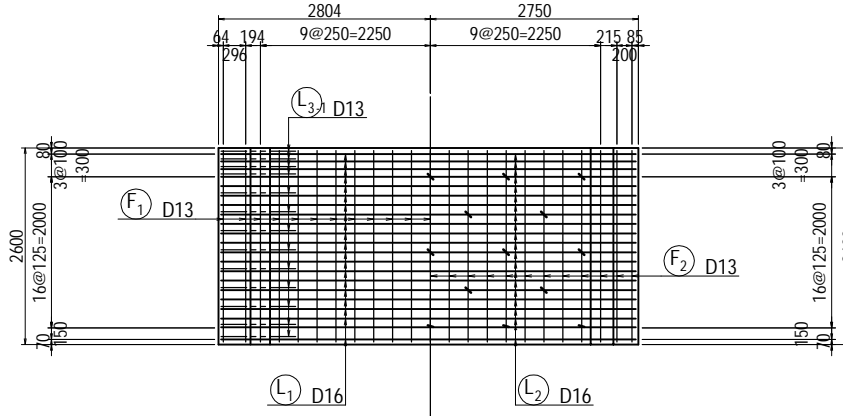
LOW SIDE



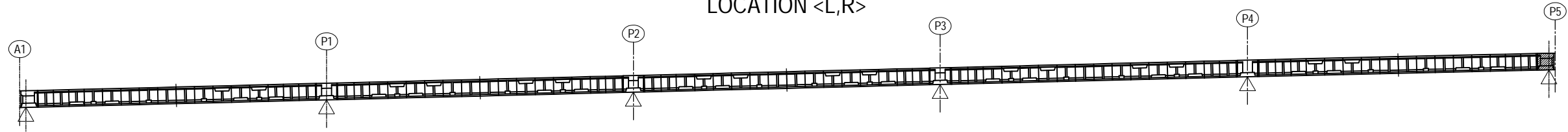
PLAN OF BOTTOM SLAB

UP SIDE

LOW SIDE



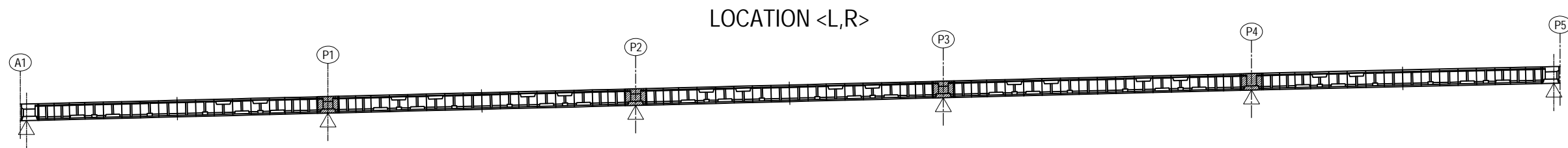
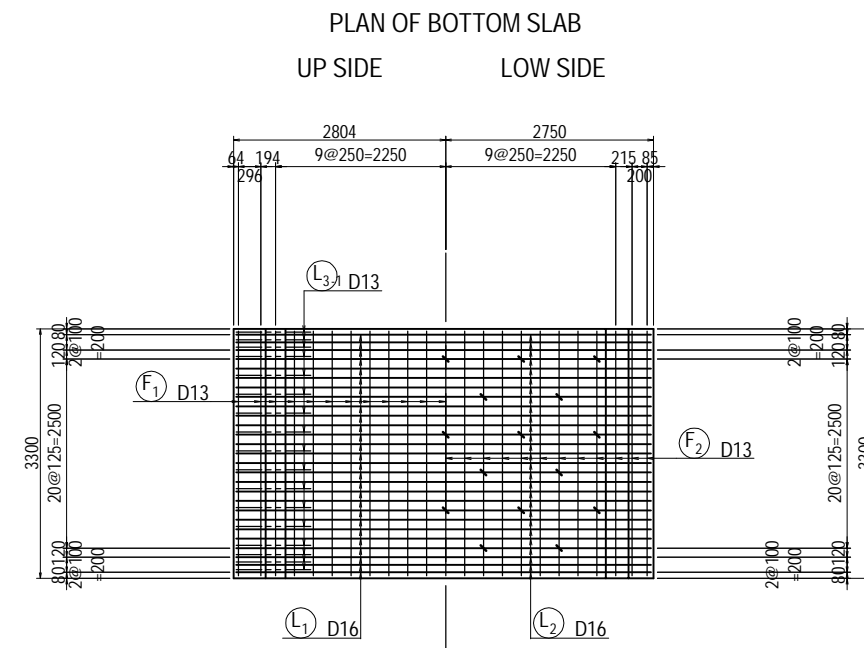
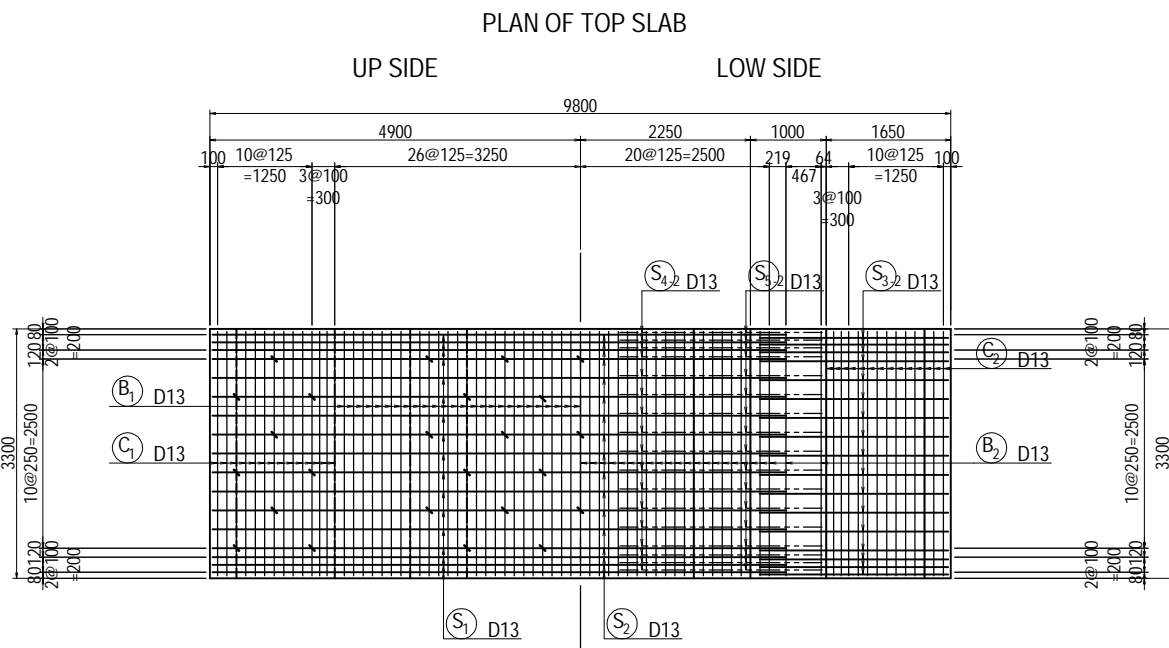
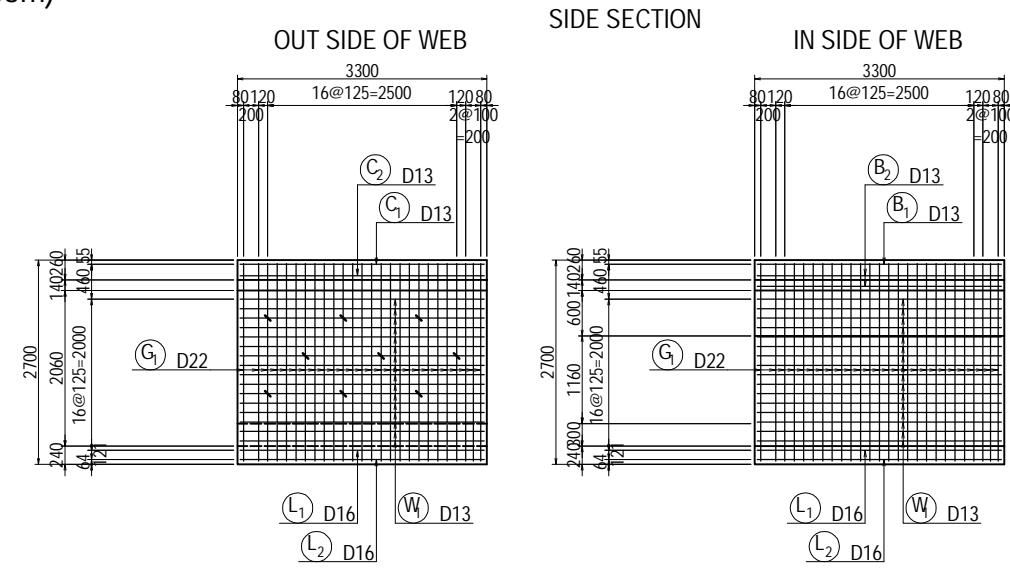
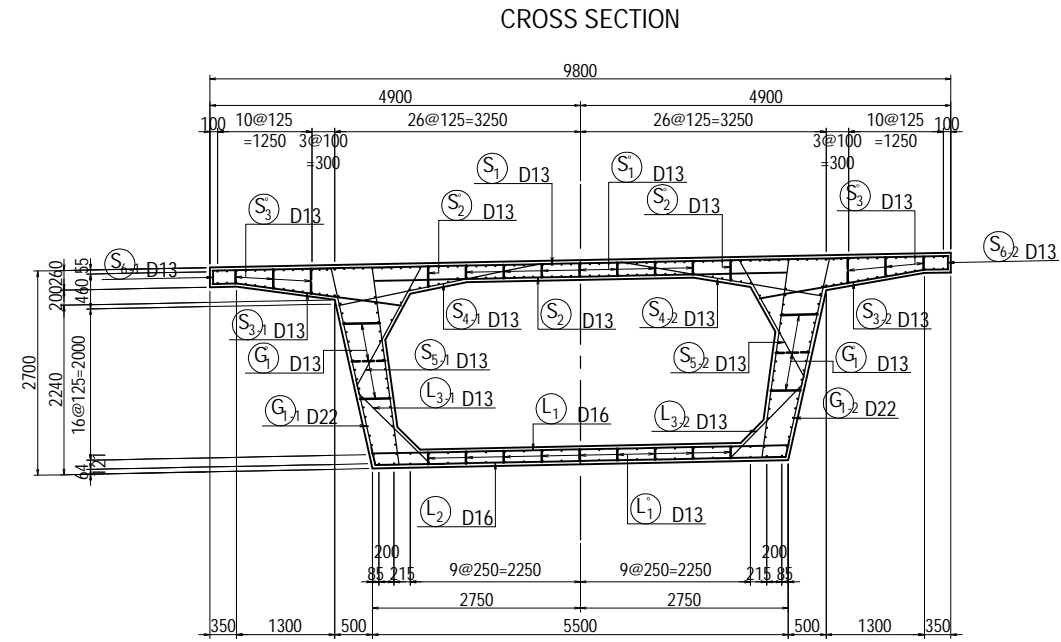
LOCATION <L,R>



PROJECT NAME DETAILED DESIGN ON BAGO RIVER BRIDGE CONSTRUCTION PROJECT	FINANCED BY JAPAN INTERNATIONAL COOPERATION AGENCY	COUNTERPART REPUBLIC OF THE UNION OF MYANMAR MINISTRY OF CONSTRUCTION DEPARTMENT OF BRIDGE	JICA STUDY TEAM NIPPON KOEI CO., LTD. ORIENTAL CONSULTANTS GLOBAL CO., LTD. METROPOLITAN EXPRESSWAY COMPANY LIMITED CHODAI CO., LTD. NIPPON ENGINEERING CONSULTANTS CO., LTD.	<table border="1" style="width: 100%; border-collapse: collapse;"> <thead> <tr> <th>NAME</th> <th>SIGNATURE</th> <th>DATE</th> </tr> </thead> <tbody> <tr> <td>PREPARED BY M. OHYAMA</td> <td></td> <td>15 Jun.2017</td> </tr> <tr> <td>CHECKED BY T. HAYAKAWA</td> <td></td> <td>20 Jun.2017</td> </tr> <tr> <td>APPROVED BY Y. SANO</td> <td></td> <td>21 Jun.2017</td> </tr> </tbody> </table>	NAME	SIGNATURE	DATE	PREPARED BY M. OHYAMA		15 Jun.2017	CHECKED BY T. HAYAKAWA		20 Jun.2017	APPROVED BY Y. SANO		21 Jun.2017	DRAWING TITLE BAR ARRANGEMENT OF SEGMENT A1-P5 <L,R> (23)	PACKAGE 1 DWG No. P1-PB-1323
NAME	SIGNATURE	DATE																
PREPARED BY M. OHYAMA		15 Jun.2017																
CHECKED BY T. HAYAKAWA		20 Jun.2017																
APPROVED BY Y. SANO		21 Jun.2017																

BAR ARRANGEMENT OF SEGMENT A1-P5 <L,R> (25) S=1:100

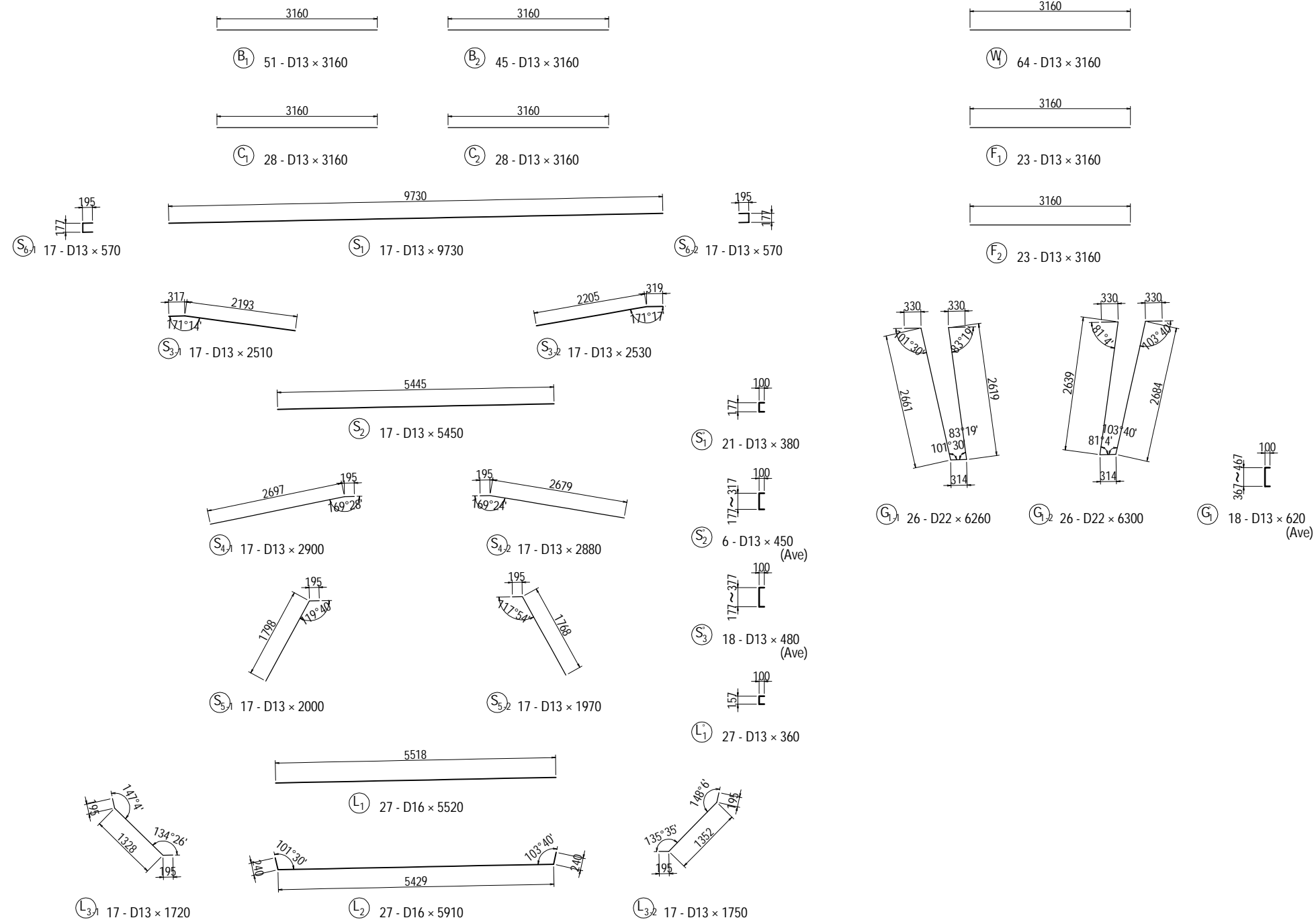
TYPE 5 (BL=3.3m)



PROJECT NAME DETAILED DESIGN ON BAGO RIVER BRIDGE CONSTRUCTION PROJECT	FINANCED BY JAPAN INTERNATIONAL COOPERATION AGENCY	COUNTERPART REPUBLIC OF THE UNION OF MYANMAR MINISTRY OF CONSTRUCTION DEPARTMENT OF BRIDGE	JICA STUDY TEAM NIPPON KOEI CO., LTD. ORIENTAL CONSULTANTS GLOBAL CO., LTD. METROPOLITAN EXPRESSWAY COMPANY LIMITED CHODAI CO., LTD. NIPPON ENGINEERING CONSULTANTS CO., LTD.	NAME	SIGNATURE	DATE	DRAWING TITLE BAR ARRANGEMENT OF SEGMENT A1-P5 <L,R> (25)	PACKAGE	
				PREPARED BY	M. OHYAMA			15 Jun.2017	1
				CHECKED BY	T. HAYAKAWA			20 Jun.2017	DWG No.
				APPROVED BY	Y. SANO			21 Jun.2017	P1-PB-1325

BAR ARRANGEMENT OF SEGMENT A1-P5 <L,R> (26) S=1:100

TYPE 5 (BL=3.3m)

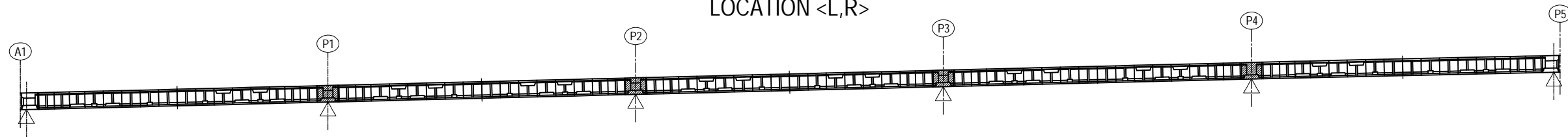


BAR STATISTICS TABLE

(For 1 Block)

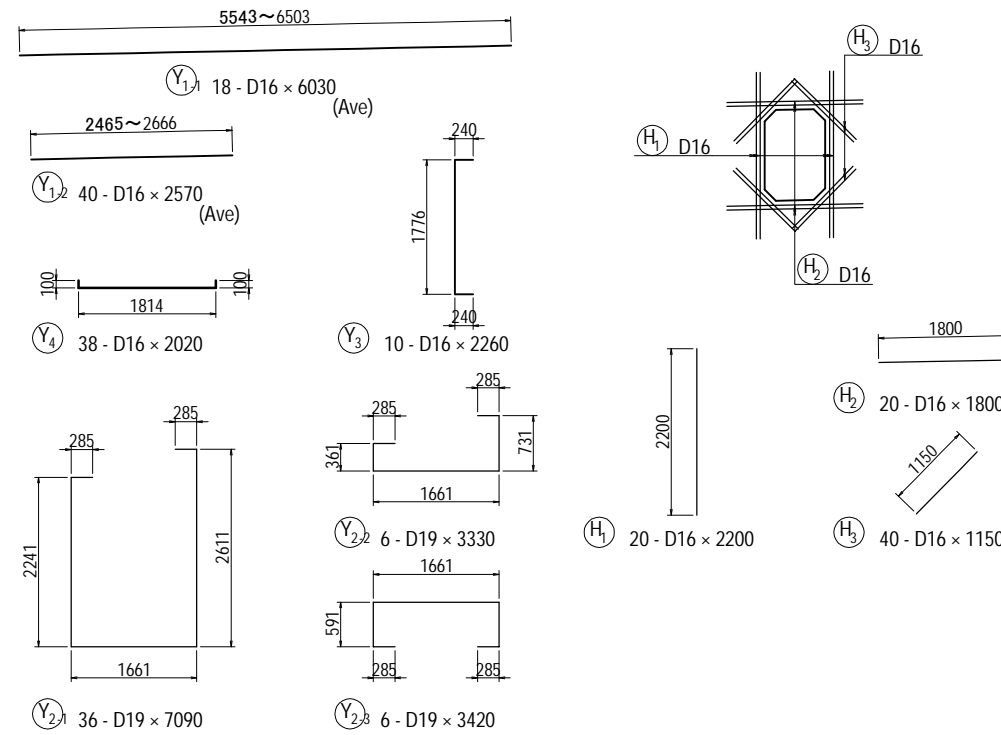
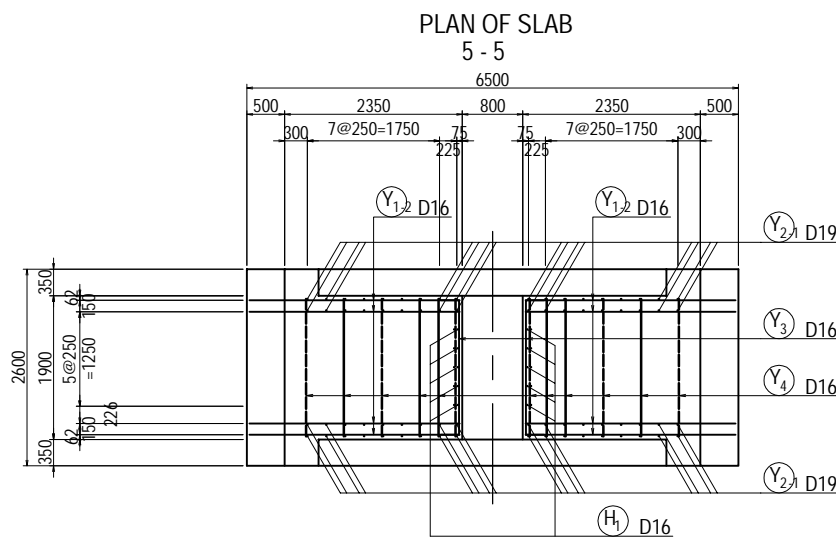
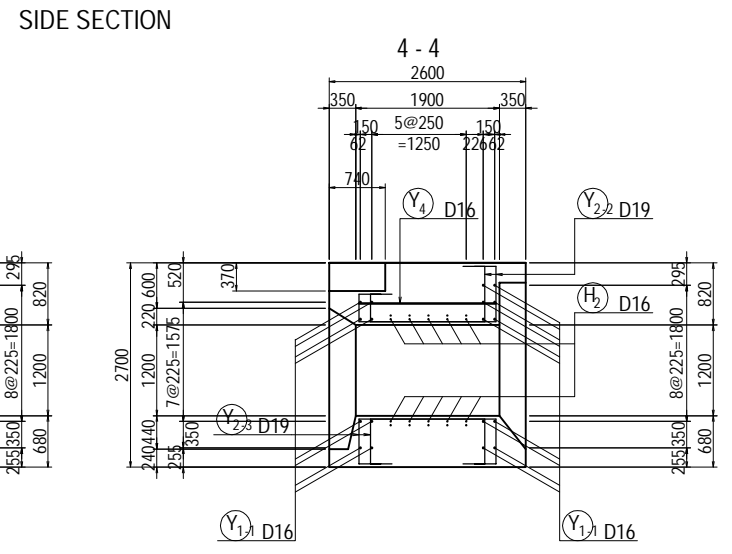
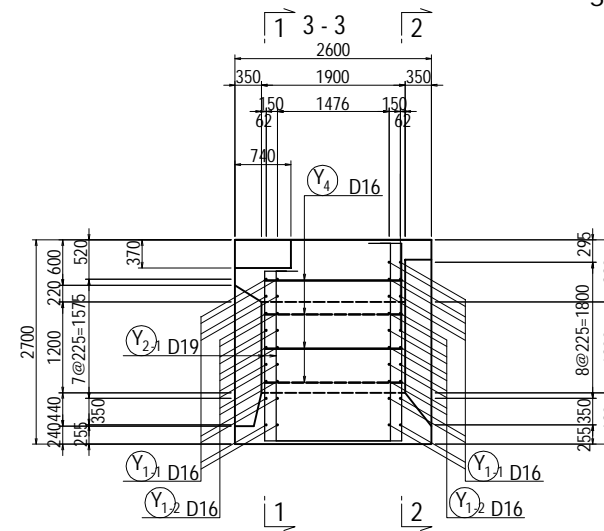
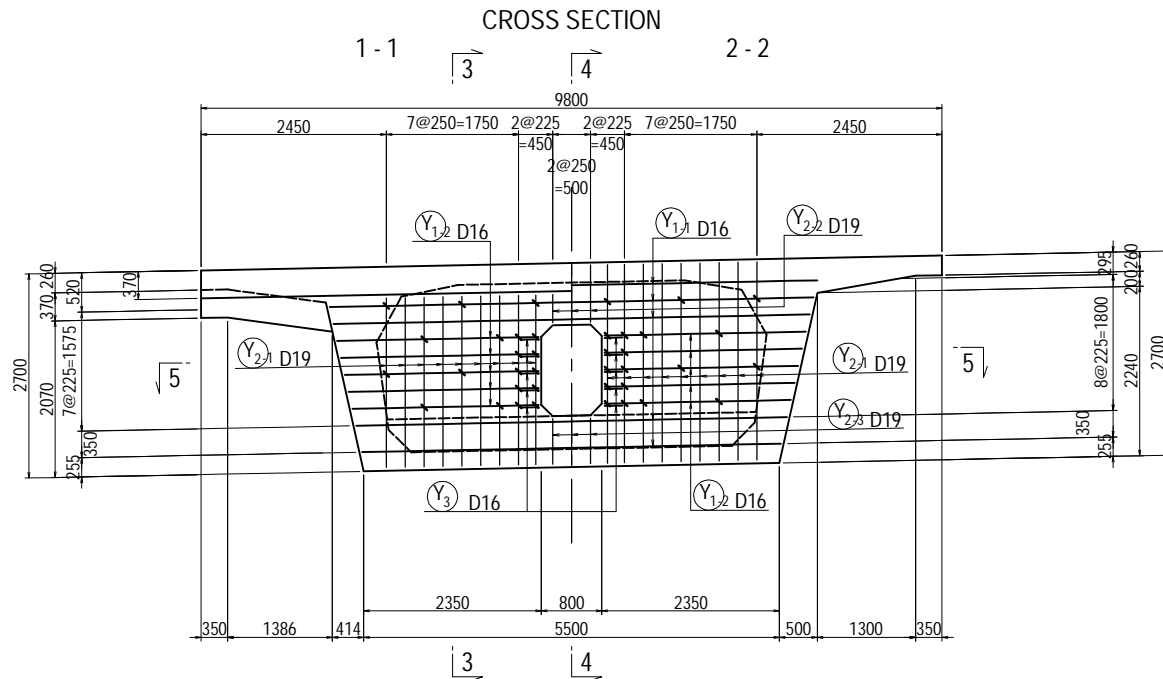
Bar Mark	Bar Size	Length (mm)	No.Of Bar (Nos)	Unit Wt (kg/m)	Rod Wt (kg)	Total Weight (kg)	Shape
B 1	D13	3160	51	0.995	3.14	160	—
B 2	D13	3160	45	0.995	3.14	141	—
C 1	D13	3160	28	0.995	3.14	88	—
C 2	D13	3160	28	0.995	3.14	88	—
S 1	D13	9730	17	0.995	9.68	165	—
S 2	D13	5450	17	0.995	5.42	92	—
S 3-1	D13	2510	17	0.995	2.50	43	—
S 3-2	D13	2530	17	0.995	2.52	43	—
S 4-1	D13	2900	17	0.995	2.89	49	—
S 4-2	D13	2880	17	0.995	2.87	49	—
S 5-1	D13	2000	17	0.995	1.99	34	—
S 5-2	D13	1970	17	0.995	1.96	33	—
S 6-1	D13	570	17	0.995	0.57	10	—
S 6-2	D13	570	17	0.995	0.57	10	—
S' 1	D13	380	21	0.995	0.38	8	—
S' 2	D13	450	6	0.995	0.45	3	(Ave)
S' 3	D13	480	18	0.995	0.48	9	(Ave)
L 1	D16	5520	27	1.56	8.61	232	—
L 2	D16	5910	27	1.56	9.22	249	—
L 3-1	D13	1720	17	0.995	1.71	29	—
L 3-2	D13	1750	17	0.995	1.74	30	—
L' 1	D13	360	27	0.995	0.36	10	—
W 1	D13	3160	64	0.995	3.14	201	—
F 1	D13	3160	23	0.995	3.14	72	—
F 2	D13	3160	23	0.995	3.14	72	—
G 1-1	D22	6260	26	3.04	19.03	495	—
G 1-2	D22	6300	26	3.04	19.15	498	—
G 1	D13	620	18	0.995	0.62	11	(Ave)
				D13	1450 kg		
				D16	481 kg		
				D22	993 kg		
				Total Weight	2924 kg		

LOCATION <L,R>



BAR ARRANGEMENT OF SEGMENT A1-P5 <L,R> (27) [END CROSSBEAM]

S=1:100

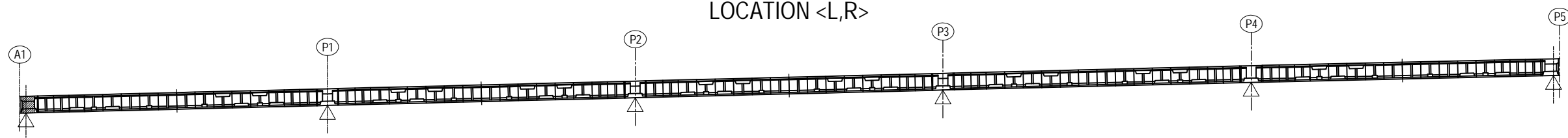


BAR STATISTICS TABLE

(For 1 Block)

Bar Mark	Bar Size	Length (mm)	No. Of Bar (Nos)	Unit Wt (kg/m)	Rod Wt (kg)	Total Weight (kg)	Shape
Y 1-1	D16	6030	18	1.56	9.41	169	— (Ave)
1-2	D16	2570	40	1.56	4.01	160	— (Ave)
2-1	D19	7090	36	2.25	15.95	574	┌┐
2-2	D19	3330	6	2.25	7.49	45	┌┐
2-3	D19	3420	6	2.25	7.70	46	┌┐
3	D16	2260	10	1.56	3.53	35	┌┐
4	D16	2020	38	1.56	3.15	120	┌┐
H 1	D16	2200	20	1.56	3.43	69	—
2	D16	1800	20	1.56	2.81	56	—
3	D16	1150	40	1.56	1.79	72	┌┐
				D16	681 kg		
				D19	665 kg		
				Total Weight	1346 kg		

LOCATION <L,R>



PROJECT NAME
DETAILED DESIGN ON
BAGO RIVER BRIDGE
CONSTRUCTION PROJECT

FINANCED BY
JICA
JAPAN INTERNATIONAL
COOPERATION AGENCY

COUNTERPART
REPUBLIC OF THE UNION OF MYANMAR
MINISTRY OF CONSTRUCTION
DEPARTMENT OF BRIDGE

JICA STUDY TEAM
NIPPON KOEI CO., LTD.
ORIENTAL CONSULTANTS GLOBAL CO., LTD.
METROPOLITAN EXPRESSWAY COMPANY LIMITED
CHODAI CO. LTD.
NIPPON ENGINEERING CONSULTANTS CO., LTD.

	NAME	SIGNATURE	DATE
PREPARED BY	M. OHYAMA	大山 満弘	15 Jun.2017
CHECKED BY	T. HAYAKAWA	平川 知寿	20 Jun.2017
APPROVED BY	Y. SANO	佐野 洋一	21 Jun.2017

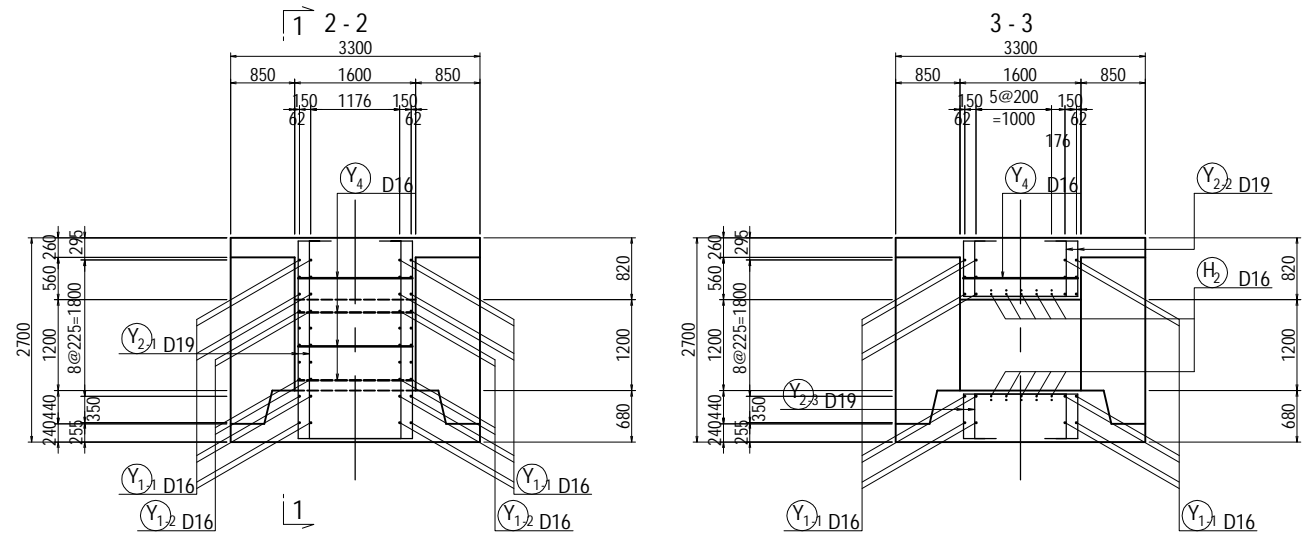
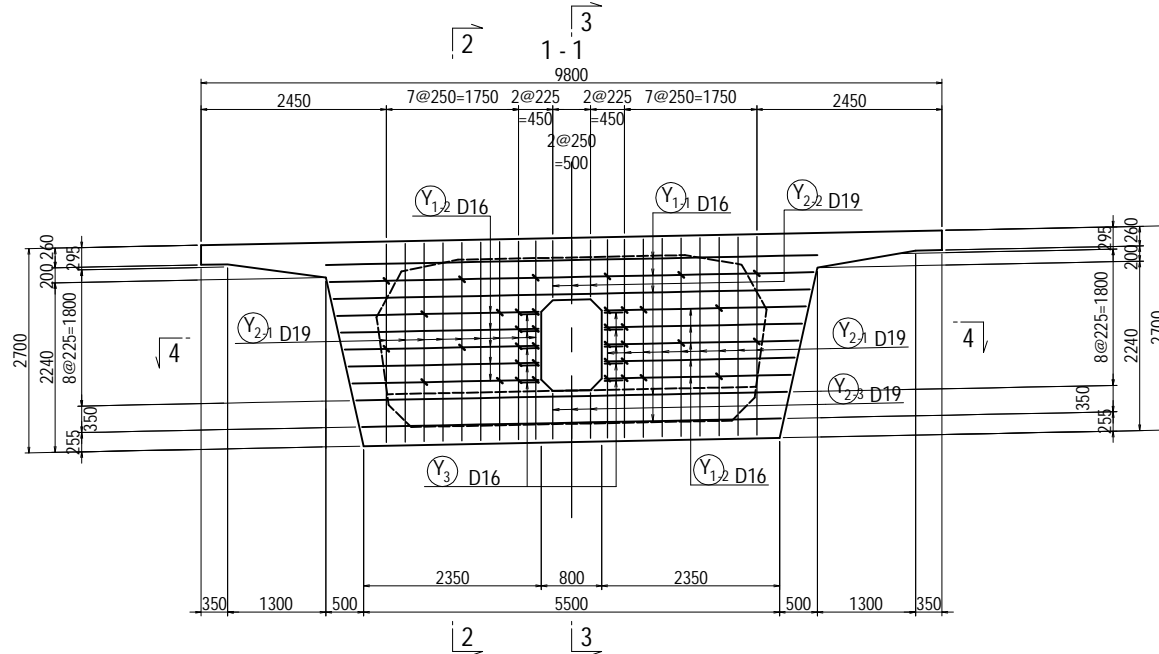
DRAWING TITLE
BAR ARRANGEMENT OF SEGMENT A1-P5 <L,R> (27)
[END CROSSBEAM]

PACKAGE
1
DWG No.
P1-PB-1327

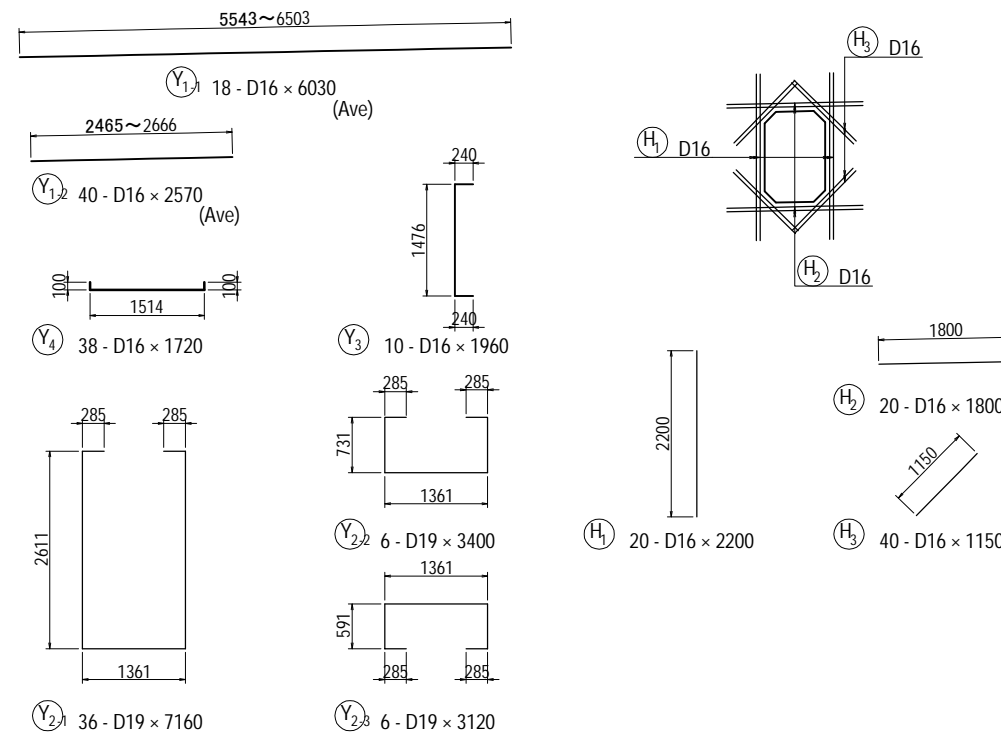
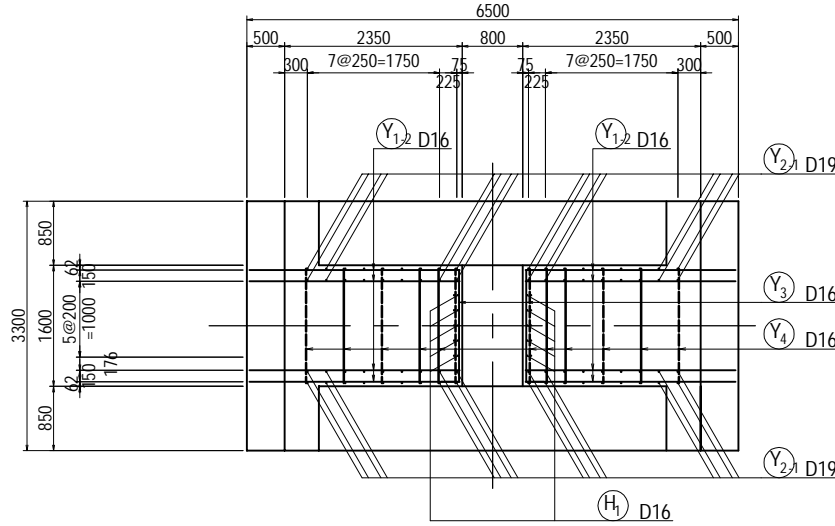
BAR ARRANGEMENT OF SEGMENT A1-P5 <L,R> (29) [INTERMEDIATE CROSSBEAM]

S=1:100

CROSS SECTION



PLAN OF SLAB
4 - 4

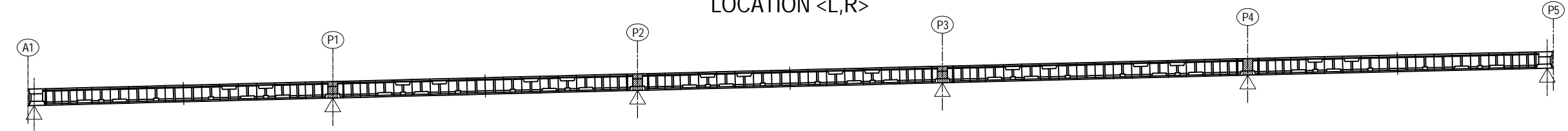


BAR STATISTICS TABLE

(For 1 Block)

Bar Mark	Bar Size	Length (mm)	No. Of Bar (Nos)	Unit Wt (kg/m)	Rod Wt (kg)	Total Weight (kg)	Shape
Y 1-1	D16	6030	18	1.56	9.41	169	— (Ave)
1-2	D16	2570	40	1.56	4.01	160	— (Ave)
2-1	D19	7160	36	2.25	16.11	580	□
2-2	D19	3400	6	2.25	7.65	46	□
2-3	D19	3120	6	2.25	7.02	42	□
3	D16	1960	10	1.56	3.06	31	┌
4	D16	1720	38	1.56	2.68	102	└
H 1	D16	2200	20	1.56	3.43	69	—
2	D16	1800	20	1.56	2.81	56	—
3	D16	1150	40	1.56	1.79	72	┘
				D16	659 kg		
				D19	668 kg		
				Total Weight	1327 kg		

LOCATION <L,R>



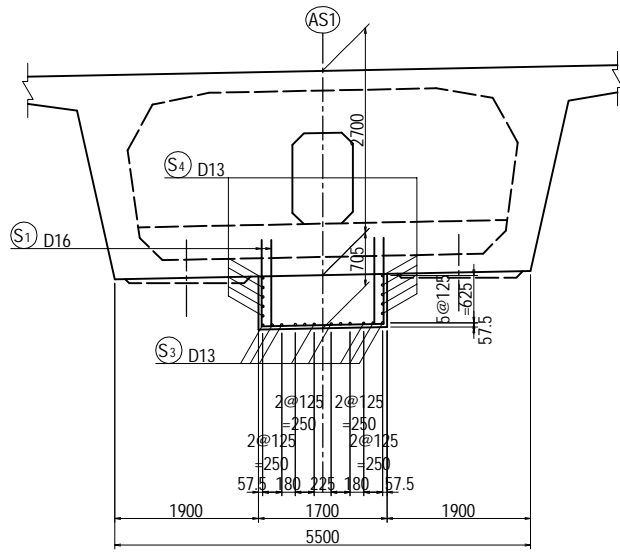
BAR ARRANGEMENT OF SEGMENT A1-P5 <L,R> (30) S=1:100

A1 (P5)

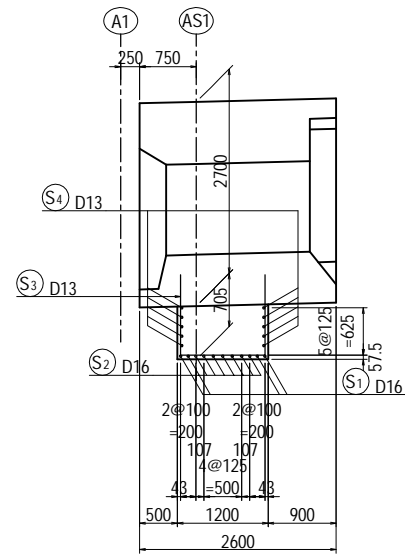
P1 (P2,P3,P4)

CROSS SECTIONS

1 - 1

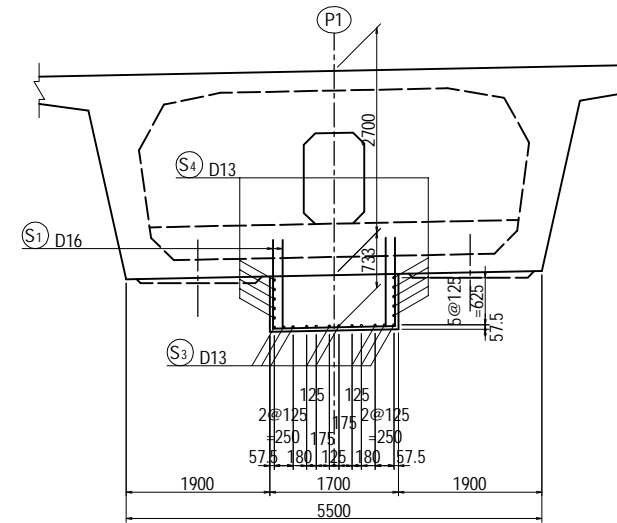


SIDE VIEW

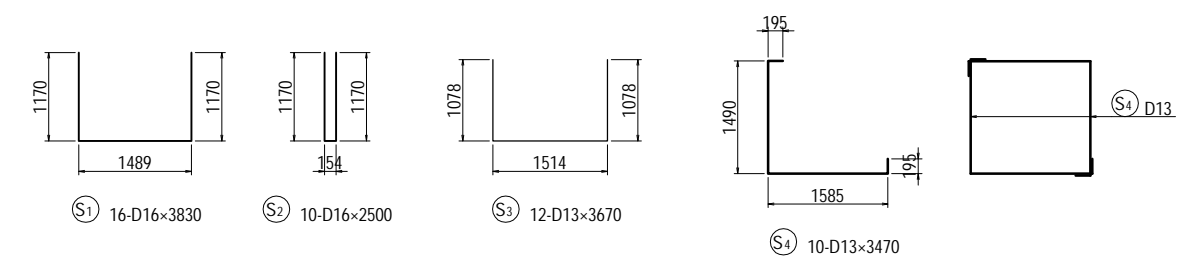
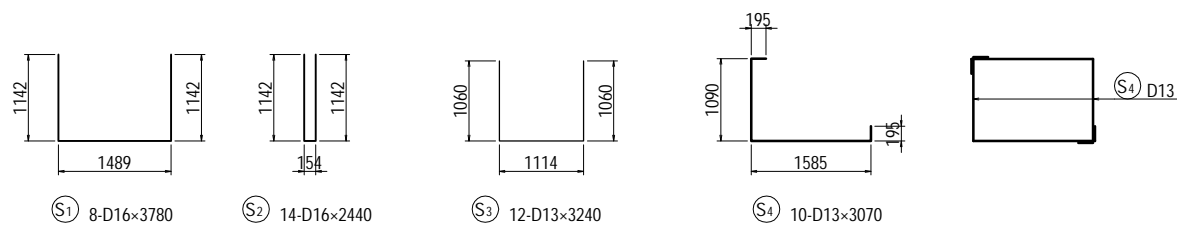
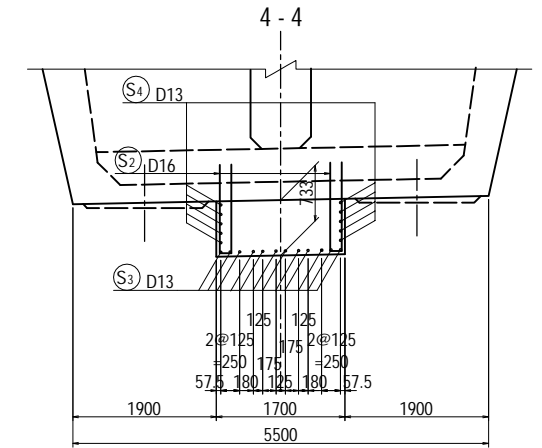
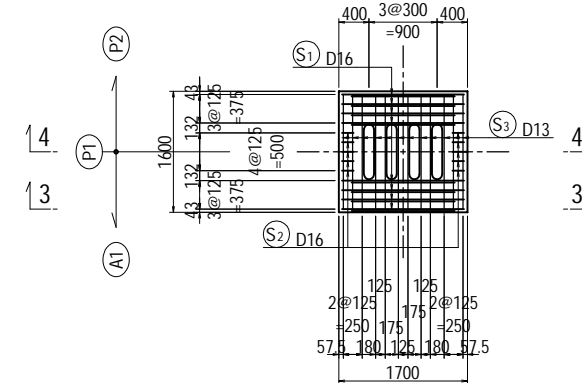
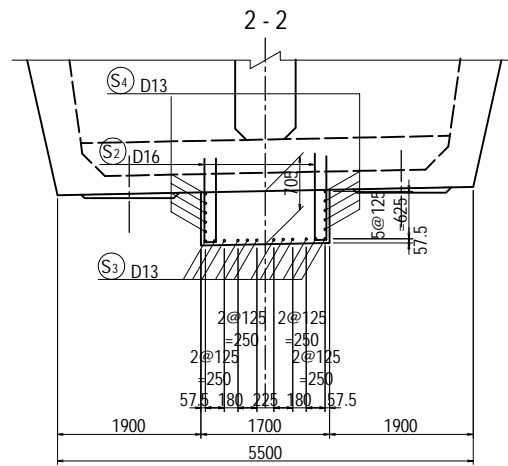
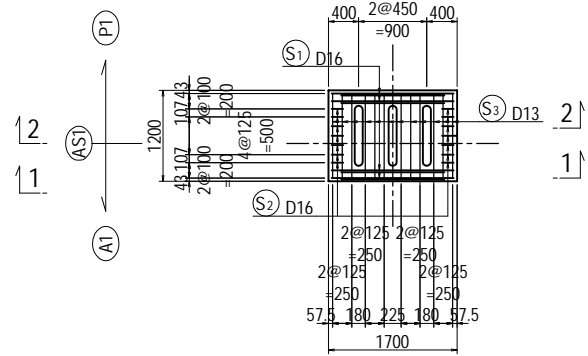
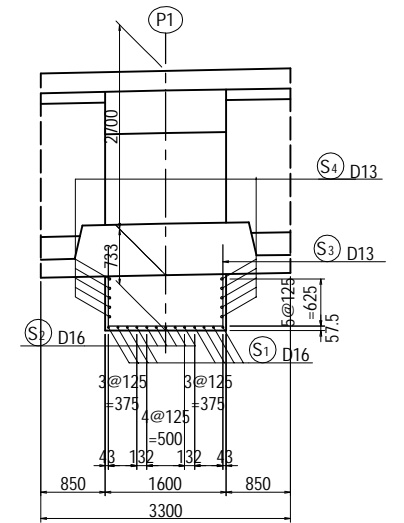


CROSS SECTIONS

3 - 3



SIDE VIEW



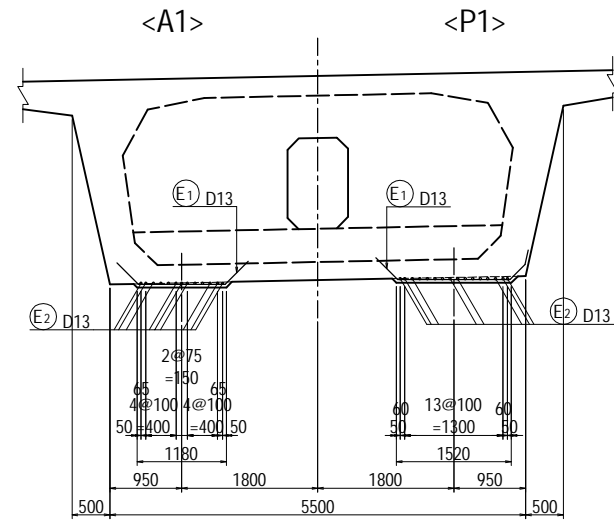
LOCATION <L,R>



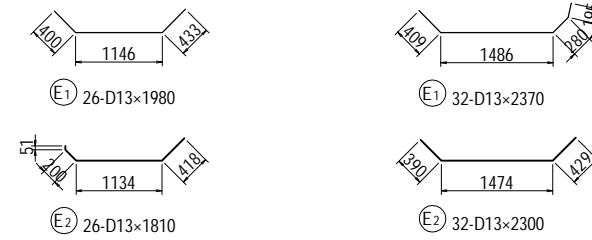
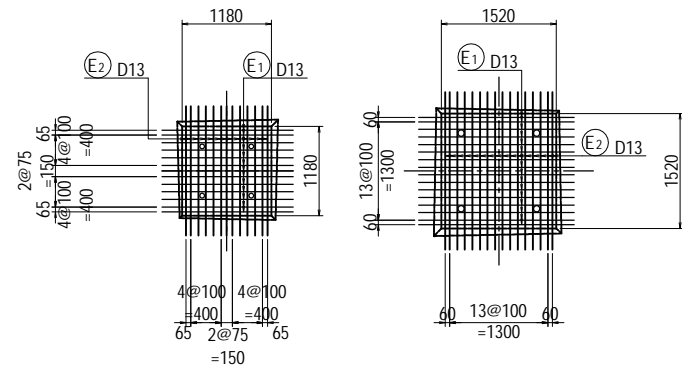
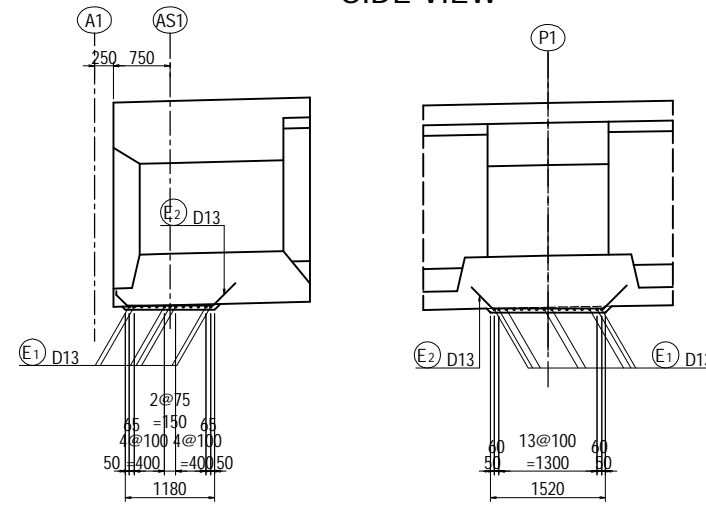
PROJECT NAME DETAILED DESIGN ON BAGO RIVER BRIDGE CONSTRUCTION PROJECT	FINANCED BY JAPAN INTERNATIONAL COOPERATION AGENCY	COUNTERPART REPUBLIC OF THE UNION OF MYANMAR MINISTRY OF CONSTRUCTION DEPARTMENT OF BRIDGE	JICA STUDY TEAM NIPPON KOEI CO., LTD. ORIENTAL CONSULTANTS GLOBAL CO., LTD. METROPOLITAN EXPRESSWAY COMPANY LIMITED CHODAI CO.,LTD. NIPPON ENGINEERING CONSULTANTS CO.,LTD.	NAME	SIGNATURE	DATE	DRAWING TITLE	PACKAGE	
				PREPARED BY	M. OHYAMA				15 Jun.2017
				CHECKED BY	T. HAYAKAWA				20 Jun.2017
				APPROVED BY	Y. SANO				21 Jun.2017
							BAR ARRANGEMENT OF SEGMENT A1-P5 <L,R> (30)	1	
								DWG No.	
								P1-PB-1330	

BAR ARRANGEMENT OF SEGMENT A1-P5 <L,R> (31) S=1:100

CROSS SECTIONS



SIDE VIEW

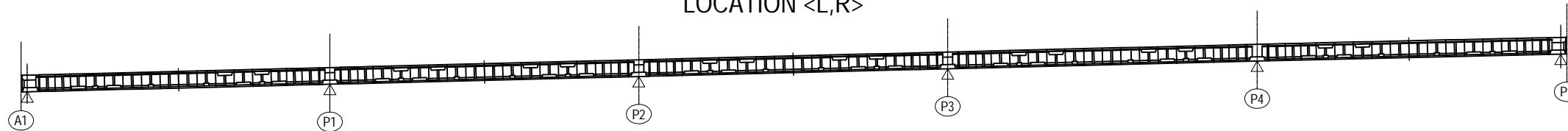


BAR STATISTICS TABLE

(For 1 Block)

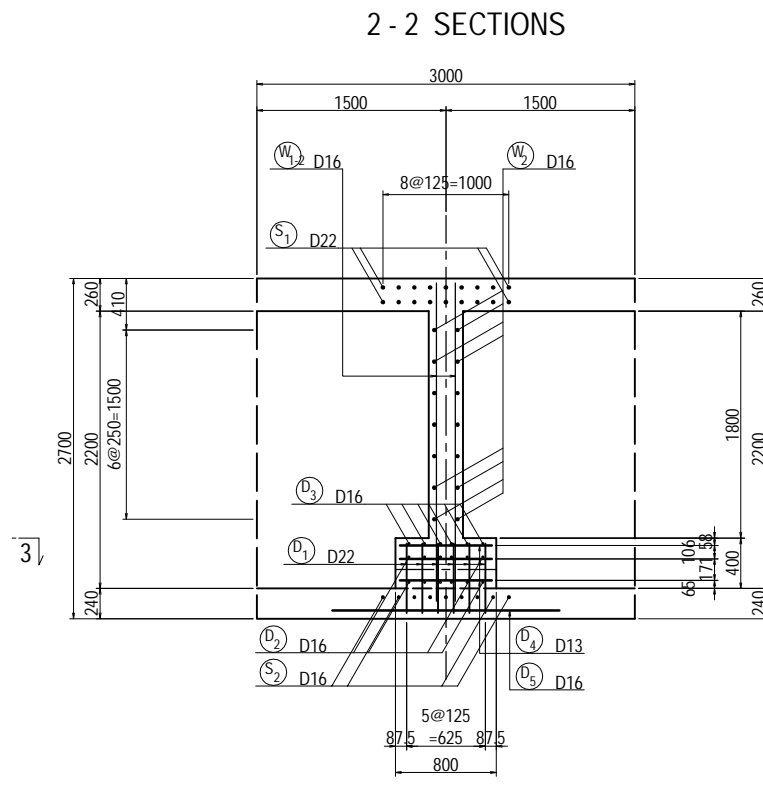
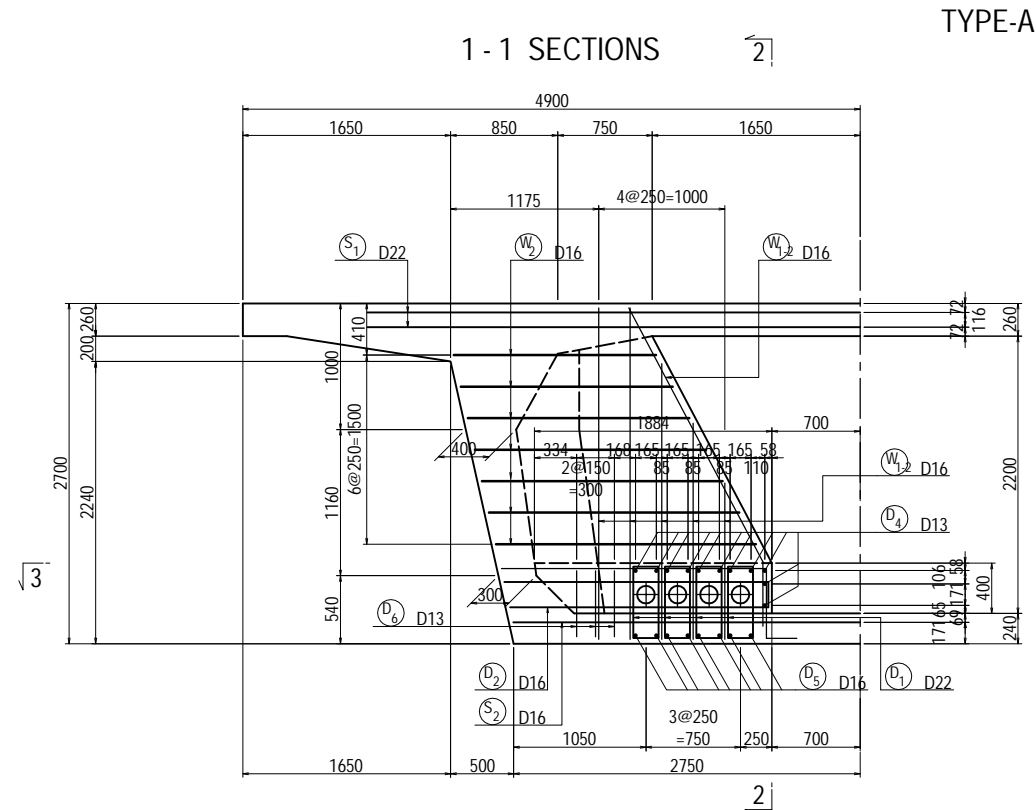
Bar Mark	Bar Size	Length (mm)	No.Of Bar (Nos)	Unit Wt (kg/m)	Rod Wt (kg)	Total Weight (kg)	Shape
A1(P5)							
S 1	D16	3780	8	1.56	5.90	47	┘
2	D16	2440	14	1.56	3.81	53	┘
3	D13	3240	12	0.995	3.22	39	┘
4	D13	3070	10	0.995	3.05	31	┘
E 1							
1	D13	1980	26	0.995	1.97	51	┘
2	D13	1810	26	0.995	1.80	47	┘
				D13	168 kg	×2= 336 kg	/ Bridge
				D16	100 kg	×2= 200 kg	/ Bridge
				Total Weight	268 kg	×2= 536 kg	/ Bridge
P1 (P2,P3,P4)							
S 1	D16	3830	16	1.56	5.97	96	┘
2	D16	2500	10	1.56	3.90	39	┘
3	D13	3670	12	0.995	3.65	44	┘
4	D13	3470	10	0.995	3.45	35	┘
E 1							
1	D13	2370	32	0.995	2.36	76	┘
2	D13	2300	32	0.995	2.29	73	┘
				D13	228 kg	×4= 912 kg	/ Bridge
				D16	135 kg	×4= 540 kg	/ Bridge
				Total Weight	363 kg	×4= 1452 kg	/ Bridge

LOCATION <L,R>



BAR ARRANGEMENT OF SEGMENT A1-P5 <L,R> (32) [DEVIATOR]

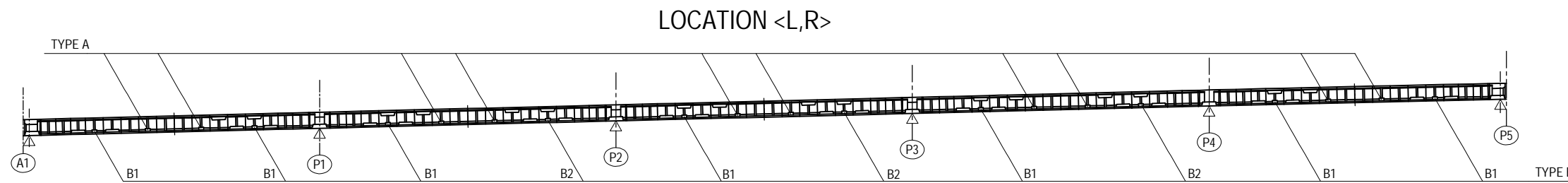
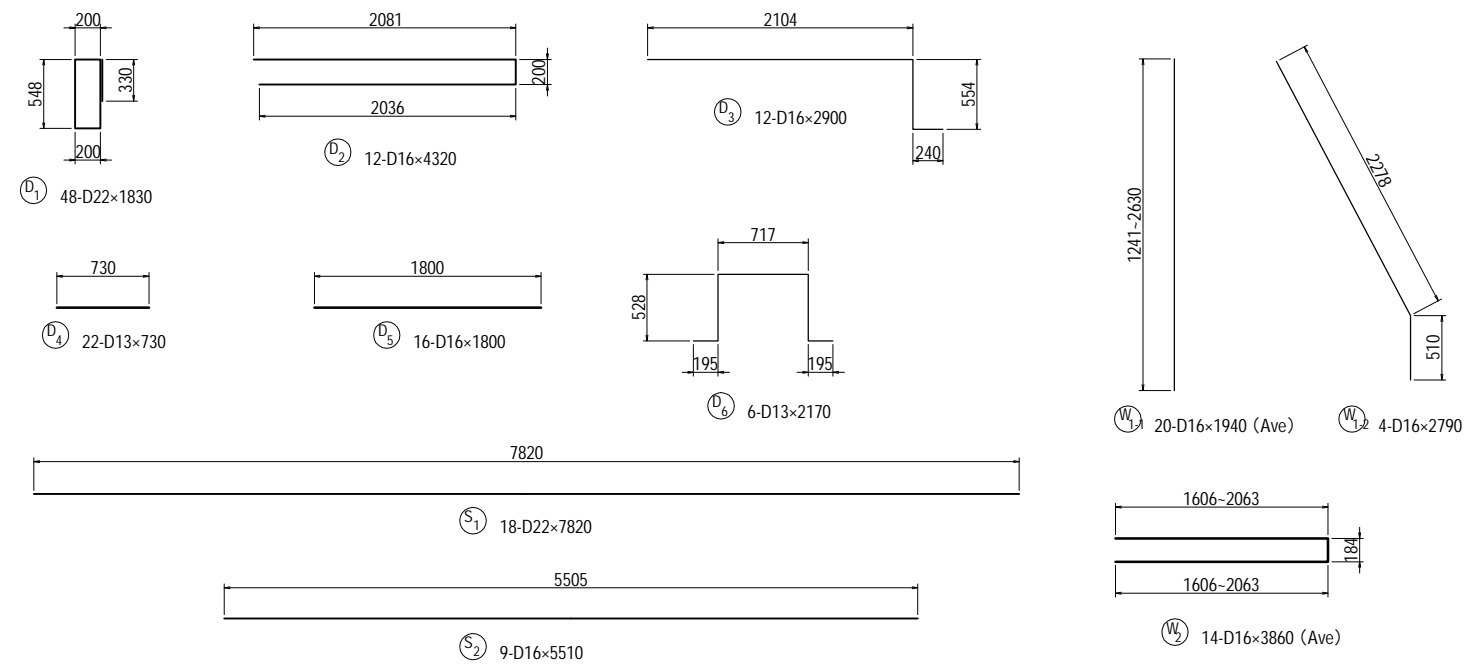
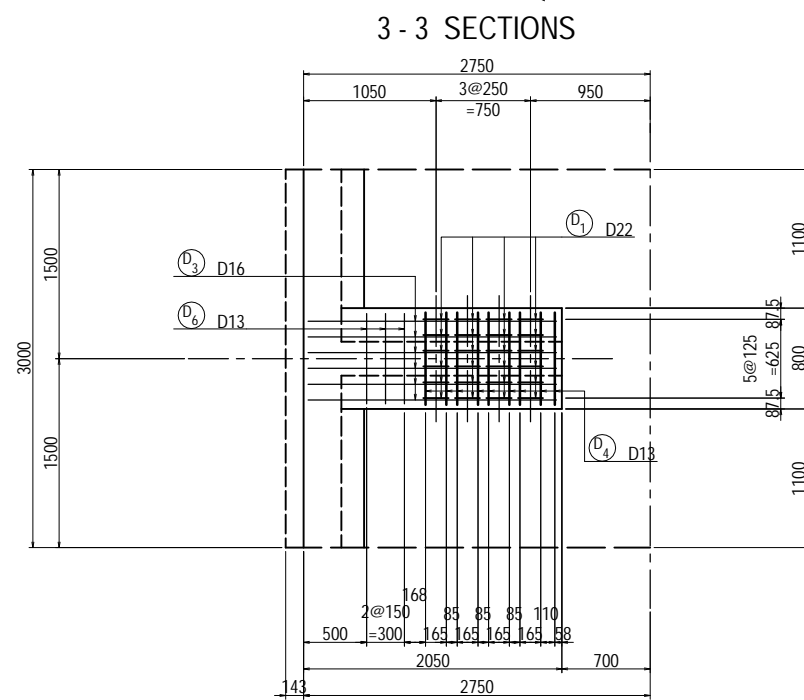
S=1:60



BAR STATISTICS TABLE

(For 1 Block)

Bar Mark	Bar Size	Length (mm)	No. Of Bar (Nos)	Unit Wt (kg/m)	Rod Wt (kg)	Total Weight (kg)	Shape
TYPE-A							
D 1	D22	1830	48	3.04	5.56	267	□
2	D16	4320	12	1.56	6.74	81	—
3	D16	2900	12	1.56	4.52	54	—
4	D13	730	22	0.995	0.73	16	—
5	D16	1800	16	1.56	2.81	45	—
6	D13	2170	6	0.995	2.16	13	—
W 1-1							
W 1-1	D16	1940	20	1.56	3.03	61	(Ave)
1-2	D16	2790	4	1.56	4.35	17	—
2	D16	3860	14	1.56	6.02	84	— (Ave)
S							
S 1	D22	7820	18	3.04	23.77	428	—
2	D16	5510	9	1.56	8.60	77	—
		D13		29 kg × 10 =	290 kg		
		D16		419 kg × 10 =	4190 kg		
		D22		695 kg × 10 =	6950 kg		
Total Weight				1143 kg × 10 =	11430 kg		/ 1 Bridge



PROJECT NAME
DETAILED DESIGN ON
BAGO RIVER BRIDGE
CONSTRUCTION PROJECT

FINANCED BY
JICA
JAPAN INTERNATIONAL
COOPERATION AGENCY

COUNTERPART
REPUBLIC OF THE UNION OF MYANMAR
MINISTRY OF CONSTRUCTION
DEPARTMENT OF BRIDGE

JICA STUDY TEAM
NIPPON KOEI CO., LTD.
ORIENTAL CONSULTANTS GLOBAL CO., LTD.
METROPOLITAN EXPRESSWAY COMPANY LIMITED
CHODAI CO. LTD.
NIPPON ENGINEERING CONSULTANTS CO., LTD.

	NAME	SIGNATURE	DATE
PREPARED BY	M. OHYAMA	大山 満弘	15 Jun.2017
CHECKED BY	T. HAYAKAWA	平川 知寿	20 Jun.2017
APPROVED BY	Y. SANO	佐野 祐一	21 Jun.2017

DRAWING TITLE
BAR ARRANGEMENT OF SEGMENT A1-P5 <L,R> (32)
[DEVIATOR]

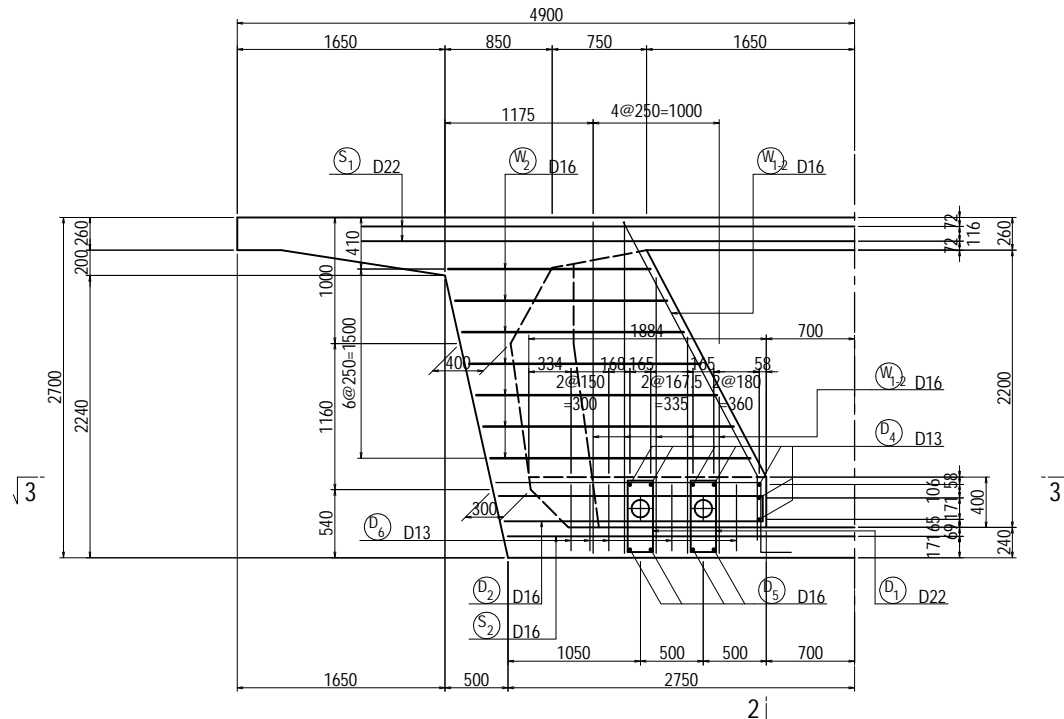
PACKAGE
1
DWG No.
P1-PB-1332

BAR ARRANGEMENT OF SEGMENT A1-P5 <L,R> (33) [DEVIATOR]

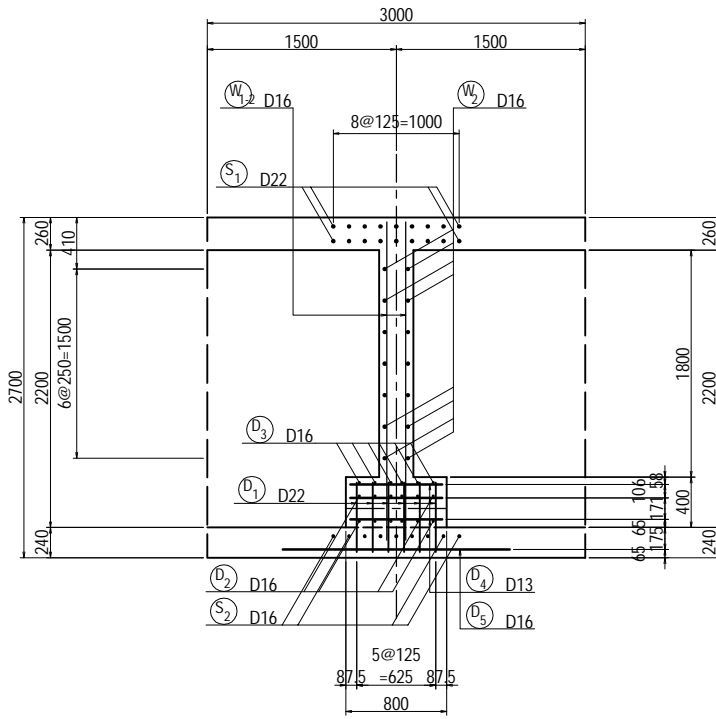
S=1:60

TYPE-B1

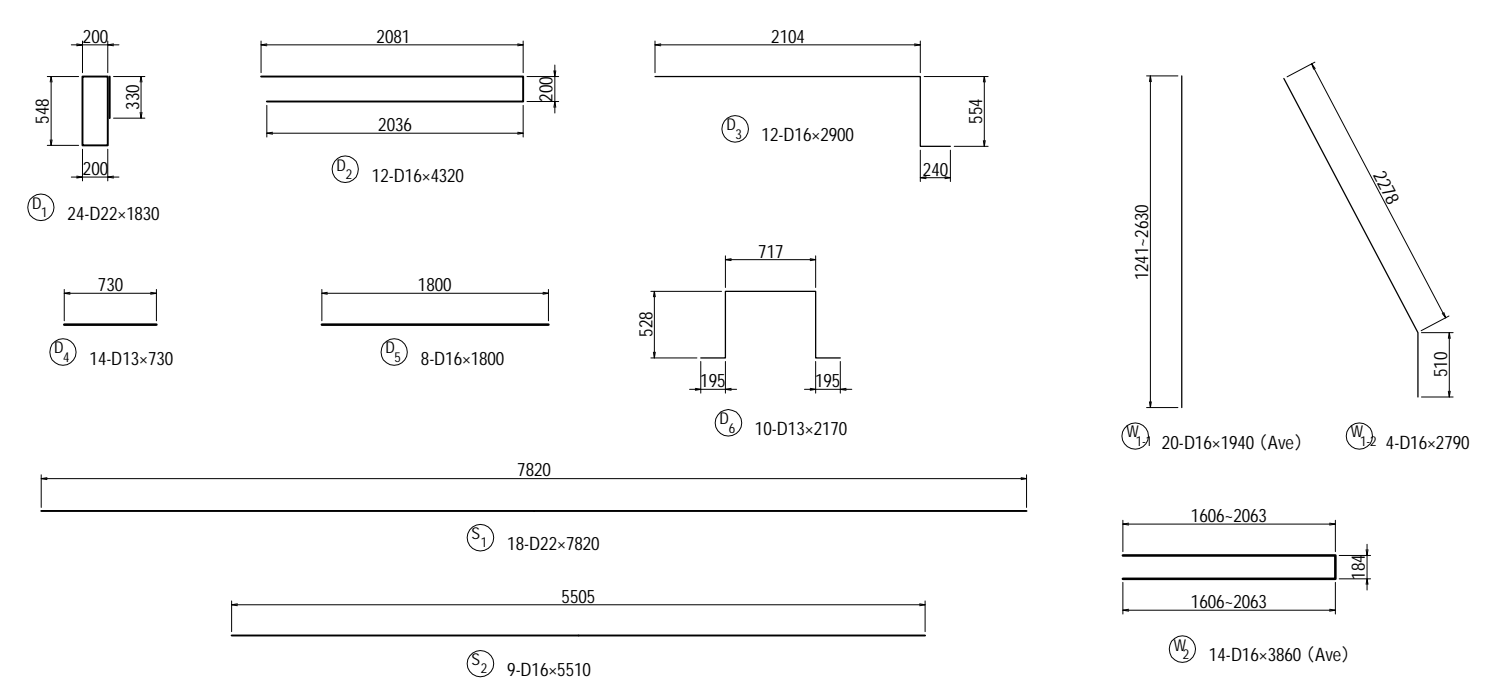
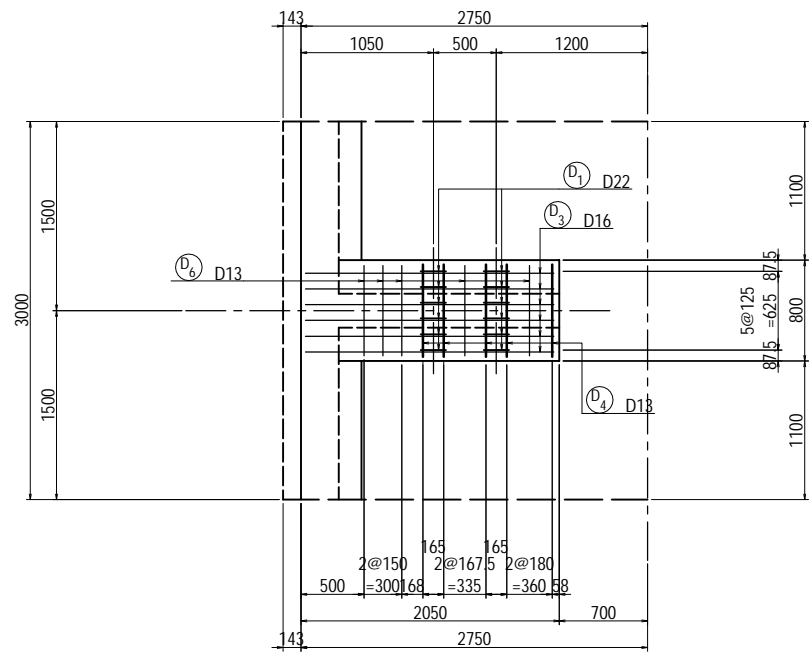
1 - 1 SECTIONS



2 - 2 SECTIONS



3 - 3 SECTIONS

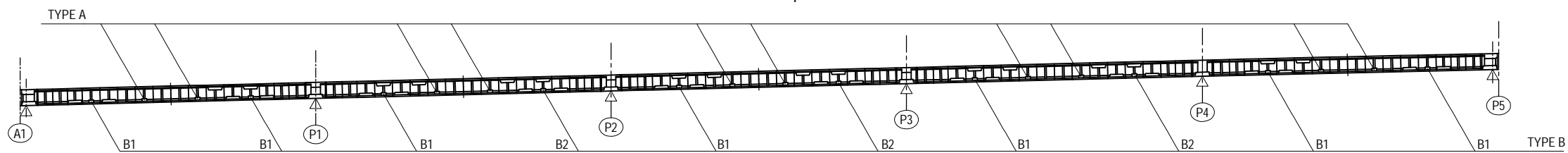


BAR STATISTICS TABLE

(For 1 Deviator)

Bar Mark	Bar Size	Length (mm)	No. Of Bar (Nos)	Unit Wt (kg/m)	Rod Wt (kg)	Total Weight (kg)	Shape
TYPE-B1							
D 1	D22	1830	24	3.04	5.56	133	□
2	D16	4320	12	1.56	6.74	81	—
3	D16	2900	12	1.56	4.52	54	—
4	D13	730	14	0.995	0.73	10	—
5	D16	1800	8	1.56	2.81	22	—
6	D13	2170	10	0.995	2.16	22	—
Average (Ave)							
W 1-1	D16	1940	20	1.56	3.03	61	(Ave)
1-2	D16	2790	4	1.56	4.35	17	— (Ave)
2	D16	3860	14	1.56	6.02	84	— (Ave)
Summary							
S 1	D22	7820	18	3.04	23.77	428	—
2	D16	5510	9	1.56	8.60	77	—
				D13	32 kg × 7 =	224 kg	
				D16	396 kg × 7 =	2772 kg	
				D22	561 kg × 7 =	3927 kg	
Total Weight				989 kg × 7 =	6923 kg	/ 1 Bidge	

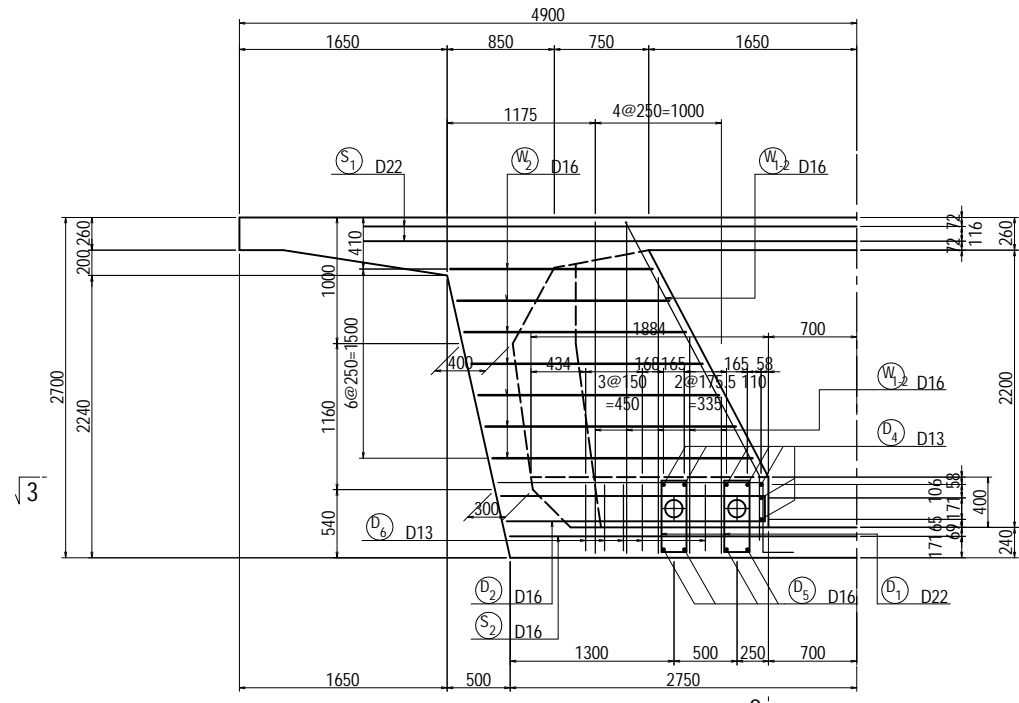
LOCATION <L,R>



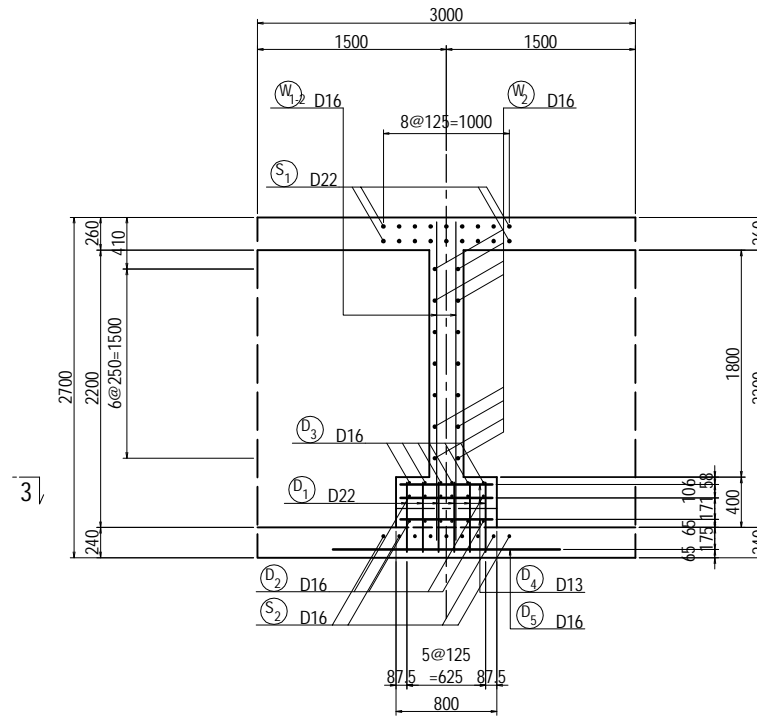
BAR ARRANGEMENT OF SEGMENT A1-P5 <L,R> (34) [DEVIATOR] S=1:60

Type-B2

1 - 1 SECTIONS



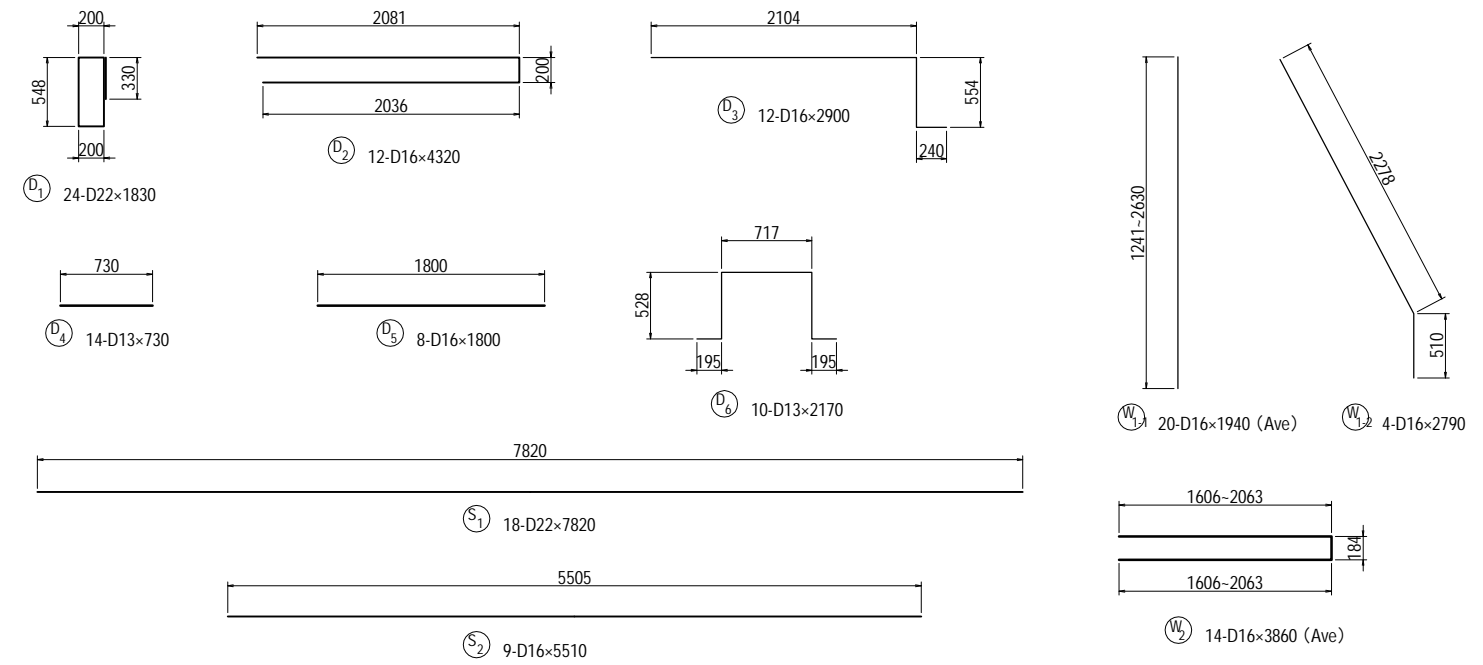
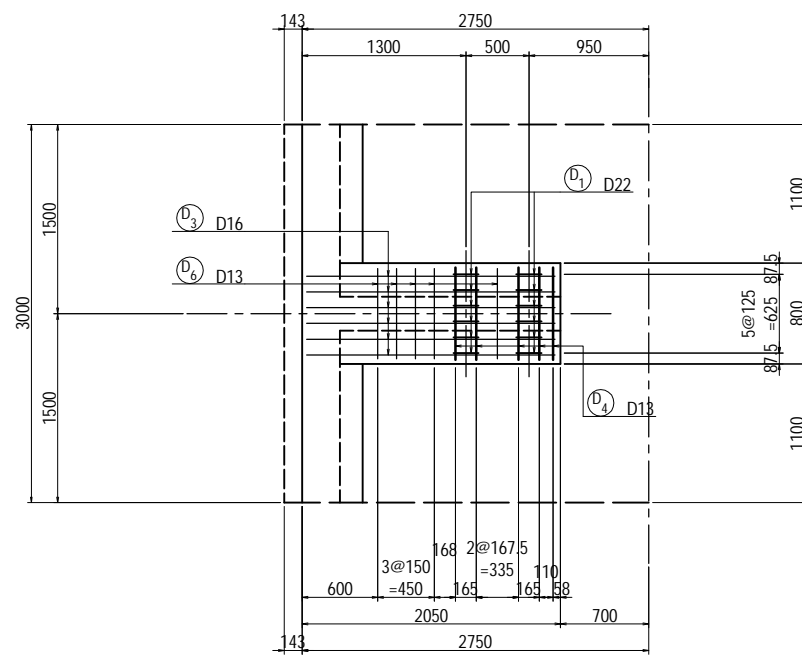
2 - 2 SECTIONS



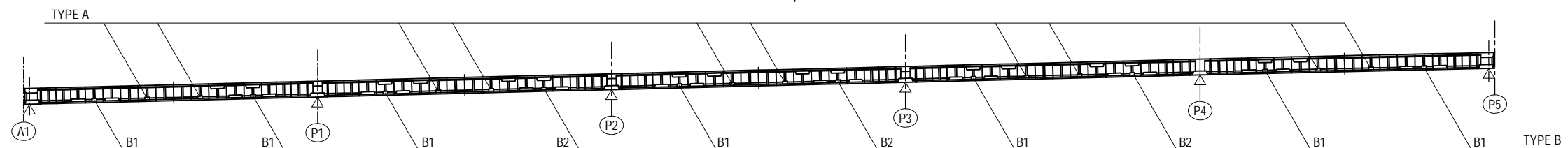
BAR STATISTICS TABLE (For 1 Deviator)

Bar Mark	Bar Size	Length (mm)	No. Of Bar (Nos)	Unit Wt (kg/m)	Rod Wt (kg)	Total Weight (kg)	Shape
TYPE-B2							
D 1	D22	1830	24	3.04	5.56	133	□
2	D16	4320	12	1.56	6.74	81	□
3	D16	2900	12	1.56	4.52	54	□
4	D13	730	14	0.995	0.73	10	□
5	D16	1800	8	1.56	2.81	22	□
6	D13	2170	10	0.995	2.16	22	□
W 1-1	D16	1940	20	1.56	3.03	61	(Ave)
1-2	D16	2790	4	1.56	4.35	17	□
2	D16	3860	14	1.56	6.02	84	□ (Ave)
S 1	D22	7820	18	3.04	23.77	428	—
2	D16	5510	9	1.56	8.60	77	—
				D13	32 kg ×3=	96 kg	
				D16	396 kg ×3=	1188 kg	
				D22	561 kg ×3=	1683 kg	
Total Weight				989 kg ×3=	2967 kg	/ 1 Bridge	

3 - 3 SECTIONS

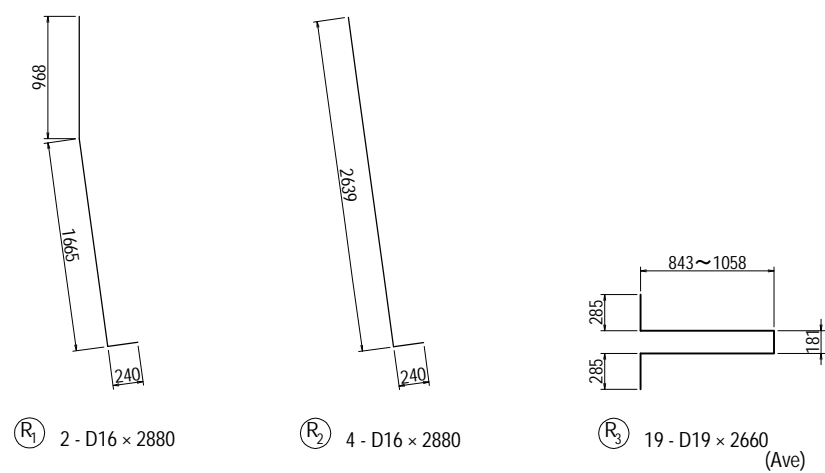
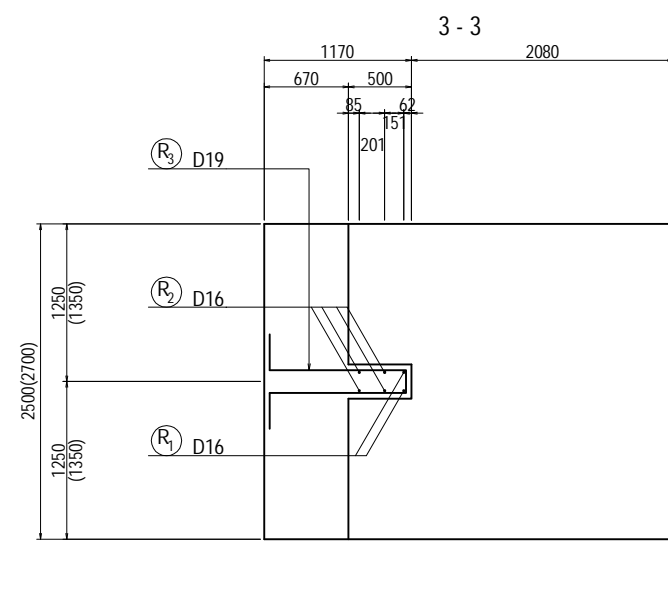
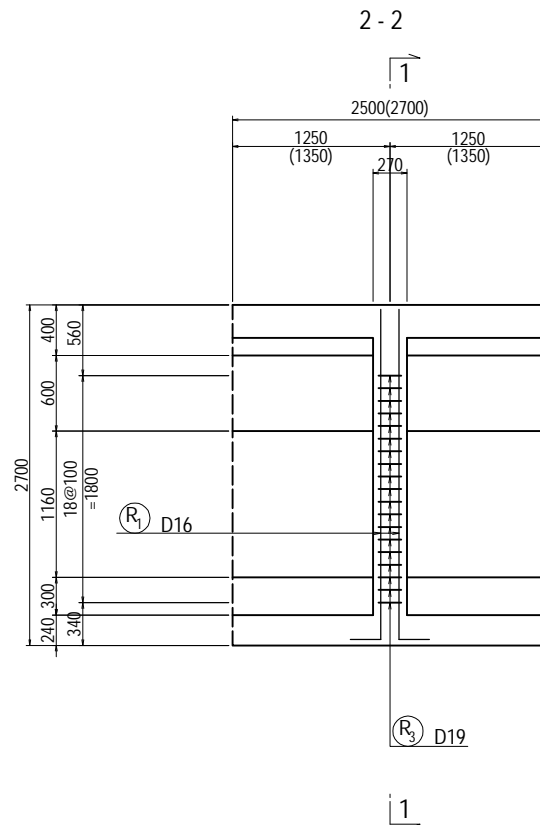
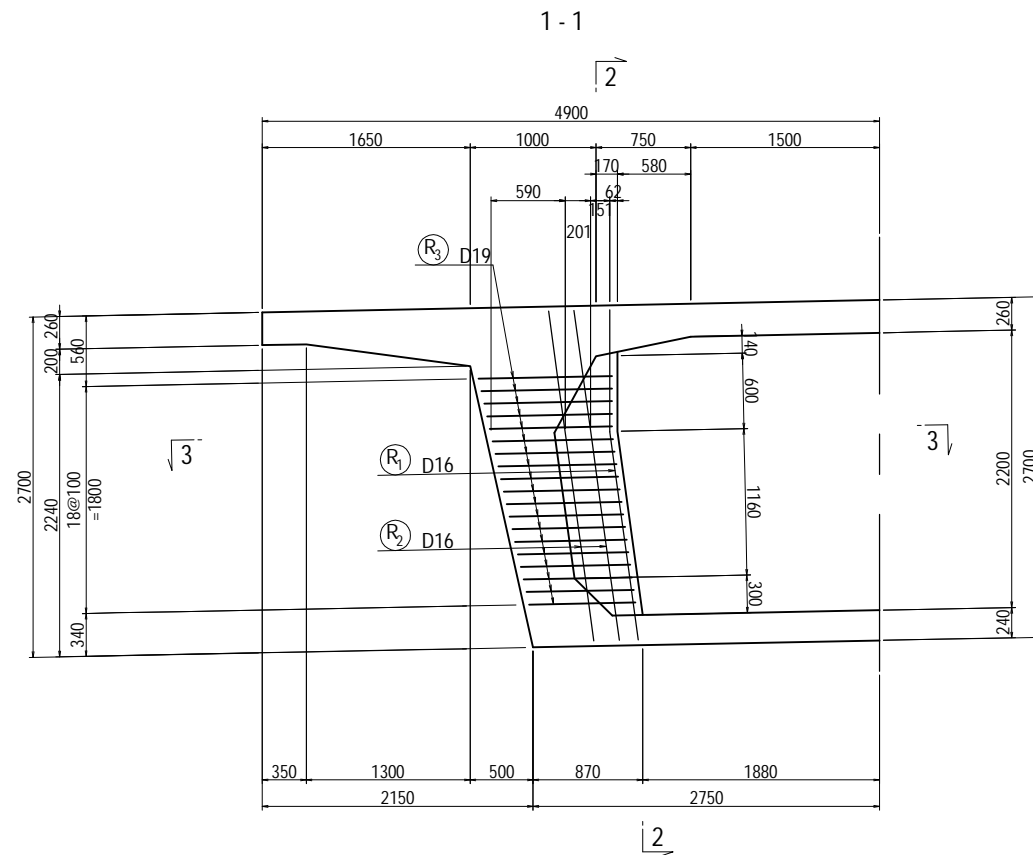


LOCATION <L,R>



BAR ARRANGEMENT OF SEGMENT A1-P5 <L,R> (35) [RIB]

S=1:60

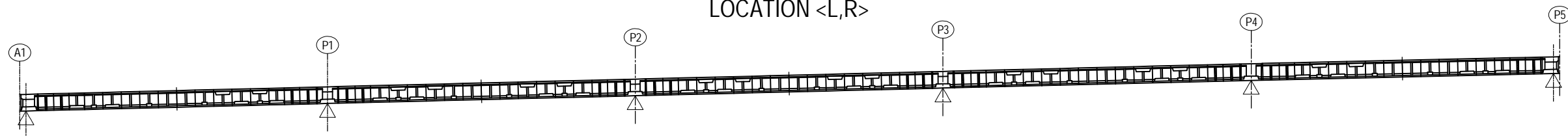


BAR STATISTICS TABLE

(For 1 Rib)

Bar Mark	Bar Size	Length (mm)	No.Of Bar (Nos)	Unit Wt (kg/m)	Rod Wt (kg)	Total Weight (kg)	Shape
R 1	D16	2880	2	1.56	4.49	9	└
R 2	D16	2880	4	1.56	4.49	18	└
R 3	D19	2660	19	2.25	5.99	114	└ (Ave)
				D16	27 kg		
				D19	114 kg		
				Total Weight	141 kg		

LOCATION <L,R>



PROJECT NAME
DETAILED DESIGN ON
BAGO RIVER BRIDGE
CONSTRUCTION PROJECT

FINANCED BY
JICA
JAPAN INTERNATIONAL
COOPERATION AGENCY

COUNTERPART
REPUBLIC OF THE UNION OF MYANMAR
MINISTRY OF CONSTRUCTION
DEPARTMENT OF BRIDGE

JICA STUDY TEAM
NIPPON KOEI CO., LTD.
ORIENTAL CONSULTANTS GLOBAL CO., LTD.
METROPOLITAN EXPRESSWAY COMPANY LIMITED
CHODAI CO., LTD.
NIPPON ENGINEERING CONSULTANTS CO., LTD.

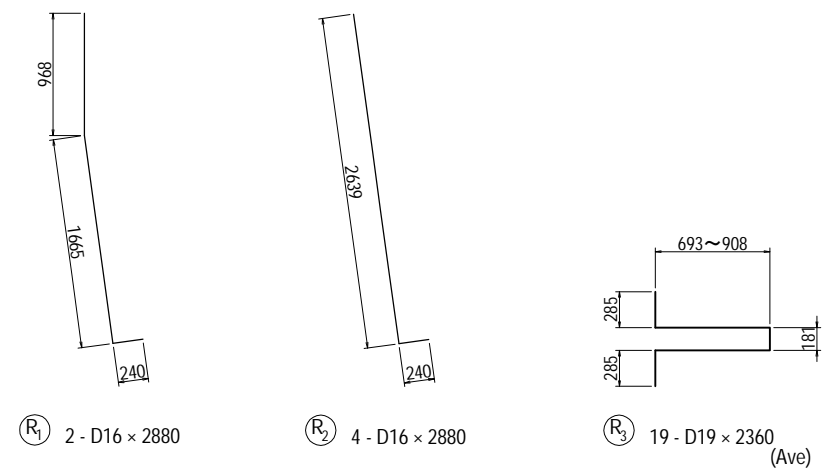
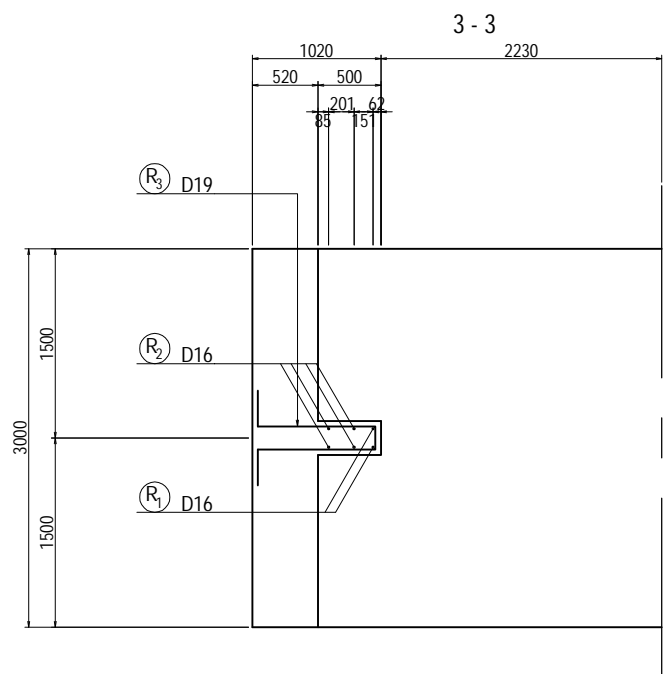
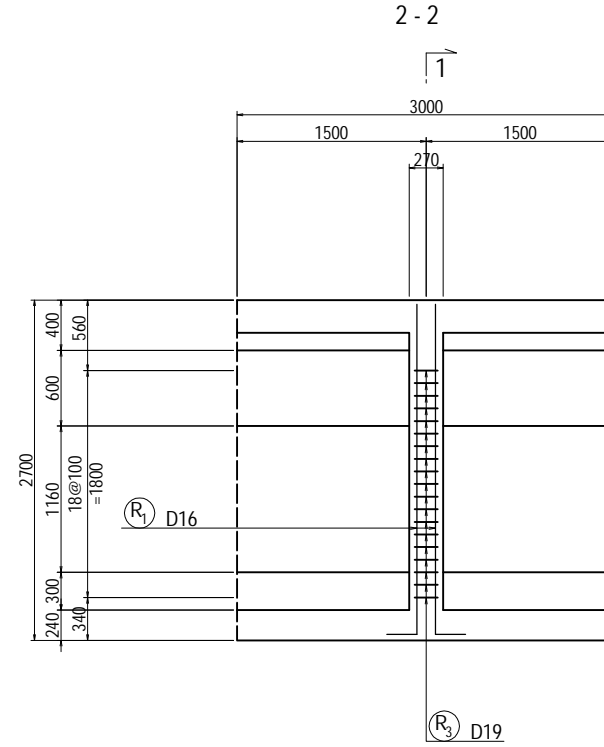
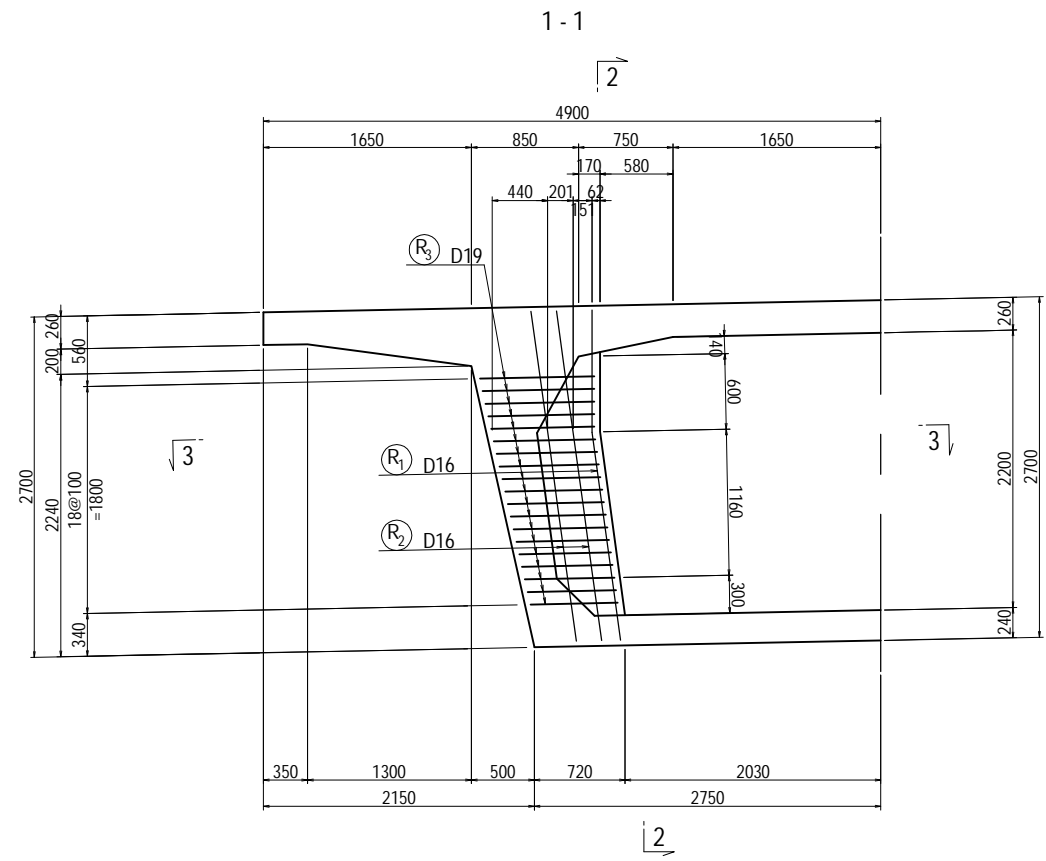
	NAME	SIGNATURE	DATE
PREPARED BY	M. OHYAMA	大山 満弘	15 Jun.2017
CHECKED BY	T. HAYAKAWA	平川 知邦	20 Jun.2017
APPROVED BY	Y. SANO	佐野 一	21 Jun.2017

DRAWING TITLE
BAR ARRANGEMENT OF SEGMENT A1-P5 <L,R> (35)
[RIB]

PACKAGE
1
DWG No.
P1-PB-1335

BAR ARRANGEMENT OF SEGMENT A1-P5 <L,R> (36) [RIB]

S=1:60

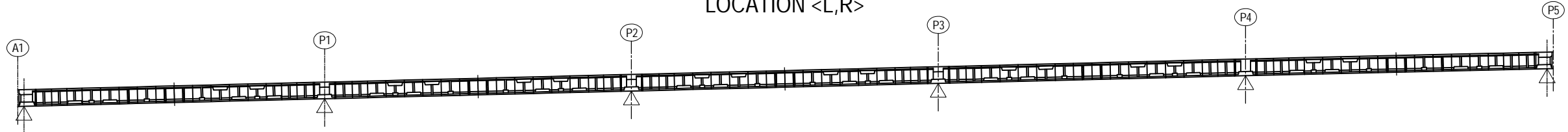


BAR STATISTICS TABLE

(For 1 Rib)

Bar Mark	Bar Size	Length (mm)	No.Of Bar (Nos)	Unit Wt (kg/m)	Rod Wt (kg)	Total Weight (kg)	Shape
R 1	D16	2880	2	1.56	4.49	9	⌋
2	D16	2880	4	1.56	4.49	18	⌋
3	D19	2360	19	2.25	5.31	101	≡ (Ave)
				D16	27 kg		
				D19	101 kg		
Total Weight					128 kg		

LOCATION <L,R>

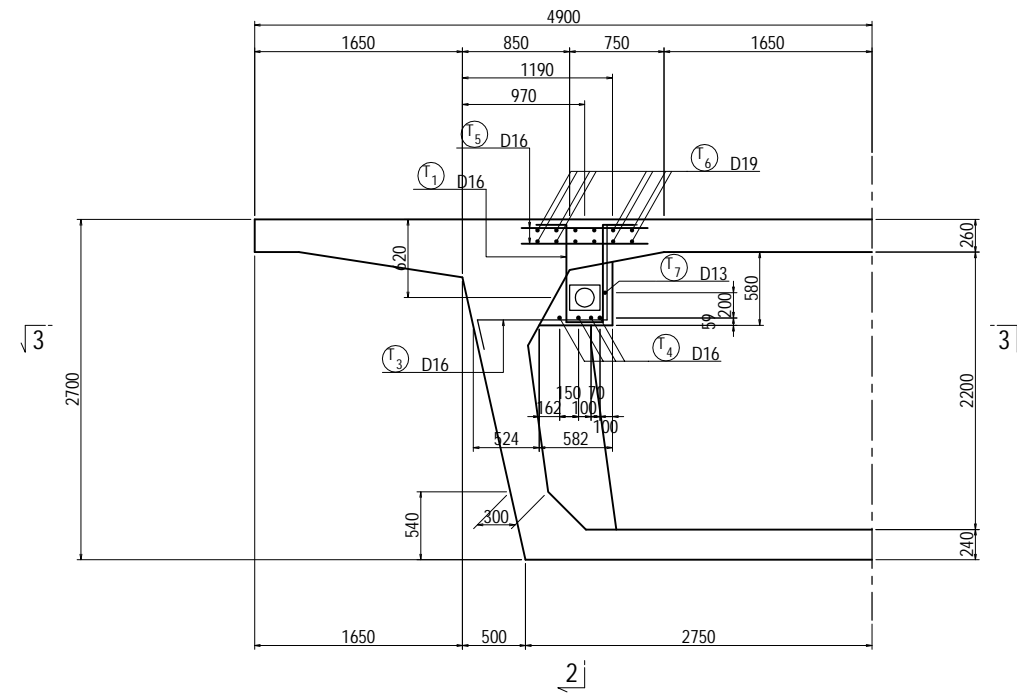


BAR ARRANGEMENT OF SEGMENT A1-P5 <L,R> (37) [BLISTER ANCHORAGE]

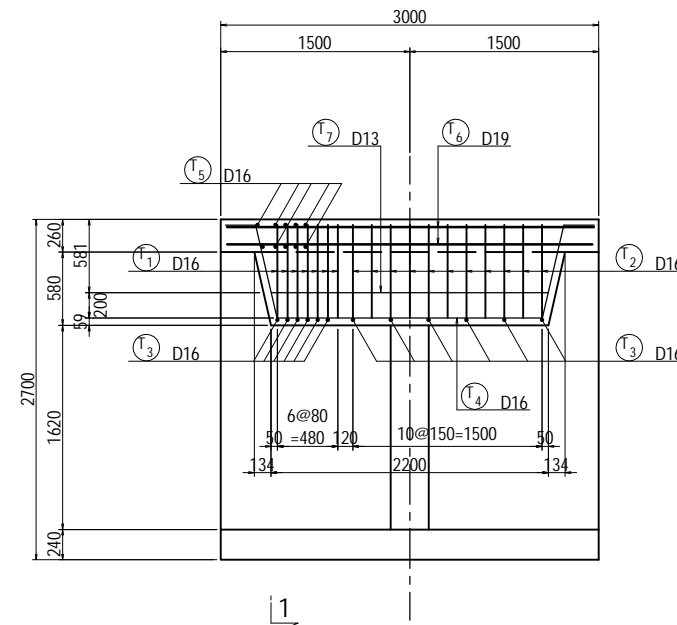
S=1:60

TYPE-A

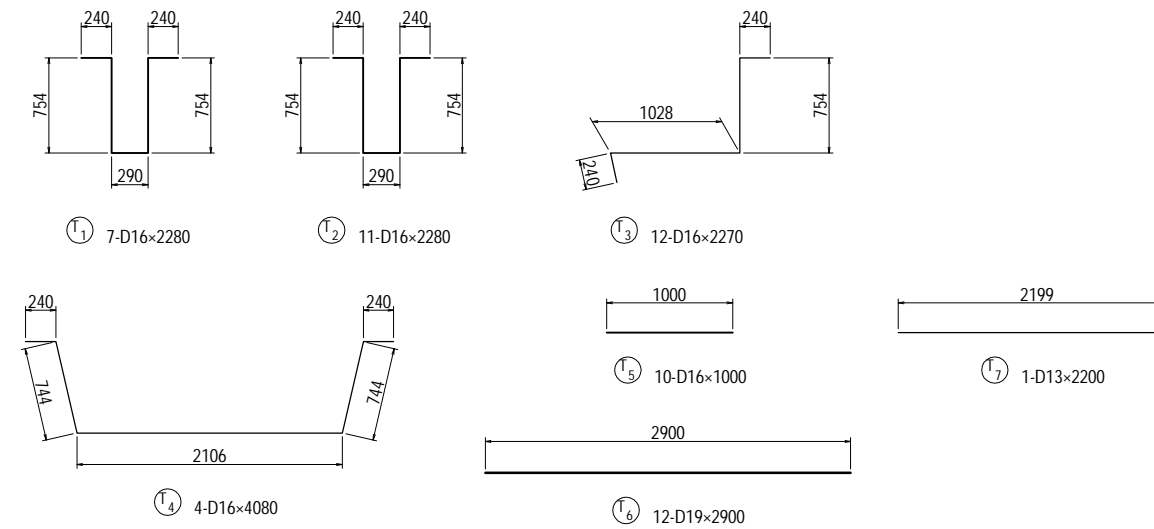
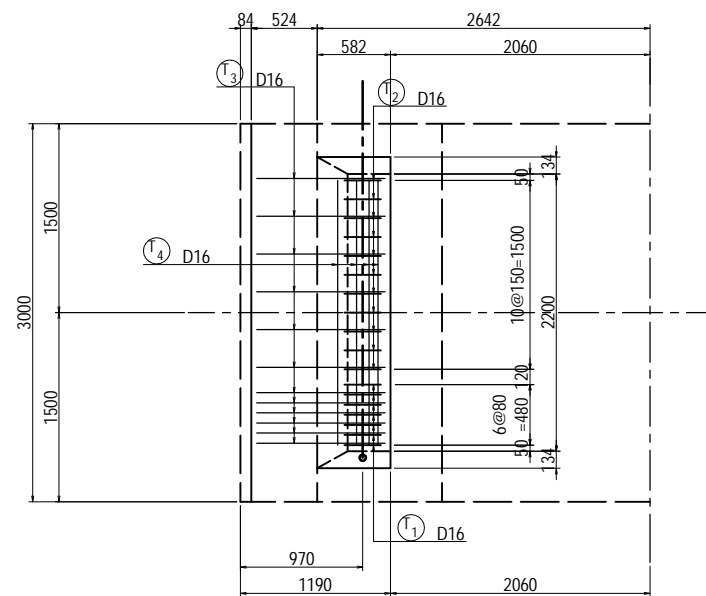
1-1 SECTIONS



2-2 SECTIONS



3-3 SECTIONS

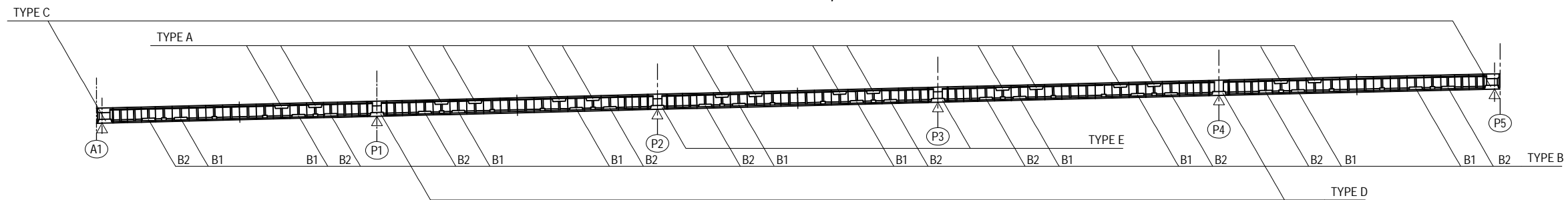


BAR STATISTICS TABLE

(For 1 Anchor)

Bar Mark	Bar Size	Length (mm)	No. Of Bar (Nos)	Unit Wt (kg/m)	Rod Wt (kg)	Total Weight (kg)	Shape
Type-A							
T 1	D16	2280	7	1.56	3.56	25	1
2	D16	2280	11	1.56	3.56	39	2
3	D16	2270	12	1.56	3.55	43	3
4	D16	4080	4	1.56	6.37	26	4
5	D16	1000	10	1.56	1.56	16	5
6	D19	2900	12	2.25	6.53	78	6
7	D13	2200	1	0.995	2.19	2	7
				D13	2 kg ×32=	64 kg	
				D16	149 kg ×32=	4768 kg	
				D19	78 kg ×32=	2496 kg	
				Total Weight	229 kg ×32=	7328 kg	

LOCATION <L,R>

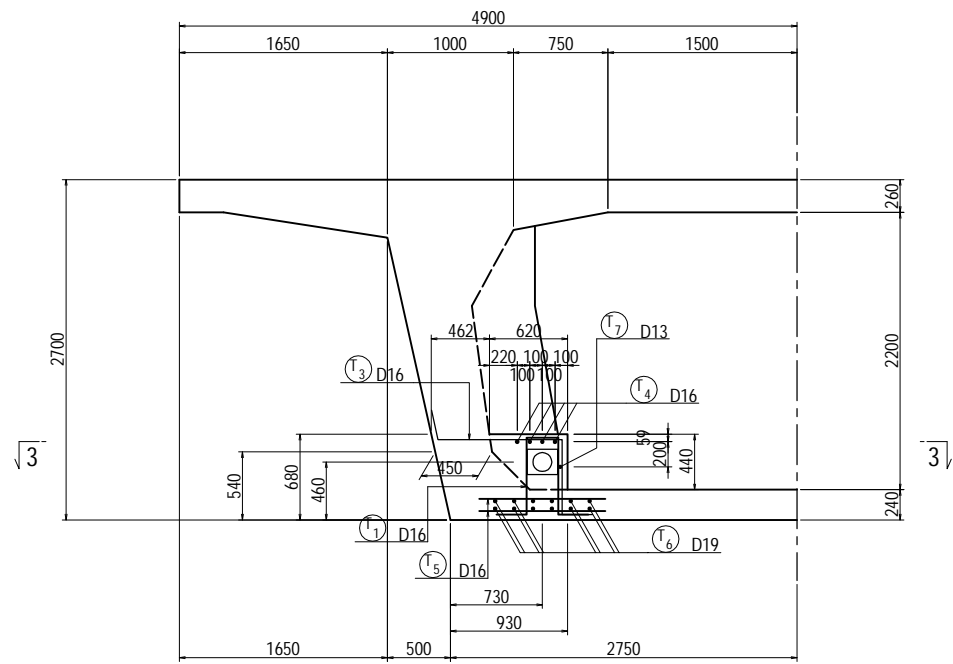


BAR ARRANGEMENT OF SEGMENT A1-P5 <L,R> (39) [BLISTER ANCHORAGE]

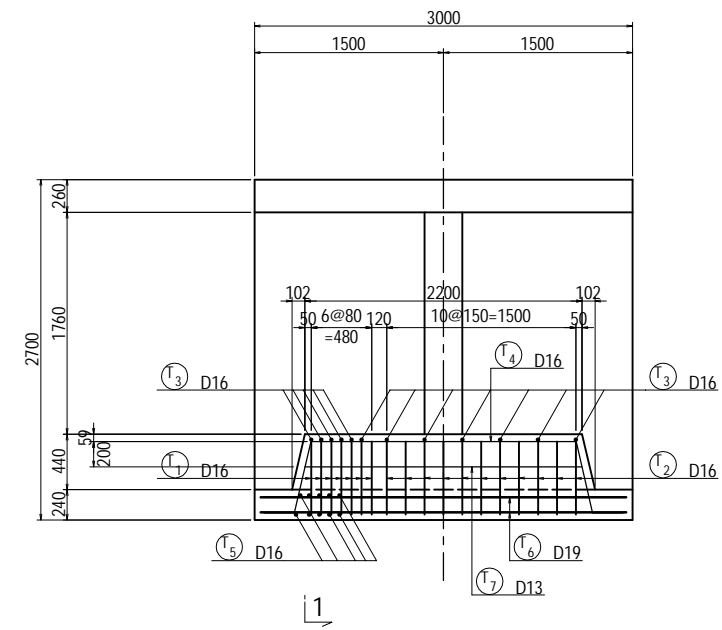
S=1:60

TYPE-B2

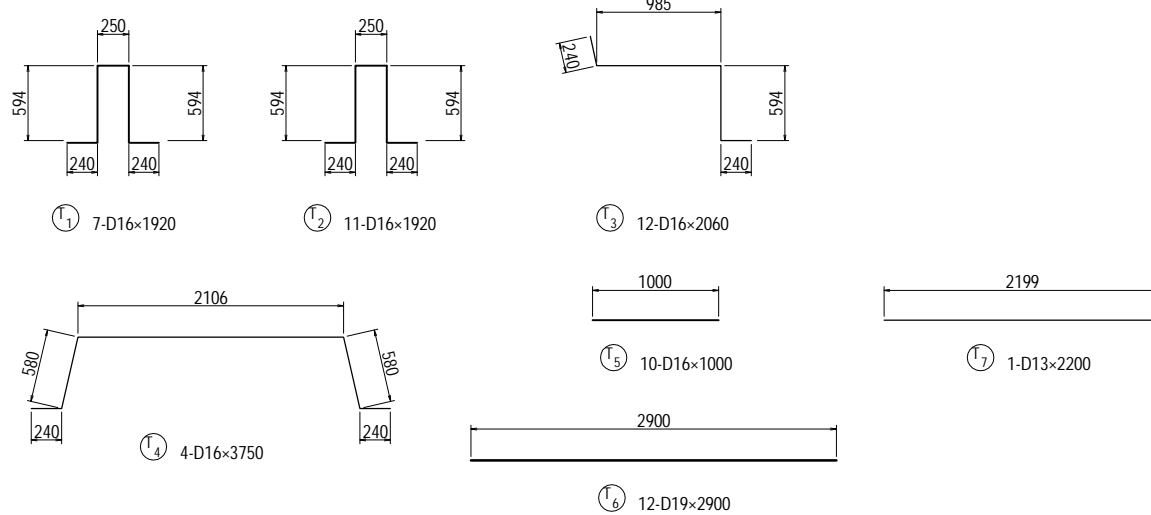
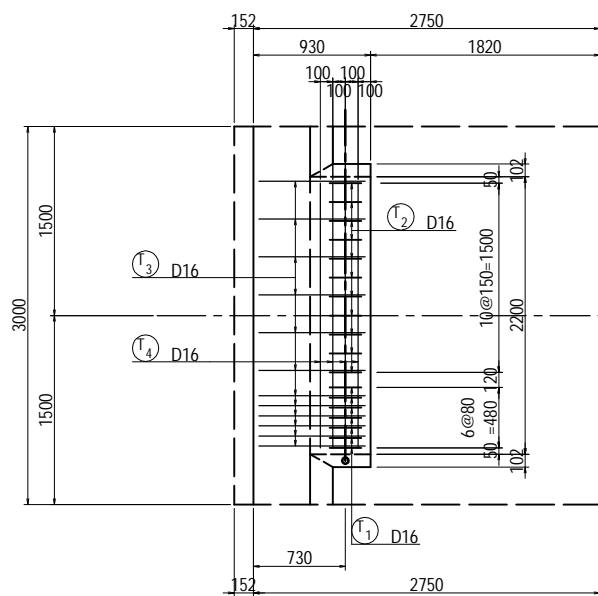
1-1 SECTIONS



2-2 SECTIONS



3-3 SECTIONS

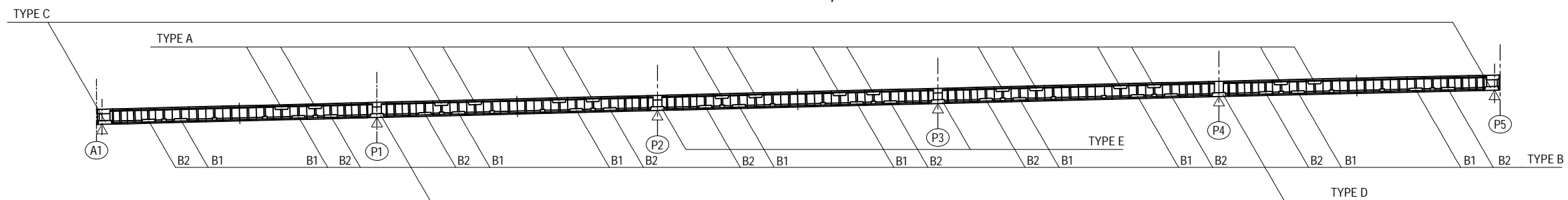


BAR STATISTICS TABLE

(For 1 Anchor)

Bar Mark	Bar Size	Length (mm)	No. Of Bar (Nos)	Unit Wt (kg/m)	Rod Wt (kg)	Total Weight (kg)	Shape
Type-B2							
T 1	D16	1920	7	1.56	3.00	21	
2	D16	1920	11	1.56	3.00	33	
3	D16	2060	12	1.56	3.21	39	
4	D16	3750	4	1.56	5.85	23	
5	D16	1000	10	1.56	1.56	16	
6	D19	2900	12	2.25	6.53	78	
7	D13	2200	1	0.995	2.19	2	
				D13	2 kg	×20=	40 kg
				D16	132 kg	×20=	2640 kg
				D19	78 kg	×20=	1560 kg
				Total Weight	212 kg	×20=	4240 kg

LOCATION <L,R>



PROJECT NAME
DETAILED DESIGN ON
BAGO RIVER BRIDGE
CONSTRUCTION PROJECT

FINANCED BY
JICA
JAPAN INTERNATIONAL
COOPERATION AGENCY

COUNTERPART
REPUBLIC OF THE UNION OF MYANMAR
MINISTRY OF CONSTRUCTION
DEPARTMENT OF BRIDGE

JICA STUDY TEAM
NIPPON KOEI CO., LTD.
ORIENTAL CONSULTANTS GLOBAL CO., LTD.
METROPOLITAN EXPRESSWAY COMPANY LIMITED
CHODAI CO., LTD.
NIPPON ENGINEERING CONSULTANTS CO., LTD.

	NAME	SIGNATURE	DATE
PREPARED BY	M. OHYAMA		15 Jun.2017
CHECKED BY	T. HAYAKAWA		20 Jun.2017
APPROVED BY	Y. SANO		21 Jun.2017

DRAWING TITLE
BAR ARRANGEMENT OF SEGMENT A1-P5 <L,R> (39)
[BLISTER ANCHORAGE]

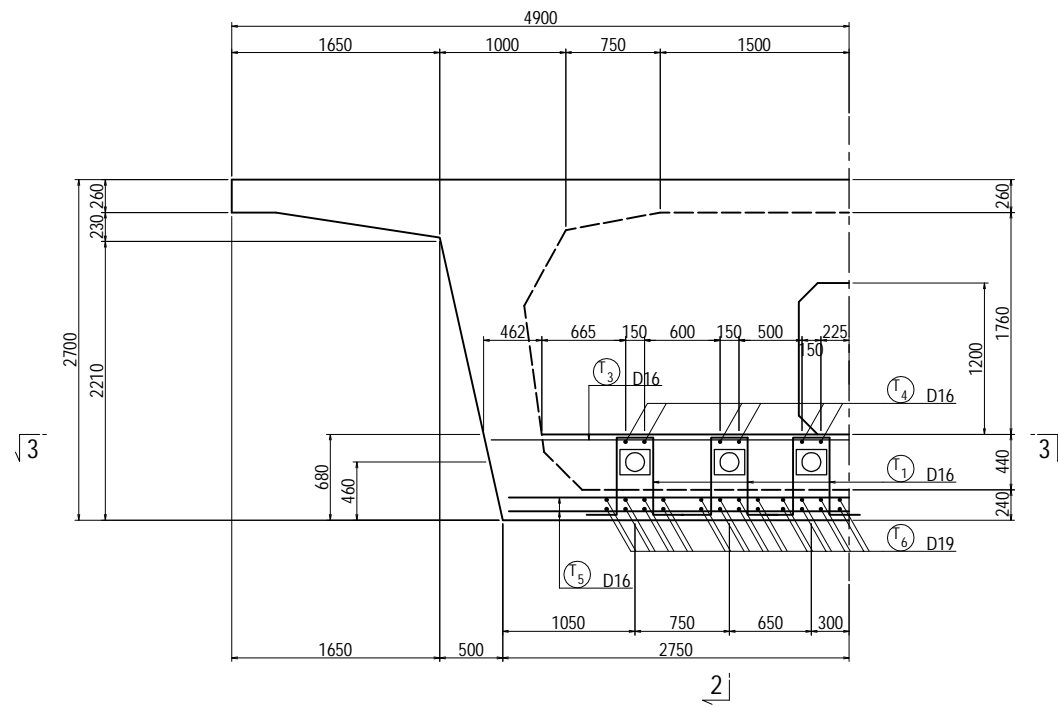
PACKAGE
1
DWG No.
P1-PB-1339

BAR ARRANGEMENT OF SEGMENT A1-P5 <L,R> (40) [BLISTER ANCHORAGE]

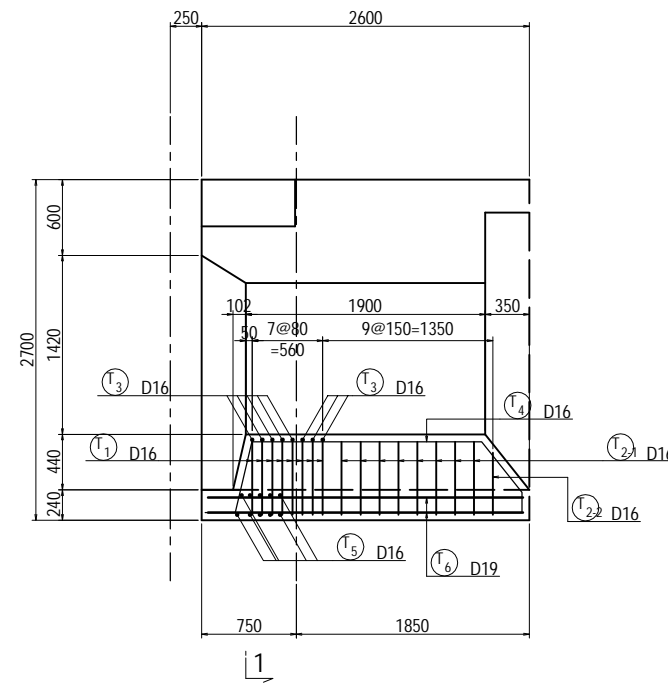
S=1:60

TYPE-C

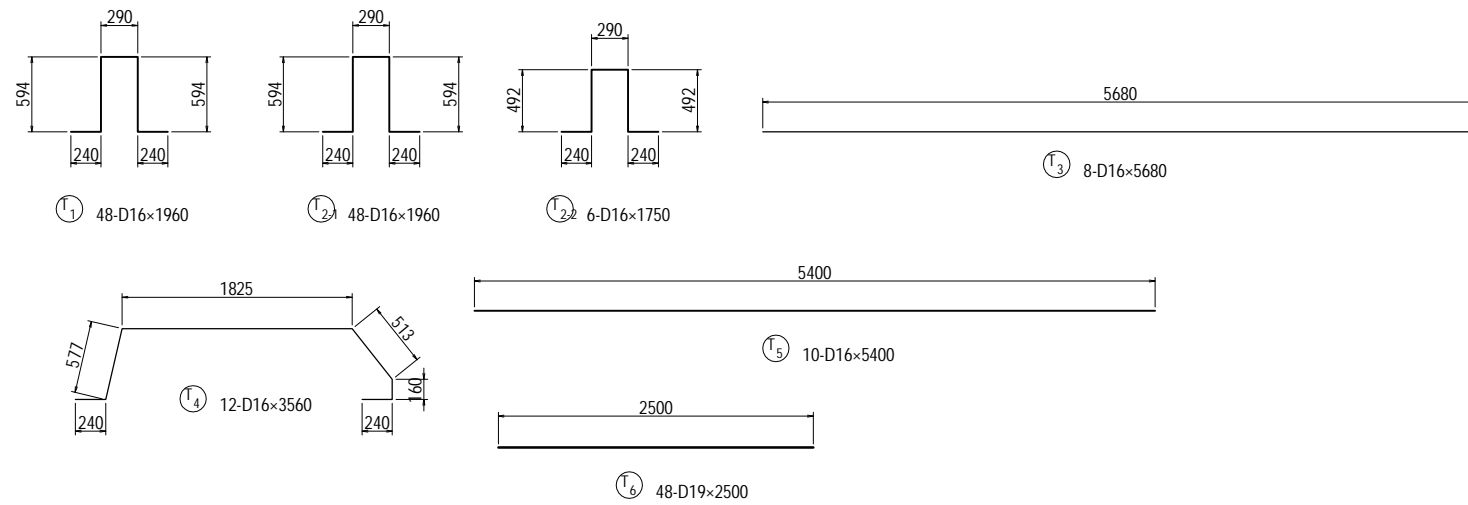
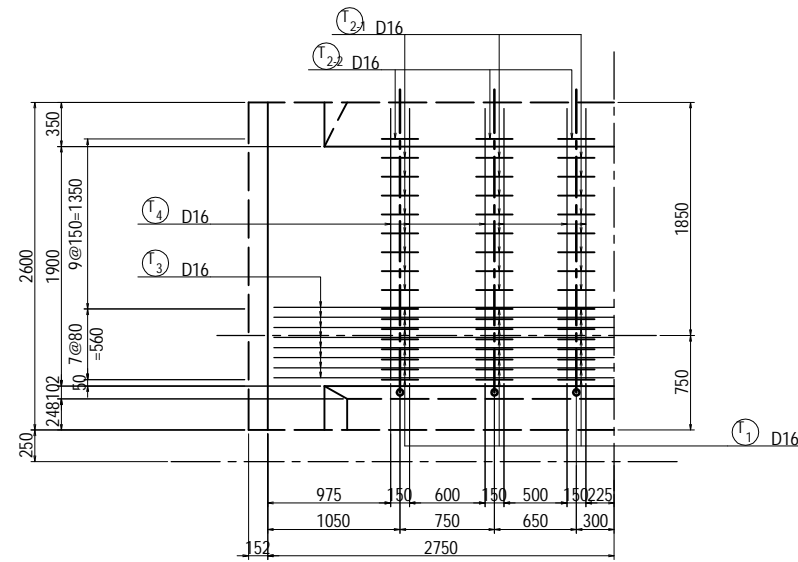
1-1 SECTIONS



2-2 SECTIONS



3-3 SECTIONS

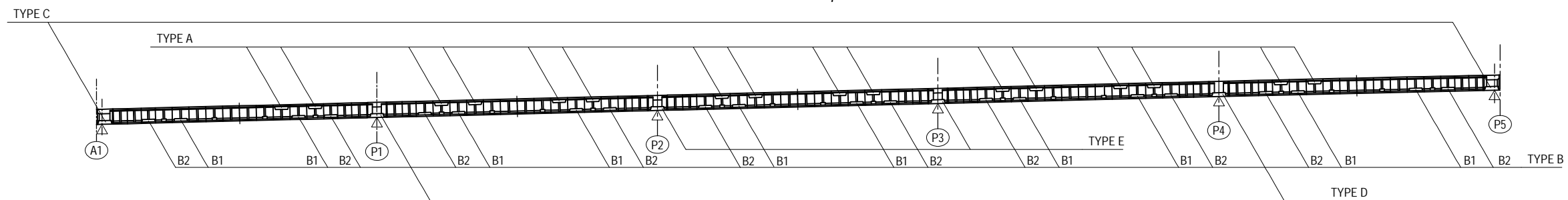


BAR STATISTICS TABLE

(For 1 Block)

Bar Mark	Bar Size	Length (mm)	No. Of Bar (Nos)	Unit Wt (kg/m)	Rod Wt (kg)	Total Weight (kg)	Shape
Type-C							
T 1	D16	1960	48	1.56	3.06	147	┌┐
2-1	D16	1960	48	1.56	3.06	147	┌┐
2-2	D16	1750	6	1.56	2.73	16	┌┐
3	D16	5680	8	1.56	8.86	71	—
4	D16	3560	12	1.56	5.55	67	┌┐
5	D16	5400	10	1.56	8.42	84	—
6	D19	2500	48	2.25	5.63	270	—
				D16	532 kg	×2=	1064 kg
				D19	270 kg	×2=	540 kg
				Total Weight	802 kg	×2=	1604 kg

LOCATION <L,R>



PROJECT NAME
DETAILED DESIGN ON
BAGO RIVER BRIDGE
CONSTRUCTION PROJECT

FINANCED BY
JICA
JAPAN INTERNATIONAL
COOPERATION AGENCY

COUNTERPART
REPUBLIC OF THE UNION OF MYANMAR
MINISTRY OF CONSTRUCTION
DEPARTMENT OF BRIDGE

JICA STUDY TEAM
NIPPON KOEI CO., LTD.
ORIENTAL CONSULTANTS GLOBAL CO., LTD.
METROPOLITAN EXPRESSWAY COMPANY LIMITED
CHODAI CO., LTD.
NIPPON ENGINEERING CONSULTANTS CO., LTD.

	NAME	SIGNATURE	DATE
PREPARED BY	M. OHYAMA	大山 満弘	15 Jun.2017
CHECKED BY	T. HAYAKAWA	平川 知邦	20 Jun.2017
APPROVED BY	Y. SANO	佐野 祐一	21 Jun.2017

DRAWING TITLE
BAR ARRANGEMENT OF SEGMENT A1-P5 <L,R> (40)
[BLISTER ANCHORAGE]

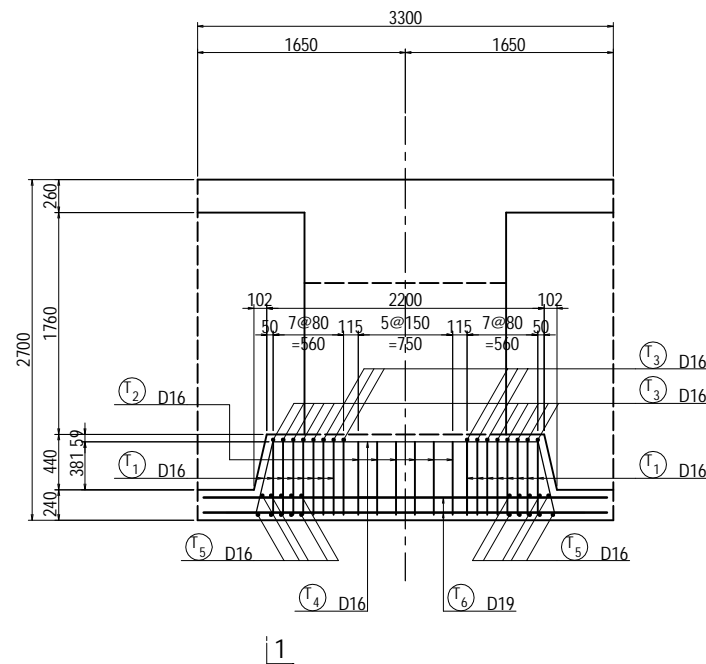
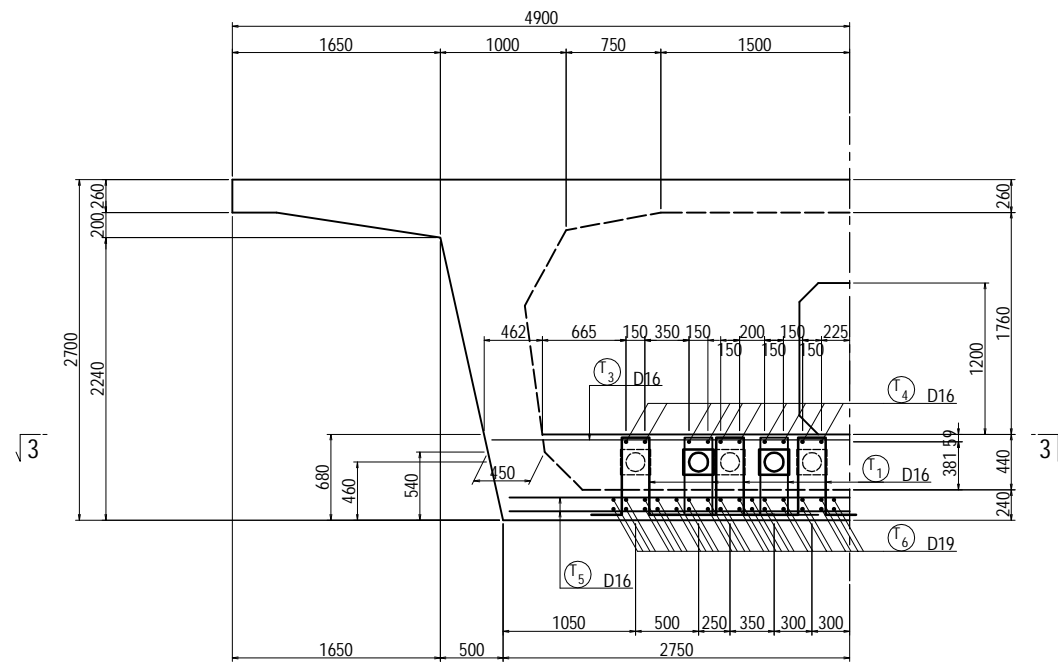
PACKAGE
1
DWG No.
P1-PB-1340

BAR ARRANGEMENT OF SEGMENT A1-P5 <L,R> (41) [BLISTER ANCHORAGE] S=1:60

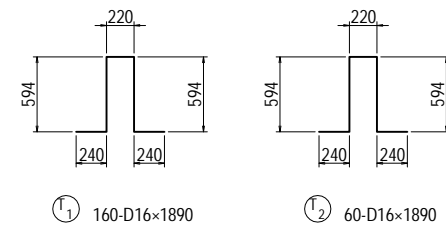
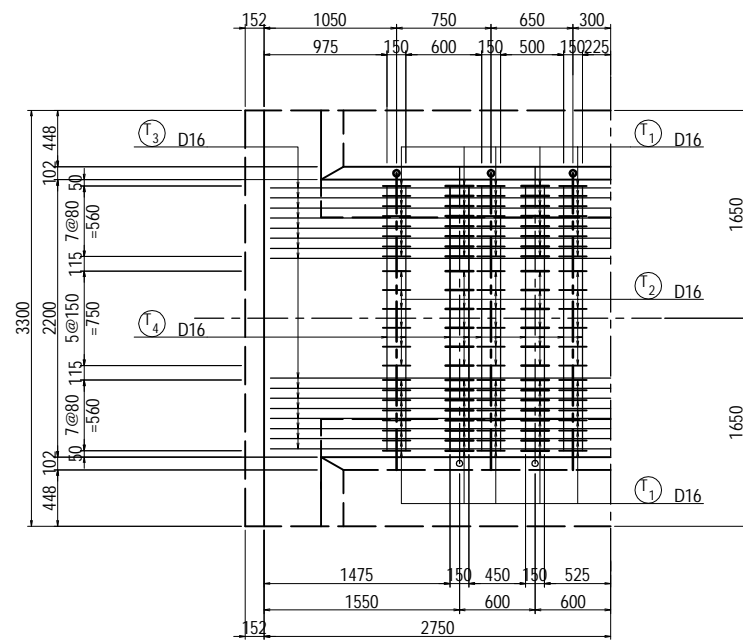
TYPE-D

1-1 SECTIONS

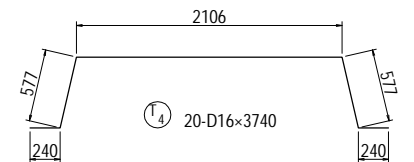
2-2 SECTIONS



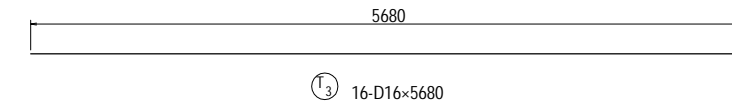
3-3 SECTIONS



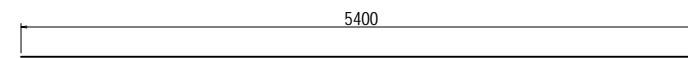
T1 160-D16x1890 T2 60-D16x1890



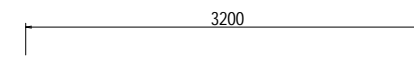
T4 20-D16x3740



T3 16-D16x5680



T5 20-D16x5400



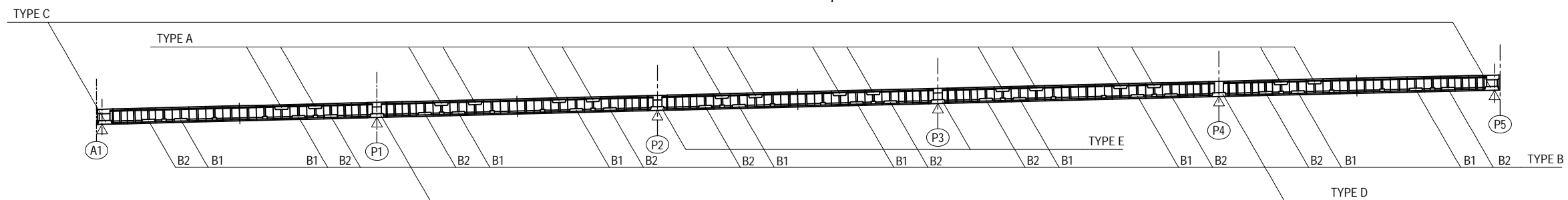
T6 60-D19x3200

BAR STATISTICS TABLE

(For 1 Block)

Bar Mark	Bar Size	Length (mm)	No. Of Bar (Nos)	Unit Wt (kg/m)	Rod Wt (kg)	Total Weight (kg)	Shape
Type-D							
T 1	D16	1890	160	1.56	2.95	472	U
2	D16	1890	60	1.56	2.95	177	U
3	D16	5680	16	1.56	8.87	142	—
4	D16	3740	20	1.56	5.83	117	—
5	D16	5400	20	1.56	8.42	168	—
6	D19	3200	60	2.25	7.20	432	—
				D16	1076 kg	×2= 2152 kg	
				D19	432 kg	×2= 864 kg	
				Total Weight	1508 kg	×2= 3016 kg	

LOCATION <L,R>



PROJECT NAME
DETAILED DESIGN ON
BAGO RIVER BRIDGE
CONSTRUCTION PROJECT

FINANCED BY
JICA
JAPAN INTERNATIONAL
COOPERATION AGENCY

COUNTERPART
REPUBLIC OF THE UNION OF MYANMAR
MINISTRY OF CONSTRUCTION
DEPARTMENT OF BRIDGE

JICA STUDY TEAM
NIPPON KOEI CO., LTD.
ORIENTAL CONSULTANTS GLOBAL CO., LTD.
METROPOLITAN EXPRESSWAY COMPANY LIMITED
CHODAI CO., LTD.
NIPPON ENGINEERING CONSULTANTS CO., LTD.

	NAME	SIGNATURE	DATE
PREPARED BY	M. OHYAMA	大山 満弘	15 Jun.2017
CHECKED BY	T. HAYAKAWA	平川 知寿	20 Jun.2017
APPROVED BY	Y. SANO	佐藤 祐一	21 Jun.2017

DRAWING TITLE
BAR ARRANGEMENT OF SEGMENT A1-P5 <L,R> (41)
[BLISTER ANCHORAGE]

PACKAGE
1
DWG No.
P1-PB-1341

BAR ARRANGEMENT OF SEGMENT A1-P5 <L,R> (42) [BLISTER ANCHORAGE]

S=1:60

TYPE-E

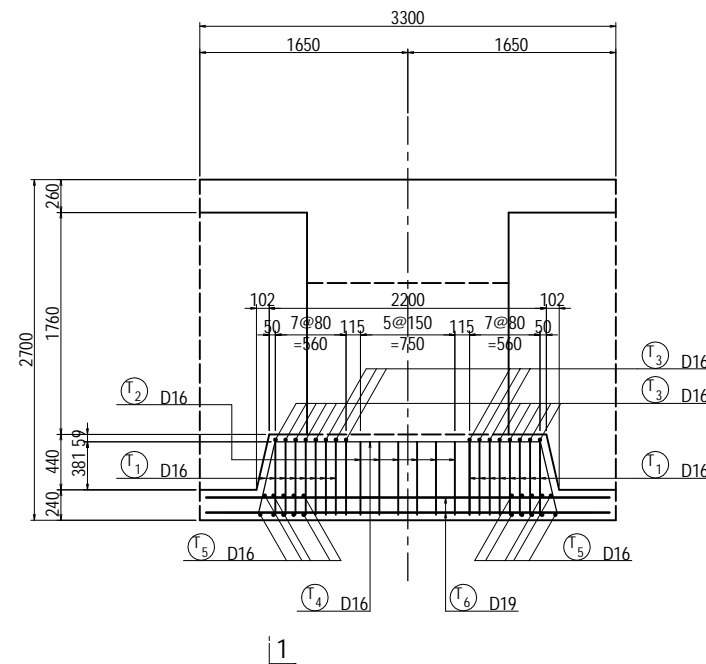
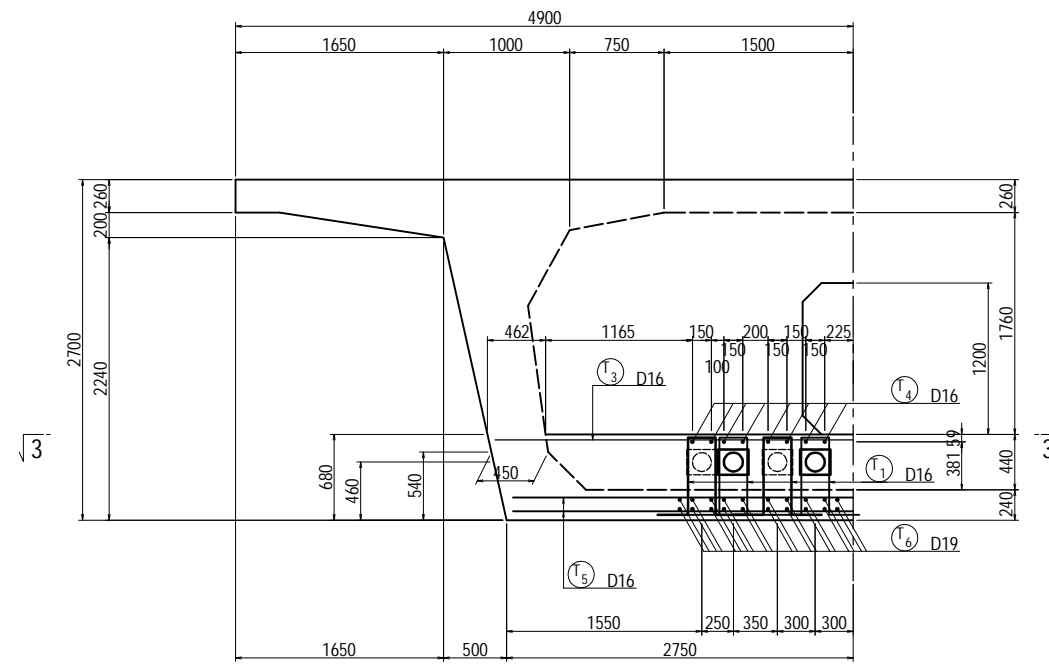
1-1 SECTIONS

2-2 SECTIONS

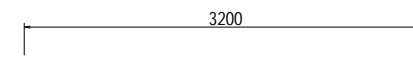
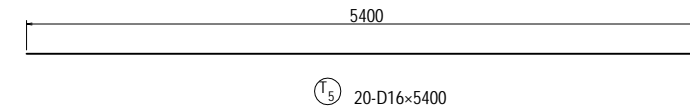
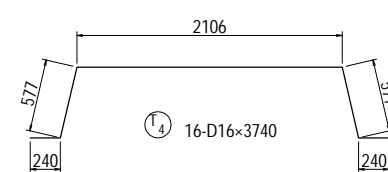
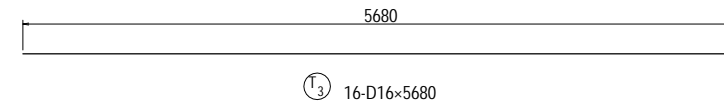
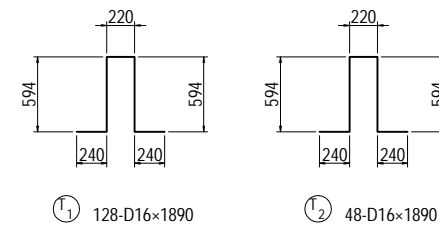
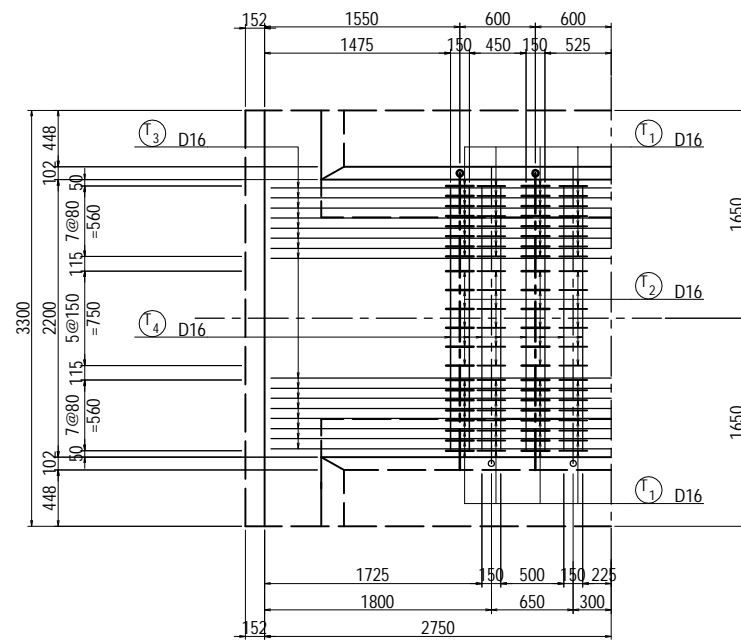
BAR STATISTICS TABLE

(For 1 Block)

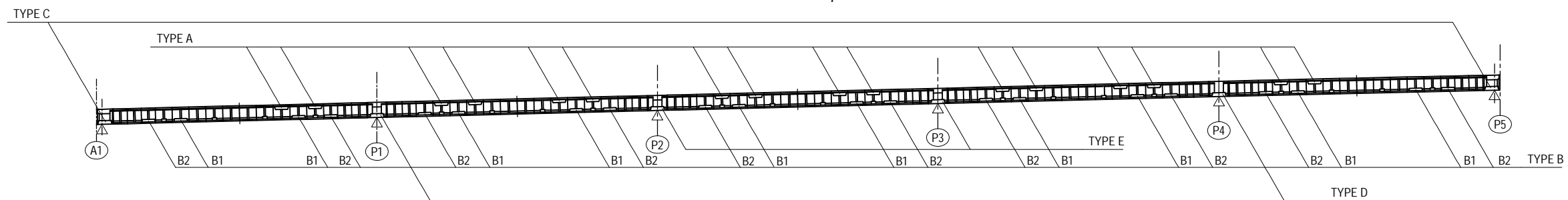
Bar Mark	Bar Size	Length (mm)	No. Of Bar (Nos)	Unit Wt (kg/m)	Rod Wt (kg)	Total Weight (kg)	Shape
Type-E							
T 1	D16	1890	128	1.56	2.95	378	┌┐
2	D16	1890	48	1.56	2.95	142	┌┐
3	D16	5680	16	1.56	8.87	142	—
4	D16	3740	16	1.56	5.83	93	┌┐
5	D16	5400	20	1.56	8.42	168	—
6	D19	3200	40	2.25	7.20	288	—
				D16	923 kg	×2= 1846 kg	
				D19	288 kg	×2= 576 kg	
Total Weight					1211 kg	×2= 2422 kg	



3-3 SECTIONS



LOCATION <L,R>



PROJECT NAME
DETAILED DESIGN ON
BAGO RIVER BRIDGE
CONSTRUCTION PROJECT

FINANCED BY
JICA
JAPAN INTERNATIONAL
COOPERATION AGENCY

COUNTERPART
REPUBLIC OF THE UNION OF MYANMAR
MINISTRY OF CONSTRUCTION
DEPARTMENT OF BRIDGE

JICA STUDY TEAM
NIPPON KOEI CO., LTD.
ORIENTAL CONSULTANTS GLOBAL CO., LTD.
METROPOLITAN EXPRESSWAY COMPANY LIMITED
CHODAI CO. LTD.
NIPPON ENGINEERING CONSULTANTS CO., LTD.

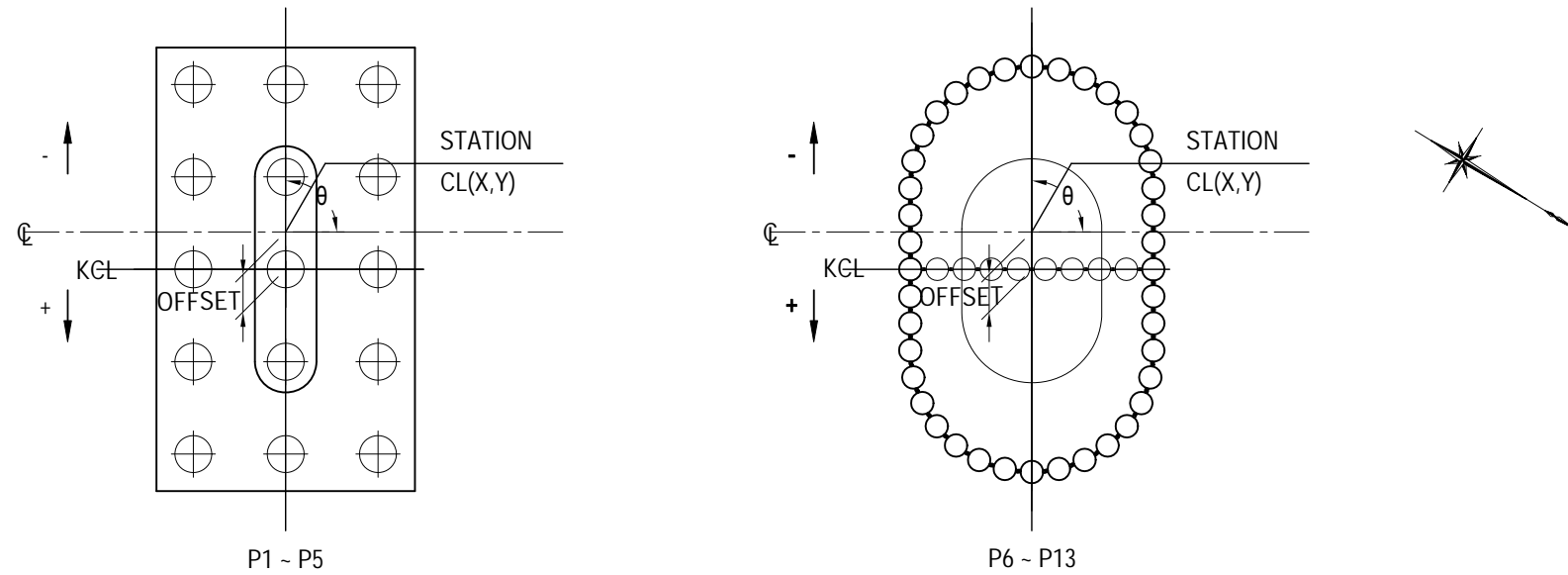
	NAME	SIGNATURE	DATE
PREPARED BY	M. OHYAMA	大山 満弘	15 Jun.2017
CHECKED BY	T. HAYAKAWA	平川 知寿	20 Jun.2017
APPROVED BY	Y. SANO	佐藤 善一	21 Jun.2017

DRAWING TITLE
BAR ARRANGEMENT OF SEGMENT A1-P5 <L,R> (42)
[BLISTER ANCHORAGE]

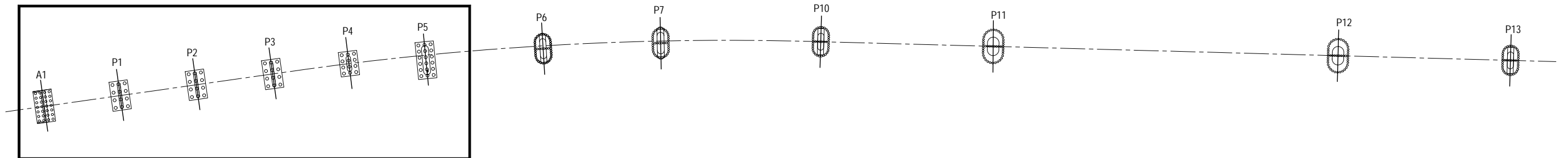
PACKAGE
1
DWG No.
P1-PB-1342

COORDINATES OF SUBSTRUCTURE (A1-P5)

NAME		A1	P1	P2	P3	P4	P5	P6	P7	P10	P11	P12	P13
STATION		0+357.000	0+407.000	0+457.000	0+507.000	0+557.000	0+607.000	0+683.500	0+760.000	0+864.000	0+976.000	1+200.000	1+312.000
CL	X	1857470.9529	1857509.4534	1857547.9538	1857586.4543	1857625.1499	1857664.5904	1857726.3888	1857789.8660	1857878.6819	1857975.6469	1858169.5771	1858266.5422
	Y	205539.2366	205507.3350	205475.4334	205443.5317	205411.8684	205381.1387	205336.0555	205293.3684	205239.2819	205183.2304	205071.1274	205015.0759
AZIMUTH		230d 21' 17.0"	230d 21' 17.0"	230d 21' 17.0"	230d 21' 17.0"	231d 21' 36.9"	232d 47' 33.6"	234d 59' 3.2"	237d 10' 32.8"	239d 58' 10.5"	239d 58' 10.5"	239d 58' 10.5"	239d 58' 10.5"
SKEW ANGLE (θ)		90d 00' 00"	90d 00' 00"	90d 00' 00"	90d 00' 00"	90d 00' 00"	90d 00' 00"	90d 00' 00"	90d 00' 00"	90d 00' 00"	90d 00' 00"	90d 00' 00"	90d 00' 00"
OFFSET (m)		0.000	0.000	0.000	0.000	0.000	+4.000	+1.832	+0.538	0.000	0.000	0.000	0.000



PC BOX GIRDER BRIDGE

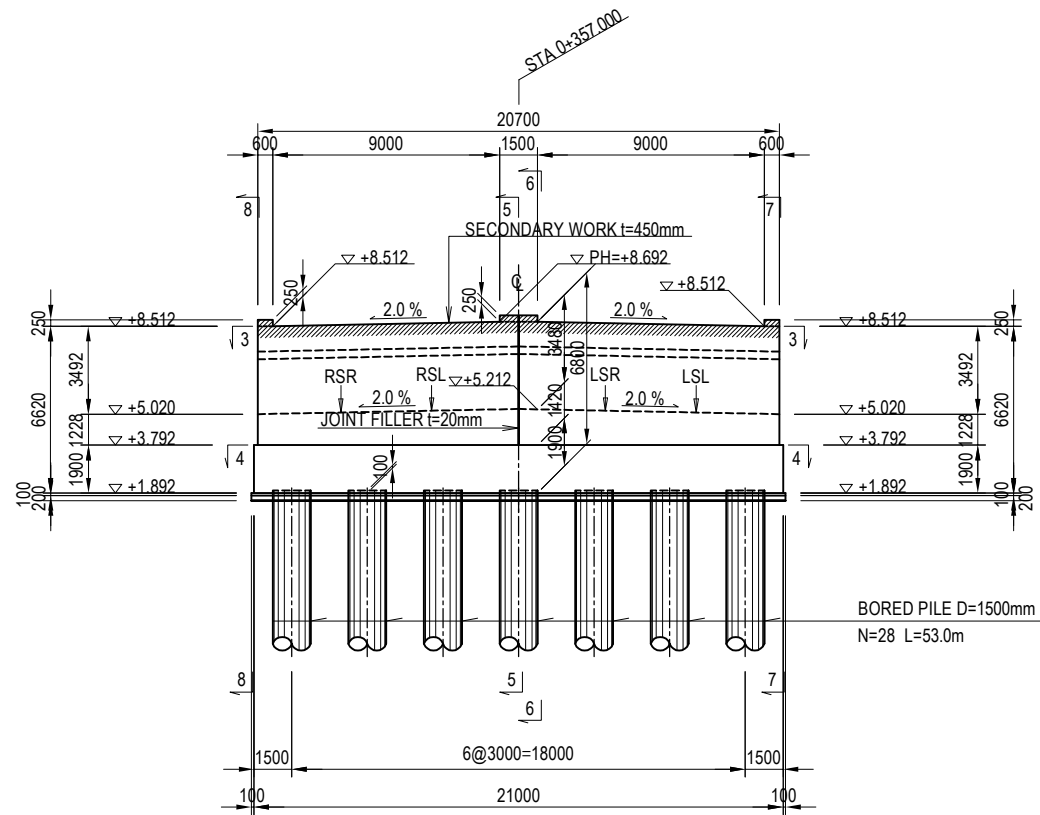


<small>PROJECT NAME</small> DETAILED DESIGN ON BAGO RIVER BRIDGE CONSTRUCTION PROJECT	<small>FINANCED BY</small> JAPAN INTERNATIONAL COOPERATION AGENCY	<small>COUNTERPART</small> REPUBLIC OF THE UNION OF MYANMAR MINISTRY OF CONSTRUCTION DEPARTMENT OF BRIDGE	<small>JICA STUDY TEAM</small> NIPPON KOEI CO., LTD. ORIENTAL CONSULTANTS GLOBAL CO., LTD. METROPOLITAN EXPRESSWAY COMPANY LIMITED CHODAI CO., LTD. NIPPON ENGINEERING CONSULTANTS CO., LTD.	<table border="1" style="width: 100%; border-collapse: collapse;"> <tr> <th>NAME</th> <th>SIGNATURE</th> <th>DATE</th> </tr> <tr> <td>PREPARED BY</td> <td>M. OHYAMA</td> <td>29 Sep. 2017</td> </tr> <tr> <td>CHECKED BY</td> <td>T. HAYAKAWA</td> <td>3 Oct. 2017</td> </tr> <tr> <td>APPROVED BY</td> <td>Y. SANO</td> <td>6 Oct. 2017</td> </tr> </table>	NAME	SIGNATURE	DATE	PREPARED BY	M. OHYAMA	29 Sep. 2017	CHECKED BY	T. HAYAKAWA	3 Oct. 2017	APPROVED BY	Y. SANO	6 Oct. 2017	<small>DRAWING TITLE</small> COORDINATES OF SUBSTRUCTURE (A1-P5)	<small>PACKAGE</small> 1 DWG No. P1-PB-2000
NAME	SIGNATURE	DATE																
PREPARED BY	M. OHYAMA	29 Sep. 2017																
CHECKED BY	T. HAYAKAWA	3 Oct. 2017																
APPROVED BY	Y. SANO	6 Oct. 2017																

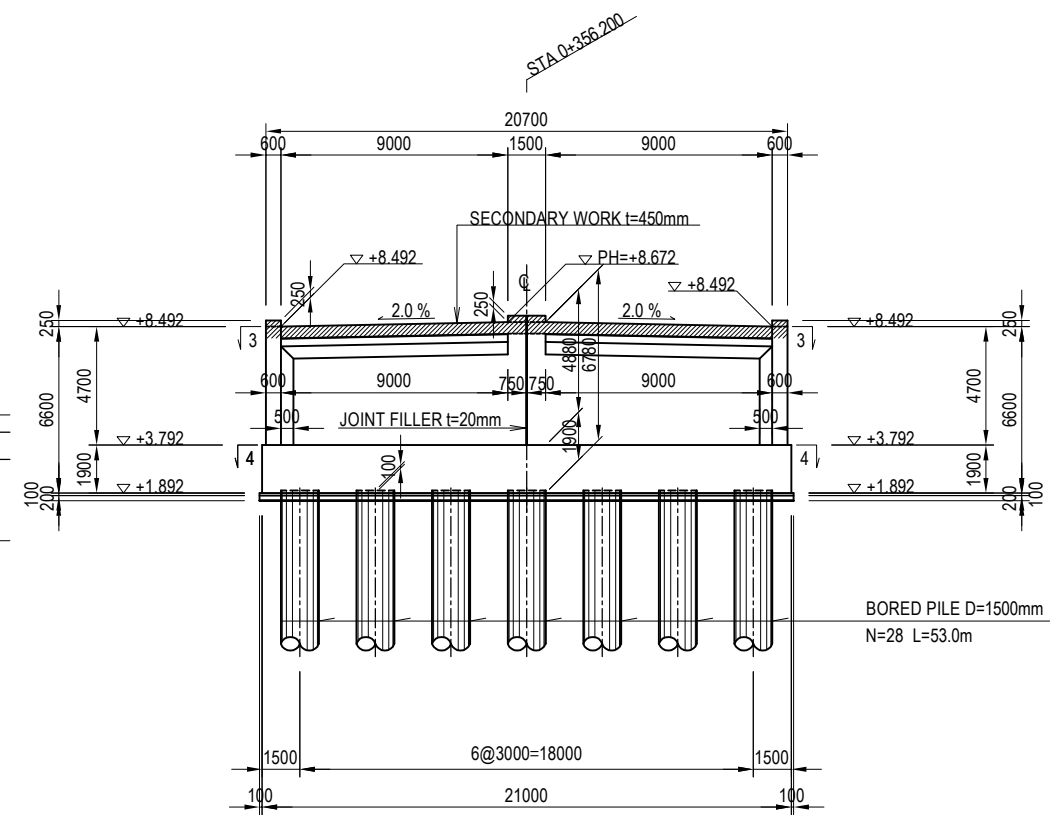
GENERAL VIEW OF A1 ABUTMENT(1)

S = 1:300

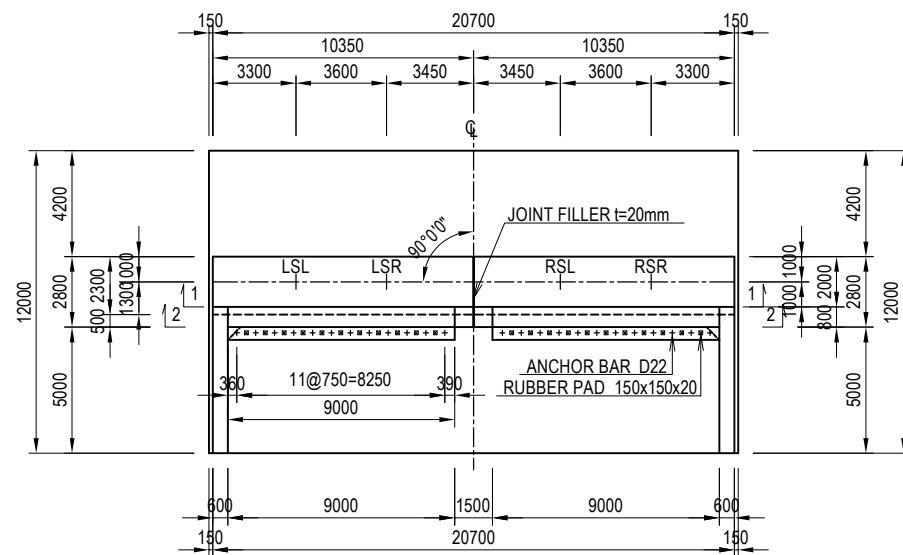
SECTION 1 - 1



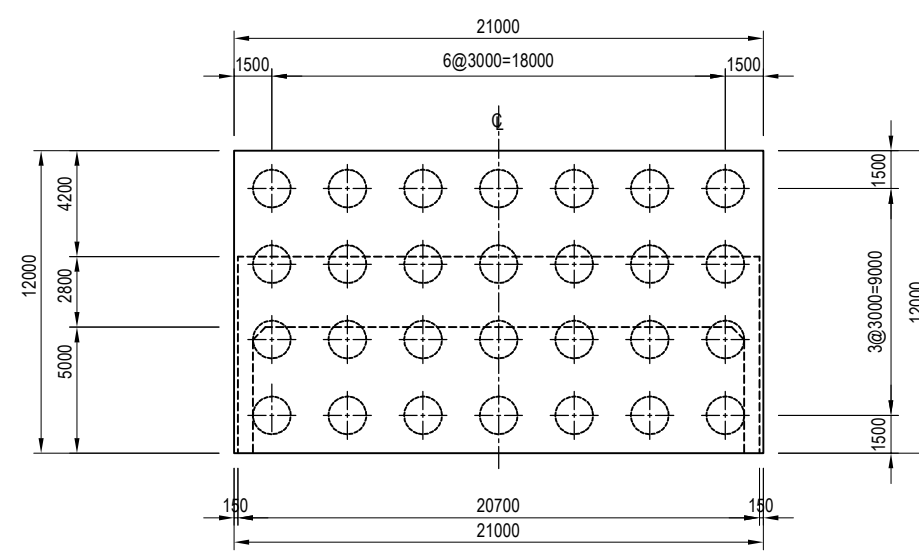
SECTION 2 - 2



SECTION 3 - 3



SECTION 4 - 4

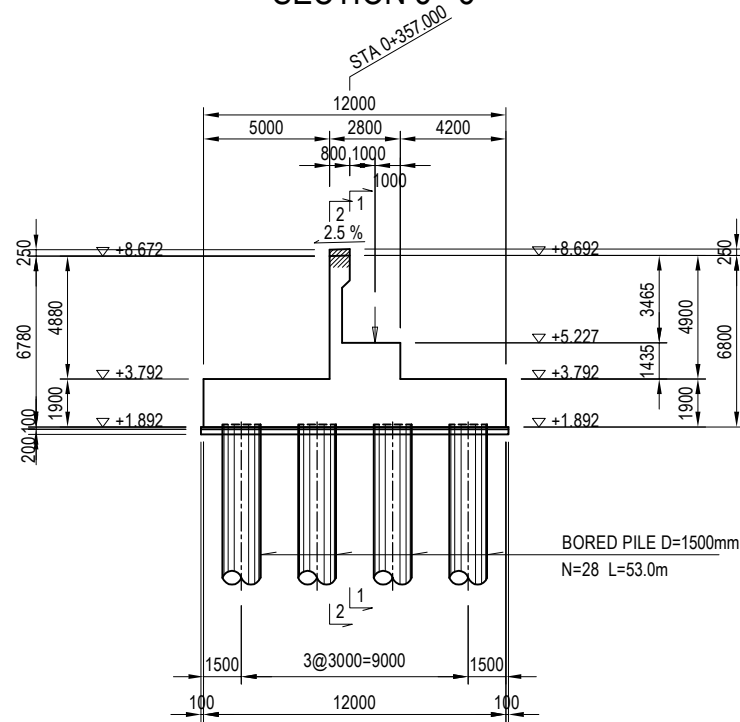


PROJECT NAME DETAILED DESIGN ON BAGO RIVER BRIDGE CONSTRUCTION PROJECT	FINANCED BY JAPAN INTERNATIONAL COOPERATION AGENCY	COUNTERPART REPUBLIC OF THE UNION OF MYANMAR MINISTRY OF CONSTRUCTION DEPARTMENT OF BRIDGE	JICA STUDY TEAM NIPPON KOEI CO., LTD. ORIENTAL CONSULTANTS GLOBAL CO., LTD. METROPOLITAN EXPRESSWAY COMPANY LIMITED CHODAI CO., LTD. NIPPON ENGINEERING CONSULTANTS CO., LTD.	NAME	SIGNATURE	DATE	DRAWING TITLE GENERAL VIEW OF A1 ABUTMENT (1)	PACKAGE	
				PREPARED BY	M. OHYAMA			15 Jun.2017	1
				CHECKED BY	T. HAYAKAWA			20 Jun.2017	DWG No.
				APPROVED BY	Y. SANO			21 Jun.2017	P1-PB-2001

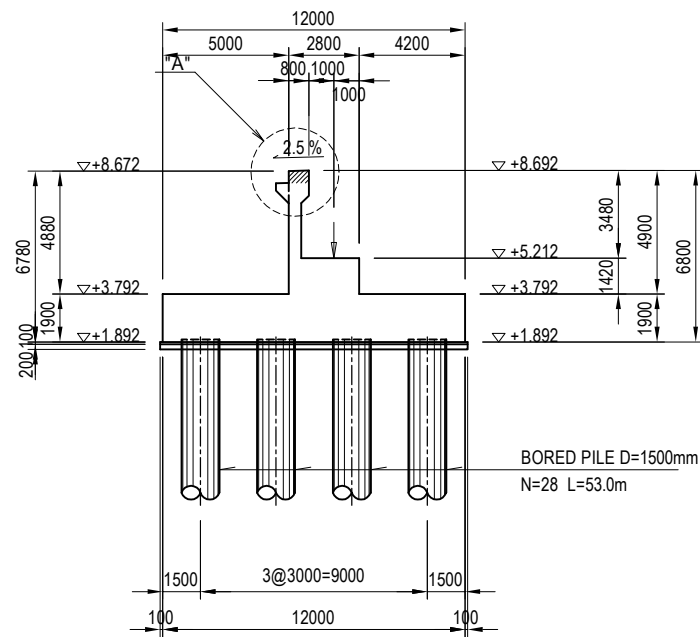
GENERAL VIEW OF A1 ABUTMENT(2)

S = 1:300

SECTION 5 - 5

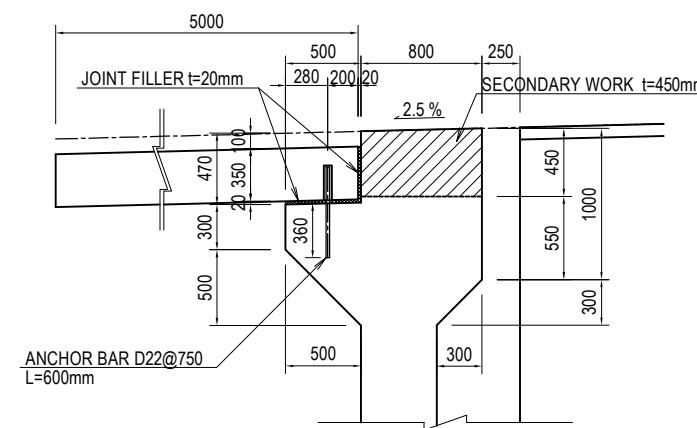


SECTION 6 - 6



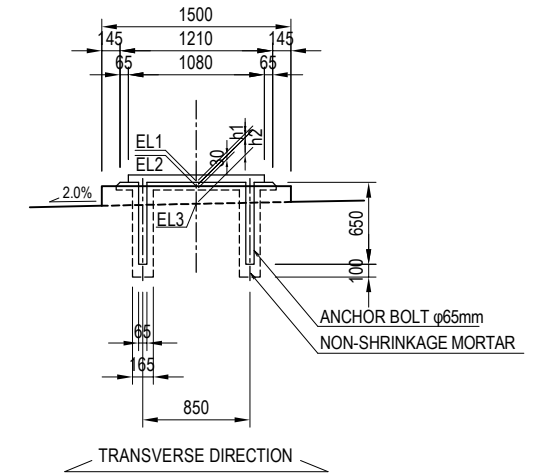
DETAIL "A"

S = 1:50

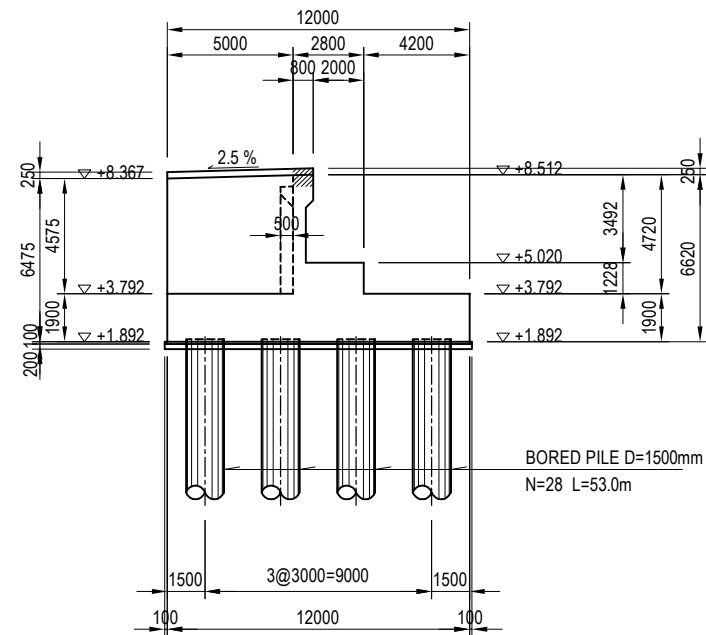


DETAIL OF BEARING

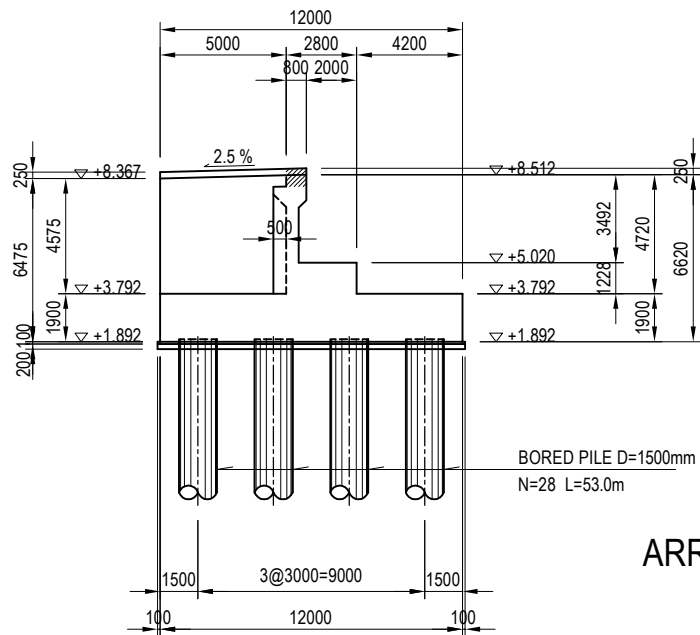
S = 1:60



SECTION 7 - 7

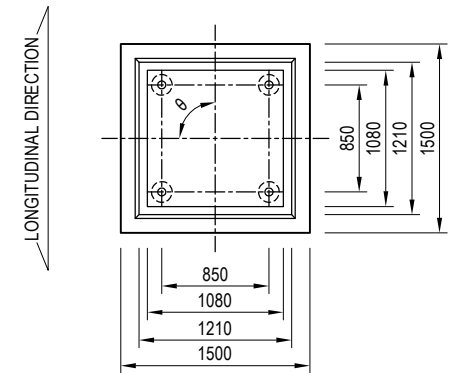
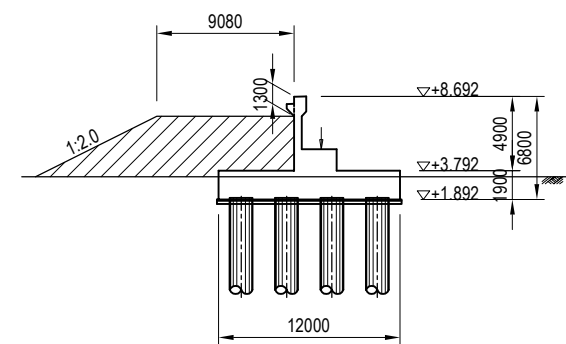


SECTION 8 - 8



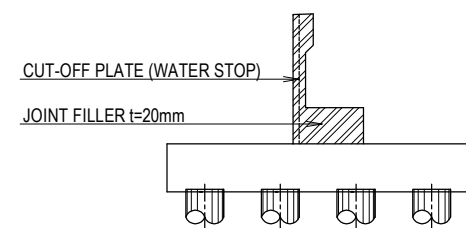
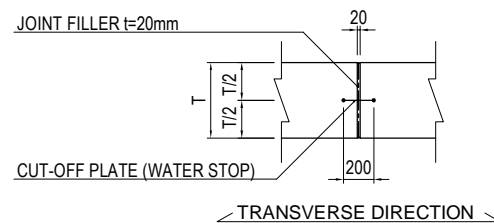
ARRANGEMENT OF BACK-FILLING APPROACH

S = 1:500

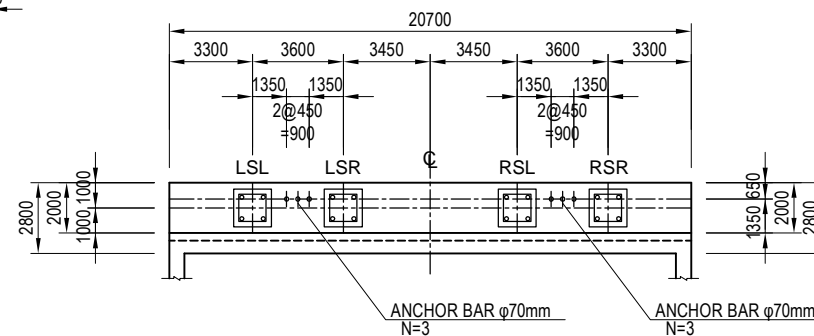


Unit : m	LSL	LSR	RSL	RSR
EL1	5.258	5.330	5.330	5.258
EL2	5.226	5.298	5.298	5.226
EL3	5.086	5.158	5.158	5.086
h1	0.032	0.032	0.032	0.032
h2	0.140	0.140	0.140	0.140
θ	90d°0'	90d°0'	90d°0'	90d°0'

DETAIL OF JOINT FILLER

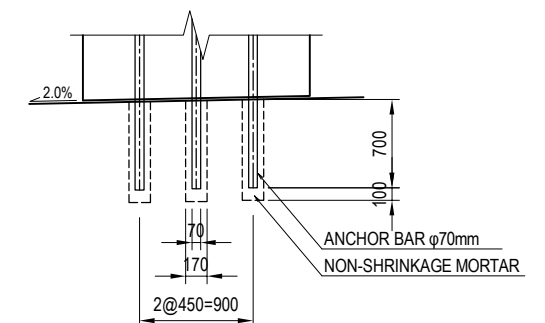


ARRANGEMENT OF BRIDGE SEAT



DETAIL OF ANCHOR BAR

S = 1:60

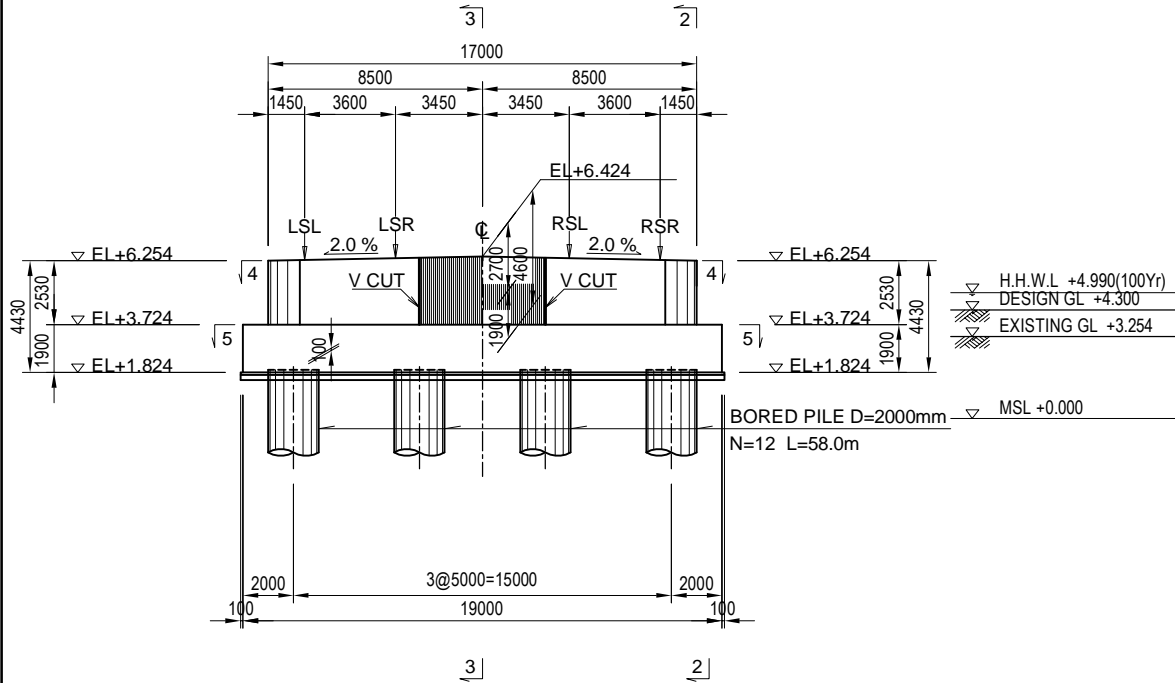


- NOTE : 1. Weep holes shall be installed in abutment wall by 3 meter interval for discharge of water from backfilled soil.
 2. Regardless of existences of indications on the Drawings, baseplates of bridge bearings shall be embedded into leveling mortar by 10 mm and the leveling mortar shall be embedded into concrete pedestal or top surface of substructures by 30 mm.

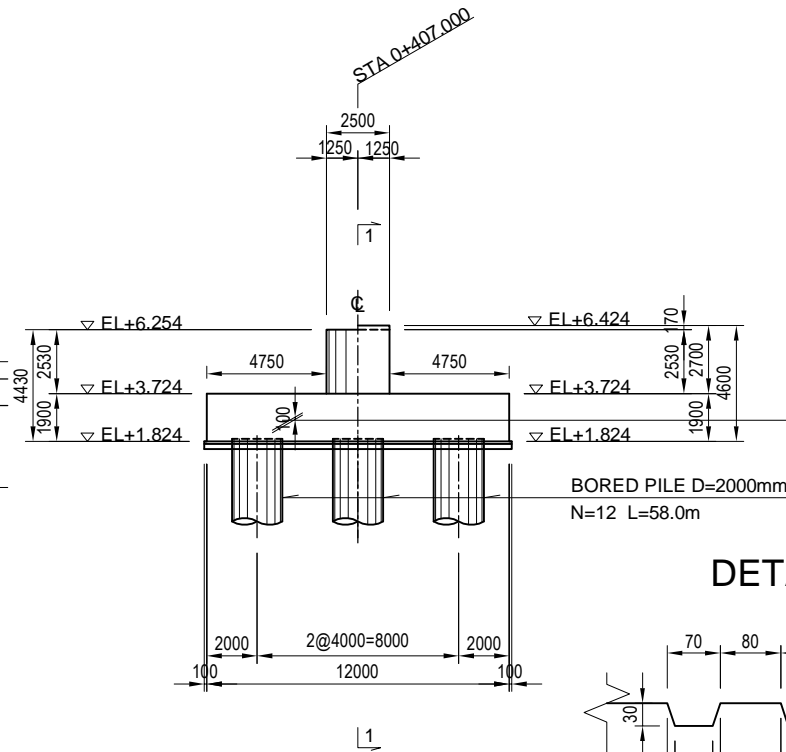
GENERAL VIEW OF P1 PIER

S = 1:300

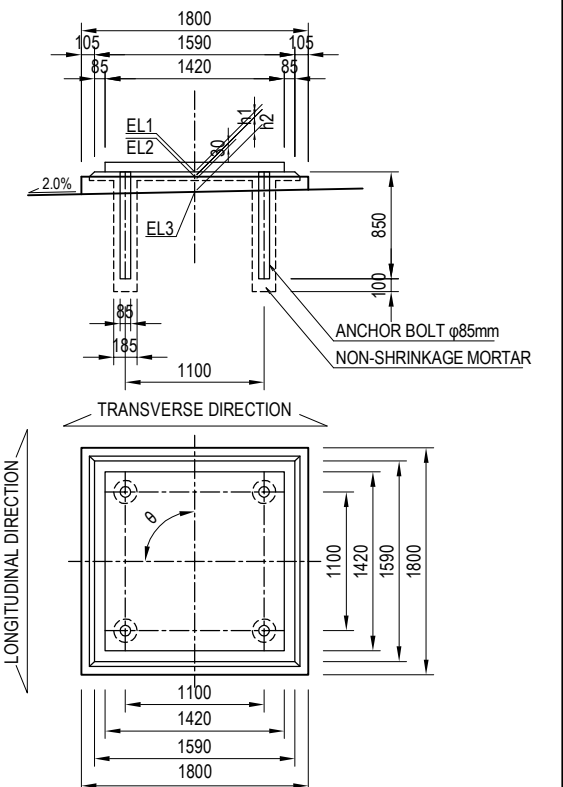
FRONT VIEW
1 - 1



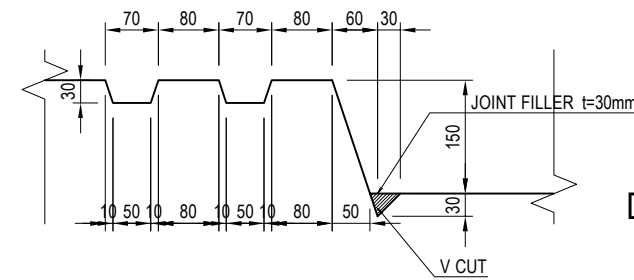
SIDE VIEW
2 - 2 3 - 3



DETAIL OF BEARING S = 1:60

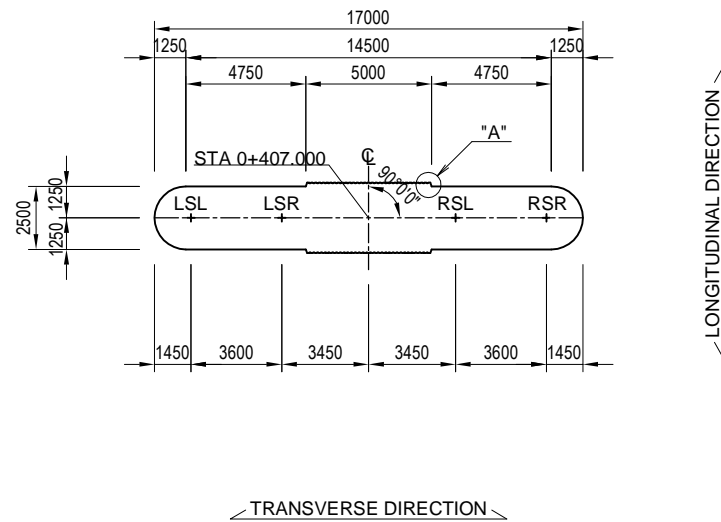


DETAIL "A" S = 1:10

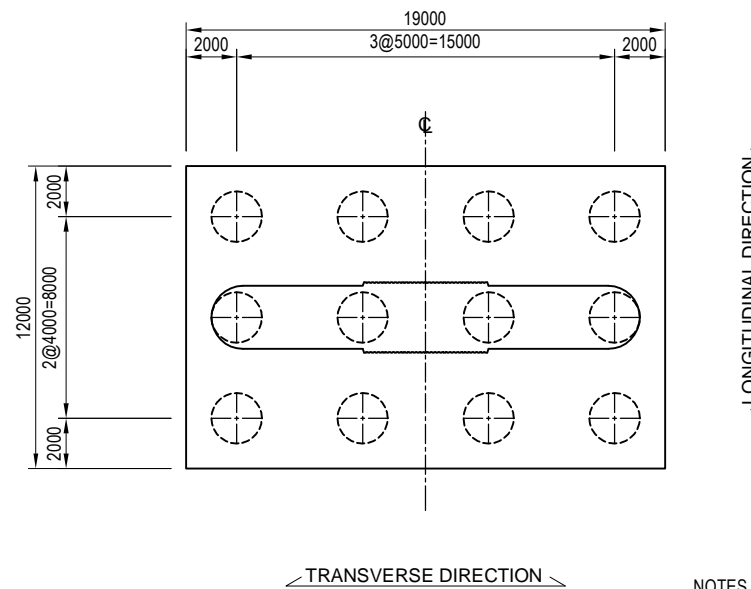


Unit : m	LSL	LSR	RSL	RSR
EL1	6.443	6.515	6.515	6.443
EL2	6.403	6.475	6.475	6.403
EL3	6.283	6.355	6.355	6.283
h1	0.040	0.040	0.040	0.040
h2	0.120	0.120	0.120	0.120
θ	90d0'0"	90d0'0"	90d0'0"	90d0'0"

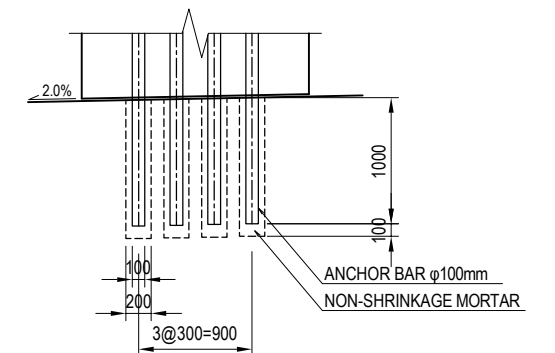
PLAN VIEW
4 - 4



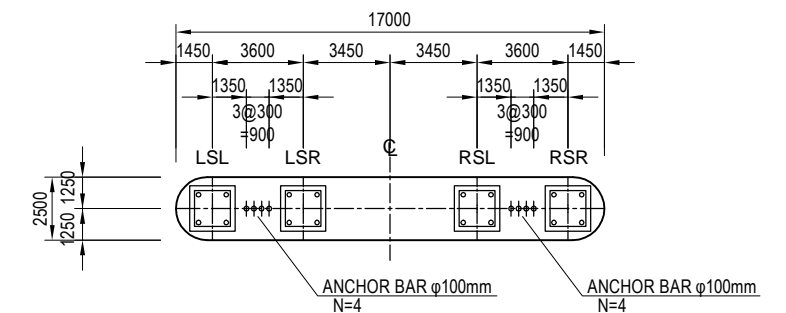
PILE ARRANGEMENT
5 - 5



DETAIL OF ANCHOR BAR S = 1:60



ARRANGEMENT OF BRIDGE SEAT



- NOTES : 1. V-cut passes with joint filler shall be made on abutment wall. The V-cut passes shall be continued from a front side surface to a back side surface.
2. Regardless of existences of indications on the Drawings, baseplates of bridge bearings shall be embedded into leveling mortar by 10 mm and the leveling mortar shall be embedded into concrete pedestal or top surface of substructures by 30 mm.

PROJECT NAME DETAILED DESIGN ON BAGO RIVER BRIDGE CONSTRUCTION PROJECT	FINANCED BY JICA JAPAN INTERNATIONAL COOPERATION AGENCY	COUNTERPART REPUBLIC OF THE UNION OF MYANMAR MINISTRY OF CONSTRUCTION DEPARTMENT OF BRIDGE	JICA STUDY TEAM NIPPON KOEI CO., LTD. ORIENTAL CONSULTANTS GLOBAL CO., LTD. METROPOLITAN EXPRESSWAY COMPANY LIMITED CHODAI CO., LTD. NIPPON ENGINEERING CONSULTANTS CO., LTD.	NAME	SIGNATURE	DATE	DRAWING TITLE GENERAL VIEW OF P1 PIER	PACKAGE 1 DWG No. P1-PB-2011	
				PREPARED BY	M. OHYAMA	大山 満弘			15 Jun.2017
				CHECKED BY	T. HAYAKAWA	平川 知寿			20 Jun.2017
				APPROVED BY	Y. SANO	佐野 祐一			21 Jun.2017

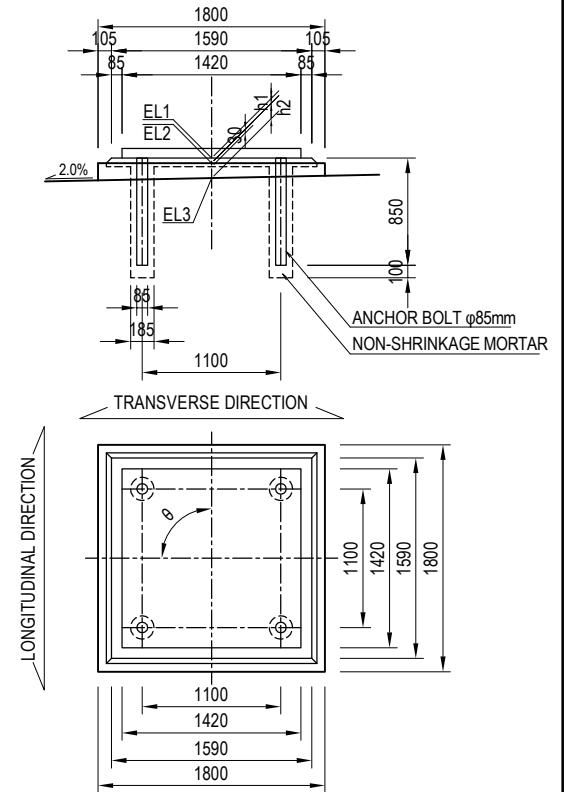
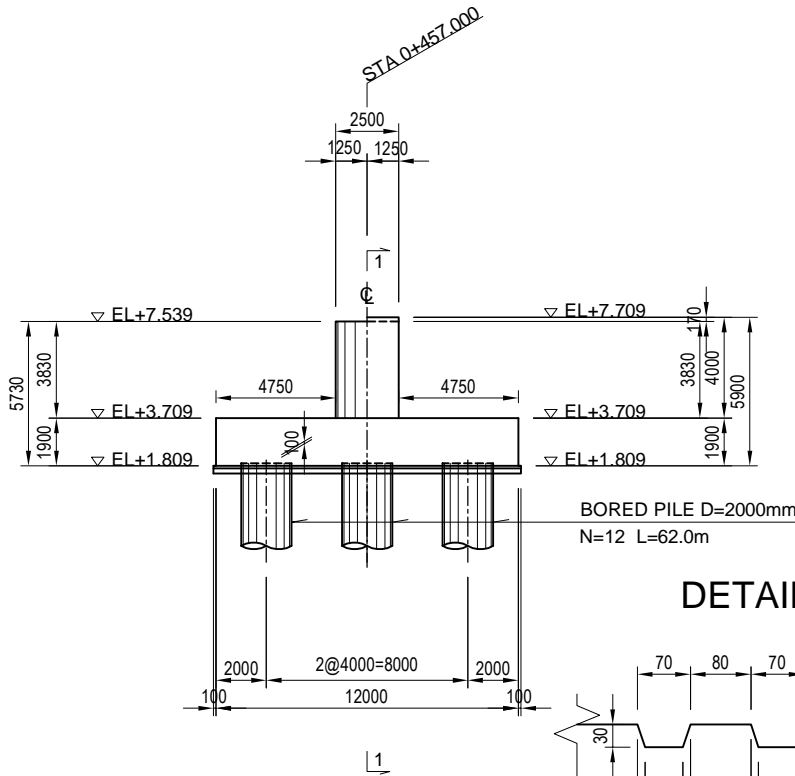
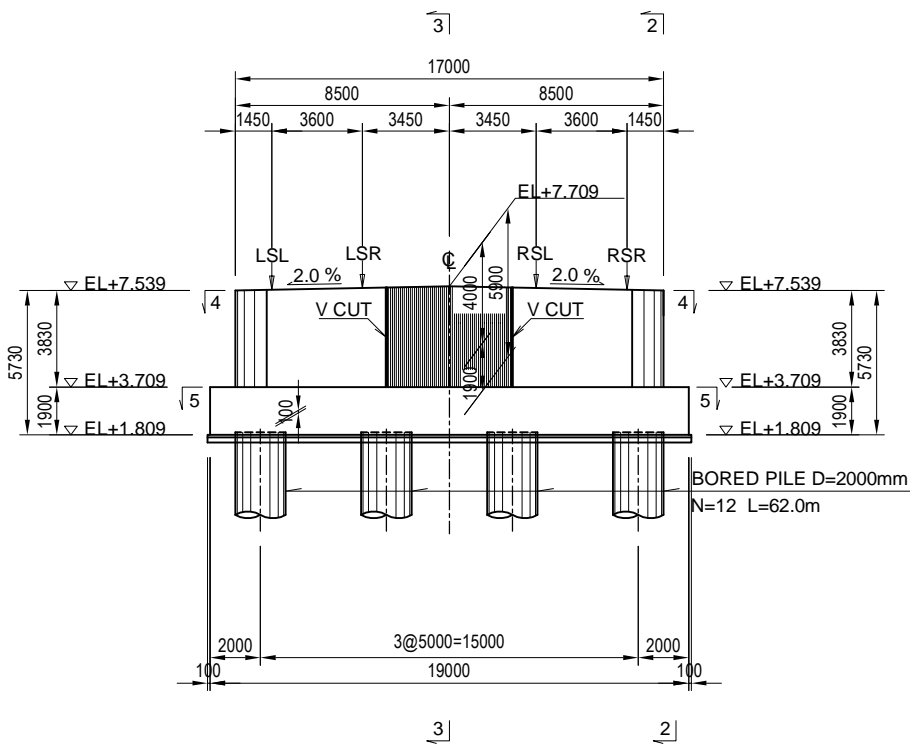
GENERAL VIEW OF P2 PIER

S = 1:300

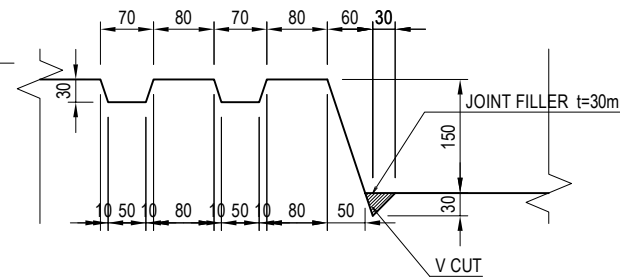
FRONT VIEW
1-1

SIDE VIEW
2-2 3-3

DETAIL OF BEARING S = 1:60



DETAIL "A" S = 1:10

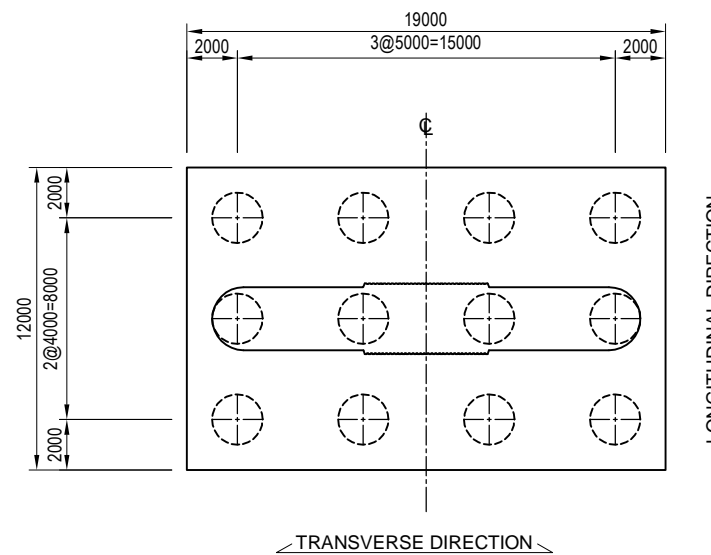
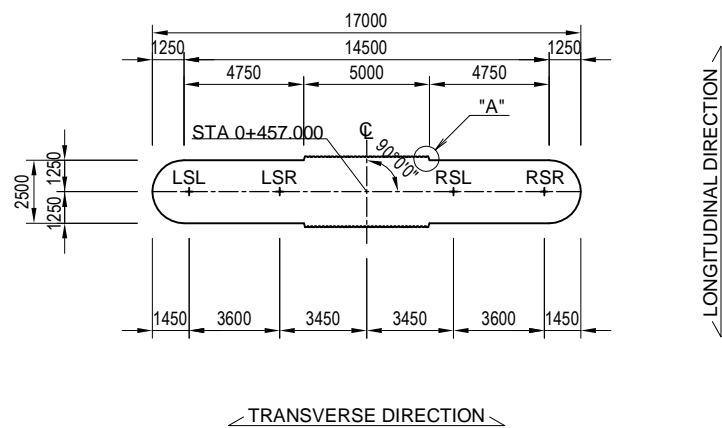
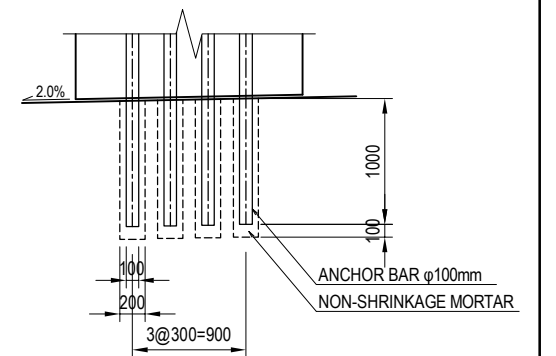


Unit : m	LSL	LSR	RSL	RSR
EL1	7.728	7.800	7.800	7.728
EL2	7.688	7.760	7.760	7.688
EL3	7.568	7.640	7.640	7.568
h1	0.040	0.040	0.040	0.040
h2	0.120	0.120	0.120	0.120
θ	90d0'0"	90d0'0"	90d0'0"	90d0'0"

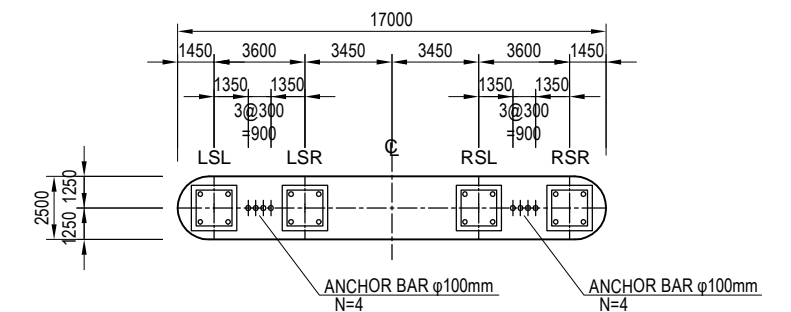
PLAN VIEW
4-4

PILE ARRANGEMENT
5-5

DETAIL OF ANCHOR BAR S = 1:60



ARRANGEMENT OF BRIDGE SEAT



NOTE : 1. V-cut passes with joint filler shall be made on abutment wall. The V-cut passes shall be continued from a front side surface to a back side surface.
2. Regardless of existences of indications on the Drawings, baseplates of bridge bearings shall be embedded into leveling mortar by 10 mm and the leveling mortar shall be embedded into concrete pedestal or top surface of substructures by 30 mm.

PROJECT NAME	FINANCED BY	COUNTERPART	JICA STUDY TEAM	NAME	SIGNATURE	DATE	DRAWING TITLE	PACKAGE
DETAILED DESIGN ON BAGO RIVER BRIDGE CONSTRUCTION PROJECT	JICA JAPAN INTERNATIONAL COOPERATION AGENCY	REPUBLIC OF THE UNION OF MYANMAR MINISTRY OF CONSTRUCTION DEPARTMENT OF BRIDGE	NIPPON KOEI CO., LTD. ORIENTAL CONSULTANTS GLOBAL CO., LTD. METROPOLITAN EXPRESSWAY COMPANY LIMITED CHODAI CO., LTD. NIPPON ENGINEERING CONSULTANTS CO., LTD.	M. OHYAMA	大山 満弘	15 Jun.2017	GENERAL VIEW OF P2 PIER	1
				T. HAYAKAWA	平川 知寿	20 Jun.2017		DWG No.
				Y. SANO	佐野 祐一	21 Jun.2017		P1-PB-2021

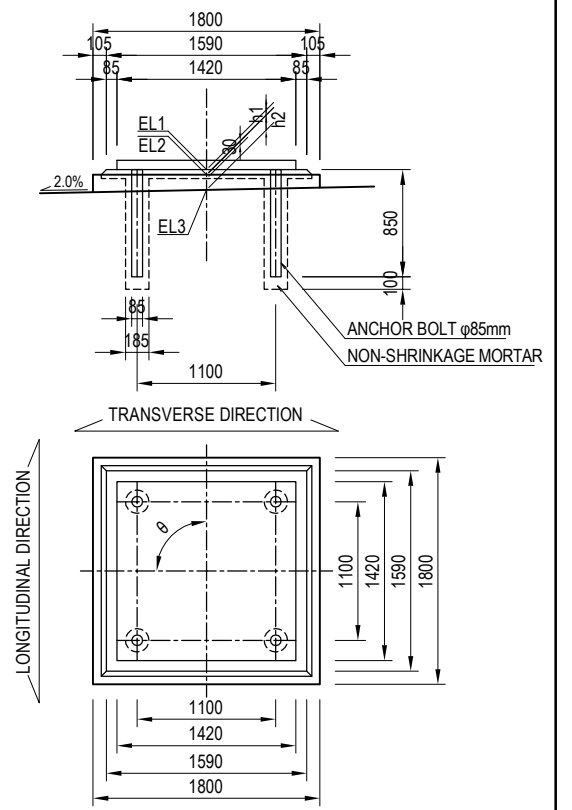
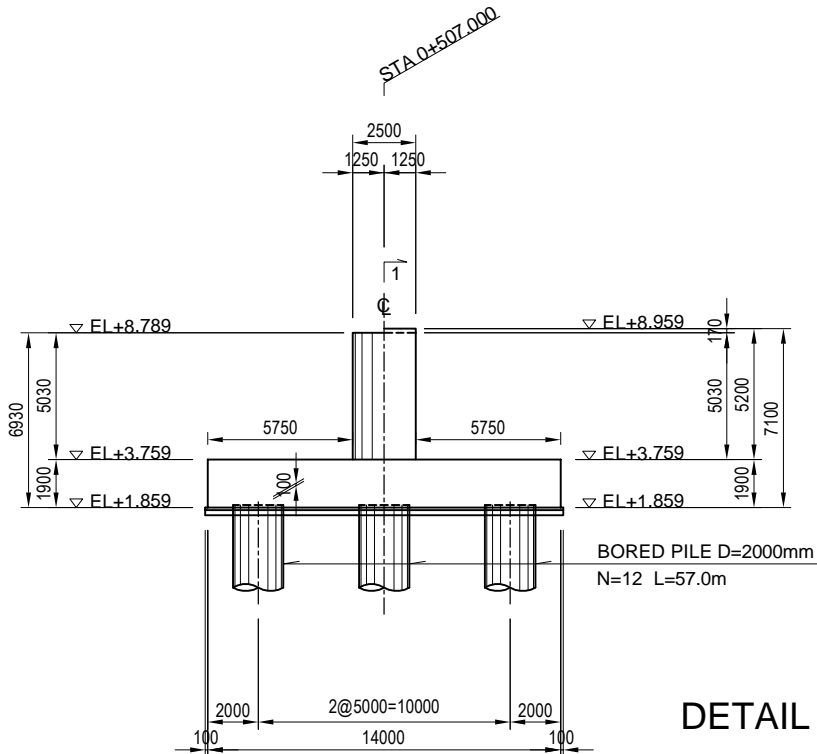
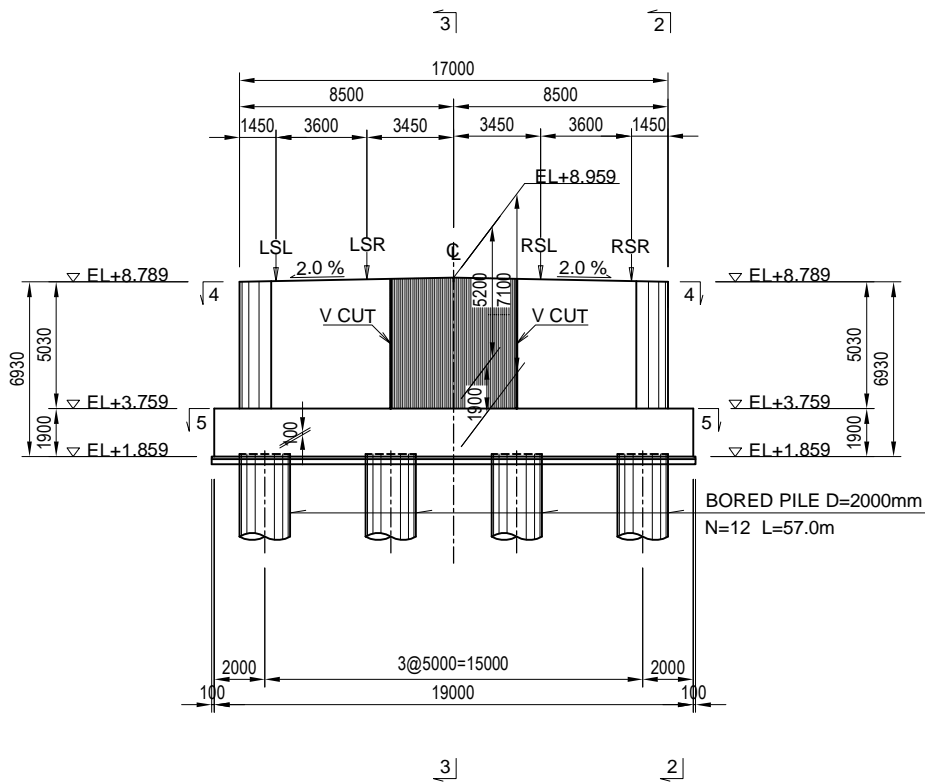
GENERAL VIEW OF P3 PIER

S = 1:300

DETAIL OF BEARING S = 1:60

FRONT VIEW
1 - 1

SIDE VIEW
2 - 2 3 - 3



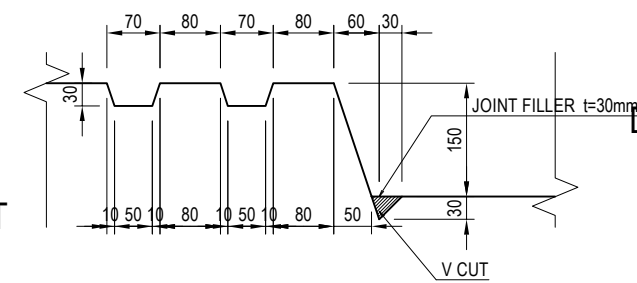
H.H.W.L +4.990(100Yr)
DESIGN GL +4.300
EXISTING GL +3.156
MSL +0.000

DETAIL "A" S = 1:10

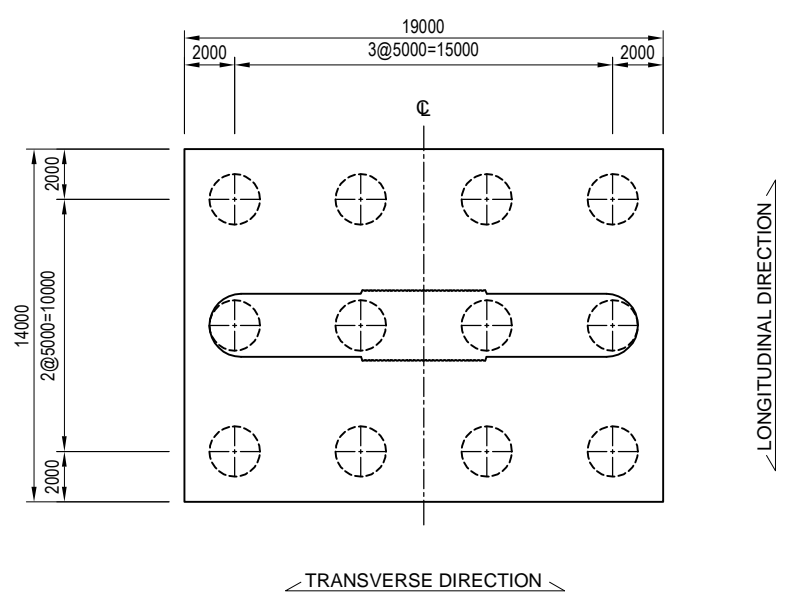
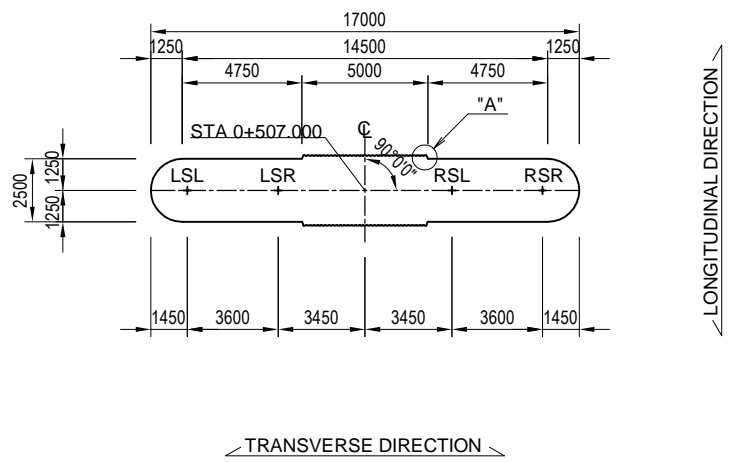
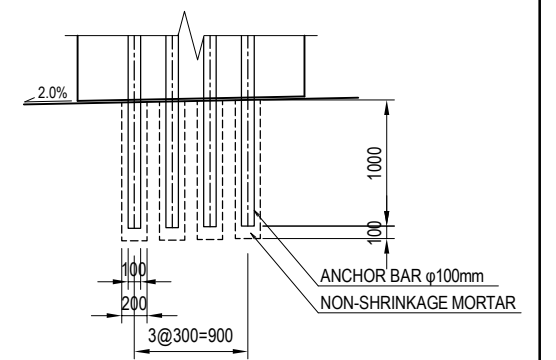
Unit : m	LSL	LSR	RSL	RSR
EL1	8.978	9.050	9.050	8.978
EL2	8.938	9.010	9.010	8.938
EL3	8.818	8.890	8.890	8.818
h1	0.040	0.040	0.040	0.040
h2	0.120	0.120	0.120	0.120
θ	90d0°0"	90d0°0"	90d0°0"	90d0°0"

PLAN VIEW
4 - 4

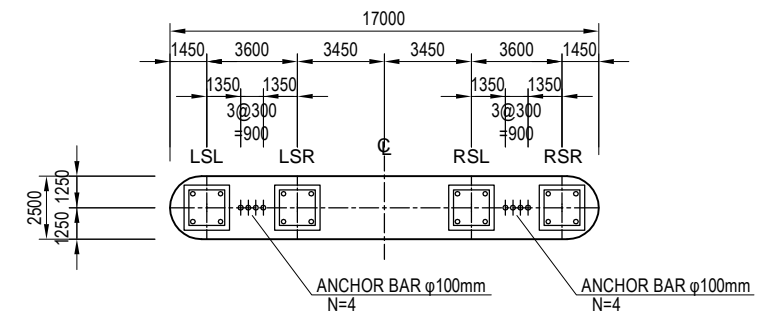
PILE ARRANGEMENT
5 - 5



DETAIL OF ANCHOR BAR S = 1:60



ARRANGEMENT OF BRIDGE SEAT



NOTE : 1.V-cut passes with joint filler shall be made on abutment wall. The V-cut passes shall be continued from a front side surface to a back side surface.
2.Regardless of existences of indications on the Drawings,baseplates of bridge bearings shall be embedded into leveling mortar by 10 mm and the leveling mortar shall be embedded into concrete pedestal or top surface of substructures by 30 mm.

PROJECT NAME DETAILED DESIGN ON BAGO RIVER BRIDGE CONSTRUCTION PROJECT	FINANCED BY JAPAN INTERNATIONAL COOPERATION AGENCY	COUNTERPART REPUBLIC OF THE UNION OF MYANMAR MINISTRY OF CONSTRUCTION DEPARTMENT OF BRIDGE	JICA STUDY TEAM NIPPON KOEI CO., LTD. ORIENTAL CONSULTANTS GLOBAL CO., LTD. METROPOLITAN EXPRESSWAY COMPANY LIMITED CHODAI CO., LTD. NIPPON ENGINEERING CONSULTANTS CO., LTD.	NAME	SIGNATURE	DATE	DRAWING TITLE	PACKAGE	
				PREPARED BY	M. OHYAMA	大山 満弘			15 Jun.2017
				CHECKED BY	T. HAYAKAWA	平川 知寿			20 Jun.2017
				APPROVED BY	Y. SANO	佐野 祐一			21 Jun.2017
							GENERAL VIEW OF P3 PIER	1	
								DWG No.	
								P1-PB-2031	

GENERAL VIEW OF P4 PIER

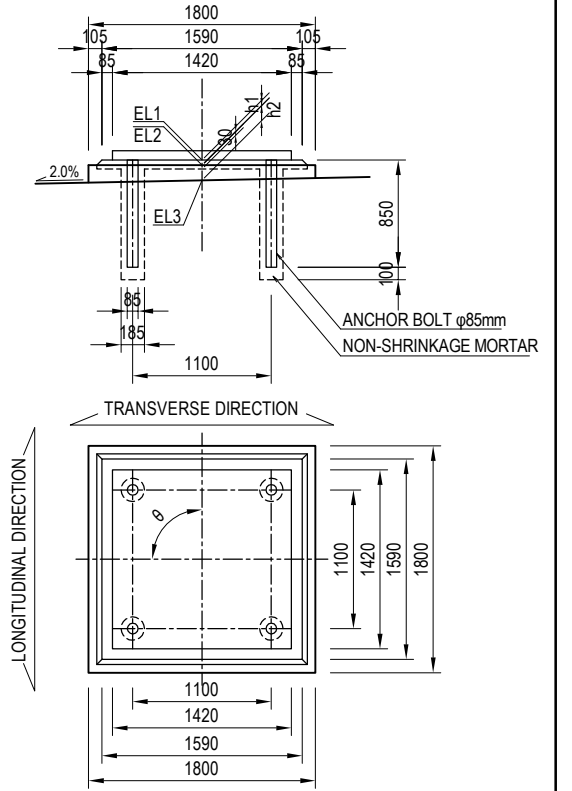
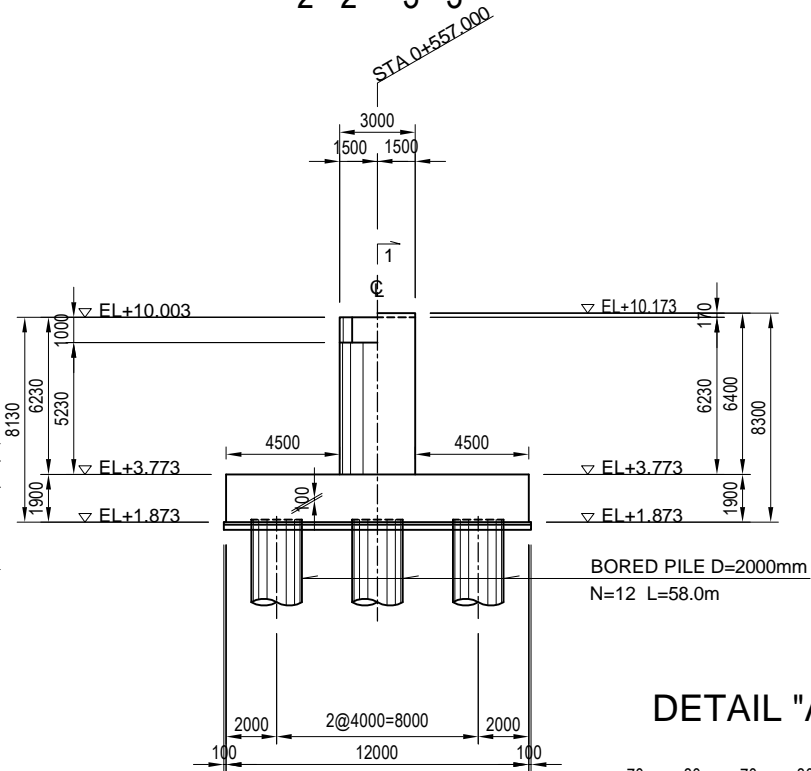
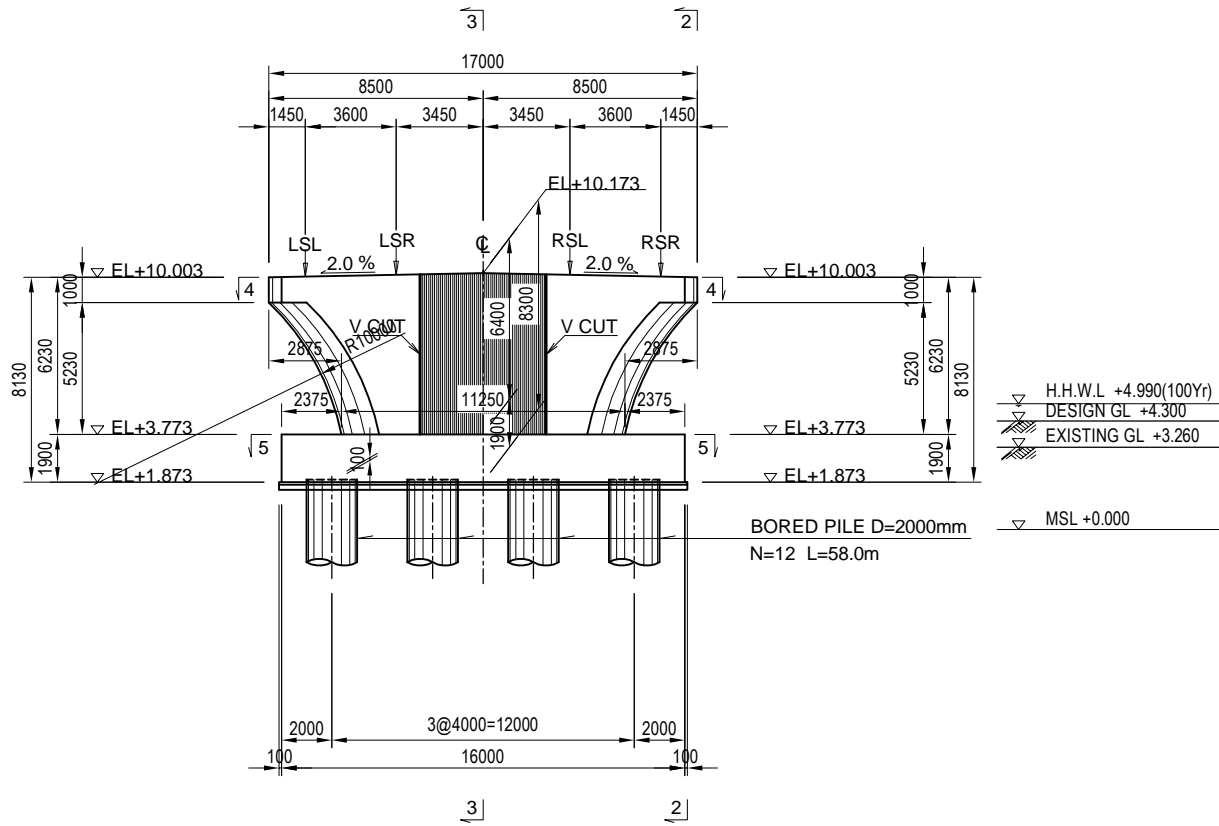
S = 1:300

DETAIL OF BEARING S = 1:60

S = 1:60

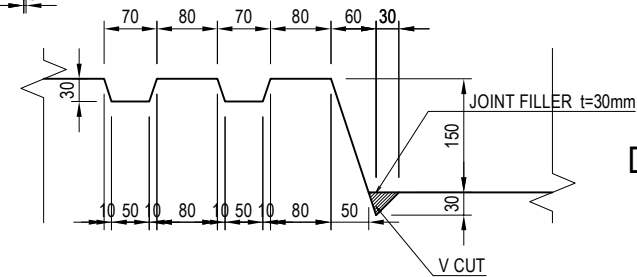
FRONT VIEW 1-1

SIDE VIEW 2-2 3-3



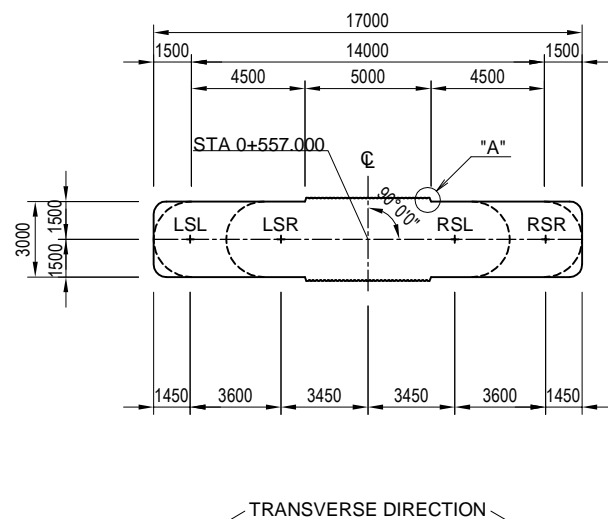
DETAIL "A" S = 1:10

S = 1:10

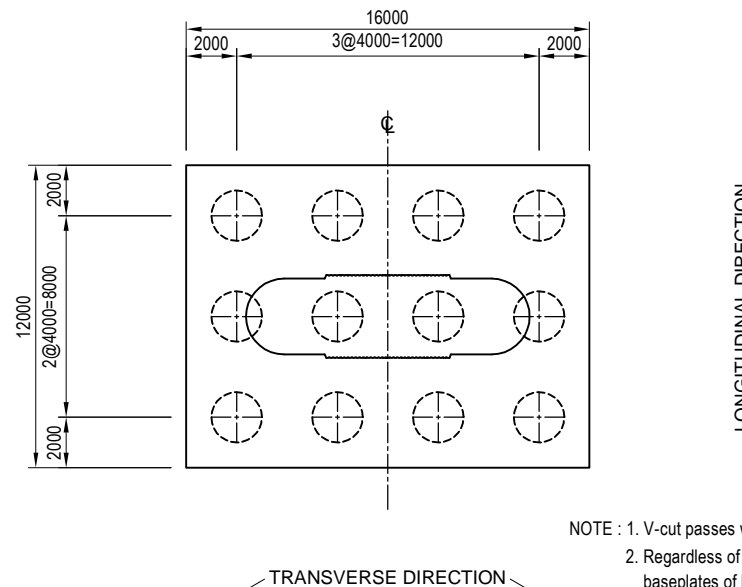


Unit : m	LSL	LSR	RSL	RSR
EL1	10.192	10.264	10.264	10.192
EL2	10.152	10.224	10.224	10.152
EL3	10.032	10.104	10.104	10.032
h1	0.040	0.040	0.040	0.040
h2	0.120	0.120	0.120	0.120
e	90d'0"	90d'0"	90d'0"	90d'0"

PLAN VIEW 4-4

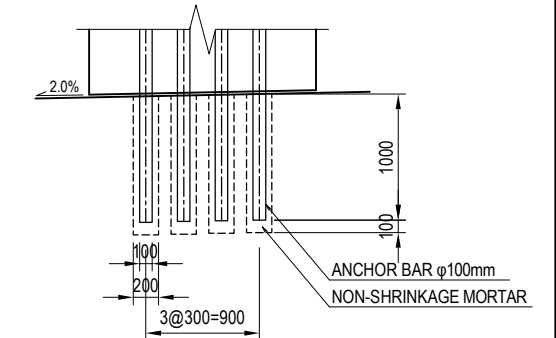


PILE ARRANGEMENT 5-5

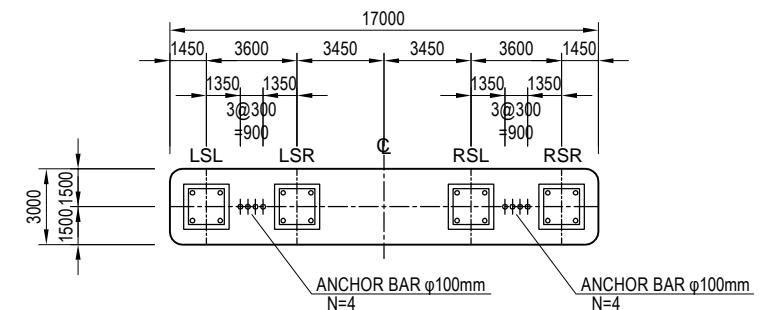


DETAIL OF ANCHOR BAR S = 1:60

S = 1:60



ARRANGEMENT OF BRIDGE SEAT



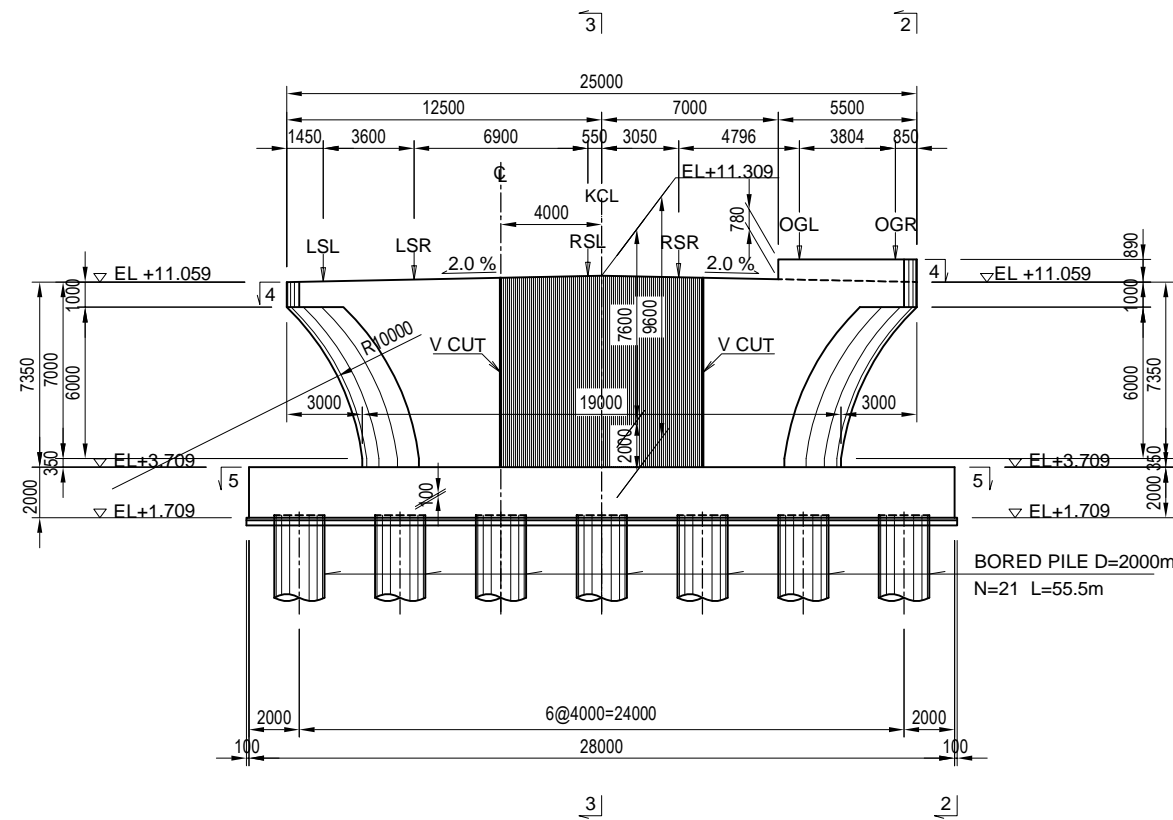
NOTE : 1. V-cut passes with joint filler shall be made on abutment wall. The V-cut passes shall be continued from a front side surface to a back side surface.
 2. Regardless of existences of indications on the Drawings, baseplates of bridge bearings shall be embedded into leveling mortar by 10 mm and the leveling mortar shall be embedded into concrete pedestal or top surface of substructures by 30 mm.

PROJECT NAME DETAILED DESIGN ON BAGO RIVER BRIDGE CONSTRUCTION PROJECT	FINANCED BY JICA JAPAN INTERNATIONAL COOPERATION AGENCY	COUNTERPART REPUBLIC OF THE UNION OF MYANMAR MINISTRY OF CONSTRUCTION DEPARTMENT OF BRIDGE	JICA STUDY TEAM NIPPON KOEI CO., LTD. ORIENTAL CONSULTANTS GLOBAL CO., LTD. METROPOLITAN EXPRESSWAY COMPANY LIMITED CHODAI CO., LTD. NIPPON ENGINEERING CONSULTANTS CO., LTD.	NAME	SIGNATURE	DATE	DRAWING TITLE GENERAL VIEW OF P4 PIER	PACKAGE 1 DWG No. P1-PB-2041	
				PREPARED BY	M. OHYAMA	大山 満弘			15 Jun.2017
				CHECKED BY	T. HAYAKAWA	平川 知寿			20 Jun.2017
				APPROVED BY	Y. SANO	佐野 祐一			21 Jun.2017

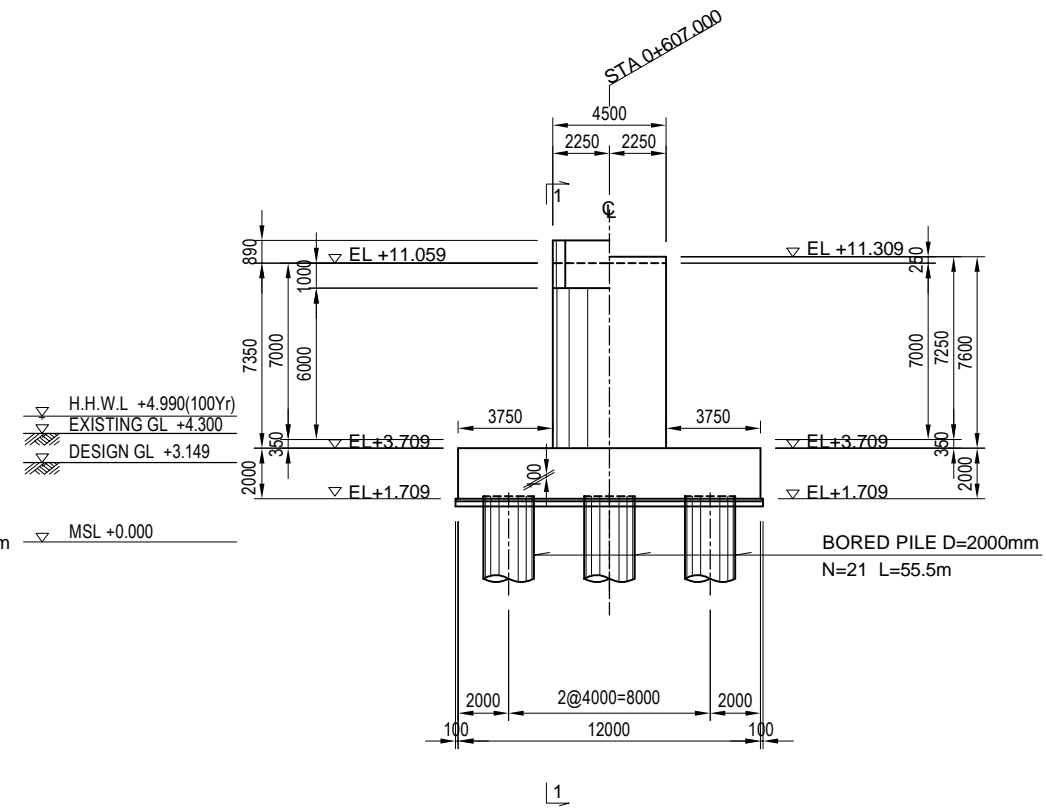
GENERAL VIEW OF P5 PIER(1)

S=1:300

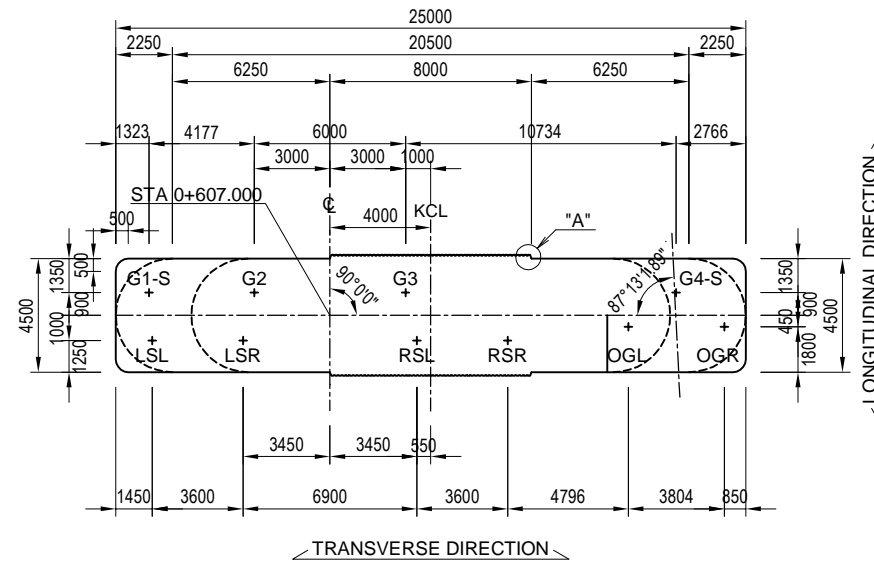
FRONT VIEW
1-1



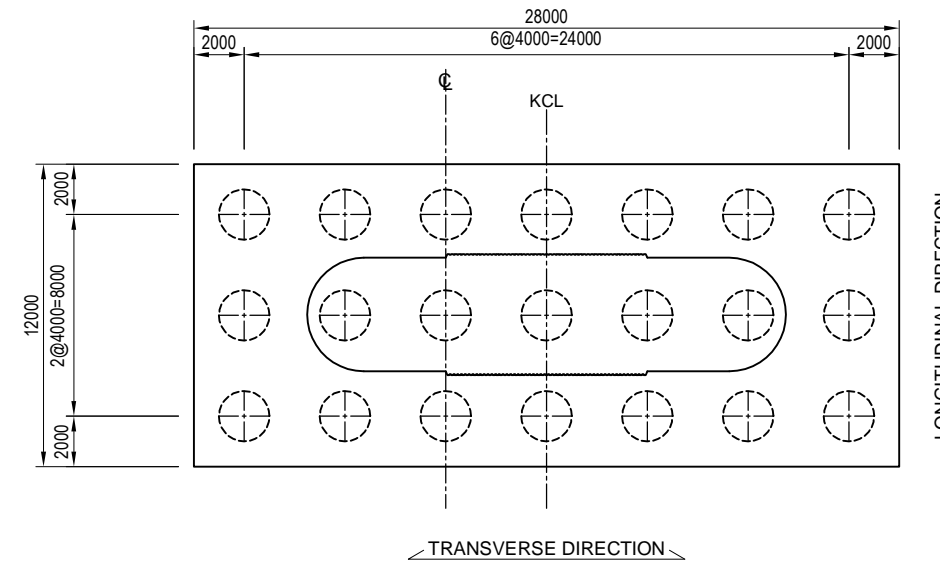
SIDE VIEW
2-2 3-3



PLAN VIEW
4-4



PILE ARRANGEMENT
5-5



PROJECT NAME
DETAILED DESIGN ON
BAGO RIVER BRIDGE
CONSTRUCTION PROJECT

FINANCED BY
JICA
JAPAN INTERNATIONAL
COOPERATION AGENCY

COUNTERPART
REPUBLIC OF THE UNION OF MYANMAR
MINISTRY OF CONSTRUCTION
DEPARTMENT OF BRIDGE

JICA STUDY TEAM
NIPPON KOEI CO., LTD.
ORIENTAL CONSULTANTS GLOBAL CO., LTD.
METROPOLITAN EXPRESSWAY COMPANY LIMITED
CHODAI CO., LTD.
NIPPON ENGINEERING CONSULTANTS CO., LTD.

	NAME	SIGNATURE	DATE
PREPARED BY	M. OHYAMA	大山 満弘	15 Jun.2017
CHECKED BY	T. HAYAKAWA	平川 知寿	20 Jun.2017
APPROVED BY	Y. SANO	佐野 祐一	21 Jun.2017

DRAWING TITLE
GENERAL VIEW OF P5 PIER(1)

PACKAGE
1
DWG No.
P1-PB-2051

GENERAL VIEW OF P5 PIER(2)

S=1:300

DETAIL OF BEARING S =1:60

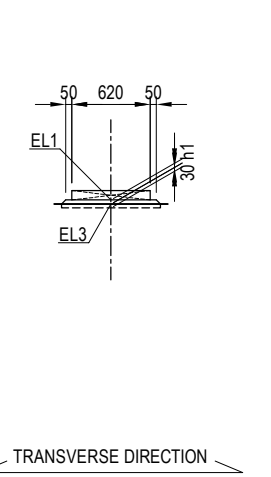
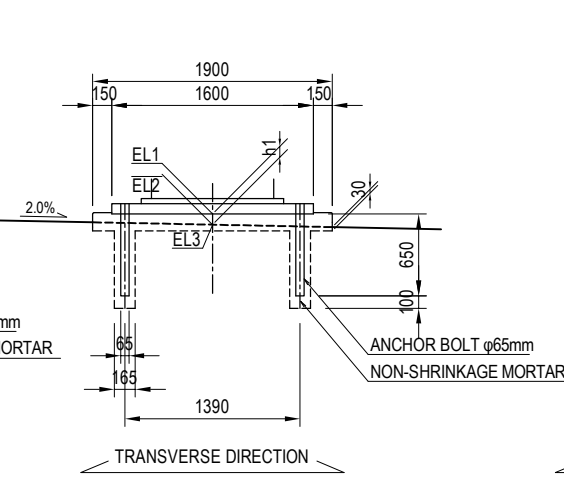
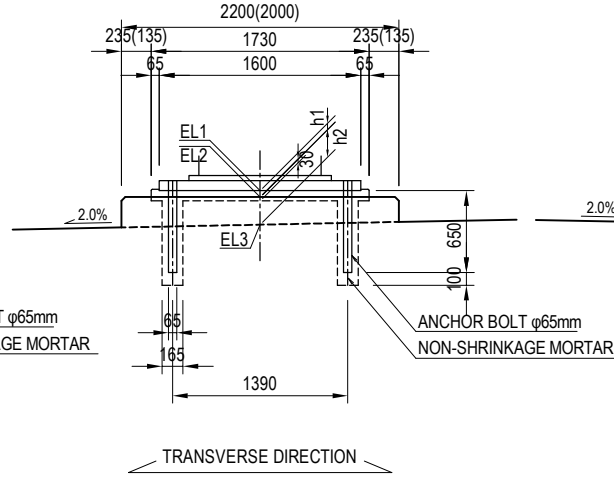
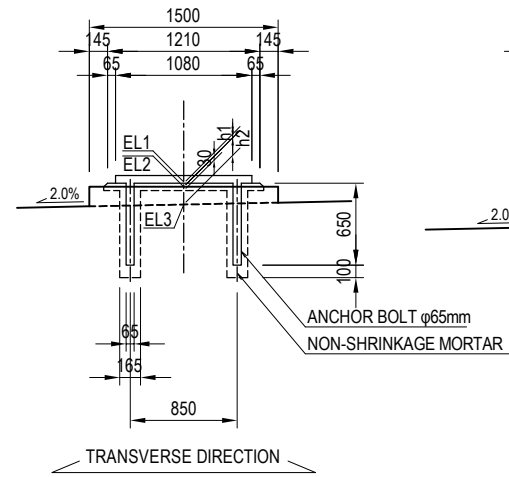
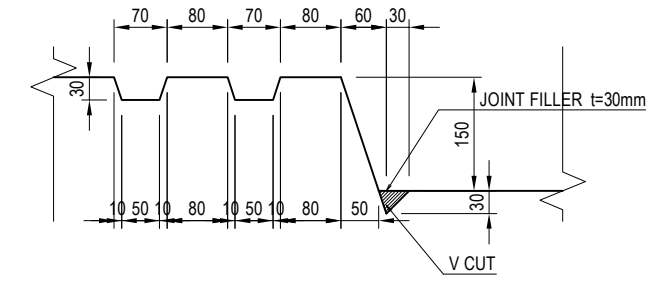
DETAIL "A" S =1:10

(LSL,LSR,RSL,RSR)

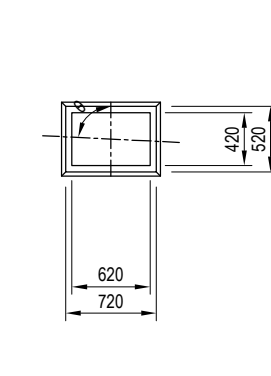
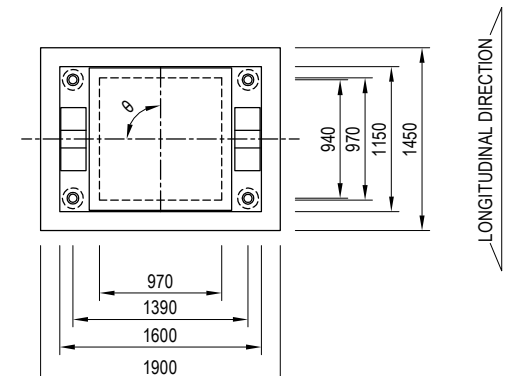
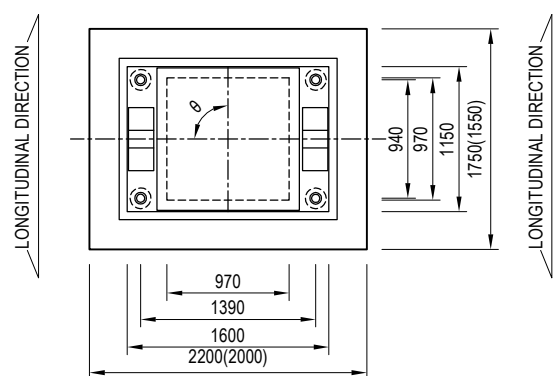
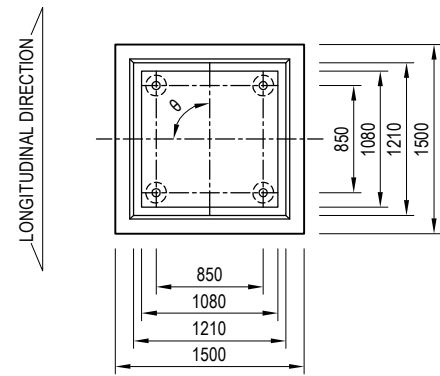
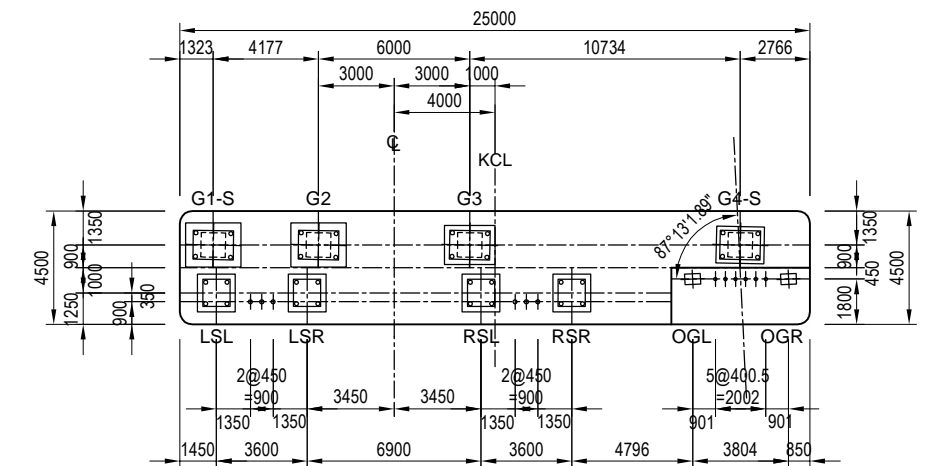
(G1-S,G2 (G3))

(G4-S)

(OGL,OGR)



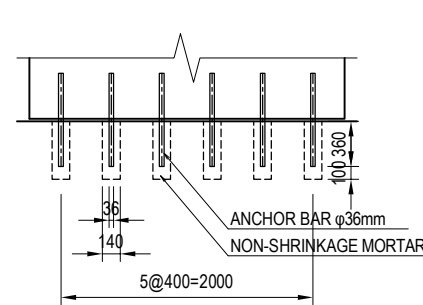
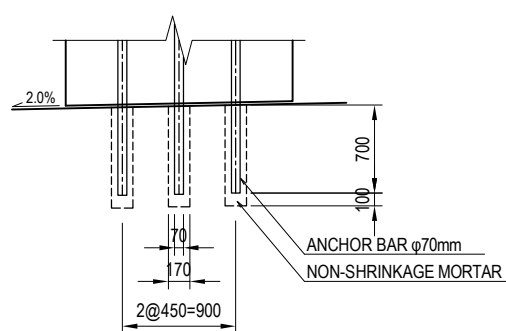
ARRANGEMENT OF BRIDGE SEAT



DETAIL OF ANCHOR BAR S =1:60

(PC BOX)

(ON-RAMP)

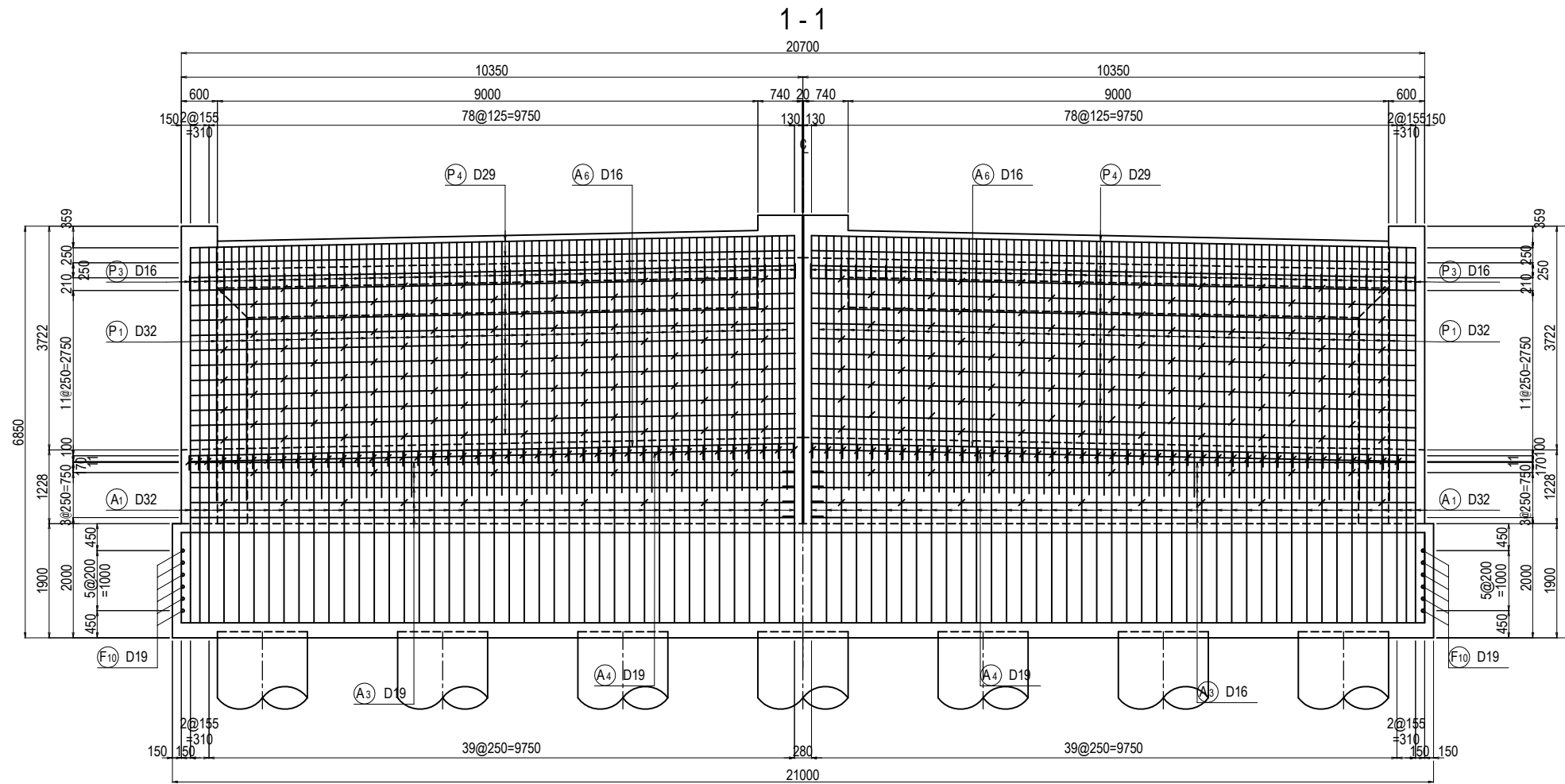


Unit : m	LSL	LSR	RSL	RSR	OGL	OGR	G1-S	G2	G3	G4-S
EL1	11.384	11.456	11.456	11.384	11.986	11.981	11.335	11.424	11.424	11.200
EL2	11.338	11.410	11.418	11.348			11.305	11.389	11.389	11.114
EL3	11.088	11.160	11.298	11.248	11.949	11.949	11.085	11.169	11.289	11.114
h1	0.046	0.046	0.038	0.036	0.037	0.032	0.030	0.035	0.035	0.086
h2	0.250	0.250	0.120	0.100			0.220	0.220	0.100	0.000
θ	90d0'0"	90d0'0"	90d0'0"	90d0'0"	87d13'1.89"	87d13'1.89"	91d6'42"	91d6'42"	91d6'42"	91d6'42"

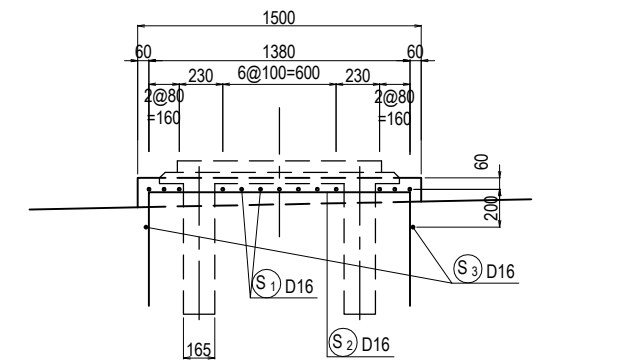
- NOTE : 1. V-cut passes with joint filler shall be made on abutment wall.
The V-cut passes shall be continued from a front side surface to a back side surface.
2. Regardless of existences of indications on the Drawings, baseplates of bridge bearings shall be embedded into leveling mortar by 10 mm and the leveling mortar shall be embedded into concrete pedestal or top surface of substructures by 30 mm.

PROJECT NAME DETAILED DESIGN ON BAGO RIVER BRIDGE CONSTRUCTION PROJECT	FINANCED BY jica JAPAN INTERNATIONAL COOPERATION AGENCY	COUNTERPART REPUBLIC OF THE UNION OF MYANMAR MINISTRY OF CONSTRUCTION DEPARTMENT OF BRIDGE	JICA STUDY TEAM NIPPON KOEI CO., LTD. ORIENTAL CONSULTANTS GLOBAL CO., LTD. METROPOLITAN EXPRESSWAY COMPANY LIMITED CHODAI CO., LTD. NIPPON ENGINEERING CONSULTANTS CO., LTD.	NAME	SIGNATURE	DATE	DRAWING TITLE GENERAL VIEW OF P5 PIER(2)	PACKAGE	
				PREPARED BY	M. OHYAMA	大山 満弘		15 Jun.2017	1
				CHECKED BY	T. HAYAKAWA	平川 知寿		20 Jun.2017	DWG No.
				APPROVED BY	Y. SANO	佐野 祐一		21 Jun.2017	P1-PB-2052

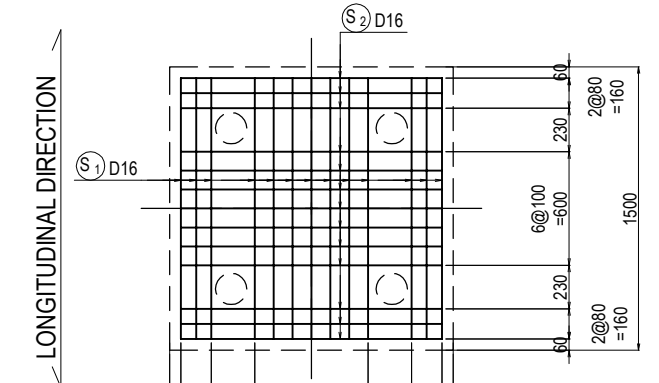
BAR ARRANGEMENT OF A1 ABUTMENT(2) S=1:100



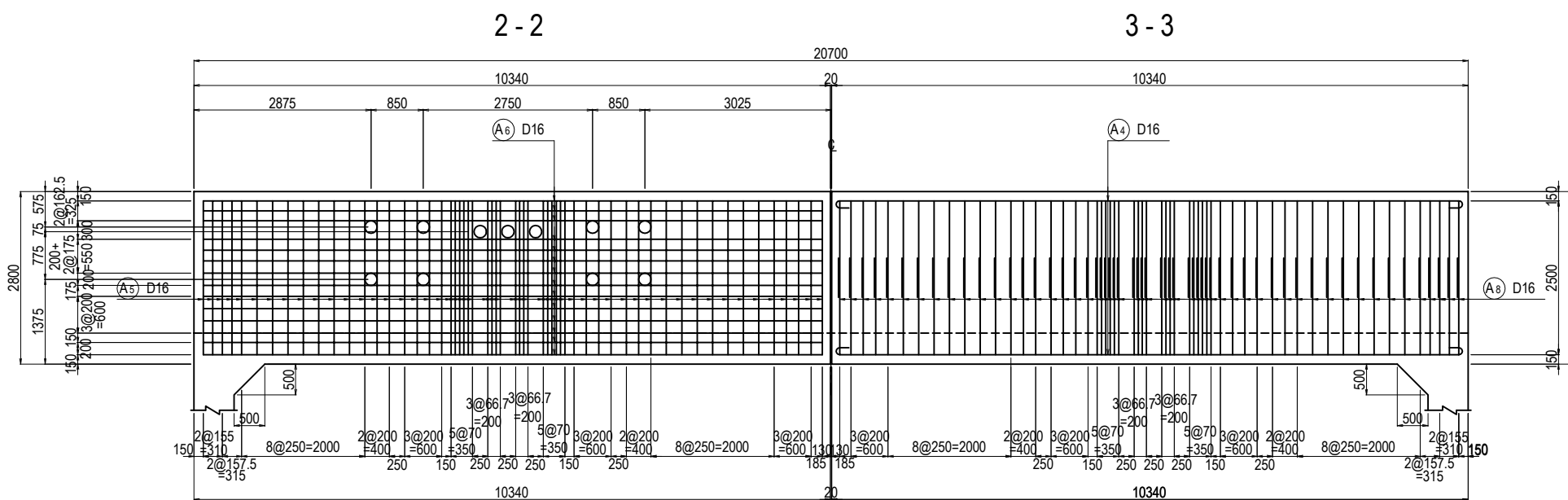
BEARING BASE S=1:40



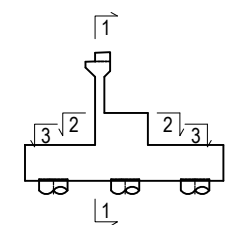
TRANSVERSE DIRECTION



LONGITUDINAL DIRECTION



KEY PLAN

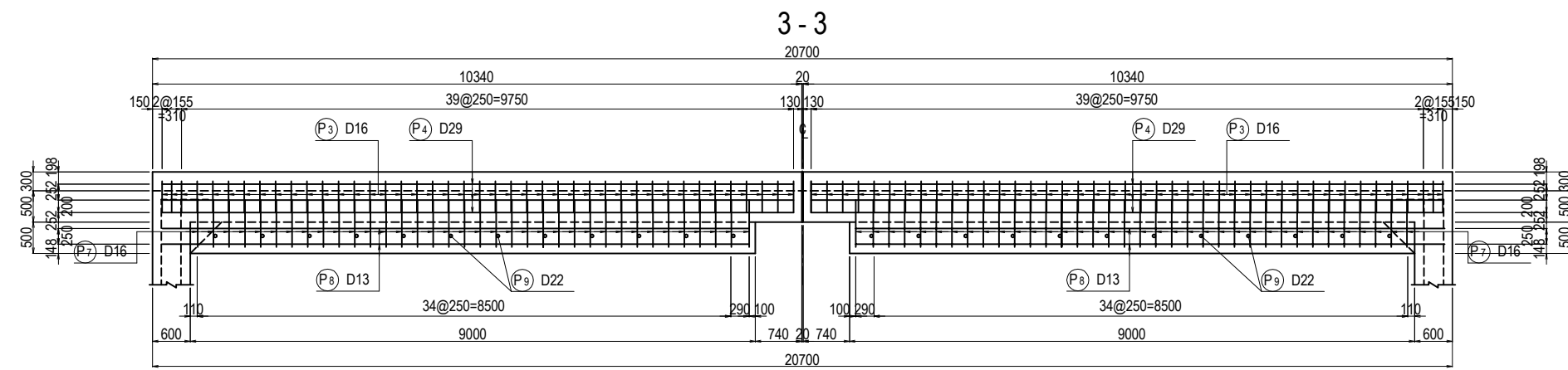
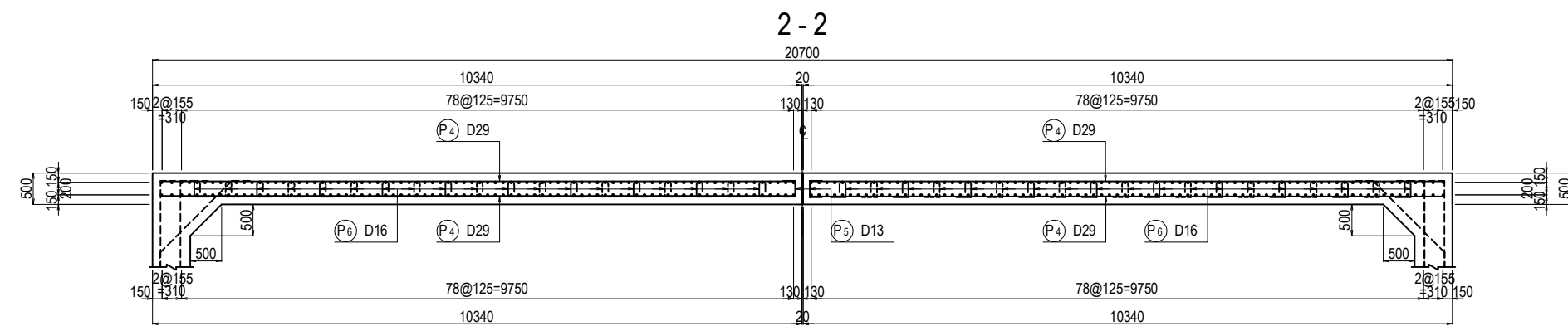
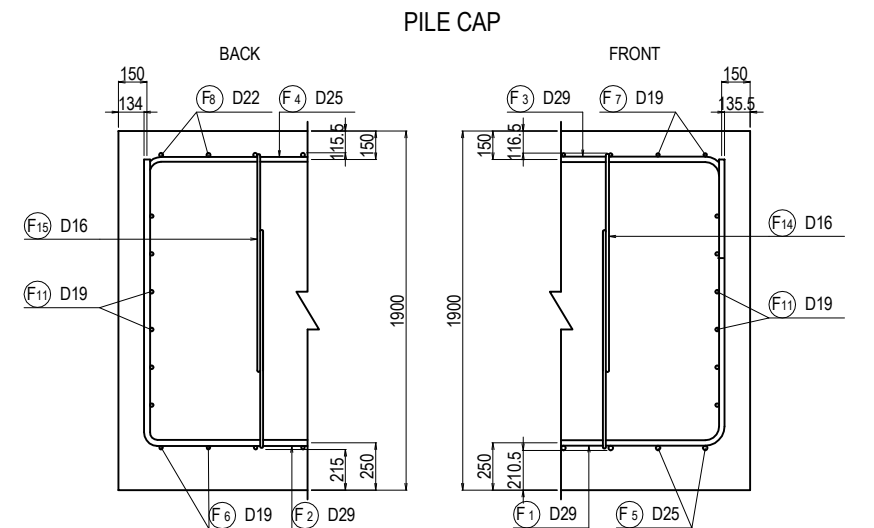
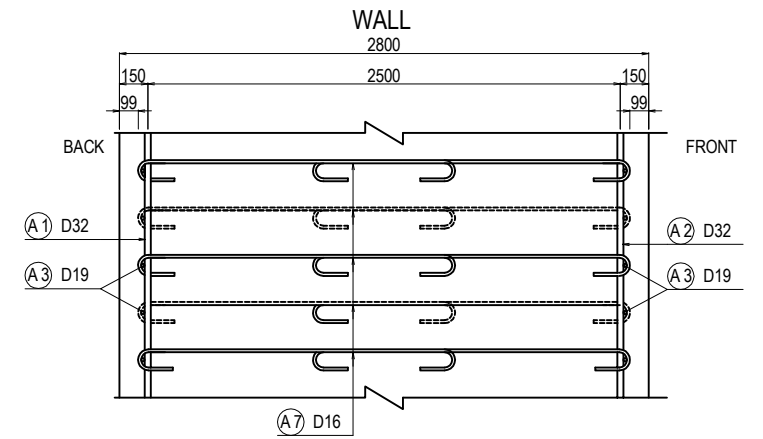
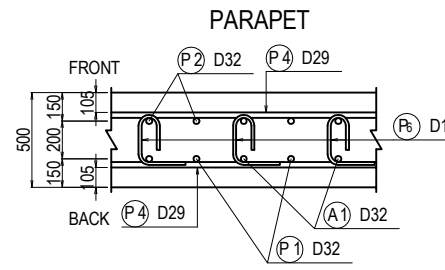
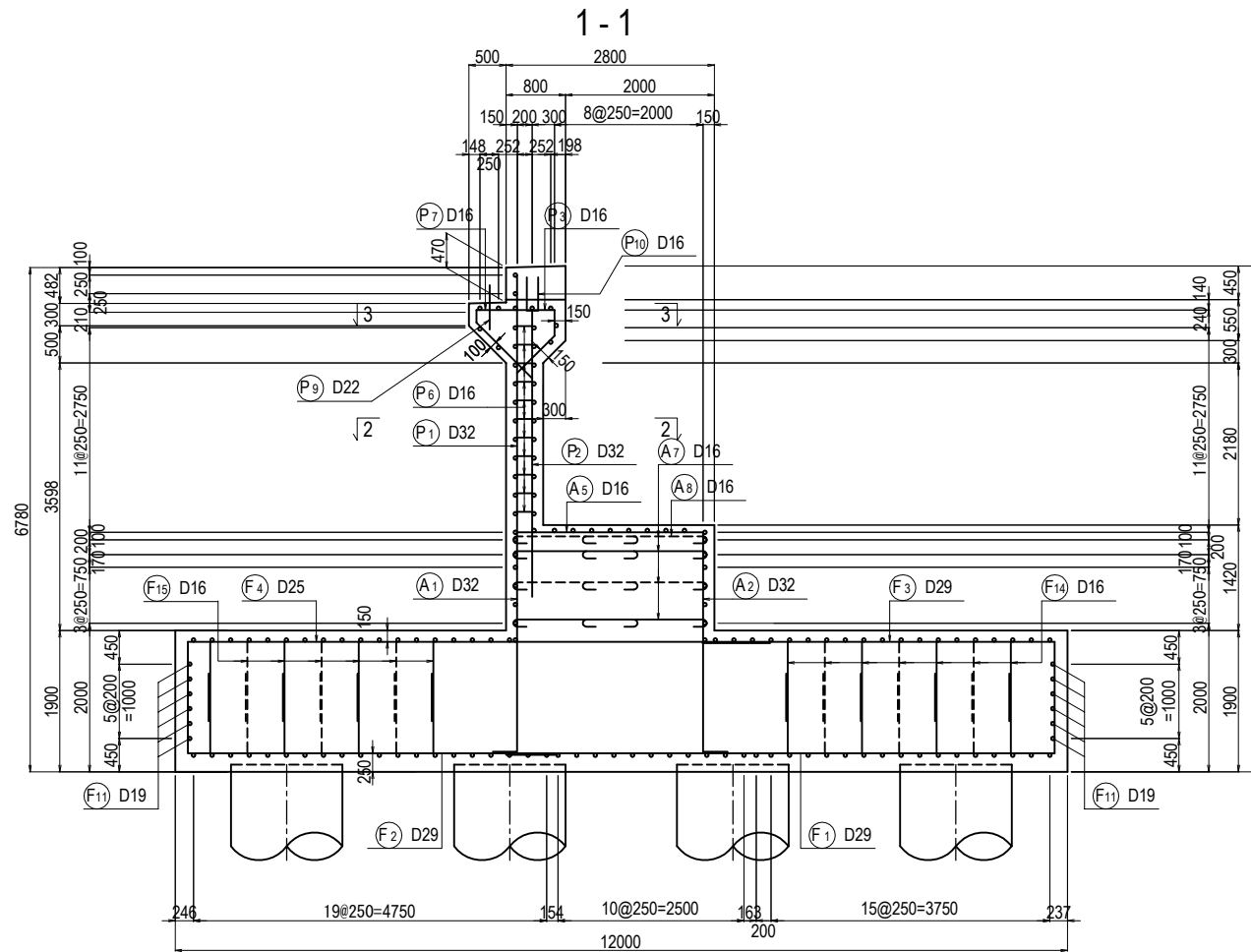


PROJECT NAME DETAILED DESIGN ON BAGO RIVER BRIDGE CONSTRUCTION PROJECT	FINANCED BY JAPAN INTERNATIONAL COOPERATION AGENCY	COUNTERPART REPUBLIC OF THE UNION OF MYANMAR MINISTRY OF CONSTRUCTION DEPARTMENT OF BRIDGE	JICA STUDY TEAM NIPPON KOEI CO., LTD. ORIENTAL CONSULTANTS GLOBAL CO., LTD. METROPOLITAN EXPRESSWAY COMPANY LIMITED CHODAI CO., LTD. NIPPON ENGINEERING CONSULTANTS CO., LTD.	NAME	SIGNATURE	DATE	DRAWING TITLE BAR ARRANGEMENT OF A1 ABUTMENT(2)	PACKAGE	
				PREPARED BY	M. OHYAMA			15 Jun.2017	1
				CHECKED BY	T. HAYAKAWA			20 Jun.2017	DWG No.
				APPROVED BY	Y. SANO			21 Jun.2017	P1-PB-2102

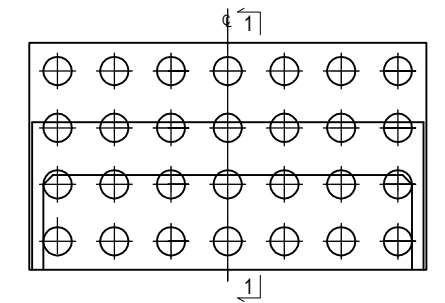
BAR ARRANGEMENT OF A1 ABUTMENT(3)

S=1:100

DETAIL S = 1:40

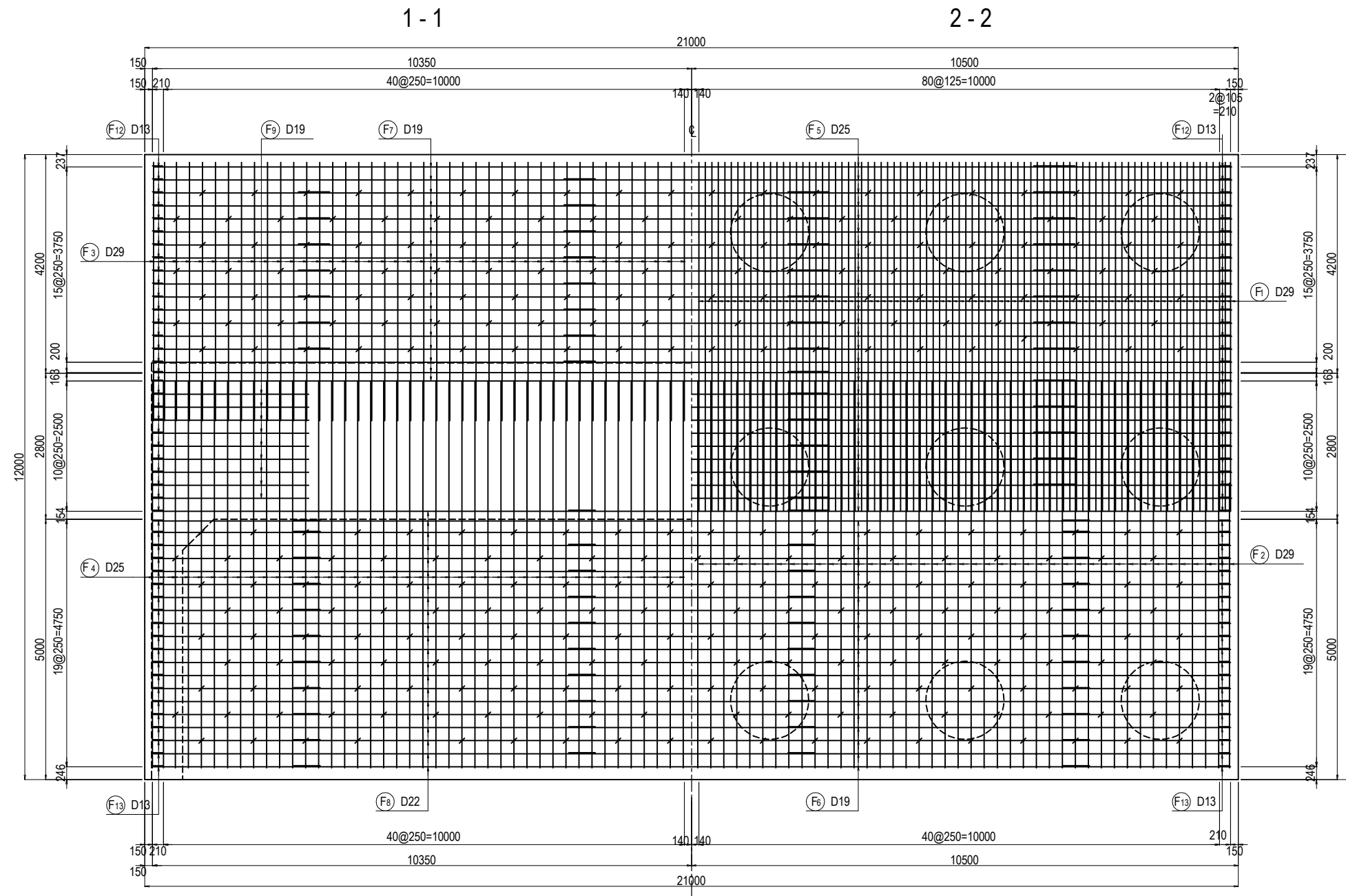


KEY PLAN

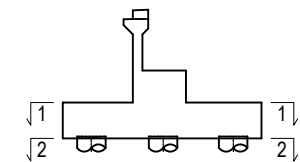


PROJECT NAME DETAILED DESIGN ON BAGO RIVER BRIDGE CONSTRUCTION PROJECT	FINANCED BY JAPAN INTERNATIONAL COOPERATION AGENCY	COUNTERPART REPUBLIC OF THE UNION OF MYANMAR MINISTRY OF CONSTRUCTION DEPARTMENT OF BRIDGE	JICA STUDY TEAM NIPPON KOEI CO., LTD. ORIENTAL CONSULTANTS GLOBAL CO., LTD. METROPOLITAN EXPRESSWAY COMPANY LIMITED CHODAI CO., LTD. NIPPON ENGINEERING CONSULTANTS CO., LTD.	NAME	SIGNATURE	DATE	DRAWING TITLE BAR ARRANGEMENT OF A1 ABUTMENT(3)	PACKAGE	
				PREPARED BY	M. OHYAMA			15 Jun.2017	DWG No.
				CHECKED BY	T. HAYAKAWA			20 Jun.2017	P1-PB-2103
				APPROVED BY	Y. SANO			21 Jun.2017	

BAR ARRANGEMENT OF A1 ABUTMENT(4) S=1:100

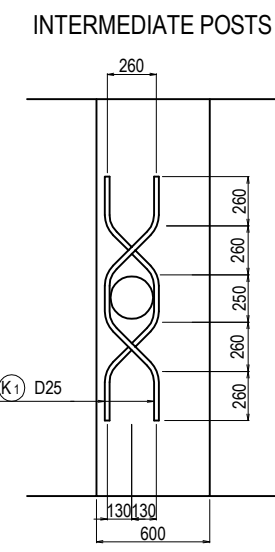
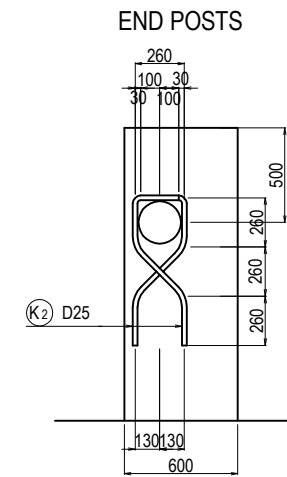
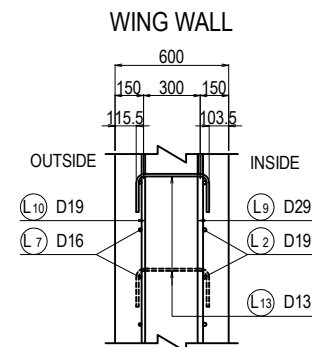
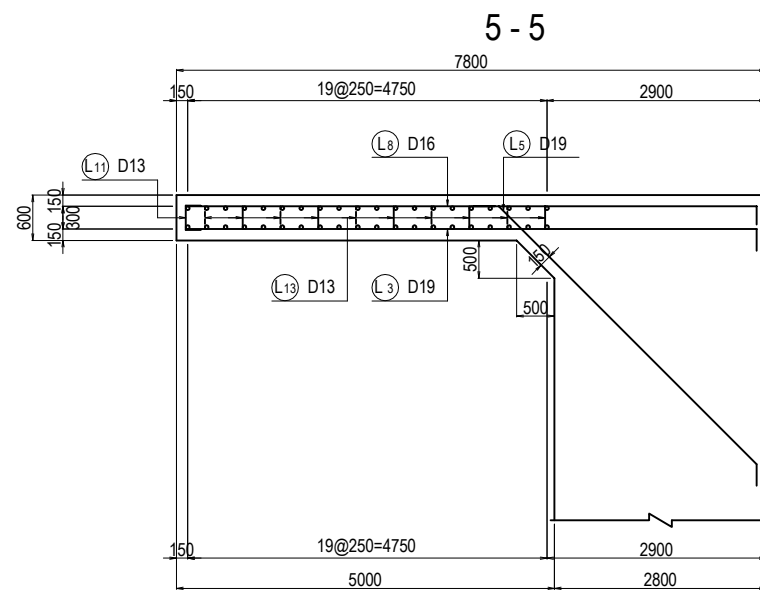
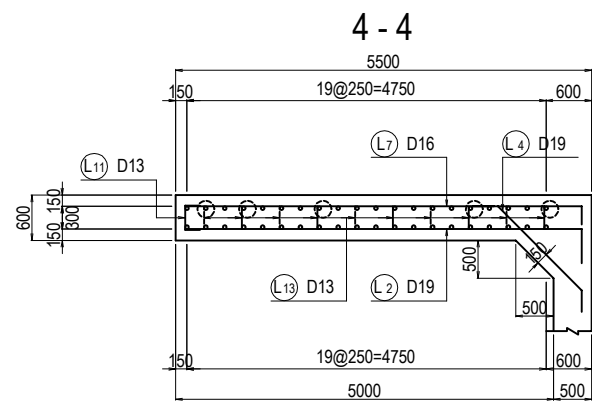
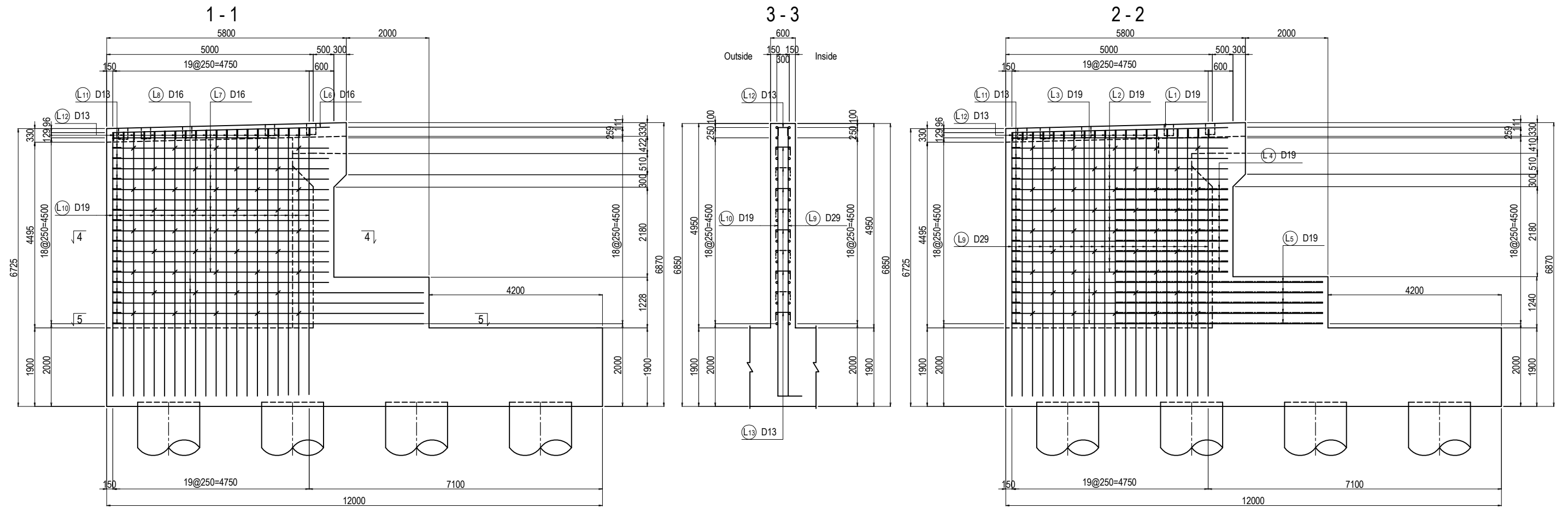


KEY PLAN

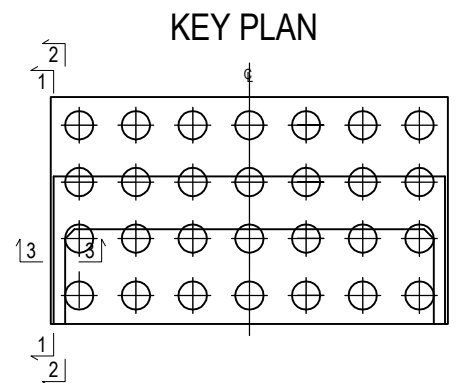
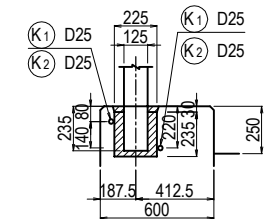


<small>PROJECT NAME</small> DETAILED DESIGN ON BAGO RIVER BRIDGE CONSTRUCTION PROJECT	<small>FINANCED BY</small> JAPAN INTERNATIONAL COOPERATION AGENCY	<small>COUNTERPART</small> REPUBLIC OF THE UNION OF MYANMAR MINISTRY OF CONSTRUCTION DEPARTMENT OF BRIDGE	<small>JICA STUDY TEAM</small> NIPPON KOEI CO., LTD. ORIENTAL CONSULTANTS GLOBAL CO., LTD. METROPOLITAN EXPRESSWAY COMPANY LIMITED CHODAI CO., LTD. NIPPON ENGINEERING CONSULTANTS CO., LTD.	<table border="1" style="width: 100%; border-collapse: collapse;"> <thead> <tr> <th style="width: 15%;"></th> <th style="width: 15%;">NAME</th> <th style="width: 15%;">SIGNATURE</th> <th style="width: 15%;">DATE</th> </tr> </thead> <tbody> <tr> <td>PREPARED BY</td> <td>M. OHYAMA</td> <td></td> <td>15 Jun.2017</td> </tr> <tr> <td>CHECKED BY</td> <td>T. HAYAKAWA</td> <td></td> <td>20 Jun.2017</td> </tr> <tr> <td>APPROVED BY</td> <td>Y. SANO</td> <td></td> <td>21 Jun.2017</td> </tr> </tbody> </table>		NAME	SIGNATURE	DATE	PREPARED BY	M. OHYAMA		15 Jun.2017	CHECKED BY	T. HAYAKAWA		20 Jun.2017	APPROVED BY	Y. SANO		21 Jun.2017	<small>DRAWING TITLE</small> BAR ARRANGEMENT OF A1 ABUTMENT(4)	<small>PACKAGE</small> 1 <small>DWG No.</small> P1-PB-2104
	NAME	SIGNATURE	DATE																			
PREPARED BY	M. OHYAMA		15 Jun.2017																			
CHECKED BY	T. HAYAKAWA		20 Jun.2017																			
APPROVED BY	Y. SANO		21 Jun.2017																			

BAR ARRANGEMENT OF A1 ABUTMENT(5) S=1:100

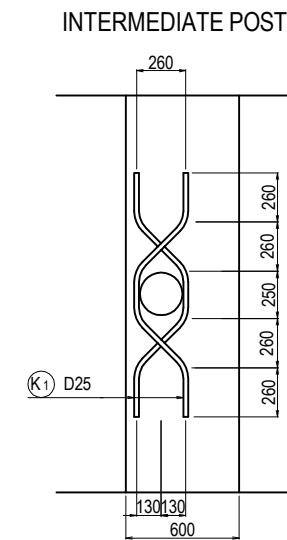
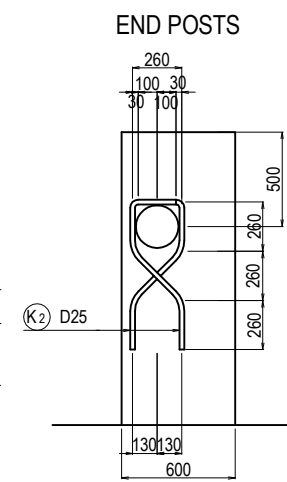
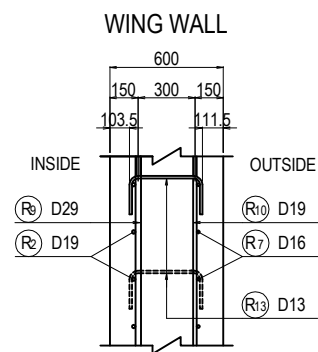
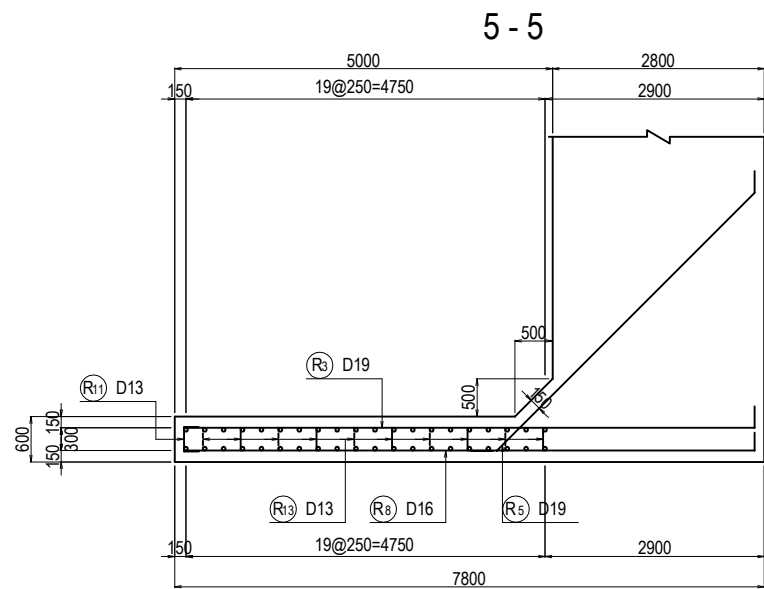
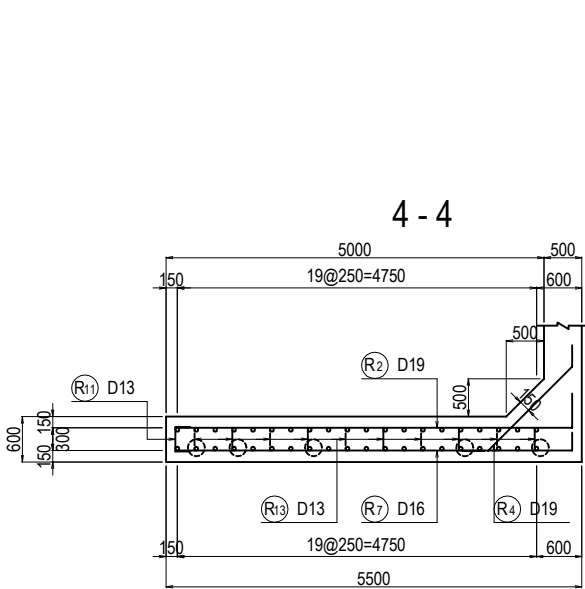
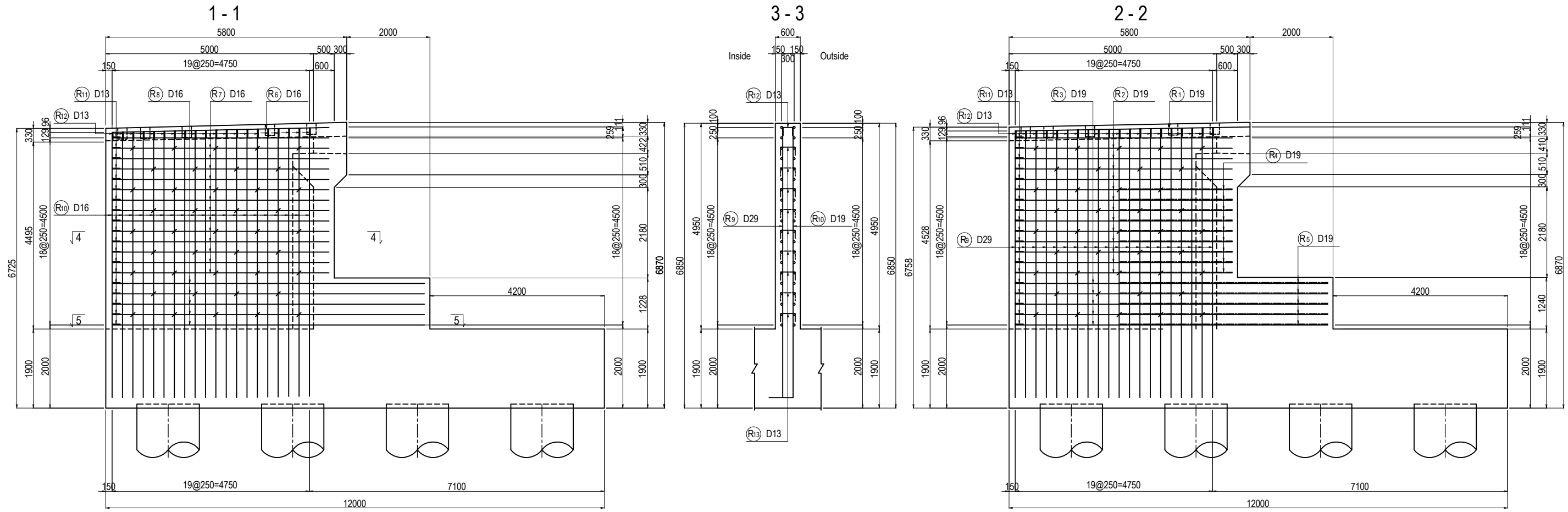


DETAIL OF REBAR FOR RAILING POST

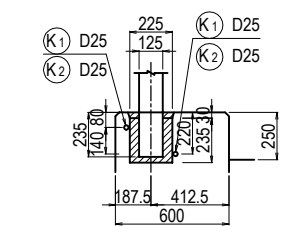


PROJECT NAME DETAILED DESIGN ON BAGO RIVER BRIDGE CONSTRUCTION PROJECT	FINANCED BY JAPAN INTERNATIONAL COOPERATION AGENCY	COUNTERPART REPUBLIC OF THE UNION OF MYANMAR MINISTRY OF CONSTRUCTION DEPARTMENT OF BRIDGE	JICA STUDY TEAM NIPPON KOEI CO., LTD. ORIENTAL CONSULTANTS GLOBAL CO., LTD. METROPOLITAN EXPRESSWAY COMPANY LIMITED CHODAI CO., LTD. NIPPON ENGINEERING CONSULTANTS CO., LTD.	<table border="1" style="width: 100%; border-collapse: collapse;"> <thead> <tr> <th>NAME</th> <th>SIGNATURE</th> <th>DATE</th> </tr> </thead> <tbody> <tr> <td>PREPARED BY</td> <td>M. OHYAMA</td> <td>15 Jun.2017</td> </tr> <tr> <td>CHECKED BY</td> <td>T. HAYAKAWA</td> <td>20 Jun.2017</td> </tr> <tr> <td>APPROVED BY</td> <td>Y. SANO</td> <td>21 Jun.2017</td> </tr> </tbody> </table>	NAME	SIGNATURE	DATE	PREPARED BY	M. OHYAMA	15 Jun.2017	CHECKED BY	T. HAYAKAWA	20 Jun.2017	APPROVED BY	Y. SANO	21 Jun.2017	DRAWING TITLE <h2 style="text-align: center;">BAR ARRANGEMENT OF A1 ABUTMENT(5)</h2>	PACKAGE 1 DWG No. P1-PB-2105
NAME	SIGNATURE	DATE																
PREPARED BY	M. OHYAMA	15 Jun.2017																
CHECKED BY	T. HAYAKAWA	20 Jun.2017																
APPROVED BY	Y. SANO	21 Jun.2017																

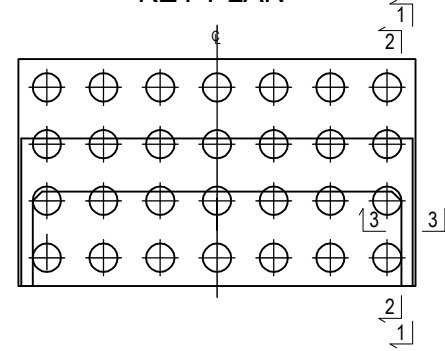
BAR ARRANGEMENT OF A1 ABUTMENT(6) S=1:100



DETAIL OF REBAR FOR RAILING POST



KEY PLAN



PROJECT NAME DETAILED DESIGN ON BAGO RIVER BRIDGE CONSTRUCTION PROJECT	FINANCED BY JAPAN INTERNATIONAL COOPERATION AGENCY	COUNTERPART REPUBLIC OF THE UNION OF MYANMAR MINISTRY OF CONSTRUCTION DEPARTMENT OF BRIDGE	JICA STUDY TEAM NIPPON KOEI CO., LTD. ORIENTAL CONSULTANTS GLOBAL CO., LTD. METROPOLITAN EXPRESSWAY COMPANY LIMITED CHODAI CO., LTD. NIPPON ENGINEERING CONSULTANTS CO., LTD.	<table border="1" style="width: 100%; border-collapse: collapse;"> <thead> <tr> <th style="width: 15%;">NAME</th> <th style="width: 15%;">SIGNATURE</th> <th style="width: 15%;">DATE</th> </tr> </thead> <tbody> <tr> <td>PREPARED BY</td> <td>M. OHYAMA</td> <td>15 Jun.2017</td> </tr> <tr> <td>CHECKED BY</td> <td>T. HAYAKAWA</td> <td>20 Jun.2017</td> </tr> <tr> <td>APPROVED BY</td> <td>Y. SANO</td> <td>21 Jun.2017</td> </tr> </tbody> </table>	NAME	SIGNATURE	DATE	PREPARED BY	M. OHYAMA	15 Jun.2017	CHECKED BY	T. HAYAKAWA	20 Jun.2017	APPROVED BY	Y. SANO	21 Jun.2017	DRAWING TITLE <h2 style="text-align: center;">BAR ARRANGEMENT OF A1 ABUTMENT(6)</h2>	PACKAGE 1 DWG No. P1-PB-2106
NAME	SIGNATURE	DATE																
PREPARED BY	M. OHYAMA	15 Jun.2017																
CHECKED BY	T. HAYAKAWA	20 Jun.2017																
APPROVED BY	Y. SANO	21 Jun.2017																

BAR ARRANGEMENT OF A1 ABUTMENT (7)

BAR QUANTITY

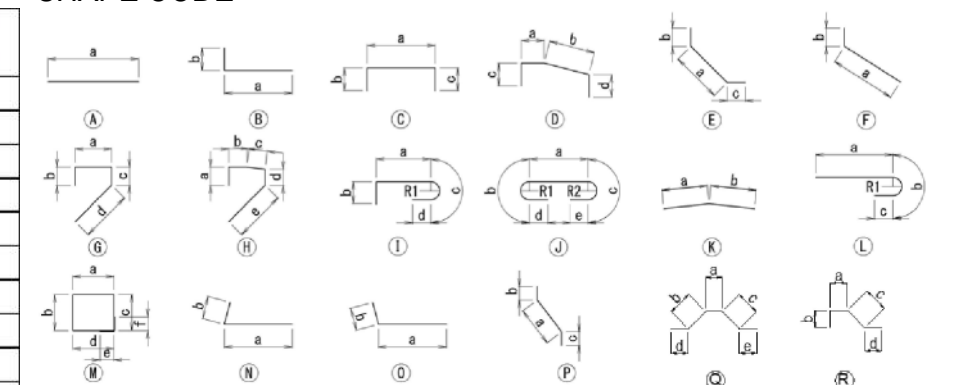
SYMBOL	SHAPE	DIAMETER	NUMBER (NOS)	LENGTH (mm)	a (mm)	b (mm)	c (mm)	d (mm)	e (mm)	f (mm)	R1 (mm)	R2 (mm)	WEIGHT (kg)	REMARKS
P1	A	D32	78	4440	4440								2157	
P2	A	D32	162	3760	3751								3794	
P3	G	D16	84	1800	500	240	348	707					236	
P4	A	D29	58	10070	10062								2944	
P5	C	D13	22	640	245	195	195						14	
P6	I	D16	210	720	200	240	151	128			48		235	
P7	H	D16	72	2220	240	350	400	161	1061				249	
P8	A	D13	8	9360	9352								74	
P9	A	D22	24	600	600								44	
P10	C	D16	96	1050	150	450	450						157	
A1	B	D32	84	6830	6342	480							3574	AVERAGE
A2	B	D32	120	3650	3162	480							2729	AVERAGE
A3	J	D19	24	10660	9997	179	179	152	152		57	57	576	
A4	J	D19	4	10670	9999	179	179	152	152		57	57	96	
A5	C	D16	116	3750	2500	240	1010						679	
A6	C	D16	28	11090	10062	510	510						484	
A7	J	D16	76	2130	1565	151	151	128	128		48	48	252	
A8	J	D16	232	2130	1565	151	151	128	128		48	48	770	
A9	C	D13	12	2940	2545	195	195						35	
F1	B	D29	167	8200	6700	1500							6902	
F2	B	D29	84	9000	7500	1500							3810	
F3	B	D29	84	5400	4960	435							2286	
F4	B	D25	84	7880	7500	375							2634	
F5-1	A	D25	54	9000	9000								1934	
F5-2	A	D25	27	4280	4280								460	
F6-1	A	D19	42	9000	9000								851	
F6-2	A	D19	16	3900	3900								140	
F7-1	A	D19	36	9000	9000								729	
F7-2	A	D19	18	3900	3900								158	
F8-1	A	D22	42	9000	9000								1149	
F8-2	A	D22	21	4080	4080								260	
F9	A	D19	18	3000	3000								122	
F10-1	B	D19	12	9000	8715	285							243	
F10-2	B	D19	12	3820	3535	285							103	
F11-1	A	D19	24	9000	9000								486	
F11-2	A	D19	12	4860	4854								131	
F12	C	D13	54	1940	1542	195	195						104	
F13	C	D13	42	1940	1542	195	195						81	
F14	J	D16	368	1610	1045	151	151	128	128		48	48	924	
F15	J	D16	344	1610	1044	151	151	128	128		48	48	863	
S1	C	D16	52	2580	1380	600	600						209	
S2	C	D16	52	2580	1380	600	600						209	
S3	M	D16	4	6230	1412	1412	1460	1460	240	240			39	

SYMBOL	SHAPE	DIAMETER	NUMBER (NOS)	LENGTH (mm)	a (mm)	b (mm)	c (mm)	d (mm)	e (mm)	f (mm)	R1 (mm)	R2 (mm)	WEIGHT (kg)	REMARKS
L1	B	D19	1	5680	5223	450							13	
L2	B	D19	15	5680	5222	450							192	
L3	B	D19	4	7810	7522	285							70	
L4	E	D19	9	2150	1572	285	285						44	
L5	E	D19	5	5400	4824	285	285						61	
L6	B	D16	1	5470	5222	240							9	
L7	B	D16	15	5470	5221	240							128	
L8	B	D16	4	7770	7521	240							48	
L9	B	D29	20	6890	6455	435							695	AVERAGE
L10	B	D19	20	6740	6455	285							303	AVERAGE
L11	C	D13	19	730	337	195	195						14	
L12	C	D13	20	730	337	195	195						15	
L13	C	D13	45	770	372	195	195						35	
R1	B	D19	1	5680	5223	450							13	
R2	B	D19	15	5680	5222	450							192	
R3	B	D19	4	7810	7522	285							70	
R4	E	D19	9	2150	1572	285	285						44	
R5	E	D19	5	5400	4824	285	285						61	
R6	B	D16	1	5470	5222	240							9	
R7	B	D16	15	5470	5221	240							128	
R8	B	D16	4	7770	7521	240							48	
R9	B	D29	20	6890	6455	435							695	AVERAGE
R10	B	D19	20	6740	6455	285							303	AVERAGE
R11	C	D13	19	730	337	195	195						14	
R12	C	D13	20	730	337	195	195						15	
R13	C	D13	45	770	372	195	195						35	
K1	Q	D25	12	1510	250	368	368	260	260				72	
K2	R	D25	8	1150	260	260	368	260					37	

SUMMARY

DIAMETER	WEIGHT (kg)	MECHANICAL SPLICE (NOS)
D13	436	0
D16	5676	0
D19	5001	0
D22	1453	0
D25	5137	0
D29	17332	0
D32	12254	0
D35	0	0
D38	0	0
D41	0	0
D51	0	0
TOTAL	47289	0

SHAPE CODE



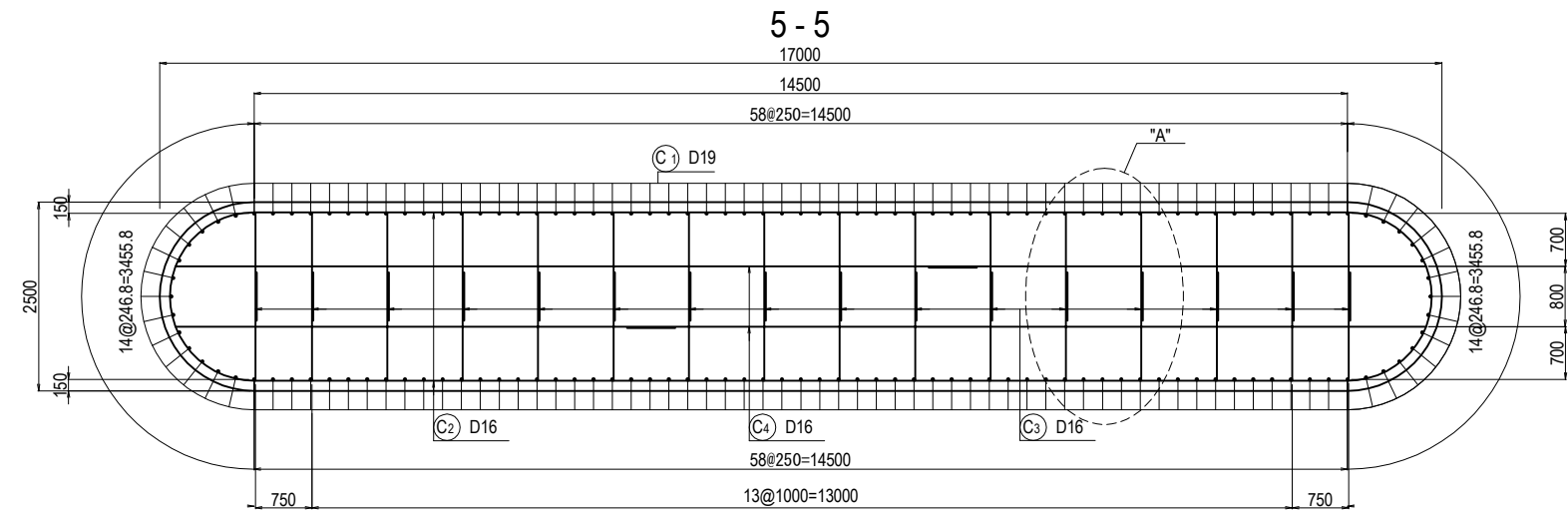
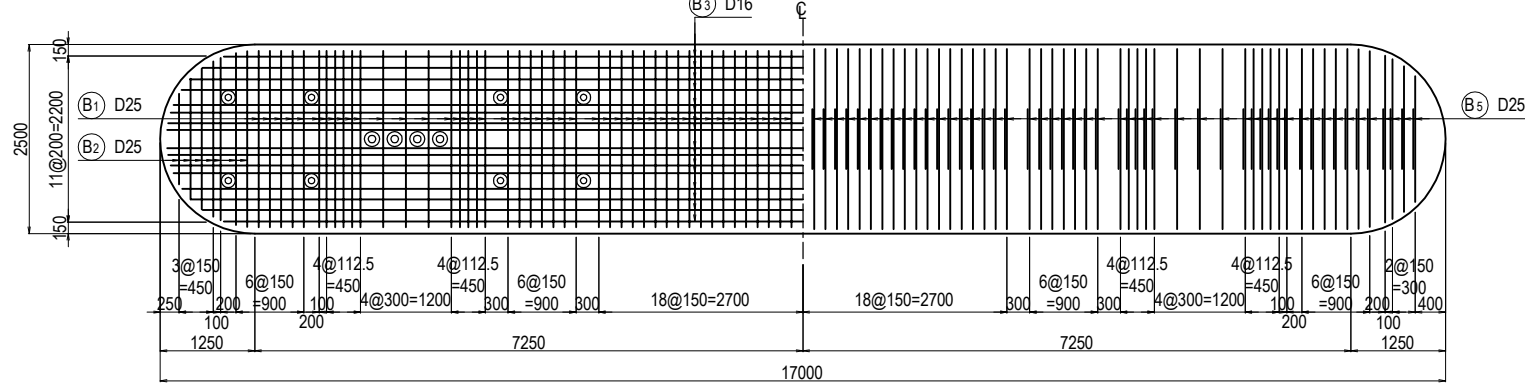
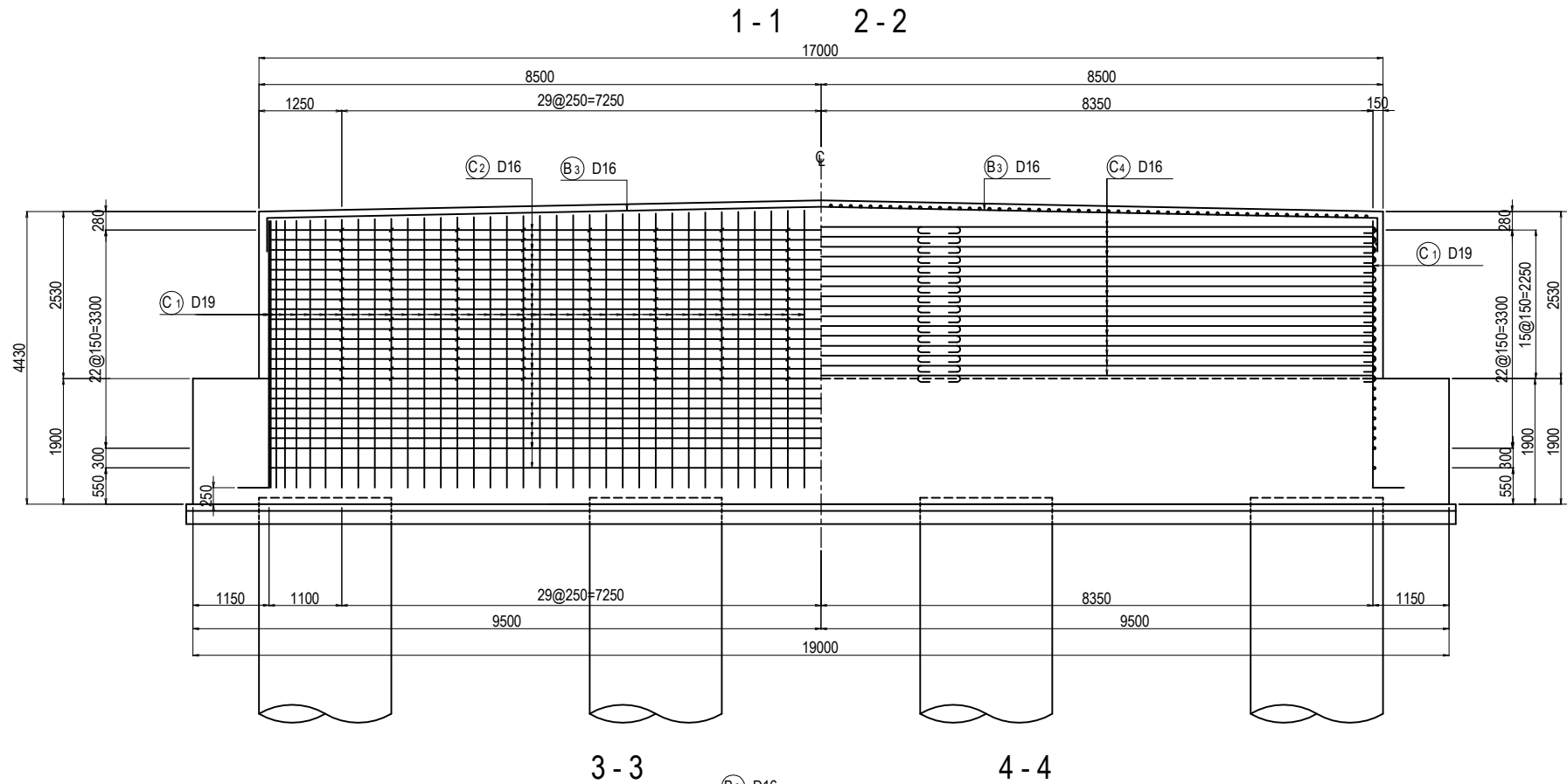
NOTES: 1. Unless otherwise specified in the Contract Documents, a grade of rebar shall be SD 345 or equivalent.

2. A figure in italic font indicate average length of rebar.

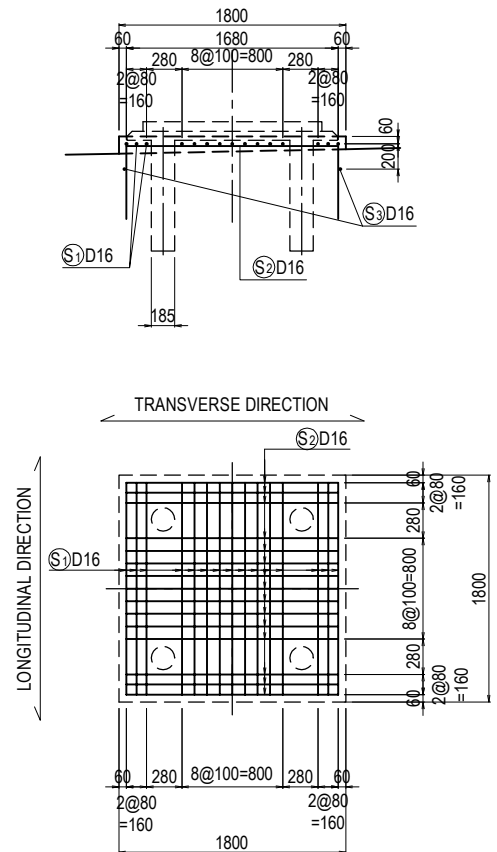
PROJECT NAME DETAILED DESIGN ON BAGO RIVER BRIDGE CONSTRUCTION PROJECT	FINANCED BY JAPAN INTERNATIONAL COOPERATION AGENCY	COUNTERPART REPUBLIC OF THE UNION OF MYANMAR MINISTRY OF CONSTRUCTION DEPARTMENT OF BRIDGE	JICA STUDY TEAM NIPPON KOEI CO., LTD. ORIENTAL CONSULTANTS GLOBAL CO., LTD. METROPOLITAN EXPRESSWAY COMPANY LIMITED CHODAI CO., LTD. NIPPON ENGINEERING CONSULTANTS CO., LTD.	NAME	SIGNATURE	DATE	DRAWING TITLE BAR ARRANGEMENT OF A1 ABUTMENT (7)	PACKAGE	
				PREPARED BY	M. OHYAMA			15 Jun.2017	1
				CHECKED BY	T. HAYAKAWA			20 Jun.2017	DWG No.
				APPROVED BY	Y. SANO			21 Jun.2017	P1-PB-2107

BAR ARRANGEMENT OF P1 PIER (1)

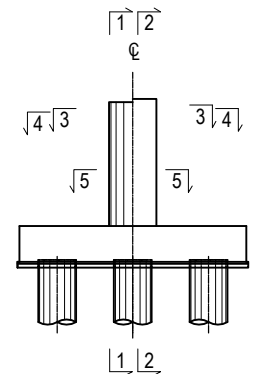
S=1:100



DETAIL OF BEARING BASE S=1:60



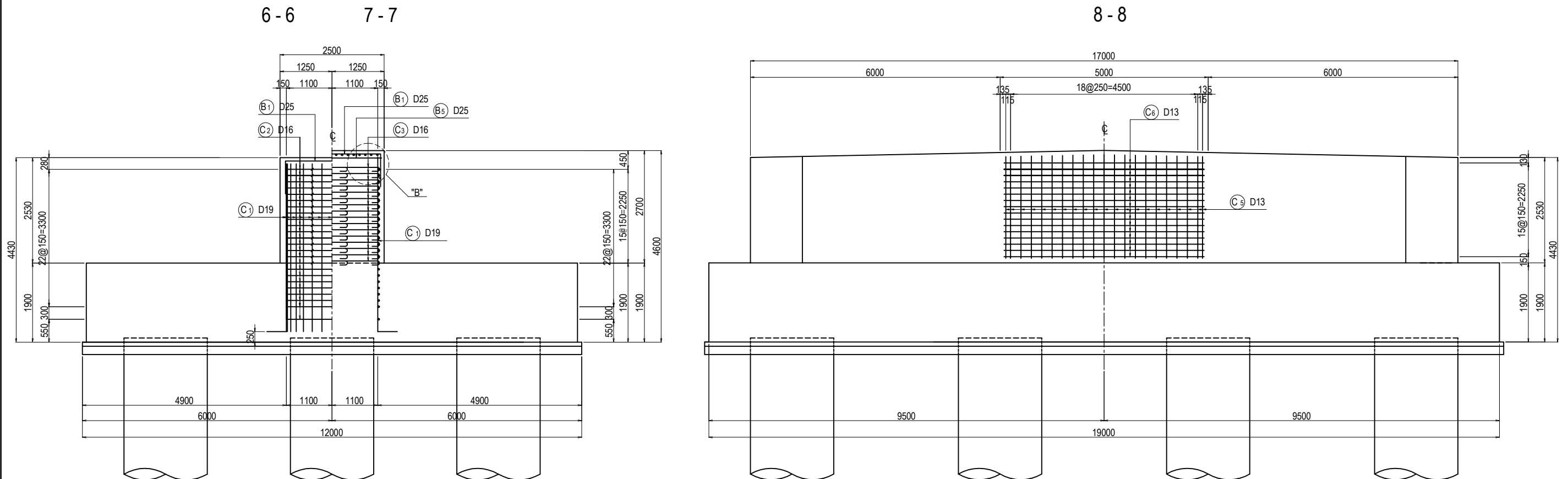
KEY PLAN



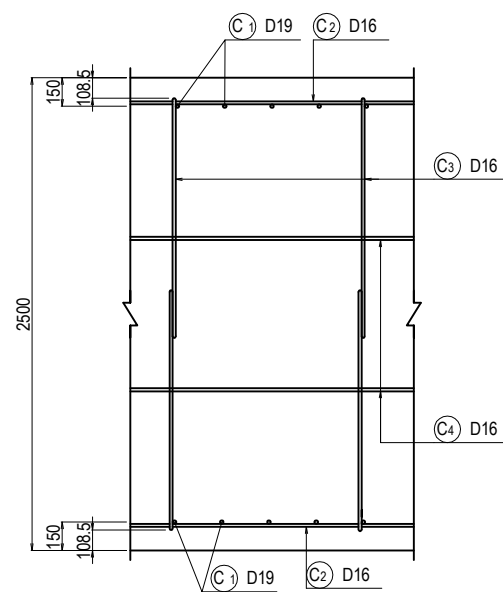
PROJECT NAME DETAILED DESIGN ON BAGO RIVER BRIDGE CONSTRUCTION PROJECT	FINANCED BY JAPAN INTERNATIONAL COOPERATION AGENCY	COUNTERPART REPUBLIC OF THE UNION OF MYANMAR MINISTRY OF CONSTRUCTION DEPARTMENT OF BRIDGE	JICA STUDY TEAM NIPPON KOEI CO., LTD. ORIENTAL CONSULTANTS GLOBAL CO., LTD. METROPOLITAN EXPRESSWAY COMPANY LIMITED CHODAI CO., LTD. NIPPON ENGINEERING CONSULTANTS CO., LTD.	NAME	SIGNATURE	DATE	DRAWING TITLE	PACKAGE	
				PREPARED BY	M. OHYAMA				15 Jun.2017
				CHECKED BY	T. HAYAKAWA				20 Jun.2017
				APPROVED BY	Y. SANO				21 Jun.2017
							BAR ARRANGEMENT OF P1 PIER (1)	1	
								DWG No.	
								P1-PB-2111	

BAR ARRANGEMENT OF P1 PIER (2)

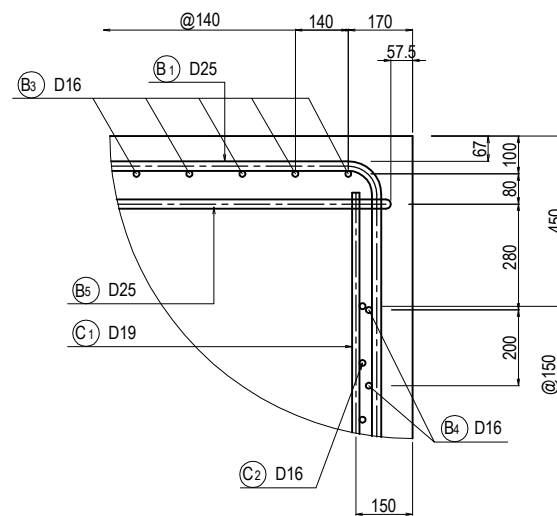
S=1:100



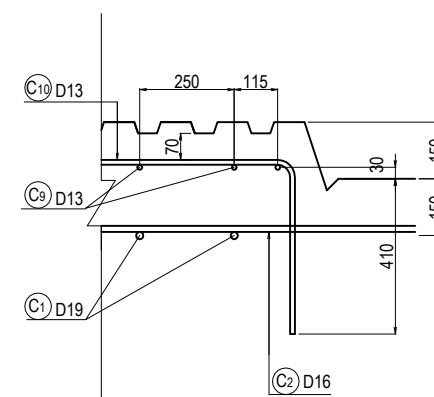
DETAIL "A" S=1:40



DETAIL "B" S=1:20

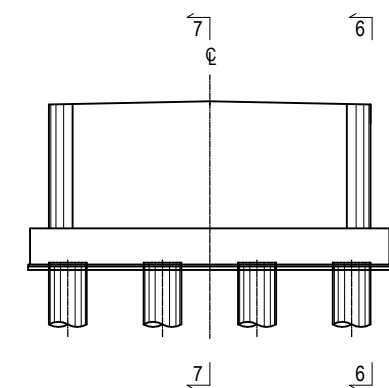


DETAIL "C" S=1:20



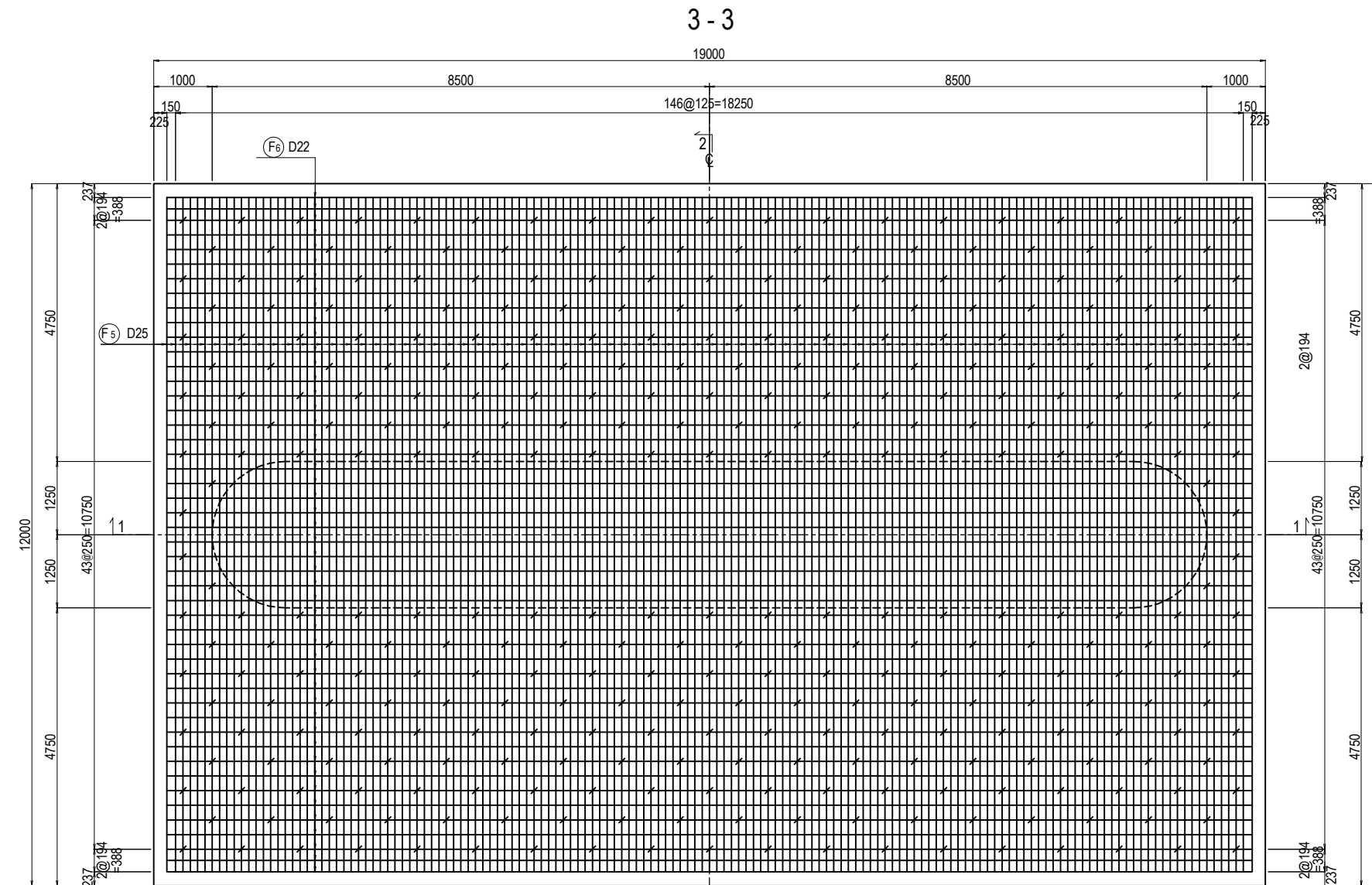
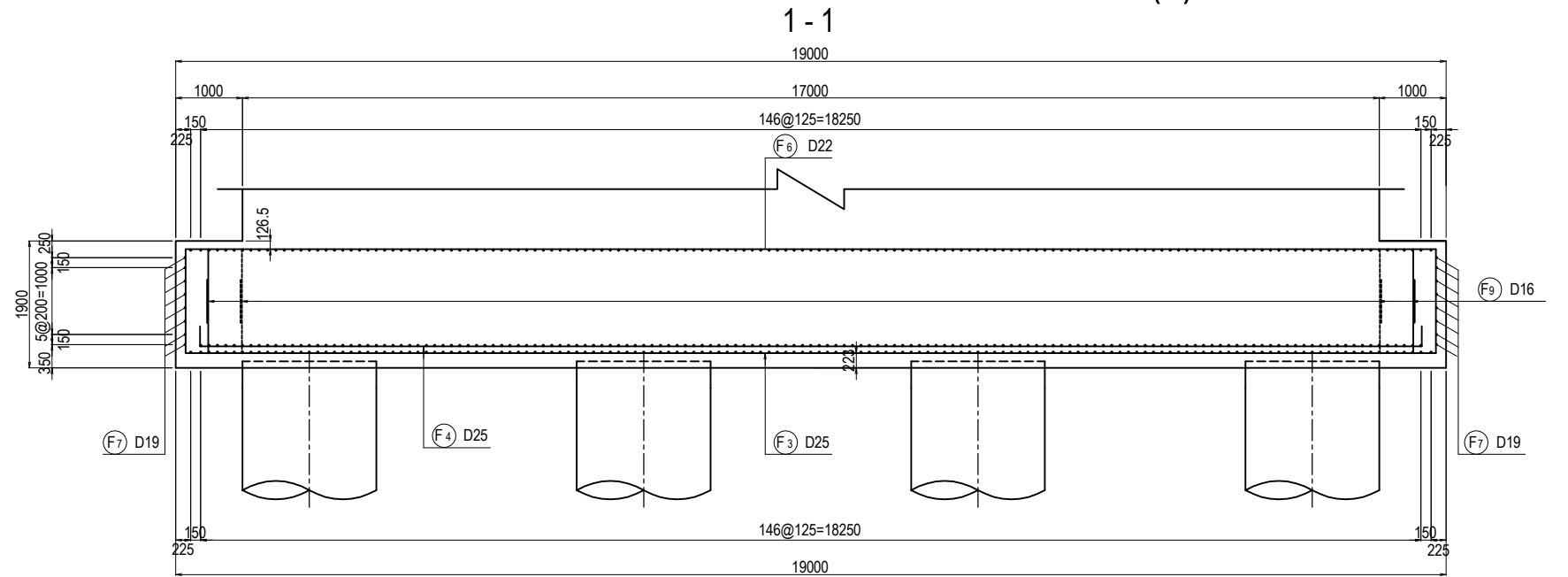
TRANSVERSAL

KEY PLAN



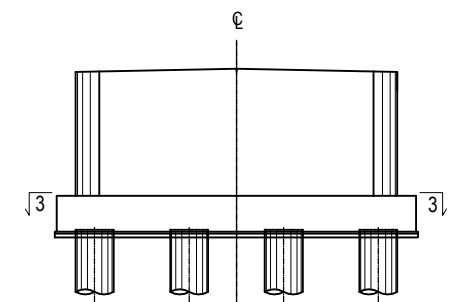
BAR ARRANGEMENT OF P1 PIER (3)

S=1:100



TRANSVERSAL

KEY PLAN

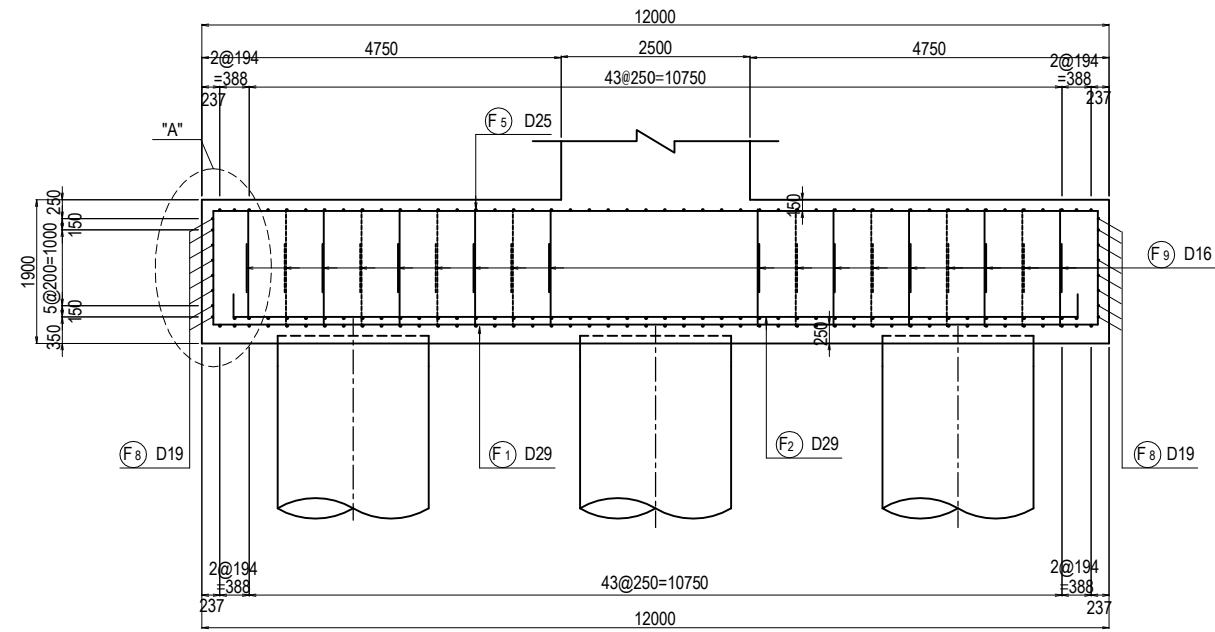


PROJECT NAME DETAILED DESIGN ON BAGO RIVER BRIDGE CONSTRUCTION PROJECT	FINANCED BY JAPAN INTERNATIONAL COOPERATION AGENCY	COUNTERPART REPUBLIC OF THE UNION OF MYANMAR MINISTRY OF CONSTRUCTION DEPARTMENT OF BRIDGE	JICA STUDY TEAM NIPPON KOEI CO., LTD. ORIENTAL CONSULTANTS GLOBAL CO., LTD. METROPOLITAN EXPRESSWAY COMPANY LIMITED CHODAI CO., LTD. NIPPON ENGINEERING CONSULTANTS CO., LTD.	NAME	SIGNATURE	DATE	DRAWING TITLE BAR ARRANGEMENT OF P1 PIER (3)	PACKAGE	
				PREPARED BY	M. OHYAMA			15 Jun.2017	1
				CHECKED BY	T. HAYAKAWA			20 Jun.2017	DWG No.
				APPROVED BY	Y. SANO			21 Jun.2017	P1-PB-2113

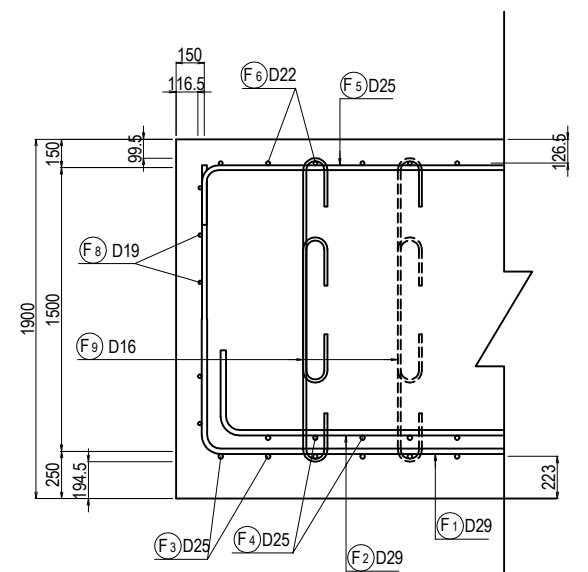
BAR ARRANGEMENT OF P1 PIER (4)

S=1:100

2 - 2

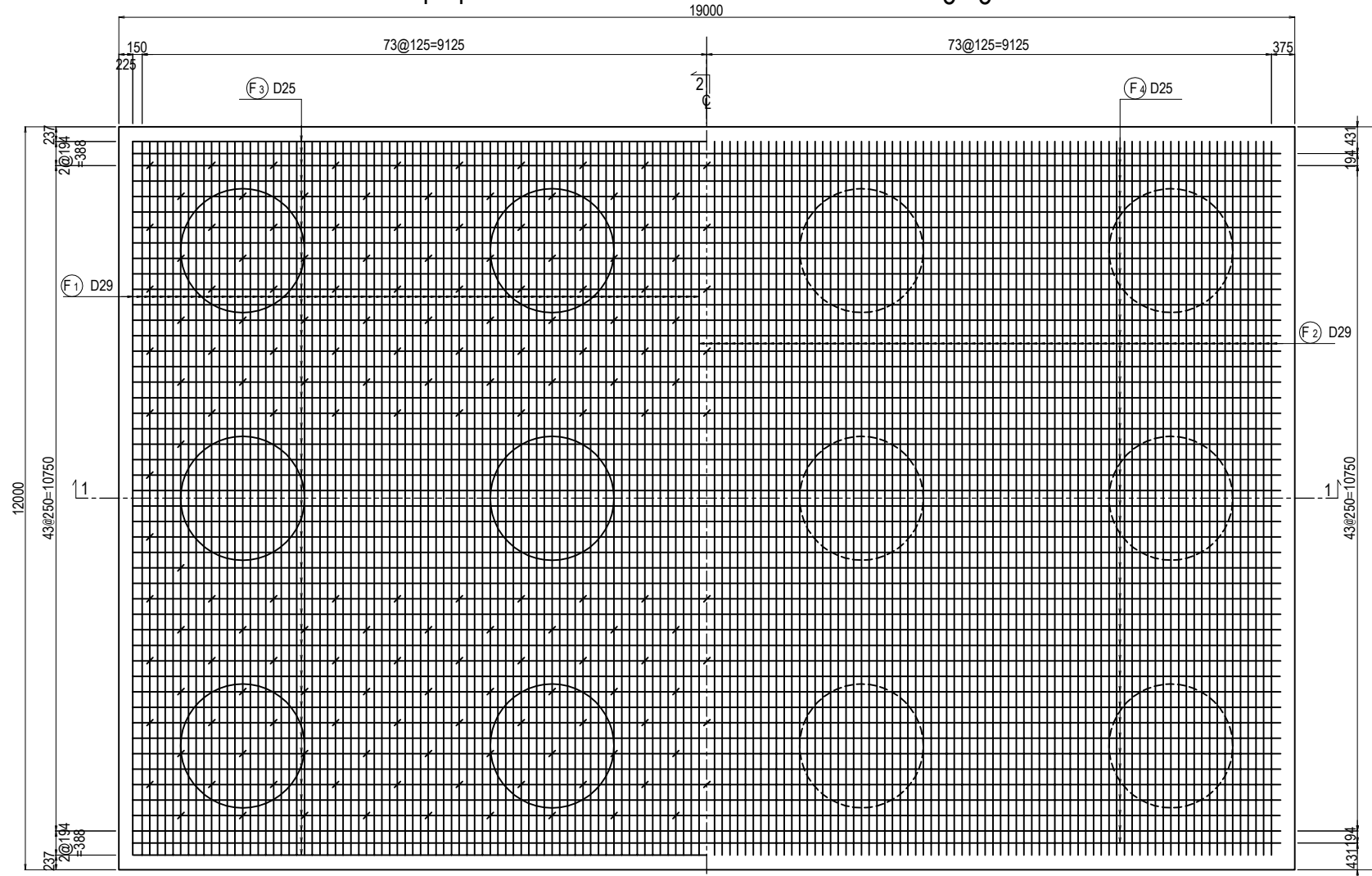


DETAIL "A" S=1:40



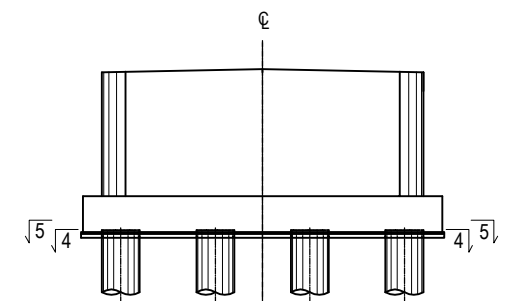
4 - 4

5 - 5



TRANSVERSAL

KEY PLAN



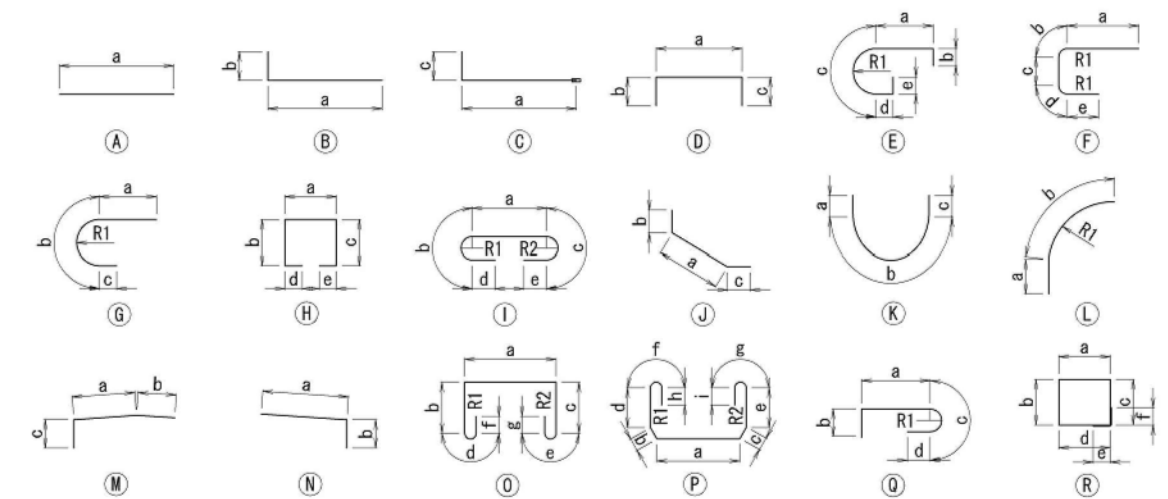
PROJECT NAME DETAILED DESIGN ON BAGO RIVER BRIDGE CONSTRUCTION PROJECT	FINANCED BY JAPAN INTERNATIONAL COOPERATION AGENCY	COUNTERPART REPUBLIC OF THE UNION OF MYANMAR MINISTRY OF CONSTRUCTION DEPARTMENT OF BRIDGE	JICA STUDY TEAM NIPPON KOEI CO., LTD. ORIENTAL CONSULTANTS GLOBAL CO., LTD. METROPOLITAN EXPRESSWAY COMPANY LIMITED CHODAI CO., LTD. NIPPON ENGINEERING CONSULTANTS CO., LTD.	NAME	SIGNATURE	DATE	DRAWING TITLE	PACKAGE			
				PREPARED BY	M. OHYAMA				15 Jun.2017	BAR ARRANGEMENT OF P1 PIER (4)	1
				CHECKED BY	T. HAYAKAWA				20 Jun.2017		DWG No.
				APPROVED BY	Y. SANO				21 Jun.2017		P1-PB-2114

BAR ARRANGEMENT OF P1 PIER (5)

BAR QUANTITY

SYMBOL	SHAPE	DIAMETER	NUMBER (NOS)	LENGTH (mm)	a (mm)	b (mm)	c (mm)	d (mm)	e (mm)	f (mm)	g (mm)	h (mm)	i (mm)	R1 (mm)	R2 (mm)	WEIGHT (kg)	REMARKS
B1	D	D25	89	3910	2330	790	790									1385	
B2	D	D25	14	3510	1930	790	790									196	AVERAGE
B3-1	M	D16	16	10690	8180	2000	510									267	AVERAGE
B3-2	N	D16	16	7200	6690	510										180	AVERAGE
B4-1	D	D16	4	10520	10035	240	240									66	
B4-2	E	D16	4	10620	4267.5	240	3596	2267.5	240					1144		66	
B5	I	D25	202	2570	1690	236	236	200	200							2066	
S1	D	D16	60	2840	1680	580	580									266	
S2	D	D16	60	2840	1680	580	580									266	
S3	R	D16	4	7430	1712	1712	1760	1760	240	240						46	
C1	B	D19	144	4590	4115	470										1488	AVERAGE
C2-1	D	D16	48	10520	10035	240	240									788	
C2-2	E	D16	48	10530	4267.5	240	3511	2267.5	240					1118		789	
C3	I	D16	512	1970	1406	151	151	128	128					48	48	1572	
C4-1	I	D16	32	7430	6869	151	151	128	128					48	48	371	
C4-2	I	D16	32	11000	10442	151	151	128	128					48	48	549	
C5	D	D13	42	3350	2465	440	440									140	AVERAGE
C6	D	D13	32	5730	4805	460	460									182	
F1-1	B	D29	149	10000	8500	1500										7510	
F1-2	B	D29	149	5610	4110	1500										4212	
F2-1	B	D29	147	9000	8565	435										6668	
F2-2	B	D29	147	4280	3845	435										3171	
F3-1	B	D25	48	12000	10449	1551										2292	
F3-2	B	D25	48	10600	9041	1551										2025	
F4-1	B	D25	46	12000	11625	375										2197	
F4-2	B	D25	46	8040	7665	375										1472	
F5-1	B	D25	149	9000	8625	375										5337	
F5-2	B	D25	149	4240	3865	375										2515	
F6-1	B	D22	48	12000	11670	330										1751	
F6-2	B	D22	48	8050	7720	330										1175	
F7	A	D19	16	11750	11748											423	
F8-1	A	D19	16	12000	12000											432	
F8-2	A	D19	16	7350	7344											265	
F9	I	D16	684	1630	1067	151	151	128	128					48	48	1737	

SHAPE CODE



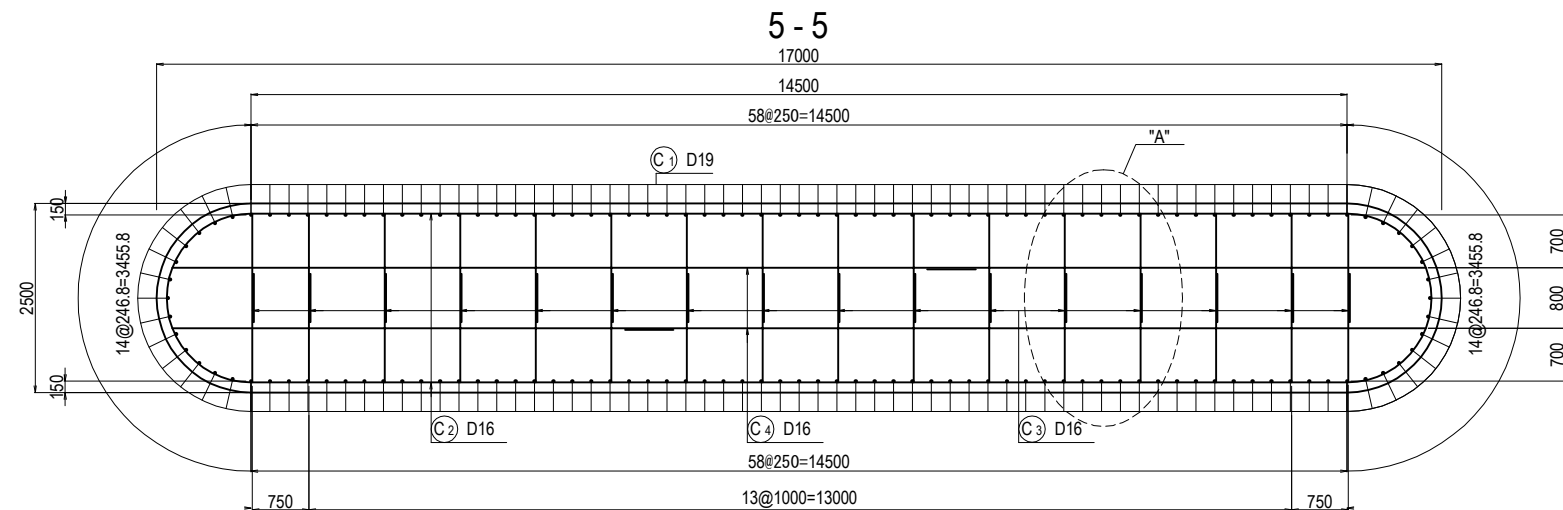
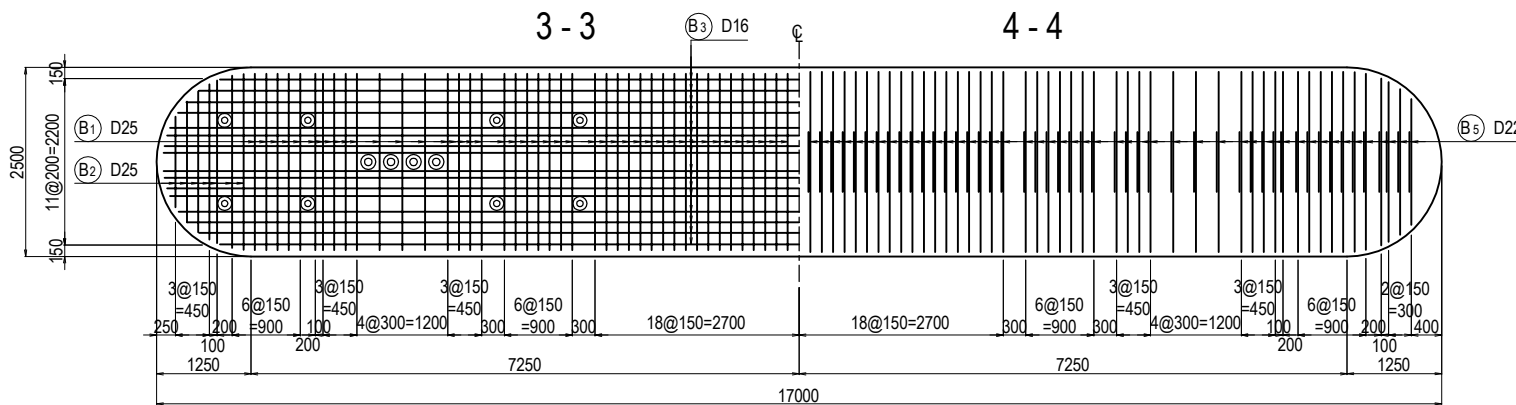
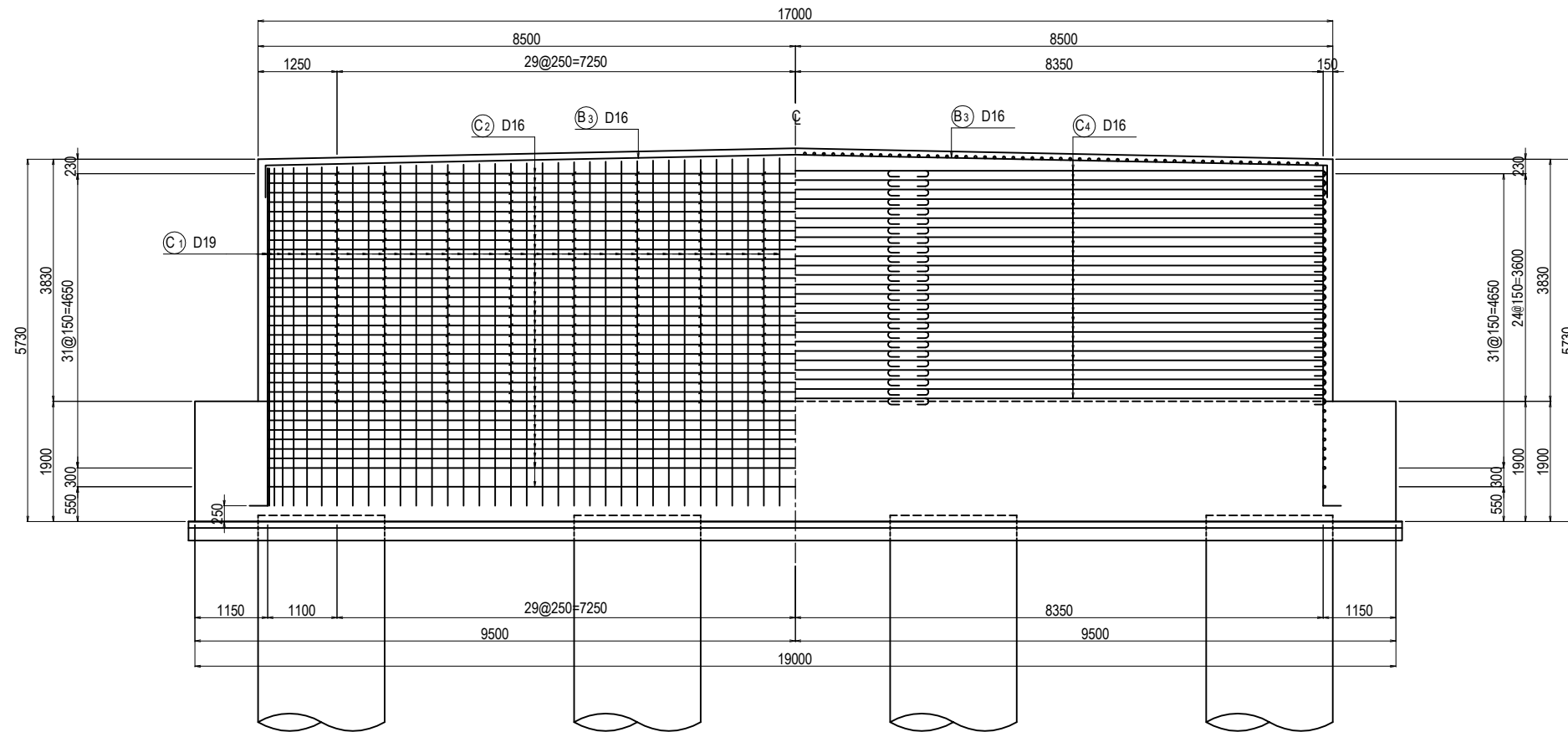
SUMMARY

DIAMETER	WEIGHT (kg)	MECHANICAL SPLIOE (NOS)
D13	322	0
D16	6963	0
D19	2608	0
D22	2926	0
D25	19485	0
D29	21561	0
D32	0	0
D35	0	0
D38	0	0
D41	0	0
D51	0	0
TOTAL	53865	0

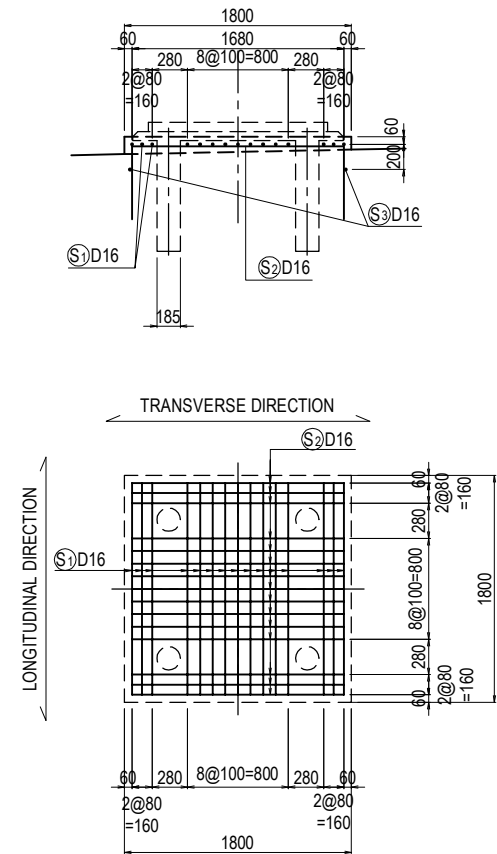
- NOTES: 1. Unless otherwise specified in the Contract Documents, a grade of rebar shall be SD 345 or equivalent.
 2. A figure in italic font indicate average length of rebar.

BAR ARRANGEMENT OF P2 PIER (1)

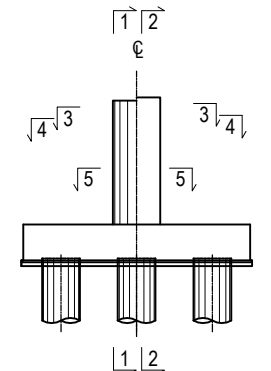
S=1:100



DETAIL OF BEARING BASE S=1:60



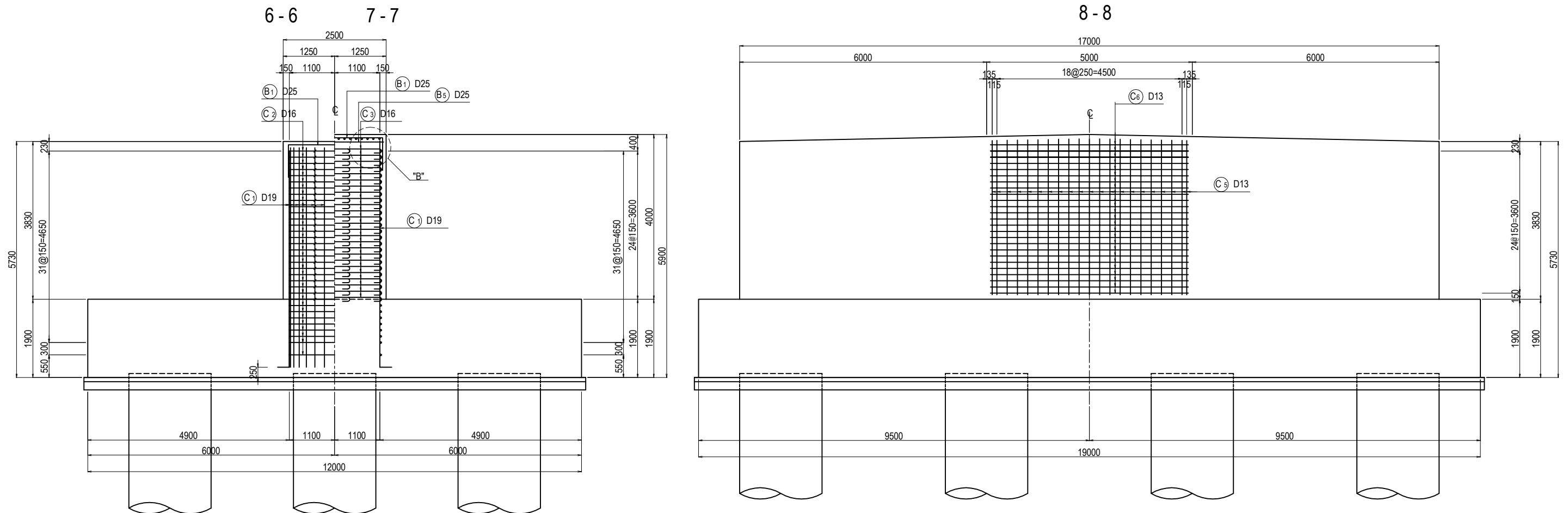
KEY PLAN



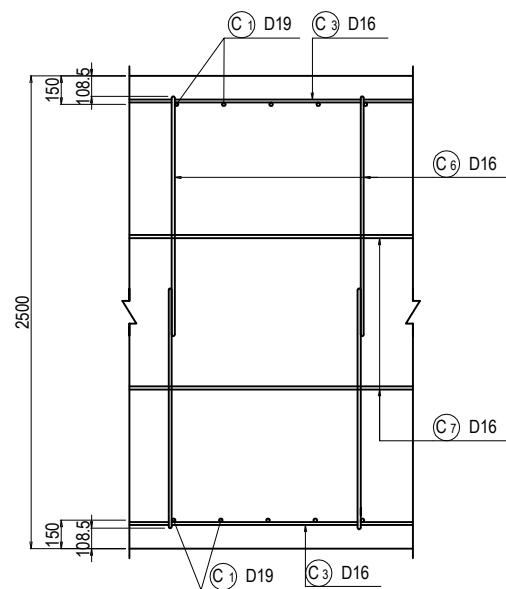
PROJECT NAME DETAILED DESIGN ON BAGO RIVER BRIDGE CONSTRUCTION PROJECT	FINANCED BY JAPAN INTERNATIONAL COOPERATION AGENCY	COUNTERPART REPUBLIC OF THE UNION OF MYANMAR MINISTRY OF CONSTRUCTION DEPARTMENT OF BRIDGE	JICA STUDY TEAM NIPPON KOEI CO., LTD. ORIENTAL CONSULTANTS GLOBAL CO., LTD. METROPOLITAN EXPRESSWAY COMPANY LIMITED CHODAI CO., LTD. NIPPON ENGINEERING CONSULTANTS CO., LTD.	NAME	SIGNATURE	DATE	DRAWING TITLE BAR ARRANGEMENT OF P2 PIER (1)	PACKAGE	
				PREPARED BY	M. OHYAMA			15 Jun.2017	DWG No.
				CHECKED BY	T. HAYAKAWA			20 Jun.2017	P1-PB-2121
				APPROVED BY	Y. SANO			21 Jun.2017	

BAR ARRANGEMENT OF P2 PIER (2)

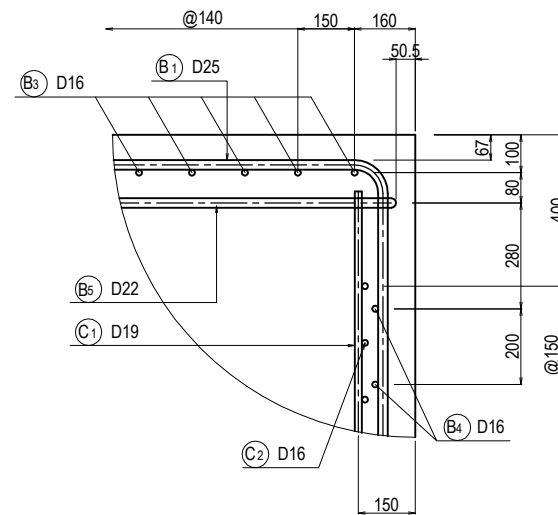
S = 1:100



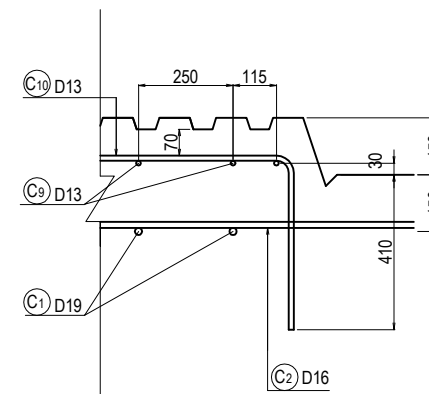
DETAIL "A" S=1:40



DETAIL "B" S=1:20

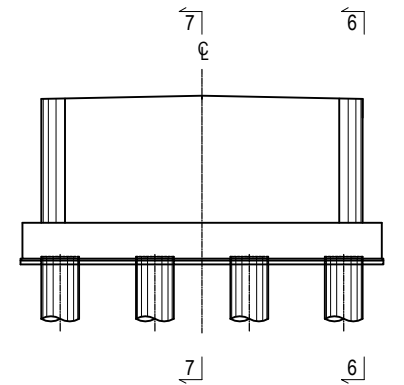


DETAIL "C" S=1:20



TRANSVERSAL

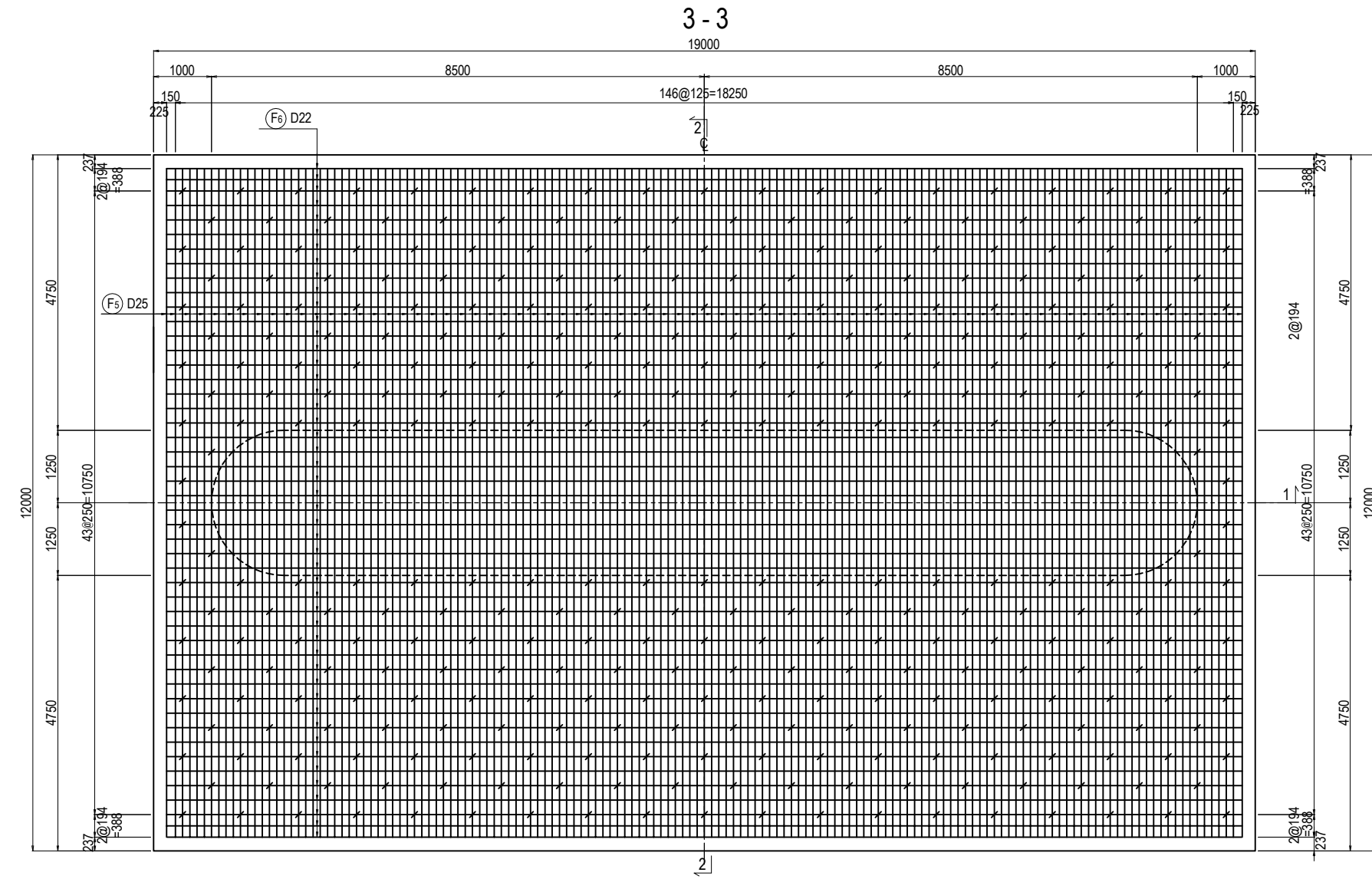
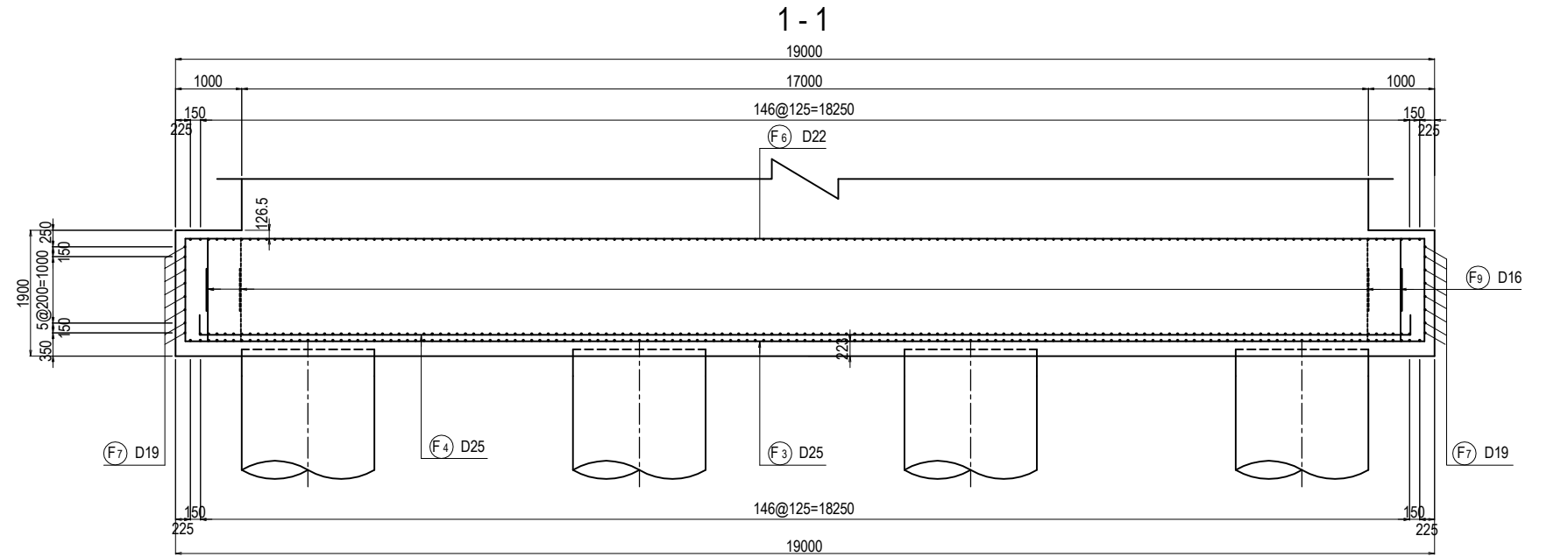
KEY PLAN



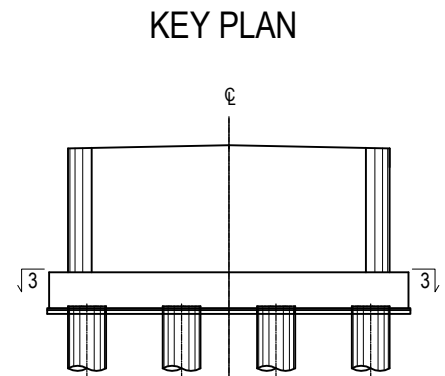
PROJECT NAME DETAILED DESIGN ON BAGO RIVER BRIDGE CONSTRUCTION PROJECT	FINANCED BY JAPAN INTERNATIONAL COOPERATION AGENCY	COUNTERPART REPUBLIC OF THE UNION OF MYANMAR MINISTRY OF CONSTRUCTION DEPARTMENT OF BRIDGE	JICA STUDY TEAM NIPPON KOEI CO., LTD. ORIENTAL CONSULTANTS GLOBAL CO., LTD. METROPOLITAN EXPRESSWAY COMPANY LIMITED CHODAI CO., LTD. NIPPON ENGINEERING CONSULTANTS CO., LTD.	NAME	SIGNATURE	DATE	DRAWING TITLE BAR ARRANGEMENT OF P2 PIER (2)	PACKAGE	
				PREPARED BY	M. OHYAMA			15 Jun.2017	DWG No.
				CHECKED BY	T. HAYAKAWA			20 Jun.2017	P1-PB-2122
				APPROVED BY	Y. SANO			21 Jun.2017	

BAR ARRANGEMENT OF P2 PIER (3)

S = 1:100



TRANSVERSAL

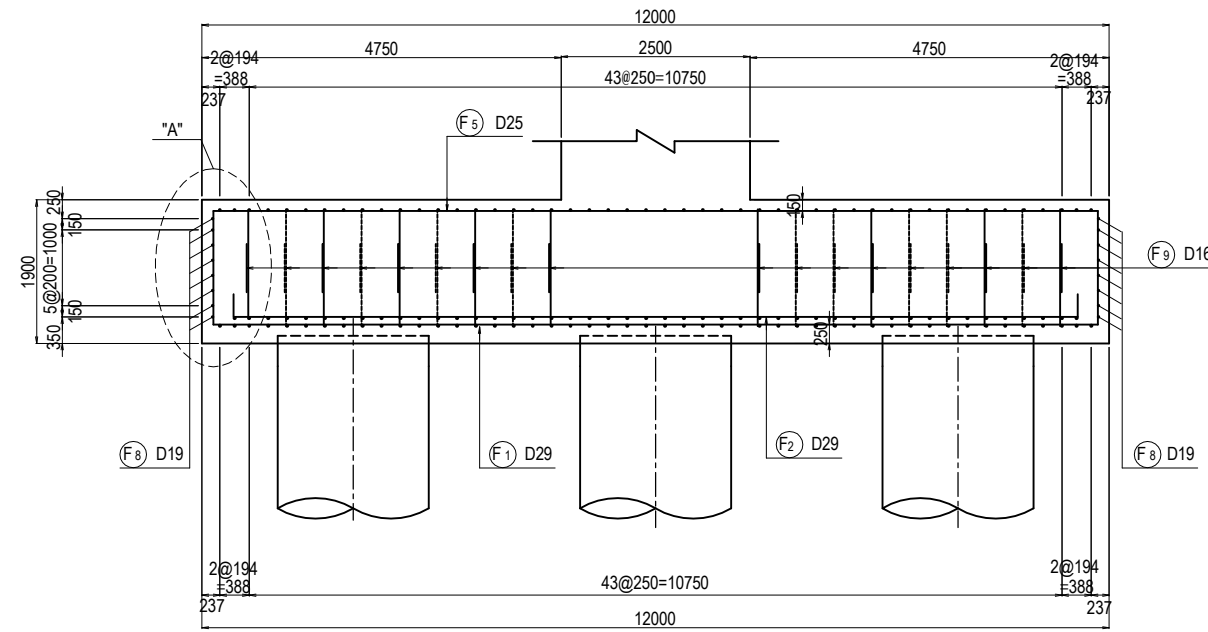


PROJECT NAME DETAILED DESIGN ON BAGO RIVER BRIDGE CONSTRUCTION PROJECT	FINANCED BY JAPAN INTERNATIONAL COOPERATION AGENCY	COUNTERPART REPUBLIC OF THE UNION OF MYANMAR MINISTRY OF CONSTRUCTION DEPARTMENT OF BRIDGE	JICA STUDY TEAM NIPPON KOEI CO., LTD. ORIENTAL CONSULTANTS GLOBAL CO., LTD. METROPOLITAN EXPRESSWAY COMPANY LIMITED CHODAI CO., LTD. NIPPON ENGINEERING CONSULTANTS CO., LTD.	NAME	SIGNATURE	DATE	DRAWING TITLE BAR ARRANGEMENT OF P2 PIER (3)	PACKAGE	
				PREPARED BY	M. OHYAMA			15 Jun.2017	1
				CHECKED BY	T. HAYAKAWA			20 Jun.2017	DWG No.
				APPROVED BY	Y. SANO			21 Jun.2017	P1-PB-2123

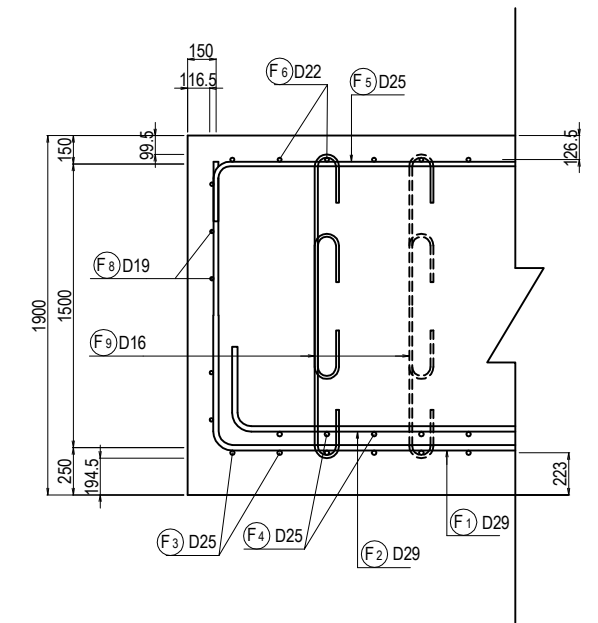
BAR ARRANGEMENT OF P2 PIER (4)

S = 1:100

2 - 2

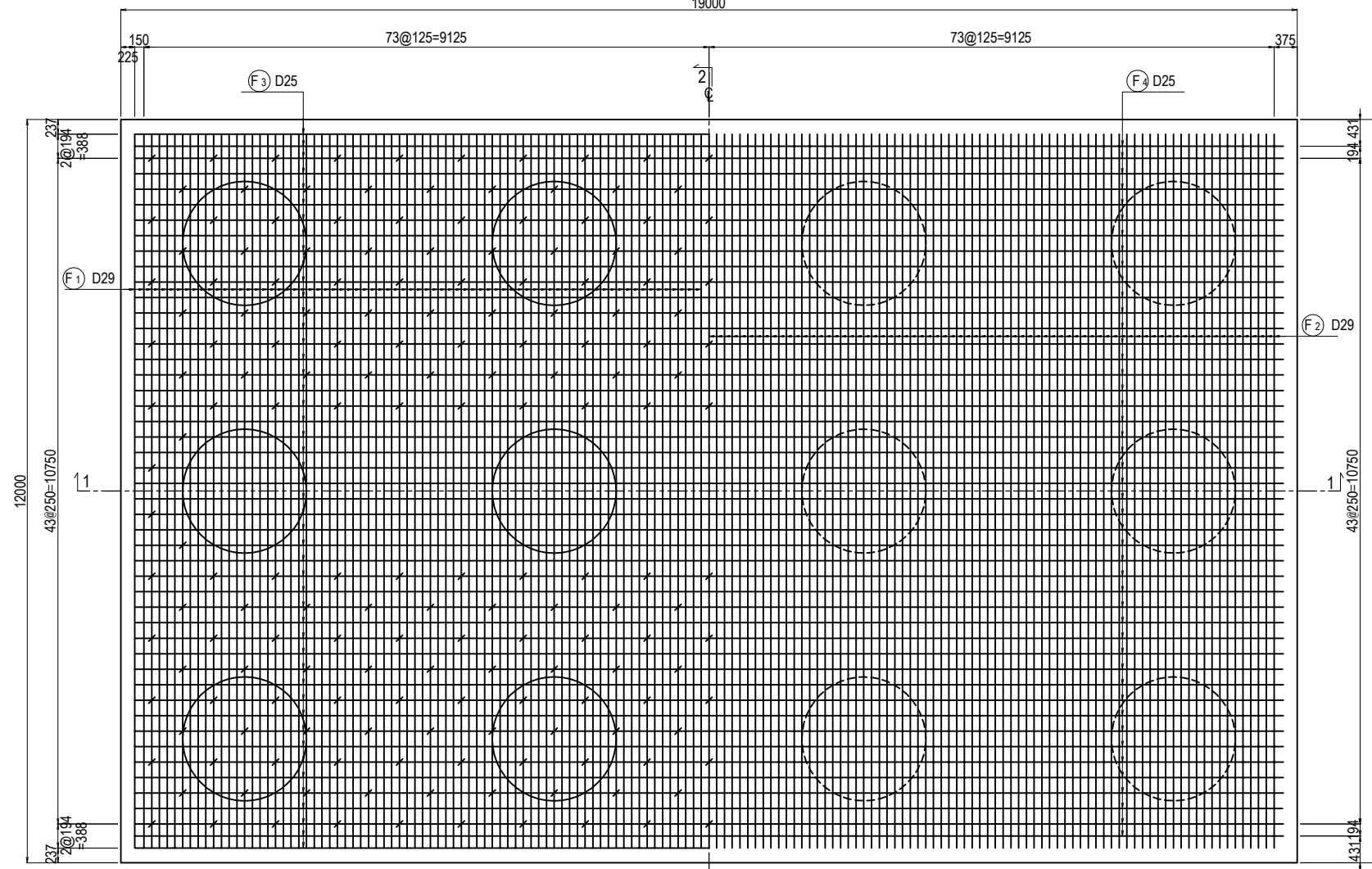


DETAIL "A" S=1:40



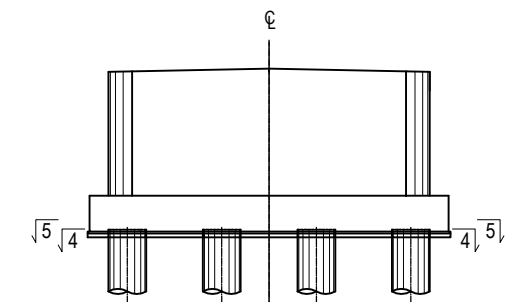
4 - 4

5 - 5



TRANSVERSAL

KEY PLAN



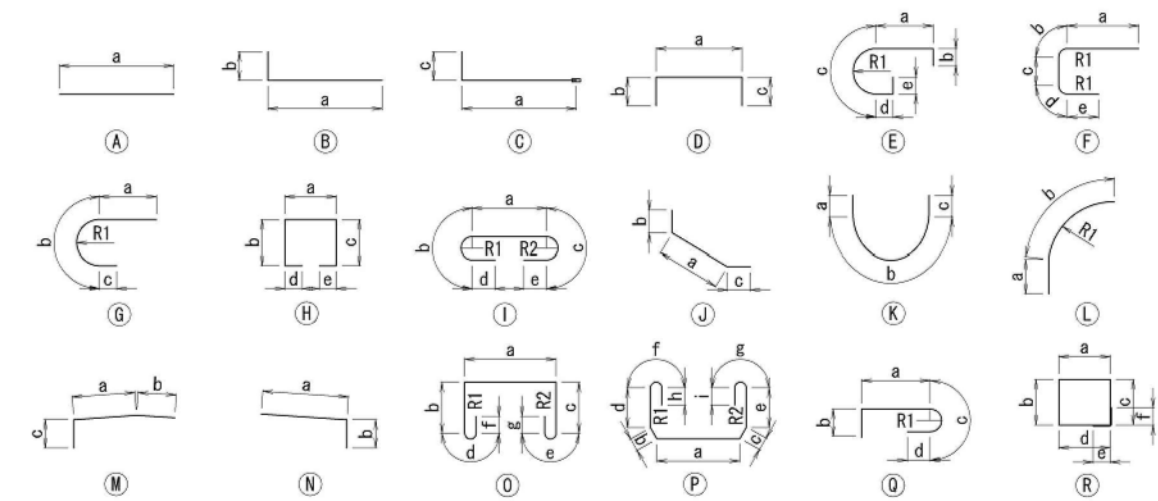
PROJECT NAME DETAILED DESIGN ON BAGO RIVER BRIDGE CONSTRUCTION PROJECT	FINANCED BY JAPAN INTERNATIONAL COOPERATION AGENCY	COUNTERPART REPUBLIC OF THE UNION OF MYANMAR MINISTRY OF CONSTRUCTION DEPARTMENT OF BRIDGE	JICA STUDY TEAM NIPPON KOEI CO., LTD. ORIENTAL CONSULTANTS GLOBAL CO., LTD. METROPOLITAN EXPRESSWAY COMPANY LIMITED CHODAI CO., LTD. NIPPON ENGINEERING CONSULTANTS CO., LTD.	NAME	SIGNATURE	DATE	DRAWING TITLE BAR ARRANGEMENT OF P2 PIER (4)	PACKAGE	
				PREPARED BY	M. OHYAMA			15 Jun.2017	1
				CHECKED BY	T. HAYAKAWA			20 Jun.2017	DWG No.
				APPROVED BY	Y. SANO			21 Jun.2017	P1-PB-2124

BAR ARRANGEMENT OF P2 PIER (5)

BAR QUANTITY

SYMBOL	SHAPE	DIAMETER	NUMBER (NOS)	LENGTH (mm)	a (mm)	b (mm)	c (mm)	d (mm)	e (mm)	f (mm)	g (mm)	h (mm)	i (mm)	R1 (mm)	R2 (mm)	WEIGHT (kg)	REMARKS
B1	D	D25	87	3910	2330	790	790									1354	
B2	D	D25	14	3510	1930	790	790									196	AVERAGE
B3-1	M	D16	16	10690	8180	2000	510									267	AVERAGE
B3-2	N	D16	16	7200	6690	510										180	AVERAGE
B4-1	D	D16	4	10520	10035	240	240									66	
B4-2	E	D16	4	10620	4267.5	240	3596	2267.5	240					1144		66	
B5	I	D22	198	2570	1690	236	236	200	200					75	75	1546	
S1	D	D16	60	2840	1680	580	580									266	
S2	D	D16	60	2840	1680	580	580									266	
S3	R	D16	4	7430	1712	1712	1760	1760	240	240						46	
C1	B	D19	144	5700	5415	285										1848	AVERAGE
C2-1	D	D16	66	10520	10035	240	240									1083	
C2-2	E	D16	66	10530	4267.5	240	3511	2267.5	240					1118		1084	
C3	I	D16	800	1970	1406	151	151	128	128					48	48	2456	
C4-1	I	D16	50	7430	6869	151	151	128	128					48	48	580	
C4-2	I	D16	50	11000	10442	151	151	128	128					48	48	858	
C5	D	D13	42	4650	3766	440	440									194	AVERAGE
C6	D	D13	50	5730	4808	460	460									285	
F1-1	B	D29	149	10000	8500	1500										7510	
F1-2	B	D29	149	5610	4110	1500										4212	
F2-1	B	D29	147	9000	8565	435										6668	
F2-2	B	D29	147	4280	3845	435										3171	
F3-1	B	D25	48	12000	10449	1551										2292	
F3-2	B	D25	48	10600	9041	1551										2025	
F4-1	B	D25	46	12000	11625	375										2197	
F4-2	B	D25	46	8040	7665	375										1472	
F5-1	B	D25	149	9000	8625	375										5337	
F5-2	B	D25	149	4240	3865	375										2515	
F6-1	B	D22	48	12000	11670	330										1751	
F6-2	B	D22	48	8050	7720	330										1175	
F7	A	D19	16	11750	11748											423	
F8-1	A	D19	16	12000	12000											432	
F8-2	A	D19	16	7350	7344											265	
F9	I	D16	684	1630	1067	151	151	128	128					48	48	1737	

SHAPE CODE



SUMMARY

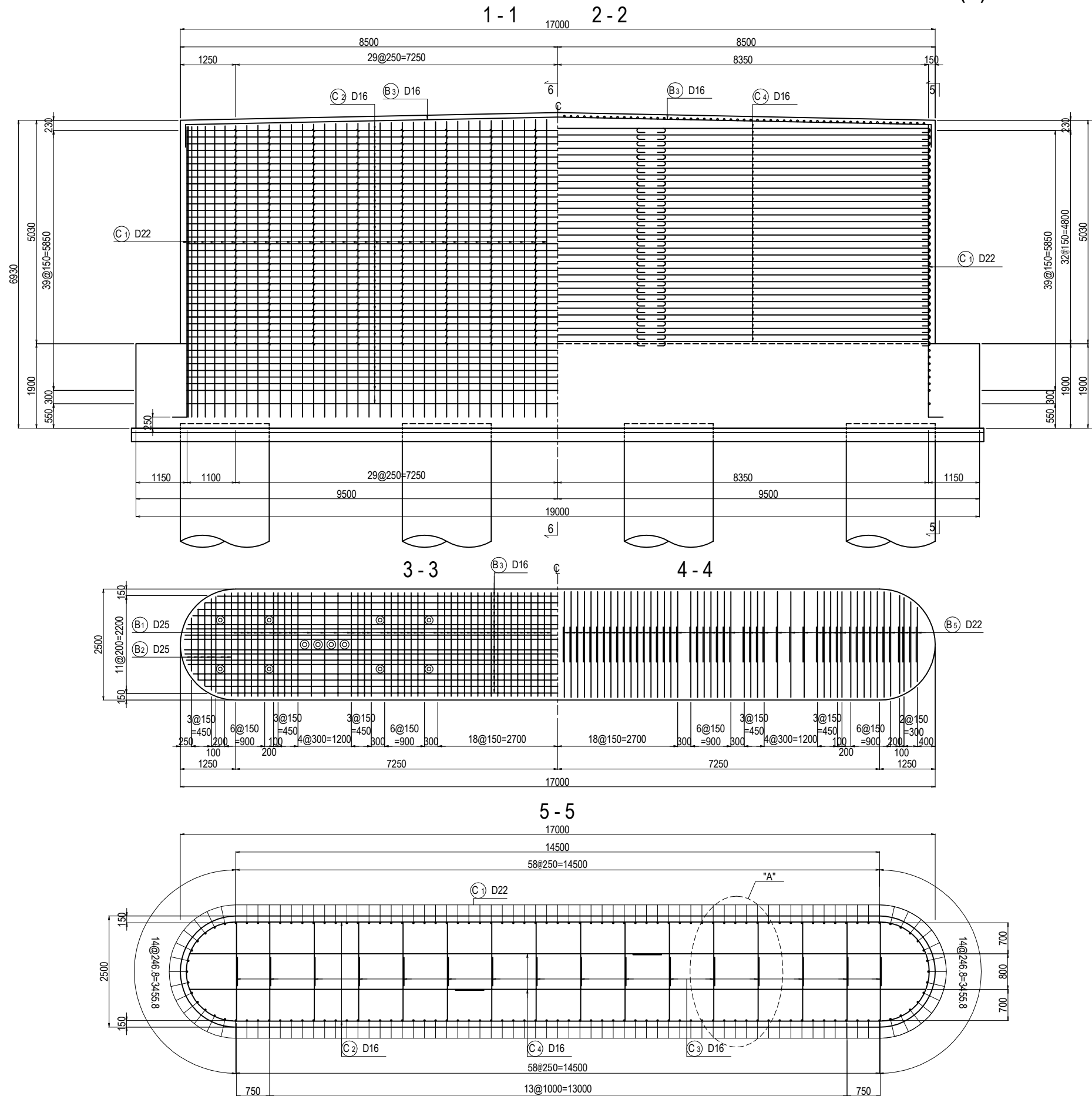
DIAMETER	WEIGHT (kg)	MECHANICAL SPLICE (NOS)
D13	479	0
D16	8955	0
D19	2968	0
D22	4472	0
D25	17388	0
D29	21561	0
D32	0	0
D35	0	0
D38	0	0
D41	0	0
D51	0	0
TOTAL	55823	0

- NOTES: 1. Unless otherwise specified in the Contract Documents, a grade of rebar shall be SD 345 or equivalent.
2. A figure in italic font indicate average length of rebar.

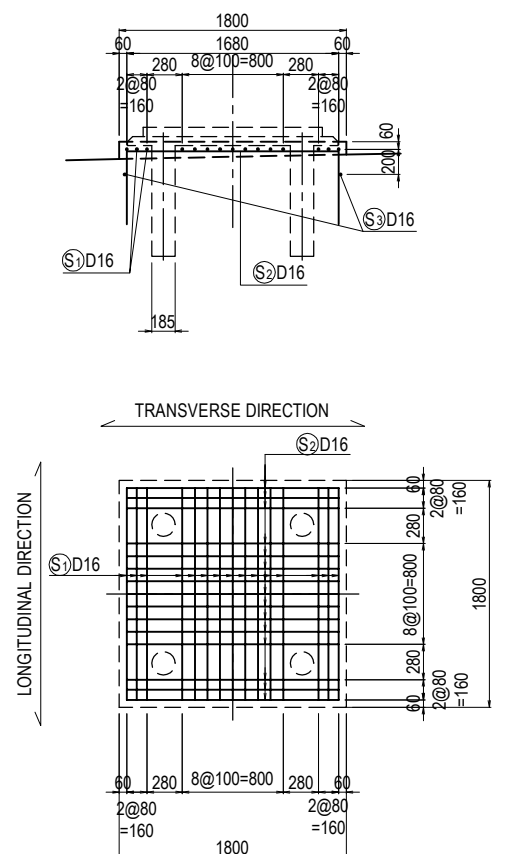
PROJECT NAME DETAILED DESIGN ON BAGO RIVER BRIDGE CONSTRUCTION PROJECT	FINANCED BY JAPAN INTERNATIONAL COOPERATION AGENCY	COUNTERPART REPUBLIC OF THE UNION OF MYANMAR MINISTRY OF CONSTRUCTION DEPARTMENT OF BRIDGE	JICA STUDY TEAM NIPPON KOEI CO., LTD. ORIENTAL CONSULTANTS GLOBAL CO., LTD. METROPOLITAN EXPRESSWAY COMPANY LIMITED CHODAI CO., LTD. NIPPON ENGINEERING CONSULTANTS CO., LTD.	NAME	SIGNATURE	DATE	DRAWING TITLE BAR ARRANGEMENT OF P2 PIER (5)	PACKAGE	
				PREPARED BY	M. OHYAMA			15 Jun.2017	1
				CHECKED BY	T. HAYAKAWA			20 Jun.2017	DWG No.
				APPROVED BY	Y. SANO			21 Jun.2017	P1-PB-2125

BAR ARRANGEMENT OF P3 PIER (1)

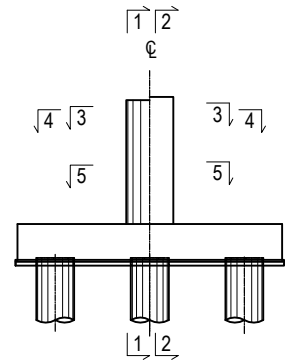
S=1:100



DETAIL OF BEARING BASE S=1:60



KEY PLAN

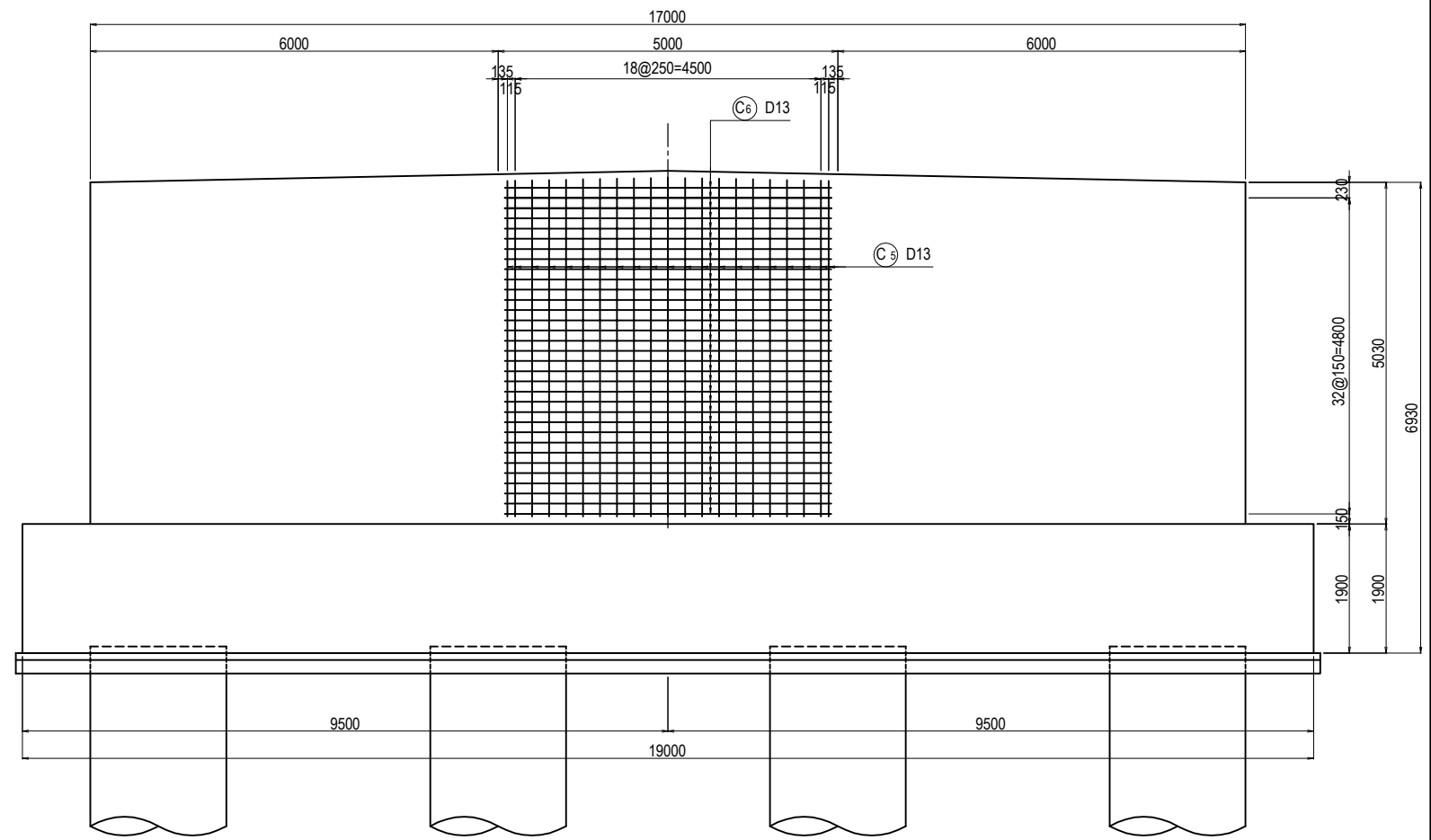
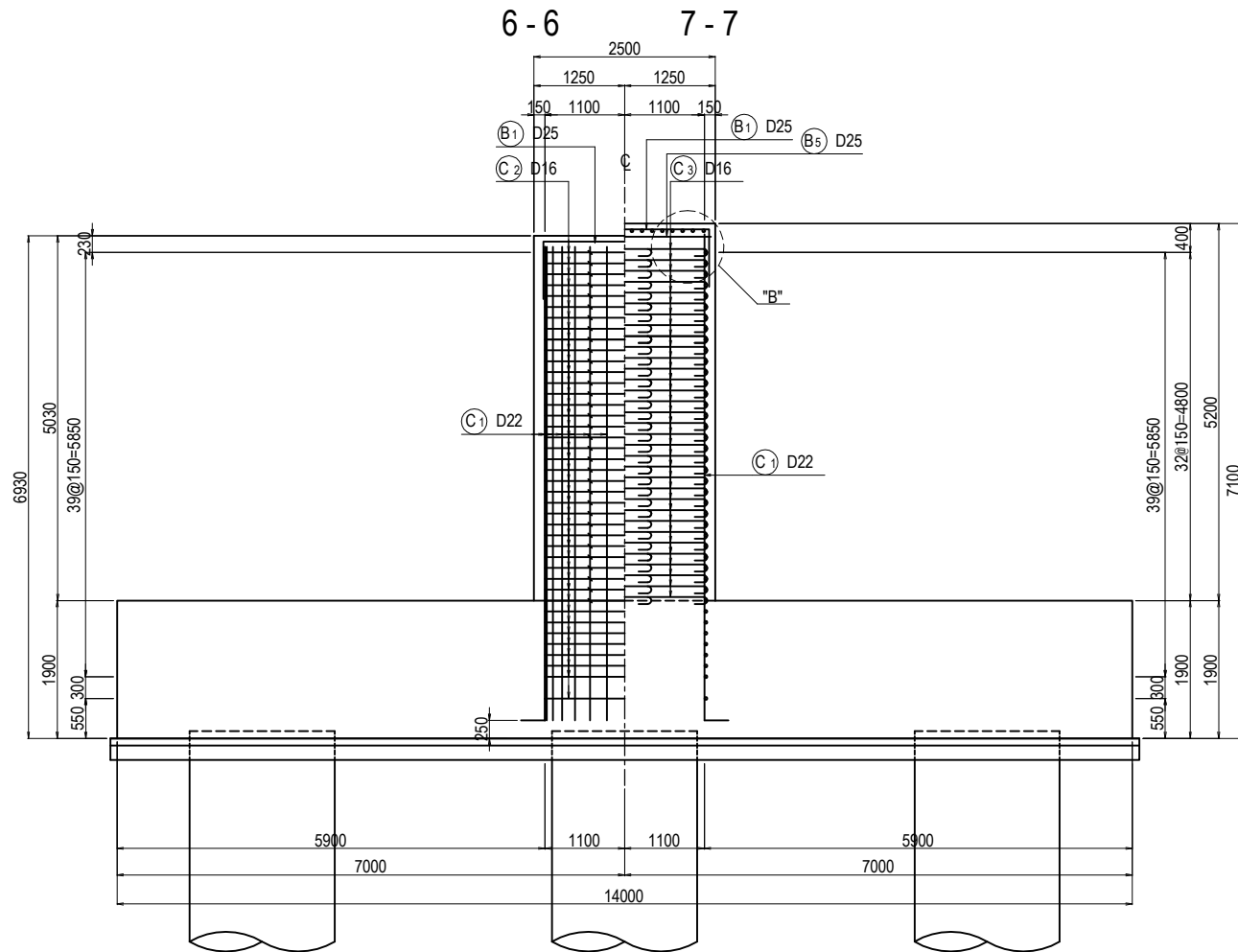


PROJECT NAME DETAILED DESIGN ON BAGO RIVER BRIDGE CONSTRUCTION PROJECT	FINANCED BY JAPAN INTERNATIONAL COOPERATION AGENCY	COUNTERPART REPUBLIC OF THE UNION OF MYANMAR MINISTRY OF CONSTRUCTION DEPARTMENT OF BRIDGE	JICA STUDY TEAM NIPPON KOEI CO., LTD. ORIENTAL CONSULTANTS GLOBAL CO., LTD. METROPOLITAN EXPRESSWAY COMPANY LIMITED CHODAI CO., LTD. NIPPON ENGINEERING CONSULTANTS CO., LTD.	NAME	SIGNATURE	DATE	DRAWING TITLE	PACKAGE	
				PREPARED BY	M. OHYAMA				15 Jun.2017
				CHECKED BY	T. HAYAKAWA				20 Jun.2017
				APPROVED BY	Y. SANO				21 Jun.2017
							BAR ARRANGEMENT OF P3 PIER (1)	1	
								DWG No.	
								P1-PB-2131	

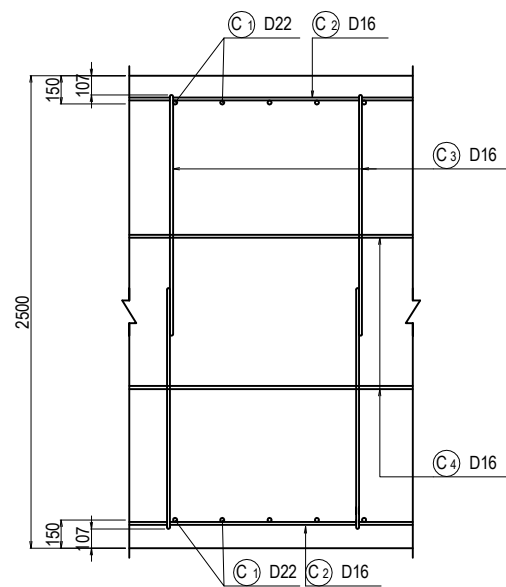
BAR ARRANGEMENT OF P3 PIER (2)

S = 1:100

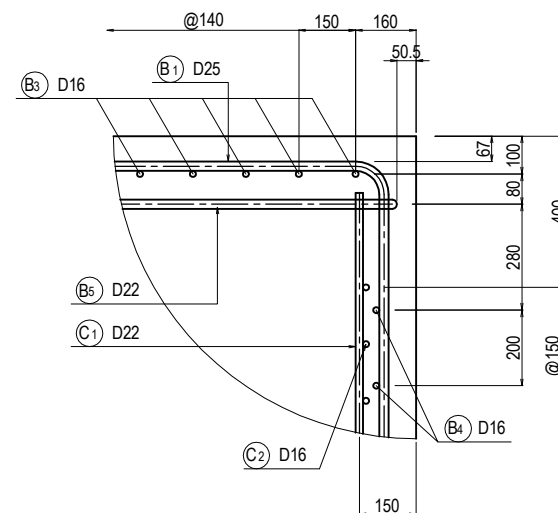
8 - 8



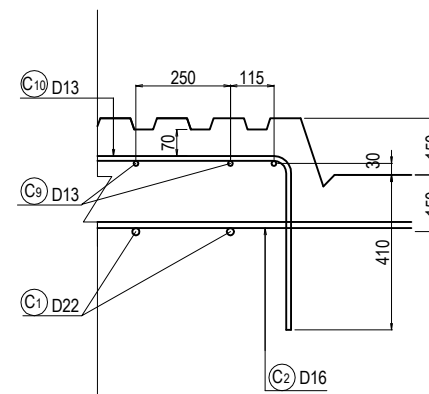
DETAIL "A" S=1:40



DETAIL "B" S=1:20

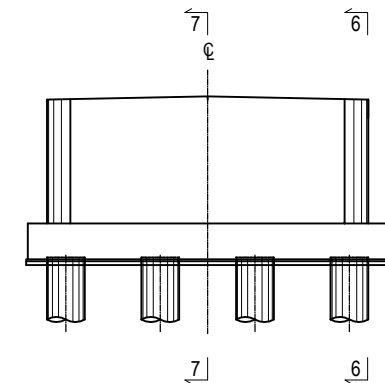


DETAIL "C" S=1:20



TRANSVERSAL

KEY PLAN



PROJECT NAME
DETAILED DESIGN ON
BAGO RIVER BRIDGE
CONSTRUCTION PROJECT

FINANCED BY
jica JAPAN INTERNATIONAL
COOPERATION AGENCY

COUNTERPART
REPUBLIC OF THE UNION OF MYANMAR
MINISTRY OF CONSTRUCTION
DEPARTMENT OF BRIDGE

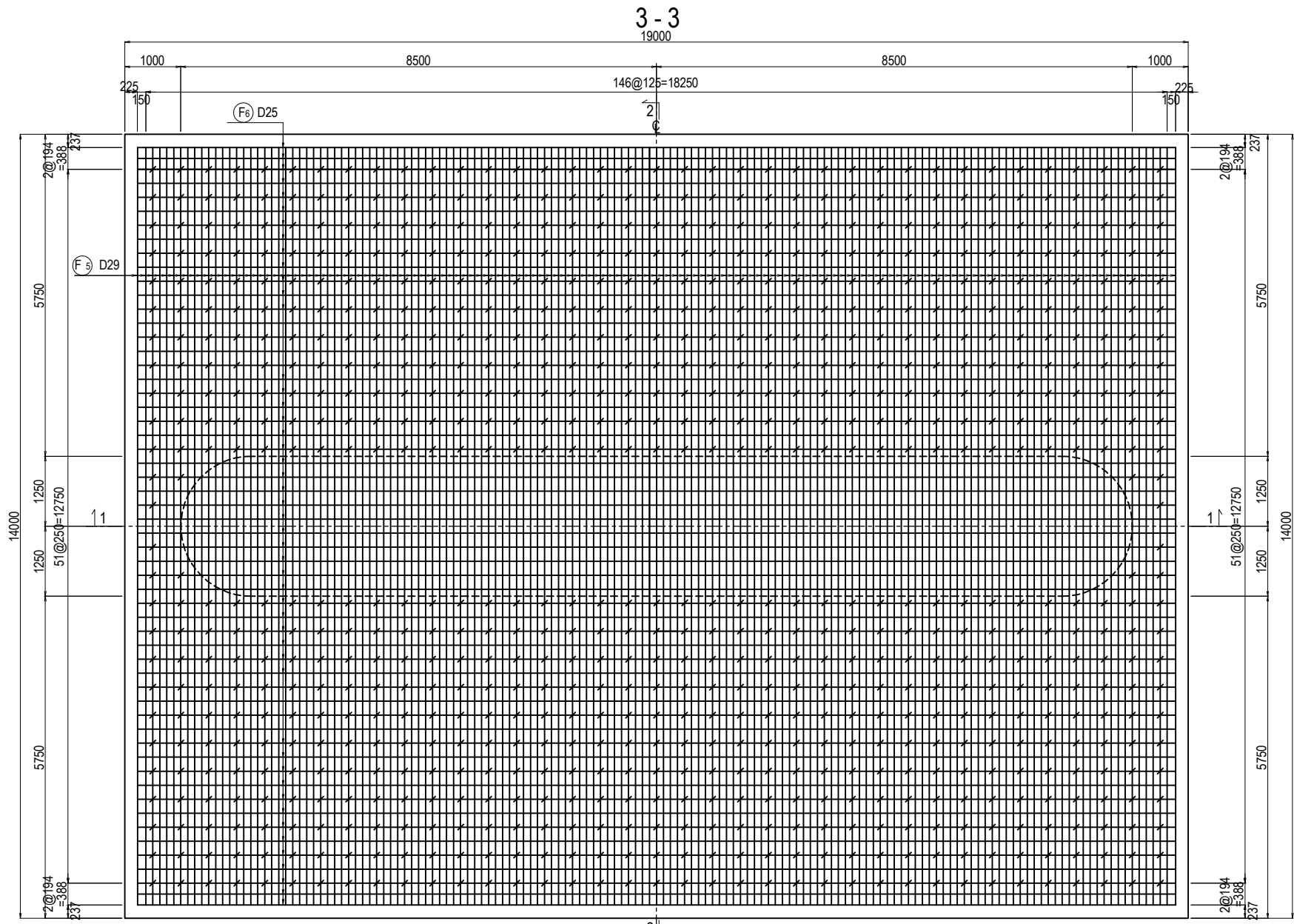
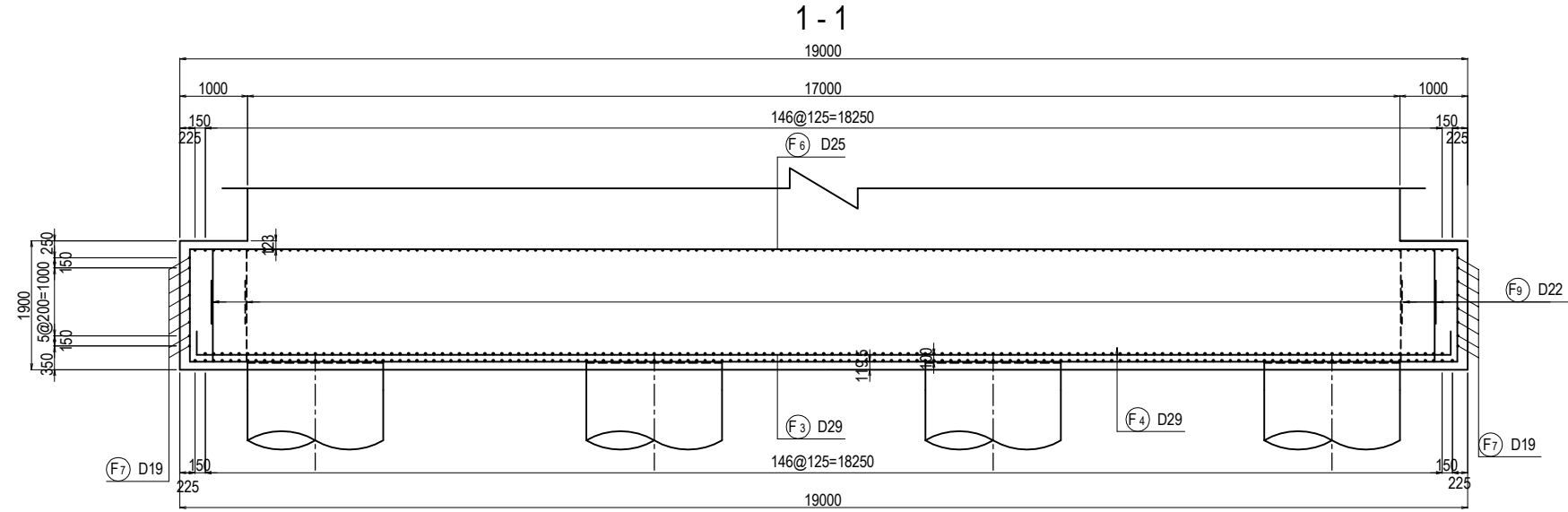
JICA STUDY TEAM
NIPPON KOEI CO., LTD.
ORIENTAL CONSULTANTS GLOBAL CO., LTD.
METROPOLITAN EXPRESSWAY COMPANY LIMITED
CHODAI CO., LTD.
NIPPON ENGINEERING CONSULTANTS CO., LTD.

	NAME	SIGNATURE	DATE
PREPARED BY	M. OHYAMA	大山 満弘	15 Jun.2017
CHECKED BY	T. HAYAKAWA	平川 知寿	20 Jun.2017
APPROVED BY	Y. SANO	佐野 祐一	21 Jun.2017

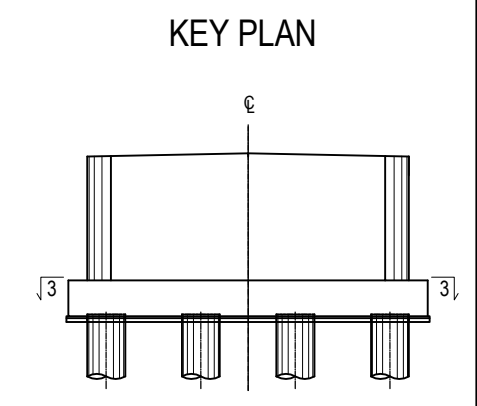
DRAWING TITLE
BAR ARRANGEMENT OF P3 PIER (2)

PACKAGE
1
DWG No.
P1-PB-2132

BAR ARRANGEMENT OF P3 PIER (3) S=1:100



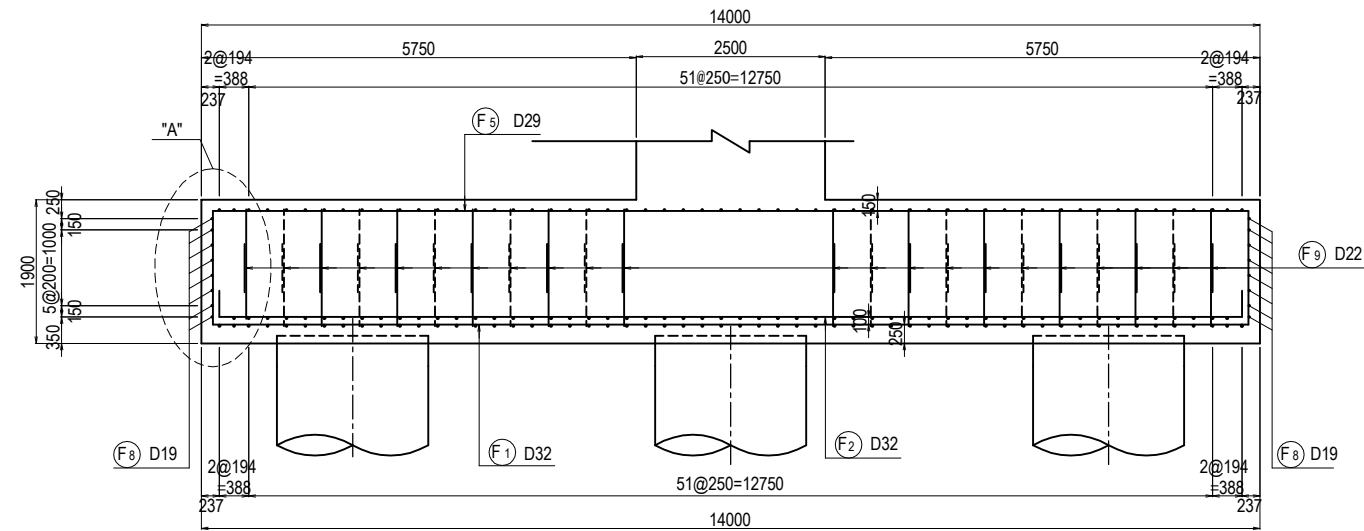
TRANSVERSAL



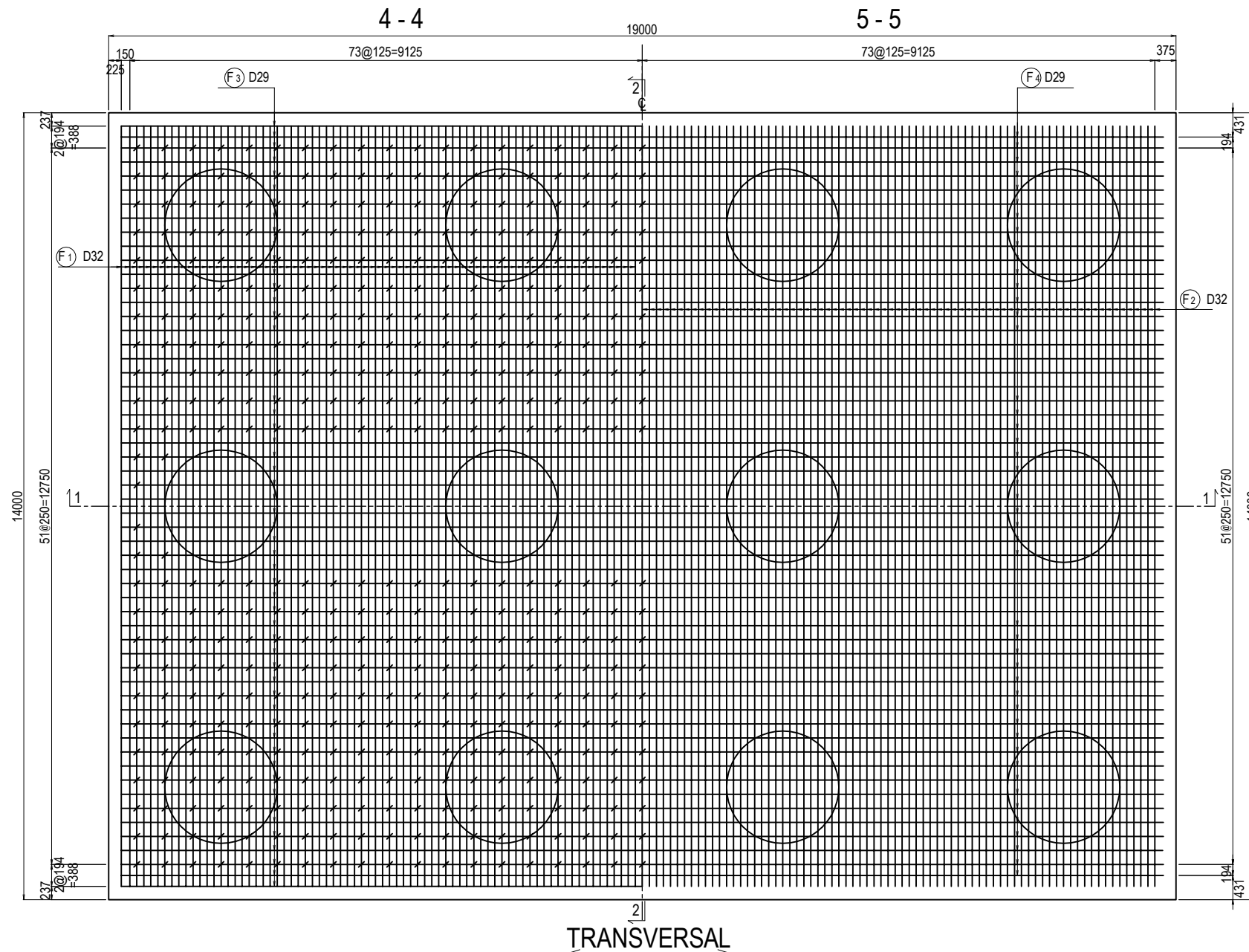
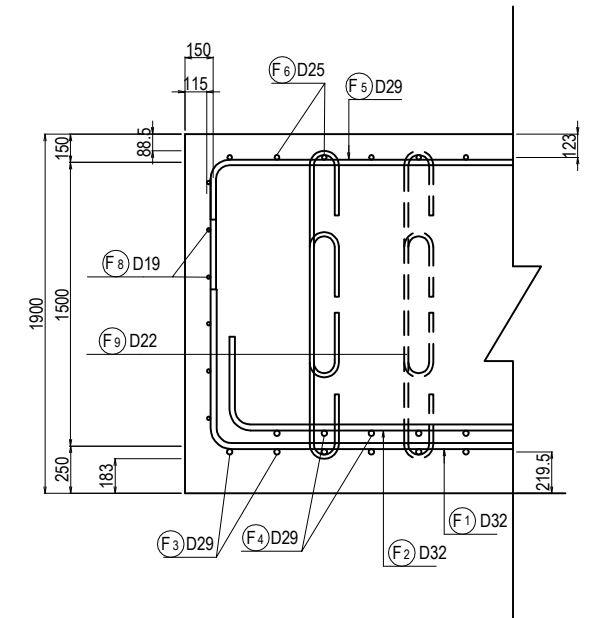
PROJECT NAME DETAILED DESIGN ON BAGO RIVER BRIDGE CONSTRUCTION PROJECT	FINANCED BY JAPAN INTERNATIONAL COOPERATION AGENCY	COUNTERPART REPUBLIC OF THE UNION OF MYANMAR MINISTRY OF CONSTRUCTION DEPARTMENT OF BRIDGE	JICA STUDY TEAM NIPPON KOEI CO., LTD. ORIENTAL CONSULTANTS GLOBAL CO., LTD. METROPOLITAN EXPRESSWAY COMPANY LIMITED CHODAI CO., LTD. NIPPON ENGINEERING CONSULTANTS CO., LTD.	NAME	SIGNATURE	DATE	DRAWING TITLE	PACKAGE	
				PREPARED BY	M. OHYAMA				15 Jun.2017
				CHECKED BY	T. HAYAKAWA				20 Jun.2017
				APPROVED BY	Y. SANO				21 Jun.2017
							BAR ARRANGEMENT OF P3 PIER (3)	1	
								DWG No.	
								P1-PB-2133	

BAR ARRANGEMENT OF P3 PIER (4) S=1:100

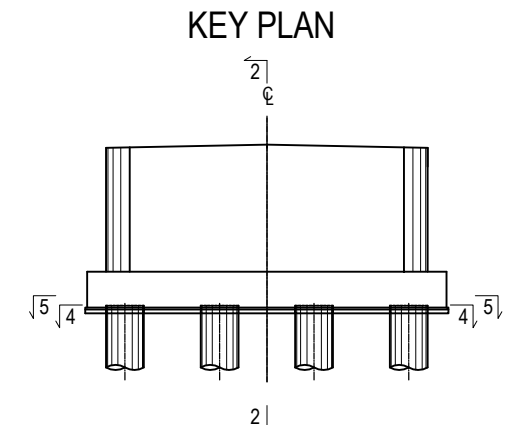
2 - 2



DETAIL "A" S=1:40



TRANSVERSAL



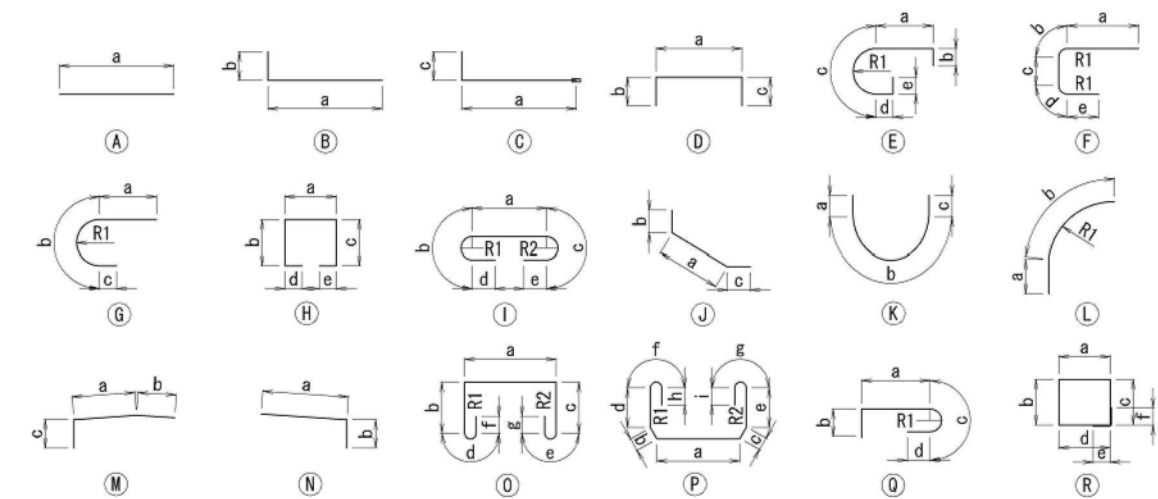
PROJECT NAME DETAILED DESIGN ON BAGO RIVER BRIDGE CONSTRUCTION PROJECT	FINANCED BY JAPAN INTERNATIONAL COOPERATION AGENCY	COUNTERPART REPUBLIC OF THE UNION OF MYANMAR MINISTRY OF CONSTRUCTION DEPARTMENT OF BRIDGE	JICA STUDY TEAM NIPPON KOEI CO., LTD. ORIENTAL CONSULTANTS GLOBAL CO., LTD. METROPOLITAN EXPRESSWAY COMPANY LIMITED CHODAI CO., LTD. NIPPON ENGINEERING CONSULTANTS CO., LTD.	<table border="1" style="width: 100%; border-collapse: collapse;"> <thead> <tr> <th style="width: 15%;">NAME</th> <th style="width: 15%;">SIGNATURE</th> <th style="width: 15%;">DATE</th> </tr> </thead> <tbody> <tr> <td>PREPARED BY M. OHYAMA</td> <td></td> <td>15 Jun.2017</td> </tr> <tr> <td>CHECKED BY T. HAYAKAWA</td> <td></td> <td>20 Jun.2017</td> </tr> <tr> <td>APPROVED BY Y. SANO</td> <td></td> <td>21 Jun.2017</td> </tr> </tbody> </table>	NAME	SIGNATURE	DATE	PREPARED BY M. OHYAMA		15 Jun.2017	CHECKED BY T. HAYAKAWA		20 Jun.2017	APPROVED BY Y. SANO		21 Jun.2017	DRAWING TITLE <h2 style="text-align: center;">BAR ARRANGEMENT OF P3 PIER (4)</h2>	PACKAGE 1 DWG No. P1-PB-2134
NAME	SIGNATURE	DATE																
PREPARED BY M. OHYAMA		15 Jun.2017																
CHECKED BY T. HAYAKAWA		20 Jun.2017																
APPROVED BY Y. SANO		21 Jun.2017																

BAR ARRANGEMENT OF P3 PIER (5)

BAR QUANTITY

SYMBOL	SHAPE	DIAMETER	NUMBER (NOS)	LENGTH (mm)	a (mm)	b (mm)	c (mm)	d (mm)	e (mm)	f (mm)	g (mm)	h (mm)	i (mm)	R1 (mm)	R2 (mm)	WEIGHT (kg)	REMARKS
B1	D	D25	87	3910	2330	790	790									1354	
B2	D	D25	14	3510	1930	790	790									196	AVERAGE
B3-1	M	D16	16	10690	8180	2000	510									267	AVERAGE
B3-2	N	D16	16	7200	6690	510										180	AVERAGE
B4-1	D	D16	4	10520	10035	240	240									66	
B4-2	E	D16	4	10620	4267.5	240	3596	2267.5	240					1144		66	
B5	I	D22	198	2570	1690	236	236	200	200							1546	
S1	D	D16	60	2840	1680	580	580									266	
S2	D	D16	60	2840	1680	580	580									266	
S3	R	D16	4	7430	1712	1712	1760	1760	240	240						46	
C1	B	D22	144	6950	6615	330										3043	AVERAGE
C2-1	D	D16	82	10520	10038	240	240									1346	
C2-2	E	D16	82	10540	4269	240	3515	2269	240					1119		1348	
C3	I	D16	1056	1970	1407	151	151	128	128					48	48	3242	
C4-1	I	D16	66	7430	6872	151	151	128	128					48	48	765	
C4-2	I	D16	66	11000	10442	151	151	128	128					48	48	1133	
C5	D	D13	42	5850	4966	440	440									244	AVERAGE
C6	D	D13	66	5730	4808	460	460									376	
F1-1	B	D32	149	12000	10500	1500										11139	
F1-2	B	D32	149	5710	4210	1500										5300	
F2-1	B	D32	147	11000	10520	480										10074	
F2-2	B	D32	147	4470	3990	480										4094	
F3-1	B	D29	56	12000	10442	1558										3387	
F3-2	B	D29	56	10730	9168	1558										3028	
F4-1	B	D29	54	12000	11565	435										3266	
F4-2	B	D29	54	8280	7845	435										2253	
F5-1	B	D29	149	11000	10565	435										8261	
F5-2	B	D29	149	4480	4045	435										3364	
F6-1	B	D25	56	12000	11625	375										2675	
F6-2	B	D25	56	8240	7865	375										1837	
F7-1	A	D19	16	12000	12000											432	
F7-2	A	D19	16	1730	1729											62	
F8-1	A	D19	16	12000	12000											432	
F8-2	A	D19	16	6730	6725											242	
F9	I	D22	1652	1950	1177	207	207	176	176					66	66	9796	

SHAPE CODE



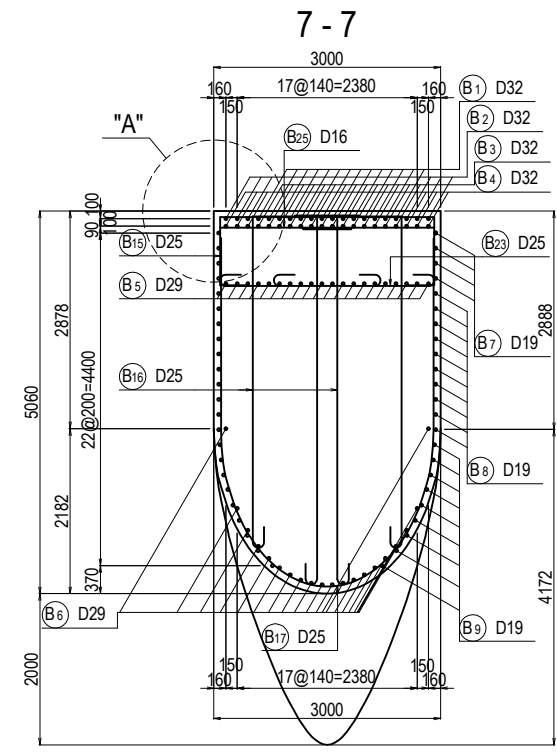
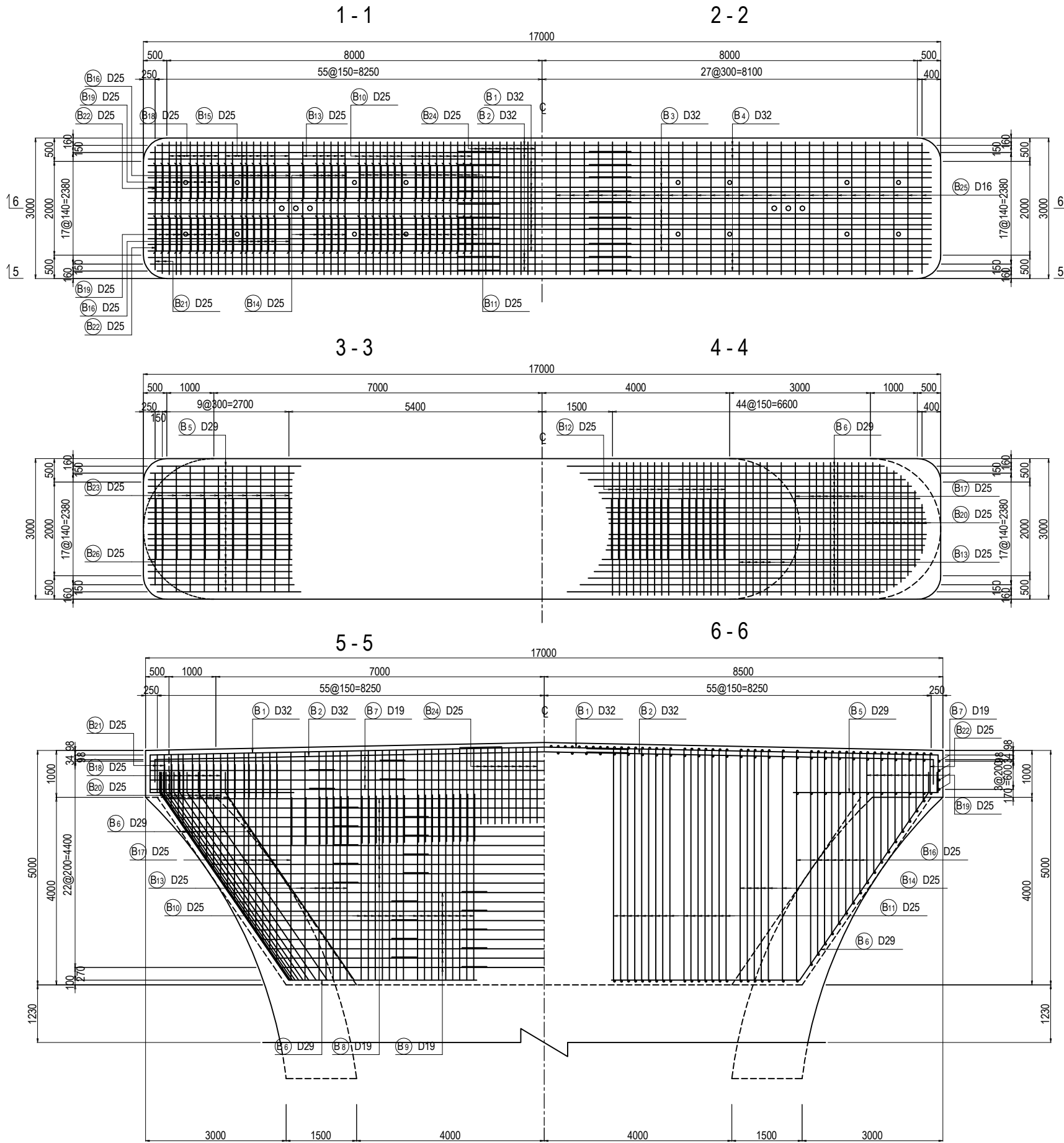
SUMMARY

DIAMETER	WEIGHT (kg)	MECHANICAL SPLIOE (NOS)
D13	620	0
D16	8991	0
D19	1168	0
D22	14385	0
D25	6062	0
D29	23559	0
D32	30607	0
D35	0	0
D38	0	0
D41	0	0
D51	0	0
TOTAL	85392	0

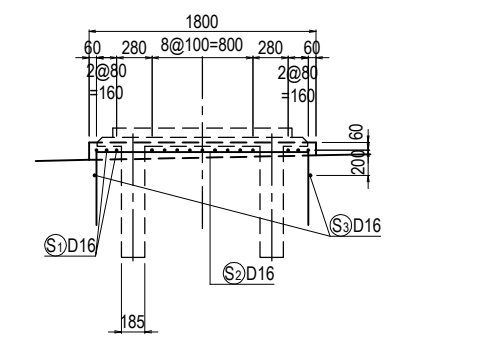
- NOTES: 1. Unless otherwise specified in the Contract Documents, a grade of rebar shall be SD 345 or equivalent.
 2. A figure in italic font indicate average length of rebar.

PROJECT NAME DETAILED DESIGN ON BAGO RIVER BRIDGE CONSTRUCTION PROJECT	FINANCED BY JAPAN INTERNATIONAL COOPERATION AGENCY	COUNTERPART REPUBLIC OF THE UNION OF MYANMAR MINISTRY OF CONSTRUCTION DEPARTMENT OF BRIDGE	JICA STUDY TEAM NIPPON KOEI CO., LTD. ORIENTAL CONSULTANTS GLOBAL CO., LTD. METROPOLITAN EXPRESSWAY COMPANY LIMITED CHODAI CO., LTD. NIPPON ENGINEERING CONSULTANTS CO., LTD.	NAME	SIGNATURE	DATE	DRAWING TITLE BAR ARRANGEMENT OF P3 PIER (5)	PACKAGE	
				PREPARED BY	M. OHYAMA			15 Jun.2017	1
				CHECKED BY	T. HAYAKAWA			20 Jun.2017	DWG No.
				APPROVED BY	Y. SANO			21 Jun.2017	P1-PB-2135

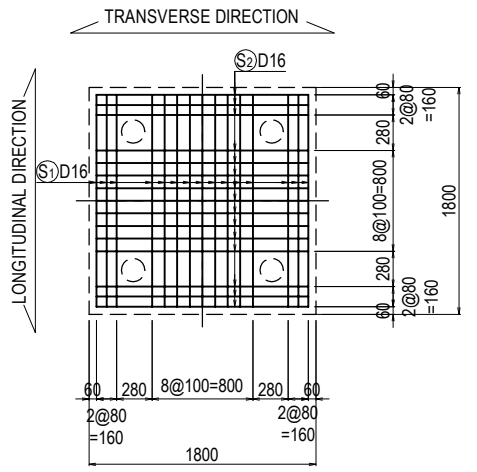
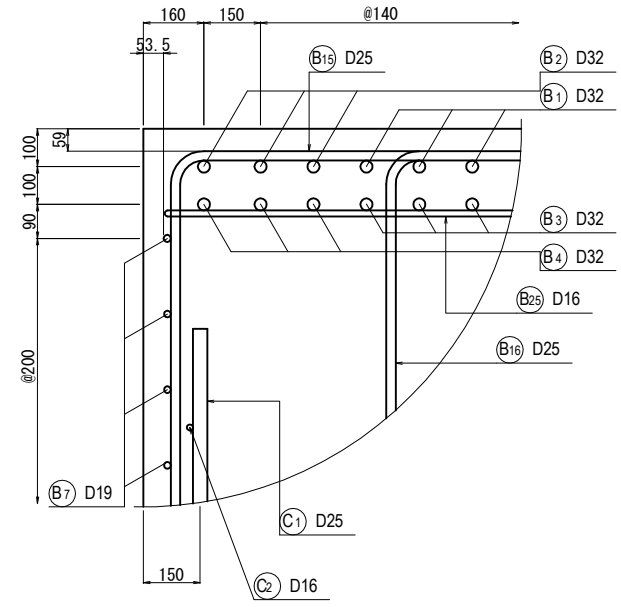
BAR ARRANGEMENT OF P4 PIER (1) S=1:100



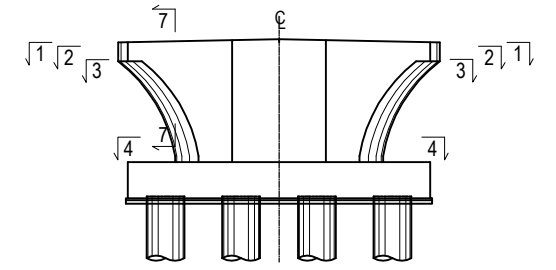
DETAIL OF BEARING BASE S=1:60



DETAIL "A" S=1:20



KEY PLAN

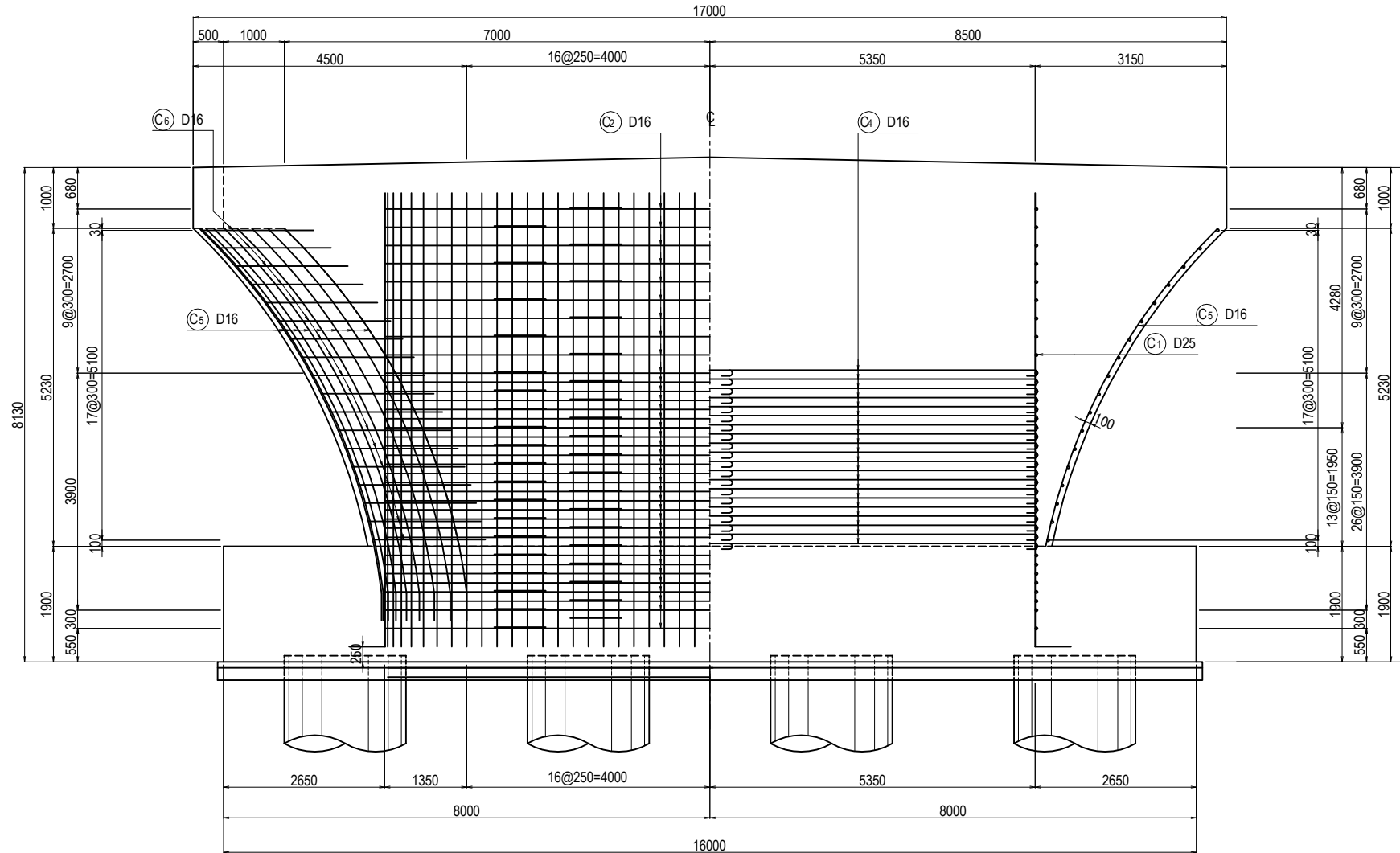


PROJECT NAME DETAILED DESIGN ON BAGO RIVER BRIDGE CONSTRUCTION PROJECT	FINANCED BY JICA JAPAN INTERNATIONAL COOPERATION AGENCY	COUNTERPART REPUBLIC OF THE UNION OF MYANMAR MINISTRY OF CONSTRUCTION DEPARTMENT OF BRIDGE	JICA STUDY TEAM NIPPON KOEI CO., LTD. ORIENTAL CONSULTANTS GLOBAL CO., LTD. METROPOLITAN EXPRESSWAY COMPANY LIMITED CHODAI CO., LTD. NIPPON ENGINEERING CONSULTANTS CO., LTD.	NAME M. OHYAMA T. HAYAKAWA Y. SANO	SIGNATURE 大山 満弘 平川 知寿 佐藤 祐一	DATE 15 Jun.2017 20 Jun.2017 21 Jun.2017	DRAWING TITLE BAR ARRANGEMENT OF P4 PIER (1)	PACKAGE 1 DWG No. P1-PB-2141
---	--	---	--	---	--------------------------------------	---	---	---------------------------------------

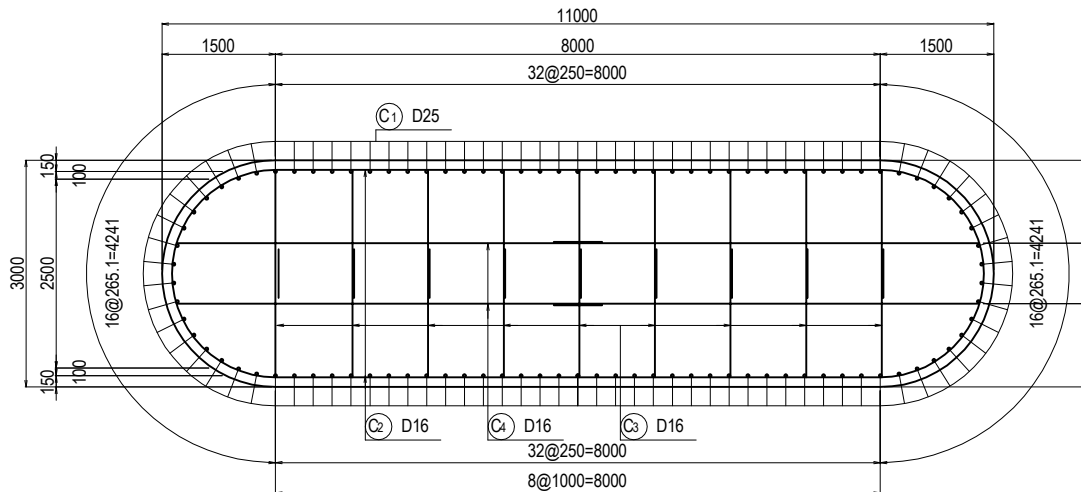
BAR ARRANGEMENT OF P4 PIER (2) S=1:100

1-1

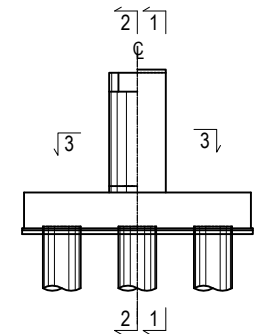
2-2



3-3

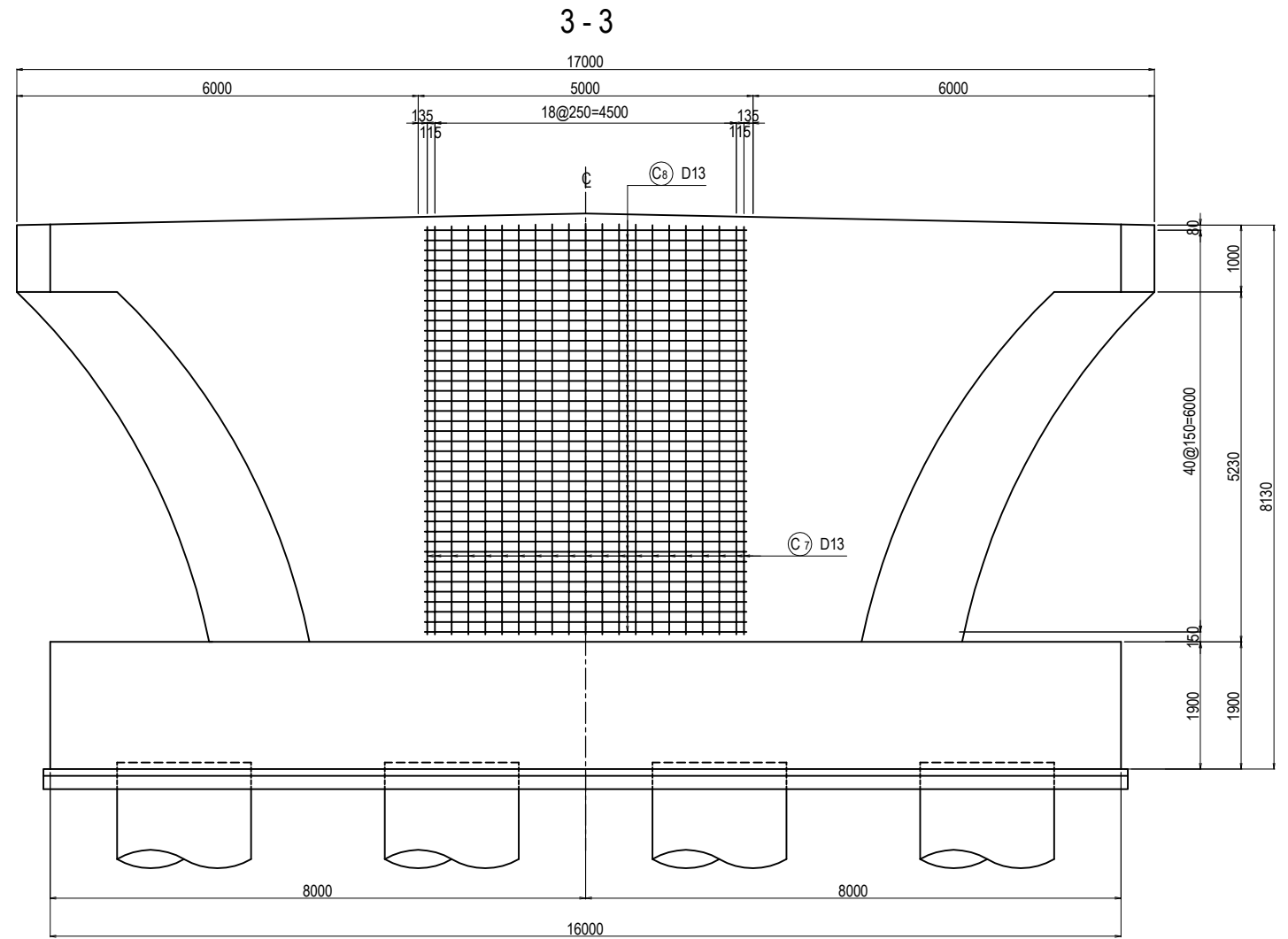
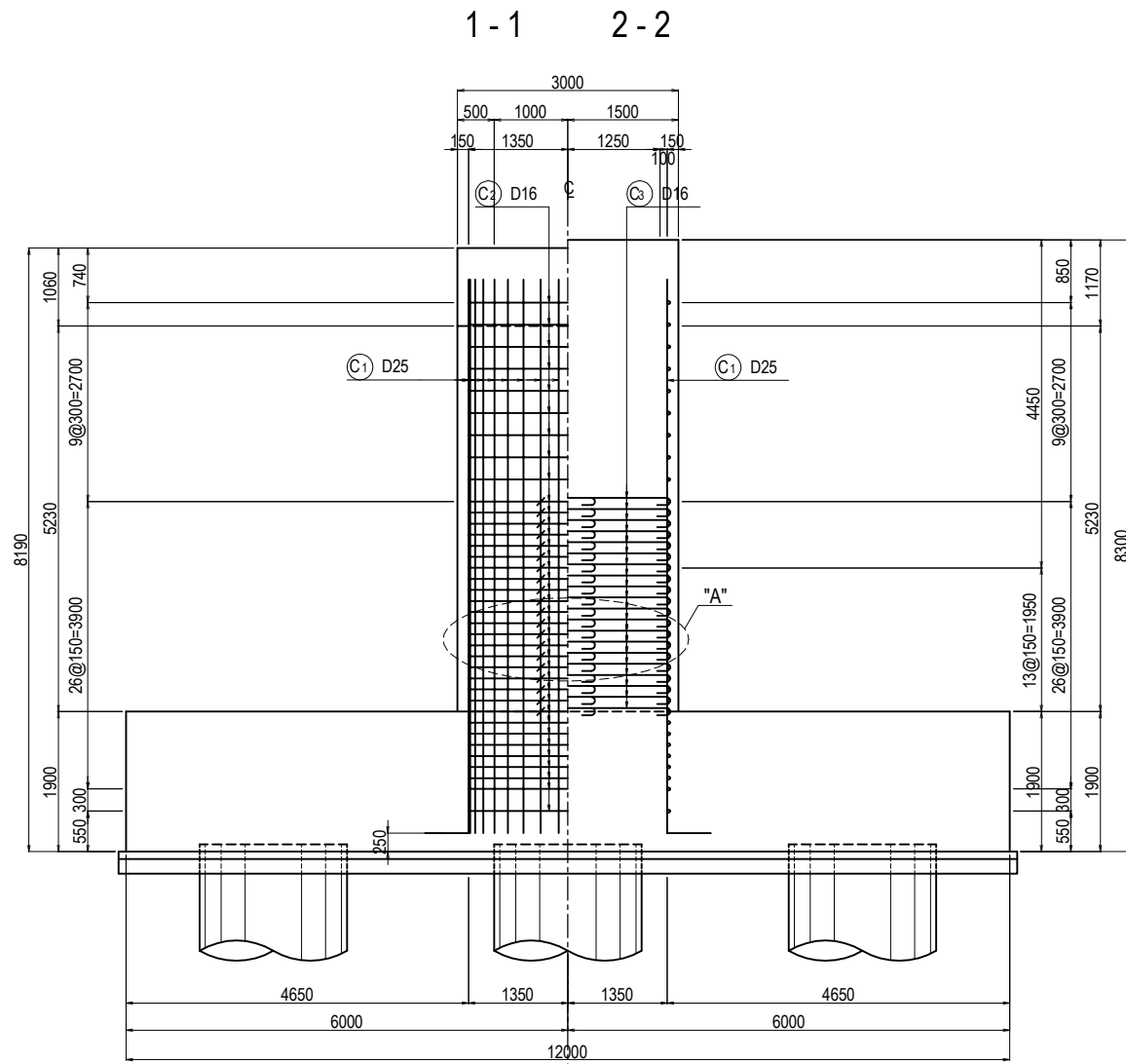


KEY PLAN

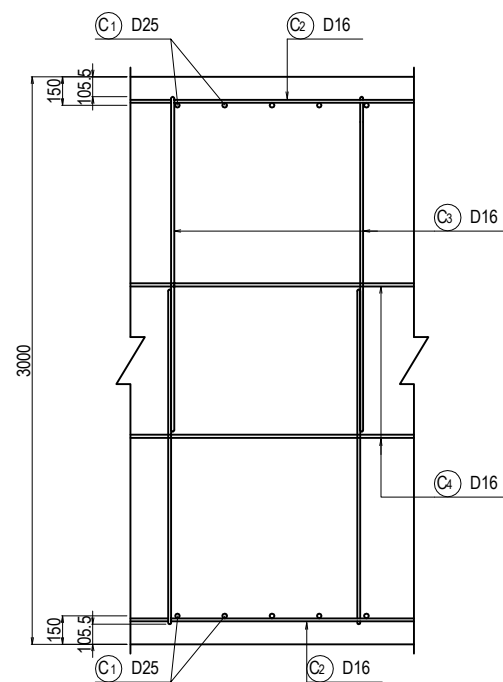


PROJECT NAME DETAILED DESIGN ON BAGO RIVER BRIDGE CONSTRUCTION PROJECT	FINANCED BY JAPAN INTERNATIONAL COOPERATION AGENCY	COUNTERPART REPUBLIC OF THE UNION OF MYANMAR MINISTRY OF CONSTRUCTION DEPARTMENT OF BRIDGE	JICA STUDY TEAM NIPPON KOEI CO., LTD. ORIENTAL CONSULTANTS GLOBAL CO., LTD. METROPOLITAN EXPRESSWAY COMPANY LIMITED CHODAI CO., LTD. NIPPON ENGINEERING CONSULTANTS CO., LTD.	NAME	SIGNATURE	DATE	DRAWING TITLE	PACKAGE	
				PREPARED BY	M. OHYAMA				15 Jun.2017
				CHECKED BY	T. HAYAKAWA				20 Jun.2017
				APPROVED BY	Y. SANO				21 Jun.2017
							BAR ARRANGEMENT OF P4 PIER (2)	1	
								DWG No.	
								P1-PB-2142	

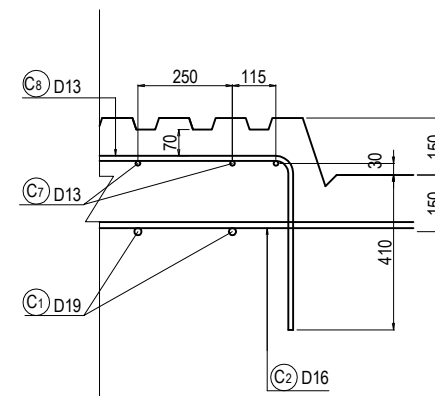
BAR ARRANGEMENT OF P4 PIER (3) S=1:100



DETAIL "A" S=1:40

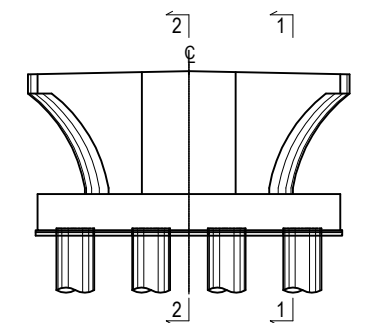


DETAIL "B" S=1:20



TRANSVERSAL

KEY PLAN



PROJECT NAME
DETAILED DESIGN ON
BAGO RIVER BRIDGE
CONSTRUCTION PROJECT

FINANCED BY
jica JAPAN INTERNATIONAL
COOPERATION AGENCY

COUNTERPART
REPUBLIC OF THE UNION OF MYANMAR
MINISTRY OF CONSTRUCTION
DEPARTMENT OF BRIDGE

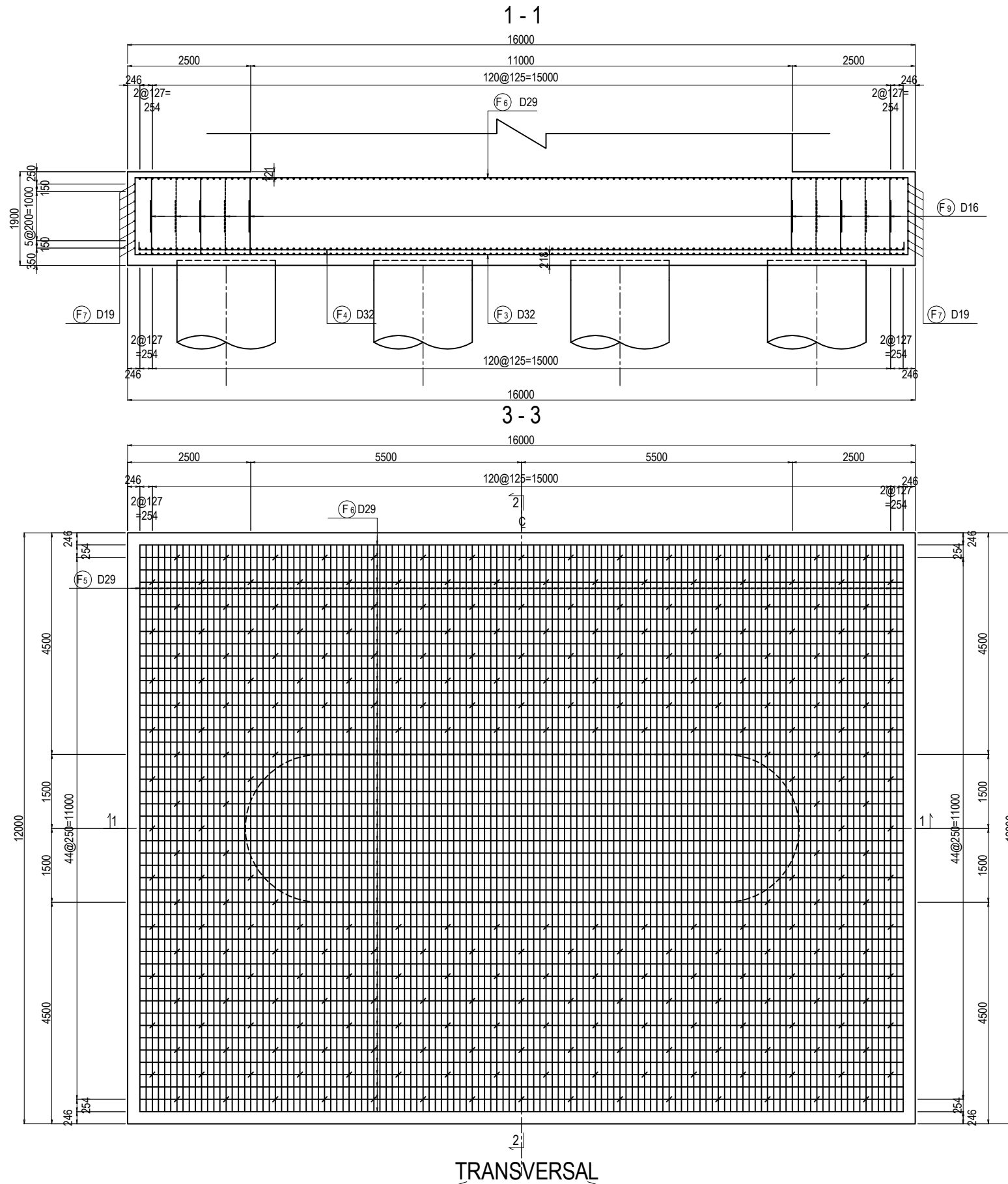
JICA STUDY TEAM
NIPPON KOEI CO., LTD.
ORIENTAL CONSULTANTS GLOBAL CO., LTD.
METROPOLITAN EXPRESSWAY COMPANY LIMITED
CHODAI CO., LTD.
NIPPON ENGINEERING CONSULTANTS CO., LTD.

	NAME	SIGNATURE	DATE
PREPARED BY	M. OHYAMA	大山 満弘	15 Jun.2017
CHECKED BY	T. HAYAKAWA	平川 知寿	20 Jun.2017
APPROVED BY	Y. SANO	佐野 祐一	21 Jun.2017

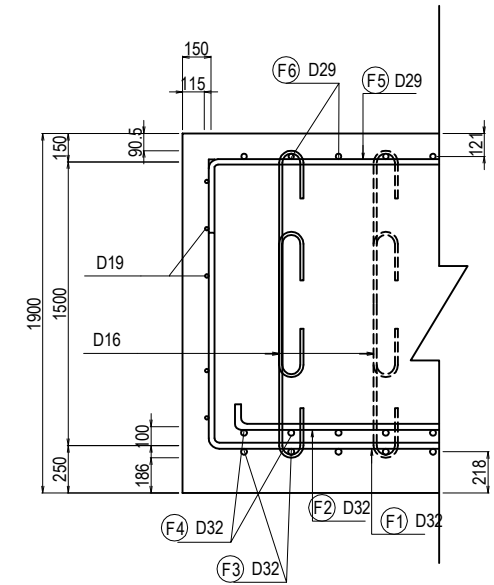
DRAWING TITLE
BAR ARRANGEMENT OF P4 PIER (3)

PACKAGE
1
DWG No.
P1-PB-2143

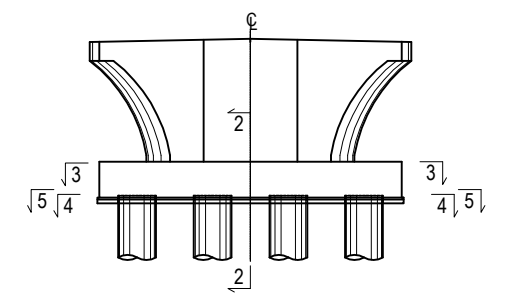
BAR ARRANGEMENT OF P4 PIER (4) S=1:100



DETAIL "A" S=1:40



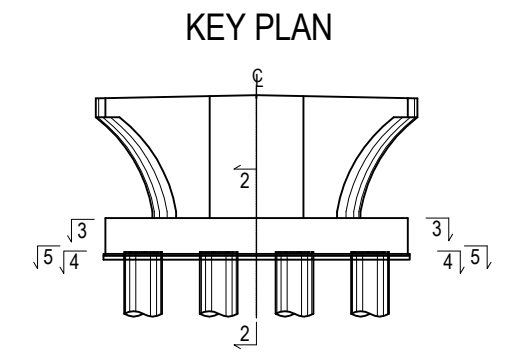
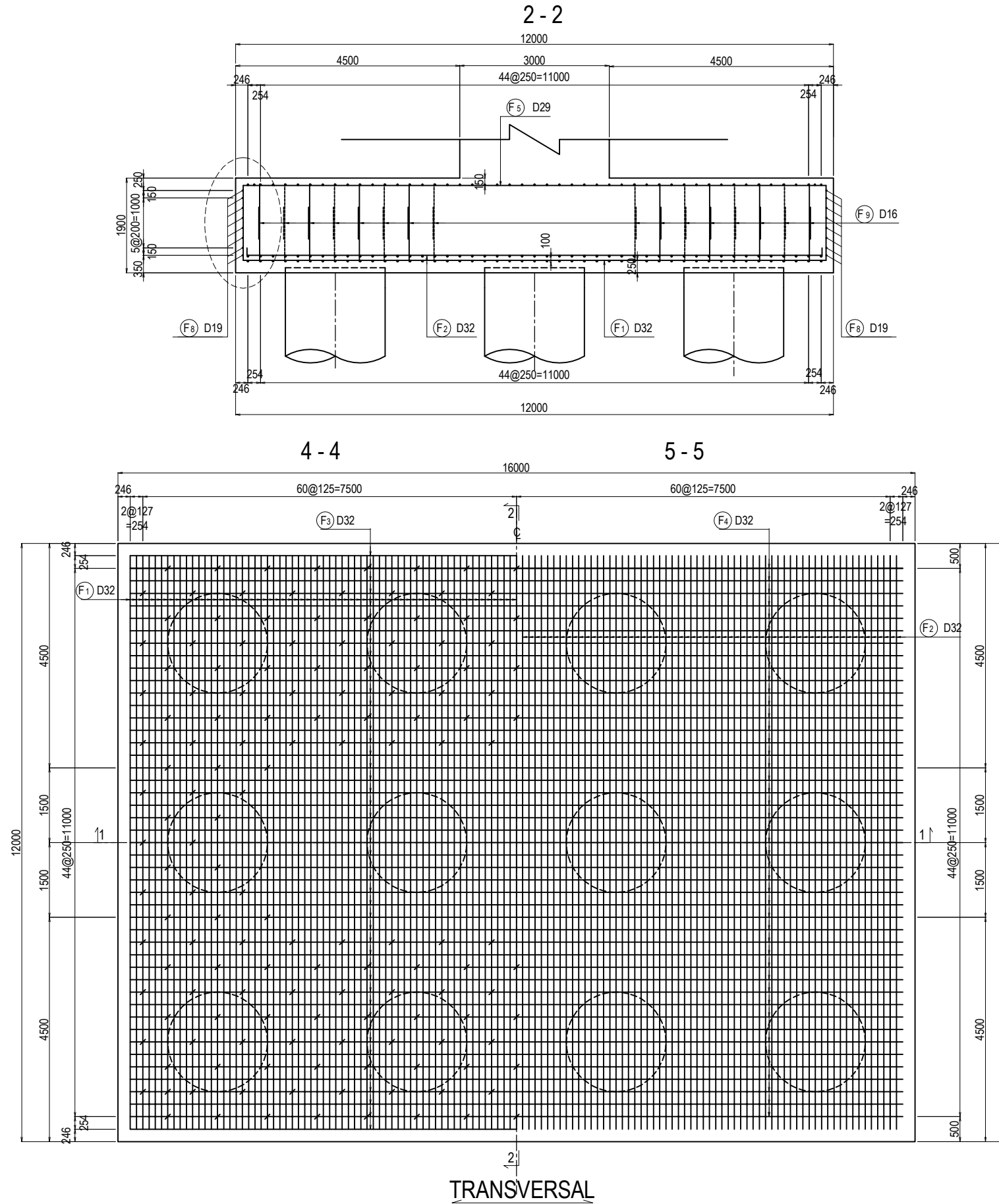
KEY PLAN



TRANSVERSAL

PROJECT NAME DETAILED DESIGN ON BAGO RIVER BRIDGE CONSTRUCTION PROJECT	FINANCED BY JAPAN INTERNATIONAL COOPERATION AGENCY	COUNTERPART REPUBLIC OF THE UNION OF MYANMAR MINISTRY OF CONSTRUCTION DEPARTMENT OF BRIDGE	JICA STUDY TEAM NIPPON KOEI CO., LTD. ORIENTAL CONSULTANTS GLOBAL CO., LTD. METROPOLITAN EXPRESSWAY COMPANY LIMITED CHODAI CO., LTD. NIPPON ENGINEERING CONSULTANTS CO., LTD.	NAME	SIGNATURE	DATE	DRAWING TITLE BAR ARRANGEMENT OF P4 PIER (4)	PACKAGE	
				PREPARED BY	M. OHYAMA			15 Jun.2017	1
				CHECKED BY	T. HAYAKAWA			20 Jun.2017	DWG No.
				APPROVED BY	Y. SANO			21 Jun.2017	P1-PB-2144

BAR ARRANGEMENT OF P4 PIER (5) S=1:100



PROJECT NAME
 DETAILED DESIGN ON
 BAGO RIVER BRIDGE
 CONSTRUCTION PROJECT

FINANCED BY
 JAPAN INTERNATIONAL
 COOPERATION AGENCY

COUNTERPART
 REPUBLIC OF THE UNION OF MYANMAR
 MINISTRY OF CONSTRUCTION
 DEPARTMENT OF BRIDGE

JICA STUDY TEAM
 NIPPON KOEI CO., LTD.
 ORIENTAL CONSULTANTS GLOBAL CO., LTD.
 METROPOLITAN EXPRESSWAY COMPANY LIMITED
 CHODAI CO., LTD.
 NIPPON ENGINEERING CONSULTANTS CO., LTD.

	NAME	SIGNATURE	DATE
PREPARED BY	M. OHYAMA	大山 満弘	15 Jun.2017
CHECKED BY	T. HAYAKAWA	平川 知寿	20 Jun.2017
APPROVED BY	Y. SANO	佐野 祐一	21 Jun.2017

DRAWING TITLE
 BAR ARRANGEMENT OF P4 PIER (5)

PACKAGE
 1
 DWG No.
 P1-PB-2145

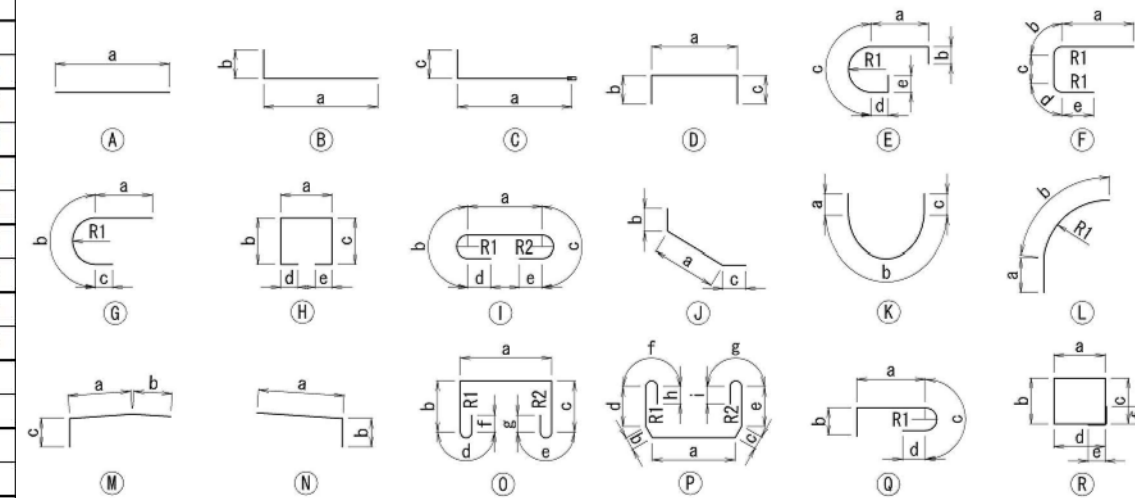
BAR ARRANGEMENT OF P4 PIER (6)

BAR QUANTITY

SYMBOL	SHAPE	DIAMETER	NUMBER (NOS)	LENGTH (mm)	a (mm)	b (mm)	c (mm)	d (mm)	e (mm)	f (mm)	g (mm)	h (mm)	i (mm)	R1 (mm)	R2 (mm)	WEIGHT (kg)	REMARKS
B1-1	M	D32	14	11000	8402	1796	802									959	
B1-2	N	D32	14	8300	7496	802										724	
B2-1	M	D32	6	10910	8306	1796	802									408	AVERAGE
B2-2	N	D32	6	8210	7400	802										307	AVERAGE
B3-1	M	D32	14	11000	8302	2218	480									959	
B3-2	N	D32	14	7460	6974	480										651	
B4-1	M	D32	6	10910	8203	2218	480									408	AVERAGE
B4-2	N	D32	6	7360	6878	480										275	AVERAGE
B5	B	D29	40	3500	3065	435										706	
B6	J	D29	40	9300	4854	435	4011									1875	
B7-1	A	D19	8	8500	8500											153	
B7-2	F	D19	8	11940	5030	686	2000	686	3530					437		215	
B8-1	A	D19	20	7500	7500											338	
B8-2	G	D19	20	10300	3641	4514	2141							1437		464	AVERAGE
B9-1	A	D19	18	5000	5000											203	
B9-2	G	D19	18	10190	3584	4514	2084							1437		413	AVERAGE
B10-1	O	D25	32	7710	2830	2000	2000	236	236	200	200			75	75	982	
B10-2	Q	D25	64	4790	3971	375	236	200						75		1220	AVERAGE
B11	H	D25	64	11550	850	4971	4971	375	375							2942	AVERAGE
B12	I	D25	64	2850	1970	236	236	200	200					75	75	726	
B13-1	O	D25	12	7710	2830	2000	2000	236	236	200	200			75	75	368	
B13-2	P	D25	12	10910	1814	1313	1313	2795	2795	236	236	200	200	75	75	521	AVERAGE
B14	O	D25	24	11230	850	4855	4653	236	236	200	200			75	75	1073	AVERAGE
B15	H	D25	18	5390	2830	903	903	375	375							386	AVERAGE
B16	O	D25	36	8860	850	3803	3332	236	236	200	200			75	75	1269	AVERAGE
B17	K	D25	18	8630	1573	5480	1573									618	AVERAGE
B18	H	D25	16	5340	2830	878	878	375	375							340	AVERAGE
B19	O	D25	36	5050	850	1817	1508	236	236	200	200			75	75	724	AVERAGE
B20	K	D25	18	4340	700	2940	700									311	AVERAGE
B21	H	D25	4	5210	2734	863	863	375	375							83	AVERAGE
B22	H	D25	4	3330	850	861	861	375	375							53	
B23	I	D25	40	2850	1970	236	236	200	200					75	75	454	
B24	D	D25	19	6000	2830	1585	1585									454	
B25	I	D16	110	2270	1708	151	151	128	128					48	48	389	
B26	I	D25	4	2700	1820	236	236	200	200					75	75	43	
S1	D	D16	60	2840	1680	580	580									266	
S2	D	D16	60	2840	1680	580	580									266	
S3	R	D16	4	7430	1712	1712	1760	1760	240	240						46	
C1	B	D25	96	7830	7453	375										2991	SD390
C2-1	D	D16	74	6330	5846	240	240									730	
C2-2	E	D16	74	8640	2548	240	4306	1298	240					1371		998	
C3	I	D16	252	2220	1659	151	151	128	128					48	48	872	
C4	I	D16	56	6220	5659	151	151	128	128					48	48	543	
C5	L	D16	32	7270	450	6818								10100		363	
C6	G	D16	40	5350	450	4448	450							1416		334	
C7	D	D13	42	7000	6116	440	440									293	AVERAGE
C8	D	D13	82	5730	4808	460	460									467	

SYMBOL	SHAPE	DIAMETER	NUMBER (NOS)	LENGTH (mm)	a (mm)	b (mm)	c (mm)	d (mm)	e (mm)	f (mm)	g (mm)	h (mm)	i (mm)	R1 (mm)	R2 (mm)	WEIGHT (kg)	REMARKS
F1-1	B	D32	125	10000	8500	1500										7788	
F1-2	B	D32	125	5710	4210	1500										4446	
F2-1	B	D32	123	9000	8520	480										6897	
F2-2	B	D32	123	4470	3990	480										3426	
F3-1	B	D32	47	12000	10439	1561										3514	
F3-2	B	D32	47	7840	6271	1561										2295	
F4-1	B	D32	45	12000	11520	480										3364	
F4-2	B	D32	45	5470	4990	480										1534	
F5-1	B	D29	125	9000	8565	435										5670	
F5-2	B	D29	125	4480	4045	435										2823	
F6-1	B	D29	47	12000	11565	435										2843	
F6-2	B	D29	47	5480	5045	435										1298	
F7	A	D19	16	11760	11751											423	
F8-1	A	D19	16	12000	12000											432	
F8-2	A	D19	16	4360	4351											157	
F9	I	D16	568	1640	1076	151	151	128	128					48	48	1454	

SHAPE CODE



SUMMARY

DIAMETER	WEIGHT (kg)	MECHANICAL SPLIOE (NOS)
D13	760	0
D16	6261	0
D19	2798	0
D22	0	0
D25	15558	0
D29	15215	0
D32	37955	0
D35	0	0
D38	0	0
D41	0	0
D51	0	0
TOTAL	78547	0

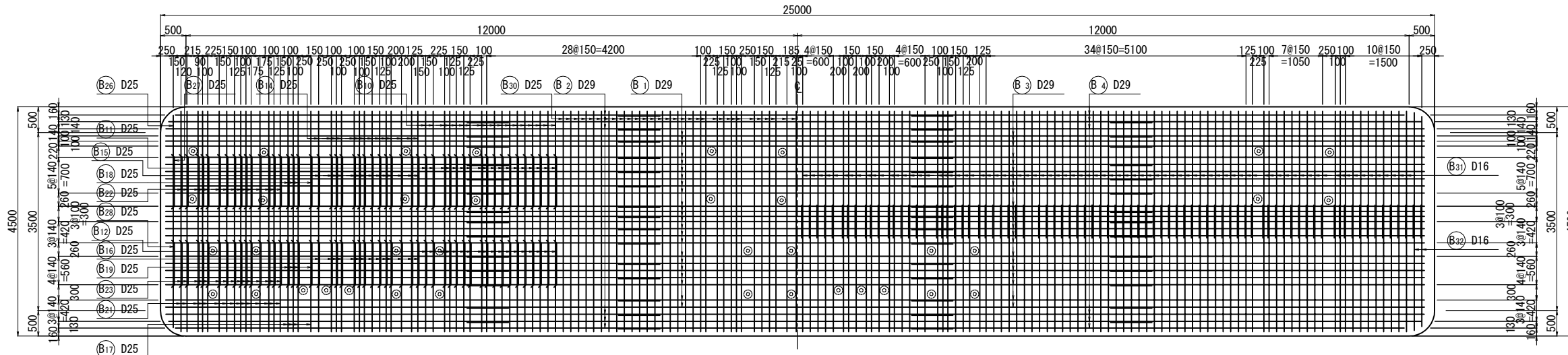
- NOTES: 1. Unless otherwise specified in the Contract Documents, a grade of rebar shall be SD 345 or equivalent.
 2. A grade of axial rebar for Columns shall be SD 390 or equivalent.
 3. A figure in italic font indicate average length of rebar.

PROJECT NAME DETAILED DESIGN ON BAGO RIVER BRIDGE CONSTRUCTION PROJECT	FINANCED BY JAPAN INTERNATIONAL COOPERATION AGENCY	COUNTERPART REPUBLIC OF THE UNION OF MYANMAR MINISTRY OF CONSTRUCTION DEPARTMENT OF BRIDGE	JICA STUDY TEAM NIPPON KOEI CO., LTD. ORIENTAL CONSULTANTS GLOBAL CO., LTD. METROPOLITAN EXPRESSWAY COMPANY LIMITED CHODAI CO., LTD. NIPPON ENGINEERING CONSULTANTS CO., LTD.	NAME	SIGNATURE	DATE	DRAWING TITLE	PACKAGE	
				PREPARED BY	M. OHYAMA				15 Jun.2017
				CHECKED BY	T. HAYAKAWA				20 Jun.2017
APPROVED BY	Y. SANO		21 Jun.2017	BAR ARRANGEMENT OF P4 PIER (6)		1			
								DWG No.	P1-PB-2146

BAR ARRANGEMENT OF P5 PIER (1) S=1:100

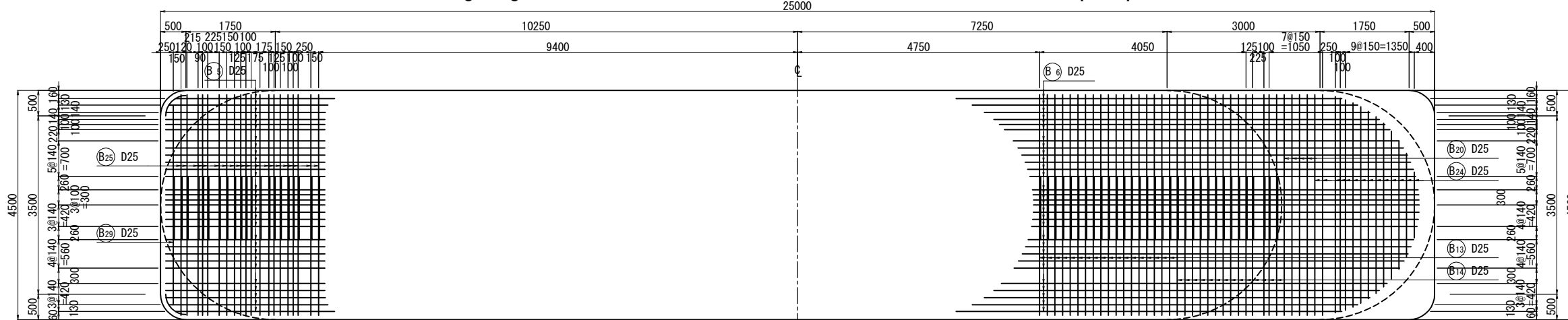
1 - 1

2 - 2



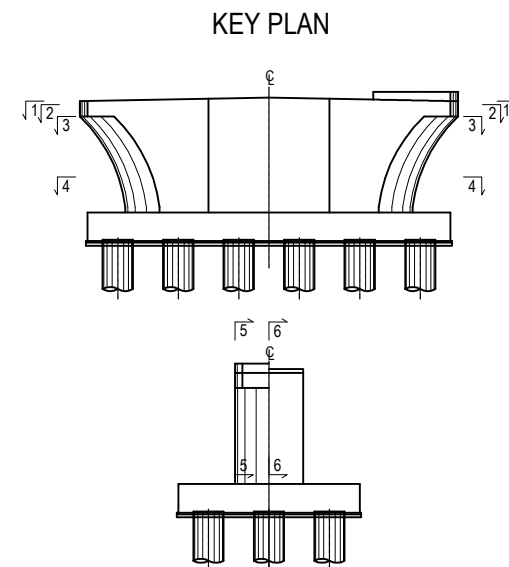
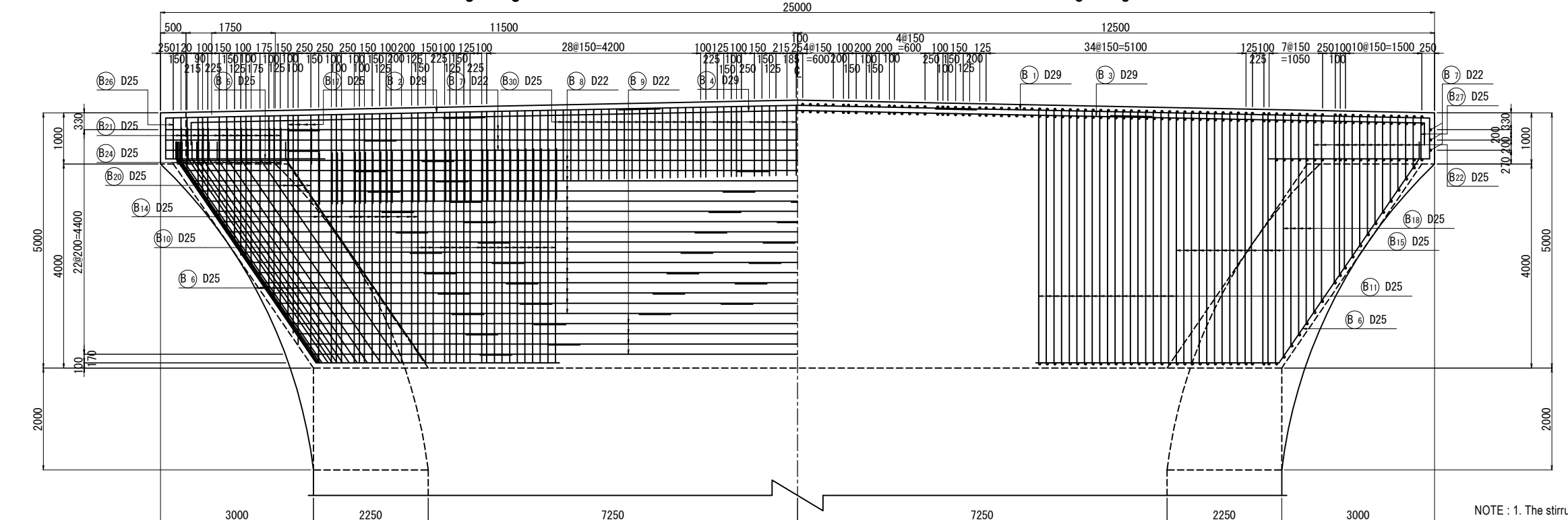
3 - 3

4 - 4



5 - 5

6 - 6



NOTE : 1. The stirrup for beam is possible to interfere with position of the box-out for anchor bolts, so it shall be to consider at a working drawing.

PROJECT NAME
DETAILED DESIGN ON
BAGO RIVER BRIDGE
CONSTRUCTION PROJECT

FINANCED BY
 JAPAN INTERNATIONAL
COOPERATION AGENCY

COUNTERPART
 REPUBLIC OF THE UNION OF MYANMAR
MINISTRY OF CONSTRUCTION
DEPARTMENT OF BRIDGE

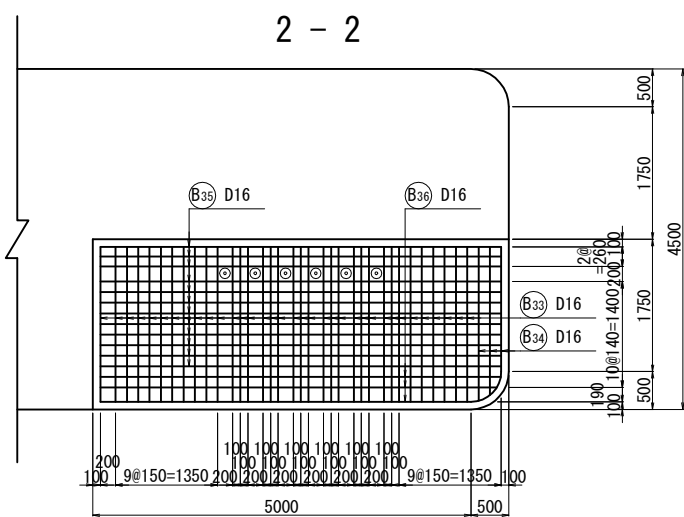
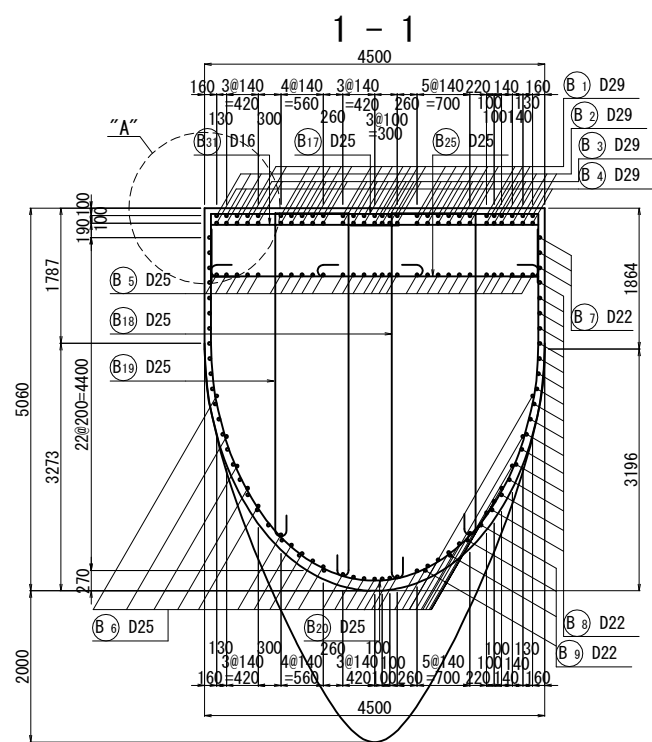
JICA STUDY TEAM
 NIPPON KOEI CO., LTD.
ORIENTAL CONSULTANTS GLOBAL CO., LTD.
METROPOLITAN EXPRESSWAY COMPANY LIMITED
CHODAI CO., LTD.
NIPPON ENGINEERING CONSULTANTS CO., LTD.

	NAME	SIGNATURE	DATE
PREPARED BY	M. OHYAMA		15 Jun.2017
CHECKED BY	T. HAYAKAWA		20 Jun.2017
APPROVED BY	Y. SANO		21 Jun.2017

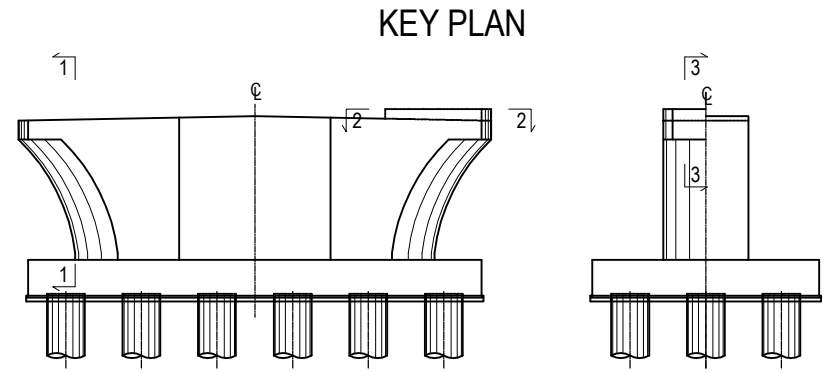
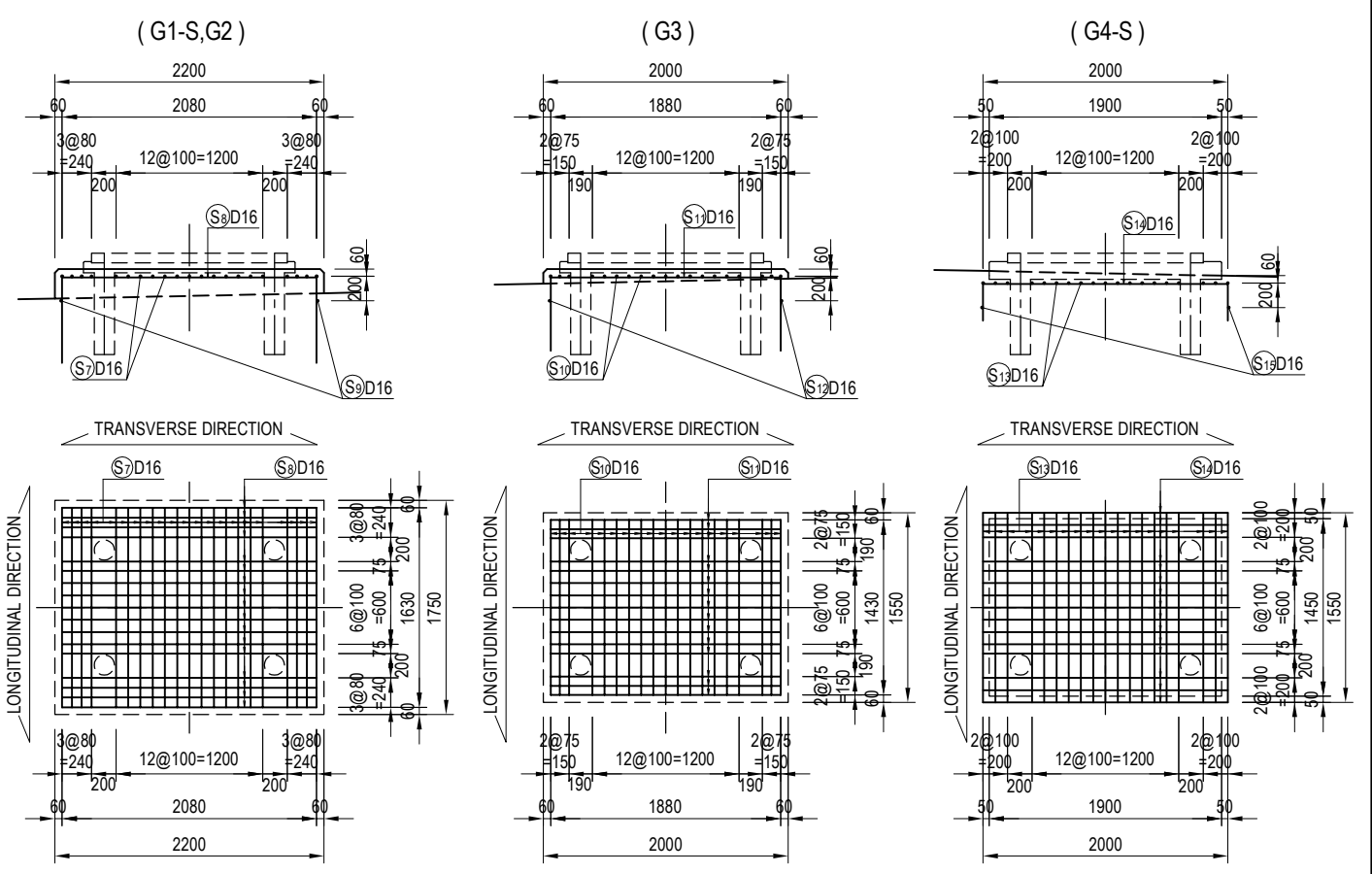
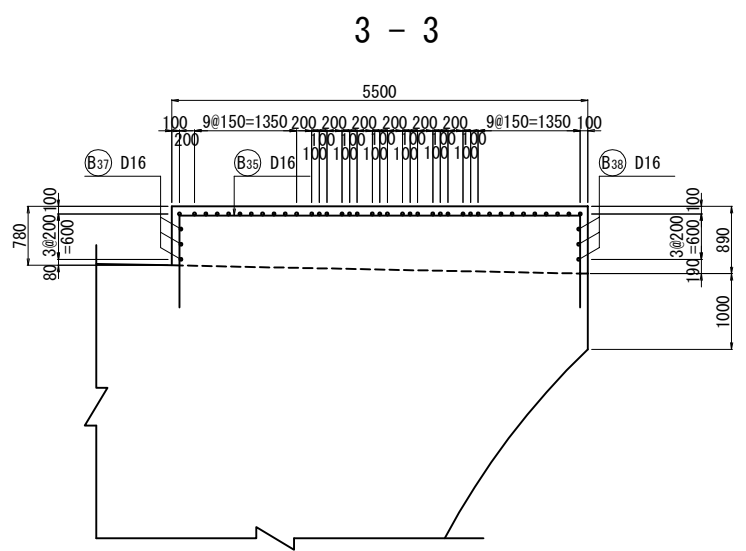
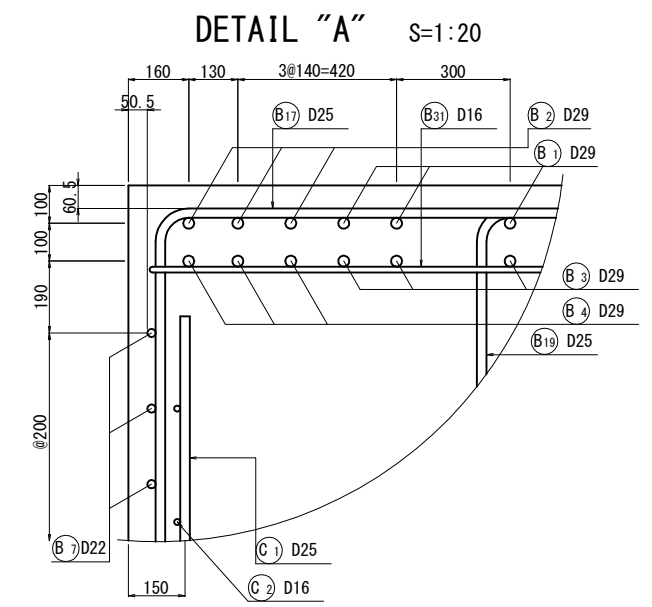
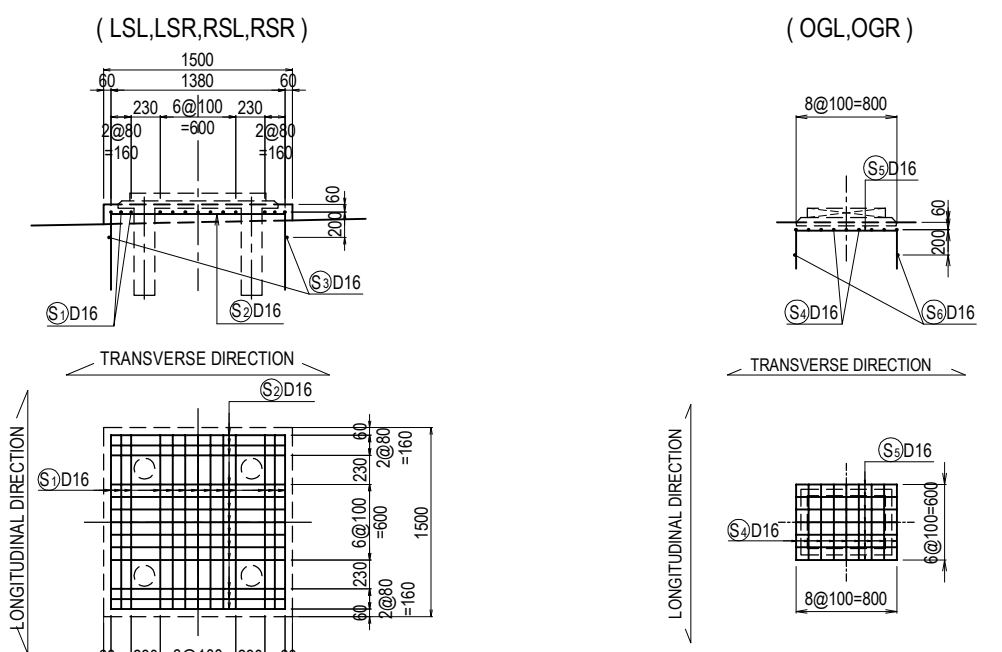
DRAWING TITLE
BAR ARRANGEMENT OF P5 PIER (1)

PACKAGE
1
DWG No.
P1-PB-2151

BAR ARRANGEMENT OF P5 PIER (2) S=1:100

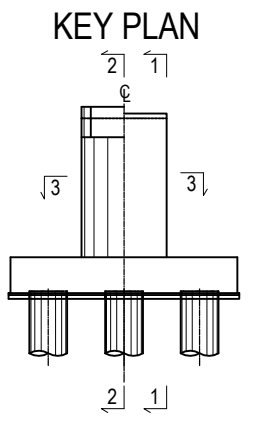
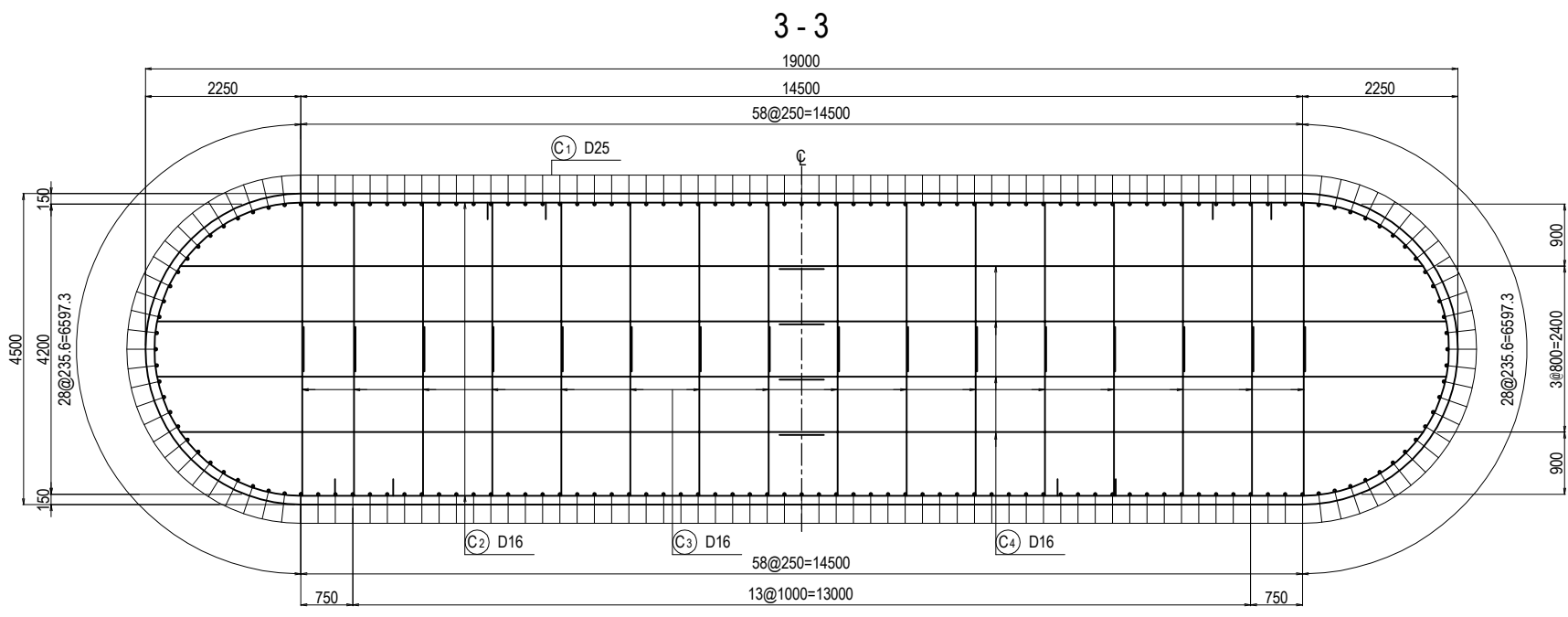
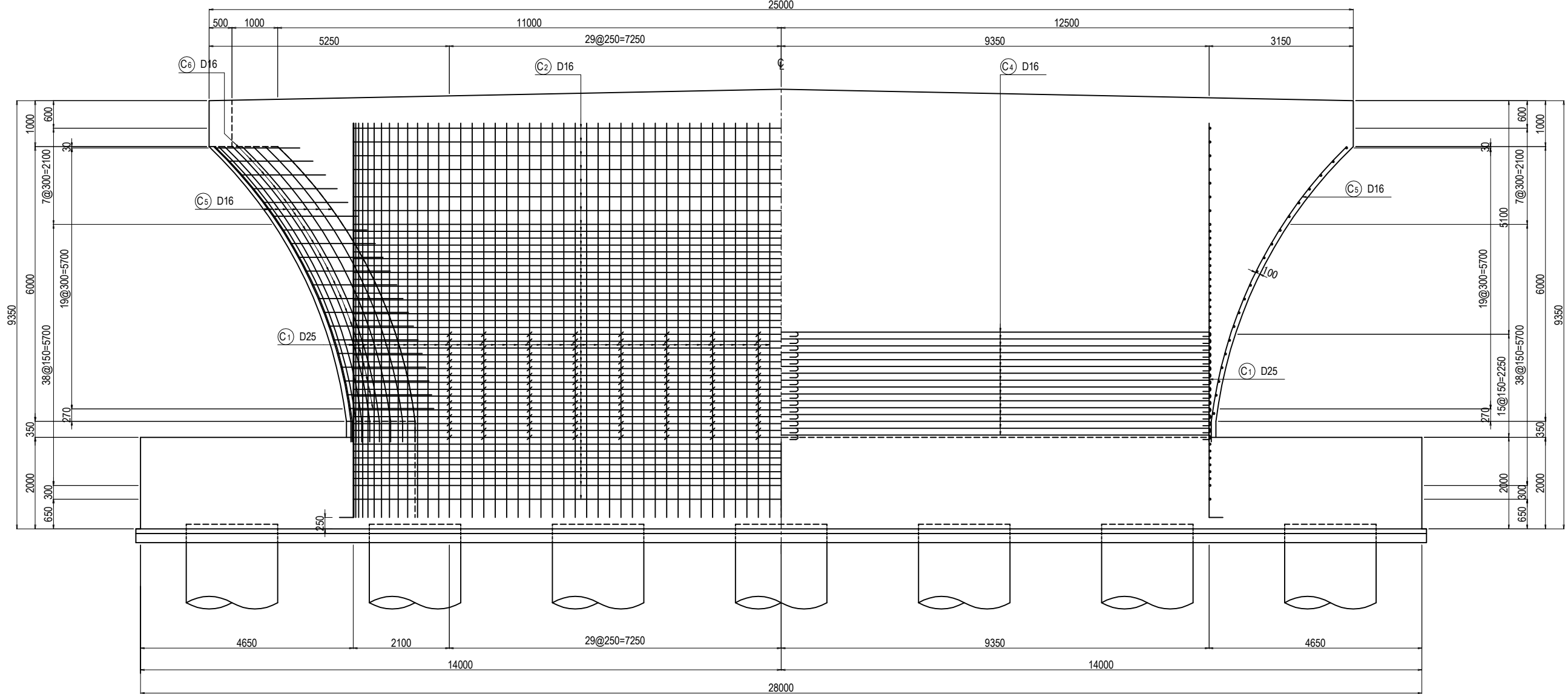


DETAIL OF BEARING BASE S=1:60



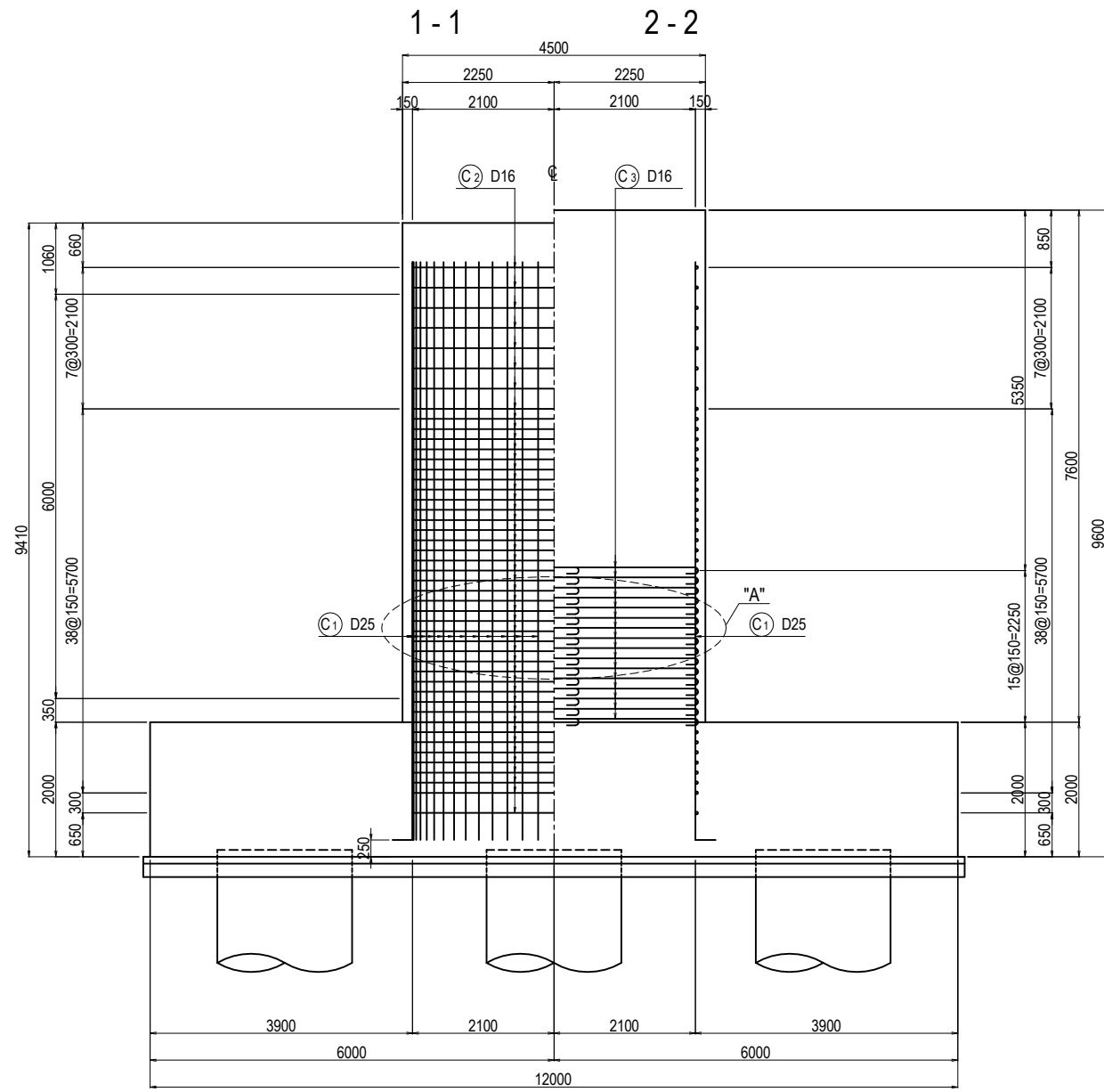
PROJECT NAME DETAILED DESIGN ON BAGO RIVER BRIDGE CONSTRUCTION PROJECT	FINANCED BY JAPAN INTERNATIONAL COOPERATION AGENCY	COUNTERPART REPUBLIC OF THE UNION OF MYANMAR MINISTRY OF CONSTRUCTION DEPARTMENT OF BRIDGE	JICA STUDY TEAM NIPPON KOEI CO., LTD. ORIENTAL CONSULTANTS GLOBAL CO., LTD. METROPOLITAN EXPRESSWAY COMPANY LIMITED CHODAI CO., LTD. NIPPON ENGINEERING CONSULTANTS CO., LTD.	NAME	SIGNATURE	DATE	DRAWING TITLE	PACKAGE	
				PREPARED BY	M. OHYAMA				15 Jun.2017
				CHECKED BY	T. HAYAKAWA				20 Jun.2017
				APPROVED BY	Y. SANO				21 Jun.2017
							BAR ARRANGEMENT OF P5 PIER (2)	1	
								DWG No.	
								P1-PB-2152	

BAR ARRANGEMENT OF P5 PIER (3) S=1:100

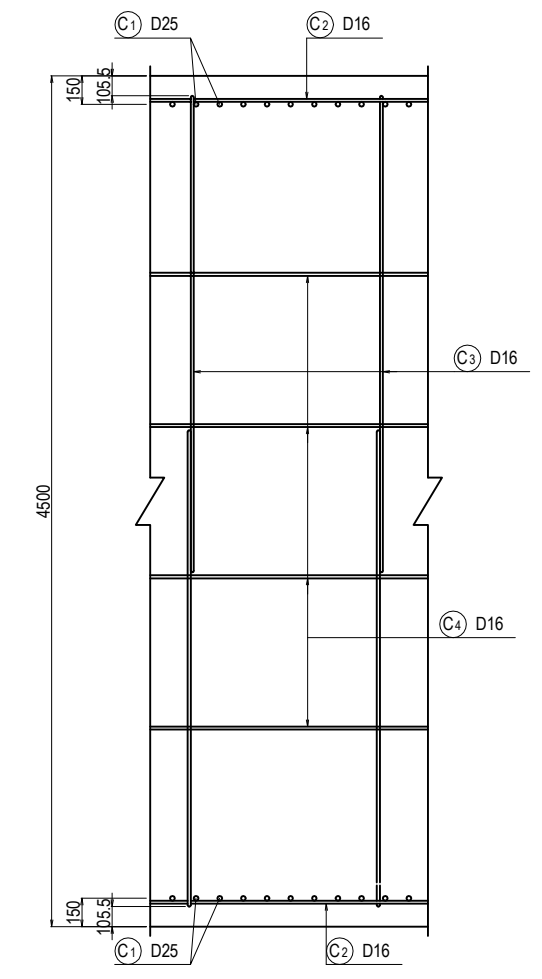


PROJECT NAME DETAILED DESIGN ON BAGO RIVER BRIDGE CONSTRUCTION PROJECT	FINANCED BY JAPAN INTERNATIONAL COOPERATION AGENCY	COUNTERPART REPUBLIC OF THE UNION OF MYANMAR MINISTRY OF CONSTRUCTION DEPARTMENT OF BRIDGE	JICA STUDY TEAM NIPPON KOEI CO., LTD. ORIENTAL CONSULTANTS GLOBAL CO., LTD. METROPOLITAN EXPRESSWAY COMPANY LIMITED CHODAI CO., LTD. NIPPON ENGINEERING CONSULTANTS CO., LTD.	NAME M. OHYAMA	SIGNATURE 	DATE 15 Jun.2017	DRAWING TITLE BAR ARRANGEMENT OF P5 PIER (3)	PACKAGE 1
				PREPARED BY	CHECKED BY T. HAYAKAWA	DATE 20 Jun.2017		DWG No. P1-PB-2153
				APPROVED BY Y. SANO	SIGNATURE 	DATE 21 Jun.2017		

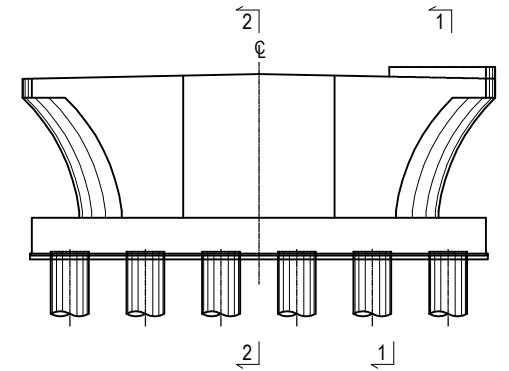
BAR ARRANGEMENT OF P5 PIER (4) S=1:100



DETAIL "A" S=1:40

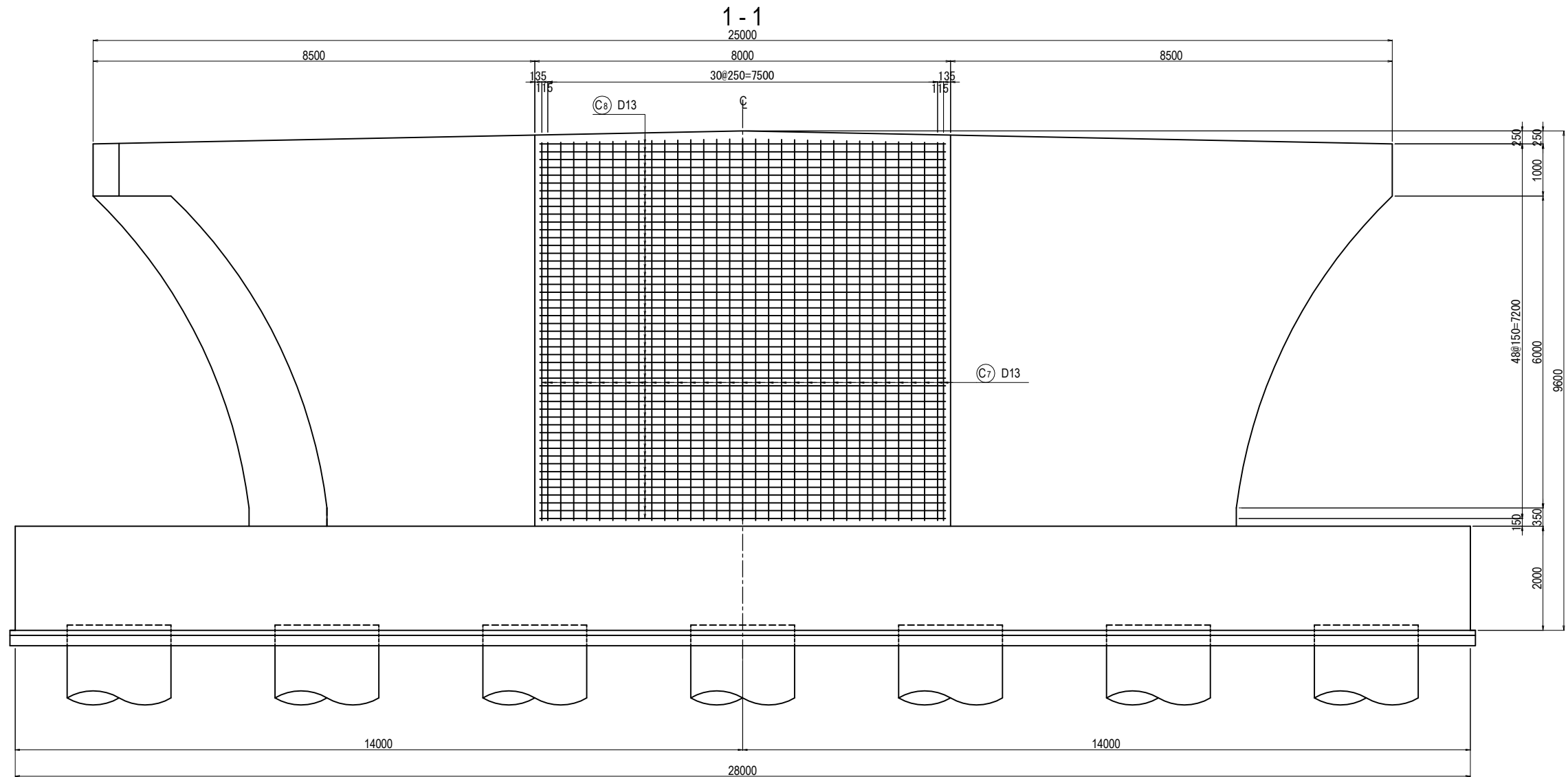


KEY PLAN

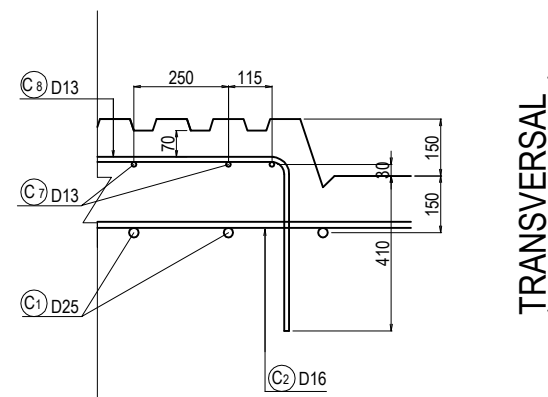


PROJECT NAME DETAILED DESIGN ON BAGO RIVER BRIDGE CONSTRUCTION PROJECT	FINANCED BY JAPAN INTERNATIONAL COOPERATION AGENCY	COUNTERPART REPUBLIC OF THE UNION OF MYANMAR MINISTRY OF CONSTRUCTION DEPARTMENT OF BRIDGE	JICA STUDY TEAM NIPPON KOEI CO., LTD. ORIENTAL CONSULTANTS GLOBAL CO., LTD. METROPOLITAN EXPRESSWAY COMPANY LIMITED CHODAI CO., LTD. NIPPON ENGINEERING CONSULTANTS CO., LTD.	NAME	SIGNATURE	DATE	DRAWING TITLE	PACKAGE	
				PREPARED BY	M. OHYAMA				15 Jun.2017
				CHECKED BY	T. HAYAKAWA				20 Jun.2017
				APPROVED BY	Y. SANO				21 Jun.2017
							BAR ARRANGEMENT OF P5 PIER (4)	P1-PB-2154	

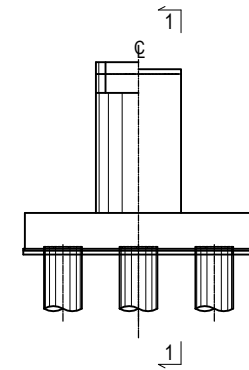
BAR ARRANGEMENT OF P5 PIER (5) S=1:100



DETAIL "B" S=1:20



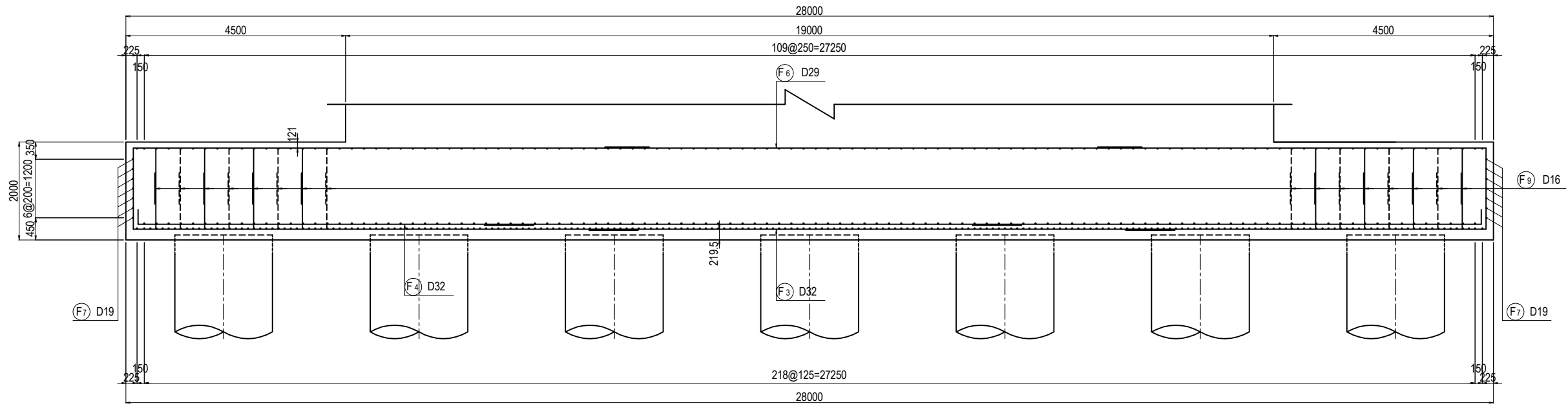
KEY PLAN



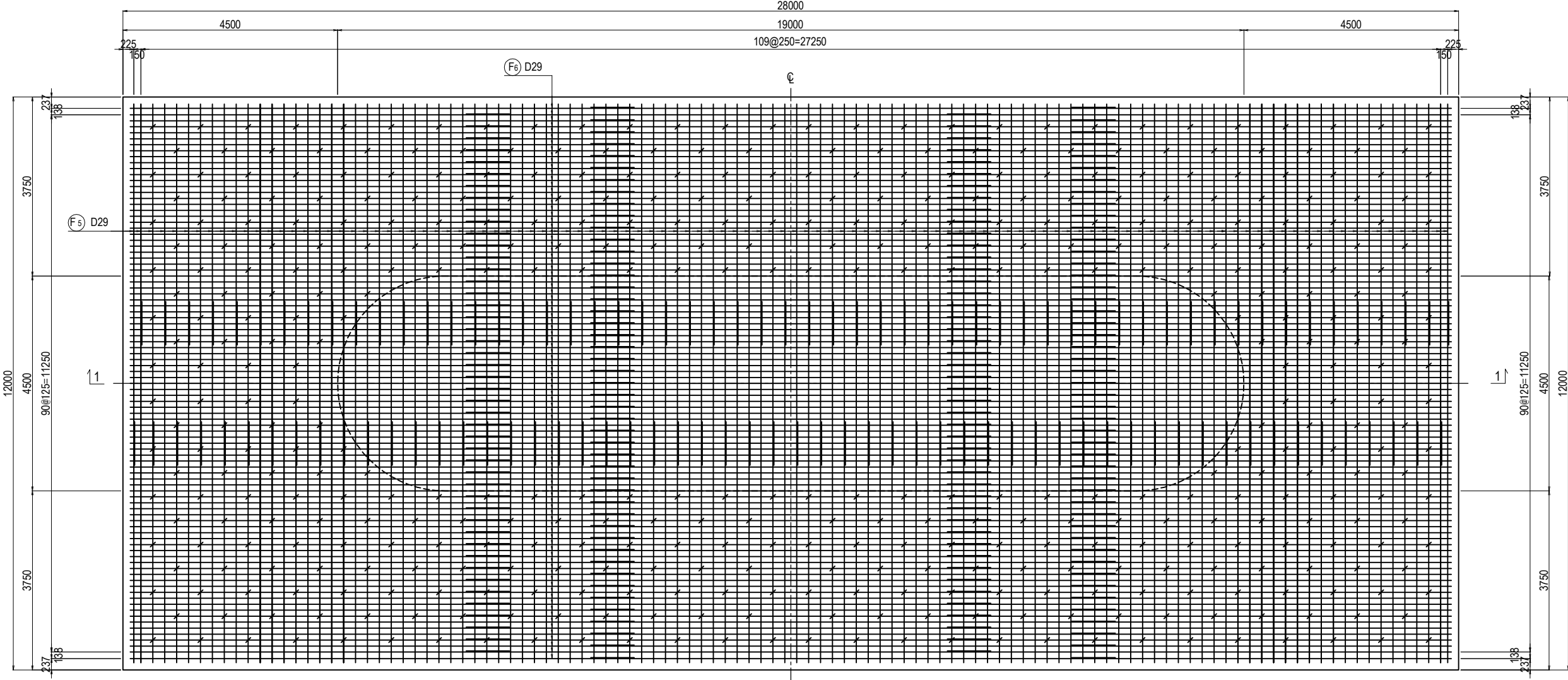
PROJECT NAME DETAILED DESIGN ON BAGO RIVER BRIDGE CONSTRUCTION PROJECT	FINANCED BY JAPAN INTERNATIONAL COOPERATION AGENCY	COUNTERPART REPUBLIC OF THE UNION OF MYANMAR MINISTRY OF CONSTRUCTION DEPARTMENT OF BRIDGE	JICA STUDY TEAM NIPPON KOEI CO., LTD. ORIENTAL CONSULTANTS GLOBAL CO., LTD. METROPOLITAN EXPRESSWAY COMPANY LIMITED CHODAI CO., LTD. NIPPON ENGINEERING CONSULTANTS CO., LTD.	NAME	SIGNATURE	DATE	DRAWING TITLE	PACKAGE	
				PREPARED BY	M. OHYAMA				15 Jun.2017
				CHECKED BY	T. HAYAKAWA				20 Jun.2017
				APPROVED BY	Y. SANO				21 Jun.2017
							BAR ARRANGEMENT OF P5 PIER (5)	1	
								DWG No.	
								P1-PB-2155	

BAR ARRANGEMENT OF P5 PIER (6) S=1:100

1 - 1

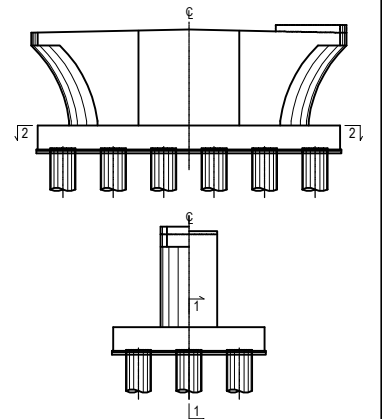


2 - 2



TRANSVERSAL

KEY PLAN



PROJECT NAME
DETAILED DESIGN ON
BAGO RIVER BRIDGE
CONSTRUCTION PROJECT

FINANCED BY
 JAPAN INTERNATIONAL
COOPERATION AGENCY

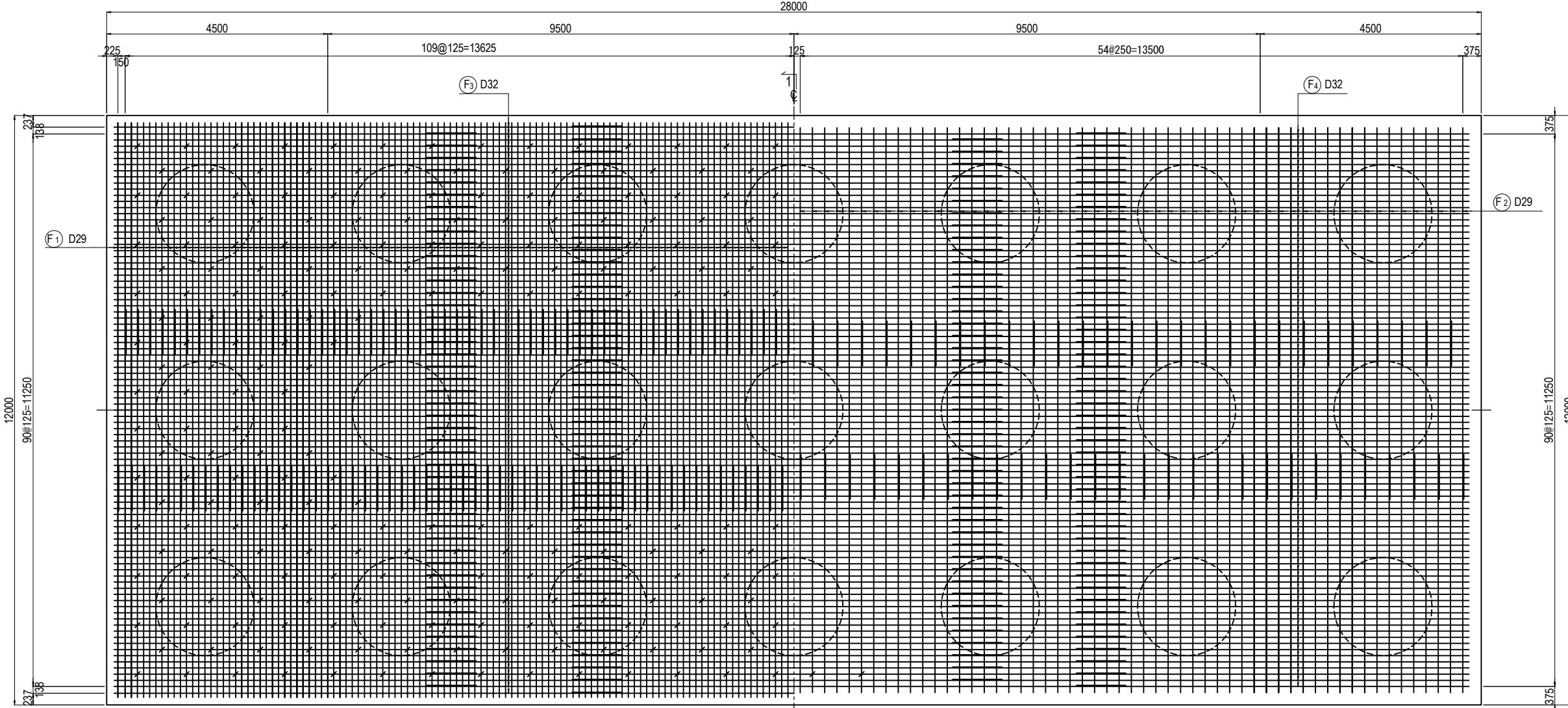
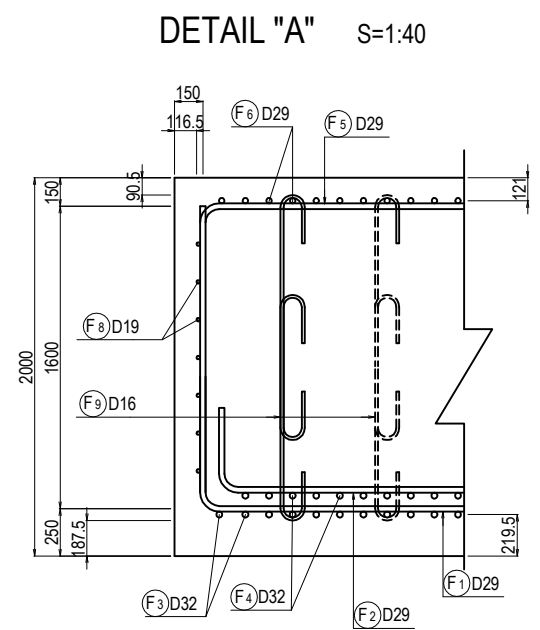
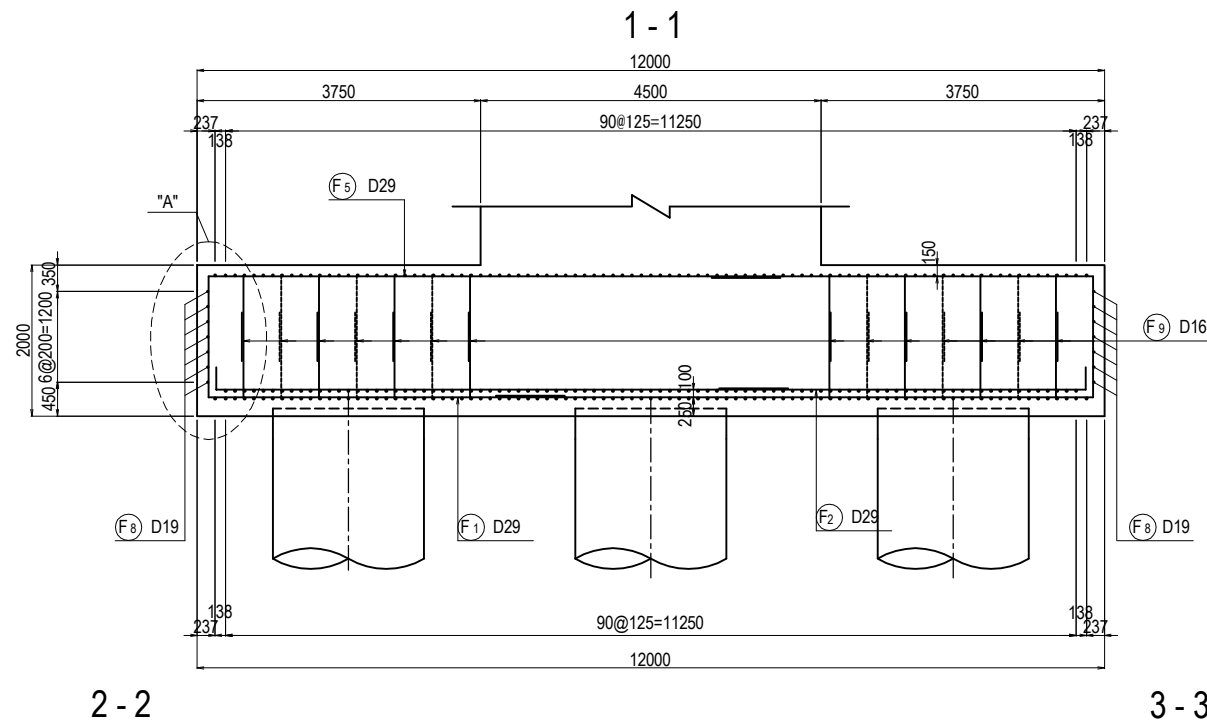
COUNTERPART
 REPUBLIC OF THE UNION OF MYANMAR
MINISTRY OF CONSTRUCTION
DEPARTMENT OF BRIDGE

JICA STUDY TEAM
 NIPPON KOEI CO., LTD.
 ORIENTAL CONSULTANTS GLOBAL CO., LTD.
 METROPOLITAN EXPRESSWAY COMPANY LIMITED
 CHODAI CO., LTD.
 NIPPON ENGINEERING CONSULTANTS CO., LTD.

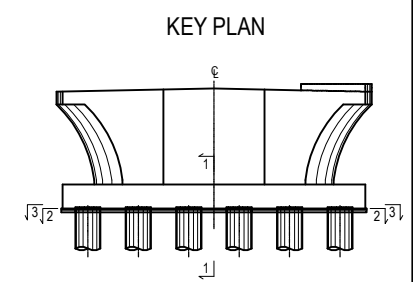
	NAME	SIGNATURE	DATE
PREPARED BY	M. OHYAMA		15 Jun.2017
CHECKED BY	T. HAYAKAWA		20 Jun.2017
APPROVED BY	Y. SANO		21 Jun.2017

DRAWING TITLE	PACKAGE
BAR ARRANGEMENT OF P5 PIER (6)	1
	DWG No.
	P1-PB-2156

BAR ARRANGEMENT OF P5 PIER (7) S=1:100



TRANSVERSAL



PROJECT NAME DETAILED DESIGN ON BAGO RIVER BRIDGE CONSTRUCTION PROJECT	FINANCED BY JAPAN INTERNATIONAL COOPERATION AGENCY	COUNTERPART REPUBLIC OF THE UNION OF MYANMAR MINISTRY OF CONSTRUCTION DEPARTMENT OF BRIDGE	JICA STUDY TEAM NIPPON KOEI CO., LTD. ORIENTAL CONSULTANTS GLOBAL CO., LTD. METROPOLITAN EXPRESSWAY COMPANY LIMITED CHODAI CO., LTD. NIPPON ENGINEERING CONSULTANTS CO., LTD.	NAME	SIGNATURE	DATE	DRAWING TITLE BAR ARRANGEMENT OF P5 PIER (7)	PACKAGE	
				PREPARED BY	M. OHYAMA			15 Jun.2017	1
				CHECKED BY	T. HAYAKAWA			20 Jun.2017	DWG No.
				APPROVED BY	Y. SANO			21 Jun.2017	P1-PB-2157

BAR ARRANGEMENT OF P5 PIER (8)

BAR QUANTITY

SYMBOL	SHAPE	DIAMETER	NUMBER (NOS)	LENGTH (mm)	a (mm)	b (mm)	c (mm)	d (mm)	e (mm)	f (mm)	g (mm)	h (mm)	i (mm)	R1 (mm)	R2 (mm)	WEIGHT (kg)	REMARKS
B1-1	N	D29	23	10500	9698	802										1217	
B1-2	M	D29	23	10000	3514	6486	0									1159	
B1-3	N	D29	23	7530	6726	802										873	
B2-1	N	D29	6	10410	9601	802										315	AVERAGE
B2-2	M	D29	6	10000	3514	6486	0									302	
B2-3	N	D29	6	7780	6969	802										235	AVERAGE
B3-1	N	D29	23	10500	10065	435										1217	
B3-2	M	D29	23	10000	3047	6953	0									1159	
B3-3	N	D29	23	6600	6159	435										765	
B4-1	N	D29	6	10300	9862	435										311	AVERAGE
B4-2	M	D29	6	10000	3047	6953	0									302	
B4-3	N	D29	6	6400	5956	435										194	AVERAGE
B5	B	D25	58	3500	3125	375										808	
B6	J	D25	58	10000	4854	4771	375									2308	
B7-1	A	D22	12	9500	9500											347	
B7-2	F	D22	6	11720	4110	689	3500	689	2730					438.5	438.5	214	
B8-1	A	D22	64	7390	7385											1438	AVERAGE
B8-2	G	D22	32	12000	3300	6875	1825							2188.5		1167	
B9-1	A	D22	8	11400	11399											277	AVERAGE
B9-2	G	D22	8	12000	3300	6875	1825							2188.5		292	
B10-1	O	D25	36	8710	4330	1750	1750	236	236	200	200			75	75	1248	
B10-2	Q	D25	72	5050	4234	375	236	200						75		1447	AVERAGE
B11	H	D25	36	11830	1110	4984	4984	375	375							1695	AVERAGE
B12	H	D25	36	11690	970	4984	4984	375	375							1675	AVERAGE
B13-1	I	D25	36	3530	2650	236	236	200	200					75	75	506	
B13-2	I	D25	36	3650	2770	236	236	200	200					75	75	523	
B14-1	O	D25	28	8710	4330	1750	1750	236	236	200	200			75	75	971	
B14-2	S	D25	28	7270	2547	1954	1891	236	236	200	200			75	75	810	AVERAGE
B14-3	S	D25	28	7390	2547	1954	2011	236	236	200	200			75	75	823	AVERAGE
B15	O	D25	28	11450	1110	4804	4861	236	236	200	200			75	75	1276	AVERAGE
B16	O	D25	28	11320	970	4861	4616	236	236	200	200			75	75	1261	AVERAGE
B17	H	D25	8	6900	4330	909	909	375	375							220	AVERAGE
B18	O	D25	8	10110	1110	3777	4344	236	236	200	200			75	75	322	AVERAGE
B19	O	D25	8	9960	970	4314	3798	236	236	200	200			75	75	317	AVERAGE
B20	K	D25	8	10440	1021	8396	1021									332	AVERAGE
B21	H	D25	29	6850	4330	882	882	375	375							791	AVERAGE
B22	O	D25	29	6350	1110	2006	2353	236	236	200	200			75	75	733	AVERAGE
B23	O	D25	29	6190	970	2323	2016	236	236	200	200			75	75	715	AVERAGE
B24	K	D25	29	5880	700	4472	700									679	AVERAGE
B25-1	I	D25	39	3530	2650	236	236	200	200					75	75	548	
B25-2	I	D25	39	3650	2770	236	236	200	200					75	75	567	
B26	H	D25	2	6630	4162	859	859	375	375							53	
B27	H	D25	2	3580	1110	859	859	375	375							29	
B28	H	D25	2	3440	970	859	859	375	375							27	
B29-1	I	D25	2	3400	2520	236	236	200	200					75	75	27	
B29-2	I	D25	2	3520	2640	236	236	200	200					75	75	28	
B30	D	D25	62	7000	4330	1335	1335									1727	
B31	I	D16	322	3020	2458	151	151	128	128					48	48	1517	
B32	I	D16	8	2980	2413	151	151	128	128					48	48	37	AVERAGE
B33	D	D16	35	4530	2050	1240	1240									247	
B34	D	D16	3	4330	1844	1240	1240									20	AVERAGE
B35	D	D16	12	7780	5300	1240	1240									146	
B36	D	D16	3	7580	5097	1240	1240									35	AVERAGE
B37	D	D16	3	7530	5268	2018	240									35	
B38	T	D16	3	7610	4884	1634	603	240	240					384		36	
S1	D	D16	52	2580	1380	600	600									209	
S2	D	D16	52	2580	1380	600	600									209	
S3	R	D16	4	6230	1412	1412	1460	1460	240	240						39	
S4	D	D16	18	1200	600	300	300									34	
S5	D	D16	14	1400	800	300	300									31	
S6	R	D16	2	3510	632	832	880	680	240	240						11	
S7	D	D16	42	3030	1630	700	700									199	
S8	D	D16	34	3480	2080	700	700									185	
S9	R	D16	2	8130	1662	2112	2160	1710	240	240						25	
S10	D	D16	19	2630	1430	600	600									78	
S11	D	D16	15	3080	1880	600	600									72	
S12	R	D16	1	7330	1462	1912	1960	1510	240	240						11	
S13	D	D16	19	2150	1550	300	300									64	
S14	D	D16	15	2600	2000	300	300									61	
S15	R	D16	1	7810	1582	2032	2080	1630	240	240						12	

SYMBOL	SHAPE	DIAMETER	NUMBER (NOS)	LENGTH (mm)	a (mm)	b (mm)	c (mm)	d (mm)	e (mm)	f (mm)	g (mm)	h (mm)	i (mm)	R1 (mm)	R2 (mm)	WEIGHT (kg)	REMARKS
C1	B	D25	172	9000	8610	390										6161	SD390
C2-1	D	D16	94	11830	11346	240	240									1734	
C2-2	E	D16	94	11990	3548	240	6662	1298	240					2120.5		1758	
C3	I	D16	512	2970	2409	151	151	128	128					48	48	2371	
C4	I	D16	128	10180	9621	151	151	128	128					48	48	2033	
C5	L	D16	42	7290	6840	450								10100		478	
C6	G	D16	40	7710	450	6805	450							2166		481	
C7	D	D13	66	8190	7801	440	440									538	AVERAGE
C8	D	D13	98	8730	7808	460	460									852	
F1-1	B	D29	221	9500	7900	1600										10581	
F1-2	B	D29	221	6310	4710	1600										7028	
F2-1	B	D29	110	8000	7565	435										4435	
F2-2	B	D29	110	5280	4845	435										2927	
F3-1	B	D32	93	12000	10340	1660										6953	
F3-2	A	D32	93	12000	12000											6953	
F3-3	B	D32	93	9040	7380	1660										5238	
F4-1	B	D32	91	11000	10520	480										6236	
F4-2	A	D32	91	11000	11000											6236	
F4-3	B	D32	91	8480	8000	480										4808	
F5-1	B	D29	112	8000	7565	435										4516	
F5-2	B	D29	112	5480	5045	435										3093	
F6-1	B	D29	93	11000	10565	435										5156	
F6-2	A	D29	93	11000	11000											5156	
F6-3	B	D29	93	8390	7955	435										3933	
F7-1	B	D19	14	7000	6715	285										221	
F7-2	B	D19	14	5930	5636	285										187	
F8-1	A	D19	28	10500	10500											662	
F8-2	A	D19	14	7960	7960											251	
F9	I	D16	904	1690	1125	151	151	128	128					48	48	2387	

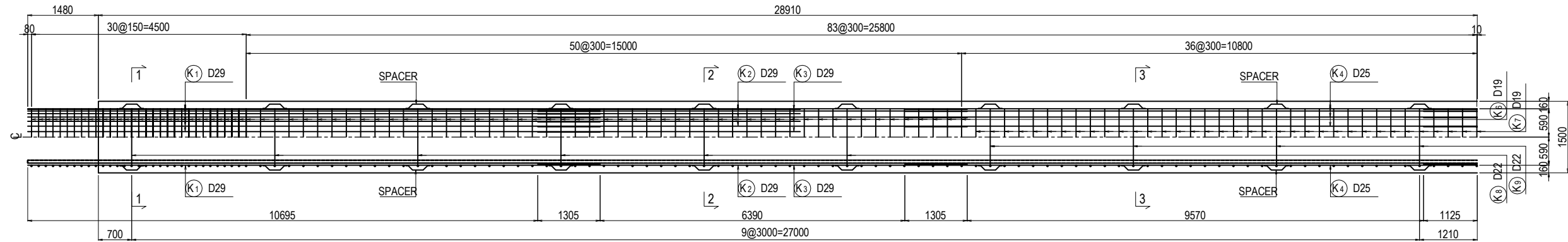
SUMMARY

DIAMETER	WEIGHT (kg)	MECHANICAL SPLICE (NOS)
D13	1390	0
D16	14555	0
D19	1321	0
D22	3735	0
D25	28627	0
D29	54874	0
D32	36424	

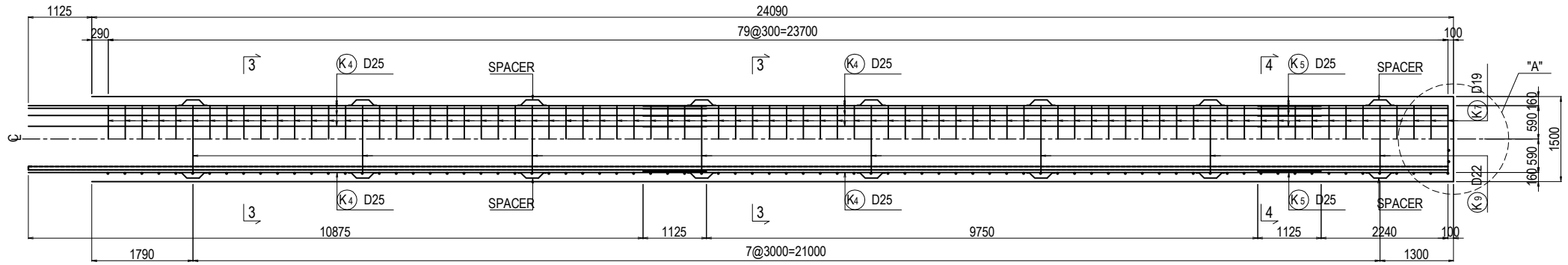
BAR ARRANGEMENT OF CAST IN PLACE PILE FOR A1 (1)

S=1:100

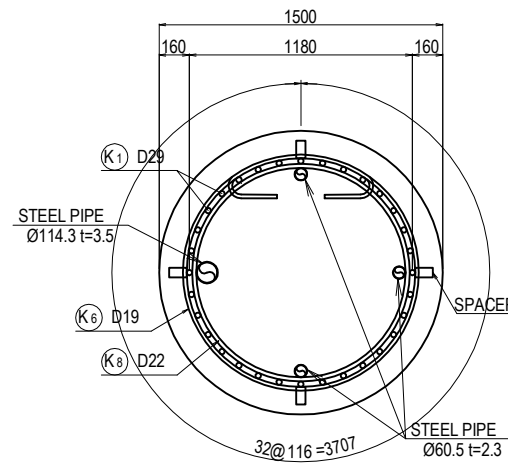
SEGMENT 1



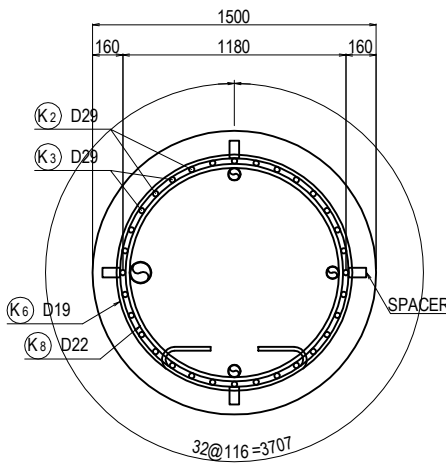
SEGMENT 2



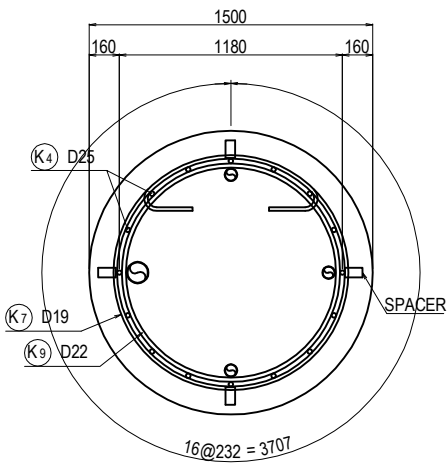
SECTION 1-1 S=1:40



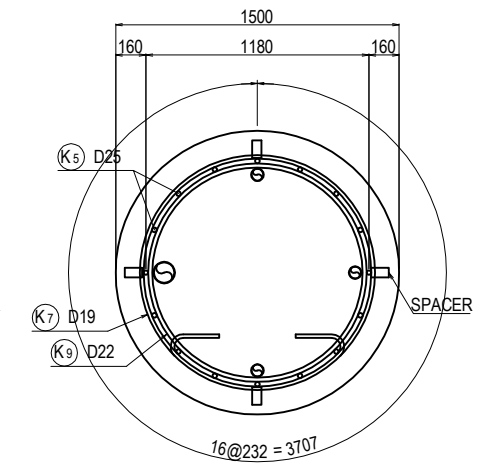
SECTION 2-2 S=1:40



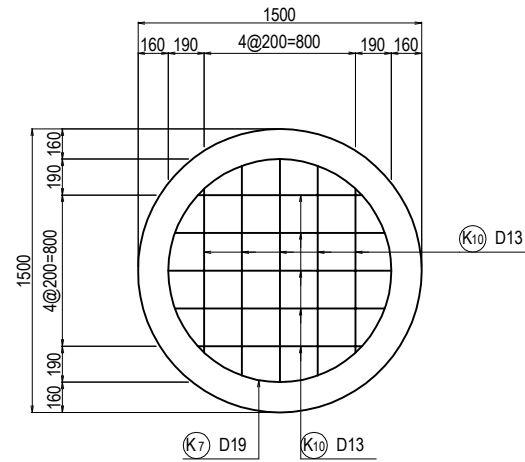
SECTION 3-3 S=1:40



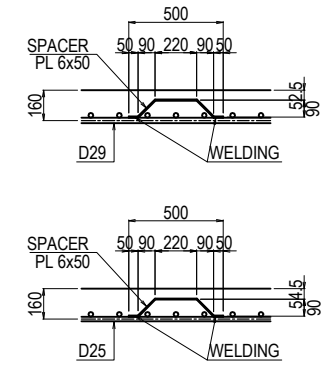
SECTION 4-4 S=1:40



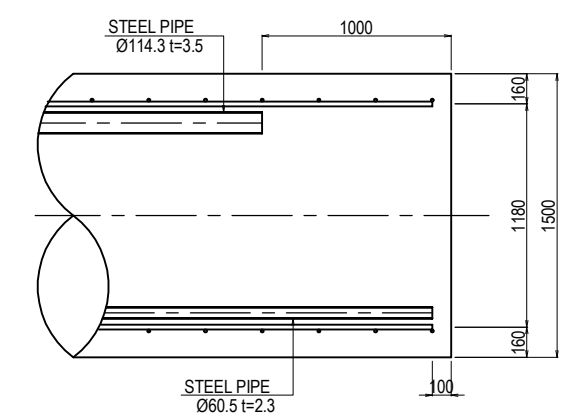
DETAIL OF PILE TOE S=1:40



DETAIL OF SPACER S=1:40



DETAIL "A" S=1:40



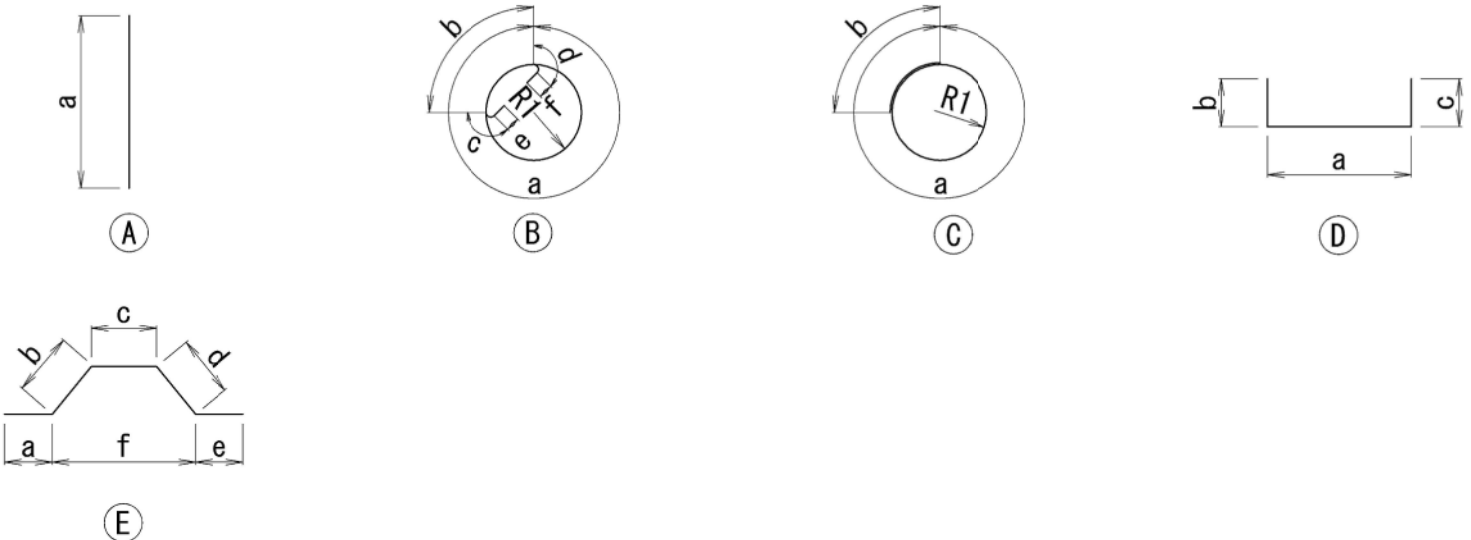
PROJECT NAME DETAILED DESIGN ON BAGO RIVER BRIDGE CONSTRUCTION PROJECT	FINANCED BY JAPAN INTERNATIONAL COOPERATION AGENCY	COUNTERPART REPUBLIC OF THE UNION OF MYANMAR MINISTRY OF CONSTRUCTION DEPARTMENT OF BRIDGE	JICA STUDY TEAM NIPPON KOEI CO., LTD. ORIENTAL CONSULTANTS GLOBAL CO., LTD. METROPOLITAN EXPRESSWAY COMPANY LIMITED CHODAI CO., LTD. NIPPON ENGINEERING CONSULTANTS CO., LTD.	NAME	SIGNATURE	DATE	DRAWING TITLE	PACKAGE	
				PREPARED BY	M. OHYAMA				15 Jun.2017
				CHECKED BY	T. HAYAKAWA				20 Jun.2017
				APPROVED BY	Y. SANO				21 Jun.2017
BAR ARRANGEMENT OF CAST IN PLACE PILE FOR A1(1)							1	DWG No.	P1-PB-2201

BAR ARRANGEMENT OF CAST IN PLACE PILE FOR A1 (2)

BAR QUANTITY

SYMBOL	SHAPE	DIAMETER	NUMBER (NOS)	LENGTH (mm)	a (mm)	b (mm)	c (mm)	d (mm)	e (mm)	f (mm)	R1 (mm)	R2 (mm)	WEIGHT (kg)	REMARKS
K1	A	D29	32	12000	12000								1935	
K2	A	D29	16	9000	9000								726	
K3	A	D29	16	5500	5500								444	
K4	A	D25	48	12000	12000								2292	
K5	A	D25	16	3370	3365								215	
K6	B	D19	81	5270	3858	760	134	134	190	190	614		961	
K7	B	D19	116	5260	3845	760	134	134	190	190	612		1373	
K8	C	D22	6	4430	3547	880					564.5		81	
K9	C	D22	12	4440	3559	880					566.5		162	
K10	D	D13	10	1440	<i>1046</i>	195	195						14	AVERAGE
K11	E	PL	72	580	50	127	220	127	50				98	
REBAR QUANTITY (1NOS)														
DIAMETER WEIGHT														
D13 14 kg														
D16 0 kg														
D19 2334 kg														
D22 243 kg														
D25 2507 kg														
D29 3105 kg														
D32 0 kg														
D35 0 kg														
D38 0 kg														
D41 0 kg														
D51 0 kg														
PL 98 kg														
TOTAL 8301 kg														

SHAPE CODE

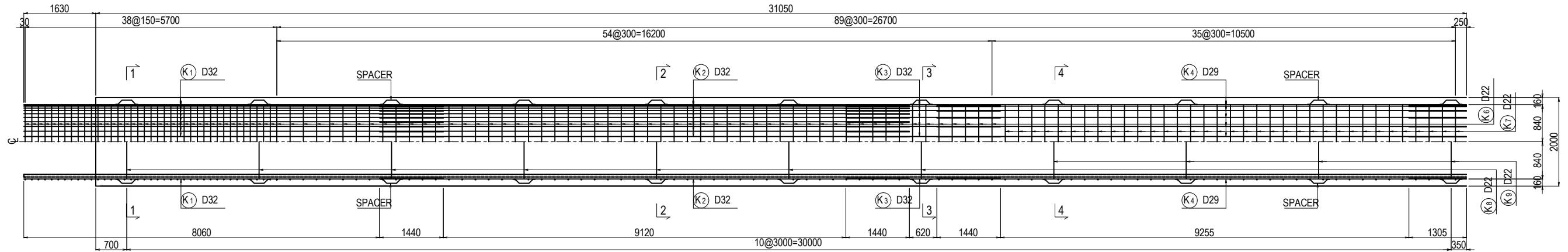


NOTES: 1. Unless otherwise specified in the Contract Documents, a grade of rebar shall be SD 345 or equivalent.
 2. A figure in italic font indicate average length of rebar.

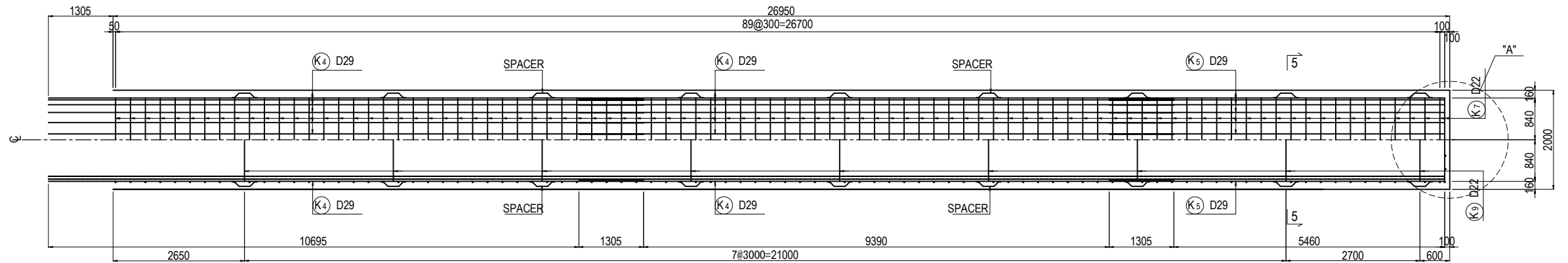
PROJECT NAME DETAILED DESIGN ON BAGO RIVER BRIDGE CONSTRUCTION PROJECT	FINANCED BY JAPAN INTERNATIONAL COOPERATION AGENCY	COUNTERPART REPUBLIC OF THE UNION OF MYANMAR MINISTRY OF CONSTRUCTION DEPARTMENT OF BRIDGE	JICA STUDY TEAM NIPPON KOEI CO., LTD. ORIENTAL CONSULTANTS GLOBAL CO., LTD. METROPOLITAN EXPRESSWAY COMPANY LIMITED CHODAI CO., LTD. NIPPON ENGINEERING CONSULTANTS CO., LTD.	<table border="1" style="width: 100%; border-collapse: collapse;"> <tr> <th>NAME</th> <th>SIGNATURE</th> <th>DATE</th> </tr> <tr> <td>PREPARED BY</td> <td>M. OHYAMA</td> <td>15 Jun.2017</td> </tr> <tr> <td>CHECKED BY</td> <td>T. HAYAKAWA</td> <td>20 Jun.2017</td> </tr> <tr> <td>APPROVED BY</td> <td>Y. SANO</td> <td>21 Jun.2017</td> </tr> </table>	NAME	SIGNATURE	DATE	PREPARED BY	M. OHYAMA	15 Jun.2017	CHECKED BY	T. HAYAKAWA	20 Jun.2017	APPROVED BY	Y. SANO	21 Jun.2017	DRAWING TITLE BAR ARRANGEMENT OF CAST IN PLACE PILE FOR A1(2)	PACKAGE 1 DWG No. P1-PB-2202
NAME	SIGNATURE	DATE																
PREPARED BY	M. OHYAMA	15 Jun.2017																
CHECKED BY	T. HAYAKAWA	20 Jun.2017																
APPROVED BY	Y. SANO	21 Jun.2017																

BAR ARRANGEMENT OF CAST IN PLACE PILE FOR P1 PIER(1) S=1:100

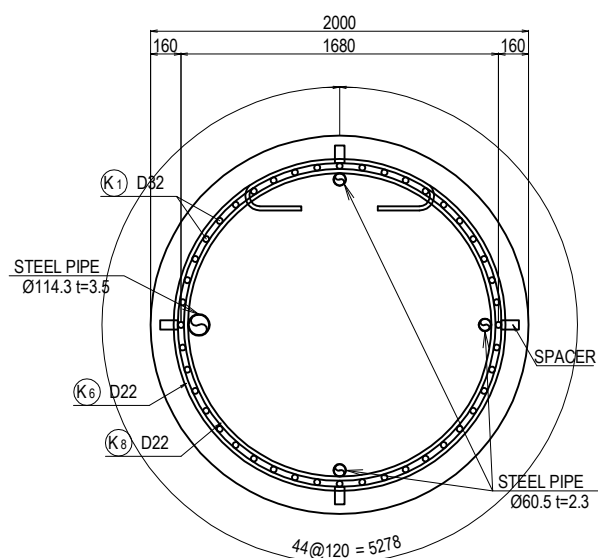
SEGMENT 1



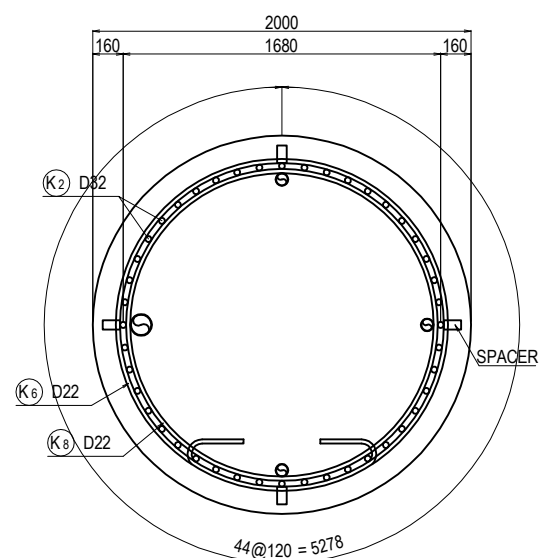
SEGMENT 2



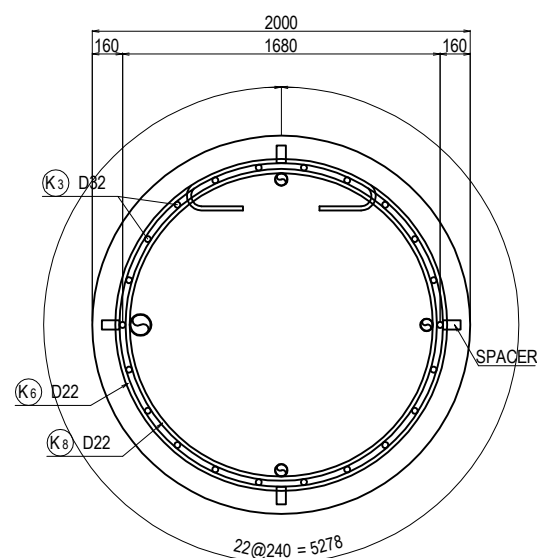
SECTION 1-1 S=1:40



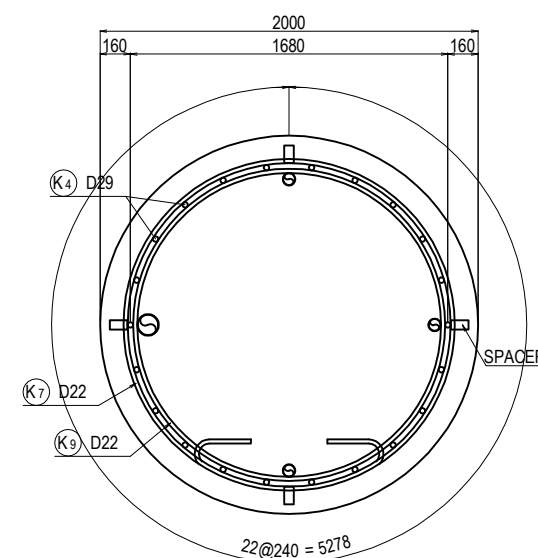
SECTION 2-2 S=1:40



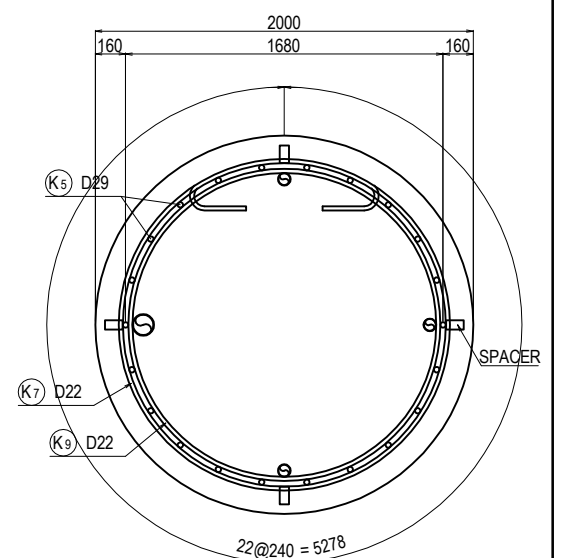
SECTION 3-3 S=1:40



SECTION 4-4 S=1:40



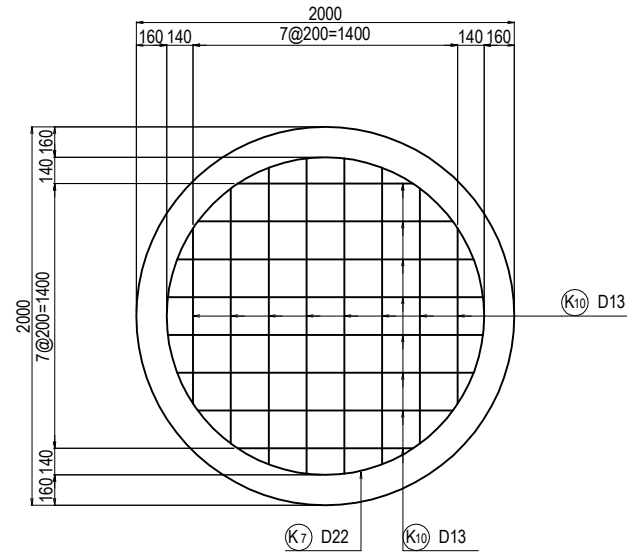
SECTION 5-5 S=1:40



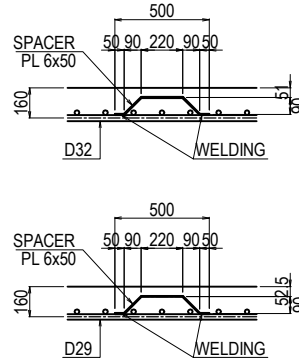
PROJECT NAME DETAILED DESIGN ON BAGO RIVER BRIDGE CONSTRUCTION PROJECT	FINANCED BY JAPAN INTERNATIONAL COOPERATION AGENCY	COUNTERPART REPUBLIC OF THE UNION OF MYANMAR MINISTRY OF CONSTRUCTION DEPARTMENT OF BRIDGE	JICA STUDY TEAM NIPPON KOEI CO., LTD. ORIENTAL CONSULTANTS GLOBAL CO., LTD. METROPOLITAN EXPRESSWAY COMPANY LIMITED CHODAI CO., LTD. NIPPON ENGINEERING CONSULTANTS CO., LTD.	NAME	SIGNATURE	DATE	DRAWING TITLE BAR ARRANGEMENT OF CAST IN PLACE PILE FOR P1 PIER(1)	PACKAGE	
				PREPARED BY	M. OHYAMA			15 Jun.2017	1
				CHECKED BY	T. HAYAKAWA			20 Jun.2017	DWG No.
				APPROVED BY	Y. SANO			21 Jun.2017	P1-PB-2211

BAR ARRANGEMENT OF CAST IN PLACE PILE FOR P1 PIER(2) S=1:100

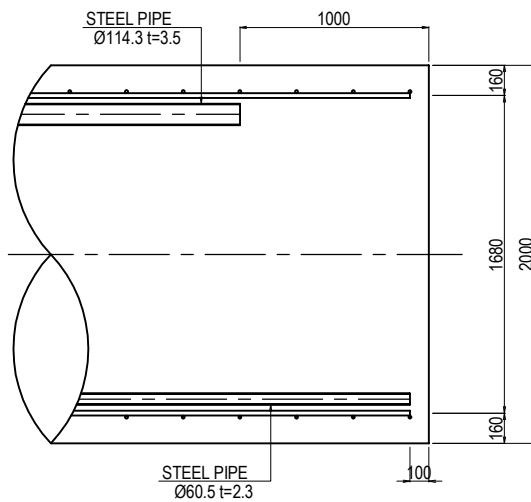
DETAIL OF PILE TOE S=1:40



DETAIL OF SPACER S=1:40



DETAIL "A" S=1:40



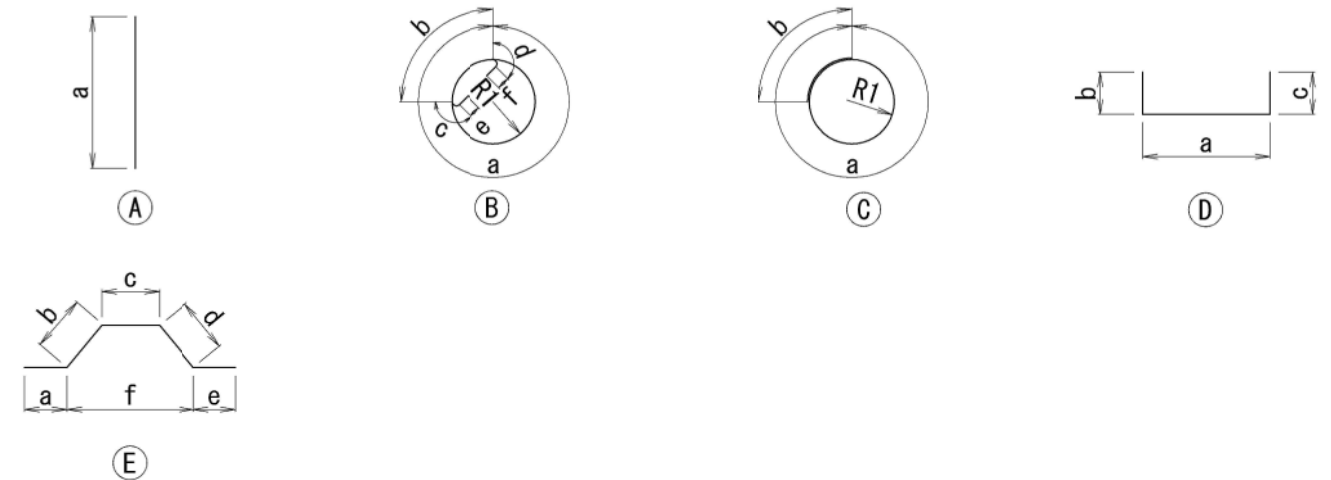
BAR QUANTITY

SYMBOL	SHAPE	DIAMETER	NUMBER (NOS)	LENGTH (mm)	a (mm)	b (mm)	c (mm)	d (mm)	e (mm)	f (mm)	R1 (mm)	R2 (mm)	WEIGHT (kg)	REMARKS
K1	A	D32	44	9500	9500								2604	
K2	A	D32	44	12000	12000								3289	
K3	A	D32	22	3500	3500								480	
K4	A	D29	66	12000	12000								3992	
K5	A	D29	22	6770	6765								751	
K6	B	D22	93	7190	5448	990	156	156	220	220	867		2033	
K7	B	D22	126	7180	5438	990	156	156	220	220	865.5		2751	
K8	C	D22	7	6100	5108	990					813		130	
K9	C	D22	13	6110	5118	990					814.5		241	
K10	D	D13	16	1770	1380	195	195						28	AVERAGE
K11	E	PL	80	580	50	127	220	127	50				109	

REBAR QUANTITY (1NOS)

DIAMETER	WEIGHT
D13	28 kg
D16	0 kg
D19	0 kg
D22	5155 kg
D25	0 kg
D29	4743 kg
D32	6373 kg
D35	0 kg
D38	0 kg
D41	0 kg
D51	0 kg
PL	109 kg
TOTAL	16408 kg

SHAPE CODE



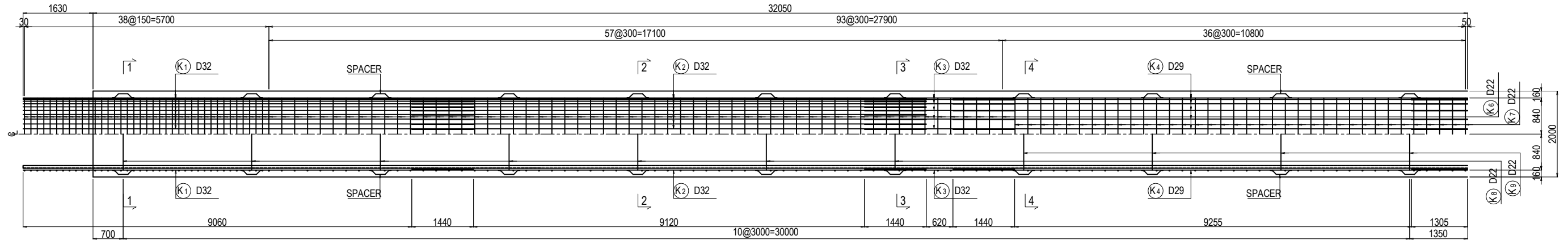
NOTES: 1. Unless otherwise specified in the Contract Documents, a grade of rebar shall be SD 345 or equivalent.

2. A figure in italic font indicate average length of rebar.

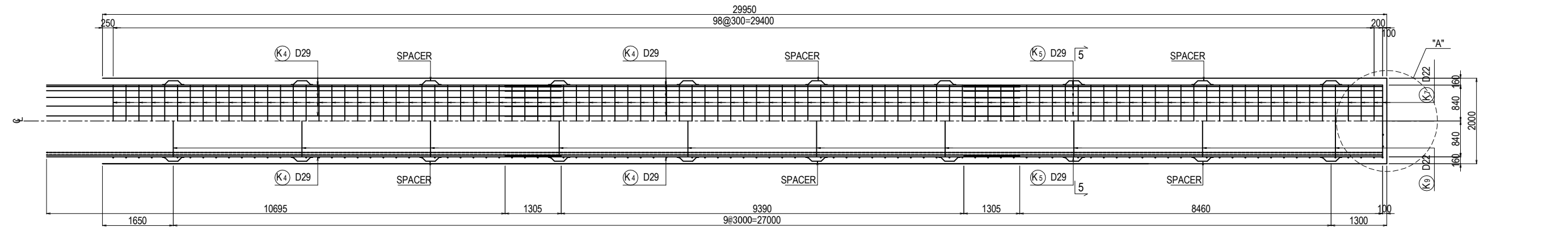
PROJECT NAME DETAILED DESIGN ON BAGO RIVER BRIDGE CONSTRUCTION PROJECT	FINANCED BY JAPAN INTERNATIONAL COOPERATION AGENCY	COUNTERPART REPUBLIC OF THE UNION OF MYANMAR MINISTRY OF CONSTRUCTION DEPARTMENT OF BRIDGE	JICA STUDY TEAM NIPPON KOEI CO., LTD. ORIENTAL CONSULTANTS GLOBAL CO., LTD. METROPOLITAN EXPRESSWAY COMPANY LIMITED CHODAI CO., LTD. NIPPON ENGINEERING CONSULTANTS CO., LTD.	NAME	SIGNATURE	DATE	DRAWING TITLE BAR ARRANGEMENT OF CAST IN PLACE PILE FOR P1 PIER(2)	PACKAGE	
				PREPARED BY	M. OHYAMA			15 Jun.2017	1
				CHECKED BY	T. HAYAKAWA			20 Jun.2017	DWG No.
APPROVED BY	Y. SANO		21 Jun.2017		P1-PB-2212				

BAR ARRANGEMENT OF CAST IN PLACE PILE FOR P2 PIER(1) S=1:100

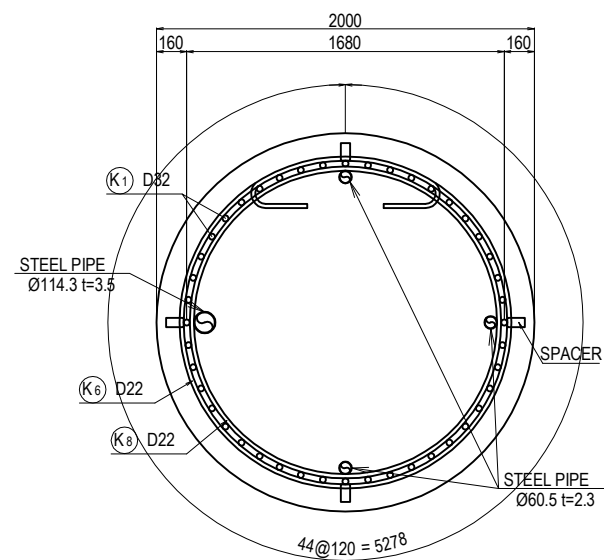
SEGMENT 1



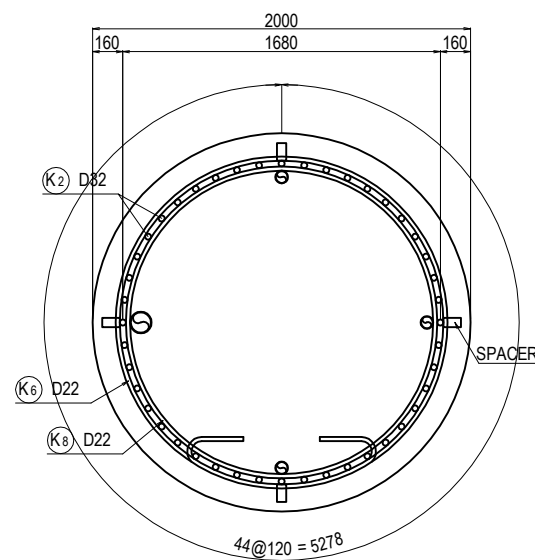
SEGMENT 2



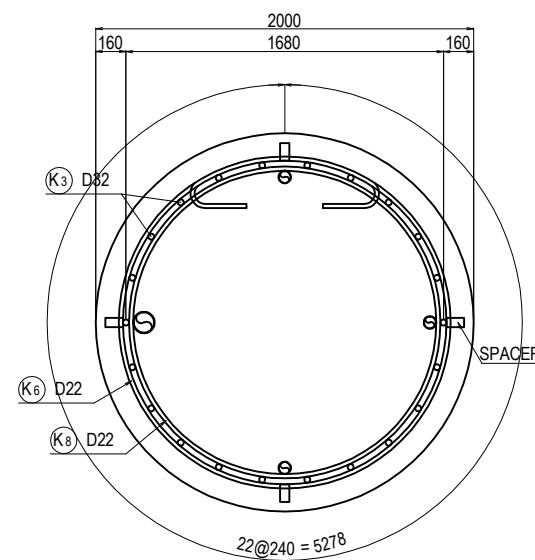
SECTION 1-1 S=1:40



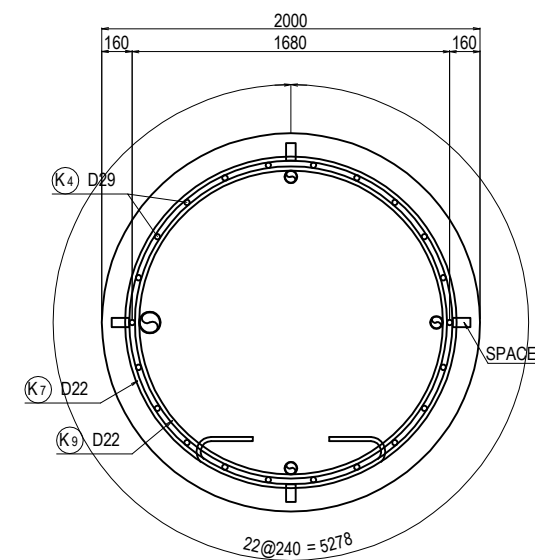
SECTION 2-2 S=1:40



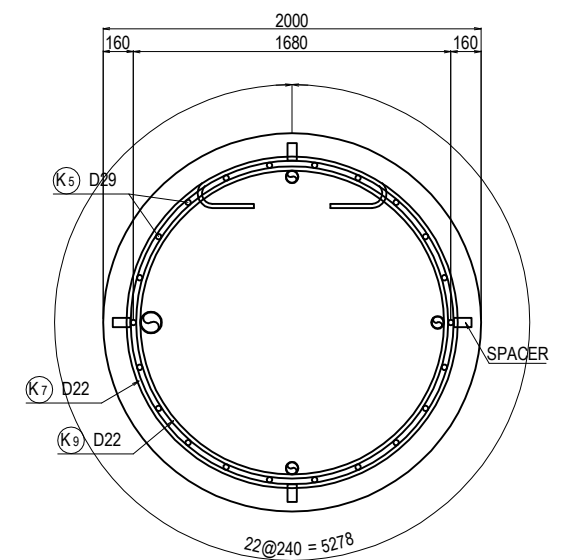
SECTION 3-3 S=1:40



SECTION 4-4 S=1:40



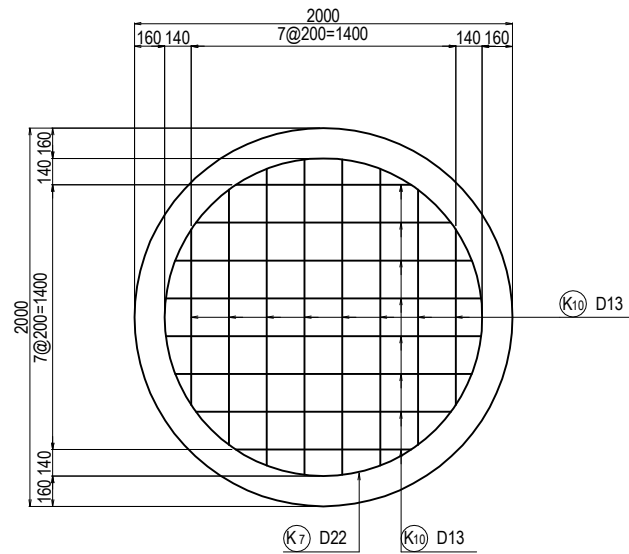
SECTION 5-5 S=1:40



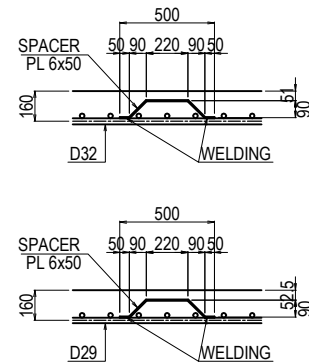
PROJECT NAME DETAILED DESIGN ON BAGO RIVER BRIDGE CONSTRUCTION PROJECT	FINANCED BY JAPAN INTERNATIONAL COOPERATION AGENCY	COUNTERPART REPUBLIC OF THE UNION OF MYANMAR MINISTRY OF CONSTRUCTION DEPARTMENT OF BRIDGE	JICA STUDY TEAM NIPPON KOEI CO., LTD. ORIENTAL CONSULTANTS GLOBAL CO., LTD. METROPOLITAN EXPRESSWAY COMPANY LIMITED CHODAI CO., LTD. NIPPON ENGINEERING CONSULTANTS CO., LTD.	<table border="1" style="width: 100%; border-collapse: collapse;"> <thead> <tr> <th style="width: 10%;">NAME</th> <th style="width: 10%;">SIGNATURE</th> <th style="width: 10%;">DATE</th> </tr> </thead> <tbody> <tr> <td>PREPARED BY M. OHYAMA</td> <td></td> <td>15 Jun.2017</td> </tr> <tr> <td>CHECKED BY T. HAYAKAWA</td> <td></td> <td>20 Jun.2017</td> </tr> <tr> <td>APPROVED BY Y. SANO</td> <td></td> <td>21 Jun.2017</td> </tr> </tbody> </table>	NAME	SIGNATURE	DATE	PREPARED BY M. OHYAMA		15 Jun.2017	CHECKED BY T. HAYAKAWA		20 Jun.2017	APPROVED BY Y. SANO		21 Jun.2017	DRAWING TITLE BAR ARRANGEMENT OF CAST IN PLACE PILE FOR P2 PIER(1)	PACKAGE 1 DWG No. P1-PB-2221
NAME	SIGNATURE	DATE																
PREPARED BY M. OHYAMA		15 Jun.2017																
CHECKED BY T. HAYAKAWA		20 Jun.2017																
APPROVED BY Y. SANO		21 Jun.2017																

BAR ARRANGEMENT OF CAST IN PLACE PILE FOR P2 PIER(2) S=1:100

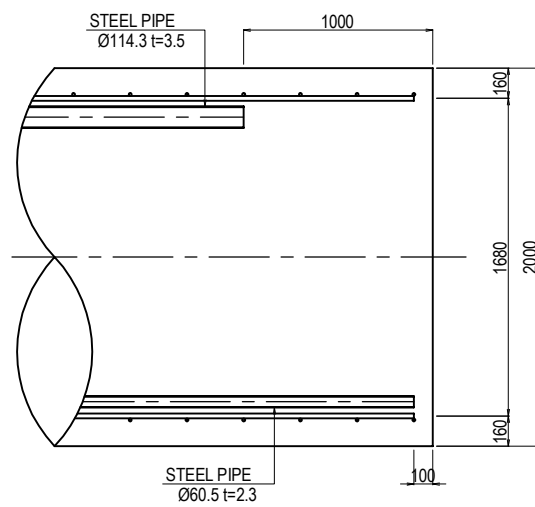
DETAIL OF PILE TOE S=1:40



DETAIL OF SPACER S=1:40



DETAIL "A" S=1:40



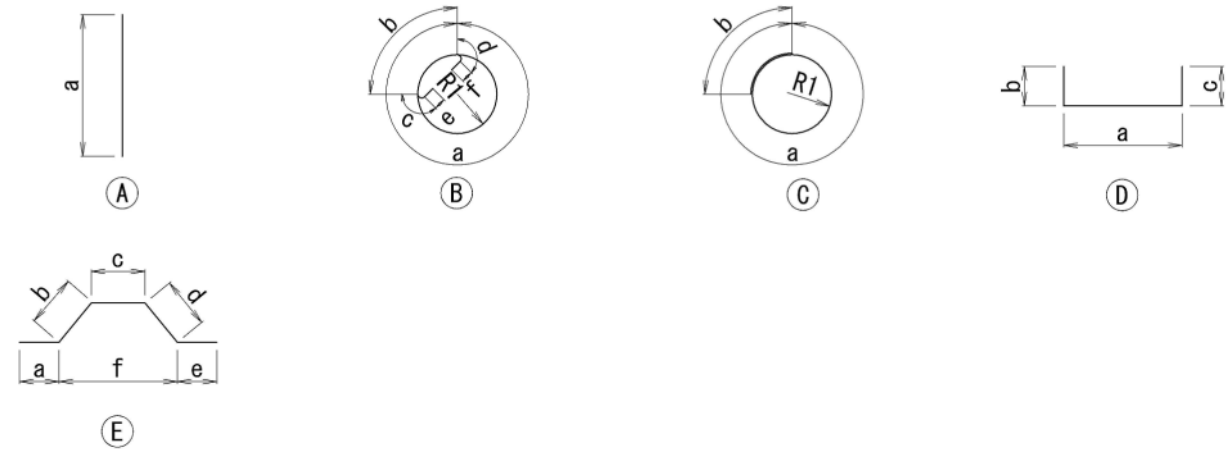
BAR QUANTITY

SYMBOL	SHAPE	DIAMETER	NUMBER (NOS)	LENGTH (mm)	a (mm)	b (mm)	c (mm)	d (mm)	e (mm)	f (mm)	R1 (mm)	R2 (mm)	WEIGHT (kg)	REMARKS
K1	A	D32	44	10500	10500								2878	
K2	A	D32	44	12000	12000								3289	
K3	A	D32	22	3500	3500								480	
K4	A	D29	66	12000	12000								3992	
K5	A	D29	22	9770	9765								1083	
K6	B	D22	96	7190	5448	990	156	156	220	220	867		2099	
K7	B	D22	136	7180	5438	990	156	156	220	220	865.5		2969	
K8	C	D22	7	6100	5108	990					813		130	
K9	C	D22	14	6110	5118	990					814.5		260	
K10	D	D13	16	1770	1380	195	195						28	AVERAGE
K11	E	PL	84	580	50	127	220	127	50				115	

REBAR QUANTITY (1NOS)

DIAMETER	WEIGHT
D13	28 kg
D16	0 kg
D19	0 kg
D22	5458 kg
D25	0 kg
D29	5075 kg
D32	6647 kg
D35	0 kg
D38	0 kg
D41	0 kg
D51	0 kg
PL	115 kg
TOTAL	17323 kg

SHAPE CODE

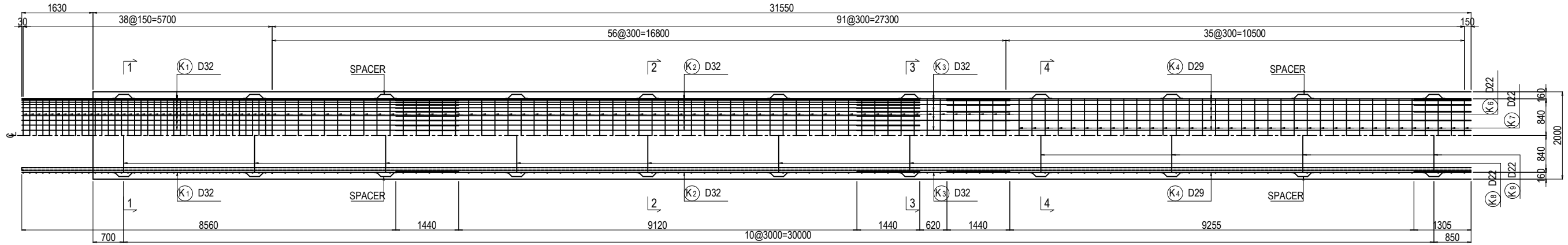


- NOTES: 1. Unless otherwise specified in the Contract Documents, a grade of rebar shall be SD 345 or equivalent.
 2. A figure in italic font indicate average length of rebar.

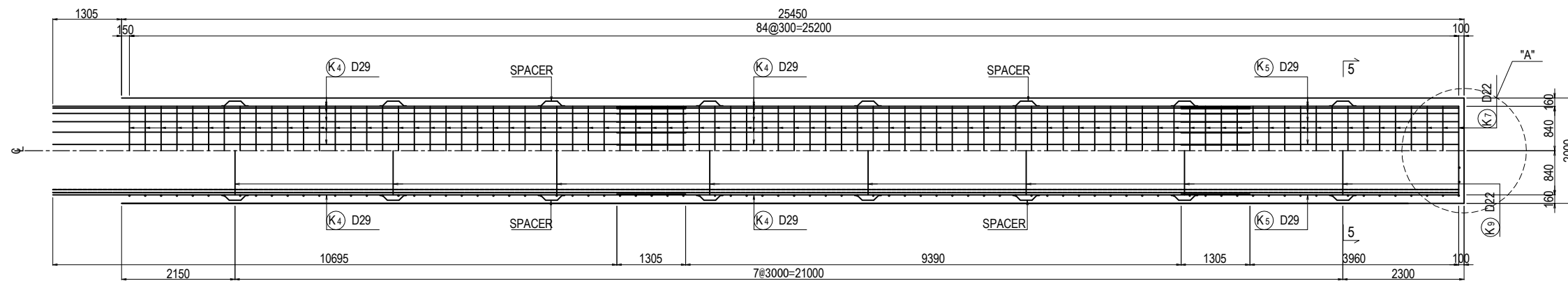
PROJECT NAME DETAILED DESIGN ON BAGO RIVER BRIDGE CONSTRUCTION PROJECT	FINANCED BY JAPAN INTERNATIONAL COOPERATION AGENCY	COUNTERPART REPUBLIC OF THE UNION OF MYANMAR MINISTRY OF CONSTRUCTION DEPARTMENT OF BRIDGE	JICA STUDY TEAM NIPPON KOEI CO., LTD. ORIENTAL CONSULTANTS GLOBAL CO., LTD. METROPOLITAN EXPRESSWAY COMPANY LIMITED CHODAI CO., LTD. NIPPON ENGINEERING CONSULTANTS CO., LTD.	NAME	SIGNATURE	DATE	DRAWING TITLE BAR ARRANGEMENT OF CAST IN PLACE PILE FOR P2 PIER(2)	PACKAGE	
				PREPARED BY	M. OHYAMA			15 Jun.2017	1
				CHECKED BY	T. HAYAKAWA			20 Jun.2017	DWG No.
				APPROVED BY	Y. SANO			21 Jun.2017	P1-PB-2222

BAR ARRANGEMENT OF CAST IN PLACE PILE FOR P3 PIER(1) S=1:100

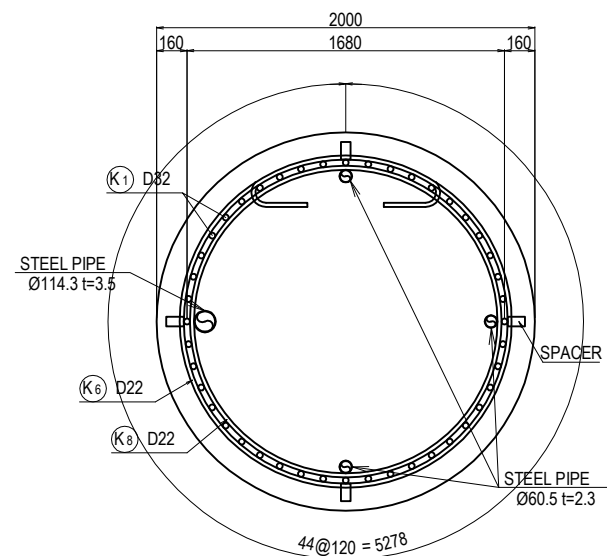
SEGMENT 1



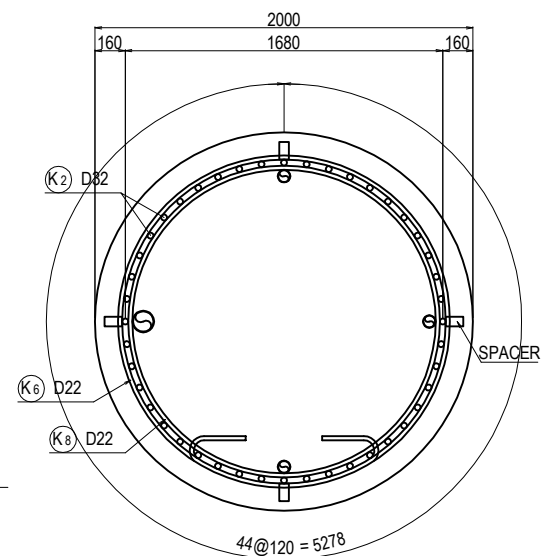
SEGMENT 2



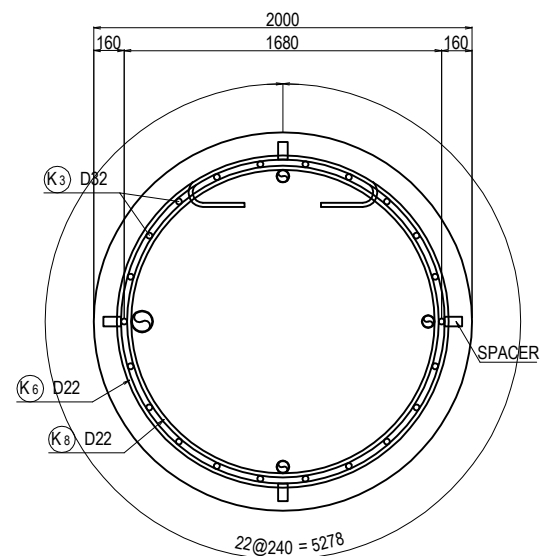
SECTION 1-1 S=1:40



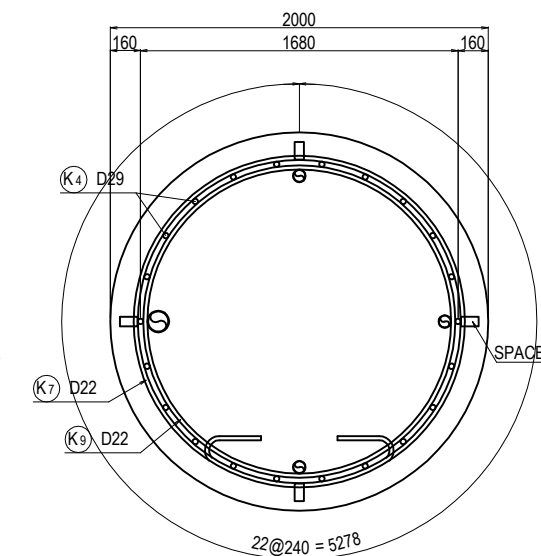
SECTION 2-2 S=1:40



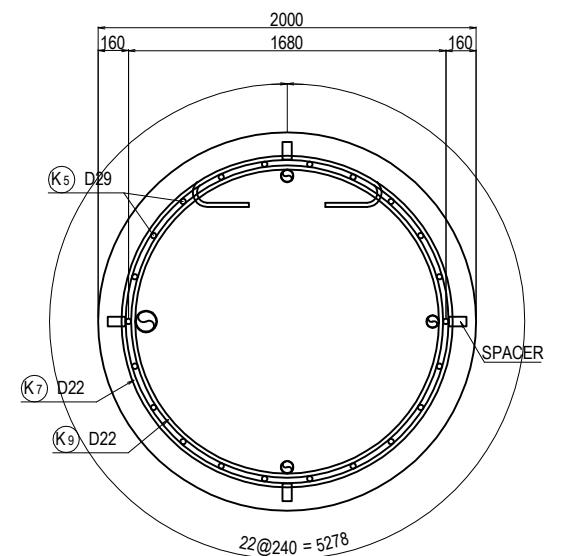
SECTION 3-3 S=1:40



SECTION 4-4 S=1:40



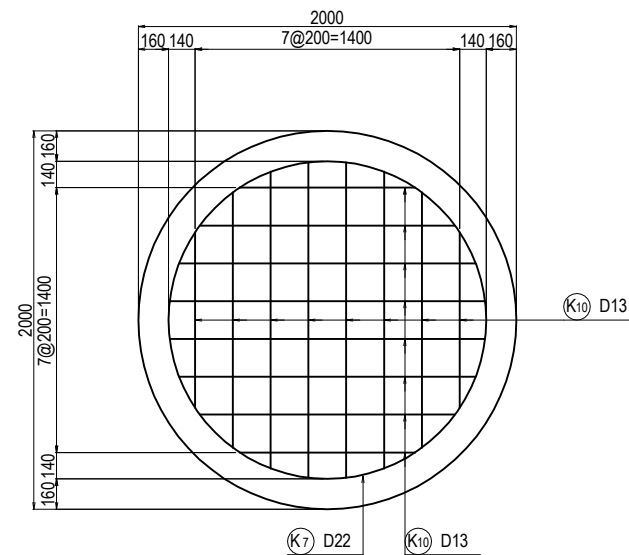
SECTION 5-5 S=1:40



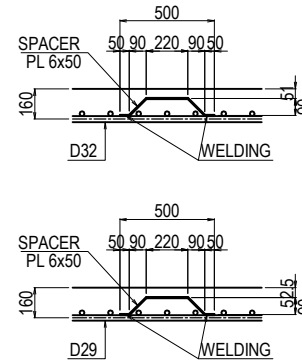
<p>PROJECT NAME DETAILED DESIGN ON BAGO RIVER BRIDGE CONSTRUCTION PROJECT</p>	<p>FINANCED BY JAPAN INTERNATIONAL COOPERATION AGENCY</p>	<p>COUNTERPART REPUBLIC OF THE UNION OF MYANMAR MINISTRY OF CONSTRUCTION DEPARTMENT OF BRIDGE</p>	<p>JICA STUDY TEAM NIPPON KOEI CO., LTD. ORIENTAL CONSULTANTS GLOBAL CO., LTD. METROPOLITAN EXPRESSWAY COMPANY LIMITED CHODAI CO., LTD. NIPPON ENGINEERING CONSULTANTS CO., LTD.</p>	<table border="1" style="width: 100%; border-collapse: collapse;"> <thead> <tr> <th style="width: 10%;">NAME</th> <th style="width: 10%;">SIGNATURE</th> <th style="width: 10%;">DATE</th> </tr> </thead> <tbody> <tr> <td>PREPARED BY M. OHYAMA</td> <td></td> <td>15 Jun.2017</td> </tr> <tr> <td>CHECKED BY T. HAYAKAWA</td> <td></td> <td>20 Jun.2017</td> </tr> <tr> <td>APPROVED BY Y. SANO</td> <td></td> <td>21 Jun.2017</td> </tr> </tbody> </table>	NAME	SIGNATURE	DATE	PREPARED BY M. OHYAMA		15 Jun.2017	CHECKED BY T. HAYAKAWA		20 Jun.2017	APPROVED BY Y. SANO		21 Jun.2017	<p>DRAWING TITLE BAR ARRANGEMENT OF CAST IN PLACE PILE FOR P3 PIER(1)</p>	<p>PACKAGE 1 DWG No. P1-PB-2231</p>
NAME	SIGNATURE	DATE																
PREPARED BY M. OHYAMA		15 Jun.2017																
CHECKED BY T. HAYAKAWA		20 Jun.2017																
APPROVED BY Y. SANO		21 Jun.2017																

BAR ARRANGEMENT OF CAST IN PLACE PILE FOR P3 PIER(2) S=1:100

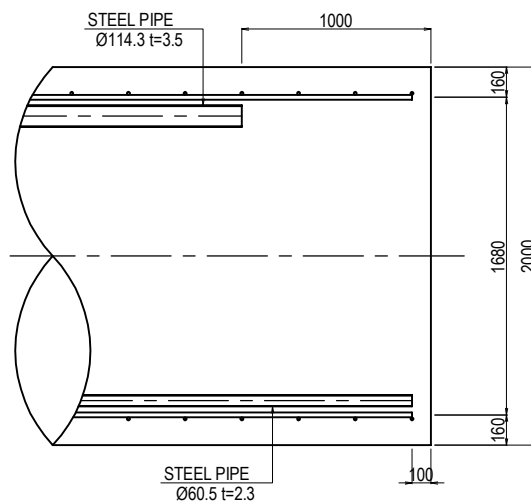
DETAIL OF PILE TOE S=1:40



DETAIL OF SPACER S=1:40



DETAIL "A" S=1:40



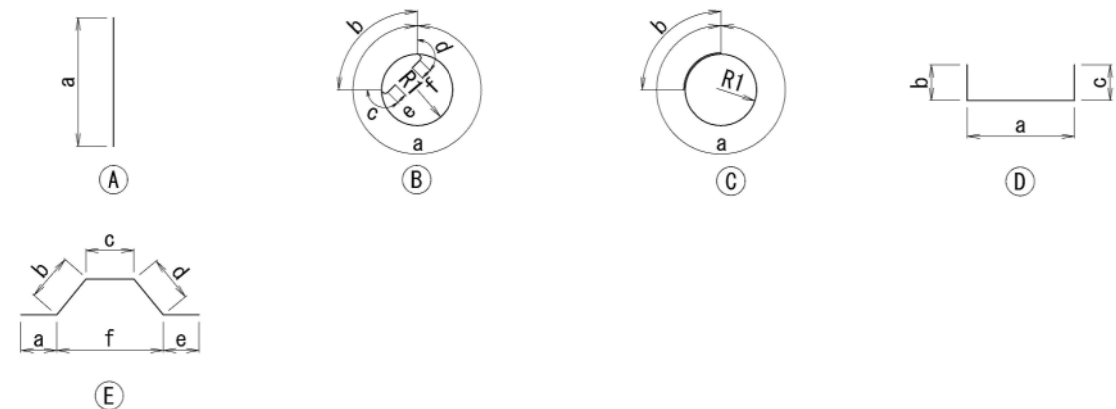
BAR QUANTITY

SYMBOL	SHAPE	DIAMETER	NUMBER (NOS)	LENGTH (mm)	a (mm)	b (mm)	c (mm)	d (mm)	e (mm)	f (mm)	R1 (mm)	R2 (mm)	WEIGHT (kg)	REMARKS
K1	A	D32	44	10000	10000								2741	
K2	A	D32	44	12000	12000								3289	
K3	A	D32	22	3500	3500								480	
K4	A	D29	66	12000	12000								3992	
K5	A	D29	22	5270	5265								584	
K6	B	D22	95	7190	5448	990	156	156	220	220	867		2077	
K7	B	D22	120	7180	5438	990	156	156	220	220	865.5		2620	
K8	C	D22	7	6100	5108	990					813		130	
K9	C	D22	12	6110	5118	990					814.5		223	
K10	D	D13	16	1770	1380	195	195						28	AVERAGE
K11	E	PL	76	580	50	127	220	127	50				104	

REBAR QUANTITY (1NOS)

DIAMETER	WEIGHT
D13	28 kg
D16	0 kg
D19	0 kg
D22	5050 kg
D25	0 kg
D29	4576 kg
D32	6510 kg
D35	0 kg
D38	0 kg
D41	0 kg
D51	0 kg
PL	104 kg
TOTAL	16268 kg

SHAPE CODE

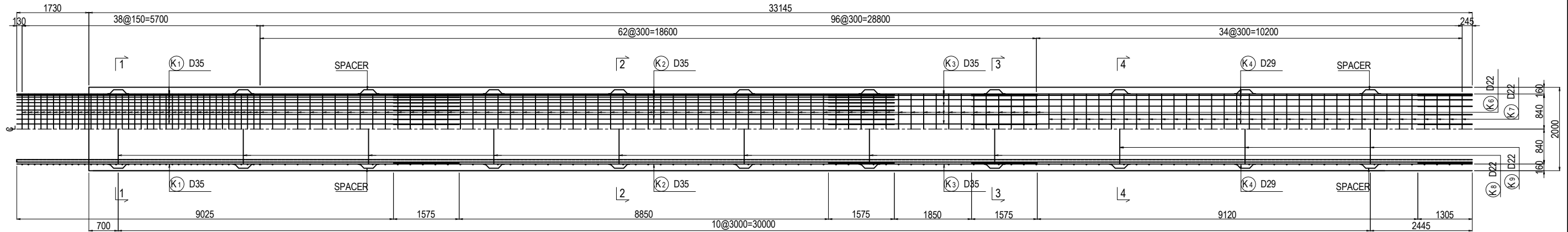


- NOTES: 1. Unless otherwise specified in the Contract Documents, a grade of rebar shall be SD 345 or equivalent.
2. A figure in italic font indicate average length of rebar.

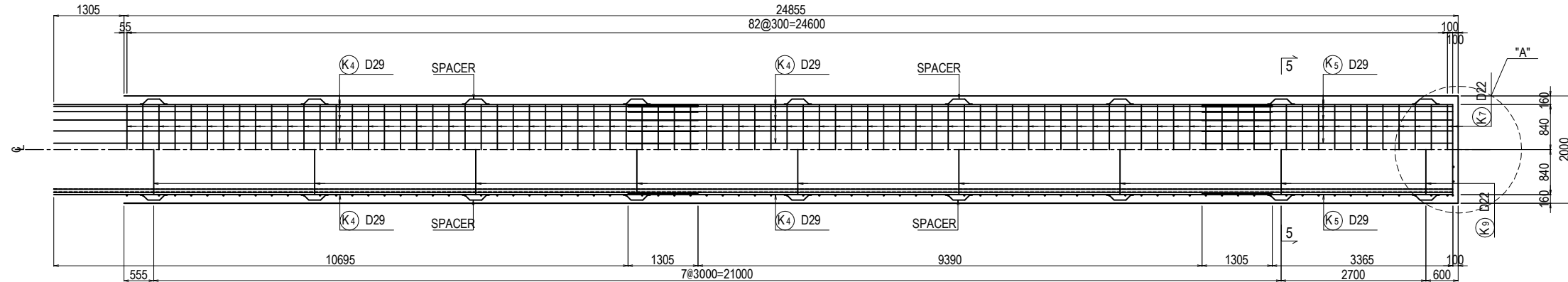
PROJECT NAME DETAILED DESIGN ON BAGO RIVER BRIDGE CONSTRUCTION PROJECT	FINANCED BY JAPAN INTERNATIONAL COOPERATION AGENCY	COUNTERPART REPUBLIC OF THE UNION OF MYANMAR MINISTRY OF CONSTRUCTION DEPARTMENT OF BRIDGE	JICA STUDY TEAM NIPPON KOEI CO., LTD. ORIENTAL CONSULTANTS GLOBAL CO., LTD. METROPOLITAN EXPRESSWAY COMPANY LIMITED CHODAI CO., LTD. NIPPON ENGINEERING CONSULTANTS CO., LTD.	NAME	SIGNATURE	DATE	DRAWING TITLE BAR ARRANGEMENT OF CAST IN PLACE PILE FOR P3 PIER(2)	PACKAGE	
				PREPARED BY	M. OHYAMA			15 Jun.2017	1
				CHECKED BY	T. HAYAKAWA			20 Jun.2017	DWG No.
				APPROVED BY	Y. SANO			21 Jun.2017	P1-PB-2232

BAR ARRANGEMENT OF CAST IN PLACE PILE FOR P4 PIER(1) S=1:100

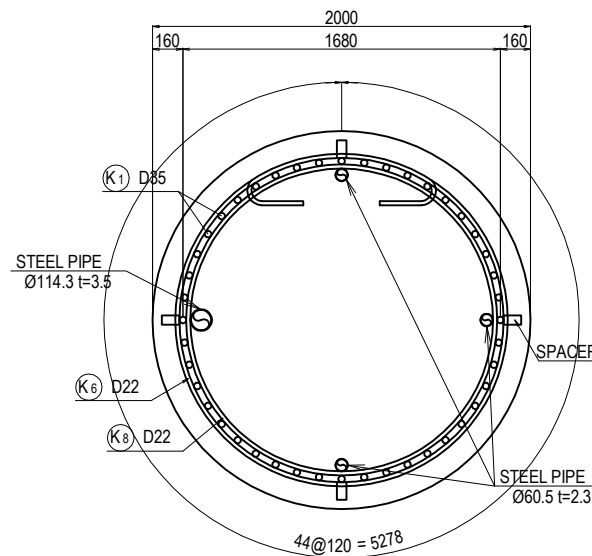
SEGMENT 1



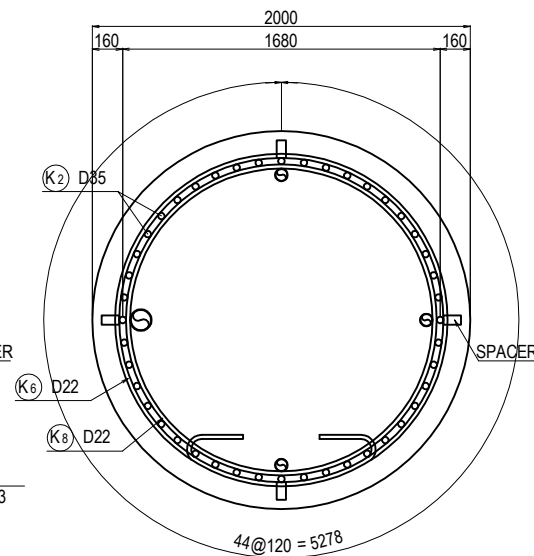
SEGMENT 2



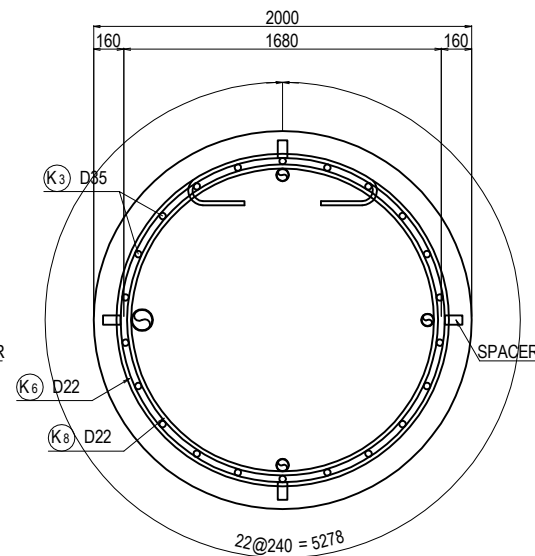
SECTION 1-1 S=1:40



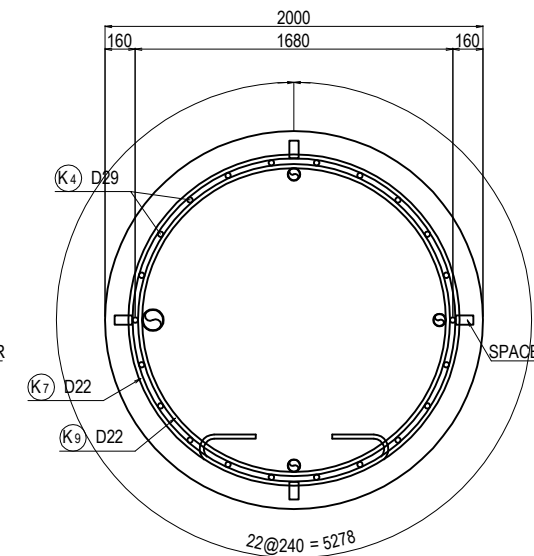
SECTION 2-2 S=1:40



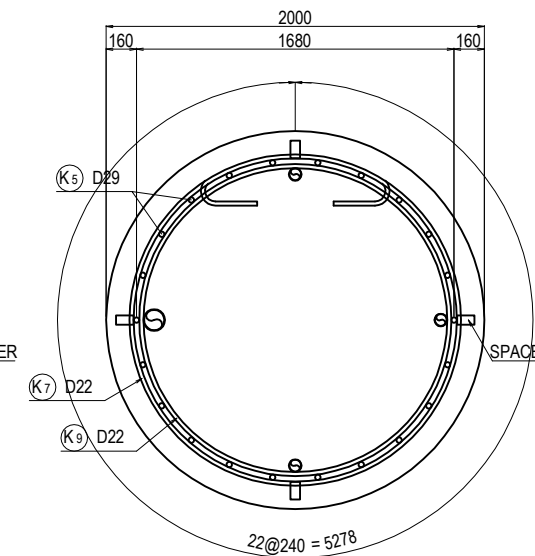
SECTION 3-3 S=1:40



SECTION 4-4 S=1:40



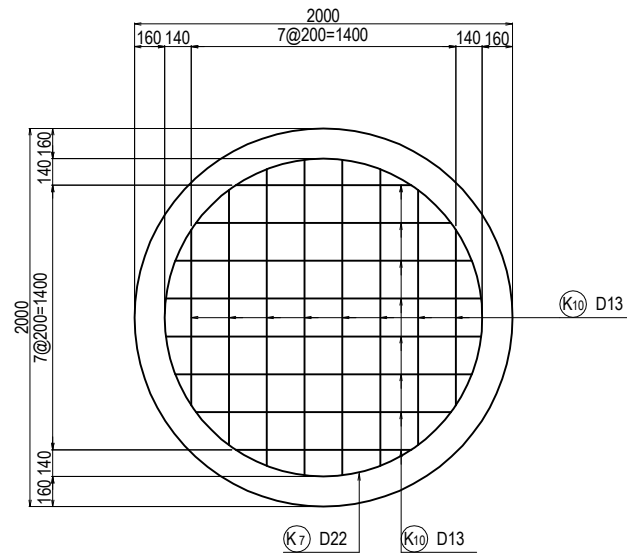
SECTION 5-5 S=1:40



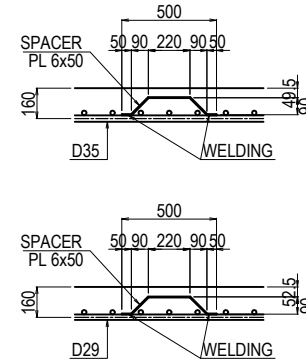
PROJECT NAME DETAILED DESIGN ON BAGO RIVER BRIDGE CONSTRUCTION PROJECT	FINANCED BY JAPAN INTERNATIONAL COOPERATION AGENCY	COUNTERPART REPUBLIC OF THE UNION OF MYANMAR MINISTRY OF CONSTRUCTION DEPARTMENT OF BRIDGE	JICA STUDY TEAM NIPPON KOEI CO., LTD. ORIENTAL CONSULTANTS GLOBAL CO., LTD. METROPOLITAN EXPRESSWAY COMPANY LIMITED CHODAI CO., LTD. NIPPON ENGINEERING CONSULTANTS CO., LTD.	<table border="1" style="width: 100%; border-collapse: collapse;"> <thead> <tr> <th style="width: 10%;">NAME</th> <th style="width: 10%;">SIGNATURE</th> <th style="width: 10%;">DATE</th> </tr> </thead> <tbody> <tr> <td>PREPARED BY M. OHYAMA</td> <td></td> <td>15 Jun.2017</td> </tr> <tr> <td>CHECKED BY T. HAYAKAWA</td> <td></td> <td>20 Jun.2017</td> </tr> <tr> <td>APPROVED BY Y. SANO</td> <td></td> <td>21 Jun.2017</td> </tr> </tbody> </table>	NAME	SIGNATURE	DATE	PREPARED BY M. OHYAMA		15 Jun.2017	CHECKED BY T. HAYAKAWA		20 Jun.2017	APPROVED BY Y. SANO		21 Jun.2017	DRAWING TITLE BAR ARRANGEMENT OF CAST IN PLACE PILE FOR P4 PIER(1)	PACKAGE 1 DWG No. P1-PB-2241
NAME	SIGNATURE	DATE																
PREPARED BY M. OHYAMA		15 Jun.2017																
CHECKED BY T. HAYAKAWA		20 Jun.2017																
APPROVED BY Y. SANO		21 Jun.2017																

BAR ARRANGEMENT OF CAST IN PLACE PILE FOR P4 PIER(2) S=1:100

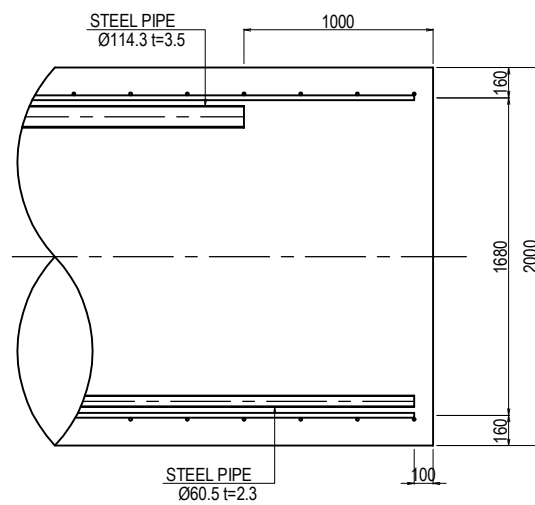
DETAIL OF PILE TOE S=1:40



DETAIL OF SPACER S=1:40



DETAIL "A" S=1:40



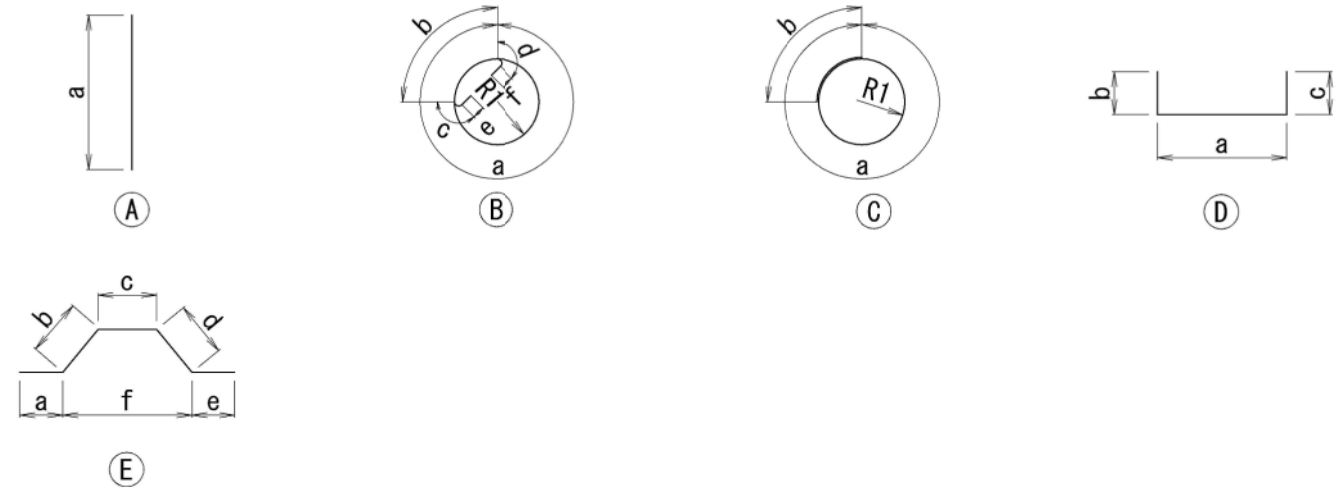
BAR QUANTITY

SYMBOL	SHAPE	DIAMETER	NUMBER (NCS)	LENGTH (mm)	a (mm)	b (mm)	c (mm)	d (mm)	e (mm)	f (mm)	R1 (mm)	R2 (mm)	WEIGHT (kg)	REMARKS
K1	A	D35	44	10600	10600								3503	
K2	A	D35	44	12000	12000								3965	
K3	A	D35	22	5000	5000								826	
K4	A	D29	66	12000	12000								3992	
K5	A	D29	22	4670	4670								518	
K6	B	D22	101	7200	5457	990	156	156	220	220	868.5		2211	
K7	B	D22	118	7180	5438	990	156	156	220	220	865.5		2576	
K8	C	D22	8	6090	5099	990					811.5		148	
K9	C	D22	12	6110	5118	990					814.5		223	
K10	D	D13	16	1770	1380	195	195						28	AVERAGE
K11	E	PL	80	580	50	127	220	127	50				109	

REBAR QUANTITY (1NOS)

DIAMETER	WEIGHT
D13	28 kg
D16	0 kg
D19	0 kg
D22	5158 kg
D25	0 kg
D29	4510 kg
D32	0 kg
D35	8294 kg
D38	0 kg
D41	0 kg
D51	0 kg
PL	109 kg
TOTAL	18099 kg

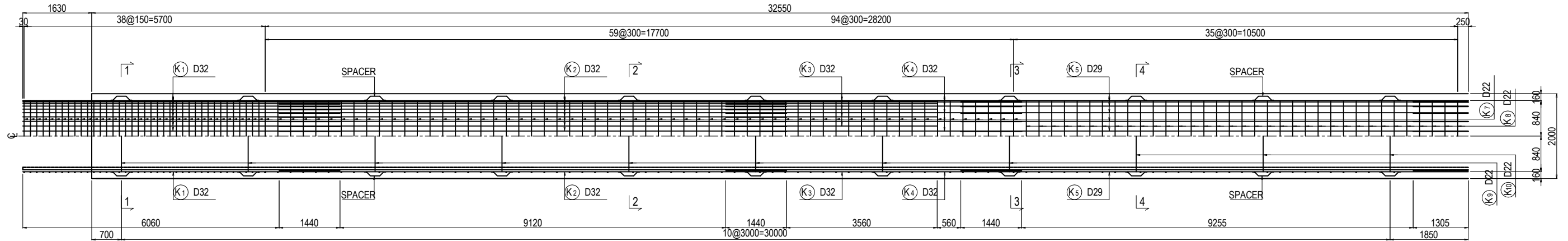
SHAPE CODE



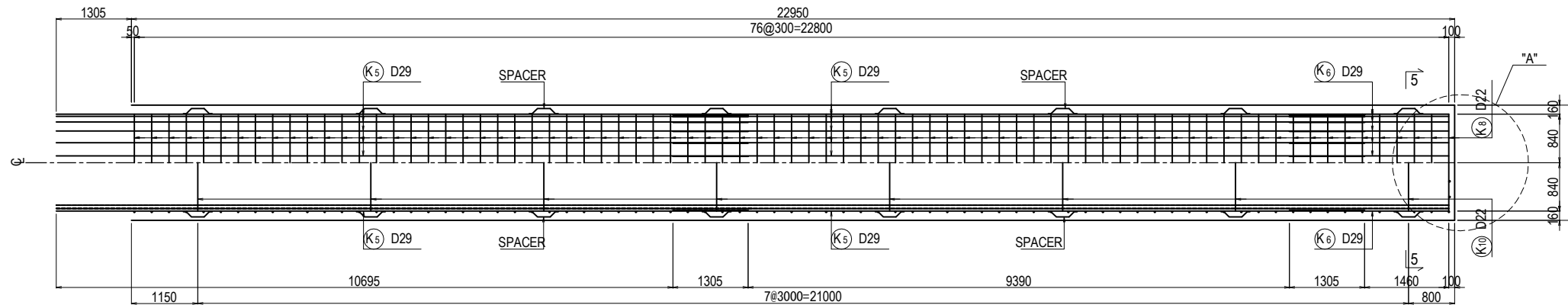
- NOTES: 1. Unless otherwise specified in the Contract Documents, a grade of rebar shall be SD 345 or equivalent.
2. A figure in italic font indicate average length of rebar.

BAR ARRANGEMENT OF CAST IN PLACE PILE FOR P5 PIER(1) S=1:100

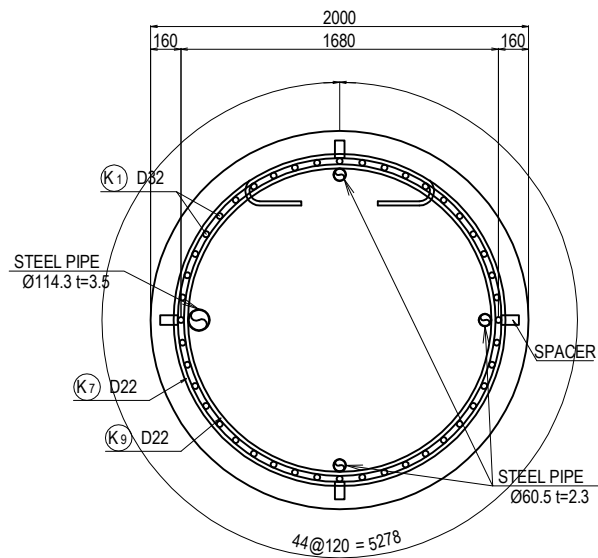
SEGMENT 1



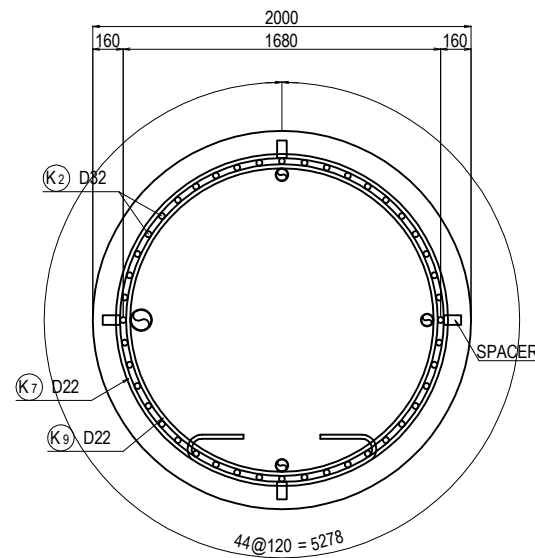
SEGMENT 2



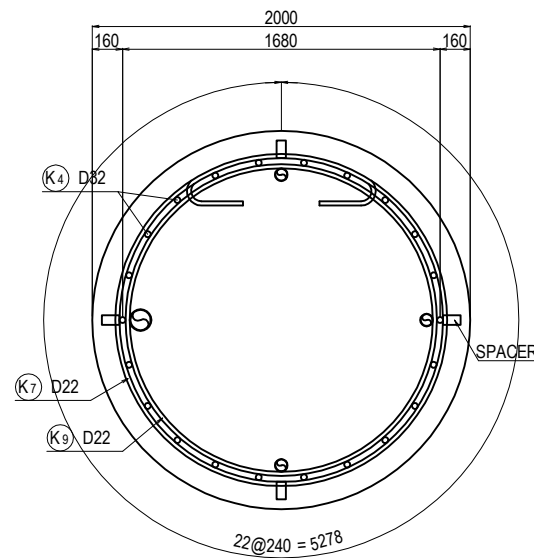
SECTION 1-1 S=1:40



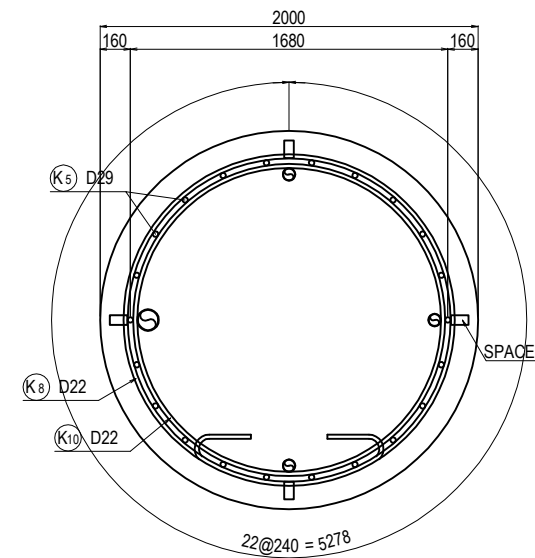
SECTION 2-2 S=1:40



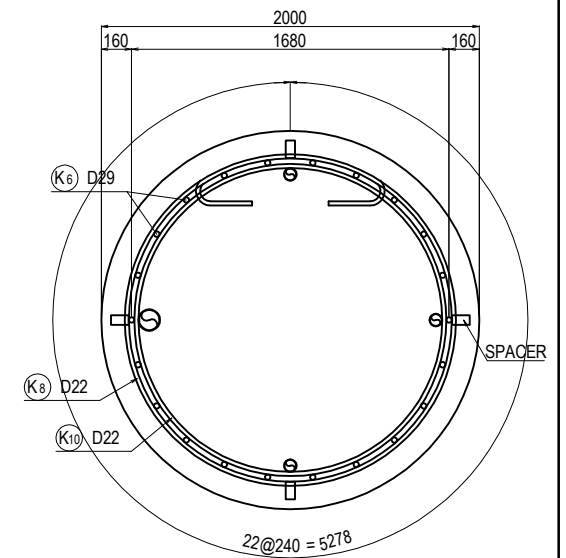
SECTION 3-3 S=1:40



SECTION 4-4 S=1:40



SECTION 5-5 S=1:40

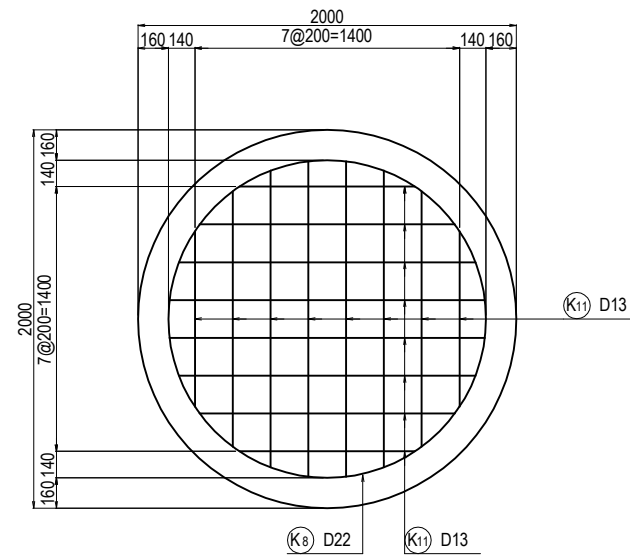


PROJECT NAME DETAILED DESIGN ON BAGO RIVER BRIDGE CONSTRUCTION PROJECT	FINANCED BY JAPAN INTERNATIONAL COOPERATION AGENCY	COUNTERPART REPUBLIC OF THE UNION OF MYANMAR MINISTRY OF CONSTRUCTION DEPARTMENT OF BRIDGE	JICA STUDY TEAM NIPPON KOEI CO., LTD. ORIENTAL CONSULTANTS GLOBAL CO., LTD. METROPOLITAN EXPRESSWAY COMPANY LIMITED CHODAI CO., LTD. NIPPON ENGINEERING CONSULTANTS CO., LTD.	<table border="1" style="width: 100%; border-collapse: collapse;"> <thead> <tr> <th style="width: 10%;">NAME</th> <th style="width: 10%;">SIGNATURE</th> <th style="width: 10%;">DATE</th> </tr> </thead> <tbody> <tr> <td>PREPARED BY M. OHYAMA</td> <td></td> <td>15 Jun.2017</td> </tr> <tr> <td>CHECKED BY T. HAYAKAWA</td> <td></td> <td>20 Jun.2017</td> </tr> <tr> <td>APPROVED BY Y. SANO</td> <td></td> <td>21 Jun.2017</td> </tr> </tbody> </table>	NAME	SIGNATURE	DATE	PREPARED BY M. OHYAMA		15 Jun.2017	CHECKED BY T. HAYAKAWA		20 Jun.2017	APPROVED BY Y. SANO		21 Jun.2017	DRAWING TITLE BAR ARRANGEMENT OF CAST IN PLACE PILE FOR P5 PIER(1)	PACKAGE 1 DWG No. P1-PB-2251
NAME	SIGNATURE	DATE																
PREPARED BY M. OHYAMA		15 Jun.2017																
CHECKED BY T. HAYAKAWA		20 Jun.2017																
APPROVED BY Y. SANO		21 Jun.2017																

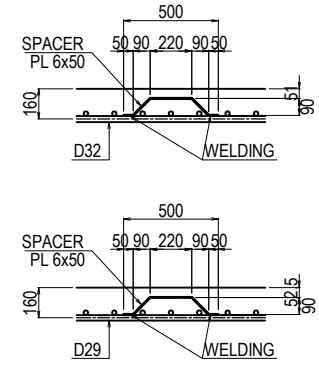
BAR ARRANGEMENT OF CAST IN PLACE PILE FOR P5 PIER(2) S=1:100

BAR QUANTITY

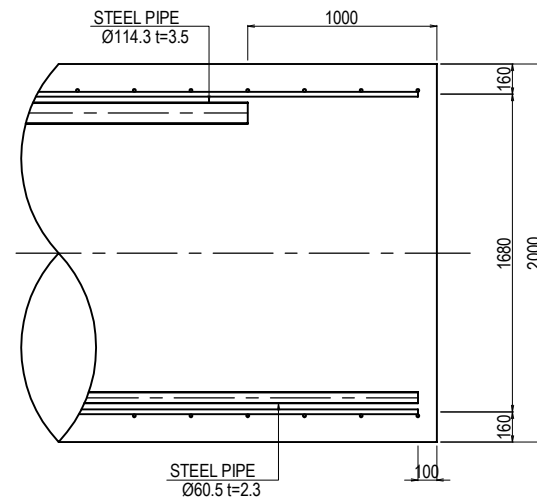
DETAIL OF PILE TOE S=1:40



DETAIL OF SPACER S=1:40



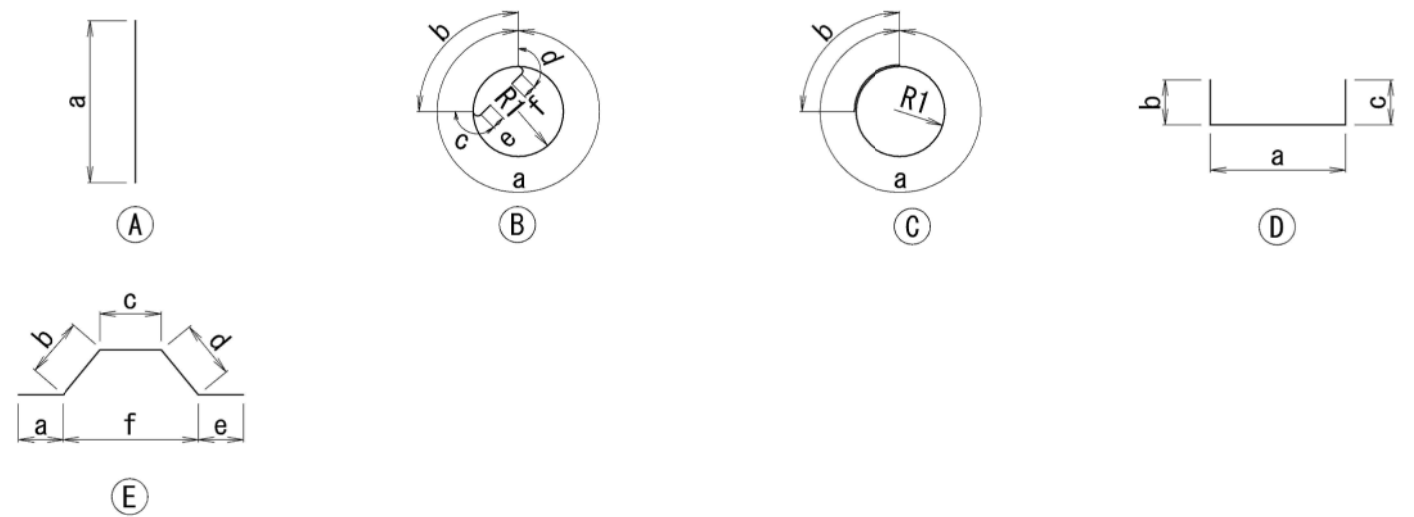
DETAIL "A" S=1:40



SYMBOL	SHAPE	DIAMETER	NUMBER (NOS)	LENGTH (mm)	a (mm)	b (mm)	c (mm)	d (mm)	e (mm)	f (mm)	R1 (mm)	R2 (mm)	WEIGHT (kg)	REMARKS
K1	A	D32	44	7500	7500								2056	
K2	A	D32	44	12000	12000								3289	
K3	A	D32	22	5000	5000								685	
K4	A	D32	22	7000	7000								959	
K5	A	D29	66	12000	12000								3992	
K6	A	D29	22	2770	2765								307	
K7	B	D22	98	7190	5448	990	156	156	220	220	867		2142	
K8	B	D22	112	7180	5438	990	156	156	220	220	865.5		2445	
K9	C	D22	8	6100	5108	990					813		148	
K10	C	D22	11	6110	5118	990					814.5		204	
K11	D	D13	16	1770	1380	195	195						28	AVERAGE
K12	E	PL	76	580	50	127	220	127	50				104	

REBAR QUANTITY (1NOS)	
DIAMETER	WEIGHT
D13	28 kg
D16	0 kg
D19	0 kg
D22	4939 kg
D25	0 kg
D29	4299 kg
D32	6989 kg
D35	0 kg
D38	0 kg
D41	0 kg
D51	0 kg
PL	104 kg
TOTAL	16359 kg

SHAPE CODE



NOTES: 1. Unless otherwise specified in the Contract Documents, a grade of rebar shall be SD 345 or equivalent.
2. A figure in italic font indicate average length of rebar.

DETAIL OF BEARINGS A1-P5 < L,R > (1) S = 1 : 20

DESIGN CONDITION

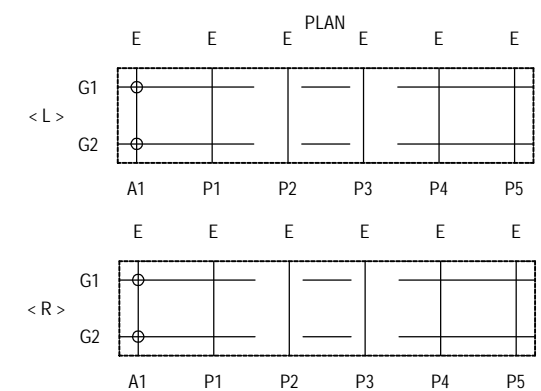
REACTION FORCE		
TOTAL REACTION	R	4000 kN
REACTION DUE TO DEAD LOAD	Rd	2800 kN
LONGITUDINAL (SEISMIC)	Rh1e	1038 kN
TRANSVERSE (SEISMIC)	Rh2e	0 kN
UPLIFT (SEISMIC)	V	280 kN
DEFORMATION		
MAXIMUM (SEISMIC)	UB	269 mm
RUBBER BEARING		
ELASTIC SHEAR MODULUS	Ge	1.0 N/mm ²
FRACTURE STRAIN	yu	550 %
DEFORMATION FOR TEST	ΔL	368 mm
EQUIVALENT RIGIDITY	KB	3.857 kN/mm
ALLOWABLE SHEAR STRAIN	ys	250 %
SECONDARY SHAPE FACTOR	S2	4.29
ROTATION VERIFICATION FORCE	R1	4000 kN
ROTATIONAL DEFORMATION	δr	1.500 mm
VERIFICATION FORCE	R1L	600 kN
COMPRESSIVE DEFORMATION BY VERIFICATION FORCE	δcL	0.593 mm
SUPPORT CONDITION OF BEARING		
LONGITUDINAL	ELASTIC	TRANSVERSE : FIXED

MATERIALS

No.	NAME OF PARTS	TYPE OF MATERIAL	QUANTITY	WEIGHT (kg)	NOTES
①	BASE PLATE	SM490A	1	542.2	
②	SOLE PLATE	SM490A	1	542.2	
3	RUBBER BEARING	NR+SM490A	1	819.5	
4	ANCHOR BAR	SS400	4	73.5	
5	ANCHOR BOLT	SS400	4	73.5	
⑥	SHEAR KEY	SM490A	2	32.2	
⑦	TOP,BOTTOM PLATE	SM490A	2	520.6	
8	CAP BOLT	—	32	4.8	JIS B 1176
⑨	HEXAGON BOLT WASHER	—	40	8.8	JIS B 1180
TOTAL WEIGHT			2617.3	(kg)	
GENERAL CORROSION RESISTANT COATING FOR OUTSIDE SURFACE					
PARTS NO. ○ SHOULD BE ZINC-GALVANIZED					
ADHESION AMOUNT					
ZINC-GALVANIZE	AT LEAST		550g/m ² ,	350g/m ²	(BOLTS)

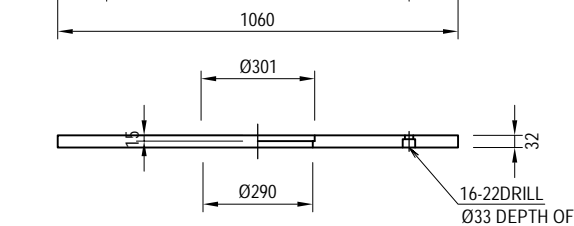
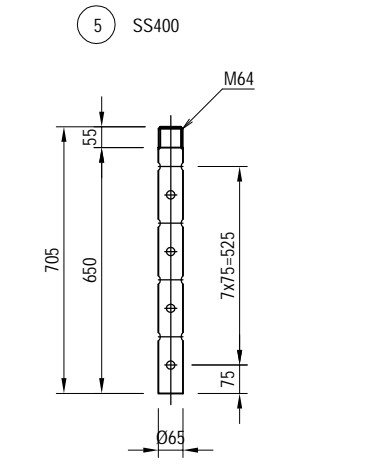
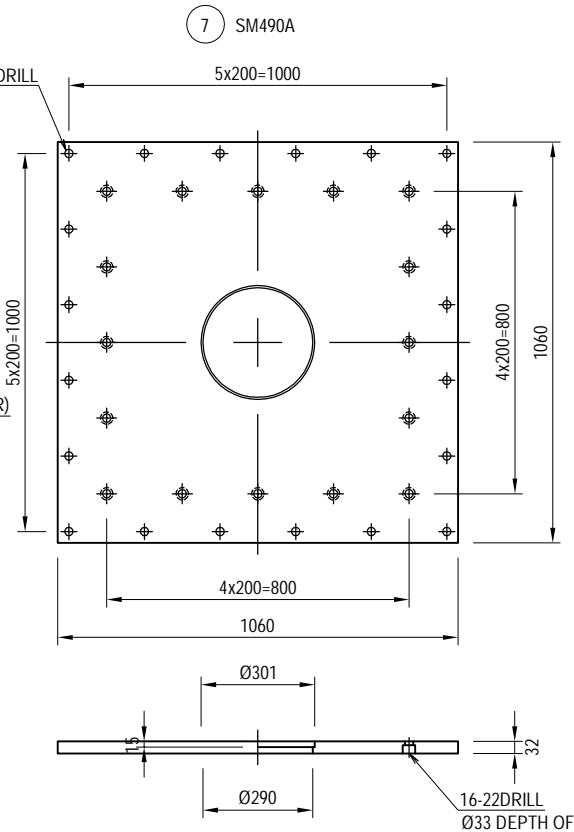
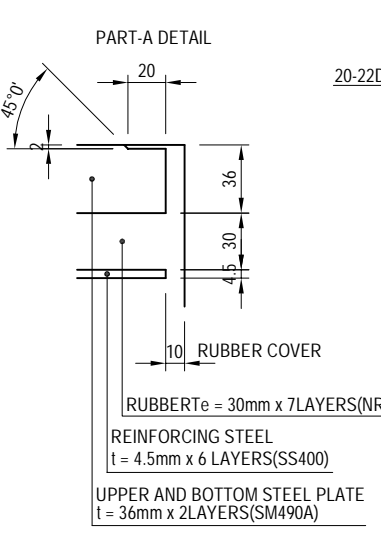
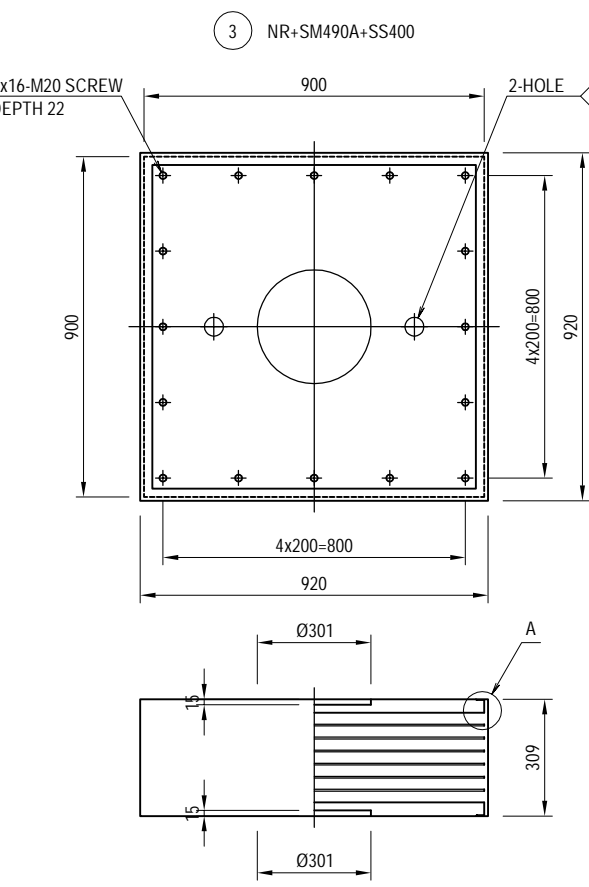
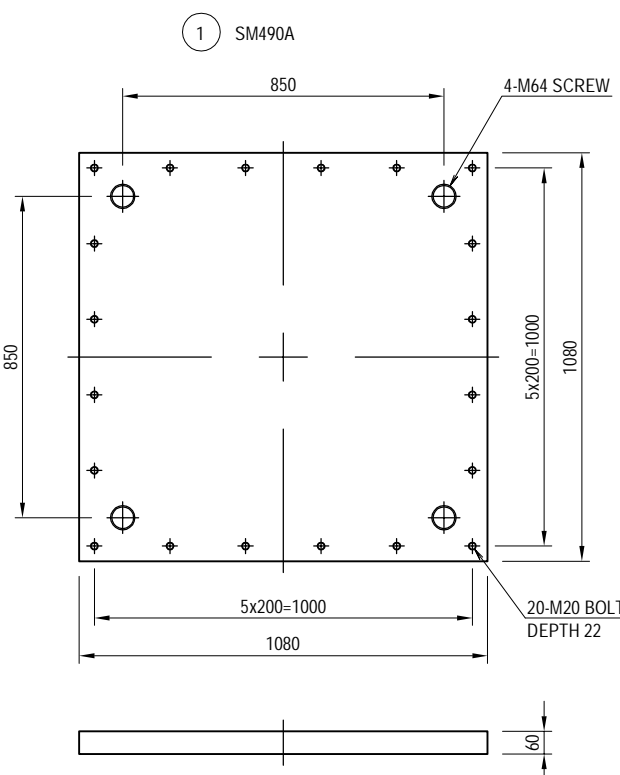
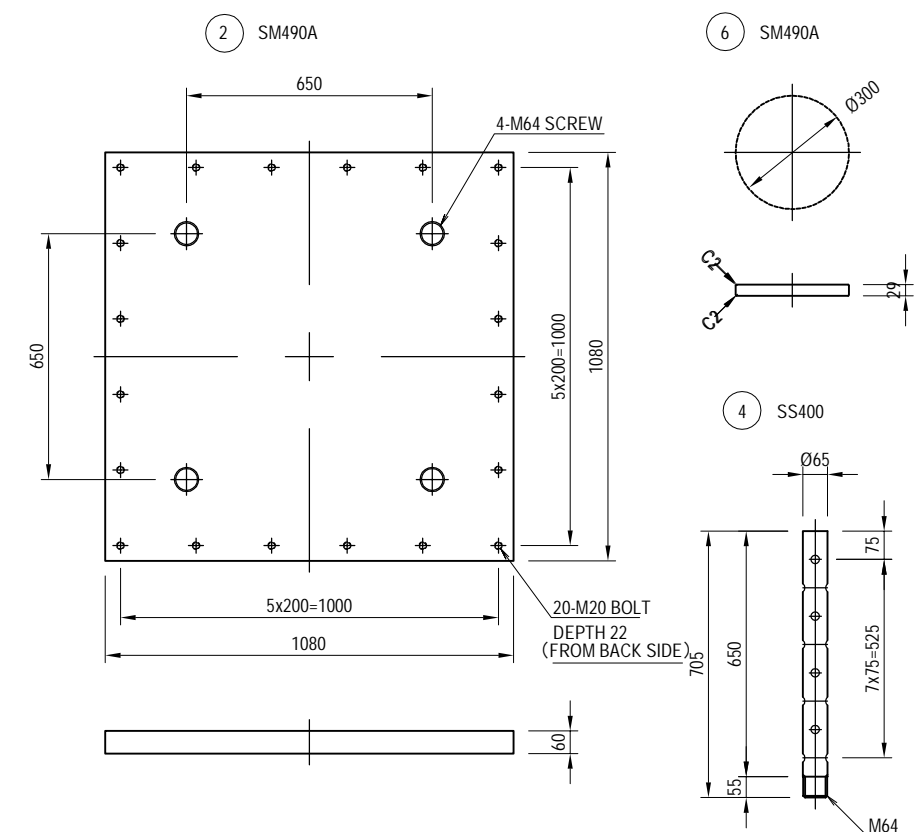
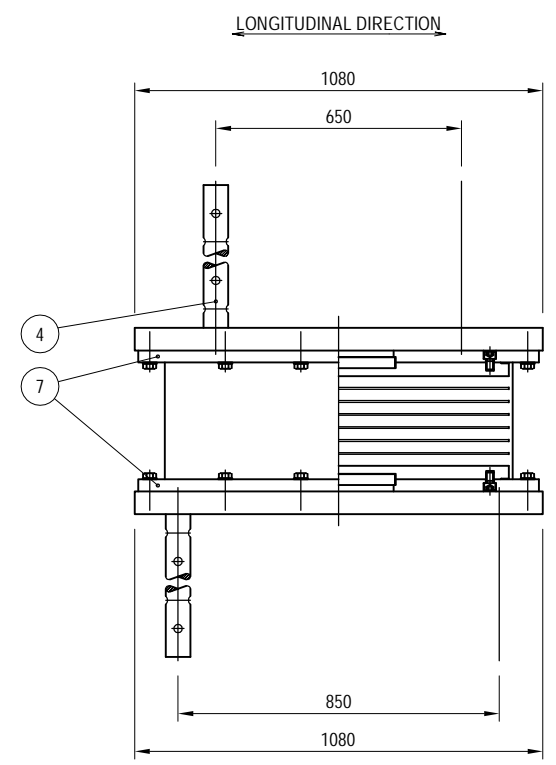
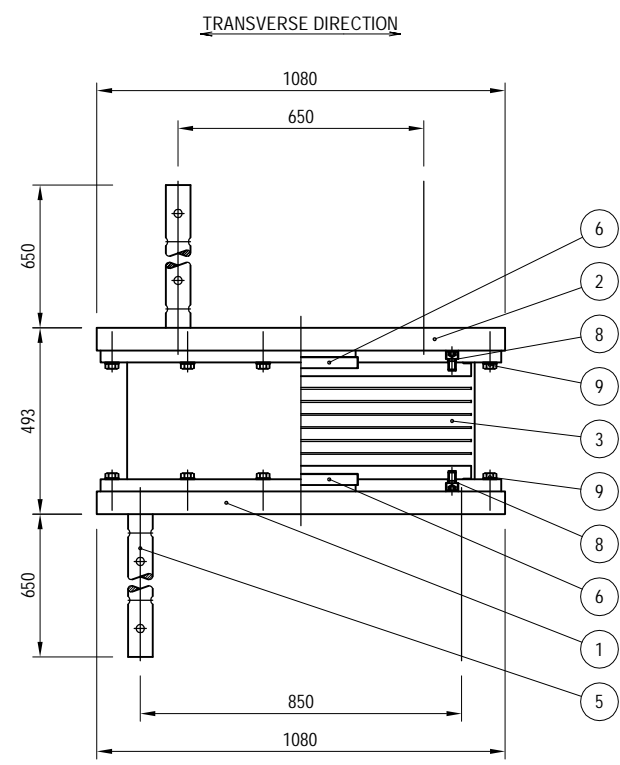
NOTES

- NO NEED DEPENDING ON THE PRODUCTION COMPANY
- USE ORGANIC ZINC-RICH PAINT COATING ON TOP AND BOTTOM SURFACE OF BEARINGS
- USE BLACK OXIDE COATED CAP BOLT AND PAINT HIGH CONCENTRATION ZINC POWDER AFTER ASSEMBLY
- REBAR FOR REINFORCEMENT, D10ctc50 GRID, SHOULD BE ARRANGED IN BEARING BASE MORTAR. (29kg PER BEARING BASE)



NOTES :

- 1) All the dimensions and materials of this drawing are shown as reference.
- 2) Details of the girder and substructure are designed based on this reference drawing.
- 3) All details and function of the bearing may alter by the proposal of the Contractor and shall be approved by the Engineer .
- 4) All the structural steels shall be galvanized for corrosion prevention with JIS H8641.

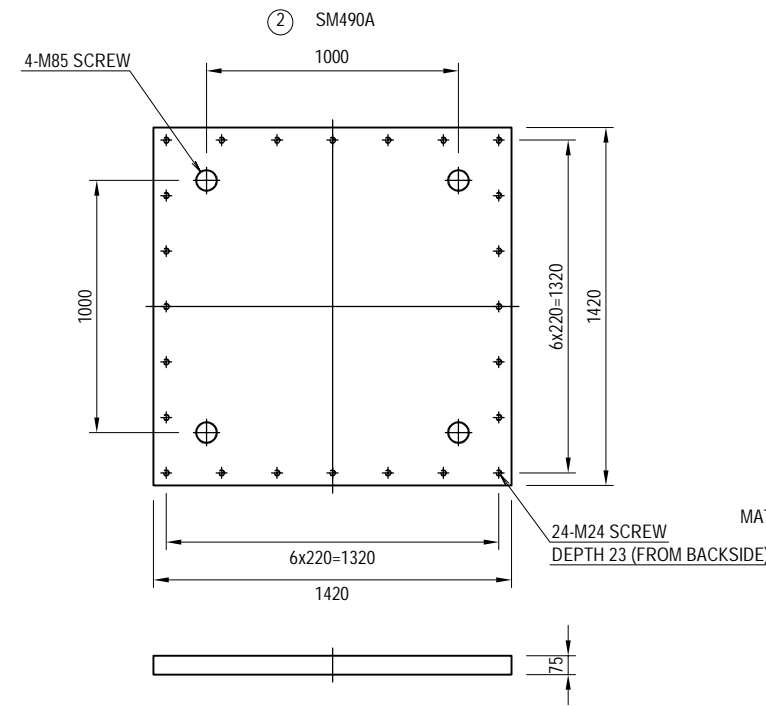
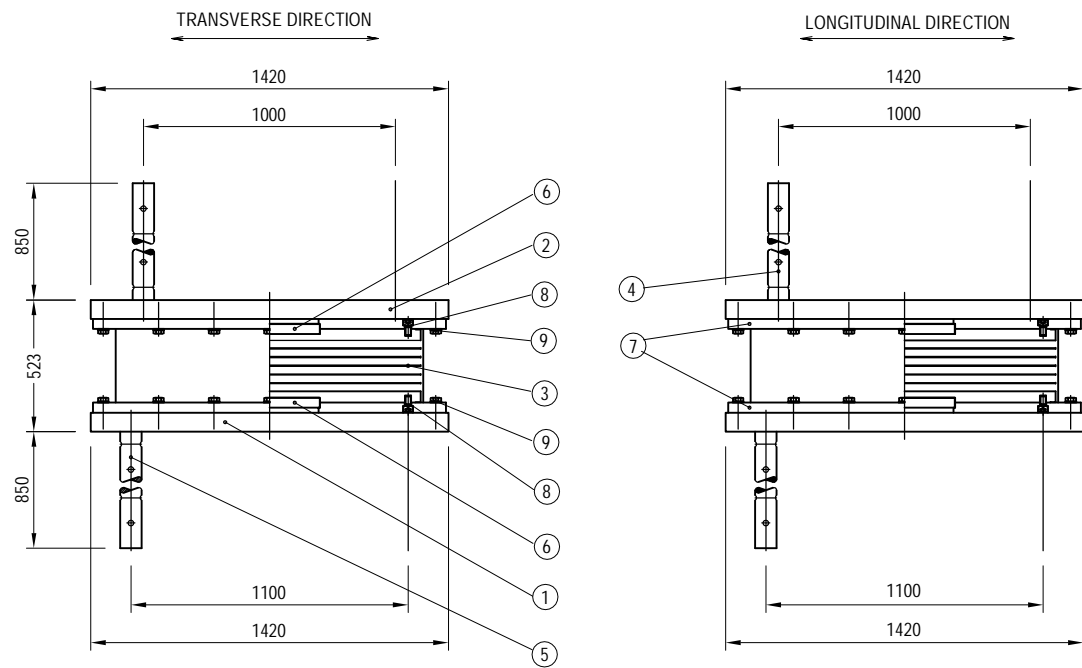


- ⑧ HEXAGON SOCKET CAP BOLT M20x30 12.9
- ⑨ HEXAGON HEAD BOLT MEDIUM M20x55 8.8 (WITH WASHER)

DETAIL OF BEARINGS A1-P5 < L,R > (2) S = 1 : 30

DESIGN CONDITION

REACTION FORCE		
TOTAL REACTION	R	8300 kN
REACTION DUE TO DEAD LOAD	Rd	5900 kN
LONGITUDINAL (SESMIC)	Rh1e	1920 kN
TRANSVERSE (SESMIC)	Rh2e	0 kN
UPLIFT (SESMIC)	V	590 kN
DEFORMATION		
MAXIMUM (SESMIC)	UB	240 mm
RUBBER BEARING		
ELASTIC SHEAR MODULUS	Ge	1.0 N/mm ²
FRACTURE STRAIN	yu	550 %
DEFORMATION FOR TEST	ΔL	315 mm
EQUIVALENT RIGIDITY	KB	8.000 kN/mm
ALLOWABLE SHEAR STRAIN	ys	250 %
SECONDARY SHAPE FACTOR	S2	6.67
ROTATION VERIFICATION FORCE	R1	8200 kN
ROTATIONAL DEFORMATION	δr	1.000 mm
SUPPORT CONDITION OF BEARING		
LONGITUDINAL	ELASTIC	
TRANSVERSE	FIXED	



MATERIALS

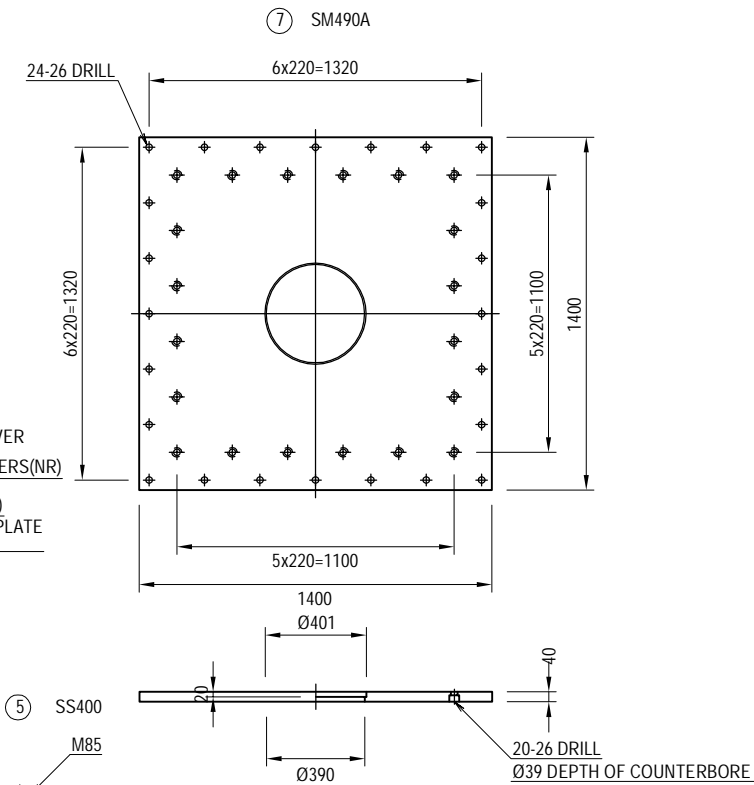
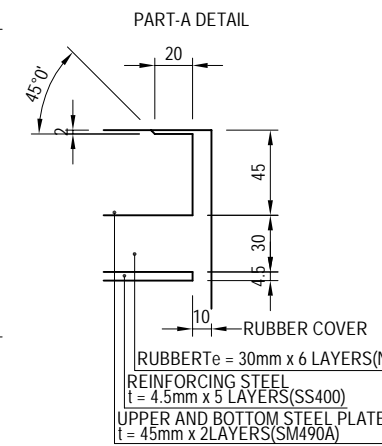
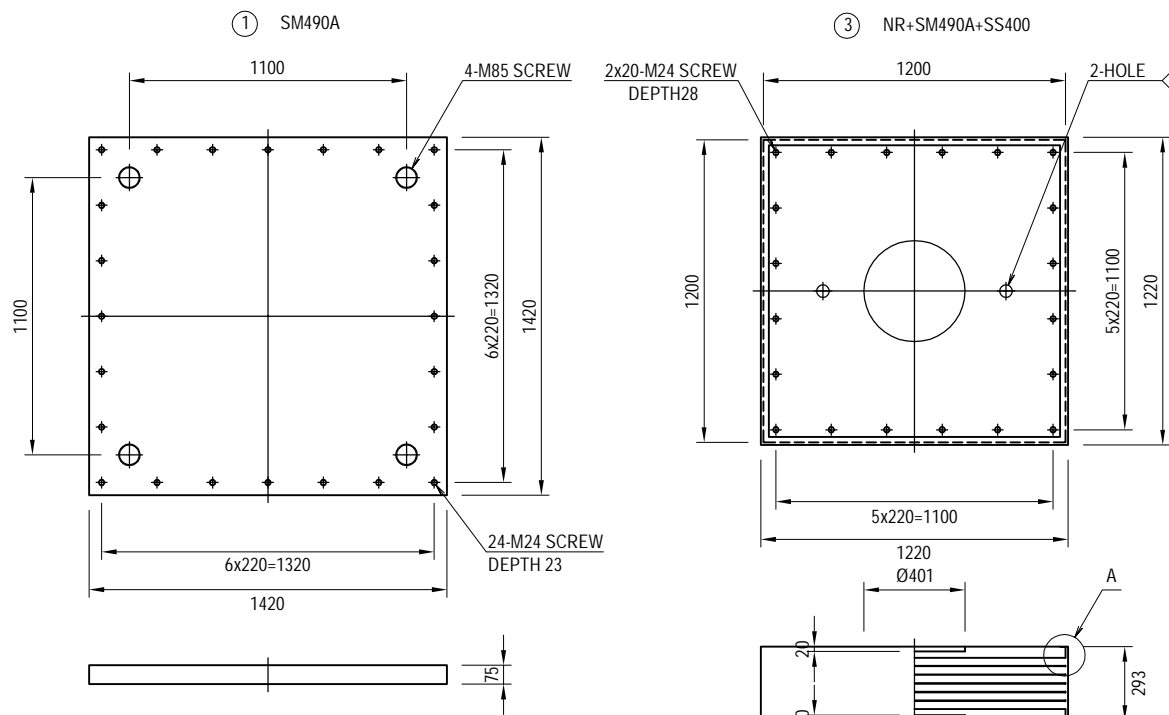
No.	NAME OF PARTS	TYPE OF MATERIAL	QUANTITY	WEIGHT (kg)	NOTES
①	BASE PLATE	SM490A	1	1171.8	—
②	SOLE PLATE	SM490A	1	1171.8	—
3	RUBBER BEARING	NR+SM490A+SS400	1	1543.3	—
4	ANCHOR BAR	SS400	4	163.9	—
5	ANCHOR BOLT	SS400	4	163.9	—
⑥	SHEAR KEY	SM490A	2	76.9	—
⑦	TOP,BOTTOM PLATE	SM490A	2	1133.6	—
8	CAP BOLT	—	40	10.6	JIS B 1176
⑨	HEXAGON BOLT WASHER	—	48	17.3	JIS B 1180
TOTAL WEIGHT				5453.1	(kg)

GENERAL CORROSION RESISTANT COATING FOR OUTSIDE SURFACE

ZINC-GALVANIZE	PARTS NO. ○ SHOULD BE ZINC-GALVANIZED
	ADHESION AMOUNT AT LEAST 550g/m ² , 350g/m ² (BOLTS)

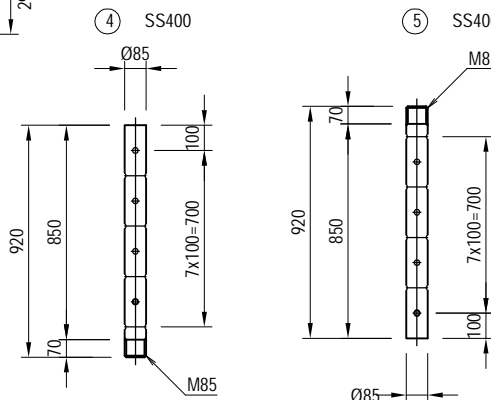
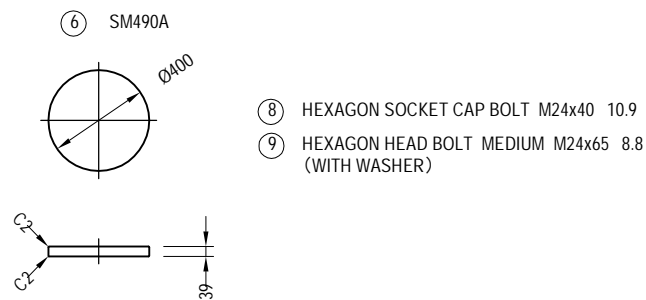
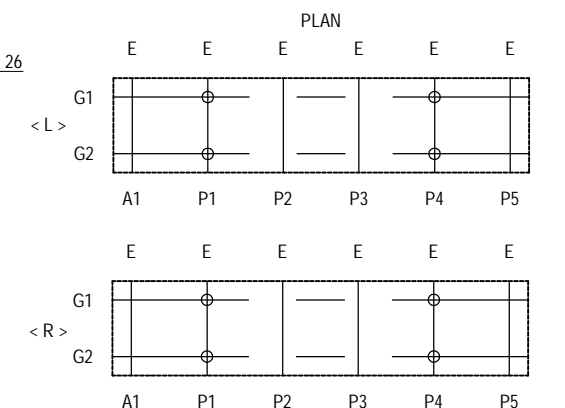
NOTES

- NO NEED DEPENDING ON THE PRODUCTION COMPANY
- USE ORGANIC ZINC-RICH PAINT COATING ON TOP AND BOTTOM SURFACE OF BEARINGS
- USE BLACK OXIDE COATED CAP BOLT AND PAINT HIGH CONCENTRATION ZINC POWDER AFTER ASSEMBLY
- REBAR FOR REINFORCEMENT, D10ctc50 GRID, SHOULD BE ARRANGED IN BEARING BASE MORTAR. (53kg PER BEARING BASE)



NOTES:

- 1) All the dimensions and materials of this drawing are shown as reference.
- 2) Details of the girder and substructure are designed based on this reference drawing.
- 3) All details and function of the bearing may alter by the proposal of the Contractor and shall be approved by the Engineer.
- 4) All the structural steels shall be galvanized for corrosion prevention with JIS H8641.



PROJECT NAME DETAILED DESIGN ON BAGO RIVER BRIDGE CONSTRUCTION PROJECT	FINANCED BY JICA JAPAN INTERNATIONAL COOPERATION AGENCY	COUNTERPART REPUBLIC OF THE UNION OF MYANMAR MINISTRY OF CONSTRUCTION DEPARTMENT OF BRIDGE	JICA STUDY TEAM NIPPON KOEI CO., LTD. ORIENTAL CONSULTANTS GLOBAL CO., LTD. METROPOLITAN EXPRESSWAY COMPANY LIMITED CHODAI CO., LTD. NIPPON ENGINEERING CONSULTANTS CO., LTD.	NAME M. OHYAMA	SIGNATURE 大山 満弘	DATE 15 Jun.2017	DRAWING TITLE DETAIL OF BEARINGS A1-P5 <L,R> (2)	PACKAGE 1
				CHECKED BY T. HAYAKAWA	平川 知邦	20 Jun.2017		DWG No.
				APPROVED BY Y. SANO	佐野 祐一	21 Jun.2017		P1-PB-3002

DETAIL OF BEARINGS A1-P5 < L,R > (3) ANCHOR BAR

S = 1 : 30

DESIGN CONDITION

REACTION FORCE		
TOTAL REACTION	R	8200 kN
REACTION DUE TO DEAD LOAD	Rd	5900 kN
LONGITUDINAL (SEISMIC)	Rh1e	2016 kN
TRANSVERSE (SEISMIC)	Rh2e	0 kN
UPLIFT (SEISMIC)	V	590 kN
DEFORMATION		
MAXIMUM (SEISMIC)	UB	210 mm
RUBBER BEARING		
ELASTIC SHEAR MODULUS	Ge	1.0 N/mm ²
FRACTURE STRAIN	yu	550 %
DEFORMATION FOR TEST	ΔL	263 mm
EQUIVALENT RIGIDITY	KB	9.600 kN/mm
ALLOWABLE SHEAR STRAIN	ys	250 %
SECONDARY SHAPE FACTOR	S2	8.00
ROTATION VERIFICATION FORCE	R1	8100 kN
ROTATIONAL DEFORMATION	δr	1.000 mm
SUPPORT CONDITION OF BEARING		
LONGITUDINAL	: ELASTIC	TRANSVERSE : FIXED

MATERIALS

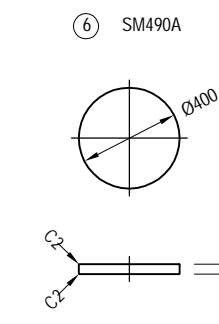
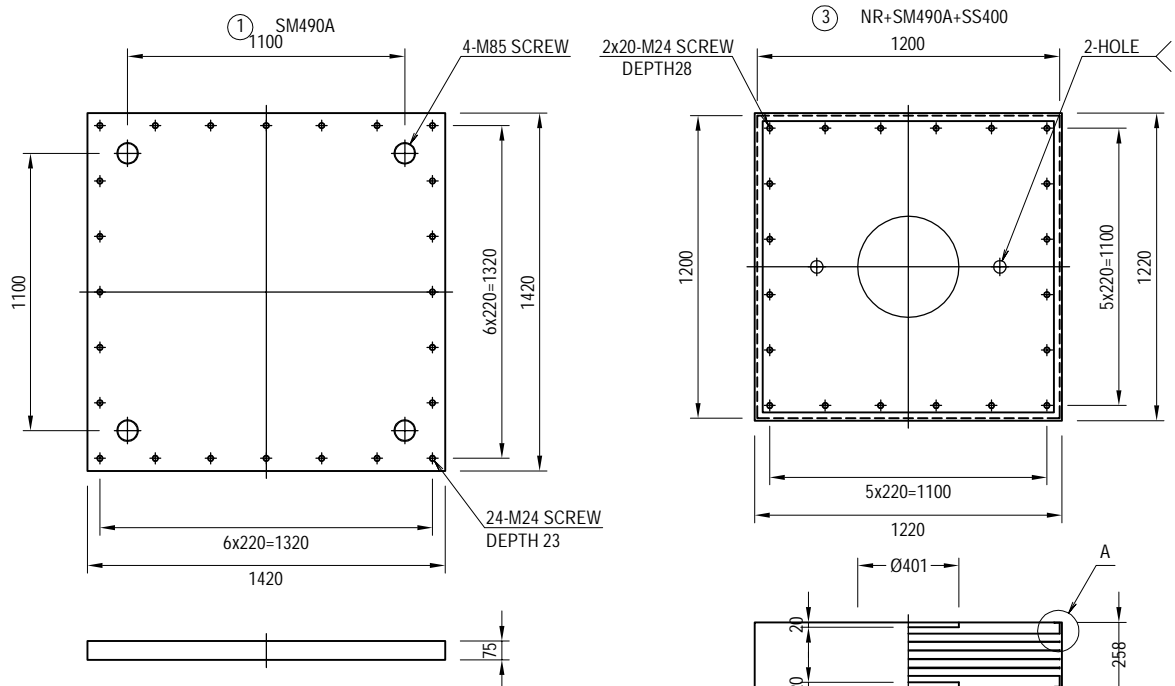
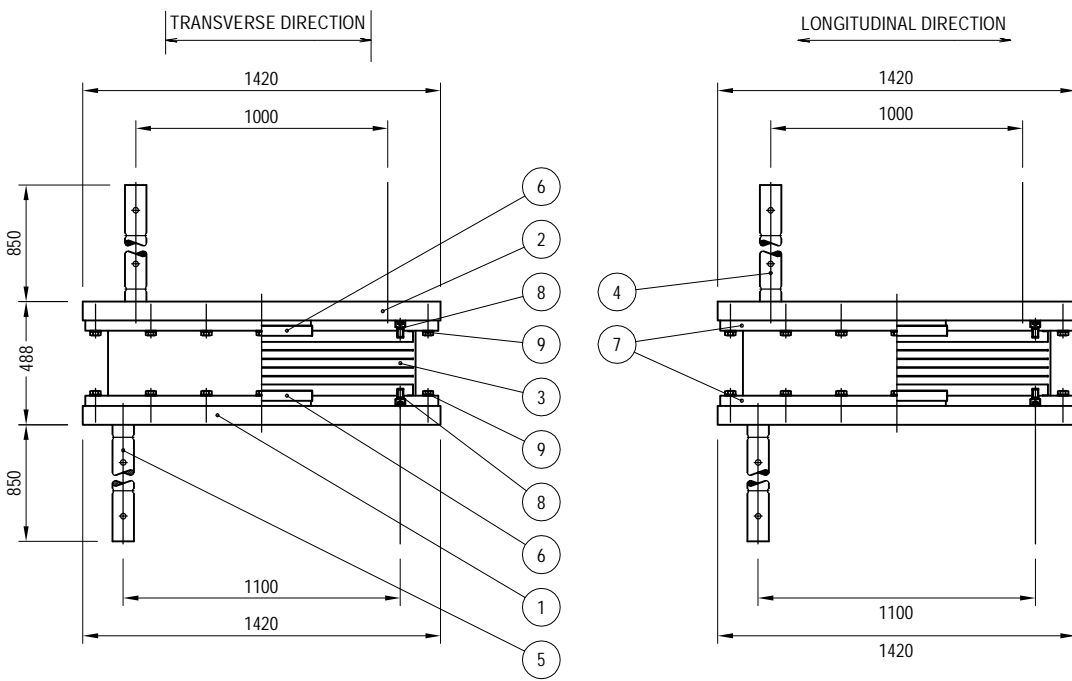
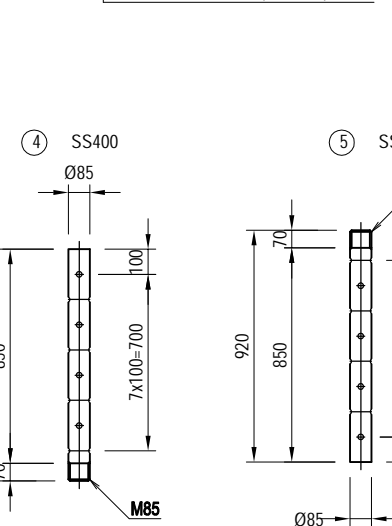
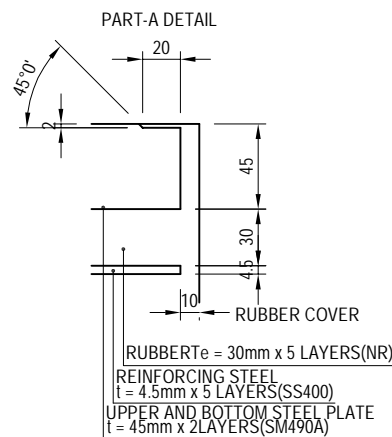
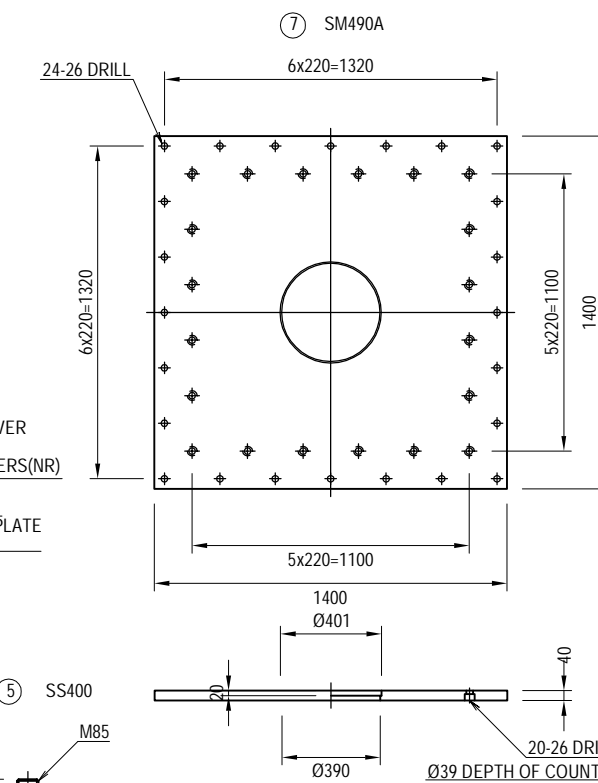
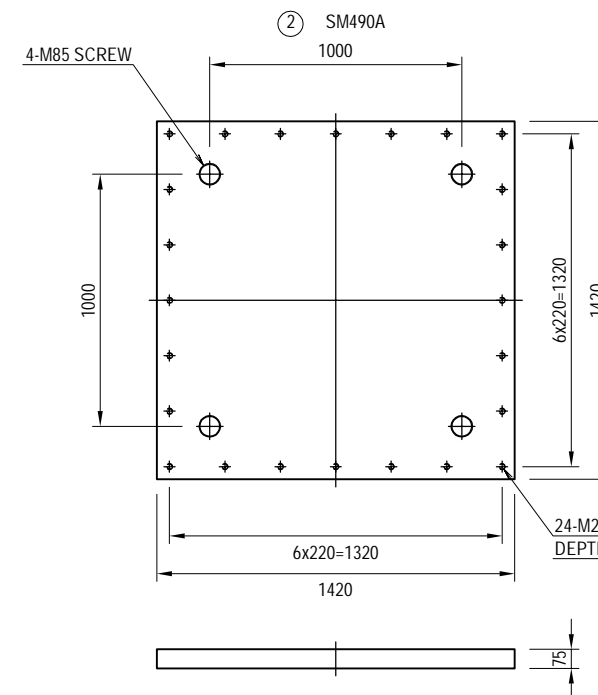
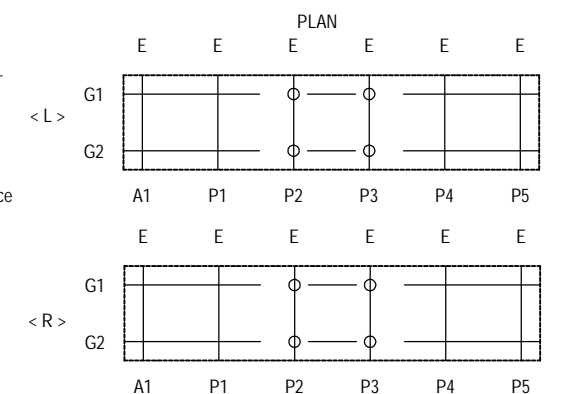
No.	NAME OF PARTS	TYPE OF MATERIAL	QUANTITY	WEIGHT (kg)	NOTES
①	BASE PLATE	SM490A	1	1171.8	—
②	SOLE PLATE	SM490A	1	1171.8	—
3	RUBBER BEARING	NR+SM490A+SS400	1	1440.0	—
4	ANCHOR BAR	SS400	4	163.9	—
5	ANCHOR BOLT	SS400	4	163.9	—
⑥	SHEAR KEY	SM490A	2	76.9	—
⑦	TOP,BOTTOM PLATE	SM490A	2	1133.6	—
8	CAP BOLT	—	40	10.6	JIS B 1176
⑨	HEXAGON BOLT WASHER	—	48	17.3	JIS B 1180
TOTAL WEIGHT			5349.8	(kg)	

GENERAL CORROSION RESISTANT COATING FOR OUTSIDE SURFACE

ZINC-GALVANIZE	PARTS NO. ○ SHOULD BE ZINC-GALVANIZED
	ADHESION AMOUNT AT LEAST 550g/m ² , 350g/m ² (BOLTS)

NOTES

- NO NEED DEPENDING ON THE PRODUCTION COMPANY.
- USE ORGANIC ZINC-RICH PAINT COATING ON TOP AND BOTTOM SURFACE OF BEARINGS
- USE BLACK OXIDE COATED CAP BOLT AND PAINT HIGH CONCENTRATION ZINC POWDER AFTER ASSEMBLY
- REBAR FOR REINFORCEMENT, D10ctc50 GRID, SHOULD BE ARRANGED IN BEARING BASE MORTAR. (53kg PER BEARING BASE)



- ⑧ HEXAGON SOCKET CAP BOLT M24x40 10.9
- ⑨ HEXAGON HEAD BOLT MEDIUM M24x65 8.8 (WITH WASHER)

NOTES:

- 1) All the dimensions and materials of this drawing are shown as reference.
- 2) Details of the girder and substructure are designed based on this reference drawing.
- 3) All details and function of the bearing may alter by the proposal of the Contractor and shall be approved by the Engineer.
- 4) All the structural steels shall be galvanized for corrosion prevention with JIS H8641.

PROJECT NAME
DETAILED DESIGN ON
BAGO RIVER BRIDGE
CONSTRUCTION PROJECT

FINANCED BY
JICA
JAPAN INTERNATIONAL
COOPERATION AGENCY

COUNTERPART
REPUBLIC OF THE UNION OF MYANMAR
MINISTRY OF CONSTRUCTION
DEPARTMENT OF BRIDGE

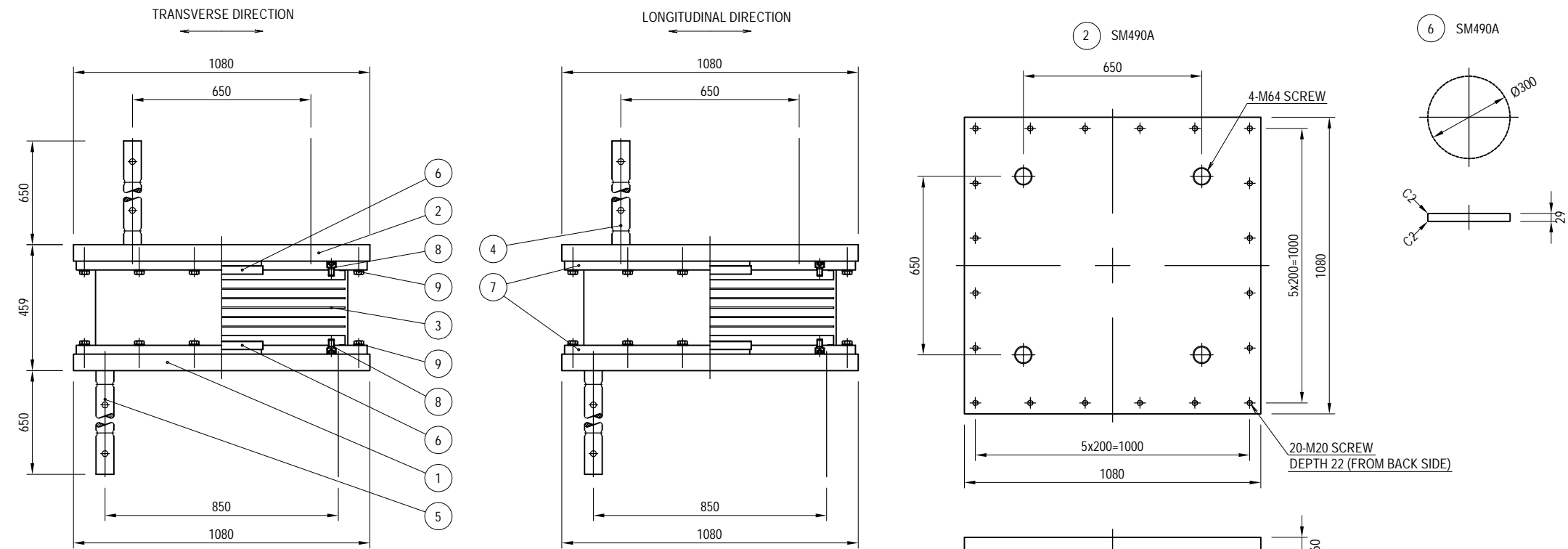
JICA STUDY TEAM
NIPPON KOEI CO., LTD.
ORIENTAL CONSULTANTS GLOBAL CO., LTD.
METROPOLITAN EXPRESSWAY COMPANY LIMITED
CHODAI CO. LTD.
NIPPON ENGINEERING CONSULTANTS CO., LTD.

	NAME	SIGNATURE	DATE
PREPARED BY	M. OHYAMA	大山 満弘	15 Jun.2017
CHECKED BY	T. HAYAKAWA	平川 知寿	20 Jun.2017
APPROVED BY	Y. SANO	佐野 祐一	21 Jun.2017

DRAWING TITLE
DETAIL OF BEARINGS A1-P5 <L,R> (3)

PACKAGE
1
DWG No.
P1-PB-3003

DETAIL OF BEARINGS A1-P5 < L,R > (4) S = 1 : 20



DESIGN CONDITION

REACTION FORCE		
TOTAL REACTION	R	4100 kN
REACTION DUE TO DEAD LOAD	Rd	2900 kN
LONGITUDINAL (SEISMIC)	Rh1e	1188 kN
TRANSVERSE (SEISMIC)	Rh2e	0 kN
UPLIFT (SEISMIC)	V	290 kN
DEFORMATION		
MAXIMUM (SEISMIC)	UB	264 mm
RUBBER BEARING		
ELASTIC SHEAR MODULUS	Ge	1.0 N/mm ²
FRACTURE STRAIN	yu	550 %
DEFORMATION FOR TEST	ΔL	315 mm
EQUIVALENT RIGIDITY	KB	4.500 kN/mm
ALLOWABLE SHEAR STRAIN	ys	250 %
SECONDARY SHAPE FACTOR	S2	5.00
ROTATION VERIFICATION FORCE	R1	4100 kN
ROTATIONAL DEFORMATION	δr	1.500 mm
VERIFICATION FORCE	R1L	600 kN
COMPRESSIVE DEFORMATION BY VERIFICATION FORCE	δcL	0.508 mm
SUPPORT CONDITION OF BEARING		
LONGITUDINAL	ELASTIC	TRANSVERSE : FIXED

MATERIALS

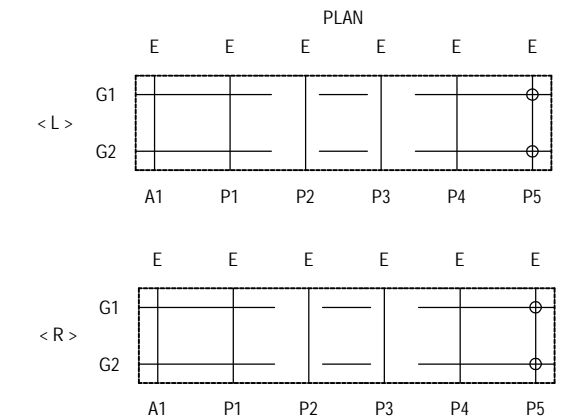
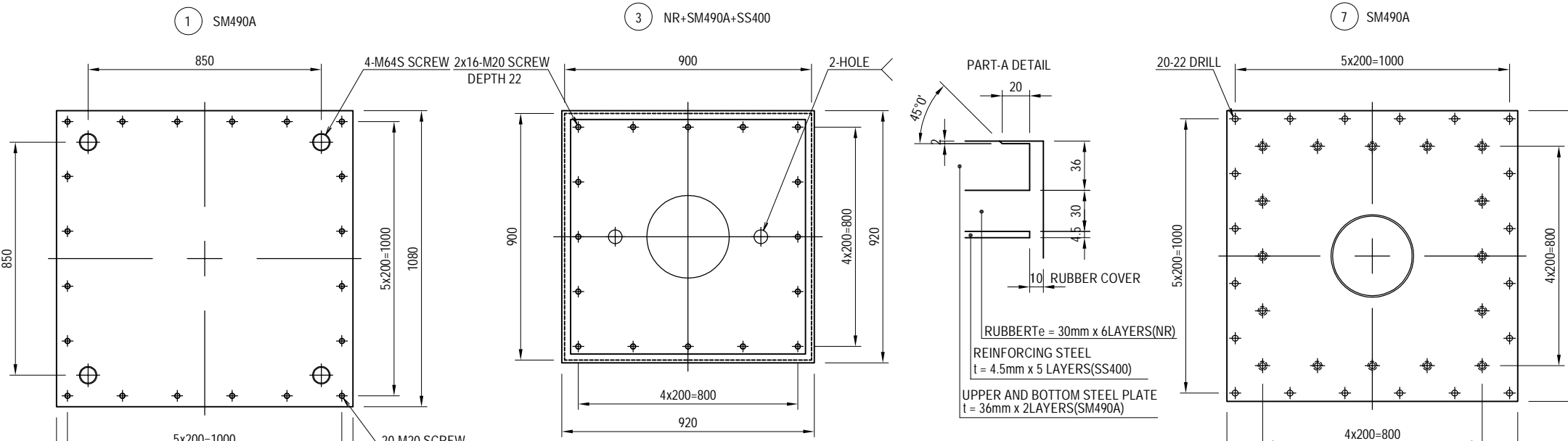
No.	NAME OF PARTS	TYPE OF MATERIAL	QUANTITY	WEIGHT (kg)	NOTES
①	BASE PLATE	SM490A	1	542.2	
②	SOLE PLATE	SM490A	1	542.2	
③	RUBBER BEARING	NR+SM490A+SS400	1	762.0	
④	ANCHOR BAR	SS400	4	73.5	
⑤	ANCHOR BOLT	SS400	4	73.5	
⑥	SHEAR KEY	SM490A	2	32.2	
⑦	TOP,BOTTOM PLATE	SM490A	2	520.6	
⑧	CAP BOLT	—	32	4.8	JIS B 1176
⑨	HEXAGON BOLT WASHER	—	40	8.8	JIS B 1180

TOTAL WEIGHT 2559.8 (kg)

GENERAL CORROSION RESISTANT COATING FOR OUTSIDE SURFACE	
ZINC-GALVANIZE	PARTS NO. ○ SHOULD BE ZINC-GALVANIZED
	ADHESION AMOUNT
	AT LEAST 550g/m ² , 350g/m ² (BOLTS)

NOTES

- NO NEED DEPENDING ON THE PRODUCTION COMPANY
- USE ORGANIC ZINC-RICH PAINT COATING ON TOP AND BOTTOM SURFACE OF BEARINGS
- USE BLACK OXIDE COATED CAP BOLT AND PAINT HIGH CONCENTRATION ZINC POWDER AFTER ASSEMBLY
- REBAR FOR REINFORCEMENT, D10oct50 GRID, SHOULD BE ARRANGED IN BEARING BASE MORTAR. (29kg PER BEARING BASE)



- ⑧ HEXAGON SOCKET CAP BOLT M20x30 12.9
- ⑨ HEXAGON HEAD BOLT MEDIUM M20x55 8.8 (WITH WASHER)

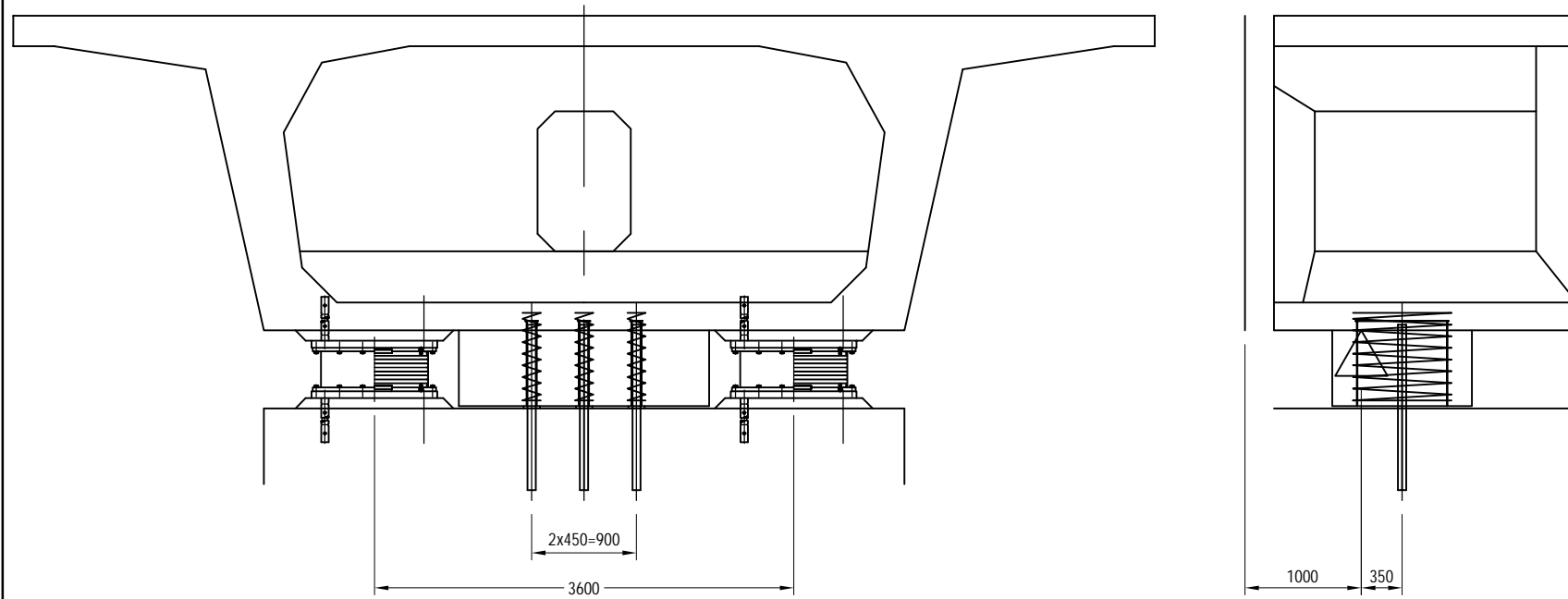
NOTES :

- 1) All the dimensions and materials of this drawing are shown as reference.
- 2) Details of the girder and substructure are designed based on this reference drawing.
- 3) All details and function of the bearing may alter by the proposal of the Contractor and shall be approved by the Engineer .
- 4) All the structural steels shall be galvanized for corrosion prevention with JIS H8641.

DETAIL OF BEARINGS A1-P5 <L,R> (5) ANCHOR BAR

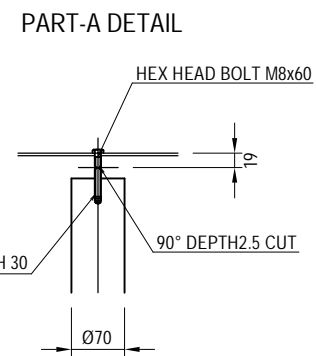
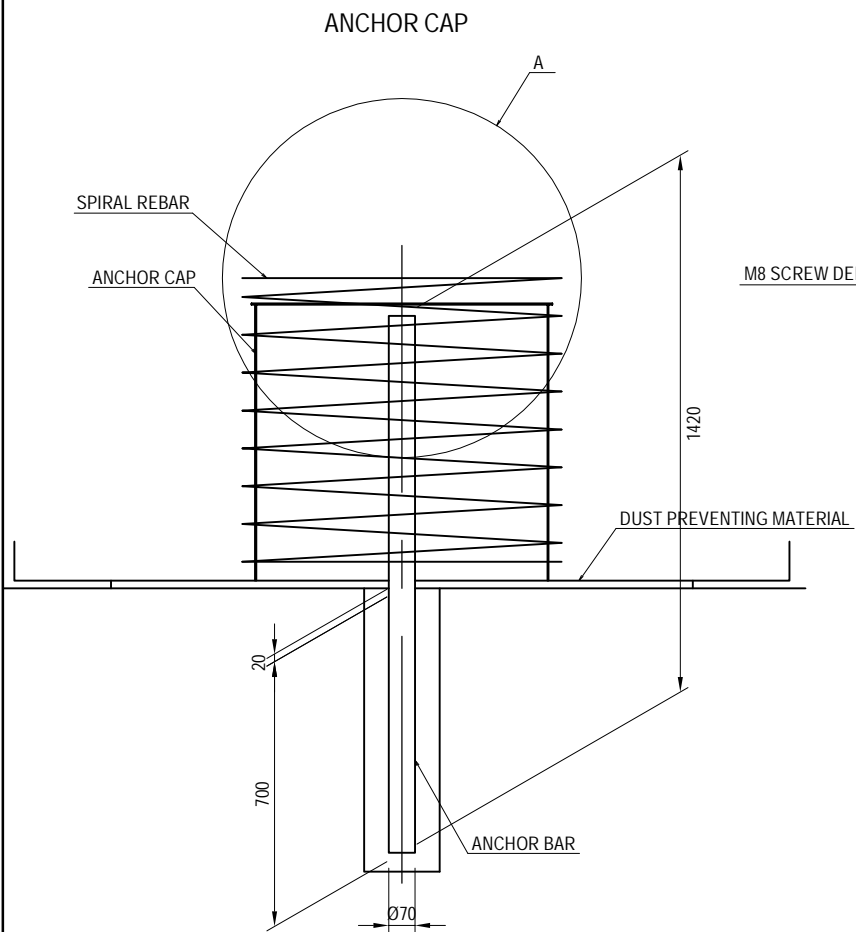
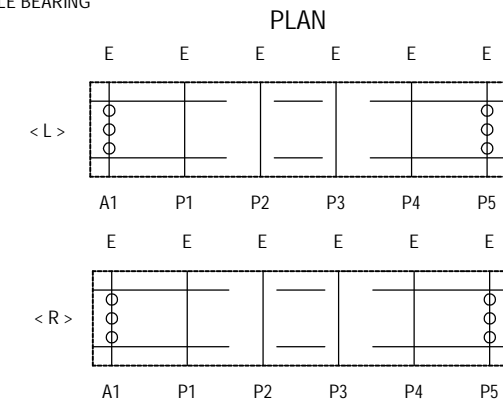
S = 1 : 20

CROSS SECTION S = 1 : 36

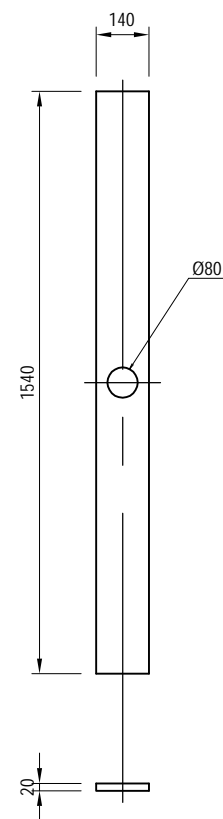


A1,P5 MATERIALS					
NAME OF PART	SIZE	MATERIAL	QUANTITY	WEIGHT	NOTE
ANCHOR BAR	Ø70×1420	S35CN	3	128.7	ZINC GALVANIZE
ANCHOR CAP	80×770×730	SS400	3	96.5	ZINC GALVANIZE
SPIRAL REBAR	Ø9×17480	SS400	3	26.2	—
DUST PREVENTING MATERIAL	140×20×1540	RUBBER	3	—	—
HEX HEAD BOLT	M8×60	—	3	—	—

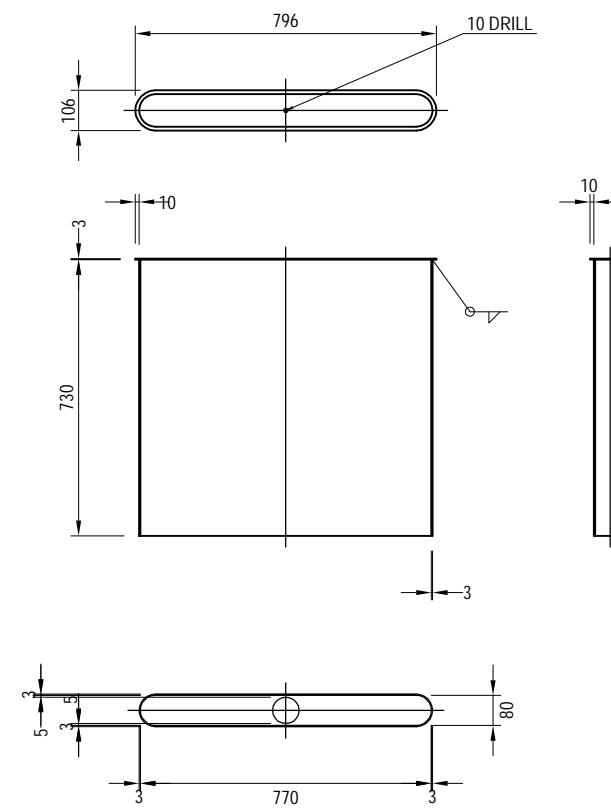
NOTES
-THE TABLE IS FOR SINGLE BEARING



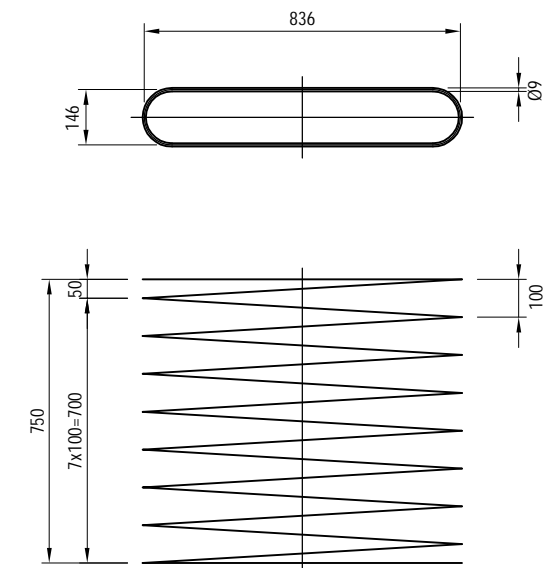
DUST PREVENTING MATERIAL



ANCHOR CAP



SPIRAL REBAR



PROJECT NAME
DETAILED DESIGN ON
BAGO RIVER BRIDGE
CONSTRUCTION PROJECT

FINANCED BY
 JAPAN INTERNATIONAL
COOPERATION AGENCY

COUNTERPART
 REPUBLIC OF THE UNION OF MYANMAR
MINISTRY OF CONSTRUCTION
DEPARTMENT OF BRIDGE

JICA STUDY TEAM
 NIPPON KOEI CO., LTD.
 ORIENTAL CONSULTANTS GLOBAL CO., LTD.
 METROPOLITAN EXPRESSWAY COMPANY LIMITED
 CHODAI CO., LTD.
 NIPPON ENGINEERING CONSULTANTS CO., LTD.

	NAME	SIGNATURE	DATE
PREPARED BY	M. OHYAMA		15 Jun.2017
CHECKED BY	T. HAYAKAWA		20 Jun.2017
APPROVED BY	Y. SANO		21 Jun.2017

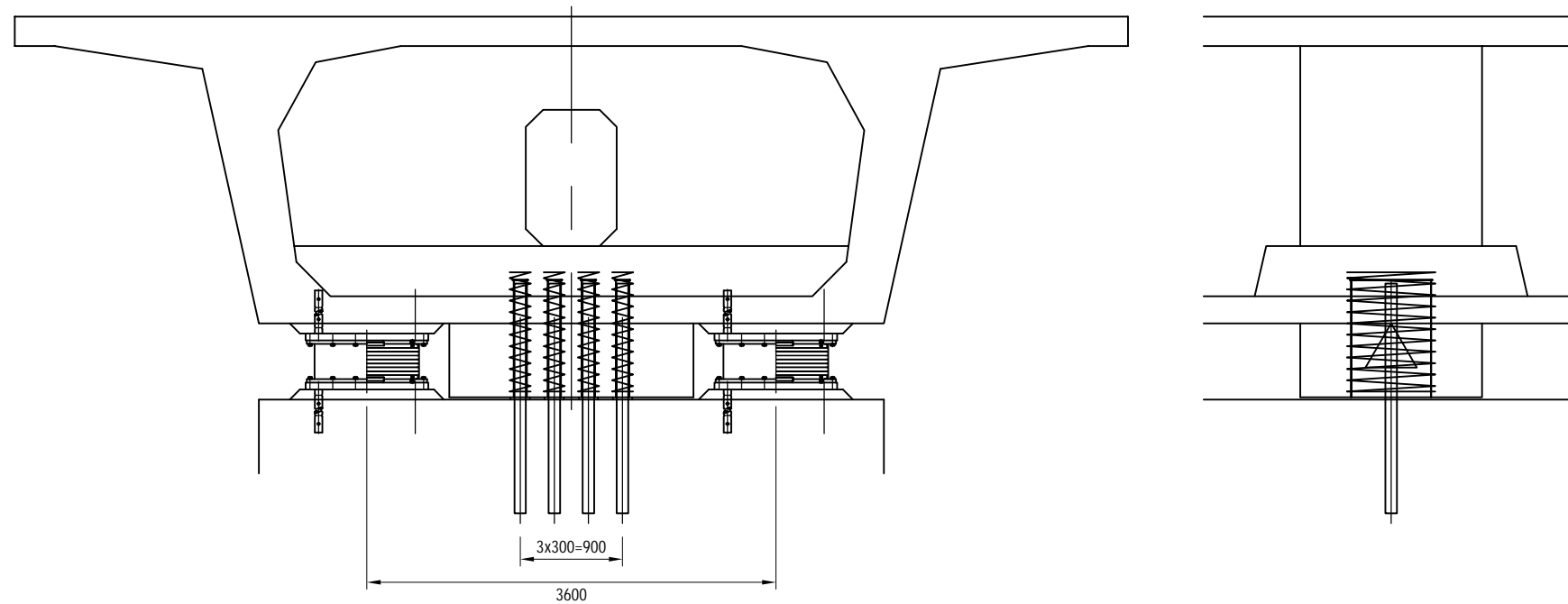
DRAWING TITLE
DETAIL OF BEARINGS A1-P5 <L,R> (5)

PACKAGE
1
DWG No.
P1-PB-3005

DETAIL OF BEARINGS A1-P5 <L,R> (6) S = 1 : 20

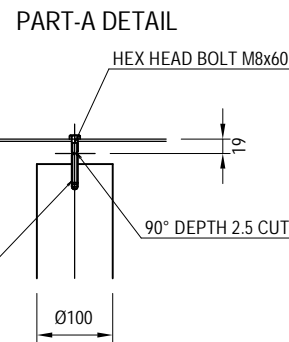
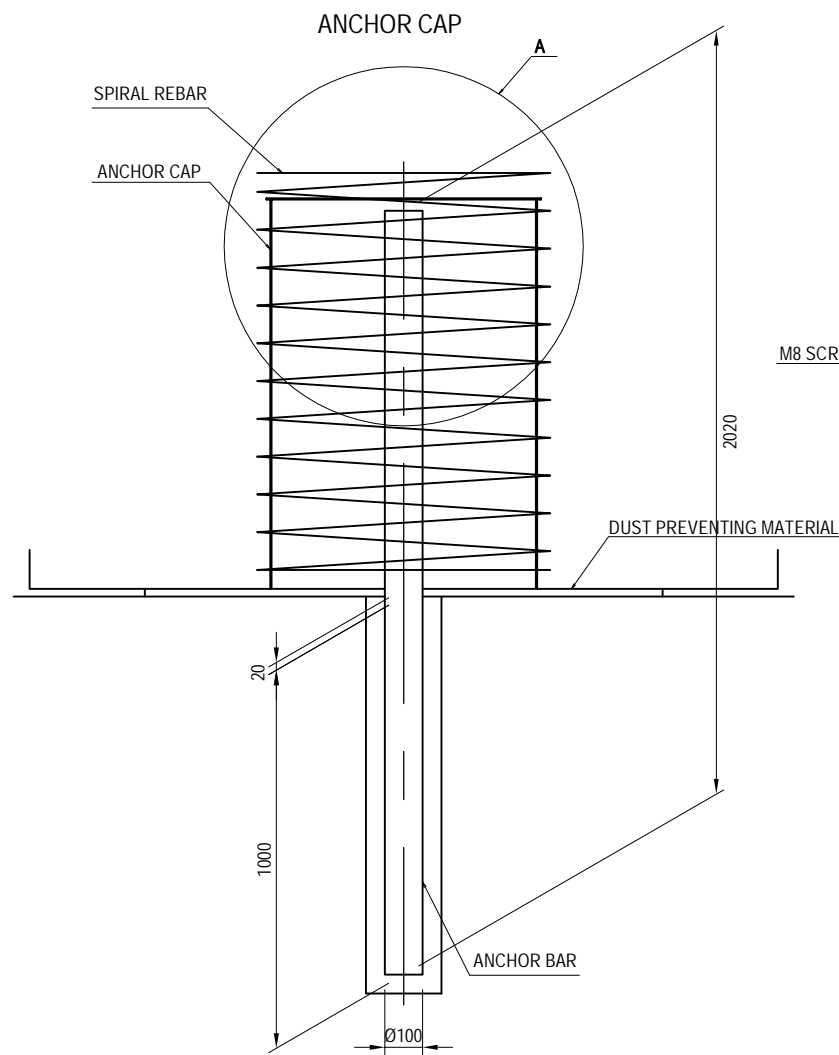
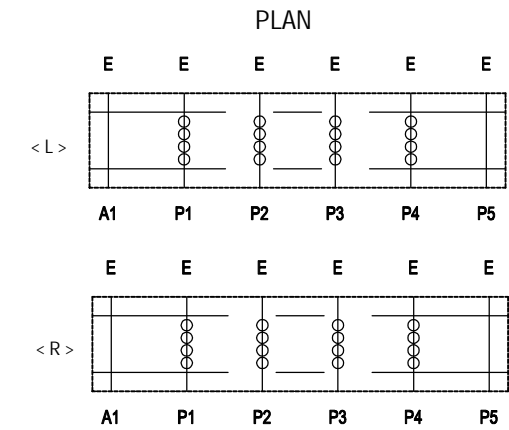
ANCHOR BAR

CROSS SECTION S = 1 : 36

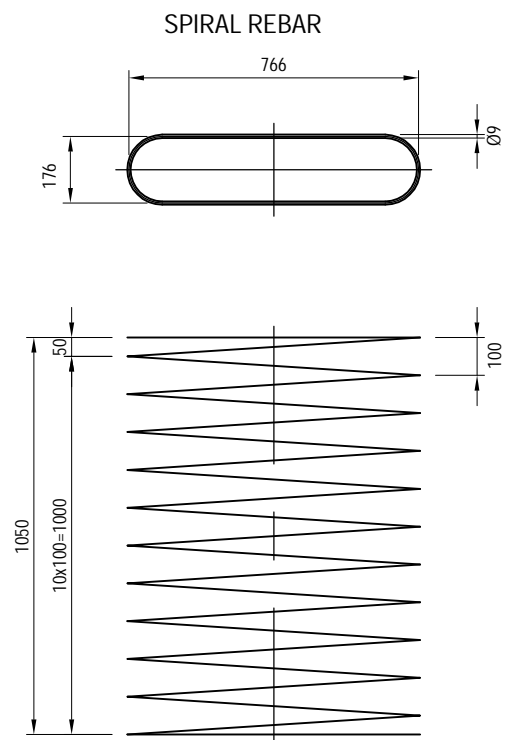
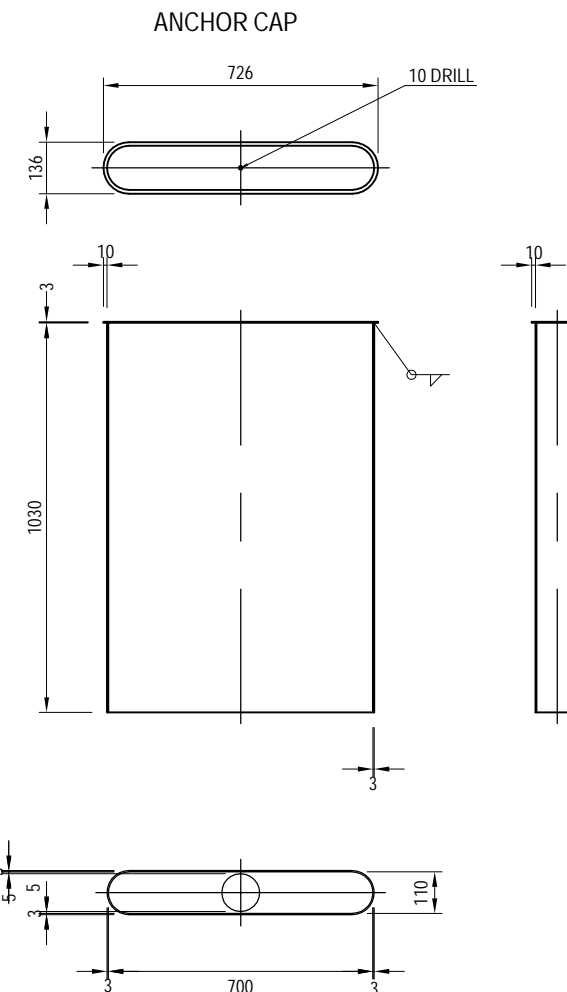
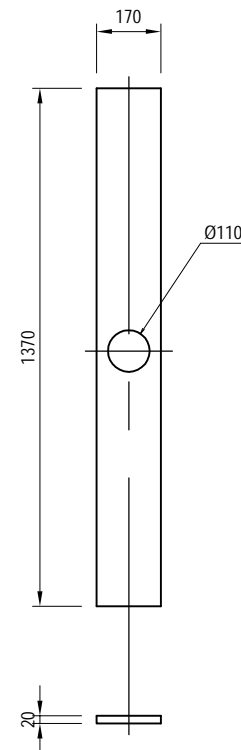


P1 - P4 MATERIALS					
NAME OF PART	SIZE	MATERIAL	QUANTITY	WEIGHT	NOTE
ANCHOR BAR	Ø100×2020	S35CN	4	498.2	ZINC GALVANIZE
ANCHOR CAP	110×700×1030	SS400	4	168.5	ZINC GALVANIZE
SPIRAL REBAR	Ø9×21680	SS400	4	43.3	—
DUST PREVENTING MATERIAL	170×20×1370	RUBBER	4	—	—
HEX HEAD BOLT	M8×60	—	4	—	—

NOTES
-THE TABLE IS FOR SINGLE BEARING



DUST PREVENTING MATERIAL



PROJECT NAME
DETAILED DESIGN ON
BAGO RIVER BRIDGE
CONSTRUCTION PROJECT

FINANCED BY
JICA
JAPAN INTERNATIONAL
COOPERATION AGENCY

COUNTERPART
REPUBLIC OF THE UNION OF MYANMAR
MINISTRY OF CONSTRUCTION
DEPARTMENT OF BRIDGE

JICA STUDY TEAM
NIPPON KOEI CO., LTD.
ORIENTAL CONSULTANTS GLOBAL CO., LTD.
METROPOLITAN EXPRESSWAY COMPANY LIMITED
CHODAI CO., LTD.
NIPPON ENGINEERING CONSULTANTS CO., LTD.

	NAME	SIGNATURE	DATE
PREPARED BY	M. OHYAMA	大山 満弘	15 Jun.2017
CHECKED BY	T. HAYAKAWA	平川 知寿	20 Jun.2017
APPROVED BY	Y. SANO	佐野 祐一	21 Jun.2017

DRAWING TITLE
DETAIL OF BEARINGS A1-P5 <L,R> (6)

PACKAGE
1
DWG No.
P1-PB-3006

DETAIL OF EXPANSION JOINT A1-P5 <L,R> (1) S=1:30

A1(L)

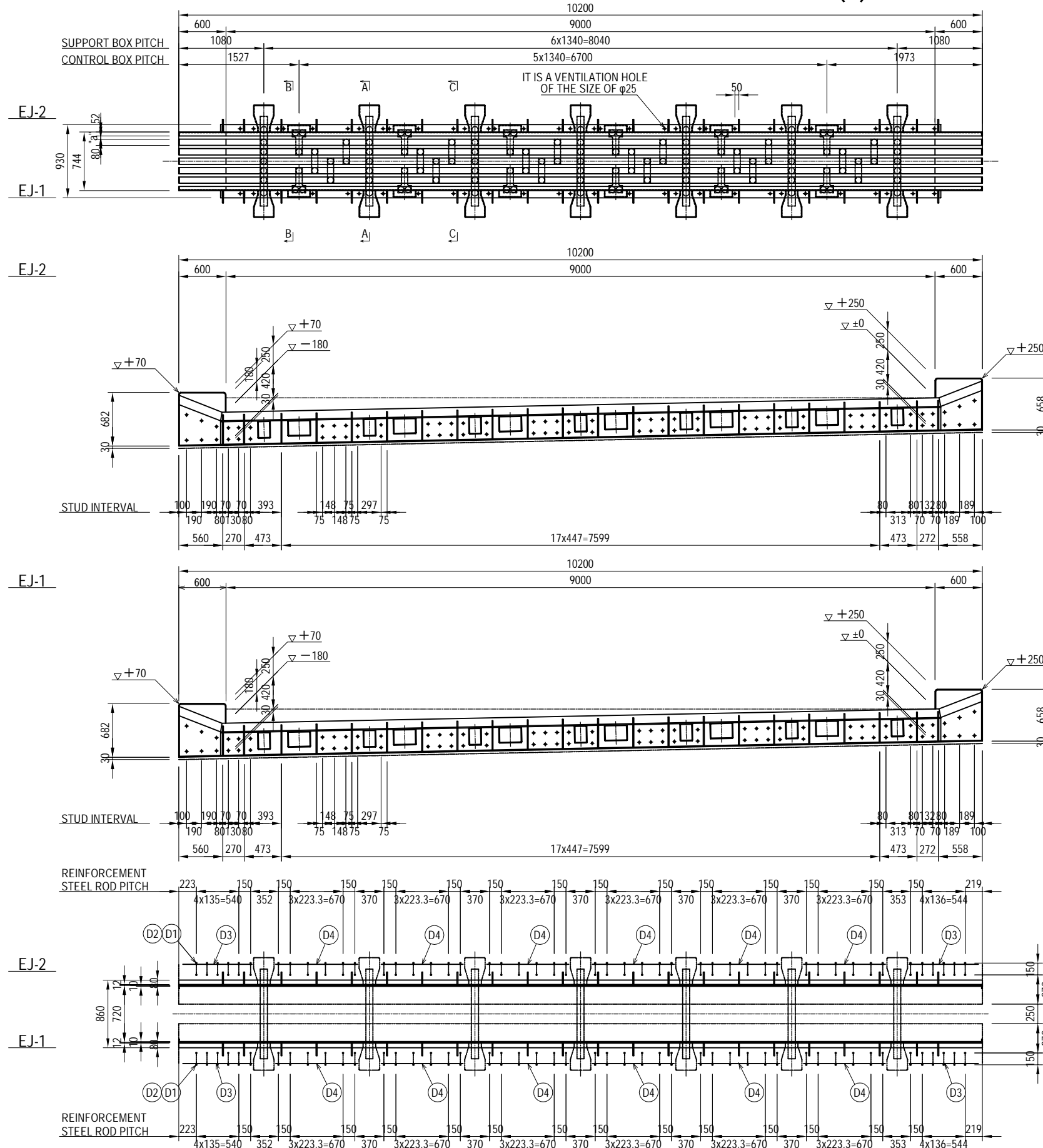
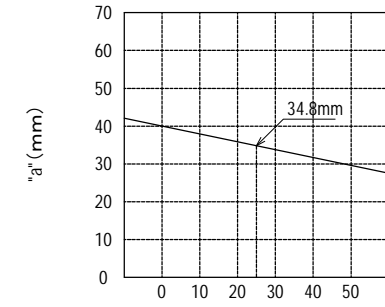


TABLE OF INSTALLATION CLEARANCE (PER ONE CELL)

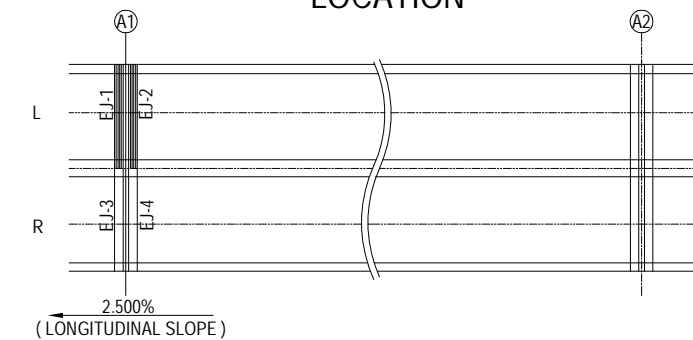


SHIFTING AMOUNT BY A CHANGE OF TEMPERATURE PER 1 °C (PER ONE CELL) = 0.208mm

AMOUNT OF MOVEMENTS (mm)

SERVICE	TEMPERATURE	GIRDER	GIRDER	GIRDER
		ΔL (+)	ΔL (-)	ΔL
SEISMIC	TEMPERATURE	25.0	25.0	50.0
	CREEP		17.0	17.0
	SHRINKAGE		14.0	14.0
	ALLOWANCE(20%)	5.0	11.2	16.2
TOTAL		30.0	67.2	97.2
SEISMIC	SEISMIC	195.0	195.0	390.0
	ALLOWANCE(±15mm)	15.0	15.0	30.0
	TOTAL	210.0	210.0	420.0
DESIGN MOVEMENT		420.0		

LOCATION



NOTES

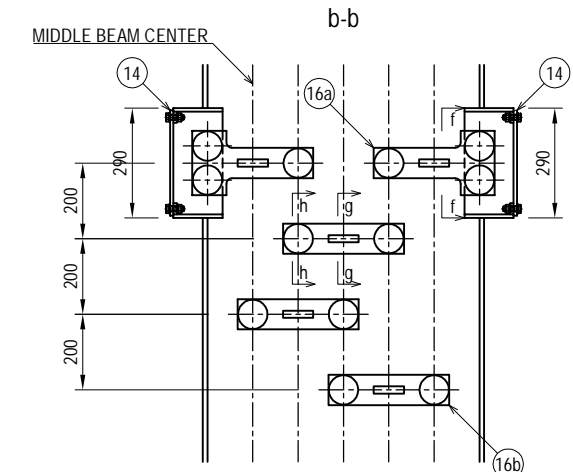
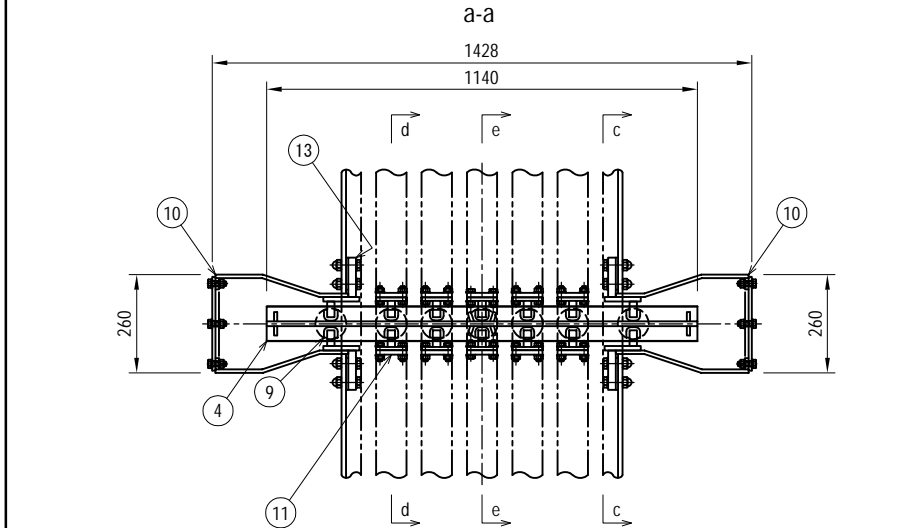
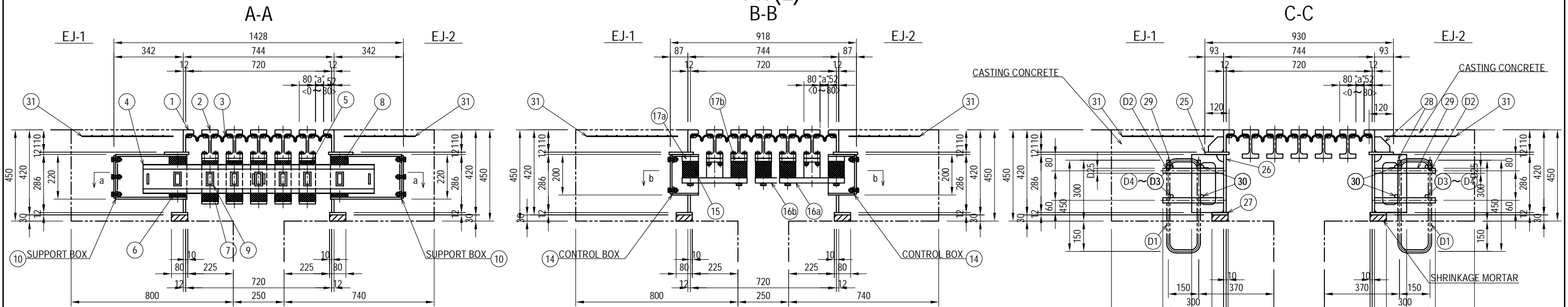
- This drawing shows the state "a"=40mm (at time of neutrality) interval per one cell.
- Refer to NO.2 for the section of A-C and the details of each part.

NOTES:

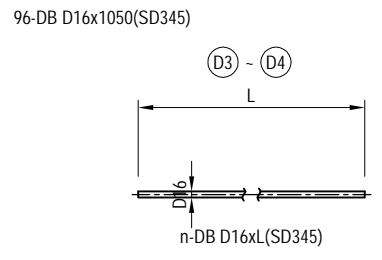
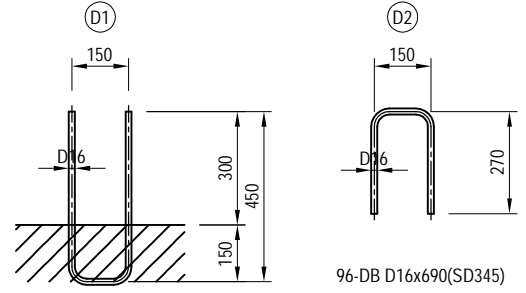
- All the dimensions and materials of this drawing are shown as reference.
- Details of the slab and girder are designed based on this reference drawing.
- All details and function of the expansion joint may alter by the proposal of the Contractor and shall be approved by the Engineer.
- The expansion joint shall be set just before the start of service in consideration of thermal expansion, creep and shrinkage of concrete girder.

DETAIL OF EXPANSION JOINT A1-P5 <L,R> (2) S=1:10

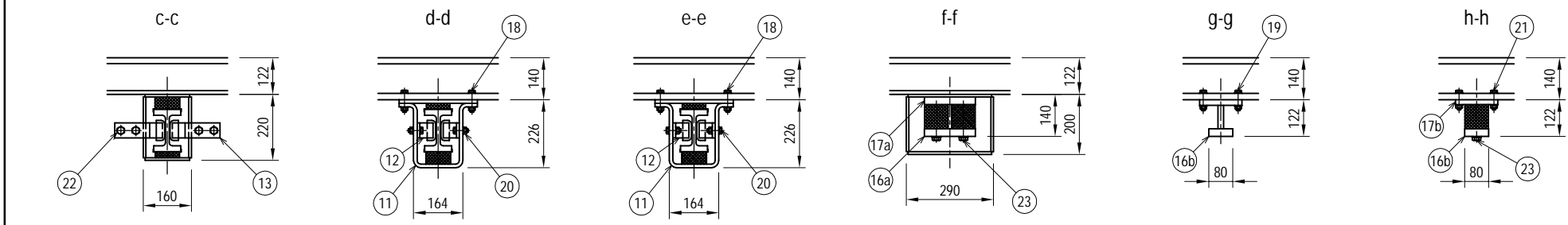
A1(L)
B-B



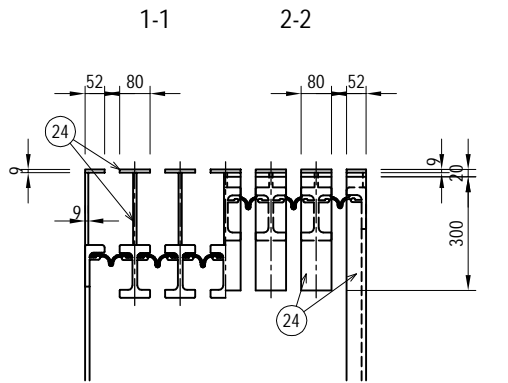
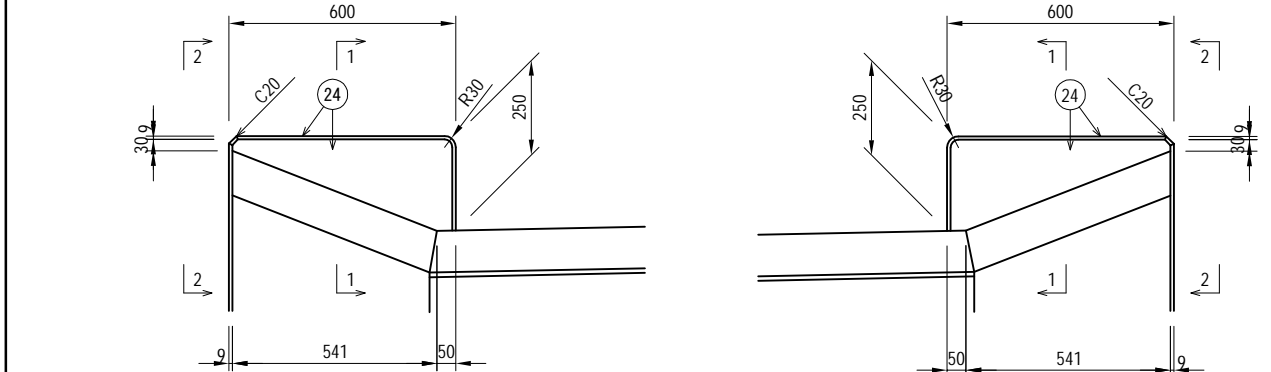
REINFORCEMENT STEEL ROD DETAILS



	L	n
D3	880	8
D4	1040	24



WHEEL GUARD, SIDEWALK DETAILS



- NOTES**
- This drawing shows the state "a"=40mm (at time of neutrality) interval per one cell.
 - The welding portion without directions is 6mm fillet welding.
 - The reinforcement steel rods (D1) ~ (D4) are arranging by the lower industrial company.

PROJECT NAME DETAILED DESIGN ON BAGO RIVER BRIDGE CONSTRUCTION PROJECT	FINANCED BY JICA JAPAN INTERNATIONAL COOPERATION AGENCY	COUNTERPART REPUBLIC OF THE UNION OF MYANMAR MINISTRY OF CONSTRUCTION DEPARTMENT OF BRIDGE	JICA STUDY TEAM NIPPON KOEI CO., LTD. ORIENTAL CONSULTANTS GLOBAL CO., LTD. METROPOLITAN EXPRESSWAY COMPANY LIMITED CHODAI CO. LTD. NIPPON ENGINEERING CONSULTANTS CO.,LTD.	NAME M. OHYAMA T. HAYAKAWA Y. SANO	SIGNATURE 大山 満弘 平川 知寿 佐藤 祐一	DATE 15 Jun.2017 20 Jun.2017 21 Jun.2017	DRAWING TITLE DETAIL OF EXPANSION JOINT A1-P5 <L,R> (2)	PACKAGE 1 DWG No. P1-PB-3102
---	--	---	--	---	--------------------------------------	---	---	---------------------------------------

DETAIL OF EXPANSION JOINT A1-P5 <L,R> (3) S=1:30

A1(R)

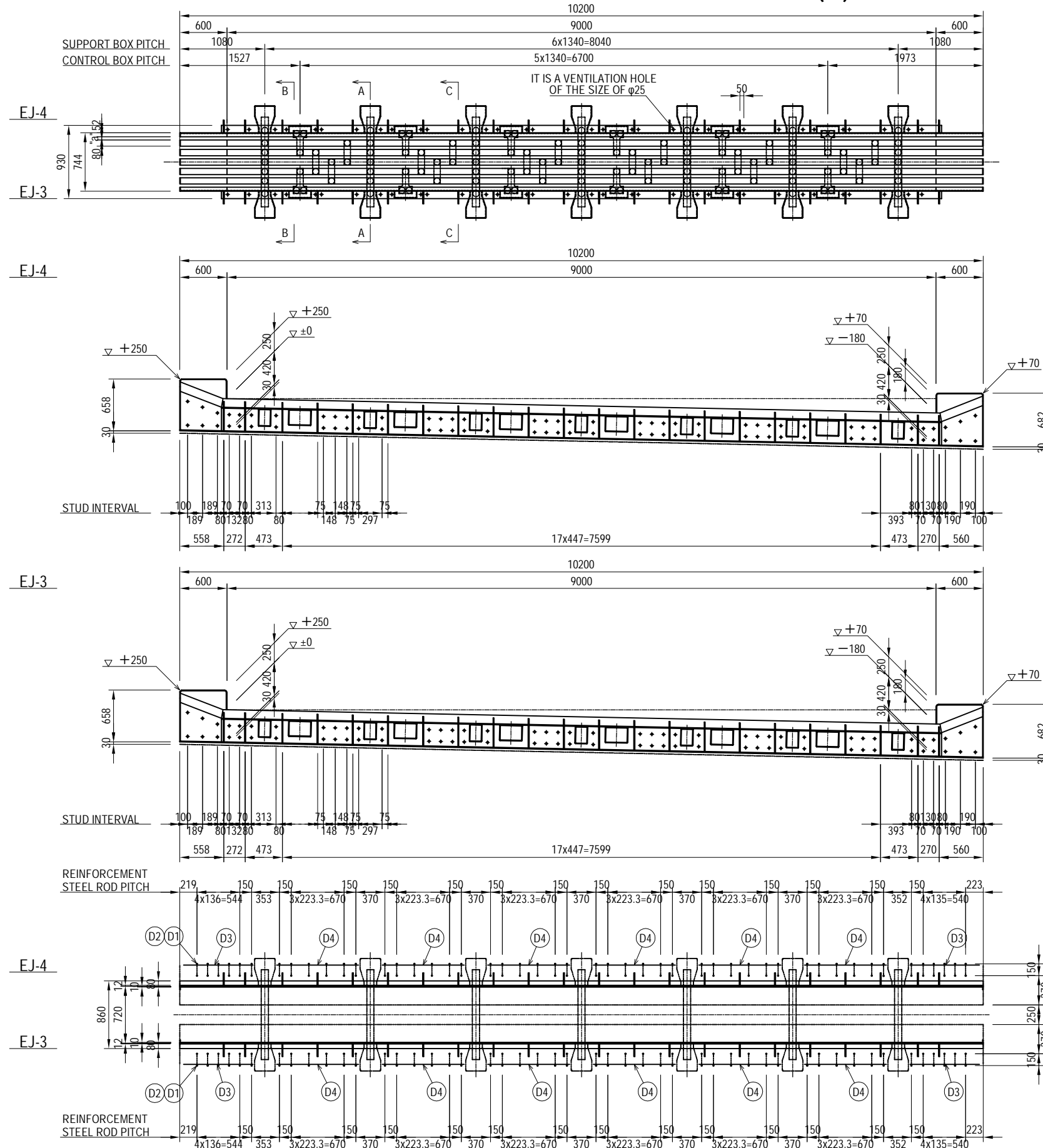
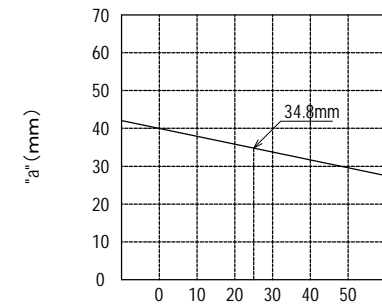


TABLE OF INSTALLATION CLEARANCE (PER ONE CELL)

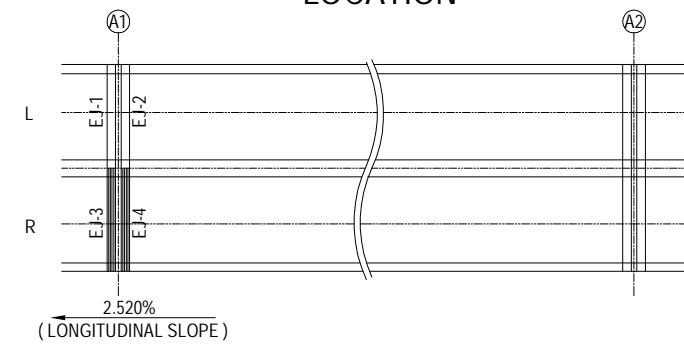


SHIFTING AMOUNT BY A CHANGE OF TEMPERATURE PER 1 °C (PER ONE CELL) = 0.208mm

AMOUNT OF MOVEMENTS (mm)

SERVICE	TEMPERATURE	GIRDER	GIRDER	GIRDER
		ΔL (+)	ΔL (-)	
TEMPERATURE	TEMPERATURE	25.0	25.0	50.0
	CREEP		17.0	17.0
	SHRINKAGE		14.0	14.0
	ALLOWANCE(20%)	5.0	11.2	16.2
TOTAL		30.0	67.2	97.2
SEISMIC	SEISMIC	195.0	195.0	390.0
	ALLOWANCE(±15mm)	15.0	15.0	30.0
	TOTAL	210.0	210.0	420.0
DESIGN MOVEMENT		420.0		

LOCATION

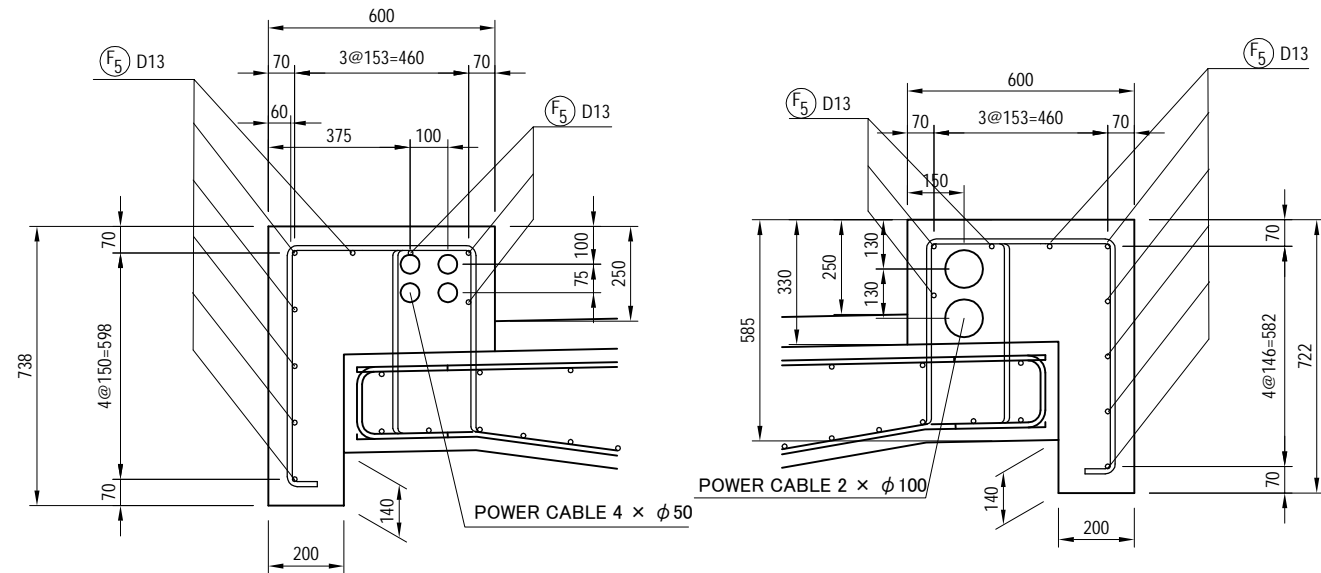


NOTE
 -This drawing shows the state "a"=40mm (at time of neutrality) interval per one cell.
 -Refer to NO.2 for the section of A-C and the details of each part.

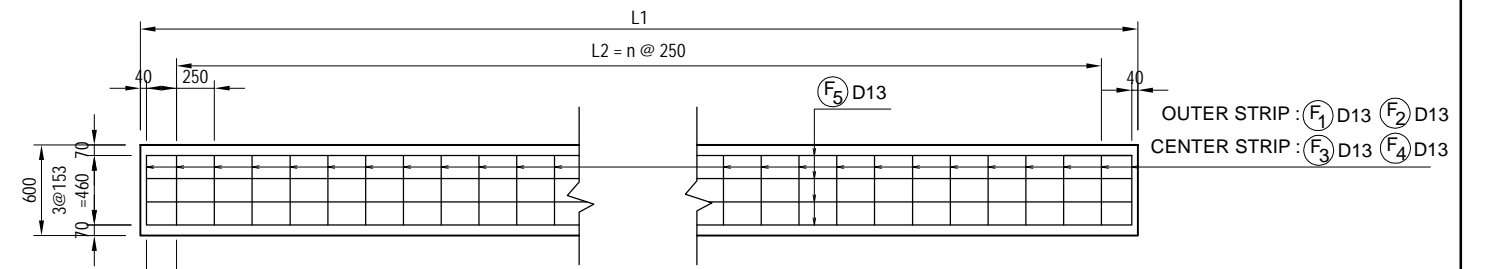
- NOTES:
- 1) All the dimensions and materials of this drawing are shown as reference.
 - 2) Details of the slab and girder are designed based on this reference drawing.
 - 3) All details and function of the expansion joint may alter by the proposal of the Contractor and shall be approved by the Engineer.
 - 4) The expansion joint shall be set just before the start of service in consideration of thermal expansion, creep and shrinkage of concrete girder.

DETAIL OF CURB A1-P5 <L,R>

CROSS SECTION S = 1 : 20



PLAN S = 1 : 50



Type	L1	L2	n	L3	L4
A	50000	49500	198	210	3480
B	49750	49250	197	210	3230
C	50178	49750	199	174	3660
D	50004	49500	198	212	3484
E	50006	49500	198	213	3490
F	49759	49250	197	215	3239
G	49994	49500	198	207	3480
H	49741	49250	197	206	3221
I	49822	49250	197	246	3310
J	49496	49000	196	208	2976

S = 1 : 20

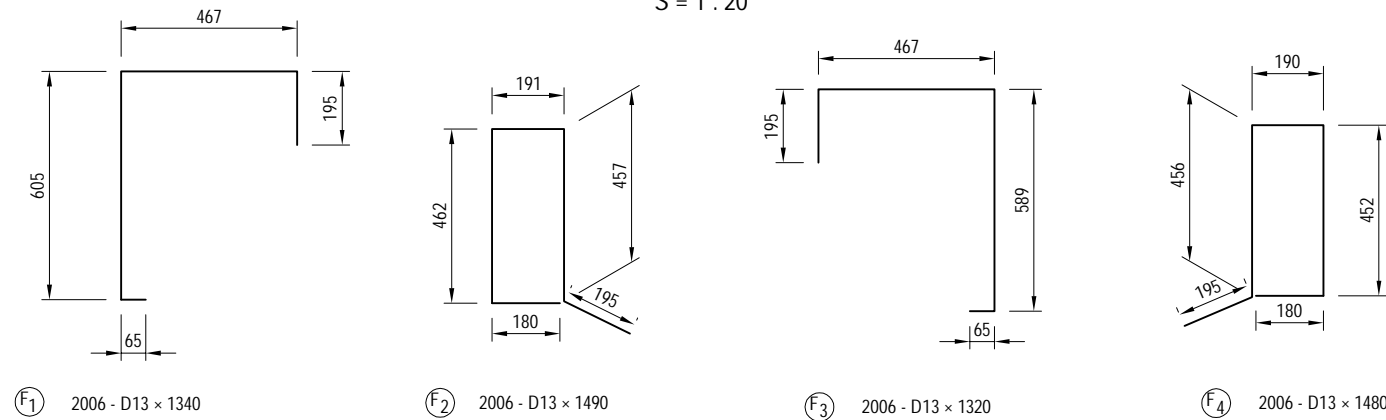
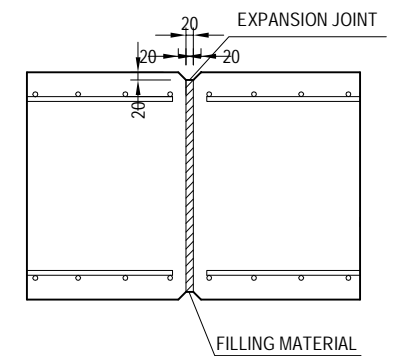


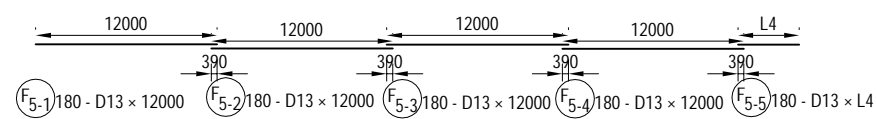
CHART OF REBAR (SD345)

Bar Mark	Bar Size	Length (mm)	No. of Bar (Nos)	Unit Wt (kg/m)	Rod Wt (kg)	Total Weight (kg)	Shape
F1	D13	1340	2006	0.995	1.33	2668	┌
F2	"	1490	2006	"	1.48	2969	┌
F3	"	1320	2006	"	1.31	2628	┌
F4	"	1480	2006	"	1.47	2949	┌
F5	"	51360 (average)	180	"	51.10	9198	—
						Total Weight	20412 kg

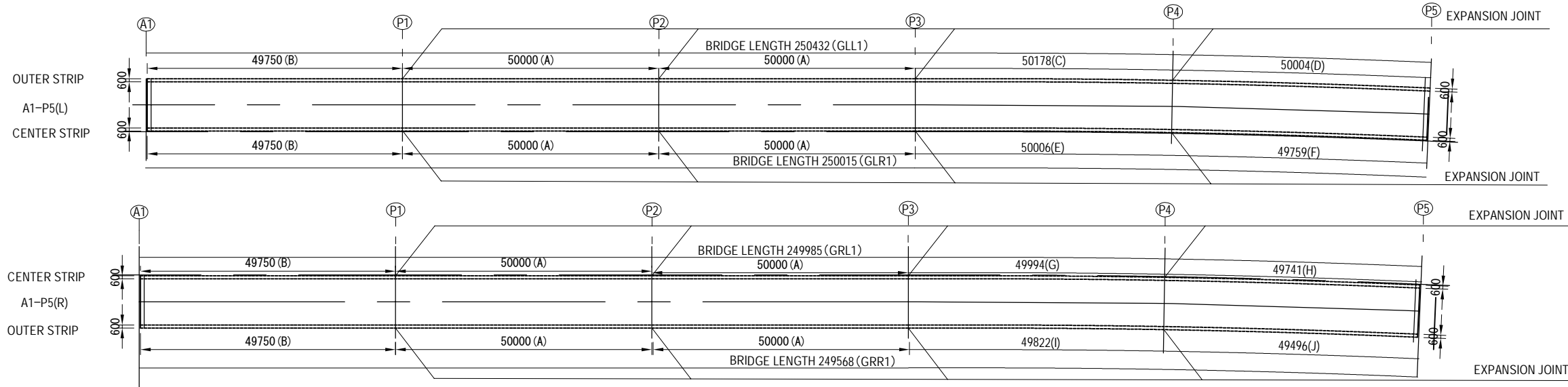
EXPANSION JOINT



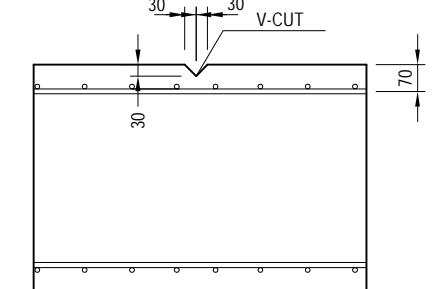
S = 1 : 500



PLAN S = 1 : 1000

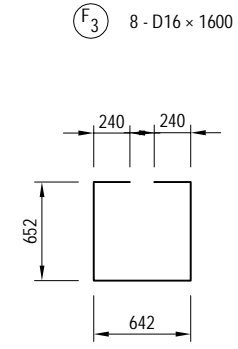
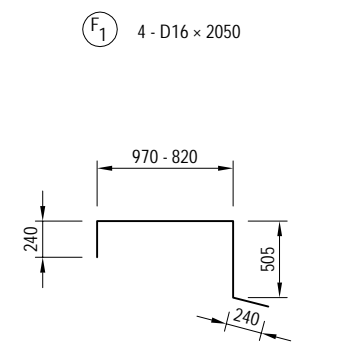
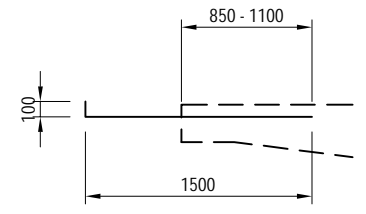
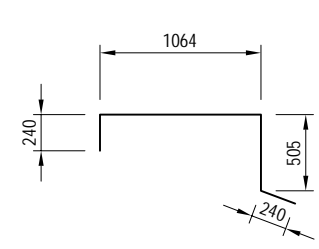
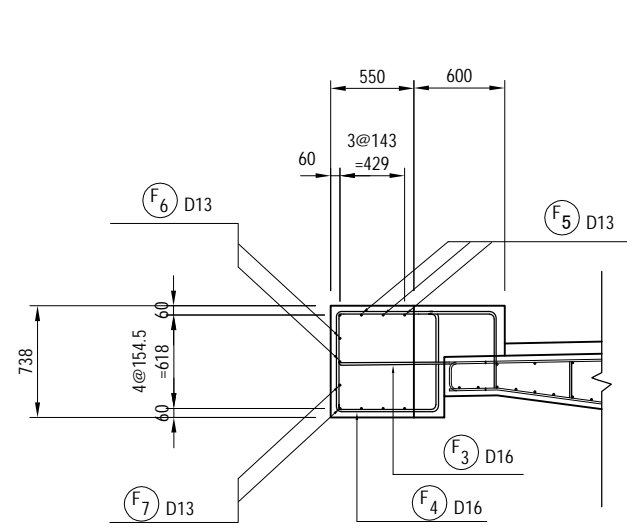


V-CUT



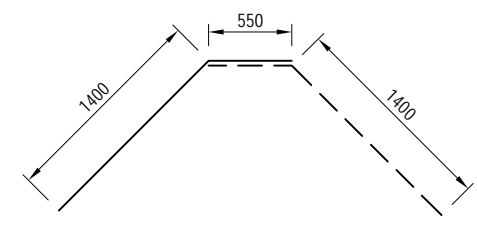
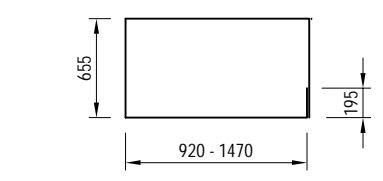
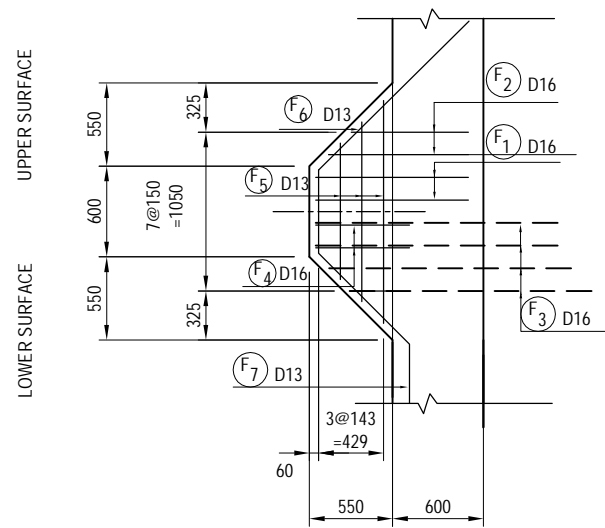
Notes
-Install V-cut approximately about every 10m.

DETAIL OF LIGHTING BASE A1-P5 <L,R> S=1:50



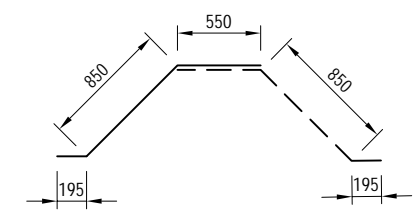
BAR STATISTICS TABLE (SD345 PER LIGHTING BASE)

Bar Mark	Bar Size	Length (mm)	No. of Bar (Nos)	Unit Wt (kg/m)	Rod Wt (kg)	Total Weight (kg)	Shape
F1	D16	2050	4	1.560	3.20	13	┌
F2	"	1880	4	"	2.93	12	┌
F3	"	1600	8	"	2.50	20	┌
F4	"	2430	4	"	3.79	15	┌
F5	D13	3900	3	0.995	3.88	12	┌
F6	"	1950	4	"	1.94	8	┌
F7	"	1600	4	"	1.59	6	┌
					D16	60 kg	
					D13	26 kg	
					Total Weight	86 kg	



F5 3 - D13 x 3980 (AVERAGE LENGTH)

F6 4 - D13 x 1950

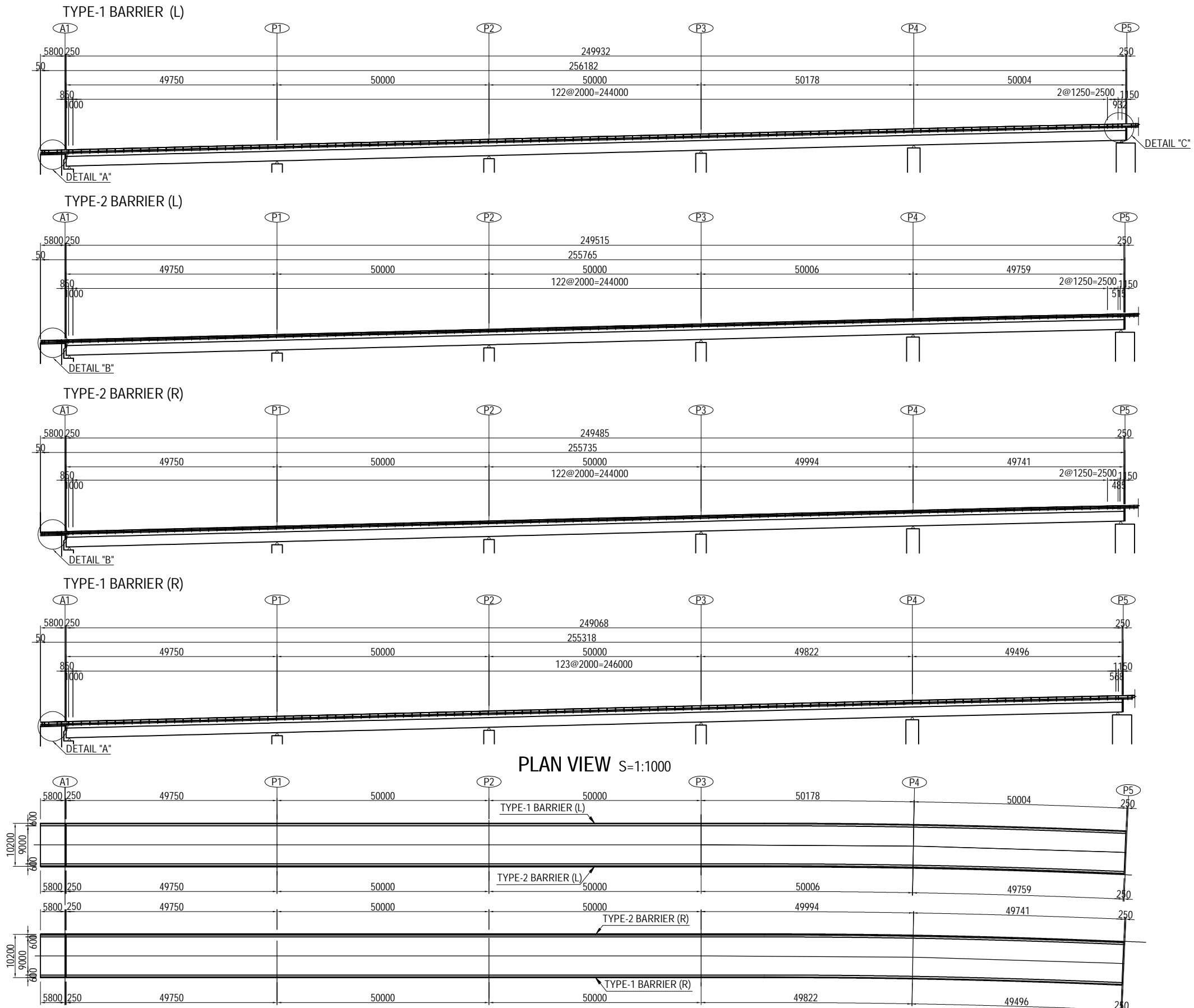


F7 4 - D13 x 1600

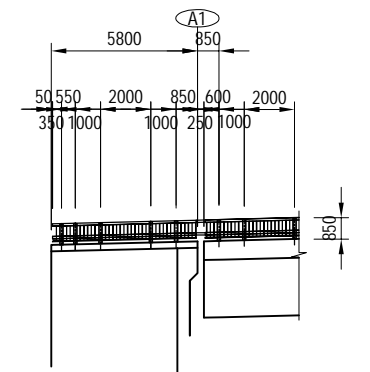
Notes
-Number and location of lighting base shall be referred to the drawings of "F. Lightings" series P1-EL.

DETAIL OF RAILINGS A1-P5 <L,R> (1)

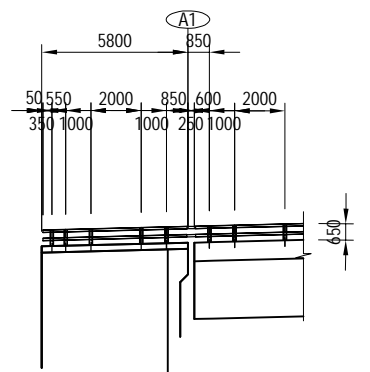
PROFILE S=1:1000



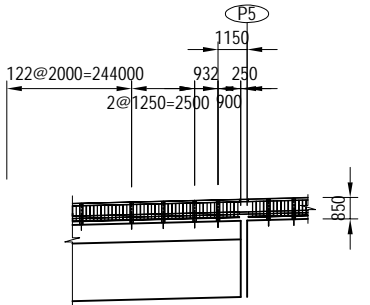
DETAIL OF "A" S=1:300



DETAIL OF "B" S=1:300



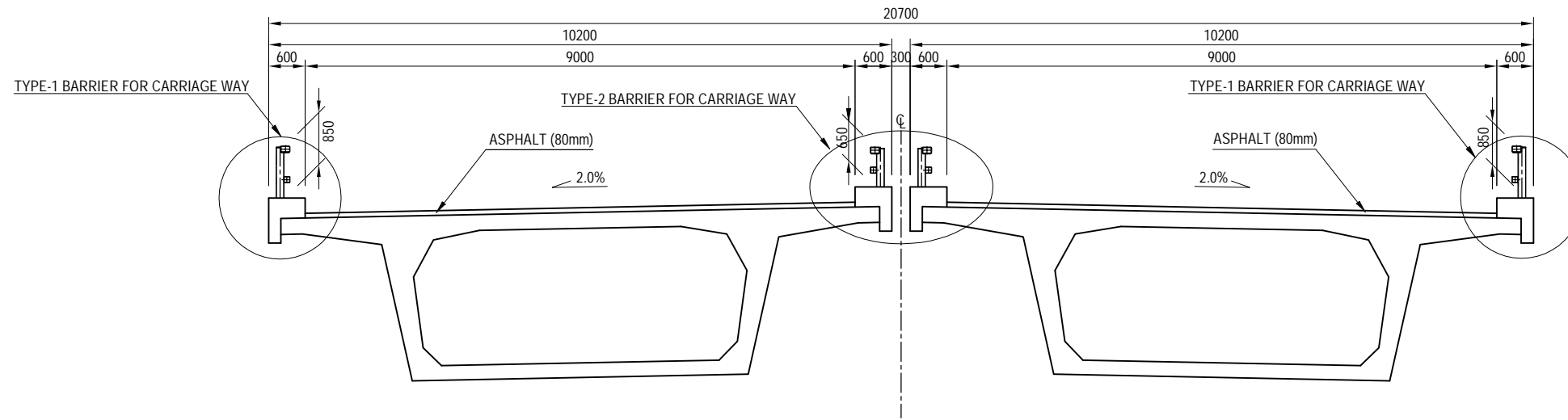
DETAIL OF "C" S=1:300



PROJECT NAME DETAILED DESIGN ON BAGO RIVER BRIDGE CONSTRUCTION PROJECT	FINANCED BY JAPAN INTERNATIONAL COOPERATION AGENCY	COUNTERPART REPUBLIC OF THE UNION OF MYANMAR MINISTRY OF CONSTRUCTION DEPARTMENT OF BRIDGE	JICA STUDY TEAM NIPPON KOEI CO., LTD. ORIENTAL CONSULTANTS GLOBAL CO., LTD. METROPOLITAN EXPRESSWAY COMPANY LIMITED CHODAI CO., LTD. NIPPON ENGINEERING CONSULTANTS CO., LTD.	PREPARED BY	NAME	SIGNATURE	DATE	DRAWING TITLE DETAIL OF RAILINGS A1-P5 <L,R> (1)	PACKAGE 1 DWG No. P1-PB-3401
				CHECKED BY	M. OHYAMA		15 Jun.2017		
				APPROVED BY	T. HAYAKAWA		20 Jun.2017		
					Y. SANO		21 Jun.2017		

DETAIL OF RAILINGS A1-P5 <L,R> (2)

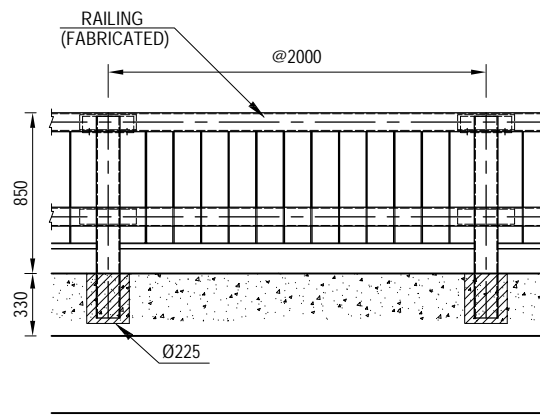
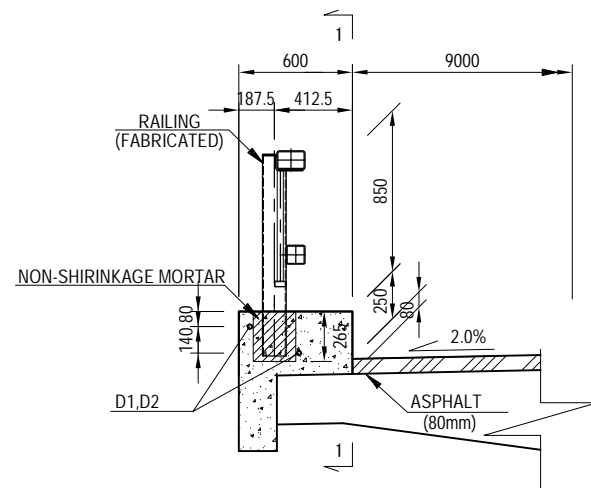
TYPICAL CROSS SECTION S=1:100



TYPE-1 BARRIER FOR CARRIAGE WAY S=1:40

CROSS SECTIONAL VIEW

1 - 1

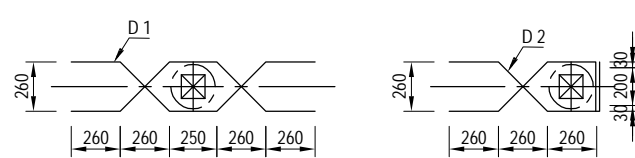


PLAN VIEW

REINFORCEMENT FOR RAILING ANCHORAGE

INTERMEDIATE POSTS

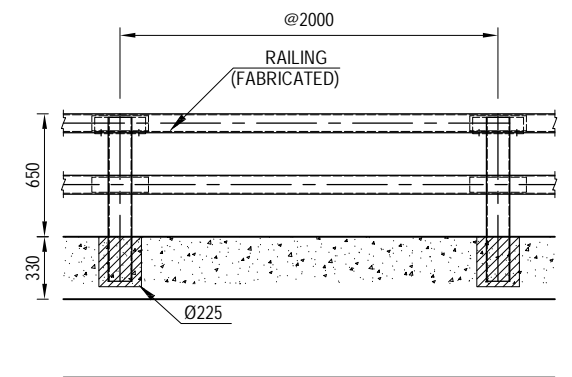
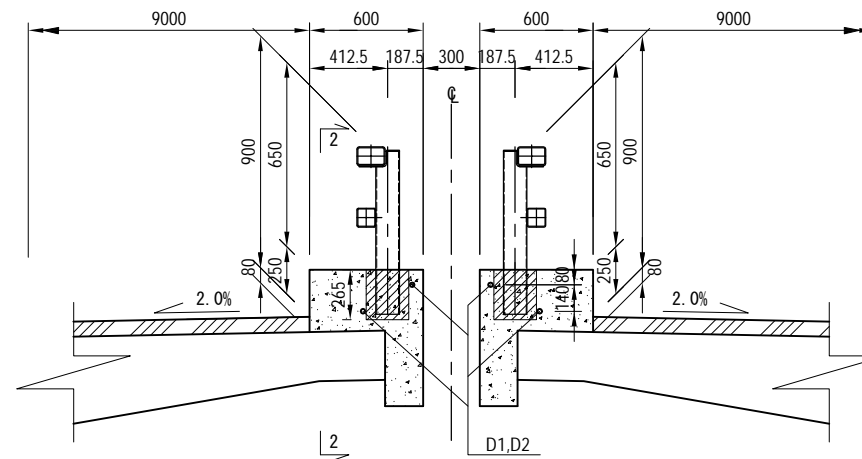
END POSTS



TYPE-2 BARRIER FOR CARRIAGE WAY S=1:40

CROSS SECTIONAL VIEW

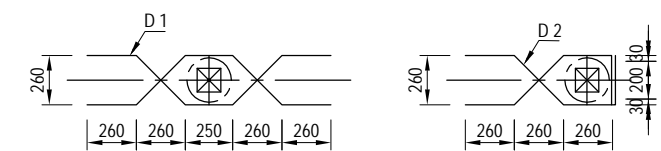
2 - 2



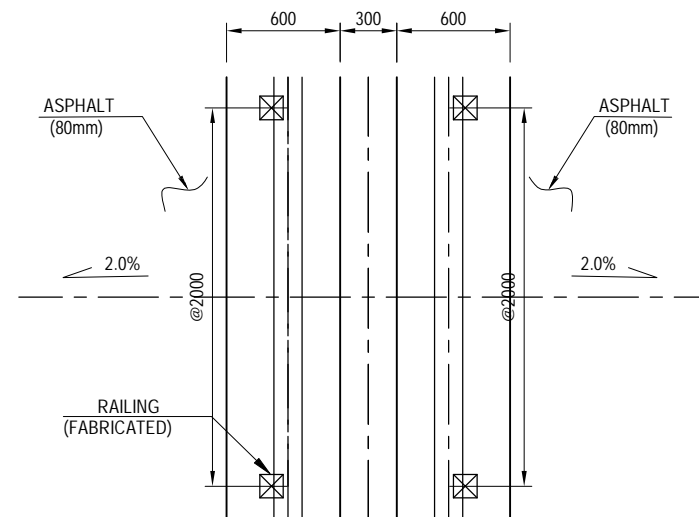
REINFORCEMENT FOR RAILING ANCHORAGE

INTERMEDIATE POSTS

END POSTS



PLAN VIEW



BAR STATISTICS TABLE

REBAR NO.	DIA (mm)	LENGTH (mm)	NUMBERS	UNIT WEIGHT (kg/m)	WEIGHT PER UNIT (kg)	WEIGHT (kg)	SHAPE
D 1	25	1 510	1022	3.980	6.01	6142	
D 2	25	1 150	32	3.980	4.58	147	
						TOTAL	6289 kg

PROJECT NAME
DETAILED DESIGN ON
BAGO RIVER BRIDGE
CONSTRUCTION PROJECT

FINANCED BY
 JAPAN INTERNATIONAL
COOPERATION AGENCY

COUNTERPART
 REPUBLIC OF THE UNION OF MYANMAR
MINISTRY OF CONSTRUCTION
DEPARTMENT OF BRIDGE

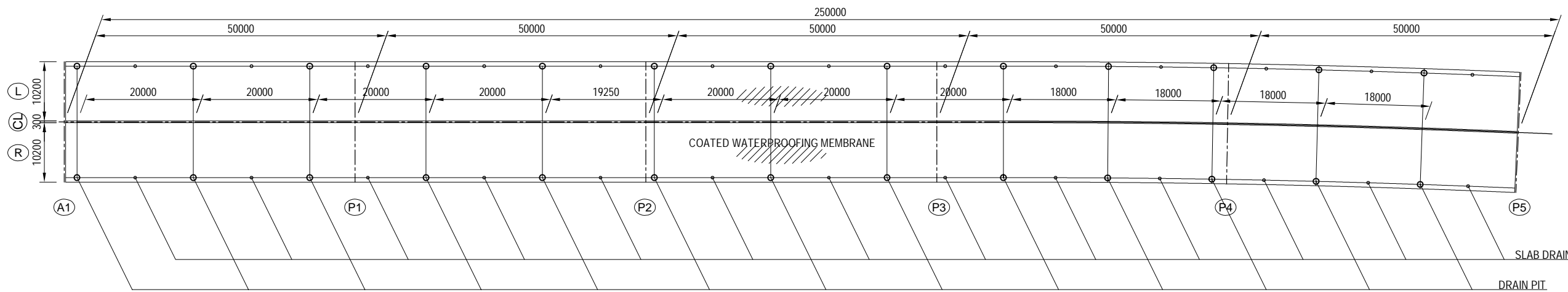
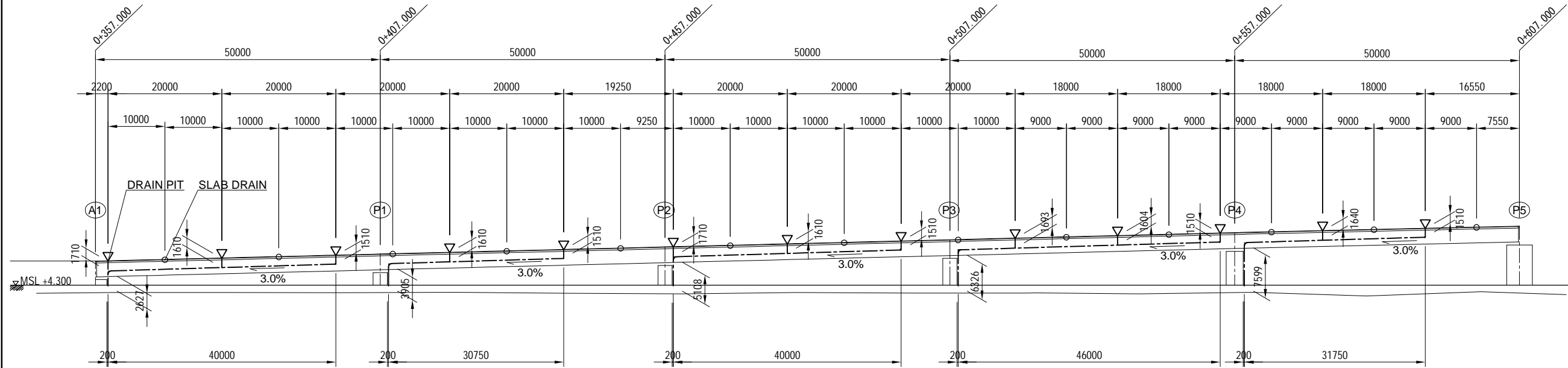
JICA STUDY TEAM
 NIPPON KOEI CO., LTD.
ORIENTAL CONSULTANTS GLOBAL CO., LTD.
METROPOLITAN EXPRESSWAY COMPANY LIMITED
CHODAI CO., LTD.
NIPPON ENGINEERING CONSULTANTS CO., LTD.

	NAME	SIGNATURE	DATE
PREPARED BY	M. OHYAMA		15 Jun.2017
CHECKED BY	T. HAYAKAWA		20 Jun.2017
APPROVED BY	Y. SANO		21 Jun.2017

DRAWING TITLE
DETAIL OF RAILINGS
A1-P5 <L,R> (2)

PACKAGE
1
DWG No.
P1-PB-3402

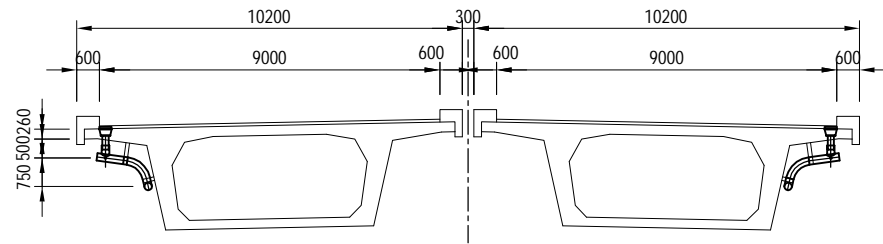
DETAIL OF DRAINAGE A1-P5 <L,R> (1) S = 1 : 800



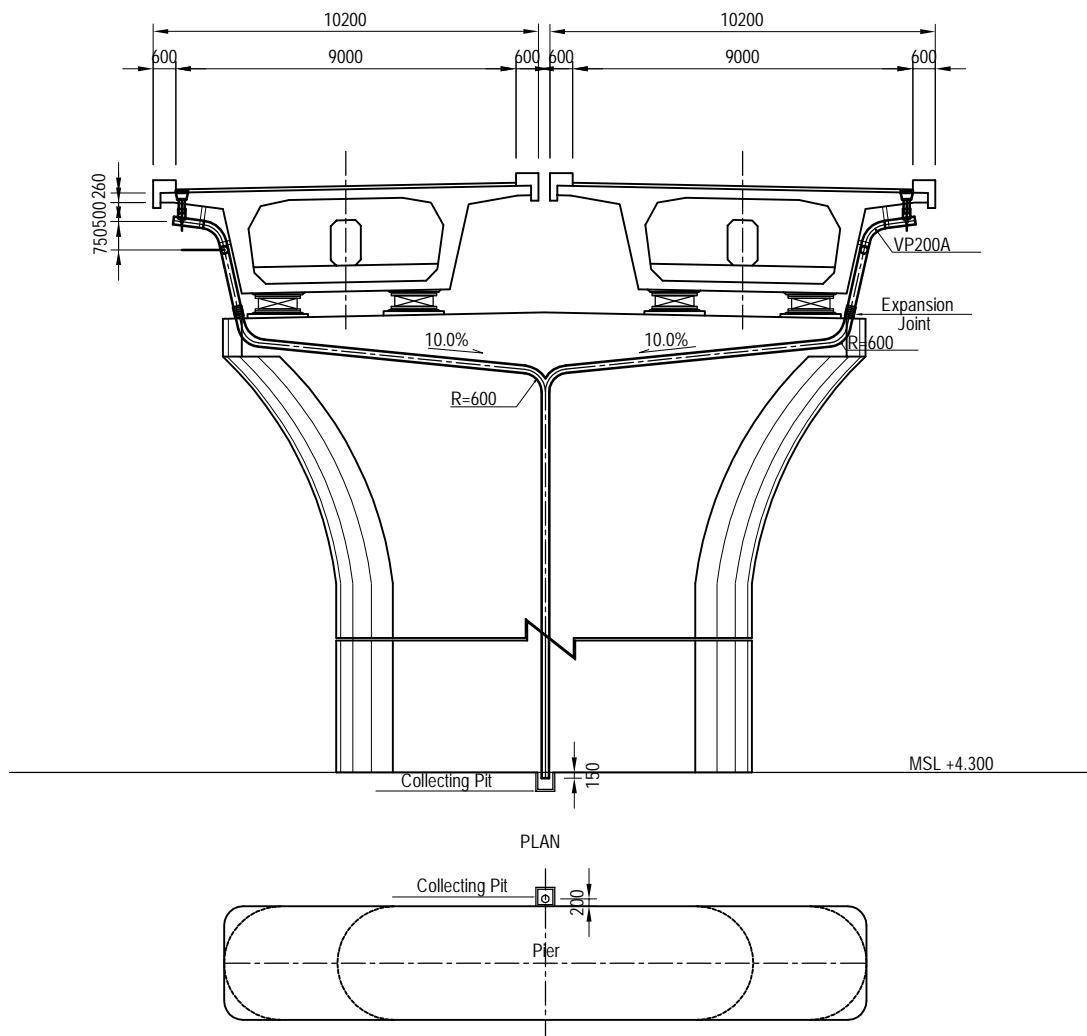
<small>PROJECT NAME</small> DETAILED DESIGN ON BAGO RIVER BRIDGE CONSTRUCTION PROJECT	<small>FINANCED BY</small> JAPAN INTERNATIONAL COOPERATION AGENCY	<small>COUNTERPART</small> REPUBLIC OF THE UNION OF MYANMAR MINISTRY OF CONSTRUCTION DEPARTMENT OF BRIDGE	<small>JICA STUDY TEAM</small> NIPPON KOEI CO., LTD. ORIENTAL CONSULTANTS GLOBAL CO., LTD. METROPOLITAN EXPRESSWAY COMPANY LIMITED CHODAI CO., LTD. NIPPON ENGINEERING CONSULTANTS CO., LTD.	<table border="1" style="width: 100%; border-collapse: collapse;"> <thead> <tr> <th style="width: 10%;"></th> <th style="width: 15%;">NAME</th> <th style="width: 15%;">SIGNATURE</th> <th style="width: 15%;">DATE</th> </tr> </thead> <tbody> <tr> <td>PREPARED BY</td> <td>M. OHYAMA</td> <td></td> <td>15 Jun.2017</td> </tr> <tr> <td>CHECKED BY</td> <td>T. HAYAKAWA</td> <td></td> <td>20 Jun.2017</td> </tr> <tr> <td>APPROVED BY</td> <td>Y. SANO</td> <td></td> <td>21 Jun.2017</td> </tr> </tbody> </table>		NAME	SIGNATURE	DATE	PREPARED BY	M. OHYAMA		15 Jun.2017	CHECKED BY	T. HAYAKAWA		20 Jun.2017	APPROVED BY	Y. SANO		21 Jun.2017	<small>DRAWING TITLE</small> DETAIL OF DRAINAGE A1-P5 <L,R> (1)	<small>PACKAGE</small> 1 DWG No. P1-PB-3501
	NAME	SIGNATURE	DATE																			
PREPARED BY	M. OHYAMA		15 Jun.2017																			
CHECKED BY	T. HAYAKAWA		20 Jun.2017																			
APPROVED BY	Y. SANO		21 Jun.2017																			

DETAIL OF DRAINAGE A1-P5 <L,R> (2)

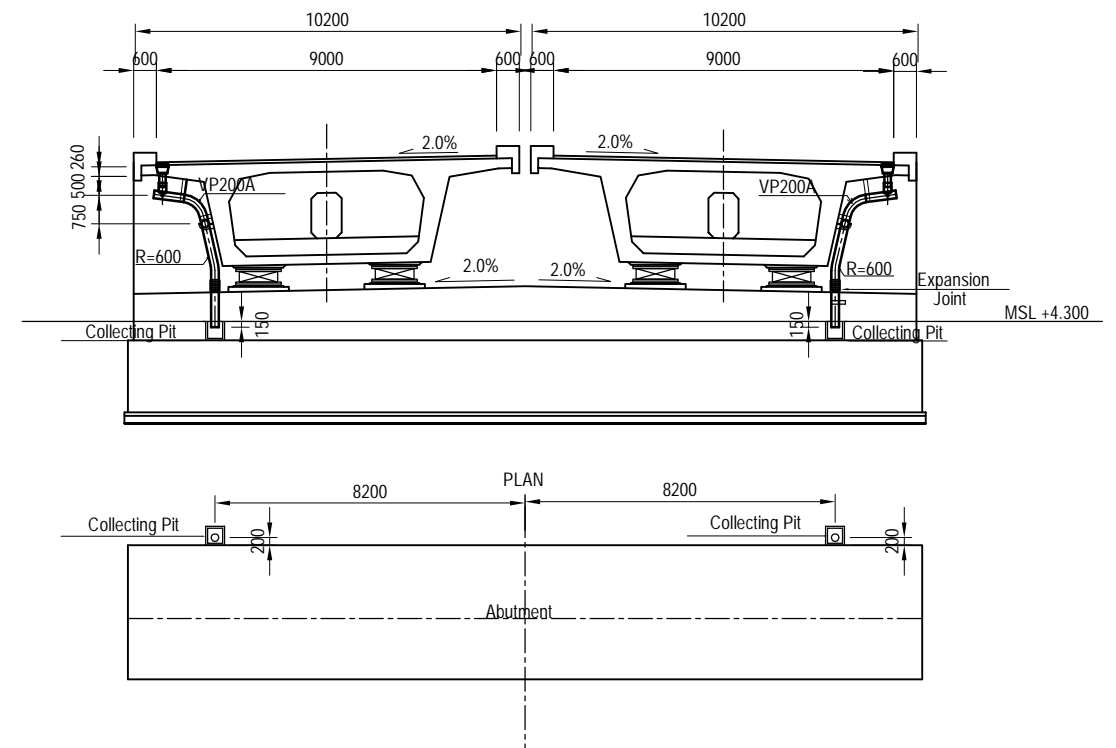
CATCH PIT SECTION S=1:200



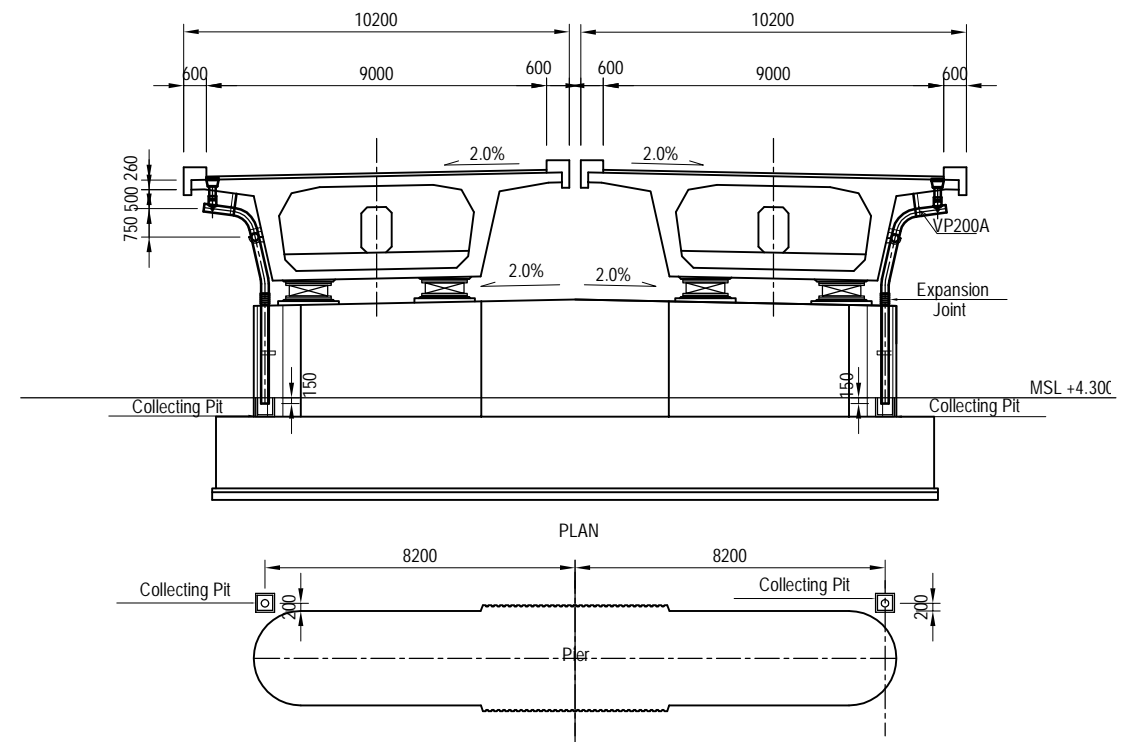
SUPPORT SECTION (P4) S=1:200
CROSS SECTION



SUPPORT SECTION (A1) S=1:200
CROSS SECTION



SUPPORT SECTION (P1-P3) S=1:200
CROSS SECTION



Notes

- Contractor should install expansion joint into vertical drainage pipe between superstructure and substructure.
- The expansion joint should have a capability to relative displacement between superstructure and substructure in service state.

PROJECT NAME
DETAILED DESIGN ON
BAGO RIVER BRIDGE
CONSTRUCTION PROJECT

FINANCED BY
JICA
JAPAN INTERNATIONAL
COOPERATION AGENCY

COUNTERPART
REPUBLIC OF THE UNION OF MYANMAR
MINISTRY OF CONSTRUCTION
DEPARTMENT OF BRIDGE

JICA STUDY TEAM
NIPPON KOEI CO., LTD.
ORIENTAL CONSULTANTS GLOBAL CO., LTD.
METROPOLITAN EXPRESSWAY COMPANY LIMITED
CHODAI CO., LTD.
NIPPON ENGINEERING CONSULTANTS CO., LTD.

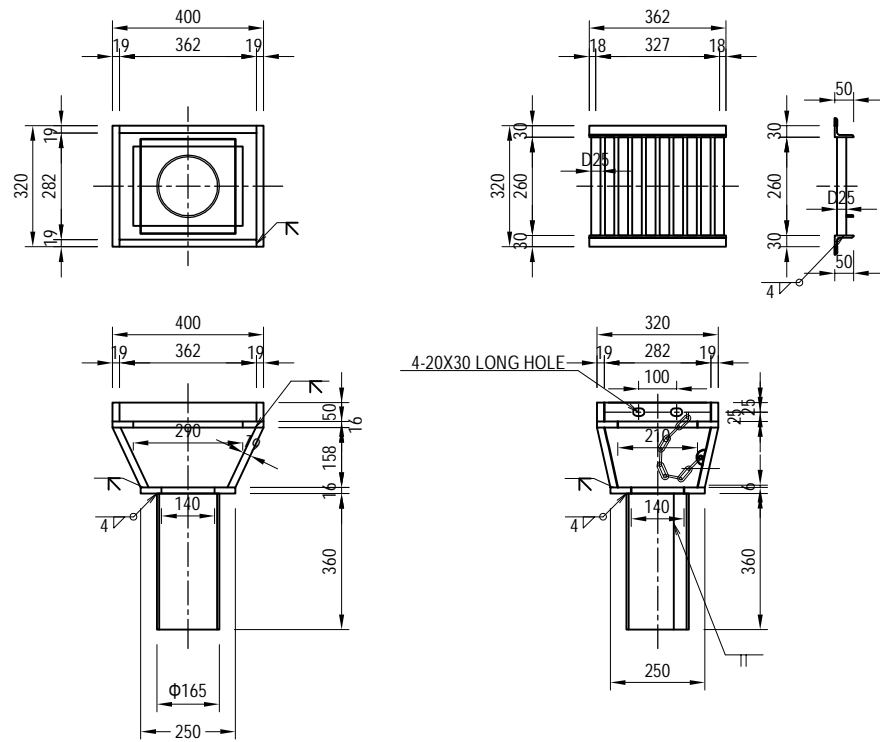
	NAME	SIGNATURE	DATE
PREPARED BY	M. OHYAMA	大山 満弘	15 Jun.2017
CHECKED BY	T. HAYAKAWA	平川 知寿	20 Jun.2017
APPROVED BY	Y. SANO	佐野 祐一	21 Jun.2017

DRAWING TITLE
DETAIL OF DRAINAGE
A1-P5 <L,R> (2)

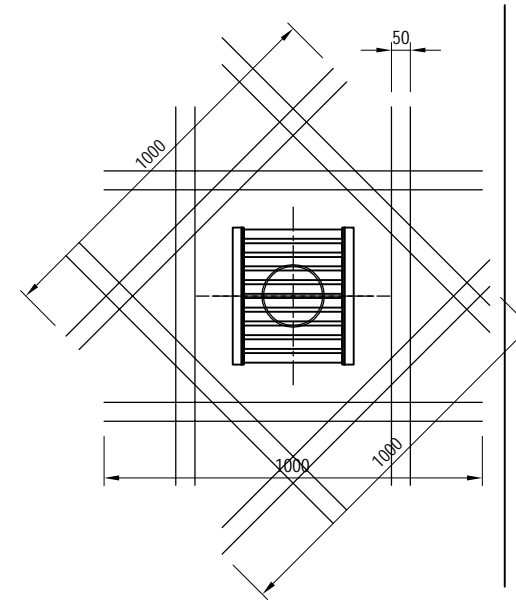
PACKAGE
1
DWG No.
P1-PB-3502

DETAIL OF DRAINAGE A1-P5 <L,R> (3)

DETAIL OF CATCH BASIN S=1:20



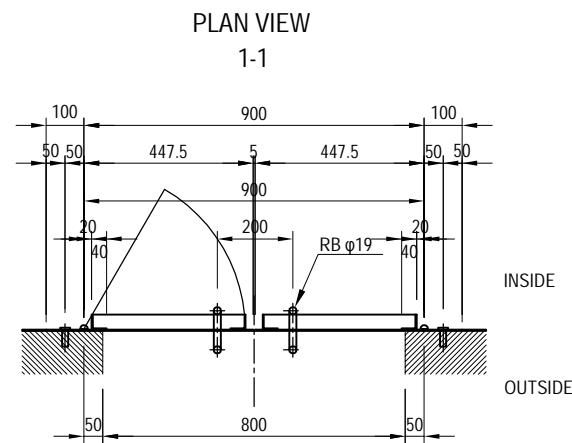
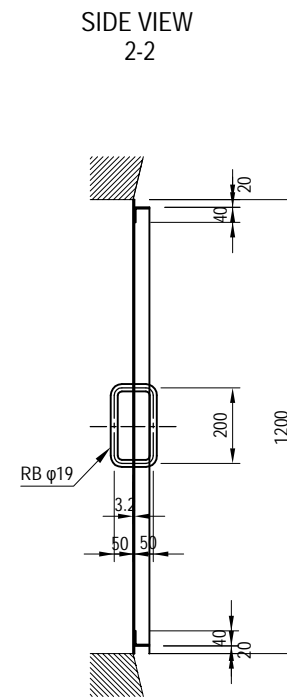
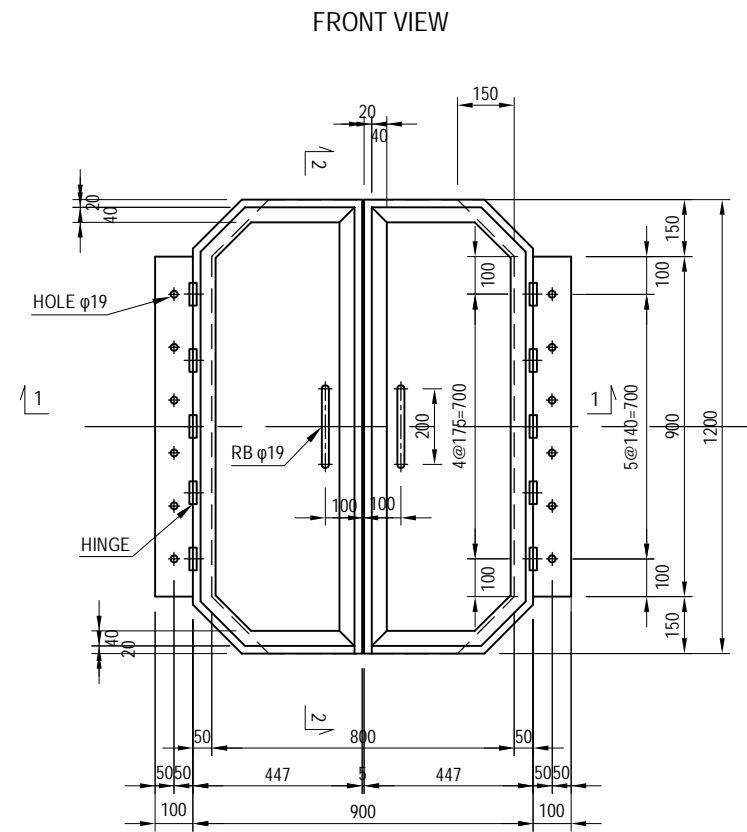
BAR ARRANGEMENT S=1:20



BAR STATISTICS TABLE

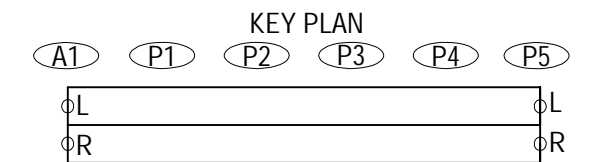
REBAR NO.	DIA (mm)	LENGTH (mm)	NUMBERS	UNIT WEIGHT (kg/m)	WEIGHT PER UNIT (kg)	WEIGHT (kg)	REMARKS
D 1	16	1 000	32	1.560	1.56	50	
						TOTAL	50 kg
				CATCH PITS	UNIT QTY	TOTAL (kg)	
				26	50	1300 kg	

DETAIL OF MANHOLE A1-P5 <L,R> S=1:20



MATERIAL CHART (STEEL COVER FOR INSPECTION HOLE) (1 SET)

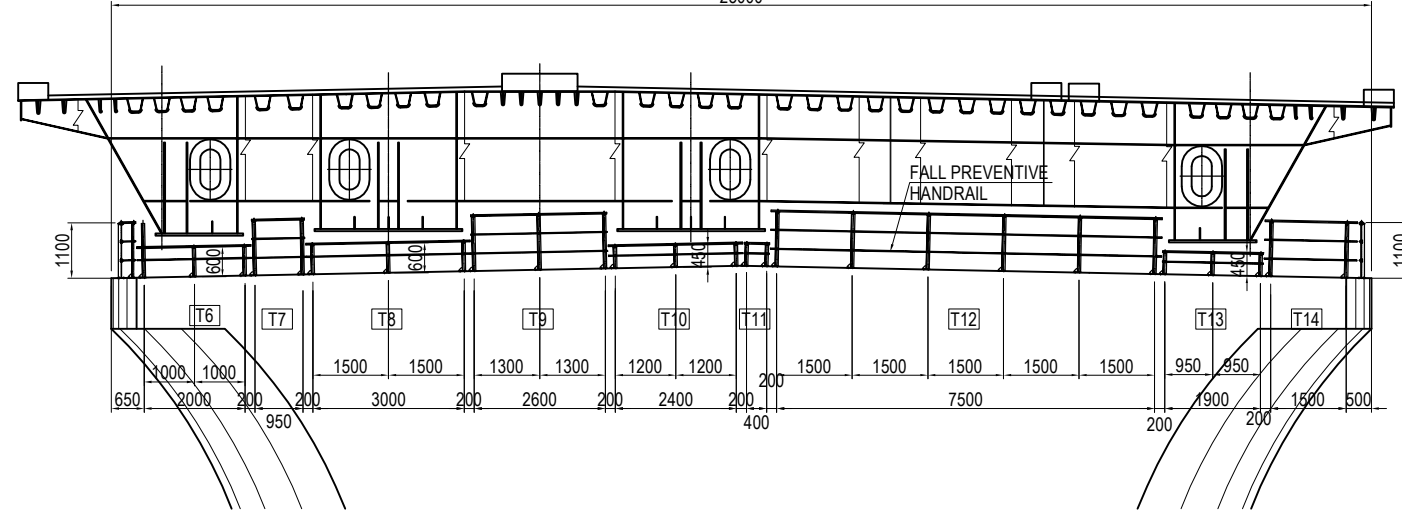
ITEM	LENGTH (mm)	NO.	UNIT WEIGHT (kg/m)	WEIGHT PER UNIT (kg)	WEIGHT (kg)	REMARKS
PL	448X3.2	2	11.25	13.50	27.0	SS400
PL	100X3.2	900	2.51	2.26	4.5	"
L	40X40X3	1160	1.83	2.12	4.2	"
L	40X40X3	925	1.83	1.69	3.4	"
L	40X40X3	290	1.83	0.53	2.1	"
L	40X40X3	167	1.83	0.31	1.2	"
RB	φ 19	300	2.23	0.67	2.7	"
HOLE IN ANCHOR M16		12				"
HINGE		10				"
TOTAL					45.1 kg	
MILD STEEL					11.0 kg	
PL					31.5 kg	
RB φ 19					2.7 kg	
TOTAL					45.1 kg	
HOLE IN ANCHOR M16					12 nos	
HINGES					10 nos	



FALL PREVENTIVE HANDRAIL OF P5 PIER (1) S=1:150

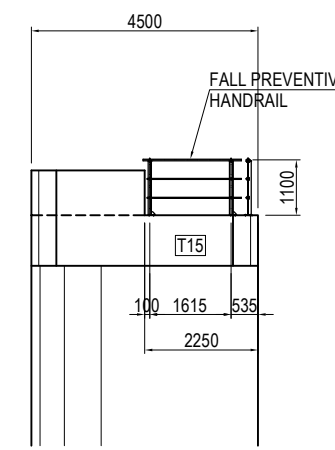
FRONT ELEVATION

2-2
25000

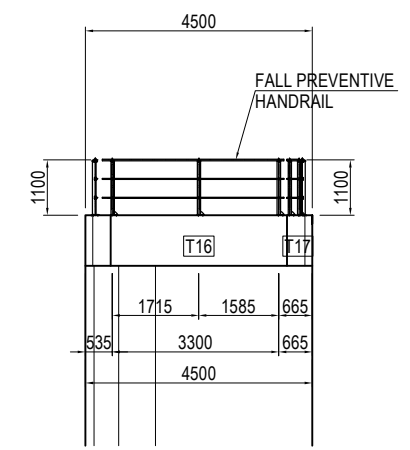


SIDE ELEVATION

3-3

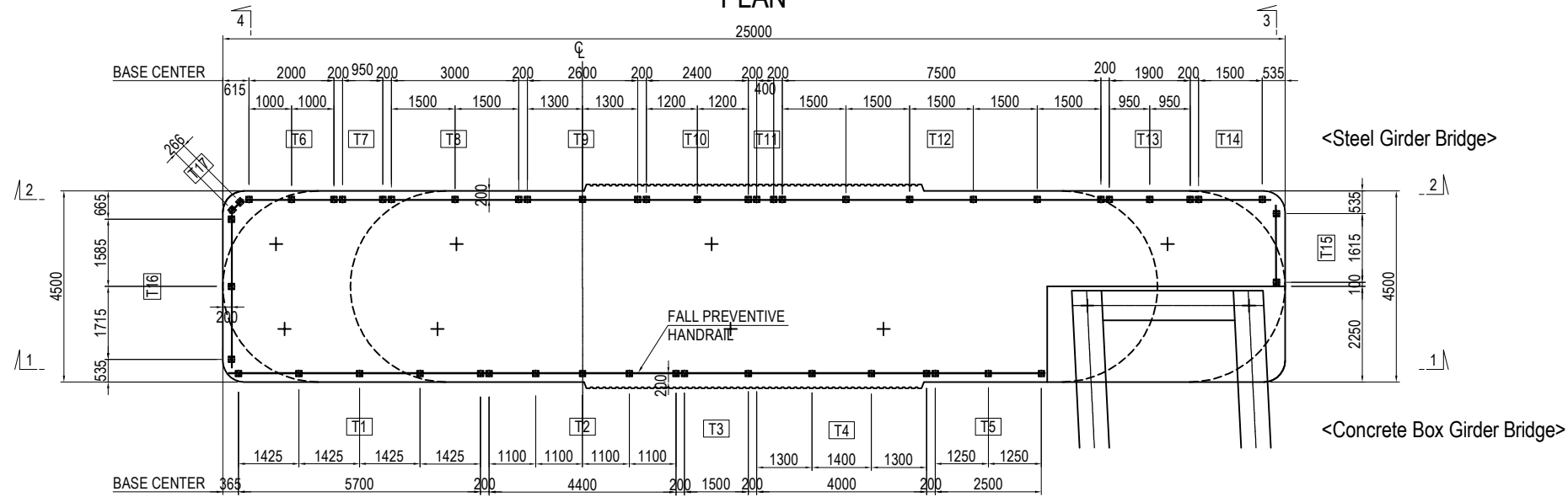


4-4



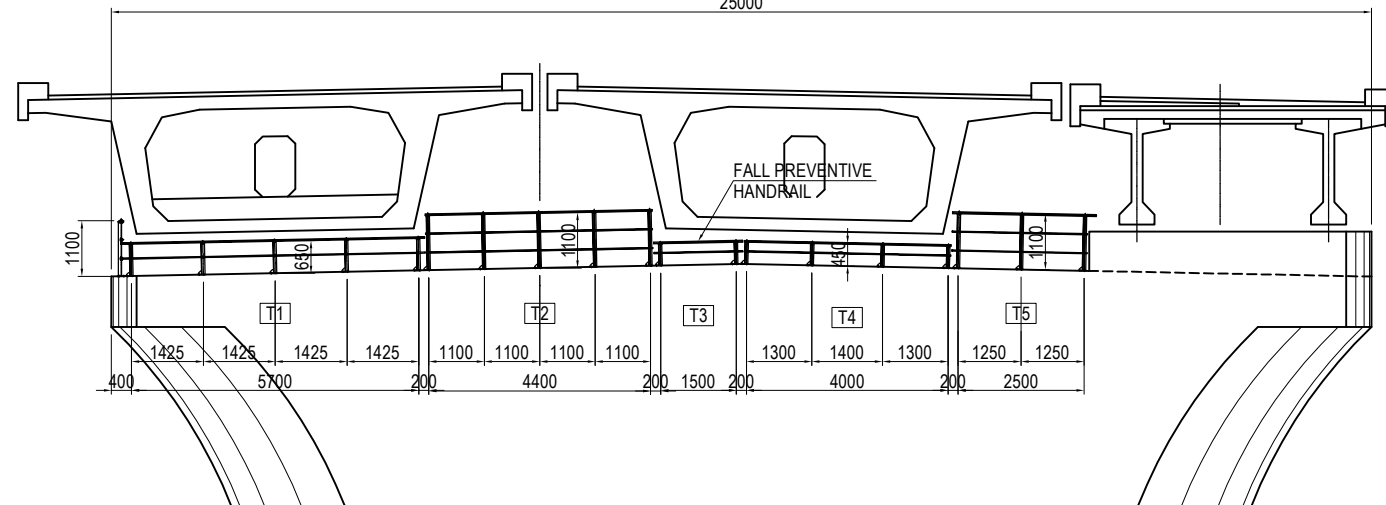
PLAN

25000



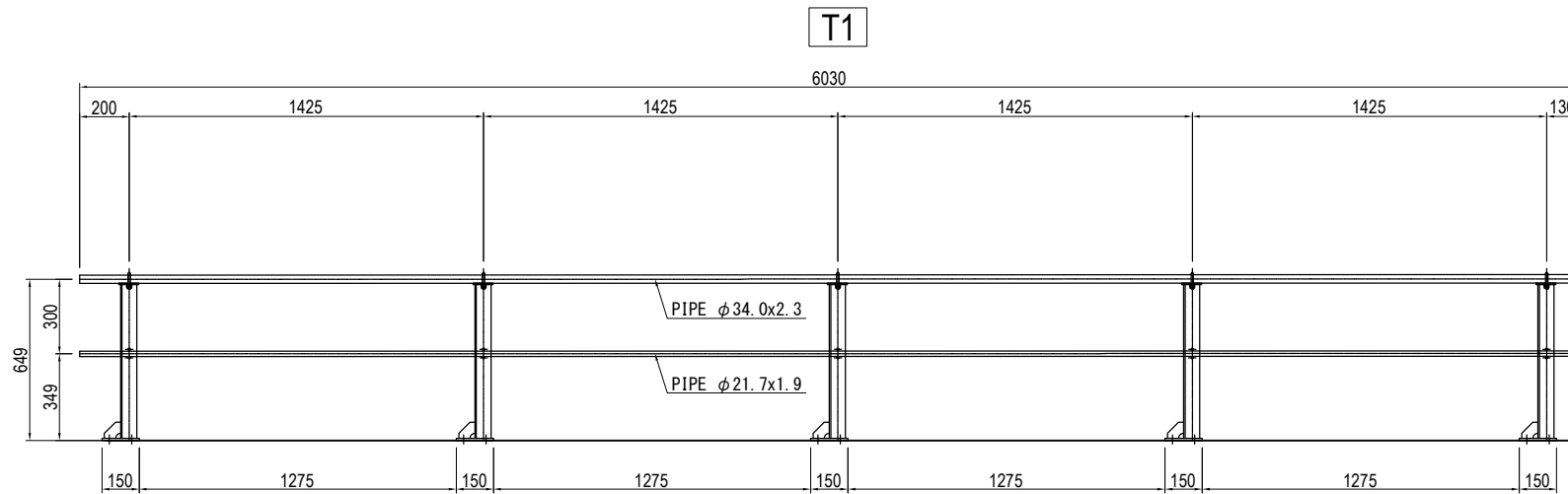
FRONT ELEVATION

1-1
25000

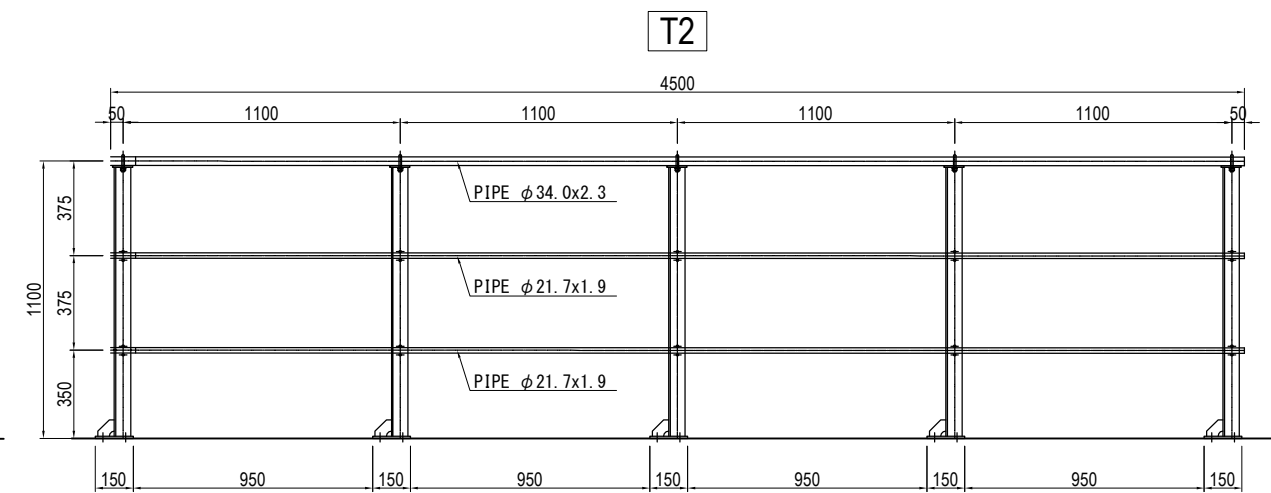


PROJECT NAME DETAILED DESIGN ON BAGO RIVER BRIDGE CONSTRUCTION PROJECT	FINANCED BY JAPAN INTERNATIONAL COOPERATION AGENCY	COUNTERPART REPUBLIC OF THE UNION OF MYANMAR MINISTRY OF CONSTRUCTION DEPARTMENT OF BRIDGE	JICA STUDY TEAM NIPPON KOEI CO., LTD. ORIENTAL CONSULTANTS GLOBAL CO., LTD. METROPOLITAN EXPRESSWAY COMPANY LIMITED CHODAI CO., LTD. NIPPON ENGINEERING CONSULTANTS CO., LTD.	NAME	SIGNATURE	DATE	DRAWING TITLE FALL PREVENTIVE HANDRAIL OF P5 PIER (1)	PACKAGE	
				PREPARED BY	M. OHYAMA			15 Jun.2017	DWG No.
				CHECKED BY	T. HAYAKAWA			20 Jun.2017	P1-PB-3701
				APPROVED BY	Y. SANO			21 Jun.2017	

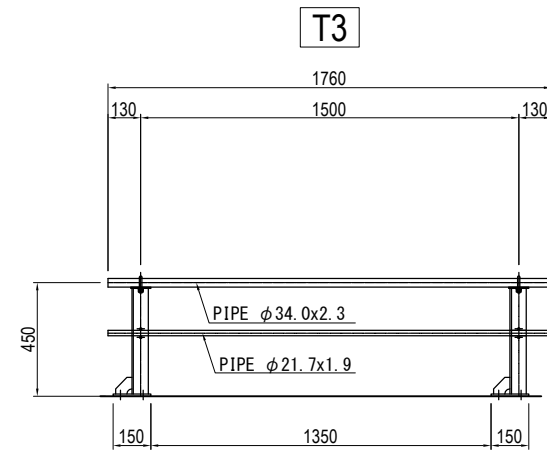
FALL PREVENTIVE HANDRAIL OF P5 PIER (2) S=1:30



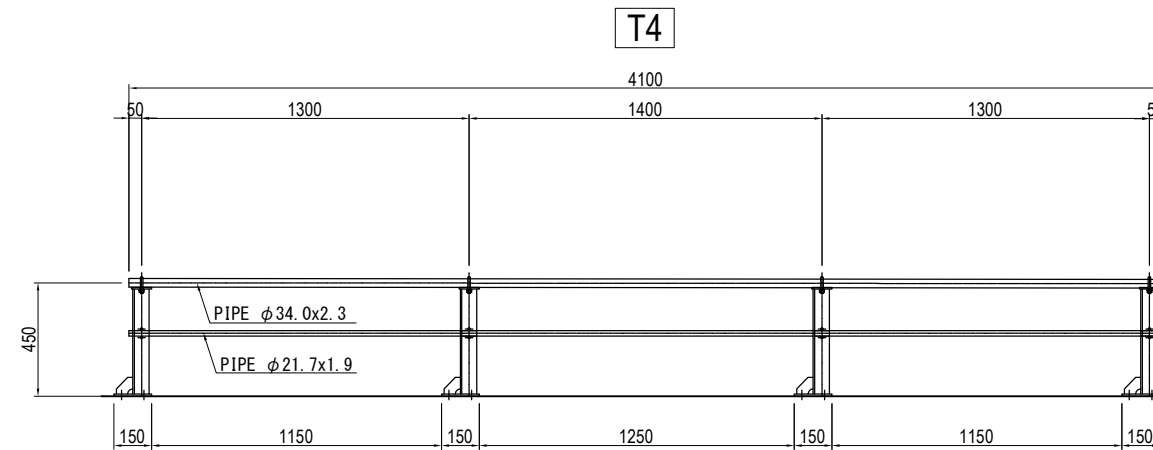
- <T1> Production volume : 1(per pier)
- 1-PIPE φ34.0x2.3x6030 (STK400)
 - 1-PIPE φ21.7x1.9x6030 (STK400)
 - 5-L 65x65x6x569
 - 5-PL 115x6x80 (SM400A)
 - 5-BASE PL 150x9x150 (SM400A)
 - 5-RIB PL 65x6x65 (SM400A)
 - 5-U. Bolt M10 Nominal25C
 - 5-U. Bolt M10 Nominal15C
 - 20-Driving anchor M16x125



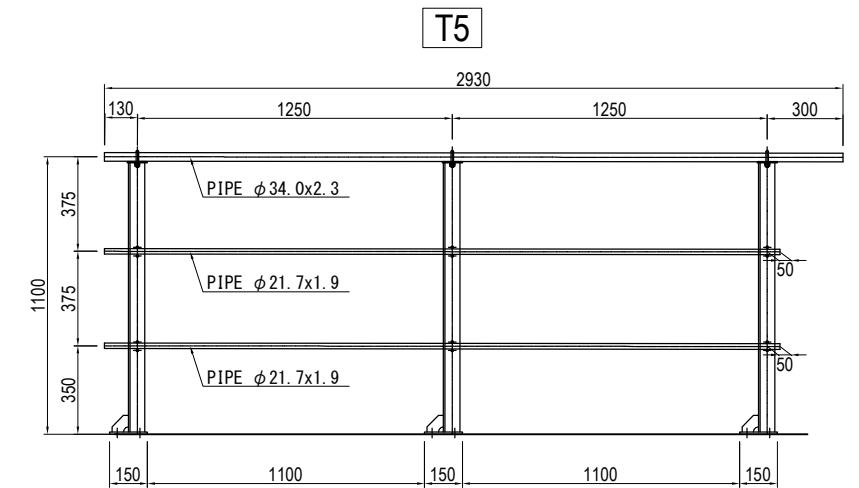
- <T2> Production volume : 1(per pier)
- 1-PIPE φ34.0x2.3x4500 (STK400)
 - 2-PIPE φ21.7x1.9x4500 (STK400)
 - 5-L 65x65x6x1069
 - 5-PL 115x6x80 (SM400A)
 - 5-BASE PL 150x9x150 (SM400A)
 - 5-RIB PL 65x6x65 (SM400A)
 - 5-U. Bolt M10 Nominal25C
 - 10-U. Bolt M10 Nominal15C
 - 20-Driving anchor M16x125



- <T3> Production volume : 1(per pier)
- 1-PIPE φ34.0x2.3x1760 (STK400)
 - 1-PIPE φ21.7x1.9x1760 (STK400)
 - 2-L 65x65x6x569
 - 2-PL 115x6x80 (SM400A)
 - 2-BASE PL 150x9x150 (SM400A)
 - 2-RIB PL 65x6x65 (SM400A)
 - 2-U. Bolt M10 Nominal25C
 - 2-U. Bolt M10 Nominal15C
 - 8-Driving anchor M16x125



- <T4> Production volume : 1(per pier)
- 1-PIPE φ34.0x2.3x4100 (STK400)
 - 1-PIPE φ21.7x1.9x4100 (STK400)
 - 4-L 65x65x6x569
 - 4-PL 115x6x80 (SM400A)
 - 4-BASE PL 150x9x150 (SM400A)
 - 4-RIB PL 65x6x65 (SM400A)
 - 4-U. Bolt M10 Nominal25C
 - 4-U. Bolt M10 Nominal15C
 - 16-Driving anchor M16x125

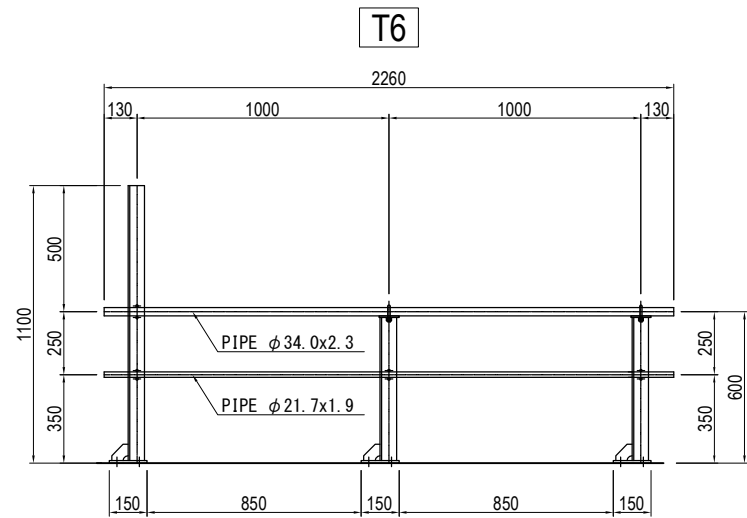


- <T5> Production volume : 1(per pier)
- 1-PIPE φ34.0x2.3x2930 (STK400)
 - 2-PIPE φ21.7x1.9x2680 (STK400)
 - 3-L 65x65x6x1068
 - 3-PL 115x6x80 (SM400A)
 - 3-BASE PL 150x9x150 (SM400A)
 - 3-RIB PL 65x6x65 (SM400A)
 - 3-U. Bolt M10 Nominal25C
 - 6-U. Bolt M10 Nominal15C
 - 12-Driving anchor M16x125

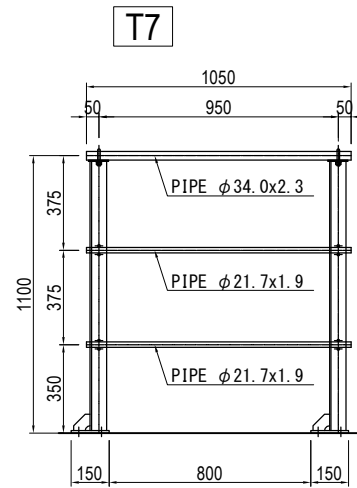
Note) 1 All materials without special mention are SS400.
 2 The surface treatment of the steel member is hot-dip galvanized.
 (The amount of zinc deposition shall be JIS H 8641 2 type HDZ 55.
 However, bolts and nuts and members with a thickness of less than 3.2 mm shall be HDZ35.)

PROJECT NAME DETAILED DESIGN ON BAGO RIVER BRIDGE CONSTRUCTION PROJECT	FINANCED BY JAPAN INTERNATIONAL COOPERATION AGENCY	COUNTERPART REPUBLIC OF THE UNION OF MYANMAR MINISTRY OF CONSTRUCTION DEPARTMENT OF BRIDGE	JICA STUDY TEAM NIPPON KOEI CO., LTD. ORIENTAL CONSULTANTS GLOBAL CO., LTD. METROPOLITAN EXPRESSWAY COMPANY LIMITED CHODAI CO., LTD. NIPPON ENGINEERING CONSULTANTS CO., LTD.	NAME	SIGNATURE	DATE	DRAWING TITLE	PACKAGE	
				PREPARED BY	M. OHYAMA				15 Jun.2017
				CHECKED BY	T. HAYAKAWA				20 Jun.2017
				APPROVED BY	Y. SANO				21 Jun.2017
FALL PREVENTIVE HANDRAIL OF P5 PIER (2)							1	DWG No.	P1-PB-3702

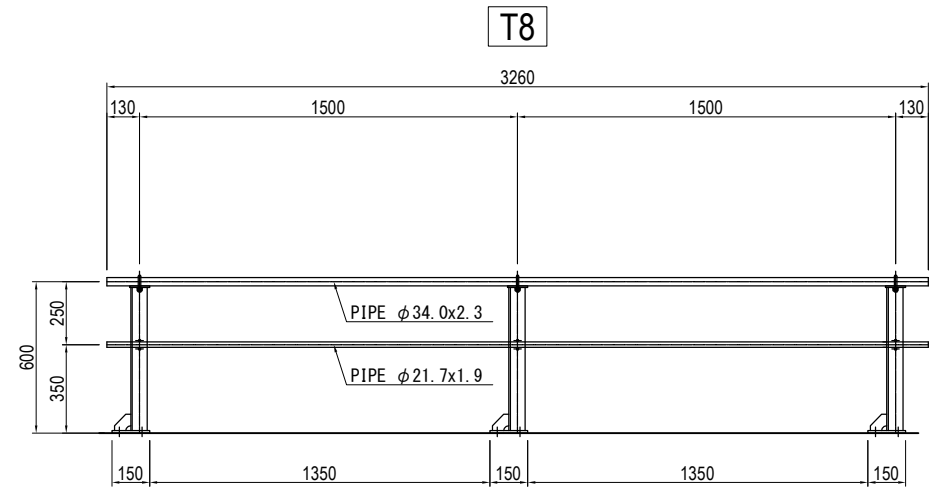
FALL PREVENTIVE HANDRAIL OF P5 PIER (3) S=1:30



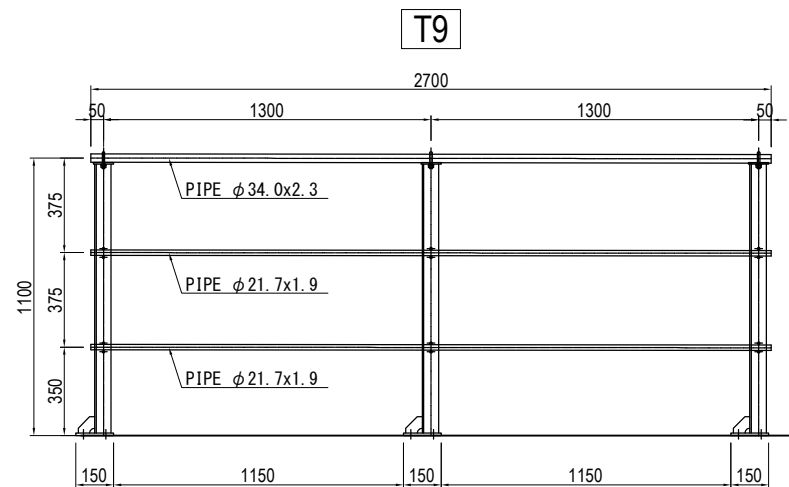
- <T6> Production volume : 1 (per pier)
 1-PIPE φ34.0x2.3x2260 (STK400)
 1-PIPE φ21.7x1.9x2260 (STK400)
 2-L 65x65x6x569
 1-L 65x65x6x569
 3-PL 115x6x80 (SM400A)
 3-BASE PL 150x9x150 (SM400A)
 3-RIB PL 65x6x65 (SM400A)
 3-U. Bolt M10 Nominal25C
 3-U. Bolt M10 Nominal15C
 12-Driving anchor M16x125



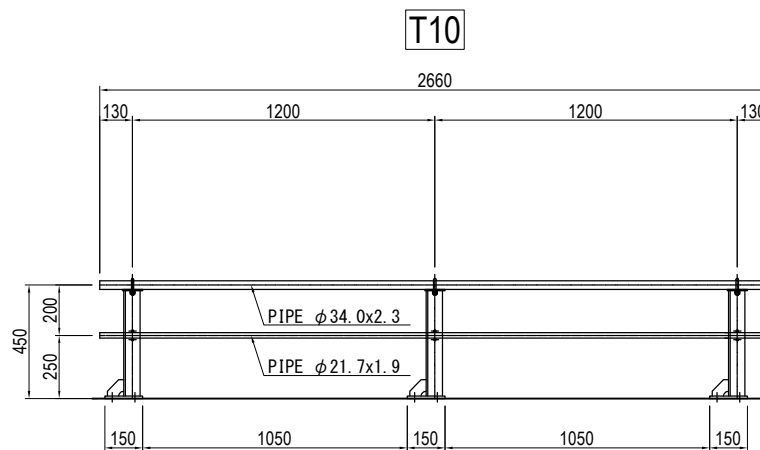
- <T7> Production volume : 1 (per pier)
 1-PIPE φ34.0x2.3x1050 (STK400)
 2-PIPE φ21.7x1.9x1050 (STK400)
 2-L 65x65x6x1069
 2-PL 115x6x80 (SM400A)
 2-BASE PL 150x9x150 (SM400A)
 2-RIB PL 65x6x65 (SM400A)
 2-U. Bolt M10 Nominal25C
 4-U. Bolt M10 Nominal15C
 8-Driving anchor M16x125



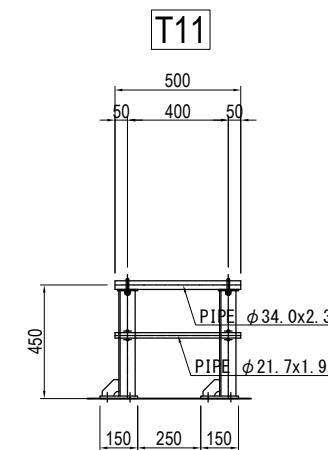
- <T8> Production volume : 1 (per pier)
 1-PIPE φ34.0x2.3x3260 (STK400)
 1-PIPE φ21.7x1.9x3260 (STK400)
 3-L 65x65x6x569
 3-PL 115x6x80 (SM400A)
 3-BASE PL 150x9x150 (SM400A)
 3-RIB PL 65x6x65 (SM400A)
 3-U. Bolt M10 Nominal25C
 3-U. Bolt M10 Nominal15C
 12-Driving anchor M16x125



- <T9> Production volume : 1 (per pier)
 1-PIPE φ34.0x2.3x2700 (STK400)
 2-PIPE φ21.7x1.9x2700 (STK400)
 3-L 65x65x6x1068
 3-PL 115x6x80 (SM400A)
 3-BASE PL 150x9x150 (SM400A)
 3-RIB PL 65x6x65 (SM400A)
 3-U. Bolt M10 Nominal25C
 6-U. Bolt M10 Nominal15C
 12-Driving anchor M16x125



- <T10> Production volume : 1 (per pier)
 1-PIPE φ34.0x2.3x2660 (STK400)
 1-PIPE φ21.7x1.9x2660 (STK400)
 3-L 65x65x6x569
 3-PL 115x6x80 (SM400A)
 3-BASE PL 150x9x150 (SM400A)
 3-RIB PL 65x6x65 (SM400A)
 3-U. Bolt M10 Nominal25C
 3-U. Bolt M10 Nominal15C
 12-Driving anchor M16x125

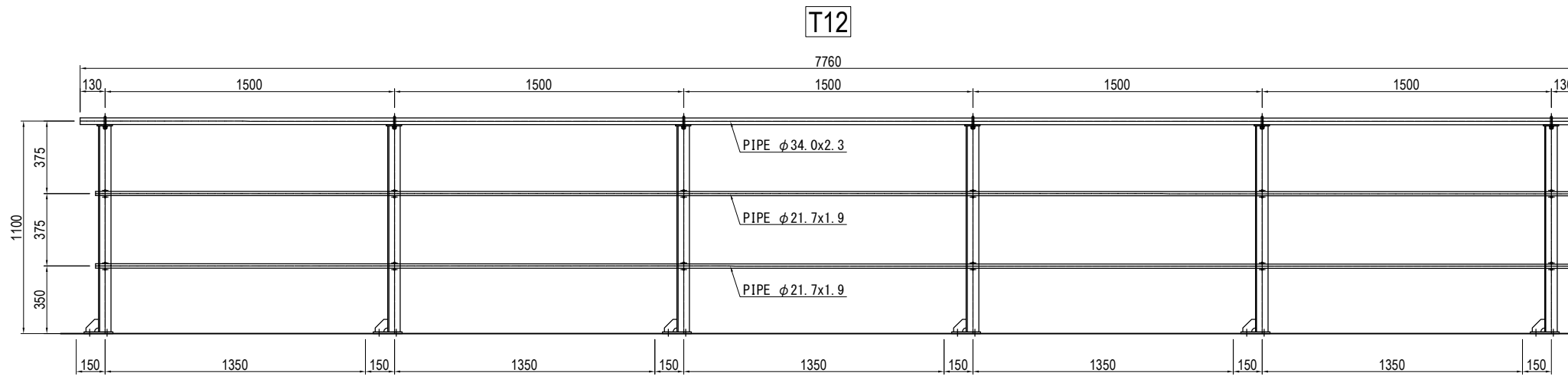


- <T11> Production volume : 1 (per pier)
 1-PIPE φ34.0x2.3x500 (STK400)
 1-PIPE φ21.7x1.9x500 (STK400)
 2-L 65x65x6x569
 2-PL 115x6x80 (SM400A)
 2-BASE PL 150x9x150 (SM400A)
 2-RIB PL 65x6x65 (SM400A)
 2-U. Bolt M10 Nominal25C
 2-U. Bolt M10 Nominal15C
 8-Driving anchor M16x125

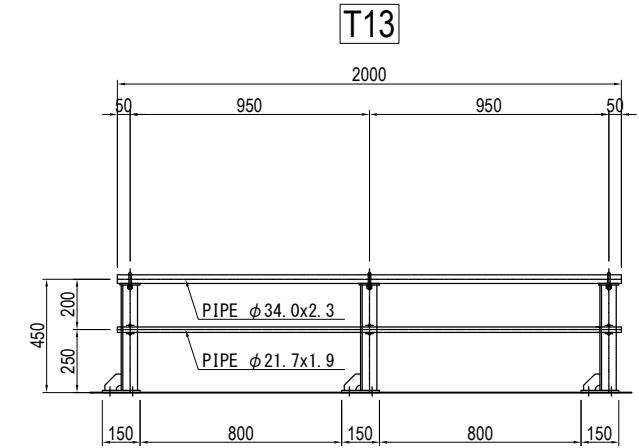
- Note) 1 All materials without special mention are SS400.
 2 The surface treatment of the steel member is hot-dip galvanized.
 (The amount of zinc deposition shall be JIS H 8641 2 type HDZ 55.
 However, bolts and nuts and members with a thickness
 of less than 3.2 mm shall be HDZ35.)

PROJECT NAME DETAILED DESIGN ON BAGO RIVER BRIDGE CONSTRUCTION PROJECT	FINANCED BY JAPAN INTERNATIONAL COOPERATION AGENCY	COUNTERPART REPUBLIC OF THE UNION OF MYANMAR MINISTRY OF CONSTRUCTION DEPARTMENT OF BRIDGE	JICA STUDY TEAM NIPPON KOEI CO., LTD. ORIENTAL CONSULTANTS GLOBAL CO., LTD. METROPOLITAN EXPRESSWAY COMPANY LIMITED CHODAI CO., LTD. NIPPON ENGINEERING CONSULTANTS CO., LTD.	NAME	SIGNATURE	DATE	DRAWING TITLE FALL PREVENTIVE HANDRAIL OF P5 PIER (3)	PACKAGE	
				PREPARED BY	M. OHYAMA			15 Jun.2017	1
				CHECKED BY	T. HAYAKAWA			20 Jun.2017	DWG No.
				APPROVED BY	Y. SANO			21 Jun.2017	P1-PB-3703

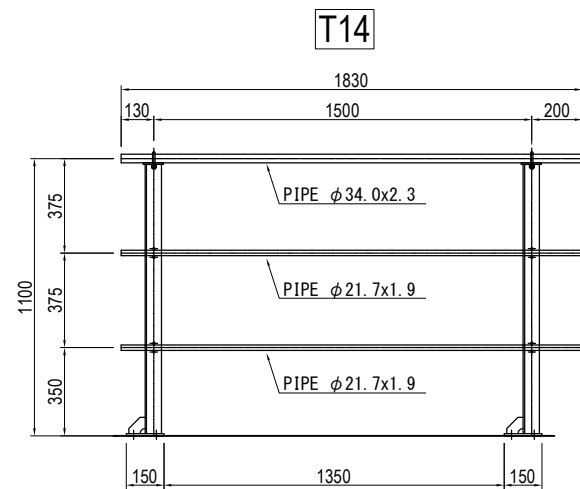
FALL PREVENTIVE HANDRAIL OF P5 PIER (4) S=1:30



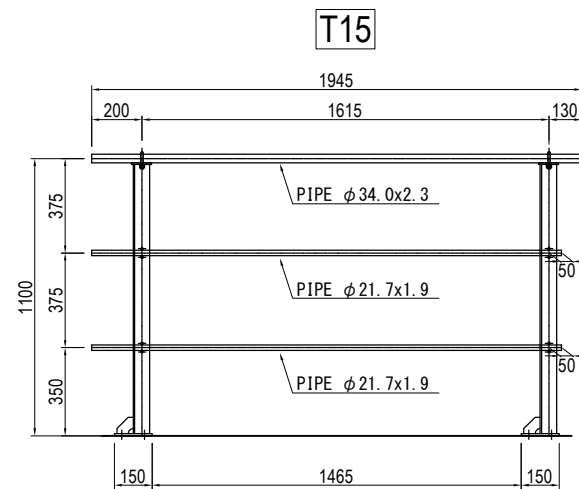
- <T12> Production volume : 1(per pier)
- 1-PIPE φ34.0x2.3x7760 (STK400)
 - 2-PIPE φ21.7x1.9x7760 (STK400)
 - 6-L 65x65x6x1069
 - 6-PL 115x6x80 (SM400A)
 - 6-BASE PL 150x9x150 (SM400A)
 - 6-RIB PL 65x6x65 (SM400A)
 - 6-U. Bolt M10 Nominal125C
 - 12-U. Bolt M10 Nominal15C
 - 24-Driving anchor M16x125



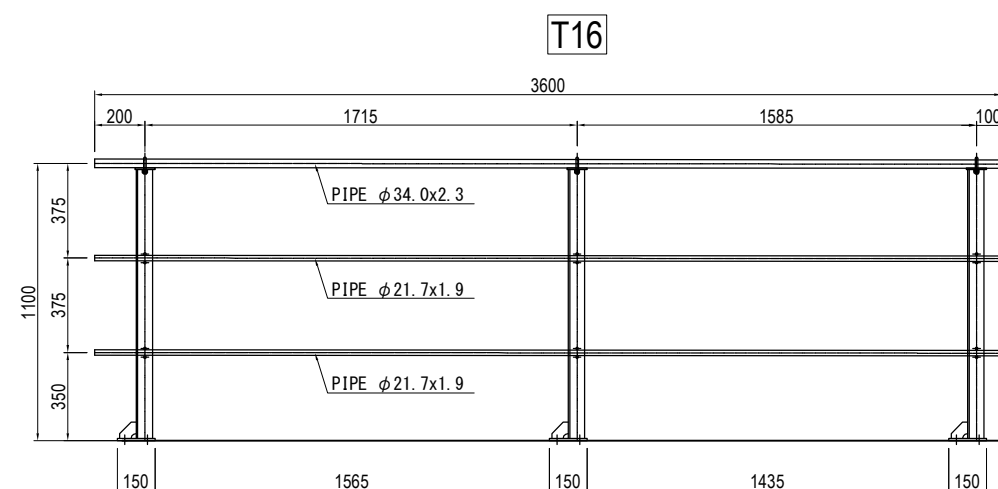
- <T13> Production volume : 1(per pier)
- 1-PIPE φ34.0x2.3x2000 (STK400)
 - 1-PIPE φ21.7x1.9x2000 (STK400)
 - 3-L 65x65x6x569
 - 3-PL 115x6x80 (SM400A)
 - 3-BASE PL 150x9x150 (SM400A)
 - 3-RIB PL 65x6x65 (SM400A)
 - 3-U. Bolt M10 Nominal125C
 - 3-U. Bolt M10 Nominal15C
 - 12-Driving anchor M16x125



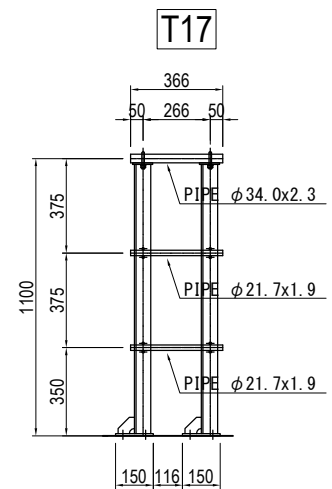
- <T14> Production volume : 1(per pier)
- 1-PIPE φ34.0x2.3x1830 (STK400)
 - 2-PIPE φ21.7x1.9x1830 (STK400)
 - 2-L 65x65x6x1069
 - 2-PL 115x6x80 (SM400A)
 - 2-BASE PL 150x9x150 (SM400A)
 - 2-RIB PL 65x6x65 (SM400A)
 - 2-U. Bolt M10 Nominal125C
 - 4-U. Bolt M10 Nominal15C
 - 8-Driving anchor M16x125



- <T15> Production volume : 1(per pier)
- 1-PIPE φ34.0x2.3x1945 (STK400)
 - 2-PIPE φ21.7x1.9x1865 (STK400)
 - 2-L 65x65x6x1069
 - 2-PL 115x6x80 (SM400A)
 - 2-BASE PL 150x9x150 (SM400A)
 - 2-RIB PL 65x6x65 (SM400A)
 - 2-U. Bolt M10 Nominal125C
 - 4-U. Bolt M10 Nominal15C
 - 8-Driving anchor M16x125



- <T16> Production volume : 1(per pier)
- 1-PIPE φ34.0x2.3x3600 (STK400)
 - 2-PIPE φ21.7x1.9x3600 (STK400)
 - 3-L 65x65x6x1068
 - 3-PL 115x6x80 (SM400A)
 - 3-BASE PL 150x9x150 (SM400A)
 - 3-RIB PL 65x6x65 (SM400A)
 - 3-U. Bolt M10 Nominal125C
 - 6-U. Bolt M10 Nominal15C
 - 12-Driving anchor M16x125



- <T17> Production volume : 1(per pier)
- 1-PIPE φ34.0x2.3x366 (STK400)
 - 2-PIPE φ21.7x1.9x366 (STK400)
 - 2-L 65x65x6x1069
 - 2-PL 115x6x80 (SM400A)
 - 2-BASE PL 150x9x150 (SM400A)
 - 2-RIB PL 65x6x65 (SM400A)
 - 2-U. Bolt M10 Nominal125C
 - 4-U. Bolt M10 Nominal15C
 - 8-Driving anchor M16x125

Note) 1 All materials without special mention are SS400.
 2 The surface treatment of the steel member is hot-dip galvanized.
 (The amount of zinc deposition shall be JIS H 8641 2 type HDZ 55.
 However, bolts and nuts and members with a thickness
 of less than 3.2 mm shall be HDZ35.)

PROJECT NAME DETAILED DESIGN ON BAGO RIVER BRIDGE CONSTRUCTION PROJECT	FINANCED BY JAPAN INTERNATIONAL COOPERATION AGENCY	COUNTERPART REPUBLIC OF THE UNION OF MYANMAR MINISTRY OF CONSTRUCTION DEPARTMENT OF BRIDGE	JICA STUDY TEAM NIPPON KOEI CO., LTD. ORIENTAL CONSULTANTS GLOBAL CO., LTD. METROPOLITAN EXPRESSWAY COMPANY LIMITED CHODAI CO., LTD. NIPPON ENGINEERING CONSULTANTS CO., LTD.	NAME	SIGNATURE	DATE	DRAWING TITLE FALL PREVENTIVE HANDRAIL OF P5 PIER (4)	PACKAGE	
				PREPARED BY	M. OHYAMA			15 Jun.2017	1
				CHECKED BY	T. HAYAKAWA			20 Jun.2017	DWG No.
				APPROVED BY	Y. SANO			21 Jun.2017	P1-PB-3704

FALL PREVENTIVE HANDRAIL OF P5 PIER (5)

DETAIL OF HANDRAIL S=1:20

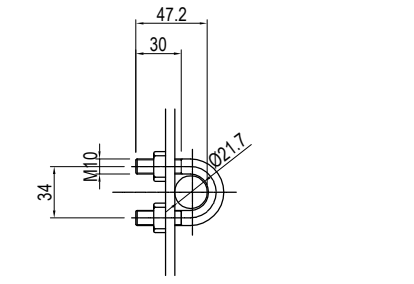
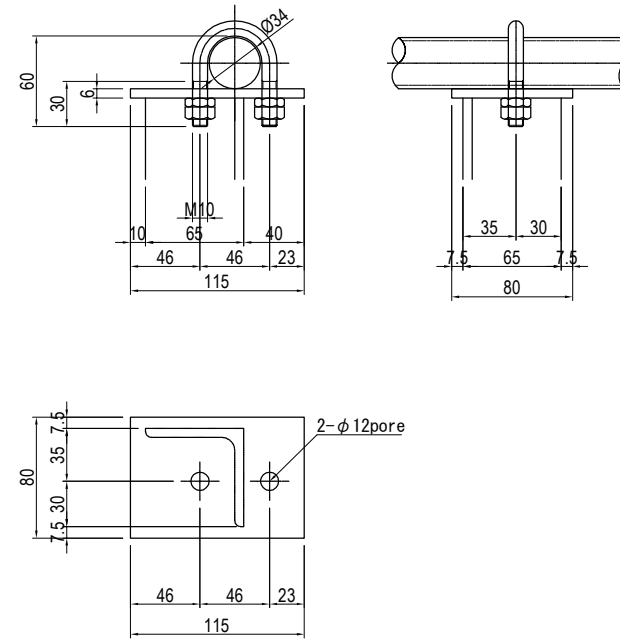
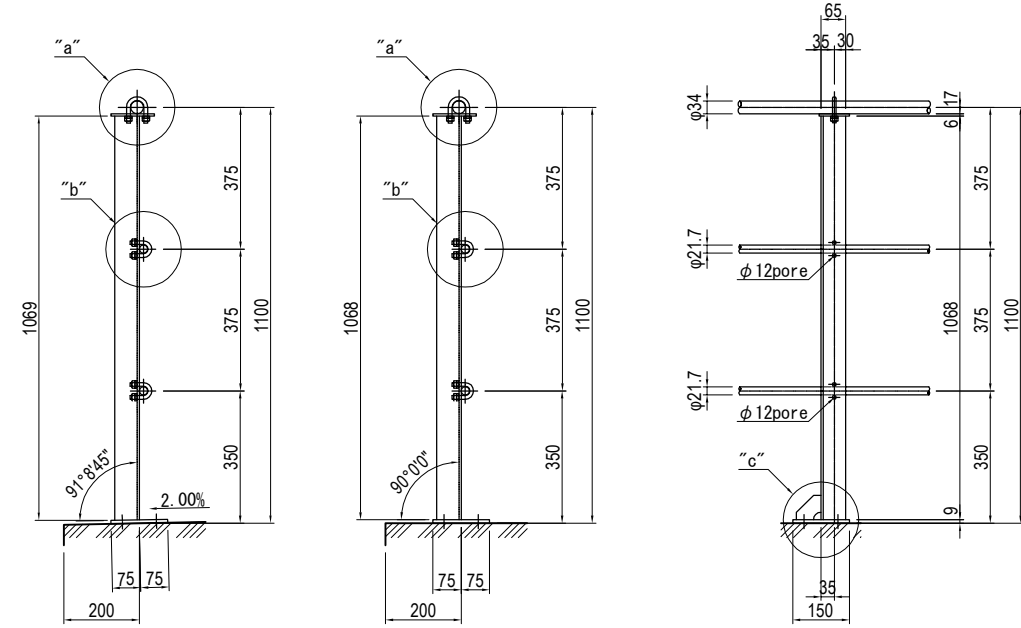
"a" DETAIL S=1:5

"b" DETAIL S=1:5

T2 T5 T7 T9 T12 T14 T15 T16 T17

U.Bolt Nominal 25C

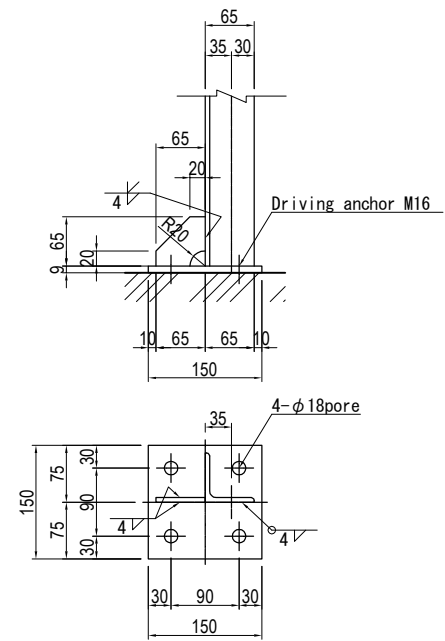
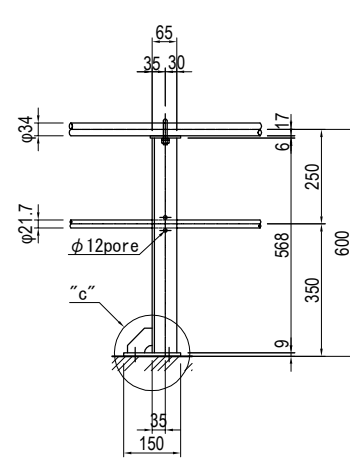
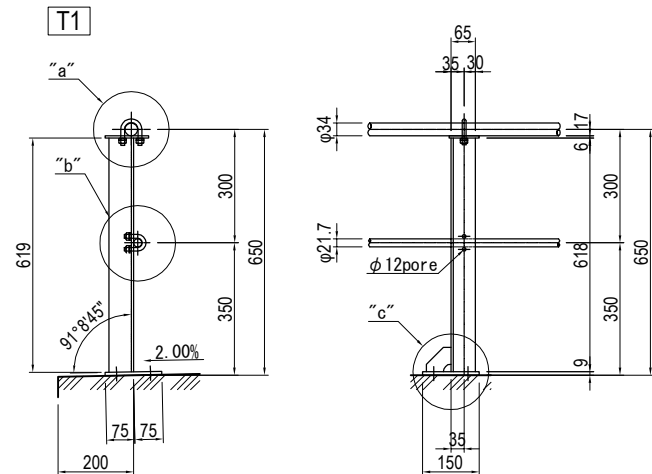
U.Bolt Nominal 15C



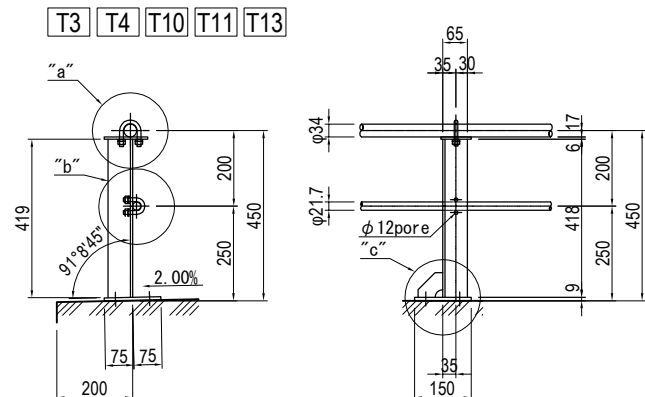
"c" DETAIL S=1:10

T1

T6 T8



T3 T4 T10 T11 T13

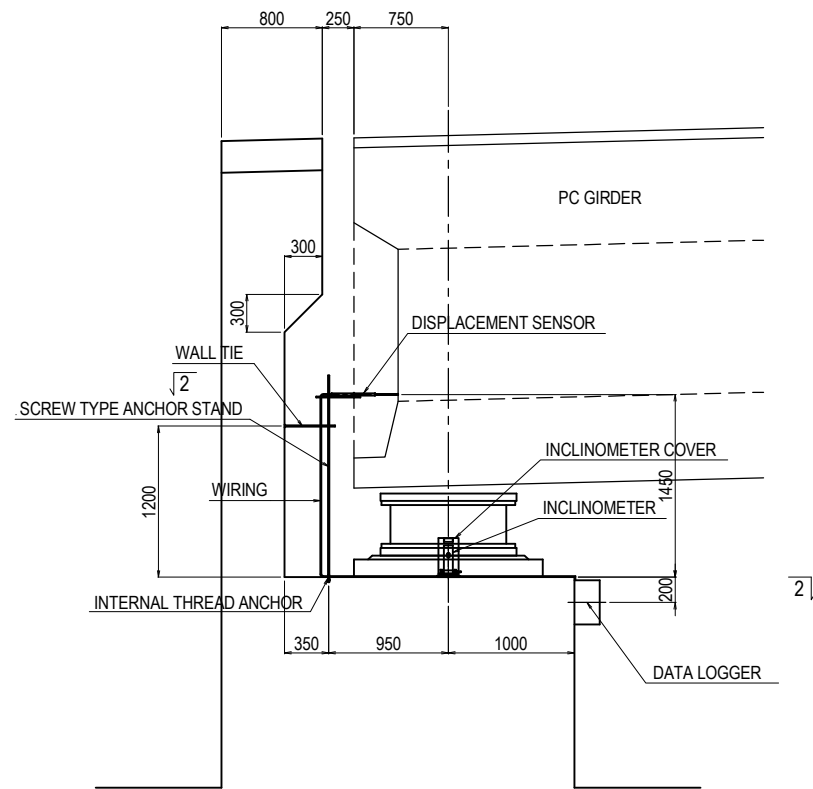


Note) 1 All materials without special mention are SS400.
 2 The surface treatment of the steel member is hot-dip galvanized.
 (The amount of zinc deposition shall be JIS H 8641 2 type HDZ 55.
 However, bolts and nuts and members with a thickness
 of less than 3.2 mm shall be HDZ35.)

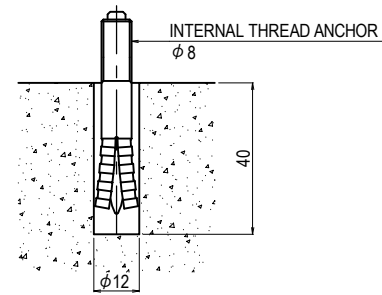
PROJECT NAME DETAILED DESIGN ON BAGO RIVER BRIDGE CONSTRUCTION PROJECT	FINANCED BY JAPAN INTERNATIONAL COOPERATION AGENCY	COUNTERPART REPUBLIC OF THE UNION OF MYANMAR MINISTRY OF CONSTRUCTION DEPARTMENT OF BRIDGE	JICA STUDY TEAM NIPPON KOEI CO., LTD. ORIENTAL CONSULTANTS GLOBAL CO., LTD. METROPOLITAN EXPRESSWAY COMPANY LIMITED CHODAI CO., LTD. NIPPON ENGINEERING CONSULTANTS CO., LTD.	NAME	SIGNATURE	DATE	DRAWING TITLE FALL PREVENTIVE HANDRAIL OF P5 PIER (5)	PACKAGE	
				PREPARED BY	M. OHYAMA			15 Jun.2017	1
				CHECKED BY	T. HAYAKAWA			20 Jun.2017	DWG No.
				APPROVED BY	Y. SANO			21 Jun.2017	P1-PB-3705

INCLINATION AND DISPLACEMENT MEASUREMENT OF ABUTMENT A1 S=1:60

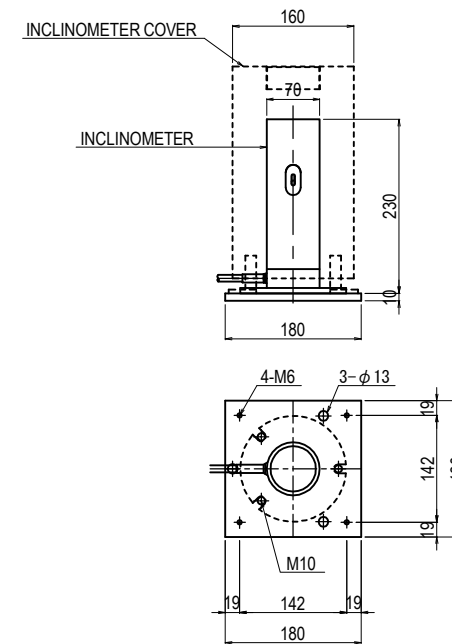
SECTION 1 - 1



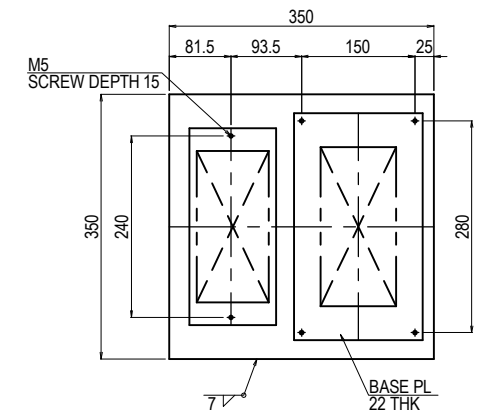
DETAIL OF INTERNAL THREAD ANCHOR S=1:2



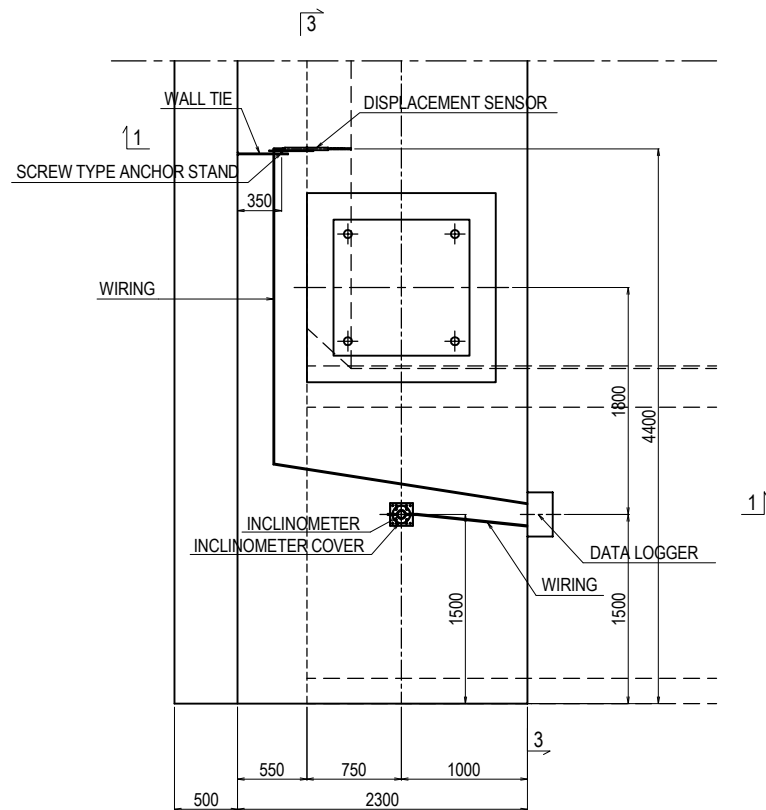
DETAIL OF INCLINOMETER S=1:10



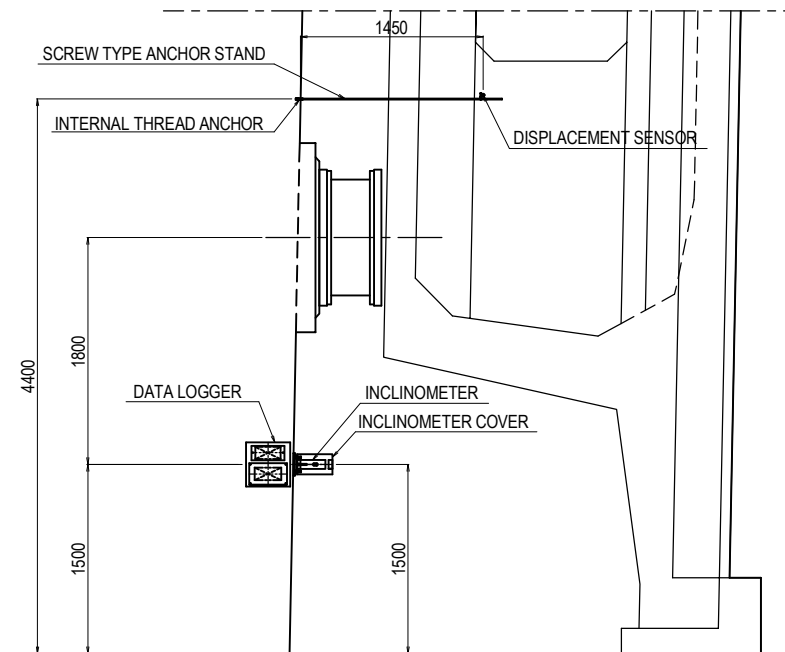
DETAIL OF DATA LOGGER S=1:10



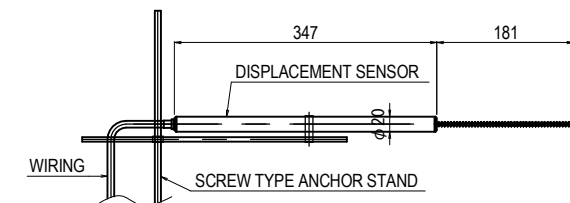
SECTION 2 - 2



SECTION 3 - 3



DETAIL OF DISPLACEMENT SENSOR S=1:10

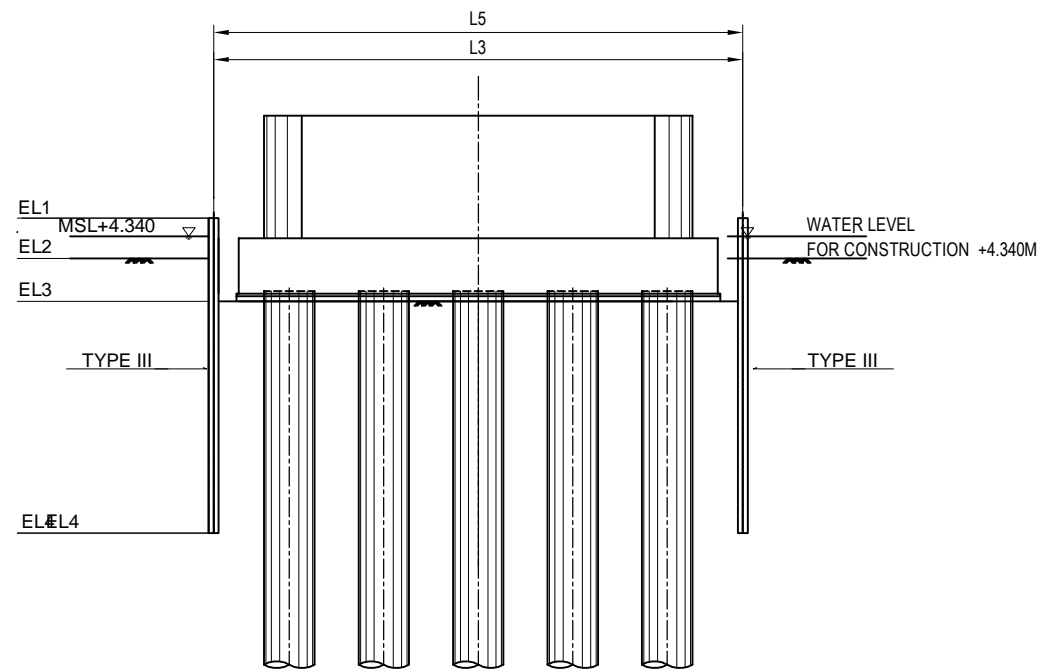


<small>PROJECT NAME</small> DETAILED DESIGN ON BAGO RIVER BRIDGE CONSTRUCTION PROJECT	<small>FINANCED BY</small> JAPAN INTERNATIONAL COOPERATION AGENCY	<small>COUNTERPART</small> REPUBLIC OF THE UNION OF MYANMAR MINISTRY OF CONSTRUCTION DEPARTMENT OF BRIDGE	<small>JICA STUDY TEAM</small> NIPPON KOEI CO., LTD. ORIENTAL CONSULTANTS GLOBAL CO., LTD. METROPOLITAN EXPRESSWAY COMPANY LIMITED CHODAI CO., LTD. NIPPON ENGINEERING CONSULTANTS CO., LTD.	<table border="1" style="width: 100%; border-collapse: collapse;"> <thead> <tr> <th style="width: 10%;"></th> <th style="width: 20%;">NAME</th> <th style="width: 20%;">SIGNATURE</th> <th style="width: 10%;">DATE</th> </tr> </thead> <tbody> <tr> <td>PREPARED BY</td> <td>M. OHYAMA</td> <td></td> <td>15 Jun.2017</td> </tr> <tr> <td>CHECKED BY</td> <td>T. HAYAKAWA</td> <td></td> <td>20 Jun.2017</td> </tr> <tr> <td>APPROVED BY</td> <td>Y. SANO</td> <td></td> <td>21 Jun.2017</td> </tr> </tbody> </table>		NAME	SIGNATURE	DATE	PREPARED BY	M. OHYAMA		15 Jun.2017	CHECKED BY	T. HAYAKAWA		20 Jun.2017	APPROVED BY	Y. SANO		21 Jun.2017	<small>DRAWING TITLE</small> INCLINATION AND DISPLACEMENT MEASUREMENT OF ABUTMENT A1	<small>PACKAGE</small> 1 DWG No. P1-PB-3801
	NAME	SIGNATURE	DATE																			
PREPARED BY	M. OHYAMA		15 Jun.2017																			
CHECKED BY	T. HAYAKAWA		20 Jun.2017																			
APPROVED BY	Y. SANO		21 Jun.2017																			

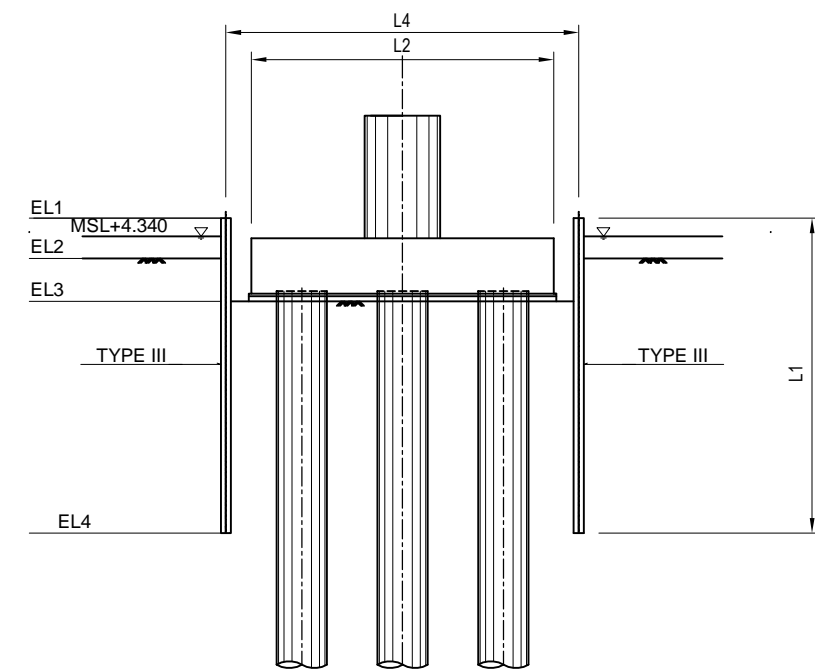
TEMPORARY COFFERDAM (REFERENCE DRAWING)

S=1:300

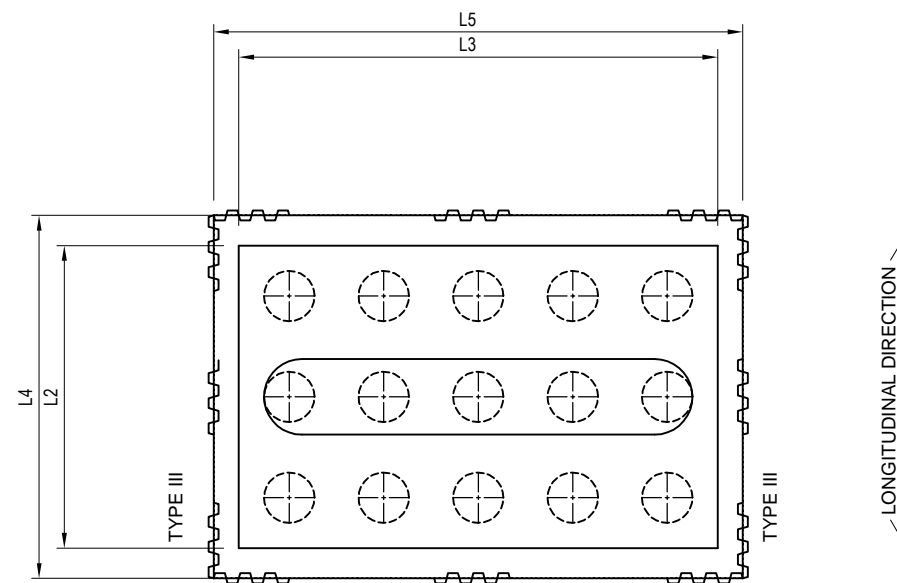
FRONT VIEW



SIDE VIEW



PLAN



QUANTITIES

ITEM	UNIT	SYMBOL	P1	P2	P3	P4	P5
COFFERDAM TYPE	-	-	FS	FS	FS	FS	FS
SHEET PILE LENGTH	M	L1	12.5	12.5	12.5	12.5	12.5
SHEET PILE WIDTH	M	W	0.40	0.40	0.40	0.40	0.40
SHEET PILE SHAPE	-	-	III	III	III	III	III
SHEET PILE MATERIAL	-	-	SY295	SY295	SY295	SY295	SY295
UNIT WEIGHT	KG/M	-	60.0	60.0	60.0	60.0	60.0
ASSUMED GROUND ELEVATION BEFORE EXCAVATION	MSL+ M	EL2	3.300	3.300	3.300	3.300	3.300
APPROXIMATE DESIGN FLOOR HEIGHT AFTER EXCAVATION	MSL+ M	EL3	1.500	1.500	1.600	1.600	1.500
TOP ELEVATION OF SHEET PILE	MSL+ M	EL1	4.900	4.900	4.900	4.900	4.900
TIP ELEVATION OF SHEET PILE	MSL+ M	EL4	-7.600	-7.600	-7.600	-7.600	-7.600
PILE CAP DIMENSIONS	LONGITUDINAL	M	L2	12.000	12.000	12.000	12.000
PILE CAP DIMENSIONS	TRANSVERSAL	M	L3	19.000	19.000	19.000	16.000
SPACE BETWEEN PILE CAP AND COFFERDAM	M	-	1.0	1.0	1.0	1.0	2.2
PLANAR DIMENSION OF COFFERDAM	LONGITUDINAL	M	L4	14.000	14.000	14.000	16.000
PLANAR DIMENSION OF COFFERDAM	TRANSVERSAL	M	L5	21.000	21.000	21.000	18.000
TOTAL LENGTH IN PLAN	M	-	70.000	70.000	70.000	68.000	97.600
NUMBER OF SHEET PILE	NOS	-	175	175	175	170	244
TOTAL WEIGHT OF SHEET PILE	KG	-	131,250	131,250	131,250	127,500	183,000

PROJECT NAME
DETAILED DESIGN ON
BAGO RIVER BRIDGE
CONSTRUCTION PROJECT

FINANCED BY
JICA
JAPAN INTERNATIONAL
COOPERATION AGENCY

COUNTERPART
REPUBLIC OF THE UNION OF MYANMAR
MINISTRY OF CONSTRUCTION
DEPARTMENT OF BRIDGE

JICA STUDY TEAM
NIPPON KOEI CO., LTD.
ORIENTAL CONSULTANTS GLOBAL CO., LTD.
METROPOLITAN EXPRESSWAY COMPANY LIMITED
CHODAI CO., LTD.
NIPPON ENGINEERING CONSULTANTS CO., LTD.

	NAME	SIGNATURE	DATE
PREPARED BY	M. OHYAMA	大山 満弘	15 Jun.2017
CHECKED BY	T. HAYAKAWA	平川 知寿	20 Jun.2017
APPROVED BY	Y. SANO	佐野 祐一	21 Jun.2017

DRAWING TITLE
TEMPORARY COFFERDAM
(REFERENCE DRAWING)

PACKAGE
1
DWG No.
P1-PB-4011

QUANTITY TABLE OF SUPERSTRUCTURE A1-P5 (REFERENCE DRAWING)

Structure Component	Work Item	Specification	Unit	Quantity			Remark
				A1-P5(L)	A1-P5(R)	Total	
Segment manufacture	Concrete	50 Mpa	m3	1731.0	1728.0	3459.0	
	Inner form		m2	2723.7	2725.1	5453.8	
	Edge form		m2	1135.3	1136.3	2272.6	
	Side form		m2	2107.4	2104.0	4211.4	
	Bottom form		m2	1397.9	1395.2	2793.1	
	PC Strands	3S12.7	kg	10383.0	10383.0	20766.0	Transverse Tendon for Slab
	Steel re-bar	SD345, D13	ton	125.7	126.6	253.3	
SD345, D16-D25		ton	132.8	132.8	265.6		
Pier head cast in place (include key segment)	Concrete	50 Mpa	m3	132.0	132.0	264.0	
	Form		m2	189.0	189.0	378.0	
Segment connection	Adhesive coating		m2	490.0	490.0	980.0	Adhesive (Apply to single side)
PC Tendon (Site Ccnstruction)	PC Strands	19S15.2	kg	42353.0	42284.0	84642.0	Logitudinal External Tendon
		12S15.2	kg	30677.0	30624.0	61301.0	Logitudinal Internal Tendon
		4S15.2	kg	262.0	262.0	524.0	Internal Tendon for Crossbeam
		3S12.7	kg	865.0	866.0	1732.0	Internal Tendon for Slab
	PC bar	φ32	kg	3900.0	3900.0	7800.0	PC bar for Crossbeam
Bearing	Elastomeric bearing	G 10	nos	0	0	0	920mm x 920mm x 224mm(Σte)
		G 10	nos	2	2	4	920mm x 920mm x 210mm(Σte)
		G 10	nos	2	2	4	920mm x 920mm x 180mm(Σte)
		G 10	nos	0	0	0	1220mm x 1220mm x 210mm(Σte)
		G 10	nos	4	4	8	1220mm x 1220mm x 180mm(Σte)
		G 10	nos	4	4	8	1220mm x 1220mm x 150mm(Σte)
Anchor Bar		S35CN, φ70, φ100	kg	2290.0	2290.0	4580.0	
Expansion joint		LR-6	m	10.2	10.2	20.4	Expansion Joint for A1
Wheel guard	Concrete	24 Mpa	m3	140.0	140.0	280.0	
	Form		m2	701.0	700.0	1401.0	
	Steel re-bar	SD345, D13	ton	10.2	10.2	20.4	
Waterproof			m2	2243.0	2244.0	4492.0	Spray Type
Drain pit			nos	13	13	26	
Drainage pipe	superstructure	VP200A	m	209.2	209.2	418.4	
	substructure	VP200A	m	60.0		60.0	
Manhole	Steel material	SS400	kg	90.2	90.2	180.4	Manhole at A1 & P5

QUANTITY TABLE OF SUBSTRUCTURE A1-P5 (REFERENCE DRAWING)

QUANTITY OF RC STRUCTURES A1-P5 (ABUTMENT AND PIERS)

Structure Component	Work Item	Specification	Unit	Quantity		Remark	
				Total of A1-P5			
Pier Column, Beam and Pile Cap(Reinforced Concrete Structure)	Concrete	$\sigma_{ck}=30N/mm^2$	m ³	953.9			
		$\sigma_{ck}=24N/mm^2$	m ³	3,538.1			
	Re-bar	SD345	D 13	kg	4,007.0		
			D16 ~ D25	kg	178,440.0		
			D29 ~ D32	kg	271,342.0		
			D 35	kg	—		
			D 38	kg	—		
			D 51	kg	—		
			Total	kg	453,789.0		
	SD390	D 25	kg	9,152.0			
	Mechanical splice	SD345	D 35	Point	—		
			D 38	Point	—		
			D 51	Point	—		
			Total	Point	—		
			SD390	D 38	Point	—	

QUANTITY OF CAST-IN-PLACE PILES A1-P5

Structure Component	Work Item	Specification	Unit	Quantity		Remark	
				Total of A1-P5			
Pier Column, Beam and Pile Cap(Reinforced Concrete Structure)	Concrete	$\sigma_{ck}=30N/mm^2$	m ³	953.9			
		$\sigma_{ck}=24N/mm^2$	m ³	3,538.1			
	Re-bar	SD345	D 13	kg	4,007.0		
			D16 ~ D25	kg	178,440.0		
			D29 ~ D32	kg	271,342.0		
			D 35	kg	—		
			D 38	kg	—		
			D 51	kg	—		
			Total	kg	453,789.0		
	SD390	D 25	kg	9,152.0			
	Mechanical splice	SD345	D 35	Point	—		
			D 38	Point	—		
			D 51	Point	—		
			Total	Point	—		
			SD390	D 38	Point	—	