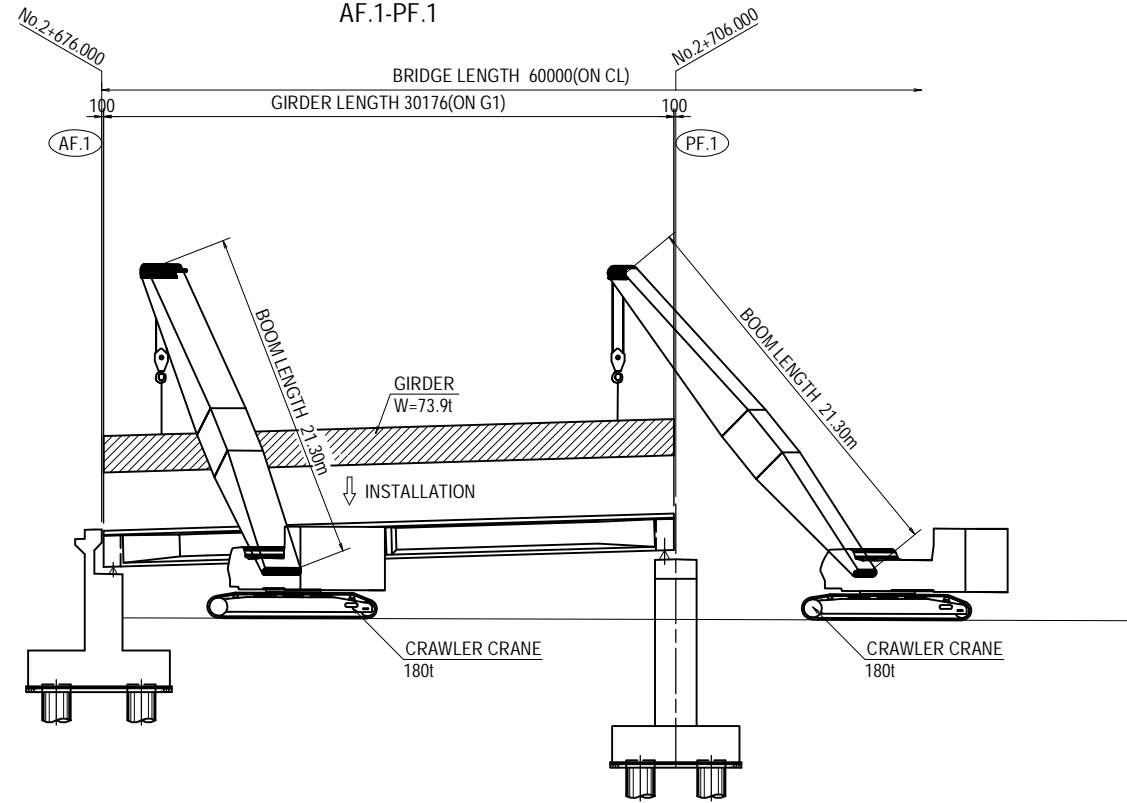


E. REFERENCE DRAWING

(REFERENCE) ERECTION PLAN FOR PC-I GIRDER (AF1-PF2) (1)

PROFILE S=1:400

AF.1-PF.1



CRAWLER CRANE 180t

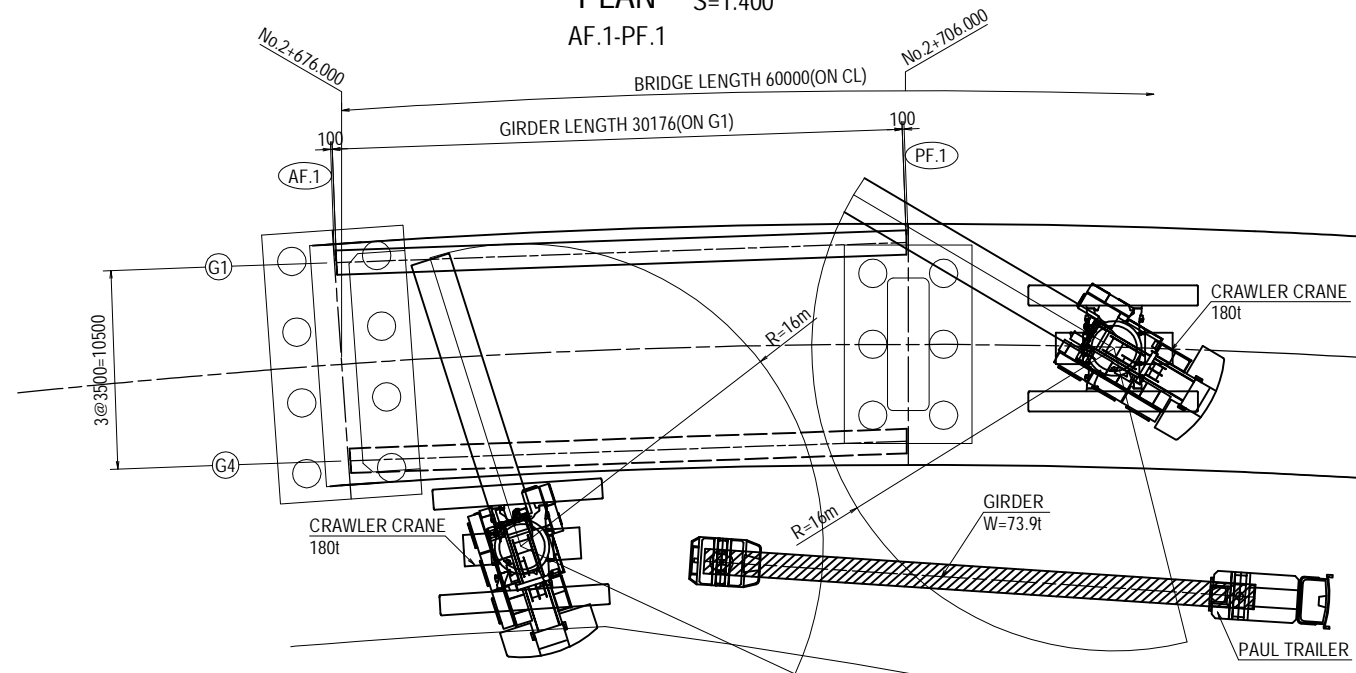
RATED LOAD TABLE		(UNIT:ton)		
WORKING RADIUS(m)	BOOM LENGTH(m)	ALL AROUND		
		18.30	21.30	24.40
14.00	47.70	47.60	47.40	
16.00	40.20	40.10	39.90	
18.00	—	34.40	34.20	
20.00	—	30.10	29.80	
22.00	—	—	26.50	

TERMS OF USE

- * COUNTER WEIGHT FITTED
- * HOOK WEIGHT & HANGING FIXTURE WEIGHT W=(1.2t)
- * WEIGHT GIRDER W=73.9t /NUMBER
- * OPERATIONAL RANGE

PLAN S=1:400

AF.1-PF.1



PROJECT NAME
DETAILED DESIGN ON
BAGO RIVER BRIDGE
CONSTRUCTION PROJECT

FINANCED BY
 JAPAN INTERNATIONAL
COOPERATION AGENCY

COUNTERPART
 REPUBLIC OF THE UNION OF MYANMAR
MINISTRY OF CONSTRUCTION
DEPARTMENT OF BRIDGE

JICA STUDY TEAM
 NIPPON KOEI CO., LTD.
 ORIENTAL CONSULTANTS GLOBAL CO., LTD.
 METROPOLITAN EXPRESSWAY COMPANY LIMITED
 CHODAI CO., LTD.
 NIPPON ENGINEERING CONSULTANTS CO., LTD.

	NAME	SIGNATURE	DATE
PREPARED BY	Y. SUZUKI		14 Jul. 2017
CHECKED BY	T. HAYAKAWA		20 Jul. 2017
APPROVED BY	Y. SANO		25 Jul. 2017

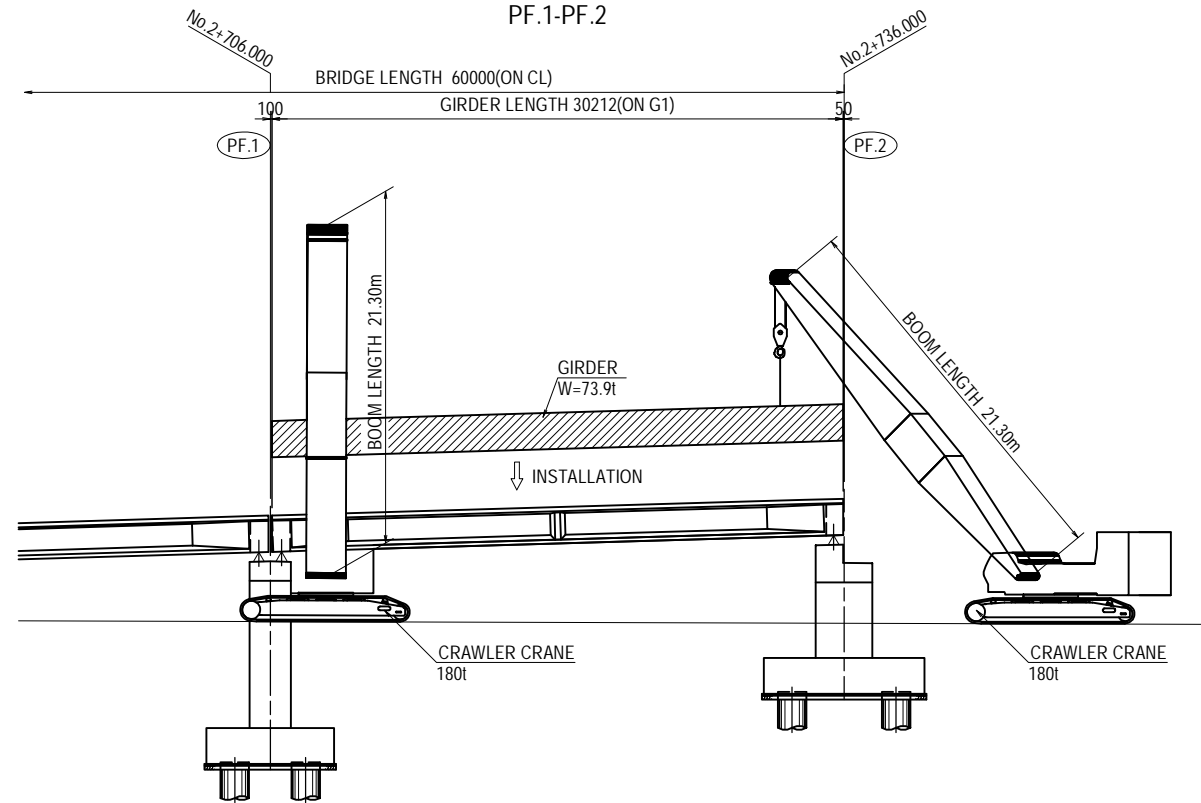
DRAWING TITLE
(REFERENCE) ERECTION PLAN FOR PC-I GIRDER
(AF1-PF2) (1)

PACKAGE
3
DWG No.
P3-REF-0001

(REFERENCE) ERECTION PLAN FOR PC-I GIRDER (AF1-PF2) (2)

PROFILE S=1:400

PF.1-PF.2



CRAWLER CRANE 180t

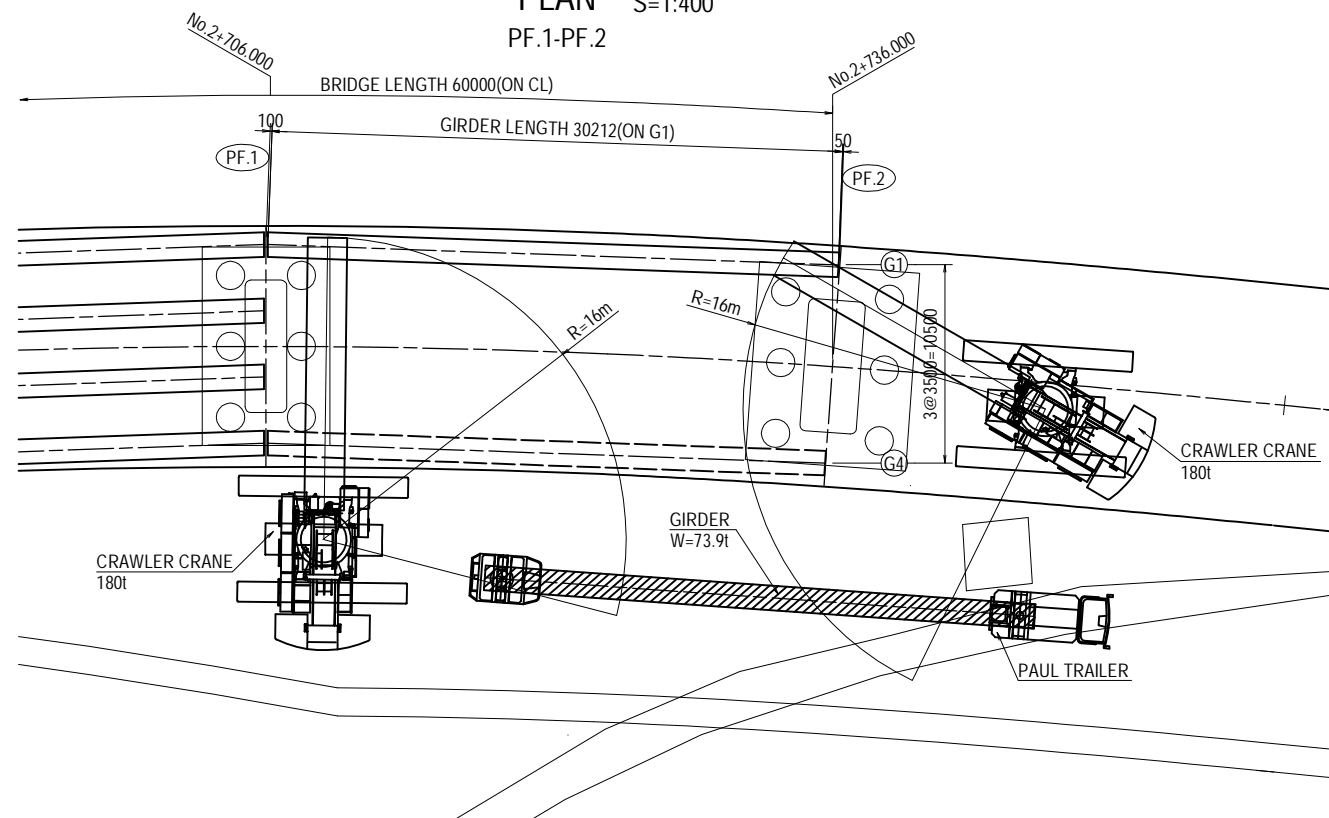
RATED LOAD TABLE		(UNIT:ton)		
WORKING RADIUS(m)	BOOM LENGTH(m)	ALL AROUND		
		18.30	21.30	24.40
14.00	47.70	47.60	47.40	
16.00	40.20	40.10	39.90	
18.00	—	34.40	34.20	
20.00	—	30.10	29.80	
22.00	—	—	26.50	

TERMS OF USE

- * COUNTER WEIGHT FITTED
- * HOOK WEIGHT & HANGING FIXTURE WEIGHT W=(1.2)
- * WEIGHT GIRDER W=73.9t /NUMBER
- * OPERATIONAL RANGE

PLAN S=1:400

PF.1-PF.2



PROJECT NAME
DETAILED DESIGN ON
BAGO RIVER BRIDGE
CONSTRUCTION PROJECT

FINANCED BY
 JAPAN INTERNATIONAL
COOPERATION AGENCY

COUNTERPART
 REPUBLIC OF THE UNION OF MYANMAR
MINISTRY OF CONSTRUCTION
DEPARTMENT OF BRIDGE

JICA STUDY TEAM
 NIPPON KOEI CO., LTD.
ORIENTAL CONSULTANTS GLOBAL CO., LTD.
METROPOLITAN EXPRESSWAY COMPANY LIMITED
CHODAI CO., LTD.
NIPPON ENGINEERING CONSULTANTS CO., LTD.

	NAME	SIGNATURE	DATE
PREPARED BY	Y. SUZUKI		14 Jul. 2017
CHECKED BY	T. HAYAKAWA		20 Jul. 2017
APPROVED BY	Y. SANO		25 Jul. 2017

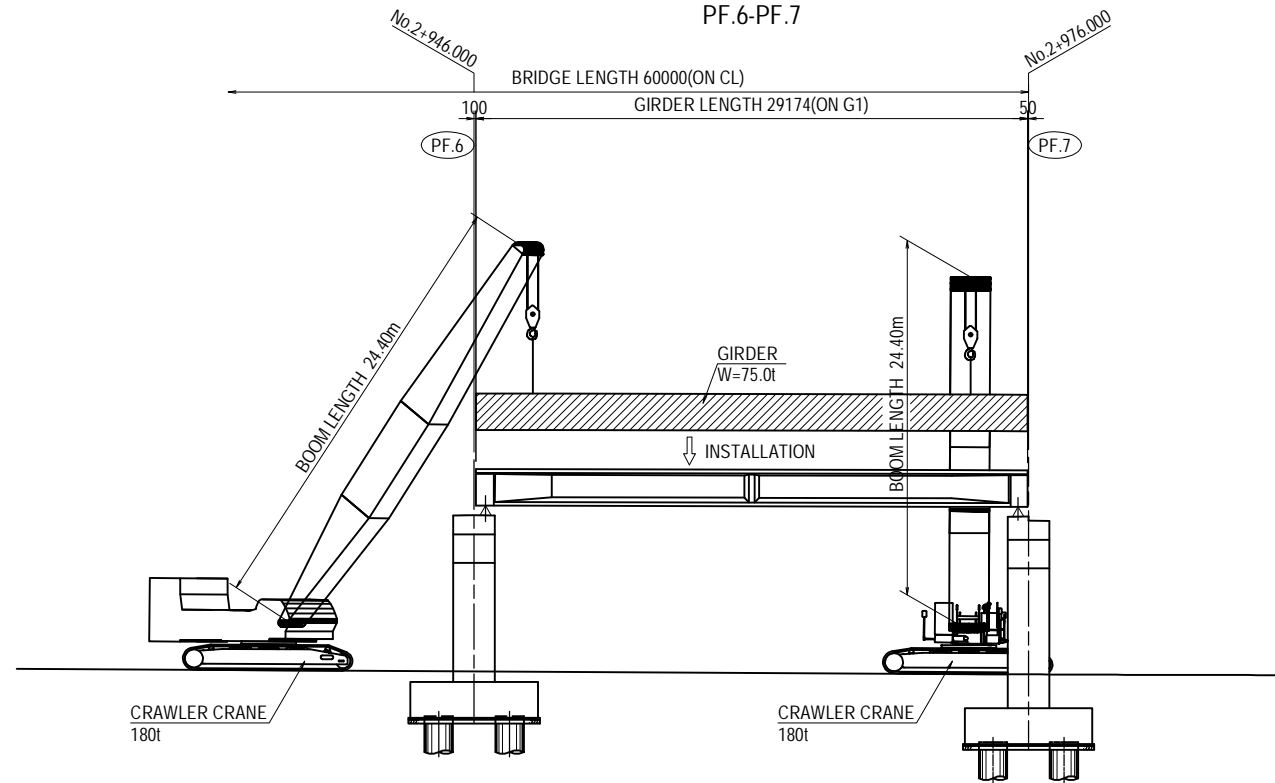
DRAWING TITLE
(REFERENCE) ERECTION PLAN FOR PC-I GIRDER
(AF1-PF2) (2)

PACKAGE
3
DWG No.
P3-REF-0002

(REFERENCE) ERECTION PLAN FOR PC-I GIRDER (PF5-PF7) (1)

PROFILE S=1:400

PF.6-PF.7



CRAWLER CRANE 180t

RATED LOAD TABLE (UNIT:ton)

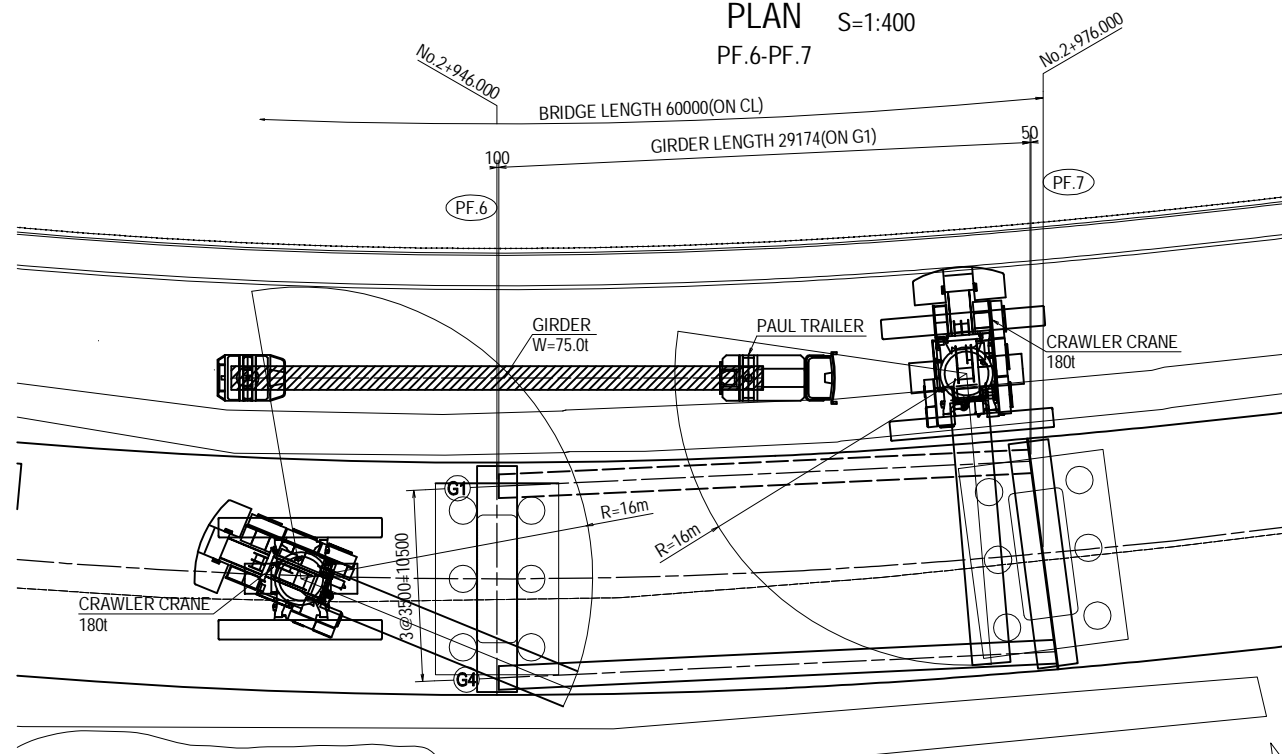
WORKING RADIUS(m)	BOOM LENGTH(m)	ALL AROUND		
		18.30	21.30	24.40
14.00	47.70	47.60	47.40	
16.00	40.20	40.10	39.90	
18.00	—	34.40	34.20	
20.00	—	30.10	29.80	
22.00	—	—	26.50	

TERMS OF USE

- * COUNTER WEIGHT FITTED
- * HOOK WEIGHT & HANGING FIXTURE WEIGHT W=(1.2t)
- * WEIGHT GIRDER W=75.0t /NUMBER
- * OPERATIONAL RANGE

PLAN S=1:400

PF.6-PF.7

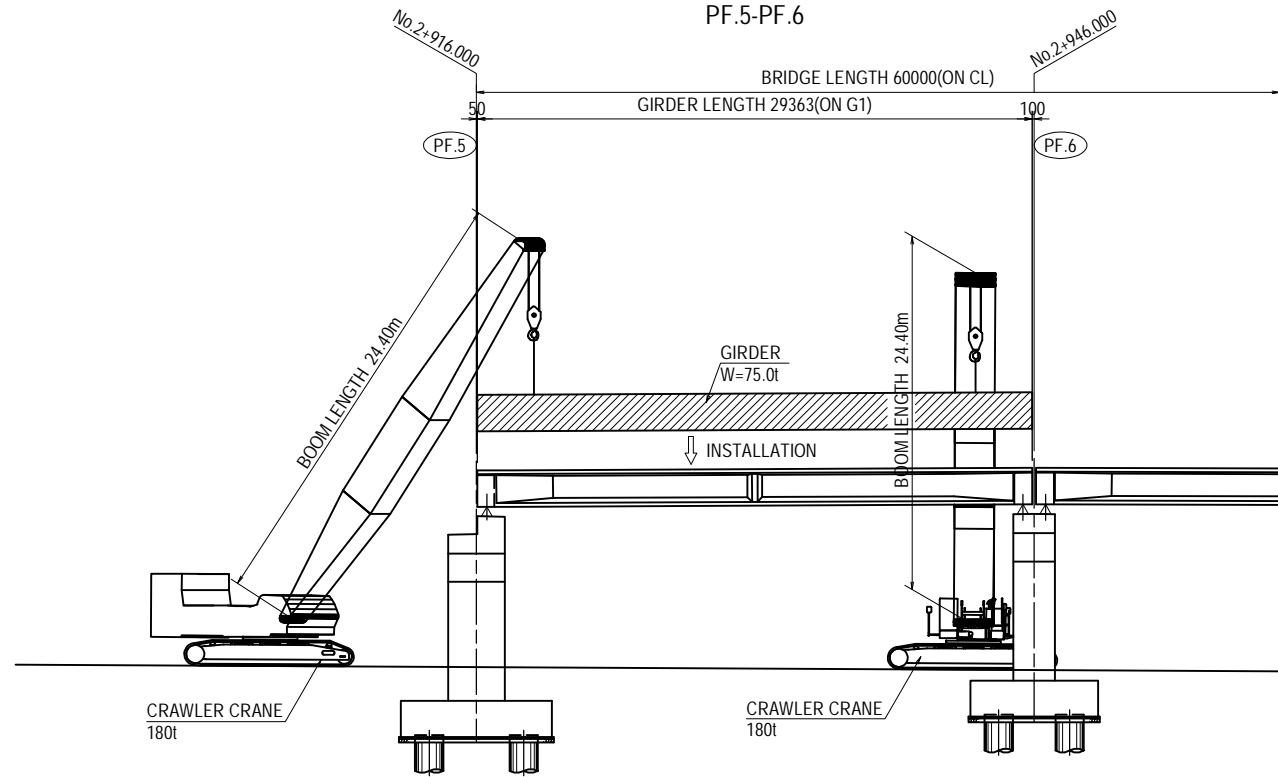


PROJECT NAME DETAILED DESIGN ON BAGO RIVER BRIDGE CONSTRUCTION PROJECT	FINANCED BY JAPAN INTERNATIONAL COOPERATION AGENCY	COUNTERPART REPUBLIC OF THE UNION OF MYANMAR MINISTRY OF CONSTRUCTION DEPARTMENT OF BRIDGE	JICA STUDY TEAM NIPPON KOEI CO., LTD. ORIENTAL CONSULTANTS GLOBAL CO., LTD. METROPOLITAN EXPRESSWAY COMPANY LIMITED CHODAI CO., LTD. NIPPON ENGINEERING CONSULTANTS CO., LTD.	NAME	SIGNATURE	DATE	DRAWING TITLE (REFERENCE) ERECTION PLAN FOR PC-I GIRDER (PF5-PF7) (1)	PACKAGE	
				PREPARED BY	Y. SUZUKI			14 Jul. 2017	3
				CHECKED BY	T. HAYAKAWA			20 Jul. 2017	DWG No.
				APPROVED BY	Y. SANO			25 Jul. 2017	P3-REF-0003

(REFERENCE) ERECTION PLAN FOR PC-I GIRDER (PF5-PF7) (2)

PROFILE S=1:400

PF.5-PF.6



CRAWLER CRANE 180t

RATED LOAD TABLE (UNIT:ton)

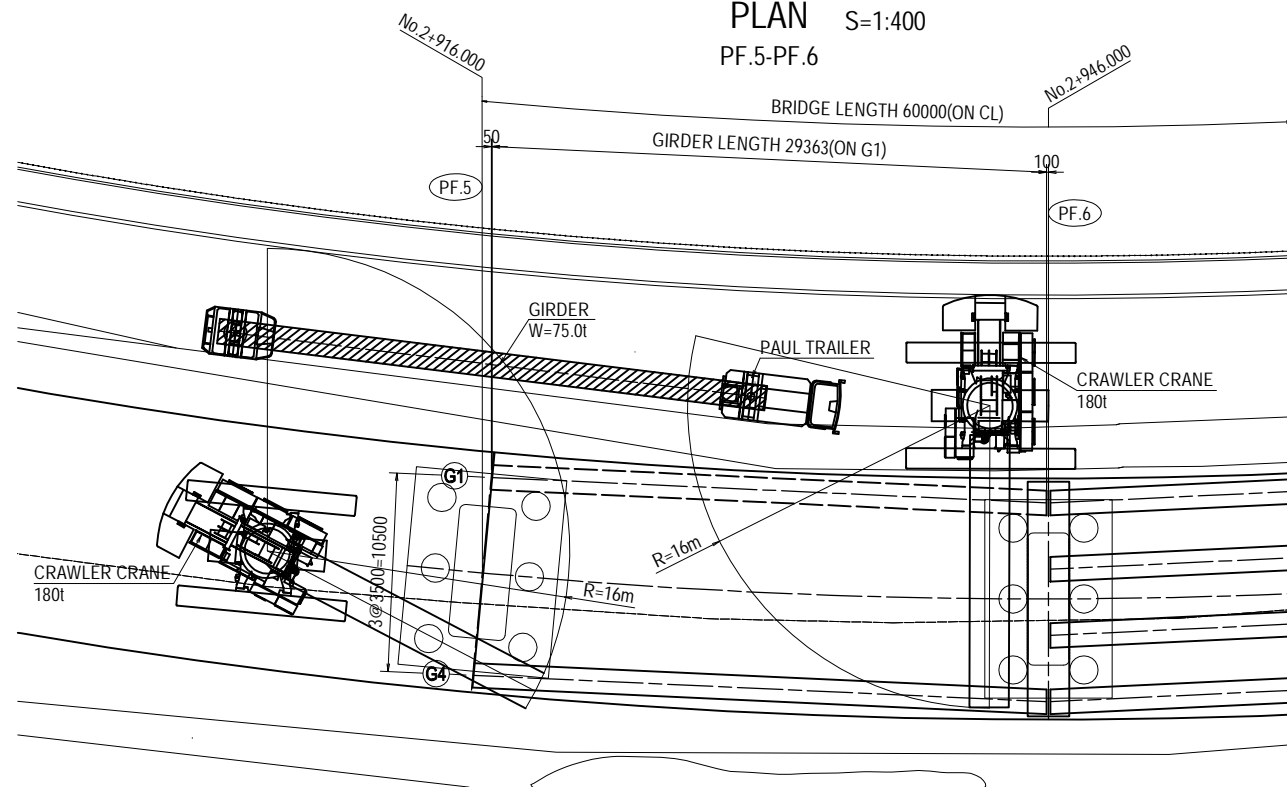
WORKING RADIUS(m)	BOOM LENGTH(m)	ALL AROUND		
		18.30	21.30	24.40
14.00	24.40	47.70	47.60	47.40
16.00	24.40	40.20	40.10	39.90
18.00	—	—	34.40	34.20
20.00	—	—	30.10	29.80
22.00	—	—	—	26.50

TERMS OF USE

- * COUNTER WEIGHT FITTED
- * HOOK WEIGHT & HANGING FIXTURE WEIGHT W=(1.2t)
- * WEIGHT GIRDER W=75.0t /NUMBER
- * OPERATIONAL RANGE

PLAN S=1:400

PF.5-PF.6

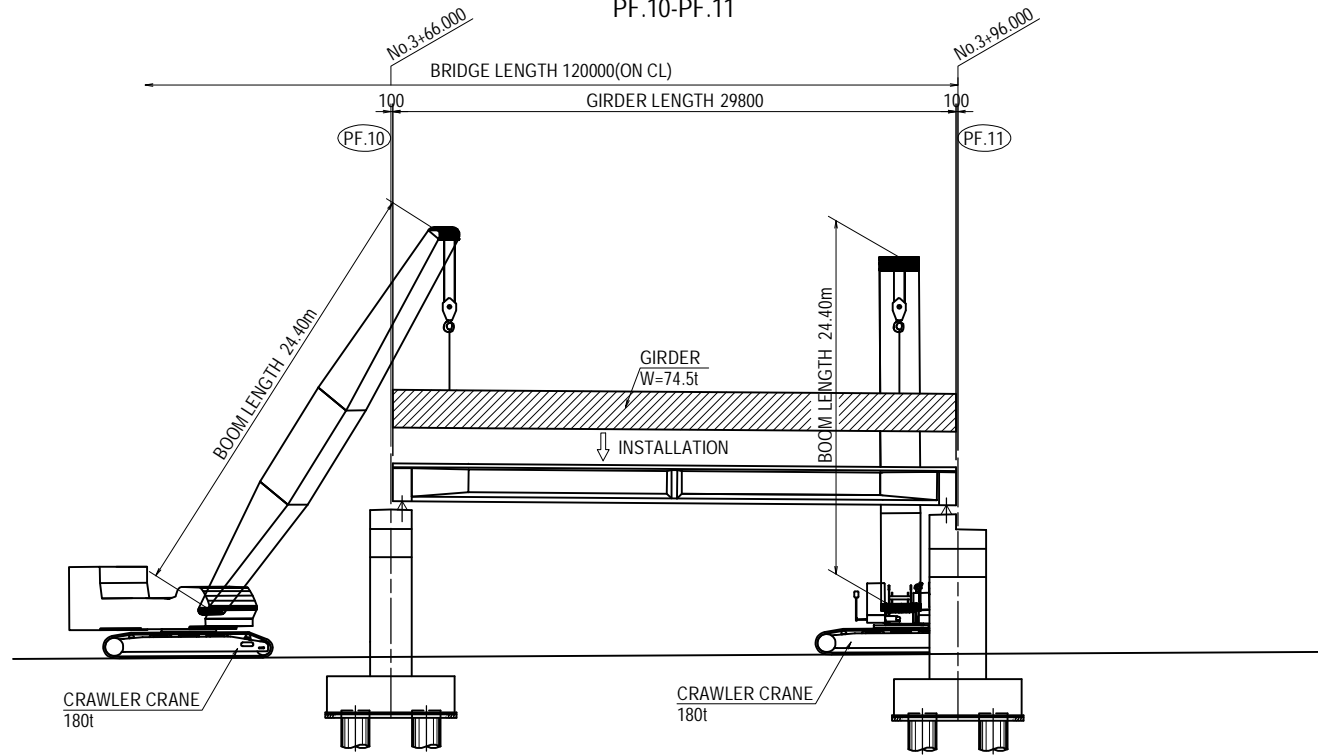


PROJECT NAME DETAILED DESIGN ON BAGO RIVER BRIDGE CONSTRUCTION PROJECT	FINANCED BY JAPAN INTERNATIONAL COOPERATION AGENCY	COUNTERPART REPUBLIC OF THE UNION OF MYANMAR MINISTRY OF CONSTRUCTION DEPARTMENT OF BRIDGE	JICA STUDY TEAM NIPPON KOEI CO., LTD. ORIENTAL CONSULTANTS GLOBAL CO., LTD. METROPOLITAN EXPRESSWAY COMPANY LIMITED CHODAI CO., LTD. NIPPON ENGINEERING CONSULTANTS CO., LTD.	NAME	SIGNATURE	DATE	DRAWING TITLE (REFERENCE) ERECTION PLAN FOR PC-I GIRDER (PF5-PF7) (2)	PACKAGE	
				PREPARED BY	Y. SUZUKI			14 Jul. 2017	3
				CHECKED BY	T. HAYAKAWA			20 Jul. 2017	DWG No.
				APPROVED BY	Y. SANO			25 Jul. 2017	P3-REF-0004

(REFERENCE) ERECTION PLAN FOR PC-I GIRDER (PF7-PF11) (1)

PROFILE S=1:400

PF.10-PF.11



CRAWLER CRANE 180t

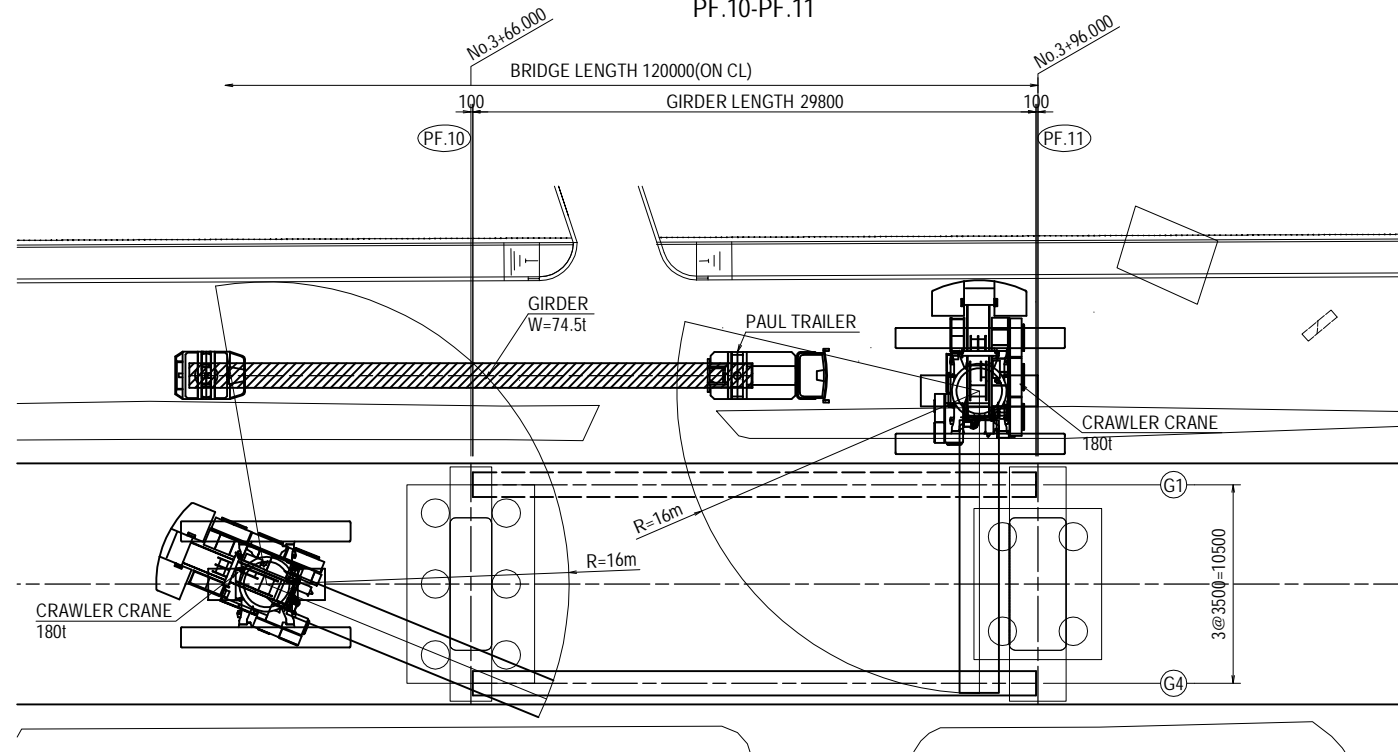
RATED LOAD TABLE		(UNIT:ton)		
WORKING RADIUS(m)	BOOM LENGTH(m)	ALL AROUND		
		18.30	21.30	24.40
14.00	24.40	47.70	47.60	47.40
16.00	24.40	40.20	40.10	39.90
18.00	—	—	34.40	34.20
20.00	—	—	30.10	29.80
22.00	—	—	—	26.50

TERMS OF USE

- * COUNTER WEIGHT FITTED
- * HOOK WEIGHT & HANGING FIXTURE WEIGHT W=(1.2t)
- * WEIGHT GIRDER W=74.5t /NUMBER
- * OPERATIONAL RANGE

PLAN S=1:400

PF.10-PF.11

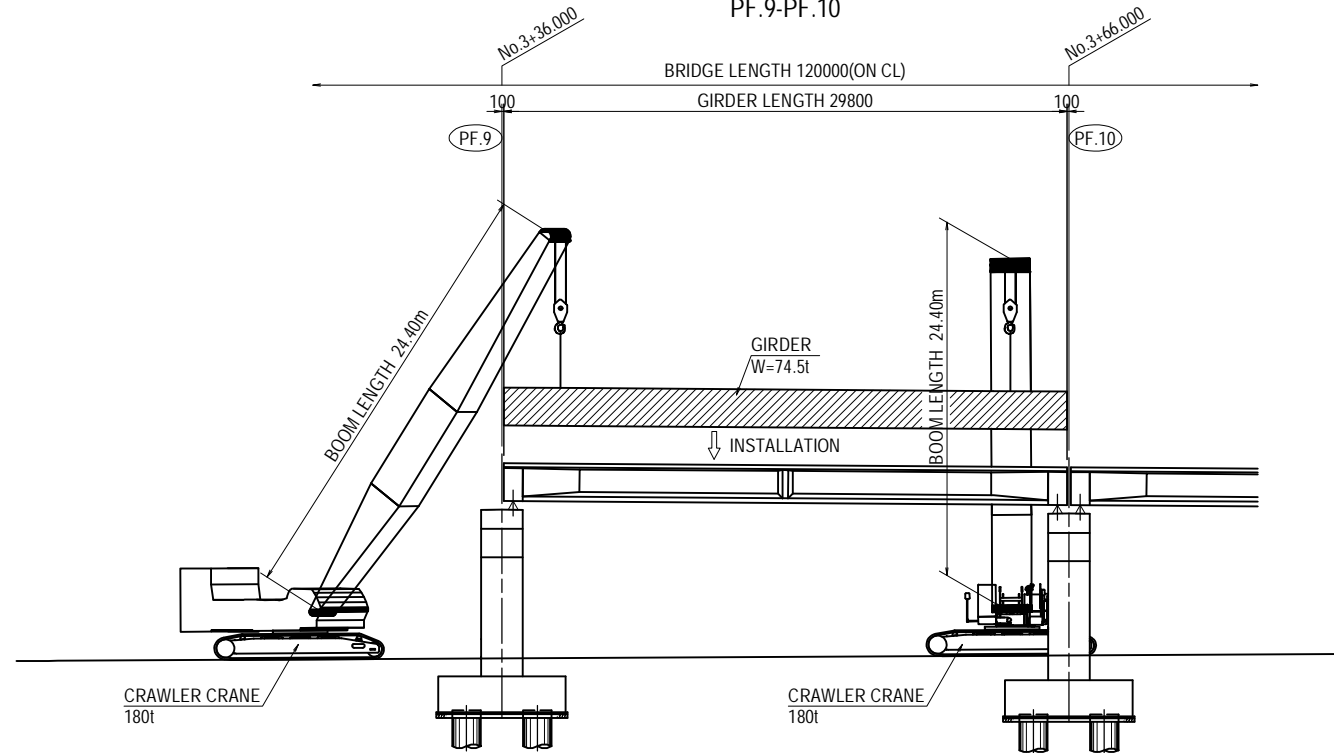


PROJECT NAME	FINANCED BY	COUNTERPART	JICA STUDY TEAM	NAME	SIGNATURE	DATE	DRAWING TITLE	PACKAGE
DETAILED DESIGN ON BAGO RIVER BRIDGE CONSTRUCTION PROJECT	JICA JAPAN INTERNATIONAL COOPERATION AGENCY	REPUBLIC OF THE UNION OF MYANMAR MINISTRY OF CONSTRUCTION DEPARTMENT OF BRIDGE	NIPPON KOEI CO., LTD. ORIENTAL CONSULTANTS GLOBAL CO., LTD. METROPOLITAN EXPRESSWAY COMPANY LIMITED CHODAI CO.,LTD. NIPPON ENGINEERING CONSULTANTS CO.,LTD.	Y. SUZUKI	<i>[Signature]</i>	14 Jul. 2017	(REFERENCE) ERECTION PLAN FOR PC-I GIRDER (PF7-PF11) (1)	3
				T. HAYAKAWA	<i>[Signature]</i>	20 Jul. 2017		DWG No.
				Y. SANO	<i>[Signature]</i>	25 Jul. 2017		P3-REF-0005

(REFERENCE) ERECTION PLAN FOR PC-I GIRDER (PF7-PF11) (2)

PROFILE S=1:400

PF.9-PF.10



CRAWLER CRANE 180t

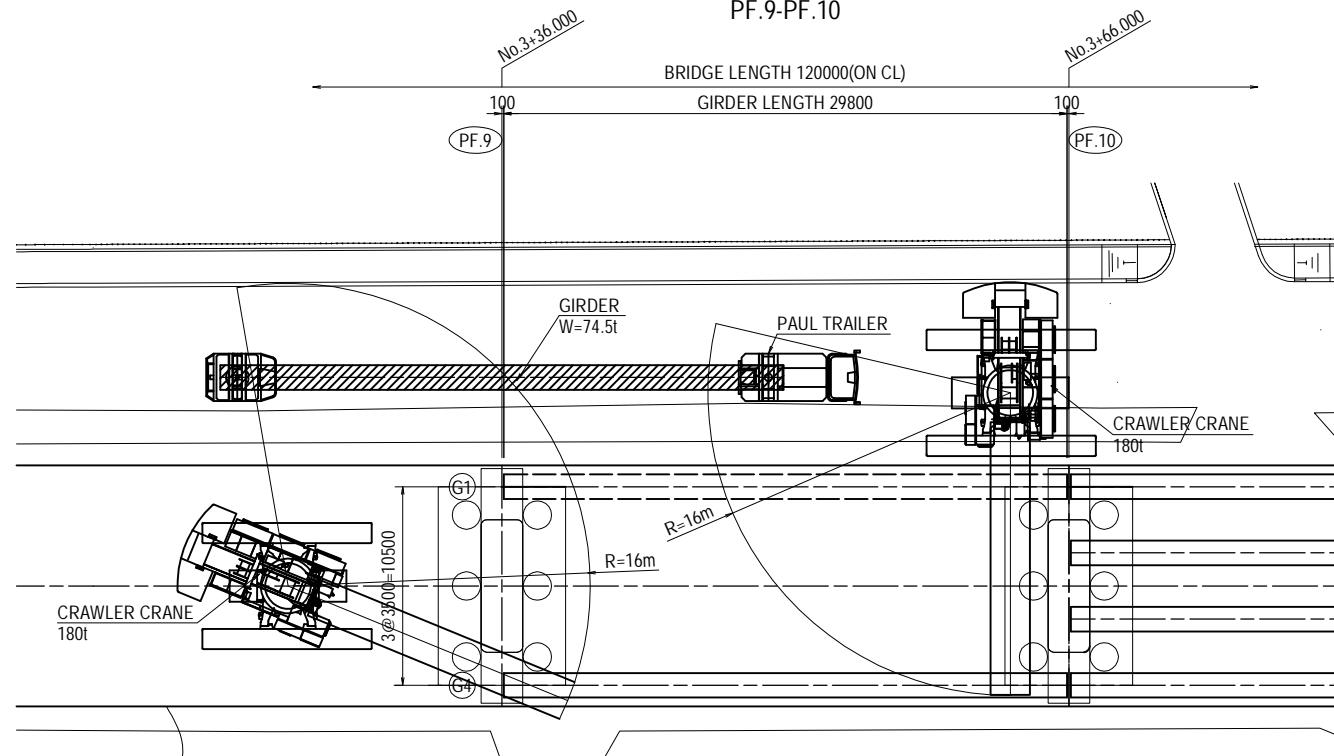
RATED LOAD TABLE		(UNIT:ton)		
WORKING RADIUS(m)	BOOM LENGTH(m)	ALL AROUND		
		18.30	21.30	24.40
14.00	24.40	47.70	47.60	47.40
16.00	24.40	40.20	40.10	39.90
18.00	24.40	—	34.40	34.20
20.00	24.40	—	30.10	29.80
22.00	24.40	—	—	26.50

TERMS OF USE

- * COUNTER WEIGHT FITTED
- * HOOK WEIGHT & HANGING FIXTURE WEIGHT W=(1.2t)
- * WEIGHT GIRDER W=74.5t /NUMBER
- * OPERATIONAL RANGE

PLAN S=1:400

PF.9-PF.10

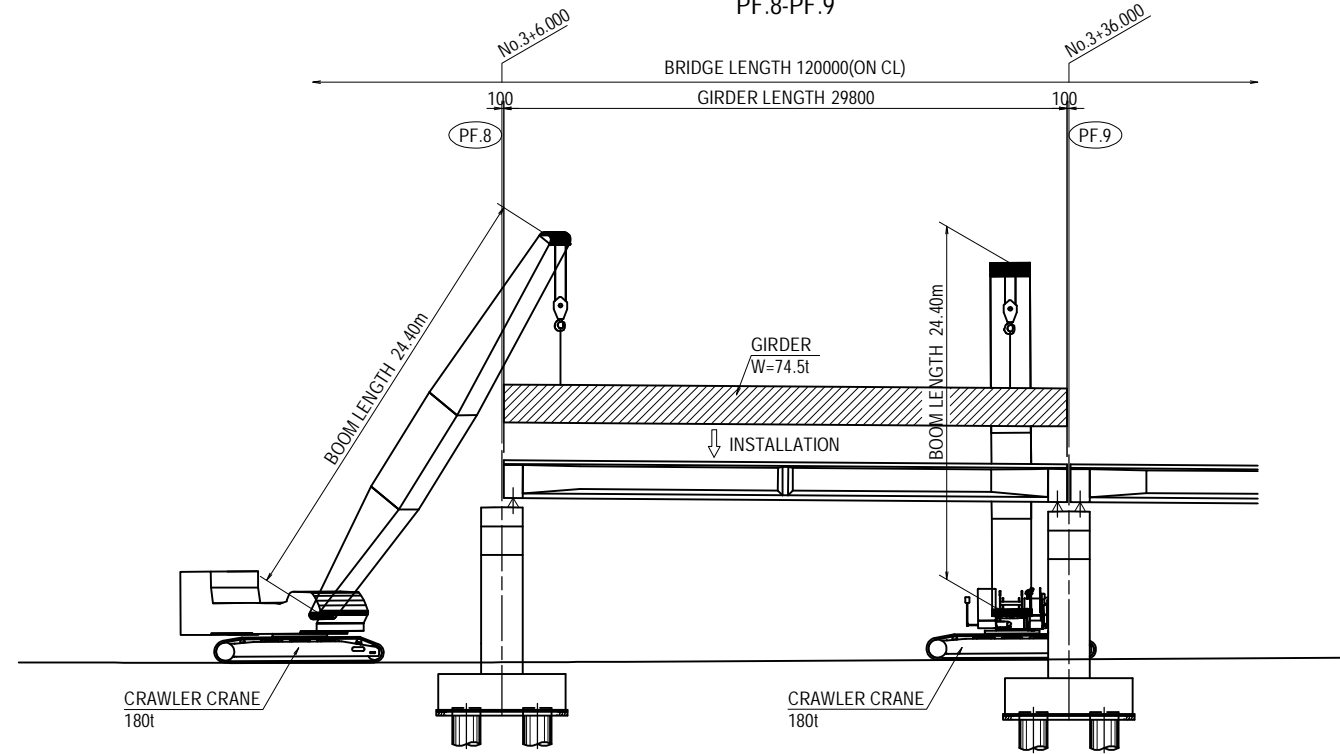


PROJECT NAME DETAILED DESIGN ON BAGO RIVER BRIDGE CONSTRUCTION PROJECT	FINANCED BY JAPAN INTERNATIONAL COOPERATION AGENCY	COUNTERPART REPUBLIC OF THE UNION OF MYANMAR MINISTRY OF CONSTRUCTION DEPARTMENT OF BRIDGE	JICA STUDY TEAM NIPPON KOEI CO., LTD. ORIENTAL CONSULTANTS GLOBAL CO., LTD. METROPOLITAN EXPRESSWAY COMPANY LIMITED CHODAI CO., LTD. NIPPON ENGINEERING CONSULTANTS CO., LTD.	NAME	SIGNATURE	DATE	DRAWING TITLE (REFERENCE) ERECTION PLAN FOR PC-I GIRDER (PF7-PF11) (2)	PACKAGE	
				PREPARED BY	Y. SUZUKI			14 Jul. 2017	3
				CHECKED BY	T. HAYAKAWA			20 Jul. 2017	DWG No.
				APPROVED BY	Y. SANO			25 Jul. 2017	P3-REF-0006

(REFERENCE) ERECTION PLAN FOR PC-I GIRDER (PF7-PF11) (3)

PROFILE S=1:400

PF.8-PF.9



CRAWLER CRANE 180t

RATED LOAD TABLE (UNIT:ton)

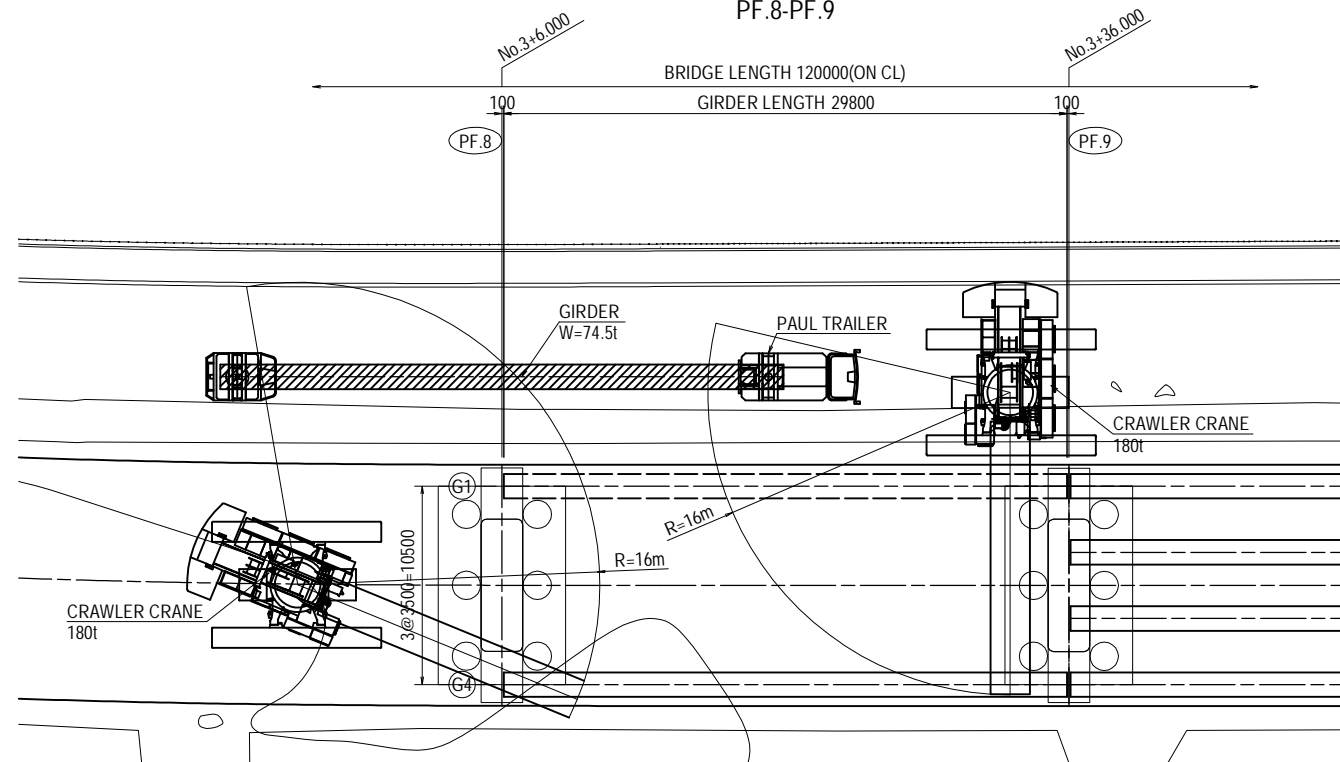
WORKING RADIUS(m)	BOOM LENGTH(m)	ALL AROUND		
		18.30	21.30	24.40
14.00	24.40	47.70	47.60	47.40
16.00	24.40	40.20	40.10	39.90
18.00	—	—	34.40	34.20
20.00	—	—	30.10	29.80
22.00	—	—	—	26.50

TERMS OF USE

- * COUNTER WEIGHT FITTED
- * HOOK WEIGHT & HANGING FIXTURE WEIGHT W=(1.2t)
- * WEIGHT GIRDER W=74.5t /NUMBER
- * OPERATIONAL RANGE

PLAN S=1:400

PF.8-PF.9

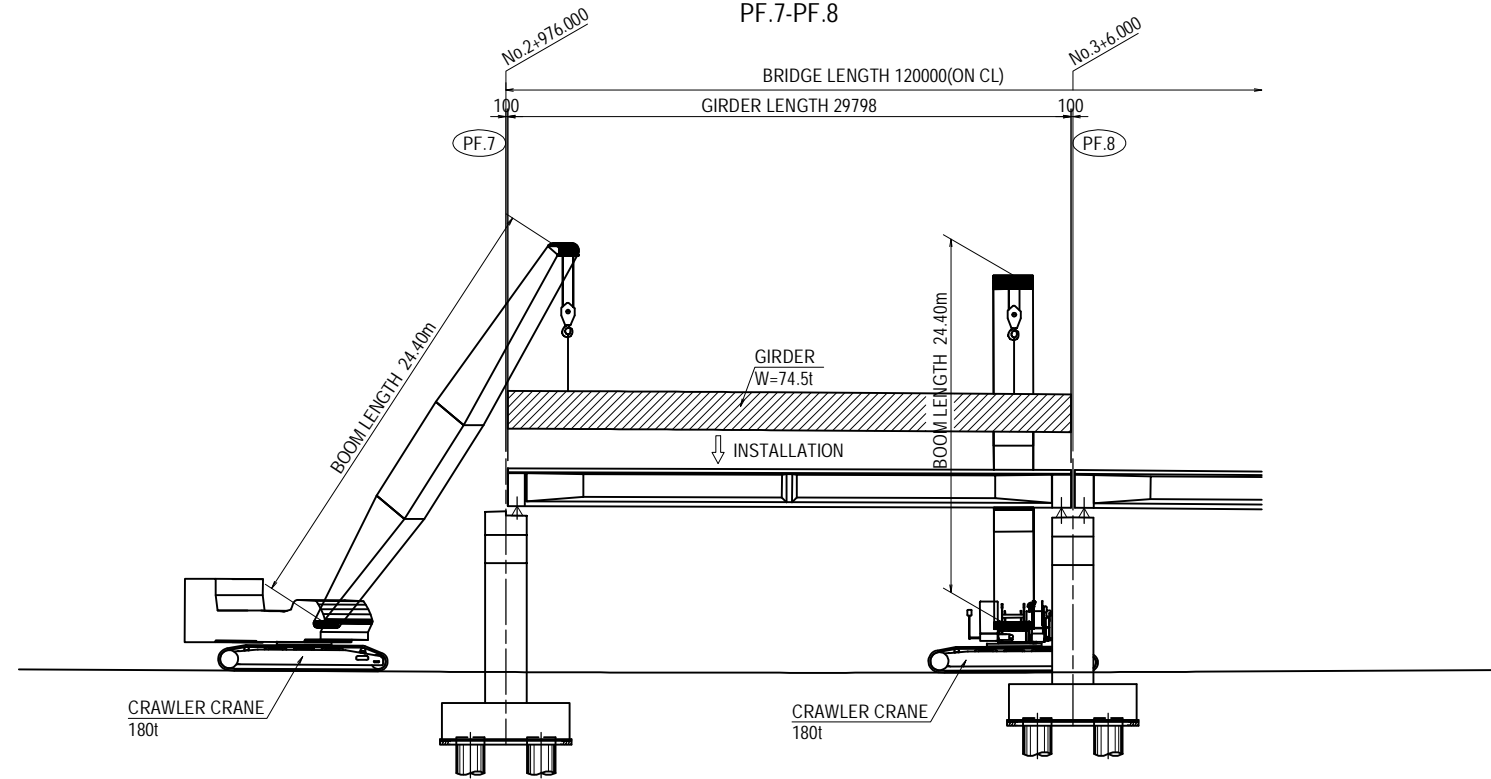


PROJECT NAME DETAILED DESIGN ON BAGO RIVER BRIDGE CONSTRUCTION PROJECT	FINANCED BY JAPAN INTERNATIONAL COOPERATION AGENCY	COUNTERPART REPUBLIC OF THE UNION OF MYANMAR MINISTRY OF CONSTRUCTION DEPARTMENT OF BRIDGE	JICA STUDY TEAM NIPPON KOEI CO., LTD. ORIENTAL CONSULTANTS GLOBAL CO., LTD. METROPOLITAN EXPRESSWAY COMPANY LIMITED CHODAI CO.,LTD. NIPPON ENGINEERING CONSULTANTS CO.,LTD.	NAME	SIGNATURE	DATE	DRAWING TITLE (REFERENCE) ERECTION PLAN FOR PC-I GIRDER (PF7-PF11) (3)	PACKAGE	
				PREPARED BY	Y.SUZUKI			14 Jul. 2017	3
				CHECKED BY	T. HAYAKAWA			20 Jul. 2017	DWG No.
				APPROVED BY	Y. SANO			25 Jul. 2017	P3-REF-0007

(REFERENCE) ERECTION PLAN FOR PC-I GIRDER (PF7-PF11) (4)

PROFILE S=1:400

PF.7-PF.8



CRAWLER CRANE 180t

RATED LOAD TABLE (UNIT:ton)

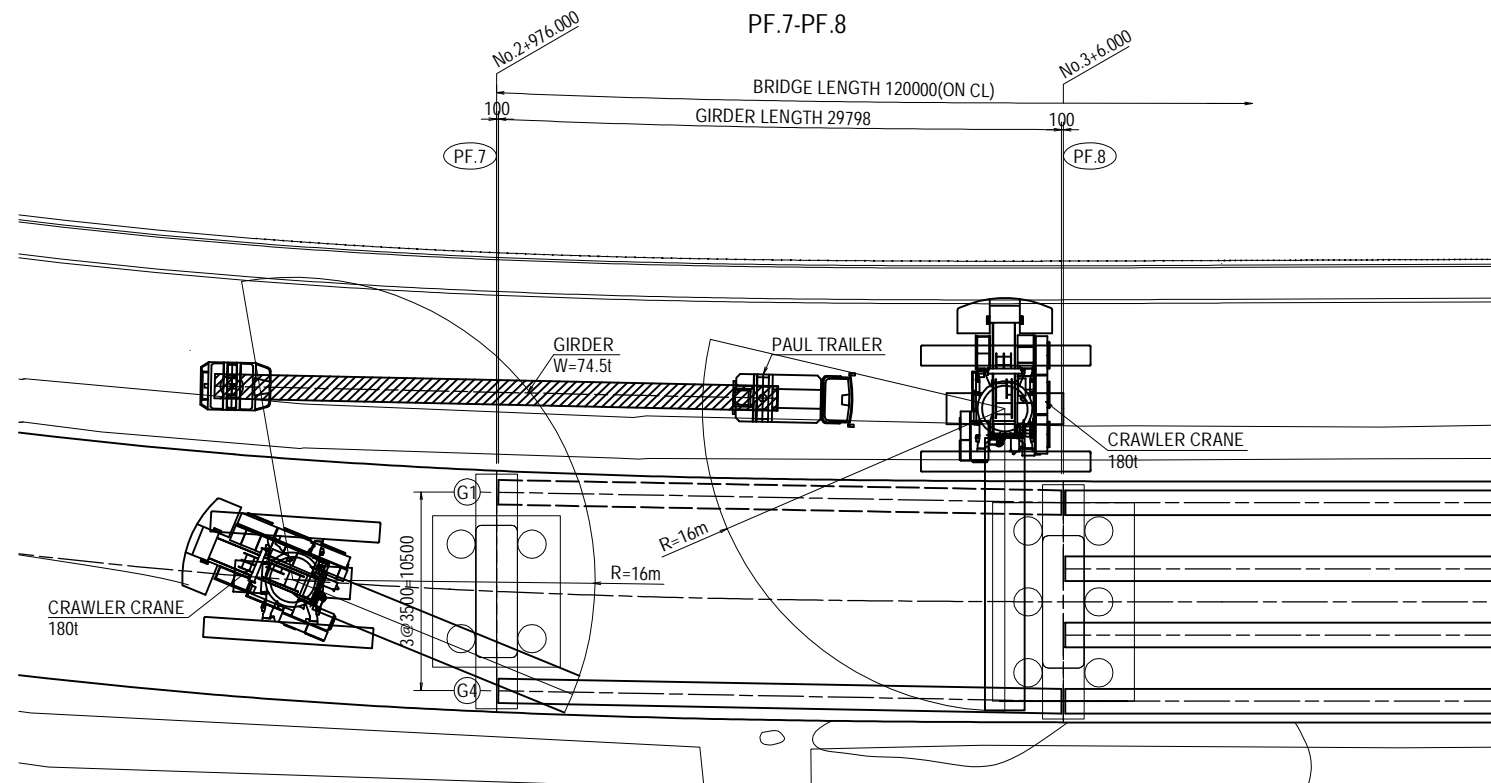
WORKING RADIUS(m)	BOOM LENGTH(m)	ALL AROUND		
		18.30	21.30	24.40
14.00	24.40	47.70	47.60	47.40
16.00	24.40	40.20	40.10	39.90
18.00	—	—	34.40	34.20
20.00	—	—	30.10	29.80
22.00	—	—	—	26.50

TERMS OF USE

- * COUNTER WEIGHT FITTED
- * HOOK WEIGHT & HANGING FIXTURE WEIGHT W=(1.2t)
- * WEIGHT GIRDER W=74.5t /NUMBER
- * OPERATIONAL RANGE

PLAN S=1:400

PF.7-PF.8



PROJECT NAME
DETAILED DESIGN ON
BAGO RIVER BRIDGE
CONSTRUCTION PROJECT

FINANCED BY
 JAPAN INTERNATIONAL
COOPERATION AGENCY

COUNTERPART
 REPUBLIC OF THE UNION OF MYANMAR
MINISTRY OF CONSTRUCTION
DEPARTMENT OF BRIDGE

JICA STUDY TEAM
 NIPPON KOEI CO., LTD.
ORIENTAL CONSULTANTS GLOBAL CO., LTD.
METROPOLITAN EXPRESSWAY COMPANY LIMITED
CHODAI CO., LTD.
NIPPON ENGINEERING CONSULTANTS CO., LTD.

	NAME	SIGNATURE	DATE
PREPARED BY	Y. SUZUKI		14 Jul. 2017
CHECKED BY	T. HAYAKAWA		20 Jul. 2017
APPROVED BY	Y. SANO		25 Jul. 2017

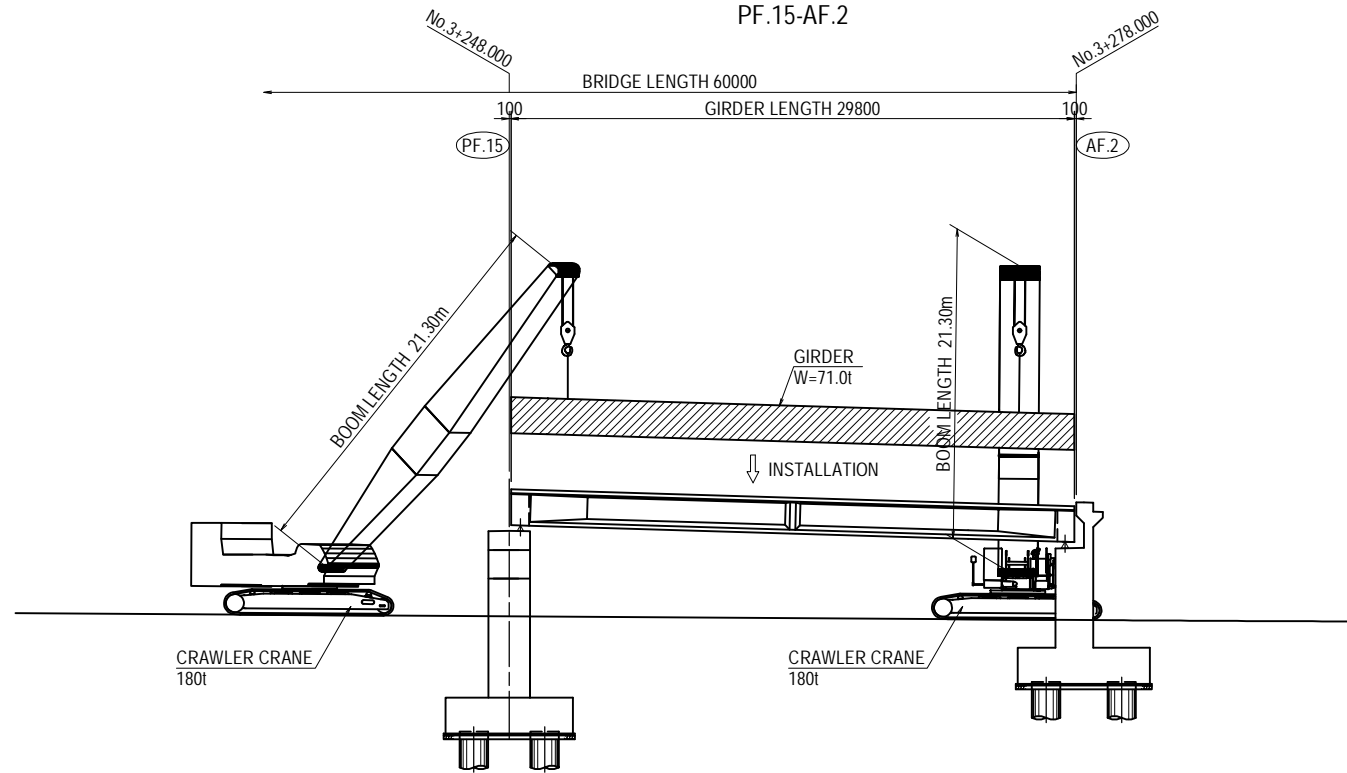
DRAWING TITLE
(REFERENCE) ERECTION PLAN FOR PC-I GIRDER
(PF7-PF11) (4)

PACKAGE
3
DWG No.
P3-REF-0008

ERECTION PLAN FOR PC-I GIRDER (PF14-AF2) (REFERENCE) (1)

PROFILE S=1:400

PF.15-AF.2



CRAWLER CRANE 180t

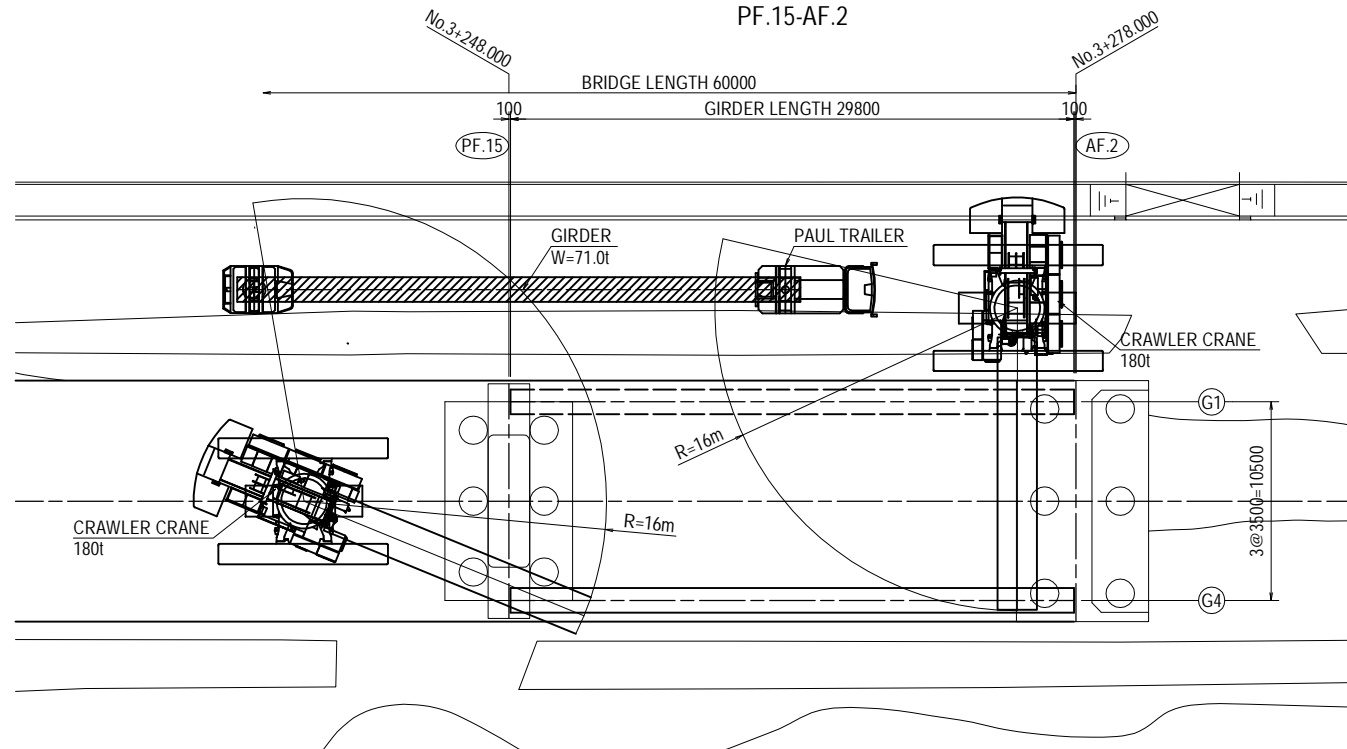
RATED LOAD TABLE		(UNIT:ton)		
WORKING RADIUS(m)	BOOM LENGTH(m)	ALL AROUND		
		18.30	21.30	24.40
14.00	47.70	47.60	47.40	
16.00	40.20	40.10	39.90	
18.00	—	34.40	34.20	
20.00	—	30.10	29.80	
22.00	—	—	26.50	

TERMS OF USE

- * COUNTER WEIGHT FITTED
- * HOOK WEIGHT & HANGING FIXTURE WEIGHT W=(1.2t)
- * WEIGHT GIRDER W=71.0t /NUMBER
- * OPERATIONAL RANGE

PLAN S=1:400

PF.15-AF.2

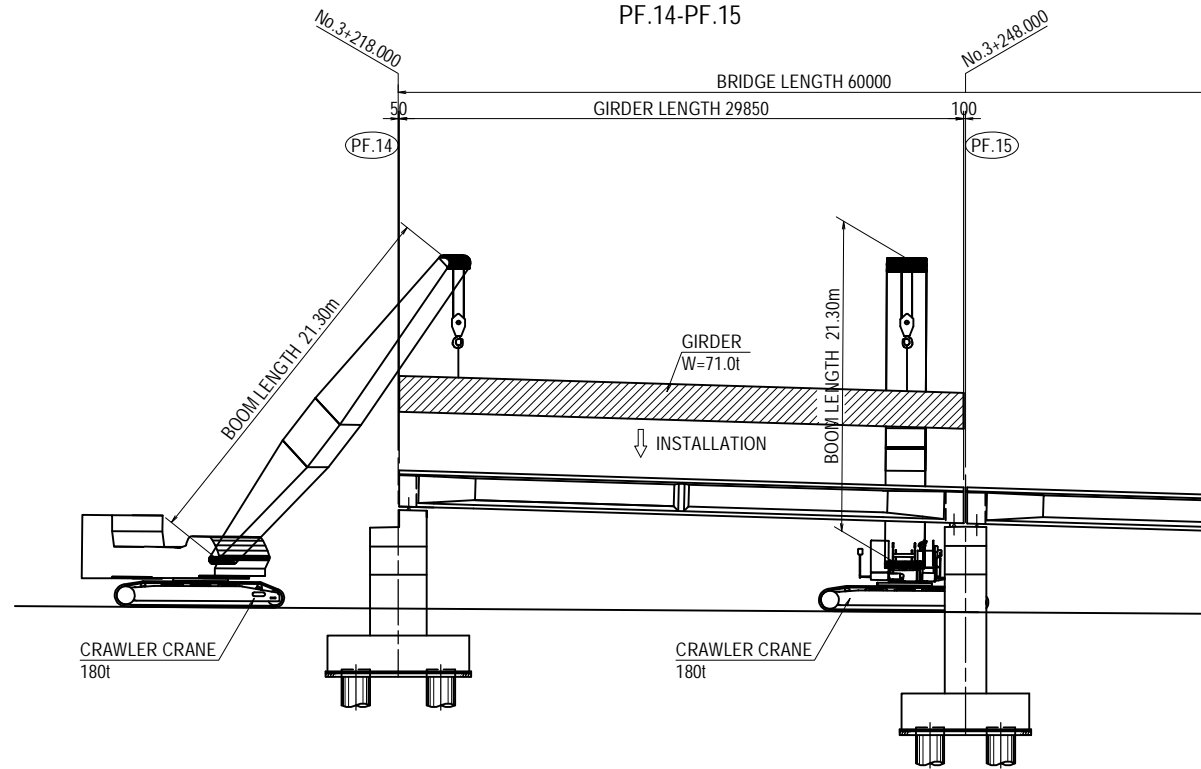


<small>PROJECT NAME</small> DETAILED DESIGN ON BAGO RIVER BRIDGE CONSTRUCTION PROJECT	<small>FINANCED BY</small> JAPAN INTERNATIONAL COOPERATION AGENCY	<small>COUNTERPART</small> REPUBLIC OF THE UNION OF MYANMAR MINISTRY OF CONSTRUCTION DEPARTMENT OF BRIDGE	<small>JICA STUDY TEAM</small> NIPPON KOEI CO., LTD. ORIENTAL CONSULTANTS GLOBAL CO., LTD. METROPOLITAN EXPRESSWAY COMPANY LIMITED CHODAI CO., LTD. NIPPON ENGINEERING CONSULTANTS CO., LTD.	NAME Y. SUZUKI T. HAYAKAWA Y. SANO	SIGNATURE 	DATE 14 Jul. 2017 20 Jul. 2017 25 Jul. 2017	DRAWING TITLE (REFERENCE) ERECTION PLAN FOR PC-I GIRDER (PF14-AF2) (1)	PACKAGE 3 DWG No. P3-REF-0009
--	---	--	---	---	-----------------------	--	--	--

(REFERENCE) ERECTION PLAN FOR PC-I GIRDER (PF14-AF2) (2)

PROFILE S=1:400

PF.14-PF.15



CRAWLER CRANE 180t

RATED LOAD TABLE (UNIT:ton)

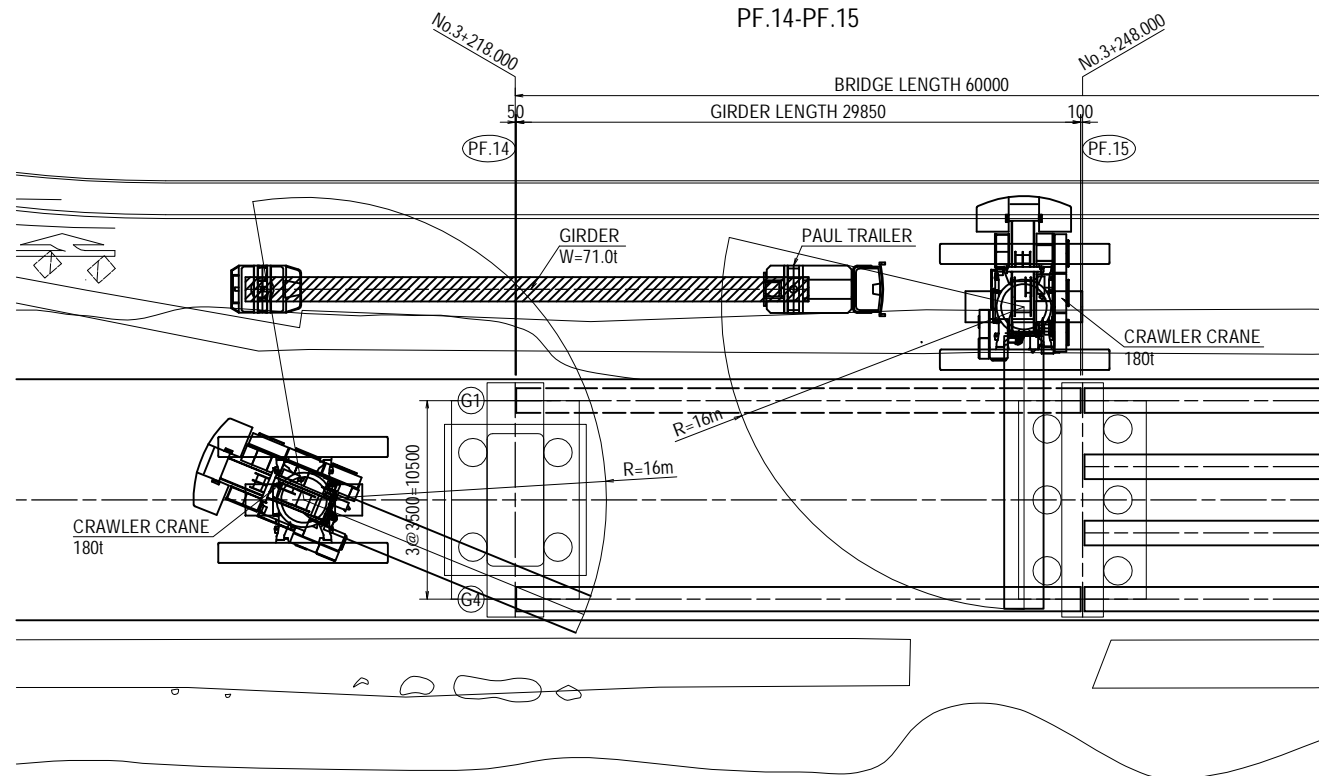
WORKING RADIUS(m)	BOOM LENGTH(m)	ALL AROUND		
		18.30	21.30	24.40
14.00	21.80	47.70	47.60	47.40
16.00	21.80	40.20	40.10	39.90
18.00	21.80	—	34.40	34.20
20.00	21.80	—	30.10	29.80
22.00	21.80	—	—	26.50

TERMS OF USE

- * COUNTER WEIGHT FITTED
- * HOOK WEIGHT & HANGING FIXTURE WEIGHT W=(1.2t)
- * WEIGHT GIRDER W=71.0t /NUMBER
- * OPERATIONAL RANGE

PLAN S=1:400

PF.14-PF.15



PROJECT NAME
DETAILED DESIGN ON
BAGO RIVER BRIDGE
CONSTRUCTION PROJECT

FINANCED BY
 JAPAN INTERNATIONAL
COOPERATION AGENCY

COUNTERPART
 REPUBLIC OF THE UNION OF MYANMAR
MINISTRY OF CONSTRUCTION
DEPARTMENT OF BRIDGE

JICA STUDY TEAM
 NIPPON KOEI CO., LTD.
ORIENTAL CONSULTANTS GLOBAL CO., LTD.
METROPOLITAN EXPRESSWAY COMPANY LIMITED
CHODAI CO., LTD.
NIPPON ENGINEERING CONSULTANTS CO., LTD.

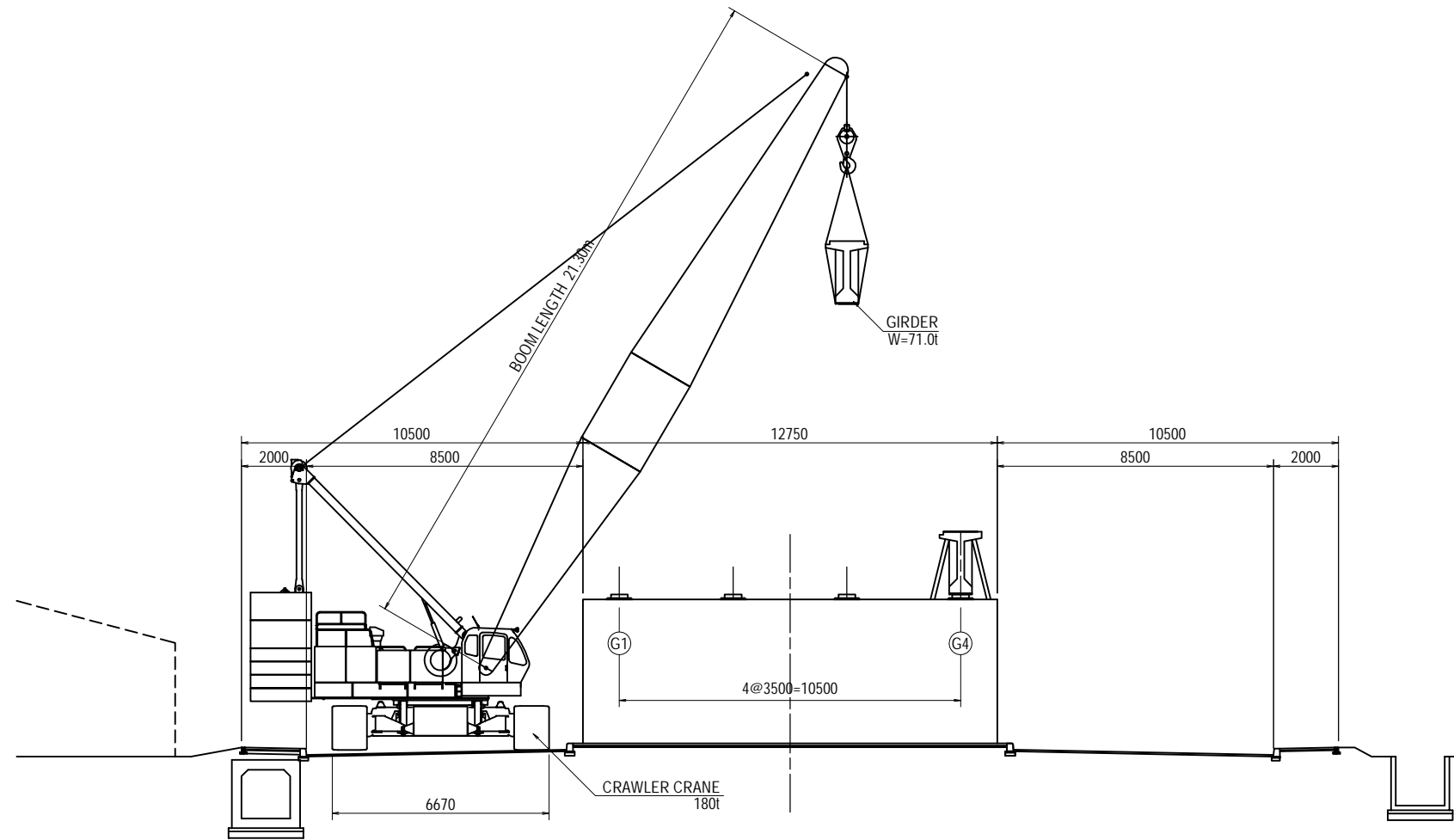
	NAME	SIGNATURE	DATE
PREPARED BY	Y. SUZUKI		14 Jul. 2017
CHECKED BY	T. HAYAKAWA		20 Jul. 2017
APPROVED BY	Y. SANO		25 Jul. 2017

DRAWING TITLE
(REFERENCE) ERECTION PLAN FOR PC-I GIRDER
(PF14-AF2) (2)

PACKAGE
3
DWG No.
P3-REF-0010

(REFERENCE) ERECTION PLAN OF CROSS SECTION FOR PC-I GIRDER

CROSS SECTION S=1:200



CRAWLER CRANE 180t

RATED LOAD TABLE (UNIT:ton)

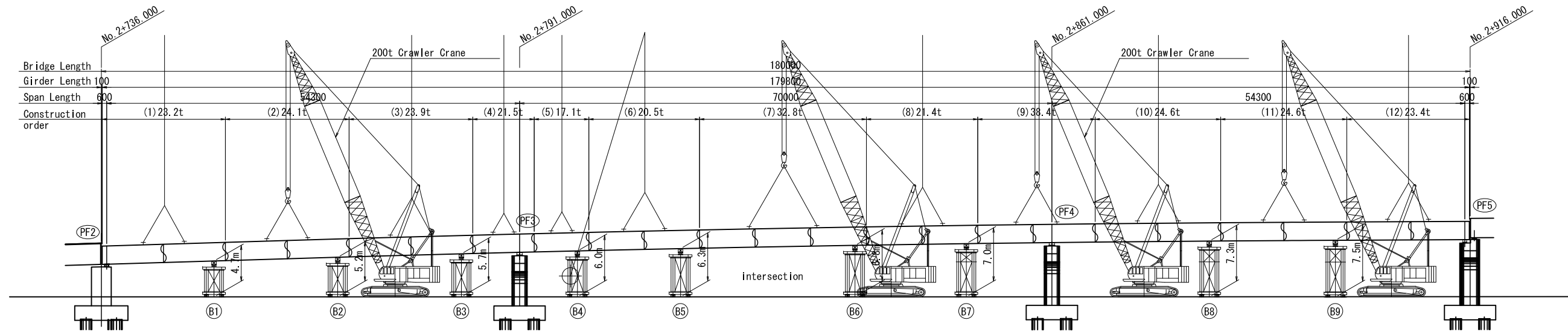
WORKING RADIUS(m)	BOOM LENGTH(m)	ALL AROUND		
		18.30	21.30	24.40
14.00		47.70	47.60	47.40
16.00		40.20	40.10	39.90
18.00		—	34.40	34.20
20.00		—	30.10	29.80
22.00		—	—	26.50

- TERMS OF USE
- * COUNTER WEIGHT FITTED
 - * HOOK WEIGHT & HANGING FIXTURE WEIGHT W=(1.2t)
 - * WEIGHT GIRDER W=71.0t /NUMBER
 - * OPERATIONAL RANGE

PROJECT NAME DETAILED DESIGN ON BAGO RIVER BRIDGE CONSTRUCTION PROJECT	FINANCED BY JAPAN INTERNATIONAL COOPERATION AGENCY	COUNTERPART REPUBLIC OF THE UNION OF MYANMAR MINISTRY OF CONSTRUCTION DEPARTMENT OF BRIDGE	JICA STUDY TEAM NIPPON KOEI CO., LTD. ORIENTAL CONSULTANTS GLOBAL CO., LTD. METROPOLITAN EXPRESSWAY COMPANY LIMITED CHODAI CO., LTD. NIPPON ENGINEERING CONSULTANTS CO., LTD.	NAME	SIGNATURE	DATE	DRAWING TITLE (REFERENCE) ERECTION PLAN OF CROSS SECTION FOR PC-I GIRDER	PACKAGE	
				PREPARED BY	Y. SUZUKI			14 Jul. 2017	3
				CHECKED BY	T. HAYAKAWA			20 Jul. 2017	DWG No.
				APPROVED BY	Y. SANO			25 Jul. 2017	P3-REF-0011

(REFERENCE)ERECTION PLAN FOR STEEL BOX GIRDER(PF2-PF5) S=1:600

SIDE VIEW



200tCRAWLER CRANE

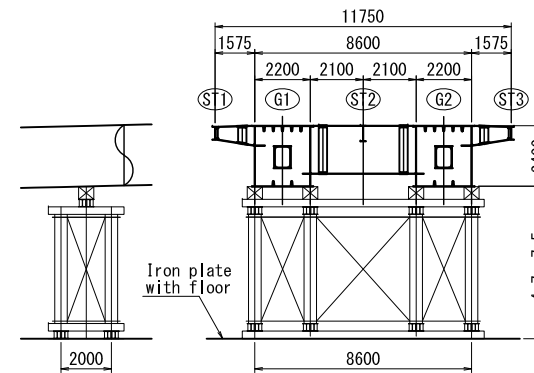
Working Radius (m)	Boom Length (m)		
	L= 33.5 m	L= 36.6 m	
14.0	71.9 t	71.8 t	
16.0	59.8 t	59.7 t	
18.0	50.9 t	50.8 t	
20.0	44.2 t	44.1 t	>38.4t+1.2t=39.6t
22.0	39.0 t	38.8 t	>32.8t+1.2t=34.0t
24.0	34.7 t	34.6 t	

(Hook Weight 1.20 t)

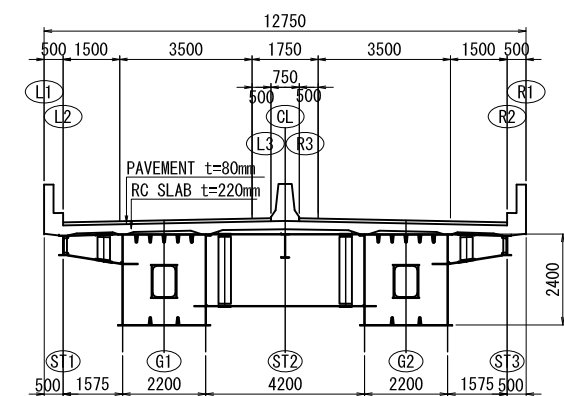
Procedure of Erection

1. Preparation work
2. Install Bents
3. Bearing Setting
4. Erection
 - 1) Field Preassembly of Girders
 - 2) Erection of Girders by Crawler Crane
Install in order from Block(1) to (12)
 - 3) Scaffolding work
 - 4) tightening the bolts
5. Demolition of the Bents
6. Installation of Bearing
7. Demolition of Scaffold
8. Clearance of Site

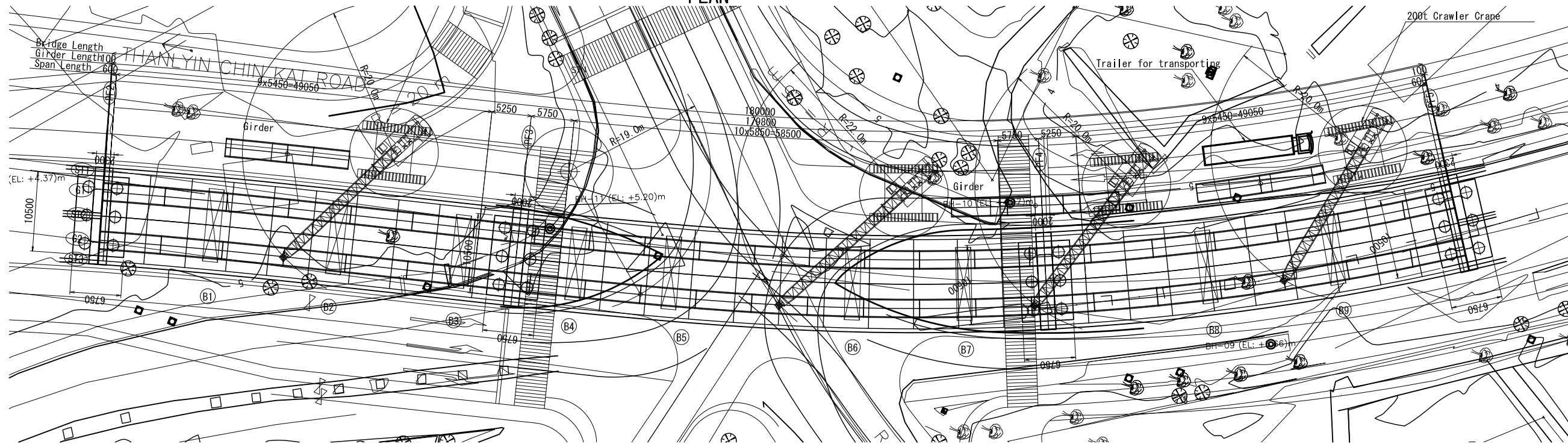
TEMPORARY SUPPORT S=1:300



SECTION S=1:200

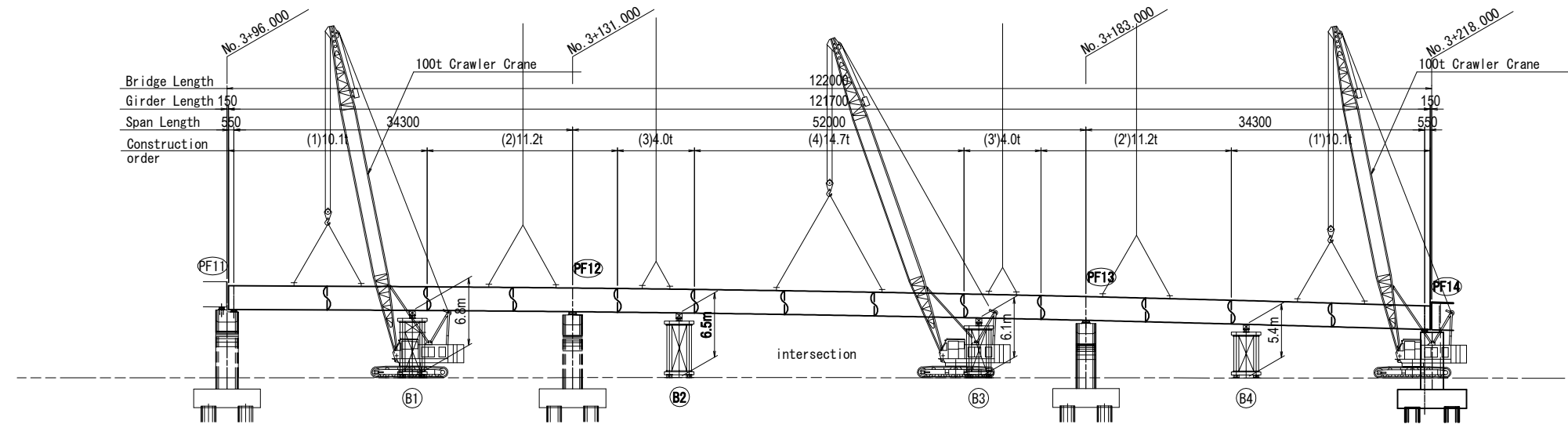


PLAN



(REFERENCE) ERECTION PLAN FOR STEEL-I GIRDER (PF11-PF14) S=1:600

SIDE VIEW



100t CRAWLER CRANE

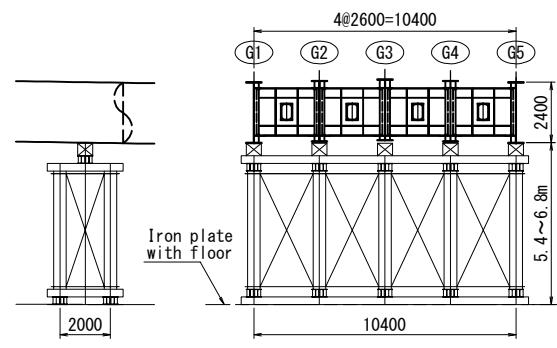
Working Radius (m)	Boom length (m)	
	L= 34.0 m	L= 37.0 m
14.0	26.7 t	26.5 t
16.0	22.2 t	22.1 t
18.0	19.0 t	18.8 t
20.0	16.4 t	16.3 t
22.0	14.4 t	14.3 t
24.0	12.8 t	12.7 t

(Hook Weight 0.50 t)

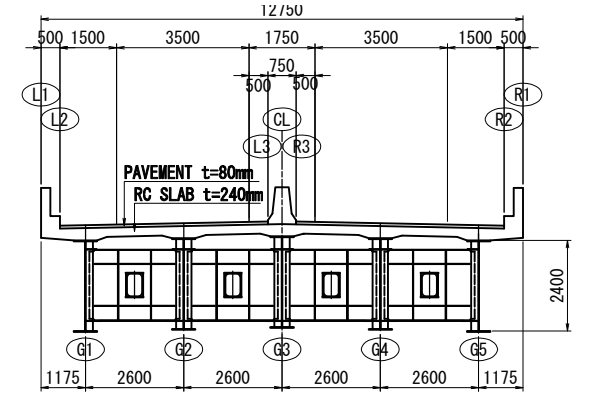
>14.7t+0.5t=15.2t

- Procedure of Erection
1. Preparation work
 2. Install Bents
 3. Bearing Setting
 4. Erection
 - 1) Field Preassembling of Girders
 - 2) Erection of Girders by Crawler Crane
 - Install in order from Block(1) to(3)
 - Taking down the last Block (4)
 - 3) Scaffolding work
 - 4) tightening the bolts
 5. Demolition of the Bents
 6. Installation of Bearing
 7. Demolition of Scaffold
 8. Clearance of Site

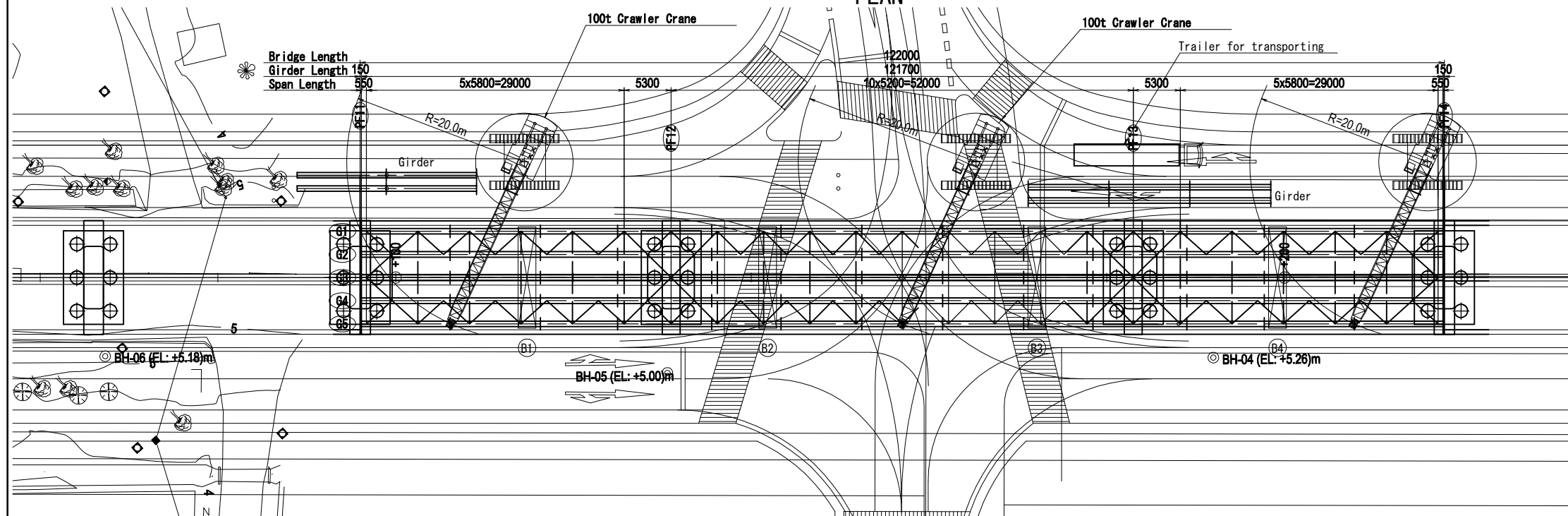
TEMPORARY SUPPORT S=1:300



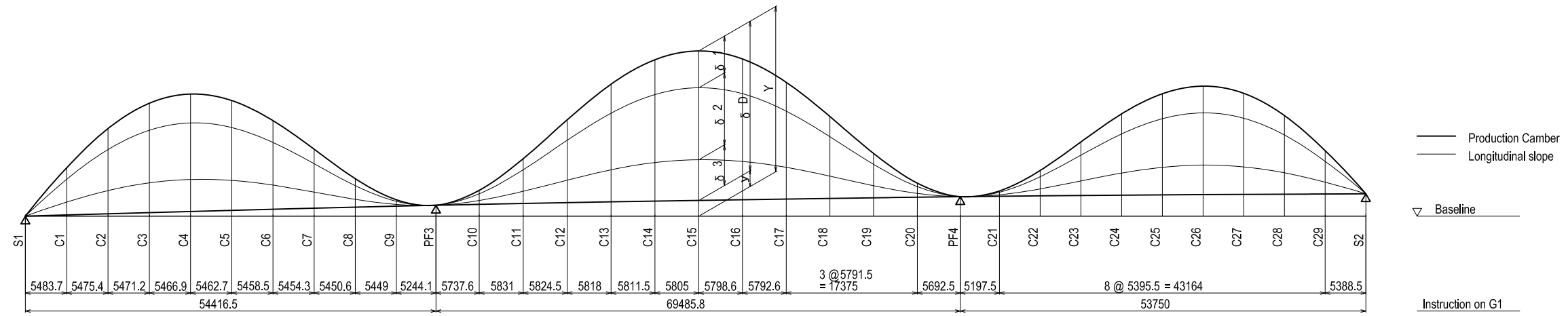
SECTION S=1:200



PLAN



(REFERENCE) CAMBER ARRANGEMENT OF MAIN GIRDER(PF2-PF5)



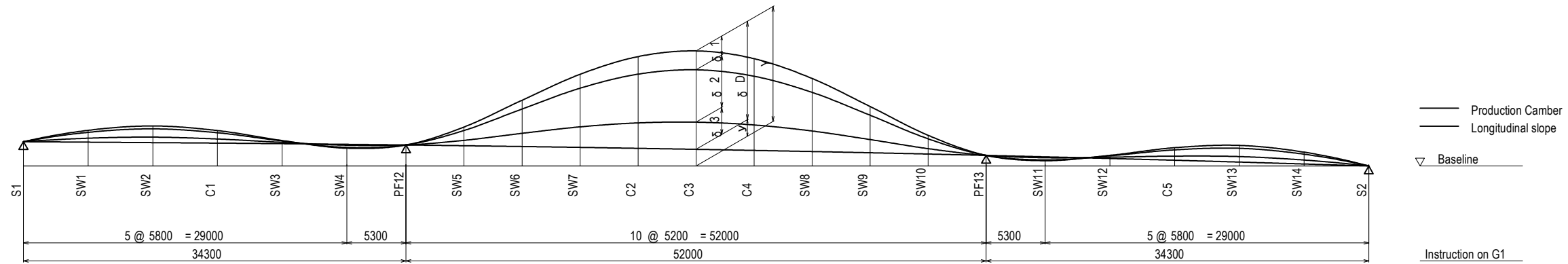
Camber table

		S1	C1	C2	C3	C4	C5	C6	C7	C8	C9	PF3	C10	C11	C12	C13	C14	C15	C16	C17	C18	C19	C20	PF4	C21	C22	C23	C24	C25	C26	C27	C28	C29	S2	(単位 mm)
G1	δ 1	0	9	17	22	23	22	17	12	6	1	0	3	9	16	23	28	30	28	23	16	9	3	0	1	5	11	16	20	21	20	16	9	0	
	δ 2	0	17	32	41	43	41	33	22	11	2	0	5	17	31	44	52	55	52	43	30	16	5	0	2	9	20	30	37	40	37	29	16	0	
	δ 3	0	10	18	23	25	23	19	13	6	1	0	3	10	18	25	30	32	30	25	17	9	3	0	1	5	11	17	21	23	21	17	9	0	
	δ D	0	37	67	85	92	86	69	46	22	5	0	11	35	65	92	110	117	110	91	64	35	11	0	4	20	42	63	79	85	79	61	34	0	
	Y	0	155	310	465	620	770	916	1057	1192	1321	1440	1564	1683	1794	1899	1997	2088	2173	2259	2350	2434	2511	2580	2638	2693	2742	2785	2822	2854	2881	2908	2936	2963	
G2	δ 1	0	9	16	21	22	21	17	11	5	1	0	3	9	17	24	29	31	29	24	17	9	3	0	1	5	11	17	21	23	21	17	9	0	
	δ 2	0	17	30	39	42	39	32	21	10	2	0	5	17	32	46	55	58	55	45	32	17	5	0	2	10	21	32	40	43	40	31	17	0	
	δ 3	0	10	17	22	24	23	18	12	6	1	0	3	10	18	26	31	33	31	26	18	10	3	0	1	6	12	18	23	25	23	18	10	0	
	δ D	0	35	64	83	89	83	67	44	21	4	0	12	36	67	96	115	122	115	95	66	36	11	0	4	21	44	68	84	91	85	66	37	0	
	Y	0	172	344	516	688	865	1042	1214	1379	1539	1688	1845	1999	2148	2290	2425	2554	2676	2784	2875	2959	3036	3105	3163	3218	3267	3310	3347	3379	3406	3434	3461	3488	
		0	207	408	599	777	948	1109	1258	1400	1544	1688	1856	2035	2215	2386	2540	2676	2791	2880	2941	2994	3047	3105	3168	3239	3311	3377	3432	3470	3491	3500	3497	3488	

記号説明

- δ 1 : Steel weight
- δ 2 : Slab + Haunch + Buried formwork
- δ 3 : Pavement + Wall height column + Median strip + Concentrated load
- δ D : Dead load total
- Y : Longitudinal slope
- Y : Production Camber

(REFERENCE) CAMBER ARRANGEMENT OF MAIN GIRDER (PF11-PF14)



Camber table

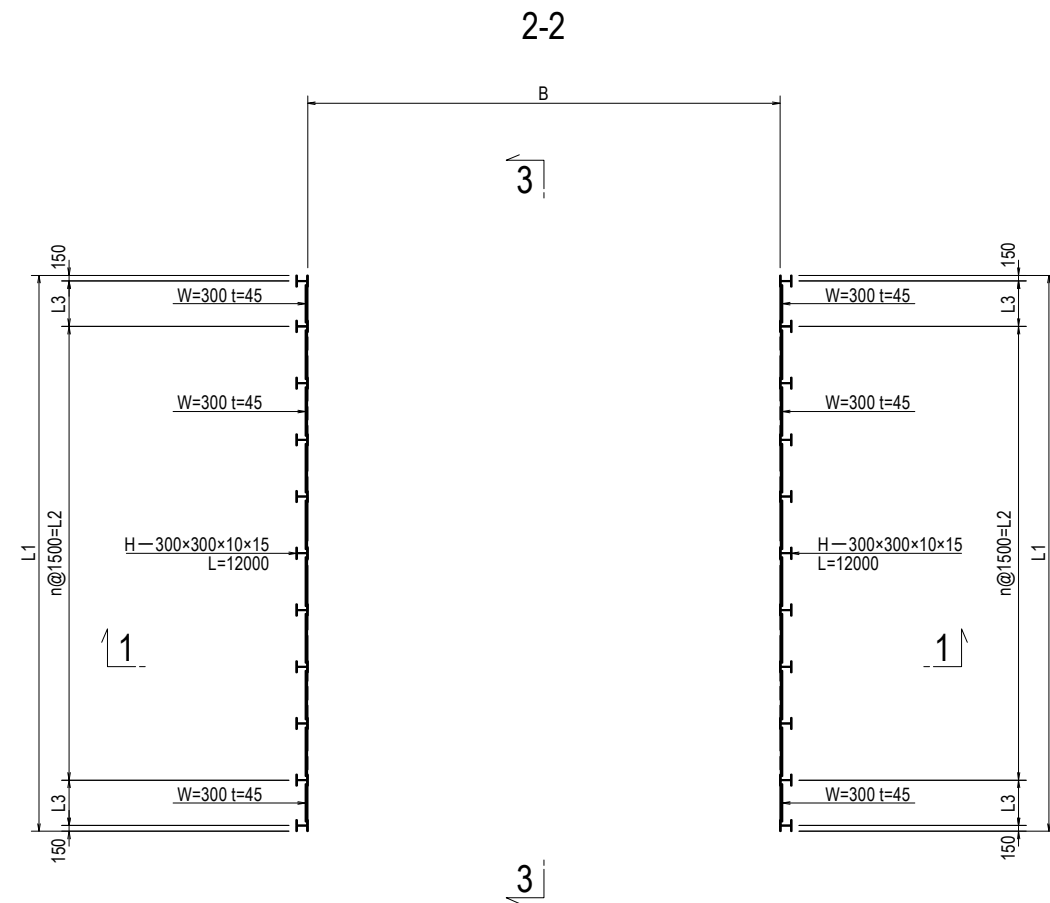
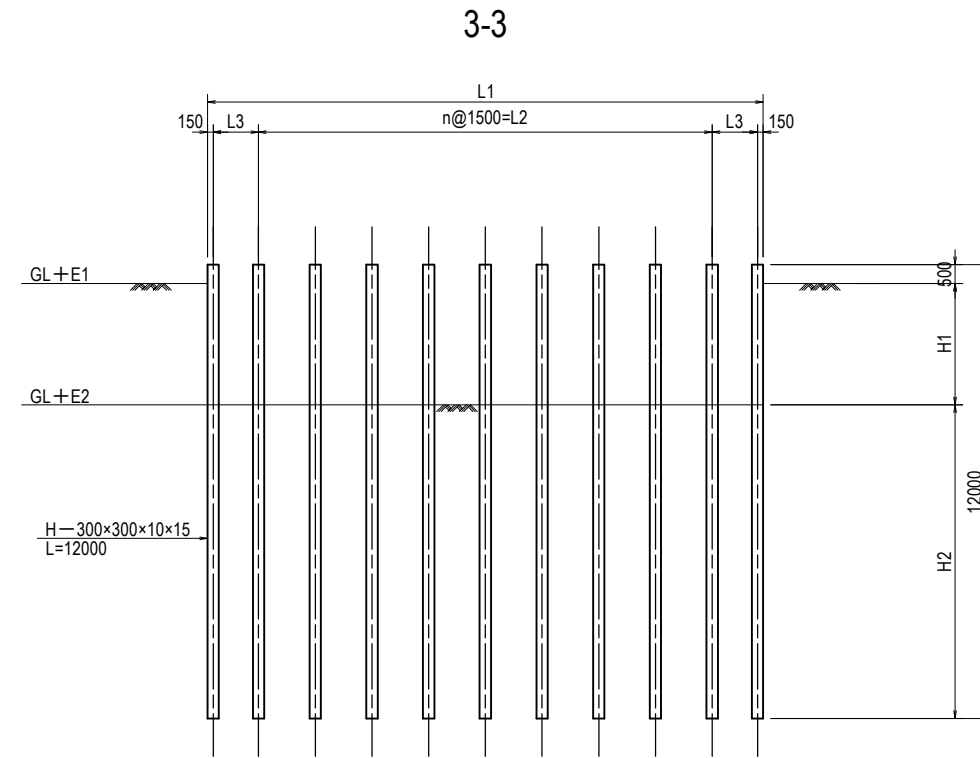
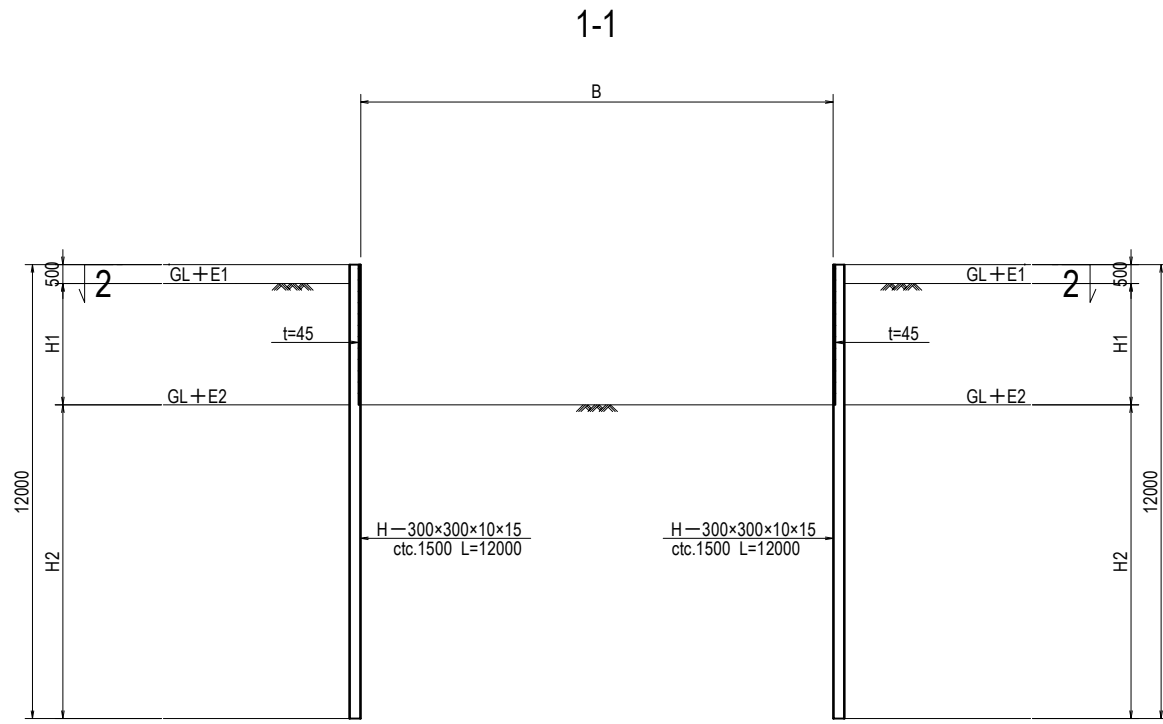
		S1	SW1	SW2	C1	SW3	SW4	PF12	SW5	SW6	SW7	C2	C3	C4	SW8	SW9	SW10	PF13	SW11	SW12	C5	SW13	SW14	S2	(単位 mm)
G1	δ 1	0	2	2	2	0	-1	0	3	7	11	14	15	14	11	7	3	0	-1	0	2	2	2	0	0
	δ 2	0	5	6	5	1	-2	0	8	19	30	38	41	38	30	19	8	0	-2	1	5	6	5	0	0
	δ 3	0	3	4	3	1	-1	0	4	10	16	20	21	20	16	10	4	0	-1	1	3	4	3	0	0
	δ D	0	9	13	10	2	-3	0	15	36	57	71	77	71	57	36	15	0	-3	2	10	13	9	0	0
	y	2172	2130	2089	2045	1995	1936	1876	1811	1739	1662	1578	1488	1392	1290	1181	1067	946	816	667	510	346	174	0	0
Y	2172	2139	2102	2055	1997	1933	1876	1825	1775	1719	1649	1565	1463	1347	1217	1081	946	813	670	520	359	183	0	0	
G2	δ 1	0	2	2	2	0	-1	0	3	7	11	14	15	14	11	7	3	0	-1	0	2	2	2	0	0
	δ 2	0	4	6	5	1	-2	0	8	19	30	38	41	38	30	19	8	0	-2	1	5	6	4	0	0
	δ 3	0	2	2	2	0	-1	0	4	9	15	19	21	19	15	9	4	0	-1	0	2	2	2	0	0
	δ D	0	8	11	9	2	-3	0	14	35	56	71	76	71	56	35	14	0	-3	2	9	11	8	0	0
	y	2172	2130	2089	2045	1995	1936	1876	1811	1739	1662	1578	1488	1392	1290	1181	1067	946	816	667	510	346	174	0	0
Y	2172	2138	2100	2054	1997	1933	1876	1825	1775	1718	1649	1564	1463	1346	1216	1081	946	813	669	519	357	182	0	0	
G3	δ 1	0	2	2	2	0	-1	0	3	7	11	14	15	14	11	7	3	0	-1	0	2	2	2	0	0
	δ 2	0	4	6	5	1	-2	0	8	19	30	38	41	38	30	19	8	0	-2	1	5	6	4	0	0
	δ 3	0	2	3	2	0	-1	0	4	10	15	19	20	19	15	10	4	0	-1	0	2	3	2	0	0
	δ D	0	8	11	8	2	-3	0	15	36	57	71	76	71	57	36	15	0	-3	2	8	11	8	0	0
	y	2172	2130	2089	2045	1995	1936	1876	1811	1739	1662	1578	1488	1392	1290	1181	1067	946	816	667	510	346	174	0	0
Y	2172	2138	2100	2054	1997	1933	1876	1826	1776	1718	1649	1564	1463	1346	1217	1082	946	813	669	519	357	182	0	0	
G4	δ 1	0	2	2	2	0	-1	0	3	7	11	14	15	14	11	7	3	0	-1	0	2	2	2	0	0
	δ 2	0	4	6	5	1	-2	0	8	19	30	38	41	38	30	19	8	0	-2	1	5	6	4	0	0
	δ 3	0	2	2	2	0	-1	0	4	9	15	19	21	19	15	9	4	0	-1	0	2	2	2	0	0
	δ D	0	8	11	9	2	-3	0	14	35	56	71	76	71	56	35	14	0	-3	2	9	11	8	0	0
	y	2172	2130	2089	2045	1995	1936	1876	1811	1739	1662	1578	1488	1392	1290	1181	1067	946	816	667	510	346	174	0	0
Y	2172	2138	2100	2054	1997	1933	1876	1825	1775	1718	1649	1564	1463	1346	1216	1081	946	813	669	519	357	182	0	0	
G5	δ 1	0	2	2	2	0	-1	0	3	7	11	14	15	14	11	7	3	0	-1	0	2	2	2	0	0
	δ 2	0	5	6	5	1	-2	0	8	19	30	38	41	38	30	19	8	0	-2	1	5	6	5	0	0
	δ 3	0	3	4	3	1	-1	0	4	10	16	20	21	20	16	10	4	0	-1	1	3	4	3	0	0
	δ D	0	9	13	10	2	-3	0	15	36	57	71	77	71	57	36	15	0	-3	2	10	13	9	0	0
	y	2172	2130	2089	2045	1995	1936	1876	1811	1739	1662	1578	1488	1392	1290	1181	1067	946	816	667	510	346	174	0	0
Y	2172	2139	2102	2055	1997	1933	1876	1825	1775	1719	1649	1565	1463	1347	1217	1081	946	813	670	520	359	183	0	0	

記号説明

- δ 1 : Steel weight
- δ 2 : Slab + Haunch
- δ 3 : Pavement + Wall height column + Median strip + Concentrated load
- δ D : Dead load total
- y : Longitudinal slope
- Y : Production Camber

PROJECT NAME DETAILED DESIGN ON BAGO RIVER BRIDGE CONSTRUCTION PROJECT	FINANCED BY JAPAN INTERNATIONAL COOPERATION AGENCY	COUNTERPART REPUBLIC OF THE UNION OF MYANMAR MINISTRY OF CONSTRUCTION DEPARTMENT OF BRIDGE	JICA STUDY TEAM NIPPON KOEI CO., LTD. ORIENTAL CONSULTANTS GLOBAL CO., LTD. METROPOLITAN EXPRESSWAY COMPANY LIMITED CHODAI CO., LTD. NIPPON ENGINEERING CONSULTANTS CO., LTD.	NAME	SIGNATURE	DATE	DRAWING TITLE (REFERENCE) CAMBER ARRANGEMENT OF MAIN GIRDER (PF11-PF14)	PACKAGE	
				PREPARED BY	Y. SUZUKI			14 Jul. 2017	3
				CHECKED BY	T. HAYAKAWA			20 Jul. 2017	DWG No.
				APPROVED BY	Y. SANO			25 Jul. 2017	P3-REF-0015

(REFERENCE) DETAIL OF TEMPORARY RETAINING WALL FOR BRIDGE FOUNDATION S=1:200



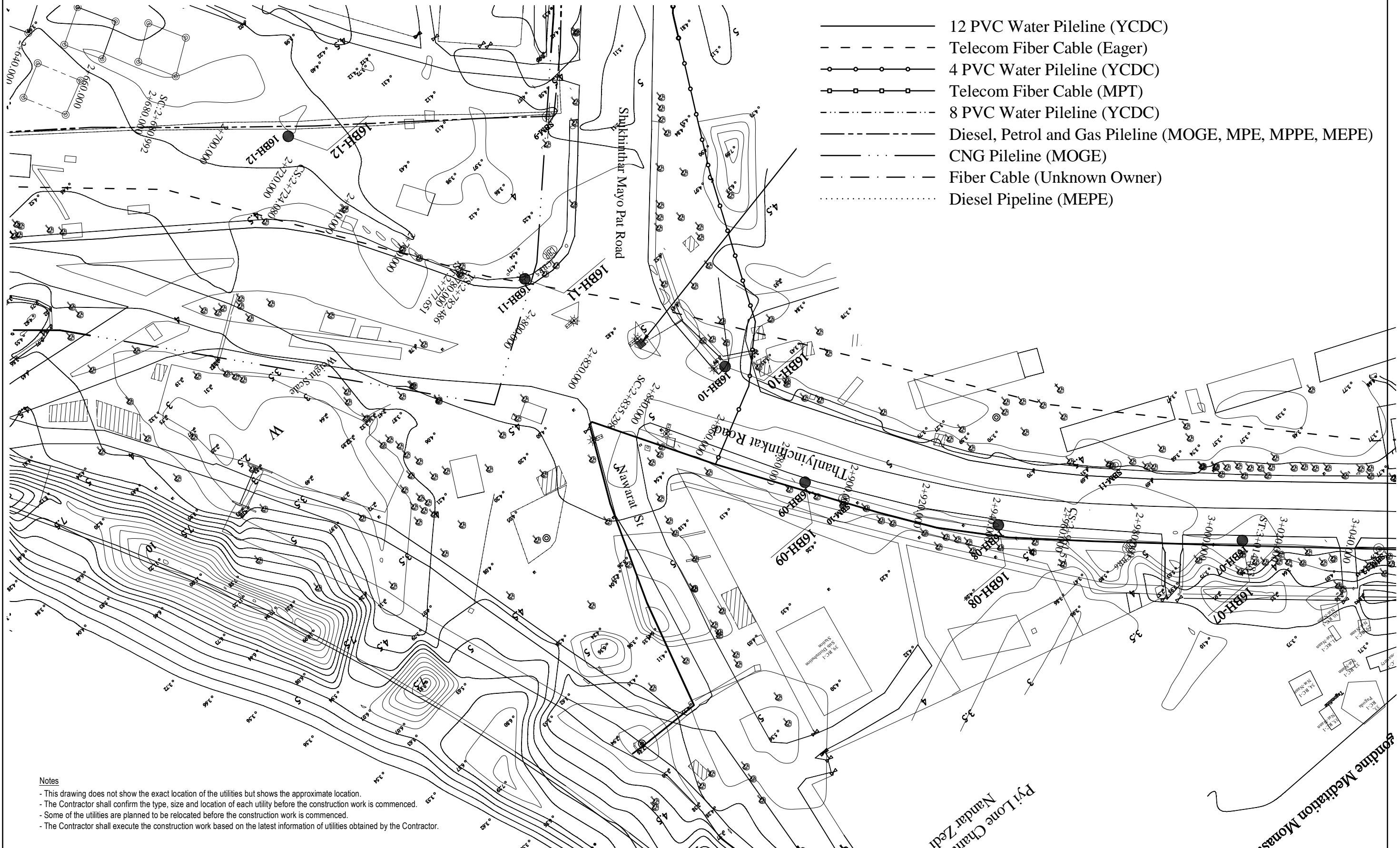
AXIS	E1(m)	E2(m)	H1(mm)	H2(mm)	L1(mm)	L2(mm)	L3(mm)	n	B(mm)
PF.3	5.000	1.792	3208	8292	14700	12000	1200	8	12500
PF.4	4.807	1.579	3228	8272	11000	9000	850	6	12500
PF.5	4.511	1.244	3267	8233	12300	12000	-	8	12500
PF.6	4.350	1.137	3213	8287	11000	9000	850	6	12500
PF.8	4.178	0.884	3294	8206	11800	9000	1250	6	12500
PF.9	4.334	1.070	3264	8236	11000	9000	850	6	12500
PF.10	4.495	1.255	3240	8260	11700	9000	1200	6	12500
PF.15	4.434	1.230	3204	8296	11800	9000	1250	6	12500
AF.2	4.241	0.980	3261	8239	11300	9000	1000	6	14750

AXIS	SPECIFICATION	TOTAL LENGTH (m)	UNIT WEIGHT (kg/m)	WEIGHT (t)
PF.3	H-300x300x10x15	264.0	93.0	24.552
PF.4	H-300x300x10x15	216.0	93.0	20.088
PF.5	H-300x300x10x15	216.0	93.0	20.088
PF.6	H-300x300x10x15	216.0	93.0	20.088
PF.8	H-300x300x10x15	216.0	93.0	20.088
PF.9	H-300x300x10x15	216.0	93.0	20.088
PF.10	H-300x300x10x15	216.0	93.0	20.088
PF.15	H-300x300x10x15	216.0	93.0	20.088
AF.2	H-300x300x10x15	216.0	93.0	20.088

AXIS	SPECIFICATION	GROSS AREA (m ²)
PF.3	W=300,t=45	109.015
PF.4	W=300,t=45	82.016
PF.5	W=300,t=45	92.668
PF.6	W=300,t=45	81.686
PF.8	W=300,t=45	89.538
PF.9	W=300,t=45	82.808
PF.10	W=300,t=45	87.516
PF.15	W=300,t=45	87.414
AF.2	W=300,t=45	84.999

(REFERENCE) EXISTING UNDERGROUND UTILITIES LAYOUT (1)

S=1:1000



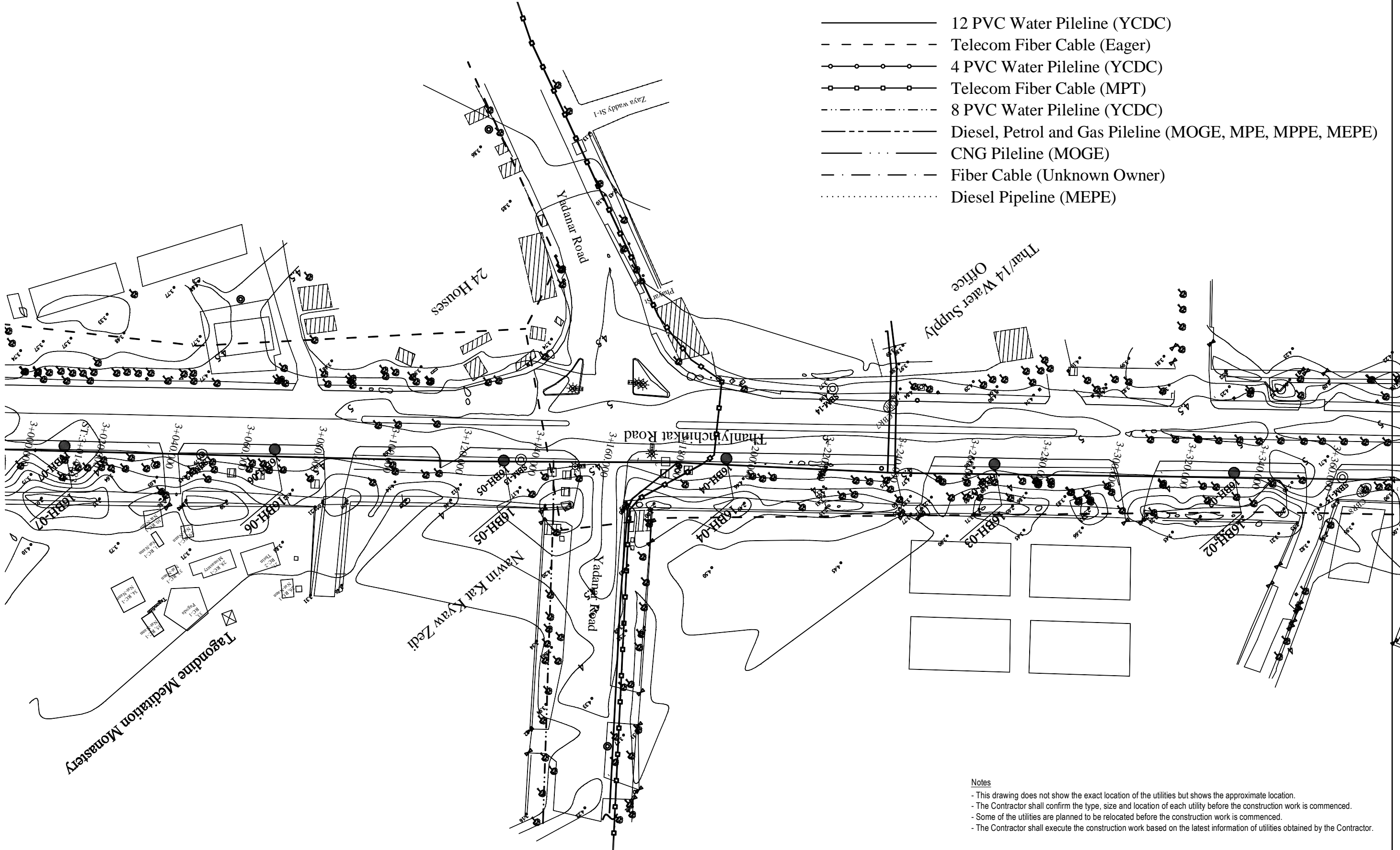
Notes
 - This drawing does not show the exact location of the utilities but shows the approximate location.
 - The Contractor shall confirm the type, size and location of each utility before the construction work is commenced.
 - Some of the utilities are planned to be relocated before the construction work is commenced.
 - The Contractor shall execute the construction work based on the latest information of utilities obtained by the Contractor.

PROJECT NAME DETAILED DESIGN ON BAGO RIVER BRIDGE CONSTRUCTION PROJECT	FINANCED BY JAPAN INTERNATIONAL COOPERATION AGENCY	COUNTERPART REPUBLIC OF THE UNION OF MYANMAR MINISTRY OF CONSTRUCTION DEPARTMENT OF BRIDGE	JICA STUDY TEAM NIPPON KOEI CO., LTD. ORIENTAL CONSULTANTS GLOBAL CO., LTD. METROPOLITAN EXPRESSWAY COMPANY LIMITED CHODAI CO., LTD. NIPPON ENGINEERING CONSULTANTS CO., LTD.	NAME	SIGNATURE	DATE	DRAWING TITLE (REFERENCE) EXISTING UNDERGROUND UTILITIES LAYOUT (1)	PACKAGE	
				PREPARED BY	T. OGUNI			14 Jul. 2017	3
				CHECKED BY	T. HAYAKAWA			20 Jul. 2017	DWG No.
				APPROVED BY	Y. SANO			25 Jul. 2017	P3-REF-0017

(REFERENCE) EXISTING UNDERGROUND UTILITIES LAYOUT (2)

S=1:1000

- 12 PVC Water Pipeline (YCDC)
- - - - - Telecom Fiber Cable (Eager)
- 4 PVC Water Pipeline (YCDC)
- Telecom Fiber Cable (MPT)
- · · · · 8 PVC Water Pipeline (YCDC)
- Diesel, Petrol and Gas Pipeline (MOGE, MPE, MPPE, MEPE)
- CNG Pipeline (MOGE)
- - - - - Fiber Cable (Unknown Owner)
- · · · · Diesel Pipeline (MEPE)



Notes

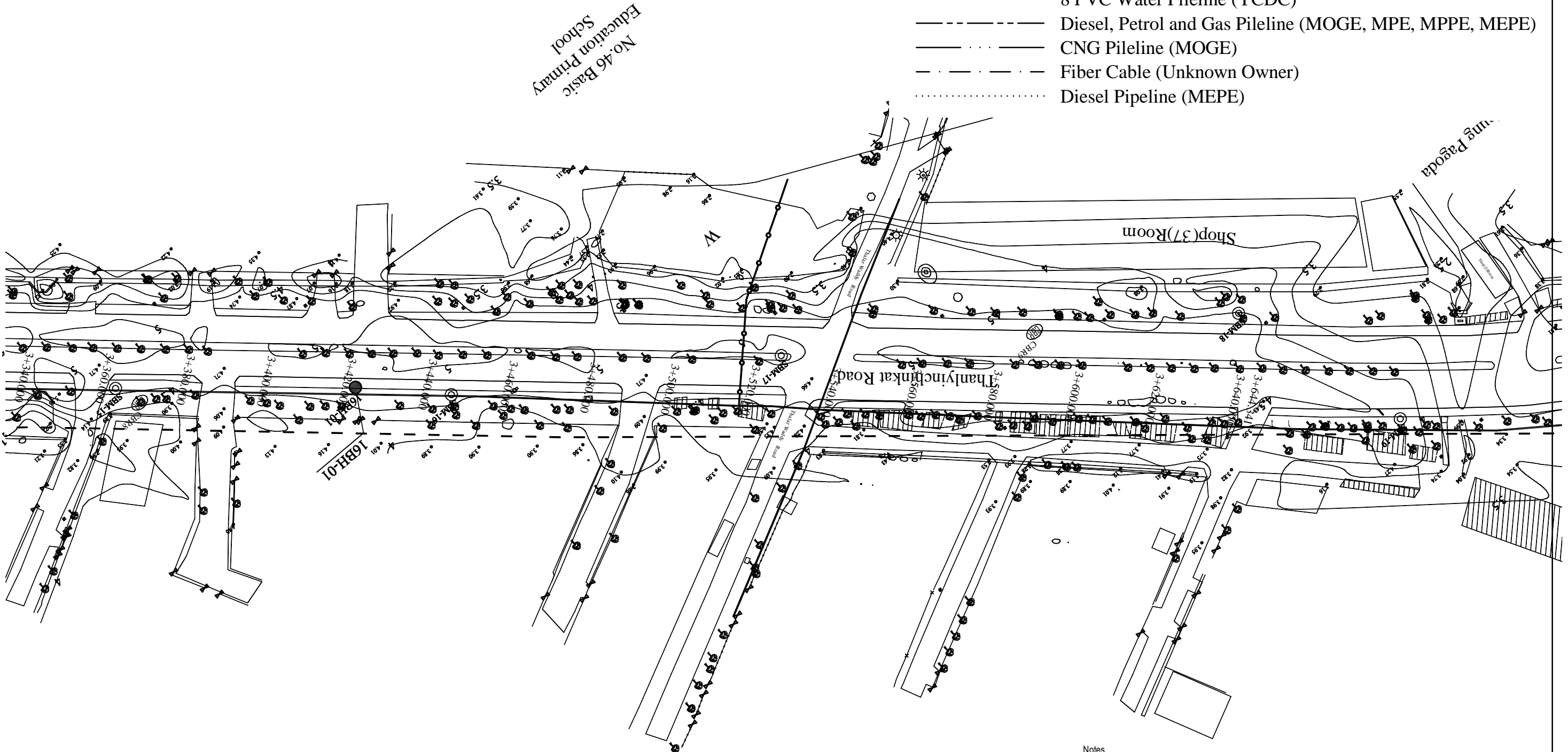
- This drawing does not show the exact location of the utilities but shows the approximate location.
- The Contractor shall confirm the type, size and location of each utility before the construction work is commenced.
- Some of the utilities are planned to be relocated before the construction work is commenced.
- The Contractor shall execute the construction work based on the latest information of utilities obtained by the Contractor.

PROJECT NAME DETAILED DESIGN ON BAGO RIVER BRIDGE CONSTRUCTION PROJECT	FINANCED BY JAPAN INTERNATIONAL COOPERATION AGENCY	COUNTERPART REPUBLIC OF THE UNION OF MYANMAR MINISTRY OF CONSTRUCTION DEPARTMENT OF BRIDGE	JICA STUDY TEAM NIPPON KOEI CO., LTD. ORIENTAL CONSULTANTS GLOBAL CO., LTD. METROPOLITAN EXPRESSWAY COMPANY LIMITED CHODAI CO., LTD. NIPPON ENGINEERING CONSULTANTS CO., LTD.	NAME	SIGNATURE	DATE	DRAWING TITLE (REFERENCE) EXISTING UNDERGROUND UTILITIES LAYOUT (2)	PACKAGE	
				PREPARED BY	T. OGUNI			14 Jul. 2017	3
				CHECKED BY	T. HAYAKAWA			20 Jul. 2017	DWG No.
				APPROVED BY	Y. SANO			25 Jul. 2017	P3-REF-0018

(REFERENCE) EXISTING UNDERGROUND UTILITIES LAYOUT (3)

S=1:1000

- 12 PVC Water Pipeline (YCDC)
- - - - - Telecom Fiber Cable (Eager)
- 4 PVC Water Pipeline (YCDC)
- Telecom Fiber Cable (MPT)
- · · · · 8 PVC Water Pipeline (YCDC)
- Diesel, Petrol and Gas Pipeline (MOGE, MPE, MPPE, MEPE)
- CNG Pipeline (MOGE)
- - - - - Fiber Cable (Unknown Owner)
- · · · · Diesel Pipeline (MEPE)

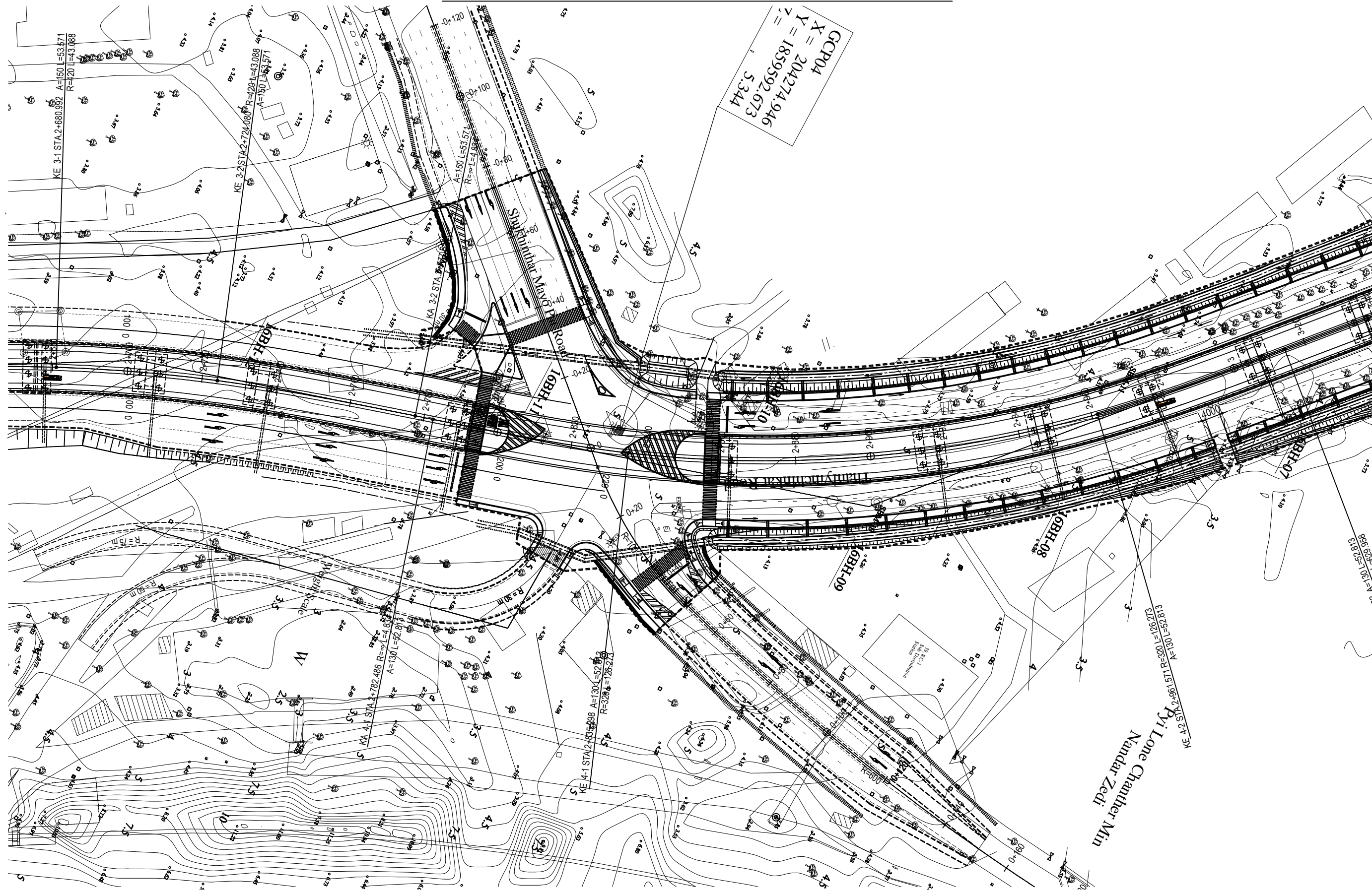


Notes

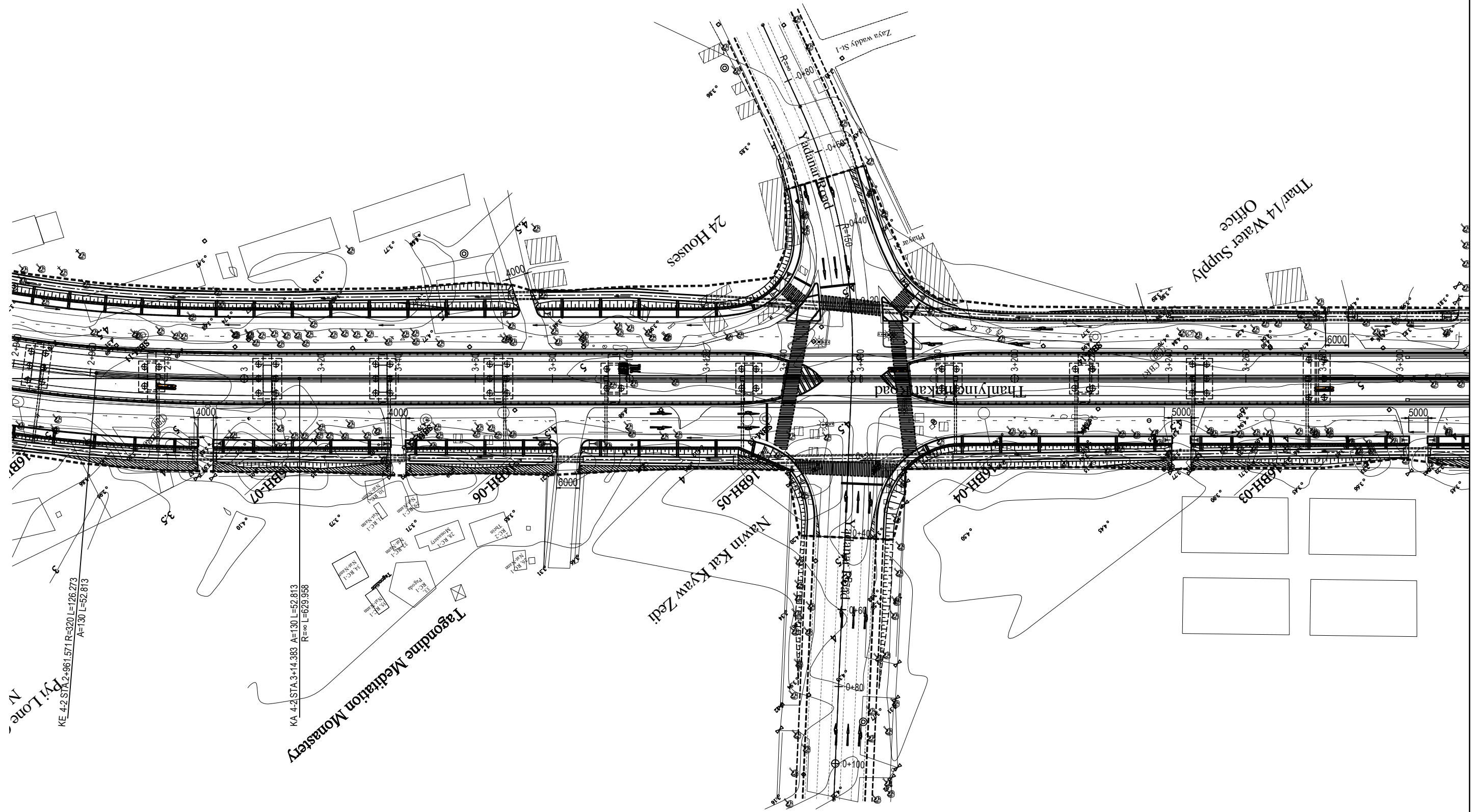
- This drawing does not show the exact location of the utilities but shows the approximate location.
- The Contractor shall confirm the type, size and location of each utility before the construction work is commenced.
- Some of the utilities are planned to be relocated before the construction work is commenced.
- The Contractor shall execute the construction work based on the latest information of utilities obtained by the Contractor.

PROJECT NAME DETAILED DESIGN ON BAGO RIVER BRIDGE CONSTRUCTION PROJECT	FINANCED BY JAPAN INTERNATIONAL COOPERATION AGENCY	COUNTERPART REPUBLIC OF THE UNION OF MYANMAR MINISTRY OF CONSTRUCTION DEPARTMENT OF BRIDGE	JICA STUDY TEAM NIPPON KOEI CO., LTD. ORIENTAL CONSULTANTS GLOBAL CO., LTD. METROPOLITAN EXPRESSWAY COMPANY LIMITED CHODAI CO., LTD. NIPPON ENGINEERING CONSULTANTS CO., LTD.	NAME	SIGNATURE	DATE	DRAWING TITLE (REFERENCE) EXISTING UNDERGROUND UTILITIES LAYOUT (3)	PACKAGE	
				PREPARED BY	T. OGUNI			14 Jul. 2017	3
				CHECKED BY	T. HAYAKAWA			20 Jul. 2017	DWG No.
				APPROVED BY	Y. SANO			25 Jul. 2017	P3-REF-0019

(REFERENCE) RIGHT OF WAY PLAN(1) S= 1:1000

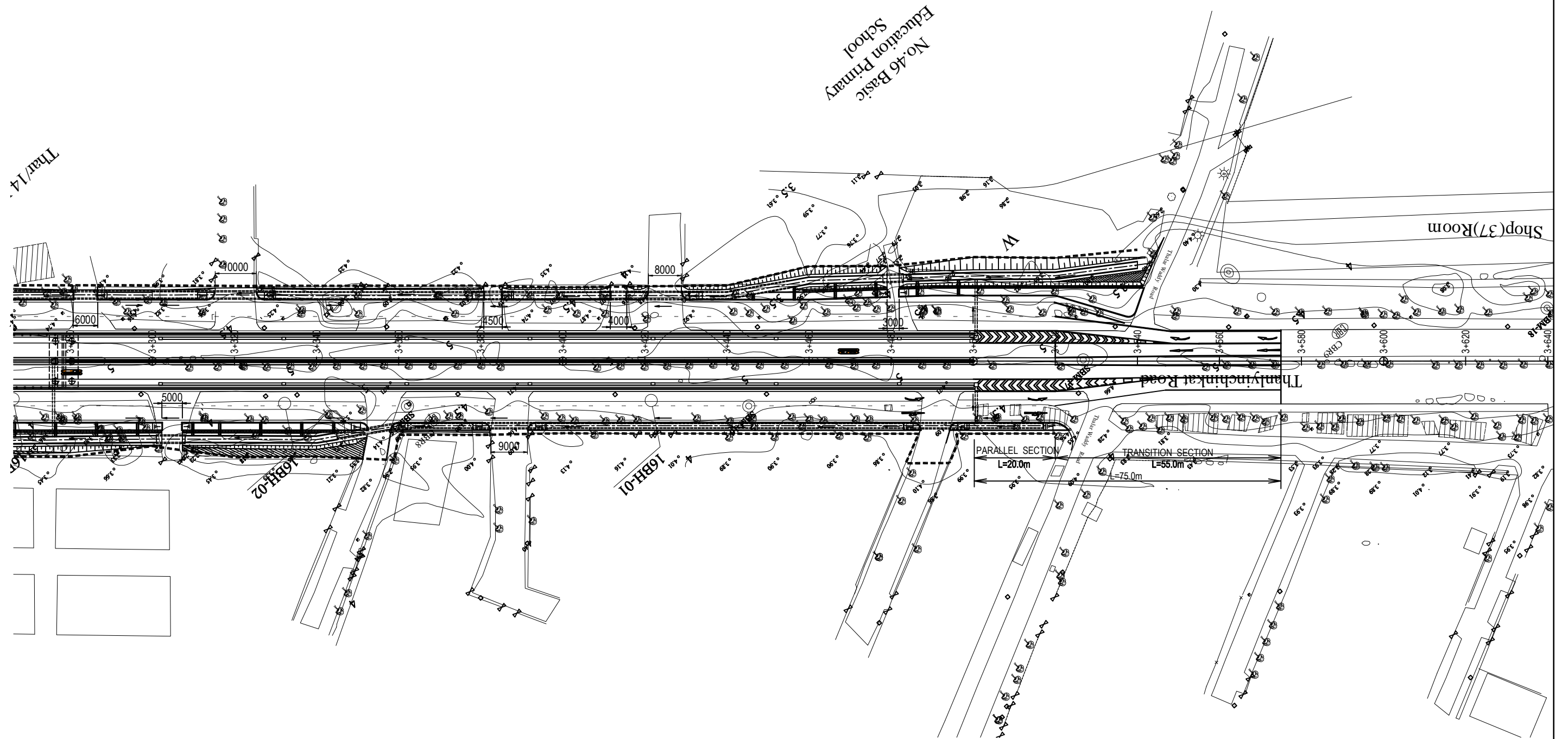


(REFERENCE) RIGHT OF WAY PLAN(2) S= 1:1000



<p>PROJECT NAME DETAILED DESIGN ON BAGO RIVER BRIDGE CONSTRUCTION PROJECT</p>	<p>FINANCED BY JAPAN INTERNATIONAL COOPERATION AGENCY</p>	<p>COUNTERPART REPUBLIC OF THE UNION OF MYANMAR MINISTRY OF CONSTRUCTION DEPARTMENT OF BRIDGE</p>	<p>JICA STUDY TEAM NIPPON KOEI CO., LTD. ORIENTAL CONSULTANTS GLOBAL CO., LTD. METROPOLITAN EXPRESSWAY COMPANY LIMITED CHODAI CO., LTD. NIPPON ENGINEERING CONSULTANTS CO., LTD.</p>	<table border="1"> <thead> <tr> <th></th> <th>NAME</th> <th>SIGNATURE</th> <th>DATE</th> </tr> </thead> <tbody> <tr> <td>PREPARED BY</td> <td>K. TACHIBANA</td> <td></td> <td>14 Jul. 2017</td> </tr> <tr> <td>CHECKED BY</td> <td>T. HAYAKAWA</td> <td></td> <td>20 Jul. 2017</td> </tr> <tr> <td>APPROVED BY</td> <td>Y. SANO</td> <td></td> <td>25 Jul. 2017</td> </tr> </tbody> </table>		NAME	SIGNATURE	DATE	PREPARED BY	K. TACHIBANA		14 Jul. 2017	CHECKED BY	T. HAYAKAWA		20 Jul. 2017	APPROVED BY	Y. SANO		25 Jul. 2017	<p>DRAWING TITLE (REFERENCE) RIGHT OF WAY PLAN(2) S=1:1000</p>	<table border="1"> <thead> <tr> <th>PACKAGE</th> </tr> </thead> <tbody> <tr> <td>3</td> </tr> <tr> <td>DWG No.</td> </tr> <tr> <td>P3-REF-0021</td> </tr> </tbody> </table>	PACKAGE	3	DWG No.	P3-REF-0021
	NAME	SIGNATURE	DATE																							
PREPARED BY	K. TACHIBANA		14 Jul. 2017																							
CHECKED BY	T. HAYAKAWA		20 Jul. 2017																							
APPROVED BY	Y. SANO		25 Jul. 2017																							
PACKAGE																										
3																										
DWG No.																										
P3-REF-0021																										

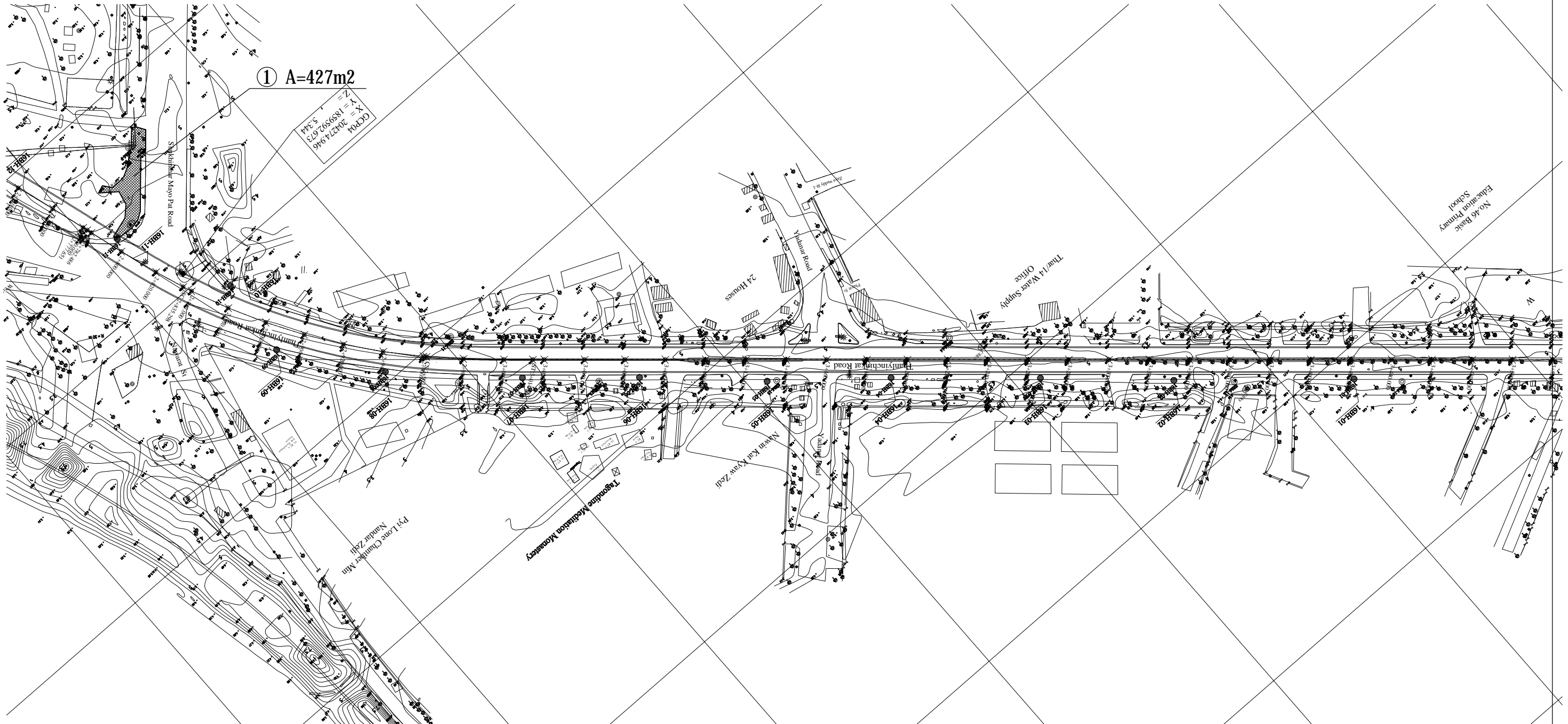
(REFERENCE) RIGHT OF WAY PLAN(3) S= 1:1000



PROJECT NAME DETAILED DESIGN ON BAGO RIVER BRIDGE CONSTRUCTION PROJECT	FINANCED BY JAPAN INTERNATIONAL COOPERATION AGENCY	COUNTERPART REPUBLIC OF THE UNION OF MYANMAR MINISTRY OF CONSTRUCTION DEPARTMENT OF BRIDGE	JICA STUDY TEAM NIPPON KOEI CO., LTD. ORIENTAL CONSULTANTS GLOBAL CO., LTD. METROPOLITAN EXPRESSWAY COMPANY LIMITED CHODAI CO., LTD. NIPPON ENGINEERING CONSULTANTS CO.,LTD.	NAME	SIGNATURE	DATE	DRAWING TITLE (REFERENCE) RIGHT OF WAY PLAN(3) S=1:1000	PACKAGE	
				PREPARED BY	K. TACHIBANA			14 Jul. 2017	3
				CHECKED BY	T. HAYAKAWA			20 Jul. 2017	DWG No.
				APPROVED BY	Y. SANO			25 Jul. 2017	P3-REF-0022

(REFERENCE) SITE CLEARING S= 1:1000

①	427 m ²
TOTAL	427 m ²



PROJECT NAME
 DETAILED DESIGN ON
 BAGO RIVER BRIDGE
 CONSTRUCTION PROJECT

FINANCED BY
 JAPAN INTERNATIONAL
 COOPERATION AGENCY

COUNTERPART
 REPUBLIC OF THE UNION OF MYANMAR
 MINISTRY OF CONSTRUCTION
 DEPARTMENT OF BRIDGE

JICA STUDY TEAM
 NIPPON KOEI CO., LTD.
 ORIENTAL CONSULTANTS GLOBAL CO., LTD.
 METROPOLITAN EXPRESSWAY COMPANY LIMITED
 CHODAI CO., LTD.
 NIPPON ENGINEERING CONSULTANTS CO., LTD.

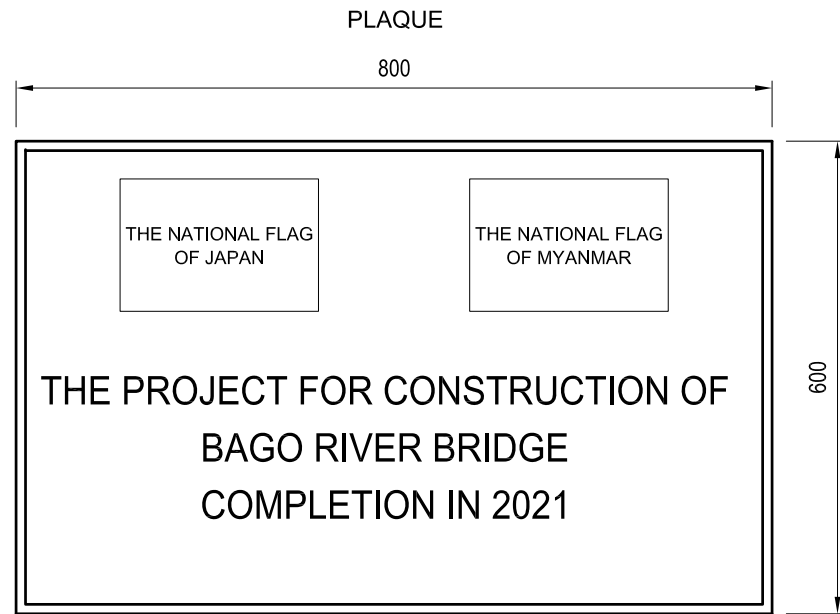
	NAME	SIGNATURE	DATE
PREPARED BY	K. TACHIBANA		29 Sep. 2017
CHECKED BY	T. HAYAKAWA		3 Oct. 2017
APPROVED BY	Y. SANO		6 Oct. 2017

DRAWING TITLE
 (REFERENCE) SITE CLEARING
 S= 1:1000

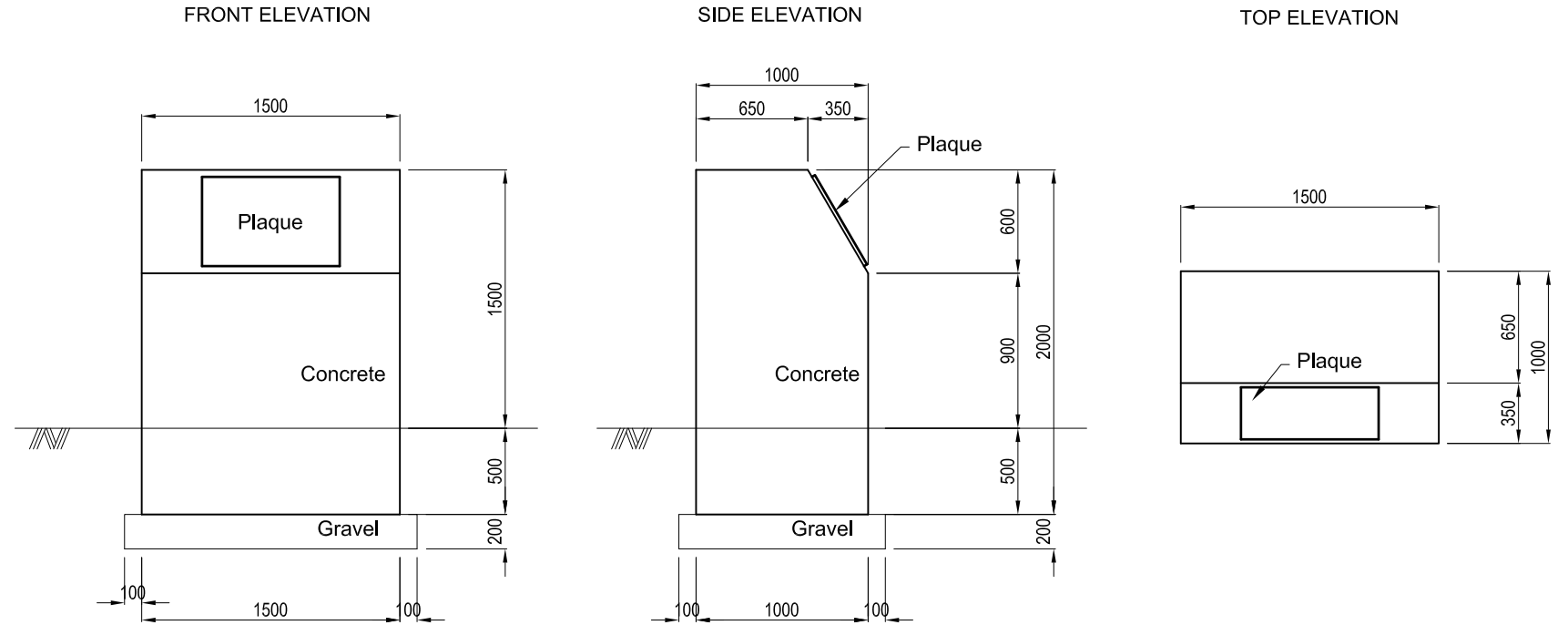
PACKAGE
 3
 DWG No.
 P3-REF-0023

(REFERENCE) MONUMENT AND BRIDGE RECORD

MONUMENT

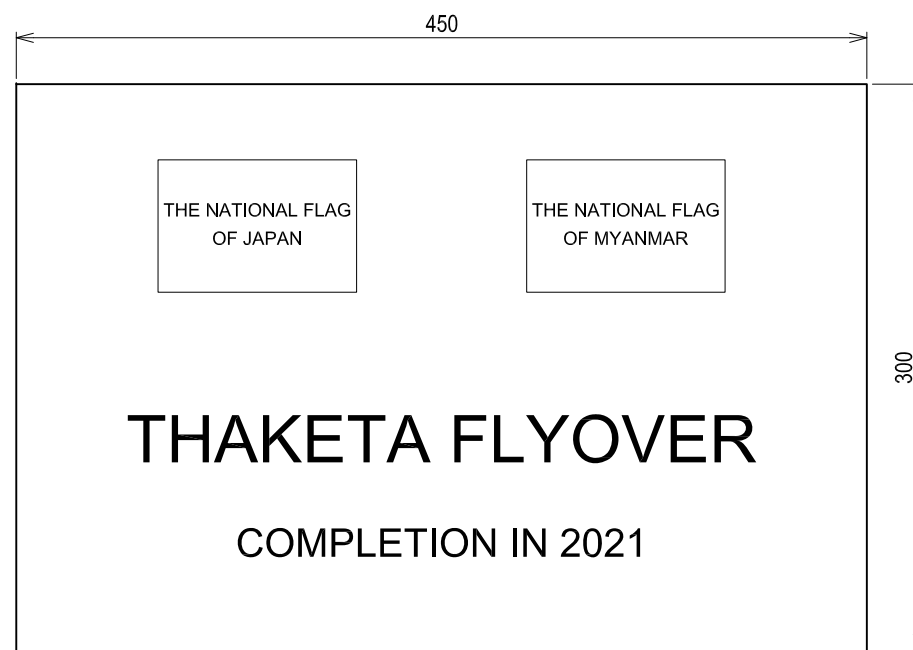


Note) Design & sentence shall be confirmed to the Engineer during construction period.



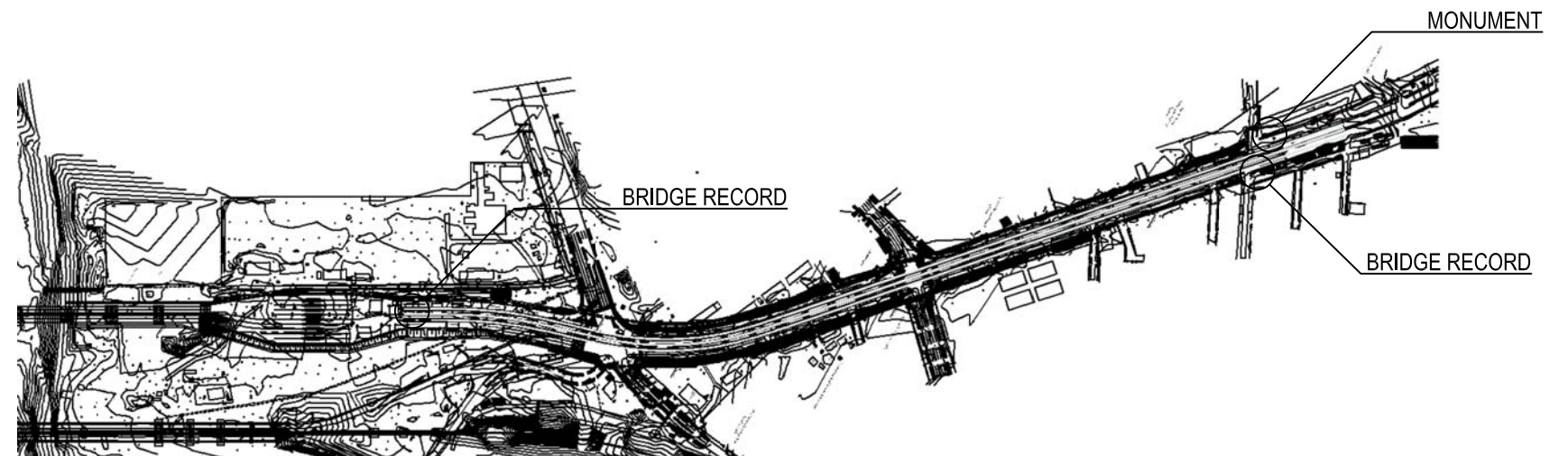
Note) Design and details of monument shall be confirmed to the Engineer during construction period.

BRIDGE RECORD



Note) Design & sentence shall be confirmed to the Engineer during construction period.

LOCATION



Note) Location for monument and bridge record shall be confirmed to the Engineer during construction period.

PROJECT NAME	FINANCED BY	COUNTERPART	JICA STUDY TEAM	NAME	SIGNATURE	DATE	DRAWING TITLE	PACKAGE
DETAILED DESIGN ON BAGO RIVER BRIDGE CONSTRUCTION PROJECT	JICA JAPAN INTERNATIONAL COOPERATION AGENCY	REPUBLIC OF THE UNION OF MYANMAR MINISTRY OF CONSTRUCTION DEPARTMENT OF BRIDGE	NIPPON KOEI CO., LTD. ORIENTAL CONSULTANTS GLOBAL CO., LTD. METROPOLITAN EXPRESSWAY COMPANY LIMITED CHODAI CO., LTD. NIPPON ENGINEERING CONSULTANTS CO., LTD.	T. HAYAKAWA		29 Sep. 2017	(REFERENCE) MONUMENT AND BRIDGE RECORD	3
				T. HAYAKAWA		3 Oct. 2017		DWG No.
				Y. SANO		6 Oct. 2017		P3-REF-0025

(REFERENCE) NETWORK PLAN

Primary Control Point By GPS

Point No	Easting	Northing	Elevation
GPS 01	205,842.773	1,857,184.685	5.698
GPS 011	205,760.156	1,857,254.692	5.543
GPS 02	205,321.737	1,857,693.657	4.426
GPS 021	205,410.480	1,857,584.129	4.262
GPS 03	204,535.795	1,859,088.346	4.115
GPS 031	204,453.920	1,859,180.786	3.874
GPS 04	204,274.946	1,859,592.673	5.344
GPS 041	204,205.987	1,859,475.724	5.066
GPS 05	203,521.369	1,860,268.348	4.914
GPS 051	203,458.184	1,860,271.486	5.105

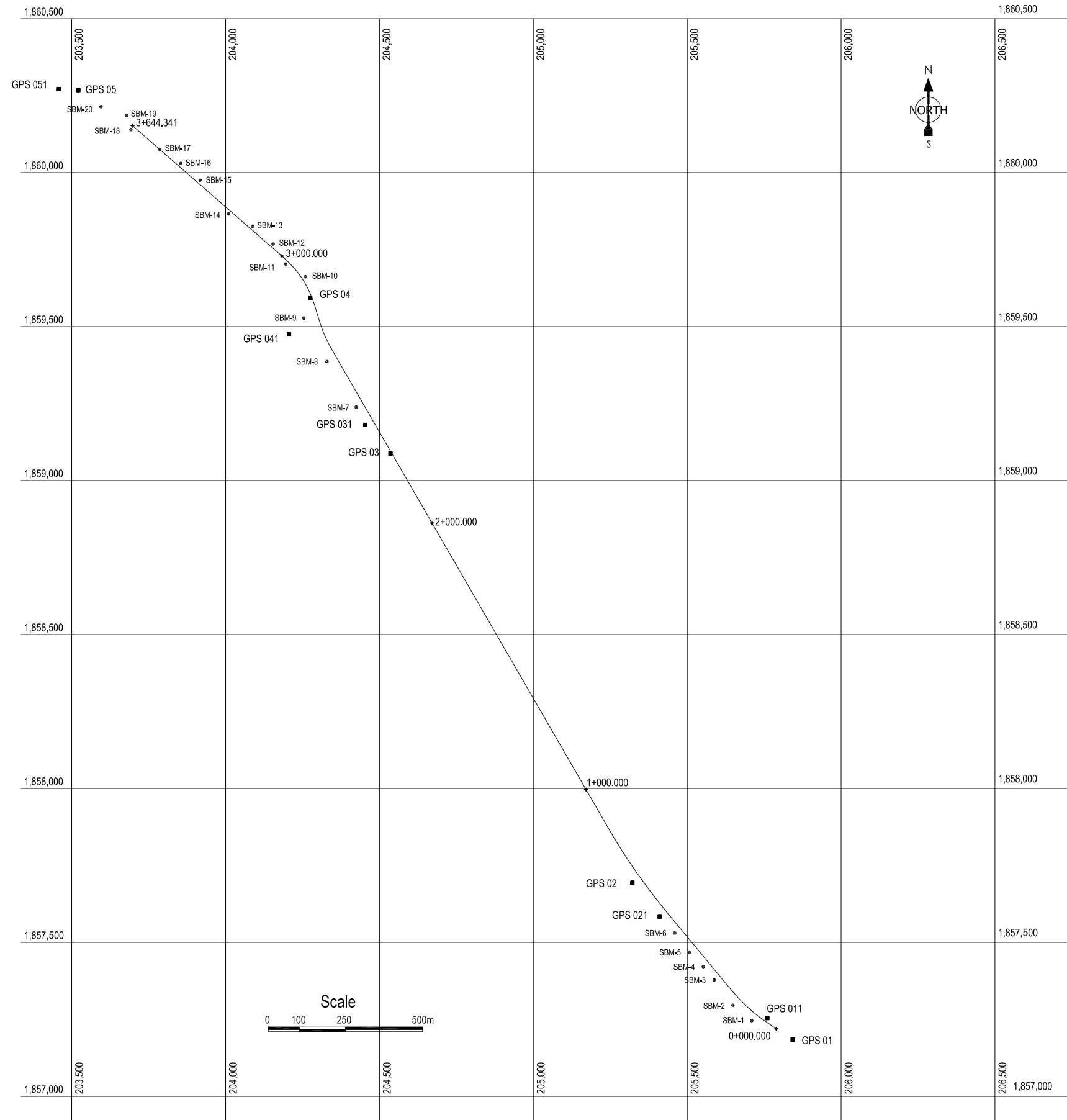
Secondary Control Point By TS

Point No	Easting	Northing	Elevation
SBM-1	205,709.674	1,857,245.921	4.664
SBM-2	205,648.458	1,857,295.972	3.968
SBM-3	205,587.614	1,857,378.019	4.452
SBM-4	205,552.160	1,857,421.174	4.242
SBM-5	205,506.509	1,857,467.950	4.582
SBM-6	205,459.429	1,857,530.545	4.476
SBM-7	204,424.427	1,859,238.491	4.324
SBM-8	204,329.282	1,859,386.470	4.361
SBM-9	204,254.242	1,859,527.666	4.472
SBM-10	204,259.481	1,859,662.039	5.476
SBM-11	204,195.472	1,859,703.336	4.441
SBM-12	204,154.484	1,859,768.248	4.809
SBM-13	204,087.886	1,859,825.931	4.820
SBM-14	204,009.411	1,859,866.246	4.668
SBM-15	203,917.301	1,859,975.432	4.711
SBM-16	203,854.596	1,860,030.075	4.662
SBM-17	203,785.802	1,860,075.169	5.150
SBM-18	203,692.328	1,860,139.951	4.536
SBM-19	203,678.453	1,860,185.673	4.496
SBM-20	203,595.035	1,860,214.212	4.526

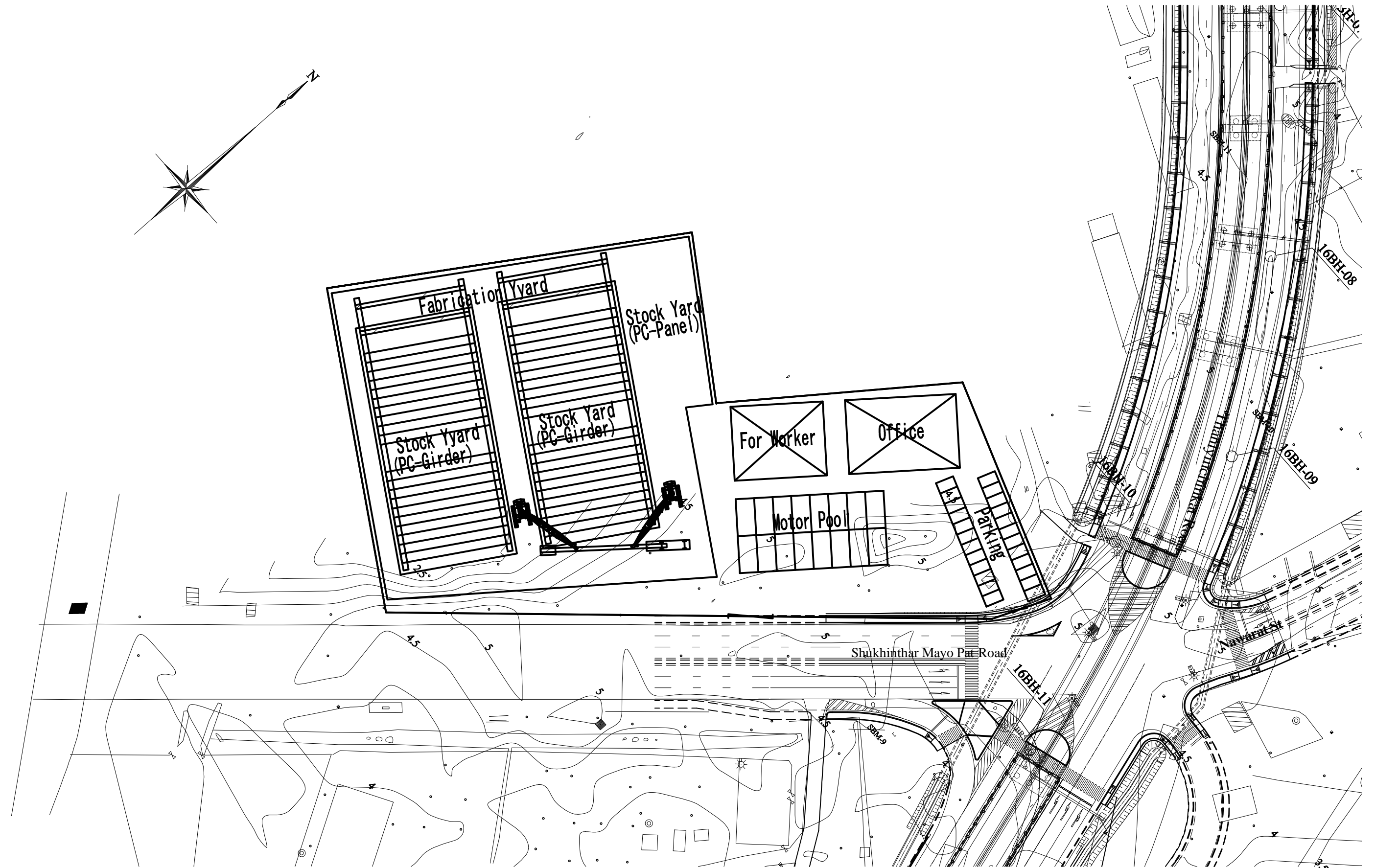
Elevation : Direct Leveling above Mean Sea Level

Existing Control Points from SD

Point No	Easting	Northing	Elevation
GCP 08	204,426.731	1,867,438.719	—
SD 2	197,289.025	1,863,904.781	—
BM76097	214,396.8	1,851,646.3	23.895



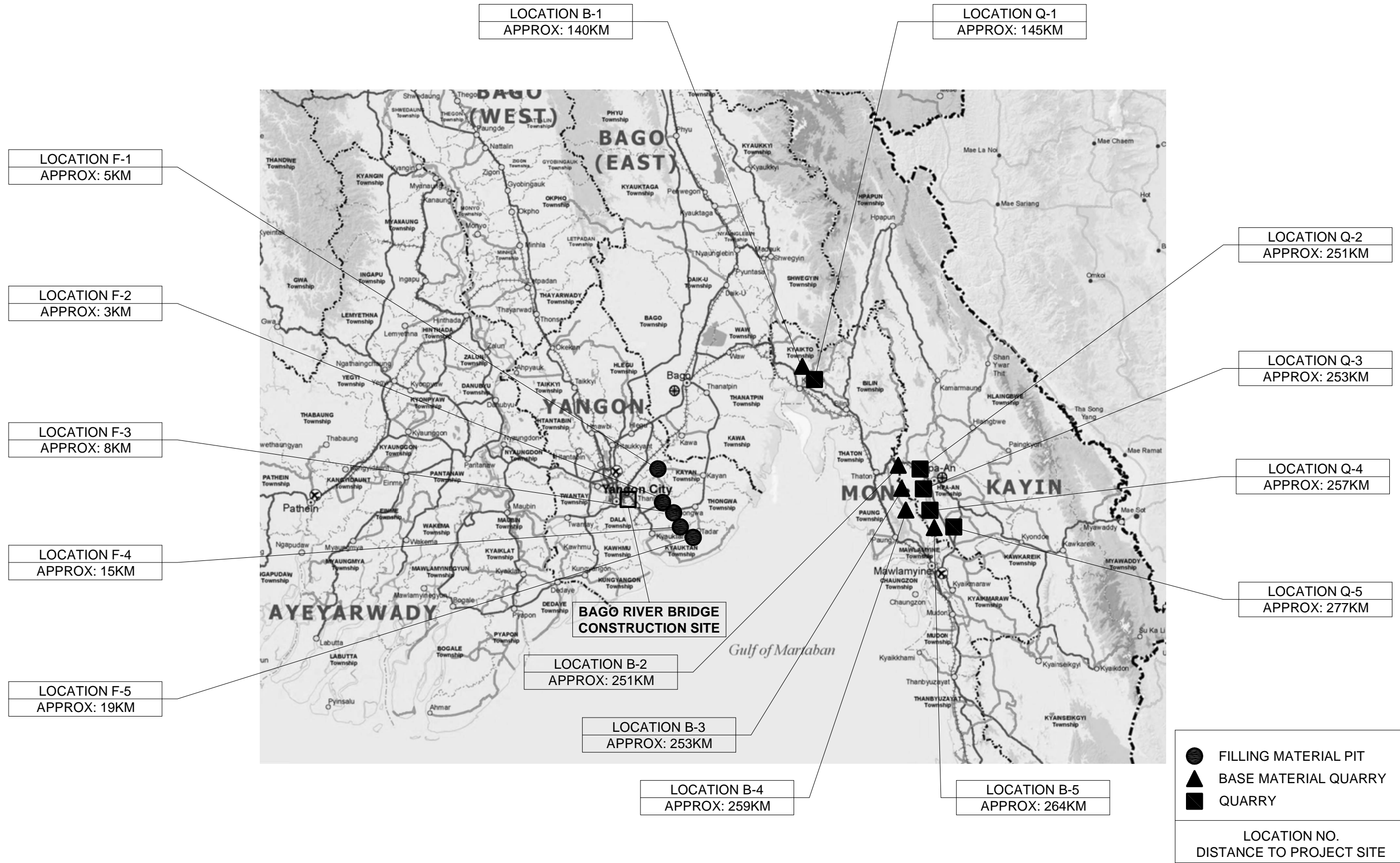
(REFERENCE) GENERAL LAYOUT OF CONSTRUCTION YARD



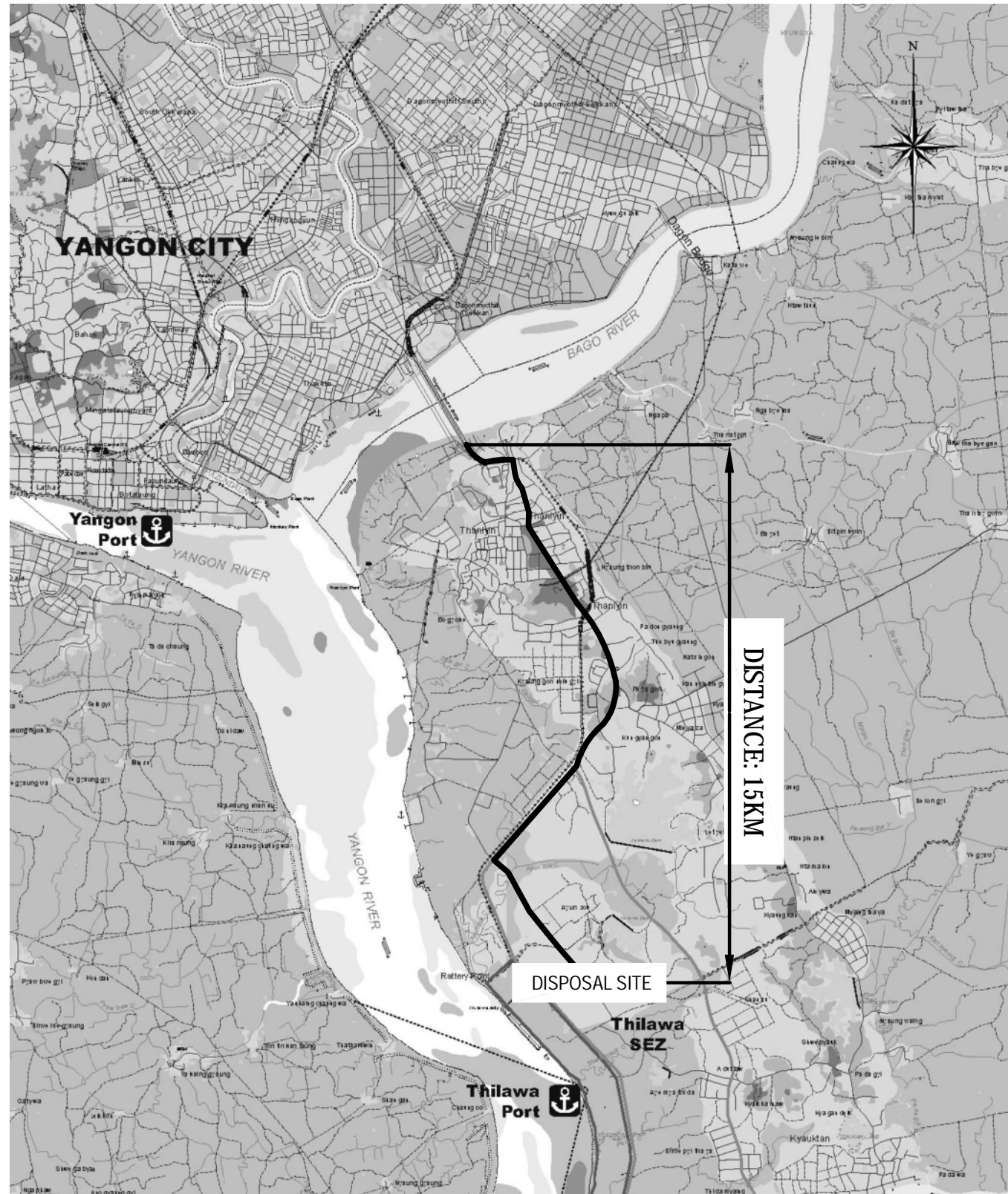
NOTE: The construction yard in this drawing is a candidate site. The Contractor shall confirm the availability of the construction yards to The Client.

PROJECT NAME DETAILED DESIGN ON BAGO RIVER BRIDGE CONSTRUCTION PROJECT	FINANCED BY JAPAN INTERNATIONAL COOPERATION AGENCY	COUNTERPART REPUBLIC OF THE UNION OF MYANMAR MINISTRY OF CONSTRUCTION DEPARTMENT OF BRIDGE	JICA STUDY TEAM NIPPON KOEI CO., LTD. ORIENTAL CONSULTANTS GLOBAL CO., LTD. METROPOLITAN EXPRESSWAY COMPANY LIMITED CHODAI CO., LTD. NIPPON ENGINEERING CONSULTANTS CO., LTD.	NAME	SIGNATURE	DATE	DRAWING TITLE (REFERENCE) GENERAL LAYOUT OF CONSTRUCTION YARD	PACKAGE 3 DWG No. P3-REF-0027	
				PREPARED BY	Y. SUZUKI				29 Sep. 2017
				CHECKED BY	T. HAYAKAWA				3 Oct. 2017
				APPROVED BY	Y. SANO				6 Oct. 2017

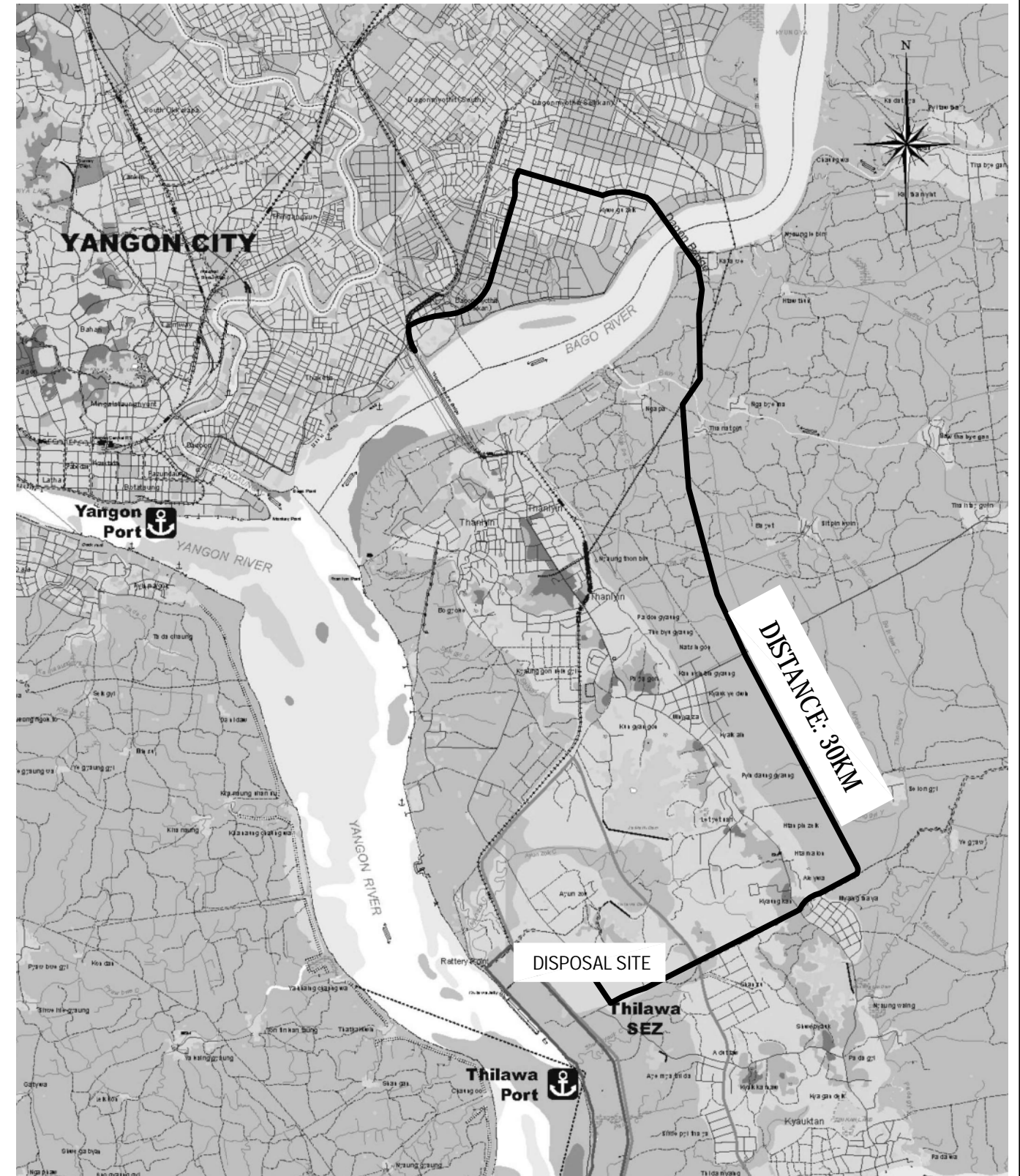
(REFERENCE) QUARRY SITE LOCATION



(REFERENCE) LAND TRANSPORTATION ROUTE TO WASTE DISPOSAL SITE IN THILAWA SEZ



LAND ROUTE 1
FROM PACKAGE 1 TO DIPOSAL SITE

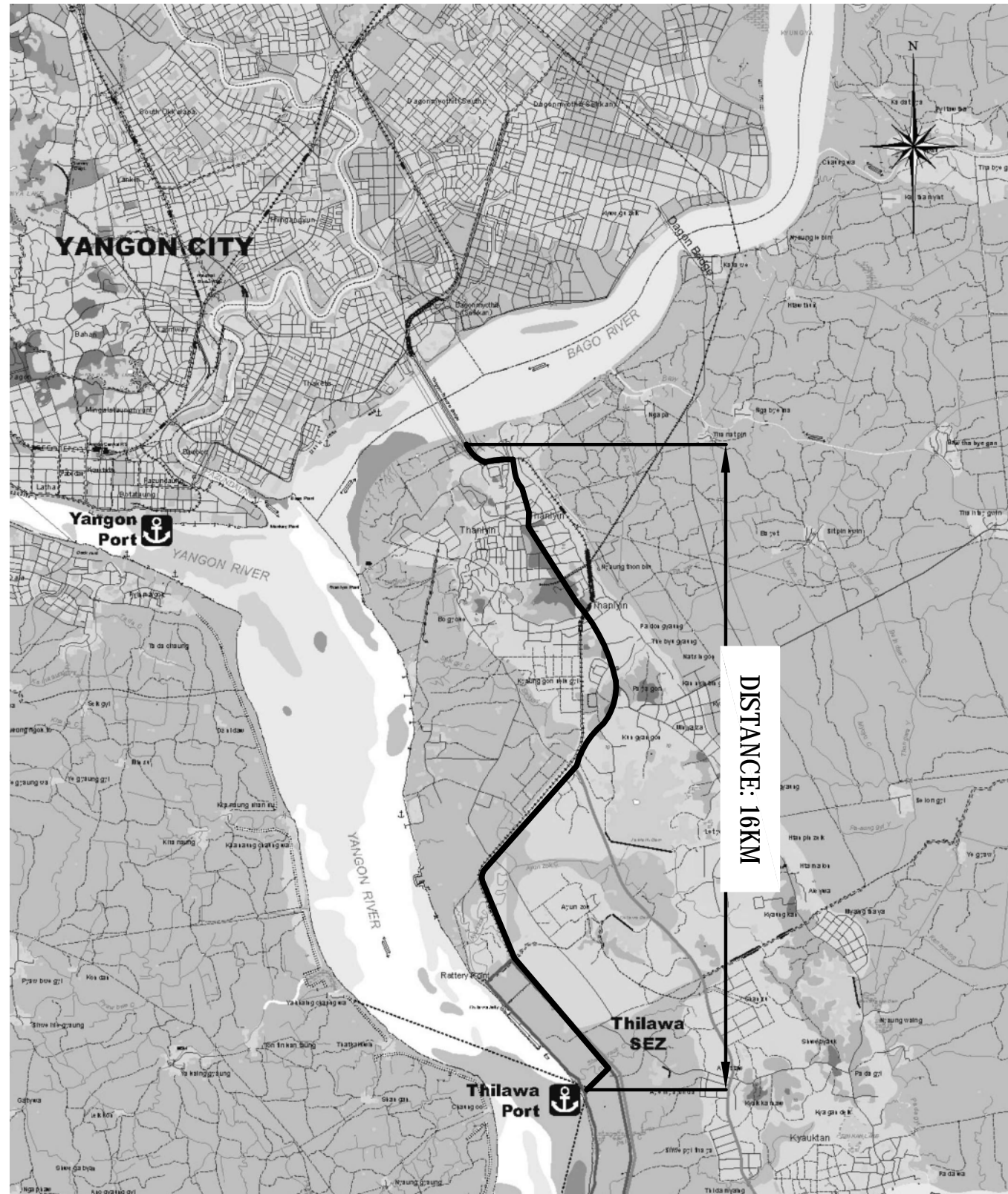


LAND ROUTE 2
FROM PACKAGE 2 & 3 TO DIPOSAL SITE

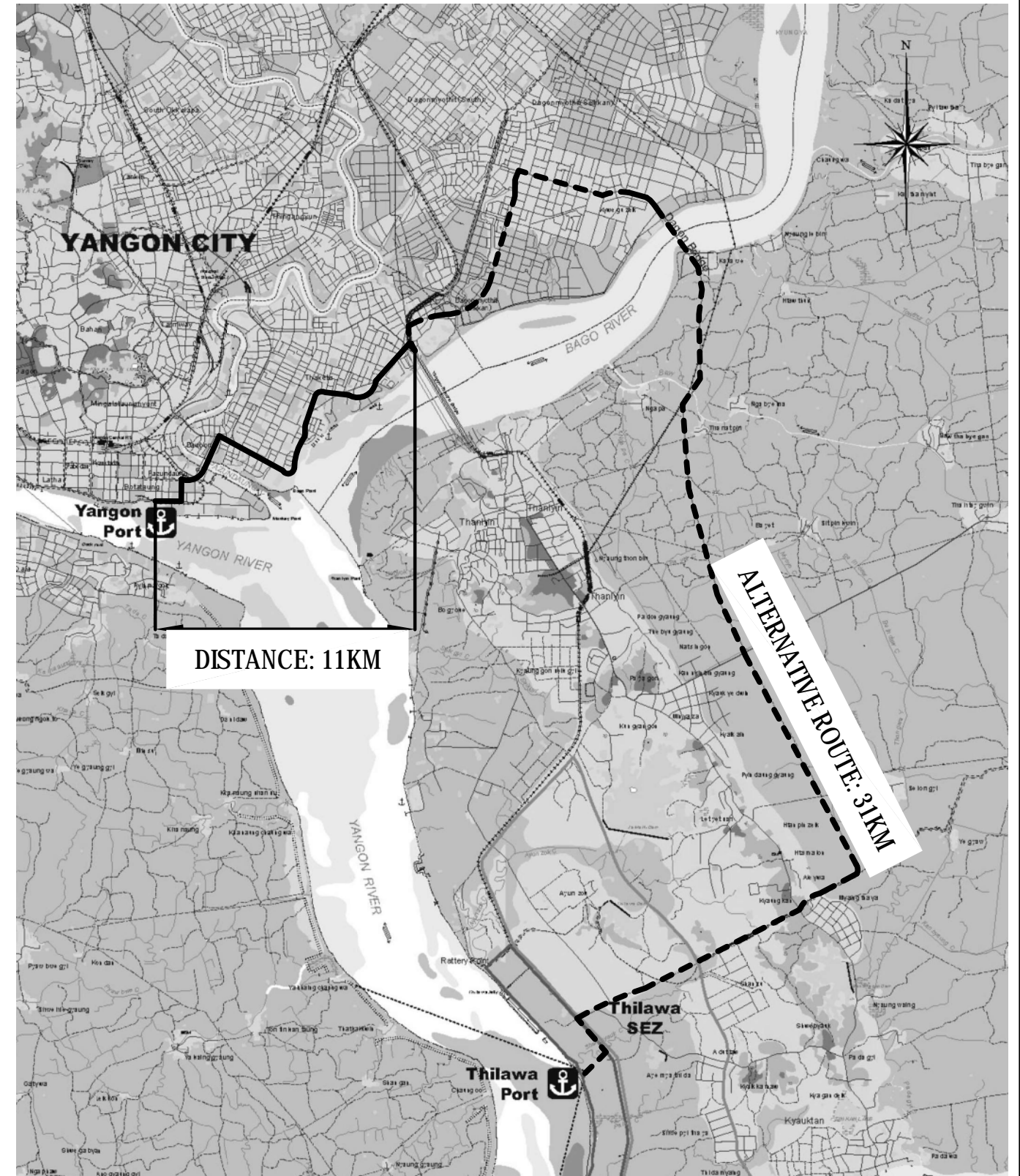
NOTE: The site shown in this drawing is a candidate for the waste disposal site. The contractor may change the waste disposal site according to Engineer's instruction.

PROJECT NAME DETAILED DESIGN ON BAGO RIVER BRIDGE CONSTRUCTION PROJECT	FINANCED BY JAPAN INTERNATIONAL COOPERATION AGENCY	COUNTERPART REPUBLIC OF THE UNION OF MYANMAR MINISTRY OF CONSTRUCTION DEPARTMENT OF BRIDGE	JICA STUDY TEAM NIPPON KOEI CO., LTD. ORIENTAL CONSULTANTS GLOBAL CO., LTD. METROPOLITAN EXPRESSWAY COMPANY LIMITED CHODAI CO., LTD. NIPPON ENGINEERING CONSULTANTS CO., LTD.	NAME T. HAYAKAWA T. HAYAKAWA Y. SANO	SIGNATURE 	DATE 4 Aug.2017 14 Aug.2017 16 Aug.2017	DRAWING TITLE (REFERENCE) LAND TRANSPORTATION ROUTE TO WASTE DISPOSAL SITE IN THILAWA SEZ	PACKAGE 3 DWG No. P3-REF-1002
---	--	---	--	---	-----------------------	--	---	--

(REFERENCE) LAND TRANSPORTATION ROUTE FROM LANDING PORT



LAND ROUTE 1
FROM THILAWA PORT TO PACKAGE 1



LAND ROUTE 2
FROM YANGON PORT TO PACKAGE 2 & 3
(FROM THILAWA PORT TO PACKAGE 2 & 3)

PROJECT NAME DETAILED DESIGN ON BAGO RIVER BRIDGE CONSTRUCTION PROJECT	FINANCED BY JAPAN INTERNATIONAL COOPERATION AGENCY	COUNTERPART REPUBLIC OF THE UNION OF MYANMAR MINISTRY OF CONSTRUCTION DEPARTMENT OF BRIDGE	JICA STUDY TEAM NIPPON KOEI CO., LTD. ORIENTAL CONSULTANTS GLOBAL CO., LTD. METROPOLITAN EXPRESSWAY COMPANY LIMITED CHODAI CO., LTD. NIPPON ENGINEERING CONSULTANTS CO., LTD.	NAME	SIGNATURE	DATE	DRAWING TITLE (REFERENCE) LAND TRANSPORTATION ROUTE FROM LANDING PORT	PACKAGE	
				PREPARED BY	T. HAYAKAWA			4 Aug.2017	3
				CHECKED BY	T. HAYAKAWA			14 Aug.2017	DWG No.
				APPROVED BY	Y. SANO			16 Aug.2017	P3-REF-1003