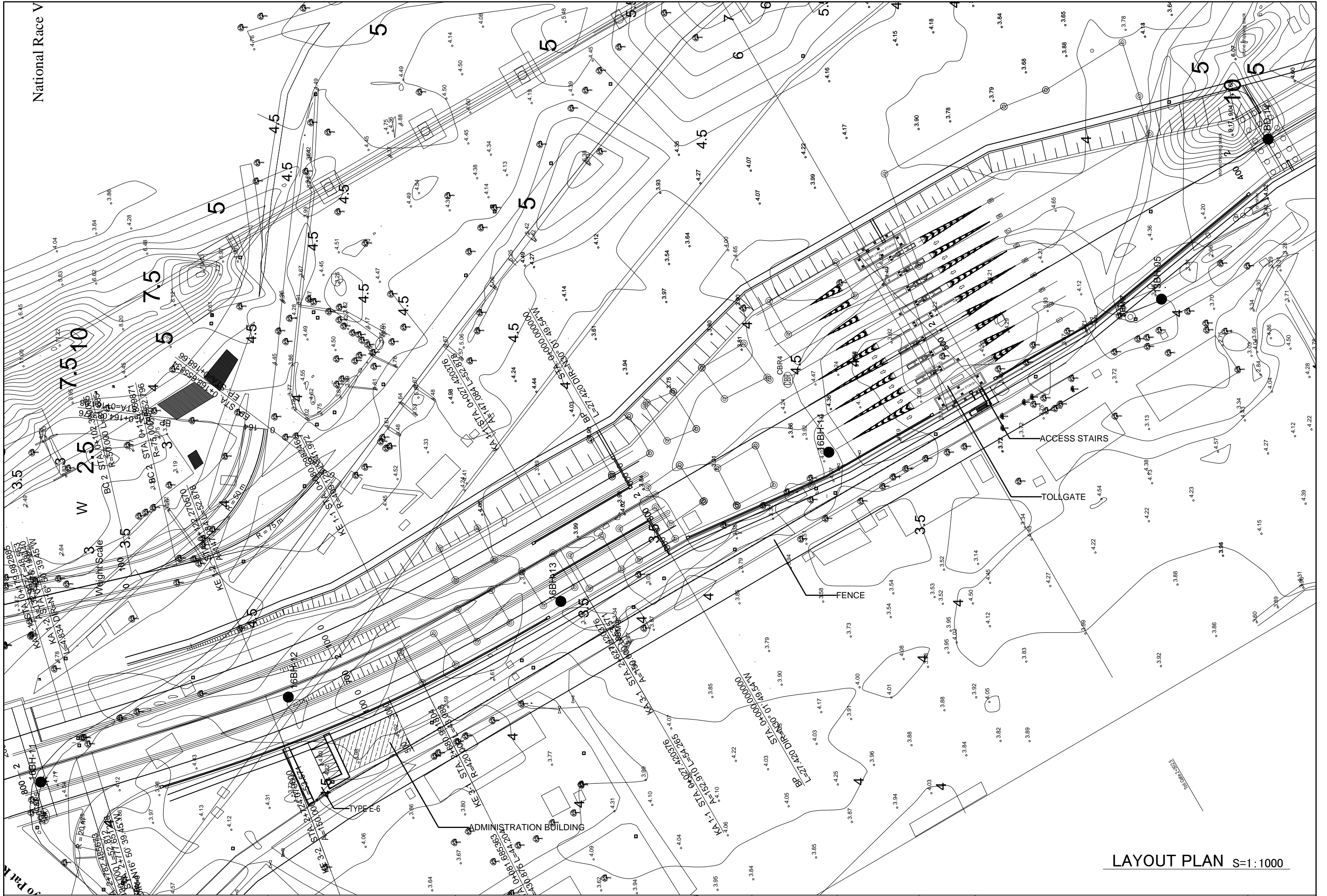
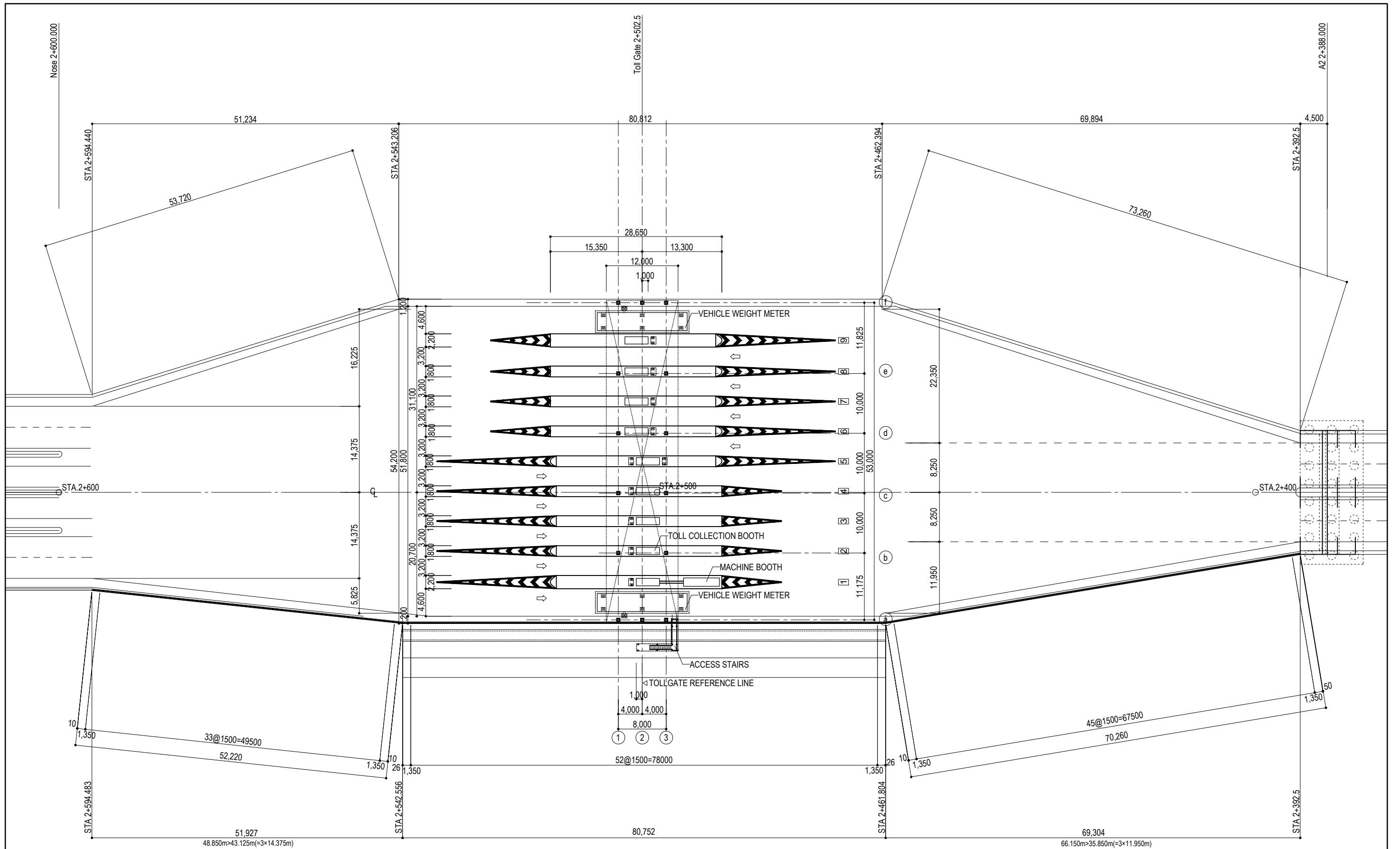


E. TOLL COLLECTION FACILITY



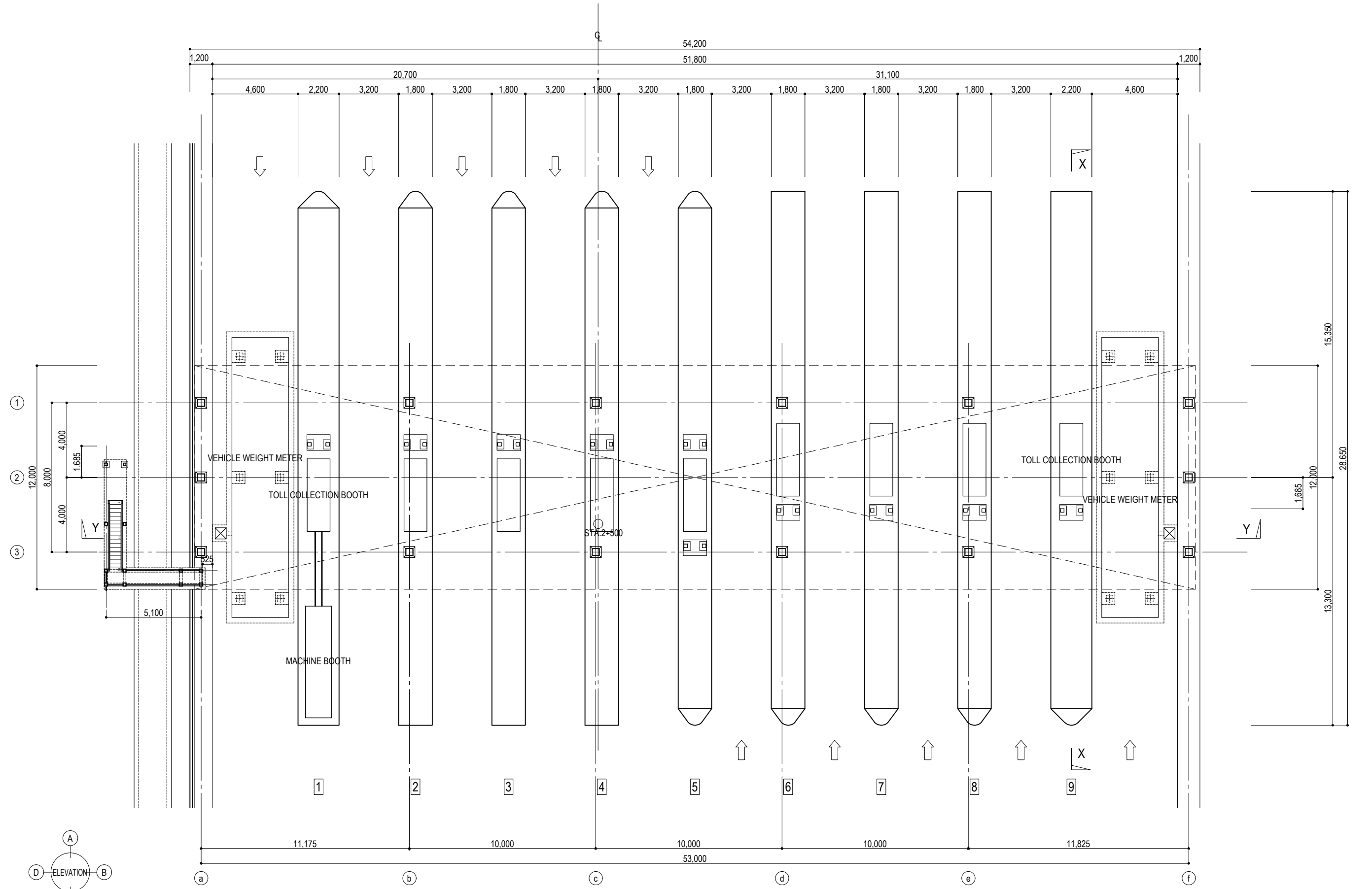
LAYOUT PLAN S=1:1000

PROJECT NAME DETAILED DESIGN ON BAGO RIVER BRIDGE CONSTRUCTION PROJECT	FINANCED BY JAPAN INTERNATIONAL COOPERATION AGENCY	COUNTERPART REPUBLIC OF THE UNION OF MYANMAR MINISTRY OF CONSTRUCTION DEPARTMENT OF BRIDGE	JICA STUDY TEAM NIPPON KOEI CO., LTD. ORIENTAL CONSULTANTS GLOBAL CO., LTD. METROPOLITAN EXPRESSWAY COMPANY LIMITED CHODAI CO., LTD. NIPPON ENGINEERING CONSULTANTS CO., LTD.	NAME	SIGNATURE	DATE	DRAWING TITLE GENERAL VIEW	PACKAGE 2 DWG No. P2-TC-0001	
				PREPARED BY	K. NAKAMURA				29 Sep. 2017
				CHECKED BY	T. HAYAKAWA				3 Oct. 2017
				APPROVED BY	Y. SANO				6 Oct. 2017



LAYOUT PLAN S=1:600

PROJECT NAME DETAILED DESIGN ON BAGO RIVER BRIDGE CONSTRUCTION PROJECT	FINANCED BY JAPAN INTERNATIONAL COOPERATION AGENCY	COUNTERPART REPUBLIC OF THE UNION OF MYANMAR MINISTRY OF CONSTRUCTION DEPARTMENT OF BRIDGE	JICA STUDY TEAM NIPPON KOEI CO., LTD. ORIENTAL CONSULTANTS GLOBAL CO., LTD. METROPOLITAN EXPRESSWAY COMPANY LIMITED CHODAI CO., LTD. NIPPON ENGINEERING CONSULTANTS CO., LTD.	NAME	SIGNATURE	DATE	DRAWING TITLE LAYOUT PLAN OF TOLL ISLAND/LARGE ROOF	PACKAGE 2 DWG No. P2-TC-1001	
				PREPARED BY	*GROUP LEADER				15 Jun. 2017
				CHECKED BY	T. HAYAKAWA				20 Jun. 2017
				APPROVED BY	Y. SANO				21 Jun. 2017



PLAN S=1:200

PROJECT NAME
 DETAILED DESIGN ON
 BAGO RIVER BRIDGE
 CONSTRUCTION PROJECT

FINANCED BY
 JAPAN INTERNATIONAL
 COOPERATION AGENCY

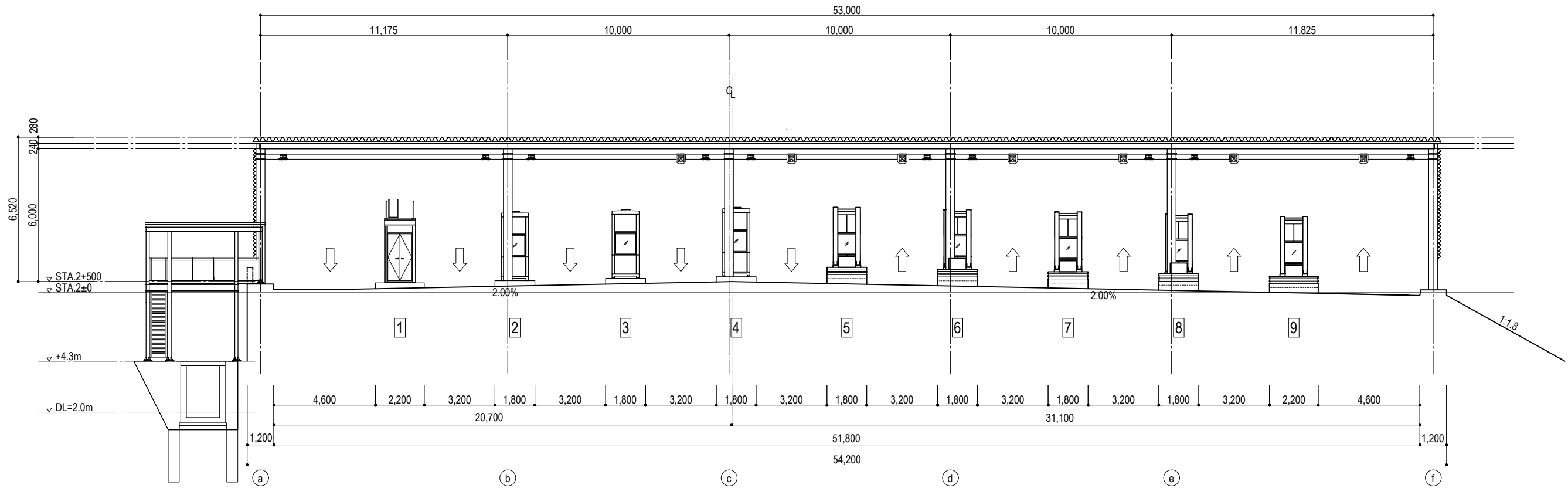
COUNTERPART
 REPUBLIC OF THE UNION OF MYANMAR
 MINISTRY OF CONSTRUCTION
 DEPARTMENT OF BRIDGE

JICA STUDY TEAM
 NIPPON KOEI CO., LTD.
 ORIENTAL CONSULTANTS GLOBAL CO., LTD.
 METROPOLITAN EXPRESSWAY COMPANY LIMITED
 CHODAI CO., LTD.
 NIPPON ENGINEERING CONSULTANTS CO., LTD.

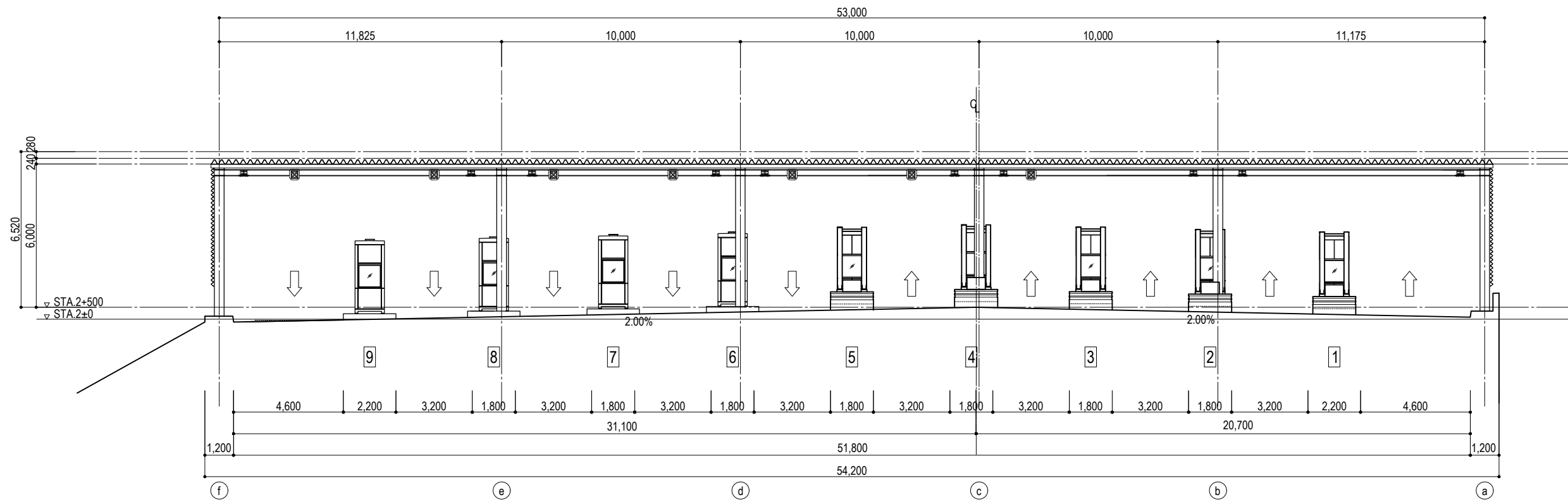
	NAME	SIGNATURE	DATE
PREPARED BY	*GROUP LEADER		15 Jun. 2017
CHECKED BY	T. HAYAKAWA		20 Jun. 2017
APPROVED BY	Y. SANO		21 Jun. 2017

DRAWING TITLE
 PLAN VIEW OF TOLL ISLAND/LARGE ROOF

PACKAGE
 2
 DWG No.
 P2-TC-1002

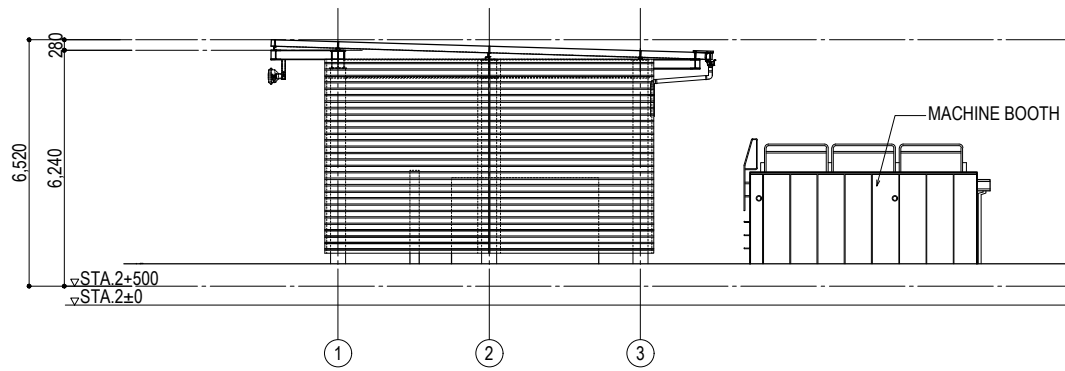


© ELEVATION S=1:200

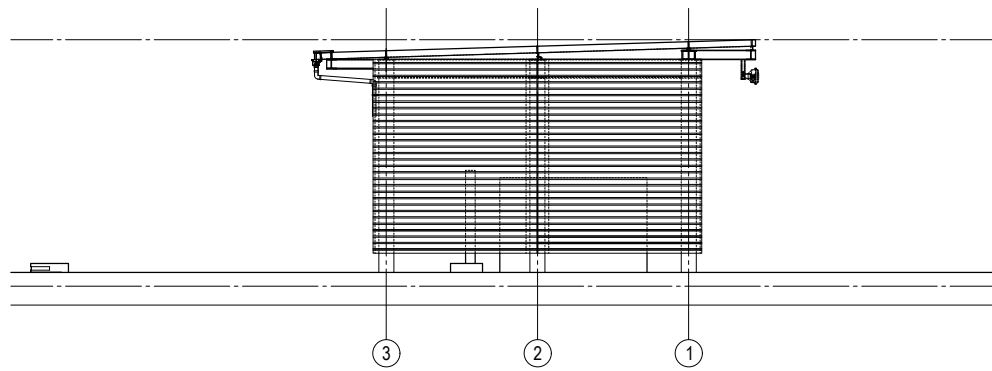


Ⓐ ELEVATION S=1:200

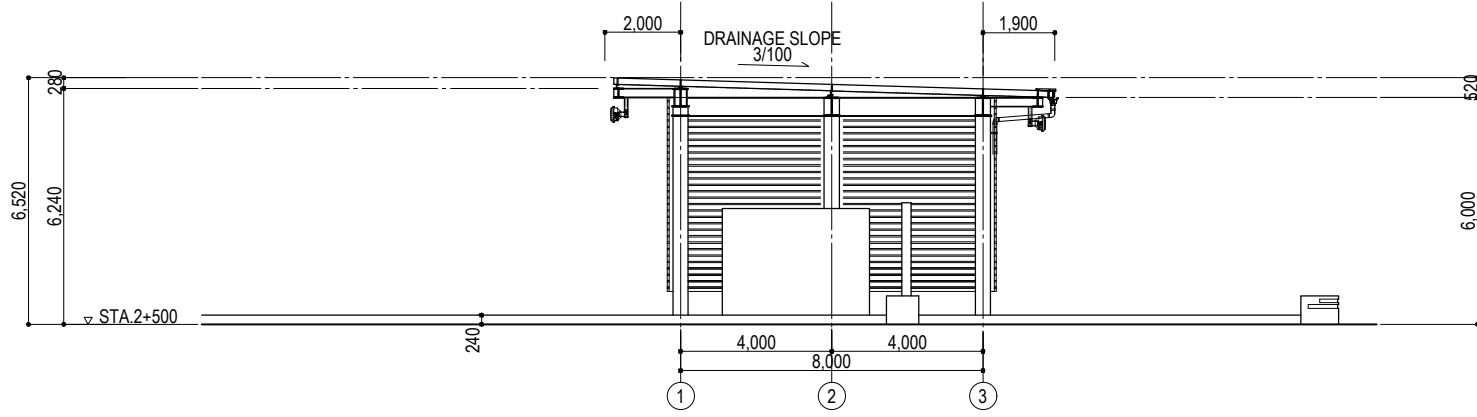
PROJECT NAME DETAILED DESIGN ON BAGO RIVER BRIDGE CONSTRUCTION PROJECT	FINANCED BY JAPAN INTERNATIONAL COOPERATION AGENCY	COUNTERPART REPUBLIC OF THE UNION OF MYANMAR MINISTRY OF CONSTRUCTION DEPARTMENT OF BRIDGE	JICA STUDY TEAM NIPPON KOEI CO., LTD. ORIENTAL CONSULTANTS GLOBAL CO., LTD. METROPOLITAN EXPRESSWAY COMPANY LIMITED CHODAI CO., LTD. NIPPON ENGINEERING CONSULTANTS CO., LTD.	NAME	SIGNATURE	DATE	DRAWING TITLE	PACKAGE	
				PREPARED BY	*GROUP LEADER				15 Jun. 2017
				CHECKED BY	T. HAYAKAWA				20 Jun. 2017
				APPROVED BY	Y. SANO				21 Jun. 2017
							ELEVATION VIEW OF TOLL ISLAND/LARGE ROOF	2	
								DWG No.	
								P2-TC-1003	



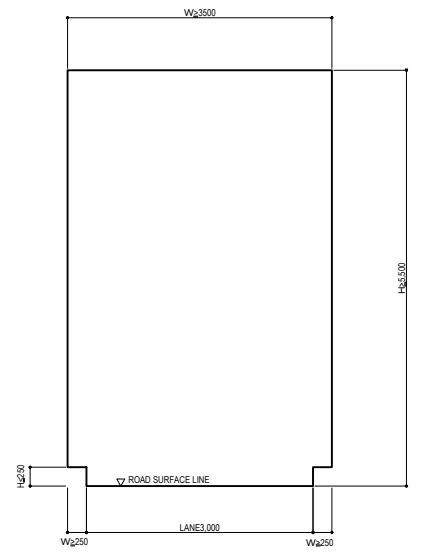
Ⓑ ELEVATION S=1:200



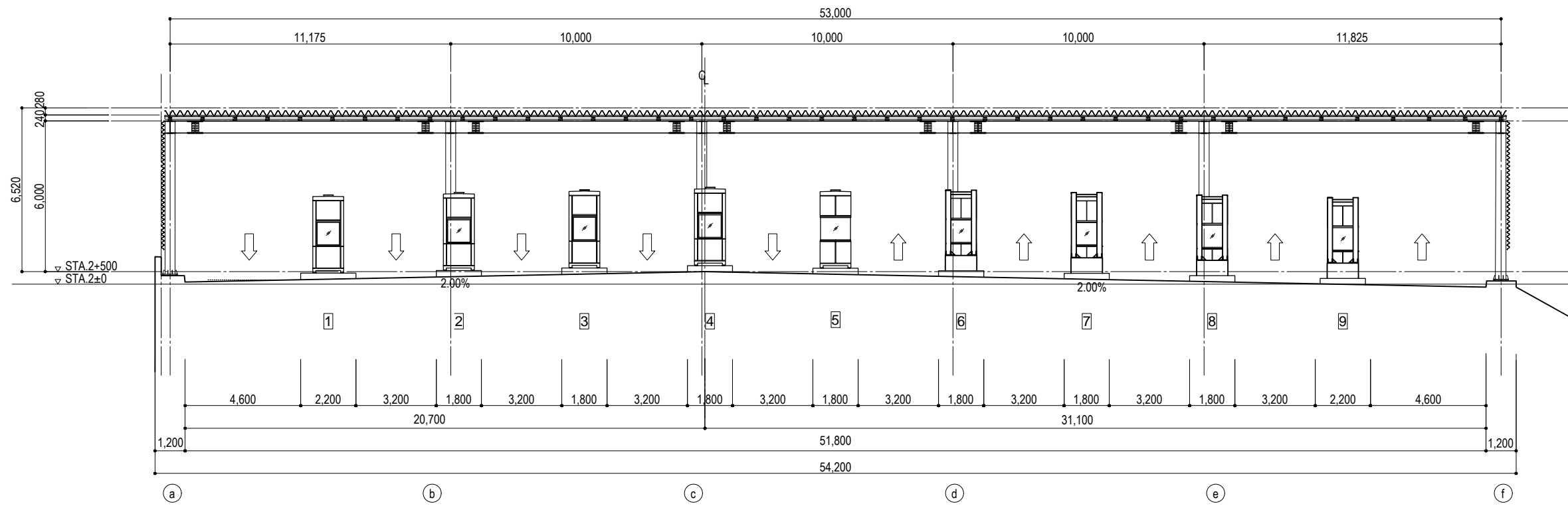
Ⓓ ELEVATION S=1:200



X-X SECTION S=1:200

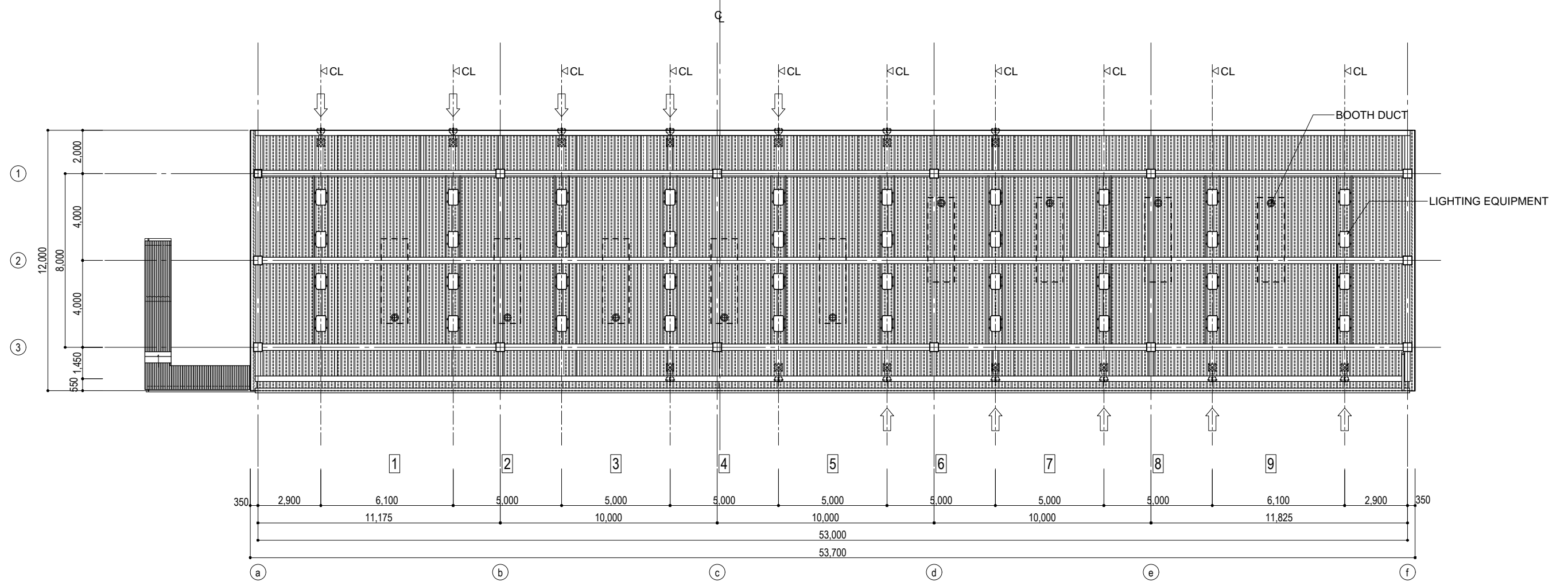


CLEARANCE DIAGRAM S=1:50

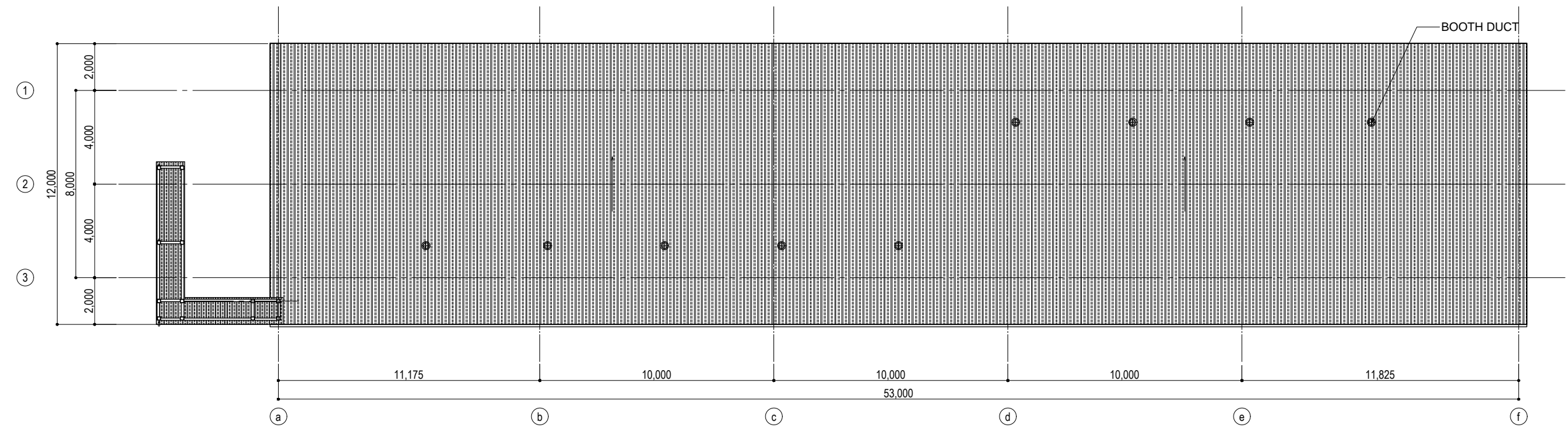


Y-Y SECTION S=1:200

PROJECT NAME DETAILED DESIGN ON BAGO RIVER BRIDGE CONSTRUCTION PROJECT	FINANCED BY JAPAN INTERNATIONAL COOPERATION AGENCY	COUNTERPART REPUBLIC OF THE UNION OF MYANMAR MINISTRY OF CONSTRUCTION DEPARTMENT OF BRIDGE	JICA STUDY TEAM NIPPON KOEI CO., LTD. ORIENTAL CONSULTANTS GLOBAL CO., LTD. METROPOLITAN EXPRESSWAY COMPANY LIMITED CHODAI CO., LTD. NIPPON ENGINEERING CONSULTANTS CO., LTD.	NAME	SIGNATURE	DATE	DRAWING TITLE	PACKAGE	
				PREPARED BY	*GROUP LEADER				15 Jun. 2017
				CHECKED BY	T. HAYAKAWA				20 Jun. 2017
				APPROVED BY	Y. SANO				21 Jun. 2017
							CROSS-SECTION VIEW OF TOLL ISLAND/LARGE ROOF	2	
								DWG No.	
								P2-TC-1004	

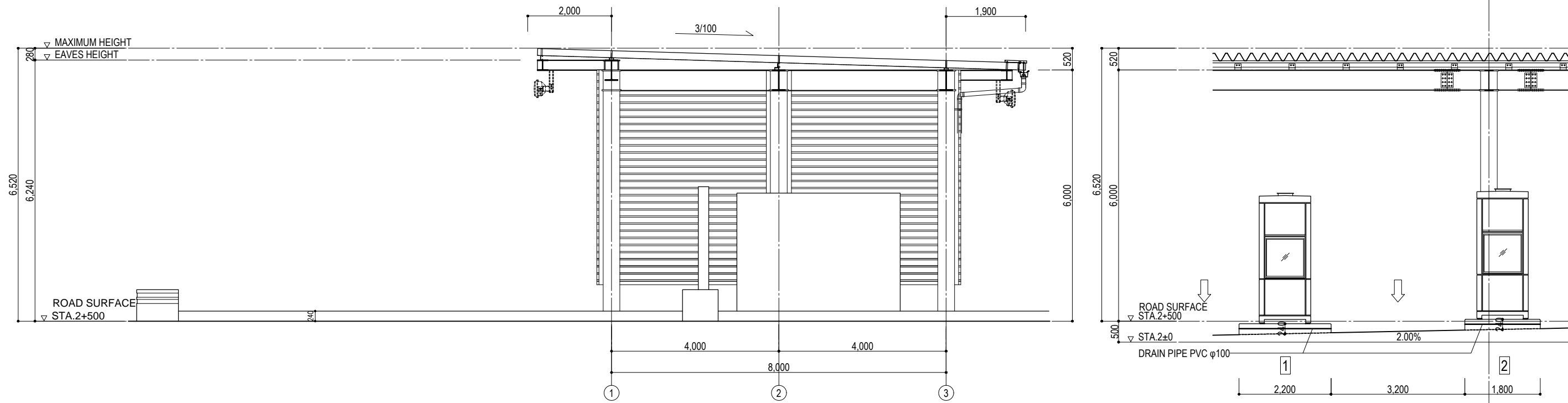


REFLECTED CEILING PLAN S=1:200

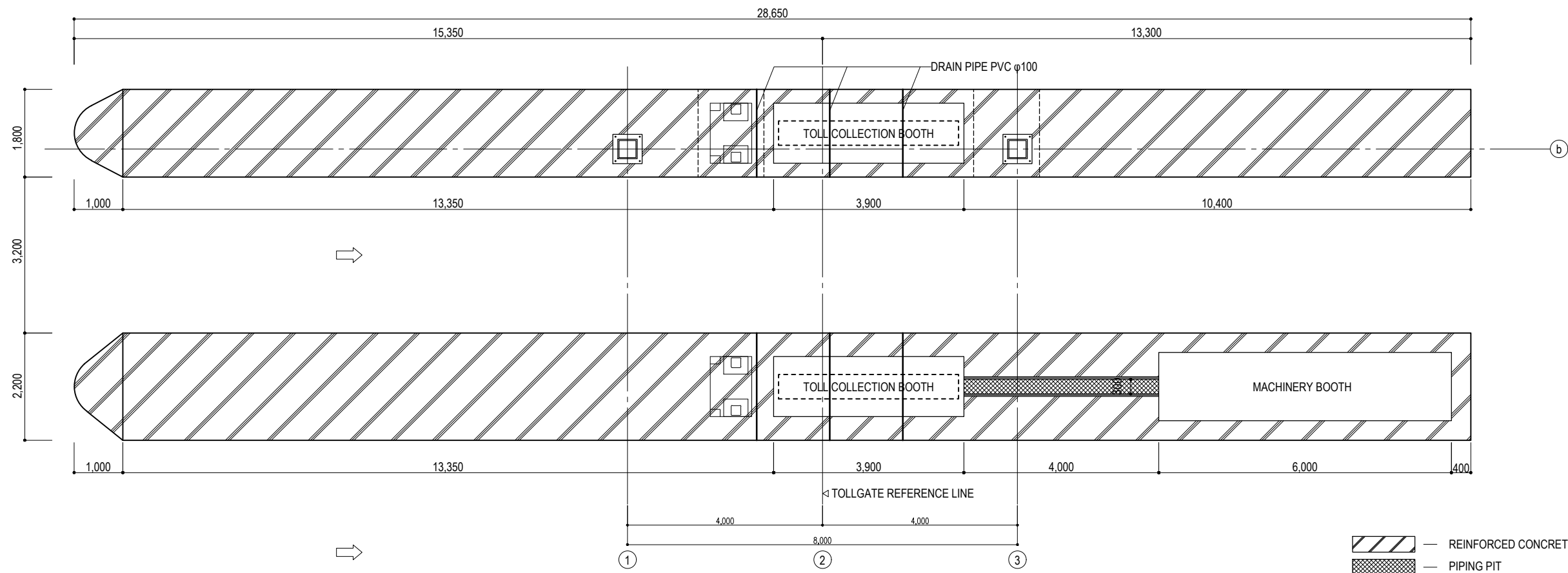


ROOF PLAN S=1:200

PROJECT NAME DETAILED DESIGN ON BAGO RIVER BRIDGE CONSTRUCTION PROJECT	FINANCED BY JAPAN INTERNATIONAL COOPERATION AGENCY	COUNTERPART REPUBLIC OF THE UNION OF MYANMAR MINISTRY OF CONSTRUCTION DEPARTMENT OF BRIDGE	JICA STUDY TEAM NIPPON KOEI CO., LTD. ORIENTAL CONSULTANTS GLOBAL CO., LTD. METROPOLITAN EXPRESSWAY COMPANY LIMITED CHODAI CO., LTD. NIPPON ENGINEERING CONSULTANTS CO., LTD.	NAME	SIGNATURE	DATE	DRAWING TITLE REFLECTED CEILING PLAN/ ROOF PLAN OF TOLL ISLAND/LARGE ROOF	PACKAGE	
				PREPARED BY	*GROUP LEADER			15 Jun. 2017	2
				CHECKED BY	T. HAYAKAWA			20 Jun. 2017	DWG No.
				APPROVED BY	Y. SANO			21 Jun. 2017	P2-TC-1005



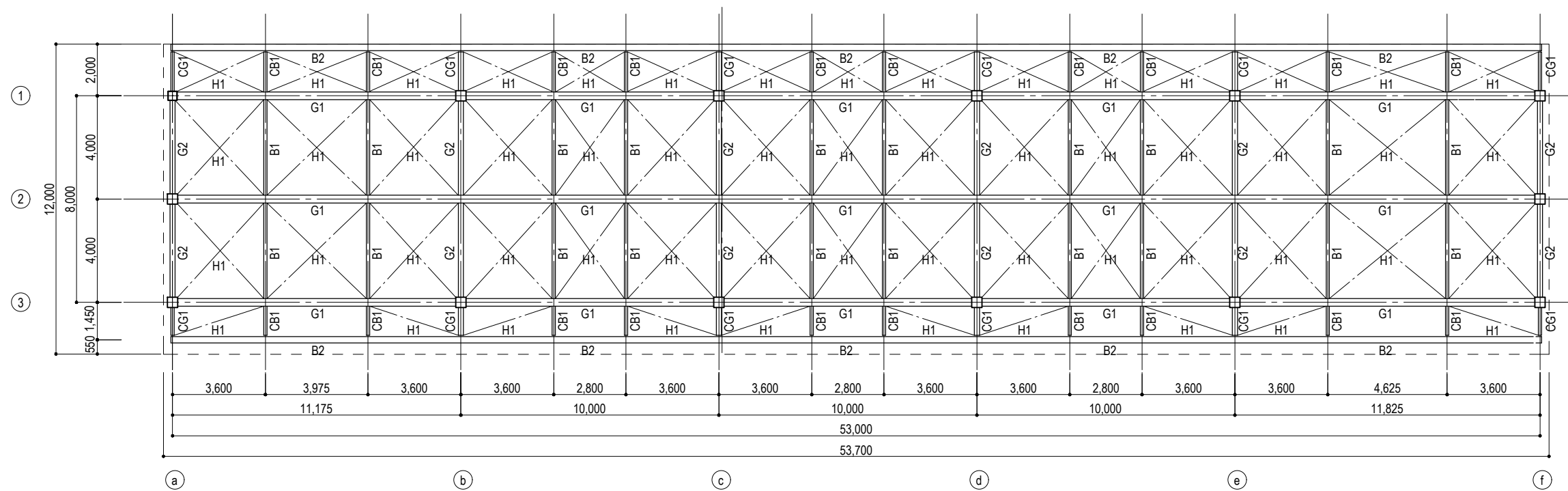
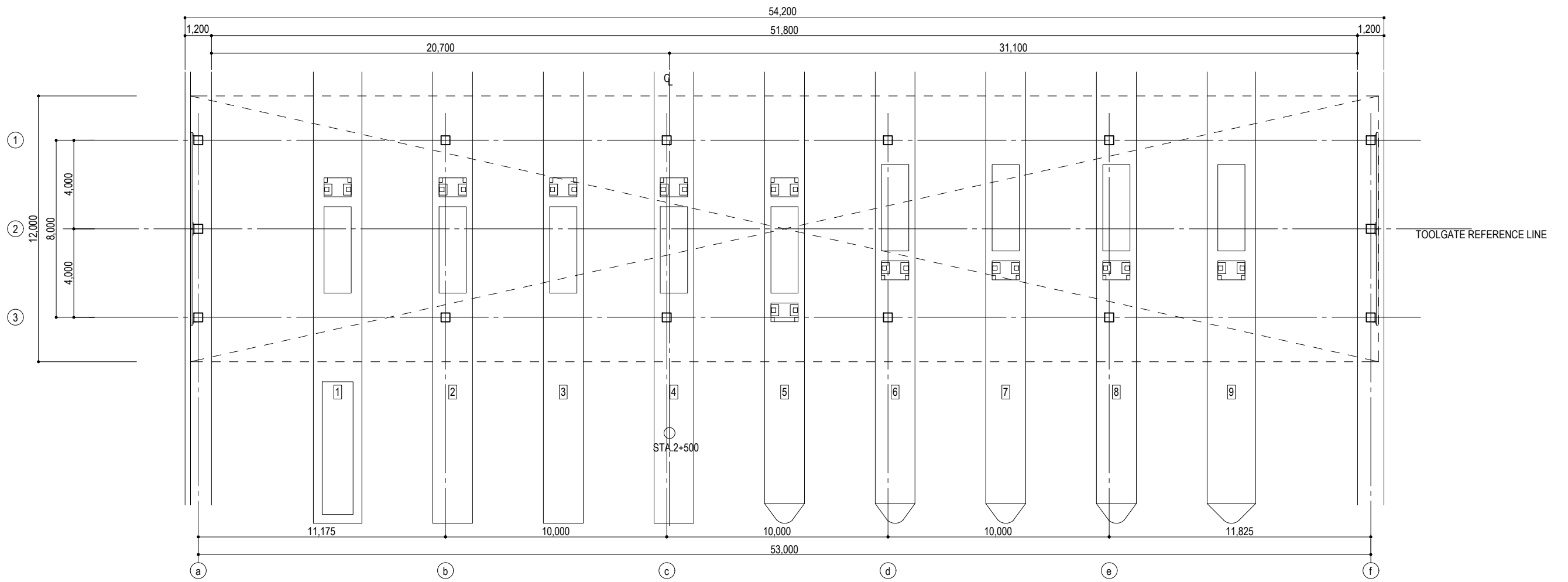
ISLAND ELEVATION VIEW S=1:100



ISLAND DETAIL PLAN S=1:100

- REINFORCED CONCRETE
- PIPING PIT
- PVC PIPE

PROJECT NAME DETAILED DESIGN ON BAGO RIVER BRIDGE CONSTRUCTION PROJECT	FINANCED BY JAPAN INTERNATIONAL COOPERATION AGENCY	COUNTERPART REPUBLIC OF THE UNION OF MYANMAR MINISTRY OF CONSTRUCTION DEPARTMENT OF BRIDGE	JICA STUDY TEAM NIPPON KOEI CO., LTD. ORIENTAL CONSULTANTS GLOBAL CO., LTD. METROPOLITAN EXPRESSWAY COMPANY LIMITED CHODAI CO., LTD. NIPPON ENGINEERING CONSULTANTS CO., LTD.	NAME	SIGNATURE	DATE	DRAWING TITLE	PACKAGE			
				PREPARED BY	*GROUP LEADER				15 Jun. 2017	TOLL ISLAND DETAIL PLAN	2
				CHECKED BY	T. HAYAKAWA				20 Jun. 2017		DWG No.
				APPROVED BY	Y. SANO				21 Jun. 2017		P2-TC-1006



PILLAR LAYOUT PLAN S=1:200

PROJECT NAME
 DETAILED DESIGN ON
 BAGO RIVER BRIDGE
 CONSTRUCTION PROJECT

FINANCED BY
 JAPAN INTERNATIONAL
 COOPERATION AGENCY

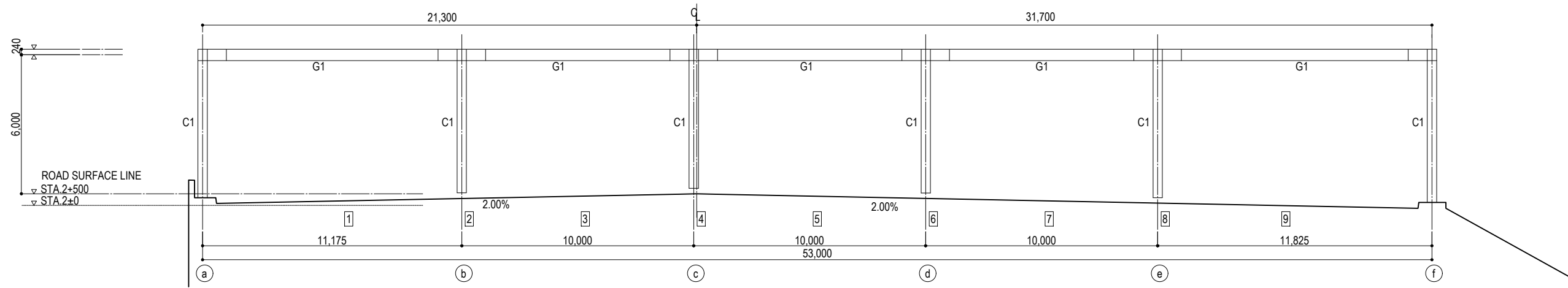
COUNTERPART
 REPUBLIC OF THE UNION OF MYANMAR
 MINISTRY OF CONSTRUCTION
 DEPARTMENT OF BRIDGE

JICA STUDY TEAM
 NIPPON KOEI CO., LTD.
 ORIENTAL CONSULTANTS GLOBAL CO., LTD.
 METROPOLITAN EXPRESSWAY COMPANY LIMITED
 CHODAI CO., LTD.
 NIPPON ENGINEERING CONSULTANTS CO., LTD.

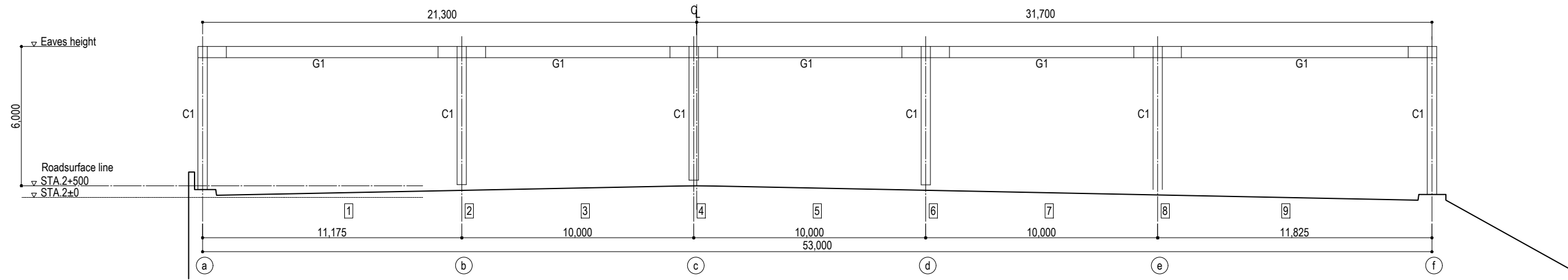
	NAME	SIGNATURE	DATE
PREPARED BY	*GROUP LEADER		15 Jun. 2017
CHECKED BY	T. HAYAKAWA		20 Jun. 2017
APPROVED BY	Y. SANO		21 Jun. 2017

DRAWING TITLE
 STRUCTURAL PLAN VIEW OF TOLL ISLAND/
 LARGE ROOF

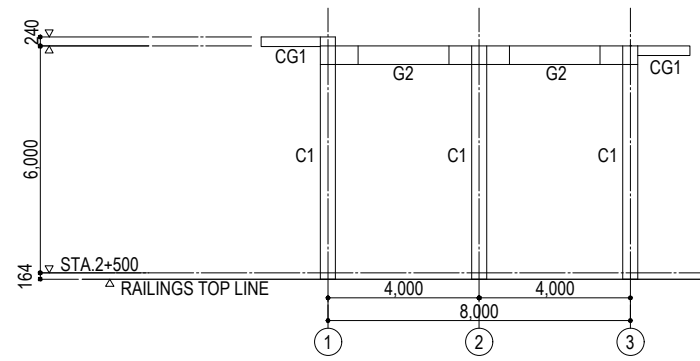
PACKAGE
 2
 DWG No.
 P2-TC-1007



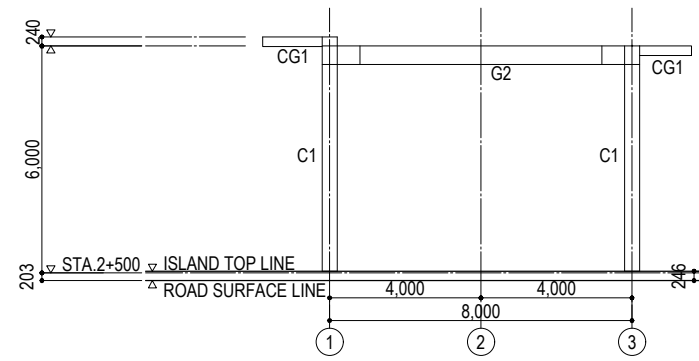
1 STRUCTURAL ELEVATION S=1:200



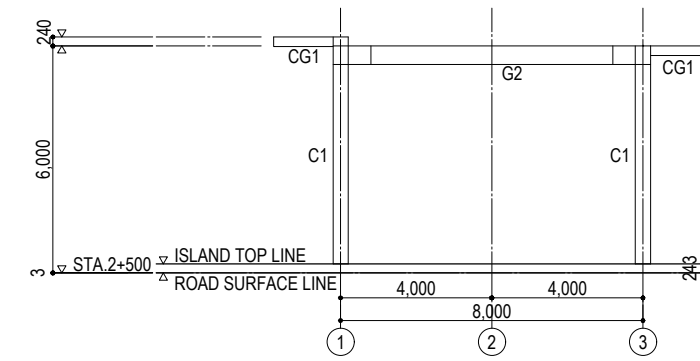
3 STRUCTURAL ELEVATION S=1:200



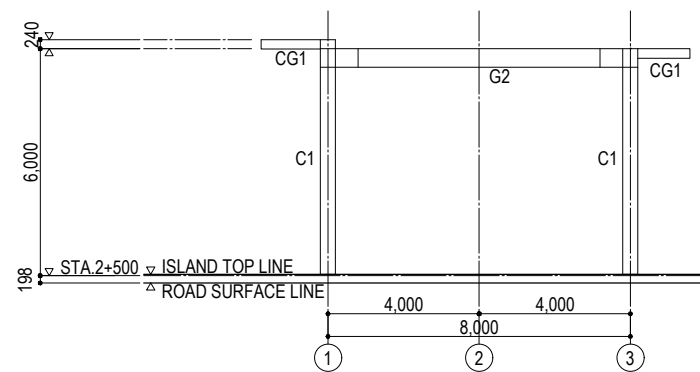
A STRUCTURAL ELEVATION S=1:200



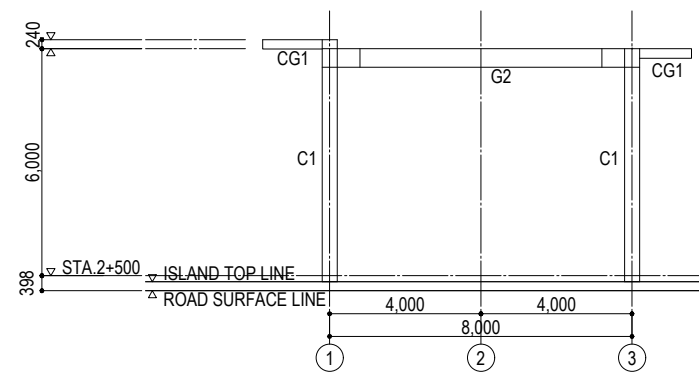
B STRUCTURAL ELEVATION S=1:200



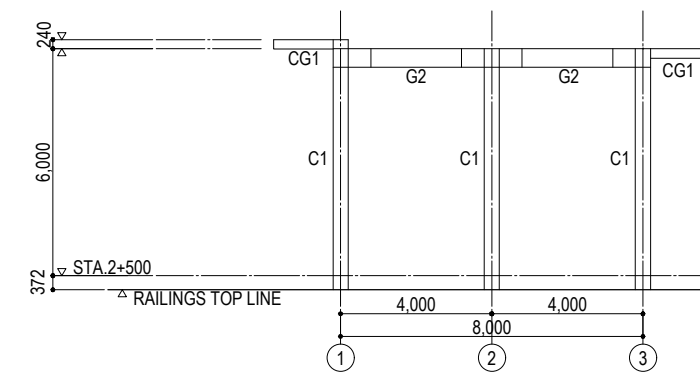
C STRUCTURAL ELEVATION S=1:200



D STRUCTURAL ELEVATION S=1:200



E STRUCTURAL ELEVATION S=1:200



F STRUCTURAL ELEVATION S=1:200

MEMBER RIST

A SIGN	PRINCIPAL MATERIAL
C1	□-350x350x22
G1	H-488x300x11x18
G2	H-500x200x10x16
CG1	H-250x125x6x9
B1	H-250x125x6x9
B2	C-200x90x8x13.5
CB1	H-250x125x6x9
H1	L-65x65x6 HORIZONTAL BRACE

PROJECT NAME
DETAILED DESIGN ON
BAGO RIVER BRIDGE
CONSTRUCTION PROJECT

FINANCED BY
jica JAPAN INTERNATIONAL
COOPERATION AGENCY

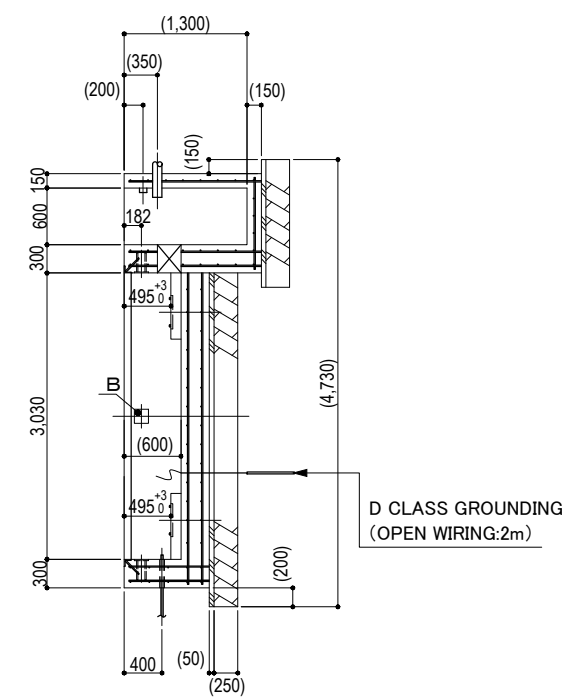
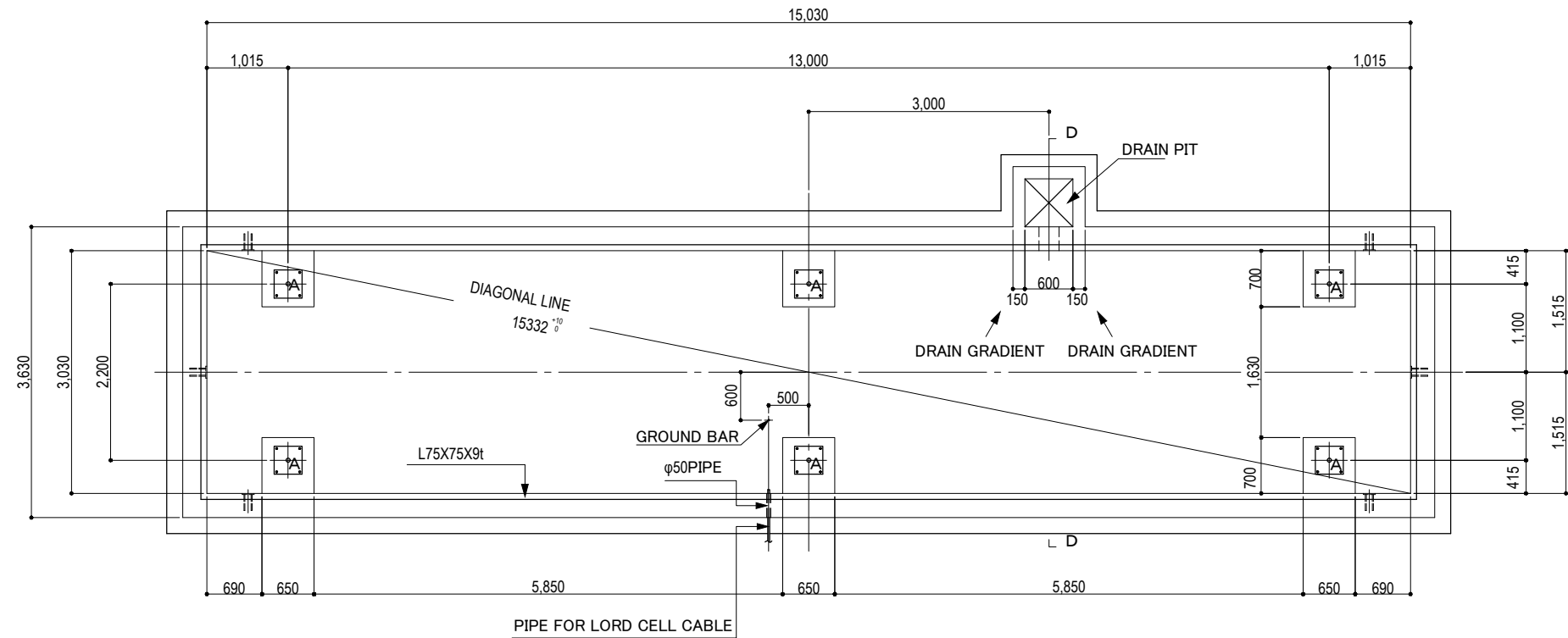
COUNTERPART
REPUBLIC OF THE UNION OF MYANMAR
MINISTRY OF CONSTRUCTION
DEPARTMENT OF BRIDGE

JICA STUDY TEAM
NIPPON KOEI CO., LTD.
ORIENTAL CONSULTANTS GLOBAL CO., LTD.
METROPOLITAN EXPRESSWAY COMPANY LIMITED
CHODAI CO., LTD.
NIPPON ENGINEERING CONSULTANTS CO., LTD.

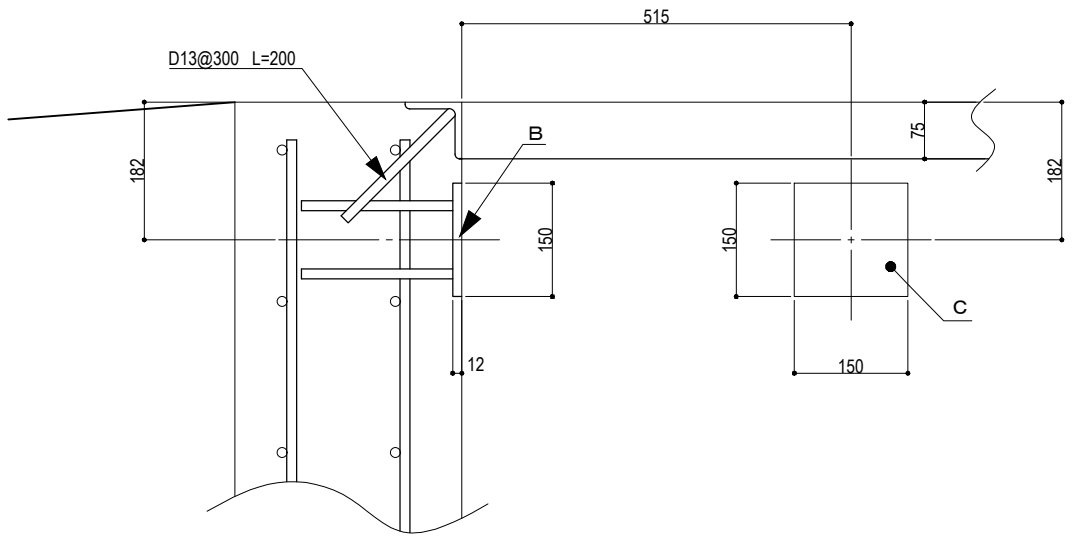
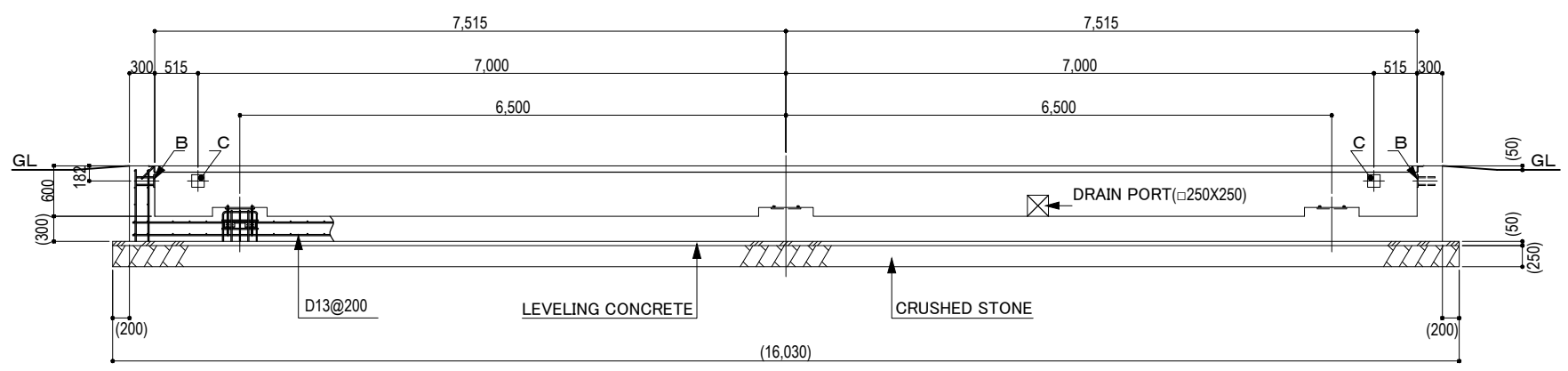
	NAME	SIGNATURE	DATE
PREPARED BY	*GROUP LEADER	<i>[Signature]</i>	15 Jun. 2017
CHECKED BY	T. HAYAKAWA	<i>[Signature]</i>	20 Jun. 2017
APPROVED BY	Y. SANO	<i>[Signature]</i>	21 Jun. 2017

DRAWING TITLE
STRUCTURAL ELEVATION VIEW OF TOLL ISLAND/
LARGE ROOF

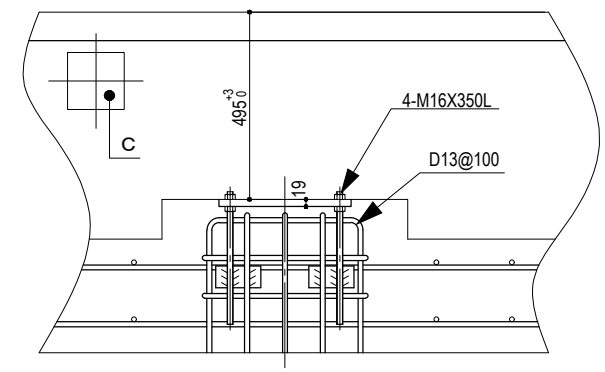
PACKAGE
2
DWG No.
P2-TC-1008



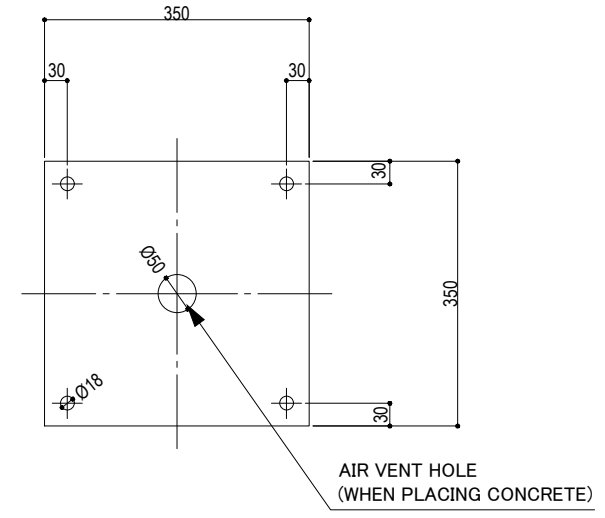
D-D SECTION S=1:80



B-C: STOPPER FITTINGS MOUNT S=1:10

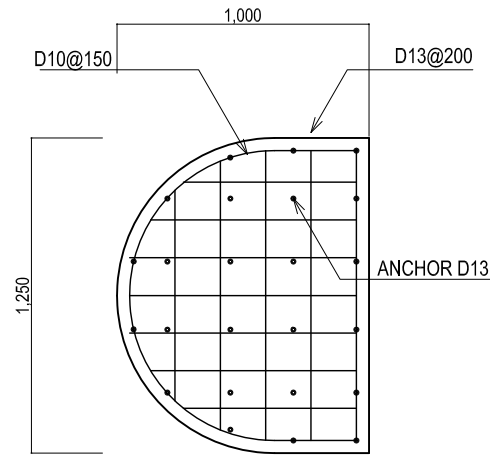


A: BASE MOUNTING SURFACE S=1:20

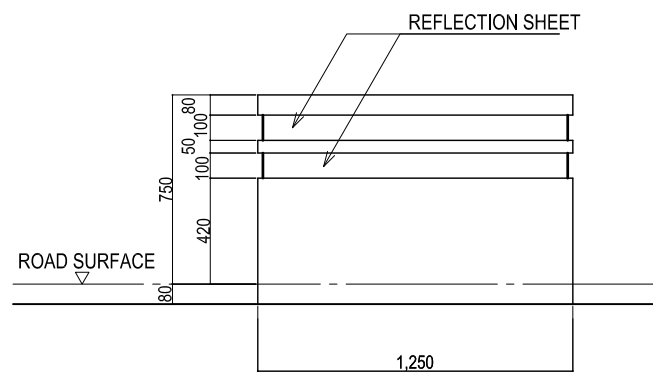
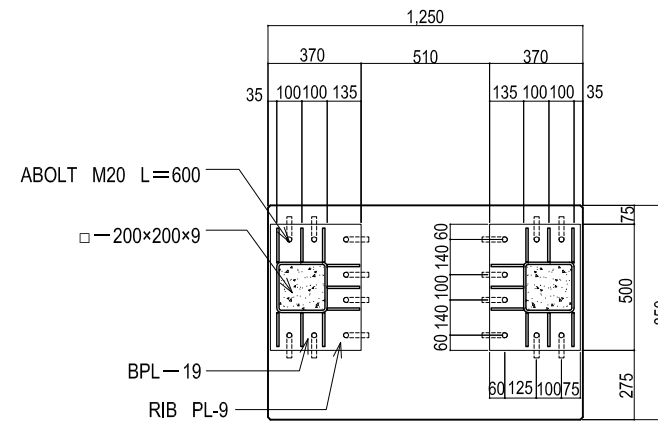
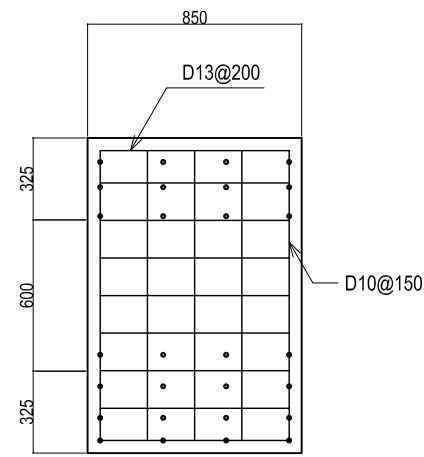


A: BASE MOUNTING SURFACE (IN GROUND PLAN) S=1:10

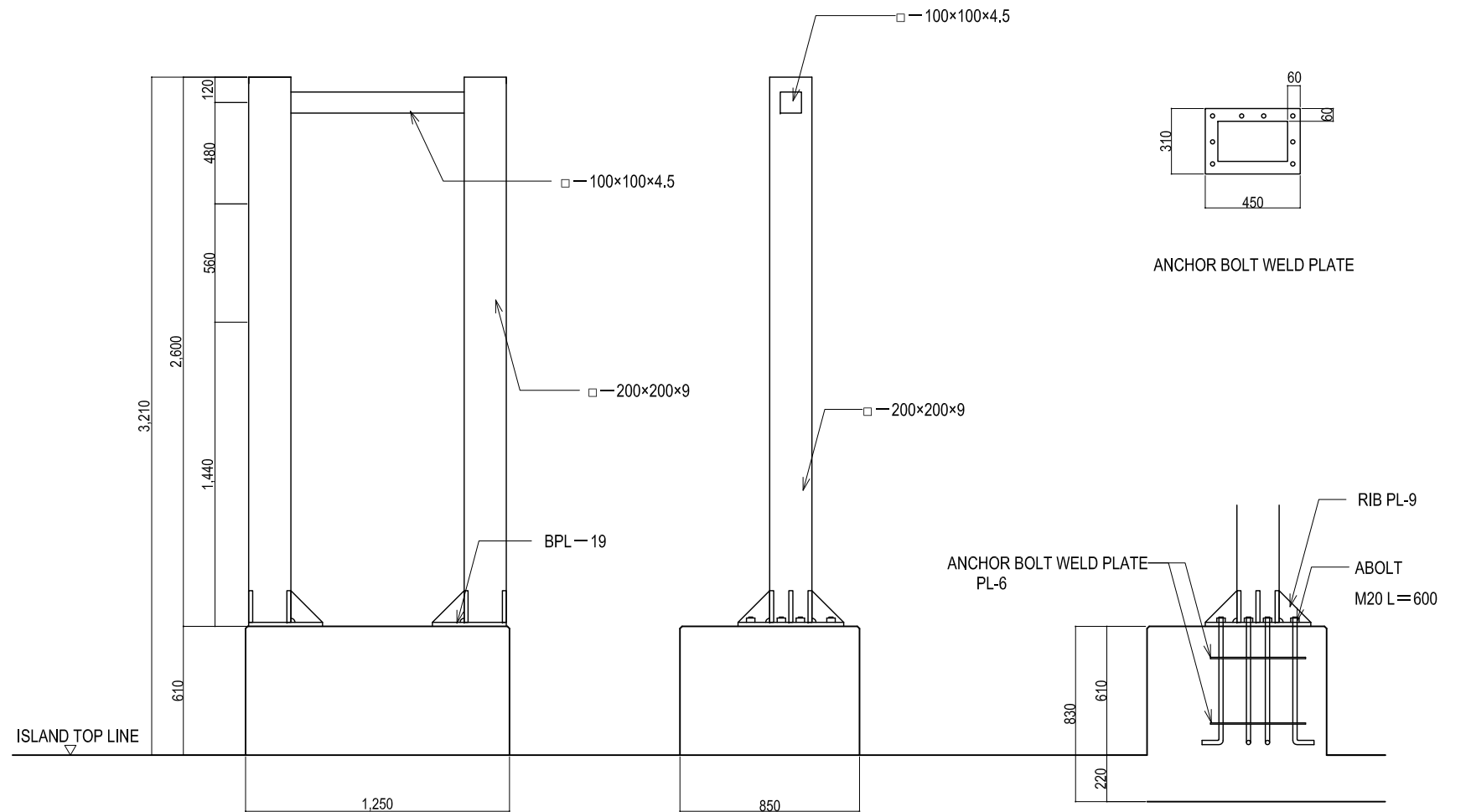
PROJECT NAME DETAILED DESIGN ON BAGO RIVER BRIDGE CONSTRUCTION PROJECT	FINANCED BY JAPAN INTERNATIONAL COOPERATION AGENCY	COUNTERPART REPUBLIC OF THE UNION OF MYANMAR MINISTRY OF CONSTRUCTION DEPARTMENT OF BRIDGE	JICA STUDY TEAM NIPPON KOEI CO., LTD. ORIENTAL CONSULTANTS GLOBAL CO., LTD. METROPOLITAN EXPRESSWAY COMPANY LIMITED CHODAI CO., LTD. NIPPON ENGINEERING CONSULTANTS CO., LTD.	NAME	SIGNATURE	DATE	DRAWING TITLE	PACKAGE	
				PREPARED BY	*GROUP LEADER				15 Jun. 2017
				CHECKED BY	T. HAYAKAWA				20 Jun. 2017
				APPROVED BY	Y. SANO				21 Jun. 2017
							DRAWING OF TRUCK SCALE	P2-TC-1009	



ISLAND BARRIER DETAIL PLAN S=1:30



ISLAND BARRIER ELEVATION (FRONT VIEW) S=1:30



ISLAND PROTECTIN PILLARR DETAILS S=1:30

NOTEWORTHY MATTER
ISLAND REBAR WORK D10 @250

PROJECT NAME DETAILED DESIGN ON BAGO RIVER BRIDGE CONSTRUCTION PROJECT	FINANCED BY JAPAN INTERNATIONAL COOPERATION AGENCY	COUNTERPART REPUBLIC OF THE UNION OF MYANMAR MINISTRY OF CONSTRUCTION DEPARTMENT OF BRIDGE	JICA STUDY TEAM NIPPON KOEI CO., LTD. ORIENTAL CONSULTANTS GLOBAL CO., LTD. METROPOLITAN EXPRESSWAY COMPANY LIMITED CHODAI CO., LTD. NIPPON ENGINEERING CONSULTANTS CO., LTD.	NAME	SIGNATURE	DATE	DRAWING TITLE	PACKAGE	
				PREPARED BY	*GROUP LEADER				15 Jun. 2017
				CHECKED BY	T. HAYAKAWA				20 Jun. 2017
				APPROVED BY	Y. SANO				21 Jun. 2017
							ISLAND DETAIL	2	
								DWG No.	
								P2-TC-1010	

< OUTSIDE FINISHING TABLE >

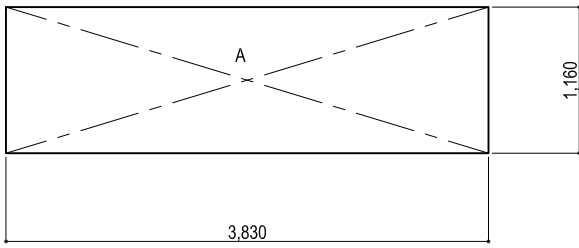
	FINISH	REMARKS			
ROOF	STEEL PLATE t=2.3mm	FOR CONSTRUCTION BOLT RUST INHIBITOR			
OUTSIDE	STEEL PLATE t=2.3mm	STAINLESS DRAINING			
JOINERY	ALUMINUM JOINERY+STEEL JOINERY				

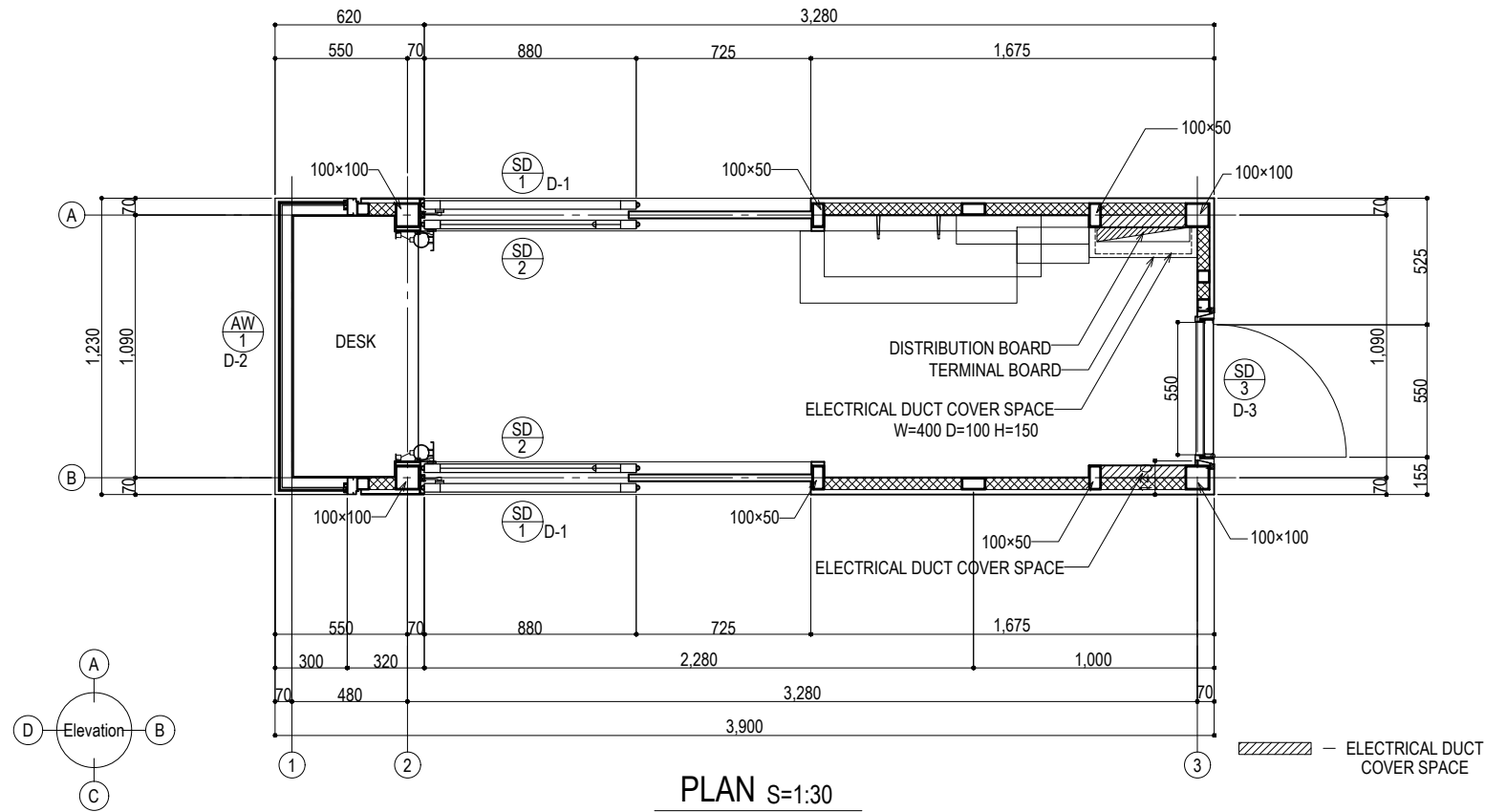
< INTERIOR FINISHING TABLE >

ROOM NAME	FLOOR	BASEBOARD	WALL	CEILING	CEILING HEIGHT	
RECEIVING ROOM	VINYL FLOOR SHEET t=2.5mm FOUNDATION: STEEL PLATE t=3.2mm	VINYL H60	STEEL PLATE t=0.7mm	ATTIC: REPRESENT STEEL PLATE	H=2,789	

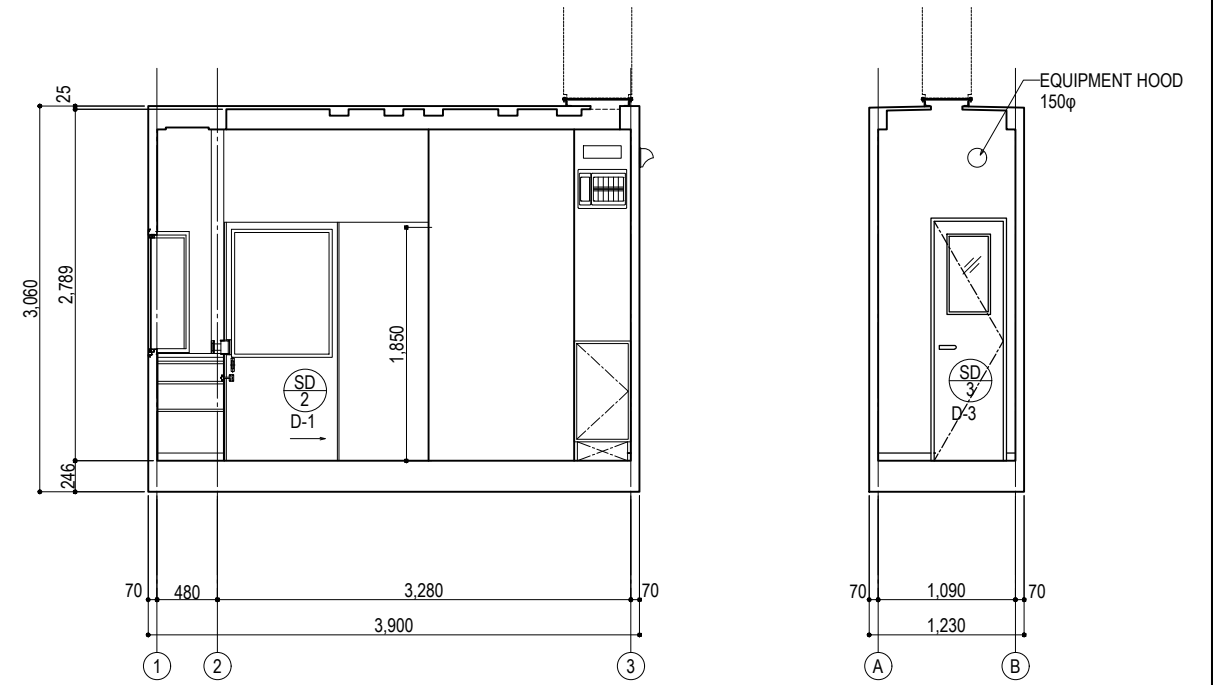
STEEL PLATE IS EQUIVALENT TO JIS G 3312

< QUADRATURE CHART >

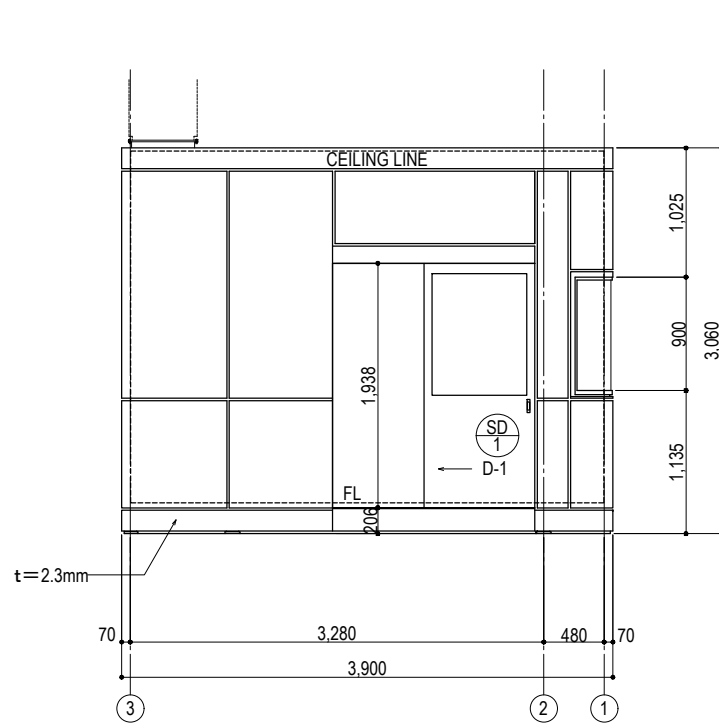
	A	3.830×1.160=4.428
	BUILDING AREA	4.44㎡
	TOTAL FLOOR AREA	4.44㎡



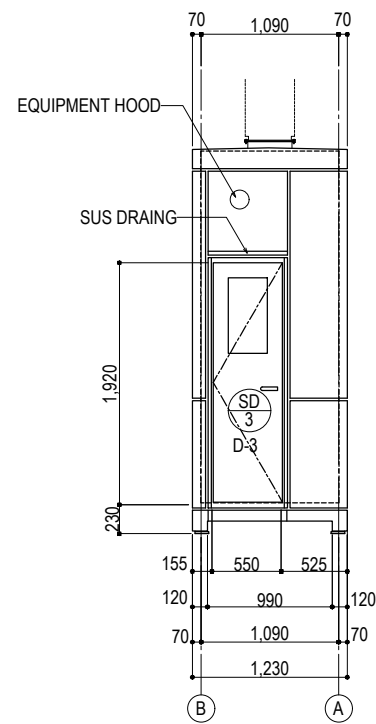
PLAN S=1:30



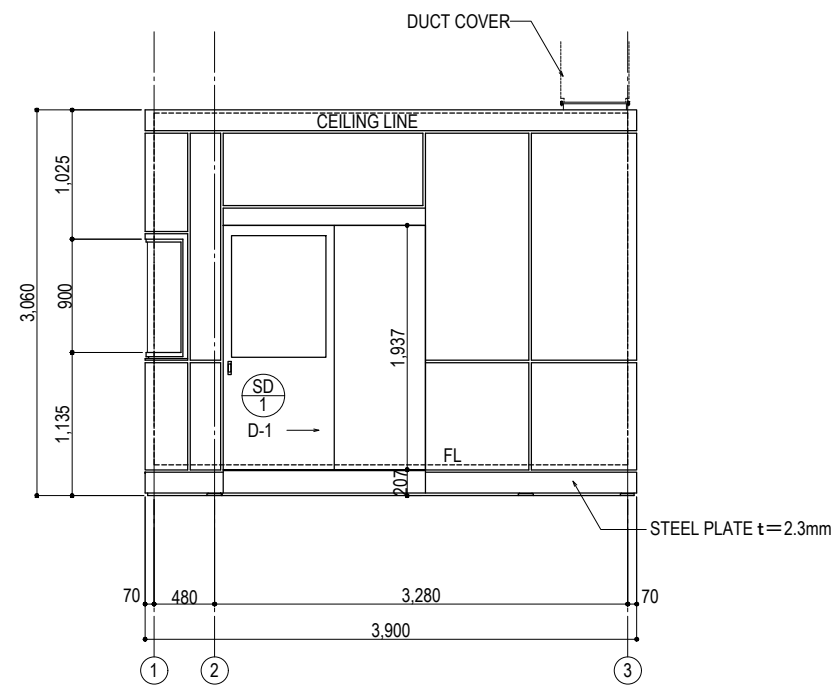
SECTION PLAN S=1:60



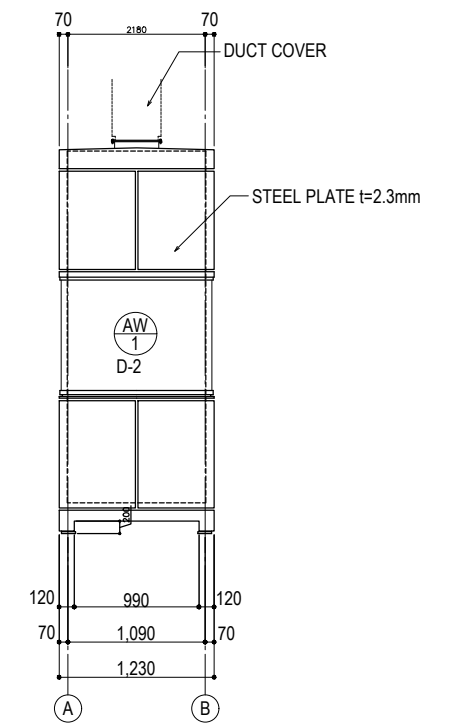
A SECTION VIEW S=1:60



3 SECTION VIEW S=1:60



B SECTION VIEW S=1:60



1 SECTION VIEW S=1:60

PROJECT NAME
DETAILED DESIGN ON
BAGO RIVER BRIDGE
CONSTRUCTION PROJECT

FINANCED BY
JICA
JAPAN INTERNATIONAL
COOPERATION AGENCY

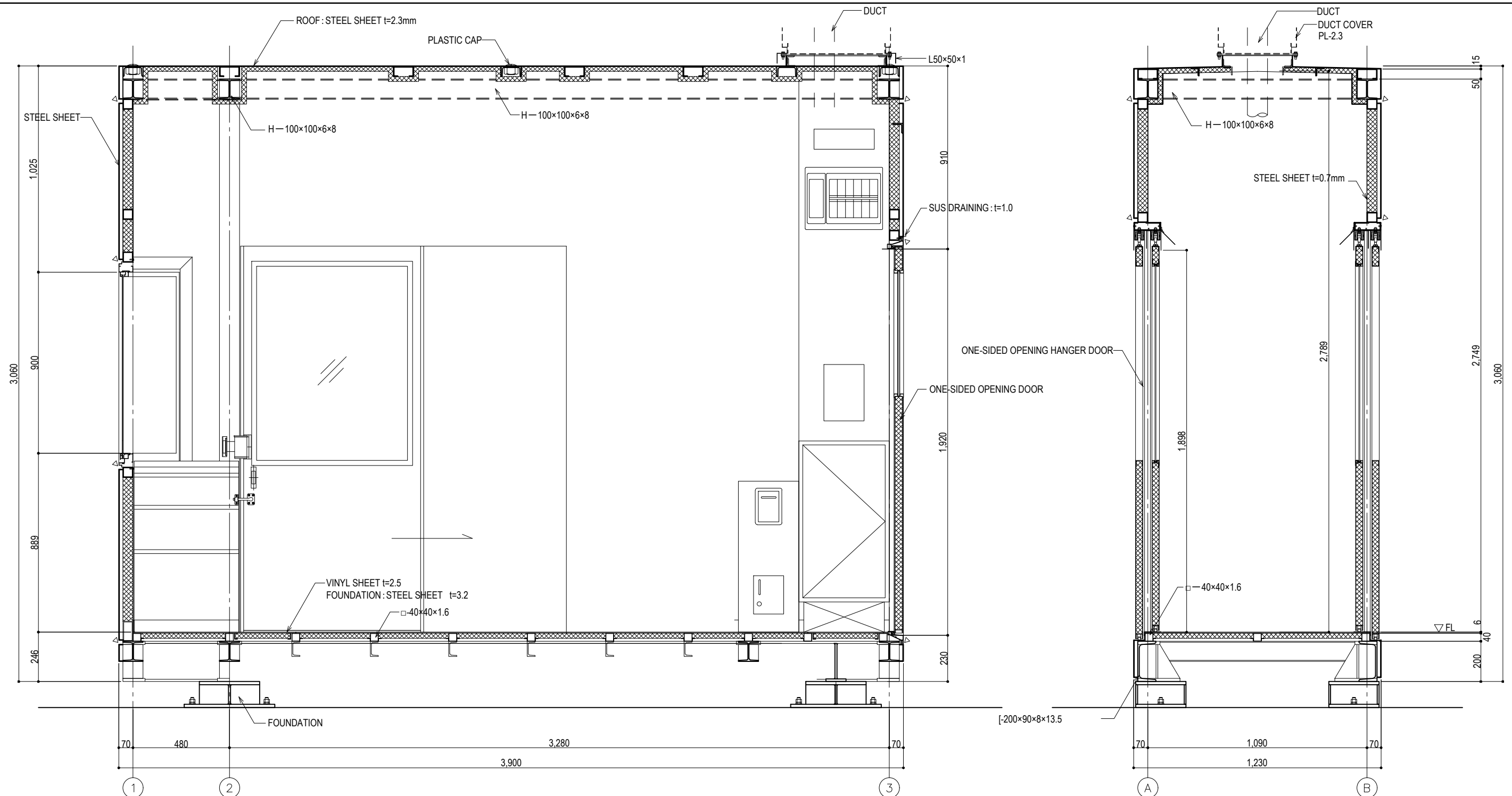
COUNTERPART
REPUBLIC OF THE UNION OF MYANMAR
MINISTRY OF CONSTRUCTION
DEPARTMENT OF BRIDGE

JICA STUDY TEAM
NIPPON KOEI CO., LTD.
ORIENTAL CONSULTANTS GLOBAL CO., LTD.
METROPOLITAN EXPRESSWAY COMPANY LIMITED
CHODAI CO., LTD.
NIPPON ENGINEERING CONSULTANTS CO., LTD.

	NAME	SIGNATURE	DATE
PREPARED BY	*GROUP LEADER	中野 隆一	15 Jun. 2017
CHECKED BY	T. HAYAKAWA	平川 知平	20 Jun. 2017
APPROVED BY	Y. SANO	佐野 祐一	21 Jun. 2017

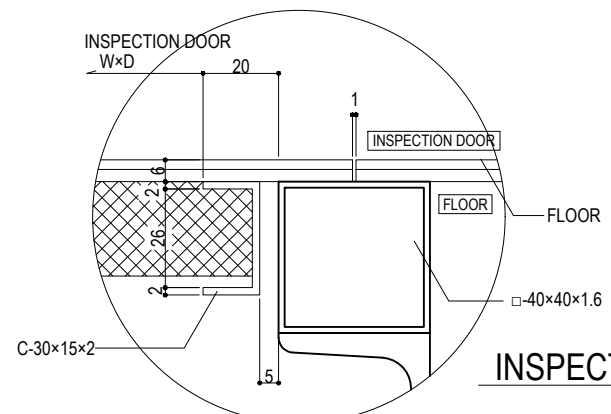
DRAWING TITLE
PLAN VIEW/ ELEVATION VIEW/ CROSS-SECTION VIEW
OF TOLL COLLECTION BOOTH

PACKAGE
2
DWG No.
P2-TC-2002

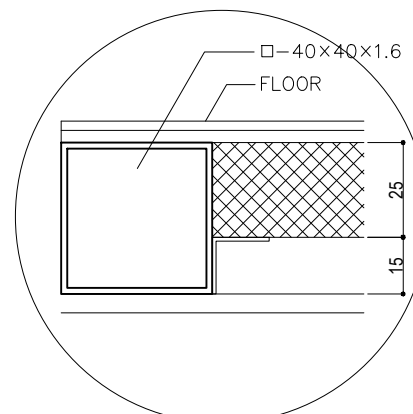


THE LONG SIDE SECTION DETAIL S=1:20

THE SHORT SIDE SECTION DETAIL S=1:20



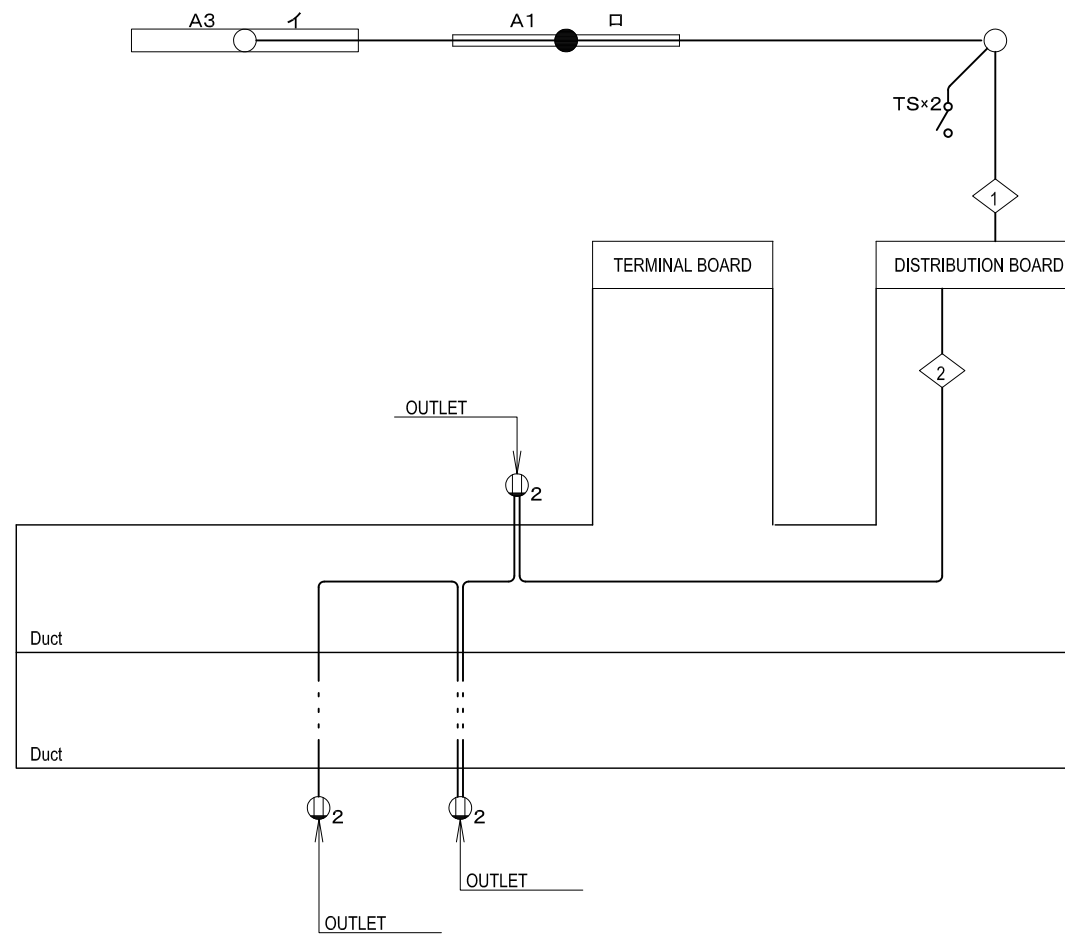
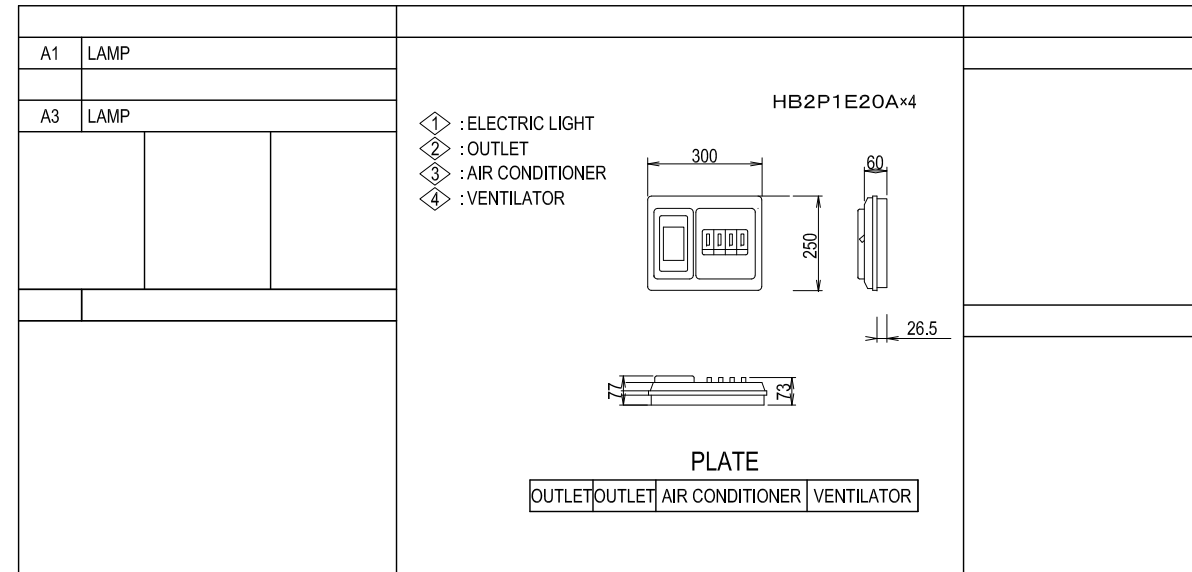
INSPECTION DOOR SECTION DETAIL S=1:2



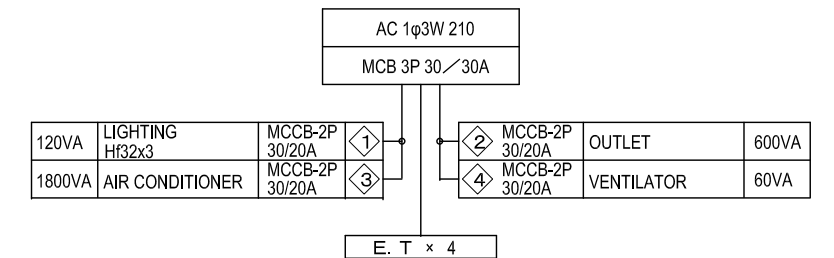
UNDER THE FLOOR SECTION DETAIL S=1:2

PROJECT NAME DETAILED DESIGN ON BAGO RIVER BRIDGE CONSTRUCTION PROJECT	FINANCED BY JAPAN INTERNATIONAL COOPERATION AGENCY	COUNTERPART REPUBLIC OF THE UNION OF MYANMAR MINISTRY OF CONSTRUCTION DEPARTMENT OF BRIDGE	JICA STUDY TEAM NIPPON KOEI CO., LTD. ORIENTAL CONSULTANTS GLOBAL CO., LTD. METROPOLITAN EXPRESSWAY COMPANY LIMITED CHODAI CO., LTD. NIPPON ENGINEERING CONSULTANTS CO., LTD.	NAME	SIGNATURE	DATE	DRAWING TITLE	PACKAGE	
				PREPARED BY	*GROUP LEADER				15 Jun. 2017
				CHECKED BY	T. HAYAKAWA				20 Jun. 2017
				APPROVED BY	Y. SANO				21 Jun. 2017
SECTIONAL DETAIL OF TOLL COLLECTION BOOTH							2	DWG No.	P2-TC-2003

LEGEND		
SYMBOL	NAME	REMARKS
	DISTRIBUTION BOARD	
	TERMINAL BOARD	
	FLUORESCENT LAMP	
	LED LIGHT	



CONNECTION DIAGRAM



<OUTSIDE FINISHING TABLE>

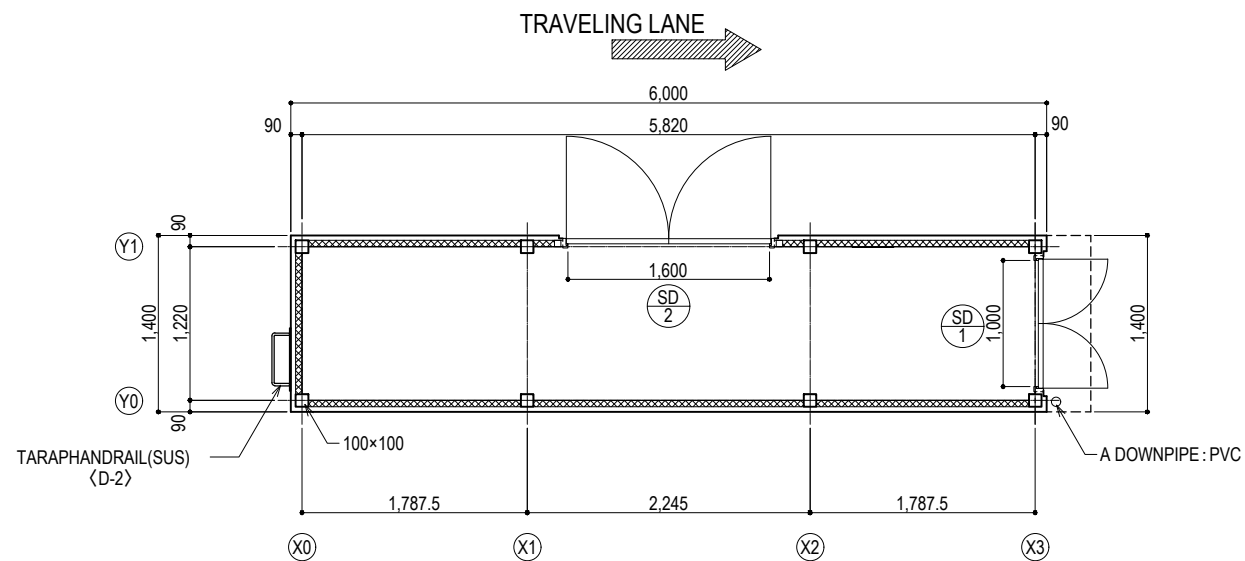
	MATERIAL FINISH	REMARKS			
ROOF	FOLDED PLATE H=88mm STEEL SHEET t=1.0mm	DRAINING STEEL SHEET t=0.5mm			
OUTER WALL	OUTER PANEL (OUTER) STEEL SHEET t=0.8mm (INNER) GYPSUM BOARD t=12.5mm				
JOINERY	STEEL JOINERY				

<INTERIOR FINISHING TABLE>

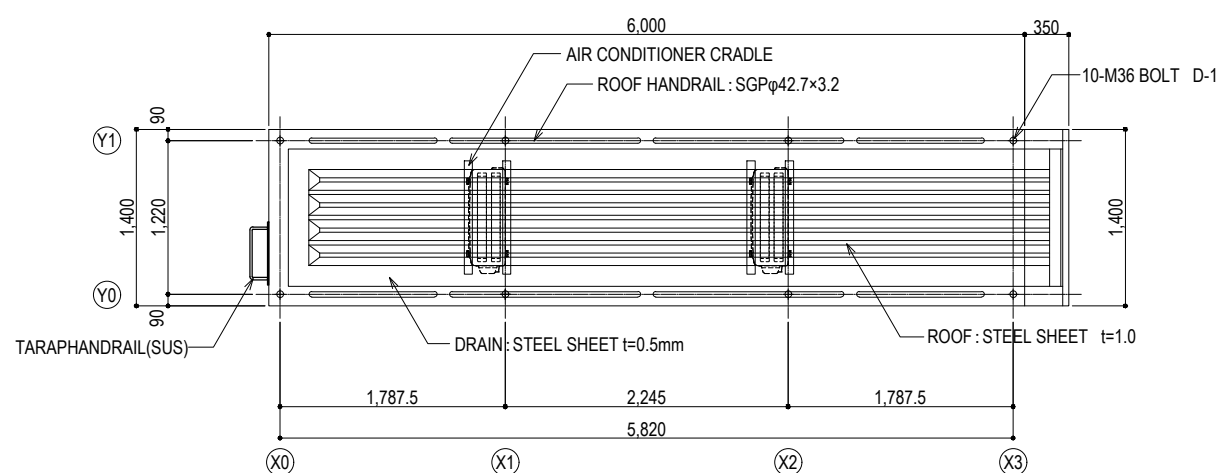
ROOM NAME	FLOOR	BASEBOARD	WALL	CEILING	CEILING HEIGHT	REMARKS
MACHINERY ROOM	STEEL SHEET t=3.2mm	-	STEEL SHEET t=0.5mm	STEEL SHEET t=0.5mm	H=2,300	

<QUADRATURE CHART>

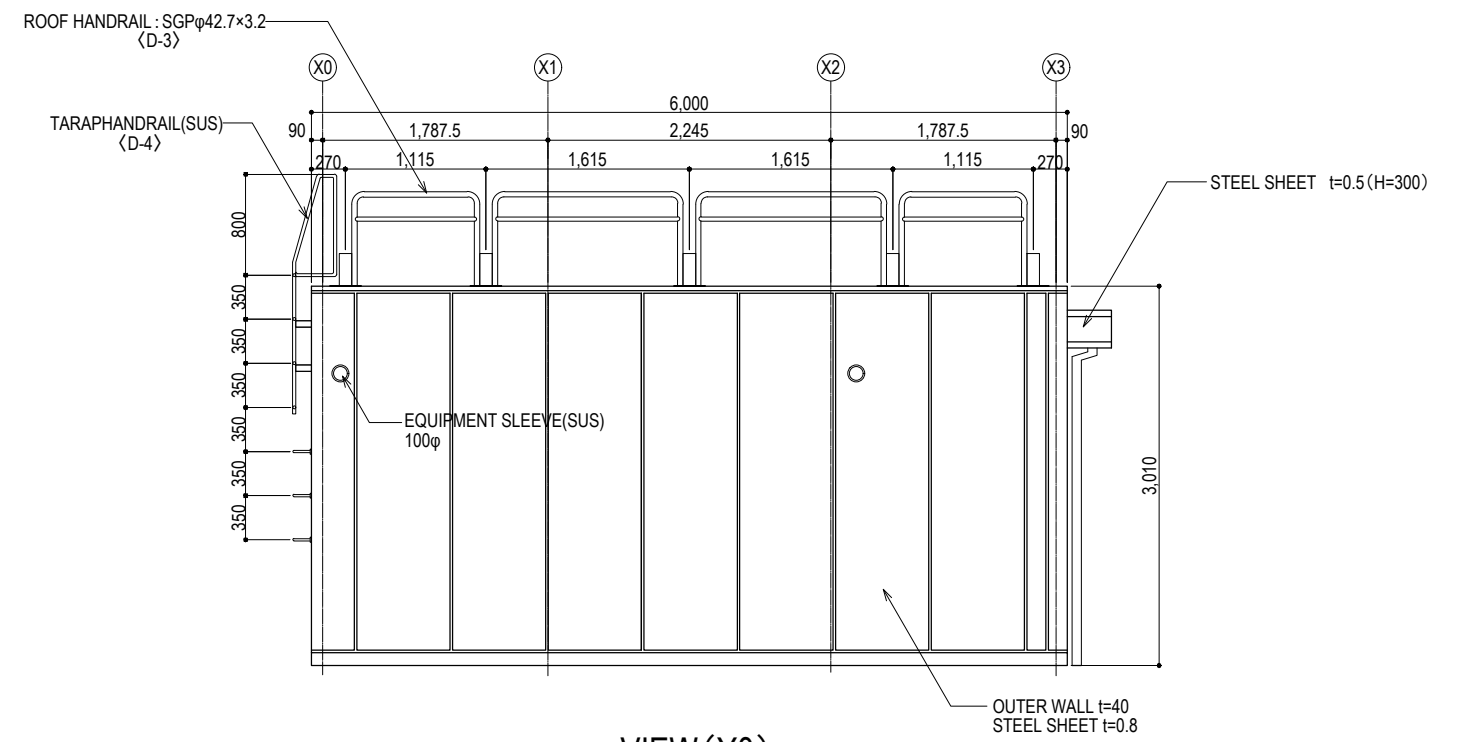
	A	1.3095×5.9095=7.7385
	BUILDING AREA	7.73 m ²
	TOTAL FLOOR AREA	7.73 m ²



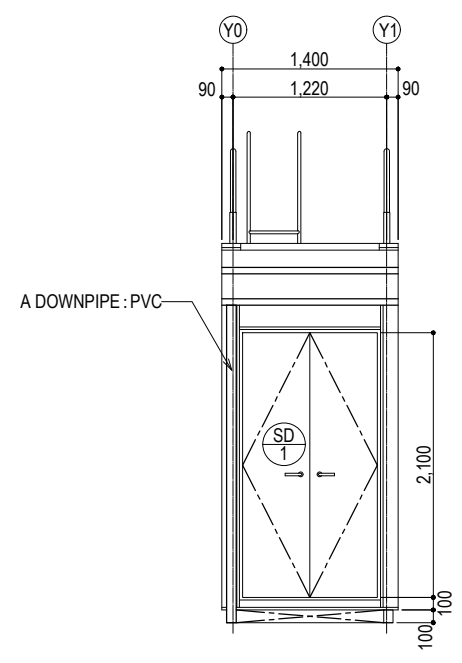
PLAN S=1:60



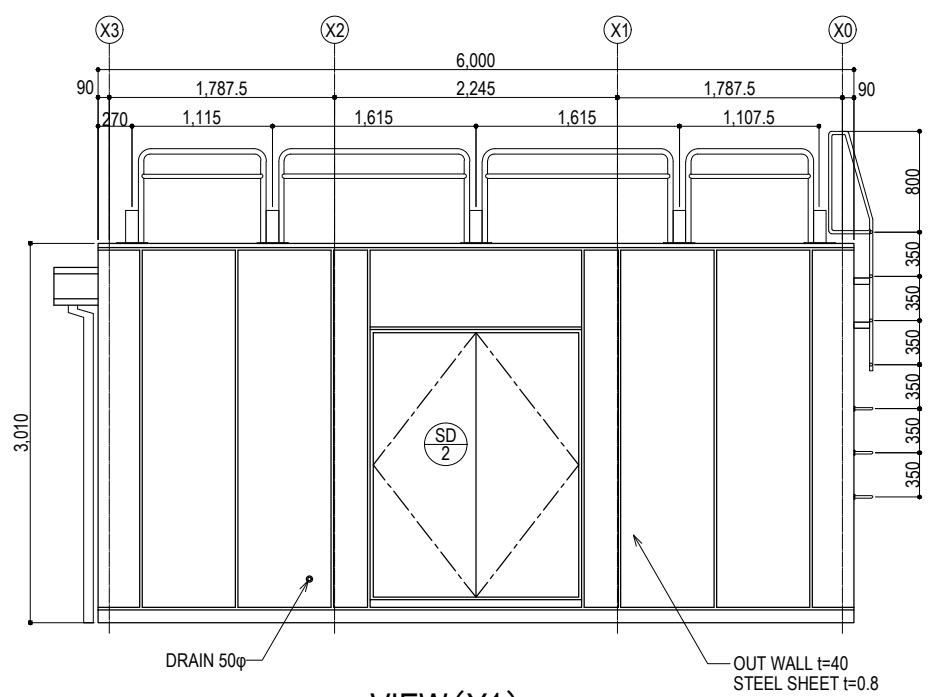
ROOF PLAN S=1:60



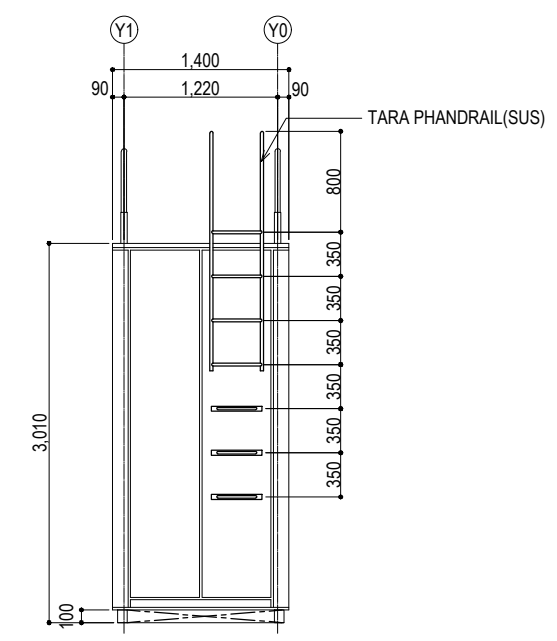
VIEW(Y0) S=1:60



VIEW(X3) S=1:60

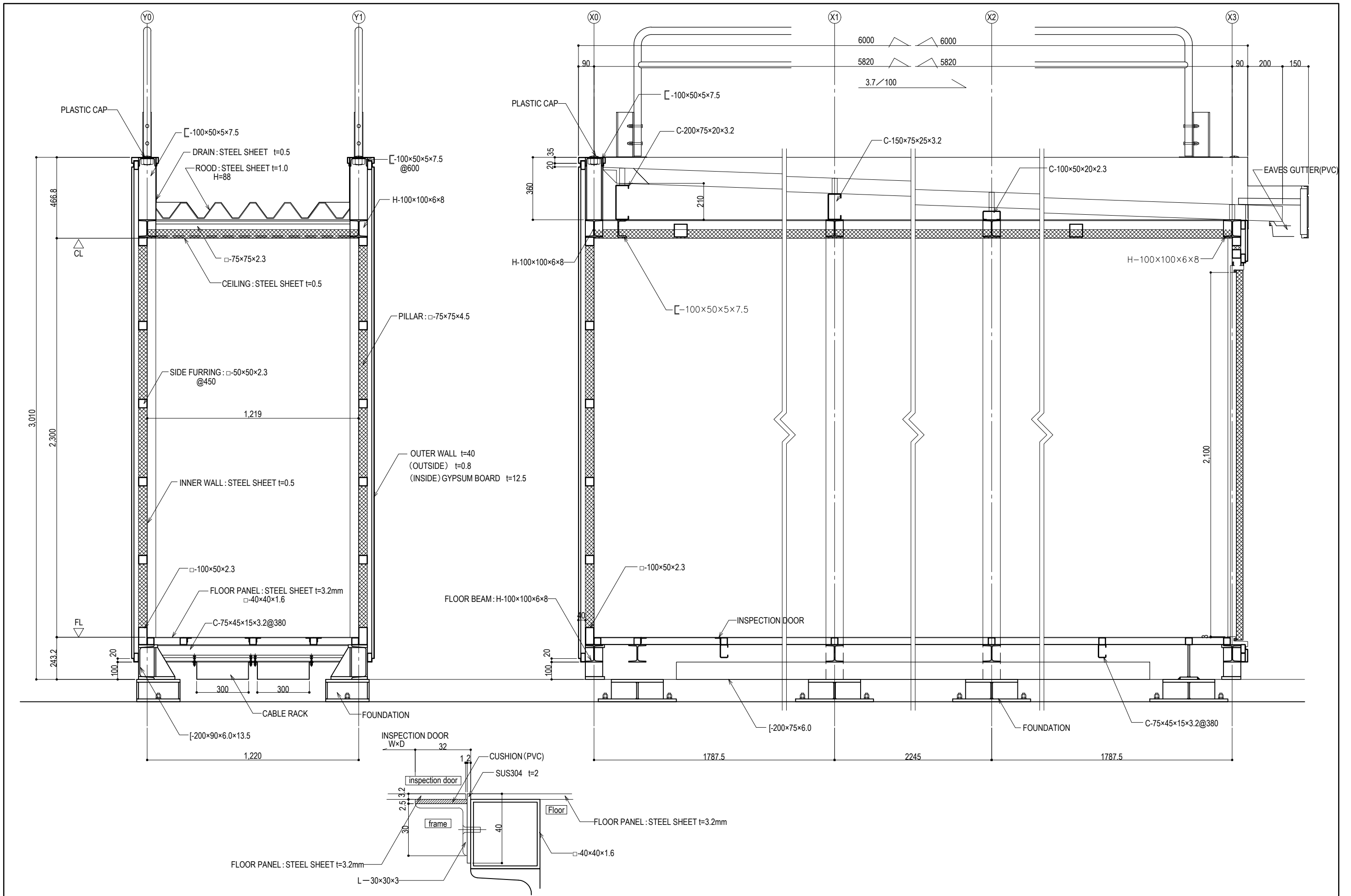


VIEW(Y1) S=1:60



VIEW(X0) S=1:60

PROJECT NAME DETAILED DESIGN ON BAGO RIVER BRIDGE CONSTRUCTION PROJECT	FINANCED BY JAPAN INTERNATIONAL COOPERATION AGENCY	COUNTERPART REPUBLIC OF THE UNION OF MYANMAR MINISTRY OF CONSTRUCTION DEPARTMENT OF BRIDGE	JICA STUDY TEAM NIPPON KOEI CO., LTD. ORIENTAL CONSULTANTS GLOBAL CO., LTD. METROPOLITAN EXPRESSWAY COMPANY LIMITED CHODAI CO., LTD. NIPPON ENGINEERING CONSULTANTS CO., LTD.	NAME	SIGNATURE	DATE	DRAWING TITLE PLAN VIEW/ ELEVATION VIEW/ CROSS-SECTION VIEW OF MACHINERY BOOTH	PACKAGE 2 DWG No. P2-TC-2006	
				PREPARED BY	*GROUP LEADER				15 Jun. 2017
				CHECKED BY	T. HAYAKAWA				20 Jun. 2017
				APPROVED BY	Y. SANO				21 Jun. 2017



PROJECT NAME
 DETAILED DESIGN ON
 BAGO RIVER BRIDGE
 CONSTRUCTION PROJECT

FINANCED BY
 JAPAN INTERNATIONAL
 COOPERATION AGENCY

COUNTERPART
 REPUBLIC OF THE UNION OF MYANMAR
 MINISTRY OF CONSTRUCTION
 DEPARTMENT OF BRIDGE

JICA STUDY TEAM
 NIPPON KOEI CO., LTD.
 ORIENTAL CONSULTANTS GLOBAL CO., LTD.
 METROPOLITAN EXPRESSWAY COMPANY LIMITED
 CHODAI CO., LTD.
 NIPPON ENGINEERING CONSULTANTS CO., LTD.

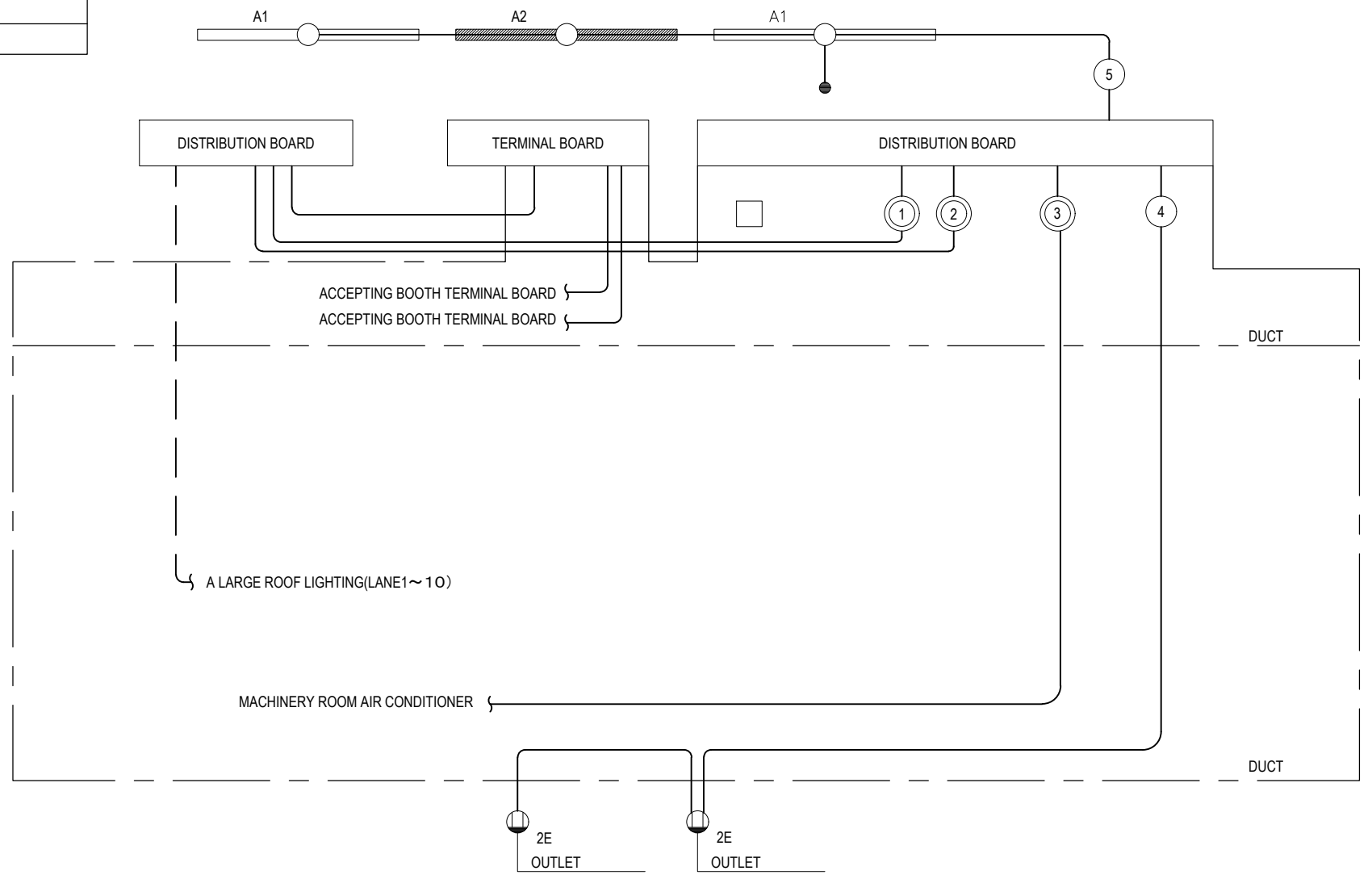
	NAME	SIGNATURE	DATE
PREPARED BY	*GROUP LEADER		15 Jun. 2017
CHECKED BY	T. HAYAKAWA		20 Jun. 2017
APPROVED BY	Y. SANO		21 Jun. 2017

DRAWING TITLE
 SECTIONAL DETAIL OF MACHINERY BOOTH

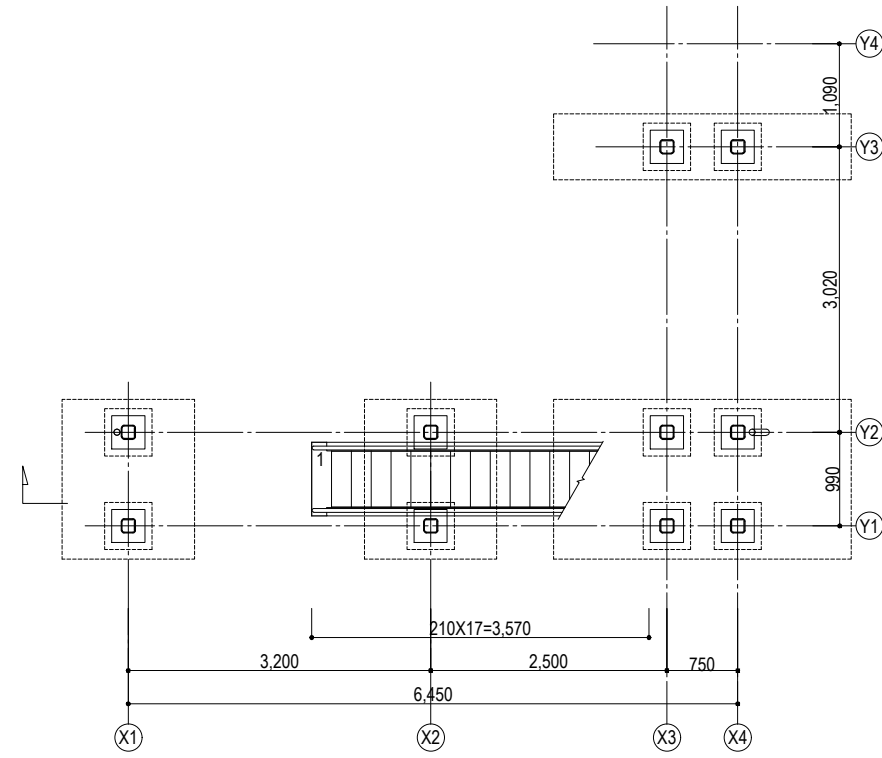
PACKAGE
 2
 DWG No.
 P2-TC-2007

LEGEND		
SYMBOL	NAME	REMARKS
	DISTRIBUTION BOARD	
	TERMINAL BOARD	
	LAMP	
	LAMP	BUILT-IN BATTERY
	OUTLET	
	SWITCH	

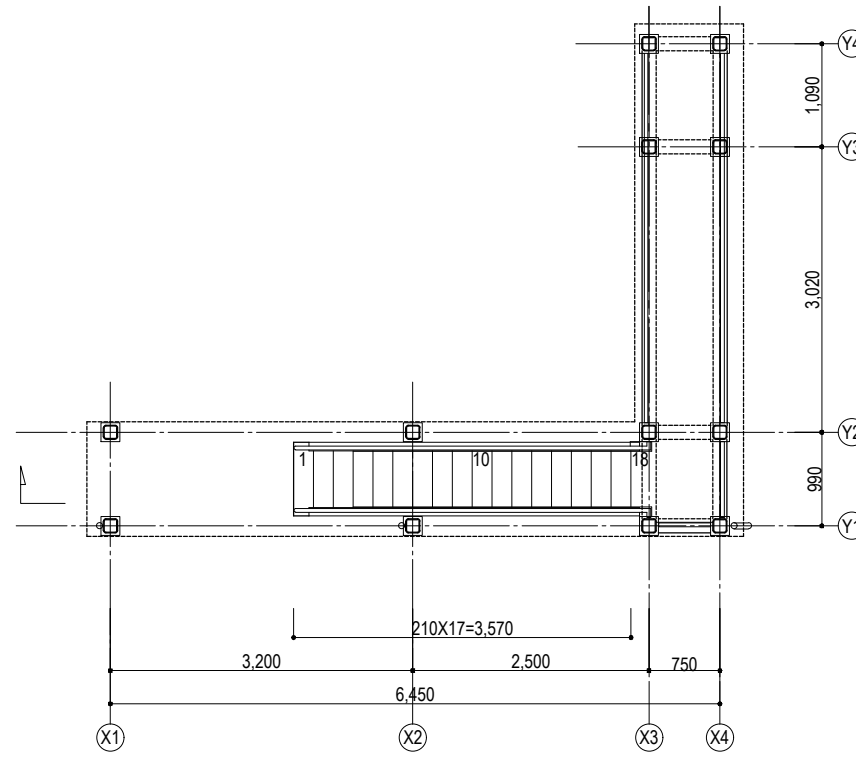
FIGURE	
A1	LAMP
A2	LAMP BUILT-IN BATTERY



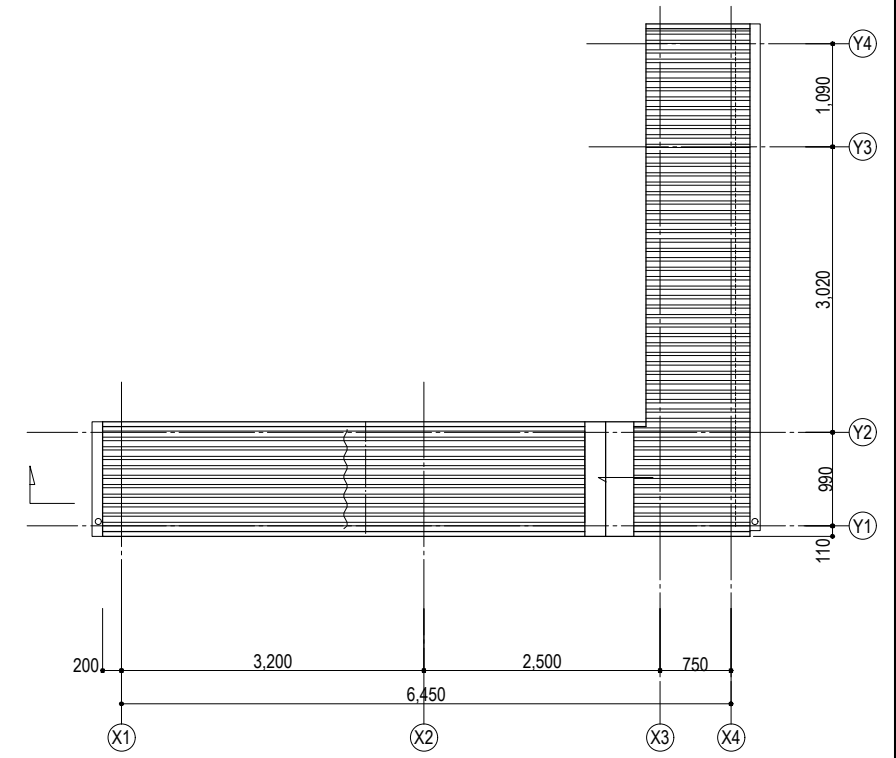
MACHINERY ROOM ELWCTRICAL SYSTEM DIAGRAM



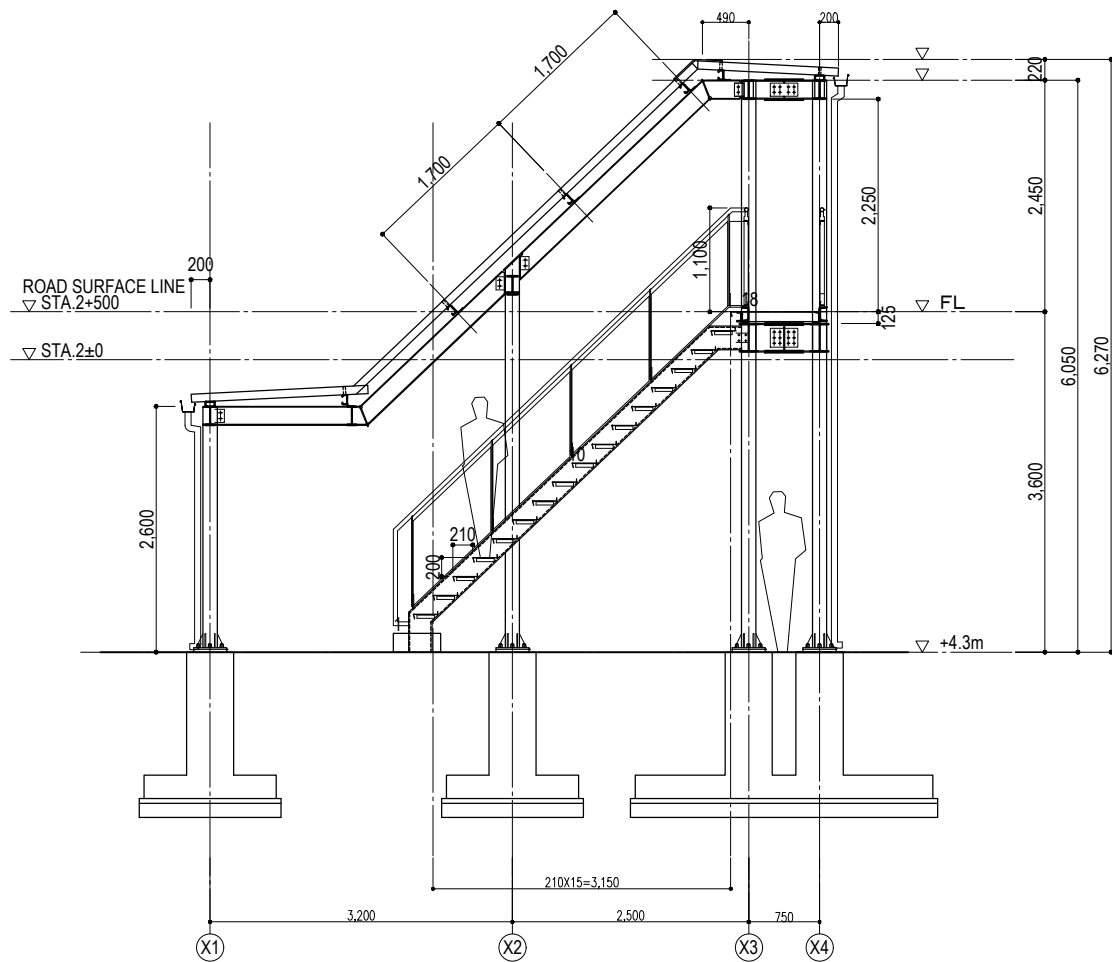
1ST FLOOR DETAIL PLAN S=1:80



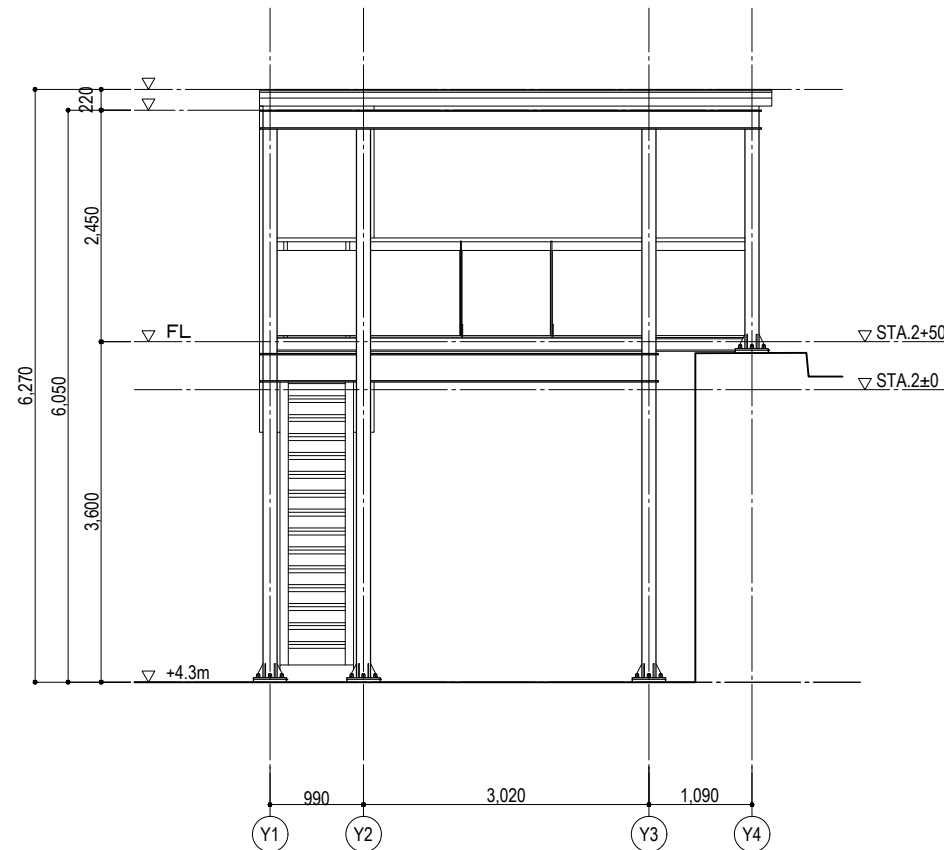
CONNECTION AISLE DETAIL PLAN S=1:80



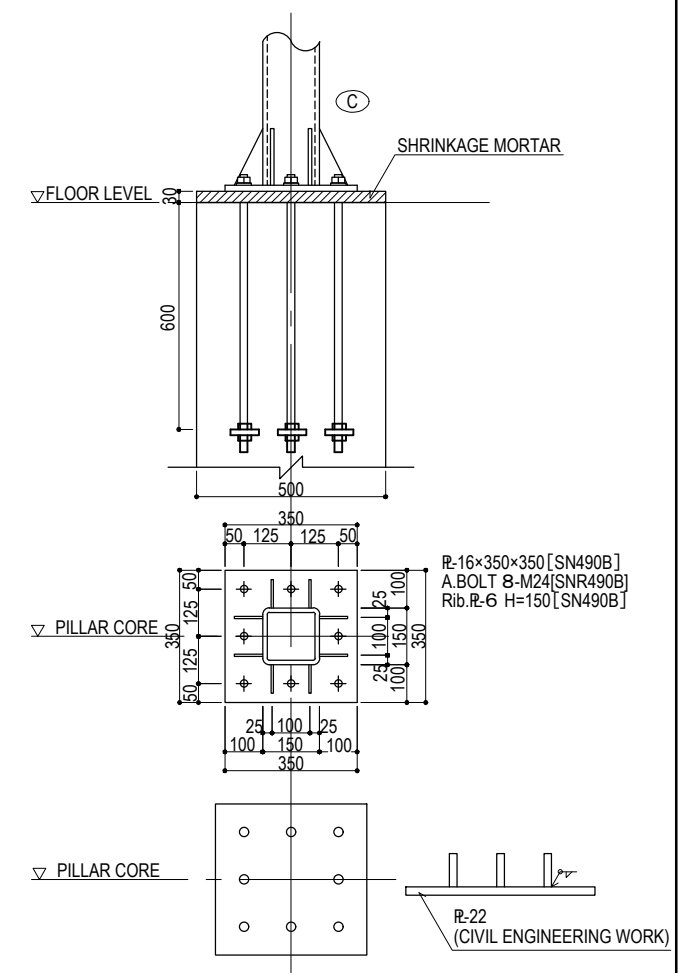
ROOF PLAN S=1:80



SECTION DETAIL PLAN S=1:80



ELEVATION VIEW S=1:80



COLUMN BASE DETAIL S=1:20

PROJECT NAME
DETAILED DESIGN ON
BAGO RIVER BRIDGE
CONSTRUCTION PROJECT

FINANCED BY
JICA
JAPAN INTERNATIONAL
COOPERATION AGENCY

COUNTERPART
REPUBLIC OF THE UNION OF MYANMAR
MINISTRY OF CONSTRUCTION
DEPARTMENT OF BRIDGE

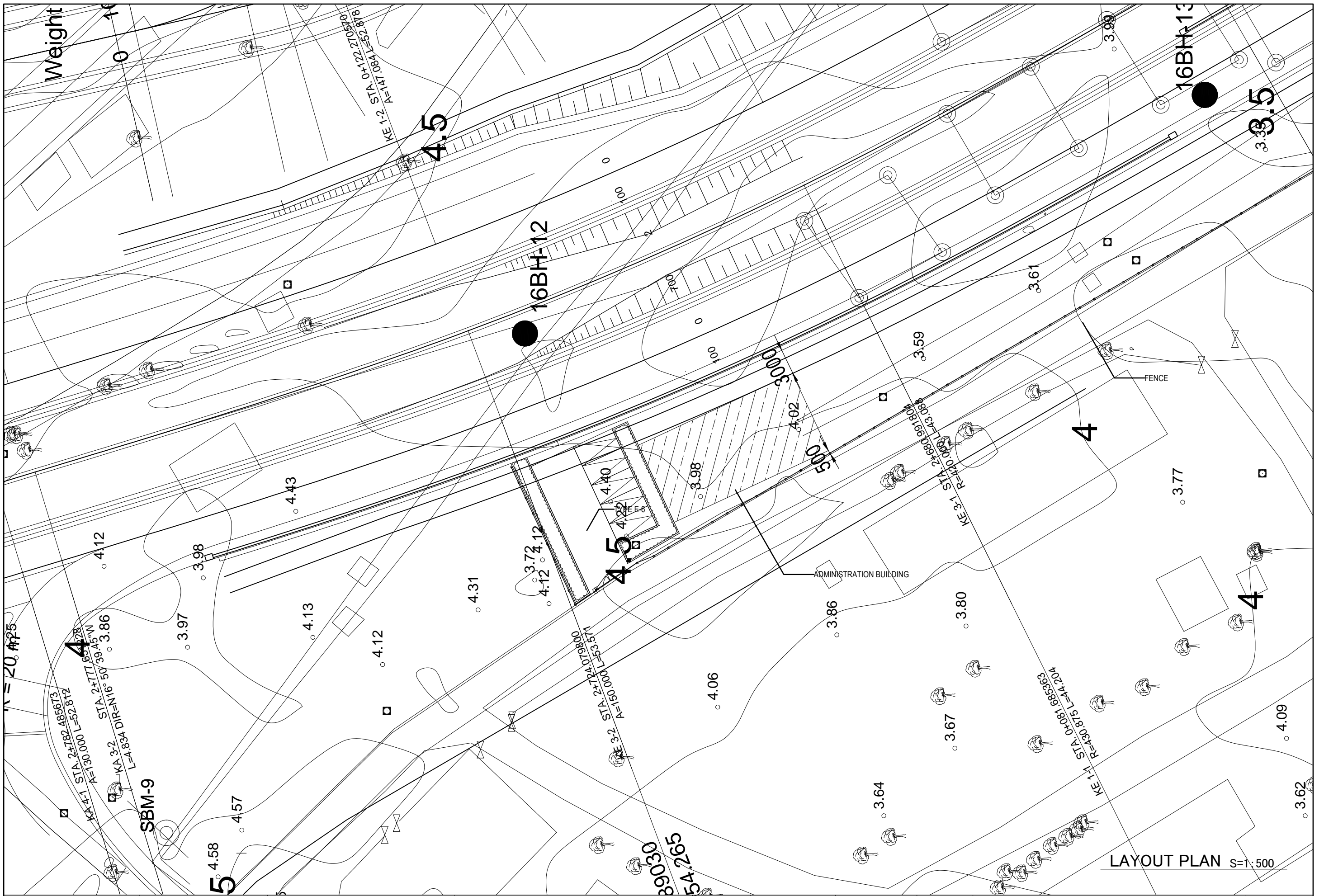
JICA STUDY TEAM
NIPPON KOEI CO., LTD.
ORIENTAL CONSULTANTS GLOBAL CO., LTD.
METROPOLITAN EXPRESSWAY COMPANY LIMITED
CHODAI CO., LTD.
NIPPON ENGINEERING CONSULTANTS CO., LTD.

	NAME	SIGNATURE	DATE
PREPARED BY	*GROUP LEADER	中野 一郎	15 Jun. 2017
CHECKED BY	T. HAYAKAWA	平川 知平	20 Jun. 2017
APPROVED BY	Y. SANO	菅野 浩一	21 Jun. 2017

DRAWING TITLE	PACKAGE
DETAIL DRAWING OF STAIRCASE	2
	DWG No.
	P2-TC-3001

R-16x350x350 [SN490B]
A.BOLT 8-M24 [SNR490B]
Rib.R-6 H=150 [SN490B]

R-22
(CIVIL ENGINEERING WORK)



LAYOUT PLAN S=1:500

PROJECT NAME
 DETAILED DESIGN ON
 BAGO RIVER BRIDGE
 CONSTRUCTION PROJECT

FINANCED BY
 JAPAN INTERNATIONAL
 COOPERATION AGENCY

COUNTERPART
 REPUBLIC OF THE UNION OF MYANMAR
 MINISTRY OF CONSTRUCTION
 DEPARTMENT OF BRIDGE

JICA STUDY TEAM
 NIPPON KOEI CO., LTD.
 ORIENTAL CONSULTANTS GLOBAL CO., LTD.
 METROPOLITAN EXPRESSWAY COMPANY LIMITED
 CHODAI CO., LTD.
 NIPPON ENGINEERING CONSULTANTS CO., LTD.

	NAME	SIGNATURE	DATE
PREPARED BY	K. NAKAMURA		29 Sep. 2017
CHECKED BY	T. HAYAKAWA		3 Oct. 2017
APPROVED BY	Y. SANO		6 Oct. 2017

DRAWING TITLE
 LAYOUT PLAN OF ADMINISTRATIVE OFFICE

PACKAGE
 2
 DWG No.
 P2-TC-4001

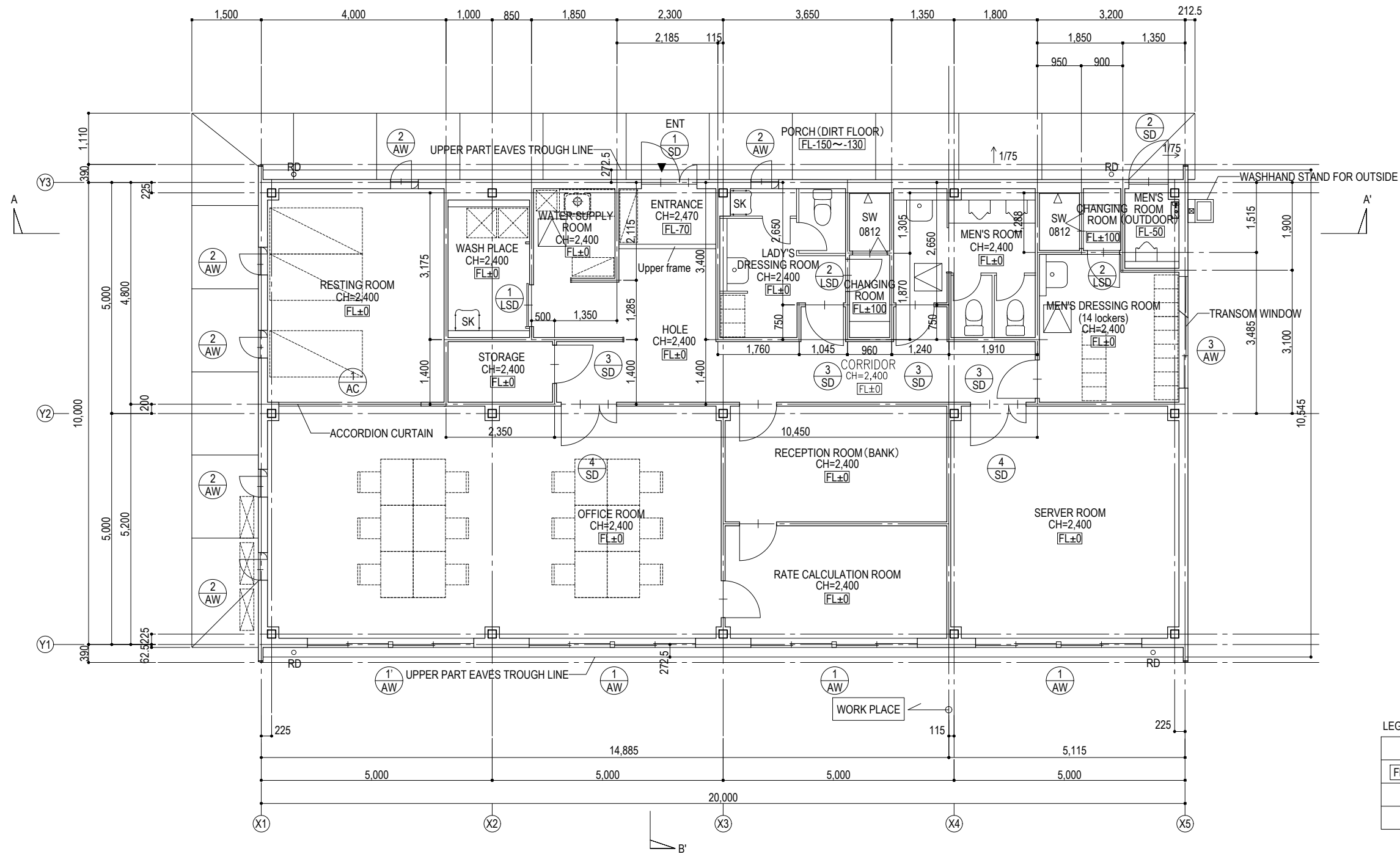
EXTERNAL FINISHING TABLE

ROOF	GALVALUME FOLDED PLATE t=1.0
OUTER WALL	ALC-125t
OUTER BASEBOARD	WATERPROOF PAINT
EAVES GUTTER	GALVALUME FOLDED PLATE
A DOWNPIPE	STEEL PIPE 100φ SOP

INTERNAL FINISHING TABLE

FLOOR	ROOM NAME	FLOOR	BASEBOARD	H	WALL	MARGIN	CEILING	REMARKS	
1ST	ENTRANCE	PORCELAIN TILE □300mm	PORCELAIN TILE □300mm	145	GB t=12.5 VINYL CROSS	PVC	GB t=9.5, ROCK SOUND ABSORBING BOARD t=15		
	HOLE	PVC SHEET t=2.5	VINYL t=2.0	75	GB t=12.5 VINYL CROSS	PVC	GB t=9.5, ROCK SOUND ABSORBING BOARD t=15		
	CORRIDOR	PVC SHEET t=2.5	VINYL t=2.0	75	GB t=12.5 VINYL CROSS	PVC	GB t=9.5, ROCK SOUND ABSORBING BOARD t=15		
	RECEPTION ROOM	TILE CARPET t=6.2 □500 FREE ACCESS FLOOR	VINYL t=2.0	75	GB t=12.5 VINYL CROSS	PVC	GB t=9.5, ROCK SOUND ABSORBING BOARD t=15		
	PRICE CALCULATION ROOM	TILE CARPET t=6.2 □500 FREE ACCESS FLOOR	VINYL t=2.0	75	GB t=12.5 VINYL CROSS	PVC	GB t=9.5, ROCK SOUND ABSORBING BOARD t=15		
	SERVER ROOM	TILE CARPET t=6.2 □500 FREE ACCESS FLOOR	VINYL t=2.0	75	GB t=12.5 VINYL CROSS	PVC	GB t=9.5, ROCK SOUND ABSORBING BOARD t=15		
	MEN'S SLEEPING ROOM	TILE CARPET t=6.2 □500 FREE ACCESS FLOOR	VINYL t=2.0	75	GB t=12.5 VINYL CROSS	PVC	GB t=9.5 VINYL CROSS		
	MEN'S CHANGING ROOM	PVC SHEET t=2.5	VINYL t=2.0	75	GB t=12.5 VINYL CROSS	PVC	GB t=9.5 VINYL CROSS		
	MEN'S DRESSING ROOM	PVC SHEET t=2.5	VINYL t=2.0	75	GB t=12.5 VINYL CROSS	PVC	GB t=9.5 VINYL CROSS		
	WOMEN'S DRESSING ROOM	PVC SHEET t=2.5	SUS t=2.3 HL	75	GB t=12.5 VINYL CROSS	PVC	GB t=9.5 VINYL CROSS		
	WOMEN'S DRESSING ROOM	PVC SHEET t=2.5	VINYL t=2.0	75	GB t=12.5 VINYL CROSS	PVC	GB t=9.5 VINYL CROSS		
	MEN'S RESTROOM	PVC SHEET t=2.5	SUS t=2.3 HL	75	FLEXIBLE BOARD t=6 VINYL CROSS	PVC	GB t=9.5 VINYL CROSS		
	HOT WATER SUPPLY ROOM	PVC SHEET t=2.5	VINYL t=2.0	75	GB t=12.5 VINYL CROSS	PVC	GB t=9.5, ROCK SOUND ABSORBING BOARD t=15		
	LAUNDRY ROOM	PVC SHEET t=2.5	VINYL t=2.0	75	FLEXIBLE BOARD t=6 VINYL CROSS	PVC	GB t=9.5 VINYL CROSS		
	SHED	PVC SHEET t=2.5	VINYL t=2.0	75	FLEXIBLE BOARD t=6 VINYL CROSS	PVC	GB t=9.5 VINYL CROSS		
	MEN'S RESTROOM	PORCELAIN TILE □100mm	SUS t=2.3 HL	75	FLEXIBLE BOARD t=6 VINYL CROSS	PVC	GB t=9.5 VINYL CROSS		

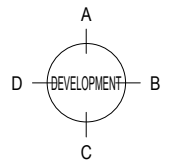
<small>PROJECT NAME</small> DETAILED DESIGN ON BAGO RIVER BRIDGE CONSTRUCTION PROJECT	<small>FINANCED BY</small> JAPAN INTERNATIONAL COOPERATION AGENCY	<small>COUNTERPART</small> REPUBLIC OF THE UNION OF MYANMAR MINISTRY OF CONSTRUCTION DEPARTMENT OF BRIDGE	<small>JICA STUDY TEAM</small> NIPPON KOEI CO., LTD. ORIENTAL CONSULTANTS GLOBAL CO., LTD. METROPOLITAN EXPRESSWAY COMPANY LIMITED CHODAI CO., LTD. NIPPON ENGINEERING CONSULTANTS CO., LTD.		<table border="1" style="width: 100%; border-collapse: collapse;"> <tr> <th style="width: 20%;">NAME</th> <th style="width: 20%;">SIGNATURE</th> <th style="width: 20%;">DATE</th> </tr> <tr> <td>PREPARED BY *GROUP LEADER</td> <td></td> <td>15 Jun. 2017</td> </tr> <tr> <td>CHECKED BY T. HAYAKAWA</td> <td></td> <td>20 Jun. 2017</td> </tr> <tr> <td>APPROVED BY Y. SANO</td> <td></td> <td>21 Jun. 2017</td> </tr> </table>	NAME	SIGNATURE	DATE	PREPARED BY *GROUP LEADER		15 Jun. 2017	CHECKED BY T. HAYAKAWA		20 Jun. 2017	APPROVED BY Y. SANO		21 Jun. 2017	<small>DRAWING TITLE</small> FINISH SCHEDULE OF ADMINISTRATIVE OFFICE	<small>PACKAGE</small> 2 DWG No. P2-TC-4002
NAME	SIGNATURE	DATE																	
PREPARED BY *GROUP LEADER		15 Jun. 2017																	
CHECKED BY T. HAYAKAWA		20 Jun. 2017																	
APPROVED BY Y. SANO		21 Jun. 2017																	



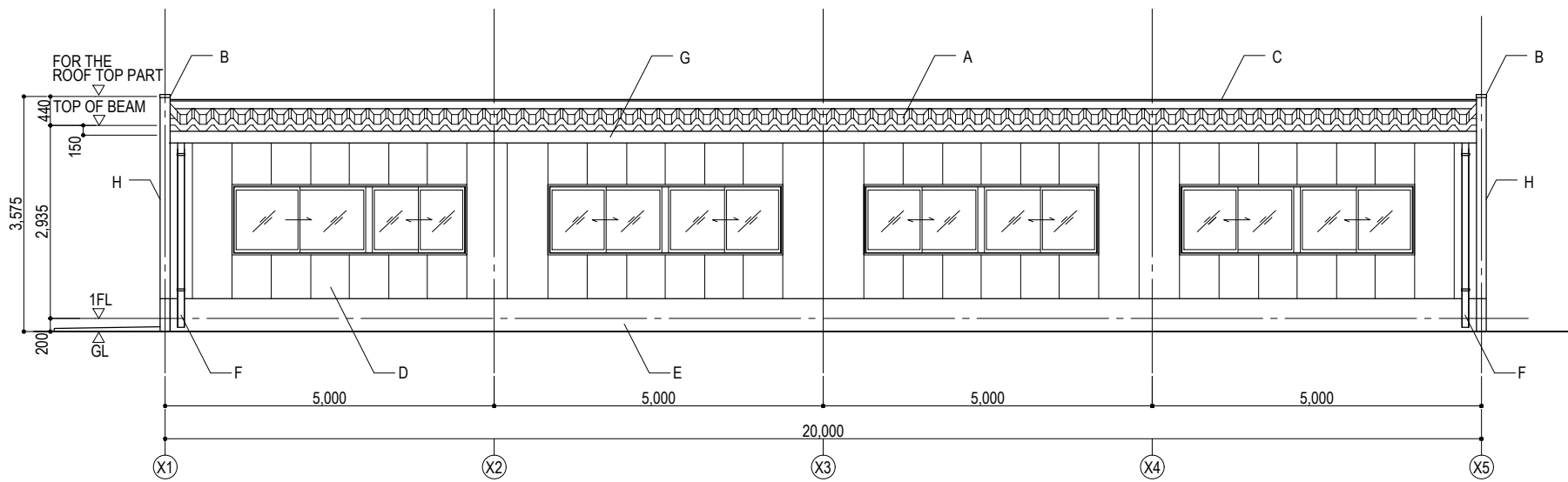
PLAN S=1:100

LEGEND

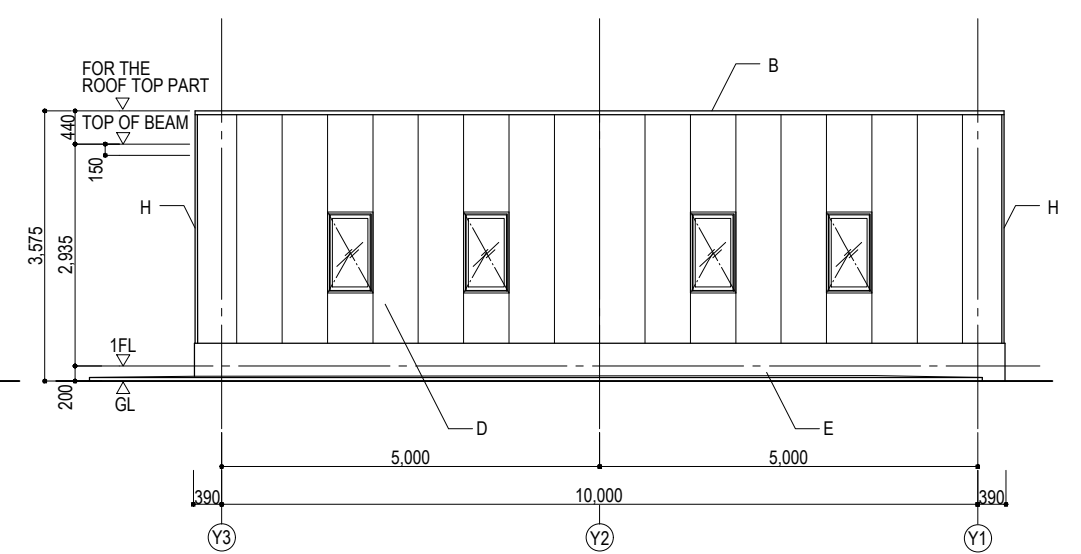
RD	RAIN PIPE
FL±**	FLOOR LEVEL
→	DRAINAGE SLOPE
□	INSPECTION DOOR 600×600



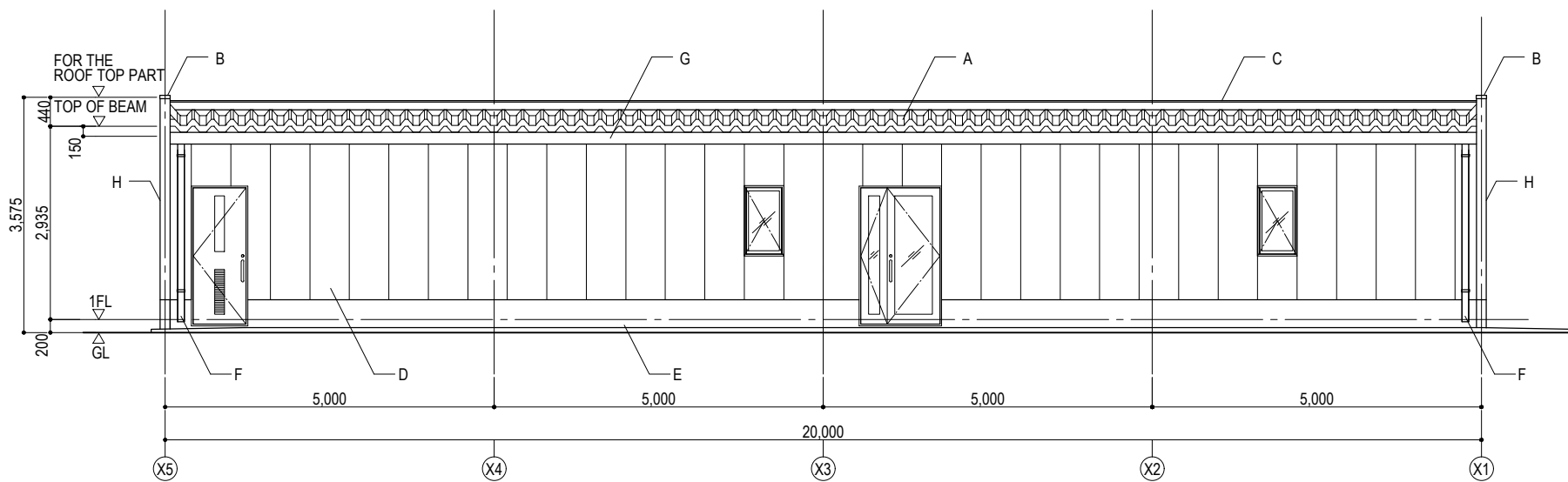
PROJECT NAME DETAILED DESIGN ON BAGO RIVER BRIDGE CONSTRUCTION PROJECT	FINANCED BY JAPAN INTERNATIONAL COOPERATION AGENCY	COUNTERPART REPUBLIC OF THE UNION OF MYANMAR MINISTRY OF CONSTRUCTION DEPARTMENT OF BRIDGE	JICA STUDY TEAM NIPPON KOEI CO., LTD. ORIENTAL CONSULTANTS GLOBAL CO., LTD. METROPOLITAN EXPRESSWAY COMPANY LIMITED CHODAI CO., LTD. NIPPON ENGINEERING CONSULTANTS CO., LTD.	NAME	SIGNATURE	DATE	DRAWING TITLE PLAN VIEW OF ADMINISTRATIVE OFFICE	PACKAGE 2 DWG No. P2-TC-4003	
				PREPARED BY	*GROUP LEADER				15 Jun. 2017
				CHECKED BY	T. HAYAKAWA				20 Jun. 2017
				APPROVED BY	Y. SANO				21 Jun. 2017



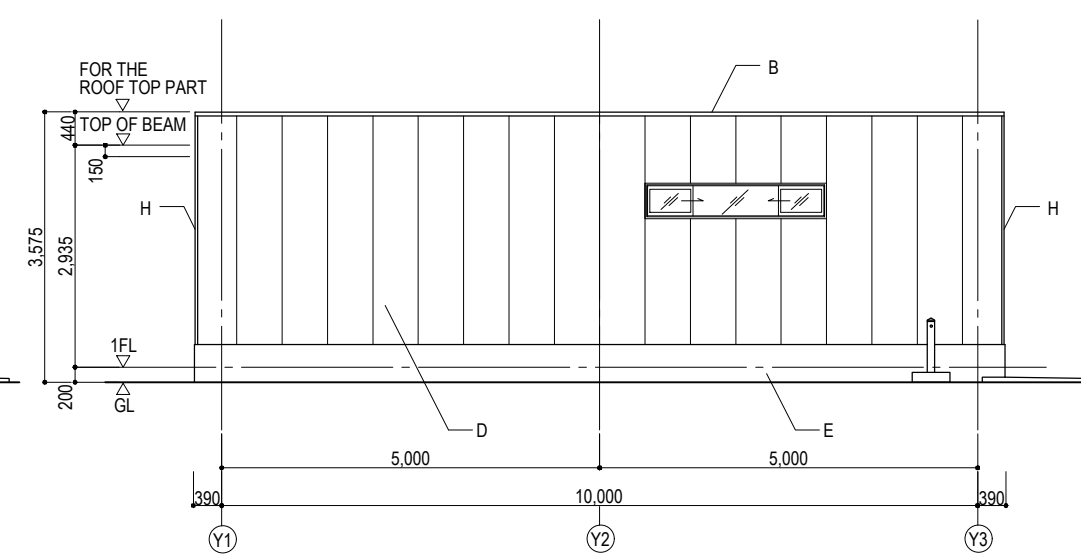
SOUTH ELEVATION S=1:100



WEST ELEVATION S=1:100



NORTH ELEVATION S=1:100



EAST ELEVATION S=1:100

LEGEND

A	ROOF : COLOR GALVALUME SHINGLE BOARD t=1.0
B	COPING : ALUMINUM BENDING t=2.5 THE SECOND ELECTROLYSIS COLORATION
C	RIDGE POLE : COLOR GALVALUME BENDING t=0.8
D	ALC-125t WALL ROCKING METHOD OF CONSTRUCTION LONG ACRYLIC SYSTEM OUTER WALL MATERIALS AIR BLAST
E	THE FOOT CIRCUMFERENCE : COATING WATERPROOFING FOR CONCRETE EXPOSED SURFACE
F	RAIN PIPE : STEEL TUBE 100φ SOP
G	EAVES TROUGH : COLOR GALVALUME BENDING t=1.0
H	CUT EDGE : THE SECOND ALUMINUM BENDING t= 2.5 ELECTROLYSIS COLORATION

PROJECT NAME
**DETAILED DESIGN ON
 BAGO RIVER BRIDGE
 CONSTRUCTION PROJECT**

FINANCED BY
**JAPAN INTERNATIONAL
 COOPERATION AGENCY**

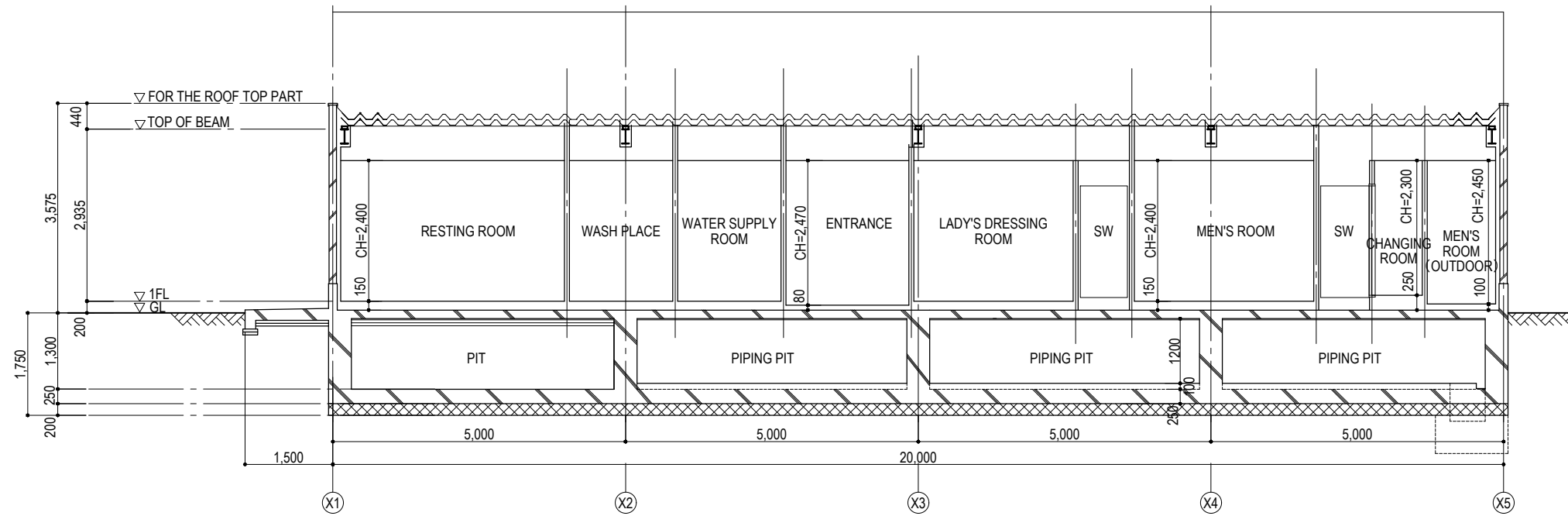
COUNTERPART
**REPUBLIC OF THE UNION OF MYANMAR
 MINISTRY OF CONSTRUCTION
 DEPARTMENT OF BRIDGE**

JICA STUDY TEAM
**NIPPON KOEI CO., LTD.
 ORIENTAL CONSULTANTS GLOBAL CO., LTD.
 METROPOLITAN EXPRESSWAY COMPANY LIMITED
 CHODAI CO., LTD.
 NIPPON ENGINEERING CONSULTANTS CO., LTD.**

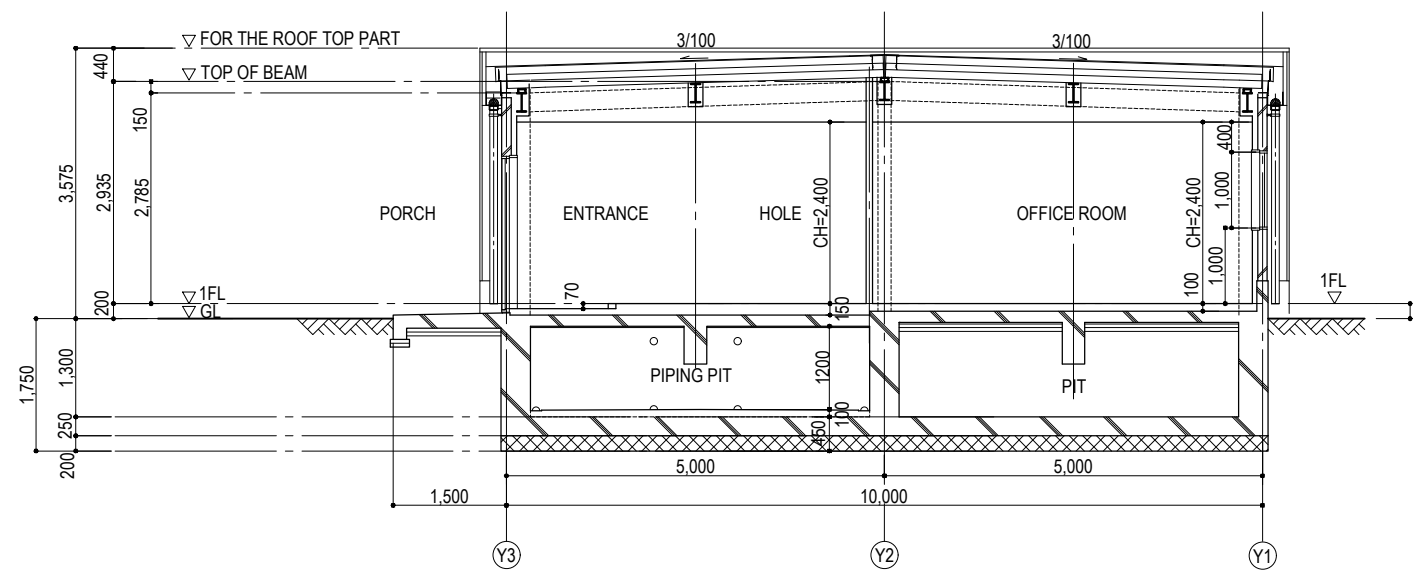
	NAME	SIGNATURE	DATE
PREPARED BY	*GROUP LEADER		15 Jun. 2017
CHECKED BY	T. HAYAKAWA		20 Jun. 2017
APPROVED BY	Y. SANO		21 Jun. 2017

DRAWING TITLE
ELEVATION VIEW OF ADMINISTRATIVE OFFICE

PACKAGE
 2
 DWG No.
 P2-TC-4004

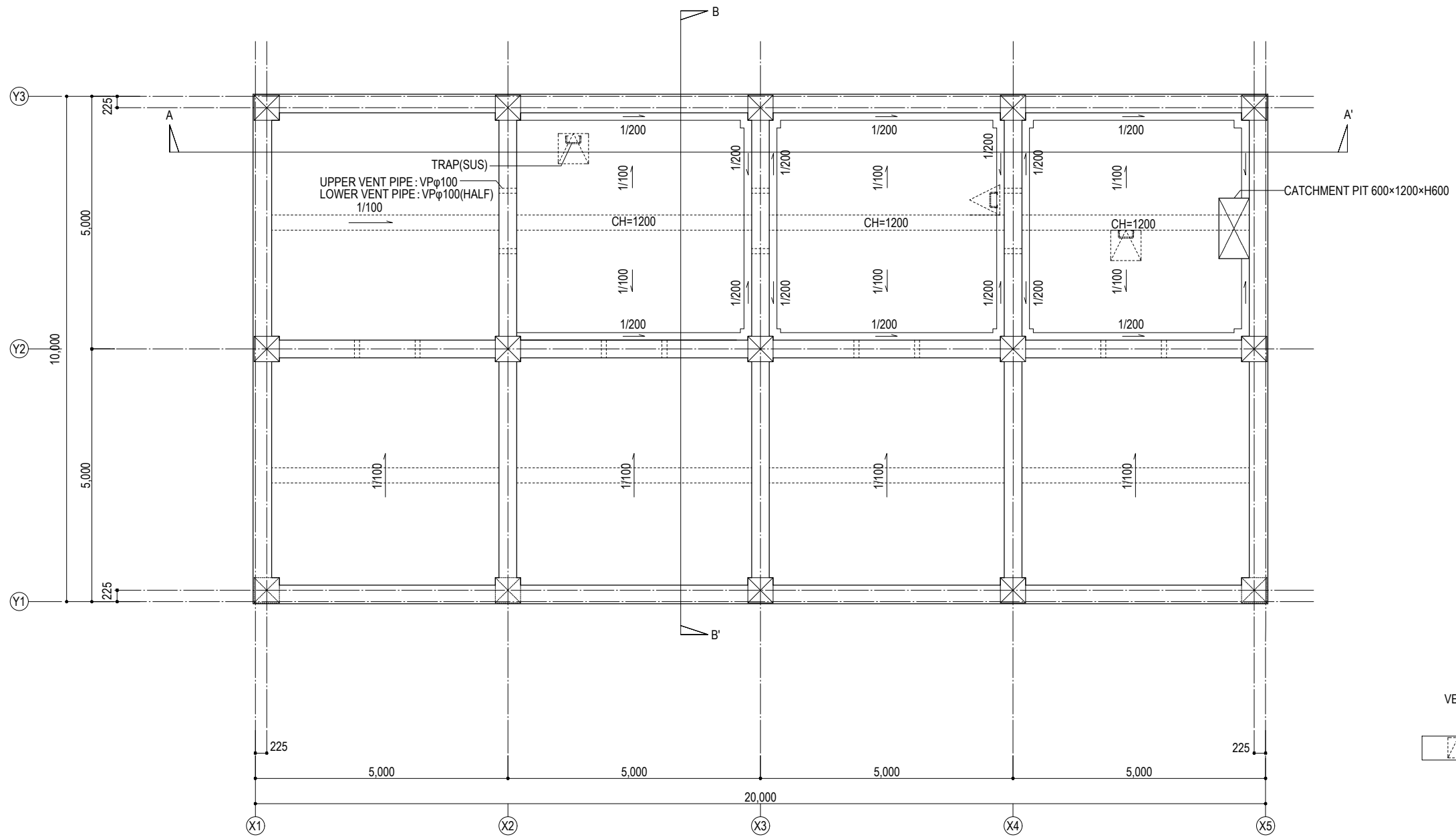


A-A' SECTION S=1:100



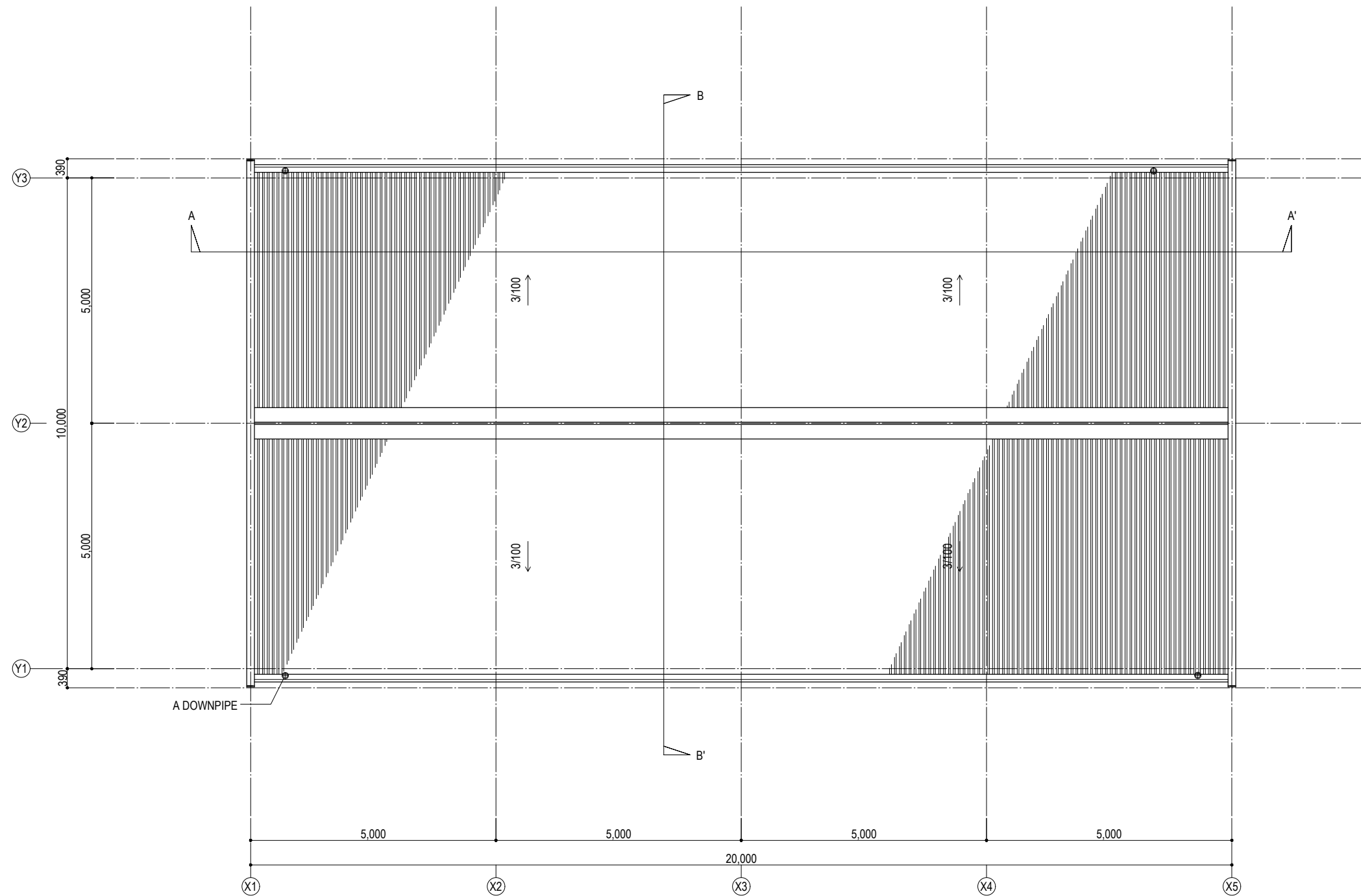
B-B' SECTION S=1:100

PROJECT NAME DETAILED DESIGN ON BAGO RIVER BRIDGE CONSTRUCTION PROJECT	FINANCED BY JAPAN INTERNATIONAL COOPERATION AGENCY	COUNTERPART REPUBLIC OF THE UNION OF MYANMAR MINISTRY OF CONSTRUCTION DEPARTMENT OF BRIDGE	JICA STUDY TEAM NIPPON KOEI CO., LTD. ORIENTAL CONSULTANTS GLOBAL CO., LTD. METROPOLITAN EXPRESSWAY COMPANY LIMITED CHODAI CO., LTD. NIPPON ENGINEERING CONSULTANTS CO., LTD.	NAME	SIGNATURE	DATE	DRAWING TITLE CROSS-SECTION VIEW OF ADMINISTRATIVE OFFICE	PACKAGE 2 DWG No. P2-TC-4005	
				PREPARED BY	*GROUP LEADER				15 Jun. 2017
				CHECKED BY	T. HAYAKAWA				20 Jun. 2017
				APPROVED BY	Y. SANO				21 Jun. 2017



PIT FLOOR PLAN S=1:100

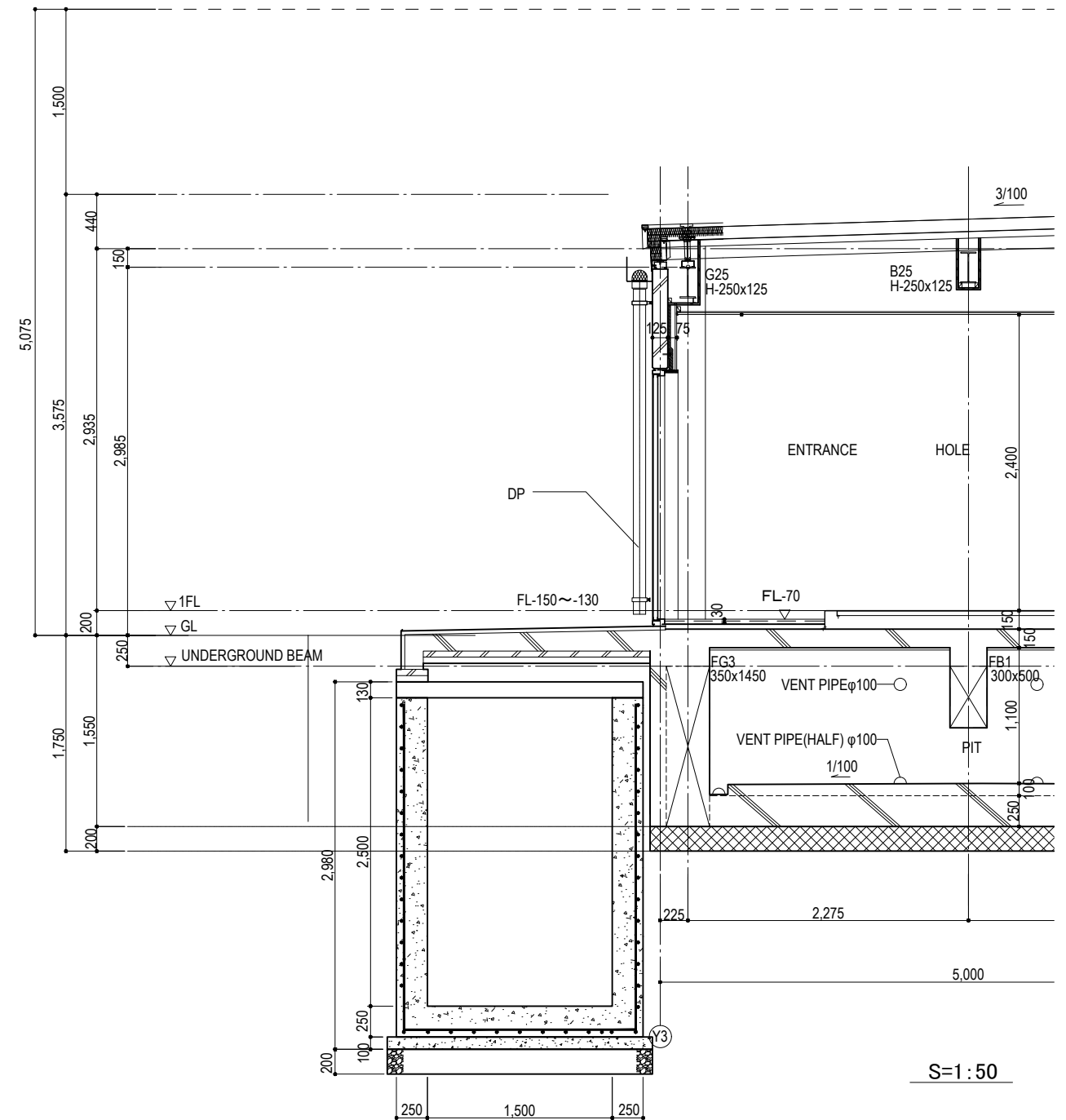
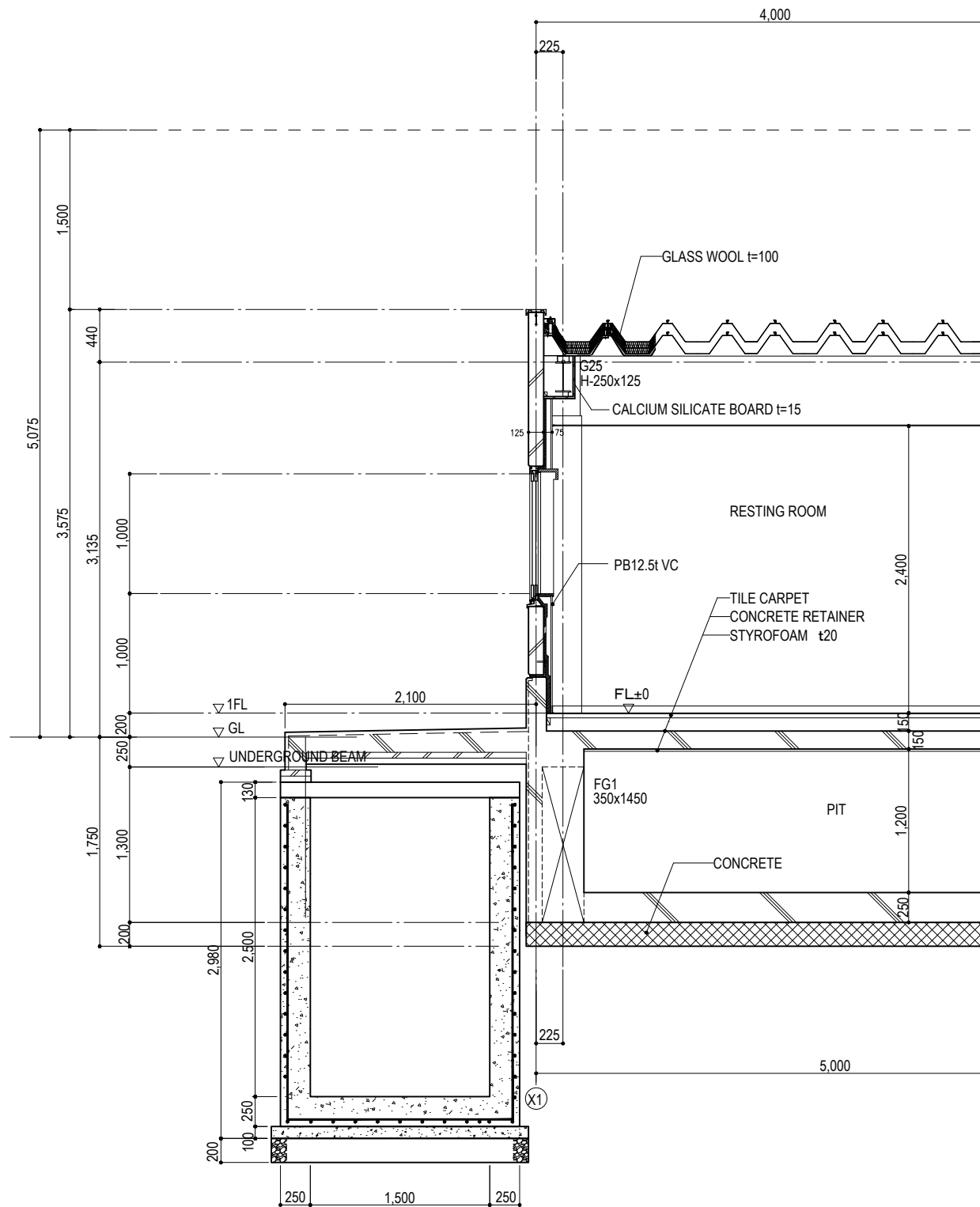
PROJECT NAME DETAILED DESIGN ON BAGO RIVER BRIDGE CONSTRUCTION PROJECT	FINANCED BY JAPAN INTERNATIONAL COOPERATION AGENCY	COUNTERPART REPUBLIC OF THE UNION OF MYANMAR MINISTRY OF CONSTRUCTION DEPARTMENT OF BRIDGE	JICA STUDY TEAM NIPPON KOEI CO., LTD. ORIENTAL CONSULTANTS GLOBAL CO., LTD. METROPOLITAN EXPRESSWAY COMPANY LIMITED CHODAI CO., LTD. NIPPON ENGINEERING CONSULTANTS CO., LTD.	NAME	SIGNATURE	DATE	DRAWING TITLE	PACKAGE				
				PREPARED BY	*GROUP LEADER				15 Jun. 2017	PLAN VIEW OF PIT FLOOR OF ADMINISTRATIVE OFFICE	2	
				CHECKED BY	T. HAYAKAWA				20 Jun. 2017			DWG No.
				APPROVED BY	Y. SANO				21 Jun. 2017			P2-TC-4006



ROOF PLAN S=1:100

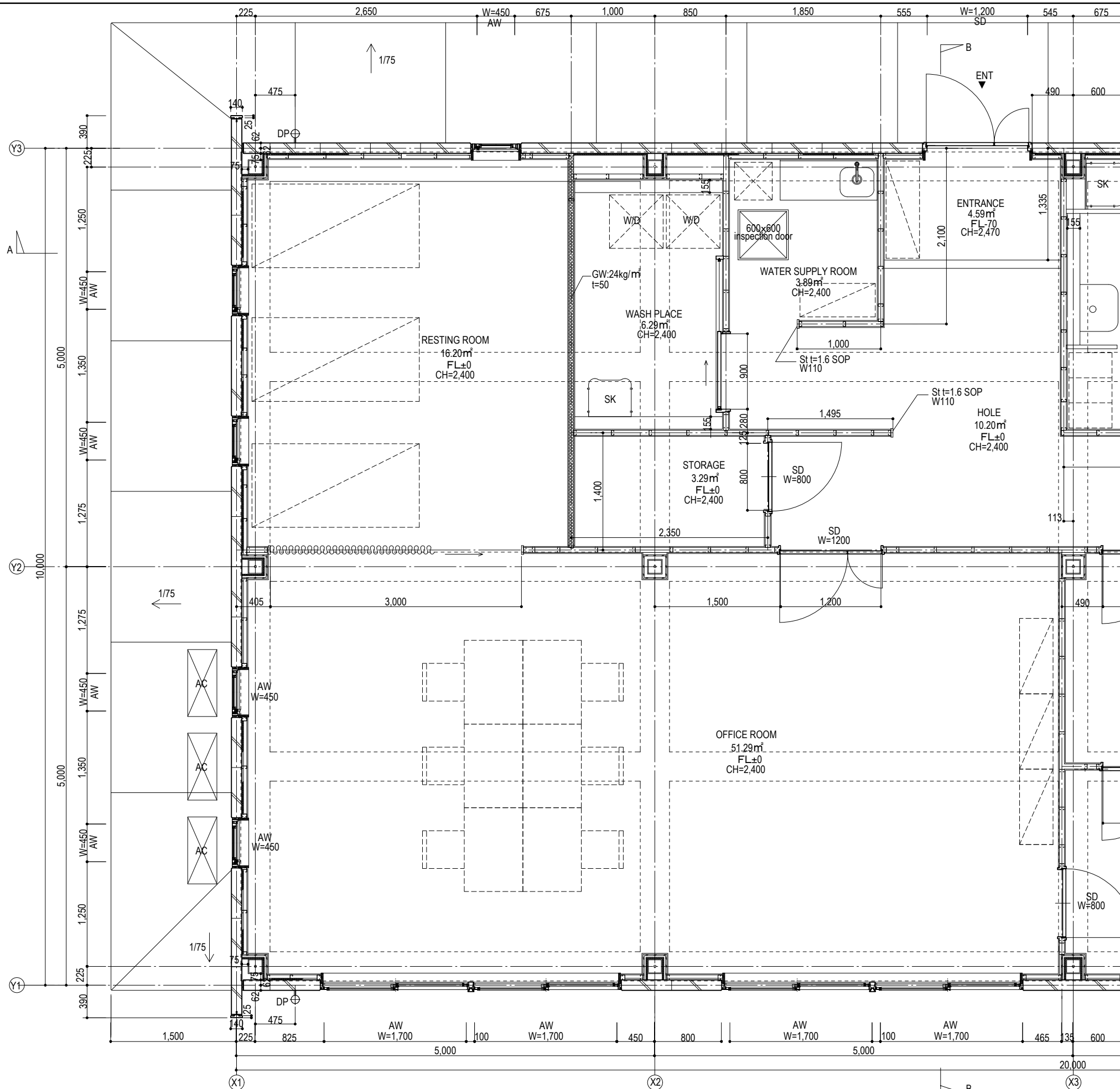


PROJECT NAME DETAILED DESIGN ON BAGO RIVER BRIDGE CONSTRUCTION PROJECT	FINANCED BY JAPAN INTERNATIONAL COOPERATION AGENCY	COUNTERPART REPUBLIC OF THE UNION OF MYANMAR MINISTRY OF CONSTRUCTION DEPARTMENT OF BRIDGE	JICA STUDY TEAM NIPPON KOEI CO., LTD. ORIENTAL CONSULTANTS GLOBAL CO., LTD. METROPOLITAN EXPRESSWAY COMPANY LIMITED CHODAI CO., LTD. NIPPON ENGINEERING CONSULTANTS CO., LTD.	NAME	SIGNATURE	DATE	DRAWING TITLE	PACKAGE	
				PREPARED BY	*GROUP LEADER				15 Jun. 2017
				CHECKED BY	T. HAYAKAWA				20 Jun. 2017
				APPROVED BY	Y. SANO				21 Jun. 2017
							ROOF PLAN OF ADMINISTRATIVE OFFICE	P2-TC-4007	



S=1:50


PROJECT NAME DETAILED DESIGN ON BAGO RIVER BRIDGE CONSTRUCTION PROJECT	FINANCED BY JAPAN INTERNATIONAL COOPERATION AGENCY	COUNTERPART REPUBLIC OF THE UNION OF MYANMAR MINISTRY OF CONSTRUCTION DEPARTMENT OF BRIDGE	JICA STUDY TEAM NIPPON KOEI CO., LTD. ORIENTAL CONSULTANTS GLOBAL CO., LTD. METROPOLITAN EXPRESSWAY COMPANY LIMITED CHODAI CO., LTD. NIPPON ENGINEERING CONSULTANTS CO., LTD.	NAME	SIGNATURE	DATE	DRAWING TITLE CROSS-SECTION DETAIL DRAWING OF ADMINISTRATIVE OFFICE	PACKAGE	
				PREPARED BY	K. NAKAMURA			29 Sep. 2017	2
				CHECKED BY	T. HAYAKAWA			3 Oct. 2017	DWG No.
				APPROVED BY	Y. SANO			6 Oct. 2017	P2-TC-4008



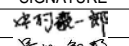
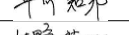
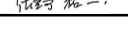
S=1:50

PROJECT NAME
 DETAILED DESIGN ON
 BAGO RIVER BRIDGE
 CONSTRUCTION PROJECT

FINANCED BY
 JAPAN INTERNATIONAL
 COOPERATION AGENCY

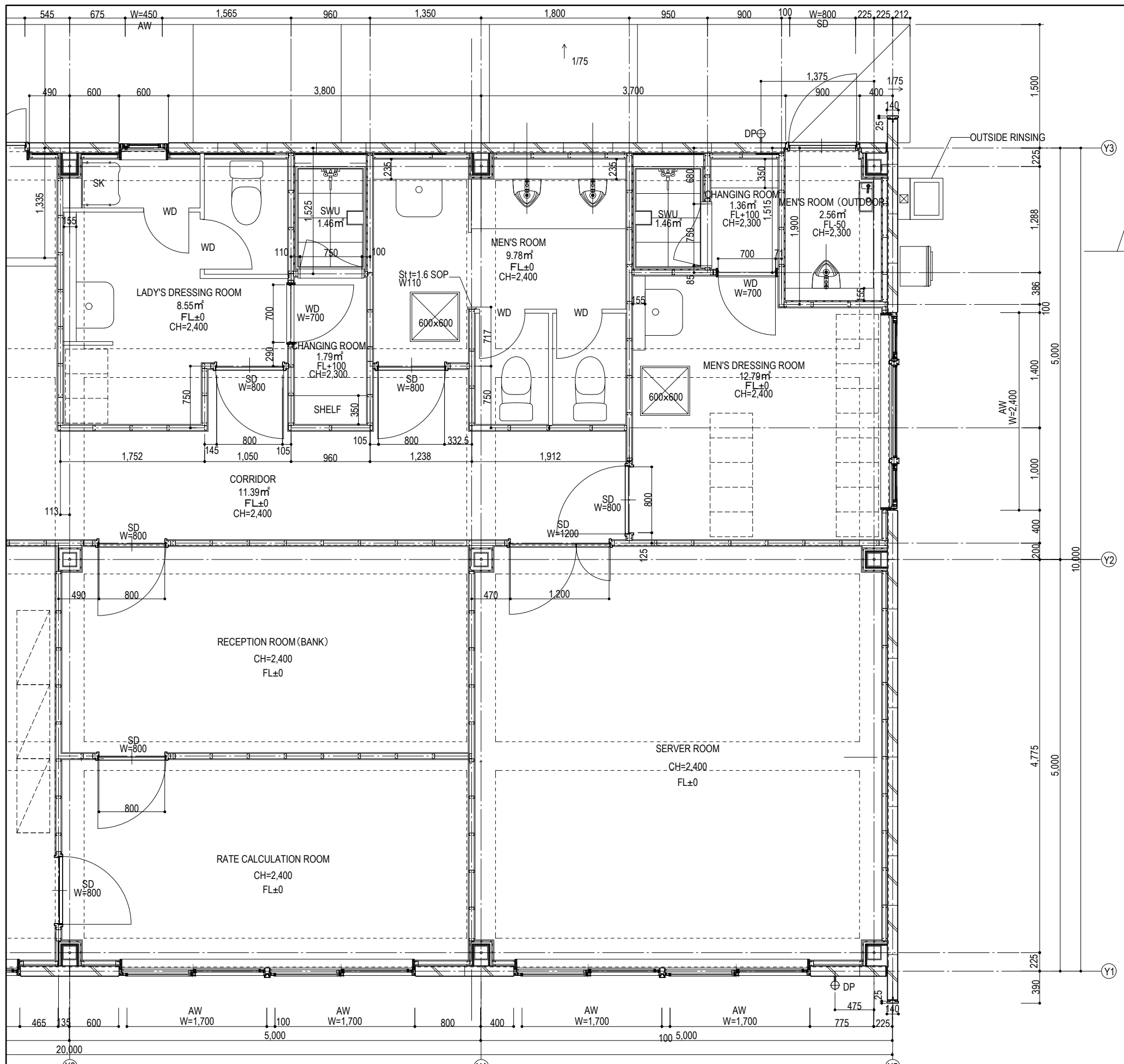
COUNTERPART
 REPUBLIC OF THE UNION OF MYANMAR
 MINISTRY OF CONSTRUCTION
 DEPARTMENT OF BRIDGE

JICA STUDY TEAM
 NIPPON KOEI CO., LTD.
 ORIENTAL CONSULTANTS GLOBAL CO., LTD.
 METROPOLITAN EXPRESSWAY COMPANY LIMITED
 CHODAI CO., LTD.
 NIPPON ENGINEERING CONSULTANTS CO., LTD.

	NAME	SIGNATURE	DATE
PREPARED BY	*GROUP LEADER		15 Jun. 2017
CHECKED BY	T. HAYAKAWA		20 Jun. 2017
APPROVED BY	Y. SANO		21 Jun. 2017

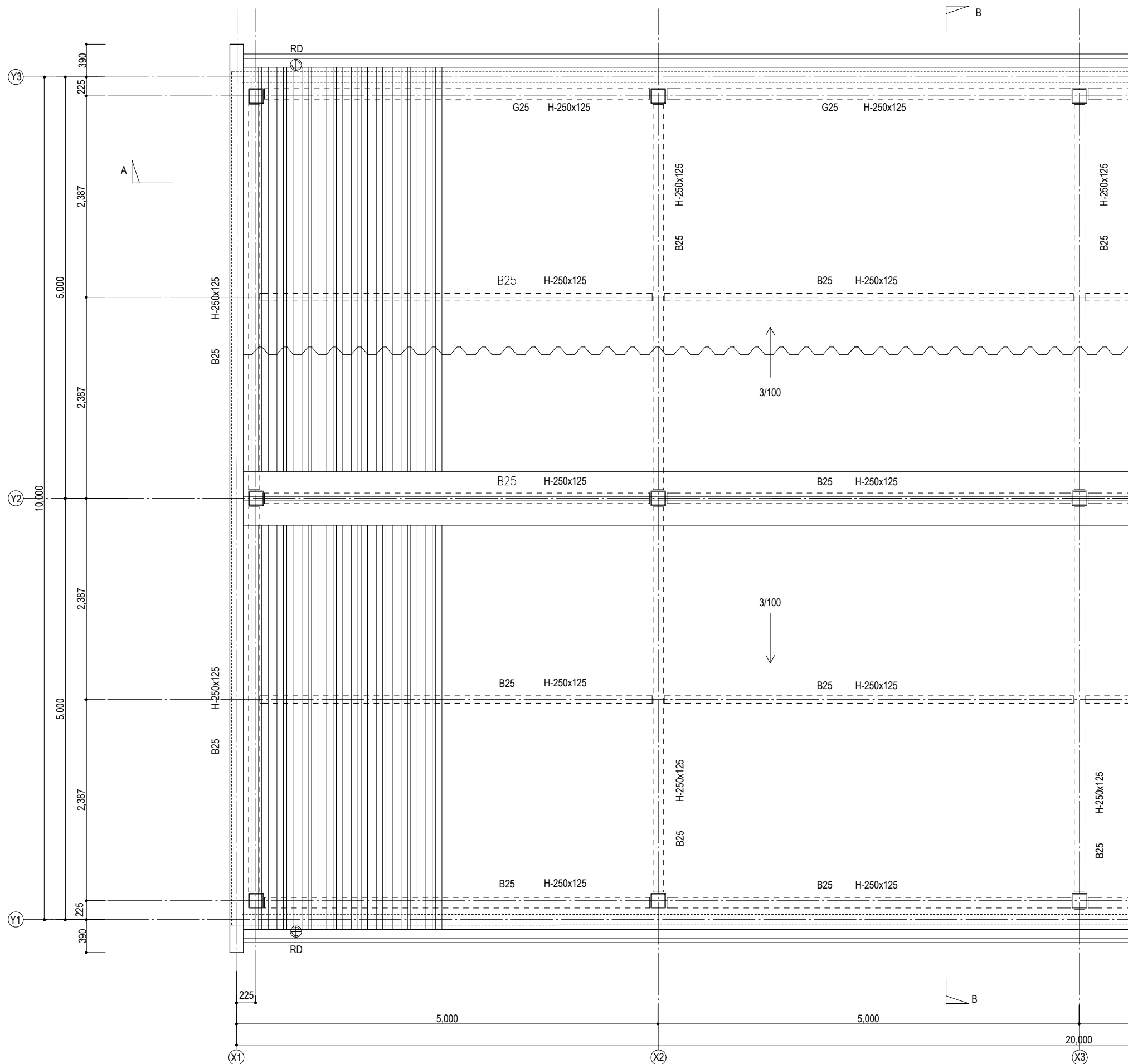
DRAWING TITLE
 FLOOR DETAIL DRAWING
 OF ADMINISTRATIVE OFFICE (1)

PACKAGE
 2
 DWG No.
 P2-TC-4009



S=1:50

PROJECT NAME DETAILED DESIGN ON BAGO RIVER BRIDGE CONSTRUCTION PROJECT	FINANCED BY JAPAN INTERNATIONAL COOPERATION AGENCY	COUNTERPART REPUBLIC OF THE UNION OF MYANMAR MINISTRY OF CONSTRUCTION DEPARTMENT OF BRIDGE	JICA STUDY TEAM NIPPON KOEI CO., LTD. ORIENTAL CONSULTANTS GLOBAL CO., LTD. METROPOLITAN EXPRESSWAY COMPANY LIMITED CHODAI CO., LTD. NIPPON ENGINEERING CONSULTANTS CO., LTD.	NAME	SIGNATURE	DATE	DRAWING TITLE FLOOR DETAIL DRAWING OF ADMINISTRATIVE OFFICE (2)	PACKAGE	
				PREPARED BY	*GROUP LEADER			15 Jun. 2017	DWG No.
				CHECKED BY	T. HAYAKAWA			20 Jun. 2017	P2-TC-4010
				APPROVED BY	Y. SANO			21 Jun. 2017	



S=1:50

PROJECT NAME
 DETAILED DESIGN ON
 BAGO RIVER BRIDGE
 CONSTRUCTION PROJECT

FINANCED BY
 JAPAN INTERNATIONAL
 COOPERATION AGENCY

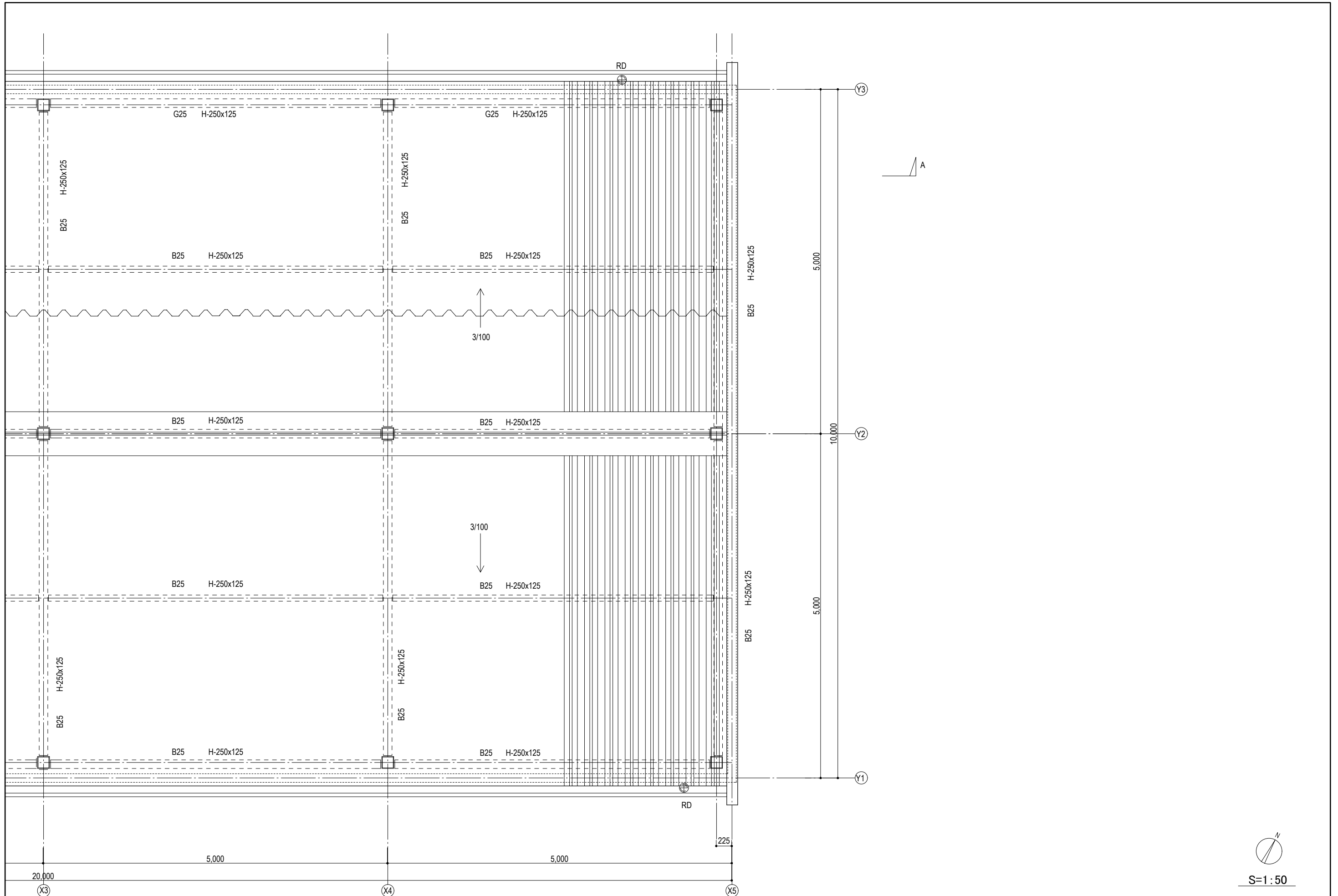
COUNTERPART
 REPUBLIC OF THE UNION OF MYANMAR
 MINISTRY OF CONSTRUCTION
 DEPARTMENT OF BRIDGE

JICA STUDY TEAM
 NIPPON KOEI CO., LTD.
 ORIENTAL CONSULTANTS GLOBAL CO., LTD.
 METROPOLITAN EXPRESSWAY COMPANY LIMITED
 CHODAI CO., LTD.
 NIPPON ENGINEERING CONSULTANTS CO., LTD.

	NAME	SIGNATURE	DATE
PREPARED BY	*GROUP LEADER		15 Jun. 2017
CHECKED BY	T. HAYAKAWA		20 Jun. 2017
APPROVED BY	Y. SANO		21 Jun. 2017

DRAWING TITLE
 ROOFTOP DETAIL DRAWING
 OF ADMINISTRATIVE OFFICE (1)

PACKAGE
 2
 DWG No.
 P2-TC-4011



PROJECT NAME
 DETAILED DESIGN ON
 BAGO RIVER BRIDGE
 CONSTRUCTION PROJECT

FINANCED BY
 JAPAN INTERNATIONAL
 COOPERATION AGENCY

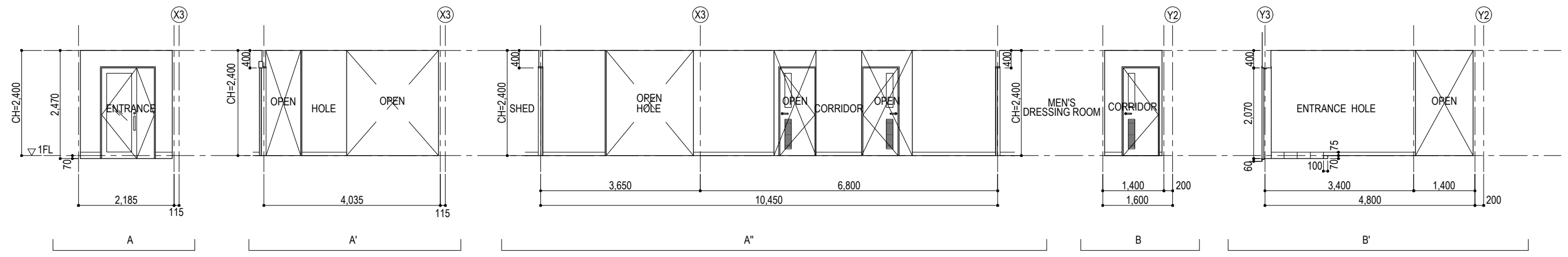
COUNTERPART
 REPUBLIC OF THE UNION OF MYANMAR
 MINISTRY OF CONSTRUCTION
 DEPARTMENT OF BRIDGE

JICA STUDY TEAM
 NIPPON KOEI CO., LTD.
 ORIENTAL CONSULTANTS GLOBAL CO., LTD.
 METROPOLITAN EXPRESSWAY COMPANY LIMITED
 CHODAI CO., LTD.
 NIPPON ENGINEERING CONSULTANTS CO., LTD.

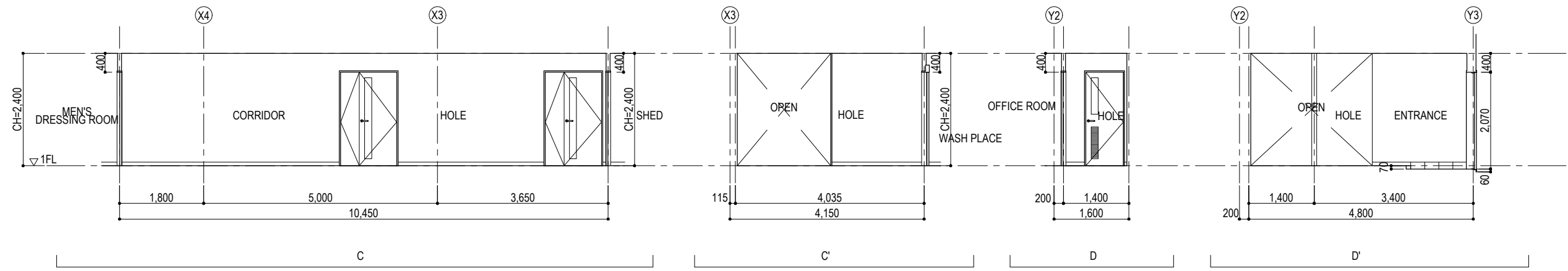
	NAME	SIGNATURE	DATE
PREPARED BY	*GROUP LEADER		15 Jun. 2017
CHECKED BY	T. HAYAKAWA		20 Jun. 2017
APPROVED BY	Y. SANO		21 Jun. 2017

DRAWING TITLE
 ROOFTOP DETAIL DRAWING
 OF ADMINISTRATIVE OFFICE (2)

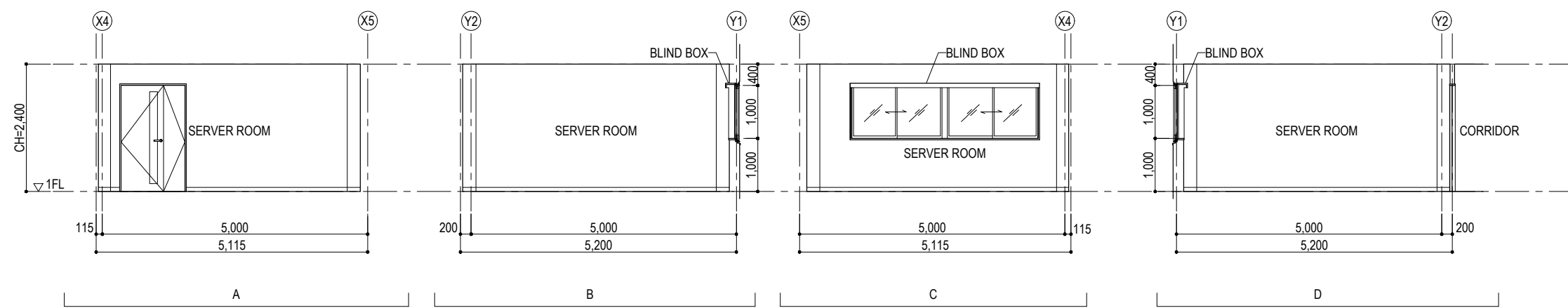
PACKAGE
 2
 DWG No.
 P2-TC-4012



ENTRANCE, HOLE, CORRIDOR



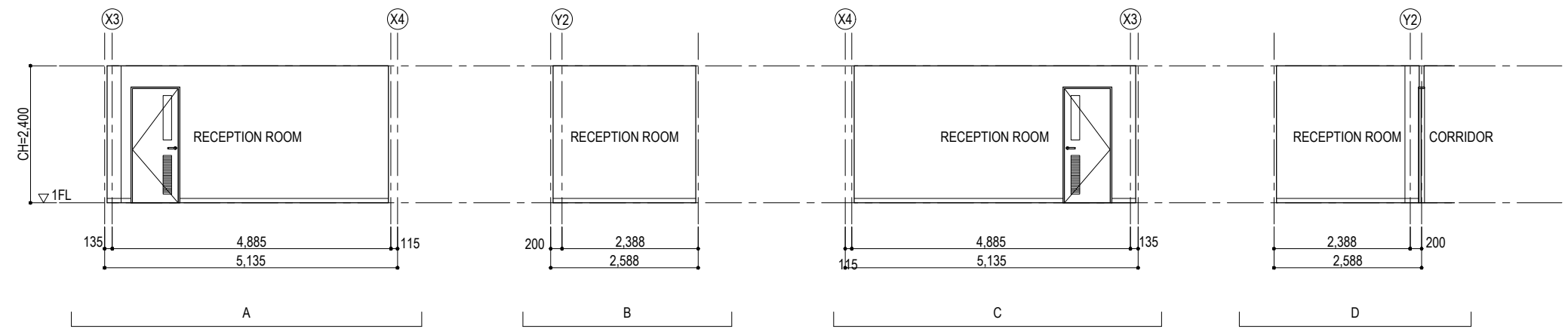
ENTRANCE, HOLE, CORRIDOR



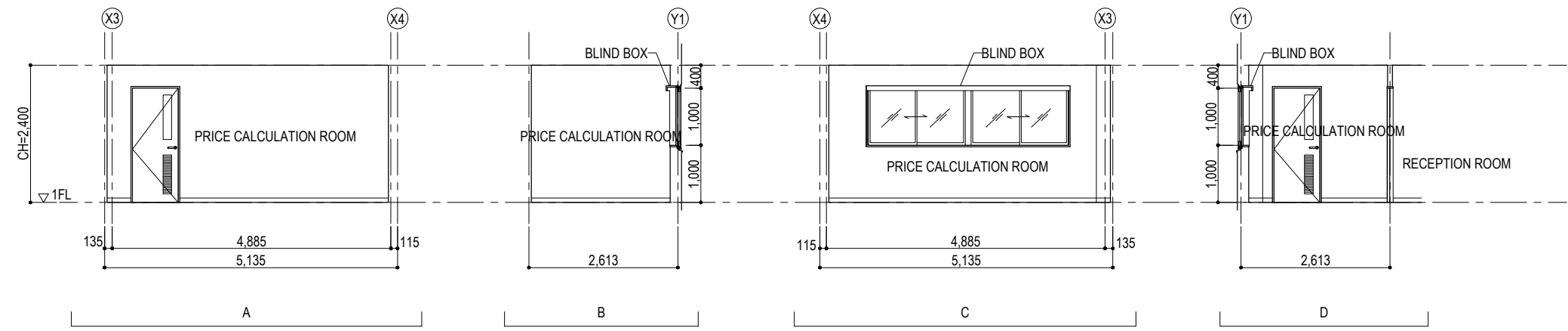
SERVER ROOM

S=1:100

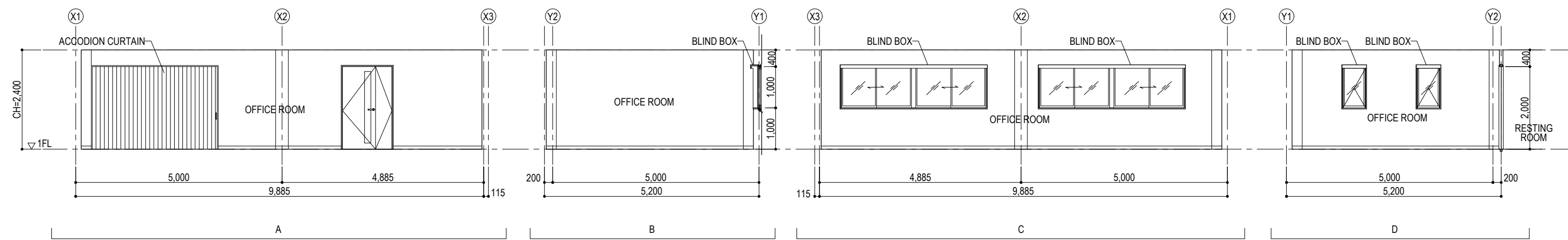
PROJECT NAME DETAILED DESIGN ON BAGO RIVER BRIDGE CONSTRUCTION PROJECT	FINANCED BY JAPAN INTERNATIONAL COOPERATION AGENCY	COUNTERPART REPUBLIC OF THE UNION OF MYANMAR MINISTRY OF CONSTRUCTION DEPARTMENT OF BRIDGE	JICA STUDY TEAM NIPPON KOEI CO., LTD. ORIENTAL CONSULTANTS GLOBAL CO., LTD. METROPOLITAN EXPRESSWAY COMPANY LIMITED CHODAI CO., LTD. NIPPON ENGINEERING CONSULTANTS CO., LTD.	NAME	SIGNATURE	DATE	DRAWING TITLE	PACKAGE	
				PREPARED BY	*GROUP LEADER				15 Jun. 2017
				CHECKED BY	T. HAYAKAWA				20 Jun. 2017
				APPROVED BY	Y. SANO				21 Jun. 2017
DEVELOPMENT VIEW OF ADMINISTRATIVE OFFICE (1)							2	DWG No.	
								P2-TC-4013	



RECEPTION ROOM



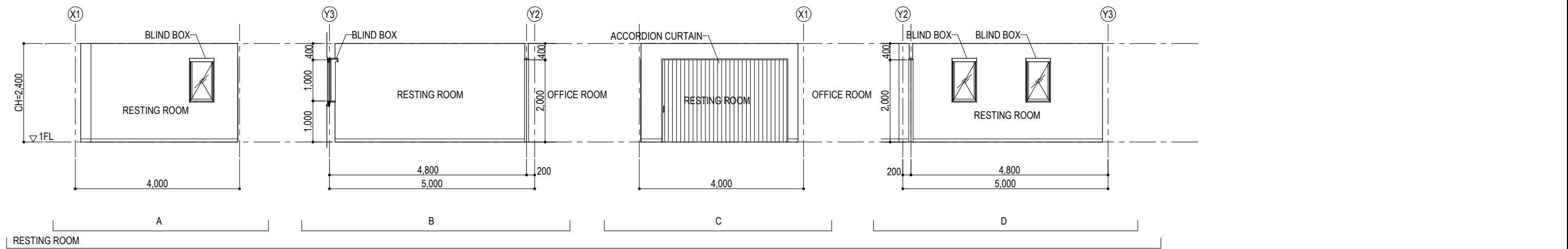
PRICE CALCULATION ROOM



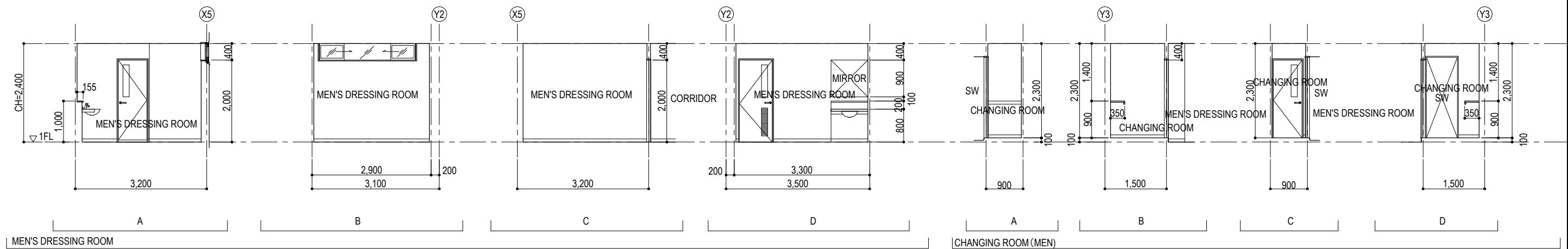
OFFICE ROOM

S=1:100

PROJECT NAME DETAILED DESIGN ON BAGO RIVER BRIDGE CONSTRUCTION PROJECT	FINANCED BY JAPAN INTERNATIONAL COOPERATION AGENCY	COUNTERPART REPUBLIC OF THE UNION OF MYANMAR MINISTRY OF CONSTRUCTION DEPARTMENT OF BRIDGE	JICA STUDY TEAM NIPPON KOEI CO., LTD. ORIENTAL CONSULTANTS GLOBAL CO., LTD. METROPOLITAN EXPRESSWAY COMPANY LIMITED CHODAI CO., LTD. NIPPON ENGINEERING CONSULTANTS CO., LTD.	NAME	SIGNATURE	DATE	DRAWING TITLE	PACKAGE	
				PREPARED BY	*GROUP LEADER				15 Jun. 2017
				CHECKED BY	T. HAYAKAWA				20 Jun. 2017
				APPROVED BY	Y. SANO				21 Jun. 2017
DEVELOPMENT VIEW OF ADMINISTRATIVE OFFICE (2)							2	DWG No.	
								P2-TC-4014	

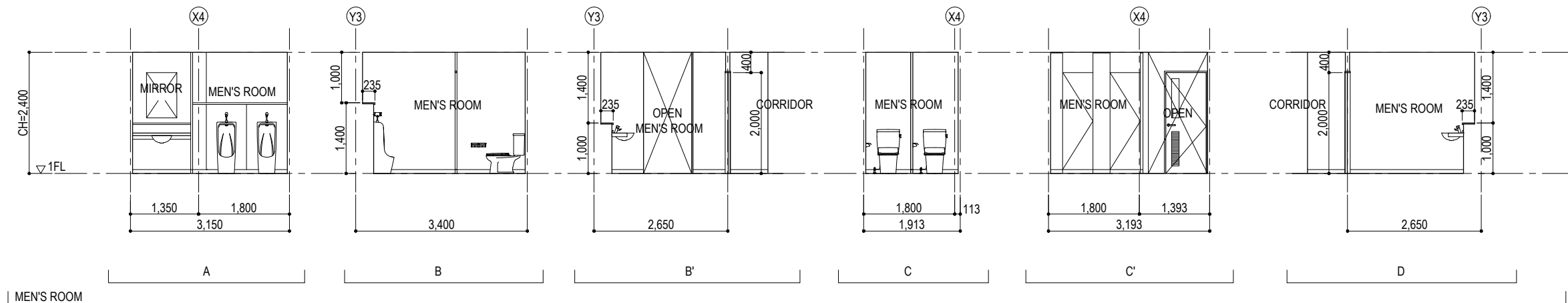


RESTING ROOM



MEN'S DRESSING ROOM

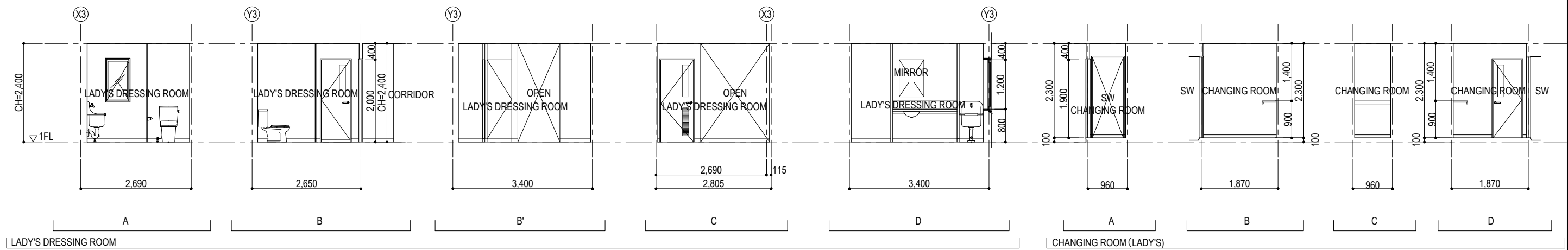
CHANGING ROOM (MEN)



MEN'S ROOM

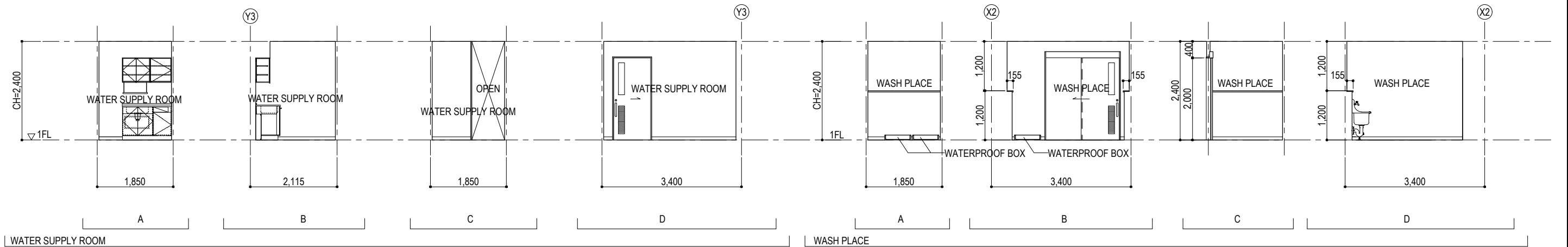
S=1:100

PROJECT NAME DETAILED DESIGN ON BAGO RIVER BRIDGE CONSTRUCTION PROJECT	FINANCED BY JAPAN INTERNATIONAL COOPERATION AGENCY	COUNTERPART REPUBLIC OF THE UNION OF MYANMAR MINISTRY OF CONSTRUCTION DEPARTMENT OF BRIDGE	JICA STUDY TEAM NIPPON KOEI CO., LTD. ORIENTAL CONSULTANTS GLOBAL CO., LTD. METROPOLITAN EXPRESSWAY COMPANY LIMITED CHODAI CO., LTD. NIPPON ENGINEERING CONSULTANTS CO., LTD.	NAME	SIGNATURE	DATE	DRAWING TITLE	PACKAGE	
				PREPARED BY	*GROUP LEADER				15 Jun. 2017
				CHECKED BY	T. HAYAKAWA				20 Jun. 2017
				APPROVED BY	Y. SANO				21 Jun. 2017
DEVELOPMENT VIEW OF ADMINISTRATIVE OFFICE (3)							2	DWG No.	P2-TC-4015



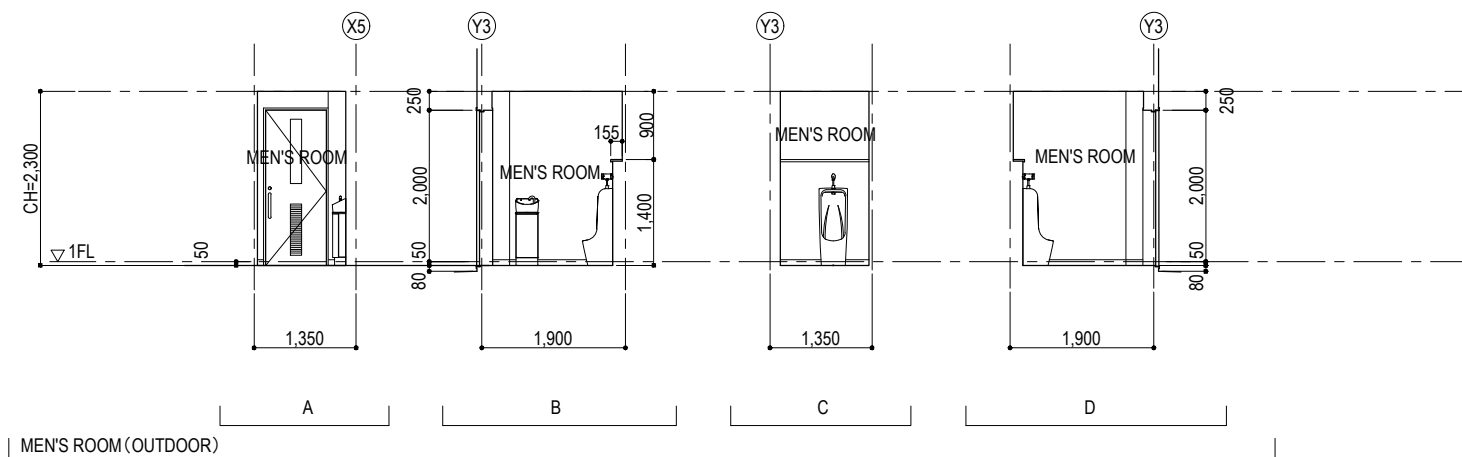
LADY'S DRESSING ROOM

CHANGING ROOM (LADY'S)



WATER SUPPLY ROOM

WASH PLACE



MEN'S ROOM (OUTDOOR)

S=1:100

PROJECT NAME
DETAILED DESIGN ON
BAGO RIVER BRIDGE
CONSTRUCTION PROJECT

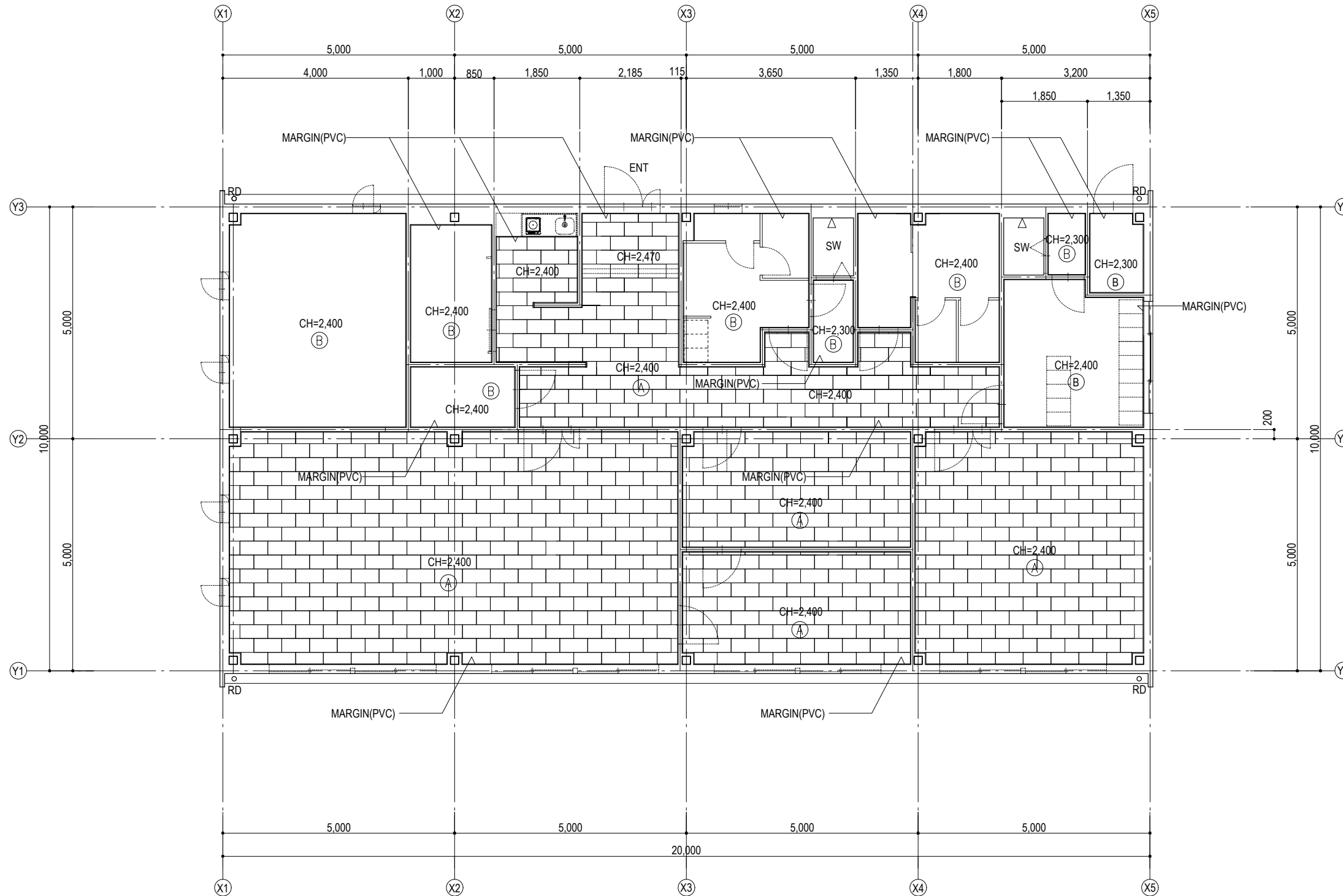
FINANCED BY
jica JAPAN INTERNATIONAL
COOPERATION AGENCY

COUNTERPART
REPUBLIC OF THE UNION OF MYANMAR
MINISTRY OF CONSTRUCTION
DEPARTMENT OF BRIDGE

JICA STUDY TEAM
NIPPON KOEI CO., LTD.
ORIENTAL CONSULTANTS GLOBAL CO., LTD.
METROPOLITAN EXPRESSWAY COMPANY LIMITED
CHODAI CO., LTD.
NIPPON ENGINEERING CONSULTANTS CO., LTD.

	NAME	SIGNATURE	DATE
PREPARED BY	*GROUP LEADER	<i>[Signature]</i>	15 Jun. 2017
CHECKED BY	T. HAYAKAWA	<i>[Signature]</i>	20 Jun. 2017
APPROVED BY	Y. SANO	<i>[Signature]</i>	21 Jun. 2017

DRAWING TITLE	PACKAGE
DEVELOPMENT VIEW OF ADMINISTRATIVE OFFICE (4)	2
	DWG No.
	P2-TC-016



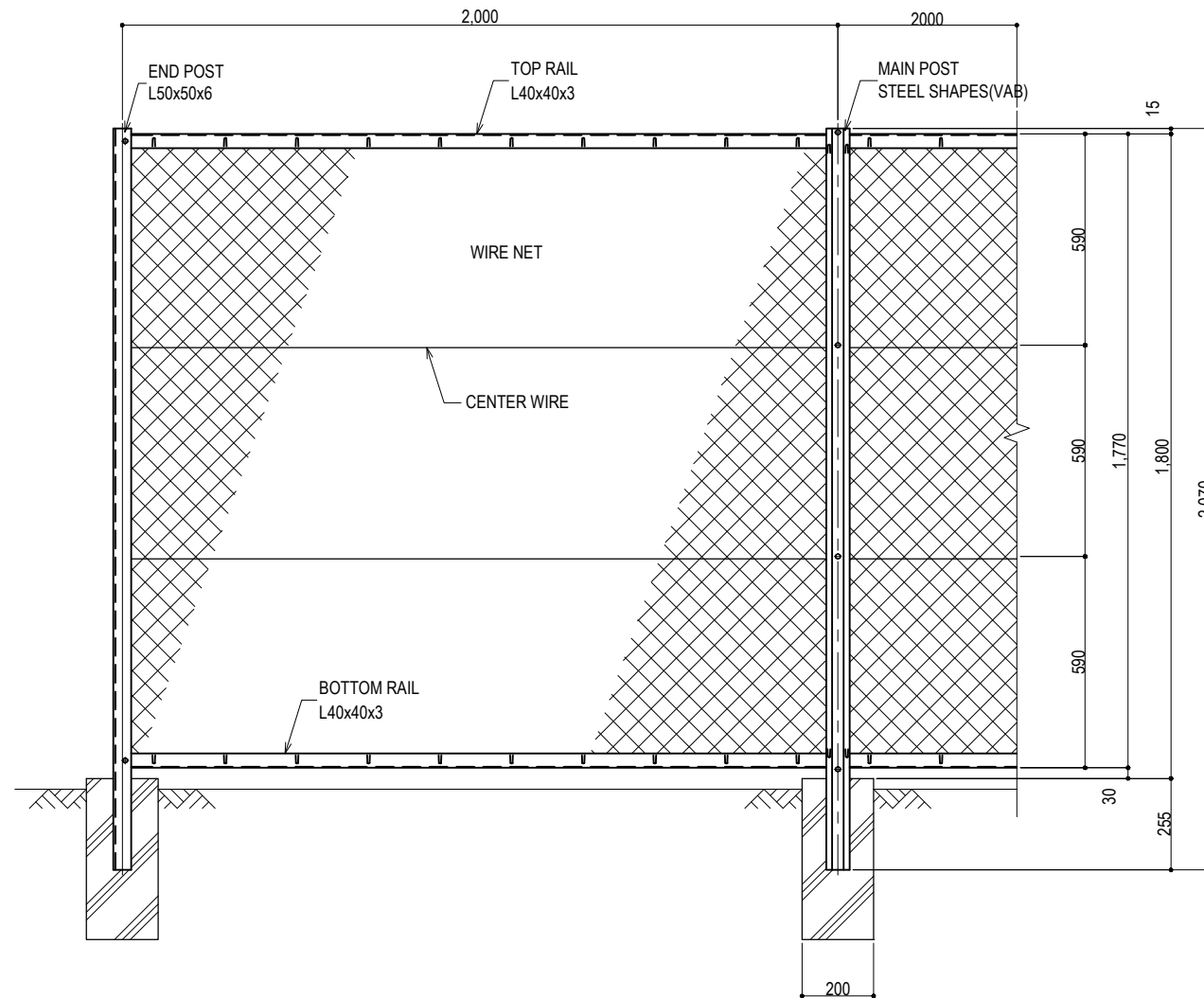
REFLECTED CEILING PLAN S=1:100

SYMBOL	NAME
(A)	GB t=9.5 ROCK SOUND ABSORBING BOARD t=15
(B)	GB t=9.5 VINYL CROSS
□	CEILING INSPECTION DOOR 450×450

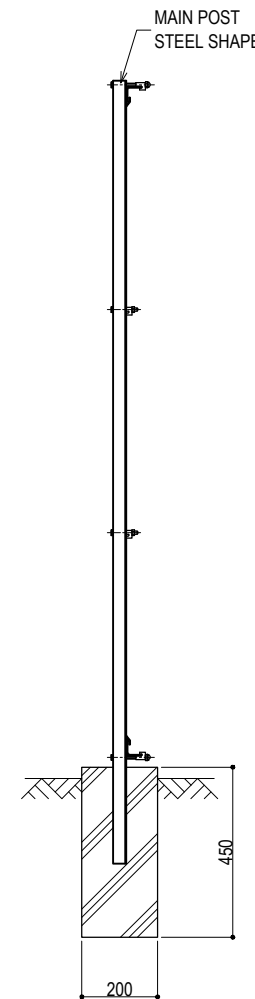


PROJECT NAME DETAILED DESIGN ON BAGO RIVER BRIDGE CONSTRUCTION PROJECT	FINANCED BY JAPAN INTERNATIONAL COOPERATION AGENCY	COUNTERPART REPUBLIC OF THE UNION OF MYANMAR MINISTRY OF CONSTRUCTION DEPARTMENT OF BRIDGE	JICA STUDY TEAM NIPPON KOEI CO., LTD. ORIENTAL CONSULTANTS GLOBAL CO., LTD. METROPOLITAN EXPRESSWAY COMPANY LIMITED CHODAI CO., LTD. NIPPON ENGINEERING CONSULTANTS CO., LTD.	NAME	SIGNATURE	DATE	DRAWING TITLE	PACKAGE	
				PREPARED BY	*GROUP LEADER				15 Jun. 2017
				CHECKED BY	T. HAYAKAWA				20 Jun. 2017
				APPROVED BY	Y. SANO				21 Jun. 2017
							REFLECTED CEILING PLAN OF ADMINISTRATIVE OFFICE	P2-TC-4017	

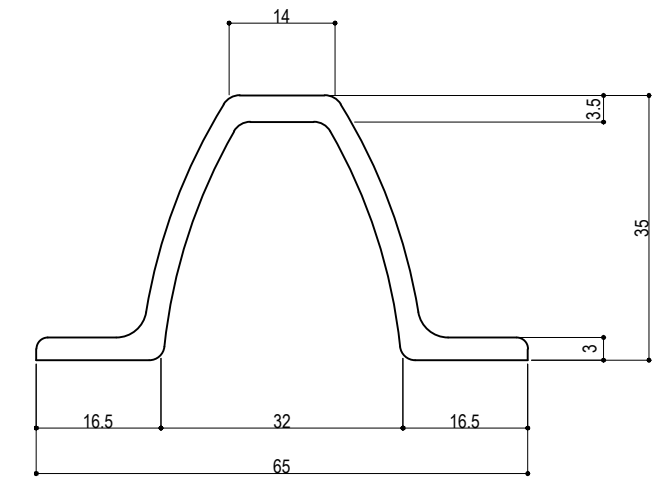
DETAIL OF BOUNDARY FENCE (1)



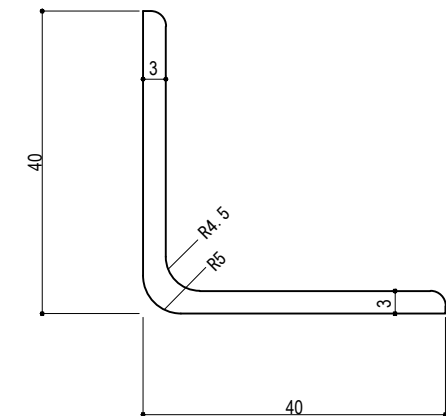
FRONT VIEW S=1:20



SIDE VIEW S=1:20



MAIN POST DETAIL(VAB) S=1:1

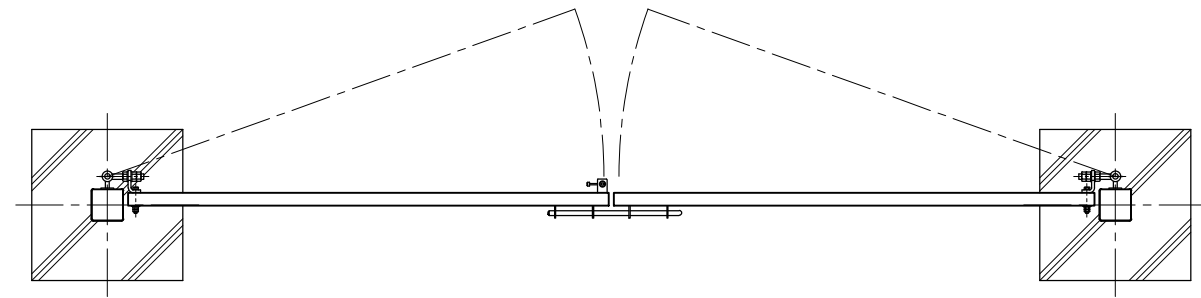


RAIL SECTION(L40x40x3) S=1:1

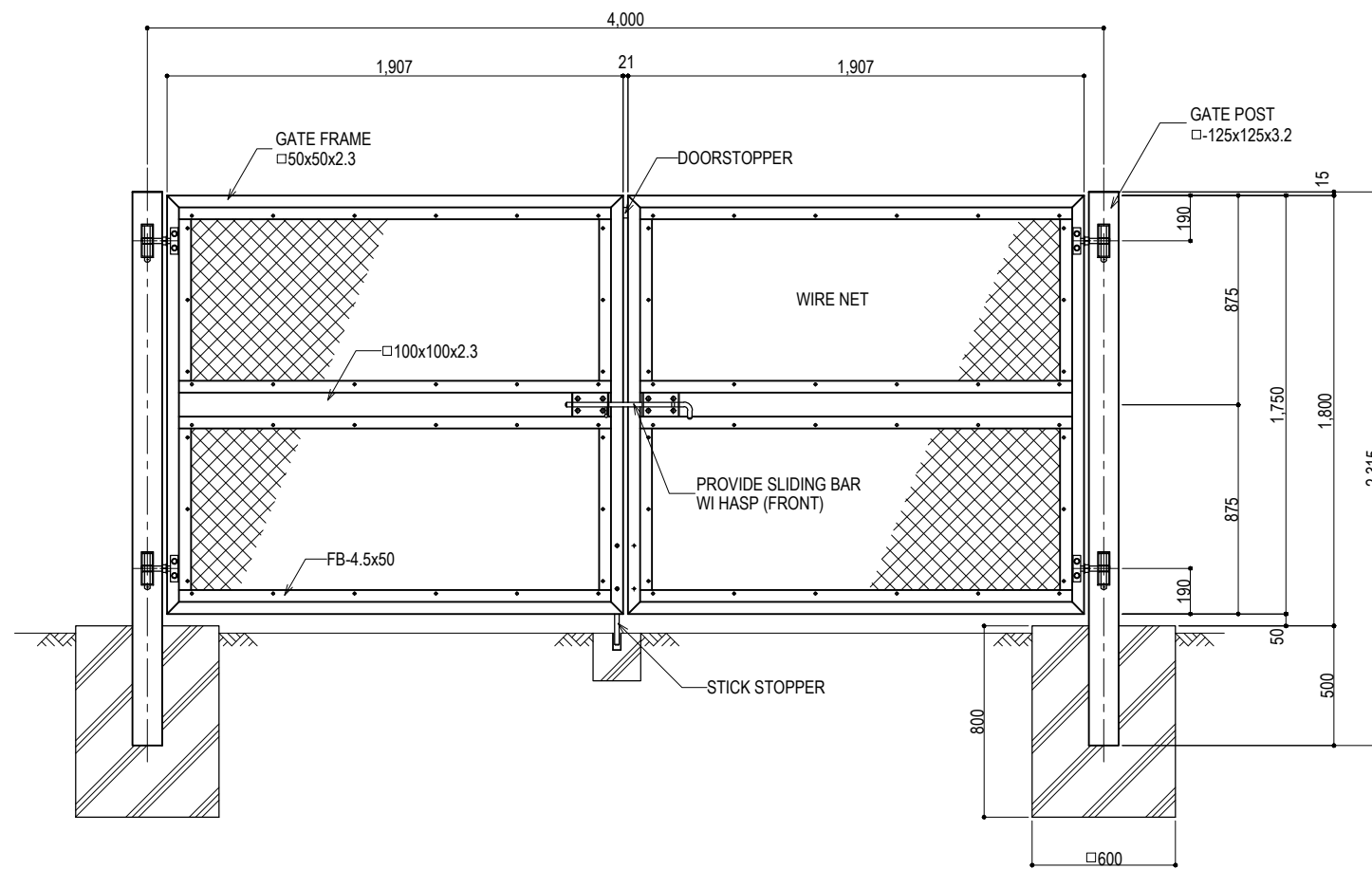
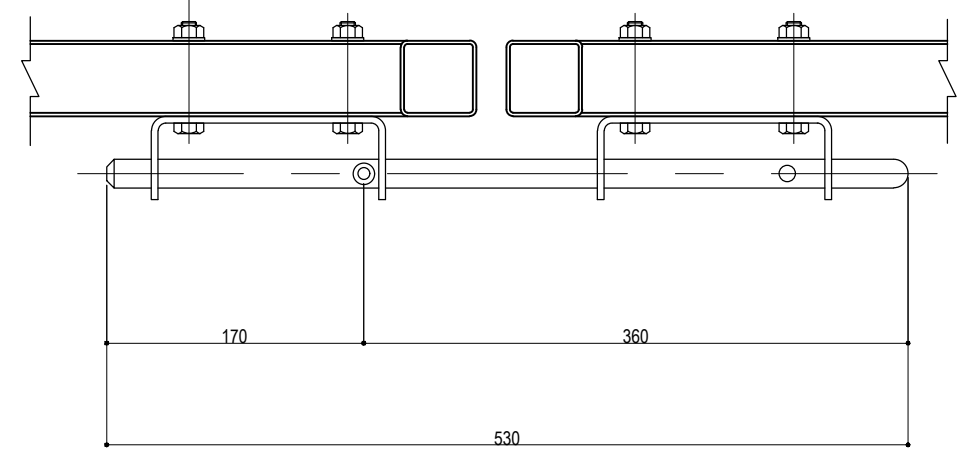
QUANTITY PER 10m

Title	Specification	Quantity	Description
Main Post	t=3,L=2070	4 each	Coating specification
End Post	L-50x50x6,L=2070	(2) each	Coating specification
Rail	L-40x40x3,L=10m	2 each	Coating specification
Wire Net	φ3.2-50x50,L=1800	10 m	
Concrete	E I	0.09 m3	
Form		1.8 m2	

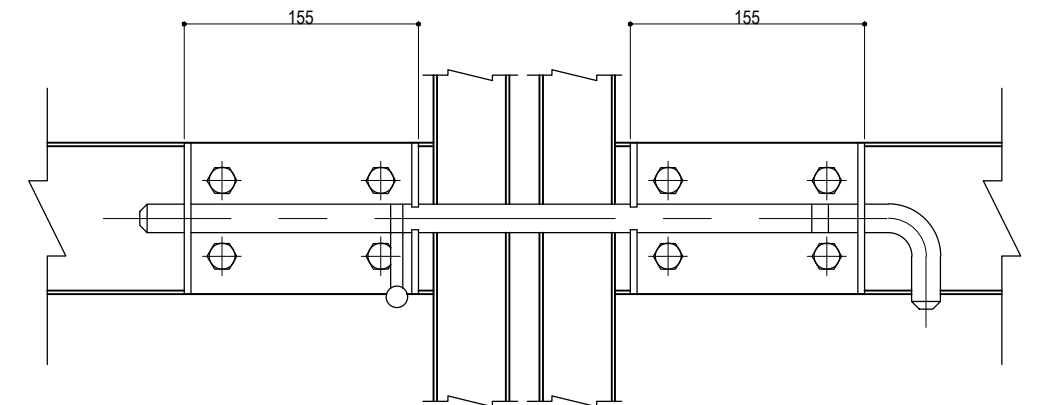
DETAIL OF BOUNDARY FENCE (2)



TOP VIEW S=1:30



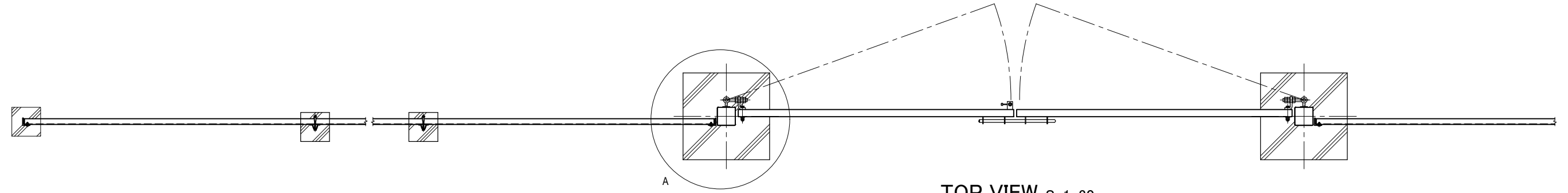
FRONT VIEW S=1:30



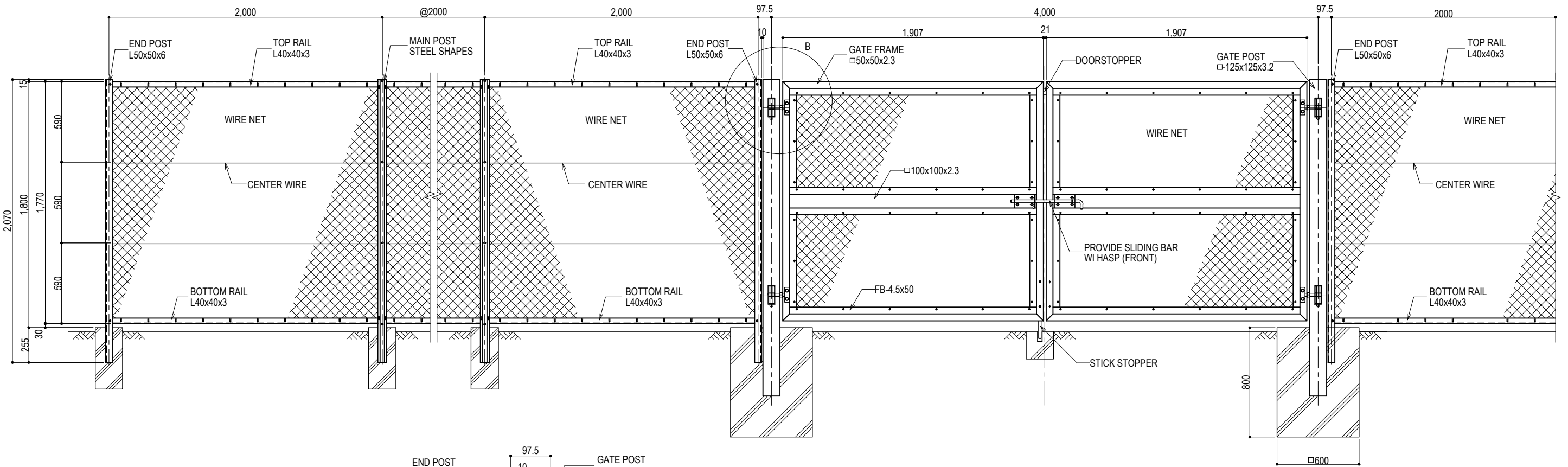
PROVIDE SLIDING BAR DETAIL S=1:5

PROJECT NAME	FINANCED BY	COUNTERPART	JICA STUDY TEAM	NAME	SIGNATURE	DATE	DRAWING TITLE	PACKAGE
DETAILED DESIGN ON BAGO RIVER BRIDGE CONSTRUCTION PROJECT	JICA JAPAN INTERNATIONAL COOPERATION AGENCY	REPUBLIC OF THE UNION OF MYANMAR MINISTRY OF CONSTRUCTION DEPARTMENT OF BRIDGE	NIPPON KOEI CO., LTD. ORIENTAL CONSULTANTS GLOBAL CO., LTD. METROPOLITAN EXPRESSWAY COMPANY LIMITED CHODAI CO., LTD. NIPPON ENGINEERING CONSULTANTS CO., LTD.	*GROUP LEADER		15 Jun. 2017	DETAIL OF BOUNDARY FENCE (2)	2
				T. HAYAKAWA		20 Jun. 2017		DWG No.
				Y. SANO		21 Jun. 2017		P2-TC-4019

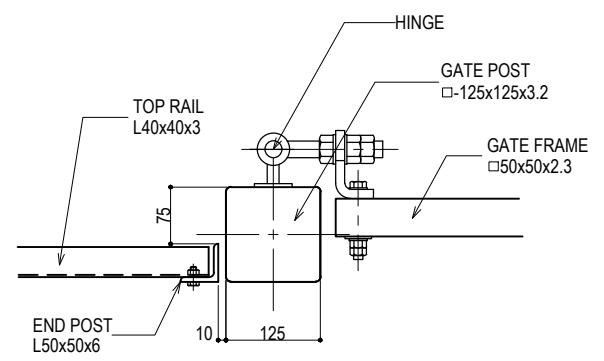
DETAIL OF BOUNDARY FENCE (3)



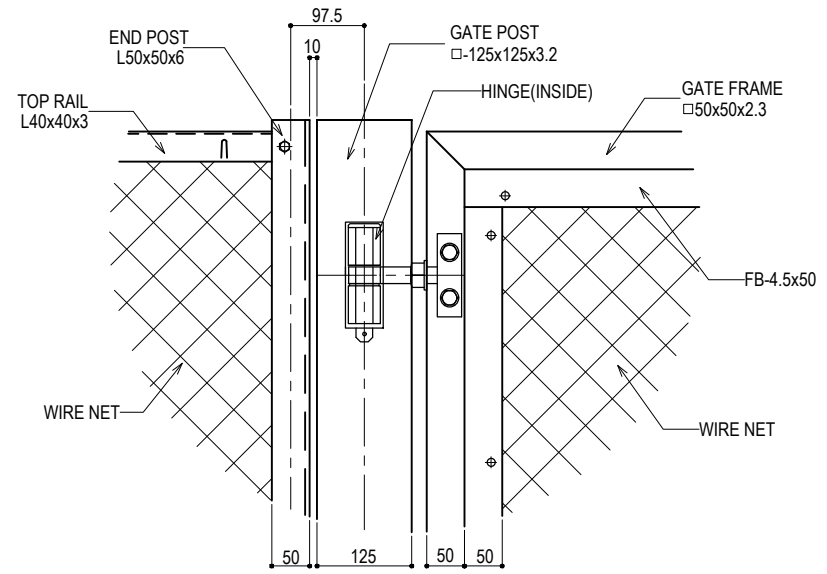
TOP VIEW S=1:30



FRONT VIEW S=1:30

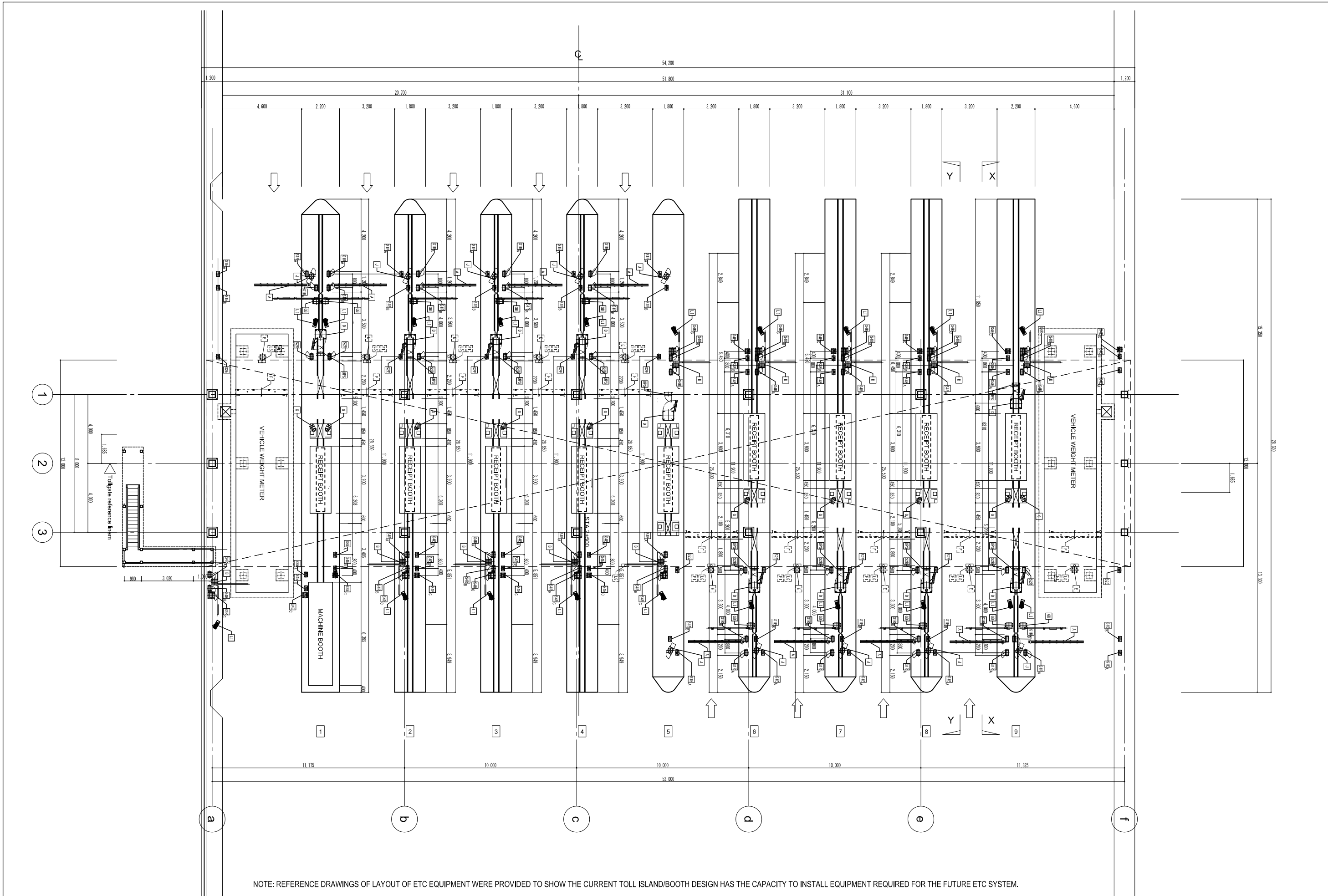


DETAIL OF "A" S=1:10



DETAIL OF "B" S=1:10

QUANTITY		PER 1each	
Title	Specification	Quantity	Description
Gate	W=4.0m,H=1.8m	1 set	Coating specification
Concrete	E I	0.58 m3	
Form		4.0 m2	



NOTE: REFERENCE DRAWINGS OF LAYOUT OF ETC EQUIPMENT WERE PROVIDED TO SHOW THE CURRENT TOLL ISLAND/BOOTH DESIGN HAS THE CAPACITY TO INSTALL EQUIPMENT REQUIRED FOR THE FUTURE ETC SYSTEM.

PROJECT NAME
 DETAILED DESIGN ON
 BAGO RIVER BRIDGE
 CONSTRUCTION PROJECT

FINANCED BY
 JAPAN INTERNATIONAL
 COOPERATION AGENCY

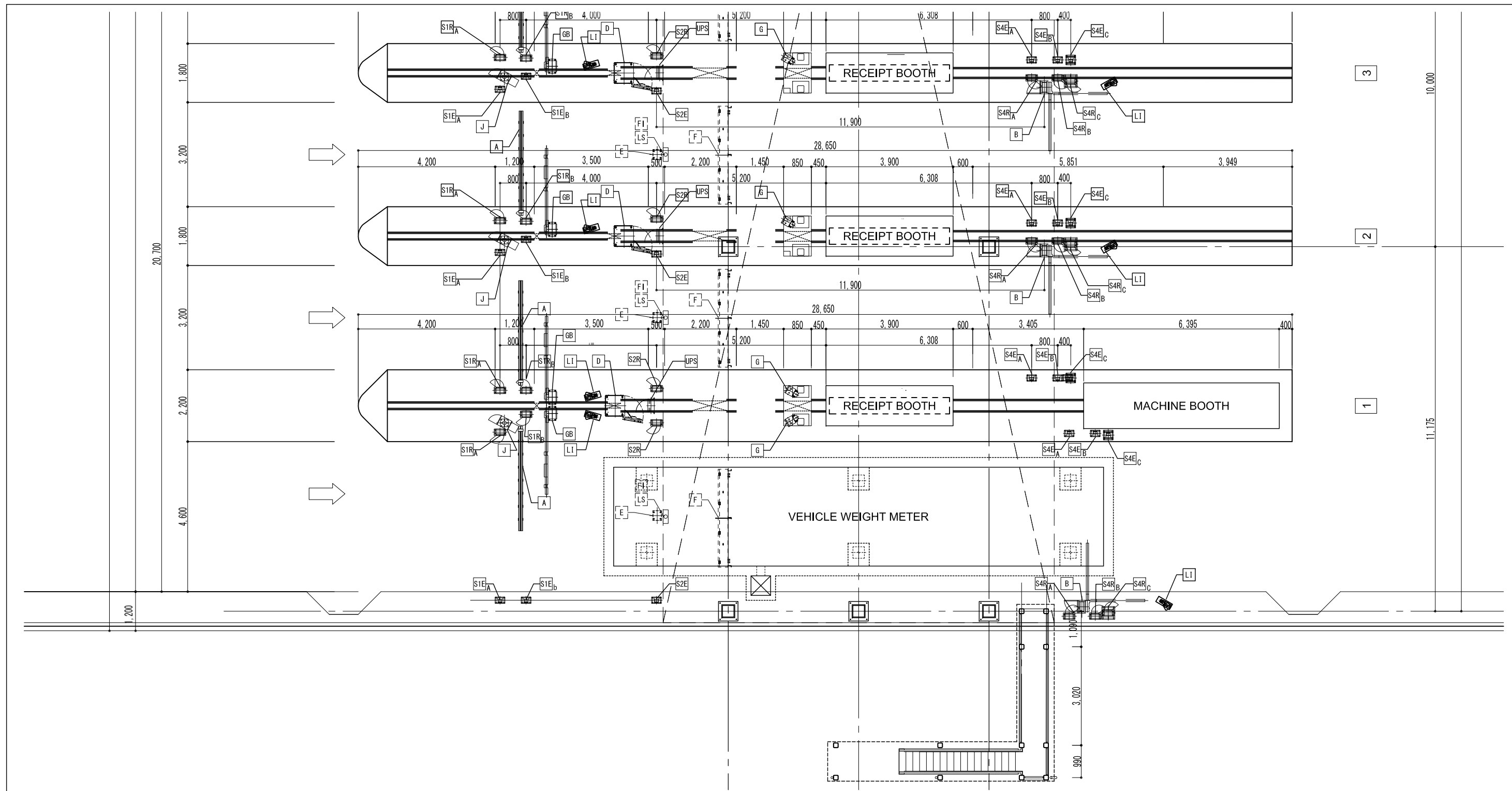
COUNTERPART
 REPUBLIC OF THE UNION OF MYANMAR
 MINISTRY OF CONSTRUCTION
 DEPARTMENT OF BRIDGE

JICA STUDY TEAM
 NIPPON KOEI CO., LTD.
 ORIENTAL CONSULTANTS GLOBAL CO., LTD.
 METROPOLITAN EXPRESSWAY COMPANY LIMITED
 CHODAI CO., LTD.
 NIPPON ENGINEERING CONSULTANTS CO., LTD.

	NAME	SIGNATURE	DATE
PREPARED BY	K.NAKAMURA		15 Jun. 2017
CHECKED BY	T. HAYAKAWA		20 Jun. 2017
APPROVED BY	Y. SANO		21 Jun. 2017

DRAWING TITLE
 LAYOUT OF ETC EQUIPMENT (REFERENCE CASE) / PLAIN VIEW (1)

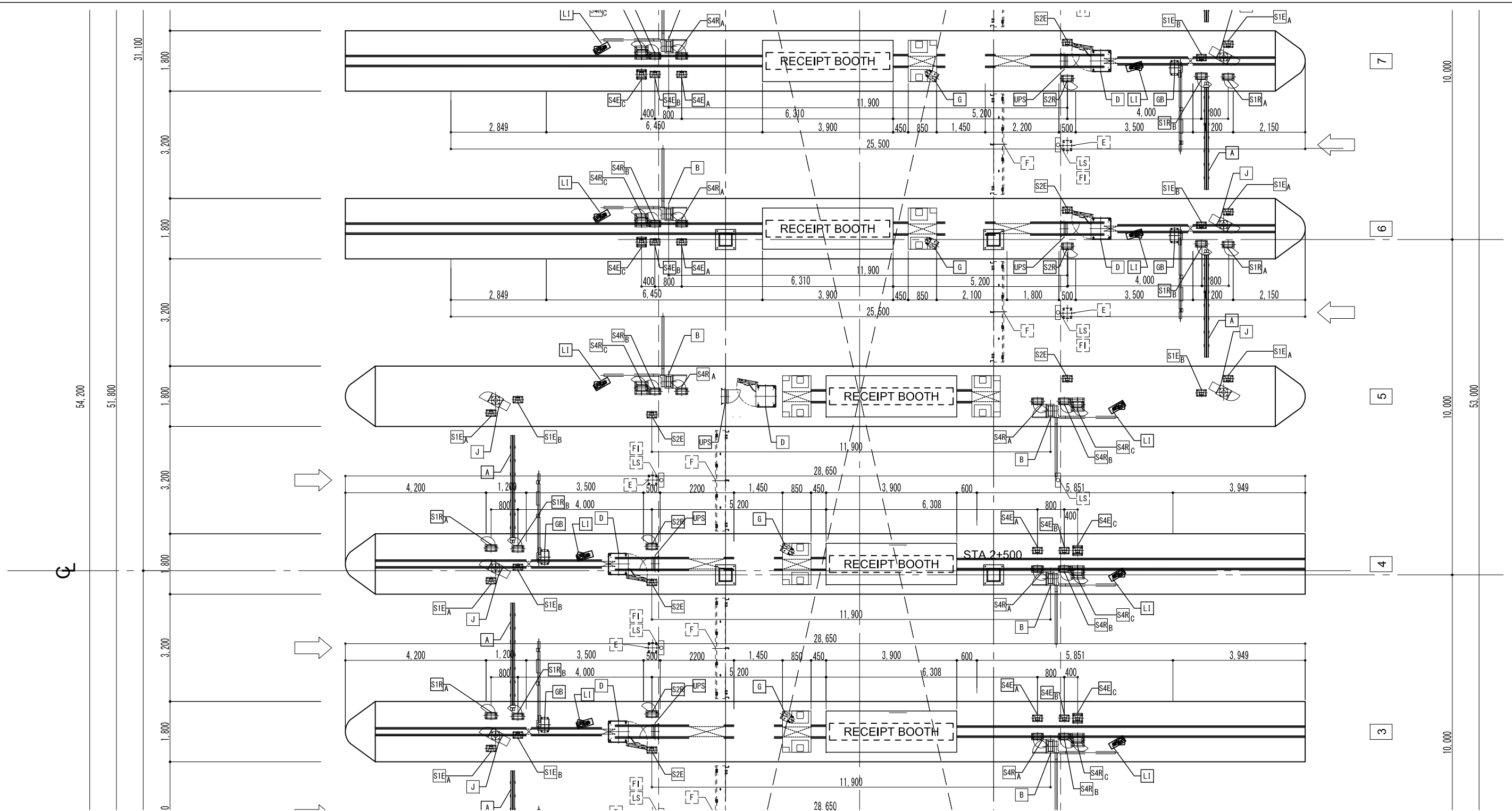
PACKAGE
 2
 DWG No.
 P2-TC-5001



LEGEND

SYMBOLIC	ITEMS	PLACE	SYMBOLIC	ITEMS	PLACE	SYMBOLIC	ITEMS	PLACE	SYMBOLIC	ITEMS	PLACE	SYMBOLIC	ITEMS	PLACE
A	AXLE DETECTOR	ONTSIDE	E	LANE CONTROLLER (ANTENNA UNIT)	ONTSIDE	S1-R A	VEHICLE DETECTOR S1R (A)	ONTSIDE	S1-E A	VEHICLE DETECTOR S1E (A)	ONTSIDE	LI	LINE SURVEILANCE CAMERA	ONTSIDE
J	VEHICLE TYPE DETECTOR	ONTSIDE	F	LANE SIGNDOARD	ONTSIDE	S1-R B	VEHICLE DETECTOR S1R (B)	ONTSIDE	S1-E B	VEHICLE DETECTOR S1E (B)	ONTSIDE	GB	GATE BAR	ONTSIDE
G	ROADSIDE DISPLAY	ONTSIDE				S2-R	VEHICLE DETECTOR S2R	ONTSIDE	S2-E	VEHICLE DETECTOR S2E	ONTSIDE	LS	LANE SIGNAL (OVER HEAD)	ONTSIDE
B	BARRIER SYSTEM	ONTSIDE				S4-R A	VEHICLE DETECTOR S4R (A)	ONTSIDE	S4-E A	VEHICLE DETECTOR S4E (A)	ONTSIDE	FI	FLASHING LIGHT FOR TRAFFIC SAFETY	ONTSIDE
UPS	UPS FOR TOLLGATE	ONTSIDE				S4-R B	VEHICLE DETECTOR S4R (B)	ONTSIDE	S4-E B	VEHICLE DETECTOR S4E (B)	ONTSIDE			
D	LANE CONTROLLER	ONTSIDE				S4-R C	VEHICLE DETECTOR S4R (C)	ONTSIDE	S4-E C	VEHICLE DETECTOR S4E (C)	ONTSIDE			

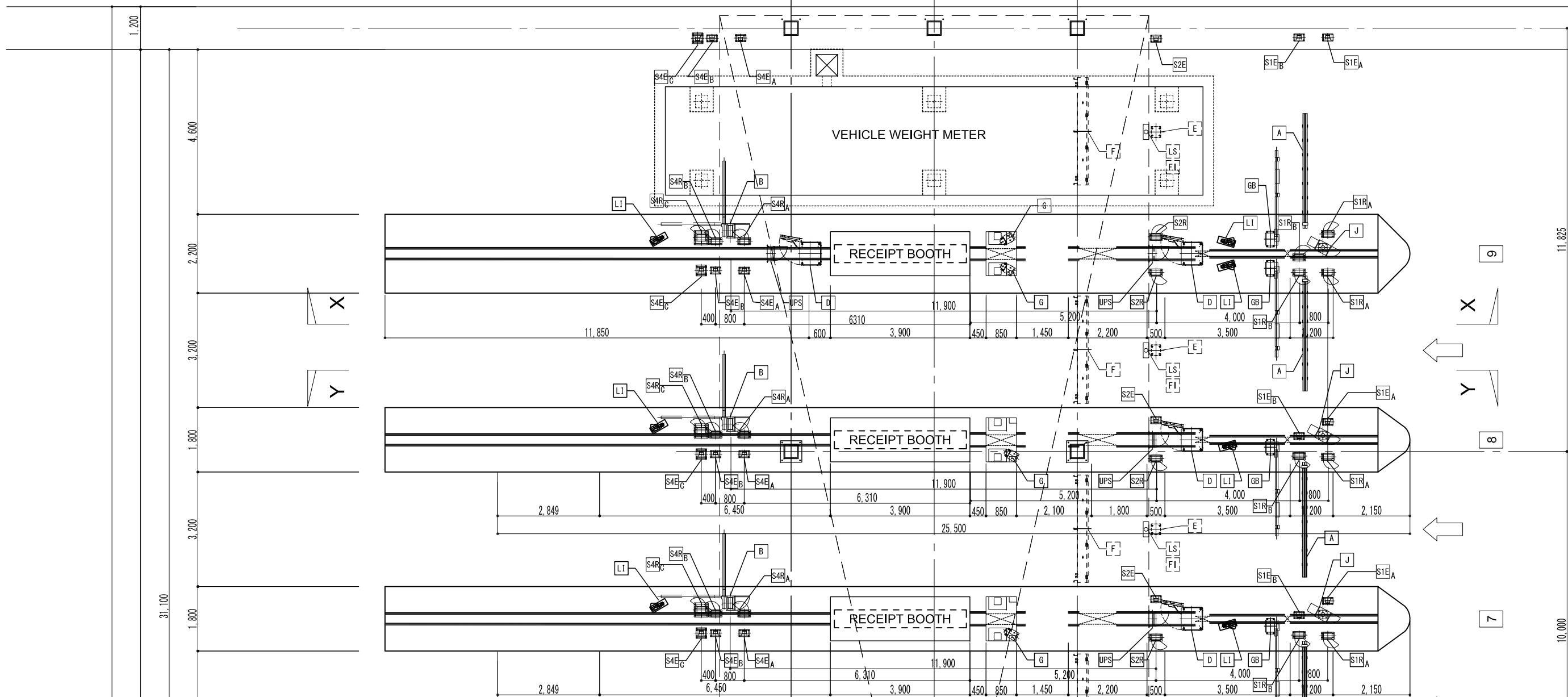
NOTE: REFERENCE DRAWINGS OF LAYOUT OF ETC EQUIPMENT WERE PROVIDED TO SHOW THE CURRENT TOLL ISLAND/BOOTH DESIGN HAS THE CAPACITY TO INSTALL EQUIPMENT REQUIRED FOR THE FUTURE ETC SYSTEM.



LEGEND

SYMBOLIC	ITEMS	PLACE	SYMBOLIC	ITEMS	PLACE	SYMBOLIC	ITEMS	PLACE	SYMBOLIC	ITEMS	PLACE	SYMBOLIC	ITEMS	PLACE
A	AXLE DETECTOR	ONTSIDE	E	LANE CONTROLLER (ANTENNA UNIT)	ONTSIDE	S1-R A	VEHICLE DETECTOR S1R (A)	ONTSIDE	S1-E A	VEHICLE DETECTOR S1E (A)	ONTSIDE	LI	LINE SURVEILANCE CAMERA	ONTSIDE
J	VEHICLE TYPE DETECTOR	ONTSIDE	F	LANE SIGNOBOARD	ONTSIDE	S1-R B	VEHICLE DETECTOR S1R (B)	ONTSIDE	S1-E B	VEHICLE DETECTOR S1E (B)	ONTSIDE	GB	GATE BAR	ONTSIDE
G	ROADSIDE DISPLAY	ONTSIDE				S2-R	VEHICLE DETECTOR S2R	ONTSIDE	S2-E	VEHICLE DETECTOR S2E	ONTSIDE	LS	LANE SIGNAL (OVER HEAD)	ONTSIDE
B	BARRIER SYSTEM	ONTSIDE				S4-R A	VEHICLE DETECTOR S4R (A)	ONTSIDE	S4-E A	VEHICLE DETECTOR S4E (A)	ONTSIDE	FI	FLASHING LIGHT FOR TRAFFIC SAFETY	ONTSIDE
UPS	UPS FOR TOLLGATE	ONTSIDE				S4-R B	VEHICLE DETECTOR S4R (B)	ONTSIDE	S4-E B	VEHICLE DETECTOR S4E (B)	ONTSIDE			
D	LANE CONTROLLER	ONTSIDE				S4-R C	VEHICLE DETECTOR S4R (C)	ONTSIDE	S4-E C	VEHICLE DETECTOR S4E (C)	ONTSIDE			

NOTE: REFERENCE DRAWINGS OF LAYOUT OF ETC EQUIPMENT WERE PROVIDED TO SHOW THE CURRENT TOLL ISLAND/BOOTH DESIGN HAS THE CAPACITY TO INSTALL EQUIPMENT REQUIRED FOR THE FUTURE ETC SYSTEM.



LEGEND

SYMBOLIC	ITEMS	PLACE	SYMBOLIC	ITEMS	PLACE	SYMBOLIC	ITEMS	PLACE	SYMBOLIC	ITEMS	PLACE	SYMBOLIC	ITEMS	PLACE
A	AXLE DETECTOR	ONTSIDE	E	LANE CONTROLLER (ANTENNA UNIT)	ONTSIDE	S1-R A	VEHICLE DETECTOR S1R (A)	ONTSIDE	S1-E A	VEHICLE DETECTOR S1E (A)	ONTSIDE	LI	LINE SURVEILANCE CAMERA	ONTSIDE
J	VEHICLE TYPE DETECTOR	ONTSIDE	F	LANE SIGDOARD	ONTSIDE	S1-R B	VEHICLE DETECTOR S1R (B)	ONTSIDE	S1-E B	VEHICLE DETECTOR S1E (B)	ONTSIDE	GB	GATE BAR	ONTSIDE
G	ROADSIDE DISPLAY	ONTSIDE				S2-R	VEHICLE DETECTOR S2R	ONTSIDE	S2-E	VEHICLE DETECTOR S2E	ONTSIDE	LS	LANE SIGNAL (OVER HEAD)	ONTSIDE
B	BARRIER SYSTEM	ONTSIDE				S4-R A	VEHICLE DETECTOR S4R (A)	ONTSIDE	S4-E A	VEHICLE DETECTOR S4E (A)	ONTSIDE	FI	FLASHING LIGHT FOR TRAFFIC SAFETY	ONTSIDE
UPS	UPS FOR TOLLGATE	ONTSIDE				S4-R B	VEHICLE DETECTOR S4R (B)	ONTSIDE	S4-E B	VEHICLE DETECTOR S4E (B)	ONTSIDE			
D	LANE CONTROLLER	ONTSIDE				S4-R C	VEHICLE DETECTOR S4R (C)	ONTSIDE	S4-E C	VEHICLE DETECTOR S4E (C)	ONTSIDE			

NOTE: REFERENCE DRAWINGS OF LAYOUT OF ETC EQUIPMENT WERE PROVIDED TO SHOW THE CURRENT TOLL ISLAND/BOOTH DESIGN HAS THE CAPACITY TO INSTALL EQUIPMENT REQUIRED FOR THE FUTURE ETC SYSTEM.

PROJECT NAME
 DETAILED DESIGN ON
 BAGO RIVER BRIDGE
 CONSTRUCTION PROJECT

FINANCED BY
 JAPAN INTERNATIONAL
 COOPERATION AGENCY

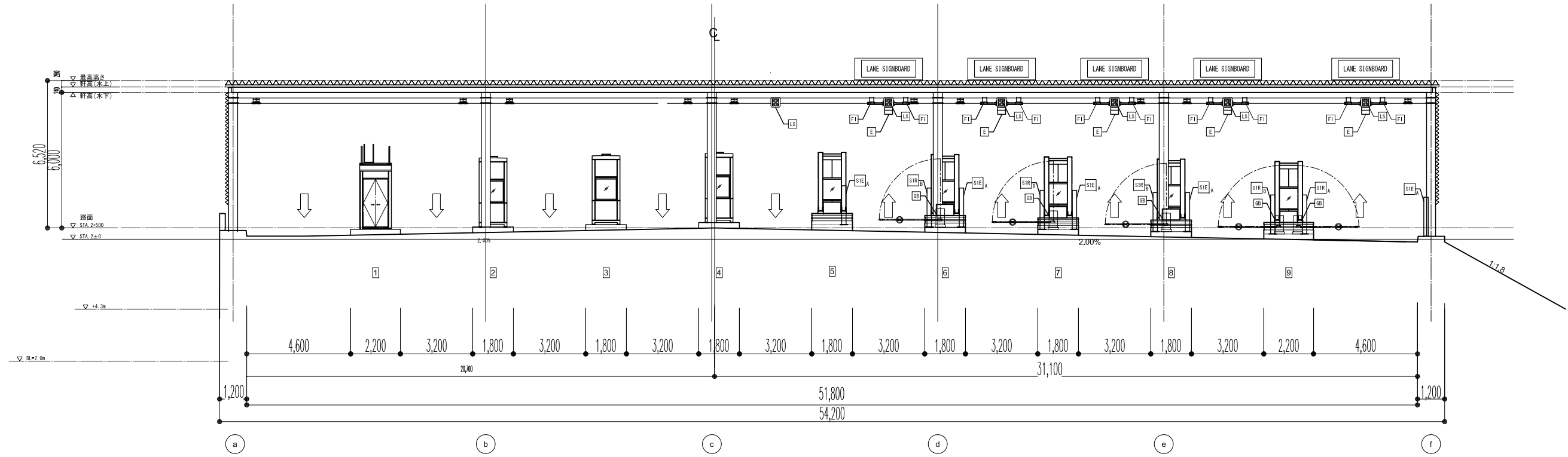
COUNTERPART
 REPUBLIC OF THE UNION OF MYANMAR
 MINISTRY OF CONSTRUCTION
 DEPARTMENT OF BRIDGE

JICA STUDY TEAM
 NIPPON KOEI CO., LTD.
 ORIENTAL CONSULTANTS GLOBAL CO., LTD.
 METROPOLITAN EXPRESSWAY COMPANY LIMITED
 CHODAI CO., LTD.
 NIPPON ENGINEERING CONSULTANTS CO., LTD.

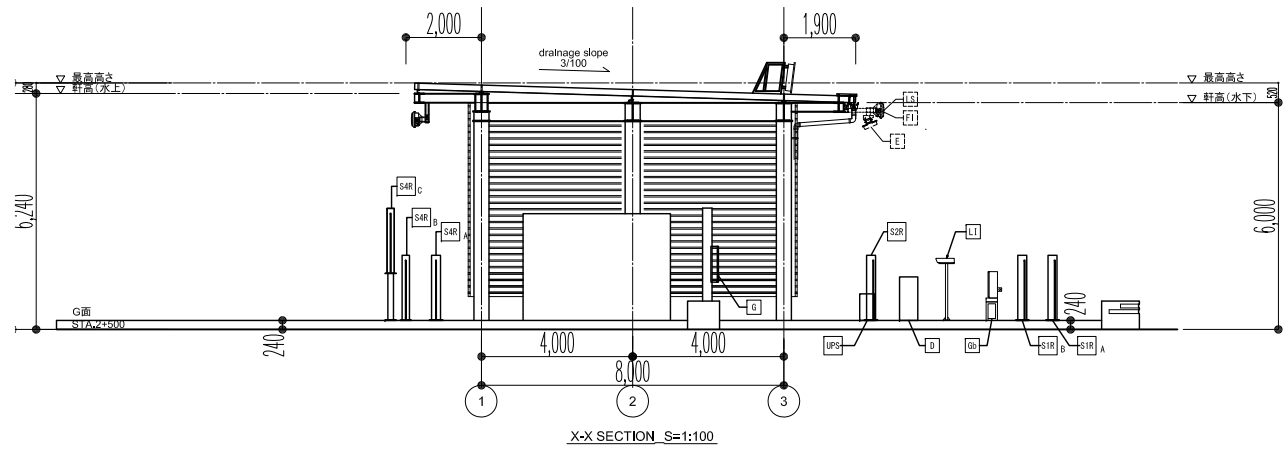
	NAME	SIGNATURE	DATE
PREPARED BY	K.NAKAMURA		15 Jun. 2017
CHECKED BY	T. HAYAKAWA		20 Jun. 2017
APPROVED BY	Y. SANO		21 Jun. 2017

DRAWING TITLE
 LAYOUT OF ETC EQUIPMENT (REFERENCE CASE) / PLAIN VIEW (4)

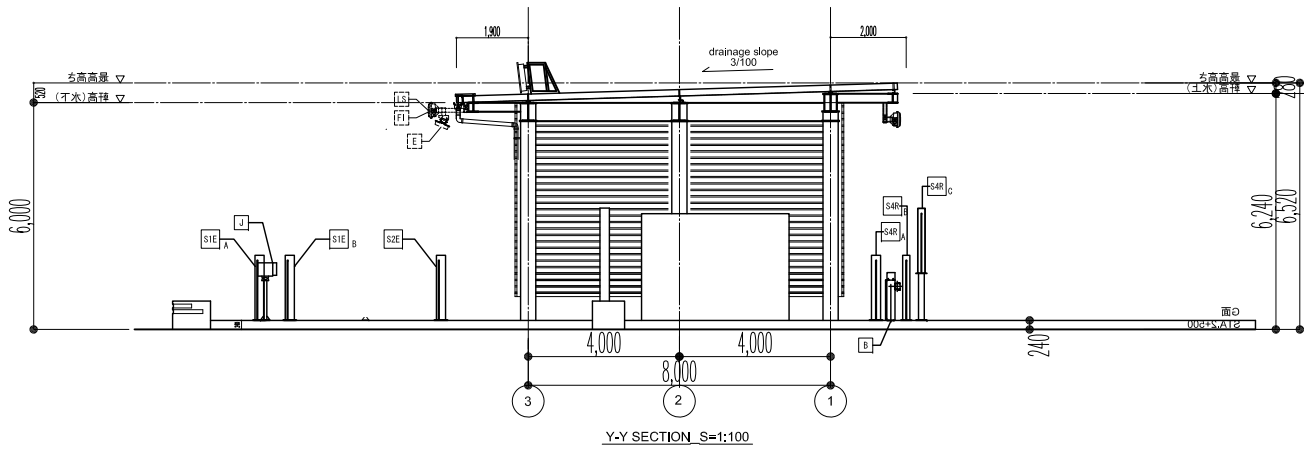
PACKAGE
 2
 DWG No.
 P2-TC-5004



ELEVATION S=1:100



X-X SECTION S=1:100



Y-Y SECTION S=1:100

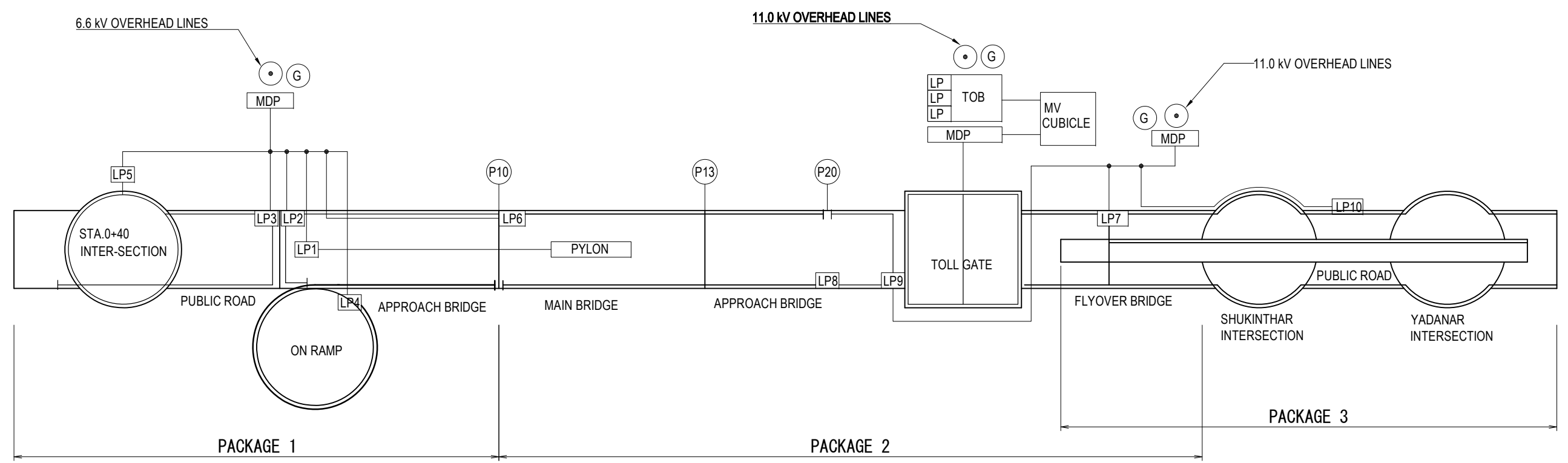
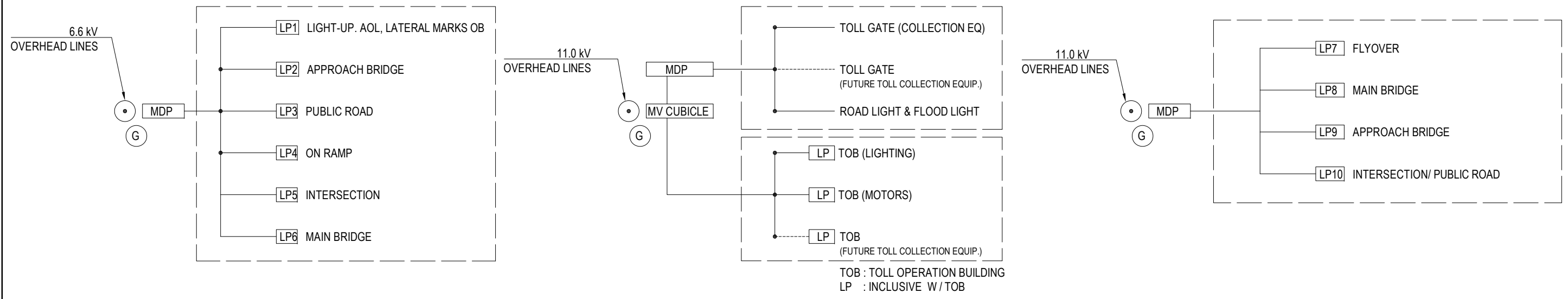
LEGEND

SYMBOLIC	ITEMS	PLACE	SYMBOLIC	ITEMS	PLACE	SYMBOLIC	ITEMS	PLACE	SYMBOLIC	ITEMS	PLACE	SYMBOLIC	ITEMS	PLACE
A	AXLE DETECTOR	OUTSIDE	E	LANE CONTROLLER (ANTENNA UNIT)	OUTSIDE	S1-R A	VEHICLE DETECTOR S1R (A)	OUTSIDE	S1-E A	VEHICLE DETECTOR S1E (A)	OUTSIDE	LI	LINE SURVEILLANCE CAMERA	OUTSIDE
J	VEHICLE TYPE DETECTOR	OUTSIDE	F	LANE SIGNBOARD	OUTSIDE	S1-R B	VEHICLE DETECTOR S1R (B)	OUTSIDE	S1-E B	VEHICLE DETECTOR S1E (B)	OUTSIDE	GB	GATE BAR	OUTSIDE
G	ROADSIDE DISPLAY	OUTSIDE				S2-R	VEHICLE DETECTOR S2R	OUTSIDE	S2-E	VEHICLE DETECTOR S2E	OUTSIDE	LS	LANE SIGNAL (OVER HEAD)	OUTSIDE
B	BARRIER SYSTEM	OUTSIDE				S4-R A	VEHICLE DETECTOR S4R (A)	OUTSIDE	S4-E A	VEHICLE DETECTOR S4E (A)	OUTSIDE	FI	FLASHING LIGHT FOR TRAFFIC SAFETY	OUTSIDE
UPS	UPS FOR TOLLGATE	OUTSIDE				S4-R B	VEHICLE DETECTOR S4R (B)	OUTSIDE	S4-E B	VEHICLE DETECTOR S4E (B)	OUTSIDE			
D	LANE CONTROLLER	OUTSIDE				S4-R C	VEHICLE DETECTOR S4R (C)	OUTSIDE	S4-E C	VEHICLE DETECTOR S4E (C)	OUTSIDE			

NOTE: REFERENCE DRAWINGS OF LAYOUT OF ETC EQUIPMENT WERE PROVIDED TO SHOW THE CURRENT TOLL ISLAND/BOOTH DESIGN HAS THE CAPACITY TO INSTALL EQUIPMENT REQUIRED FOR THE FUTURE ETC SYSTEM.

F. LIGHTING

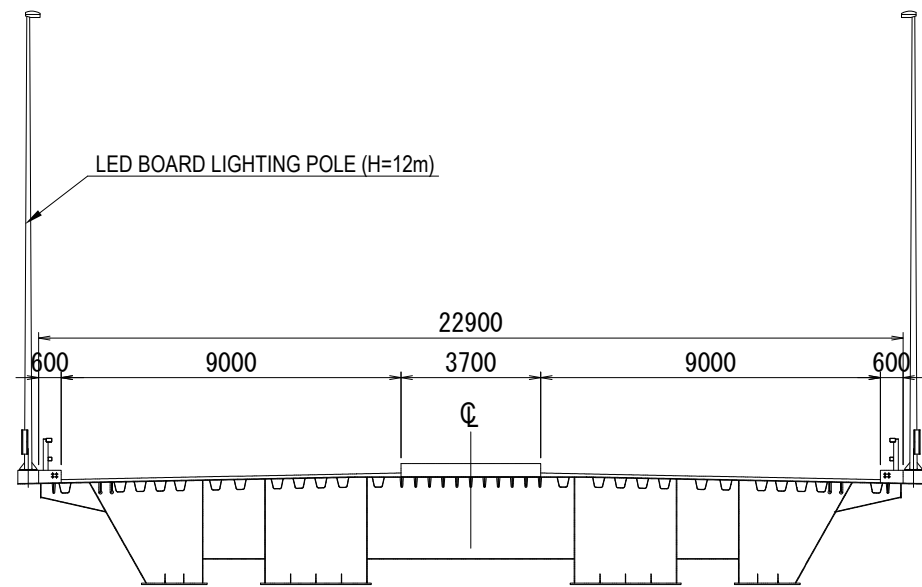
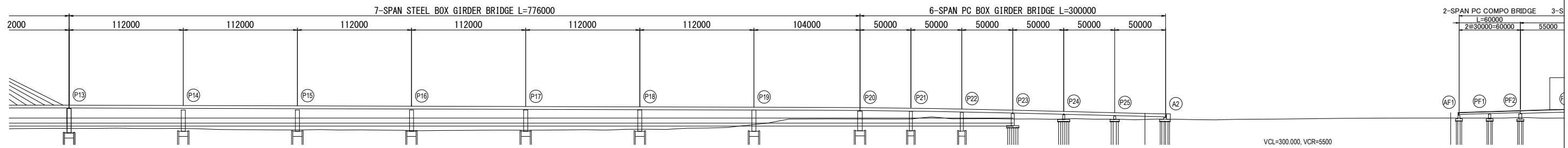
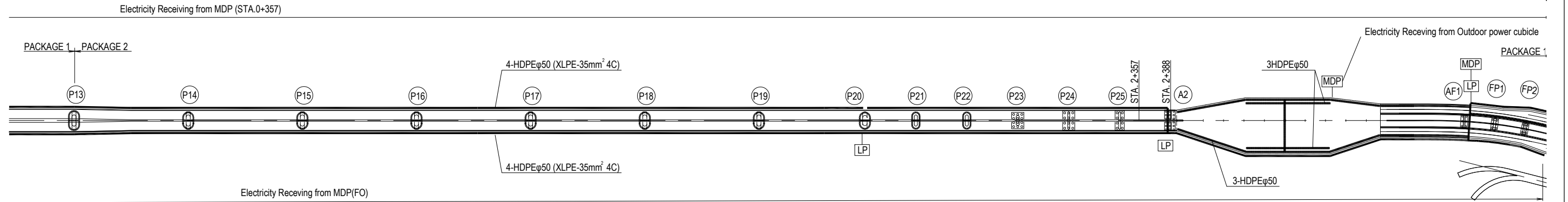
TYPICAL POWER DISTRIBUTION PLAN



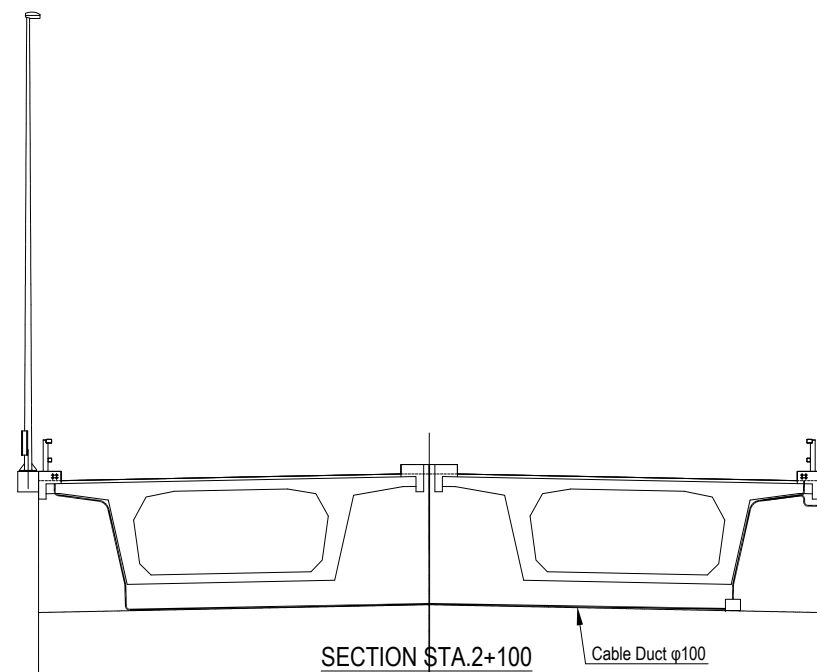
POWER DISTRIBUTION DIAGRAM

PROJECT NAME DETAILED DESIGN ON BAGO RIVER BRIDGE CONSTRUCTION PROJECT	FINANCED BY JAPAN INTERNATIONAL COOPERATION AGENCY	COUNTERPART REPUBLIC OF THE UNION OF MYANMAR MINISTRY OF CONSTRUCTION DEPARTMENT OF BRIDGE	JICA STUDY TEAM NIPPON KOEI CO., LTD. ORIENTAL CONSULTANTS GLOBAL CO., LTD. METROPOLITAN EXPRESSWAY COMPANY LIMITED CHODAI CO. LTD. NIPPON ENGINEERING CONSULTANTS CO., LTD.	NAME	SIGNATURE	DATE	DRAWING TITLE TYPICAL POWER DISTRIBUTION PLAN	PACKAGE	
				PREPARED BY	K. MORIMATA			29 Sep. 2017	2
				CHECKED BY	T. HAYAKAWA			3 Oct. 2017	DWG No.
				APPROVED BY	Y. SANO			6 Oct. 2017	P2-EL- 0001

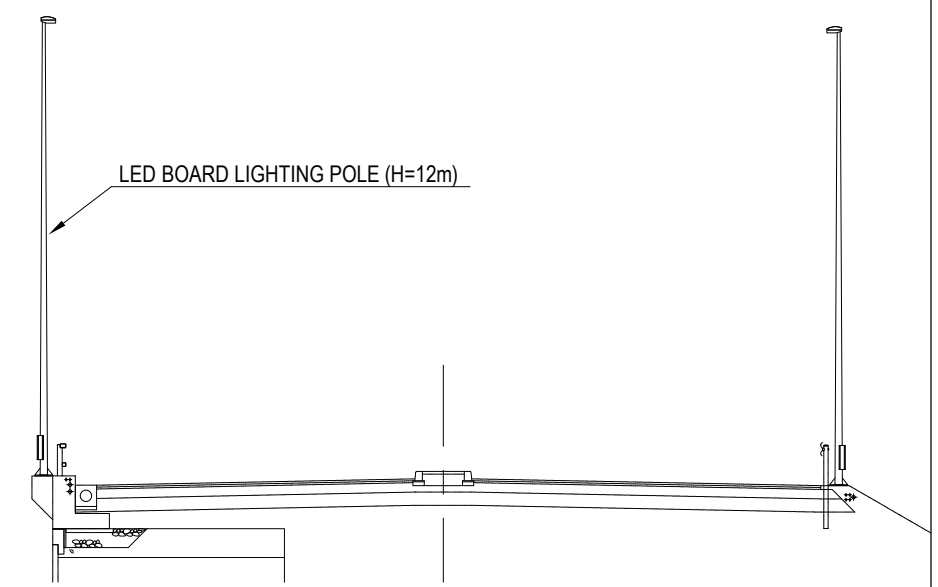
TYPICAL WIRING PLAN



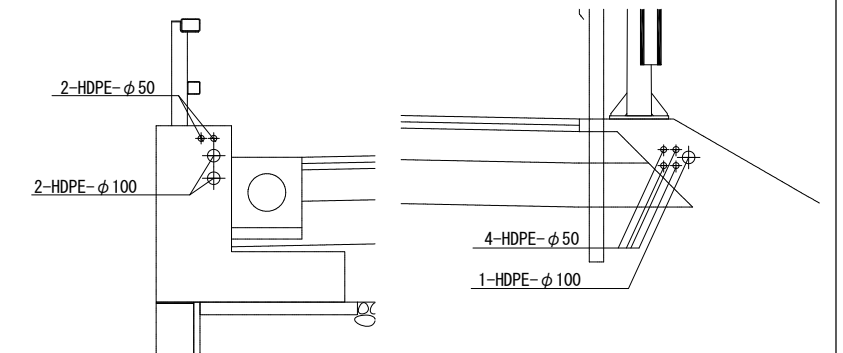
SECTION STA.1+300
STEEL BOX GIRDER BRIDGE



SECTION STA.2+100
PC BOX GIRDER BRIDGE

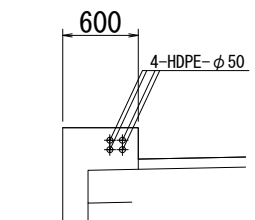


SECTION STA.2+400
TOLL GATE

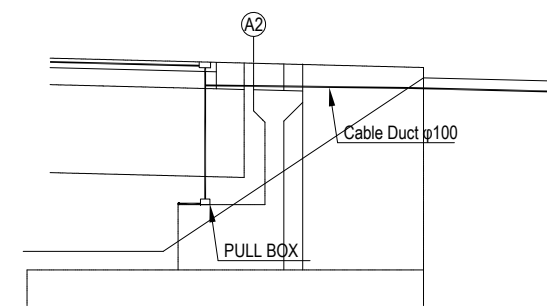


TOLL GATE (LEFT SIDE)

TOLL GATE (RIGHT SIDE)



CONCRETE KURB



WIRING ON A2

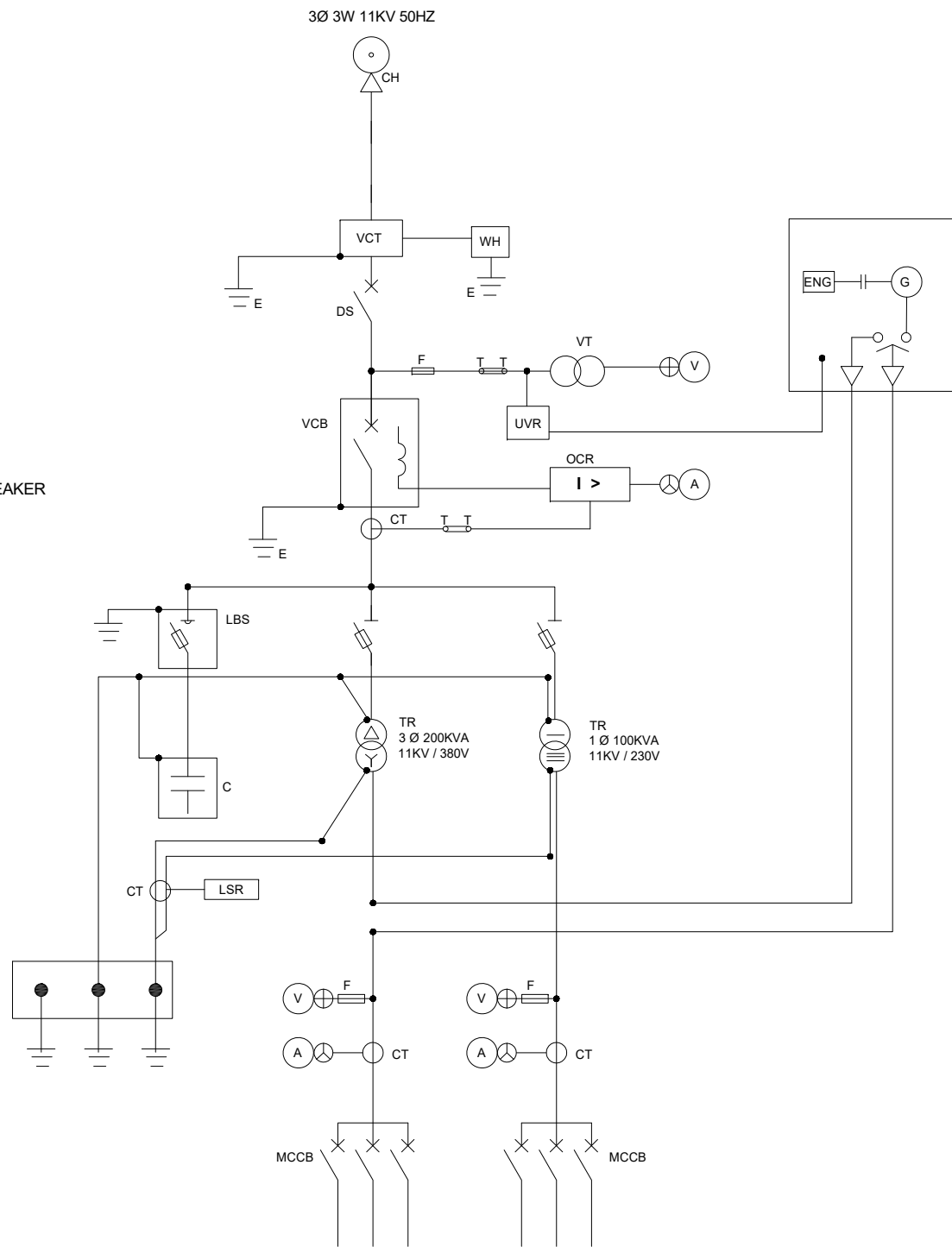
NOTE: LIGHTING PANEL and MAIN DISTRIBUTION PANEL AT AF1 OF FLYOVER BRIDGE SHALL BE INSTALLED IN PACKAGE3

PROJECT NAME DETAILED DESIGN ON BAGO RIVER BRIDGE CONSTRUCTION PROJECT	FINANCED BY JAPAN INTERNATIONAL COOPERATION AGENCY	COUNTERPART REPUBLIC OF THE UNION OF MYANMAR MINISTRY OF CONSTRUCTION DEPARTMENT OF BRIDGE	JICA STUDY TEAM NIPPON KOEI CO., LTD. ORIENTAL CONSULTANTS GLOBAL CO., LTD. METROPOLITAN EXPRESSWAY COMPANY LIMITED CHODAI CO., LTD. NIPPON ENGINEERING CONSULTANTS CO., LTD.	NAME	SIGNATURE	DATE	DRAWING TITLE TYPICAL WIRING PLAN	PACKAGE 2 DWG No. P2-EL- 0002
				PREPARED BY	K. MORIMATA	29 Sep. 2017		
				CHECKED BY	T. HAYAKAWA	3 Oct. 2017		
				APPROVED BY	Y. SANO	6 Oct. 2017		

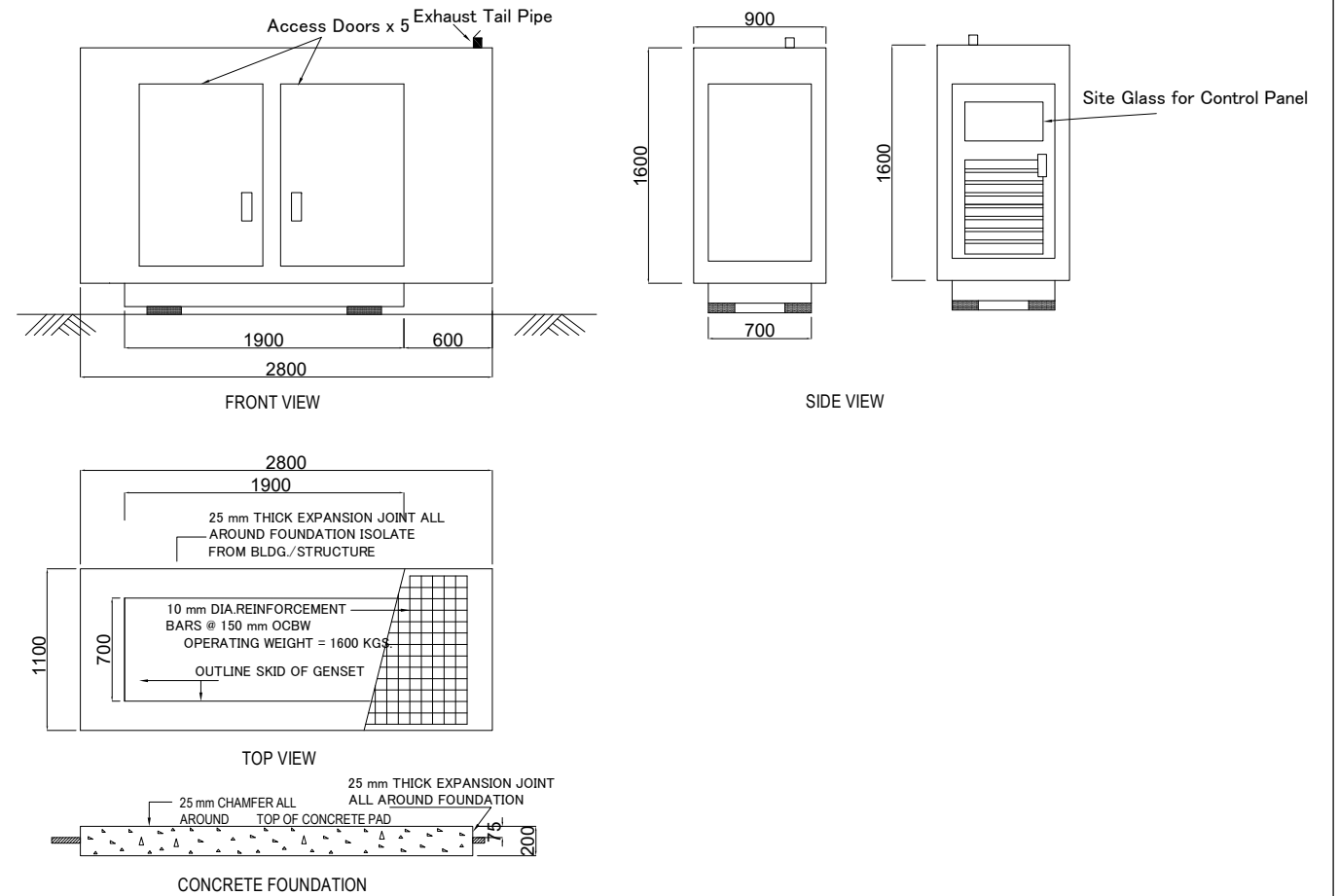
TYPICAL CUBICLE TYPE MV POWER RECEIVING PANEL

LEGEND

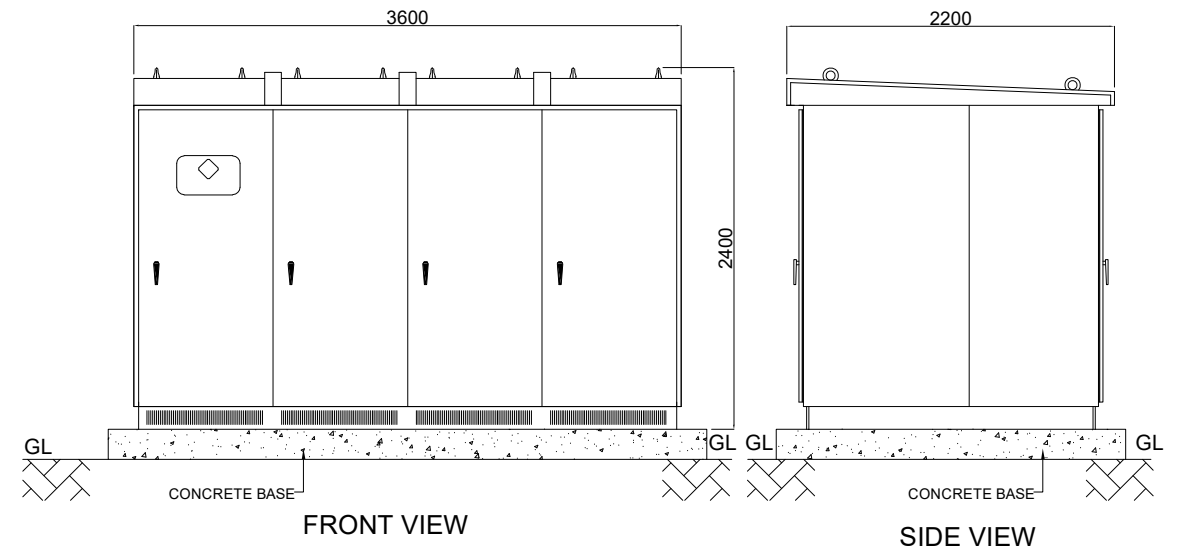
- VCT : COMBINE VOLTAGE AND CURRENT TRANSFORMER
- DS : DISCONNECTION SWITCH
- PAS : POLE AIR-BREAK SWITCH
- CH : CABLE HEAD
- VCB : VACUUM CIRCUIT BREAKER
- LBS : LOAD-BREAK SWITCH
- PC : PRIMARY CUTOUT
- LA : LIGHTNING ARRESTER
- WH : WATT-HOUR METER
- CT : CURRENT TRANSFORMER
- VT : VOLTAGE TRANSFORMER
- UVR : UNDER VOLTAGE RELAY
- TR : TRANSFORMER
- MCCB : MOLDED CASE CIRCUIT BREAKER
- A : AMMETER
- V : VOLTMETER
- F : FUSE
- OCR : OVER-CURRENT RELAY
- C : CAPACITOR



SINGLE LINE POWER DIAGRAM FOR OUTDOOR CUBICLE TYPE MV POWER RECEIVING PANEL



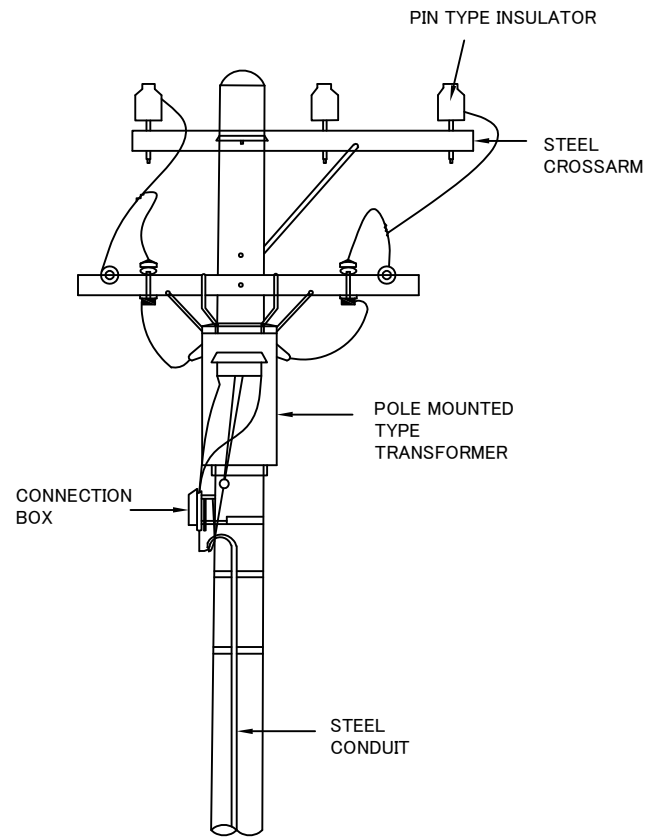
DETAIL OF ENGINE GENERATOR
S = 1:50



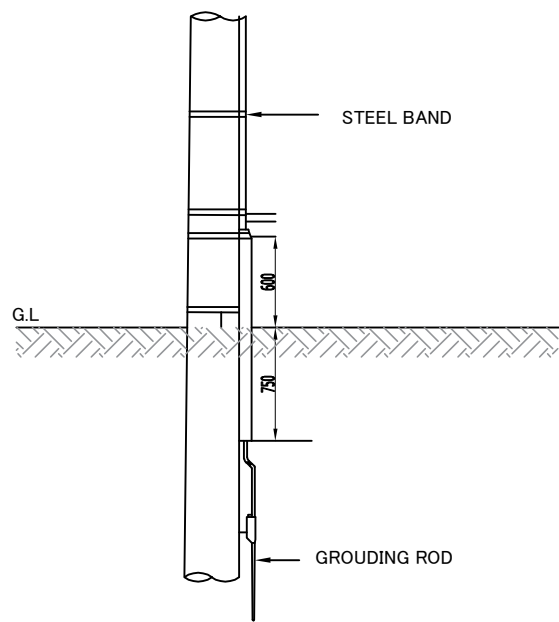
LAYOUT OF OUTDOOR CUBICLE TYPE MV POWER RECEIVING PANEL

PROJECT NAME DETAILED DESIGN ON BAGO RIVER BRIDGE CONSTRUCTION PROJECT	FINANCED BY JAPAN INTERNATIONAL COOPERATION AGENCY	COUNTERPART REPUBLIC OF THE UNION OF MYANMAR MINISTRY OF CONSTRUCTION DEPARTMENT OF BRIDGE	JICA STUDY TEAM NIPPON KOEI CO., LTD. ORIENTAL CONSULTANTS GLOBAL CO., LTD. METROPOLITAN EXPRESSWAY COMPANY LIMITED CHODAI CO., LTD. NIPPON ENGINEERING CONSULTANTS CO., LTD.	NAME	SIGNATURE	DATE	DRAWING TITLE	PACKAGE				
				PREPARED BY	K. MORIMATA				29 Sep. 2017	TYPICAL CUBICLE TYPE MV POWER RECEIVING PANEL	2	
				CHECKED BY	T. HAYAKAWA				3 Oct. 2017			DWG No.
				APPROVED BY	Y. SANO				6 Oct. 2017			P2-EL- 0003

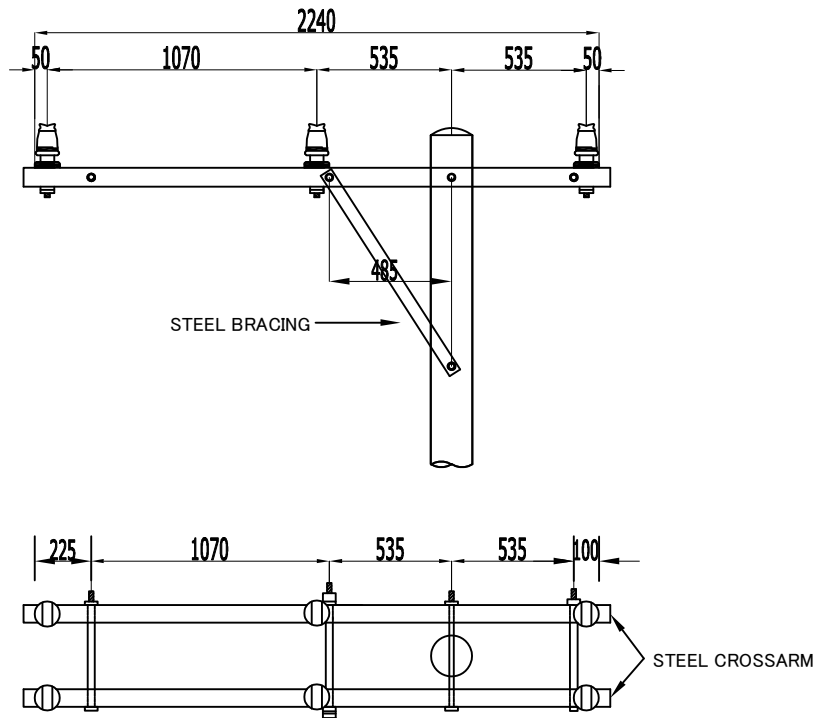
TYPICAL ELECTRIC POLE ASSEMBLING (11kv)



TYPICAL POLE ASSEMBLING FOR
POLE MOUNTED TRANSFORMER

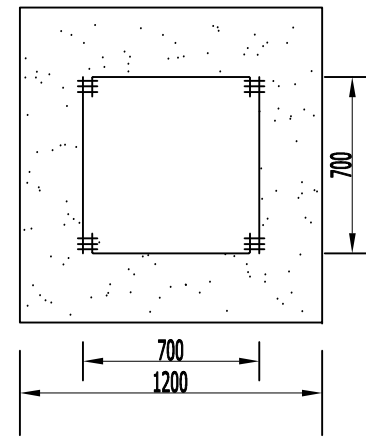


TYPICAL GROUNDING SYSTEM

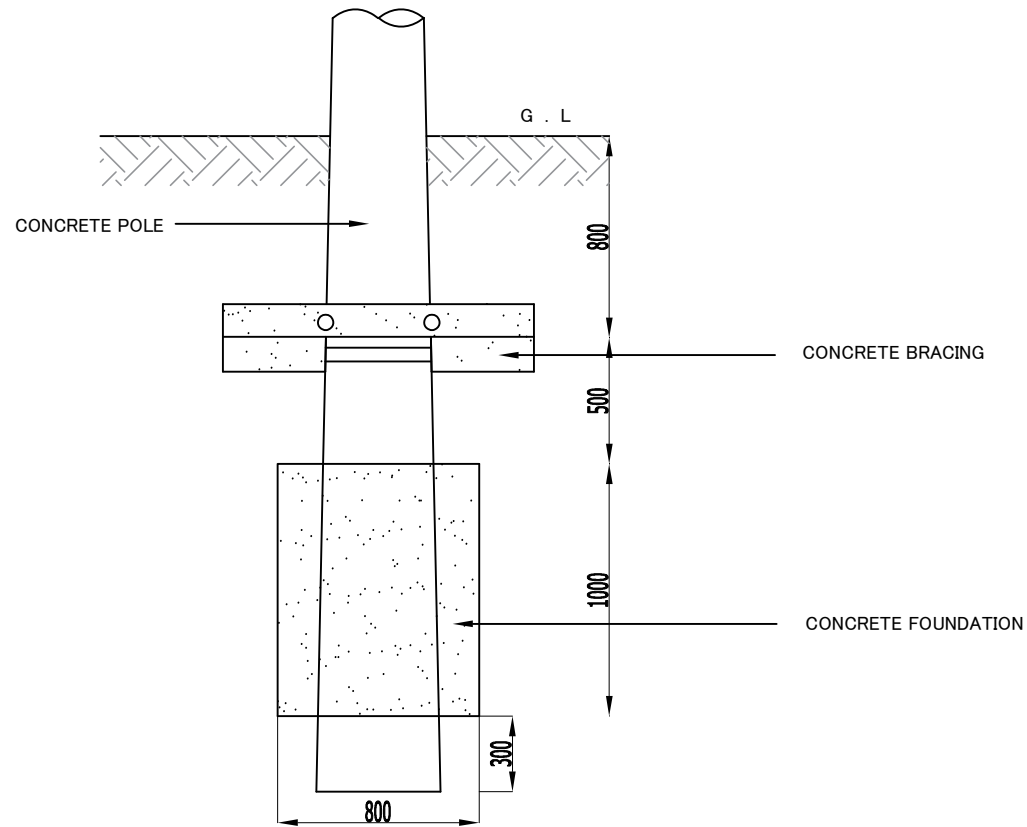
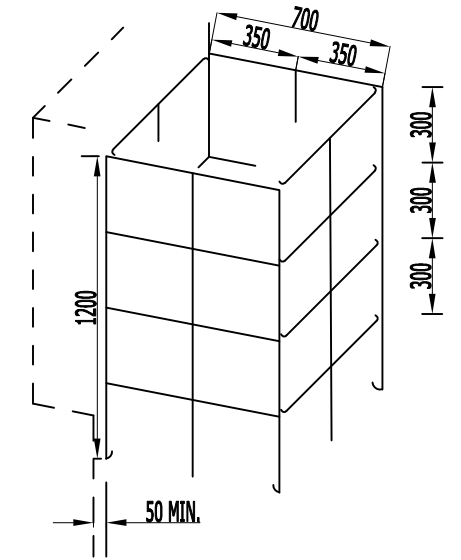


TYPICAL POLE ASSEMBLING FOR
EXTENDED OVERHEAD LINES

UNIT: mm



TYPICAL CONCRETE FOUNDATION
AND RE-BAR ARRANGEMENT



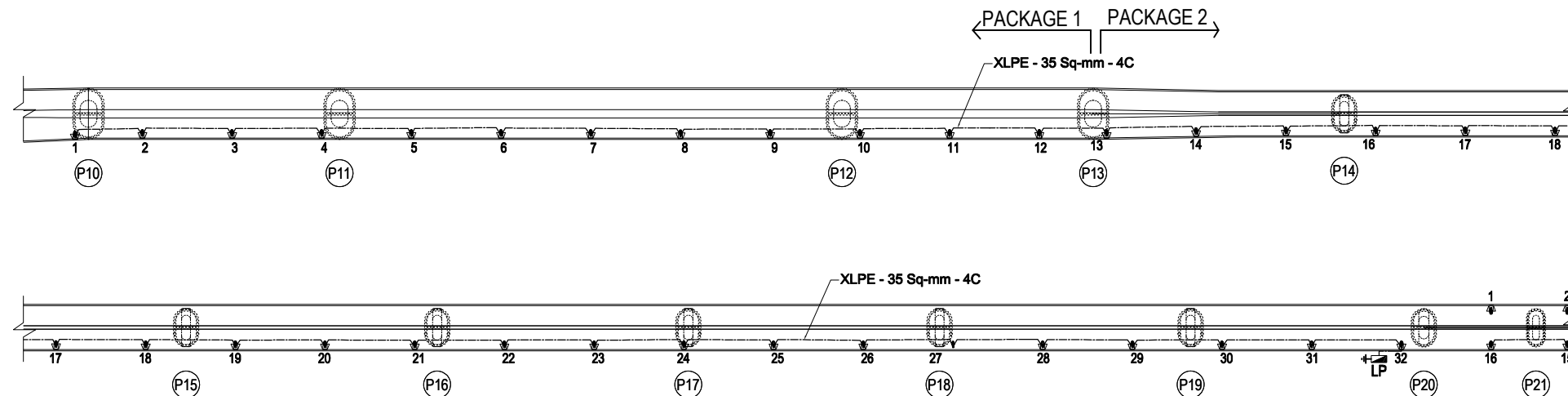
TYPICAL POLE CONCRETE BRACING

PROJECT NAME DETAILED DESIGN ON BAGO RIVER BRIDGE CONSTRUCTION PROJECT	FINANCED BY JICA JAPAN INTERNATIONAL COOPERATION AGENCY	COUNTERPART REPUBLIC OF THE UNION OF MYANMAR MINISTRY OF CONSTRUCTION DEPARTMENT OF BRIDGE	JICA STUDY TEAM NIPPON KOEI CO., LTD. ORIENTAL CONSULTANTS GLOBAL CO., LTD. METROPOLITAN EXPRESSWAY COMPANY LIMITED CHODAI CO. LTD. NIPPON ENGINEERING CONSULTANTS CO., LTD.	NAME K. MORIMATA T. HAYAKAWA Y. SANO	SIGNATURE <i>[Signature]</i> <i>[Signature]</i> <i>[Signature]</i>	DATE 29 Sep. 2017 3 Oct. 2017 6 Oct. 2017	DRAWING TITLE TYPICAL ELECTRIC POLE ASSEMBLING	PACKAGE 2 DWG No. P2-EL- 0004
---	--	---	---	---	---	--	---	--

TYPICAL LIGHTING PLAN FOR STEEL BOX GIRDER BRIDGE AND PC BOX GIRDER BRIDGE (TAKETA SIDE)(2)

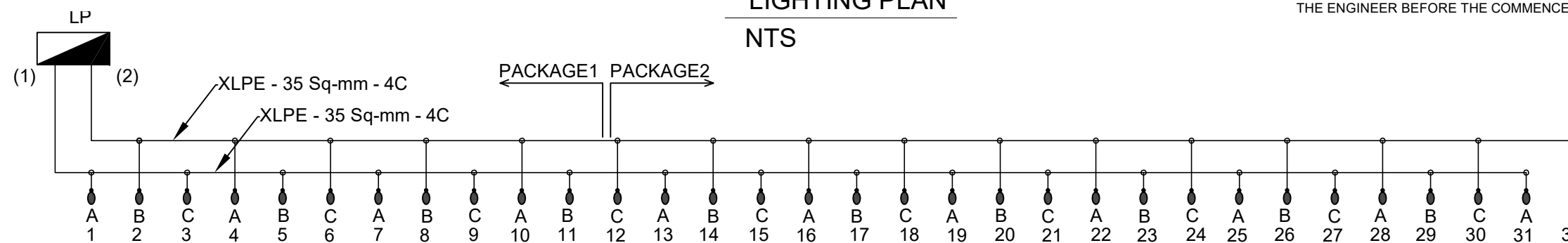
LEGEND:

- - ROAD LIGHTING POLE, 140(W) FOR 12m HEIGHT
- ⊗ - WARNING LIGHTS, 200 (W)
- ▬ - LIGHTING PANEL
- ⊥ - GROUNDING



NOTE: THE PROPOSED SPACING OF LIGHTING POLE IS 40M AT THE DESIGN STAGE.
THE EXACT LOCATION SHALL BE PROPOSED BY THE CONTRACTOR AND APPROVED BY THE ENGINEER BEFORE THE COMMENCEMENT OF INSTALLATION

LIGHTING PLAN NTS



WIRING DIAGRAM

CKT = LP (1)

DESCRIPTION	CONNECTED LOAD (VA)			CIRCUIT BREAKER				
	TOTAL	A	B	C	P	AF		AT
Main Road	165	165			1	30	20	
	165			165	1			
	165	165			1			
	165			165	1			
	165	165			1			
	165			165	1			
	165	165			1			
	165			165	1			
	165	165			1			
	165			165	1			
	165	165			1			
	165			165	1			
	165	165			1			
	165			165	1			
	165	165			1			
Main Road	165	165			1			
SPARE	1000				3			
SPARE								
SUBTOTAL	3640	990	825	825		30	20	

CKT = LP (2)

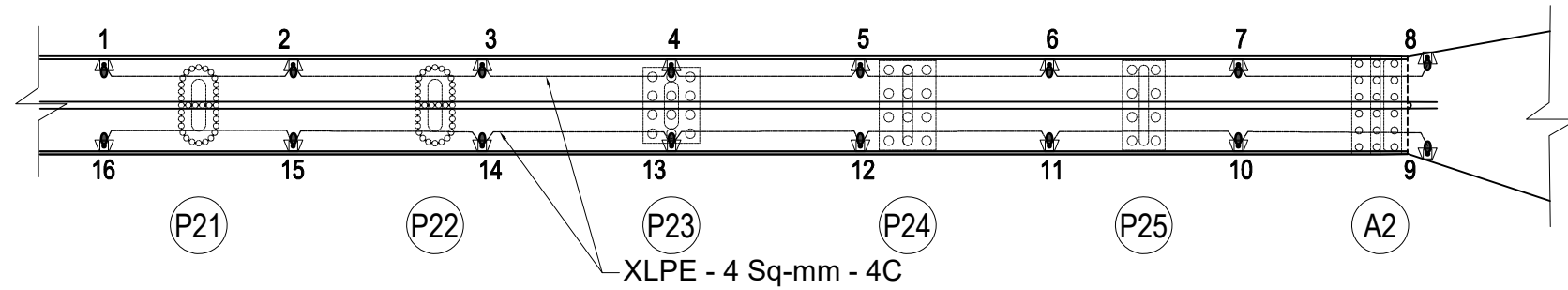
DESCRIPTION	CONNECTED LOAD (VA)			CIRCUIT BREAKER				
	TOTAL	A	B	C	P	AF		AT
Main Road	165		165		1	30	20	
	165	165			1			
	165			165	1			
	165	165			1			
	165			165	1			
	165	165			1			
	165			165	1			
	165	165			1			
	165			165	1			
	165	165			1			
	165			165	1			
	165	165			1			
	165			165	1			
	165	165			1			
	165			165	1			
Main Road	165	165			1			
SPARE	1000				3			
SPARE								
SUBTOTAL	3640	825	990	825		30	20	

LOAD SCHEDULE

TYPICAL LIGHTING PLAN FOR APPROACH BRIDGE (TOLL PLAZA SIDE)

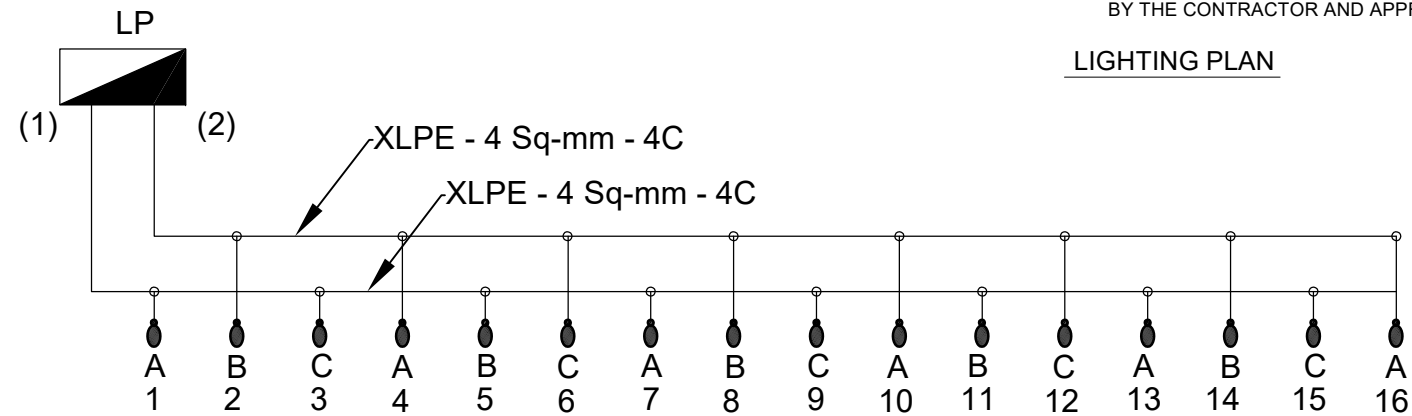
LEGEND:

- - ROAD LIGHT, 140(W) WITH 12m HEIGHT
- ⊕ - WARNING LIGHTS, 200 (W)
- MDP - MAIN DISTRIBUTION PANEL
- ⊥ - GROUNDING
- ▽ - FLOOD LIGHT (LED)



NOTE: THE PROPOSED SPACING OF LIGHTING POLE IS 40M AT THE DESIGN STAGE. THE EXACT LOCATION SHALL BE PROPOSED BY THE CONTRACTOR AND APPROVED BY THE ENGINEER BEFORE THE COMMENCEMENT OF INSTALLATION

LIGHTING PLAN



WIRING DIAGRAM

CKT = LP (1)

DESCRIPTION	CONNECTED LOAD (VA)			CIRCUIT BREAKER			
	TOTAL	A	B	C	P	AF	AT
RETAINING WALL APPROACH	165	165			1	25	15
	165			165	1		
	165		165		1		
	165	165			1		
	165			165	1		
	165	165			1		
	165			165	1		
RETAINING WALL APPROACH	165			165	1		
SPARE	1000				3		
SPARE							
SUBTOTAL	2320	495	330	495		25	15

CKT = LP (2)

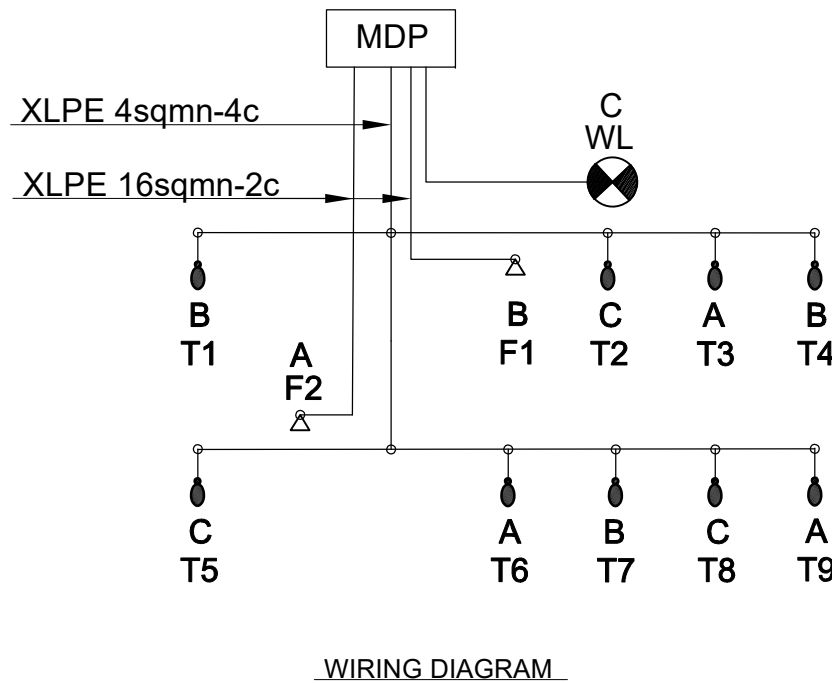
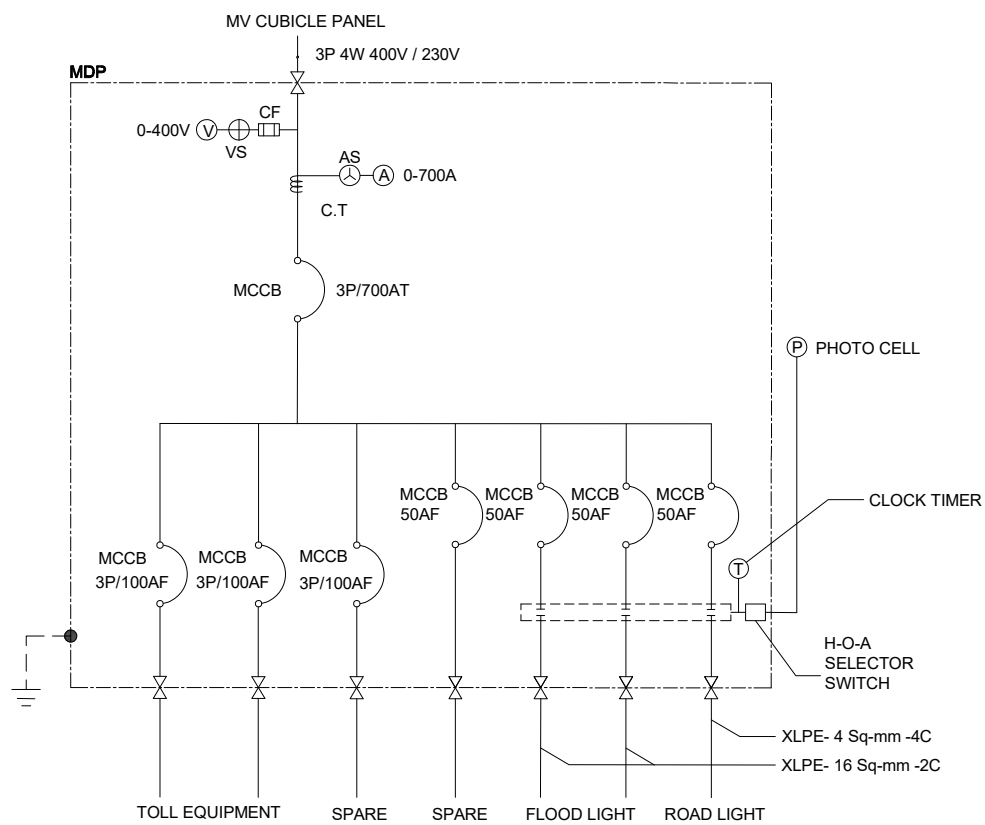
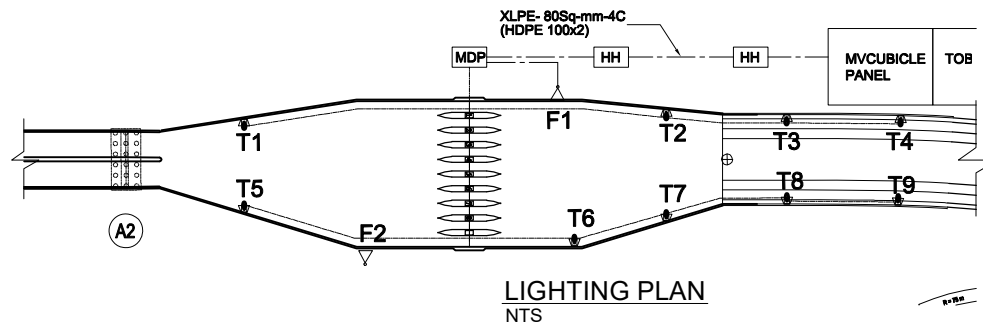
DESCRIPTION	CONNECTED LOAD (VA)			CIRCUIT BREAKER			
	TOTAL	A	B	C	P	AF	AT
RETAINING WALL APPROACH	165		165		1	25	15
	165	165		165	1		
	165				1		
	165		165		1		
	165	165		165	1		
	165				1		
	165			165	1		
RETAINING WALL APPROACH	165	165			1		
SPARE	1000				3		
SPARE							
SUBTOTAL	2320	495	495	495		25	15

LOAD SCHEDULE

TYPICAL LIGHTING PLAN FOR TOLL PLAZA

LEGEND:

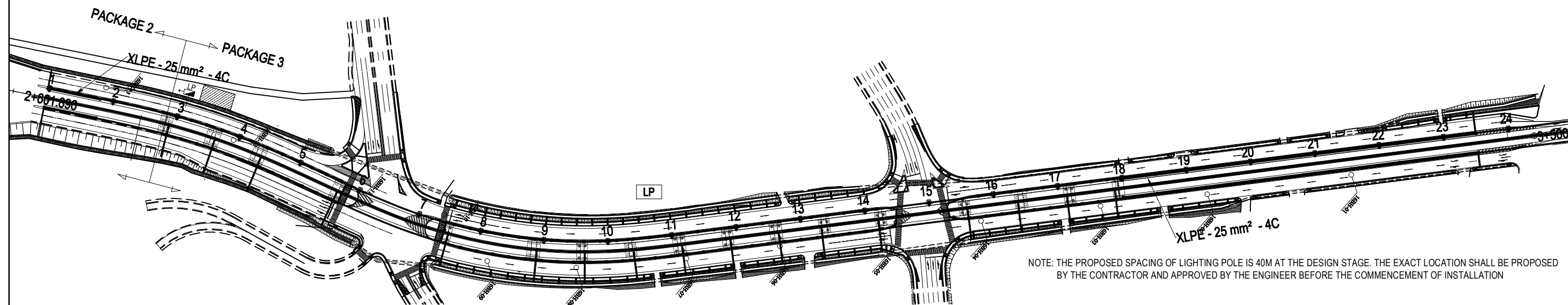
- - ROAD LIGHT, 140(W) WITH 12m HEIGHT
- ⊙ - WARNING LIGHTS, 200 (W)
- MDP - MAIN DISTRIBUTION PANEL
- ⊥ - GROUNDING
- ▽ - FLOOD LIGHT (LED)
- HH - HAND HOLE



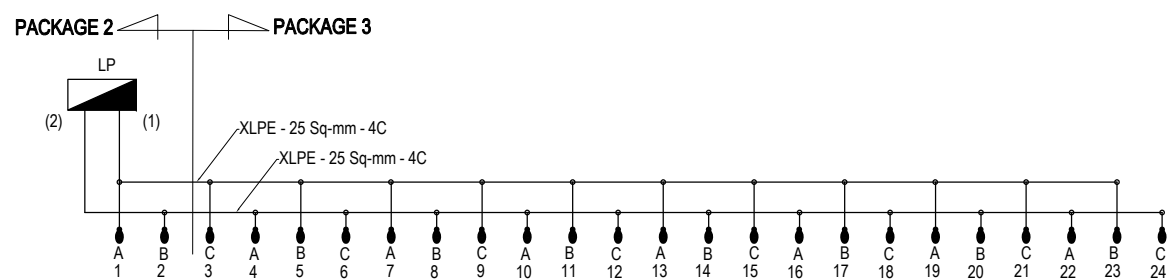
DESCRIPTION	CONNECTED LOAD (VA)			CIRCUIT BREAKER			
	TOTAL	A	B	C	P	AF	AT
Road lighting	165		165		1	25	15
	165			165	1		
	165	165			1		
	165		165		1		
	165			165	1		
	165	165			1		
	165		165		1		
	165			165	1		
Road lighting	165	165			1	↓	↓
WARNING LIGHT	200				1		
Flood Light	3600	3600			1	50	50
Flood Light	3600		3600		1	↓	↓
TOLL GATE	40000				3	100	100
TOLL GATE (FUTURE)	75000				3	↓	↓
SPARE	40000				3	↓	↓
SUBTOTAL	163885	4095	4095	495			

LOAD SCHEDULE

TYPICAL LIGHTING PLAN FOR FLYOVER BRIDGE



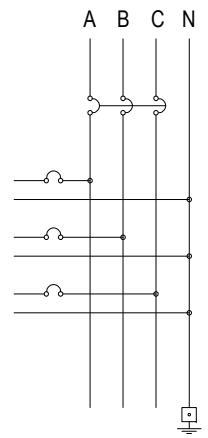
LIGHTING PLAN FOR FLYOVER BRIDGE



WIRING DIAGRAM

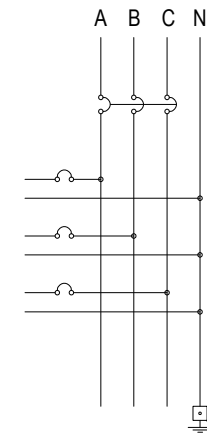
CKT = LP (1)

DESCRIPTION	CONNECTED LOAD (VA)			CKT, BRK, SIZE, WP			
	TOTAL	A	B	C	P	AF	AT
FLYOVER	165	165			1	25	15
	165			165			
	165		165				
	165	165					
	165			165			
	165		165				
	165	165					
	165			165			
	165		165				
	165	165					
	165			165			
	165		165				
	165	165					
	165			165	↓		
	165		165		1		
SPARE	1,000				3	↓	↓
SUBTOTAL	2,980	660	660	660		25	15



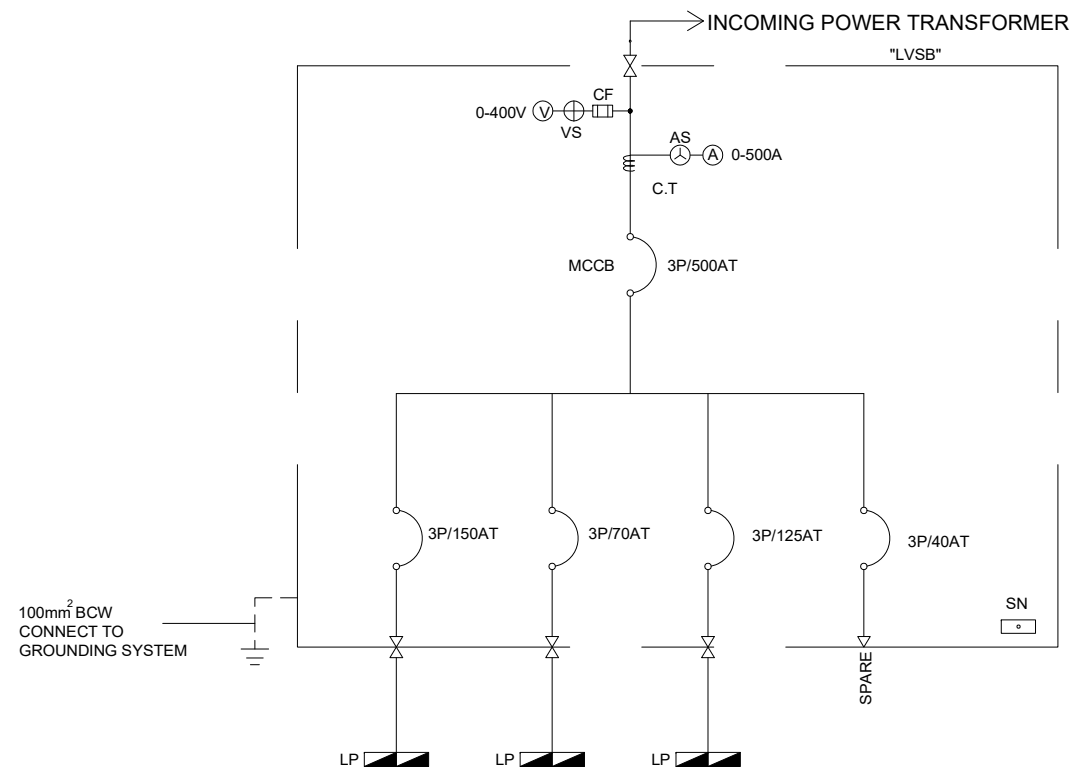
CKT = LP (2)

DESCRIPTION	CONNECTED LOAD (VA)			CKT, BRK, SIZE, WP			
	TOTAL	A	B	C	P	AF	AT
FLYOVER	165		165		1	25	15
	165	165					
	165			165			
	165		165				
	165	165					
	165			165			
	165		165				
	165	165					
	165			165			
	165		165				
	165	165					
	165			165			
	165	165					
	165			165	↓		
	165		165		1		
SPARE	1,000				3	↓	↓
SUBTOTAL	2,980	660	660	660		25	15

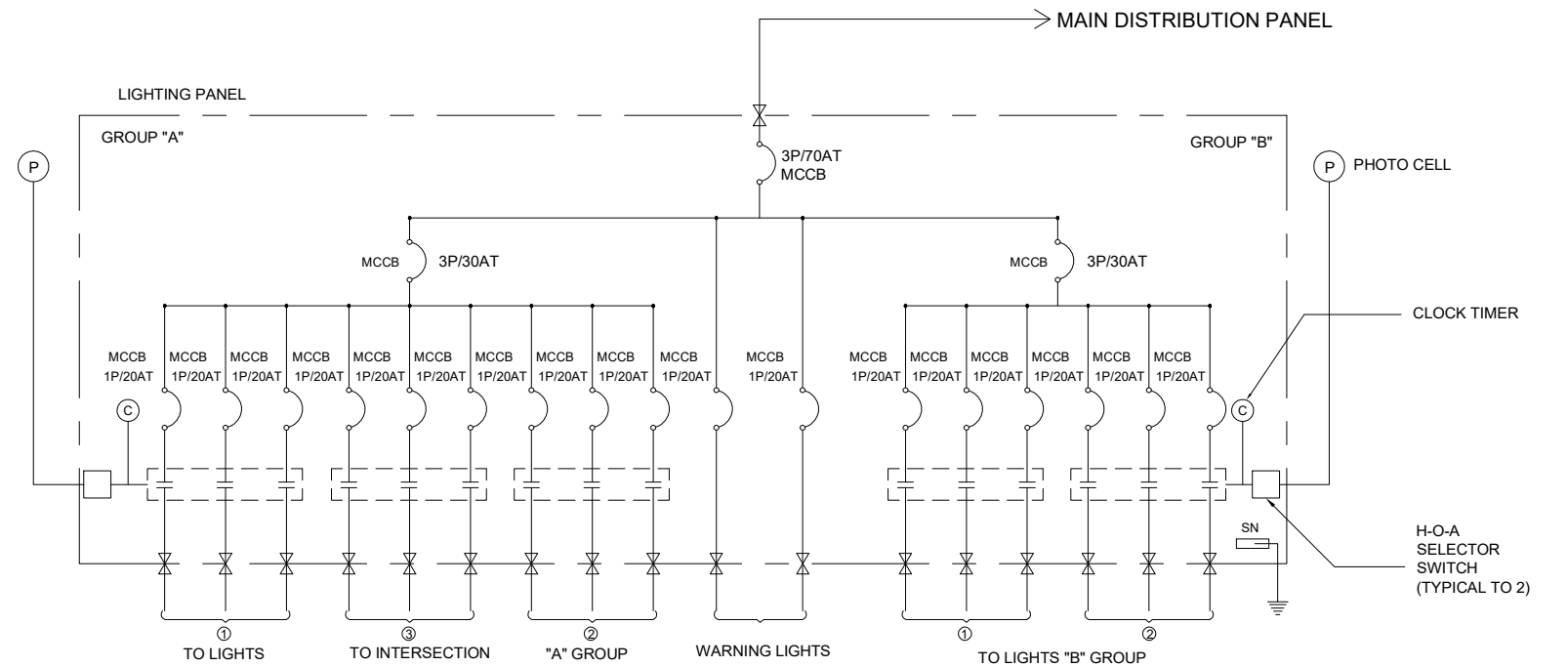


LOAD SCHEDULE

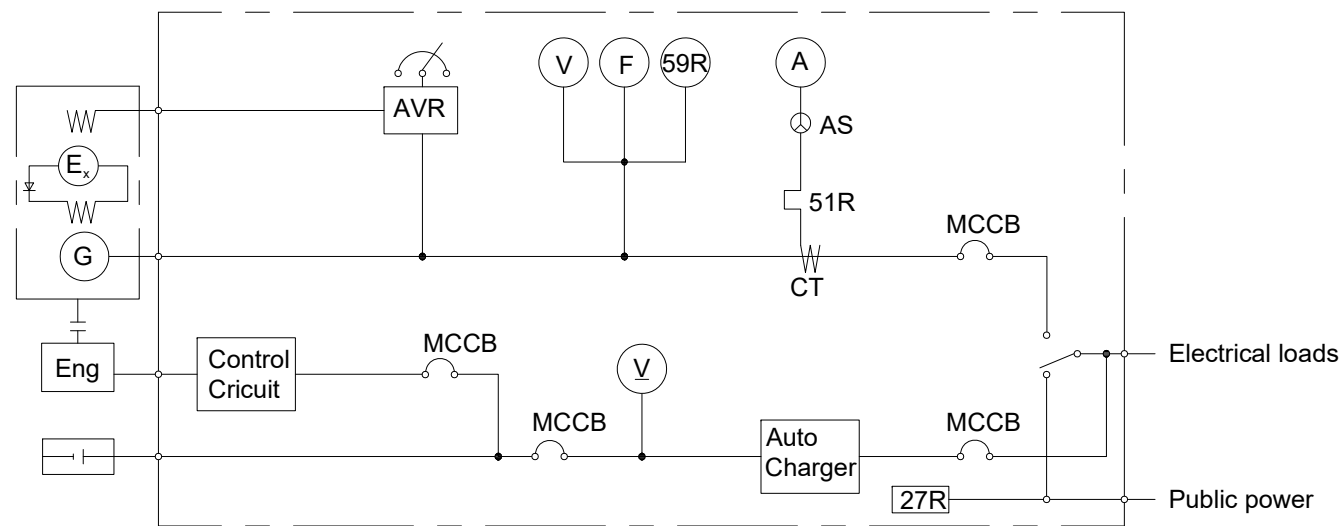
(REFERENCE) SINGLE LINE DIAGRAM FOR PANELS



SINGLE LINE DIAGRAM FOR MAIN DISTRIBUTION PANEL



SINGLE LINE DIAGRAM FOR LIGHTING PANEL

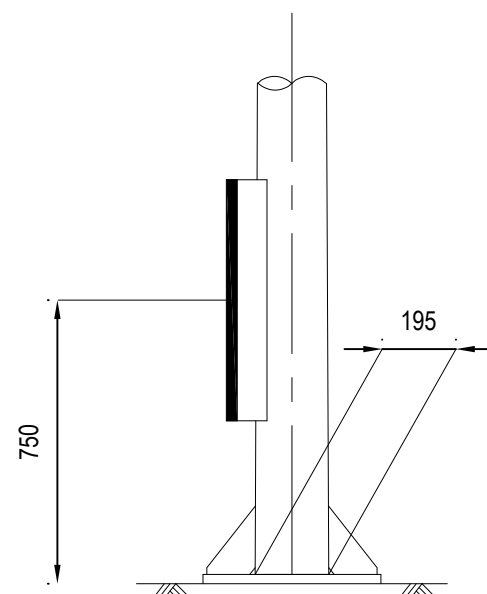
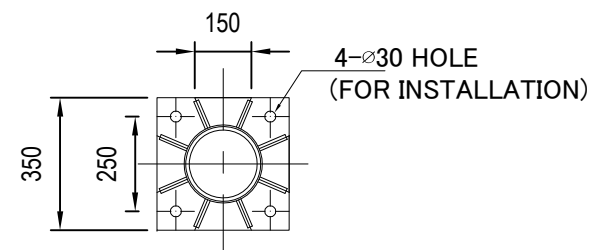
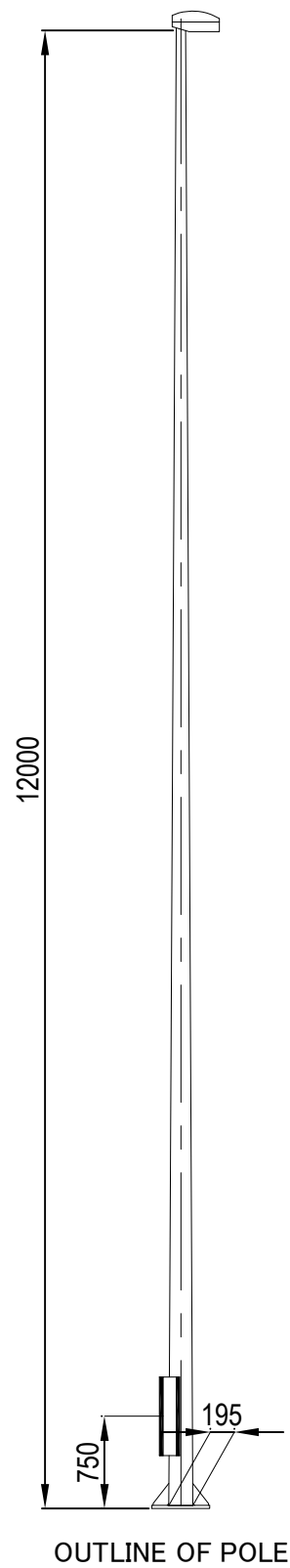


SINGLE LINE DIAGRAM FOR ENGINE GENERATOR CONTROL PANEL

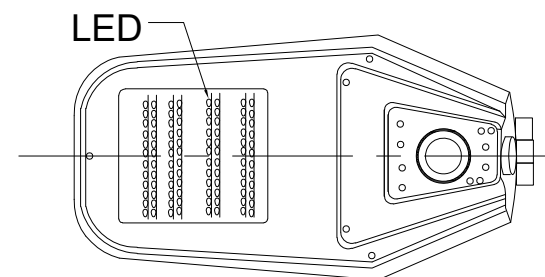
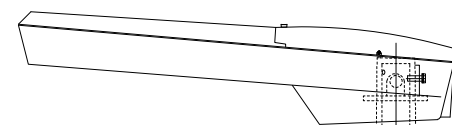
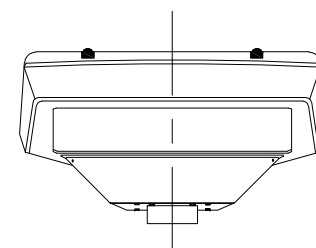
LEGEND

	: MOLD-CASE CIRCUIT BREAKER		: DIESEL ENGINE
AT	: AMPERE TRIPPING		: GENERATOR
	: GROUNDING		: EXITER
	: CONTACTOR		: AMPERE METER
VS	: VOLTMETER CHANGE OVER SWITCH		: VOLTAGE METER
AS	: AMMETER CHANGOVER SWITCH		: FREQUENCY METER
CT	: CURRENT TRANSFORMER		: BATTERY
			: AUTOMATIC VOLTAGE LEGULATOR
		27R	: LOW VOLTAGE RELAY
		59G	: OVER VOLTAGE
		51R	: OVERCURRENT RELAY

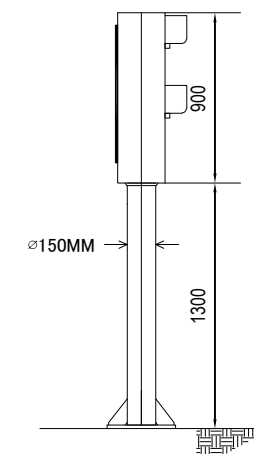
TYPICAL LED LUMINAIR AND POLE



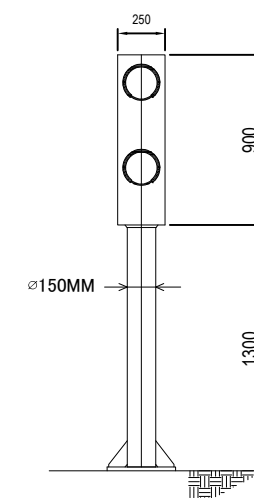
NTS



NTS



NTS



NTS

REFERENCE WARNING LIGHTS

NTS

PROJECT NAME
DETAILED DESIGN ON
BAGO RIVER BRIDGE
CONSTRUCTION PROJECT

FINANCED BY
 JAPAN INTERNATIONAL
COOPERATION AGENCY

COUNTERPART
 REPUBLIC OF THE UNION OF MYANMAR
MINISTRY OF CONSTRUCTION
DEPARTMENT OF BRIDGE

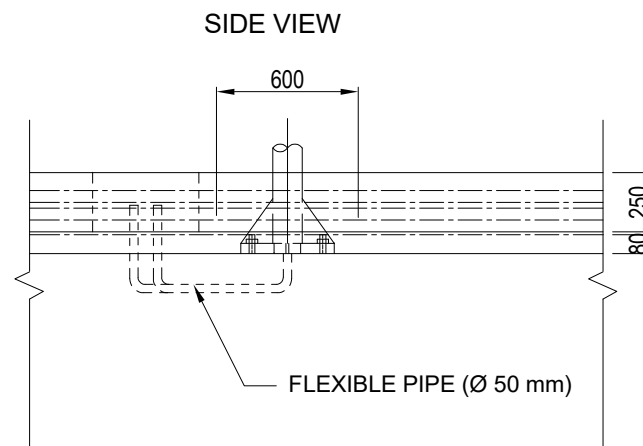
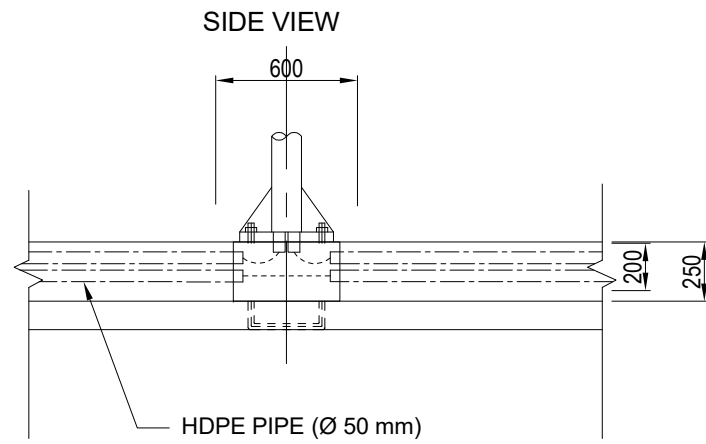
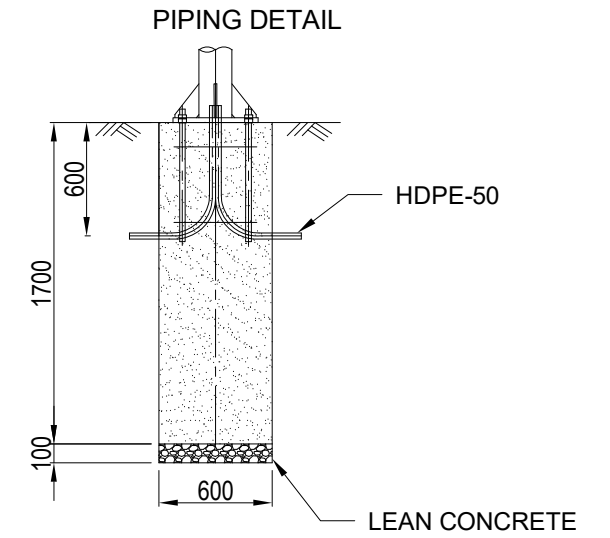
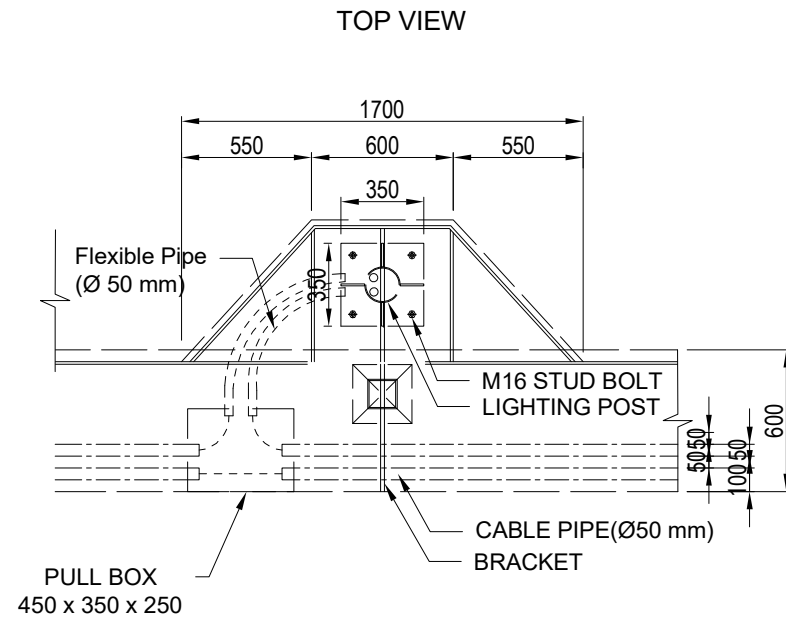
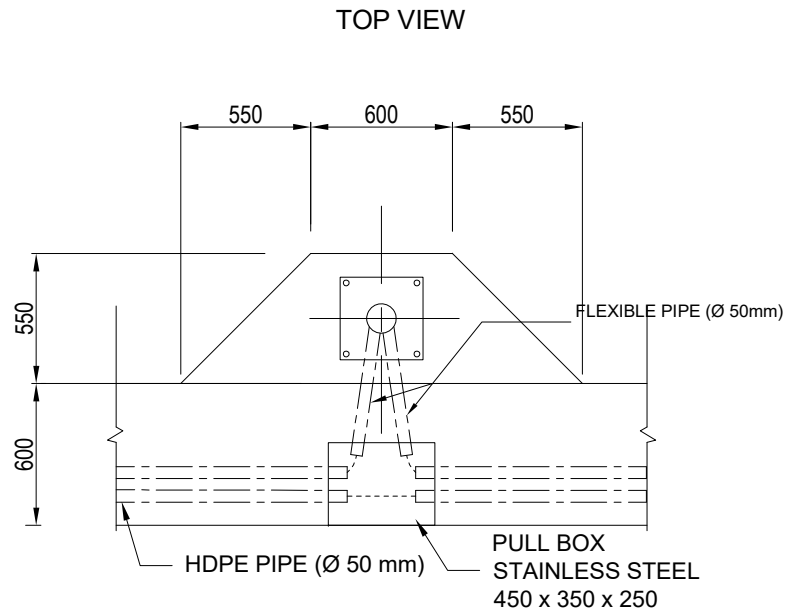
JICA STUDY TEAM
 NIPPON KOEI CO., LTD.
 ORIENTAL CONSULTANTS GLOBAL CO., LTD.
 METROPOLITAN EXPRESSWAY COMPANY LIMITED
 CHODAI CO., LTD.
 NIPPON ENGINEERING CONSULTANTS CO., LTD.

	NAME	SIGNATURE	DATE
PREPARED BY	K. MORIMATA		29 Sep. 2017
CHECKED BY	T. HAYAKAWA		3 Oct. 2017
APPROVED BY	Y. SANO		6 Oct. 2017

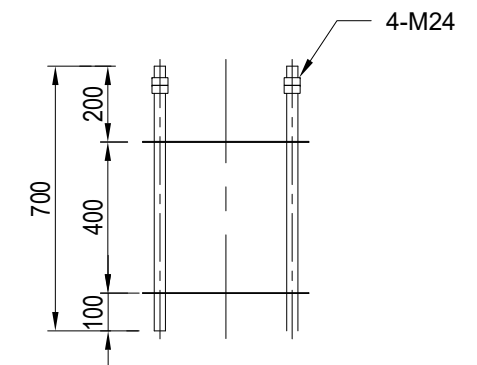
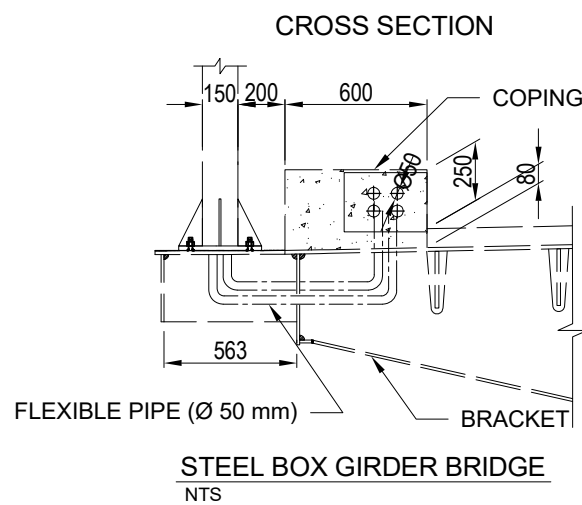
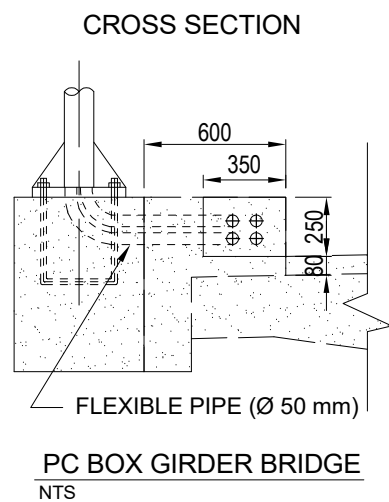
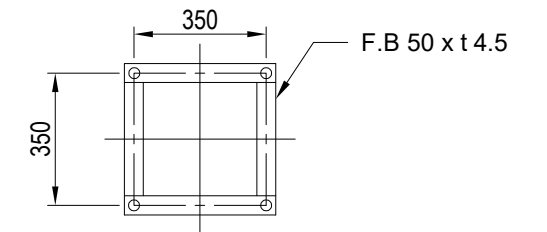
DRAWING TITLE
TYPICAL LED LUMINAIR AND POLE

PACKAGE
2
DWG No.
P2-EL- 0012

TYPICAL FOUNDATION DETAILS FOR ROAD LIGHTING POLE



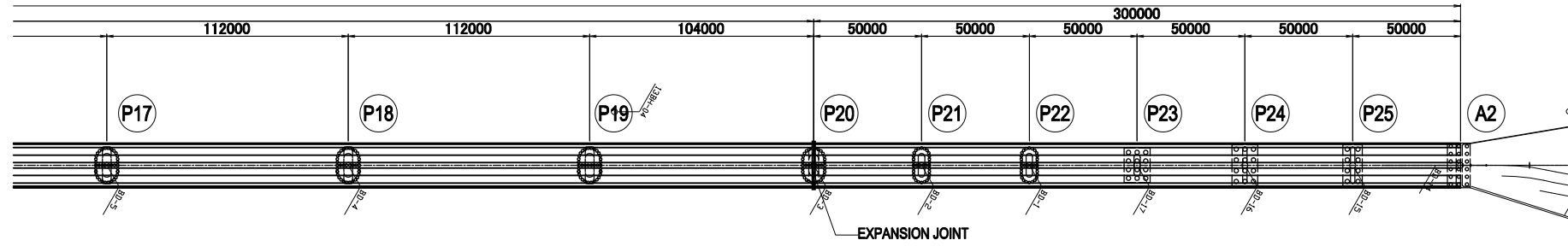
DETAIL OF ANCHOR BOLT



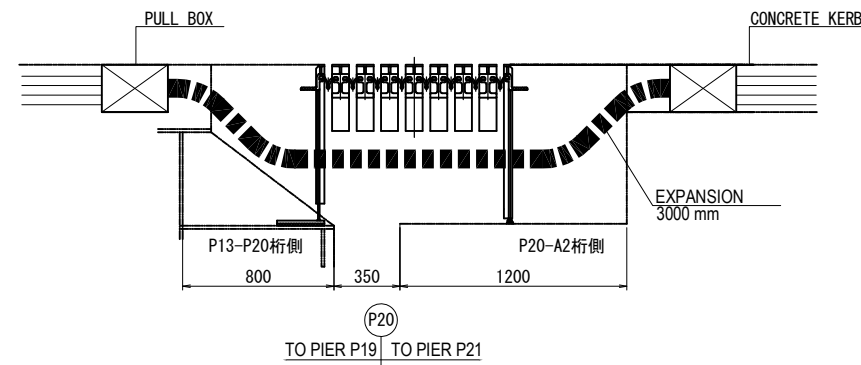
FOR PUBLIC ROAD LIGHTING POLES
NTS

PROJECT NAME DETAILED DESIGN ON BAGO RIVER BRIDGE CONSTRUCTION PROJECT	FINANCED BY JAPAN INTERNATIONAL COOPERATION AGENCY	COUNTERPART REPUBLIC OF THE UNION OF MYANMAR MINISTRY OF CONSTRUCTION DEPARTMENT OF BRIDGE	JICA STUDY TEAM NIPPON KOEI CO., LTD. ORIENTAL CONSULTANTS GLOBAL CO., LTD. METROPOLITAN EXPRESSWAY COMPANY LIMITED CHODAI CO., LTD. NIPPON ENGINEERING CONSULTANTS CO., LTD.	NAME	SIGNATURE	DATE	DRAWING TITLE TYPICAL FOUNDATION DETAILS FOR ROAD LIGHTING POLE	PACKAGE
				PREPARED BY	K. MORIMATA	29 Sep. 2017		2
				CHECKED BY	T. HAYAKAWA	3 Oct. 2017		DWG No.
				APPROVED BY	Y. SANO	6 Oct. 2017		P2-EL- 0013

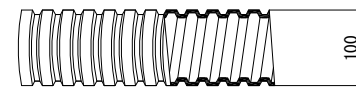
(REFERENCE) INSTALLATION DETAIL FOR FLEXIBLE PIPE



LAYOUT OF EXPANSION JOINTS



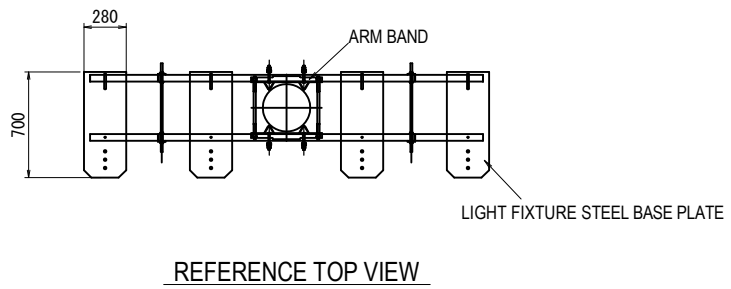
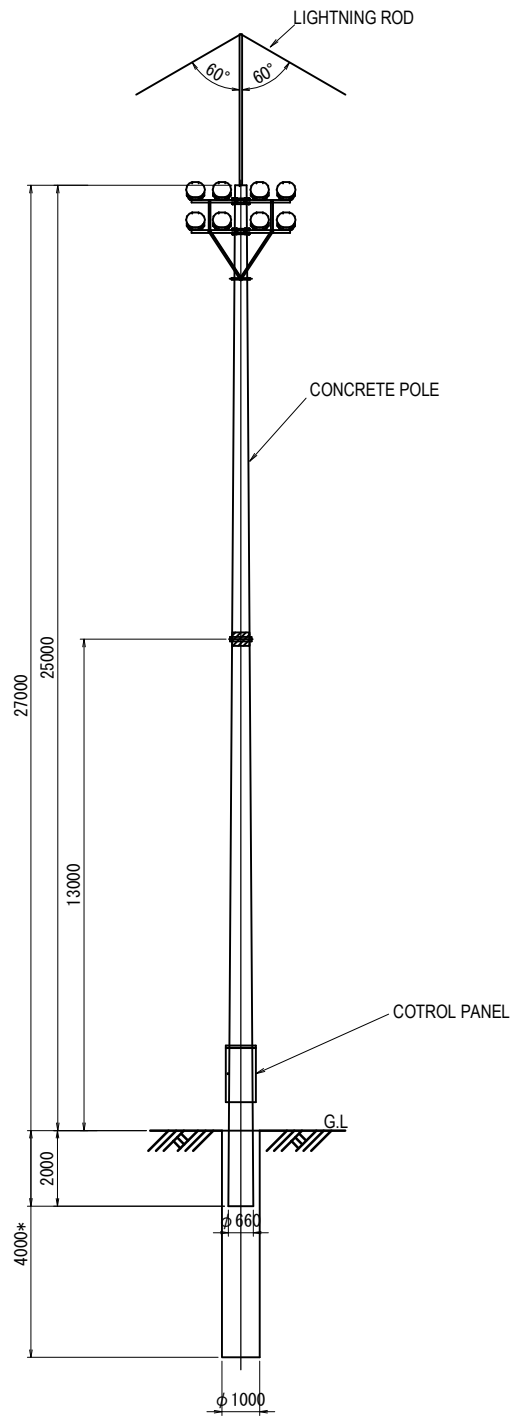
INSTALLATION DETAIL OF FLEXIBLE PIPE (P20)



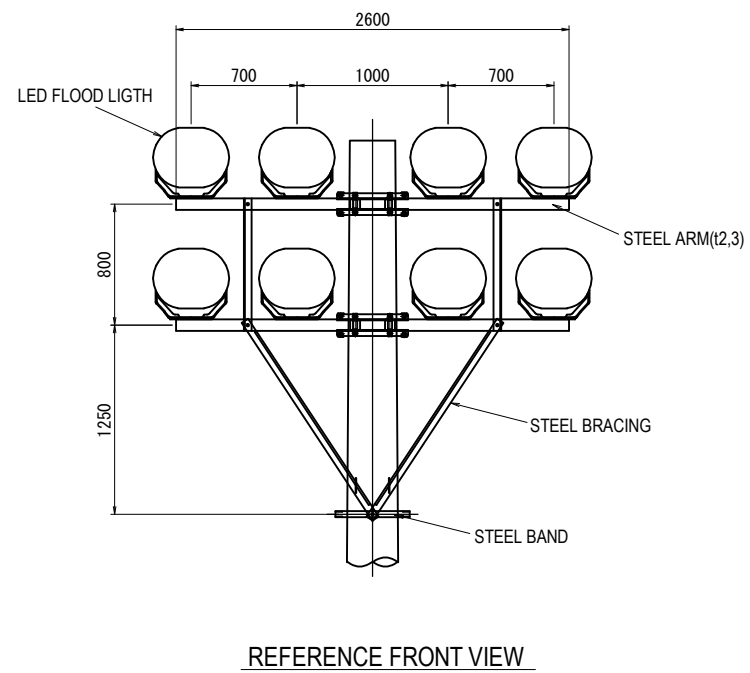
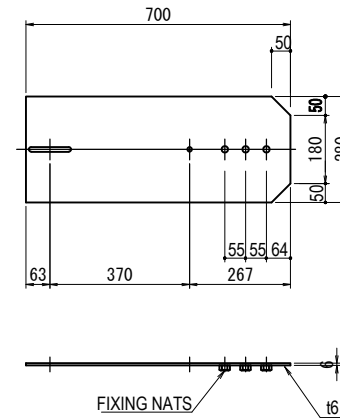
DIAMETER OF FLEXIBLE PIPE

PROJECT NAME DETAILED DESIGN ON BAGO RIVER BRIDGE CONSTRUCTION PROJECT	FINANCED BY JAPAN INTERNATIONAL COOPERATION AGENCY	COUNTERPART REPUBLIC OF THE UNION OF MYANMAR MINISTRY OF CONSTRUCTION DEPARTMENT OF BRIDGE	JICA STUDY TEAM NIPPON KOEI CO., LTD. ORIENTAL CONSULTANTS GLOBAL CO., LTD. METROPOLITAN EXPRESSWAY COMPANY LIMITED CHODAI CO. LTD. NIPPON ENGINEERING CONSULTANTS CO., LTD.	NAME	SIGNATURE	DATE	DRAWING TITLE (REFERENCE) INSTALLATION DETAIL FOR FLEXIBLE PIPE	PACKAGE	
				PREPARED BY	K. MORIMATA			29 Sep. 2017	2
				CHECKED BY	T. HAYAKAWA			3 Oct. 2017	DWG No.
				APPROVED BY	Y. SANO			6 Oct. 2017	P2-EL- 0014

(REFERENCE) LIGHTING MAST STRUCTURE FOR GATEPLAZA



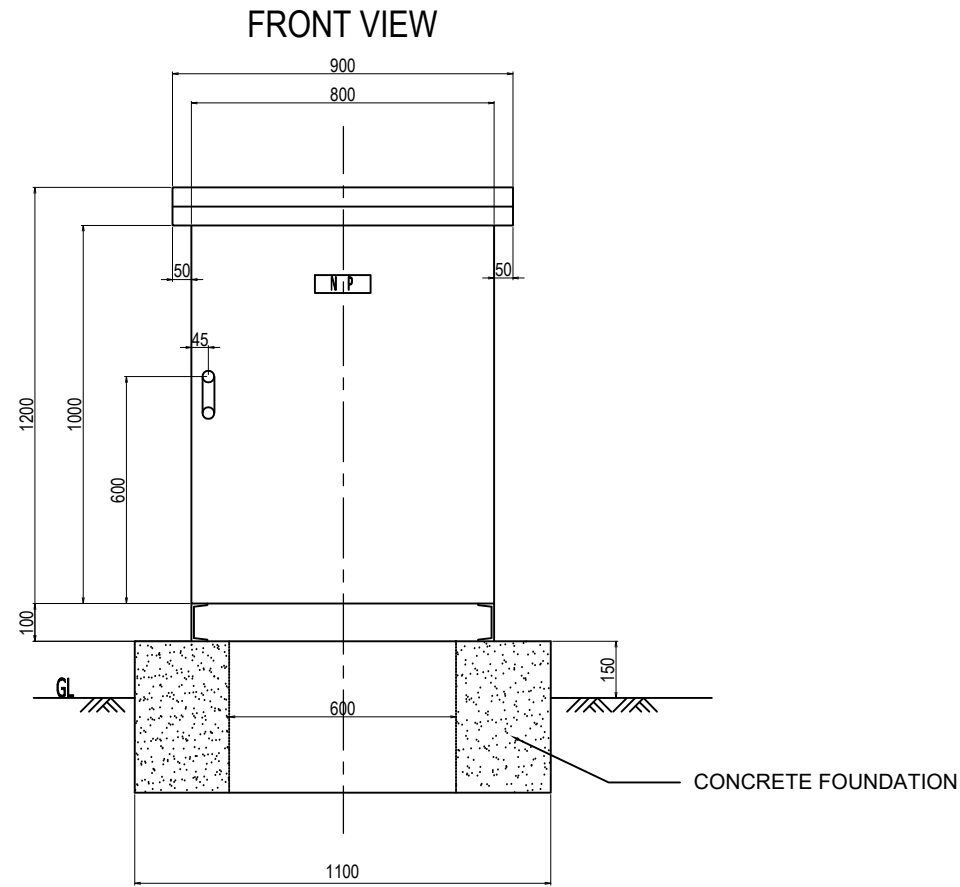
REFERENCE TYPICAL LAYOUT OF LIGHT FIXTURE BASE PLATE



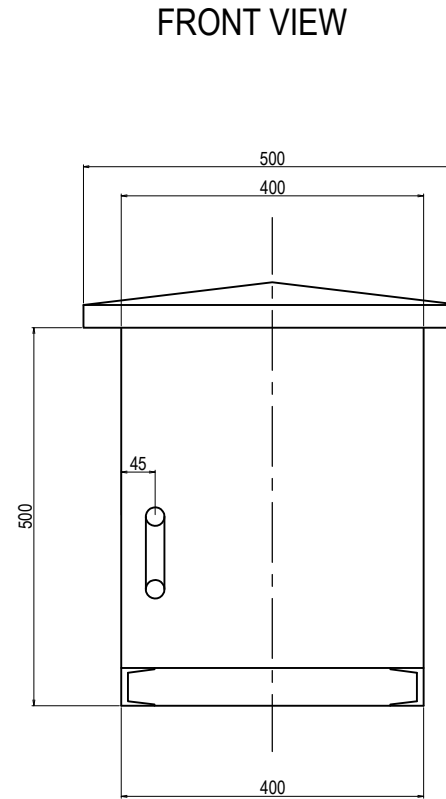
Note: Foundation length of lighting pole should be determined before the commencement of installation in consideration of site soil condition

PROJECT NAME DETAILED DESIGN ON BAGO RIVER BRIDGE CONSTRUCTION PROJECT	FINANCED BY JAPAN INTERNATIONAL COOPERATION AGENCY	COUNTERPART REPUBLIC OF THE UNION OF MYANMAR MINISTRY OF CONSTRUCTION DEPARTMENT OF BRIDGE	JICA STUDY TEAM NIPPON KOEI CO., LTD. ORIENTAL CONSULTANTS GLOBAL CO., LTD. METROPOLITAN EXPRESSWAY COMPANY LIMITED CHODAI CO., LTD. NIPPON ENGINEERING CONSULTANTS CO., LTD.	NAME	SIGNATURE	DATE	DRAWING TITLE (REFERENCE) LIGHTING MAST STRUCTURE FOR GATEPLAZA	PACKAGE
				PREPARED BY	K. MORIMATA	29 Sep. 2017		2
				CHECKED BY	T. HAYAKAWA	3 Oct. 2017		DWG No.
				APPROVED BY	Y. SANO	6 Oct. 2017		P2-EL- 0015

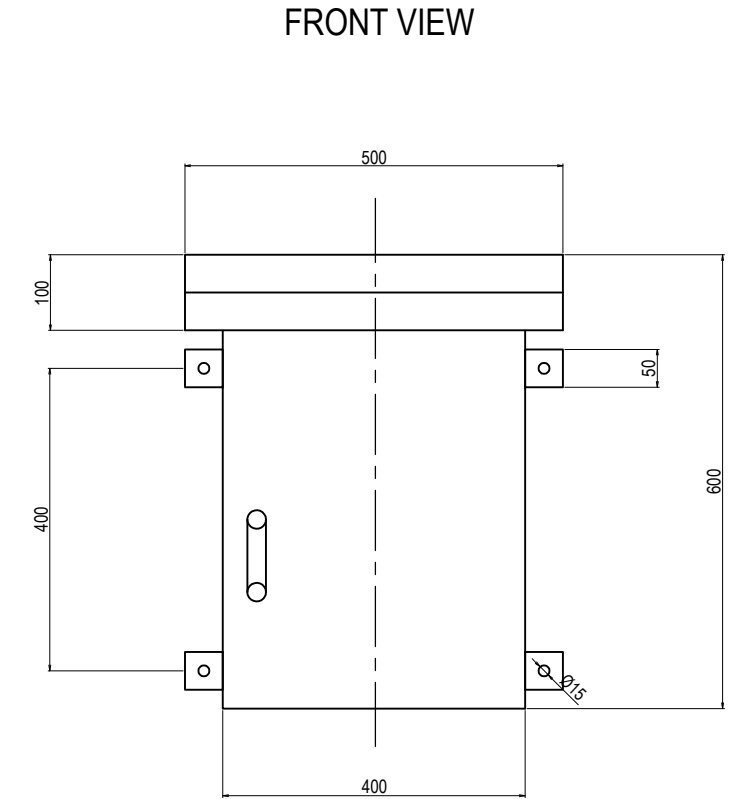
(REFERENCE) OUTLINE OF ELECTRIC PANELS



MAIN DISTRIBUTION PANEL S=1:20



LIGHTING PANEL S=1:10



POLE MOUNTED TYPE BOX S=1:10

QUANTITY TABLE OF LIGHTING AND ELECTRICAL WORKS (REFERENCE DRAWING)

QUANTITY OF ROAD LIGHTING SYSTEM

Item Description	Unit	Total
Lighting Pole Type B (H=12m,)	No.	64.0
Flood Light Pole (H=25m)	No.	2.0
LED Lamp (140W)	No.	64.0
LED Lamp (380W)	No.	16.0
Lighting Panel Type A (17 lines)	No.	3.0
Pull Box Type A (300 x 350 x 175)	No.	64.0
Grounding System	No.	5.0
4 Core/XLPE 80 sq. mm Electric Wire Cable	m	260.0
4 Core/XLPE 35 sq. mm Electric Wire Cable	m	390.0
4 Core/XLPE 25 sq. mm Electric Wire Cable	m	4,200.0
4 Core/XLPE 8 sq. mm Electric Wire Cable	m	2,634.0
HDPE Pipe (50mm dia.)	m	16,420.0
HDPE Pipe (100mm dia.)	m	400.0
FEP Pipe (50mm dia.)	m	96.0
Handhole (600 x 600 x 600)	No.	12.0
MV Power Receiving Panel (Cubicle Type)	L.S.	1.0
Warning Light	No.	1.0

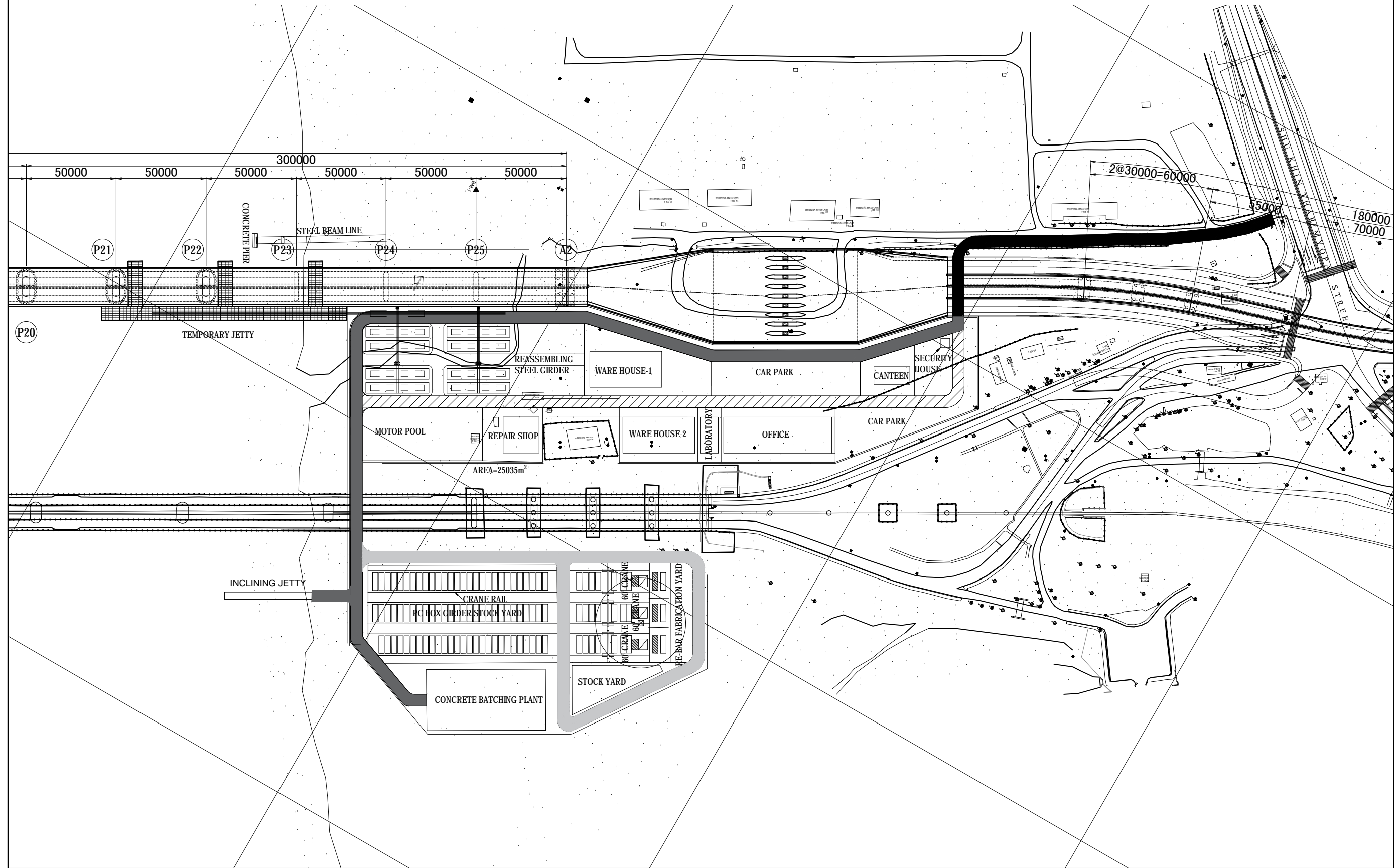
QUANTITY OF TRAFFIC SIGNAL CONTROL SYSTEM

Item Description	Unit	Total
Traffic Signal Pole	No.	4.0
Pedestrian Signal Pole	No.	2.0
Traffic Signal Head	No.	4.0
Arrow Signal Head	No.	4.0
Pedestrian Signal Head and Push Button	No.	4.0
Handhole (600 x 600 x 800)	No.	7.0
Traffic Signal Controller	No.	1.0
HDPE Pipe (50mm dia.)	m	144.0
SVV-SS 2.0 sq.mm x 15c	m	15.0
SVV-SS 2.0 sq.mm x 18c	m	67.0
SVV-SS 2.0 sq.mm x 21c	m	19.0
SVV-SS 2.0 sq.mm x 36c	m	43.0

G. REFERENCE DRAWING

(REFERENCE) GENERAL LAYOUT OF CONSTRUCTION YARD

S=1:2000

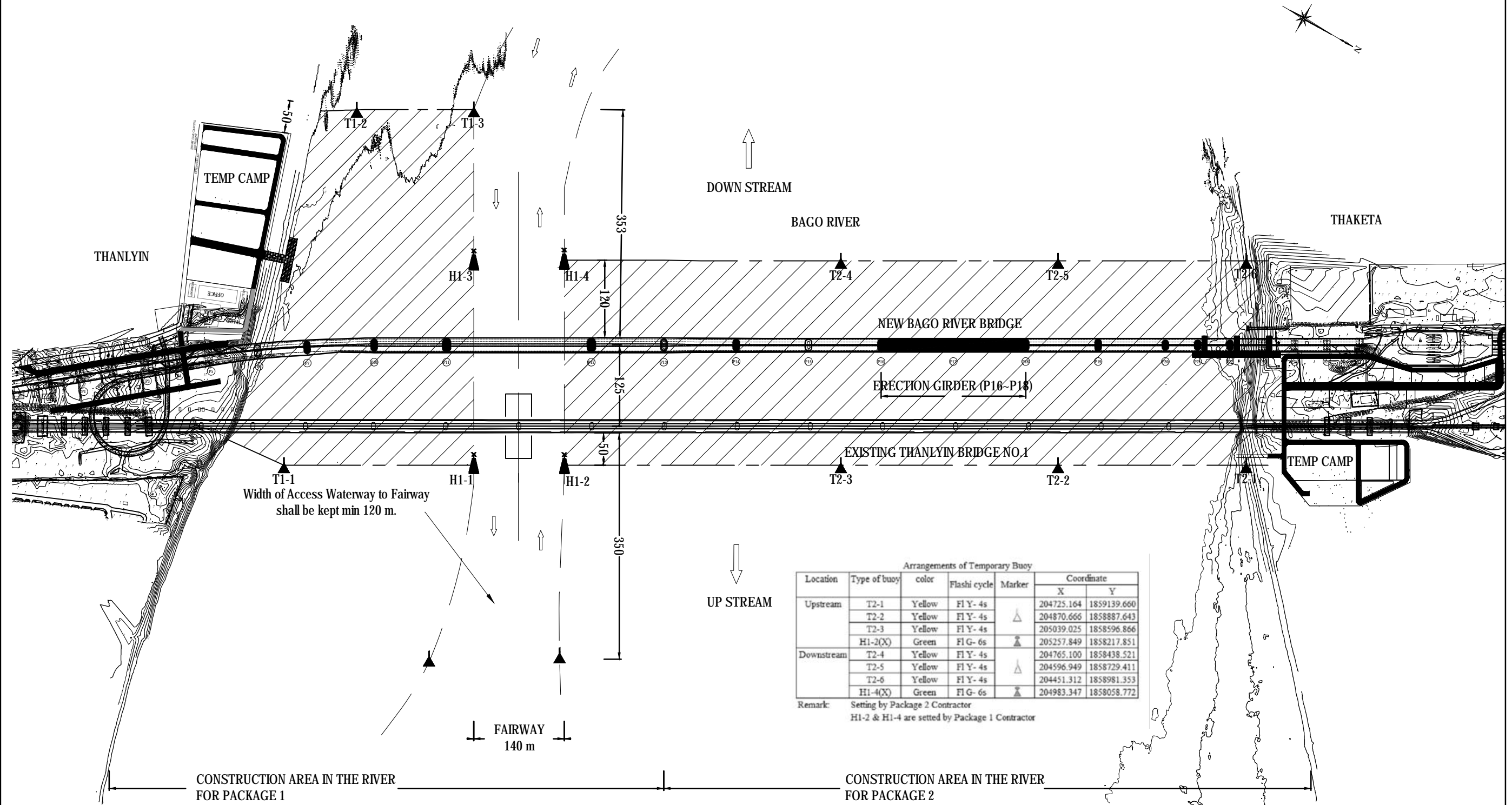


PROJECT NAME DETAILED DESIGN ON BAGO RIVER BRIDGE CONSTRUCTION PROJECT	FINANCED BY JAPAN INTERNATIONAL COOPERATION AGENCY	COUNTERPART REPUBLIC OF THE UNION OF MYANMAR MINISTRY OF CONSTRUCTION DEPARTMENT OF BRIDGE	JICA STUDY TEAM NIPPON KOEI CO., LTD. ORIENTAL CONSULTANTS GLOBAL CO., LTD. METROPOLITAN EXPRESSWAY COMPANY LIMITED CHODAI CO., LTD. NIPPON ENGINEERING CONSULTANTS CO.,LTD.	NAME	SIGNATURE	DATE	DRAWING TITLE (REFERENCE) GENERAL LAYOUT OF CONSTRUCTION YARD	PACKAGE	
				PREPARED BY	T. ICHIKAWA			15 Jun.2017	2
				CHECKED BY	T. HAYAKAWA			20 Jun.2017	DWG No.
				APPROVED BY	Y. SANO			21 Jun.2017	P2-REF-0001

(REFERENCE) NAVIGATION CONTROL PLAN

S=1:6000

TEMPORARY FAIRWAY CONSTRUCTION STAGE 1: FOUNDATION AND PIER WORKS AND ERECTION GIRDER (P16~P18)



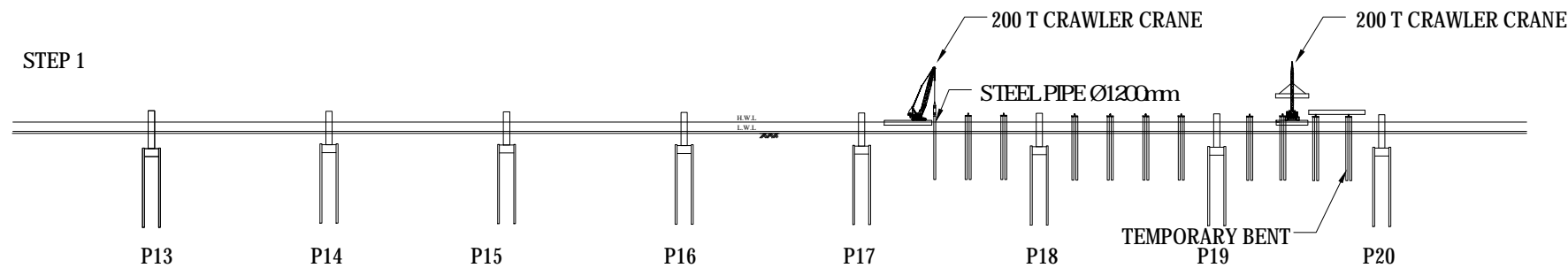
Note : Water depth of Access Waterway and Fairway shall be kept min 5.0 m depth.

PROJECT NAME DETAILED DESIGN ON BAGO RIVER BRIDGE CONSTRUCTION PROJECT	FINANCED BY JAPAN INTERNATIONAL COOPERATION AGENCY	COUNTERPART REPUBLIC OF THE UNION OF MYANMAR MINISTRY OF CONSTRUCTION DEPARTMENT OF BRIDGE	JICA STUDY TEAM NIPPON KOEI CO., LTD. ORIENTAL CONSULTANTS GLOBAL CO., LTD. METROPOLITAN EXPRESSWAY COMPANY LIMITED CHODAI CO.,LTD. NIPPON ENGINEERING CONSULTANTS CO.,LTD.	NAME	SIGNATURE	DATE	DRAWING TITLE (REFERENCE) NAVIGATION CONTROL PLAN	PACKAGE	
				PREPARED BY	T. ICHIKAWA			15 Jun.2017	2
				CHECKED BY	T. HAYAKAWA			20 Jun.2017	DWG No.
				APPROVED BY	Y. SANO			21 Jun.2017	P2-REF-0002

(REFERENCE) CONSTRUCTION SEQUENCE OF CONTINUOUS STEEL BOX GIRDER

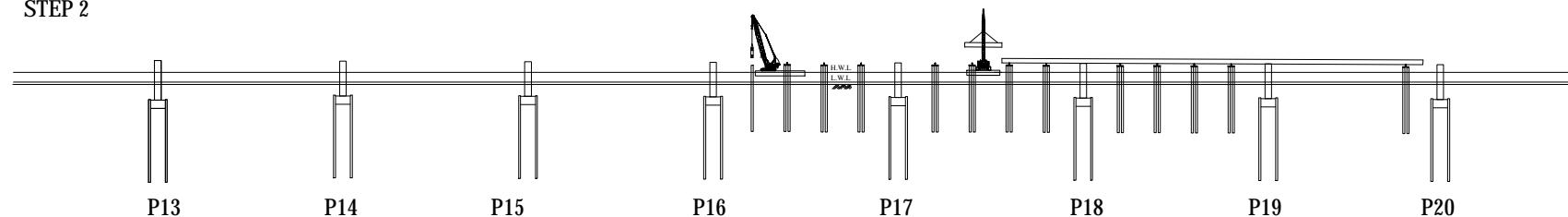
S=1:4000

STEP 1



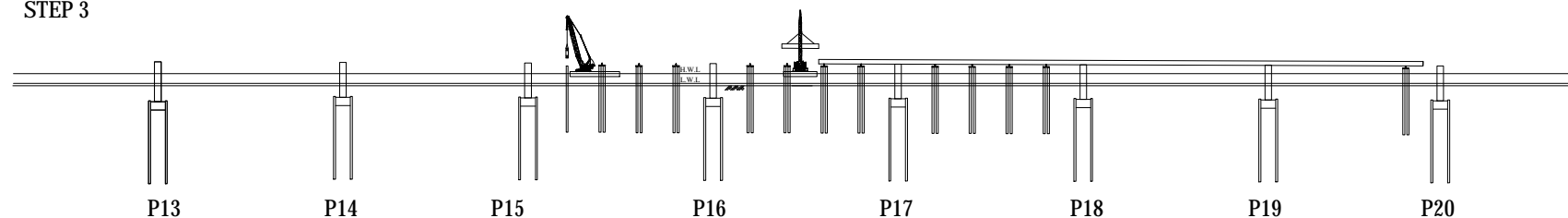
- Driving Steel Pipe Ø1.2m by a Vibration Hammer and install temporary bents for erection steel box girders in advance.
- Steel box girder blocks are erected by 200t Crawler Crane mounted on barge on the temporary bents.
- Joint each steel box girder with H.T.B.
- First steel box girder blocks remains not to erect for stressing PC cables of PC box girder.

STEP 2



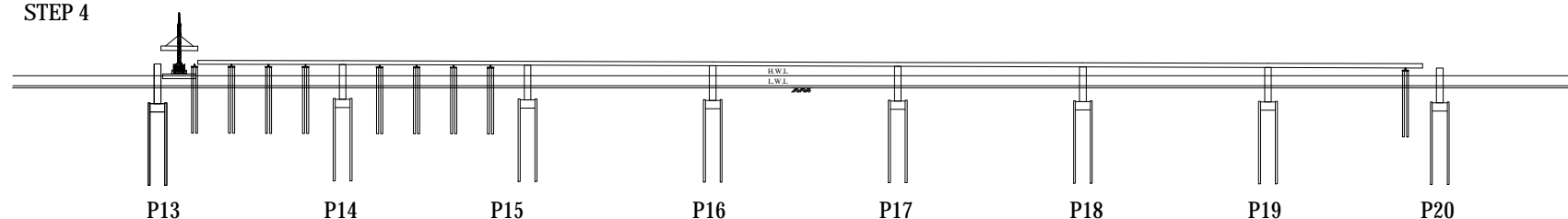
- Temporary bents are installed within 3 spans to minimize disturbance of river traffic.

STEP 3



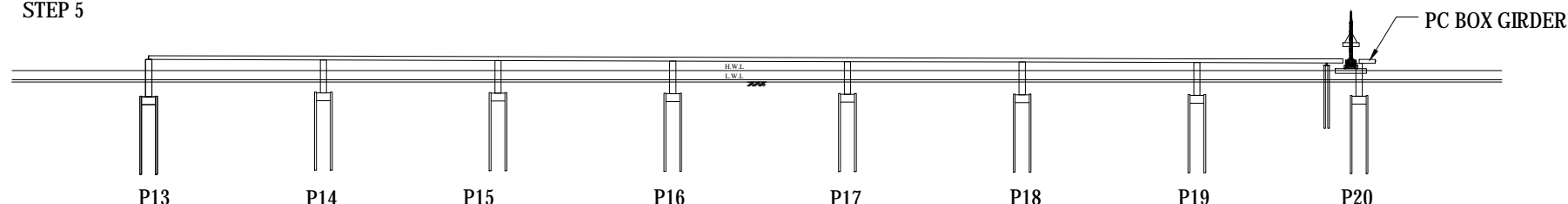
- Procedure of installing temporary bents and erecting steel box girder is frequently repeated.

STEP 4



- Last steel box girder block is erected and jointed continuously.

STEP 5



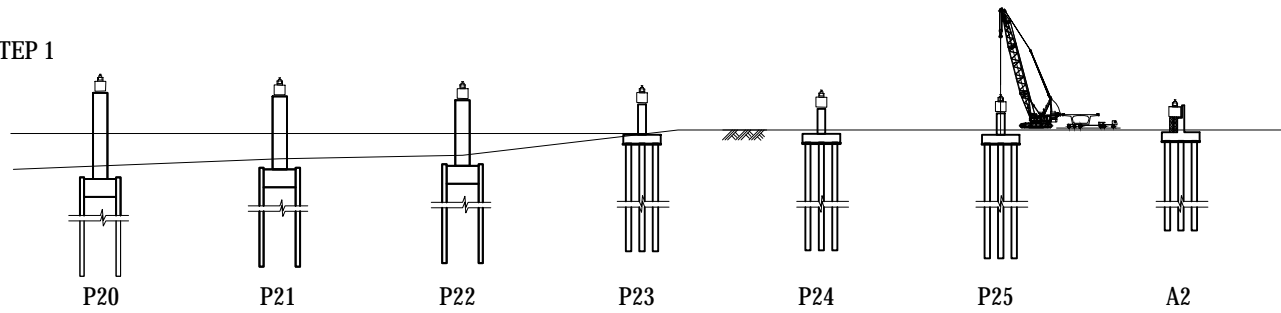
- Finally the reaming the first block erects after PC cables are stressed at the end of PC box girder.
- Completed.

PROJECT NAME DETAILED DESIGN ON BAGO RIVER BRIDGE CONSTRUCTION PROJECT	FINANCED BY JAPAN INTERNATIONAL COOPERATION AGENCY	COUNTERPART REPUBLIC OF THE UNION OF MYANMAR MINISTRY OF CONSTRUCTION DEPARTMENT OF BRIDGE	JICA STUDY TEAM NIPPON KOEI CO., LTD. ORIENTAL CONSULTANTS GLOBAL CO., LTD. METROPOLITAN EXPRESSWAY COMPANY LIMITED CHODAI CO., LTD. NIPPON ENGINEERING CONSULTANTS CO., LTD.	NAME	SIGNATURE	DATE	DRAWING TITLE (REFERENCE) CONSTRUCTION SEQUENCE OF CONTINUOUS STEEL BOX GIRDER	PACKAGE	
				PREPARED BY	T. ICHIKAWA			15 Jun.2017	2
				CHECKED BY	T. HAYAKAWA			20 Jun.2017	DWG No.
				APPROVED BY	Y. SANO		21 Jun.2017	P2-REF-0003	

(REFERENCE) CONSTRUCTION SEQUENCE OF CONTINUOUS PC BOX GIRDER

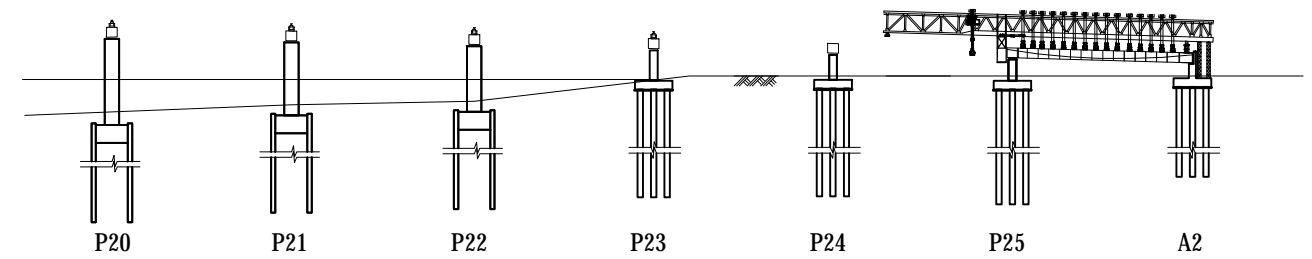
S=1:2000

STEP 1



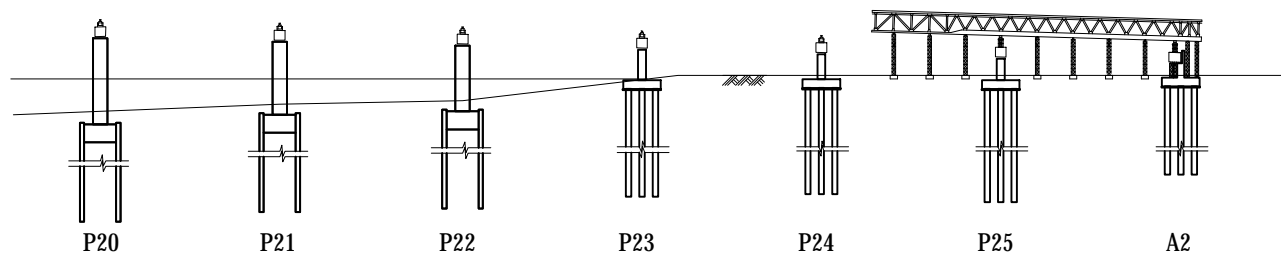
- In advance of segment erection, bearing shoes are set on abutment and piers. Pier head segments are erected by 200t crawler crane and fixed by PC bars.

STEP 4



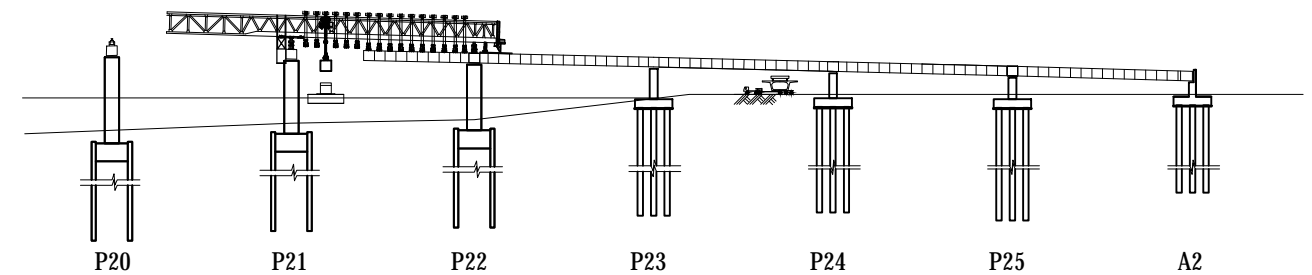
- After all segment are suspended at the designed position, epoxy adhesive applies to the segment which is pulling and connected by PC bars. Mortar is placed in wet joints at both sides. Permanent inner and external tendons for span are installed and tensioned by hydraulic jack.
- After completion of one span erection sequence, the erection girder advances to next span and erects segments in the same procedure up to pier 20.

STEP 2



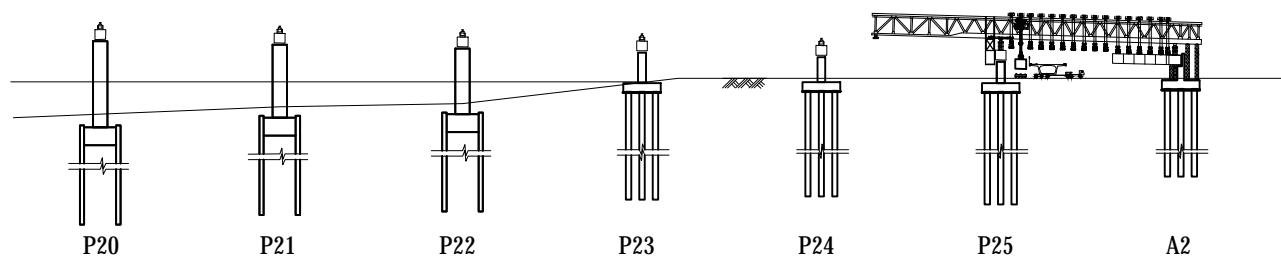
- For assembling of erection girder, temporary bent are installed. The erection girder and erection apparatus are set in designated position and girder support fixed on the pier head segment.

STEP 5



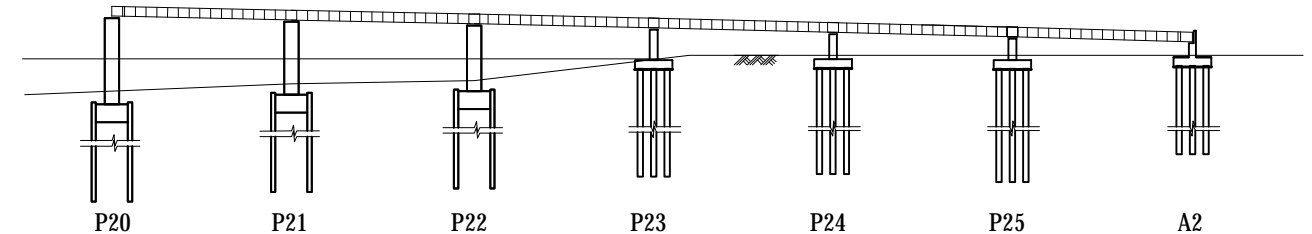
- Span for Pier-23 to Pier-20 pre-cast segments are transported on barge under the erection girder and lifted by electric hoist and moved the setting position. The segment transfers the load to temporary hanging beam and adjusts the slope and gradient by jack.

STEP 3



- Span for abutment -A2 to Pier-23 pre-cast segments are transported by trailer under the erection girder and lifted by electric hoist and moved the setting position. The segment transfers the load to temporary hanging beam and adjusts the slope and gradient by jack.

STEP 6

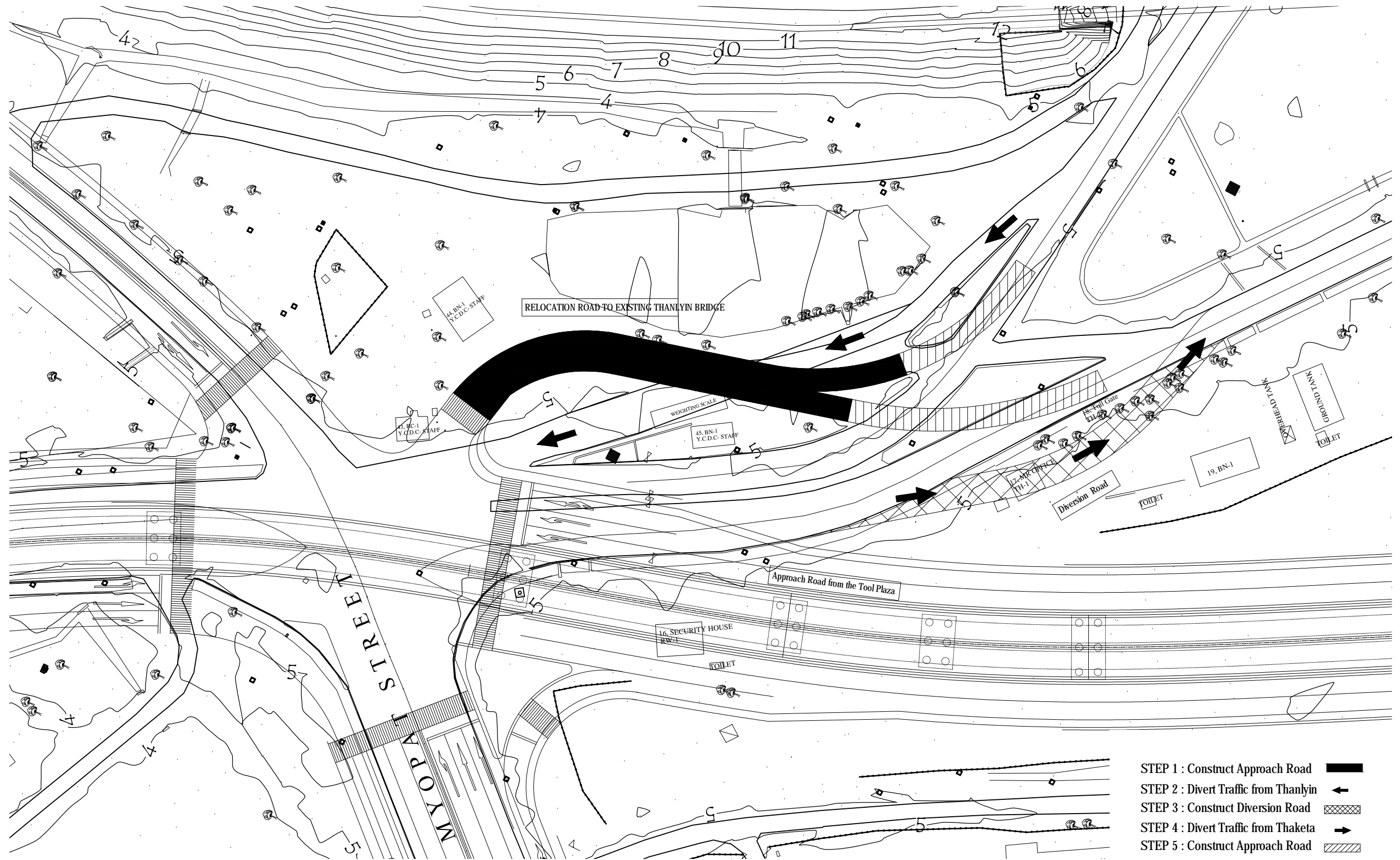


- Demolition of erection girder and then completion.

PROJECT NAME DETAILED DESIGN ON BAGO RIVER BRIDGE CONSTRUCTION PROJECT	FINANCED BY JAPAN INTERNATIONAL COOPERATION AGENCY	COUNTERPART REPUBLIC OF THE UNION OF MYANMAR MINISTRY OF CONSTRUCTION DEPARTMENT OF BRIDGE	JICA STUDY TEAM NIPPON KOEI CO., LTD. ORIENTAL CONSULTANTS GLOBAL CO., LTD. METROPOLITAN EXPRESSWAY COMPANY LIMITED CHODAI CO., LTD. NIPPON ENGINEERING CONSULTANTS CO.,LTD.	NAME	SIGNATURE	DATE	DRAWING TITLE (REFERENCE) CONSTRUCTION SEQUENCE OF CONTINUOUS PC BOX GIRDER	PACKAGE	
				PREPARED BY	T. ICHIKAWA			15 Jun.2017	2
				CHECKED BY	T. HAYAKAWA			20 Jun.2017	DWG No.
				APPROVED BY	Y. SANO			21 Jun.2017	P2-REF-0004

(REFERENCE) DIVERSION OF EXISTING TRAFFIC DURING CONSTRUCTION OF
 APPROACH ROAD TO EXISTING THANLYIN BRIDGE NO.1

S=1:750

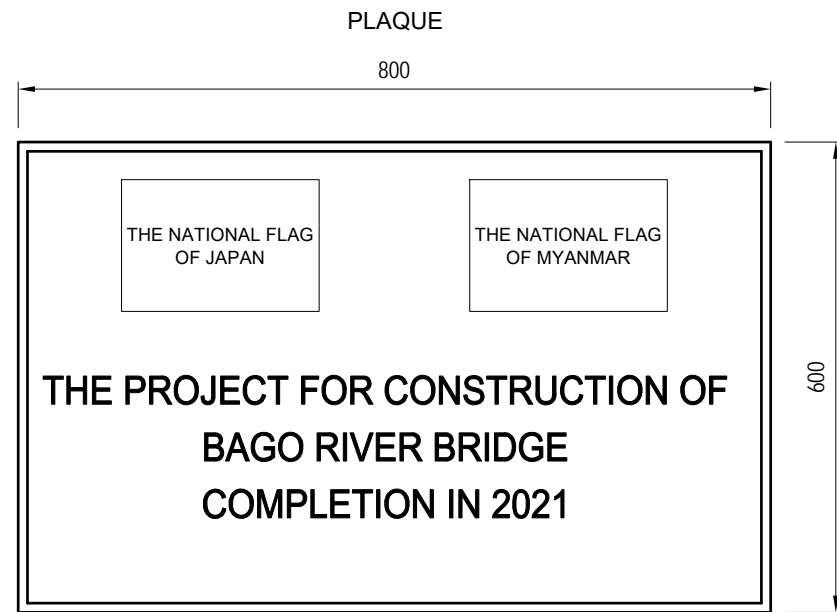


- STEP 1 : Construct Approach Road
- STEP 2 : Divert Traffic from Thanlyin ←
- STEP 3 : Construct Diversion Road
- STEP 4 : Divert Traffic from Thaketa →
- STEP 5 : Construct Approach Road

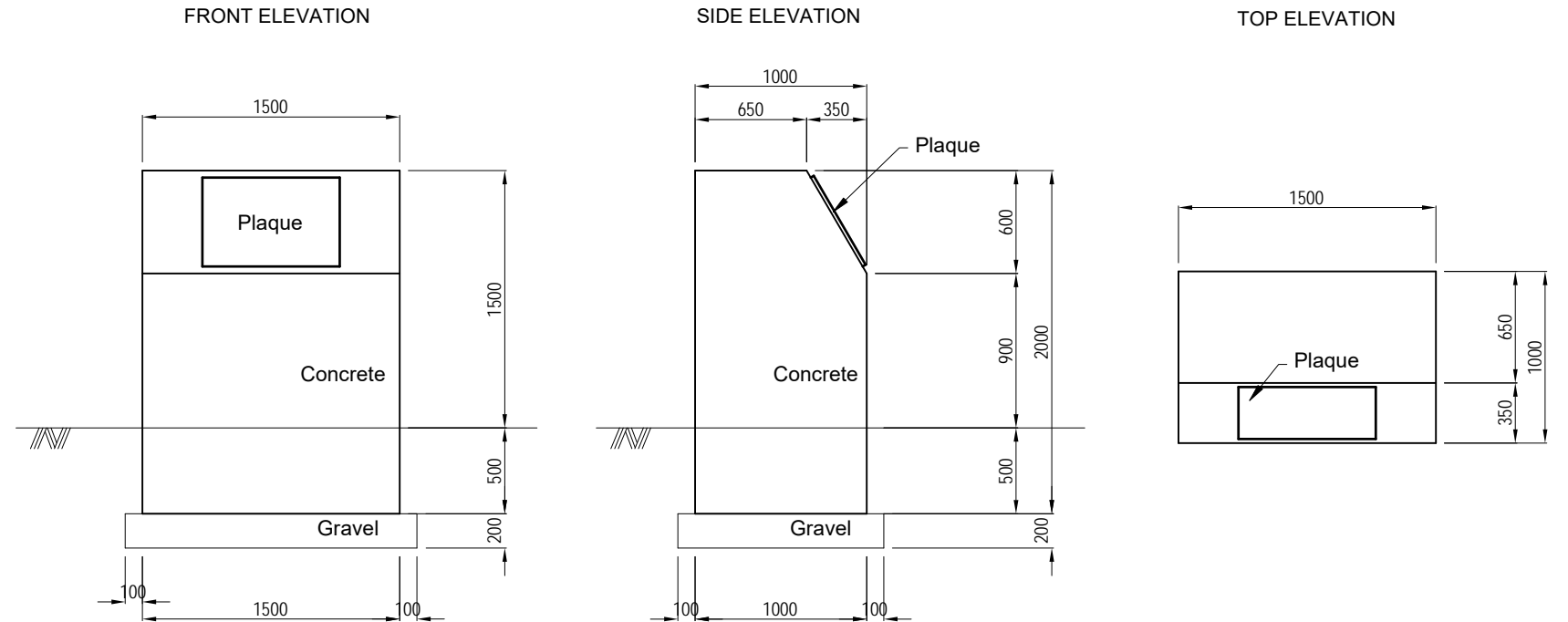
PROJECT NAME DETAILED DESIGN ON BAGO RIVER BRIDGE CONSTRUCTION PROJECT	FINANCED BY JAPAN INTERNATIONAL COOPERATION AGENCY	COUNTERPART REPUBLIC OF THE UNION OF MYANMAR MINISTRY OF CONSTRUCTION DEPARTMENT OF BRIDGE	JICA STUDY TEAM NIPPON KOEI CO., LTD. ORIENTAL CONSULTANTS GLOBAL CO., LTD. METROPOLITAN EXPRESSWAY COMPANY LIMITED CHODAI CO., LTD. NIPPON ENGINEERING CONSULTANTS CO., LTD.	<table border="1" style="width: 100%; border-collapse: collapse;"> <thead> <tr> <th></th> <th>NAME</th> <th>SIGNATURE</th> <th>DATE</th> </tr> </thead> <tbody> <tr> <td>PREPARED BY</td> <td>T. ICHIKAWA</td> <td></td> <td>15 Jun.2017</td> </tr> <tr> <td>CHECKED BY</td> <td>T. HAYAKAWA</td> <td></td> <td>20 Jun.2017</td> </tr> <tr> <td>APPROVED BY</td> <td>Y. SANO</td> <td></td> <td>21 Jun.2017</td> </tr> </tbody> </table>		NAME	SIGNATURE	DATE	PREPARED BY	T. ICHIKAWA		15 Jun.2017	CHECKED BY	T. HAYAKAWA		20 Jun.2017	APPROVED BY	Y. SANO		21 Jun.2017	DRAWING TITLE (REFERENCE) DIVERSION OF EXISTING TRAFFIC DURING CONSTRUCTION OF APPROACH ROAD TO EXISTING THANLYIN BRIDGE NO.1	PACKAGE 2 DWG No. P2-REF-0005
	NAME	SIGNATURE	DATE																			
PREPARED BY	T. ICHIKAWA		15 Jun.2017																			
CHECKED BY	T. HAYAKAWA		20 Jun.2017																			
APPROVED BY	Y. SANO		21 Jun.2017																			

(REFERENCE) MONUMENT AND BRIDGE RECORD

MONUMENT



Note) Design & sentence shall be confirmed to the Engineer during construction period.



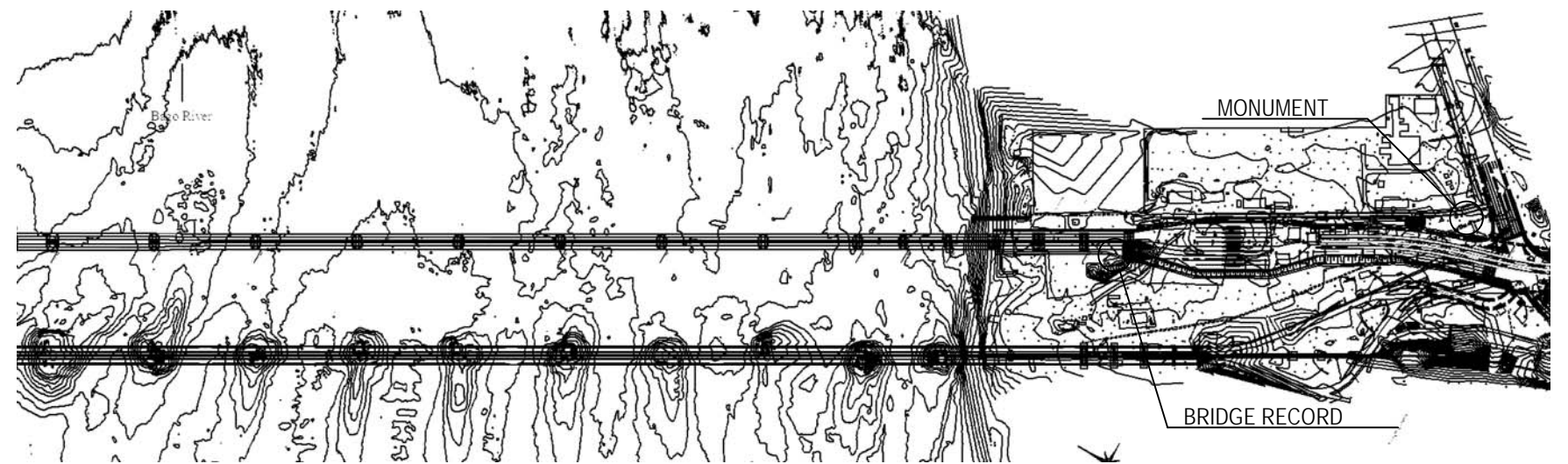
Note) Design and details of monument shall be confirmed to the Engineer during construction period.

BRIDGE RECORD



Note) Design & sentence shall be confirmed to the Engineer during construction period.

LOCATION



Note) Location for monument and bridge record shall be confirmed to the Engineer during construction period.

PROJECT NAME	FINANCED BY	COUNTERPART	JICA STUDY TEAM	NAME	SIGNATURE	DATE	DRAWING TITLE	PACKAGE
DETAILED DESIGN ON BAGO RIVER BRIDGE CONSTRUCTION PROJECT	JICA JAPAN INTERNATIONAL COOPERATION AGENCY	REPUBLIC OF THE UNION OF MYANMAR MINISTRY OF CONSTRUCTION DEPARTMENT OF BRIDGE	NIPPON KOEI CO., LTD. ORIENTAL CONSULTANTS GLOBAL CO., LTD. METROPOLITAN EXPRESSWAY COMPANY LIMITED CHODAI CO., LTD. NIPPON ENGINEERING CONSULTANTS CO., LTD.	T. HAYAKAWA		29 Sep. 2017	(REFERENCE) MONUMENT AND BRIDGE RECORD	2
				T. HAYAKAWA		3 Oct. 2017		DWG No.
				Y. SANO		6 Oct. 2017		P2-REF-0006

(REFERENCE) NETWORK PLAN

Primary Control Point By GPS

Point No	Easting	Northing	Elevation
GPS 01	205,842.773	1,857,184.685	5.698
GPS 011	205,760.156	1,857,254.692	5.543
GPS 02	205,321.737	1,857,693.657	4.426
GPS 021	205,410.480	1,857,584.129	4.262
GPS 03	204,535.795	1,859,088.346	4.115
GPS 031	204,453.920	1,859,180.786	3.874
GPS 04	204,274.946	1,859,592.673	5.344
GPS 041	204,205.987	1,859,475.724	5.066
GPS 05	203,521.369	1,860,268.348	4.914
GPS 051	203,458.184	1,860,271.486	5.105

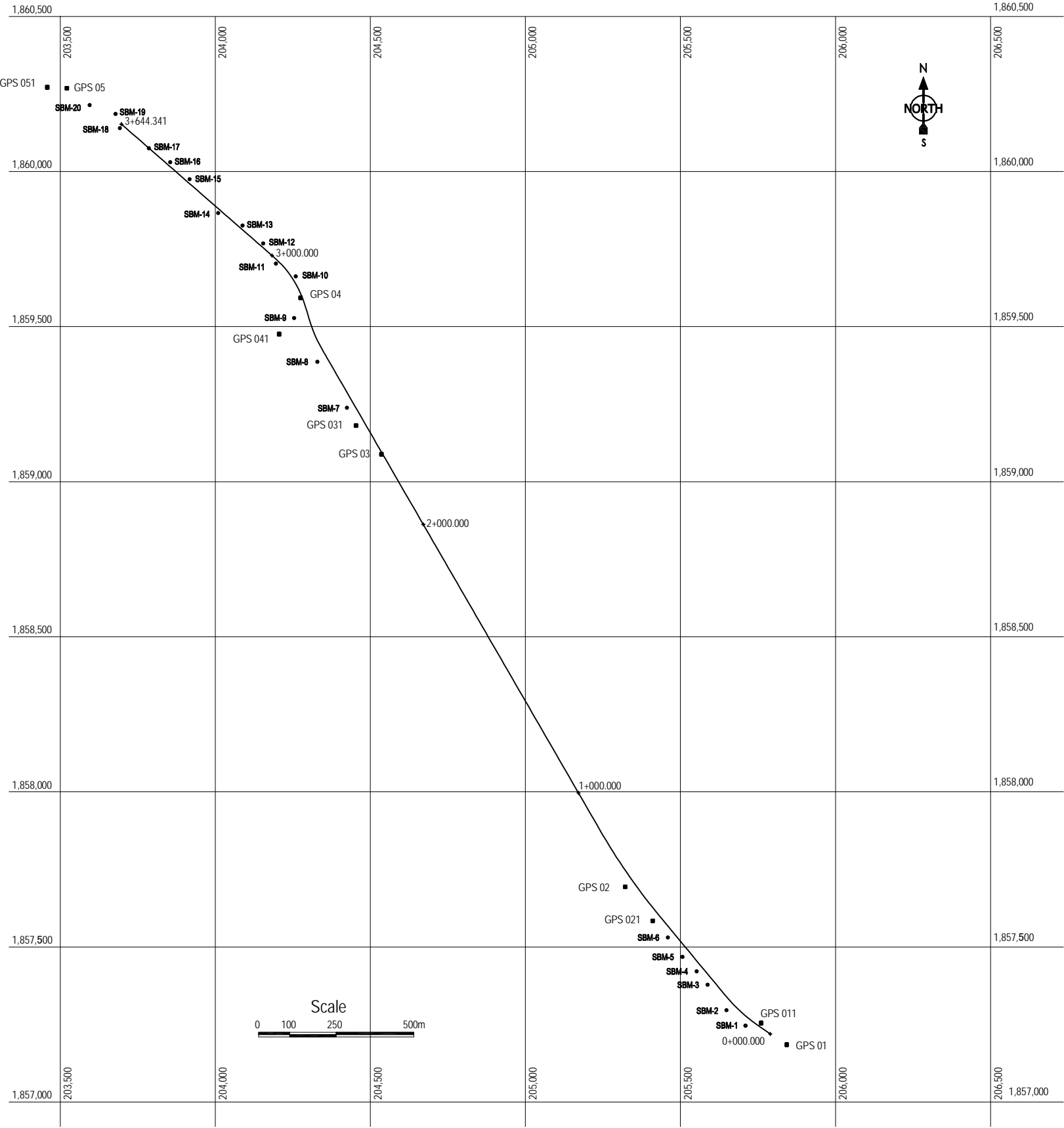
Secondary Control Point By TS

Point No	Easting	Northing	Elevation
SBM-1	205,709.674	1,857,245.921	4.664
SBM-2	205,648.458	1,857,295.972	3.968
SBM-3	205,587.614	1,857,378.019	4.452
SBM-4	205,552.160	1,857,421.174	4.242
SBM-5	205,506.509	1,857,467.950	4.582
SBM-6	205,459.429	1,857,530.545	4.476
SBM-7	204,424.427	1,859,238.491	4.324
SBM-8	204,329.282	1,859,386.470	4.361
SBM-9	204,254.242	1,859,527.666	4.472
SBM-10	204,259.481	1,859,662.039	5.476
SBM-11	204,195.472	1,859,703.336	4.441
SBM-12	204,154.484	1,859,768.248	4.809
SBM-13	204,087.886	1,859,825.931	4.820
SBM-14	204,009.411	1,859,866.246	4.668
SBM-15	203,917.301	1,859,975.432	4.711
SBM-16	203,854.596	1,860,030.075	4.662
SBM-17	203,785.802	1,860,075.169	5.150
SBM-18	203,692.328	1,860,139.951	4.536
SBM-19	203,678.453	1,860,185.673	4.496
SBM-20	203,595.035	1,860,214.212	4.526

Elevation : Direct Leveling above Mean Sea Level

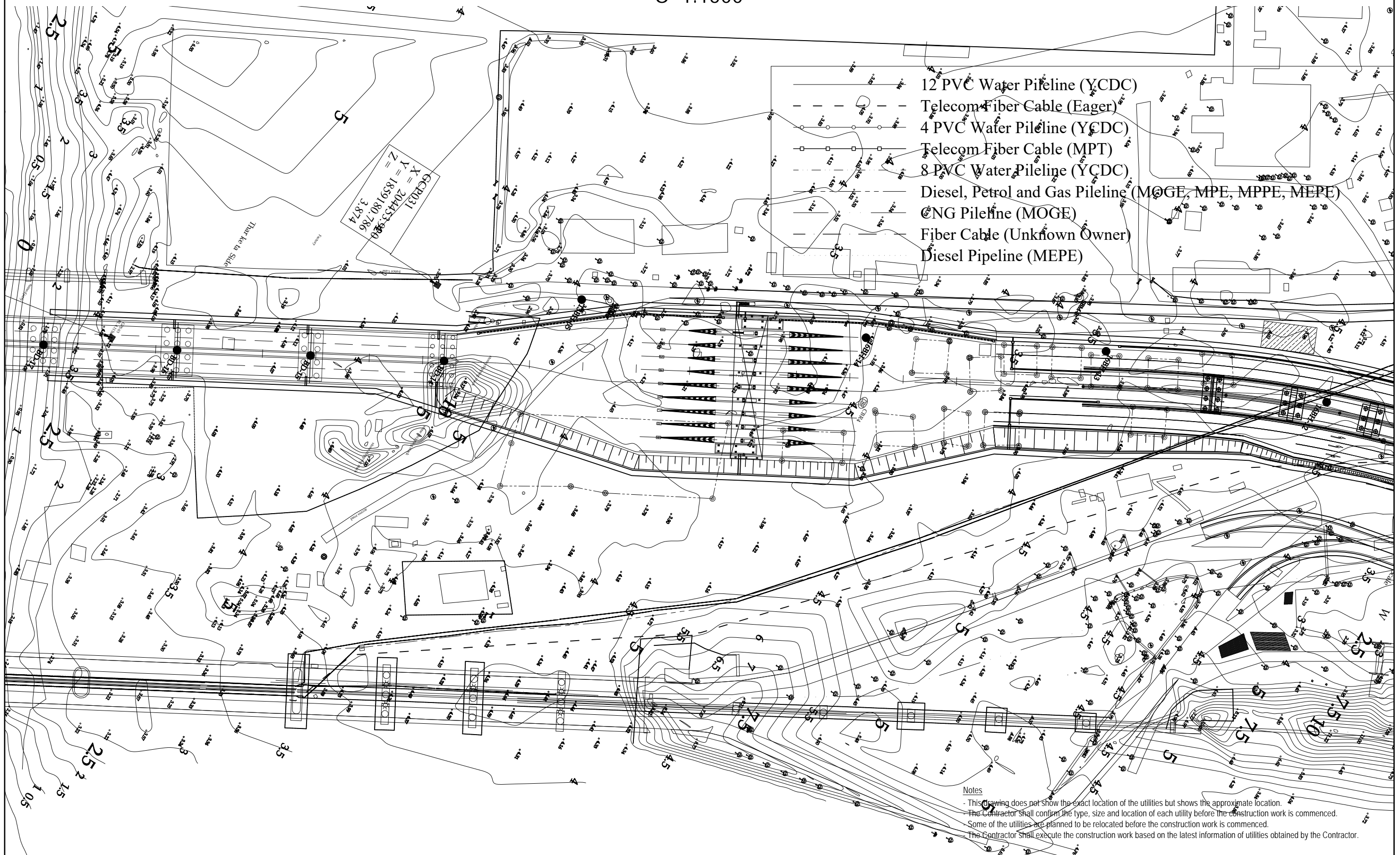
Existing Control Points from SD

Point No	Easting	Northing	Elevation
GCP 08	204,426.731	1,867,438.719	————
SD 2	197,289.025	1,863,904.781	————
BM76097	214,396.8	1,851,646.3	23.895



(REFERENCE) EXISTING UNDERGROUND UTILITIES LAYOUT (1)

S=1:1500



Notes
 - This drawing does not show the exact location of the utilities but shows the approximate location.
 The Contractor shall confirm the type, size and location of each utility before the construction work is commenced.
 Some of the utilities are planned to be relocated before the construction work is commenced.
 The Contractor shall execute the construction work based on the latest information of utilities obtained by the Contractor.

PROJECT NAME DETAILED DESIGN ON BAGO RIVER BRIDGE CONSTRUCTION PROJECT	FINANCED BY JAPAN INTERNATIONAL COOPERATION AGENCY	COUNTERPART REPUBLIC OF THE UNION OF MYANMAR MINISTRY OF CONSTRUCTION DEPARTMENT OF BRIDGE	JICA STUDY TEAM NIPPON KOEI CO., LTD. ORIENTAL CONSULTANTS GLOBAL CO., LTD. METROPOLITAN EXPRESSWAY COMPANY LIMITED CHODAI CO., LTD. NIPPON ENGINEERING CONSULTANTS CO., LTD.	NAME	SIGNATURE	DATE	DRAWING TITLE (REFERENCE) EXISTING UNDERGROUND UTILITIES LAYOUT (1)	PACKAGE
				PREPARED BY T. HAYAKAWA		29 Sept.2017		2
				CHECKED BY T. HAYAKAWA		3 Oct.2017		DWG No.
				APPROVED BY Y. SANO		6 Oct.2017		P2-REF-0008

(REFERENCE) EXISTING UNDERGROUND UTILITIES LAYOUT (2)

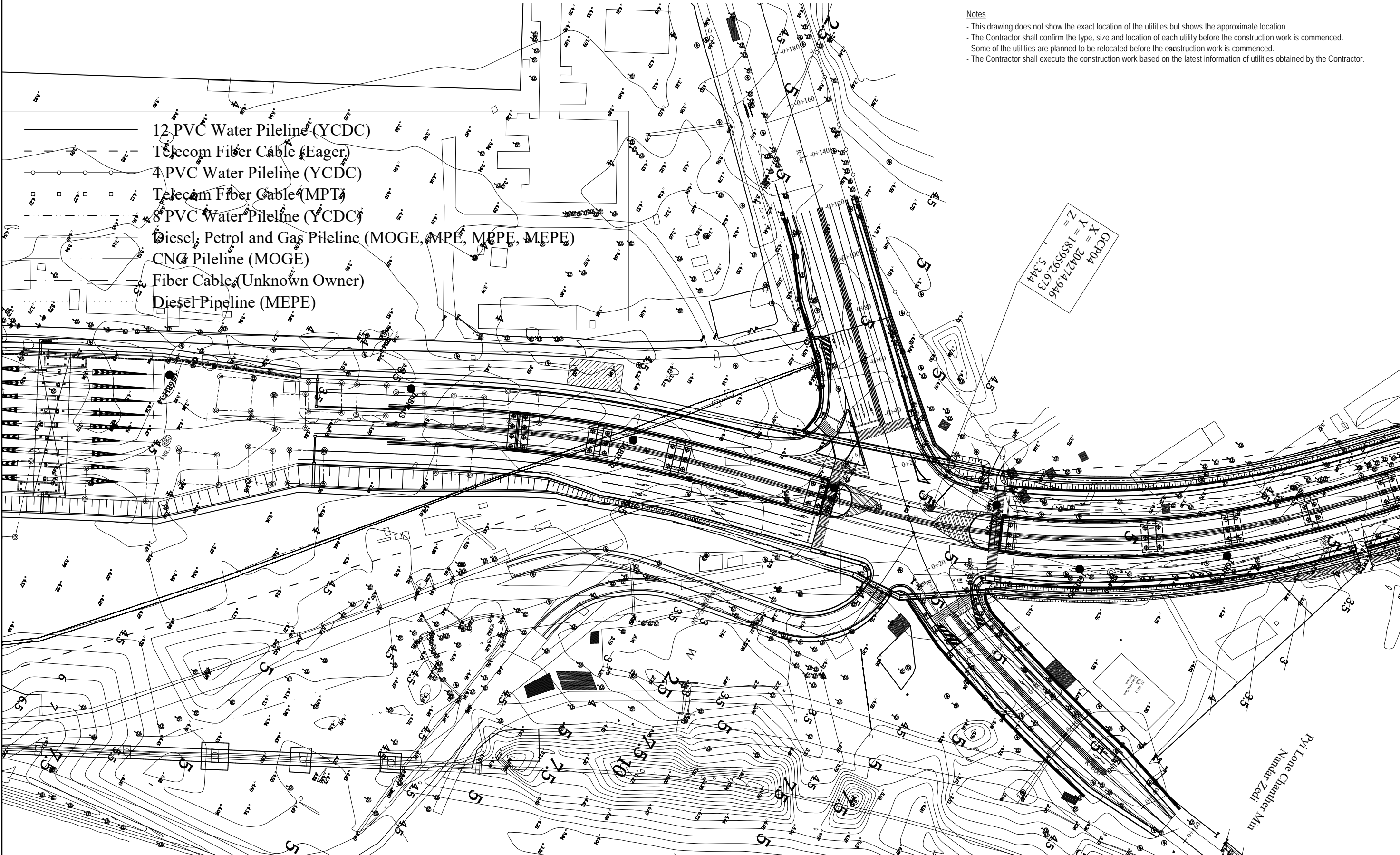
S=1:1500

Notes

- This drawing does not show the exact location of the utilities but shows the approximate location.
- The Contractor shall confirm the type, size and location of each utility before the construction work is commenced.
- Some of the utilities are planned to be relocated before the construction work is commenced.
- The Contractor shall execute the construction work based on the latest information of utilities obtained by the Contractor.

- 12 PVC Water Pipeline (YCDC)
- Telecom Fiber Cable (Eager)
- 4 PVC Water Pipeline (YCDC)
- Telecom Fiber Cable (MPT)
- 8 PVC Water Pipeline (YCDC)
- Diesel, Petrol and Gas Pipeline (MOGE, MPPE, MEPE)
- CNG Pipeline (MOGE)
- Fiber Cable (Unknown Owner)
- Diesel Pipeline (MEPE)

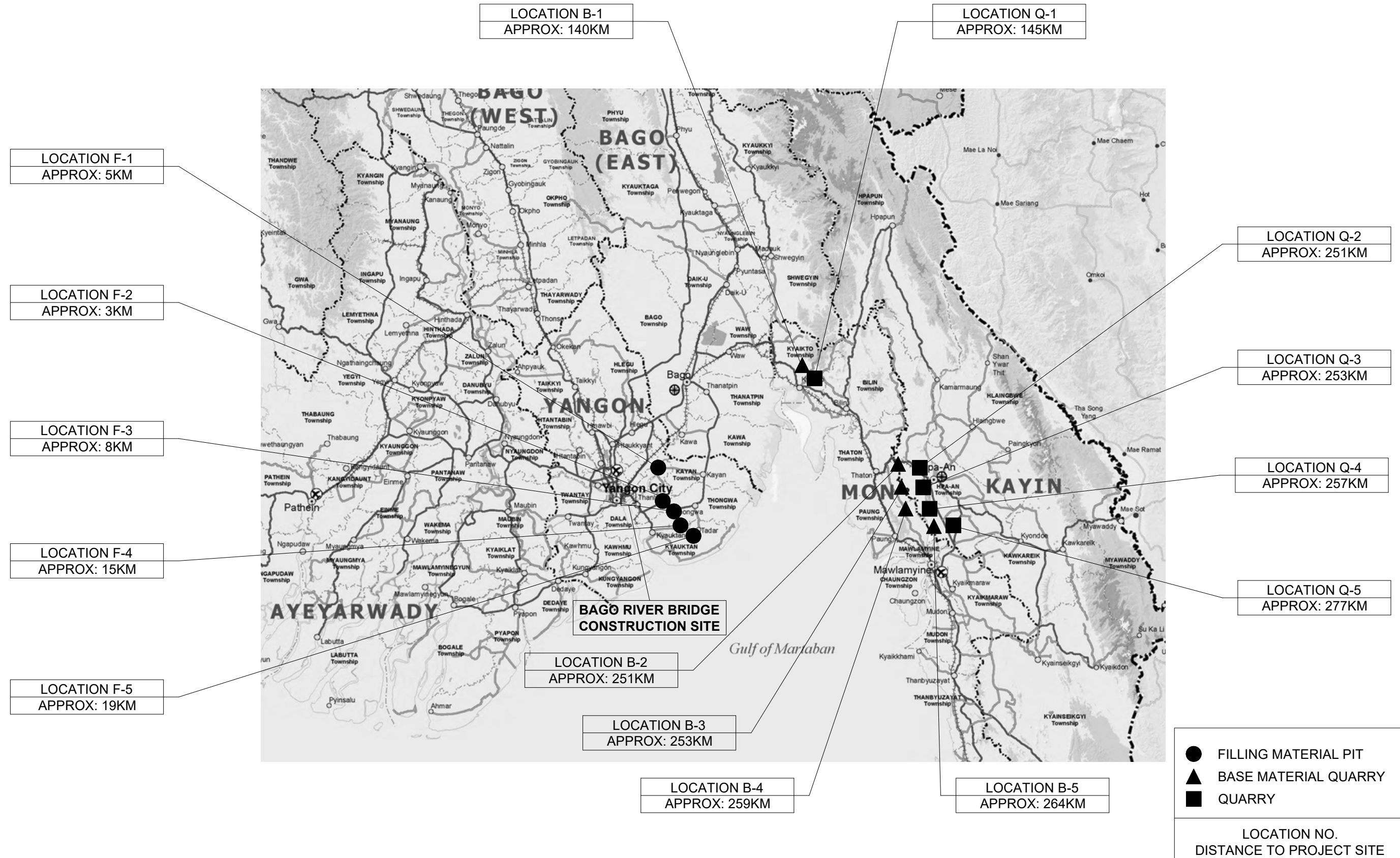
GCP04
X = 204274.946
Y = 1859592.673
Z = 5.344



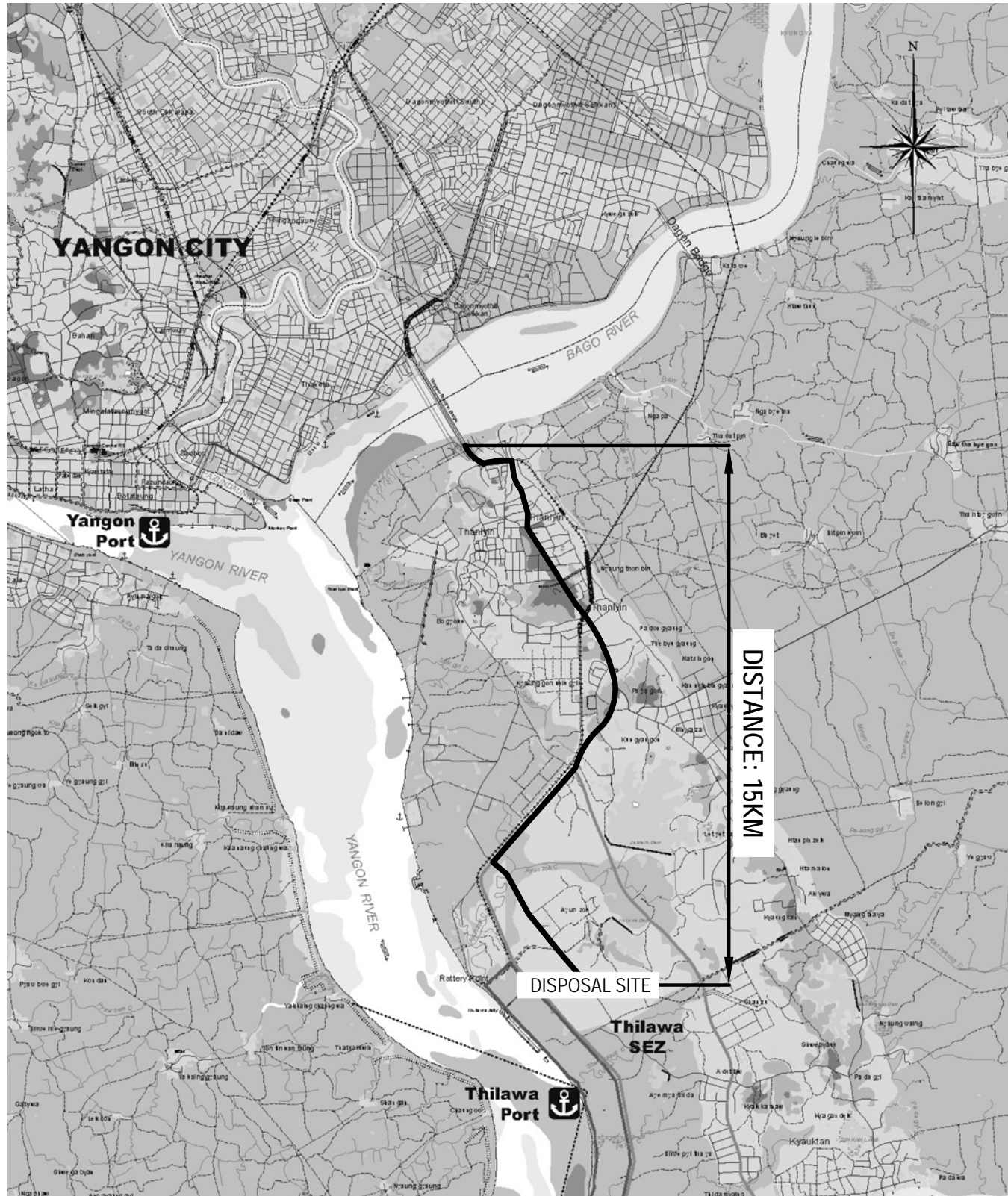
Pyi Lone Chander Min
Nandar Zedi

PROJECT NAME DETAILED DESIGN ON BAGO RIVER BRIDGE CONSTRUCTION PROJECT	FINANCED BY JAPAN INTERNATIONAL COOPERATION AGENCY	COUNTERPART REPUBLIC OF THE UNION OF MYANMAR MINISTRY OF CONSTRUCTION DEPARTMENT OF BRIDGE	JICA STUDY TEAM NIPPON KOEI CO., LTD. ORIENTAL CONSULTANTS GLOBAL CO., LTD. METROPOLITAN EXPRESSWAY COMPANY LIMITED CHODAI CO., LTD. NIPPON ENGINEERING CONSULTANTS CO., LTD.	NAME	SIGNATURE	DATE	DRAWING TITLE (REFERENCE) EXISTING UNDERGROUND UTILITIES LAYOUT (2)	PACKAGE	
				PREPARED BY	T. HAYAKAWA			29 Sept. 2017	2
				CHECKED BY	T. HAYAKAWA			3 Oct. 2017	DWG No.
				APPROVED BY	Y. SANO			6 Oct. 2017	P2-REF-0009

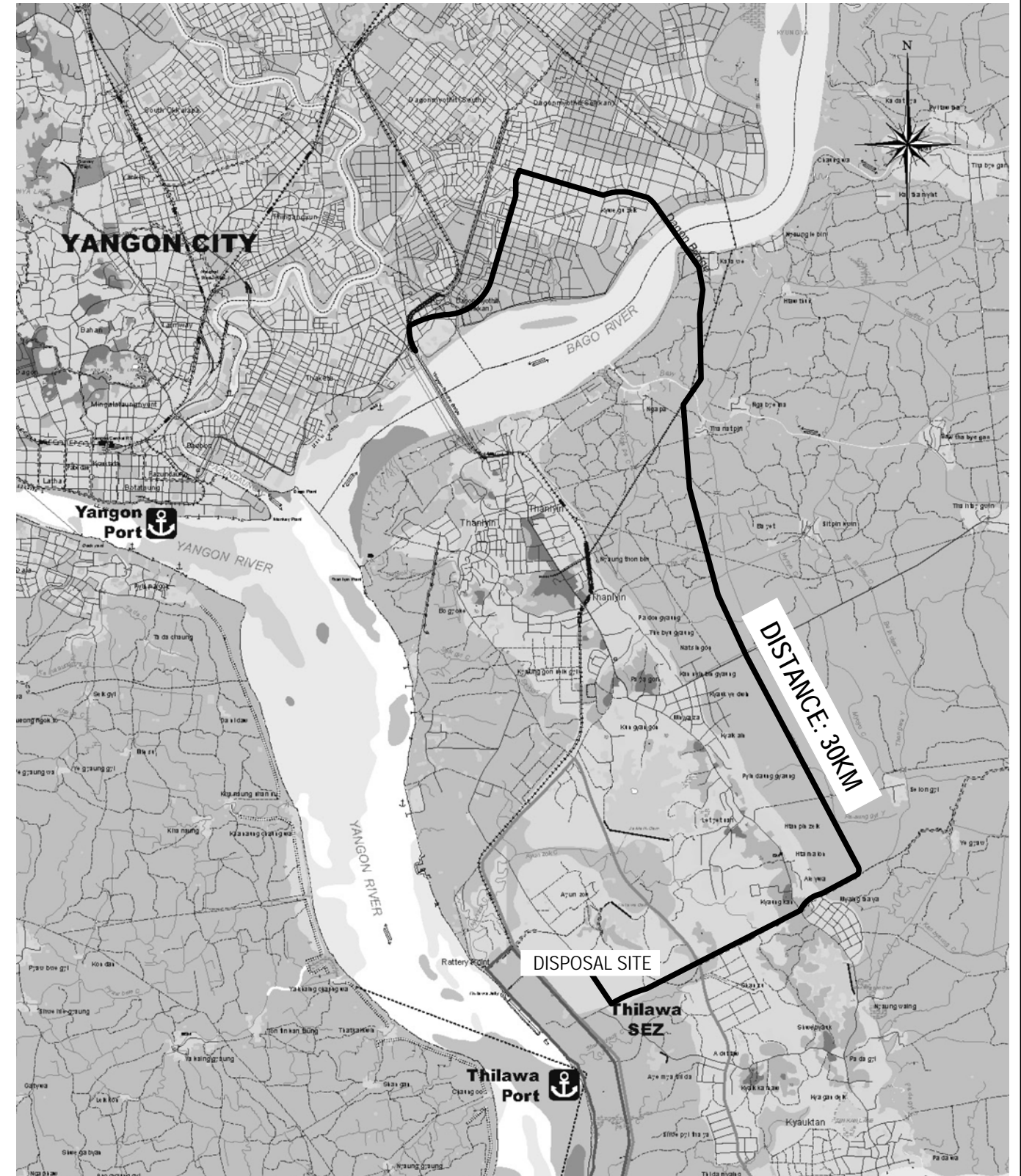
(REFERENCE) QUARRY SITE LOCATION



(REFERENCE) LAND TRANSPORTATION ROUTE TO WASTE DISPOSAL SITE IN THILAWA SEZ



LAND ROUTE 1
FROM PACKAGE 1 TO DIPOSAL SITE

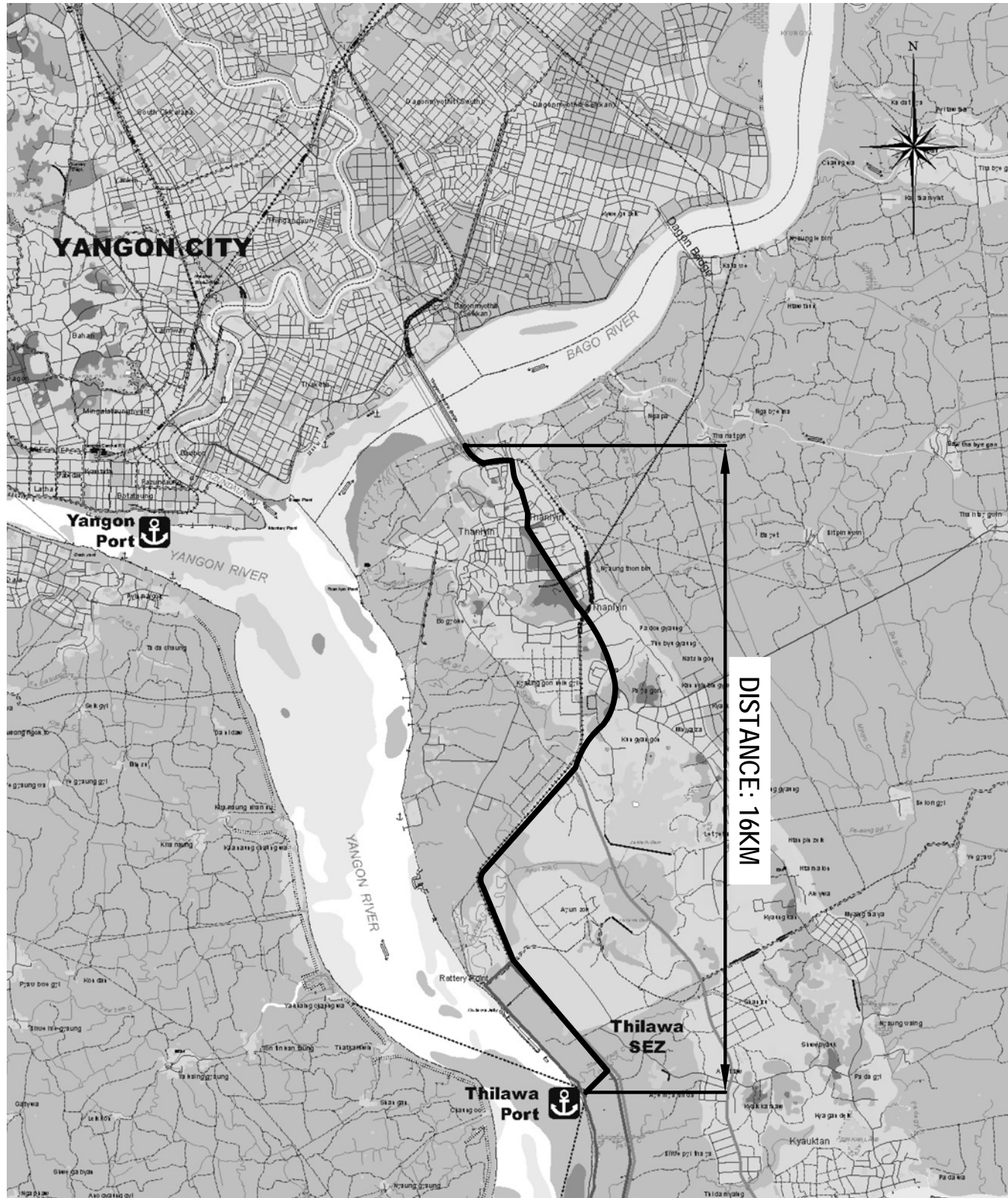


LAND ROUTE 2
FROM PACKAGE 2 & 3 TO DIPOSAL SITE

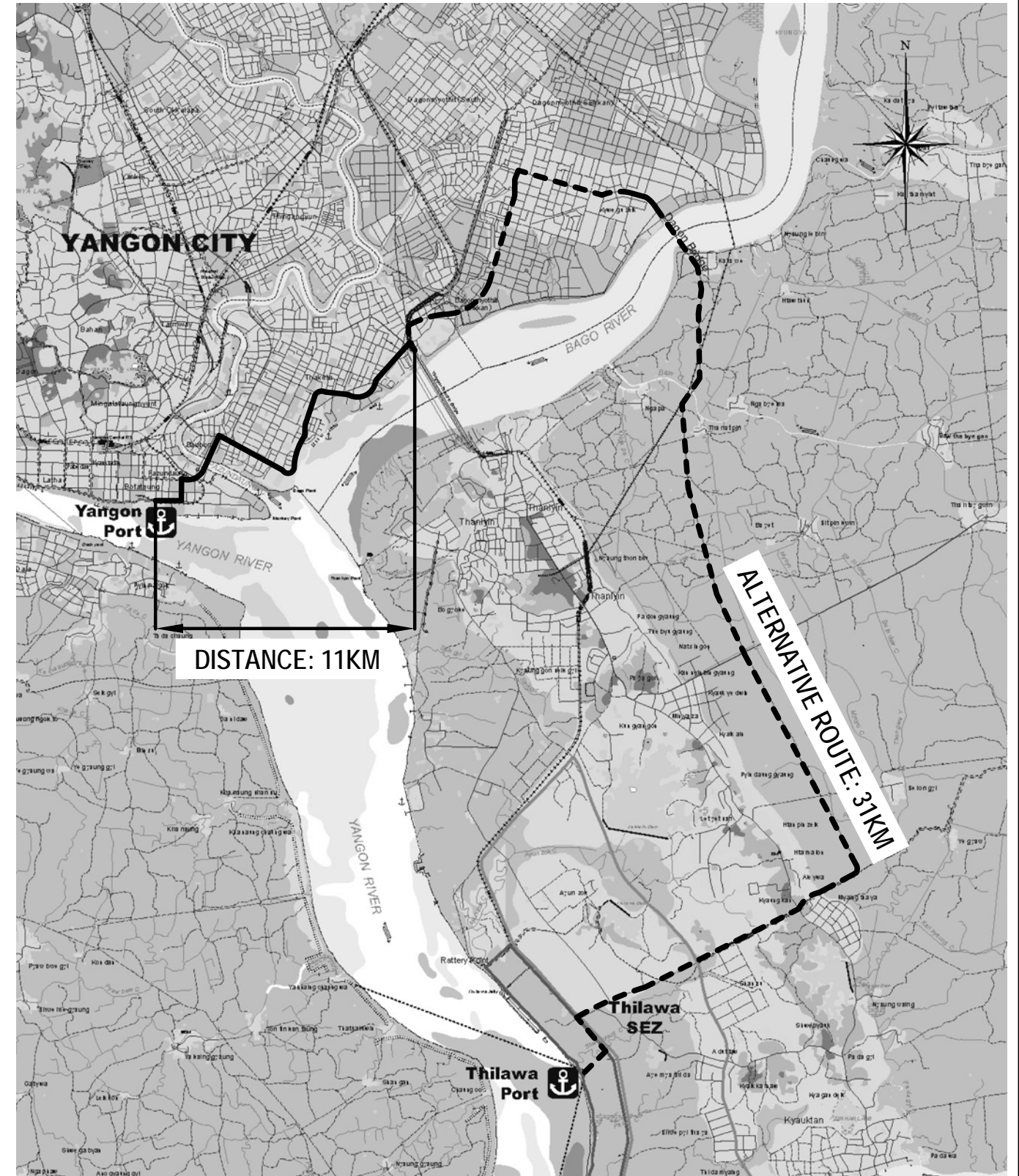
NOTE: The site shown in this drawing is a candidate for the waste disposal site. The contractor may change the waste disposal site according to Engineer's instruction.

PROJECT NAME DETAILED DESIGN ON BAGO RIVER BRIDGE CONSTRUCTION PROJECT	FINANCED BY JAPAN INTERNATIONAL COOPERATION AGENCY	COUNTERPART REPUBLIC OF THE UNION OF MYANMAR MINISTRY OF CONSTRUCTION DEPARTMENT OF BRIDGE	JICA STUDY TEAM NIPPON KOEI CO., LTD. ORIENTAL CONSULTANTS GLOBAL CO., LTD. METROPOLITAN EXPRESSWAY COMPANY LIMITED CHODAI CO.,LTD. NIPPON ENGINEERING CONSULTANTS CO.,LTD.	NAME	SIGNATURE	DATE	DRAWING TITLE (REFERENCE) LAND TRANSPORTATION ROUTE TO WASTE DISPOSAL SITE IN THILAWA SEZ	PACKAGE	
				PREPARED BY	T. HAYAKAWA			4 Aug.2017	2
				CHECKED BY	T. HAYAKAWA			14 Aug.2017	DWG No.
				APPROVED BY	Y. SANO			16 Aug.2017	P2-REF-1002

(REFERENCE) LAND TRANSPORTATION ROUTE FROM LANDING PORT



LAND ROUTE 1
FROM THILAWA PORT TO PACKAGE 1



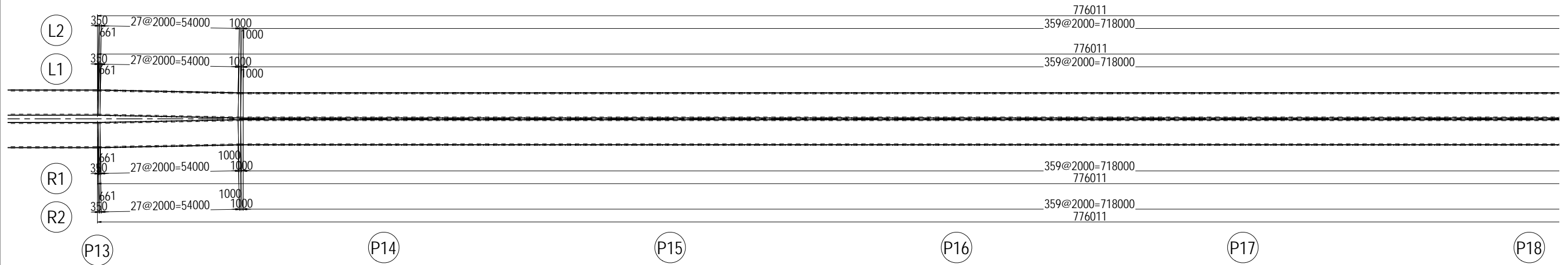
LAND ROUTE 2
FROM YANGON PORT TO PACKAGE 2 & 3
(FROM THILAWA PORT TO PACKAGE 2 & 3)

PROJECT NAME DETAILED DESIGN ON BAGO RIVER BRIDGE CONSTRUCTION PROJECT	FINANCED BY JAPAN INTERNATIONAL COOPERATION AGENCY	COUNTERPART REPUBLIC OF THE UNION OF MYANMAR MINISTRY OF CONSTRUCTION DEPARTMENT OF BRIDGE	JICA STUDY TEAM NIPPON KOEI CO., LTD. ORIENTAL CONSULTANTS GLOBAL CO., LTD. METROPOLITAN EXPRESSWAY COMPANY LIMITED CHODAI CO., LTD. NIPPON ENGINEERING CONSULTANTS CO., LTD.	NAME	SIGNATURE	DATE	DRAWING TITLE (REFERENCE) LAND TRANSPORTATION ROUTE FROM LANDING PORT	PACKAGE	
				PREPARED BY	T. HAYAKAWA			4 Aug.2017	2
				CHECKED BY	T. HAYAKAWA			14 Aug.2017	DWG No.
APPROVED BY	Y. SANO		16 Aug.2017		P2-REF-1003				

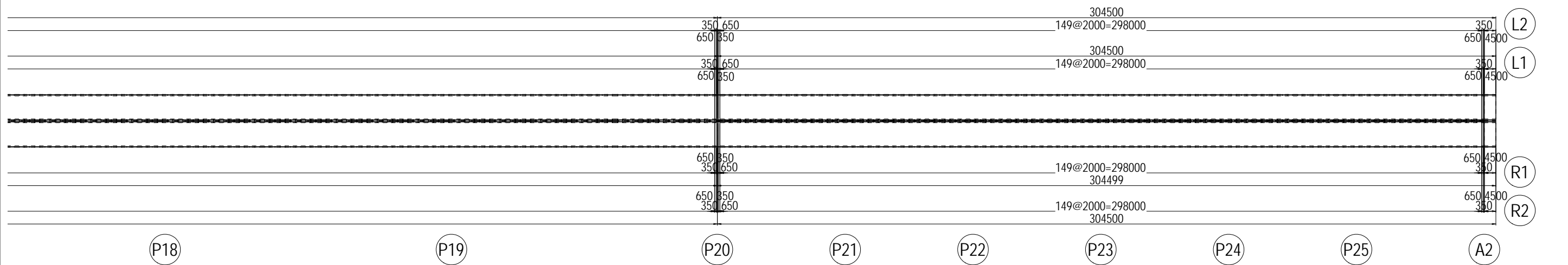
(REFERENCE) DIAGRAM OF RAILING POST

S=1:800

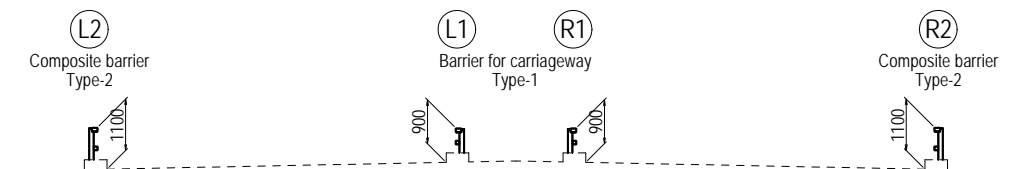
P13 - P18 (STEEL BOX GIRDER)



P18 - P20 (STEEL BOX GIRDER), P20 - A2 (PC BOX GIRDER)



LEGEND

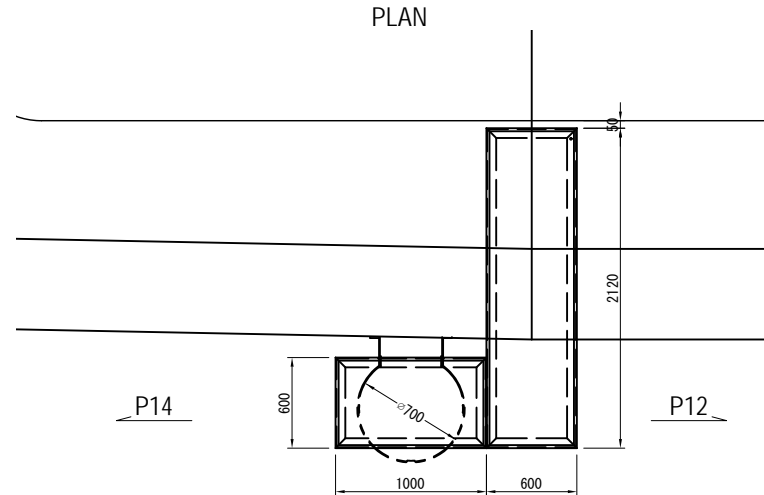


Elevation represents above MSL unless otherwise indicated.

PROJECT NAME DETAILED DESIGN ON BAGO RIVER BRIDGE CONSTRUCTION PROJECT	FINANCED BY JAPAN INTERNATIONAL COOPERATION AGENCY	COUNTERPART REPUBLIC OF THE UNION OF MYANMAR MINISTRY OF CONSTRUCTION DEPARTMENT OF BRIDGE	JICA STUDY TEAM NIPPON KOEI CO., LTD. ORIENTAL CONSULTANTS GLOBAL CO., LTD. METROPOLITAN EXPRESSWAY COMPANY LIMITED CHODAI CO., LTD. NIPPON ENGINEERING CONSULTANTS CO., LTD.	NAME	SIGNATURE	DATE	DRAWING TITLE (REFERENCE) DIAGRAM OF RAILING POST	PACKAGE	
				PREPARED BY	T. HAYAKAWA			29 Sep. 2017	2
				CHECKED BY	T. HAYAKAWA			3 Oct. 2017	DWG No.
				APPROVED BY	Y. SANO			6 Oct. 2017	P2-REF-2001

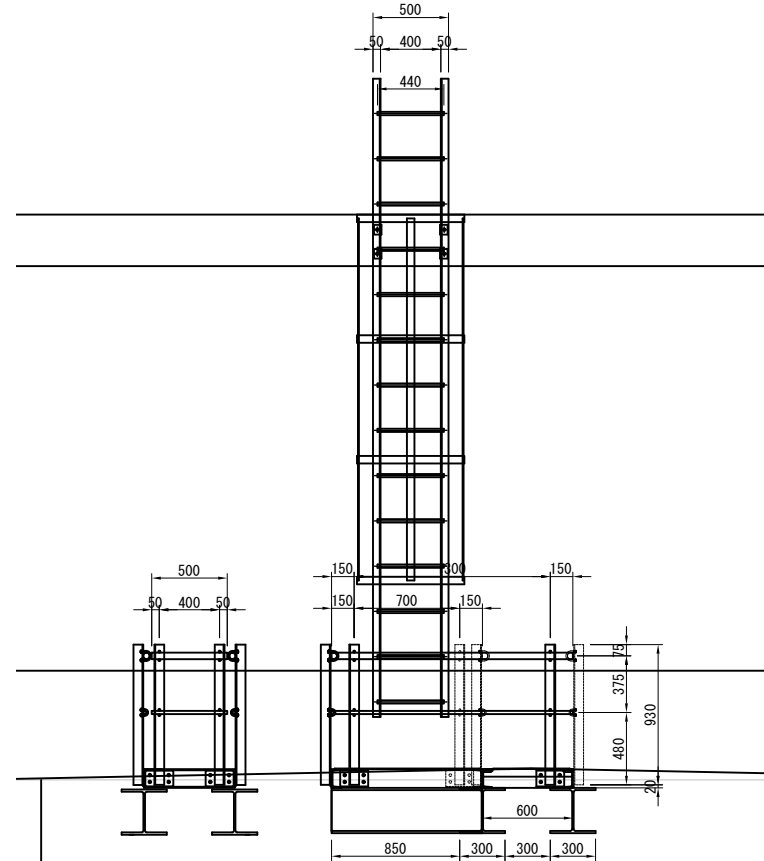
(REFERENCE) INSPECTION LADDER FROM DECK

LADDER ON P13 PIER

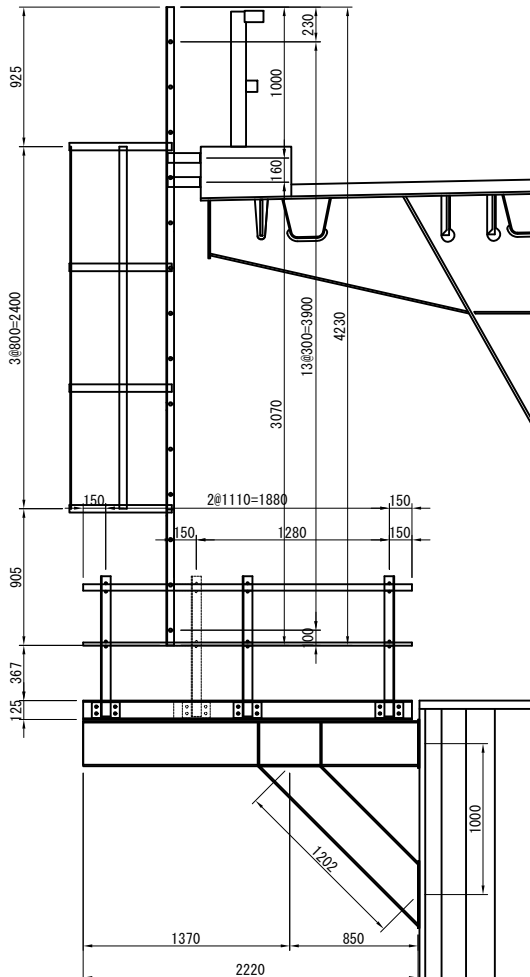


- LADDER**
 2-L 50x50x6x4230
 3-FB 50x4.5x2400
 4-FB 50x4.5x2057
 14-RB 22qx440
 4-FB 65x6x264
 4-Concrete Anchor M16x125
 4-BN M16x40
- PATHWAY (2)**
 1-CH PL 560x3.2x960
 2-C 125x65x6x8x1000
 2-C 125x65x6x8x600
 3-FB 50x6x588
 12-BN M10x30
 1-PL 240x9x580
 1-PL 100x9x580
- SUPPORT BEAM**
 2-H 300x300x15x10x2220
 2-H 300x300x15x10x1202
 2-H 300x300x15x10x850
 2-PL 320x320x10
 2-PL 320x444x10
 8-PL 280x145x10
 16-Concrete Anchor M16x125
- PATHWAY (1)**
 1-CH PL 560x3.2x2080
 2-C 125x65x6x8x2120
 2-C 125x65x6x8x600
 4-FB 50x6x588
 26-BN M10x30
 2-PL 240x9x580
 2-PL 100x9x580
- HANDRAIL (1)**
 5-L 65x65x6x930
 5-PL 105x6x185
 1-PIPE 42.7x2.3x2180
 1-PIPE 21.7x1.9x2180
 1-PIPE 42.7x2.3x1580
 1-PIPE 42.7x2.3x1580
 5-U-bolt 32A
 5-U-bolt 15A
 20-Nut M10
- HANDRAIL (2)**
 6-L 65x65x6x930
 6-PL 105x6x185
 1-PIPE 42.7x2.3x1600
 1-PIPE 21.7x1.9x1600
 1-PIPE 42.7x2.3x1000
 1-PIPE 42.7x2.3x1000
 1-PIPE 42.7x2.3x500
 1-PIPE 42.7x2.3x500
 6-U-bolt 32A
 6-U-bolt 15A
 24-Nut M10

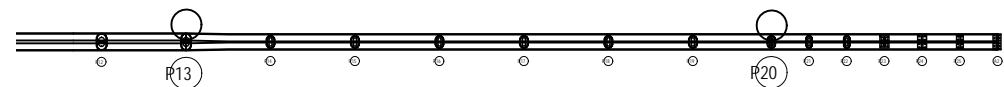
ELEVATION



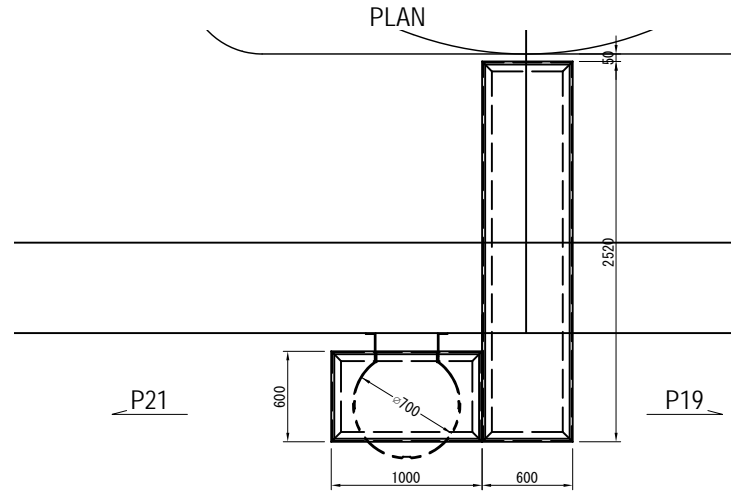
SECTION



LOCATION

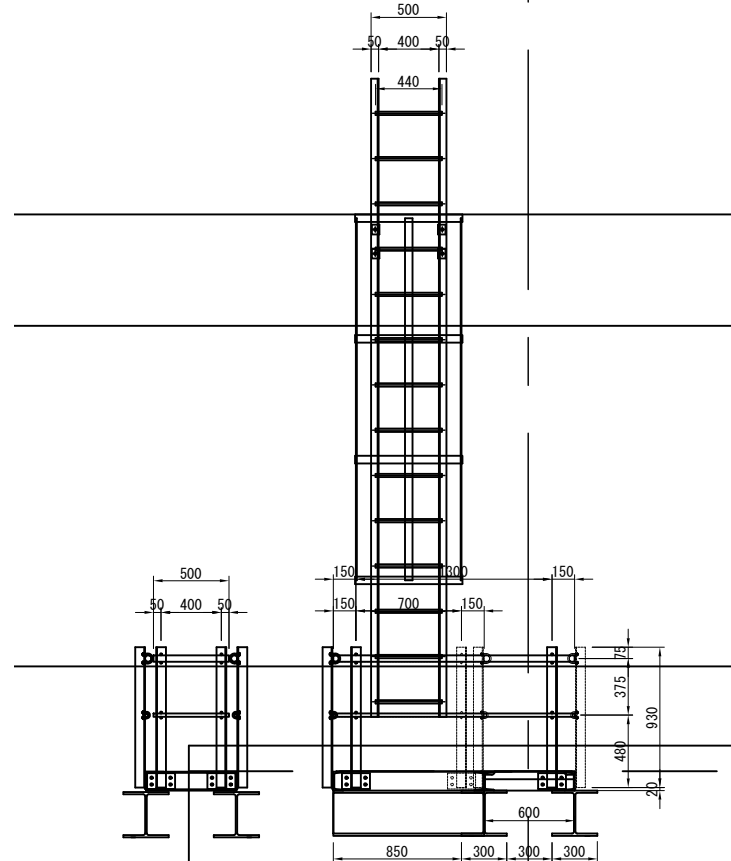


LADDER ON P20 PIER

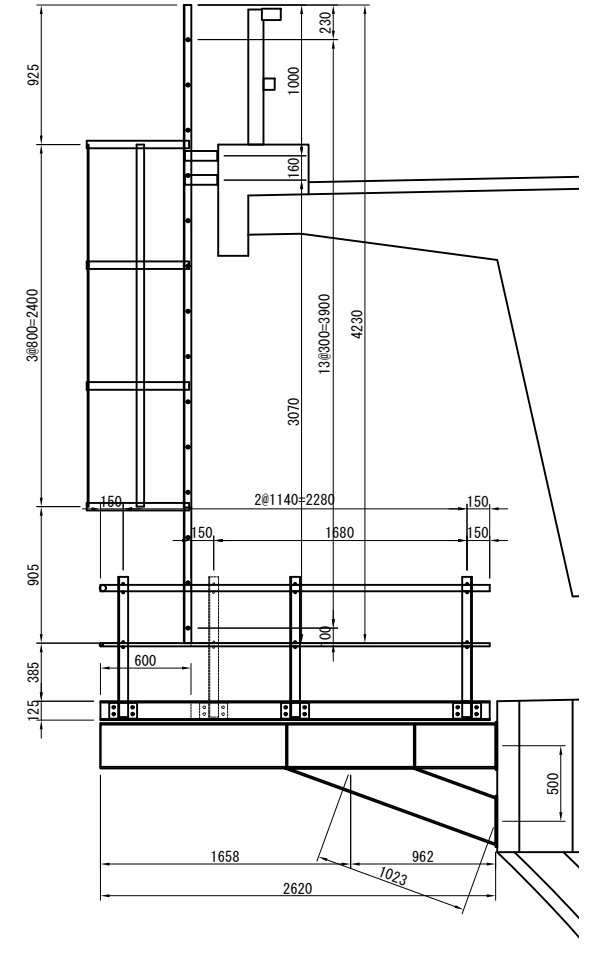


- LADDER**
 2-L 50x50x6x4230
 3-FB 50x4.5x2400
 4-FB 50x4.5x2057
 14-RB 22qx440
 4-FB 65x6x264
 4-Concrete Anchor M16x125
 4-BN M16x40
- PATHWAY (2)**
 1-CH PL 560x3.2x960
 2-C 125x65x6x8x1000
 2-C 125x65x6x8x600
 3-FB 50x6x588
 12-BN M10x30
 1-PL 240x9x580
 1-PL 100x9x580
- SUPPORT BEAM**
 2-H 300x300x15x10x2570
 2-H 300x300x15x10x1023
 2-H 300x300x15x10x850
 2-PL 320x320x10
 2-PL 320x390x10
 8-PL 280x145x10
 16-Concrete Anchor M16x125
- PATHWAY (1)**
 1-CH PL 560x3.2x2480
 2-C 125x65x6x8x2520
 2-C 125x65x6x8x600
 4-FB 50x6x588
 26-BN M10x30
 2-PL 240x9x580
 2-PL 100x9x580
- HANDRAIL (1)**
 5-L 65x65x6x930
 5-PL 105x6x185
 1-PIPE 42.7x2.3x2520
 1-PIPE 21.7x1.9x2520
 1-PIPE 42.7x2.3x1920
 1-PIPE 42.7x2.3x1920
 5-U-bolt 32A
 5-U-bolt 15A
 20-Nut M10
- HANDRAIL (2)**
 6-L 65x65x6x930
 6-PL 105x6x185
 1-PIPE 42.7x2.3x1600
 1-PIPE 21.7x1.9x1600
 1-PIPE 42.7x2.3x1000
 1-PIPE 42.7x2.3x1000
 1-PIPE 42.7x2.3x500
 1-PIPE 42.7x2.3x500
 6-U-bolt 32A
 6-U-bolt 15A
 24-Nut M10

ELEVATION



SECTION



PROJECT NAME	FINANCED BY	COUNTERPART	JICA STUDY TEAM	NAME	SIGNATURE	DATE	DRAWING TITLE	PACKAGE
DETAILED DESIGN ON BAGO RIVER BRIDGE CONSTRUCTION PROJECT	JICA JAPAN INTERNATIONAL COOPERATION AGENCY	REPUBLIC OF THE UNION OF MYANMAR MINISTRY OF CONSTRUCTION DEPARTMENT OF BRIDGE	NIPPON KOEI CO., LTD. ORIENTAL CONSULTANTS GLOBAL CO., LTD. METROPOLITAN EXPRESSWAY COMPANY LIMITED CHODAI CO., LTD. NIPPON ENGINEERING CONSULTANTS CO., LTD.	T. HAYAKAWA		29 Sep. 2017	(REFERENCE) INSPECTION LADDER FROM DECK	2
				T. HAYAKAWA		3 Oct. 2017		DWG No.
				Y. SANO		6 Oct. 2017		P2-REF-2002