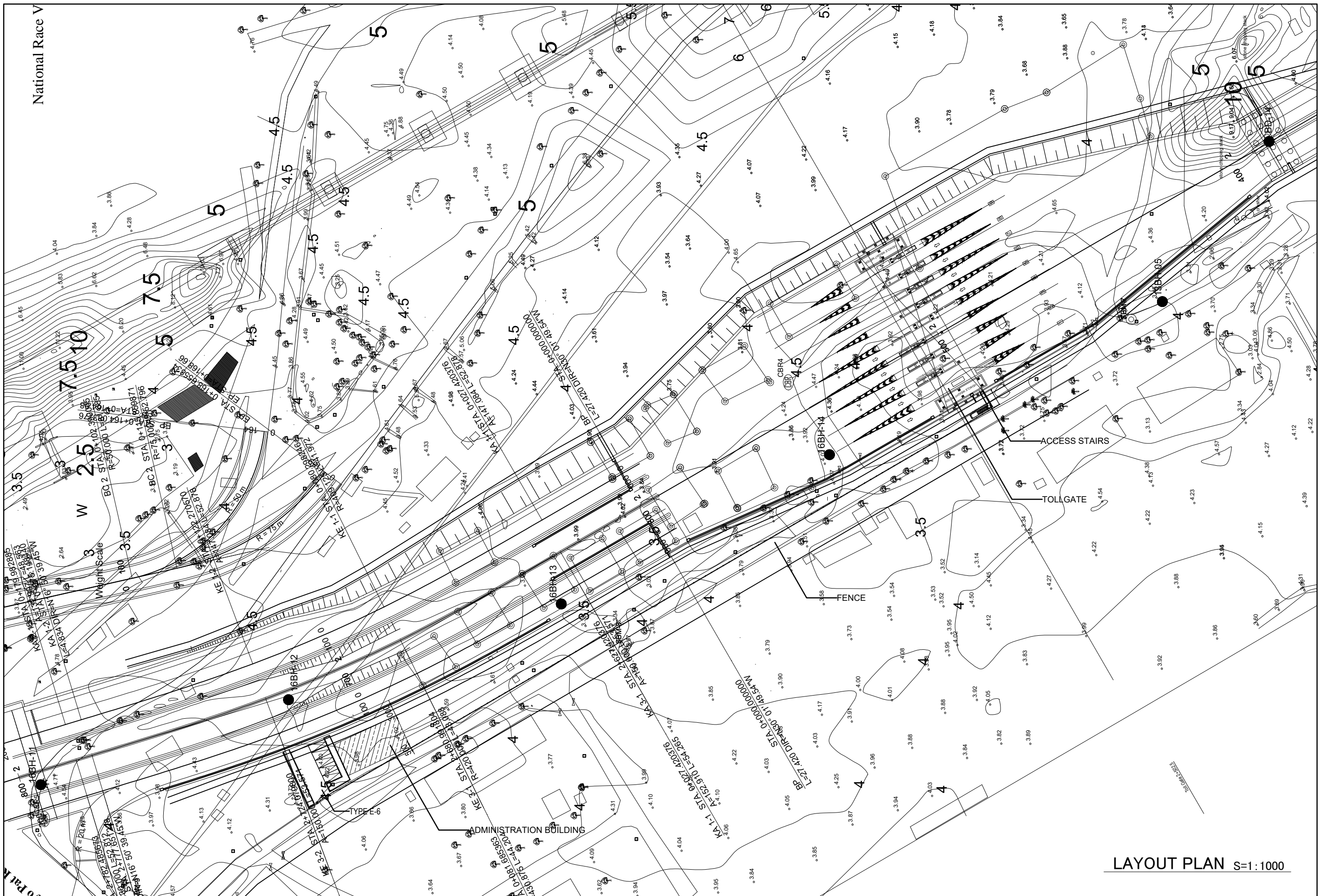
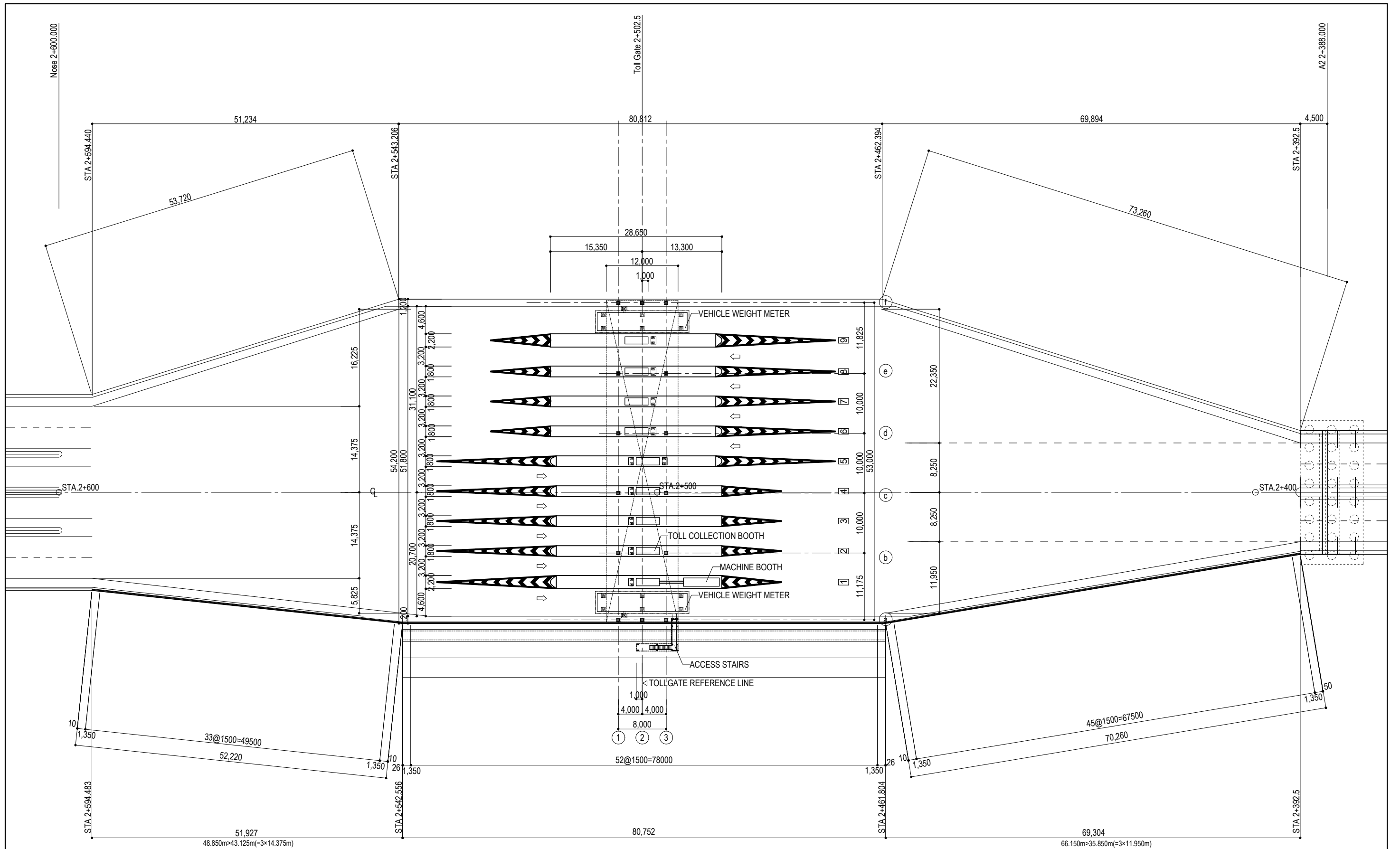


E. TOLL COLLECTION FACILITY



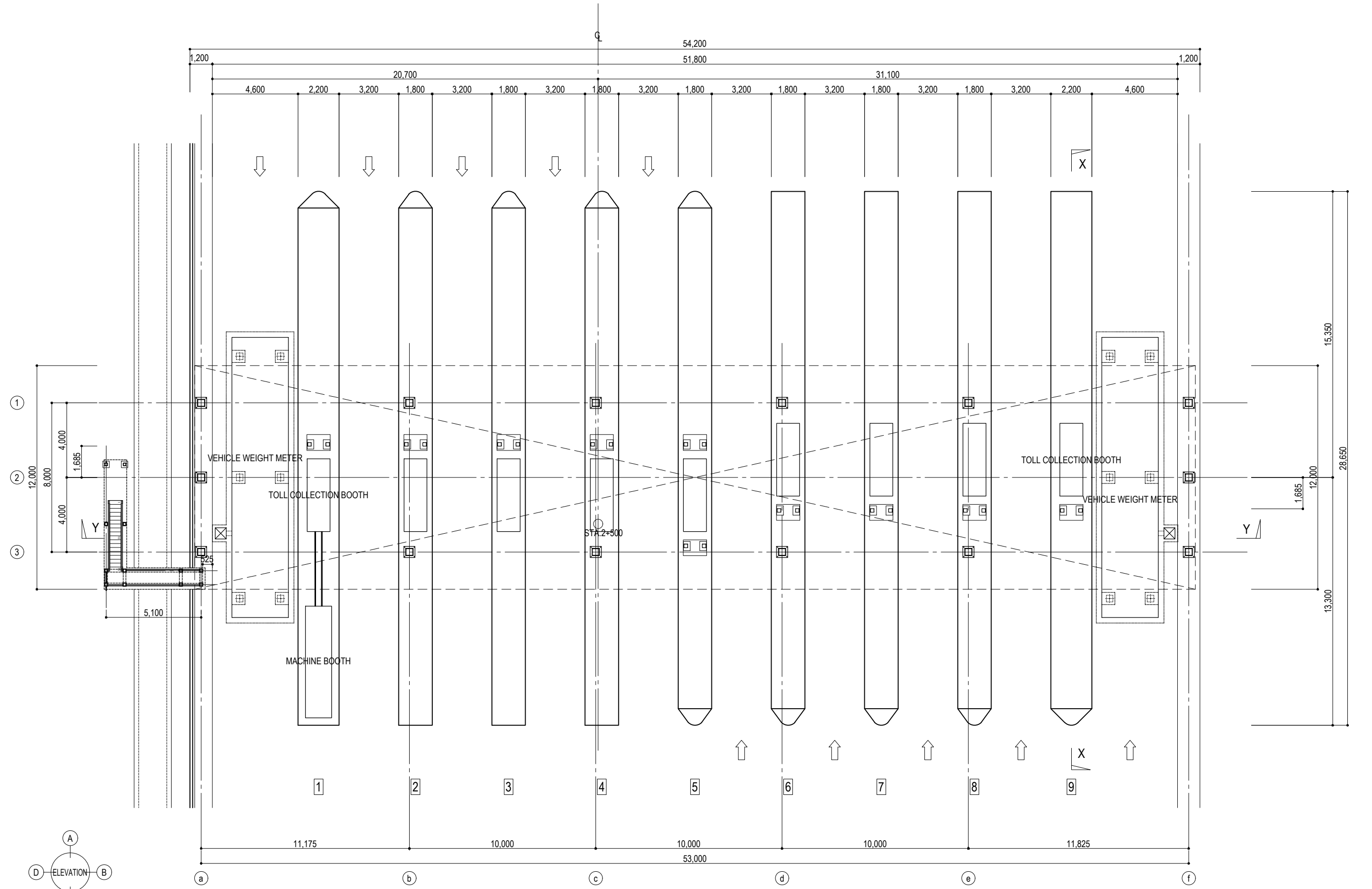
LAYOUT PLAN S=1:1000

PROJECT NAME DETAILED DESIGN ON BAGO RIVER BRIDGE CONSTRUCTION PROJECT	FINANCED BY JAPAN INTERNATIONAL COOPERATION AGENCY	COUNTERPART REPUBLIC OF THE UNION OF MYANMAR MINISTRY OF CONSTRUCTION DEPARTMENT OF BRIDGE	JICA STUDY TEAM NIPPON KOEI CO., LTD. ORIENTAL CONSULTANTS GLOBAL CO., LTD. METROPOLITAN EXPRESSWAY COMPANY LIMITED CHODAI CO., LTD. NIPPON ENGINEERING CONSULTANTS CO., LTD.	NAME	SIGNATURE	DATE	DRAWING TITLE GENERAL VIEW	PACKAGE 2 DWG No. P2-TC-0001	
				PREPARED BY	K. NAKAMURA				29 Sep. 2017
				CHECKED BY	T. HAYAKAWA				3 Oct. 2017
APPROVED BY	Y. SANO		6 Oct. 2017						



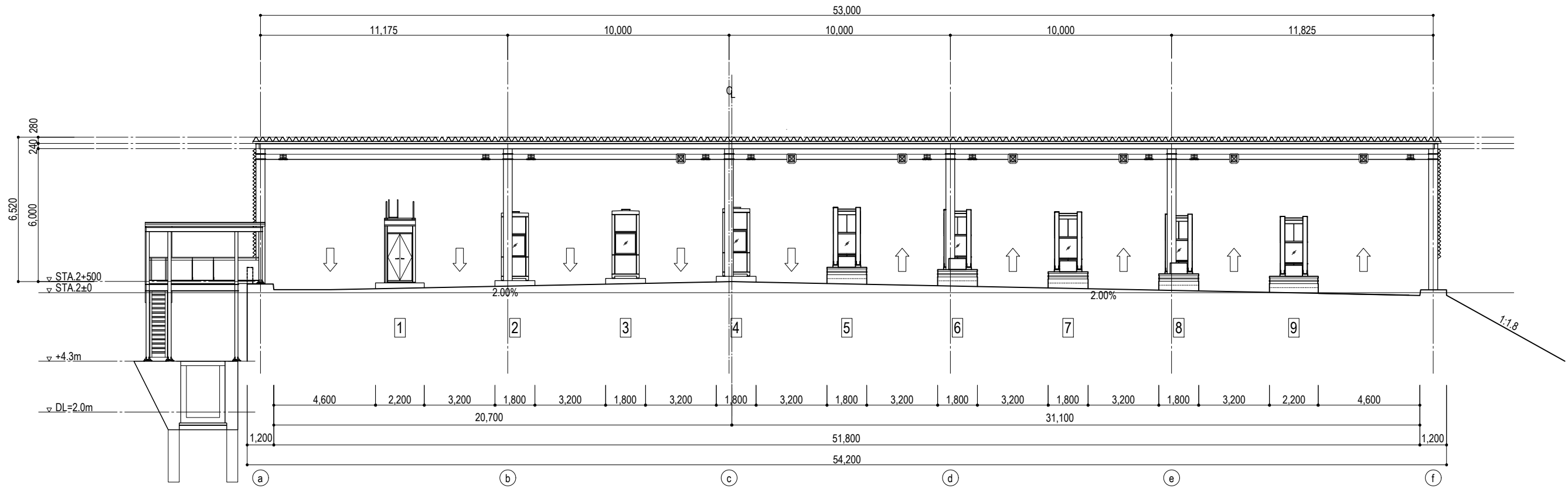
LAYOUT PLAN S=1:600

PROJECT NAME DETAILED DESIGN ON BAGO RIVER BRIDGE CONSTRUCTION PROJECT	FINANCED BY JAPAN INTERNATIONAL COOPERATION AGENCY	COUNTERPART REPUBLIC OF THE UNION OF MYANMAR MINISTRY OF CONSTRUCTION DEPARTMENT OF BRIDGE	JICA STUDY TEAM NIPPON KOEI CO., LTD. ORIENTAL CONSULTANTS GLOBAL CO., LTD. METROPOLITAN EXPRESSWAY COMPANY LIMITED CHODAI CO., LTD. NIPPON ENGINEERING CONSULTANTS CO., LTD.	NAME	SIGNATURE	DATE	DRAWING TITLE	PACKAGE			
				PREPARED BY	*GROUP LEADER				15 Jun. 2017	LAYOUT PLAN OF TOLL ISLAND/LARGE ROOF	2
				CHECKED BY	T. HAYAKAWA				20 Jun. 2017		DWG No.
				APPROVED BY	Y. SANO				21 Jun. 2017		P2-TC-1001

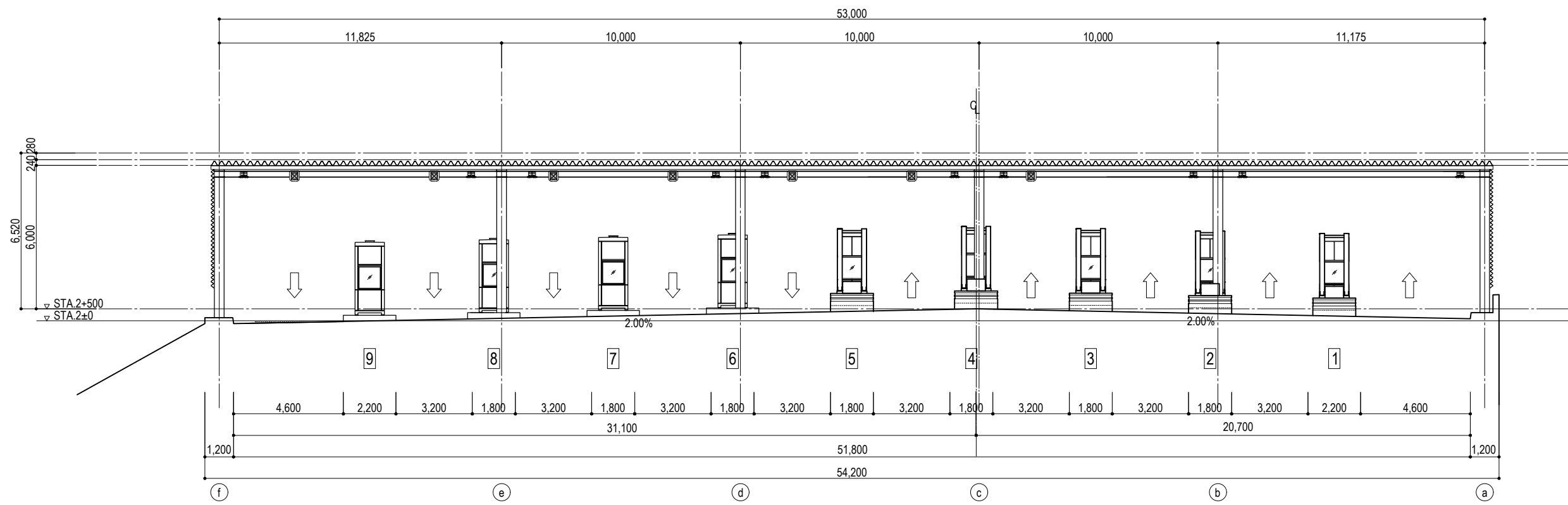


PLAN S=1:200

PROJECT NAME DETAILED DESIGN ON BAGO RIVER BRIDGE CONSTRUCTION PROJECT	FINANCED BY JAPAN INTERNATIONAL COOPERATION AGENCY	COUNTERPART REPUBLIC OF THE UNION OF MYANMAR MINISTRY OF CONSTRUCTION DEPARTMENT OF BRIDGE	JICA STUDY TEAM NIPPON KOEI CO., LTD. ORIENTAL CONSULTANTS GLOBAL CO., LTD. METROPOLITAN EXPRESSWAY COMPANY LIMITED CHODAI CO., LTD. NIPPON ENGINEERING CONSULTANTS CO., LTD.	NAME	SIGNATURE	DATE	DRAWING TITLE PLAN VIEW OF TOLL ISLAND/LARGE ROOF	PACKAGE 2 DWG No. P2-TC-1002	
				PREPARED BY	*GROUP LEADER				15 Jun. 2017
				CHECKED BY	T. HAYAKAWA				20 Jun. 2017
				APPROVED BY	Y. SANO				21 Jun. 2017

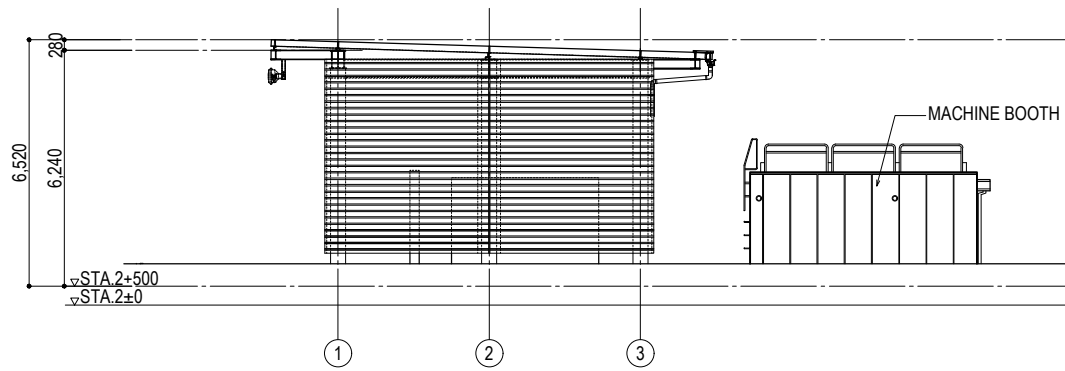


© ELEVATION S=1:200

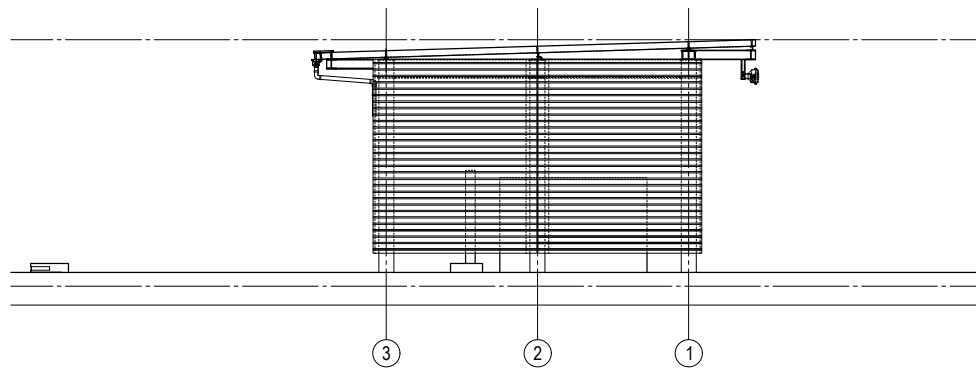


Ⓐ ELEVATION S=1:200

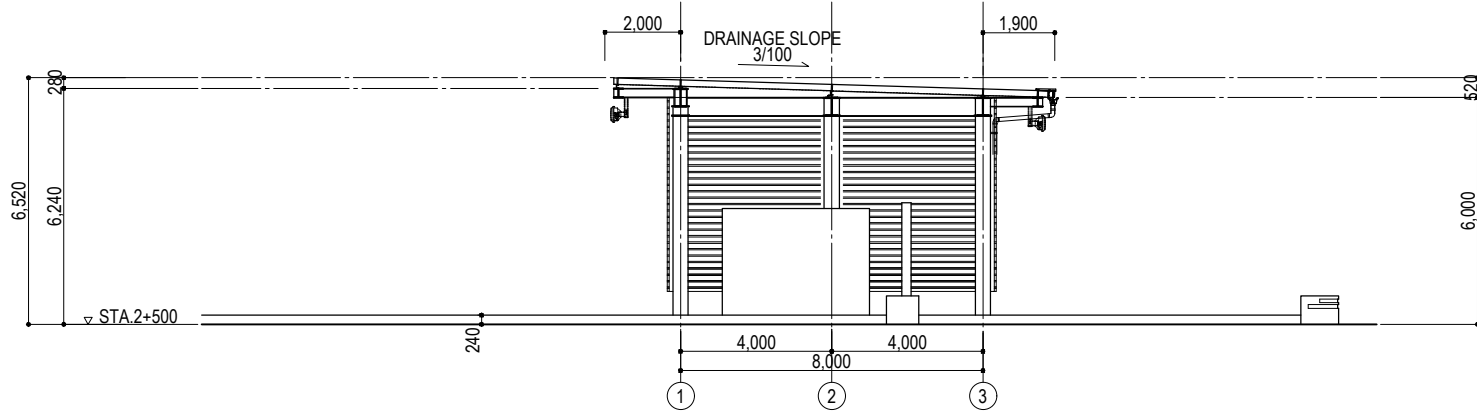
PROJECT NAME DETAILED DESIGN ON BAGO RIVER BRIDGE CONSTRUCTION PROJECT	FINANCED BY JAPAN INTERNATIONAL COOPERATION AGENCY	COUNTERPART REPUBLIC OF THE UNION OF MYANMAR MINISTRY OF CONSTRUCTION DEPARTMENT OF BRIDGE	JICA STUDY TEAM NIPPON KOEI CO., LTD. ORIENTAL CONSULTANTS GLOBAL CO., LTD. METROPOLITAN EXPRESSWAY COMPANY LIMITED CHODAI CO., LTD. NIPPON ENGINEERING CONSULTANTS CO., LTD.	NAME	SIGNATURE	DATE	DRAWING TITLE	PACKAGE	
				PREPARED BY	*GROUP LEADER				15 Jun. 2017
				CHECKED BY	T. HAYAKAWA				20 Jun. 2017
				APPROVED BY	Y. SANO				21 Jun. 2017
							ELEVATION VIEW OF TOLL ISLAND/LARGE ROOF	P2-TC-1003	



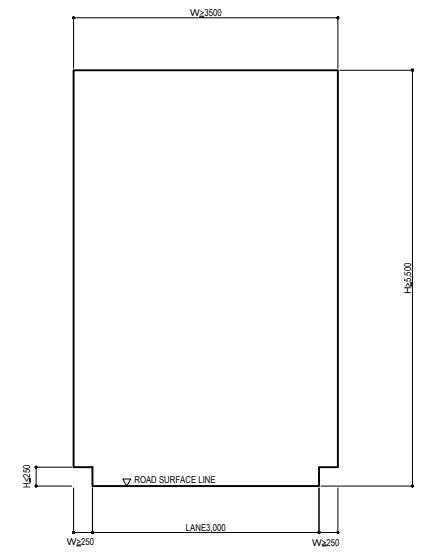
Ⓑ ELEVATION S=1:200



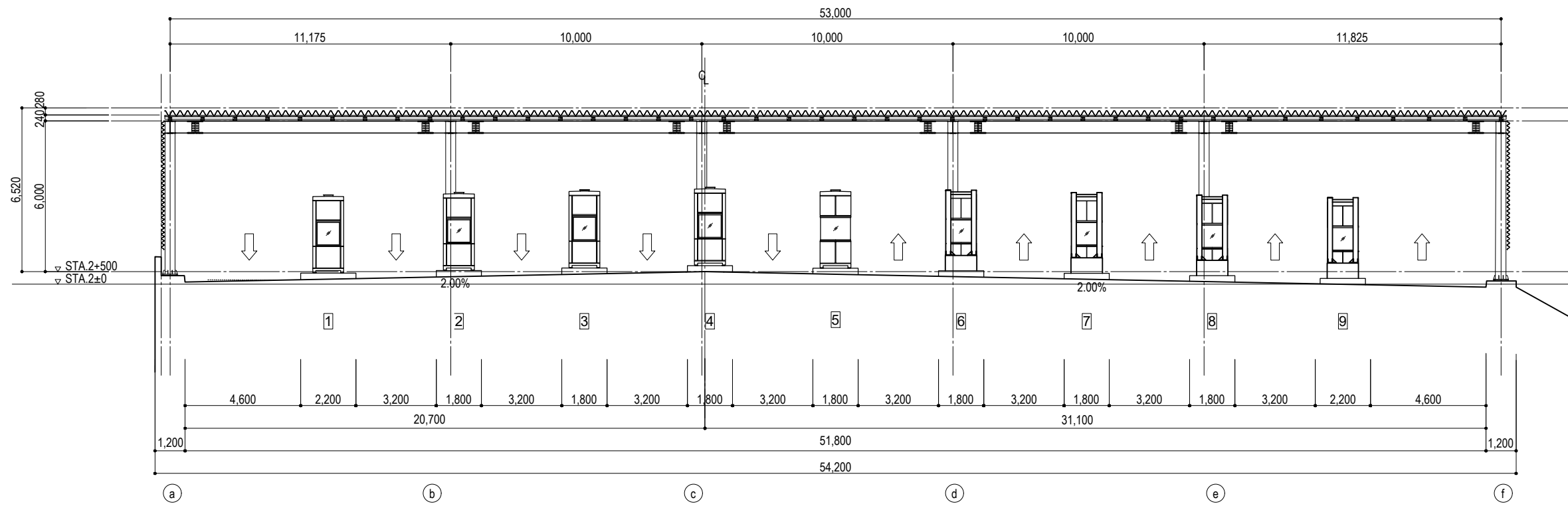
Ⓓ ELEVATION S=1:200



X-X SECTION S=1:200

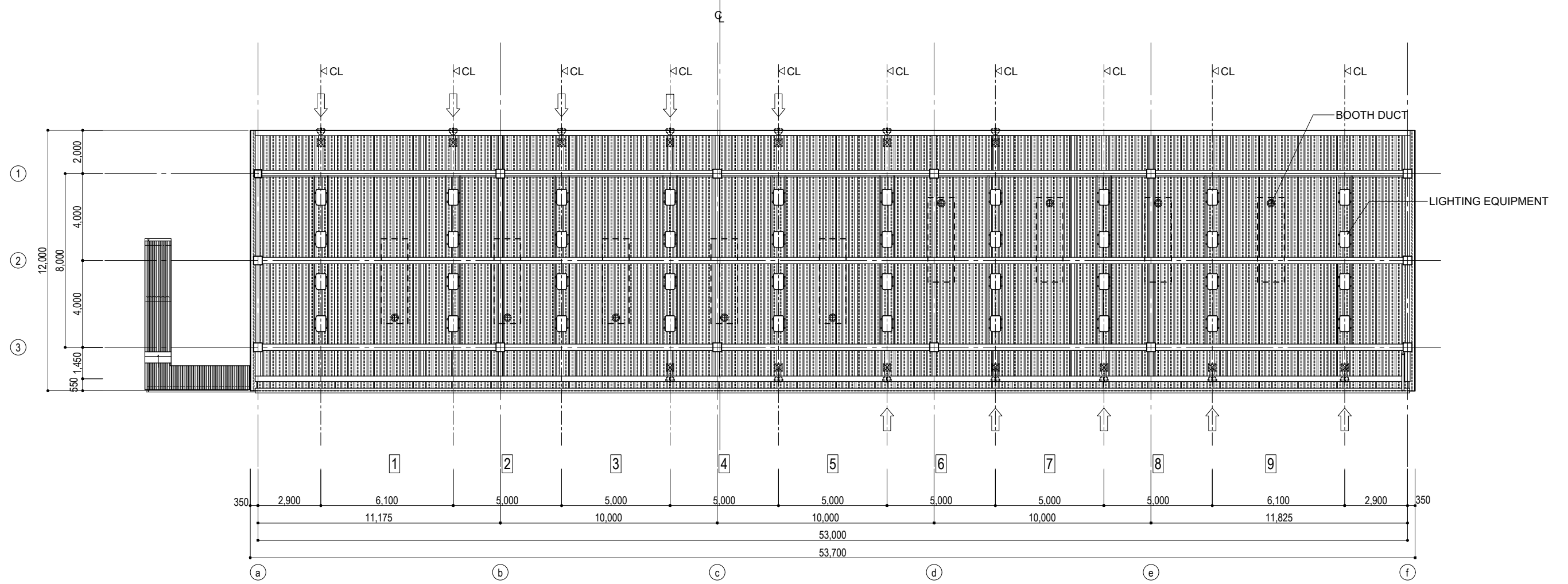


CLEARANCE DIAGRAM S=1:50

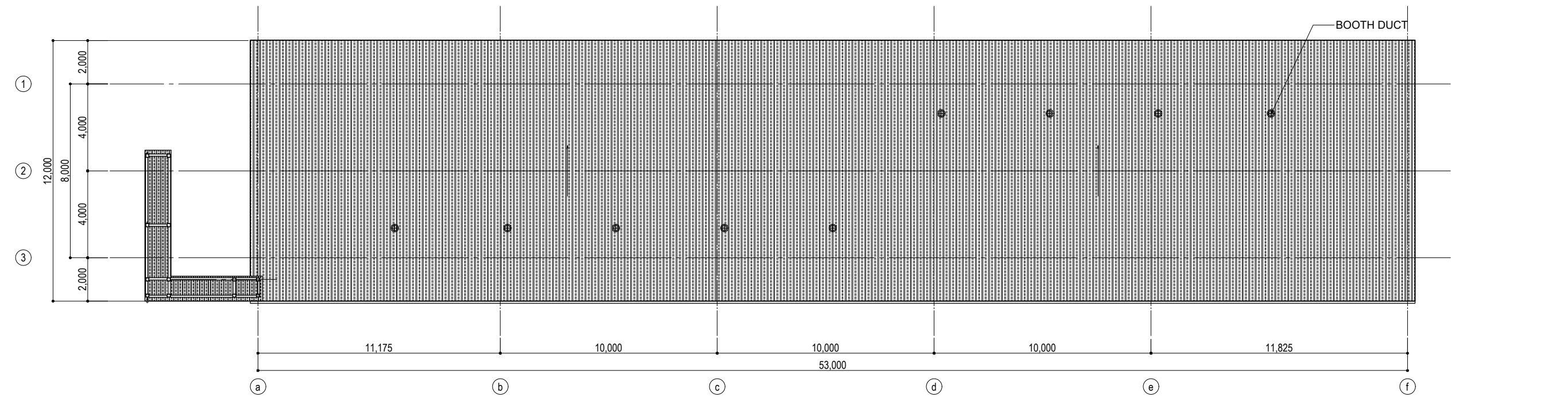


Y-Y SECTION S=1:200

PROJECT NAME DETAILED DESIGN ON BAGO RIVER BRIDGE CONSTRUCTION PROJECT	FINANCED BY JAPAN INTERNATIONAL COOPERATION AGENCY	COUNTERPART REPUBLIC OF THE UNION OF MYANMAR MINISTRY OF CONSTRUCTION DEPARTMENT OF BRIDGE	JICA STUDY TEAM NIPPON KOEI CO., LTD. ORIENTAL CONSULTANTS GLOBAL CO., LTD. METROPOLITAN EXPRESSWAY COMPANY LIMITED CHODAI CO., LTD. NIPPON ENGINEERING CONSULTANTS CO., LTD.	NAME	SIGNATURE	DATE	DRAWING TITLE	PACKAGE	
				PREPARED BY	*GROUP LEADER				15 Jun. 2017
				CHECKED BY	T. HAYAKAWA				20 Jun. 2017
				APPROVED BY	Y. SANO				21 Jun. 2017
							CROSS-SECTION VIEW OF TOLL ISLAND/LARGE ROOF	2	
								DWG No.	
								P2-TC-1004	

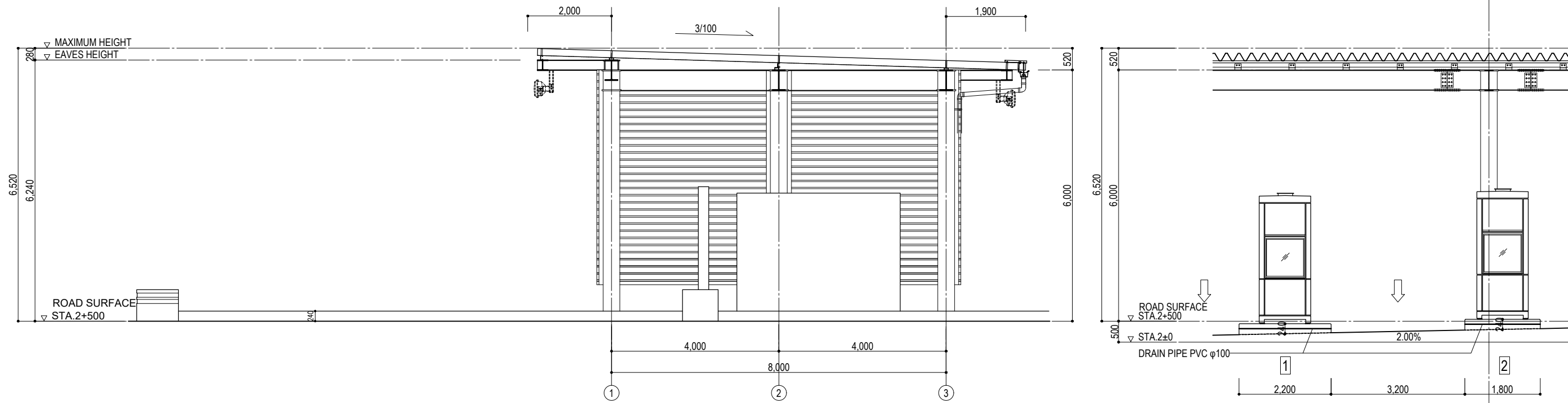


REFLECTED CEILING PLAN S=1:200

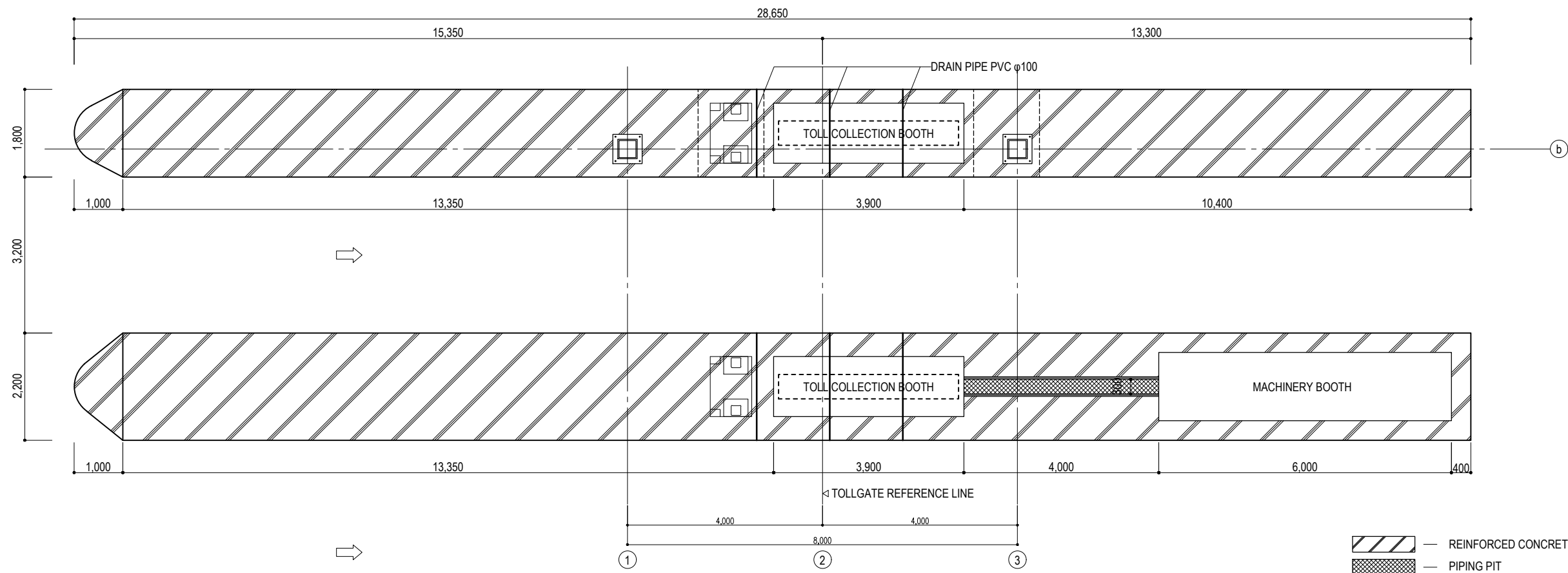
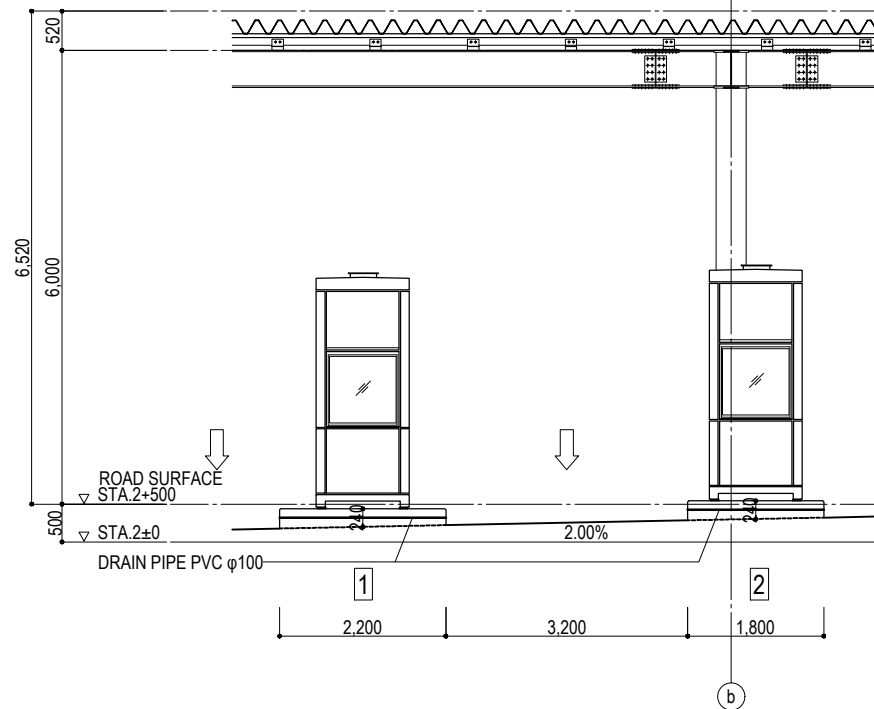


ROOF PLAN S=1:200

PROJECT NAME DETAILED DESIGN ON BAGO RIVER BRIDGE CONSTRUCTION PROJECT	FINANCED BY JAPAN INTERNATIONAL COOPERATION AGENCY	COUNTERPART REPUBLIC OF THE UNION OF MYANMAR MINISTRY OF CONSTRUCTION DEPARTMENT OF BRIDGE	JICA STUDY TEAM NIPPON KOEI CO., LTD. ORIENTAL CONSULTANTS GLOBAL CO., LTD. METROPOLITAN EXPRESSWAY COMPANY LIMITED CHODAI CO., LTD. NIPPON ENGINEERING CONSULTANTS CO., LTD.	NAME	SIGNATURE	DATE	DRAWING TITLE REFLECTED CEILING PLAN/ ROOF PLAN OF TOLL ISLAND/LARGE ROOF	PACKAGE	
				PREPARED BY	*GROUP LEADER			15 Jun. 2017	2
				CHECKED BY	T. HAYAKAWA			20 Jun. 2017	DWG No.
				APPROVED BY	Y. SANO			21 Jun. 2017	P2-TC-1005

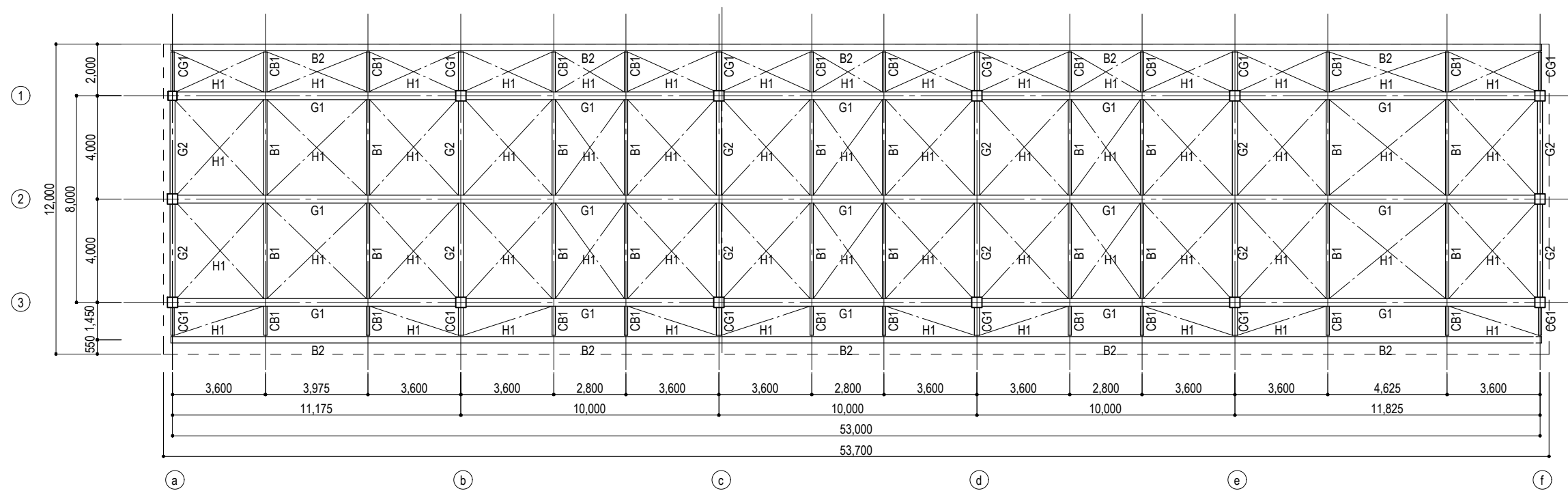
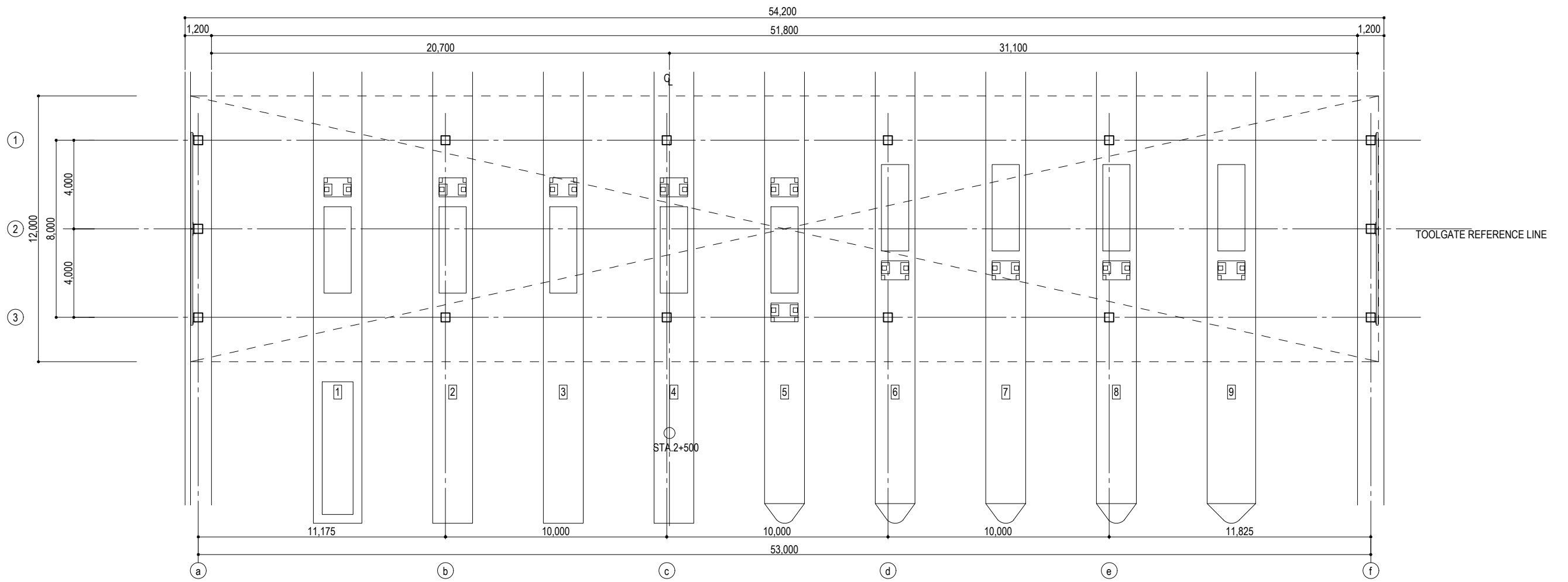


ISLAND ELEVATION VIEW S=1:100



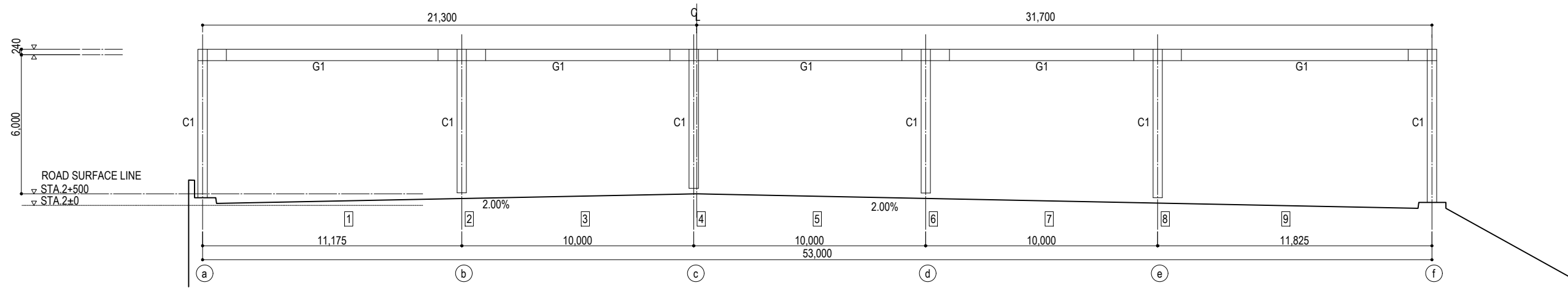
ISLAND DETAIL PLAN S=1:100

PROJECT NAME DETAILED DESIGN ON BAGO RIVER BRIDGE CONSTRUCTION PROJECT	FINANCED BY JAPAN INTERNATIONAL COOPERATION AGENCY	COUNTERPART REPUBLIC OF THE UNION OF MYANMAR MINISTRY OF CONSTRUCTION DEPARTMENT OF BRIDGE	JICA STUDY TEAM NIPPON KOEI CO., LTD. ORIENTAL CONSULTANTS GLOBAL CO., LTD. METROPOLITAN EXPRESSWAY COMPANY LIMITED CHODAI CO., LTD. NIPPON ENGINEERING CONSULTANTS CO., LTD.	NAME	SIGNATURE	DATE	DRAWING TITLE TOLL ISLAND DETAIL PLAN	PACKAGE	
				PREPARED BY	*GROUP LEADER			15 Jun. 2017	DWG No.
				CHECKED BY	T. HAYAKAWA			20 Jun. 2017	P2-TC-1006
				APPROVED BY	Y. SANO			21 Jun. 2017	

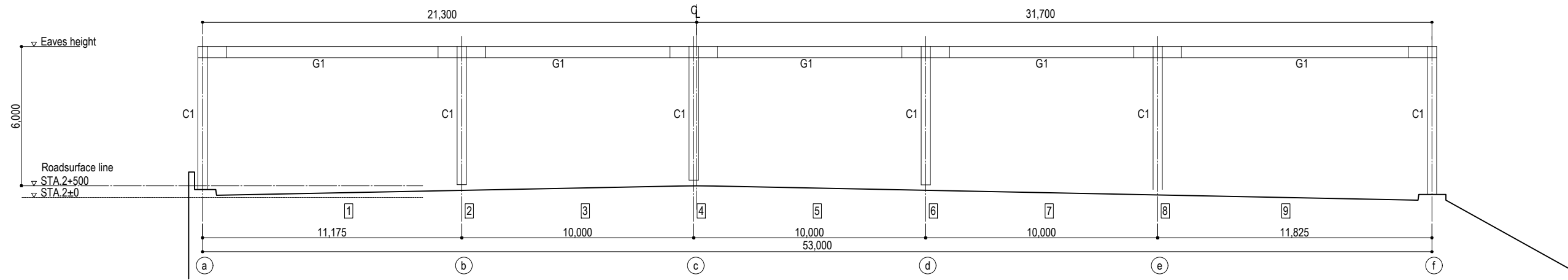


PILLAR LAYOUT PLAN S=1:200

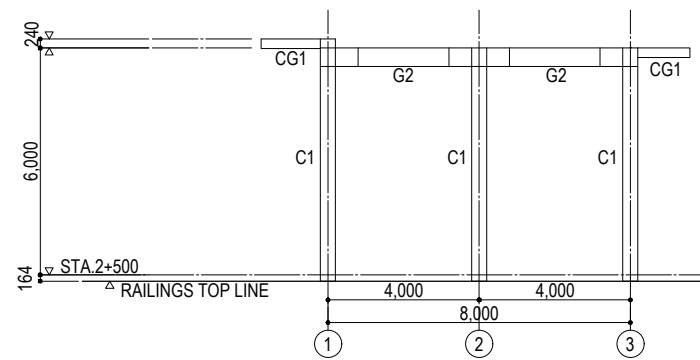
PROJECT NAME DETAILED DESIGN ON BAGO RIVER BRIDGE CONSTRUCTION PROJECT	FINANCED BY JAPAN INTERNATIONAL COOPERATION AGENCY	COUNTERPART REPUBLIC OF THE UNION OF MYANMAR MINISTRY OF CONSTRUCTION DEPARTMENT OF BRIDGE	JICA STUDY TEAM NIPPON KOEI CO., LTD. ORIENTAL CONSULTANTS GLOBAL CO., LTD. METROPOLITAN EXPRESSWAY COMPANY LIMITED CHODAI CO., LTD. NIPPON ENGINEERING CONSULTANTS CO., LTD.	NAME	SIGNATURE	DATE	DRAWING TITLE STRUCTURAL PLAN VIEW OF TOLL ISLAND/ LARGE ROOF	PACKAGE	
				PREPARED BY	*GROUP LEADER			15 Jun. 2017	2
				CHECKED BY	T. HAYAKAWA			20 Jun. 2017	DWG No.
				APPROVED BY	Y. SANO			21 Jun. 2017	P2-TC-1007



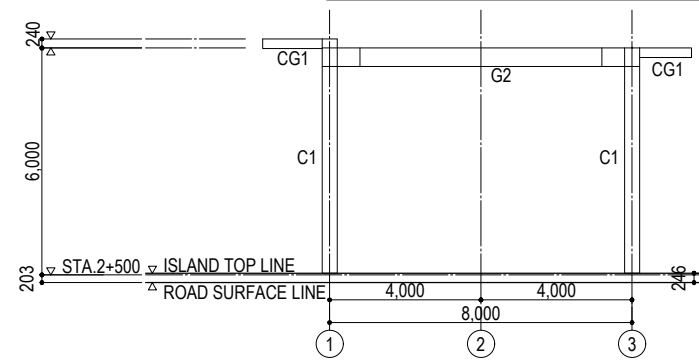
1 STRUCTURAL ELEVATION S=1:200



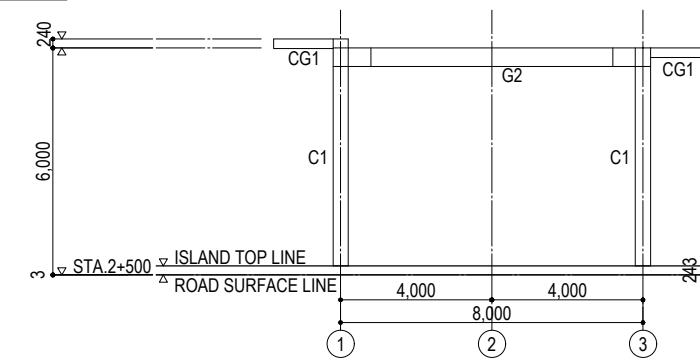
3 STRUCTURAL ELEVATION S=1:200



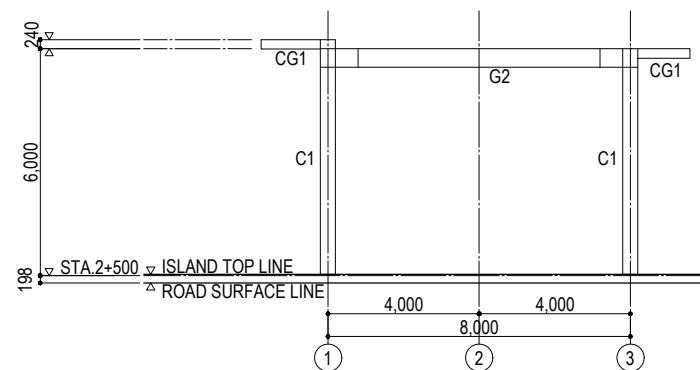
A STRUCTURAL ELEVATION S=1:200



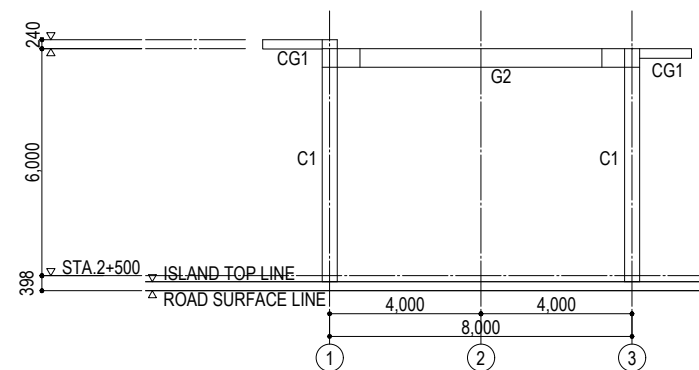
B STRUCTURAL ELEVATION S=1:200



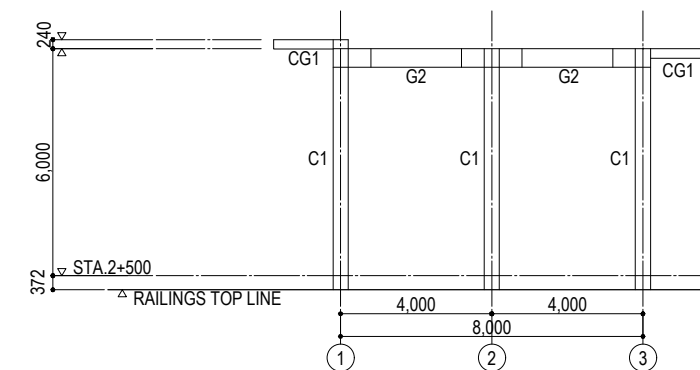
C STRUCTURAL ELEVATION S=1:200



D STRUCTURAL ELEVATION S=1:200



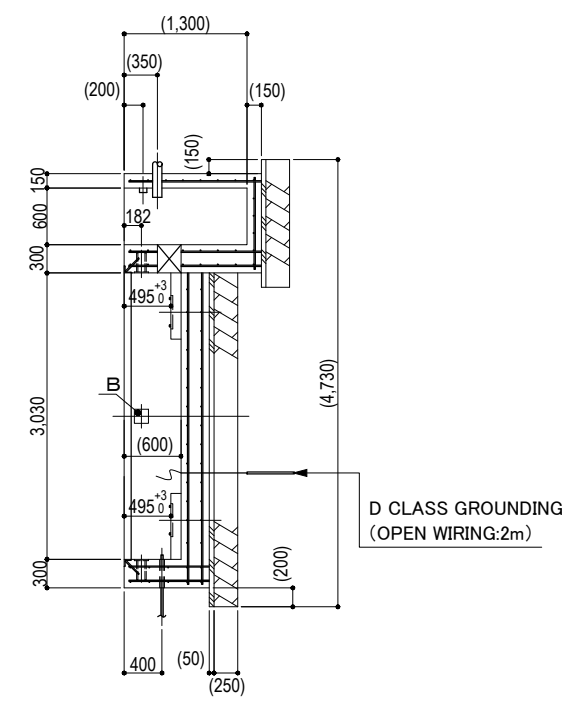
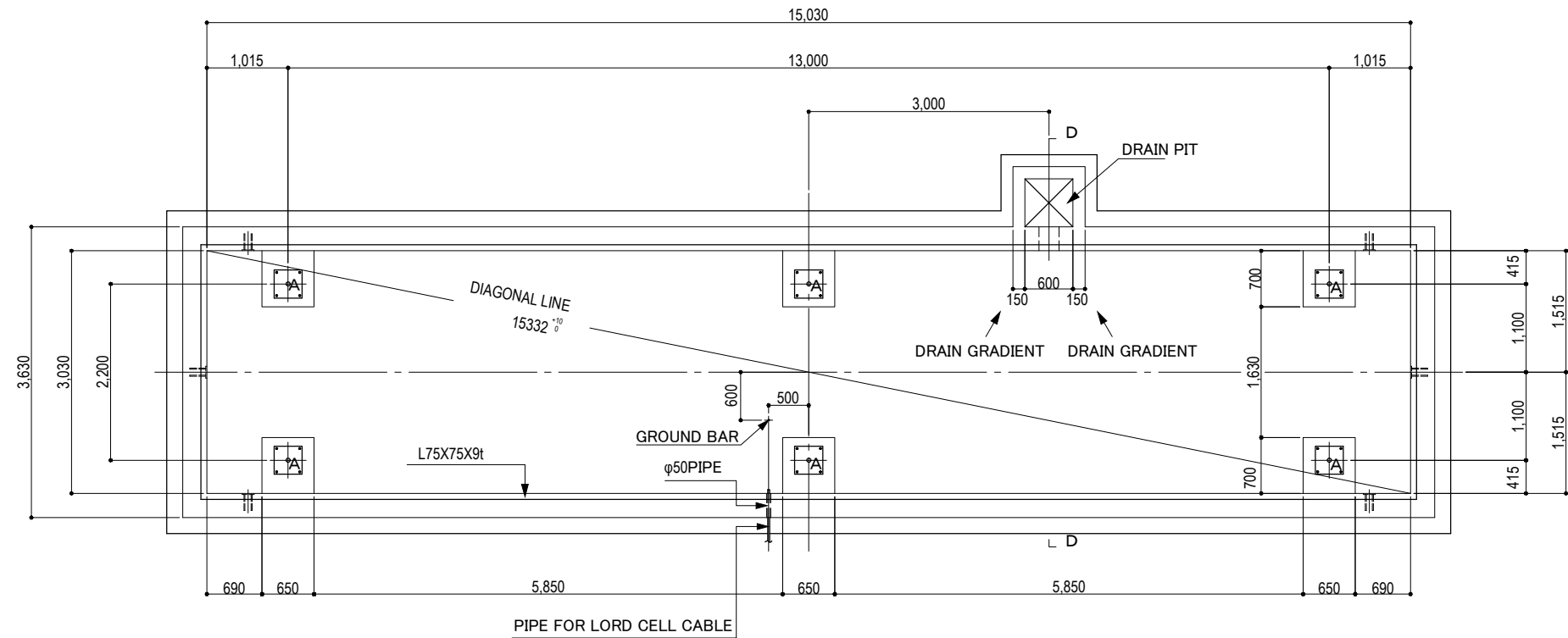
E STRUCTURAL ELEVATION S=1:200



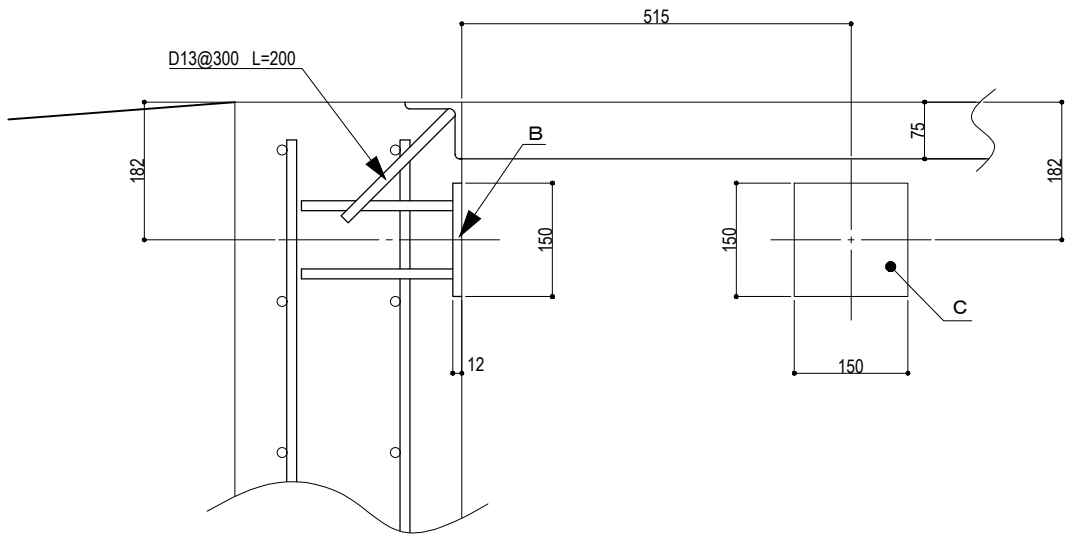
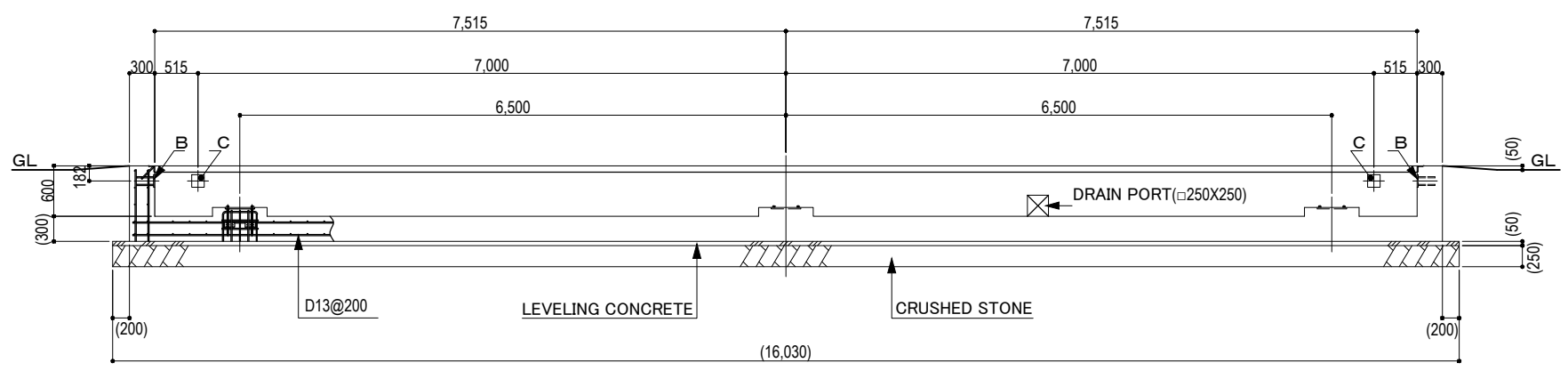
F STRUCTURAL ELEVATION S=1:200

MEMBER RIST

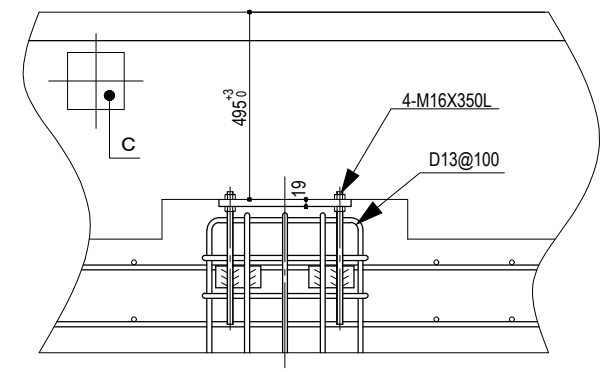
A SIGN	PRINCIPAL MATERIAL
C1	□-350x350x22
G1	H-488x300x11x18
G2	H-500x200x10x16
CG1	H-250x125x6x9
B1	H-250x125x6x9
B2	C-200x90x8x13.5
CB1	H-250x125x6x9
H1	L-65x65x6 HORIZONTAL BRACE



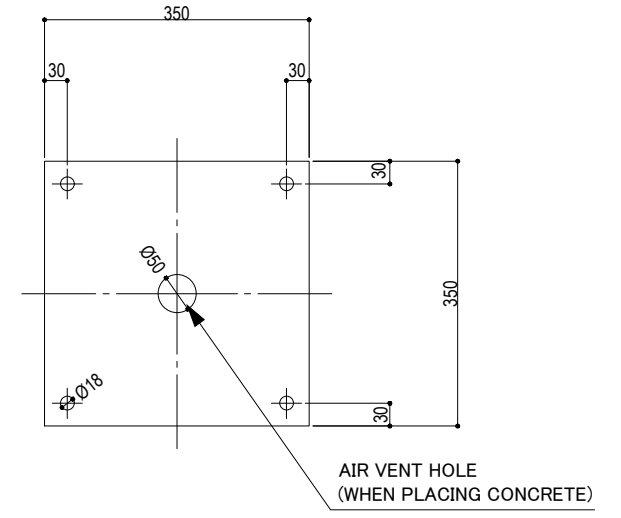
D-D SECTION S=1:80



B-C: STOPPER FITTINGS MOUNT S=1:10

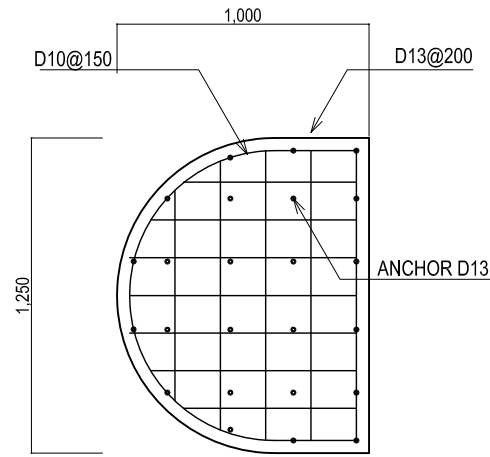


A: BASE MOUNTING SURFACE S=1:20

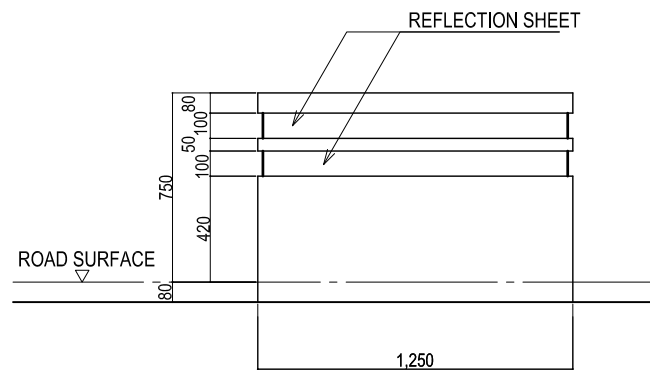
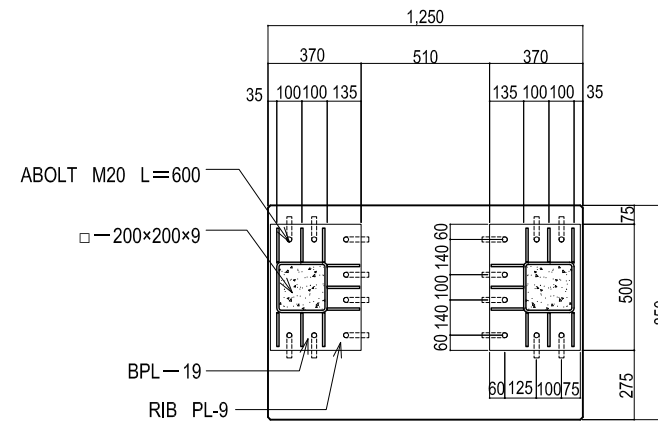
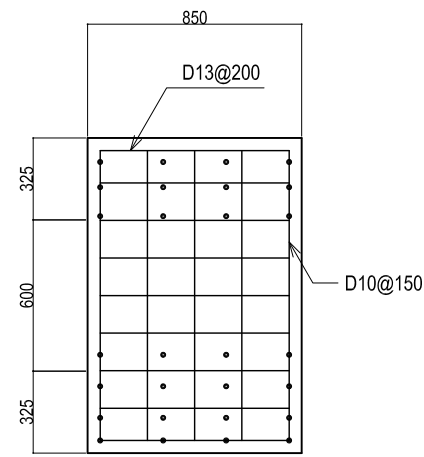


A: BASE MOUNTING SURFACE (IN GROUND PLAN) S=1:10

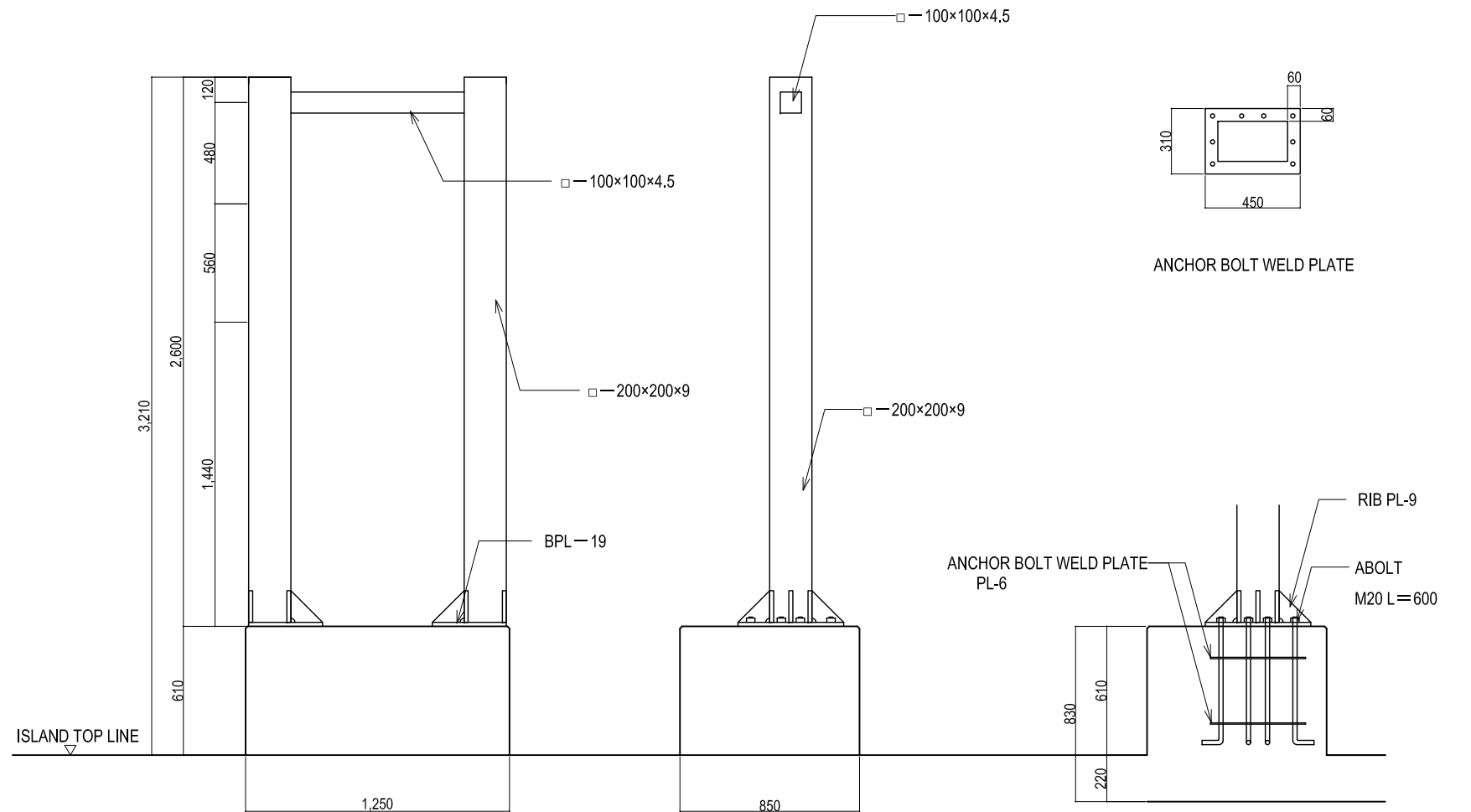
PROJECT NAME DETAILED DESIGN ON BAGO RIVER BRIDGE CONSTRUCTION PROJECT	FINANCED BY JAPAN INTERNATIONAL COOPERATION AGENCY	COUNTERPART REPUBLIC OF THE UNION OF MYANMAR MINISTRY OF CONSTRUCTION DEPARTMENT OF BRIDGE	JICA STUDY TEAM NIPPON KOEI CO., LTD. ORIENTAL CONSULTANTS GLOBAL CO., LTD. METROPOLITAN EXPRESSWAY COMPANY LIMITED CHODAI CO., LTD. NIPPON ENGINEERING CONSULTANTS CO., LTD.	NAME	SIGNATURE	DATE	DRAWING TITLE	PACKAGE	
				PREPARED BY	*GROUP LEADER				15 Jun. 2017
				CHECKED BY	T. HAYAKAWA				20 Jun. 2017
				APPROVED BY	Y. SANO				21 Jun. 2017
							DRAWING OF TRUCK SCALE	P2-TC-1009	



ISLAND BARRIER DETAIL PLAN S=1:30



ISLAND BARRIER ELEVATION (FRONT VIEW) S=1:30



ISLAND PROTECTIN PILLARR DETAILS S=1:30

NOTEWORTHY MATTER
ISLAND REBAR WORK D10 @250

PROJECT NAME DETAILED DESIGN ON BAGO RIVER BRIDGE CONSTRUCTION PROJECT	FINANCED BY JICA JAPAN INTERNATIONAL COOPERATION AGENCY	COUNTERPART REPUBLIC OF THE UNION OF MYANMAR MINISTRY OF CONSTRUCTION DEPARTMENT OF BRIDGE	JICA STUDY TEAM NIPPON KOEI CO., LTD. ORIENTAL CONSULTANTS GLOBAL CO., LTD. METROPOLITAN EXPRESSWAY COMPANY LIMITED CHODAI CO., LTD. NIPPON ENGINEERING CONSULTANTS CO., LTD.	NAME	SIGNATURE	DATE	DRAWING TITLE ISLAND DETAIL	PACKAGE
				PREPARED BY	*GROUP LEADER	15 Jun. 2017		2
				CHECKED BY	T. HAYAKAWA	20 Jun. 2017		DWG No.
				APPROVED BY	Y. SANO	21 Jun. 2017		P2-TC-1010

< OUTSIDE FINISHING TABLE >

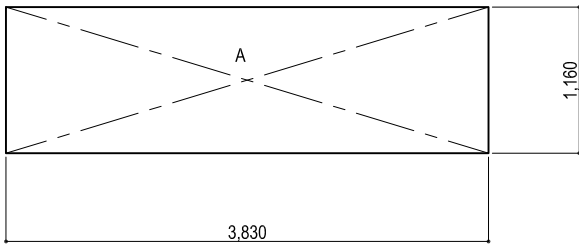
	FINISH	REMARKS			
ROOF	STEEL PLATE t=2.3mm	FOR CONSTRUCTION BOLT RUST INHIBITOR			
OUTSIDE	STEEL PLATE t=2.3mm	STAINLESS DRAINING			
JOINERY	ALUMINUM JOINERY+STEEL JOINERY				

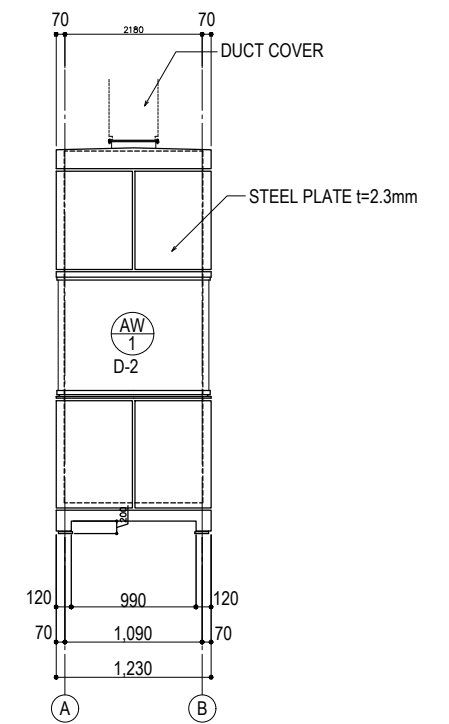
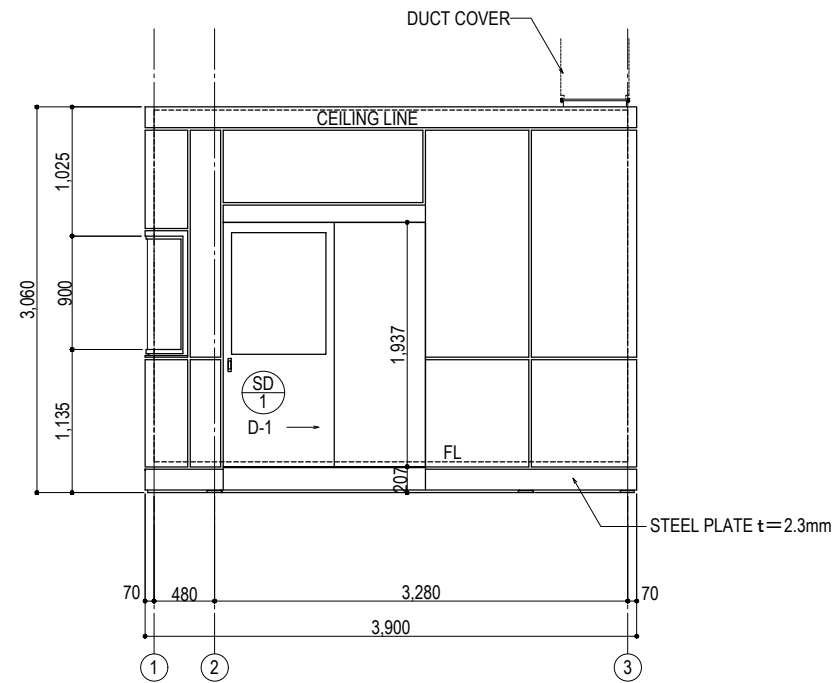
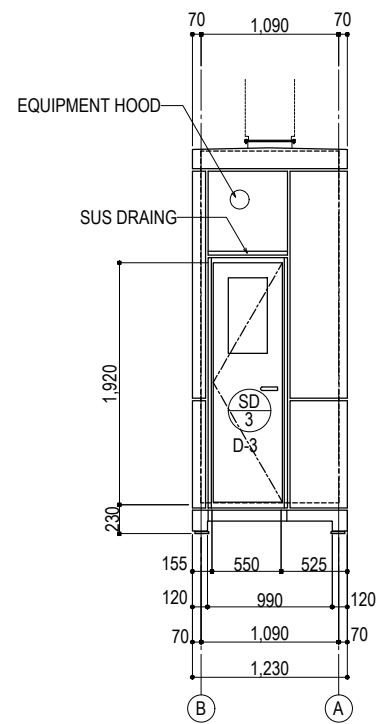
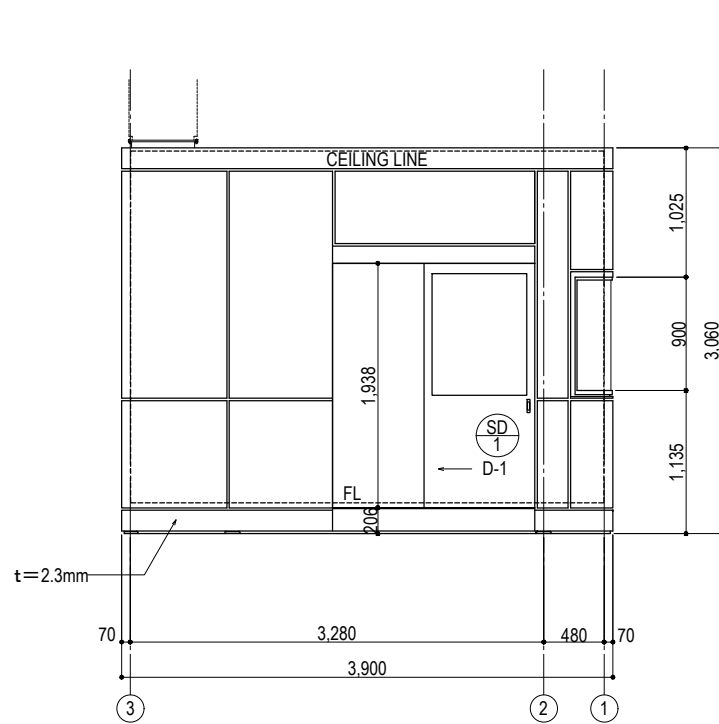
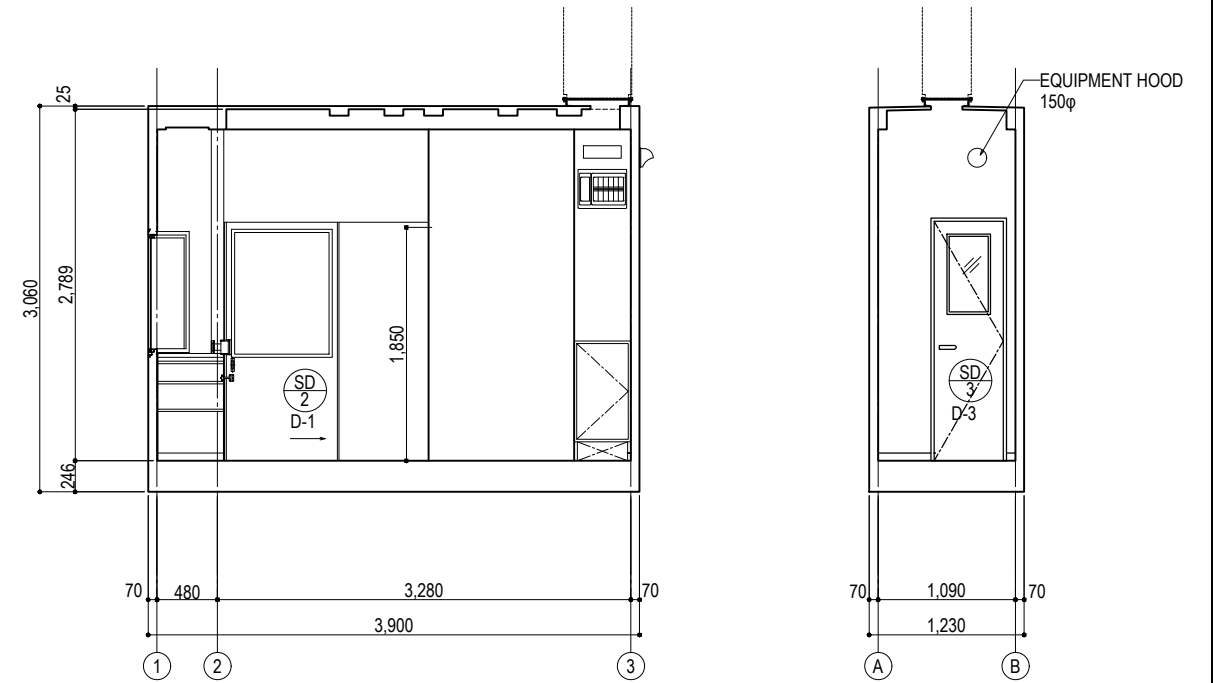
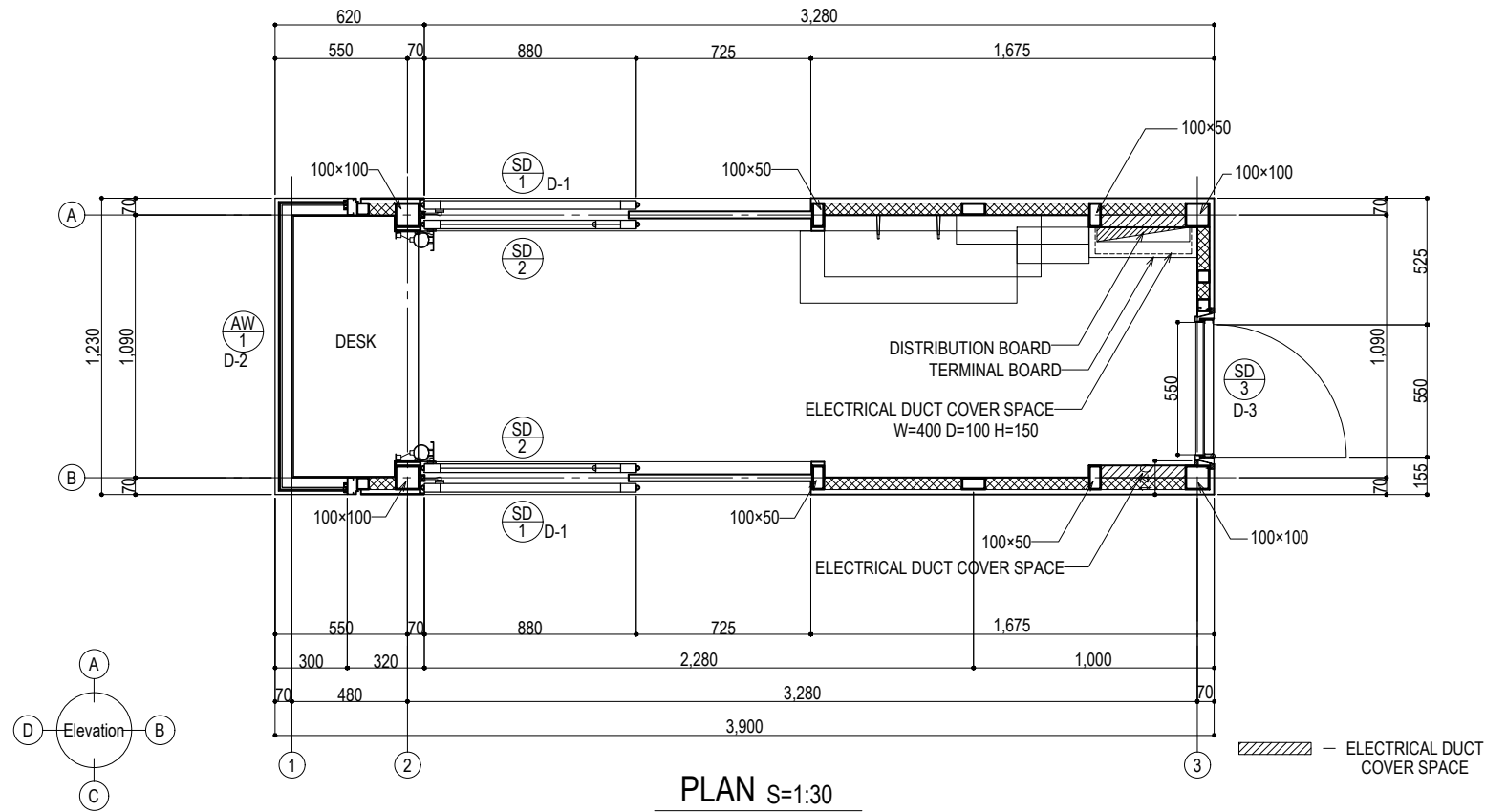
< INTERIOR FINISHING TABLE >

ROOM NAME	FLOOR	BASEBOARD	WALL	CEILING	CEILING HEIGHT	
RECEIVING ROOM	VINYL FLOOR SHEET t=2.5mm FOUNDATION: STEEL PLATE t=3.2mm	VINYL H60	STEEL PLATE t=0.7mm	ATTIC: REPRESENT STEEL PLATE	H=2,789	

STEEL PLATE IS EQUIVALENT TO JIS G 3312

< QUADRATURE CHART >

	A	$3.830 \times 1.160 = 4.4428$
	BUILDING AREA	4.44m ²
	TOTAL FLOOR AREA	4.44m ²



PROJECT NAME
DETAILED DESIGN ON
BAGO RIVER BRIDGE
CONSTRUCTION PROJECT

FINANCED BY
JICA
JAPAN INTERNATIONAL
COOPERATION AGENCY

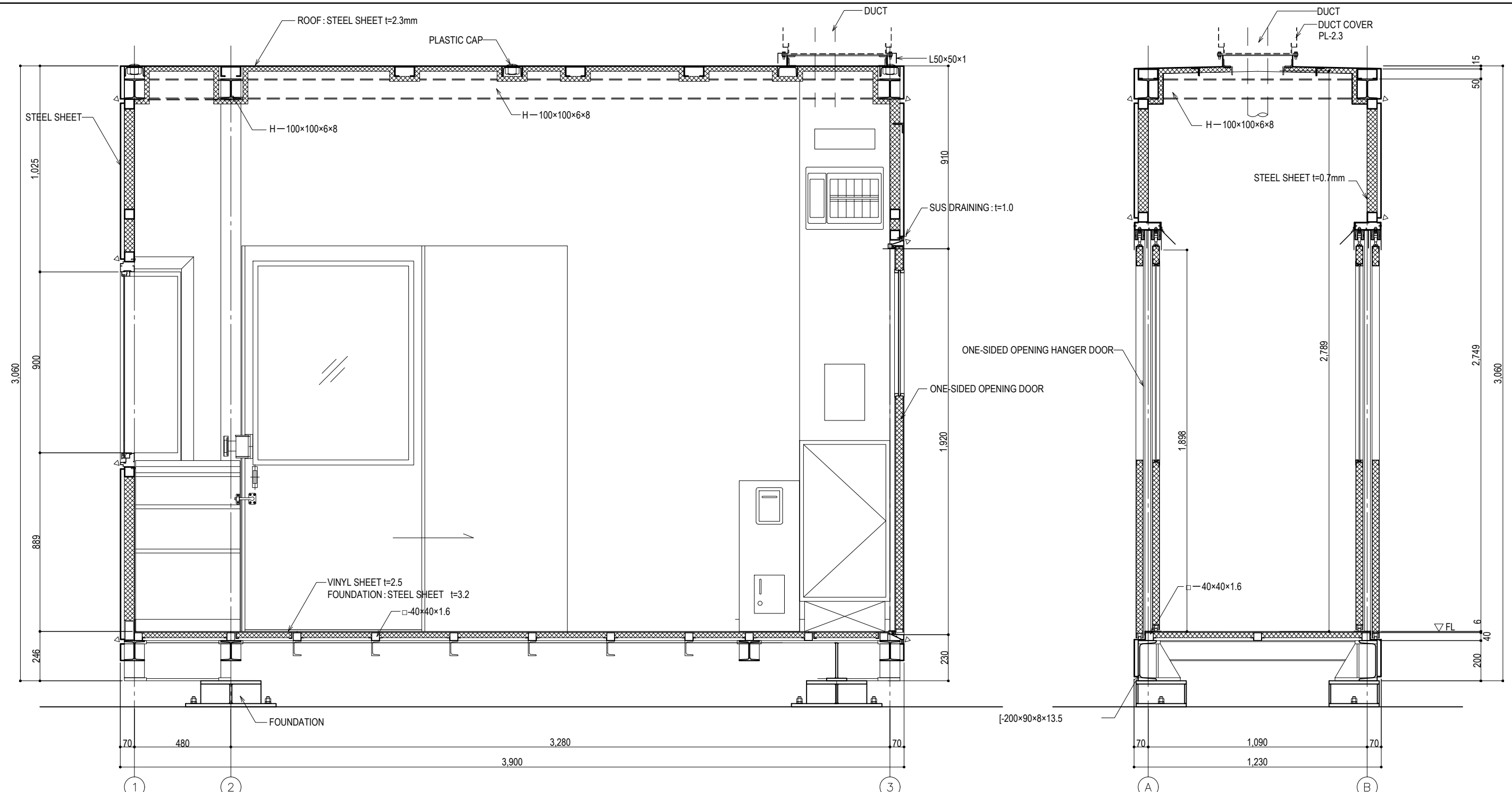
COUNTERPART
REPUBLIC OF THE UNION OF MYANMAR
MINISTRY OF CONSTRUCTION
DEPARTMENT OF BRIDGE

JICA STUDY TEAM
NIPPON KOEI CO., LTD.
ORIENTAL CONSULTANTS GLOBAL CO., LTD.
METROPOLITAN EXPRESSWAY COMPANY LIMITED
CHODAI CO., LTD.
NIPPON ENGINEERING CONSULTANTS CO., LTD.

	NAME	SIGNATURE	DATE
PREPARED BY	*GROUP LEADER	<i>[Signature]</i>	15 Jun. 2017
CHECKED BY	T. HAYAKAWA	<i>[Signature]</i>	20 Jun. 2017
APPROVED BY	Y. SANO	<i>[Signature]</i>	21 Jun. 2017

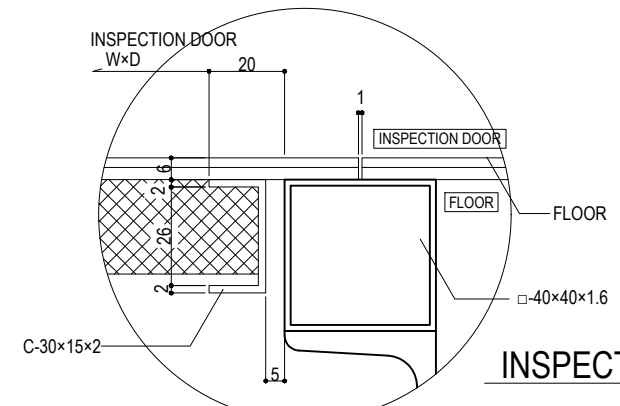
DRAWING TITLE
PLAN VIEW/ ELEVATION VIEW/ CROSS-SECTION VIEW
OF TOLL COLLECTION BOOTH

PACKAGE
2
DWG No.
P2-TC-2002

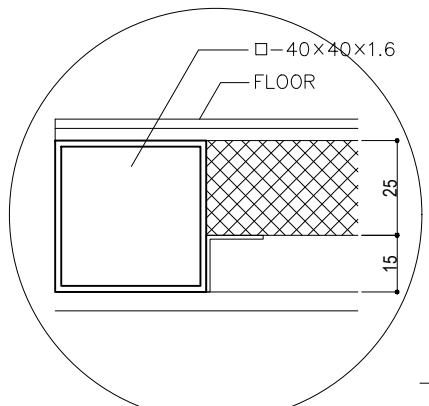


THE LONG SIDE SECTION DETAIL S=1:20

THE SHORT SIDE SECTION DETAIL S=1:20



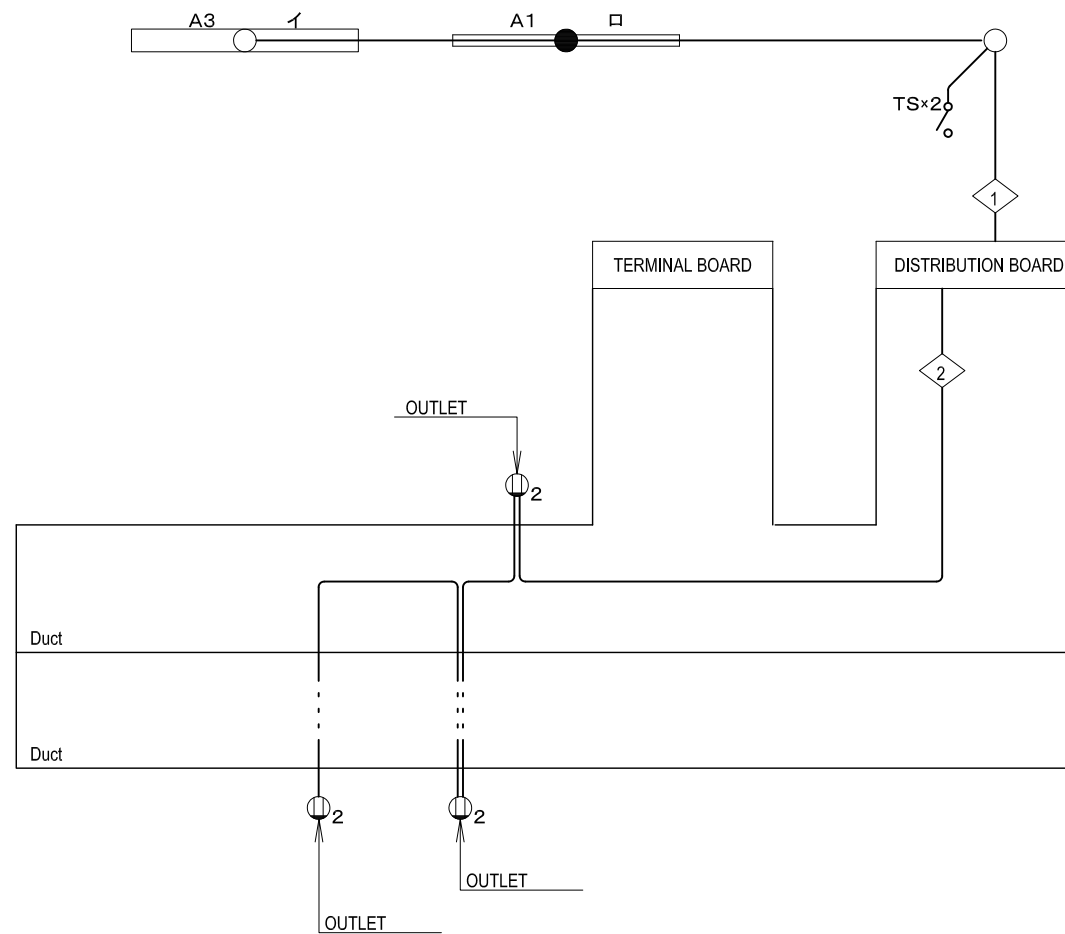
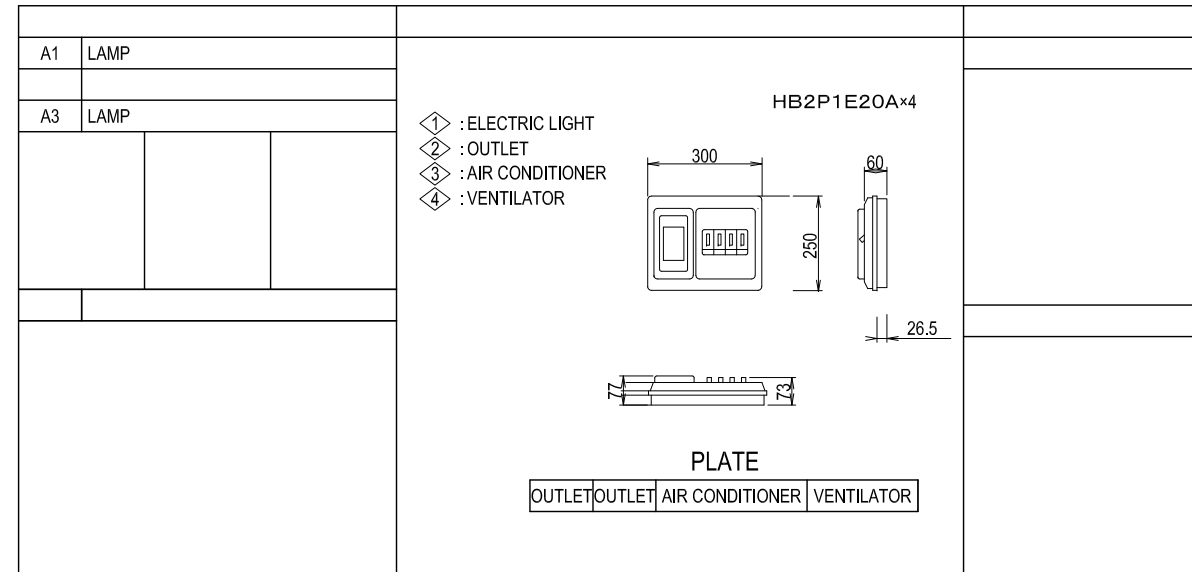
INSPECTION DOOR SECTION DETAIL S=1:2



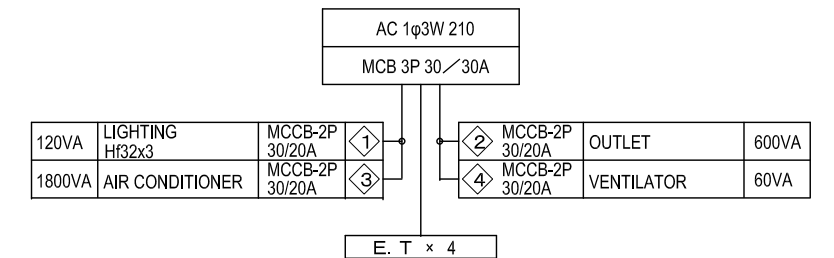
UNDER THE FLOOR SECTION DETAIL S=1:2

PROJECT NAME DETAILED DESIGN ON BAGO RIVER BRIDGE CONSTRUCTION PROJECT	FINANCED BY JAPAN INTERNATIONAL COOPERATION AGENCY	COUNTERPART REPUBLIC OF THE UNION OF MYANMAR MINISTRY OF CONSTRUCTION DEPARTMENT OF BRIDGE	JICA STUDY TEAM NIPPON KOEI CO., LTD. ORIENTAL CONSULTANTS GLOBAL CO., LTD. METROPOLITAN EXPRESSWAY COMPANY LIMITED CHODAI CO., LTD. NIPPON ENGINEERING CONSULTANTS CO., LTD.	NAME	SIGNATURE	DATE	DRAWING TITLE	PACKAGE	
				PREPARED BY	*GROUP LEADER				15 Jun. 2017
				CHECKED BY	T. HAYAKAWA				20 Jun. 2017
				APPROVED BY	Y. SANO				21 Jun. 2017
							SECTIONAL DETAIL OF TOLL COLLECTION BOOTH	2	
								DWG No.	
								P2-TC-2003	

LEGEND		
SYMBOL	NAME	REMARKS
	DISTRIBUTION BOARD	
	TERMINAL BOARD	
	FLUORESCENT LAMP	
	LED LIGHT	



CONNECTION DIAGRAM



<OUTSIDE FINISHING TABLE>

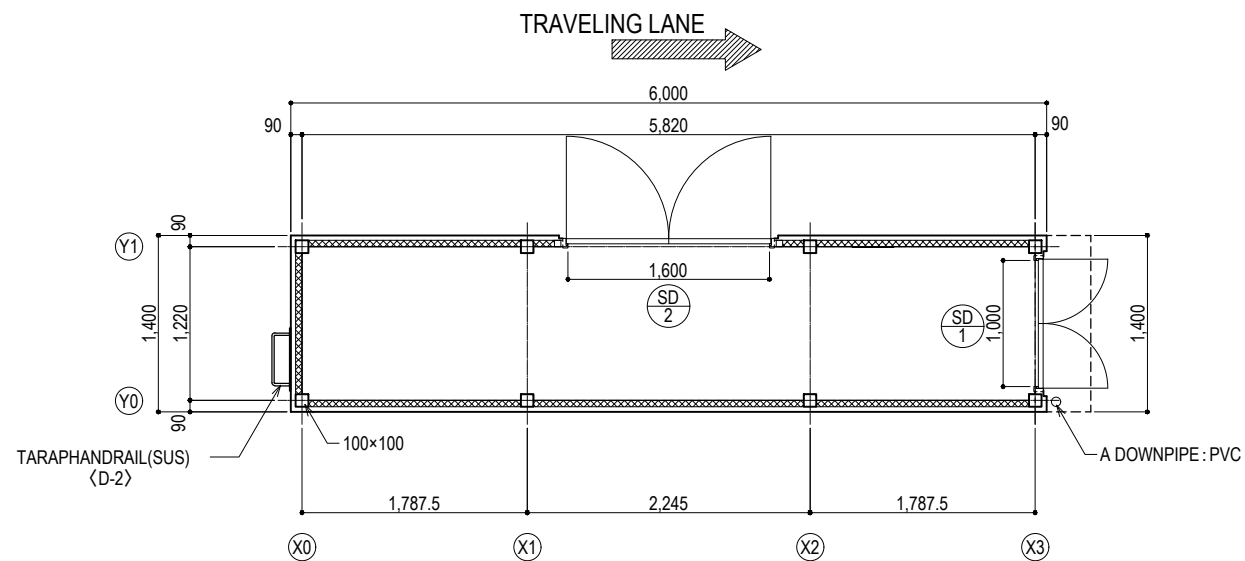
	MATERIAL FINISH	REMARKS			
ROOF	FOLDED PLATE H=88mm STEEL SHEET t=1.0mm	DRAINING STEEL SHEET t=0.5mm			
OUTER WALL	OUTER PANEL (OUTER) STEEL SHEET t=0.8mm (INNER) GYPSUM BOARD t=12.5mm				
JOINERY	STEEL JOINERY				

<INTERIOR FINISHING TABLE>

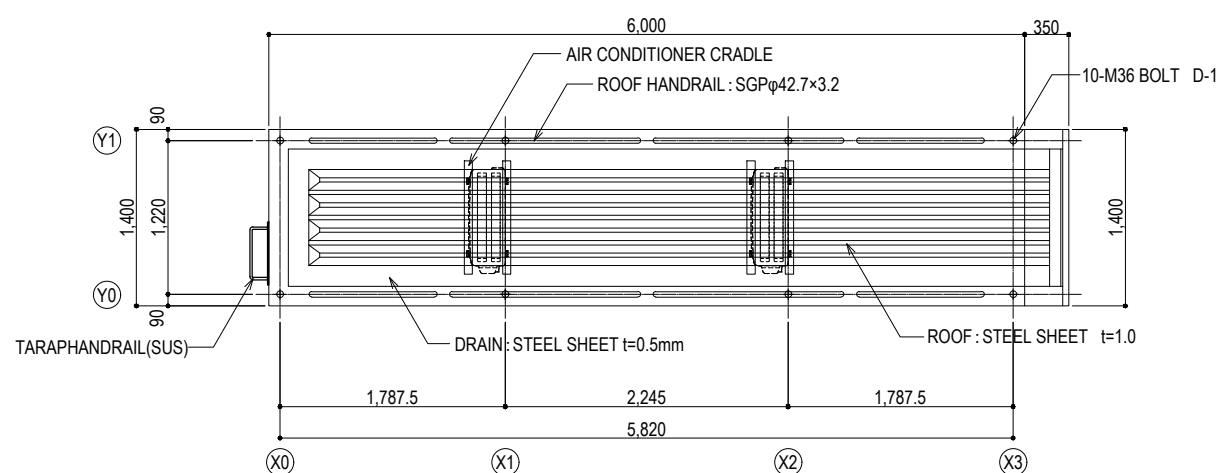
ROOM NAME	FLOOR	BASEBOARD	WALL	CEILING	CEILING HEIGHT	REMARKS
MACHINERY ROOM	STEEL SHEET t=3.2mm	-	STEEL SHEET t=0.5mm	STEEL SHEET t=0.5mm	H=2,300	

<QUADRATURE CHART>

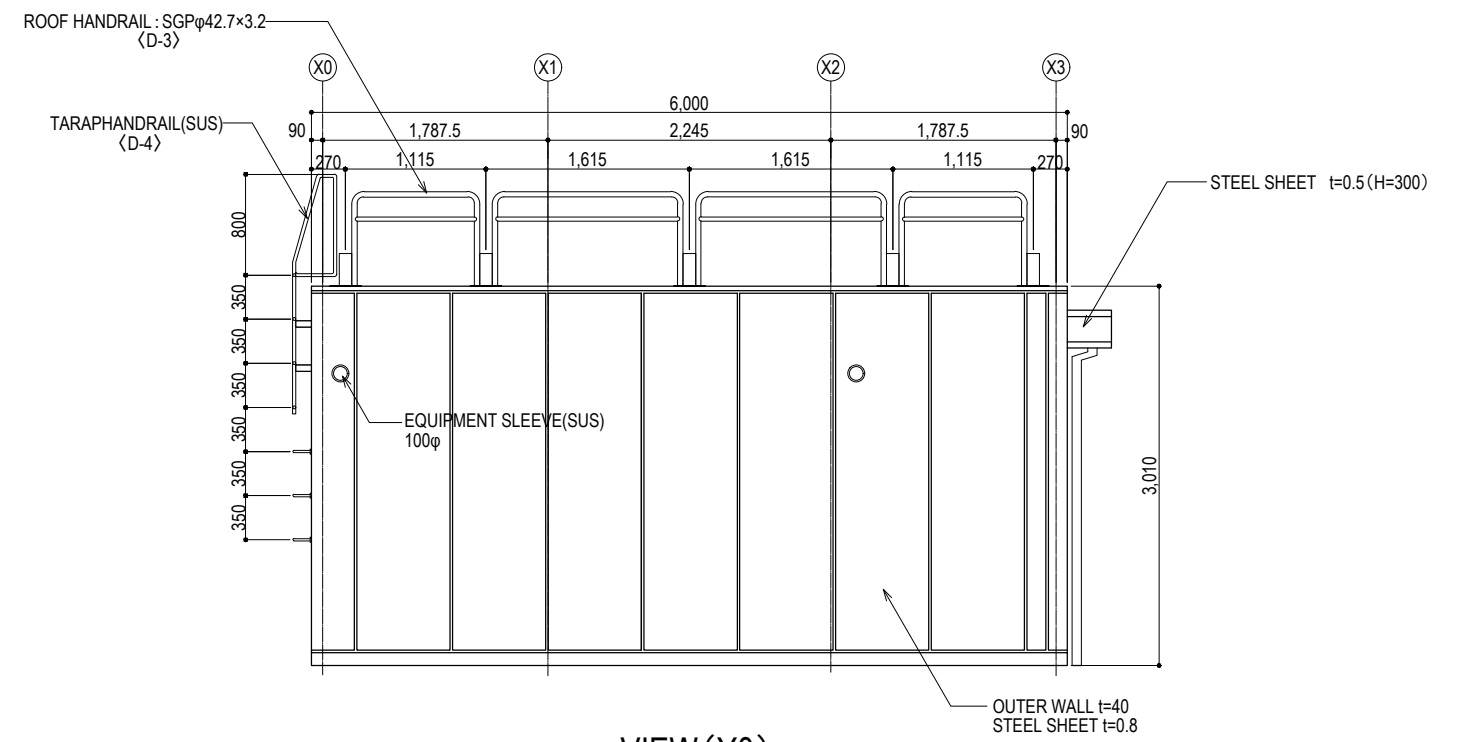
	A	1.3095×5.9095=7.7385
	BUILDING AREA	7.73 m ²
	TOTAL FLOOR AREA	7.73 m ²



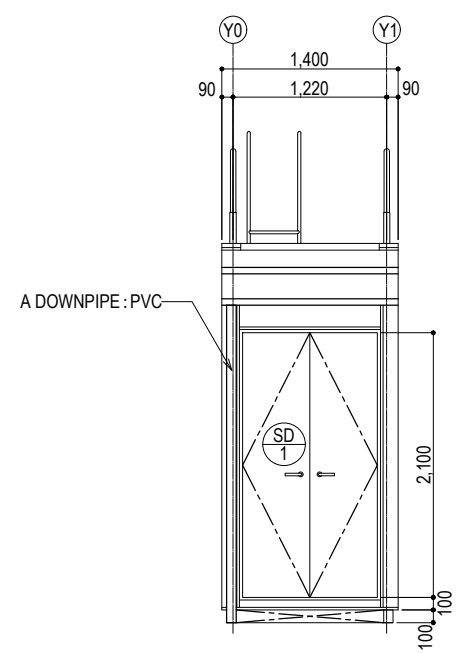
PLAN S=1:60



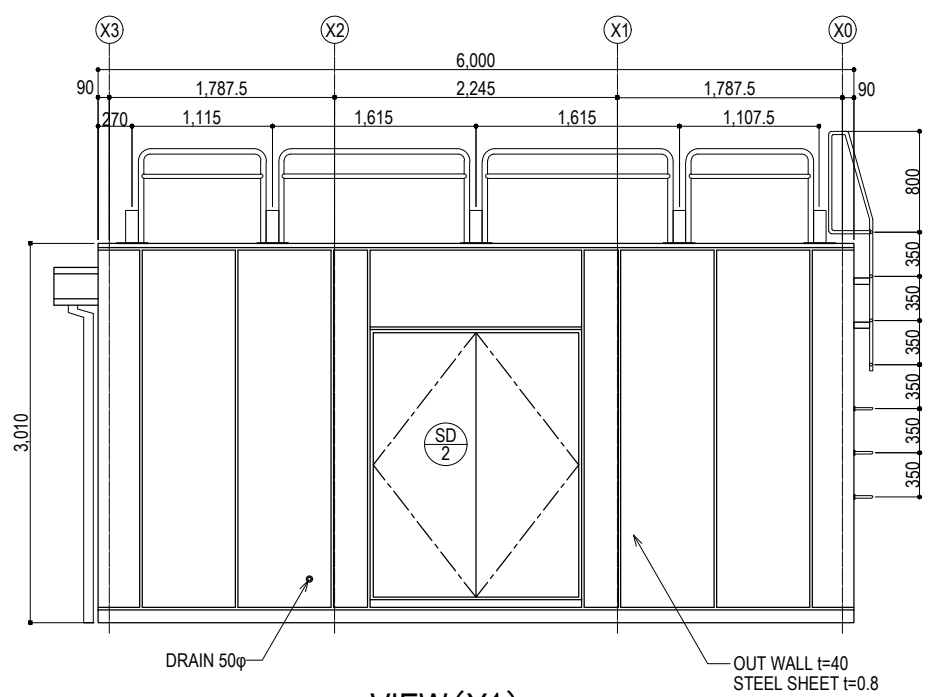
ROOF PLAN S=1:60



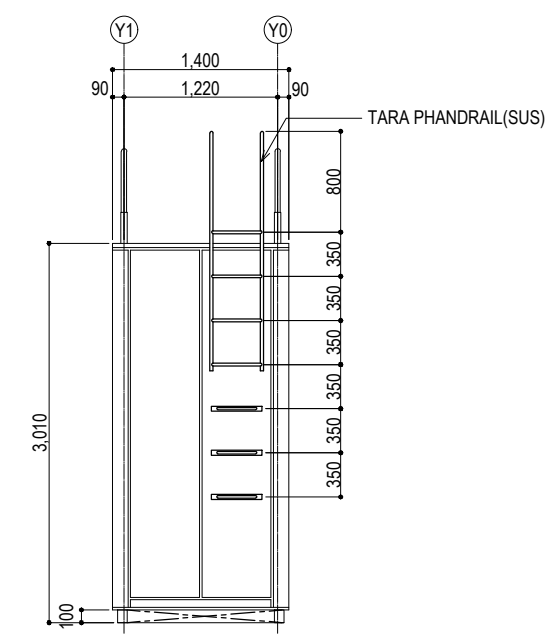
VIEW(Y0) S=1:60



VIEW(X3) S=1:60

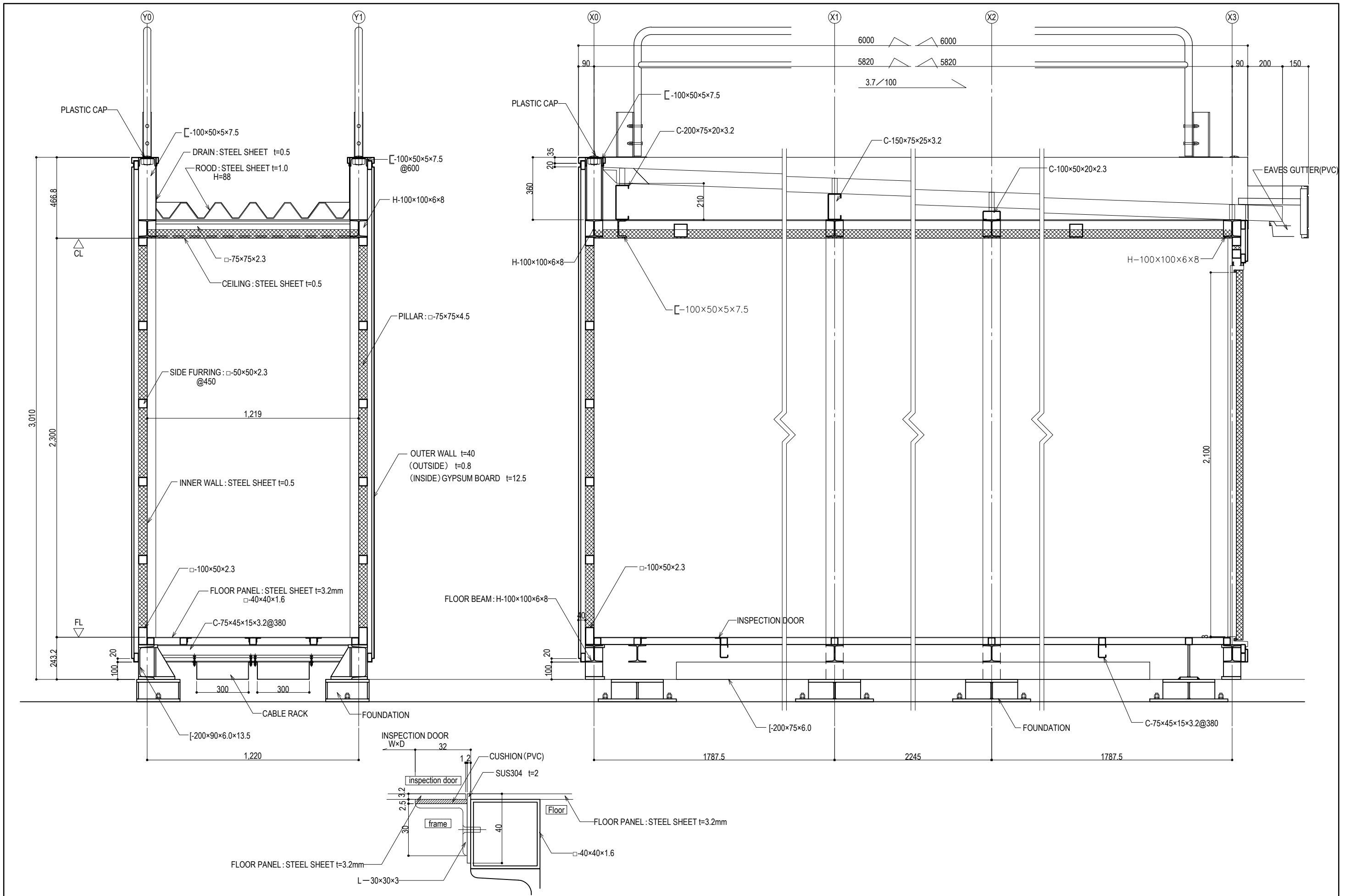


VIEW(Y1) S=1:60



VIEW(X0) S=1:60

PROJECT NAME DETAILED DESIGN ON BAGO RIVER BRIDGE CONSTRUCTION PROJECT	FINANCED BY JAPAN INTERNATIONAL COOPERATION AGENCY	COUNTERPART REPUBLIC OF THE UNION OF MYANMAR MINISTRY OF CONSTRUCTION DEPARTMENT OF BRIDGE	JICA STUDY TEAM NIPPON KOEI CO., LTD. ORIENTAL CONSULTANTS GLOBAL CO., LTD. METROPOLITAN EXPRESSWAY COMPANY LIMITED CHODAI CO., LTD. NIPPON ENGINEERING CONSULTANTS CO., LTD.	NAME	SIGNATURE	DATE	DRAWING TITLE PLAN VIEW/ ELEVATION VIEW/ CROSS-SECTION VIEW OF MACHINERY BOOTH	PACKAGE	
				PREPARED BY	*GROUP LEADER			15 Jun. 2017	2
				CHECKED BY	T. HAYAKAWA			20 Jun. 2017	DWG No.
				APPROVED BY	Y. SANO			21 Jun. 2017	P2-TC-2006



PROJECT NAME
 DETAILED DESIGN ON
 BAGO RIVER BRIDGE
 CONSTRUCTION PROJECT

FINANCED BY
 JAPAN INTERNATIONAL
 COOPERATION AGENCY

COUNTERPART
 REPUBLIC OF THE UNION OF MYANMAR
 MINISTRY OF CONSTRUCTION
 DEPARTMENT OF BRIDGE

JICA STUDY TEAM
 NIPPON KOEI CO., LTD.
 ORIENTAL CONSULTANTS GLOBAL CO., LTD.
 METROPOLITAN EXPRESSWAY COMPANY LIMITED
 CHODAI CO., LTD.
 NIPPON ENGINEERING CONSULTANTS CO., LTD.

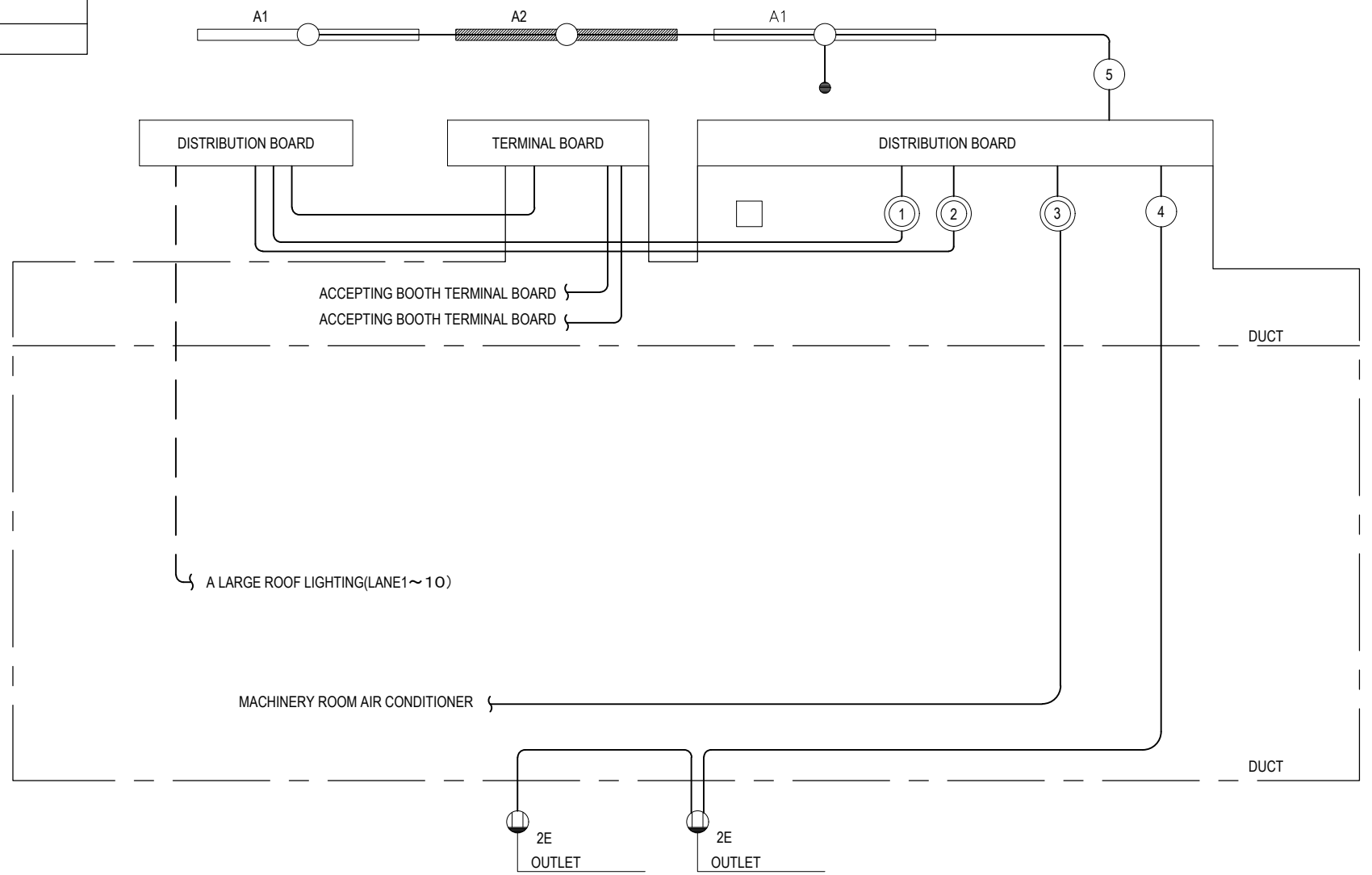
	NAME	SIGNATURE	DATE
PREPARED BY	*GROUP LEADER		15 Jun. 2017
CHECKED BY	T. HAYAKAWA		20 Jun. 2017
APPROVED BY	Y. SANO		21 Jun. 2017

DRAWING TITLE
 SECTIONAL DETAIL OF MACHINERY BOOTH

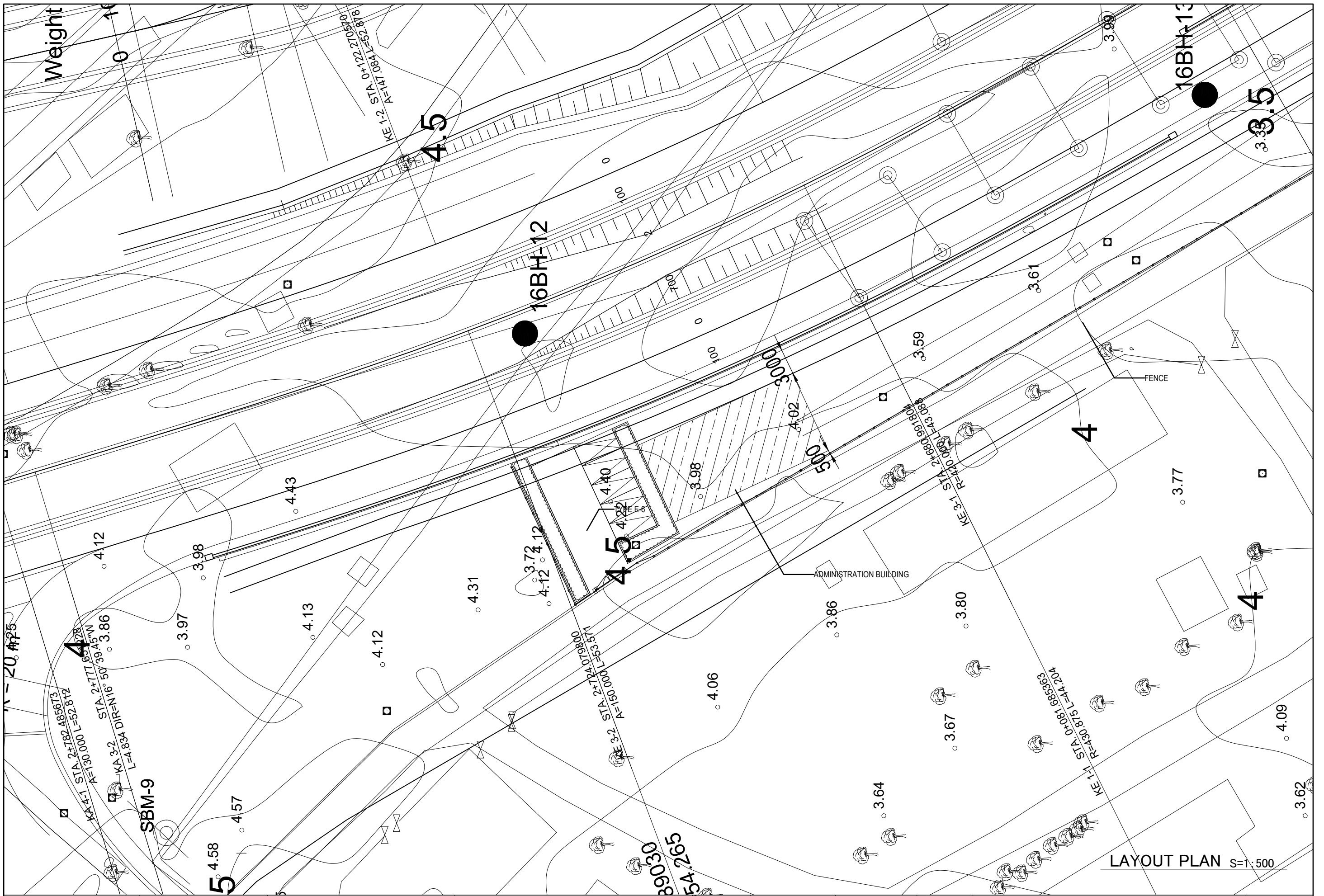
PACKAGE
 2
 DWG No.
 P2-TC-2007

LEGEND		
SYMBOL	NAME	REMARKS
	DISTRIBUTION BOARD	
	TERMINAL BOARD	
	LAMP	
	LAMP	BUILT-IN BATTERY
	OUTLET	
	SWITCH	

FIGURE	
A1	LAMP
A2	LAMP BUILT-IN BATTERY



MACHINERY ROOM ELWCTRICAL SYSTEM DIAGRAM



LAYOUT PLAN S=1:500

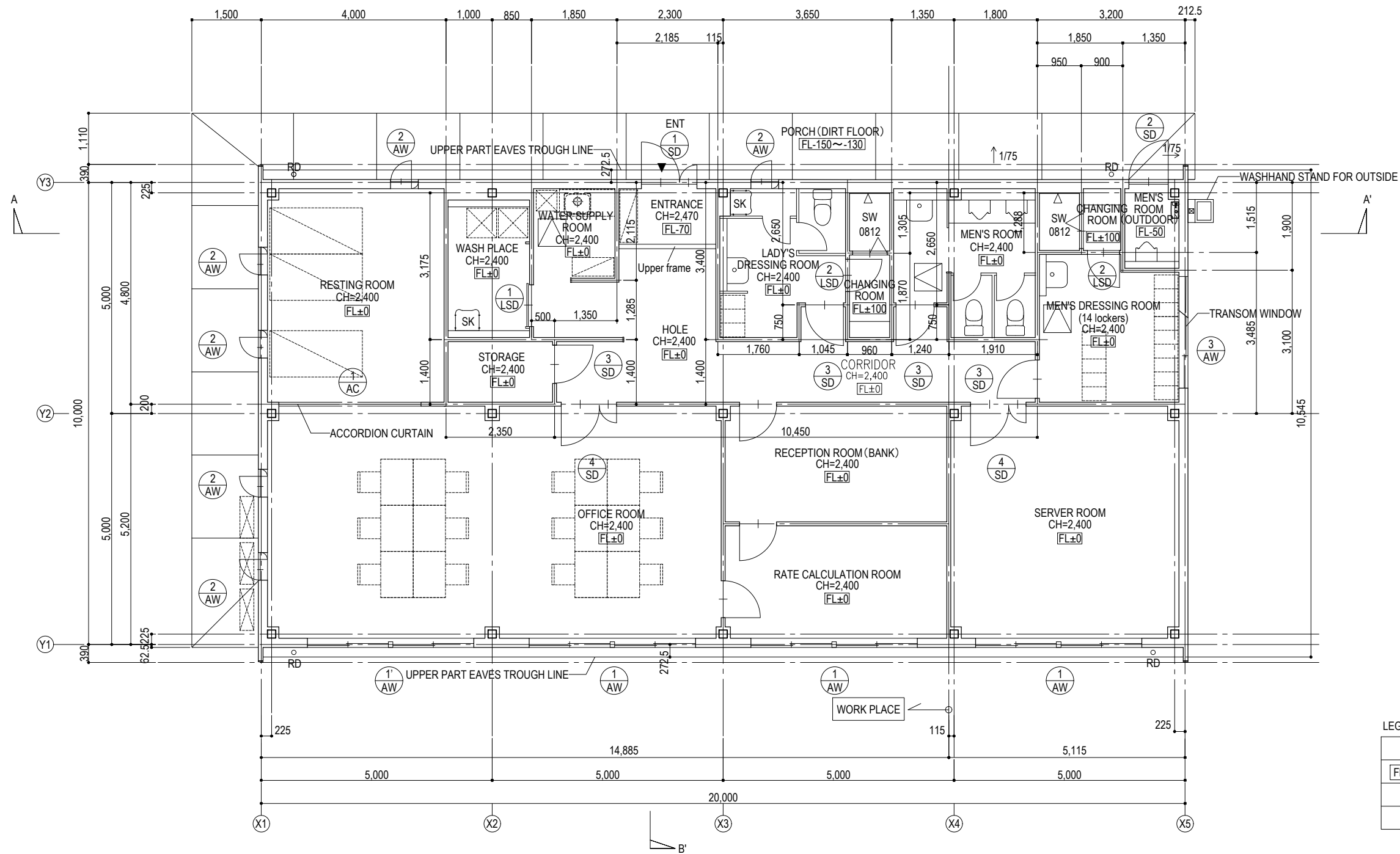
PROJECT NAME DETAILED DESIGN ON BAGO RIVER BRIDGE CONSTRUCTION PROJECT	FINANCED BY JAPAN INTERNATIONAL COOPERATION AGENCY	COUNTERPART REPUBLIC OF THE UNION OF MYANMAR MINISTRY OF CONSTRUCTION DEPARTMENT OF BRIDGE	JICA STUDY TEAM NIPPON KOEI CO., LTD. ORIENTAL CONSULTANTS GLOBAL CO., LTD. METROPOLITAN EXPRESSWAY COMPANY LIMITED CHODAI CO., LTD. NIPPON ENGINEERING CONSULTANTS CO., LTD.	NAME	SIGNATURE	DATE	DRAWING TITLE	PACKAGE			
				PREPARED BY	K. NAKAMURA				29 Sep. 2017	LAYOUT PLAN OF ADMINISTRATIVE OFFICE	2
				CHECKED BY	T. HAYAKAWA				3 Oct. 2017		DWG No.
APPROVED BY	Y. SANO		6 Oct. 2017	P2-TC-4001							

EXTERNAL FINISHING TABLE

ROOF	GALVALUME FOLDED PLATE t=1.0
OUTER WALL	ALC-125t
OUTER BASEBOARD	WATERPROOF PAINT
EAVES GUTTER	GALVALUME FOLDED PLATE
A DOWNPIPE	STEEL PIPE 100φ SOP

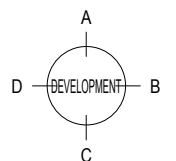
INTERNAL FINISHING TABLE

FLOOR	ROOM NAME	FLOOR	BASEBOARD	H	WALL	MARGIN	CEILING	REMARKS	
1ST	ENTRANCE	PORCELAIN TILE □300mm	PORCELAIN TILE □300mm	145	GB t=12.5 VINYL CROSS	PVC	GB t=9.5, ROCK SOUND ABSORBING BOARD t=15		
	HOLE	PVC SHEET t=2.5	VINYL t=2.0	75	GB t=12.5 VINYL CROSS	PVC	GB t=9.5, ROCK SOUND ABSORBING BOARD t=15		
	CORRIDOR	PVC SHEET t=2.5	VINYL t=2.0	75	GB t=12.5 VINYL CROSS	PVC	GB t=9.5, ROCK SOUND ABSORBING BOARD t=15		
	RECEPTION ROOM	TILE CARPET t=6.2 □500 FREE ACCESS FLOOR	VINYL t=2.0	75	GB t=12.5 VINYL CROSS	PVC	GB t=9.5, ROCK SOUND ABSORBING BOARD t=15		
	PRICE CALCULATION ROOM	TILE CARPET t=6.2 □500 FREE ACCESS FLOOR	VINYL t=2.0	75	GB t=12.5 VINYL CROSS	PVC	GB t=9.5, ROCK SOUND ABSORBING BOARD t=15		
	SERVER ROOM	TILE CARPET t=6.2 □500 FREE ACCESS FLOOR	VINYL t=2.0	75	GB t=12.5 VINYL CROSS	PVC	GB t=9.5, ROCK SOUND ABSORBING BOARD t=15		
	MEN'S SLEEPING ROOM	TILE CARPET t=6.2 □500 FREE ACCESS FLOOR	VINYL t=2.0	75	GB t=12.5 VINYL CROSS	PVC	GB t=9.5 VINYL CROSS		
	MEN'S CHANGING ROOM	PVC SHEET t=2.5	VINYL t=2.0	75	GB t=12.5 VINYL CROSS	PVC	GB t=9.5 VINYL CROSS		
	MEN'S DRESSING ROOM	PVC SHEET t=2.5	VINYL t=2.0	75	GB t=12.5 VINYL CROSS	PVC	GB t=9.5 VINYL CROSS		
	WOMEN'S DRESSING ROOM	PVC SHEET t=2.5	SUS t=2.3 HL	75	GB t=12.5 VINYL CROSS	PVC	GB t=9.5 VINYL CROSS		
	WOMEN'S DRESSING ROOM	PVC SHEET t=2.5	VINYL t=2.0	75	GB t=12.5 VINYL CROSS	PVC	GB t=9.5 VINYL CROSS		
	MEN'S RESTROOM	PVC SHEET t=2.5	SUS t=2.3 HL	75	FLEXIBLE BOARD t=6 VINYL CROSS	PVC	GB t=9.5 VINYL CROSS		
	HOT WATER SUPPLY ROOM	PVC SHEET t=2.5	VINYL t=2.0	75	GB t=12.5 VINYL CROSS	PVC	GB t=9.5, ROCK SOUND ABSORBING BOARD t=15		
	LAUNDRY ROOM	PVC SHEET t=2.5	VINYL t=2.0	75	FLEXIBLE BOARD t=6 VINYL CROSS	PVC	GB t=9.5 VINYL CROSS		
	SHED	PVC SHEET t=2.5	VINYL t=2.0	75	FLEXIBLE BOARD t=6 VINYL CROSS	PVC	GB t=9.5 VINYL CROSS		
	MEN'S RESTROOM	PORCELAIN TILE □100mm	SUS t=2.3 HL	75	FLEXIBLE BOARD t=6 VINYL CROSS	PVC	GB t=9.5 VINYL CROSS		

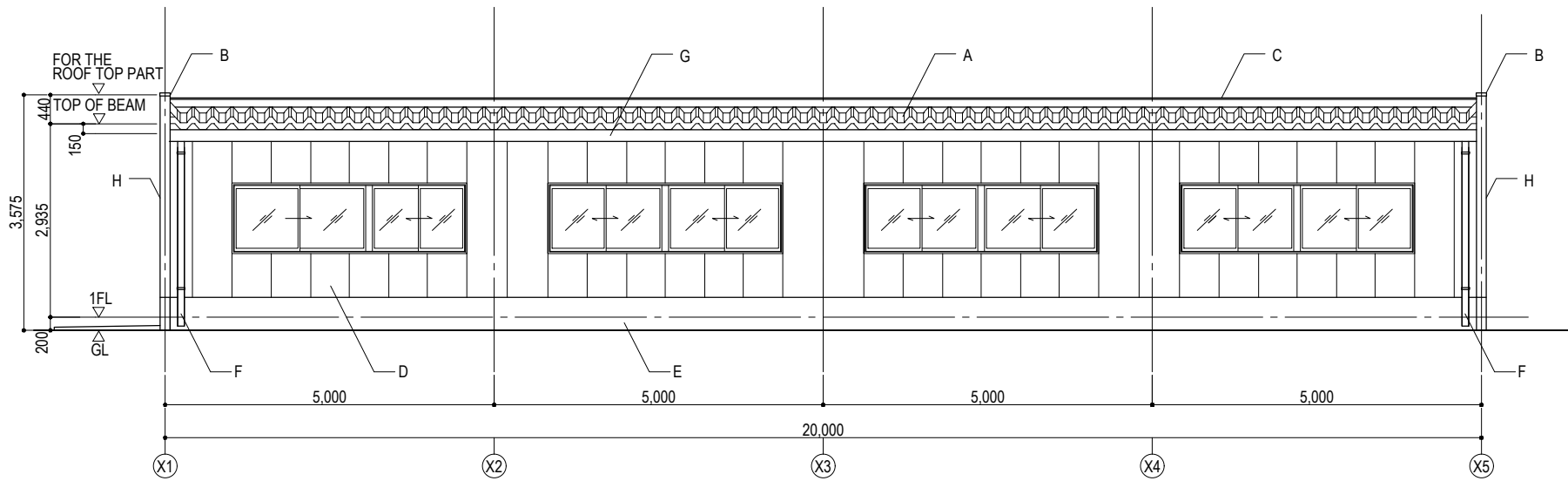


PLAN S=1:100

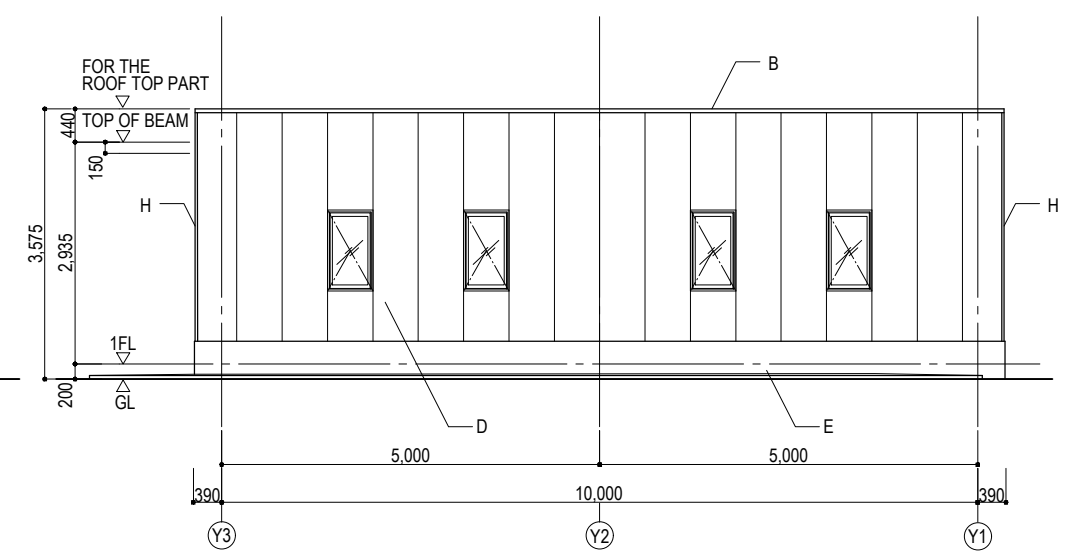
LEGEND	
RD	RAIN PIPE
FL±**	FLOOR LEVEL
→	DRAINAGE SLOPE
□	INSPECTION DOOR 600×600



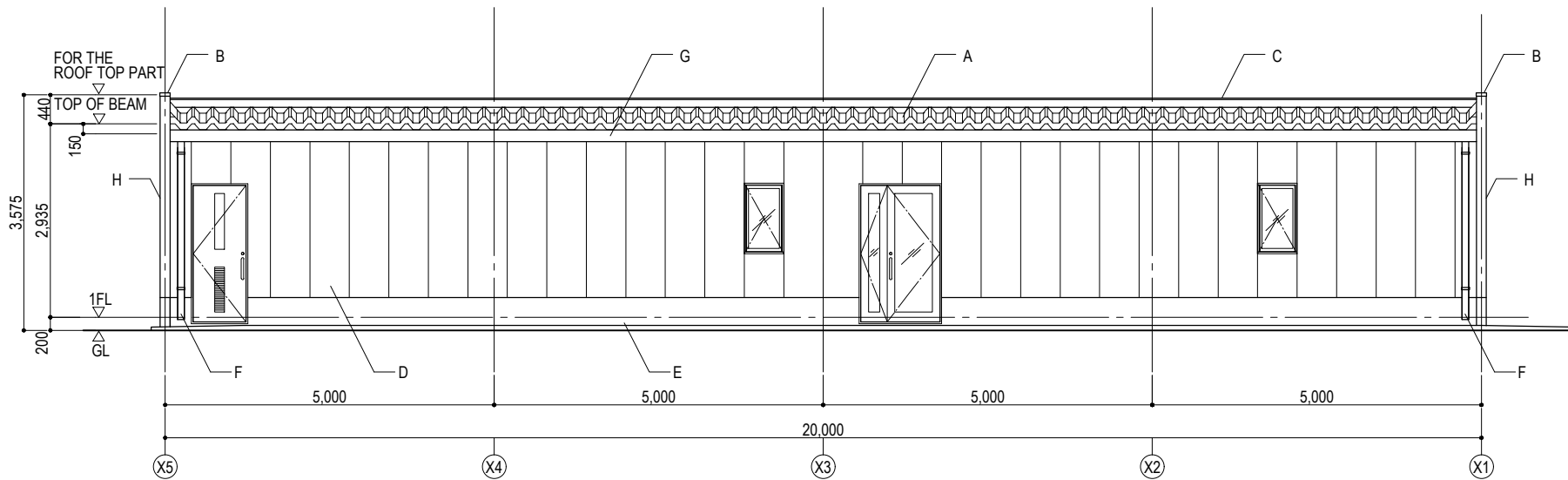
PROJECT NAME DETAILED DESIGN ON BAGO RIVER BRIDGE CONSTRUCTION PROJECT	FINANCED BY JAPAN INTERNATIONAL COOPERATION AGENCY	COUNTERPART REPUBLIC OF THE UNION OF MYANMAR MINISTRY OF CONSTRUCTION DEPARTMENT OF BRIDGE	JICA STUDY TEAM NIPPON KOEI CO., LTD. ORIENTAL CONSULTANTS GLOBAL CO., LTD. METROPOLITAN EXPRESSWAY COMPANY LIMITED CHODAI CO., LTD. NIPPON ENGINEERING CONSULTANTS CO., LTD.	NAME	SIGNATURE	DATE	DRAWING TITLE PLAN VIEW OF ADMINISTRATIVE OFFICE	PACKAGE 2 DWG No. P2-TC-4003	
				PREPARED BY	*GROUP LEADER				15 Jun. 2017
				CHECKED BY	T. HAYAKAWA				20 Jun. 2017
				APPROVED BY	Y. SANO				21 Jun. 2017



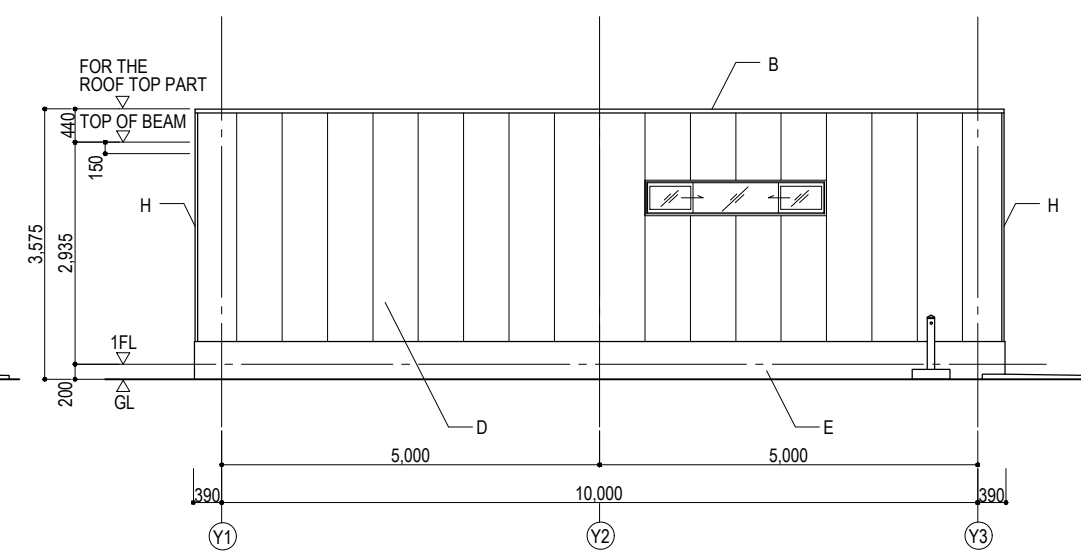
SOUTH ELEVATION S=1:100



WEST ELEVATION S=1:100



NORTH ELEVATION S=1:100



EAST ELEVATION S=1:100

LEGEND

A	ROOF : COLOR GALVALUME SHINGLE BOARD t=1.0
B	COPING : ALUMINUM BENDING t=2.5 THE SECOND ELECTROLYSIS COLORATION
C	RIDGE POLE : COLOR GALVALUME BENDING t=0.8
D	ALC-125t WALL ROCKING METHOD OF CONSTRUCTION LONG ACRYLIC SYSTEM OUTER WALL MATERIALS AIR BLAST
E	THE FOOT CIRCUMFERENCE : COATING WATERPROOFING FOR CONCRETE EXPOSED SURFACE
F	RAIN PIPE : STEEL TUBE 100φ SOP
G	EAVES TROUGH : COLOR GALVALUME BENDING t=1.0
H	CUT EDGE : THE SECOND ALUMINUM BENDING t= 2.5 ELECTROLYSIS COLORATION

PROJECT NAME
 DETAILED DESIGN ON
 BAGO RIVER BRIDGE
 CONSTRUCTION PROJECT

FINANCED BY
 JAPAN INTERNATIONAL
 COOPERATION AGENCY

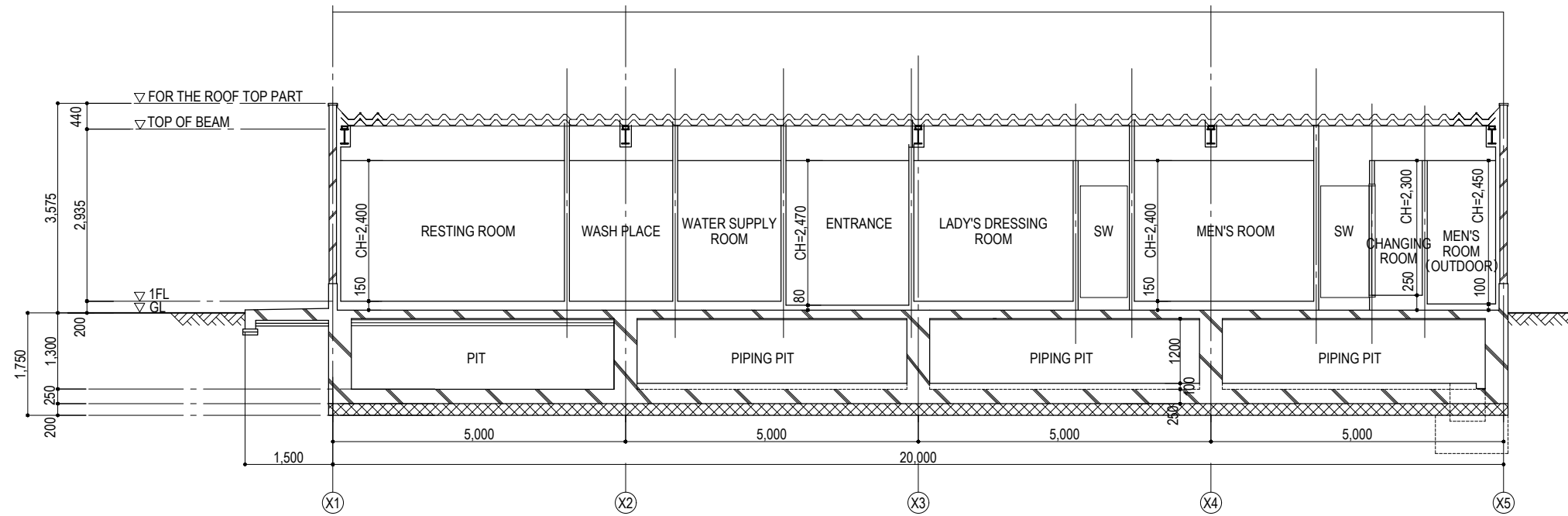
COUNTERPART
 REPUBLIC OF THE UNION OF MYANMAR
 MINISTRY OF CONSTRUCTION
 DEPARTMENT OF BRIDGE

JICA STUDY TEAM
 NIPPON KOEI CO., LTD.
 ORIENTAL CONSULTANTS GLOBAL CO., LTD.
 METROPOLITAN EXPRESSWAY COMPANY LIMITED
 CHODAI CO., LTD.
 NIPPON ENGINEERING CONSULTANTS CO., LTD.

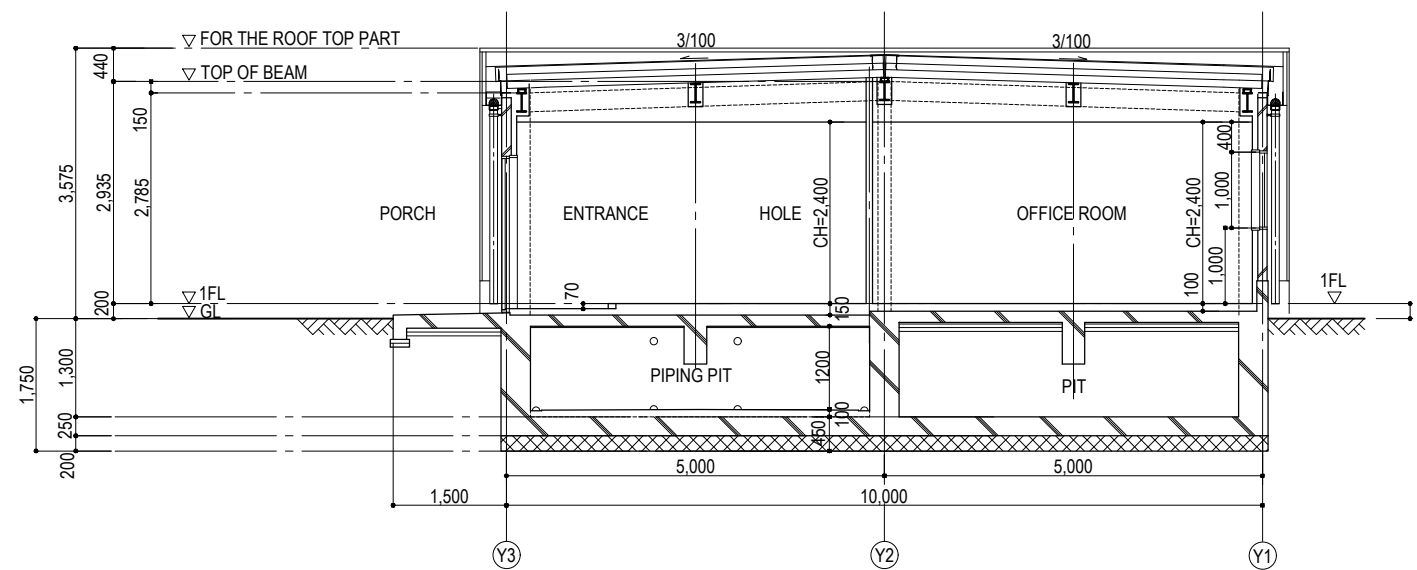
	NAME	SIGNATURE	DATE
PREPARED BY	*GROUP LEADER		15 Jun. 2017
CHECKED BY	T. HAYAKAWA		20 Jun. 2017
APPROVED BY	Y. SANO		21 Jun. 2017

DRAWING TITLE
 ELEVATION VIEW OF ADMINISTRATIVE OFFICE

PACKAGE
 2
 DWG No.
 P2-TC-4004

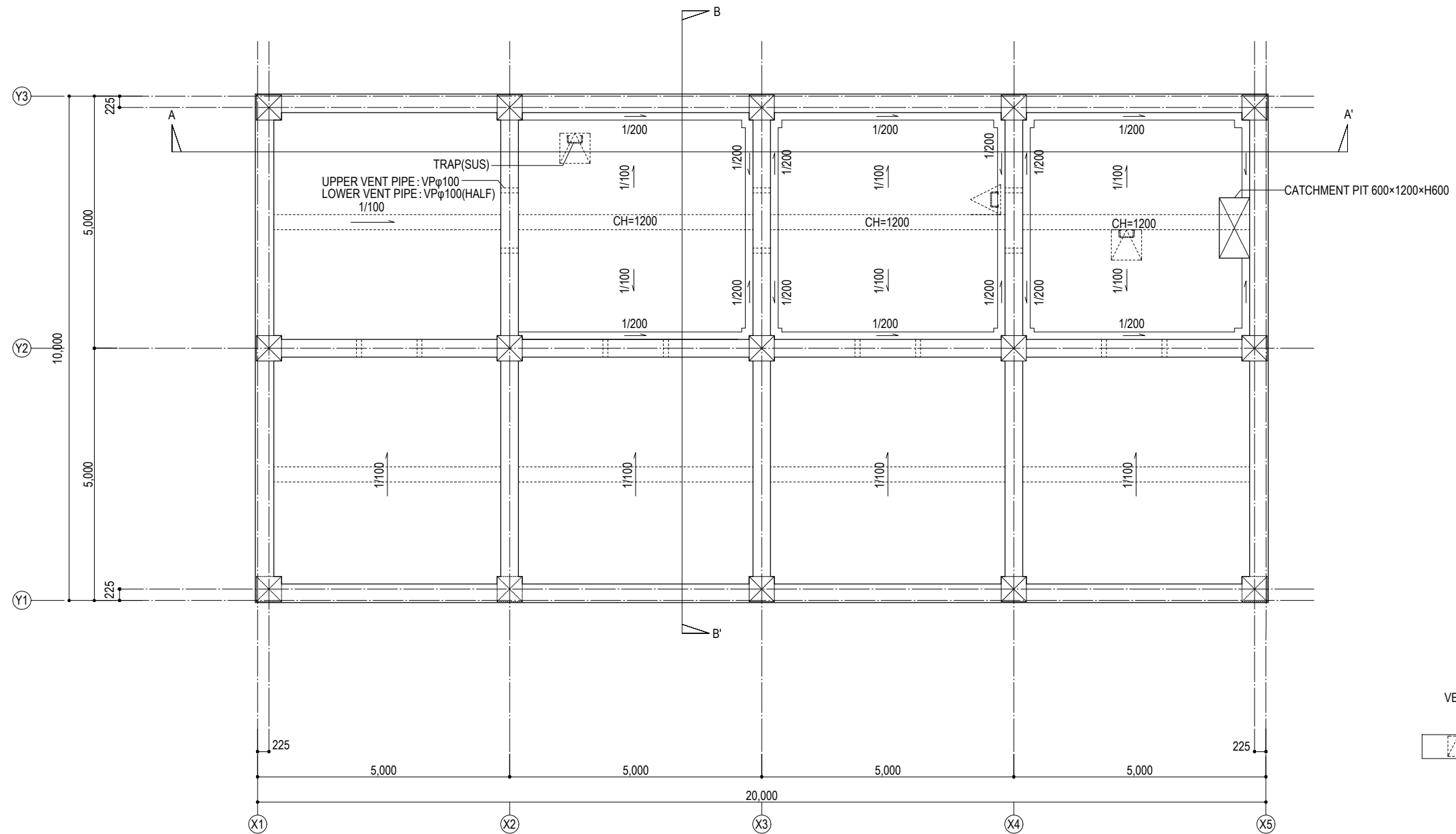


A-A' SECTION S=1:100

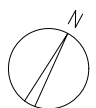
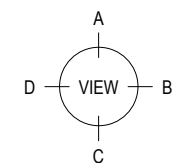


B-B' SECTION S=1:100

PROJECT NAME DETAILED DESIGN ON BAGO RIVER BRIDGE CONSTRUCTION PROJECT	FINANCED BY JAPAN INTERNATIONAL COOPERATION AGENCY	COUNTERPART REPUBLIC OF THE UNION OF MYANMAR MINISTRY OF CONSTRUCTION DEPARTMENT OF BRIDGE	JICA STUDY TEAM NIPPON KOEI CO., LTD. ORIENTAL CONSULTANTS GLOBAL CO., LTD. METROPOLITAN EXPRESSWAY COMPANY LIMITED CHODAI CO., LTD. NIPPON ENGINEERING CONSULTANTS CO., LTD.	NAME	SIGNATURE	DATE	DRAWING TITLE	PACKAGE	
				PREPARED BY	*GROUP LEADER				15 Jun. 2017
				CHECKED BY	T. HAYAKAWA				20 Jun. 2017
				APPROVED BY	Y. SANO				21 Jun. 2017
							CROSS-SECTION VIEW OF ADMINISTRATIVE OFFICE	2	
								DWG No.	
								P2-TC-4005	

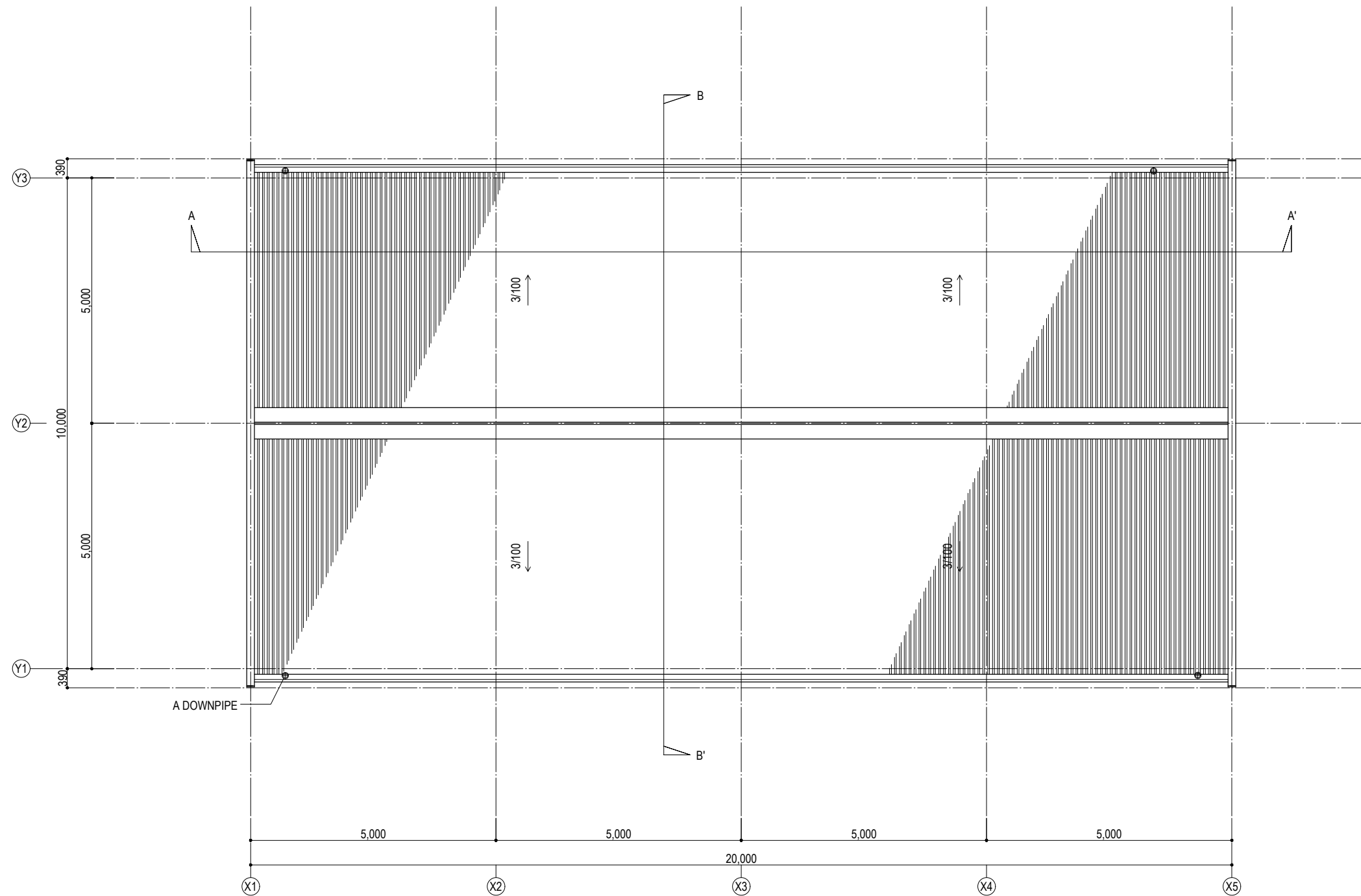


VENT PIPE VPφ100 SPAN×2



PIT FLOOR PLAN S=1:100

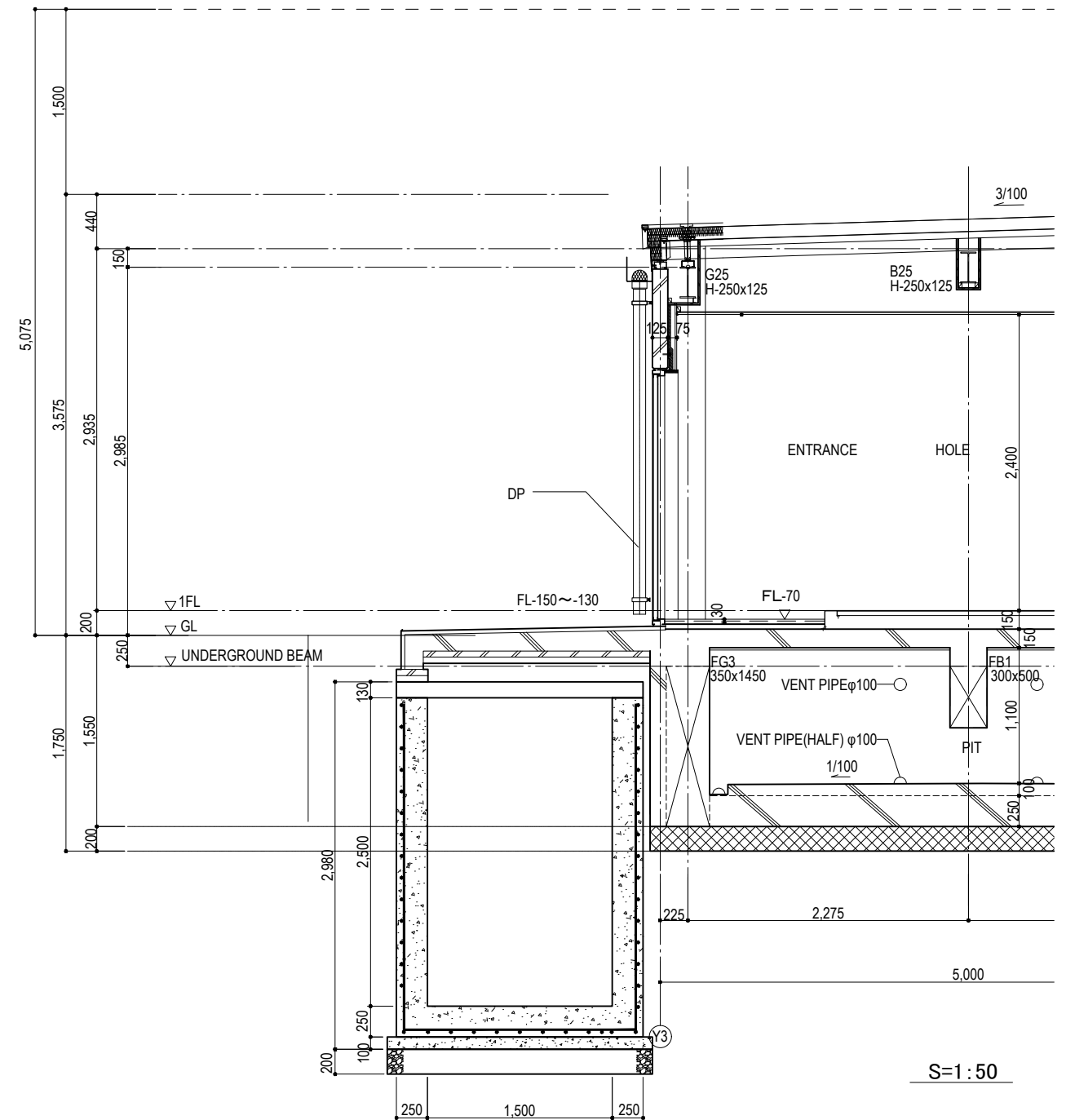
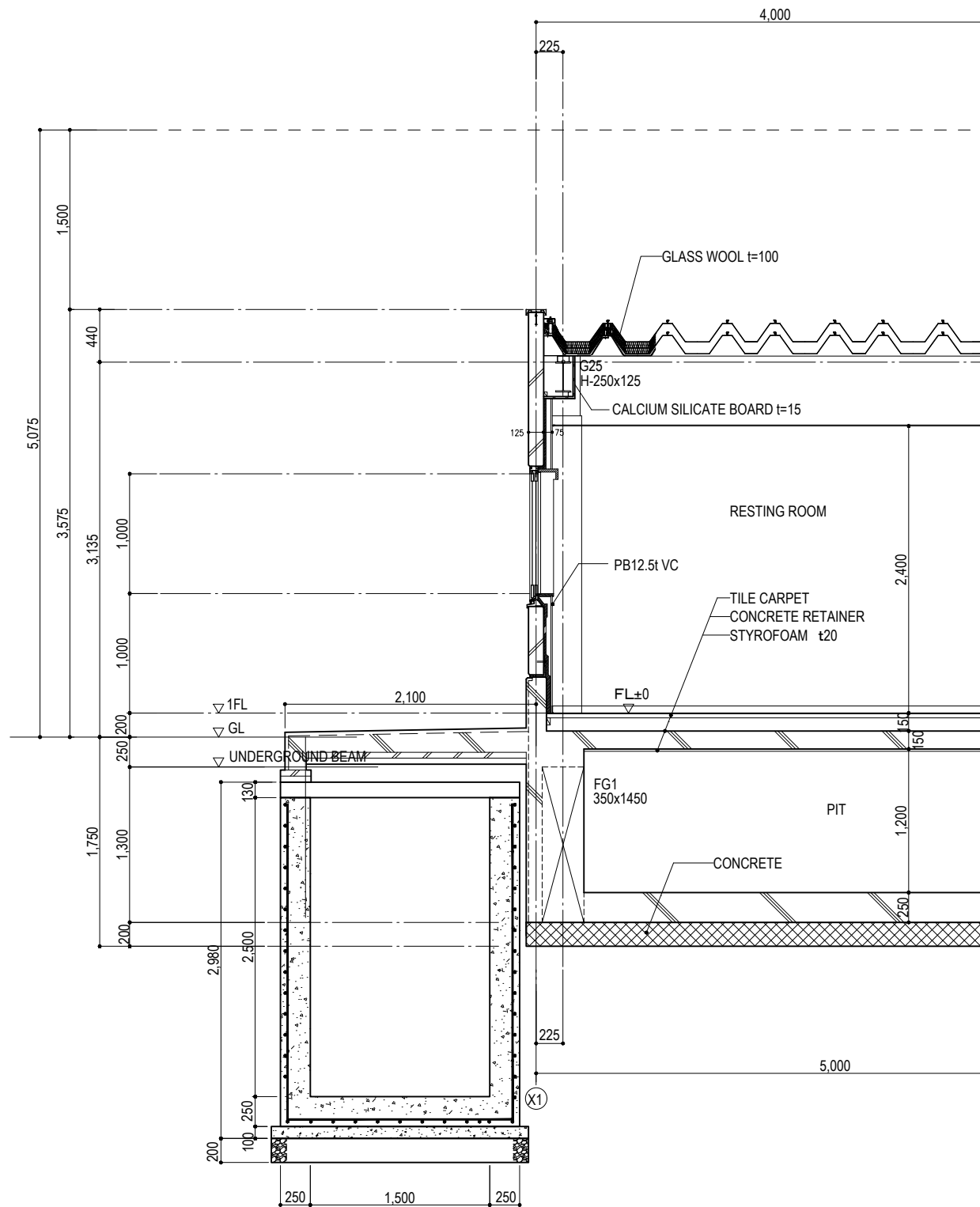
PROJECT NAME DETAILED DESIGN ON BAGO RIVER BRIDGE CONSTRUCTION PROJECT	FINANCED BY JAPAN INTERNATIONAL COOPERATION AGENCY	COUNTERPART REPUBLIC OF THE UNION OF MYANMAR MINISTRY OF CONSTRUCTION DEPARTMENT OF BRIDGE	JICA STUDY TEAM NIPPON KOEI CO., LTD. ORIENTAL CONSULTANTS GLOBAL CO., LTD. METROPOLITAN EXPRESSWAY COMPANY LIMITED CHODAI CO., LTD. NIPPON ENGINEERING CONSULTANTS CO., LTD.	NAME	SIGNATURE	DATE	DRAWING TITLE	PACKAGE			
				PREPARED BY	*GROUP LEADER				15 Jun. 2017	PLAN VIEW OF PIT FLOOR OF ADMINISTRATIVE OFFICE	2
				CHECKED BY	T. HAYAKAWA				20 Jun. 2017		DWG No.
				APPROVED BY	Y. SANO				21 Jun. 2017		P2-TC-4006



ROOF PLAN S=1:100



PROJECT NAME DETAILED DESIGN ON BAGO RIVER BRIDGE CONSTRUCTION PROJECT	FINANCED BY JAPAN INTERNATIONAL COOPERATION AGENCY	COUNTERPART REPUBLIC OF THE UNION OF MYANMAR MINISTRY OF CONSTRUCTION DEPARTMENT OF BRIDGE	JICA STUDY TEAM NIPPON KOEI CO., LTD. ORIENTAL CONSULTANTS GLOBAL CO., LTD. METROPOLITAN EXPRESSWAY COMPANY LIMITED CHODAI CO., LTD. NIPPON ENGINEERING CONSULTANTS CO., LTD.	NAME	SIGNATURE	DATE	DRAWING TITLE	PACKAGE			
				PREPARED BY	*GROUP LEADER				15 Jun. 2017	ROOF PLAN OF ADMINISTRATIVE OFFICE	2
				CHECKED BY	T. HAYAKAWA				20 Jun. 2017		DWG No.
				APPROVED BY	Y. SANO				21 Jun. 2017		P2-TC-4007



S=1:50

PROJECT NAME
 DETAILED DESIGN ON
 BAGO RIVER BRIDGE
 CONSTRUCTION PROJECT

FINANCED BY
 JAPAN INTERNATIONAL
 COOPERATION AGENCY

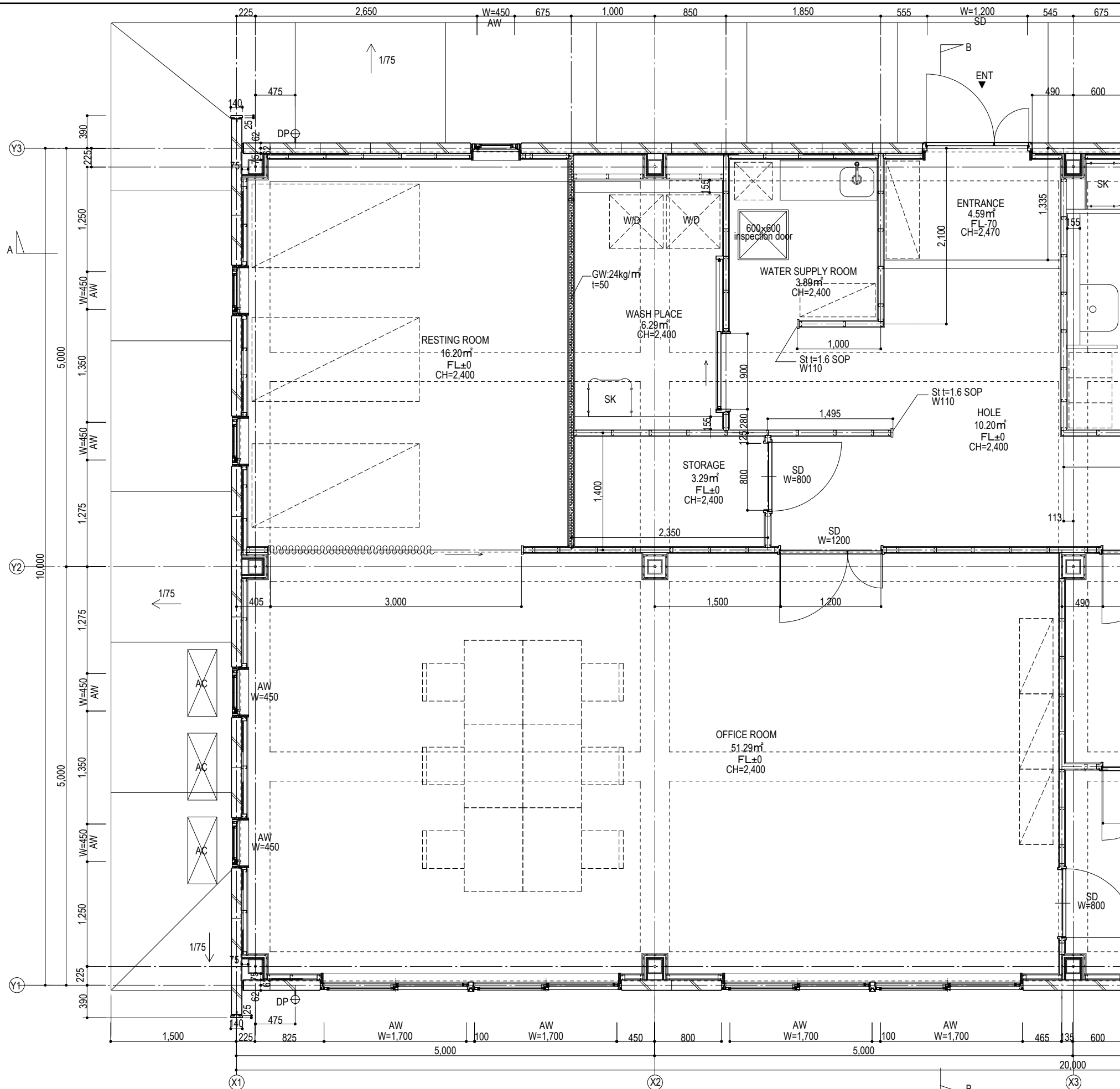
COUNTERPART
 REPUBLIC OF THE UNION OF MYANMAR
 MINISTRY OF CONSTRUCTION
 DEPARTMENT OF BRIDGE

JICA STUDY TEAM
 NIPPON KOEI CO., LTD.
 ORIENTAL CONSULTANTS GLOBAL CO., LTD.
 METROPOLITAN EXPRESSWAY COMPANY LIMITED
 CHODAI CO., LTD.
 NIPPON ENGINEERING CONSULTANTS CO., LTD.

	NAME	SIGNATURE	DATE
PREPARED BY	K. NAKAMURA		29 Sep. 2017
CHECKED BY	T. HAYAKAWA		3 Oct. 2017
APPROVED BY	Y. SANO		6 Oct. 2017

DRAWING TITLE
 CROSS-SECTION DETAIL DRAWING
 OF ADMINISTRATIVE OFFICE


PACKAGE
 2
 DWG No.
 P2-TC-4008



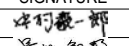
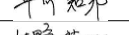
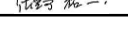
S=1:50

PROJECT NAME
 DETAILED DESIGN ON
 BAGO RIVER BRIDGE
 CONSTRUCTION PROJECT

FINANCED BY
 JAPAN INTERNATIONAL
 COOPERATION AGENCY

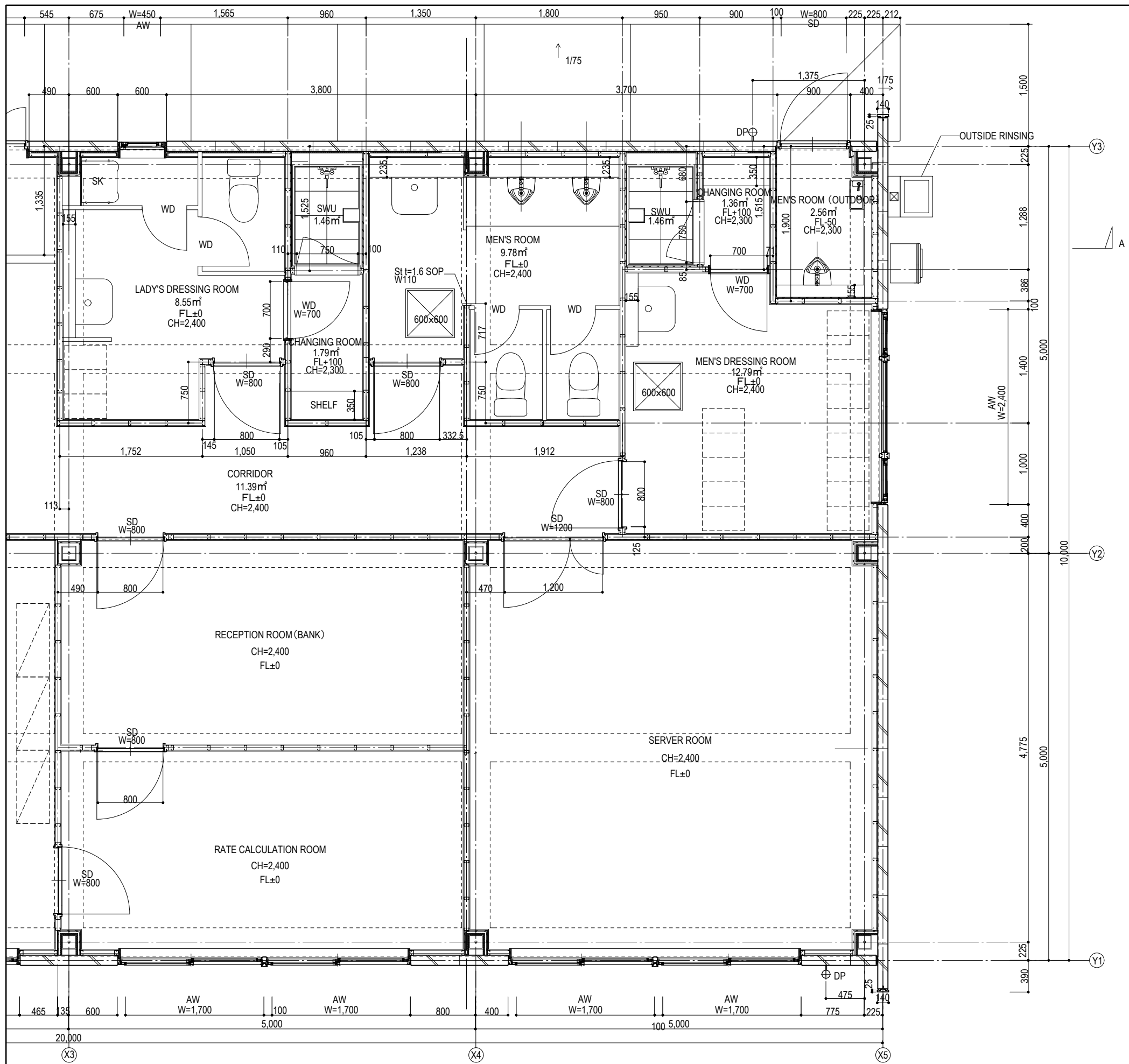
COUNTERPART
 REPUBLIC OF THE UNION OF MYANMAR
 MINISTRY OF CONSTRUCTION
 DEPARTMENT OF BRIDGE

JICA STUDY TEAM
 NIPPON KOEI CO., LTD.
 ORIENTAL CONSULTANTS GLOBAL CO., LTD.
 METROPOLITAN EXPRESSWAY COMPANY LIMITED
 CHODAI CO., LTD.
 NIPPON ENGINEERING CONSULTANTS CO., LTD.

	NAME	SIGNATURE	DATE
PREPARED BY	*GROUP LEADER		15 Jun. 2017
CHECKED BY	T. HAYAKAWA		20 Jun. 2017
APPROVED BY	Y. SANO		21 Jun. 2017

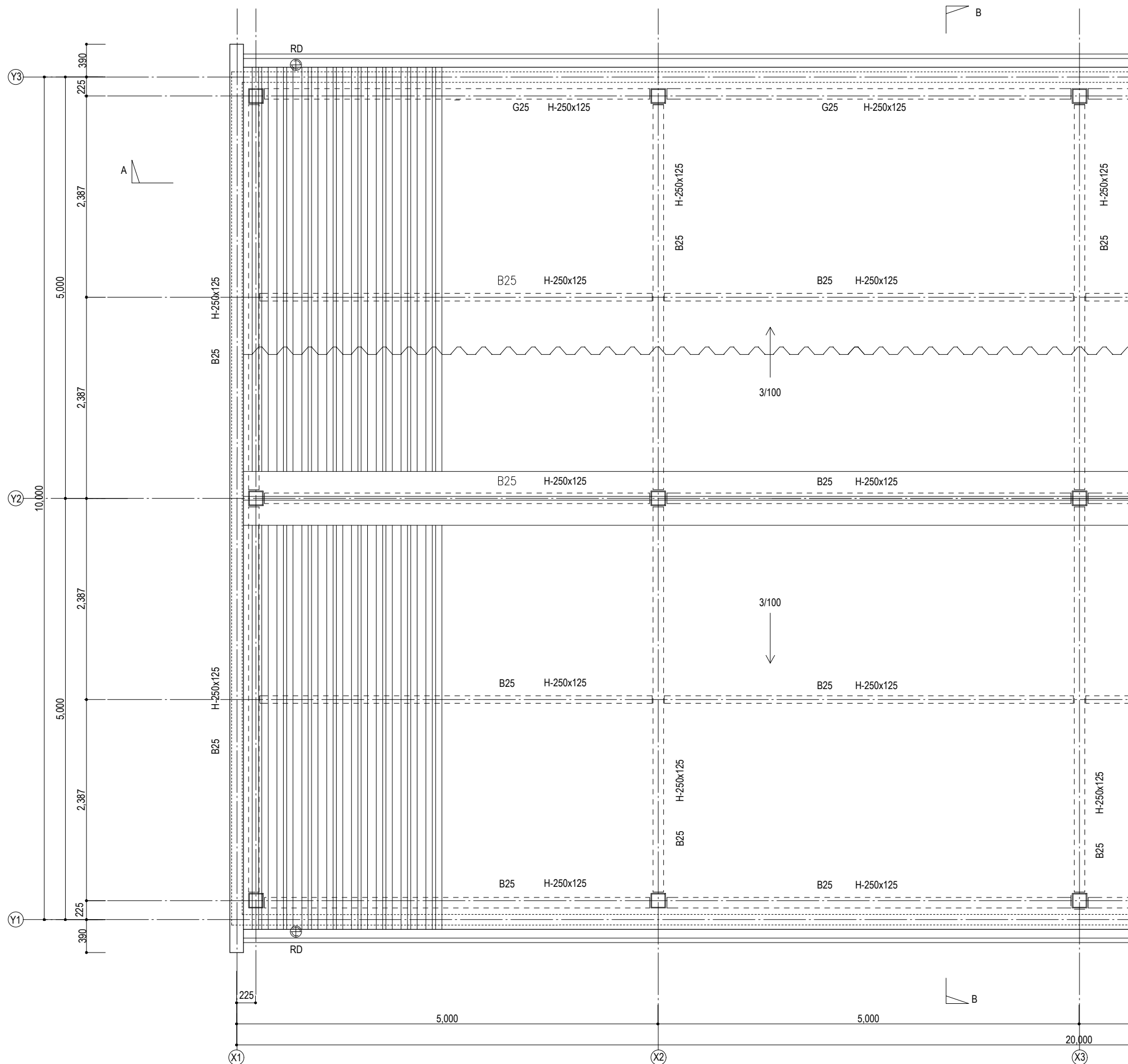
DRAWING TITLE
 FLOOR DETAIL DRAWING
 OF ADMINISTRATIVE OFFICE (1)

PACKAGE
 2
 DWG No.
 P2-TC-4009



S=1:50

PROJECT NAME DETAILED DESIGN ON BAGO RIVER BRIDGE CONSTRUCTION PROJECT	FINANCED BY JAPAN INTERNATIONAL COOPERATION AGENCY	COUNTERPART REPUBLIC OF THE UNION OF MYANMAR MINISTRY OF CONSTRUCTION DEPARTMENT OF BRIDGE	JICA STUDY TEAM NIPPON KOEI CO., LTD. ORIENTAL CONSULTANTS GLOBAL CO., LTD. METROPOLITAN EXPRESSWAY COMPANY LIMITED CHODAI CO., LTD. NIPPON ENGINEERING CONSULTANTS CO., LTD.	NAME	SIGNATURE	DATE	DRAWING TITLE FLOOR DETAIL DRAWING OF ADMINISTRATIVE OFFICE (2)	PACKAGE 2 DWG No. P2-TC-4010	
				PREPARED BY	*GROUP LEADER				15 Jun. 2017
				CHECKED BY	T. HAYAKAWA				20 Jun. 2017
				APPROVED BY	Y. SANO				21 Jun. 2017



S=1:50

PROJECT NAME
 DETAILED DESIGN ON
 BAGO RIVER BRIDGE
 CONSTRUCTION PROJECT

FINANCED BY
 JAPAN INTERNATIONAL
 COOPERATION AGENCY

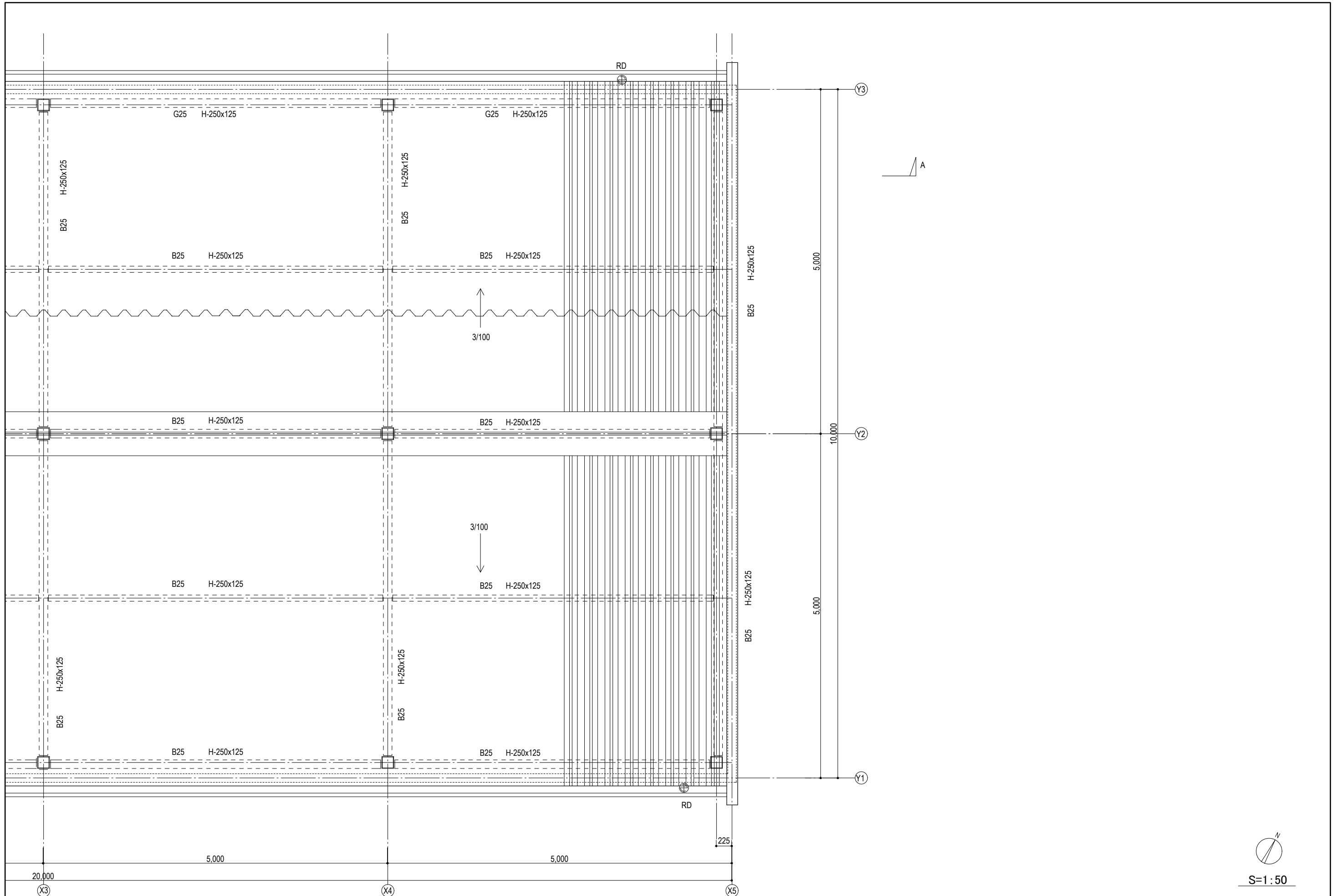
COUNTERPART
 REPUBLIC OF THE UNION OF MYANMAR
 MINISTRY OF CONSTRUCTION
 DEPARTMENT OF BRIDGE

JICA STUDY TEAM
 NIPPON KOEI CO., LTD.
 ORIENTAL CONSULTANTS GLOBAL CO., LTD.
 METROPOLITAN EXPRESSWAY COMPANY LIMITED
 CHODAI CO., LTD.
 NIPPON ENGINEERING CONSULTANTS CO., LTD.

	NAME	SIGNATURE	DATE
PREPARED BY	*GROUP LEADER		15 Jun. 2017
CHECKED BY	T. HAYAKAWA		20 Jun. 2017
APPROVED BY	Y. SANO		21 Jun. 2017


DRAWING TITLE
 ROOFTOP DETAIL DRAWING
 OF ADMINISTRATIVE OFFICE (1)

PACKAGE
 2
 DWG No.
 P2-TC-4011

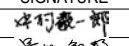
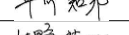
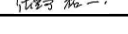


PROJECT NAME
 DETAILED DESIGN ON
 BAGO RIVER BRIDGE
 CONSTRUCTION PROJECT

FINANCED BY
 JAPAN INTERNATIONAL
 COOPERATION AGENCY

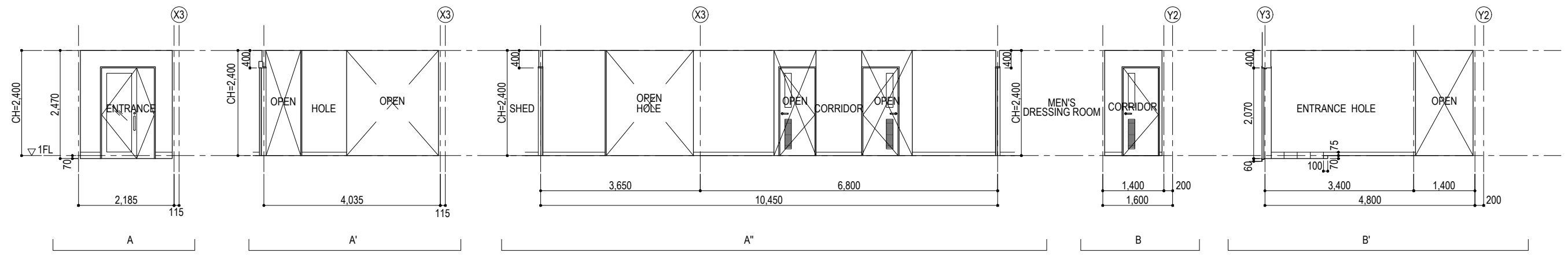
COUNTERPART
 REPUBLIC OF THE UNION OF MYANMAR
 MINISTRY OF CONSTRUCTION
 DEPARTMENT OF BRIDGE

JICA STUDY TEAM
 NIPPON KOEI CO., LTD.
 ORIENTAL CONSULTANTS GLOBAL CO., LTD.
 METROPOLITAN EXPRESSWAY COMPANY LIMITED
 CHODAI CO., LTD.
 NIPPON ENGINEERING CONSULTANTS CO., LTD.

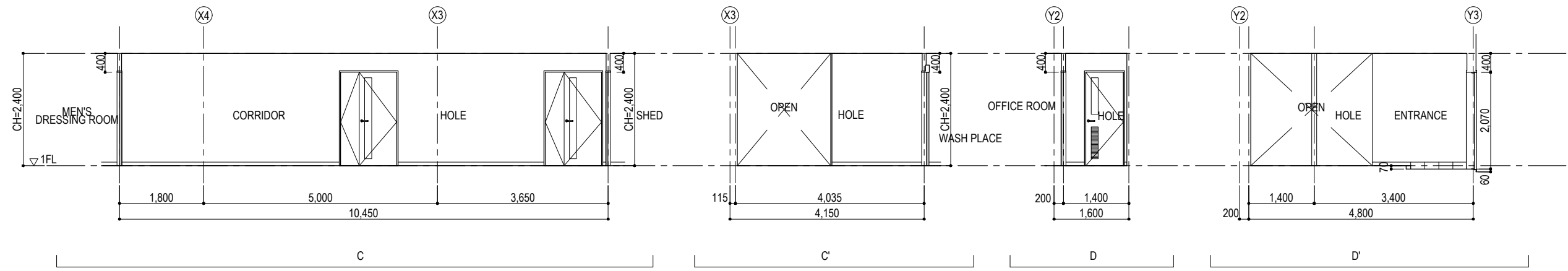
	NAME	SIGNATURE	DATE
PREPARED BY	*GROUP LEADER		15 Jun. 2017
CHECKED BY	T. HAYAKAWA		20 Jun. 2017
APPROVED BY	Y. SANO		21 Jun. 2017

DRAWING TITLE
 ROOFTOP DETAIL DRAWING
 OF ADMINISTRATIVE OFFICE (2)

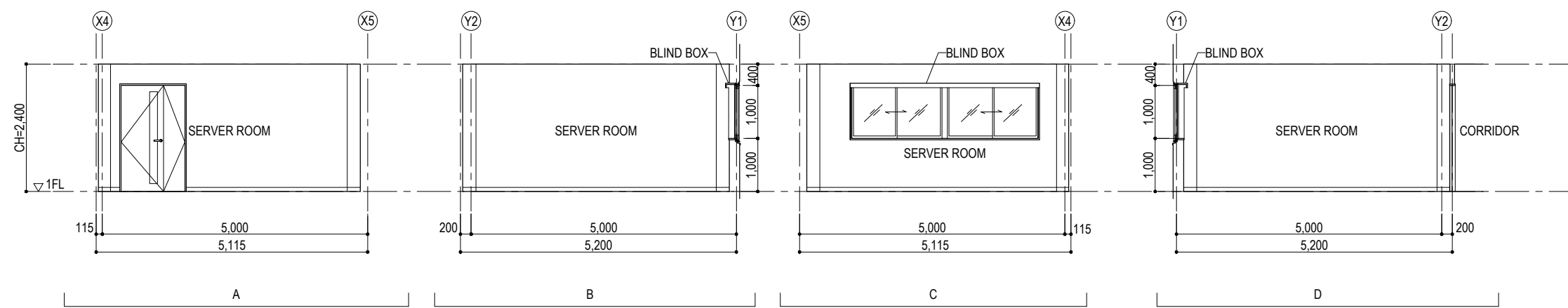
PACKAGE
 2
 DWG No.
 P2-TC-4012



ENTRANCE, HOLE, CORRIDOR



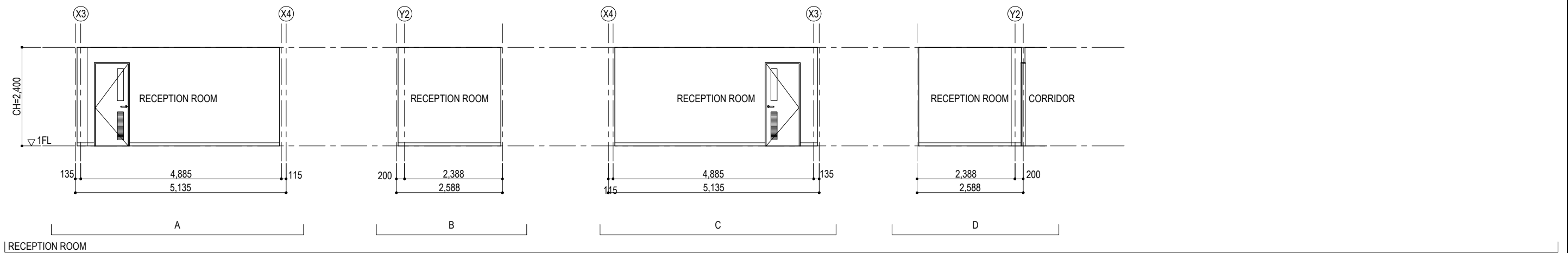
ENTRANCE, HOLE, CORRIDOR



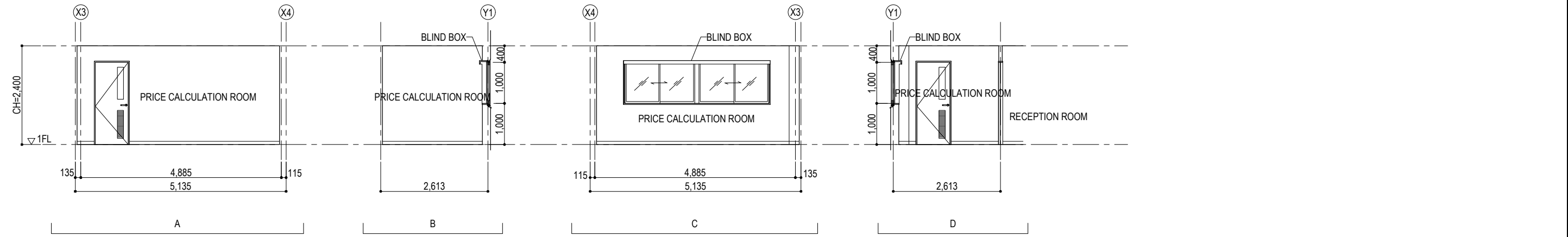
SERVER ROOM

S=1:100

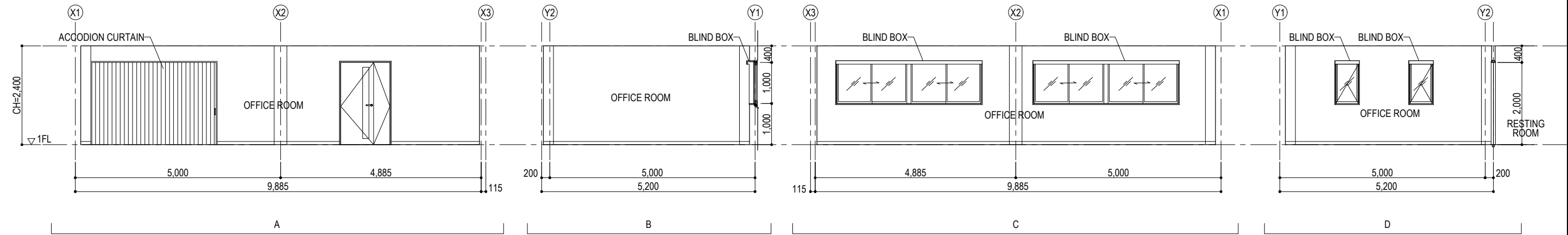
PROJECT NAME DETAILED DESIGN ON BAGO RIVER BRIDGE CONSTRUCTION PROJECT	FINANCED BY JAPAN INTERNATIONAL COOPERATION AGENCY	COUNTERPART REPUBLIC OF THE UNION OF MYANMAR MINISTRY OF CONSTRUCTION DEPARTMENT OF BRIDGE	JICA STUDY TEAM NIPPON KOEI CO., LTD. ORIENTAL CONSULTANTS GLOBAL CO., LTD. METROPOLITAN EXPRESSWAY COMPANY LIMITED CHODAI CO., LTD. NIPPON ENGINEERING CONSULTANTS CO., LTD.	NAME	SIGNATURE	DATE	DRAWING TITLE	PACKAGE	
				PREPARED BY	*GROUP LEADER				15 Jun. 2017
				CHECKED BY	T. HAYAKAWA				20 Jun. 2017
				APPROVED BY	Y. SANO				21 Jun. 2017
							DEVELOPMENT VIEW OF ADMINISTRATIVE OFFICE (1)	2	
								DWG No.	
								P2-TC-4013	



RECEPTION ROOM



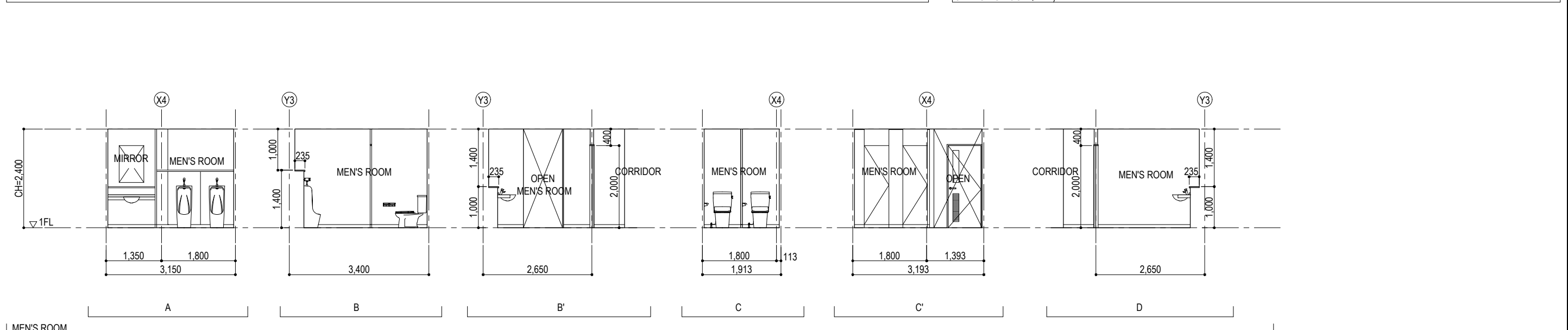
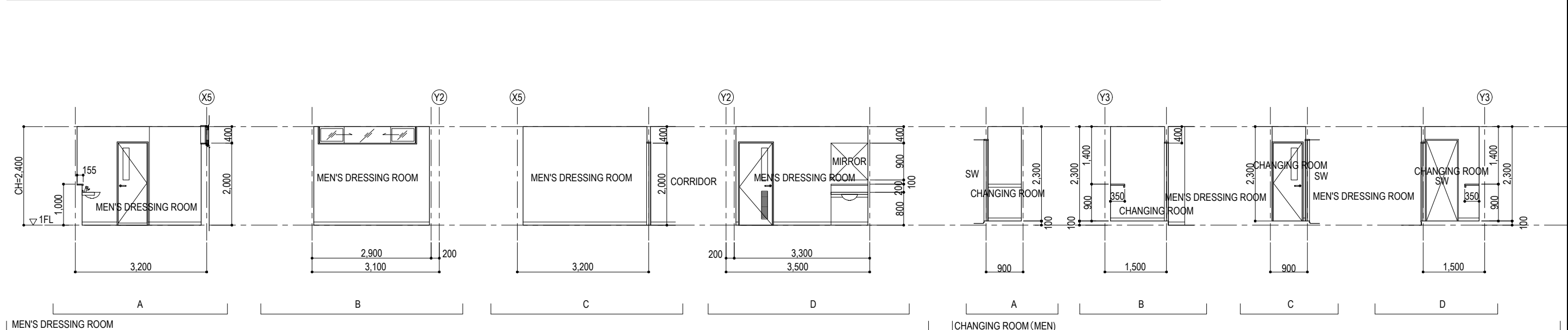
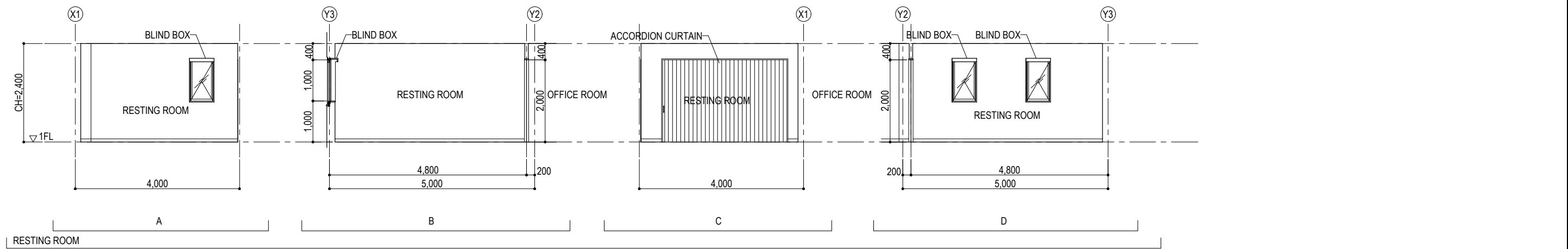
PRICE CALCULATION ROOM



OFFICE ROOM

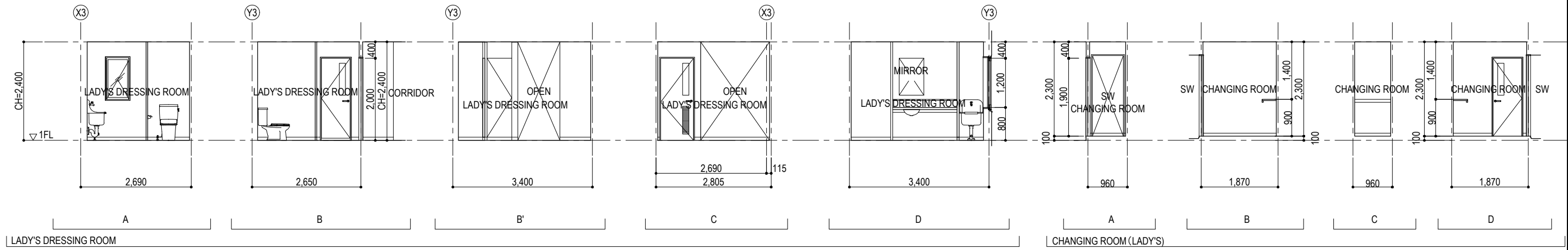
S=1:100

PROJECT NAME DETAILED DESIGN ON BAGO RIVER BRIDGE CONSTRUCTION PROJECT	FINANCED BY JAPAN INTERNATIONAL COOPERATION AGENCY	COUNTERPART REPUBLIC OF THE UNION OF MYANMAR MINISTRY OF CONSTRUCTION DEPARTMENT OF BRIDGE	JICA STUDY TEAM NIPPON KOEI CO., LTD. ORIENTAL CONSULTANTS GLOBAL CO., LTD. METROPOLITAN EXPRESSWAY COMPANY LIMITED CHODAI CO., LTD. NIPPON ENGINEERING CONSULTANTS CO., LTD.	NAME	SIGNATURE	DATE	DRAWING TITLE	PACKAGE	
				PREPARED BY	*GROUP LEADER				15 Jun. 2017
				CHECKED BY	T. HAYAKAWA				20 Jun. 2017
				APPROVED BY	Y. SANO				21 Jun. 2017
DEVELOPMENT VIEW OF ADMINISTRATIVE OFFICE (2)							2	DWG No.	
								P2-TC-4014	



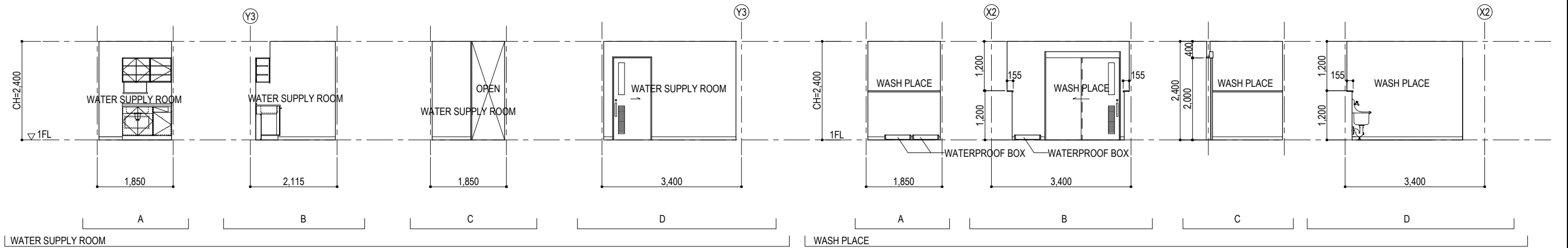
S=1:100

PROJECT NAME DETAILED DESIGN ON BAGO RIVER BRIDGE CONSTRUCTION PROJECT	FINANCED BY JAPAN INTERNATIONAL COOPERATION AGENCY	COUNTERPART REPUBLIC OF THE UNION OF MYANMAR MINISTRY OF CONSTRUCTION DEPARTMENT OF BRIDGE	JICA STUDY TEAM NIPPON KOEI CO., LTD. ORIENTAL CONSULTANTS GLOBAL CO., LTD. METROPOLITAN EXPRESSWAY COMPANY LIMITED CHODAI CO., LTD. NIPPON ENGINEERING CONSULTANTS CO., LTD.	NAME	SIGNATURE	DATE	DRAWING TITLE	PACKAGE	
				PREPARED BY	*GROUP LEADER				15 Jun. 2017
				CHECKED BY	T. HAYAKAWA				20 Jun. 2017
				APPROVED BY	Y. SANO				21 Jun. 2017
DEVELOPMENT VIEW OF ADMINISTRATIVE OFFICE (3)							2	DWG No.	
								P2-TC-4015	



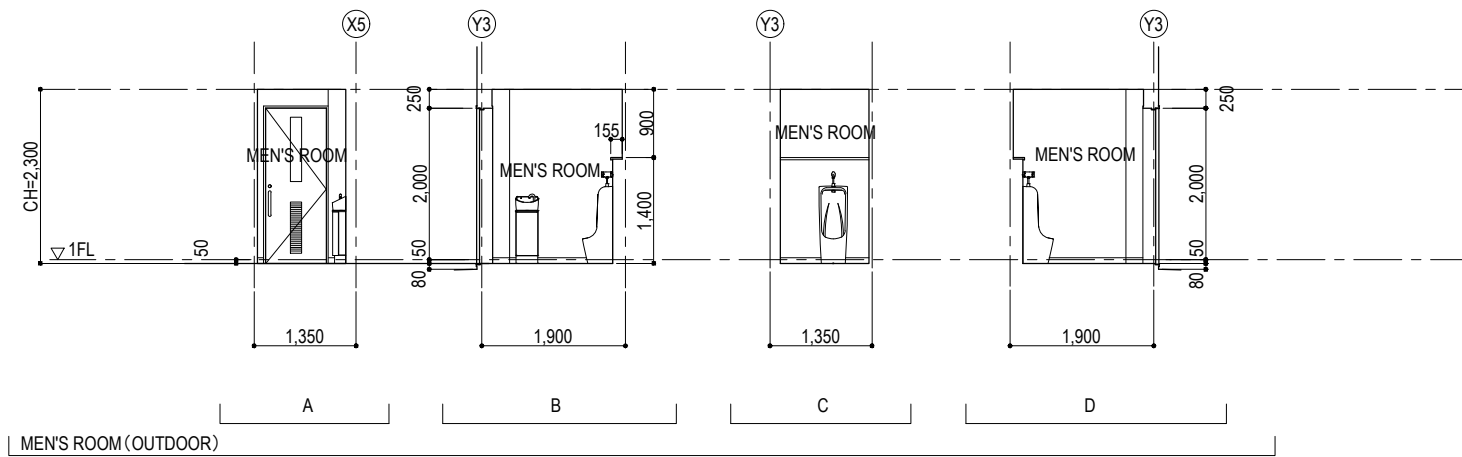
LADY'S DRESSING ROOM

CHANGING ROOM (LADY'S)



WATER SUPPLY ROOM

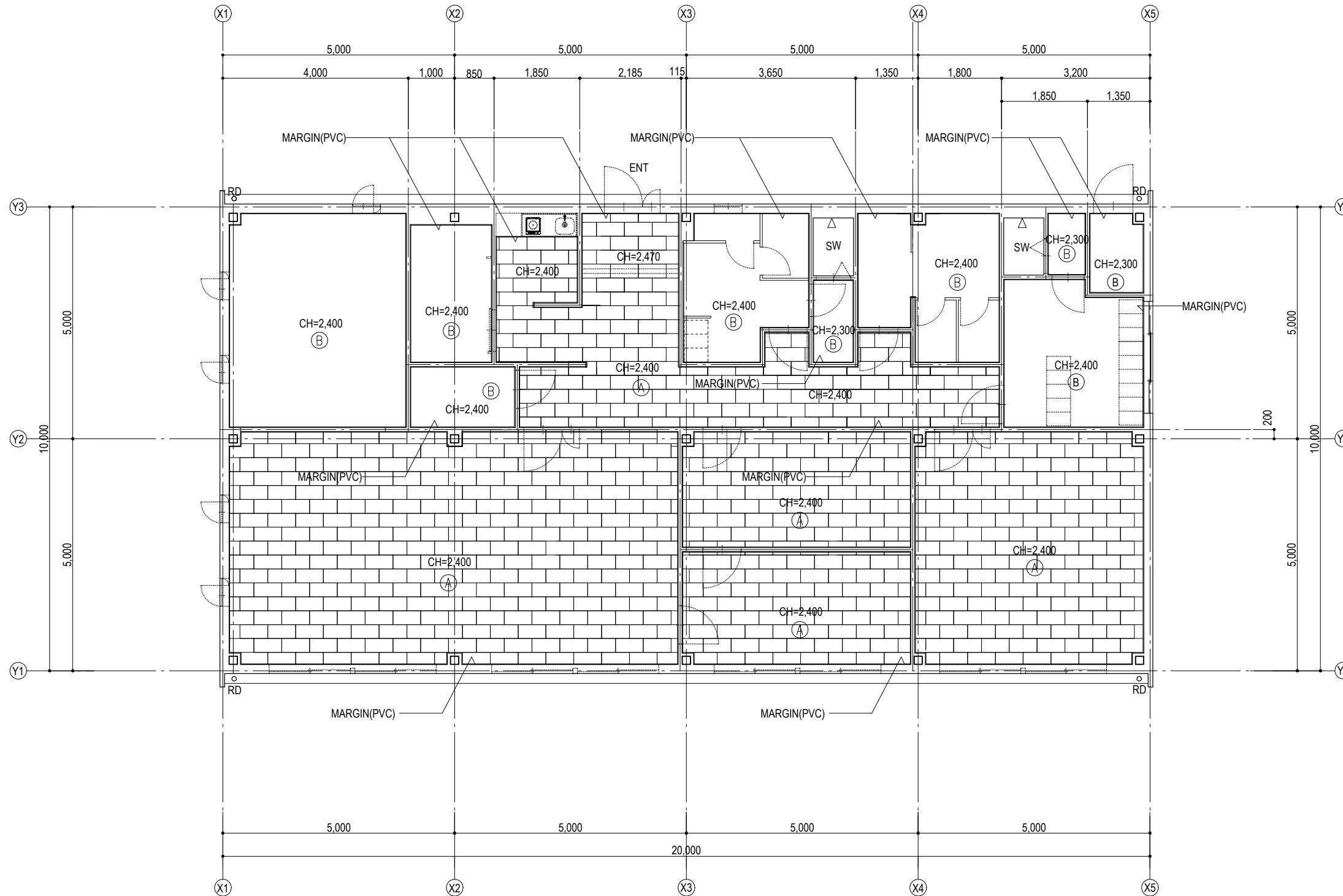
WASH PLACE



MEN'S ROOM (OUTDOOR)

S=1:100

PROJECT NAME DETAILED DESIGN ON BAGO RIVER BRIDGE CONSTRUCTION PROJECT	FINANCED BY JAPAN INTERNATIONAL COOPERATION AGENCY	COUNTERPART REPUBLIC OF THE UNION OF MYANMAR MINISTRY OF CONSTRUCTION DEPARTMENT OF BRIDGE	JICA STUDY TEAM NIPPON KOEI CO., LTD. ORIENTAL CONSULTANTS GLOBAL CO., LTD. METROPOLITAN EXPRESSWAY COMPANY LIMITED CHODAI CO., LTD. NIPPON ENGINEERING CONSULTANTS CO., LTD.	NAME	SIGNATURE	DATE	DRAWING TITLE	PACKAGE	
				PREPARED BY	*GROUP LEADER				15 Jun. 2017
				CHECKED BY	T. HAYAKAWA				20 Jun. 2017
				APPROVED BY	Y. SANO				21 Jun. 2017
							DEVELOPMENT VIEW OF ADMINISTRATIVE OFFICE (4)	2	
								DWG No.	
								P2-TC-0016	



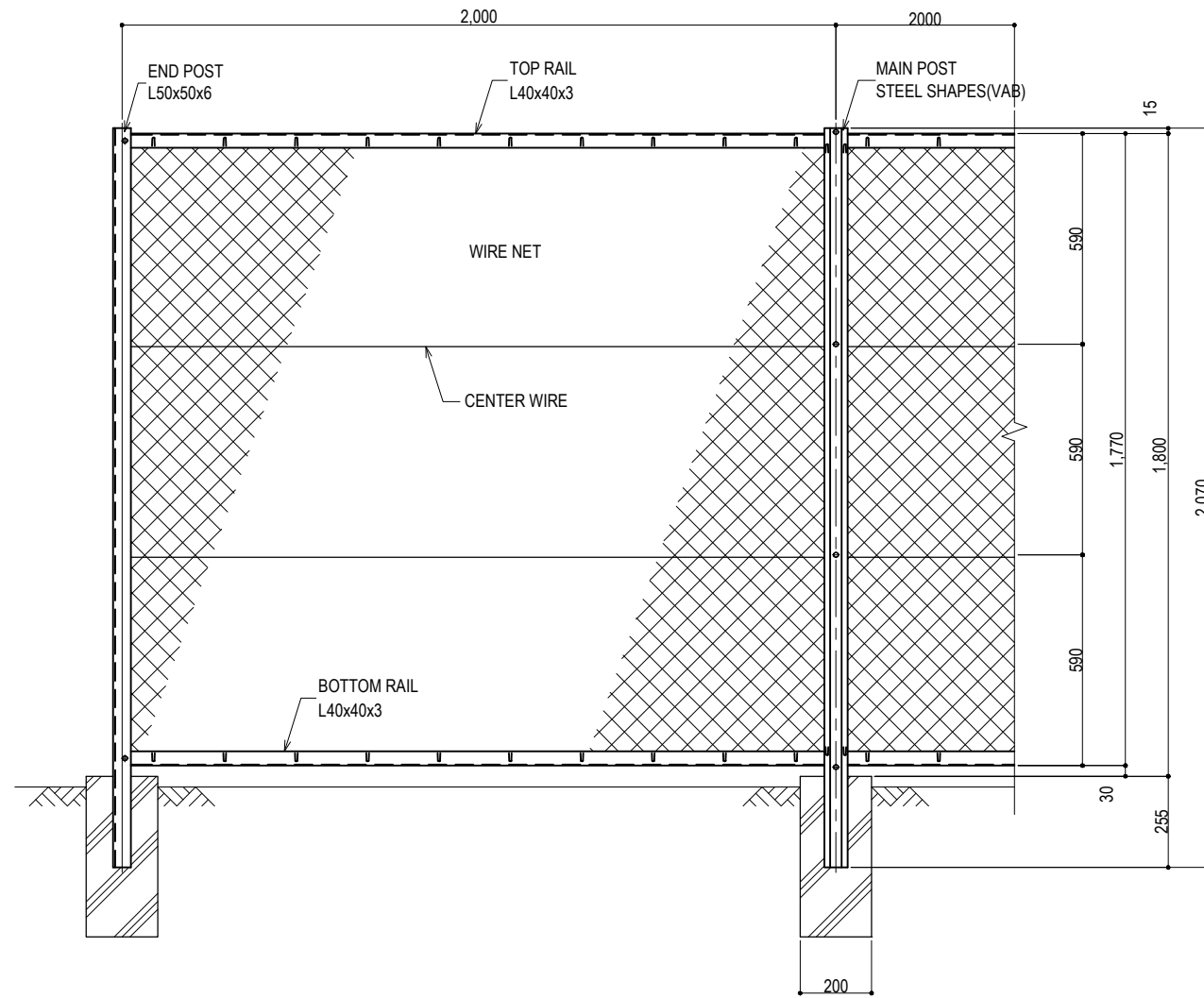
REFLECTED CEILING PLAN S=1:100

SYMBOL	NAME
(A)	GB t=9.5 ROCK SOUND ABSORBING BOARD t=15
(B)	GB t=9.5 VINYL CROSS
□	CEILING INSPECTION DOOR 450×450

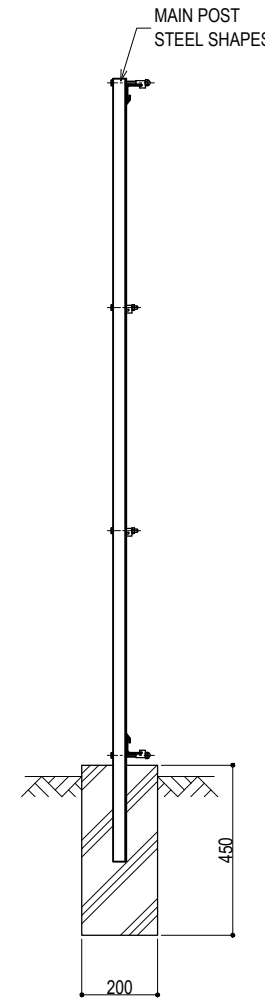


PROJECT NAME DETAILED DESIGN ON BAGO RIVER BRIDGE CONSTRUCTION PROJECT	FINANCED BY JAPAN INTERNATIONAL COOPERATION AGENCY	COUNTERPART REPUBLIC OF THE UNION OF MYANMAR MINISTRY OF CONSTRUCTION DEPARTMENT OF BRIDGE	JICA STUDY TEAM NIPPON KOEI CO., LTD. ORIENTAL CONSULTANTS GLOBAL CO., LTD. METROPOLITAN EXPRESSWAY COMPANY LIMITED CHODAI CO., LTD. NIPPON ENGINEERING CONSULTANTS CO., LTD.	NAME	SIGNATURE	DATE	DRAWING TITLE	PACKAGE	
				PREPARED BY	*GROUP LEADER				15 Jun. 2017
				CHECKED BY	T. HAYAKAWA				20 Jun. 2017
				APPROVED BY	Y. SANO				21 Jun. 2017
REFLECTED CEILING PLAN OF ADMINISTRATIVE OFFICE							2	DWG No.	P2-TC-4017

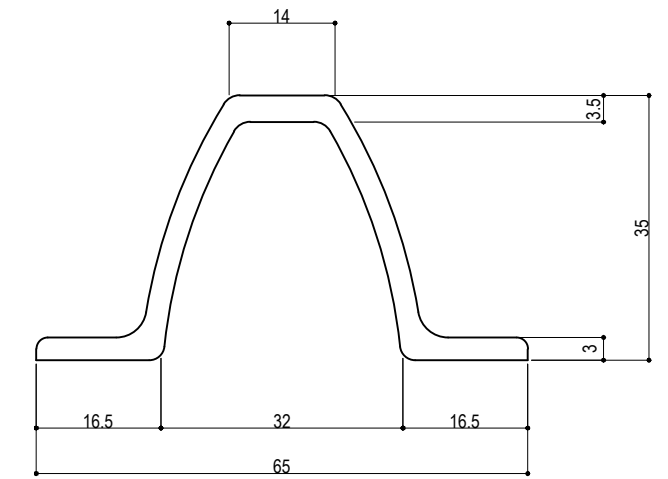
DETAIL OF BOUNDARY FENCE (1)



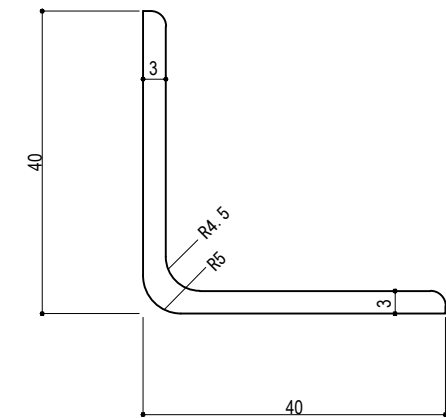
FRONT VIEW S=1:20



SIDE VIEW S=1:20



MAIN POST DETAIL(VAB) S=1:1

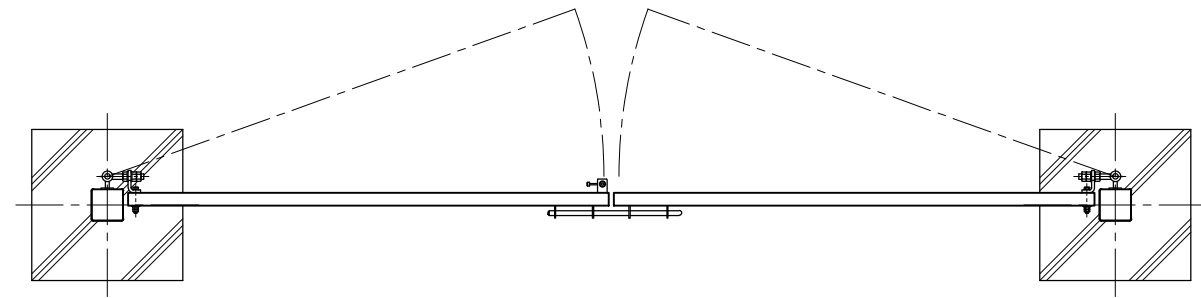


RAIL SECTION(L40x40x3) S=1:1

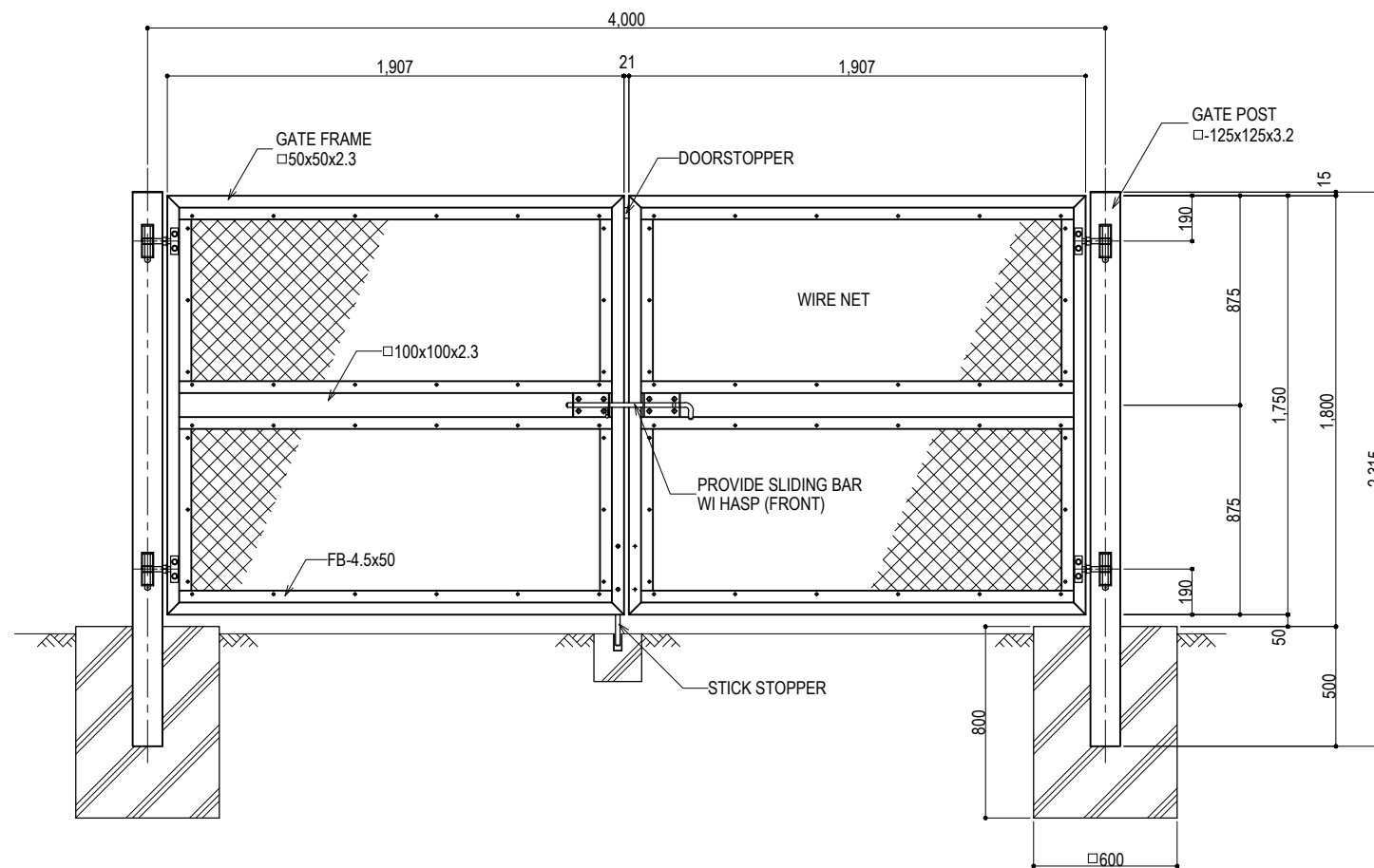
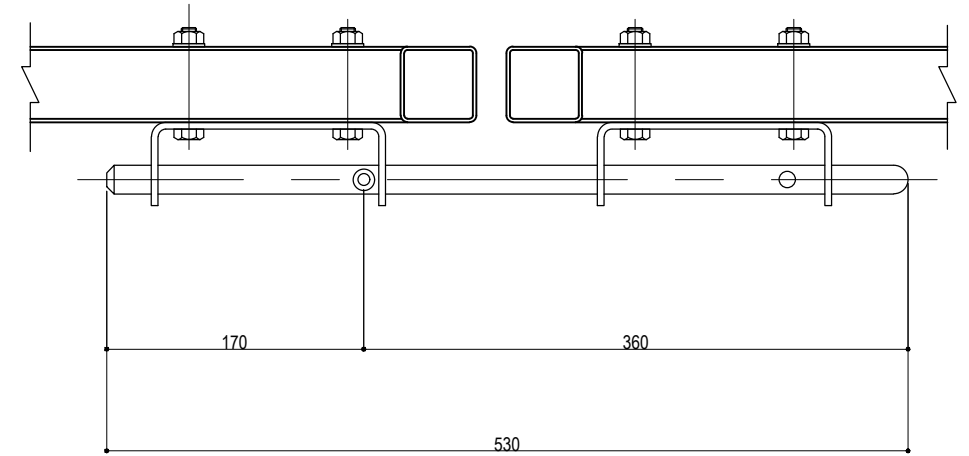
QUANTITY PER 10m

Title	Specification	Quantity	Description
Main Post	t=3,L=2070	4 each	Coating specification
End Post	L-50x50x6,L=2070	(2) each	Coating specification
Rail	L-40x40x3,L=10m	2 each	Coating specification
Wire Net	φ3.2-50x50,L=1800	10 m	
Concrete	E I	0.09 m3	
Form		1.8 m2	

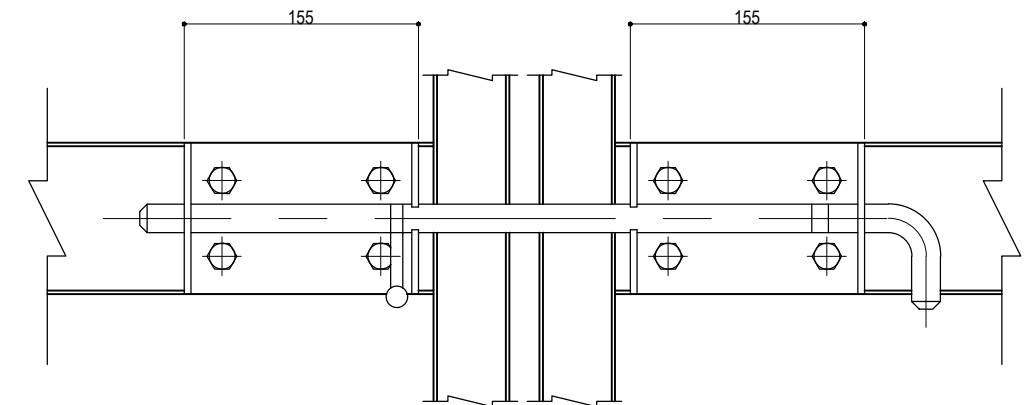
DETAIL OF BOUNDARY FENCE (2)



TOP VIEW S=1:30



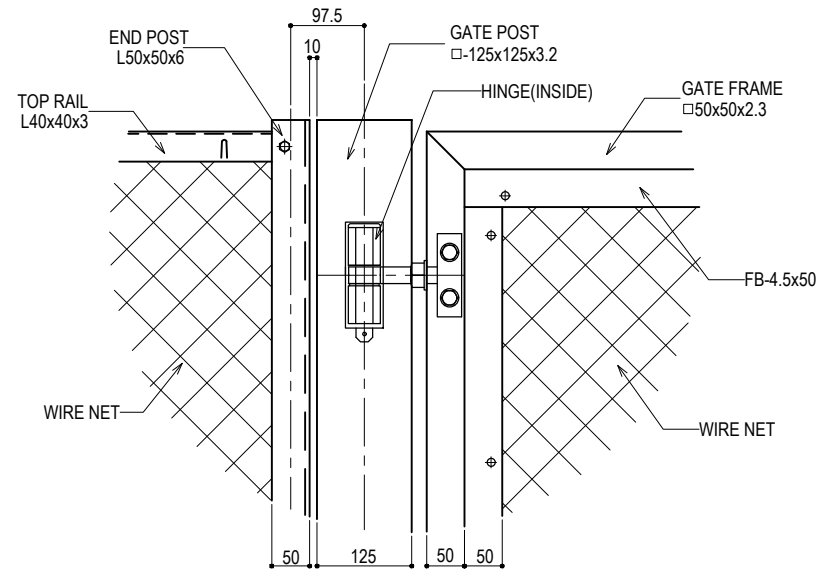
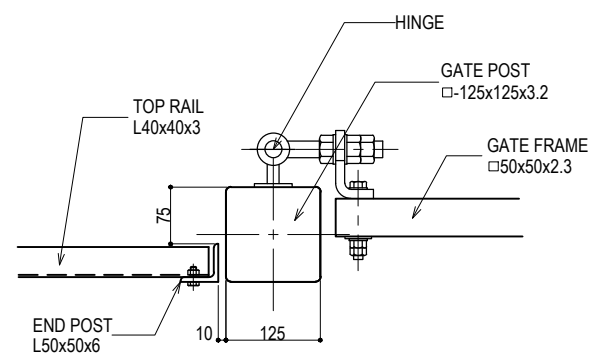
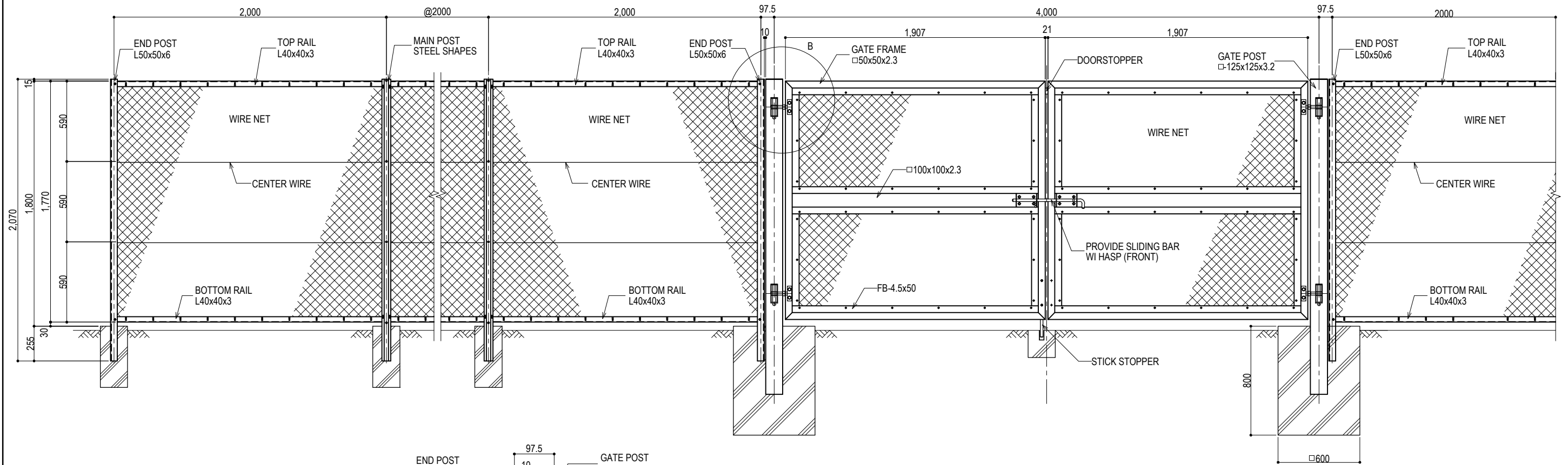
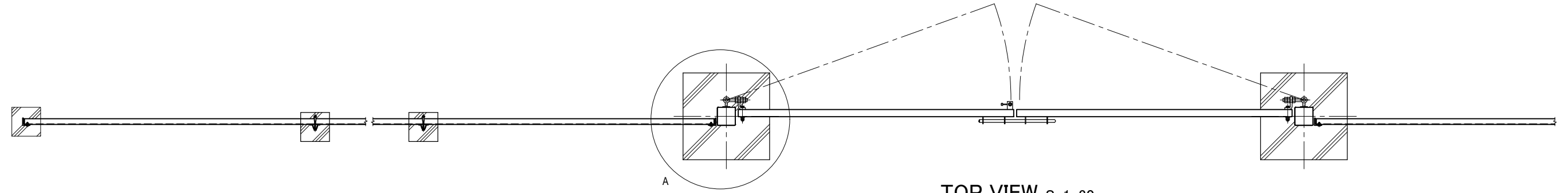
FRONT VIEW S=1:30



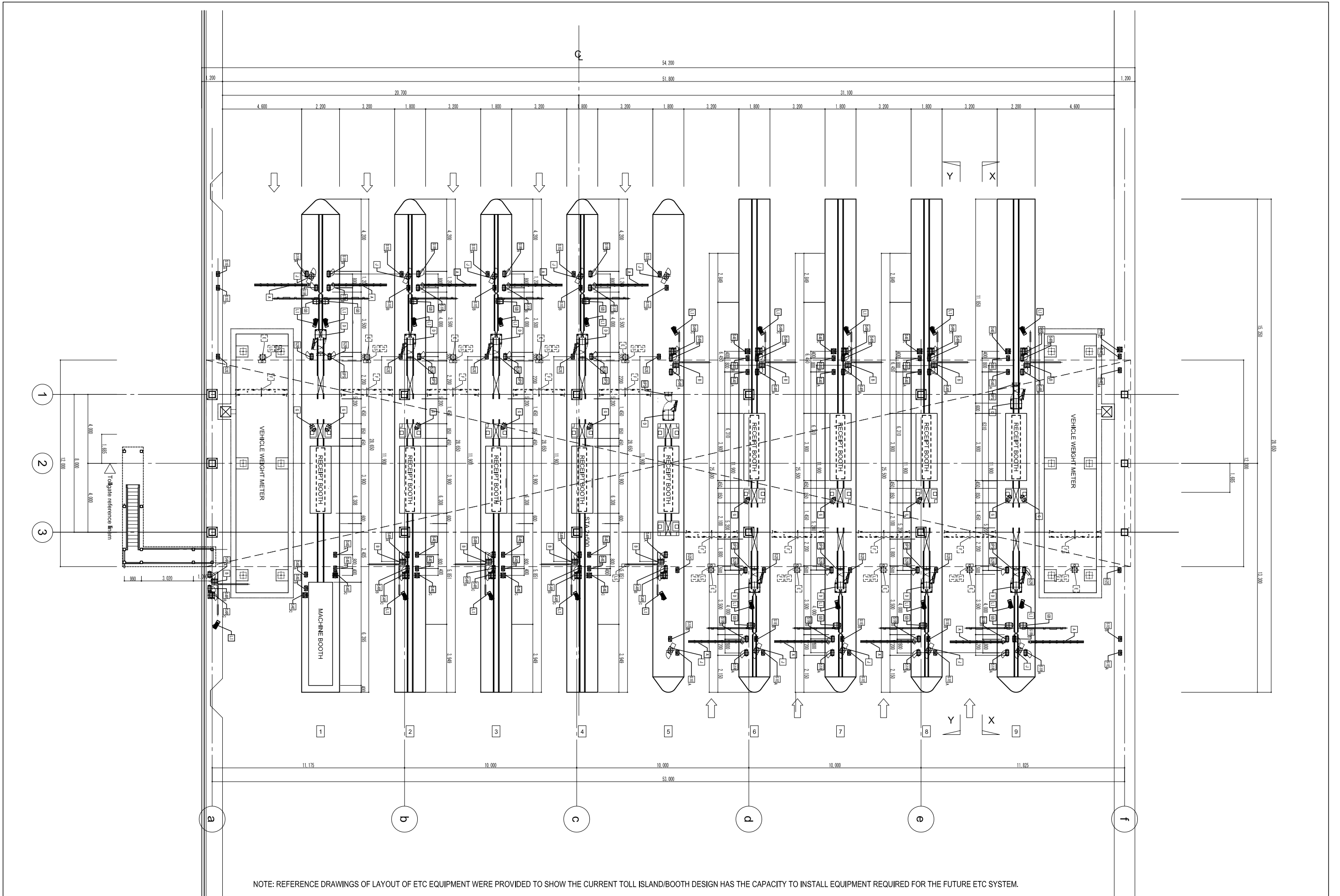
PROVIDE SLIDING BAR DETAIL S=1:5

PROJECT NAME DETAILED DESIGN ON BAGO RIVER BRIDGE CONSTRUCTION PROJECT	FINANCED BY JAPAN INTERNATIONAL COOPERATION AGENCY	COUNTERPART REPUBLIC OF THE UNION OF MYANMAR MINISTRY OF CONSTRUCTION DEPARTMENT OF BRIDGE	JICA STUDY TEAM NIPPON KOEI CO., LTD. ORIENTAL CONSULTANTS GLOBAL CO., LTD. METROPOLITAN EXPRESSWAY COMPANY LIMITED CHODAI CO., LTD. NIPPON ENGINEERING CONSULTANTS CO., LTD.	NAME	SIGNATURE	DATE	DRAWING TITLE	PACKAGE			
				PREPARED BY	*GROUP LEADER				15 Jun. 2017	DETAIL OF BOUNDARY FENCE (2)	2
				CHECKED BY	T. HAYAKAWA				20 Jun. 2017		DWG No.
				APPROVED BY	Y. SANO				21 Jun. 2017		P2-TC-4019

DETAIL OF BOUNDARY FENCE (3)

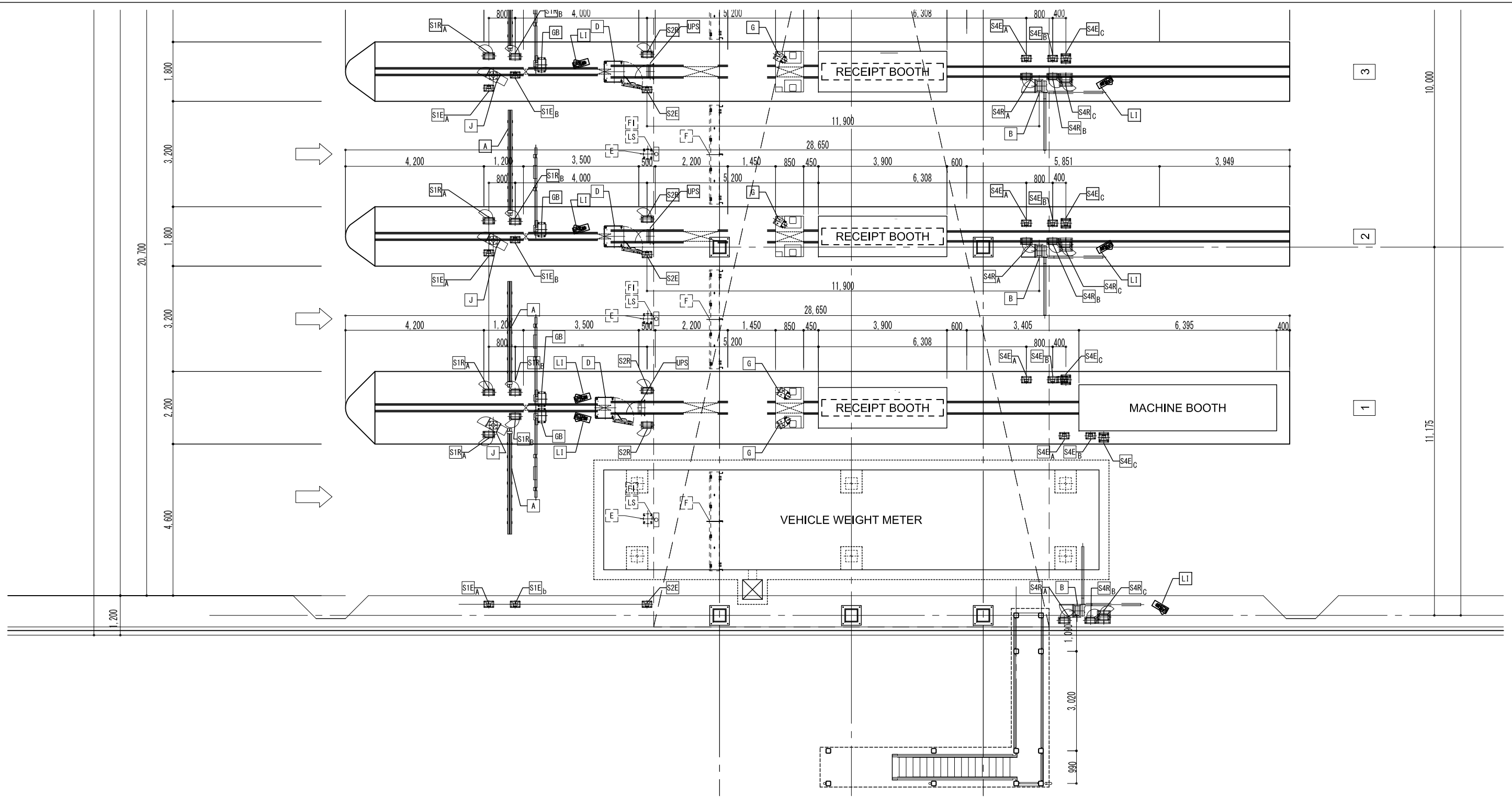


QUANTITY		PER 1each	
Title	Specification	Quantity	Description
Gate	W=4.0m,H=1.8m	1 set	Coating specification
Concrete	E I	0.58 m3	
Form		4.0 m2	



NOTE: REFERENCE DRAWINGS OF LAYOUT OF ETC EQUIPMENT WERE PROVIDED TO SHOW THE CURRENT TOLL ISLAND/BOOTH DESIGN HAS THE CAPACITY TO INSTALL EQUIPMENT REQUIRED FOR THE FUTURE ETC SYSTEM.

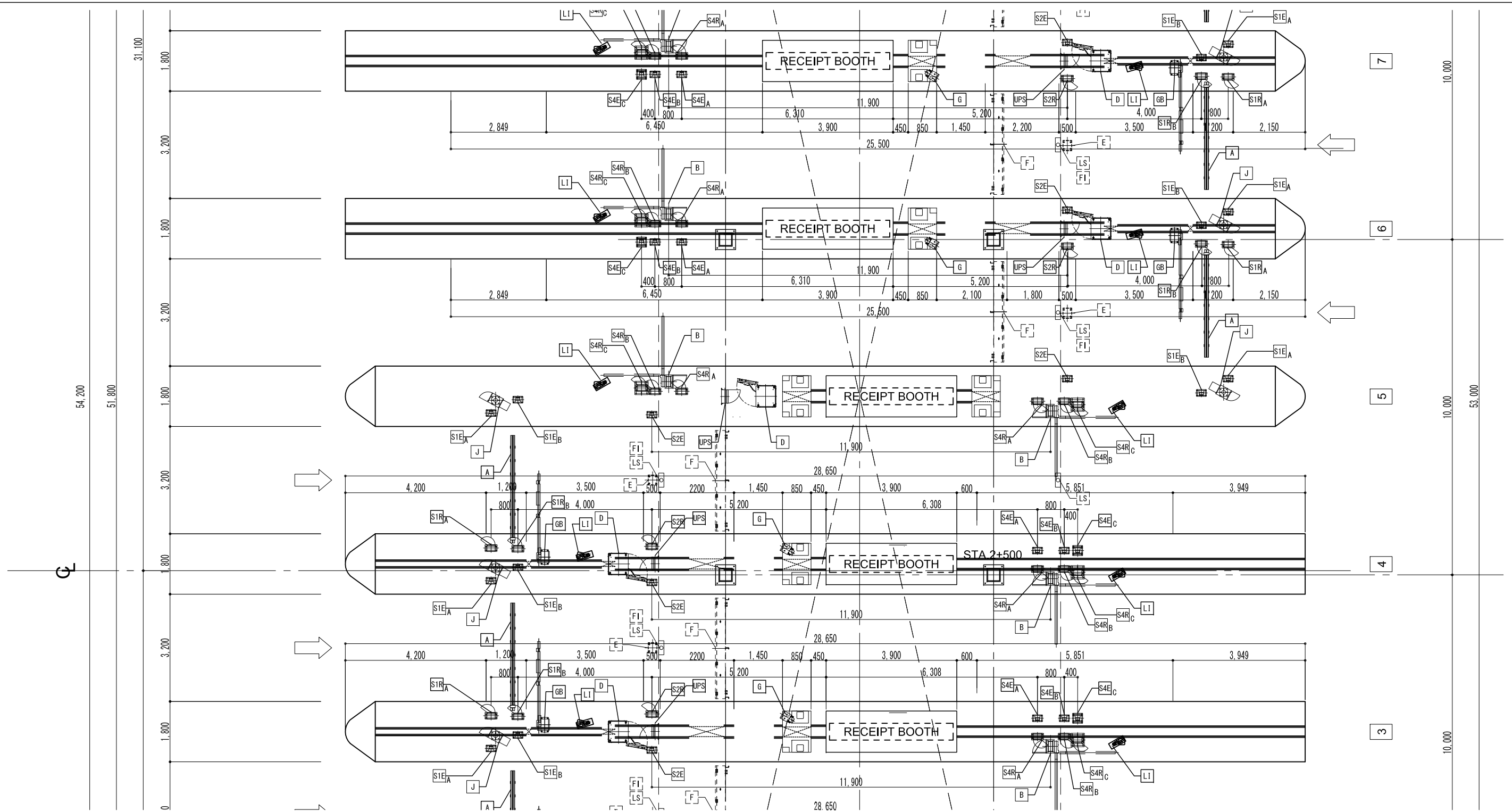
PROJECT NAME DETAILED DESIGN ON BAGO RIVER BRIDGE CONSTRUCTION PROJECT	FINANCED BY JAPAN INTERNATIONAL COOPERATION AGENCY	COUNTERPART REPUBLIC OF THE UNION OF MYANMAR MINISTRY OF CONSTRUCTION DEPARTMENT OF BRIDGE	JICA STUDY TEAM NIPPON KOEI CO., LTD. ORIENTAL CONSULTANTS GLOBAL CO., LTD. METROPOLITAN EXPRESSWAY COMPANY LIMITED CHODAI CO., LTD. NIPPON ENGINEERING CONSULTANTS CO., LTD.	NAME	SIGNATURE	DATE	DRAWING TITLE LAYOUT OF ETC EQUIPMENT (REFERENCE CASE) / PLAIN VIEW (1)	PACKAGE	
				PREPARED BY	K.NAKAMURA			15 Jun. 2017	2
				CHECKED BY	T. HAYAKAWA			20 Jun. 2017	DWG No.
				APPROVED BY	Y. SANO			21 Jun. 2017	P2-TC-5001



LEGEND

SYMBOLIC	ITEMS	PLACE	SYMBOLIC	ITEMS	PLACE	SYMBOLIC	ITEMS	PLACE	SYMBOLIC	ITEMS	PLACE	SYMBOLIC	ITEMS	PLACE
A	AXLE DETECTOR	ONTSIDE	E	LANE CONTROLLER (ANTENNA UNIT)	ONTSIDE	S1-R A	VEHICLE DETECTOR S1R (A)	ONTSIDE	S1-E A	VEHICLE DETECTOR S1E (A)	ONTSIDE	LI	LINE SURVEILANCE CAMERA	ONTSIDE
J	VEHICLE TYPE DETECTOR	ONTSIDE	F	LANE SIGNDOARD	ONTSIDE	S1-R B	VEHICLE DETECTOR S1R (B)	ONTSIDE	S1-E B	VEHICLE DETECTOR S1E (B)	ONTSIDE	GB	GATE BAR	ONTSIDE
G	ROADSIDE DISPLAY	ONTSIDE				S2-R	VEHICLE DETECTOR S2R	ONTSIDE	S2-E	VEHICLE DETECTOR S2E	ONTSIDE	LS	LANE SIGNAL (OVER HEAD)	ONTSIDE
B	BARRIER SYSTEM	ONTSIDE				S4-R A	VEHICLE DETECTOR S4R (A)	ONTSIDE	S4-E A	VEHICLE DETECTOR S4E (A)	ONTSIDE	FI	FLASHING LIGHT FOR TRAFFIC SAFETY	ONTSIDE
UPS	UPS FOR TOLLGATE	ONTSIDE				S4-R B	VEHICLE DETECTOR S4R (B)	ONTSIDE	S4-E B	VEHICLE DETECTOR S4E (B)	ONTSIDE			
D	LANE CONTROLLER	ONTSIDE				S4-R C	VEHICLE DETECTOR S4R (C)	ONTSIDE	S4-E C	VEHICLE DETECTOR S4E (C)	ONTSIDE			

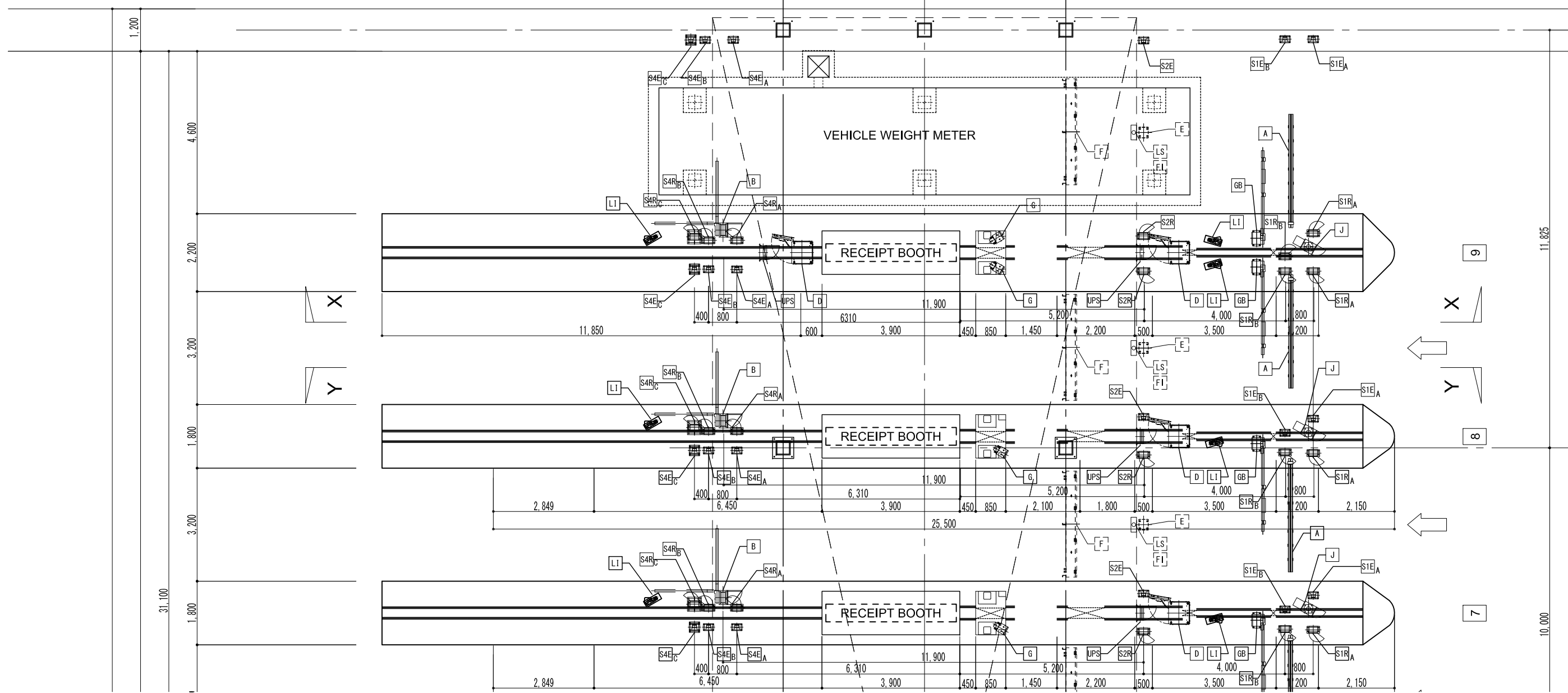
NOTE: REFERENCE DRAWINGS OF LAYOUT OF ETC EQUIPMENT WERE PROVIDED TO SHOW THE CURRENT TOLL ISLAND/BOOTH DESIGN HAS THE CAPACITY TO INSTALL EQUIPMENT REQUIRED FOR THE FUTURE ETC SYSTEM.



LEGEND

SYMBOLIC	ITEMS	PLACE	SYMBOLIC	ITEMS	PLACE	SYMBOLIC	ITEMS	PLACE	SYMBOLIC	ITEMS	PLACE	SYMBOLIC	ITEMS	PLACE
A	AXLE DETECTOR	ONTSIDE	E	LANE CONTROLLER (ANTENNA UNIT)	ONTSIDE	S1-R A	VEHICLE DETECTOR S1R (A)	ONTSIDE	S1-E A	VEHICLE DETECTOR S1E (A)	ONTSIDE	LI	LINE SURVEILANCE CAMERA	ONTSIDE
J	VEHICLE TYPE DETECTOR	ONTSIDE	F	LANE SIGNDOARD	ONTSIDE	S1-R B	VEHICLE DETECTOR S1R (B)	ONTSIDE	S1-E B	VEHICLE DETECTOR S1E (B)	ONTSIDE	GB	GATE BAR	ONTSIDE
G	ROADSIDE DISPLAY	ONTSIDE				S2-R	VEHICLE DETECTOR S2R	ONTSIDE	S2-E	VEHICLE DETECTOR S2E	ONTSIDE	LS	LANE SIGNAL (OVER HEAD)	ONTSIDE
B	BARRIER SYSTEM	ONTSIDE				S4-R A	VEHICLE DETECTOR S4R (A)	ONTSIDE	S4-E A	VEHICLE DETECTOR S4E (A)	ONTSIDE	FI	FLASHING LIGHT FOR TRAFFIC SAFETY	ONTSIDE
UPS	UPS FOR TOLLGATE	ONTSIDE				S4-R B	VEHICLE DETECTOR S4R (B)	ONTSIDE	S4-E B	VEHICLE DETECTOR S4E (B)	ONTSIDE			
D	LANE CONTROLLER	ONTSIDE				S4-R C	VEHICLE DETECTOR S4R (C)	ONTSIDE	S4-E C	VEHICLE DETECTOR S4E (C)	ONTSIDE			

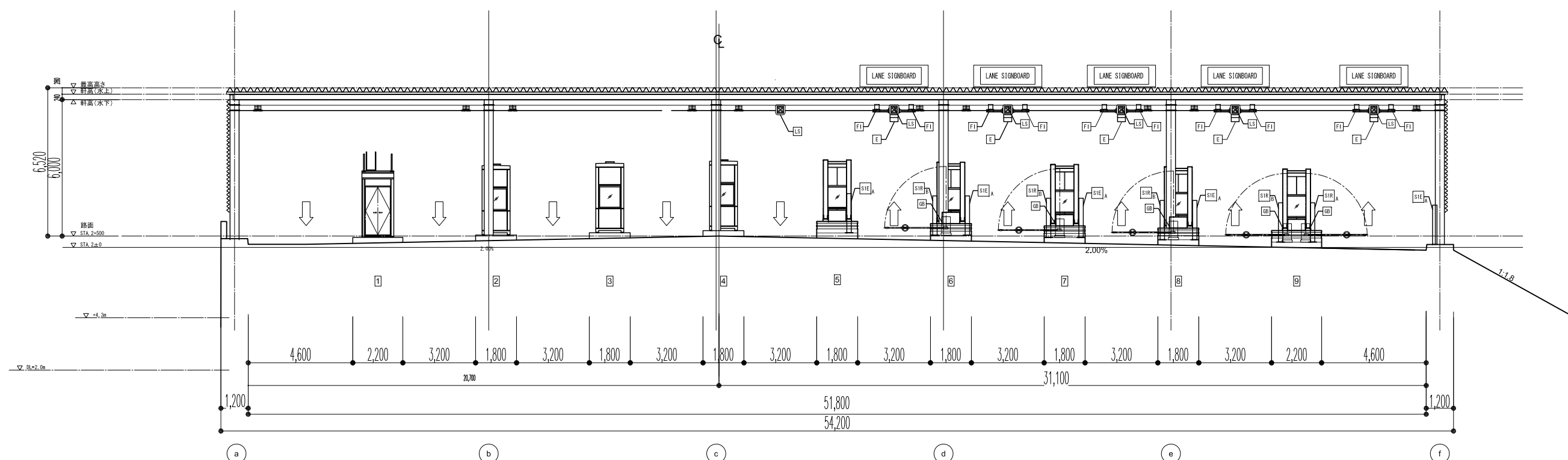
NOTE: REFERENCE DRAWINGS OF LAYOUT OF ETC EQUIPMENT WERE PROVIDED TO SHOW THE CURRENT TOLL ISLAND/BOOTH DESIGN HAS THE CAPACITY TO INSTALL EQUIPMENT REQUIRED FOR THE FUTURE ETC SYSTEM.



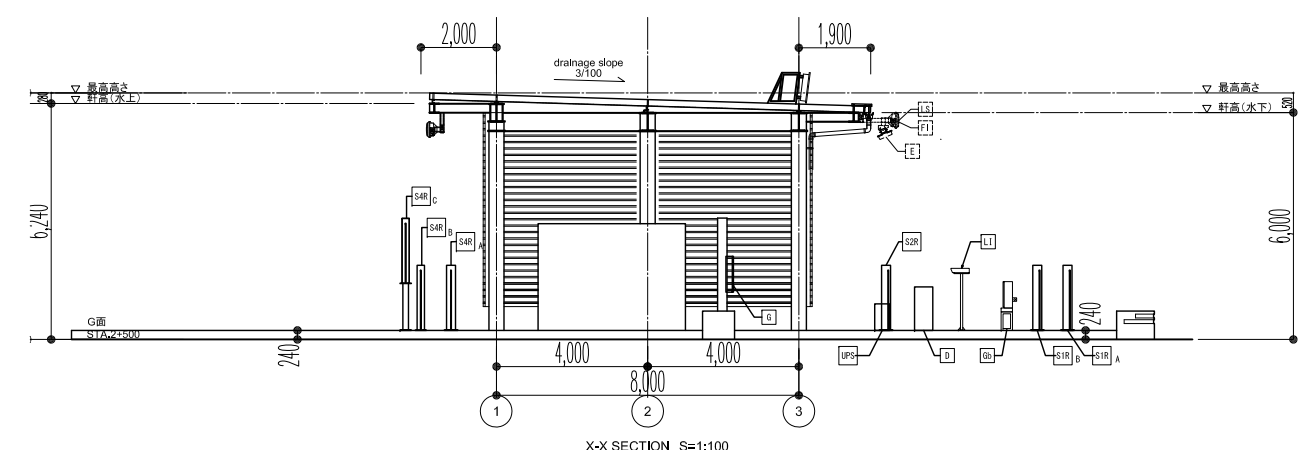
LEGEND

SYMBOLIC	ITEMS	PLACE	SYMBOLIC	ITEMS	PLACE	SYMBOLIC	ITEMS	PLACE	SYMBOLIC	ITEMS	PLACE	SYMBOLIC	ITEMS	PLACE
A	AXLE DETECTOR	ONTSIDE	E	LANE CONTROLLER (ANTENNA UNIT)	ONTSIDE	S1-R A	VEHICLE DETECTOR S1R (A)	ONTSIDE	S1-E A	VEHICLE DETECTOR S1E (A)	ONTSIDE	LI	LINE SURVEILANCE CAMERA	ONTSIDE
J	VEHICLE TYPE DETECTOR	ONTSIDE	F	LANE SIGDOARD	ONTSIDE	S1-R B	VEHICLE DETECTOR S1R (B)	ONTSIDE	S1-E B	VEHICLE DETECTOR S1E (B)	ONTSIDE	GB	GATE BAR	ONTSIDE
G	ROADSIDE DISPLAY	ONTSIDE				S2-R	VEHICLE DETECTOR S2R	ONTSIDE	S2-E	VEHICLE DETECTOR S2E	ONTSIDE	LS	LANE SIGNAL (OVER HEAD)	ONTSIDE
B	BARRIER SYSTEM	ONTSIDE				S4-R A	VEHICLE DETECTOR S4R (A)	ONTSIDE	S4-E A	VEHICLE DETECTOR S4E (A)	ONTSIDE	FI	FLASHING LIGHT FOR TRAFFIC SAFETY	ONTSIDE
UPS	UPS FOR TOLLGATE	ONTSIDE				S4-R B	VEHICLE DETECTOR S4R (B)	ONTSIDE	S4-E B	VEHICLE DETECTOR S4E (B)	ONTSIDE			
D	LANE CONTROLLER	ONTSIDE				S4-R C	VEHICLE DETECTOR S4R (C)	ONTSIDE	S4-E C	VEHICLE DETECTOR S4E (C)	ONTSIDE			

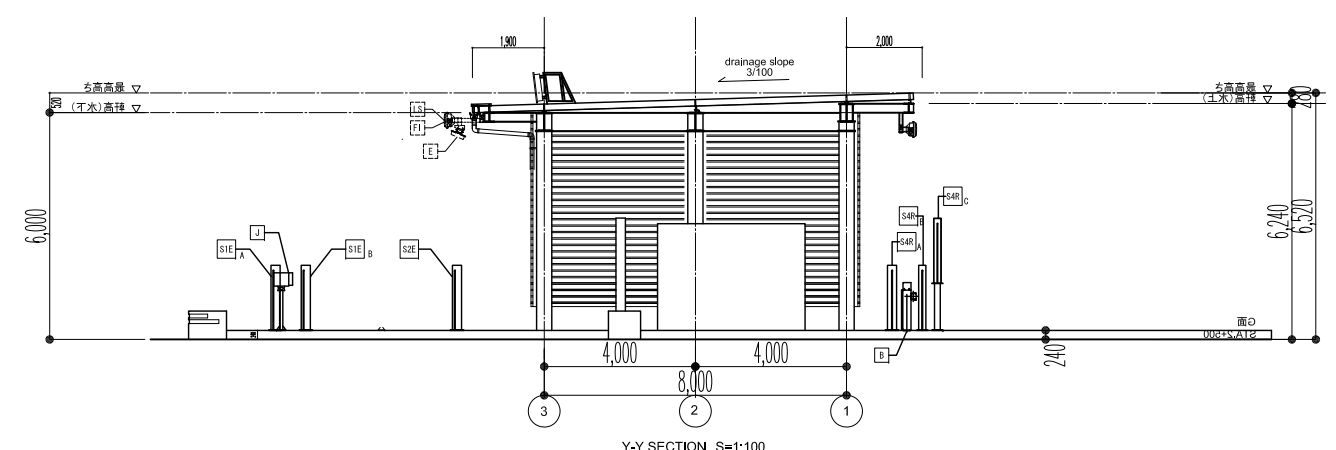
NOTE: REFERENCE DRAWINGS OF LAYOUT OF ETC EQUIPMENT WERE PROVIDED TO SHOW THE CURRENT TOLL ISLAND/BOOTH DESIGN HAS THE CAPACITY TO INSTALL EQUIPMENT REQUIRED FOR THE FUTURE ETC SYSTEM.



ELEVATION S=1:100



X-X SECTION S=1:100



Y-Y SECTION S=1:100

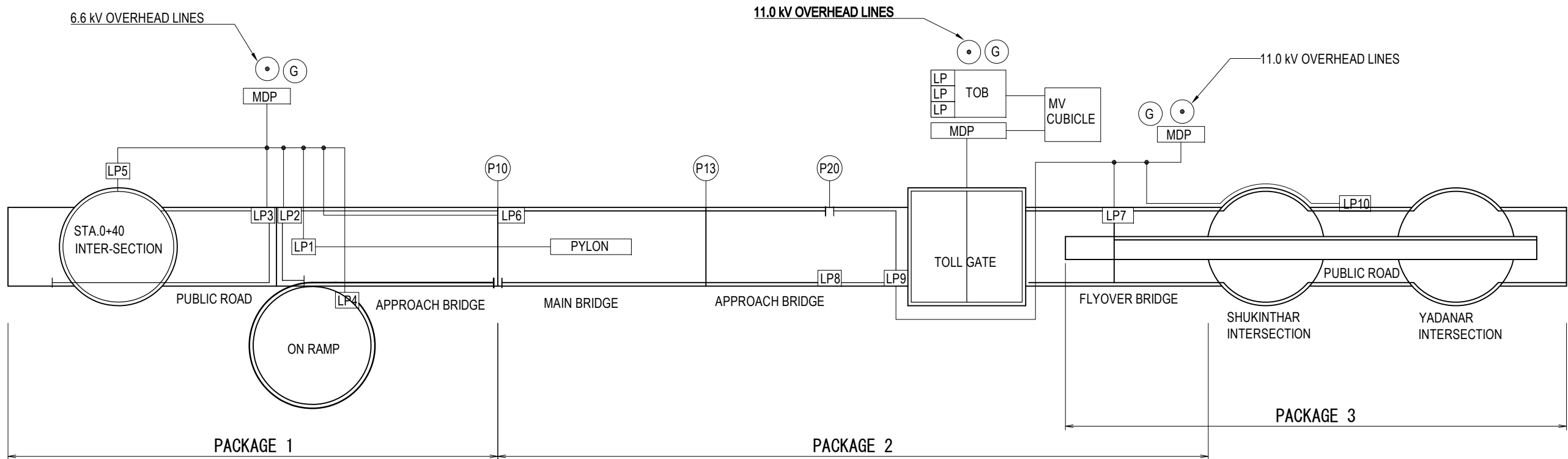
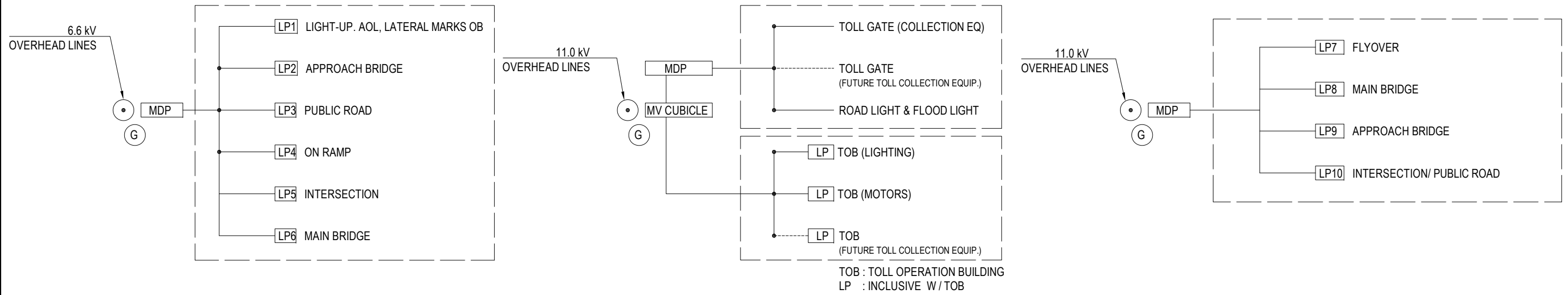
LEGEND

SYMBOLIC	ITEMS	PLACE	SYMBOLIC	ITEMS	PLACE	SYMBOLIC	ITEMS	PLACE	SYMBOLIC	ITEMS	PLACE	SYMBOLIC	ITEMS	PLACE
A	AXLE DETECTOR	OUTSIDE	E	LANE CONTROLLER (ANTENNA UNIT)	OUTSIDE	S1-R A	VEHICLE DETECTOR S1R (A)	OUTSIDE	S1-E A	VEHICLE DETECTOR S1E (A)	OUTSIDE	LI	LINE SURVEILLANCE CAMERA	OUTSIDE
J	VEHICLE TYPE DETECTOR	OUTSIDE	F	LANE SIGNBOARD	OUTSIDE	S1-R B	VEHICLE DETECTOR S1R (B)	OUTSIDE	S1-E B	VEHICLE DETECTOR S1E (B)	OUTSIDE	GB	GATE BAR	OUTSIDE
G	ROADSIDE DISPLAY	OUTSIDE				S2-R	VEHICLE DETECTOR S2R	OUTSIDE	S2-E	VEHICLE DETECTOR S2E	OUTSIDE	LS	LANE SIGNAL (OVER HEAD)	OUTSIDE
B	BARRIER SYSTEM	OUTSIDE				S4-R A	VEHICLE DETECTOR S4R (A)	OUTSIDE	S4-E A	VEHICLE DETECTOR S4E (A)	OUTSIDE	FI	FLASHING LIGHT FOR TRAFFIC SAFETY	OUTSIDE
UPS	UPS FOR TOLLGATE	OUTSIDE				S4-R B	VEHICLE DETECTOR S4R (B)	OUTSIDE	S4-E B	VEHICLE DETECTOR S4E (B)	OUTSIDE			
D	LANE CONTROLLER	OUTSIDE				S4-R C	VEHICLE DETECTOR S4R (C)	OUTSIDE	S4-E C	VEHICLE DETECTOR S4E (C)	OUTSIDE			

NOTE: REFERENCE DRAWINGS OF LAYOUT OF ETC EQUIPMENT WERE PROVIDED TO SHOW THE CURRENT TOLL ISLAND/BOOTH DESIGN HAS THE CAPACITY TO INSTALL EQUIPMENT REQUIRED FOR THE FUTURE ETC SYSTEM.

F. LIGHTING

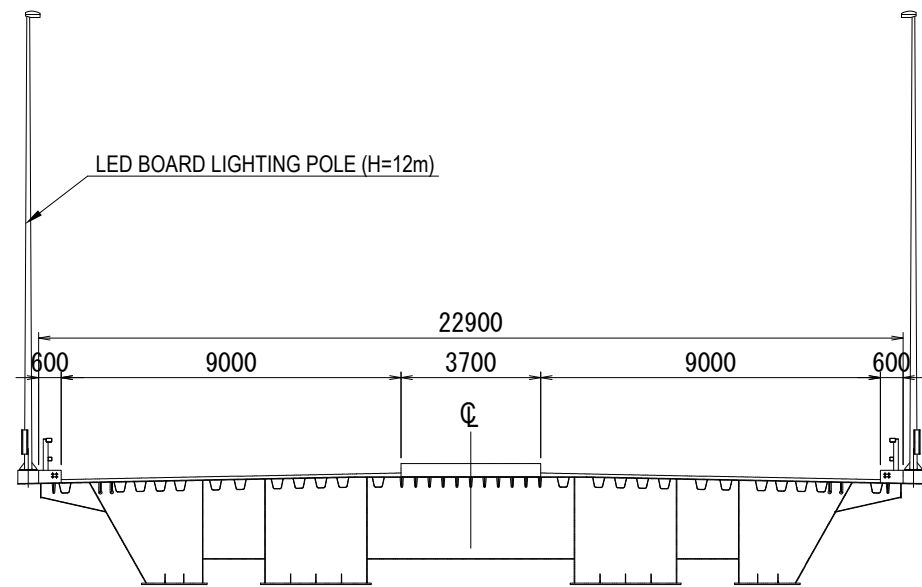
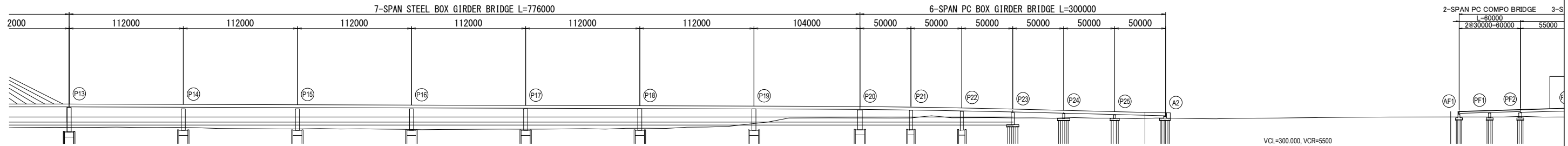
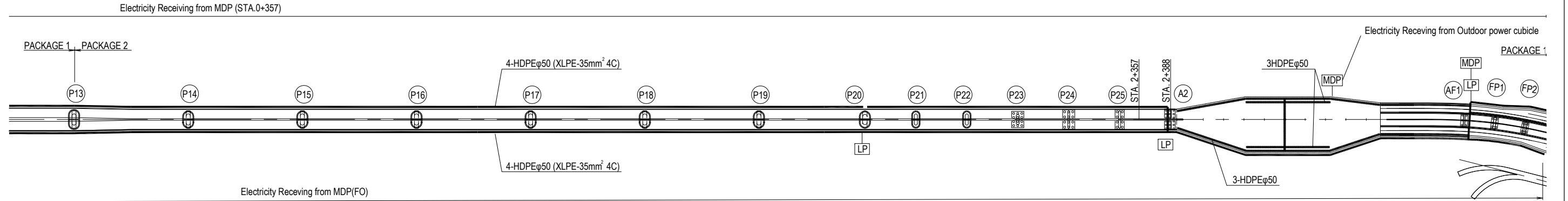
TYPICAL POWER DISTRIBUTION PLAN



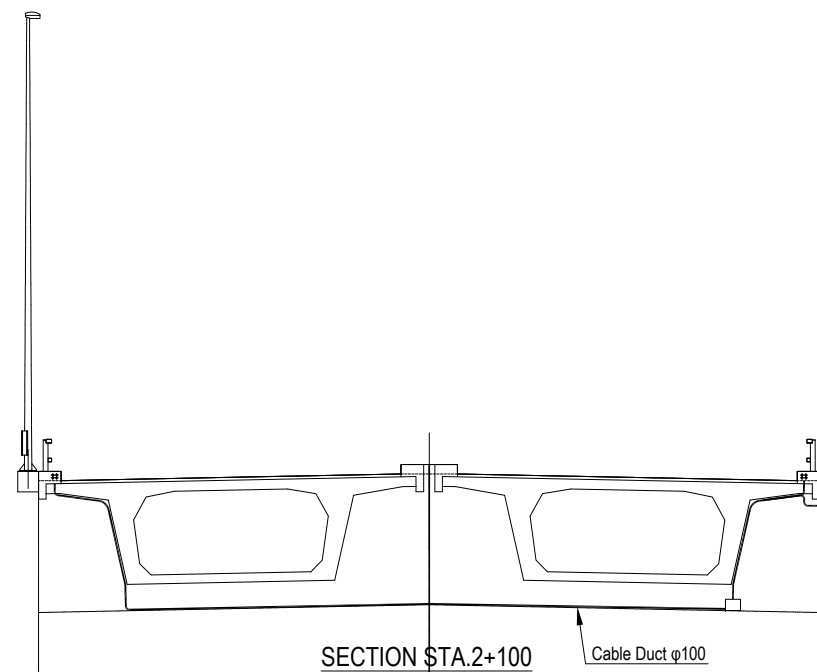
POWER DISTRIBUTION DIAGRAM

PROJECT NAME DETAILED DESIGN ON BAGO RIVER BRIDGE CONSTRUCTION PROJECT	FINANCED BY JAPAN INTERNATIONAL COOPERATION AGENCY	COUNTERPART REPUBLIC OF THE UNION OF MYANMAR MINISTRY OF CONSTRUCTION DEPARTMENT OF BRIDGE	JICA STUDY TEAM NIPPON KOEI CO., LTD. ORIENTAL CONSULTANTS GLOBAL CO., LTD. METROPOLITAN EXPRESSWAY COMPANY LIMITED CHODAI CO. LTD. NIPPON ENGINEERING CONSULTANTS CO., LTD.	NAME	SIGNATURE	DATE	DRAWING TITLE	PACKAGE			
				PREPARED BY	K. MORIMATA				29 Sep. 2017	TYPICAL POWER DISTRIBUTION PLAN	2
				CHECKED BY	T. HAYAKAWA				3 Oct. 2017		DWG No.
				APPROVED BY	Y. SANO				6 Oct. 2017		P2-EL- 0001

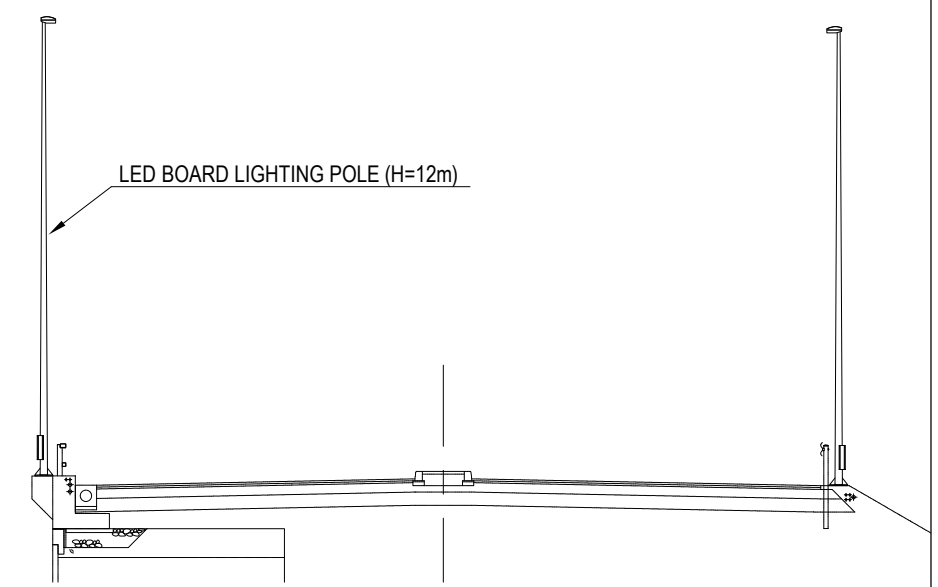
TYPICAL WIRING PLAN



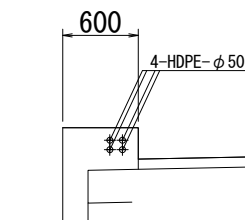
SECTION STA.1+300
STEEL BOX GIRDER BRIDGE



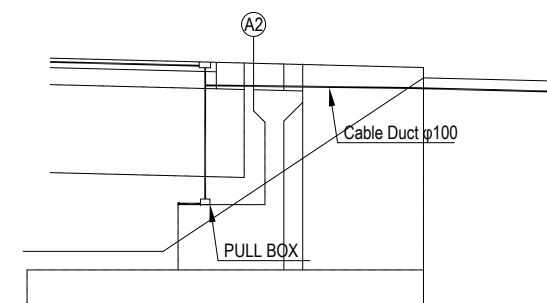
SECTION STA.2+100
PC BOX GIRDER BRIDGE



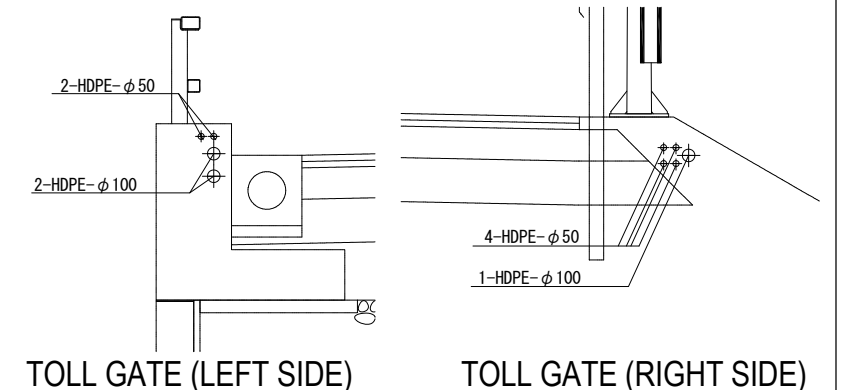
SECTION STA.2+400
TOLL GATE



CONCRETE KURB



WIRING ON A2



TOLL GATE (LEFT SIDE)

TOLL GATE (RIGHT SIDE)

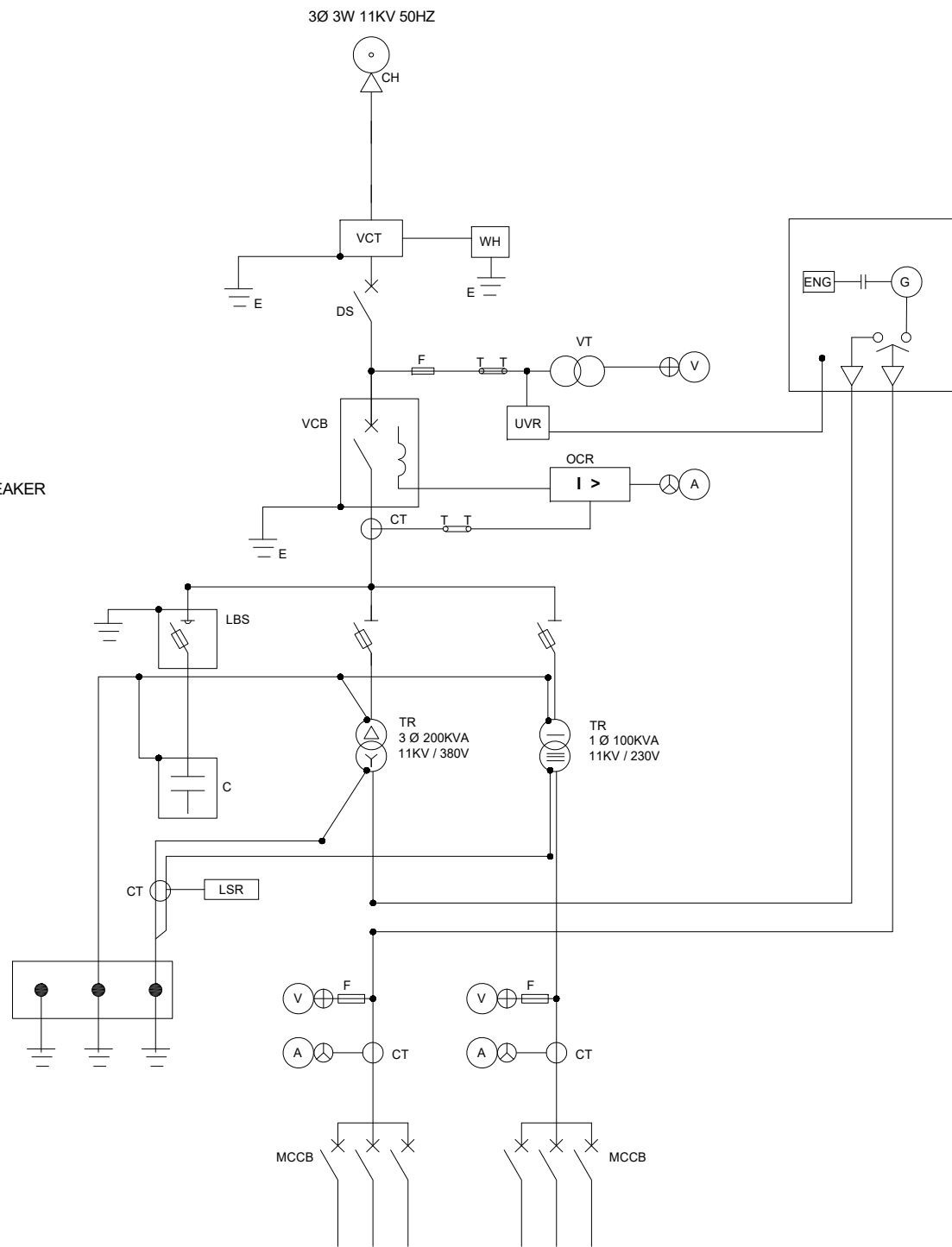
NOTE: LIGHTING PANEL and MAIN DISTRIBUTION PANEL AT AF1 OF FLYOVER BRIDGE SHALL BE INSTALLED IN PACKAGE3

PROJECT NAME DETAILED DESIGN ON BAGO RIVER BRIDGE CONSTRUCTION PROJECT	FINANCED BY JAPAN INTERNATIONAL COOPERATION AGENCY	COUNTERPART REPUBLIC OF THE UNION OF MYANMAR MINISTRY OF CONSTRUCTION DEPARTMENT OF BRIDGE	JICA STUDY TEAM NIPPON KOEI CO., LTD. ORIENTAL CONSULTANTS GLOBAL CO., LTD. METROPOLITAN EXPRESSWAY COMPANY LIMITED CHODAI CO., LTD. NIPPON ENGINEERING CONSULTANTS CO., LTD.	NAME	SIGNATURE	DATE	DRAWING TITLE TYPICAL WIRING PLAN	PACKAGE 2 DWG No. P2-EL- 0002
				PREPARED BY	K. MORIMATA	29 Sep. 2017		
				CHECKED BY	T. HAYAKAWA	3 Oct. 2017		
				APPROVED BY	Y. SANO	6 Oct. 2017		

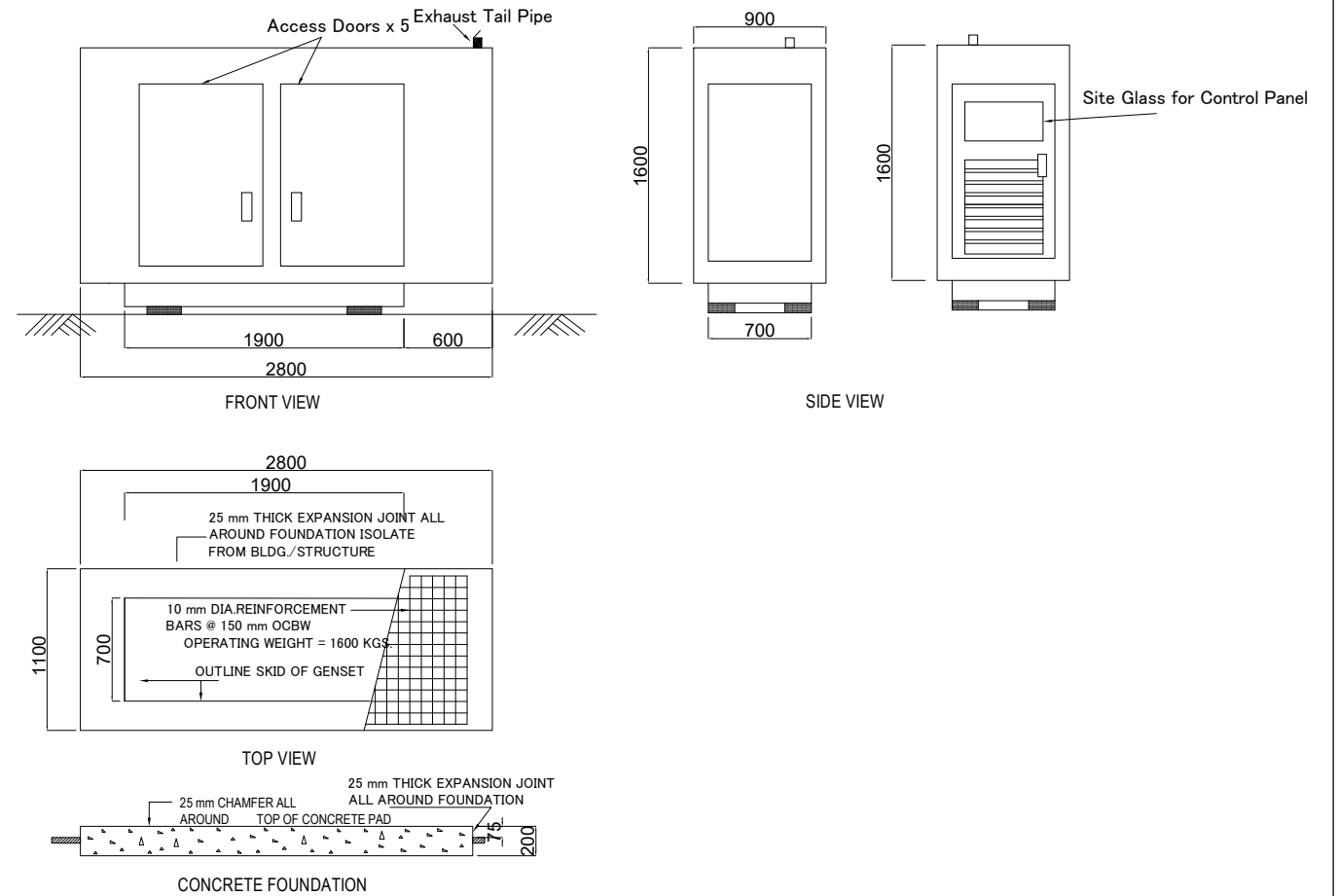
TYPICAL CUBICLE TYPE MV POWER RECEIVING PANEL

LEGEND

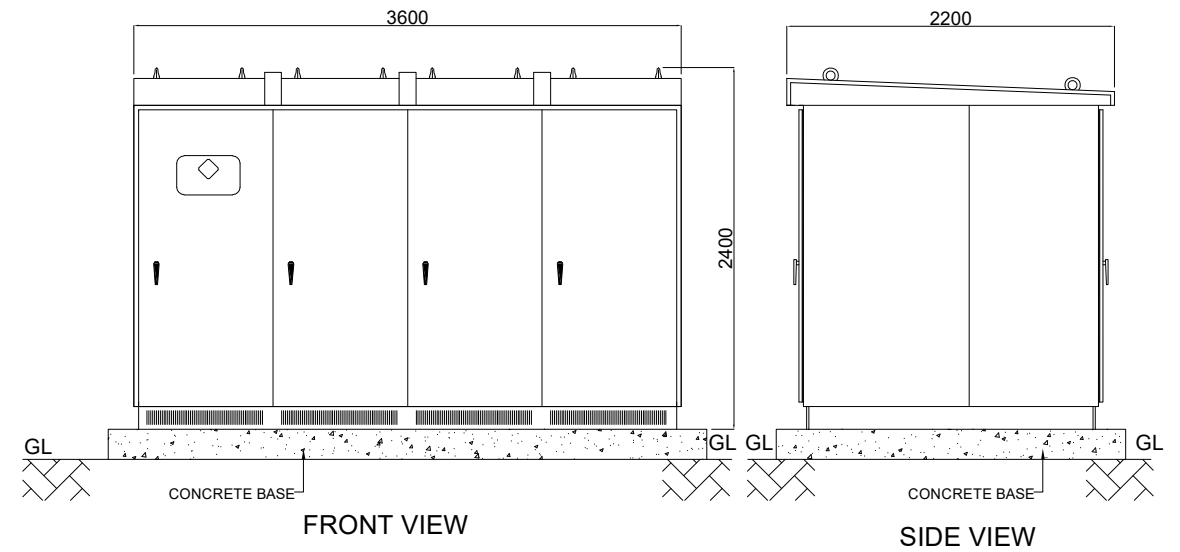
- VCT : COMBINE VOLTAGE AND CURRENT TRANSFORMER
- DS : DISCONNECTION SWITCH
- PAS : POLE AIR-BREAK SWITCH
- CH : CABLE HEAD
- VCB : VACUUM CIRCUIT BREAKER
- LBS : LOAD-BREAK SWITCH
- PC : PRIMARY CUTOUT
- LA : LIGHTNING ARRESTER
- WH : WATT-HOUR METER
- CT : CURRENT TRANSFORMER
- VT : VOLTAGE TRANSFORMER
- UVR : UNDER VOLTAGE RELAY
- TR : TRANSFORMER
- MCCB : MOLDED CASE CIRCUIT BREAKER
- A : AMMETER
- V : VOLTMETER
- F : FUSE
- OCR : OVER-CURRENT RELAY
- C : CAPACITOR



SINGLE LINE POWER DIAGRAM FOR OUTDOOR CUBICLE TYPE MV POWER RECEIVING PANEL



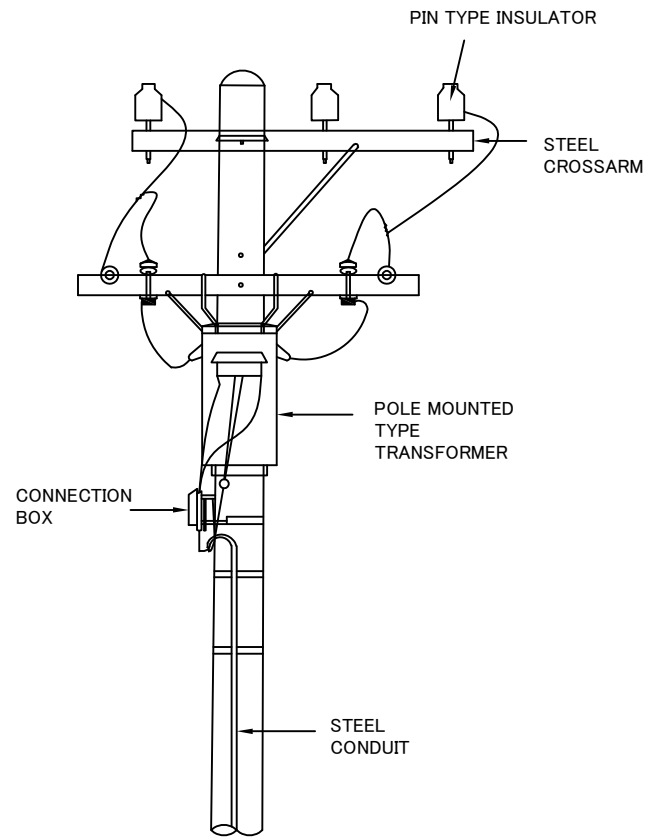
DETAIL OF ENGINE GENERATOR
S = 1:50



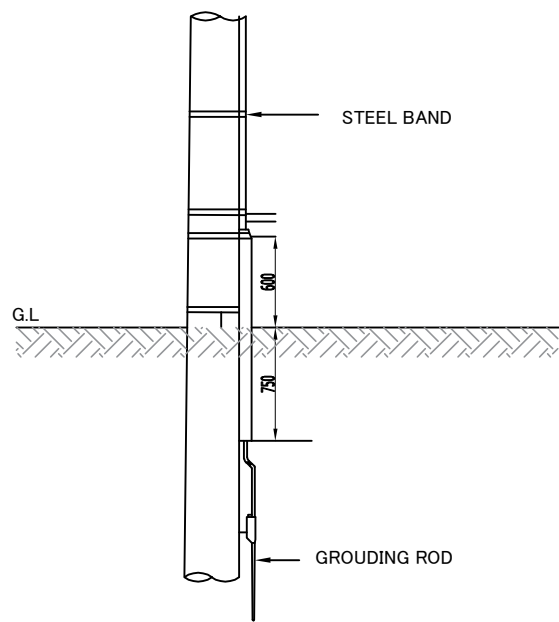
LAYOUT OF OUTDOOR CUBICLE TYPE MV POWER RECEIVING PANEL

PROJECT NAME DETAILED DESIGN ON BAGO RIVER BRIDGE CONSTRUCTION PROJECT	FINANCED BY JAPAN INTERNATIONAL COOPERATION AGENCY	COUNTERPART REPUBLIC OF THE UNION OF MYANMAR MINISTRY OF CONSTRUCTION DEPARTMENT OF BRIDGE	JICA STUDY TEAM NIPPON KOEI CO., LTD. ORIENTAL CONSULTANTS GLOBAL CO., LTD. METROPOLITAN EXPRESSWAY COMPANY LIMITED CHODAI CO., LTD. NIPPON ENGINEERING CONSULTANTS CO., LTD.	NAME	SIGNATURE	DATE	DRAWING TITLE	PACKAGE			
				PREPARED BY	K. MORIMATA				29 Sep. 2017	TYPICAL CUBICLE TYPE MV POWER RECEIVING PANEL	2
				CHECKED BY	T. HAYAKAWA				3 Oct. 2017		DWG No.
				APPROVED BY	Y. SANO				6 Oct. 2017		P2-EL- 0003

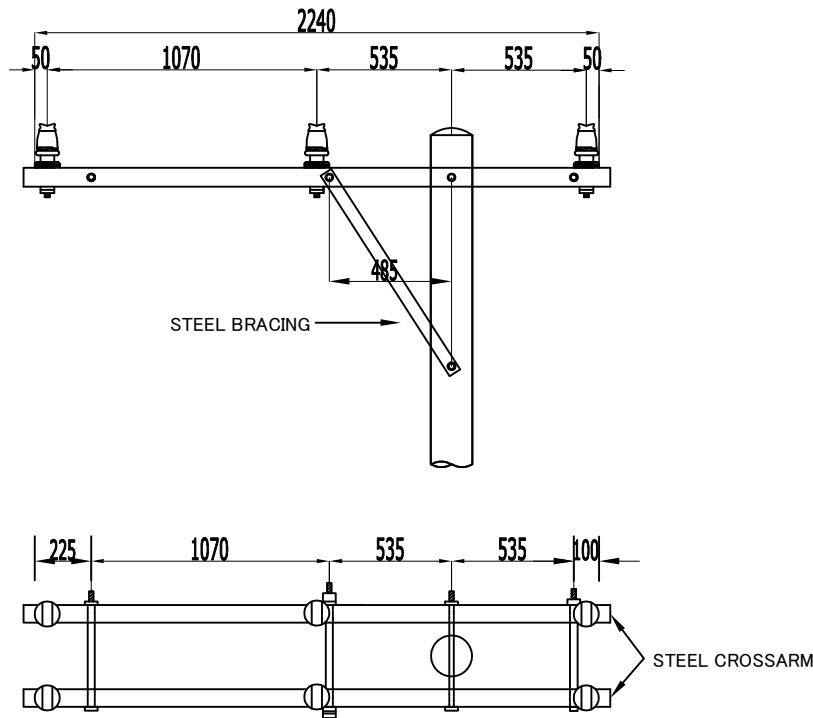
TYPICAL ELECTRIC POLE ASSEMBLING (11kv)



TYPICAL POLE ASSEMBLING FOR
POLE MOUNTED TRANSFORMER

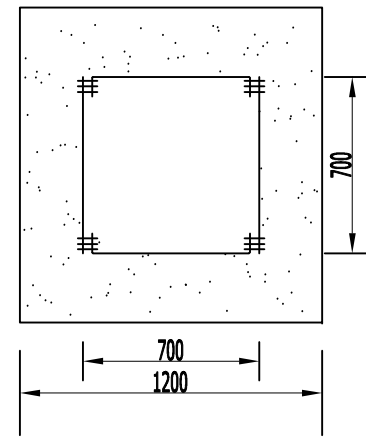


TYPICAL GROUNDING SYSTEM

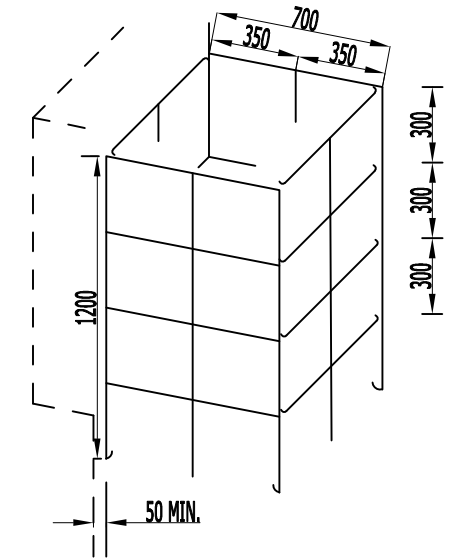


TYPICAL POLE ASSEMBLING FOR
EXTENDED OVERHEAD LINES

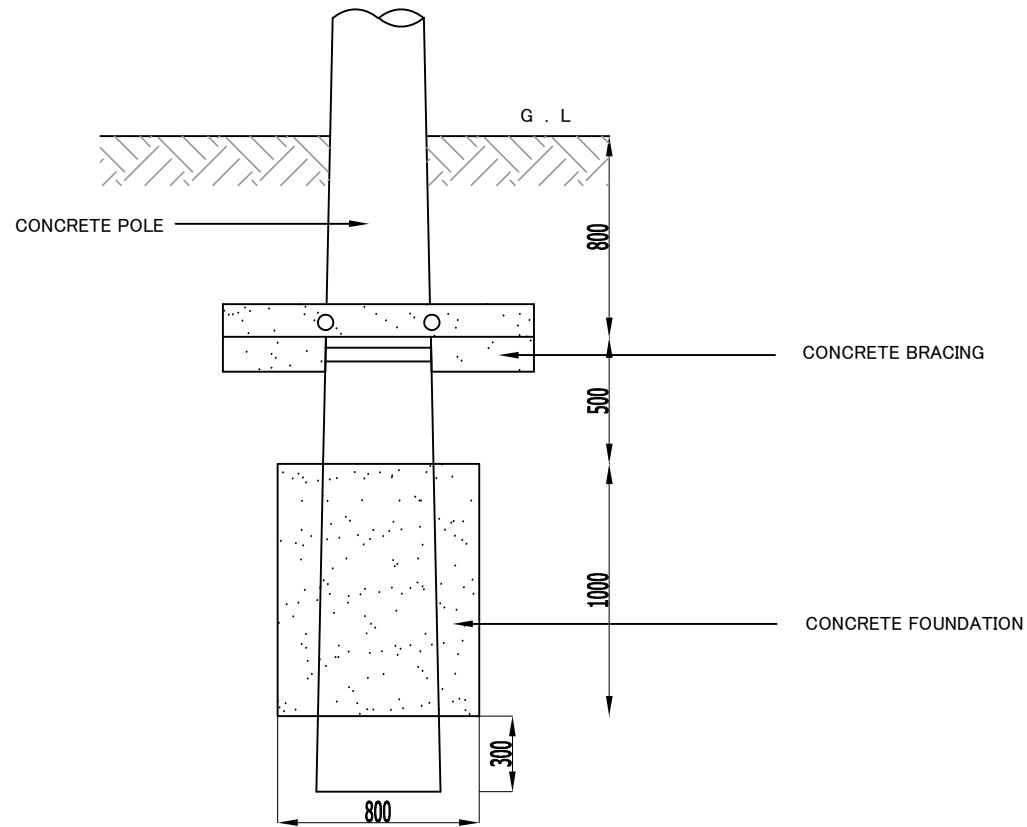
UNIT: mm



TYPICAL CONCRETE FOUNDATION
AND RE-BAR ARRANGEMENT



NOTE : REINFORCEMENT BAR WITH MORE THAN 10MM DIA.
SHALL BE ARRANGED.



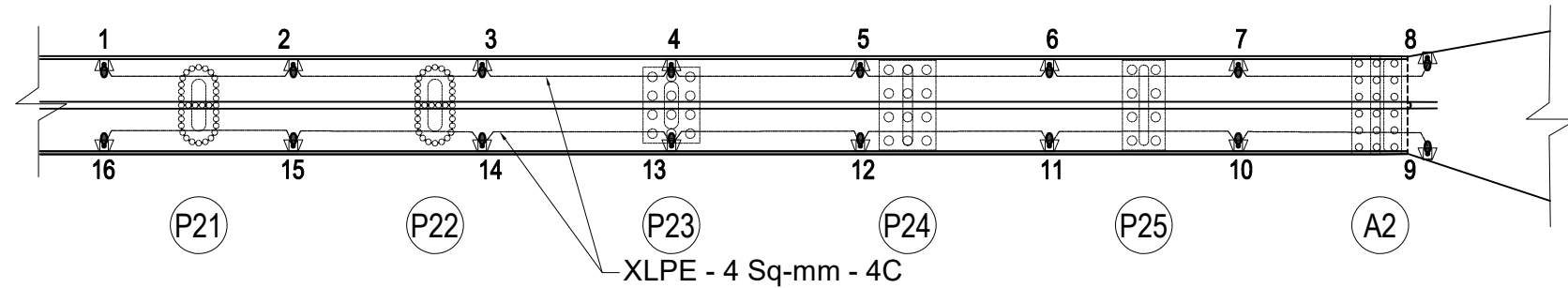
TYPICAL POLE CONCRETE BRACING

PROJECT NAME DETAILED DESIGN ON BAGO RIVER BRIDGE CONSTRUCTION PROJECT	FINANCED BY JICA JAPAN INTERNATIONAL COOPERATION AGENCY	COUNTERPART REPUBLIC OF THE UNION OF MYANMAR MINISTRY OF CONSTRUCTION DEPARTMENT OF BRIDGE	JICA STUDY TEAM NIPPON KOEI CO., LTD. ORIENTAL CONSULTANTS GLOBAL CO., LTD. METROPOLITAN EXPRESSWAY COMPANY LIMITED CHODAI CO. LTD. NIPPON ENGINEERING CONSULTANTS CO., LTD.	NAME K. MORIMATA T. HAYAKAWA Y. SANO	SIGNATURE <i>[Signature]</i> <i>[Signature]</i> <i>[Signature]</i>	DATE 29 Sep. 2017 3 Oct. 2017 6 Oct. 2017	DRAWING TITLE TYPICAL ELECTRIC POLE ASSEMBLING	PACKAGE 2 DWG No. P2-EL- 0004
---	--	---	---	---	---	--	---	--

TYPICAL LIGHTING PLAN FOR APPROACH BRIDGE (TOLL PLAZA SIDE)

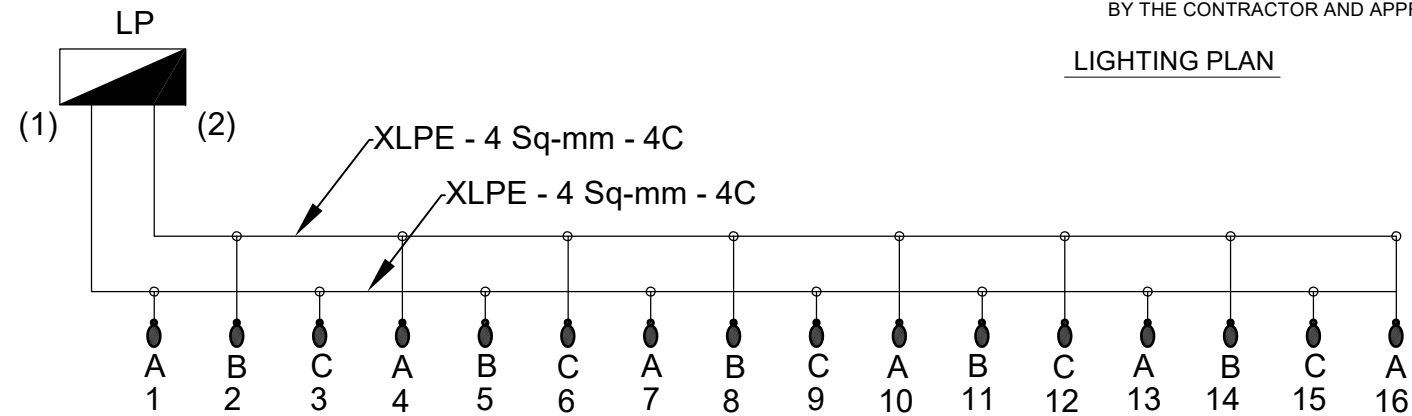
LEGEND:

- - ROAD LIGHT, 140(W) WITH 12m HEIGHT
- ⊕ - WARNING LIGHTS, 200 (W)
- MDP - MAIN DISTRIBUTION PANEL
- ⊥ - GROUNDING
- ▽ - FLOOD LIGHT (LED)



NOTE: THE PROPOSED SPACING OF LIGHTING POLE IS 40M AT THE DESIGN STAGE. THE EXACT LOCATION SHALL BE PROPOSED BY THE CONTRACTOR AND APPROVED BY THE ENGINEER BEFORE THE COMMENCEMENT OF INSTALLATION

LIGHTING PLAN



WIRING DIAGRAM

CKT = LP (1)

DESCRIPTION	CONNECTED LOAD (VA)			CIRCUIT BREAKER			Diagram	
	TOTAL	A	B	C	P	AF		AT
RETAINING WALL APPROACH	165	165			1	25	15	
	165			165	1			
	165		165		1			
	165	165			1			
	165			165	1			
	165	165			1			
	165			165	1			
RETAINING WALL APPROACH	165			165	1			
SPARE	1000				3			
SPARE								
SUBTOTAL	2320	495	330	495		25	15	

CKT = LP (2)

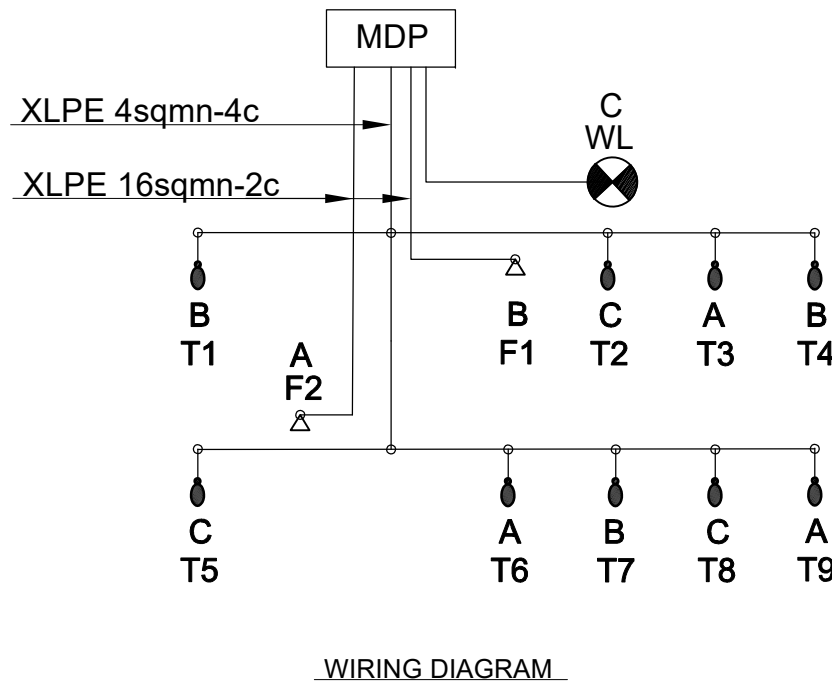
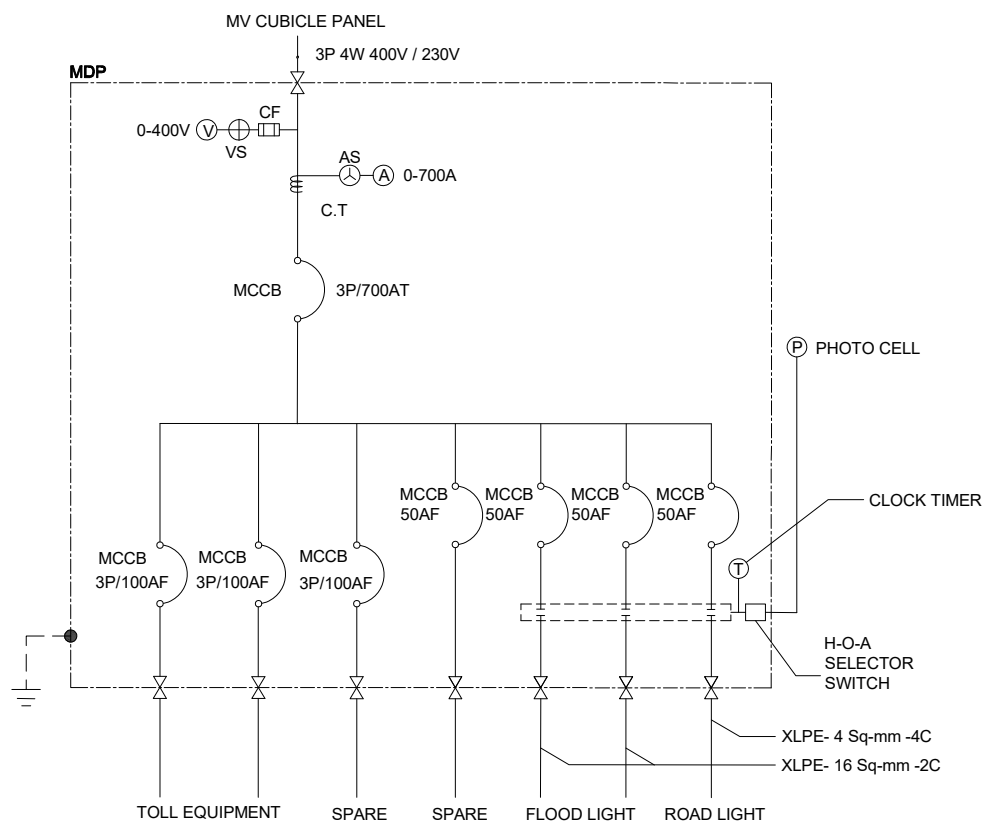
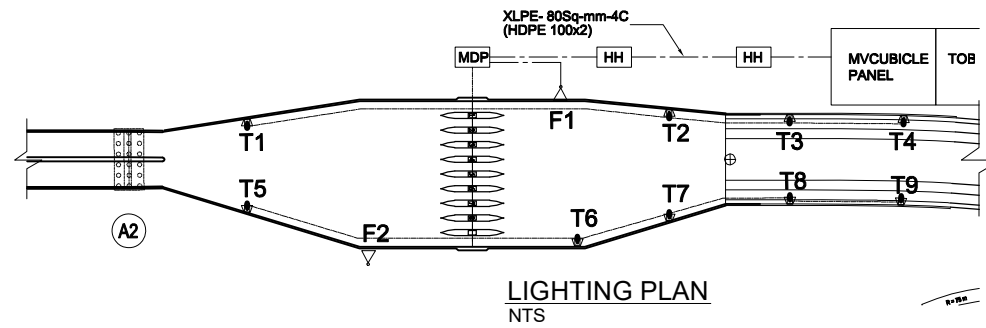
DESCRIPTION	CONNECTED LOAD (VA)			CIRCUIT BREAKER			Diagram	
	TOTAL	A	B	C	P	AF		AT
RETAINING WALL APPROACH	165		165		1	25	15	
	165	165		165	1			
	165				1			
	165		165		1			
	165	165		165	1			
	165			165	1			
	165	165			1			
RETAINING WALL APPROACH	165			165	1			
SPARE	1000				3			
SPARE								
SUBTOTAL	2320	495	495	495		25	15	

LOAD SCHEDULE

TYPICAL LIGHTING PLAN FOR TOLL PLAZA

LEGEND:

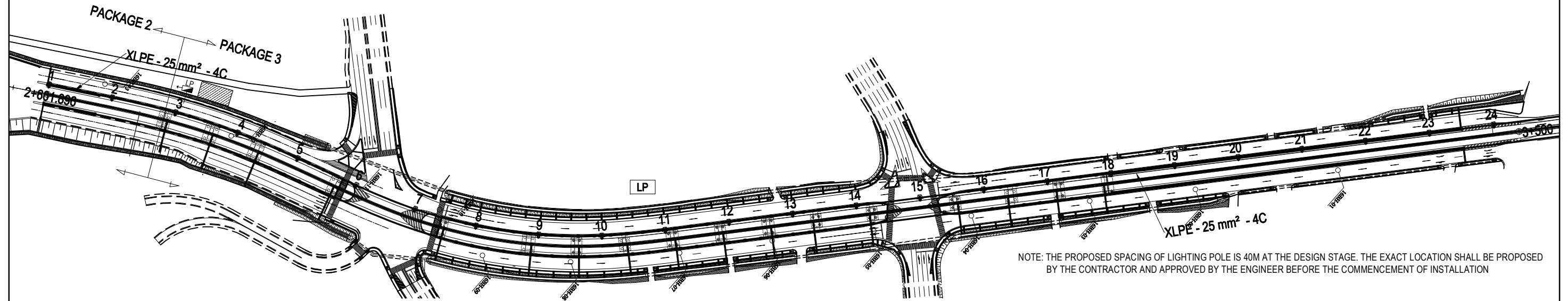
- - ROAD LIGHT, 140(W) WITH 12m HEIGHT
- ⊙ - WARNING LIGHTS, 200 (W)
- MDP - MAIN DISTRIBUTION PANEL
- ⊥ - GROUNDING
- ▽ - FLOOD LIGHT (LED)
- HH - HAND HOLE



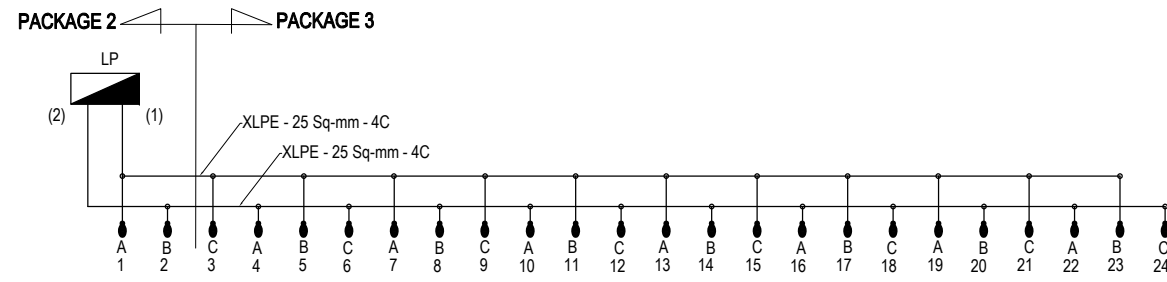
DESCRIPTION	CONNECTED LOAD (VA)			CIRCUIT BREAKER			
	TOTAL	A	B	C	P	AF	AT
Road lighting	165		165		1	25	15
	165			165	1		
	165	165			1		
	165		165		1		
	165			165	1		
	165	165			1		
	165		165		1		
	165			165	1		
Road lighting	165	165			1	↓	↓
WARNING LIGHT	200				1		
Flood Light	3600	3600			1	50	50
Flood Light	3600		3600		1	↓	↓
TOLL GATE	40000				3	100	100
TOLL GATE (FUTURE)	75000				3	↓	↓
SPARE	40000				3	↓	↓
SUBTOTAL	163885	4095	4095	495			

LOAD SCHEDULE

TYPICAL LIGHTING PLAN FOR FLYOVER BRIDGE



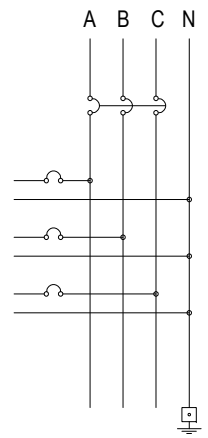
LIGHTING PLAN FOR FLYOVER BRIDGE



WIRING DIAGRAM

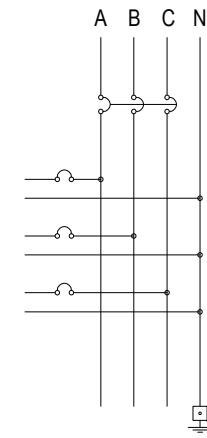
CKT = LP (1)

DESCRIPTION	CONNECTED LOAD (VA)			CKT, BRK, SIZE, WP			
	TOTAL	A	B	C	P	AF	AT
FLYOVER	165	165			1	25	15
	165			165			
	165		165				
	165	165					
	165			165			
	165		165				
	165	165					
	165			165			
	165		165				
	165	165					
	165			165	↓		
	165		165		1		
SPARE	1,000				3	↓	↓
SUBTOTAL	2,980	660	660	660		25	15



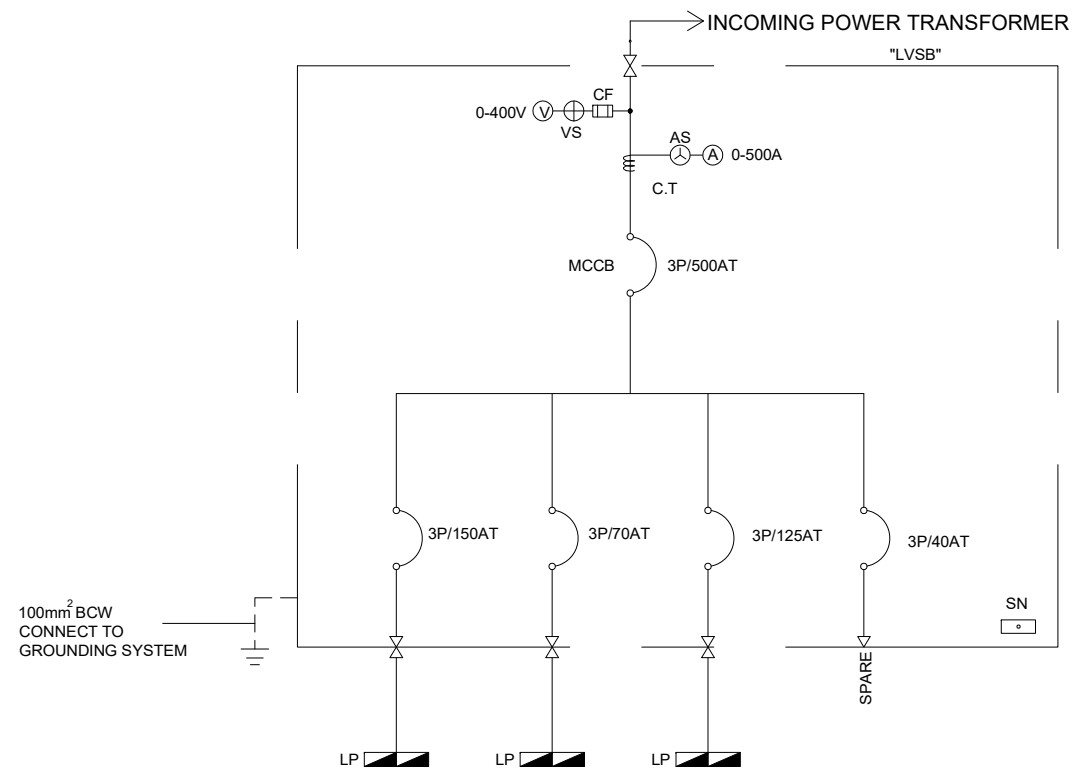
CKT = LP (2)

DESCRIPTION	CONNECTED LOAD (VA)			CKT, BRK, SIZE, WP			
	TOTAL	A	B	C	P	AF	AT
FLYOVER	165		165		1	25	15
	165	165					
	165			165			
	165		165				
	165	165					
	165			165			
	165		165				
	165	165					
	165			165			
	165		165				
	165	165					
	165			165	↓		
	165		165		1		
SPARE	1,000				3	↓	↓
SUBTOTAL	2,980	660	660	660		25	15

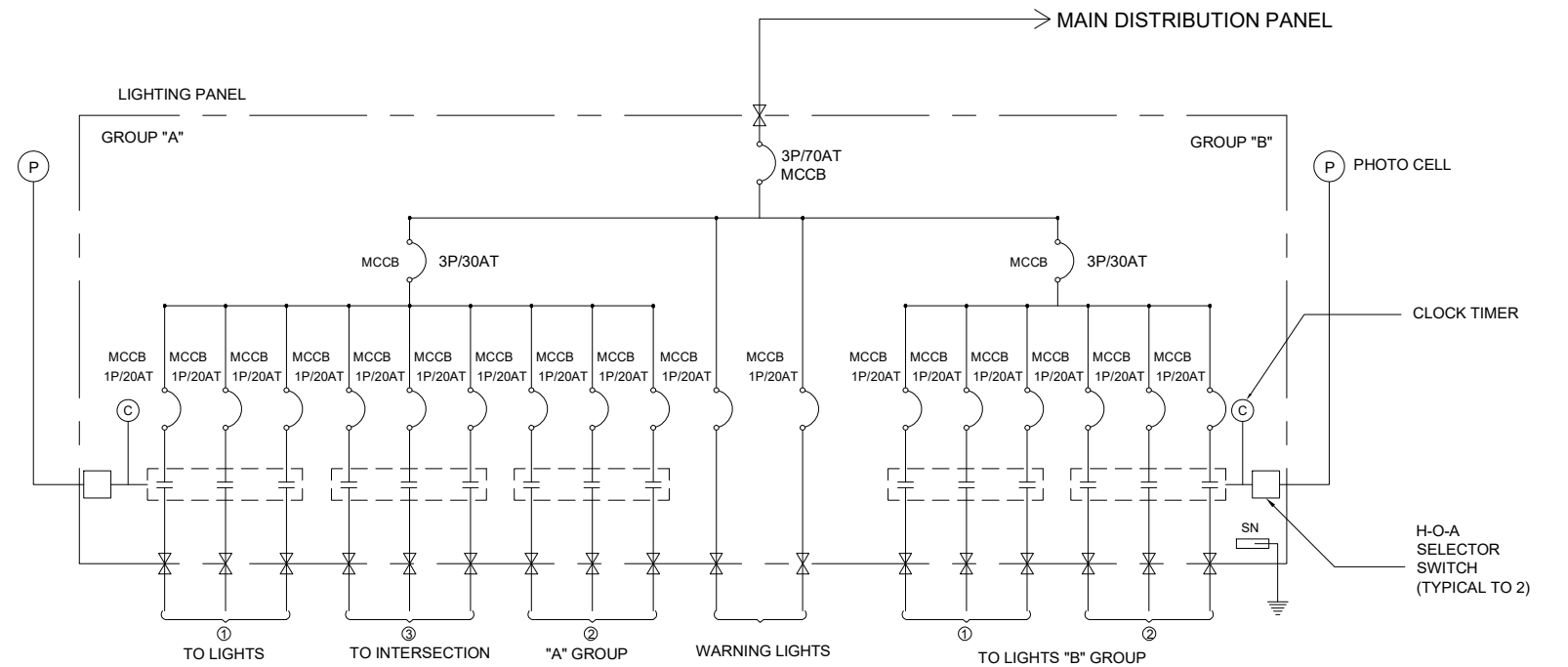


LOAD SCHEDULE

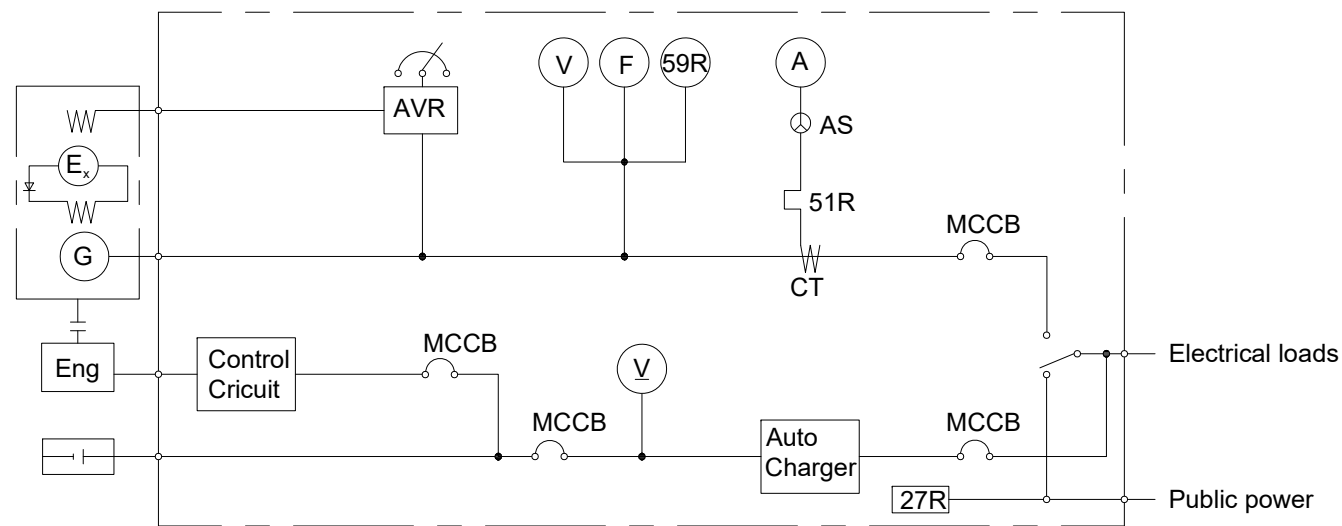
(REFERENCE) SINGLE LINE DIAGRAM FOR PANELS



SINGLE LINE DIAGRAM FOR MAIN DISTRIBUTION PANEL



SINGLE LINE DIAGRAM FOR LIGHTING PANEL

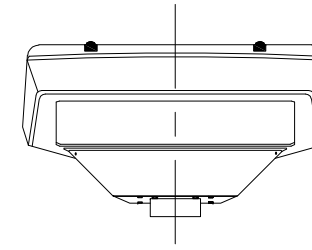
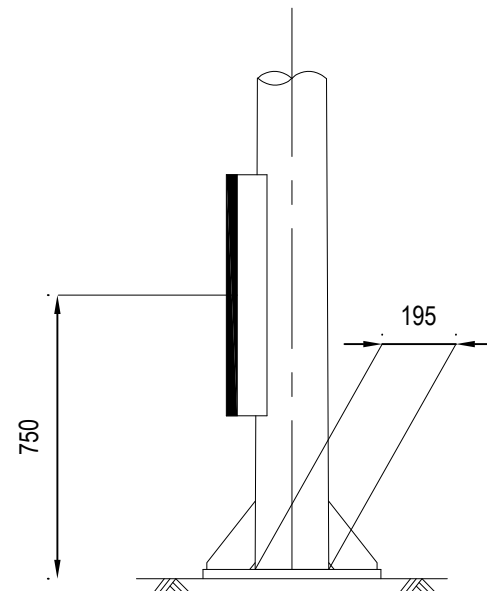
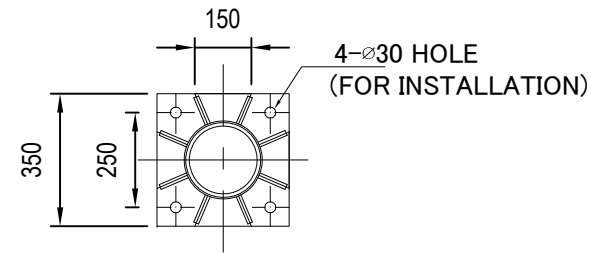
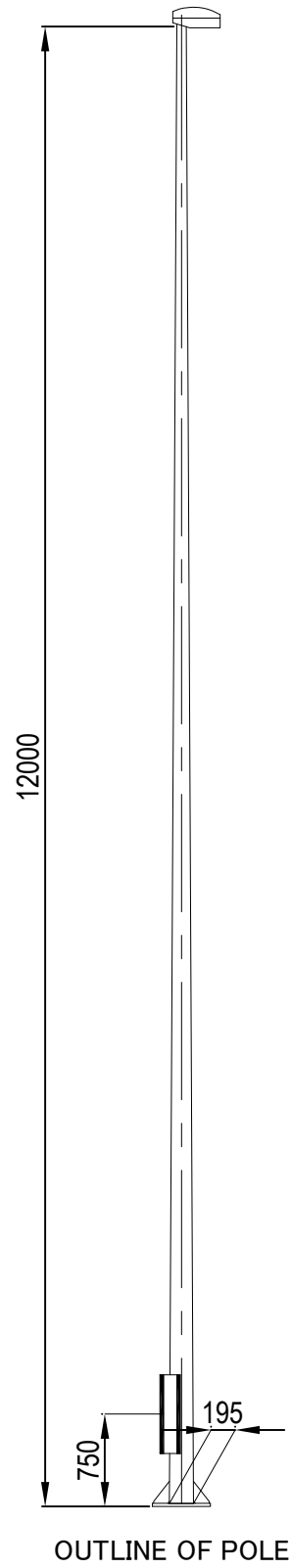


SINGLE LINE DIAGRAM FOR ENGINE GENERATOR CONTROL PANEL

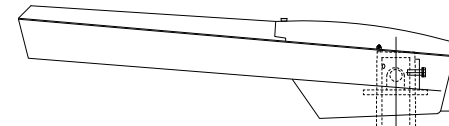
LEGEND

	: MOLD-CASE CIRCUIT BREAKER		: DIESEL ENGINE
AT	: AMPERE TRIPPING		: GENERATOR
	: GROUNDING		: EXITER
	: CONTACTOR		: AMPERE METER
VS	: VOLTMETER CHANGE OVER SWITCH		: VOLTAGE METER
AS	: AMMETER CHANGOVER SWITCH		: FREQUENCY METER
CT	: CURRENT TRANSFORMER		: BATTERY
			: AUTOMATIC VOLTAGE LEGULATOR
		27R	: LOW VOLTAGE RELAY
		59G	: OVER VOLTAGE
		51R	: OVERCURRENT RELAY

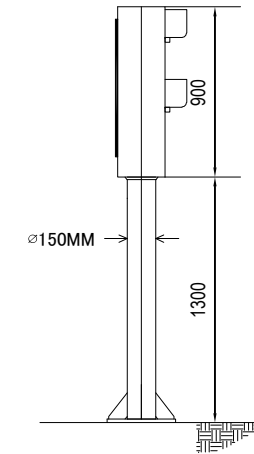
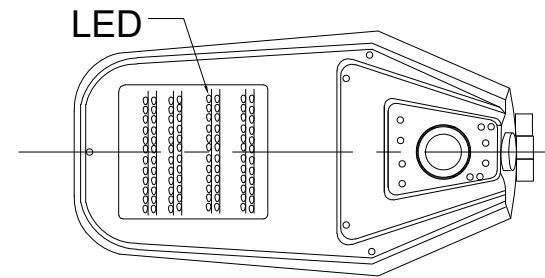
TYPICAL LED LUMINAIR AND POLE



FRONT VIEW

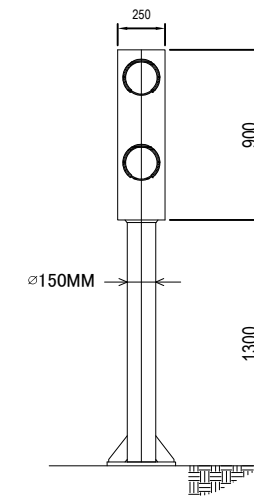


SIDE VIEW



SIDE VIEW

NTS



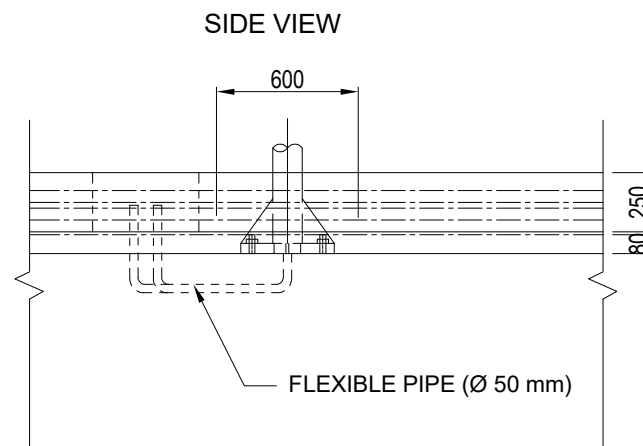
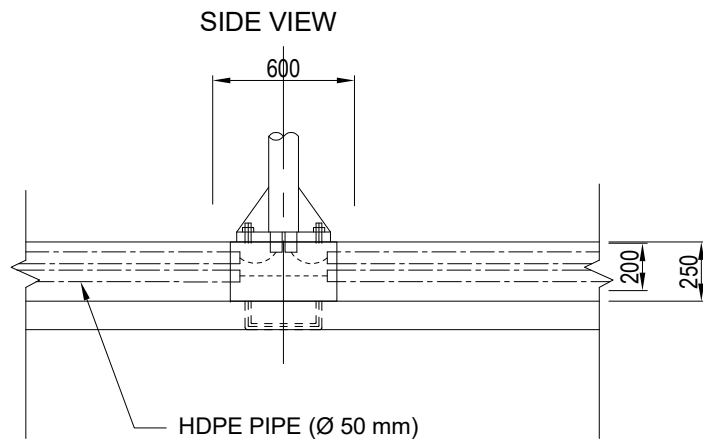
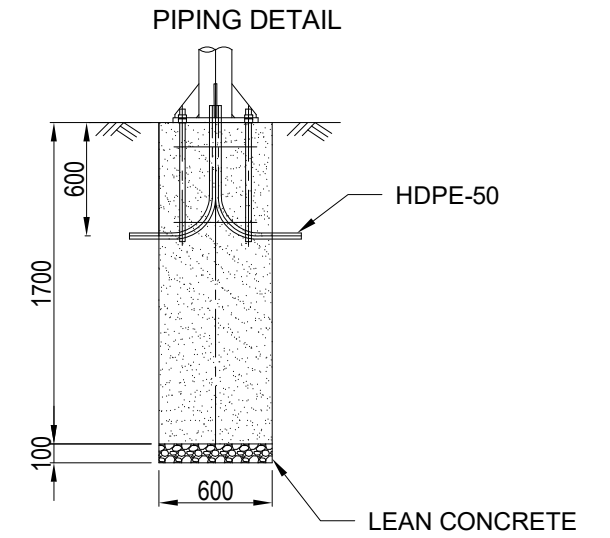
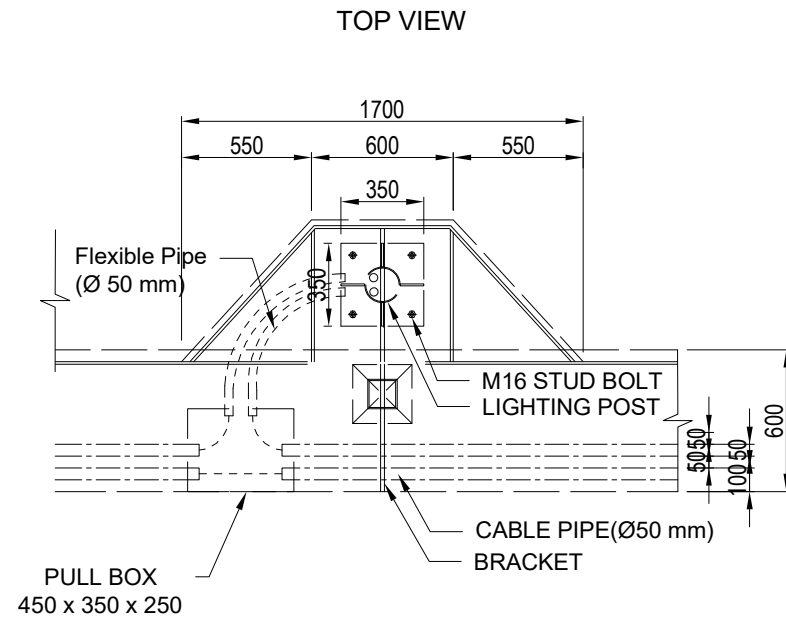
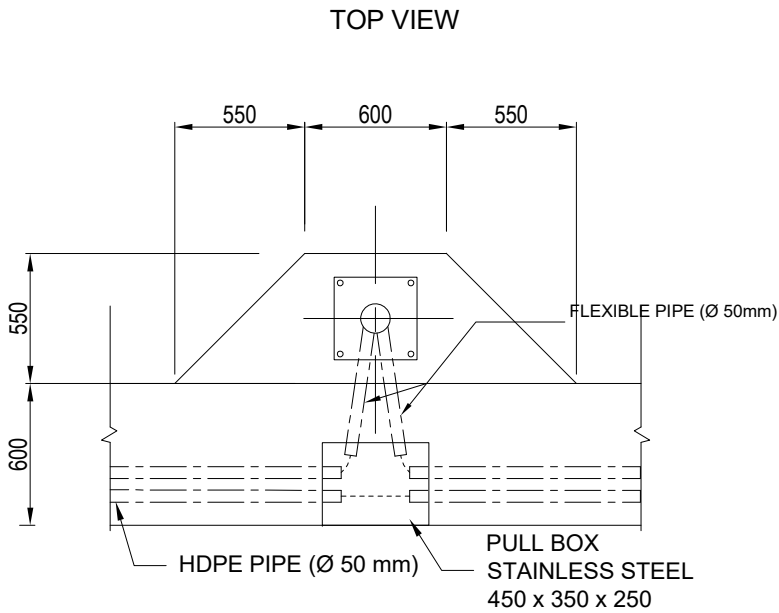
FRONT VIEW

NTS

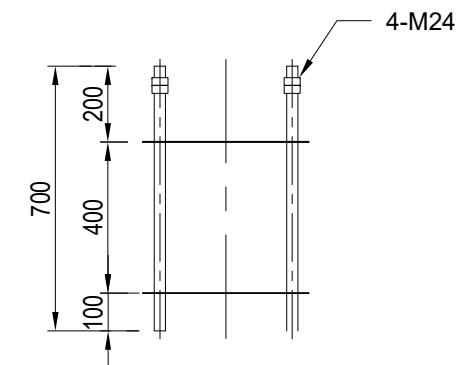
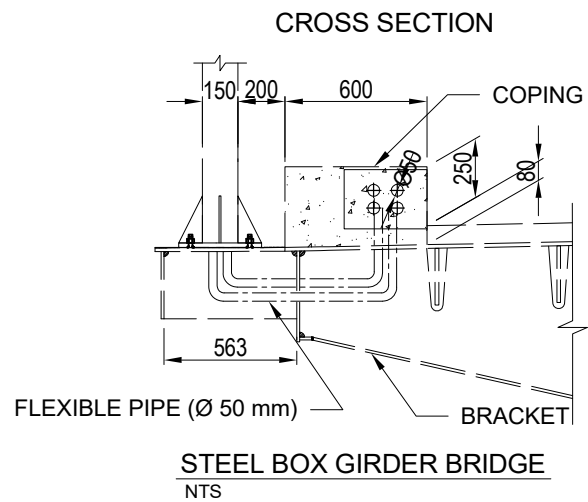
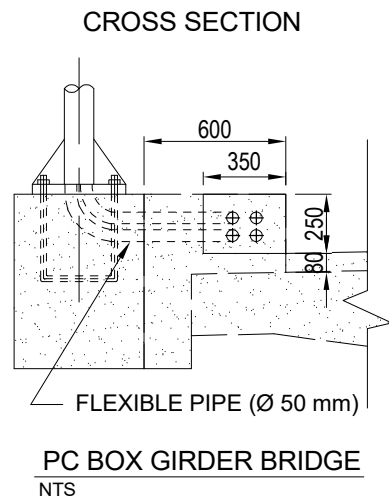
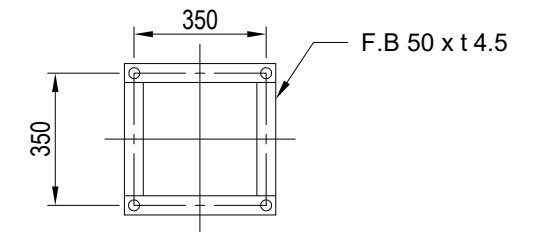
REFERENCE WARNING LIGHTS

NTS

TYPICAL FOUNDATION DETAILS FOR ROAD LIGHTING POLE



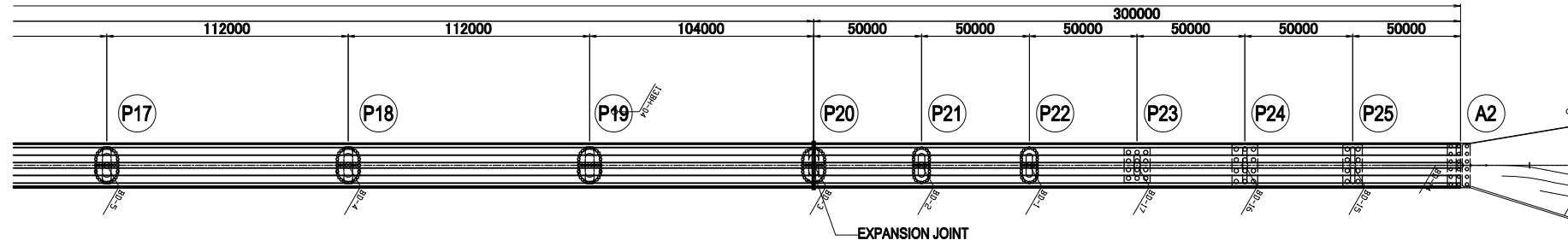
DETAIL OF ANCHOR BOLT



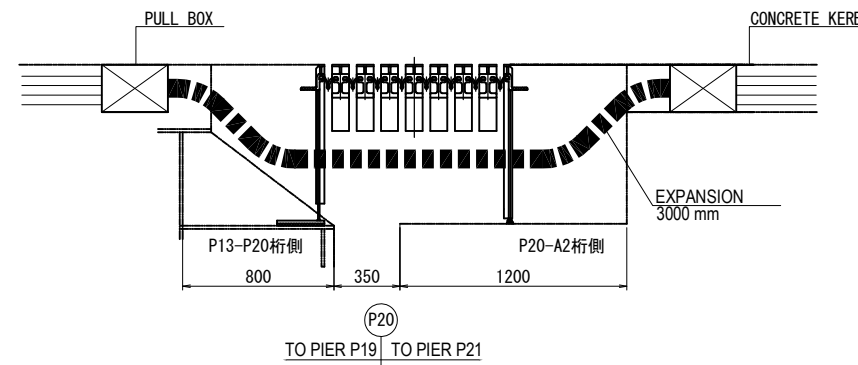
FOR PUBLIC ROAD LIGHTING POLES
NTS

PROJECT NAME DETAILED DESIGN ON BAGO RIVER BRIDGE CONSTRUCTION PROJECT	FINANCED BY JAPAN INTERNATIONAL COOPERATION AGENCY	COUNTERPART REPUBLIC OF THE UNION OF MYANMAR MINISTRY OF CONSTRUCTION DEPARTMENT OF BRIDGE	JICA STUDY TEAM NIPPON KOEI CO., LTD. ORIENTAL CONSULTANTS GLOBAL CO., LTD. METROPOLITAN EXPRESSWAY COMPANY LIMITED CHODAI CO., LTD. NIPPON ENGINEERING CONSULTANTS CO., LTD.	NAME	SIGNATURE	DATE	DRAWING TITLE TYPICAL FOUNDATION DETAILS FOR ROAD LIGHTING POLE	PACKAGE	
				PREPARED BY	K. MORIMATA			29 Sep. 2017	2
				CHECKED BY	T. HAYAKAWA			3 Oct. 2017	DWG No.
				APPROVED BY	Y. SANO			6 Oct. 2017	P2-EL- 0013

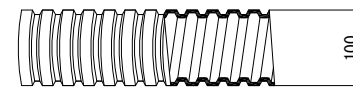
(REFERENCE) INSTALLATION DETAIL FOR FLEXIBLE PIPE



LAYOUT OF EXPANSION JOINTS



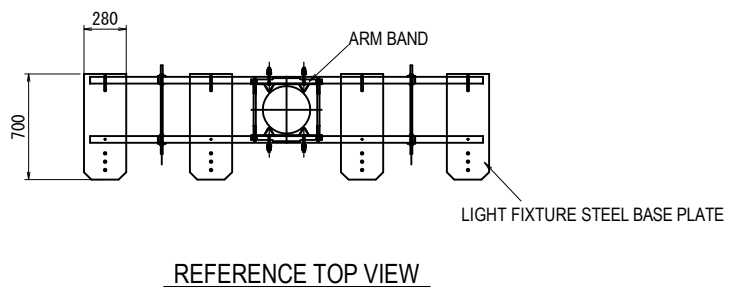
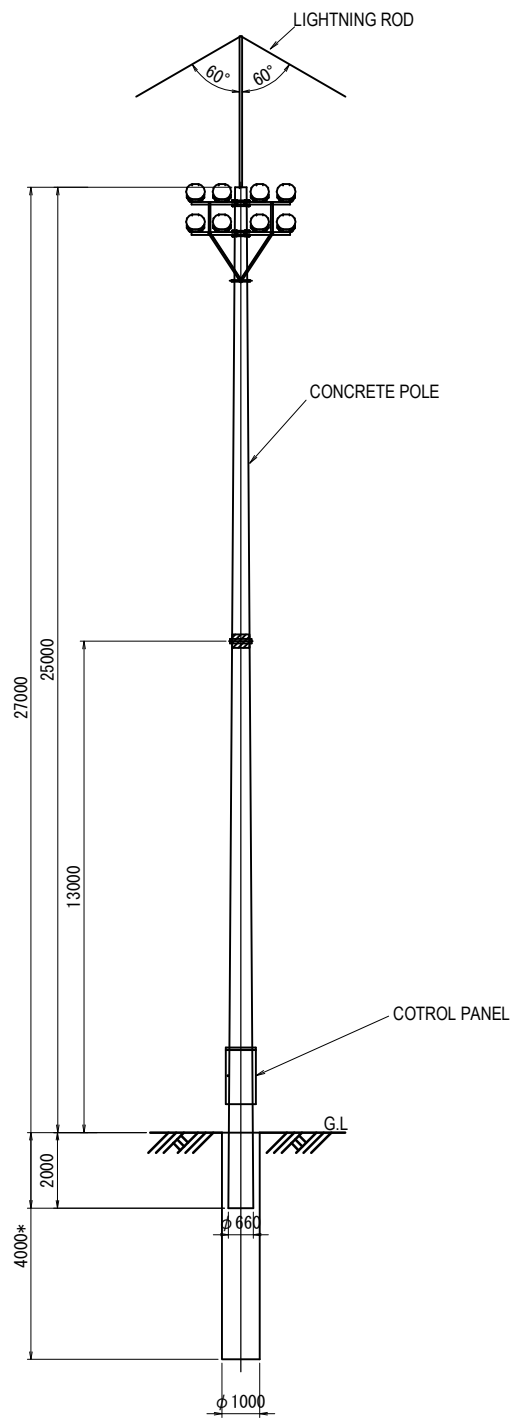
INSTALLATION DETAIL OF FLEXIBLE PIPE (P20)



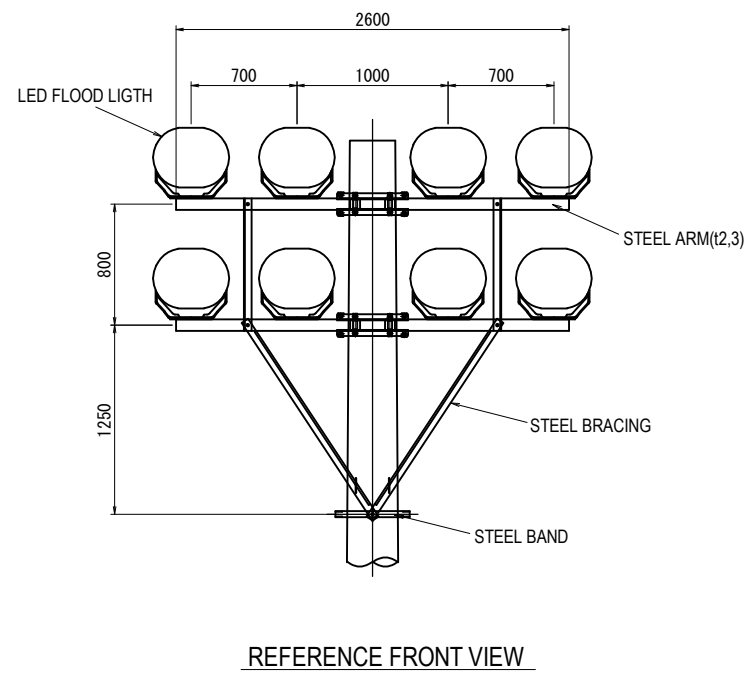
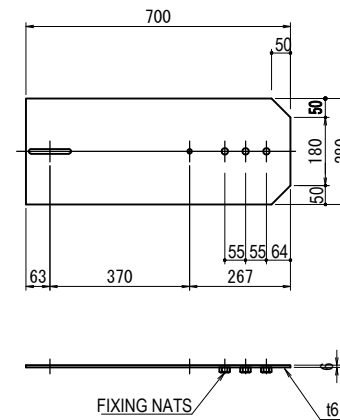
DIAMETER OF FLEXIBLE PIPE

PROJECT NAME DETAILED DESIGN ON BAGO RIVER BRIDGE CONSTRUCTION PROJECT	FINANCED BY JAPAN INTERNATIONAL COOPERATION AGENCY	COUNTERPART REPUBLIC OF THE UNION OF MYANMAR MINISTRY OF CONSTRUCTION DEPARTMENT OF BRIDGE	JICA STUDY TEAM NIPPON KOEI CO., LTD. ORIENTAL CONSULTANTS GLOBAL CO., LTD. METROPOLITAN EXPRESSWAY COMPANY LIMITED CHODAI CO. LTD. NIPPON ENGINEERING CONSULTANTS CO., LTD.	NAME	SIGNATURE	DATE	DRAWING TITLE (REFERENCE) INSTALLATION DETAIL FOR FLEXIBLE PIPE	PACKAGE	
				PREPARED BY	K. MORIMATA			29 Sep. 2017	2
				CHECKED BY	T. HAYAKAWA			3 Oct. 2017	DWG No.
APPROVED BY	Y. SANO		6 Oct. 2017		P2-EL- 0014				

(REFERENCE) LIGHTING MAST STRUCTURE FOR GATEPLAZA



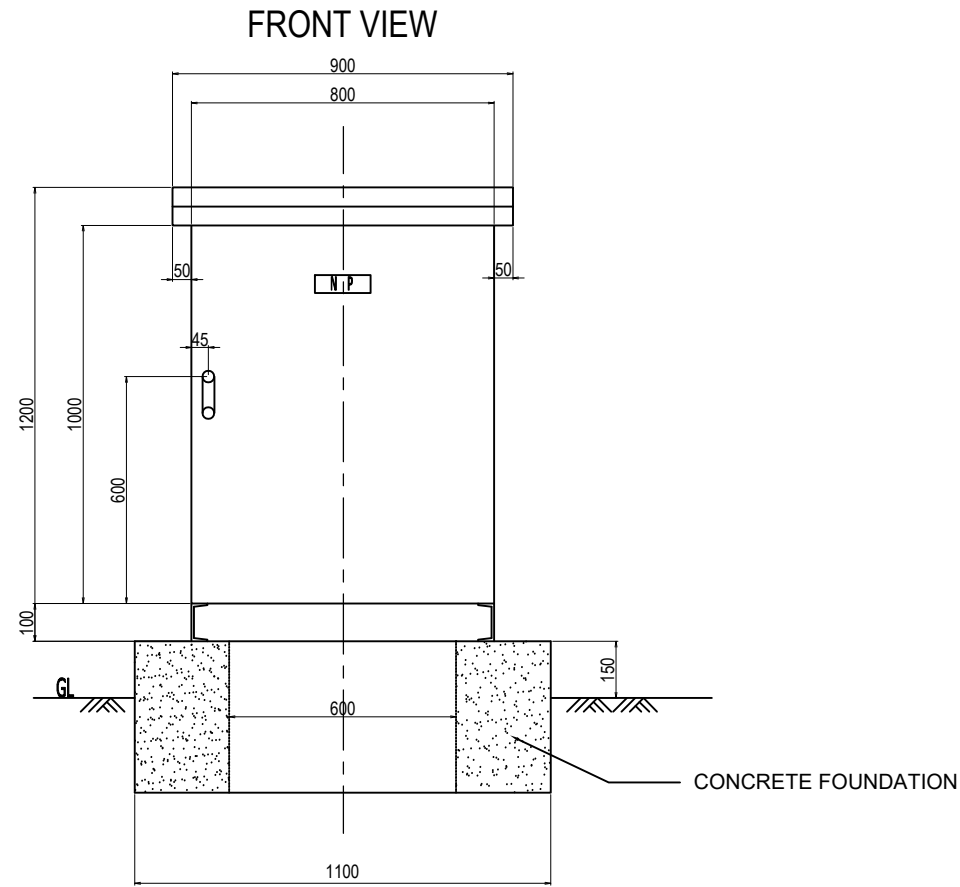
REFERENCE TYPICAL LAYOUT OF LIGHT FIXTURE BASE PLATE



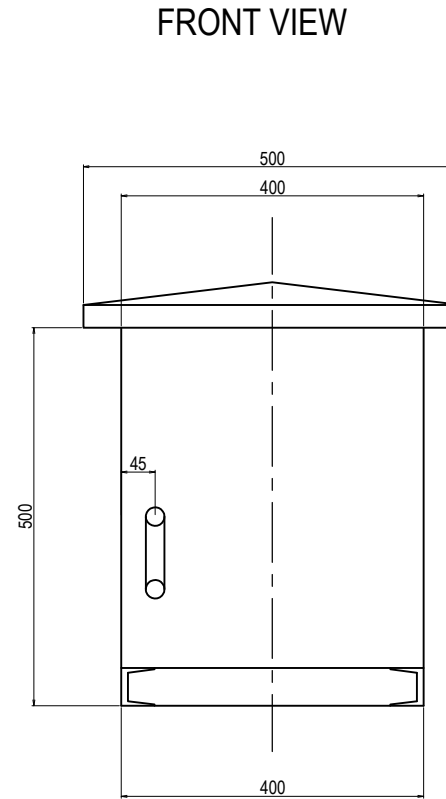
Note: Foundation length of lighting pole should be determined before the commencement of installation in consideration of site soil condition

PROJECT NAME DETAILED DESIGN ON BAGO RIVER BRIDGE CONSTRUCTION PROJECT	FINANCED BY JAPAN INTERNATIONAL COOPERATION AGENCY	COUNTERPART REPUBLIC OF THE UNION OF MYANMAR MINISTRY OF CONSTRUCTION DEPARTMENT OF BRIDGE	JICA STUDY TEAM NIPPON KOEI CO., LTD. ORIENTAL CONSULTANTS GLOBAL CO., LTD. METROPOLITAN EXPRESSWAY COMPANY LIMITED CHODAI CO., LTD. NIPPON ENGINEERING CONSULTANTS CO., LTD.	NAME	SIGNATURE	DATE	DRAWING TITLE (REFERENCE) LIGHTING MAST STRUCTURE FOR GATEPLAZA	PACKAGE	
				PREPARED BY	K. MORIMATA			29 Sep. 2017	2
				CHECKED BY	T. HAYAKAWA			3 Oct. 2017	DWG No.
				APPROVED BY	Y. SANO			6 Oct. 2017	P2-EL- 0015

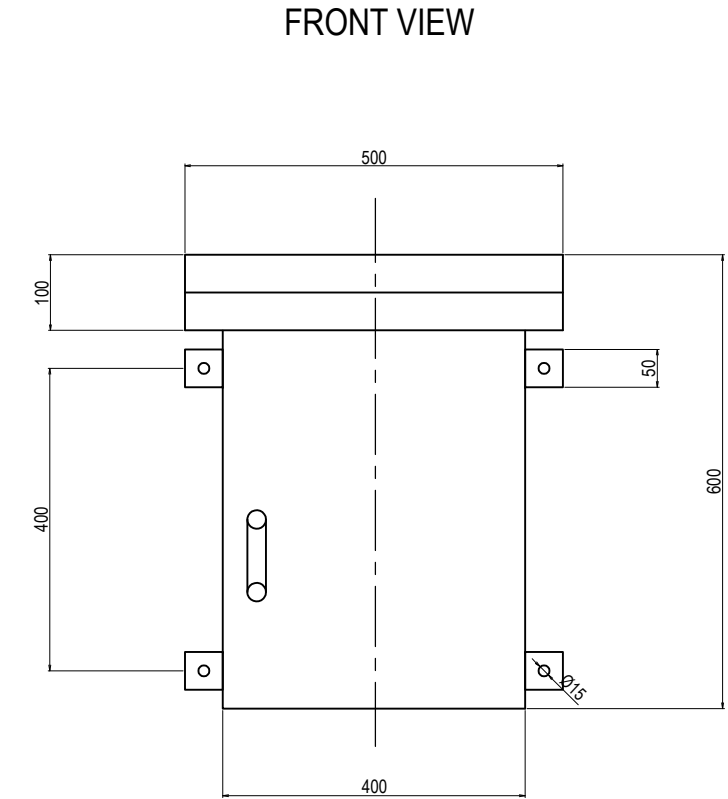
(REFERENCE) OUTLINE OF ELECTRIC PANELS



MAIN DISTRIBUTION PANEL S=1:20



LIGHTING PANEL S=1:10



POLE MOUNTED TYPE BOX S=1:10

QUANTITY TABLE OF LIGHTING AND ELECTRICAL WORKS (REFERENCE DRAWING)

QUANTITY OF ROAD LIGHTING SYSTEM

Item Description	Unit	Total
Lighting Pole Type B (H=12m,)	No.	64.0
Flood Light Pole (H=25m)	No.	2.0
LED Lamp (140W)	No.	64.0
LED Lamp (380W)	No.	16.0
Lighting Panel Type A (17 lines)	No.	3.0
Pull Box Type A (300 x 350 x 175)	No.	64.0
Grounding System	No.	5.0
4 Core/XLPE 80 sq. mm Electric Wire Cable	m	260.0
4 Core/XLPE 35 sq. mm Electric Wire Cable	m	390.0
4 Core/XLPE 25 sq. mm Electric Wire Cable	m	4,200.0
4 Core/XLPE 8 sq. mm Electric Wire Cable	m	2,634.0
HDPE Pipe (50mm dia.)	m	16,420.0
HDPE Pipe (100mm dia.)	m	400.0
FEP Pipe (50mm dia.)	m	96.0
Handhole (600 x 600 x 600)	No.	12.0
MV Power Receiving Panel (Cubicle Type)	L.S.	1.0
Warning Light	No.	1.0

QUANTITY OF TRAFFIC SIGNAL CONTROL SYSTEM

Item Description	Unit	Total
Traffic Signal Pole	No.	4.0
Pedestrian Signal Pole	No.	2.0
Traffic Signal Head	No.	4.0
Arrow Signal Head	No.	4.0
Pedestrian Signal Head and Push Button	No.	4.0
Handhole (600 x 600 x 800)	No.	7.0
Traffic Signal Controller	No.	1.0
HDPE Pipe (50mm dia.)	m	144.0
SVV-SS 2.0 sq.mm x 15c	m	15.0
SVV-SS 2.0 sq.mm x 18c	m	67.0
SVV-SS 2.0 sq.mm x 21c	m	19.0
SVV-SS 2.0 sq.mm x 36c	m	43.0