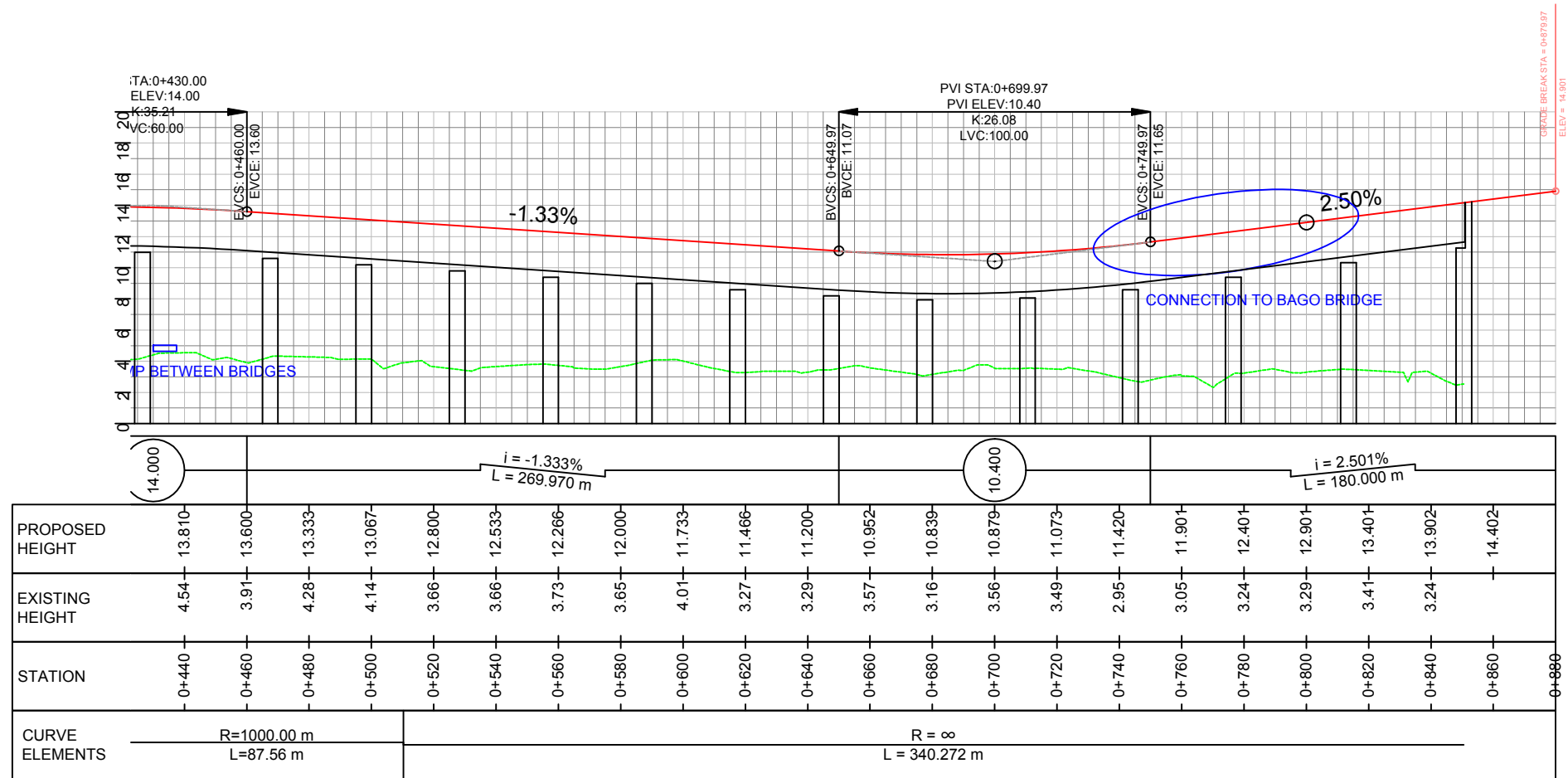


	i = 0.000% L = 60.000 m		5.000	i = 8.000% L = 100.000 m		13.000	i = 0.370% L = 270.000 m		14.000	i = -1.333% L = 269.970 m																								
PROPOSED HEIGHT	5.000	5.000	5.067	5.600	6.667	8.200	9.800	11.209	12.237	12.883	13.148	13.222	13.296	13.370	13.444	13.519	13.593	13.667	13.741	13.815	13.889	13.906	13.810	13.600	13.333	13.067	12.800	12.533	12.266	12.000	11.733	11.466	11.200	10.952
EXISTING HEIGHT								4.49	4.61	4.56	4.41	4.63	4.86	4.89	4.88	4.57	4.68	4.56	4.52	4.13	4.04	4.09	4.54	3.91	4.28	4.14	3.66	3.66	3.73	3.65	4.01	3.27	3.29	3.57
STATION	0+000	0+020	0+040	0+060	0+080	0+100	0+120	0+140	0+160	0+180	0+200	0+220	0+240	0+260	0+280	0+300	0+320	0+340	0+360	0+380	0+400	0+420	0+440	0+460	0+480	0+500	0+520	0+540	0+560	0+580	0+600	0+620	0+640	0+660
CURVE ELEMENTS	R = ∞ L = 163.421 m						A = 60 m L = 48.000 m		R = 75.00 m L = 94.48 m		A = 60 m L = 48.000 m		R = ∞ L = 68.797 m		R = 1000.00 m L = 87.56 m																			



JAPAN INTERNATIONAL COOPERATION AGENCY



REPUBLIC OF THE UNION OF MYANMAR
PUBLIC WORKS, MINISTRY OF CONSTRUCTION
DEPARTMENT OF BRIDGES

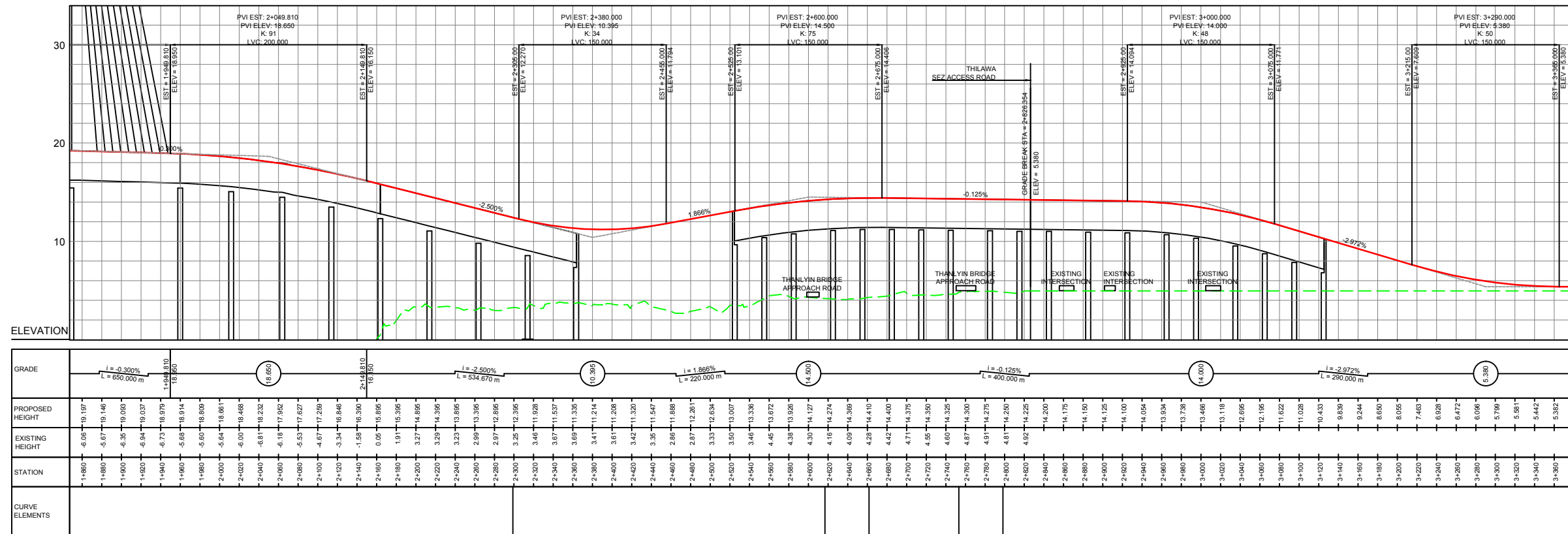
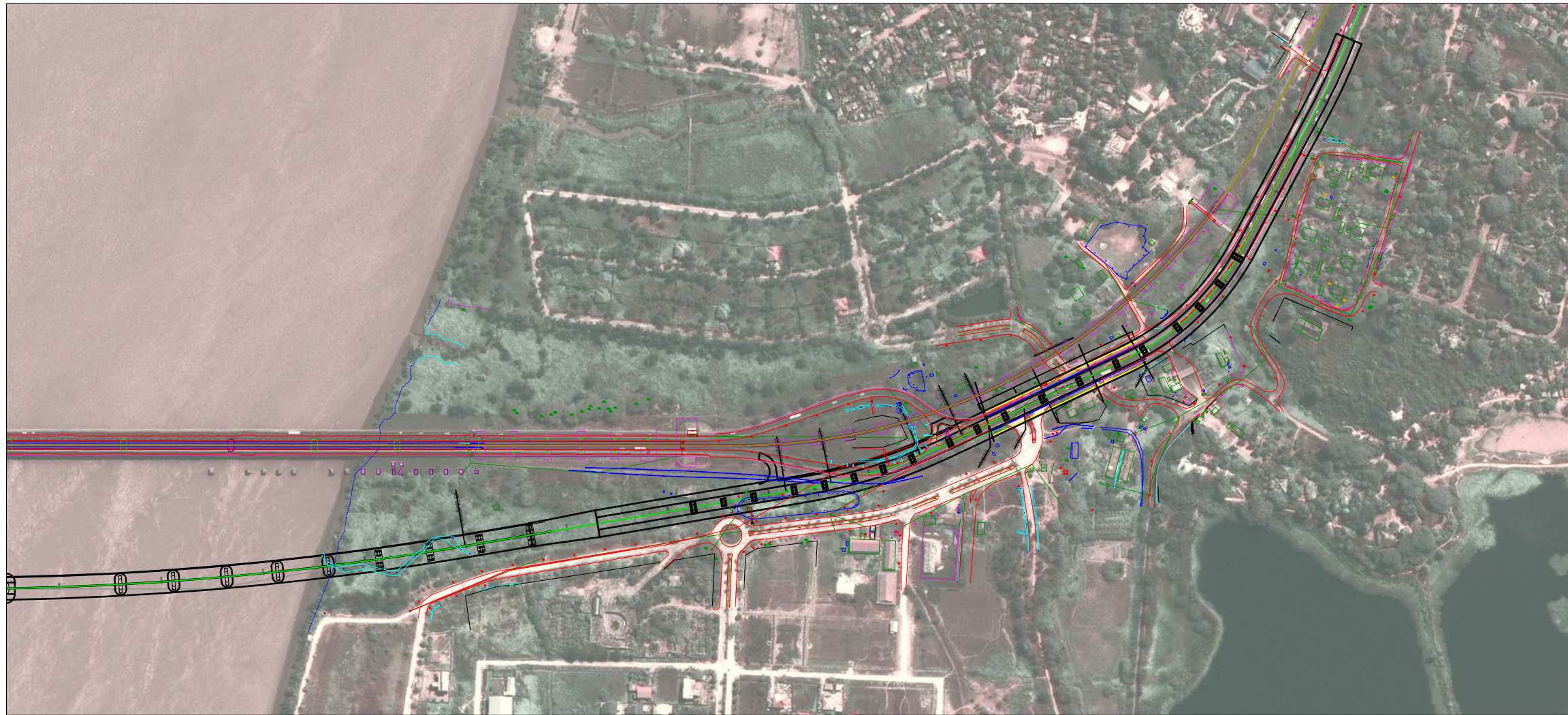
NIPPON KOEI NIPPON KOEI CO., LTD.

REMARKS

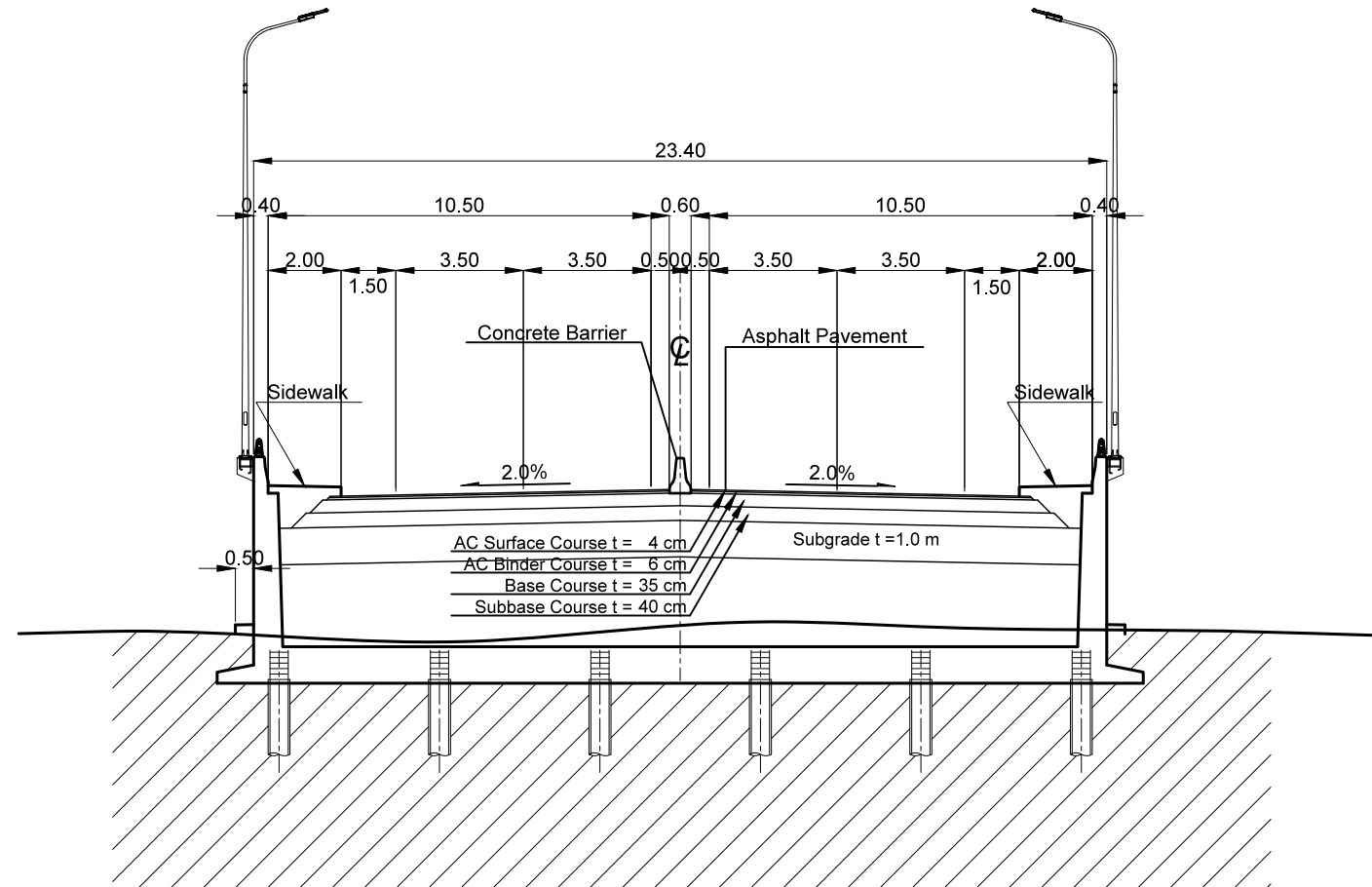
THE SUPPLEMENTAL SURVEY FOR THE PROJECT FOR CONSTRUCTION OF BAGO RIVER BRIDGE

DRAWING TITLE
PROFILE FOR ALTERNATIVE OF ON-RAMP DIRECTLY FROM
RESIDENTIAL AREA AT THANLYIN SIDE (2/2)

SCALE	H=1:2000 V=1:400
DRAWING NO.	RD-09
SHEET NO.	11



TYPICAL CROSS SECTION OF APPROACH SECTION FOR BAGO BRIDGE



JAPAN INTERNATIONAL COOPERATION AGENCY



REPUBLIC OF THE UNION OF MYANMAR
PUBLIC WORKS, MINISTRY OF CONSTRUCTION
DEPARTMENT OF BRIDGES

NIPPON KOEI NIPPON KOEI CO., LTD.

REMARKS

THE SUPPLEMENTAL SURVEY FOR THE PROJECT FOR CONSTRUCTION OF BAGO RIVER BRIDGE

DRAWING TITLE

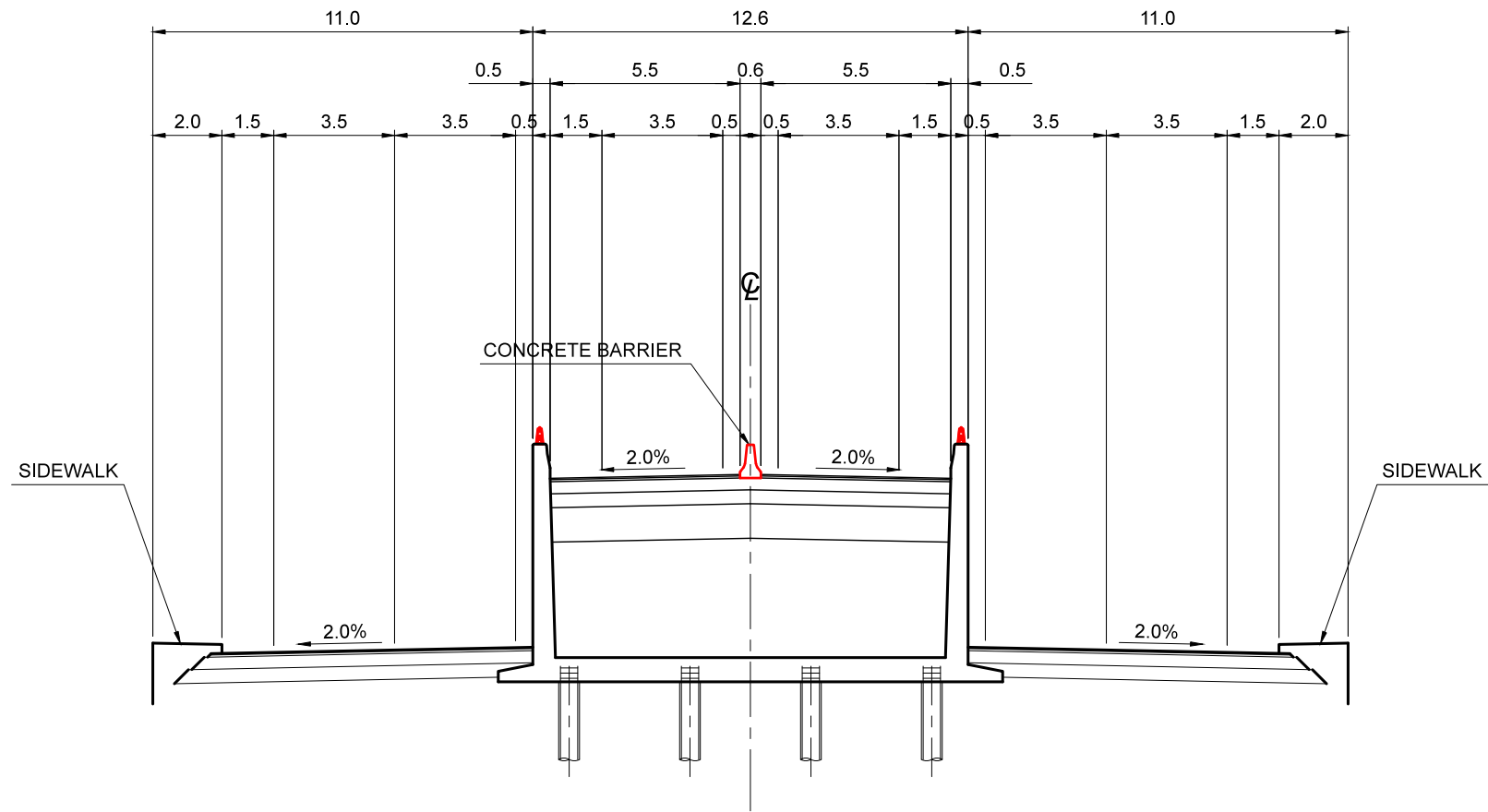
TYPICAL CROSS SECTION OF APPROACH SECTION FOR BAGO BRIDGE

SCALE 1:200

DRAWING NO. RD-11

SHEET NO. 13

TYPICAL CROSS SECTION OF APPROACH SECTION
FOR STRAIGHT FLYOVER AT YANGON SIDE



JAPAN INTERNATIONAL COOPERATION AGENCY



REPUBLIC OF THE UNION OF MYANMAR
PUBLIC WORKS, MINISTRY OF CONSTRUCTION
DEPARTMENT OF BRIDGES

NIPPON KOEI NIPPON KOEI CO., LTD.

REMARKS

THE SUPPLEMENTAL SURVEY FOR THE PROJECT FOR CONSTRUCTION OF BAGO RIVER BRIDGE

DRAWING TITLE

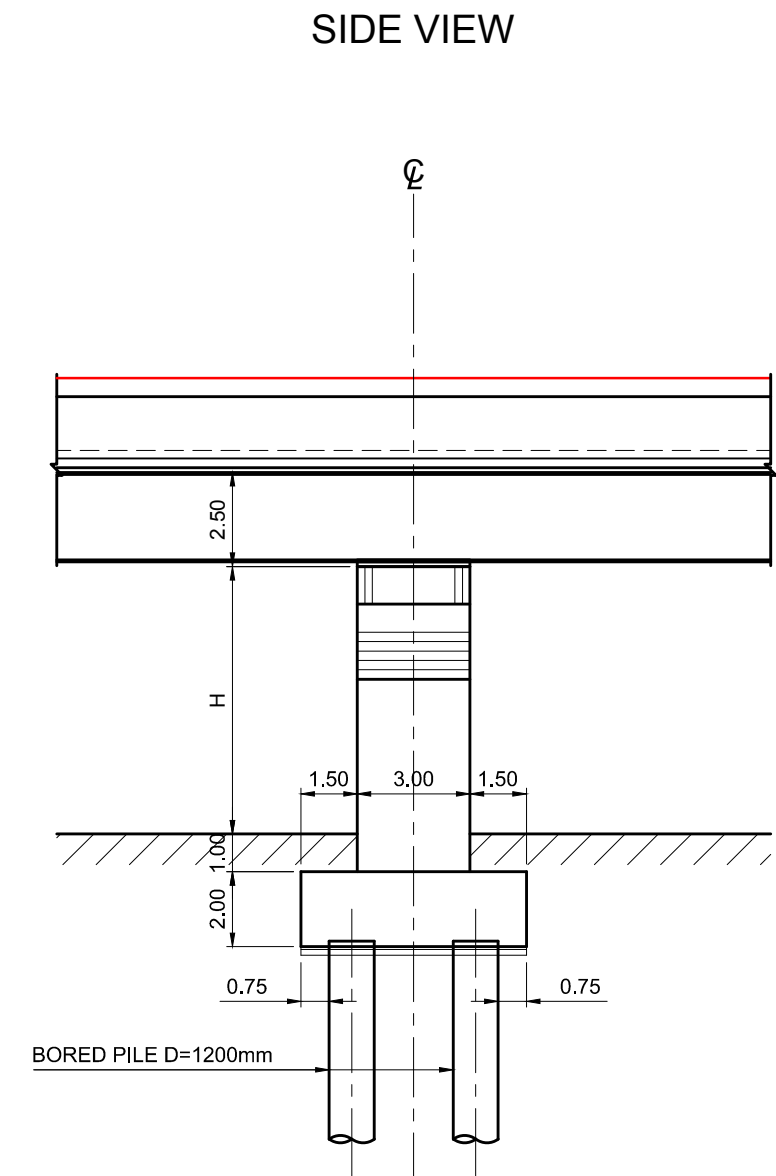
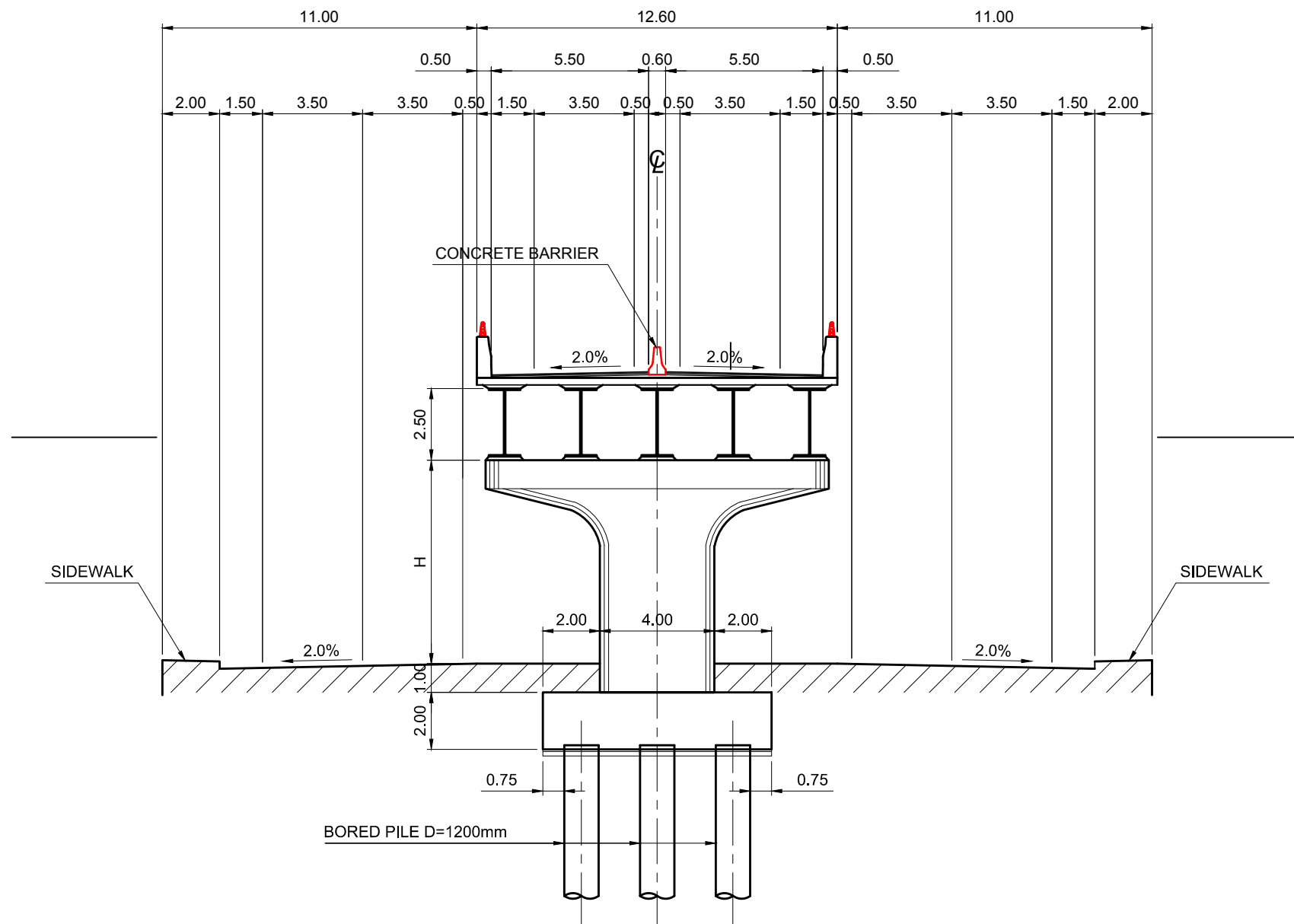
TYPICAL CROSS SECTION OF APPROACH SECTION
FOR STRAIGHT FLYOVER AT YANGON SIDE

SCALE 1:200

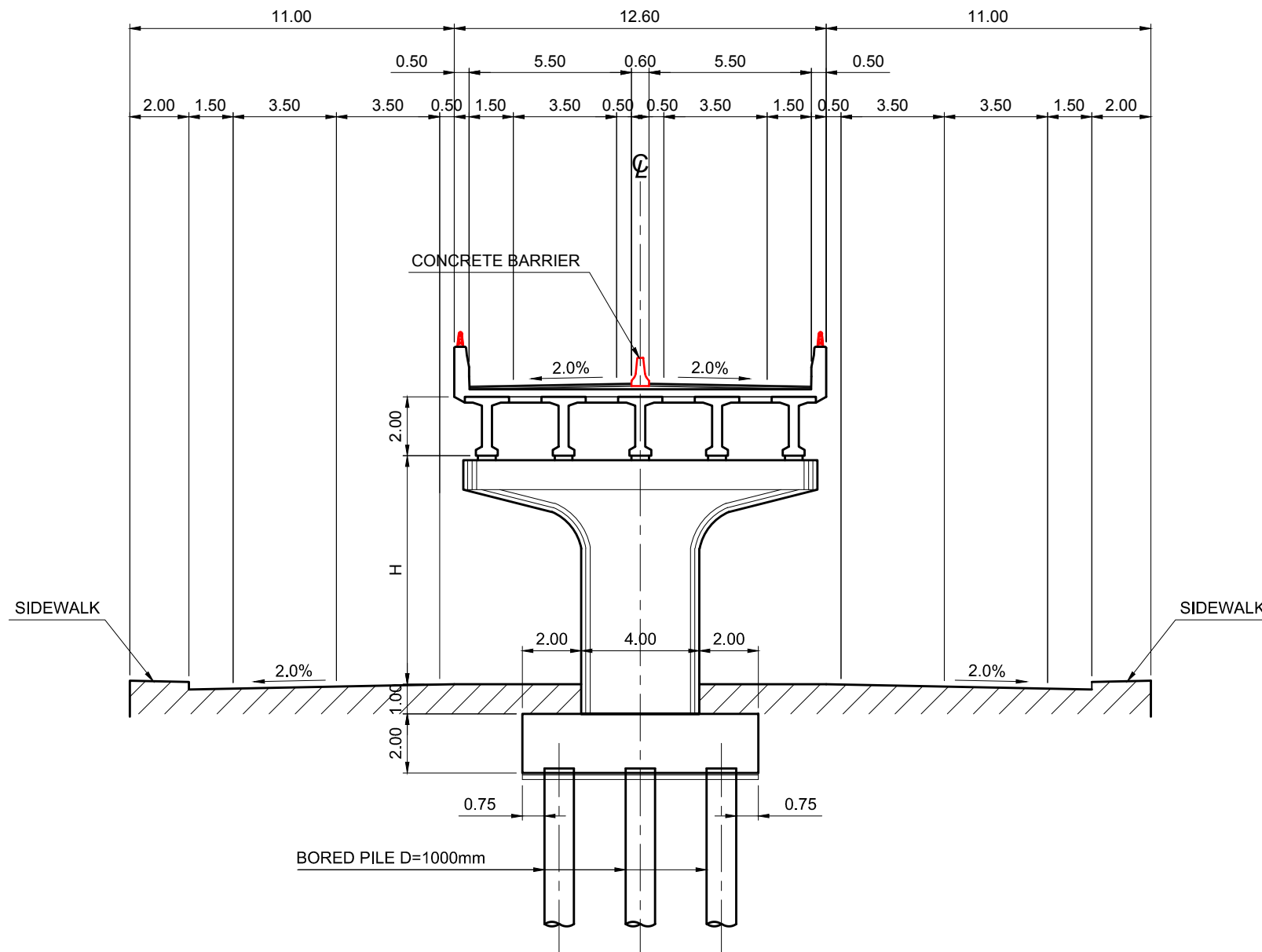
DRAWING NO. RD-12

SHEET NO. 14

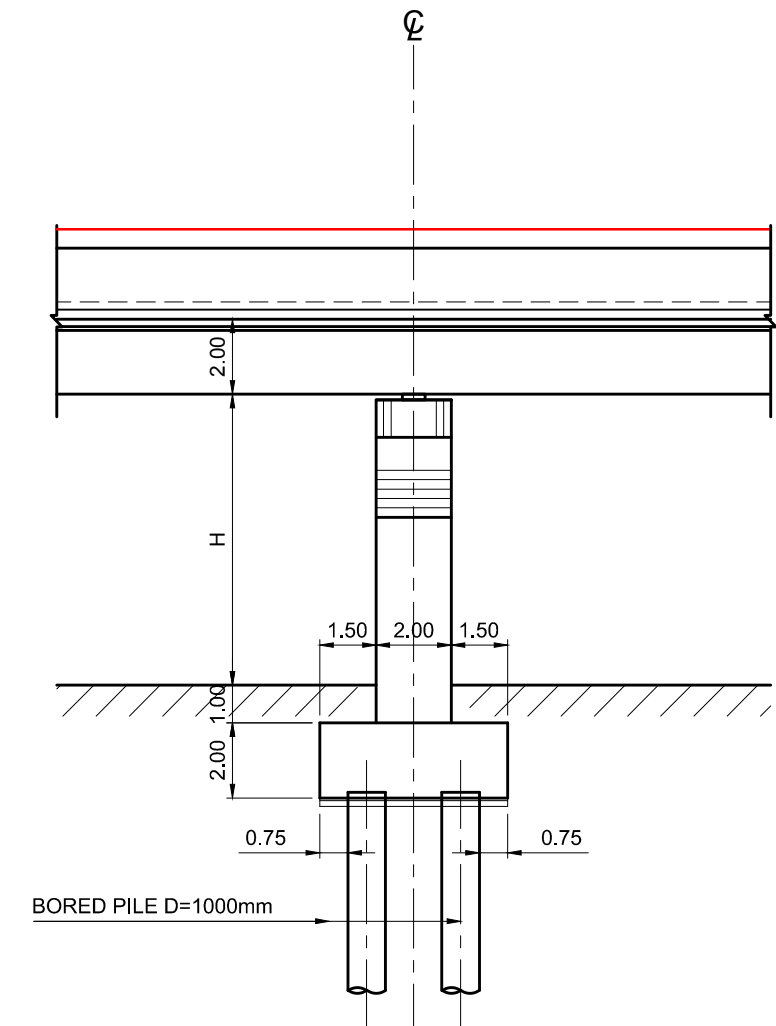
TYPICAL CROSS SECTION OF PIER WITH STEEL GIRDER FOR STRAIGHT FLYOVER AT YANGON SIDE



TYPICAL CROSS SECTION OF PIER WITH PCT GIRDER FOR STRAIGHT FLYOVER AT YANGON SIDE



SIDE VIEW



JAPAN INTERNATIONAL COOPERATION AGENCY



REPUBLIC OF THE UNION OF MYANMAR
PUBLIC WORKS, MINISTRY OF CONSTRUCTION
DEPARTMENT OF BRIDGES

NIPPON KOEI NIPPON KOEI CO., LTD.

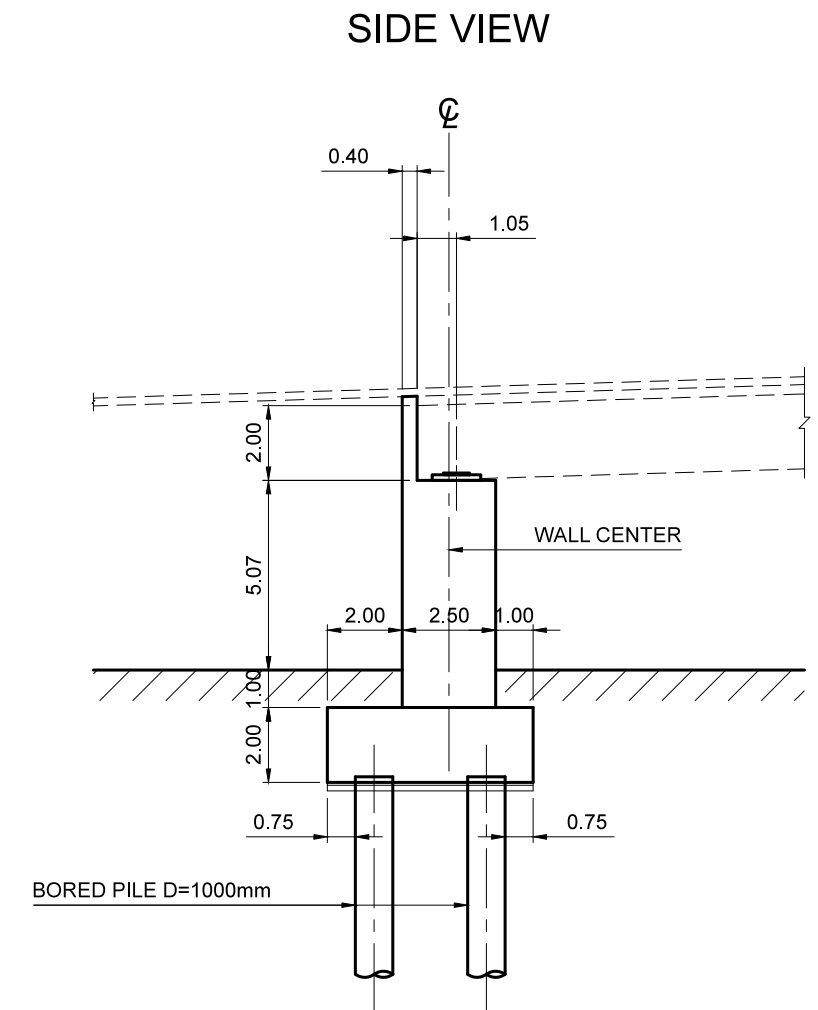
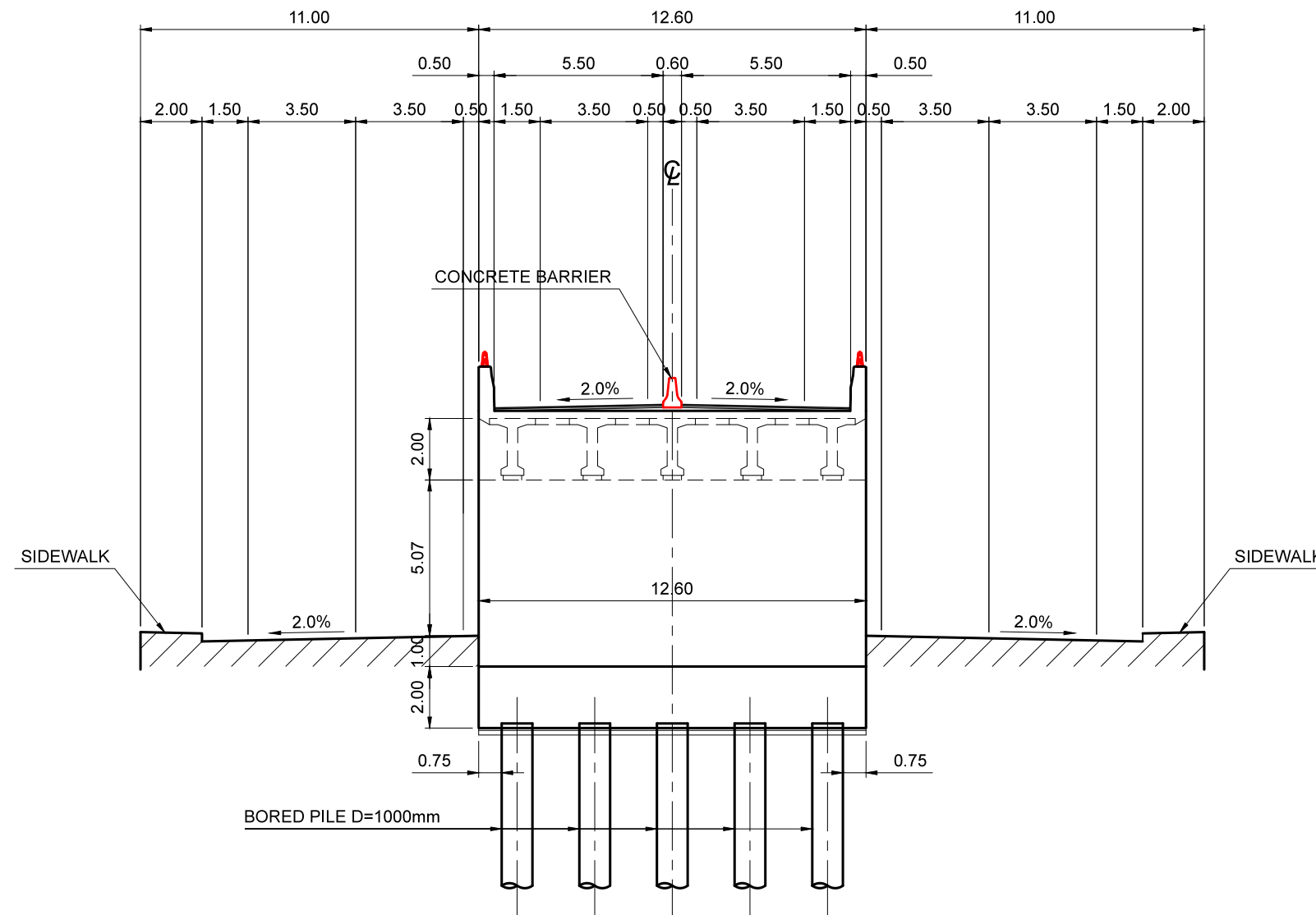
REMARKS

THE SUPPLEMENTAL SURVEY FOR THE PROJECT FOR CONSTRUCTION OF BAGO RIVER BRIDGE

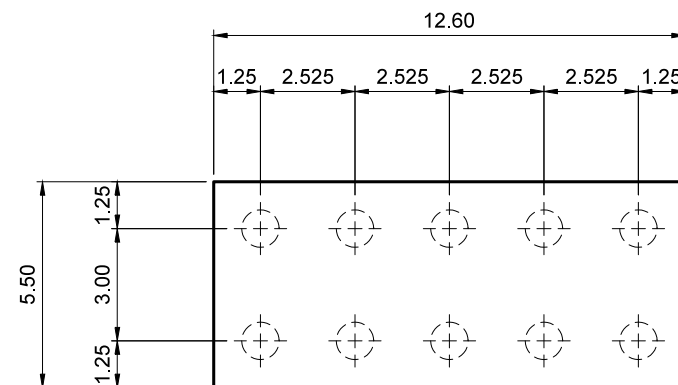
DRAWING TITLE
TYPICAL DETAILS OF PIER WITH PCT GIRDER FOR
STRAIGHT FLYOVER AT YANGON SIDE

SCALE	1:200
DRAWING NO.	RD-14
SHEET NO.	16

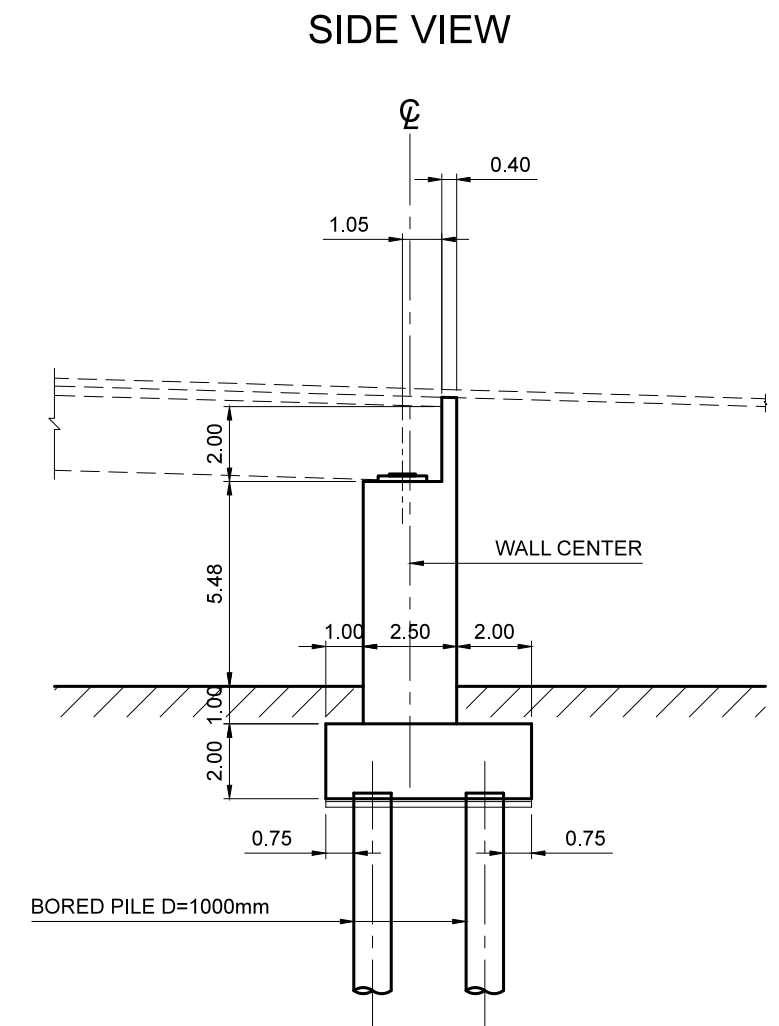
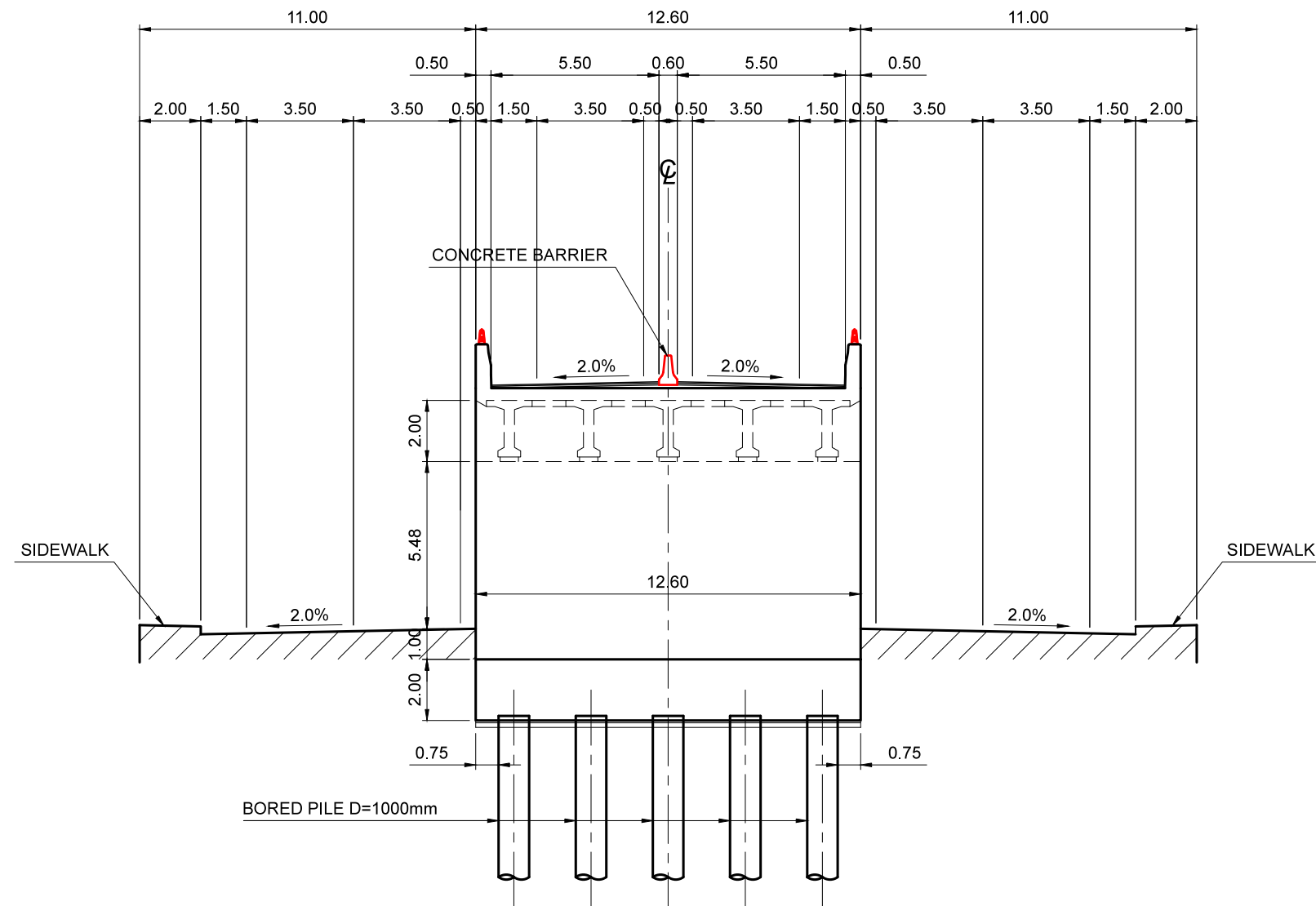
CROSS SECTION OF ABUTMENT (AF.1) WITH PCT GIRDER FOR STRAIGHT FLYOVER AT YANGON SIDE



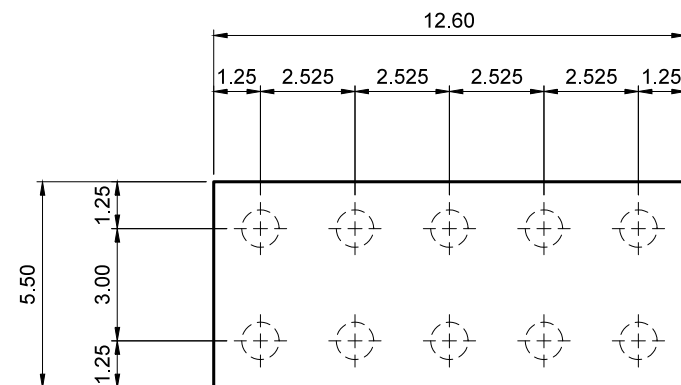
FOOTING PLAN



CROSS SECTION OF ABUTMENT (AF.2) WITH PCT GIRDER FOR STRAIGHT FLYOVER AT YANGON SIDE



FOOTING PLAN



REMARKS



JAPAN INTERNATIONAL COOPERATION AGENCY



REPUBLIC OF THE UNION OF MYANMAR
PUBLIC WORKS, MINISTRY OF CONSTRUCTION
DEPARTMENT OF BRIDGES

NIPPON KOEI NIPPON KOEI CO., LTD.

THE SUPPLEMENTAL SURVEY FOR THE PROJECT FOR CONSTRUCTION OF BAGO RIVER BRIDGE

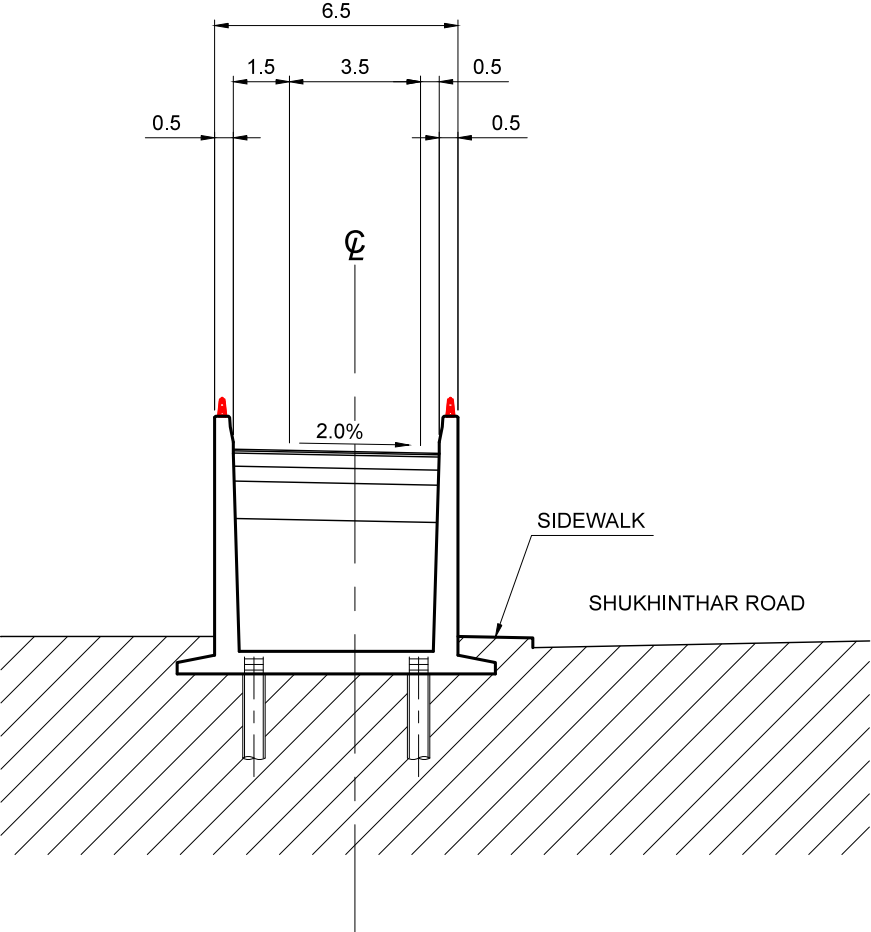
DRAWING TITLE
TYPICAL DETAILS OF ABUTMENT (AF.2) WITH PCT GIRDER
FOR STRAIGHT FLYOVER AT YANGON SIDE

SCALE 1:200

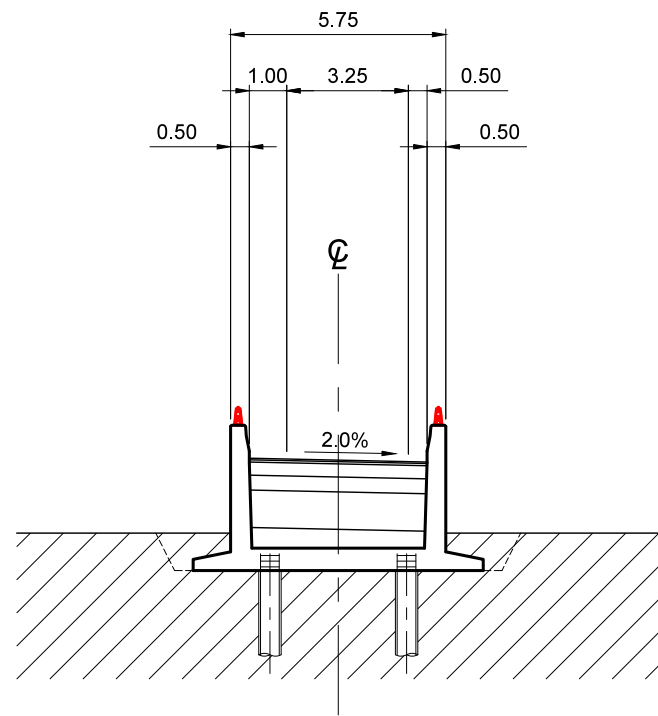
DRAWING NO. RD-16

SHEET NO. 18

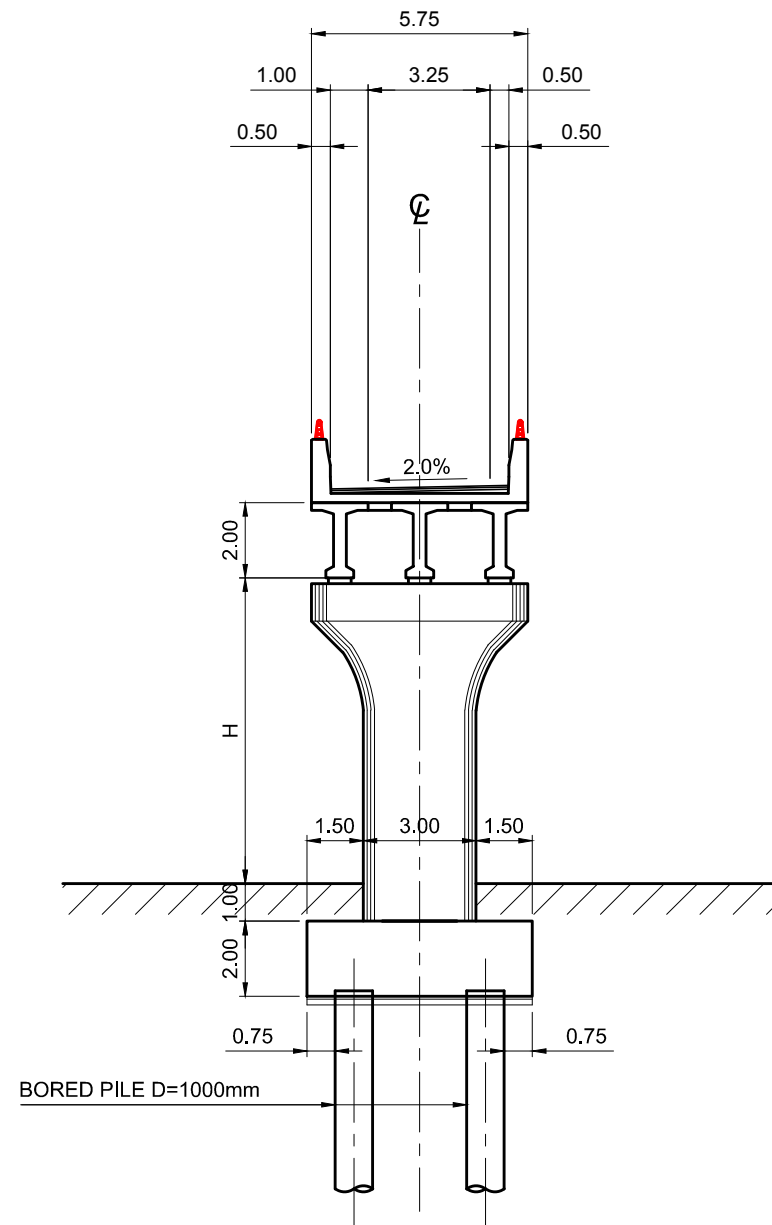
TYPICAL CROSS SECTION OF APPROACH SECTION
FOR ALTERNATIVE OF LEFT TURN FLYOVER AT YANGON SIDE



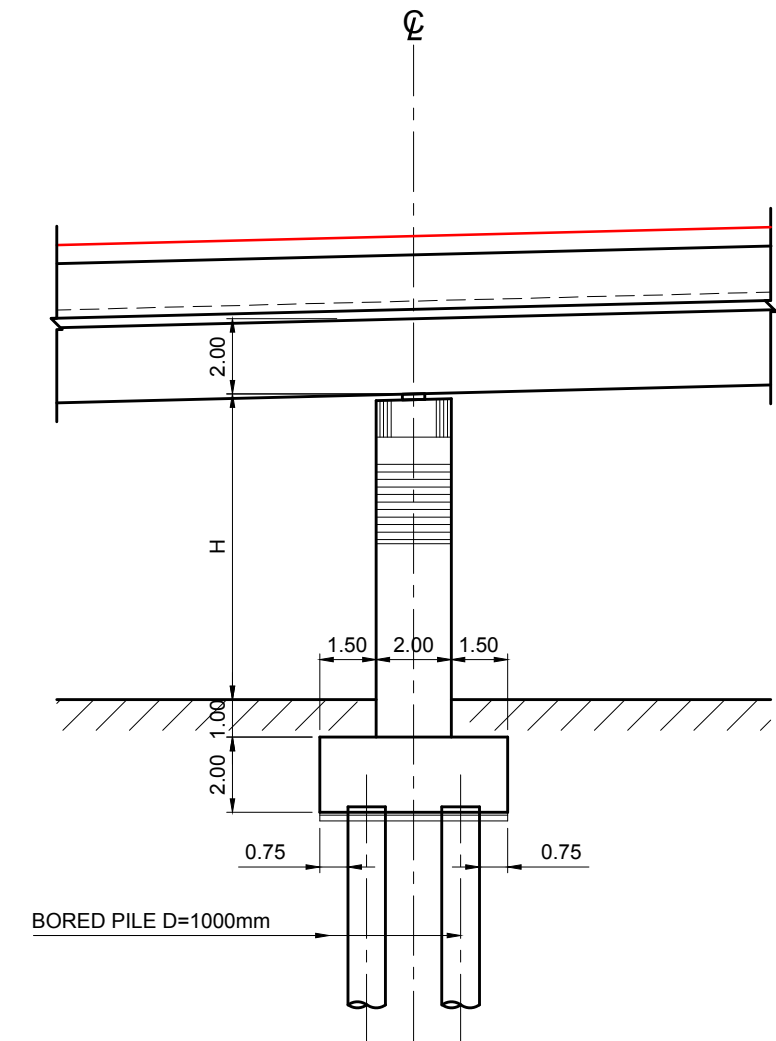
TYPICAL CROSS SECTION OF APPROACH SECTION
FOR ON-RAMP DIRECT TO BRIDGE AT THANLYIN SIDE



TYPICAL CROSS SECTION OF PIER WITH PCT GIRDER
FOR ON-RAMP DIRECT TO BRIDGE AT THANLYIN SIDE



SIDE VIEW



JAPAN INTERNATIONAL COOPERATION AGENCY



REPUBLIC OF THE UNION OF MYANMAR
PUBLIC WORKS, MINISTRY OF CONSTRUCTION
DEPARTMENT OF BRIDGES

NIPPON KOEI NIPPON KOEI CO., LTD.

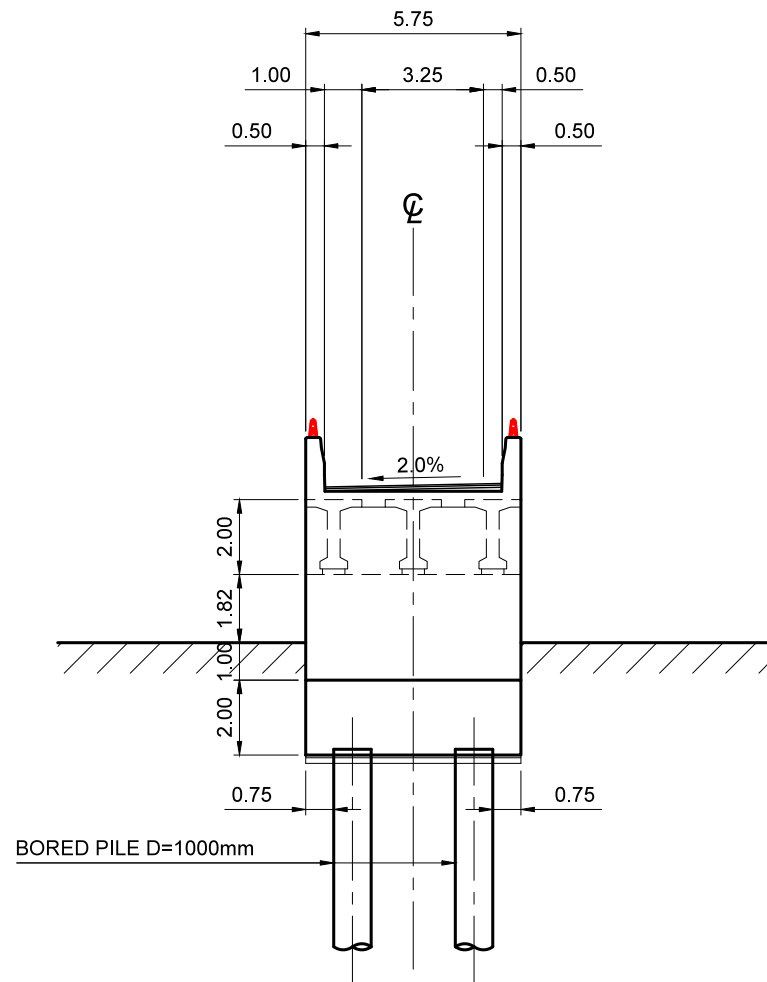
REMARKS

THE SUPPLEMENTAL SURVEY FOR THE PROJECT FOR CONSTRUCTION OF BAGO RIVER BRIDGE

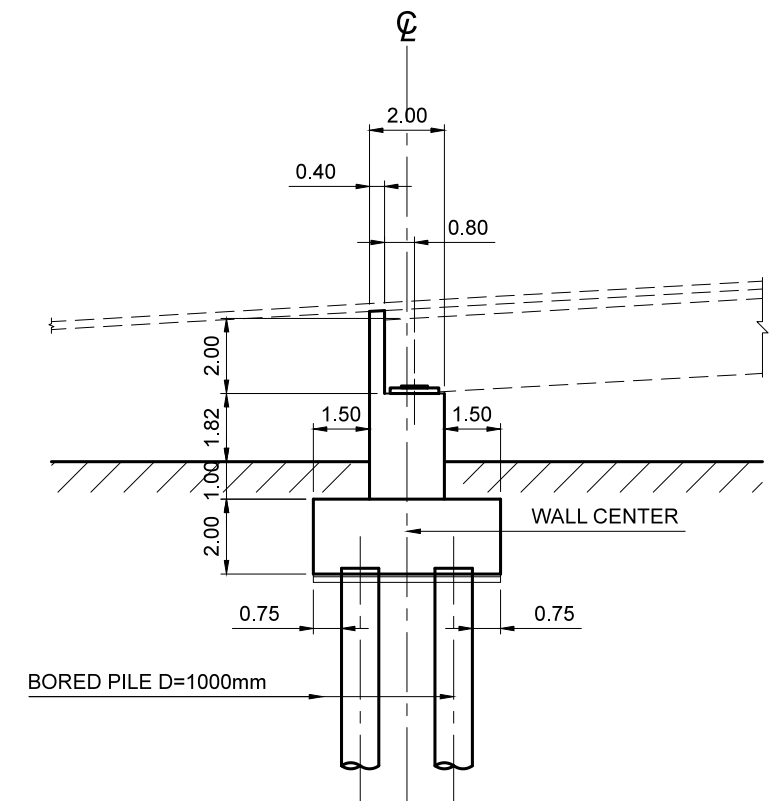
DRAWING TITLE
TYPICAL DETAILS OF PIER WITH PCT GIRDER
FOR ON-RAMP DIRECT TO BRIDGE AT THANLYIN SIDE

SCALE	1:200
DRAWING NO.	RD-19
SHEET NO.	21

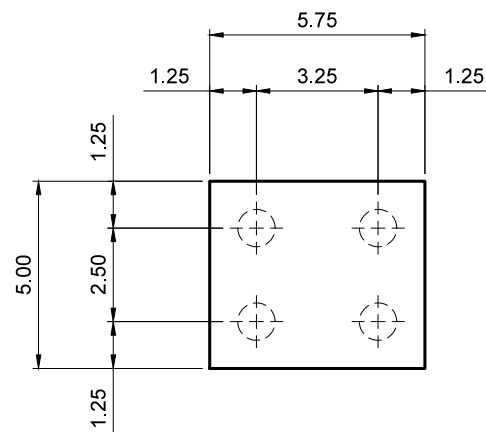
TYPICAL CROSS SECTION OF ABUTMENT (AO.1) WITH PCT GIRDER
FOR ON-RAMP DIRECT TO BRIDGE AT THANLYIN SIDE



SIDE VIEW



FOOTING PLAN



JAPAN INTERNATIONAL COOPERATION AGENCY



REPUBLIC OF THE UNION OF MYANMAR
PUBLIC WORKS, MINISTRY OF CONSTRUCTION
DEPARTMENT OF BRIDGES

NIPPON KOEI NIPPON KOEI CO., LTD.

REMARKS

THE SUPPLEMENTAL SURVEY FOR THE PROJECT FOR CONSTRUCTION OF BAGO RIVER BRIDGE

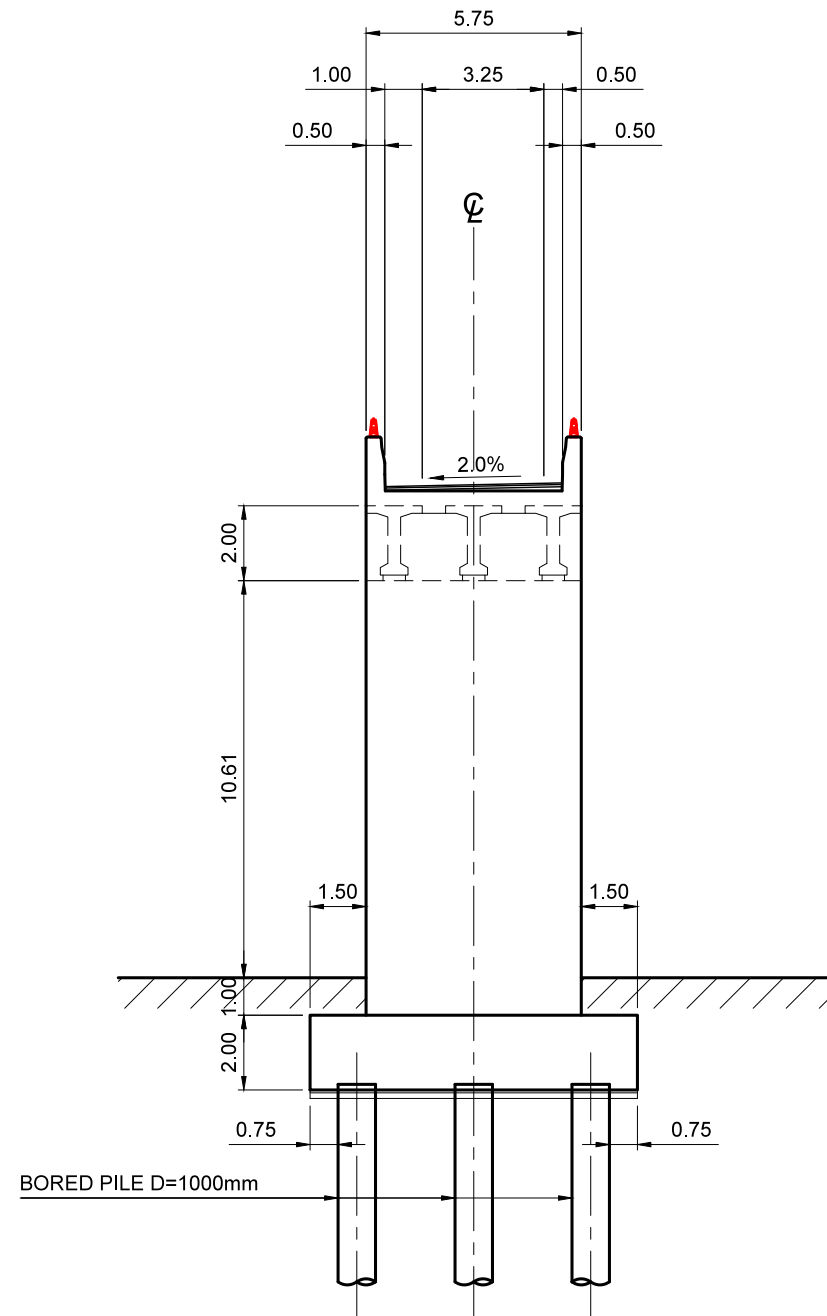
DRAWING TITLE
TYPICAL DETAILS OF ABUTMENT (AO.1) WITH PCT GIRDER
FOR ON-RAMP DIRECT TO BRIDGE AT THANLYIN SIDE

SCALE 1:200

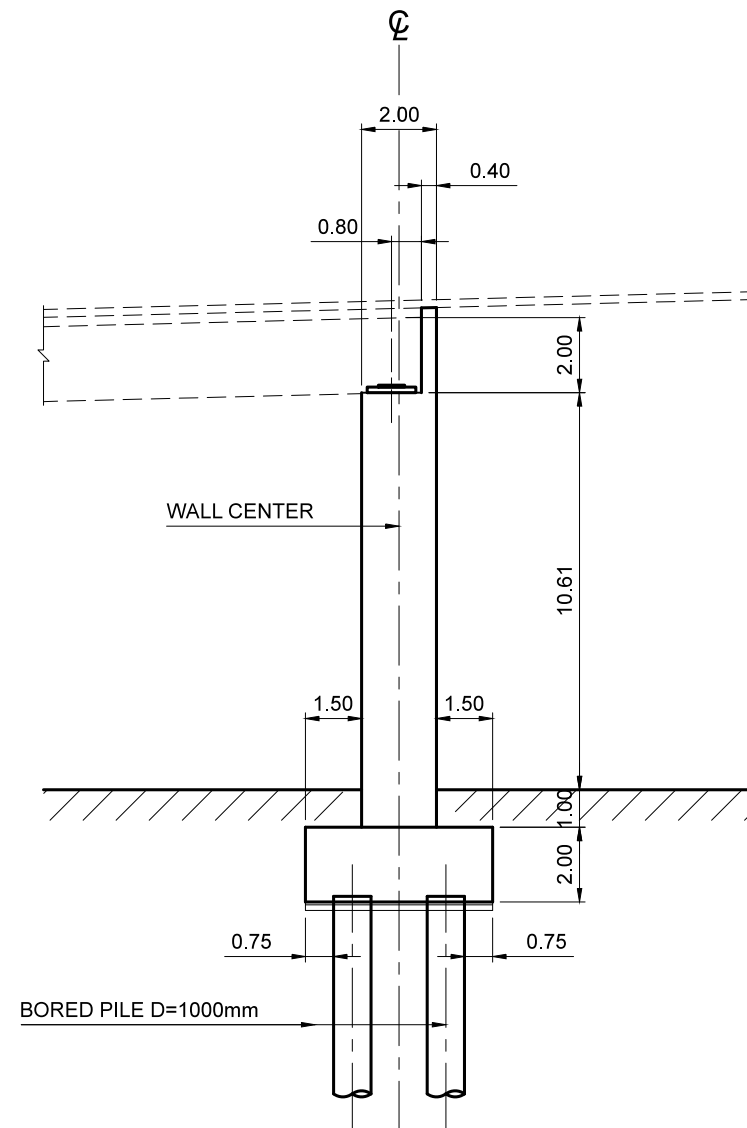
DRAWING NO. RD-20

SHEET NO. 22

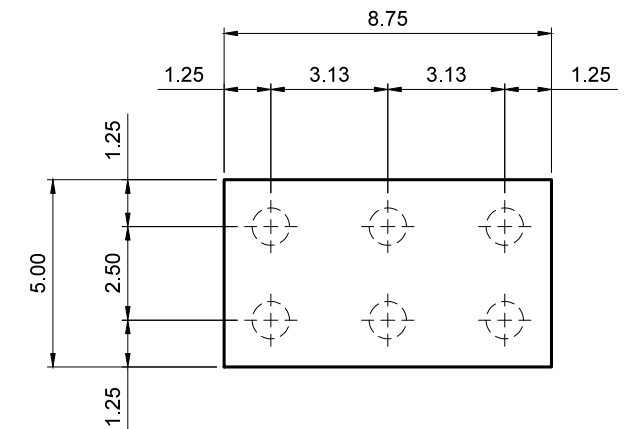
TYPICAL CROSS SECTION OF ABUTMENT (AO.2)
WITH PCT GIRDER FOR ON-RAMP
DIRECT TO BRIDGE AT THANLYIN SIDE



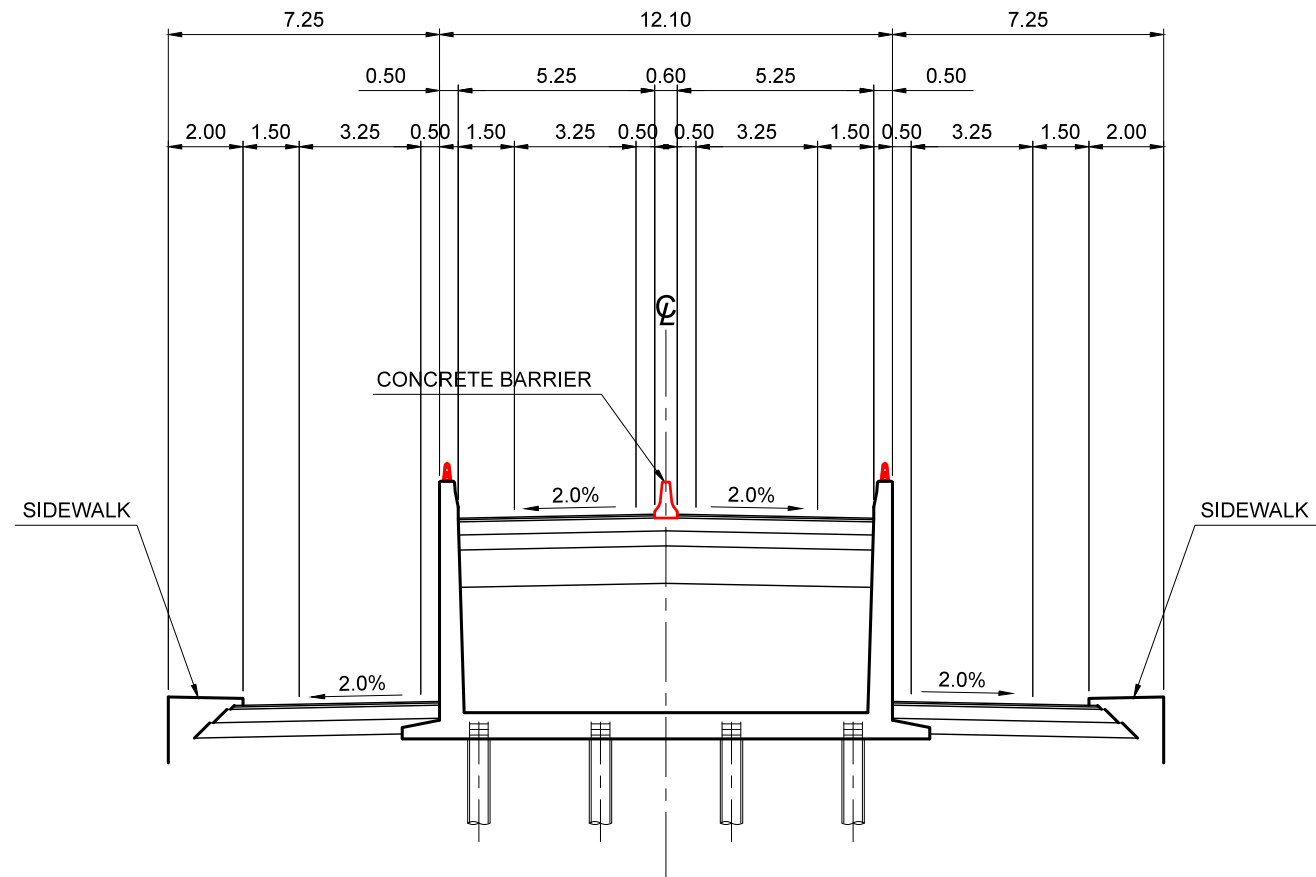
SIDE VIEW



FOOTING PLAN

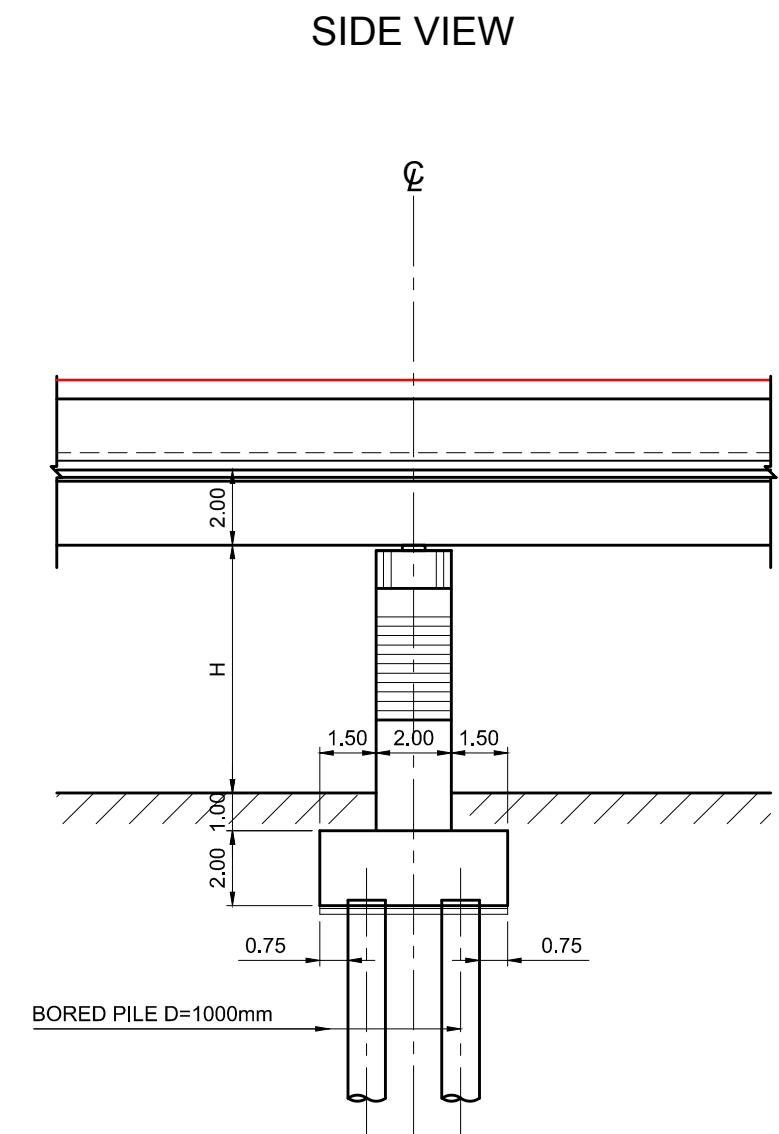
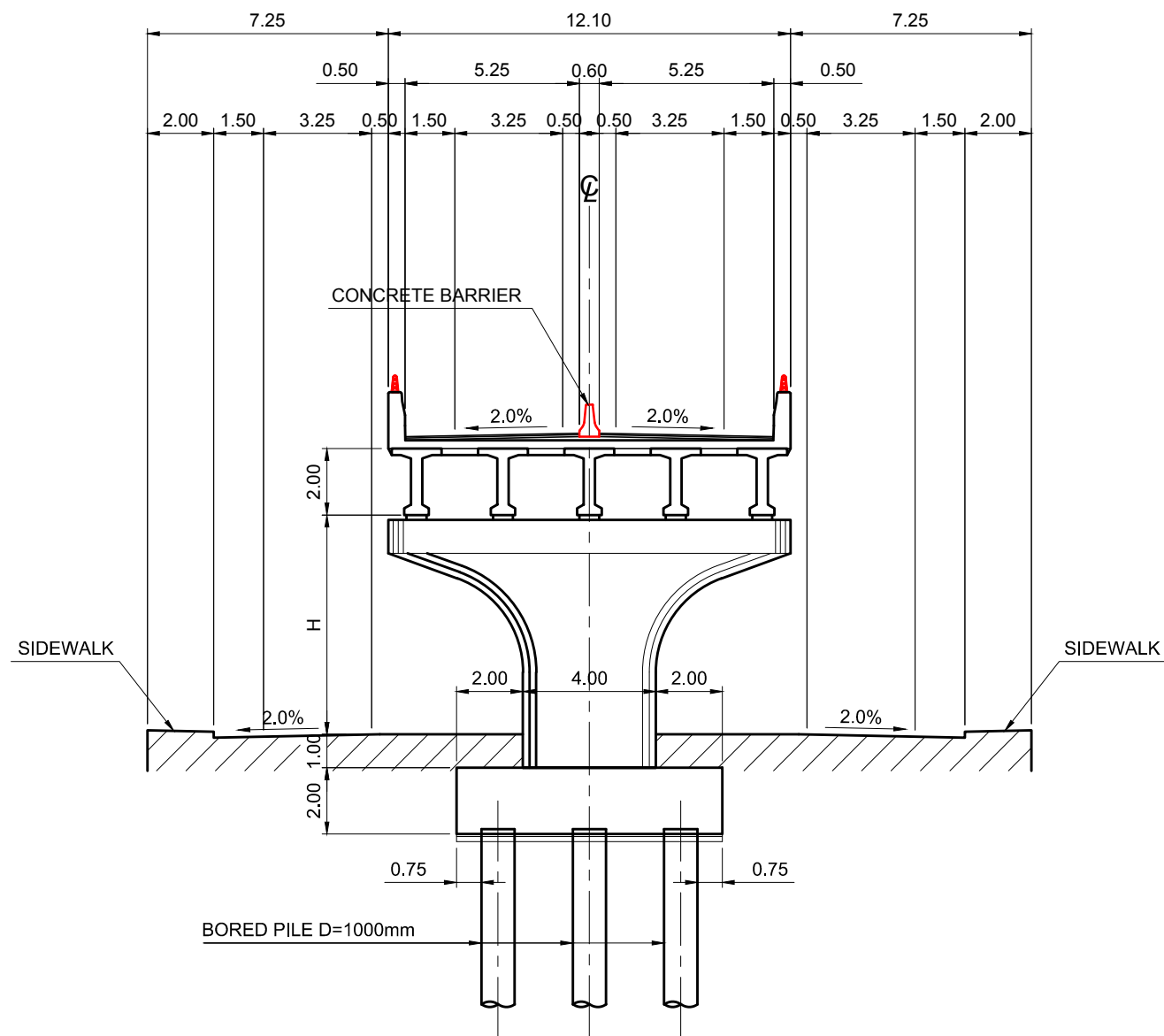


TYPICAL CROSS SECTION OF APPROACH SECTION
FOR ALTERNATIVE OF STRAIGHT FLYOVER AT INTERSECTIONS ON THANLYIN SIDE

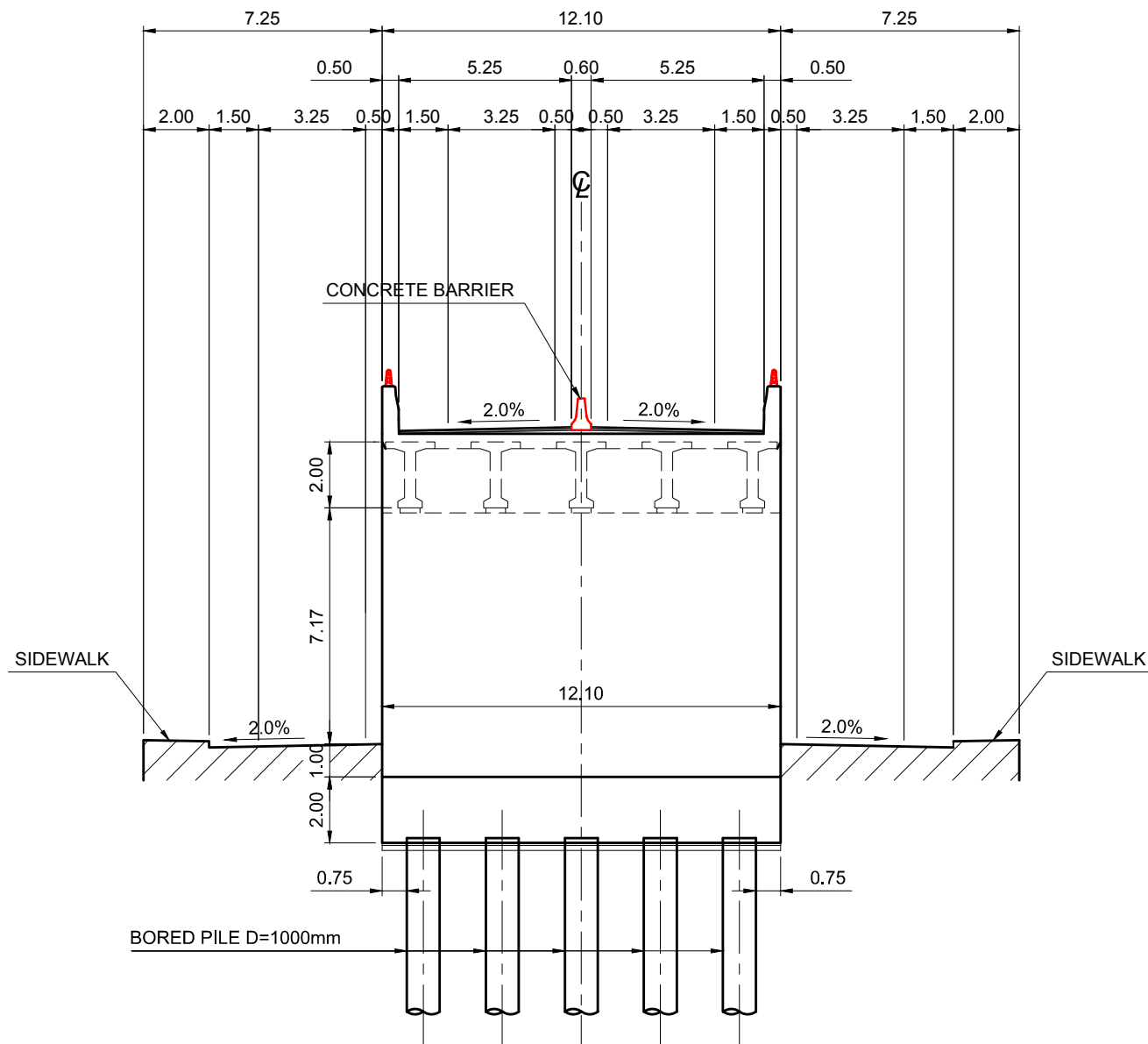


JAPAN INTERNATIONAL COOPERATION AGENCY REPUBLIC OF THE UNION OF MYANMAR PUBLIC WORKS, MINISTRY OF CONSTRUCTION DEPARTMENT OF BRIDGES	NIPPON KOEI CO., LTD.	REMARKS	THE SUPPLEMENTAL SURVEY FOR THE PROJECT FOR CONSTRUCTION OF BAGO RIVER BRIDGE DRAWING TITLE TYPICAL CROSS SECTION OF APPROACH SECTION FOR ALTERNATIVE OF STRAIGHT FLYOVER AT INTERSECTIONS ON THANLYIN SIDE
			SCALE 1:200 DRAWING NO. RD-22 SHEET NO. 24

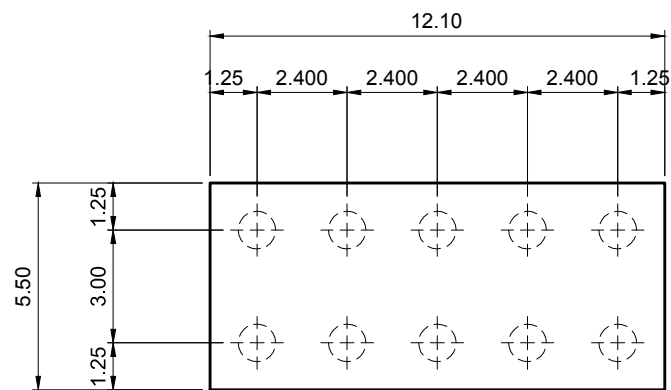
TYPICAL CROSS SECTION OF PIER WITH PCT GIRDER FOR
ALTERNATIVE OF STRAIGHT FLYOVER AT INTERSECTIONS ON THANLYIN SIDE



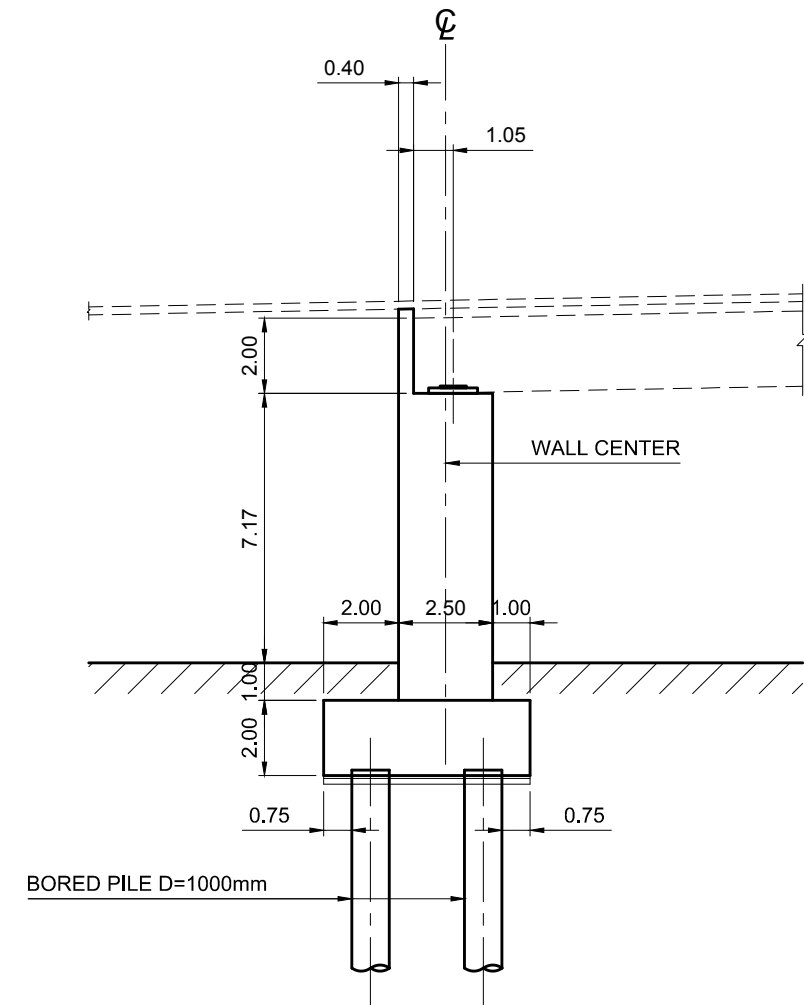
CROSS SECTION OF ABUTMENT (AS.1) WITH PCT GIRDER FOR ALTERNATIVE OF STRAIGHT FLYOVER AT INTERSECTIONS ON THANLYIN SIDE



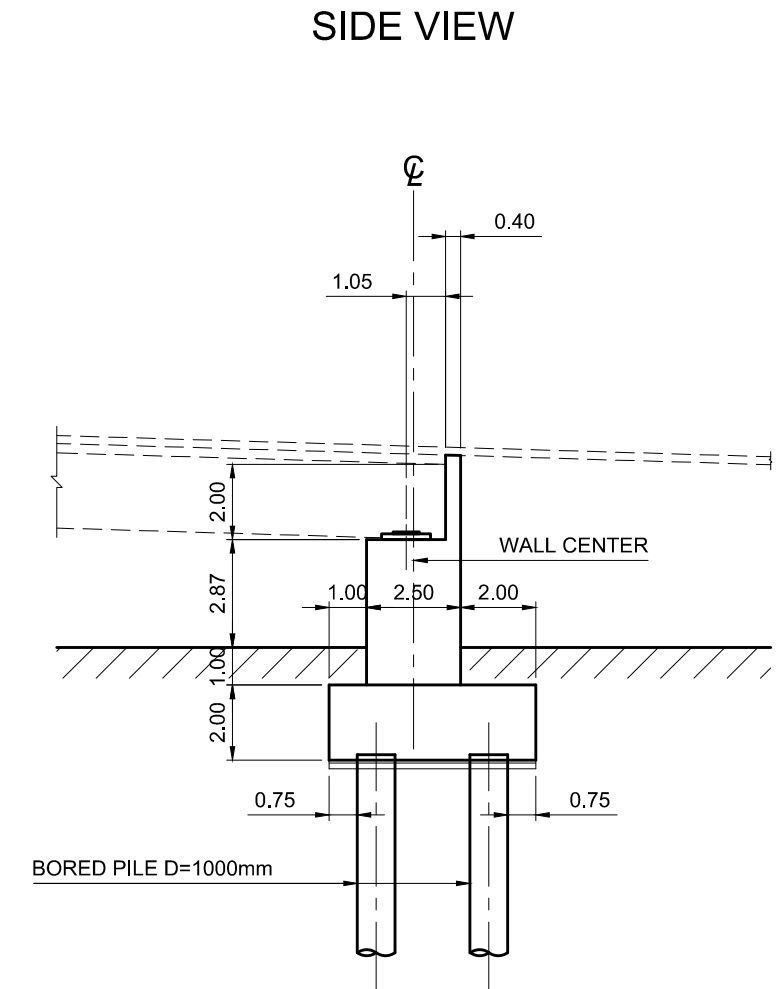
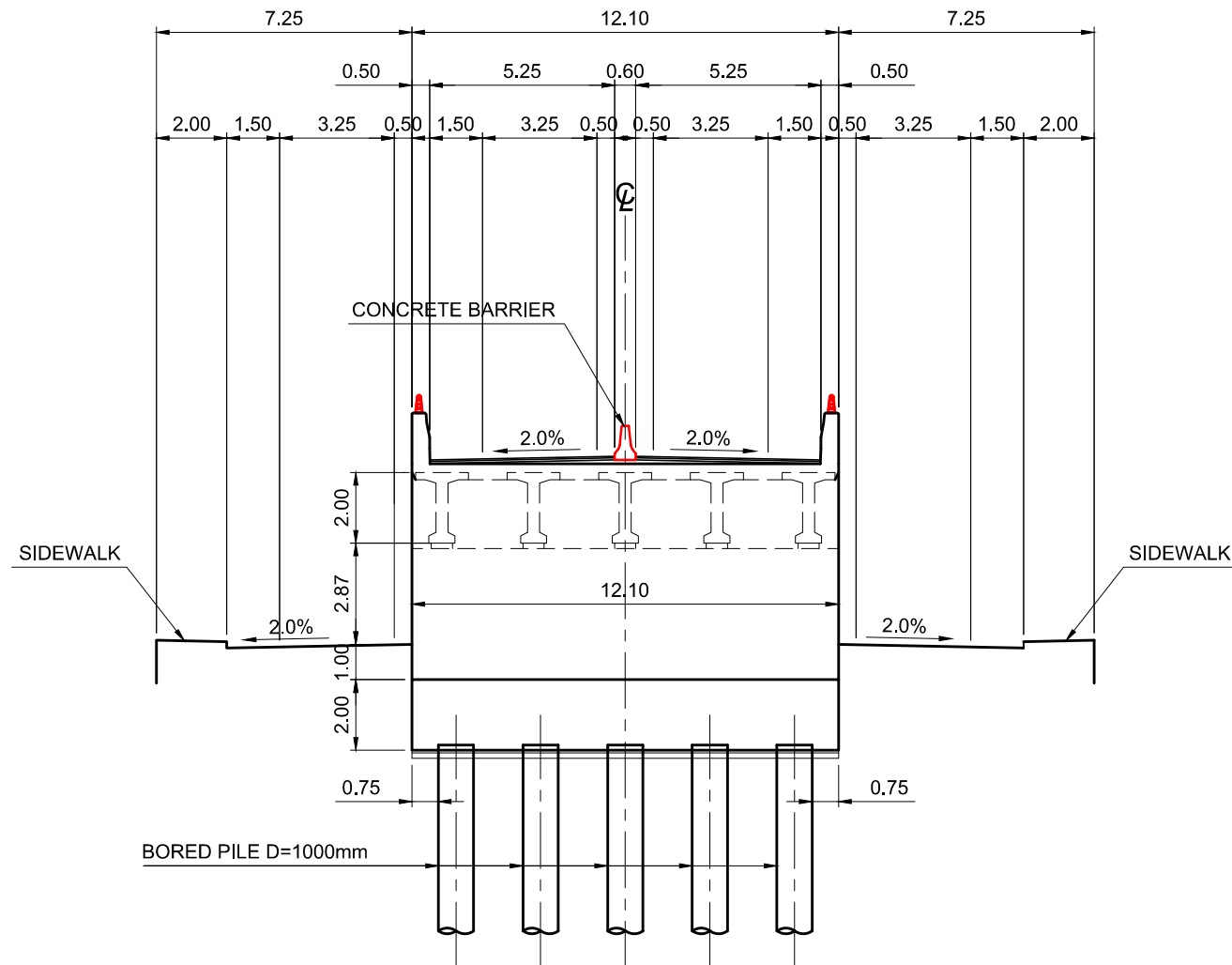
FOOTING PLAN



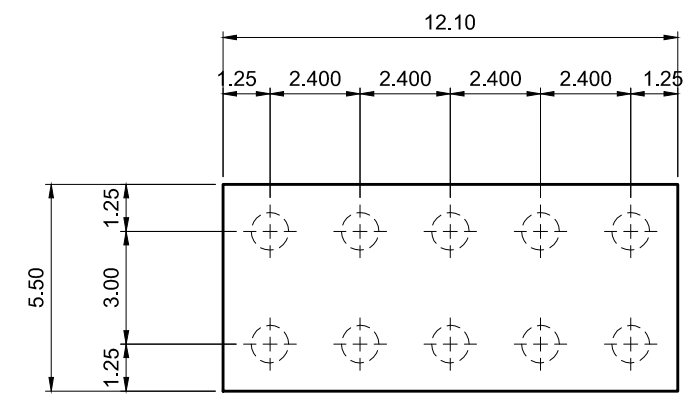
SIDE VIEW

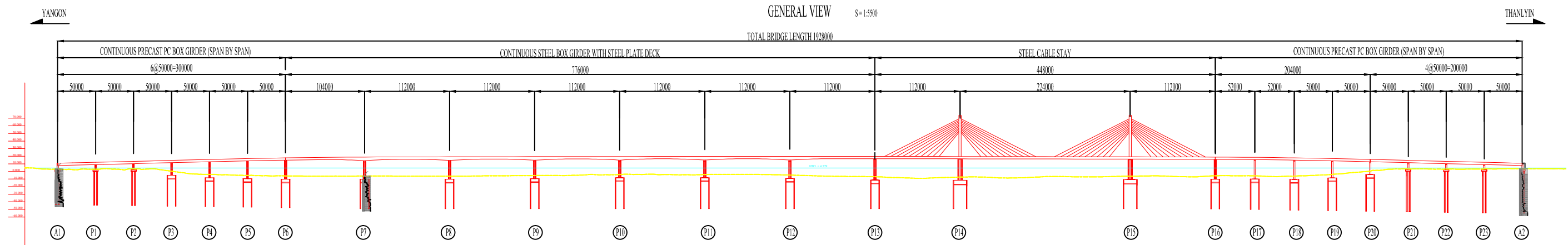


CROSS SECTION OF ABUTMENT (AS.2) WITH PCT GIRDER FOR ALTERNATIVE OF STRAIGHT FLYOVER AT INTERSECTIONS ON THANLYIN SIDE

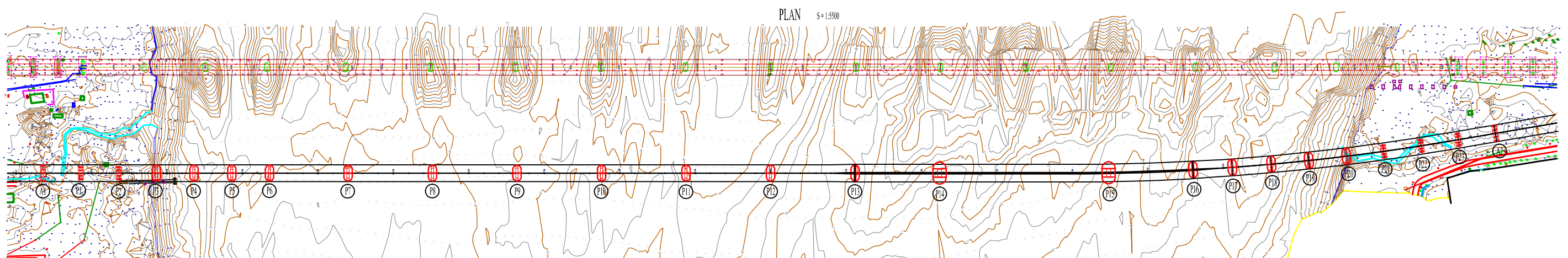


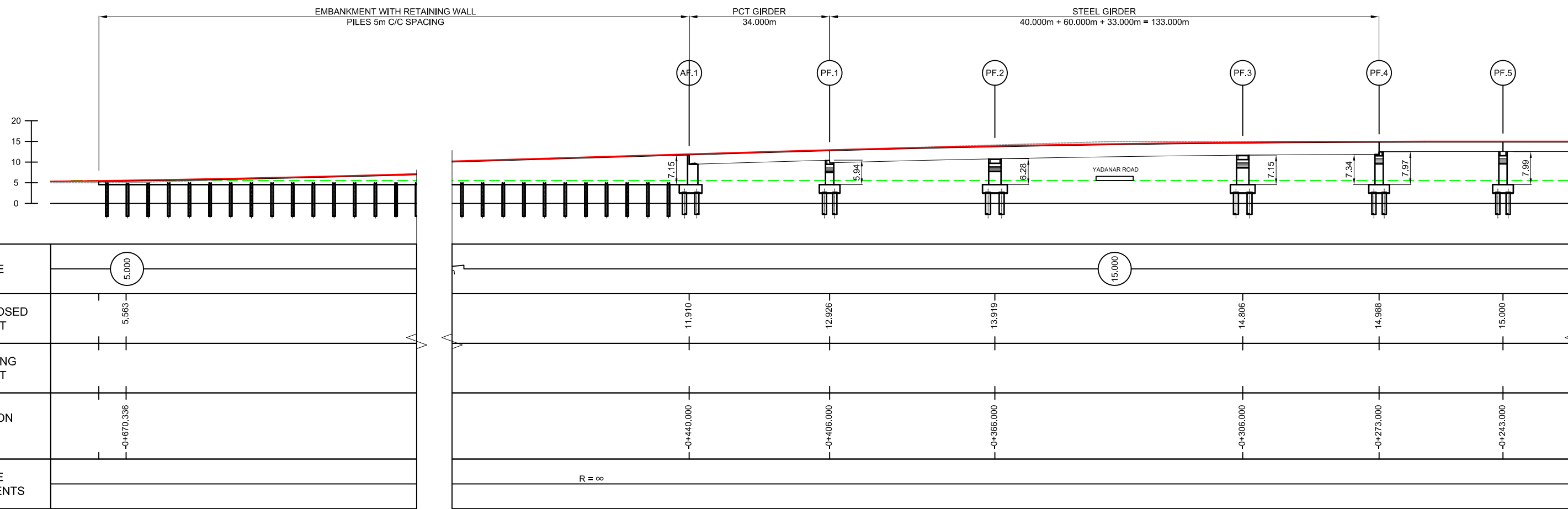
FOOTING PLAN





GRADE	i = 2.500% L = 560.096 m		i = 0.300% L = 650.000 m		i = -0.300% L = 650.000 m		i = 2.500% L = 534.670 m																																														
DESIGN LEVELS	10.800	12.650	12.405	13.300	14.550	14.905	15.800	16.150	16.475	17.266	17.895	18.100	18.664	18.915	18.950	19.094	19.228	19.339	19.467	19.530	19.638	19.666	19.748	19.741	19.666	19.638	19.529	19.338	19.228	19.095	18.950	18.915	18.661	18.553	18.100	17.895	17.259	16.879	16.150	15.800	14.895	14.550	13.300	12.395	12.650	10.800							
EXISTING HEIGHT	3.320	2.970	3.680	3.290	0.370	-1.480	-3.850	-4.390	-5.290	-5.560	-5.910	-6.000	-6.070	-6.070	-6.040	-6.250	-6.120	-5.780	-5.330	-5.400	-4.020	-3.940	-4.060	-3.820	-4.760	-4.770	-4.780	-3.710	-4.220	-4.350	-4.140	-5.680	-5.640	-5.780	-4.440	-6.140	-4.670	-3.850	-4.820	0.210	3.270	3.330	3.130	3.130	3.340	3.340	3.750						
DISTANCE	453.810	483.810	500.000	553.810	583.810	600.000	633.810	649.810	683.810	700.000	733.810	749.810	800.000	839.810	849.810	900.000	953.810	1000.000	1063.810	1100.000	1175.810	1200.000	1287.810	1300.000	1389.810	1400.000	1500.000	1511.810	1600.000	1623.810	1700.000	1795.305	1800.000	1847.810	1900.000	1949.810	1959.810	2000.000	2011.810	2049.810	2063.810	2100.000	2113.810	2149.810	2163.810	2200.000	2213.810	2263.810	2298.737	2300.000	2313.810	2363.810	2463.810
CHAINAGE	(A1) 0+453.810	(P1) 0+483.810	0+500.000	(P2) 0+553.810	(P3) 0+583.810	0+600.000	(P4) 0+633.810	0+649.810	(P5) 0+683.810	0+700.000	(P6) 0+733.810	0+749.810	0+800.000	(P7) 0+839.810	0+849.810	0+900.000	(P8) 0+953.810	+1000.000	(P9) +1+63.810	+1+100.000	(P10) +1+175.810	+1+200.000	(P11) +1+287.810	+1+300.000	(P12) +1+389.810	+1+400.000	+500.000	+511.810	(P13) +1+600.000	+1+623.810	(P14) +1+700.000	(BC) +1+795.305	+1+800.000	(P15) +1+847.810	+1+900.000	+949.810	+959.810	(P16) 2+000.000	2+11.810	(P17) 2+49.810	2+63.810	(P18) 2+100.000	2+113.810	(P19) 2+149.810	2+163.810	(P20) 2+200.000	2+213.810	(P21) 2+263.810	(EC) 2+298.737	2+300.000	2+313.810	(P22) 2+363.810	2+463.810
CURVE ELEMENT	R = ∞ L = 1548.433 m															R = 3000.000 m L = 903.432 m										R = ∞ L = 317.998 m																											

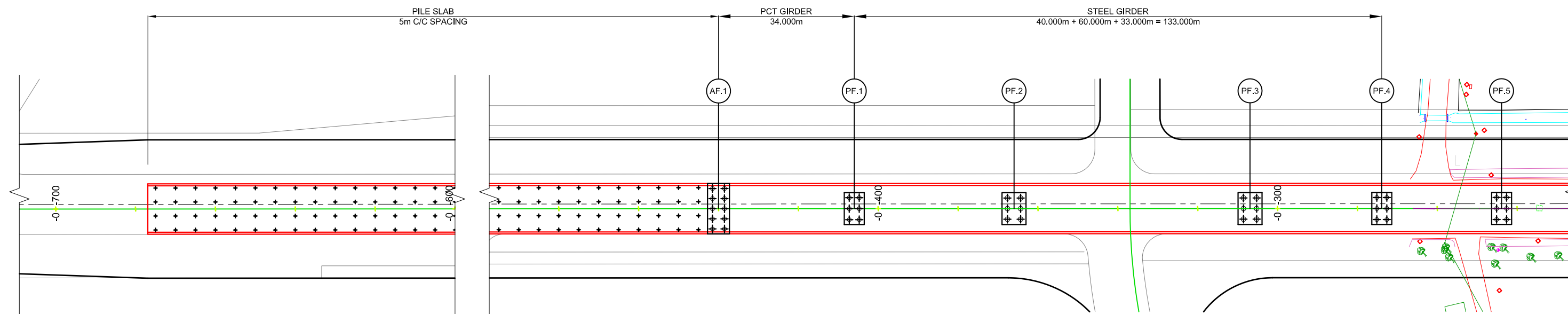




GRADE	5.000
PROPOSED HEIGHT	5.563
EXISTING HEIGHT	
STATION	-0+670.336
CURVE ELEMENTS	

LONGITUDINAL SECTION

SCALE : 1:1000



PLAN VIEW

SCALE : 1:1000

JICA JAPAN INTERNATIONAL COOPERATION AGENCY

REPUBLIC OF THE UNION OF MYANMAR
PUBLIC WORKS, MINISTRY OF CONSTRUCTION
DEPARTMENT OF BRIDGES

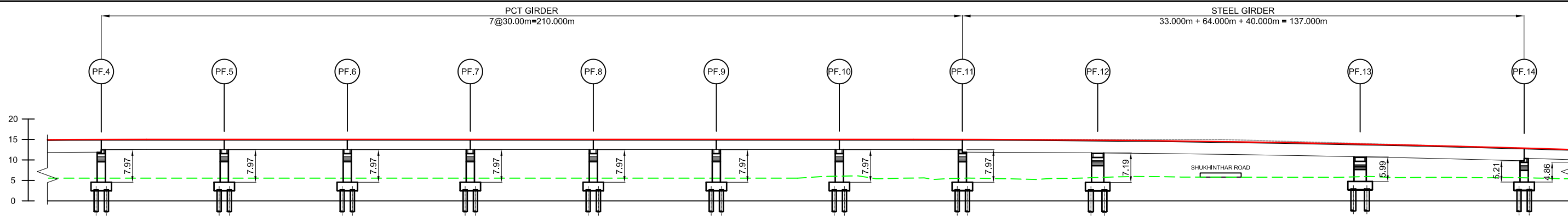
NIPPON KOEI NIPPON KOEI CO., LTD.

REMARKS

THE SUPPLEMENTAL SURVEY FOR THE PROJECT FOR CONSTRUCTION OF BAGO RIVER BRIDGE

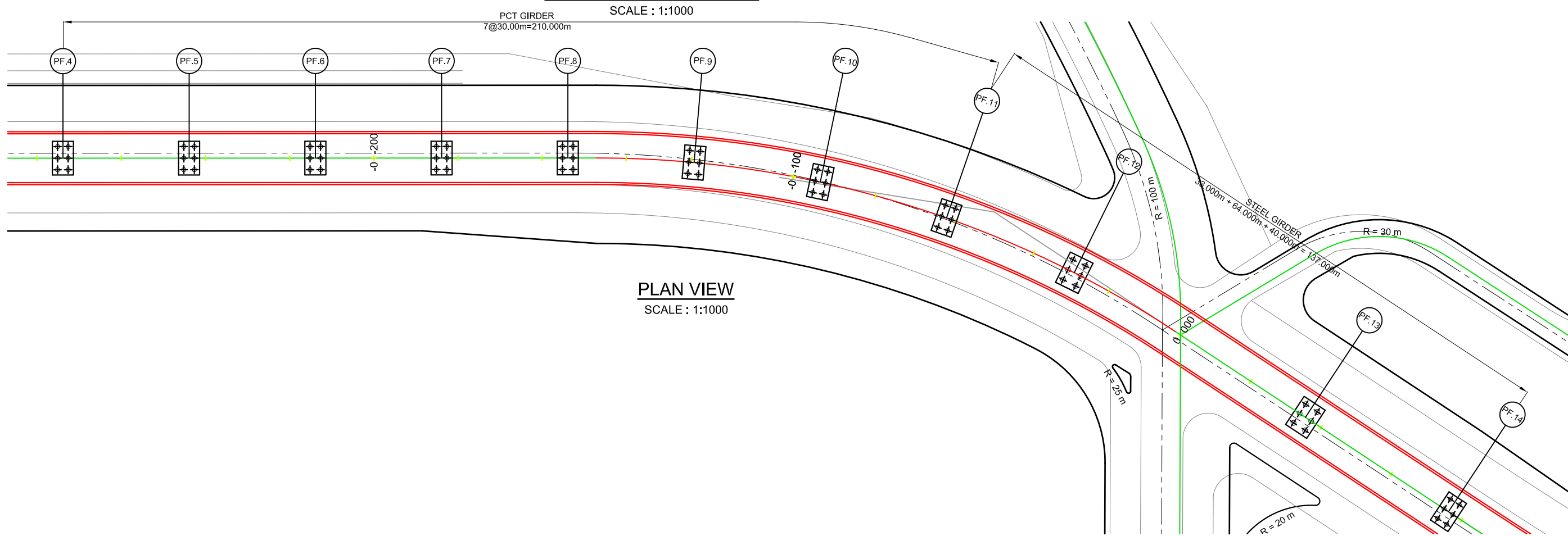
DRAWING TITLE
GENERAL VIEW OF STRAIGHT FLYOVER AT YANGON SIDE (1/3)

SCALE	1:1000
DRAWING NO.	BG-GP-02
SHEET NO.	29

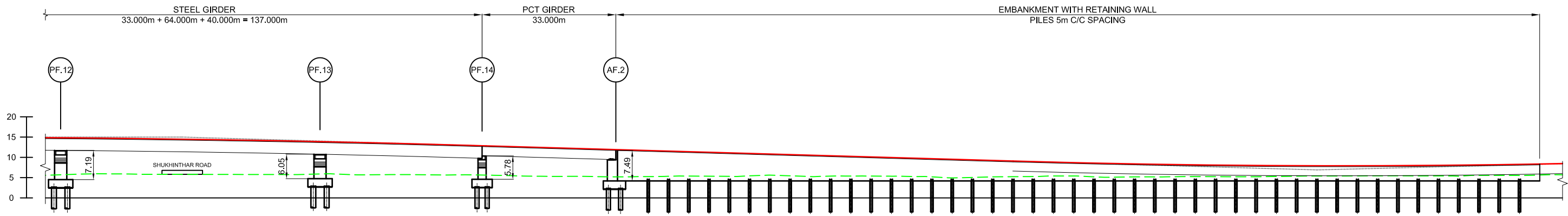


GRADE	i = 0.000% L = 337.003 m										15.000	
PROPOSED HEIGHT	14.988	15.000	15.000	15.000	15.000	15.000	15.000	15.000	14.986	14.805	13.855	12.860
EXISTING HEIGHT								4.700	4.540	4.715	4.790	4.550
STATION	-0+273.000	-0+243.000	-0+213.000	-0+183.000	-0+153.000	-0+123.000	-0+093.000	-0+063.000	-0+030.000	0+004.000	0+074.000	
CURVE ELEMENTS									R=250.00 m L=145.904 m		R = ∞ L = 75.297 m	

LONGITUDINAL SECTION



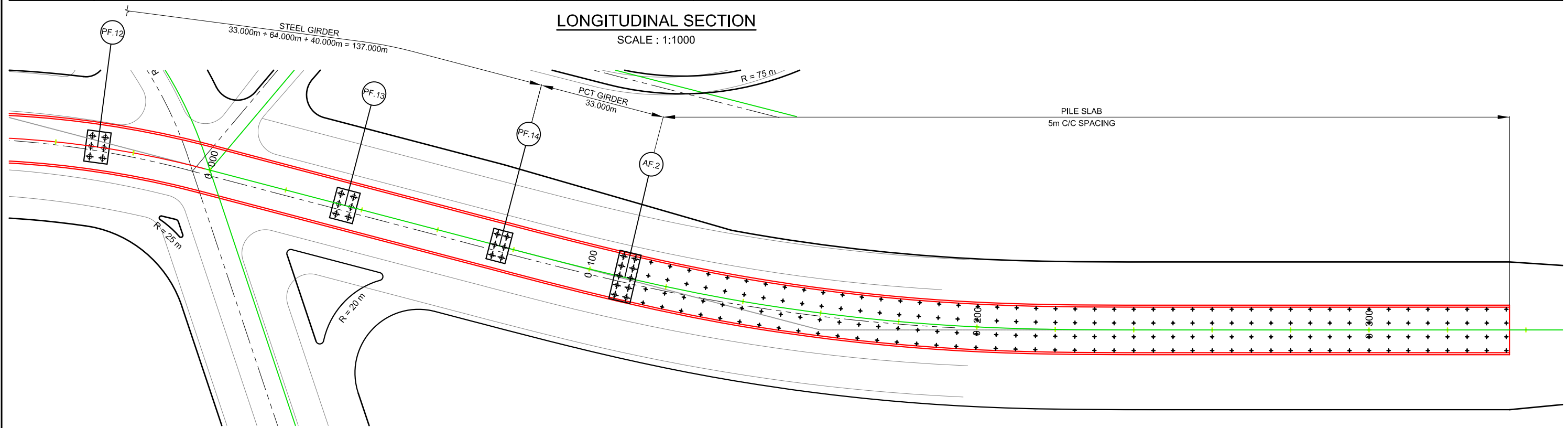
PLAN VIEW
SCALE : 1:1000



GRADE	15.000		$i = -2.891\%$ $L = 280.000 \text{ m}$		6.905	
PROPOSED HEIGHT	14.805	13.855	12.860	11.907	7.916	9.405
EXISTING HEIGHT	4.715	4.790	4.550	4.315	4.400	4.710
STATION	0+030.000	0+034.000	0+074.000	0+107.000	0+280.000	0+335.810
CURVE ELEMENTS	$R = \infty$ $L = 75.297 \text{ m}$		$A = 150 \text{ m}$ $L = 45.000 \text{ m}$		$R = 500.00 \text{ m}$ $L = 82.90 \text{ m}$	
			$A = 150 \text{ m}$ $L = 45.000 \text{ m}$			

LONGITUDINAL SECTION

SCALE : 1:1000



PLAN VIEW

SCALE : 1:1000



JAPAN INTERNATIONAL COOPERATION AGENCY



REPUBLIC OF THE UNION OF MYANMAR
PUBLIC WORKS, MINISTRY OF CONSTRUCTION
DEPARTMENT OF BRIDGES

NIPPON KOEI NIPPON KOEI CO., LTD.

REMARKS

THE SUPPLEMENTAL SURVEY FOR THE PROJECT FOR CONSTRUCTION OF BAGO RIVER BRIDGE

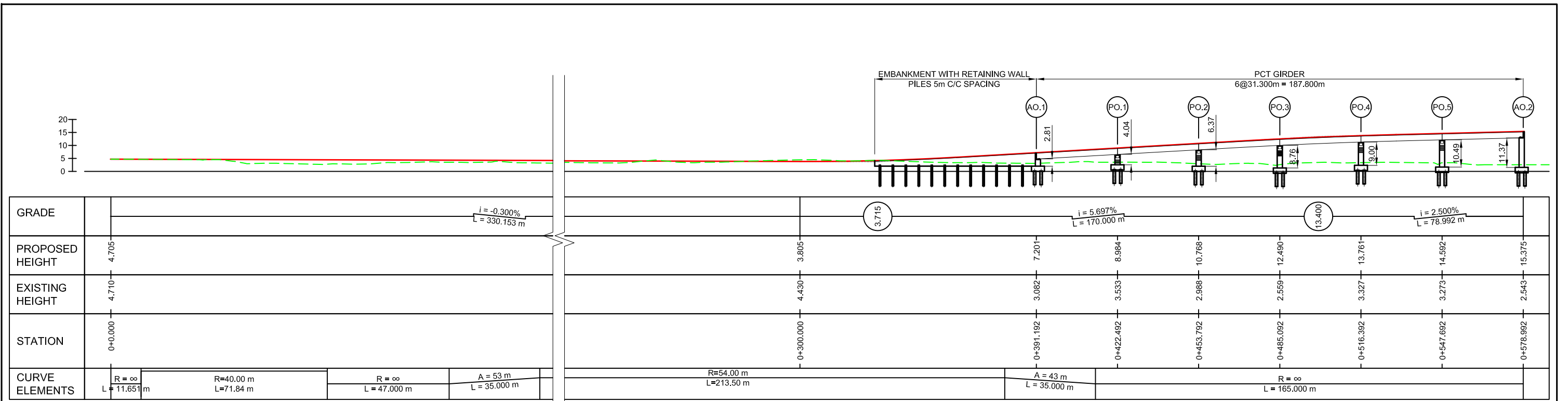
DRAWING TITLE

GENERAL VIEW OF STRAIGHT FLYOVER AT YANGON SIDE (3/3)

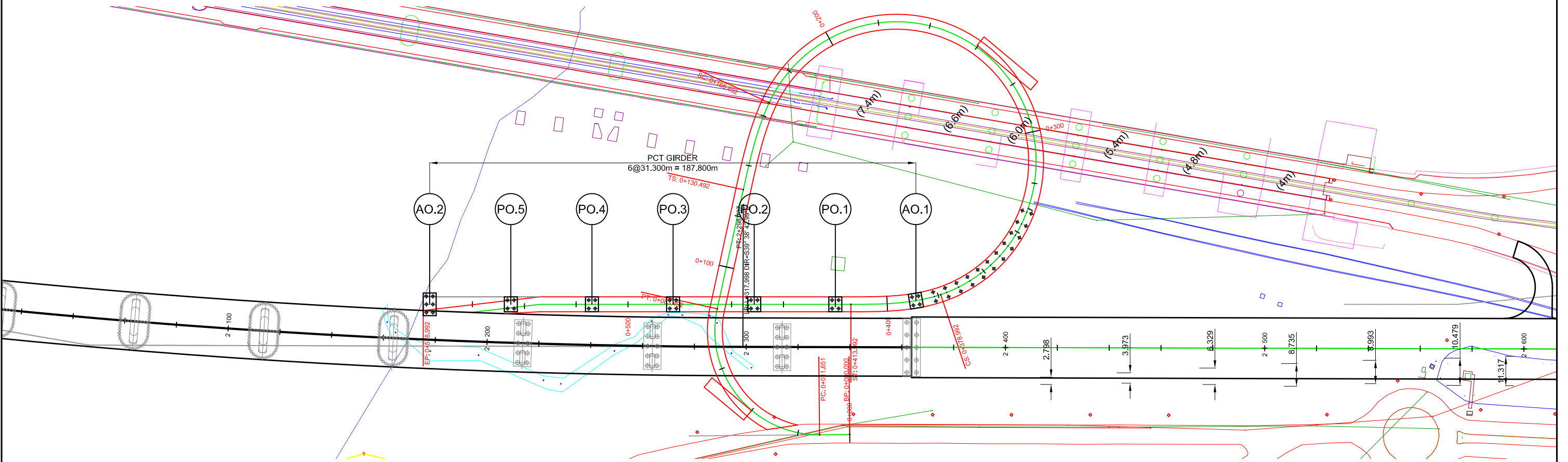
SCALE 1:1000

DRAWING NO. BG-GP-04

SHEET NO. 31



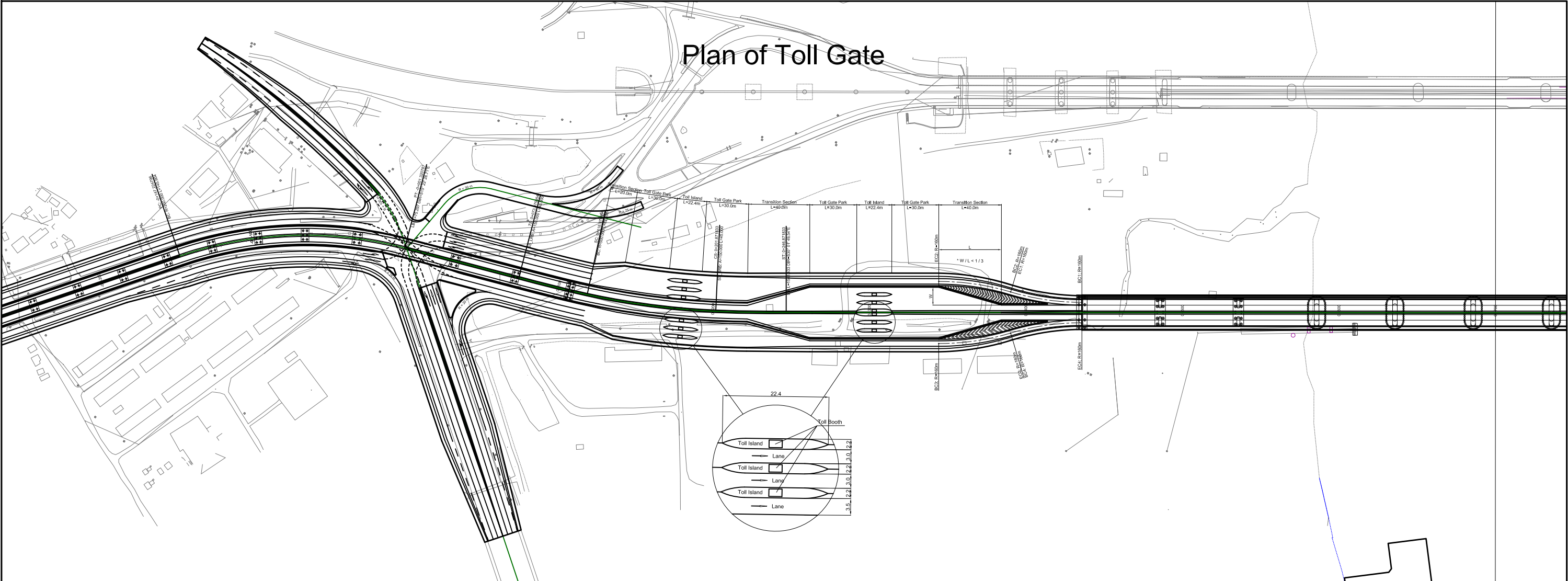
LONGITUDINAL SECTION
SCALE : 1:1500



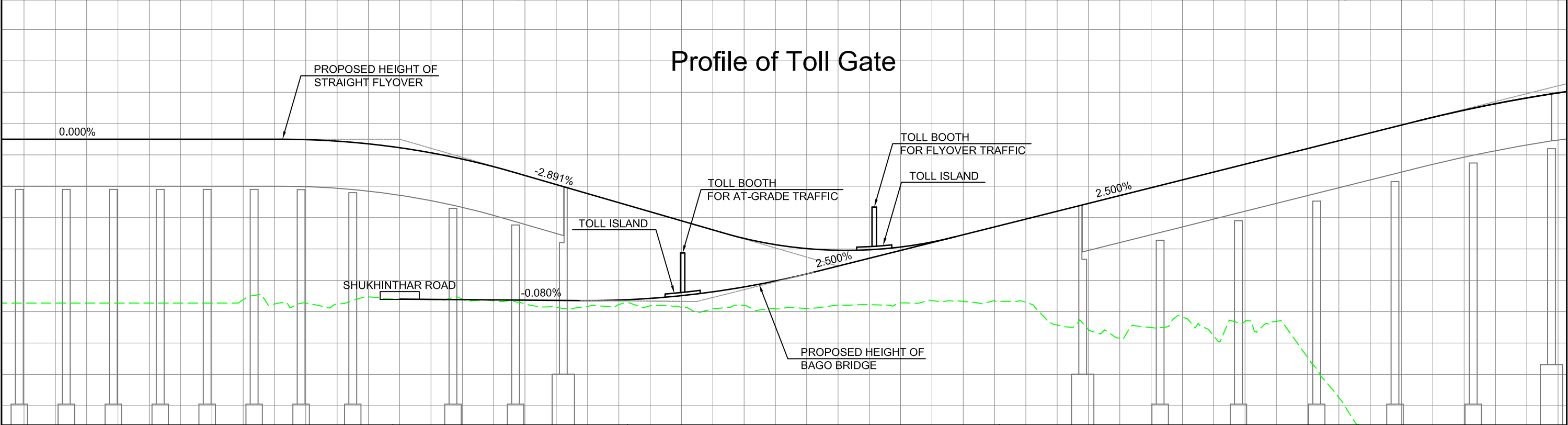
PLAN VIEW
SCALE : 1:1500

	JAPAN INTERNATIONAL COOPERATION AGENCY	NIPPON KOEI CO., LTD.	REMARKS	THE SUPPLEMENTAL SURVEY FOR THE PROJECT FOR CONSTRUCTION OF BAGO RIVER BRIDGE	
	REPUBLIC OF THE UNION OF MYANMAR PUBLIC WORKS, MINISTRY OF CONSTRUCTION DEPARTMENT OF BRIDGES			DRAWING TITLE GENERAL VIEW OF ON-RAMP DIRECT TO BRIDGE AT THANLYIN SIDE	SCALE 1:1500
				SHEET NO. 32	

Plan of Toll Gate



Profile of Toll Gate



	JAPAN INTERNATIONAL COOPERATION AGENCY REPUBLIC OF THE UNION OF MYANMAR PUBLIC WORKS, MINISTRY OF CONSTRUCTION DEPARTMENT OF BRIDGES	NIPPON KOEI NIPPON KOEI CO., LTD.	REMARKS	THE SUPPLEMENTAL SURVEY FOR THE PROJECT FOR CONSTRUCTION OF BAGO RIVER BRIDGE	
	DRAWING TITLE PLAN AND PROFILE OF TOLL GATE			SCALE H=1:2500 V=1:250	SHEET NO. 33