

**MUMBAI METROPOLITAN REGION DEVELOPMENT AUTHORITY  
THE REPUBLIC OF INDIA**

**THE PREPARATORY SURVEY  
ON  
THE PROJECT FOR CONSTRUCTION OF  
MUMBAI TRANS HARBOUR LINK  
IN  
THE REPUBLIC OF INDIA**

**FINAL REPORT  
VOLUME 2: APPENDIX**

**JANUARY 2017**

**JAPAN INTERNATIONAL COOPERATION AGENCY**

**ORIENTAL CONSULTANTS GLOBAL CO., LTD.**

**EAST NIPPON EXPRESSWAY CO., LTD.**

**NIPPON KOEI CO., LTD.**

**NIPPON ENGINEERING CONSULTANTS CO., LTD.**

<b>4 R</b>
<b>J R</b>
<b>17-004</b>

**MUMBAI METROPOLITAN REGION DEVELOPMENT AUTHORITY  
THE REPUBLIC OF INDIA**

**THE PREPARATORY SURVEY  
ON  
THE PROJECT FOR CONSTRUCTION OF  
MUMBAI TRANS HARBOUR LINK  
IN  
THE REPUBLIC OF INDIA**

**FINAL REPORT  
VOLUME 2: APPENDIX**

**JANUARY 2017**

**JAPAN INTERNATIONAL COOPERATION AGENCY**

**ORIENTAL CONSULTANTS GLOBAL CO., LTD.**

**EAST NIPPON EXPRESSWAY CO., LTD.**

**NIPPON KOEI CO., LTD.**

**NIPPON ENGINEERING CONSULTANTS CO., LTD.**

## **APPENDIX-1**

### **Japanese Business Establishments in India**

# Japanese Business Establishments in India

January, 2015  
Embassy of Japan in India, JETRO

## **About this list**

The Embassy of Japan in New Delhi, Consulates General of Japan in Mumbai/ Chennai/ Kolkata, Consulate of Japan in Bangalore, and JETRO have been collectively compiled this list, with the cooperation of various Japanese chambers of commerce and industries located in India. The findings of our survey this year (as of October, 2014) are as follows;

(1) The **total number of Japanese companies registered in India is 1,209** with an increase of 137 companies (13% growth) as compared to 1,072 in October 2013.

(2) The **total number of Japanese business establishments in India is 3,961** with an increase of 1,419 establishments (56% growth) as compared to 2,542 in October 2013.

(Please note that in case a company has business operations at multiple sites, each of them has a separate entry in this list. Kindly refer following "definition" for further details).

## **Definition of "Japanese Business Establishment" in India**

In principle, any of the following is considered as a Japanese Business Establishment for the purpose of this survey:

1. Liaison Office/ Branch Office etc of a Japanese company in India (as a foreign entity)
2. Indian Subsidiary (Wholly Owned/ Joint Venture) of a Japanese company, in the form of:  
(A) Head Office, (B) Manufacturing Unit, or (C) Branch Office/ Business Office etc

*\* Franchisee or Dealer are not counted under this category.*

*\* In case of JVs, only those companies where Japanese company has more than 10% shareholding are counted under this category.*

3. Business Enterprise founded in India by Japanese national(s)

◆ This list is arranged in alphabetical order as per the location.

## State-wise Number of Japanese Business Establishments

<b>NCR/Northern/Northeastern India</b>	<b>2008/10/1</b>	<b>2009/10/1</b>	<b>2010/10/1</b>	<b>2011/10/1</b>	<b>2012/10/1</b>	<b>2013/10/1</b>	<b>2014/10/1</b>
Delhi/ Haryana	255	295	328	385	454	500	671
Uttar Pradesh	34	42	50	51	70	72	247
Rajasthan	10	22	21	29	52	79	137
Chandigarh	1	2	1	1	8	12	8
Punjab	1	1	2	2	12	19	63
Uttarakhand	4	6	8	6	11	14	36
Other States	N.A.	1	N.A.	N.A.	6	14	89
<b>Sub Total</b>	<b>305</b>	<b>369</b>	<b>410</b>	<b>474</b>	<b>613</b>	<b>710</b>	<b>1251</b>
<b>Eastern India</b>	<b>2008/10/1</b>	<b>2009/10/1</b>	<b>2010/10/1</b>	<b>2011/10/1</b>	<b>2012/10/1</b>	<b>2013/10/1</b>	<b>2014/10/1</b>
Westg Bengal	33	52	67	67	75	96	172
Jharkhand	3	5	10	11	14	24	57
Odisha	3	6	11	13	14	15	47
Bihar	N.A.	2	5	4	6	9	64
<b>Sub Total</b>	<b>39</b>	<b>65</b>	<b>93</b>	<b>95</b>	<b>109</b>	<b>144</b>	<b>340</b>
<b>Western India</b>	<b>2008/10/1</b>	<b>2009/10/1</b>	<b>2010/10/1</b>	<b>2011/10/1</b>	<b>2012/10/1</b>	<b>2013/10/1</b>	<b>2014/10/1</b>
Maharashtra	174	219	198	218	277	397	637
Gujarat	22	31	29	29	54	84	220
Madhya Pradesh	6	8	7	7	17	25	102
Goa	5	6	7	6	8	7	21
Chattisgarh	1	1	1	1	4	5	24
Daman & Diu	N.A.	3	4	4	5	5	4
<b>Sub Total</b>	<b>208</b>	<b>268</b>	<b>246</b>	<b>265</b>	<b>365</b>	<b>523</b>	<b>1008</b>
<b>Southern India</b>	<b>2008/10/1</b>	<b>2009/10/1</b>	<b>2010/10/1</b>	<b>2011/10/1</b>	<b>2012/10/1</b>	<b>2013/10/1</b>	<b>2014/10/1</b>
Tamil Nadu	143	169	240	286	344	523	577
Puducherry	1	1	2	3	4	9	8
Andhra Pradesh	25	32	53	70	88	229	257
Kerala	13	22	37	47	53	105	125
Karnataka	104	123	155	182	228	299	395
<b>Sub Total</b>	<b>286</b>	<b>347</b>	<b>487</b>	<b>588</b>	<b>717</b>	<b>1165</b>	<b>1362</b>
<b>Grand Total</b>	<b>838</b>	<b>1049</b>	<b>1236</b>	<b>1422</b>	<b>1804</b>	<b>2542</b>	<b>3961</b>
<b>Number of Japanese Companies registered in India</b>	<b>550</b>	<b>627</b>	<b>725</b>	<b>812</b>	<b>926</b>	<b>1072</b>	<b>1209</b>

(Note 1): Figures between Oct 2008 and Oct 2011 include Japanese Business Establishments without regular-basis Japanese staffs. However, Oct 2010 onwards, being based on the defined criteria of the Japanese Business Establishments in India more carefully, it is observed a slight decline of Japanese Business Establishments in some areas.

(Note 2): In order to capture the business senario of Japanese Companies in India more precisely, all the Business Establishments irrespective of regular-basis Japanese staffs are taken into consideration Oct. 2013 onwards. Consequently, some areas show a significant increase in numbers.

(Note 3): The increase in the number of Japanese business establishments during the one year (October 2013 to October 2014) under the survey is very large, mainly due to the following reasons: In case where a Japanese company forms a JV with an Indian partner, the newly formed JV will also have the already established direct branch offices of that Indian partner, which will result in the immediate increase of the total number of business establishments. There are several such cases found during the survey, especially in insurance and transport sectors. There were also quite a number of Japanese business establishments which have not been captured in our previous surveys.

(Note 4): Though Andhra Pradesh has been divided into two states: Andhra Pradesh and Telangana in June 2014, the Japanese business establishments operating in both the states are counted under Andhra Pradesh, as Hyderabad city which belongs to Telangana State will remain the common state capital for both the states for next 10 years.

## 2.1. NCR/ Northern/ Northeastern India

State	Sl. No.	NAME OF COMPANY REGISTERED IN INDIA	TYPE OF BUSINESS IN INDIA	LOCATIDN
<b>2.1.1. [Delhi]</b>				
DL	1	"K" Line (India) Private Limited	22 運輸業/ Transportation	New Delhi
DL	2	AEON Credit Service India Private Limited	24 金融業、保険業/ Finance, Insurance	New Delhi
DL	3	Aica Laminates India Private Limited, Delhi Branch	07 化学工業/ Chemical Industry	New Delhi
DL	4	Aica Laminates India Private Limited, HO	07 化学工業/ Chemical Industry	New Delhi
DL	5	AMADA (INDIA) PRIVATE LIMITED Delhi Service Center	23 卸売業、小売業(含:商社、販社)/ Wholesales, Retail (including Sogo Shosya, sale company)	New Delhi
DL	6	AMEFREC TRADING Pvt. Ltd.	23 卸売業、小売業(含:商社、販社)/ Wholesales, Retail (including Sogo Shosya, sale company)	New Delhi
DL	7	APEX INDIA TRAVEL SERVICE Pvt. Ltd.	29 サービス業/ Consulting, Advertisement, Research, Lawfirm, Accounts, Entertainment, Human Resource etc	New Delhi
DL	8	Asahi Modi Materials Private Limited	19 その他の製造業/ Manufacturing- Others	New Delhi
DL	9	ASB INTERNATIONAL Pvt. Ltd.	14 生産用機械器具製造業/ Manufacturing- Prduction Machinery	New Delhi
DL	10	Asics India Pvt. Ltd.	23 卸売業、小売業(含:商社、販社)/ Wholesales, Retail (including Sogo Shosya, sale company)	New Delhi
DL	11	BNB Coatings India Ltd.	07 化学工業/ Chemical Industry	New Delhi
DL	12	BUSSAN AUTO FINANCE INDIA Pvt. Ltd.	24 金融業、保険業/ Finance, Insurance	New Delhi
DL	13	BUSSAN AUTO FINANCE INDIA Pvt. Ltd.	24 金融業、保険業/ Finance, Insurance	New Delhi
DL	14	BUSSAN AUTO FINANCE INDIA Pvt. Ltd.	24 金融業、保険業/ Finance, Insurance	New Delhi
DL	15	Canon India Private Limited	23 卸売業、小売業(含:商社、販社)/ Wholesales, Retail (including Sogo Shosya, sale company)	New Delhi
DL	16	Canon India Private Limited	23 卸売業、小売業(含:商社、販社)/ Wholesales, Retail (including Sogo Shosya, sale company)	New Delhi
DL	17	Canon India Private Limited	23 卸売業、小売業(含:商社、販社)/ Wholesales, Retail (including Sogo Shosya, sale company)	New Delhi
DL	18	CARMATE India Private Limited	18 輸送機械器具製造業/ Manufacturing- Automobile, Two Wheeler, Auto Components, Rail/ Ship/Air Plane	New Delhi
DL	19	Casio India Co., Private Limited	16 電気機械器具製造業/ Manufacturing- Electoric Machinery	New Delhi
DL	20	CHOLAMANDALAM MS GENERAL INSURANCE COMPANY Ltd.	24 金融業、保険業/ Finance, Insurance	New Delhi
DL	21	CHOLAMANDALAM MS RISK SERVICES LIMITED	29 サービス業/ Consulting, Advertisement, Research, Lawfirm, Accounts, Entertainment, Human Resource etc	New Delhi
DL	22	Clarion India Pvt. Ltd.	16 電気機械器具製造業/ Manufacturing- Electoric Machinery	New Delhi
DL	23	Concast (India) Ltd., Delhi Office	14 生産用機械器具製造業/ Manufacturing- Prduction Machinery	New Delhi
DL	24	Dentsu Creative Imapct Pvt. Ltd.	29 サービス業/ Consulting, Advertisement, Research, Lawfirm, Accounts, Entertainment, Human Resource etc	New Delhi
DL	25	DIC India Limited	07 化学工業/ Chemical Industry	New Delhi
DL	26	DMG MORI SEIKI INDIA MACHINES AND SERVICES Pvt. Ltd. (Delhi office)	14 生産用機械器具製造業/ Manufacturing- Prduction Machinery	New Delhi
DL	27	DSS Takara Bio India Private Limited	07 化学工業/ Chemical Industry	New Delhi
DL	28	Edelweiss Tokio Life Insurance Company Limited Delhi_CP	24 金融業、保険業/ Finance, Insurance	New Delhi
DL	29	Edelweiss Tokio Life Insurance Company Limited Delhi_Green Park	24 金融業、保険業/ Finance, Insurance	New Delhi
DL	30	Edelweiss Tokio Life Insurance Company Limited Delhi_Kirtinagar	24 金融業、保険業/ Finance, Insurance	New Delhi
DL	31	Edelweiss Tokio Life Insurance Company Limited Delhi_Pitampura	24 金融業、保険業/ Finance, Insurance	New Delhi

## 2.1. NCR/ Northern/ Northeastern India

State	Sl. No.	NAME OF COMPANY REGISTERED IN INDIA	TYPE OF BUSINESS IN INDIA	LOCATIDN
DL	32	Elecom India Private Limited.	23 卸売業、小売業(含:商社、販社)/Wholesales, Retail (including Sogo Shosya, sale company)	New Delhi
DL	33	Epson India Pvt. Ltd.	16 電気機械器具製造業/ Manufacturing- Electoric Machinery	New Delhi
DL	34	Erbis Engineering (India) Pvt. Ltd.	23 卸売業、小売業(含:商社、販社)/Wholesales, Retail (including Sogo Shosya, sale company)	New Delhi
DL	35	ETA General Pvt. Ltd. Branch Office	16 電気機械器具製造業/ Manufacturing- Electoric Machinery	New Delhi
DL	36	Europa Business Services India Pvt., Ltd.	29 サービス業/ Consulting, Advertisement, Research, Lawfirm, Accounts, Entertainment, Human Resource etc	New Delhi
DL	37	FUJIFILM INDIA PRIVATE LIMITED	23 卸売業、小売業(含:商社、販社)/Wholesales, Retail (including Sogo Shosya, sale company)	New Delhi
DL	38	FUJISAWA TOTAL SOLUTIONS	21 情報通信業/ Telecommunication, Broadcasting, IT, Newspaper, Publishing etc	New Delhi
DL	39	Furukawa Sangyo Kaisha India Private Limited	23 卸売業、小売業/ Wholesales, Retail	New Delhi
DL	40	GrapeCity India Pvt. Ltd.	21 情報通信業/ Telecommunication, Broadcasting, IT, Newspaper, Publishing etc	New Delhi
DL	41	H.I.S.TRAVEL (INDIA) Pvt. Ltd.	29 サービス業/ Consulting, Advertisement, Research, Lawfirm, Accounts, Entertainment, Human Resource etc	New Delhi
DL	42	HAKUHODO PERCEPT Pvt. Ltd.	29 サービス業/ Consulting, Advertisement, Research, Lawfirm, Accounts, Entertainment, Human Resource etc	New Delhi
DL	43	Hi No De Enterprises (p) Ltd.	29 サービス業/ Consulting, Advertisement, Research, Lawfirm, Accounts, Entertainment, Human Resource etc	New Delhi
DL	44	Hitachi Data Systems India Pvt. Ltd. (India)	21 情報通信業/ Telecommunication, Broadcasting, IT, Newspaper, Publishing etc	New Delhi
DL	45	Hitachi India Pvt. Ltd.	16 電気機械器具製造業/ Manufacturing- Electoric Machinery	New Delhi
DL	46	Hitachi Lift India Pvt. Ltd.	16 電気機械器具製造業/ Manufacturing- Electoric Machinery	New Delhi
DL	47	Hitachi Systems Micro Clinic Pvt. Ltd., Delhi (HQ)	21 情報通信業/ Telecommunication, Broadcasting, IT, Newspaper, Publishing etc	New Delhi
DL	48	HORIBA India Private Limited	16 電気機械器具製造業/ Manufacturing- Electoric Machinery	New Delhi
DL	49	Idemitsu Lube India Pvt. Ltd.	08 石油製品・石炭製品製造業/ Manufacturing- Petro Products, Coal Products	New Delhi
DL	50	Idemitsu Lube India Pvt. Ltd. New Delhi Office (Registered Office)	08 石油製品・石炭製品製造業/ Manufacturing- Petro Products, Coal Products	New Delhi
DL	51	IFFCO-Tokio General Insurance Co. Ltd.	24 金融業、保険業/ Finance, Insurance	New Delhi
DL	52	IFFCO-Tokio General Insurance Co. Ltd.	24 金融業、保険業/ Finance, Insurance	New Delhi
DL	53	IFFCO-Tokio General Insurance Co. Ltd.	24 金融業、保険業/ Finance, Insurance	New Delhi
DL	54	IFFCO-Tokio General Insurance Co. Ltd.	24 金融業、保険業/ Finance, Insurance	New Delhi
DL	55	IFFCO-Tokio General Insurance Co. Ltd.	24 金融業、保険業/ Finance, Insurance	New Delhi
DL	56	IFFCO-Tokio General Insurance Co. Ltd.	24 金融業、保険業/ Finance, Insurance	New Delhi
DL	57	IFFCO-Tokio General Insurance Co. Ltd.	24 金融業、保険業/ Finance, Insurance	New Delhi
DL	58	IFFCO-Tokio General Insurance Co. Ltd.	24 金融業、保険業/ Finance, Insurance	New Delhi
DL	59	IFFCO-Tokio General Insurance Co. Ltd.	24 金融業、保険業/ Finance, Insurance	New Delhi
DL	60	IHL Corporation New Delhi Liaison Office	19 その他の製造業/ Manufacturing- Others	New Delhi
DL	61	Indian Synthetic Rubber Limited ( ISRL)	07 化学工業/ Chemical Industry	New Delhi
DL	62	Indo Japan Air Services Pvt. Ltd.	22 運輸業/ Transportation	New Delhi
DL	63	Infrastructure Leasing & Financial Serviecs Limited	24 金融業、保険業/ Finance, Insurance	New Delhi

## 2.1. NCR/ Northern/ Northeastern India

State	Sl. No.	NAME OF COMPANY REGISTERED IN INDIA	TYPE OF BUSINESS IN INDIA	LOCATIDN
DL	64	Inspiring Human & Development Private Limited	29 サービス業/ Consulting, Advertisement, Research, Lawfirm, Accounts, Entertainment, Human Resource etc	New Delhi
DL	65	INTAGE INDIA Private Limited	29 サービス業/ Consulting, Advertisement, Research, Lawfirm, Accounts, Entertainment, Human Resource etc	New Delhi
DL	66	Ishii Trading Private Limited	23 卸売業、小売業(含:商社、販社)/ Wholesales, Retail (including Sogo Shosya, sale company)	New Delhi
DL	67	ITOCHU India Private Limited.	23 卸売業、小売業/ Wholesales, Retail	New Delhi
DL	68	J.J. Impex Pvt. Ltd. Delhi Office	18 輸送機械器具製造業/ Manufacturing- Automobile, Two Wheeler, Auto Components, Rail/ Ship/Air Plane	New Delhi
DL	69	Japan Airlines Co., Ltd.	22 運輸業/ Transportation	New Delhi
DL	70	JEOL INDIA Pvt. Ltd.	23 卸売業、小売業(含:商社、販社)/ Wholesales, Retail (including Sogo Shosya, sale company)	New Delhi
DL	71	Jiji Press New Delhi Bureau	21 情報通信業/ Telecommunication, Broadcasting, IT, Newspaper, Publishing etc	New Delhi
DL	72	JJ Impex Pvt. Ltd. GTK	18 輸送機械器具製造業/ Manufacturing- Automobile, Two Wheeler, Auto Components, Rail/ Ship/Air Plane	New Delhi
DL	73	Juki India Private Limited New Delhi Office	23 卸売業、小売業(含:商社、販社)/ Wholesales, Retail (including Sogo Shosya, sale company)	New Delhi
DL	74	JX Nippon TWO Lubricants India Private Limited	08 石油製品・石炭製品製造業/ Manufacturing- Petro Products, Coal Products	New Delhi
DL	75	K&L Arms Communication Private Limited	29 サービス業/ Consulting, Advertisement, Research, Lawfirm, Accounts, Entertainment, Human Resource etc	New Delhi
DL	76	Kai Manufacturing India Pvt. Ltd.	12 金属製品製造業/ manufactruing- Metal Products	New Delhi
DL	77	Kaneka India Pvt. Ltd.	07 化学工業/ Chemical Industry	New Delhi
DL	78	Kawasaki Heavy Industries, Ltd. Delhi Office	18 輸送機械器具製造業/ Manufacturing- Automobile, Two Wheeler, Auto Components, Rail/ Ship/Air Plane	New Delhi
DL	79	KDDI India Private Limited	21 情報通信業/ Telecommunication, Broadcasting, IT, Newspaper, Publishing etc	New Delhi
DL	80	Kobelco Cranes India Pvt. Ltd., HO	19 その他の製造業/ Manufacturing- Others	New Delhi
DL	81	KOBELCO Trading India Private Limited	23 卸売業、小売業(含:商社、販社)/ Wholesales, Retail (including Sogo Shosya, sale company)	New Delhi
DL	82	Konica Minolta Business Solutions India Pvt. Ltd.	17 情報通信機械器具、電子部品・デバイス・電子回路製造業/ Manufacturing- IT Products, Electronics Products	New Delhi
DL	83	Kubota Corp. Delhi liasion office	18 輸送機械器具製造業/ Manufacturing- Automobile, Two Wheeler, Auto Components, Rail/ Ship/Air Plane	New Delhi
DL	84	Kumon India Education Pvt. Ltd.	28 教育、学習支援、医療、福祉、複合サービス業/ Education, Medical, Postal, Cooperatives	New Delhi
DL	85	Kumon India Education Pvt. Ltd. Sohna Road Centre	28 教育、学習支援、医療、福祉、複合サービス業/ Education, Medical, Postal, Cooperatives	New Delhi
DL	86	Kumon India Education Pvt. Ltd. Defence Colony Centre	28 教育、学習支援、医療、福祉、複合サービス業/ Education, Medical, Postal, Cooperatives	New Delhi
DL	87	Kumon India Education Pvt. Ltd. GK II centre	28 教育、学習支援、医療、福祉、複合サービス業/ Education, Medical, Postal, Cooperatives	New Delhi
DL	88	Kumon India Education Pvt. Ltd. Golf Course Center	28 教育、学習支援、医療、福祉、複合サービス業/ Education, Medical, Postal, Cooperatives	New Delhi
DL	89	Kumon India Education Pvt. Ltd. Karkardooma Centre	28 教育、学習支援、医療、福祉、複合サービス業/ Education, Medical, Postal, Cooperatives	New Delhi
DL	90	Kumon India Education Pvt. Ltd. Punjabi Bagh Centre	28 教育、学習支援、医療、福祉、複合サービス業/ Education, Medical, Postal, Cooperatives	New Delhi
DL	91	Kumon India Education Pvt. Ltd. Saket Centre	28 教育、学習支援、医療、福祉、複合サービス業/ Education, Medical, Postal, Cooperatives	New Delhi
DL	92	Kumon India Education Pvt. Ltd. Vasant Vihar Centre	28 教育、学習支援、医療、福祉、複合サービス業/ Education, Medical, Postal, Cooperatives	New Delhi
DL	93	Kuraray India Private Limited	23 卸売業、小売業(含:商社、販社)/ Wholesales, Retail (including Sogo Shosya, sale company)	New Delhi
DL	94	KWE India	22 運輸業/ Transportation	New Delhi
DL	95	KWE India	22 運輸業/ Transportation	New Delhi



## 2.1. NCR/ Northern/ Northeastern India

State	Sl. No.	NAME OF COMPANY REGISTERED IN INDIA	TYPE OF BUSINESS IN INDIA	LOCATIDN
DL	96	KYB-Conmat Pvt. Ltd.	19 その他の製造業/ Manufacturing- Others	New Delhi
DL	97	Kyodo News New Delhi Bureau	21 情報通信業/ Telecommunication, Broadcasting, IT, Newspaper, Publishing etc	New Delhi
DL	98	Kyoritsu Electric India Pvt. Ltd., Delhi Branch	16 電気機械器具製造業/ Manufacturing- Electoric Machinery	New Delhi
DL	99	Kyosan India Private Limited	16 電気機械器具製造業/ Manufacturing- Electoric Machinery	New Delhi
DL	100	Lumax Industries Ltd. Mayapuri Head Office	18 輸送機械器具製造業/ Manufacturing- Automobile, Two Wheeler, Auto Components, Rail/ Ship/Air Plane	New Delhi
DL	101	M/s NTL - Logistics (India) Private Limited	22 運輸業/ Transportation	New Delhi
DL	102	Maeda Corporation India Pvt. Ltd.	03 建設業/ Construction Industry	New Delhi
DL	103	MAGNUM MI STEEL PRIVATE LIMITED	12 金属製品製造業/ manufactruing- Metal Products	New Delhi
DL	104	MAGNUM MI UNAI PRESS PARTS PRIVATE LIMITED	12 金属製品製造業/ manufactruing- Metal Products	New Delhi
DL	105	MAGNUM SADOSHIMA ISPAT PRIVATE LIMITED	12 金属製品製造業/ manufactruing- Metal Products	New Delhi
DL	106	MapmyIndia (Zenrin India) Pvt. Ltd.	21 情報通信業/ Telecommunication, Broadcasting, IT, Newspaper, Publishing etc	New Delhi
DL	107	Market Xcel Data Matrix Pvt. Ltd.	29 サービス業/ Consulting, Advertisement, Research, Lawfirm, Accounts, Entertainment, Human Resource etc	New Delhi
DL	108	Marubeni Corporation, Project office.	20 電気・ガス・熱供給・水道業/ Electricity, Gas, Water Supply	New Delhi
DL	109	Marubeni India Pvt. Ltd.	23 卸売業、小売業(含:商社、販社)/ Wholesales, Retail (including Sogo Shosya, sale company)	New Delhi
DL	110	Marubeni Itochu Steel India Pvt. Ltd.	10 鉄鋼業/ Steel	New Delhi
DL	111	MARUICHI TOOLS INDIA Pvt. Ltd., HO	23 卸売業、小売業(含:商社、販社)/ Wholesales, Retail (including Sogo Shosya, sale company)	New Delhi
DL	112	Maruti Suzuki India Limited	18 輸送機械器具製造業/ Manufacturing- Automobile, Two Wheeler, Auto Components, Rail/ Ship/Air Plane	New Delhi
DL	113	MAX LIFE INSURANCE COMPANY Ltd.	24 金融業、保険業/ Finance, Insurance	New Delhi
DL	114	MAX LIFE INSURANCE COMPANY Ltd.	24 金融業、保険業/ Finance, Insurance	New Delhi
DL	115	MAX LIFE INSURANCE COMPANY Ltd.	24 金融業、保険業/ Finance, Insurance	New Delhi
DL	116	MAX LIFE INSURANCE COMPANY Ltd.	24 金融業、保険業/ Finance, Insurance	New Delhi
DL	117	MAX LIFE INSURANCE COMPANY Ltd.	24 金融業、保険業/ Finance, Insurance	New Delhi
DL	118	MAX LIFE INSURANCE COMPANY Ltd.	24 金融業、保険業/ Finance, Insurance	New Delhi
DL	119	MAX LIFE INSURANCE COMPANY Ltd.	24 金融業、保険業/ Finance, Insurance	New Delhi
DL	120	MAX LIFE INSURANCE COMPANY Ltd.	24 金融業、保険業/ Finance, Insurance	New Delhi
DL	121	MAX LIFE INSURANCE COMPANY Ltd.	24 金融業、保険業/ Finance, Insurance	New Delhi
DL	122	MAX LIFE INSURANCE COMPANY Ltd.	24 金融業、保険業/ Finance, Insurance	New Delhi
DL	123	MAX LIFE INSURANCE COMPANY Ltd.	24 金融業、保険業/ Finance, Insurance	New Delhi
DL	124	MAX LIFE INSURANCE COMPANY Ltd.	24 金融業、保険業/ Finance, Insurance	New Delhi
DL	125	MAX LIFE INSURANCE COMPANY Ltd.	24 金融業、保険業/ Finance, Insurance	New Delhi
DL	126	MAX LIFE INSURANCE COMPANY Ltd.	24 金融業、保険業/ Finance, Insurance	New Delhi
DL	127	MAX LIFE INSURANCE COMPANY Ltd.	24 金融業、保険業/ Finance, Insurance	New Delhi

## 2.1. NCR/ Northern/ Northeastern India

State	Sl. No.	NAME OF COMPANY REGISTERED IN INDIA	TYPE OF BUSINESS IN INDIA	LOCATIDN
DL	128	MAX LIFE INSURANCE COMPANY Ltd.	24 金融業、保険業/ Finance, Insurance	New Delhi
DL	129	Meiden India Pvt. Ltd.	23 卸売業、小売業(含:商社、販社)/Wholesales, Retail (including Sogo Shosya, sale company)	New Delhi
DL	130	Metal One Corporation India Pvt. Ltd., New Delhi Head Office	23 卸売業、小売業/ Wholesales, Retail	New Delhi
DL	131	mitsubishi corporation	23 卸売業、小売業(含:商社、販社)/Wholesales, Retail (including Sogo Shosya, sale company)	New Delhi
DL	132	MITSUBISHI CORPORATION INDIA Pvt. Ltd., HO	23 卸売業、小売業(含:商社、販社)/Wholesales, Retail (including Sogo Shosya, sale company)	New Delhi
DL	133	MITSUBISHI CORPORATION, NEW DELHI BRANCH OFFICE	23 卸売業、小売業(含:商社、販社)/Wholesales, Retail (including Sogo Shosya, sale company)	New Delhi
DL	134	MITSUBISHI ELECTRIC INDIA PRIVATE LIMITED	16 電気機械器具製造業/ Manufacturing- Electoric Machinery	New Delhi
DL	135	MITSUBISHI ELECTRIC INDIA PRIVATE LIMITED	16 電気機械器具製造業/ Manufacturing- Electoric Machinery	New Delhi
DL	136	Mitsubishi Heavy Industries India Private Ltd., HO	29 サービス業/ Consulting, Advertisement, Research, Lawfirm, Accounts, Entertainment, Human Resource etc	New Delhi
DL	137	Mitsubishi Hitachi Power Systems India Pvt. Ltd.	19 その他の製造業/ Manufacturing- Others	New Delhi
DL	138	Mitsubishi Logistics Corporation	22 運輸業/ Transportation	New Delhi
DL	139	Mitsubishi-Hitachi Metals Machinery South Asia Private Ltd.	14 生産用機械器具製造業/ Manufacturing- Prduction Machinery	New Delhi
DL	140	Mitsui & Co. India, HO	23 卸売業、小売業/ Wholesales, Retail	New Delhi
DL	141	Mitsui Chemicals India Pvt. Ltd., HO	23 卸売業、小売業(含:商社、販社)/Wholesales, Retail (including Sogo Shosya, sale company)	New Delhi
DL	142	Mitsui O.S.K.Lines (India) Pvt. Ltd.	22 運輸業/ Transportation	New Delhi
DL	143	Mitsui O.S.K.Lines Maritime (India) Pvt. Ltd.	22 運輸業/ Transportation	New Delhi
DL	144	Mitutoyo South Asia Pvt. Ltd.	16 電気機械器具製造業/ Manufacturing- Electoric Machinery	New Delhi
DL	145	Mizuho Bank New Delhi Branch	24 金融業、保険業/ Finance, Insurance	New Delhi
DL	146	MORI SEIKI INDIA Pvt. Ltd.	14 生産用機械器具製造業/ Manufacturing- Prduction Machinery	New Delhi
DL	147	NAC Nose India Pvt. Ltd.	29 サービス業/ Consulting, Advertisement, Research, Lawfirm, Accounts, Entertainment, Human Resource etc	New Delhi
DL	148	NAGOMI CONSULTING Pvt. Ltd. Ambience Mall branch	04 食品、飲料・たばこ・飼料製造業/ Manufacturing- Food, Drink, Tobacco, Fodder	New Delhi
DL	149	Nakajima Consultancy	29 サービス業/ Consulting, Advertisement, Research, Lawfirm, Accounts, Entertainment, Human Resource etc	New Delhi
DL	150	Nakajima Corporation Private Limited	29 サービス業/ Consulting, Advertisement, Research, Lawfirm, Accounts, Entertainment, Human Resource etc	New Delhi
DL	151	NEC India Pvt. Ltd.	17 情報通信機械器具、電子部品・デバイス・電子回路製造業/ Manufacturing- IT Products, Electronics Products	New Delhi
DL	152	Netmagic Solutions Pvt. Ltd. - Delhi Office	21 情報通信業/ Telecommunication, Broadcasting, IT, Newspaper, Publishing etc	New Delhi
DL	153	New Era India Consultancy Pvt. Ltd.	29 サービス業/ Consulting, Advertisement, Research, Lawfirm, Accounts, Entertainment, Human Resource etc	New Delhi
DL	154	New Era India Consultancy Pvt. Ltd., HO	29 サービス業/ Consulting, Advertisement, Research, Lawfirm, Accounts, Entertainment, Human Resource etc	New Delhi
DL	155	NGK Insulators, Ltd.	09 窯業・土石製品製造業/ Pottery	New Delhi
DL	156	NHK, Japan Broadcasting Corporation, New Delhi Bureau	21 情報通信業/ Telecommunication, Broadcasting, IT, Newspaper, Publishing etc	New Delhi
DL	157	Nichia Chemical (India) Pvt. Ltd.	23 卸売業、小売業(含:商社、販社)/Wholesales, Retail (including Sogo Shosya, sale company)	New Delhi
DL	158	NIHONGO CENTER Pvt. Ltd.	28 教育、学習支援、医療、福祉、複合サービス業/ Education, Medical, Postal, Cooperatives	New Delhi
DL	159	Nikon India Private Limited, Delhi Branch	19 その他の製造業/ Manufacturing- Others	New Delhi

2.1. NCR/ Northern/ Northeastern India

State	Sl. No.	NAME OF COMPANY REGISTERED IN INDIA	TYPE OF BUSINESS IN INDIA	LOCATIDN
DL	160	Nippon Koei India Pvt. Ltd.	03 建設業/ Construction Industry	New Delhi
DL	161	NIPPON STEEL & SUMIKIN BUSSAN INDIA Pvt. Ltd.	23 卸売業、小売業(含:商社、販社)/Wholesales, Retail (including Sogo Shosya, sale company)	New Delhi
DL	162	Nippon Steel & Sumitomo Metal India Pvt. Ltd.	10 鉄鋼業/ Steel	New Delhi
DL	163	Nitori India Private Limited	23 卸売業、小売業(含:商社、販社)/Wholesales, Retail (including Sogo Shosya, sale company)	New Delhi
DL	164	NJS Engineers India Pvt. Ltd.	29 サービス業/ Consulting, Advertisement, Research, Lawfirm, Accounts, Entertainment, Human Resource etc	New Delhi
DL	165	Noritsu India Private Limited	23 卸売業、小売業(含:商社、販社)/Wholesales, Retail (including Sogo Shosya, sale company)	New Delhi
DL	166	NTL Logistics Plus India Pvt. Ltd., HO	23 卸売業、小売業(含:商社、販社)/Wholesales, Retail (including Sogo Shosya, sale company)	New Delhi
DL	167	NTN Bearing India Pvt. Ltd.	12 金属製品製造業/ manufactruing- Metal Products	New Delhi
DL	168	OKAYA & CO.INDIA PRIVATE LIMITED	23 卸売業、小売業/ Wholesales, Retail	New Delhi
DL	169	Omtrax Packaging Solutions Ltd.	22 運輸業/ Transportation	New Delhi
DL	170	Oriental Consultants Global Co., Ltd. New Delhi Office	29 サービス業/ Consulting, Advertisement, Research, Lawfirm, Accounts, Entertainment, Human Resource etc	New Delhi
DL	171	Oriental Consultants India Pvt. Ltd.	29 サービス業/ Consulting, Advertisement, Research, Lawfirm, Accounts, Entertainment, Human Resource etc	New Delhi
DL	172	ORIX Auto Infrastructure Services Limited	26 物品賃貸業/ Lease	New Delhi
DL	173	Overseas Courier Service (India) Pvt. Ltd. Delhi Head Office	22 運輸業/ Transportation	New Delhi
DL	174	Pegasus Sewing Machine Pte. Ltd. India (New Delhi) Liaison Office	16 電気機械器具製造業/ Manufacturing- Electoric Machinery	New Delhi
DL	175	Reliance Life Insurance Company Limited Cp 3	24 金融業、保険業/ Finance, Insurance	New Delhi
DL	176	Reliance Life Insurance Company Limited Cp 4	24 金融業、保険業/ Finance, Insurance	New Delhi
DL	177	Reliance Life Insurance Company Limited Dilshad Garden	24 金融業、保険業/ Finance, Insurance	New Delhi
DL	178	Reliance Life Insurance Company Limited District Centre 1	24 金融業、保険業/ Finance, Insurance	New Delhi
DL	179	Reliance Life Insurance Company Limited Dwarka1	24 金融業、保険業/ Finance, Insurance	New Delhi
DL	180	Reliance Life Insurance Company Limited Gurgaon(Sohna)	24 金融業、保険業/ Finance, Insurance	New Delhi
DL	181	Reliance Life Insurance Company Limited Janakpuri 1	24 金融業、保険業/ Finance, Insurance	New Delhi
DL	182	Reliance Life Insurance Company Limited Jhandewalan 4	24 金融業、保険業/ Finance, Insurance	New Delhi
DL	183	Reliance Life Insurance Company Limited Karol Bagh 1	24 金融業、保険業/ Finance, Insurance	New Delhi
DL	184	Reliance Life Insurance Company Limited Mg Road Gurgaon 1	24 金融業、保険業/ Finance, Insurance	New Delhi
DL	185	Reliance Life Insurance Company Limited Model Town 1	24 金融業、保険業/ Finance, Insurance	New Delhi
DL	186	Reliance Life Insurance Company Limited Najafgarh	24 金融業、保険業/ Finance, Insurance	New Delhi
DL	187	Reliance Life Insurance Company Limited Nehru Place 2	24 金融業、保険業/ Finance, Insurance	New Delhi
DL	188	Reliance Life Insurance Company Limited Nfc 1	24 金融業、保険業/ Finance, Insurance	New Delhi
DL	189	Reliance Life Insurance Company Limited Nfc 2	24 金融業、保険業/ Finance, Insurance	New Delhi
DL	190	Reliance Life Insurance Company Limited Nizammudin	24 金融業、保険業/ Finance, Insurance	New Delhi
DL	191	Reliance Life Insurance Company Limited Okhla	24 金融業、保険業/ Finance, Insurance	New Delhi

## 2.1. NCR/ Northern/ Northeastern India

State	Sl. No.	NAME OF COMPANY REGISTERED IN INDIA	TYPE OF BUSINESS IN INDIA	LOCATIDN
DL	192	Reliance Life Insurance Company Limited Peeragarhi 1	24 金融業、保険業/ Finance, Insurance	New Delhi
DL	193	Reliance Life Insurance Company Limited Pitampura 1	24 金融業、保険業/ Finance, Insurance	New Delhi
DL	194	Reliance Life Insurance Company Limited Pitampura 2	24 金融業、保険業/ Finance, Insurance	New Delhi
DL	195	Reliance Life Insurance Company Limited Preet Vihar 1	24 金融業、保険業/ Finance, Insurance	New Delhi
DL	196	Reliance Life Insurance Company Limited Preet Vihar 2	24 金融業、保険業/ Finance, Insurance	New Delhi
DL	197	Reliance Life Insurance Company Limited Rewari 2	24 金融業、保険業/ Finance, Insurance	New Delhi
DL	198	Reliance Life Insurance Company Limited Shakti Nagar 1	24 金融業、保険業/ Finance, Insurance	New Delhi
DL	199	Reliance Life Insurance Company Limited Shakti Nagar 2	24 金融業、保険業/ Finance, Insurance	New Delhi
DL	200	Reliance Life Insurance Company Limited Vasant Kunj 1	24 金融業、保険業/ Finance, Insurance	New Delhi
DL	201	Reliance Life Insurance Company Limited Vasant Kunj 2	24 金融業、保険業/ Finance, Insurance	New Delhi
DL	202	Reliance Life Insurance Company Limited Yamuna Vihar	24 金融業、保険業/ Finance, Insurance	New Delhi
DL	203	RGF Select India Pvt. Ltd.	29 サービス業/ Consulting, Advertisement, Research, Lawfirm, Accounts, Entertainment, Human Resource etc	New Delhi
DL	204	Ricoh India Limited	21 情報通信業/ Telecommunication, Broadcasting, IT, Newspaper, Publishing etc	New Delhi
DL	205	Ricoh India Limited	21 情報通信業/ Telecommunication, Broadcasting, IT, Newspaper, Publishing etc	New Delhi
DL	206	Ricoh India Limited	21 情報通信業/ Telecommunication, Broadcasting, IT, Newspaper, Publishing etc	New Delhi
DL	207	Rising Sun Import Pvt. Ltd.	04 食料品、飲料・たばこ・飼料製造業/ Manufacturing- Food, Drink, Tobacco, Fodder	New Delhi
DL	208	Sanyo Trading India Private Limited	23 卸売業、小売業(含: 商社、販社) / Wholesales, Retail (including Sogo Shosya, sale company)	New Delhi
DL	209	SANZO INFOTECH INDIA PRIVATE LIMITED	21 情報通信業/ Telecommunication, Broadcasting, IT, Newspaper, Publishing etc	New Delhi
DL	210	Satake India Engineering Pvt. Ltd., HO	23 卸売業、小売業/ Wholesales, Retail	New Delhi
DL	211	SCA South Asia Petrochemicals Private Limited	07 化学工業/ Chemical Industry	New Delhi
DL	212	Sekisui Chemical India Pvt. Ltd., HO	07 化学工業/ Chemical Industry	New Delhi
DL	213	Senshukai HongKong Delhi Liaison Office	23 卸売業、小売業(含: 商社、販社) / Wholesales, Retail (including Sogo Shosya, sale company)	New Delhi
DL	214	SETSUYO ASTEC SINGAPORE PTE.Ltd. INDIAN LIAISON OFFICE	17 情報通信機械器具、電子部品・デバイス・電子回路製造業/ Manufacturing- IT Products, Electronics Products	New Delhi
DL	215	Sharp Business Systems (India) Limited Delhi Branch	23 卸売業、小売業(含: 商社、販社) / Wholesales, Retail (including Sogo Shosya, sale company)	New Delhi
DL	216	Sharp Business Systems (India) Limited, HO	23 卸売業、小売業(含: 商社、販社) / Wholesales, Retail (including Sogo Shosya, sale company)	New Delhi
DL	217	Shimadzu Analytical (india) Pvt. Ltd.	19 その他の製造業/ Manufacturing- Others	New Delhi
DL	218	Shimadzu Medical (India) Pvt. Ltd., New Delhi Office	19 その他の製造業/ Manufacturing- Others	New Delhi
DL	219	Shin-Etsu Singapore Pte Ltd. India Branch Office	07 化学工業/ Chemical Industry	New Delhi
DL	220	ShinMaywa Industries India Private Limited	18 輸送機械器具製造業/ Manufacturing- Automobile, Two Wheer, Auto Components, Rail/ Ship/Air Plane	New Delhi
DL	221	Shriram Pistons & Rings Limited, HO	18 輸送機械器具製造業/ Manufacturing- Automobile, Two Wheer, Auto Components, Rail/ Ship/Air Plane	New Delhi
DL	222	Sindhu Cargo Services Limited Delhi Office	22 運輸業/ Transportation	New Delhi
DL	223	SKK (S) PTE Ltd. INDIA BRANCH OFFICE NEW DELHI	07 化学工業/ Chemical Industry	New Delhi

## 2.1. NCR/ Northern/ Northeastern India

State	Sl. No.	NAME OF COMPANY REGISTERED IN INDIA	TYPE OF BUSINESS IN INDIA	LOCATIDN
DL	224	SMAS Auto Leasing India Pvt. Ltd.	29 サービス業/ Consulting, Advertisement, Research, Lawfirm, Accounts, Entertainment, Human Resource etc	New Delhi
DL	225	SMCC Construction India Limited, HO	03 建設業/ Construction Industry	New Delhi
DL	226	Snowman Logistics Ltd.	22 運輸業/ Transportation	New Delhi
DL	227	Sojitz India Pvt. Ltd. New Delhi Head Office	23 卸売業、小売業/ Wholesales, Retail	New Delhi
DL	228	Sona Fuji Kiko Automotive Limited	18 輸送機械器具製造業/ Manufacturing- Automobile, Two Wheer, Auto Components, Rail/ Ship/Air Plane	New Delhi
DL	229	Sony India Pvt. Ltd.	23 卸売業、小売業(含:商社、販社)/ Wholesales, Retail (including Sogo Shosya, sale company)	New Delhi
DL	230	Sony India Pvt. Ltd. Delhi	23 卸売業、小売業(含:商社、販社)/ Wholesales, Retail (including Sogo Shosya, sale company)	New Delhi
DL	231	Speedfam (India) Pvt. Ltd.	16 電気機械器具製造業/ Manufacturing- Electoric Machinery	New Delhi
DL	232	Standard Plastic Industries India (A Unit Of SPIPlastics Pvt. Ltd.)	18 輸送機械器具製造業/ Manufacturing- Automobile, Two Wheer, Auto Components, Rail/ Ship/Air Plane	New Delhi
DL	233	Star Union Dai-ichi Life Insurance Co. Ltd. New Delhi Regional Office	24 金融業、保険業/ Finance, Insurance	New Delhi
DL	234	Starts India Pvt. Ltd.	29 サービス業/ Consulting, Advertisement, Research, Lawfirm, Accounts, Entertainment, Human Resource etc	New Delhi
DL	235	STYLEM INTERNATIONAL (INDIA) PRIVATE LIMITED	23 卸売業、小売業(含:商社、販社)/ Wholesales, Retail (including Sogo Shosya, sale company)	New Delhi
DL	236	Sumitomo Chemical India Pvt. Ltd. Delhi Office	07 化学工業/ Chemical Industry	New Delhi
DL	237	Sumitomo Corporation India Pvt. Ltd. Delhi Head Office	23 卸売業、小売業(含:商社、販社)/ Wholesales, Retail (including Sogo Shosya, sale company)	New Delhi
DL	238	Sumitomo Mitsui Banking Corporation New Delhi Branch	24 金融業、保険業/ Finance, Insurance	New Delhi
DL	239	SUN ACE INDIA	07 化学工業/ Chemical Industry	New Delhi
DL	240	Suzuki Motorcycle India Private Limited	18 輸送機械器具製造業/ Manufacturing- Automobile, Two Wheer, Auto Components, Rail/ Ship/Air Plane	New Delhi
DL	241	SUZUYO & CO., Ltd. GURGAON REPRESENTATIVE OFFICE	22 運輸業/ Transportation	New Delhi
DL	242	Taiga Resorts India Pvt. Ltd.	23 卸売業、小売業(含:商社、販社)/ Wholesales, Retail (including Sogo Shosya, sale company)	New Delhi
DL	243	TAISEI ONCHO INDIA PRIVATE LIMITED	03 建設業/ Construction Industry	New Delhi
DL	244	Takata India Pvt. Ltd.	18 輸送機械器具製造業/ Manufacturing- Automobile, Two Wheer, Auto Components, Rail/ Ship/Air Plane	New Delhi
DL	245	Team PASONA India Co. Ltd., Delhi Head Office	29 サービス業/ Consulting, Advertisement, Research, Lawfirm, Accounts, Entertainment, Human Resource etc	New Delhi
DL	246	Tenjiku Foods Pvt. Ltd.	29 サービス業/ Consulting, Advertisement, Research, Lawfirm, Accounts, Entertainment, Human Resource etc	New Delhi
DL	247	Tenjiku Hotels Pvt. Ltd.	29 サービス業/ Consulting, Advertisement, Research, Lawfirm, Accounts, Entertainment, Human Resource etc	New Delhi
DL	248	The Bank of Tokyo-Mitsubishi UFJ, Ltd. New Delhi Branch	24 金融業、保険業/ Finance, Insurance	New Delhi
DL	249	The Earth & Hospitality Private Ltd.	29 サービス業/ Consulting, Advertisement, Research, Lawfirm, Accounts, Entertainment, Human Resource etc	New Delhi
DL	250	TOMEN Electronics India Private Limited	23 卸売業、小売業(含:商社、販社)/ Wholesales, Retail (including Sogo Shosya, sale company)	New Delhi
DL	251	Toshiba Johnson Elevators India Pvt. Ltd.	03 建設業/ Construction Industry	New Delhi
DL	252	TOSHIBA MACHINE (INDIA) Pvt. Ltd.	14 生産用機械器具製造業/ Manufacturing- Prduction Machinery	New Delhi
DL	253	TOTO INDIA INDUSTRIES Pvt. Ltd.	09 窯業・土石製品製造業/ Pottery	New Delhi
DL	254	TOYO DENKI SEIZO K.K. DELHI LIAISON OFFICE	16 電気機械器具製造業/ Manufacturing- Electoric Machinery	New Delhi
DL	255	TOYOINK INDIA PRIVATE LIMITED Delhi Branch Office	07 化学工業/ Chemical Industry	New Delhi

2.1. NCR/ Northern/ Northeastern India

State	Sl. No.	NAME OF COMPANY REGISTERED IN INDIA	TYPE OF BUSINESS IN INDIA	LOCATIDN
DL	256	Toyota Financial Services India Limited, Delhi Office	24 金融業、保険業/ Finance, Insurance	New Delhi
DL	257	Transpole Logistics Pvt. Ltd., HO	22 運輸業/ Transportation	New Delhi
DL	258	Universal Sampo General Insurance Co., Ltd.	24 金融業、保険業/ Finance, Insurance	New Delhi
DL	259	Universal Sampo General Insurance Co., Ltd.	24 金融業、保険業/ Finance, Insurance	New Delhi
DL	260	VERBATIM MARKETING INDIA Pvt.Ltd.	23 卸売業、小売業(含: 商社、販社) / Wholesales, Retail (including Sogo Shosya, sale company)	New Delhi
DL	261	Wacom India Pvt.Ltd.	17 情報通信機械器具、電子部品・デバイス・電子回路製造業/ Manufacturing- IT Products, Electronics Products	New Delhi
DL	262	Xroad Solutions Private Limited	29 サービス業/ Consulting, Advertisement, Research, Lawfirm, Accounts, Entertainment, Human Resource etc	New Delhi
DL	263	Yakult Danone India Private Limited	04 食料品、飲料・たばこ・飼料製造業/ Manufacturing- Food, Drink, Tobacco, Fodder	New Delhi
DL	264	Yakult Danone India Private Limited	04 食料品、飲料・たばこ・飼料製造業/ Manufacturing- Food, Drink, Tobacco, Fodder	New Delhi
DL	265	Yakult Danone India Private Limited	04 食料品、飲料・たばこ・飼料製造業/ Manufacturing- Food, Drink, Tobacco, Fodder	New Delhi
DL	266	Yakult Danone India Private Limited	04 食料品、飲料・たばこ・飼料製造業/ Manufacturing- Food, Drink, Tobacco, Fodder	New Delhi
DL	267	Yakult Danone India Private Limited, HO	04 食料品、飲料・たばこ・飼料製造業/ Manufacturing- Food, Drink, Tobacco, Fodder	New Delhi
DL	268	Yamato Scale India Pvt. Ltd.	16 電気機械器具製造業/ Manufacturing- Electoric Machinery	New Delhi
DL	269	YAMATO TRADE (P)Ltd.	23 卸売業、小売業(含: 商社、販社) / Wholesales, Retail (including Sogo Shosya, sale company)	New Delhi
DL	270	Yanmar India Pvt. Ltd.	23 卸売業、小売業(含: 商社、販社) / Wholesales, Retail (including Sogo Shosya, sale company)	New Delhi
DL	271	Yazaki India Limited-Delhi Branch Office(YIL-DDB)	18 輸送機械器具製造業/ Manufacturing- Automobile, Two Wheeler, Auto Components, Rail/ Ship/Air Plane	New Delhi
DL	272	YMC India Pvt. Ltd.	19 その他の製造業/ Manufacturing- Others	New Delhi

**2.1.2. [Haryana]**

HR	1	A&D Instruments India Pvt. Ltd.	16 電気機械器具製造業/ Manufacturing- Electoric Machinery	Gurgaon
HR	2	ABS AIR TECH Pvt. Ltd.	23 卸売業、小売業(含: 商社、販社) / Wholesales, Retail (including Sogo Shosya, sale company)	Gurgaon
HR	3	AIDA INDIA Pvt.Ltd.	19 その他の製造業/ Manufacturing- Others	Gurgaon
HR	4	Akros Trading India Private Limited	23 卸売業、小売業(含: 商社、販社) / Wholesales, Retail (including Sogo Shosya, sale company)	Gurgaon
HR	5	All Nippon Airways Co., Ltd., Delhi Office	22 運輸業/ Transportation	Gurgaon
HR	6	ALP NISHIKAWA COMPANY LIMITED, HEAD OFFICE, HO,Gurgaon Plant	08 石油製品・石炭製品製造業/ Manufacturing- Petro Products, Coal Products	Gurgaon
HR	7	Alpine of Asia Pacific India Pvt. Ltd. Gurgaon Office	16 電気機械器具製造業/ Manufacturing- Electoric Machinery	Gurgaon
HR	8	ALPS ELECTRIC (INDIA) Private Limited	17 情報通信機械器具、電子部品・デバイス・電子回路製造業/ Manufacturing- IT Products, Electronics Products	Gurgaon
HR	9	ALSOK INDIA PRIVATE LIMITED	29 サービス業/ Consulting, Advertisement, Research, Lawfirm, Accounts, Entertainment, Human Resource etc	Gurgaon
HR	10	Alue India Private Limited	28 教育、学習支援、医療、福祉、複合サービス業/ Education, Medical, Postal, Cooperatives	Gurgaon
HR	11	ASAHI GLOVAL LINK Pvt. Ltd.	29 サービス業/ Consulting, Advertisement, Research, Lawfirm, Accounts, Entertainment, Human Resource etc	Gurgaon
HR	12	Asahi India Glass Ltd.	09 窯業・土石製品製造業/ Pottery	Gurgaon
HR	13	Asahi Intecc. Co.,Ltd. India Branch	23 卸売業、小売業(含: 商社、販社) / Wholesales, Retail (including Sogo Shosya, sale company)	Gurgaon

2.1. NCR/ Northern/ Northeastern India

State	Sl. No.	NAME OF COMPANY REGISTERED IN INDIA	TYPE OF BUSINESS IN INDIA	LOCATIDN
HR	14	ASATSU-DK-FORTUNE COMMUNICATIONS Pvt. Ltd.	29 サービス業/ Consulting, Advertisement, Research, Lawfirm, Accounts, Entertainment, Human Resource etc	Gurgaon
HR	15	ASTI Electronics India Pvt. Ltd.	18 輸送機械器具製造業/ Manufacturing- Automobile, Two Wheeler, Auto Components, Rail/ Ship/Air Plane	Gurgaon
HR	16	Azbil India Pvt. Ltd. Gurgaon Office	23 卸売業、小売業(含: 商社、販社)/ Wholesales, Retail (including Sogo Shosya, sale company)	Gurgaon
HR	17	Bando (India) Private Limited	19 その他の製造業/ Manufacturing- Others	Gurgaon
HR	18	Bellsonica Auto Component India Private Limited	18 輸送機械器具製造業/ Manufacturing- Automobile, Two Wheeler, Auto Components, Rail/ Ship/Air Plane	Gurgaon
HR	19	BENA India Private Limited	29 サービス業/ Consulting, Advertisement, Research, Lawfirm, Accounts, Entertainment, Human Resource etc	Gurgaon
HR	20	BHARAT SEATS LIMITED	18 輸送機械器具製造業/ Manufacturing- Automobile, Two Wheeler, Auto Components, Rail/ Ship/Air Plane	Gurgaon
HR	21	Canon India Private Limited	23 卸売業、小売業(含: 商社、販社)/ Wholesales, Retail (including Sogo Shosya, sale company)	Gurgaon
HR	22	Canon India Private Limited	23 卸売業、小売業(含: 商社、販社)/ Wholesales, Retail (including Sogo Shosya, sale company)	Gurgaon
HR	23	Canon India Private Limited	23 卸売業、小売業(含: 商社、販社)/ Wholesales, Retail (including Sogo Shosya, sale company)	Gurgaon
HR	24	Carna Medical Database Pvt. Ltd.	21 情報通信業/ Telecommunication, Broadcasting, IT, Newspaper, Publishing etc	Gurgaon
HR	25	Casa Blanka Consulting Private Limited	29 サービス業/ Consulting, Advertisement, Research, Lawfirm, Accounts, Entertainment, Human Resource etc	Gurgaon
HR	26	Central Glass Company India Pvt. Ltd.	29 サービス業/ Consulting, Advertisement, Research, Lawfirm, Accounts, Entertainment, Human Resource etc	Gurgaon
HR	27	CHOLAMANDALAM MS GENERAL INSURANCE COMPANY Ltd.	24 金融業、保険業/ Finance, Insurance	Gurgaon
HR	28	CHOLAMANDALAM MS GENERAL INSURANCE COMPANY Ltd.	24 金融業、保険業/ Finance, Insurance	Gurgaon
HR	29	CHOLAMANDALAM MS RISK SERVICES LIMITED	29 サービス業/ Consulting, Advertisement, Research, Lawfirm, Accounts, Entertainment, Human Resource etc	Gurgaon
HR	30	CKD Corporation India Liaison Office - Delhi	18 輸送機械器具製造業/ Manufacturing- Automobile, Two Wheeler, Auto Components, Rail/ Ship/Air Plane	Gurgaon
HR	31	DAIDO India Pvt. Ltd.	18 輸送機械器具製造業/ Manufacturing- Automobile, Two Wheeler, Auto Components, Rail/ Ship/Air Plane	Gurgaon
HR	32	DAIDO KOGYO INDIA Pvt.Ltd.	23 卸売業、小売業(含: 商社、販社)/ Wholesales, Retail (including Sogo Shosya, sale company)	Gurgaon
HR	33	Daifuku India Pvt. Ltd.	14 生産用機械器具製造業/ Manufacturing- Prduction Machinery	Gurgaon
HR	34	Daiichi Jitsugyo Thailand Co., Ltd., New Delhi Branch Office	23 卸売業、小売業(含: 商社、販社)/ Wholesales, Retail (including Sogo Shosya, sale company)	Gurgaon
HR	35	DAIICHI KOGYO INDIA Pvt.Ltd.	03 建設業/ Construction Industry	Gurgaon
HR	36	Daiichi N Horizon Autocomp Pvt. Ltd.	18 輸送機械器具製造業/ Manufacturing- Automobile, Two Wheeler, Auto Components, Rail/ Ship/Air Plane	Gurgaon
HR	37	Daiichi Sankyo India Pharma Private Limited	29 サービス業/ Consulting, Advertisement, Research, Lawfirm, Accounts, Entertainment, Human Resource etc	Gurgaon
HR	38	DAIKIN AIRCONDITIONING INDIA Pvt. Ltd.	16 電気機械器具製造業/ Manufacturing- Electoric Machinery	Gurgaon
HR	39	DAIKIN AIRCONDITIONING INDIA Pvt. Ltd. DELHI-NCR BRANCH	16 電気機械器具製造業/ Manufacturing- Electoric Machinery	Gurgaon
HR	40	DAIKO ADVERTISING INDIA PRIVATE LIMITED	29 サービス業/ Consulting, Advertisement, Research, Lawfirm, Accounts, Entertainment, Human Resource etc	Gurgaon
HR	41	DENSO HARYANA Pvt. Ltd.	18 輸送機械器具製造業/ Manufacturing- Automobile, Two Wheeler, Auto Components, Rail/ Ship/Air Plane	Gurgaon
HR	42	DENSO INTERNATIONAL INDIA Pvt. Ltd., HO	29 サービス業/ Consulting, Advertisement, Research, Lawfirm, Accounts, Entertainment, Human Resource etc	Gurgaon
HR	43	Dentsu Communications Pvt. Ltd.	29 サービス業/ Consulting, Advertisement, Research, Lawfirm, Accounts, Entertainment, Human Resource etc	Gurgaon
HR	44	Dentsu Marcom Pvt.Ltd.	29 サービス業/ Consulting, Advertisement, Research, Lawfirm, Accounts, Entertainment, Human Resource etc	Gurgaon
HR	45	DENYO India Pvt.Ltd.	23 卸売業、小売業(含: 商社、販社)/ Wholesales, Retail (including Sogo Shosya, sale company)	Gurgaon

## 2.1. NCR/ Northern/ Northeastern India

State	Sl. No.	NAME OF COMPANY REGISTERED IN INDIA	TYPE OF BUSINESS IN INDIA	LOCATIDN
HR	46	East Nippon Expressway Company Limited, India Office	03 建設業/ Construction Industry	Gurgaon
HR	47	Edelweiss Tokio Life Insurance Company Limited Gurgaon_Sector 22	24 金融業、保険業/ Finance, Insurance	Gurgaon
HR	48	Elematec Trading India Pvt. Ltd. Delhi NCR Branch	23 卸売業、小売業(含: 商社、販社)/ Wholesales, Retail (including Sogo Shosya, sale company)	Gurgaon
HR	49	Fair Consulting India Pvt. Ltd.	29 サービス業/ Consulting, Advertisement, Research, Lawfirm, Accounts, Entertainment, Human Resource etc	Gurgaon
HR	50	Falken Tyre India Private Limited	23 卸売業、小売業/ Wholesales, Retail	Gurgaon
HR	51	FCC RICO LIMITED	18 輸送機械器具製造業/ Manufacturing- Automobile, Two Wheer, Auto Components, Rail/ Ship/Air Plane	Gurgaon
HR	52	Felicite IP Consulting India Private Limited	29 サービス業/ Consulting, Advertisement, Research, Lawfirm, Accounts, Entertainment, Human Resource etc	Gurgaon
HR	53	FMI Automotive Components Limited	18 輸送機械器具製造業/ Manufacturing- Automobile, Two Wheer, Auto Components, Rail/ Ship/Air Plane	Gurgaon
HR	54	FUJI SYSTEMS INDIA Pvt.Ltd.	23 卸売業、小売業(含: 商社、販社)/ Wholesales, Retail (including Sogo Shosya, sale company)	Gurgaon
HR	55	FUJIFILM INDIA PRIVATE LIMITED	23 卸売業、小売業(含: 商社、販社)/ Wholesales, Retail (including Sogo Shosya, sale company)	Gurgaon
HR	56	FUJIKURA KASEI COATING INDIA Pvt.Ltd.	23 卸売業、小売業(含: 商社、販社)/ Wholesales, Retail (including Sogo Shosya, sale company)	Gurgaon
HR	57	Fujilloy India Pvt. Ltd.	12 金属製品製造業/ manufactruing- Metal Products	Gurgaon
HR	58	FUJITSU INDIA Pvt. LIMITED	21 情報通信業/ Telecommunication, Broadcasting, IT, Newspaper, Publishing etc	Gurgaon
HR	59	FURUSHIMA INDIA INSPECTION CENTRE Pvt., Ltd.	29 サービス業/ Consulting, Advertisement, Research, Lawfirm, Accounts, Entertainment, Human Resource etc	Gurgaon
HR	60	HAMABO INDIA Pvt.Ltd.	23 卸売業、小売業(含: 商社、販社)/ Wholesales, Retail (including Sogo Shosya, sale company)	Gurgaon
HR	61	Hankyu Hanshin Express India Pvt. Ltd.	22 運輸業/ Transportation	Gurgaon
HR	62	Hanwa India Pvt. Ltd.	23 卸売業、小売業(含: 商社、販社)/ Wholesales, Retail (including Sogo Shosya, sale company)	Gurgaon
HR	63	Hi-Iex India Pvt. Ltd. Manesar Plant Unit1	18 輸送機械器具製造業/ Manufacturing- Automobile, Two Wheer, Auto Components, Rail/ Ship/Air Plane	Gurgaon
HR	64	HIOKI INDIA PRIVATE LIMITED	23 卸売業、小売業(含: 商社、販社)/ Wholesales, Retail (including Sogo Shosya, sale company)	Gurgaon
HR	65	Hirohama India Pvt. Ltd.	29 サービス業/ Consulting, Advertisement, Research, Lawfirm, Accounts, Entertainment, Human Resource etc	Gurgaon
HR	66	Hitachi Chemical India Private Limited	12 金属製品製造業/ manufactruing- Metal Products	Gurgaon
HR	67	Hitachi High-Technologies India Private Limited	23 卸売業、小売業(含: 商社、販社)/ Wholesales, Retail (including Sogo Shosya, sale company)	Gurgaon
HR	68	Hitachi Plant Technologies India Pvt. Ltd.	03 建設業/ Construction Industry	Gurgaon
HR	69	Hitachi Zosen India Pvt. Ltd.	19 その他の製造業/ Manufacturing- Others	Gurgaon
HR	70	HONDA KAIHATU INDIA HOSPITALITY Pvt. Ltd ., ICHI-ZEN JAPANESE RESTAURANT GURGAON	27 宿泊業、飲食サービス業/ Hotel, Restaurant	Gurgaon
HR	71	HONDA KAIHATU INDIA HOSPITALITY Pvt. Ltd.	29 サービス業/ Consulting, Advertisement, Research, Lawfirm, Accounts, Entertainment, Human Resource etc	Gurgaon
HR	72	Honda Motorcycle and Scooter India Pvt., Ltd.	18 輸送機械器具製造業/ Manufacturing- Automobile, Two Wheer, Auto Components, Rail/ Ship/Air Plane	Gurgaon
HR	73	Honda Motorcycle & Scooter India Pvt. Ltd.	18 輸送機械器具製造業/ Manufacturing- Automobile, Two Wheer, Auto Components, Rail/ Ship/Air Plane	Gurgaon
HR	74	Honda R & D (India) Pvt. Ltd.	18 輸送機械器具製造業/ Manufacturing- Automobile, Two Wheer, Auto Components, Rail/ Ship/Air Plane	Gurgaon
HR	75	Honda Trading Corporation India Pvt. Ltd.	23 卸売業、小売業(含: 商社、販社)/ Wholesales, Retail (including Sogo Shosya, sale company)	Gurgaon
HR	76	I.I.Inspection & Export Pvt. Ltd.	05 繊維工業/ Textile Industry	Gurgaon
HR	77	IFFCO-Tokio General Insurance Co. Ltd.	24 金融業、保険業/ Finance, Insurance	Gurgaon



## 2.1. NCR/ Northern/ Northeastern India

State	Sl. No.	NAME OF COMPANY REGISTERED IN INDIA	TYPE OF BUSINESS IN INDIA	LOCATIDN
HR	78	IINE ENTERTAINMENT Pvt. Ltd.	21 情報通信業/ Telecommunication, Broadcasting, IT, Newspaper, Publishing etc	Gurgaon
HR	79	Inabata India Private Limited, HO	23 卸売業、小売業(含:商社、販社)/Wholesales, Retail (including Sogo Shosya, sale company)	Gurgaon
HR	80	Inergy Automotive Systems Manufacturing India Private Limited	18 輸送機械器具製造業/ Manufacturing- Automobile, Two Wheer, Auto Components, Rail/ Ship/Air Plane	Gurgaon
HR	81	Infrastructure Leasing & Financial Serviecs Limited	24 金融業、保険業/ Finance, Insurance	Gurgaon
HR	82	IP Integrated Services Pvt. Ltd.	22 運輸業/ Transportation	Gurgaon
HR	83	ISFnet India Pvt. Ltd.	21 情報通信業/ Telecommunication, Broadcasting, IT, Newspaper, Publishing etc	Gurgaon
HR	84	ISHIDA INDIA Pvt. Ltd.	19 その他の製造業/ Manufacturing- Others	Gurgaon
HR	85	Iwatani India Pvt. Ltd.	23 卸売業、小売業(含:商社、販社)/Wholesales, Retail (including Sogo Shosya, sale company)	Gurgaon
HR	86	JAC Recruitment India Private Limited	29 サービス業/ Consulting, Advertisement, Research, Lawfirm, Accounts, Entertainment, Human Resource etc	Gurgaon
HR	87	JAPAN STEEL WORKS INDIA PRIVATE LIMITED	23 卸売業、小売業(含:商社、販社)/Wholesales, Retail (including Sogo Shosya, sale company)	Gurgaon
HR	88	Jay U-shin Ltd.	18 輸送機械器具製造業/ Manufacturing- Automobile, Two Wheer, Auto Components, Rail/ Ship/Air Plane	Gurgaon
HR	89	JBM Kanemitsu Pulleys Pvt., Ltd.	12 金属製品製造業/ manufactruing- Metal Products	Gurgaon
HR	90	JFE Shoji Trade India Pvt. Ltd., HO	23 卸売業、小売業(含:商社、販社)/Wholesales, Retail (including Sogo Shosya, sale company)	Gurgaon
HR	91	JFE STEEL INDIA PRIVATE LIMITED	10 鉄鋼業/ Steel	Gurgaon
HR	92	JGC Middle East FZE Delhi Branch Office	03 建設業/ Construction Industry	Gurgaon
HR	93	JJ Impex Pvt. Ltd. Chennai Office	18 輸送機械器具製造業/ Manufacturing- Automobile, Two Wheer, Auto Components, Rail/ Ship/Air Plane	Gurgaon
HR	94	JNS Instruments Ltd.	18 輸送機械器具製造業/ Manufacturing- Automobile, Two Wheer, Auto Components, Rail/ Ship/Air Plane	Gurgaon
HR	95	JTB India Private Limited	29 サービス業/ Consulting, Advertisement, Research, Lawfirm, Accounts, Entertainment, Human Resource etc	Gurgaon
HR	96	JVCKENWOOD Marketing India Private Limited	16 電気機械器具製造業/ Manufacturing- Electoric Machinery	Gurgaon
HR	97	Kajima India Pvt. Ltd.	03 建設業/ Construction Industry	Gurgaon
HR	98	Kanefusa India Private Limited	23 卸売業、小売業(含:商社、販社)/Wholesales, Retail (including Sogo Shosya, sale company)	Gurgaon
HR	99	Kanematsu India Private Limited	23 卸売業、小売業(含:商社、販社)/Wholesales, Retail (including Sogo Shosya, sale company)	Gurgaon
HR	100	KDDI India Private Limited	21 情報通信業/ Telecommunication, Broadcasting, IT, Newspaper, Publishing etc	Gurgaon
HR	101	KEIHIN AUTOMOTIVE SYSTEMS INDIA Pvt. Ltd.	18 輸送機械器具製造業/ Manufacturing- Automobile, Two Wheer, Auto Components, Rail/ Ship/Air Plane	Gurgaon
HR	102	Kinden India Pvt. Ltd.	03 建設業/ Construction Industry	Gurgaon
HR	103	KISCO TRADING INDIA Pvt. Ltd.	23 卸売業、小売業(含:商社、販社)/Wholesales, Retail (including Sogo Shosya, sale company)	Gurgaon
HR	104	Kobelco Welding India Pvt.Ltd.	10 鉄鋼業/ Steel	Gurgaon
HR	105	Kokoku Intec Co., Ltd., New Delhi Branch	18 輸送機械器具製造業/ Manufacturing- Automobile, Two Wheer, Auto Components, Rail/ Ship/Air Plane	Gurgaon
HR	106	Kokoku Intech India Pvt. Ltd., HO	18 輸送機械器具製造業/ Manufacturing- Automobile, Two Wheer, Auto Components, Rail/ Ship/Air Plane	Gurgaon
HR	107	Komatsu India Pvt. Ltd. Gurgaon Branch	19 その他の製造業/ Manufacturing- Others	Gurgaon
HR	108	Konica Minolta Business Solutions India Pvt. Ltd.	17 情報通信機械器具、電子部品・デバイス・電子回路製造業/ Manufacturing- IT Products, Electronics Products	Gurgaon
HR	109	KONOIKE ASIA (INDIA) Pvt. Ltd.	22 運輸業/ Transportation	Gurgaon

## 2.1. NCR/ Northern/ Northeastern India

State	Sl. No.	NAME OF COMPANY REGISTERED IN INDIA	TYPE OF BUSINESS IN INDIA	LOCATIDN
HR	110	KOSE Corporation India Private Limited	19 その他の製造業/ Manufacturing- Others	Gurgaon
HR	111	Koyo Bearings India Pvt. Ltd.	12 金属製品製造業/ manufactruing- Metal Products	Gurgaon
HR	112	Krishna Ishizaki Auto Limited.	18 輸送機械器具製造業/ Manufacturing- Automobile, Two Wheer, Auto Components, Rail/ Ship/Air Plane	Gurgaon
HR	113	KRISHNA MARUTI Ltd.	18 輸送機械器具製造業/ Manufacturing- Automobile, Two Wheer, Auto Components, Rail/ Ship/Air Plane	Gurgaon
HR	114	KUWAHARA GARMENTS CHECKING INDIA Pvt. Ltd.	05 繊維工業/ Textile Industry	Gurgaon
HR	115	KUWAHARASHIN EXPORTS INDIA Pvt.,Ltd.	29 サービス業/ Consulting, Advertisement, Research, Lawfirm, Accounts, Entertainment, Human Resource etc	Gurgaon
HR	116	KWE India	22 運輸業/ Transportation	Gurgaon
HR	117	Kyocera Asia Pacific India Pvt. Ltd.	17 情報通信機械器具、電子部品・デバイス・電子回路製造業/ Manufacturing- IT Products, Electronics Products	Gurgaon
HR	118	Kyocera Document Solutions India Pvt. Ltd., HO	23 卸売業、小売業(含:商社、販社)/ Wholesales, Retail (including Sogo Shosya, sale company)	Gurgaon
HR	119	Lumax Industries Ltd.	18 輸送機械器具製造業/ Manufacturing- Automobile, Two Wheer, Auto Components, Rail/ Ship/Air Plane	Gurgaon
HR	120	MACHINO PLASTICS LIMITED	18 輸送機械器具製造業/ Manufacturing- Automobile, Two Wheer, Auto Components, Rail/ Ship/Air Plane	Gurgaon
HR	121	Magneti Marelli Powertrain India Private Limited	18 輸送機械器具製造業/ Manufacturing- Automobile, Two Wheer, Auto Components, Rail/ Ship/Air Plane	Gurgaon
HR	122	Makino India Pvt. Ltd.	16 電気機械器具製造業/ Manufacturing- Electoric Machinery	Gurgaon
HR	123	Manesar Steel Processing India Pvt.Ltd.	18 輸送機械器具製造業/ Manufacturing- Automobile, Two Wheer, Auto Components, Rail/ Ship/Air Plane	Gurgaon
HR	124	Maruichi Kuma Steel Tube Private Ltd.	10 鉄鋼業/ Steel	Gurgaon
HR	125	Maruka India Private Limited	23 卸売業、小売業(含:商社、販社)/ Wholesales, Retail (including Sogo Shosya, sale company)	Gurgaon
HR	126	Maruti Suzuki India Limited	18 輸送機械器具製造業/ Manufacturing- Automobile, Two Wheer, Auto Components, Rail/ Ship/Air Plane	Gurgaon
HR	127	Maruti Suzuki India Limited	18 輸送機械器具製造業/ Manufacturing- Automobile, Two Wheer, Auto Components, Rail/ Ship/Air Plane	Gurgaon
HR	128	MAX LIFE INSURANCE COMPANY Ltd.	24 金融業、保険業/ Finance, Insurance	Gurgaon
HR	129	MAX LIFE INSURANCE COMPANY Ltd.	24 金融業、保険業/ Finance, Insurance	Gurgaon
HR	130	MAX LIFE INSURANCE COMPANY Ltd.	24 金融業、保険業/ Finance, Insurance	Gurgaon
HR	131	MAX LIFE INSURANCE COMPANY Ltd.	24 金融業、保険業/ Finance, Insurance	Gurgaon
HR	132	Maxell Asia Singapore Pte. Ltd. Gurgaon Liaison Office	16 電気機械器具製造業/ Manufacturing- Electoric Machinery	Gurgaon
HR	133	Mayekawa India Pvt. Ltd.	19 その他の製造業/ Manufacturing- Others	Gurgaon
HR	134	MEP INDIA Pvt.Ltd., HO	23 卸売業、小売業(含:商社、販社)/ Wholesales, Retail (including Sogo Shosya, sale company)	Gurgaon
HR	135	MHI Engineering and Industrial Projects India Private Limited	19 その他の製造業/ Manufacturing- Others	Gurgaon
HR	136	MI TORICA INDIA Ltd.	23 卸売業、小売業(含:商社、販社)/ Wholesales, Retail (including Sogo Shosya, sale company)	Gurgaon
HR	137	Mimaki India Private Limited	23 卸売業、小売業(含:商社、販社)/ Wholesales, Retail (including Sogo Shosya, sale company)	Gurgaon
HR	138	Mindarika Pvt. Ltd., HQ & Manesar Plant	18 輸送機械器具製造業/ Manufacturing- Automobile, Two Wheer, Auto Components, Rail/ Ship/Air Plane	Gurgaon
HR	139	MITSUBA SICAL INDIA LIMITED	18 輸送機械器具製造業/ Manufacturing- Automobile, Two Wheer, Auto Components, Rail/ Ship/Air Plane	Gurgaon
HR	140	Mitsubishi Chemical India	23 卸売業、小売業(含:商社、販社)/ Wholesales, Retail (including Sogo Shosya, sale company)	Gurgaon
HR	141	MITSUBISHI ELECTRIC AUTOMOTIVE INDIA PRIVATE LIMITED	18 輸送機械器具製造業/ Manufacturing- Automobile, Two Wheer, Auto Components, Rail/ Ship/Air Plane	Gurgaon

## 2.1. NCR/ Northern/ Northeastern India

State	Sl. No.	NAME OF COMPANY REGISTERED IN INDIA	TYPE OF BUSINESS IN INDIA	LOCATIDN
HR	142	mitsubishi electric india private limited	16 電気機械器具製造業/ Manufacturing- Electoric Machinery	Gurgaon
HR	143	mitsubishi electric india private limited	16 電気機械器具製造業/ Manufacturing- Electoric Machinery	Gurgaon
HR	144	Mitsubishi Heavy Industries India Precision Tools, Ltd., Manesar Plant	14 生産用機械器具製造業/ Manufacturing- Prduction Machinery	Gurgaon
HR	145	Mitsui Kinzoku Components India Pvt.,Ltd. Sales office	18 輸送機械器具製造業/ Manufacturing- Automobile, Two Wheer, Auto Components, Rail/ Ship/Air Plane	Gurgaon
HR	146	MITSUI SUMITOMO INSURANCE CO. Ltd.	24 金融業、保険業/ Finance, Insurance	Gurgaon
HR	147	Mitsui-Soko International Pte Ltd. India Liaison Office	22 運輸業/ Transportation	Gurgaon
HR	148	Munjaj Kiriu Industries (P) Ltd.	18 輸送機械器具製造業/ Manufacturing- Automobile, Two Wheer, Auto Components, Rail/ Ship/Air Plane	Gurgaon
HR	149	MUNJAL SHOWA Ltd.	18 輸送機械器具製造業/ Manufacturing- Automobile, Two Wheer, Auto Components, Rail/ Ship/Air Plane	Gurgaon
HR	150	Mytex Polymers India Pvt. Ltd., HO	07 化学工業/ Chemical Industry	Gurgaon
HR	151	NACHI KG TECHNOLOGY INDIA Pvt. Ltd., HO	12 金属製品製造業/ manufactruing- Metal Products	Gurgaon
HR	152	Nachi Motherson Precision Limited	12 金属製品製造業/ manufactruing- Metal Products	Gurgaon
HR	153	Nagase India Pvt. Ltd. NORTH INDIA BRANCH	23 卸売業、小売業(含:商社、販社)/ Wholesales, Retail (including Sogo Shosya, sale company)	Gurgaon
HR	154	NAGATA INDIA Pvt., Ltd.	18 輸送機械器具製造業/ Manufacturing- Automobile, Two Wheer, Auto Components, Rail/ Ship/Air Plane	Gurgaon
HR	155	NAGOMI CONSULTING Pvt. Ltd., HO	04 食料品、飲料・たばこ・飼料製造業/ Manufacturing- Food, Drink, Tobacco, Fodder	Gurgaon
HR	156	Nankai Express Co Ltd., India Liaison Office	22 運輸業/ Transportation	Gurgaon
HR	157	Nas Media Solutions India Pvt. Ltd.	29 サービス業/ Consulting, Advertisement, Research, Lawfirm, Accounts, Entertainment, Human Resource etc	Gurgaon
HR	158	NGK Spark Plugs (India) Pvt. Ltd.	19 その他の製造業/ Manufacturing- Others	Gurgaon
HR	159	NHK SPRING INDIA Ltd., HO	12 金属製品製造業/ manufactruing- Metal Products	Gurgaon
HR	160	NI Keizai Information Pvt. Ltd.	29 サービス業/ Consulting, Advertisement, Research, Lawfirm, Accounts, Entertainment, Human Resource etc	Gurgaon
HR	161	Nichirin Autoparts India Pvt. Ltd.	19 その他の製造業/ Manufacturing- Others	Gurgaon
HR	162	Nidec India Private Limited	16 電気機械器具製造業/ Manufacturing- Electoric Machinery	Gurgaon
HR	163	Nifast India Pvt. Ltd.	23 卸売業、小売業(含:商社、販社)/ Wholesales, Retail (including Sogo Shosya, sale company)	Gurgaon
HR	164	NIFCO INDIA Pvt.Ltd.	18 輸送機械器具製造業/ Manufacturing- Automobile, Two Wheer, Auto Components, Rail/ Ship/Air Plane	Gurgaon
HR	165	Nihon Denkei India Pvt. Ltd.	23 卸売業、小売業/ Wholesales, Retail	Gurgaon
HR	166	Nihon Kohden India Pvt. Ltd.	23 卸売業、小売業/ Wholesales, Retail	Gurgaon
HR	167	NIHON PARKERIZING INDIA Pvt.Ltd.	07 化学工業/ Chemical Industry	Gurgaon
HR	168	Nikon India Private Limited	19 その他の製造業/ Manufacturing- Others	Gurgaon
HR	169	NIPPEI TOYAMA India Pvt. Ltd. Delhi Office	29 サービス業/ Consulting, Advertisement, Research, Lawfirm, Accounts, Entertainment, Human Resource etc	Gurgaon
HR	170	NIPPO Corporation	03 建設業/ Construction Industry	Gurgaon
HR	171	Nippon Express (India) Pvt., Ltd.	22 運輸業/ Transportation	Gurgaon
HR	172	NIPPON KONPO INDIA Pvt.Ltd.	22 運輸業/ Transportation	Gurgaon
HR	173	Nipro India Corporation Delhi Branch	19 その他の製造業/ Manufacturing- Others	Gurgaon

## 2.1. NCR/ Northern/ Northeastern India

State	Sl. No.	NAME OF COMPANY REGISTERED IN INDIA	TYPE OF BUSINESS IN INDIA	LOCATIDN
HR	174	NISSEI PLASTIC (INDIA) Pvt. Ltd.	14 生産用機械器具製造業/ Manufacturing- Prduction Machinery	Gurgaon
HR	175	Nisshinbo Mechatronics India Private Limited	19 その他の製造業/ Manufacturing- Others	Gurgaon
HR	176	Nissin ABC Logistics Private Liminted. Corporate Office	22 運輸業/ Transportation	Gurgaon
HR	177	Nitto Denko India Private Limited	18 輸送機械器具製造業/ Manufacturing- Automobile, Two Wheer, Auto Components, Rail/ Ship/Air Plane	Gurgaon
HR	178	Nittsu Shoji India Private Limited	28 教育、学習支援、医療、福祉、複合サービス業/ Education, Medical, Postal, Cooperatives	Gurgaon
HR	179	NKC Conveyor India Pvt. Ltd.	18 輸送機械器具製造業/ Manufacturing- Automobile, Two Wheer, Auto Components, Rail/ Ship/Air Plane	Gurgaon
HR	180	NNA Singapore Pte. Ltd. (Indian Lisaion Office)	21 情報通信業/ Telecommunication, Broadcasting, IT, Newspaper, Publishing etc	Gurgaon
HR	181	NNR Global Logistics India Pvt.Ltd.	22 運輸業/ Transportation	Gurgaon
HR	182	Nohmi Bosai (India) Pvt. Ltd.	03 建設業/ Construction Industry	Gurgaon
HR	183	Nomura Research Institute India Pvt. Ltd.	29 サービス業/ Consulting, Advertisement, Research, Lawfirm, Accounts, Entertainment, Human Resource etc	Gurgaon
HR	184	NTT Communications India Private Ltd.	21 情報通信業/ Telecommunication, Broadcasting, IT, Newspaper, Publishing etc	Gurgaon
HR	185	Oiles India Private Limited	19 その他の製造業/ Manufacturing- Others	Gurgaon
HR	186	OJI JK PACKAGING Pvt. Ltd.	06 木材・木製品、パルプ・紙・紙加工品製造業/ Manufacturing- Timber & Timber Products, Paper & Paper Products	Gurgaon
HR	187	Okitsumo Inc.-India Liaison Office	19 その他の製造業/ Manufacturing- Others	Gurgaon
HR	188	Okuma India Pvt. Ltd.	14 生産用機械器具製造業/ Manufacturing- Prduction Machinery	Gurgaon
HR	189	Olympus Medical Systems India Pvt. Ltd.	23 卸売業、小売業(含:商社、販社)/ Wholesales, Retail (including Sogo Shosya, sale company)	Gurgaon
HR	190	Omron Automation Pvt. Ltd.	16 電気機械器具製造業/ Manufacturing- Electoric Machinery	Gurgaon
HR	191	Omron Automotive Components India Pvt. Ltd.	18 輸送機械器具製造業/ Manufacturing- Automobile, Two Wheer, Auto Components, Rail/ Ship/Air Plane	Gurgaon
HR	192	OMRON HEALTHCARE India PRIVATE LIMITED	23 卸売業、小売業(含:商社、販社)/ Wholesales, Retail (including Sogo Shosya, sale company)	Gurgaon
HR	193	ONO SOKKI INDIA PRIVATE LIMITED	23 卸売業、小売業(含:商社、販社)/ Wholesales, Retail (including Sogo Shosya, sale company)	Gurgaon
HR	194	OPTEX PINNACLE INDIA PRIVATE LIMITED	23 卸売業、小売業(含:商社、販社)/ Wholesales, Retail (including Sogo Shosya, sale company)	Gurgaon
HR	195	ORIX Auto Infrastructure Services Limited	26 物品賃貸業/ Lease	Gurgaon
HR	196	OSG (INDIA) Pvt. Ltd.	12 金属製品製造業/ manufactruing- Metal Products	Gurgaon
HR	197	OTC DAIHEN INDIA Pvt. Ltd.	16 電気機械器具製造業/ Manufacturing- Electoric Machinery	Gurgaon
HR	198	Otsuka Chemical (India) Pvt. Ltd.	07 化学工業/ Chemical Industry	Gurgaon
HR	199	Overseas Courier Service (India) Pvt. Ltd. Gurgaon Branch	22 運輸業/ Transportation	Gurgaon
HR	200	Panasonic Automotive Systems India	16 電気機械器具製造業/ Manufacturing- Electoric Machinery	Gurgaon
HR	201	Panasonic India Pvt. Ltd., HO	16 電気機械器具製造業/ Manufacturing- Electoric Machinery	Gurgaon
HR	202	Panasonic Marketing India	16 電気機械器具製造業/ Manufacturing- Electoric Machinery	Gurgaon
HR	203	PARKER ENGINEERING (INDIA)Pvt.Ltd.	03 建設業/ Construction Industry	Gurgaon
HR	204	PENTA-OCEAN CONSTRUCTION (INDIA) PRIVATE LIMITED	03 建設業/ Construction Industry	Gurgaon
HR	205	Pioneer India Electronics Pvt. Ltd.	23 卸売業、小売業(含:商社、販社)/ Wholesales, Retail (including Sogo Shosya, sale company)	Gurgaon

## 2.1. NCR/ Northern/ Northeastern India

State	Sl. No.	NAME OF COMPANY REGISTERED IN INDIA	TYPE OF BUSINESS IN INDIA	LOCATIDN
HR	206	Polyplastics Marketing (India) Private Ltd.	07 化学工業/ Chemical Industry	Gurgaon
HR	207	Promo Tec India Pvt. Ltd.	29 サービス業/ Consulting, Advertisement, Research, Lawfirm, Accounts, Entertainment, Human Resource etc	Gurgaon
HR	208	Pyramid Relo Pvt.Ltd.	27 宿泊業、飲食サービス業/ Hotel, Restaurant	Gurgaon
HR	209	Quality Life Enterprise (India) Pvt. Ltd.	29 サービス業/ Consulting, Advertisement, Research, Lawfirm, Accounts, Entertainment, Human Resource etc	Gurgaon
HR	210	Ranbaxy Laboratories Ltd.	19 その他の製造業/ Manufacturing- Others	Gurgaon
HR	211	Rane NSK Steering Systems Limited, Gurgaon office	18 輸送機械器具製造業/ Manufacturing- Automobile, Two Wheeler, Auto Components, Rail/ Ship/Air Plane	Gurgaon
HR	212	Ricoh India Limited	21 情報通信業/ Telecommunication, Broadcasting, IT, Newspaper, Publishing etc	Gurgaon
HR	213	Rohto Pharma (India) Pvt. Ltd.	19 その他の製造業/ Manufacturing- Others	Gurgaon
HR	214	ROKI Co.,Ltd. India Branch Office	18 輸送機械器具製造業/ Manufacturing- Automobile, Two Wheeler, Auto Components, Rail/ Ship/Air Plane	Gurgaon
HR	215	Ryosho Techno (S) Pte. Ltd.	23 卸売業、小売業(含: 商社、販社)/ Wholesales, Retail (including Sogo Shosya, sale company)	Gurgaon
HR	216	SAIYU TRAVEL INDIA	29 サービス業/ Consulting, Advertisement, Research, Lawfirm, Accounts, Entertainment, Human Resource etc	Gurgaon
HR	217	SAKATA INX (INDIA) Ltd.	07 化学工業/ Chemical Industry	Gurgaon
HR	218	Sanko Shoji India Pvt.Ltd.	23 卸売業、小売業(含: 商社、販社)/ Wholesales, Retail (including Sogo Shosya, sale company)	Gurgaon
HR	219	Sankyu India Logistics & Engineering Ghariharsaru Branch	22 運輸業/ Transportation	Gurgaon
HR	220	Sankyu India Logistics & Engineering, HO	22 運輸業/ Transportation	Gurgaon
HR	221	Sanyo Special Steel India Pvt. Ltd.	29 サービス業/ Consulting, Advertisement, Research, Lawfirm, Accounts, Entertainment, Human Resource etc	Gurgaon
HR	222	Sato Auto-ID India Pvt. Ltd.	17 情報通信機械器具、電子部品・デバイス・電子回路製造業/ Manufacturing- IT Products, Electronics Products	Gurgaon
HR	223	SEI Trading India Private Limited	29 サービス業/ Consulting, Advertisement, Research, Lawfirm, Accounts, Entertainment, Human Resource etc	Gurgaon
HR	224	Shimizu Corporation India Pvt. Ltd. Gurgaon Office	03 建設業/ Construction Industry	Gurgaon
HR	225	Shiraishi Calcium (India) Pvt. Ltd.	23 卸売業、小売業(含: 商社、販社)/ Wholesales, Retail (including Sogo Shosya, sale company)	Gurgaon
HR	226	SHISHO K'MAC PRECISION PARTS(INDIA) PRIVATE LIMITED	23 卸売業、小売業(含: 商社、販社)/ Wholesales, Retail (including Sogo Shosya, sale company)	Gurgaon
HR	227	SIGMA FREUDENBERG NOK Pvt.Ltd. Gurgaon Sales Office	18 輸送機械器具製造業/ Manufacturing- Automobile, Two Wheeler, Auto Components, Rail/ Ship/Air Plane	Gurgaon
HR	228	SNK INDIA Pvt. Ltd.	23 卸売業、小売業(含: 商社、販社)/ Wholesales, Retail (including Sogo Shosya, sale company)	Gurgaon
HR	229	Softbank Telecom India Pvt. Ltd.	21 情報通信業/ Telecommunication, Broadcasting, IT, Newspaper, Publishing etc	Gurgaon
HR	230	Sojitz India Pvt. Ltd. Gurgaon Office	23 卸売業、小売業/ Wholesales, Retail	Gurgaon
HR	231	SOMIC ZF COMPONENTS LIMITED, HO	18 輸送機械器具製造業/ Manufacturing- Automobile, Two Wheeler, Auto Components, Rail/ Ship/Air Plane	Gurgaon
HR	232	Sona Koyo Steering Systems Ltd.	18 輸送機械器具製造業/ Manufacturing- Automobile, Two Wheeler, Auto Components, Rail/ Ship/Air Plane	Gurgaon
HR	233	Sony India Pvt. Ltd. Gurgaon	23 卸売業、小売業(含: 商社、販社)/ Wholesales, Retail (including Sogo Shosya, sale company)	Gurgaon
HR	234	SP LIVE INDIA PRIVATE LIMITED	29 サービス業/ Consulting, Advertisement, Research, Lawfirm, Accounts, Entertainment, Human Resource etc	Gurgaon
HR	235	Standard Plastic Industries India (A Unit Of SPIPlastics Pvt. Ltd.)	18 輸送機械器具製造業/ Manufacturing- Automobile, Two Wheeler, Auto Components, Rail/ Ship/Air Plane	Gurgaon
HR	236	Standard Plastic Industries India (A Unit Of SPIPlastics Pvt. Ltd.), DIEMOLD FACTORY	18 輸送機械器具製造業/ Manufacturing- Automobile, Two Wheeler, Auto Components, Rail/ Ship/Air Plane	Gurgaon
HR	237	STAR SEIKI INDIA Pvt. Ltd.	14 生産用機械器具製造業/ Manufacturing- Prduction Machinery	Gurgaon

## 2.1. NCR/ Northern/ Northeastern India

State	Sl. No.	NAME OF COMPANY REGISTERED IN INDIA	TYPE OF BUSINESS IN INDIA	LOCATIDN
HR	238	STI-Sanoh India Ltd. Gurgaon Plant	12 金属製品製造業/ manufactruing- Metal Products	Gurgaon
HR	239	Suminoe Teijin Techno Krishna India Pvt.Ltd.	05 繊維工業/ Textile Industry	Gurgaon
HR	240	Sun Alphatec Moulds (India) Pvt.Ltd.	18 輸送機械器具製造業/ Manufacturing- Automobile, Two Wheer, Auto Components, Rail/ Ship/Air Plane	Gurgaon
HR	241	Suzuki Motorcycle India Private Limited	18 輸送機械器具製造業/ Manufacturing- Automobile, Two Wheer, Auto Components, Rail/ Ship/Air Plane	Gurgaon
HR	242	Taikisha Engineering India Ltd.	19 その他の製造業/ Manufacturing- Others	Gurgaon
HR	243	Taikisha Engineering India Ltd. GT Division, Manesar-Haryana	19 その他の製造業/ Manufacturing- Others	Gurgaon
HR	244	Taikisha Engineering India Ltd. Electrical Control Panel Factory, Manesar-Haryana	16 電気機械器具製造業/ Manufacturing- Electoric Machinery	Gurgaon
HR	245	TAISEI CORPORATION New Delhi Liaison Office	03 建設業/ Construction Industry	Gurgaon
HR	246	Takenaka India Private Limited	03 建設業/ Construction Industry	Gurgaon
HR	247	Talbro Marugo Rubber Pvt. Ltd.	18 輸送機械器具製造業/ Manufacturing- Automobile, Two Wheer, Auto Components, Rail/ Ship/Air Plane	Gurgaon
HR	248	Tamron India Pvt. Ltd.	29 サービス業/ Consulting, Advertisement, Research, Lawfirm, Accounts, Entertainment, Human Resource etc	Gurgaon
HR	249	TANAKA AUTO PARTS INDIA Pvt.Ltd.	12 金属製品製造業/ manufactruing- Metal Products	Gurgaon
HR	250	Team PASONA India Co. Ltd., Gurgaon Branch	29 サービス業/ Consulting, Advertisement, Research, Lawfirm, Accounts, Entertainment, Human Resource etc	Gurgaon
HR	251	Teensky India Private Limited	29 サービス業/ Consulting, Advertisement, Research, Lawfirm, Accounts, Entertainment, Human Resource etc	Gurgaon
HR	252	Teijin India Private Limited	05 繊維工業/ Textile Industry	Gurgaon
HR	253	Tenjiku Foods Pvt. Ltd.	29 サービス業/ Consulting, Advertisement, Research, Lawfirm, Accounts, Entertainment, Human Resource etc	Gurgaon
HR	254	Tenjiku Foods Pvt. Ltd.	29 サービス業/ Consulting, Advertisement, Research, Lawfirm, Accounts, Entertainment, Human Resource etc	Gurgaon
HR	255	TENRYU SAW INDIA Pvt. Ltd.	19 その他の製造業/ Manufacturing- Others	Gurgaon
HR	256	Terumo India Pvt. Ltd.	19 その他の製造業/ Manufacturing- Others	Gurgaon
HR	257	ThreeBond India Pvt.Ltd. Gurgaon Branch	07 化学工業/ Chemical Industry	Gurgaon
HR	258	Tiger Corporation. India Representative Office	16 電気機械器具製造業/ Manufacturing- Electoric Machinery	Gurgaon
HR	259	Tokai Imperial Hydraulics India Private Limited Gurgaon Office	19 その他の製造業/ Manufacturing- Others	Gurgaon
HR	260	Tokio Marine & Nichido Fire Insurance Co., Ltd.	24 金融業、保険業/ Finance, Insurance	Gurgaon
HR	261	Tokyo Consulting Firm	29 サービス業/ Consulting, Advertisement, Research, Lawfirm, Accounts, Entertainment, Human Resource etc	Gurgaon
HR	262	Tokyo Electron India Pvt. Ltd.	16 電気機械器具製造業/ Manufacturing- Electoric Machinery	Gurgaon
HR	263	Tokyo Zairyo (India) Pvt.Ltd.	23 卸売業、小売業(含: 商社、販社)/ Wholesales, Retail (including Sogo Shosya, sale company)	Gurgaon
HR	264	Tomita India Pvt. Ltd.	23 卸売業、小売業(含: 商社、販社)/ Wholesales, Retail (including Sogo Shosya, sale company)	Gurgaon
HR	265	Toppan Printing Co., Ltd. India Liaison Office	19 その他の製造業/ Manufacturing- Others	Gurgaon
HR	266	Toray Industries (India) Private Limited	29 サービス業/ Consulting, Advertisement, Research, Lawfirm, Accounts, Entertainment, Human Resource etc	Gurgaon
HR	267	Torishima Pumps India Pvt.Ltd., HO	19 その他の製造業/ Manufacturing- Others	Gurgaon
HR	268	TOSEI ENGINEERING PRIVATE LIMITED.	29 サービス業/ Consulting, Advertisement, Research, Lawfirm, Accounts, Entertainment, Human Resource etc	Gurgaon
HR	269	TOSHIBA INDIA Pvt. Ltd., HEAD OFFICE	23 卸売業、小売業/ Wholesales, Retail	Gurgaon

## 2.1. NCR/ Northern/ Northeastern India

State	Sl. No.	NAME OF COMPANY REGISTERED IN INDIA	TYPE OF BUSINESS IN INDIA	LOCATIDN
HR	270	Toshiba Johnson Elevators India Pvt. Ltd.	03 建設業/ Construction Industry	Gurgaon
HR	271	Toyo Machinery & Metal Co.,Ltd. India Liaison office	23 卸売業、小売業(含: 商社、販社)/ Wholesales, Retail (including Sogo Shosya, sale company)	Gurgaon
HR	272	Toyo Tokai Aluminium Hanbai K.K. India Liaison Office	23 卸売業、小売業(含: 商社、販社)/ Wholesales, Retail (including Sogo Shosya, sale company)	Gurgaon
HR	273	Toyoda Micromatic Machinery India Ltd. Gurgaon	23 卸売業、小売業(含: 商社、販社)/ Wholesales, Retail (including Sogo Shosya, sale company)	Gurgaon
HR	274	Toyota Kirloskar Motor Private Limited Gurgaon Office	18 輸送機械器具製造業/ Manufacturing- Automobile, Two Wheer, Auto Components, Rail/ Ship/Air Plane	Gurgaon
HR	275	Toyota Material Handling India Pvt. Ltd. Delhi Branch	23 卸売業、小売業(含: 商社、販社)/ Wholesales, Retail (including Sogo Shosya, sale company)	Gurgaon
HR	276	Toyota Material Handling India Pvt.Ltd.	23 卸売業、小売業(含: 商社、販社)/ Wholesales, Retail (including Sogo Shosya, sale company)	Gurgaon
HR	277	Toyota Tsusho India Pvt. Ltd.	18 輸送機械器具製造業/ Manufacturing- Automobile, Two Wheer, Auto Components, Rail/ Ship/Air Plane	Gurgaon
HR	278	Toyota Tsusho India Pvt. Ltd.	18 輸送機械器具製造業/ Manufacturing- Automobile, Two Wheer, Auto Components, Rail/ Ship/Air Plane	Gurgaon
HR	279	UBE Industries India Private Ltd.	29 サービス業/ Consulting, Advertisement, Research, Lawfirm, Accounts, Entertainment, Human Resource etc	Gurgaon
HR	280	UBE Machinery India Private Limited	14 生産用機械器具製造業/ Manufacturing- Prduction Machinery	Gurgaon
HR	281	Uchiyama India Private Limited	23 卸売業、小売業(含: 商社、販社)/ Wholesales, Retail (including Sogo Shosya, sale company)	Gurgaon
HR	282	Unicharm India Private Limited	06 木材・木製品、パルプ・紙・紙加工品製造業/ Manufacturing- Timber & Timber Products, Paper & Paper Products	Gurgaon
HR	283	Universal Sampo General Insurance Co., Ltd.	24 金融業、保険業/ Finance, Insurance	Gurgaon
HR	284	U-SHIN INDIA PRIVATE LIMITED	18 輸送機械器具製造業/ Manufacturing- Automobile, Two Wheer, Auto Components, Rail/ Ship/Air Plane	Gurgaon
HR	285	WellBe Medic (India) Pvt. Limited, HO	29 サービス業/ Consulting, Advertisement, Research, Lawfirm, Accounts, Entertainment, Human Resource etc	Gurgaon
HR	286	Wilson Learning India Private Limited	29 サービス業/ Consulting, Advertisement, Research, Lawfirm, Accounts, Entertainment, Human Resource etc	Gurgaon
HR	287	Yakult Danone India Private Limited	04 食料品、飲料・たばこ・飼料製造業/ Manufacturing- Food, Drink, Tobacco, Fodder	Gurgaon
HR	288	Yamaha Music India Private Limited, HO	23 卸売業、小売業/ Wholesales, Retail	Gurgaon
HR	289	YAMATO LOGISTICS INDIA Pvt. Ltd.	22 運輸業/ Transportation	Gurgaon
HR	290	YAMATO TRADE (P)Ltd.	23 卸売業、小売業(含: 商社、販社)/ Wholesales, Retail (including Sogo Shosya, sale company)	Gurgaon
HR	291	Yamazaki Mazak India Pvt. Ltd. New Delhi Office	23 卸売業、小売業(含: 商社、販社)/ Wholesales, Retail (including Sogo Shosya, sale company)	Gurgaon
HR	292	Yamazen Machinery & Tools Pvt. Ltd.	23 卸売業、小売業/ Wholesales, Retail	Gurgaon
HR	293	Yaskawa India Private Limited (Robotic Division)	23 卸売業、小売業(含: 商社、販社)/ Wholesales, Retail (including Sogo Shosya, sale company)	Gurgaon
HR	294	YKK INDIA Pvt. Ltd.	19 その他の製造業/ Manufacturing- Others	Gurgaon
HR	295	YOKOHAMA INDIA PRIVATE LIMITED	18 輸送機械器具製造業/ Manufacturing- Automobile, Two Wheer, Auto Components, Rail/ Ship/Air Plane	Gurgaon
HR	296	YUASA TRADING INDIA Pvt. Ltd.	23 卸売業、小売業/ Wholesales, Retail	Gurgaon
HR	297	Yusen Logistics (India) Ltd.	29 サービス業/ Consulting, Advertisement, Research, Lawfirm, Accounts, Entertainment, Human Resource etc	Gurgaon
HR	298	Yusen Logistics (India) Ltd. Delhi Branch	22 運輸業/ Transportation	Gurgaon
HR	299	Yushin Precision Equipment (India) Pvt. Ltd., Gurgaon Office	15 業務用機械器具製造業/ Manufacturing- Commercial Machinery	Gurgaon
HR	300	YUSHIRO INDIA COMPANY PRIVATE LIMITED, HO	07 化学工業/ Chemical Industry	Gurgaon
HR	301	ZENRIN CO., Ltd. INDIA BRANCH	29 サービス業/ Consulting, Advertisement, Research, Lawfirm, Accounts, Entertainment, Human Resource etc	Gurgaon

## 2.1. NCR/ Northern/ Northeastern India

State	Sl. No.	NAME OF COMPANY REGISTERED IN INDIA	TYPE OF BUSINESS IN INDIA	LOCATIDN
HR	302	Reliance Life Insurance Company Limited Ambala City	24 金融業、保険業/ Finance, Insurance	Ambala City
HR	303	Reliance Life Insurance Company Limited Bahadurgarh	24 金融業、保険業/ Finance, Insurance	Bahadurgarh
HR	304	TOKAI IMPERIAL RUBBER INDIA PRIVATE LIMITED	19 その他の製造業/ Manufacturing- Others	Ballabgarh
HR	305	AHRETTY INDIA PRIVATE LIMITED	12 金属製品製造業/ manufactruing- Metal Products	Bawal
HR	306	Calsonic Kansei Motherson Auto Products Limited	18 輸送機械器具製造業/ Manufacturing- Automobile, Two Wheer, Auto Components, Rail/ Ship/Air Plane	Bawal
HR	307	EPCOS India Private Limited, Bawal Factory	17 情報通信機械器具、電子部品・デバイス・電子回路製造業/ Manufacturing- IT Products, Electronics Products	Bawal
HR	308	FUJITSU TEN MINDA INDIA Pvt. Ltd.	18 輸送機械器具製造業/ Manufacturing- Automobile, Two Wheer, Auto Components, Rail/ Ship/Air Plane	Bawal
HR	309	Indo Nissin Foods Limited	04 食料品、飲料・たばこ・飼料製造業/ Manufacturing- Food, Drink, Tobacco, Fodder	Bawal
HR	310	JTEKT SONA AUTOMOTIVE INDIA Ltd.	18 輸送機械器具製造業/ Manufacturing- Automobile, Two Wheer, Auto Components, Rail/ Ship/Air Plane	Bawal
HR	311	KEIHIN FIE PRIVATE LIMITED Plant 2	18 輸送機械器具製造業/ Manufacturing- Automobile, Two Wheer, Auto Components, Rail/ Ship/Air Plane	Bawal
HR	312	Lumax Industries Ltd. Bawal Factory	18 輸送機械器具製造業/ Manufacturing- Automobile, Two Wheer, Auto Components, Rail/ Ship/Air Plane	Bawal
HR	313	MINDA F-TEN PRIVATE LIMITED	23 卸売業、小売業/ Wholesales, Retail	Bawal
HR	314	MINDA KYORAKU LIMITED	19 その他の製造業/ Manufacturing- Others	Bawal
HR	315	Mitsui Kinzoku Components India Pvt.,Ltd., HO	18 輸送機械器具製造業/ Manufacturing- Automobile, Two Wheer, Auto Components, Rail/ Ship/Air Plane	Bawal
HR	316	Nippon Leakless Talbros Pvt.Ltd.	18 輸送機械器具製造業/ Manufacturing- Automobile, Two Wheer, Auto Components, Rail/ Ship/Air Plane	Bawal
HR	317	Rane NSK Steering Systems Limited, Bawal Plant	18 輸送機械器具製造業/ Manufacturing- Automobile, Two Wheer, Auto Components, Rail/ Ship/Air Plane	Bawal
HR	318	Sanko Gosei JRG Automotive India Pvt. Ltd.	11 非鉄金属製造業/ Manufacturing- Non Metal Products	Bawal
HR	319	Sanko Sekisui JRG Tooling India Pvt. Ltd.	12 金属製品製造業/ manufactruing- Metal Products	Bawal
HR	320	Hitachi Systems Micro Clinic Pvt. Ltd., Gurgaon Branch	21 情報通信業/ Telecommunication, Broadcasting, IT, Newspaper, Publishing etc	Chakkarpur
HR	321	ANS STEEL TUBES LIMITED.	12 金属製品製造業/ manufactruing- Metal Products	Faridabad
HR	322	IFFCO-Tokio General Insurance Co. Ltd.	24 金融業、保険業/ Finance, Insurance	Faridabad
HR	323	INDIA YAMAHA MOTOR Pvt. Ltd.	18 輸送機械器具製造業/ Manufacturing- Automobile, Two Wheer, Auto Components, Rail/ Ship/Air Plane	Faridabad
HR	324	MAX LIFE INSURANCE COMPANY Ltd.	24 金融業、保険業/ Finance, Insurance	Faridabad
HR	325	MAX LIFE INSURANCE COMPANY Ltd.	24 金融業、保険業/ Finance, Insurance	Faridabad
HR	326	Otsuka Venus Automotive India Private Limited	18 輸送機械器具製造業/ Manufacturing- Automobile, Two Wheer, Auto Components, Rail/ Ship/Air Plane	Faridabad
HR	327	Pranav Vikas India Ltd.	18 輸送機械器具製造業/ Manufacturing- Automobile, Two Wheer, Auto Components, Rail/ Ship/Air Plane	Faridabad
HR	328	Reliance Life Insurance Company Limited Faridabad 2	24 金融業、保険業/ Finance, Insurance	Faridabad
HR	329	Sanden Vikas India Ltd.	18 輸送機械器具製造業/ Manufacturing- Automobile, Two Wheer, Auto Components, Rail/ Ship/Air Plane	Faridabad
HR	330	Sato Pooja Fasteners Private Limited	23 卸売業、小売業(含:商社、販社)/ Wholesales, Retail (including Sogo Shosya, sale company)	Faridabad
HR	331	Showa India Private limited	18 輸送機械器具製造業/ Manufacturing- Automobile, Two Wheer, Auto Components, Rail/ Ship/Air Plane	Faridabad
HR	332	Universal Sampo General Insurance Co., Ltd.	24 金融業、保険業/ Finance, Insurance	Faridabad
HR	333	Yakult Danone India Private Limited	04 食料品、飲料・たばこ・飼料製造業/ Manufacturing- Food, Drink, Tobacco, Fodder	Faridabad



## 2.1. NCR/ Northern/ Northeastern India

State	Sl. No.	NAME OF COMPANY REGISTERED IN INDIA	TYPE OF BUSINESS IN INDIA	LOCATIDN
HR	334	YAMAHA MOTOR INDIA SALES Pvt. Ltd.	23 卸売業、小売業/ Wholesales, Retail	Faridabad
HR	335	YAMAHA MOTOR SOLUTIONS INDIA Pvt. Ltd.	21 情報通信業/ Telecommunication, Broadcasting, IT, Newspaper, Publishing etc	Faridabad
HR	336	Reliance Life Insurance Company Limited Hissar 1	24 金融業、保険業/ Finance, Insurance	Hissar
HR	337	Reliance Life Insurance Company Limited Hodal	24 金融業、保険業/ Finance, Insurance	Hodal
HR	338	Panasonic Appliances India Co., Ltd.	16 電気機械器具製造業/ Manufacturing- Electoric Machinery	Jhajjar
HR	339	Panasonic Welding Systems India	16 電気機械器具製造業/ Manufacturing- Electoric Machinery	Jhajjar
HR	340	YOKOHAMA INDIA PRIVATE LIMITED	18 輸送機械器具製造業/ Manufacturing- Automobile, Two Wheer, Auto Components, Rail/ Ship/Air Plane	Jhajjar
HR	341	Reliance Life Insurance Company Limited Jind	24 金融業、保険業/ Finance, Insurance	Jind
HR	342	Reliance Life Insurance Company Limited Kaithal	24 金融業、保険業/ Finance, Insurance	Kaithal
HR	343	CHOLAMANDALAM MS GENERAL INSURANCE COMPANY Ltd.	24 金融業、保険業/ Finance, Insurance	Karnal
HR	344	Edelweiss Tokio Life Insurance Company Limited Karnal_Sector 12	24 金融業、保険業/ Finance, Insurance	Karnal
HR	345	MAX LIFE INSURANCE COMPANY Ltd.	24 金融業、保険業/ Finance, Insurance	Karnal
HR	346	Universal Sampo General Insurance Co., Ltd.	24 金融業、保険業/ Finance, Insurance	Karnal
HR	347	Reliance Life Insurance Company Limited Karnal 1	24 金融業、保険業/ Finance, Insurance	Karnal
HR	348	MAX LIFE INSURANCE COMPANY Ltd.	24 金融業、保険業/ Finance, Insurance	Kurukshehra
HR	349	Reliance Life Insurance Company Limited Kurukshehra	24 金融業、保険業/ Finance, Insurance	Kurukshehra
HR	350	Bridgestone India Automotive Products Private Limited, Manesar Plant	18 輸送機械器具製造業/ Manufacturing- Automobile, Two Wheer, Auto Components, Rail/ Ship/Air Plane	Manesar
HR	351	Calsonic Kansei Motherson Auto Products Limited	18 輸送機械器具製造業/ Manufacturing- Automobile, Two Wheer, Auto Components, Rail/ Ship/Air Plane	Manesar
HR	352	Hi-lex India Pvt. Ltd. Manesar Plant Unit2	18 輸送機械器具製造業/ Manufacturing- Automobile, Two Wheer, Auto Components, Rail/ Ship/Air Plane	Manesar
HR	353	Hitachi Metals India Pvt. Ltd.	12 金属製品製造業/ manufactruing- Metal Products	Manesar
HR	354	Hitachi Metglas India Pvt. Ltd.	12 金属製品製造業/ manufactruing- Metal Products	Manesar
HR	355	I.I.Inspection & Export Pvt. Ltd.	05 繊維工業/ Textile Industry	Manesar
HR	356	KHM Drive Systems Pvt. Ltd.	18 輸送機械器具製造業/ Manufacturing- Automobile, Two Wheer, Auto Components, Rail/ Ship/Air Plane	Manesar
HR	357	Manami Enterprise Private Limited	29 サービス業/ Consulting, Advertisement, Research, Lawfirm, Accounts, Entertainment, Human Resource etc	Manesar
HR	358	Misaki Plastic Technologies Pvt. Ltd.	12 金属製品製造業/ manufactruing- Metal Products	Manesar
HR	359	NIHON KOHNETSU INDIA Pvt.Ltd.	19 その他の製造業/ Manufacturing- Others 工業炉の製造販売 (アルミ溶解炉、アルミ保持炉、アルミ熱処理炉等)	Manesar
HR	360	RYONAN ELECTRIC INDIA PRIVATE LIMITED	18 輸送機械器具製造業/ Manufacturing- Automobile, Two Wheer, Auto Components, Rail/ Ship/Air Plane	Manesar
HR	361	Sanko Gosei Technology India Pvt. Ltd.	11 非鉄金属製造業/ Manufacturing- Non Metal Products	Manesar
HR	362	Subros Limited	18 輸送機械器具製造業/ Manufacturing- Automobile, Two Wheer, Auto Components, Rail/ Ship/Air Plane	Manesar
HR	363	ThreeBond India Pvt.Ltd.	07 化学工業/ Chemical Industry	Manesar
HR	364	Toyota Kirloskar Motor Private Limited Manesar Office	18 輸送機械器具製造業/ Manufacturing- Automobile, Two Wheer, Auto Components, Rail/ Ship/Air Plane	Manesar
HR	365	Reliance Life Insurance Company Limited Naraingarh	24 金融業、保険業/ Finance, Insurance	Naraingarh

## 2.1. NCR/ Northern/ Northeastern India

State	Sl. No.	NAME OF COMPANY REGISTERED IN INDIA	TYPE OF BUSINESS IN INDIA	LOCATIDN
HR	366	TOKAI IMPERIAL RUBBER INDIA PRIVATE LIMITED	19 その他の製造業/ Manufacturing- Others	Palwal
HR	367	MAX LIFE INSURANCE COMPANY Ltd.	24 金融業、保険業/ Finance, Insurance	Panchkula
HR	368	Reliance Life Insurance Company Limited Panchkula Urban Estate	24 金融業、保険業/ Finance, Insurance	Panchkula
HR	369	Saurav Chemicals Ltd.	07 化学工業/ Chemical Industry	Panchkula
HR	370	Indian Synthetic Rubber Limited ( ISRL)	07 化学工業/ Chemical Industry	Panipat
HR	371	MAX LIFE INSURANCE COMPANY Ltd.	24 金融業、保険業/ Finance, Insurance	Panipat
HR	372	Reliance Life Insurance Company Limited Panipat 1	24 金融業、保険業/ Finance, Insurance	Panipat
HR	373	DE Diamond Electric India Pvt. Ltd.	18 輸送機械器具製造業/ Manufacturing- Automobile, Two Wheer, Auto Components, Rail/ Ship/Air Plane	Rewari
HR	374	Goshi India Auto Parts Pvt. Limited	18 輸送機械器具製造業/ Manufacturing- Automobile, Two Wheer, Auto Components, Rail/ Ship/Air Plane	Rewari
HR	375	India Nippon Electrical Ltd. Plant-III Rewari	18 輸送機械器具製造業/ Manufacturing- Automobile, Two Wheer, Auto Components, Rail/ Ship/Air Plane	Rewari
HR	376	KF Instruments India Pvt.Ltd.	18 輸送機械器具製造業/ Manufacturing- Automobile, Two Wheer, Auto Components, Rail/ Ship/Air Plane	Rewari
HR	377	Koyo Bearings India Pvt. Ltd.	12 金属製品製造業/ manufactruing- Metal Products	Rewari
HR	378	Leakless Gasket India Pvt.Ltd.	18 輸送機械器具製造業/ Manufacturing- Automobile, Two Wheer, Auto Components, Rail/ Ship/Air Plane	Rewari
HR	379	Lumax Industries Ltd. Dharuhera Factory	18 輸送機械器具製造業/ Manufacturing- Automobile, Two Wheer, Auto Components, Rail/ Ship/Air Plane	Rewari
HR	380	Minda Furukawa Electric Private limited	18 輸送機械器具製造業/ Manufacturing- Automobile, Two Wheer, Auto Components, Rail/ Ship/Air Plane	Rewari
HR	381	Musashi Auto Parts India Pvt. Ltd., HO	18 輸送機械器具製造業/ Manufacturing- Automobile, Two Wheer, Auto Components, Rail/ Ship/Air Plane	Rewari
HR	382	NGK Spark Plugs (India) Pvt. Ltd.	19 その他の製造業/ Manufacturing- Others	Rewari
HR	383	NTN MEI Manufacturing India Private Limited	19 その他の製造業/ Manufacturing- Others	Rewari
HR	384	Overseas Courier Service (India) Pvt. Ltd. Dharuhera Depot	22 運輸業/ Transportation	Rewari
HR	385	ROKI MINDA Co. Private Limited.	18 輸送機械器具製造業/ Manufacturing- Automobile, Two Wheer, Auto Components, Rail/ Ship/Air Plane	Rewari
HR	386	SANKEI GIKEN INDIA Pvt. Ltd.	18 輸送機械器具製造業/ Manufacturing- Automobile, Two Wheer, Auto Components, Rail/ Ship/Air Plane	Rewari
HR	387	SMI AMTEK Crankshaft Pvt.Ltd.	19 その他の製造業/ Manufacturing- Others	Rewari
HR	388	YKK, Haryana Factory	19 その他の製造業/ Manufacturing- Others	Rewari
HR	389	ADVICS NORTH INDIA Pvt. Ltd.	18 輸送機械器具製造業/ Manufacturing- Automobile, Two Wheer, Auto Components, Rail/ Ship/Air Plane	Rohtak
HR	390	AISIN AUTOMOTIVE HARYANA Pvt. Ltd.	18 輸送機械器具製造業/ Manufacturing- Automobile, Two Wheer, Auto Components, Rail/ Ship/Air Plane	Rohtak
HR	391	MAX LIFE INSURANCE COMPANY Ltd.	24 金融業、保険業/ Finance, Insurance	Rohtak
HR	392	NIPPON CARBIDE INDIA Pvt. Ltd.	19 その他の製造業/ Manufacturing- Others	Rohtak
HR	393	Reliance Life Insurance Company Limited Rohtak 1	24 金融業、保険業/ Finance, Insurance	Rohtak
HR	394	Reliance Life Insurance Company Limited Sirsa	24 金融業、保険業/ Finance, Insurance	Sirsa
HR	395	Reliance Life Insurance Company Limited Sonapat	24 金融業、保険業/ Finance, Insurance	Sonapat
HR	396	Yakult Danone India Private Limited	04 食料品、飲料・たばこ・飼料製造業/ Manufacturing- Food, Drink, Tobacco, Fodder	Sonapat
HR	397	Edelweiss Tokio Life Insurance Company Limited Yamunanagar_Model Town	24 金融業、保険業/ Finance, Insurance	Yamuna Nagar

2.1. NCR/ Northern/ Northeastern India

State	Sl. No.	NAME OF COMPANY REGISTERED IN INDIA	TYPE OF BUSINESS IN INDIA	LOCATIDN
HR	398	MAX LIFE INSURANCE COMPANY Ltd.	24 金融業、保険業/ Finance, Insurance	Yamuna Nagar
HR	399	Reliance Life Insurance Company Limited Yamunanagar	24 金融業、保険業/ Finance, Insurance	Yamuna Nagar
<b>2.1.3. [Uttar Pradesh]</b>				
UP	1	Aica Laminates India Private Limited, Lucknow Branch	07 化学工業/ Chemical Industry	Lucknow
UP	2	BUSSAN AUTO FINANCE INDIA Pvt. Ltd.	24 金融業、保険業/ Finance, Insurance	Lucknow
UP	3	CHOLAMANDALAM MS GENERAL INSURANCE COMPANY Ltd.	24 金融業、保険業/ Finance, Insurance	Lucknow
UP	4	DAIKIN AIRCONDITIONING INDIA Pvt. Ltd. LUCKNOW BRANCH	16 電気機械器具製造業/ Manufacturing- Electoric Machinery	Lucknow
UP	5	Edelweiss Tokio Life Insurance Company Limited Lucknow_Hazaratganj	24 金融業、保険業/ Finance, Insurance	Lucknow
UP	6	Erbis Engineering (India) Pvt. Ltd.	23 卸売業、小売業(含:商社、販社)/ Wholesales, Retail (including Sogo Shosya, sale company)	Lucknow
UP	7	ETA General Pvt. Ltd. Branch Office	16 電気機械器具製造業/ Manufacturing- Electoric Machinery	Lucknow
UP	8	Honda Motorcycle & Scooter India Pvt. Ltd. Lucknow office	18 輸送機械器具製造業/ Manufacturing- Automobile, Two Wheer, Auto Components, Rail/ Ship/Air Plane	Lucknow
UP	9	IFFCO-Tokio General Insurance Co. Ltd.	24 金融業、保険業/ Finance, Insurance	Lucknow
UP	10	MAX LIFE INSURANCE COMPANY Ltd.	24 金融業、保険業/ Finance, Insurance	Lucknow
UP	11	MAX LIFE INSURANCE COMPANY Ltd.	24 金融業、保険業/ Finance, Insurance	Lucknow
UP	12	MAX LIFE INSURANCE COMPANY Ltd.	24 金融業、保険業/ Finance, Insurance	Lucknow
UP	13	MAX LIFE INSURANCE COMPANY Ltd.	24 金融業、保険業/ Finance, Insurance	Lucknow
UP	14	MITSUBISHI ELECTRIC INDIA PRIVATE LIMITED	16 電気機械器具製造業/ Manufacturing- Electoric Machinery	Lucknow
UP	15	Nippon Express (India) Pvt., Ltd.	22 運輸業/ Transportation	Lucknow
UP	16	Reliance Life Insurance Company Limited Lucknow-1	24 金融業、保険業/ Finance, Insurance	Lucknow
UP	17	Reliance Life Insurance Company Limited Lucknow-3	24 金融業、保険業/ Finance, Insurance	Lucknow
UP	18	Reliance Life Insurance Company Limited Lucknow-4	24 金融業、保険業/ Finance, Insurance	Lucknow
UP	19	Ricoh India Limited	21 情報通信業/ Telecommunication, Broadcasting, IT, Newspaper, Publishing etc	Lucknow
UP	20	Sharp Business Systems (India) Limited Lucknow Branch	23 卸売業、小売業(含:商社、販社)/ Wholesales, Retail (including Sogo Shosya, sale company)	Lucknow
UP	21	Sony India Pvt. Ltd. Lucknow	23 卸売業、小売業(含:商社、販社)/ Wholesales, Retail (including Sogo Shosya, sale company)	Lucknow
UP	22	Star Union Dai-ichi Life Insurance Co. Ltd. Lucknow Regional Office	24 金融業、保険業/ Finance, Insurance	Lucknow
UP	23	Universal Sampo General Insurance Co., Ltd.	24 金融業、保険業/ Finance, Insurance	Lucknow
UP	24	CHOLAMANDALAM MS GENERAL INSURANCE COMPANY Ltd.	24 金融業、保険業/ Finance, Insurance	Agra
UP	25	Edelweiss Tokio Life Insurance Company Limited Agra_Sanjay Place	24 金融業、保険業/ Finance, Insurance	Agra
UP	26	IFFCO-Tokio General Insurance Co. Ltd.	24 金融業、保険業/ Finance, Insurance	Agra
UP	27	MAX LIFE INSURANCE COMPANY Ltd.	24 金融業、保険業/ Finance, Insurance	Agra
UP	28	MAX LIFE INSURANCE COMPANY Ltd.	24 金融業、保険業/ Finance, Insurance	Agra

## 2.1. NCR/ Northern/ Northeastern India

State	Sl. No.	NAME OF COMPANY REGISTERED IN INDIA	TYPE OF BUSINESS IN INDIA	LOCATIDN
UP	29	Reliance Life Insurance Company Limited Agra 1	24 金融業、保険業/ Finance, Insurance	Agra
UP	30	Reliance Life Insurance Company Limited Agra-2	24 金融業、保険業/ Finance, Insurance	Agra
UP	31	Universal Sompo General Insurance Co., Ltd.	24 金融業、保険業/ Finance, Insurance	Agra
UP	32	Reliance Life Insurance Company Limited Akbarpur	24 金融業、保険業/ Finance, Insurance	Akbarpur
UP	33	MAX LIFE INSURANCE COMPANY Ltd.	24 金融業、保険業/ Finance, Insurance	Aligarh
UP	34	Reliance Life Insurance Company Limited Aligarh	24 金融業、保険業/ Finance, Insurance	Aligarh
UP	35	Reliance Life Insurance Company Limited Aligarh 3	24 金融業、保険業/ Finance, Insurance	Aligarh
UP	36	Edelweiss Tokio Life Insurance Company Limited Allahabad_Civil Lines	24 金融業、保険業/ Finance, Insurance	Allahabad
UP	37	IFFCO-Tokio General Insurance Co. Ltd.	24 金融業、保険業/ Finance, Insurance	Allahabad
UP	38	MAX LIFE INSURANCE COMPANY Ltd.	24 金融業、保険業/ Finance, Insurance	Allahabad
UP	39	Reliance Life Insurance Company Limited Allahabad-1	24 金融業、保険業/ Finance, Insurance	Allahabad
UP	40	Reliance Life Insurance Company Limited Allahabad-2	24 金融業、保険業/ Finance, Insurance	Allahabad
UP	41	Universal Sompo General Insurance Co., Ltd.	24 金融業、保険業/ Finance, Insurance	Allahabad
UP	42	Reliance Life Insurance Company Limited Amroha	24 金融業、保険業/ Finance, Insurance	Amroha
UP	43	Reliance Life Insurance Company Limited Anand Nagar	24 金融業、保険業/ Finance, Insurance	Anand Nagar
UP	44	Reliance Life Insurance Company Limited Auraiya	24 金融業、保険業/ Finance, Insurance	Auraiya
UP	45	Reliance Life Insurance Company Limited Azamgarh	24 金融業、保険業/ Finance, Insurance	Azamgarh
UP	46	Reliance Life Insurance Company Limited Azamgarh 2	24 金融業、保険業/ Finance, Insurance	Azamgarh
UP	47	Reliance Life Insurance Company Limited Bahraich	24 金融業、保険業/ Finance, Insurance	Bahraich
UP	48	Reliance Life Insurance Company Limited Ballia	24 金融業、保険業/ Finance, Insurance	Ballia
UP	49	Reliance Life Insurance Company Limited Balrampur	24 金融業、保険業/ Finance, Insurance	Balrampur
UP	50	Reliance Life Insurance Company Limited Banda	24 金融業、保険業/ Finance, Insurance	Banda
UP	51	Reliance Life Insurance Company Limited Bansi	24 金融業、保険業/ Finance, Insurance	Bansi
UP	52	Reliance Life Insurance Company Limited Baraut	24 金融業、保険業/ Finance, Insurance	Baraut
UP	53	MAX LIFE INSURANCE COMPANY Ltd.	24 金融業、保険業/ Finance, Insurance	Bareilly
UP	54	Reliance Life Insurance Company Limited Bareilly 1	24 金融業、保険業/ Finance, Insurance	Bareilly
UP	55	Reliance Life Insurance Company Limited Bareilly 2	24 金融業、保険業/ Finance, Insurance	Bareilly
UP	56	Universal Sompo General Insurance Co., Ltd.	24 金融業、保険業/ Finance, Insurance	Bareilly
UP	57	Reliance Life Insurance Company Limited Basti	24 金融業、保険業/ Finance, Insurance	Basti
UP	58	Reliance Life Insurance Company Limited Bela Pratapgarh	24 金融業、保険業/ Finance, Insurance	Bela Pratapgarh
UP	59	Reliance Life Insurance Company Limited Bhadohi	24 金融業、保険業/ Finance, Insurance	Bhadohi
UP	60	Reliance Life Insurance Company Limited Bijnor	24 金融業、保険業/ Finance, Insurance	Bijnor

2.1. NCR/ Northern/ Northeastern India

State	Sl. No.	NAME OF COMPANY REGISTERED IN INDIA	TYPE OF BUSINESS IN INDIA	LOCATIDN
UP	61	Reliance Life Insurance Company Limited Bilgram	24 金融業、保険業/ Finance, Insurance	Bilgram
UP	62	Reliance Life Insurance Company Limited Budaun	24 金融業、保険業/ Finance, Insurance	Budaun
UP	63	MAX LIFE INSURANCE COMPANY Ltd.	24 金融業、保険業/ Finance, Insurance	Bulandshahar
UP	64	Reliance Life Insurance Company Limited Bulandshahr	24 金融業、保険業/ Finance, Insurance	Bulandshahar
UP	65	Reliance Life Insurance Company Limited Chail	24 金融業、保険業/ Finance, Insurance	Chail
UP	66	Reliance Life Insurance Company Limited Chunar	24 金融業、保険業/ Finance, Insurance	Chunar
UP	67	Reliance Life Insurance Company Limited Deoria	24 金融業、保険業/ Finance, Insurance	Deoria
UP	68	Reliance Life Insurance Company Limited Deoria 2	24 金融業、保険業/ Finance, Insurance	Deoria
UP	69	Reliance Life Insurance Company Limited Dumariaganj	24 金融業、保険業/ Finance, Insurance	Dumariaganj
UP	70	Reliance Life Insurance Company Limited Etah	24 金融業、保険業/ Finance, Insurance	Etah
UP	71	Reliance Life Insurance Company Limited Etawah	24 金融業、保険業/ Finance, Insurance	Etawah
UP	72	Universal Sampo General Insurance Co., Ltd.	24 金融業、保険業/ Finance, Insurance	Etawah
UP	73	Reliance Life Insurance Company Limited Faizabad	24 金融業、保険業/ Finance, Insurance	Faizabad
UP	74	Universal Sampo General Insurance Co., Ltd.	24 金融業、保険業/ Finance, Insurance	Faizabad
UP	75	Reliance Life Insurance Company Limited Farukhabad	24 金融業、保険業/ Finance, Insurance	Farukhabad
UP	76	Reliance Life Insurance Company Limited Fatehpur-1	24 金融業、保険業/ Finance, Insurance	Fatehpur
UP	77	Reliance Life Insurance Company Limited Firozabad	24 金融業、保険業/ Finance, Insurance	Firozabad
UP	78	DENSO INDIA Ltd.	18 輸送機械器具製造業/ Manufacturing- Automobile, Two Wheeler, Auto Components, Rail/ Ship/Air Plane	Gautam Budh Nagar
UP	79	HONDA KAIHATU INDIA HOSPITALITY Pvt. Ltd. GRATER NOIDA CANTEEN	29 サービス業/ Consulting, Advertisement, Research, Lawfirm, Accounts, Entertainment, Human Resource etc	Gautam Budh Nagar
UP	80	Honda R & D (India) Pvt. Ltd., Branch Office	13 はん用機械器具製造業/ Manufacturing- General Purpose Machinery	Gautam Budh Nagar
UP	81	Honda Siel Power Products Limited	19 その他の製造業/ Manufacturing- Others	Gautam Budh Nagar
UP	82	INDIA YAMAHA MOTOR Pvt. Ltd.	18 輸送機械器具製造業/ Manufacturing- Automobile, Two Wheeler, Auto Components, Rail/ Ship/Air Plane	Gautam Budh Nagar
UP	83	MAX LIFE INSURANCE COMPANY Ltd.	24 金融業、保険業/ Finance, Insurance	Gautam Budh Nagar
UP	84	MAX LIFE INSURANCE COMPANY Ltd.	24 金融業、保険業/ Finance, Insurance	Gautam Budh Nagar
UP	85	Motherson Sumi Systems Ltd.	18 輸送機械器具製造業/ Manufacturing- Automobile, Two Wheeler, Auto Components, Rail/ Ship/Air Plane	Gautam Budh Nagar
UP	86	Sunchirin Autoparts India Pvt.Ltd.	18 輸送機械器具製造業/ Manufacturing- Automobile, Two Wheeler, Auto Components, Rail/ Ship/Air Plane	Gautam Budh Nagar
UP	87	TOYOINK INDIA PRIVATE LIMITED	07 化学工業/ Chemical Industry	Gautam Budh Nagar
UP	88	YAMAHA MOTOR INDIA Pvt. Ltd.	29 サービス業/ Consulting, Advertisement, Research, Lawfirm, Accounts, Entertainment, Human Resource etc	Gautam Budh Nagar
UP	89	YAMAHA MOTOR RESEARCH & DEVELOPMENT INDIA Pvt. Ltd.	29 サービス業/ Consulting, Advertisement, Research, Lawfirm, Accounts, Entertainment, Human Resource etc	Gautam Budh Nagar
UP	90	Reliance Life Insurance Company Limited Ghatampur	24 金融業、保険業/ Finance, Insurance	Ghatampur
UP	91	CHOLAMANDALAM MS GENERAL INSURANCE COMPANY Ltd.	24 金融業、保険業/ Finance, Insurance	Ghaziabad
UP	92	KASUYA GPP AUTO PRODUCTS PRIVATE LIMITED	18 輸送機械器具製造業/ Manufacturing- Automobile, Two Wheeler, Auto Components, Rail/ Ship/Air Plane	Ghaziabad

## 2.1. NCR/ Northern/ Northeastern India

State	Sl. No.	NAME OF COMPANY REGISTERED IN INDIA	TYPE OF BUSINESS IN INDIA	LOCATIDN
UP	93	MAX LIFE INSURANCE COMPANY Ltd.	24 金融業、保険業/ Finance, Insurance	Ghaziabad
UP	94	MAX LIFE INSURANCE COMPANY Ltd.	24 金融業、保険業/ Finance, Insurance	Ghaziabad
UP	95	METZELER AUTOMOTIVE PROFILES INDIA Pvt.Ltd.	19 その他の製造業/ Manufacturing- Others	Ghaziabad
UP	96	mitsubishi electric india private limited	16 電気機械器具製造業/ Manufacturing- Electoric Machinery	Ghaziabad
UP	97	Shriram Pistons & Rings Limited Ghaziabad Plant	18 輸送機械器具製造業/ Manufacturing- Automobile, Two Wheeler, Auto Components, Rail/ Ship/Air Plane	Ghaziabad
UP	98	Sony India Pvt. Ltd. Ghaziabad	23 卸売業、小売業(含:商社、販社)/ Wholesales, Retail (including Sogo Shosya, sale company)	Ghaziabad
UP	99	Edelweiss Tokio Life Insurance Company Limited Ghaziabad_Rajnagar District Centre	24 金融業、保険業/ Finance, Insurance	Ghaziabad
UP	100	ETA General Pvt. Ltd. Branch Office	16 電気機械器具製造業/ Manufacturing- Electoric Machinery	Ghaziabad
UP	101	Reliance Life Insurance Company Limited Ghaziabad 2	24 金融業、保険業/ Finance, Insurance	Ghaziabad
UP	102	Reliance Life Insurance Company Limited Ghazipur	24 金融業、保険業/ Finance, Insurance	Ghazipur
UP	103	Reliance Life Insurance Company Limited Ghosi	24 金融業、保険業/ Finance, Insurance	Ghosi
UP	104	Reliance Life Insurance Company Limited Gola	24 金融業、保険業/ Finance, Insurance	Gola
UP	105	Reliance Life Insurance Company Limited Gonda	24 金融業、保険業/ Finance, Insurance	Gonda
UP	106	Edelweiss Tokio Life Insurance Company Limited Gorakhpur_Bank Road	24 金融業、保険業/ Finance, Insurance	Gorakhpur
UP	107	MAX LIFE INSURANCE COMPANY Ltd.	24 金融業、保険業/ Finance, Insurance	Gorakhpur
UP	108	Reliance Life Insurance Company Limited Gorakhpur-1	24 金融業、保険業/ Finance, Insurance	Gorakhpur
UP	109	Reliance Life Insurance Company Limited Gorakhpur-2	24 金融業、保険業/ Finance, Insurance	Gorakhpur
UP	110	Universal Sampo General Insurance Co., Ltd.	24 金融業、保険業/ Finance, Insurance	Gorakhpur
UP	111	BNB Coatings India Ltd.	07 化学工業/ Chemical Industry	Greater Noida
UP	112	DAIWA KASEI INDIA Pvt. Ltd.	18 輸送機械器具製造業/ Manufacturing- Automobile, Two Wheeler, Auto Components, Rail/ Ship/Air Plane	Greater Noida
UP	113	EXEDY INDIA LIMITED	18 輸送機械器具製造業/ Manufacturing- Automobile, Two Wheeler, Auto Components, Rail/ Ship/Air Plane	Greater Noida
UP	114	Honda Access India Private Limited	18 輸送機械器具製造業/ Manufacturing- Automobile, Two Wheeler, Auto Components, Rail/ Ship/Air Plane	Greater Noida
UP	115	Honda Cars India Limited	18 輸送機械器具製造業/ Manufacturing- Automobile, Two Wheeler, Auto Components, Rail/ Ship/Air Plane	Greater Noida
UP	116	HONDA KAIHATU INDIA HOSPITALITY Pvt. Ltd. ICHI-ZEN JAPANESE FOOD CORNER	29 サービス業/ Consulting, Advertisement, Research, Lawfirm, Accounts, Entertainment, Human Resource etc	Greater Noida
UP	117	Honda Motor India Limited , Head Office & Greaor Noida Ware House	18 輸送機械器具製造業/ Manufacturing- Automobile, Two Wheeler, Auto Components, Rail/ Ship/Air Plane	Greater Noida
UP	118	H-one India Pvt. Ltd.	18 輸送機械器具製造業/ Manufacturing- Automobile, Two Wheeler, Auto Components, Rail/ Ship/Air Plane	Greater Noida
UP	119	India Steel Summit Private Limited	12 金属製品製造業/ manufactruing- Metal Products	Greater Noida
UP	120	KWE India	22 運輸業/ Transportation	Greater Noida
UP	121	MATSUI TECHNOLOGIES INDIA Limited	14 生産用機械器具製造業/ Manufacturing- Prduction Machinery	Greater Noida
UP	122	Moriroku Technology India Private Limited.	18 輸送機械器具製造業/ Manufacturing- Automobile, Two Wheeler, Auto Components, Rail/ Ship/Air Plane	Greater Noida
UP	123	Nissin ABC Logitics Private Limited. Noida Branch	22 運輸業/ Transportation	Greater Noida
UP	124	Reliance Life Insurance Company Limited Greater Noida	24 金融業、保険業/ Finance, Insurance	Greater Noida

2.1. NCR/ Northern/ Northeastern India

State	Sl. No.	NAME OF COMPANY REGISTERED IN INDIA	TYPE OF BUSINESS IN INDIA	LOCATIDN
UP	125	Sankyu India Logistics & Engineering Noida Office	22 運輸業/ Transportation	Greater Noida
UP	126	Sekisui DLJM Molding Pvt., Ltd., HO	18 輸送機械器具製造業/ Manufacturing- Automobile, Two Wheer, Auto Components, Rail/ Ship/Air Plane	Greater Noida
UP	127	STI-Sanoh India Ltd. Noida Plant	12 金属製品製造業/ manufactruing- Metal Products	Greater Noida
UP	128	SWS India Management, Support & Service Pvt. Ltd.	29 サービス業/ Consulting, Advertisement, Research, Lawfirm, Accounts, Entertainment, Human Resource etc	Greater Noida
UP	129	TPSC(INDIA) PRIVATE LIMITED	19 その他の製造業/ Manufacturing- Others	Greater Noida
UP	130	Reliance Life Insurance Company Limited Gyanpur	24 金融業、保険業/ Finance, Insurance	Gyanpur
UP	131	Reliance Life Insurance Company Limited Haidergarh	24 金融業、保険業/ Finance, Insurance	Haidergarh
UP	132	Reliance Life Insurance Company Limited Handia	24 金融業、保険業/ Finance, Insurance	Handia
UP	133	Reliance Life Insurance Company Limited Hapur	24 金融業、保険業/ Finance, Insurance	Hapur
UP	134	Reliance Life Insurance Company Limited Hardoi	24 金融業、保険業/ Finance, Insurance	Hardoi
UP	135	Reliance Life Insurance Company Limited Hathras	24 金融業、保険業/ Finance, Insurance	Hathras
UP	136	Reliance Life Insurance Company Limited Jagdishpur	24 金融業、保険業/ Finance, Insurance	Jagdishpur
UP	137	Reliance Life Insurance Company Limited Jaunpur	24 金融業、保険業/ Finance, Insurance	Jaunpur
UP	138	Reliance Life Insurance Company Limited Jhansi 1	24 金融業、保険業/ Finance, Insurance	Jhansi
UP	139	Reliance Life Insurance Company Limited Jhansi 2	24 金融業、保険業/ Finance, Insurance	Jhansi
UP	140	Reliance Life Insurance Company Limited Kannauj	24 金融業、保険業/ Finance, Insurance	Kannauj
UP	141	CHOLAMANDALAM MS GENERAL INSURANCE COMPANY Ltd.	24 金融業、保険業/ Finance, Insurance	Kanpur
UP	142	Edelweiss Tokio Life Insurance Company Limited Kanpur_Civil Lines	24 金融業、保険業/ Finance, Insurance	Kanpur
UP	143	Hitachi Systems Micro Clinic Pvt. Ltd., Kanpur Branch	21 情報通信業/ Telecommunication, Broadcasting, IT, Newspaper, Publishing etc	Kanpur
UP	144	MAX LIFE INSURANCE COMPANY Ltd.	24 金融業、保険業/ Finance, Insurance	Kanpur
UP	145	MAX LIFE INSURANCE COMPANY Ltd.	24 金融業、保険業/ Finance, Insurance	Kanpur
UP	146	Reliance Life Insurance Company Limited Kanpur-1	24 金融業、保険業/ Finance, Insurance	Kanpur
UP	147	Reliance Life Insurance Company Limited Kanpur-2	24 金融業、保険業/ Finance, Insurance	Kanpur
UP	148	Reliance Life Insurance Company Limited Kanpur-4	24 金融業、保険業/ Finance, Insurance	Kanpur
UP	149	Reliance Life Insurance Company Limited Kanpur-5	24 金融業、保険業/ Finance, Insurance	Kanpur
UP	150	Universal Sampo General Insurance Co., Ltd.	24 金融業、保険業/ Finance, Insurance	Kanpur
UP	151	YKK INDIA Pvt. Ltd. Kanpur Branch	19 その他の製造業/ Manufacturing- Others	Kanpur
UP	152	Reliance Life Insurance Company Limited Karvi	24 金融業、保険業/ Finance, Insurance	Karvi
UP	153	Reliance Life Insurance Company Limited Kerakat	24 金融業、保険業/ Finance, Insurance	Kerakat
UP	154	Reliance Life Insurance Company Limited Khaga	24 金融業、保険業/ Finance, Insurance	Khaga
UP	155	Reliance Life Insurance Company Limited Khalilabad	24 金融業、保険業/ Finance, Insurance	Khalilabad
UP	156	Reliance Life Insurance Company Limited Khurja	24 金融業、保険業/ Finance, Insurance	Khurja

2.1. NCR/ Northern/ Northeastern India

State	Sl. No.	NAME OF COMPANY REGISTERED IN INDIA	TYPE OF BUSINESS IN INDIA	LOCATIDN
UP	157	Reliance Life Insurance Company Limited Kunda	24 金融業、保険業/ Finance, Insurance	Kunda
UP	158	Reliance Life Insurance Company Limited Kasia ( Kushi Nagar)	24 金融業、保険業/ Finance, Insurance	Kushi Nagar
UP	159	Reliance Life Insurance Company Limited Lakhimpur	24 金融業、保険業/ Finance, Insurance	Lakhimpur Kheri
UP	160	Reliance Life Insurance Company Limited Lalganj	24 金融業、保険業/ Finance, Insurance	Lalganj
UP	161	Reliance Life Insurance Company Limited Lalitpur	24 金融業、保険業/ Finance, Insurance	Lalitpur
UP	162	Reliance Life Insurance Company Limited Mahoba	24 金融業、保険業/ Finance, Insurance	Mahoba
UP	163	Reliance Life Insurance Company Limited Mainpuri	24 金融業、保険業/ Finance, Insurance	Mainpuri
UP	164	MAX LIFE INSURANCE COMPANY Ltd.	24 金融業、保険業/ Finance, Insurance	Mathura
UP	165	Reliance Life Insurance Company Limited Mathura	24 金融業、保険業/ Finance, Insurance	Mathura
UP	166	Reliance Life Insurance Company Limited Maunath Bhanjan	24 金融業、保険業/ Finance, Insurance	Maunath Bhanjan
UP	167	Reliance Life Insurance Company Limited Mauranipur	24 金融業、保険業/ Finance, Insurance	Mauranipur
UP	168	Reliance Life Insurance Company Limited Mawana	24 金融業、保険業/ Finance, Insurance	Mawana
UP	169	MAX LIFE INSURANCE COMPANY Ltd.	24 金融業、保険業/ Finance, Insurance	Meerut
UP	170	NIPRO GLASS INDIA Private Limited	19 その他の製造業/ Manufacturing- Others	Meerut
UP	171	Reliance Life Insurance Company Limited Meerut-1	24 金融業、保険業/ Finance, Insurance	Meerut
UP	172	Reliance Life Insurance Company Limited Meerut-2	24 金融業、保険業/ Finance, Insurance	Meerut
UP	173	Universal Sampo General Insurance Co., Ltd.	24 金融業、保険業/ Finance, Insurance	Meerut
UP	174	Reliance Life Insurance Company Limited Mirzapur	24 金融業、保険業/ Finance, Insurance	Mirzapur
UP	175	Reliance Life Insurance Company Limited Modinagar	24 金融業、保険業/ Finance, Insurance	Modinagar
UP	176	Reliance Life Insurance Company Limited Modipuram	24 金融業、保険業/ Finance, Insurance	Modipuram
UP	177	Reliance Life Insurance Company Limited Mgrabadshahpur	24 金融業、保険業/ Finance, Insurance	Mograbadshahpur
UP	178	MAX LIFE INSURANCE COMPANY Ltd.	24 金融業、保険業/ Finance, Insurance	Moradabad
UP	179	Reliance Life Insurance Company Limited Moradabad-1	24 金融業、保険業/ Finance, Insurance	Moradabad
UP	180	Reliance Life Insurance Company Limited Mughal Sarai	24 金融業、保険業/ Finance, Insurance	Mughal Sarai
UP	181	Reliance Life Insurance Company Limited Muzafarnagar	24 金融業、保険業/ Finance, Insurance	Muzafarnagar
UP	182	Edelweiss Tokio Life Insurance Company Limited Muzaffarpur_Mithanpura	24 金融業、保険業/ Finance, Insurance	Muzaffarpur
UP	183	Reliance Life Insurance Company Limited Najibabad	24 金融業、保険業/ Finance, Insurance	Najibabad
UP	184	Reliance Life Insurance Company Limited Nanpara	24 金融業、保険業/ Finance, Insurance	Nanpara
UP	185	AES (India) Engineering Ltd., HQ: Noida Office	29 サービス業/ Consulting, Advertisement, Research, Lawfirm, Accounts, Entertainment, Human Resource etc	Noida
UP	186	Alpine of Asia Pacific India Pvt. Ltd. Greater Noida Office	16 電気機械器具製造業/ Manufacturing- Electoric Machinery	Noida
UP	187	Anest Iwata Motherson Coating Equipment Limited	16 電気機械器具製造業/ Manufacturing- Electoric Machinery	Noida
UP	188	Anest Iwata Motherson Ltd.	16 電気機械器具製造業/ Manufacturing- Electoric Machinery	Noida



## 2.1. NCR/ Northern/ Northeastern India

State	Sl. No.	NAME OF COMPANY REGISTERED IN INDIA	TYPE OF BUSINESS IN INDIA	LOCATIDN
UP	189	Arkadin ConferIndia (P) Ltd.	21 情報通信業/ Telecommunication, Broadcasting, IT, Newspaper, Publishing etc	Noida
UP	190	Canon India Private Limited	23 卸売業、小売業(含:商社、販社)/Wholesales, Retail (including Sogo Shosya, sale company)	Noida
UP	191	CHOLAMANDALAM MS GENERAL INSURANCE COMPANY Ltd.	24 金融業、保険業/ Finance, Insurance	Noida
UP	192	DIC India Limited	07 化学工業/ Chemical Industry	Noida
UP	193	Edelweiss Tokio Life Insurance Company Limited Noida_Sector 18	24 金融業、保険業/ Finance, Insurance	Noida
UP	194	EPCOS India Private Limited, Noida Sales Office	17 情報通信機械器具、電子部品・デバイス・電子回路製造業/ Manufacturing- IT Products, Electronics Products	Noida
UP	195	FUJISAWA TOTAL SOLUTIONS	21 情報通信業/ Telecommunication, Broadcasting, IT, Newspaper, Publishing etc	Noida
UP	196	Fujitsu Consulting India Private Limited, Noida Office	21 情報通信業/ Telecommunication, Broadcasting, IT, Newspaper, Publishing etc	Noida
UP	197	GrapeCity India Pvt. Ltd.	21 情報通信業/ Telecommunication, Broadcasting, IT, Newspaper, Publishing etc	Noida
UP	198	KEIHIN INDIA MANUFACTURING Pvt. Ltd.	18 輸送機械器具製造業/ Manufacturing- Automobile, Two Wheeler, Auto Components, Rail/ Ship/Air Plane	Noida
UP	199	Kobelco Construction Equipment India Pvt. Ltd.	14 生産用機械器具製造業/ Manufacturing- Prduction Machinery	Noida
UP	200	Minda Furukawa Electric Private limited Noida Plant	18 輸送機械器具製造業/ Manufacturing- Automobile, Two Wheeler, Auto Components, Rail/ Ship/Air Plane	Noida
UP	201	Motherson Techno Tools Ltd., HO	16 電気機械器具製造業/ Manufacturing- Electoric Machinery	Noida
UP	202	MothersonSumi Infotech and Designs Ltd.	17 情報通信機械器具、電子部品・デバイス・電子回路製造業/ Manufacturing- IT Products, Electronics Products	Noida
UP	203	NACHI MOTHERSON TOOL TECHNOLOGY Ltd.	12 金属製品製造業/ manufactruing- Metal Products	Noida
UP	204	NEC Technologies India Ltd.	21 情報通信業/ Telecommunication, Broadcasting, IT, Newspaper, Publishing etc	Noida
UP	205	Netmagic Solutions Pvt. Ltd. - DC-1 Noida	21 情報通信業/ Telecommunication, Broadcasting, IT, Newspaper, Publishing etc	Noida
UP	206	NMTronics (India) Pvt. Ltd. HO	23 卸売業、小売業/ Wholesales, Retail	Noida
UP	207	Panasonic AVC Networks India Co., Ltd.	16 電気機械器具製造業/ Manufacturing- Electoric Machinery	Noida
UP	208	Reliance Life Insurance Company Limited Noida1	24 金融業、保険業/ Finance, Insurance	Noida
UP	209	Ricoh India Limited	21 情報通信業/ Telecommunication, Broadcasting, IT, Newspaper, Publishing etc	Noida
UP	210	RISO INDIA PRIVATE Ltd.	23 卸売業、小売業(含:商社、販社)/Wholesales, Retail (including Sogo Shosya, sale company)	Noida
UP	211	Sindhu Cargo Services Limited Noida Office	22 運輸業/ Transportation	Noida
UP	212	SMC PNEUMATICS (INDIA) Pvt. Ltd., Factory	19 その他の製造業/ Manufacturing- Others	Noida
UP	213	SMC PNEUMATICS (INDIA) Pvt. Ltd., HO & Factory	19 その他の製造業/ Manufacturing- Others	Noida
UP	214	Topcon Sokkia India Pvt.Ltd.	23 卸売業、小売業(含:商社、販社)/Wholesales, Retail (including Sogo Shosya, sale company)	Noida
UP	215	TS TECH SUN INDIA Pvt.Ltd.	18 輸送機械器具製造業/ Manufacturing- Automobile, Two Wheeler, Auto Components, Rail/ Ship/Air Plane	Noida
UP	216	Universal Sampo General Insurance Co., Ltd.	24 金融業、保険業/ Finance, Insurance	Noida
UP	217	Universal Sampo General Insurance Co., Ltd.	24 金融業、保険業/ Finance, Insurance	Noida
UP	218	Yakult Danone India Private Limited	04 食料品、飲料・たばこ・飼料製造業/ Manufacturing- Food, Drink, Tobacco, Fodder	Noida
UP	219	YKK INDIA Pvt. Ltd. Noida Branch	19 その他の製造業/ Manufacturing- Others	Noida
UP	220	Reliance Life Insurance Company Limited Orai	24 金融業、保険業/ Finance, Insurance	Orai

2.1. NCR/ Northern/ Northeastern India

State	Sl. No.	NAME OF COMPANY REGISTERED IN INDIA	TYPE OF BUSINESS IN INDIA	LOCATIDN
UP	221	Reliance Life Insurance Company Limited Padrauna	24 金融業、保険業/ Finance, Insurance	Padrauna
UP	222	Reliance Life Insurance Company Limited Palia Kalan	24 金融業、保険業/ Finance, Insurance	Palia Kalan
UP	223	Reliance Life Insurance Company Limited Phoolpur	24 金融業、保険業/ Finance, Insurance	Phoolpur
UP	224	Reliance Life Insurance Company Limited Pilibhit	24 金融業、保険業/ Finance, Insurance	Pilibhit
UP	225	Reliance Life Insurance Company Limited Raebareilly	24 金融業、保険業/ Finance, Insurance	Raebareilly
UP	226	Reliance Life Insurance Company Limited Rasra	24 金融業、保険業/ Finance, Insurance	Rasra
UP	227	Reliance Life Insurance Company Limited Renukoot	24 金融業、保険業/ Finance, Insurance	Renukoot
UP	228	Reliance Life Insurance Company Limited Robertganj	24 金融業、保険業/ Finance, Insurance	Robertganj
UP	229	MAX LIFE INSURANCE COMPANY Ltd.	24 金融業、保険業/ Finance, Insurance	Saharanpur
UP	230	Reliance Life Insurance Company Limited Saharanpur	24 金融業、保険業/ Finance, Insurance	Saharanpur
UP	231	Reliance Life Insurance Company Limited Sahaswan	24 金融業、保険業/ Finance, Insurance	Sahaswan
UP	232	Reliance Life Insurance Company Limited Saidpur	24 金融業、保険業/ Finance, Insurance	Saidpur
UP	233	Reliance Life Insurance Company Limited Shahjahanpur	24 金融業、保険業/ Finance, Insurance	Shahjahanpur
UP	234	Reliance Life Insurance Company Limited Shamli	24 金融業、保険業/ Finance, Insurance	Shamli
UP	235	Reliance Life Insurance Company Limited Sitapur	24 金融業、保険業/ Finance, Insurance	Sitapur
UP	236	Reliance Life Insurance Company Limited Sultanpur	24 金融業、保険業/ Finance, Insurance	Sultanpur
UP	237	Reliance Life Insurance Company Limited Unnao	24 金融業、保険業/ Finance, Insurance	Unnao
UP	238	CHOLAMANDALAM MS GENERAL INSURANCE COMPANY Ltd.	24 金融業、保険業/ Finance, Insurance	Varanasi
UP	239	Edelweiss Tokio Life Insurance Company Limited Varanasi_Sigra	24 金融業、保険業/ Finance, Insurance	Varanasi
UP	240	MAX LIFE INSURANCE COMPANY Ltd.	24 金融業、保険業/ Finance, Insurance	Varanasi
UP	241	Reliance Life Insurance Company Limited Varanasi 6	24 金融業、保険業/ Finance, Insurance	Varanasi
UP	242	Reliance Life Insurance Company Limited Varanasi-1	24 金融業、保険業/ Finance, Insurance	Varanasi
UP	243	Reliance Life Insurance Company Limited Varanasi-2	24 金融業、保険業/ Finance, Insurance	Varanasi
UP	244	Reliance Life Insurance Company Limited Varanasi-3	24 金融業、保険業/ Finance, Insurance	Varanasi
UP	245	Star Union Dai-ichi Life Insurance Co. Ltd. Varanasi Regional Office	24 金融業、保険業/ Finance, Insurance	Varanasi
UP	246	Universal Sompo General Insurance Co., Ltd.	24 金融業、保険業/ Finance, Insurance	Varanasi
UP	247	Reliance Life Insurance Company Limited Yusufpur M Bad	24 金融業、保険業/ Finance, Insurance	Yusufpur
<b>2.1.4. [Rajasthan]</b>				
RJ	1	Bela Tsusho India Pvt. Ltd.	29 サービス業/ Consulting, Advertisement, Research, Lawfirm, Accounts, Entertainment, Human Resource etc	Jaipur
RJ	2	BUSSAN AUTO FINANCE INDIA Pvt. Ltd.	24 金融業、保険業/ Finance, Insurance	Jaipur
RJ	3	CHOLAMANDALAM MS GENERAL INSURANCE COMPANY Ltd.	24 金融業、保険業/ Finance, Insurance	Jaipur

2.1. NCR/ Northern/ Northeastern India

State	Sl. No.	NAME OF COMPANY REGISTERED IN INDIA	TYPE OF BUSINESS IN INDIA	LOCATIDN
RJ	4	DAIKIN AIRCONDITIONING INDIA Pvt. Ltd. JAIPUR BRANCH	16 電気機械器具製造業/ Manufacturing- Electoric Machinery	Jaipur
RJ	5	Edelweiss Tokio Life Insurance Company Limited Jaipur_C - Scheme	24 金融業、保険業/ Finance, Insurance	Jaipur
RJ	6	Erbis Engineering (India) Pvt. Ltd.	23 卸売業、小売業(含: 商社、販社)/ Wholesales, Retail (including Sogo Shosya, sale company)	Jaipur
RJ	7	ETA General Pvt. Ltd. Branch Office	16 電気機械器具製造業/ Manufacturing- Electoric Machinery	Jaipur
RJ	8	Hitachi Systems Micro Clinic Pvt. Ltd., Jaipur Branch	21 情報通信業/ Telecommunication, Broadcasting, IT, Newspaper, Publishing etc	Jaipur
RJ	9	I.I.Inspection & Export Pvt. Ltd.	05 繊維工業/ Textile Industry	Jaipur
RJ	10	IFFCO-Tokio General Insurance Co. Ltd.	24 金融業、保険業/ Finance, Insurance	Jaipur
RJ	11	Jaipur Furushima	29 サービス業/ Consulting, Advertisement, Research, Lawfirm, Accounts, Entertainment, Human Resource etc	Jaipur
RJ	12	MAX LIFE INSURANCE COMPANY Ltd.	24 金融業、保険業/ Finance, Insurance	Jaipur
RJ	13	MAX LIFE INSURANCE COMPANY Ltd.	24 金融業、保険業/ Finance, Insurance	Jaipur
RJ	14	MITSUBISHI ELECTRIC INDIA PRIVATE LIMITED	16 電気機械器具製造業/ Manufacturing- Electoric Machinery	Jaipur
RJ	15	Nippon Express (India) Pvt., Ltd.	22 運輸業/ Transportation	Jaipur
RJ	16	ORIX Auto Infrastructure Services Limited	26 物品賃貸業/ Lease	Jaipur
RJ	17	Otsuka Chemical (India) Pvt. Ltd.	07 化学工業/ Chemical Industry	Jaipur
RJ	18	Reliance Life Insurance Company Limited Jaipur 1	24 金融業、保険業/ Finance, Insurance	Jaipur
RJ	19	Reliance Life Insurance Company Limited Jaipur- Vaishali	24 金融業、保険業/ Finance, Insurance	Jaipur
RJ	20	Sharp Business Systems (India) Limited Jaipur Branch	23 卸売業、小売業(含: 商社、販社)/ Wholesales, Retail (including Sogo Shosya, sale company)	Jaipur
RJ	21	Sony India Pvt. Ltd. Jaipur	23 卸売業、小売業(含: 商社、販社)/ Wholesales, Retail (including Sogo Shosya, sale company)	Jaipur
RJ	22	Star Union Dai-ichi Life Insurance Co. Ltd. Jaipur Regional Office	24 金融業、保険業/ Finance, Insurance	Jaipur
RJ	23	Toshiba Johnson Elevators India Pvt. Ltd.	03 建設業/ Construction Industry	Jaipur
RJ	24	Universal Sampo General Insurance Co., Ltd.	24 金融業、保険業/ Finance, Insurance	Jaipur
RJ	25	Yakult Danone India Private Limited	04 食料品、飲料・たばこ・飼料製造業/ Manufacturing- Food, Drink, Tobacco, Fodder	Jaipur
RJ	26	YKK INDIA Pvt. Ltd. Jaipur Branch	19 その他の製造業/ Manufacturing- Others	Jaipur
RJ	27	Reliance Life Insurance Company Limited Abu Road	24 金融業、保険業/ Finance, Insurance	Abu Road
RJ	28	CHINO Corporation India Pvt. Ltd.	16 電気機械器具製造業/ Manufacturing- Electoric Machinery	Ajmer
RJ	29	MAX LIFE INSURANCE COMPANY Ltd.	24 金融業、保険業/ Finance, Insurance	Ajmer
RJ	30	Reliance Life Insurance Company Limited Ajmer	24 金融業、保険業/ Finance, Insurance	Ajmer
RJ	31	Allied JB Friction Pvt.Ltd.	18 輸送機械器具製造業/ Manufacturing- Automobile, Two Wheer, Auto Components, Rail/ Ship/Air Plane	Alwar
RJ	32	Honda Motorcycle & Scooter India Pvt. Ltd.	18 輸送機械器具製造業/ Manufacturing- Automobile, Two Wheer, Auto Components, Rail/ Ship/Air Plane	Alwar
RJ	33	IFFCO-Tokio General Insurance Co. Ltd.	24 金融業、保険業/ Finance, Insurance	Alwar
RJ	34	MAX LIFE INSURANCE COMPANY Ltd.	24 金融業、保険業/ Finance, Insurance	Alwar
RJ	35	Rajasthan Prime Steel Processing Center Pvt. Ltd.	12 金属製品製造業/ manufactruing- Metal Products	Alwar

## 2.1. NCR/ Northern/ Northeastern India

State	Sl. No.	NAME OF COMPANY REGISTERED IN INDIA	TYPE OF BUSINESS IN INDIA	LOCATIDN
RJ	36	Reliance Life Insurance Company Limited Alwar	24 金融業、保険業/ Finance, Insurance	Alwar
RJ	37	Shriram Pistons & Rings Limited Pathredi Plant	18 輸送機械器具製造業/ Manufacturing- Automobile, Two Wheer, Auto Components, Rail/ Ship/Air Plane	Alwar
RJ	38	Universal Sampo General Insurance Co., Ltd.	24 金融業、保険業/ Finance, Insurance	Alwar
RJ	39	Yachiyo India Manufacturing Pvt. Ltd.	18 輸送機械器具製造業/ Manufacturing- Automobile, Two Wheer, Auto Components, Rail/ Ship/Air Plane	Alwar
RJ	40	Reliance Life Insurance Company Limited Balotra	24 金融業、保険業/ Finance, Insurance	Balotra
RJ	41	Reliance Life Insurance Company Limited Banswara	24 金融業、保険業/ Finance, Insurance	Banswara
RJ	42	Reliance Life Insurance Company Limited Beawar	24 金融業、保険業/ Finance, Insurance	Beawar
RJ	43	Reliance Life Insurance Company Limited Bharatpur	24 金融業、保険業/ Finance, Insurance	Bharatpur
RJ	44	Reliance Life Insurance Company Limited Bhawanimandi	24 金融業、保険業/ Finance, Insurance	Bhawanimandi
RJ	45	HONDA KAIHATU INDIA HOSPITALITY Pvt. Ltd .ICHI-ZEN JAPANESE RESTAURANT BHIWADI	27 宿泊業、飲食サービス業/ Hotel, Restaurant	Bhiwadi
RJ	46	OAT&ILL India Laboratories Pvt. Ltd.	29 サービス業/ Consulting, Advertisement, Research, Lawfirm, Accounts, Entertainment, Human Resource etc	Bhiwadi
RJ	47	PARKER PCP AUTO COMPORNENTS Pvt. Ltd.	19 その他の製造業/ Manufacturing- Others	Bhiwadi
RJ	48	Reliance Life Insurance Company Limited Bhiwadi	24 金融業、保険業/ Finance, Insurance	Bhiwadi
RJ	49	Sakae Riken Polyplastics India Private Limited	18 輸送機械器具製造業/ Manufacturing- Automobile, Two Wheer, Auto Components, Rail/ Ship/Air Plane	Bhiwadi
RJ	50	SAKATA INX (INDIA) Ltd.	07 化学工業/ Chemical Industry	Bhiwadi
RJ	51	Sekisui DLJM Molding Pvt., Ltd. Tapukara Plant	18 輸送機械器具製造業/ Manufacturing- Automobile, Two Wheer, Auto Components, Rail/ Ship/Air Plane	Bhiwadi
RJ	52	Yutaka Autoparts India Pvt.Ltd.	18 輸送機械器具製造業/ Manufacturing- Automobile, Two Wheer, Auto Components, Rail/ Ship/Air Plane	Bhiwadi
RJ	53	CHOLAMANDALAM MS GENERAL INSURANCE COMPANY Ltd.	24 金融業、保険業/ Finance, Insurance	Bikaner
RJ	54	MAX LIFE INSURANCE COMPANY Ltd.	24 金融業、保険業/ Finance, Insurance	Bikaner
RJ	55	Reliance Life Insurance Company Limited Bikaner	24 金融業、保険業/ Finance, Insurance	Bikaner
RJ	56	Reliance Life Insurance Company Limited Churu	24 金融業、保険業/ Finance, Insurance	Churu
RJ	57	Reliance Life Insurance Company Limited Didwana	24 金融業、保険業/ Finance, Insurance	Didwana
RJ	58	Reliance Life Insurance Company Limited Dungarpur	24 金融業、保険業/ Finance, Insurance	Dungarpur
RJ	59	MAX LIFE INSURANCE COMPANY Ltd.	24 金融業、保険業/ Finance, Insurance	Ganganagar
RJ	60	Reliance Life Insurance Company Limited Jaitaran	24 金融業、保険業/ Finance, Insurance	Jaitaran
RJ	61	Reliance Life Insurance Company Limited Jalore	24 金融業、保険業/ Finance, Insurance	Jalore
RJ	62	Reliance Life Insurance Company Limited Jhalawar	24 金融業、保険業/ Finance, Insurance	Jhalawar
RJ	63	Reliance Life Insurance Company Limited Jhunjhunu	24 金融業、保険業/ Finance, Insurance	Jhunjhunu
RJ	64	CHOLAMANDALAM MS GENERAL INSURANCE COMPANY Ltd.	24 金融業、保険業/ Finance, Insurance	Jodhpur
RJ	65	IFFCO-Tokio General Insurance Co. Ltd.	24 金融業、保険業/ Finance, Insurance	Jodhpur
RJ	66	MAX LIFE INSURANCE COMPANY Ltd.	24 金融業、保険業/ Finance, Insurance	Jodhpur
RJ	67	Reliance Life Insurance Company Limited Jodhpur 1	24 金融業、保険業/ Finance, Insurance	Jodhpur

## 2.1. NCR/ Northern/ Northeastern India

State	Sl. No.	NAME OF COMPANY REGISTERED IN INDIA	TYPE OF BUSINESS IN INDIA	LOCATIDN
RJ	68	G-TEKT India Pvt. Ltd.	12 金属製品製造業/ manufactruing- Metal Products	Khushkhhera
RJ	69	HONDA KAIHATU INDIA HOSPITALITY Pvt. Ltd. TAPUKARA EXTENTION DESK & CANTEEN	29 サービス業/ Consulting, Advertisement, Research, Lawfirm, Accounts, Entertainment, Human Resource etc	Khushkhhera
RJ	70	Honda Motor India Limited, Engineering Service	18 輸送機械器具製造業/ Manufacturing- Automobile, Two Wheer, Auto Components, Rail/ Ship/Air Plane	Khushkhhera
RJ	71	Honda Motor India Limited, Tapkara Ware House	18 輸送機械器具製造業/ Manufacturing- Automobile, Two Wheer, Auto Components, Rail/ Ship/Air Plane	Khushkhhera
RJ	72	CHOLAMANDALAM MS GENERAL INSURANCE COMPANY Ltd.	24 金融業、保険業/ Finance, Insurance	Kota
RJ	73	MAX LIFE INSURANCE COMPANY Ltd.	24 金融業、保険業/ Finance, Insurance	Kota
RJ	74	Reliance Life Insurance Company Limited Kota	24 金融業、保険業/ Finance, Insurance	Kota
RJ	75	Universal Sampo General Insurance Co., Ltd.	24 金融業、保険業/ Finance, Insurance	Kota
RJ	76	Reliance Life Insurance Company Limited Kotputli	24 金融業、保険業/ Finance, Insurance	Kotputli
RJ	77	AMAPAI CORPORATION INDIA PRIVATE LIMITED	11 非鉄金属製造業/ Manufacturing- Non Metal Products	Neemrana
RJ	78	Ashimori India Pvt. Ltd.	19 その他の製造業/ Manufacturing- Others	Neemrana
RJ	79	BELTCNO INDIA PRIVATE LIMITED	12 金属製品製造業/ manufactruing- Metal Products	Neemrana
RJ	80	Canon India Private Limited	23 卸売業、小売業(含: 商社、販社)/ Wholesales, Retail (including Sogo Shosya, sale company)	Neemrana
RJ	81	DAIDO India Pvt. Ltd.	18 輸送機械器具製造業/ Manufacturing- Automobile, Two Wheer, Auto Components, Rail/ Ship/Air Plane	Neemrana
RJ	82	Daiichi N Horizon Autocomp Pvt. Ltd.	18 輸送機械器具製造業/ Manufacturing- Automobile, Two Wheer, Auto Components, Rail/ Ship/Air Plane	Neemrana
RJ	83	DAIKIN AIRCONDITIONING INDIA Pvt. Ltd. NEEMRANA PLANT	16 電気機械器具製造業/ Manufacturing- Electoric Machinery	Neemrana
RJ	84	Dainichi Color India Pvt. Ltd.	07 化学工業/ Chemical Industry	Neemrana
RJ	85	E&H Precision India Pvt. Ltd.	12 金属製品製造業/ manufactruing- Metal Products	Neemrana
RJ	86	Hitachi Chemical India Private Limited	12 金属製品製造業/ manufactruing- Metal Products	Neemrana
RJ	87	Hotel Hiroahama	27 宿泊業、飲食サービス業/ Hotel, Restaurant	Neemrana
RJ	88	IMASEN MANUFACTURING INDIA Pvt.Ltd.	18 輸送機械器具製造業/ Manufacturing- Automobile, Two Wheer, Auto Components, Rail/ Ship/Air Plane	Neemrana
RJ	89	KDDI India Private Limited	21 情報通信業/ Telecommunication, Broadcasting, IT, Newspaper, Publishing etc	Neemrana
RJ	90	KOIDE INDIA PRIVATE LIMITED	14 生産用機械器具製造業/ Manufacturing- Prduction Machinery	Neemrana
RJ	91	Kokoku Intech India Pvt. Ltd. Neemrana Factory	18 輸送機械器具製造業/ Manufacturing- Automobile, Two Wheer, Auto Components, Rail/ Ship/Air Plane	Neemrana
RJ	92	MI Electrical Steel Processing India Pvt. Ltd.	12 金属製品製造業/ manufactruing- Metal Products	Neemrana
RJ	93	Mikuni India Private Limited	18 輸送機械器具製造業/ Manufacturing- Automobile, Two Wheer, Auto Components, Rail/ Ship/Air Plane	Neemrana
RJ	94	Mitsui Prime Advanced Composites India Pvt. Ltd. (ACI)	08 石油製品・石炭製品製造業/ Manufacturing- Petro Products, Coal Products	Neemrana
RJ	95	Mytex Polymers India Pvt. Ltd.	07 化学工業/ Chemical Industry	Neemrana
RJ	96	NACHI KG TECHNOLOGY INDIA Pvt. Ltd.	12 金属製品製造業/ manufactruing- Metal Products	Neemrana
RJ	97	NAGOMI CONSULTING Pvt. Ltd. Neemrana branch	04 食料品、飲料・たばこ・飼料製造業/ Manufacturing- Food, Drink, Tobacco, Fodder	Neemrana
RJ	98	NEEMRANA STEEL SERVICE CENTER INDIA Pvt. Ltd.	12 金属製品製造業/ manufactruing- Metal Products	Neemrana
RJ	99	NIHON PARKERIZING INDIA Pvt.Ltd.	07 化学工業/ Chemical Industry	Neemrana

## 2.1. NCR/ Northern/ Northeastern India

State	Sl. No.	NAME OF COMPANY REGISTERED IN INDIA	TYPE OF BUSINESS IN INDIA	LOCATIDN
RJ	100	Nippon Express (India) Pvt., Ltd.	22 運輸業/ Transportation	Neemrana
RJ	101	Nissan Brake India Pvt.Ltd.	18 輸送機械器具製造業/ Manufacturing- Automobile, Two Wheeler, Auto Components, Rail/ Ship/Air Plane	Neemrana
RJ	102	NTT Communications India Private Ltd. - Neemrana Branch	21 情報通信業/ Telecommunication, Broadcasting, IT, Newspaper, Publishing etc	Neemrana
RJ	103	Oiles India Private Limited, Neemrana Plant	19 その他の製造業/ Manufacturing- Others	Neemrana
RJ	104	Sanden Vikas Precision Parts Pvt. Ltd.	18 輸送機械器具製造業/ Manufacturing- Automobile, Two Wheeler, Auto Components, Rail/ Ship/Air Plane	Neemrana
RJ	105	Sanjo Forge India Pvt. Ltd.	18 輸送機械器具製造業/ Manufacturing- Automobile, Two Wheeler, Auto Components, Rail/ Ship/Air Plane	Neemrana
RJ	106	Sankyu India Logistics & Engineering Neemrana Branch	13 はん用機械器具製造業/ Manufacturing- General Purpose Machinery	Neemrana
RJ	107	TAIYO INDIA Pvt.Ltd.	12 金属製品製造業/ manufactruing- Metal Products	Neemrana
RJ	108	TAKAHATA PRECISION INDIA Pvt. Ltd.	18 輸送機械器具製造業/ Manufacturing- Automobile, Two Wheeler, Auto Components, Rail/ Ship/Air Plane	Neemrana
RJ	109	Takata India Pvt. Ltd.	18 輸送機械器具製造業/ Manufacturing- Automobile, Two Wheeler, Auto Components, Rail/ Ship/Air Plane	Neemrana
RJ	110	Takenaka India Private Limited	03 建設業/ Construction Industry	Neemrana
RJ	111	Tenjiku Hotels Pvt. Ltd.	29 サービス業/ Consulting, Advertisement, Research, Lawfirm, Accounts, Entertainment, Human Resource etc	Neemrana
RJ	112	The Bank of Tokyo—Mitsubishi UFJ, Ltd. Neemrana Branch	24 金融業、保険業/ Finance, Insurance	Neemrana
RJ	113	Tokai Imperial Hydraulics India Private Limited	19 その他の製造業/ Manufacturing- Others	Neemrana
RJ	114	Tokai Rubber Auto-Parts India Private Limited	18 輸送機械器具製造業/ Manufacturing- Automobile, Two Wheeler, Auto Components, Rail/ Ship/Air Plane	Neemrana
RJ	115	Toyoda Gosei Minda India Pvt. Ltd.	18 輸送機械器具製造業/ Manufacturing- Automobile, Two Wheeler, Auto Components, Rail/ Ship/Air Plane	Neemrana
RJ	116	Toyota Kirloskar Motor Private Limited Neemran Office	18 輸送機械器具製造業/ Manufacturing- Automobile, Two Wheeler, Auto Components, Rail/ Ship/Air Plane	Neemrana
RJ	117	TPR Autoparts Manufacturing India Pvt. Ltd.	18 輸送機械器具製造業/ Manufacturing- Automobile, Two Wheeler, Auto Components, Rail/ Ship/Air Plane	Neemrana
RJ	118	Unicharm India Private Limited Neemrana Factory	06 木材・木製品、パルプ・紙・紙加工品製造業/ Manufacturing- Timber & Timber Products, Paper & Paper Products	Neemrana
RJ	119	Y-Tec India Pvt. Ltd.	19 その他の製造業/ Manufacturing- Others	Neemrana
RJ	120	YUSHIRO INDIA COMPANY PRIVATE LIMITED NEEMRANA Plant	07 化学工業/ Chemical Industry	Neemrana
RJ	121	Reliance Life Insurance Company Limited Pali	24 金融業、保険業/ Finance, Insurance	Pali
RJ	122	Reliance Life Insurance Company Limited Phalodi	24 金融業、保険業/ Finance, Insurance	Phalodi
RJ	123	Reliance Life Insurance Company Limited Rajsamand	24 金融業、保険業/ Finance, Insurance	Rajsamand
RJ	124	Reliance Life Insurance Company Limited Sagwara	24 金融業、保険業/ Finance, Insurance	Sagwara
RJ	125	Reliance Life Insurance Company Limited Sardarshahar	24 金融業、保険業/ Finance, Insurance	Sardarshahar
RJ	126	Reliance Life Insurance Company Limited Sikar	24 金融業、保険業/ Finance, Insurance	Sikar
RJ	127	Reliance Life Insurance Company Limited Sirohi	24 金融業、保険業/ Finance, Insurance	Sirohi
RJ	128	Reliance Life Insurance Company Limited Sriganganagar 1	24 金融業、保険業/ Finance, Insurance	Sriganganagar
RJ	129	Bestex MM India Pvt.,Ltd.	18 輸送機械器具製造業/ Manufacturing- Automobile, Two Wheeler, Auto Components, Rail/ Ship/Air Plane	Tapukara
RJ	130	FCC RICO LIMITED	18 輸送機械器具製造業/ Manufacturing- Automobile, Two Wheeler, Auto Components, Rail/ Ship/Air Plane	Tapukara
RJ	131	Honda Logistics India Pvt. Ltd.	22 運輸業/ Transportation	Tapukara

2.1. NCR/ Northern/ Northeastern India

State	Sl. No.	NAME OF COMPANY REGISTERED IN INDIA	TYPE OF BUSINESS IN INDIA	LOCATIDN
RJ	132	Reliance Life Insurance Company Limited Tonk	24 金融業、保険業/ Finance, Insurance	Tonk
RJ	133	CHOLAMANDALAM MS GENERAL INSURANCE COMPANY Ltd.	24 金融業、保険業/ Finance, Insurance	Udaipur
RJ	134	MAX LIFE INSURANCE COMPANY Ltd.	24 金融業、保険業/ Finance, Insurance	Udaipur
RJ	135	Universal Sampo General Insurance Co., Ltd.	24 金融業、保険業/ Finance, Insurance	Udaipur
RJ	136	Edelweiss Tokio Life Insurance Company Limited Udaipur_Panchvati	24 金融業、保険業/ Finance, Insurance	Udaipur
RJ	137	Reliance Life Insurance Company Limited Udaipur 1	24 金融業、保険業/ Finance, Insurance	Udaipur
<b>2.1.5. 【チャンディガル連邦政府直轄地】</b>				
CG	1	Erbis Engineering (India) Pvt. Ltd.	23 卸売業、小売業(含:商社、販社)/ Wholesales, Retail (including Sogo Shosya, sale company)	Chandigarh
CG	2	ETA General Pvt. Ltd. Branch Office	16 電気機械器具製造業/ Manufacturing- Electoric Machinery	Chandigarh
CG	3	MITSUBISHI ELECTRIC INDIA PRIVATE LIMITED	16 電気機械器具製造業/ Manufacturing- Electoric Machinery	Chandigarh
CG	4	Reliance Life Insurance Company Limited Chandigarh1	24 金融業、保険業/ Finance, Insurance	Chandigarh
CG	5	Ricoh India Limited	21 情報通信業/ Telecommunication, Broadcasting, IT, Newspaper, Publishing etc	Chandigarh
CG	6	Sharp Business Systems (India) Limited Chandigarh Branch	23 卸売業、小売業(含:商社、販社)/ Wholesales, Retail (including Sogo Shosya, sale company)	Chandigarh
CG	7	Snowman Logistics Ltd.	22 運輸業/ Transportation	Chandigarh
CG	8	Universal Sampo General Insurance Co., Ltd.	24 金融業、保険業/ Finance, Insurance	Chandigarh
<b>2.1.6. 【Punjab】</b>				
PB	1	Canon India Private Limited	23 卸売業、小売業(含:商社、販社)/ Wholesales, Retail (including Sogo Shosya, sale company)	Chandigarh
PB	2	Casio India Co., Private Limited - Chandigarh Office	16 電気機械器具製造業/ Manufacturing- Electoric Machinery	Chandigarh
PB	3	CHOLAMANDALAM MS GENERAL INSURANCE COMPANY Ltd.	24 金融業、保険業/ Finance, Insurance	Chandigarh
PB	4	DAIKIN AIRCONDITIONING INDIA Pvt. Ltd. CHANDIGARH BRANCH	16 電気機械器具製造業/ Manufacturing- Electoric Machinery	Chandigarh
PB	5	Edelweiss Tokio Life Insurance Company Limited Chandigarh_Sector 22	24 金融業、保険業/ Finance, Insurance	Chandigarh
PB	6	Hitachi Systems Micro Clinic Pvt. Ltd., Chandigarh Branch	21 情報通信業/ Telecommunication, Broadcasting, IT, Newspaper, Publishing etc	Chandigarh
PB	7	IFFCO-Tokio General Insurance Co. Ltd.	24 金融業、保険業/ Finance, Insurance	Chandigarh
PB	8	MAX LIFE INSURANCE COMPANY Ltd.	24 金融業、保険業/ Finance, Insurance	Chandigarh
PB	9	SML Isuzu Limited	18 輸送機械器具製造業/ Manufacturing- Automobile, Two Wheeler, Auto Components, Rail/ Ship/Air Plane	Chandigarh
PB	10	Sony India Pvt. Ltd. Chandigarh	23 卸売業、小売業(含:商社、販社)/ Wholesales, Retail (including Sogo Shosya, sale company)	Chandigarh
PB	11	Star Union Dai-ichi Life Insurance Co. Ltd. Chandigarh Regional Office	24 金融業、保険業/ Finance, Insurance	Chandigarh
PB	12	Yakult Danone India Private Limited	04 食料品、飲料・たばこ・飼料製造業/ Manufacturing- Food, Drink, Tobacco, Fodder	Chandigarh
PB	13	Reliance Life Insurance Company Limited Abohar	24 金融業、保険業/ Finance, Insurance	Abohar
PB	14	MAX LIFE INSURANCE COMPANY Ltd.	24 金融業、保険業/ Finance, Insurance	Ambala
PB	15	MAX LIFE INSURANCE COMPANY Ltd.	24 金融業、保険業/ Finance, Insurance	Amritsar

## 2.1. NCR/ Northern/ Northeastern India

State	Sl. No.	NAME OF COMPANY REGISTERED IN INDIA	TYPE OF BUSINESS IN INDIA	LOCATIDN
PB	16	Universal Sompo General Insurance Co., Ltd.	24 金融業、保険業/ Finance, Insurance	Amritsar
PB	17	Edelweiss Tokio Life Insurance Company Limited Amritsar_Ranjit Avenue	24 金融業、保険業/ Finance, Insurance	Amritsar
PB	18	Reliance Life Insurance Company Limited Amritsar 2	24 金融業、保険業/ Finance, Insurance	Amritsar
PB	19	Reliance Life Insurance Company Limited Barnala	24 金融業、保険業/ Finance, Insurance	Barnala
PB	20	Reliance Life Insurance Company Limited Batala 1	24 金融業、保険業/ Finance, Insurance	Batala
PB	21	MAX LIFE INSURANCE COMPANY Ltd.	24 金融業、保険業/ Finance, Insurance	Bhatinda
PB	22	Reliance Life Insurance Company Limited Bhatinda	24 金融業、保険業/ Finance, Insurance	Bhatinda
PB	23	Reliance Life Insurance Company Limited Dasuya	24 金融業、保険業/ Finance, Insurance	Dasuya
PB	24	Reliance Life Insurance Company Limited Fazilka	24 金融業、保険業/ Finance, Insurance	Fazilka
PB	25	Reliance Life Insurance Company Limited Ferozepur	24 金融業、保険業/ Finance, Insurance	Ferozepur
PB	26	Reliance Life Insurance Company Limited Hoshiarpur	24 金融業、保険業/ Finance, Insurance	Hoshiarpur
PB	27	Reliance Life Insurance Company Limited Jagraon	24 金融業、保険業/ Finance, Insurance	Jagraon
PB	28	CHOLAMANDALAM MS GENERAL INSURANCE COMPANY Ltd.	24 金融業、保険業/ Finance, Insurance	Jalandhar
PB	29	Edelweiss Tokio Life Insurance Company Limited Jalandhar_Puda Complex	24 金融業、保険業/ Finance, Insurance	Jalandhar
PB	30	MAX LIFE INSURANCE COMPANY Ltd.	24 金融業、保険業/ Finance, Insurance	Jalandhar
PB	31	Reliance Life Insurance Company Limited Jalandhar-1	24 金融業、保険業/ Finance, Insurance	Jalandhar
PB	32	Universal Sompo General Insurance Co., Ltd.	24 金融業、保険業/ Finance, Insurance	Jalandhar
PB	33	Snowman Logistics Ltd.	22 運輸業/ Transportation	Jalandhar
PB	34	ALP NISHIKAWA COMPANY LIMITED, Lalru Plant	08 石油製品・石炭製品製造業/ Manufacturing- Petro Products, Coal Products	Lalru
PB	35	BUSSAN AUTO FINANCE INDIA Pvt. Ltd.	24 金融業、保険業/ Finance, Insurance	Ludhiana
PB	36	CHOLAMANDALAM MS GENERAL INSURANCE COMPANY Ltd.	24 金融業、保険業/ Finance, Insurance	Ludhiana
PB	37	Edelweiss Tokio Life Insurance Company Limited Ludhiana_Ferozgandhi Market	24 金融業、保険業/ Finance, Insurance	Ludhiana
PB	38	IFFCO-Tokio General Insurance Co. Ltd.	24 金融業、保険業/ Finance, Insurance	Ludhiana
PB	39	Juki India Private Limited Ludhiana Office	23 卸売業、小売業(含:商社、販社)/Wholesales, Retail (including Sogo Shosya, sale company)	Ludhiana
PB	40	MAX LIFE INSURANCE COMPANY Ltd.	24 金融業、保険業/ Finance, Insurance	Ludhiana
PB	41	MAX LIFE INSURANCE COMPANY Ltd.	24 金融業、保険業/ Finance, Insurance	Ludhiana
PB	42	MITSUBISHI ELECTRIC INDIA PRIVATE LIMITED	16 電気機械器具製造業/ Manufacturing- Electoric Machinery	Ludhiana
PB	43	Pegasus Sewing Machine Pte. Ltd. India (Ludhiana) Liaison Office	16 電気機械器具製造業/ Manufacturing- Electoric Machinery	Ludhiana
PB	44	Reliance Life Insurance Company Limited Ludhiana-1	24 金融業、保険業/ Finance, Insurance	Ludhiana
PB	45	Sharp Business Systems (India) Limited Ludhiana Branch	23 卸売業、小売業(含:商社、販社)/Wholesales, Retail (including Sogo Shosya, sale company)	Ludhiana
PB	46	Sindhu Cargo Services Limited Ludhiana Office	22 運輸業/ Transportation	Ludhiana
PB	47	Sony India Pvt. Ltd. Ludhiana	23 卸売業、小売業(含:商社、販社)/Wholesales, Retail (including Sogo Shosya, sale company)	Ludhiana



2.1. NCR/ Northern/ Northeastern India

State	Sl. No.	NAME OF COMPANY REGISTERED IN INDIA	TYPE OF BUSINESS IN INDIA	LOCATIDN
PB	48	Star Union Dai-ichi Life Insurance Co. Ltd. Ludhiana Regional Office	24 金融業、保険業/ Finance, Insurance	Ludhiana
PB	49	Universal Sampo General Insurance Co., Ltd.	24 金融業、保険業/ Finance, Insurance	Ludhiana
PB	50	VARDHMAN NISSHINBO GARMENTS COMPANY LIMITED	05 繊維工業/ Textile Industry	Ludhiana
PB	51	YKK INDIA Pvt. Ltd. Ludhiana Branch	19 その他の製造業/ Manufacturing- Others	Ludhiana
PB	52	Reliance Life Insurance Company Limited Mandigobind Garh	24 金融業、保険業/ Finance, Insurance	Mandigobind Garh
PB	53	Reliance Life Insurance Company Limited Moga	24 金融業、保険業/ Finance, Insurance	Moga
PB	54	Nippon Express (India) Pvt., Ltd.	22 運輸業/ Transportation	Mohali
PB	55	SIGMA FREUDENBERG NOK Pvt.Ltd. Head Office and Plant	18 輸送機械器具製造業/ Manufacturing- Automobile, Two Wheer, Auto Components, Rail/ Ship/Air Plane	Mohali
PB	56	Reliance Life Insurance Company Limited Nabha	24 金融業、保険業/ Finance, Insurance	Nabha
PB	57	Reliance Life Insurance Company Limited Pathankot 1	24 金融業、保険業/ Finance, Insurance	Pathankot
PB	58	IFFCO-Tokio General Insurance Co. Ltd.	24 金融業、保険業/ Finance, Insurance	Patiala
PB	59	MAX LIFE INSURANCE COMPANY Ltd.	24 金融業、保険業/ Finance, Insurance	Patiala
PB	60	Reliance Life Insurance Company Limited Patiala	24 金融業、保険業/ Finance, Insurance	Patiala
PB	61	Reliance Life Insurance Company Limited Phagwara	24 金融業、保険業/ Finance, Insurance	Phagwara
PB	62	Standard Plastic Industries India (A Unit Of SPIPlastics Pvt. Ltd.), MOULDING FACTORY	18 輸送機械器具製造業/ Manufacturing- Automobile, Two Wheer, Auto Components, Rail/ Ship/Air Plane	Rajpura
PB	63	Reliance Life Insurance Company Limited Ropar	24 金融業、保険業/ Finance, Insurance	Ropar

**2.1.7. [Uttarakhand]**

UK	1	CHOLAMANDALAM MS GENERAL INSURANCE COMPANY Ltd.	24 金融業、保険業/ Finance, Insurance	Dehradun
UK	2	IFFCO-Tokio General Insurance Co. Ltd.	24 金融業、保険業/ Finance, Insurance	Dehradun
UK	3	MAX LIFE INSURANCE COMPANY Ltd.	24 金融業、保険業/ Finance, Insurance	Dehradun
UK	4	Reliance Life Insurance Company Limited Dehradun-1	24 金融業、保険業/ Finance, Insurance	Dehradun
UK	5	Universal Sampo General Insurance Co., Ltd.	24 金融業、保険業/ Finance, Insurance	Dehradun
UK	6	Reliance Life Insurance Company Limited Dehradun 3	24 金融業、保険業/ Finance, Insurance	Dehradun
UK	7	Reliance Life Insurance Company Limited Almora	24 金融業、保険業/ Finance, Insurance	Almora
UK	8	Reliance Life Insurance Company Limited Bageshwar	24 金融業、保険業/ Finance, Insurance	Bageshwar
UK	9	Reliance Life Insurance Company Limited Bajpur	24 金融業、保険業/ Finance, Insurance	Bajpur
UK	10	Reliance Life Insurance Company Limited Didihat	24 金融業、保険業/ Finance, Insurance	Didihat
UK	11	Reliance Life Insurance Company Limited Haldwani	24 金融業、保険業/ Finance, Insurance	Haldwani
UK	12	Universal Sampo General Insurance Co., Ltd.	24 金融業、保険業/ Finance, Insurance	Haldwani
UK	13	FCC RICO LIMITED	18 輸送機械器具製造業/ Manufacturing- Automobile, Two Wheer, Auto Components, Rail/ Ship/Air Plane	Haridwar
UK	14	HORIBA India Private Limited, Haridwar Factory	16 電気機械器具製造業/ Manufacturing- Electoric Machinery	Haridwar

2.1. NCR/ Northern/ Northeastern India

State	Sl. No.	NAME OF COMPANY REGISTERED IN INDIA	TYPE OF BUSINESS IN INDIA	LOCATIDN
UK	15	Lumax Industries Ltd. Haridwar Factory	18 輸送機械器具製造業/ Manufacturing- Automobile, Two Wheer, Auto Components, Rail/ Ship/Air Plane	Haridwar
UK	16	MAX LIFE INSURANCE COMPANY Ltd.	24 金融業、保険業/ Finance, Insurance	Haridwar
UK	17	MUNJAL SHOWA Ltd.	18 輸送機械器具製造業/ Manufacturing- Automobile, Two Wheer, Auto Components, Rail/ Ship/Air Plane	Haridwar
UK	18	Reliance Life Insurance Company Limited Haridwar	24 金融業、保険業/ Finance, Insurance	Haridwar
UK	19	Reliance Life Insurance Company Limited Cab Kashipur	24 金融業、保険業/ Finance, Insurance	Kashipur
UK	20	Reliance Life Insurance Company Limited Kotdwar	24 金融業、保険業/ Finance, Insurance	Kotdwar
UK	21	Reliance Life Insurance Company Limited Lohaghat	24 金融業、保険業/ Finance, Insurance	Lohaghat
UK	22	MAX LIFE INSURANCE COMPANY Ltd.	24 金融業、保険業/ Finance, Insurance	Nainital
UK	23	Lumax Industries Ltd. Pantnagar Factory	18 輸送機械器具製造業/ Manufacturing- Automobile, Two Wheer, Auto Components, Rail/ Ship/Air Plane	Pantnagar
UK	24	Rane NSK Steering Systems Limited, Pantnagar Plant	18 輸送機械器具製造業/ Manufacturing- Automobile, Two Wheer, Auto Components, Rail/ Ship/Air Plane	Pantnagar
UK	25	Reliance Life Insurance Company Limited Pithorgarh	24 金融業、保険業/ Finance, Insurance	Pithorgarh
UK	26	Reliance Life Insurance Company Limited Ram Nagar	24 金融業、保険業/ Finance, Insurance	Ramnagar
UK	27	Reliance Life Insurance Company Limited Rampur	24 金融業、保険業/ Finance, Insurance	Rampur
UK	28	Reliance Life Insurance Company Limited Roorkee	24 金融業、保険業/ Finance, Insurance	Roorkee
UK	29	Aica Laminates India Private Limited, Rudrapur Factory	07 化学工業/ Chemical Industry	Rudrapur
UK	30	MITSUBISHI ELECTRIC INDIA PRIVATE LIMITED	16 電気機械器具製造業/ Manufacturing- Electoric Machinery	Rudrapur
UK	31	Reliance Life Insurance Company Limited Rudrapur	24 金融業、保険業/ Finance, Insurance	Rudrapur
UK	32	SOMIC ZF COMPONENTS LIMITED	18 輸送機械器具製造業/ Manufacturing- Automobile, Two Wheer, Auto Components, Rail/ Ship/Air Plane	Sidcul
UK	33	Reliance Life Insurance Company Limited Tehri	24 金融業、保険業/ Finance, Insurance	Tehri
UK	34	Yazaki India Limited-Uttarakhand Pantnagar	18 輸送機械器具製造業/ Manufacturing- Automobile, Two Wheer, Auto Components, Rail/ Ship/Air Plane	Udham Singh Nagar
UK	35	Reliance Life Insurance Company Limited Uttarkashi	24 金融業、保険業/ Finance, Insurance	Uttarkashi
UK	36	Reliance Life Insurance Company Limited Vikas Nagar	24 金融業、保険業/ Finance, Insurance	Vikas Nagar
<b>2.1.8. [Himachal Pradesh]</b>				
HP	1	Edelweiss Tokio Life Insurance Company Limited Shimla_BCS	24 金融業、保険業/ Finance, Insurance	Shimla
HP	2	MAX LIFE INSURANCE COMPANY Ltd.	24 金融業、保険業/ Finance, Insurance	Shimla
HP	3	Reliance Life Insurance Company Limited Shimla 1	24 金融業、保険業/ Finance, Insurance	Shimla
HP	4	Reliance Life Insurance Company Limited Amb	24 金融業、保険業/ Finance, Insurance	Amb
HP	5	Reliance Life Insurance Company Limited Bilaspur	24 金融業、保険業/ Finance, Insurance	Bilaspur
HP	6	Reliance Life Insurance Company Limited Chamba	24 金融業、保険業/ Finance, Insurance	Chamba
HP	7	Reliance Life Insurance Company Limited Dehra	24 金融業、保険業/ Finance, Insurance	Dehra
HP	8	Reliance Life Insurance Company Limited Hamirpur	24 金融業、保険業/ Finance, Insurance	Hamirpur

2.1. NCR/ Northern/ Northeastern India

State	Sl. No.	NAME OF COMPANY REGISTERED IN INDIA	TYPE OF BUSINESS IN INDIA	LOCATIDN
HP	9	MAX LIFE INSURANCE COMPANY Ltd.	24 金融業、保険業/ Finance, Insurance	Kangra
HP	10	MAX LIFE INSURANCE COMPANY Ltd.	24 金融業、保険業/ Finance, Insurance	Kullu
HP	11	Reliance Life Insurance Company Limited Kullu	24 金融業、保険業/ Finance, Insurance	Kullu
HP	12	MAX LIFE INSURANCE COMPANY Ltd.	24 金融業、保険業/ Finance, Insurance	Mandi
HP	13	Reliance Life Insurance Company Limited Sunder Nagar	24 金融業、保険業/ Finance, Insurance	Mandi
HP	14	Reliance Life Insurance Company Limited Nalagarh	24 金融業、保険業/ Finance, Insurance	Nalagarh
HP	15	Reliance Life Insurance Company Limited Nurpur	24 金融業、保険業/ Finance, Insurance	Nurpur
HP	16	Reliance Life Insurance Company Limited Palampur	24 金融業、保険業/ Finance, Insurance	Palampur
HP	17	Reliance Life Insurance Company Limited Rampur Bushar	24 金融業、保険業/ Finance, Insurance	Rampur Bushar
HP	18	Reliance Life Insurance Company Limited Solan	24 金融業、保険業/ Finance, Insurance	Solan
<b>2.1.9. [Jammu &amp; Kashmir]</b>				
J&K	1	IFFCO-Tokio General Insurance Co. Ltd.	24 金融業、保険業/ Finance, Insurance	Jammu
J&K	2	Reliance Life Insurance Company Limited RS Pora	24 金融業、保険業/ Finance, Insurance	Jammu
J&K	3	Universal Sampo General Insurance Co., Ltd.	24 金融業、保険業/ Finance, Insurance	Jammu
J&K	4	Reliance Life Insurance Company Limited Jammu 1	24 金融業、保険業/ Finance, Insurance	Jammu
J&K	5	Reliance Life Insurance Company Limited Jammu 2	24 金融業、保険業/ Finance, Insurance	Jammu
J&K	6	MAX LIFE INSURANCE COMPANY Ltd.	24 金融業、保険業/ Finance, Insurance	Srinagar
J&K	7	Reliance Life Insurance Company Limited Srinagar 1	24 金融業、保険業/ Finance, Insurance	Srinagar
J&K	8	Reliance Life Insurance Company Limited Srinagar 3	24 金融業、保険業/ Finance, Insurance	Srinagar
J&K	9	Reliance Life Insurance Company Limited Srinagar	24 金融業、保険業/ Finance, Insurance	Srinagar
J&K	10	Reliance Life Insurance Company Limited Anantnag 2	24 金融業、保険業/ Finance, Insurance	Anantnag
J&K	11	Reliance Life Insurance Company Limited Kathua	24 金融業、保険業/ Finance, Insurance	Kathua
J&K	12	MAX LIFE INSURANCE COMPANY Ltd.	24 金融業、保険業/ Finance, Insurance	Narwal
J&K	13	Reliance Life Insurance Company Limited Pulwama	24 金融業、保険業/ Finance, Insurance	Pulwama
J&K	14	Reliance Life Insurance Company Limited Samba	24 金融業、保険業/ Finance, Insurance	Samba
J&K	15	Reliance Life Insurance Company Limited Sopore	24 金融業、保険業/ Finance, Insurance	Sopore
<b>2.1.10. [Assam]</b>				
AS	1	CHOLAMANDALAM MS GENERAL INSURANCE COMPANY Ltd.	24 金融業、保険業/ Finance, Insurance	Guwahati
AS	2	Ricoh India Limited	21 情報通信業/ Telecommunication, Broadcasting, IT, Newspaper, Publishing etc	Guwahati
AS	3	Sharp Business Systems (India) Limited Guwahati Branch	23 卸売業、小売業(含: 商社、販社)/ Wholesales, Retail (including Sogo Shosya, sale company)	Guwahati
AS	4	Sony India Pvt. Ltd. Guwahati	23 卸売業、小売業(含: 商社、販社)/ Wholesales, Retail (including Sogo Shosya, sale company)	Guwahati

2.1. NCR/ Northern/ Northeastern India

State	Sl. No.	NAME OF COMPANY REGISTERED IN INDIA	TYPE OF BUSINESS IN INDIA	LOCATIDN
AS	5	Star Union Dai-ichi Life Insurance Co. Ltd. Guwahati Regional Office	24 金融業、保険業/ Finance, Insurance	Guwahati
AS	6	Universal Sampo General Insurance Co., Ltd.	24 金融業、保険業/ Finance, Insurance	Guwahati
AS	7	Erbis Engineering (India) Pvt. Ltd.	23 卸売業、小売業(含: 商社、販社)/ Wholesales, Retail (including Sogo Shosya, sale company)	Guwahati
AS	8	Reliance Life Insurance Company Limited Guwahati 1	24 金融業、保険業/ Finance, Insurance	Guwahati
AS	9	Reliance Life Insurance Company Limited Guwahati 2	24 金融業、保険業/ Finance, Insurance	Guwahati
AS	10	Reliance Life Insurance Company Limited Guwahati 3	24 金融業、保険業/ Finance, Insurance	Guwahati
AS	11	Reliance Life Insurance Company Limited Barpeta	24 金融業、保険業/ Finance, Insurance	Barpeta
AS	12	Reliance Life Insurance Company Limited Barpeta Road	24 金融業、保険業/ Finance, Insurance	Barpeta
AS	13	Reliance Life Insurance Company Limited Bilasipara	24 金融業、保険業/ Finance, Insurance	Bilasipara
AS	14	Reliance Life Insurance Company Limited Biswanath Chariali	24 金融業、保険業/ Finance, Insurance	Biswanath Chariali
AS	15	Reliance Life Insurance Company Limited Bongaigaon	24 金融業、保険業/ Finance, Insurance	Bongaigaon
AS	16	Reliance Life Insurance Company Limited Chandrapur	24 金融業、保険業/ Finance, Insurance	Chandrapur
AS	17	Reliance Life Insurance Company Limited Dhekiajuli	24 金融業、保険業/ Finance, Insurance	Dhekiajuli
AS	18	Reliance Life Insurance Company Limited Dhubri	24 金融業、保険業/ Finance, Insurance	Dhubri
AS	19	Reliance Life Insurance Company Limited Dibrugarh	24 金融業、保険業/ Finance, Insurance	Dibrugarh
AS	20	Reliance Life Insurance Company Limited Digboi	24 金融業、保険業/ Finance, Insurance	Digboi
AS	21	Reliance Life Insurance Company Limited Doom Dooma	24 金融業、保険業/ Finance, Insurance	Doom Dooma
AS	22	Reliance Life Insurance Company Limited Goalpara	24 金融業、保険業/ Finance, Insurance	Goalpara
AS	23	Reliance Life Insurance Company Limited Hailankandi	24 金融業、保険業/ Finance, Insurance	Hailankandi
AS	24	CHOLAMANDALAM MS GENERAL INSURANCE COMPANY Ltd.	24 金融業、保険業/ Finance, Insurance	Jorhat
AS	25	Reliance Life Insurance Company Limited Jorhat	24 金融業、保険業/ Finance, Insurance	Jorhat
AS	26	Reliance Life Insurance Company Limited Jorhat 2	24 金融業、保険業/ Finance, Insurance	Jorhat
AS	27	Reliance Life Insurance Company Limited Kamarpatty	24 金融業、保険業/ Finance, Insurance	Kamarpatty
AS	28	MAX LIFE INSURANCE COMPANY Ltd.	24 金融業、保険業/ Finance, Insurance	Kamrup
AS	29	Reliance Life Insurance Company Limited Karimganj	24 金融業、保険業/ Finance, Insurance	Karimganj
AS	30	Reliance Life Insurance Company Limited Kokrajhar	24 金融業、保険業/ Finance, Insurance	Kokrajhar
AS	31	Reliance Life Insurance Company Limited North Lakhimpur	24 金融業、保険業/ Finance, Insurance	Lakhimpur
AS	32	Reliance Life Insurance Company Limited Mangaldoi	24 金融業、保険業/ Finance, Insurance	Mangaldoi
AS	33	Reliance Life Insurance Company Limited Mirza	24 金融業、保険業/ Finance, Insurance	Mirza
AS	34	Reliance Life Insurance Company Limited Moran	24 金融業、保険業/ Finance, Insurance	Moran
AS	35	Reliance Life Insurance Company Limited Nagaon	24 金融業、保険業/ Finance, Insurance	Nagaon
AS	36	Reliance Life Insurance Company Limited Naharkatia	24 金融業、保険業/ Finance, Insurance	Naharkatia

2.1. NCR/ Northern/ Northeastern India

State	Sl. No.	NAME OF COMPANY REGISTERED IN INDIA	TYPE OF BUSINESS IN INDIA	LOCATIDN
AS	37	Reliance Life Insurance Company Limited Nalbari	24 金融業、保険業/ Finance, Insurance	Nalbari
AS	38	Reliance Life Insurance Company Limited Pathasala	24 金融業、保険業/ Finance, Insurance	Pathasala
AS	39	Reliance Life Insurance Company Limited Sibsagar	24 金融業、保険業/ Finance, Insurance	Sibsagar
AS	40	Reliance Life Insurance Company Limited Silchar	24 金融業、保険業/ Finance, Insurance	Silchar
AS	41	Reliance Life Insurance Company Limited Silchar-2	24 金融業、保険業/ Finance, Insurance	Silchar
AS	42	Reliance Life Insurance Company Limited Silchar-3	24 金融業、保険業/ Finance, Insurance	Silchar
AS	43	Reliance Life Insurance Company Limited Tezpur	24 金融業、保険業/ Finance, Insurance	Tezpur
AS	44	Reliance Life Insurance Company Limited Tinsukhia	24 金融業、保険業/ Finance, Insurance	Tinsukhia
<b>2.1.11. [Arunachal Pradesh]</b>				
ARP	1	Reliance Life Insurance Company Limited Naharlagun	24 金融業、保険業/ Finance, Insurance	Naharlagun
<b>2.1.12. [Meghalaya]</b>				
MG	1	Reliance Life Insurance Company Limited Shillong	24 金融業、保険業/ Finance, Insurance	Shillong
MG	2	Reliance Life Insurance Company Limited Tura	24 金融業、保険業/ Finance, Insurance	Tura
<b>2.1.13. [Mizoram]</b>				
MZ	1	Reliance Life Insurance Company Limited Aizawl	24 金融業、保険業/ Finance, Insurance	Aizawl
<b>2.1.14. [Sikkim]</b>				
SK	1	CHOLAMANDALAM MS GENERAL INSURANCE COMPANY Ltd.	24 金融業、保険業/ Finance, Insurance	Gangtok
SK	2	Reliance Life Insurance Company Limited Gangtok	24 金融業、保険業/ Finance, Insurance	Gangtok
<b>2.1.15. [Tripura]</b>				
TP	1	CHOLAMANDALAM MS GENERAL INSURANCE COMPANY Ltd.	24 金融業、保険業/ Finance, Insurance	Agartala
TP	2	Reliance Life Insurance Company Limited Agartala	24 金融業、保険業/ Finance, Insurance	Agartala
TP	3	Reliance Life Insurance Company Limited Agartala-2	24 金融業、保険業/ Finance, Insurance	Agartala
TP	4	Reliance Life Insurance Company Limited Dharmanagar	24 金融業、保険業/ Finance, Insurance	Dharmanagar
TP	5	Nipro Tube Glass Private Limited Tripura Factory	19 その他の製造業/ Manufacturing- Others	Industrial Growth Center
TP	6	Reliance Life Insurance Company Limited Udaipur	24 金融業、保険業/ Finance, Insurance	Udaipur

2.2. Eastern India

State	Sl. No.	NAME OF COMPANY REGISTERED IN INDIA	TYPE OF BUSINESS IN INDIA	LOCATIDN
<b>2.2.1. [West Bengal]</b>				
WB	1	AEON Credit Service India Private Limited	24 金融業、保険業/ Finance, Insurance	Kolkata
WB	2	Aica Laminates India Private Limited, Kolkata Branch	07 化学工業/ Chemical Industry	Kolkata
WB	3	BUSSAN AUTO FINANCE INDIA Pvt. Ltd.	24 金融業、保険業/ Finance, Insurance	Kolkata
WB	4	C.L.Aqua Foods Pvt. Ltd.	04 食料品、飲料・たばこ・飼料製造業/ Manufacturing- Food, Drink, Tobacco, Fodder	Kolkata
WB	5	C.L.Aqua Foods Pvt. Ltd., HO	04 食料品、飲料・たばこ・飼料製造業/ Manufacturing- Food, Drink, Tobacco, Fodder	Kolkata
WB	6	Canon India Private Limited	23 卸売業、小売業(含: 商社、販社)/ Wholesales, Retail (including Sogo Shosya, sale company)	Kolkata
WB	7	Casio India Co., Private Limited - Kolkata Office	16 電気機械器具製造業/ Manufacturing- Electoric Machinery	Kolkata
WB	8	CHINO Corporation India Pvt. Ltd.	16 電気機械器具製造業/ Manufacturing- Electoric Machinery	Kolkata
WB	9	CHOLAMANDALAM MS GENERAL INSURANCE COMPANY Ltd.	24 金融業、保険業/ Finance, Insurance	Kolkata
WB	10	Concast (India) Ltd., Kolkata Office	14 生産用機械器具製造業/ Manufacturing- Prduction Machinery	Kolkata
WB	11	DAIKIN AIRCONDITIONING INDIA Pvt. Ltd. KOLKATA BRANCH	16 電気機械器具製造業/ Manufacturing- Electoric Machinery	Kolkata
WB	12	DIC India Limited	07 化学工業/ Chemical Industry	Kolkata
WB	13	Edelweiss Tokio Life Insurance Company Limited Kolkata_Gariahat	24 金融業、保険業/ Finance, Insurance	Kolkata
WB	14	Ellenbarrie Industrial Gases Ltd.	07 化学工業/ Chemical Industry	Kolkata
WB	15	EPCOS India Private Limited	17 情報通信機械器具、電子部品・デバイス・電子回路製造業/ Manufacturing- IT Products, Electronics Products	Kolkata
WB	16	Epson India Pvt. Ltd.	16 電気機械器具製造業/ Manufacturing- Electoric Machinery	Kolkata
WB	17	Erbis Engineering (India) Pvt. Ltd.	23 卸売業、小売業(含: 商社、販社)/ Wholesales, Retail (including Sogo Shosya, sale company)	Kolkata
WB	18	Essae Teraoka Ltd.	16 電気機械器具製造業/ Manufacturing- Electoric Machinery	Kolkata
WB	19	ETA General Pvt. Ltd.	16 電気機械器具製造業/ Manufacturing- Electoric Machinery	Kolkata
WB	20	ETA Melco Engineering Co Pvt. Ltd.	13 はん用機械器具製造業/ Manufacturing- General Purpose Machinery	Kolkata
WB	21	Flyjac Logistics Pvt. Ltd.	22 運輸業/ Transportation	Kolkata
WB	22	FUJIFILM INDIA PRIVATE LIMITED	23 卸売業、小売業(含: 商社、販社)/ Wholesales, Retail (including Sogo Shosya, sale company)	Kolkata
WB	23	Hitachi Home & Life Solutions (India) Ltd.	16 電気機械器具製造業/ Manufacturing- Electoric Machinery	Kolkata
WB	24	Hitachi Systems Micro Clinic Pvt. Ltd., Kolkata Branch	21 情報通信業/ Telecommunication, Broadcasting, IT, Newspaper, Publishing etc	Kolkata
WB	25	Honda Motorcycle & Scooter India Pvt. Ltd.	18 輸送機械器具製造業/ Manufacturing- Automobile, Two Wheer, Auto Components, Rail/ Ship/Air Plane	Kolkata
WB	26	Honda Siel Power Products Limited	19 その他の製造業/ Manufacturing- Others	Kolkata
WB	27	IFFCO-Tokio General Insurance Co. Ltd.	24 金融業、保険業/ Finance, Insurance	Kolkata
WB	28	IFFCO-Tokio General Insurance Co. Ltd.	24 金融業、保険業/ Finance, Insurance	Kolkata
WB	29	IFGL Export Limited	09 窯業・土石製品製造業/ Pottery	Kolkata
WB	30	IFGL Refractories Limited	09 窯業・土石製品製造業/ Pottery	Kolkata
WB	31	Infrastructure Leasing & Financial Serviecs Limited	24 金融業、保険業/ Finance, Insurance	Kolkata

2.2. Eastern India

State	Sl. No.	NAME OF COMPANY REGISTERED IN INDIA	TYPE OF BUSINESS IN INDIA	LOCATIDN
WB	32	Jamshedpur Continuous Annealing & Procesing Company Private Limited	10 鉄鋼業/ Steel	Kolkata
WB	33	JTB Jupiter Express Services Pvt. Ltd. Kolkata Branch	22 運輸業/ Transportation	Kolkata
WB	34	Juki India Private Limited Kolkata Office	23 卸売業、小売業(含: 商社、販社)/ Wholesales, Retail (including Sogo Shosya, sale company)	Kolkata
WB	35	K. House Food India Pvt. Ltd.	27 宿泊業、飲食サービス業/ Hotel, Restaurant	Kolkata
WB	36	Kintetsu World Express (India) Private Limited	22 運輸業/ Transportation	Kolkata
WB	37	Kobelco Machinery India Private Limited	10 鉄鋼業/ Steel	Kolkata
WB	38	Komatsu India Pvt. Ltd. Kolkata Sevice Support	19 その他の製造業/ Manufacturing- Others	Kolkata
WB	39	Konica Minolta Business Solutions India Pvt. Ltd.	17 情報通信機械器具、電子部品・デバイス・電子回路製造業/ Manufacturing- IT Products, Electronics Products	Kolkata
WB	40	KWE India	22 運輸業/ Transportation	Kolkata
WB	41	Kyocera Document Solutions India Pvt. Ltd., Branch Office (Kolkata)	23 卸売業、小売業/ Wholesales, Retail	Kolkata
WB	42	Marubeni India Pvt. Ltd.	23 卸売業、小売業(含: 商社、販社)/ Wholesales, Retail (including Sogo Shosya, sale company)	Kolkata
WB	43	Marusun SDK Consultancy Pvt. Ltd.	27 宿泊業、飲食サービス業/ Hotel, Restaurant	Kolkata
WB	44	Maruti Suzuki India Limited	18 輸送機械器具製造業/ Manufacturing- Automobile, Two Wheeler, Auto Components, Rail/ Ship/Air Plane	Kolkata
WB	45	MAX LIFE INSURANCE COMPANY Ltd.	24 金融業、保険業/ Finance, Insurance	Kolkata
WB	46	MAX LIFE INSURANCE COMPANY Ltd.	24 金融業、保険業/ Finance, Insurance	Kolkata
WB	47	MAX LIFE INSURANCE COMPANY Ltd.	24 金融業、保険業/ Finance, Insurance	Kolkata
WB	48	MCC PTA India Corp. Private Limited	07 化学工業/ Chemical Industry	Kolkata
WB	49	MCC PTA India Corp. Private Limited, HO	07 化学工業/ Chemical Industry	Kolkata
WB	50	Metal One Corporation Pvt. Ltd., Kolkata Branch Office	23 卸売業、小売業/ Wholesales, Retail	Kolkata
WB	51	MITSUBISHI CORPORATION INDIA Pvt. Ltd.	23 卸売業、小売業(含: 商社、販社)/ Wholesales, Retail (including Sogo Shosya, sale company)	Kolkata
WB	52	MITSUBISHI CORPORATION, NEW DELHI BRANCH OFFICE Kolkata Annex Office	23 卸売業、小売業(含: 商社、販社)/ Wholesales, Retail (including Sogo Shosya, sale company)	Kolkata
WB	53	MITSUBISHI ELECTRIC INDIA PRIVATE LIMITED	16 電気機械器具製造業/ Manufacturing- Electoric Machinery	Kolkata
WB	54	Mitsubishi Elevator ETA India Private Limited	16 電気機械器具製造業/ Manufacturing- Electoric Machinery	Kolkata
WB	55	Mitsubishi Heavy Industries India Private Limited, Kolkata Office	29 サービス業/ Consulting, Advertisement, Research, Lawfirm, Accounts, Entertainment, Human Resource etc	Kolkata
WB	56	Mitsui & Co. India Kolkata branch	23 卸売業、小売業/ Wholesales, Retail	Kolkata
WB	57	Mitsui O.S.K.Lines (India) Pvt. Ltd.	22 運輸業/ Transportation	Kolkata
WB	58	Mitsui O.S.K.Lines Maritime (India) Pvt. Ltd.	22 運輸業/ Transportation	Kolkata
WB	59	Mitutoyo South Asia Pvt. Ltd.	16 電気機械器具製造業/ Manufacturing- Electoric Machinery	Kolkata
WB	60	MOL Information Technology India Pvt.Ltd., HO	21 情報通信業/ Telecommunication, Broadcasting, IT, Newspaper, Publishing etc	Kolkata
WB	61	NEC India Pvt. Ltd. Kolkata Branch	17 情報通信機械器具、電子部品・デバイス・電子回路製造業/ Manufacturing- IT Products, Electronics Products	Kolkata
WB	62	Nikon India Private Limited, Kolkata Branch	19 その他の製造業/ Manufacturing- Others	Kolkata
WB	63	Nippon Express (India) Pvt., Ltd.	22 運輸業/ Transportation	Kolkata

2.2. Eastern India

State	Sl. No.	NAME OF COMPANY REGISTERED IN INDIA	TYPE OF BUSINESS IN INDIA	LOCATIDN
WB	64	NIPPON STEEL & SUMIKIN ENGINEERING INDIA PRIVATE LIMITED	19 その他の製造業/ Manufacturing- Others	Kolkata
WB	65	Nippon Steel & Sumitomo Metal India Pvt. Ltd., Kolkata office	10 鉄鋼業/ Steel	Kolkata
WB	66	Nipro India Corporation Kolkata Branch	19 その他の製造業/ Manufacturing- Others	Kolkata
WB	67	Nissin ABC Logistics Private Limited. Kolkata Registered Office	22 運輸業/ Transportation	Kolkata
WB	68	NNR Global Logistics India Pvt.Ltd.	22 運輸業/ Transportation	Kolkata
WB	69	Nomura Research Institute Financial Technologies India Pvt. Ltd.	21 情報通信業/ Telecommunication, Broadcasting, IT, Newspaper, Publishing etc	Kolkata
WB	70	Noritsu India Private Limited Kolkata Office	23 卸売業、小売業(含:商社、販社)/ Wholesales, Retail (including Sogo Shosya, sale company)	Kolkata
WB	71	NTL Logistics Plus India Pvt. Ltd.	22 運輸業/ Transportation	Kolkata
WB	72	NYK Line (India) Ltd.	22 運輸業/ Transportation	Kolkata
WB	73	NYK Shipmanagement Pvt. Ltd.	22 運輸業/ Transportation	Kolkata
WB	74	Omtrax Packaging Packaging Solutions Ltd.	22 運輸業/ Transportation	Kolkata
WB	75	ORIX Auto Infrastructure Services Limited	26 物品賃貸業/ Lease	Kolkata
WB	76	Panasonic Energy India Co Ltd.	16 電気機械器具製造業/ Manufacturing- Electoric Machinery	Kolkata
WB	77	Panasonic India Pvt. Ltd.	16 電気機械器具製造業/ Manufacturing- Electoric Machinery	Kolkata
WB	78	Reliance Life Insurance Company Limited Barasat	24 金融業、保険業/ Finance, Insurance	Kolkata
WB	79	Reliance Life Insurance Company Limited Baruipur	24 金融業、保険業/ Finance, Insurance	Kolkata
WB	80	Reliance Life Insurance Company Limited Basirhat	24 金融業、保険業/ Finance, Insurance	Kolkata
WB	81	Reliance Life Insurance Company Limited Bongaon	24 金融業、保険業/ Finance, Insurance	Kolkata
WB	82	Reliance Life Insurance Company Limited Budge Budge	24 金融業、保険業/ Finance, Insurance	Kolkata
WB	83	Reliance Life Insurance Company Limited Canning Br	24 金融業、保険業/ Finance, Insurance	Kolkata
WB	84	Reliance Life Insurance Company Limited Diamond Harbour	24 金融業、保険業/ Finance, Insurance	Kolkata
WB	85	Reliance Life Insurance Company Limited Habra	24 金融業、保険業/ Finance, Insurance	Kolkata
WB	86	Reliance Life Insurance Company Limited Kolkata1	24 金融業、保険業/ Finance, Insurance	Kolkata
WB	87	Reliance Life Insurance Company Limited Kolkata-13	24 金融業、保険業/ Finance, Insurance	Kolkata
WB	88	Reliance Life Insurance Company Limited Kolkata-16	24 金融業、保険業/ Finance, Insurance	Kolkata
WB	89	Reliance Life Insurance Company Limited Kolkata-17	24 金融業、保険業/ Finance, Insurance	Kolkata
WB	90	Reliance Life Insurance Company Limited Kolkata2	24 金融業、保険業/ Finance, Insurance	Kolkata
WB	91	Reliance Life Insurance Company Limited Kolkata-3	24 金融業、保険業/ Finance, Insurance	Kolkata
WB	92	RGF Executive Search India Pvt. Ltd.	29 サービス業/ Consulting, Advertisement, Research, Lawfirm, Accounts, Entertainment, Human Resource etc	Kolkata
WB	93	Ricoh India Limited	21 情報通信業/ Telecommunication, Broadcasting, IT, Newspaper, Publishing etc	Kolkata
WB	94	Satake India Engineering Pvt. Ltd.,Kolkata Office	23 卸売業、小売業/ Wholesales, Retail	Kolkata
WB	95	Sharp Business Systems (India) Limited Kolkata Branch	23 卸売業、小売業(含:商社、販社)/ Wholesales, Retail (including Sogo Shosya, sale company)	Kolkata



2.2. Eastern India

State	Sl. No.	NAME OF COMPANY REGISTERED IN INDIA	TYPE OF BUSINESS IN INDIA	LOCATIDN
WB	96	Sharp India Limited	16 電気機械器具製造業/ Manufacturing- Electoric Machinery	Kolkata
WB	97	Shimadzu Medical (India) Pvt. Ltd., Kolkata Office	19 その他の製造業/ Manufacturing- Others	Kolkata
WB	98	Sindhu Cargo Services Limited Kolkata Office	22 運輸業/ Transportation	Kolkata
WB	99	SMC PNEUMATICS (INDIA) Pvt. Ltd.	19 その他の製造業/ Manufacturing- Others	Kolkata
WB	100	Snowman Logistics Ltd.	22 運輸業/ Transportation	Kolkata
WB	101	Sojitz India Pvt. Ltd. Kolkata Branch	23 卸売業、小売業/ Wholesales, Retail	Kolkata
WB	102	Sony India Pvt. Ltd. Kolkata	23 卸売業、小売業(含:商社、販社)/ Wholesales, Retail (including Sogo Shosya, sale company)	Kolkata
WB	103	Speedfam (India) Pvt. Ltd.	16 電気機械器具製造業/ Manufacturing- Electoric Machinery	Kolkata
WB	104	Star Union Dai-ichi Life Insurance Co. Ltd.	24 金融業、保険業/ Finance, Insurance	Kolkata
WB	105	Steel Plantech Engineering India Private Limited	03 建設業/ Construction Industry	Kolkata
WB	106	Taisei Corporation, Purulia Pumped Storage Project	03 建設業/ Construction Industry	Kolkata
WB	107	Tata NYK Shipping (India) Pvt. Ltd.,	22 運輸業/ Transportation	Kolkata
WB	108	Tata Teleservices, Limited	21 情報通信業/ Telecommunication, Broadcasting, IT, Newspaper, Publishing etc	Kolkata
WB	109	Tayo Rolls Ltd.	10 鉄鋼業/ Steel	Kolkata
WB	110	Tokyo Boeki Steel & Materials Ltd.	23 卸売業、小売業/ Wholesales, Retail	Kolkata
WB	111	Topcon Sokkia India Pvt.Ltd. Kolkata Branch	23 卸売業、小売業(含:商社、販社)/ Wholesales, Retail (including Sogo Shosya, sale company)	Kolkata
WB	112	TOSHIBA INDIA Pvt. Ltd. ,KOLKATA OFFICE	23 卸売業、小売業/ Wholesales, Retail	Kolkata
WB	113	Toshiba Johnson Elevators India Pvt. Ltd.	03 建設業/ Construction Industry	Kolkata
WB	114	Toyota Kirloskar Motor Private Limited Kolkata Office	18 輸送機械器具製造業/ Manufacturing- Automobile, Two Wheeler, Auto Components, Rail/ Ship/Air Plane	Kolkata
WB	115	TRL Krosaki Refractories Ltd.	09 窯業・土石製品製造業/ Pottery	Kolkata
WB	116	Universal Sampo General Insurance Co., Ltd.	24 金融業、保険業/ Finance, Insurance	Kolkata
WB	117	Universal Sampo General Insurance Co., Ltd.	24 金融業、保険業/ Finance, Insurance	Kolkata
WB	118	Yachiyo Engineering Co Ltd., Kolkata Solid Waste Management Improvement Project Office	29 サービス業/ Consulting, Advertisement, Research, Lawfirm, Accounts, Entertainment, Human Resource etc	Kolkata
WB	119	Yamaha Music India Private Limited	23 卸売業、小売業/ Wholesales, Retail	Kolkata
WB	120	YKK INDIA Pvt. Ltd. Kolkata Branch	19 その他の製造業/ Manufacturing- Others	Kolkata
WB	121	Yusen Logistics (India) Ltd. Kolkata Branch	22 運輸業/ Transportation	Kolkata
WB	122	Yusen Logistics India Ltd. Kolkata Warehouse	22 運輸業/ Transportation	Kolkata
WB	123	Reliance Life Insurance Company Limited Alipurduar	24 金融業、保険業/ Finance, Insurance	Alipurduar
WB	124	Reliance Life Insurance Company Limited Arambagh	24 金融業、保険業/ Finance, Insurance	Arambagh
WB	125	Reliance Life Insurance Company Limited Asansol	24 金融業、保険業/ Finance, Insurance	Asansol
WB	126	Universal Sampo General Insurance Co., Ltd.	24 金融業、保険業/ Finance, Insurance	Asansol
WB	127	Reliance Life Insurance Company Limited Bagdogra	24 金融業、保険業/ Finance, Insurance	Bagdogra

2.2. Eastern India

State	Sl. No.	NAME OF COMPANY REGISTERED IN INDIA	TYPE OF BUSINESS IN INDIA	LOCATIDN
WB	128	Reliance Life Insurance Company Limited Bagnan	24 金融業、保険業/ Finance, Insurance	Bagnan
WB	129	MAX LIFE INSURANCE COMPANY Ltd.	24 金融業、保険業/ Finance, Insurance	Bardhaman
WB	130	MAX LIFE INSURANCE COMPANY Ltd.	24 金融業、保険業/ Finance, Insurance	Bardhaman
WB	131	Reliance Life Insurance Company Limited Berhampore	24 金融業、保険業/ Finance, Insurance	Berhampore
WB	132	Reliance Life Insurance Company Limited Suri	24 金融業、保険業/ Finance, Insurance	Birbhum
WB	133	Reliance Life Insurance Company Limited Bishnupur	24 金融業、保険業/ Finance, Insurance	Bishnupur
WB	134	Reliance Life Insurance Company Limited Bolpur	24 金融業、保険業/ Finance, Insurance	Bolpur
WB	135	CHOLAMANDALAM MS GENERAL INSURANCE COMPANY Ltd.	24 金融業、保険業/ Finance, Insurance	Burdwan
WB	136	MAX LIFE INSURANCE COMPANY Ltd.	24 金融業、保険業/ Finance, Insurance	Burdwan
WB	137	Reliance Life Insurance Company Limited Burdwan	24 金融業、保険業/ Finance, Insurance	Burdwan
WB	138	Reliance Life Insurance Company Limited Chinsurah	24 金融業、保険業/ Finance, Insurance	Chinsurah
WB	139	Reliance Life Insurance Company Limited Contai	24 金融業、保険業/ Finance, Insurance	Contai
WB	140	Reliance Life Insurance Company Limited Coochbehar	24 金融業、保険業/ Finance, Insurance	Coochbehar
WB	141	CHOLAMANDALAM MS GENERAL INSURANCE COMPANY Ltd.	24 金融業、保険業/ Finance, Insurance	Darjeeling
WB	142	MAX LIFE INSURANCE COMPANY Ltd.	24 金融業、保険業/ Finance, Insurance	Darjeeling
WB	143	Reliance Life Insurance Company Limited Darjeeling	24 金融業、保険業/ Finance, Insurance	Darjeeling
WB	144	Reliance Life Insurance Company Limited Dinjata	24 金融業、保険業/ Finance, Insurance	Dinjata
WB	145	Reliance Life Insurance Company Limited Durgapur	24 金融業、保険業/ Finance, Insurance	Durgapur
WB	146	Reliance Life Insurance Company Limited Egra	24 金融業、保険業/ Finance, Insurance	Egra
WB	147	Reliance Life Insurance Company Limited Haldia	24 金融業、保険業/ Finance, Insurance	Haldia
WB	148	Toyota Kirloskar Motor Private Limited Hooghly Office	18 輸送機械器具製造業/ Manufacturing- Automobile, Two Wheeler, Auto Components, Rail/ Ship/Air Plane	Hooghly
WB	149	Ellenbarrie Industrial Gases Ltd.	07 化学工業/ Chemical Industry	Howrah
WB	150	Essae Teraoka Ltd.	16 電気機械器具製造業/ Manufacturing- Electoric Machinery	Howrah
WB	151	MAX LIFE INSURANCE COMPANY Ltd.	24 金融業、保険業/ Finance, Insurance	Howrah
WB	152	Reliance Life Insurance Company Limited Howrah	24 金融業、保険業/ Finance, Insurance	Howrah
WB	153	Reliance Life Insurance Company Limited Islampur	24 金融業、保険業/ Finance, Insurance	Islampur
WB	154	Reliance Life Insurance Company Limited Jalpaiguri	24 金融業、保険業/ Finance, Insurance	Jalpaiguri
WB	155	C.L.Aqua Foods Pvt. Ltd.	04 食料品、飲料・たばこ・飼料製造業/ Manufacturing- Food, Drink, Tobacco, Fodder	Kharagpur
WB	156	Reliance Life Insurance Company Limited Kharagpur	24 金融業、保険業/ Finance, Insurance	Kharagpur
WB	157	Tata Hitachi Construction Machinery Company Ltd. Kharagpur Plant	19 その他の製造業/ Manufacturing- Others	Kharagpur
WB	158	Reliance Life Insurance Company Limited Krishnanagar	24 金融業、保険業/ Finance, Insurance	Krishnanagar
WB	159	Reliance Life Insurance Company Limited Malda	24 金融業、保険業/ Finance, Insurance	Malda

2.2. Eastern India

State	Sl. No.	NAME OF COMPANY REGISTERED IN INDIA	TYPE OF BUSINESS IN INDIA	LOCATIDN
WB	160	MCC PTA India Corp. Private Limited	07 化学工業/ Chemical Industry	Midnapore
WB	161	Nissin ABC Logistics Private Limited. Haldia Branch	22 運輸業/ Transportation	Midnapore
WB	162	Reliance Life Insurance Company Limited Midnapore	24 金融業、保険業/ Finance, Insurance	Midnapore
WB	163	Ellenbarrie Industrial Gases Ltd.	07 化学工業/ Chemical Industry	Nadia
WB	164	EPCOS India Private Limited, Nadia Factory	17 情報通信機械器具、電子部品・デバイス・電子回路製造業/ Manufacturing- IT Products, Electronics Products	Nadia
WB	165	Universal Sampo General Insurance Co., Ltd.	24 金融業、保険業/ Finance, Insurance	Raghunathgani
WB	166	Reliance Life Insurance Company Limited Ranaghat	24 金融業、保険業/ Finance, Insurance	Ranaghat
WB	167	Honda Motor India Limited, Kolkata Ware House	18 輸送機械器具製造業/ Manufacturing- Automobile, Two Wheeler, Auto Components, Rail/ Ship/Air Plane	Sankrail
WB	168	Universal Sampo General Insurance Co., Ltd.	24 金融業、保険業/ Finance, Insurance	Siliguri
WB	169	Reliance Life Insurance Company Limited Siliguri 1	24 金融業、保険業/ Finance, Insurance	Siliguri
WB	170	Reliance Life Insurance Company Limited Siliguri 2	24 金融業、保険業/ Finance, Insurance	Siliguri
WB	171	Reliance Life Insurance Company Limited Tamluk	24 金融業、保険業/ Finance, Insurance	Tamluk
WB	172	Reliance Life Insurance Company Limited Tarkeshwar	24 金融業、保険業/ Finance, Insurance	Tarkeshwar

**2.2.2. [Jharkhand]**

JH	1	CHOLAMANDALAM MS GENERAL INSURANCE COMPANY Ltd.	24 金融業、保険業/ Finance, Insurance	Ranchi
JH	2	Edelweiss Tokio Life Insurance Company Limited Ranchi_Main Road	24 金融業、保険業/ Finance, Insurance	Ranchi
JH	3	IFFCO-Tokio General Insurance Co. Ltd.	24 金融業、保険業/ Finance, Insurance	Ranchi
JH	4	Kyocera Document Solutions India Pvt. Ltd., Branch Office (Ranchi)	23 卸売業、小売業/ Wholesales, Retail	Ranchi
JH	5	Maruti Suzuki India Limited	18 輸送機械器具製造業/ Manufacturing- Automobile, Two Wheeler, Auto Components, Rail/ Ship/Air Plane	Ranchi
JH	6	MAX LIFE INSURANCE COMPANY Ltd.	24 金融業、保険業/ Finance, Insurance	Ranchi
JH	7	Panasonic Energy India Co Ltd.	16 電気機械器具製造業/ Manufacturing- Electoric Machinery	Ranchi
JH	8	Panasonic India Pvt. Ltd.	16 電気機械器具製造業/ Manufacturing- Electoric Machinery	Ranchi
JH	9	Reliance Life Insurance Company Limited Ranchi-1	24 金融業、保険業/ Finance, Insurance	Ranchi
JH	10	Reliance Life Insurance Company Limited Ranchi-2	24 金融業、保険業/ Finance, Insurance	Ranchi
JH	11	Ricoh India Limited	21 情報通信業/ Telecommunication, Broadcasting, IT, Newspaper, Publishing etc	Ranchi
JH	12	Sharp Business Systems (India) Limited Ranchi Branch	23 卸売業、小売業(含:商社、販社)/ Wholesales, Retail (including Sogo Shosya, sale company)	Ranchi
JH	13	Star Union Dai-ichi Life Insurance Co. Ltd. Ranchi Regional Office	24 金融業、保険業/ Finance, Insurance	Ranchi
JH	14	Universal Sampo General Insurance Co., Ltd.	24 金融業、保険業/ Finance, Insurance	Ranchi
JH	15	Reliance Life Insurance Company Limited Barbil	24 金融業、保険業/ Finance, Insurance	Barbil
JH	16	MAX LIFE INSURANCE COMPANY Ltd.	24 金融業、保険業/ Finance, Insurance	Bokaro
JH	17	Reliance Life Insurance Company Limited Bokaro-1	24 金融業、保険業/ Finance, Insurance	Bokaro

2.2. Eastern India

State	Sl. No.	NAME OF COMPANY REGISTERED IN INDIA	TYPE OF BUSINESS IN INDIA	LOCATIDN
JH	18	Reliance Life Insurance Company Limited Chaibasa	24 金融業、保険業/ Finance, Insurance	Chaibasa
JH	19	Reliance Life Insurance Company Limited Chakradharpur	24 金融業、保険業/ Finance, Insurance	Chakradharpur
JH	20	Reliance Life Insurance Company Limited Daltanganj	24 金融業、保険業/ Finance, Insurance	Daltanganj
JH	21	Reliance Life Insurance Company Limited Daltanganj - 2	24 金融業、保険業/ Finance, Insurance	Daltanganj
JH	22	Reliance Life Insurance Company Limited Deoghar	24 金融業、保険業/ Finance, Insurance	Deoghar
JH	23	MAX LIFE INSURANCE COMPANY Ltd.	24 金融業、保険業/ Finance, Insurance	Dhanbad
JH	24	Reliance Life Insurance Company Limited Dhanbad-1	24 金融業、保険業/ Finance, Insurance	Dhanbad
JH	25	Reliance Life Insurance Company Limited Dumka	24 金融業、保険業/ Finance, Insurance	Dumka
JH	26	Reliance Life Insurance Company Limited Giridih	24 金融業、保険業/ Finance, Insurance	Giridih
JH	27	Reliance Life Insurance Company Limited Godda	24 金融業、保険業/ Finance, Insurance	Godda
JH	28	Reliance Life Insurance Company Limited Gumla	24 金融業、保険業/ Finance, Insurance	Gumla
JH	29	Reliance Life Insurance Company Limited Hazaribagh	24 金融業、保険業/ Finance, Insurance	Hazaribagh
JH	30	Reliance Life Insurance Company Limited Hazaribagh-2	24 金融業、保険業/ Finance, Insurance	Hazaribagh
JH	31	Reliance Life Insurance Company Limited Hino	24 金融業、保険業/ Finance, Insurance	Hino
JH	32	Reliance Life Insurance Company Limited Hinoo Ranchi	24 金融業、保険業/ Finance, Insurance	Hinoo Ranchi
JH	33	Universal Sompo General Insurance Co., Ltd.	24 金融業、保険業/ Finance, Insurance	Jamshedpur
JH	34	BUSSAN AUTO FINANCE INDIA Pvt. Ltd.	24 金融業、保険業/ Finance, Insurance	Jamshedpur
JH	35	CHOLAMANDALAM MS GENERAL INSURANCE COMPANY Ltd.	24 金融業、保険業/ Finance, Insurance	Jamshedpur
JH	36	Hitachi Home & Life Solutions (India) Ltd.	16 電気機械器具製造業/ Manufacturing- Electoric Machinery	Jamshedpur
JH	37	Krosaki Harima Corporation	09 窯業・土石製品製造業/ Pottery	Jamshedpur
JH	38	KYOCERA CTC Precision Tools Private limited	19 その他の製造業/ Manufacturing- Others	Jamshedpur
JH	39	Metal One Corporation Pvt. Ltd., Jamshedpur Branch Office	23 卸売業、小売業/ Wholesales, Retail	Jamshedpur
JH	40	MITSUBISHI ELECTRIC INDIA PRIVATE LIMITED	16 電気機械器具製造業/ Manufacturing- Electoric Machinery	Jamshedpur
JH	41	Nippon Steel & Sumitomo Metal India Pvt. Ltd., Jamshedpur office	10 鉄鋼業/ Steel	Jamshedpur
JH	42	Reliance Life Insurance Company Limited Jamshedpur	24 金融業、保険業/ Finance, Insurance	Jamshedpur
JH	43	Tata Hitachi Construction Machinery Company Ltd. Jamshedpur Plant	19 その他の製造業/ Manufacturing- Others	Jamshedpur
JH	44	Tata Teleservices, Limited	21 情報通信業/ Telecommunication, Broadcasting, IT, Newspaper, Publishing etc	Jamshedpur
JH	45	Tayo Rolls Ltd.	10 鉄鋼業/ Steel	Jamshedpur
JH	46	TRL Krosaki Refractories Ltd.	09 窯業・土石製品製造業/ Pottery	Jamshedpur
JH	47	Yazaki India Limited-Jharkhand Jamshedpur AIWC(YIL-JJ1)	18 輸送機械器具製造業/ Manufacturing- Automobile, Two Wheeler, Auto Components, Rail/ Ship/Air Plane	Jamshedpur
JH	48	Yazaki India Limited-JHARKHAND Jamshedpur Tata Motors Premises(YIL-JJ2)	18 輸送機械器具製造業/ Manufacturing- Automobile, Two Wheeler, Auto Components, Rail/ Ship/Air Plane	Jamshedpur
JH	49	Yusen Logistics India Ltd. Jamshapur Warehouse	22 運輸業/ Transportation	Jamshedpur

2.2. Eastern India

State	Sl. No.	NAME OF COMPANY REGISTERED IN INDIA	TYPE OF BUSINESS IN INDIA	LOCATIDN
JH	50	Reliance Life Insurance Company Limited Katrasgarh	24 金融業、保険業/ Finance, Insurance	Katrasgarh
JH	51	Reliance Life Insurance Company Limited Khalari	24 金融業、保険業/ Finance, Insurance	Khalari
JH	52	Reliance Life Insurance Company Limited Koderma	24 金融業、保険業/ Finance, Insurance	Koderma
JH	53	Reliance Life Insurance Company Limited Mandar	24 金融業、保険業/ Finance, Insurance	Mandar
JH	54	Reliance Life Insurance Company Limited Phusro	24 金融業、保険業/ Finance, Insurance	Phusro
JH	55	Reliance Life Insurance Company Limited Ramgarh	24 金融業、保険業/ Finance, Insurance	Ramgarh
JH	56	Reliance Life Insurance Company Limited Sindri	24 金融業、保険業/ Finance, Insurance	Sindri
JH	57	MAX LIFE INSURANCE COMPANY Ltd.	24 金融業、保険業/ Finance, Insurance	Singbhum
<b>2.2.3. [Odisha]</b>				
OD	1	BUSSAN AUTO FINANCE INDIA Pvt. Ltd.	24 金融業、保険業/ Finance, Insurance	Bhubaneswar
OD	2	CHINO Corporation India Pvt. Ltd.	16 電気機械器具製造業/ Manufacturing- Electoric Machinery	Bhubaneswar
OD	3	CHOLAMANDALAM MS GENERAL INSURANCE COMPANY Ltd.	24 金融業、保険業/ Finance, Insurance	Bhubaneswar
OD	4	Edelweiss Tokio Life Insurance Company Limited Bhubaneswar_Bapuji Nagar	24 金融業、保険業/ Finance, Insurance	Bhubaneswar
OD	5	Hitachi Home & Life Solutions (India) Ltd.	16 電気機械器具製造業/ Manufacturing- Electoric Machinery	Bhubaneswar
OD	6	IFFCO-Tokio General Insurance Co. Ltd.	24 金融業、保険業/ Finance, Insurance	Bhubaneswar
OD	7	Kyocera Document Solutions India Pvt. Ltd., Branch Office (Bhubaneswar)	23 卸売業、小売業/ Wholesales, Retail	Bhubaneswar
OD	8	Maruti Suzuki India Limited	18 輸送機械器具製造業/ Manufacturing- Automobile, Two Wheer, Auto Components, Rail/ Ship/Air Plane	Bhubaneswar
OD	9	MAX LIFE INSURANCE COMPANY Ltd.	24 金融業、保険業/ Finance, Insurance	Bhubaneswar
OD	10	MAX LIFE INSURANCE COMPANY Ltd.	24 金融業、保険業/ Finance, Insurance	Bhubaneswar
OD	11	Nippon Express (India) Pvt., Ltd.	22 運輸業/ Transportation	Bhubaneswar
OD	12	Panasonic India Pvt. Ltd.	16 電気機械器具製造業/ Manufacturing- Electoric Machinery	Bhubaneswar
OD	13	Reliance Life Insurance Company Limited Bbsr1	24 金融業、保険業/ Finance, Insurance	Bhubaneswar
OD	14	Sharp Business Systems (India) Limited Bhubaneswar Branch	23 卸売業、小売業(含:商社、販社)/ Wholesales, Retail (including Sogo Shosya, sale company)	Bhubaneswar
OD	15	Sony India Pvt. Ltd. Bhubaneswar	23 卸売業、小売業(含:商社、販社)/ Wholesales, Retail (including Sogo Shosya, sale company)	Bhubaneswar
OD	16	Star Union Dai-ichi Life Insurance Co. Ltd.	24 金融業、保険業/ Finance, Insurance	Bhubaneswar
OD	17	Tata Teleservices, Limited	21 情報通信業/ Telecommunication, Broadcasting, IT, Newspaper, Publishing etc	Bhubaneswar
OD	18	Universal Sampo General Insurance Co., Ltd.	24 金融業、保険業/ Finance, Insurance	Bhubaneswar
OD	19	Reliance Life Insurance Company Limited Angul	24 金融業、保険業/ Finance, Insurance	Angul
OD	20	Universal Sampo General Insurance Co., Ltd.	24 金融業、保険業/ Finance, Insurance	Angul
OD	21	Reliance Life Insurance Company Limited Balasore	24 金融業、保険業/ Finance, Insurance	Balasore
OD	22	TRL Krosaki Refractories Ltd.	09 窯業・土石製品製造業/ Pottery	Belpahar

2.2. Eastern India

State	Sl. No.	NAME OF COMPANY REGISTERED IN INDIA	TYPE OF BUSINESS IN INDIA	LOCATIDN
OD	23	Reliance Life Insurance Company Limited Bam-1	24 金融業、保険業/ Finance, Insurance	Berhampur
OD	24	Reliance Life Insurance Company Limited Bhadrak	24 金融業、保険業/ Finance, Insurance	Bhadrak
OD	25	Reliance Life Insurance Company Limited Bolangir	24 金融業、保険業/ Finance, Insurance	Bolangir
OD	26	MAX LIFE INSURANCE COMPANY Ltd.	24 金融業、保険業/ Finance, Insurance	Cuttack
OD	27	Panasonic Energy India Co Ltd.	16 電気機械器具製造業/ Manufacturing- Electoric Machinery	Cuttack
OD	28	Reliance Life Insurance Company Limited Cuttack1	24 金融業、保険業/ Finance, Insurance	Cuttack
OD	29	Universal Sampo General Insurance Co., Ltd.	24 金融業、保険業/ Finance, Insurance	Cuttack
OD	30	Reliance Life Insurance Company Limited Dhenkanal	24 金融業、保険業/ Finance, Insurance	Dhenkanal
OD	31	MAX LIFE INSURANCE COMPANY Ltd.	24 金融業、保険業/ Finance, Insurance	Ganjam
OD	32	Reliance Life Insurance Company Limited Jagatsingpur	24 金融業、保険業/ Finance, Insurance	Jagatsingpur
OD	33	Reliance Life Insurance Company Limited Jajpur	24 金融業、保険業/ Finance, Insurance	Jajpur
OD	34	Reliance Life Insurance Company Limited Jeypore	24 金融業、保険業/ Finance, Insurance	Jeypore
OD	35	Reliance Life Insurance Company Limited Jharsuguda	24 金融業、保険業/ Finance, Insurance	Jharsuguda
OD	36	Reliance Life Insurance Company Limited Kendrapada	24 金融業、保険業/ Finance, Insurance	Kendrapada
OD	37	Indo Nissin Foods Limited	04 食料品、飲料・たばこ・飼料製造業/ Manufacturing- Food, Drink, Tobacco, Fodder	Khordha
OD	38	Reliance Life Insurance Company Limited Khurda	24 金融業、保険業/ Finance, Insurance	Khurda
OD	39	Reliance Life Insurance Company Limited Kuchinda	24 金融業、保険業/ Finance, Insurance	Kuchinda
OD	40	Reliance Life Insurance Company Limited Nawarangpur	24 金融業、保険業/ Finance, Insurance	Nawarangpur
OD	41	Reliance Life Insurance Company Limited Puri	24 金融業、保険業/ Finance, Insurance	Puri
OD	42	Reliance Life Insurance Company Limited Rayagada	24 金融業、保険業/ Finance, Insurance	Rayagada
OD	43	CHOLAMANDALAM MS GENERAL INSURANCE COMPANY Ltd.	24 金融業、保険業/ Finance, Insurance	Rourkela
OD	44	Reliance Life Insurance Company Limited Rourkela	24 金融業、保険業/ Finance, Insurance	Rourkela
OD	45	Reliance Life Insurance Company Limited Rourkela-2	24 金融業、保険業/ Finance, Insurance	Rourkela
OD	46	Reliance Life Insurance Company Limited Sambalpur	24 金融業、保険業/ Finance, Insurance	Sambalpur
OD	47	MAX LIFE INSURANCE COMPANY Ltd.	24 金融業、保険業/ Finance, Insurance	Sundargarh
<b>2.2.4. [Bihar]</b>				
BH	1	CHOLAMANDALAM MS GENERAL INSURANCE COMPANY Ltd.	24 金融業、保険業/ Finance, Insurance	Patna
BH	2	Edelweiss Tokio Life Insurance Company Limited Patna_Exhibition Road	24 金融業、保険業/ Finance, Insurance	Patna
BH	3	Hitachi Home & Life Solutions (India) Ltd.	16 電気機械器具製造業/ Manufacturing- Electoric Machinery	Patna
BH	4	Hitachi Systems Micro Clinic Pvt. Ltd., Patna Branch	21 情報通信業/ Telecommunication, Broadcasting, IT, Newspaper, Publishing etc	Patna
BH	5	IFFCO-Tokio General Insurance Co. Ltd.	24 金融業、保険業/ Finance, Insurance	Patna

2.2. Eastern India

State	Sl. No.	NAME OF COMPANY REGISTERED IN INDIA	TYPE OF BUSINESS IN INDIA	LOCATIDN
BH	6	MAX LIFE INSURANCE COMPANY Ltd.	24 金融業、保険業/ Finance, Insurance	Patna
BH	7	Panasonic Energy India Co Ltd.	16 電気機械器具製造業/ Manufacturing- Electoric Machinery	Patna
BH	8	Panasonic India Pvt. Ltd.	16 電気機械器具製造業/ Manufacturing- Electoric Machinery	Patna
BH	9	Reliance Life Insurance Company Limited Patna 1	24 金融業、保険業/ Finance, Insurance	Patna
BH	10	Reliance Life Insurance Company Limited Patna 2	24 金融業、保険業/ Finance, Insurance	Patna
BH	11	Sharp Business Systems (India) Limited Patna Branch	23 卸売業、小売業(含:商社、販社)/ Wholesales, Retail (including Sogo Shosya, sale company)	Patna
BH	12	Sony India Pvt. Ltd. Patna	23 卸売業、小売業(含:商社、販社)/ Wholesales, Retail (including Sogo Shosya, sale company)	Patna
BH	13	Star Union Dai-ichi Life Insurance Co. Ltd. Patna Regional Office	24 金融業、保険業/ Finance, Insurance	Patna
BH	14	Tata Teleservices, Limited	21 情報通信業/ Telecommunication, Broadcasting, IT, Newspaper, Publishing etc	Patna
BH	15	Universal Sampo General Insurance Co., Ltd.	24 金融業、保険業/ Finance, Insurance	Patna
BH	16	Yusen Logistics India Ltd. Patna Warehouse	22 運輸業/ Transportation	Patna
BH	17	Reliance Life Insurance Company Limited Ara	24 金融業、保険業/ Finance, Insurance	Ara
BH	18	Reliance Life Insurance Company Limited Aurangabad	24 金融業、保険業/ Finance, Insurance	Aurangabad
BH	19	Reliance Life Insurance Company Limited Banka	24 金融業、保険業/ Finance, Insurance	Banka
BH	20	Reliance Life Insurance Company Limited Barh	24 金融業、保険業/ Finance, Insurance	Barh
BH	21	Reliance Life Insurance Company Limited Begusarai	24 金融業、保険業/ Finance, Insurance	Begusarai
BH	22	Reliance Life Insurance Company Limited Begusarai - 2	24 金融業、保険業/ Finance, Insurance	Begusarai
BH	23	Reliance Life Insurance Company Limited Bettiah	24 金融業、保険業/ Finance, Insurance	Bettiah
BH	24	Reliance Life Insurance Company Limited Bettiah - 2	24 金融業、保険業/ Finance, Insurance	Bettiah
BH	25	Reliance Life Insurance Company Limited Bhagalpur	24 金融業、保険業/ Finance, Insurance	Bhagalpur
BH	26	Reliance Life Insurance Company Limited Bhagalpur-2	24 金融業、保険業/ Finance, Insurance	Bhagalpur
BH	27	Reliance Life Insurance Company Limited Biharsharif	24 金融業、保険業/ Finance, Insurance	Biharsharif
BH	28	Universal Sampo General Insurance Co., Ltd.	24 金融業、保険業/ Finance, Insurance	Bodhgaya
BH	29	Reliance Life Insurance Company Limited Buxar	24 金融業、保険業/ Finance, Insurance	Buxar
BH	30	Reliance Life Insurance Company Limited Chhapra	24 金融業、保険業/ Finance, Insurance	Chhapra
BH	31	Reliance Life Insurance Company Limited Dalsingsarai	24 金融業、保険業/ Finance, Insurance	Dalsingsarai
BH	32	Reliance Life Insurance Company Limited Danapur	24 金融業、保険業/ Finance, Insurance	Danapur
BH	33	Reliance Life Insurance Company Limited Darbhanga	24 金融業、保険業/ Finance, Insurance	Darbhanga
BH	34	Edelweiss Tokio Life Insurance Company Limited Dhanbad_Bank More	24 金融業、保険業/ Finance, Insurance	Dhanbad
BH	35	Reliance Life Insurance Company Limited Forbesganj	24 金融業、保険業/ Finance, Insurance	Forbesganj
BH	36	MAX LIFE INSURANCE COMPANY Ltd.	24 金融業、保険業/ Finance, Insurance	Gaya
BH	37	Reliance Life Insurance Company Limited Gaya	24 金融業、保険業/ Finance, Insurance	Gaya

2.2. Eastern India

State	Sl. No.	NAME OF COMPANY REGISTERED IN INDIA	TYPE OF BUSINESS IN INDIA	LOCATIDN
BH	38	Reliance Life Insurance Company Limited Gopalganj	24 金融業、保険業/ Finance, Insurance	Gopalganj
BH	39	Reliance Life Insurance Company Limited Gopalganj - 2	24 金融業、保険業/ Finance, Insurance	Gopalganj
BH	40	Reliance Life Insurance Company Limited Hajipur	24 金融業、保険業/ Finance, Insurance	Hajipur
BH	41	Reliance Life Insurance Company Limited Jehanabad	24 金融業、保険業/ Finance, Insurance	Jehanabad
BH	42	Reliance Life Insurance Company Limited Jhanjhanpur	24 金融業、保険業/ Finance, Insurance	Jhanjhanpur
BH	43	Reliance Life Insurance Company Limited Kathar	24 金融業、保険業/ Finance, Insurance	Kathar
BH	44	Reliance Life Insurance Company Limited Khagaria	24 金融業、保険業/ Finance, Insurance	Khagaria
BH	45	Reliance Life Insurance Company Limited Kishanganj	24 金融業、保険業/ Finance, Insurance	Kishanganj
BH	46	Reliance Life Insurance Company Limited Laheriasarai	24 金融業、保険業/ Finance, Insurance	Laheriasarai
BH	47	Reliance Life Insurance Company Limited Madhepura	24 金融業、保険業/ Finance, Insurance	Madhepura
BH	48	Reliance Life Insurance Company Limited Madhubani	24 金融業、保険業/ Finance, Insurance	Madhubani
BH	49	Reliance Life Insurance Company Limited Madhubani - 2	24 金融業、保険業/ Finance, Insurance	Madhubani
BH	50	Reliance Life Insurance Company Limited Marhowra	24 金融業、保険業/ Finance, Insurance	Marhowra
BH	51	Reliance Life Insurance Company Limited Motihari	24 金融業、保険業/ Finance, Insurance	Motihari
BH	52	Reliance Life Insurance Company Limited Munger	24 金融業、保険業/ Finance, Insurance	Munger
BH	53	CHOLAMANDALAM MS GENERAL INSURANCE COMPANY Ltd.	24 金融業、保険業/ Finance, Insurance	Muzaffarpur
BH	54	Reliance Life Insurance Company Limited Muzaffarpur	24 金融業、保険業/ Finance, Insurance	Muzaffarpur
BH	55	Reliance Life Insurance Company Limited Muzaffarpur-3	24 金融業、保険業/ Finance, Insurance	Muzaffarpur
BH	56	Universal Sampo General Insurance Co., Ltd.	24 金融業、保険業/ Finance, Insurance	Muzaffarpur
BH	57	Reliance Life Insurance Company Limited Nawada	24 金融業、保険業/ Finance, Insurance	Nawada
BH	58	Reliance Life Insurance Company Limited Purnea-1	24 金融業、保険業/ Finance, Insurance	Purnea
BH	59	Reliance Life Insurance Company Limited Raxaul	24 金融業、保険業/ Finance, Insurance	Raxaul
BH	60	Reliance Life Insurance Company Limited Saharsa	24 金融業、保険業/ Finance, Insurance	Saharsa
BH	61	Reliance Life Insurance Company Limited Samastipur	24 金融業、保険業/ Finance, Insurance	Samastipur
BH	62	Reliance Life Insurance Company Limited Sitamarhi	24 金融業、保険業/ Finance, Insurance	Sitamarhi
BH	63	Reliance Life Insurance Company Limited Siwan	24 金融業、保険業/ Finance, Insurance	Siwan
BH	64	Reliance Life Insurance Company Limited Siwan - 2	24 金融業、保険業/ Finance, Insurance	Siwan



2.3. Western India

State	Sl. No.	NAME OF COMPANY REGISTERED IN INDIA	TYPE OF BUSINESS IN INDIA	LOCATIDN
<b>2.3.1. [Maharashtra]</b>				
MH	1	"K" Line (India) Private Limited	22 運輸業/ Transportation	Mumbai
MH	2	"K"-Line Ship Management (India) Pvt. Ltd.	29 サービス業/ Consulting, Advertisement, Research, Lawfirm, Accounts, Entertainment, Human Resource etc	Mumbai
MH	3	Acty System India Pvt. Ltd.	21 情報通信業/ Telecommunication, Broadcasting, IT, Newspaper, Publishing etc	Mumbai
MH	4	Adeka India Pvt. Ltd.	23 卸売業、小売業/ Wholesales, Retail	Mumbai
MH	5	AEON Credit Service India Private Limited	24 金融業、保険業/ Finance, Insurance	Mumbai
MH	6	Aica Laminates India Private Limited, Mumbai Branch	07 化学工業/ Chemical Industry	Mumbai
MH	7	All Nippon Airways Co., Ltd., Mumbai Office	22 運輸業/ Transportation	Mumbai
MH	8	AMADA (INDIA) PRIVATE LIMITED Registered Office and Mumbai Service Center	23 卸売業、小売業(含: 商社、販社)/ Wholesales, Retail (including Sogo Shosya, sale company)	Mumbai
MH	9	Anchor Electricals Pvt. Ltd., HO	16 電気機械器具製造業/ Manufacturing- Electoric Machinery	Mumbai
MH	10	Anest Iwata Motherson Coating Equipment Limited	16 電気機械器具製造業/ Manufacturing- Electoric Machinery	Mumbai
MH	11	Arc India Japan	29 サービス業/ Consulting, Advertisement, Research, Lawfirm, Accounts, Entertainment, Human Resource etc	Mumbai
MH	12	Arch Pharmalabs Ltd.	29 サービス業/ Consulting, Advertisement, Research, Lawfirm, Accounts, Entertainment, Human Resource etc	Mumbai
MH	13	Arkadin ConferIndia (P) Ltd.	21 情報通信業/ Telecommunication, Broadcasting, IT, Newspaper, Publishing etc	Mumbai
MH	14	Arkray Healthcare Pvt. Ltd.	19 その他の製造業/ Manufacturing- Others	Mumbai
MH	15	Asahi India Glass Ltd. Taloja Plant	09 窯業・土石製品製造業/ Pottery	Mumbai
MH	16	Asahi Kasei India Pvt. Ltd.	29 サービス業/ Consulting, Advertisement, Research, Lawfirm, Accounts, Entertainment, Human Resource etc	Mumbai
MH	17	Astellas Pharma India Pvt. Ltd.	19 その他の製造業/ Manufacturing- Others	Mumbai
MH	18	Bridgestone India Pvt. Ltd., Mumbai office	18 輸送機械器具製造業/ Manufacturing- Automobile, Two Wheeler, Auto Components, Rail/ Ship/Air Plane	Mumbai
MH	19	Brother International (India) Pvt. Ltd. Head Office	23 卸売業、小売業/ Wholesales, Retail	Mumbai
MH	20	Bunshodo Trading Pvt. Ltd.	23 卸売業、小売業(含: 商社、販社)/ Wholesales, Retail (including Sogo Shosya, sale company)	Mumbai
MH	21	Canon India Private Limited	23 卸売業、小売業(含: 商社、販社)/ Wholesales, Retail (including Sogo Shosya, sale company)	Mumbai
MH	22	Canon India Private Limited	23 卸売業、小売業(含: 商社、販社)/ Wholesales, Retail (including Sogo Shosya, sale company)	Mumbai
MH	23	Canon India Private Limited	23 卸売業、小売業(含: 商社、販社)/ Wholesales, Retail (including Sogo Shosya, sale company)	Mumbai
MH	24	Casio India Co., Private Limited - Mumbai Branch Office	16 電気機械器具製造業/ Manufacturing- Electoric Machinery	Mumbai
MH	25	CBC CORPORATION (INDIA) PRIVATE LIMITED	23 卸売業、小売業(含: 商社、販社)/ Wholesales, Retail (including Sogo Shosya, sale company)	Mumbai
MH	26	CHOLAMANDALAM MS GENERAL INSURANCE COMPANY Ltd.	24 金融業、保険業/ Finance, Insurance	Mumbai
MH	27	CHOLAMANDALAM MS GENERAL INSURANCE COMPANY Ltd.	24 金融業、保険業/ Finance, Insurance	Mumbai
MH	28	CHOLAMANDALAM MS GENERAL INSURANCE COMPANY Ltd.	24 金融業、保険業/ Finance, Insurance	Mumbai
MH	29	CHOLAMANDALAM MS GENERAL INSURANCE COMPANY Ltd.	24 金融業、保険業/ Finance, Insurance	Mumbai
MH	30	CHOLAMANDALAM MS GENERAL INSURANCE COMPANY Ltd.	24 金融業、保険業/ Finance, Insurance	Mumbai
MH	31	CHOLAMANDALAM MS GENERAL INSURANCE COMPANY Ltd.	24 金融業、保険業/ Finance, Insurance	Mumbai

2.3. Western India

State	Sl. No.	NAME OF COMPANY REGISTERED IN INDIA	TYPE OF BUSINESS IN INDIA	LOCATIDN
MH	32	CHOLAMANDALAM MS GENERAL INSURANCE COMPANY Ltd.	24 金融業、保険業/ Finance, Insurance	Mumbai
MH	33	CHOLAMANDALAM MS GENERAL INSURANCE COMPANY Ltd.	24 金融業、保険業/ Finance, Insurance	Mumbai
MH	34	CHOLAMANDALAM MS GENERAL INSURANCE COMPANY Ltd.	24 金融業、保険業/ Finance, Insurance	Mumbai
MH	35	CHOLAMANDALAM MS GENERAL INSURANCE COMPANY Ltd.	24 金融業、保険業/ Finance, Insurance	Mumbai
MH	36	CHOLAMANDALAM MS GENERAL INSURANCE COMPANY Ltd.	24 金融業、保険業/ Finance, Insurance	Mumbai
MH	37	CHOLAMANDALAM MS RISK SERVICES LIMITED	29 サービス業/ Consulting, Advertisement, Research, Lawfirm, Accounts, Entertainment, Human Resource etc	Mumbai
MH	38	Chugoku Marine Paints (Singapore) Pte. Ltd., India Liaison Office	23 卸売業、小売業/ Wholesales, Retail	Mumbai
MH	39	Concast (India) Ltd.	14 生産用機械器具製造業/ Manufacturing- Prduction Machinery	Mumbai
MH	40	Concast (India) Ltd.,	14 生産用機械器具製造業/ Manufacturing- Prduction Machinery	Mumbai
MH	41	DAIICHI CHUO SHIPPING (INDIA) PRIVATE LIMITED	29 サービス業/ Consulting, Advertisement, Research, Lawfirm, Accounts, Entertainment, Human Resource etc	Mumbai
MH	42	DAIKIN AIRCONDITIONING INDIA Pvt. Ltd. MUNBAI BRANCH	16 電気機械器具製造業/ Manufacturing- Electoric Machinery	Mumbai
MH	43	Daiwa Capital Markets India Pvt. Ltd.	24 金融業、保険業/ Finance, Insurance	Mumbai
MH	44	Daiwa Portfolio Advisory (India) Pvt. Ltd.	24 金融業、保険業/ Finance, Insurance	Mumbai
MH	45	Daiwa Trustee Company (India) Pvt. Ltd.	24 金融業、保険業/ Finance, Insurance	Mumbai
MH	46	Dentsu Communications Pvt. Ltd.	29 サービス業/ Consulting, Advertisement, Research, Lawfirm, Accounts, Entertainment, Human Resource etc	Mumbai
MH	47	Dentsu Marcom Pvt. Ltd., Mumbai Branch	29 サービス業/ Consulting, Advertisement, Research, Lawfirm, Accounts, Entertainment, Human Resource etc	Mumbai
MH	48	Dentsu Mediatech Pvt. Ltd., Mumbai Branch	29 サービス業/ Consulting, Advertisement, Research, Lawfirm, Accounts, Entertainment, Human Resource etc	Mumbai
MH	49	DIC India Limited	07 化学工業/ Chemical Industry	Mumbai
MH	50	DIJET INDUSTRIAL CO., Ltd. Mumbai Representative Office	29 サービス業/ Consulting, Advertisement, Research, Lawfirm, Accounts, Entertainment, Human Resource etc	Mumbai
MH	51	Dozo Services Pvt. Ltd.	23 卸売業、小売業/ Wholesales, Retail	Mumbai
MH	52	Eagle Burgmann India Pvt. Ltd.	16 電気機械器具製造業/ Manufacturing- Electoric Machinery	Mumbai
MH	53	Eagle Burgmann Mascot India Pvt. Ltd.,	14 生産用機械器具製造業/ Manufacturing- Prduction Machinery	Mumbai
MH	54	Edelweiss Tokio Life Insurance Company Limited	24 金融業、保険業/ Finance, Insurance	Mumbai
MH	55	Edelweiss Tokio Life Insurance Company Limited Mumbai_Andheri	24 金融業、保険業/ Finance, Insurance	Mumbai
MH	56	Edelweiss Tokio Life Insurance Company Limited Mumbai_Borivali	24 金融業、保険業/ Finance, Insurance	Mumbai
MH	57	Edelweiss Tokio Life Insurance Company Limited Mumbai_Churchgate	24 金融業、保険業/ Finance, Insurance	Mumbai
MH	58	Edelweiss Tokio Life Insurance Company Limited Mumbai_Dadar	24 金融業、保険業/ Finance, Insurance	Mumbai
MH	59	Edelweiss Tokio Life Insurance Company Limited Mumbai_Ghatkopar	24 金融業、保険業/ Finance, Insurance	Mumbai
MH	60	Eisai Pharmaceuticals India Pvt. Ltd.	19 その他の製造業/ Manufacturing- Others	Mumbai
MH	61	Emori (India) Trading Private Ltd.	23 卸売業、小売業(含:商社、販社)/ Wholesales, Retail (including Sogo Shosya, sale company)	Mumbai
MH	62	EPCOS India Private Limited, Mumbai Sales Office	17 情報通信機械器具、電子部品・デバイス・電子回路製造業/ Manufacturing- IT Products, Electronics Products	Mumbai
MH	63	Epson India Pvt. Ltd.	16 電気機械器具製造業/ Manufacturing- Electoric Machinery	Mumbai

2.3. Western India

State	Sl. No.	NAME OF COMPANY REGISTERED IN INDIA	TYPE OF BUSINESS IN INDIA	LOCATIDN
MH	64	Erbis Engineering (India) Pvt. Ltd.	23 卸売業、小売業(含:商社、販社)/ Wholesales, Retail (including Sogo Shosya, sale company)	Mumbai
MH	65	ETA General Pvt. Ltd. Branch Office	16 電気機械器具製造業/ Manufacturing- Electoric Machinery	Mumbai
MH	66	EXEDY INDIA LIMITED	18 輸送機械器具製造業/ Manufacturing- Automobile, Two Wheer, Auto Components, Rail/ Ship/Air Plane	Mumbai
MH	67	Financil Agency Consultants India Pvt. Ltd.	24 金融業、保険業/ Finance, Insurance	Mumbai
MH	68	Flyjac Logistics Pvt. Ltd. Head Office	22 運輸業/ Transportation	Mumbai
MH	69	Formula Group	29 サービス業/ Consulting, Advertisement, Research, Lawfirm, Accounts, Entertainment, Human Resource etc	Mumbai
MH	70	Fuji Electric India Pvt. Ltd.	16 電気機械器具製造業/ Manufacturing- Electoric Machinery	Mumbai
MH	71	FUJIFILM INDIA PRIVATE LIMITED	23 卸売業、小売業(含:商社、販社)/ Wholesales, Retail (including Sogo Shosya, sale company)	Mumbai
MH	72	Fujitec India Pvt. Ltd. Mumbai Branch	16 電気機械器具製造業/ Manufacturing- Electoric Machinery	Mumbai
MH	73	FUJITSU INDIA Pvt. LIMITED Mumbai Branch	21 情報通信業/ Telecommunication, Broadcasting, IT, Newspaper, Publishing etc	Mumbai
MH	74	Funai India Pvt. Ltd.	17 情報通信機械器具、電子部品・デバイス・電子回路製造業/ Manufacturing- IT Products, Electronics Products	Mumbai
MH	75	GCA Savvian India Investment Advisers Private Limited	29 サービス業/ Consulting, Advertisement, Research, Lawfirm, Accounts, Entertainment, Human Resource etc	Mumbai
MH	76	General Nippon India Pvt. Ltd.	07 化学工業/ Chemical Industry	Mumbai
MH	77	Glory Global Solution India Pvt. Ltd.	23 卸売業、小売業(含:商社、販社)/ Wholesales, Retail (including Sogo Shosya, sale company)	Mumbai
MH	78	Hankyu Hanshin Express India Pvt. Ltd.	22 運輸業/ Transportation	Mumbai
MH	79	Hanwa India Pvt. Ltd.	23 卸売業、小売業(含:商社、販社)/ Wholesales, Retail (including Sogo Shosya, sale company)	Mumbai
MH	80	Hindustan Composites Ltd.	18 輸送機械器具製造業/ Manufacturing- Automobile, Two Wheer, Auto Components, Rail/ Ship/Air Plane	Mumbai
MH	81	Hino Motors Sales India Pvt. Ltd.	18 輸送機械器具製造業/ Manufacturing- Automobile, Two Wheer, Auto Components, Rail/ Ship/Air Plane	Mumbai
MH	82	HIOKI INDIA PRIVATE LIMITED	23 卸売業、小売業(含:商社、販社)/ Wholesales, Retail (including Sogo Shosya, sale company)	Mumbai
MH	83	Hitachi Data Systems India Pvt. Ltd. (India)	21 情報通信業/ Telecommunication, Broadcasting, IT, Newspaper, Publishing etc	Mumbai
MH	84	Hitachi India Pvt. Ltd. Mumbai Branch Office	16 電気機械器具製造業/ Manufacturing- Electoric Machinery	Mumbai
MH	85	Hitachi Lift India Pvt. Ltd.	16 電気機械器具製造業/ Manufacturing- Electoric Machinery	Mumbai
MH	86	Hitachi Maxell Ltd., Mumbai Liaison Office	16 電気機械器具製造業/ Manufacturing- Electoric Machinery	Mumbai
MH	87	Hitachi Plant Technologies Ltd., Mumbai Branch Office	03 建設業/ Construction Industry	Mumbai
MH	88	Hitachi Systems Micro Clinic Pvt. Ltd., Mumbai Branch	21 情報通信業/ Telecommunication, Broadcasting, IT, Newspaper, Publishing etc	Mumbai
MH	89	Hitachi, Ltd. Infrastructure Systems General Sales Division India Branch Office	16 電気機械器具製造業/ Manufacturing- Electoric Machinery	Mumbai
MH	90	Honda Cars India Limited	18 輸送機械器具製造業/ Manufacturing- Automobile, Two Wheer, Auto Components, Rail/ Ship/Air Plane	Mumbai
MH	91	Honda Siel Power Products Limited	19 その他の製造業/ Manufacturing- Others	Mumbai
MH	92	Hope (India) Polishing Works Pvt. Ltd.	23 卸売業、小売業/ Wholesales, Retail	Mumbai
MH	93	IFFCO-Tokio General Insurance Co. Ltd.	24 金融業、保険業/ Finance, Insurance	Mumbai
MH	94	IFFCO-Tokio General Insurance Co. Ltd.	24 金融業、保険業/ Finance, Insurance	Mumbai
MH	95	IFFCO-Tokio General Insurance Co. Ltd.	24 金融業、保険業/ Finance, Insurance	Mumbai

2.3. Western India

State	Sl. No.	NAME OF COMPANY REGISTERED IN INDIA	TYPE OF BUSINESS IN INDIA	LOCATIDN
MH	96	IFFCO-Tokio General Insurance Co. Ltd.	24 金融業、保険業/ Finance, Insurance	Mumbai
MH	97	IFFCO-Tokio General Insurance Co. Ltd.	24 金融業、保険業/ Finance, Insurance	Mumbai
MH	98	IFFCO-Tokio General Insurance Co. Ltd.	24 金融業、保険業/ Finance, Insurance	Mumbai
MH	99	IFFCO-Tokio General Insurance Co. Ltd.	24 金融業、保険業/ Finance, Insurance	Mumbai
MH	100	IHI Corporation PLD Mumbai Liaison Office	19 その他の製造業/ Manufacturing- Others	Mumbai
MH	101	IL&FS Education & Technology Services Limited	28 教育、学習支援、医療、福祉、複合サービス業/ Education, Medical, Postal, Cooperatives	Mumbai
MH	102	Indredge Marine Engineering & Construction Private Limited	29 サービス業/ Consulting, Advertisement, Research, Lawfirm, Accounts, Entertainment, Human Resource etc	Mumbai
MH	103	Infrastructure Leasing & Financial Serviecs Limited	24 金融業、保険業/ Finance, Insurance	Mumbai
MH	104	ISHIDA INDIA Pvt. Ltd.	19 その他の製造業/ Manufacturing- Others	Mumbai
MH	105	ITOCHU India Private Limited Mumbai office	23 卸売業、小売業/ Wholesales, Retail	Mumbai
MH	106	JFE Engineering India Private Limited	03 建設業/ Construction Industry	Mumbai
MH	107	JFE Shoji Electronics Corporation, India Liaison Office	23 卸売業、小売業(含: 商社、販社)/ Wholesales, Retail (including Sogo Shosya, sale company)	Mumbai
MH	108	JFE Shoji Trade India Pvt. Ltd. Mumbai office	23 卸売業、小売業(含: 商社、販社)/ Wholesales, Retail (including Sogo Shosya, sale company)	Mumbai
MH	109	JFE STEEL INDIA PRIVATE LIMITED MUMBAI OFFICE	10 鉄鋼業/ Steel	Mumbai
MH	110	JGC Construction International Pvt. Ltd. Mumbai office	03 建設業/ Construction Industry	Mumbai
MH	111	J-OIL MILLS, INC. Mumbai Liaison Office	04 食料品、飲料・たばこ・飼料製造業/ Manufacturing- Food, Drink, Tobacco, Fodder	Mumbai
MH	112	JSW MI STEEL Service Center Private Limited	10 鉄鋼業/ Steel	Mumbai
MH	113	JTB Jupiter Express Services Pvt. Ltd. Mumbai Branch	22 運輸業/ Transportation	Mumbai
MH	114	Juki India Private Limited Mumbai Office	23 卸売業、小売業(含: 商社、販社)/ Wholesales, Retail (including Sogo Shosya, sale company)	Mumbai
MH	115	Kagome Co. Ltd. India Liaison Office	04 食料品、飲料・たばこ・飼料製造業/ Manufacturing- Food, Drink, Tobacco, Fodder	Mumbai
MH	116	Kansai Nerolac Paints Ltd.	07 化学工業/ Chemical Industry	Mumbai
MH	117	Kashikey Diamond India Pvt.Ltd.	23 卸売業、小売業/ Wholesales, Retail	Mumbai
MH	118	KDDI India Private Limited	21 情報通信業/ Telecommunication, Broadcasting, IT, Newspaper, Publishing etc	Mumbai
MH	119	Keihin Co. Ltd., Mumbai Liaison Office	22 運輸業/ Transportation	Mumbai
MH	120	Kikkoman Corporation India Representative Office	04 食料品、飲料・たばこ・飼料製造業/ Manufacturing- Food, Drink, Tobacco, Fodder	Mumbai
MH	121	Kintetsu World Express (India) Private Limited	19 その他の製造業/ Manufacturing- Others	Mumbai
MH	122	KITZ Corporation India Liaison Office	13 はん用機械器具製造業/ Manufacturing- General Purpose Machinery	Mumbai
MH	123	Kokuyo Camlin Ltd.	19 その他の製造業/ Manufacturing- Others	Mumbai
MH	124	Kokuyo Camlin Ltd. Taloja Factory	19 その他の製造業/ Manufacturing- Others	Mumbai
MH	125	Konica Minolta Business Solutions India Pvt. Ltd.	17 情報通信機械器具、電子部品・デバイス・電子回路製造業/ Manufacturing- IT Products, Electronics Products	Mumbai
MH	126	Konica Minolta Healthcare India Pvt. Ltd.	19 その他の製造業/ Manufacturing- Others	Mumbai
MH	127	KONOIKE ASIA (INDIA) Pvt. Ltd.	22 運輸業/ Transportation	Mumbai

2.3. Western India

State	Sl. No.	NAME OF COMPANY REGISTERED IN INDIA	TYPE OF BUSINESS IN INDIA	LOCATIDN
MH	128	Kowa India Pvt. Ltd., HO	23 卸売業、小売業/ Wholesales, Retail	Mumbai
MH	129	Kumon India Education Pvt. Ltd. Hiranandani Centre	28 教育、学習支援、医療、福祉、複合サービス業/ Education, Medical, Postal, Cooperatives	Mumbai
MH	130	Kumon India Education Pvt. Ltd. Lokhandwala Centre	28 教育、学習支援、医療、福祉、複合サービス業/ Education, Medical, Postal, Cooperatives	Mumbai
MH	131	Kumon India Education Pvt. Ltd. Mumbai Branch Office	28 教育、学習支援、医療、福祉、複合サービス業/ Education, Medical, Postal, Cooperatives	Mumbai
MH	132	KWE India	22 運輸業/ Transportation	Mumbai
MH	133	Kyocera Document Solutions India Pvt. Ltd., Branch Office (Mumbai)	23 卸売業、小売業/ Wholesales, Retail	Mumbai
MH	134	Kyodo News Mumbai Branch	21 情報通信業/ Telecommunication, Broadcasting, IT, Newspaper, Publishing etc	Mumbai
MH	135	KYOWA HAKKO BIO INDIA Pvt. Ltd.	07 化学工業/ Chemical Industry	Mumbai
MH	136	LIC Nomura Mutual Fund Asset Management Co. Ltd. Mumbai Branch Office	24 金融業、保険業/ Finance, Insurance	Mumbai
MH	137	LIC Nomura Mutual Fund Asset Management Co. Ltd. Mumbai Branch Office	24 金融業、保険業/ Finance, Insurance	Mumbai
MH	138	Mahindra Steel Service Centre Ltd.	12 金属製品製造業/ manufactruing- Metal Products	Mumbai
MH	139	Maido Enterprises Pvt. Ltd.	23 卸売業、小売業/ Wholesales, Retail	Mumbai
MH	140	Makino India Pvt. Ltd.	16 電気機械器具製造業/ Manufacturing- Electoric Machinery	Mumbai
MH	141	Market Xcel Data Matrix Pvt. Ltd.	21 情報通信業/ Telecommunication, Broadcasting, IT, Newspaper, Publishing etc	Mumbai
MH	142	Marubeni India Pvt. Ltd.	23 卸売業、小売業(含:商社、販社)/ Wholesales, Retail (including Sogo Shosya, sale company)	Mumbai
MH	143	Marubeni Itochu Steel India Pvt. Ltd.	10 鉄鋼業/ Steel	Mumbai
MH	144	Maruti Suzuki India Limited	18 輸送機械器具製造業/ Manufacturing- Automobile, Two Wheer, Auto Components, Rail/ Ship/Air Plane	Mumbai
MH	145	MATSUI TECHNOLOGIES INDIA Limited	14 生産用機械器具製造業/ Manufacturing- Prduction Machinery	Mumbai
MH	146	MAX LIFE INSURANCE COMPANY Ltd.	24 金融業、保険業/ Finance, Insurance	Mumbai
MH	147	MAX LIFE INSURANCE COMPANY Ltd.	24 金融業、保険業/ Finance, Insurance	Mumbai
MH	148	MAX LIFE INSURANCE COMPANY Ltd.	24 金融業、保険業/ Finance, Insurance	Mumbai
MH	149	MAX LIFE INSURANCE COMPANY Ltd.	24 金融業、保険業/ Finance, Insurance	Mumbai
MH	150	MAX LIFE INSURANCE COMPANY Ltd.	24 金融業、保険業/ Finance, Insurance	Mumbai
MH	151	MAX LIFE INSURANCE COMPANY Ltd.	24 金融業、保険業/ Finance, Insurance	Mumbai
MH	152	MAX LIFE INSURANCE COMPANY Ltd.	24 金融業、保険業/ Finance, Insurance	Mumbai
MH	153	MAX LIFE INSURANCE COMPANY Ltd.	24 金融業、保険業/ Finance, Insurance	Mumbai
MH	154	MAX LIFE INSURANCE COMPANY Ltd.	24 金融業、保険業/ Finance, Insurance	Mumbai
MH	155	MAX LIFE INSURANCE COMPANY Ltd.	24 金融業、保険業/ Finance, Insurance	Mumbai
MH	156	MAX LIFE INSURANCE COMPANY Ltd.	24 金融業、保険業/ Finance, Insurance	Mumbai
MH	157	MAX LIFE INSURANCE COMPANY Ltd.	24 金融業、保険業/ Finance, Insurance	Mumbai
MH	158	MAX LIFE INSURANCE COMPANY Ltd.	24 金融業、保険業/ Finance, Insurance	Mumbai
MH	159	Meiji India Private Limited	23 卸売業、小売業(含:商社、販社)/ Wholesales, Retail (including Sogo Shosya, sale company)	Mumbai

2.3. Western India

State	Sl. No.	NAME OF COMPANY REGISTERED IN INDIA	TYPE OF BUSINESS IN INDIA	LOCATIDN
MH	160	Melog Specialty Chemicals Pvt. Ltd.	07 化学工業/ Chemical Industry	Mumbai
MH	161	Metal One Corporation India Pvt. Ltd., Mumbai Branch Office	23 卸売業、小売業/ Wholesales, Retail	Mumbai
MH	162	MGI Group India Pvt. Ltd.	29 サービス業/ Consulting, Advertisement, Research, Lawfirm, Accounts, Entertainment, Human Resource etc	Mumbai
MH	163	Mitsubishi Chemical India Mumbai office	23 卸売業、小売業(含:商社、販社)/ Wholesales, Retail (including Sogo Shosya, sale company)	Mumbai
MH	164	mitsubishi corporation india Pvt. Ltd.	23 卸売業、小売業(含:商社、販社)/ Wholesales, Retail (including Sogo Shosya, sale company)	Mumbai
MH	165	MITSUBISHI CORPORATION, NEW DELHI BRANCH OFFICE Mumbai Annex Office	23 卸売業、小売業(含:商社、販社)/ Wholesales, Retail (including Sogo Shosya, sale company)	Mumbai
MH	166	MITSUBISHI ELECTRIC INDIA PRIVATE LIMITED	16 電気機械器具製造業/ Manufacturing- Electoric Machinery	Mumbai
MH	167	Mitsubishi Elevator ETA India Pvt. Ltd.	16 電気機械器具製造業/ Manufacturing- Electoric Machinery	Mumbai
MH	168	Mitsubishi Heavy Industries India Private Limited, Mumbai Office	29 サービス業/ Consulting, Advertisement, Research, Lawfirm, Accounts, Entertainment, Human Resource etc	Mumbai
MH	169	Mitsubishi Heavy Industries India Private Ltd., Concast [India] Limited	29 サービス業/ Consulting, Advertisement, Research, Lawfirm, Accounts, Entertainment, Human Resource etc	Mumbai
MH	170	Mitsui & Co. India Mumbai branch	23 卸売業、小売業/ Wholesales, Retail	Mumbai
MH	171	Mitsui O.S.K.Lines (India) Pvt. Ltd., HO	22 運輸業/ Transportation	Mumbai
MH	172	Mitsui O.S.K.Lines Maritime (India) Pvt. Ltd., HO	22 運輸業/ Transportation	Mumbai
MH	173	Mitutoyo South Asia Pvt. Ltd.	16 電気機械器具製造業/ Manufacturing- Electoric Machinery	Mumbai
MH	174	Mizuho Bank India Administration Division	24 金融業、保険業/ Finance, Insurance	Mumbai
MH	175	Mizuho Bank Mumbai Branch	24 金融業、保険業/ Finance, Insurance	Mumbai
MH	176	Mizuho Securities India Private Limited	24 金融業、保険業/ Finance, Insurance	Mumbai
MH	177	MOL Information Processing Services (India) Pvt. Ltd.	21 情報通信業/ Telecommunication, Broadcasting, IT, Newspaper, Publishing etc	Mumbai
MH	178	Mukand Sumi Metal Processing Ltd.	12 金属製品製造業/ manufactruing- Metal Products	Mumbai
MH	179	Murata Machinery India Private Limited, HO	16 電気機械器具製造業/ Manufacturing- Electoric Machinery	Mumbai
MH	180	Nagase India Pvt. Ltd.	23 卸売業、小売業(含:商社、販社)/ Wholesales, Retail (including Sogo Shosya, sale company)	Mumbai
MH	181	Nagase India Pvt. Ltd. COATING LABORATORY	23 卸売業、小売業(含:商社、販社)/ Wholesales, Retail (including Sogo Shosya, sale company)	Mumbai
MH	182	NE Mobile Services India Pvt. Ltd.	21 情報通信業/ Telecommunication, Broadcasting, IT, Newspaper, Publishing etc	Mumbai
MH	183	NEC India Pvt. Ltd., Mumbai Branch	17 情報通信機械器具、電子部品・デバイス・電子回路製造業/ Manufacturing- IT Products, Electronics Products	Mumbai
MH	184	Netmagic Solutions Pvt. Ltd. - DC-1 Mumbai	21 情報通信業/ Telecommunication, Broadcasting, IT, Newspaper, Publishing etc	Mumbai
MH	185	Netmagic Solutions Pvt. Ltd. - DC-2&4 Mumbai	21 情報通信業/ Telecommunication, Broadcasting, IT, Newspaper, Publishing etc	Mumbai
MH	186	Netmagic Solutions Pvt. Ltd. - DC-3 Mumbai	21 情報通信業/ Telecommunication, Broadcasting, IT, Newspaper, Publishing etc	Mumbai
MH	187	Netmagic Solutions Pvt. Ltd. - Head Office	21 情報通信業/ Telecommunication, Broadcasting, IT, Newspaper, Publishing etc	Mumbai
MH	188	Nichia Chemical (India) Pvt. Ltd. Mumbai Sales Office	23 卸売業、小売業(含:商社、販社)/ Wholesales, Retail (including Sogo Shosya, sale company)	Mumbai
MH	189	Nikon India Private Limited, Mumbai Branch	19 その他の製造業/ Manufacturing- Others	Mumbai
MH	190	Nippon Express (India) Pvt., Ltd.	22 運輸業/ Transportation	Mumbai
MH	191	Nippon Steel Trading Co. Ltd., Mumbai Liaison Office	23 卸売業、小売業/ Wholesales, Retail	Mumbai

2.3. Western India

State	Sl. No.	NAME OF COMPANY REGISTERED IN INDIA	TYPE OF BUSINESS IN INDIA	LOCATIDN
MH	192	Nipro India Corporation Mumbai Branch	19 その他の製造業/ Manufacturing- Others	Mumbai
MH	193	Nipro Tube Glass Private Limited	19 その他の製造業/ Manufacturing- Others	Mumbai
MH	194	Nissan Motor India Pvt. Ltd., Mumbai Branch	18 輸送機械器具製造業/ Manufacturing- Automobile, Two Wheer, Auto Components, Rail/ Ship/Air Plane	Mumbai
MH	195	Nissin ABC Logitics Private Limited. Mumbai Branch	22 運輸業/ Transportation	Mumbai
MH	196	NJS Engineers India Pvt. Ltd.	29 サービス業/ Consulting, Advertisement, Research, Lawfirm, Accounts, Entertainment, Human Resource etc	Mumbai
MH	197	NMTronics (India) Pvt. Ltd.	23 卸売業、小売業/ Wholesales, Retail	Mumbai
MH	198	NNR Global Logistics India Pvt.Ltd.	22 運輸業/ Transportation	Mumbai
MH	199	Nomura Financial Advisory and Securities (India) Pvt. Ltd.	24 金融業、保険業/ Finance, Insurance	Mumbai
MH	200	Nomura Financial Services (India) Private Limited	24 金融業、保険業/ Finance, Insurance	Mumbai
MH	201	Nomura Fixed Income Securities Pvt. Ltd.	24 金融業、保険業/ Finance, Insurance	Mumbai
MH	202	Nomura Research Institute Financial Technologies India Pvt. Ltd. - Mumbai Office	29 サービス業/ Consulting, Advertisement, Research, Lawfirm, Accounts, Entertainment, Human Resource etc	Mumbai
MH	203	Nomura Services India Pvt. Ltd.	24 金融業、保険業/ Finance, Insurance	Mumbai
MH	204	Nomura Structured Finance Services Private Limited	24 金融業、保険業/ Finance, Insurance	Mumbai
MH	205	Noritsu India Private Limited Mumbai Office	23 卸売業、小売業(含: 商社、販社)/ Wholesales, Retail (including Sogo Shosya, sale company)	Mumbai
MH	206	NSK India Sales Company Pvt. Ltd., Mumbai Branch	18 輸送機械器具製造業/ Manufacturing- Automobile, Two Wheer, Auto Components, Rail/ Ship/Air Plane	Mumbai
MH	207	NTN Bearing India Pvt. Ltd.	12 金属製品製造業/ manufactruing- Metal Products	Mumbai
MH	208	NTT Communications India Private Ltd. - Mumbai Branch	21 情報通信業/ Telecommunication, Broadcasting, IT, Newspaper, Publishing etc	Mumbai
MH	209	NYK Auto Logistics (India) Ltd.	22 運輸業/ Transportation	Mumbai
MH	210	NYK Line (India) Ltd.	22 運輸業/ Transportation	Mumbai
MH	211	NYK Logistics (India), HO	22 運輸業/ Transportation	Mumbai
MH	212	NYK Ship Management Pte Ltd.	29 サービス業/ Consulting, Advertisement, Research, Lawfirm, Accounts, Entertainment, Human Resource etc	Mumbai
MH	213	OG Corporation Pvt. Ltd.	23 卸売業、小売業/ Wholesales, Retail	Mumbai
MH	214	Oki India Pvt. Ltd.	21 情報通信業/ Telecommunication, Broadcasting, IT, Newspaper, Publishing etc	Mumbai
MH	215	Olympus Imaging India Pvt. Ltd.	16 電気機械器具製造業/ Manufacturing- Electoric Machinery	Mumbai
MH	216	Omron Automation Pvt. Ltd.	16 電気機械器具製造業/ Manufacturing- Electoric Machinery	Mumbai
MH	217	ORIX Auto Infrastructure Services Limited	26 物品賃貸業/ Lease	Mumbai
MH	218	Overseas Courier Service (India) Pvt.Ltd. Mumbai Branch	22 運輸業/ Transportation	Mumbai
MH	219	PADECO Co., Ltd.	29 サービス業/ Consulting, Advertisement, Research, Lawfirm, Accounts, Entertainment, Human Resource etc	Mumbai
MH	220	Panasonic India Pvt. Ltd.	16 電気機械器具製造業/ Manufacturing- Electoric Machinery	Mumbai
MH	221	Percept/H Pvt. Ltd.	29 サービス業/ Consulting, Advertisement, Research, Lawfirm, Accounts, Entertainment, Human Resource etc	Mumbai
MH	222	Pigeon India Pvt. Ltd.	19 その他の製造業/ Manufacturing- Others	Mumbai
MH	223	Plus Business Machines Ltd.	23 卸売業、小売業/ Wholesales, Retail	Mumbai

2.3. Western India

State	Sl. No.	NAME OF COMPANY REGISTERED IN INDIA	TYPE OF BUSINESS IN INDIA	LOCATIDN
MH	224	Polyplastics Marketing (India) Private Ltd., HO	07 化学工業/ Chemical Industry	Mumbai
MH	225	Prizm Payment Services Ltd.	24 金融業、保険業/ Finance, Insurance	Mumbai
MH	226	Pro-face India, Mumbai Office	16 電気機械器具製造業/ Manufacturing- Electoric Machinery	Mumbai
MH	227	Ranbaxy Laboratories Ltd.	19 その他の製造業/ Manufacturing- Others	Mumbai
MH	228	Reliance Capital Asset Management	24 金融業、保険業/ Finance, Insurance	Mumbai
MH	229	Reliance Life Insurance Company Limited Andheri1	24 金融業、保険業/ Finance, Insurance	Mumbai
MH	230	Reliance Life Insurance Company Limited Bandra 2	24 金融業、保険業/ Finance, Insurance	Mumbai
MH	231	Reliance Life Insurance Company Limited Borivali 1	24 金融業、保険業/ Finance, Insurance	Mumbai
MH	232	Reliance Life Insurance Company Limited Byculla	24 金融業、保険業/ Finance, Insurance	Mumbai
MH	233	Reliance Life Insurance Company Limited Colaba	24 金融業、保険業/ Finance, Insurance	Mumbai
MH	234	Reliance Life Insurance Company Limited Dadar 1	24 金融業、保険業/ Finance, Insurance	Mumbai
MH	235	Reliance Life Insurance Company Limited Fort 1	24 金融業、保険業/ Finance, Insurance	Mumbai
MH	236	Reliance Life Insurance Company Limited Ghatkopar	24 金融業、保険業/ Finance, Insurance	Mumbai
MH	237	Reliance Life Insurance Company Limited Mulund 2	24 金融業、保険業/ Finance, Insurance	Mumbai
MH	238	Reliance Life Insurance Company Limited Prabhadevi 1	24 金融業、保険業/ Finance, Insurance	Mumbai
MH	239	Reliance Life Insurance Company Limited Tardeo 1	24 金融業、保険業/ Finance, Insurance	Mumbai
MH	240	RGF Executive search India Pvt.Ltd.	29 サービス業/ Consulting, Advertisement, Research, Lawfirm, Accounts, Entertainment, Human Resource etc	Mumbai
MH	241	RGF Executive Search India Pvt. Ltd.	29 サービス業/ Consulting, Advertisement, Research, Lawfirm, Accounts, Entertainment, Human Resource etc	Mumbai
MH	242	RGF Executive Search India Pvt. Ltd.	29 サービス業/ Consulting, Advertisement, Research, Lawfirm, Accounts, Entertainment, Human Resource etc	Mumbai
MH	243	Ricoh India Limited	21 情報通信業/ Telecommunication, Broadcasting, IT, Newspaper, Publishing etc	Mumbai
MH	244	Ricoh Thermal Media Asia Pacific Pvt. Ltd.	19 その他の製造業/ Manufacturing- Others	Mumbai
MH	245	Ruchi Kagome Foods India Pvt. Ltd.	04 食料品、飲料・たばこ・飼料製造業/ Manufacturing- Food, Drink, Tobacco, Fodder	Mumbai
MH	246	SAKATA INX (INDIA) Ltd.	07 化学工業/ Chemical Industry	Mumbai
MH	247	Sanko Kisen Seahorse (India) Pvt. Ltd.	22 運輸業/ Transportation	Mumbai
MH	248	Sankyu India Logistics & Engineering Mumbai Office	22 運輸業/ Transportation	Mumbai
MH	249	Sekisui Chemical India Pvt. Ltd. Mumbai Office	07 化学工業/ Chemical Industry	Mumbai
MH	250	Sharp Business Systems (India) Limited Mumbai Branch	23 卸売業、小売業(含:商社、販社)/ Wholesales, Retail (including Sogo Shosya, sale company)	Mumbai
MH	251	Shimadzu Analytical (india) Pvt. Ltd., HO	19 その他の製造業/ Manufacturing- Others	Mumbai
MH	252	Shimadzu Medical (India) Pvt. Ltd., Mumbai Office	19 その他の製造業/ Manufacturing- Others	Mumbai
MH	253	Shiseido India Private Limited	23 卸売業、小売業(含:商社、販社)/ Wholesales, Retail (including Sogo Shosya, sale company)	Mumbai
MH	254	Sindhu Cargo Services Limited Mumbai Nhava Office	22 運輸業/ Transportation	Mumbai
MH	255	Sindhu Cargo Services Limited Mumbai Office	22 運輸業/ Transportation	Mumbai



2.3. Western India

State	Sl. No.	NAME OF COMPANY REGISTERED IN INDIA	TYPE OF BUSINESS IN INDIA	LOCATIDN
MH	256	SKK (S) PTE Ltd. INDIA BRANCH OFFICE MUMBAI	07 化学工業/ Chemical Industry	Mumbai
MH	257	SKK Indian Liaison Office	19 その他の製造業/ Manufacturing- Others	Mumbai
MH	258	SMC PNEUMATICS (INDIA) Pvt. Ltd.	19 その他の製造業/ Manufacturing- Others	Mumbai
MH	259	Snowman Logistics Ltd.	22 運輸業/ Transportation	Mumbai
MH	260	Sojitz India Pvt. Ltd. Mumbai Branch	23 卸売業、小売業/ Wholesales, Retail	Mumbai
MH	261	Sompo Japan Nipponkoa Insurance Inc.	24 金融業、保険業/ Finance, Insurance	Mumbai
MH	262	Sony India Pvt. Ltd. Mumbai	23 卸売業、小売業(含:商社、販社)/ Wholesales, Retail (including Sogo Shosya, sale company)	Mumbai
MH	263	Speedfam (India) Pvt. Ltd., Registered Office	16 電気機械器具製造業/ Manufacturing- Electric Machinery	Mumbai
MH	264	Square Enix India Pvt. Ltd.	29 サービス業/ Consulting, Advertisement, Research, Lawfirm, Accounts, Entertainment, Human Resource etc	Mumbai
MH	265	SS Venture Services Ltd.	29 サービス業/ Consulting, Advertisement, Research, Lawfirm, Accounts, Entertainment, Human Resource etc	Mumbai
MH	266	Staff Service Net Pvt. Ltd.	29 サービス業/ Consulting, Advertisement, Research, Lawfirm, Accounts, Entertainment, Human Resource etc	Mumbai
MH	267	Star Union Dai-ichi Life Insurance Co. Ltd. Mumbai Regional Office	24 金融業、保険業/ Finance, Insurance	Mumbai
MH	268	Steel Plantech India Pvt. Ltd.	14 生産用機械器具製造業/ Manufacturing- Prduction Machinery	Mumbai
MH	269	Sumitomo Chemical India Pvt. Ltd.	07 化学工業/ Chemical Industry	Mumbai
MH	270	Sumitomo Corporation India Pvt. Ltd. Mumbai Office	23 卸売業、小売業(含:商社、販社)/ Wholesales, Retail (including Sogo Shosya, sale company)	Mumbai
MH	271	Suntory Narang Private Limited	23 卸売業、小売業(含:商社、販社)/ Wholesales, Retail (including Sogo Shosya, sale company)	Mumbai
MH	272	Suruga India Pvt. Ltd.	19 その他の製造業/ Manufacturing- Others	Mumbai
MH	273	Suvidhaa Infoservice Pvt. Ltd.	29 サービス業/ Consulting, Advertisement, Research, Lawfirm, Accounts, Entertainment, Human Resource etc	Mumbai
MH	274	Systemex India Pvt. Ltd.	19 その他の製造業/ Manufacturing- Others	Mumbai
MH	275	Taiyo Lucid Private Limited	04 食料品、飲料・たばこ・飼料製造業/ Manufacturing- Food, Drink, Tobacco, Fodder	Mumbai
MH	276	Takaroku shoji Co. Ltd.	23 卸売業、小売業/ Wholesales, Retail	Mumbai
MH	277	Takasago International (India) Pvt. Ltd.	23 卸売業、小売業/ Wholesales, Retail	Mumbai
MH	278	TANITA India Pvt. Ltd.	23 卸売業、小売業/ Wholesales, Retail	Mumbai
MH	279	Tata Capital Financial Services Limited	24 金融業、保険業/ Finance, Insurance	Mumbai
MH	280	Tata NYK Shipping (India) Pvt. Ltd., Mumbai Branch	22 運輸業/ Transportation	Mumbai
MH	281	Tata Teleservices, Limited	21 情報通信業/ Telecommunication, Broadcasting, IT, Newspaper, Publishing etc	Mumbai
MH	282	Tatsuno India Provate Limited	19 その他の製造業/ Manufacturing- Others	Mumbai
MH	283	Team PASONA India Co. Ltd., Mumbai Branch	29 サービス業/ Consulting, Advertisement, Research, Lawfirm, Accounts, Entertainment, Human Resource etc	Mumbai
MH	284	Thaiseng Trading Co.Ltd., India Liasion Office	23 卸売業、小売業/ Wholesales, Retail	Mumbai
MH	285	The Bank of Tokyo-Mitsubishi UFJ, Ltd. Mumbai Branch	24 金融業、保険業/ Finance, Insurance	Mumbai
MH	286	Tokyo Consulting Firm	29 サービス業/ Consulting, Advertisement, Research, Lawfirm, Accounts, Entertainment, Human Resource etc	Mumbai
MH	287	TOMEN Electronics India Private Limited, Mumbai Branch	23 卸売業、小売業(含:商社、販社)/ Wholesales, Retail (including Sogo Shosya, sale company)	Mumbai

2.3. Western India

State	Sl. No.	NAME OF COMPANY REGISTERED IN INDIA	TYPE OF BUSINESS IN INDIA	LOCATIDN
MH	288	Topcon Sokkia India Pvt.Ltd. Mumbai Branch	23 卸売業、小売業(含:商社、販社)/Wholesales, Retail (including Sogo Shosya, sale company)	Mumbai
MH	289	Toray International India Private Limited	23 卸売業、小売業(含:商社、販社)/Wholesales, Retail (including Sogo Shosya, sale company)	Mumbai
MH	290	TOSHIBA INDIA Pvt. Ltd., MUMBAI OFFICE	23 卸売業、小売業/Wholesales, Retail	Mumbai
MH	291	Toshiba Johnson Elevators( India) Pvt. Ltd.	03 建設業/ Construction Industry	Mumbai
MH	292	TOTO INDIA INDUSTRIES Pvt. Ltd.	09 窯業・土石製品製造業/ Pottery	Mumbai
MH	293	Toyo Engineering India Ltd. Head Office	03 建設業/ Construction Industry	Mumbai
MH	294	Toyo Seikan Kaisha Ltd., India Liason Office	19 その他の製造業/ Manufacturing- Others	Mumbai
MH	295	TOYOINK INDIA PRIVATE LIMITED, Mumbai Office	07 化学工業/ Chemical Industry	Mumbai
MH	296	Toyota Financial Services India Limited, Mumbai Office	24 金融業、保険業/ Finance, Insurance	Mumbai
MH	297	Toyota Kirloskar Motor Private Limited Mumbai Office	18 輸送機械器具製造業/ Manufacturing- Automobile, Two Wheer, Auto Components, Rail/ Ship/Air Plane	Mumbai
MH	298	Toyota Lakozy Auto Pvt. Ltd.	23 卸売業、小売業(含:商社、販社)/Wholesales, Retail (including Sogo Shosya, sale company)	Mumbai
MH	299	Toyota Material Handling India Pvt. Ltd. Chennai Branch	23 卸売業、小売業(含:商社、販社)/Wholesales, Retail (including Sogo Shosya, sale company)	Mumbai
MH	300	Toyota Tsusho India Pvt. Ltd.	18 輸送機械器具製造業/ Manufacturing- Automobile, Two Wheer, Auto Components, Rail/ Ship/Air Plane	Mumbai
MH	301	Tsukishima Kikai Co., Ltd., Mumbai Liaison Office	16 電気機械器具製造業/ Manufacturing- Electoric Machinery	Mumbai
MH	302	Universal Sompo General Insurance Co. Ltd., HO	24 金融業、保険業/ Finance, Insurance	Mumbai
MH	303	Universal Sompo General Insurance Co., Ltd.	24 金融業、保険業/ Finance, Insurance	Mumbai
MH	304	Universal Sompo General Insurance Co., Ltd.	24 金融業、保険業/ Finance, Insurance	Mumbai
MH	305	Universal Sompo General Insurance Co., Ltd.	24 金融業、保険業/ Finance, Insurance	Mumbai
MH	306	Universal Sompo General Insurance Co., Ltd.	24 金融業、保険業/ Finance, Insurance	Mumbai
MH	307	Universal Sompo General Insurance Co., Ltd.	24 金融業、保険業/ Finance, Insurance	Mumbai
MH	308	Virtela India Private Ltd.	21 情報通信業/ Telecommunication, Broadcasting, IT, Newspaper, Publishing etc	Mumbai
MH	309	VITHAL CASTOR POLYOL Pvt.Ltd.	07 化学工業/ Chemical Industry	Mumbai
MH	310	WellBe Medic (India) Pvt. Limited, Mumbai Branch	29 サービス業/ Consulting, Advertisement, Research, Lawfirm, Accounts, Entertainment, Human Resource etc	Mumbai
MH	311	WellBe Medic (India) Pvt. Limited, Pune service office	29 サービス業/ Consulting, Advertisement, Research, Lawfirm, Accounts, Entertainment, Human Resource etc	Mumbai
MH	312	Western Refrigeration Pvt. Ltd.	16 電気機械器具製造業/ Manufacturing- Electoric Machinery	Mumbai
MH	313	Yakult Danone India Private Limited	04 食料品、飲料・たばこ・飼料製造業/ Manufacturing- Food, Drink, Tobacco, Fodder	Mumbai
MH	314	Yakult Danone India Private Limited	04 食料品、飲料・たばこ・飼料製造業/ Manufacturing- Food, Drink, Tobacco, Fodder	Mumbai
MH	315	Yamaha Music India Private Limited	23 卸売業、小売業/Wholesales, Retail	Mumbai
MH	316	Yamato Scale India Pvt. Ltd. Mumbai Branch Office	16 電気機械器具製造業/ Manufacturing- Electoric Machinery	Mumbai
MH	317	Yasui Field Engineering Pvt. Ltd.	16 電気機械器具製造業/ Manufacturing- Electoric Machinery	Mumbai
MH	318	YKK INDIA Pvt. Ltd. Mumbai Branch	19 その他の製造業/ Manufacturing- Others	Mumbai
MH	319	Yokogawa India Ltd., Western Regional Office	16 電気機械器具製造業/ Manufacturing- Electoric Machinery	Mumbai

2.3. Western India

State	Sl. No.	NAME OF COMPANY REGISTERED IN INDIA	TYPE OF BUSINESS IN INDIA	LOCATIDN
MH	320	YOKOHAMA INDIA PRIVATE LIMITED	18 輸送機械器具製造業/ Manufacturing- Automobile, Two Wheer, Auto Components, Rail/ Ship/Air Plane	Mumbai
MH	321	Yuken India Ltd., Mumbai West Zonal Office	16 電気機械器具製造業/ Manufacturing- Electoric Machinery	Mumbai
MH	322	Yusen Logistics (India) Ltd. Mumbai Branch	22 運輸業/ Transportation	Mumbai
MH	323	Yusen Logistics (India) Ltd., HO	22 運輸業/ Transportation	Mumbai
MH	324	Yusen Logistics India Ltd. Mumbai Airport Office + Andheri Warehouse	22 運輸業/ Transportation	Mumbai
MH	325	"K" Line (India) Private Limited	22 運輸業/ Transportation	Navi Mumbai
MH	326	Azbil India Pvt. Ltd., HO	23 卸売業、小売業(含:商社、販社)/ Wholesales, Retail (including Sogo Shosya, sale company)	Navi Mumbai
MH	327	CHINO Corporation India Pvt. Ltd.	16 電気機械器具製造業/ Manufacturing- Electoric Machinery	Navi Mumbai
MH	328	CHOLAMANDALAM MS GENERAL INSURANCE COMPANY Ltd.	24 金融業、保険業/ Finance, Insurance	Navi Mumbai
MH	329	DMW Corporation	19 その他の製造業/ Manufacturing- Others	Navi Mumbai
MH	330	Edelweiss Tokio Life Insurance Company Limited, Navi Mumbai_Vashi	24 金融業、保険業/ Finance, Insurance	Navi Mumbai
MH	331	Hoya Lens India Pvt. Ltd.	16 電気機械器具製造業/ Manufacturing- Electoric Machinery	Navi Mumbai
MH	332	Idemitsu Lube India Pvt. Ltd. Customer Center	08 石油製品・石炭製品製造業/ Manufacturing- Petro Products, Coal Products	Navi Mumbai
MH	333	Mitsuboshi Belting India Pvt. Ltd.	18 輸送機械器具製造業/ Manufacturing- Automobile, Two Wheer, Auto Components, Rail/ Ship/Air Plane	Navi Mumbai
MH	334	Mitsui O.S.K.Lines (India) Pvt. Ltd.	22 運輸業/ Transportation	Navi Mumbai
MH	335	NTL Logistics Plus India Pvt. Ltd.	22 運輸業/ Transportation	Navi Mumbai
MH	336	Star Union Dai-ichi Life Insurance Co. Ltd., HO	24 金融業、保険業/ Finance, Insurance	Navi Mumbai
MH	337	Universal Sampo General Insurance Co., Ltd.	24 金融業、保険業/ Finance, Insurance	Navi Mumbai
MH	338	Yanmar India Pvt. Ltd.	23 卸売業、小売業(含:商社、販社)/ Wholesales, Retail (including Sogo Shosya, sale company)	Navi Mumbai
MH	339	Reliance Life Insurance Company Limited Ahmed Nagar1	24 金融業、保険業/ Finance, Insurance	Ahmednagar
MH	340	STI-Sanoh India Ltd. Pune Plant	12 金属製品製造業/ manufactruing- Metal Products	Ahmednagar
MH	341	CHOLAMANDALAM MS GENERAL INSURANCE COMPANY Ltd.	24 金融業、保険業/ Finance, Insurance	Akola
MH	342	IFFCO-Tokio General Insurance Co. Ltd.	24 金融業、保険業/ Finance, Insurance	Akola
MH	343	MAX LIFE INSURANCE COMPANY Ltd.	24 金融業、保険業/ Finance, Insurance	Amravati
MH	344	Reliance Life Insurance Company Limited Amravati	24 金融業、保険業/ Finance, Insurance	Amravati
MH	345	Reliance Life Insurance Company Limited Aundh	24 金融業、保険業/ Finance, Insurance	Aundh
MH	346	CHOLAMANDALAM MS GENERAL INSURANCE COMPANY Ltd.	24 金融業、保険業/ Finance, Insurance	Aurangabad
MH	347	COMPO ADVICS (INDIA) Pvt. Ltd.	18 輸送機械器具製造業/ Manufacturing- Automobile, Two Wheer, Auto Components, Rail/ Ship/Air Plane	Aurangabad
MH	348	EXEDY INDIA LIMITED	18 輸送機械器具製造業/ Manufacturing- Automobile, Two Wheer, Auto Components, Rail/ Ship/Air Plane	Aurangabad
MH	349	Hindustan Composites Ltd.	18 輸送機械器具製造業/ Manufacturing- Automobile, Two Wheer, Auto Components, Rail/ Ship/Air Plane	Aurangabad
MH	350	Matheson K-Air India Pvt. Ltd. Aurangabad Filling Station (Factory)	07 化学工業/ Chemical Industry	Aurangabad
MH	351	MAX LIFE INSURANCE COMPANY Ltd.	24 金融業、保険業/ Finance, Insurance	Aurangabad

2.3. Western India

State	Sl. No.	NAME OF COMPANY REGISTERED IN INDIA	TYPE OF BUSINESS IN INDIA	LOCATIDN
MH	352	NHK Automotive Components India Private Limited	12 金属製品製造業/ manufactruing- Metal Products	Aurangabad
MH	353	SMC PNEUMATICS (INDIA) Pvt. Ltd.	19 その他の製造業/ Manufacturing- Others	Aurangabad
MH	354	Taiyo Lucid Private Limited	04 食料品、飲料・たばこ・飼料製造業/ Manufacturing- Food, Drink, Tobacco, Fodder	Aurangabad
MH	355	Universal Sampo General Insurance Co., Ltd.	24 金融業、保険業/ Finance, Insurance	Aurangabad
MH	356	Edelweiss Tokio Life Insurance Company Limited Aurangabad_Tilaknagar	24 金融業、保険業/ Finance, Insurance	Aurangabad
MH	357	Reliance Life Insurance Company Limited Aurangabad 1	24 金融業、保険業/ Finance, Insurance	Aurangabad
MH	358	Reliance Life Insurance Company Limited Aurangabad 2	24 金融業、保険業/ Finance, Insurance	Aurangabad
MH	359	Reliance Life Insurance Company Limited Badlapur	24 金融業、保険業/ Finance, Insurance	Badlapur
MH	360	Reliance Life Insurance Company Limited Baramati	24 金融業、保険業/ Finance, Insurance	Baramati
MH	361	Reliance Life Insurance Company Limited Bhandara	24 金融業、保険業/ Finance, Insurance	Bhandara
MH	362	NIPRO GLASS INDIA Private Limited Mumbai Office	19 その他の製造業/ Manufacturing- Others	Bhiwandi
MH	363	Reliance Life Insurance Company Limited Bhiwandi	24 金融業、保険業/ Finance, Insurance	Bhiwandi
MH	364	Ricoh India Limited	21 情報通信業/ Telecommunication, Broadcasting, IT, Newspaper, Publishing etc	Bhiwandi
MH	365	Reliance Life Insurance Company Limited Buldhana	24 金融業、保険業/ Finance, Insurance	Buldhana
MH	366	Reliance Life Insurance Company Limited Chalisgaon	24 金融業、保険業/ Finance, Insurance	Chalisgaon
MH	367	MAX LIFE INSURANCE COMPANY Ltd.	24 金融業、保険業/ Finance, Insurance	Chandrapur
MH	368	Reliance Life Insurance Company Limited Chandrapur	24 金融業、保険業/ Finance, Insurance	Chandrapur
MH	369	Reliance Life Insurance Company Limited Dhanu	24 金融業、保険業/ Finance, Insurance	Dhanu
MH	370	Reliance Life Insurance Company Limited Dhule	24 金融業、保険業/ Finance, Insurance	Dhule
MH	371	Reliance Life Insurance Company Limited Dhule 2	24 金融業、保険業/ Finance, Insurance	Dhule
MH	372	Reliance Life Insurance Company Limited Gadhinglaj	24 金融業、保険業/ Finance, Insurance	Gadhinglaj
MH	373	Reliance Life Insurance Company Limited Hadpsar	24 金融業、保険業/ Finance, Insurance	Hadpsar
MH	374	Reliance Life Insurance Company Limited Hinghanghat	24 金融業、保険業/ Finance, Insurance	Hinghanghat
MH	375	Reliance Life Insurance Company Limited Ichalkaranji 2	24 金融業、保険業/ Finance, Insurance	Ichalkaranji
MH	376	Reliance Life Insurance Company Limited Islampur	24 金融業、保険業/ Finance, Insurance	Islampur
MH	377	MAX LIFE INSURANCE COMPANY Ltd.	24 金融業、保険業/ Finance, Insurance	Jalgaon
MH	378	Reliance Life Insurance Company Limited Jalgaon	24 金融業、保険業/ Finance, Insurance	Jalgaon
MH	379	Reliance Life Insurance Company Limited Jath	24 金融業、保険業/ Finance, Insurance	Jath
MH	380	Reliance Life Insurance Company Limited Karad	24 金融業、保険業/ Finance, Insurance	Karad
MH	381	Reliance Life Insurance Company Limited Khamgaon	24 金融業、保険業/ Finance, Insurance	Khamgaon
MH	382	Mahindra Sanyo Special Steel	10 鉄鋼業/ Steel	Khopoli
MH	383	IFFCO-Tokio General Insurance Co. Ltd.	24 金融業、保険業/ Finance, Insurance	Kohlapur

2.3. Western India

State	Sl. No.	NAME OF COMPANY REGISTERED IN INDIA	TYPE OF BUSINESS IN INDIA	LOCATIDN
MH	384	CHOLAMANDALAM MS GENERAL INSURANCE COMPANY Ltd.	24 金融業、保険業/ Finance, Insurance	Kohlapur
MH	385	MAX LIFE INSURANCE COMPANY Ltd.	24 金融業、保険業/ Finance, Insurance	Kohlapur
MH	386	MITSUBISHI ELECTRIC INDIA PRIVATE LIMITED	16 電気機械器具製造業/ Manufacturing- Electoric Machinery	Kohlapur
MH	387	Edelweiss Tokio Life Insurance Company Limited Kolhapur_Rajarampuri	24 金融業、保険業/ Finance, Insurance	Kohlapur
MH	388	Reliance Life Insurance Company Limited Kolhapur 1	24 金融業、保険業/ Finance, Insurance	Kohlapur
MH	389	Reliance Life Insurance Company Limited Kolhapur 4	24 金融業、保険業/ Finance, Insurance	Kohlapur
MH	390	Reliance Life Insurance Company Limited Kothrud	24 金融業、保険業/ Finance, Insurance	Kothrud
MH	391	MAX LIFE INSURANCE COMPANY Ltd.	24 金融業、保険業/ Finance, Insurance	Latur
MH	392	Reliance Life Insurance Company Limited Latur	24 金融業、保険業/ Finance, Insurance	Latur
MH	393	Reliance Life Insurance Company Limited Malad 1	24 金融業、保険業/ Finance, Insurance	Malad
MH	394	Reliance Life Insurance Company Limited Malegaon	24 金融業、保険業/ Finance, Insurance	Malegaon
MH	395	Reliance Life Insurance Company Limited Murgud	24 金融業、保険業/ Finance, Insurance	Murgud
MH	396	Asahi Kasei Chemfield Pvt. Ltd.	07 化学工業/ Chemical Industry	Nagpur
MH	397	CHOLAMANDALAM MS GENERAL INSURANCE COMPANY Ltd.	24 金融業、保険業/ Finance, Insurance	Nagpur
MH	398	Erbis Engineering (India) Pvt. Ltd.	23 卸売業、小売業(含:商社、販社)/ Wholesales, Retail (including Sogo Shosya, sale company)	Nagpur
MH	399	IFFCO-Tokio General Insurance Co. Ltd.	24 金融業、保険業/ Finance, Insurance	Nagpur
MH	400	Kintetsu World Express (India) Private Limited	22 運輸業/ Transportation	Nagpur
MH	401	Komatsu India Pvt. Ltd. Nagpur Parts Logistics Dept.	19 その他の製造業/ Manufacturing- Others	Nagpur
MH	402	KWE India	22 運輸業/ Transportation	Nagpur
MH	403	Kyocera Document Solutions India Pvt. Ltd., Branch Office (Nagpur)	23 卸売業、小売業/ Wholesales, Retail	Nagpur
MH	404	LIC Nomura Mutual Fund Asset Management Co. Ltd. Nagpur Branch Office	24 金融業、保険業/ Finance, Insurance	Nagpur
MH	405	MAX LIFE INSURANCE COMPANY Ltd.	24 金融業、保険業/ Finance, Insurance	Nagpur
MH	406	MAX LIFE INSURANCE COMPANY Ltd.	24 金融業、保険業/ Finance, Insurance	Nagpur
MH	407	MITSUBISHI ELECTRIC INDIA PRIVATE LIMITED	16 電気機械器具製造業/ Manufacturing- Electoric Machinery	Nagpur
MH	408	Nippon Express (India) Pvt., Ltd.	22 運輸業/ Transportation	Nagpur
MH	409	Panasonic India Pvt. Ltd.	16 電気機械器具製造業/ Manufacturing- Electoric Machinery	Nagpur
MH	410	Sharp Business Systems (India) Limited Nagpur Branch	23 卸売業、小売業(含:商社、販社)/ Wholesales, Retail (including Sogo Shosya, sale company)	Nagpur
MH	411	Snowman Logistics Ltd.	22 運輸業/ Transportation	Nagpur
MH	412	Sony India Pvt. Ltd. Nagpur	23 卸売業、小売業(含:商社、販社)/ Wholesales, Retail (including Sogo Shosya, sale company)	Nagpur
MH	413	Star Union Dai-ichi Life Insurance Co. Ltd. Nagpur Regional Office	24 金融業、保険業/ Finance, Insurance	Nagpur
MH	414	Universal Sompo General Insurance Co., Ltd.	24 金融業、保険業/ Finance, Insurance	Nagpur
MH	415	Edelweiss Tokio Life Insurance Company Limited Nagpur_Ramdaspath	24 金融業、保険業/ Finance, Insurance	Nagpur

2.3. Western India

State	Sl. No.	NAME OF COMPANY REGISTERED IN INDIA	TYPE OF BUSINESS IN INDIA	LOCATIDN
MH	416	Reliance Life Insurance Company Limited Nagpur 1	24 金融業、保険業/ Finance, Insurance	Nagpur
MH	417	Reliance Life Insurance Company Limited Nagpur 2	24 金融業、保険業/ Finance, Insurance	Nagpur
MH	418	MAX LIFE INSURANCE COMPANY Ltd.	24 金融業、保険業/ Finance, Insurance	Nanded
MH	419	Reliance Life Insurance Company Limited Nanded 1	24 金融業、保険業/ Finance, Insurance	Nanded
MH	420	Reliance Life Insurance Company Limited Nandurbar	24 金融業、保険業/ Finance, Insurance	Nandurbar
MH	421	Reliance Life Insurance Company Limited Naryangaon	24 金融業、保険業/ Finance, Insurance	Naryangaon
MH	422	CHOLAMANDALAM MS GENERAL INSURANCE COMPANY Ltd.	24 金融業、保険業/ Finance, Insurance	Nashik
MH	423	Edelweiss Tokio Life Insurance Company Limited Nashik_Gangapur Road	24 金融業、保険業/ Finance, Insurance	Nashik
MH	424	EPCOS India Private Limited, Nashik Factory	17 情報通信機械器具、電子部品・デバイス・電子回路製造業/ Manufacturing- IT Products, Electronics Products	Nashik
MH	425	IFFCO-Tokio General Insurance Co. Ltd.	24 金融業、保険業/ Finance, Insurance	Nashik
MH	426	Koso India Pvt. Ltd., HO & Plant 1	19 その他の製造業/ Manufacturing- Others	Nashik
MH	427	Koso India Pvt. Ltd., Plant 2	19 その他の製造業/ Manufacturing- Others	Nashik
MH	428	LIC Nomura Mutual Fund Asset Management Co. Ltd. Nasik Branch Office	24 金融業、保険業/ Finance, Insurance	Nashik
MH	429	MAX LIFE INSURANCE COMPANY Ltd.	24 金融業、保険業/ Finance, Insurance	Nashik
MH	430	MAX LIFE INSURANCE COMPANY Ltd.	24 金融業、保険業/ Finance, Insurance	Nashik
MH	431	Reliance Life Insurance Company Limited Nashik-5	24 金融業、保険業/ Finance, Insurance	Nashik
MH	432	Reliance Life Insurance Company Limited Nasik 1	24 金融業、保険業/ Finance, Insurance	Nashik
MH	433	Reliance Life Insurance Company Limited Nasik 2	24 金融業、保険業/ Finance, Insurance	Nashik
MH	434	Reliance Life Insurance Company Limited Nasik 3	24 金融業、保険業/ Finance, Insurance	Nashik
MH	435	SMC PNEUMATICS (INDIA) Pvt. Ltd.	19 その他の製造業/ Manufacturing- Others	Nashik
MH	436	Universal Sampo General Insurance Co., Ltd.	24 金融業、保険業/ Finance, Insurance	Nashik
MH	437	Reliance Life Insurance Company Limited Osmanabad	24 金融業、保険業/ Finance, Insurance	Osmanabad
MH	438	Sato Auto-ID India Pvt. Ltd.	17 情報通信機械器具、電子部品・デバイス・電子回路製造業/ Manufacturing- IT Products, Electronics Products	Parvel
MH	439	Reliance Life Insurance Company Limited Parli	24 金融業、保険業/ Finance, Insurance	Parli
MH	440	Reliance Life Insurance Company Limited Pen	24 金融業、保険業/ Finance, Insurance	Pen
MH	441	Reliance Life Insurance Company Limited Pimpalgaon (Yeola)	24 金融業、保険業/ Finance, Insurance	Pimpalgaon (Yeola)
MH	442	Reliance Life Insurance Company Limited Pcmc	24 金融業、保険業/ Finance, Insurance	Pimpri-Chinchwad
MH	443	AES (India) Engineering Ltd., Pune Office	29 サービス業/ Consulting, Advertisement, Research, Lawfirm, Accounts, Entertainment, Human Resource etc	Pune
MH	444	Aica Laminates India Private Limited, Pune Branch	07 化学工業/ Chemical Industry	Pune
MH	445	Alicon Castalloy Ltd.	12 金属製品製造業/ manufactruing- Metal Products	Pune
MH	446	AMADA (INDIA) PRIVATE LIMITED Pune Service Center	23 卸売業、小売業(含: 商社、販社)/ Wholesales, Retail (including Sogo Shosya, sale company)	Pune
MH	447	Arkadin ConferIndia (P) Ltd.	21 情報通信業/ Telecommunication, Broadcasting, IT, Newspaper, Publishing etc	Pune

2.3. Western India

State	Sl. No.	NAME OF COMPANY REGISTERED IN INDIA	TYPE OF BUSINESS IN INDIA	LOCATIDN
MH	448	BNB Coatings India Ltd.	07 化学工業/ Chemical Industry	Pune
MH	449	Boyd & Moore Executive Search (BMES)	29 サービス業/ Consulting, Advertisement, Research, Lawfirm, Accounts, Entertainment, Human Resource etc	Pune
MH	450	Bridgestone India Pvt. Ltd. Chakan plant	18 輸送機械器具製造業/ Manufacturing- Automobile, Two Wheer, Auto Components, Rail/ Ship/Air Plane	Pune
MH	451	BUSSAN AUTO FINANCE INDIA Pvt. Ltd.	24 金融業、保険業/ Finance, Insurance	Pune
MH	452	Canon India Private Limited	23 卸売業、小売業(含:商社、販社)/ Wholesales, Retail (including Sogo Shosya, sale company)	Pune
MH	453	CHOLAMANDALAM MS GENERAL INSURANCE COMPANY Ltd.	24 金融業、保険業/ Finance, Insurance	Pune
MH	454	CHOLAMANDALAM MS GENERAL INSURANCE COMPANY Ltd.	24 金融業、保険業/ Finance, Insurance	Pune
MH	455	Cumulus Systems Pvt. Ltd.	21 情報通信業/ Telecommunication, Broadcasting, IT, Newspaper, Publishing etc	Pune
MH	456	DAIKIN AIRCONDITIONING INDIA Pvt. Ltd. PUNE BRANCH	16 電気機械器具製造業/ Manufacturing- Electoric Machinery	Pune
MH	457	DENSO INTERNATIONAL INDIA Pvt. Ltd. Pune Branch	29 サービス業/ Consulting, Advertisement, Research, Lawfirm, Accounts, Entertainment, Human Resource etc	Pune
MH	458	DENYO India Pvt.Ltd.	23 卸売業、小売業(含:商社、販社)/ Wholesales, Retail (including Sogo Shosya, sale company)	Pune
MH	459	DGP Hinoday Industries Ltd.	12 金属製品製造業/ manufactruing- Metal Products	Pune
MH	460	DMG MORI SEIKI INDIA MACHINES AND SERVICES Pvt. Ltd. (Pune office)	14 生産用機械器具製造業/ Manufacturing- Prduction Machinery	Pune
MH	461	Eagle Burgmann India Pvt. Ltd.	16 電気機械器具製造業/ Manufacturing- Electoric Machinery	Pune
MH	462	Ecorea & Kuroda Electric India Pvt. Ltd.	16 電気機械器具製造業/ Manufacturing- Electoric Machinery	Pune
MH	463	Edelweiss Tokio Life Insurance Company Limited, Pune_SB Road	24 金融業、保険業/ Finance, Insurance	Pune
MH	464	Edelweiss Tokio Life Insurance Company Limited, Pune_Bund Garden	24 金融業、保険業/ Finance, Insurance	Pune
MH	465	EKK Eagle Products India Pvt. Ltd.	18 輸送機械器具製造業/ Manufacturing- Automobile, Two Wheer, Auto Components, Rail/ Ship/Air Plane	Pune
MH	466	Endo Kogyo India Pvt. Ltd.	23 卸売業、小売業(含:商社、販社)/ Wholesales, Retail (including Sogo Shosya, sale company)	Pune
MH	467	Enkei Wheels (India) Ltd.	19 その他の製造業/ Manufacturing- Others	Pune
MH	468	Epson India Pvt. Ltd.	16 電気機械器具製造業/ Manufacturing- Electoric Machinery	Pune
MH	469	Erbis Engineering (India) Pvt. Ltd.	23 卸売業、小売業(含:商社、販社)/ Wholesales, Retail (including Sogo Shosya, sale company)	Pune
MH	470	FCC RICO LIMITED	18 輸送機械器具製造業/ Manufacturing- Automobile, Two Wheer, Auto Components, Rail/ Ship/Air Plane	Pune
MH	471	Fidel Consulting Pvt. Ltd.	29 サービス業/ Consulting, Advertisement, Research, Lawfirm, Accounts, Entertainment, Human Resource etc	Pune
MH	472	Finolex J-Power Systems Ltd.	11 非鉄金属製造業/ Manufacturing- Non Metal Products	Pune
MH	473	Fujikura Automotive India Pvt. Ltd.	16 電気機械器具製造業/ Manufacturing- Electoric Machinery	Pune
MH	474	Fujitsu Consulting India Private Limited	21 情報通信業/ Telecommunication, Broadcasting, IT, Newspaper, Publishing etc	Pune
MH	475	Fukoku India Pvt. Ltd.	18 輸送機械器具製造業/ Manufacturing- Automobile, Two Wheer, Auto Components, Rail/ Ship/Air Plane	Pune
MH	476	GRA INDIA PRIVATE LIMITED	01 農業、林業、漁業/ Agriculture, Forestry, Fishry	Pune
MH	477	Hayakawa International India Pvt. Ltd.	16 電気機械器具製造業/ Manufacturing- Electoric Machinery	Pune
MH	478	Hitachi Consulting India Private Limited	29 サービス業/ Consulting, Advertisement, Research, Lawfirm, Accounts, Entertainment, Human Resource etc	Pune
MH	479	Hitachi Systems Micro Clinic Pvt. Ltd., Pune Branch	21 情報通信業/ Telecommunication, Broadcasting, IT, Newspaper, Publishing etc	Pune

2.3. Western India

State	Sl. No.	NAME OF COMPANY REGISTERED IN INDIA	TYPE OF BUSINESS IN INDIA	LOCATIDN
MH	480	Honda Motorcycle & Scooter India Pvt. Ltd.	18 輸送機械器具製造業/ Manufacturing- Automobile, Two Wheeler, Auto Components, Rail/ Ship/Air Plane	Pune
MH	481	HORIBA India Private Limited, Pune Office	16 電気機械器具製造業/ Manufacturing- Electoric Machinery	Pune
MH	482	Hueco Electronic (India) Pvt. Ltd.	15 業務用機械器具製造業/ Manufacturing- Commercial Machinery	Pune
MH	483	IFFCO-Tokio General Insurance Co. Ltd.	24 金融業、保険業/ Finance, Insurance	Pune
MH	484	IFFCO-Tokio General Insurance Co. Ltd.	24 金融業、保険業/ Finance, Insurance	Pune
MH	485	India Kawasaki Motors Pvt. Ltd., HO	18 輸送機械器具製造業/ Manufacturing- Automobile, Two Wheeler, Auto Components, Rail/ Ship/Air Plane	Pune
MH	486	Japan Business Network Pvt. Ltd.	29 サービス業/ Consulting, Advertisement, Research, Lawfirm, Accounts, Entertainment, Human Resource etc	Pune
MH	487	JFE Engineering India Pune Engineering Centre	03 建設業/ Construction Industry	Pune
MH	488	JFE Shoji Steel India Pvt. Ltd.	10 鉄鋼業/ Steel	Pune
MH	489	KEIHIN FIE PRIVATE LIMITED ( Plant 1)	18 輸送機械器具製造業/ Manufacturing- Automobile, Two Wheeler, Auto Components, Rail/ Ship/Air Plane	Pune
MH	490	Kintetsu World Express (India) Private Limited	22 運輸業/ Transportation	Pune
MH	491	Koike Cutting & Welding (India) Pvt. . Ltd.	13 はん用機械器具製造業/ Manufacturing- General Purpose Machinery	Pune
MH	492	Kumon India Education Pvt. Ltd. Magarpatta Centre	28 教育、学習支援、医療、福祉、複合サービス業/ Education, Medical, Postal, Cooperatives	Pune
MH	493	KWE India	22 運輸業/ Transportation	Pune
MH	494	Kyocera Asia Pacific India Pvt. Ltd. Pune office	17 情報通信機械器具、電子部品・デバイス・電子回路製造業/ Manufacturing- IT Products, Electronics Products	Pune
MH	495	Kyocera Document Solutions India Pvt. Ltd., Branch Office (Pune)	23 卸売業、小売業/ Wholesales, Retail	Pune
MH	496	Leo Green Foods	01 農業、林業、漁業/ Agriculture, Forestry, Fishry	Pune
MH	497	LIC Nomura Mutual Fund Asset Management Co. Ltd. Pune Branch Office	24 金融業、保険業/ Finance, Insurance	Pune
MH	498	Lumax Industries Ltd. Chakan Factory	18 輸送機械器具製造業/ Manufacturing- Automobile, Two Wheeler, Auto Components, Rail/ Ship/Air Plane	Pune
MH	499	Lumax Industries Ltd. Chinchiwad Factory	18 輸送機械器具製造業/ Manufacturing- Automobile, Two Wheeler, Auto Components, Rail/ Ship/Air Plane	Pune
MH	500	Makino India Pvt. Ltd.	16 電気機械器具製造業/ Manufacturing- Electoric Machinery	Pune
MH	501	Maruti Suzuki India Limited	18 輸送機械器具製造業/ Manufacturing- Automobile, Two Wheeler, Auto Components, Rail/ Ship/Air Plane	Pune
MH	502	Matheson K-Air India Pvt. Ltd. Chakan Filling Station (Factory)	07 化学工業/ Chemical Industry	Pune
MH	503	Matheson K-Air India Pvt. Ltd. Pune ICC Office	07 化学工業/ Chemical Industry	Pune
MH	504	MAX LIFE INSURANCE COMPANY Ltd.	24 金融業、保険業/ Finance, Insurance	Pune
MH	505	MAX LIFE INSURANCE COMPANY Ltd.	24 金融業、保険業/ Finance, Insurance	Pune
MH	506	MAX LIFE INSURANCE COMPANY Ltd.	24 金融業、保険業/ Finance, Insurance	Pune
MH	507	MAX LIFE INSURANCE COMPANY Ltd.	24 金融業、保険業/ Finance, Insurance	Pune
MH	508	Mindarika Pvt. Ltd., Pune Plant	18 輸送機械器具製造業/ Manufacturing- Automobile, Two Wheeler, Auto Components, Rail/ Ship/Air Plane	Pune
MH	509	MISUMI INDIA Pvt. Ltd., HO	16 電気機械器具製造業/ Manufacturing- Electoric Machinery	Pune
MH	510	mitsuba sical india limited	18 輸送機械器具製造業/ Manufacturing- Automobile, Two Wheeler, Auto Components, Rail/ Ship/Air Plane	Pune
MH	511	mitsubishi electric india private limited	16 電気機械器具製造業/ Manufacturing- Electoric Machinery	Pune



2.3. Western India

State	Sl. No.	NAME OF COMPANY REGISTERED IN INDIA	TYPE OF BUSINESS IN INDIA	LOCATIDN
MH	512	Mitsui O.S.K.Lines (India) Pvt. Ltd.	22 運輸業/ Transportation	Pune
MH	513	Mitutoyo South Asia Pvt. Ltd.	16 電気機械器具製造業/ Manufacturing- Electoric Machinery	Pune
MH	514	MMC Hardmetal India Pvt. Ltd., Pune Office	23 卸売業、小売業/ Wholesales, Retail	Pune
MH	515	Netmagic Solutions Pvt. Ltd. - Pune Office	21 情報通信業/ Telecommunication, Broadcasting, IT, Newspaper, Publishing etc	Pune
MH	516	Nextremer Solutions India Private Ltd.	21 情報通信業/ Telecommunication, Broadcasting, IT, Newspaper, Publishing etc	Pune
MH	517	NIPPEI TOYAMA India Pvt. Ltd., HO	29 サービス業/ Consulting, Advertisement, Research, Lawfirm, Accounts, Entertainment, Human Resource etc	Pune
MH	518	Nippon Express (India) Pvt., Ltd.	22 運輸業/ Transportation	Pune
MH	519	Nippon Paint India Pvt. Ltd. Pune Factory	19 その他の製造業/ Manufacturing- Others	Pune
MH	520	Nishikawa Communications India Private Limited	21 情報通信業/ Telecommunication, Broadcasting, IT, Newspaper, Publishing etc	Pune
MH	521	Nitta Corporation India Pvt. Ltd.	19 その他の製造業/ Manufacturing- Others	Pune
MH	522	Nitto Denko India Private Limited	18 輸送機械器具製造業/ Manufacturing- Automobile, Two Wheer, Auto Components, Rail/ Ship/Air Plane	Pune
MH	523	NJS Engineer India Pvt. Ltd. (NJSEI) / Registered office	29 サービス業/ Consulting, Advertisement, Research, Lawfirm, Accounts, Entertainment, Human Resource etc	Pune
MH	524	NK International Pvt. Ltd.	29 サービス業/ Consulting, Advertisement, Research, Lawfirm, Accounts, Entertainment, Human Resource etc	Pune
MH	525	NMTronics (India) Pvt. Ltd.	23 卸売業、小売業/ Wholesales, Retail	Pune
MH	526	NNR Global Logistics India Pvt.Ltd.	22 運輸業/ Transportation	Pune
MH	527	NTT DATA Global Technology Services Pvt.Ltd.	21 情報通信業/ Telecommunication, Broadcasting, IT, Newspaper, Publishing etc	Pune
MH	528	Obara India Pvt. Ltd.	16 電気機械器具製造業/ Manufacturing- Electoric Machinery	Pune
MH	529	Okuma India Pvt. Ltd.	14 生産用機械器具製造業/ Manufacturing- Prduction Machinery	Pune
MH	530	Omron Automation Pvt. Ltd.	16 電気機械器具製造業/ Manufacturing- Electoric Machinery	Pune
MH	531	Omtrax Packaging Packaging Solutions Ltd.	22 運輸業/ Transportation	Pune
MH	532	ORIX Auto Infrastructure Services Limited	26 物品賃貸業/ Lease	Pune
MH	533	Panasonic India Pvt. Ltd.	16 電気機械器具製造業/ Manufacturing- Electoric Machinery	Pune
MH	534	Pla Matels India Private Limited	07 化学工業/ Chemical Industry	Pune
MH	535	Rane NSK Steering Systems Limited, Chakan office & Warehouse	18 輸送機械器具製造業/ Manufacturing- Automobile, Two Wheer, Auto Components, Rail/ Ship/Air Plane	Pune
MH	536	Reliance Life Insurance Company Limited Pune1	24 金融業、保険業/ Finance, Insurance	Pune
MH	537	Reliance Life Insurance Company Limited Shankar S Road	24 金融業、保険業/ Finance, Insurance	Pune
MH	538	RGF Executive Search India Pvt. Ltd.	29 サービス業/ Consulting, Advertisement, Research, Lawfirm, Accounts, Entertainment, Human Resource etc	Pune
MH	539	RGF Executive Search India Pvt. Ltd.	29 サービス業/ Consulting, Advertisement, Research, Lawfirm, Accounts, Entertainment, Human Resource etc	Pune
MH	540	Ricoh India Limited	21 情報通信業/ Telecommunication, Broadcasting, IT, Newspaper, Publishing etc	Pune
MH	541	Sharp Business Systems (India) Limited Pune Branch	23 卸売業、小売業(含:商社、販社)/ Wholesales, Retail (including Sogo Shosya, sale company)	Pune
MH	542	Sharp India Limited, HO	16 電気機械器具製造業/ Manufacturing- Electoric Machinery	Pune
MH	543	Shimizu Corporation India Pvt. Ltd. Pune Office	03 建設業/ Construction Industry	Pune

2.3. Western India

State	Sl. No.	NAME OF COMPANY REGISTERED IN INDIA	TYPE OF BUSINESS IN INDIA	LOCATIDN
MH	544	SIGMA Freudenberg NOK Pvt. Ltd. Pune Sales Office	18 輸送機械器具製造業/ Manufacturing- Automobile, Two Wheeler, Auto Components, Rail/ Ship/Air Plane	Pune
MH	545	Sindhu Cargo Services Limited Pune Office	22 運輸業/ Transportation	Pune
MH	546	Sinto Bharat Manufacturing Pvt. Ltd. Pune Branch Office	16 電気機械器具製造業/ Manufacturing- Electoric Machinery	Pune
MH	547	Sinto Engineering India Pvt. Ltd.	16 電気機械器具製造業/ Manufacturing- Electoric Machinery	Pune
MH	548	SMC PNEUMATICS (INDIA) Pvt. Ltd.	19 その他の製造業/ Manufacturing- Others	Pune
MH	549	Snowman Logistics Ltd.	22 運輸業/ Transportation	Pune
MH	550	Softbridge Solution Pvt. Ltd.	29 サービス業/ Consulting, Advertisement, Research, Lawfirm, Accounts, Entertainment, Human Resource etc	Pune
MH	551	Sojitz India Pvt. Ltd. Pune Office	23 卸売業、小売業/ Wholesales, Retail	Pune
MH	552	Sony India Pvt. Ltd. Pune	23 卸売業、小売業(含: 商社、販社)/ Wholesales, Retail (including Sogo Shosya, sale company)	Pune
MH	553	Star Union Dai-ichi Life Insurance Co. Ltd. Pune Regional Office	24 金融業、保険業/ Finance, Insurance	Pune
MH	554	Sudarshan Chemical Industries Ltd.	19 その他の製造業/ Manufacturing- Others	Pune
MH	555	Sumi-Cyclo Drive India Pvt. Ltd.	16 電気機械器具製造業/ Manufacturing- Electoric Machinery	Pune
MH	556	Taikisha Engineering India Ltd. Sheet Metal Sales Office, Pune-Maharashtra	12 金属製品製造業/ manufactruing- Metal Products	Pune
MH	557	Taikisha Engineering India Ltd. Sheet Metal & Assembly Factory, Pune-Maharashtra	12 金属製品製造業/ manufactruing- Metal Products	Pune
MH	558	Taikisha Engineering India Ltd. Electrical Control Panel Division, Pune-Maharashtra	16 電気機械器具製造業/ Manufacturing- Electoric Machinery	Pune
MH	559	Takata India Pvt. Ltd.	18 輸送機械器具製造業/ Manufacturing- Automobile, Two Wheeler, Auto Components, Rail/ Ship/Air Plane	Pune
MH	560	TATA AutoComp GY Batteries Pvt. Ltd.	18 輸送機械器具製造業/ Manufacturing- Automobile, Two Wheeler, Auto Components, Rail/ Ship/Air Plane	Pune
MH	561	TATA Toyo Radiator Pvt. Ltd.	18 輸送機械器具製造業/ Manufacturing- Automobile, Two Wheeler, Auto Components, Rail/ Ship/Air Plane	Pune
MH	562	TATA Toyo Radiator Pvt. Ltd. R&D Center	18 輸送機械器具製造業/ Manufacturing- Automobile, Two Wheeler, Auto Components, Rail/ Ship/Air Plane	Pune
MH	563	TBK INDIA PRIVATE LIMITED	18 輸送機械器具製造業/ Manufacturing- Automobile, Two Wheeler, Auto Components, Rail/ Ship/Air Plane	Pune
MH	564	Teijin India Pvt. Ltd., Pune Branch	07 化学工業/ Chemical Industry	Pune
MH	565	Teikoku Printing Inks India Pvt. Ltd.	07 化学工業/ Chemical Industry	Pune
MH	566	TOMEN Electronics India Private Limited Pune Branch	23 卸売業、小売業(含: 商社、販社)/ Wholesales, Retail (including Sogo Shosya, sale company)	Pune
MH	567	TOSEI ENGINEERING PRIVATE LIMITED. Pune	29 サービス業/ Consulting, Advertisement, Research, Lawfirm, Accounts, Entertainment, Human Resource etc	Pune
MH	568	Toshiba Johnson Elevators India Pvt. Ltd.	03 建設業/ Construction Industry	Pune
MH	569	TOSHIBA MACHINE (INDIA) Pvt. Ltd. Branch office Pune	14 生産用機械器具製造業/ Manufacturing- Prduction Machinery	Pune
MH	570	Toyoda Micromatic Machinery India Ltd. PUNE	23 卸売業、小売業(含: 商社、販社)/ Wholesales, Retail (including Sogo Shosya, sale company)	Pune
MH	571	Toyota Kirloskar Motor Private Limited Pune Office	18 輸送機械器具製造業/ Manufacturing- Automobile, Two Wheeler, Auto Components, Rail/ Ship/Air Plane	Pune
MH	572	Universal Sampo General Insurance Co., Ltd.	24 金融業、保険業/ Finance, Insurance	Pune
MH	573	Yakult Danone India Private Limited	04 食料品、飲料・たばこ・飼料製造業/ Manufacturing- Food, Drink, Tobacco, Fodder	Pune
MH	574	Yamazaki Mazak India Pvt. Ltd., HO	23 卸売業、小売業(含: 商社、販社)/ Wholesales, Retail (including Sogo Shosya, sale company)	Pune
MH	575	Yamazen Machinery & Tools Pvt. Ltd.	23 卸売業、小売業/ Wholesales, Retail	Pune

2.3. Western India

State	Sl. No.	NAME OF COMPANY REGISTERED IN INDIA	TYPE OF BUSINESS IN INDIA	LOCATIDN
MH	576	Yaskawa India Private Limited (Robotic Division)	19 その他の製造業/ Manufacturing- Others	Pune
MH	577	Yazaki India Limited- Maharashtra Pune Wagholi(YIL-MP1)	18 輸送機械器具製造業/ Manufacturing- Automobile, Two Wheer, Auto Components, Rail/ Ship/Air Plane	Pune
MH	578	Yazaki India Limited-City Branch Office(YIL-MPB)	18 輸送機械器具製造業/ Manufacturing- Automobile, Two Wheer, Auto Components, Rail/ Ship/Air Plane	Pune
MH	579	Yazaki India Limited-Ranjaona(YIL-MP2)	18 輸送機械器具製造業/ Manufacturing- Automobile, Two Wheer, Auto Components, Rail/ Ship/Air Plane	Pune
MH	580	YOKOHAMA INDIA PRIVATE LIMITED	18 輸送機械器具製造業/ Manufacturing- Automobile, Two Wheer, Auto Components, Rail/ Ship/Air Plane	Pune
MH	581	Yusen Logistics India Ltd. Pune Cosma	22 運輸業/ Transportation	Pune
MH	582	Yusen Logistics India Ltd. Pune ACGL	22 運輸業/ Transportation	Pune
MH	583	Yusen Logistics India Ltd. Pune Tata Motors	22 運輸業/ Transportation	Pune
MH	584	Honda Motor India Limited, Mumbai Ware House	18 輸送機械器具製造業/ Manufacturing- Automobile, Two Wheer, Auto Components, Rail/ Ship/Air Plane	Raigad
MH	585	Idemitsu Lube India Pvt. Ltd. Factory	08 石油製品・石炭製品製造業/ Manufacturing- Petro Products, Coal Products	Raigad
MH	586	Nipro Tube Glass Private Limited Khopoli Factory	19 その他の製造業/ Manufacturing- Others	Raigad
MH	587	Nipro Tube Glass Private Limited Panvel Factory	19 その他の製造業/ Manufacturing- Others	Raigad
MH	588	Yusen Logistics India Ltd. Talaja 4 Warehouse	22 運輸業/ Transportation	Raigad
MH	589	Yusen Logistics India Ltd. Talaja 2 Warehouse	22 運輸業/ Transportation	Raigad
MH	590	Yusen Logistics India Ltd. Talaja 5 Warehouse	22 運輸業/ Transportation	Raigad
MH	591	Yusen Logistics India Ltd. Talaja 1 Warehouse	22 運輸業/ Transportation	Raigad
MH	592	Yusen Logistics India Ltd. Talaja 6 Warehouse	22 運輸業/ Transportation	Raigad
MH	593	Yusen Logistics India Ltd. Talaja 7 Warehouse	22 運輸業/ Transportation	Raigad
MH	594	Nipro Tube Glass Private Limited Chiplun Factory	19 その他の製造業/ Manufacturing- Others	Ratnagiri
MH	595	Reliance Life Insurance Company Limited Ratnagiri	24 金融業、保険業/ Finance, Insurance	Ratnagiri
MH	596	Reliance Life Insurance Company Limited Sakoli	24 金融業、保険業/ Finance, Insurance	Sakoli
MH	597	Reliance Life Insurance Company Limited Sangamner	24 金融業、保険業/ Finance, Insurance	Sangamner
MH	598	MAX LIFE INSURANCE COMPANY Ltd.	24 金融業、保険業/ Finance, Insurance	Sangli
MH	599	Reliance Life Insurance Company Limited Sangli 1	24 金融業、保険業/ Finance, Insurance	Sangli
MH	600	Reliance Life Insurance Company Limited Sangli 2	24 金融業、保険業/ Finance, Insurance	Sangli
MH	601	Nipro India Corporation Pvt. Ltd., HO	19 その他の製造業/ Manufacturing- Others	Satara
MH	602	Reliance Life Insurance Company Limited Satara	24 金融業、保険業/ Finance, Insurance	Satara
MH	603	CHOLAMANDALAM MS GENERAL INSURANCE COMPANY Ltd.	24 金融業、保険業/ Finance, Insurance	Solapur
MH	604	MAX LIFE INSURANCE COMPANY Ltd.	24 金融業、保険業/ Finance, Insurance	Solapur
MH	605	Reliance Life Insurance Company Limited Solapur1	24 金融業、保険業/ Finance, Insurance	Solapur
MH	606	Reliance Life Insurance Company Limited Srigonda	24 金融業、保険業/ Finance, Insurance	Srigonda
MH	607	Reliance Life Insurance Company Limited Srirampur	24 金融業、保険業/ Finance, Insurance	Srirampur

2.3. Western India

State	Sl. No.	NAME OF COMPANY REGISTERED IN INDIA	TYPE OF BUSINESS IN INDIA	LOCATIDN
MH	608	ASB INTERNATIONAL Pvt. Ltd.	14 生産用機械器具製造業/ Manufacturing- Prduction Machinery	Thane
MH	609	BUSSAN AUTO FINANCE INDIA Pvt. Ltd.	24 金融業、保険業/ Finance, Insurance	Thane
MH	610	Kintetsu World Express (India) Private Limited	22 運輸業/ Transportation	Thane
MH	611	Kirloskar Toyoda Textile Machinery Pvt. Ltd. Mumbai Branch	18 輸送機械器具製造業/ Manufacturing- Automobile, Two Wheer, Auto Components, Rail/ Ship/Air Plane	Thane
MH	612	Kokuyo Camlin Ltd. Tarapur Factory	19 その他の製造業/ Manufacturing- Others	Thane
MH	613	KWE India	22 運輸業/ Transportation	Thane
MH	614	Kyoritsu Electric India Pvt. Ltd., Mumbai Head Office	16 電気機械器具製造業/ Manufacturing- Electoric Machinery	Thane
MH	615	MAX LIFE INSURANCE COMPANY Ltd.	24 金融業、保険業/ Finance, Insurance	Thane
MH	616	MAX LIFE INSURANCE COMPANY Ltd.	24 金融業、保険業/ Finance, Insurance	Thane
MH	617	MAX LIFE INSURANCE COMPANY Ltd.	24 金融業、保険業/ Finance, Insurance	Thane
MH	618	Melog Specialty Chemicals Pvt. Ltd., Factory	07 化学工業/ Chemical Industry	Thane
MH	619	Nipro Tube Glass Private Limited Badlapur Factory	19 その他の製造業/ Manufacturing- Others	Thane
MH	620	Panasonic India Pvt. Ltd.	16 電気機械器具製造業/ Manufacturing- Electoric Machinery	Thane
MH	621	SC Enviro Agro India Pvt. Ltd.	01 農業、林業、漁業/ Agriculture, Forestry, Fishry	Thane
MH	622	Sumitomo Chemical India Pvt. Ltd. Tarapur Plant	07 化学工業/ Chemical Industry	Thane
MH	623	Taikisha Engineering India Ltd. Mumbai - Maharashtra	19 その他の製造業/ Manufacturing- Others	Thane
MH	624	TOYOINK INDIA PRIVATE LIMITED, Mumbai Depot	07 化学工業/ Chemical Industry	Thane
MH	625	Toyota Material Handling India Pvt. Ltd. Mumbai Office	23 卸売業、小売業(含:商社、販社)/ Wholesales, Retail (including Sogo Shosya, sale company)	Thane
MH	626	Universal Sampo General Insurance Co., Ltd.	24 金融業、保険業/ Finance, Insurance	Thane
MH	627	Edelweiss Tokio Life Insurance Company Limited Thane_Naupada	24 金融業、保険業/ Finance, Insurance	Thane
MH	628	Omtrax Packaging Packaging Solutions Ltd.	22 運輸業/ Transportation	Thane
MH	629	Reliance Life Insurance Company Limited Thane 1	24 金融業、保険業/ Finance, Insurance	Thane
MH	630	Reliance Life Insurance Company Limited Thane 2	24 金融業、保険業/ Finance, Insurance	Thane
MH	631	Reliance Life Insurance Company Limited Udgir	24 金融業、保険業/ Finance, Insurance	Udgir
MH	632	Reliance Life Insurance Company Limited Ulhasnagar	24 金融業、保険業/ Finance, Insurance	Ulhasnagar
MH	633	Reliance Life Insurance Company Limited Vashi	24 金融業、保険業/ Finance, Insurance	Vashi
MH	634	Reliance Life Insurance Company Limited Virar	24 金融業、保険業/ Finance, Insurance	Virar
MH	635	Reliance Life Insurance Company Limited Wardha	24 金融業、保険業/ Finance, Insurance	Wardha
MH	636	Reliance Life Insurance Company Limited Washim	24 金融業、保険業/ Finance, Insurance	Washim
MH	637	Reliance Life Insurance Company Limited Yavatmal	24 金融業、保険業/ Finance, Insurance	Yavatmal

2.3. Western India

State	Sl. No.	NAME OF COMPANY REGISTERED IN INDIA	TYPE OF BUSINESS IN INDIA	LOCATIDN
<b>2.3.2. [Gujarat]</b>				
GJ	1	AES (India) Engineering Ltd., Ahmedabad Office	29 サービス業/ Consulting, Advertisement, Research, Lawfirm, Accounts, Entertainment, Human Resource etc	Ahmedabad
GJ	2	Aica Laminates India Private Limited, Ahmedabad Branch	07 化学工業/ Chemical Industry	Ahmedabad
GJ	3	Asahi Modi Materials Private Limited	19 その他の製造業/ Manufacturing- Others	Ahmedabad
GJ	4	Asahi Songwon Industries	19 その他の製造業/ Manufacturing- Others	Ahmedabad
GJ	5	BUSSAN AUTO FINANCE INDIA Pvt. Ltd.	24 金融業、保険業/ Finance, Insurance	Ahmedabad
GJ	6	Canon India Private Limited	23 卸売業、小売業(含: 商社、販社)/ Wholesales, Retail (including Sogo Shosya, sale company)	Ahmedabad
GJ	7	Casio India Co., Private Limited - Ahmedabad Office	16 電気機械器具製造業/ Manufacturing- Electoric Machinery	Ahmedabad
GJ	8	CHOLAMANDALAM MS GENERAL INSURANCE COMPANY Ltd.	24 金融業、保険業/ Finance, Insurance	Ahmedabad
GJ	9	Clarix Otsuka Ltd.	07 化学工業/ Chemical Industry	Ahmedabad
GJ	10	Daiichi Jitsugyo Thailand Co., Ltd., Ahmedabad Office	23 卸売業、小売業(含: 商社、販社)/ Wholesales, Retail (including Sogo Shosya, sale company)	Ahmedabad
GJ	11	DAIKIN AIRCONDITIONING INDIA Pvt. Ltd. AHMEDABAD BRANCH	16 電気機械器具製造業/ Manufacturing- Electoric Machinery	Ahmedabad
GJ	12	Dentsu Marcom Pvt. Ltd., Ahmedabad Branch	29 サービス業/ Consulting, Advertisement, Research, Lawfirm, Accounts, Entertainment, Human Resource etc	Ahmedabad
GJ	13	DIC India Limited	07 化学工業/ Chemical Industry	Ahmedabad
GJ	14	DMG MORI SEIKI INDIA MACHINES AND SERVICES Pvt. Ltd. (Ahmedabad office)	14 生産用機械器具製造業/ Manufacturing- Prduction Machinery	Ahmedabad
GJ	15	Edelweiss Tokio Life Insurance Company Limited Ahmedabad_Maninagar	24 金融業、保険業/ Finance, Insurance	Ahmedabad
GJ	16	Edelweiss Tokio Life Insurance Company Limited Ahmedabad_Navrangpura	24 金融業、保険業/ Finance, Insurance	Ahmedabad
GJ	17	Erbis Engineering (India) Pvt. Ltd.	23 卸売業、小売業(含: 商社、販社)/ Wholesales, Retail (including Sogo Shosya, sale company)	Ahmedabad
GJ	18	ETA General Pvt. Ltd. Branch Office	16 電気機械器具製造業/ Manufacturing- Electoric Machinery	Ahmedabad
GJ	19	Fuji Electric India Pvt. Ltd., Ahmedabad Branch	16 電気機械器具製造業/ Manufacturing- Electoric Machinery	Ahmedabad
GJ	20	Hitachi Hi-Rel Power Electrics Pvt. Ltd.	16 電気機械器具製造業/ Manufacturing- Electoric Machinery	Ahmedabad
GJ	21	Hitachi Hi-Rel Power Electronics Pvt. Ltd.	16 電気機械器具製造業/ Manufacturing- Electoric Machinery	Ahmedabad
GJ	22	Hitachi Home and Life Solutions (India) Ltd.	16 電気機械器具製造業/ Manufacturing- Electoric Machinery	Ahmedabad
GJ	23	Hitachi Systems Micro Clinic Pvt. Ltd., Ahmedabad Branch	21 情報通信業/ Telecommunication, Broadcasting, IT, Newspaper, Publishing etc	Ahmedabad
GJ	24	HONDA KAIHATU INDIA HOSPITALITY Pvt. Ltd. Ahmadabad OFFICE	29 サービス業/ Consulting, Advertisement, Research, Lawfirm, Accounts, Entertainment, Human Resource etc	Ahmedabad
GJ	25	Ichishin India Consultant Pvt. Ltd.	29 サービス業/ Consulting, Advertisement, Research, Lawfirm, Accounts, Entertainment, Human Resource etc	Ahmedabad
GJ	26	IFFCO-Tokio General Insurance Co. Ltd.	24 金融業、保険業/ Finance, Insurance	Ahmedabad
GJ	27	IFFCO-Tokio General Insurance Co. Ltd.	24 金融業、保険業/ Finance, Insurance	Ahmedabad
GJ	28	IFFCO-Tokio General Insurance Co. Ltd.	24 金融業、保険業/ Finance, Insurance	Ahmedabad
GJ	29	IL&FS Education & Technology Services Limited	28 教育、学習支援、医療、福祉、複合サービス業/ Education, Medical, Postal, Cooperatives	Ahmedabad
GJ	30	JTB Jupiter Express Services Pvt. Ltd., Ahmedabad Branch	22 運輸業/ Transportation	Ahmedabad
GJ	31	Juki India Private Limited, Ahmedabad	23 卸売業、小売業(含: 商社、販社)/ Wholesales, Retail (including Sogo Shosya, sale company)	Ahmedabad

2.3. Western India

State	Sl. No.	NAME OF COMPANY REGISTERED IN INDIA	TYPE OF BUSINESS IN INDIA	LOCATIDN
GJ	32	Kajima India Pvt. Ltd. Ahmedabad Office	03 建設業/ Construction Industry	Ahmedabad
GJ	33	Kintetsu World Express (India) Private Limited	22 運輸業/ Transportation	Ahmedabad
GJ	34	Kowa India Pvt. Ltd. Ahmedabad Branch	23 卸売業、小売業/ Wholesales, Retail	Ahmedabad
GJ	35	Kumon India Education Pvt. Ltd. Prahlad Nagar Centre	28 教育、学習支援、医療、福祉、複合サービス業/ Education, Medical, Postal, Cooperatives	Ahmedabad
GJ	36	Kurita Machinery Asia Private Limited	13 はん用機械器具製造業/ Manufacturing- General Purpose Machinery	Ahmedabad
GJ	37	KWE India	22 運輸業/ Transportation	Ahmedabad
GJ	38	Kyocera Document Solutions India Pvt. Ltd., Branch Office (Ahmedabad)	23 卸売業、小売業/ Wholesales, Retail	Ahmedabad
GJ	39	LIC Nomura Mutual Fund Asset Management Co. Ltd. Ahmedabad Branch Office	24 金融業、保険業/ Finance, Insurance	Ahmedabad
GJ	40	MA Extrusion India Pvt. Ltd.	18 輸送機械器具製造業/ Manufacturing- Automobile, Two Wheer, Auto Components, Rail/ Ship/Air Plane	Ahmedabad
GJ	41	Maruti Suzuki India Limited	18 輸送機械器具製造業/ Manufacturing- Automobile, Two Wheer, Auto Components, Rail/ Ship/Air Plane	Ahmedabad
GJ	42	MAX LIFE INSURANCE COMPANY Ltd.	24 金融業、保険業/ Finance, Insurance	Ahmedabad
GJ	43	MAX LIFE INSURANCE COMPANY Ltd.	24 金融業、保険業/ Finance, Insurance	Ahmedabad
GJ	44	MAX LIFE INSURANCE COMPANY Ltd.	24 金融業、保険業/ Finance, Insurance	Ahmedabad
GJ	45	MAX LIFE INSURANCE COMPANY Ltd.	24 金融業、保険業/ Finance, Insurance	Ahmedabad
GJ	46	MAX LIFE INSURANCE COMPANY Ltd.	24 金融業、保険業/ Finance, Insurance	Ahmedabad
GJ	47	MAX LIFE INSURANCE COMPANY Ltd.	24 金融業、保険業/ Finance, Insurance	Ahmedabad
GJ	48	mitsubishi electric india private limited	16 電気機械器具製造業/ Manufacturing- Electoric Machinery	Ahmedabad
GJ	49	Mitsui Kinzoku Components India Pvt.,Ltd. Sanand Plant	18 輸送機械器具製造業/ Manufacturing- Automobile, Two Wheer, Auto Components, Rail/ Ship/Air Plane	Ahmedabad
GJ	50	Mitsui O.S.K.Lines (India) Pvt. Ltd.	22 運輸業/ Transportation	Ahmedabad
GJ	51	Nippon Express (India) Pvt., Ltd.	22 運輸業/ Transportation	Ahmedabad
GJ	52	Panasonic India Pvt. Ltd.	16 電気機械器具製造業/ Manufacturing- Electoric Machinery	Ahmedabad
GJ	53	Reliance Life Insurance Company Limited Ahmedabad-1	24 金融業、保険業/ Finance, Insurance	Ahmedabad
GJ	54	Reliance Life Insurance Company Limited Ahmedabad-2	24 金融業、保険業/ Finance, Insurance	Ahmedabad
GJ	55	Reliance Life Insurance Company Limited Gujarat College	24 金融業、保険業/ Finance, Insurance	Ahmedabad
GJ	56	Reliance Life Insurance Company Limited S G Highway-1	24 金融業、保険業/ Finance, Insurance	Ahmedabad
GJ	57	Ricoh India Limited	21 情報通信業/ Telecommunication, Broadcasting, IT, Newspaper, Publishing etc	Ahmedabad
GJ	58	Sankyu India Logistics & Engineering Ahmedabad Office	22 運輸業/ Transportation	Ahmedabad
GJ	59	Sharp Business Systems (India) Limited Ahmedabad Branch	23 卸売業、小売業(含: 商社、 販社) / Wholesales, Retail (including Sogo Shosya, sale company)	Ahmedabad
GJ	60	SMC PNEUMATICS (INDIA) Pvt. Ltd.	19 その他の製造業/ Manufacturing- Others	Ahmedabad
GJ	61	SMCC Construction India Limited	03 建設業/ Construction Industry	Ahmedabad
GJ	62	Snowman Logistics Ltd.	22 運輸業/ Transportation	Ahmedabad
GJ	63	Sona Koyo Steering Systems Ltd. Sanand Plant	18 輸送機械器具製造業/ Manufacturing- Automobile, Two Wheer, Auto Components, Rail/ Ship/Air Plane	Ahmedabad

2.3. Western India

State	Sl. No.	NAME OF COMPANY REGISTERED IN INDIA	TYPE OF BUSINESS IN INDIA	LOCATIDN
GJ	64	Sony India Pvt. Ltd. Ahmedabad	23 卸売業、小売業(含:商社、販社)/Wholesales, Retail (including Sogo Shosya, sale company)	Ahmedabad
GJ	65	Star Union Dai-ichi Life Insurance Co. Ltd. Ahmedabad Regional Office	24 金融業、保険業/ Finance, Insurance	Ahmedabad
GJ	66	Suzuki Motor Gujarat	18 輸送機械器具製造業/ Manufacturing- Automobile, Two Wheer, Auto Components, Rail/ Ship/Air Plane	Ahmedabad
GJ	67	Takenaka India Private Limited	03 建設業/ Construction Industry	Ahmedabad
GJ	68	TATA AutoComp GY Batteries Pvt. Ltd. CFA-Ahmedabad	18 輸送機械器具製造業/ Manufacturing- Automobile, Two Wheer, Auto Components, Rail/ Ship/Air Plane	Ahmedabad
GJ	69	TOSHIBA INDIA Pvt. Ltd., AHMEDABAD OFFICE	23 卸売業、小売業/ Wholesales, Retail	Ahmedabad
GJ	70	Toshiba Johnson Elevators India Pvt. Ltd.	03 建設業/ Construction Industry	Ahmedabad
GJ	71	Toyota Tsusho India Pvt. Ltd.	18 輸送機械器具製造業/ Manufacturing- Automobile, Two Wheer, Auto Components, Rail/ Ship/Air Plane	Ahmedabad
GJ	72	Universal Sampo General Insurance Co., Ltd.	24 金融業、保険業/ Finance, Insurance	Ahmedabad
GJ	73	Yamazaki Mazak India Pvt. Ltd. Ahmedabad Office	23 卸売業、小売業(含:商社、販社)/Wholesales, Retail (including Sogo Shosya, sale company)	Ahmedabad
GJ	74	Yazaki India Limited- Sanand(YIL-GS)	18 輸送機械器具製造業/ Manufacturing- Automobile, Two Wheer, Auto Components, Rail/ Ship/Air Plane	Ahmedabad
GJ	75	YKK INDIA Pvt. Ltd. Ahmedabad Branch	19 その他の製造業/ Manufacturing- Others	Ahmedabad
GJ	76	YOKOHAMA INDIA PRIVATE LIMITED	18 輸送機械器具製造業/ Manufacturing- Automobile, Two Wheer, Auto Components, Rail/ Ship/Air Plane	Ahmedabad
GJ	77	Yusen Logistics India Ltd. Ahmedabad Sony Warehouse	22 運輸業/ Transportation	Ahmedabad
GJ	78	Yusen Logistics India Ltd. Ahmedabad Office + Warehouse	22 運輸業/ Transportation	Ahmedabad
GJ	79	Anupam-MHI Industries Ltd.	15 業務用機械器具製造業/ Manufacturing- Commercial Machinery	Anand
GJ	80	CHOLAMANDALAM MS GENERAL INSURANCE COMPANY Ltd.	24 金融業、保険業/ Finance, Insurance	Anand
GJ	81	MAX LIFE INSURANCE COMPANY Ltd.	24 金融業、保険業/ Finance, Insurance	Anand
GJ	82	Reliance Life Insurance Company Limited Anand	24 金融業、保険業/ Finance, Insurance	Anand
GJ	83	Deccan Fine Chemicals (India) Private Limited, Ankleshwar Site	07 化学工業/ Chemical Industry	Ankleshwar
GJ	84	Reliance Life Insurance Company Limited Ankleshwar	24 金融業、保険業/ Finance, Insurance	Ankleshwar
GJ	85	Reliance Life Insurance Company Limited Bardoli	24 金融業、保険業/ Finance, Insurance	Bardoli
GJ	86	CHOLAMANDALAM MS GENERAL INSURANCE COMPANY Ltd.	24 金融業、保険業/ Finance, Insurance	Baroda
GJ	87	MAX LIFE INSURANCE COMPANY Ltd.	24 金融業、保険業/ Finance, Insurance	Baroda
GJ	88	MHI India Pvt. Ltd.	16 電気機械器具製造業/ Manufacturing- Electoric Machinery	Baroda
GJ	89	Mitotoyo South Asia Pvt. Ltd.	16 電気機械器具製造業/ Manufacturing- Electoric Machinery	Baroda
GJ	90	Panasonic Energy India Co., Ltd.	16 電気機械器具製造業/ Manufacturing- Electoric Machinery	Baroda
GJ	91	Reliance Life Insurance Company Limited Baroda Ao	24 金融業、保険業/ Finance, Insurance	Baroda
GJ	92	Reliance Life Insurance Company Limited Baroda Ao2	24 金融業、保険業/ Finance, Insurance	Baroda
GJ	93	Universal Sampo General Insurance Co., Ltd.	24 金融業、保険業/ Finance, Insurance	Baroda
GJ	94	Asahi Modi Materials Private Limited	19 その他の製造業/ Manufacturing- Others	Bharuch
GJ	95	CHOLAMANDALAM MS GENERAL INSURANCE COMPANY Ltd.	24 金融業、保険業/ Finance, Insurance	Bharuch

2.3. Western India

State	Sl. No.	NAME OF COMPANY REGISTERED IN INDIA	TYPE OF BUSINESS IN INDIA	LOCATIDN
GJ	96	DIC Fine Chemicals Private Limited	07 化学工業/ Chemical Industry	Bharuch
GJ	97	Isgec Hitachi Zosen Ltd. Dahej Factory	19 その他の製造業/ Manufacturing- Others	Bharuch
GJ	98	MAX LIFE INSURANCE COMPANY Ltd.	24 金融業、保険業/ Finance, Insurance	Bharuch
GJ	99	TOYOINK INDIA PRIVATE LIMITED, Gujarat plant	07 化学工業/ Chemical Industry	Bharuch
GJ	100	MAX LIFE INSURANCE COMPANY Ltd.	24 金融業、保険業/ Finance, Insurance	Bhavnagar
GJ	101	Reliance Life Insurance Company Limited Bhavnagar	24 金融業、保険業/ Finance, Insurance	Bhavnagar
GJ	102	Reliance Life Insurance Company Limited Bhuj	24 金融業、保険業/ Finance, Insurance	Bhuj
GJ	103	Reliance Life Insurance Company Limited Bodeli	24 金融業、保険業/ Finance, Insurance	Bodeli
GJ	104	Reliance Life Insurance Company Limited Borsad	24 金融業、保険業/ Finance, Insurance	Borsad
GJ	105	Reliance Life Insurance Company Limited Dahod	24 金融業、保険業/ Finance, Insurance	Dahod
GJ	106	IFFCO-Tokio General Insurance Co. Ltd.	24 金融業、保険業/ Finance, Insurance	Gandhidham
GJ	107	Reliance Life Insurance Company Limited Gandhidham	24 金融業、保険業/ Finance, Insurance	Gandhidham
GJ	108	Ashcroft India Pvt., Ltd.	19 その他の製造業/ Manufacturing- Others	Gandhinagar
GJ	109	Hitachi Hi-Rel Power Electrics Pvt. Ltd.	16 電気機械器具製造業/ Manufacturing- Electoric Machinery	Gandhinagar
GJ	110	MAX LIFE INSURANCE COMPANY Ltd.	24 金融業、保険業/ Finance, Insurance	Gandhinagar
GJ	111	Reliance Life Insurance Company Limited Gandhinagar	24 金融業、保険業/ Finance, Insurance	Gandhinagar
GJ	112	Ricoh India Limited	21 情報通信業/ Telecommunication, Broadcasting, IT, Newspaper, Publishing etc	Gandhinagar
GJ	113	Reliance Life Insurance Company Limited Godhra	24 金融業、保険業/ Finance, Insurance	Godhra
GJ	114	Reliance Life Insurance Company Limited Halol	24 金融業、保険業/ Finance, Insurance	Halol
GJ	115	TOTO INDIA INDUSTRIES Pvt. Ltd.	09 窯業・土石製品製造業/ Pottery	Halol
GJ	116	Reliance Life Insurance Company Limited Himatnagar	24 金融業、保険業/ Finance, Insurance	Himatnagar
GJ	117	Reliance Life Insurance Company Limited Jamkhambhalia	24 金融業、保険業/ Finance, Insurance	Jamkhambhalia
GJ	118	MAX LIFE INSURANCE COMPANY Ltd.	24 金融業、保険業/ Finance, Insurance	Jamnagar
GJ	119	Reliance Life Insurance Company Limited Jamnagar	24 金融業、保険業/ Finance, Insurance	Jamnagar
GJ	120	Reliance Life Insurance Company Limited Junagadh	24 金融業、保険業/ Finance, Insurance	Junagadh
GJ	121	Reliance Life Insurance Company Limited Kalol	24 金融業、保険業/ Finance, Insurance	Kalol
GJ	122	Reliance Life Insurance Company Limited Karelibaug	24 金融業、保険業/ Finance, Insurance	Karelibaug
GJ	123	Reliance Life Insurance Company Limited Katargam	24 金融業、保険業/ Finance, Insurance	Katargam
GJ	124	Reliance Life Insurance Company Limited Keshod	24 金融業、保険業/ Finance, Insurance	Keshod
GJ	125	Reliance Life Insurance Company Limited Khedbrahma	24 金融業、保険業/ Finance, Insurance	Khedbrahma
GJ	126	Anchor Electricals Pvt. Ltd., Kutch	16 電気機械器具製造業/ Manufacturing- Electoric Machinery	Kutch
GJ	127	MAX LIFE INSURANCE COMPANY Ltd.	24 金融業、保険業/ Finance, Insurance	Kutch



2.3. Western India

State	Sl. No.	NAME OF COMPANY REGISTERED IN INDIA	TYPE OF BUSINESS IN INDIA	LOCATIDN
GJ	128	NYK Auto Logistics (India) Ltd., Mundra Office	22 運輸業/ Transportation	Kutch
GJ	129	Reliance Life Insurance Company Limited Maninagar	24 金融業、保險業/ Finance, Insurance	Maninagar
GJ	130	Reliance Life Insurance Company Limited Manjalpur	24 金融業、保險業/ Finance, Insurance	Manjalpur
GJ	131	CHOLAMANDALAM MS GENERAL INSURANCE COMPANY Ltd.	24 金融業、保險業/ Finance, Insurance	Mehsana
GJ	132	Hitachi Home & Life Solutions (India) Ltd.	16 電気機械器具製造業/ Manufacturing- Electoric Machinery	Mehsana
GJ	133	MAX LIFE INSURANCE COMPANY Ltd.	24 金融業、保險業/ Finance, Insurance	Mehsana
GJ	134	Reliance Life Insurance Company Limited Mehsana	24 金融業、保險業/ Finance, Insurance	Mehsana
GJ	135	Reliance Life Insurance Company Limited Nadiad	24 金融業、保險業/ Finance, Insurance	Nadiad
GJ	136	Reliance Life Insurance Company Limited Naranpura	24 金融業、保險業/ Finance, Insurance	Naranpura
GJ	137	Reliance Life Insurance Company Limited Naroda	24 金融業、保險業/ Finance, Insurance	Naroda
GJ	138	MAX LIFE INSURANCE COMPANY Ltd.	24 金融業、保險業/ Finance, Insurance	Navsari
GJ	139	Reliance Life Insurance Company Limited Navsari	24 金融業、保險業/ Finance, Insurance	Navsari
GJ	140	Reliance Life Insurance Company Limited Odhav	24 金融業、保險業/ Finance, Insurance	Odhav
GJ	141	Reliance Life Insurance Company Limited Palanpur	24 金融業、保險業/ Finance, Insurance	Palanpur
GJ	142	SAKATA INX (INDIA) Ltd.	07 化学工業/ Chemical Industry	Panoli
GJ	143	Reliance Life Insurance Company Limited Petlad	24 金融業、保險業/ Finance, Insurance	Petlad
GJ	144	Reliance Life Insurance Company Limited Porbandar	24 金融業、保險業/ Finance, Insurance	Porbandar
GJ	145	CHOLAMANDALAM MS GENERAL INSURANCE COMPANY Ltd.	24 金融業、保險業/ Finance, Insurance	Rajkot
GJ	146	Edelweiss Tokio Life Insurance Company Limited Rajkot_Astron Chowk	24 金融業、保險業/ Finance, Insurance	Rajkot
GJ	147	IFFCO-Tokio General Insurance Co. Ltd.	24 金融業、保險業/ Finance, Insurance	Rajkot
GJ	148	LIC Nomura Mutual Fund Asset Management Co. Ltd. Rajkot Branch Office	24 金融業、保險業/ Finance, Insurance	Rajkot
GJ	149	MAX LIFE INSURANCE COMPANY Ltd.	24 金融業、保險業/ Finance, Insurance	Rajkot
GJ	150	MITSUBISHI ELECTRIC INDIA PRIVATE LIMITED	16 電気機械器具製造業/ Manufacturing- Electoric Machinery	Rajkot
GJ	151	Reliance Life Insurance Company Limited Rajkot	24 金融業、保險業/ Finance, Insurance	Rajkot
GJ	152	Reliance Life Insurance Company Limited Rajkot Ao-2	24 金融業、保險業/ Finance, Insurance	Rajkot
GJ	153	Universal Sompo General Insurance Co., Ltd.	24 金融業、保險業/ Finance, Insurance	Rajkot
GJ	154	Reliance Life Insurance Company Limited Rajpipla	24 金融業、保險業/ Finance, Insurance	Rajpipla
GJ	155	MAX LIFE INSURANCE COMPANY Ltd.	24 金融業、保險業/ Finance, Insurance	Sabarkantha
GJ	156	Hitachi Hi-Rel Power Electrics Pvt. Ltd.	16 電気機械器具製造業/ Manufacturing- Electoric Machinery	Sanand
GJ	157	Reliance Life Insurance Company Limited Sayajigunj	24 金融業、保險業/ Finance, Insurance	Sayajigunj
GJ	158	Reliance Life Insurance Company Limited Shahibaug-1	24 金融業、保險業/ Finance, Insurance	Shahibaug
GJ	159	CHOLAMANDALAM MS GENERAL INSURANCE COMPANY Ltd.	24 金融業、保險業/ Finance, Insurance	Surat

2.3. Western India

State	Sl. No.	NAME OF COMPANY REGISTERED IN INDIA	TYPE OF BUSINESS IN INDIA	LOCATIDN
GJ	160	IFFCO-Tokio General Insurance Co. Ltd.	24 金融業、保険業/ Finance, Insurance	Surat
GJ	161	L&T-MHI Boilers Private Limited	19 その他の製造業/ Manufacturing- Others	Surat
GJ	162	L&T-MHI Turbine Generator Private Limited	16 電気機械器具製造業/ Manufacturing- Electoric Machinery	Surat
GJ	163	MAX LIFE INSURANCE COMPANY Ltd.	24 金融業、保険業/ Finance, Insurance	Surat
GJ	164	MAX LIFE INSURANCE COMPANY Ltd.	24 金融業、保険業/ Finance, Insurance	Surat
GJ	165	MAX LIFE INSURANCE COMPANY Ltd.	24 金融業、保険業/ Finance, Insurance	Surat
GJ	166	MITSUBISHI ELECTRIC INDIA PRIVATE LIMITED	16 電気機械器具製造業/ Manufacturing- Electoric Machinery	Surat
GJ	167	Panasonic India Pvt. Ltd.	16 電気機械器具製造業/ Manufacturing- Electoric Machinery	Surat
GJ	168	Snowman Logistics Ltd.	22 運輸業/ Transportation	Surat
GJ	169	Sony India Pvt. Ltd. Surat	23 卸売業、小売業(含: 商社、販社)/ Wholesales, Retail (including Sogo Shosya, sale company)	Surat
GJ	170	Span Nihon Kohden Diagnostics Pvt. Ltd.	19 その他の製造業/ Manufacturing- Others	Surat
GJ	171	Universal Sampo General Insurance Co., Ltd.	24 金融業、保険業/ Finance, Insurance	Surat
GJ	172	Edelweiss Tokio Life Insurance Company Limited Surat_Ring Road	24 金融業、保険業/ Finance, Insurance	Surat
GJ	173	Edelweiss Tokio Life Insurance Company Limited Surat_Piplod	24 金融業、保険業/ Finance, Insurance	Surat
GJ	174	Reliance Life Insurance Company Limited Surat 1	24 金融業、保険業/ Finance, Insurance	Surat
GJ	175	Reliance Life Insurance Company Limited Surat 2	24 金融業、保険業/ Finance, Insurance	Surat
GJ	176	Reliance Life Insurance Company Limited Surat 3	24 金融業、保険業/ Finance, Insurance	Surat
GJ	177	Reliance Life Insurance Company Limited Surat 4	24 金融業、保険業/ Finance, Insurance	Surat
GJ	178	Reliance Life Insurance Company Limited Surendranagar	24 金融業、保険業/ Finance, Insurance	Surendranagar
GJ	179	Reliance Life Insurance Company Limited Udhna	24 金融業、保険業/ Finance, Insurance	Udhna
GJ	180	Reliance Life Insurance Company Limited Unjha	24 金融業、保険業/ Finance, Insurance	Unjha
GJ	181	Reliance Life Insurance Company Limited Upleta	24 金融業、保険業/ Finance, Insurance	Upleta
GJ	182	Reliance Life Insurance Company Limited Vadnagar	24 金融業、保険業/ Finance, Insurance	Vadnagar
GJ	183	AMADA (INDIA) PRIVATE LIMITED Vadodara Service Center	16 電気機械器具製造業/ Manufacturing- Electoric Machinery	Vadodara
GJ	184	Chino Corporation Inidia Pvt. Ltd., Vadodara Branch	16 電気機械器具製造業/ Manufacturing- Electoric Machinery	Vadodara
GJ	185	Edelweiss Tokio Life Insurance Company Limited Vadodara_Race Course Circle	24 金融業、保険業/ Finance, Insurance	Vadodara
GJ	186	Hitachi Systems Micro Clinic Pvt. Ltd., Vadodara Branch	21 情報通信業/ Telecommunication, Broadcasting, IT, Newspaper, Publishing etc	Vadodara
GJ	187	IFFCO-Tokio General Insurance Co. Ltd.	24 金融業、保険業/ Finance, Insurance	Vadodara
GJ	188	IFFCO-Tokio General Insurance Co. Ltd.	24 金融業、保険業/ Finance, Insurance	Vadodara
GJ	189	KYB-Conmat Pvt. Ltd.	19 その他の製造業/ Manufacturing- Others	Vadodara
GJ	190	L & T Chiyoda Ltd.	03 建設業/ Construction Industry	Vadodara
GJ	191	L&T-MHI Boilers Pvt. Ltd., Vadodara Branch	19 その他の製造業/ Manufacturing- Others	Vadodara

### 2.3. Western India

State	Sl. No.	NAME OF COMPANY REGISTERED IN INDIA	TYPE OF BUSINESS IN INDIA	LOCATIDN
GJ	192	L&T-MHI Turbine Generators Pvt. Ltd.	19 その他の製造業/ Manufacturing- Others	Vadodara
GJ	193	MAX LIFE INSURANCE COMPANY Ltd.	24 金融業、保険業/ Finance, Insurance	Vadodara
GJ	194	MITSUBISHI ELECTRIC INDIA PRIVATE LIMITED	16 電気機械器具製造業/ Manufacturing- Electoric Machinery	Vadodara
GJ	195	Nippon Express (India) Pvt., Ltd.	22 運輸業/ Transportation	Vadodara
GJ	196	OMORI INDIA Pvt.Ltd.	14 生産用機械器具製造業/ Manufacturing- Prduction Machinery	Vadodara
GJ	197	SMC PNEUMATICS (INDIA) Pvt. Ltd.	19 その他の製造業/ Manufacturing- Others	Vadodara
GJ	198	Taikisha Engineering India Ltd. Sheet Metal Factory, Vadodara-Gujarat	12 金属製品製造業/ manufactruing- Metal Products	Vadodara
GJ	199	TOYOINK INDIA PRIVATE LIMITED, Vadodara Branch Office	07 化学工業/ Chemical Industry	Vadodara
GJ	200	Yokogawa India Ltd., Gujarat Regional Office	16 電気機械器具製造業/ Manufacturing- Electoric Machinery	Vadodara
GJ	201	Anchor Electricals Pvt. Ltd., Damdachi (Factory)	16 電気機械器具製造業/ Manufacturing- Electoric Machinery	Valsad
GJ	202	Anchor Electricals Pvt. Ltd., Motiwada (Factory)	16 電気機械器具製造業/ Manufacturing- Electoric Machinery	Valsad
GJ	203	Indo Japan Pen Mfg. Co. Pvt. Ltd., Valsad Factory	19 その他の製造業/ Manufacturing- Others	Valsad
GJ	204	MAX LIFE INSURANCE COMPANY Ltd.	24 金融業、保険業/ Finance, Insurance	Valsad
GJ	205	Mitsufuku Compound Private Ltd.	07 化学工業/ Chemical Industry	Valsad
GJ	206	Reliance Life Insurance Company Limited Valsad	24 金融業、保険業/ Finance, Insurance	Valsad
GJ	207	CHOLAMANDALAM MS GENERAL INSURANCE COMPANY Ltd.	24 金融業、保険業/ Finance, Insurance	Vapi
GJ	208	Eagle Burgmann India Pvt. Ltd. Vapi Factory	16 電気機械器具製造業/ Manufacturing- Electoric Machinery	Vapi
GJ	209	Edelweiss Tokio Life Insurance Company Limited Vapi_Chala	24 金融業、保険業/ Finance, Insurance	Vapi
GJ	210	IFFCO-Tokio General Insurance Co. Ltd.	24 金融業、保険業/ Finance, Insurance	Vapi
GJ	211	NESSTECH INSTRUMENTS Pvt. Ltd.	19 その他の製造業/ Manufacturing- Others	Vapi
GJ	212	Reliance Life Insurance Company Limited Vapi	24 金融業、保険業/ Finance, Insurance	Vapi
GJ	213	Sumitomo Chemical India Pvt. Ltd. Vapi Plant	07 化学工業/ Chemical Industry	Vapi
GJ	214	Toray Kusumgar Advanced Textile Private Limited	05 繊維工業/ Textile Industry	Vapi
GJ	215	Reliance Life Insurance Company Limited Varachha	24 金融業、保険業/ Finance, Insurance	Varachha
GJ	216	Reliance Life Insurance Company Limited Vasna	24 金融業、保険業/ Finance, Insurance	Vasna
GJ	217	Reliance Life Insurance Company Limited Vatva	24 金融業、保険業/ Finance, Insurance	Vatva
GJ	218	Mitsui O.S.K.Lines (India) Pvt. Ltd.	22 運輸業/ Transportation	Veraval
GJ	219	Reliance Life Insurance Company Limited Veraval	24 金融業、保険業/ Finance, Insurance	Veraval
GJ	220	Reliance Life Insurance Company Limited Visnagar	24 金融業、保険業/ Finance, Insurance	Visnagar
<b>2.3.3. [Madhya Pradesh]</b>				
MP	1	BUSSAN AUTO FINANCE INDIA Pvt. Ltd.	24 金融業、保険業/ Finance, Insurance	Bhopal

2.3. Western India

State	Sl. No.	NAME OF COMPANY REGISTERED IN INDIA	TYPE OF BUSINESS IN INDIA	LOCATIDN
MP	2	CHOLAMANDALAM MS GENERAL INSURANCE COMPANY Ltd.	24 金融業、保険業/ Finance, Insurance	Bhopal
MP	3	Edelweiss Tokio Life Insurance Company Limited Bhopal_MP Nagar	24 金融業、保険業/ Finance, Insurance	Bhopal
MP	4	Erbis Engineering (India) Pvt. Ltd.	23 卸売業、小売業(含:商社、販社)/ Wholesales, Retail (including Sogo Shosya, sale company)	Bhopal
MP	5	IFFCO-Tokio General Insurance Co. Ltd.	24 金融業、保険業/ Finance, Insurance	Bhopal
MP	6	IL&FS Education & Technology Services Limited	28 教育、学習支援、医療、福祉、複合サービス業/ Education, Medical, Postal, Cooperatives	Bhopal
MP	7	MAX LIFE INSURANCE COMPANY Ltd.	24 金融業、保険業/ Finance, Insurance	Bhopal
MP	8	Reliance Life Insurance Company Limited Bhopal 1	24 金融業、保険業/ Finance, Insurance	Bhopal
MP	9	Reliance Life Insurance Company Limited Bhopal 2	24 金融業、保険業/ Finance, Insurance	Bhopal
MP	10	Ricoh India Limited	21 情報通信業/ Telecommunication, Broadcasting, IT, Newspaper, Publishing etc	Bhopal
MP	11	Sharp Business Systems (India) Limited Bhopal Branch	23 卸売業、小売業(含:商社、販社)/ Wholesales, Retail (including Sogo Shosya, sale company)	Bhopal
MP	12	Star Union Dai-ichi Life Insurance Co. Ltd. Bhopal Regional Office	24 金融業、保険業/ Finance, Insurance	Bhopal
MP	13	Tata Teleservices, Limited	21 情報通信業/ Telecommunication, Broadcasting, IT, Newspaper, Publishing etc	Bhopal
MP	14	Universal Sampo General Insurance Co., Ltd.	24 金融業、保険業/ Finance, Insurance	Bhopal
MP	15	Yusen Logistics India Ltd. Madhya Pradesh Bhopal Warehouse	22 運輸業/ Transportation	Bhopal
MP	16	Reliance Life Insurance Company Limited Balaghat	24 金融業、保険業/ Finance, Insurance	Balaghat
MP	17	Reliance Life Insurance Company Limited Bareilly	24 金融業、保険業/ Finance, Insurance	Bareilly
MP	18	Reliance Life Insurance Company Limited Betul	24 金融業、保険業/ Finance, Insurance	Betul
MP	19	Reliance Life Insurance Company Limited Bhind	24 金融業、保険業/ Finance, Insurance	Bhind
MP	20	Reliance Life Insurance Company Limited Bina-Etawa	24 金融業、保険業/ Finance, Insurance	Bina Itawa
MP	21	Reliance Life Insurance Company Limited Burhanpur	24 金融業、保険業/ Finance, Insurance	Burhanpur
MP	22	Reliance Life Insurance Company Limited Chattarpur	24 金融業、保険業/ Finance, Insurance	Chattarpur
MP	23	Reliance Life Insurance Company Limited Chhindwara	24 金融業、保険業/ Finance, Insurance	Chhindwara
MP	24	Reliance Life Insurance Company Limited Dabra	24 金融業、保険業/ Finance, Insurance	Dabra
MP	25	Reliance Life Insurance Company Limited Damoh	24 金融業、保険業/ Finance, Insurance	Damoh
MP	26	Ranbaxy Laboratories Ltd.	19 その他の製造業/ Manufacturing- Others	Dewas
MP	27	Reliance Life Insurance Company Limited Dewas	24 金融業、保険業/ Finance, Insurance	Dewas
MP	28	STI-Sanoh India Ltd.	18 輸送機械器具製造業/ Manufacturing- Automobile, Two Wheeler, Auto Components, Rail/ Ship/Air Plane	Dewas
MP	29	STI-Sanoh India Ltd. Dewas Plant	12 金属製品製造業/ manufacturing- Metal Products	Dewas
MP	30	Reliance Life Insurance Company Limited Dhar	24 金融業、保険業/ Finance, Insurance	Dhar
MP	31	Reliance Life Insurance Company Limited Guna	24 金融業、保険業/ Finance, Insurance	Guna
MP	32	CHOLAMANDALAM MS GENERAL INSURANCE COMPANY Ltd.	24 金融業、保険業/ Finance, Insurance	Gwalior
MP	33	MAX LIFE INSURANCE COMPANY Ltd.	24 金融業、保険業/ Finance, Insurance	Gwalior

2.3. Western India

State	Sl. No.	NAME OF COMPANY REGISTERED IN INDIA	TYPE OF BUSINESS IN INDIA	LOCATIDN
MP	34	Reliance Life Insurance Company Limited Gwalior 1	24 金融業、保險業/ Finance, Insurance	Gwalior
MP	35	Reliance Life Insurance Company Limited Gwalior 2	24 金融業、保險業/ Finance, Insurance	Gwalior
MP	36	Reliance Life Insurance Company Limited Harda	24 金融業、保險業/ Finance, Insurance	Harda
MP	37	Reliance Life Insurance Company Limited Hoshangabad	24 金融業、保險業/ Finance, Insurance	Hoshangabad
MP	38	Aica Laminates India Private Limited, Indore Branch	07 化学工業/ Chemical Industry	Indore
MP	39	Bridgestone India Pvt. Ltd., HO:Kedha plant	18 輸送機械器具製造業/ Manufacturing- Automobile, Two Wheer, Auto Components, Rail/ Ship/Air Plane	Indore
MP	40	CHOLAMANDALAM MS GENERAL INSURANCE COMPANY Ltd.	24 金融業、保險業/ Finance, Insurance	Indore
MP	41	Edelweiss Tokio Life Insurance Company Limited, Indore_AB Road	24 金融業、保險業/ Finance, Insurance	Indore
MP	42	HIOKI INDIA PRIVATE LIMITED	23 卸売業、小売業(含:商社、販社)/ Wholesales, Retail (including Sogo Shosya, sale company)	Indore
MP	43	Hitachi Systems Micro Clinic Pvt. Ltd., Indore Branch	21 情報通信業/ Telecommunication, Broadcasting, IT, Newspaper, Publishing etc	Indore
MP	44	IFFCO-Tokio General Insurance Co. Ltd.	24 金融業、保險業/ Finance, Insurance	Indore
MP	45	Maruti Suzuki India Limited	18 輸送機械器具製造業/ Manufacturing- Automobile, Two Wheer, Auto Components, Rail/ Ship/Air Plane	Indore
MP	46	MAX LIFE INSURANCE COMPANY Ltd.	24 金融業、保險業/ Finance, Insurance	Indore
MP	47	MAX LIFE INSURANCE COMPANY Ltd.	24 金融業、保險業/ Finance, Insurance	Indore
MP	48	mitsubishi electric india private limited	16 電気機械器具製造業/ Manufacturing- Electoric Machinery	Indore
MP	49	Nippon Express (India) Pvt., Ltd.	22 運輸業/ Transportation	Indore
MP	50	Panasonic India Pvt. Ltd.	16 電気機械器具製造業/ Manufacturing- Electoric Machinery	Indore
MP	51	Rane NSK Steering Systems Limited, Indore (Home office)	18 輸送機械器具製造業/ Manufacturing- Automobile, Two Wheer, Auto Components, Rail/ Ship/Air Plane	Indore
MP	52	Sony India Pvt. Ltd. Indore	23 卸売業、小売業(含:商社、販社)/ Wholesales, Retail (including Sogo Shosya, sale company)	Indore
MP	53	TATA AutoComp GY Batteries Pvt. Ltd. CFA-Indore	18 輸送機械器具製造業/ Manufacturing- Automobile, Two Wheer, Auto Components, Rail/ Ship/Air Plane	Indore
MP	54	Universal Sampo General Insurance Co., Ltd.	24 金融業、保險業/ Finance, Insurance	Indore
MP	55	YOKOHAMA INDIA PRIVATE LIMITED	18 輸送機械器具製造業/ Manufacturing- Automobile, Two Wheer, Auto Components, Rail/ Ship/Air Plane	Indore
MP	56	Yusen Logistics India Ltd. Madhya Pradesh Indore Warehouse	22 運輸業/ Transportation	Indore
MP	57	Reliance Life Insurance Company Limited Indore 1	24 金融業、保險業/ Finance, Insurance	Indore
MP	58	Reliance Life Insurance Company Limited Indore 2	24 金融業、保險業/ Finance, Insurance	Indore
MP	59	Reliance Life Insurance Company Limited Itarsi	24 金融業、保險業/ Finance, Insurance	Itarsi
MP	60	CHOLAMANDALAM MS GENERAL INSURANCE COMPANY Ltd.	24 金融業、保險業/ Finance, Insurance	Jabalpur
MP	61	MAX LIFE INSURANCE COMPANY Ltd.	24 金融業、保險業/ Finance, Insurance	Jabalpur
MP	62	Universal Sampo General Insurance Co., Ltd.	24 金融業、保險業/ Finance, Insurance	Jabalpur
MP	63	IFFCO-Tokio General Insurance Co. Ltd.	24 金融業、保險業/ Finance, Insurance	Jabalpur
MP	64	Reliance Life Insurance Company Limited Jabalpur 1	24 金融業、保險業/ Finance, Insurance	Jabalpur
MP	65	Reliance Life Insurance Company Limited Jabalpur 3	24 金融業、保險業/ Finance, Insurance	Jabalpur

2.3. Western India

State	Sl. No.	NAME OF COMPANY REGISTERED IN INDIA	TYPE OF BUSINESS IN INDIA	LOCATIDN
MP	66	MAX LIFE INSURANCE COMPANY Ltd.	24 金融業、保険業/ Finance, Insurance	Jhansi
MP	67	Universal Sampo General Insurance Co., Ltd.	24 金融業、保険業/ Finance, Insurance	Jhansi
MP	68	Reliance Life Insurance Company Limited Katni	24 金融業、保険業/ Finance, Insurance	Katni
MP	69	Reliance Life Insurance Company Limited Khandwa	24 金融業、保険業/ Finance, Insurance	Khandwa
MP	70	Reliance Life Insurance Company Limited Khargone	24 金融業、保険業/ Finance, Insurance	Khargone
MP	71	Reliance Life Insurance Company Limited Maihar	24 金融業、保険業/ Finance, Insurance	Maihar
MP	72	Ranbaxy Laboratories Ltd.	19 その他の製造業/ Manufacturing- Others	Malanpur
MP	73	Fujitsu Optel Limited (事実上休眠状態)	21 情報通信業/ Telecommunication, Broadcasting, IT, Newspaper, Publishing etc	Mandideep
MP	74	Reliance Life Insurance Company Limited Mandla	24 金融業、保険業/ Finance, Insurance	Mandla
MP	75	Reliance Life Insurance Company Limited Mandsaur	24 金融業、保険業/ Finance, Insurance	Mandsaur
MP	76	Reliance Life Insurance Company Limited Mhow	24 金融業、保険業/ Finance, Insurance	Mhow
MP	77	Reliance Life Insurance Company Limited Morena	24 金融業、保険業/ Finance, Insurance	Morena
MP	78	Reliance Life Insurance Company Limited Nagda	24 金融業、保険業/ Finance, Insurance	Nagda
MP	79	Reliance Life Insurance Company Limited Narsingpur	24 金融業、保険業/ Finance, Insurance	Narsingpur
MP	80	Reliance Life Insurance Company Limited Neemuch	24 金融業、保険業/ Finance, Insurance	Neemuch
MP	81	Reliance Life Insurance Company Limited Panna	24 金融業、保険業/ Finance, Insurance	Panna
MP	82	Reliance Life Insurance Company Limited Parasiya	24 金融業、保険業/ Finance, Insurance	Parasiya
MP	83	Reliance Life Insurance Company Limited Ratlam	24 金融業、保険業/ Finance, Insurance	Ratlam
MP	84	Reliance Life Insurance Company Limited Rewa 1	24 金融業、保険業/ Finance, Insurance	Rewa
MP	85	Reliance Life Insurance Company Limited Rewa 2	24 金融業、保険業/ Finance, Insurance	Rewa
MP	86	Reliance Life Insurance Company Limited Sagar	24 金融業、保険業/ Finance, Insurance	Sagar
MP	87	Reliance Life Insurance Company Limited Satna	24 金融業、保険業/ Finance, Insurance	Satna
MP	88	Reliance Life Insurance Company Limited Sehore	24 金融業、保険業/ Finance, Insurance	Sehore
MP	89	Reliance Life Insurance Company Limited Sendwa	24 金融業、保険業/ Finance, Insurance	Sendwa
MP	90	Reliance Life Insurance Company Limited Seoni	24 金融業、保険業/ Finance, Insurance	Seoni
MP	91	Reliance Life Insurance Company Limited Shahdol	24 金融業、保険業/ Finance, Insurance	Shahdol
MP	92	Reliance Life Insurance Company Limited Shajapur	24 金融業、保険業/ Finance, Insurance	Shajapur
MP	93	Reliance Life Insurance Company Limited Shivpuri	24 金融業、保険業/ Finance, Insurance	Shivpuri
MP	94	Ruchi J-OIL Private Ltd.	04 食料品、飲料・たばこ・飼料製造業/ Manufacturing- Food, Drink, Tobacco, Fodder	Shujalpur
MP	95	Reliance Life Insurance Company Limited Sidhi	24 金融業、保険業/ Finance, Insurance	Sidhi
MP	96	Reliance Life Insurance Company Limited Sihora	24 金融業、保険業/ Finance, Insurance	Sihora
MP	97	Reliance Life Insurance Company Limited Singrauli	24 金融業、保険業/ Finance, Insurance	Singrauli

### 2.3. Western India

State	Sl. No.	NAME OF COMPANY REGISTERED IN INDIA	TYPE OF BUSINESS IN INDIA	LOCATIDN
MP	98	Reliance Life Insurance Company Limited Tikamgarh	24 金融業、保険業/ Finance, Insurance	Tikamgarh
MP	99	MAX LIFE INSURANCE COMPANY Ltd.	24 金融業、保険業/ Finance, Insurance	Ujjain
MP	100	Reliance Life Insurance Company Limited Ujjain 1	24 金融業、保険業/ Finance, Insurance	Ujjain
MP	101	Reliance Life Insurance Company Limited Umaria	24 金融業、保険業/ Finance, Insurance	Umaria
MP	102	Reliance Life Insurance Company Limited Vidisha	24 金融業、保険業/ Finance, Insurance	Vidisha

#### 2.3.4. [Goa]

GA	1	CHOLAMANDALAM MS GENERAL INSURANCE COMPANY Ltd.	24 金融業、保険業/ Finance, Insurance	Panjim
GA	2	Edelweiss Tokio Life Insurance Company Limited, Panaji_ Patto	24 金融業、保険業/ Finance, Insurance	Panjim
GA	3	MAX LIFE INSURANCE COMPANY Ltd.	24 金融業、保険業/ Finance, Insurance	Panjim
GA	4	Reliance Life Insurance Company Limited Panjim	24 金融業、保険業/ Finance, Insurance	Panjim
GA	5	Reliance Life Insurance Company Limited Panjim (Jv)	24 金融業、保険業/ Finance, Insurance	Panjim
GA	6	Universal Sampo General Insurance Co., Ltd.	24 金融業、保険業/ Finance, Insurance	Panjim
GA	7	Birla Furukawa Fibre Optics Limited	17 情報通信機械器具、電子部品・デバイス・電子回路製造業/ Manufacturing- IT Products, Electronics Products	Goa
GA	8	IFFCO-Tokio General Insurance Co. Ltd.	24 金融業、保険業/ Finance, Insurance	Goa
GA	9	JFE Shoji Trade India Pvt. Ltd. Goa office	23 卸売業、小売業(含:商社、販社)/ Wholesales, Retail (including Sogo Shosya, sale company)	Goa
GA	10	JTB Jupiter Express Services Pvt. Ltd., Goa Branch (c/o Global Aviation Services Pvt. Ltd.)	22 運輸業/ Transportation	Goa
GA	11	LIC Nomura Mutual Fund Asset Management Co. Ltd. Goa Branch Office	24 金融業、保険業/ Finance, Insurance	Goa
GA	12	Tonan Trading Co. Ltd. Goa liaison office	23 卸売業、小売業/ Wholesales, Retail	Goa
GA	13	Marubeni India Pvt. Ltd.	23 卸売業、小売業(含:商社、販社)/ Wholesales, Retail (including Sogo Shosya, sale company)	Chicalim
GA	14	MAX LIFE INSURANCE COMPANY Ltd.	24 金融業、保険業/ Finance, Insurance	Madgaon
GA	15	Reliance Life Insurance Company Limited Mapusa	24 金融業、保険業/ Finance, Insurance	Mapusa
GA	16	CHOLAMANDALAM MS GENERAL INSURANCE COMPANY Ltd.	24 金融業、保険業/ Finance, Insurance	Margao
GA	17	Reliance Life Insurance Company Limited Margao	24 金融業、保険業/ Finance, Insurance	Margao
GA	18	MAX LIFE INSURANCE COMPANY Ltd.	24 金融業、保険業/ Finance, Insurance	Ponda
GA	19	Ranbaxy Laboratories Ltd.	19 その他の製造業/ Manufacturing- Others	Ponda
GA	20	Reliance Life Insurance Company Limited Ponda	24 金融業、保険業/ Finance, Insurance	Ponda
GA	21	MAX LIFE INSURANCE COMPANY Ltd.	24 金融業、保険業/ Finance, Insurance	Vasco Da-Gama

#### 2.3.5. [Chattisgarh]

CH	1	BUSSAN AUTO FINANCE INDIA Pvt. Ltd.	24 金融業、保険業/ Finance, Insurance	Raipur
CH	2	CHOLAMANDALAM MS GENERAL INSURANCE COMPANY Ltd.	24 金融業、保険業/ Finance, Insurance	Raipur
CH	3	Edelweiss Tokio Life Insurance Company Limited Raipur_Shankar Nagar	24 金融業、保険業/ Finance, Insurance	Raipur

### 2.3. Western India

State	Sl. No.	NAME OF COMPANY REGISTERED IN INDIA	TYPE OF BUSINESS IN INDIA	LOCATIDN
CH	4	IFFCO-Tokio General Insurance Co. Ltd.	24 金融業、保険業/ Finance, Insurance	Raipur
CH	5	IL&FS Education & Technology Services Limited	28 教育、学習支援、医療、福祉、複合サービス業/ Education, Medical, Postal, Cooperatives	Raipur
CH	6	MAX LIFE INSURANCE COMPANY Ltd.	24 金融業、保険業/ Finance, Insurance	Raipur
CH	7	Panasonic India Pvt. Ltd.	16 電気機械器具製造業/ Manufacturing- Electoric Machinery	Raipur
CH	8	Reliance Life Insurance Company Limited Raipur 1	24 金融業、保険業/ Finance, Insurance	Raipur
CH	9	Reliance Life Insurance Company Limited Raipur 2	24 金融業、保険業/ Finance, Insurance	Raipur
CH	10	Sharp Business Systems (India) Limited Raipur Branch	23 卸売業、小売業(含:商社、販社)/ Wholesales, Retail (including Sogo Shosya, sale company)	Raipur
CH	11	Universal Sampo General Insurance Co., Ltd.	24 金融業、保険業/ Finance, Insurance	Raipur
CH	12	Reliance Life Insurance Company Limited Ambikapur	24 金融業、保険業/ Finance, Insurance	Ambikapur
CH	13	Reliance Life Insurance Company Limited Bhilai	24 金融業、保険業/ Finance, Insurance	Bhilai
CH	14	CHOLAMANDALAM MS GENERAL INSURANCE COMPANY Ltd.	24 金融業、保険業/ Finance, Insurance	Bilaspur
CH	15	Edelweiss Tokio Life Insurance Company Limited Bilaspur_Vyapar Vihar	24 金融業、保険業/ Finance, Insurance	Bilaspur
CH	16	MAX LIFE INSURANCE COMPANY Ltd.	24 金融業、保険業/ Finance, Insurance	Bilaspur
CH	17	Reliance Life Insurance Company Limited Bilaspur	24 金融業、保険業/ Finance, Insurance	Bilaspur
CH	18	Reliance Life Insurance Company Limited Dhamtari	24 金融業、保険業/ Finance, Insurance	Dhamtari
CH	19	MAX LIFE INSURANCE COMPANY Ltd.	24 金融業、保険業/ Finance, Insurance	Durg
CH	20	Reliance Life Insurance Company Limited Jagadapur	24 金融業、保険業/ Finance, Insurance	Jagadapur
CH	21	Reliance Life Insurance Company Limited Korba	24 金融業、保険業/ Finance, Insurance	Korba
CH	22	Reliance Life Insurance Company Limited Manendragarh	24 金融業、保険業/ Finance, Insurance	Manendragarh
CH	23	CHOLAMANDALAM MS GENERAL INSURANCE COMPANY Ltd.	24 金融業、保険業/ Finance, Insurance	Raigarh
CH	24	Reliance Life Insurance Company Limited Raigarh	24 金融業、保険業/ Finance, Insurance	Raigarh
<b>2.3.6. [Daman &amp; Diu]</b>				
DD	1	Anchor Electricals Pvt. Ltd., Daman Unit1 (Factory)	16 電気機械器具製造業/ Manufacturing- Electoric Machinery	Daman
DD	2	Anchor Electricals Pvt. Ltd., Daman Unit3&4 (Factory)	16 電気機械器具製造業/ Manufacturing- Electoric Machinery	Daman
DD	3	Anchor Electricals Pvt. Ltd., Daman Unit5 (Factory)	16 電気機械器具製造業/ Manufacturing- Electoric Machinery	Daman
DD	4	CHINO Corporation India Pvt. Ltd.	16 電気機械器具製造業/ Manufacturing- Electoric Machinery	Daman



2.4. Southern India

State	Sl. No.	NAME OF COMPANY REGISTERED IN INDIA	TYPE OF BUSINESS IN INDIA	LOCATIDN
<b>2.4.1. [Tamil Nadu]</b>				
TN	1	ACS Alternative Fuels Private Limited	19 その他の製造業/ Manufacturing- Others	Chennai
TN	2	AEON Credit Service India Private Limited	24 金融業、保険業/ Finance, Insurance	Chennai
TN	3	AES (India) Engineering Ltd., Chennai Office	29 サービス業/ Consulting, Advertisement, Research, Lawfirm, Accounts, Entertainment, Human Resource etc	Chennai
TN	4	Agile Electric Sub Assembly Pvt. Ltd.	16 電気機械器具製造業/ Manufacturing- Electoric Machinery	Chennai
TN	5	Agnie Consulting India Pvt. Ltd.	29 サービス業/ Consulting, Advertisement, Research, Lawfirm, Accounts, Entertainment, Human Resource etc	Chennai
TN	6	Aica Laminates India Private Limited, Chennai Branch	07 化学工業/ Chemical Industry	Chennai
TN	7	AJINOMOTO INDIA Pvt. Ltd.	04 食料品、飲料・たばこ・飼料製造業/ Manufacturing- Food, Drink, Tobacco, Fodder	Chennai
TN	8	Akasaka Hospitality Pvt. Ltd.	27 宿泊業、飲食サービス業/ Hotel, Restaurant	Chennai
TN	9	Aloka Trivitron Medical Technologies Pvt. Ltd.	15 業務用機械器具製造業/ Manufacturing- Commercial Machinery	Chennai
TN	10	AMADA (INDIA) PRIVATE LIMITED Chennai Service Center	23 卸売業、小売業(含: 商社、販社)/ Wholesales, Retail (including Sogo Shosya, sale company)	Chennai
TN	11	Amada Miyachi India Pvt. Ltd., Chennai Office	16 電気機械器具製造業/ Manufacturing- Electoric Machinery	Chennai
TN	12	Amada Soft India Pvt. Ltd.	29 サービス業/ Consulting, Advertisement, Research, Lawfirm, Accounts, Entertainment, Human Resource etc	Chennai
TN	13	Amco Batteries Limited Head Office	18 輸送機械器具製造業/ Manufacturing- Automobile, Two Wheer, Auto Components, Rail/ Ship/Air Plane	Chennai
TN	14	Amita Technical Company Pvt. Ltd.	19 その他の製造業/ Manufacturing- Others	Chennai
TN	15	Antolin Kasai Tek Chennai Private Ltd.	18 輸送機械器具製造業/ Manufacturing- Automobile, Two Wheer, Auto Components, Rail/ Ship/Air Plane	Chennai
TN	16	Arkadin ConferIndia (P) Ltd.	21 情報通信業/ Telecommunication, Broadcasting, IT, Newspaper, Publishing etc	Chennai
TN	17	Armsel MHE Pvt. Ltd. (Chennai Branch)	16 電気機械器具製造業/ Manufacturing- Electoric Machinery	Chennai
TN	18	Artline (India) Pvt. Ltd.	19 その他の製造業/ Manufacturing- Others	Chennai
TN	19	Asahitech Stencils Pvt. Ltd. Chennai Office	12 金属製品製造業/ manufactruing- Metal Products	Chennai
TN	20	Atago India Instruments Pvt. Ltd.	16 電気機械器具製造業/ Manufacturing- Electoric Machinery	Chennai
TN	21	Atlas Logistics Pvt. Ltd. Chennai Branch	22 運輸業/ Transportation	Chennai
TN	22	Automotive Components Technology India Pvt. Ltd.	18 輸送機械器具製造業/ Manufacturing- Automobile, Two Wheer, Auto Components, Rail/ Ship/Air Plane	Chennai
TN	23	Autosoft India Engineering	29 サービス業/ Consulting, Advertisement, Research, Lawfirm, Accounts, Entertainment, Human Resource etc	Chennai
TN	24	Azbil India Pvt. Ltd. Chennai Branch	16 電気機械器具製造業/ Manufacturing- Electoric Machinery	Chennai
TN	25	Bela Tsusho India Pvt. Ltd.	29 サービス業/ Consulting, Advertisement, Research, Lawfirm, Accounts, Entertainment, Human Resource etc	Chennai
TN	26	BGR Boilers Company Pvt. Ltd.	15 業務用機械器具製造業/ Manufacturing- Commercial Machinery	Chennai
TN	27	BILCOM India Ltd.	29 サービス業/ Consulting, Advertisement, Research, Lawfirm, Accounts, Entertainment, Human Resource etc	Chennai
TN	28	Brother International (India) Pvt. Ltd.	16 電気機械器具製造業/ Manufacturing- Electoric Machinery	Chennai
TN	29	BUSSAN AUTO FINANCE INDIA Pvt. Ltd.	24 金融業、保険業/ Finance, Insurance	Chennai
TN	30	Calsonic Kansei Engineering Center India-L&T	29 サービス業/ Consulting, Advertisement, Research, Lawfirm, Accounts, Entertainment, Human Resource etc	Chennai
TN	31	Canon India Private Limited	23 卸売業、小売業(含: 商社、販社)/ Wholesales, Retail (including Sogo Shosya, sale company)	Chennai

2.4. Southern India

State	Sl. No.	NAME OF COMPANY REGISTERED IN INDIA	TYPE OF BUSINESS IN INDIA	LOCATIDN
TN	32	Canon India Private Limited	23 卸売業、小売業(含: 商社、販社) / Wholesales, Retail (including Sogo Shosya, sale company)	Chennai
TN	33	Capeleaf Technologies Development Center	29 サービス業/ Consulting, Advertisement, Research, Lawfirm, Accounts, Entertainment, Human Resource etc	Chennai
TN	34	Casio India Co., Private Limited - Chennai Office	16 電気機械器具製造業/ Manufacturing- Electoric Machinery	Chennai
TN	35	Central Information Center Co., Ltd. Chennai Office	29 サービス業/ Consulting, Advertisement, Research, Lawfirm, Accounts, Entertainment, Human Resource etc	Chennai
TN	36	CHINO Corporation India Pvt. Ltd.	16 電気機械器具製造業/ Manufacturing- Electoric Machinery	Chennai
TN	37	CHOLAMANDALAM MS GENERAL INSURANCE COMPANY Ltd.	24 金融業、保険業/ Finance, Insurance	Chennai
TN	38	CHOLAMANDALAM MS GENERAL INSURANCE COMPANY Ltd.	24 金融業、保険業/ Finance, Insurance	Chennai
TN	39	CHOLAMANDALAM MS GENERAL INSURANCE COMPANY Ltd.	24 金融業、保険業/ Finance, Insurance	Chennai
TN	40	CHOLAMANDALAM MS GENERAL INSURANCE COMPANY Ltd.	24 金融業、保険業/ Finance, Insurance	Chennai
TN	41	CHOLAMANDALAM MS GENERAL INSURANCE COMPANY Ltd.	24 金融業、保険業/ Finance, Insurance	Chennai
TN	42	CHOLAMANDALAM MS GENERAL INSURANCE COMPANY Ltd.	24 金融業、保険業/ Finance, Insurance	Chennai
TN	43	CHOLAMANDALAM MS GENERAL INSURANCE COMPANY Ltd.	24 金融業、保険業/ Finance, Insurance	Chennai
TN	44	CHOLAMANDALAM MS GENERAL INSURANCE COMPANY Ltd.	24 金融業、保険業/ Finance, Insurance	Chennai
TN	45	CHOLAMANDALAM MS RISK SERVICES LIMITED	29 サービス業/ Consulting, Advertisement, Research, Lawfirm, Accounts, Entertainment, Human Resource etc	Chennai
TN	46	Chugoku Marine Paints (Singapore) Pte. Ltd., HO	19 その他の製造業/ Manufacturing- Others	Chennai
TN	47	CRAFT MOLD (INDIA) PRIVATE LIMITED	12 金属製品製造業/ manufactruing- Metal Products	Chennai
TN	48	DAIDO India Pvt. Ltd.	18 輸送機械器具製造業/ Manufacturing- Automobile, Two Wheeler, Auto Components, Rail/ Ship/Air Plane	Chennai
TN	49	Daiken Corporation India Representative Office	19 その他の製造業/ Manufacturing- Others	Chennai
TN	50	DAIKIN AIRCONDITIONING INDIA Pvt. Ltd. CHENNAI BRANCH	16 電気機械器具製造業/ Manufacturing- Electoric Machinery	Chennai
TN	51	DAIKO ADVERTISING INDIA PRIVATE LIMITED	29 サービス業/ Consulting, Advertisement, Research, Lawfirm, Accounts, Entertainment, Human Resource etc	Chennai
TN	52	DENSO INTERNATIONAL INDIA Pvt. Ltd. Chennai Branch	29 サービス業/ Consulting, Advertisement, Research, Lawfirm, Accounts, Entertainment, Human Resource etc	Chennai
TN	53	Dentsu Communications Pvt. Ltd.	29 サービス業/ Consulting, Advertisement, Research, Lawfirm, Accounts, Entertainment, Human Resource etc	Chennai
TN	54	DIC India Limited	07 化学工業/ Chemical Industry	Chennai
TN	55	Digital Forest Software Pvt. Ltd.	29 サービス業/ Consulting, Advertisement, Research, Lawfirm, Accounts, Entertainment, Human Resource etc	Chennai
TN	56	Edelweiss Tokio Life Insurance Company Limited Chennai_Gopalapuram	24 金融業、保険業/ Finance, Insurance	Chennai
TN	57	Emerio Technologies Private Limited	21 情報通信業/ Telecommunication, Broadcasting, IT, Newspaper, Publishing etc	Chennai
TN	58	EMI Trading & Engineering (India) Pvt. Ltd.	23 卸売業、小売業/ Wholesales, Retail	Chennai
TN	59	Ennore Automotive Logistics Ltd.	22 運輸業/ Transportation	Chennai
TN	60	Epson India Pvt. Ltd.	16 電気機械器具製造業/ Manufacturing- Electoric Machinery	Chennai
TN	61	Erbis Engineering (India) Pvt. Ltd.	23 卸売業、小売業(含: 商社、販社) / Wholesales, Retail (including Sogo Shosya, sale company)	Chennai
TN	62	Essae Teraoka Ltd.	16 電気機械器具製造業/ Manufacturing- Electoric Machinery	Chennai
TN	63	ETA General Pvt. Ltd. HQ	16 電気機械器具製造業/ Manufacturing- Electoric Machinery	Chennai

2.4. Southern India

State	Sl. No.	NAME OF COMPANY REGISTERED IN INDIA	TYPE OF BUSINESS IN INDIA	LOCATIDN
TN	64	Eternal Technologies Ltd. Chennai Office	29 サービス業/ Consulting, Advertisement, Research, Lawfirm, Accounts, Entertainment, Human Resource etc	Chennai
TN	65	Fair Consulting India Pvt. Ltd.	29 サービス業/ Consulting, Advertisement, Research, Lawfirm, Accounts, Entertainment, Human Resource etc	Chennai
TN	66	Fanuc India Pvt. Ltd.	16 電気機械器具製造業/ Manufacturing- Electoric Machinery	Chennai
TN	67	Fernridge Systems (India) Pvt.Ltd.	29 サービス業/ Consulting, Advertisement, Research, Lawfirm, Accounts, Entertainment, Human Resource etc	Chennai
TN	68	Fidelity Business Services Pvt. Ltd. (KVH Division)	29 サービス業/ Consulting, Advertisement, Research, Lawfirm, Accounts, Entertainment, Human Resource etc	Chennai
TN	69	Flyjac Logistics Pvt. Ltd. Chennai Branch	22 運輸業/ Transportation	Chennai
TN	70	Fuji Carbon Manufacturing Co., India Liaison Office	15 業務用機械器具製造業/ Manufacturing- Commercial Machinery	Chennai
TN	71	Fuji Electric India Pvt. Ltd., Chennai Branch	16 電気機械器具製造業/ Manufacturing- Electoric Machinery	Chennai
TN	72	Fuji Lio Trading Pvt. Ltd.	19 その他の製造業/ Manufacturing- Others	Chennai
TN	73	FUJIFILM INDIA PRIVATE LIMITED	23 卸売業、小売業(含: 商社、 販社) / Wholesales, Retail (including Sogo Shosya, sale company)	Chennai
TN	74	Fujita Engineering India Pvt. Ltd.	03 建設業/ Construction Industry	Chennai
TN	75	FUJITSU INDIA Pvt. LIMITED Chennai Branch	21 情報通信業/ Telecommunication, Broadcasting, IT, Newspaper, Publishing etc	Chennai
TN	76	Fumakilla India Pvt. Limited	07 化学工業/ Chemical Industry	Chennai
TN	77	Gates Unitta India Co. Pvt. Ltd.	16 電気機械器具製造業/ Manufacturing- Electoric Machinery	Chennai
TN	78	H.I.S.TRAVEL (INDIA) Pvt. Ltd. Chennai branch	29 サービス業/ Consulting, Advertisement, Research, Lawfirm, Accounts, Entertainment, Human Resource etc	Chennai
TN	79	Hankyu Hanshin Express India Pvt. Ltd.	22 運輸業/ Transportation	Chennai
TN	80	Hanwa India Pvt. Ltd.	23 卸売業、小売業(含: 商社、 販社) / Wholesales, Retail (including Sogo Shosya, sale company)	Chennai
TN	81	Happy Granite	23 卸売業、小売業/ Wholesales, Retail	Chennai
TN	82	Hitachi Automotive Systems (India) Pvt. Ltd.	18 輸送機械器具製造業/ Manufacturing- Automobile, Two Wheeler, Auto Components, Rail/ Ship/Air Plane	Chennai
TN	83	Hitachi Hi-Rel Power Electronics Pvt. Ltd.	16 電気機械器具製造業/ Manufacturing- Electoric Machinery	Chennai
TN	84	Hitachi Home & Life Solutions (India) Ltd.	16 電気機械器具製造業/ Manufacturing- Electoric Machinery	Chennai
TN	85	Hitachi India Pvt. Ltd. Chennai Branch Office	16 電気機械器具製造業/ Manufacturing- Electoric Machinery	Chennai
TN	86	Hitachi Maxell Ltd., Chennai Liaison Office	16 電気機械器具製造業/ Manufacturing- Electoric Machinery	Chennai
TN	87	Hitachi Solutions India Pvt. Ltd.	29 サービス業/ Consulting, Advertisement, Research, Lawfirm, Accounts, Entertainment, Human Resource etc	Chennai
TN	88	Hitachi Systems Micro Clinic Pvt. Ltd., Chennai Branch	21 情報通信業/ Telecommunication, Broadcasting, IT, Newspaper, Publishing etc	Chennai
TN	89	Hitachi Transport system Ltd., India Liaison office	22 運輸業/ Transportation	Chennai
TN	90	HIYOSHI INDIA ECOLOGICAL SERVICES PRIVATE LIMITED	29 サービス業/ Consulting, Advertisement, Research, Lawfirm, Accounts, Entertainment, Human Resource etc	Chennai
TN	91	Honda Cars India Limited	18 輸送機械器具製造業/ Manufacturing- Automobile, Two Wheeler, Auto Components, Rail/ Ship/Air Plane	Chennai
TN	92	Honda Siel Power Products Limited	19 その他の製造業/ Manufacturing- Others	Chennai
TN	93	Horiaki India Pvt. Ltd.	23 卸売業、小売業/ Wholesales, Retail	Chennai
TN	94	HORIBA India Private Limited, Chennai Office	16 電気機械器具製造業/ Manufacturing- Electoric Machinery	Chennai
TN	95	Hosokawa Micron India Pvt. Ltd.	16 電気機械器具製造業/ Manufacturing- Electoric Machinery	Chennai

2.4. Southern India

State	Sl. No.	NAME OF COMPANY REGISTERED IN INDIA	TYPE OF BUSINESS IN INDIA	LOCATIDN
TN	96	Human Access	29 サービス業/ Consulting, Advertisement, Research, Lawfirm, Accounts, Entertainment, Human Resource etc	Chennai
TN	97	IFFCO-Tokio General Insurance Co. Ltd.	24 金融業、保険業/ Finance, Insurance	Chennai
TN	98	IFFCO-Tokio General Insurance Co. Ltd.	24 金融業、保険業/ Finance, Insurance	Chennai
TN	99	Igarashi Motors India Ltd.	18 輸送機械器具製造業/ Manufacturing- Automobile, Two Wheer, Auto Components, Rail/ Ship/Air Plane	Chennai
TN	100	Igarashi Technologies	18 輸送機械器具製造業/ Manufacturing- Automobile, Two Wheer, Auto Components, Rail/ Ship/Air Plane	Chennai
TN	101	Inabata India Private Limited, Chennai Branch	23 卸売業、小売業(含:商社、販社)/ Wholesales, Retail (including Sogo Shosya, sale company)	Chennai
TN	102	India GCI Resitop Private Limited	07 化学工業/ Chemical Industry	Chennai
TN	103	India Metal One Steel Plate Processing Pvt. Ltd.	12 金属製品製造業/ manufactruing- Metal Products	Chennai
TN	104	INDIA YAMAHA MOTOR Pvt. Ltd.	18 輸送機械器具製造業/ Manufacturing- Automobile, Two Wheer, Auto Components, Rail/ Ship/Air Plane	Chennai
TN	105	India-Japan Lighting Pvt. Ltd.	18 輸送機械器具製造業/ Manufacturing- Automobile, Two Wheer, Auto Components, Rail/ Ship/Air Plane	Chennai
TN	106	Indo Japan Apparels	23 卸売業、小売業/ Wholesales, Retail	Chennai
TN	107	Indus Asuka Software Pvt. Ltd.	29 サービス業/ Consulting, Advertisement, Research, Lawfirm, Accounts, Entertainment, Human Resource etc	Chennai
TN	108	iNETest Technologies India Pvt. Ltd., Chennai HQ	29 サービス業/ Consulting, Advertisement, Research, Lawfirm, Accounts, Entertainment, Human Resource etc	Chennai
TN	109	Infrastructure Leasing & Financial Serviecs Limited	24 金融業、保険業/ Finance, Insurance	Chennai
TN	110	Isuzu Motors India Private Limited	23 卸売業、小売業(含:商社、販社)/ Wholesales, Retail (including Sogo Shosya, sale company)	Chennai
TN	111	Ito Precision Technologies Pvt. Ltd.	16 電気機械器具製造業/ Manufacturing- Electoric Machinery	Chennai
TN	112	ITOCHU India Private Limited Chennai office	23 卸売業、小売業/ Wholesales, Retail	Chennai
TN	113	Japan CBM Corporation India Pvt. Ltd.	19 その他の製造業/ Manufacturing- Others	Chennai
TN	114	JFE Shoji Trade India Pvt. Ltd. Chennai office	23 卸売業、小売業(含:商社、販社)/ Wholesales, Retail (including Sogo Shosya, sale company)	Chennai
TN	115	JFE STEEL INDIA PRIVATE LIMITED CHENNAI OFFICE	10 鉄鋼業/ Steel	Chennai
TN	116	JIITS Infrastructure Projects Pvt. Ltd.	03 建設業/ Construction Industry	Chennai
TN	117	JTB Jupiter Express Service Pvt. Ltd. Chennai Branch	22 運輸業/ Transportation	Chennai
TN	118	Jujo Chemical (India) Pvt. Ltd.	07 化学工業/ Chemical Industry	Chennai
TN	119	Juki India Private Limited Chennai Office	23 卸売業、小売業(含:商社、販社)/ Wholesales, Retail (including Sogo Shosya, sale company)	Chennai
TN	120	Juno Designs Pvt. Ltd.	19 その他の製造業/ Manufacturing- Others	Chennai
TN	121	Jurong Engineering (India) Pvt. Ltd.	29 サービス業/ Consulting, Advertisement, Research, Lawfirm, Accounts, Entertainment, Human Resource etc	Chennai
TN	122	K J Quarries Private Limited	23 卸売業、小売業/ Wholesales, Retail	Chennai
TN	123	K Steamship Agencies Private Limited	22 運輸業/ Transportation	Chennai
TN	124	Kanepackage (India) Co., Ltd.	19 その他の製造業/ Manufacturing- Others	Chennai
TN	125	Kansai Nerolac Paints Ltd.	07 化学工業/ Chemical Industry	Chennai
TN	126	Kasai Seagull Tech India Pvt. Ltd.	18 輸送機械器具製造業/ Manufacturing- Automobile, Two Wheer, Auto Components, Rail/ Ship/Air Plane	Chennai
TN	127	KATO METALS TRADING COMPANY Ltd. INDIA LIAISON OFFICE	11 非鉄金属製造業/ Manufacturing- Non Metal Products	Chennai

2.4. Southern India

State	Sl. No.	NAME OF COMPANY REGISTERED IN INDIA	TYPE OF BUSINESS IN INDIA	LOCATIDN
TN	128	KDDI India Private Limited	21 情報通信業/ Telecommunication, Broadcasting, IT, Newspaper, Publishing etc	Chennai
TN	129	KEYENCE INDIA Pvt. Ltd.	16 電気機械器具製造業/ Manufacturing- Electoric Machinery	Chennai
TN	130	KGK Jet India Private Limited	15 業務用機械器具製造業/ Manufacturing- Commercial Machinery	Chennai
TN	131	Kikuwa India Private Limited	15 業務用機械器具製造業/ Manufacturing- Commercial Machinery	Chennai
TN	132	Kintetsu World Express (India) Private Limited	22 運輸業/ Transportation	Chennai
TN	133	Kintetsu World Express (India) Private Limited	22 運輸業/ Transportation	Chennai
TN	134	Kobelco Construction Equipment India Pvt. Ltd.	14 生産用機械器具製造業/ Manufacturing- Prduction Machinery	Chennai
TN	135	Kobelco Construction Equipment India Pvt. Ltd.	14 生産用機械器具製造業/ Manufacturing- Prduction Machinery	Chennai
TN	136	Kobelco Construction Equipment India Pvt. Ltd.	14 生産用機械器具製造業/ Manufacturing- Prduction Machinery	Chennai
TN	137	Kobelco Logistics Co. Ltd.,	22 運輸業/ Transportation	Chennai
TN	138	Kobelco Plate Processing India Pvt. Ltd.	12 金属製品製造業/ manufactruing- Metal Products	Chennai
TN	139	KOBELCO Trading India Private Limited	23 卸売業、小売業(含:商社、販社)/ Wholesales, Retail (including Sogo Shosya, sale company)	Chennai
TN	140	Koden International Co. Ltd.	23 卸売業、小売業/ Wholesales, Retail	Chennai
TN	141	Konica Minolta Business Solutions India Pvt. Ltd.	17 情報通信機械器具、電子部品・デバイス・電子回路製造業/ Manufacturing- IT Products, Electronics Products	Chennai
TN	142	KONOIKE ASIA (INDIA) Pvt. Ltd.	22 運輸業/ Transportation	Chennai
TN	143	Kosei Minda Aluminum Company Limited	18 輸送機械器具製造業/ Manufacturing- Automobile, Two Wheer, Auto Components, Rail/ Ship/Air Plane	Chennai
TN	144	KOYAMA Precision Works INDIA Private Limited	18 輸送機械器具製造業/ Manufacturing- Automobile, Two Wheer, Auto Components, Rail/ Ship/Air Plane	Chennai
TN	145	Kubota Agricultural Machinery India Pvt. Ltd.	15 業務用機械器具製造業/ Manufacturing- Commercial Machinery	Chennai
TN	146	Kumon India Education Pvt. Ltd. Nungambakkam Centre	28 教育、学習支援、医療、福祉、複合サービス業/ Education, Medical, Postal, Cooperatives	Chennai
TN	147	Kusuhara Wood Works., co. Ltd.	19 その他の製造業/ Manufacturing- Others	Chennai
TN	148	KWE India	22 運輸業/ Transportation	Chennai
TN	149	KWE India	22 運輸業/ Transportation	Chennai
TN	150	KYB Motorcycle Suspension India Pvt. Ltd.	18 輸送機械器具製造業/ Manufacturing- Automobile, Two Wheer, Auto Components, Rail/ Ship/Air Plane	Chennai
TN	151	Kyocera Asia Pacific India Pvt. Ltd. Chennai office	17 情報通信機械器具、電子部品・デバイス・電子回路製造業/ Manufacturing- IT Products, Electronics Products	Chennai
TN	152	Kyocera Document Solutions India Pvt. Ltd., Branch Office (Chennai)	23 卸売業、小売業/ Wholesales, Retail	Chennai
TN	153	Kyokuto Trading (India) Pvt. Ltd.	23 卸売業、小売業/ Wholesales, Retail	Chennai
TN	154	KYOWA NATESAN SYNCHRO TECHNOROGIES PRIVATE LIMITED	18 輸送機械器具製造業/ Manufacturing- Automobile, Two Wheer, Auto Components, Rail/ Ship/Air Plane	Chennai
TN	155	Learning System Inc.	29 サービス業/ Consulting, Advertisement, Research, Lawfirm, Accounts, Entertainment, Human Resource etc	Chennai
TN	156	LIC Nomura Mutual Fund Asset Management Co. Ltd., Chennai Office	24 金融業、保険業/ Finance, Insurance	Chennai
TN	157	Maeda Corporation India Pvt. Ltd. Chennai Office	03 建設業/ Construction Industry	Chennai
TN	158	Makino India Pvt. Ltd.	16 電気機械器具製造業/ Manufacturing- Electoric Machinery	Chennai
TN	159	Makita Power Tools India Pvt. Ltd.	16 電気機械器具製造業/ Manufacturing- Electoric Machinery	Chennai

2.4. Southern India

State	Sl. No.	NAME OF COMPANY REGISTERED IN INDIA	TYPE OF BUSINESS IN INDIA	LOCATIDN
TN	160	Marubeni India Pvt. Ltd.	23 卸売業、小売業(含:商社、販社)/Wholesales, Retail (including Sogo Shosya, sale company)	Chennai
TN	161	Marubeni Itochu Steel India Pvt. Ltd.	10 鉄鋼業/ Steel	Chennai
TN	162	MARUICHI TOOLS INDIA Pvt. Ltd. Chennai Branch Office	23 卸売業、小売業(含:商社、販社)/Wholesales, Retail (including Sogo Shosya, sale company)	Chennai
TN	163	Maruti Suzuki India Limited	18 輸送機械器具製造業/ Manufacturing- Automobile, Two Wheer, Auto Components, Rail/ Ship/Air Plane	Chennai
TN	164	Maruwa Electronic (India) Pvt. Ltd.	16 電気機械器具製造業/ Manufacturing- Electoric Machinery	Chennai
TN	165	MATSUI TECHNOLOGIES INDIA Limited	14 生産用機械器具製造業/ Manufacturing- Prduction Machinery	Chennai
TN	166	Matsushita Industry Co., Ltd.	23 卸売業、小売業/ Wholesales, Retail	Chennai
TN	167	MAX LIFE INSURANCE COMPANY Ltd.	24 金融業、保険業/ Finance, Insurance	Chennai
TN	168	MAX LIFE INSURANCE COMPANY Ltd.	24 金融業、保険業/ Finance, Insurance	Chennai
TN	169	MAX LIFE INSURANCE COMPANY Ltd.	24 金融業、保険業/ Finance, Insurance	Chennai
TN	170	MAX LIFE INSURANCE COMPANY Ltd.	24 金融業、保険業/ Finance, Insurance	Chennai
TN	171	Maxell Asia Singapore Pte. Ltd. Chennai Liaison Office	16 電気機械器具製造業/ Manufacturing- Electoric Machinery	Chennai
TN	172	MC Craftsman Machinery Pvt. Ltd.	14 生産用機械器具製造業/ Manufacturing- Prduction Machinery	Chennai
TN	173	MC Logistics India Private Limited, HO	22 運輸業/ Transportation	Chennai
TN	174	Meiko Logistics (India) Pvt. Ltd.	22 運輸業/ Transportation	Chennai
TN	175	Meisei Trading India Pvt.Ltd.	23 卸売業、小売業/ Wholesales, Retail	Chennai
TN	176	MEP INDIA Pvt.Ltd. Chennai Office	23 卸売業、小売業(含:商社、販社)/Wholesales, Retail (including Sogo Shosya, sale company)	Chennai
TN	177	Metal One Corporation Pvt. Ltd., Chennai Branch Office	23 卸売業、小売業/ Wholesales, Retail	Chennai
TN	178	Minda Furukawa Electric Private limited Chennai 1 Plant	18 輸送機械器具製造業/ Manufacturing- Automobile, Two Wheer, Auto Components, Rail/ Ship/Air Plane	Chennai
TN	179	Minda Furukawa Electric Private limited Chennai 2 Plant	18 輸送機械器具製造業/ Manufacturing- Automobile, Two Wheer, Auto Components, Rail/ Ship/Air Plane	Chennai
TN	180	MISUMI INDIA Pvt. Ltd. Chennai Office	16 電気機械器具製造業/ Manufacturing- Electoric Machinery	Chennai
TN	181	MITSUBA SICAL INDIA LIMITED	18 輸送機械器具製造業/ Manufacturing- Automobile, Two Wheer, Auto Components, Rail/ Ship/Air Plane	Chennai
TN	182	MITSUBISHI CORPORATION INDIA Pvt. Ltd.	23 卸売業、小売業(含:商社、販社)/Wholesales, Retail (including Sogo Shosya, sale company)	Chennai
TN	183	MITSUBISHI CORPORATION, NEW DELHI BRANCH OFFICE Chennai Annex Office	23 卸売業、小売業(含:商社、販社)/Wholesales, Retail (including Sogo Shosya, sale company)	Chennai
TN	184	MITSUBISHI ELECTRIC INDIA PRIVATE LIMITED	16 電気機械器具製造業/ Manufacturing- Electoric Machinery	Chennai
TN	185	Mitsubishi Elevator ETA India Private Limited	23 卸売業、小売業(含:商社、販社)/Wholesales, Retail (including Sogo Shosya, sale company)	Chennai
TN	186	Mitsui & Co. India Chennai branch	23 卸売業、小売業/ Wholesales, Retail	Chennai
TN	187	Mitsui O.S.K.Bulk Shipping (Asia Oceania) Pte.Ltd., HO	22 運輸業/ Transportation	Chennai
TN	188	Mitsui O.S.K.Lines (India) Pvt. Ltd.	22 運輸業/ Transportation	Chennai
TN	189	Mitsui O.S.K.Lines Maritime (India) Pvt. Ltd.	22 運輸業/ Transportation	Chennai
TN	190	Mitutoyo South Asia Pvt. Ltd.	16 電気機械器具製造業/ Manufacturing- Electoric Machinery	Chennai
TN	191	Mizuho Bank Chennai Branch	24 金融業、保険業/ Finance, Insurance	Chennai

2.4. Southern India

State	Sl. No.	NAME OF COMPANY REGISTERED IN INDIA	TYPE OF BUSINESS IN INDIA	LOCATIDN
TN	192	MOL Auto Logistics (India) Pvt. Ltd.	22 運輸業/ Transportation	Chennai
TN	193	MOL Bulk Shipping (India) Pvt. Ltd.	22 運輸業/ Transportation	Chennai
TN	194	MOL Information Technology India Pvt.Ltd.	21 情報通信業/ Telecommunication, Broadcasting, IT, Newspaper, Publishing etc	Chennai
TN	195	MOL Synergy Marine (India) Private Limited	22 運輸業/ Transportation	Chennai
TN	196	Morimura Bros., Inc. Chennai Liaison Office	23 卸売業、小売業/ Wholesales, Retail	Chennai
TN	197	Morimura Brothers Trading India Private Limited.	23 卸売業、小売業/ Wholesales, Retail	Chennai
TN	198	Motherson Techno Tools Ltd.	16 電気機械器具製造業/ Manufacturing- Electoric Machinery	Chennai
TN	199	MSG CORPORATION	29 サービス業/ Consulting, Advertisement, Research, Lawfirm, Accounts, Entertainment, Human Resource etc	Chennai
TN	200	Murata Electronics (india) Private Limited	17 情報通信機械器具、電子部品・デバイス・電子回路製造業/ Manufacturing- IT Products, Electronics Products	Chennai
TN	201	Murata Electronics Singapore (Pte.) Ltd. India Liaison Office	17 情報通信機械器具、電子部品・デバイス・電子回路製造業/ Manufacturing- IT Products, Electronics Products	Chennai
TN	202	Musashi Paint India Pvt. Ltd.	07 化学工業/ Chemical Industry	Chennai
TN	203	NEC India Pvt. Ltd. Chennai Branch 1	17 情報通信機械器具、電子部品・デバイス・電子回路製造業/ Manufacturing- IT Products, Electronics Products	Chennai
TN	204	NEC Mobile Network Excellence Center	17 情報通信機械器具、電子部品・デバイス・電子回路製造業/ Manufacturing- IT Products, Electronics Products	Chennai
TN	205	Netmagic Solutions Pvt. Ltd. - DC-1 Chennai	21 情報通信業/ Telecommunication, Broadcasting, IT, Newspaper, Publishing etc	Chennai
TN	206	Netmagic Solutions Pvt.Ltd. - Chennai Office	21 情報通信業/ Telecommunication, Broadcasting, IT, Newspaper, Publishing etc	Chennai
TN	207	NHK F Krishna	12 金属製品製造業/ manufactruing- Metal Products	Chennai
TN	208	NICHIYU FORKLIFTS INDIA Pvt. Ltd.	16 電気機械器具製造業/ Manufacturing- Electoric Machinery	Chennai
TN	209	Nihon Denkei India Pvt. Ltd.	23 卸売業、小売業/ Wholesales, Retail	Chennai
TN	210	NIPPEI TOYAMA India Pvt. Ltd. Chennai Office	16 電気機械器具製造業/ Manufacturing- Electoric Machinery	Chennai
TN	211	Nippon Express (India) Pvt., Ltd.	22 運輸業/ Transportation	Chennai
TN	212	Nippon Paint (India) Pvt. Ltd.	07 化学工業/ Chemical Industry	Chennai
TN	213	Nippon Pillar Packing Co. Ltd., Liaison office	16 電気機械器具製造業/ Manufacturing- Electoric Machinery	Chennai
TN	214	NIPPON SIGNAL CO.,Ltd.	15 業務用機械器具製造業/ Manufacturing- Commercial Machinery	Chennai
TN	215	NIPPON STEEL & SUMIKIN MATERIALS INDIA Pvt. Ltd.	12 金属製品製造業/ manufactruing- Metal Products	Chennai
TN	216	Nippon Thermostat (India) Ltd.	18 輸送機械器具製造業/ Manufacturing- Automobile, Two Wheer, Auto Components, Rail/ Ship/Air Plane	Chennai
TN	217	Nipro India Corporation Chennai Branch	19 その他の製造業/ Manufacturing- Others	Chennai
TN	218	Nissan Ashok Leyland Powertrain Pvt. Ltd.	18 輸送機械器具製造業/ Manufacturing- Automobile, Two Wheer, Auto Components, Rail/ Ship/Air Plane	Chennai
TN	219	Nissan Motor India Pvt. Ltd.	18 輸送機械器具製造業/ Manufacturing- Automobile, Two Wheer, Auto Components, Rail/ Ship/Air Plane	Chennai
TN	220	NISSAN TRADING INDIA PRIVATE LIMITED	18 輸送機械器具製造業/ Manufacturing- Automobile, Two Wheer, Auto Components, Rail/ Ship/Air Plane	Chennai
TN	221	Nissha Printing Co., Ltd. Chennai Branch	19 その他の製造業/ Manufacturing- Others	Chennai
TN	222	Nissin ABC Logitics Private Limited. Chennai Branch	22 運輸業/ Transportation	Chennai
TN	223	Nitto Denko India Private Limited	18 輸送機械器具製造業/ Manufacturing- Automobile, Two Wheer, Auto Components, Rail/ Ship/Air Plane	Chennai

2.4. Southern India

State	Sl. No.	NAME OF COMPANY REGISTERED IN INDIA	TYPE OF BUSINESS IN INDIA	LOCATIDN
TN	224	NMB-Minebea India Private Limited Chennai Office	16 電気機械器具製造業/ Manufacturing- Electoric Machinery	Chennai
TN	225	NMTronics India Pvt. Ltd.	16 電気機械器具製造業/ Manufacturing- Electoric Machinery	Chennai
TN	226	NNR Global Logistics India Pvt.Ltd.	22 運輸業/ Transportation	Chennai
TN	227	Noritsu India Private Limited Chennai Office	23 卸売業、小売業(含:商社、販社)/ Wholesales, Retail (including Sogo Shosya, sale company)	Chennai
TN	228	NPR Manufacturing India Private Limited	18 輸送機械器具製造業/ Manufacturing- Automobile, Two Wheer, Auto Components, Rail/ Ship/Air Plane	Chennai
TN	229	NS Instruments India Private Ltd.	18 輸送機械器具製造業/ Manufacturing- Automobile, Two Wheer, Auto Components, Rail/ Ship/Air Plane	Chennai
TN	230	NSK India Sales Company Private Limited	18 輸送機械器具製造業/ Manufacturing- Automobile, Two Wheer, Auto Components, Rail/ Ship/Air Plane	Chennai
TN	231	NTL Logistics Plus India Pvt. Ltd.	22 運輸業/ Transportation	Chennai
TN	232	NTN Bearing India Pvt. Ltd.	12 金属製品製造業/ manufactruing- Metal Products	Chennai
TN	233	NTT Communications India Private Ltd. - Chennai Branch	21 情報通信業/ Telecommunication, Broadcasting, IT, Newspaper, Publishing etc	Chennai
TN	234	NYK Auto Logistics (India) Ltd. Chennai Office	22 運輸業/ Transportation	Chennai
TN	235	NYK Line (India) Ltd. Chennai Branch	22 運輸業/ Transportation	Chennai
TN	236	NYK Shipmanagement Pte. Ltd.	22 運輸業/ Transportation	Chennai
TN	237	OISHI MACHINE INDIA PRIVATE LIMITED, Chennai Branch Office	16 電気機械器具製造業/ Manufacturing- Electoric Machinery	Chennai
TN	238	Okuma India Pvt. Ltd.	14 生産用機械器具製造業/ Manufacturing- Prduction Machinery	Chennai
TN	239	Olympus Infotech Pvt. Ltd.	29 サービス業/ Consulting, Advertisement, Research, Lawfirm, Accounts, Entertainment, Human Resource etc	Chennai
TN	240	Omron Automation Pvt. Ltd.	16 電気機械器具製造業/ Manufacturing- Electoric Machinery	Chennai
TN	241	Omtrax Packaging Packaging Solutions Ltd.	22 運輸業/ Transportation	Chennai
TN	242	Onkyo Sight & Sound India Pvt. Ltd.	16 電気機械器具製造業/ Manufacturing- Electoric Machinery	Chennai
TN	243	Orient Eco Energy	20 電気・ガス・熱供給・水道業/ Electricity, Gas, Water Supply	Chennai
TN	244	ORIX Auto Infrastructure Services Limited	26 物品賃貸業/ Lease	Chennai
TN	245	OSG (India) Pvt. Ltd.	12 金属製品製造業/ manufactruing- Metal Products	Chennai
TN	246	OSP India	21 情報通信業/ Telecommunication, Broadcasting, IT, Newspaper, Publishing etc	Chennai
TN	247	Overseas Courier Service (India) Pvt. Ltd. Chennai Branch	22 運輸業/ Transportation	Chennai
TN	248	Panasonic Appliances India Co., Ltd.	16 電気機械器具製造業/ Manufacturing- Electoric Machinery	Chennai
TN	249	Panasonic Carbon India Co., Ltd.	16 電気機械器具製造業/ Manufacturing- Electoric Machinery	Chennai
TN	250	Panasonic Energy India Co. Ltd.	16 電気機械器具製造業/ Manufacturing- Electoric Machinery	Chennai
TN	251	Panasonic India Pvt. Ltd.	16 電気機械器具製造業/ Manufacturing- Electoric Machinery	Chennai
TN	252	PASCO Geomatics India Private Limited	29 サービス業/ Consulting, Advertisement, Research, Lawfirm, Accounts, Entertainment, Human Resource etc	Chennai
TN	253	Piolax India Pvt. Ltd.	12 金属製品製造業/ manufactruing- Metal Products	Chennai
TN	254	Plantec GB Engineering Private Limited	15 業務用機械器具製造業/ Manufacturing- Commercial Machinery	Chennai
TN	255	Polyplastics Marketing (India) Private Ltd. Chennai Branch	07 化学工業/ Chemical Industry	Chennai



2.4. Southern India

State	Sl. No.	NAME OF COMPANY REGISTERED IN INDIA	TYPE OF BUSINESS IN INDIA	LOCATIDN
TN	256	PPN Power Generating Company Private Limited	20 電気・ガス・熱供給・水道業/ Electricity, Gas, Water Supply	Chennai
TN	257	Pricol Limited Chennai Office	16 電気機械器具製造業/ Manufacturing- Electoric Machinery	Chennai
TN	258	Prizm Payment Services Pvt. Ltd.	24 金融業、保険業/ Finance, Insurance	Chennai
TN	259	Punch Industry India Pvt. Ltd.	12 金属製品製造業/ manufactruing- Metal Products	Chennai
TN	260	Rane Brake Lining Ltd., HO	18 輸送機械器具製造業/ Manufacturing- Automobile, Two Wheer, Auto Components, Rail/ Ship/Air Plane	Chennai
TN	261	Reliance Life Insurance Company Limited Chennai-Adyar	24 金融業、保険業/ Finance, Insurance	Chennai
TN	262	Reliance Life Insurance Company Limited Chennai-Anna Nagar	24 金融業、保険業/ Finance, Insurance	Chennai
TN	263	Reliance Life Insurance Company Limited Chennai-Georgetown	24 金融業、保険業/ Finance, Insurance	Chennai
TN	264	Reliance Life Insurance Company Limited Chennai-Mylapore	24 金融業、保険業/ Finance, Insurance	Chennai
TN	265	Reliance Life Insurance Company Limited Chennai-Tambaram	24 金融業、保険業/ Finance, Insurance	Chennai
TN	266	Reliance Life Insurance Company Limited Chennai-Tnagar 1	24 金融業、保険業/ Finance, Insurance	Chennai
TN	267	Reliance Life Insurance Company Limited Kilpauk	24 金融業、保険業/ Finance, Insurance	Chennai
TN	268	Reliance Life Insurance Company Limited Nanganallur	24 金融業、保険業/ Finance, Insurance	Chennai
TN	269	RGF Executive Search India Pvt. Ltd.	29 サービス業/ Consulting, Advertisement, Research, Lawfirm, Accounts, Entertainment, Human Resource etc	Chennai
TN	270	Ricoh India Limited	21 情報通信業/ Telecommunication, Broadcasting, IT, Newspaper, Publishing etc	Chennai
TN	271	ROHM Semiconductor India Pvt. Ltd.	16 電気機械器具製造業/ Manufacturing- Electoric Machinery	Chennai
TN	272	S&N Hayakawa Enterprises Private Limited	28 教育、学習支援、医療、福祉、複合サービス/ Education, Medical, Postal, Cooperatives	Chennai
TN	273	SAKURA Autoparts India	18 輸送機械器具製造業/ Manufacturing- Automobile, Two Wheer, Auto Components, Rail/ Ship/Air Plane	Chennai
TN	274	Sanko Gosei Technology India Pvt. Ltd.	11 非鉄金属製造業/ Manufacturing- Non Metal Products	Chennai
TN	275	Sankyu India Logistics & Engineering Chennai Office	22 運輸業/ Transportation	Chennai
TN	276	SANYO DENKI SINGAPORE PTE. Ltd. INDIA LIAISON OFFICE	16 電気機械器具製造業/ Manufacturing- Electoric Machinery	Chennai
TN	277	Sanyo India Pvt. Ltd.	16 電気機械器具製造業/ Manufacturing- Electoric Machinery	Chennai
TN	278	Satake India Engineering Pvt. Ltd., Chennai Office	23 卸売業、小売業/ Wholesales, Retail	Chennai
TN	279	Sato Auto-ID India Pvt. Ltd.	17 情報通信機械器具、電子部品・デバイス・電子回路製造業/ Manufacturing- IT Products, Electronics Products	Chennai
TN	280	SDS Ramcides CropScience Private Limited, HO	08 石油製品・石炭製品製造業/ Manufacturing- Petro Products, Coal Products	Chennai
TN	281	Sharp Business Systems (India) Limited Chennai Branch	23 卸売業、小売業(含: 商社、販社)/ Wholesales, Retail (including Sogo Shosya, sale company)	Chennai
TN	282	Sharp India Ltd.	16 電気機械器具製造業/ Manufacturing- Electoric Machinery	Chennai
TN	283	Shimadzu Analytical (india) Pvt. Ltd.	19 その他の製造業/ Manufacturing- Others	Chennai
TN	284	Shimadzu Medical (India) Pvt. Ltd., HO	19 その他の製造業/ Manufacturing- Others	Chennai
TN	285	Shimizu Corporation India Pvt. Ltd. Chennai Office	03 建設業/ Construction Industry	Chennai
TN	286	Shinko(Pte) Ltd. - India Liaison Office	23 卸売業、小売業/ Wholesales, Retail	Chennai
TN	287	SIGMA Freudenberg NOK Pvt. Ltd. Marketing Chennai Sales Office	18 輸送機械器具製造業/ Manufacturing- Automobile, Two Wheer, Auto Components, Rail/ Ship/Air Plane	Chennai

2.4. Southern India

State	Sl. No.	NAME OF COMPANY REGISTERED IN INDIA	TYPE OF BUSINESS IN INDIA	LOCATIDN
TN	288	Sindhu Cargo Services Limited Chennai Air Operation	22 運輸業/ Transportation	Chennai
TN	289	Sindhu Cargo Services Limited Chennai Sea Operation	22 運輸業/ Transportation	Chennai
TN	290	Sky Tradia Export & Import Pvt. Ltd.	23 卸売業、小売業/ Wholesales, Retail	Chennai
TN	291	SMAS Auto Leasing India Pvt. Ltd.	24 金融業、保険業/ Finance, Insurance	Chennai
TN	292	SMC PNEUMATICS (INDIA) Pvt. Ltd.	19 その他の製造業/ Manufacturing- Others	Chennai
TN	293	SMCC Construction India Limited	03 建設業/ Construction Industry	Chennai
TN	294	Snowman Logistics Ltd.	22 運輸業/ Transportation	Chennai
TN	295	Sodick Technologies India Pvt. Ltd.	16 電気機械器具製造業/ Manufacturing- Electoric Machinery	Chennai
TN	296	Sojitz India Pvt. Ltd. Chennai Branch	23 卸売業、小売業/ Wholesales, Retail	Chennai
TN	297	Sony India Pvt. Ltd. Chennai	23 卸売業、小売業(含: 商社、販社)/ Wholesales, Retail (including Sogo Shosya, sale company)	Chennai
TN	298	Speedfam (India) Pvt. Ltd.	16 電気機械器具製造業/ Manufacturing- Electoric Machinery	Chennai
TN	299	SRA Systems Ltd.	29 サービス業/ Consulting, Advertisement, Research, Lawfirm, Accounts, Entertainment, Human Resource etc	Chennai
TN	300	Sree Ramcides Chemicals Pvt. Ltd.	19 その他の製造業/ Manufacturing- Others	Chennai
TN	301	Standard Units Supply (India) Pvt. Ltd.	16 電気機械器具製造業/ Manufacturing- Electoric Machinery	Chennai
TN	302	Stanley Electric Sales of India Pvt. Ltd.	18 輸送機械器具製造業/ Manufacturing- Automobile, Two Wheer, Auto Components, Rail/ Ship/Air Plane	Chennai
TN	303	STAR SEIKI INDIA Pvt. Ltd.	14 生産用機械器具製造業/ Manufacturing- Prduction Machinery	Chennai
TN	304	Star Union Dai-ichi Life Insurance Co. Ltd. Chennai Regional Office	24 金融業、保険業/ Finance, Insurance	Chennai
TN	305	STI-Sanoh India Ltd. Chennai Plant	12 金属製品製造業/ manufactruing- Metal Products	Chennai
TN	306	Sudarshan Chemical Industries Ltd.	07 化学工業/ Chemical Industry	Chennai
TN	307	Sulekha.com New Media Pvt. Ltd. Registered Head Office, Chennai	21 情報通信業/ Telecommunication, Broadcasting, IT, Newspaper, Publishing etc	Chennai
TN	308	Sumitomo (S.H.I.) Construction Machinery India Private Limited	16 電気機械器具製造業/ Manufacturing- Electoric Machinery	Chennai
TN	309	Sumitomo Corporation India Pvt. Ltd. Chennai Office	23 卸売業、小売業(含: 商社、販社)/ Wholesales, Retail (including Sogo Shosya, sale company)	Chennai
TN	310	SunX Intellectual Property Private Limited	29 サービス業/ Consulting, Advertisement, Research, Lawfirm, Accounts, Entertainment, Human Resource etc	Chennai
TN	311	TACLE Automotive India Pvt. Ltd.	18 輸送機械器具製造業/ Manufacturing- Automobile, Two Wheer, Auto Components, Rail/ Ship/Air Plane	Chennai
TN	312	Taikisha Engineering India Ltd. Chennai- Tamil Nadu	19 その他の製造業/ Manufacturing- Others	Chennai
TN	313	Takasago Engineering India Pvt., Ltd.	29 サービス業/ Consulting, Advertisement, Research, Lawfirm, Accounts, Entertainment, Human Resource etc	Chennai
TN	314	Takasago International (India) Pvt. Ltd.	19 その他の製造業/ Manufacturing- Others	Chennai
TN	315	Takenaka India Private Limited	03 建設業/ Construction Industry	Chennai
TN	316	Tamil Nadu Telecommunications Ltd.	19 その他の製造業/ Manufacturing- Others	Chennai
TN	317	Taoka Chemical India Private Limited	07 化学工業/ Chemical Industry	Chennai
TN	318	Tata Teleservices, Limited	21 情報通信業/ Telecommunication, Broadcasting, IT, Newspaper, Publishing etc	Chennai
TN	319	TCI Chemicals (India) Pvt. Ltd.	07 化学工業/ Chemical Industry	Chennai

2.4. Southern India

State	Sl. No.	NAME OF COMPANY REGISTERED IN INDIA	TYPE OF BUSINESS IN INDIA	LOCATIDN
TN	320	Team PASONA India Co. Ltd., Chennai Branch	29 サービス業/ Consulting, Advertisement, Research, Lawfirm, Accounts, Entertainment, Human Resource etc	Chennai
TN	321	TECH REVO INDIA PRIVATE LIMITED	29 サービス業/ Consulting, Advertisement, Research, Lawfirm, Accounts, Entertainment, Human Resource etc	Chennai
TN	322	Techno Steel Processing India Pvt. Ltd. Chennai Head Office	10 鉄鋼業/ Steel	Chennai
TN	323	Terumo Corporation Chennai Brach	19 その他の製造業/ Manufacturing- Others	Chennai
TN	324	The Bank of Tokyo-Mitsubishi UFJ, Ltd. Chennai Branch	24 金融業、保険業/ Finance, Insurance	Chennai
TN	325	ThreeBond India Pvt.Ltd. Chennai Branch	07 化学工業/ Chemical Industry	Chennai
TN	326	Tokyo Consulting Firm	29 サービス業/ Consulting, Advertisement, Research, Lawfirm, Accounts, Entertainment, Human Resource etc	Chennai
TN	327	TOSEI ENGINEERING PRIVATE LIMITED. Chennai	29 サービス業/ Consulting, Advertisement, Research, Lawfirm, Accounts, Entertainment, Human Resource etc	Chennai
TN	328	TOSHIBA INDIA Pvt. Ltd., CHENNAI OFFICE	23 卸売業、小売業/ Wholesales, Retail	Chennai
TN	329	Toshiba Johnson Elevators India Pvt. Ltd.	03 建設業/ Construction Industry	Chennai
TN	330	Toshiba JSW Power Systems Private Limited	15 業務用機械器具製造業/ Manufacturing- Commercial Machinery	Chennai
TN	331	TOSHIBA MACHINE (INDIA) Pvt. Ltd. Branch office Chennai	14 生産用機械器具製造業/ Manufacturing- Prduction Machinery	Chennai
TN	332	TOSHNI-TEK INTERNATIONAL	16 電気機械器具製造業/ Manufacturing- Electoric Machinery	Chennai
TN	333	Toyoda Micromatic Machinery India Ltd. CHENNAI	23 卸売業、小売業(含:商社、販社)/ Wholesales, Retail (including Sogo Shosya, sale company)	Chennai
TN	334	TOYOINK INDIA PRIVATE LIMITED, Chennai Depot	07 化学工業/ Chemical Industry	Chennai
TN	335	Toyota Material Handling India Pvt. Ltd. Chennai Branch	23 卸売業、小売業(含:商社、販社)/ Wholesales, Retail (including Sogo Shosya, sale company)	Chennai
TN	336	Toyota Tsusho India Pvt. Ltd.	18 輸送機械器具製造業/ Manufacturing- Automobile, Two Wheer, Auto Components, Rail/ Ship/Air Plane	Chennai
TN	337	Trans Asia Traders Pvt. Ltd.	23 卸売業、小売業/ Wholesales, Retail	Chennai
TN	338	Transpole Logistics Pvt. Ltd. Chennai Branch	22 運輸業/ Transportation	Chennai
TN	339	Transpole Logistics Pvt. Ltd. Chennai Ware House	22 運輸業/ Transportation	Chennai
TN	340	Trivitron Healthcare Pvt. Ltd.	19 その他の製造業/ Manufacturing- Others	Chennai
TN	341	Tsubaki Hoover India Pvt., Ltd.	16 電気機械器具製造業/ Manufacturing- Electoric Machinery	Chennai
TN	342	Tsubaki India Power Transmission Pvt. Ltd.	18 輸送機械器具製造業/ Manufacturing- Automobile, Two Wheer, Auto Components, Rail/ Ship/Air Plane	Chennai
TN	343	TSUJII PPEI INDIA Pvt. Ltd.	23 卸売業、小売業/ Wholesales, Retail	Chennai
TN	344	TT Techno Park Management Service India Pvt. Ltd.	29 サービス業/ Consulting, Advertisement, Research, Lawfirm, Accounts, Entertainment, Human Resource etc	Chennai
TN	345	TWIN DISC POWER TRANSMISSION Pvt. Ltd.	18 輸送機械器具製造業/ Manufacturing- Automobile, Two Wheer, Auto Components, Rail/ Ship/Air Plane	Chennai
TN	346	Uchimura India Private Limited	23 卸売業、小売業/ Wholesales, Retail	Chennai
TN	347	Unitex International Private Limited	19 その他の製造業/ Manufacturing- Others	Chennai
TN	348	Universal Sampo General Insurance Co., Ltd.	24 金融業、保険業/ Finance, Insurance	Chennai
TN	349	Universal Sampo General Insurance Co., Ltd.	24 金融業、保険業/ Finance, Insurance	Chennai
TN	350	Usui International Automotive Parts India Pvt. Ltd.	18 輸送機械器具製造業/ Manufacturing- Automobile, Two Wheer, Auto Components, Rail/ Ship/Air Plane	Chennai
TN	351	USUI SUSIRA INTERNATIONAL PRIVATE LIMITED	18 輸送機械器具製造業/ Manufacturing- Automobile, Two Wheer, Auto Components, Rail/ Ship/Air Plane	Chennai

2.4. Southern India

State	Sl. No.	NAME OF COMPANY REGISTERED IN INDIA	TYPE OF BUSINESS IN INDIA	LOCATIDN
TN	352	Vantec Logistics India Pvt. Ltd.	22 運輸業/ Transportation	Chennai
TN	353	WellBe Medic (India) Pvt. Limited, Chennai Branch	29 サービス業/ Consulting, Advertisement, Research, Lawfirm, Accounts, Entertainment, Human Resource etc	Chennai
TN	354	WISMA ENGINEERING JAPANINDO Pvt. Ltd.	29 サービス業/ Consulting, Advertisement, Research, Lawfirm, Accounts, Entertainment, Human Resource etc	Chennai
TN	355	Y. Ikemura & Co., Ltd.	23 卸売業、小売業/ Wholesales, Retail	Chennai
TN	356	Yakult Danone India Private Limited	04 食料品、飲料・たばこ・飼料製造業/ Manufacturing- Food, Drink, Tobacco, Fodder	Chennai
TN	357	YAMAGATA PRINT SOLUTIONS (INDIA) Pvt. Ltd.	06 木材・木製品、ハルブ・紙・紙加工品製造業/ Manufacturing- Timber & Timber Products, Paper & Paper Products	Chennai
TN	358	YAMAHA MOTOR INDIA SALES Pvt. Ltd.	23 卸売業、小売業/ Wholesales, Retail	Chennai
TN	359	Yamaha Music India Pvt. Ltd. Chennai Branch	23 卸売業、小売業/ Wholesales, Retail	Chennai
TN	360	YAMANAGA Hotels & Enterprises Pvt. Ltd.	27 宿泊業、飲食サービス業/ Hotel, Restaurant	Chennai
TN	361	Yamazaki Mazak India Pvt. Ltd.	16 電気機械器具製造業/ Manufacturing- Electoric Machinery	Chennai
TN	362	Yamazen Machinery & Tools Pvt. Ltd.	23 卸売業、小売業/ Wholesales, Retail	Chennai
TN	363	Yanmar Coromandel Agrisolutions Pvt. Ltd.	13 はん用機械器具製造業/ Manufacturing- General Purpose Machinery	Chennai
TN	364	Yanmar India Pvt. Ltd.	23 卸売業、小売業(含: 商社、販社)/ Wholesales, Retail (including Sogo Shosya, sale company)	Chennai
TN	365	Yaskawa India Private Limited (Robotic Division)	19 その他の製造業/ Manufacturing- Others	Chennai
TN	366	Yazaki Wiring Technologies India Pvt. Ltd.	16 電気機械器具製造業/ Manufacturing- Electoric Machinery	Chennai
TN	367	YKK INDIA Pvt. Ltd. Chennai Branch	19 その他の製造業/ Manufacturing- Others	Chennai
TN	368	Yokogawa India Ltd. Chennai Office	16 電気機械器具製造業/ Manufacturing- Electoric Machinery	Chennai
TN	369	YOKOHAMA INDIA PRIVATE LIMITED	18 輸送機械器具製造業/ Manufacturing- Automobile, Two Wheer, Auto Components, Rail/ Ship/Air Plane	Chennai
TN	370	Yusen Logistics (India) Ltd. Chennai Branch	22 運輸業/ Transportation	Chennai
TN	371	Yusen Logistics India Ltd. Chennai Puzhal Warehouse	22 運輸業/ Transportation	Chennai
TN	372	Yusen Logistics India Ltd. Chennai Mathur Warehouse	22 運輸業/ Transportation	Chennai
TN	373	Yushin Precision Equipment (India) Pvt. Ltd., HO	15 業務用機械器具製造業/ Manufacturing- Commercial Machinery	Chennai
TN	374	YUSHIRO INDIA COMPANY PRIVATE LIMITED Chennai Branch Office	07 化学工業/ Chemical Industry	Chennai
TN	375	Reliance Life Insurance Company Limited Andhiyur	24 金融業、保険業/ Finance, Insurance	Andhiyur
TN	376	Reliance Life Insurance Company Limited Arani	24 金融業、保険業/ Finance, Insurance	Arani
TN	377	Reliance Life Insurance Company Limited Arcot	24 金融業、保険業/ Finance, Insurance	Arcot
TN	378	Reliance Life Insurance Company Limited Ariyalur	24 金融業、保険業/ Finance, Insurance	Ariyalur
TN	379	Reliance Life Insurance Company Limited Chengalpet	24 金融業、保険業/ Finance, Insurance	Chengalpet
TN	380	AMADA (INDIA) PRIVATE LIMITED Coimbatore Service Center	23 卸売業、小売業(含: 商社、販社)/ Wholesales, Retail (including Sogo Shosya, sale company)	Coimbatore
TN	381	Atlas Logistics Pvt. Ltd. Coimbatore Branch	22 運輸業/ Transportation	Coimbatore
TN	382	CHOLAMANDALAM MS GENERAL INSURANCE COMPANY Ltd.	24 金融業、保険業/ Finance, Insurance	Coimbatore
TN	383	Epson India Pvt. Ltd.	16 電気機械器具製造業/ Manufacturing- Electoric Machinery	Coimbatore

2.4. Southern India

State	Sl. No.	NAME OF COMPANY REGISTERED IN INDIA	TYPE OF BUSINESS IN INDIA	LOCATIDN
TN	384	Erbis Engineering (India) Pvt. Ltd.	23 卸売業、小売業(含:商社、販社)/Wholesales, Retail (including Sogo Shosya, sale company)	Coimbatore
TN	385	Essae Teraoka Ltd.	16 電気機械器具製造業/ Manufacturing- Electoric Machinery	Coimbatore
TN	386	ETA General Pvt. Ltd. Branch Office	16 電気機械器具製造業/ Manufacturing- Electoric Machinery	Coimbatore
TN	387	Fanuc India Pvt. Ltd.	16 電気機械器具製造業/ Manufacturing- Electoric Machinery	Coimbatore
TN	388	Flyjac Logistics Pvt. Ltd. Coimbatore Branch	22 運輸業/ Transportation	Coimbatore
TN	389	Hirotec India Pvt. Ltd. Factory	18 輸送機械器具製造業/ Manufacturing- Automobile, Two Wheer, Auto Components, Rail/ Ship/Air Plane	Coimbatore
TN	390	Hitachi Home & Life Solutions (India) Ltd.	16 電気機械器具製造業/ Manufacturing- Electoric Machinery	Coimbatore
TN	391	IFFCO-Tokio General Insurance Co. Ltd.	24 金融業、保険業/ Finance, Insurance	Coimbatore
TN	392	JTB Jupiter Express Service Pvt. Ltd. Coimbatore Branch	22 運輸業/ Transportation	Coimbatore
TN	393	Kintetsu World Express (India) Private Limited	22 運輸業/ Transportation	Coimbatore
TN	394	Kintetsu World Express (India) Private Limited	22 運輸業/ Transportation	Coimbatore
TN	395	Kirloskar Toyoda Textile Machinery Pvt. Ltd. Coimbatore Branch	18 輸送機械器具製造業/ Manufacturing- Automobile, Two Wheer, Auto Components, Rail/ Ship/Air Plane	Coimbatore
TN	396	Koso India Pvt. Ltd., Plant 3	19 その他の製造業/ Manufacturing- Others	Coimbatore
TN	397	KWE India	22 運輸業/ Transportation	Coimbatore
TN	398	MAX LIFE INSURANCE COMPANY Ltd.	24 金融業、保険業/ Finance, Insurance	Coimbatore
TN	399	MAX LIFE INSURANCE COMPANY Ltd.	24 金融業、保険業/ Finance, Insurance	Coimbatore
TN	400	MAX LIFE INSURANCE COMPANY Ltd.	24 金融業、保険業/ Finance, Insurance	Coimbatore
TN	401	MC Craftsman Machinery	23 卸売業、小売業(含:商社、販社)/Wholesales, Retail (including Sogo Shosya, sale company)	Coimbatore
TN	402	mitsubishi electric india private limited	16 電気機械器具製造業/ Manufacturing- Electoric Machinery	Coimbatore
TN	403	Murata Machinery India Private Limited Coimbatore Office	16 電気機械器具製造業/ Manufacturing- Electoric Machinery	Coimbatore
TN	404	Nippon Express (India) Pvt., Ltd.	22 運輸業/ Transportation	Coimbatore
TN	405	NYK Line (India) Ltd. Coimbatore Office	22 運輸業/ Transportation	Coimbatore
TN	406	Panasonic India Pvt. Ltd.	16 電気機械器具製造業/ Manufacturing- Electoric Machinery	Coimbatore
TN	407	Pricol Limited Corporate Office	18 輸送機械器具製造業/ Manufacturing- Automobile, Two Wheer, Auto Components, Rail/ Ship/Air Plane	Coimbatore
TN	408	Reliance Life Insurance Company Limited Coimbatore 2	24 金融業、保険業/ Finance, Insurance	Coimbatore
TN	409	Ricoh India Limited	21 情報通信業/ Telecommunication, Broadcasting, IT, Newspaper, Publishing etc	Coimbatore
TN	410	Robert Bosch Engineering and Business Solutions Limited	18 輸送機械器具製造業/ Manufacturing- Automobile, Two Wheer, Auto Components, Rail/ Ship/Air Plane	Coimbatore
TN	411	Sharp Business Systems (India) Limited Coimbatore Branch	23 卸売業、小売業(含:商社、販社)/Wholesales, Retail (including Sogo Shosya, sale company)	Coimbatore
TN	412	Sindhu Cargo Services Limited Coimbatore Office	22 運輸業/ Transportation	Coimbatore
TN	413	SMC PNEUMATICS (INDIA) Pvt. Ltd.	19 その他の製造業/ Manufacturing- Others	Coimbatore
TN	414	Sony India Pvt. Ltd. Coimbatore	23 卸売業、小売業(含:商社、販社)/Wholesales, Retail (including Sogo Shosya, sale company)	Coimbatore
TN	415	Universal Sompo General Insurance Co., Ltd.	24 金融業、保険業/ Finance, Insurance	Coimbatore

2.4. Southern India

State	Sl. No.	NAME OF COMPANY REGISTERED IN INDIA	TYPE OF BUSINESS IN INDIA	LOCATIDN
TN	416	Reliance Life Insurance Company Limited Coonoor	24 金融業、保険業/ Finance, Insurance	Coonoor
TN	417	Pioneer Jellice India Pvt. Ltd., Factory	19 その他の製造業/ Manufacturing- Others	Cuddalore
TN	418	CHOLAMANDALAM MS GENERAL INSURANCE COMPANY Ltd.	24 金融業、保険業/ Finance, Insurance	Dharmapuri
TN	419	Reliance Life Insurance Company Limited Dharmapuri	24 金融業、保険業/ Finance, Insurance	Dharmapuri
TN	420	Essae Teraoka Ltd.	16 電気機械器具製造業/ Manufacturing- Electoric Machinery	Dindigul
TN	421	Reliance Life Insurance Company Limited Dindigul	24 金融業、保険業/ Finance, Insurance	Dindigul
TN	422	CHOLAMANDALAM MS GENERAL INSURANCE COMPANY Ltd.	24 金融業、保険業/ Finance, Insurance	Erode
TN	423	Essae Teraoka Ltd.	16 電気機械器具製造業/ Manufacturing- Electoric Machinery	Erode
TN	424	MAX LIFE INSURANCE COMPANY Ltd.	24 金融業、保険業/ Finance, Insurance	Erode
TN	425	Reliance Life Insurance Company Limited Erode	24 金融業、保険業/ Finance, Insurance	Erode
TN	426	Reliance Life Insurance Company Limited Gobichettipalayam	24 金融業、保険業/ Finance, Insurance	Gobichettipalayam
TN	427	Reliance Life Insurance Company Limited Gudiyatham	24 金融業、保険業/ Finance, Insurance	Gudiyatham
TN	428	Rane NSK Steering Systems Limited, Corporate office & Plant	18 輸送機械器具製造業/ Manufacturing- Automobile, Two Wheer, Auto Components, Rail/ Ship/Air Plane	Guduvacherry
TN	429	CHOLAMANDALAM MS GENERAL INSURANCE COMPANY Ltd.	24 金融業、保険業/ Finance, Insurance	Hosur
TN	430	Essae Teraoka Ltd.	16 電気機械器具製造業/ Manufacturing- Electoric Machinery	Hosur
TN	431	Fiem Industries	18 輸送機械器具製造業/ Manufacturing- Automobile, Two Wheer, Auto Components, Rail/ Ship/Air Plane	Hosur
TN	432	India Nippon Electrical Ltd. Plant-I Hosur	18 輸送機械器具製造業/ Manufacturing- Automobile, Two Wheer, Auto Components, Rail/ Ship/Air Plane	Hosur
TN	433	Makita Power Tools India Pvt. Ltd.	16 電気機械器具製造業/ Manufacturing- Electoric Machinery	Hosur
TN	434	Pricol Limited Marketing Representatives	18 輸送機械器具製造業/ Manufacturing- Automobile, Two Wheer, Auto Components, Rail/ Ship/Air Plane	Hosur
TN	435	Reliance Life Insurance Company Limited Hosur	24 金融業、保険業/ Finance, Insurance	Hosur
TN	436	Sango India Automotive Parts Pvt. Ltd.	18 輸送機械器具製造業/ Manufacturing- Automobile, Two Wheer, Auto Components, Rail/ Ship/Air Plane	Hosur
TN	437	Reliance Life Insurance Company Limited Kallakurichi	24 金融業、保険業/ Finance, Insurance	Kallakurichi
TN	438	Asahi India Glass Ltd. Chennai Plant	09 窯業・土石製品製造業/ Pottery	Kanchipuram
TN	439	Ashok Leyland Nissan Vehicles Pvt. Ltd.	18 輸送機械器具製造業/ Manufacturing- Automobile, Two Wheer, Auto Components, Rail/ Ship/Air Plane	Kanchipuram
TN	440	Automotive Steel Pipe India Pvt. Ltd., HO	12 金属製品製造業/ manufactruing- Metal Products	Kanchipuram
TN	441	Autoneum Nittoku Sound Proof Products India Pvt. Ltd.	07 化学工業/ Chemical Industry	Kanchipuram
TN	442	BBL-DAIDO Pvt. Ltd.	18 輸送機械器具製造業/ Manufacturing- Automobile, Two Wheer, Auto Components, Rail/ Ship/Air Plane	Kanchipuram
TN	443	Bosch Electrical Drives India Limited	18 輸送機械器具製造業/ Manufacturing- Automobile, Two Wheer, Auto Components, Rail/ Ship/Air Plane	Kanchipuram
TN	444	Bridgestone India Automotive Products Private Limited, HO	18 輸送機械器具製造業/ Manufacturing- Automobile, Two Wheer, Auto Components, Rail/ Ship/Air Plane	Kanchipuram
TN	445	Calsonic Kansei Motherson Auto Products Limited	18 輸送機械器具製造業/ Manufacturing- Automobile, Two Wheer, Auto Components, Rail/ Ship/Air Plane	Kanchipuram
TN	446	Chettinad Morimura Semiconductor Material Pvt. Ltd.	23 卸売業、小売業/ Wholesales, Retail	Kanchipuram
TN	447	CMR-Toyotsu Aluminium India Private Ltd.	11 非鉄金属製造業/ Manufacturing- Non Metal Products	Kanchipuram

2.4. Southern India

State	Sl. No.	NAME OF COMPANY REGISTERED IN INDIA	TYPE OF BUSINESS IN INDIA	LOCATIDN
TN	448	Fujitec India Pvt. Ltd.	15 業務用機械器具製造業/ Manufacturing- Commercial Machinery	Kanchipuram
TN	449	Hightemp Furnaces Pvt. Ltd. Chennai Plant	10 鉄鋼業/ Steel	Kanchipuram
TN	450	HIVEC RHINO TECHNOLOGIES Pvt. Ltd.	18 輸送機械器具製造業/ Manufacturing- Automobile, Two Wheeler, Auto Components, Rail/ Ship/Air Plane	Kanchipuram
TN	451	I.P. Rings Ltd.	18 輸送機械器具製造業/ Manufacturing- Automobile, Two Wheeler, Auto Components, Rail/ Ship/Air Plane	Kanchipuram
TN	452	IHD INDUSTRIES Pvt. Ltd.	18 輸送機械器具製造業/ Manufacturing- Automobile, Two Wheeler, Auto Components, Rail/ Ship/Air Plane	Kanchipuram
TN	453	JSP Foam India Pvt. Ltd.	18 輸送機械器具製造業/ Manufacturing- Automobile, Two Wheeler, Auto Components, Rail/ Ship/Air Plane	Kanchipuram
TN	454	JTEKT SONA AUTOMOTIVE INDIA Ltd.	18 輸送機械器具製造業/ Manufacturing- Automobile, Two Wheeler, Auto Components, Rail/ Ship/Air Plane	Kanchipuram
TN	455	Kajima India Pvt. Ltd. Chennai Project Office	03 建設業/ Construction Industry	Kanchipuram
TN	456	Kanaech India Pvt. Ltd.	18 輸送機械器具製造業/ Manufacturing- Automobile, Two Wheeler, Auto Components, Rail/ Ship/Air Plane	Kanchipuram
TN	457	Katsushiro Matex India Pvt. Ltd.	10 鉄鋼業/ Steel	Kanchipuram
TN	458	Komatsu India Pvt. Ltd. HQ & Chennai Plant	19 その他の製造業/ Manufacturing- Others	Kanchipuram
TN	459	KYOWA CASTEC INDIA PRIVATE LIMITED	18 輸送機械器具製造業/ Manufacturing- Automobile, Two Wheeler, Auto Components, Rail/ Ship/Air Plane	Kanchipuram
TN	460	L & T Kobelco Machinery India Private Limited	10 鉄鋼業/ Steel	Kanchipuram
TN	461	MAX LIFE INSURANCE COMPANY Ltd.	24 金融業、保険業/ Finance, Insurance	Kanchipuram
TN	462	MI STEEL PROCESSING INDIA PRIVATE LIMITED	10 鉄鋼業/ Steel	Kanchipuram
TN	463	Mukand Sumi Metal Processing Limited	12 金属製品製造業/ manufactruing- Metal Products	Kanchipuram
TN	464	NEC India Pvt. Ltd. Chennai Branch 2	17 情報通信機械器具、電子部品・デバイス・電子回路製造業/ Manufacturing- IT Products, Electronics Products	Kanchipuram
TN	465	NIFCO SOUTH INDIA MANUFACTUREING Pvt. Ltd.	18 輸送機械器具製造業/ Manufacturing- Automobile, Two Wheeler, Auto Components, Rail/ Ship/Air Plane	Kanchipuram
TN	466	Nippatsu F Krishna India Automotive Sheeting	18 輸送機械器具製造業/ Manufacturing- Automobile, Two Wheeler, Auto Components, Rail/ Ship/Air Plane	Kanchipuram
TN	467	Nittsu Logistics (India) Private Limited (Oragadam Logistics Warehouse)	22 運輸業/ Transportation	Kanchipuram
TN	468	NSK-ABC Bearings Ltd.	18 輸送機械器具製造業/ Manufacturing- Automobile, Two Wheeler, Auto Components, Rail/ Ship/Air Plane	Kanchipuram
TN	469	NTN MEI Manufacturing India Private Limited, Chennai Plant	19 その他の製造業/ Manufacturing- Others	Kanchipuram
TN	470	Reliance Life Insurance Company Limited Kancheepuram	24 金融業、保険業/ Finance, Insurance	Kanchipuram
TN	471	Renault Nissan Automotive India Private Limited	18 輸送機械器具製造業/ Manufacturing- Automobile, Two Wheeler, Auto Components, Rail/ Ship/Air Plane	Kanchipuram
TN	472	Renault Nissan Technology Business Centre India Private Limited	18 輸送機械器具製造業/ Manufacturing- Automobile, Two Wheeler, Auto Components, Rail/ Ship/Air Plane	Kanchipuram
TN	473	Sakazaki Engraving India Pvt. Ltd.	16 電気機械器具製造業/ Manufacturing- Electoric Machinery	Kanchipuram
TN	474	Shin-Etsu Polymer India Pvt. Ltd.	19 その他の製造業/ Manufacturing- Others	Kanchipuram
TN	475	Sindhu Cargo Services Limited Chennai SEZ Operation	22 運輸業/ Transportation	Kanchipuram
TN	476	Sinto Bharat Manufacturing Pvt. Ltd.	16 電気機械器具製造業/ Manufacturing- Electoric Machinery	Kanchipuram
TN	477	SOMIC ZF COMPONENTS LIMITED	18 輸送機械器具製造業/ Manufacturing- Automobile, Two Wheeler, Auto Components, Rail/ Ship/Air Plane	Kanchipuram
TN	478	Subros Ltd. Plant	18 輸送機械器具製造業/ Manufacturing- Automobile, Two Wheeler, Auto Components, Rail/ Ship/Air Plane	Kanchipuram
TN	479	Surface Treatment Technology Private Limited	19 その他の製造業/ Manufacturing- Others	Kanchipuram

2.4. Southern India

State	Sl. No.	NAME OF COMPANY REGISTERED IN INDIA	TYPE OF BUSINESS IN INDIA	LOCATIDN
TN	480	Takata India Pvt. Ltd.	18 輸送機械器具製造業/ Manufacturing- Automobile, Two Wheeler, Auto Components, Rail/ Ship/Air Plane	Kanchipuram
TN	481	TSUGAMI PRECISION ENGINEERING INDIA PRIVATE LIMITED	14 生産用機械器具製造業/ Manufacturing- Prduction Machinery	Kanchipuram
TN	482	TSUGAMI TECH SOLUTIONS INDIA PRIVATE LIMITED	14 生産用機械器具製造業/ Manufacturing- Prduction Machinery	Kanchipuram
TN	483	TT Assembly India Pvt. Ltd. Kancheepuram Head Office	18 輸送機械器具製造業/ Manufacturing- Automobile, Two Wheeler, Auto Components, Rail/ Ship/Air Plane	Kanchipuram
TN	484	TWIN DISC (FAR EAST) PTE LIMITED - INDIA (SEZ)	18 輸送機械器具製造業/ Manufacturing- Automobile, Two Wheeler, Auto Components, Rail/ Ship/Air Plane	Kanchipuram
TN	485	Yazaki Wiring Technologies India Pvt. Ltd. (Kancheepuram)	16 電気機械器具製造業/ Manufacturing- Electoric Machinery	Kanchipuram
TN	486	Yorozu JBM Automotive Tamil Nadu Pvt. Ltd.	18 輸送機械器具製造業/ Manufacturing- Automobile, Two Wheeler, Auto Components, Rail/ Ship/Air Plane	Kanchipuram
TN	487	Yusen Logistics India Ltd. Chennai Nissan Warehouse	22 運輸業/ Transportation	Kanchipuram
TN	488	Reliance Life Insurance Company Limited Karaikudi	24 金融業、保険業/ Finance, Insurance	Karaikudi
TN	489	Universal Sampo General Insurance Co., Ltd.	24 金融業、保険業/ Finance, Insurance	Karaikudi
TN	490	CHOLAMANDALAM MS GENERAL INSURANCE COMPANY Ltd.	24 金融業、保険業/ Finance, Insurance	Karur
TN	491	Reliance Life Insurance Company Limited Karur	24 金融業、保険業/ Finance, Insurance	Karur
TN	492	Reliance Life Insurance Company Limited Krishnagiri	24 金融業、保険業/ Finance, Insurance	Krishnagiri
TN	493	Reliance Life Insurance Company Limited Kumbakonam	24 金融業、保険業/ Finance, Insurance	Kumbakonam
TN	494	CHOLAMANDALAM MS GENERAL INSURANCE COMPANY Ltd.	24 金融業、保険業/ Finance, Insurance	Madurai
TN	495	Erbis Engineering (India) Pvt. Ltd.	23 卸売業、小売業(含:商社、販社)/ Wholesales, Retail (including Sogo Shosya, sale company)	Madurai
TN	496	Essae Teraoka Ltd.	16 電気機械器具製造業/ Manufacturing- Electoric Machinery	Madurai
TN	497	HI-TECH ARAI PRIVATE LIMITED	07 化学工業/ Chemical Industry	Madurai
TN	498	IFFCO-Tokio General Insurance Co. Ltd.	24 金融業、保険業/ Finance, Insurance	Madurai
TN	499	LIC Nomura Mutual Fund Asset Management Co. Ltd. Madurai Office	24 金融業、保険業/ Finance, Insurance	Madurai
TN	500	MAX LIFE INSURANCE COMPANY Ltd.	24 金融業、保険業/ Finance, Insurance	Madurai
TN	501	Pioneer Jellice India Pvt. Ltd.	19 その他の製造業/ Manufacturing- Others	Madurai
TN	502	Universal Sampo General Insurance Co., Ltd.	24 金融業、保険業/ Finance, Insurance	Madurai
TN	503	Reliance Life Insurance Company Limited Madurai 1	24 金融業、保険業/ Finance, Insurance	Madurai
TN	504	Reliance Life Insurance Company Limited Madurai 2	24 金融業、保険業/ Finance, Insurance	Madurai
TN	505	Yazaki Wiring Harness Pvt. Ltd., YWTI	18 輸送機械器具製造業/ Manufacturing- Automobile, Two Wheeler, Auto Components, Rail/ Ship/Air Plane	Maraimalainagar
TN	506	Reliance Life Insurance Company Limited Mayiladuthurai	24 金融業、保険業/ Finance, Insurance	Mayiladuthurai
TN	507	Reliance Life Insurance Company Limited Mettupalayam	24 金融業、保険業/ Finance, Insurance	Mettupalayam
TN	508	Reliance Life Insurance Company Limited Nagapattinam	24 金融業、保険業/ Finance, Insurance	Nagapattinam
TN	509	Reliance Life Insurance Company Limited Nagercoil	24 金融業、保険業/ Finance, Insurance	Nagercoil
TN	510	Reliance Life Insurance Company Limited Namakkal	24 金融業、保険業/ Finance, Insurance	Namakkal
TN	511	Nippon Express (India) Pvt., Ltd.	22 運輸業/ Transportation	Oragadam



2.4. Southern India

State	Sl. No.	NAME OF COMPANY REGISTERED IN INDIA	TYPE OF BUSINESS IN INDIA	LOCATIDN
TN	512	Reliance Life Insurance Company Limited Pollachi	24 金融業、保険業/ Finance, Insurance	Pollachi
TN	513	Reliance Life Insurance Company Limited Pramakudi	24 金融業、保険業/ Finance, Insurance	Pramakudi
TN	514	Reliance Life Insurance Company Limited Pudukkottai	24 金融業、保険業/ Finance, Insurance	Pudukkottai
TN	515	SDS Ramcides CropScience Private Limited	08 石油製品・石炭製品製造業/ Manufacturing- Petro Products, Coal Products	Pudukkottai
TN	516	Reliance Life Insurance Company Limited Rajapalayam	24 金融業、保険業/ Finance, Insurance	Rajapalayam
TN	517	Mitsubishi Heavy Industries India Precision Tools, Ltd.	14 生産用機械器具製造業/ Manufacturing- Prduction Machinery	Ranipet
TN	518	CHOLAMANDALAM MS GENERAL INSURANCE COMPANY Ltd.	24 金融業、保険業/ Finance, Insurance	Salem
TN	519	Essae Teraoka Ltd.	16 電気機械器具製造業/ Manufacturing- Electoric Machinery	Salem
TN	520	IFFCO-Tokio General Insurance Co. Ltd.	24 金融業、保険業/ Finance, Insurance	Salem
TN	521	MAX LIFE INSURANCE COMPANY Ltd.	24 金融業、保険業/ Finance, Insurance	Salem
TN	522	NTL Logistics Plus India Pvt. Ltd.	22 運輸業/ Transportation	Salem
TN	523	TRL Krosaki Refractories Ltd.	19 その他の製造業/ Manufacturing- Others	Salem
TN	524	Reliance Life Insurance Company Limited Salem 1	24 金融業、保険業/ Finance, Insurance	Salem
TN	525	Reliance Life Insurance Company Limited Sankagiri	24 金融業、保険業/ Finance, Insurance	Sankagiri
TN	526	Reliance Life Insurance Company Limited Sankarankoil	24 金融業、保険業/ Finance, Insurance	Sankarankoil
TN	527	Hi-Lex India Pvt. Ltd. South Business Office (Temporary)	18 輸送機械器具製造業/ Manufacturing- Automobile, Two Wheeler, Auto Components, Rail/ Ship/Air Plane	Sriperumbudur
TN	528	Mindarika Pvt. Ltd., Chennai Plant	18 輸送機械器具製造業/ Manufacturing- Automobile, Two Wheeler, Auto Components, Rail/ Ship/Air Plane	Sriperumbudur
TN	529	Nichias Industrial Products Pvt. Ltd.	18 輸送機械器具製造業/ Manufacturing- Automobile, Two Wheeler, Auto Components, Rail/ Ship/Air Plane	Sriperumbudur
TN	530	Sekisui DLJM Molding Pvt., Ltd. Chennai Plant	18 輸送機械器具製造業/ Manufacturing- Automobile, Two Wheeler, Auto Components, Rail/ Ship/Air Plane	Sriperumbudur
TN	531	Unipres India Pvt. Ltd.	18 輸送機械器具製造業/ Manufacturing- Automobile, Two Wheeler, Auto Components, Rail/ Ship/Air Plane	Sriperumbudur
TN	532	CHOLAMANDALAM MS GENERAL INSURANCE COMPANY Ltd.	24 金融業、保険業/ Finance, Insurance	Tanjore
TN	533	Reliance Life Insurance Company Limited Thanjavur	24 金融業、保険業/ Finance, Insurance	Thanjavur
TN	534	Reliance Life Insurance Company Limited Theni	24 金融業、保険業/ Finance, Insurance	Theni
TN	535	Reliance Life Insurance Company Limited Thirukoyilur	24 金融業、保険業/ Finance, Insurance	Thirukoyilur
TN	536	CHOLAMANDALAM MS GENERAL INSURANCE COMPANY Ltd.	24 金融業、保険業/ Finance, Insurance	Thirunelveli
TN	537	Reliance Life Insurance Company Limited Thirupathur	24 金融業、保険業/ Finance, Insurance	Thirupathur
TN	538	Alpha Security Instruments (India) Private Limited	18 輸送機械器具製造業/ Manufacturing- Automobile, Two Wheeler, Auto Components, Rail/ Ship/Air Plane	Thiruvallur
TN	539	Asahitech Stencils Pvt. Ltd. Factory	12 金属製品製造業/ manufactruing- Metal Products	Thiruvallur
TN	540	Honda Motor India Limited, Chennai Ware House	18 輸送機械器具製造業/ Manufacturing- Automobile, Two Wheeler, Auto Components, Rail/ Ship/Air Plane	Thiruvallur
TN	541	Mayekawa India Pvt. Ltd. Factory	19 その他の製造業/ Manufacturing- Others	Thiruvallur
TN	542	Nikki India Fuel Systems Private Limited	18 輸送機械器具製造業/ Manufacturing- Automobile, Two Wheeler, Auto Components, Rail/ Ship/Air Plane	Thiruvallur
TN	543	NS Instruments India Private Ltd. Factory	18 輸送機械器具製造業/ Manufacturing- Automobile, Two Wheeler, Auto Components, Rail/ Ship/Air Plane	Thiruvallur

2.4. Southern India

State	Sl. No.	NAME OF COMPANY REGISTERED IN INDIA	TYPE OF BUSINESS IN INDIA	LOCATIDN
TN	544	Reliance Life Insurance Company Limited Thiruvavur	24 金融業、保険業/ Finance, Insurance	Thiruvallur
TN	545	Reliance Life Insurance Company Limited Thuckalay	24 金融業、保険業/ Finance, Insurance	Thuckalay
TN	546	Reliance Life Insurance Company Limited Tiruchendur	24 金融業、保険業/ Finance, Insurance	Tiruchendur
TN	547	Atlas Logistics Pvt. Ltd. Tiruchirappalli Branch	22 運輸業/ Transportation	Tiruchirappalli
TN	548	MAX LIFE INSURANCE COMPANY Ltd.	24 金融業、保険業/ Finance, Insurance	Tiruchirappalli
TN	549	Rane Brake Lining Ltd.	18 輸送機械器具製造業/ Manufacturing- Automobile, Two Wheer, Auto Components, Rail/ Ship/Air Plane	Tiruchirappalli
TN	550	SDS Ramcides CropScience Private Limited	08 石油製品・石炭製品製造業/ Manufacturing- Petro Products, Coal Products	Tiruchirappalli
TN	551	Essae Teraoka Ltd.	16 電気機械器具製造業/ Manufacturing- Electoric Machinery	Tirunelveli
TN	552	MAX LIFE INSURANCE COMPANY Ltd.	24 金融業、保険業/ Finance, Insurance	Tirunelveli
TN	553	Reliance Life Insurance Company Limited Tirunelveli	24 金融業、保険業/ Finance, Insurance	Tirunelveli
TN	554	AVALI International Private Limited	23 卸売業、小売業/ Wholesales, Retail	Tirupur
TN	555	Flyjac Logistics Pvt. Ltd. Tirupur Branch	22 運輸業/ Transportation	Tirupur
TN	556	Juki India Private Limited Tirupur Office	23 卸売業、小売業(含:商社、販社)/ Wholesales, Retail (including Sogo Shosya, sale company)	Tirupur
TN	557	Pegasus Sewing Machine Pte. Ltd. India (Tirupur) Liaison Office	16 電気機械器具製造業/ Manufacturing- Electoric Machinery	Tirupur
TN	558	Reliance Life Insurance Company Limited Tiruppur	24 金融業、保険業/ Finance, Insurance	Tirupur
TN	559	Yamato Singapore Pte. Ltd.	16 電気機械器具製造業/ Manufacturing- Electoric Machinery	Tirupur
TN	560	YKK INDIA Pvt. Ltd. Tirupur Branch	19 その他の製造業/ Manufacturing- Others	Tirupur
TN	561	Reliance Life Insurance Company Limited Tiruvannamalai	24 金融業、保険業/ Finance, Insurance	Tiruvannamalai
TN	562	CHOLAMANDALAM MS GENERAL INSURANCE COMPANY Ltd.	24 金融業、保険業/ Finance, Insurance	Trichy
TN	563	Reliance Life Insurance Company Limited Trichy	24 金融業、保険業/ Finance, Insurance	Trichy
TN	564	Atlas Logistics Pvt. Ltd. Tuticorin Branch	22 運輸業/ Transportation	Tuticorin
TN	565	Flyjac Logistics Pvt. Ltd. Tuticorin Branch	22 運輸業/ Transportation	Tuticorin
TN	566	Mitsui O.S.K.Lines (India) Pvt. Ltd.	22 運輸業/ Transportation	Tuticorin
TN	567	Nippon Express (India) Pvt., Ltd.	22 運輸業/ Transportation	Tuticorin
TN	568	NYK Line (India) Ltd. Tuticorin Office	22 運輸業/ Transportation	Tuticorin
TN	569	Sindhu Cargo Services Limited Tuticorin Office	22 運輸業/ Transportation	Tuticorin
TN	570	Yusen Logistics India Ltd.	22 運輸業/ Transportation	Tuticorin
TN	571	Reliance Life Insurance Company Limited Udumalpet	24 金融業、保険業/ Finance, Insurance	Udumalpet
TN	572	CHOLAMANDALAM MS GENERAL INSURANCE COMPANY Ltd.	24 金融業、保険業/ Finance, Insurance	Vellore
TN	573	Essae Teraoka Ltd.	16 電気機械器具製造業/ Manufacturing- Electoric Machinery	Vellore
TN	574	MAX LIFE INSURANCE COMPANY Ltd.	24 金融業、保険業/ Finance, Insurance	Vellore
TN	575	Reliance Life Insurance Company Limited Vellore	24 金融業、保険業/ Finance, Insurance	Vellore

2.4. Southern India

State	Sl. No.	NAME OF COMPANY REGISTERED IN INDIA	TYPE OF BUSINESS IN INDIA	LOCATIDN
TN	576	Reliance Life Insurance Company Limited Villupuram	24 金融業、保険業/ Finance, Insurance	Villupuram
TN	577	Reliance Life Insurance Company Limited Virudhunagar	24 金融業、保険業/ Finance, Insurance	Virudhunagar
<b>2.4.2. [Puducherry]</b>				
PY	1	Essae-Teraoka Pvt. Ltd.	16 電気機械器具製造業/ Manufacturing- Electoric Machinery	Puducherry
PY	2	ETA General Pvt. Ltd. Factory	16 電気機械器具製造業/ Manufacturing- Electoric Machinery	Puducherry
PY	3	India Nippon Electrical Ltd. Plant-II Pondicherry	18 輸送機械器具製造業/ Manufacturing- Automobile, Two Wheer, Auto Components, Rail/ Ship/Air Plane	Puducherry
PY	4	MAX LIFE INSURANCE COMPANY Ltd.	24 金融業、保険業/ Finance, Insurance	Puducherry
PY	5	Rane Brake Lining Ltd.	18 輸送機械器具製造業/ Manufacturing- Automobile, Two Wheer, Auto Components, Rail/ Ship/Air Plane	Puducherry
PY	6	Reliance Life Insurance Company Limited Pondicherry	24 金融業、保険業/ Finance, Insurance	Puducherry
PY	7	CHOLAMANDALAM MS GENERAL INSURANCE COMPANY Ltd.	24 金融業、保険業/ Finance, Insurance	Mudaliarpettai
PY	8	Honda Siel Power Products Limited	19 その他の製造業/ Manufacturing- Others	Sedarapet
<b>2.4.3. [Andhra Pradesh]</b>				
AP/ TG	1	3F Fuji Foods Private Limited	19 その他の製造業/ Manufacturing- Others	Hyderabad
AP/ TG	2	Aica Laminates India Private Limited, Hyderabad Branch	07 化学工業/ Chemical Industry	Hyderabad
AP/ TG	3	Aisin Cosmos R & D Co Limited	29 サービス業/ Consulting, Advertisement, Research, Lawfirm, Accounts, Entertainment, Human Resource etc	Hyderabad
AP/ TG	4	Aisin Engineering Co., Ltd. Hyderabad Branch	29 サービス業/ Consulting, Advertisement, Research, Lawfirm, Accounts, Entertainment, Human Resource etc	Hyderabad
AP/ TG	5	Aithcrew Engineering Solutions	29 サービス業/ Consulting, Advertisement, Research, Lawfirm, Accounts, Entertainment, Human Resource etc	Hyderabad
AP/ TG	6	AMADA (INDIA) PRIVATE LIMITED Hyderabad Service Center	23 卸売業、小売業(含: 商社、販社)/ Wholesales, Retail (including Sogo Shosya, sale company)	Hyderabad
AP/ TG	7	Amco Batteries Limited Hyderabad Branch	18 輸送機械器具製造業/ Manufacturing- Automobile, Two Wheer, Auto Components, Rail/ Ship/Air Plane	Hyderabad
AP/ TG	8	Arkadin ConferIndia (P) Ltd.	21 情報通信業/ Telecommunication, Broadcasting, IT, Newspaper, Publishing etc	Hyderabad
AP/ TG	9	Asahi Switchgear Products Ltd.	16 電気機械器具製造業/ Manufacturing- Electoric Machinery	Hyderabad
AP/ TG	10	ASIA VOX Ltd.	29 サービス業/ Consulting, Advertisement, Research, Lawfirm, Accounts, Entertainment, Human Resource etc	Hyderabad
AP/ TG	11	Atlas Logistics Pvt. Ltd. Hyderabad Branch	22 運輸業/ Transportation	Hyderabad
AP/ TG	12	Atlas Logistics Pvt. Ltd. Hyderabad Branch	22 運輸業/ Transportation	Hyderabad
AP/ TG	13	Aura Paper Industries (India) Pvt. Ltd.	19 その他の製造業/ Manufacturing- Others	Hyderabad
AP/ TG	14	BUSSAN AUTO FINANCE INDIA Pvt. Ltd.	24 金融業、保険業/ Finance, Insurance	Hyderabad
AP/ TG	15	Canon India Private Limited	23 卸売業、小売業(含: 商社、販社)/ Wholesales, Retail (including Sogo Shosya, sale company)	Hyderabad
AP/ TG	16	Casio India Co., Private Limited - Hyderabad Office	16 電気機械器具製造業/ Manufacturing- Electoric Machinery	Hyderabad
AP/ TG	17	CHINO Corporation India Pvt. Ltd.	16 電気機械器具製造業/ Manufacturing- Electoric Machinery	Hyderabad
AP/ TG	18	Daicelchiral Technologies	07 化学工業/ Chemical Industry	Hyderabad

2.4. Southern India

State	Sl. No.	NAME OF COMPANY REGISTERED IN INDIA	TYPE OF BUSINESS IN INDIA	LOCATIDN
AP/TG	19	DAIKIN AIRCONDITIONING INDIA Pvt. Ltd. HYDERABAD BRANCH	16 電気機械器具製造業/ Manufacturing- Electoric Machinery	Hyderabad
AP/TG	20	Deccan Fine Chemicals (India) Private Limited, HQ	07 化学工業/ Chemical Industry	Hyderabad
AP/TG	21	Edelweiss Tokio Life Insurance Co. Ltd.	24 金融業、保険業/ Finance, Insurance	Hyderabad
AP/TG	22	Edelweiss Tokio Life Insurance Company Limited Hyderabad_Banjara Hills	24 金融業、保険業/ Finance, Insurance	Hyderabad
AP/TG	23	Ellenbarrie Industrial Gases Ltd.	07 化学工業/ Chemical Industry	Hyderabad
AP/TG	24	Epson India Pvt. Ltd.	16 電気機械器具製造業/ Manufacturing- Electoric Machinery	Hyderabad
AP/TG	25	Essae Teraoka Ltd.	16 電気機械器具製造業/ Manufacturing- Electoric Machinery	Hyderabad
AP/TG	26	ETA General Pvt. Ltd. Branch Office	16 電気機械器具製造業/ Manufacturing- Electoric Machinery	Hyderabad
AP/TG	27	Flyjac logistics Pvt. Ltd. Hyderabad Branch	22 運輸業/ Transportation	Hyderabad
AP/TG	28	Fujitsu Consulting India Private Limited, Hyderabad Office	21 情報通信業/ Telecommunication, Broadcasting, IT, Newspaper, Publishing etc	Hyderabad
AP/TG	29	Gati-Kintetsu Express Private Ltd.	22 運輸業/ Transportation	Hyderabad
AP/TG	30	Hitachi Consulting India Private Limited	29 サービス業/ Consulting, Advertisement, Research, Lawfirm, Accounts, Entertainment, Human Resource etc	Hyderabad
AP/TG	31	Hitachi Consulting Software Services India Pvt. Ltd.	29 サービス業/ Consulting, Advertisement, Research, Lawfirm, Accounts, Entertainment, Human Resource etc	Hyderabad
AP/TG	32	Hitachi Home & Life Solutions (India) Ltd.	16 電気機械器具製造業/ Manufacturing- Electoric Machinery	Hyderabad
AP/TG	33	Hitachi Solutions India Pvt. Ltd.	29 サービス業/ Consulting, Advertisement, Research, Lawfirm, Accounts, Entertainment, Human Resource etc	Hyderabad
AP/TG	34	Hitachi Systems Micro Clinic Pvt. Ltd., Hyderabad Branch	21 情報通信業/ Telecommunication, Broadcasting, IT, Newspaper, Publishing etc	Hyderabad
AP/TG	35	Hitachi Zosen India Pvt. Ltd. Hyderabad Branch	19 その他の製造業/ Manufacturing- Others	Hyderabad
AP/TG	36	IFFCO-Tokio General Insurance Co. Ltd.	24 金融業、保険業/ Finance, Insurance	Hyderabad
AP/TG	37	Intelligroup Asia Pvt. Ltd.,	29 サービス業/ Consulting, Advertisement, Research, Lawfirm, Accounts, Entertainment, Human Resource etc	Hyderabad
AP/TG	38	Japan CBM Corporation India Pvt. Ltd.	19 その他の製造業/ Manufacturing- Others	Hyderabad
AP/TG	39	JTB Jupiter Express Service Pvt. Ltd. Hyderabad Branch	22 運輸業/ Transportation	Hyderabad
AP/TG	40	Kansai Nerolac paints Ltd.	07 化学工業/ Chemical Industry	Hyderabad
AP/TG	41	Kintetsu World Express (India) Private Limited	22 運輸業/ Transportation	Hyderabad
AP/TG	42	KWE India	22 運輸業/ Transportation	Hyderabad
AP/TG	43	Kyocera Document Solutions India Pvt. Ltd., Branch Office (Hyderabad)	23 卸売業、小売業/ Wholesales, Retail	Hyderabad
AP/TG	44	LIC Nomura Mutual Fund Asset Management Co. Ltd., Hyderabad Office	24 金融業、保険業/ Finance, Insurance	Hyderabad
AP/TG	45	Makita Power Tools India Pvt. Ltd.	16 電気機械器具製造業/ Manufacturing- Electoric Machinery	Hyderabad
AP/TG	46	MAPIC India Private Limited	19 その他の製造業/ Manufacturing- Others	Hyderabad
AP/TG	47	Maruti Suzuki India Limited	18 輸送機械器具製造業/ Manufacturing- Automobile, Two Wheer, Auto Components, Rail/ Ship/Air Plane	Hyderabad
AP/TG	48	MAX LIFE INSURANCE COMPANY Ltd.	24 金融業、保険業/ Finance, Insurance	Hyderabad
AP/TG	49	MAX LIFE INSURANCE COMPANY Ltd.	24 金融業、保険業/ Finance, Insurance	Hyderabad
AP/TG	50	MAX LIFE INSURANCE COMPANY Ltd.	24 金融業、保険業/ Finance, Insurance	Hyderabad

2.4. Southern India

State	Sl. No.	NAME OF COMPANY REGISTERED IN INDIA	TYPE OF BUSINESS IN INDIA	LOCATIDN
AP/TG	51	MAX LIFE INSURANCE COMPANY Ltd.	24 金融業、保険業/ Finance, Insurance	Hyderabad
AP/TG	52	Mitsubishi Elevator ETA India Private Limited	16 電気機械器具製造業/ Manufacturing- Electoric Machinery	Hyderabad
AP/TG	53	MOL Information Processing Services (India) Pvt. Ltd., HO	21 情報通信業/ Telecommunication, Broadcasting, IT, Newspaper, Publishing etc	Hyderabad
AP/TG	54	Nagoya Electric Works., Ltd.	16 電気機械器具製造業/ Manufacturing- Electoric Machinery	Hyderabad
AP/TG	55	New Era India Consultancy Pvt. Ltd.	29 サービス業/ Consulting, Advertisement, Research, Lawfirm, Accounts, Entertainment, Human Resource etc	Hyderabad
AP/TG	56	Nippon Express (India) Pvt., Ltd.	22 運輸業/ Transportation	Hyderabad
AP/TG	57	NIPPON I-CLEAN SOLUTIONS Pvt.Ltd.	29 サービス業/ Consulting, Advertisement, Research, Lawfirm, Accounts, Entertainment, Human Resource etc	Hyderabad
AP/TG	58	NIPPON INFRASTRUCTURE COMPANY PRIVATE LIMITED	29 サービス業/ Consulting, Advertisement, Research, Lawfirm, Accounts, Entertainment, Human Resource etc	Hyderabad
AP/TG	59	NIPPON I-WASTE MANAGEMENT INDIA PRIVATE LIMITED	29 サービス業/ Consulting, Advertisement, Research, Lawfirm, Accounts, Entertainment, Human Resource etc	Hyderabad
AP/TG	60	NIPPON I-WATER SOLUTIONS INDIA PRIVATE LIMITED	29 サービス業/ Consulting, Advertisement, Research, Lawfirm, Accounts, Entertainment, Human Resource etc	Hyderabad
AP/TG	61	Nippon Koei India Pvt. Ltd. Hyderabad Outer Ring Road Project Office	03 建設業/ Construction Industry	Hyderabad
AP/TG	62	Nippon Paint (India) Pvt. Ltd.	07 化学工業/ Chemical Industry	Hyderabad
AP/TG	63	Nishimatsu Construction Co., Ltd. India	03 建設業/ Construction Industry	Hyderabad
AP/TG	64	Noritsu India Private Limited Hyderabad Office	23 卸売業、小売業(含:商社、販社)/ Wholesales, Retail (including Sogo Shosya, sale company)	Hyderabad
AP/TG	65	NTL Logistics Plus India Pvt. Ltd.	22 運輸業/ Transportation	Hyderabad
AP/TG	66	NYK Line (India) Ltd. Hyderabad Office	22 運輸業/ Transportation	Hyderabad
AP/TG	67	Onkyo Sight & Sound India Pvt. Ltd.	16 電気機械器具製造業/ Manufacturing- Electoric Machinery	Hyderabad
AP/TG	68	ORIX Auto Infrastructure Services Limited	26 物品賃貸業/ Lease	Hyderabad
AP/TG	69	Panasonic Energy India Co. Ltd.	16 電気機械器具製造業/ Manufacturing- Electoric Machinery	Hyderabad
AP/TG	70	Panasonic India Pvt. Ltd.	16 電気機械器具製造業/ Manufacturing- Electoric Machinery	Hyderabad
AP/TG	71	Papyrus Software India Pvt. Ltd.	29 サービス業/ Consulting, Advertisement, Research, Lawfirm, Accounts, Entertainment, Human Resource etc	Hyderabad
AP/TG	72	Pricol Limited Marketing Representatives	18 輸送機械器具製造業/ Manufacturing- Automobile, Two Wheer, Auto Components, Rail/ Ship/Air Plane	Hyderabad
AP/TG	73	Prizm Payment Services Pvt. Ltd.	24 金融業、保険業/ Finance, Insurance	Hyderabad
AP/TG	74	Rane Brake Lining Ltd.	18 輸送機械器具製造業/ Manufacturing- Automobile, Two Wheer, Auto Components, Rail/ Ship/Air Plane	Hyderabad
AP/TG	75	Ricoh India Limited	21 情報通信業/ Telecommunication, Broadcasting, IT, Newspaper, Publishing etc	Hyderabad
AP/TG	76	SAKATA INX (INDIA) Ltd.	07 化学工業/ Chemical Industry	Hyderabad
AP/TG	77	Sanzyme Ltd.	19 その他の製造業/ Manufacturing- Others	Hyderabad
AP/TG	78	SDS Ramcides CropScience Private Limited	08 石油製品・石炭製品製造業/ Manufacturing- Petro Products, Coal Products	Hyderabad
AP/TG	79	Sharp Business Systems (India) Limited Hyderabad Branch	23 卸売業、小売業(含:商社、販社)/ Wholesales, Retail (including Sogo Shosya, sale company)	Hyderabad
AP/TG	80	Sharp India Ltd.	16 電気機械器具製造業/ Manufacturing- Electoric Machinery	Hyderabad
AP/TG	81	Sindhu Cargo Services Limited Hyderabad Office	22 運輸業/ Transportation	Hyderabad
AP/TG	82	SMAS Auto Leasing India Pvt. Ltd.	24 金融業、保険業/ Finance, Insurance	Hyderabad

2.4. Southern India

State	Sl. No.	NAME OF COMPANY REGISTERED IN INDIA	TYPE OF BUSINESS IN INDIA	LOCATIDN
AP/TG	83	SMC PNEUMATICS (INDIA) Pvt. Ltd.	19 その他の製造業/ Manufacturing- Others	Hyderabad
AP/TG	84	Snowman Logistics Ltd.	22 運輸業/ Transportation	Hyderabad
AP/TG	85	Sony India Pvt. Ltd. Hyderabad	23 卸売業、小売業(含: 商社、販社)/ Wholesales, Retail (including Sogo Shosya, sale company)	Hyderabad
AP/TG	86	Star Union Dai-ichi Life Insurance Co. Ltd. Hyderabad Regional Office	24 金融業、保険業/ Finance, Insurance	Hyderabad
AP/TG	87	Subros Ltd. Hyderabad Office	18 輸送機械器具製造業/ Manufacturing- Automobile, Two Wheeler, Auto Components, Rail/ Ship/Air Plane	Hyderabad
AP/TG	88	Sulekha.com New Media Pvt. Ltd.	21 情報通信業/ Telecommunication, Broadcasting, IT, Newspaper, Publishing etc	Hyderabad
AP/TG	89	Tata Teleservices, Limited	21 情報通信業/ Telecommunication, Broadcasting, IT, Newspaper, Publishing etc	Hyderabad
AP/TG	90	TDK-Lambda Corp.	16 電気機械器具製造業/ Manufacturing- Electoric Machinery	Hyderabad
AP/TG	91	TMEIC Industrial Systems India Private Limited	16 電気機械器具製造業/ Manufacturing- Electoric Machinery	Hyderabad
AP/TG	92	TOSHIBA INDIA Pvt. Ltd., HYDERABAD OFFICE	23 卸売業、小売業/ Wholesales, Retail	Hyderabad
AP/TG	93	Toshiba Johnson Elevators India Pvt. Ltd.	03 建設業/ Construction Industry	Hyderabad
AP/TG	94	TOSHNI-TEK INTERNATIONAL	16 電気機械器具製造業/ Manufacturing- Electoric Machinery	Hyderabad
AP/TG	95	TPSC(INDIA) PRIVATE LIMITED	03 建設業/ Construction Industry	Hyderabad
AP/TG	96	Transpole Logistics Pvt. Ltd. Hyderabad Branch	22 運輸業/ Transportation	Hyderabad
AP/TG	97	TRL Krosaki Refractories Ltd.	19 その他の製造業/ Manufacturing- Others	Hyderabad
AP/TG	98	ULVAC Inc. India Branch	16 電気機械器具製造業/ Manufacturing- Electoric Machinery	Hyderabad
AP/TG	99	Universal Sompo General Insurance Co., Ltd.	24 金融業、保険業/ Finance, Insurance	Hyderabad
AP/TG	100	Vijai Electricals Ltd.	16 電気機械器具製造業/ Manufacturing- Electoric Machinery	Hyderabad
AP/TG	101	YKK INDIA Pvt. Ltd. Nepal Branch	19 その他の製造業/ Manufacturing- Others	Hyderabad
AP/TG	102	Yokogawa India Ltd. Hyderabad Office	16 電気機械器具製造業/ Manufacturing- Electoric Machinery	Hyderabad
AP/TG	103	YOKOHAMA INDIA PRIVATE LIMITED	18 輸送機械器具製造業/ Manufacturing- Automobile, Two Wheeler, Auto Components, Rail/ Ship/Air Plane	Hyderabad
AP/TG	104	Yusen Logistics India Ltd. Hyderabad Warehouse	22 運輸業/ Transportation	Hyderabad
AP/TG	105	Reliance Life Insurance Company Limited Afzal Ganj	24 金融業、保険業/ Finance, Insurance	Afzal Ganj
AP/TG	106	Reliance Life Insurance Company Limited Amalapuram	24 金融業、保険業/ Finance, Insurance	Amalapuram
AP/TG	107	Reliance Life Insurance Company Limited Ameerpet	24 金融業、保険業/ Finance, Insurance	Ameerpet
AP/TG	108	Reliance Life Insurance Company Limited Anakapalle	24 金融業、保険業/ Finance, Insurance	Anakapalle
AP/TG	109	MAX LIFE INSURANCE COMPANY Ltd.	24 金融業、保険業/ Finance, Insurance	Anantpur
AP/TG	110	Reliance Life Insurance Company Limited Anantpur-1	24 金融業、保険業/ Finance, Insurance	Anantpur
AP/TG	111	Reliance Life Insurance Company Limited Armoor	24 金融業、保険業/ Finance, Insurance	Armoor
AP/TG	112	Reliance Life Insurance Company Limited Atmakur[K]	24 金融業、保険業/ Finance, Insurance	Atmakur
AP/TG	113	Reliance Life Insurance Company Limited Balanagar	24 金融業、保険業/ Finance, Insurance	Balanagar
AP/TG	114	Reliance Life Insurance Company Limited Bhimavaram	24 金融業、保険業/ Finance, Insurance	Bhimavaram

2.4. Southern India

State	Sl. No.	NAME OF COMPANY REGISTERED IN INDIA	TYPE OF BUSINESS IN INDIA	LOCATIDN
AP/TG	115	Reliance Life Insurance Company Limited Bhongir	24 金融業、保険業/ Finance, Insurance	Bhongir
AP/TG	116	Reliance Life Insurance Company Limited Chirala	24 金融業、保険業/ Finance, Insurance	Chirala
AP/TG	117	MAX LIFE INSURANCE COMPANY Ltd.	24 金融業、保険業/ Finance, Insurance	Chittoor
AP/TG	118	NS Instruments India Pvt. Ltd.	18 輸送機械器具製造業/ Manufacturing- Automobile, Two Wheer, Auto Components, Rail/ Ship/Air Plane	Chittoor
AP/TG	119	Reliance Life Insurance Company Limited Chittoor	24 金融業、保険業/ Finance, Insurance	Chittoor
AP/TG	120	AISAN AUTO PARTS INDIA Pvt. Ltd.	18 輸送機械器具製造業/ Manufacturing- Automobile, Two Wheer, Auto Components, Rail/ Ship/Air Plane	Chittoor (Sricity)
AP/TG	121	Kikuwa India Private Limited	15 業務用機械器具製造業/ Manufacturing- Commercial Machinery	Chittoor (Sricity)
AP/TG	122	Kobelco Construction Equipment India Pvt. Ltd.	14 生産用機械器具製造業/ Manufacturing- Prduction Machinery	Chittoor (Sricity)
AP/TG	123	Kobelco Cranes India Pvt. Ltd.	19 その他の製造業/ Manufacturing- Others	Chittoor (Sricity)
AP/TG	124	Kobelco Plate Processing India Pvt. Ltd.	10 鉄鋼業/ Steel	Chittoor (Sricity)
AP/TG	125	Kusakabe India Pvt. Ltd.	14 生産用機械器具製造業/ Manufacturing- Prduction Machinery	Chittoor (Sricity)
AP/TG	126	NHK SPRING INDIA Ltd. Sri City Factory	18 輸送機械器具製造業/ Manufacturing- Automobile, Two Wheer, Auto Components, Rail/ Ship/Air Plane	Chittoor (Sricity)
AP/TG	127	Nittan India Tech Private Limited	18 輸送機械器具製造業/ Manufacturing- Automobile, Two Wheer, Auto Components, Rail/ Ship/Air Plane	Chittoor (Sricity)
AP/TG	128	Piolax India Pvt. Ltd.	18 輸送機械器具製造業/ Manufacturing- Automobile, Two Wheer, Auto Components, Rail/ Ship/Air Plane	Chittoor (Sricity)
AP/TG	129	MAX LIFE INSURANCE COMPANY Ltd.	24 金融業、保険業/ Finance, Insurance	Cudappah
AP/TG	130	Reliance Life Insurance Company Limited Dharmavaram	24 金融業、保険業/ Finance, Insurance	Dharmavaram
AP/TG	131	Reliance Life Insurance Company Limited Disukhnagar	24 金融業、保険業/ Finance, Insurance	Disukhnagar
AP/TG	132	Reliance Life Insurance Company Limited Eluru	24 金融業、保険業/ Finance, Insurance	Eluru
AP/TG	133	Reliance Life Insurance Company Limited Gadwal	24 金融業、保険業/ Finance, Insurance	Gadwal
AP/TG	134	Reliance Life Insurance Company Limited Gajuwaka	24 金融業、保険業/ Finance, Insurance	Gajuwaka
AP/TG	135	MAX LIFE INSURANCE COMPANY Ltd.	24 金融業、保険業/ Finance, Insurance	Godavari
AP/TG	136	MAX LIFE INSURANCE COMPANY Ltd.	24 金融業、保険業/ Finance, Insurance	Godavari
AP/TG	137	Reliance Life Insurance Company Limited Gokavaram	24 金融業、保険業/ Finance, Insurance	Gokavaram
AP/TG	138	Reliance Life Insurance Company Limited Gudivada	24 金融業、保険業/ Finance, Insurance	Gudivada
AP/TG	139	Essae Teraoka Ltd.	16 電気機械器具製造業/ Manufacturing- Electoric Machinery	Guntur
AP/TG	140	Kirloskar Toyoda Textile Machinery Pvt. Ltd. Guntur Branch	18 輸送機械器具製造業/ Manufacturing- Automobile, Two Wheer, Auto Components, Rail/ Ship/Air Plane	Guntur
AP/TG	141	MAX LIFE INSURANCE COMPANY Ltd.	24 金融業、保険業/ Finance, Insurance	Guntur
AP/TG	142	Reliance Life Insurance Company Limited Guntur	24 金融業、保険業/ Finance, Insurance	Guntur
AP/TG	143	Reliance Life Insurance Company Limited Guruzela	24 金融業、保険業/ Finance, Insurance	Guruzela
AP/TG	144	Reliance Life Insurance Company Limited Hanamkonda, Nakkalagutta	24 金融業、保険業/ Finance, Insurance	Hanamkonda
AP/TG	145	Reliance Life Insurance Company Limited Himayathnagar	24 金融業、保険業/ Finance, Insurance	Himayathnagar
AP/TG	146	BNB Coatings India Ltd.	07 化学工業/ Chemical Industry	Hindupur

2.4. Southern India

State	Sl. No.	NAME OF COMPANY REGISTERED IN INDIA	TYPE OF BUSINESS IN INDIA	LOCATIDN
AP/TG	147	Reliance Life Insurance Company Limited Hindupur	24 金融業、保険業/ Finance, Insurance	Hindupur
AP/TG	148	CHOLAMANDALAM MS GENERAL INSURANCE COMPANY Ltd.	24 金融業、保険業/ Finance, Insurance	Innsipeta
AP/TG	149	Reliance Life Insurance Company Limited Jagtial	24 金融業、保険業/ Finance, Insurance	Jagtial
AP/TG	150	Reliance Life Insurance Company Limited Jangareddy Gudem	24 金融業、保険業/ Finance, Insurance	Jangareddy Gudem
AP/TG	151	Reliance Life Insurance Company Limited Kadapa	24 金融業、保険業/ Finance, Insurance	Kadapa
AP/TG	152	Reliance Life Insurance Company Limited Kakinada	24 金融業、保険業/ Finance, Insurance	Kakinada
AP/TG	153	Reliance Life Insurance Company Limited Kamareddy	24 金融業、保険業/ Finance, Insurance	Kamareddy
AP/TG	154	Reliance Life Insurance Company Limited Kandukur	24 金融業、保険業/ Finance, Insurance	Kandukur
AP/TG	155	CHOLAMANDALAM MS GENERAL INSURANCE COMPANY Ltd.	24 金融業、保険業/ Finance, Insurance	Karimnagar
AP/TG	156	MAX LIFE INSURANCE COMPANY Ltd.	24 金融業、保険業/ Finance, Insurance	Karimnagar
AP/TG	157	Reliance Life Insurance Company Limited Karimnagar	24 金融業、保険業/ Finance, Insurance	Karimnagar
AP/TG	158	MAX LIFE INSURANCE COMPANY Ltd.	24 金融業、保険業/ Finance, Insurance	Khammam
AP/TG	159	Reliance Life Insurance Company Limited Khammam	24 金融業、保険業/ Finance, Insurance	Khammam
AP/TG	160	Reliance Life Insurance Company Limited Kothagudem	24 金融業、保険業/ Finance, Insurance	Kothagudem
AP/TG	161	Reliance Life Insurance Company Limited Kovvur	24 金融業、保険業/ Finance, Insurance	Kovvur
AP/TG	162	MAX LIFE INSURANCE COMPANY Ltd.	24 金融業、保険業/ Finance, Insurance	Krishna
AP/TG	163	Reliance Life Insurance Company Limited Kurool	24 金融業、保険業/ Finance, Insurance	Kurool
AP/TG	164	Reliance Life Insurance Company Limited Machilipatnam	24 金融業、保険業/ Finance, Insurance	Machilipatnam
AP/TG	165	Reliance Life Insurance Company Limited Madanapalli	24 金融業、保険業/ Finance, Insurance	Madanapalli
AP/TG	166	Reliance Life Insurance Company Limited Mahabubabad	24 金融業、保険業/ Finance, Insurance	Mahabubabad
AP/TG	167	Reliance Life Insurance Company Limited Mancherla	24 金融業、保険業/ Finance, Insurance	Mancherla
AP/TG	168	Asahi Switchgear Products Ltd. Factory	16 電気機械器具製造業/ Manufacturing- Electric Machinery	Medak
AP/TG	169	Medreich Limited	19 その他の製造業/ Manufacturing- Others	Medak
AP/TG	170	Toshiba Transmission & Distribution Systems (India) Pvt. Ltd.	16 電気機械器具製造業/ Manufacturing- Electric Machinery	Medak
AP/TG	171	Reliance Life Insurance Company Limited Metpally	24 金融業、保険業/ Finance, Insurance	Metpally
AP/TG	172	Reliance Life Insurance Company Limited Miryalguda	24 金融業、保険業/ Finance, Insurance	Miryalguda
AP/TG	173	Reliance Life Insurance Company Limited Nalgonda, Gandhi Chowk	24 金融業、保険業/ Finance, Insurance	Nalgonda
AP/TG	174	Reliance Life Insurance Company Limited Nandyal	24 金融業、保険業/ Finance, Insurance	Nandyal
AP/TG	175	Reliance Life Insurance Company Limited Narasannapeta	24 金融業、保険業/ Finance, Insurance	Narasannapeta
AP/TG	176	Reliance Life Insurance Company Limited Narsaraopet	24 金融業、保険業/ Finance, Insurance	Narsaraopet
AP/TG	177	CHOLAMANDALAM MS GENERAL INSURANCE COMPANY Ltd.	24 金融業、保険業/ Finance, Insurance	Nellore
AP/TG	178	MAX LIFE INSURANCE COMPANY Ltd.	24 金融業、保険業/ Finance, Insurance	Nellore



2.4. Southern India

State	Sl. No.	NAME OF COMPANY REGISTERED IN INDIA	TYPE OF BUSINESS IN INDIA	LOCATIDN
AP/TG	179	Reliance Life Insurance Company Limited Nellore	24 金融業、保険業/ Finance, Insurance	Nellore
AP/TG	180	Reliance Life Insurance Company Limited Nirmal	24 金融業、保険業/ Finance, Insurance	Nirmal
AP/TG	181	Reliance Life Insurance Company Limited Nizamabad	24 金融業、保険業/ Finance, Insurance	Nizamabad
AP/TG	182	Reliance Life Insurance Company Limited Nuzvid	24 金融業、保険業/ Finance, Insurance	Nuzvid
AP/TG	183	Reliance Life Insurance Company Limited Ongole	24 金融業、保険業/ Finance, Insurance	Ongole
AP/TG	184	Reliance Life Insurance Company Limited Palacole	24 金融業、保険業/ Finance, Insurance	Palacole
AP/TG	185	Reliance Life Insurance Company Limited Palasa-Kasibugga	24 金融業、保険業/ Finance, Insurance	PalasaKasibugga
AP/TG	186	Reliance Life Insurance Company Limited Parvathipuram	24 金融業、保険業/ Finance, Insurance	Parvathipuram
AP/TG	187	Essae Teraoka Ltd.	16 電気機械器具製造業/ Manufacturing- Electoric Machinery	Patancheru
AP/TG	188	Reliance Life Insurance Company Limited Peddapalli	24 金融業、保険業/ Finance, Insurance	Peddapalli
AP/TG	189	Reliance Life Insurance Company Limited Pithapuram	24 金融業、保険業/ Finance, Insurance	Pithapuram
AP/TG	190	Reliance Life Insurance Company Limited Proddutur	24 金融業、保険業/ Finance, Insurance	Proddutur
AP/TG	191	Essae Teraoka Ltd.	16 電気機械器具製造業/ Manufacturing- Electoric Machinery	Rajahmundry
AP/TG	192	Reliance Life Insurance Company Limited Rajahmundry	24 金融業、保険業/ Finance, Insurance	Rajahmundry
AP/TG	193	Reliance Life Insurance Company Limited Ramagundam	24 金融業、保険業/ Finance, Insurance	Ramagundam
AP/TG	194	Reliance Life Insurance Company Limited Rayachoti	24 金融業、保険業/ Finance, Insurance	Rayachoti
AP/TG	195	Reliance Life Insurance Company Limited Sathupally	24 金融業、保険業/ Finance, Insurance	Sathupally
AP/TG	196	Reliance Life Insurance Company Limited Sattenapalli	24 金融業、保険業/ Finance, Insurance	Sattenapalli
AP/TG	197	CHOLAMANDALAM MS GENERAL INSURANCE COMPANY Ltd.	24 金融業、保険業/ Finance, Insurance	Secunderabad
AP/TG	198	Erbis Engineering (India) Pvt. Ltd.	23 卸売業、小売業(含: 商社、販社)/ Wholesales, Retail (including Sogo Shosya, sale company)	Secunderabad
AP/TG	199	IFFCO-Tokio General Insurance Co. Ltd.	24 金融業、保険業/ Finance, Insurance	Secunderabad
AP/TG	200	MITSUBISHI ELECTRIC INDIA PRIVATE LIMITED	16 電気機械器具製造業/ Manufacturing- Electoric Machinery	Secunderabad
AP/TG	201	NYK Line (India) Ltd. Secunderabad Branch	22 運輸業/ Transportation	Secunderabad
AP/TG	202	Omtrax Packaging Packaging Solutions Ltd.	22 運輸業/ Transportation	Secunderabad
AP/TG	203	Reliance Life Insurance Company Limited Secunderabad	24 金融業、保険業/ Finance, Insurance	Secunderabad
AP/TG	204	Reliance Life Insurance Company Limited Secunderabad	24 金融業、保険業/ Finance, Insurance	Secunderabad
AP/TG	205	RGF Executive Search India Pvt. Ltd.	29 サービス業/ Consulting, Advertisement, Research, Lawfirm, Accounts, Entertainment, Human Resource etc	Secunderabad
AP/TG	206	Universal Sompo General Insurance Co., Ltd.	24 金融業、保険業/ Finance, Insurance	Secunderabad
AP/TG	207	YKK INDIA Pvt. Ltd. Ahmedabad Branch	19 その他の製造業/ Manufacturing- Others	Secunderabad
AP/TG	208	Kintetsu World Express (India) Private Limited	22 運輸業/ Transportation	Shamshabad
AP/TG	209	KWE India	22 運輸業/ Transportation	Shamshabad
AP/TG	210	Reliance Life Insurance Company Limited Siddipet	24 金融業、保険業/ Finance, Insurance	Siddipet

2.4. Southern India

State	Sl. No.	NAME OF COMPANY REGISTERED IN INDIA	TYPE OF BUSINESS IN INDIA	LOCATIDN
AP/TG	211	Reliance Life Insurance Company Limited Sircilla	24 金融業、保険業/ Finance, Insurance	Sircilla
AP/TG	212	Reliance Life Insurance Company Limited Srikakulam	24 金融業、保険業/ Finance, Insurance	Srikakulam
AP/TG	213	Reliance Life Insurance Company Limited Suryapet	24 金融業、保険業/ Finance, Insurance	Suryapet
AP/TG	214	Reliance Life Insurance Company Limited Tadipatri	24 金融業、保険業/ Finance, Insurance	Tadipatri
AP/TG	215	Reliance Life Insurance Company Limited Tanuku	24 金融業、保険業/ Finance, Insurance	Tanuku
AP/TG	216	Reliance Life Insurance Company Limited Tenali	24 金融業、保険業/ Finance, Insurance	Tenali
AP/TG	217	Essae Teraoka Ltd.	16 電気機械器具製造業/ Manufacturing- Electoric Machinery	Tirupati
AP/TG	218	Reliance Life Insurance Company Limited Tirupathi	24 金融業、保険業/ Finance, Insurance	Tirupati
AP/TG	219	CHOLAMANDALAM MS GENERAL INSURANCE COMPANY Ltd.	24 金融業、保険業/ Finance, Insurance	Vijayawada
AP/TG	220	Edelweiss Tokio Life Insurance Co. Ltd.	24 金融業、保険業/ Finance, Insurance	Vijayawada
AP/TG	221	Edelweiss Tokio Life Insurance Company Limited Vijayawada_M G Road	24 金融業、保険業/ Finance, Insurance	Vijayawada
AP/TG	222	Essae Teraoka Ltd.	16 電気機械器具製造業/ Manufacturing- Electoric Machinery	Vijayawada
AP/TG	223	ETA General Pvt. Ltd. Branch Office	16 電気機械器具製造業/ Manufacturing- Electoric Machinery	Vijayawada
AP/TG	224	IFFCO-Tokio General Insurance Co. Ltd.	24 金融業、保険業/ Finance, Insurance	Vijayawada
AP/TG	225	Mithra Kyokuto Special Purpose Vehicle Company Private Limited	18 輸送機械器具製造業/ Manufacturing- Automobile, Two Wheeler, Auto Components, Rail/ Ship/Air Plane	Vijayawada
AP/TG	226	Nippon Paint (India) Pvt. Ltd.	07 化学工業/ Chemical Industry	Vijayawada
AP/TG	227	Panasonic India Pvt. Ltd.	16 電気機械器具製造業/ Manufacturing- Electoric Machinery	Vijayawada
AP/TG	228	Reliance Life Insurance Company Limited Vijayawada 1	24 金融業、保険業/ Finance, Insurance	Vijayawada
AP/TG	229	Reliance Life Insurance Company Limited Vijayawada 2	24 金融業、保険業/ Finance, Insurance	Vijayawada
AP/TG	230	Sanyo India Pvt. Ltd.	16 電気機械器具製造業/ Manufacturing- Electoric Machinery	Vijayawada
AP/TG	231	SDS Ramcides CropScience Private Limited	08 石油製品・石炭製品製造業/ Manufacturing- Petro Products, Coal Products	Vijayawada
AP/TG	232	Sony India Pvt. Ltd. Vijayawada	23 卸売業、小売業(含:商社、販社)/ Wholesales, Retail (including Sogo Shosya, sale company)	Vijayawada
AP/TG	233	Universal Sampo General Insurance Co., Ltd.	24 金融業、保険業/ Finance, Insurance	Vijayawada
AP/TG	234	Atlas Logistics Pvt. Ltd. Vishakhapatnam Branch	22 運輸業/ Transportation	Visakhapatnam
AP/TG	235	CHOLAMANDALAM MS GENERAL INSURANCE COMPANY Ltd.	24 金融業、保険業/ Finance, Insurance	Visakhapatnam
AP/TG	236	Deccan Fine Chemicals (India) Private Limited, Tuni Site	07 化学工業/ Chemical Industry	Visakhapatnam
AP/TG	237	Eisai Pharmatechnology and Manufacturing Pvt. Ltd.	07 化学工業/ Chemical Industry	Visakhapatnam
AP/TG	238	Ellenbarrie Industrial Gases Ltd.	07 化学工業/ Chemical Industry	Visakhapatnam
AP/TG	239	Essae Teraoka Ltd.	16 電気機械器具製造業/ Manufacturing- Electoric Machinery	Visakhapatnam
AP/TG	240	Granuels OmniChem Private Ltd.	19 その他の製造業/ Manufacturing- Others	Visakhapatnam
AP/TG	241	Kyocera Document Solutions India Pvt. Ltd., Branch Office (Visakhapatnam)	23 卸売業、小売業/ Wholesales, Retail	Visakhapatnam
AP/TG	242	MAX LIFE INSURANCE COMPANY Ltd.	24 金融業、保険業/ Finance, Insurance	Visakhapatnam

2.4. Southern India

State	Sl. No.	NAME OF COMPANY REGISTERED IN INDIA	TYPE OF BUSINESS IN INDIA	LOCATIDN
AP/TG	243	NYK Line (India) Ltd. Vishakhapatnam Branch	22 運輸業/ Transportation	Visakhapatnam
AP/TG	244	Reliance Life Insurance Company Limited Vizag - Mvp Colony	24 金融業、保険業/ Finance, Insurance	Visakhapatnam
AP/TG	245	Reliance Life Insurance Company Limited Vizag Regional Office 1	24 金融業、保険業/ Finance, Insurance	Visakhapatnam
AP/TG	246	Reliance Life Insurance Company Limited Vizianagaram	24 金融業、保険業/ Finance, Insurance	Visakhapatnam
AP/TG	247	Snowman Logistics Ltd.	22 運輸業/ Transportation	Visakhapatnam
AP/TG	248	Sony India Pvt. Ltd. Vishakhapatnam	23 卸売業、小売業(含: 商社、販社)/ Wholesales, Retail (including Sogo Shosya, sale company)	Visakhapatnam
AP/TG	249	Toyotsu Rare Earths India Pvt. Ltd. Vishakhapatnam Head Office	19 その他の製造業/ Manufacturing- Others	Visakhapatnam
AP/TG	250	Transpole Logistics Pvt. Ltd. Vishakhapatnam Branch	22 運輸業/ Transportation	Visakhapatnam
AP/TG	251	TRL Krosaki Refractories Ltd.	19 その他の製造業/ Manufacturing- Others	Visakhapatnam
AP/TG	252	Universal Sompo General Insurance Co., Ltd.	24 金融業、保険業/ Finance, Insurance	Visakhapatnam
AP/TG	253	Yokogawa India Ltd. Vizag Office	16 電気機械器具製造業/ Manufacturing- Electoric Machinery	Visakhapatnam
AP/TG	254	Reliance Life Insurance Company Limited Vuinukonda	24 金融業、保険業/ Finance, Insurance	Vuinukonda
AP/TG	255	Reliance Life Insurance Company Limited Vuyyur	24 金融業、保険業/ Finance, Insurance	Vuyyur
AP/TG	256	MAX LIFE INSURANCE COMPANY Ltd.	24 金融業、保険業/ Finance, Insurance	Warangal
AP/TG	257	Reliance Life Insurance Company Limited Warangal - Chowrasta	24 金融業、保険業/ Finance, Insurance	Warangal

**2.4.4. [Kerala]**

KL	1	Accelerated Freeze Drying Co. Ltd., Cochin Factory	04 食品、飲料・たばこ・飼料製造業/ Manufacturing- Food, Drink, Tobacco, Fodder	Kochi
KL	2	Accelerated Freeze Drying Co. Ltd., HO	04 食品、飲料・たばこ・飼料製造業/ Manufacturing- Food, Drink, Tobacco, Fodder	Kochi
KL	3	Atlas Logistics Pvt. Ltd. Kochi Branch	22 運輸業/ Transportation	Kochi
KL	4	Bamni Proteins	19 その他の製造業/ Manufacturing- Others	Kochi
KL	5	BUSSAN AUTO FINANCE INDIA Pvt. Ltd.	24 金融業、保険業/ Finance, Insurance	Kochi
KL	6	CHOLAMANDALAM MS GENERAL INSURANCE COMPANY Ltd.	24 金融業、保険業/ Finance, Insurance	Kochi
KL	7	Dentsu Communications Pvt. Ltd.	29 サービス業/ Consulting, Advertisement, Research, Lawfirm, Accounts, Entertainment, Human Resource etc	Kochi
KL	8	EastGate Infotech Private Limited	29 サービス業/ Consulting, Advertisement, Research, Lawfirm, Accounts, Entertainment, Human Resource etc	Kochi
KL	9	Edelweiss Tokio Life Insurance Co. Ltd.	24 金融業、保険業/ Finance, Insurance	Kochi
KL	10	Edelweiss Tokio Life Insurance Company Limited Cochin_Mamangalam	24 金融業、保険業/ Finance, Insurance	Kochi
KL	11	Epson India Pvt. Ltd.	16 電気機械器具製造業/ Manufacturing- Electoric Machinery	Kochi
KL	12	Erbis Engineering (India) Pvt. Ltd.	23 卸売業、小売業(含: 商社、販社)/ Wholesales, Retail (including Sogo Shosya, sale company)	Kochi
KL	13	Essae Teraoka Ltd.	16 電気機械器具製造業/ Manufacturing- Electoric Machinery	Kochi
KL	14	ETA General Pvt. Ltd.	16 電気機械器具製造業/ Manufacturing- Electoric Machinery	Kochi
KL	15	Flyjac logistics Pvt. Ltd. Cochin Branch	22 運輸業/ Transportation	Kochi

2.4. Southern India

State	Sl. No.	NAME OF COMPANY REGISTERED IN INDIA	TYPE OF BUSINESS IN INDIA	LOCATIDN
KL	16	Hitachi Home & Life Solutions (India) Ltd.	16 電気機械器具製造業/ Manufacturing- Electoric Machinery	Kochi
KL	17	Hitachi Systems Micro Clinic Pvt. Ltd., Kochi Branch	21 情報通信業/ Telecommunication, Broadcasting, IT, Newspaper, Publishing etc	Kochi
KL	18	IFFCO-Tokio General Insurance Co. Ltd.	24 金融業、保険業/ Finance, Insurance	Kochi
KL	19	IHI Corporation PLK Kochi Liaison Office	19 その他の製造業/ Manufacturing- Others	Kochi
KL	20	Japan CBM Corporation India Pvt. Ltd.	19 その他の製造業/ Manufacturing- Others	Kochi
KL	21	JTB Jupiter Express Service Pvt. Ltd. Kochi Branch	22 運輸業/ Transportation	Kochi
KL	22	Juki India Private Limited, Cochin Office	23 卸売業、小売業(含: 商社、販社)/ Wholesales, Retail (including Sogo Shosya, sale company)	Kochi
KL	23	KWE India	22 運輸業/ Transportation	Kochi
KL	24	Kyocera Document Solutions India Pvt. Ltd., Branch Office (Ernakulum)	23 卸売業、小売業/ Wholesales, Retail	Kochi
KL	25	Makita Power Tools India Pvt. Ltd.	16 電気機械器具製造業/ Manufacturing- Electoric Machinery	Kochi
KL	26	Maruti Suzuki India Limited	18 輸送機械器具製造業/ Manufacturing- Automobile, Two Wheer, Auto Components, Rail/ Ship/Air Plane	Kochi
KL	27	MITSUBISHI ELECTRIC INDIA PRIVATE LIMITED	16 電気機械器具製造業/ Manufacturing- Electoric Machinery	Kochi
KL	28	Mitsui O.S.K.Lines (India) Pvt. Ltd.	22 運輸業/ Transportation	Kochi
KL	29	NeST Information Technologies Pvt. Ltd.(NeST IT)	29 サービス業/ Consulting, Advertisement, Research, Lawfirm, Accounts, Entertainment, Human Resource etc	Kochi
KL	30	NIHON NeST CORPORATION Corporate Office	29 サービス業/ Consulting, Advertisement, Research, Lawfirm, Accounts, Entertainment, Human Resource etc	Kochi
KL	31	Nippon Express (India) Pvt., Ltd.	22 運輸業/ Transportation	Kochi
KL	32	Nippon Paint (India) Pvt. Ltd.	07 化学工業/ Chemical Industry	Kochi
KL	33	Nitta Corporation India Pvt. Ltd. Kochi Plant	19 その他の製造業/ Manufacturing- Others	Kochi
KL	34	Nitta Gelatin India Ltd.	19 その他の製造業/ Manufacturing- Others	Kochi
KL	35	NYK Line (India) Ltd. Cochin Branch	22 運輸業/ Transportation	Kochi
KL	36	NYK Logistics (India) Kochi Branch	22 運輸業/ Transportation	Kochi
KL	37	Panasonic Energy India Co. Ltd.	16 電気機械器具製造業/ Manufacturing- Electoric Machinery	Kochi
KL	38	Panasonic India Pvt. Ltd.	16 電気機械器具製造業/ Manufacturing- Electoric Machinery	Kochi
KL	39	Patspin India Ltd.	19 その他の製造業/ Manufacturing- Others	Kochi
KL	40	Ricoh India Limited	21 情報通信業/ Telecommunication, Broadcasting, IT, Newspaper, Publishing etc	Kochi
KL	41	SFO Technologies Pvt. Ltd.	29 サービス業/ Consulting, Advertisement, Research, Lawfirm, Accounts, Entertainment, Human Resource etc	Kochi
KL	42	Sharp Business Systems (India) Limited Kochi Branch	23 卸売業、小売業(含: 商社、販社)/ Wholesales, Retail (including Sogo Shosya, sale company)	Kochi
KL	43	Sharp India Ltd.	16 電気機械器具製造業/ Manufacturing- Electoric Machinery	Kochi
KL	44	Sindhu Cargo Services Limited Cochin Air Operation	22 運輸業/ Transportation	Kochi
KL	45	Sindhu Cargo Services Limited Cochin Sea Operation	22 運輸業/ Transportation	Kochi
KL	46	Sindhu Cargo Services Limited Cochin SEZ Operation	22 運輸業/ Transportation	Kochi
KL	47	Snowman Logistics Ltd.	22 運輸業/ Transportation	Kochi

2.4. Southern India

State	Sl. No.	NAME OF COMPANY REGISTERED IN INDIA	TYPE OF BUSINESS IN INDIA	LOCATIDN
KL	48	Sony India Pvt. Ltd. Cochin	23 卸売業、小売業(含:商社、販社)/Wholesales, Retail (including Sogo Shosya, sale company)	Kochi
KL	49	Subros Ltd. Kochi Office	18 輸送機械器具製造業/ Manufacturing- Automobile, Two Wheer, Auto Components, Rail/ Ship/Air Plane	Kochi
KL	50	Tata Teleservices, Limited	21 情報通信業/ Telecommunication, Broadcasting, IT, Newspaper, Publishing etc	Kochi
KL	51	TOSHIBA INDIA Pvt. Ltd., KOCHI OFFICE	23 卸売業、小売業/ Wholesales, Retail	Kochi
KL	52	Transpole Logistics Pvt. Ltd. Vishakhapatnam Branch	22 運輸業/ Transportation	Kochi
KL	53	Universal Sompo General Insurance Co., Ltd.	24 金融業、保険業/ Finance, Insurance	Kochi
KL	54	Reliance Life Insurance Company Limited Kochi 1	24 金融業、保険業/ Finance, Insurance	Kochi
KL	55	Higashimaru Feeds (India) Ltd.	04 食料品、飲料・たばこ・飼料製造業/ Manufacturing- Food, Drink, Tobacco, Fodder	Alleppey
KL	56	Reliance Life Insurance Company Limited Alleppey	24 金融業、保険業/ Finance, Insurance	Alleppey
KL	57	Reliance Life Insurance Company Limited Aluva	24 金融業、保険業/ Finance, Insurance	Aluva
KL	58	Reliance Life Insurance Company Limited Angamaly	24 金融業、保険業/ Finance, Insurance	Angamaly
KL	59	Atlas Logistics Pvt. Ltd. Calicut Branch	22 運輸業/ Transportation	Calicut
KL	60	CHOLAMANDALAM MS GENERAL INSURANCE COMPANY Ltd.	24 金融業、保険業/ Finance, Insurance	Calicut
KL	61	JTB Jupiter Express Service Pvt. Ltd. Calicut Branch	22 運輸業/ Transportation	Calicut
KL	62	Reliance Life Insurance Company Limited Calicut 1	24 金融業、保険業/ Finance, Insurance	Calicut
KL	63	Reliance Life Insurance Company Limited Changanacherry	24 金融業、保険業/ Finance, Insurance	Changanacherry
KL	64	Reliance Life Insurance Company Limited Cherthala	24 金融業、保険業/ Finance, Insurance	Cherthala
KL	65	Reliance Life Insurance Company Limited Chittur	24 金融業、保険業/ Finance, Insurance	Chittur
KL	66	LIC Nomura Mutual Fund Asset Management Co. Ltd. Ernakulam Office	24 金融業、保険業/ Finance, Insurance	Ernakulam
KL	67	MAX LIFE INSURANCE COMPANY Ltd.	24 金融業、保険業/ Finance, Insurance	Ernakulam
KL	68	Star Union Dai-ichi Life Insurance Co. Ltd. Ernakulam Regional Office	24 金融業、保険業/ Finance, Insurance	Ernakulam
KL	69	MAX LIFE INSURANCE COMPANY Ltd.	24 金融業、保険業/ Finance, Insurance	Kannur
KL	70	OPS INDIA	29 サービス業/ Consulting, Advertisement, Research, Lawfirm, Accounts, Entertainment, Human Resource etc	Kannur
KL	71	Reliance Life Insurance Company Limited Kannur	24 金融業、保険業/ Finance, Insurance	Kannur
KL	72	Reliance Life Insurance Company Limited Karunagapally	24 金融業、保険業/ Finance, Insurance	Karunagapally
KL	73	Reliance Life Insurance Company Limited Kasargode	24 金融業、保険業/ Finance, Insurance	Kasargode
KL	74	Reliance Life Insurance Company Limited Kayamkulam	24 金融業、保険業/ Finance, Insurance	Kayamkulam
KL	75	MAX LIFE INSURANCE COMPANY Ltd.	24 金融業、保険業/ Finance, Insurance	Khozhikode
KL	76	Reliance Life Insurance Company Limited Kodungallur	24 金融業、保険業/ Finance, Insurance	Kodungallur
KL	77	CHOLAMANDALAM MS GENERAL INSURANCE COMPANY Ltd.	24 金融業、保険業/ Finance, Insurance	Kollam
KL	78	MAX LIFE INSURANCE COMPANY Ltd.	24 金融業、保険業/ Finance, Insurance	Kollam
KL	79	Reliance Life Insurance Company Limited Kollam	24 金融業、保険業/ Finance, Insurance	Kollam

2.4. Southern India

State	Sl. No.	NAME OF COMPANY REGISTERED IN INDIA	TYPE OF BUSINESS IN INDIA	LOCATIDN
KL	80	Reliance Life Insurance Company Limited Konni	24 金融業、保険業/ Finance, Insurance	Konni
KL	81	Reliance Life Insurance Company Limited Kottarakara	24 金融業、保険業/ Finance, Insurance	Kottarakara
KL	82	CHOLAMANDALAM MS GENERAL INSURANCE COMPANY Ltd.	24 金融業、保険業/ Finance, Insurance	Kottayam
KL	83	MAX LIFE INSURANCE COMPANY Ltd.	24 金融業、保険業/ Finance, Insurance	Kottayam
KL	84	Reliance Life Insurance Company Limited Kottayam	24 金融業、保険業/ Finance, Insurance	Kottayam
KL	85	Reliance Life Insurance Company Limited Malappuram	24 金融業、保険業/ Finance, Insurance	Malappuram
KL	86	Reliance Life Insurance Company Limited Mavelikara	24 金融業、保険業/ Finance, Insurance	Mavelikara
KL	87	Reliance Life Insurance Company Limited Muvattupuzha	24 金融業、保険業/ Finance, Insurance	Muvattupuzha
KL	88	Reliance Life Insurance Company Limited North Parur	24 金融業、保険業/ Finance, Insurance	North Parur
KL	89	Reliance Life Insurance Company Limited Ottapalam	24 金融業、保険業/ Finance, Insurance	Ottapalam
KL	90	Reliance Life Insurance Company Limited Palai	24 金融業、保険業/ Finance, Insurance	Palai
KL	91	Reliance Life Insurance Company Limited Palakkad	24 金融業、保険業/ Finance, Insurance	Palakkad
KL	92	SDS Ramcides CropScience Private Limited	08 石油製品・石炭製品製造業/ Manufacturing- Petro Products, Coal Products	Palakkad
KL	93	Reliance Life Insurance Company Limited Paripally	24 金融業、保険業/ Finance, Insurance	Paripally
KL	94	MAX LIFE INSURANCE COMPANY Ltd.	24 金融業、保険業/ Finance, Insurance	Pathanamthitta
KL	95	Reliance Life Insurance Company Limited Pathanamthitta	24 金融業、保険業/ Finance, Insurance	Pathanamthitta
KL	96	Reliance Life Insurance Company Limited Payyannur	24 金融業、保険業/ Finance, Insurance	Payyannur
KL	97	Reliance Life Insurance Company Limited Perinthlamma	24 金融業、保険業/ Finance, Insurance	Perinthlamma
KL	98	Reliance Life Insurance Company Limited Punalur	24 金融業、保険業/ Finance, Insurance	Punalur
KL	99	Reliance Life Insurance Company Limited Quilandy	24 金融業、保険業/ Finance, Insurance	Quilandy
KL	100	HIC-ABF Special Foods Private Limited	04 食料品、飲料・たばこ・飼料製造業/ Manufacturing- Food, Drink, Tobacco, Fodder	Shertallai
KL	101	Reliance Life Insurance Company Limited Thiruvalla	24 金融業、保険業/ Finance, Insurance	Thiruvalla
KL	102	CCS-ELUX Lighting Engineering Pvt. Ltd.	16 電気機械器具製造業/ Manufacturing- Electoric Machinery	Thiruvananthapuram
KL	103	CHOLAMANDALAM MS GENERAL INSURANCE COMPANY Ltd.	24 金融業、保険業/ Finance, Insurance	Thiruvananthapuram
KL	104	DSI Technologies Pvt. Ltd.	29 サービス業/ Consulting, Advertisement, Research, Lawfirm, Accounts, Entertainment, Human Resource etc	Thiruvananthapuram
KL	105	Essae Teraoka Ltd.	16 電気機械器具製造業/ Manufacturing- Electoric Machinery	Thiruvananthapuram
KL	106	FRASCO Advanced Technology Private Limited	16 電気機械器具製造業/ Manufacturing- Electoric Machinery	Thiruvananthapuram
KL	107	GES Infotek Pvt. Ltd.	29 サービス業/ Consulting, Advertisement, Research, Lawfirm, Accounts, Entertainment, Human Resource etc	Thiruvananthapuram
KL	108	MAX LIFE INSURANCE COMPANY Ltd.	24 金融業、保険業/ Finance, Insurance	Thiruvananthapuram
KL	109	Network Systems & Technologies Pvt. Ltd.(NeST Software)	29 サービス業/ Consulting, Advertisement, Research, Lawfirm, Accounts, Entertainment, Human Resource etc	Thiruvananthapuram
KL	110	Nippon Express (India) Pvt., Ltd.	22 運輸業/ Transportation	Thiruvananthapuram
KL	111	Reliance Life Insurance Company Limited Trivandrum 1	24 金融業、保険業/ Finance, Insurance	Thiruvananthapuram

2.4. Southern India

State	Sl. No.	NAME OF COMPANY REGISTERED IN INDIA	TYPE OF BUSINESS IN INDIA	LOCATIDN
KL	112	Terumo Penpol Ltd.	19 その他の製造業/ Manufacturing- Others	Thiruvananthapuram
KL	113	Universal Sompo General Insurance Co., Ltd.	24 金融業、保険業/ Finance, Insurance	Thiruvananthapuram
KL	114	Ylem Infotech Pvt. Ltd.	29 サービス業/ Consulting, Advertisement, Research, Lawfirm, Accounts, Entertainment, Human Resource etc	Thiruvananthapuram
KL	115	Amco Batteries Limited Thrissur Branch	18 輸送機械器具製造業/ Manufacturing- Automobile, Two Wheer, Auto Components, Rail/ Ship/Air Plane	Thrissur
KL	116	CHOLAMANDALAM MS GENERAL INSURANCE COMPANY Ltd.	24 金融業、保険業/ Finance, Insurance	Thrissur
KL	117	MAX LIFE INSURANCE COMPANY Ltd.	24 金融業、保険業/ Finance, Insurance	Thrissur
KL	118	Nitta Gelatin India Ltd.	19 その他の製造業/ Manufacturing- Others	Thrissur
KL	119	Reliance Life Insurance Company Limited Thrissur 1	24 金融業、保険業/ Finance, Insurance	Thrissur
KL	120	Reliance Life Insurance Company Limited Thrissur 2	24 金融業、保険業/ Finance, Insurance	Thrissur
KL	121	Reliance Life Insurance Company Limited Thrissur 3	24 金融業、保険業/ Finance, Insurance	Thrissur
KL	122	CHOLAMANDALAM MS GENERAL INSURANCE COMPANY Ltd.	24 金融業、保険業/ Finance, Insurance	Tirupur
KL	123	Reliance Life Insurance Company Limited Tirur	24 金融業、保険業/ Finance, Insurance	Tirur
KL	124	Reliance Life Insurance Company Limited Vadakara	24 金融業、保険業/ Finance, Insurance	Vadakara
KL	125	Reliance Life Insurance Company Limited Varkala	24 金融業、保険業/ Finance, Insurance	Varkala

2.4. Southern India

State	Sl. No.	NAME OF COMPANY REGISTERED IN INDIA	TYPE OF BUSINESS IN INDIA	LOCATIDN
<b>2.4.5. [Karnataka]</b>				
KN	1	100 PLUS WELLBEING Pvt. Ltd.	28 教育、学習支援、医療、福祉、複合サービス業/ Education, Medical, Postal, Cooperatives	Bangalore
KN	2	Accelerated Freeze Drying Co. Ltd., Bangalore Factory	04 食料品、飲料・たばこ・飼料製造業/ Manufacturing- Food, Drink, Tobacco, Fodder	Bangalore
KN	3	AEG Power Solutions (India) Private Limited	20 電気・ガス・熱供給・水道業/ Electricity, Gas, Water Supply	Bangalore
KN	4	Aica Laminates India Private Limited, Bangalore Branch	07 化学工業/ Chemical Industry	Bangalore
KN	5	Aica Laminates India Private Limited, Bangalore Branch	07 化学工業/ Chemical Industry	Bangalore
KN	6	Aisin NTF Pvt.Ltd.	18 輸送機械器具製造業/ Manufacturing- Automobile, Two Wheeler, Auto Components, Rail/ Ship/Air Plane	Bangalore
KN	7	Aisumi India Pvt. Ltd.	23 卸売業、小売業/ Wholesales, Retail	Bangalore
KN	8	ALKYL Technology	21 情報通信業/ Telecommunication, Broadcasting, IT, Newspaper, Publishing etc	Bangalore
KN	9	Alp Consulting Ltd.	29 サービス業/ Consulting, Advertisement, Research, Lawfirm, Accounts, Entertainment, Human Resource etc	Bangalore
KN	10	AMADA (INDIA) PRIVATE LIMITED Bangalore Service Center	23 卸売業、小売業(含: 商社、販社)/ Wholesales, Retail (including Sogo Shosya, sale company)	Bangalore
KN	11	AMADA (INDIA) PRIVATE LIMITED, HO	23 卸売業、小売業(含: 商社、販社)/ Wholesales, Retail (including Sogo Shosya, sale company)	Bangalore
KN	12	Amada Miyachi India Pvt. Ltd.	16 電気機械器具製造業/ Manufacturing- Electoric Machinery	Bangalore
KN	13	Anchor Electricals Pvt. Ltd.	16 電気機械器具製造業/ Manufacturing- Electoric Machinery	Bangalore
KN	14	Anritsu Corporation India	16 電気機械器具製造業/ Manufacturing- Electoric Machinery	Bangalore
KN	15	Arkadin ConferIndia (P) Ltd.	21 情報通信業/ Telecommunication, Broadcasting, IT, Newspaper, Publishing etc	Bangalore
KN	16	Armsel MHE Pvt. Ltd., HO	16 電気機械器具製造業/ Manufacturing- Electoric Machinery	Bangalore
KN	17	Asahi India Glass Ltd.	20 電気・ガス・熱供給・水道業/ Electricity, Gas, Water Supply	Bangalore
KN	18	AT INDIA AUTO PARTS PRIVATE LIMITED	19 その他の製造業/ Manufacturing- Others	Bangalore
KN	19	Atlas Logistics Pvt. Ltd., HO	22 運輸業/ Transportation	Bangalore
KN	20	BeQisoft Technologies Pvt. Ltd.	21 情報通信業/ Telecommunication, Broadcasting, IT, Newspaper, Publishing etc	Bangalore
KN	21	Bhoruka Extrusions Private Limited	19 その他の製造業/ Manufacturing- Others	Bangalore
KN	22	Bizworth India Pvt. Ltd.	29 サービス業/ Consulting, Advertisement, Research, Lawfirm, Accounts, Entertainment, Human Resource etc	Bangalore
KN	23	BNB Coatings India Ltd.	07 化学工業/ Chemical Industry	Bangalore
KN	24	Brother International (India) Pvt. Ltd.	14 生産用機械器具製造業/ Manufacturing- Prduction Machinery	Bangalore
KN	25	BSW Soft Pvt. Ltd.	17 情報通信機械器具、電子部品・デバイス・電子回路製造業/ Manufacturing- IT Products, Electronics Products	Bangalore
KN	26	BUSSAN AUTO FINANCE INDIA Pvt. Ltd.	24 金融業、保険業/ Finance, Insurance	Bangalore
KN	27	Canon India Private Limited	23 卸売業、小売業(含: 商社、販社)/ Wholesales, Retail (including Sogo Shosya, sale company)	Bangalore
KN	28	Canon India Private Limited	19 その他の製造業/ Manufacturing- Others	bangalore
KN	29	Canon India Private Limited	23 卸売業、小売業(含: 商社、販社)/ Wholesales, Retail (including Sogo Shosya, sale company)	bangalore
KN	30	Canon India Private Limited	23 卸売業、小売業(含: 商社、販社)/ Wholesales, Retail (including Sogo Shosya, sale company)	Bangalore
KN	31	Casio India Co., Private Limited - Bagalore Office	16 電気機械器具製造業/ Manufacturing- Electoric Machinery	Bangalore



2.4. Southern India

State	Sl. No.	NAME OF COMPANY REGISTERED IN INDIA	TYPE OF BUSINESS IN INDIA	LOCATIDN
KN	32	CHINO Corporation India Pvt. Ltd.	16 電気機械器具製造業/ Manufacturing- Electoric Machinery	Bangalore
KN	33	CHOLAMANDALAM MS GENERAL INSURANCE COMPANY Ltd.	24 金融業、保険業/ Finance, Insurance	Bangalore
KN	34	CHOLAMANDALAM MS GENERAL INSURANCE COMPANY Ltd.	24 金融業、保険業/ Finance, Insurance	Bangalore
KN	35	Citizen Machinery Co. Ltd.	29 サービス業/ Consulting, Advertisement, Research, Lawfirm, Accounts, Entertainment, Human Resource etc	Bangalore
KN	36	Citizen Watches (India) Pvt. Ltd.	23 卸売業、小売業/ Wholesales, Retail	Bangalore
KN	37	CKD Corporation India Liaison Office - Bangalore	14 生産用機械器具製造業/ Manufacturing- Prduction Machinery	Bangalore
KN	38	Coach Nutrachen India Pvt. Ltd.	23 卸売業、小売業(含:商社、販社)/ Wholesales, Retail (including Sogo Shosya, sale company)	Bangalore
KN	39	Cominix India Pvt. Ltd.	23 卸売業、小売業(含:商社、販社)/ Wholesales, Retail (including Sogo Shosya, sale company)	Bangalore
KN	40	Conceptual Life	29 サービス業/ Consulting, Advertisement, Research, Lawfirm, Accounts, Entertainment, Human Resource etc	Bangalore
KN	41	DaiEi Papers India Pvt. Ltd.	06 木材・木製品、パルプ・紙・紙加工品製造業/ Manufacturing- Timber & Timber Products, Paper & Paper Products	Bangalore
KN	42	Daifuku India Pvt. Ltd. Bangalore office	14 生産用機械器具製造業/ Manufacturing- Prduction Machinery	Bangalore
KN	43	Daiichi Jitsugyo Thailand Co., Ltd., Bangalore Branch Office	23 卸売業、小売業(含:商社、販社)/ Wholesales, Retail (including Sogo Shosya, sale company)	Bangalore
KN	44	DAIKIN AIRCONDITIONING INDIA Pvt. Ltd. BANGALORE BRANCH	16 電気機械器具製造業/ Manufacturing- Electoric Machinery	Bangalore
KN	45	DENSO INTERNATIONAL INDIA Pvt. Ltd. Bangalore Branch	29 サービス業/ Consulting, Advertisement, Research, Lawfirm, Accounts, Entertainment, Human Resource etc	Bangalore
KN	46	Denso Kirloskar Industries Pvt. Ltd.	18 輸送機械器具製造業/ Manufacturing- Automobile, Two Wheer, Auto Components, Rail/ Ship/Air Plane	Bangalore
KN	47	Dentsu Communications Pvt. Ltd.	29 サービス業/ Consulting, Advertisement, Research, Lawfirm, Accounts, Entertainment, Human Resource etc	Bangalore
KN	48	DIC India Limited	07 化学工業/ Chemical Industry	Bangalore
KN	49	DMG MORI SEIKI INDIA MACHINES AND SERVICES Pvt. Ltd. (Bangalore Head Office)	14 生産用機械器具製造業/ Manufacturing- Prduction Machinery	Bangalore
KN	50	ECL Puyvast (India) Pvt. Ltd.	22 運輸業/ Transportation	Bangalore
KN	51	Edelweiss Tokio Life Insurance Co. Ltd.	24 金融業、保険業/ Finance, Insurance	Bangalore
KN	52	Edelweiss Tokio Life Insurance Company Limited Bangalore_Jayanagar	24 金融業、保険業/ Finance, Insurance	Bangalore
KN	53	Elematec Trading India Pvt. Ltd.	23 卸売業、小売業(含:商社、販社)/ Wholesales, Retail (including Sogo Shosya, sale company)	Bangalore
KN	54	EPCOS India Privete Limited, Bangalore Sales Office	17 情報通信機械器具、電子部品・デバイス・電子回路製造業/ Manufacturing- IT Products, Electronics Products	Bangalore
KN	55	Epson India Pvt. Ltd.	16 電気機械器具製造業/ Manufacturing- Electoric Machinery	Bangalore
KN	56	Erbis Engineering (India) Pvt. Ltd.	23 卸売業、小売業(含:商社、販社)/ Wholesales, Retail (including Sogo Shosya, sale company)	Bangalore
KN	57	Essae-Teraoka Ltd.	16 電気機械器具製造業/ Manufacturing- Electoric Machinery	Bangalore
KN	58	ETA General Pvt. Ltd. Branch Office	16 電気機械器具製造業/ Manufacturing- Electoric Machinery	Bangalore
KN	59	EXEDY Clutch India Pvt. Ltd.	18 輸送機械器具製造業/ Manufacturing- Automobile, Two Wheer, Auto Components, Rail/ Ship/Air Plane	Bangalore
KN	60	Fanuc India Pvt. Ltd.	16 電気機械器具製造業/ Manufacturing- Electoric Machinery	Bangalore
KN	61	FCC RICO LIMITED	18 輸送機械器具製造業/ Manufacturing- Automobile, Two Wheer, Auto Components, Rail/ Ship/Air Plane	Bangalore
KN	62	Federal-Mogul TPR (India) Ltd.	18 輸送機械器具製造業/ Manufacturing- Automobile, Two Wheer, Auto Components, Rail/ Ship/Air Plane	Bangalore
KN	63	Fidelity Business Services Pvt. Ltd. (KVH Division)	29 サービス業/ Consulting, Advertisement, Research, Lawfirm, Accounts, Entertainment, Human Resource etc	Bangalore

2.4. Southern India

State	Sl. No.	NAME OF COMPANY REGISTERED IN INDIA	TYPE OF BUSINESS IN INDIA	LOCATIDN
KN	64	Firepro Systems Pvt.,Ltd.	16 電気機械器具製造業/ Manufacturing- Electoric Machinery	Bangalore
KN	65	FUJI FURUKAWA ENGINEERING CONSTRUCTION CO (INDIA) Pvt. Ltd.	03 建設業/ Construction Industry	Bangalore
KN	66	FUJIFILM INDIA PRIVATE LIMITED	23 卸売業、小売業(含:商社、販社)/ Wholesales, Retail (including Sogo Shosya, sale company)	Bangalore
KN	67	Fujitsu Consulting India Private Limited, Bangalore Office	21 情報通信業/ Telecommunication, Broadcasting, IT, Newspaper, Publishing etc	Bangalore
KN	68	FUJITSU INDIA Pvt. LIMITED Bangalore Branch	21 情報通信業/ Telecommunication, Broadcasting, IT, Newspaper, Publishing etc	Bangalore
KN	69	Fujitsu Semiconductor Asia Pvt. Ltd. (Singapore)	16 電気機械器具製造業/ Manufacturing- Electoric Machinery	Bangalore
KN	70	Furukawa Rock Drill India Pvt. Ltd.	11 非鉄金属製造業/ Manufacturing- Non Metal Products	Bangalore
KN	71	Gazoo Media Service India Pvt.	21 情報通信業/ Telecommunication, Broadcasting, IT, Newspaper, Publishing etc	Bangalore
KN	72	GeoCom Consulting Pvt. Ltd.	29 サービス業/ Consulting, Advertisement, Research, Lawfirm, Accounts, Entertainment, Human Resource etc	Bangalore
KN	73	GIIP India Accounting & Advisory Pvt. Ltd.	29 サービス業/ Consulting, Advertisement, Research, Lawfirm, Accounts, Entertainment, Human Resource etc	Bangalore
KN	74	Goen Consulting Pvt.Ltd.	29 サービス業/ Consulting, Advertisement, Research, Lawfirm, Accounts, Entertainment, Human Resource etc	Bangalore
KN	75	Hankyu Hanshin Express India Pvt. Ltd.	22 運輸業/ Transportation	Bangalore
KN	76	Haruka Export India Pvt. Ltd.	23 卸売業、小売業/ Wholesales, Retail	Bangalore
KN	77	Hightemp Furnaces Pvt. Ltd.	12 金属製品製造業/ manufactruing- Metal Products	Bangalore
KN	78	Hirose Electric Co., Ltd.	16 電気機械器具製造業/ Manufacturing- Electoric Machinery	Bangalore
KN	79	Hitachi Data Systems India Pvt. Ltd. (India)	21 情報通信業/ Telecommunication, Broadcasting, IT, Newspaper, Publishing etc	Bangalore
KN	80	Hitachi Hi-Rel Power Electronics Pvt. Ltd.(sales office)	16 電気機械器具製造業/ Manufacturing- Electoric Machinery	Bangalore
KN	81	Hitachi India Pvt. Ltd. Bangalore Branch Office	16 電気機械器具製造業/ Manufacturing- Electoric Machinery	Bangalore
KN	82	Hitachi Koki India Private Limited	19 その他の製造業/ Manufacturing- Others	Bangalore
KN	83	Hitachi Systems Micro Clinic Pvt. Ltd., Bengaluru Branch	21 情報通信業/ Telecommunication, Broadcasting, IT, Newspaper, Publishing etc	Bangalore
KN	84	Hitachi-NeST Control Systems. Pvt. Ltd.	19 その他の製造業/ Manufacturing- Others	Bangalore
KN	85	HONDA KAIHATU INDIA HOSPITALITY Pvt. Ltd. BENGALURU OFFICE	29 サービス業/ Consulting, Advertisement, Research, Lawfirm, Accounts, Entertainment, Human Resource etc	Bangalore
KN	86	Honda Logistics India Pvt. Ltd.	22 運輸業/ Transportation	Bangalore
KN	87	Honda Motorcycle & Scooter India Pvt. Ltd.	18 輸送機械器具製造業/ Manufacturing- Automobile, Two Wheer, Auto Components, Rail/ Ship/Air Plane	Bangalore
KN	88	Honda Trading Corporation India Pvt. Ltd. Bangalore office	23 卸売業、小売業(含:商社、販社)/ Wholesales, Retail (including Sogo Shosya, sale company)	Bangalore
KN	89	HORIBA India Private Limited, Bangalore Office	16 電気機械器具製造業/ Manufacturing- Electoric Machinery	Bangalore
KN	90	Ibiden India	16 電気機械器具製造業/ Manufacturing- Electoric Machinery	Bangalore
KN	91	IFFCO-Tokio General Insurance Co. Ltd.	24 金融業、保険業/ Finance, Insurance	Bangalore
KN	92	IFFCO-Tokio General Insurance Co. Ltd.	24 金融業、保険業/ Finance, Insurance	Bangalore
KN	93	IFFCO-Tokio General Insurance Co. Ltd.	24 金融業、保険業/ Finance, Insurance	Bangalore
KN	94	Indo FMB	23 卸売業、小売業/ Wholesales, Retail	Bangalore
KN	95	Indo Nissin Foods Limited	04 食料品、飲料・たばこ・飼料製造業/ Manufacturing- Food, Drink, Tobacco, Fodder	Bangalore

2.4. Southern India

State	Sl. No.	NAME OF COMPANY REGISTERED IN INDIA	TYPE OF BUSINESS IN INDIA	LOCATIDN
KN	96	Indo Nissin Foods Limited	04 食料品、飲料・たばこ・飼料製造業/ Manufacturing- Food, Drink, Tobacco, Fodder	Bangalore
KN	97	Indo-Fuji Information Technologies Pvt. Ltd.	21 情報通信業/ Telecommunication, Broadcasting, IT, Newspaper, Publishing etc	Bangalore
KN	98	Infotrack Telematics Pvt.Ltd.	21 情報通信業/ Telecommunication, Broadcasting, IT, Newspaper, Publishing etc	Bangalore
KN	99	Infrastructure Leasing & Financial Serviecs Limited	24 金融業、保険業/ Finance, Insurance	Bangalore
KN	100	Internet Academy	28 教育、学習支援、医療、福祉、複合サービス業/ Education, Medical, Postal, Cooperatives	Bangalore
KN	101	Intersoft K.K. India Pvt. Ltd.	21 情報通信業/ Telecommunication, Broadcasting, IT, Newspaper, Publishing etc	Bangalore
KN	102	Iriso Electronics Co. Ltd.	19 その他の製造業/ Manufacturing- Others	Bangalore
KN	103	Japan CBM Corporation India Pvt. Ltd.	23 卸売業、小売業/ Wholesales, Retail	Bangalore
KN	104	Japan Communications (India)	21 情報通信業/ Telecommunication, Broadcasting, IT, Newspaper, Publishing etc	Bangalore
KN	105	Japan Metals Building Systems	03 建設業/ Construction Industry	Bangalore
KN	106	JBM Ogihara Automotive India Ltd.	18 輸送機械器具製造業/ Manufacturing- Automobile, Two Wheer, Auto Components, Rail/ Ship/Air Plane	Bangalore
KN	107	JFE Shoji Trading Corporation, Project Office	23 卸売業、小売業/ Wholesales, Retail	Bangalore
KN	108	JIEM India Pvt. Ltd.	28 教育、学習支援、医療、福祉、複合サービス業/ Education, Medical, Postal, Cooperatives	Bangalore
KN	109	Jin Information Systems Pvt. Ltd.	21 情報通信業/ Telecommunication, Broadcasting, IT, Newspaper, Publishing etc	Bangalore
KN	110	J-Logicom India Pvt. Ltd.	22 運輸業/ Transportation	Bangalore
KN	111	JUKI INDIA Pvt. Ltd.	23 卸売業、小売業(含:商社、販社)/ Wholesales, Retail (including Sogo Shosya, sale company)	Bangalore
KN	112	K Steamship Agencies (Pvt.) Ltd.	22 運輸業/ Transportation	Bangalore
KN	113	Kaga Devices India Pvt. Ltd.	23 卸売業、小売業/ Wholesales, Retail	Bangalore
KN	114	Kanaden Corporation India Liason Office	23 卸売業、小売業/ Wholesales, Retail	Bangalore
KN	115	Kawasaki-MK Industries India Pvt.Ltd.	18 輸送機械器具製造業/ Manufacturing- Automobile, Two Wheer, Auto Components, Rail/ Ship/Air Plane	Bangalore
KN	116	KDDI India Private Limited	21 情報通信業/ Telecommunication, Broadcasting, IT, Newspaper, Publishing etc	Bangalore
KN	117	KEIHIN FIE PRIVATE LIMITED Plant 3	18 輸送機械器具製造業/ Manufacturing- Automobile, Two Wheer, Auto Components, Rail/ Ship/Air Plane	Bangalore
KN	118	Kintetsu World Express (India) Private Limited	22 運輸業/ Transportation	Bangalore
KN	119	Kirloskar Toyota Textile Machinery Pvt. Ltd.	15 業務用機械器具製造業/ Manufacturing- Commercial Machinery	Bangalore
KN	120	Koiwai Co. Ltd.	12 金属製品製造業/ manufactruing- Metal Products	Bangalore
KN	121	Komatsu India Pvt. Ltd. Bangalore Branch	19 その他の製造業/ Manufacturing- Others	Bangalore
KN	122	Konica Minolta Business Solutions India Pvt. Ltd.	17 情報通信機械器具、電子部品・デバイス・電子回路製造業/ Manufacturing- IT Products, Electronics Products	Bangalore
KN	123	Koyo Bearings India Pvt. Ltd.	12 金属製品製造業/ manufactruing- Metal Products	Bangalore
KN	124	Kumon India Education Pvt. Ltd., Bangalore Branch Office	28 教育、学習支援、医療、福祉、複合サービス業/ Education, Medical, Postal, Cooperatives	Bangalore
KN	125	KWE India	22 運輸業/ Transportation	Bangalore
KN	126	KWE India	22 運輸業/ Transportation	Bangalore
KN	127	KWE India	22 運輸業/ Transportation	Bangalore

2.4. Southern India

State	Sl. No.	NAME OF COMPANY REGISTERED IN INDIA	TYPE OF BUSINESS IN INDIA	LOCATIDN
KN	128	Kyocera Asia Pacific India Pvt. Ltd. Bangalore office	17 情報通信機械器具、電子部品・デバイス・電子回路製造業/ Manufacturing- IT Products, Electronics Products	Bangalore
KN	129	Kyocera Document Solutions India Pvt. Ltd., Branch Office (Bangalore)	23 卸売業、小売業/ Wholesales, Retail	Bangalore
KN	130	Kyoritsu Electric India Pvt. Ltd., Bangalore Branch	16 電気機械器具製造業/ Manufacturing- Electoric Machinery	Bangalore
KN	131	LIC Nomura Mutual Fund Asset Management Company Co. Ltd.	24 金融業、保険業/ Finance, Insurance	Bangalore
KN	132	Lumax Industries Ltd. Bangalore Factory	18 輸送機械器具製造業/ Manufacturing- Automobile, Two Wheer, Auto Components, Rail/ Ship/Air Plane	Bangalore
KN	133	Makino India Pvt. Ltd.	16 電気機械器具製造業/ Manufacturing- Electoric Machinery	Bangalore
KN	134	Makita Power Tools India Pvt. Ltd.	23 卸売業、小売業(含:商社、販社)/ Wholesales, Retail (including Sogo Shosya, sale company)	Bangalore
KN	135	MapmyIndia (Zenrin India) Pvt. Ltd.	21 情報通信業/ Telecommunication, Broadcasting, IT, Newspaper, Publishing etc	Bangalore
KN	136	Maruti Suzuki India Limited	18 輸送機械器具製造業/ Manufacturing- Automobile, Two Wheer, Auto Components, Rail/ Ship/Air Plane	Bangalore
KN	137	MAX LIFE INSURANCE COMPANY Ltd.	24 金融業、保険業/ Finance, Insurance	Bangalore
KN	138	MAX LIFE INSURANCE COMPANY Ltd.	24 金融業、保険業/ Finance, Insurance	Bangalore
KN	139	MAX LIFE INSURANCE COMPANY Ltd.	24 金融業、保険業/ Finance, Insurance	Bangalore
KN	140	MAX LIFE INSURANCE COMPANY Ltd.	24 金融業、保険業/ Finance, Insurance	Bangalore
KN	141	MAX LIFE INSURANCE COMPANY Ltd.	24 金融業、保険業/ Finance, Insurance	Bangalore
KN	142	MAX LIFE INSURANCE COMPANY Ltd.	24 金融業、保険業/ Finance, Insurance	Bangalore
KN	143	Medreich Limited	28 教育、学習支援、医療、福祉、複合サービス業/ Education, Medical, Postal, Cooperatives	Bangalore
KN	144	Mega Chips	16 電気機械器具製造業/ Manufacturing- Electoric Machinery	Bangalore
KN	145	Meiban Engineering Technologies Pvt. Ltd.	16 電気機械器具製造業/ Manufacturing- Electoric Machinery	Bangalore
KN	146	Metrol India	16 電気機械器具製造業/ Manufacturing- Electoric Machinery	Bangalore
KN	147	MINDA F-TEN PRIVATE LIMITED Bangalore Office	23 卸売業、小売業/ Wholesales, Retail	Bangalore
KN	148	MINDA KYORAKU LIMITED BANGALORE PLANT	19 その他の製造業/ Manufacturing- Others	Bangalore
KN	149	MITSUBISHI CORPORATION	23 卸売業、小売業(含:商社、販社)/ Wholesales, Retail (including Sogo Shosya, sale company)	Bangalore
KN	150	MITSUBISHI ELECTRIC INDIA PRIVATE LIMITED	16 電気機械器具製造業/ Manufacturing- Electoric Machinery	Bangalore
KN	151	MITSUBISHI ELEVATOR ETA INDIA PRIVATE LIMITED	16 電気機械器具製造業/ Manufacturing- Electoric Machinery	Bangalore
KN	152	Mitsubishi Heavy Industries India Private Ltd., Bangalore Office (A.E. Office)	29 サービス業/ Consulting, Advertisement, Research, Lawfirm, Accounts, Entertainment, Human Resource etc	Bangalore
KN	153	Mitsui O.S.K.Lines (India) Pvt. Ltd.	22 運輸業/ Transportation	bangalore
KN	154	Mitutoyo South Asia Pvt. Ltd.	16 電気機械器具製造業/ Manufacturing- Electoric Machinery	Bangalore
KN	155	Mizuho Bank Bangalore (Devanahalli) Branch	24 金融業、保険業/ Finance, Insurance	Bangalore
KN	156	MMC Hardmetal India Pvt. Ltd.	23 卸売業、小売業(含:商社、販社)/ Wholesales, Retail (including Sogo Shosya, sale company)	Bangalore
KN	157	Motherson Sumi Systems Ltd.	18 輸送機械器具製造業/ Manufacturing- Automobile, Two Wheer, Auto Components, Rail/ Ship/Air Plane	Bangalore
KN	158	MSE FORWARDERS INDIA Pvt. Ltd.	22 運輸業/ Transportation	Bangalore
KN	159	Mugen Hospitality Pvt. Ltd.	29 サービス業/ Consulting, Advertisement, Research, Lawfirm, Accounts, Entertainment, Human Resource etc	Bangalore

2.4. Southern India

State	Sl. No.	NAME OF COMPANY REGISTERED IN INDIA	TYPE OF BUSINESS IN INDIA	LOCATIDN
KN	160	Musashi Auto Parts India Pvt. Ltd.	18 輸送機械器具製造業/ Manufacturing- Automobile, Two Wheel, Auto Components, Rail/ Ship/Air Plane	Bangalore
KN	161	Nabtesco Corporation India Liaison Office	15 業務用機械器具製造業/ Manufacturing- Commercial Machinery	Bangalore
KN	162	NACHI KG TECHNOLOGY INDIA Pvt. Ltd. (Bangalore Brabch)	12 金属製品製造業/ manufactruing- Metal Products	bangalore
KN	163	NEC India Pvt. Ltd. Bengaluru Branch 1	17 情報通信機械器具、電子部品・デバイス・電子回路製造業/ Manufacturing- IT Products, Electronics Products	Bangalore
KN	164	NEC India Pvt. Ltd. Bengaluru Branch 2	17 情報通信機械器具、電子部品・デバイス・電子回路製造業/ Manufacturing- IT Products, Electronics Products	Bangalore
KN	165	NEC Technologies India Ltd., Bangalore Branch	21 情報通信業/ Telecommunication, Broadcasting, IT, Newspaper, Publishing etc	Bangalore
KN	166	Netmagic Solutions Pvt. Ltd. - DC-1 Bangalore	21 情報通信業/ Telecommunication, Broadcasting, IT, Newspaper, Publishing etc	Bangalore
KN	167	Netmagic Solutions Pvt. Ltd. - DC-2 Bangalore	21 情報通信業/ Telecommunication, Broadcasting, IT, Newspaper, Publishing etc	Bangalore
KN	168	Neutral Base Holistic Therapy Pvt. Ltd.	28 教育、学習支援、医療、福祉、複合サービス業/ Education, Medical, Postal, Cooperatives	Bangalore
KN	169	New Era India Consultancy Pvt. Ltd.	29 サービス業/ Consulting, Advertisement, Research, Lawfirm, Accounts, Entertainment, Human Resource etc	Bangalore
KN	170	Nichia Chemical (India) Pvt. Ltd. Bangalore Sales Office	23 卸売業、小売業(含: 商社、販社)/ Wholesales, Retail (including Sogo Shosya, sale company)	Bangalore
KN	171	Nichia Corporation (Sales office)	16 電気機械器具製造業/ Manufacturing- Electoric Machinery	Bangalore
KN	172	Nichi-In Software Solutions Pvt.Ltd.	21 情報通信業/ Telecommunication, Broadcasting, IT, Newspaper, Publishing etc	Bangalore
KN	173	NIDEC Shimpo Corporation	16 電気機械器具製造業/ Manufacturing- Electoric Machinery	Bangalore
KN	174	Nihon Communications Solutions	21 情報通信業/ Telecommunication, Broadcasting, IT, Newspaper, Publishing etc	Bangalore
KN	175	Nihon Denkei India Pvt. Ltd.	23 卸売業、小売業/ Wholesales, Retail	Bangalore
KN	176	Nikon India Private Limited, Bangalore Branch	19 その他の製造業/ Manufacturing- Others	Bangalore
KN	177	Nippon Express (India) Pvt., Ltd.	22 運輸業/ Transportation	Bangalore
KN	178	Nippon Express (India) Pvt., Ltd.	22 運輸業/ Transportation	bangalore
KN	179	NIPPON I-CLEAN SOLUTIONS Pvt.Ltd.	29 サービス業/ Consulting, Advertisement, Research, Lawfirm, Accounts, Entertainment, Human Resource etc	Bangalore
KN	180	Nippon Konpo India Pvt.Ltd.	22 運輸業/ Transportation	Bangalore
KN	181	Nippon Konpo India Pvt.Ltd.	22 運輸業/ Transportation	Bangalore
KN	182	Nippon Paint (India) Pvt. Ltd.	07 化学工業/ Chemical Industry	Bangalore
KN	183	Nissin ABC Logitics Private Limited. Bangalore Branch	22 運輸業/ Transportation	Bangalore
KN	184	Nittsu Logistics (India) Private Limited.	22 運輸業/ Transportation	Bangalore
KN	185	NJS Engineers India Pvt. Ltd. (NJSEI) / Bangalore office	29 サービス業/ Consulting, Advertisement, Research, Lawfirm, Accounts, Entertainment, Human Resource etc	Bangalore
KN	186	NKC Conveyor India Pvt. Ltd.,	18 輸送機械器具製造業/ Manufacturing- Automobile, Two Wheel, Auto Components, Rail/ Ship/Air Plane	Bangalore
KN	187	NMTronics (India) Pvt. Ltd.	23 卸売業、小売業/ Wholesales, Retail	Bangalore
KN	188	NNR Global Logistics India Pvt.Ltd.	22 運輸業/ Transportation	Bangalore
KN	189	Noritsu India Private Limited Bangalore Office	23 卸売業、小売業(含: 商社、販社)/ Wholesales, Retail (including Sogo Shosya, sale company)	Bangalore
KN	190	NTL Logistics Plus India Pvt. Ltd.	22 運輸業/ Transportation	Bangalore
KN	191	NTT Communications India Private Ltd. - Bangalore Branch	21 情報通信業/ Telecommunication, Broadcasting, IT, Newspaper, Publishing etc	Bangalore

2.4. Southern India

State	Sl. No.	NAME OF COMPANY REGISTERED IN INDIA	TYPE OF BUSINESS IN INDIA	LOCATIDN
KN	192	NTT Data FA Insurance System	21 情報通信業/ Telecommunication, Broadcasting, IT, Newspaper, Publishing etc	Bangalore
KN	193	NTT DATA Global Delivery Services Limited	21 情報通信業/ Telecommunication, Broadcasting, IT, Newspaper, Publishing etc	Bangalore
KN	194	OJ Hospitality	29 サービス業/ Consulting, Advertisement, Research, Lawfirm, Accounts, Entertainment, Human Resource etc	Bangalore
KN	195	OKAYA & CO.INDIA PRIVATE LIMITED, Bangalore Branch	23 卸売業、小売業/ Wholesales, Retail	Bangalore
KN	196	Omron Automation Pvt. Ltd.	16 電気機械器具製造業/ Manufacturing- Electoric Machinery	Bangalore
KN	197	Omron Electronic Components Pte Ltd.	23 卸売業、小売業(含:商社、販社)/ Wholesales, Retail (including Sogo Shosya, sale company)	Bangalore
KN	198	Oriental Motor (INDIA) Pvt.Ltd.	23 卸売業、小売業(含:商社、販社)/ Wholesales, Retail (including Sogo Shosya, sale company)	Bangalore
KN	199	ORIX Auto Infrastructure Services Limited	26 物品賃貸業/ Lease	Bangalore
KN	200	Orotex Chemicals India Pvt. Ltd.	18 輸送機械器具製造業/ Manufacturing- Automobile, Two Wheer, Auto Components, Rail/ Ship/Air Plane	Bangalore
KN	201	Overseas Courier Service (India) Pvt. Ltd. Bangalore Branch	22 運輸業/ Transportation	Bangalore
KN	202	Owari Precision Products India	18 輸送機械器具製造業/ Manufacturing- Automobile, Two Wheer, Auto Components, Rail/ Ship/Air Plane	Bangalore
KN	203	Panasonic India Pvt. Ltd.	16 電気機械器具製造業/ Manufacturing- Electoric Machinery	Bangalore
KN	204	Pebble Branding Pvt. Ltd.	29 サービス業/ Consulting, Advertisement, Research, Lawfirm, Accounts, Entertainment, Human Resource etc	Bangalore
KN	205	Pegasus Sewing Machine Pte. Ltd. India (Bangalore) Liaison Office	16 電気機械器具製造業/ Manufacturing- Electoric Machinery	Bangalore
KN	206	Percept/H Pvt. Ltd.	29 サービス業/ Consulting, Advertisement, Research, Lawfirm, Accounts, Entertainment, Human Resource etc	Bangalore
KN	207	PM Global Co.,Ltd.	29 サービス業/ Consulting, Advertisement, Research, Lawfirm, Accounts, Entertainment, Human Resource etc	Bangalore
KN	208	Pole To Win India Private Limited	21 情報通信業/ Telecommunication, Broadcasting, IT, Newspaper, Publishing etc	Bangalore
KN	209	Procsys Hospitality Pvt. Ltd.	29 サービス業/ Consulting, Advertisement, Research, Lawfirm, Accounts, Entertainment, Human Resource etc	Bangalore
KN	210	Pro-face India, Bangalore HQ	16 電気機械器具製造業/ Manufacturing- Electoric Machinery	Bangalore
KN	211	QUESERSER DESIGNERS INDIA PRIVATE LIMITED	21 情報通信業/ Telecommunication, Broadcasting, IT, Newspaper, Publishing etc	Bangalore
KN	212	Rakuten India Development and Operations Center (RIDOC)	21 情報通信業/ Telecommunication, Broadcasting, IT, Newspaper, Publishing etc	Bangalore
KN	213	Ranbaxy Laboratories Ltd.(Sales Office)	19 その他の製造業/ Manufacturing- Others	Bangalore
KN	214	Reliance Life Insurance Company Limited Bgl Mg Rd II	24 金融業、保険業/ Finance, Insurance	Bangalore
KN	215	Reliance Life Insurance Company Limited Sarjapur Road	24 金融業、保険業/ Finance, Insurance	Bangalore
KN	216	Renesas Electronics Singapore Pvt. Ltd.	17 情報通信機械器具、電子部品・デバイス・電子回路製造業/ Manufacturing- IT Products, Electronics Products	Bangalore
KN	217	RGF Executive Search India Pvt. Ltd.	29 サービス業/ Consulting, Advertisement, Research, Lawfirm, Accounts, Entertainment, Human Resource etc	Bangalore
KN	218	RGF Executive Search India Pvt. Ltd.	29 サービス業/ Consulting, Advertisement, Research, Lawfirm, Accounts, Entertainment, Human Resource etc	Bangalore
KN	219	RGF Executive Search India Pvt. Ltd.	29 サービス業/ Consulting, Advertisement, Research, Lawfirm, Accounts, Entertainment, Human Resource etc	Bangalore
KN	220	Ricoh India Limited	21 情報通信業/ Telecommunication, Broadcasting, IT, Newspaper, Publishing etc	Bangalore
KN	221	Ricoh India Limited	21 情報通信業/ Telecommunication, Broadcasting, IT, Newspaper, Publishing etc	Bangalore
KN	222	Ricoh Innovation Pvt.Ltd.	19 その他の製造業/ Manufacturing- Others	Bangalore
KN	223	Riemasala Pvt. Ltd.	29 サービス業/ Consulting, Advertisement, Research, Lawfirm, Accounts, Entertainment, Human Resource etc	Bangalore

2.4. Southern India

State	Sl. No.	NAME OF COMPANY REGISTERED IN INDIA	TYPE OF BUSINESS IN INDIA	LOCATIDN
KN	224	Robert Bosch Engineering and Business Solutions Limited	18 輸送機械器具製造業/ Manufacturing- Automobile, Two Wheeler, Auto Components, Rail/ Ship/Air Plane	Bangalore
KN	225	Rohm Semiconductor India Pvt. Ltd.	23 卸売業、小売業(含: 商社、販社)/ Wholesales, Retail (including Sogo Shosya, sale company)	Bangalore
KN	226	ROKI MINDA Co. Private Limited.	18 輸送機械器具製造業/ Manufacturing- Automobile, Two Wheeler, Auto Components, Rail/ Ship/Air Plane	Bangalore
KN	227	Sakata Seeds India Pvt. Ltd.	01 農業、林業、漁業/ Agriculture, Forestry, Fishry	Bangalore
KN	228	Santen India Pvt. Ltd.	19 その他の製造業/ Manufacturing- Others	Bangalore
KN	229	Sanyo India Pvt. Ltd.	03 建設業/ Construction Industry	Bangalore
KN	230	Sanyu Rec India Liaison Office	07 化学工業/ Chemical Industry	Bangalore
KN	231	Seiko Watch India Pvt. Ltd.	23 卸売業、小売業(含: 商社、販社)/ Wholesales, Retail (including Sogo Shosya, sale company)	Bangalore
KN	232	Sharp Business Systems (India) Limited Bangalore Branch	23 卸売業、小売業(含: 商社、販社)/ Wholesales, Retail (including Sogo Shosya, sale company)	Bangalore
KN	233	Sharp Electronics (Singapore) Pvt. Ltd.	16 電気機械器具製造業/ Manufacturing- Electoric Machinery	Bangalore
KN	234	Sharp Software Development India Private Limited	29 サービス業/ Consulting, Advertisement, Research, Lawfirm, Accounts, Entertainment, Human Resource etc	Bangalore
KN	235	Shimizu Corporation India Pvt. Ltd., HO	03 建設業/ Construction Industry	Bangalore
KN	236	Shin Nippon Biomedical Laboratories Pvt.Ltd.	28 教育、学習支援、医療、福祉、複合サービス業/ Education, Medical, Postal, Cooperatives	Bangalore
KN	237	Shinano ABV Technologies Pvt. Ltd.	16 電気機械器具製造業/ Manufacturing- Electoric Machinery	Bangalore
KN	238	Shindengen India Private Limited (Headquarter)	16 電気機械器具製造業/ Manufacturing- Electoric Machinery	Bangalore
KN	239	Shinwa (India) Engineering & Trading Pvt. Ltd.	23 卸売業、小売業/ Wholesales, Retail	Bangalore
KN	240	SIGMA Freudenberg NOK Pvt. Ltd. Bangalore Sales Office	18 輸送機械器具製造業/ Manufacturing- Automobile, Two Wheeler, Auto Components, Rail/ Ship/Air Plane	Bangalore
KN	241	Simplex Naigai Castings Private Limited	12 金属製品製造業/ manufactruing- Metal Products	Bangalore
KN	242	Sindhu Cargo Services Private Limited	22 運輸業/ Transportation	Bangalore
KN	243	Singapore Ryosan Pte Ltd.	14 生産用機械器具製造業/ Manufacturing- Prduction Machinery	Bangalore
KN	244	SKK (S) PTE Ltd. INDIA BRANCH OFFICE BANGALORE	07 化学工業/ Chemical Industry	Bangalore
KN	245	SMC PNEUMATICS (INDIA) Pvt. Ltd.	19 その他の製造業/ Manufacturing- Others	Bangalore
KN	246	Snowman Logistics Ltd., HO	22 運輸業/ Transportation	Bangalore
KN	247	Sodick Technologies India Pvt. Ltd., HO	21 情報通信業/ Telecommunication, Broadcasting, IT, Newspaper, Publishing etc	Bangalore
KN	248	Somar Corporation India Pvt. Ltd.	23 卸売業、小売業/ Wholesales, Retail	Bangalore
KN	249	Sony India Pvt. Ltd. Bangalore	23 卸売業、小売業(含: 商社、販社)/ Wholesales, Retail (including Sogo Shosya, sale company)	Bangalore
KN	250	Sony India Software Pvt. Ltd.	29 サービス業/ Consulting, Advertisement, Research, Lawfirm, Accounts, Entertainment, Human Resource etc	Bangalore
KN	251	Spice Up Academy	28 教育、学習支援、医療、福祉、複合サービス業/ Education, Medical, Postal, Cooperatives	Bangalore
KN	252	SRA India Ltd.	21 情報通信業/ Telecommunication, Broadcasting, IT, Newspaper, Publishing etc	Bangalore
KN	253	Stanzen Toyotetsu India Pvt. Ltd.	18 輸送機械器具製造業/ Manufacturing- Automobile, Two Wheeler, Auto Components, Rail/ Ship/Air Plane	Bangalore
KN	254	Star Union Dai-ichi Life Insurance Co. Ltd.	24 金融業、保険業/ Finance, Insurance	Bangalore
KN	255	STI-Sanoh India Ltd. Bangalore Plant	12 金属製品製造業/ manufactruing- Metal Products	Bangalore

2.4. Southern India

State	Sl. No.	NAME OF COMPANY REGISTERED IN INDIA	TYPE OF BUSINESS IN INDIA	LOCATIDN
KN	256	Strategi Automation Solution Pvt. Ltd.	18 輸送機械器具製造業/ Manufacturing- Automobile, Two Wheeler, Auto Components, Rail/ Ship/Air Plane	Bangalore
KN	257	Sunchirin Autoparts India Pvt. Ltd.	18 輸送機械器具製造業/ Manufacturing- Automobile, Two Wheeler, Auto Components, Rail/ Ship/Air Plane	Bangalore
KN	258	System Consultant Information India Pvt. Ltd.	21 情報通信業/ Telecommunication, Broadcasting, IT, Newspaper, Publishing etc	Bangalore
KN	259	Tadano Inida Private Limited	19 その他の製造業/ Manufacturing- Others	Bangalore
KN	260	Takasago Engineering India Pvt., Ltd.	03 建設業/ Construction Industry	Bangalore
KN	261	Takenaka India Private Limited	03 建設業/ Construction Industry	Bangalore
KN	262	Takii Seeds India Private Limited	19 その他の製造業/ Manufacturing- Others	Bangalore
KN	263	Takisawa Machine Tool Co., Ltd.	16 電気機械器具製造業/ Manufacturing- Electoric Machinery	Bangalore
KN	264	Takshasila Hospitals Operating Private Limited	28 教育、学習支援、医療、福祉、複合サービス業/ Education, Medical, Postal, Cooperatives	Bangalore
KN	265	TANAKA AUTO PARTS INDIA Pvt.Ltd.	12 金属製品製造業/ manufactruing- Metal Products	Bangalore
KN	266	Tata Hitachi Construction Machinery Company Limited	19 その他の製造業/ Manufacturing- Others	Bangalore
KN	267	Tata Teleservices, Limited	21 情報通信業/ Telecommunication, Broadcasting, IT, Newspaper, Publishing etc	Bangalore
KN	268	TATA Yazaki Autocomp	18 輸送機械器具製造業/ Manufacturing- Automobile, Two Wheeler, Auto Components, Rail/ Ship/Air Plane	Bangalore
KN	269	TB Kawashima Automotive textile India Pvt. Ltd.	05 繊維工業/ Textile Industry	Bangalore
KN	270	TD Power Systems Ltd.	16 電気機械器具製造業/ Manufacturing- Electoric Machinery	Bangalore
KN	271	TDK-Lambda Corp.	19 その他の製造業/ Manufacturing- Others	Bangalore
KN	272	Team PASONA India Co. Ltd., Bangalore Branch	29 サービス業/ Consulting, Advertisement, Research, Lawfirm, Accounts, Entertainment, Human Resource etc	Bangalore
KN	273	TG Kirloskar Automotive Pvt.Ltd.	19 その他の製造業/ Manufacturing- Others	Bangalore
KN	274	The Bank of Tokyo-Mitsubishi UFJ, Ltd. Bangalore Branch	24 金融業、保険業/ Finance, Insurance	Bangalore
KN	275	THK Co. Ltd.	16 電気機械器具製造業/ Manufacturing- Electoric Machinery	Bangalore
KN	276	TMEIC Indtrial Systems India Private Limited	14 生産用機械器具製造業/ Manufacturing- Prduction Machinery	Bangalore
KN	277	Tokai Rika Minda India Pvt. Ltd.	18 輸送機械器具製造業/ Manufacturing- Automobile, Two Wheeler, Auto Components, Rail/ Ship/Air Plane	Bangalore
KN	278	Tokai Rubber Auto-Parts India Private Limited	18 輸送機械器具製造業/ Manufacturing- Automobile, Two Wheeler, Auto Components, Rail/ Ship/Air Plane	Bangalore
KN	279	Tokita Seed Co., Ltd.	01 農業、林業、漁業/ Agriculture, Forestry, Fishry	Bangalore
KN	280	Tokyo Consulting Firm	29 サービス業/ Consulting, Advertisement, Research, Lawfirm, Accounts, Entertainment, Human Resource etc	Bangalore
KN	281	Tokyo Sangyo Yoshi Co.Ltd.	06 木材・木製品、パルプ・紙・紙加工品製造業/ Manufacturing- Timber & Timber Products, Paper & Paper Products	Bangalore
KN	282	Toli Floor	19 その他の製造業/ Manufacturing- Others	Bangalore
KN	283	Tomei Engineering Pvt. Ltd.	16 電気機械器具製造業/ Manufacturing- Electoric Machinery	Bangalore
KN	284	TOMEN Electronics India Private Limited, Bangalore Branch	23 卸売業、小売業(含:商社、販社)/ Wholesales, Retail (including Sogo Shosya, sale company)	Bangalore
KN	285	Torishima Pumps India Pvt.Ltd.	19 その他の製造業/ Manufacturing- Others	Bangalore
KN	286	TOSEI ENGINEERING PRIVATE LIMITED. Bangarole	29 サービス業/ Consulting, Advertisement, Research, Lawfirm, Accounts, Entertainment, Human Resource etc	Bangalore
KN	287	TOSHIBA INDIA Pvt. Ltd., BANGALORE OFFICE	23 卸売業、小売業/ Wholesales, Retail	Bangalore



2.4. Southern India

State	Sl. No.	NAME OF COMPANY REGISTERED IN INDIA	TYPE OF BUSINESS IN INDIA	LOCATIDN
KN	288	Toshiba Johnson Elevators India Pvt. Ltd.	03 建設業/ Construction Industry	Bangalore
KN	289	Toshiba Software (India)Pvt.Ltd.	19 その他の製造業/ Manufacturing- Others	Bangalore
KN	290	Toyo Tanso India Private Limited	19 その他の製造業/ Manufacturing- Others	Bangalore
KN	291	Toyoda Micromatic Machinery India Ltd. BANGALORE	23 卸売業、小売業(含: 商社、販社) / Wholesales, Retail (including Sogo Shosya, sale company)	Bangalore
KN	292	Toyota Boshoku Automotive India Pvt. Ltd.	19 その他の製造業/ Manufacturing- Others	Bangalore
KN	293	Toyota Enterprise India Pvt. Ltd.	27 宿泊業、飲食サービス業/ Hotel, Restaurant	Bangalore
KN	294	Toyota Financial Services India Limited	24 金融業、保険業/ Finance, Insurance	Bangalore
KN	295	Toyota Kirloskar Auto Parts Pvt. Ltd.	18 輸送機械器具製造業/ Manufacturing- Automobile, Two Wheer, Auto Components, Rail/ Ship/Air Plane	Bangalore
KN	296	Toyota Kirloskar Motor Private Limited UB City Office	18 輸送機械器具製造業/ Manufacturing- Automobile, Two Wheer, Auto Components, Rail/ Ship/Air Plane	Bangalore
KN	297	Toyota Logistics Kishor India Pvt. Ltd.	22 運輸業/ Transportation	Bangalore
KN	298	Toyota Material Handling India Pvt. Ltd. Bangalore Branch	23 卸売業、小売業(含: 商社、販社) / Wholesales, Retail (including Sogo Shosya, sale company)	Bangalore
KN	299	Toyota Techno Park India	29 サービス業/ Consulting, Advertisement, Research, Lawfirm, Accounts, Entertainment, Human Resource etc	Bangalore
KN	300	Toyota Tsusho India Pvt. Ltd.	18 輸送機械器具製造業/ Manufacturing- Automobile, Two Wheer, Auto Components, Rail/ Ship/Air Plane	Bangalore
KN	301	Toyota Tsusho Insurance Broker India Pvt. Ltd.	24 金融業、保険業/ Finance, Insurance	Bangalore
KN	302	Toyotetsu India Auto Parts Pvt. Ltd.	18 輸送機械器具製造業/ Manufacturing- Automobile, Two Wheer, Auto Components, Rail/ Ship/Air Plane	Bangalore
KN	303	Transystem Logistics International Pvt. Ltd.	22 運輸業/ Transportation	Bangalore
KN	304	Trinity Coating Systems Ltd.	19 その他の製造業/ Manufacturing- Others	Bangalore
KN	305	Tsujikawa Co. Ltd.	12 金属製品製造業/ manufactruing- Metal Products	Bangalore
KN	306	TT Network Integration India Pvt. Ltd.	21 情報通信業/ Telecommunication, Broadcasting, IT, Newspaper, Publishing etc	Bangalore
KN	307	United Genetics India Pvt. Ltd.	01 農業、林業、漁業/ Agriculture, Forestry, Fishry	Bangalore
KN	308	Universal Sampo General Insurance Co., Ltd.	24 金融業、保険業/ Finance, Insurance	Bangalore
KN	309	V.S.T.Tillers Tractors Ltd.,	18 輸送機械器具製造業/ Manufacturing- Automobile, Two Wheer, Auto Components, Rail/ Ship/Air Plane	Bangalore
KN	310	WellBe Medic (India) Pvt. Limited, Bagalore Branch	29 サービス業/ Consulting, Advertisement, Research, Lawfirm, Accounts, Entertainment, Human Resource etc	Bangalore
KN	311	Wipro-Kawasaki Precision Machinery Pvt. Ltd.	15 業務用機械器具製造業/ Manufacturing- Commercial Machinery	Bangalore
KN	312	Yakult Danone India Private Limited	04 食料品、飲料・たばこ・飼料製造業/ Manufacturing- Food, Drink, Tobacco, Fodder	Bangalore
KN	313	Yamazaki Mazak India Pvt. Ltd. Bangalore Office	23 卸売業、小売業(含: 商社、販社) / Wholesales, Retail (including Sogo Shosya, sale company)	Bangalore
KN	314	Yamazen Machinery & Tools Pvt. Ltd.	23 卸売業、小売業/ Wholesales, Retail	Bangalore
KN	315	Yaskawa India Private Limited (Robotic Division)	19 その他の製造業/ Manufacturing- Others	Bangalore
KN	316	Yazaki India Limited-Karnataka Bangalore Jigani (YIL-KB1)	18 輸送機械器具製造業/ Manufacturing- Automobile, Two Wheer, Auto Components, Rail/ Ship/Air Plane	Bangalore
KN	317	Yazaki India Limited-Karnataka Bommasandra Ind Park (YIL-KB2)	18 輸送機械器具製造業/ Manufacturing- Automobile, Two Wheer, Auto Components, Rail/ Ship/Air Plane	Bangalore
KN	318	YKK INDIA Pvt. Ltd. Banglore Branch	19 その他の製造業/ Manufacturing- Others	Bangalore
KN	319	Yokogawa IA Technologies India Pvt. Ltd.	19 その他の製造業/ Manufacturing- Others	Bangalore

2.4. Southern India

State	Sl. No.	NAME OF COMPANY REGISTERED IN INDIA	TYPE OF BUSINESS IN INDIA	LOCATIDN
KN	320	Yokogawa India Ltd.	16 電気機械器具製造業/ Manufacturing- Electoric Machinery	Bangalore
KN	321	YOKOHAMA INDIA PRIVATE LIMITED	18 輸送機械器具製造業/ Manufacturing- Automobile, Two Wheer, Auto Components, Rail/ Ship/Air Plane	Bangalore
KN	322	YUASA TRADING INDIA Pvt. Ltd. / BANGALORE BRANCH	23 卸売業、小売業/ Wholesales, Retail	Bangalore
KN	323	Yuken India Ltd.	16 電気機械器具製造業/ Manufacturing- Electoric Machinery	Bangalore
KN	324	Yusen Logistics (India) Ltd. Bangalore Branch	22 運輸業/ Transportation	Bangalore
KN	325	Yusen Logistics India Ltd. Bangalore Sony Warehouse	22 運輸業/ Transportation	Bangalore
KN	326	Yusen Logistics India Ltd. Bangalore Kalyan Nagar Warehouse	22 運輸業/ Transportation	Bangalore
KN	327	Yusen Logistics India Ltd. Bangalore Hoskote Warehouse 1 & 2	22 運輸業/ Transportation	Bangalore
KN	328	Yusen Logistics India Ltd. Bangalore Bomsandra Warehouse	22 運輸業/ Transportation	Bangalore
KN	329	Yusen Logistics India Ltd. Bangalore Airport Office	22 運輸業/ Transportation	Bangalore
KN	330	Zero-Sum ITS Solutions India Private Limited	21 情報通信業/ Telecommunication, Broadcasting, IT, Newspaper, Publishing etc	Bangalore
KN	331	Zero-Sum Wireless Solutions India Pvt. Ltd.	21 情報通信業/ Telecommunication, Broadcasting, IT, Newspaper, Publishing etc	Bangalore
KN	332	Omtrax Packaging Packaging Solutions Ltd.	22 運輸業/ Transportation	Banswara
KN	333	MAX LIFE INSURANCE COMPANY Ltd.	24 金融業、保険業/ Finance, Insurance	Belgaum
KN	334	Reliance Life Insurance Company Limited Belgaum1	24 金融業、保険業/ Finance, Insurance	Belgaum
KN	335	CHOLAMANDALAM MS GENERAL INSURANCE COMPANY Ltd.	24 金融業、保険業/ Finance, Insurance	Bellary
KN	336	Reliance Life Insurance Company Limited Davangere	24 金融業、保険業/ Finance, Insurance	Davangere
KN	337	MAX LIFE INSURANCE COMPANY Ltd.	24 金融業、保険業/ Finance, Insurance	Dharwad
KN	338	Reliance Life Insurance Company Limited Gadag	24 金融業、保険業/ Finance, Insurance	Gadag
KN	339	Reliance Life Insurance Company Limited Ganganagar	24 金融業、保険業/ Finance, Insurance	Ganganagar
KN	340	CHOLAMANDALAM MS GENERAL INSURANCE COMPANY Ltd.	24 金融業、保険業/ Finance, Insurance	Gulbarga
KN	341	Reliance Life Insurance Company Limited Gulbarga	24 金融業、保険業/ Finance, Insurance	Gulbarga
KN	342	Reliance Life Insurance Company Limited Hassan	24 金融業、保険業/ Finance, Insurance	Hassan
KN	343	Reliance Life Insurance Company Limited Hospet	24 金融業、保険業/ Finance, Insurance	Hospet
KN	344	CHOLAMANDALAM MS GENERAL INSURANCE COMPANY Ltd.	24 金融業、保険業/ Finance, Insurance	Hubli
KN	345	IFFCO-Tokio General Insurance Co. Ltd.	24 金融業、保険業/ Finance, Insurance	Hubli
KN	346	Reliance Life Insurance Company Limited Hubli	24 金融業、保険業/ Finance, Insurance	Hubli
KN	347	Universal Sompo General Insurance Co., Ltd.	24 金融業、保険業/ Finance, Insurance	Hubli
KN	348	Panasonic India Pvt. Ltd.	16 電気機械器具製造業/ Manufacturing- Electoric Machinery	Hubli
KN	349	Reliance Life Insurance Company Limited Indiranagar	24 金融業、保険業/ Finance, Insurance	Indiranagar
KN	350	Reliance Life Insurance Company Limited Jamkhandi	24 金融業、保険業/ Finance, Insurance	Jamkhandi
KN	351	Reliance Life Insurance Company Limited Jayanagar 1	24 金融業、保険業/ Finance, Insurance	Jayanagar

2.4. Southern India

State	Sl. No.	NAME OF COMPANY REGISTERED IN INDIA	TYPE OF BUSINESS IN INDIA	LOCATIDN
KN	352	Reliance Life Insurance Company Limited Karatgi	24 金融業、保険業/ Finance, Insurance	Karatgi
KN	353	Reliance Life Insurance Company Limited Karwar	24 金融業、保険業/ Finance, Insurance	Karwar
KN	354	ADVICS SOUTH INDIA Pvt. Ltd.	18 輸送機械器具製造業/ Manufacturing- Automobile, Two Wheer, Auto Components, Rail/ Ship/Air Plane	Kolar
KN	355	AISIN AUTOMOTIVE KARNATAKA Pvt. Ltd.	18 輸送機械器具製造業/ Manufacturing- Automobile, Two Wheer, Auto Components, Rail/ Ship/Air Plane	Kolar
KN	356	Bando (India) Private Limited	19 その他の製造業/ Manufacturing- Others	Kolar
KN	357	Honda Logistics India Pvt. Ltd.	22 運輸業/ Transportation	Kolar
KN	358	Honda Motorcycle & Scooter India Pvt. .Ltd.	18 輸送機械器具製造業/ Manufacturing- Automobile, Two Wheer, Auto Components, Rail/ Ship/Air Plane	Kolar
KN	359	Jay U-shin Ltd.	18 輸送機械器具製造業/ Manufacturing- Automobile, Two Wheer, Auto Components, Rail/ Ship/Air Plane	Kolar
KN	360	NPR Auto Parts Manufactureing India Pvt. Ltd.	18 輸送機械器具製造業/ Manufacturing- Automobile, Two Wheer, Auto Components, Rail/ Ship/Air Plane	Kolar
KN	361	Reliance Life Insurance Company Limited Kolar	24 金融業、保険業/ Finance, Insurance	Kolar
KN	362	Tokai Imperial Hydraulics India Private Limited Malur Plant	19 その他の製造業/ Manufacturing- Others	Kolar
KN	363	Reliance Life Insurance Company Limited Malleshwaram	24 金融業、保険業/ Finance, Insurance	Malleshwaram
KN	364	ROKI MINDA Co. Private Limited.	18 輸送機械器具製造業/ Manufacturing- Automobile, Two Wheer, Auto Components, Rail/ Ship/Air Plane	Malur
KN	365	CHOLAMANDALAM MS GENERAL INSURANCE COMPANY Ltd.	24 金融業、保険業/ Finance, Insurance	Mangalore
KN	366	JAPCUL STYLE PRIVATE LIMITED	23 卸売業、小売業/ Wholesales, Retail	Mangalore
KN	367	MAX LIFE INSURANCE COMPANY Ltd.	24 金融業、保険業/ Finance, Insurance	Mangalore
KN	368	Sony India Pvt. Ltd. Mangalore	23 卸売業、小売業(含: 商社、販社) / Wholesales, Retail (including Sogo Shosya, sale company)	Mangalore
KN	369	Universal Sampo General Insurance Co., Ltd.	24 金融業、保険業/ Finance, Insurance	Mangalore
KN	370	Edelweiss Tokio Life Insurance Company Limited Mangalore_Karangalpadl	24 金融業、保険業/ Finance, Insurance	Mangalore
KN	371	Reliance Life Insurance Company Limited Mangalore 1	24 金融業、保険業/ Finance, Insurance	Mangalore
KN	372	Reliance Life Insurance Company Limited Mangalore 2	24 金融業、保険業/ Finance, Insurance	Mangalore
KN	373	Bhoruka Extrusions Private Limited	19 その他の製造業/ Manufacturing- Others	Mysore
KN	374	CHOLAMANDALAM MS GENERAL INSURANCE COMPANY Ltd.	24 金融業、保険業/ Finance, Insurance	Mysore
KN	375	IFFCO-Tokio General Insurance Co. Ltd.	24 金融業、保険業/ Finance, Insurance	Mysore
KN	376	MAX LIFE INSURANCE COMPANY Ltd.	24 金融業、保険業/ Finance, Insurance	Mysore
KN	377	MHI-VST Diesel Engines Pvt. Ltd.	15 業務用機械器具製造業/ Manufacturing- Commercial Machinery	Mysore
KN	378	Seiren India Pvt. Ltd.	05 繊維工業/ Textile Industry	Mysore
KN	379	Universal Sampo General Insurance Co., Ltd.	24 金融業、保険業/ Finance, Insurance	Mysore
KN	380	Reliance Life Insurance Company Limited Mysore 1	24 金融業、保険業/ Finance, Insurance	Mysore
KN	381	Reliance Life Insurance Company Limited Nipani	24 金融業、保険業/ Finance, Insurance	Nipani
KN	382	Reliance Life Insurance Company Limited Puttur	24 金融業、保険業/ Finance, Insurance	Puttur
KN	383	Reliance Life Insurance Company Limited Raichur	24 金融業、保険業/ Finance, Insurance	Raichur

## 2.4. Southern India

State	Sl. No.	NAME OF COMPANY REGISTERED IN INDIA	TYPE OF BUSINESS IN INDIA	LOCATIDN
KN	384	JTEKT SONA AUTOMOTIVE INDIA Ltd.	18 輸送機械器具製造業/ Manufacturing- Automobile, Two Wheer, Auto Components, Rail/ Ship/Air Plane	Ramanagara
KN	385	Maruichi Kuma Steel Tube Private Ltd., Bangalore Plant	10 鉄鋼業/ Steel	Ramanagara
KN	386	Toyota Kirloskar Motor Private Limited	18 輸送機械器具製造業/ Manufacturing- Automobile, Two Wheer, Auto Components, Rail/ Ship/Air Plane	Ramanagara
KN	387	Toyota Tsusho India Pvt. Ltd.	18 輸送機械器具製造業/ Manufacturing- Automobile, Two Wheer, Auto Components, Rail/ Ship/Air Plane	Ramanagara
KN	388	Reliance Life Insurance Company Limited Sagar	24 金融業、保険業/ Finance, Insurance	Sagar
KN	389	Reliance Life Insurance Company Limited Shimoga	24 金融業、保険業/ Finance, Insurance	Shimoga
KN	390	Universal Sampo General Insurance Co., Ltd.	24 金融業、保険業/ Finance, Insurance	Shimoga
KN	391	Reliance Life Insurance Company Limited Sindhanur	24 金融業、保険業/ Finance, Insurance	Sindhanur
KN	392	Reliance Life Insurance Company Limited Sirsi	24 金融業、保険業/ Finance, Insurance	Sirsi
KN	393	Reliance Life Insurance Company Limited Thrithahally	24 金融業、保険業/ Finance, Insurance	Thrithahally
KN	394	Reliance Life Insurance Company Limited Udupi	24 金融業、保険業/ Finance, Insurance	Udupi
KN	395	Reliance Life Insurance Company Limited Vijayanagar	24 金融業、保険業/ Finance, Insurance	Vijayanagar

**APPENDIX-2**  
**Topographic Survey Report**

TABLE OF CONTENTS	Page No.
EXECUTIVE SUMMARY.....	5
1. INTRODUCTION.....	6
2. SURVEY LOCATION.....	7
3. SCOPE OF WORK.....	12
3.1 General.....	12
3.2 Survey Design .....	13
4. SURVEY CONTROL.....	14
4.1 Geodesy .....	14
4.2 Vertical Control.....	14
5. PERSONNEL.....	16
5.1 HSE Management System .....	16
6. SURVEY EQUIPMENT DETAILS.....	17
6.1 Land Survey .....	17
6.2 Sea Survey .....	17
6.2.1 DGPS Positioning and Navigation .....	17
6.2.2 Gyro Compass.....	17
6.2.3 Single Beam Echo Sounder system .....	17
6.2.4 Multi Beam Echo Sounder .....	18
6.2.5 Sound Velocity Probe.....	18
6.2.6 ATG and Tide Pole.....	18
7. DATA PROCESSING AND INTERPRETATION .....	21
7.1 Topographical data .....	21
7.2 Navigation Data .....	21
7.3 Bathymetric Data .....	21
7.4 Charting.....	22
8. DISCUSSION OF SURVEY RESULTS.....	23
8.1 Route 1.....	23
8.1.1 Marine Survey.....	23
8.1.2 Topographic Survey.....	24
8.2 Route 2 .....	24
8.3 Route 3.....	25
9. OBSERVATIONS .....	26
10. EXTRACTS OF SURVEY RECORDS .....	27
11. FIELD PHOTOGRAPHS .....	28
12. Conclusions .....	44

Annexure 1

MOBILISATION REPORT ..... 35

List of tables

Table No.	Description	Page No.
Table 1	Main Bridge route-Coordinate	10
Table 2	Additional route-Coordinate	11
Table 3	Geodetic parameter	14
Table 4	GPS Point Co-ordinate On Nhava -Seva Side And Sewri Site	15
Table 5	Survey Personnel	16
Table 6	Classification of gradient	21
Table 7	Charting table	22
Table 8	Navigation and Positioning equipment	35
Table 9	Single beam eco sounder	35
Table 10	Multibeam Echo Sounder system	36
Table 11	Automatic Tide Gauge	36
Table 12	Miscellaneous	36
Table 13	DGPS position comparison	39
Table 14	Gyro calibration	40
Table 15	MBES calibration	44

List of Figure

Figure number.	Description	Page No.
Figure 1	Location of survey route	7
Figure 2	MTHL alignment through Sea Area	7
Figure 3	Shivaji Nagar Survey area.	8
Figure 4	Survey area at Chirle	9
Figure 4a	Tide data from 3 <sup>rd</sup> -6 <sup>th</sup> May 2015	14
Figure 5	GPS instrument	19
Figure 6	Survey Vessel MI-Alfra	20
Figure 7	Sun illuminating multibeam image of survey route	27
Figure 8	<b>topographic survey work at Seweri Site</b>	28
Figure 9	<b>GPS point no. 1 on Sewri site at MBPT</b>	29
Figure 10	<b>GPS point 2 on Sewri site at Koliwada Road</b>	30
Figure 11	<b>topographic survey work at JNPT site NH4B</b>	30
Figure 12	<b>Survey work at Chirle</b>	31

Figure 13	<b>Central railway line crossing the alignment of MTHL at Jasai</b>	31
Figure 14	<b>Figure showing the alignment of MTHL at Ghavan Gaon</b>	32
Figure 15	<b>Figure showing the alignment of MTHL at Ghavan Gaon</b>	32
Figure 16	Exposed headland at KP 3.35	33
Figure 17	Another view of Exposed headland at KP 3.35	33
Figure 18	Pie Pau jetty at KP 5.88	34
Figure 19	Exposed fishing stakes at KP 15.70	34
Figure 20	<b>Survey Vessel offset diagram</b>	37
Figure 21	Bar check record on board ML Alfra	
Figure 22	MBES Sensor offset of ML Alfra	
Figure 23	Calibration offset	
Figure 24	Calibration result with cross profile	

**ACCOMPANYING CHARTS**

<b>Chart No.</b>	<b>Scale</b>	<b>Description</b>
OSaS_P19415_SOWiL_Mum_Bathy_01	1:5000	Bathymetry Chart - Route 1
OSaS_P19415_SOWiL_Mum_Bathy_02	1:5000	Bathymetry Chart - Route 2 & Route 3



Terminology	Definition
Client	ORIENTAL CONSULTANT GLOBAL CO. LTD. TOKYO, JAPAN
Consultant	SOWiL Limited
Survey Requirement	Topographical Survey and Bathymetric survey between Mumbai and Navi Mumbai Sea for MTHL
Acoustic penetration	The ability of acoustic waves to travel through the subsurface.
Acoustic reflector	A subsurface that causes the velocity of seismic waves to change.
Bedding/Layering	A stratified or layered feature associated with sedimentary rocks and/or loose sediments.
Bedform	Any oscillatory topographic deviations from a flat bed produced by fluid movement including wave and current activity, generally in a sandy domain.
Bedrock	The solid rock lying beneath superficial material such as gravels or soils.
Chart Datum	A level so low that the tide will not frequently fall below it. British Hydrographic Office interprets it as the approximate level of Lowest Astronomical Tide (LAT).
Clay	A complex mineral assemblage with particle size <0.002 mm
Cohesive sediment	Sediments, typically clay and/or silt that resist separation due to nature of bonds between fine-grained particles.
Loose sediment	Not cemented sediment, either cohesive or not.
LAT	This is the lowest level to which sea level can be predicted to fall under normal meteorological conditions and under any combination of astronomical conditions. LAT is not an extreme level, as meteorological conditions can cause a lower level: the level under these conditions is known as a storm surge or negative surge.
MSL	Mean Sea Level.
Offshore Areas	Water depths from 10 metres to maximum water depths
Rock outcrop	Rock that is exposed at the seafloor.
Sand	A detrital particle larger than a silt grain and smaller than gravel, having a diameter in the range of 0.062 mm to 2 mm.
Sound wave	Undulations produced by fluid movement (waves and currents) over sediments, generally with $\lambda > 25$ metre.
Silt	A detrital particle finer than very fine sand and coarser than clay, in the range of 0.004 mm to 0.062 mm.
Slumping area	The slipping or sliding down of a mass of sediment relatively soon after its deposition in a sub-aqueous slope.
Subcropping	Rock/basement covered by a layer of loose sediment less 1 metre thick and where rock may be intermittently exposed at the seabed surface

## EXECUTIVE SUMMARY

SOWiL Ltd. was contracted by Oriental Consultant Global Co. Ltd. Japan wide service agreement between them on 2<sup>nd</sup> May 2015 to carry out topographic survey for land on either side of proposed Mumbai Trans harbour Link (MTHL) alignment and Bathymetrical survey along the MTHL between Mumbai and Navi Mumbai. Also additional bathymetrical profile one on upstream and another on downstream of proposed MTHL alignment.

Topographic Survey on landside was commence on 12<sup>th</sup> May and completed on 22<sup>th</sup> May. Bathymetrical survey was commenced on 3<sup>rd</sup> May and completed on 6<sup>th</sup> May. The survey vessel approach was limited near the shore due to shallow depth. Remaining portion of survey area was completed with a land survey on 3<sup>rd</sup> and 7<sup>th</sup> June 2015 .

Total station instrument was used for the land survey. A multibeam echo sounder was used for delineating the bathymetry of the survey area. A total of three routes were surveyed.

This report describes the results of topographical land survey and the multibeam survey conducted for the project.

All the co-ordinates in the reports for land survey was with respect to MSL and charts are referenced to WGS 84 Datum, UTM Projection, the details of which are given in this report.

Bathymetry has been reduced to mean sea level (MSL) using tide data obtained from the ATG installed at Prong's Reef light house.

The proposed MTHL route is named as Route 1 and survey routes north and south of Route 1 are named as Route 2 and Route 3 respectively.

## 1. INTRODUCTION

Mumbai Trans Harbor Link (MTHL), also known as Sewri-Nhava Sheva Trans Harbor Link, is a proposed 22 km, freeway grade road bridge connecting the Indian city of Mumbai with Navi Mumbai. It would be the longest sea bridge in India after completion. The bridge will begin in Sewri, Mumbai and cross Thane Creek north of Elephanta Island and will terminate at Chirle village, near Nhava Sheva. The road will be linked to the Mumbai Pune Expressway in the east, and to the proposed Western Freeway along the west coast of Mumbai.

SOWiL Ltd. was contracted by Oriental Consultant Global Co. Ltd. Japan vide service agreement between them on 2<sup>nd</sup> May 2015 to carry out topographic survey for land on either side of proposed Mumbai Trans harbor Link (MTHL) alignment and Bathymetrical survey along the MTHL between Mumbai and Navi Mumbai. Also additional bathymetrical profile one on upstream and another on downstream of proposed MTHL alignment. The results are described in this report.

Survey was based on the survey area details provided by the client. Topographic survey on land was carried out by the total station survey instrument. A locally hired survey boat ML Afrah was used for the bathymetry survey. The weather was not very favorable in the afternoons during the survey period.

## 2. SURVEY LOCATION

The survey area specified by the client is shown in the Google image below. The coordinates of the survey routes were extracted from the drawing provided by the client.

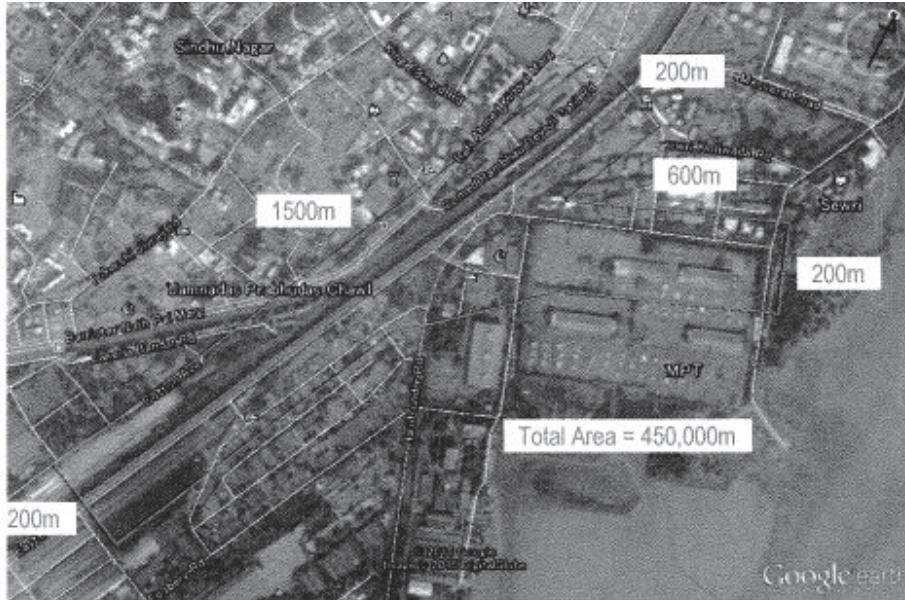


Figure 1:- Plane Survey at Eastern freeway Interchange



Figure 2:- MTHL alignment through Sea Area.



Figure 3:- Shivaji Nagar Survey area.



Figure 4:- Survey area at Chirle

The coordinates for the proposed bridge route (Route 1) are as follows:

Sr.No.	Points	Easting	Northing	Brg/Radius
1	SOL Sewri	274270.9	2101852	
2	TP1	274852.4	2102100	BRG 67
	CP1	275515.6	2100427	R 1800m
3	TP2	276351.4	2102021	
4	TP3	278029.5	2101124	BRG 118
	CP2	279207.8	2103329	R 2500m
5	TP4	279351.1	2100833	
6	TP5	285197.6	2101169	BRG 87
	CP3	285438.3	2096976	R 4200m
7	TP6	288132.4	2100198	
8	TP7	290003.5	2098634	BRG 130
	CP4	289362.1	2097867	R 1000
9	TP8	290263.1	2098300	
10	TP9	290841.9	2097097	BRG 154
	CP5	291382.6	2097357	R 600
11	TP10	291108	2096824	
12	TP11	291666.1	2096537	BRG 117
	CP6	291391.4	2096003	R 600
13	TP12	291990.5	2096038	
14	TP13	292014.7	2095615	BRG 177
	CP7	292414	2095638	R 400
15	TP14	292331.7	2095247	
16	EOL Chirle	292790.3	2095150	BRG 102
<b>Table 1: Main bridge route - coordinates</b>				

Notes: SOL = Start of line

EOL = End of line

TP = Tangent Point

CP = Centre Point of curvature

Brg = Bearing of line from previous point

R = Radius of curvature of curved section

The co-ordinates of the control points, A-D, provided by the client for additional routes for seabed profiling are given below:

<b>Survey Route</b>	<b>Points</b>	<b>Easting</b>	<b>Northing</b>
Route 2	A	284033.6	2104918
	B	291903	2100254
Route 3	C	274629.6	2100246
	D	284195.2	2096810

**Table 2: Additional routes - coordinates**



### 3. SCOPE OF WORK

#### 3.1 General

The survey scope of work, as understood from the specifications provided by the client included the plane survey by total station centerline profile leveling survey, cross section survey and mapping and reporting. Each field survey work was carried out on land and sea.

##### Survey on land area

- i) Carry out plane table survey using total station.
- ii) Profile leveling survey
- iii) Mapping
- iv) Collecting information of reference point base level including mean sea level (MSL), chart datum (CD).
- v) Photograph of field work
- vi) Making drawings
- vii) Reporting

##### Survey on sea Area

- i) Provision of survey vessel, personnel, equipment including the positioning equipment and sufficient consumables for the period of survey
- ii) Mobilization of a suitable marine spread comprising a survey boat at site for carrying out the survey operations in the proposed location.
- iii) Carry out bathymetric survey of the complete 16500mX50m corridor using a multibeam echo sounder.
- iv) Carry out topographic survey, where the marine survey is restricted along the route.
- v) Carry out bathymetric survey of the two routes, which are about 8 km each, using a multibeam echo sounder.
- vi) Process all the survey data and prepare final reports and charts at base office in Navi Mumbai.
- vii) The final report will include a description of the bathymetry and seabed profile of the specified routes.

All survey work shall be carried out as per the detailed scope of work and sound professional practices.

### 3.2 Survey Design

The survey plan designed as per the requirement of the client is given below.

#### **Land Area**

Target area Mumbai side – Easter freeway interchange: 450,000 sq.m.  
Shiwri Side----- Shivajinagar interchange: 600,000 sq.m.  
Chirley Interchange 1,040,000 sq.m.  
Navi Mumbai road 1,100,000sq.m.(5,500mx200m)

#### **Sea Area**

Target area –Road alignment :825,000 sq.m. (16,500mx50m)

#### **3.2.1 Centerline/Profile leveling Survey**

Centerline/Profile leveling survey for instructed lines by the Engineer using the topographic equipments. The length of the lines for centerline leveling survey is followings;

##### **Land**

Target Area: Main Road, Mumbai side: 1,000m  
Eastern freeway 1,500m  
Main Road Navi Mumbai side 5,500m  
At shivajinagar Interchange 600m  
At Chirley Interchange 1,300m

The line for hydrological analysis – 1,200 m

##### **Sea Area**

Target area the lines for hydrological analysis 16,540 m.

#### **3.2.2 Cross section**

Main Road – main line 17,500(75 line x50m)

Cross roads on land

Eastern freeway: 3,750m (75linex50m)

At shivajinagar Interchange: 1,500m( 30 line x 50m)

At Chirle Interchange: 3,250(65 line x50m)

Bathymetric survey

1. Route 1 was surveyed by running two lines using a multibeam echo sounder with an offset of 15m with respect to centre line to cover the required 16500X50m area.
2. Route 2 and Route 3 were surveyed by a single run along their centre lines using a multibeam echo sounder.

#### 4. SURVEY CONTROL

##### 4.1 Geodesy

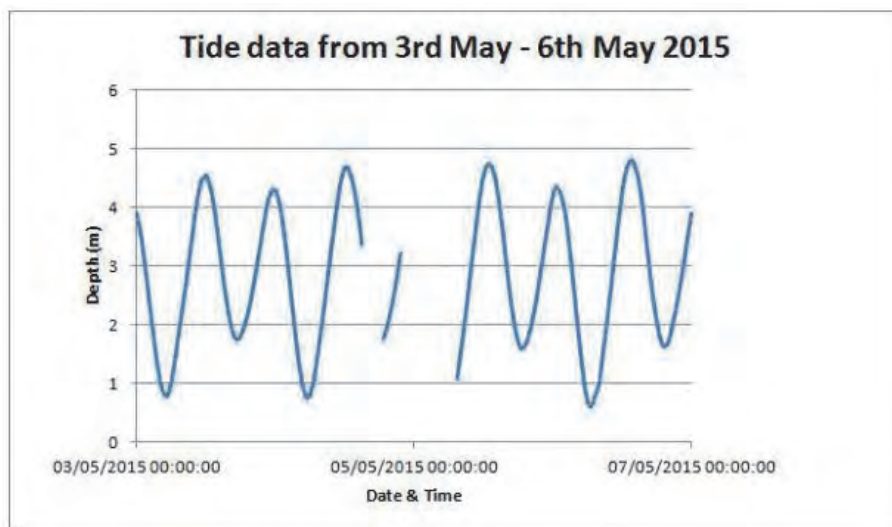
The survey operations were conducted in the WGS 84 Spheroid, UTM Projection, based on the geodetic parameters presented below. All co-ordinates quoted within this document are with reference to it.

<b>Grid projection</b>	<b>U.T.M zone 43, Northern hemisphere</b>
Latitude of origin	0° equator
Longitude of origin	75° E
False easting	500000 m
False northing	0m
Scale factor on CM	0.9996
Unit	International (m)
<b>Spheroid</b>	<b>WGS 84</b>
Semi-major axis (a)	6 378 137.000 m
Semi-minor axis (b)	6 356 752.314 m
Flattening (f)	298.257223563

**Table 3 :- –Geodetic parameter**

##### 4.2 Vertical Control

Tidal data for all the areas of survey was obtained from the observed tides at Prong’s Reef light house. The depth soundings were reduced to Mean Sea Level (MSL), with the help of these tide readings. The following figures show the tide curves (above chart datum) for the days on which the survey was carried out: Mean Sea Level is 2.51m above chart datum (CD).



**Figure 4A- Tide data from 3rd - 6th May 2015**

**GPS point co-ordinate (w.r.t. to MSL )**

<b>Nhava-Sheva Side</b>			
code	Easting	Northing	RL
GPS3	290717.0470	2098124.4430	6.256
A-25	290533.2421	2098031.9197	4.161
<b>Sewri Side</b>			
code	Eaasting	Northing	RL in m
GPS1	274697.2980	2102049.2090	3.952
CP1	274676.3067	2102068.3715	4.577

**Table 4:- GPS Point Co-ordinate On Nhava -Seva Side And Sewri Site**

## 5. PERSONNEL

The following survey personnel were involved in the survey.

<b>Topographic Survey</b>		
<b>Name</b>	<b>Designation</b>	<b>Duration</b>
Binno Kuruvilla	Chief Surveyor consultant	Project Duration
Prakash Gode	Surveyor	Project Duration
Hari	Surveyor Assistant	Project Duration
<b>Bathymetric survey</b>		
Ravikant RAI	Party Chief	Project Duration
UNNIKRISHNAN K. U.	Hydrographic Surveyor	Project Duration
Atinderpal SINGH	Survey Engineer	Project Duration
Sangramjeet BEHERA	Survey Engineer	Project Duration
Usha KADAM	Data Processor (at base office)	Project Duration
Samson CHACKO	Sr. Data Processor (at base office)	Project Duration
<b>Table 5:-Survey Personal</b>		

### 5.1 HSE Management System

The project manager took responsibility for all HSE related issues during the survey. Prior to survey, the party chief carried out a safety briefing for the survey personnel. The survey operations were performed in day-light hours and regular safety “tool-box” meetings were conducted to ensure smooth deck operations for the deployment and recovery of survey sensors. All HSE related measures were fully implemented to the survey team during the course of the survey.

## **6. SURVEY EQUIPMENT DETAILS**

### **6.1 Land Survey**

#### **Topographical survey**

The topographical survey was carried out using Total survey Equipment.

GPS point marking

GPS benchmark on two sides of MTHL alignment Two on Sewri side and other Two on Nhava-Sheva side was marked using the GPS instrument.

### **6.2 Sea Survey**

#### **Bathymetric Survey**

The survey work was carried out using the vessel named ML Afrah. The equipment used for the survey is described below.

#### **6.2 .1 DGPS Positioning and Navigation**

A Veripos positioning system was used for vessel positioning and for tracking the deployed sensors. Other positioning data, including vessel's heading data were logged at 1-second updates in the QINSy navigation software. The position and offset information calculated by the navigation system were stored in the navigation computer and used for post processing. The system provided the necessary output to the surveyors' terminal and to the helmsman monitor for smooth navigation. It collected, displayed, and logged various positions and quality information, event marks at 25m intervals and additional on-line quality assessment. These data were displayed graphically in real-time and were available for subsequent post-processing.

#### **6.2.2 Gyro Compass**

An SG Brown Meridian surveyor gyrocompass was used to provide vessel heading information to the navigation system. The alignment and calibration of the heading sensor on board ML Afrah was performed before the mobilisation of the vessel. The sensor was calibrated by comparing the vessel heading against a known baseline. The vessel heading was established by taking simultaneous bow and stern offset measurement readings.

#### **6.2.3 Single Beam Echo Sounder system**

Bathymetry data was acquired using a dual frequency 33/210 kHz Echotrac DF 3200 MK III single beam echo sounder. A hard copy (paper) record was produced in real-time, annotated with line name, fix number, time and date. The digital output was logged by the navigation computer for post-processing. The system was heave compensated using a DMS 05 unit.

## **Calibration**

The echo sounder was calibrated at the survey location by conducting a bar-check. The bar-check is carried out by lowering a horizontal steel plate to a known, fixed depth below the water surface and directly below the echo sounder transducer. Reflections from the plate at different depths are then recorded and adjustments made to the settings for sound velocity and draft to get accurate results. A bar-check was carried out once a day (provided with the Mobilisation Report) for the duration of the survey and the average speed of sound obtained was entered into the unit.

### **6.2.4 Multi Beam Echo Sounder**

A GeoAcoustics Geoswath Plus multibeam echo sounder (250 kHz, as per client requirement) was used to delineate the topography of the seabed in order to locate any object that may be seen to disturb the general seabed. Measured sound velocity and observed tide was fed into the system during data processing.

### **6.2.5 Sound Velocity Probe**

An AML SV Plus sound velocimeter was used to obtain a sound velocity profile of the entire water column every morning before the start of the survey. The average velocity obtained was used to calibrate the single beam as well as the multi beam echo sounders.

6.7 ATG and Tide Pole Tides were observed using a Valeport Tidemaster tide gauge. The observed tidal data was used to correct the acquired bathymetric soundings to Mean Sea Level.

### **6.2.6 ATG and Tide Pole**

Tides were observed using a Valeport Tidemaster tide gauge. The observed tidal data was used to correct the acquired bathymetric soundings to Mean Sea Level.



Figure 5- GPS instrument





**Figure 6--- Survey Vessel MI-Alfra**

## 7. DATA PROCESSING AND INTERPRETATION

### 7.1 Topographical Survey.

Total station instrument has capability to calculate reduced levels and coordinates with reference to benchmark. All the data is imported to autocad format to construct the profile and cross section.

### 7.2 Navigation Data

Navigation data was processed using QINSy software. Raw DGPS and gyro data were processed and merged to form an edited vessel track file. The final navigation data was reviewed in AutoCAD to confirm the validity of equipment position versus ship position and to aid in the correlation between navigation data and chart location.

### 7.3 Bathymetric Data

#### Multi beam echo sounder

The vertical datum for all bathymetric measurements was Mean Sea Level (MSL). Observed tidal data at Prong's Reef light house was used to reduce the acquired bathymetric soundings to MSL.

GeoSwath Plus multi beam echo sounder data was processed in the GeoSwath+ package itself.

Recorded depth data was corrected for transducer draft and changes in acoustic velocity through the water mass as measured by the sound velocity probe.

#### Seabed Gradient Classification

The following terms were used to describe the seabed gradients while explaining the bathymetry of the area of survey at and around the breakwater.

CLASSIFICATION	GRADIENT (in terms of Degrees and Slope Interval)	
Very Gentle	<1°	< 1 in 57
Gentle	1° – 4.9°	1 in 57 to 1 in 11.7
Moderate	5° – 9.9°	1 in 11.7 to 1 in 5.7
Steep	10° – 14.9°	1 in 5.7 to 1 in 3.7
Very Steep	>15°	> 1 in 3.7

**Table 6: Classification of gradients**

Gradients documented in the report should be taken as an indication of general slopes for the area. The localised gradients, particularly near features such as depressions or trenches may occasionally be steeper.

### Single beam echo sounder

Single beam data from the Echotrac MKIII echo sounder was processed using the QINSy navigation package and this data was mainly used for navigation purposes. Recorded depth data was adjusted for transducer draft and changes in acoustic velocity through the water mass as measured during the bar-check.

This report was prepared following the data processing and interpretation phase, at OSaS's data processing centre in Navi Mumbai.

### 7.4 Charting

The results of the survey are presented in two charts as follows:

Chart No.	Scale	Description
OSaS_P19415_SOWiL_Mum_Bathy_01	1:5000	Bathymetry Chart - Route 1
OSaS_P19415_SOWiL_Mum_Bathy_02	1:5000	Bathymetry Chart - Route 2 & Route 3

**Table 7:- Charting table**

## 8. DISCUSSION OF SURVEY RESULTS

The descriptions below pertain to the results of the multibeam echo sounder survey conducted in the three survey routes as per the coordinates provided by the client.

The water depths mentioned in this report and associated charts are reduced to mean sea level (MSL) using the observed tide at Prong's Reef light house. The negative depths are depths below MSL and positive depths are heights above MSL. The tide-corrected bathymetry is contoured at 1m intervals to clearly bring out the undulating topography of the seafloor within the survey area. The descriptions below pertain to the results of the multibeam echo sounder survey conducted in the three survey routes as per the coordinates provided by the client. The water depths mentioned in this report and associated charts are reduced to mean sea level (MSL) using the observed tide at Prong's Reef light house. The negative depths are depths below MSL and positive depths are heights above MSL. The tide-corrected bathymetry is contoured at 1m intervals to clearly bring out the undulating topography of the seafloor within the survey area.

### 8.1 Route 1

#### 8.1.1 Marine Survey

Refer to Chart No. OSaS\_P19415\_SOWiL\_Mum\_Bathy\_01

Survey route 1 is the proposed MTHL bridge route. For ease of reporting, the description is based on the kilometre post (KP) of the survey route. The survey is restricted west of KP 1.65 due to shallow depth and exposed rocks. Permanent fishing stakes on the eastern side of the survey area restricted the shoreward approach of survey vessel after KP 15.37.

A minimum water depth of -0.1m below MSL is observed at the western part of the survey area while a maximum depth of -10.0m below MSL is observed in the centre part of the survey area. The highest depth contours of -1m is observed in the western part of the survey area around KP2.5. Beyond this point the seabed slopes gently towards the -2m contour at KP3.04.

A rocky headland, approximately 425m wide and covered by mangroves, is observed at KP3.35. The survey vessel had to maneuver around this headland and depth contours of -1m below MSL are observed around this area.

The seabed shows an irregular surface with a depth difference of 1m from KP3.74 to KP4.06. Beyond this point the seabed is smooth up to KP4.61. Between KP4.61 and KP4.94 the seabed is irregular and the depth contour changes from -2m to -4m. Beyond this point the

seabed slopes very gently towards east down to the -9m contour with an average gradient of 1 in 171 up to KP6.01, interrupted by an irregular seabed due to Pirpau jetty at KP5.84. The depth then decreases gently beyond KP6.01 and reaches -7m contour at KP6.14. Between KP6.14 to KP7.78 the seabed is smooth within a contour level of -7m. It slopes towards east from KP7.78 to KP7.93 with an average gradient of 1 in 75 and attains a depth contour level of -9m. Beyond KP7.93, the water level decreases towards east up to KP12.35 where it reaches a depth contour level of -5m and continues up to KP13.48 with a local rise of seabed from KP12.35 to 12.69. Beyond KP13.48, the water level decreases towards southeast along the route and reaches a minimum contour level of -2 at the south eastern limit of the survey vessel approach at KP15.37.

### 8.1.2 Topographic Survey

A topographic survey was conducted in the areas inaccessible to the marine survey before KP1.65 and after KP15.37.

In the western end of the survey area, the topographic survey results a maximum elevation of 2.6m above MSL near Sewri wharf at KP0.5. Beyond KP0.5 the elevation decreases gradually and reaches a minimum contour level of 0m at KP1.37 and remains same up KP1.55. The depth further decreases towards east and reaches a maximum depth of -0.1 below MSL at the marine survey limit in the western end.

In the eastern end of the survey area, a maximum elevation of 0.6m above MSL is observed in the extreme end of the survey limits at KP16.45. From KP16.45 the elevation decreases gradually towards northwest and reaches a maximum depth of -1.80m at marine survey limit in the eastern end.

## 8.2 Route 2

Refer to Chart No. OSaS\_P19415\_SOWiL\_Mum\_Bathy\_02

Survey route 2 is north of the proposed MTHL bridge route. A minimum water depth of -0.3m below MSL is observed at the northwestern end of the survey route while a maximum depth of -9.1m is observed in the southeastern part of the area. From this minimum depth in the northwestern part, the depth increases gradually towards southeast and reaches a maximum contour level of -8m with an average gradient of 1 in 272. Thereafter the seabed shows an average gradient of 1 in 381 towards southeast and reaches a depth contour of -2m from contour -8m. The seabed exhibits an increase in depth with an average gradient of 1 in 45 and reaches a maximum contour level of -8m before the depth decreases gradually towards southeast and attain a minimum contour level of -2m.

### 8.3 Route 3

Refer to Chart No. OSaS\_P19415\_SOWiL\_Mum\_Bathy\_02

Survey route 3 is south of the proposed MTHL bridge route. 1540m of survey route was not accessible due to the obstruction caused by Elephanta Island. A minimum water depth of -1.9m below MSL is observed near the northwest of Elephanta Island which is in the southeastern part of the survey route. A maximum depth of -19.8m is observed at the extreme southeastern part of the survey route. The depth at the northwestern extremity of the survey boat approach is -3.1m, rapidly dipping to the -4m contour, again gently increasing to -3m with a gradient of 1 in 199. Thereafter the depth increases to a contour level of -7m and again reduces to -3m. The central part of the route shows a minimum depth contour of -3m after which the seabed slopes gently towards southeast with an average gradient of 1 in 80, reaching a maximum contour of -14m. Beyond this point the depth decreases further southeast and reaches a minimum depth contour of -2m with an average gradient of 1 in 83 near the northwest of Elephanta Island. The route continues on the south east side of Elephanta Island with a contour level of -3m and increases southeastwards with an average gradient of 1 in 51 and reaches a maximum contour level of -19m at the end of the approach of the survey boat.

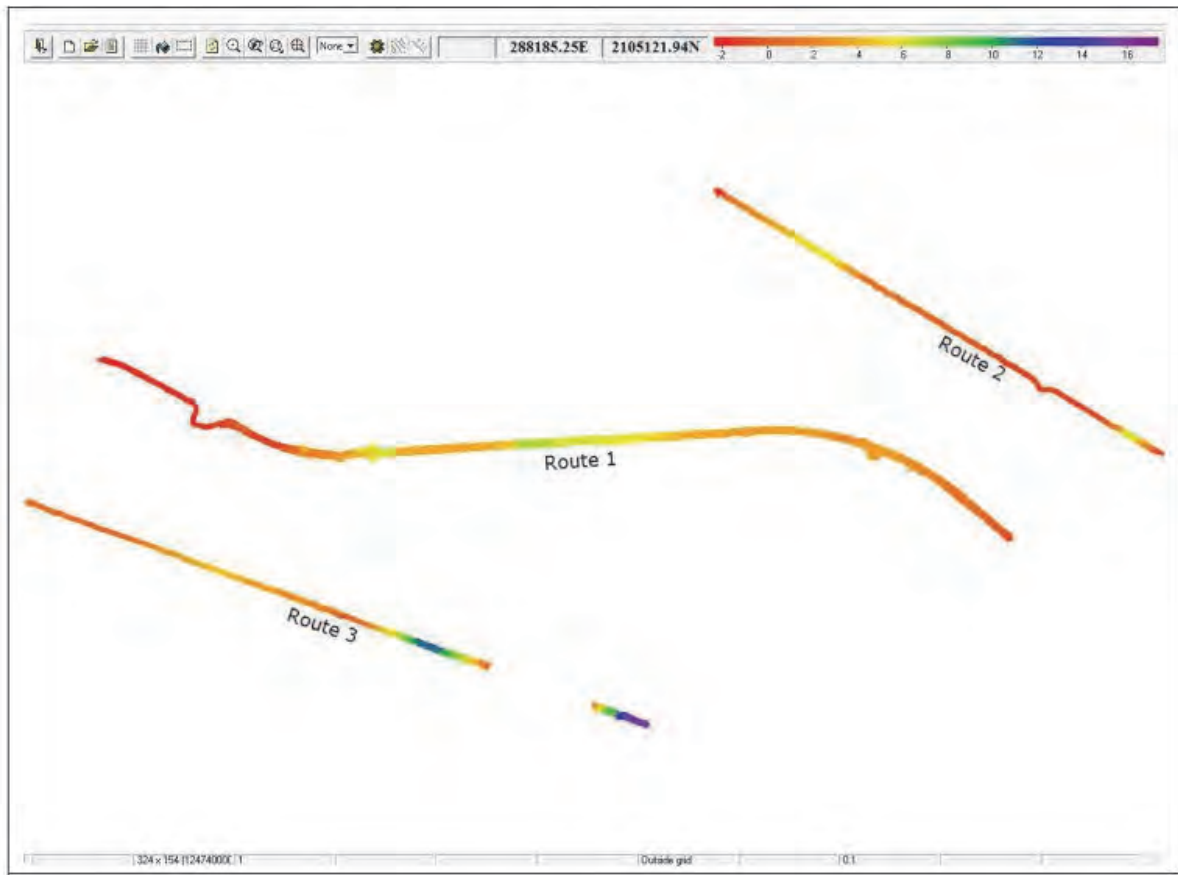
## 9. OBSERVATIONS

The following observations were identified within the survey areas.

1. Survey route 1 is the proposed MTHL bridge route. A minimum water depth of -0.1m below MSL is observed at the western part of the survey area while a maximum depth of -10m below MSL is observed in the centre part of the survey area.
2. Topographic survey conducted in the western and eastern end of the survey route 1. In the western end a maximum elevation of 2.6m above MSL and a maximum depth of -0.1m below MSL is observed while a maximum elevation of 0.6m above MSL and a maximum depth of -1.80m below MSL is observed in the eastern end..
3. Survey route 2 is north of the proposed MTHL bridge route. A minimum water depth of - 0.3m below MSL is observed at the northwestern end of the survey route while a maximum depth of -9.1m below MSL is observed in the southeastern part of the area.
4. Survey route 3 is south of the proposed MTHL bridge route. A minimum water depth of - 1.9m below MSL is observed near the northwest of Elephanta Island which is at the southeastern part of the survey route. A maximum depth of -19.8m observed at the extreme southeastern part of the survey route
5. Permanent fishing stakes in the eastern side of the survey area restricted the further approach of survey vessel beyond KP15.37.
6. The survey was restricted at either end of the route due to shallow depth and exposed rocks. These gaps were filled by a land survey team.

### 10. EXTRACTS OF SURVEY RECORDS

The following figure shows the sun illuminated image of survey routes from multibeam echo sounder data:



**Figure 7** Sun illuminated multibeam image of survey routes



**11. FIELD PHOTOGRAPHS**



**Figure 8:-topographic survey work at Seweri Site**



Figure 9 GPS point no. 1 on Sewri site at MBPT



**Figure 10:- GPS point 2 on Sewri site at Koliwada Road**



**Figure 11:- topographic survey work at JNPT site NH4B**



**Figure 12 . Survey work at Chirle**



**Figure 13 . Central railway line crossing the alignment of MTHL at Jasai**



**Figure 14. Figure showing the alignment of MTHL at Ghavan Gaon**



**Figure 15 :- Figure showing the alignment of MTHL at Ghavan Gaon**

**Bathymetric Survey Photo**



**Figure 16 Exposed headland at KP3.35**



**Figure 17 Another view of exposed headland at KP3.35**



**Figure 18 Pir Pau Jetty at KP5.88**



**Figure 19 Exposed fishing stakes at KP15.70**

## Annexure -1 -----MOBILISATION REPORT

### 1 Introduction

This report documents the mobilisation and calibrations carried out by OSaS on board ML Afrah for bathymetric survey for the Mumbai Trans Harbour Link route from Sewri, Mumbai to Chirle, Navi Mumbai.

The survey vessel was already mobilised for an ongoing project at JNPT. The testing and tuning of the survey equipment, including Gyro and DGPS calibration were carried out on 16<sup>th</sup> April 2015. Multi beam echo sounder calibrations were carried out on 18<sup>th</sup> April.

### 2 HSE Checks

A safety induction was given by the party chief prior to sailing, detailing personnel responsibilities in the event of an emergency, muster station locations and procedures, life jacket locations, safety gear locations and procedures and signals for emergencies. Additional life jackets were placed in work areas to provide easy access for working crew. Back deck procedures were explained and enforced with no single man operations and all non-essential personnel keeping clear of operations. PPE included safety boots, hardhats and cover-all for all personnel involved in back deck operations.

### 3 Survey Equipment

#### 3.1 Navigation and Positioning

Item	Quantity
Veripos LD-2 DGPS system with cables	1
Navigation computer with QINSy software	1
SG Brown Meridian gyro Compass	1
Moxa 8-port cable	2

**Table8:- Navigation and Positioning equipment**

#### 3.2 Single Beam Echo Sounder

Item	Quantity
33/200 kHz Odom Echotrac DF 3200 MK III	1
Dual frequency transducer and mounting pole	1
TSS DMS-05 motion sensor unit	1
Bar check	1

**Table 9:-Single beam eco sounder**



### 3.3 Multibeam Echo Sounder system

Item	Quantity
Geoswath+ 250 KHz transducer	1
Geoswath+ acquisition unit	1
AML SV Plus sound velocity probe	1

**Table -10 Multibeam Echo Sounder system**

### 3.4 Automatic Tide Gauge

Item	Quantity
Valeport Tidemaster automatic tide gauge	1
Transducer & cable	1
Memory module	1

**Table 11:- Automatic Tide Gauge**

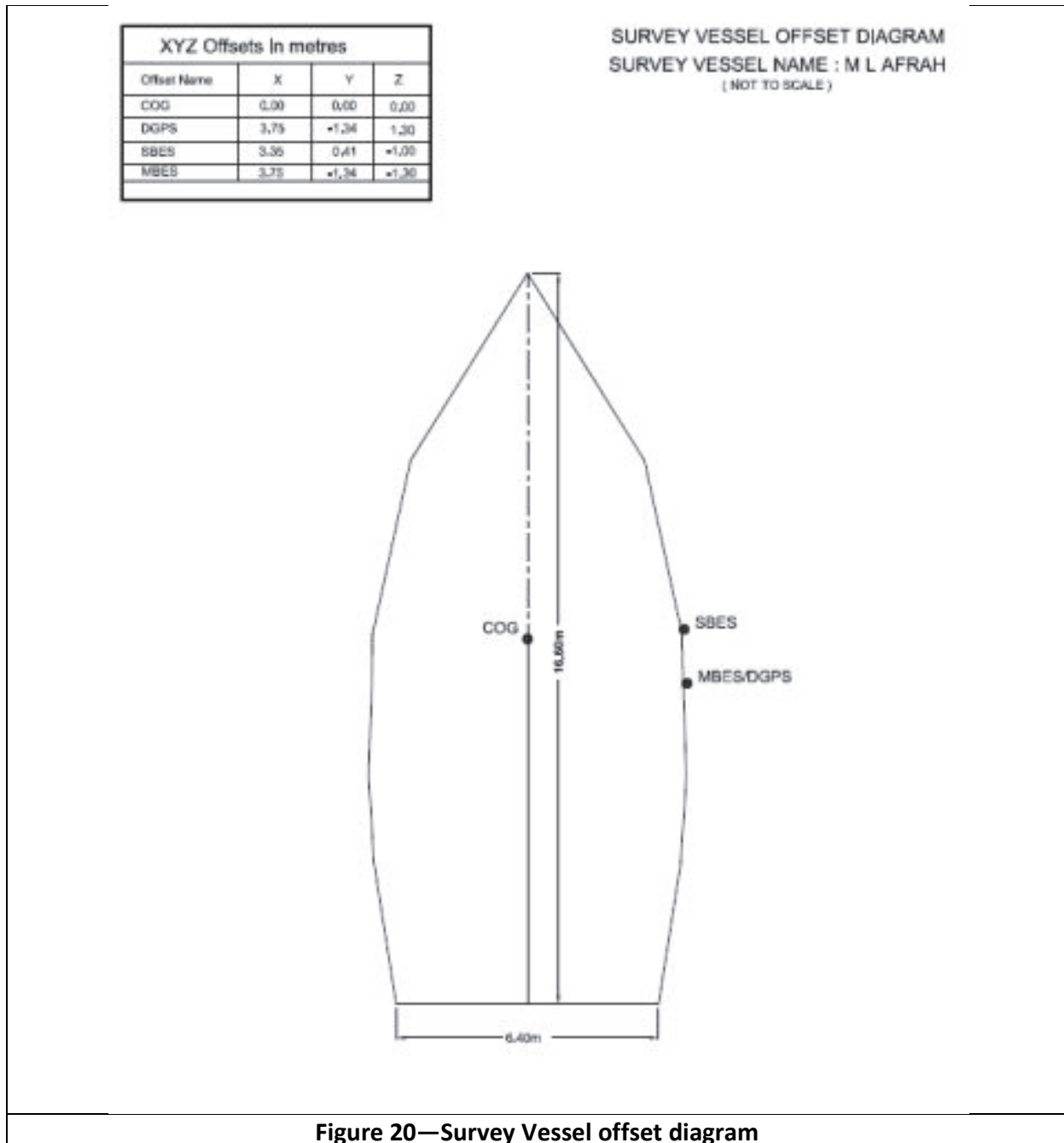
### 3.5 Miscellaneous

Item	Quantity
Power distribution box and cable	5
Stabilizer	2
6 KVA generator	2
Computer	1
Laptop	1
LCD monitor	3
24V power supply	2
Serial extensions and RS232 cables	2 sets
Helmets / life jackets	5

**Table 12:- Miscellaneous**

#### 4 Vessel Offsets

The equipment offsets for the vessel ML Afrah are given in Figure 9



## 5 DGPS Calibrations



The details of the DGPS calibration are as follows:

In order to determine the integrity and reliability of the positioning system, the system was checked for its consistency during mobilisation.

This position comparison check was conducted for the Veripos DGPS positioning system when the vessel ML Afrah was berthed at Landing jetty (JNPT) on 16th April 2015.

The antenna of the DGPS was set up at a point on the Landing Jetty the coordinates of which have already been established, for a period of 10 minutes and the position was logged in the QINSy software.

The difference was found to be within the permissible accuracy limit as mentioned in the DGPS position comparison shown in the table overleaf.

<b>DGPS POSITION COMPARISON</b>				Form No.		SV32R	
				Revision		0	
				Date		1-Jan-2010	
				Approved by:		PKT	
Job No	P19215	Project	Bathymetry & Seismic Survey				
Client	JNPT	Vessel	ML Añah				
Location	Landing Jetty (JNPT, Mumbai)	Date	16-Apr-15				
EQUIPMENT		PRIMARY		SECONDARY			
Item	Type	Serial No	Type	Serial No			
GPS Receiver	LD 4 Veripos						
GPS Antenna							
RTCM Receiver							
RTCM Antenna							
PRIMARY DGPS CHECK		Given Location					
No	Time	Computed E	Computed N	Observed E	C-O	Observed N	C-O
1	16:40	283158.34	2095896.64	283158.39	-0.05	2095896.69	-0.05
2	16:41	283158.34	2095896.64	283158.37	-0.03	2095896.67	-0.03
3	16:42	283158.34	2095896.64	283158.38	-0.04	2095896.64	0.00
4	16:43	283158.34	2095896.64	283158.40	-0.06	2095896.63	0.01
5	16:44	283158.34	2095896.64	283158.36	-0.02	2095896.66	-0.02
6	16:45	283158.34	2095896.64	283158.36	-0.02	2095896.65	-0.01
7	16:46	283158.34	2095896.64	283158.38	-0.04	2095896.69	-0.05
8	16:47	283158.34	2095896.64	283158.38	-0.04	2095896.69	-0.05
9	16:48	283158.34	2095896.64	283158.36	-0.02	2095896.71	-0.07
10	16:49	283158.34	2095896.64	283158.35	-0.01	2095896.68	-0.04
Comments				Mean C-O	-0.03	Mean C-O	-0.03
				S.D.	0.01	S.D.	0.02
SECONDARY DGPS CHECK							
No	Time	Computed E	Computed N	Observed E	C-O	Observed N	C-O
1							
2							
3							
4							
5							
6							
7							
8							
9							
10							
Comments				Mean C-O		Mean C-O	
				S.D.		S.D.	
SIGNED							
Position	Name	Signature				Date	
Engineer	Atinder Singh, Sr. Engineer					16-Apr-15	
Party Chief	Praveen Kumar, Sr. Surveyor					16-Apr-15	

**Table 13 :- DGPS Position Comparison**

**6 Gyro Compass Calibration**

A Meridian Surveyor gyro compass was used to provide vessel heading information to the navigation system and single beam echo sounder. The vessel's heading data was logged in the QINSy navigation software. The gyro was calibrated at JNPT Landing Jetty during mobilisation.

<b>GYRO CALIBRATION</b> (to be filled in Excel format only)		Form No.:	Sy37R
		Revision:	0
		Date:	1-Jan-2010
		Approved By:	PKV

Vessel:	ML Afrah	Gyro:	Meridian	Location:	Landing Jetty (JNPT Mumbai)	Date:	16-Apr-15
Quay heading (true):	218.472	Baseline length(m):	6			Quayside on:	Port
<b>Observations</b>				<b>Calculations</b>		<b>C-O</b>	
Time	Gyro (true)	Bow	Stern	Calc. angle	Calculated Heading	Quay Heading	
15:52:00	221.6	2.79	2.52	2.58	219.02	218.472	-0.55
15:55:00	222.1	2.82	2.54	2.67	219.43	218.472	-0.96
15:57:00	222.2	2.78	2.53	2.39	219.81	218.472	-1.34
15:59:00	221.7	2.81	2.54	2.56	219.12	218.472	-0.65
16:01:00	221.6	2.84	2.55	2.77	218.83	218.472	-0.36
16:03:00	222.2	2.81	2.52	2.77	219.43	218.472	-0.96
16:05:00	222.0	2.83	2.53	2.86	219.14	218.472	-0.67
Average	221.91	2.81	2.53	2.66	219.26	C-O	-0.78

Berth No. Landing Jetty\_JNPT

Note: Drawing not on scale only procedure adopted showing

<b>GENERAL INFORMATION</b>	
Project Name & No.:	P19215
Client:	JNPT
Date of Survey:	16-Apr-15
Vessel:	ML Afrah
Owner:	Mr. Altaf
Projection:	UTM
Datum:	WGS 84
Gyro SN:	

Signed			
Position	Name	Signature	Date
Surveyor	Unni K (Asst. Surveyor)	<i>[Signature]</i>	16-Apr-15
Party Chief	Praveen Kumar (Sr. Surveyor)	<i>[Signature]</i>	16-Apr-15

**Table 14 Gyro Calibration**

7. Single Beam Echo Sounder

The average speed of sound through the water column was input to the single beam echo sounder when a bar-check was performed before the start of survey operations. The following Figure 10 shows the bar check extracts of the Odom Echotrac MK III echo sounder used in ML Afrah.

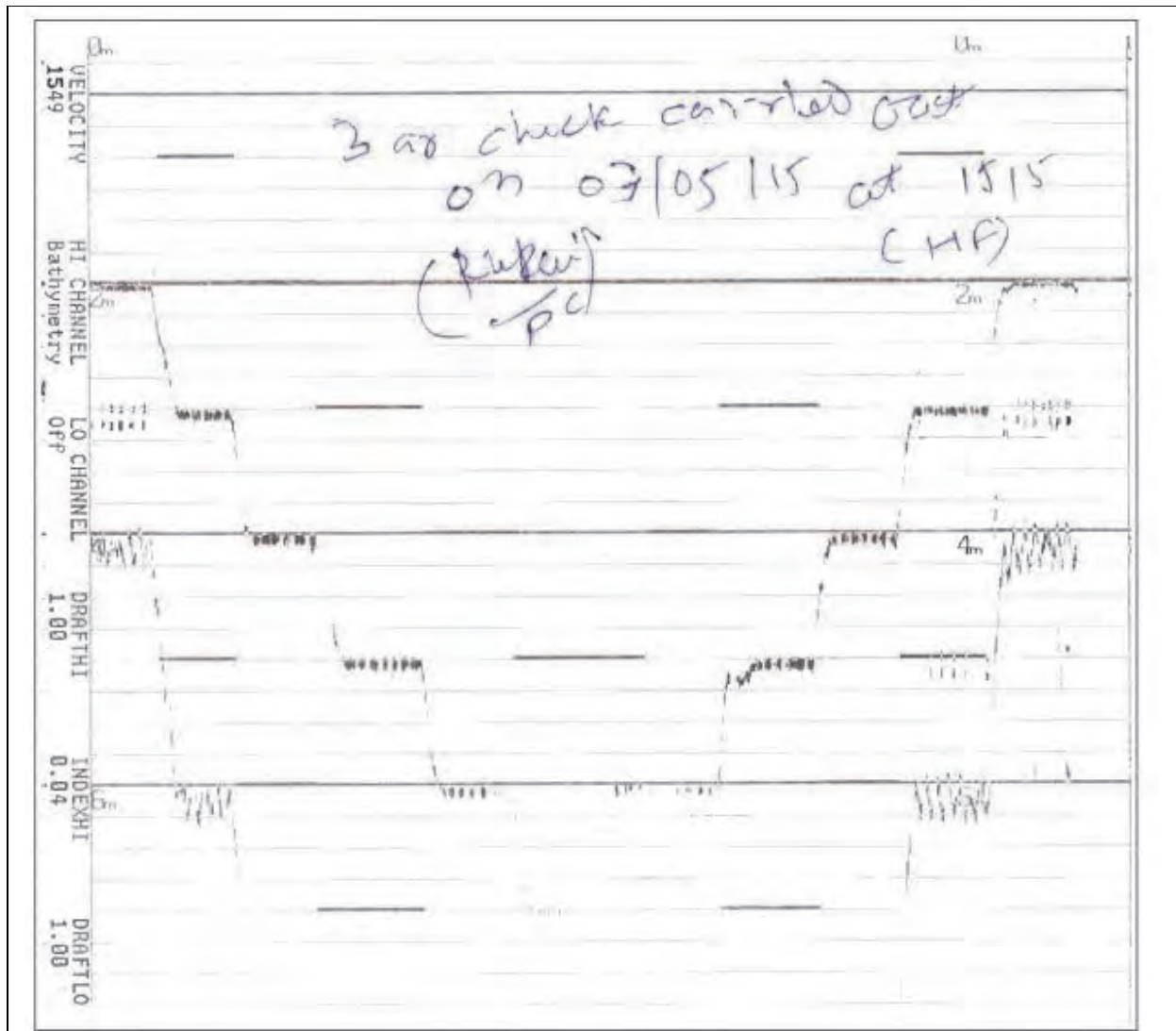


Figure 21:-Bar Check Record on board ML Afrah

## 8 MBES Calibration

The calibration (or patch test) of the Geoswath Plus (GS+) MBES was used to fix the time and angle offsets between the various positioning systems and the transducer head. This was done after mobilisation.

The system offsets were entered in the acquisition software prior to surveying and raw data acquisition. Some of these were easily measured and entered and others were corrected through the calibration procedure.

### **Entering Offsets:**

The directly measured system offsets are:

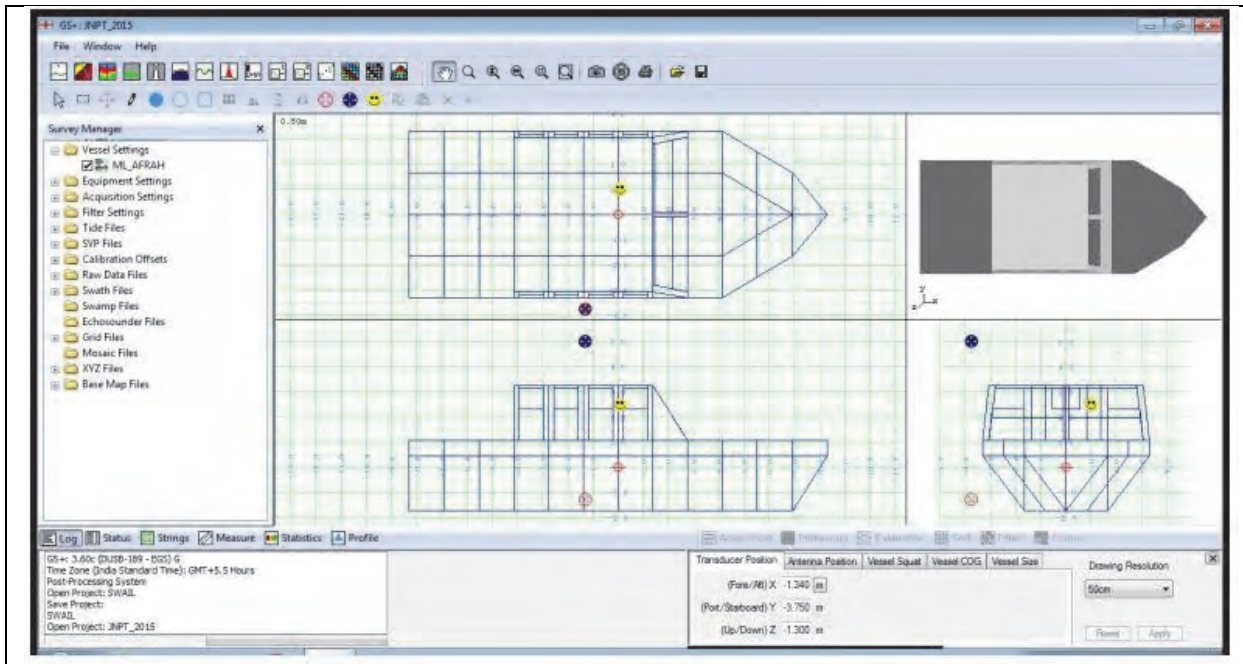
- Transducer Sensor Offsets measured as the distance from the COG to the transducer point (X= -1.340, Y= -3.750 m, Z= -1.30m for ML Afrah).
- Antenna Offsets measured as the distance from the COG to the Antenna (X= -1.340m, Y= -3.750 m and Z= 2.90 m from water line).
- Heave Offset measured as the vertical distance from the centre of the transducer to the water surface (Z= -1.30 m for ML Afrah).
- Time offset (latency) introduced by DGPS computer/ navigation computers or during the serial data transfers.

A DMS 05 motion reference unit provided compensation for vessel motion.

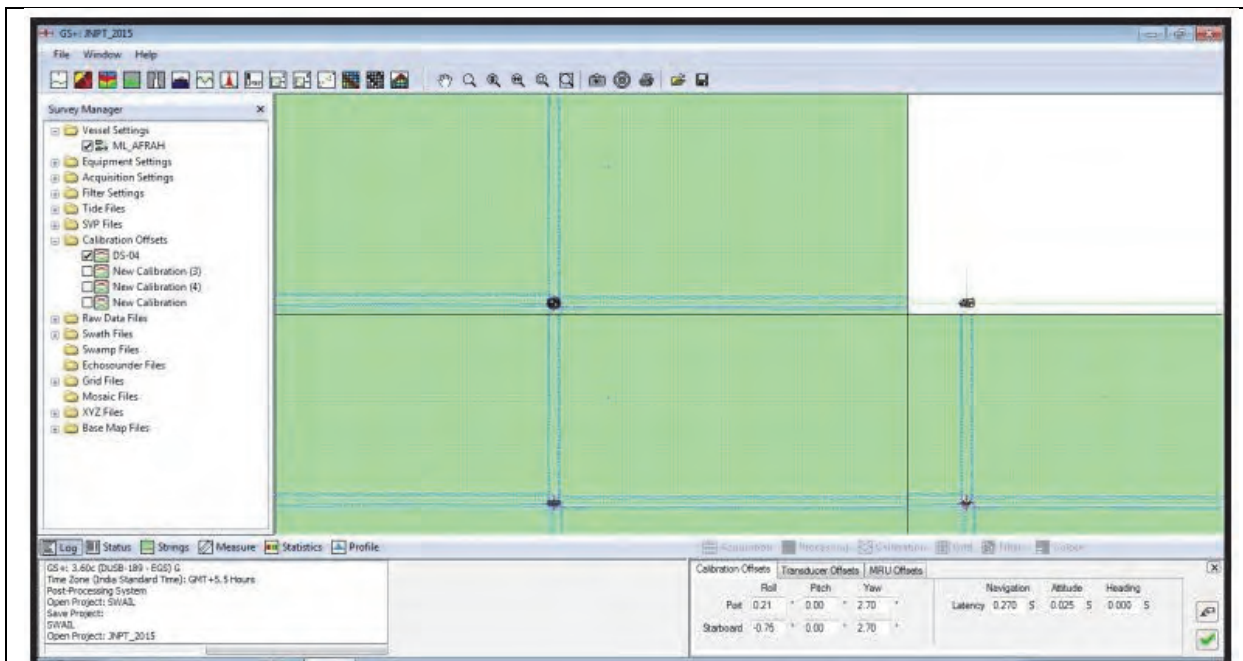
The sound velocity profile (SVP) file and observed tide files were used to get an accurate calibration from a patch test.

### **Antenna and Sensor Offsets**

The antenna and the sensor offsets, measured with the aid of a measuring tape were entered in the Geoswath Plus data acquisition module along with the vessel dimensions. The figure below provides the measured antenna and sensor offsets.



**Figure 22:MBES Sensor offsets of ML Afrah**



**Figure 23:- Calibration offsets**

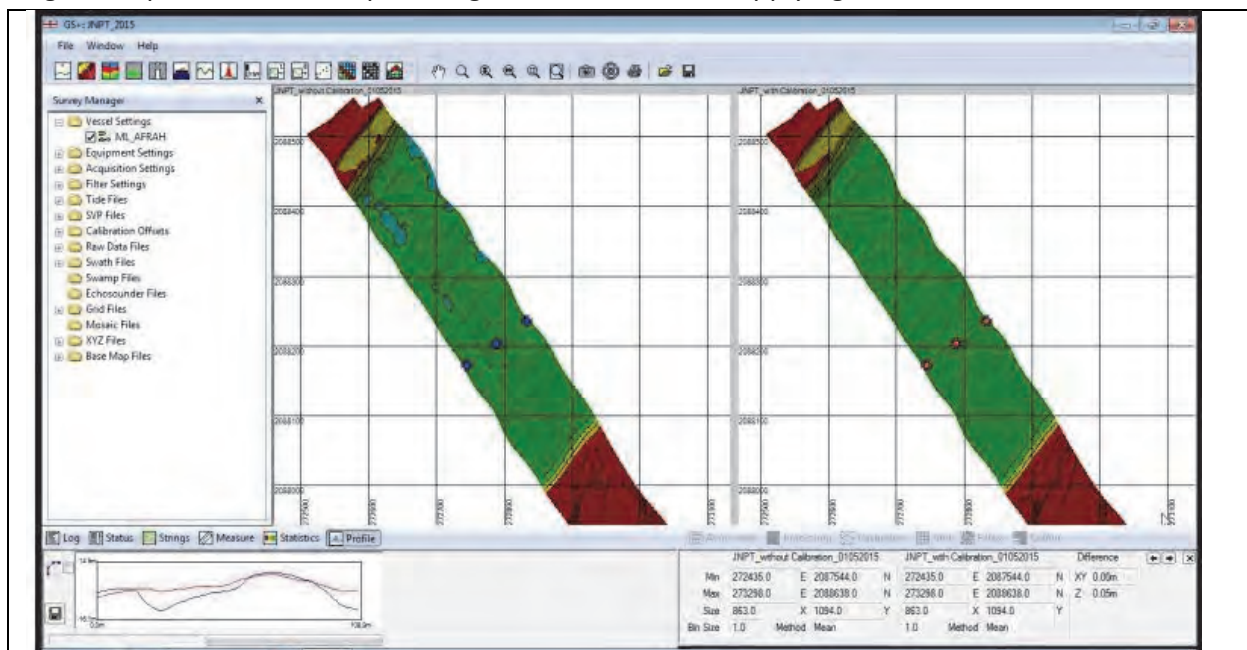


The corrections for these parameters, obtained from the MBES calibration results, are given below:

Parameter	Values	
Latency	0.270s	Veripos LD-2 positioning system.
Port Roll	0.21°	TSS accuracy 0.05° in roll (~3.5cm at 40m)
Starboard Roll	-0.75°	TSS accuracy 0.05° in roll (~3.5cm at 40m)
Pitch	0.00°	
Yaw(Port)	2.70 °	Accuracy better than 0.2°
Yaw(Stbd)	2.70 °	Accuracy better than 0.2°

**Table 15 MBES Calibration Results**

Figure 13 provides the comparison grid before and after applying the calibration co-efficient.



**Figure 24. Calibration results with cross profile (left-Without calibration, right –with calibration)**

## 9 Conclusions

Mobilisation for this project, including calibration and verification, were carried out on board ML Afrah in a safe and acceptable manner. All systems performed to the specifications throughout the duration of the survey.