

**MINISTRY OF AGRICULTURE, WATER RESOURCES AND
FISHERIES
SOCIETE NATIONALE D'EXPLOITATION ET DE
DISTRIBUTION DES EAUX (SONEDE)**

**THE PREPARATORY SURVEY
ON
SFAX SEA WATER DESALINATION
PLANT CONSTRUCTION PROJECT
IN
THE REPUBLIC OF TUNISIA**

**FINAL REPORT
VOL. 3 : DRAWINGS**

AUGUST 2015

JAPAN INTERNATIONAL COOPERATION AGENCY

**NJS CONSULTANTS CO., LTD.
INGEROSEC CORPORATION
JAPAN TECHNO CO., LTD.**

GE
CR(4)
15-124

**MINISTRY OF AGRICULTURE, WATER RESOURCES AND
FISHERIES
SOCIETE NATIONALE D'EXPLOITATION ET DE
DISTRIBUTION DES EAUX (SONEDE)**

**THE PREPARATORY SURVEY
ON
SFAX SEA WATER DESALINATION
PLANT CONSTRUCTION PROJECT
IN
THE REPUBLIC OF TUNISIA**

**FINAL REPORT
VOL. 3 : DRAWINGS**

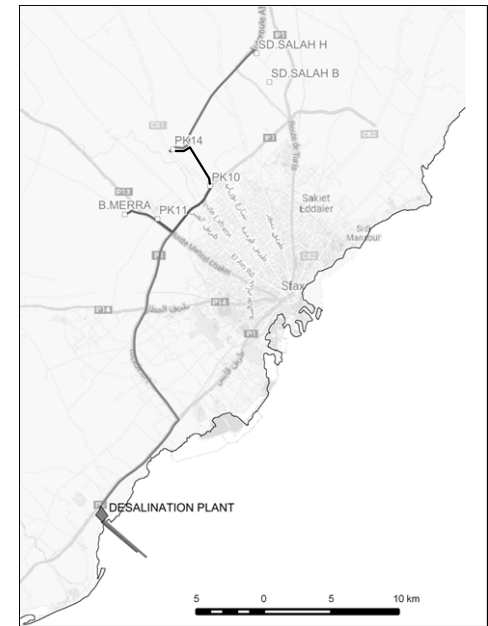
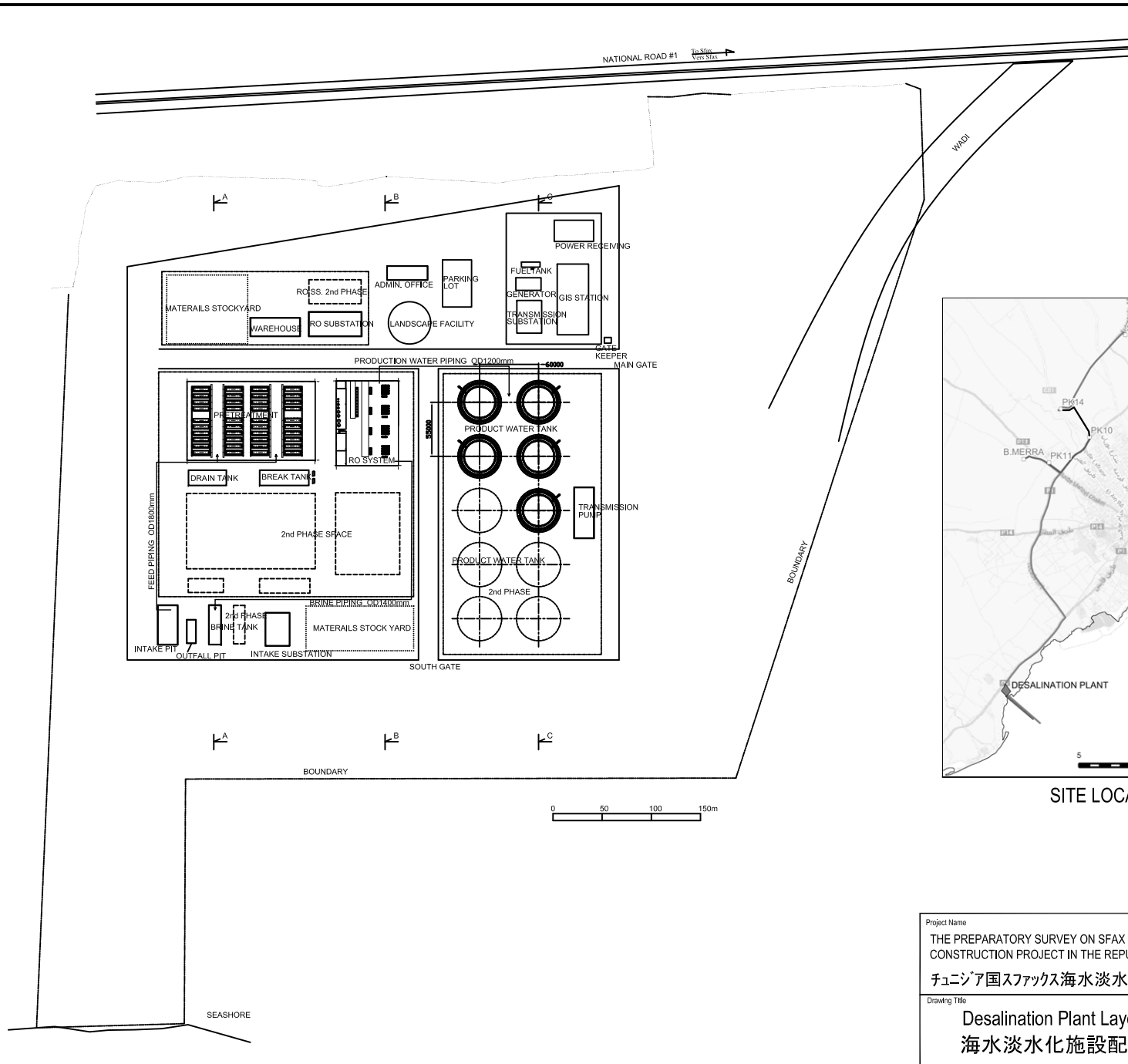
AUGUST 2015

JAPAN INTERNATIONAL COOPERATION AGENCY

**NJS CONSULTANTS CO., LTD.
INGEROSEC CORPORATION
JAPAN TECHNO CO., LTD.**

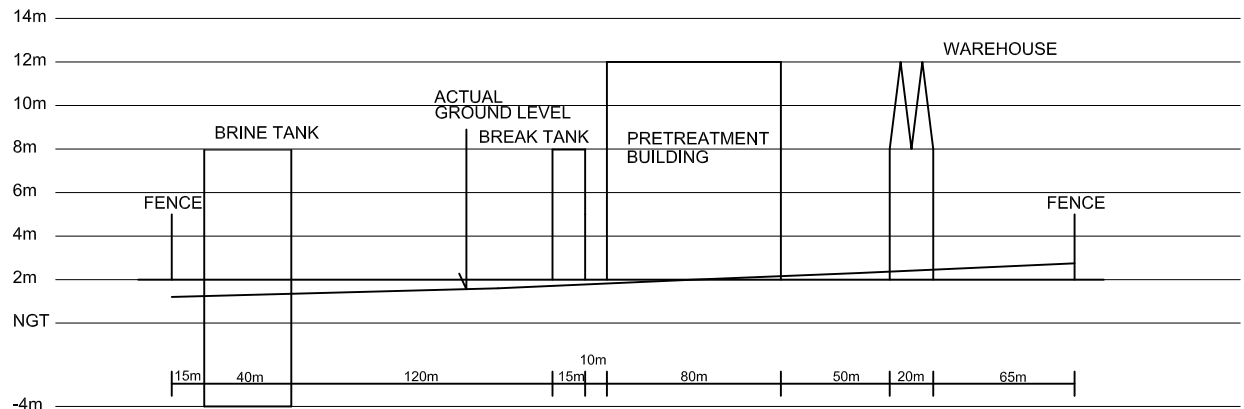
LIST OF DRAWINGS

ID	CONTENTS	ID	CONTENTS	ID	CONTENTS
1	Desalination Plant: Layout Plan	24	Intake Pumps Sub-station	47	Sidi Salah EH Reservoir Site: Layout Plan
2	Desalination Plant: Layout Plan - Sections	25	RO Facilities Sub-station	48	Sidi Salah EH Receiving-Mixing Chamber: Plan & Section
3	Desalination Plant: Hydraulic Profile	26	Transmission Pumps Sub-station	49	Transmission Pipelines Profile Index – 1
4	Desalination Plant: Process Flow Diagram-1	27	PK10 Reservoir Site: Present Status	50	Transmission Pipelines Profile Index – 2
5	Desalination Plant: Process Flow Diagram-2	28	PK10 Reservoir Site: Layout Plan	51	Transmission Pipelines: Plan & Long. Profile – 1
6	Pre-Treatment Bldg. & RO System Bldg.: General Layout	29	PK10 Receiving-Mixing Chamber: Plan & Section	52	Transmission Pipelines: Plan & Long. Profile – 2
7	Pre-treatment Building: Elevation	30	PK10 Transmission Pump Bldg.: Plan & Section	53	Transmission Pipelines: Plan & Long. Profile – 3
8	Pre-treatment Building: Plan	31	PK10 Transmission Pump Bldg.: Pump Layout	54	Transmission Pipelines: Plan & Long. Profile – 4
9	Pre-treatment Building: Equipment Layout	32	PK11 Reservoir Site: Present Status	55	Transmission Pipelines: Plan & Long. Profile – 5
10	RO System Building: Elevation	33	PK11 Reservoir Site: Layout Plan	56	Transmission Pipelines: Plan & Long. Profile – 6
11	RO System Building: Plan	34	PK11 Receiving-Mixing Chamber: Plan & Section	57	Transmission Pipelines: Plan & Long. Profile – 7
12	RO System Building: Equipment Layout	35	PK11 Transmission Pump Bldg.: Plan	58	Transmission Pipelines: Plan & Long. Profile – 8
13	Gatekeeper House: Plan & Section	36	PK11 Transmission Pump Bldg.: Section	59	Transmission Pipelines: Plan & Long. Profile – 9
14	Administration Building: Elevation	37	PK11 Transmission Pump Bldg.: Pump Layout	60	Transmission Pipelines: Plan & Long. Profile – 10
15	Administration Building: Plan – 1	38	PK14 Reservoir Site: Present Status	61	Transmission Pipelines: Plan & Long. Profile – 11
16	Administration Building: Plan – 2	39	PK14 Reservoir Site: Layout Plan	62	Transmission Pipelines: Plan & Long. Profile – 12
17	Warehouse: Elevation	40	PK14 Receiving-Mixing Chamber: Plan & Section	63	Transmission Pipelines: Plan & Long. Profile – 13
18	Warehouse: Plan	41	PK14 Transmission Pump Bldg.: Plan & Section	64	Transmission Pipelines: Plan & Long. Profile – 14
19	Product Water Tank	42	PK14 Transmission Pump Bldg.: Pump Layout	65	Transmission Pipelines: Plan & Long. Profile – 15
20	Transmission Pump Building: Plan	43	Bou Merra Reservoir Site: Layout Plan	66	Transmission Pipelines: Plan & Long. Profile – 16
21	Transmission Pump Building: Section	44	Bou Merra Receiving-Mixing Chamber: Plan & Section	67	One-way Surge Tank: Plan
22	Transmission Pump Building: Pump Layout	45	Bou Merra Reservoir	68	One-way Surge Tank: Section
23	150kV Power Receiving Facility	46	Sidi Salah EH Reservoir Site: Present Status	Attachment in A2 size : ID51 - ID66	

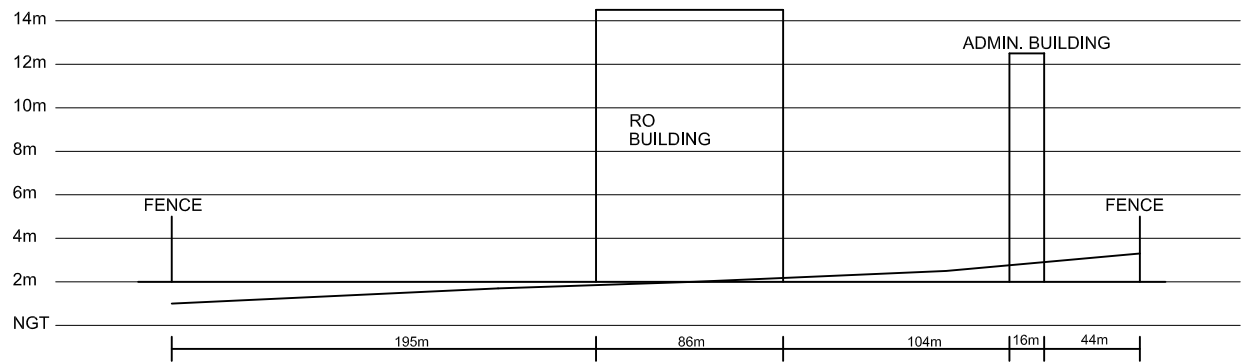


SITE LOCATION

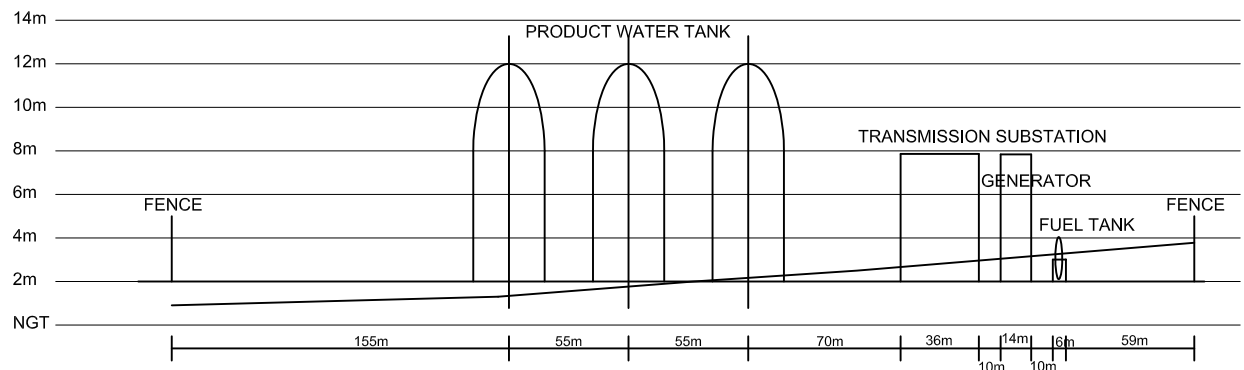
Project Name	
THE PREPARATORY SURVEY ON SFAX SEA WATER DESALINATION PLANT CONSTRUCTION PROJECT IN THE REPUBLIC OF TUNISIA	
チュニジア国スファックス海水淡水化施設整備事業準備調査	
Drawing Title	Scale: 1/2000 as A1
Desalination Plant Layout Plan 海水淡水化施設配置図	Drawing No. 1



A-A SECTION

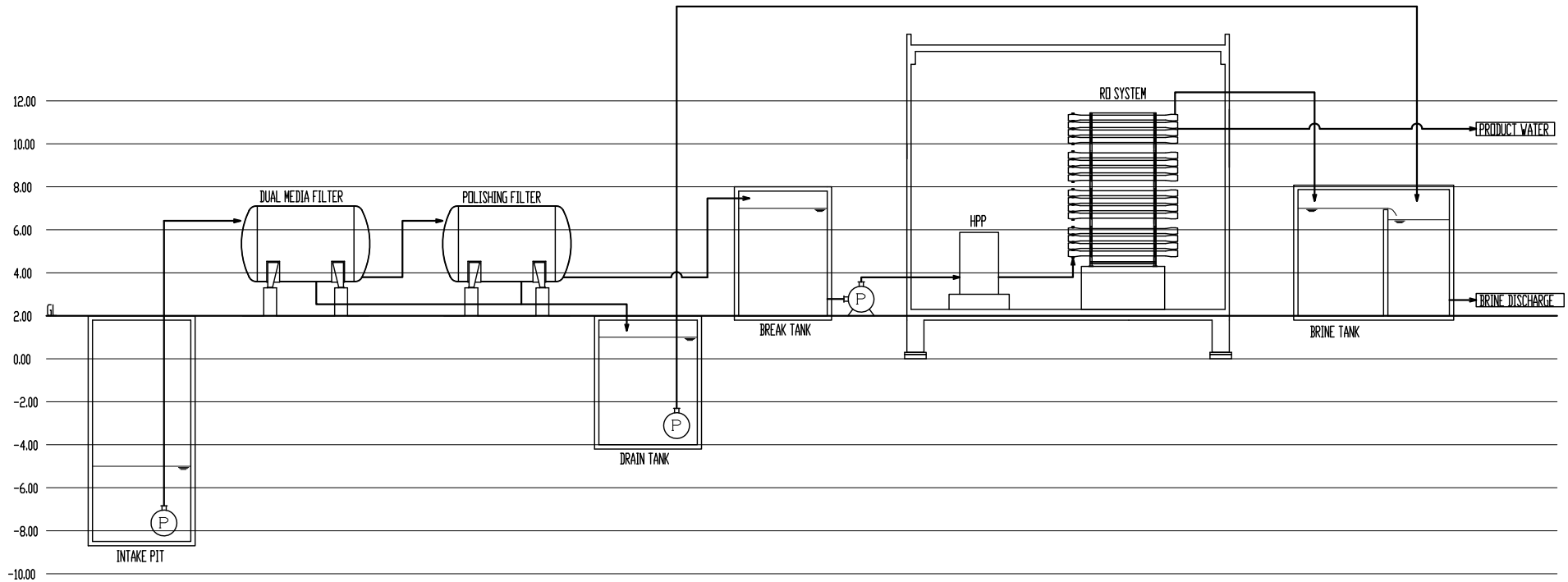


B-B SECTION

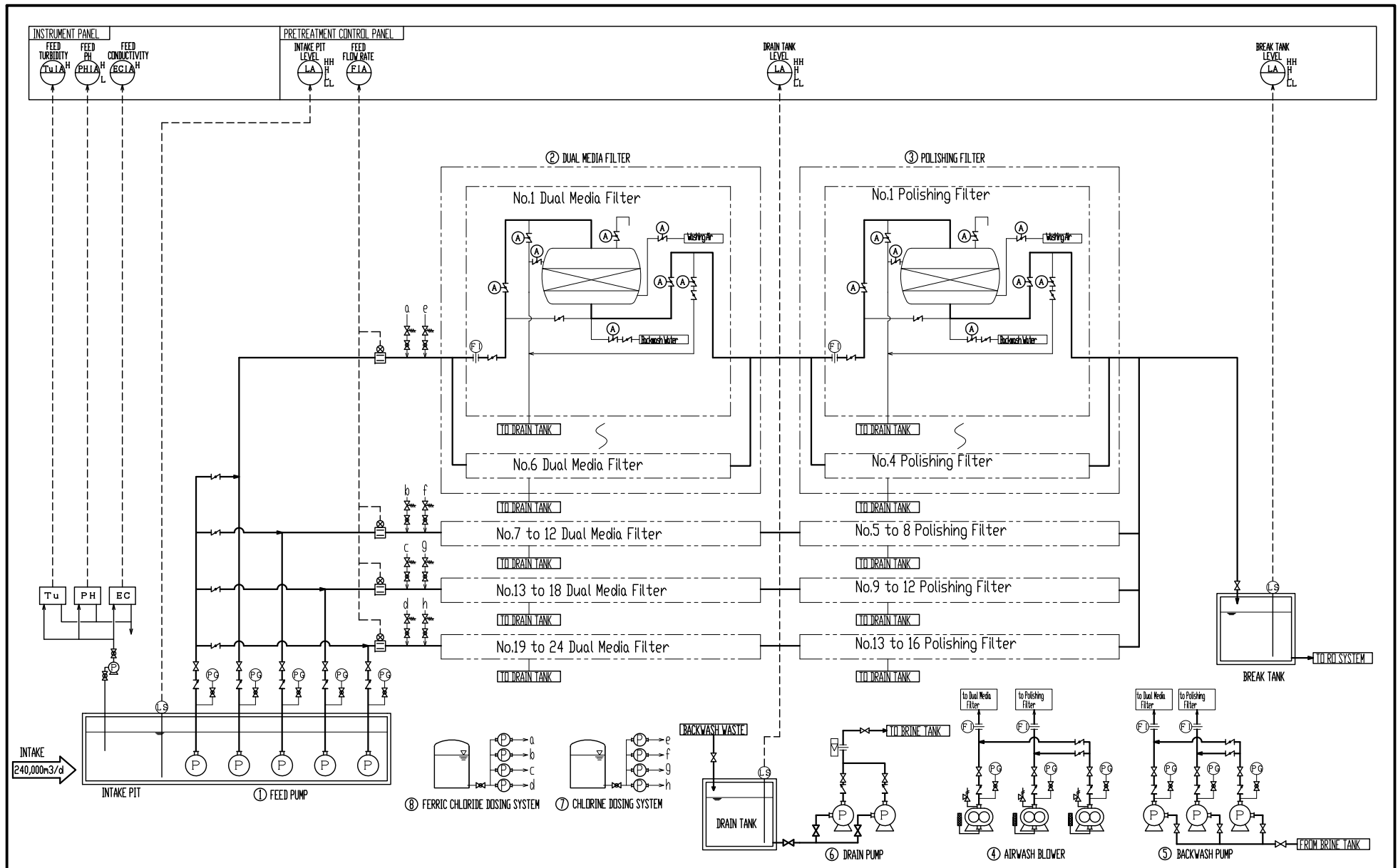


C-C SECTION

Project Name	
THE PREPARATORY SURVEY ON SFAX SEA WATER DESALINATION PLANT CONSTRUCTION PROJECT IN THE REPUBLIC OF TUNISIA	
チュニジア国スファックス海水淡水化施設整備事業準備調査	
Drawing Title	Scale: NO SCALE
Desalination Plant : Layout Plan - Sections	
施設配置計画横断面図	Drawing No. 2



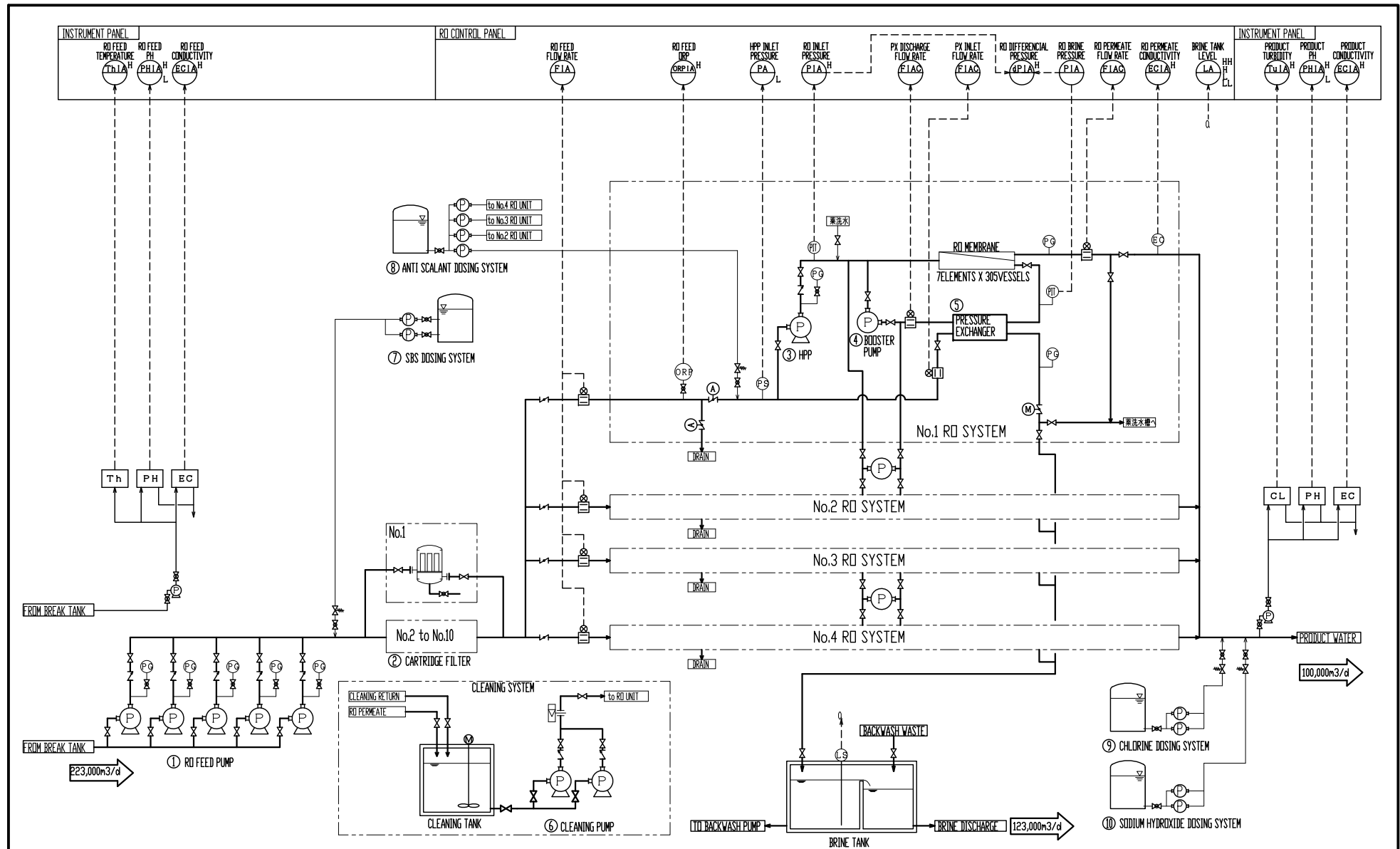
Project Name	
THE PREPARATORY SURVEY ON SFAX SEA WATER DESALINATION PLANT CONSTRUCTION PROJECT IN THE REPUBLIC OF TUNISIA	
チュニジア国スファックス海水淡水化施設整備事業準備調査	
Drawing Title	Scale:
Desalination Plant : Hydraulic Profile 海水淡水化施設水位関係図	
Drawing No.	3



EQUIPMENT LIST

No.	①	②	③	④	⑤	⑥	⑦	⑧	⑨
NAME	FEED PUMP	DUAL MEDIA FILTER	POLISHING FILTER	AIRWASH BLOWER	BACKWASH PUMP	DRAIN PUMP	FERRIC CHLORIDE DOSING SYSTEM	CHLORINE DOSING SYSTEM	
CAPACITY	2350m ³ /h×0.20MPa	3500dia.×16000mmL	3500dia.×16000mmL	2600m ³ /h×0.04MPa	2000m ³ /h×0.15MPa	560m ³ /h×0.10MPa	TANK : 10m ³ ×2tanks PUMP : 150L/h	TANK : 20m ³ ×2tanks PUMP : 300L/h	
OUTPUT	180kW	—	—	45kW	120kW	45kW	0.4kW	0.75kW	
MATERIAL	STAINLESS STEEL	CS + Rubber Lining	CS + Rubber Lining	CARBON STEEL	STAINLESS STEEL	STAINLESS STEEL	TANK : GRP PUMP : PVC	TANK : GRP PUMP : PVC	
NDS.	5 (1-STANDBY)	24 (2-STANDBY)	16 (2-STANDBY)	3 (1-STANDBY)	3 (1-STANDBY)	2 (1-STANDBY)	1 set	1 set	

BALL VALVE GATE VALVE GLOBE VALVE CHECK VALVE BACK PRESSURE VALVE AIR REGULATOR FLOW GAUGE	FLOW METER T I TEMPERATURE METER L S LEVEL SWITCH P G PRESSURE GAUGE P I T PURESSURE SENSOR A PNEUMATIC VALVE	Project Name THE PREPARATORY SURVEY ON SFAX SEA WATER DESALINATION PLANT CONSTRUCTION PROJECT IN THE REPUBLIC OF TUNISIA チュニジア国スファックス海水淡水化施設整備事業準備調査 Drawing Title Desalination Plant Process Flow Diagram -1 海水淡水化処理フロー図-1	Scale: Drawing No. 4
--	--	--	------------------------------------



EQUIPMENT LIST

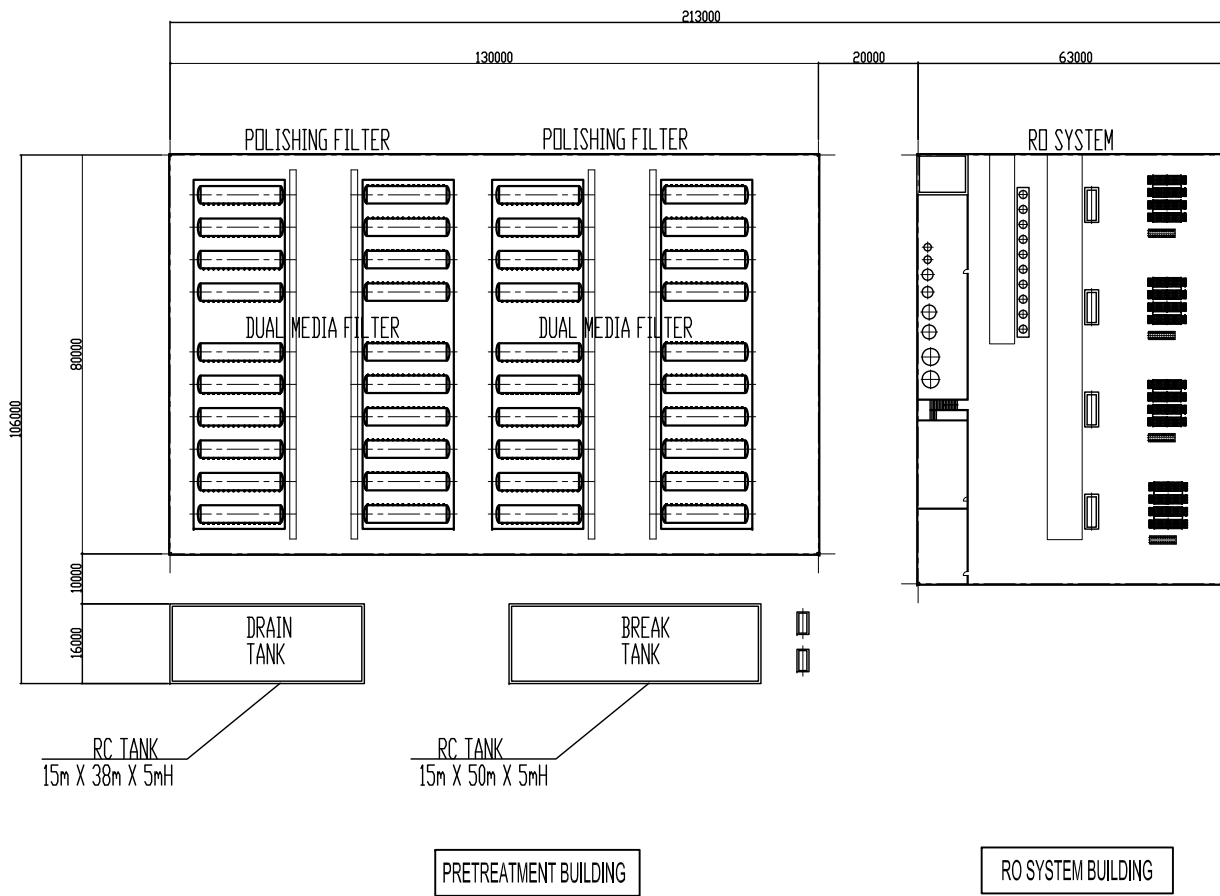
No.	①	②	③	④	⑤	⑥	⑦	⑧	⑨	⑩
NAME	RO FEED PUMP	CARTRIDGE FILTER	HPP	BOOSTER PUMP	PRESSURE EXCHANGER	CLEANING PUMP	SBS DOSING SYSTEM	ANTI SCALANT DOSING SYSTEM	CHLORINE DOSING SYSTEM	SODIUM HYDROXIDE DOSING SYSTEM
CAPACITY	2350m ³ /h × 0.2MPa	1200m ³ /h	1100m ³ /h × 7.15MPa	1300m ³ /h × 0.50MPa	64m ³ /h	960m ³ /h × 0.50MPa	TANK : 30m ³ × 2tanks PUMP : 150L/h	TANK : 4m ³ × 2tanks PUMP : 20L/h	TANK : 20m ³ × 2tanks PUMP : 80L/h	TANK : 5m ³ × 2tanks PUMP : 80L/h
OUTPUT	180kW	—	2960kW	250kW	—	200kW	0.4kW	0.2kW	0.4kW	0.4kW
MATERIAL	STAINLESS STEEL	GRP	STAINLESS STEEL	STAINLESS STEEL	CERAMIC	STAINLESS STEEL	TANK : GRP PUMP : PVC	TANK : GRP PUMP : PVC	TANK : GRP PUMP : PVC	TANK : GRP PUMP : PVC
NOS.	5 (1-STANDBY)	10 (2-STANDBY)	4	6 (2-STANDBY)	80(20/unit)	2 (1-STANDBY)	1 set	1 set	1 set	1 set

Project Name
THE PREPARATORY SURVEY ON SFAX SEA WATER DESALINATION PLANT CONSTRUCTION PROJECT IN THE REPUBLIC OF TUNISIA
 チュニア国スファックス海水淡水化施設整備事業準備調査

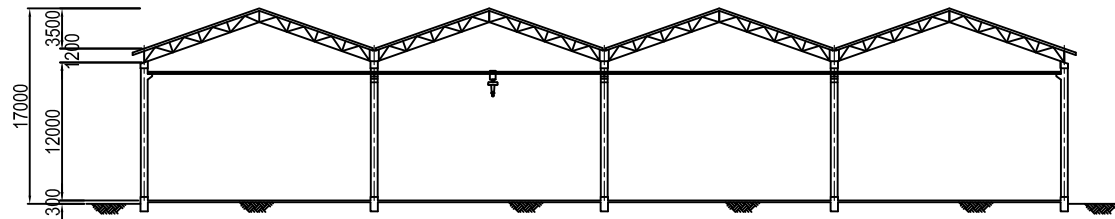
Drawing Title
Desalination Plant Process Flow Diagram -2
 海水淡水化処理フロー図-2

Scale:
 Drawing No. **5**

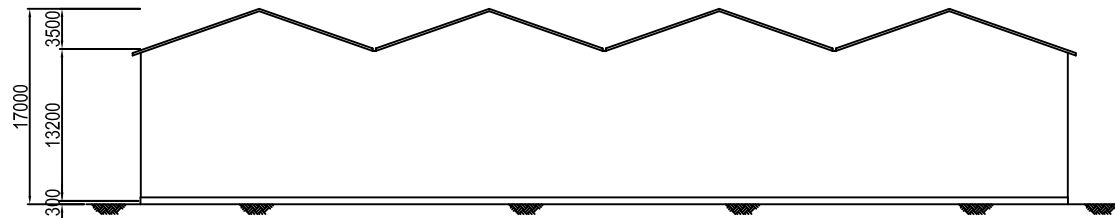
◇	BALL VALVE	⊡	FLOW METER
⊠	GATE VALVE	T I	TEMPERATURE METER
⊢	GLOVE VALVE	L S	LEVEL SWITCH
∨	CHECK VALVE	P G	PRESSURE GAUGE
⊥	BACK PRESSURE VALVE	P I T	PRESSURE SENSOR
⊞	AIR REGULATOR	A	PNEUMATIC VALVE
F I	FLOW GAUGE		



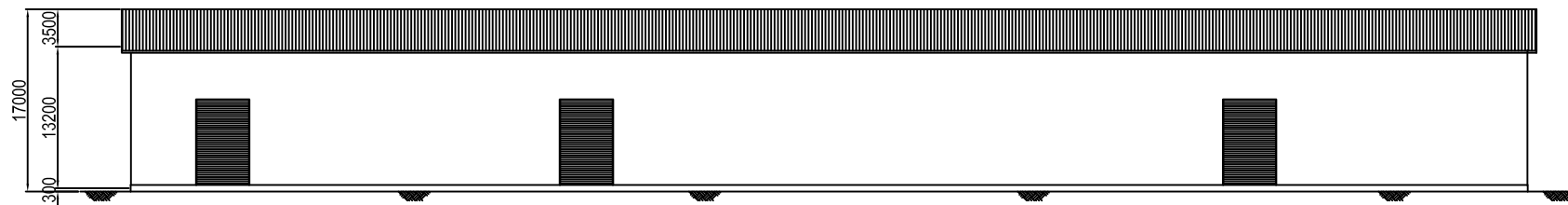
Project Name	
THE PREPARATORY SURVEY ON SFAX SEA WATER DESALINATION PLANT CONSTRUCTION PROJECT IN THE REPUBLIC OF TUNISIA	
チュニジア国スファックス海水淡水化施設整備事業準備調査	
Drawing Title	Scale: 1:500
Pre-treatment Building & RO system System Building : General Layout	Drawing No. 6
前処理棟・RO処理棟 一般配置図	



NORTH SIDE ELEVATION (A - A)
S = 1 : 600

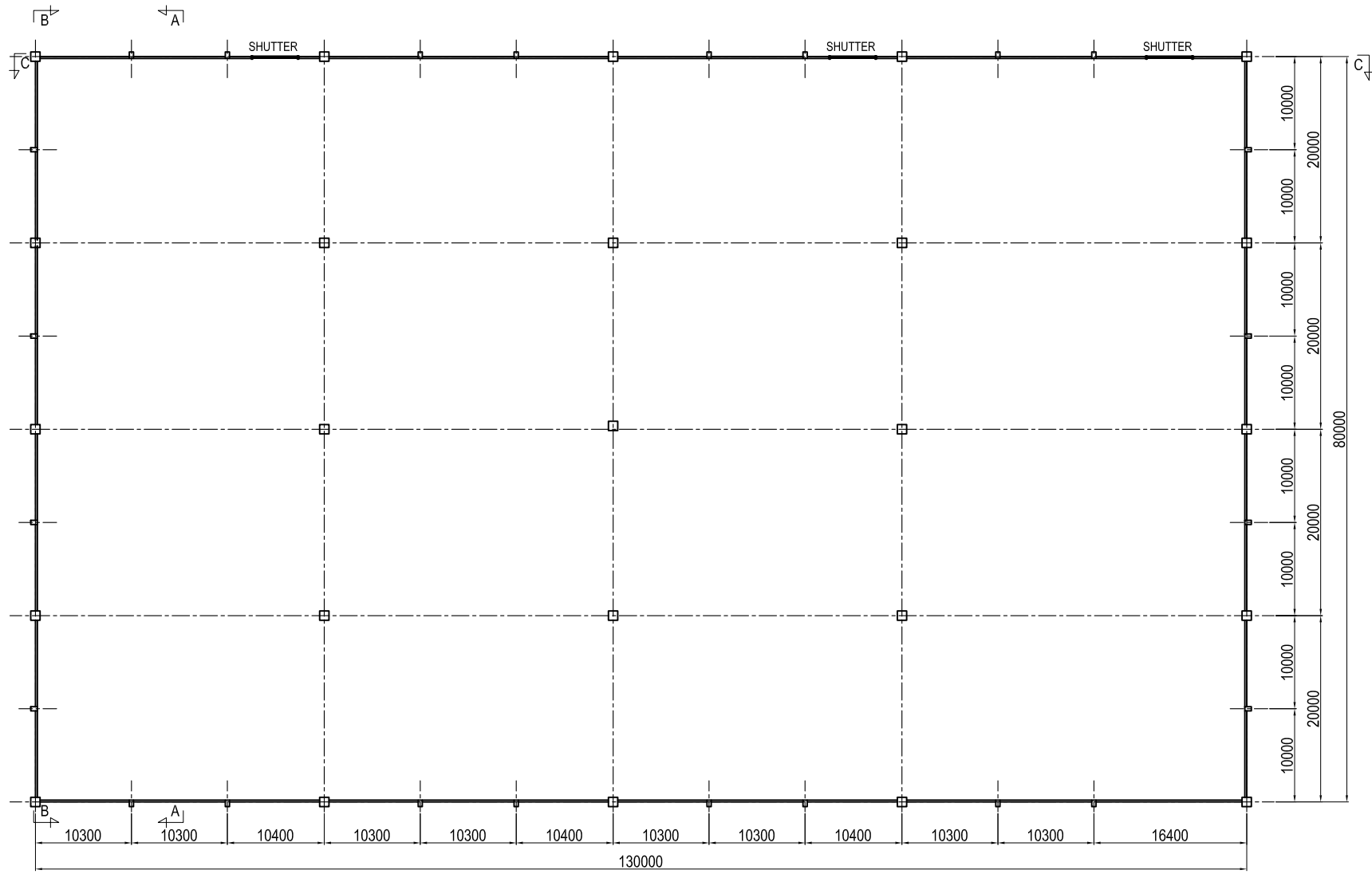


SOUTH SIDE ELEVATION (B - B)
S = 1 : 600



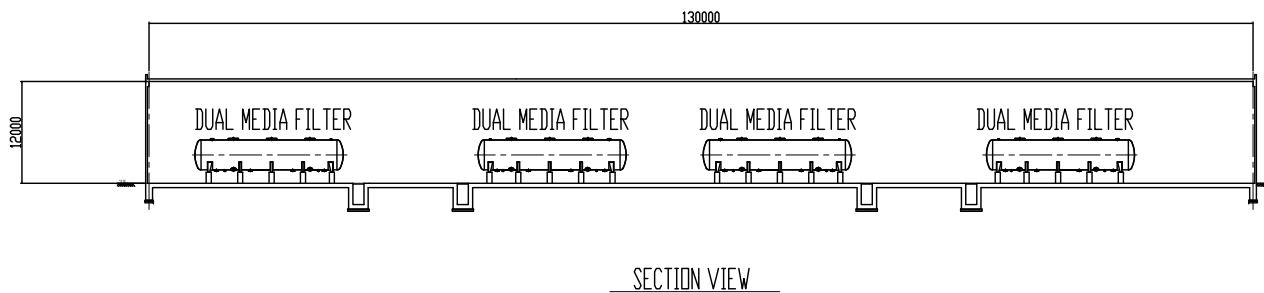
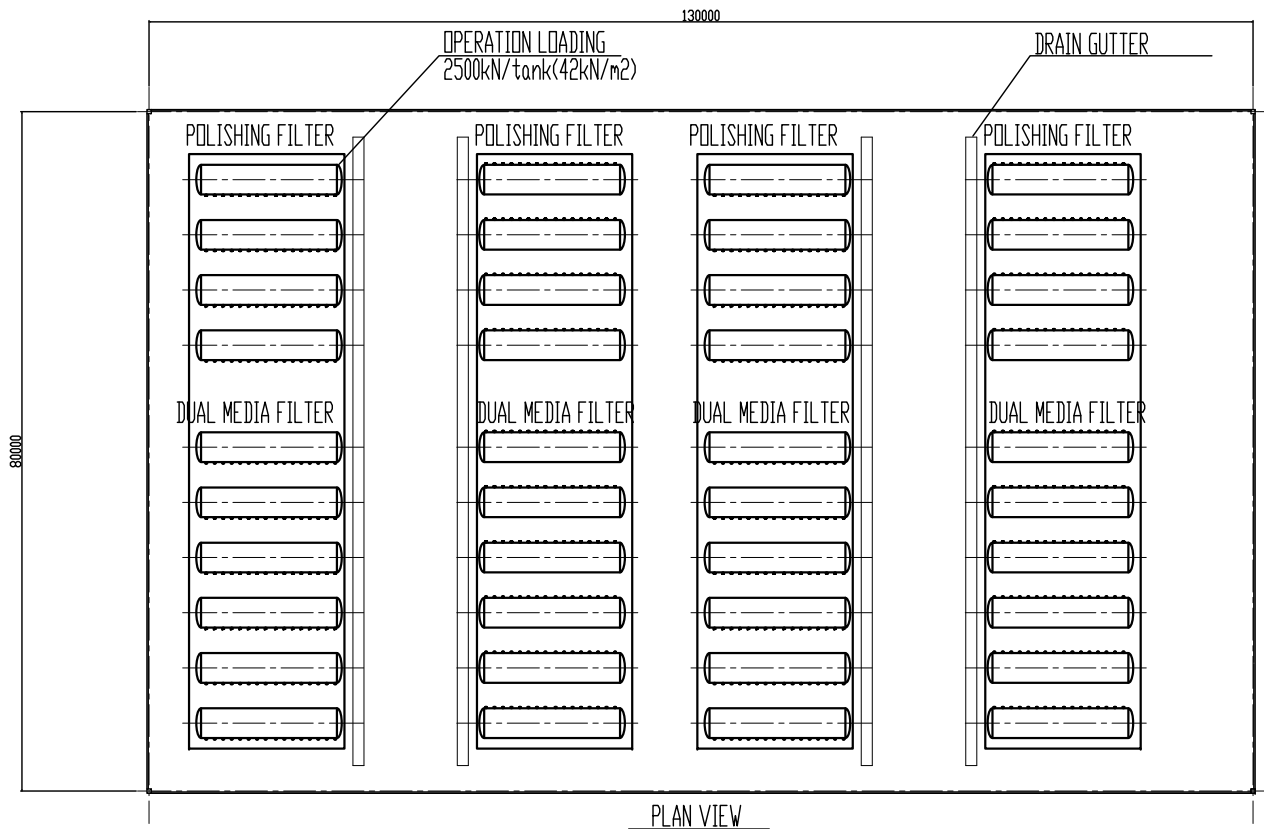
WEST SIDE ELEVATION (C - C)
S = 1 : 600

Project Name	
THE PREPARATORY SURVEY ON SFAX SEA WATER DESALINATION PLANT CONSTRUCTION PROJECT IN THE REPUBLIC OF TUNISIA	
チュニジア国スファックス海水淡水化施設整備事業準備調査	
Drawing Title	Scale: 1:600
Pretreatment Building : Elevation	
前処理施設棟 立面図・断面図	Drawing No. 7

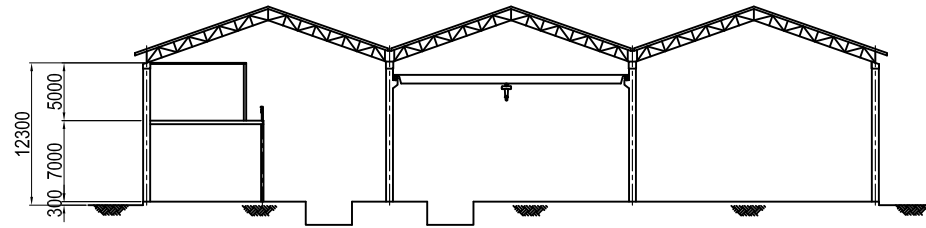


GROUND FLOOR PLAN
S = 1 : 600

Project Name THE PREPARATORY SURVEY ON SFAX SEA WATER DESALINATION PLANT CONSTRUCTION PROJECT IN THE REPUBLIC OF TUNISIA チュニジア国スファックス海水淡水化施設整備事業準備調査	
Drawing Title Pretreatment Building : Plan 前処理施設棟 平面図	Scale: 1:600
	Drawing No. 8



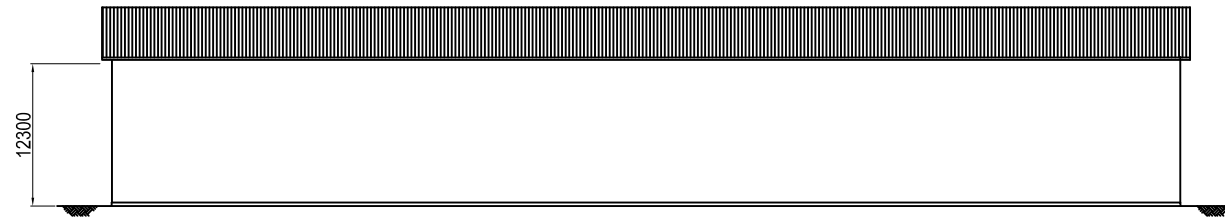
Project Name	
THE PREPARATORY SURVEY ON SFAX SEA WATER DESALINATION PLANT CONSTRUCTION PROJECT IN THE REPUBLIC OF TUNISIA	
チュニジア国スファックス海水淡水化施設整備事業準備調査	
Drawing Title	Scale: 1:300
Pre-treatment Building : Equipment Layout 前処理施設棟 施設配置	Drawing No. 9



SECTION A - A
S = 1 : 600

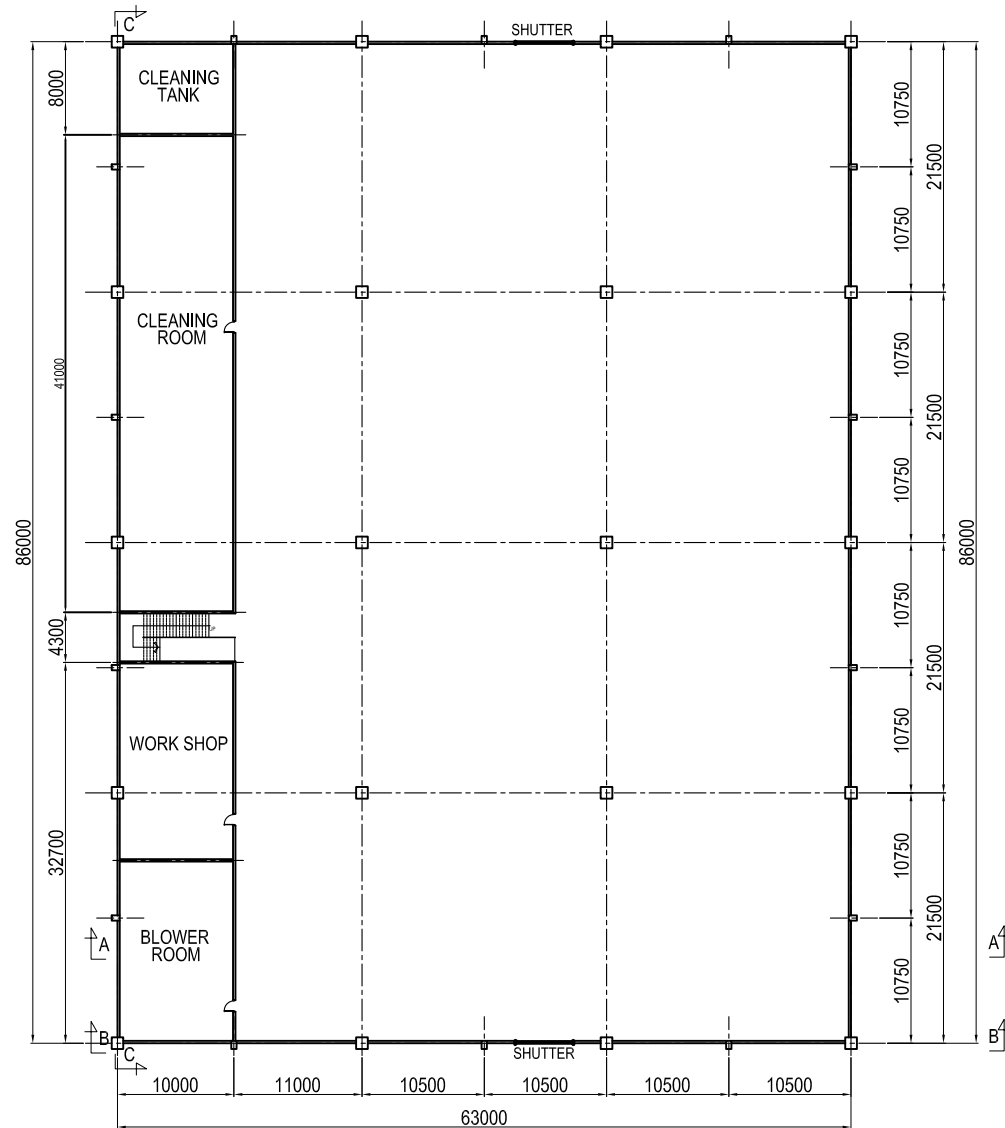


EAST SIDE ELEVATION (B - B)
S = 1 : 600

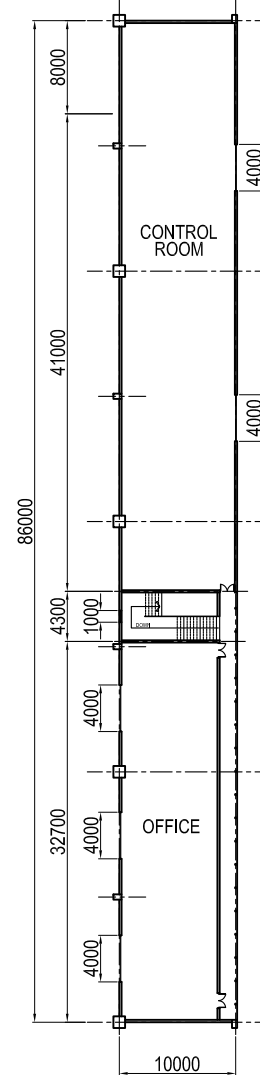


SOUTH SIDE ELEVATION (C - C)
S = 1 : 600

Project Name	
THE PREPARATORY SURVEY ON SFAX SEA WATER DESALINATION PLANT CONSTRUCTION PROJECT IN THE REPUBLIC OF TUNISIA	
チュニジア国スファックス海水淡水化施設整備事業準備調査	
Drawing Title	Scale: 1:600
RO System Building : Elevation	
RO処理棟 立面図・断面図	Drawing No. 10

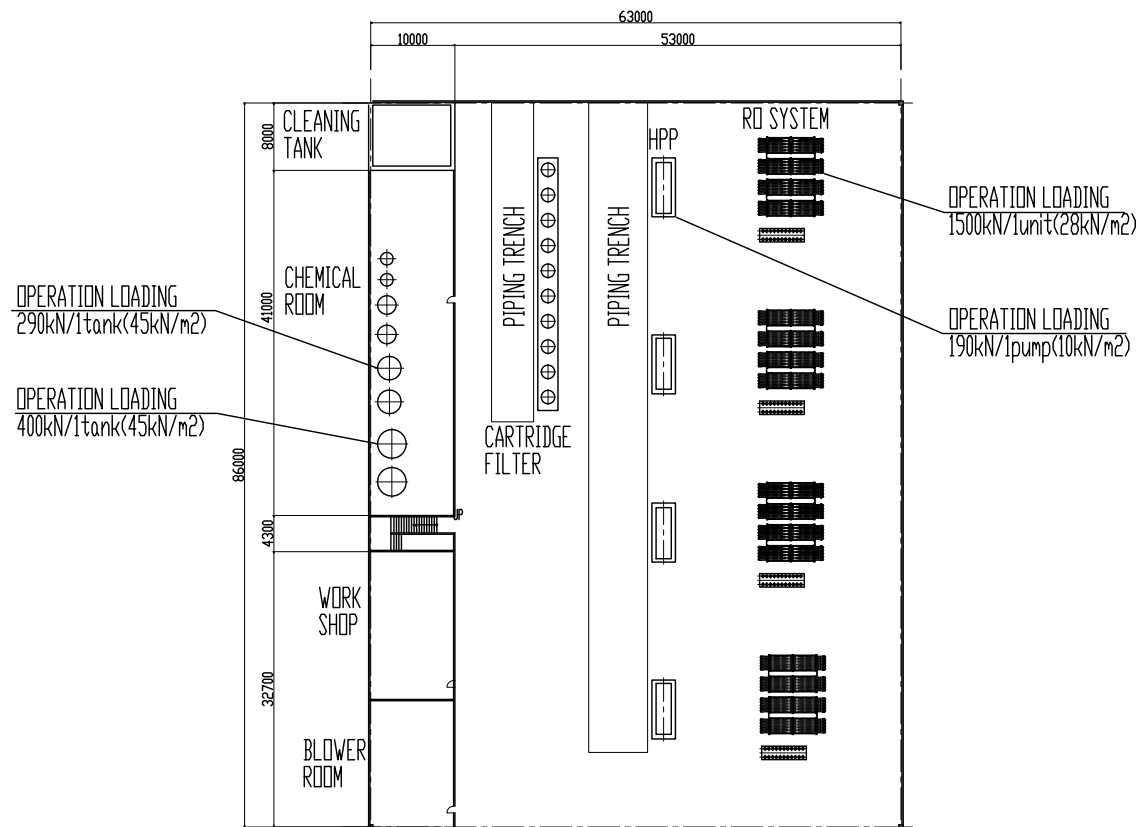


RO SYSTEM GROUND FLOOR PLAN
S = 1 : 600

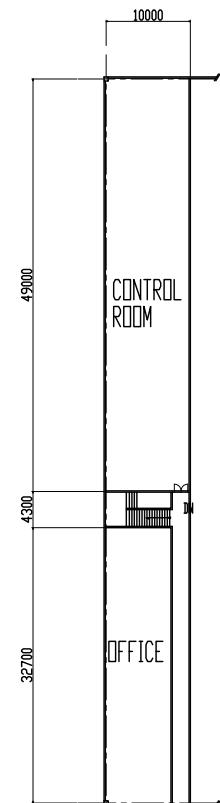


2ND FLOOR PLAN
S = 1 : 600

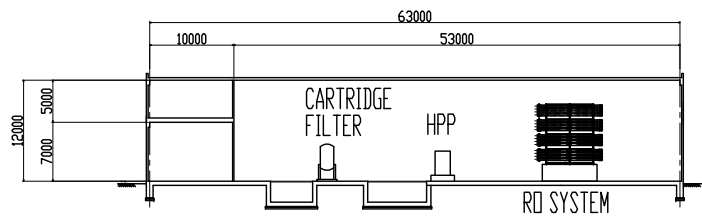
Project Name THE PREPARATORY SURVEY ON SFAX SEA WATER DESALINATION PLANT CONSTRUCTION PROJECT IN THE REPUBLIC OF TUNISIA チュニジア国スファックス海水淡水化施設整備事業準備調査	
Drawing Title RO System Building : Plan RO処理棟 平面図	Scale: 1:600 Drawing No. 11



PLAN VIEW

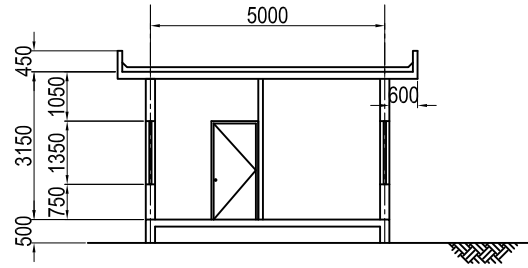


2nd FLOOR PLAN

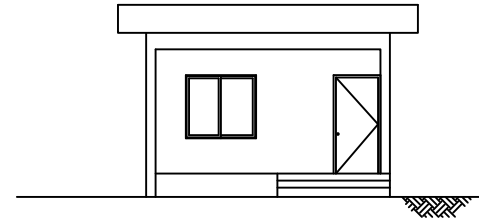


SECTION VIEW

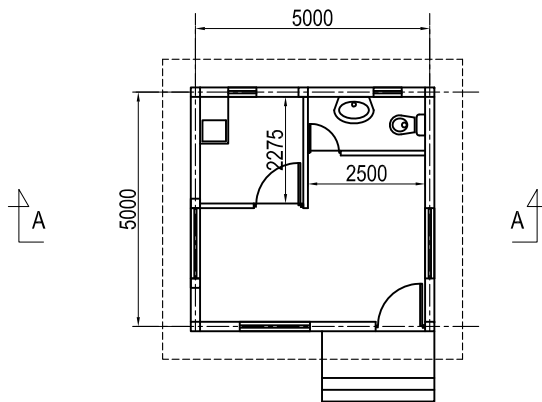
Project Name	
THE PREPARATORY SURVEY ON SFAX SEA WATER DESALINATION PLANT CONSTRUCTION PROJECT IN THE REPUBLIC OF TUNISIA	
チュニジア国スファックス海水淡水化施設整備事業準備調査	
Drawing Title	Scale: 1:300
RO System Building : Equipment Layout RO処理施設棟 施設配置	Drawing No. 12



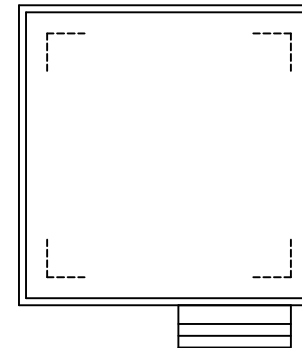
SECTION A-A S=1:150



FRONT ELEVATION S=1:150

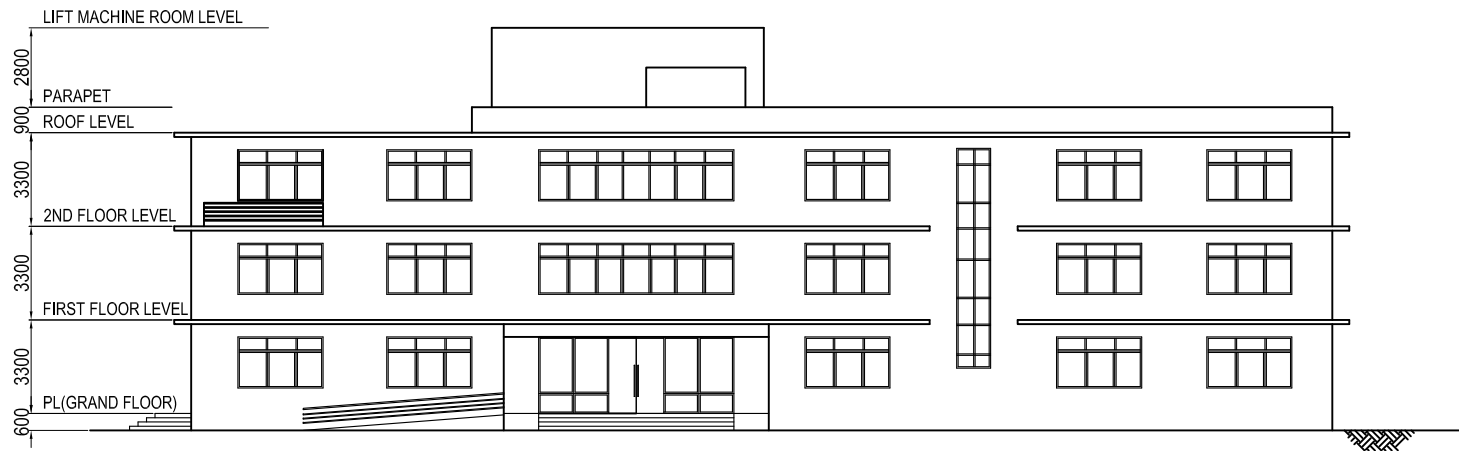


GROUND FLOOR PLAN S=1:150

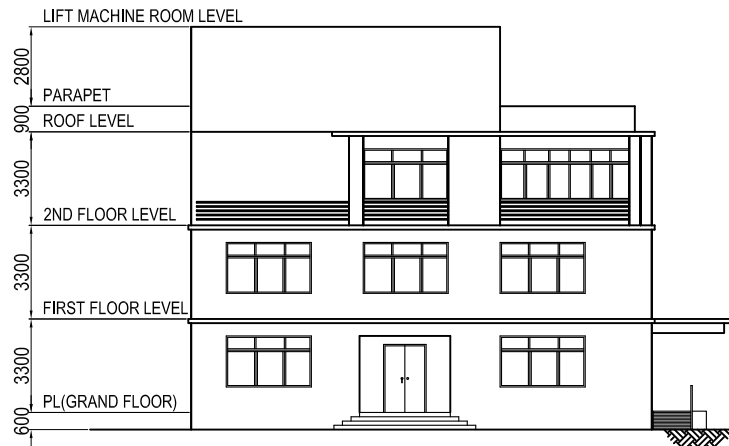


ROOF PLAN S=1:150

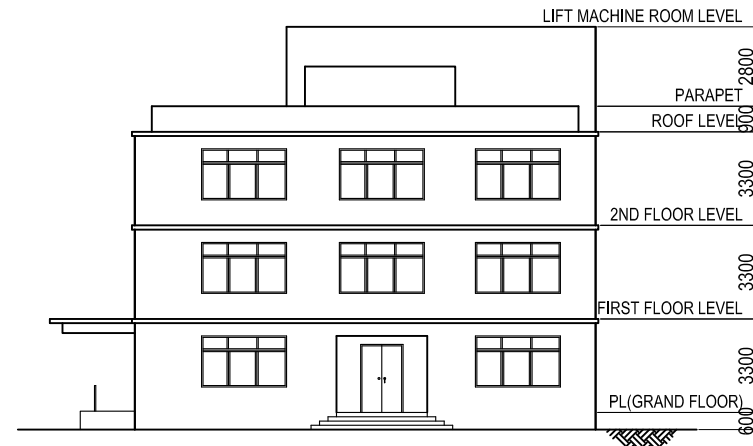
Project Name	
THE PREPARATORY SURVEY ON SFAX SEA WATER DESALINATION PLANT CONSTRUCTION PROJECT IN THE REPUBLIC OF TUNISIA	
チュニジア国スファックス海水淡水化施設整備事業準備調査	
Drawing Title	Scale: 1:150
Gatekeeper House : Plan & Section 守衛室 平面図・断面図	Drawing No. 13



EAST SIDE ELEVATION (A - A)
S = 1 : 250

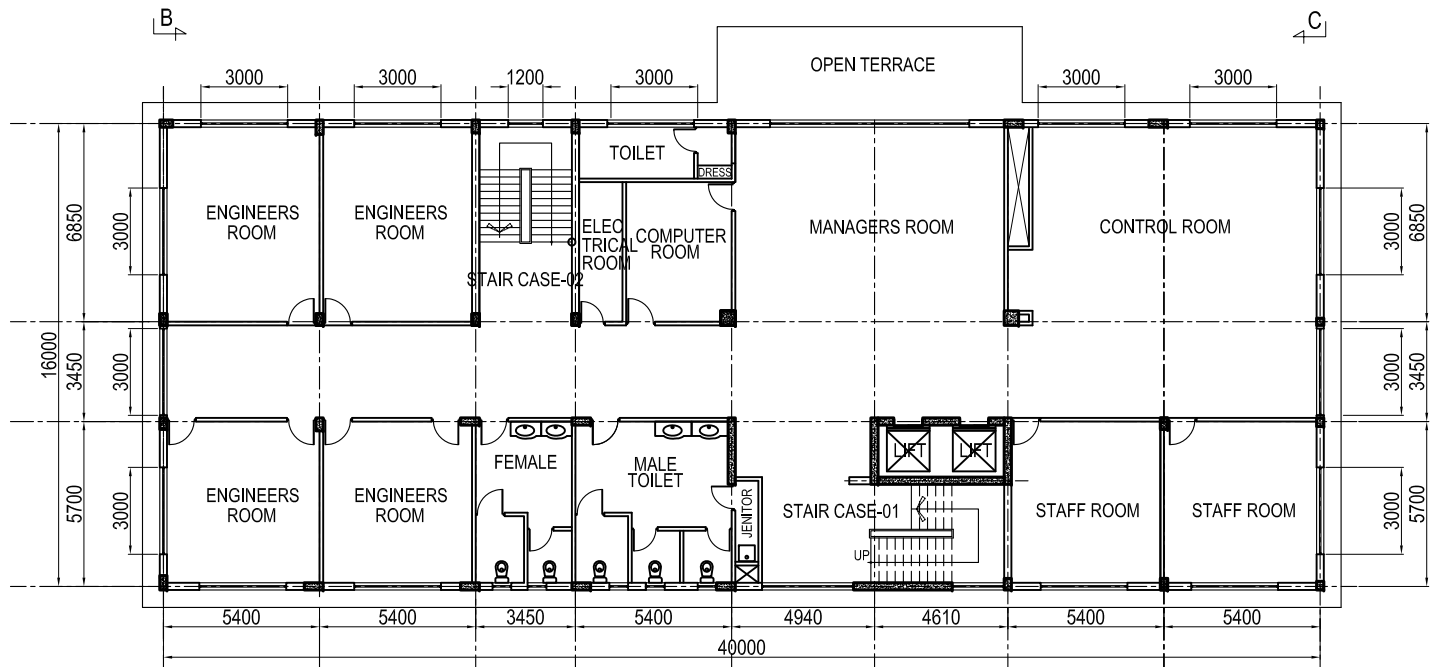
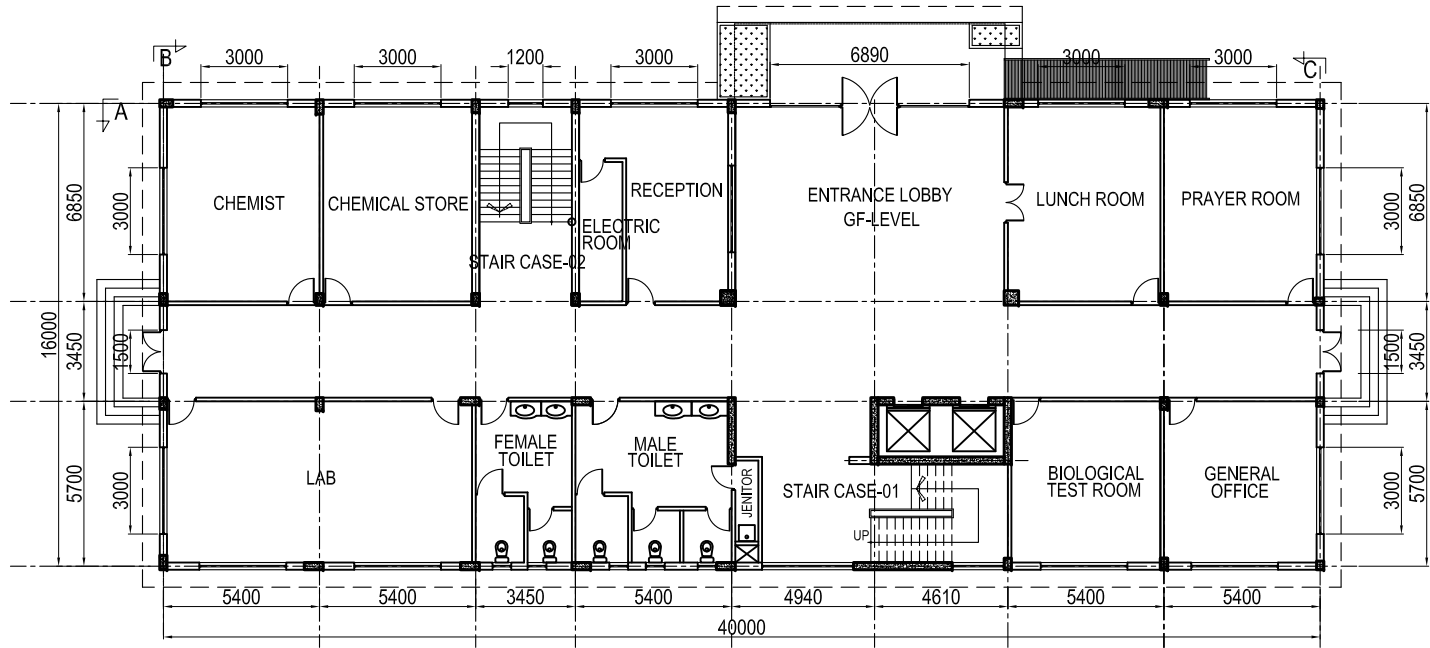


SOUTH SIDE ELEVATION (B - B)
S = 1 : 250

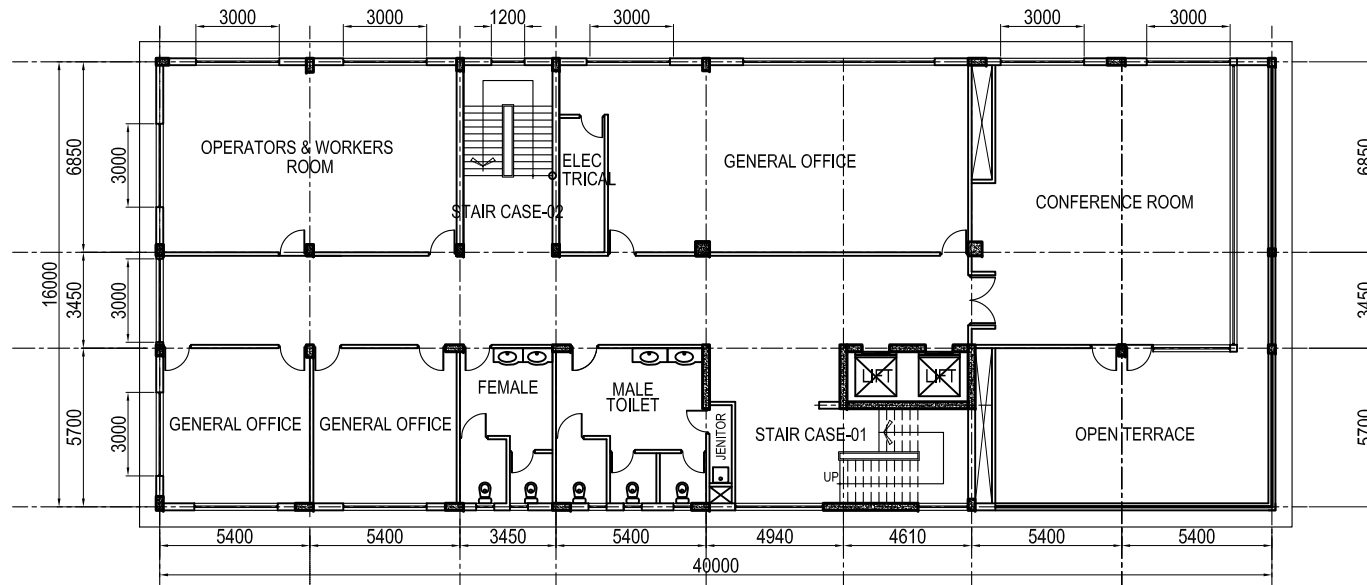


NORTH SIDE ELEVATION (C - C)
S = 1 : 250

Project Name	
THE PREPARATORY SURVEY ON SFAX SEA WATER DESALINATION PLANT CONSTRUCTION PROJECT IN THE REPUBLIC OF TUNISIA	
チュニジア国スファックス海水淡水化施設整備事業準備調査	
Drawing Title	
Administration Building : Elevation	Scale: 1:250
管理棟 立面図	Drawing No. 14

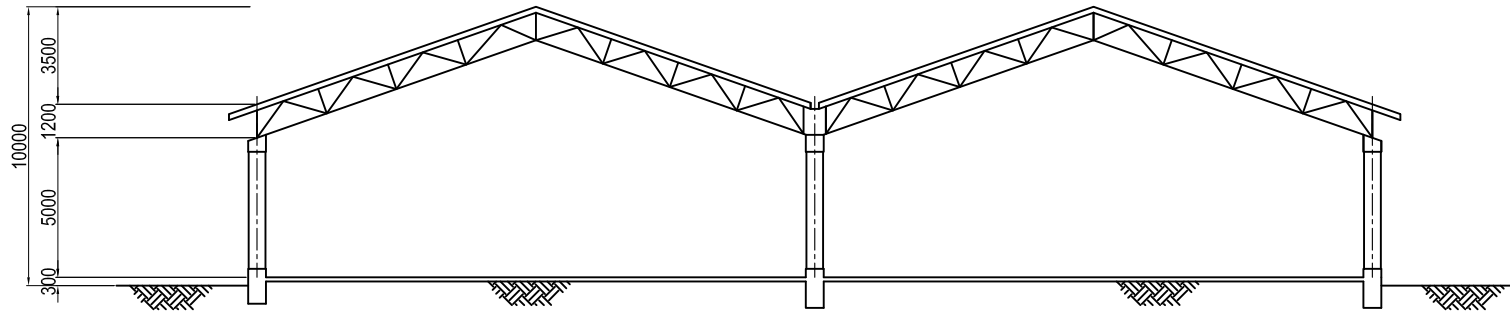


Project Name	
THE PREPARATORY SURVEY ON SFAX SEA WATER DESALINATION PLANT CONSTRUCTION PROJECT IN THE REPUBLIC OF TUNISIA	
チュニア国スファックス海水淡水化施設整備事業準備調査	
Drawing Title	Scale: 1:250
Administration Building : Plan -1	Drawing No. 15
管理棟 平面図-1	

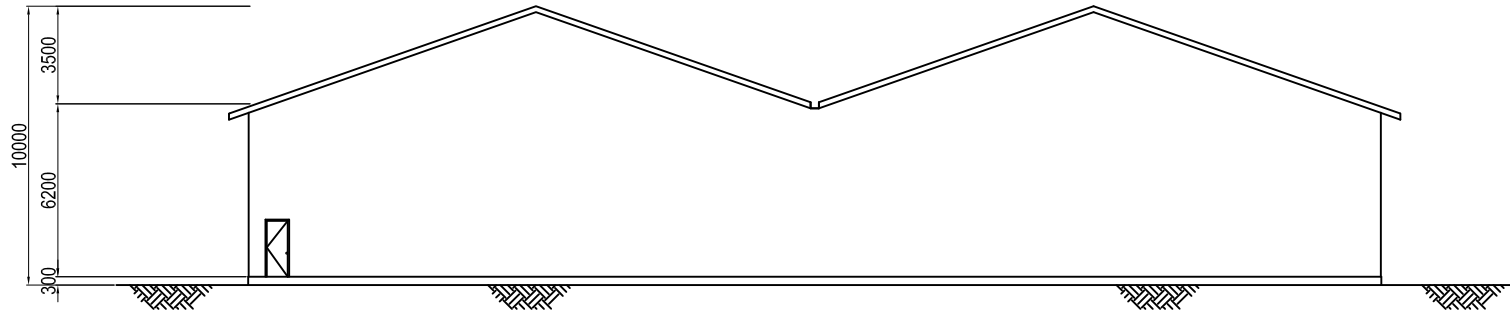


SECOND FLOOR PLAN
S = 1 : 250

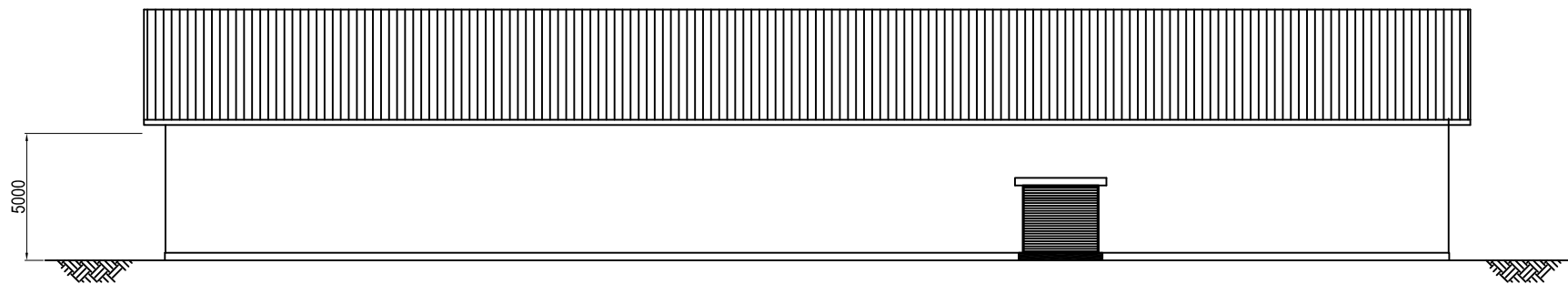
Project Name	
THE PREPARATORY SURVEY ON SFAX SEA WATER DESALINATION PLANT CONSTRUCTION PROJECT IN THE REPUBLIC OF TUNISIA	
チュニジア国スファックス海水淡水化施設整備事業準備調査	
Drawing Title	Scale: 1:250
Administration Building : Plan -2	
管理棟 平面図-2	Drawing No. 16



SECTION A - A
S = 1 : 250

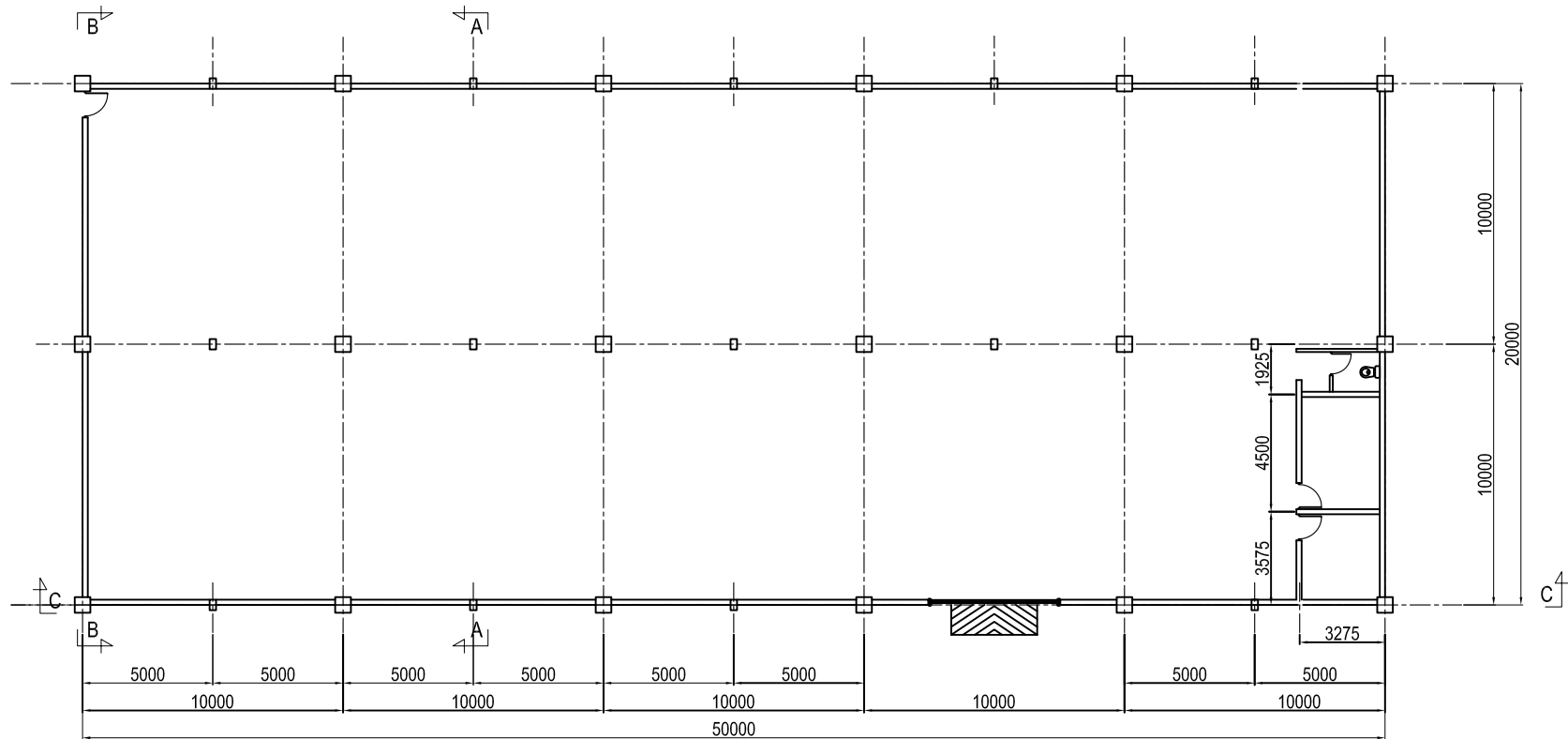


SOUTH SIDE ELEVATION (B - B)
S = 1 : 250



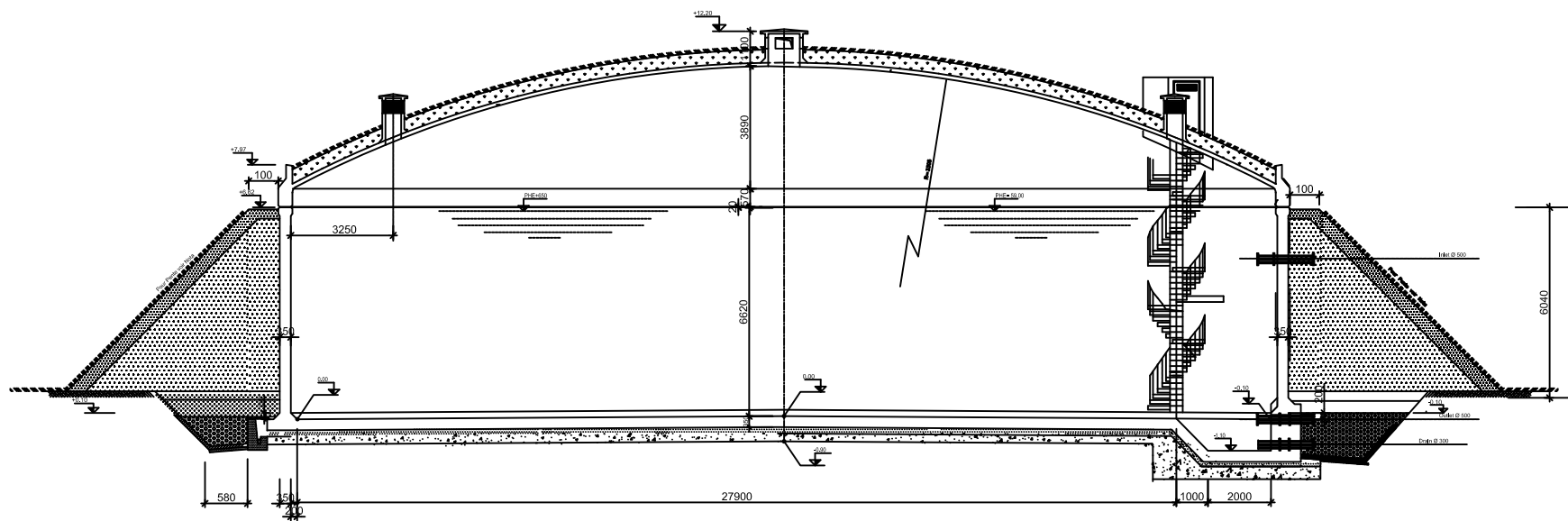
SOUTH SIDE ELEVATION (C - C)
S = 1 : 250

Project Name	
THE PREPARATORY SURVEY ON SFAX SEA WATER DESALINATION PLANT CONSTRUCTION PROJECT IN THE REPUBLIC OF TUNISIA	
チュニジア国スファックス海水淡水化施設整備事業準備調査	
Drawing Title	Scale: 1:250
Warehouse : Elevation	
倉庫 立面図	Drawing No. 17

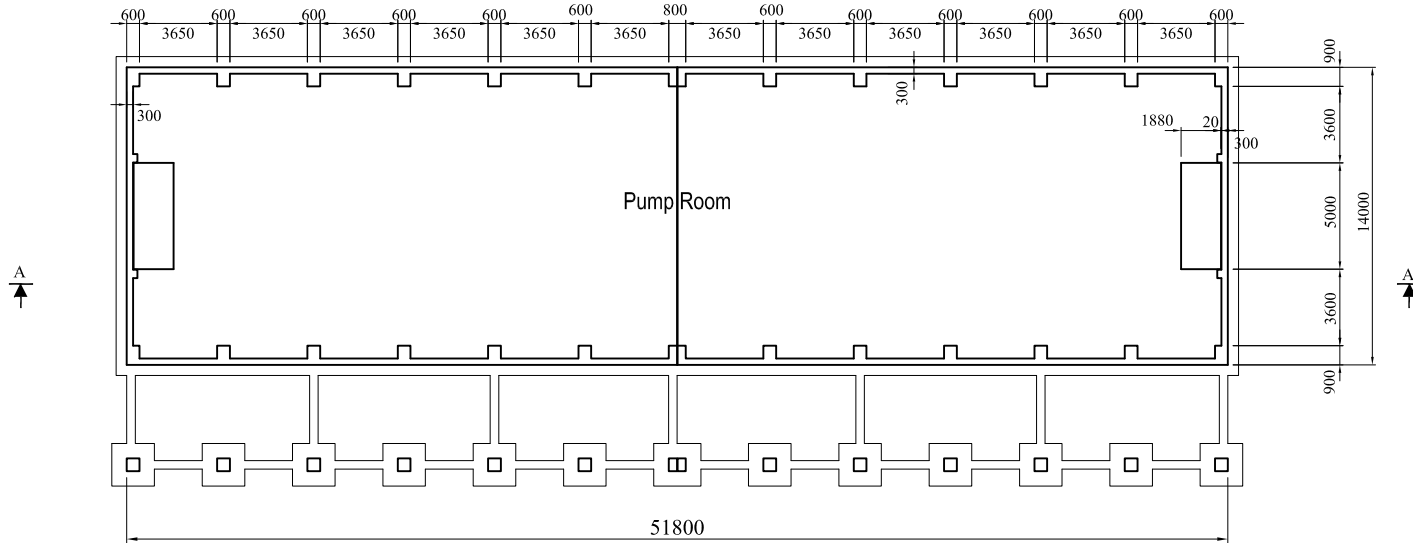


WARE HOUSE GROUND FLOOR PLAN
S = 1 : 250

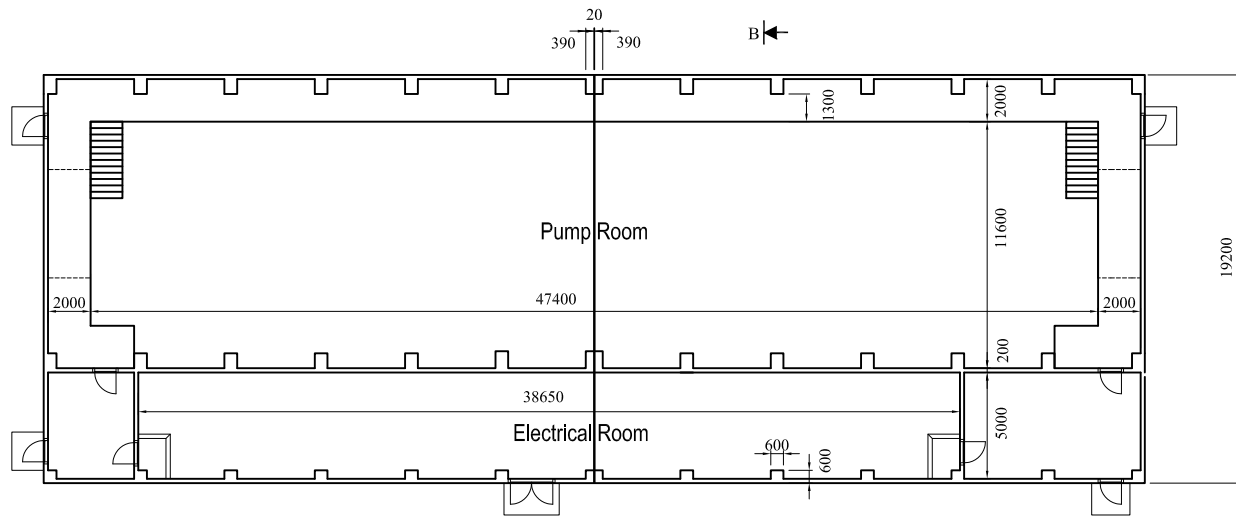
Project Name	
THE PREPARATORY SURVEY ON SFAX SEA WATER DESALINATION PLANT CONSTRUCTION PROJECT IN THE REPUBLIC OF TUNISIA	
チュニジア国スファックス海水淡水化施設整備事業準備調査	
Drawing Title	Scale: 1:250
Warehouse : Plan	
倉庫 平面図	Drawing No. 18



Project Name	
THE PREPARATORY SURVEY ON SFAX SEA WATER DESALINATION PLANT CONSTRUCTION PROJECT IN THE REPUBLIC OF TUNISIA	
チュニジア国スファックス海水淡水化施設整備事業準備調査	
Drawing Title	Scale: 1:150
Product Water tank 5,000m3	Drawing No. 19
生産水タンク 5,000m3	

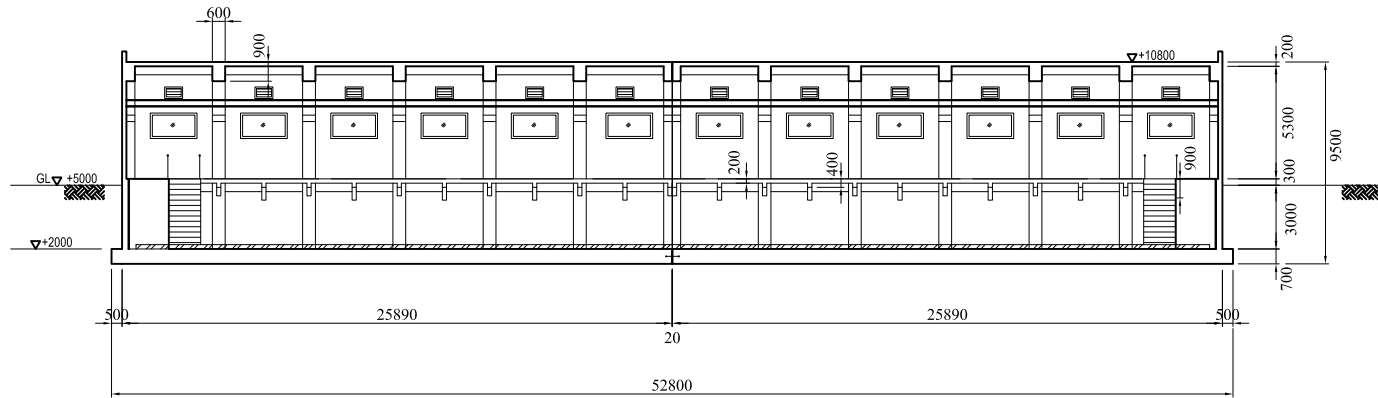


PLAN (LOWER LEVEL)

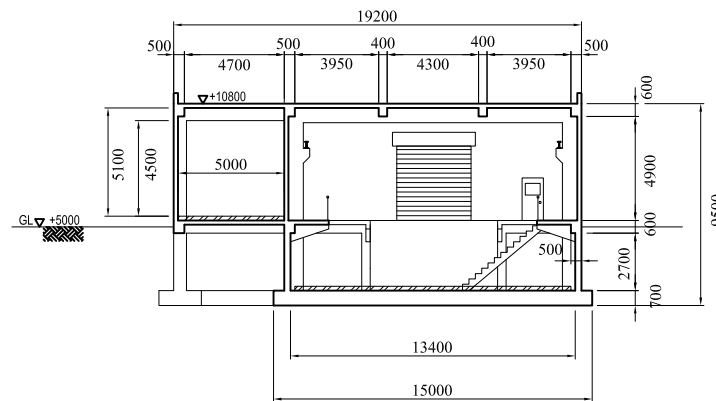


PLAN (GROUND LEVEL)

Project Name	
THE PREPARATORY SURVEY ON SFAX SEA WATER DESALINATION PLANT CONSTRUCTION PROJECT IN THE REPUBLIC OF TUNISIA	
チュニジア国スファックス海水淡水化施設整備事業準備調査	
Drawing Title	Scale: 1/250
Transmission Pump Building : Plan 海水淡水化施設送水ポンプ棟 平面図	Drawing No. 20

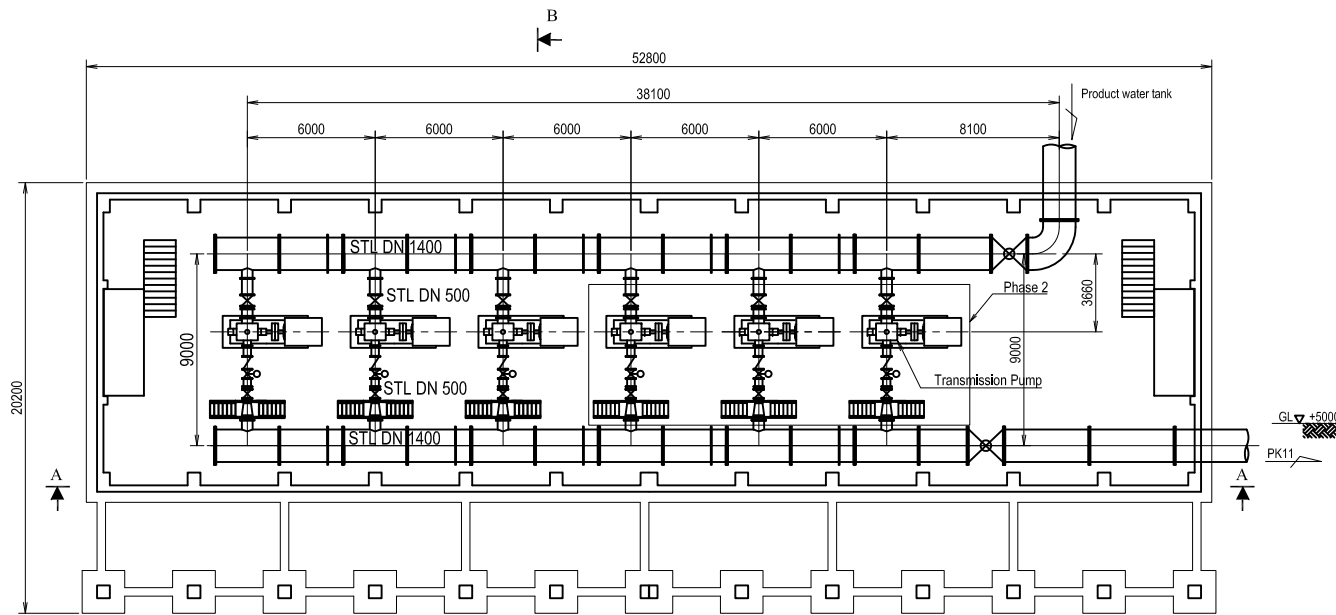


SECTION A-A

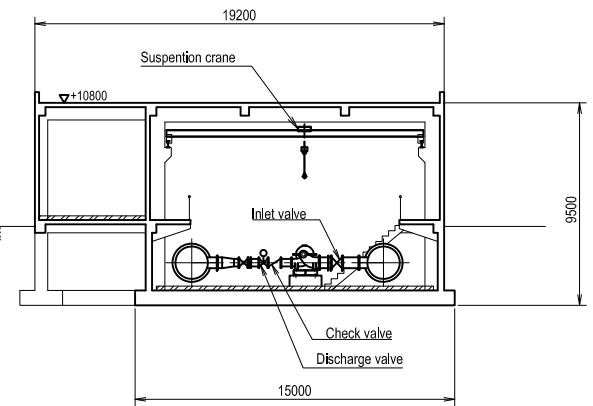


SECTION B-B

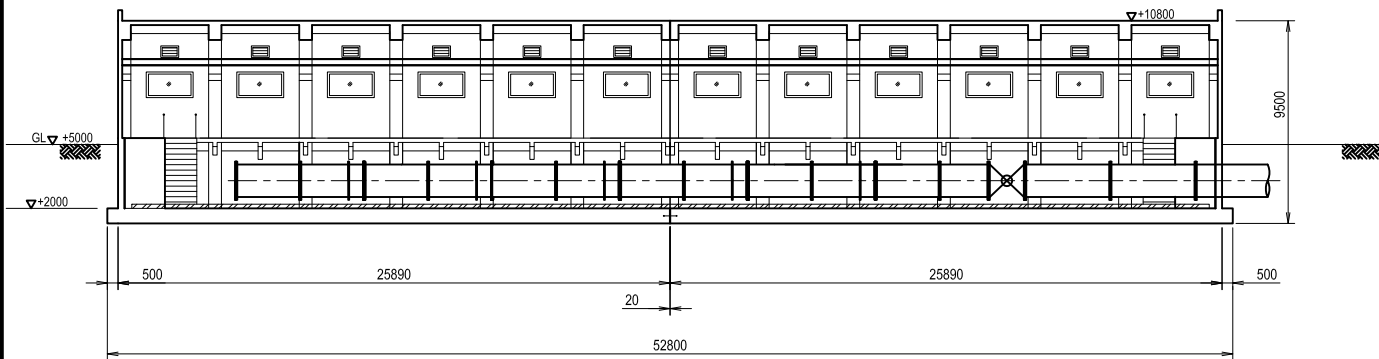
Project Name	
THE PREPARATORY SURVEY ON SFAX SEA WATER DESALINATION PLANT CONSTRUCTION PROJECT IN THE REPUBLIC OF TUNISIA	
チュニジア国スファックス海水淡水化施設整備事業準備調査	
Drawing Title	Scale: 1/250
Transmission Pump Building : Section 海水淡水化施設送水ポンプ棟 断面図	Drawing No. .21



PLAN (LOWER LEVEL)

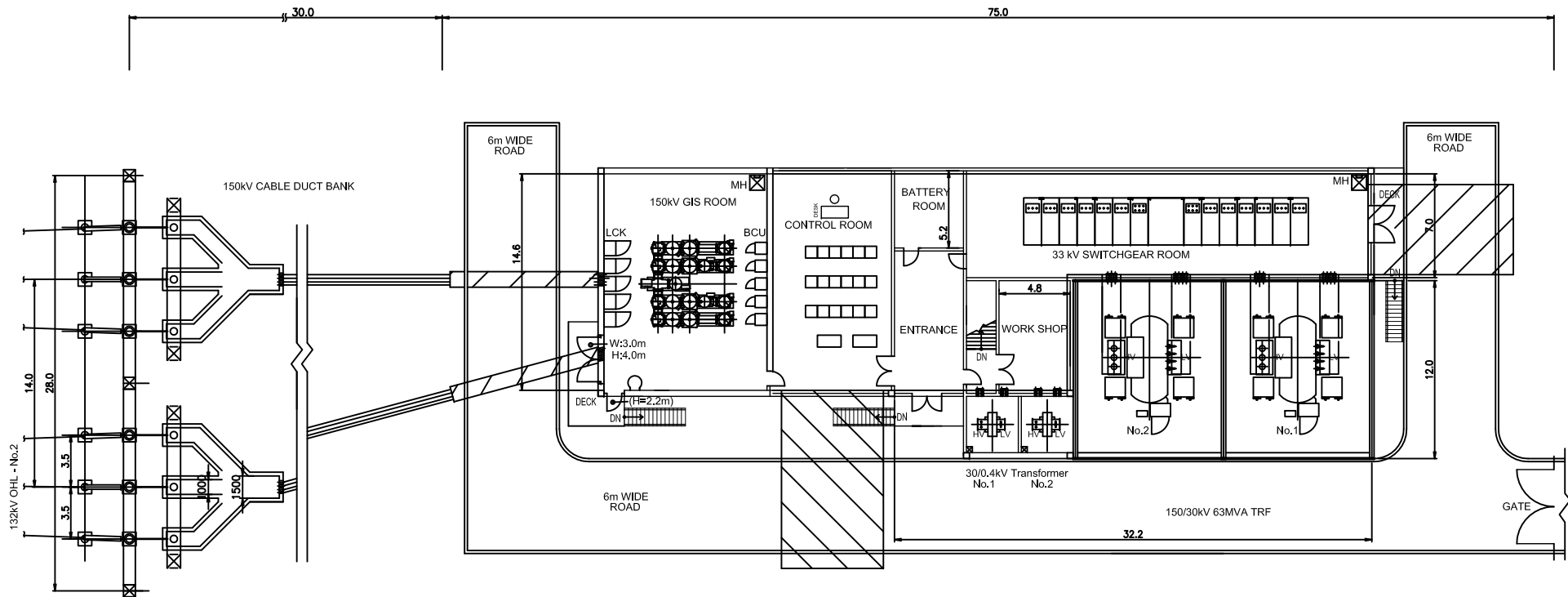


SECTION B-B



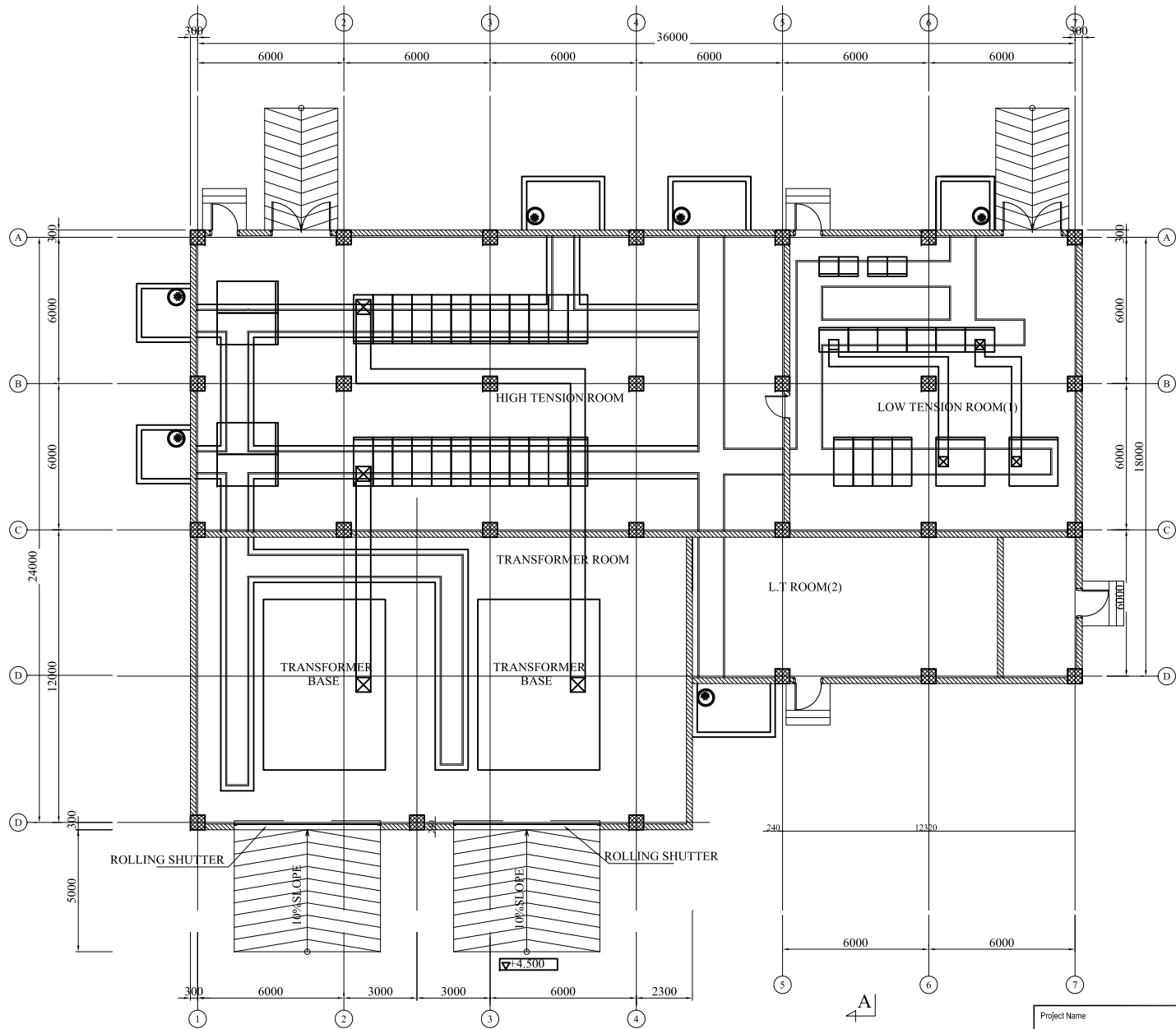
SECTION A-A

Project Name THE PREPARATORY SURVEY ON SFAX SEA WATER DESALINATION PLANT CONSTRUCTION PROJECT IN THE REPUBLIC OF TUNISIA チュニジア国スファックス海水淡水化施設整備事業準備調査	
Drawing Title Transmission Pump Building : Pump Layout 海水淡水化施設送水ポンプ棟 ポンプ配置計画	Scale: 1/250
Drawing No.	22



NOTES
 1. ALL DIMENSIONS ARE IN METERS (m)

Project Name	
THE PREPARATORY SURVEY ON SFAX SEA WATER DESALINATION PLANT CONSTRUCTION PROJECT IN THE REPUBLIC OF TUNISIA	
チュニジア国スファックス海水淡水化施設整備事業準備調査	
Drawing Title	Scale: 1/400
150kV Power Receiving Facility	
150kV 受変電施設	Drawing No. 23

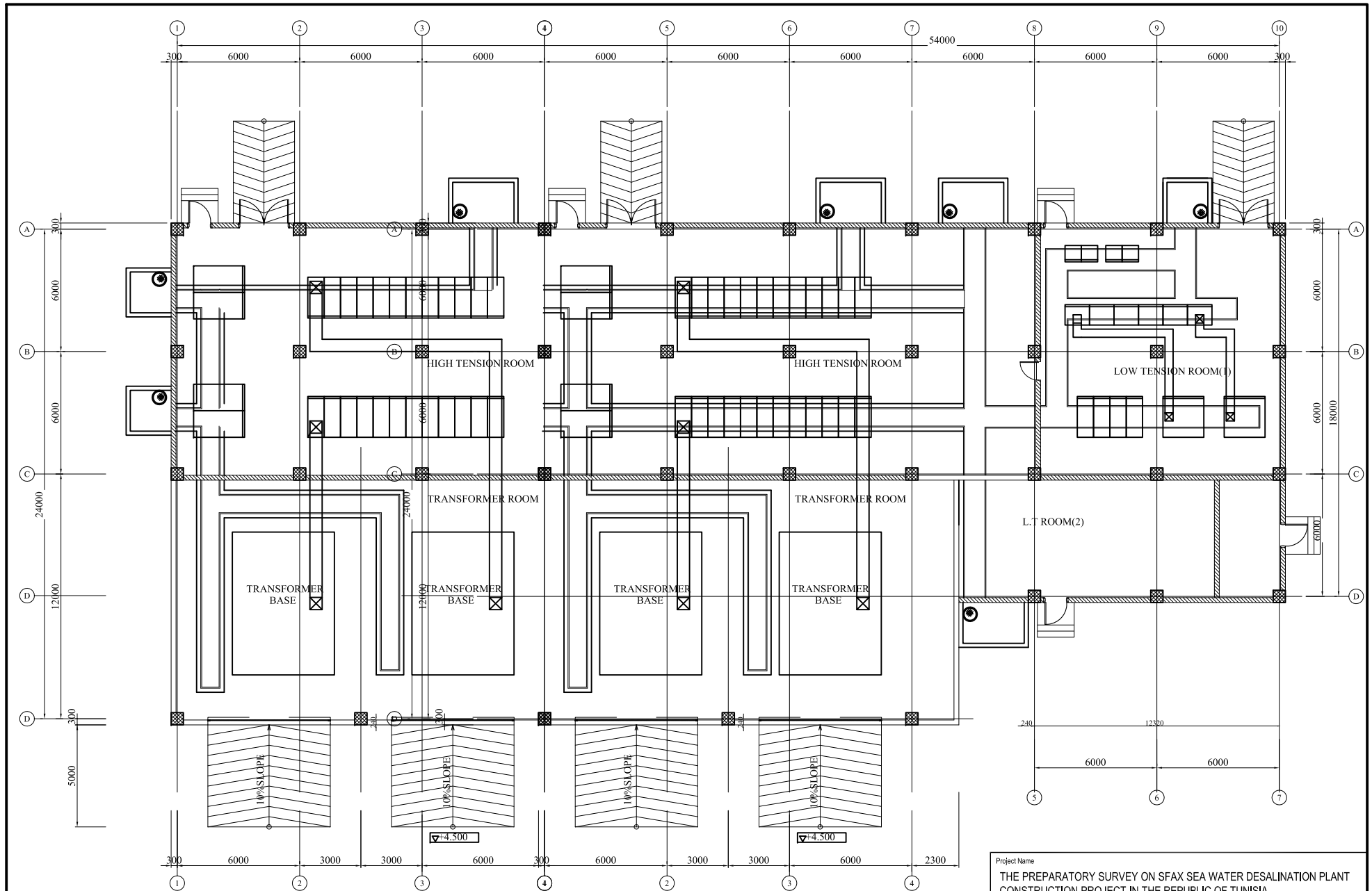


Intake Pump Substation

Project Name
 THE PREPARATORY SURVEY ON SFAX SEA WATER DESALINATION PLANT
 CONSTRUCTION PROJECT IN THE REPUBLIC OF TUNISIA
 チュニジア国スファックス海水淡水化施設整備事業準備調査

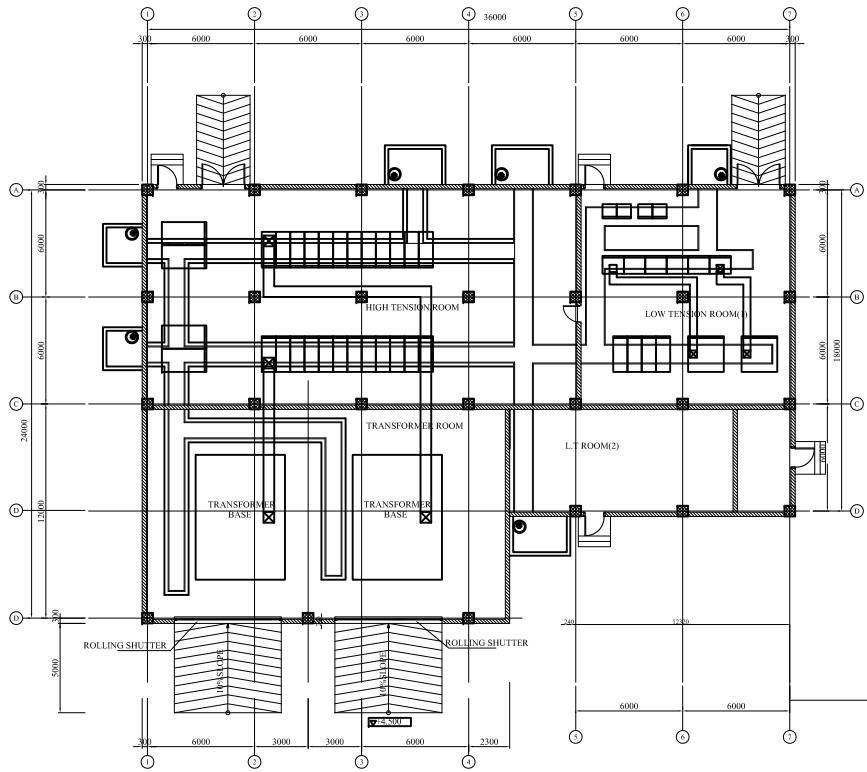
Drawing Title
 Intake Pumps Sub-station
 取水ポンプ変電施設

Scale: 1/250
 Drawing No. 24

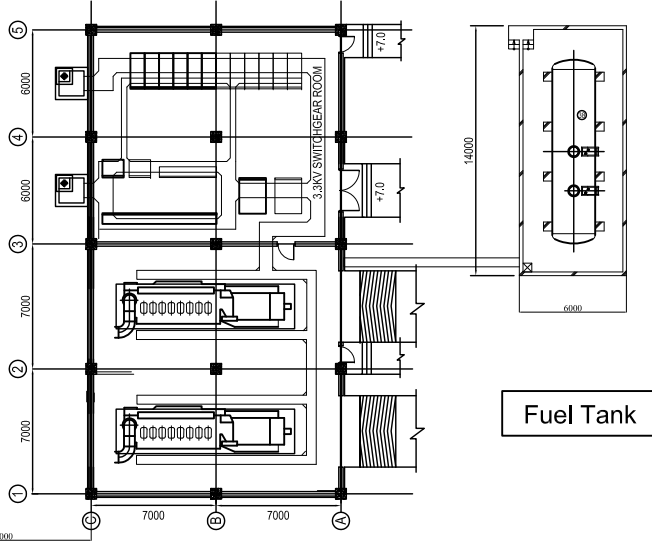


RO Substation

Project Name	
THE PREPARATORY SURVEY ON SFAX SEA WATER DESALINATION PLANT CONSTRUCTION PROJECT IN THE REPUBLIC OF TUNISIA	
チュニジア国スファックス海水淡水化施設整備事業準備調査	
Drawing Title	Scale: 1/250
RO Facilities Sub-station	Drawing No. 25
ROろ過機器変電施設	



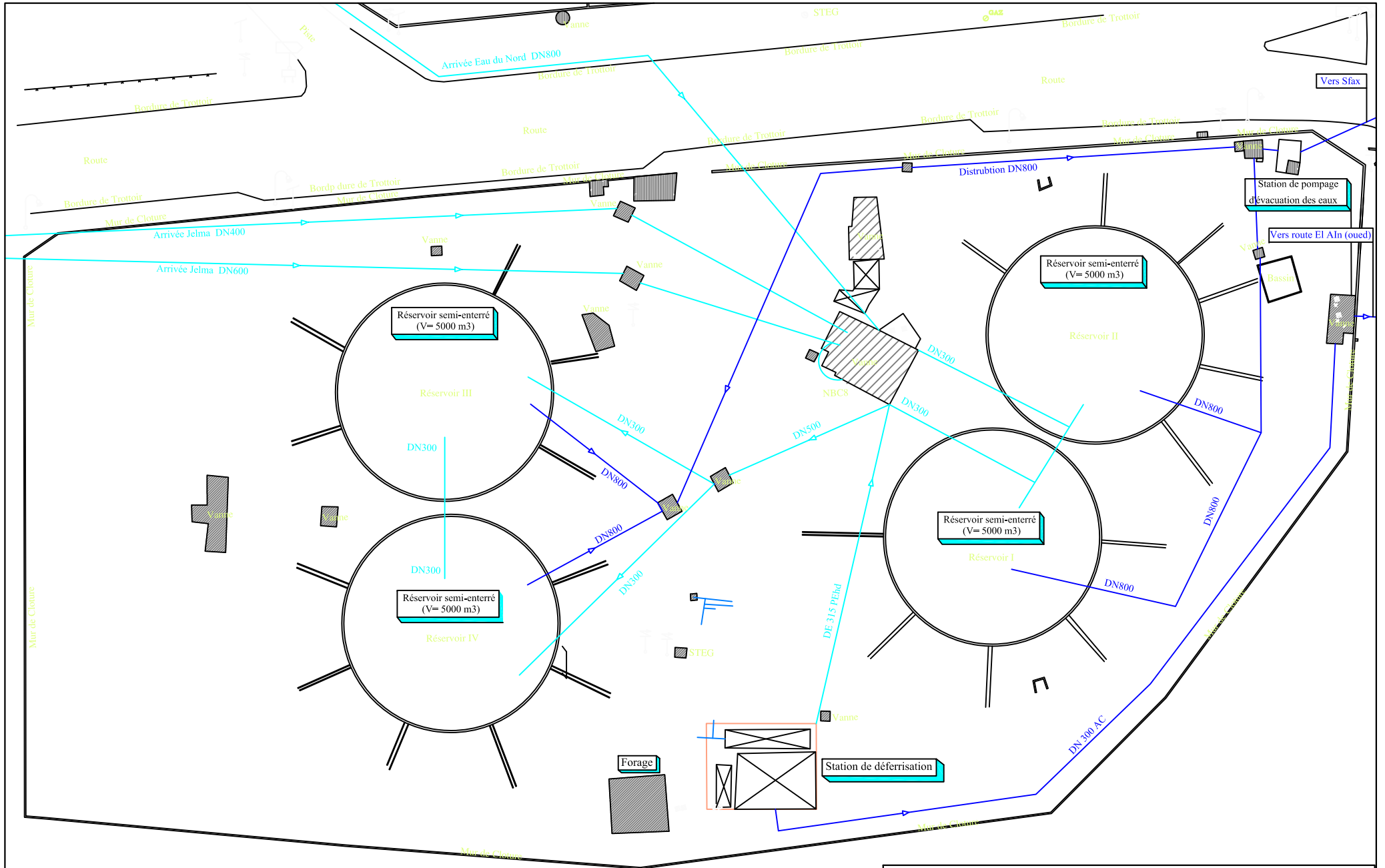
Transmission Pumps Substation



Power Generators

Fuel Tank

Project Name	
THE PREPARATORY SURVEY ON SFAX SEA WATER DESALINATION PLANT CONSTRUCTION PROJECT IN THE REPUBLIC OF TUNISIA	
チュニジア国スファックス海水淡水化施設整備事業準備調査	
Drawing Title	Scale: 1/400
Transmission Pumps Sub- station 送水ポンプ変電施設	26



Legend

- Pipeline transmitting water to PK10
- Pipeline distributing water from PK10

THE PREPARATORY SURVEY ON SFAX SEA WATER DESALINATION PLANT CONSTRUCTION PROJECT
IN THE REPUBLIC OF TUNISIA

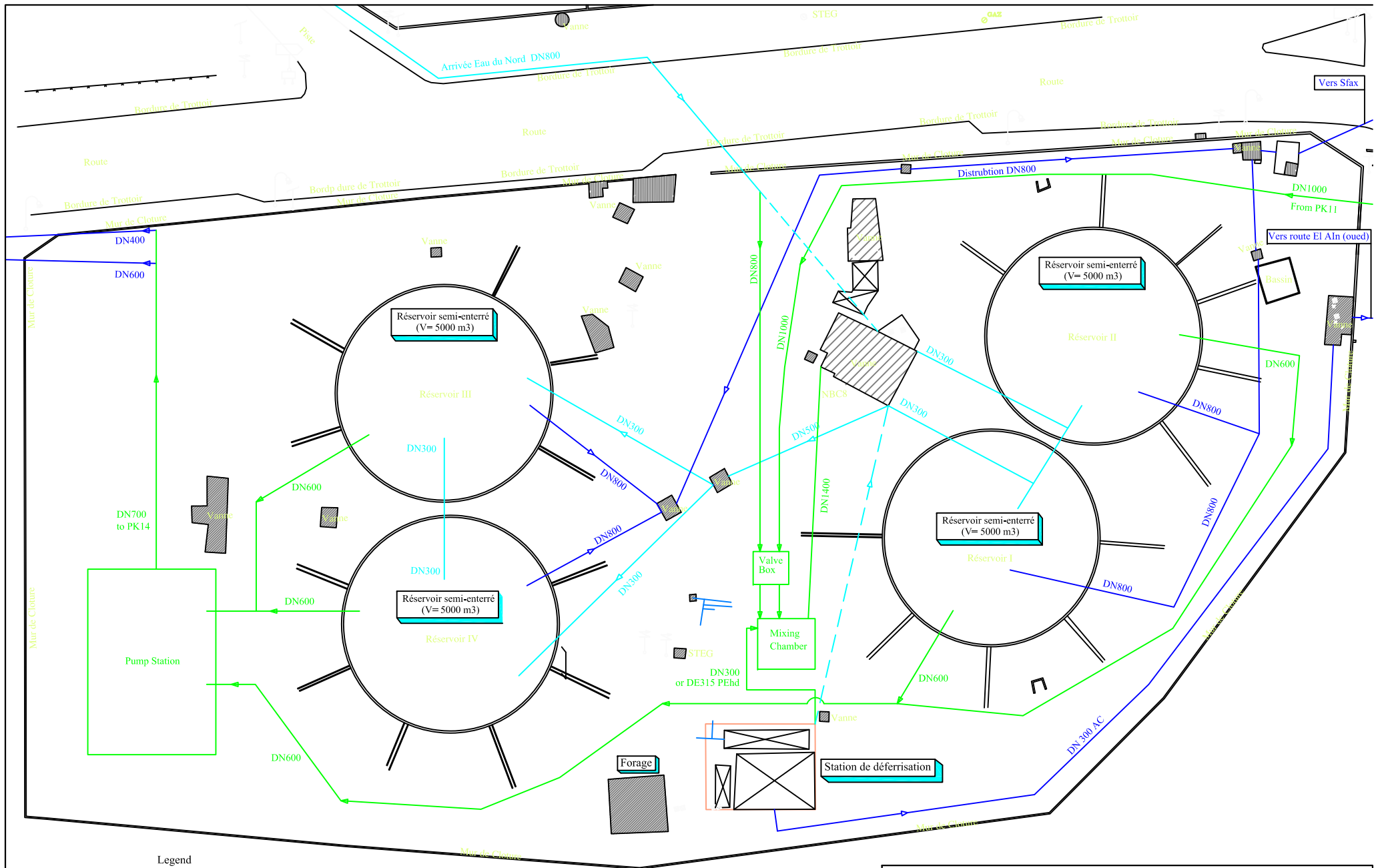
チュニア国スファクス海水淡水化施設整備事業準備調査

PK10 Reservoir Site - Present Status
PK10配水池 現況図

Scale:

Drawing No.

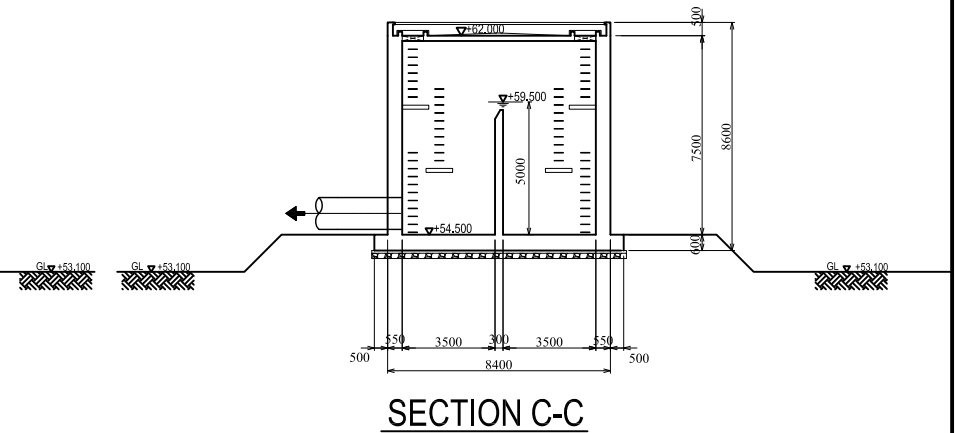
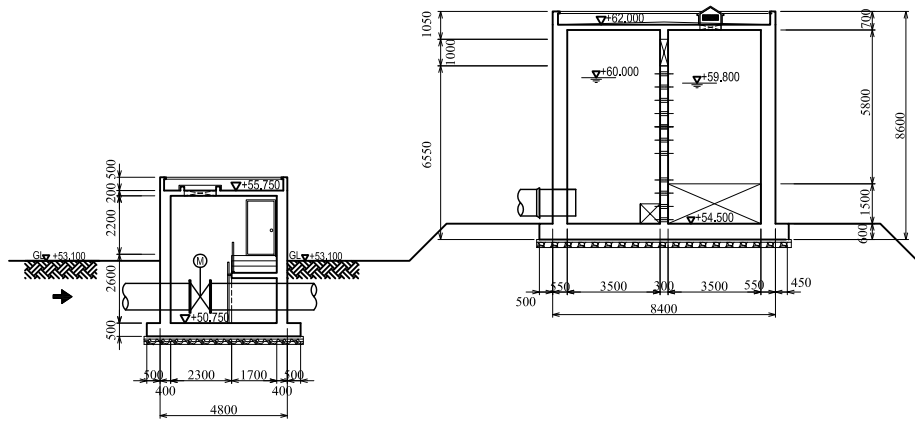
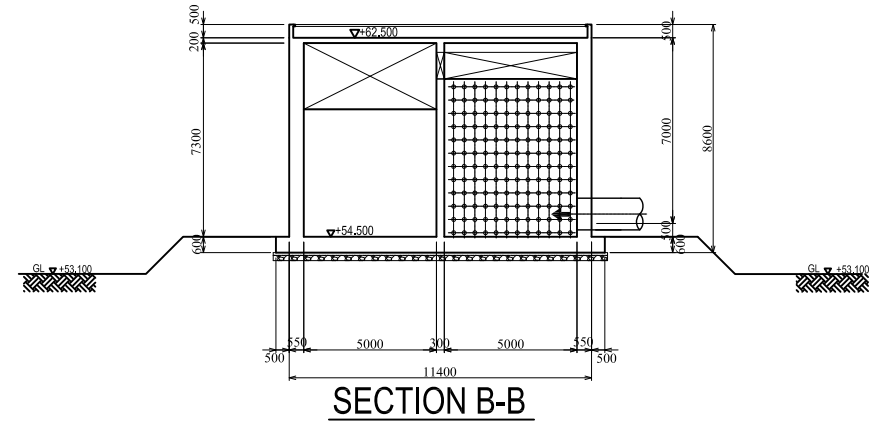
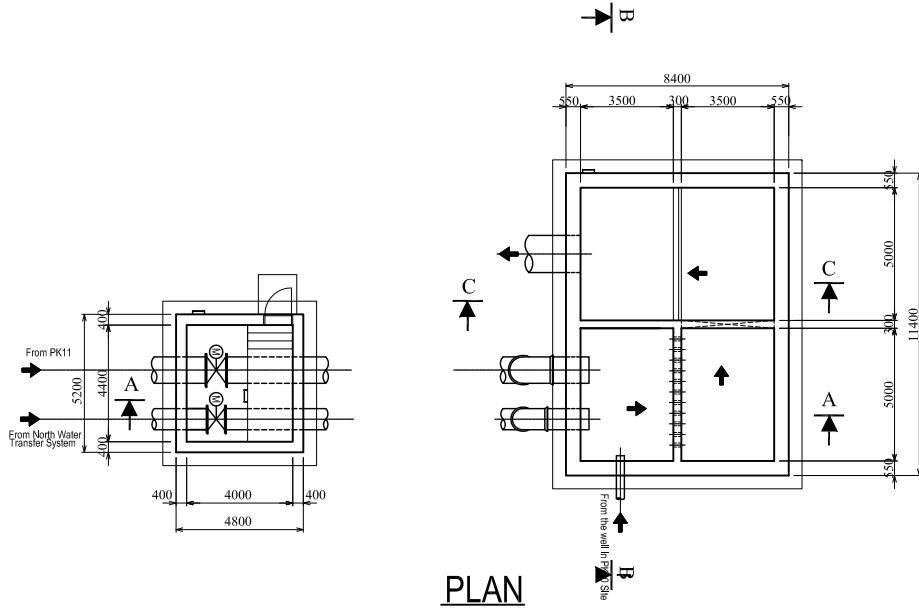
27



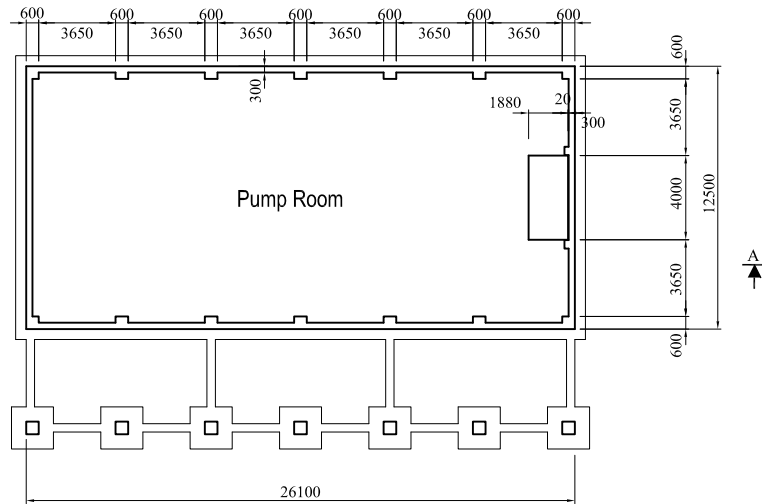
Legend

- Existing pipeline transmitting water to PK10
- Existing pipeline distributing water from PK10
- Planned facility
- - - Bypass pipeline for emergency and maintenance

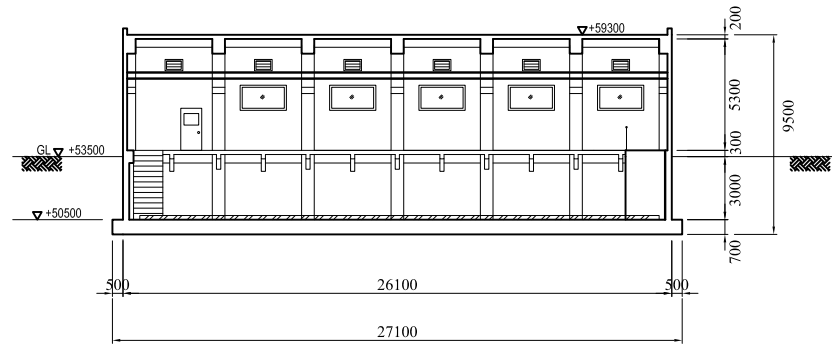
THE PREPARATORY SURVEY ON SFAX SEA WATER DESALINATION PLANT CONSTRUCTION PROJECT IN THE REPUBLIC OF TUNISIA チュニア国スファクス海水淡水化施設整備事業準備調査	
PK10 Reservoir Site : Layout Plan PK10配水池 配置計画図	Scale: 1/500 Drawing No. 28



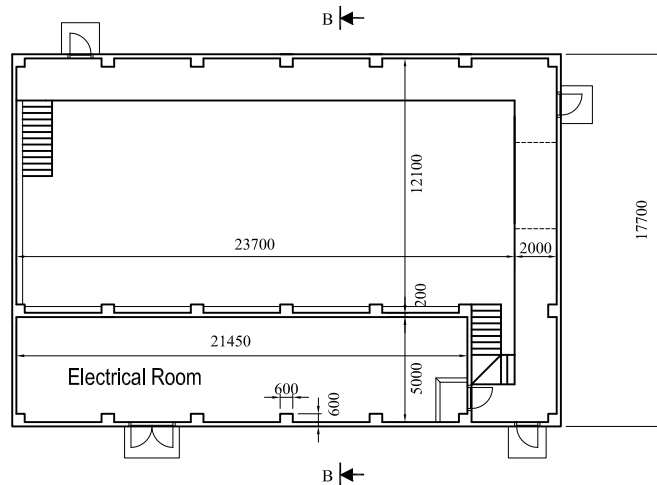
Project Name	
THE PREPARATORY SURVEY ON SFAX SEA WATER DESALINATION PLANT CONSTRUCTION PROJECT IN THE REPUBLIC OF TUNISIA	
チュニジア国スファックス海水淡水化施設整備事業準備調査	
Drawing Title	Scale: 1/100
Receiving Mixing Chamber, PK10: Plan & Sections	
Bâches de mélange	Drawing No. 29
受水混合槽 PK10: 平面図・断面図	No.



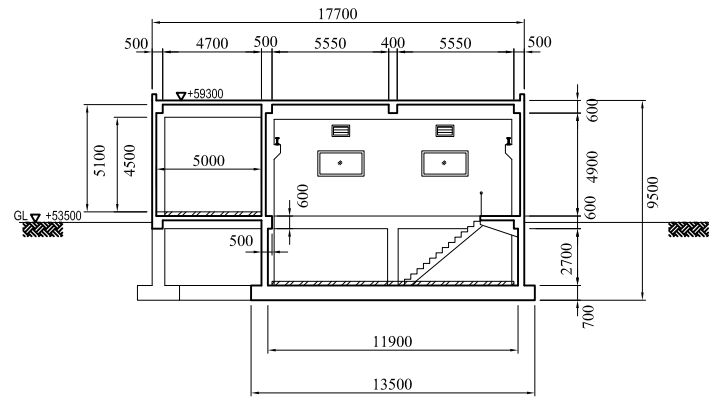
PLAN (LOWER LEVEL)



SECTION A-A

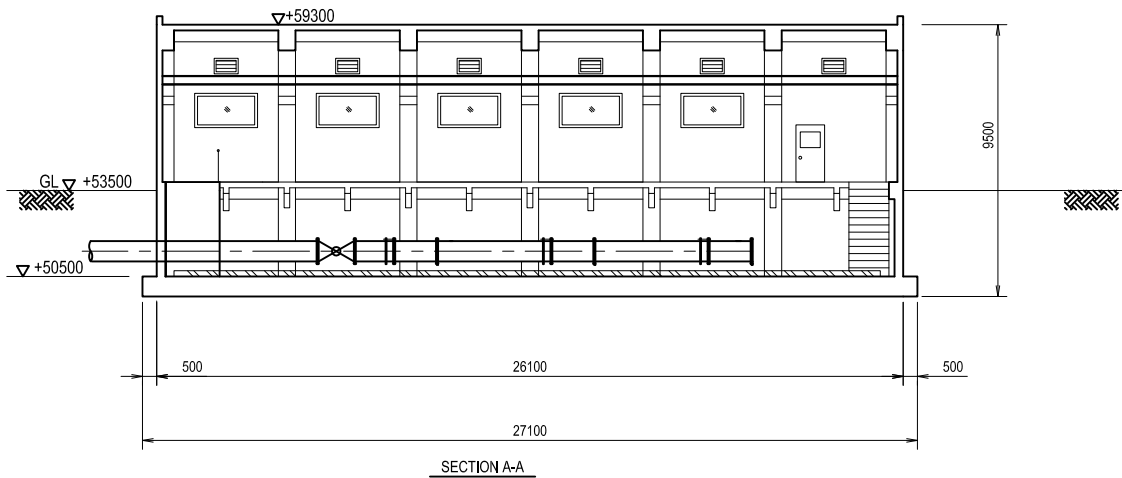
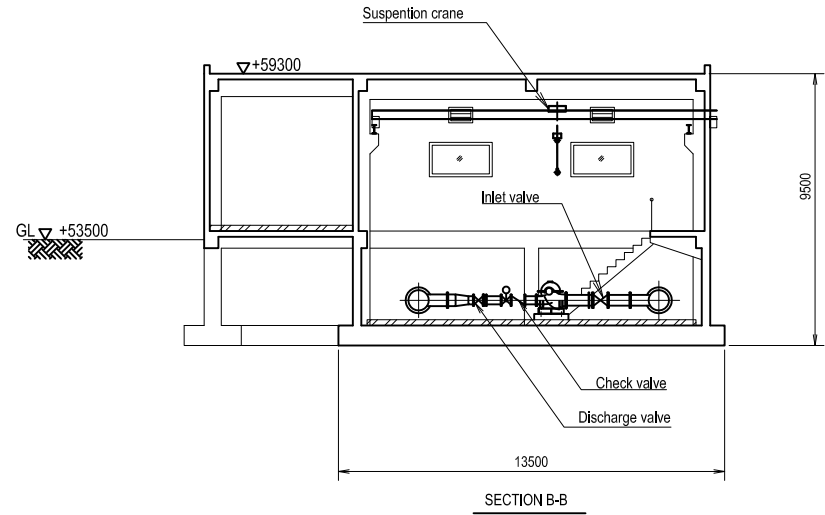
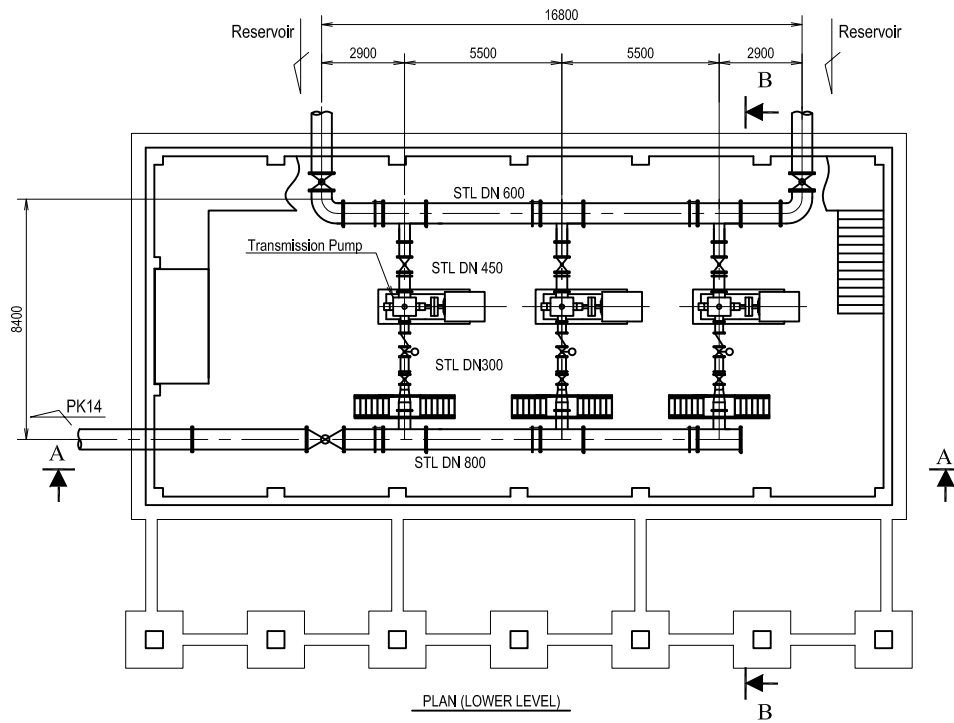


PLAN (GROUND LEVEL)

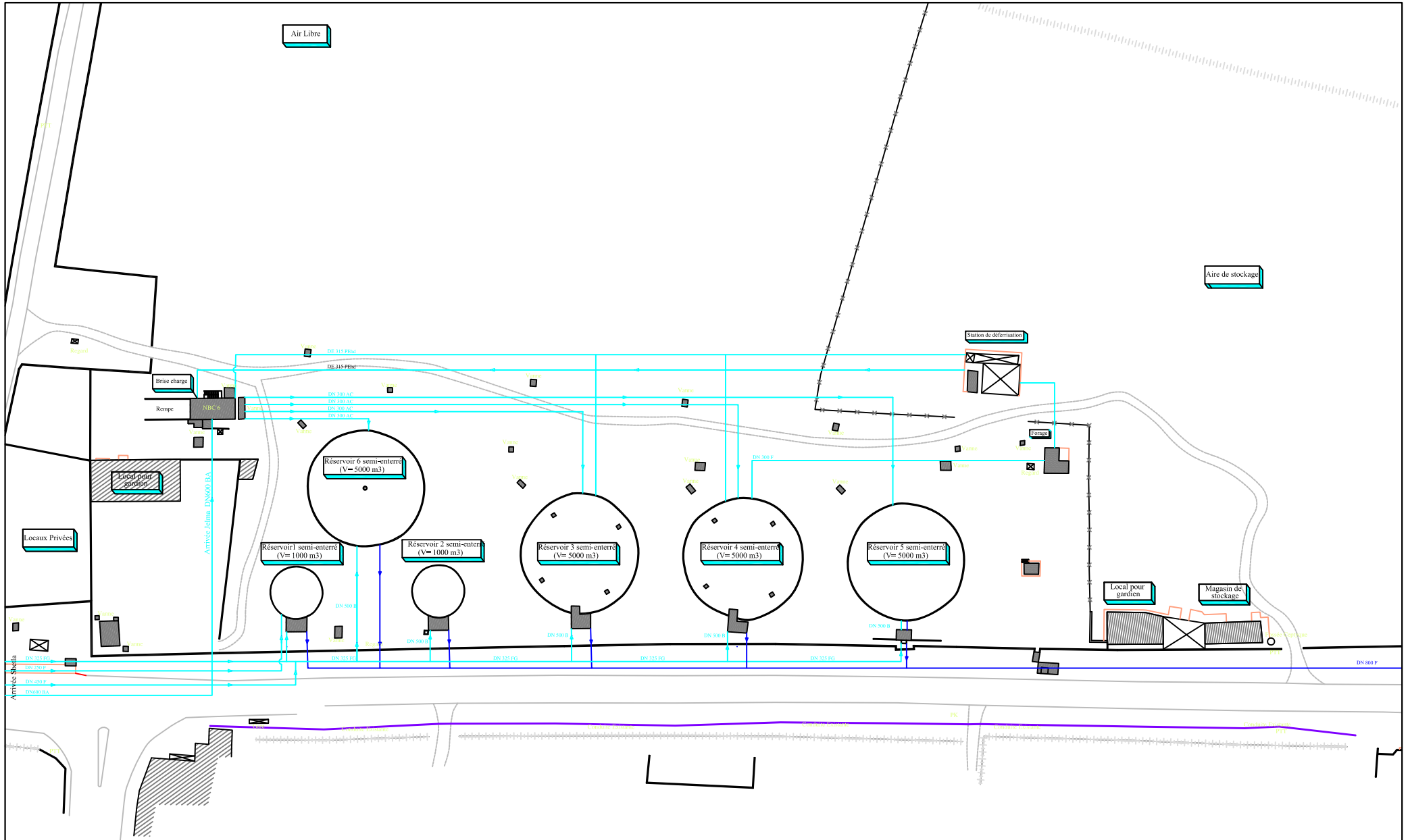


SECTION B-B

Project Name	
THE PREPARATORY SURVEY ON SFAX SEA WATER DESALINATION PLANT CONSTRUCTION PROJECT IN THE REPUBLIC OF TUNISIA	
チュニジア国スファックス海水淡水化施設整備事業準備調査	
Drawing Title	Scale: 1/250
PK10 Pump Station : Plan & Section	
PK10 配水池ポンプ場 平面図 断面図	Drawing No. 30



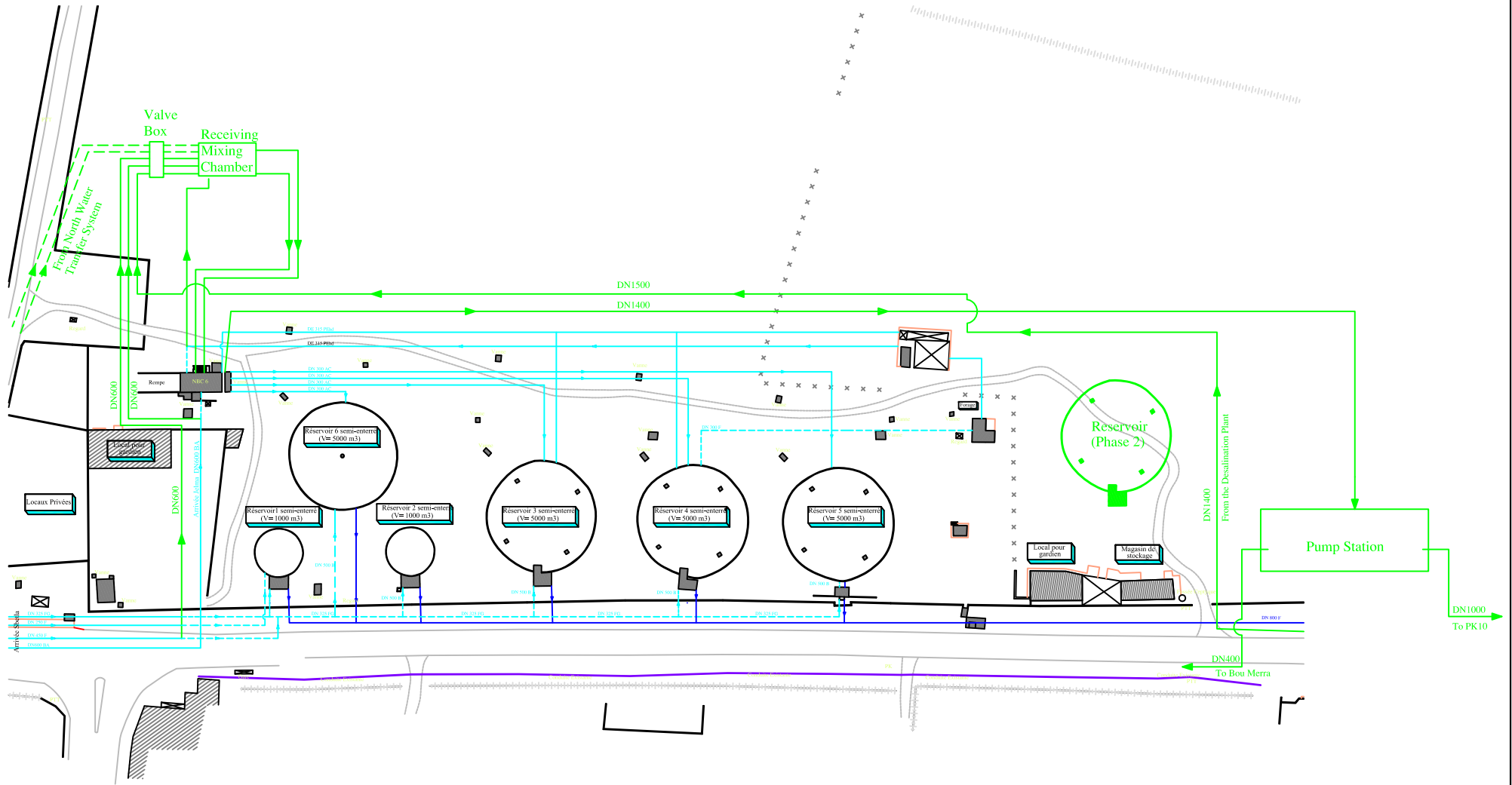
Project Name	
THE PREPARATORY SURVEY ON SFAX SEA WATER DESALINATION PLANT CONSTRUCTION PROJECT IN THE REPUBLIC OF TUNISIA	
チュニジア国スファックス海水淡水化施設整備事業準備調査	
Drawing Title	Scale: 1/250
PK10 Pump Station : Pump Layout	
PK10 配水池ポンプ場ポンプ配置計画	Drawing No. 31



Legend

- Existing pipeline transmitting water to PK11
- Existing pipeline distributing water from PK11

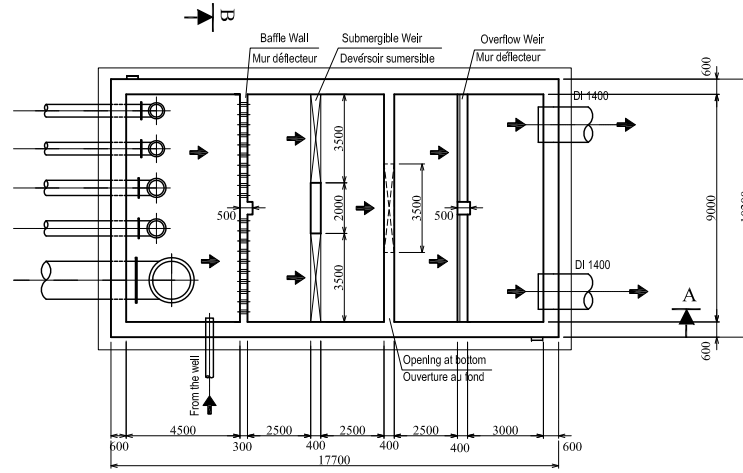
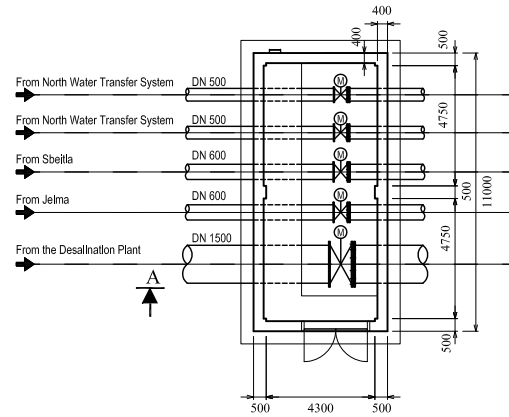
THE PREPARATORY SURVEY ON SFAJ SEA WATER DESALINATION PLANT CONSTRUCTION PROJECT IN THE REPUBLIC OF TUNISIA チュニジア国スファクス海水淡水化施設整備事業準備調査	
PK11 Reservoir Site: Present Status PK11配水池：現況図	Scale: Drawing No. 32



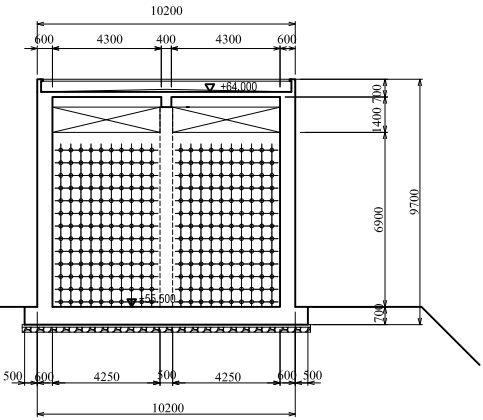
Legend

- Existing pipeline transmitting water to PK11
- Existing pipeline distributing water from PK11
- Planned facility
- - - Bypass pipeline for emergency and maintenance

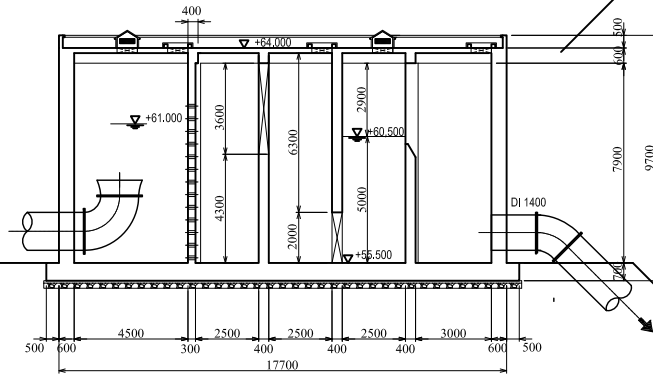
THE PREPARATORY SURVEY ON SFAX SEA WATER DESALINATION PLANT CONSTRUCTION PROJECT IN THE REPUBLIC OF TUNISIA チュニジア国スファックス海水淡水化施設整備事業準備調査	
PK11 Reservoir Site : Layout Plan PK11配水池 配置計画図	Scale: Drawing No. 33



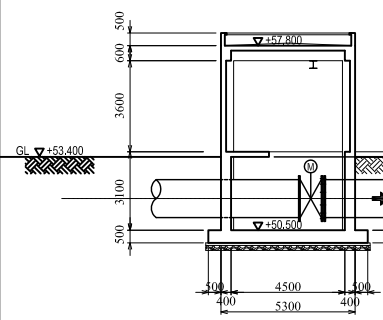
PLAN



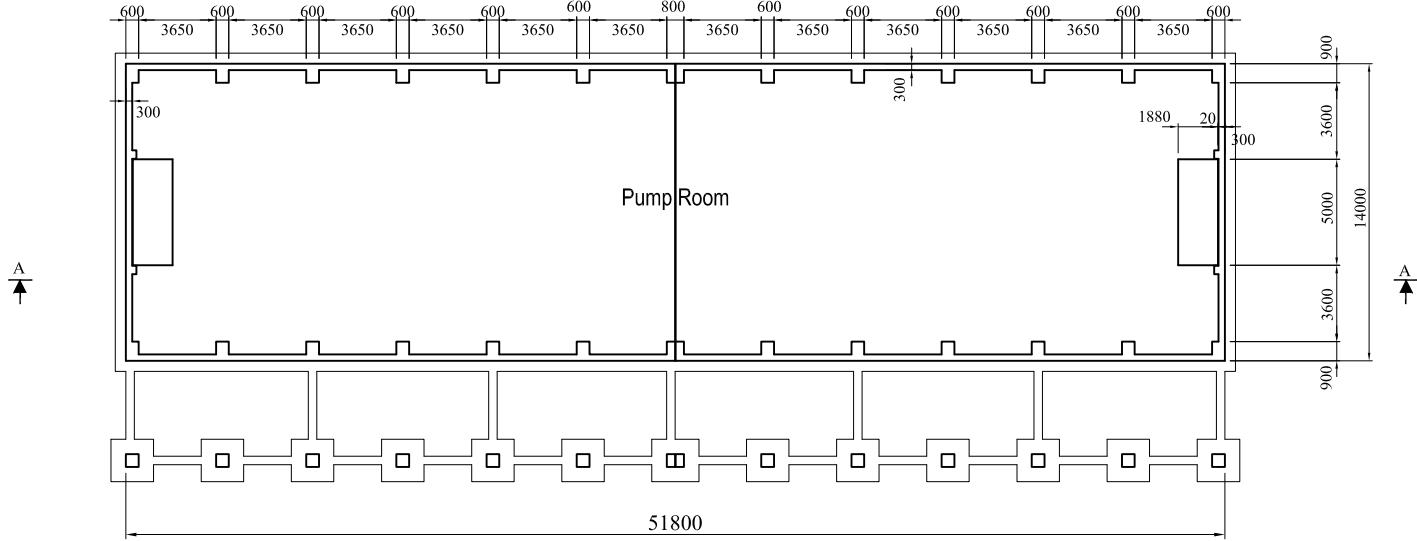
SECTION B-B



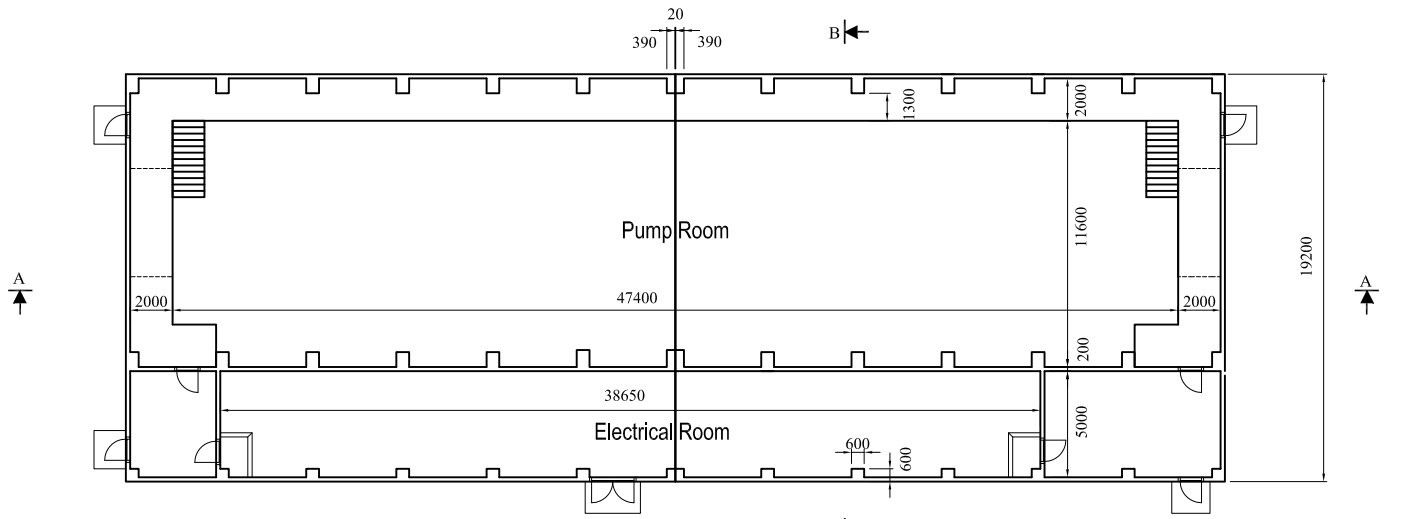
SECTION A-A



Project Name	
THE PREPARATORY SURVEY ON SFAX SEA WATER DESALINATION PLANT CONSTRUCTION PROJECT IN THE REPUBLIC OF TUNISIA	
チュニジア国スファックス海水淡水化施設整備事業準備調査	
Drawing Title	Scale: 1/200
PK11 Receiving/Mixing Chamber : Plan & Section	
PK11受水混合槽 平面図・断面図	Drawing 34 No.

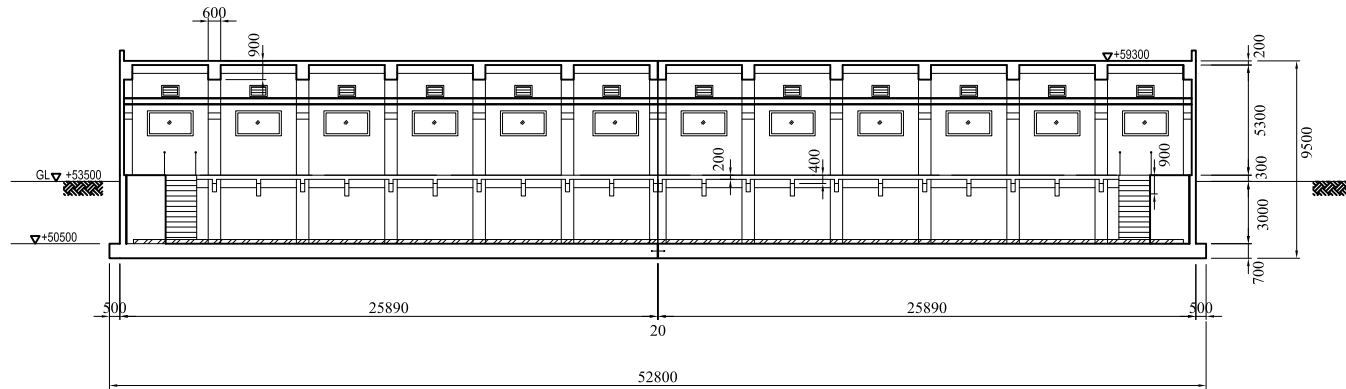


PLAN (LOWER LEVEL)

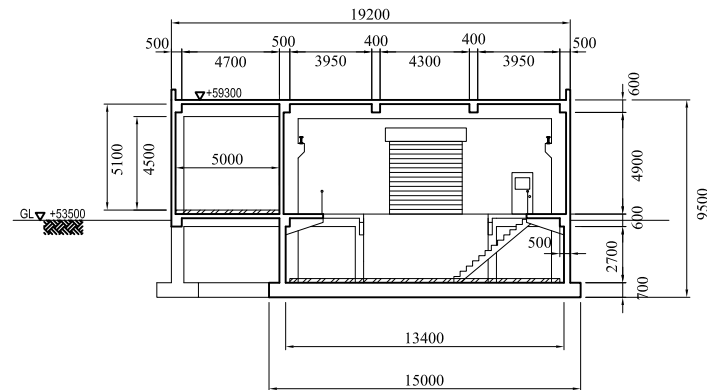


PLAN (GROUND LEVEL)

Project Name	
THE PREPARATORY SURVEY ON SFAQS SEA WATER DESALINATION PLANT CONSTRUCTION PROJECT IN THE REPUBLIC OF TUNISIA	
チュニジア国スファクスの海水淡水化施設整備事業準備調査	
Drawing Title	Scale: 1/250
PK11 Pump Station : Plan	
PK11配水池ポンプ場 平面図	Drawing No. 35

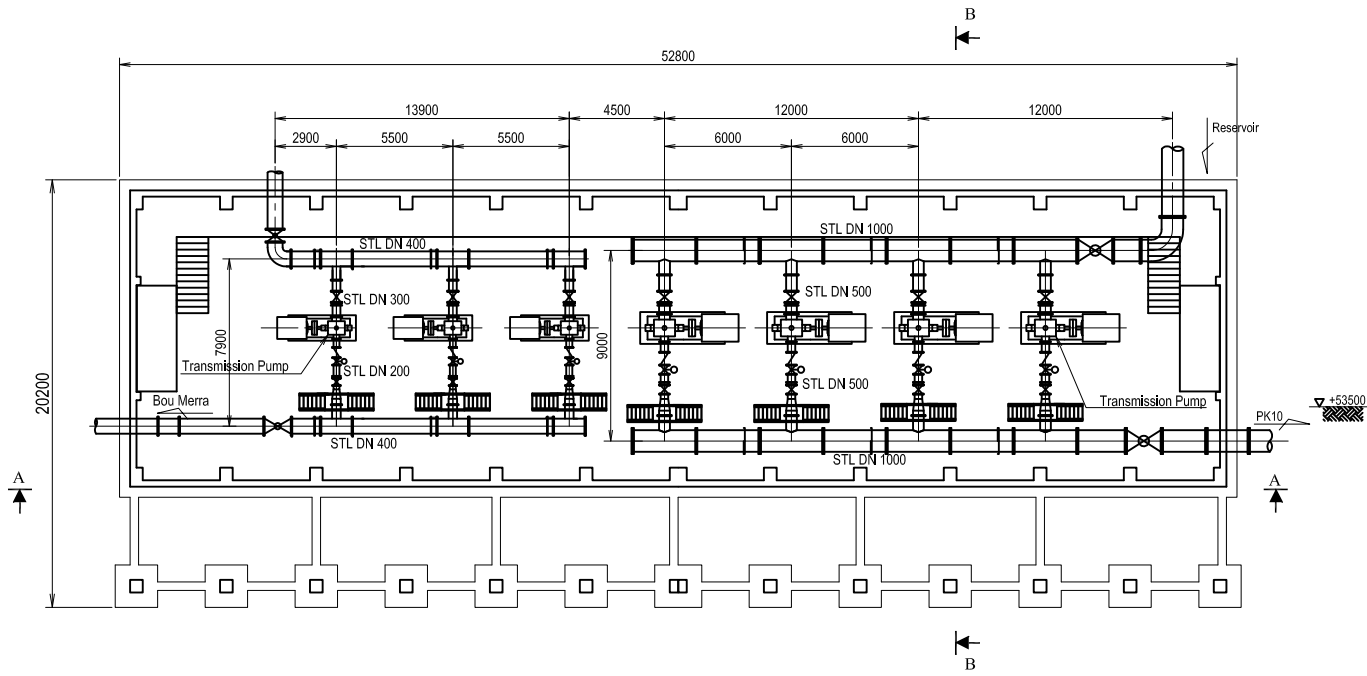


SECTION A-A

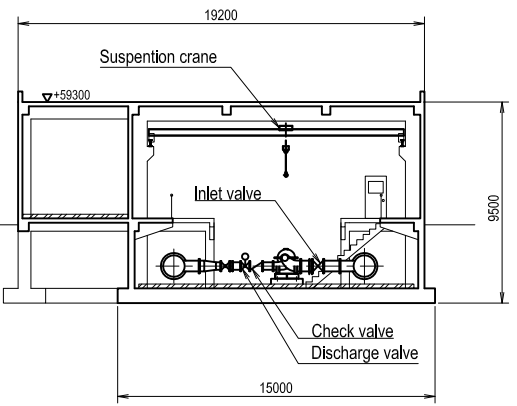


SECTION B-B

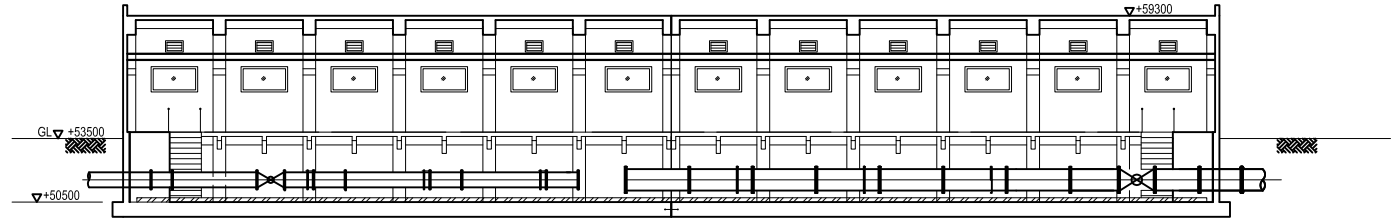
Project Name	
THE PREPARATORY SURVEY ON SFAX SEA WATER DESALINATION PLANT CONSTRUCTION PROJECT IN THE REPUBLIC OF TUNISIA	
チュニジア国スファックス海水淡水化施設整備事業準備調査	
Drawing Title	Scale: 1/250
PK11 Pump Station : Section	
PK11配水池ポンプ場 断面図	Drawing No. 36



PLAN (LOWER LEVEL)

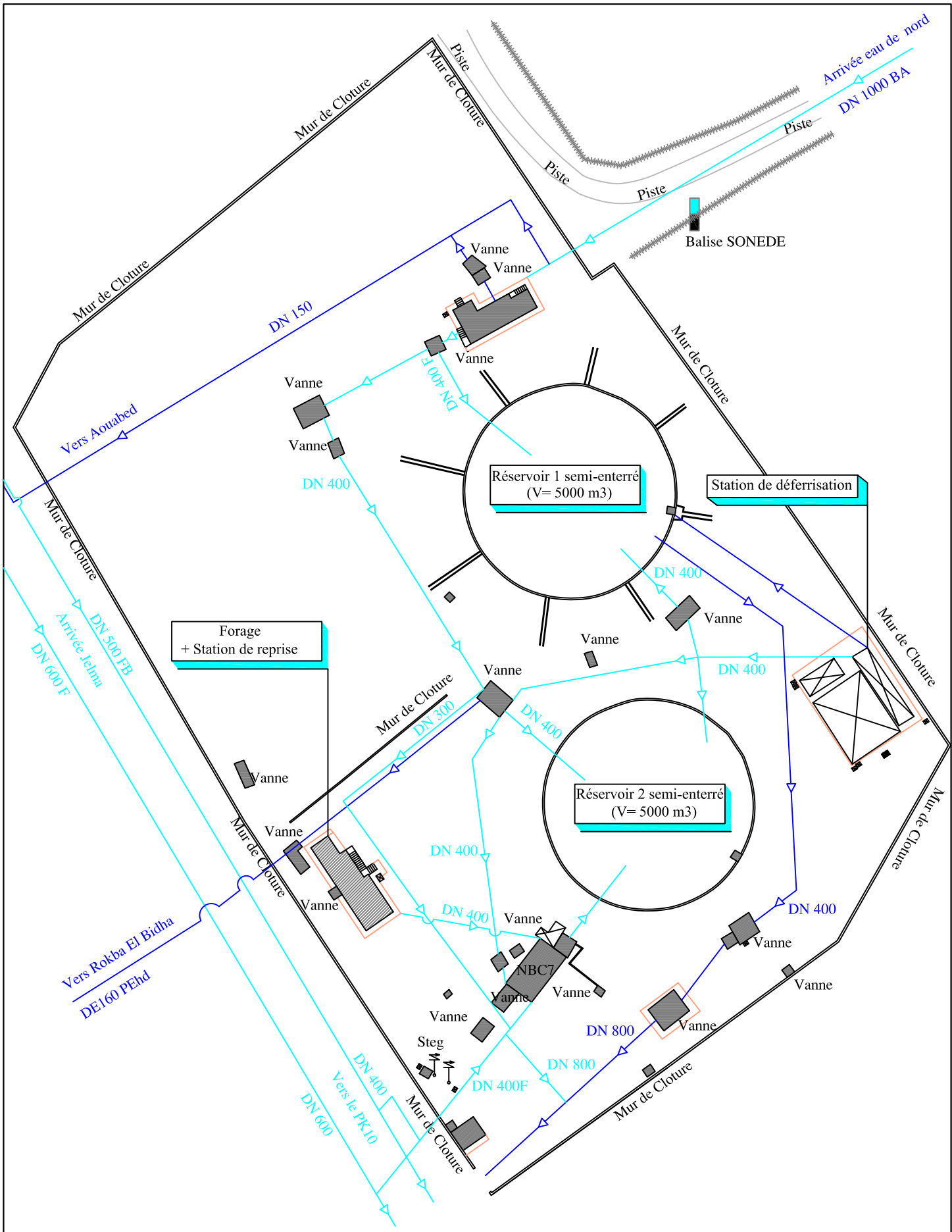


SECTION B-B



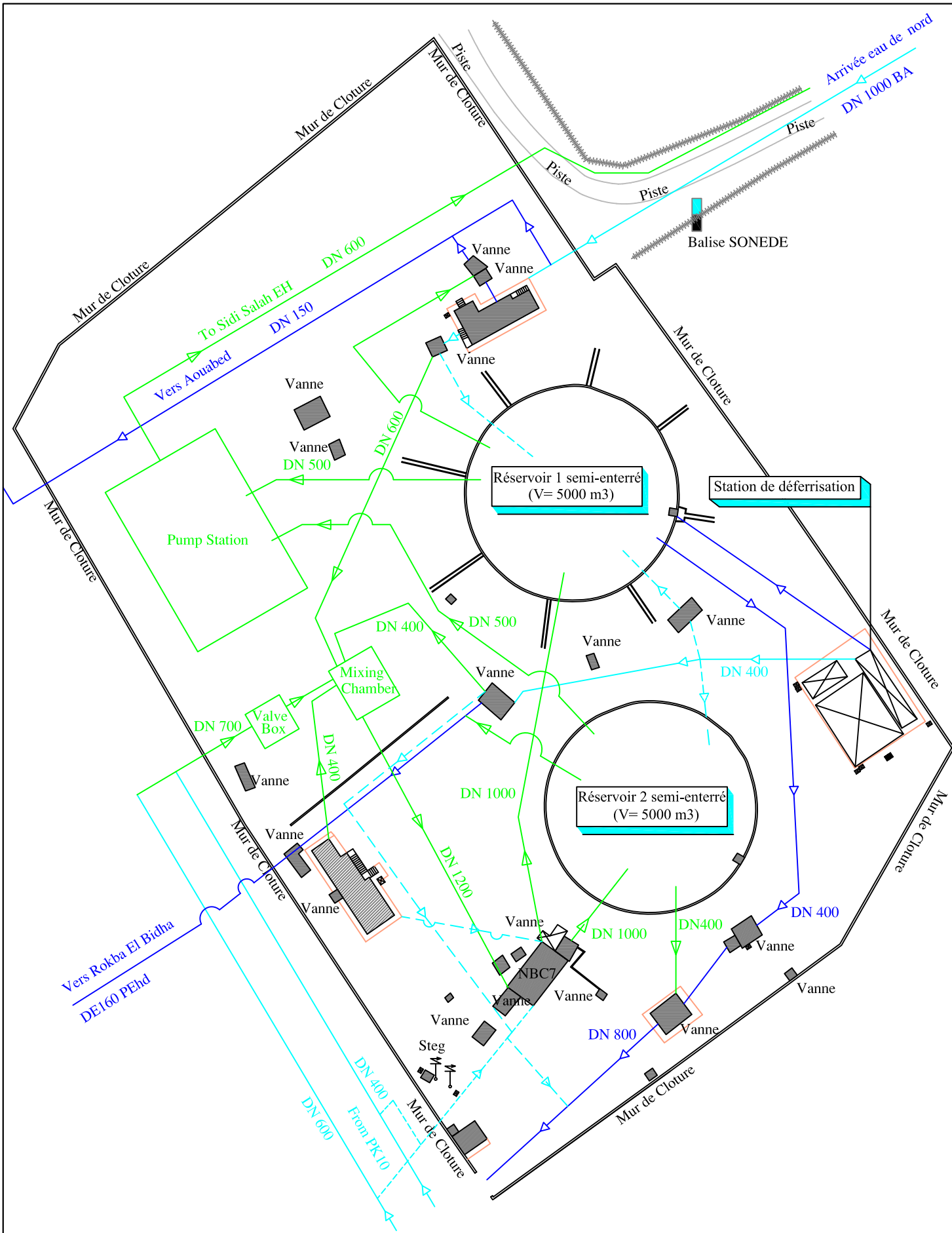
SECTION A-A

Project Name	
THE PREPARATORY SURVEY ON SFAX SEA WATER DESALINATION PLANT CONSTRUCTION PROJECT IN THE REPUBLIC OF TUNISIA	
チュニジア国スファックス海水淡水化施設整備事業準備調査	
Drawing Title	Scale: 1/250
PK11 Pump Station : Pump Layout	
PK11 配水池ポンプ場 ポンプ配置計画	Drawing No. 37



- Legend
- Pipeline transmitting water to PK14
 - Pipeline distributing water from PK14

THE PREPARATORY SURVEY ON SFAX SEA WATER DESALINATION PLANT CONSTRUCTION PROJECT IN THE REPUBLIC OF TUNISIA チュニジア国スファクス海水淡水化施設整備事業準備調査	
PK14 Reservoir Site : Present Status PK14配水池 現況図	Scale: Drawing No. 38



Legend

- Existing pipeline transmitting water to PK14
- Existing pipeline distributing water from PK14
- Planned facility
- - - Bypass pipeline for emergency and maintenance

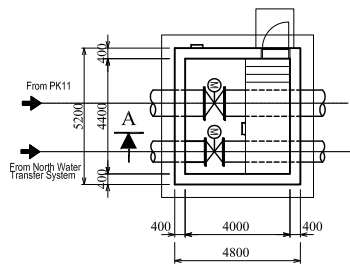
THE PREPARATORY SURVEY ON SFAX SEA WATER DESALINATION PLANT CONSTRUCTION PROJECT
IN THE REPUBLIC OF TUNISIA

チュニジア国スファックス海水淡水化施設整備事業準備調査

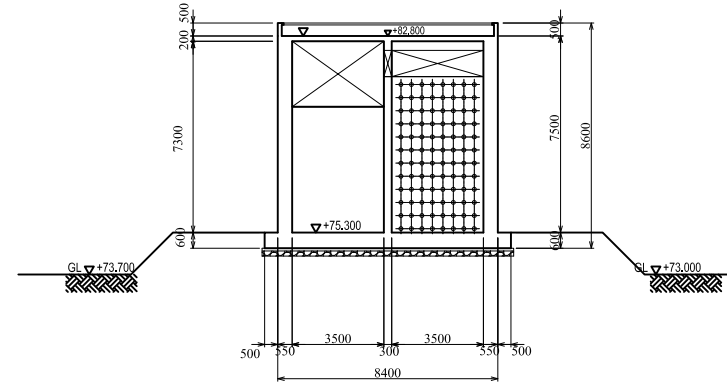
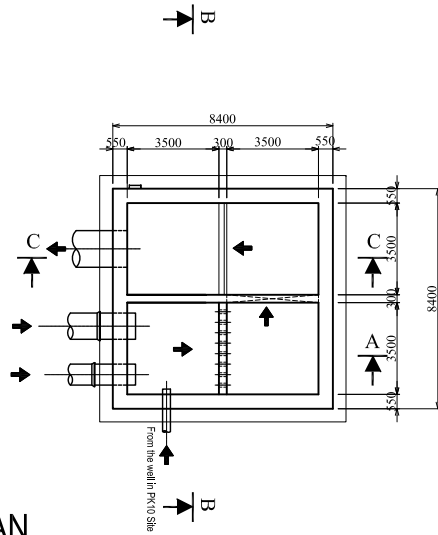
PK14 Reservoir Site : Layout Plan
PK14配水池 計画配置図

Scale:

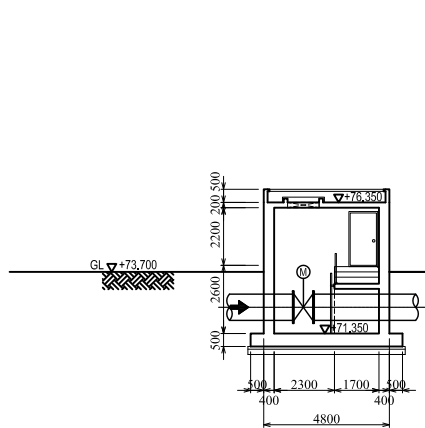
Drawing No. 39



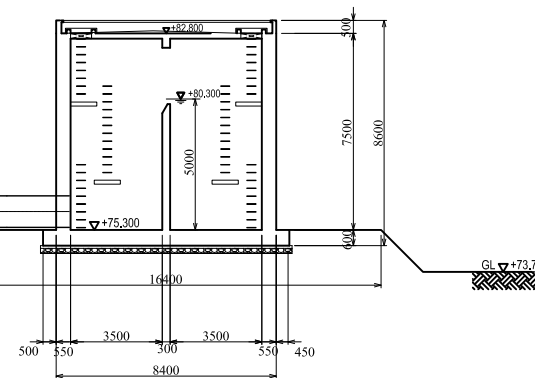
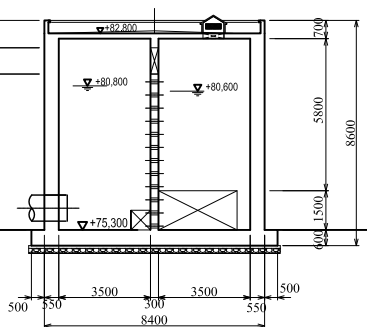
PLAN



SECTION B-B

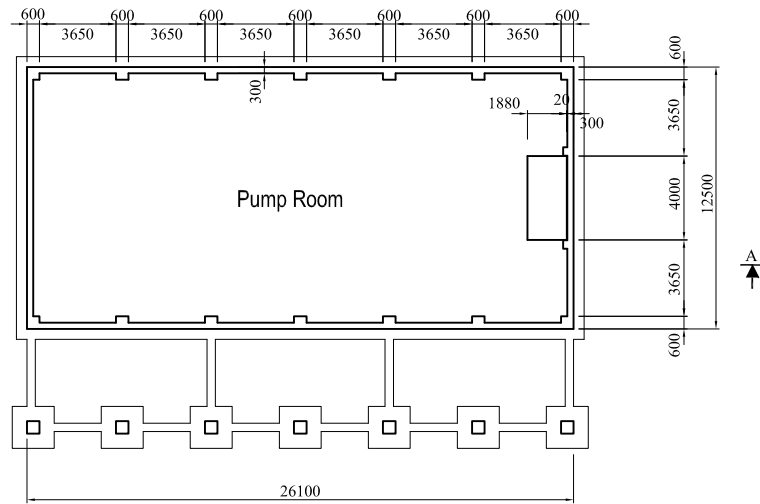


SECTION A-A

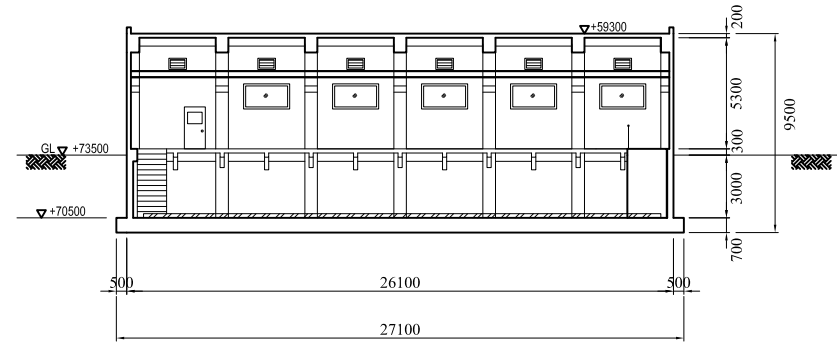


SECTION C-C

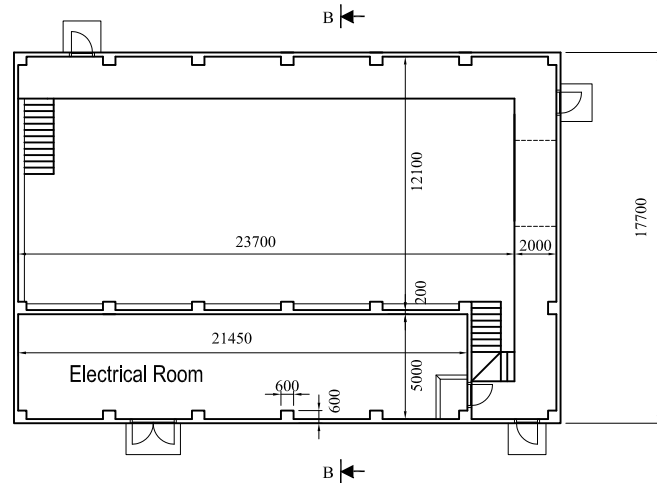
Project Name	
THE PREPARATORY SURVEY ON SFAK SEA WATER DESALINATION PLANT CONSTRUCTION PROJECT IN THE REPUBLIC OF TUNISIA	
チュニア国スファクス海水淡水化施設整備事業準備調査	
Drawing Title	
PK14 Receiving/Mixing Chamber : Plan & Section	
PK14受水混合槽 平面図・断面図	
Scale: 1/100	Drawing No. 40



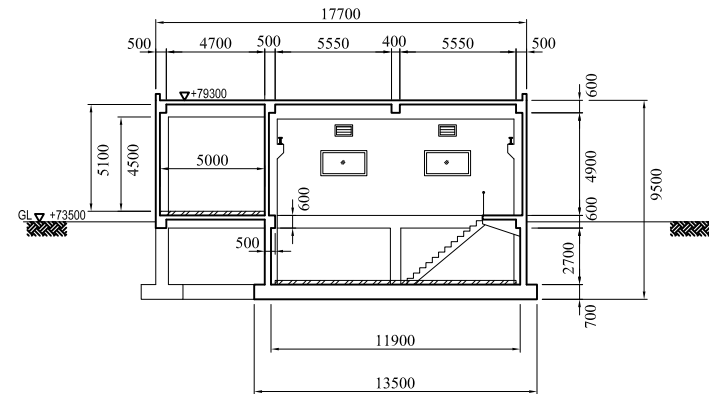
PLAN (LOWER LEVEL)



SECTION A-A

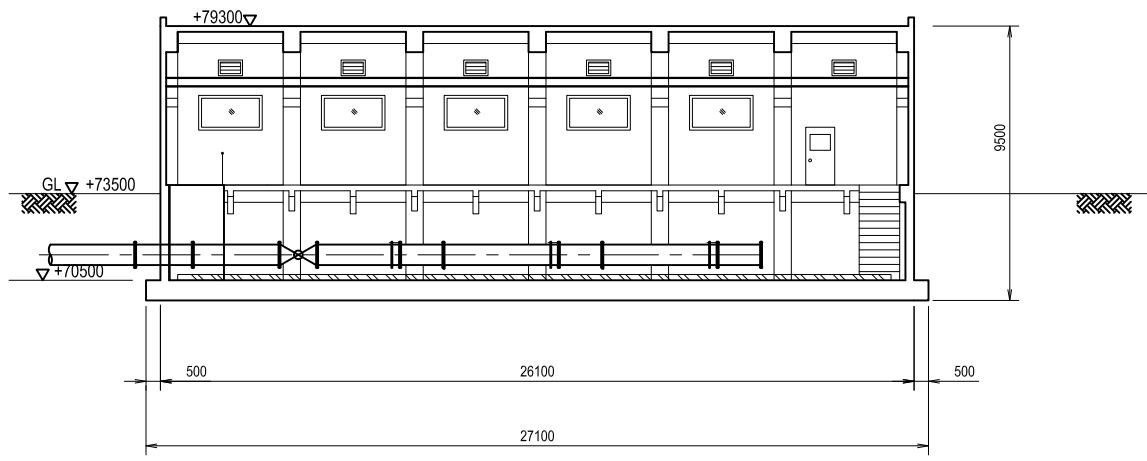
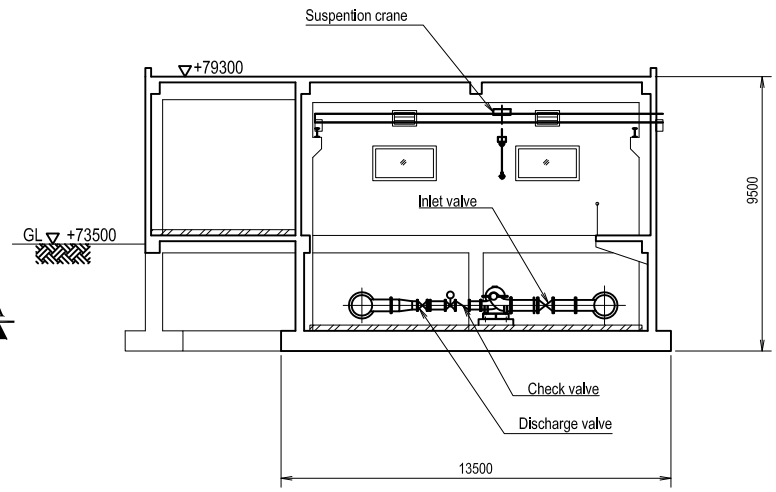
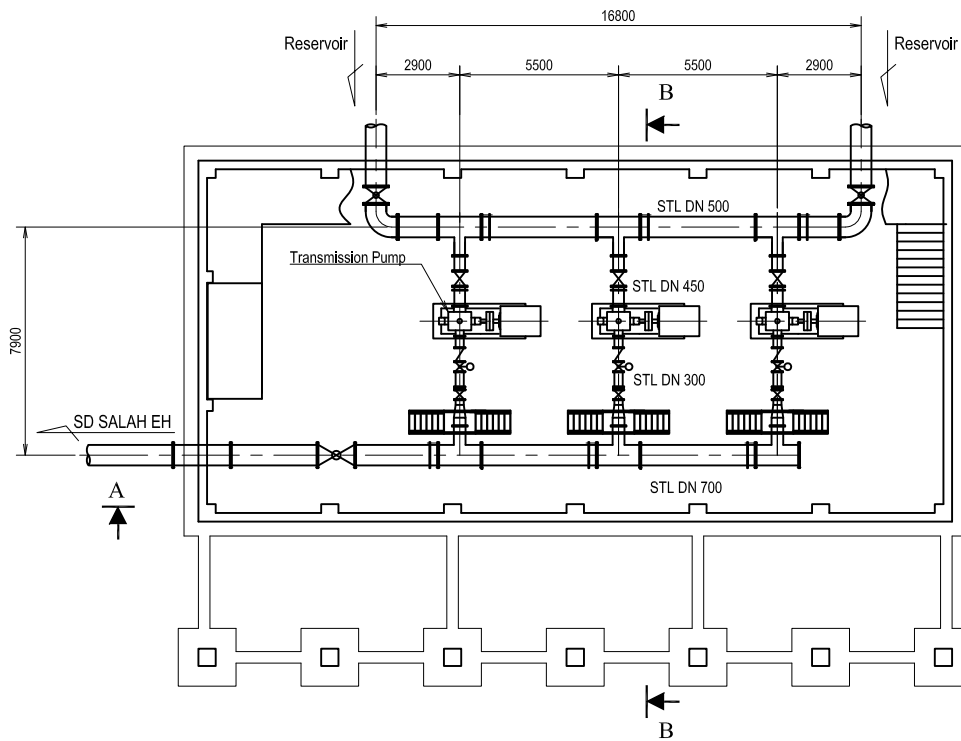


PLAN (GROUND LEVEL)

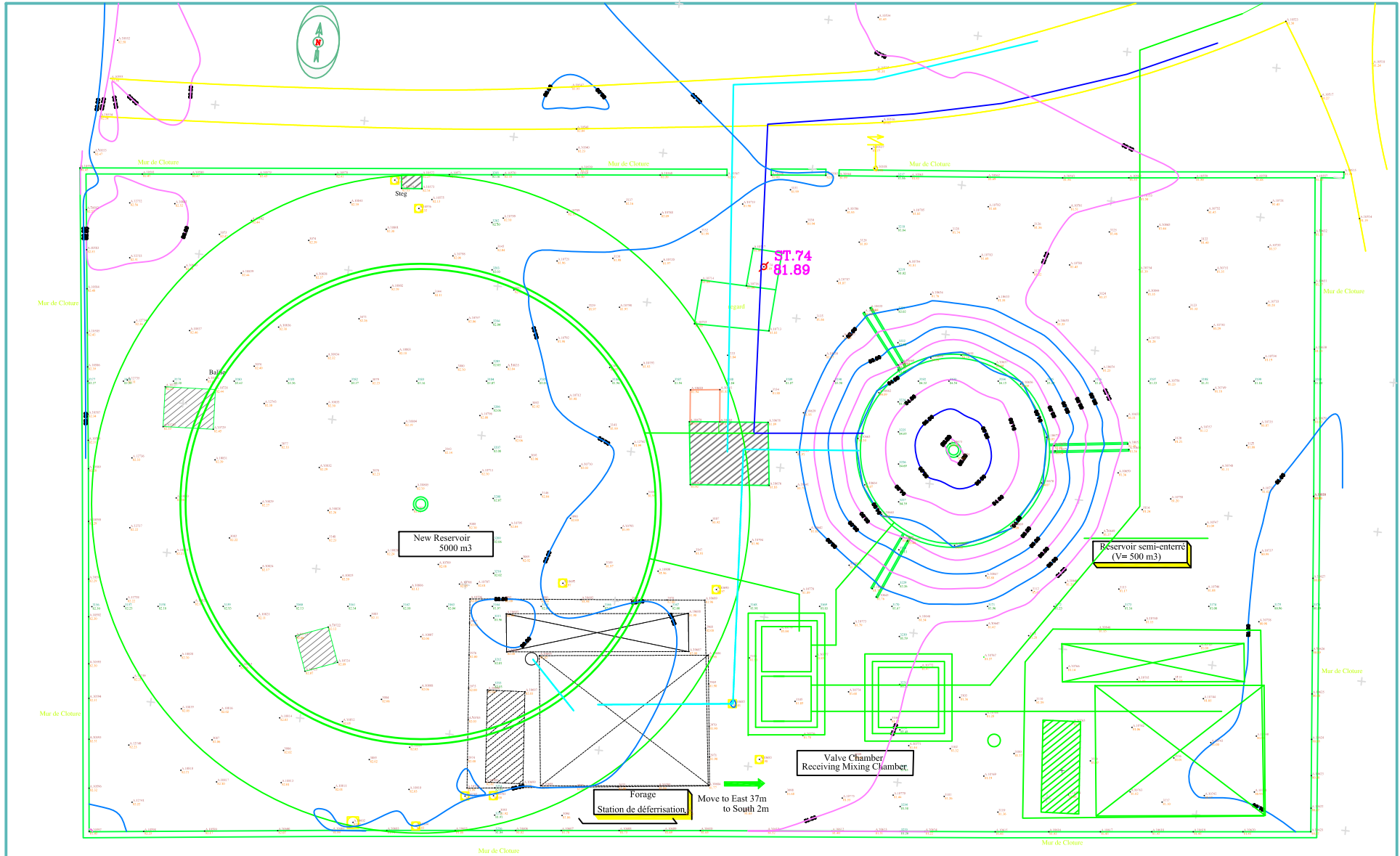


SECTION B-B

Project Name	
THE PREPARATORY SURVEY ON SFAX SEA WATER DESALINATION PLANT CONSTRUCTION PROJECT IN THE REPUBLIC OF TUNISIA	
チュニジア国スファックス海水淡水化施設整備事業準備調査	
Drawing Title	Scale: 1/250
PK14 Pump Station : Plan & Section	
PK14配水池ポンプ場 平面図・断面図	Drawing No. 41



Project Name	
THE PREPARATORY SURVEY ON SFAX SEA WATER DESALINATION PLANT CONSTRUCTION PROJECT IN THE REPUBLIC OF TUNISIA	
チュニジア国スファックス海水淡水化施設整備事業準備調査	
Drawing Title	Scale: 1/250
PK14 Pump Station : Pump Layout	
PK14配水池ポンプ場 ポンプ配置計画	Drawing No. 42

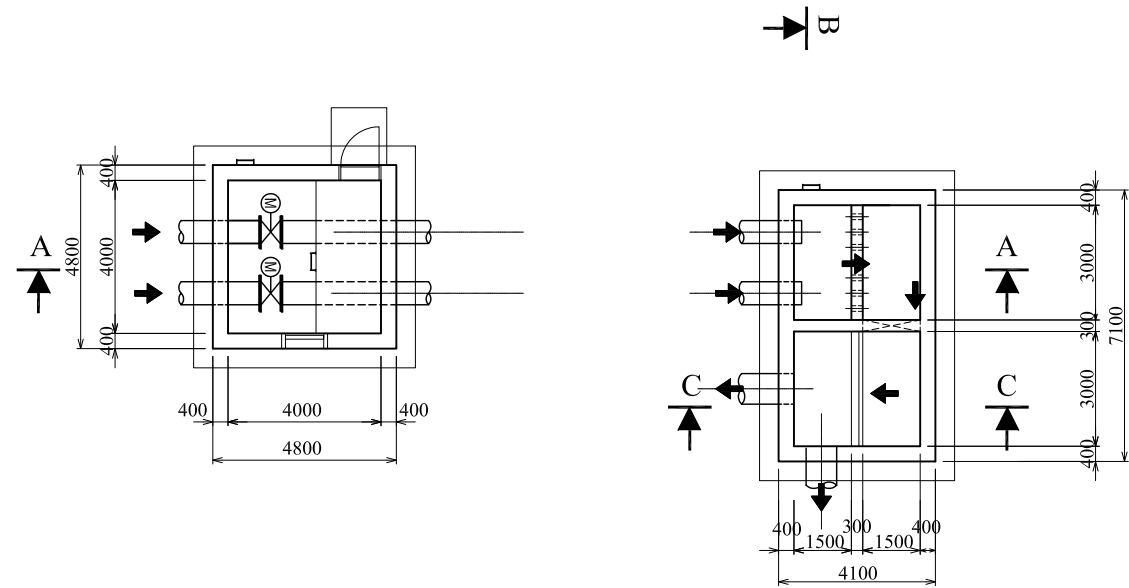


Legend

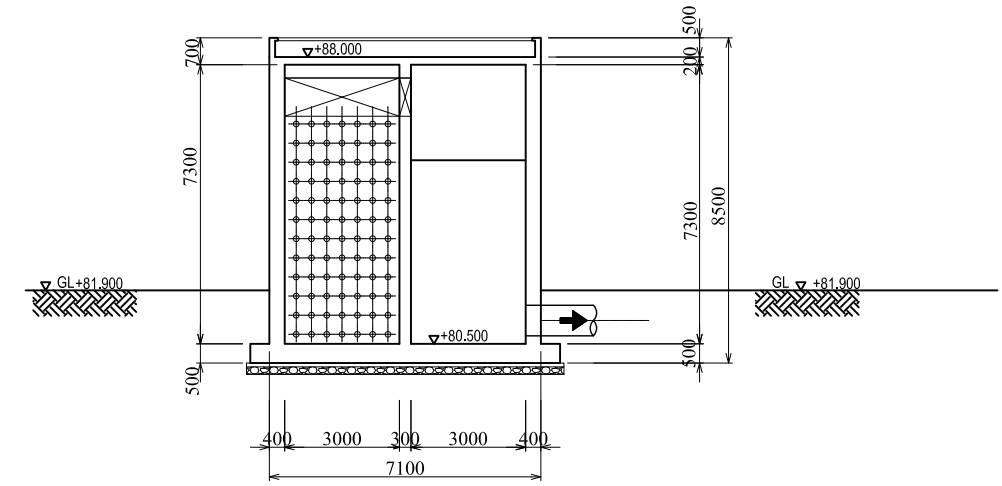
- Existing pipeline transmitting water to Bou Merra
- Existing pipeline distributing water from Bou Merra
- Planned facility
- - - Bypass pipeline for emergency and maintenance

Project Name
 THE PREPARATORY SURVEY ON SFAX SEA WATER DESALINATION PLANT
 CONSTRUCTION PROJECT IN THE REPUBLIC OF TUNISIA
 チュニジア国スファックス海水淡水化施設整備事業準備調査

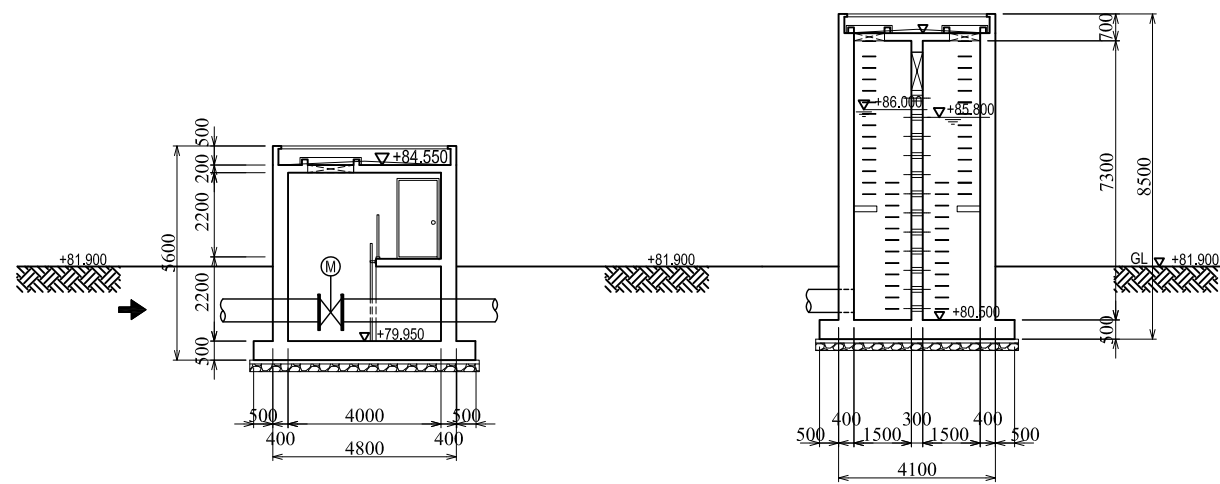
Drawing Title	Scale: 1/250
Bou Merra Reservoir Layout Plan	
Bou Merra 配水池 配置計画図	Drawing No. 43



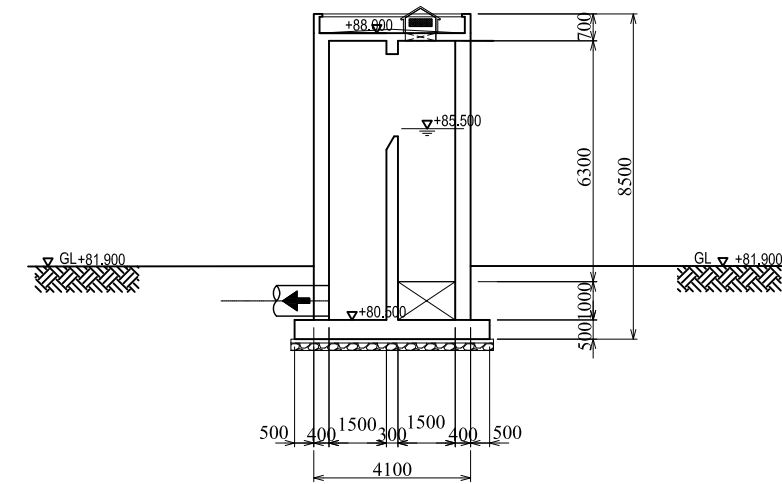
PLAN



SECTION B-B

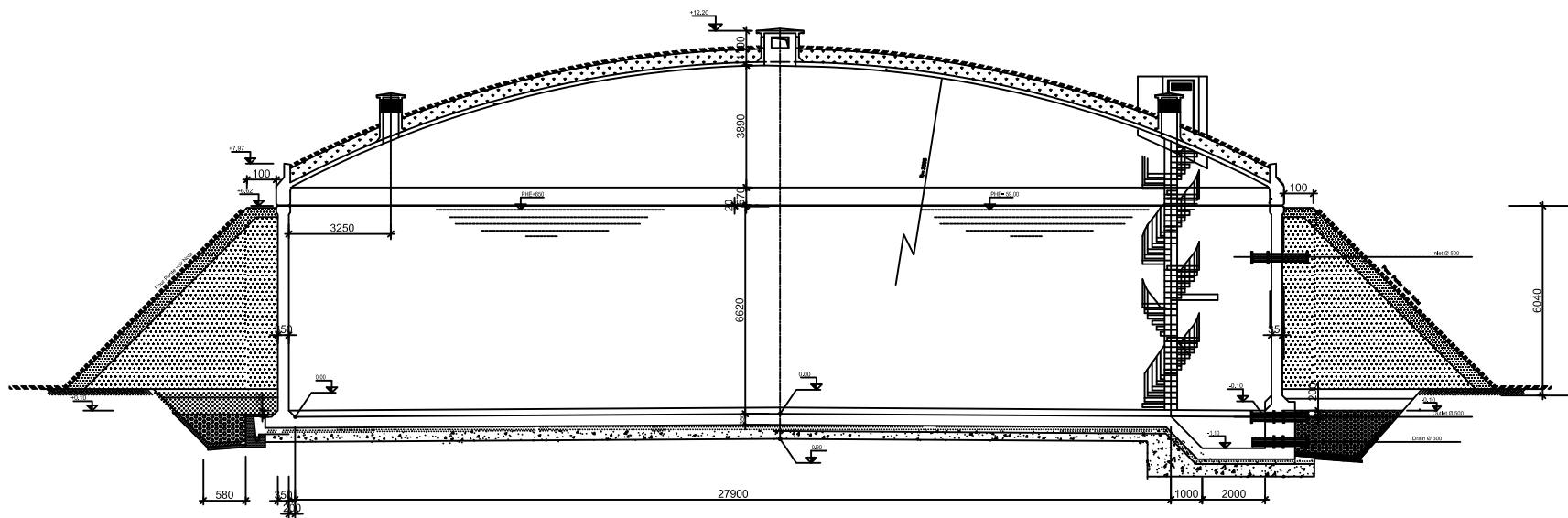


SECTION A-A

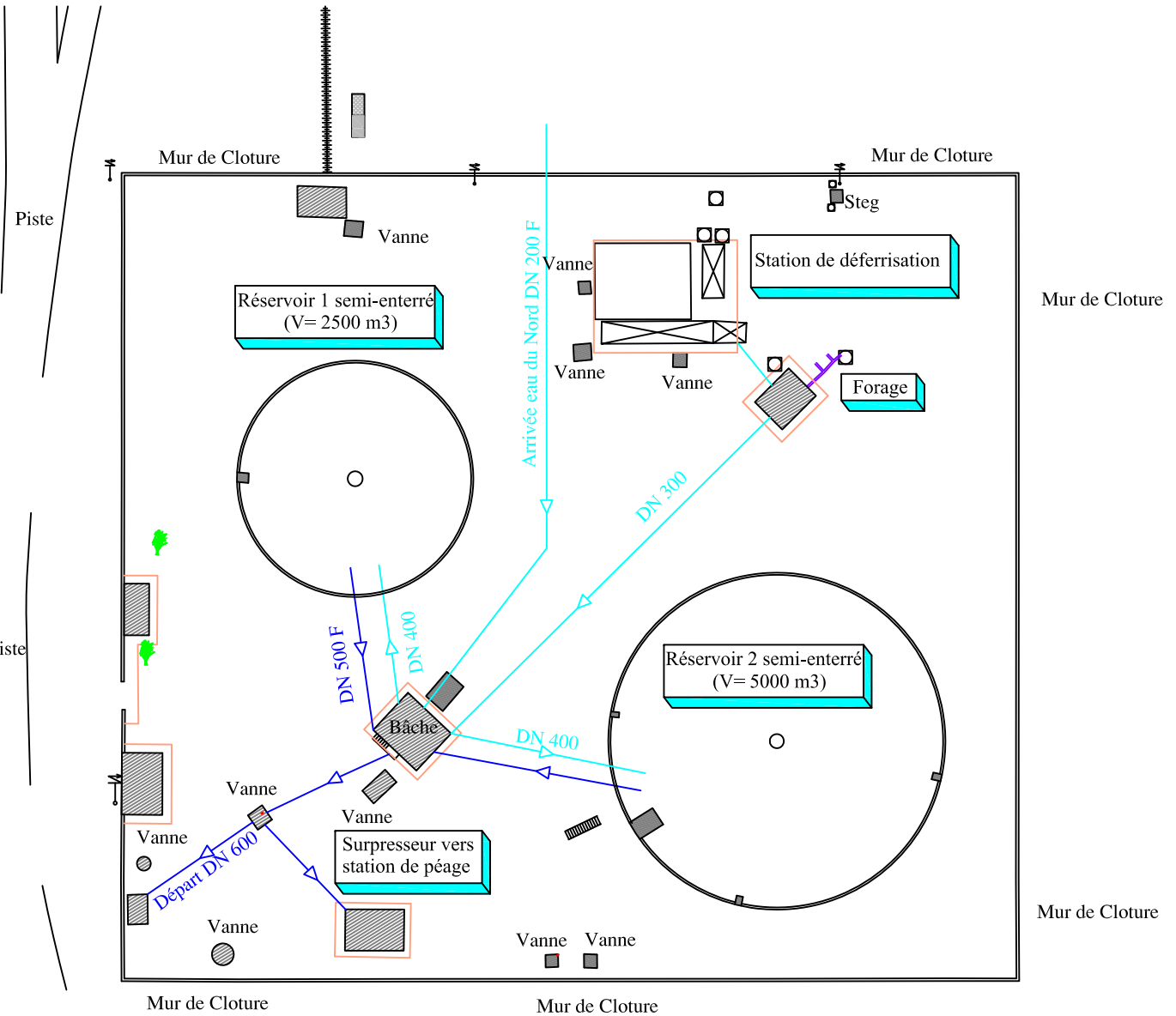


SECTION C-C

Project Name	
THE PREPARATORY SURVEY ON SFAX SEA WATER DESALINATION PLANT CONSTRUCTION PROJECT IN THE REPUBLIC OF TUNISIA	
チュニジア国スファックス海水淡水化施設整備事業準備調査	
Drawing Title	
Bou Merra Receiving/Mixing Chamber : Plan & Section	Scale: 1/100
Bou Merra受水混合槽 平面図・断面図	Drawing No. 44



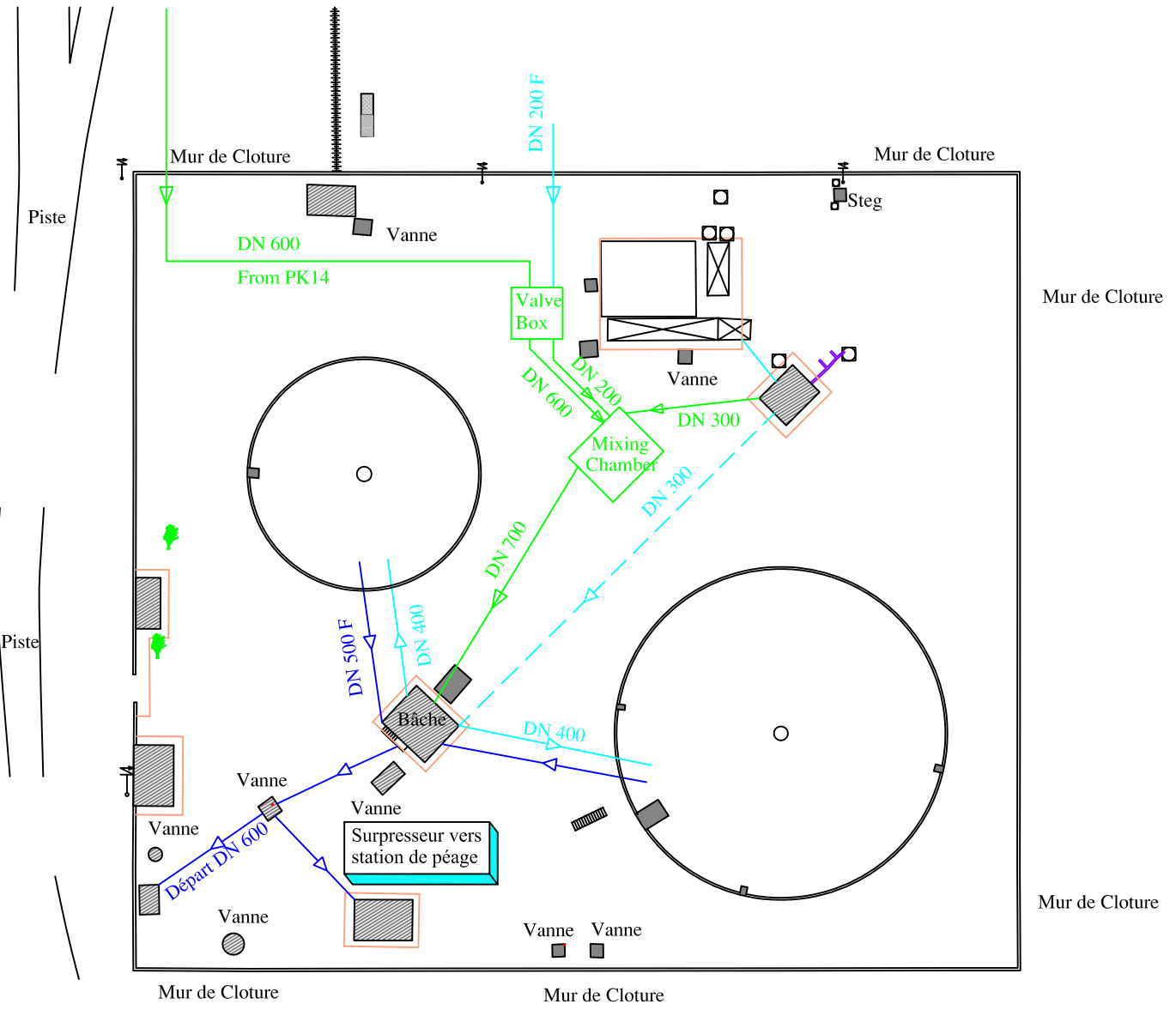
Project Name	
THE PREPARATORY SURVEY ON SFAX SEA WATER DESALINATION PLANT CONSTRUCTION PROJECT IN THE REPUBLIC OF TUNISIA	
チュニジア国スファックス海水淡水化施設整備事業準備調査	
Drawing Title	
Bou Merra Reservoir 5,000m ³	Scale: 1:150
Bou Merra 配水池 5,000m ³	Drawing No. 45



Legend

- Existing pipeline transmitting water to Sidi Salah EH
- Existing pipeline distributing water from Sidi Salah EH

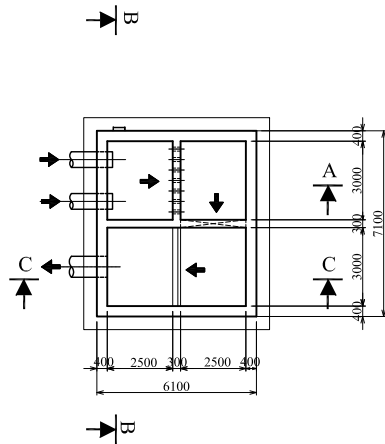
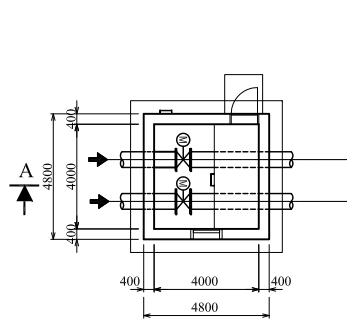
THE PREPARATORY SURVEY ON SFAX SEA WATER DESALINATION PLANT CONSTRUCTION PROJECT IN THE REPUBLIC OF TUNISIA チュニジア国スファックス海水淡水化施設整備事業準備調査	
Sidi Salah EH Reservoir Site : Present Status Sidi Salah EH 配水池 現況図	Scale: 1/500 Drawing No. 46



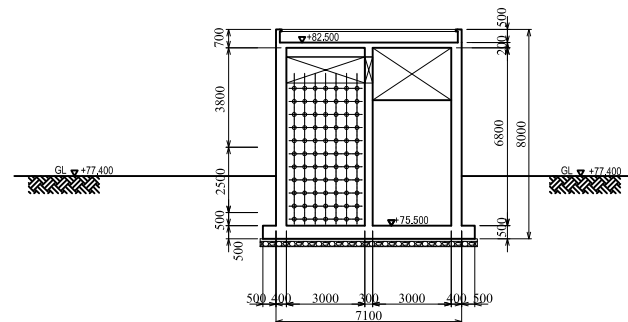
Legend

- Existing pipeline transmitting water to Sidi Salah EH
- Existing pipeline distributing water from Sidi Salah EH
- Planned facility
- - - Bypass pipeline for emergency and maintenance

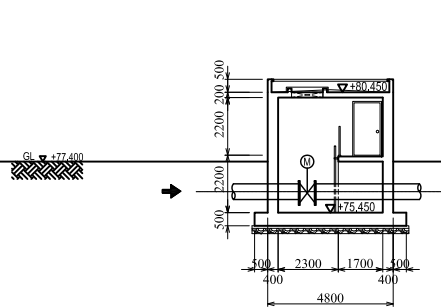
THE PREPARATORY SURVEY ON SFAX SEA WATER DESALINATION PLANT CONSTRUCTION PROJECT IN THE REPUBLIC OF TUNISIA チュニア国スファックス海水淡水化施設整備事業準備調査	
Sidi Salah EH Reservoir Site : Layout Plan Sidi Salah EH 配水池 配置計画図	Scale: 1/500 Drawing No. 47



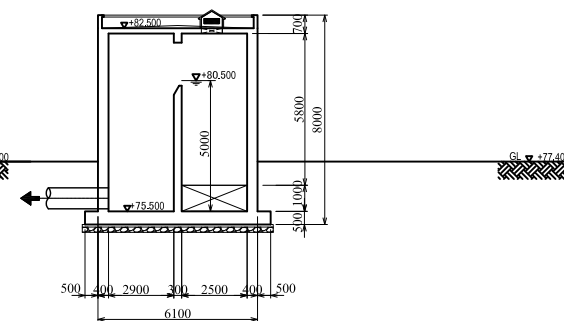
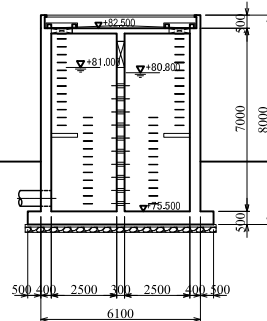
PLAN



SECTION B-B

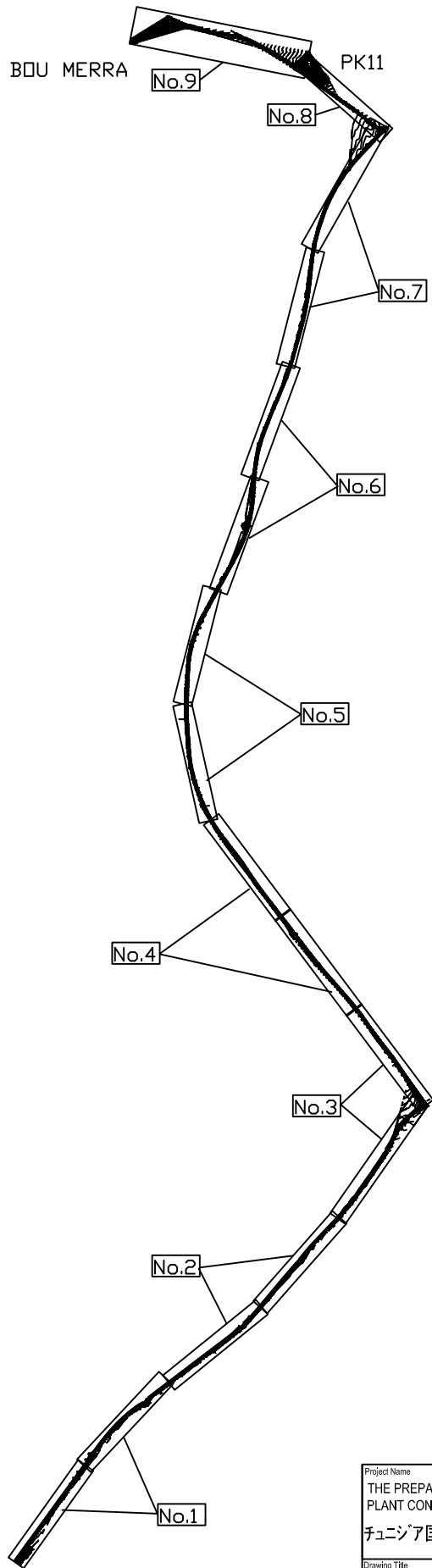


SECTION A-A



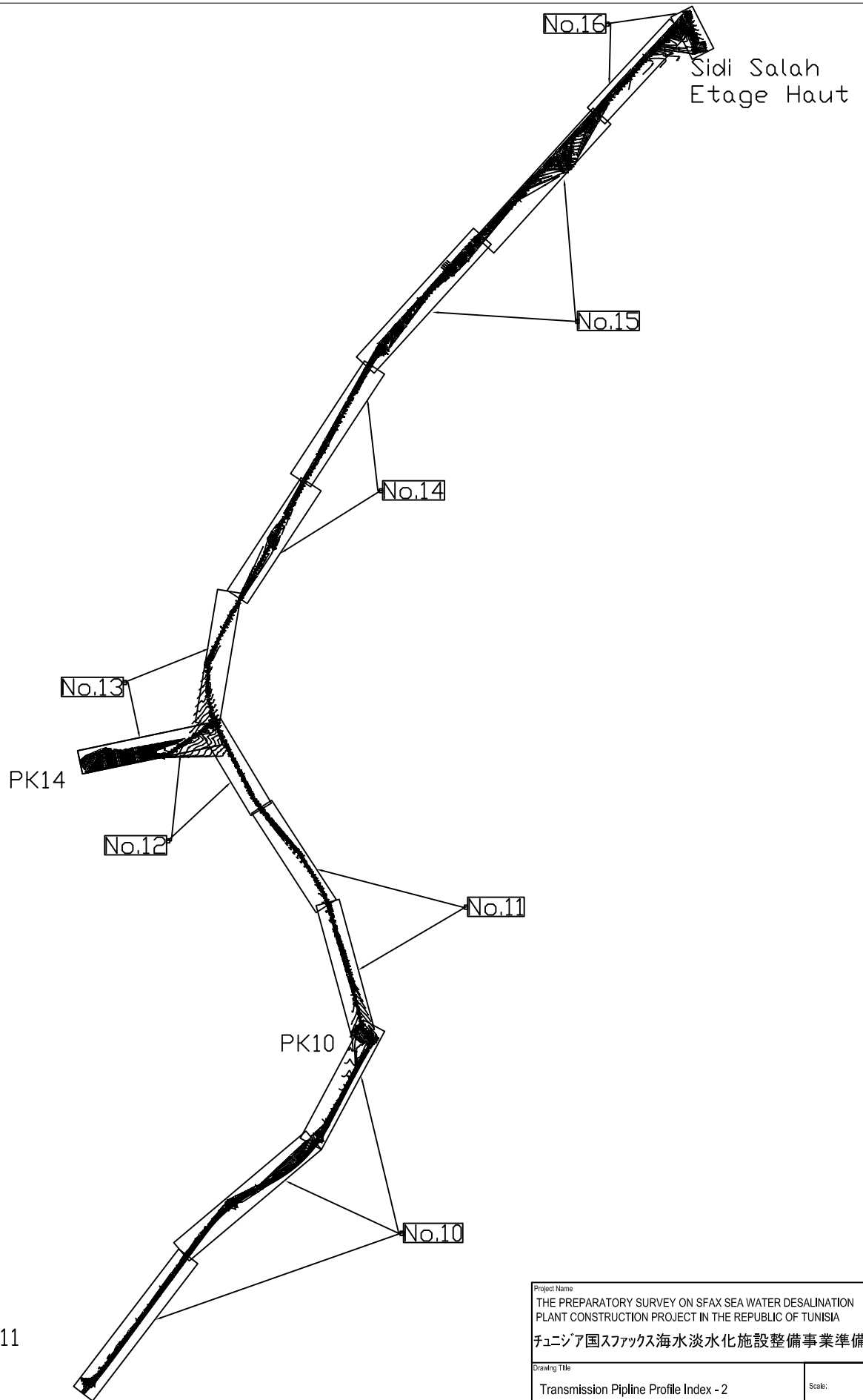
SECTION C-C

Project Name	
THE PREPARATORY SURVEY ON SFAX SEA WATER DESALINATION PLANT CONSTRUCTION PROJECT IN THE REPUBLIC OF TUNISIA	
チュニジア国スファックス海水淡水化施設整備事業準備調査	
Drawing Title	Scale: 1/100
Sidi Salah EH Receiving/Mixing Chamber	
Plan & Section	
Sidi Salah EH 配水池受水混合槽 平面図・断面図	Drawing 48 No.



SFAX SEA WATER
DESALINATION PLANT

Project Name THE PREPARATORY SURVEY ON SFAX SEA WATER DESALINATION PLANT CONSTRUCTION PROJECT IN THE REPUBLIC OF TUNISIA チュニジア国スファックス海水淡水化施設整備事業準備調査	
Drawing Title Transmission Pipeline Profile Index -1 送水管平縦断面図 位置図-1	Scale: Drawing No. 49



Project Name THE PREPARATORY SURVEY ON SFAIX SEA WATER DESALINATION PLANT CONSTRUCTION PROJECT IN THE REPUBLIC OF TUNISIA チュニジア国スファックス海水淡水化施設整備事業準備調査	
Drawing Title Transmission Pipeline Profile Index - 2 送水管平縦断面図 位置図-2	Scale: Drawing No. 50