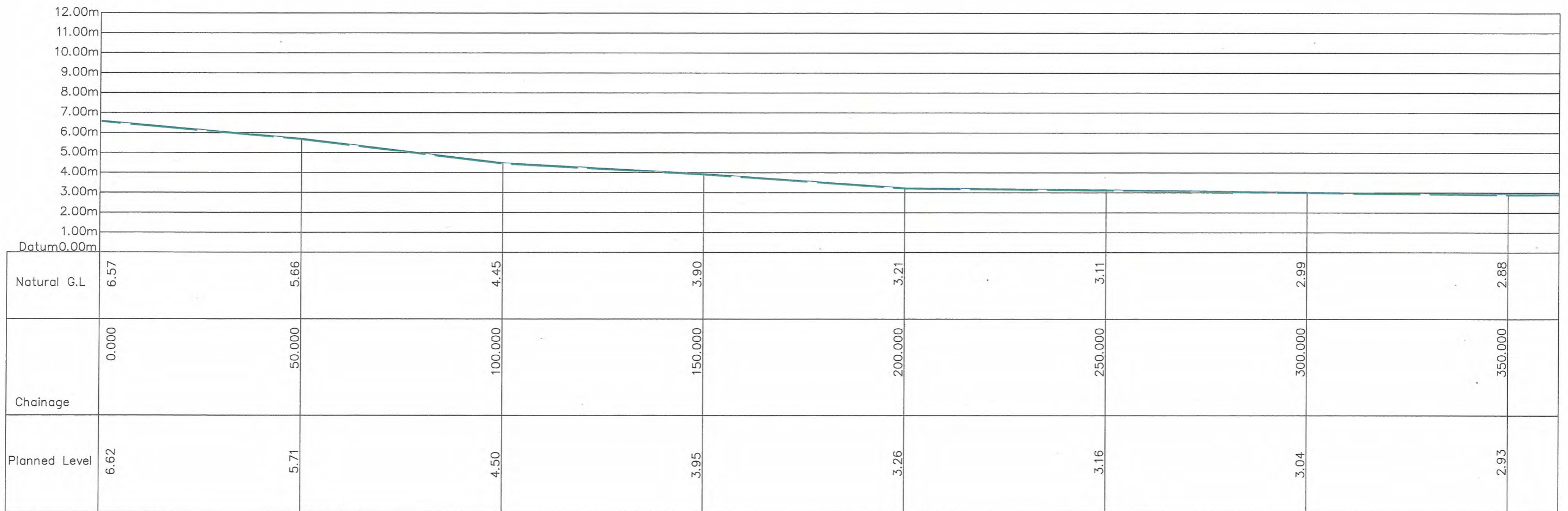


# ROAD LONGITUDINAL PROFILE

**LEGEND:**

- Natural Ground Level
- Planned Level

BADARKHALI SIDE



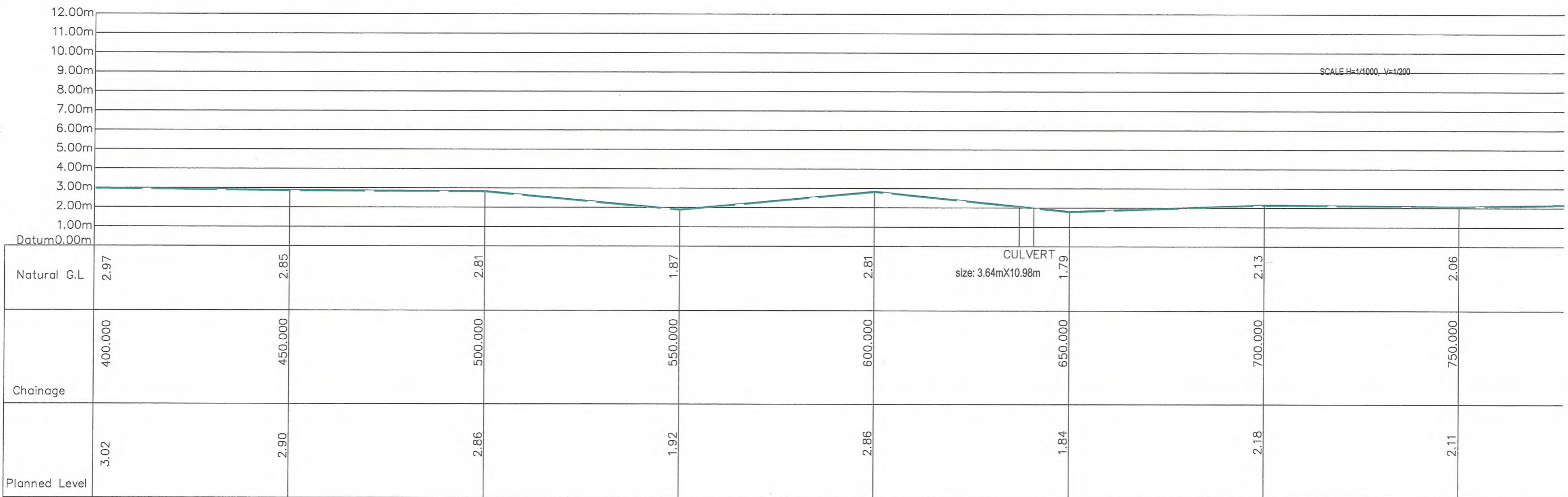
**PROFILE**  
SCALE H=1/1000, V=1/200

Roads and Highways Department (RHD) Ministry of Communications	Preparatory Survey on Cittagong Area Coal Fired Power Plant Development Project in Bangladesh	JAPAN INTERNATIONAL COOPERATION AGENCY (JICA)	DRAWING TITLE:	SCALE	DATE	DRAWING NO
			ROAD LOGITUDINAL PROFILE BADARKHALI TO PLANT SITE	1:1000	AUGUST, 2013	PS/CFPP/S2K-003 1 OF 19

**LEGEND:**

- Natural Ground Level
- Planned Level

BADARKHALI SIDE



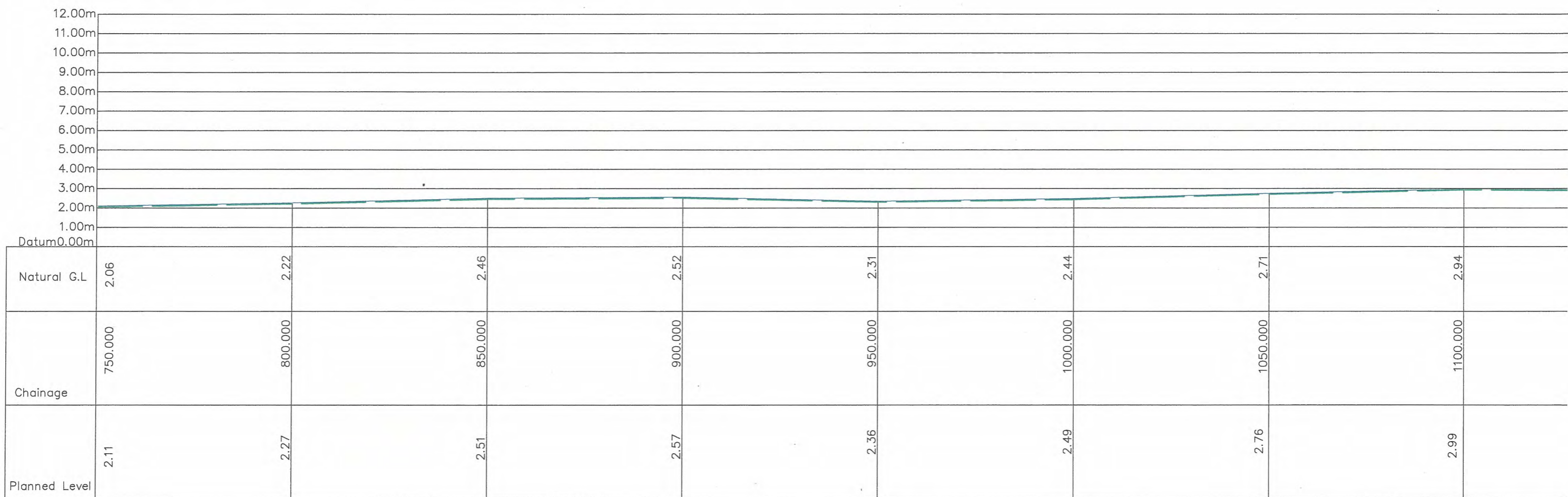
**PROFILE**  
SCALE H=1/1000, V=1/200

Roads and Highways Department (RHD) Ministry of Communications	Preparatory Survey on Cittagong Area Coal Fired Power Plant Development Project in Bangladesh	JAPAN INTERNATIONAL COOPERATION AGENCY (JICA)	DRAWING TITLE:	SCALE	DATE	DRAWING NO
			ROAD LOGITUDINAL PROFILE BADARKHALI TO PLANT SITE	1:1000	AUGUST, 2013	PS/CFPP/S2K-003 2 OF 19



**LEGEND:**  
 — Natural Ground Level  
 — Planned Level

BADARKHALI SIDE



**PROFILE**  
 SCALE H=1/1000, V=1/200

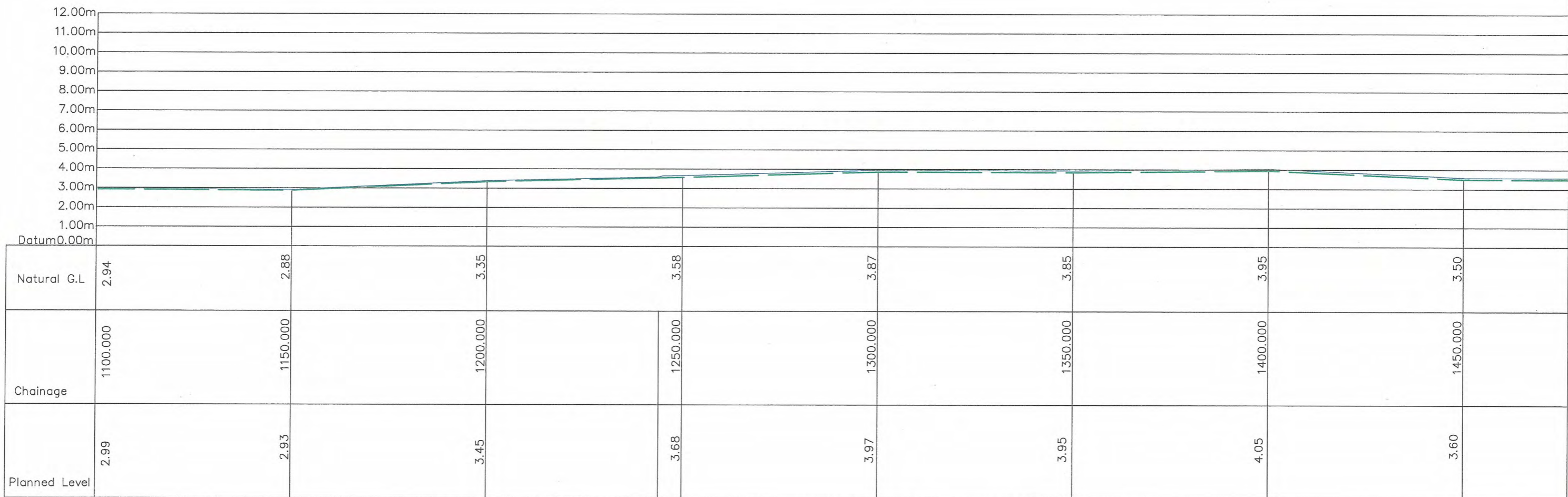
Roads and Highways Department (RHD) Ministry of Communications	Preparatory Survey on Cittagong Area Coal Fired Power Plant Development Project in Bangladesh	JAPAN INTERNATIONAL COOPERATION AGENCY (JICA)	DRAWING TITLE:	SCALE	DATE	DRAWING NO.
			ROAD LOGITUDINAL PROFILE BADARKHALI TO PLANT SITE	1:1000	AUGUST, 2013	PS/CFPP/S2K-00: 3 OF 19



**LEGEND:**

- Natural Ground Level
- Planned Level

BADARKHALI SIDE



SCALE H=1/1000, V=1/200

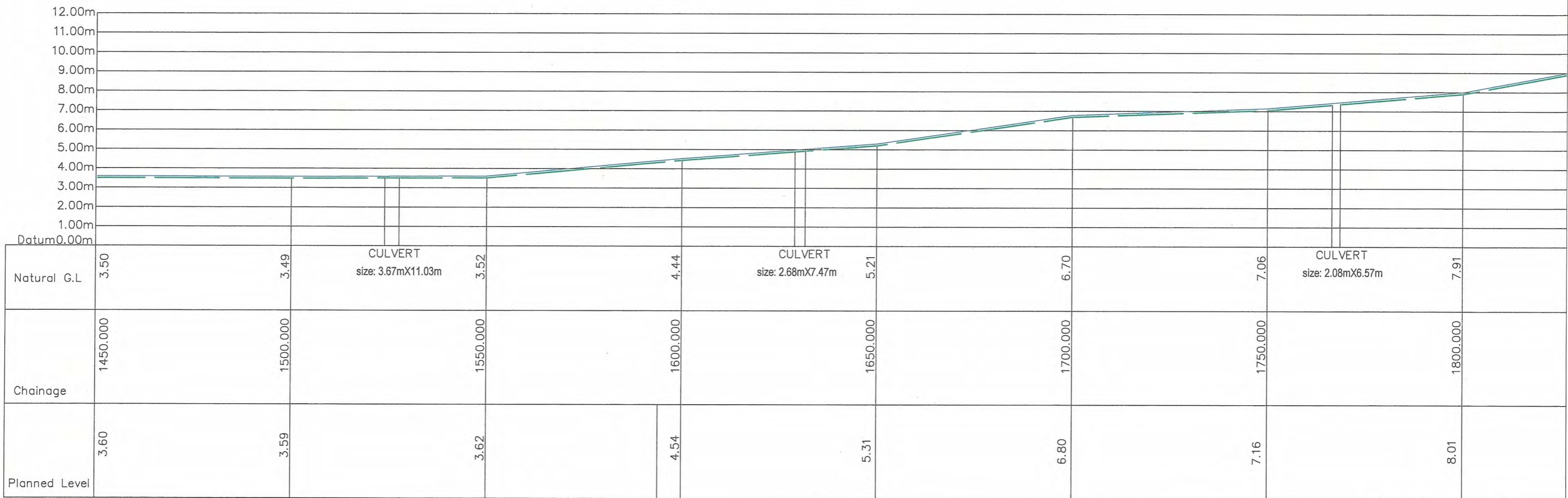
**PROFILE**  
SCALE H=1/1000, V=1/200

Roads and Highways Department (RHD) Ministry of Communications	Preparatory Survey on Cittagong Area Coal Fired Power Plant Development Project in Bangladesh	JAPAN INTERNATIONAL COOPERATION AGENCY (JICA)	DRAWING TITLE:	SCALE	DATE	DRAWING NO.
			ROAD LOGITUDINAL PROFILE BADARKHALI TO PLANT SITE	1:1000	AUGUST, 2013	PS/CFPP/S2K-00: 4 OF 19

**LEGEND:**

- Natural Ground Level
- Planned Level

BADARKHALI SIDE



**PROFILE**  
SCALE H=1/1000, V=1/200

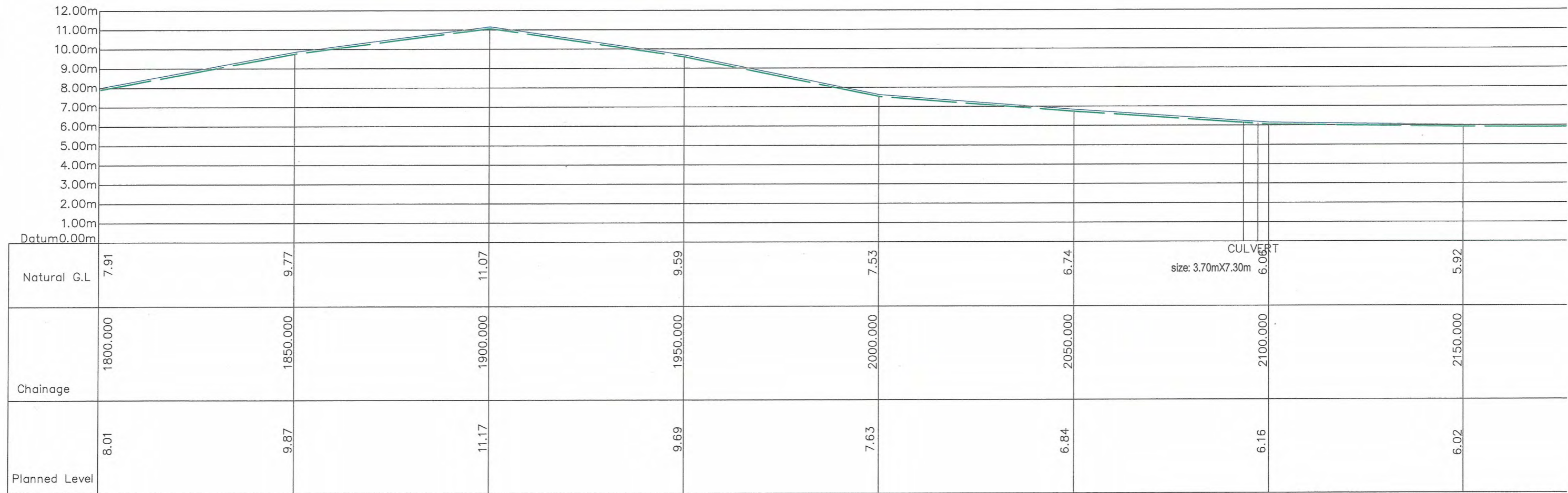
Roads and Highways Department (RHD) Ministry of Communications	Preparatory Survey on Cittagong Area Coal Fired Power Plant Development Project in Bangladesh	JAPAN INTERNATIONAL COOPERATION AGENCY (JICA)	DRAWING TITLE:	SCALE	DATE	DRAWING NC
			ROAD LOGITUDINAL PROFILE BADARKHALI TO PLANT SITE	1:1000	AUGUST, 2013	PS/CFPP/S2K-001 5 OF 19



**LEGEND:**

	Natural Ground Level
	Planned Level

BADARKHALI SIDE



**PROFILE**  
SCALE H=1/1000, V=1/200

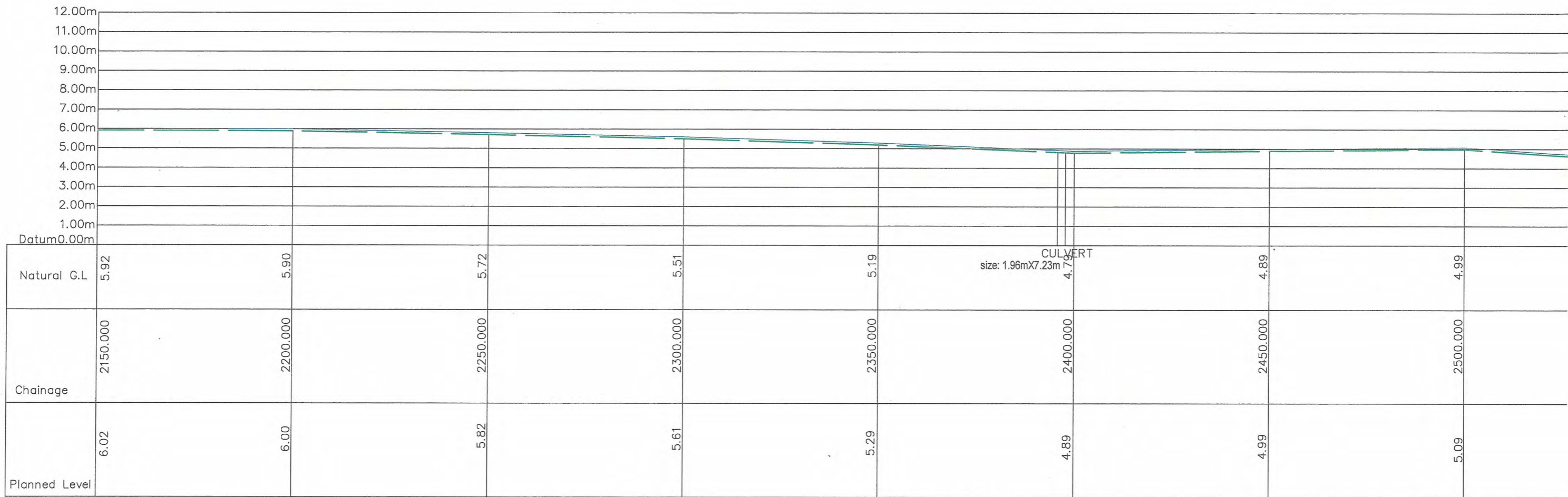
Roads and Highways Department (RHD) Ministry of Communications	Preparatory Survey on Cittagong Area Coal Fired Power Plant Development Project in Bangladesh	JAPAN INTERNATIONAL COOPERATION AGENCY (JICA)	DRAWING TITLE:	SCALE	DATE	DRAWING NO.
			ROAD LOGITUDINAL PROFILE BADARKHALI TO PLANT SITE	1:1000	AUGUST, 2013	PS/CFPP/S2K-00: 6 OF 19



**LEGEND:**

- Natural Ground Level
- Planned Level

BADARKHALI SIDE



**PROFILE**

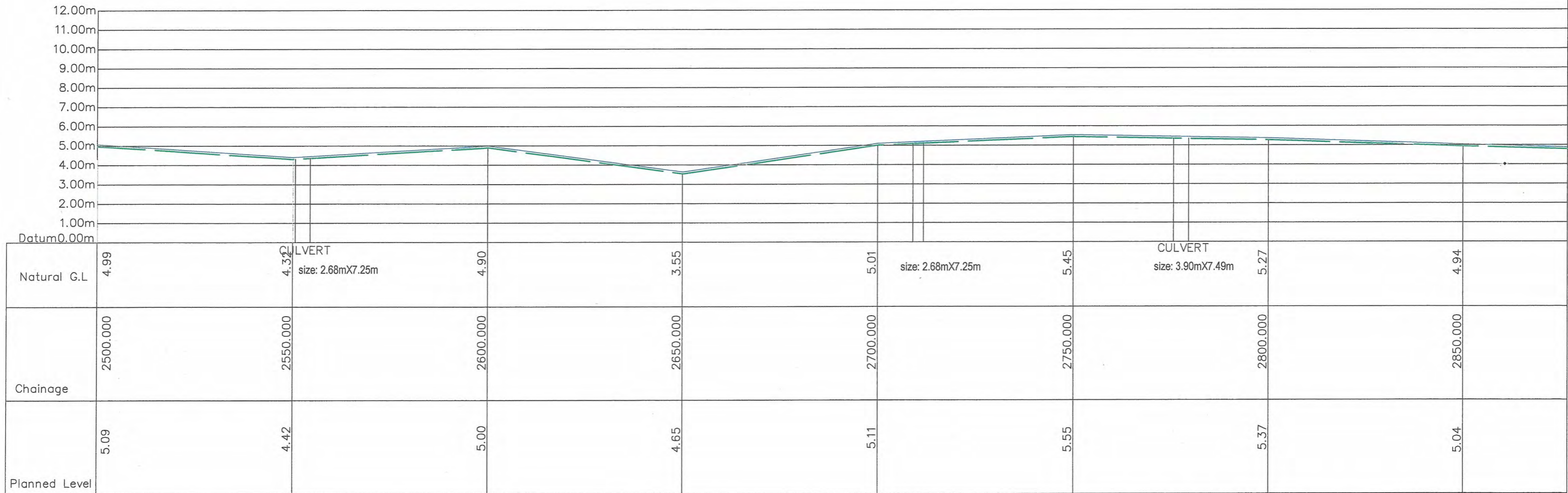
SCALE H=1/1000, V=1/200

Roads and Highways Department (RHD) Ministry of Communications	Preparatory Survey on Cittagong Area Coal Fired Power Plant Development Project in Bangladesh	JAPAN INTERNATIONAL COOPERATION AGENCY (JICA)	DRAWING TITLE:	SCALE	DATE	DRAWING NO
			ROAD LOGITUDINAL PROFILE BADARKHALI TO PLANT SITE	1:1000	AUGUST, 2013	PS/CFPP/S2K-00- 7 OF 19

**LEGEND:**

- Natural Ground Level
- Planned Level

BADARKHALI SIDE



**PROFILE**  
SCALE H=1/1000, V=1/200

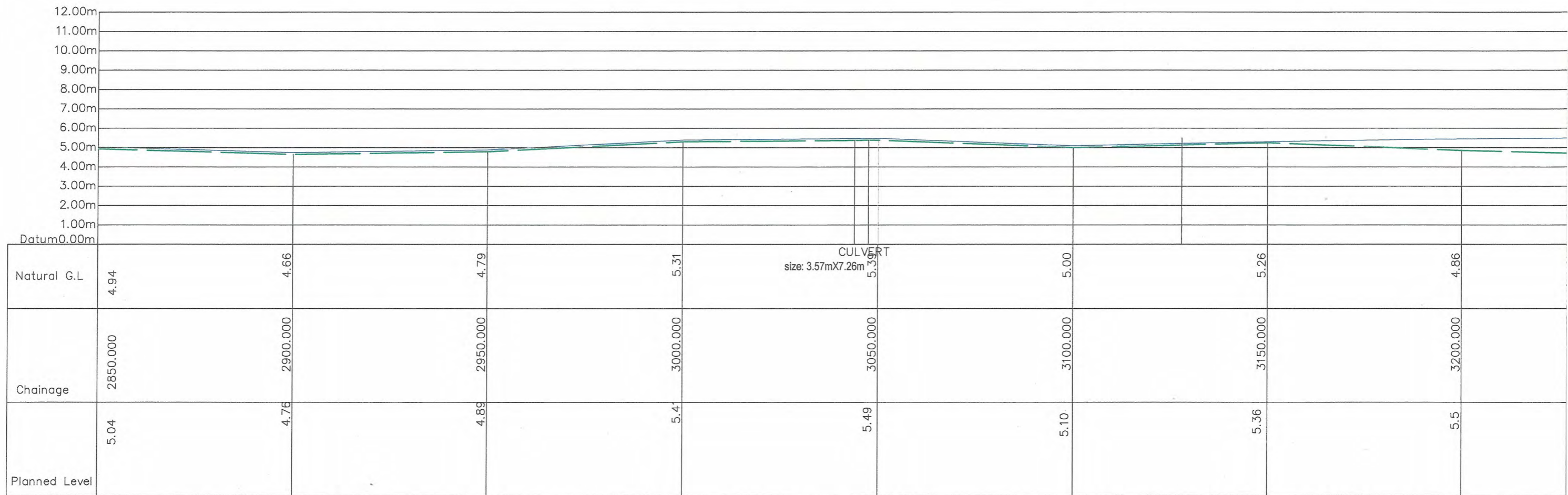
Roads and Highways Department (RHD) Ministry of Communications	Preparatory Survey on Cittagong Area Coal Fired Power Plant Development Project in Bangladesh	JAPAN INTERNATIONAL COOPERATION AGENCY (JICA)	DRAWING TITLE:	SCALE	DATE	DRAWING NO
			ROAD LOGITUDINAL PROFILE BADARKHALI TO PLANT SITE	1:1000	AUGUST, 2013	PS/CFPP/S2K-003 8 OF 19



**LEGEND:**

- Natural Ground Level
- Planned Level

BADARKHALI SIDE



**PROFILE**  
SCALE H=1/1000, V=1/200

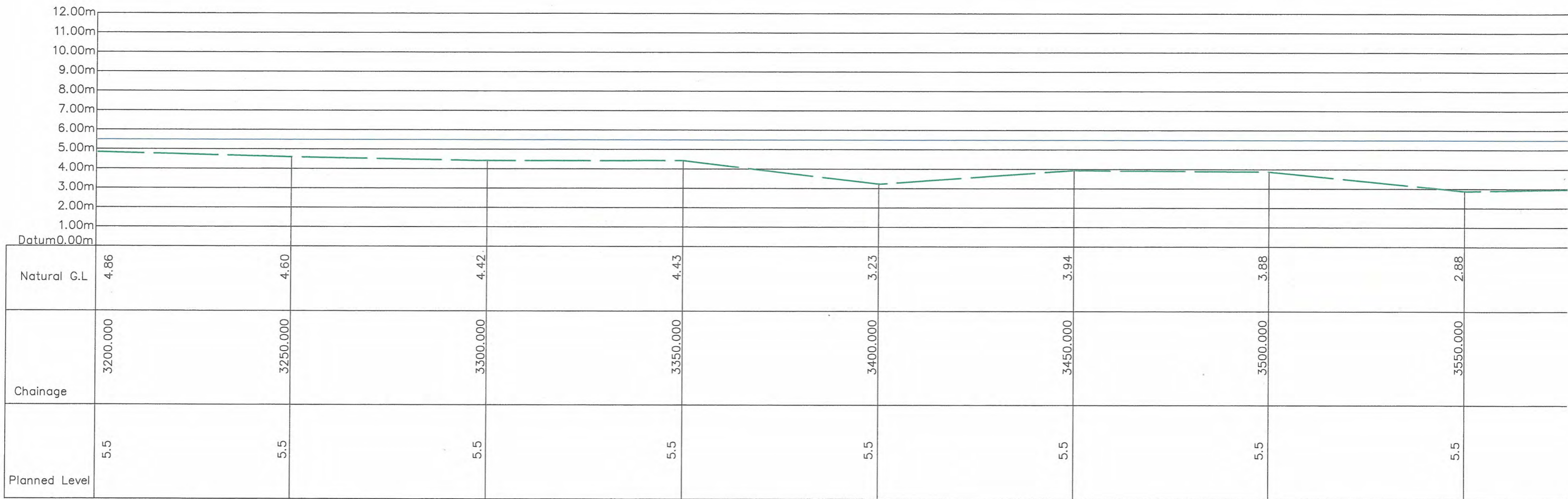
Roads and Highways Department (RHD) Ministry of Communications	Preparatory Survey on Cittagong Area Coal Fired Power Plant Development Project in Bangladesh	JAPAN INTERNATIONAL COOPERATION AGENCY (JICA)	DRAWING TITLE:	SCALE	DATE	DRAWING NO.
			ROAD LOGITUDINAL PROFILE BADARKHALI TO PLANT SITE	1:1000	AUGUST, 2013	PS/CFPP/S2K-003 9 OF 19



**LEGEND:**

- Natural Ground Level
- Planned Level

BADARKHALI SIDE



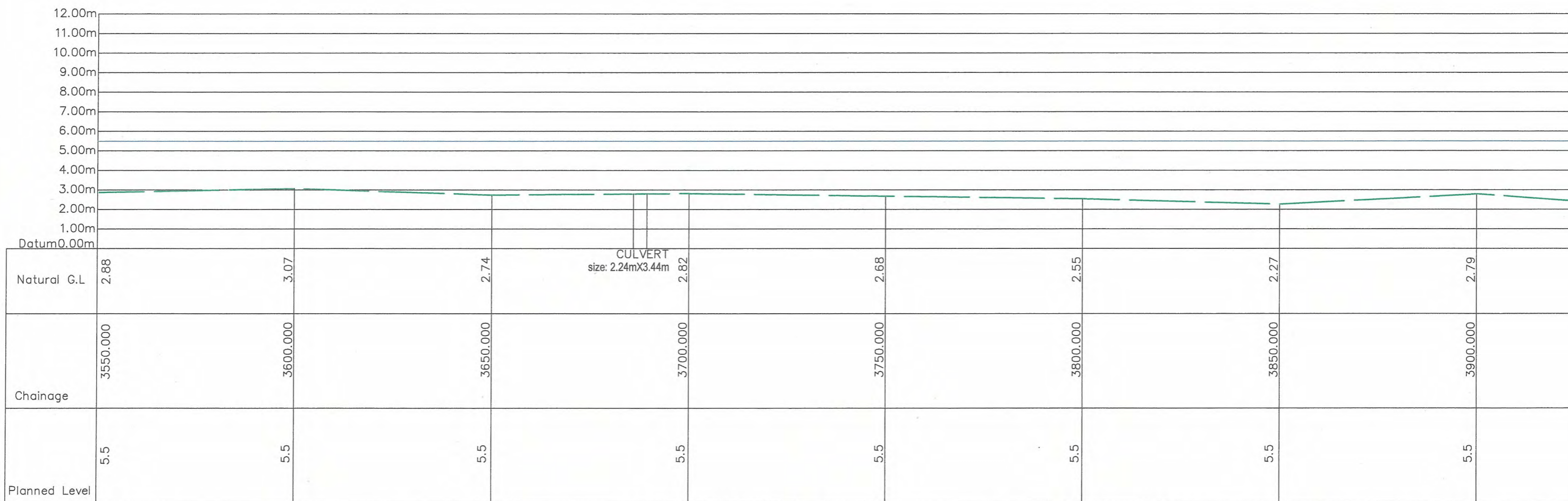
**PROFILE**  
SCALE H=1/1000, V=1/200

Roads and Highways Department (RHD) Ministry of Communications	Preparatory Survey on Cittagong Area Coal Fired Power Plant Development Project in Bangladesh	JAPAN INTERNATIONAL COOPERATION AGENCY (JICA)	DRAWING TITLE:	SCALE	DATE	DRAWING NO
			ROAD LOGITUDINAL PROFILE BADARKHALI TO PLANT SITE	1:1000	AUGUST, 2013	PS/CFPP/S2K-00 10 OF 19

**LEGEND:**

- Natural Ground Level
- Planned Level

BADARKHALI SIDE



**PROFILE**

SCALE H=1/1000, V=1/200

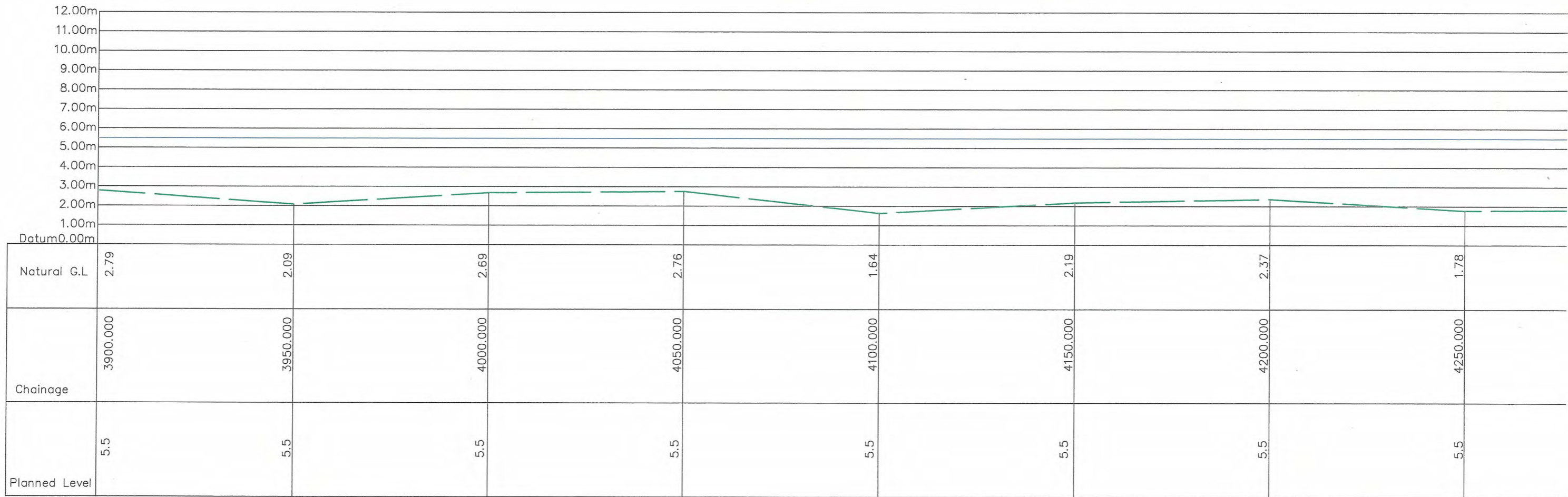
Roads and Highways Department (RHD) Ministry of Communications	Preparatory Survey on Cittagong Area Coal Fired Power Plant Development Project in Bangladesh	JAPAN INTERNATIONAL COOPERATION AGENCY (JICA)	DRAWING TITLE:	SCALE	DATE	DRAWING NO.
			ROAD LOGITUDINAL PROFILE BADARKHALI TO PLANT SITE	1:1000	AUGUST, 2013	PS/CFPP/S2K-003 11 OF 19



**LEGEND:**

- Natural Ground Level
- Planned Level

BADARKHALI SIDE



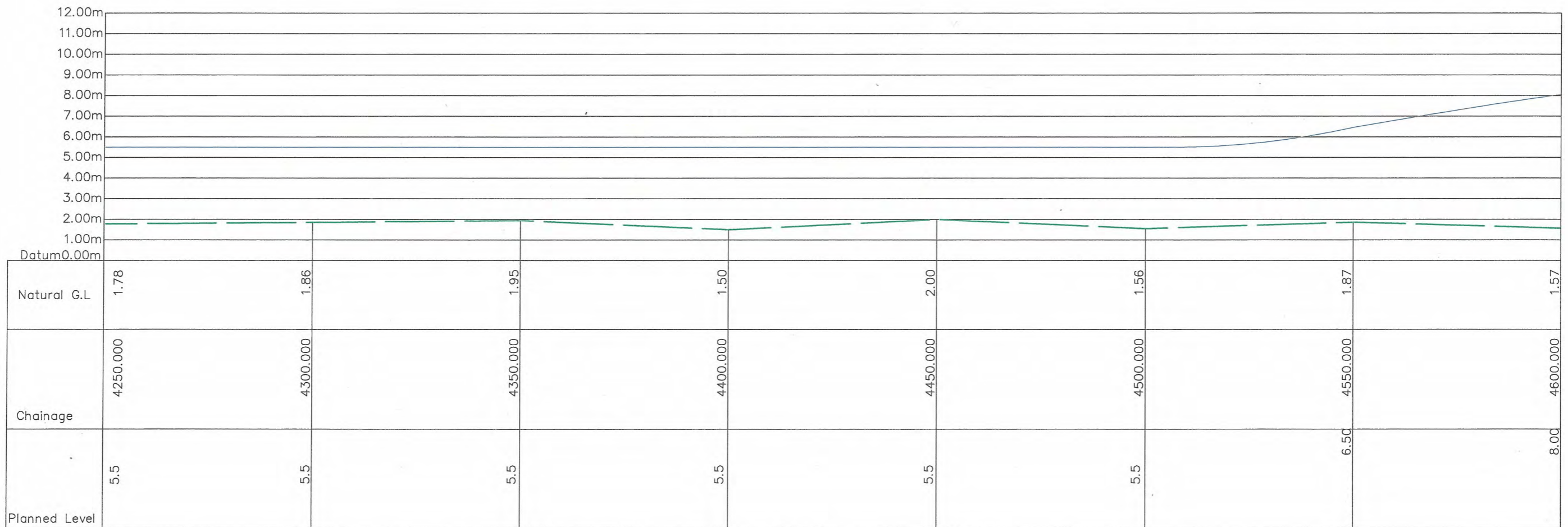
**PROFILE**  
SCALE H=1/1000, V=1/200

Roads and Highways Department (RHD) Ministry of Communications	Preparatory Survey on Cittagong Area Coal Fired Power Plant Development Project in Bangladesh	JAPAN INTERNATIONAL COOPERATION AGENCY (JICA)	DRAWING TITLE:	SCALE	DATE	DRAWING NO
			ROAD LOGITUDINAL PROFILE BADARKHALI TO PLANT SITE	1:1000	AUGUST, 2013	PS/CFPP/S2K-00 12 OF 19



**LEGEND:**  
 — Natural Ground Level  
 — Planned Level

BADARKHALI SIDE

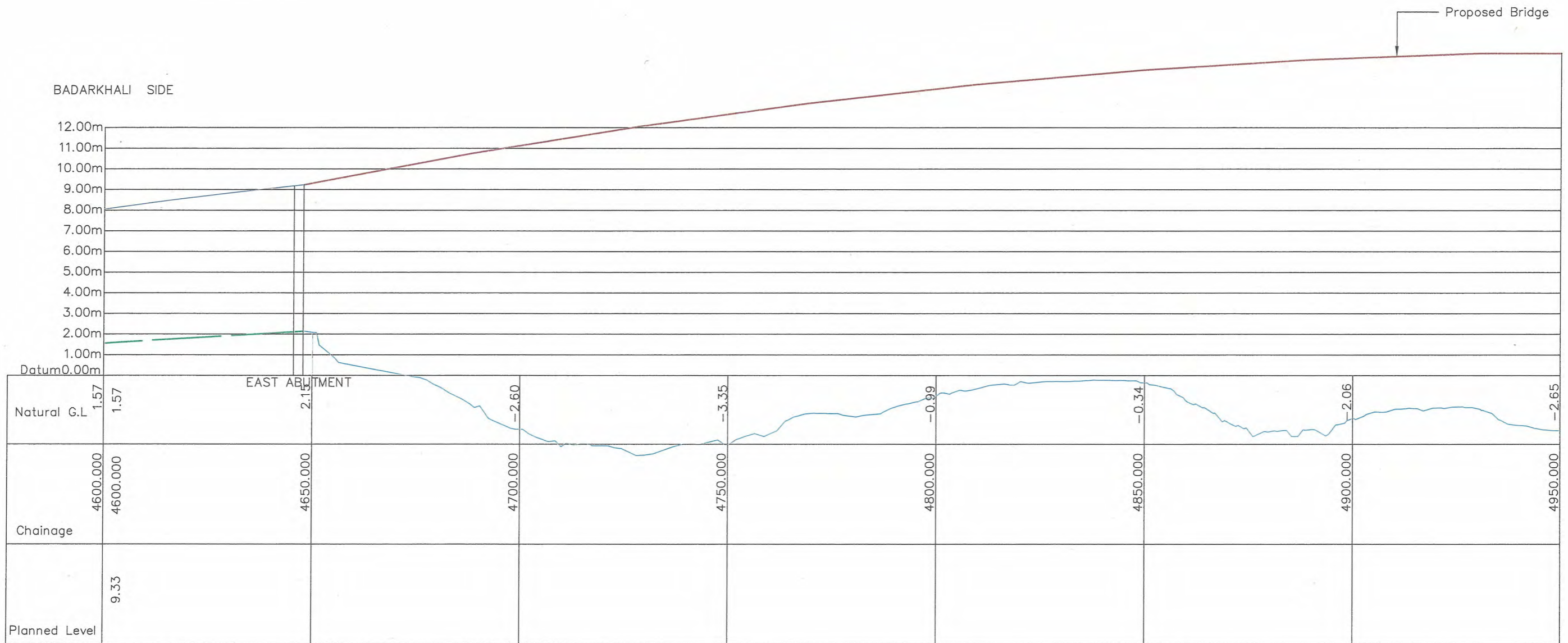


**PROFILE**  
 SCALE H=1/1000, V=1/200

Roads and Highways Department (RHD) Ministry of Communications	Preparatory Survey on Cittagong Area Coal Fired Power Plant Development Project in Bangladesh	JAPAN INTERNATIONAL COOPERATION AGENCY (JICA)	DRAWING TITLE:	SCALE	DATE	DRAWING NO
			ROAD LOGITUDINAL PROFILE BADARKHALI TO PLANT SITE	1:1000	AUGUST, 2013	PS/CFPP/S2K-00 13 OF 19

**LEGEND:**

- Natural Ground Level
- Planned Level
- Bridge Deck Level



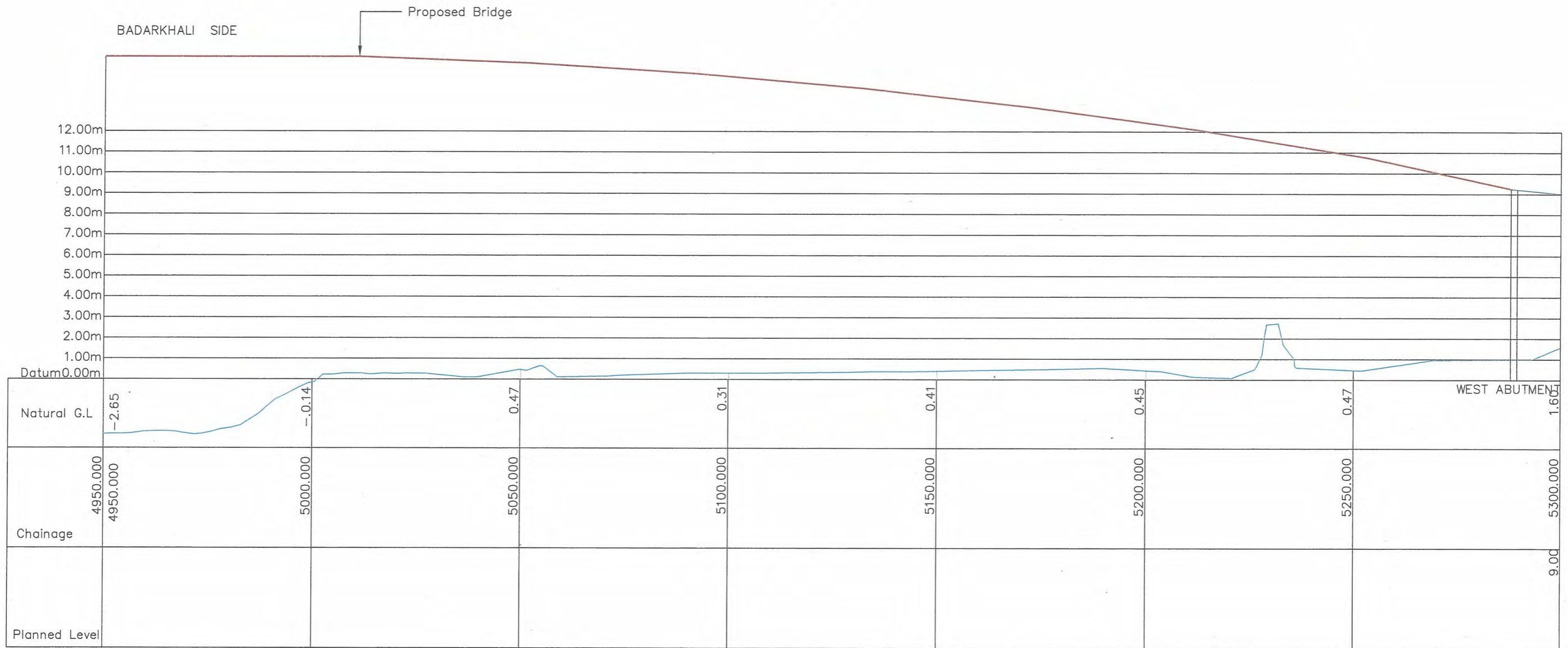
**PROFILE**  
SCALE H=1/1000, V=1/200

Roads and Highways Department (RHD) Ministry of Communications	Preparatory Survey on Cittagong Area Coal Fired Power Plant Development Project in Bangladesh	JAPAN INTERNATIONAL COOPERATION AGENCY (JICA)	DRAWING TITLE:	SCALE	DATE	DRAWING NC
			ROAD LOGITUDINAL PROFILE BADARKHALI TO PLANT SITE	1:1000	AUGUST, 2013	PS/CFPP/S2K-00 14 OF 19



**LEGEND:**

- Natural Ground Level
- Planned Level
- Bridge Deck Level



**PROFILE**

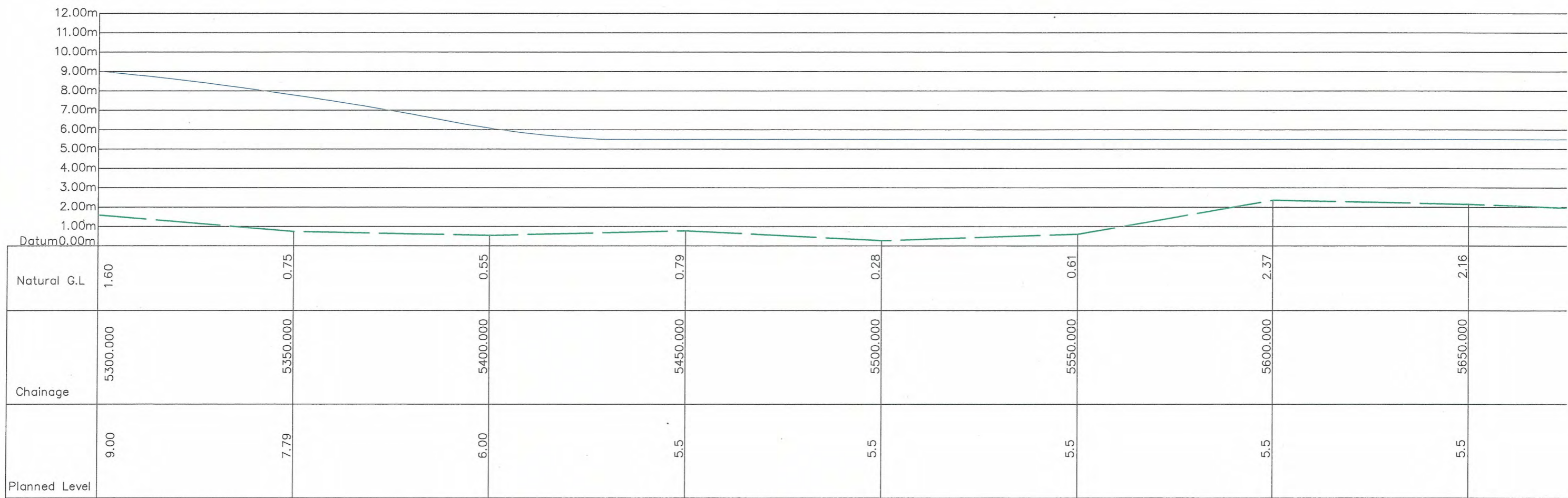
SCALE H=1/1000, V=1/200

Roads and Highways Department (RHD) Ministry of Communications	Preparatory Survey on Cittagong Area Coal Fired Power Plant Development Project in Bangladesh	JAPAN INTERNATIONAL COOPERATION AGENCY (JICA)	DRAWING TITLE:	SCALE	DATE	DRAWING NO.
			ROAD LOGITUDINAL PROFILE BADARKHALI TO PLANT SITE	1:1000	AUGUST, 2013	PS/CFPP/S2K-001 15 OF 19



**LEGEND:**  
 — Natural Ground Level  
 — Planned Level

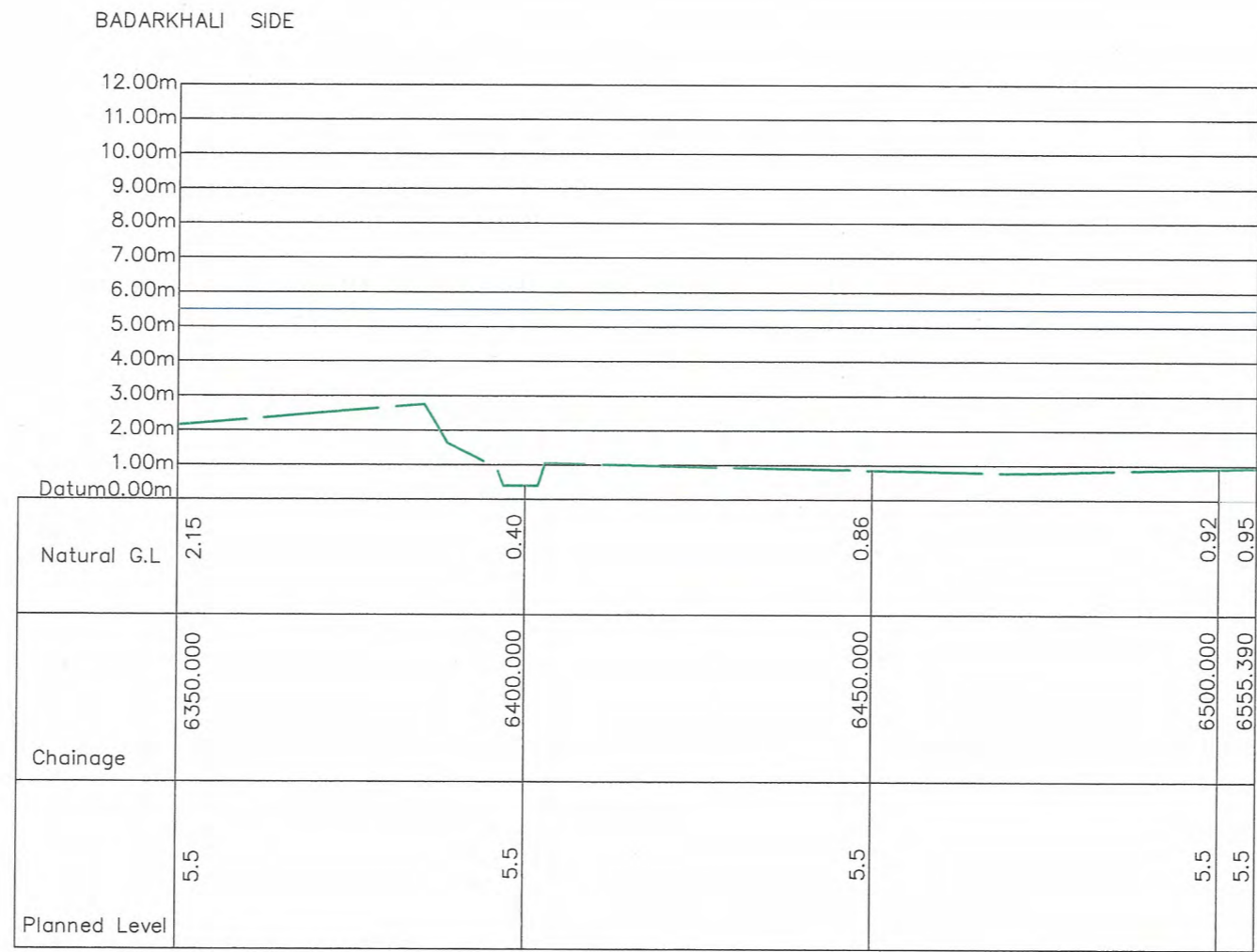
BADARKHALI SIDE



**PROFILE**  
 SCALE H=1/1000, V=1/200

Roads and Highways Department (RHD) Ministry of Communications	Preparatory Survey on Cittagong Area Coal Fired Power Plant Development Project in Bangladesh	JAPAN INTERNATIONAL COOPERATION AGENCY (JICA)	DRAWING TITLE:	SCALE	DATE	DRAWING NO.
			ROAD LOGITUDINAL PROFILE BADARKHALI TO PLANT SITE	1:1000	AUGUST, 2013	PS/CFPP/S2K-01 16 OF 19

**LEGEND:**  
 — Natural Ground Level  
 — Planned Level

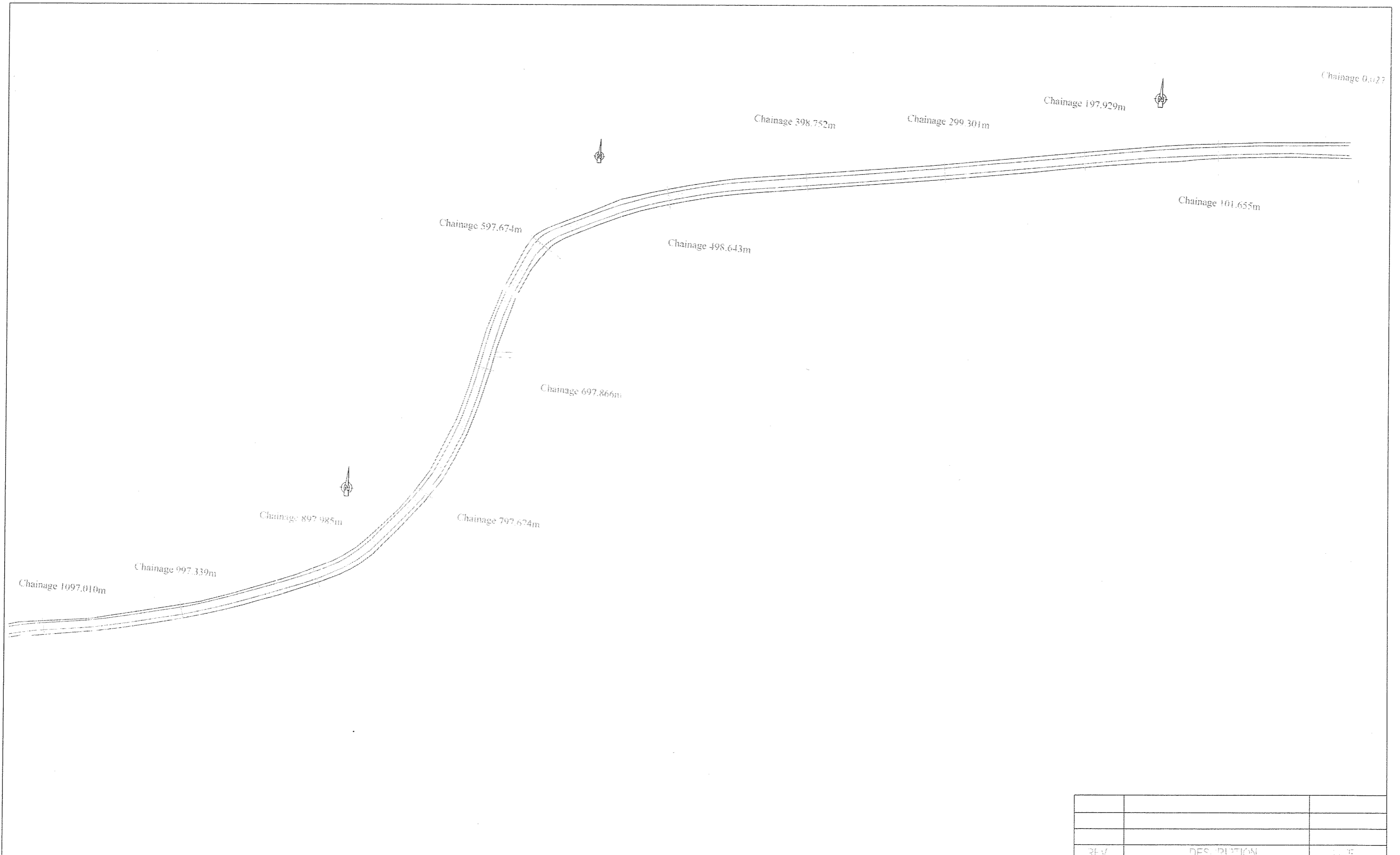


**PROFILE**  
 SCALE H=1/1000, V=1/200

Roads and Highways Department (RHD) Ministry of Communications	Preparatory Survey on Cittagong Area Coal Fired Power Plant Development Project in Bangladesh	JAPAN INTERNATIONAL COOPERATION AGENCY (JICA)	DRAWING TITLE:	SCALE	DATE	DRAWING N
			ROAD LOGITUDINAL PROFILE BADARKHALI TO PLANT SITE	1:1000	AUGUST, 2013	PS/CFPP/S2K-0 19 OF 19



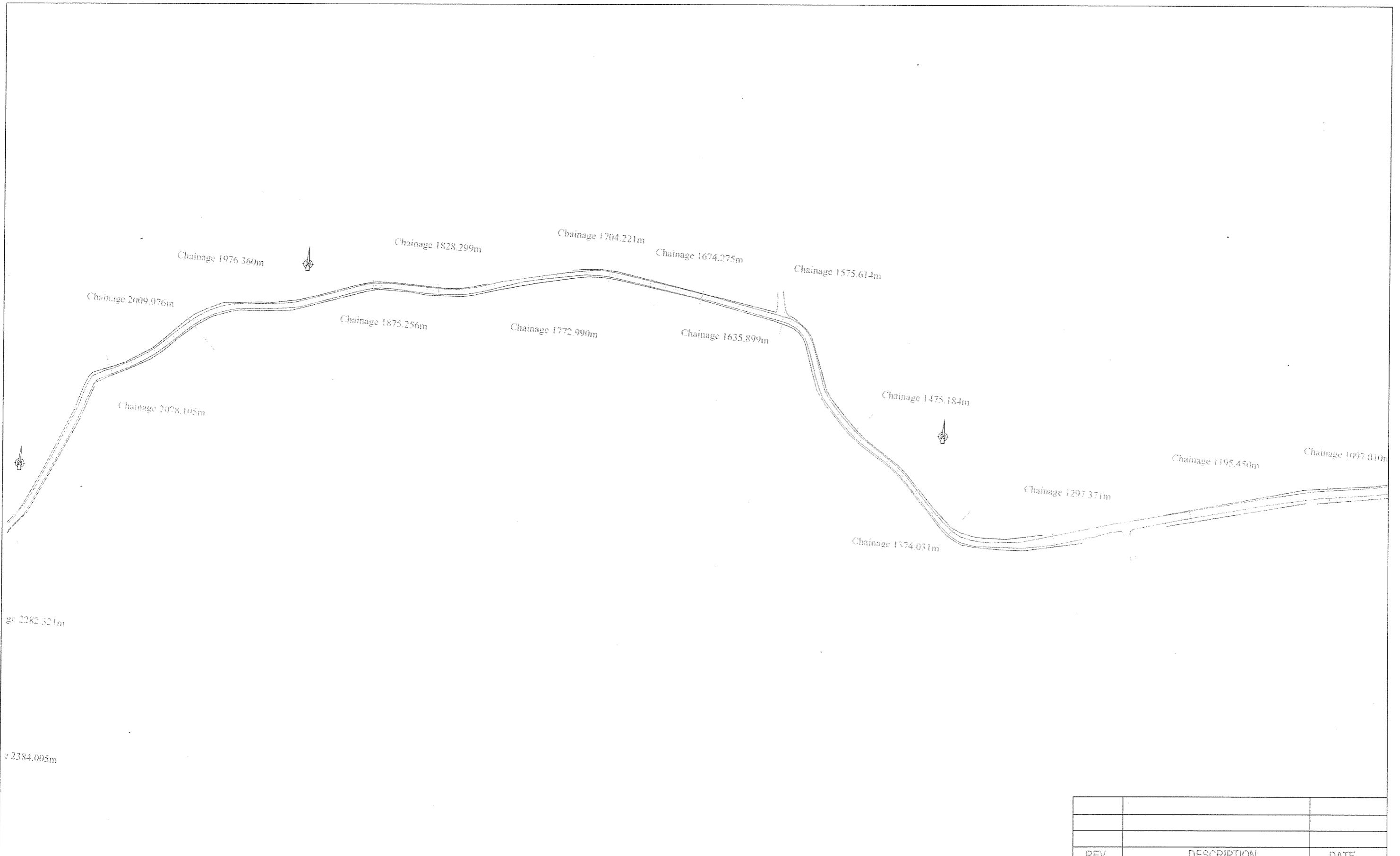
# CROSS SECTION INDEX MAP



REV	DESCRIPTION	DATE

Roads and Highways Department Ministry of Transport	NAME OF THE PROJECT Road Rehabilitation Project (JICA Study)	APPROVAL AUTHORITY Roads and Highways Department	DATE	SCALE	PROJECT NO.





REV.	DESCRIPTION	DATE

Roads and Highways Department (RHD) Ministry of Communications	NAME OF THE PROJECT	JAPAN INTERNATIONAL COOPERATION AGENCY (JICA)	DRAWING TITLE	SCALE	DATE	DRAWING NO.
	Preparatory Survey on chittagong Area Coal Fired Power Plant Development Project in Bangladesh 'JICA Study'		INDEX MAP OF ROAD CROSS SECTION BADARKHALI TO POWER PLANT SITE	SCALE 1:2500	AUGUST 2013	PLAN/DWG- 02 of 07



REV.	DESCRIPTION	DATE

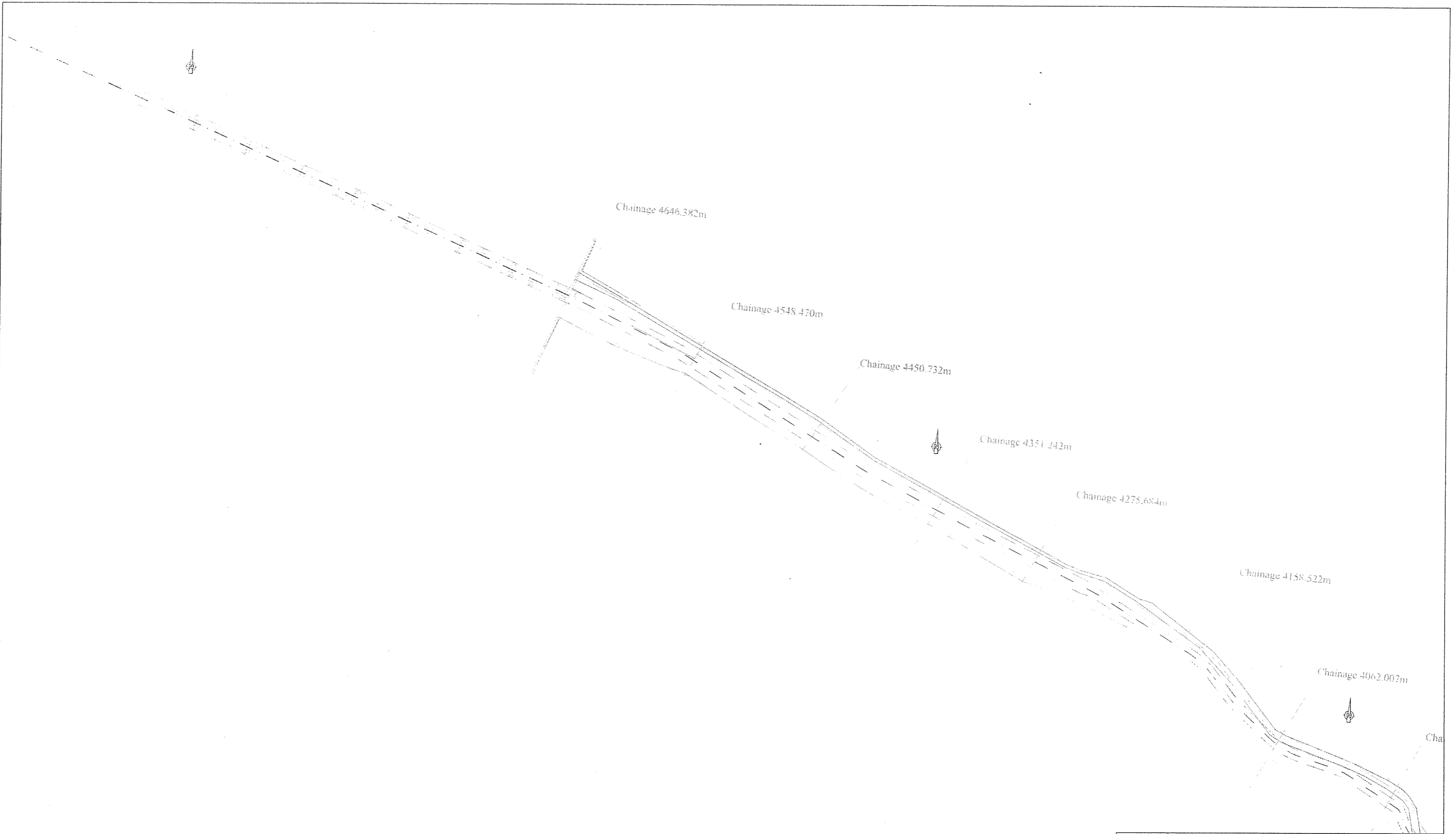
Roads and Highways Department (Roads and Highways Division) Ministry of Transportation	NAME OF THE PROJECT Preparation of the alignment for the road project (JICA Study).	APPROVAL FOR THE PROJECT COORDINATION AND APPROVAL	DRAWING TITLE	SCALE	DATE	DRAWN BY
			INDEX MAP OF THE PROJECT SITE ROAD ALIGNMENT PROJECT SITE			





REV.	DESCRIPTION	DATE

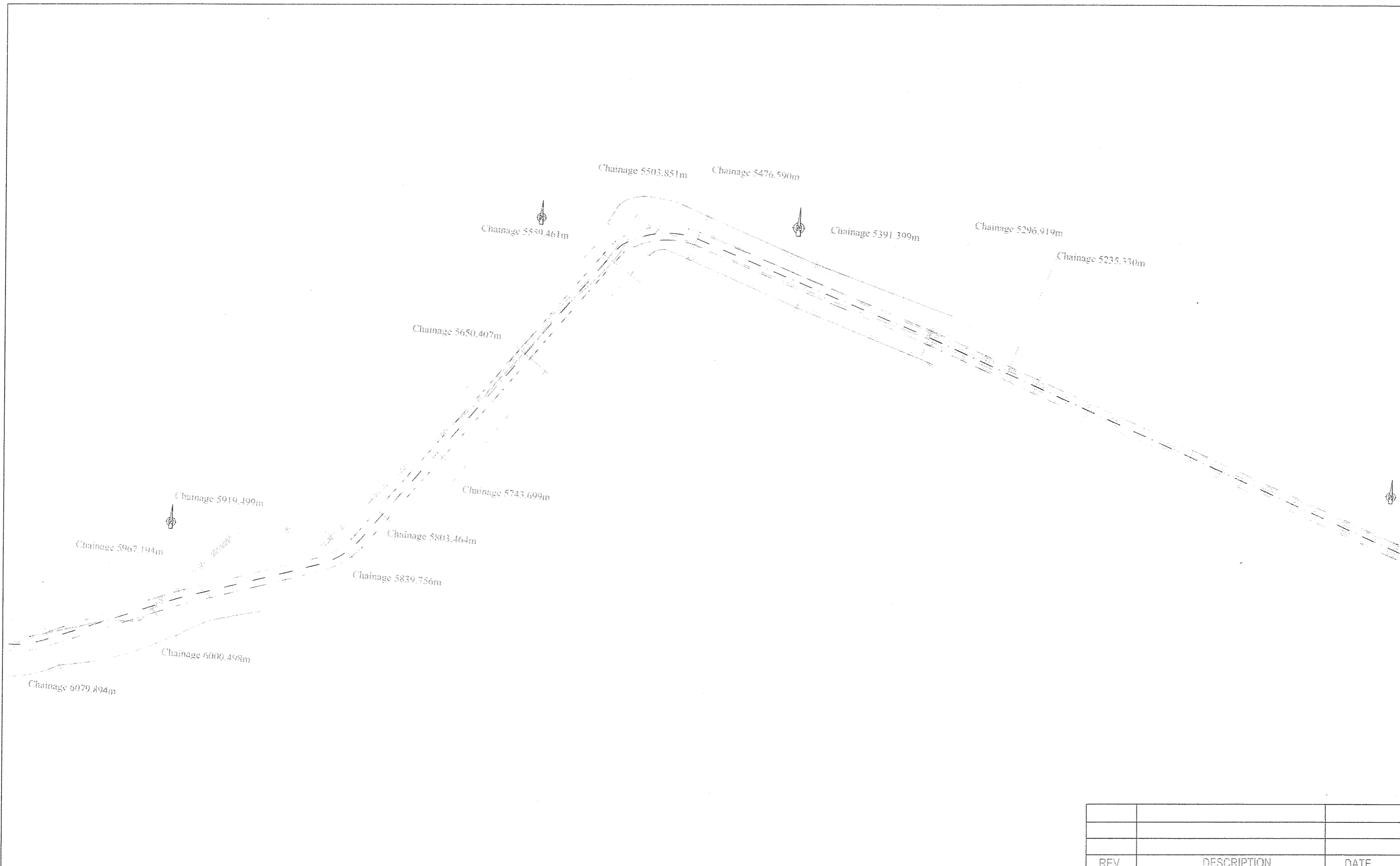
Roads and Highways Department (RHD) Ministry of Communications	NAME OF THE PROJECT Preparatory Survey on chittagong Area Coal Fired Power Plant Development Project in Bangladesh (JICA Study)	JAPAN INTERNATIONAL COOPERATION AGENCY (JICA)	DRAWING TITLE		SCALE	DATE	DRAWING NO.
			INDEX MAP OF ROAD CROSS SECTION RADARKHAL TO POWER PLANT SITE		SCALE 1:2500	AUGUST 2013	PLAN/DWG-04 of 07



REV.	DESCRIPTION	DATE

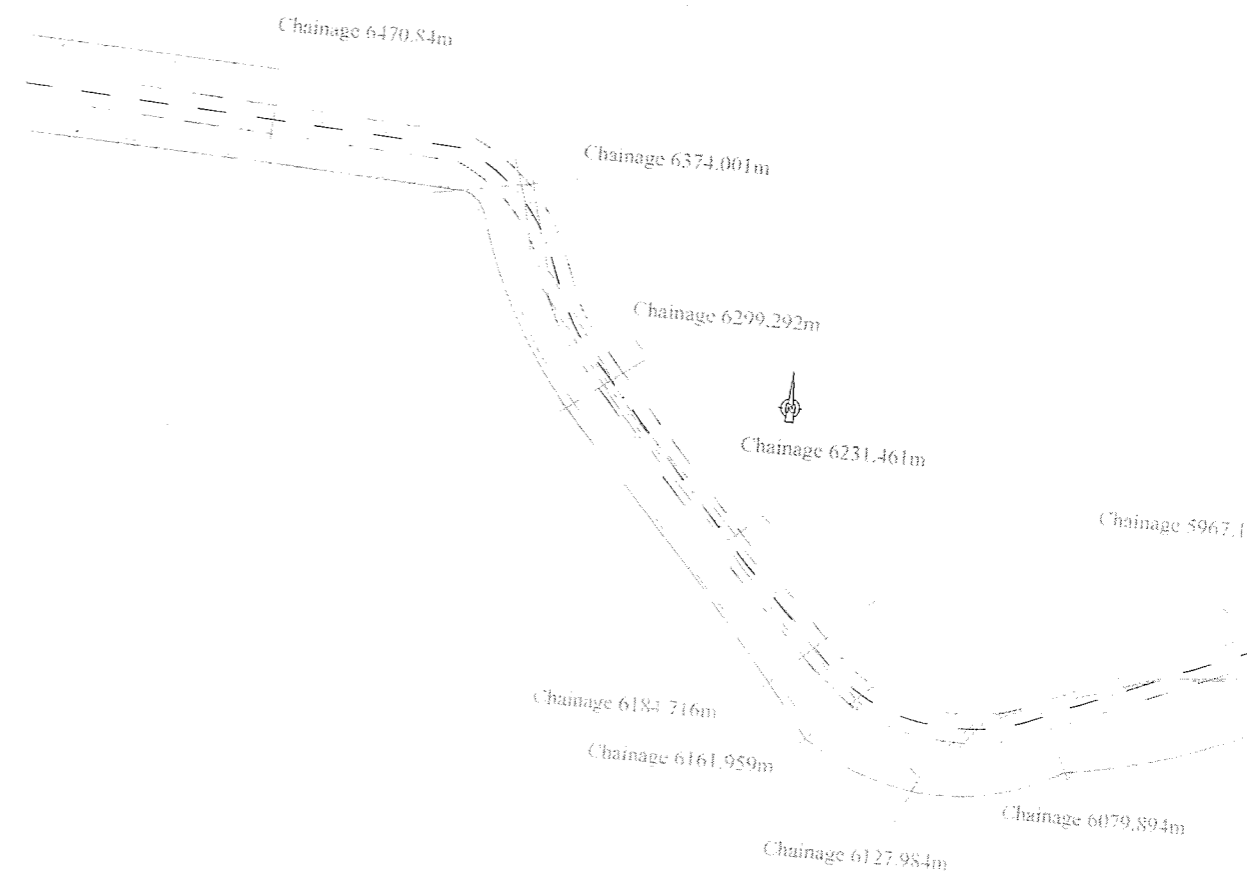
Roads and Highways Department (RHD) Ministry of Communications	NAME OF THE PROJECT: Preparatory Survey on Chittagong Area at Fared Power Plant Development Project in Bangladesh (ICA Study).	JAPAN INTERNATIONAL COOPERATION AGENCY (JICA)	DRAWING TITLE:		
			INDEX MAP OF ROAD CROSS SECTION BADARKHA TO POWER PLANT SITE	SCALE: SCALE 1:2500	DATE: AUGUST 2013





REV.	DESCRIPTION	DATE

Roads and Highways Department (RHD) Ministry of Communications	NAME OF THE PROJECT	JAPAN INTERNATIONAL COOPERATION AGENCY (JICA)	DRAWING TITLE	SCALE :	DATE	DRAWING NO.
	Preparatory Survey on Chittagong Area Coal-Fired Power Plant Development Project in Bangladesh (JICA Study)		INDEX MAP OF ROAD CROSS SECTION BADARKHALI TO POWER PLANT SITE	SCALE 1:2500	AUGUST 2013	PLAN/DWG-06 of 07

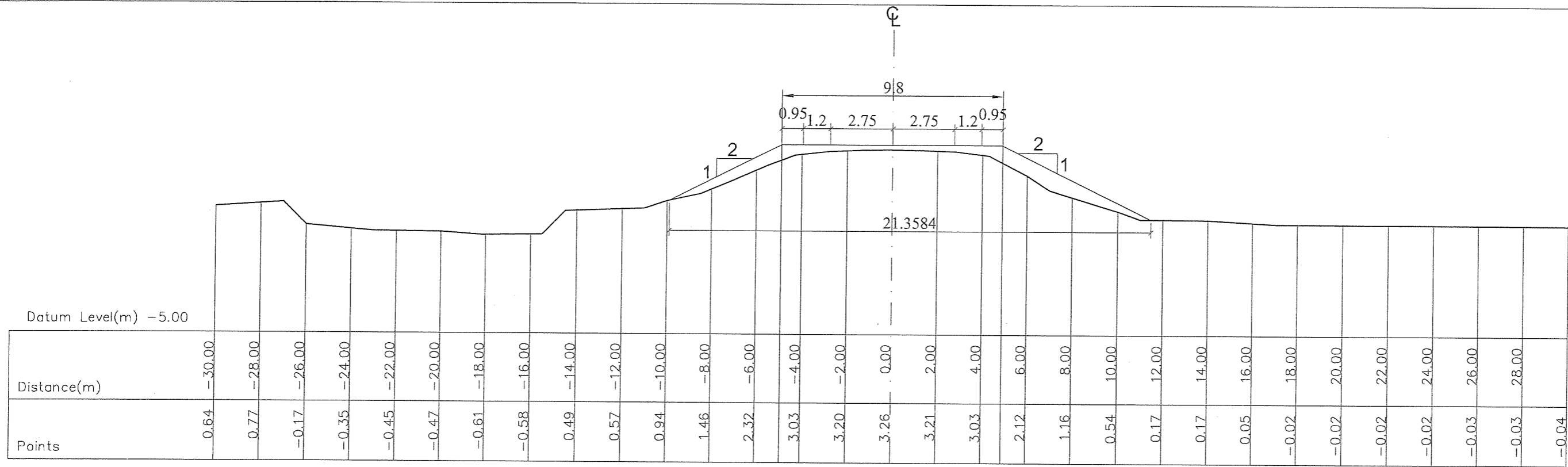


REV.	DESCRIPTION	DATE

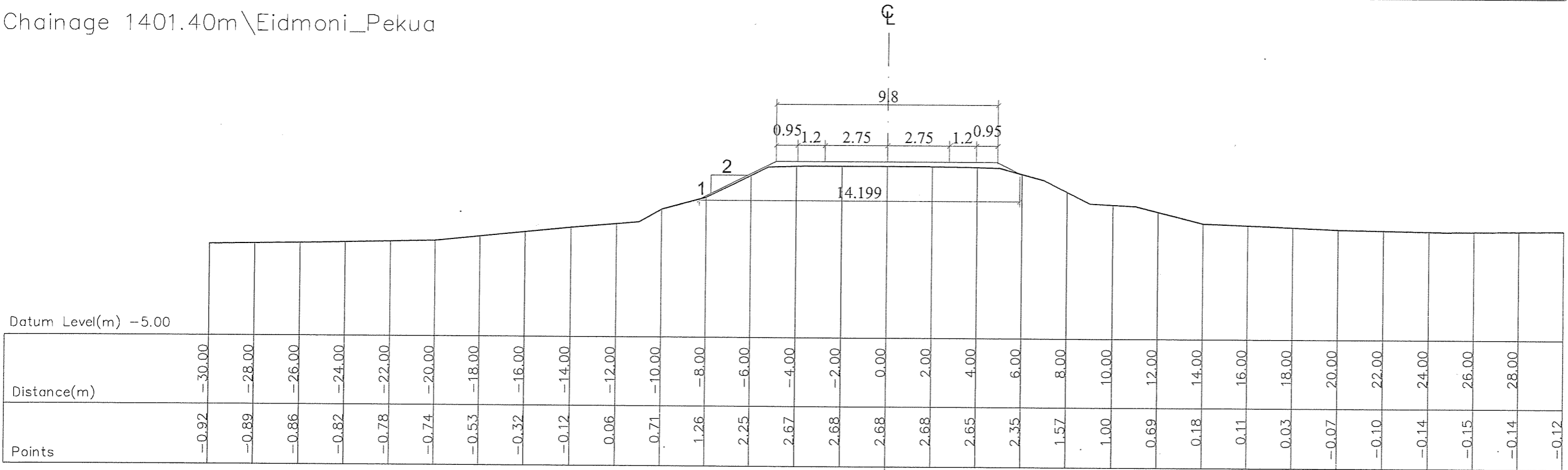
NAME OF THE PROJECT		DRAWING TITLE	SCALE	DATE	DRAWING NO.
Roads and Highway Department (RHD) Ministry of Communications	Preparatory Survey on Chittagong Area Coal Fired Power Plant Development Project in Bangladesh (ICA Study)		JAPAN INTERNATIONAL COOPERATION AGENCY (JICA)	SCALE: 1:2500	AUGUST 2013



# DESIGN CROSS SECTION



Chainage 1401.40m\Eidmoni\_Pekua

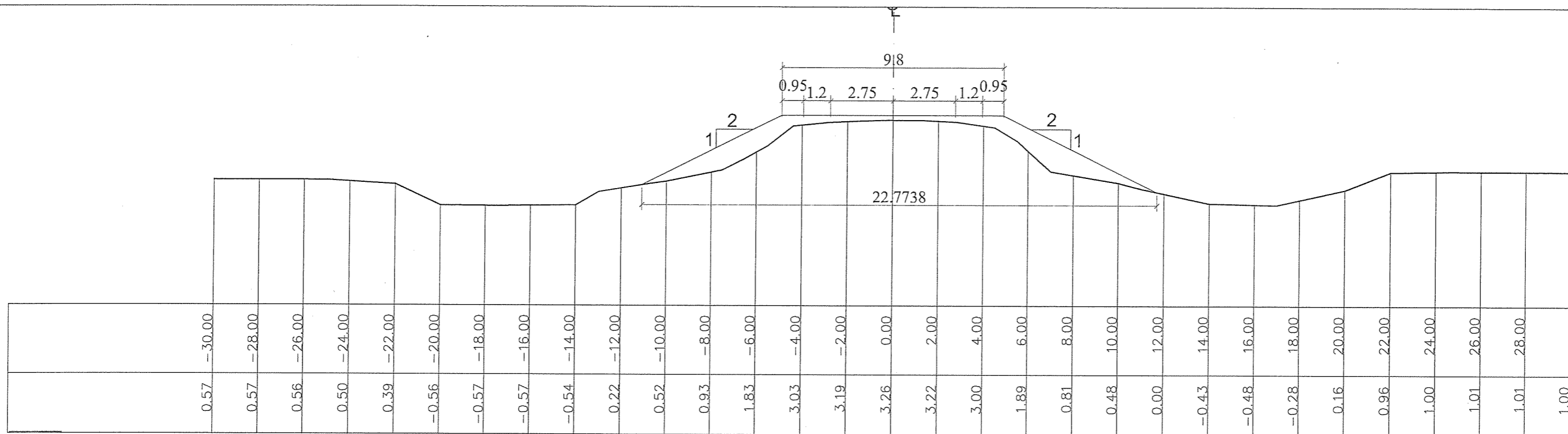


Chainage 10.00m\Eidmoni\_Pekua

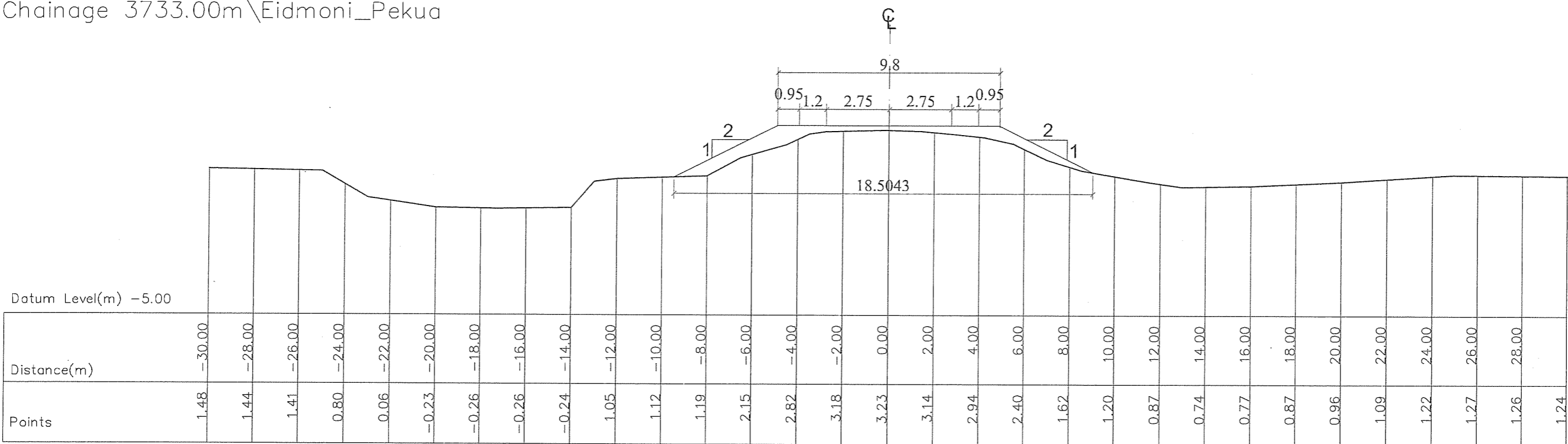
REV.	DESCRIPTION	DATE

Roads and Highways Department (RHD) Ministry of Communications	NAME OF THE PROJECT :	JAPAN INTERNATIONAL COOPERATION AGENCY(JICA)	DRAWING TITLE :	SCALE :	DATE :	DRAWING NO.
	Preparatory Survey on chittagong Area Coal Fared Power Plant Development Project in Bangladesh (JICA Study).		ROAD CROSS SECTION EIDMONI TO PEKUA	1:200	AUGUST, 2013	CS/DWG-01 of 54





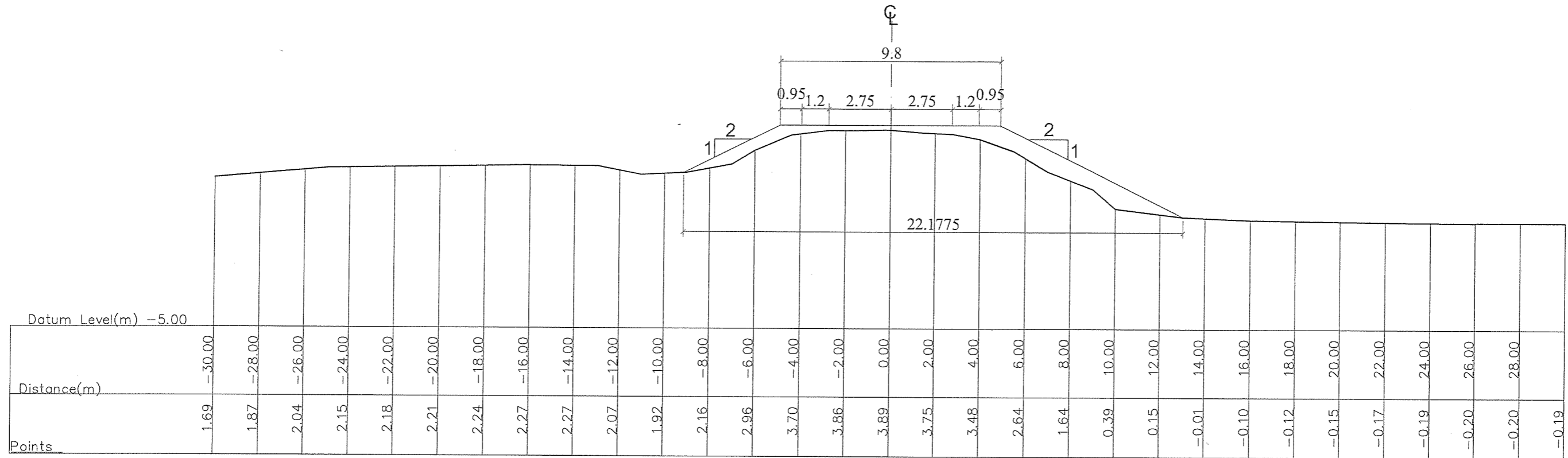
Chainage 3733.00m\Eidmoni\_Pekua



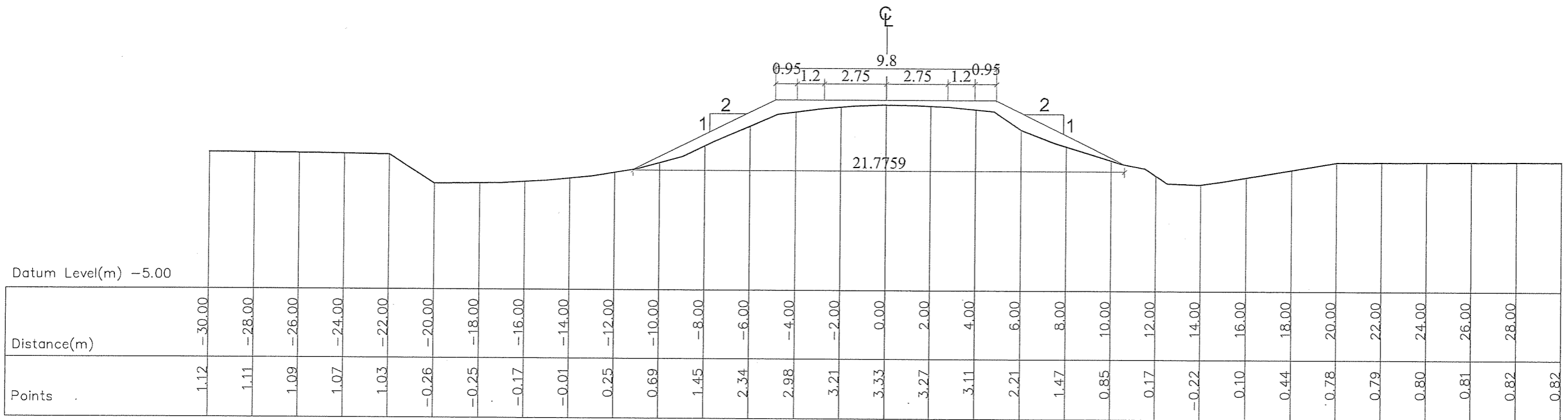
Chainage 2548.26m\Eidmoni\_Pekua

REV.	DESCRIPTION	DATE

Roads and Highways Department (RHD) Ministry of Communications	NAME OF THE PROJECT :	JAPAN INTERNATIONAL COOPERATION AGENCY(JICA)	DRAWING TITLE :	SCALE :	DATE :	DRAWING NO.
	Preparatory Survey on chittagong Area Coal Fared Power Plant Development Project in Bangladesh (JICA Study).		ROAD CROSS SECTION EIDMONI TO PEKUA	1:200	AUGUST, 2013	CS/DWG-02 of 54



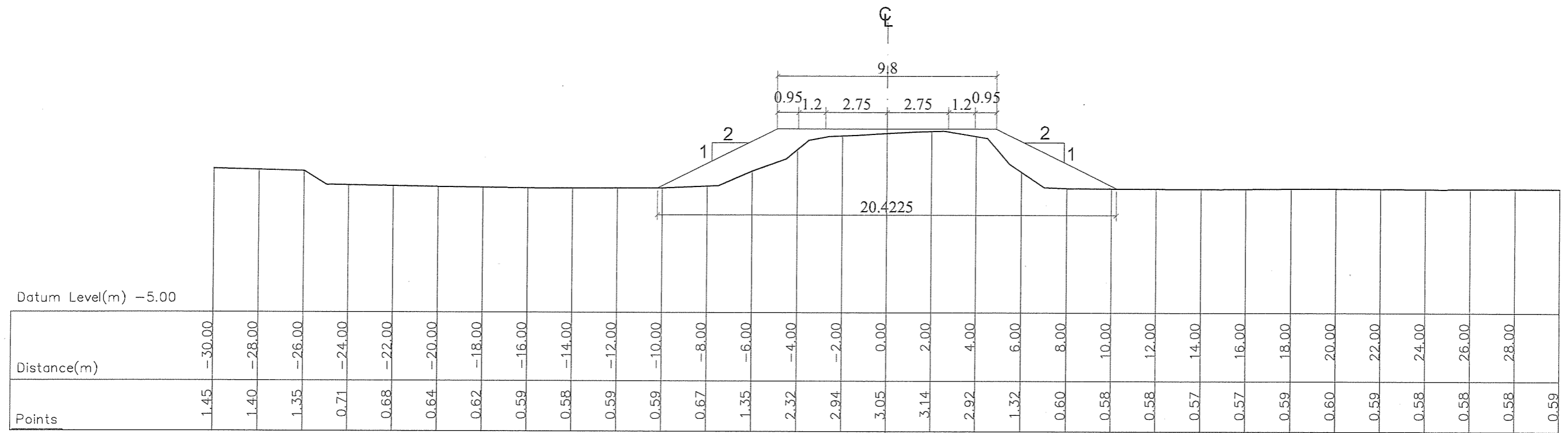
Chainage 5709.5m\Eidmoni\_Pekua



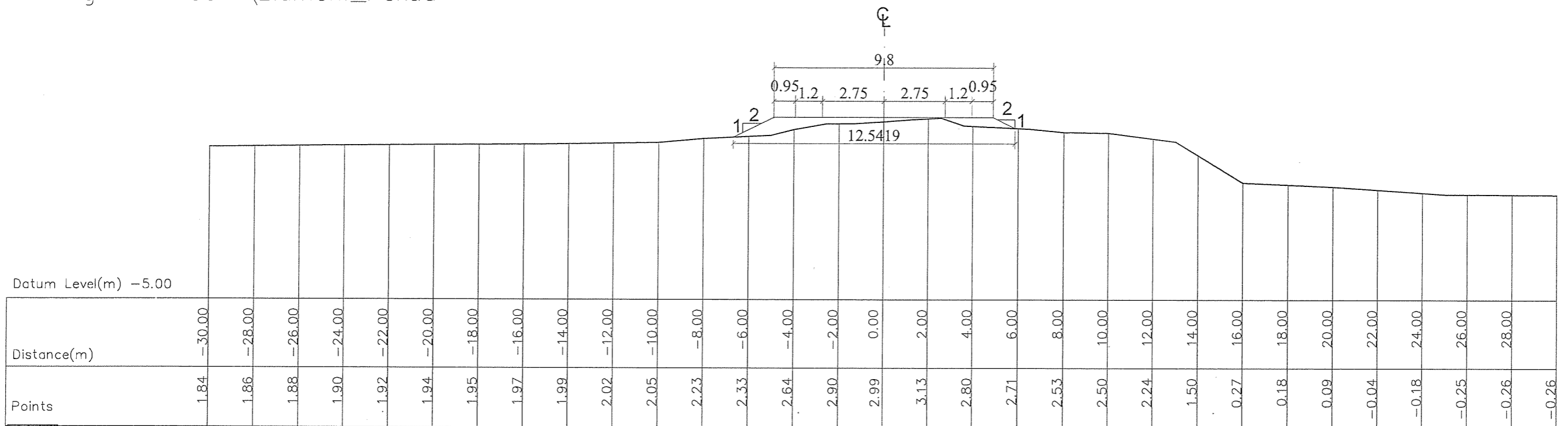
Chainage 47240m\Eidmoni\_Pekua

REV.	DESCRIPTION	DATE

Roads and Highways Department (RHD) Ministry of Communications	NAME OF THE PROJECT :	JAPAN INTERNATIONAL COOPERATION AGENCY(JICA)	DRAWING TITLE :	SCALE :	DATE :	DRAWING NO.
	Preparatory Survey on chittagong Area Coal Fared Power Plant Development Project in Bangladesh (JICA Study).		ROAD CROSS SECTION EIDMONI TO PEKUA	1:200	AUGUST, 2013	CS/DWG-03 of 54



Chainage 7818.00m \Eidmoni\_Pekua

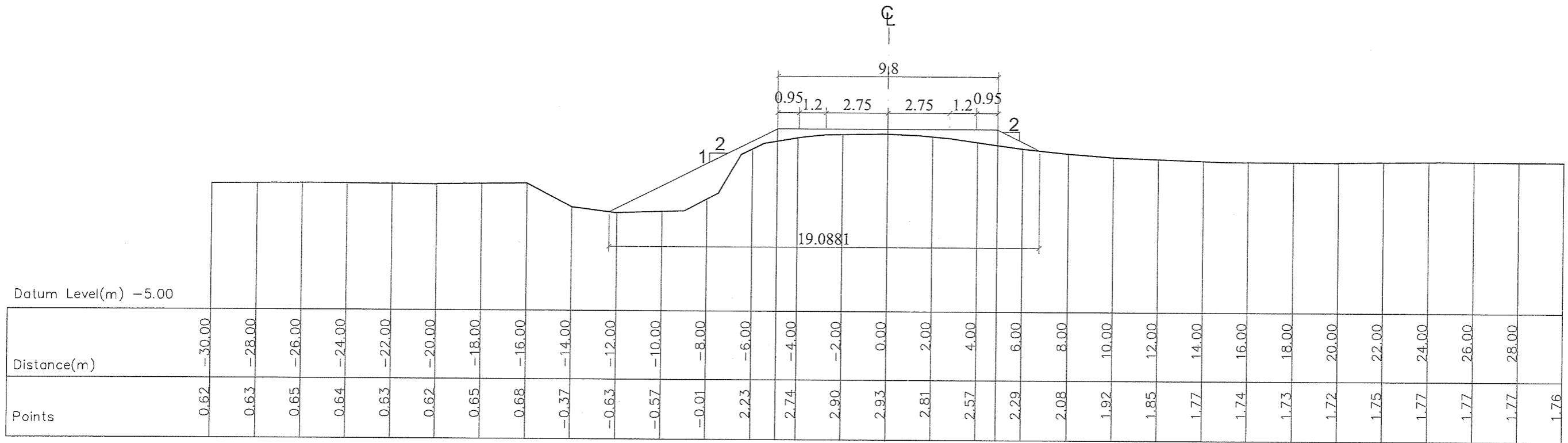


Chainage 6650.00m \Eidmoni\_Pekua

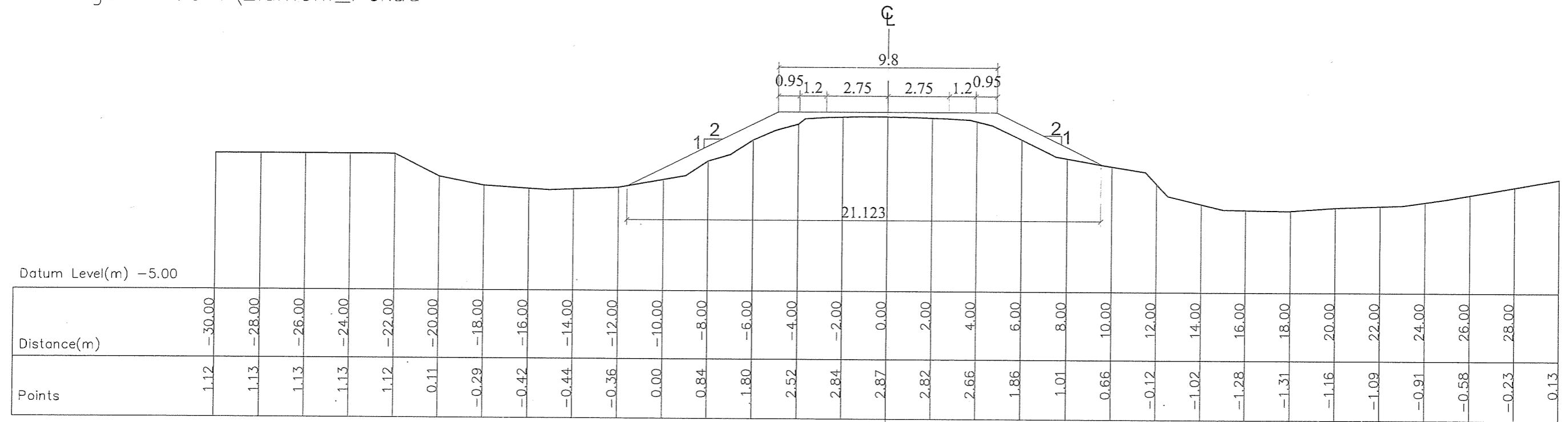
REV.	DESCRIPTION	DATE

Roads and Highways Department (RHD) Ministry of Communications	NAME OF THE PROJECT :	JAPAN INTERNATIONAL COOPERATION AGENCY(JICA)	DRAWING TITLE :	SCALE :	DATE :	DRAWING NO.
	Preparatory Survey on chittagong Area Coal Fared Power Plant Development Project in Bangladesh (JICA Study).		ROAD CROSS SECTION EIDMONI TO PEKUA	1:200	AUGUST, 2013	CS/DWG-04 of 54





Chainage 10090m\Eidmoni\_Pekua

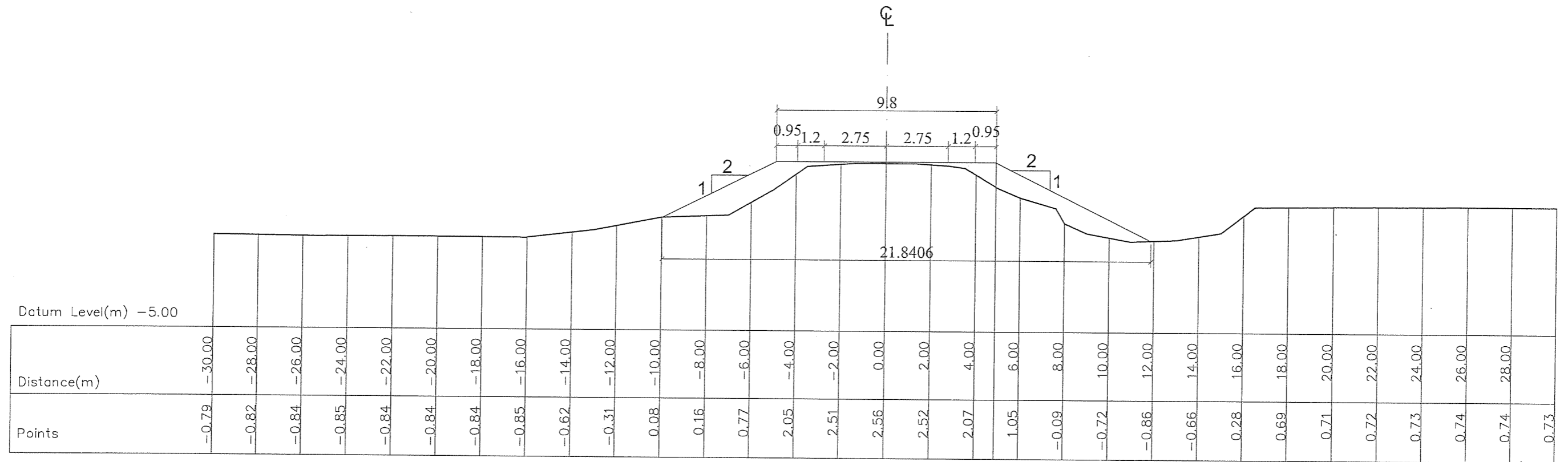


Chainage 8980.00m\Eidmoni\_Pekua

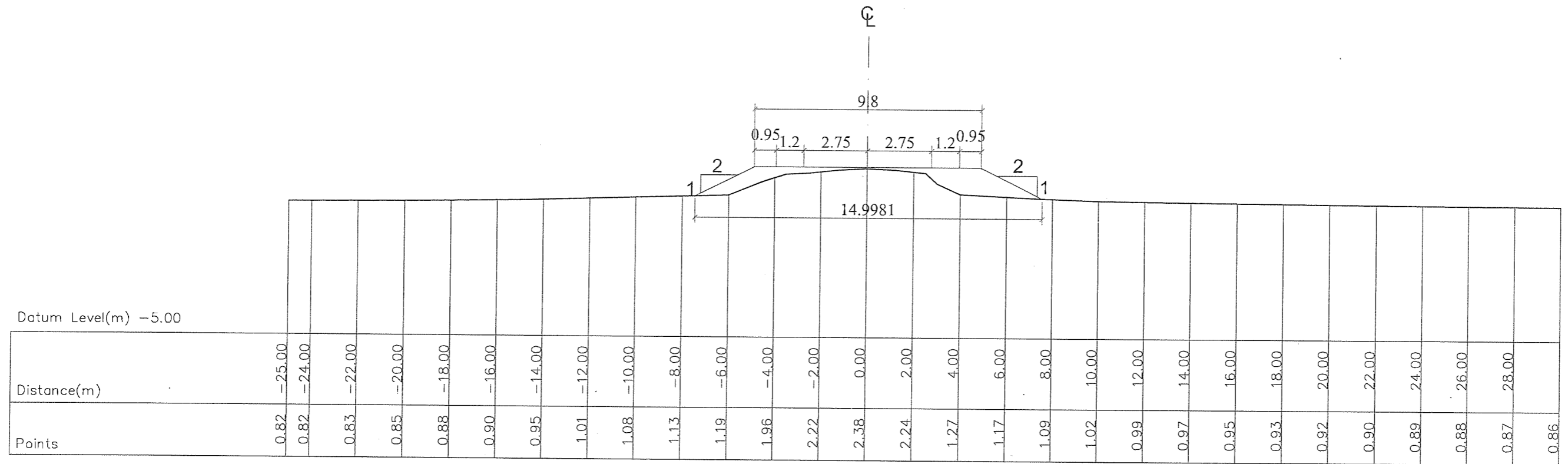
REV.	DESCRIPTION	DATE

Roads and Highways Department (RHD) Ministry of Communications	NAME OF THE PROJECT :	JAPAN INTERNATIONAL COOPERATION AGENCY(JICA)	DRAWING TITLE :	SCALE :	DATE :	DRAWING NO.
	Preparatory Survey on chittagong Area Coal Fared Power Plant Development Project in Bangladesh (JICA Study).		ROAD CROSS SECTION EIDMONI TO PEKUA	1:200	AUGUST, 2013	CS/DWG-05 of 54





Chainage 729.80m \ Badarkhai-Eidmoni

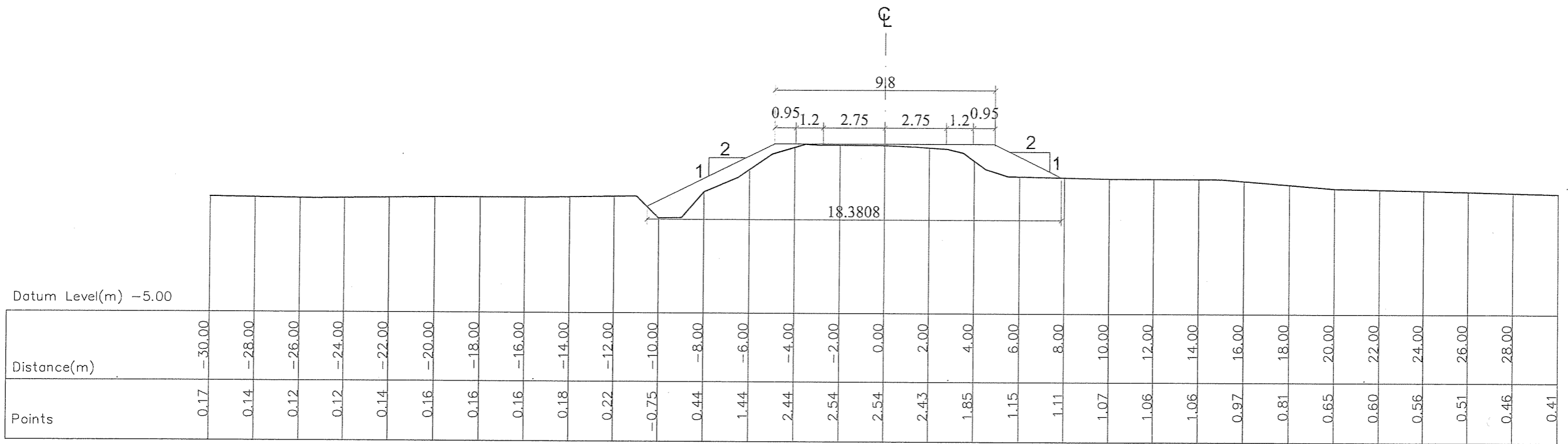
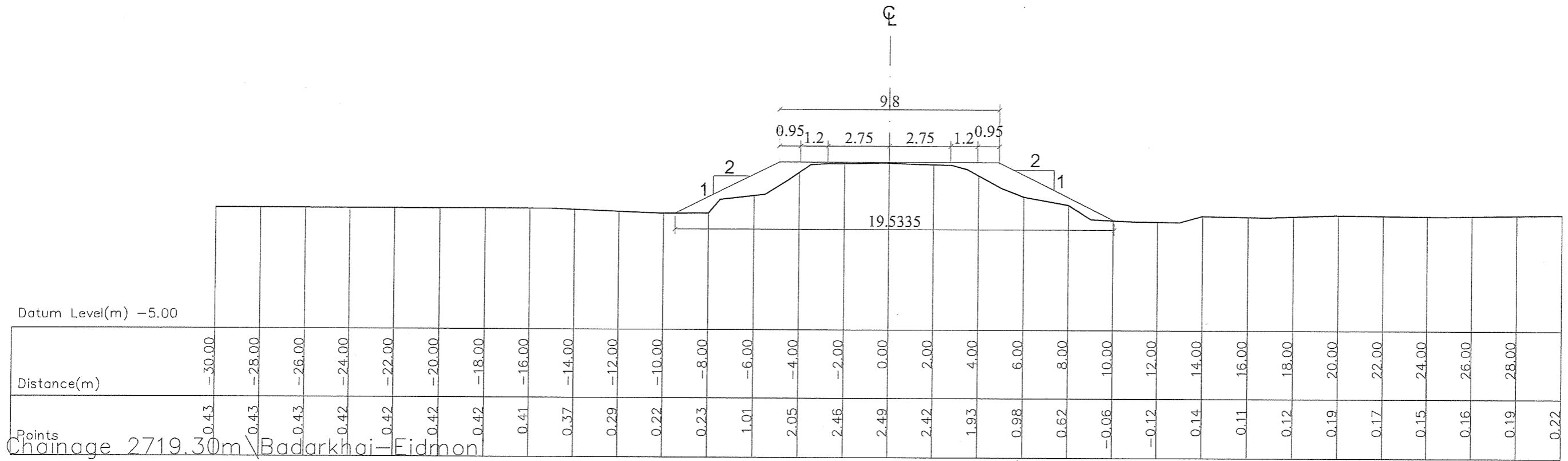


Chainage 05 \ Badarkhai-Eidmoni

REV.	DESCRIPTION	DATE

Roads and Highways Department (RHD) Ministry of Communications	NAME OF THE PROJECT :	JAPAN INTERNATIONAL COOPERATION AGENCY(JICA)	DRAWING TITLE :	SCALE :	DATE :	DRAWING NO.
	Preparatory Survey on chittagong Area Coal Fared Power Plant Development Project in Bangladesh (JICA Study).		ROAD CROSS SECTION BADARKHALI TO EIDMONI	1:200	AUGUST, 2013	CS/DWG-07 of 54

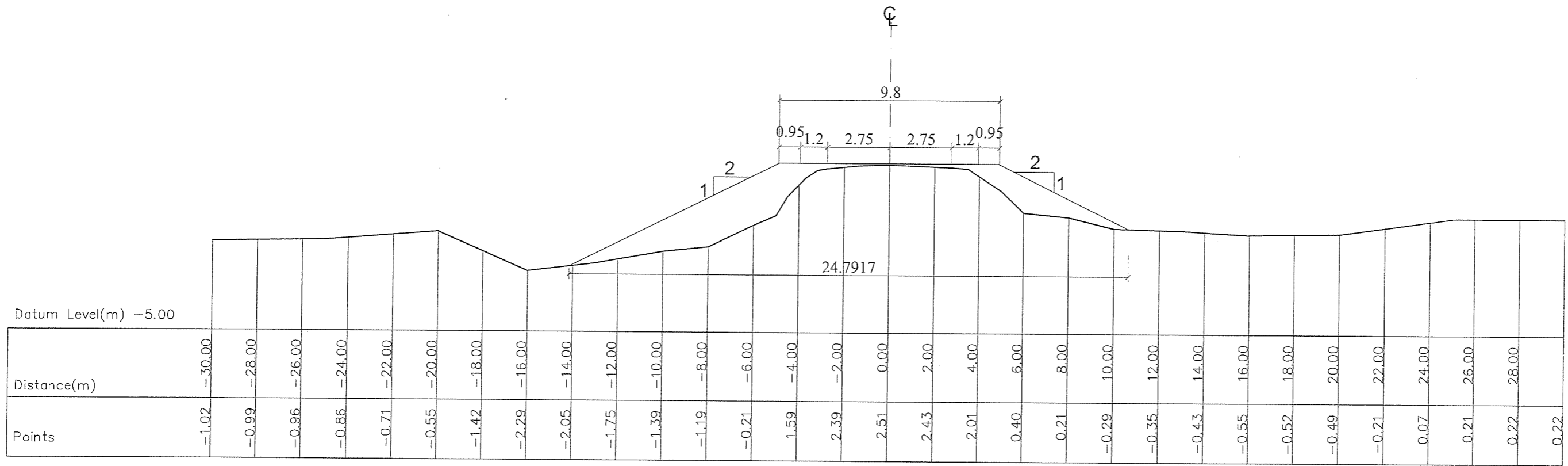




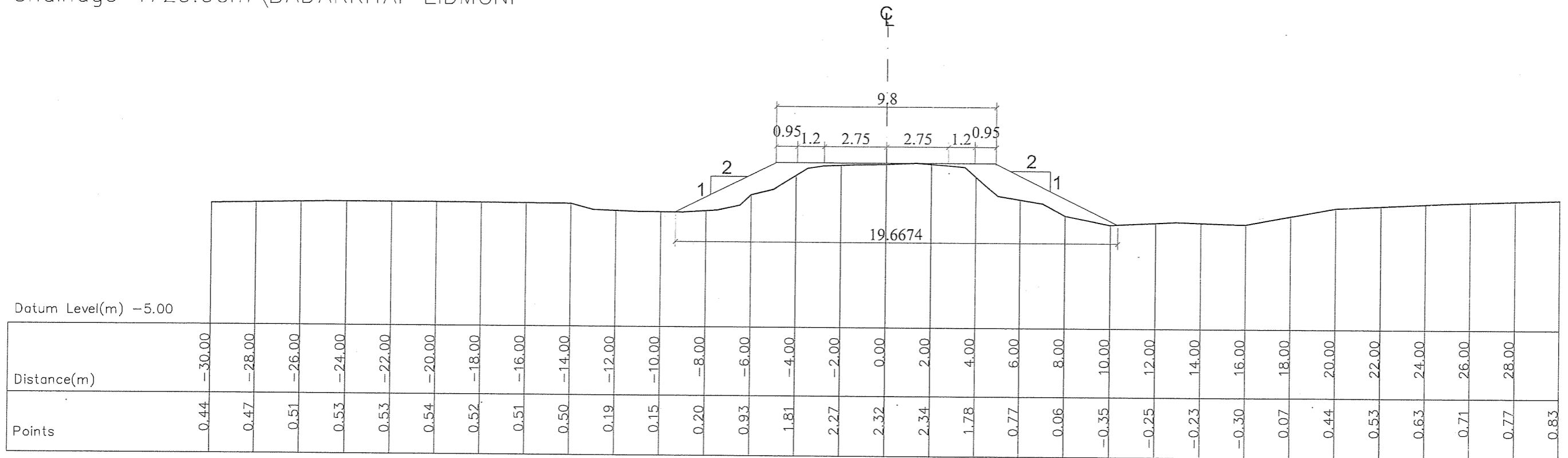
Chainage 1726m \ Badarkhai-Eidmoni

REV.	DESCRIPTION	DATE

Roads and Highways Department (RHD) Ministry of Communications	NAME OF THE PROJECT :	JAPAN INTERNATIONAL COOPERATION AGENCY(JICA)	DRAWING TITLE :	SCALE :	DATE :	DRAWING NO.
	Preparatory Survey on chittagong Area Coal Fared Power Plant Development Project in Bangladesh (JICA Study).		ROAD CROSS SECTION BADARKHALI TO EIDMONI	1:200	AUGUST, 2013	CS/DWG-08 of 54



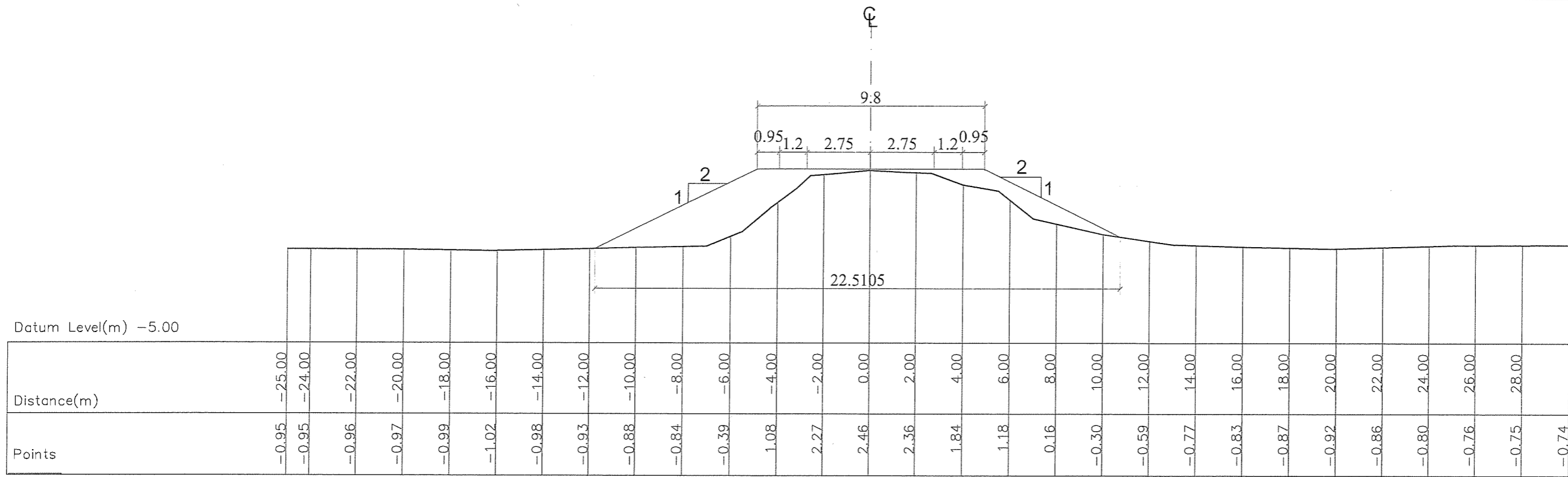
Chainage 4729.90m \ BADARKHAI-EIDMONI



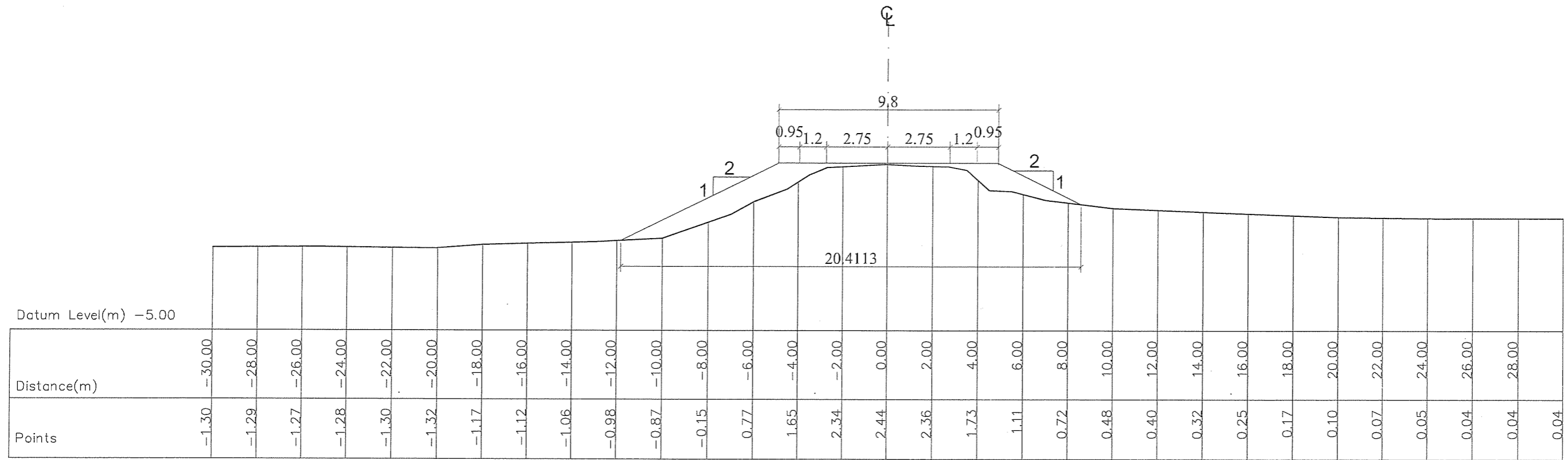
Chainage 3696m \ BADARKHAI-EIDMONI

REV.	DESCRIPTION	DATE

Roads and Highways Department (RHD) Ministry of Communications	NAME OF THE PROJECT :	JAPAN INTERNATIONAL COOPERATION AGENCY(JICA)	DRAWING TITLE :	SCALE :	DATE :	DRAWING NO.
	Preparatory Survey on chittagong Area Coal Fared Power Plant Development Project in Bangladesh (JICA Study).		ROAD CROSS SECTION BADARKHALI TO EIDMONI	1:200	AUGUST, 2013	CS/DWG-09 of 54



Chainage 6701.80m \BADARKHAI-EIDMONI

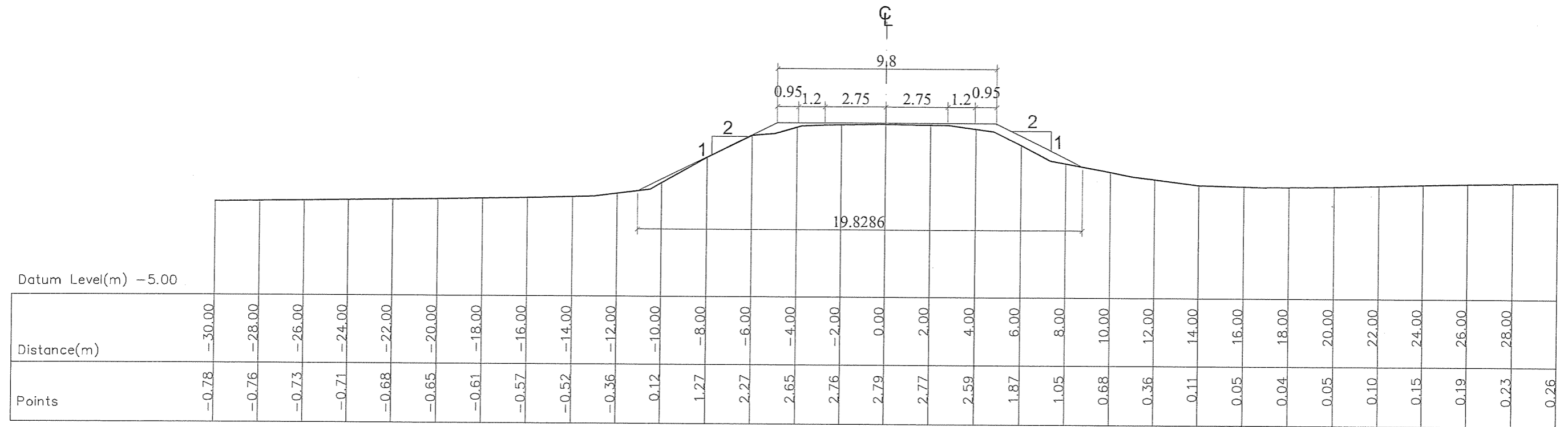


Chainage 5620.30m \BADARKHAI-EIDMONI

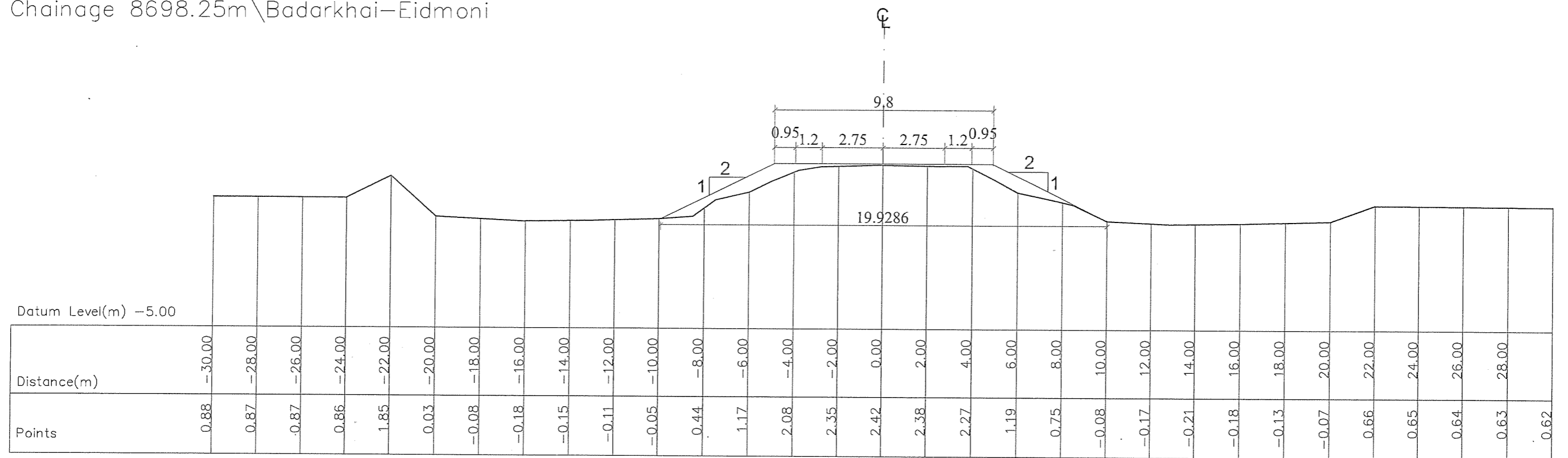
REV.	DESCRIPTION	DATE

Roads and Highways Department (RHD) Ministry of Communications	NAME OF THE PROJECT :	JAPAN INTERNATIONAL COOPERATION AGENCY(JICA)	DRAWING TITLE :	SCALE :	DATE :	DRAWING NO.
	Preparatory Survey on chittagong Area Coal Fared Power Plant Development Project in Bangladesh (JICA Study).		ROAD CROSS SECTION BADARKHALI TO EIDMONI	1:200	AUGUST, 2013	CS/DWG-10 of 54





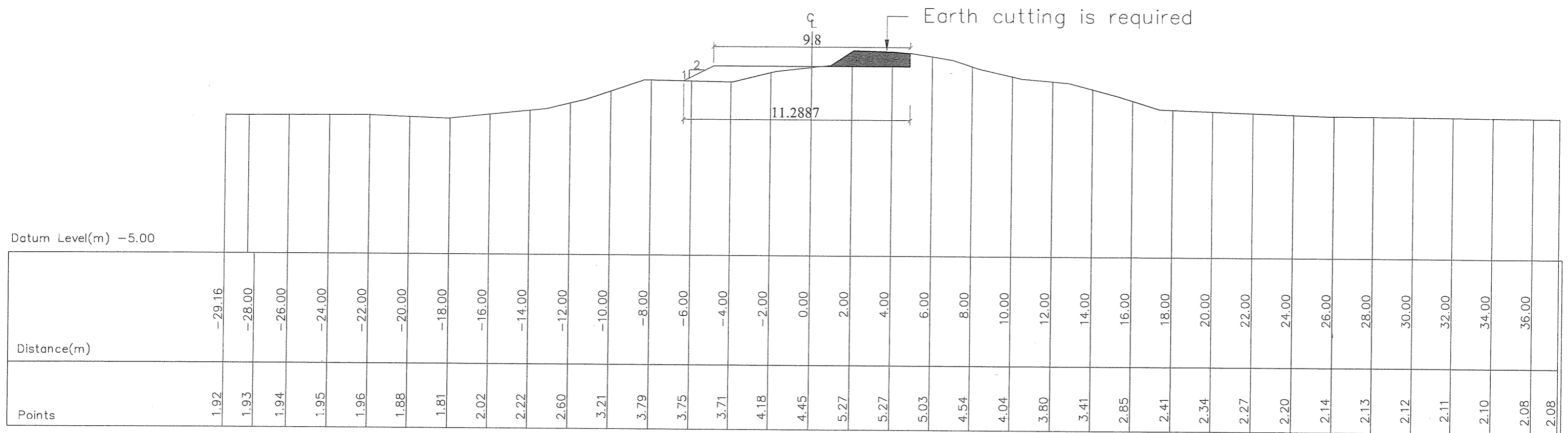
Chainage 8698.25m\Badarkhai-Eidmoni



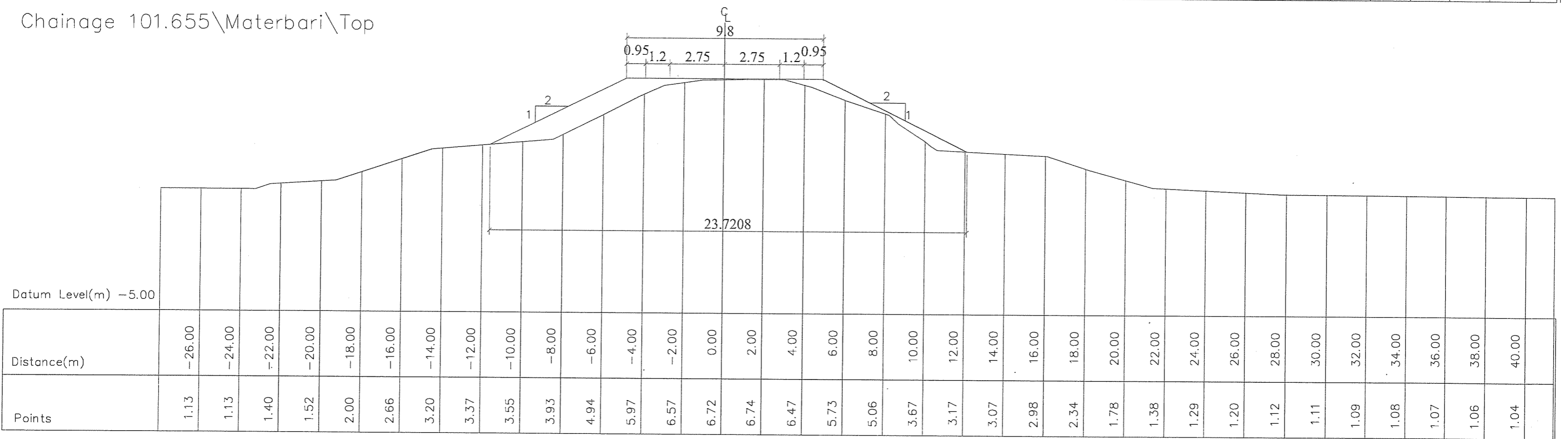
Chainage 7766.20m\Badarkhai-Eidmoni

REV.	DESCRIPTION	DATE

Roads and Highways Department (RHD) Ministry of Communications	NAME OF THE PROJECT :	JAPAN INTERNATIONAL COOPERATION AGENCY(JICA)	DRAWING TITLE :	SCALE :	DATE :	DRAWING NO.
	Preparatory Survey on chittagong Area Coal Fared Power Plant Development Project in Bangladesh (JICA Study).		ROAD CROSS SECTION BADARKHALI TO EIDMONI	1:200	AUGUST, 2013	CS/DWG-11 of 54



Chainage 101.655\Materbari\Top



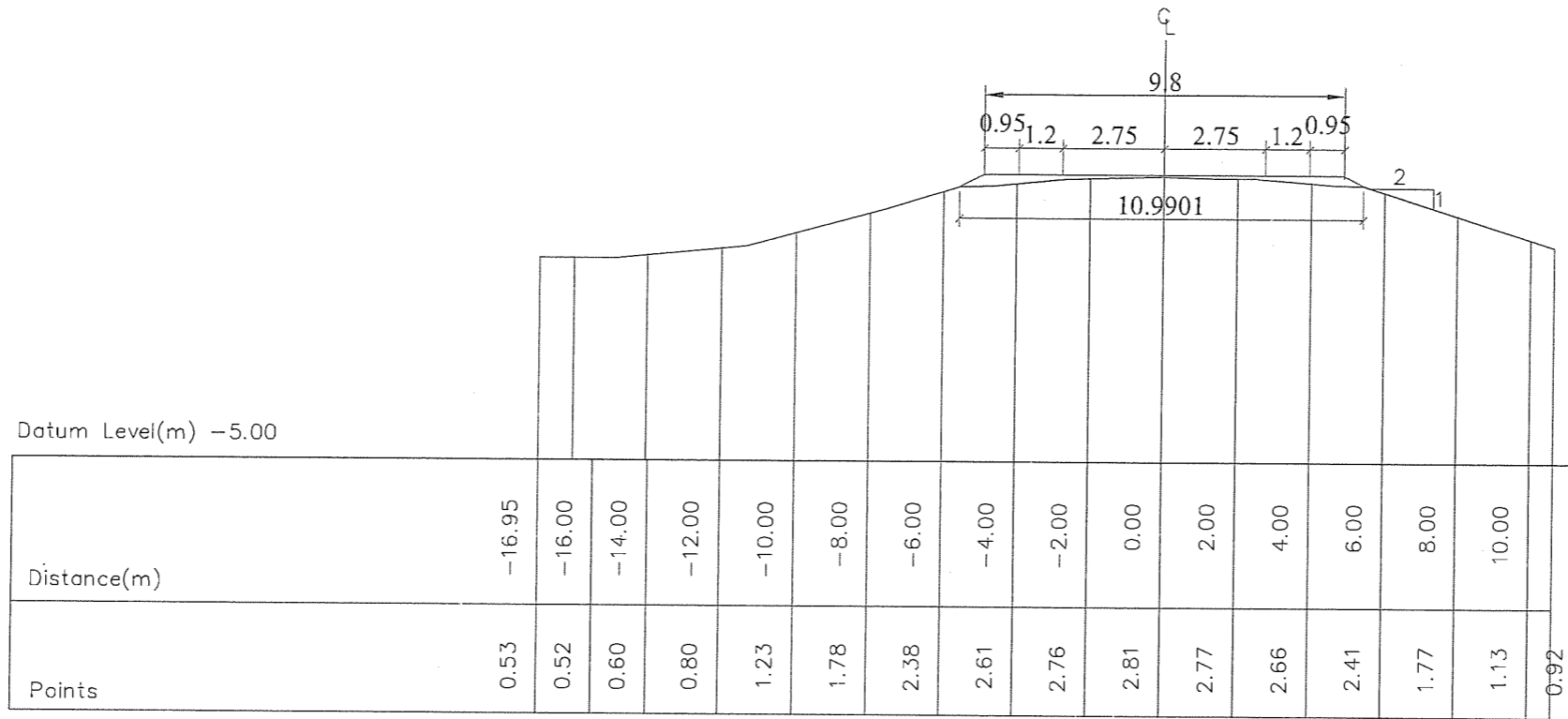
Chainage 0.027\Materbari\Top

REV.	DESCRIPTION	DATE

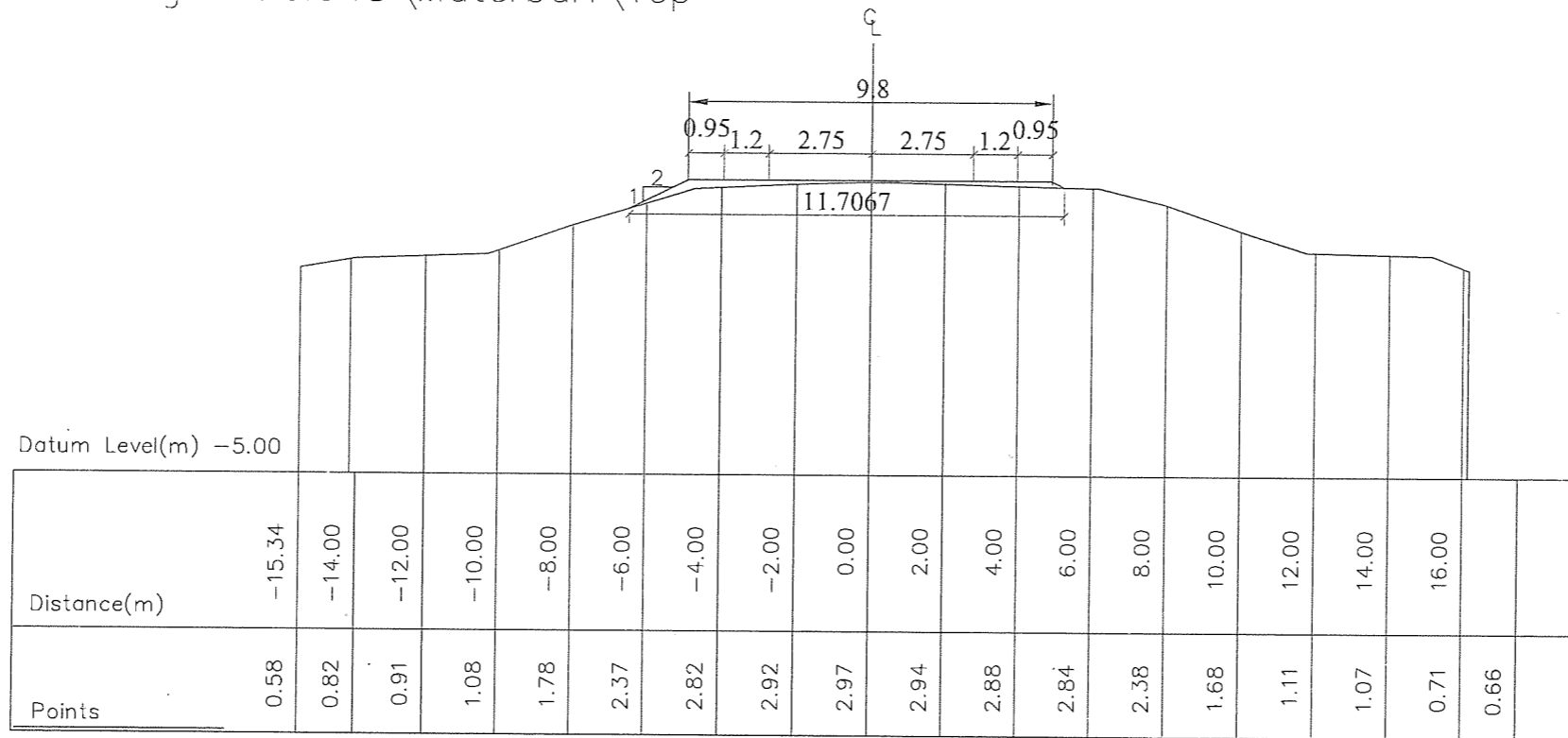
Roads and Highways Department (RHD) Ministry of Communications	NAME OF THE PROJECT :	JAPAN INTERNATIONAL COOPERATION AGENCY(JICA)	DRAWING TITLE :	SCALE :	DATE :	DRAWING NO.
	Preparatory Survey on chittagong Area Coal Fared Power Plant Development Project in Bangladesh (JICA Study).		ROAD CROSS SECTION BADARKHALI TO PLANT SITE	1:200	AUGUST, 2013	CS/DWG-12 of 54







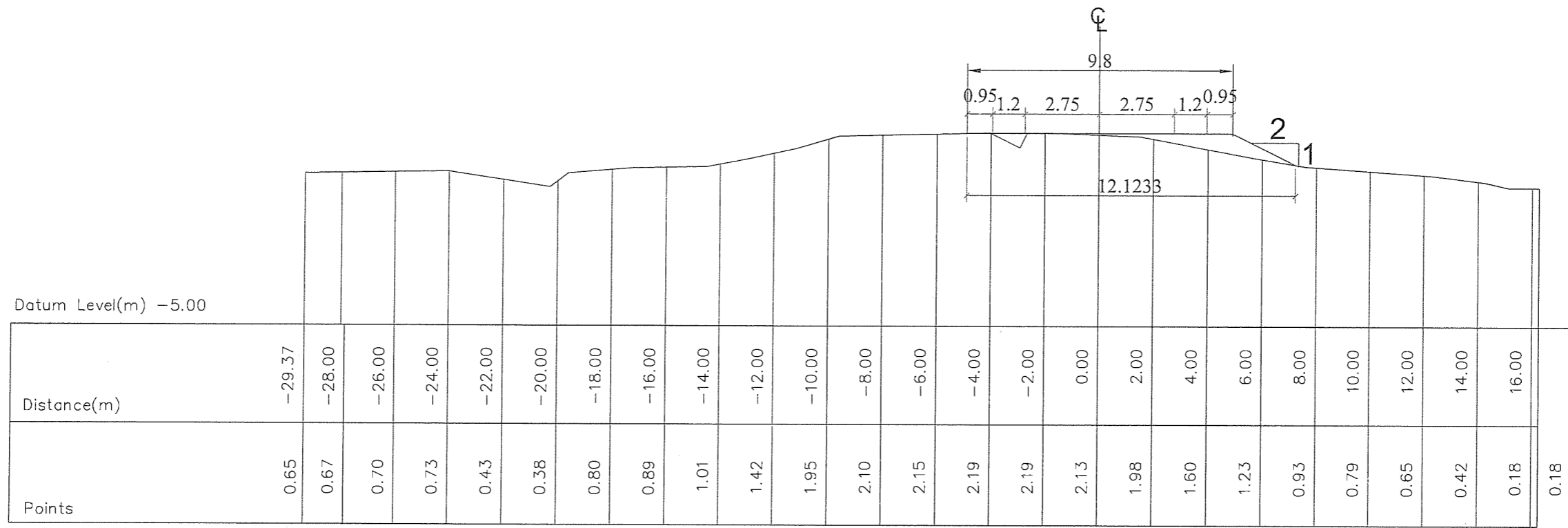
Chainage 498.643\Materbari\Top



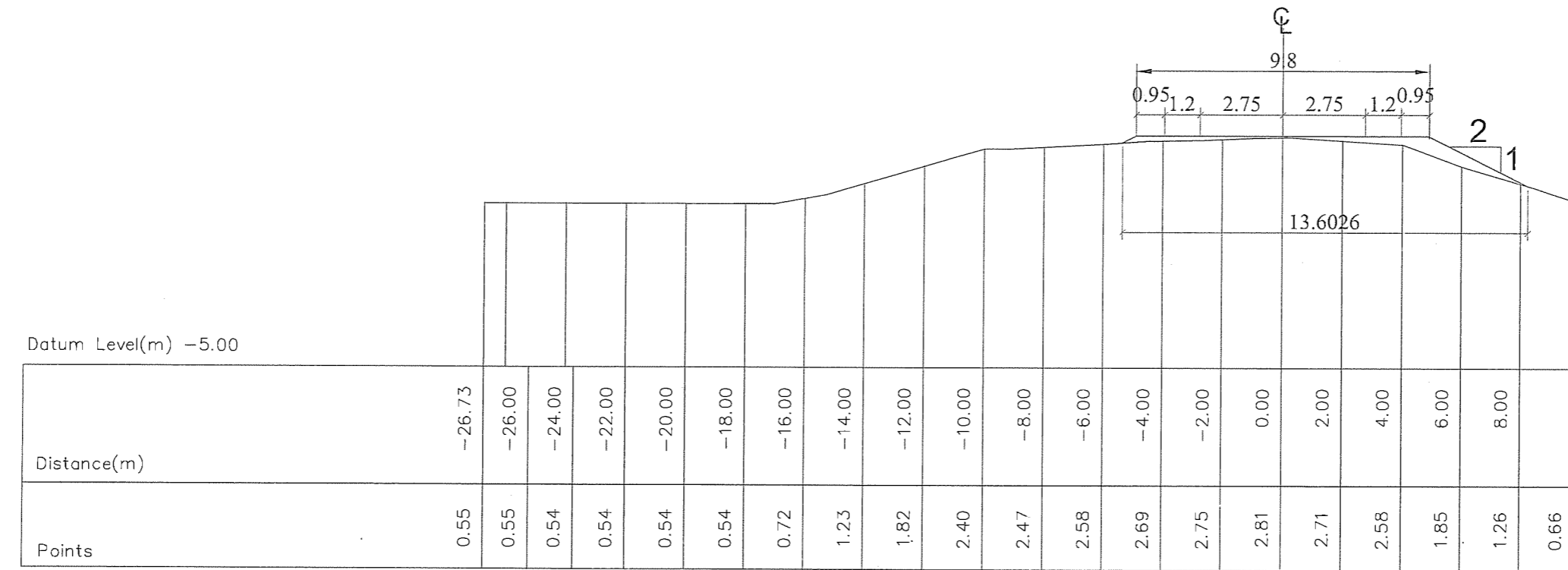
Chainage 398.752\Materbari\Top

REV.	DESCRIPTION	DATE

Roads and Highways Department (RHD) Ministry of Communications	NAME OF THE PROJECT :	JAPAN INTERNATIONAL COOPERATION AGENCY(JICA)	DRAWING TITLE :	SCALE :	DATE :	DRAWING NO.
	Preparatory Survey on chittagong Area Coal Fared Power Plant Development Project in Bangladesh (JICA Study).		ROAD CROSS SECTION BADARKHALI TO PLANT SITE	1:200	AUGUST, 2013	CS/DWG-14 of 54



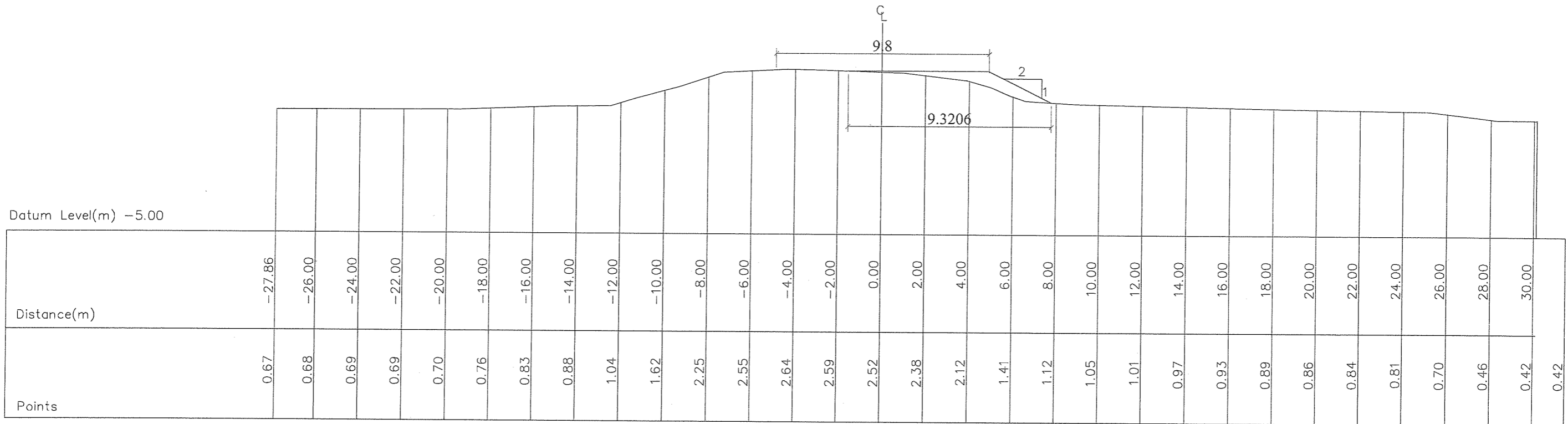
Chainage 697.866\Materbari\Top



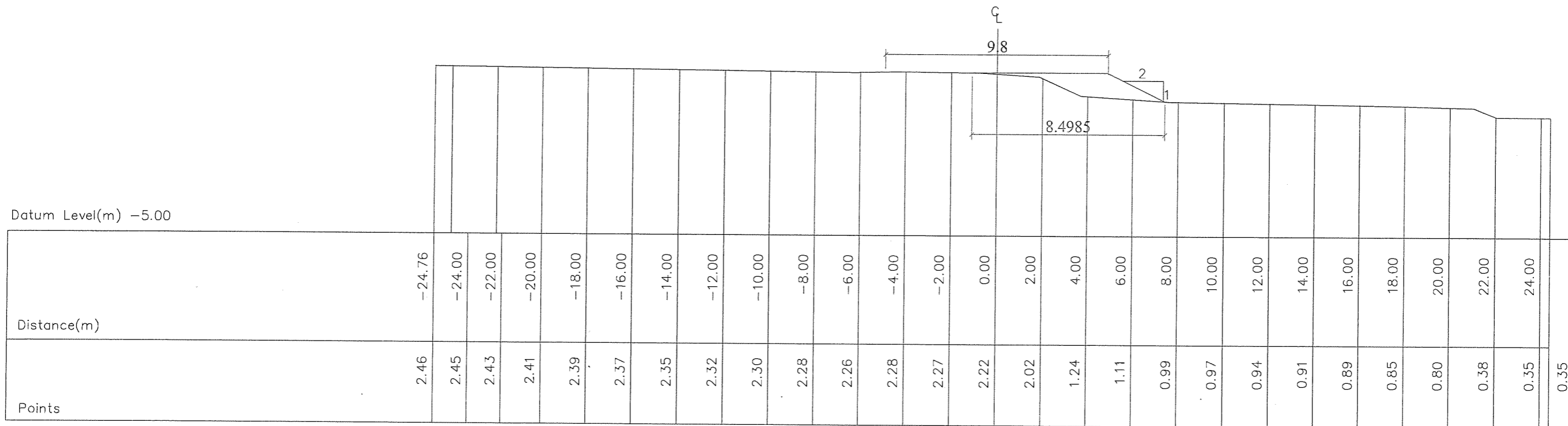
Chainage 597.674\Materbari\Top

REV.	DESCRIPTION	DATE

Roads and Highways Department (RHD) Ministry of Communications	NAME OF THE PROJECT :	JAPAN INTERNATIONAL COOPERATION AGENCY(JICA)	DRAWING TITLE :	SCALE :	DATE :	DRAWING NO.
	Preparatory Survey on chittagong Area Coal Fared Power Plant Development Project in Bangladesh (JICA Study).		ROAD CROSS SECTION BADARKHALI TO PLANT SITE	1:200	AUGUST, 2013	CS/DWG-15 of 54



Chainage 897.985\Materbari\Top

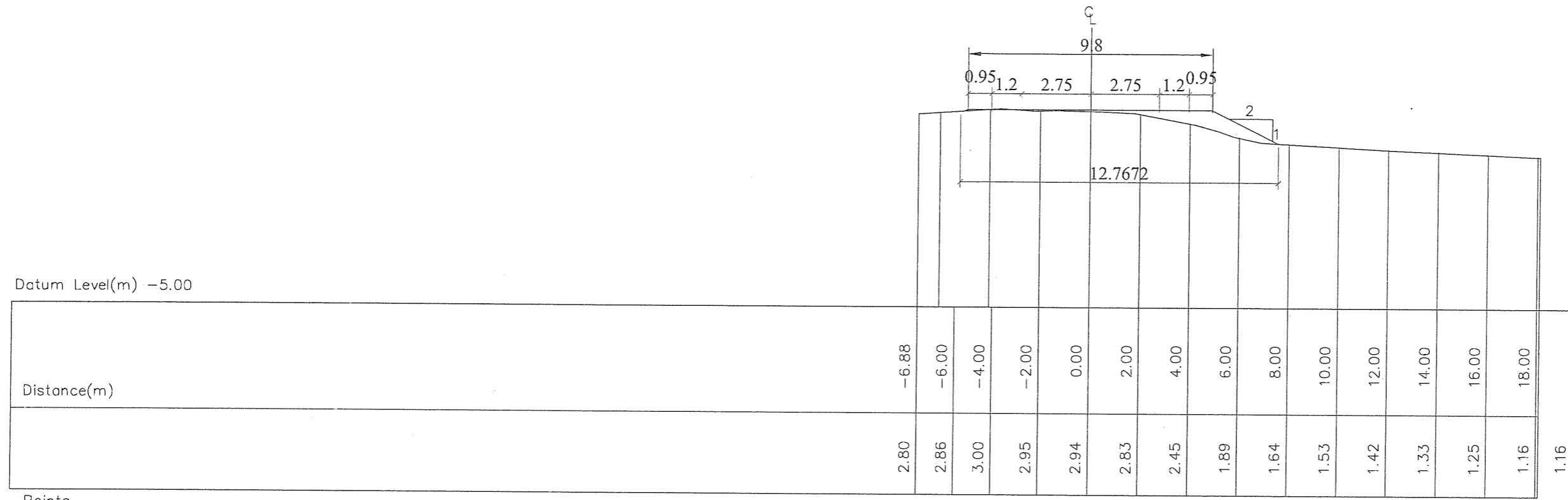


Chainage 797.674\Materbari\Top

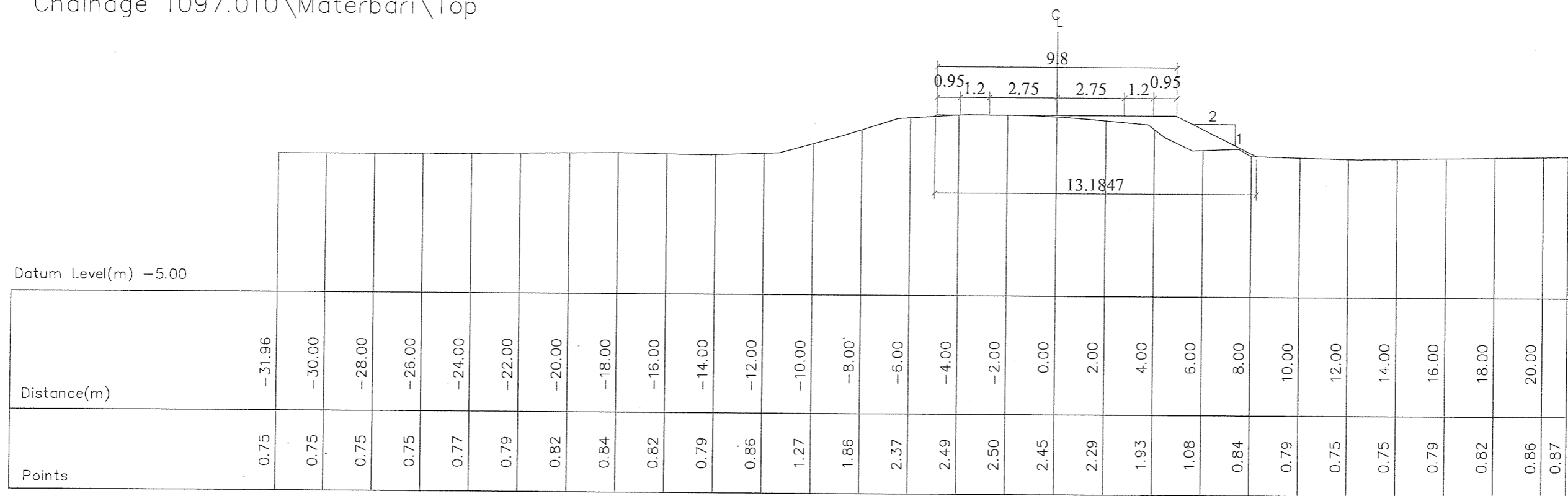
REV.	DESCRIPTION	DATE

Roads and Highways Department (RHD) Ministry of Communications	NAME OF THE PROJECT :	JAPAN INTERNATIONAL COOPERATION AGENCY(JICA)	DRAWING TITLE :	SCALE :	DATE :	DRAWING NO.
	Preparatory Survey on chittagong Area Coal Fared Power Plant Development Project in Bangladesh (JICA Study).		ROAD CROSS SECTION BADARKHALI TO PLANT SITE	1:200	AUGUST, 2013	CS/DWG-16 of 54





Chainage 1097.010\Materbari\Top

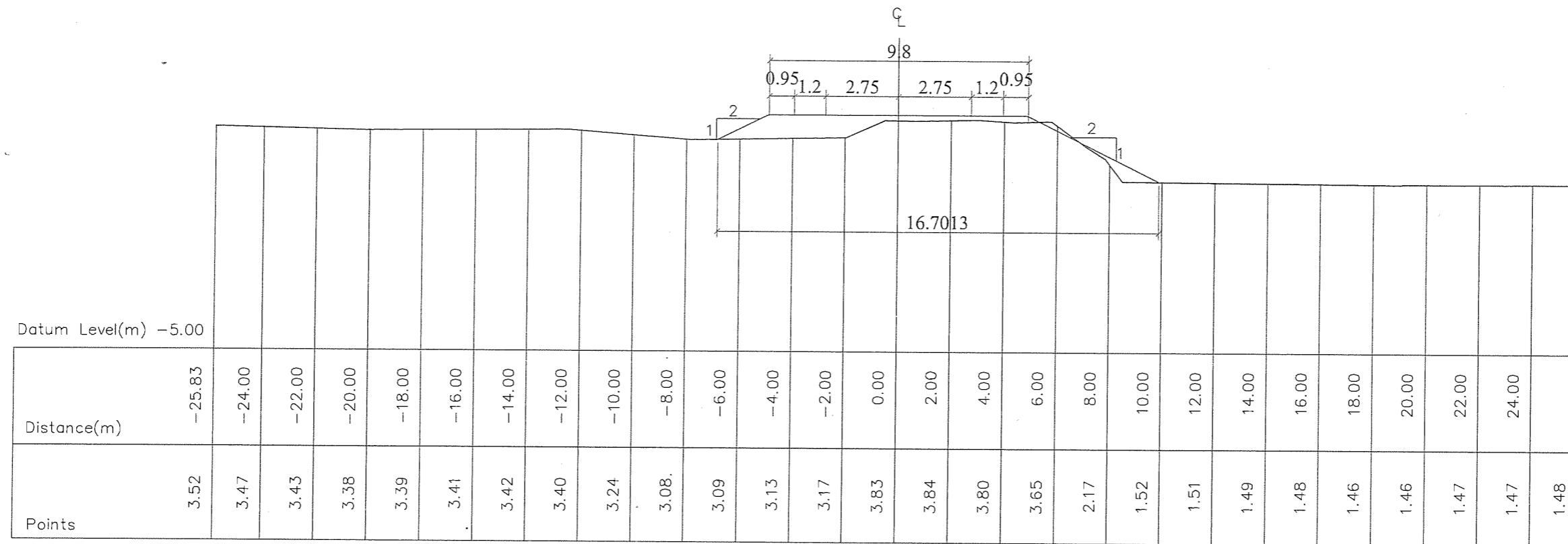


Chainage 997.339\Materbari\Top

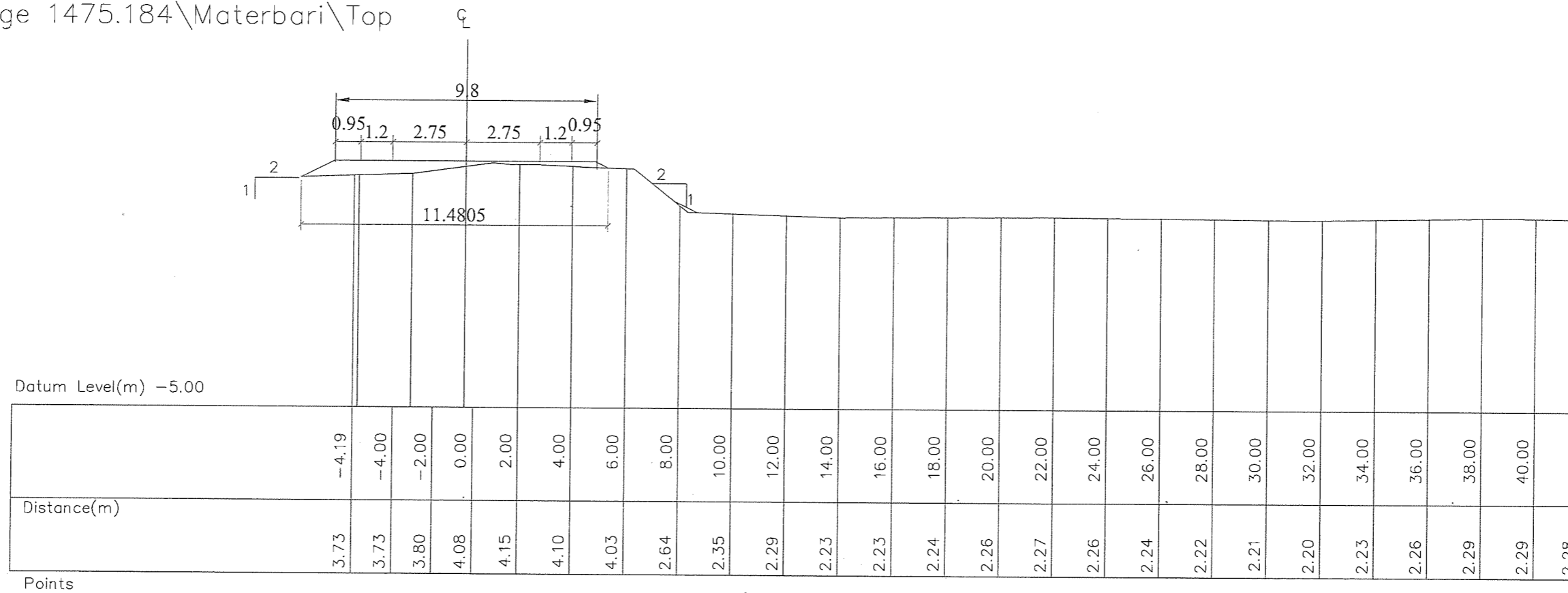
REV.	DESCRIPTION	DATE

Roads and Highways Department (RHD) Ministry of Communications	NAME OF THE PROJECT :	JAPAN INTERNATIONAL COOPERATION AGENCY(JICA)	DRAWING TITLE :	SCALE :	DATE :	DRAWING NO.
	Preparatory Survey on chittagong Area Coal Fared Power Plant Development Project in Bangladesh (JICA Study).		ROAD CROSS SECTION BADARKHALI TO PLANT SITE	1:200	AUGUST, 2013	CS/DWG-17 of 54





Chainage 1475.184\Materbari\Top



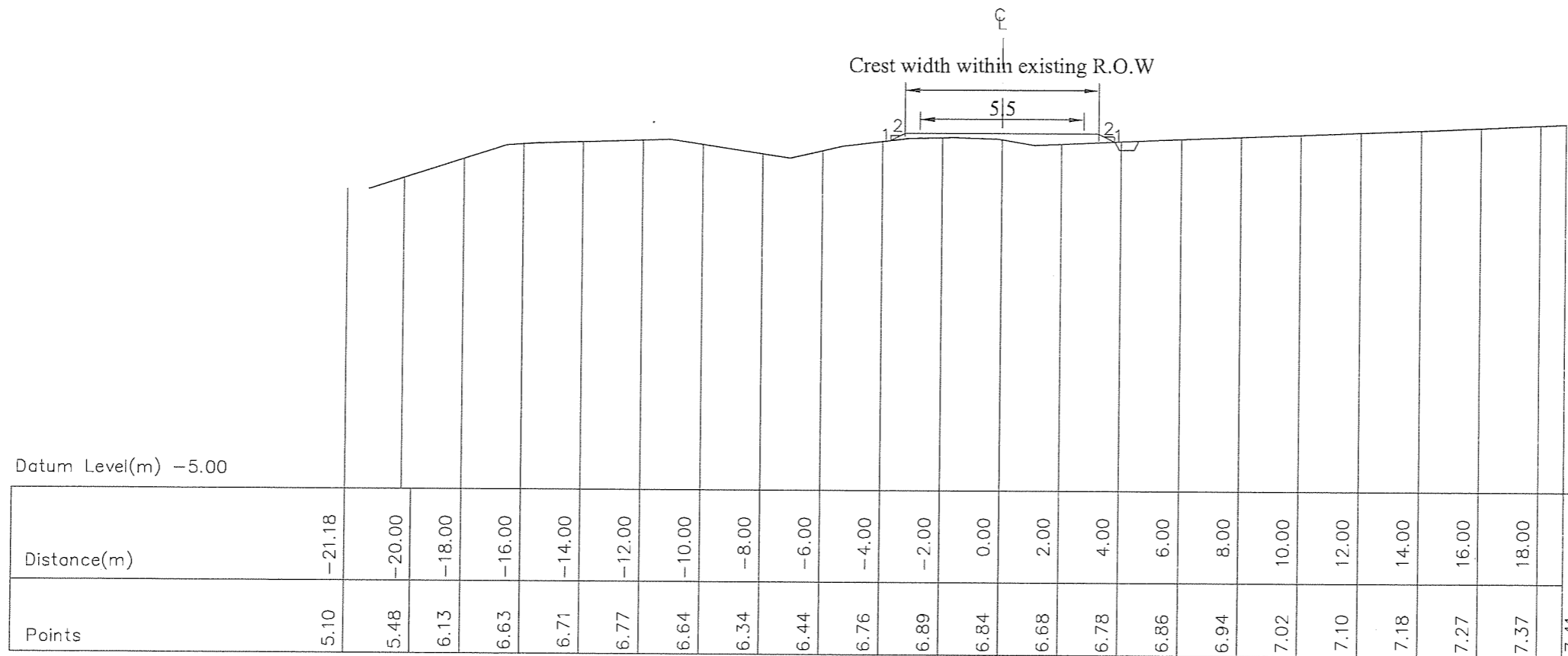
Chainage 1374.031\Materbari\Top

REV.	DESCRIPTION	DATE

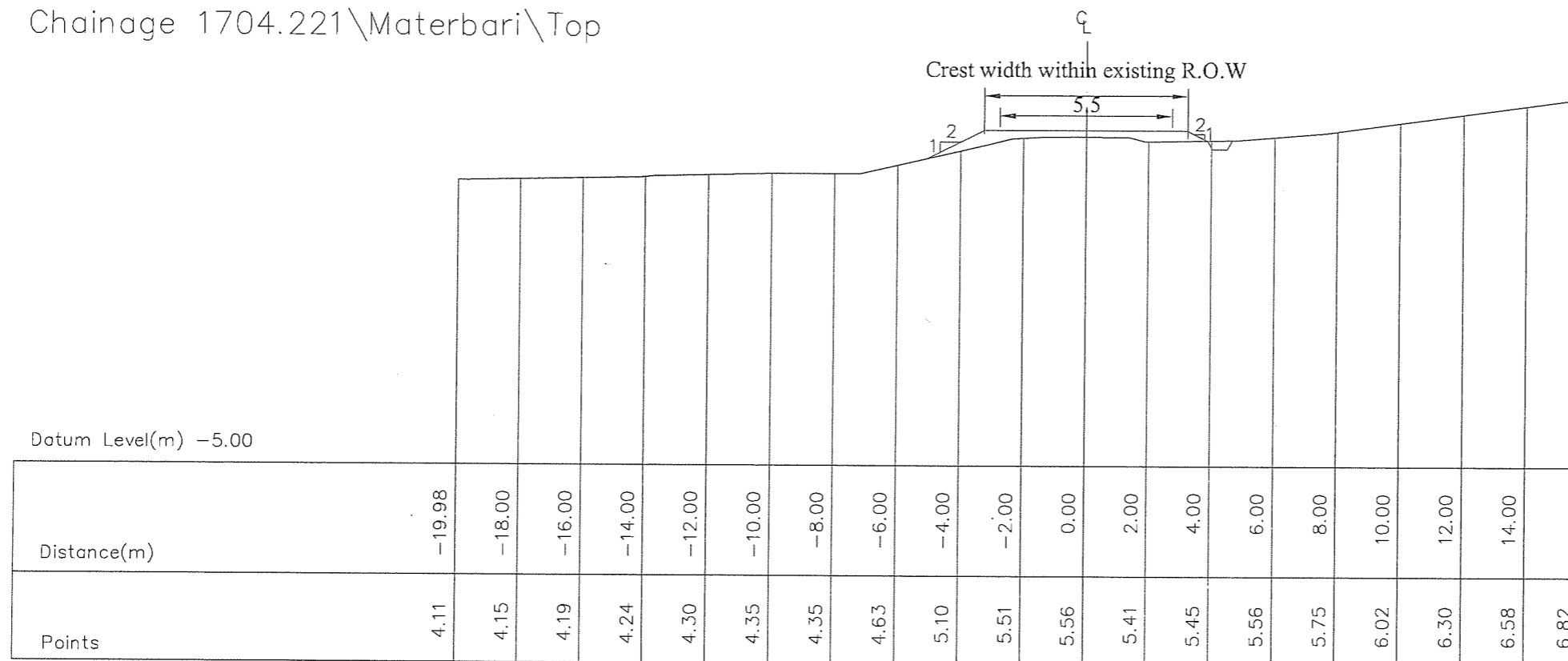
Roads and Highways Department (RHD) Ministry of Communications	NAME OF THE PROJECT : Preparatory Survey on chittagong Area Coal Fared Power Plant Development Project in Bangladesh (JICA Study).	JAPAN INTERNATIONAL COOPERATION AGENCY(JICA)	DRAWING TITLE :	SCALE :	DATE :	DRAWING NO.
			ROAD CROSS SECTION BADARKHALI TO PLANT SITE	1:200	AUGUST, 2013	CS/DWG-19 of 54







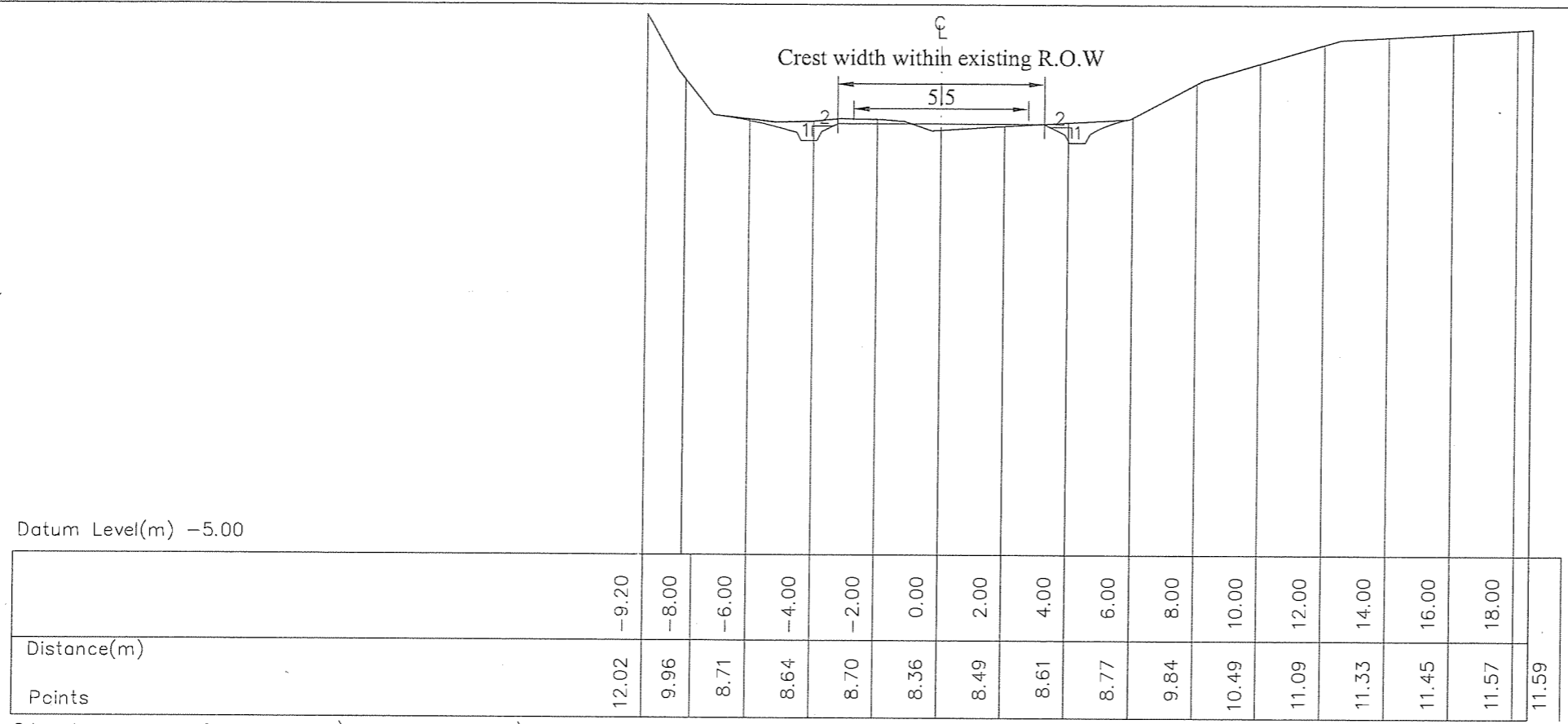
Chainage 1704.221\Materbari\Top



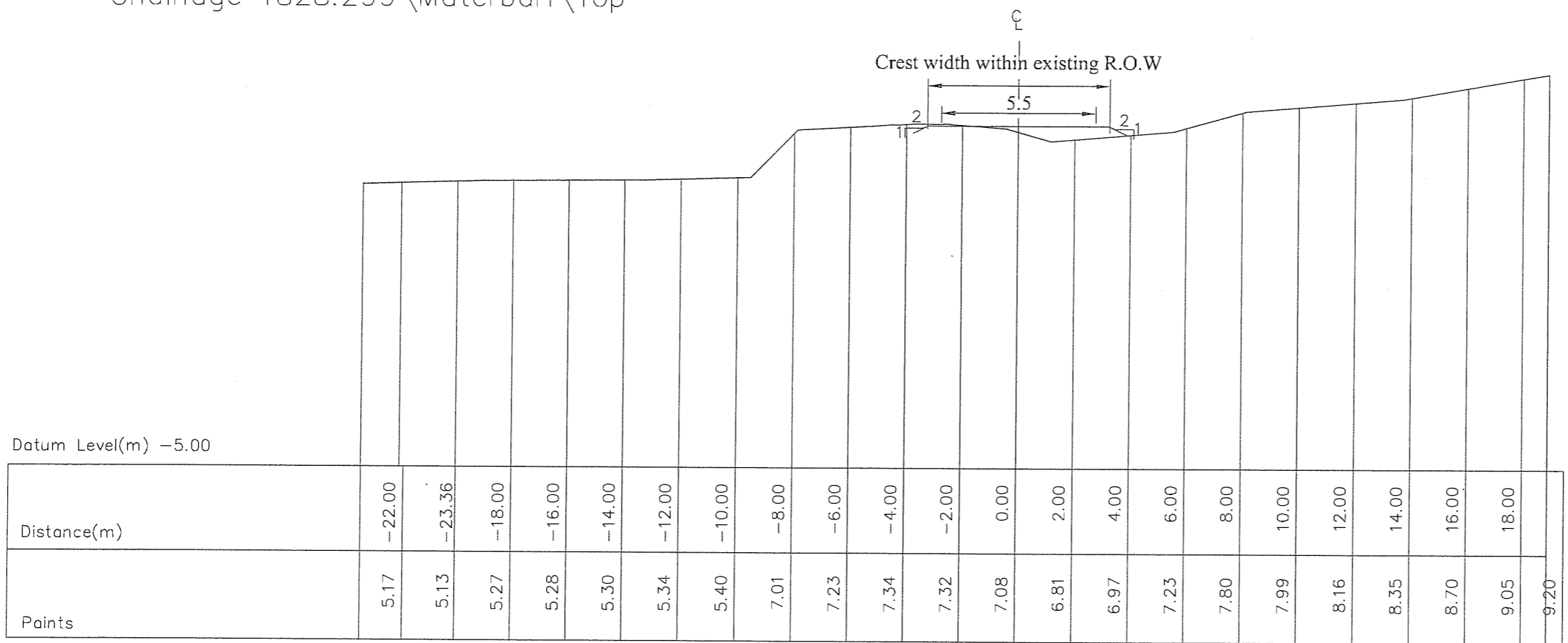
Chainage 1674.275\Materbari\Top

REV.	DESCRIPTION	DATE

Roads and Highways Department (RHD) Ministry of Communications	NAME OF THE PROJECT :	JAPAN INTERNATIONAL COOPERATION AGENCY(JICA)	DRAWING TITLE :	SCALE :	DATE :	DRAWING NO.
	Preparatory Survey on chittagong Area Coal Fared Power Plant Development Project in Bangladesh (JICA Study).		ROAD CROSS SECTION BADARKHALI TO PLANT SITE	1:200	AUGUST, 2013	CS/DWG-21 of 54



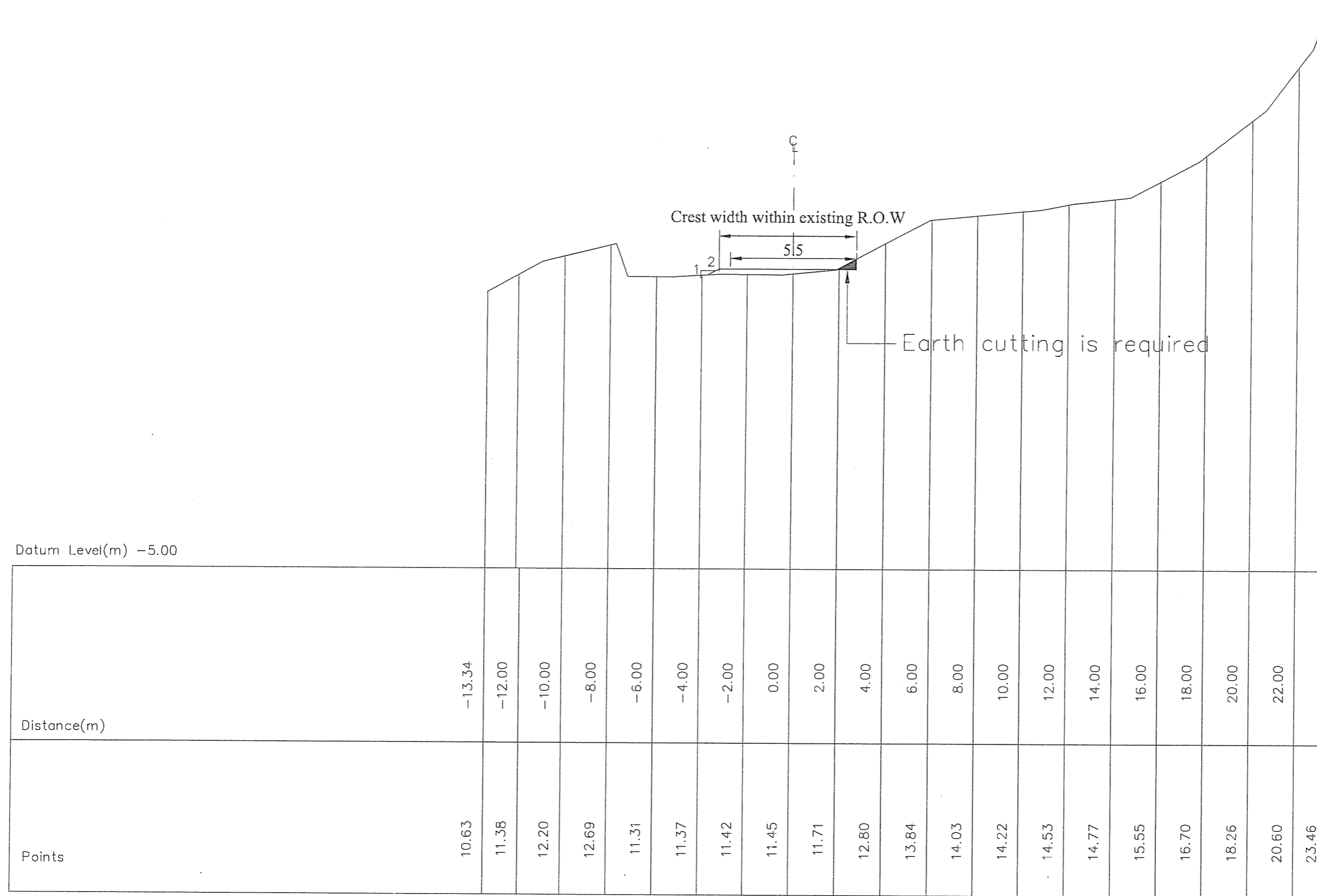
Chainage 1828.299\Materbari\Top



Chainage 1772.990\Materbari\Top

REV.	DESCRIPTION	DATE

Roads and Highways Department (RHD) Ministry of Communications	NAME OF THE PROJECT :	JAPAN INTERNATIONAL COOPERATION AGENCY(JICA)	DRAWING TITLE :	SCALE :	DATE :	DRAWING NO.
	Preparatory Survey on chittagong Area Coal Fared Power Plant Development Project in Bangladesh (JICA Study).		ROAD CROSS SECTION BADARKHALI TO PLANT SITE	1:200	AUGUST, 2013	CS/DWG-22 of 54



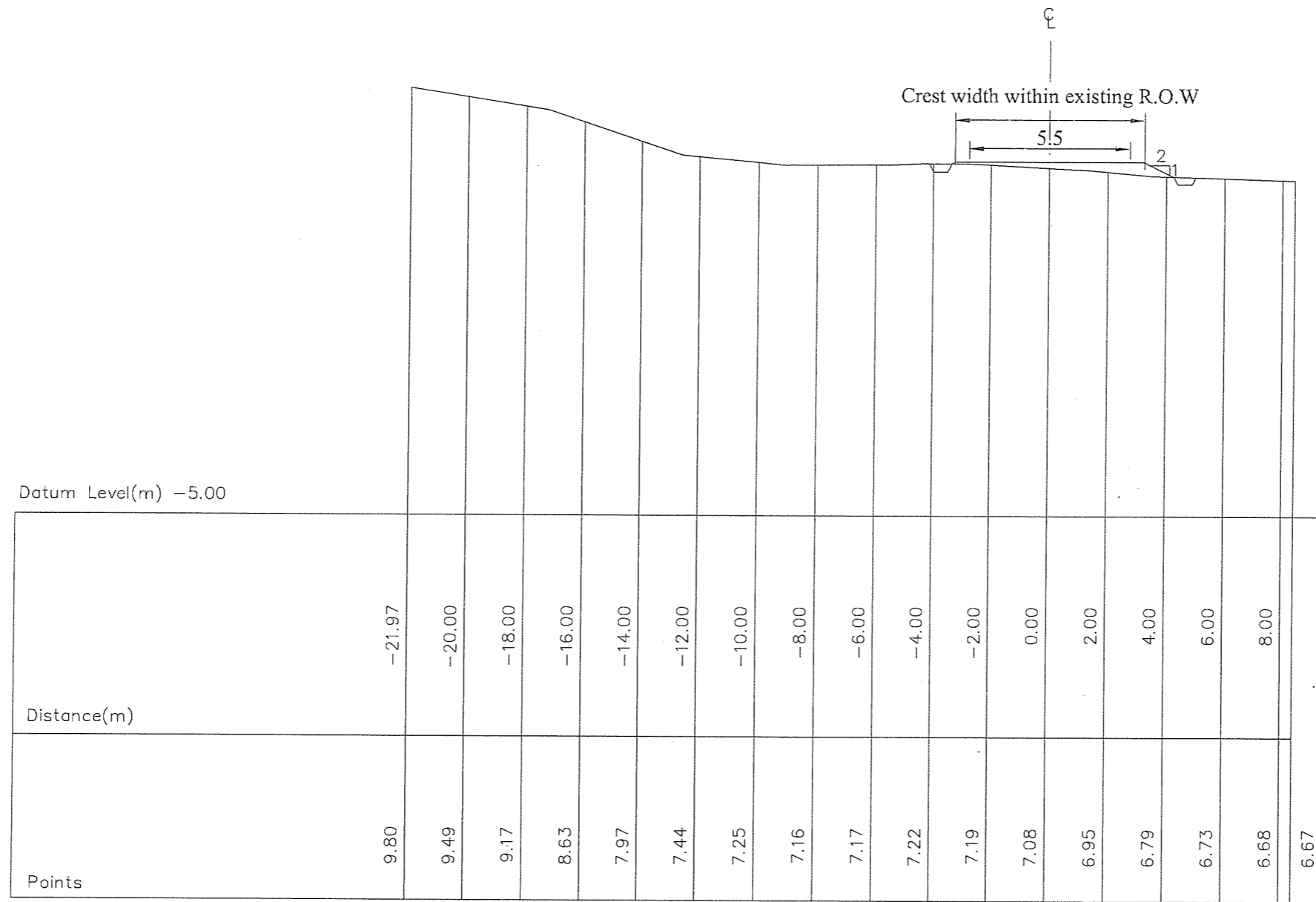
Chainage 1875.256\Materbari\Top

REV.	DESCRIPTION	DATE

Roads and Highways Department (RHD) Ministry of Communications	NAME OF THE PROJECT :	JAPAN INTERNATIONAL COOPERATION AGENCY(JICA)	DRAWING TITLE :	SCALE :	DATE :	DRAWING NO.
	Preparatory Survey on chittagong Area Coal Fared Power Plant Development Project in Bangladesh (JICA Study).		ROAD CROSS SECTION BADARKHALI TO PLANT SITE	1:200	AUGUST, 2013	CS/DWG-23 of 54

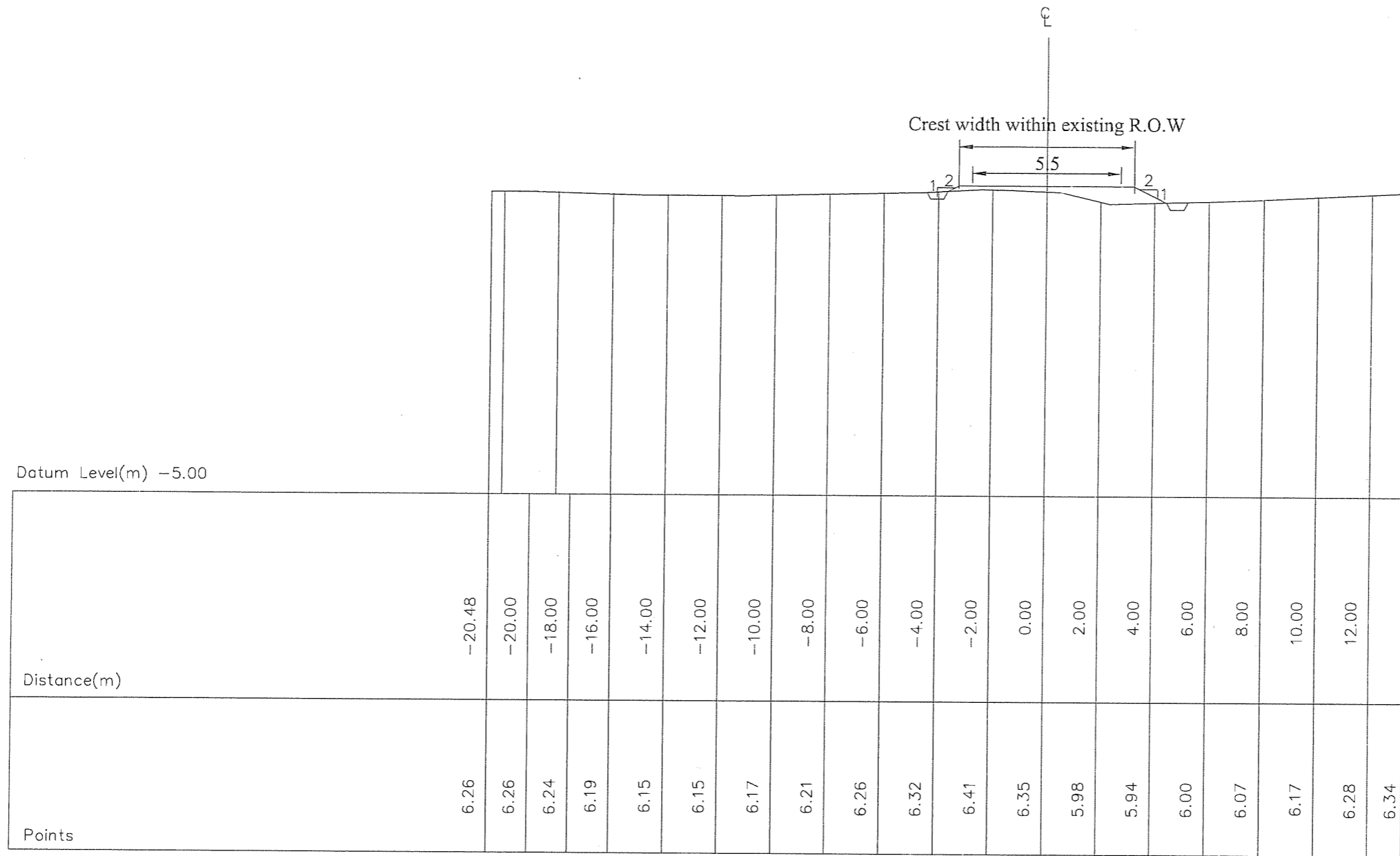






REV.	DESCRIPTION	DATE

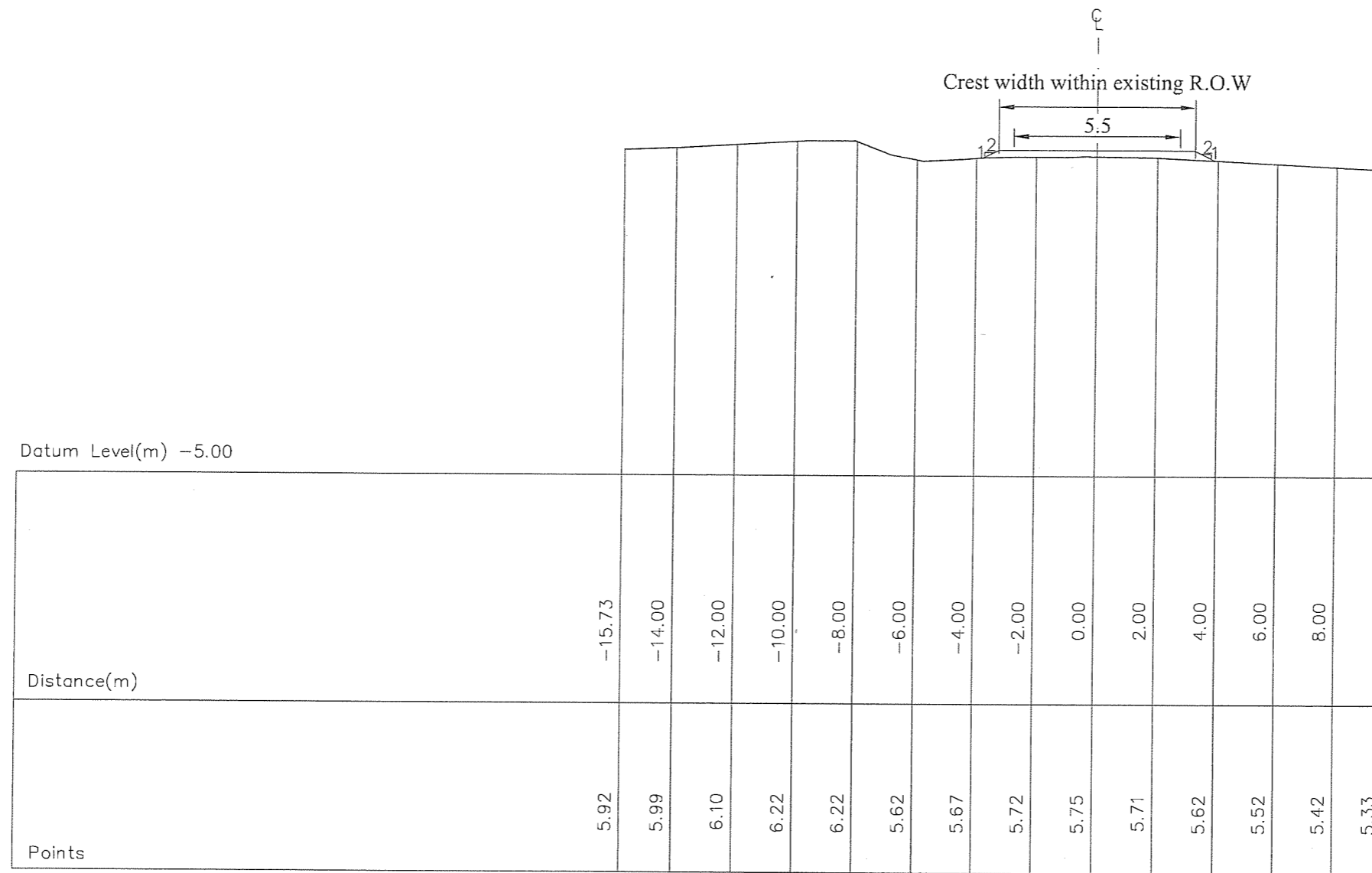
Roads and Highways Department (RHD) Ministry of Communications	NAME OF THE PROJECT :	JAPAN INTERNATIONAL COOPERATION AGENCY(JICA)	DRAWING TITLE :	SCALE :	DATE :	DRAWING NO.
	Preparatory Survey on chittagong Area Coal Fared Power Plant Development Project in Bangladesh (JICA Study).		ROAD CROSS SECTION BADARKHALI TO PLANT SITE	1:200	AUGUST, 2013	CS/DWG-25 of 54



Chainage 2078.105\Materbari\Top

REV.	DESCRIPTION	DATE

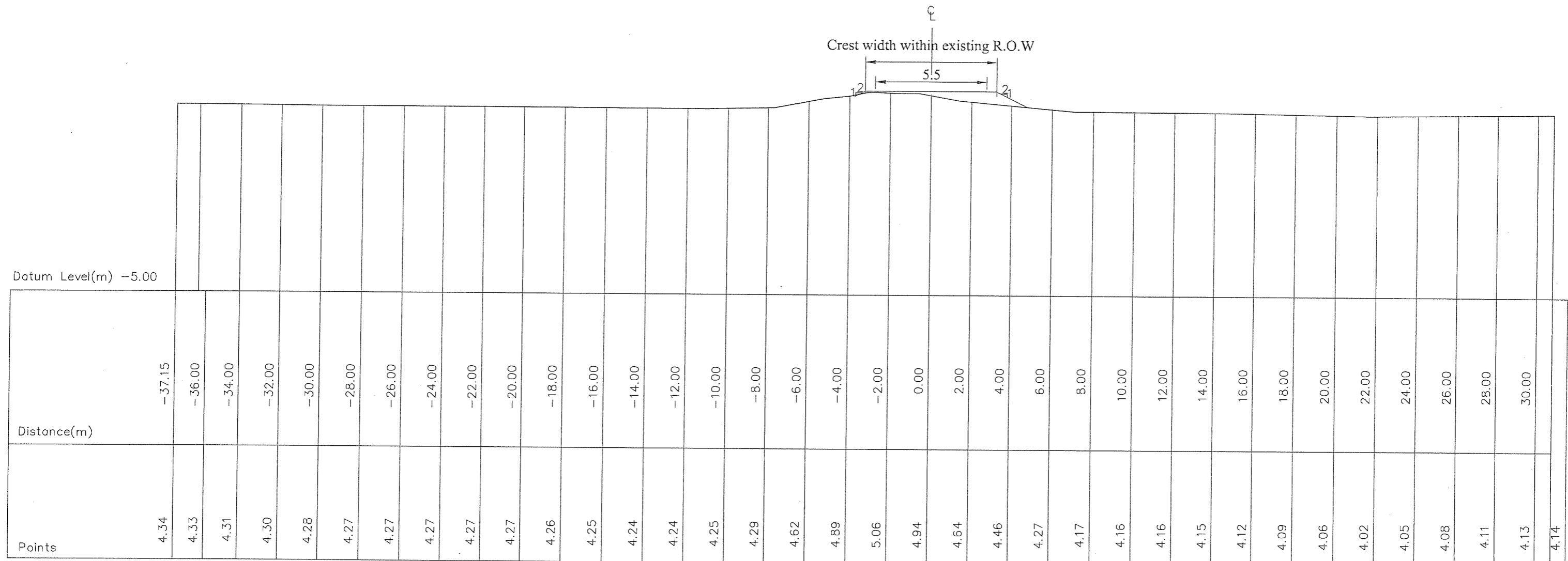
Roads and Highways Department (RHD) Ministry of Communications	NAME OF THE PROJECT :	JAPAN INTERNATIONAL COOPERATION AGENCY(JICA)	DRAWING TITLE :	SCALE :	DATE :	DRAWING NO.
	Preparatory Survey on chittagong Area Coal Fared Power Plant Development Project in Bangladesh (JICA Study).		ROAD CROSS SECTION BADARKHALI TO PLANT SITE	1:200	AUGUST, 2013	CS/DWG-26 of 54



Chainage 2282.321\Materbari\Top

REV.	DESCRIPTION	DATE

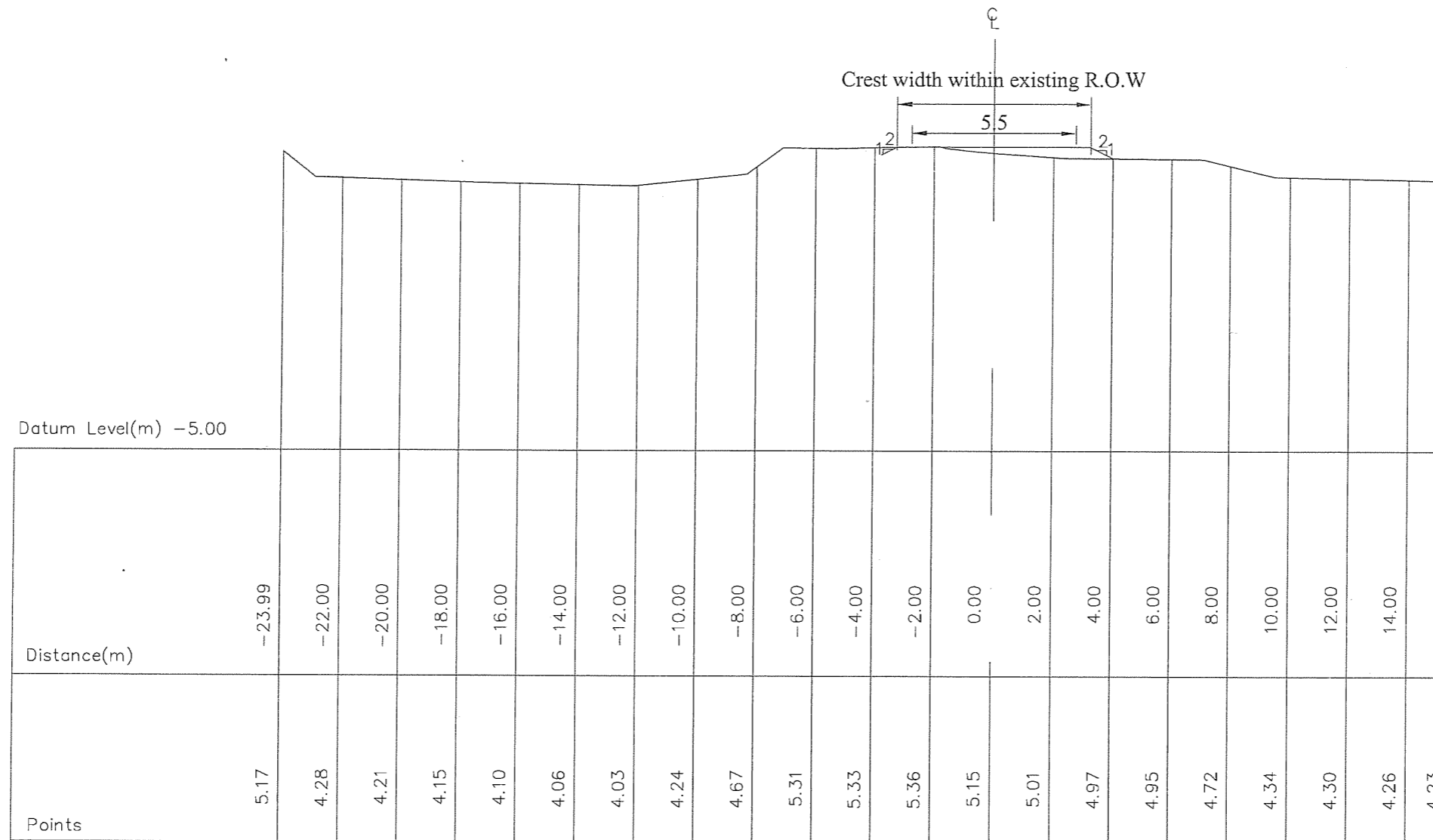
Roads and Highways Department (RHD) Ministry of Communications	NAME OF THE PROJECT :	JAPAN INTERNATIONAL COOPERATION AGENCY(JICA)	DRAWING TITLE :	SCALE :	DATE :	DRAWING NO.
	Preparatory Survey on chittagong Area Coal Fared Power Plant Development Project in Bangladesh (JICA Study).		ROAD CROSS SECTION BADARKHALI TO PLANT SITE	1:200	AUGUST, 2013	CS/DWG-27 of 54



Chainage 2384.005\Materbari\Top

REV.	DESCRIPTION	DATE

Roads and Highways Department (RHD) Ministry of Communications	NAME OF THE PROJECT :	JAPAN INTERNATIONAL COOPERATION AGENCY(JICA)	DRAWING TITLE :	SCALE :	DATE :	DRAWING NO.
	Preparatory Survey on chittagong Area Coal Fared Power Plant Development Project in Bangladesh (JICA Study).		ROAD CROSS SECTION BADARKHALI TO PLANT SITE	1:200	AUGUST, 2013	CS/DWG-28 of 54

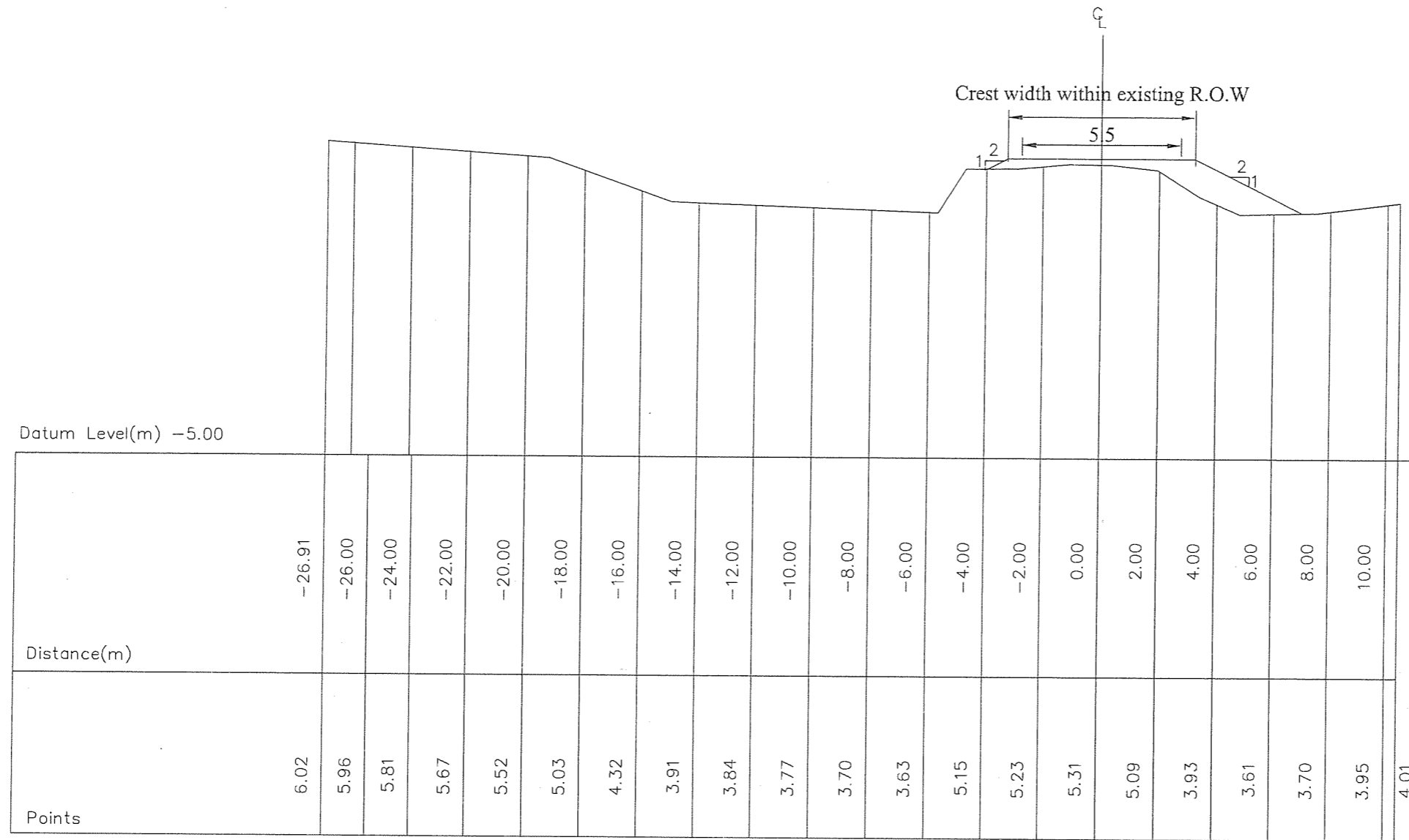


Chainage 2478.525\Materbari\Top

REV.	DESCRIPTION	DATE

Roads and Highways Department (RHD) Ministry of Communications	NAME OF THE PROJECT :	JAPAN INTERNATIONAL COOPERATION AGENCY(JICA)	DRAWING TITLE :	SCALE :	DATE :	DRAWING NO.
	Preparatory Survey on chittagong Area Coal Fared Power Plant Development Project in Bangladesh (JICA Study).		ROAD CROSS SECTION BADARKHALI TO PLANT SITE	1:200	AUGUST, 2013	CS/DWG-29 of 54



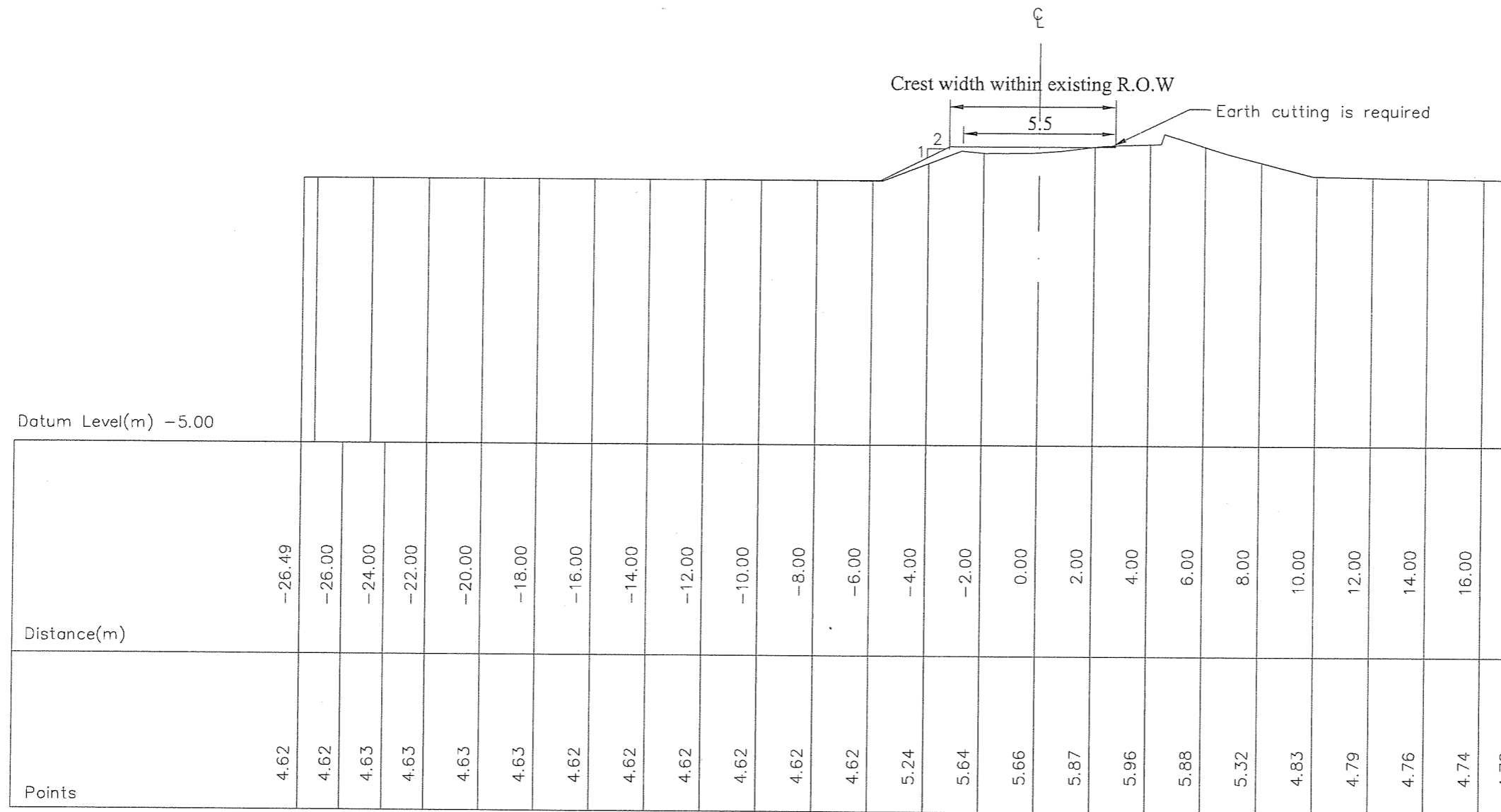


Chainage 2581.518\Materbari\Top

REV.	DESCRIPTION	DATE

Roads and Highways Department (RHD) Ministry of Communications	NAME OF THE PROJECT :	JAPAN INTERNATIONAL COOPERATION AGENCY(JICA)	DRAWING TITLE :	SCALE :	DATE :	DRAWING NO.
	Preparatory Survey on chittagong Area Coal Fared Power Plant Development Project in Bangladesh (JICA Study).		ROAD CROSS SECTION BADARKHALI TO PLANT SITE	1:200	AUGUST, 2013	CS/DWG-30 of 54

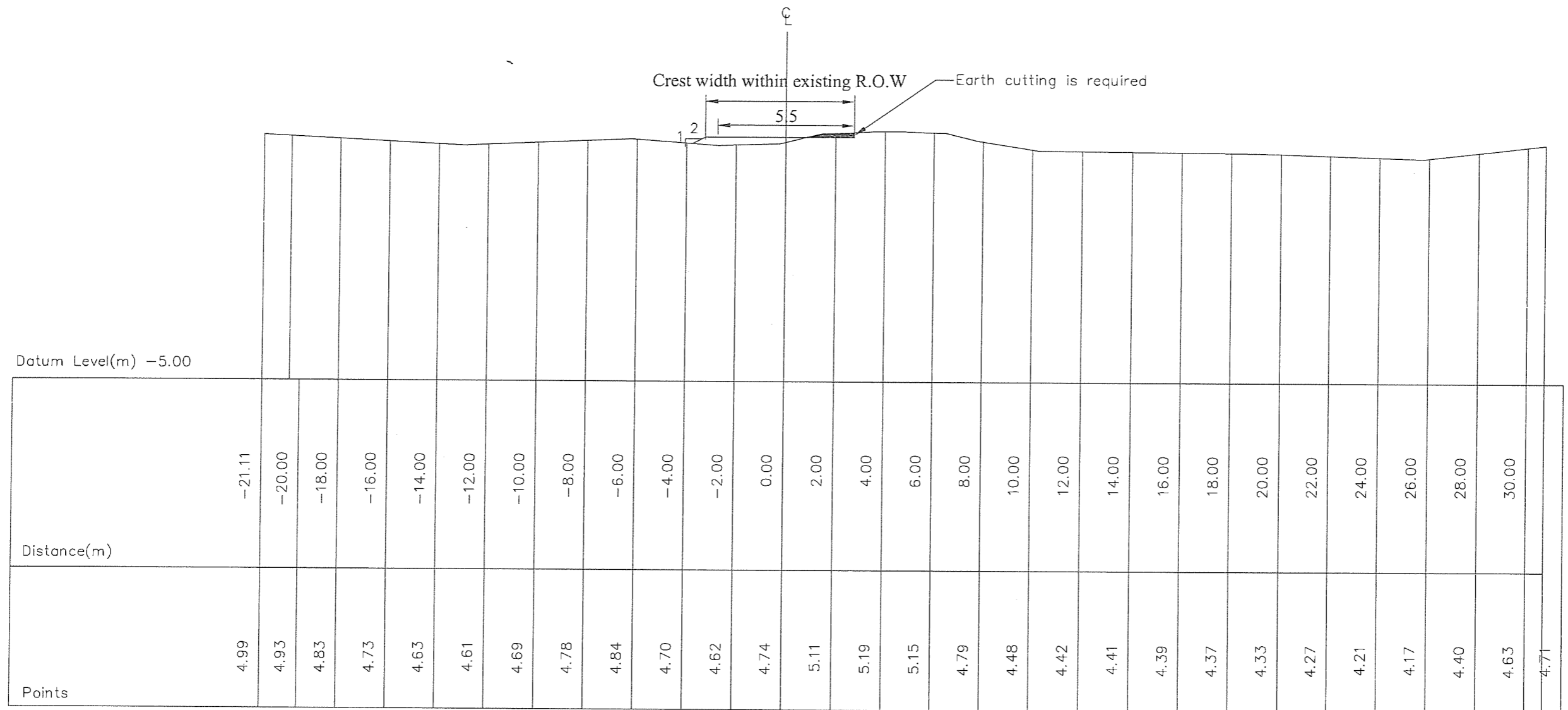




Chainage 2784.301\Materbari\Top

REV.	DESCRIPTION	DATE

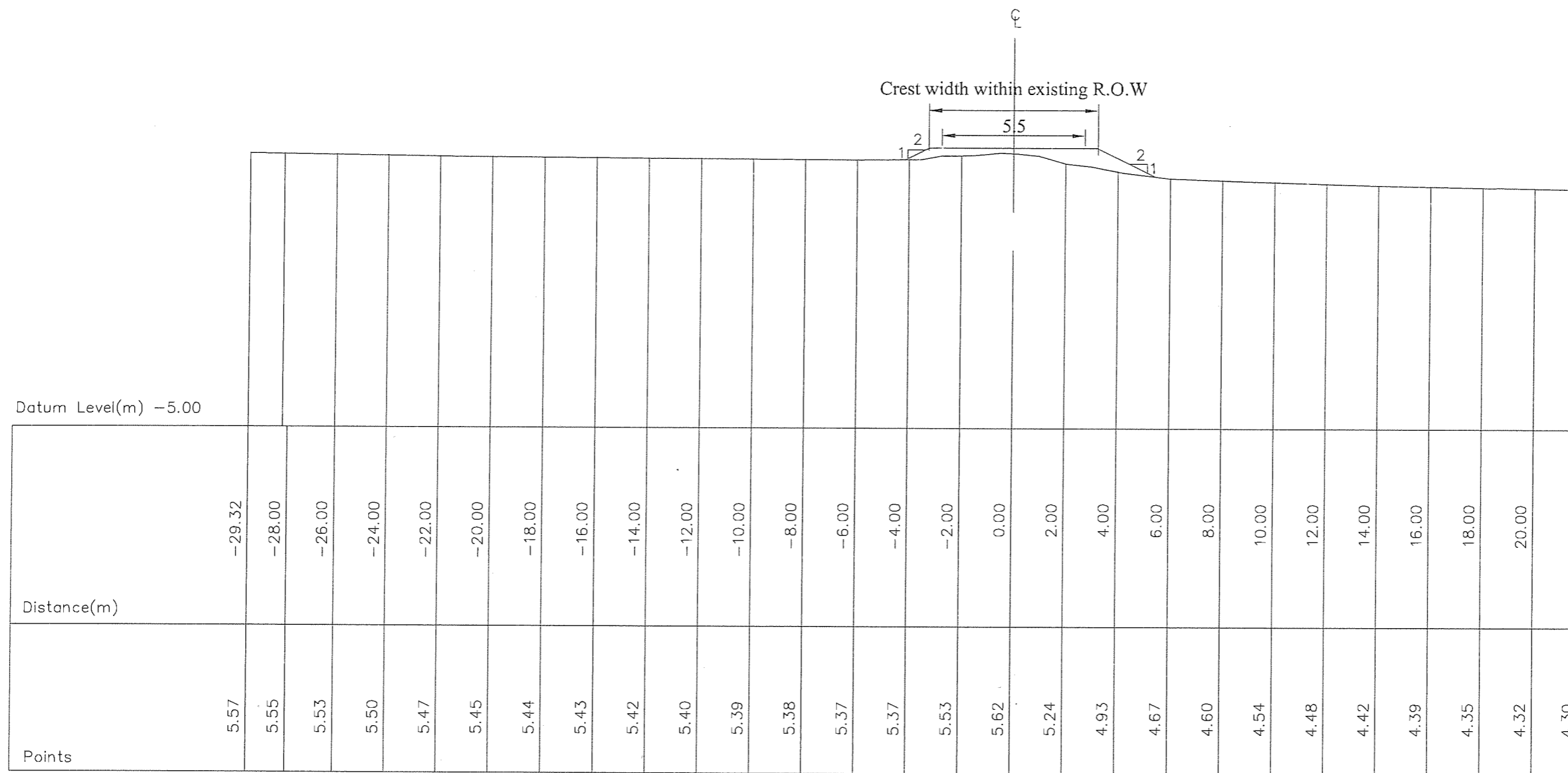
Roads and Highways Department (RHD) Ministry of Communications	NAME OF THE PROJECT :	JAPAN INTERNATIONAL COOPERATION AGENCY(JICA)	DRAWING TITLE :	SCALE :	DATE :	DRAWING NO.
	Preparatory Survey on chittagong Area Coal Fared Power Plant Development Project in Bangladesh (JICA Study).		ROAD CROSS SECTION BADARKHALI TO PLANT SITE	1:200	AUGUST, 2013	CS/DWG-32 of 54



Chainage 2884.212\Materbari\Top

REV.	DESCRIPTION	DATE

Roads and Highways Department (RHD) Ministry of Communications	NAME OF THE PROJECT :	JAPAN INTERNATIONAL COOPERATION AGENCY(JICA)	DRAWING TITLE :	SCALE :	DATE :	DRAWING NO.
	Preparatory Survey on chittagong Area Coal Fared Power Plant Development Project in Bangladesh (JICA Study).		ROAD CROSS SECTION BADARKHALI TO PLANT SITE	1:200	AUGUST, 2013	CS/DWG-33 of 54

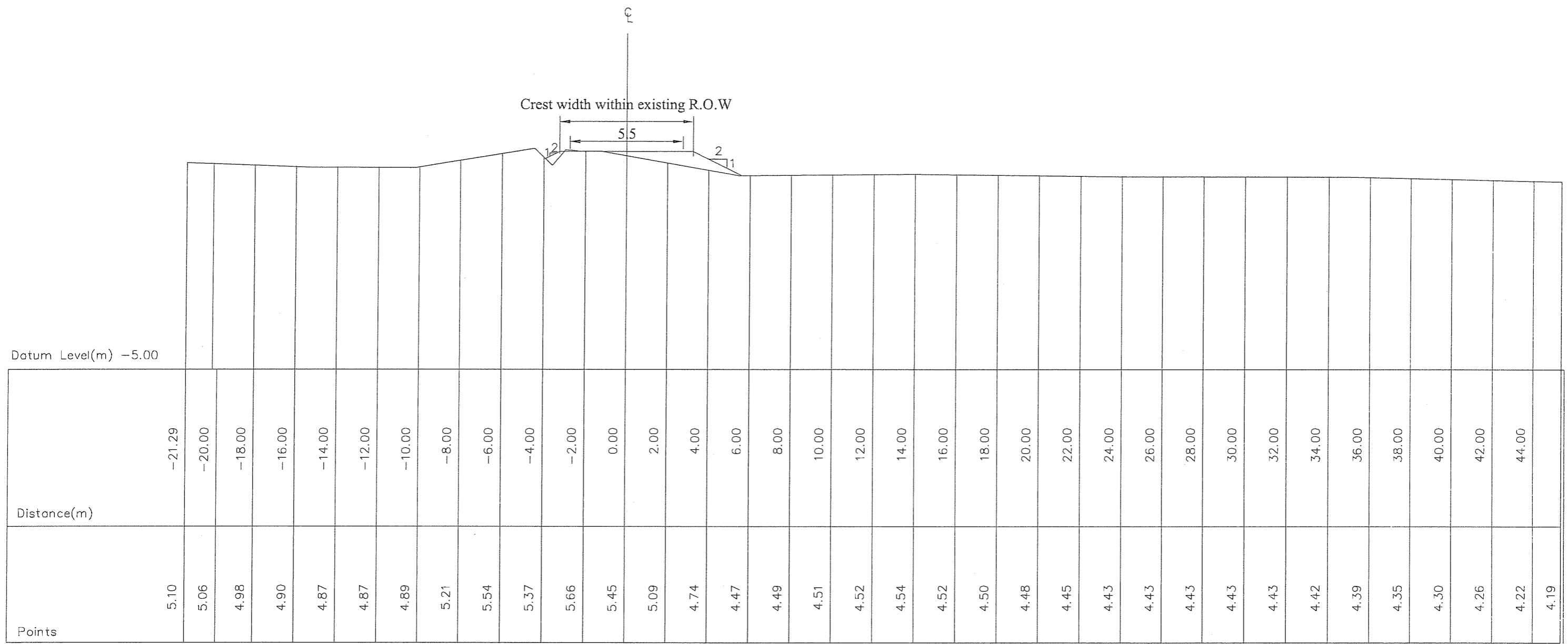


Chainage 2981.488\Materbari\Top

REV.	DESCRIPTION	DATE

Roads and Highways Department (RHD) Ministry of Communications	NAME OF THE PROJECT :	JAPAN INTERNATIONAL COOPERATION AGENCY(JICA)	DRAWING TITLE :	SCALE :	DATE :	DRAWING NO.
	Preparatory Survey on chittagong Area Coal Fared Power Plant Development Project in Bangladesh (JICA Study).		ROAD CROSS SECTION BADARKHALI TO PLANT SITE	1:200	AUGUST, 2013	CS/DWG-34 of 54



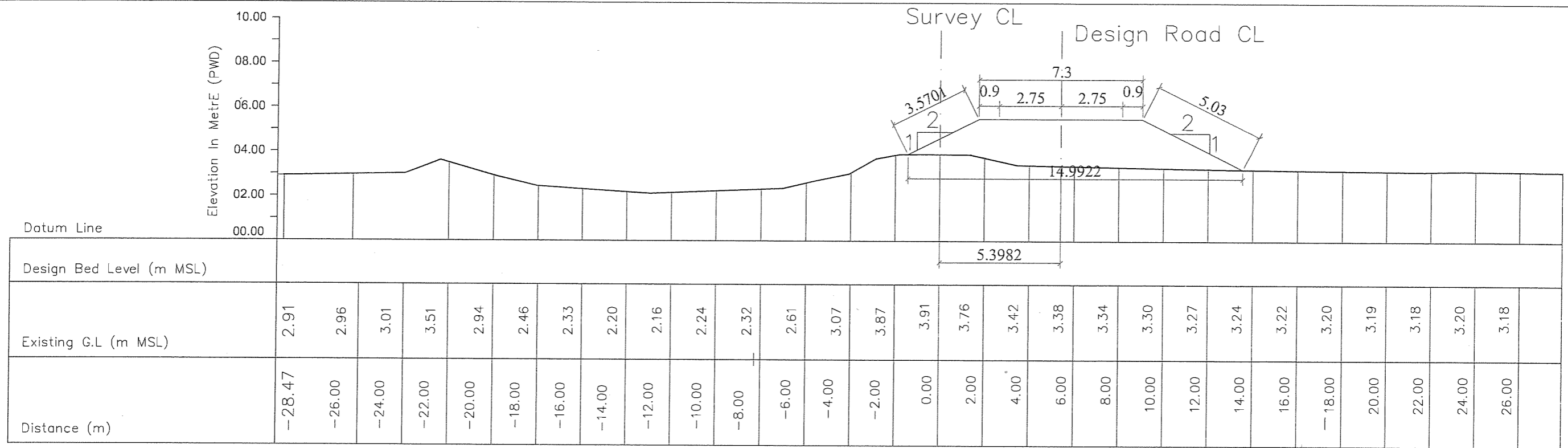


Chainage 3079.681\Materbari\Top

REV.	DESCRIPTION	DATE

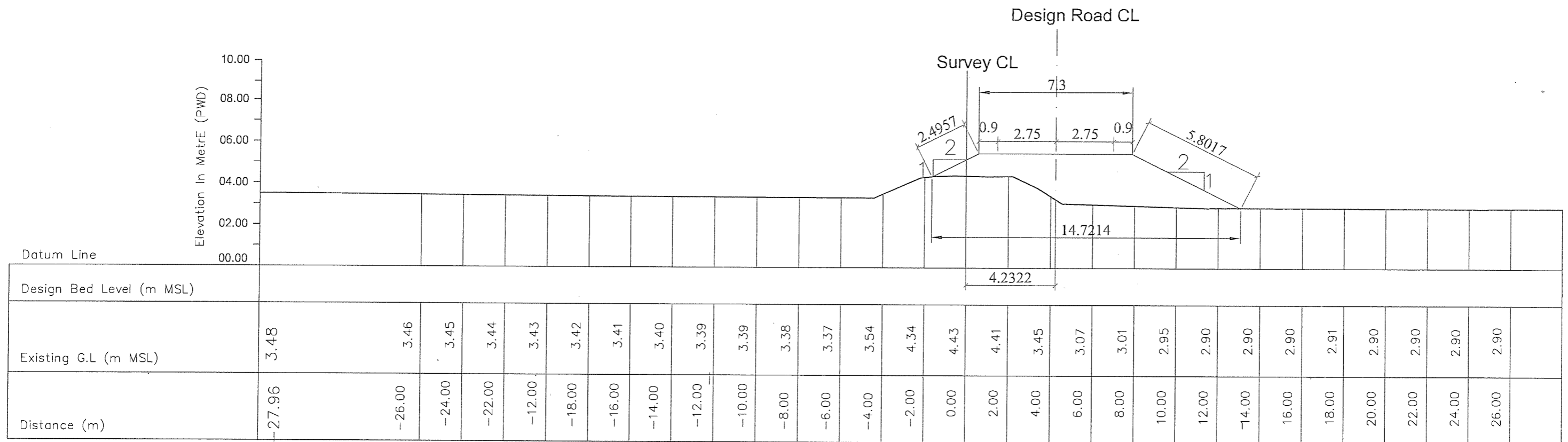
Roads and Highways Department (RHD) Ministry of Communications	NAME OF THE PROJECT : Preparatory Survey on chittagong Area Coal Fared Power Plant Development Project in Bangladesh (JICA Study).	JAPAN INTERNATIONAL COOPERATION AGENCY(JICA)	DRAWING TITLE :	SCALE :	DATE :	DRAWING NO.
			ROAD CROSS SECTION BADARKHALI TO PLANT SITE	1:200	AUGUST, 2013	CS/DWG-35 of 54





CH. 3442.81m

Earth Filling= 16.76m<sup>3</sup>/m

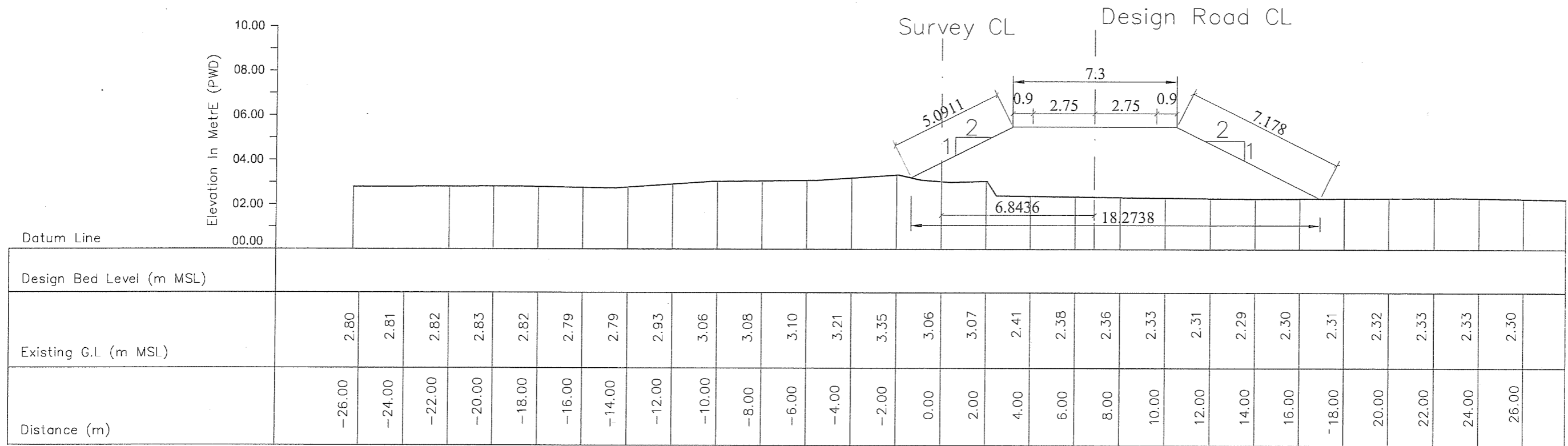


CH. 3347.74m

Earth Filling= 15.80m<sup>3</sup>/m

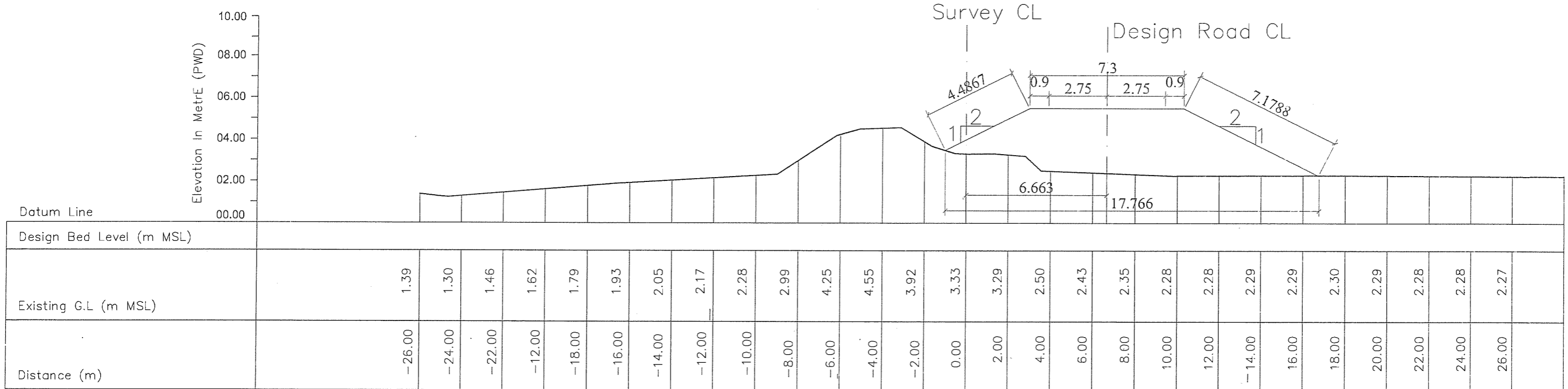
REV.	DESCRIPTION	DATE

Roads and Highways Department (RHD) Ministry of Communications	NAME OF THE PROJECT :	JAPAN INTERNATIONAL COOPERATION AGENCY(JICA)	DRAWING TITLE :	SCALE :	DATE :	DRAWING NO.
	Preparatory Survey on chittagong Area Coal Fared Power Plant Development Project in Bangladesh (JICA Study).		ROAD CROSS SECTION BADARKHALI TO PLANT SITE	1:200	AUGUST, 2013	CS/DWG-37 of 54



CH. 3597.87m

Earth Filling= 33.95m<sup>3</sup>/m

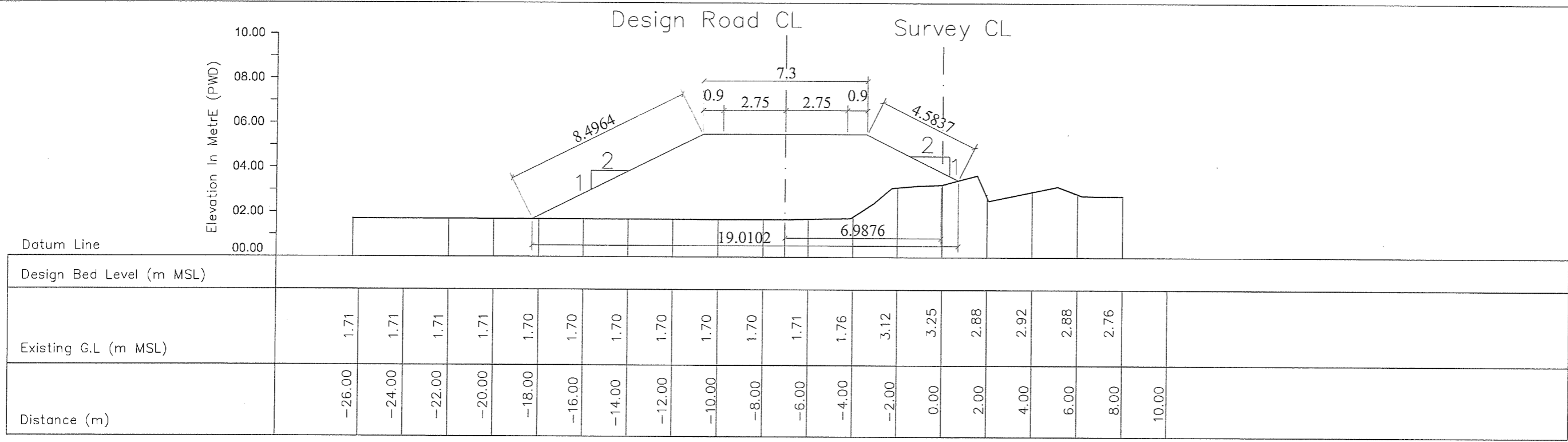


CH. 3520.79m

Earth Filling= 31.87m<sup>3</sup>/m

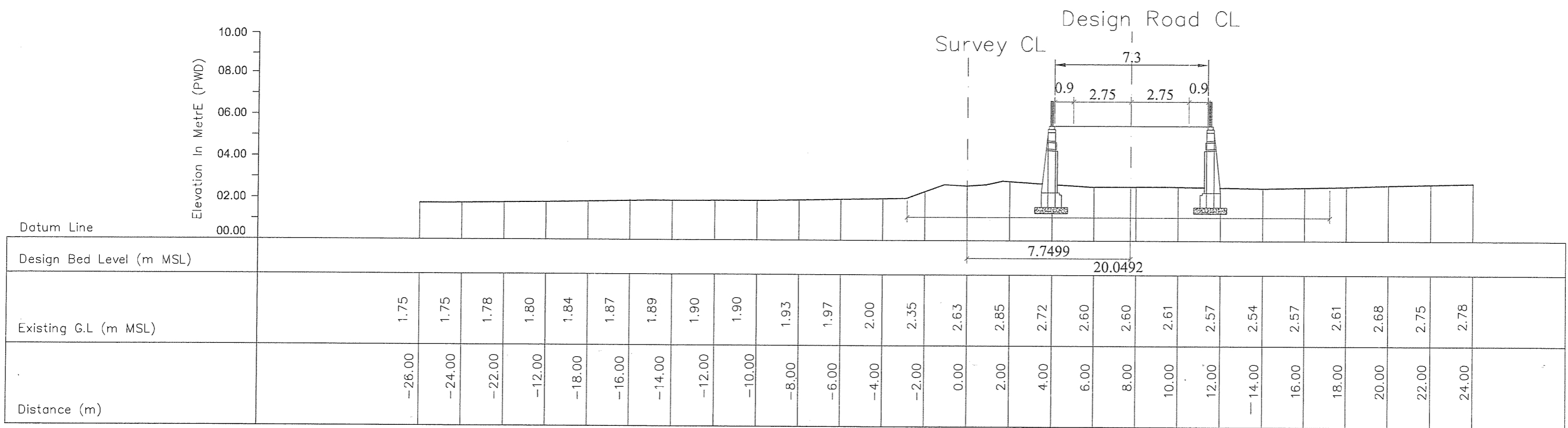
REV.	DESCRIPTION	DATE

Roads and Highways Department (RHD) Ministry of Communications	NAME OF THE PROJECT :	JAPAN INTERNATIONAL COOPERATION AGENCY(JICA)	DRAWING TITLE :	SCALE :	DATE :	DRAWING NO.
	Preparatory Survey on chittagong Area Coal Fared Power Plant Development Project in Bangladesh (JICA Study).		ROAD CROSS SECTION BADARKHALI TO PLANT SITE	1:200	AUGUST, 2013	CS/DWG-38 of 54



CH. 3776.27m

Earth Filling= 42m<sup>3</sup>/m



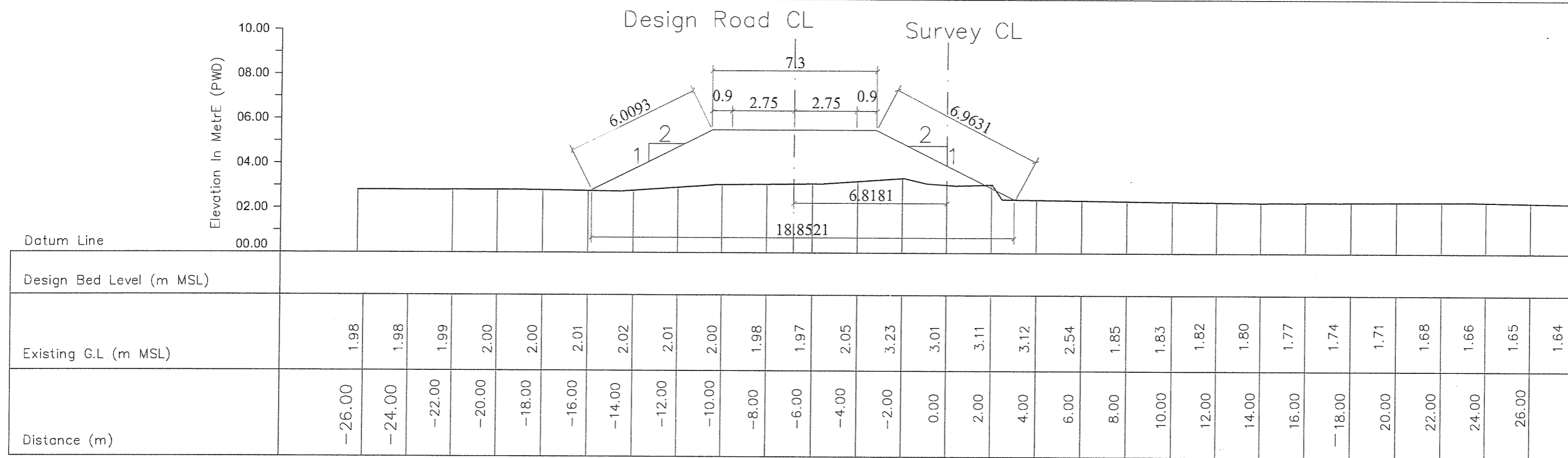
CH. 3696.12m

Earth Filling= 21.09m<sup>3</sup>/m

REV.	DESCRIPTION	DATE

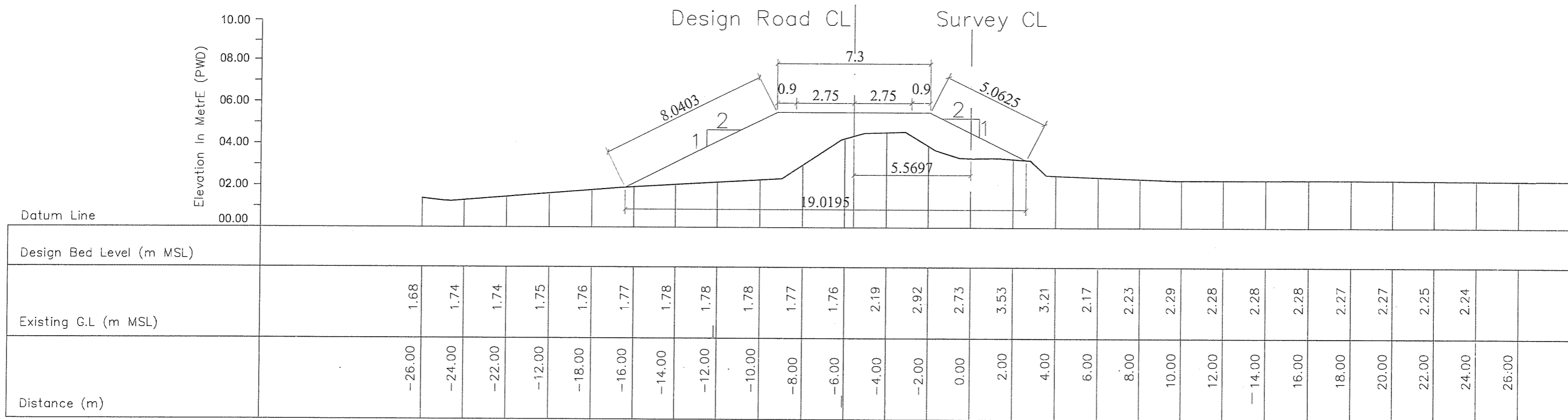
Roads and Highways Department (RHD) Ministry of Communications	NAME OF THE PROJECT :	JAPAN INTERNATIONAL COOPERATION AGENCY(JICA)	DRAWING TITLE :	SCALE :	DATE :	DRAWING NO.
	Preparatory Survey on chittagong Area Coal Fared Power Plant Development Project in Bangladesh (JICA Study).		ROAD CROSS SECTION BADARKHALI TO PLANT SITE	1:200	AUGUST, 2013	CS/DWG-39 of 54





CH. 3974.64m

Earth Filling= 24.22m<sup>3</sup>/m



CH. 3874.68m

Earth Filling= 21.74m<sup>3</sup>/m

REV.	DESCRIPTION	DATE

NAME OF THE PROJECT :  
Preparatory Survey on chittagong Area Coal Fared  
Power Plant Development Project in Bangladesh  
(JICA Study).

JAPAN INTERNATIONAL  
COOPERATION AGENCY(JICA)

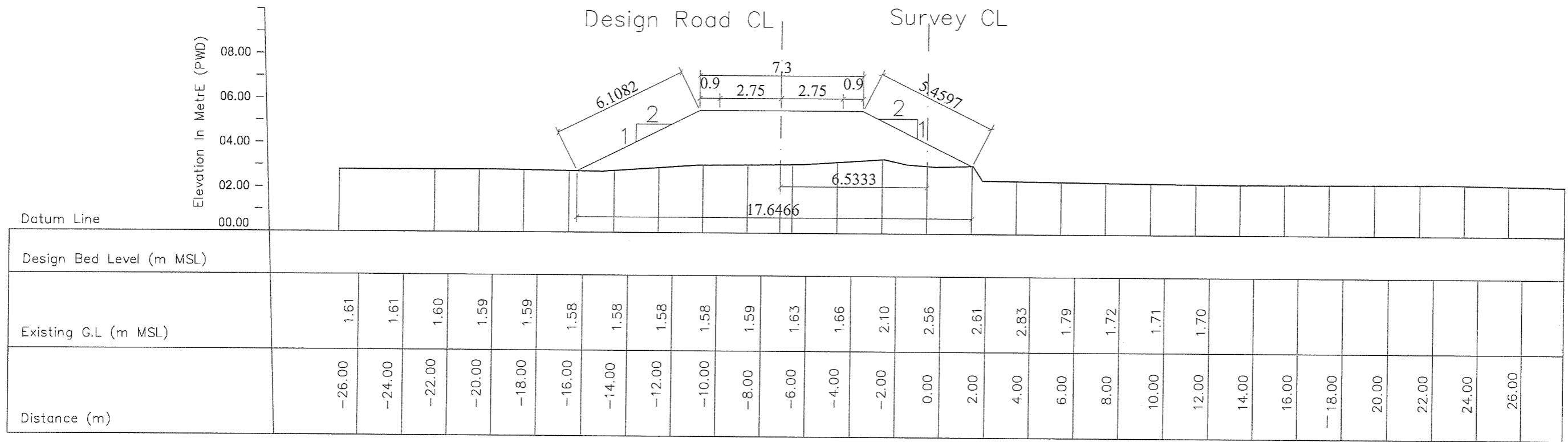
DRAWING TITLE :  
ROAD CROSS SECTION  
BADARKHALI TO PLANT SITE

SCALE :  
1:200

DATE :  
AUGUST, 2013

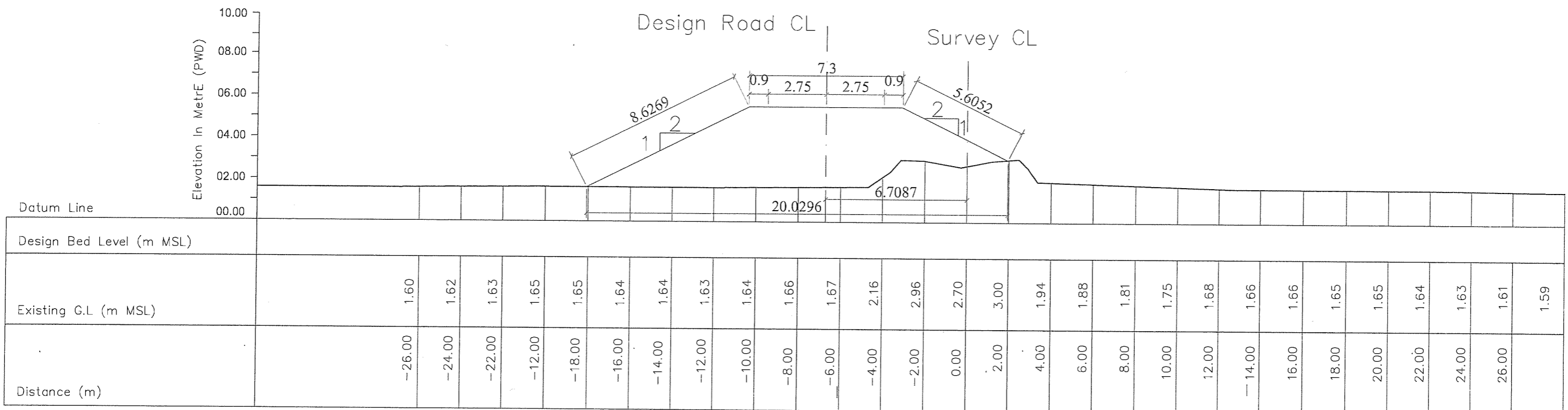
DRAWING NO.  
CS/DWG-40 of 54

Roads and Highways Department (RHD)  
Ministry of Communications



CH. 4158.52m

Earth Filling= 24.14m<sup>3</sup>/m



CH. 4062.01m

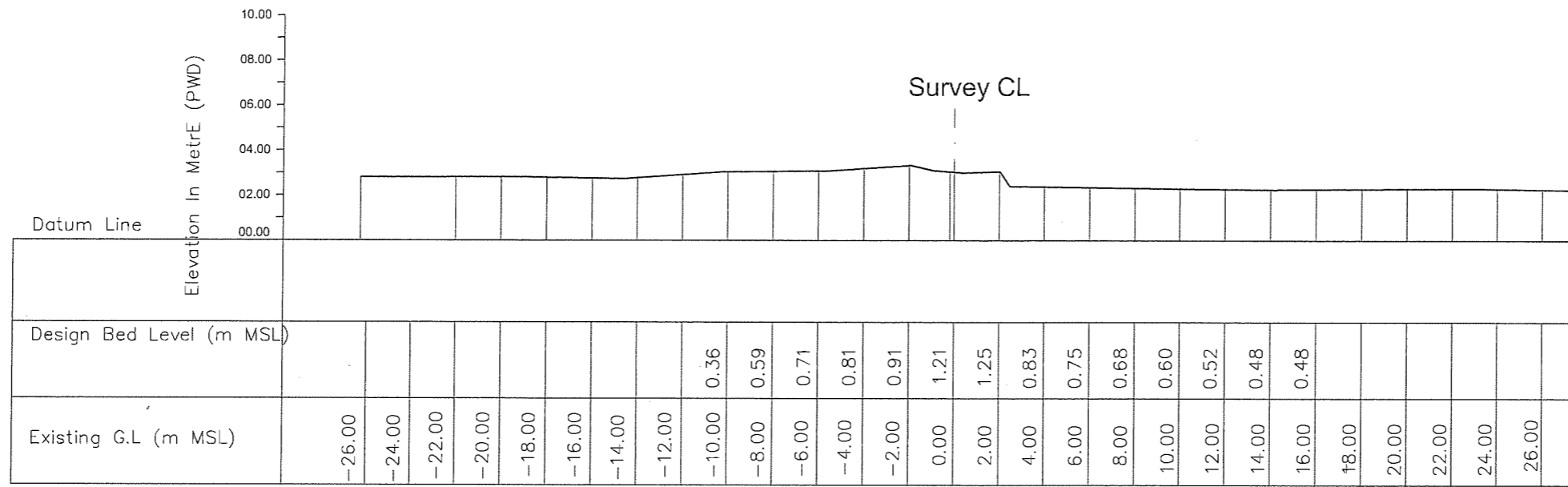
Earth Filling= 43.14m<sup>3</sup>/m

REV.	DESCRIPTION	DATE

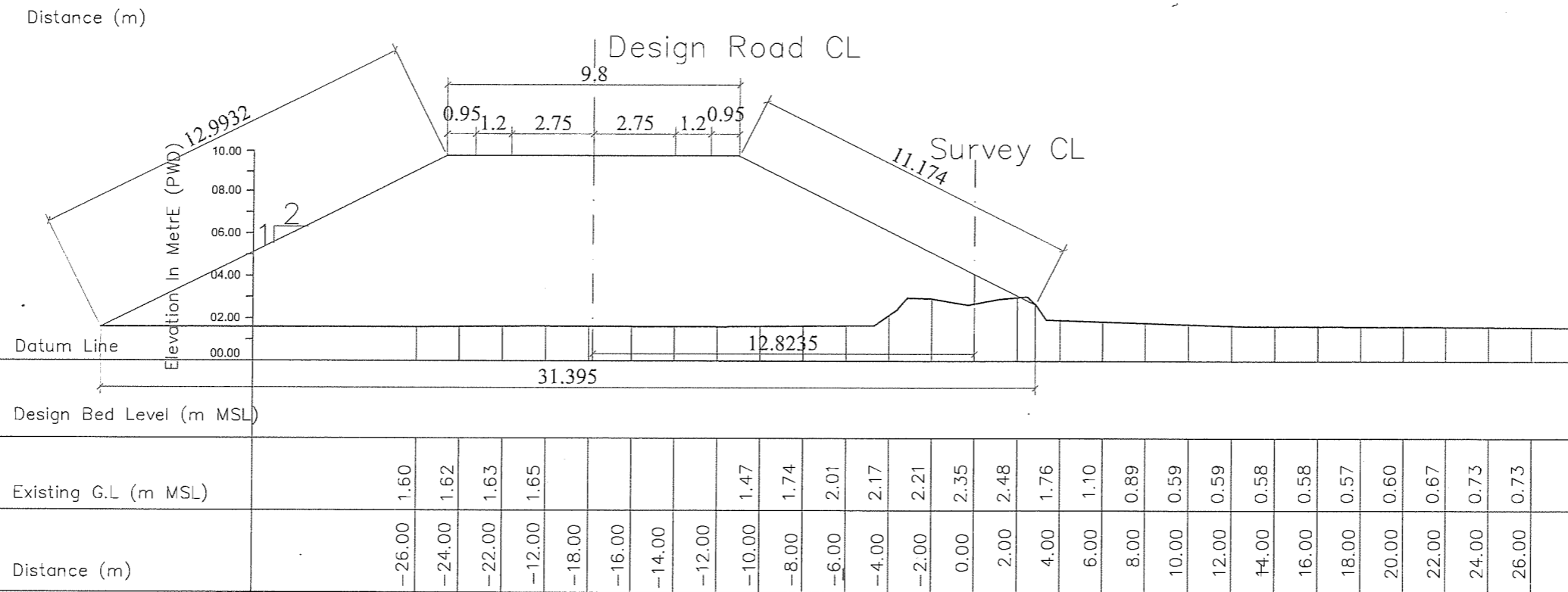
Roads and Highways Department (RHD) Ministry of Communications	NAME OF THE PROJECT : Preparatory Survey on chittagong Area Coal Fared Power Plant Development Project in Bangladesh (JICA Study).	JAPAN INTERNATIONAL COOPERATION AGENCY(JICA)	DRAWING TITLE :	SCALE :	DATE :	DRAWING NO.
			ROAD CROSS SECTION BADARKHALI TO PLANT SITE	1:200	AUGUST, 2013	CS/DWG-41 of 54







CH. 5235.33m

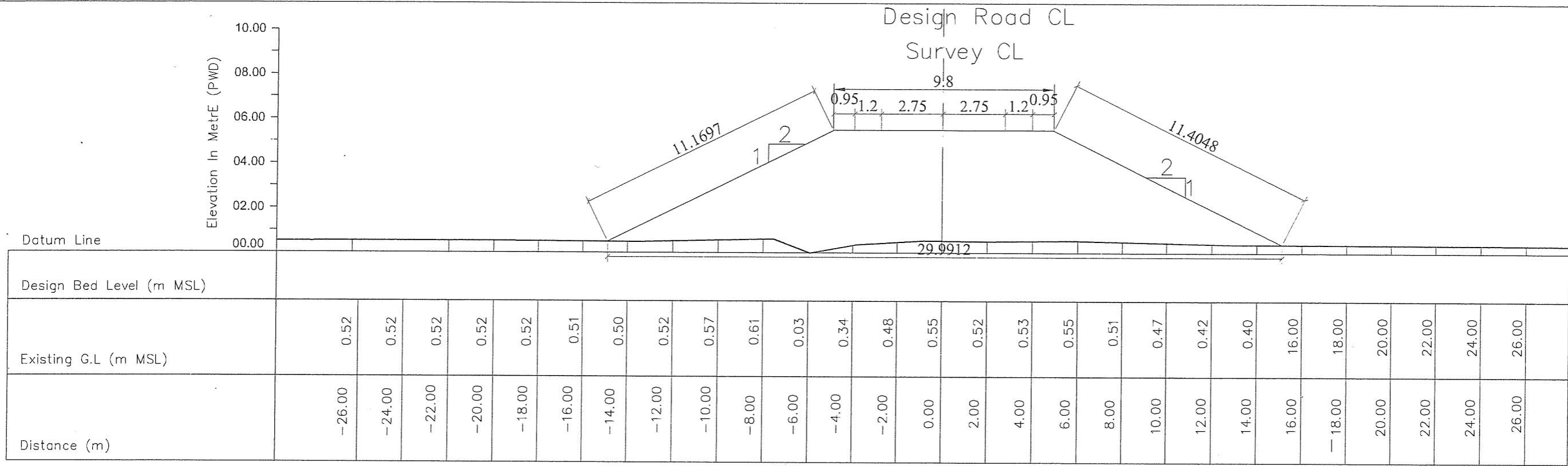


CH. 4646.38m

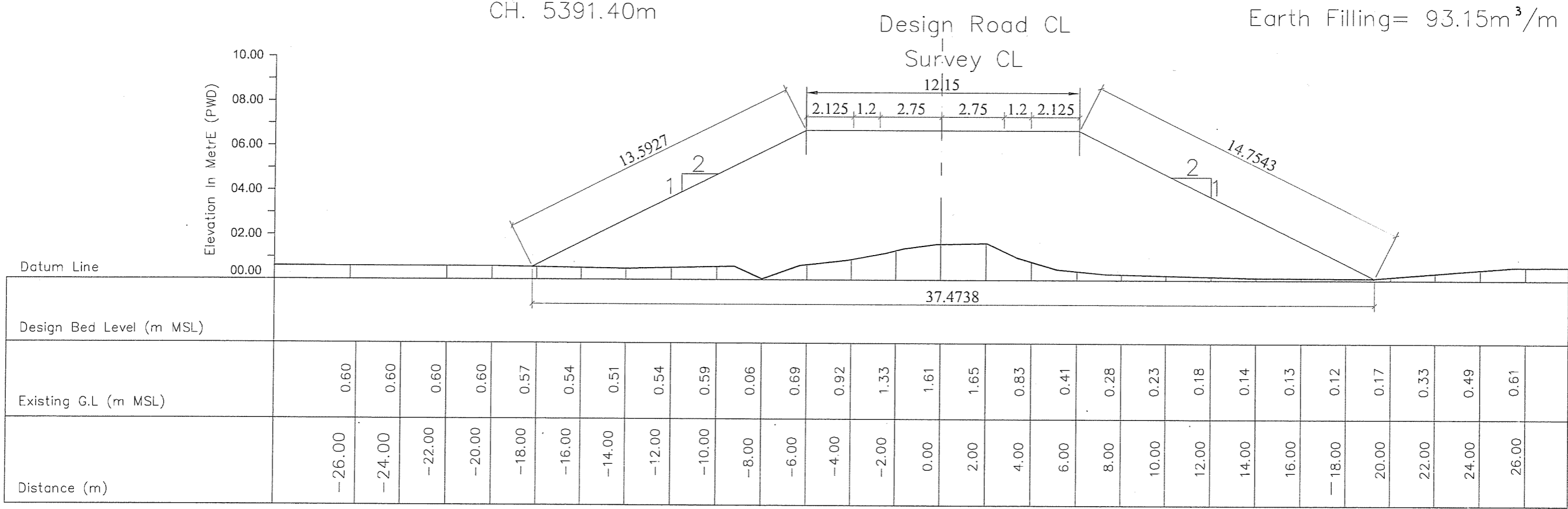
Earth Filling = 111.16m<sup>3</sup>/m

REV.	DESCRIPTION	DATE

Roads and Highways Department (RHD) Ministry of Communications	NAME OF THE PROJECT :	JAPAN INTERNATIONAL COOPERATION AGENCY(JICA)	DRAWING TITLE :	SCALE :	DATE :	DRAWING NO.
	Preparatory Survey on chittagong Area Coal Fared Power Plant Development Project in Bangladesh (JICA Study).		ROAD CROSS SECTION BADARKHALI TO PLANT SITE	1:200	AUGUST, 2013	CS/DWG-44 of 54



CH. 5391.40m



Earth Filling= 93.15m<sup>3</sup>/m

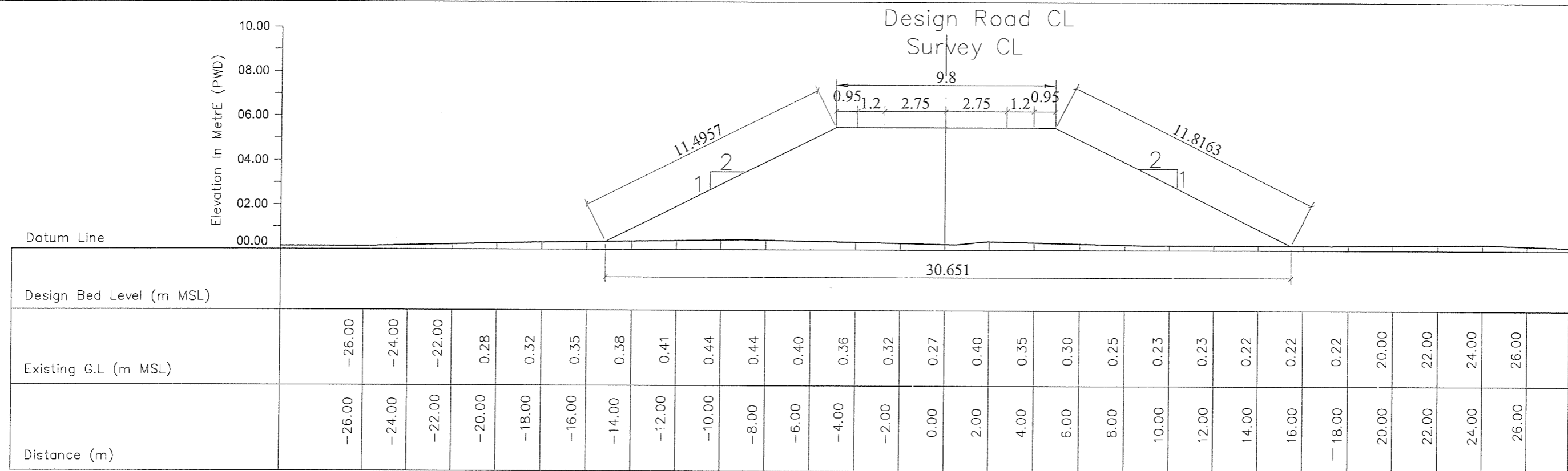
CH. 5296.92m

Earth Filling= 141.71m<sup>3</sup>/m

REV.	DESCRIPTION	DATE

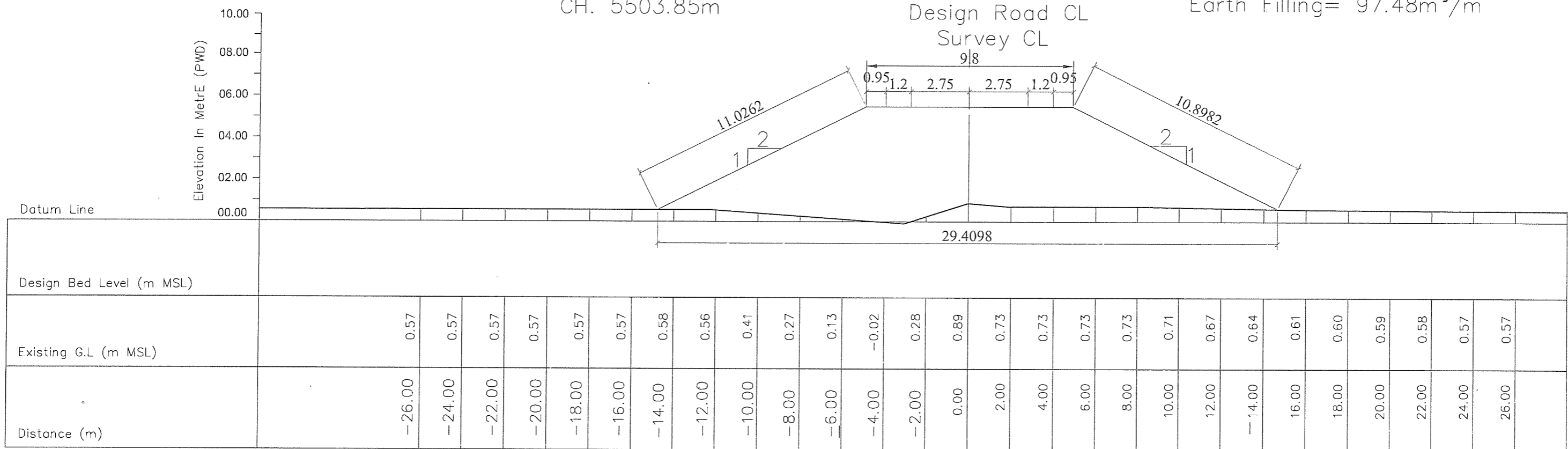
Roads and Highways Department (RHD) Ministry of Communications	NAME OF THE PROJECT :	JAPAN INTERNATIONAL COOPERATION AGENCY(JICA)	DRAWING TITLE :	SCALE :	DATE :	DRAWING NO.
	Preparatory Survey on chittagong Area Coal Fared Power Plant Development Project in Bangladesh (JICA Study).		ROAD CROSS SECTION BADARKHALI TO PLANT SITE	1:200	AUGUST, 2013	CS/DWG-45 of 54





CH. 5503.85m

Earth Filling= 97.48m<sup>3</sup>/m



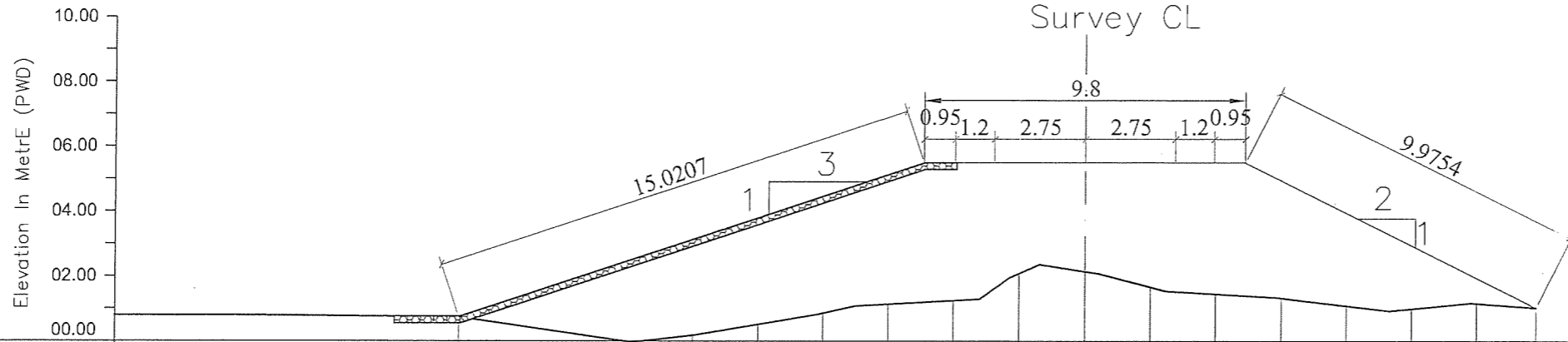
CH. 5476.59m

Earth Filling= 91.58m<sup>3</sup>/m

REV.	DESCRIPTION	DATE

Roads and Highways Department (RHD) Ministry of Communications	NAME OF THE PROJECT :	JAPAN INTERNATIONAL COOPERATION AGENCY(JICA)	DRAWING TITLE :	SCALE :	DATE :	DRAWING NO.
	Preparatory Survey on chittagong Area Coal Fared Power Plant Development Project in Bangladesh (JICA Study).		ROAD CROSS SECTION BADARKHALI TO PLANT SITE	1:200	AUGUST, 2013	CS/DWG-46 of 54

Design Road CL  
Survey CL



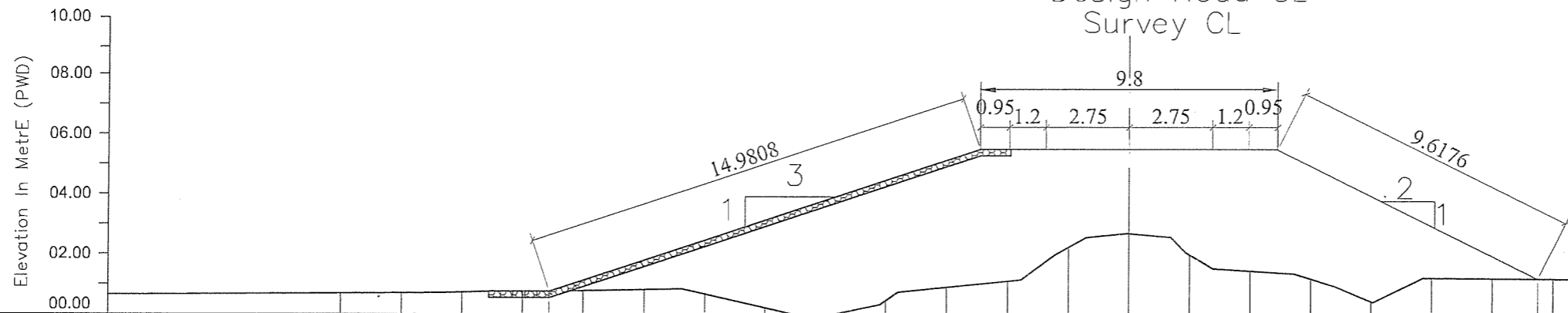
Datum Line

Design Bed Level (m MSL)																											
Existing G.L (m MSL)	0.80	0.81	0.83	0.86	0.58	0.29	-0.01	0.18	0.52	0.86	1.14	1.25	2.08	2.16	1.68	1.46	1.34	1.10	1.00	1.18							
Distance (m)	-26.00	-24.00	-22.00	-20.00	-18.00	-16.00	-14.00	-12.00	-10.00	-8.00	-6.00	-4.00	-2.00	0.00	2.00	4.00	6.00	8.00	10.00	12.00							

CH. 5650.41m

Earth Filling= 74.58m<sup>3</sup>/m

Design Road CL  
Survey CL



Datum Line

Design Bed Level (m MSL)																													
Existing G.L (m MSL)			0.70	0.71	0.72	0.75	0.79	0.83	0.69	0.23	-0.05	0.47	0.91	1.12	2.24	2.71	2.01	1.46	1.20	0.44	1.23	1.21	1.20	1.18	1.17	1.16	1.15	1.15	1.15
Distance (m)			-26.00	-24.00	-22.00	-12.00	-18.00	-16.00	-14.00	-12.00	-10.00	-8.00	-6.00	-4.00	-2.00	0.00	2.00	4.00	6.00	8.00	10.00	12.00	14.00	16.00	18.00	20.00	22.00	24.00	26.00

CH. 5559.46m

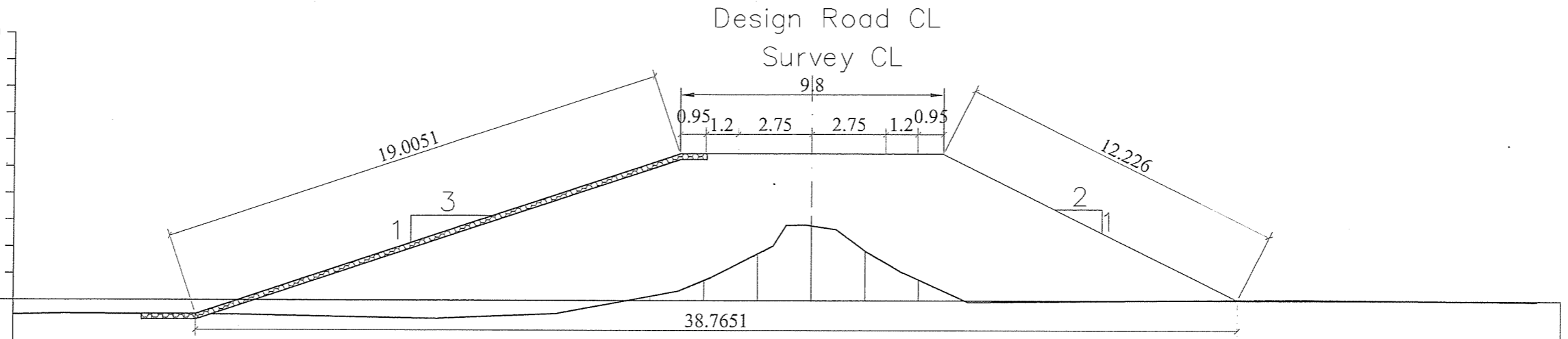
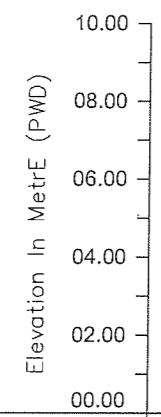
Earth Filling= 91.16 m<sup>3</sup>/m

REV.	DESCRIPTION	DATE

Roads and Highways Department (RHD) Ministry of Communications	NAME OF THE PROJECT :	JAPAN INTERNATIONAL COOPERATION AGENCY(JICA)	DRAWING TITLE :	SCALE :	DATE :	DRAWING NO.
	Preparatory Survey on chittagong Area Coal Fared Power Plant Development Project in Bangladesh (JICA Study).		ROAD CROSS SECTION BADARKHALI TO PLANT SITE	1:200	AUGUST, 2013	CS/DWG-47 of 54



Design Road CL  
Survey CL

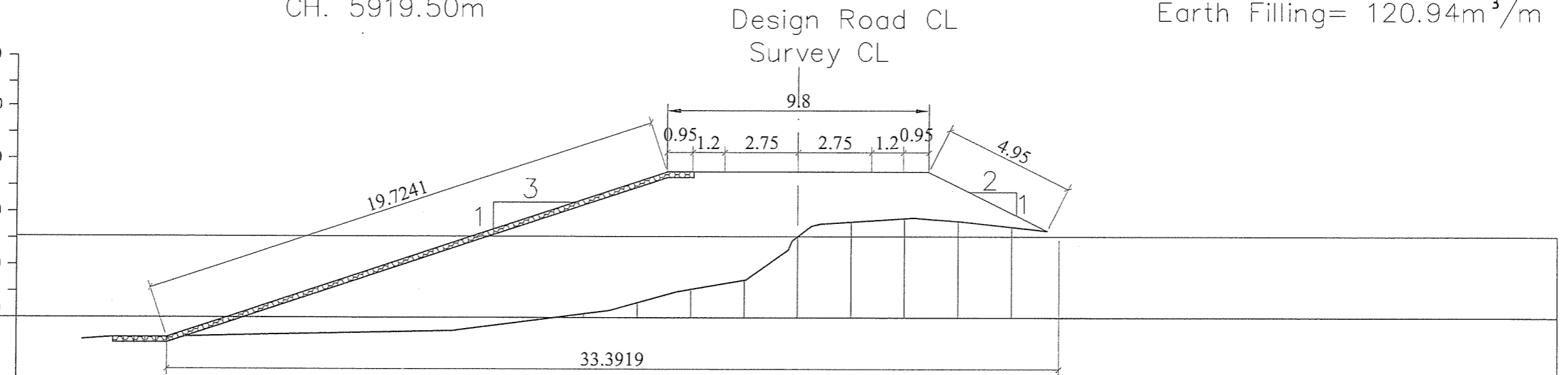
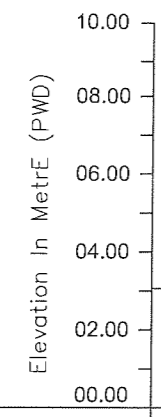


Datum Line	0.00																										
Design Bed Level (m MSL)	0.00																										
Existing G.L (m MSL)	-0.51	-0.51	-0.53	-0.56	-0.60	-0.63	-0.67	-0.60	-0.52	-0.21	0.16	0.76	1.76	2.81	1.87	0.79	-0.06	-0.04	-0.02	-0.00	0.01	0.02	0.04	0.03	0.02	0.01	-0.01
Distance (m)	-26.00	-24.00	-22.00	-20.00	-18.00	-16.00	-14.00	-12.00	-10.00	-8.00	-6.00	-4.00	-2.00	0.00	2.00	4.00	6.00	8.00	10.00	12.00	14.00	16.00	18.00	20.00	22.00	24.00	26.00

CH. 5919.50m

Earth Filling= 120.94m<sup>3</sup>/m

Design Road CL  
Survey CL



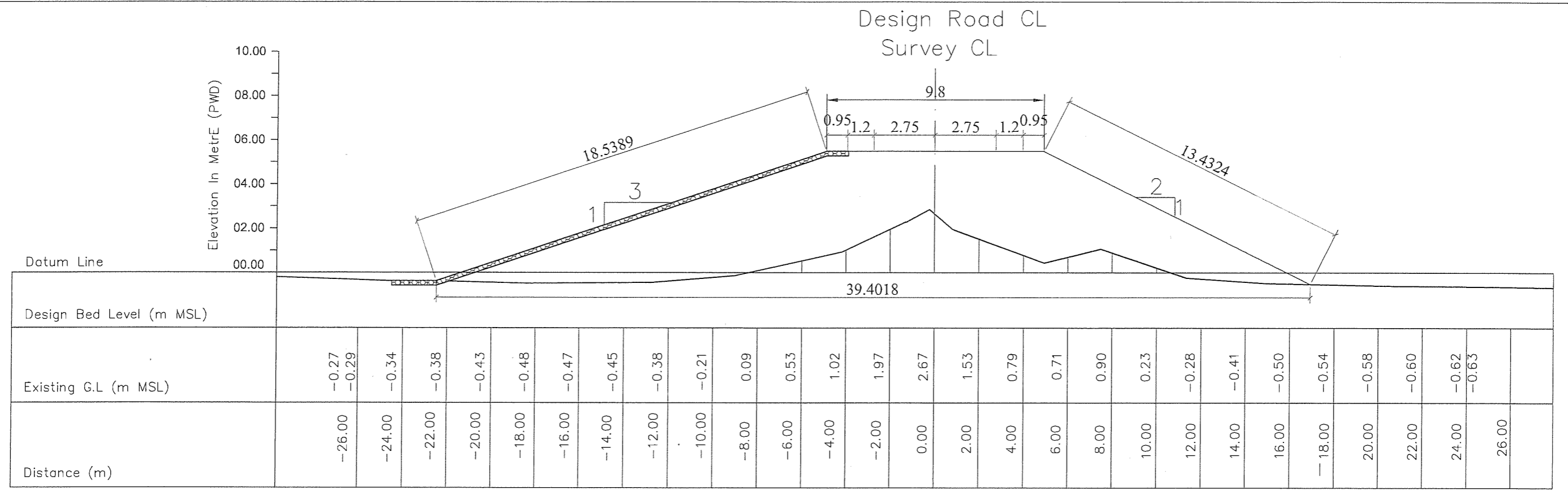
Datum Line	0.00																											
Design Bed Level (m MSL)	0.00																											
Existing G.L (m MSL)																												
Distance (m)	-26.00	-24.00	-22.00	-12.00	-18.00	-16.00	-14.00	-12.00	-10.00	-8.00	-6.00	-4.00	-2.00	0.00	2.00	4.00	6.00	8.00	10.00									

CH. 5839.76m

Earth Filling= 82.86m<sup>3</sup>/m

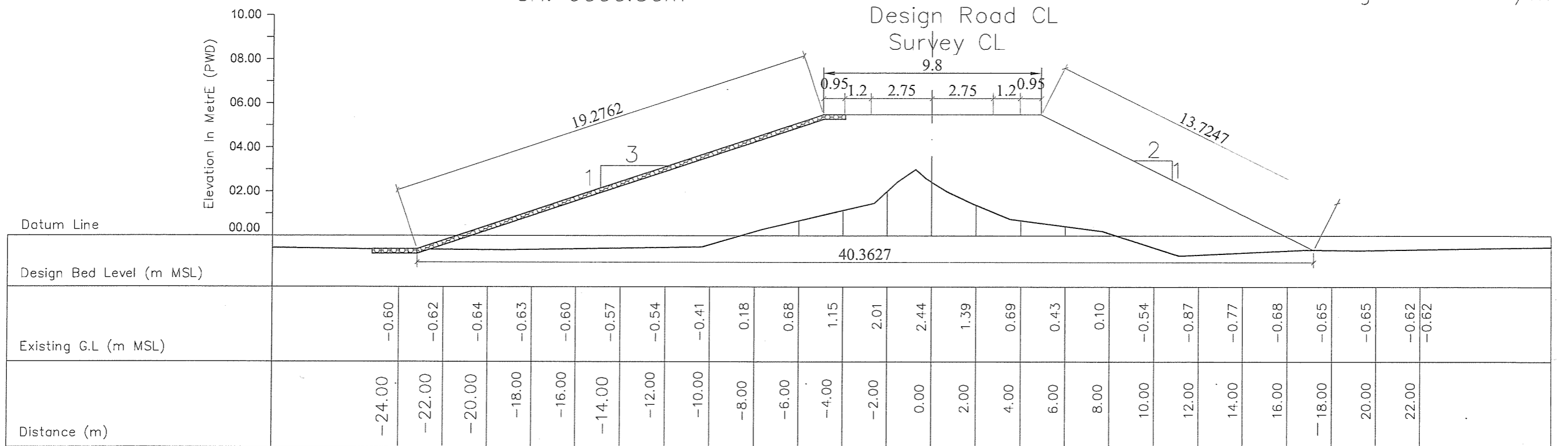
REV.	DESCRIPTION	DATE
------	-------------	------

Roads and Highways Department (RHD) Ministry of Communications	NAME OF THE PROJECT :	JAPAN INTERNATIONAL COOPERATION AGENCY(JICA)	DRAWING TITLE :	SCALE :	DATE :	DRAWING NO.
	Preparatory Survey on chittagong Area Coal Fared Power Plant Development Project in Bangladesh (JICA Study).		ROAD CROSS SECTION BADARKHALI TO PLANT SITE	1:200	AUGUST, 2013	CS/DWG-49 of 54



CH. 6000.50m

Earth Filling= 109.04m<sup>3</sup>/m

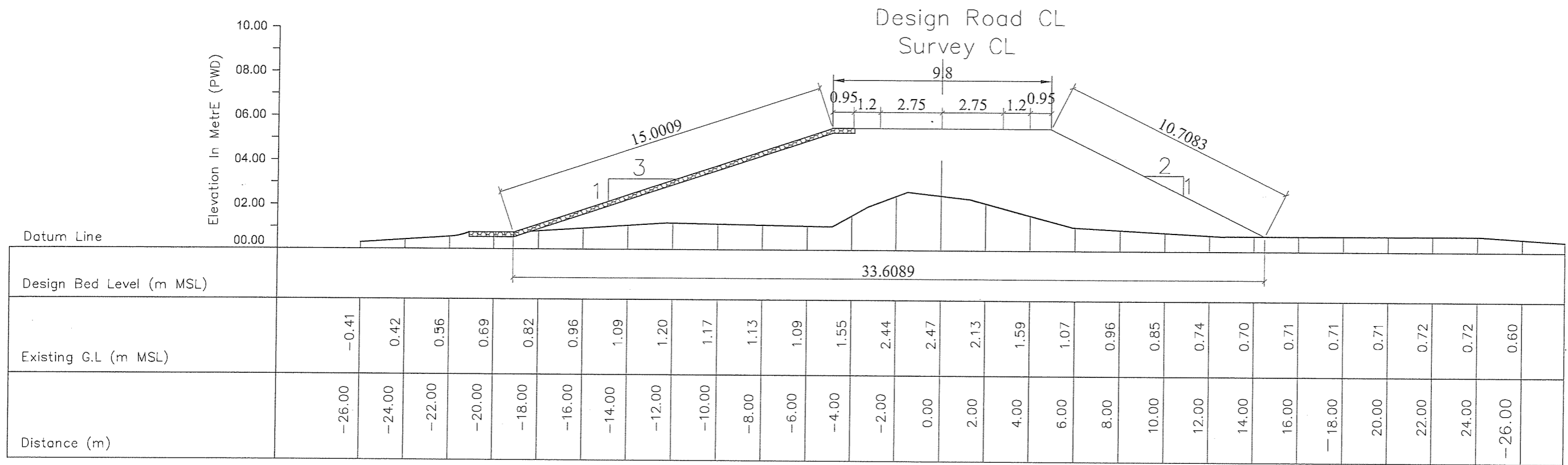


CH. 5967.19m

Earth Filling= 116.96m<sup>3</sup>/m

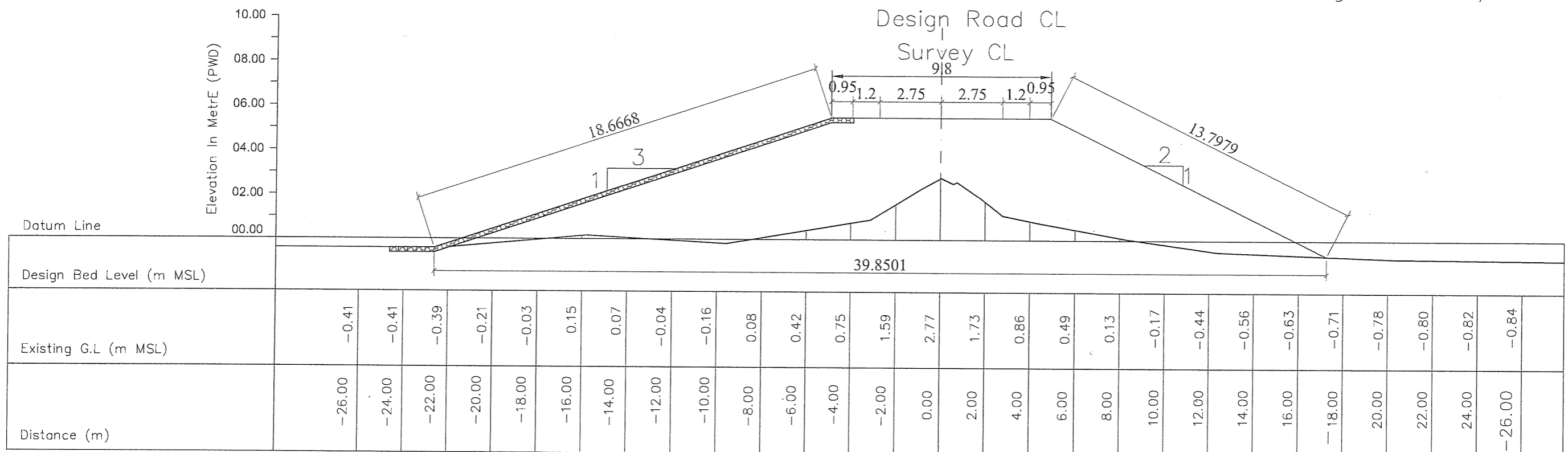
REV.	DESCRIPTION	DATE

Roads and Highways Department (RHD) Ministry of Communications	NAME OF THE PROJECT : Preparatory Survey on chittagong Area Coal Fared Power Plant Development Project in Bangladesh (JICA Study).	JAPAN INTERNATIONAL COOPERATION AGENCY(JICA)	DRAWING TITLE :	SCALE :	DATE :	DRAWING NO.
			ROAD CROSS SECTION BADARKHALI TO PLANT SITE	1:200	AUGUST, 2013	CS/DWG-50 of 54



CH. 6127.98m

Earth Filling= 77.36m<sup>3</sup>/m



CH. 6079.89m

Earth Filling= 109.09m<sup>3</sup>/m

REV.	DESCRIPTION	DATE

SCALE :	DATE :	DRAWING NO.
1:200	AUGUST, 2013	CS/DWG-51 of 54

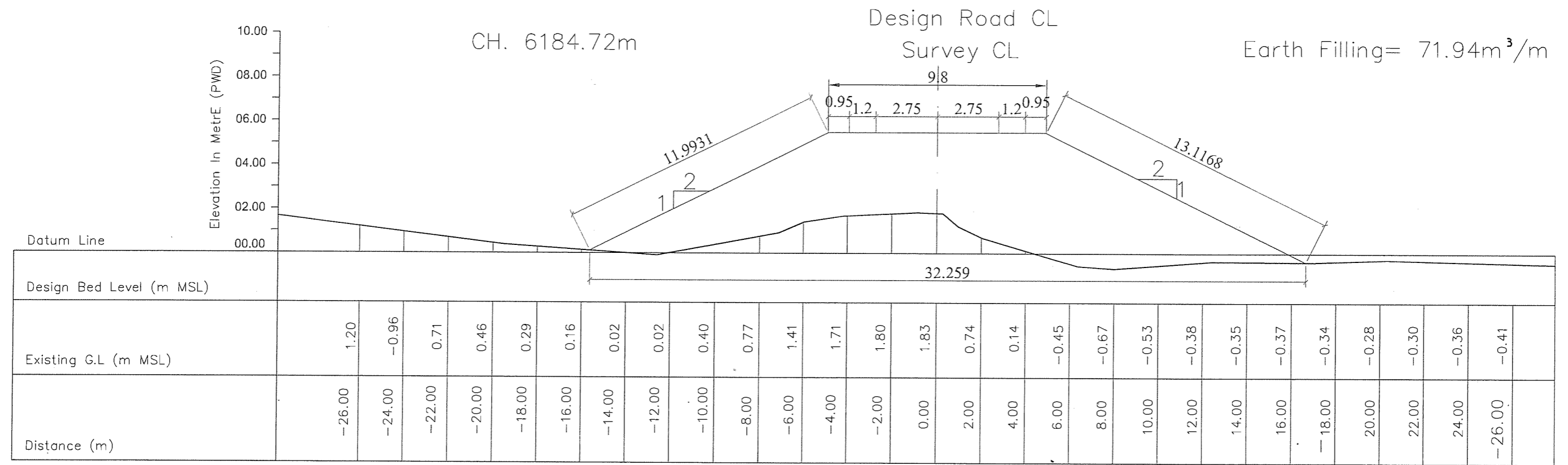
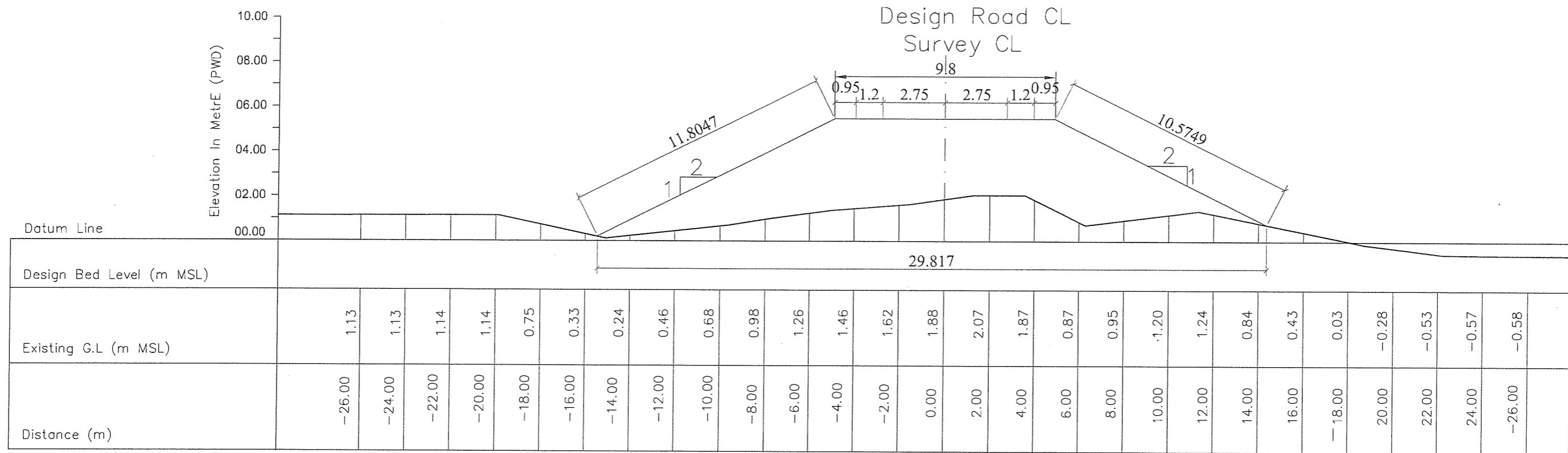
NAME OF THE PROJECT :  
Preparatory Survey on chittagong Area Coal Fared  
Power Plant Development Project in Bangladesh  
(JICA Study).

JAPAN INTERNATIONAL  
COOPERATION AGENCY(JICA)

DRAWING TITLE :  
ROAD CROSS SECTION  
BADARKHALI TO PLANT SITE

Roads and Highways Department (RHD)  
Ministry of Communications



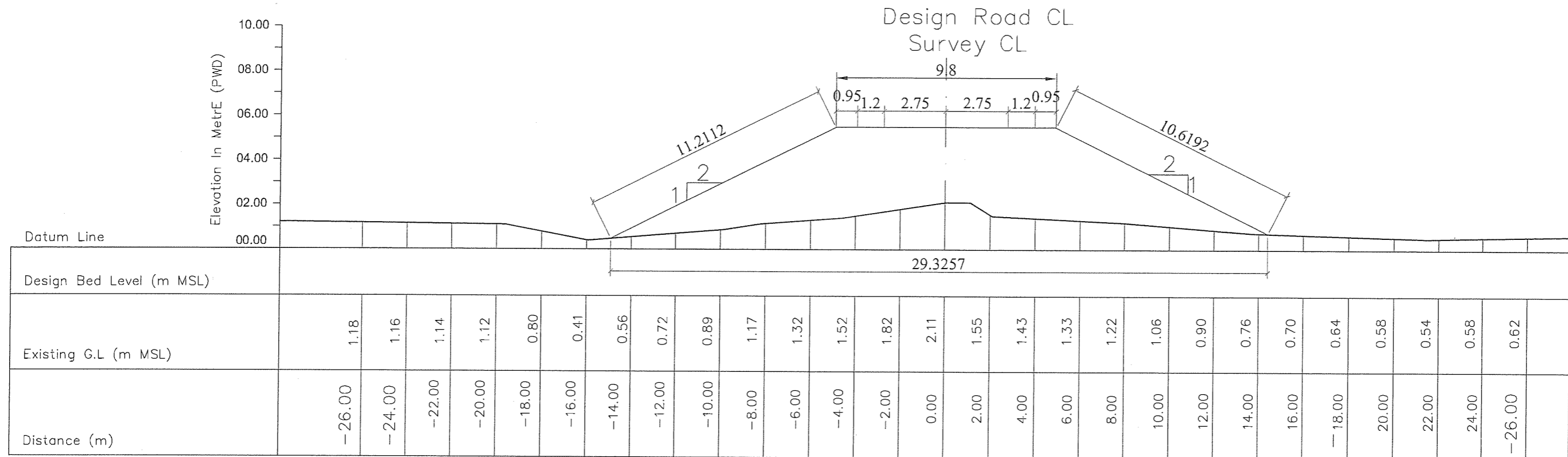


CH. 6161.96m

Earth Filling= 95.17m<sup>3</sup>/m

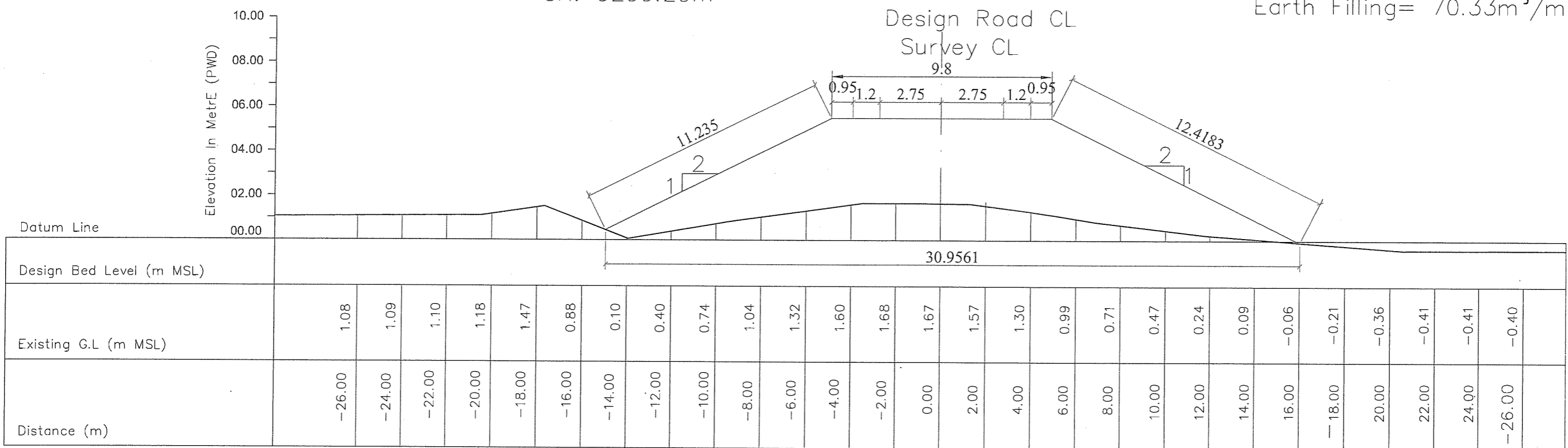
REV.	DESCRIPTION	DATE

Roads and Highways Department (RHD) Ministry of Communications	NAME OF THE PROJECT : Preparatory Survey on chittagong Area Coal Fared Power Plant Development Project in Bangladesh (JICA Study).	JAPAN INTERNATIONAL COOPERATION AGENCY(JICA)	DRAWING TITLE :	SCALE :	DATE :	DRAWING NO.
			ROAD CROSS SECTION BADARKHALI TO PLANT SITE	1:200	AUGUST, 2013	CS/DWG-52 of 54



CH. 6299.29m

Earth Filling= 70.33m<sup>3</sup>/m

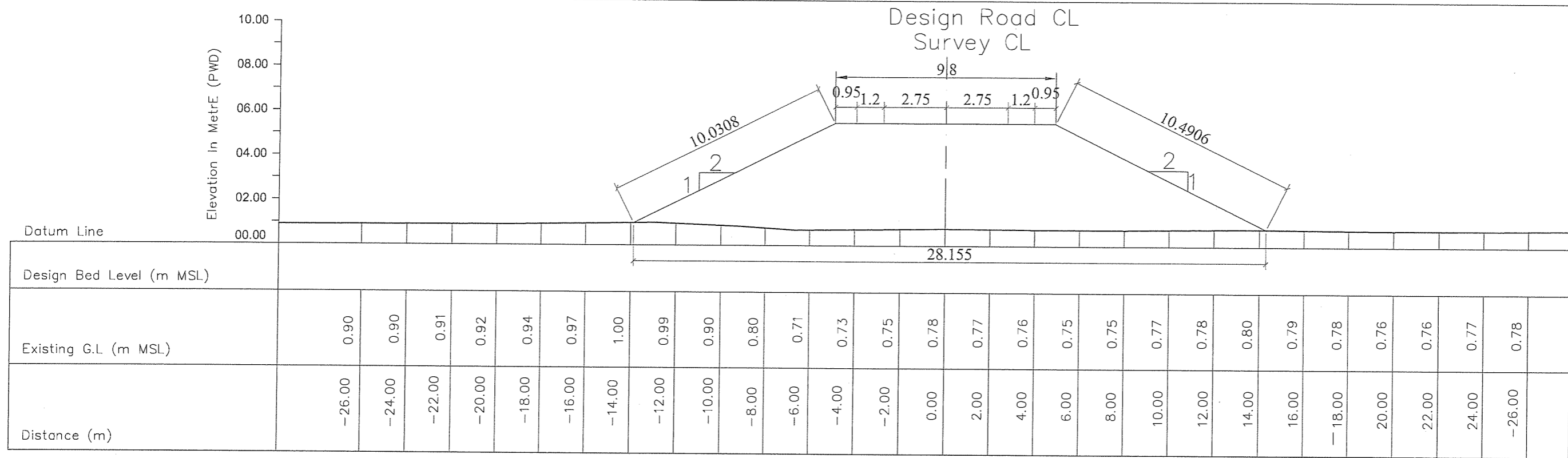


CH. 6231.46m

Earth Filling= 79.22m<sup>3</sup>/m

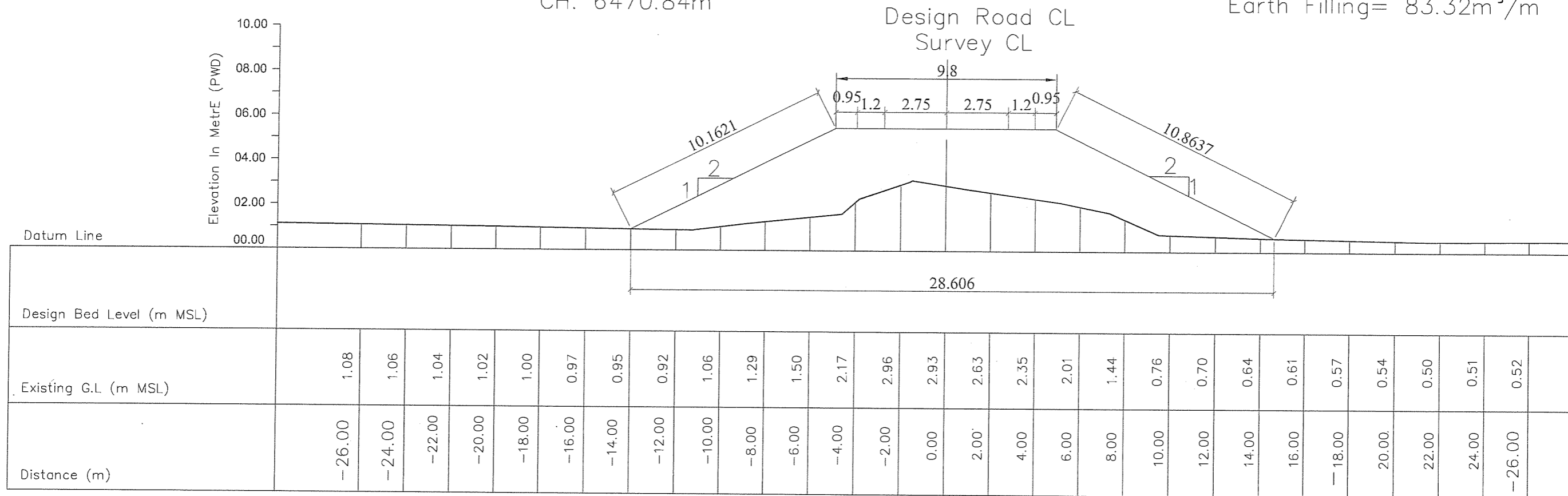
REV.	DESCRIPTION	DATE

Roads and Highways Department (RHD) Ministry of Communications	NAME OF THE PROJECT :	JAPAN INTERNATIONAL COOPERATION AGENCY(JICA)	DRAWING TITLE :	SCALE :	DATE :	DRAWING NO.
	Preparatory Survey on chittagong Area Coal Fared Power Plant Development Project in Bangladesh (JICA Study).		ROAD CROSS SECTION BADARKHALI TO PLANT SITE	1:200	AUGUST, 2013	CS/DWG-53 of 54



CH. 6470.84m

Earth Filling= 83.32m<sup>3</sup>/m



CH. 6374.00m

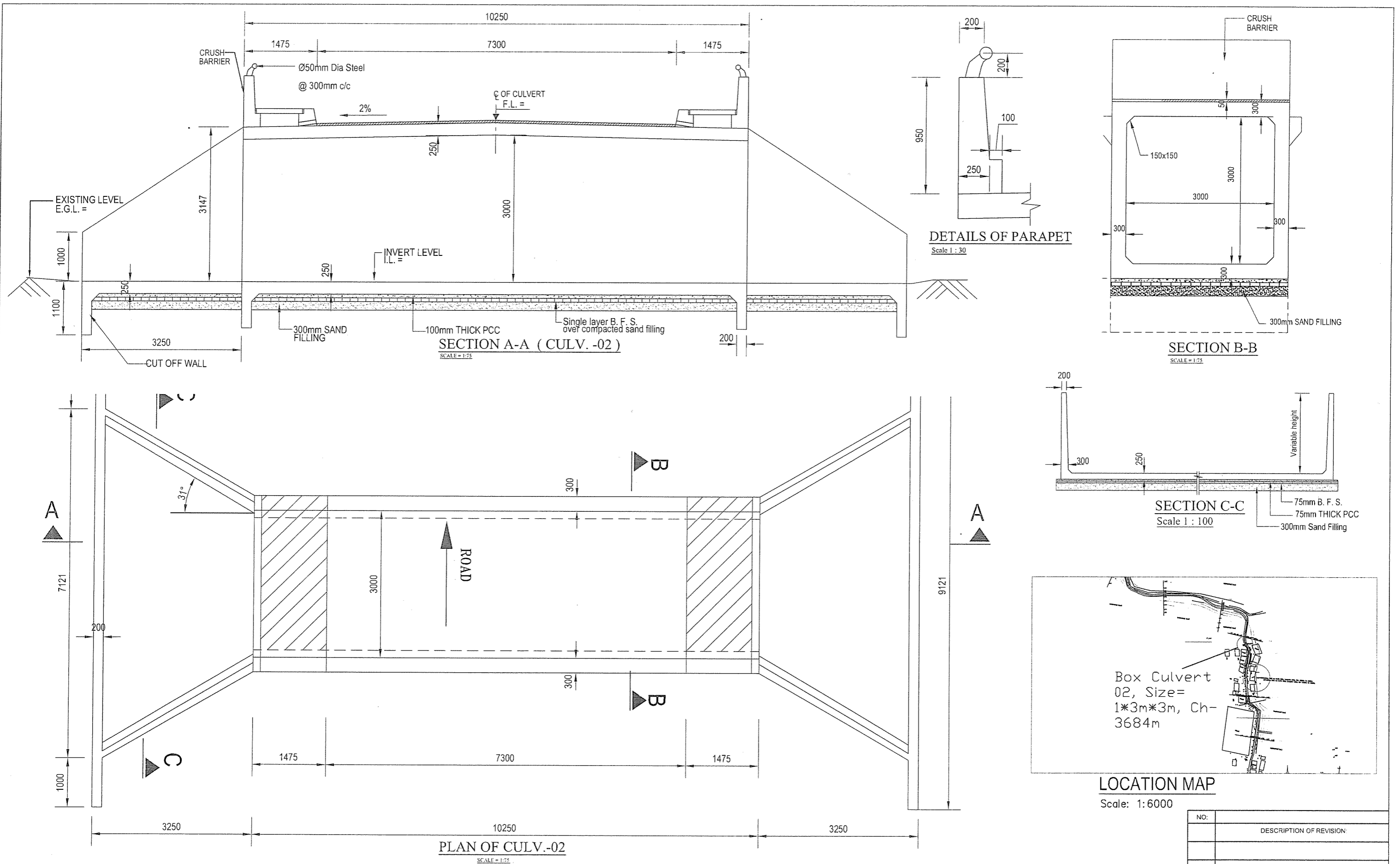
Earth Filling= 58.77m<sup>3</sup>/m

REV.	DESCRIPTION	DATE

Roads and Highways Department (RHD) Ministry of Communications	NAME OF THE PROJECT :	JAPAN INTERNATIONAL COOPERATION AGENCY(JICA)	DRAWING TITLE :	SCALE :	DATE :	DRAWING NO.
	Preparatory Survey on chittagong Area Coal Fared Power Plant Development Project in Bangladesh (JICA Study).		ROAD CROSS SECTION BADARKHALI TO PLANT SITE	1:200	AUGUST, 2013	CS/DWG-54 of 54

# **CULVERT AND ROAD ANCILLARY STRUCTURES**

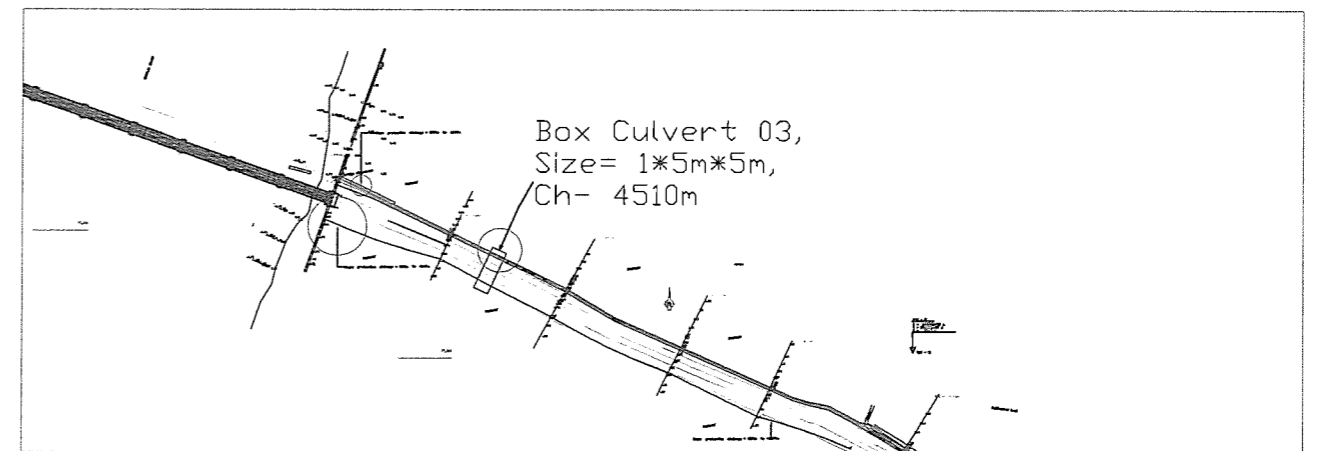
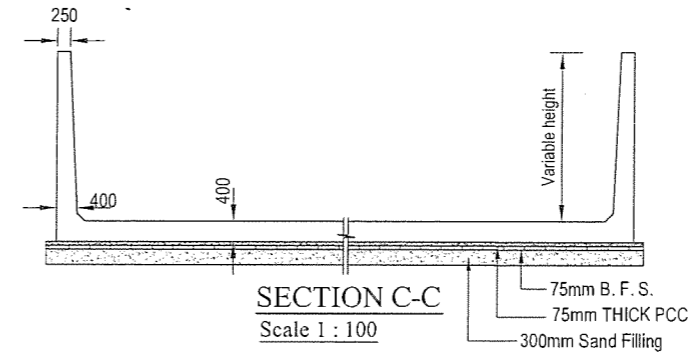
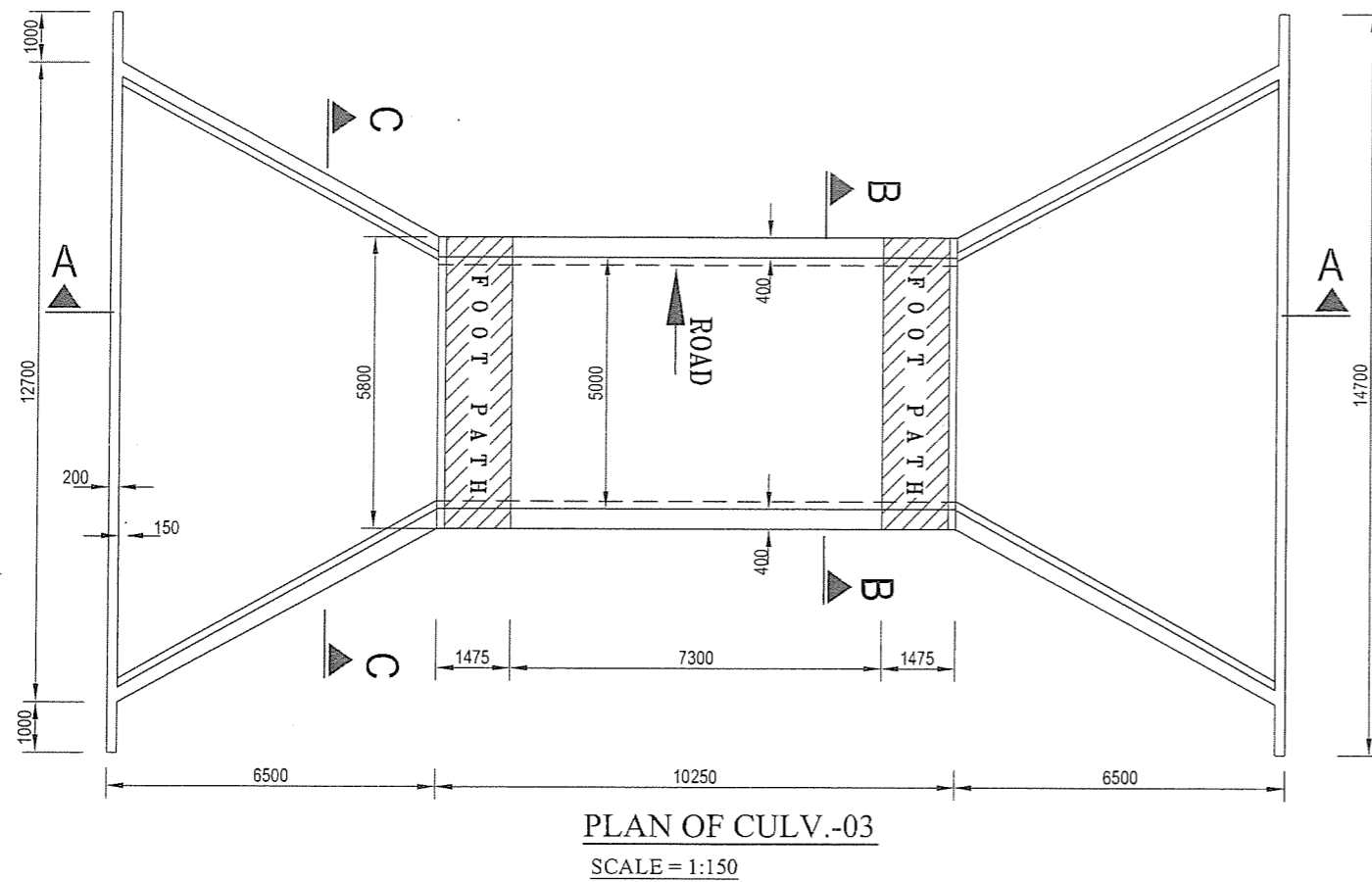
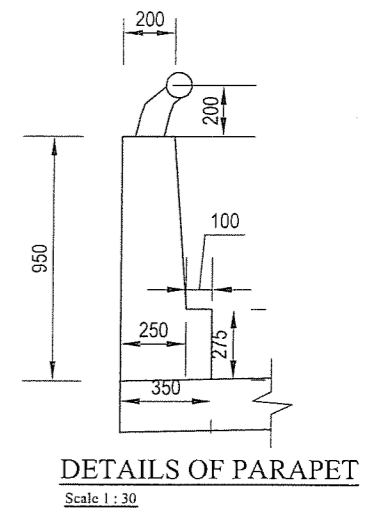
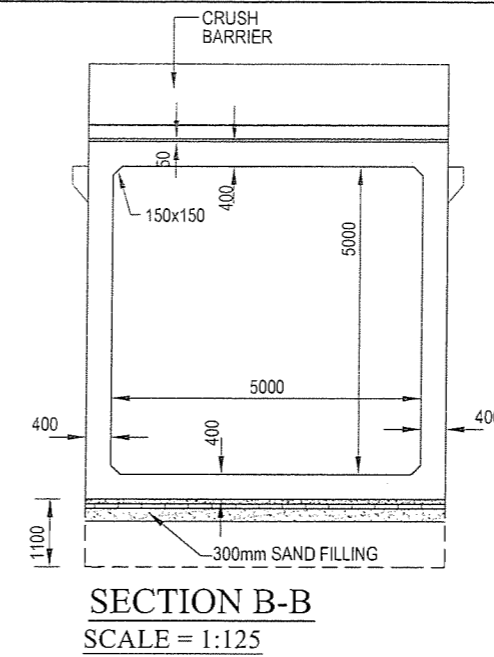
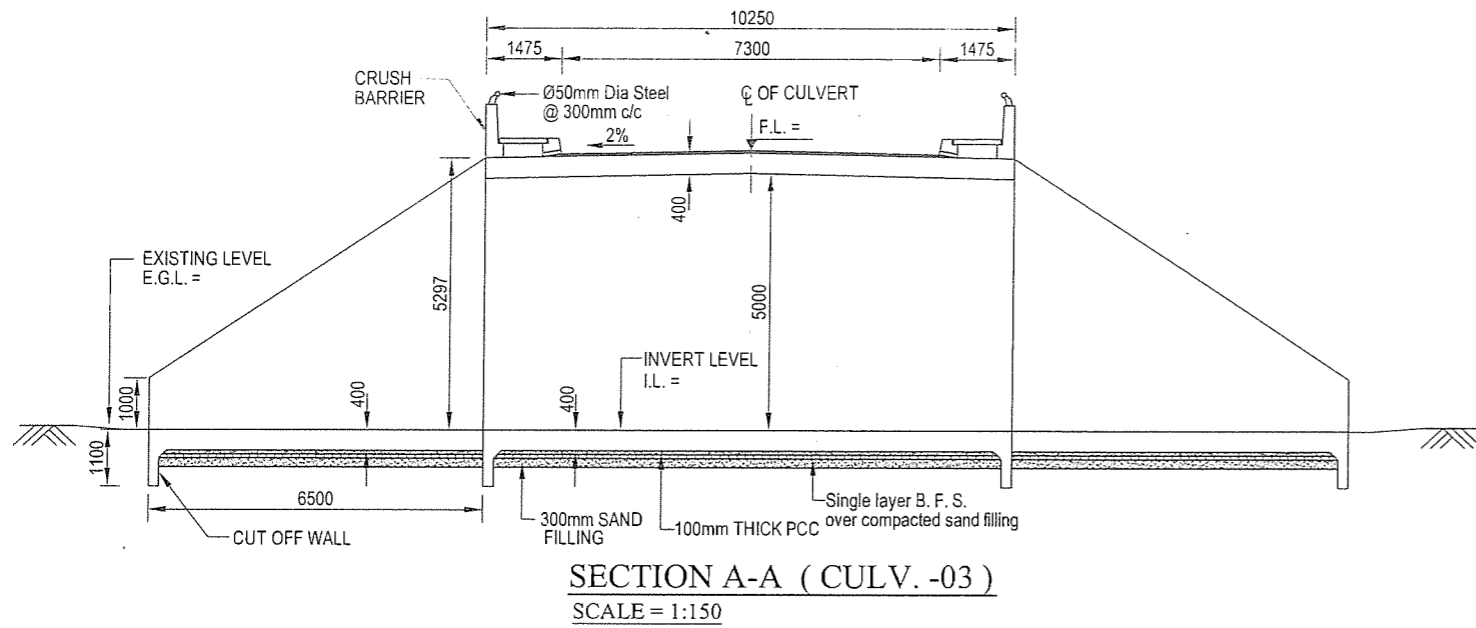




NO.	DESCRIPTION OF REVISION:

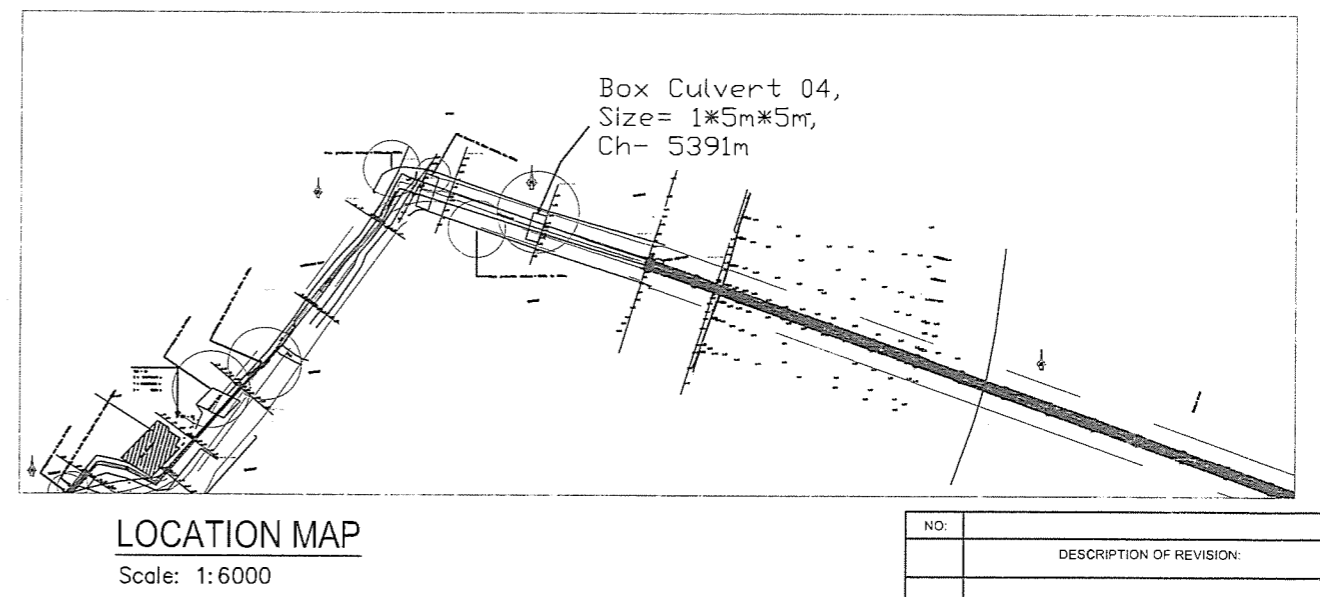
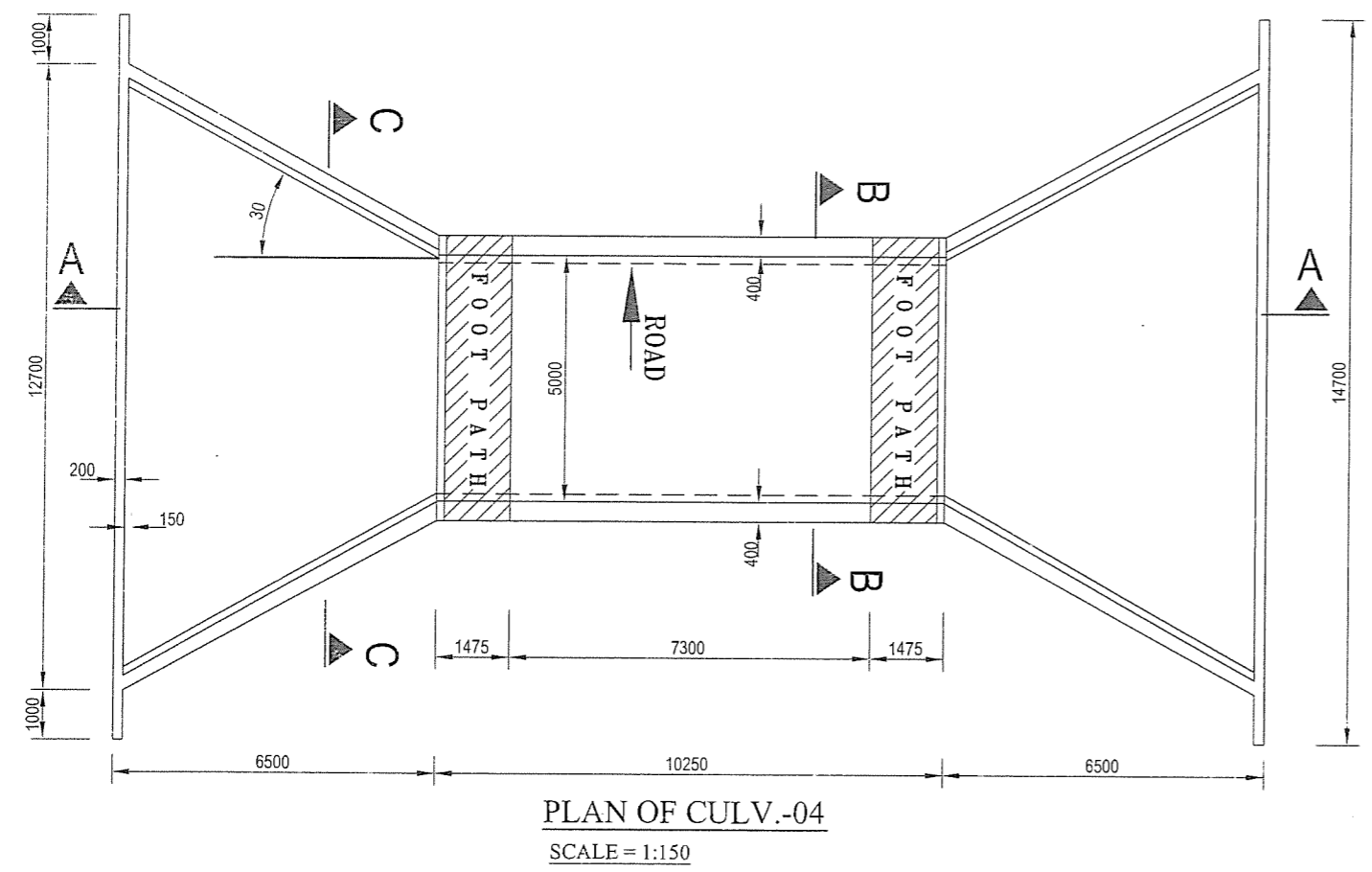
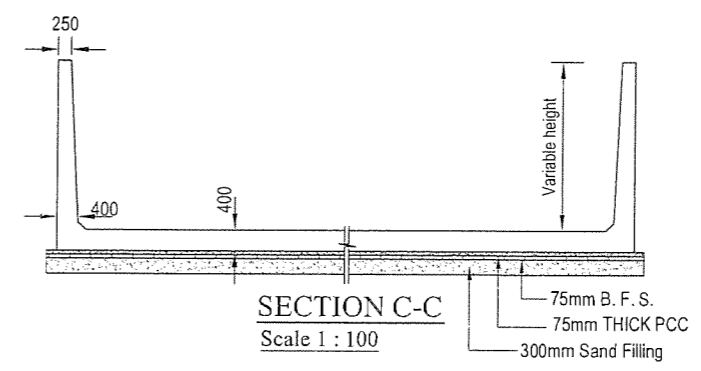
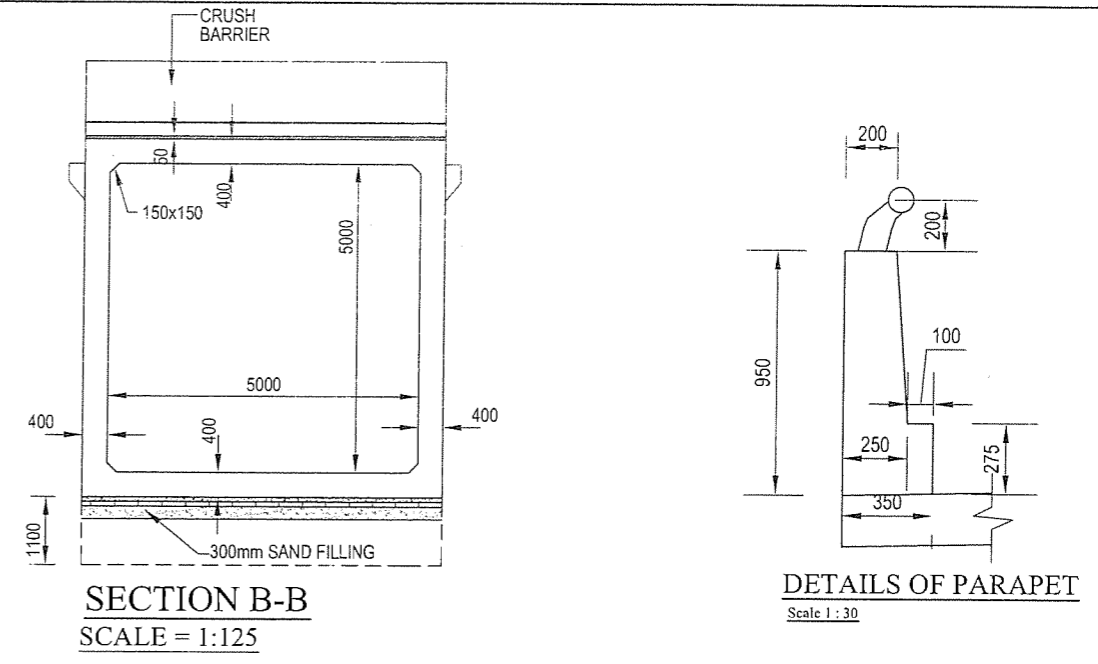
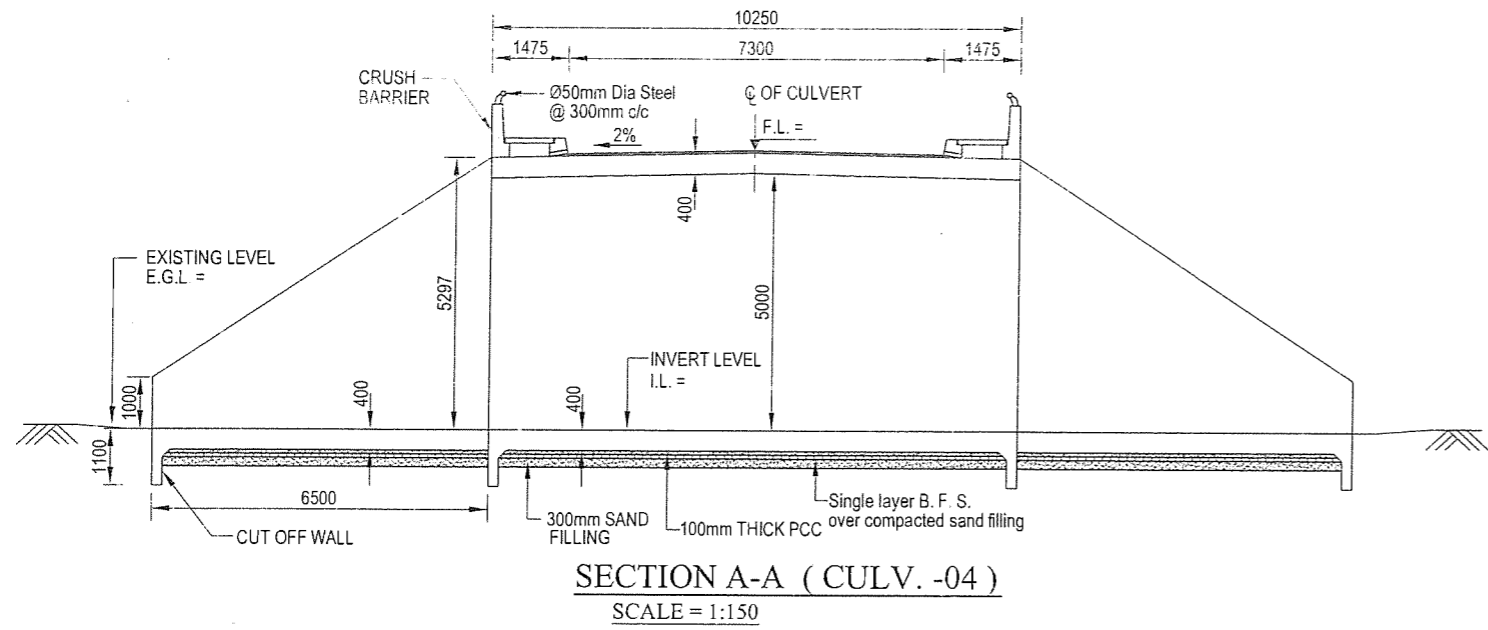
ROADS AND HIGHWAYS DEPARTMENT (RHD) Ministry of Communications	NAME OF THE PROJECT :	JAPAN INTERNATIONAL COOPERATION AGENCY (JICA)	DRAWING TITLE :	SCALE :	DATE :	DRAWING NO.:
	Preparatory Survey on Chittagong Area Coal Fired Power Plant Development Project in Bangladesh (JICA Study).		PLAN AND SECTIONAL ELEVATION OF RCC BOX CULVERT (CULV-02) AT CH. 3+130Km (1x3.0x3.0)	Scale : As above	02 July' 2013	CULV-02/DWG-01





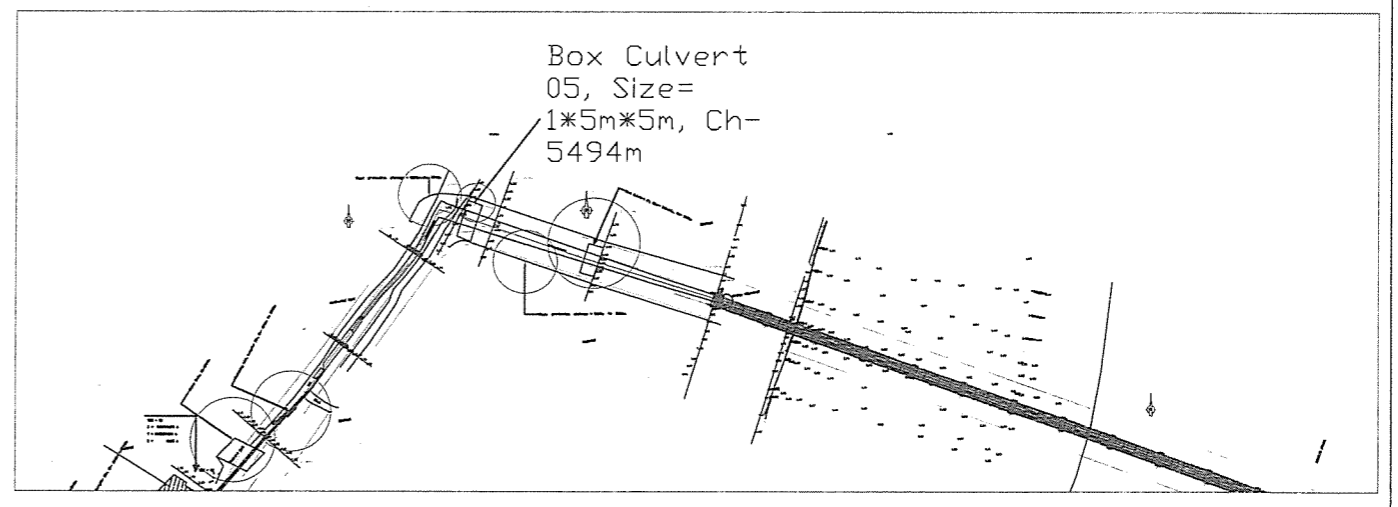
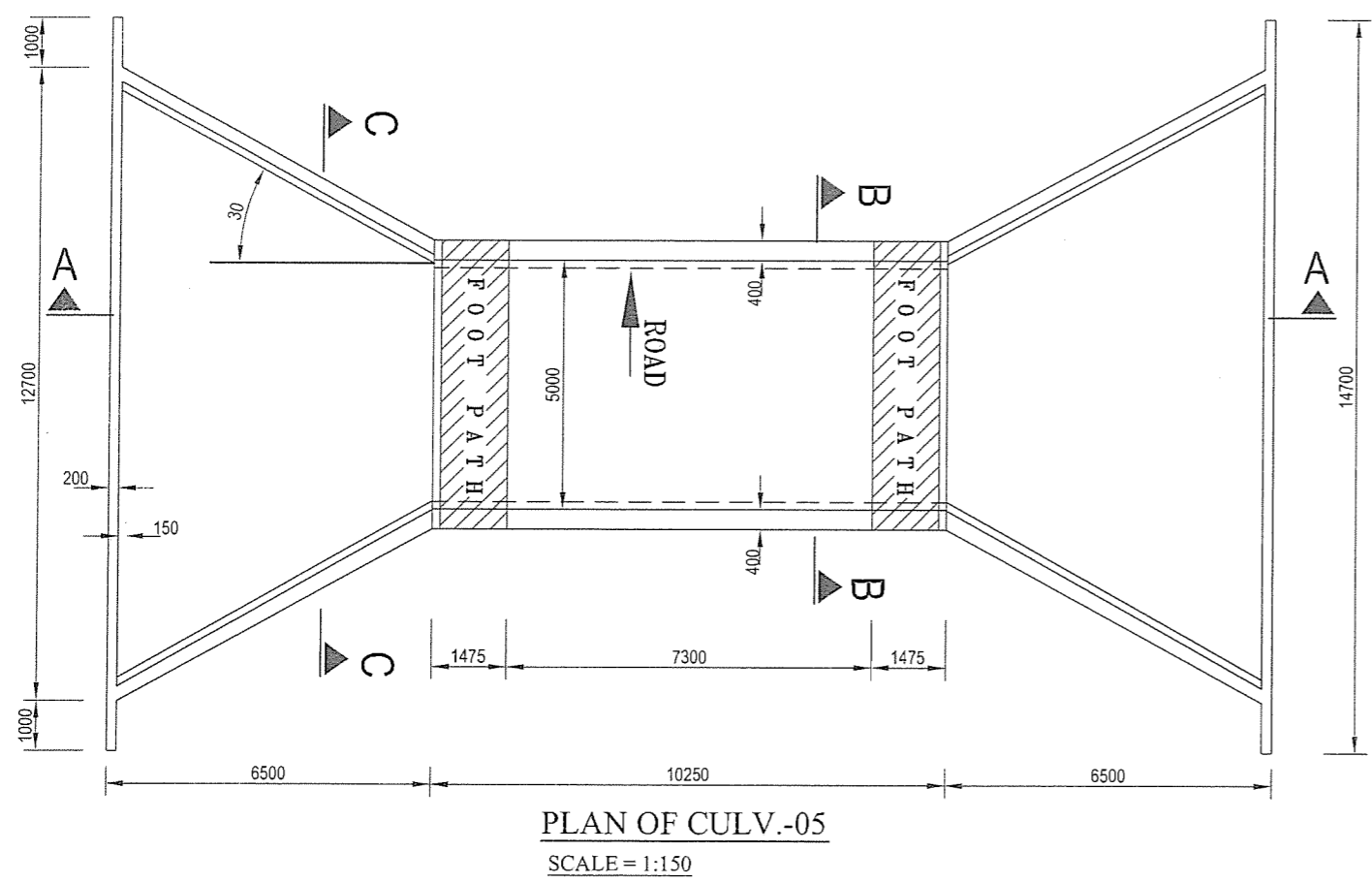
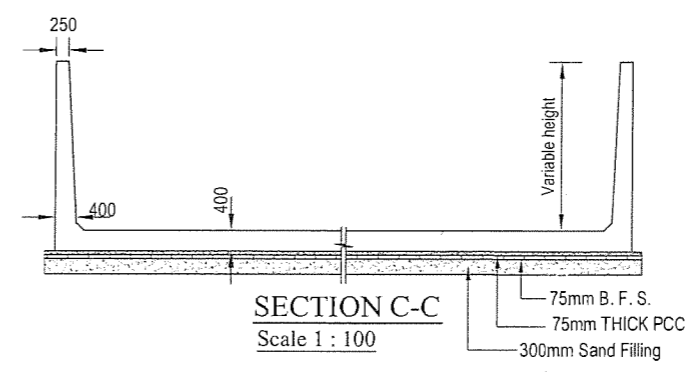
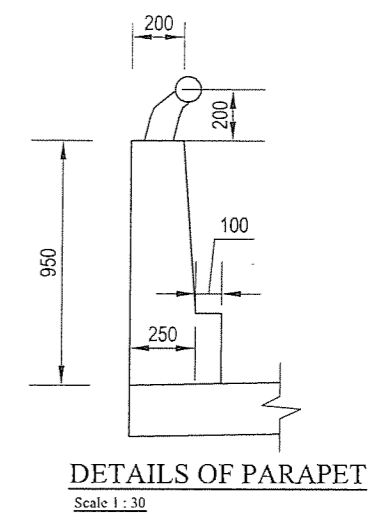
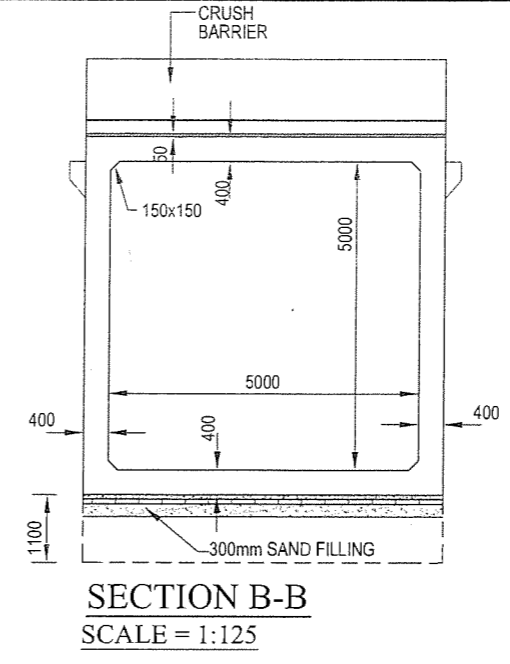
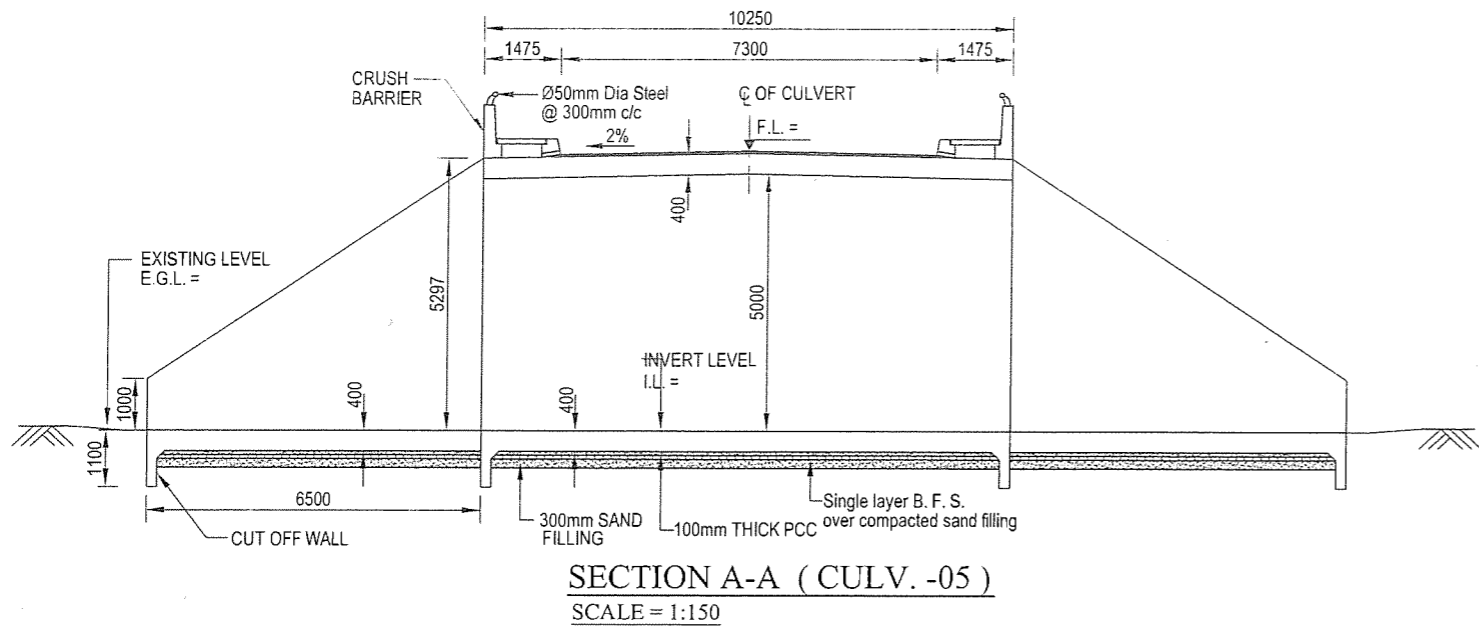
NO:	DESCRIPTION OF REVISION:

ROADS AND HIGHWAYS DEPARTMENT (RHD) Ministry of Communications	NAME OF THE PROJECT : Preparatory Survey on Chittagong Area Coal Fired Power Plant Development Project in Bangladesh (JICA Study).	JAPAN INTERNATIONAL COOPERATION AGENCY (JICA)	DRAWING TITLE :	SCALE :	DATE :	DRAWING NO.
			PLAN AND SECTIONAL ELEVATION OF RCC BOX CULVERT (CULV-03) AT CH. 4+510 KM (1x5.0x5.0)	Scale : As above	02 July' 2013	CULV-03/DWG-01



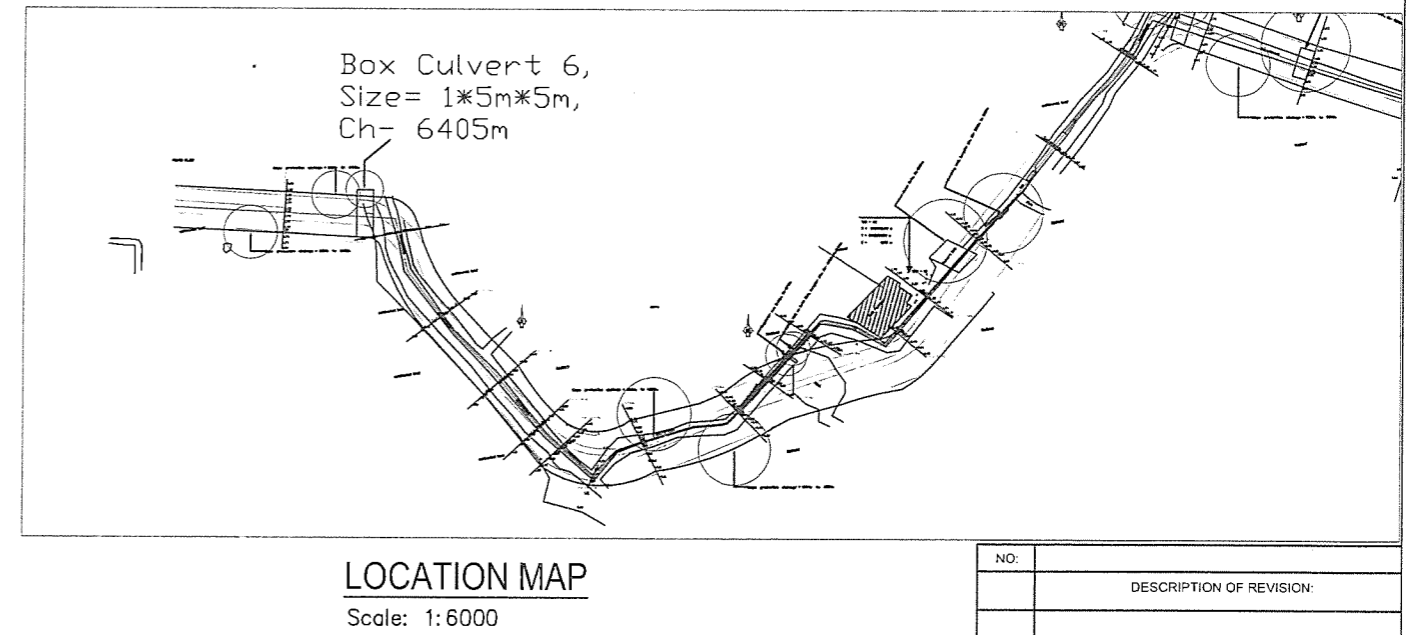
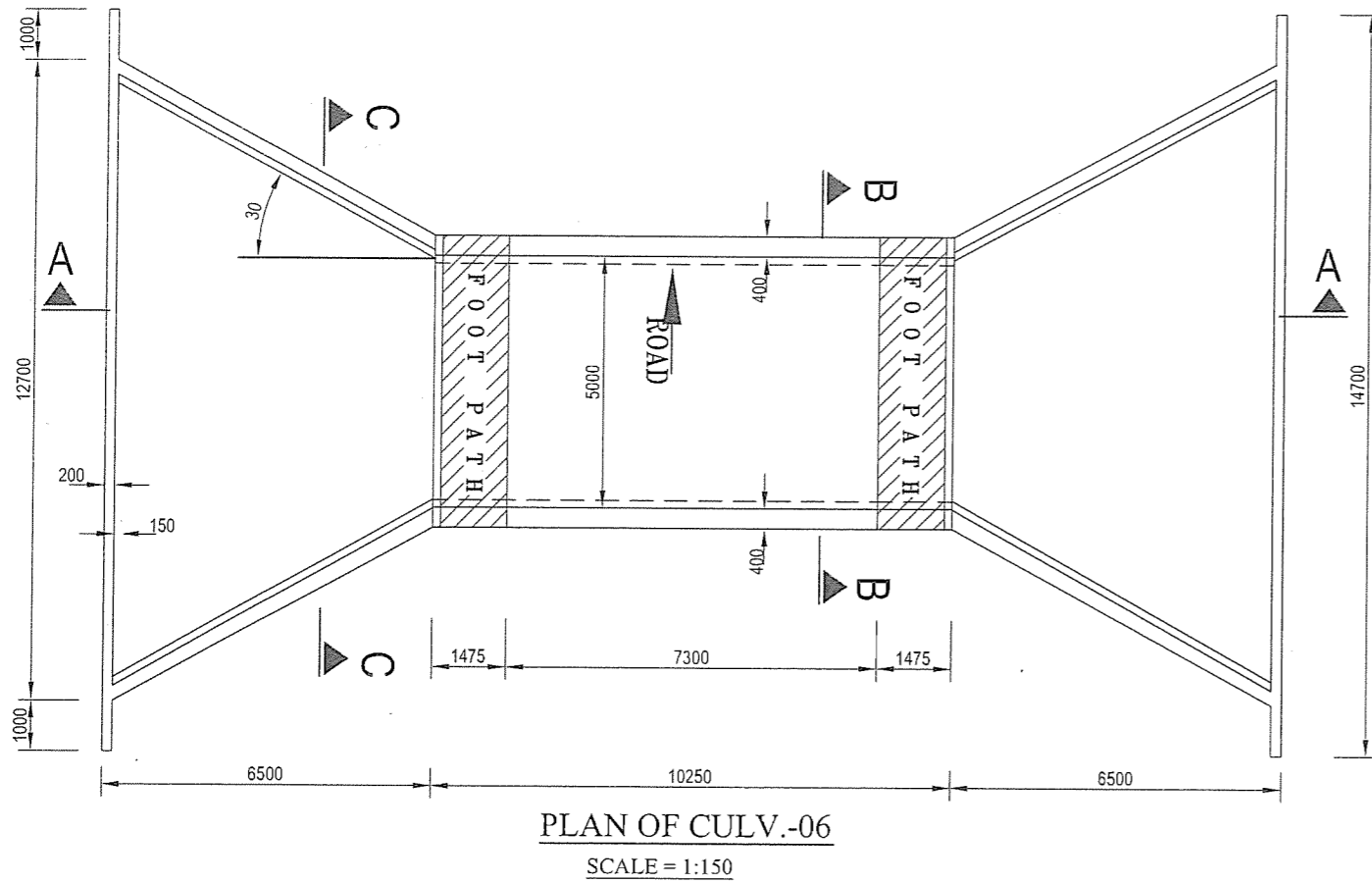
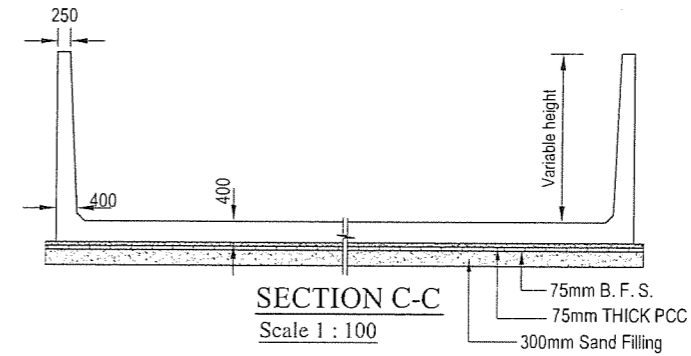
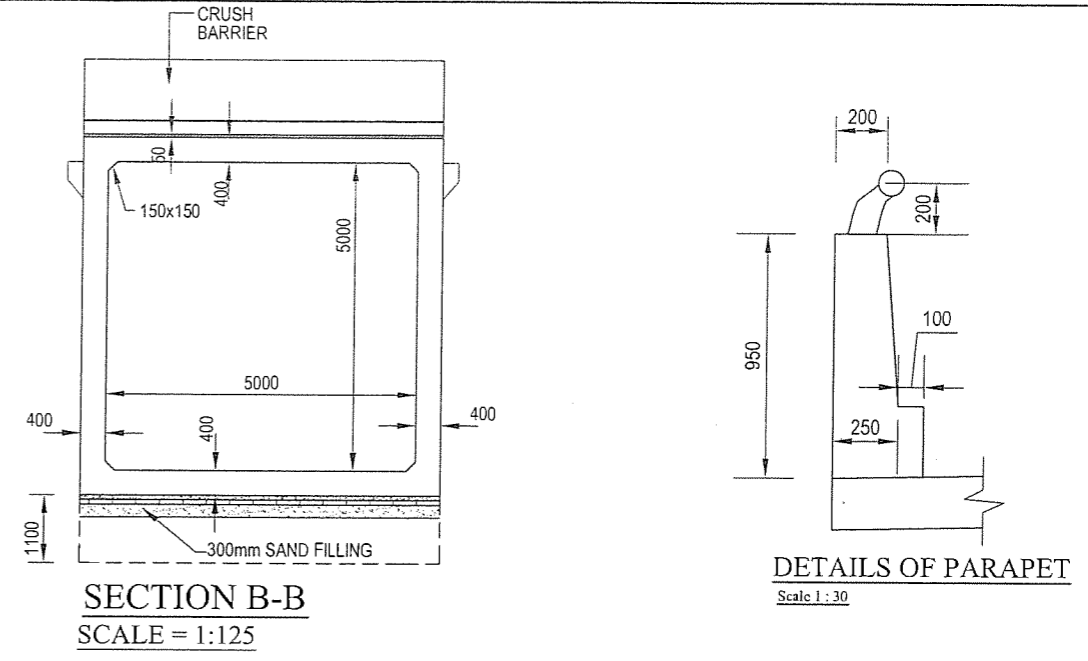
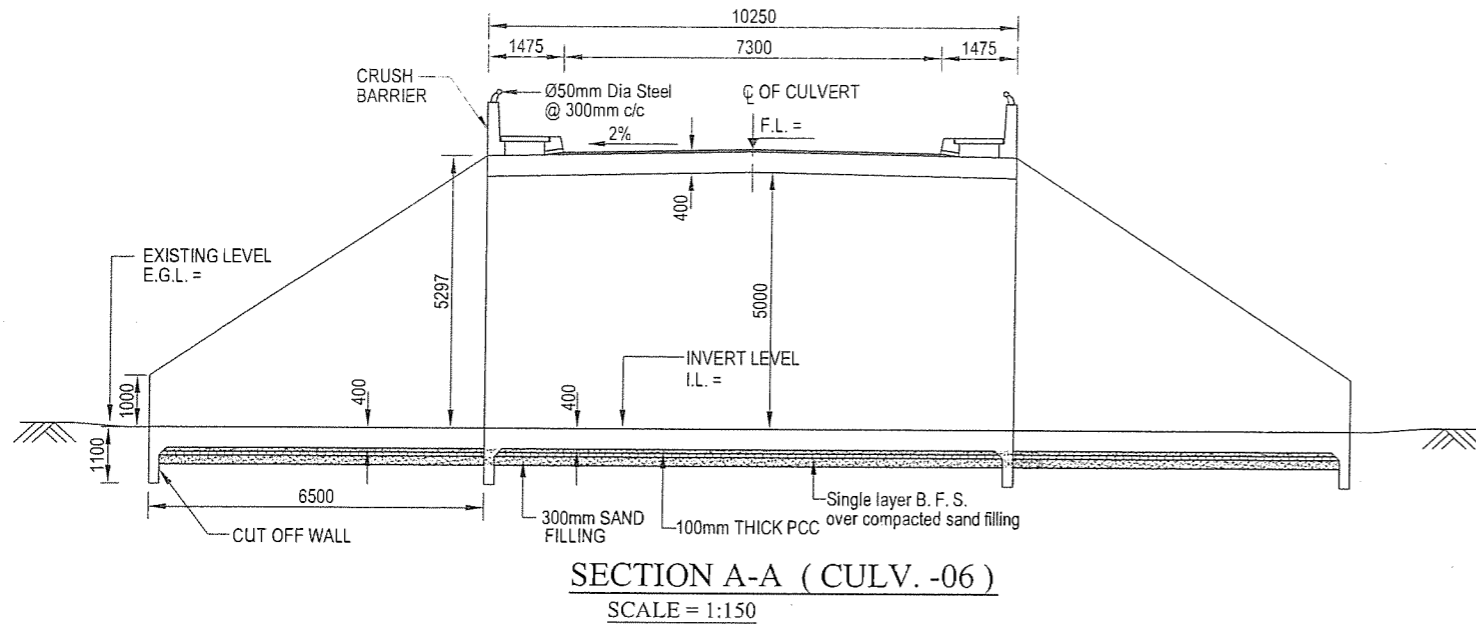
NO.	DESCRIPTION OF REVISION:

ROADS AND HIGHWAYS DEPARTMENT (RHD) Ministry of Communications	NAME OF THE PROJECT : Preparatory Survey on Chittagong Area Coal Fired Power Plant Development Project in Bangladesh (JICA Study).	JAPAN INTERNATIONAL COOPERATION AGENCY (JICA)	DRAWING TITLE :	SCALE :	DATE :	DRAWING NO.
			PLAN AND SECTIONAL ELEVATION OF RCC BOX CULVERT (CULV-04) AT CH. 5+391 KM (1x5.0x5.0)	Scale : As above	02 July' 2013	CULV-04/DWG-01



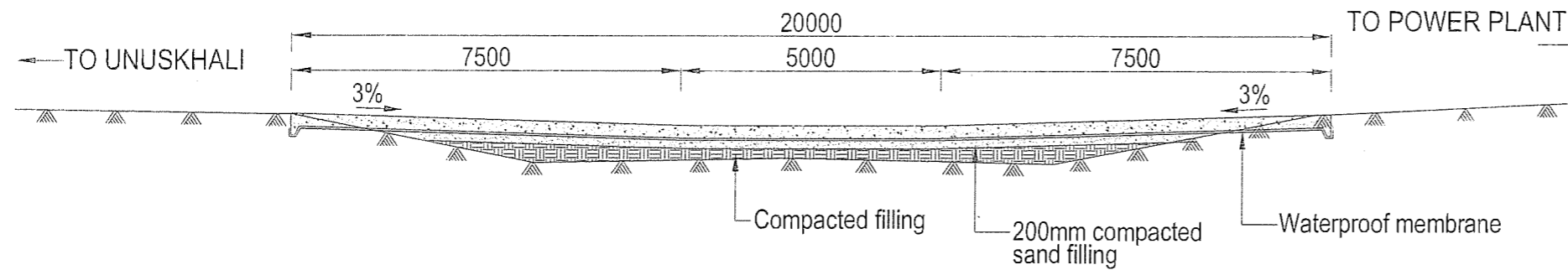
NO.	DESCRIPTION OF REVISION:

ROADS AND HIGHWAYS DEPARTMENT (RHD) Ministry of Communications	NAME OF THE PROJECT : Preparatory Survey on Chittagong Area Coal Fired Power Plant Development Project in Bangladesh (JICA Study).	JAPAN INTERNATIONAL COOPERATION AGENCY (JICA)	DRAWING TITLE :	SCALE :	DATE :	DRAWING NO.
			PLAN AND SECTIONAL ELEVATION OF RCC BOX CULVERT (CULV-05) AT CH. 5+503 KM	Scale : As above	02 July' 2013	CULV-05/DWG-01

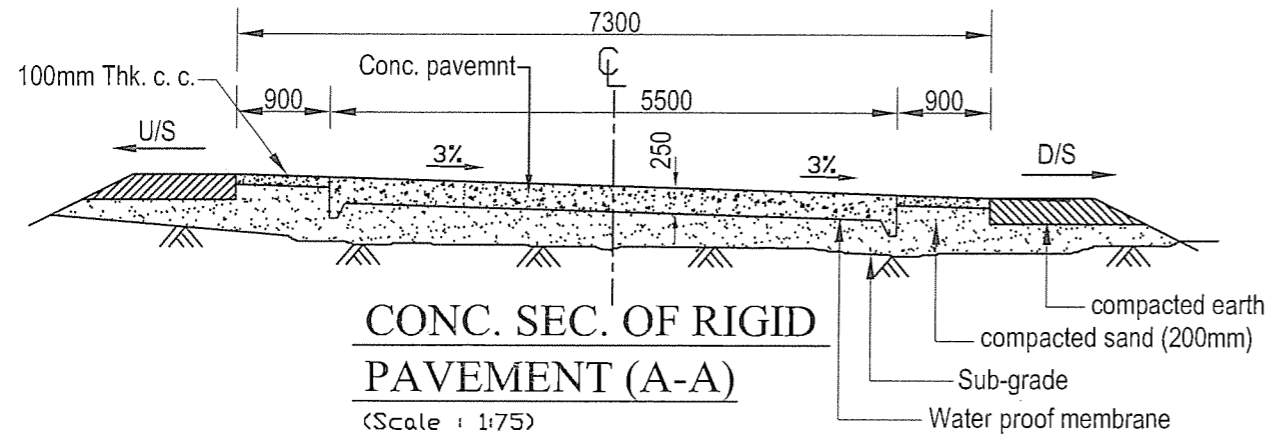


NO.	DESCRIPTION OF REVISION:

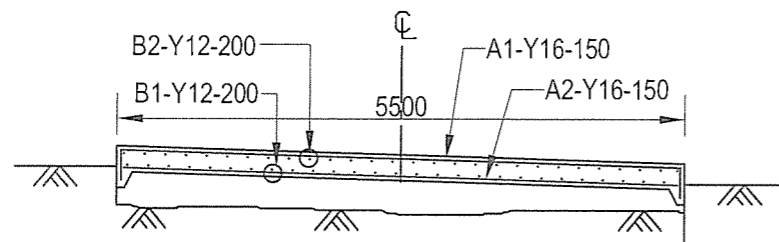
ROADS AND HIGHWAYS DEPARTMENT (RHD) Ministry of Communications	NAME OF THE PROJECT :	JAPAN INTERNATIONAL COOPERATION AGENCY (JICA)	DRAWING TITLE :	SCALE :	DATE :	DRAWING NO.
	Preparatory Survey on Chittagong Area Coal Fired Power Plant Development Project in Bangladesh (JICA Study).		PLAN AND SECTIONAL ELEVATION OF RCC BOX CULVERT (CULV-06) AT CH. 6+405 KM (1x5.0x5.0)	Scale : As above	02 July' 2013	CULV-06/DWG-01



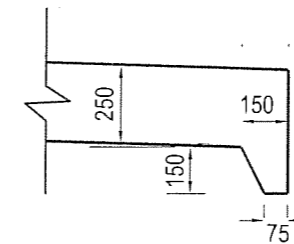
**LONG SECTION OF CAUSEWAY (SEC. B-B)**  
SCALE = 1:125



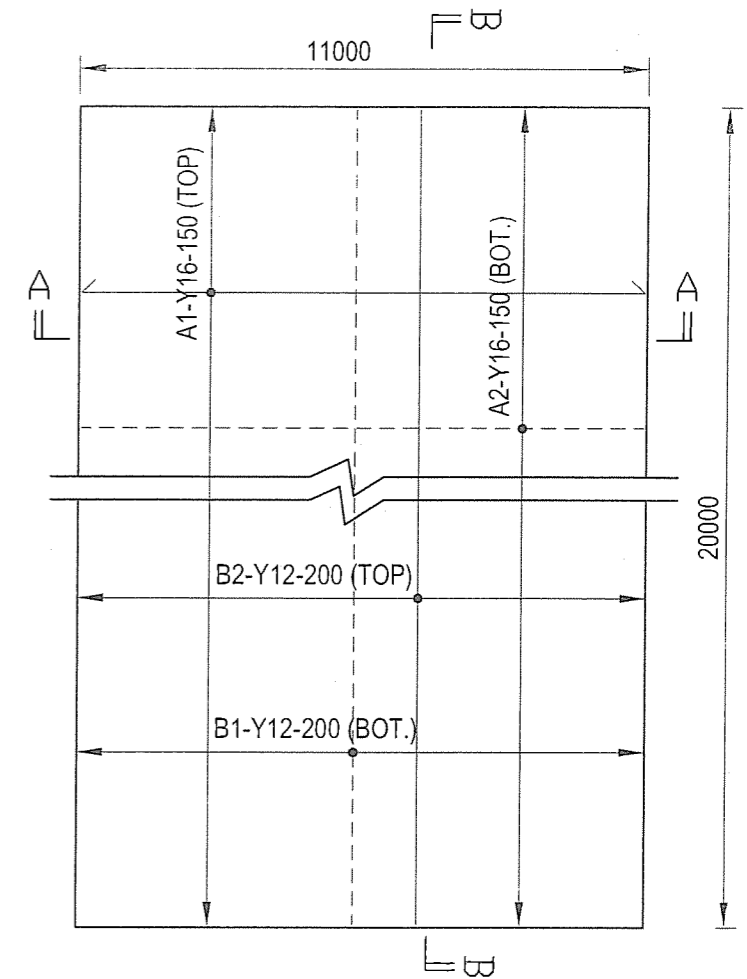
**CONC. SEC. OF RIGID PAVEMENT (A-A)**  
(Scale : 1:75)



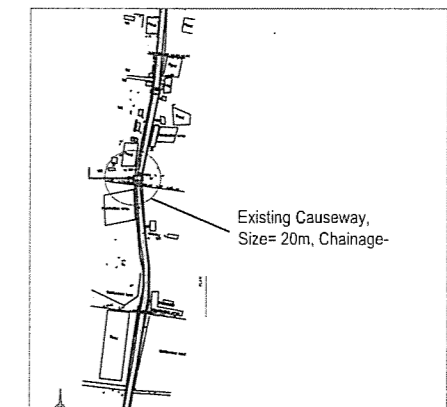
**REINF. DETAILS OF RIGID PAVEMENT (A-A)**  
(Scale : 1:75)



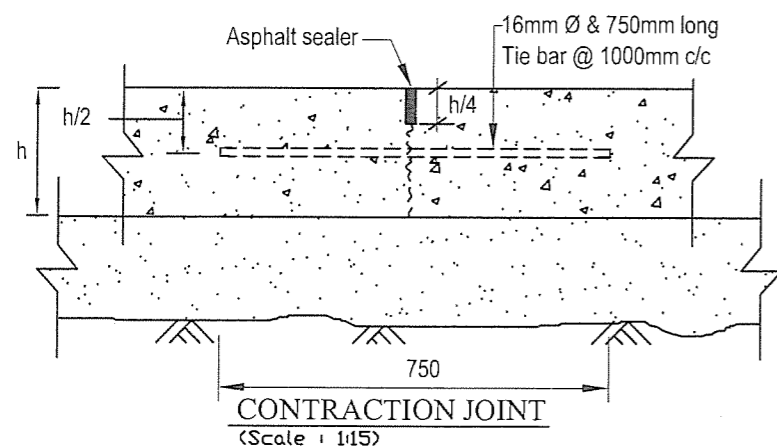
**EDGE OF PAVEMENT**  
(Scale : 1:25)



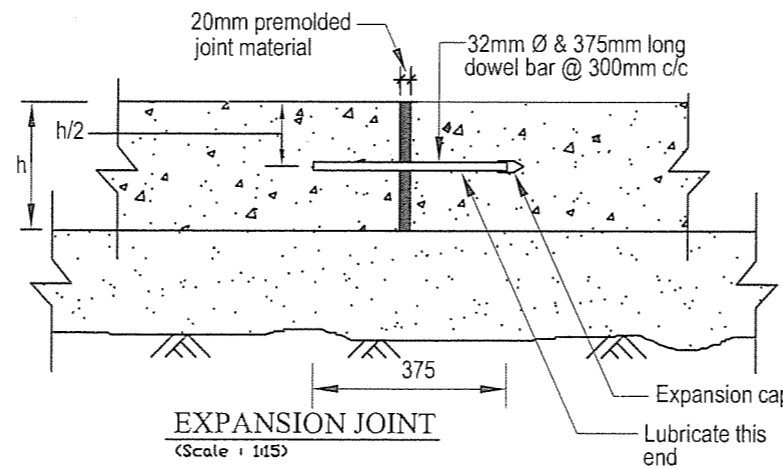
**PLAN OF RIGID PAVEMENT**  
(Scale : 1:150)



**LOCATION MAP**  
Scale: 1:6000



**CONTRACTION JOINT**  
(Scale : 1:15)



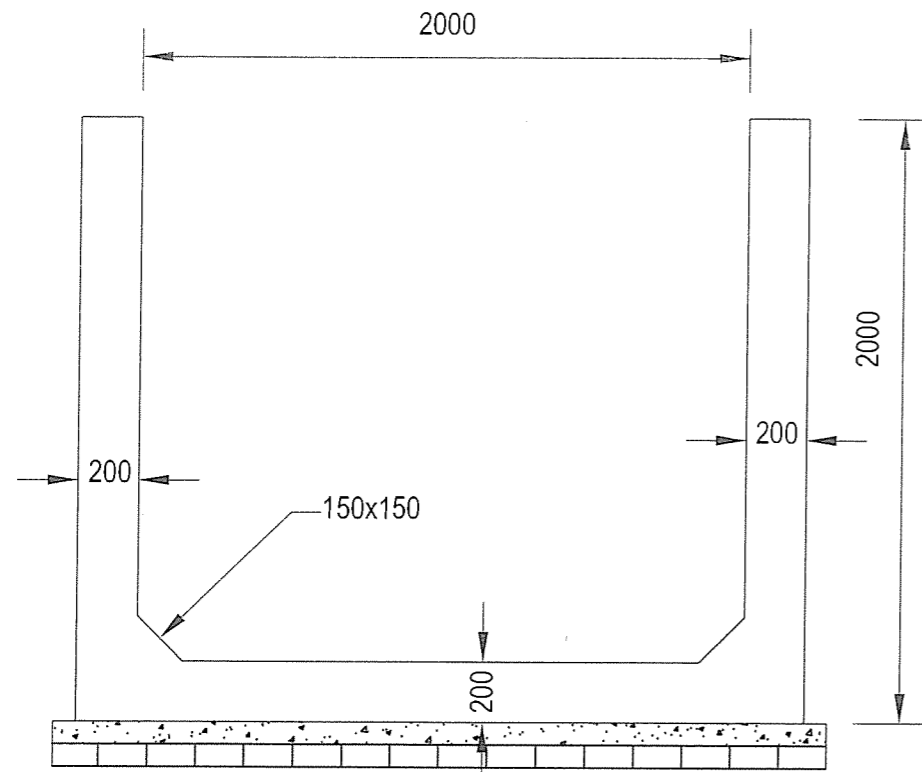
**EXPANSION JOINT**  
(Scale : 1:15)

**NOTE :**

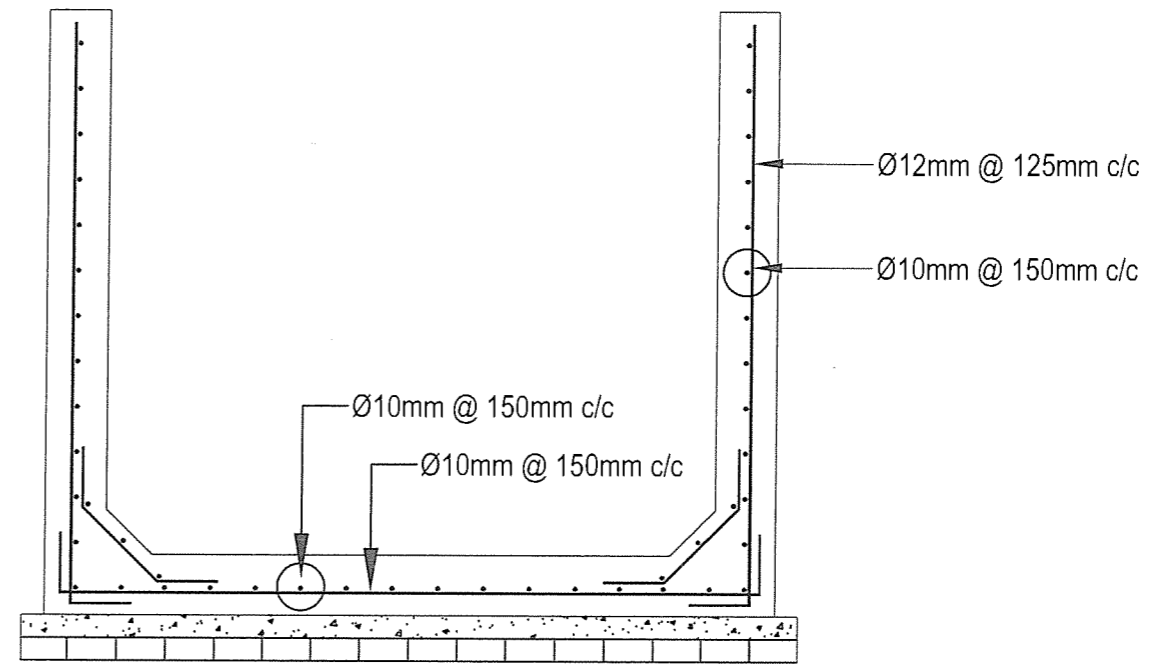
1. At 30.0m Interval Expansion Joint to be provided.
2. At 15.0m Interval Contraction Joint to be provided.

NO.	DESCRIPTION OF REVISION:

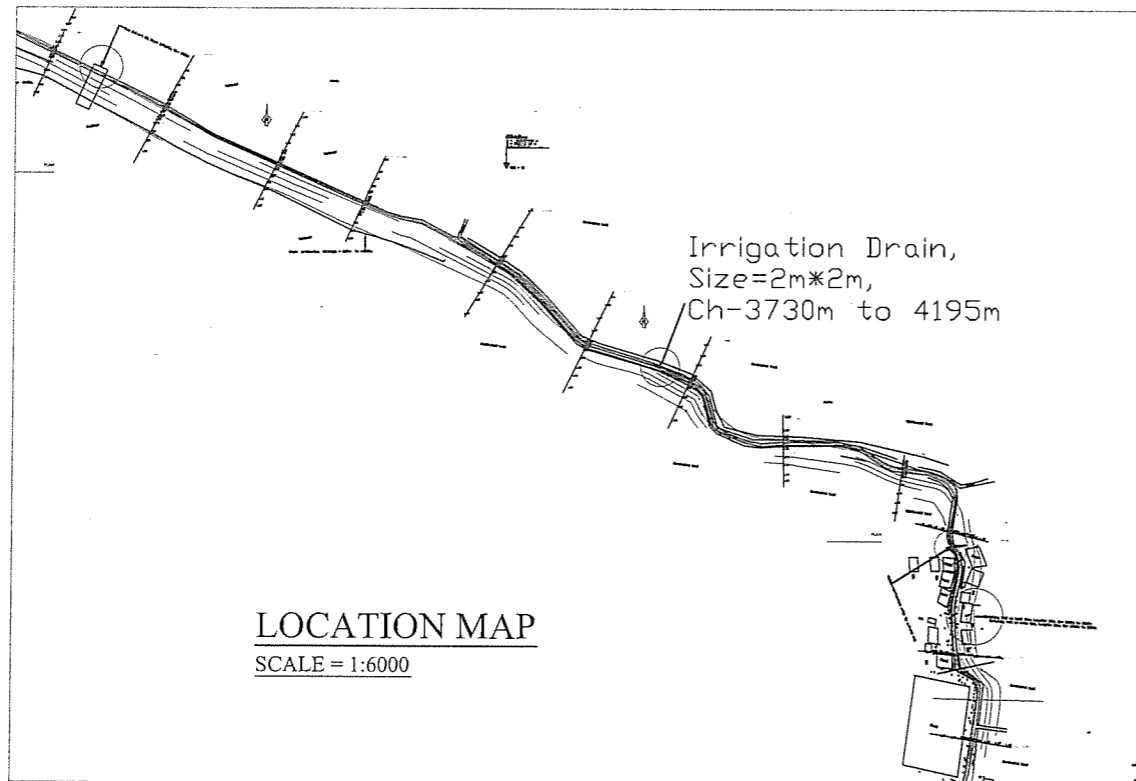
ROADS AND HIGHWAYS DEPARTMENT (RHD) Ministry of Communications	NAME OF THE PROJECT : Preparatory Survey on Chittagong Area Coal Fired Power Plant Development Project in Bangladesh (JICA Study).	JAPAN INTERNATIONAL COOPERATION AGENCY (JICA)	DRAWING TITLE :	SCALE :	DATE :	DRAWING NO.
			DETAILS OF CAUSEWAY (RECONSTRUCTION) AT CH. 2+776 KM	Scale : As above	02 July' 2013	C.WAY/DWG-01



**SECTION DRAIN**  
SCALE = 1:25



**SECTION DRAIN**  
SCALE = 1:25



**LOCATION MAP**  
SCALE = 1:6000

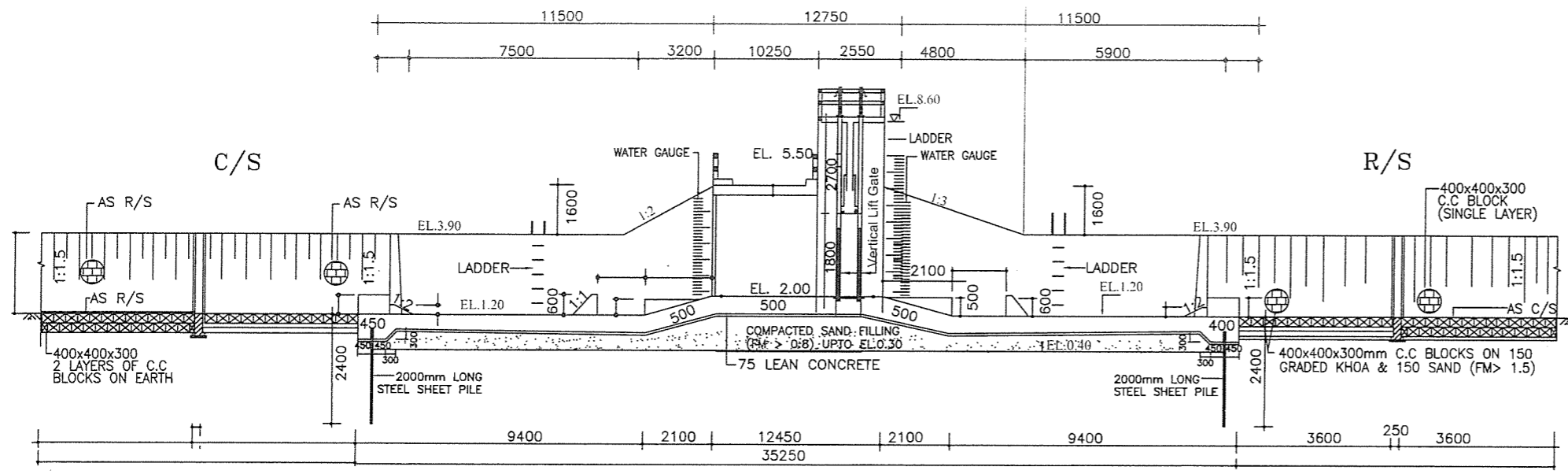
**NOTE :**

1. Length of Irrigation drain = 465.0m
2. For steel,  $f_y = 276 \text{ Mpa}$
3. For concrete,  $f_c = 21 \text{ Mpa}$

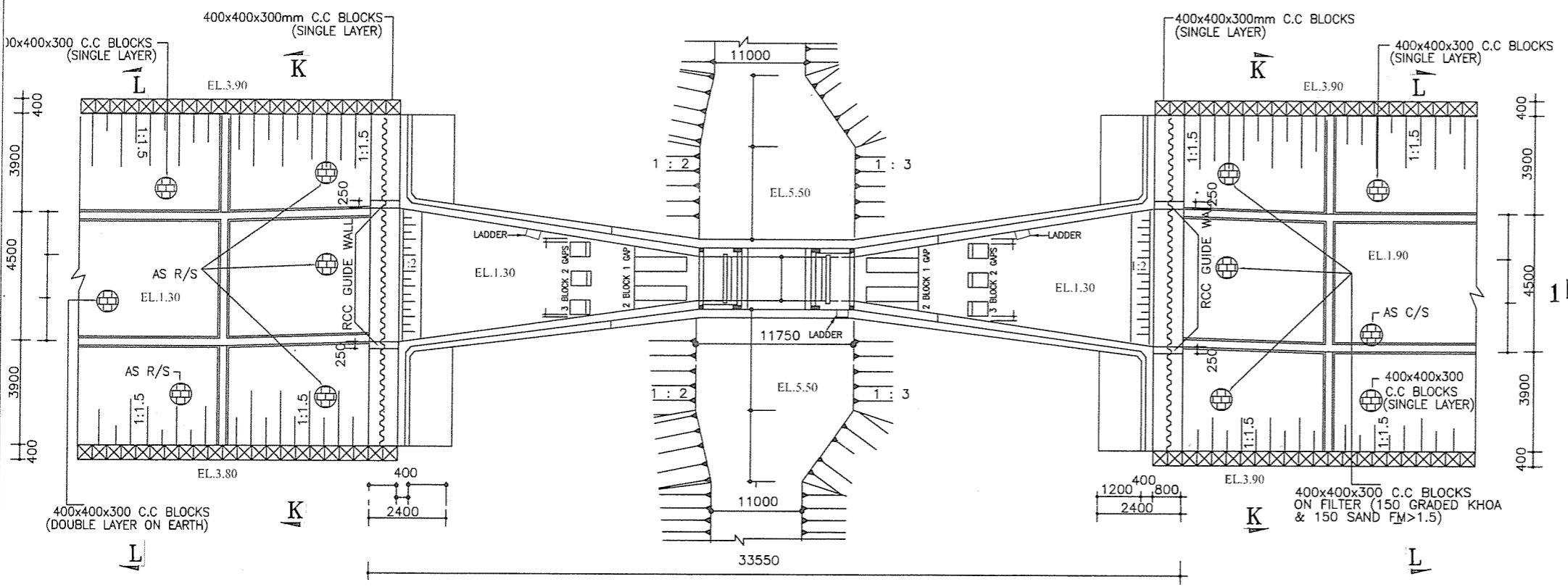
NO.	DESCRIPTION OF REVISION:

ROADS AND HIGHWAYS DEPARTMENT (RHD) Ministry of Communications	NAME OF THE PROJECT :	JAPAN INTERNATIONAL COOPERATION AGENCY (JICA)	DRAWING TITLE :	SCALE :	DATE :	DRAWING NO.
	Preparatory Survey on Chittagong Area Coal Fired Power Plant Development Project in Bangladesh (JICA Study).		SECTION OF IRRIGATION DRAIN (2.0m x 2.0m) FROM CH. 3+730Kkm TO 4+195km	Scale : As above	02 July' 2013	IRRI-DR/DWG-01





SECTION 1-1

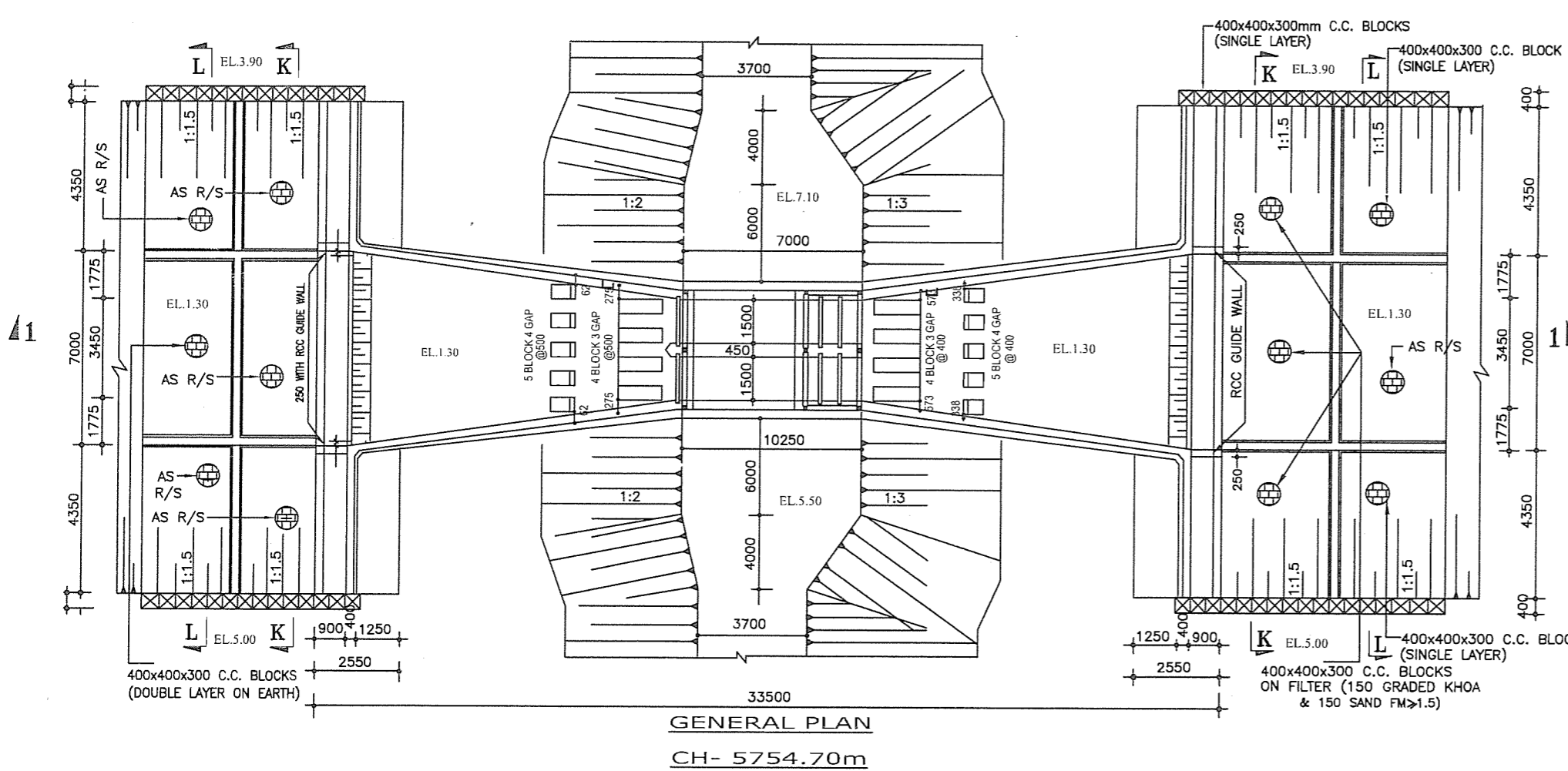
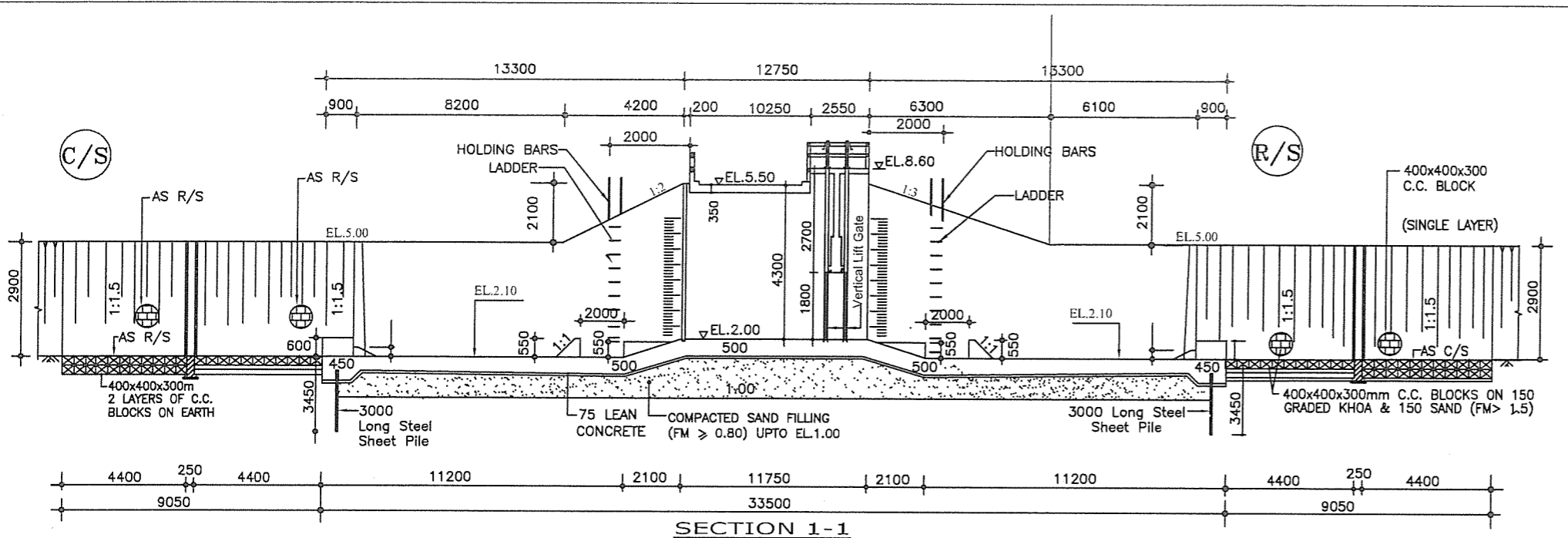


GENERAL PLAN  
CH- 5941.50m

SPECIFICATION & NOTES ON MATERIAL & WORK			
1. R.C.C WORKS:	All R.C.C WORKS	R.C.C PILES	LEAN CONCRETE
A. Concrete :	28-days standard cylinder crushing strength shall be 17 N/mm <sup>2</sup>	28-days standard cylinder crushing strength shall be 20.7 N/mm <sup>2</sup>	--
i) Strength:	1:2:4	1:1.5:3	1:3:6
ii) Proportion by volume	Portland Type-1	Portland Type-1	Portland Type-1
iii) Cement	20mm down graded crushed stone chips (Well graded between 20mm & 8mm size.)	20mm down graded crushed stone chips (Well graded between 20mm & 8mm size.)	Same as in all R.C.C Works
iv) Coarse aggregate	FM 1.80	FM 1.80	FM 1.00
v) Sand	60-75 mm	60-75 mm (Precast) 100-125mm (cast-in situ)	60-75 mm
vi) Slump: (at work)	60 grade deformed M.S. bar	60 grade deformed M.S. bar	--
B. Reinforcement	Minimum yield strength 414 N/mm <sup>2</sup>	Same as in all R.C.C Works	--
No hook should be used for M.S deformed bars.			
2. Clear concrete cover over reinforcement bars shall be : Earth faces = 75mm Water faces = 50mm All other faces = 25mm R.C.C Piles = 40mm			
3. Brick bolcks : 1st class bricks in 1:6 cement mortar with sand (FM 1.00)			
4. Back filling : Back filling outside abutments, wing walls and return walls up to FGL shall be done simultaneously on both sides with local sandy soil and should be free from vegetable roots and other organic materials, as soon as wall lifts are constructed.			
5. Foundation Treatment : Foundation treatment to be done by sand filling up to 0.00m PWD (will be reviewed after subsoil investigation results are obtained)			
6. Strength : During pouring samples shall be collected by the contractor in presence of Engineer-in-charge in standard cylinder, one for each wing wall, abutment, return wall, top slab, apron and barrel foundation for testing 7day strengths for quality control.			
7. Protective work : Earthfill in side slopes shall be compacted in horizontal layers to satisfaction of the Engineer in charge before placing filter material and block.			
8. Elevations : All elevations in this drawing are in meter (PWD).			
9. Dimensions : All dimensions are in millimeters.			
10. Embedded Parts of gates : M.S embedded parts such as angles, channels for vertical gates and fram & wall brakets for flap gates welded to anchor bars shall be installed in proper alignment during casting of concrete as shown in working drawing.			

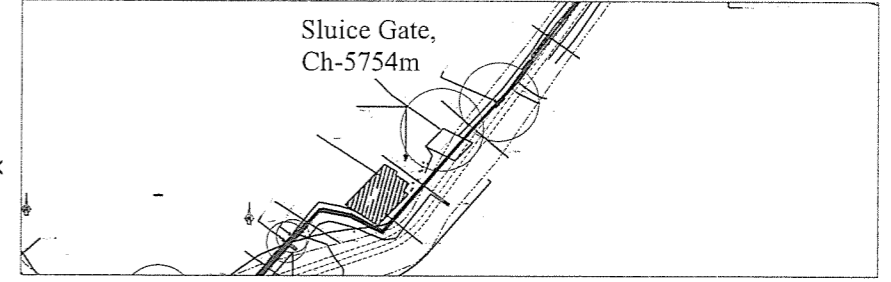
REV.	DESCRIPTION	DATE

Roads and Highways Department (RHD) Ministry of Communications	NAME OF THE PROJECT : Preparatory Survey on chittagong Area Coal Fared Power Plant Development Project in Bangladesh (JICA Study).	JAPAN INTERNATIONAL COOPERATION AGENCY(JICA)	DRAWING TITLE :		
			Regulator	SCALE :	DATE :
			SCALE : 1:200	AUGUST, 2013	RG/DWG- 01 of 02



**SPECIFICATION & NOTES ON MATERIAL & WORK  
FOR REGULATORS/SLUICES/WRS/RUBBER DAMS/HEADER TANKS**

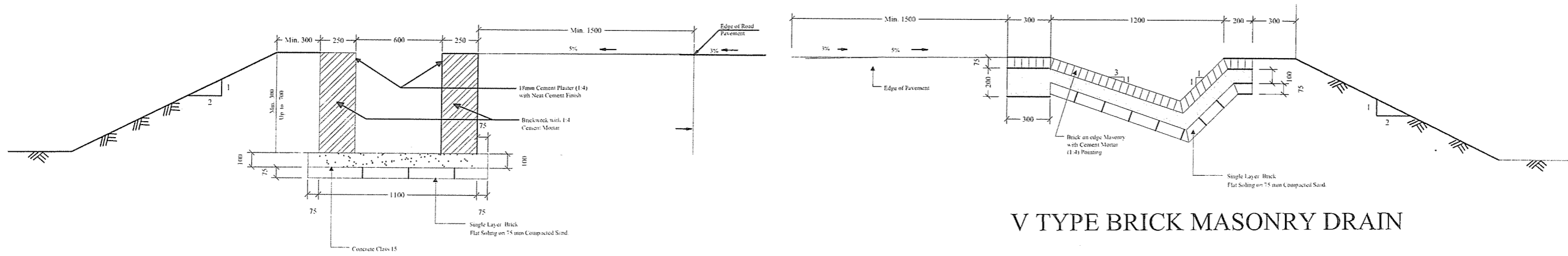
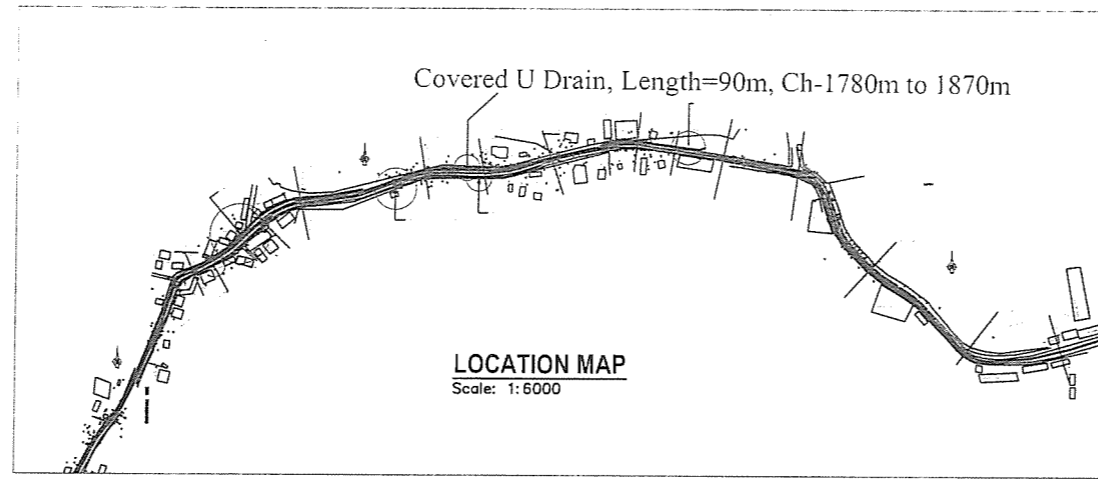
WORKS	RCC WORKS		CC WORKS
	IN STRUCTURAL MEMBERS	IN MASS CONCRETE	(Lean conc., Blocks, etc)
<b>1. Concrete</b>			
i) Strength	28-days crushing strength ( $f'c$ ) shall be 21 N/mm <sup>2</sup>	-	-
ii) Mix Proportion by volume	Shall be determined by Trial Mix to achieve specified strength ( $f'c$ ) 21 N/mm <sup>2</sup> . However, the minimum mix ratio shall be 1:1.5:3	1:2:4	1:3:6
iii) Cement	Portland Type-1	Portland Type-1	Portland Type-1
iv) Coarse aggregate	20mm down graded crushed stone chips (Well graded between 20mm & 8mm size.)	20mm down graded crushed stone chips (Well graded between 20mm & 8mm size.)	20mm down graded crushed stone chips (Well graded between 20mm & 8mm size.)
v) Sand	FM 1.80	FM 1.80	FM 1.00
vi) Slump (at work)	60-75 mm	60-75 mm	60-75 mm
<b>2. Reinforcement</b>			
i) Grade	60 grade deformed M.S. bar	60 grade deformed M.S. bar	-
ii) Strength	Minimum yield strength ( $f_y$ ) 415 N/mm <sup>2</sup>	Minimum yield strength ( $f_y$ ) 415 N/mm <sup>2</sup>	-
iii) Clear cover	Earth faces = 75mm Water faces = 50mm All others = 25mm		-
iv) Others			
<b>3. Brick bolcks</b>	1st class bricks in 1:4 cement mortar with sand (FM 1.00)		
<b>4. Back filling</b>	Back filling in abutments, wing walls and return walls up to FGL shall be done simultaneously on both sides of structure with local sand free from vegetable roots and other organic materials.		
<b>5. Foundation Treatment</b>	Foundation treatment to be done as per design & drawing based on subsoil investigation results.		
<b>6. Test Samples</b>	Test samples shall be collected by the contractor from "Flow Line Concrete" during casting in presence of Engineer-in-charge in standard cylinders, one for each wing wall, abutment, return wall, top slab, apron and barrel foundation for testing 7day strengths for quality control.		
<b>7. Protective work</b>	Earthfill in side slopes shall be compacted in horizontal layers to satisfaction of the Engineer in charge before placing filter filter material and blocks.		
<b>8. Embedded Parts of Gates</b>	M.S embedded parts such as angles, channels, anchors plates, wall brackets etc with welded anchor bars (for gates) shall be installed and checked in proper positions and alignments as shown in working drawings before casting of concrete.		
<b>9. Elevations</b>	Elevations are in meter (PWD) with reference to the TBM kept for the subproject		
<b>10. Dimensions</b>	Dimensions are in millimeters unless otherwise mentioned.		



**LOCATION MAP**

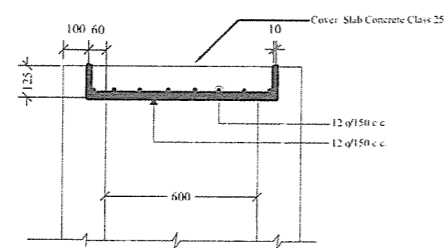
Scale: 1:6000

REV.	DESCRIPTION	DATE	DRAWING TITLE :		
			SCALE :	DATE :	DRAWING NO.
			SCALE : 1:200	AUGUST, 2013	SG/DWG- 02 of 02
NAME OF THE PROJECT :			DRAWING TITLE :		
Roads and Highways Department (RHD) Ministry of Communications			Sluice Gate		
Preparatory Survey on chittagong Area Coal Fared Power Plant Development Project in Bangladesh (JICA Study).			SCALE :		
JAPAN INTERNATIONAL COOPERATION AGENCY(JICA)			DATE :		
			DRAWING NO.		



U TYPE BRICK MASONRY DRAIN

V TYPE BRICK MASONRY DRAIN



REINFORCEMENT DETAIL FOR COVER SLAB

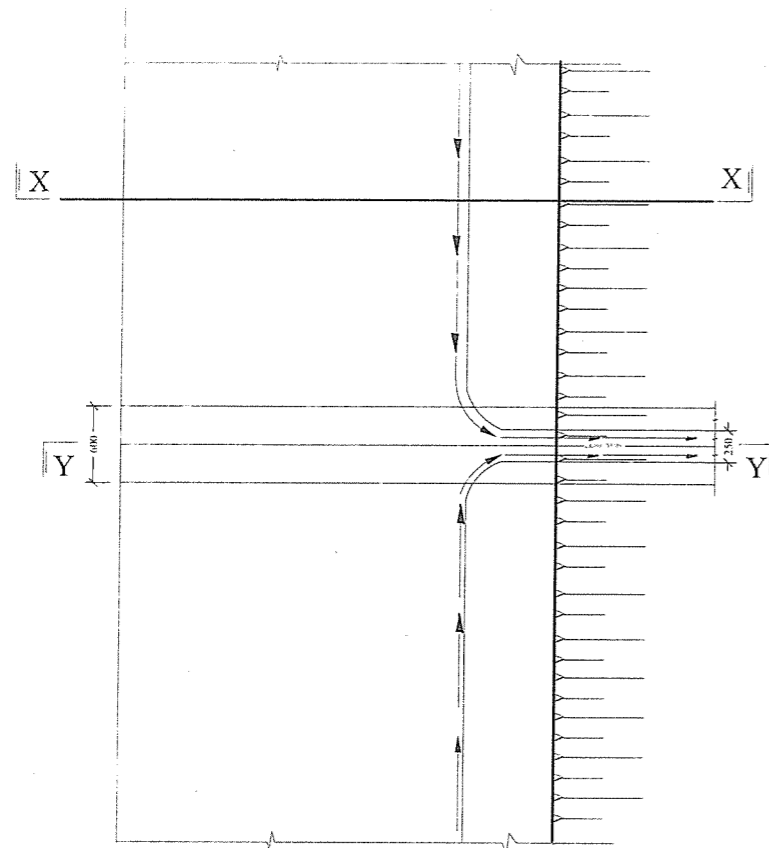
1. All dimensions are in mm unless otherwise specified.

Notes :

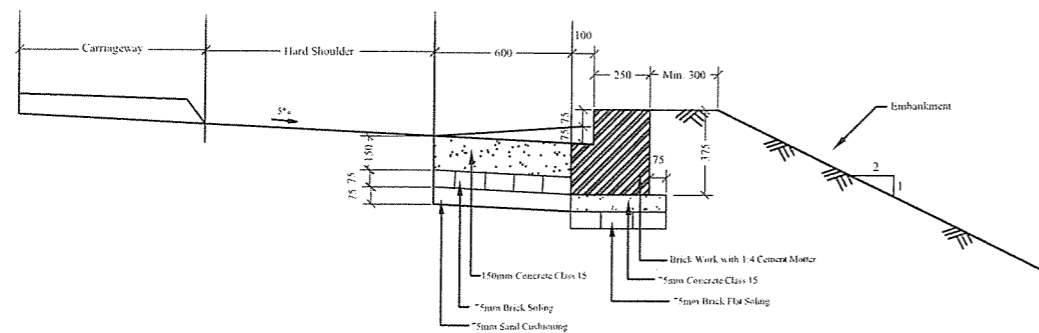
1. Subgrade under drains to be compacted to 98% MDD or as directed by the Engineer.
2. All drains to be laid to a longitudinal fall of not less than 1:300 with a positive outfall to a water course.
3. Open " U " drains to be located as far as possible from road edge.

REV.	DESCRIPTION	DATE

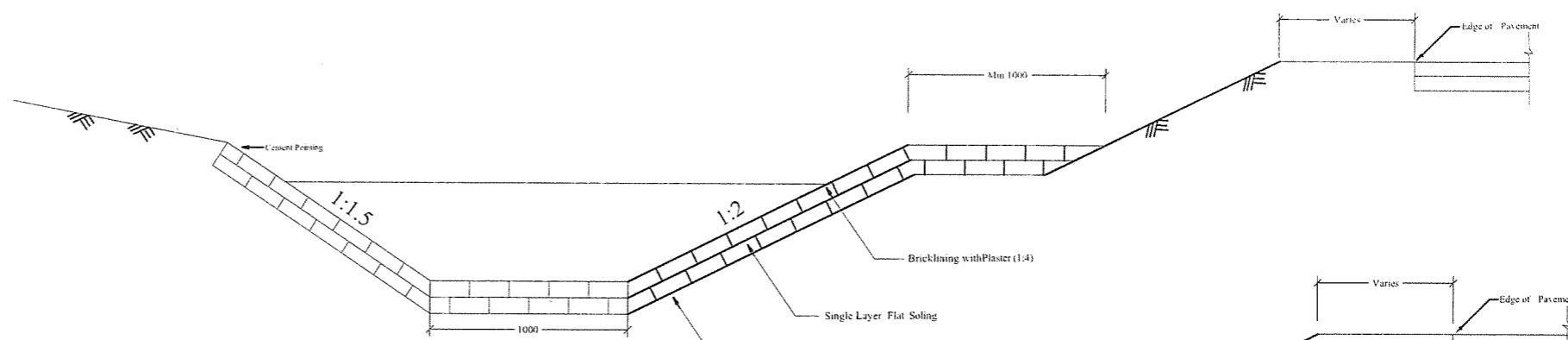
Roads and Highways Department (RHD) Ministry of Communications	NAME OF THE PROJECT :	JAPAN INTERNATIONAL COOPERATION AGENCY(JICA)	DRAWING TITLE :	SCALE :	DATE :	DRAWING NO.
	Preparatory Survey on chittagong Area Coal Fared Power Plant Development Project in Bangladesh (JICA Study).		Saucer Drain, Side Ditch and Side Ditch (Lined)	SCALE : 1:30	AUGUST, 2013	SDR/DWG- 01 of 04



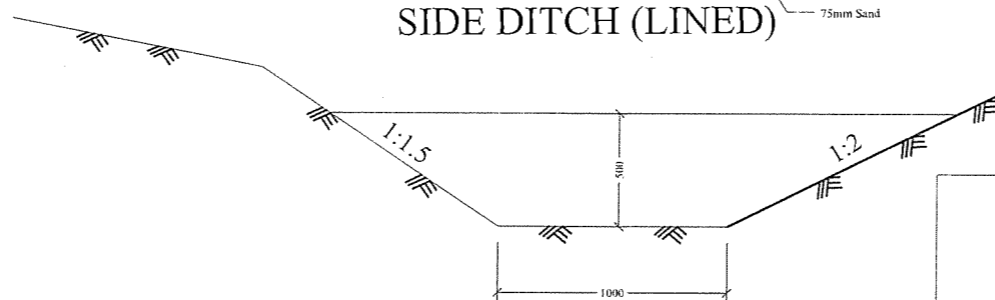
PLAN



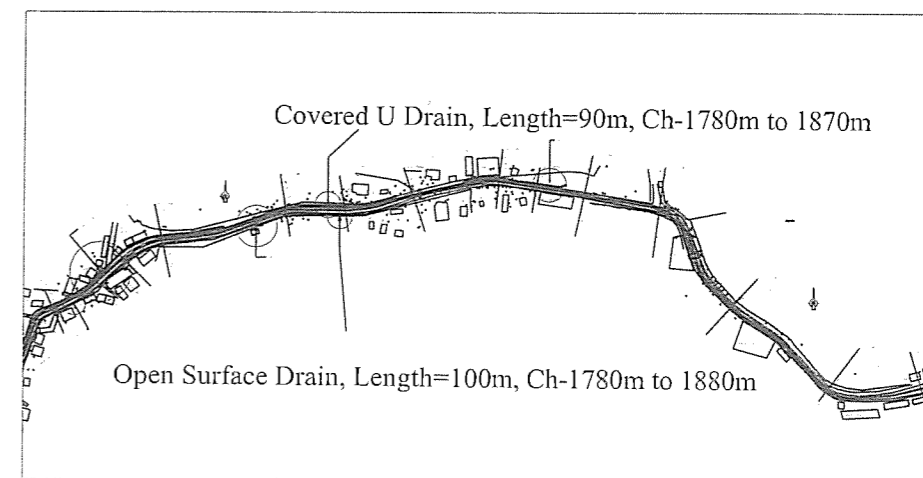
SECTION X-X



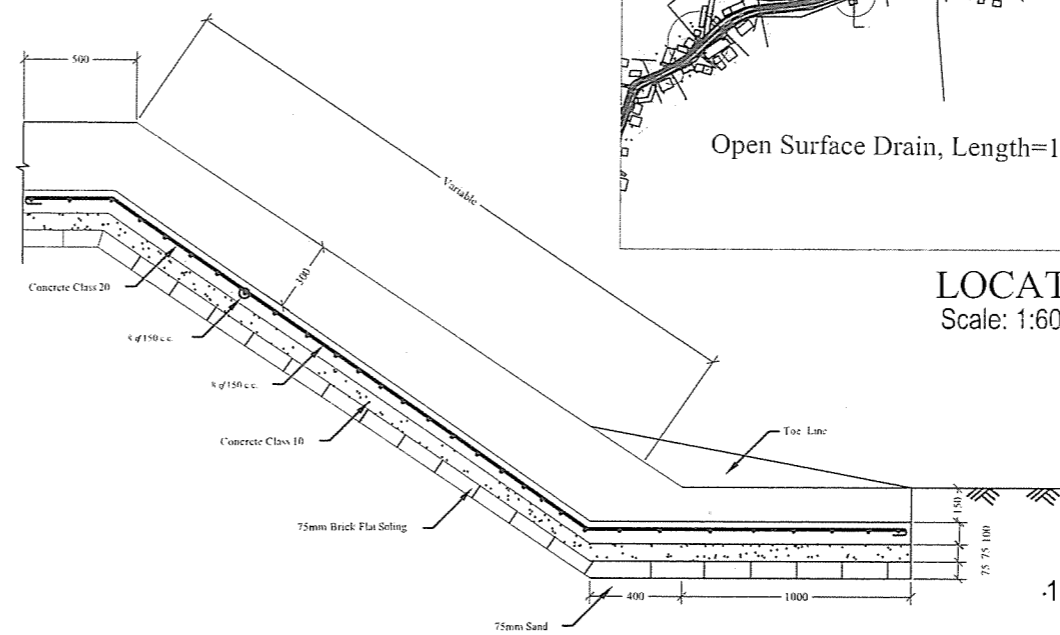
SIDE DITCH (LINED)



SIDE DITCH (OPEN)



LOCATION MAP  
Scale: 1:6000

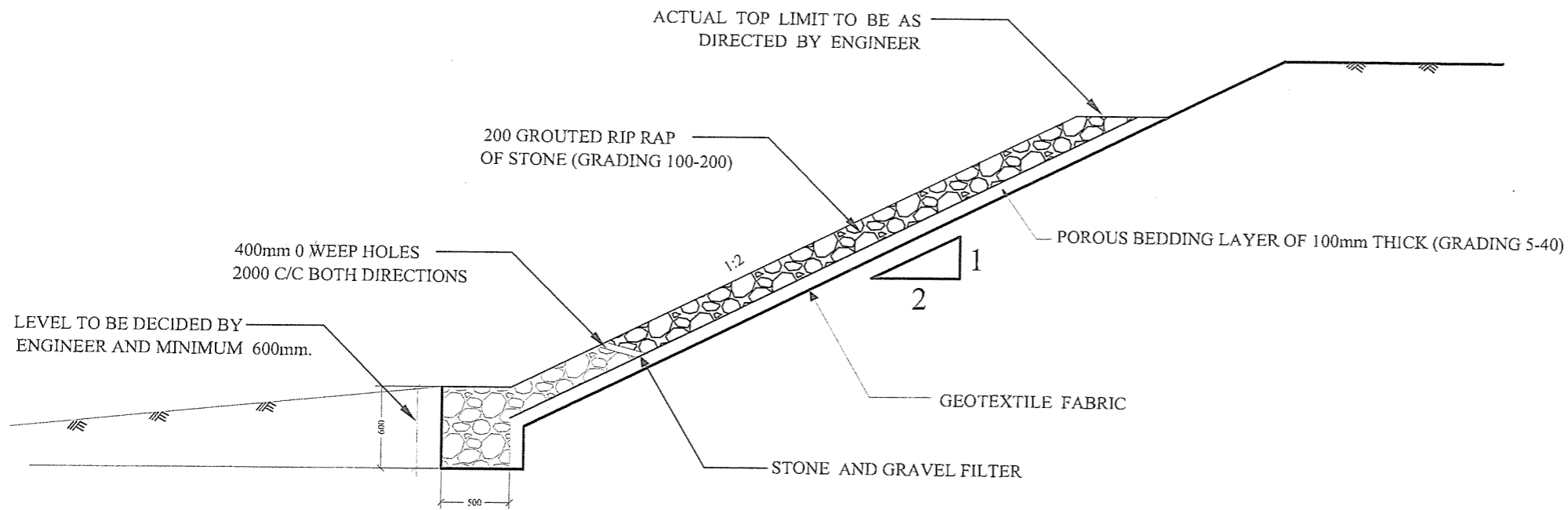


SECTION Y-Y

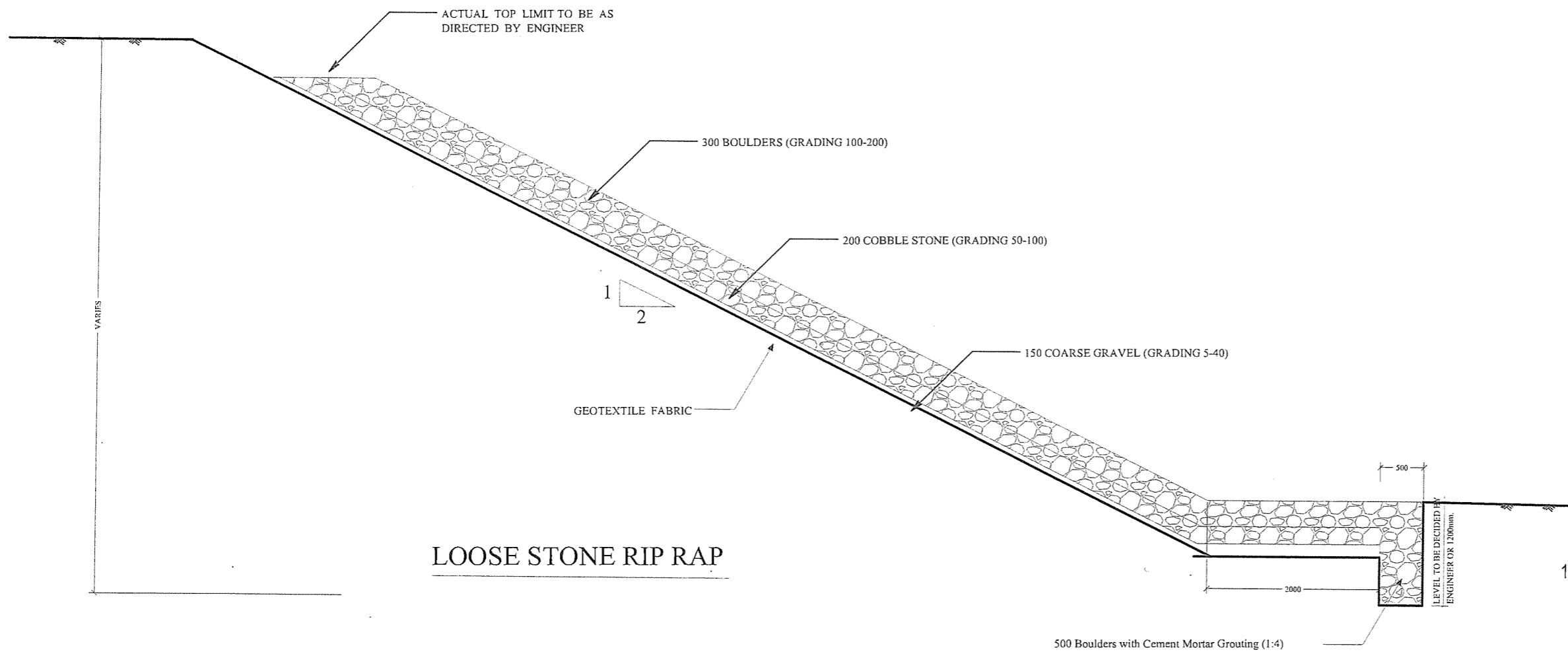
.1. All dimensions are in mm unless otherwise specified.

REV.	DESCRIPTION	DATE

Roads and Highways Department (RHD) Ministry of Communications	NAME OF THE PROJECT :	JAPAN INTERNATIONAL COOPERATION AGENCY(JICA)	DRAWING TITLE :	SCALE :	DATE :	DRAWING NO.
	Preparatory Survey on chittagong Area Coal Fared Power Plant Development Project in Bangladesh (JICA Study).		Saucer Drain, Side Ditch and Side Ditch (Lined)	SCALE : 1:30	AUGUST, 2013	SDR/DWG- 02 of 04



**GROUTED RIP RAP**



**LOOSE STONE RIP RAP**

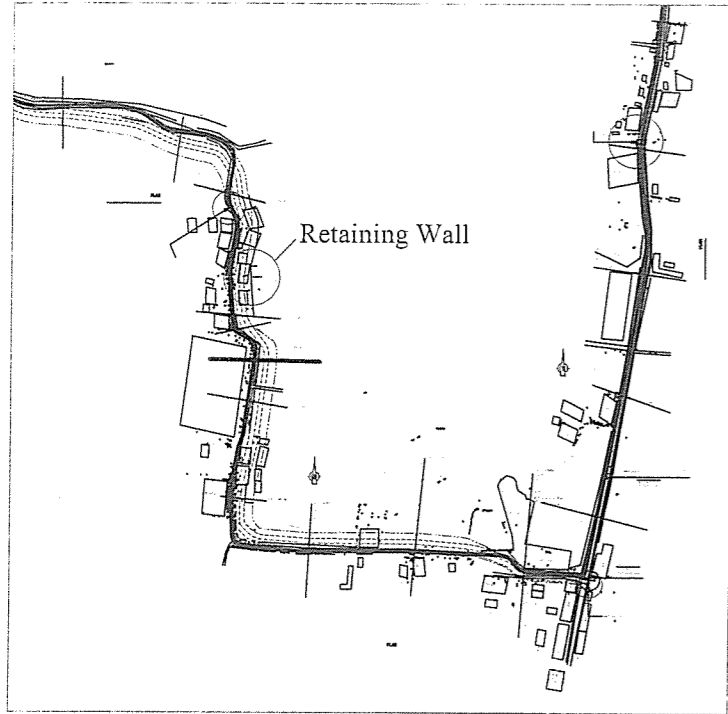
**Notes :**

1. GEOTEXTILE FABRIC SHOWN ON THE DRAWING OR AS DIRECTED BY ENGINEER SHALL MEET THE FOLLOWING SPECIFICATION

1. All dimensions are in mm unless otherwise specified.

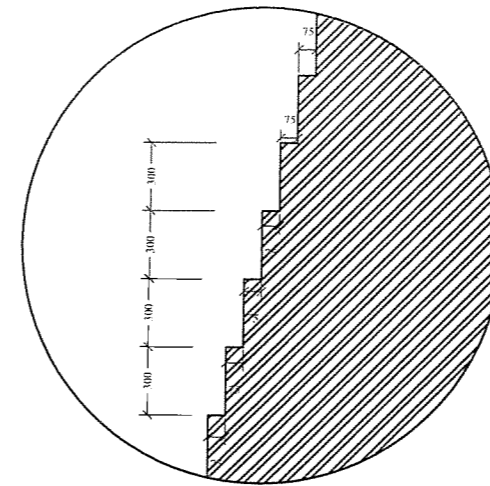
REV.	DESCRIPTION	DATE

Roads and Highways Department (RHD) Ministry of Communications	NAME OF THE PROJECT :	JAPAN INTERNATIONAL COOPERATION AGENCY(JICA)	DRAWING TITLE :	SCALE :	DATE :	DRAWING NO.
	Preparatory Survey on chittagong Area Coal Fared Power Plant Development Project in Bangladesh (JICA Study).		GROUTED Rip Rap and Loose Stone Rip Rap	SCALE : 1:1000	AUGUST, 2013	SDR/DWG- 03 of 04

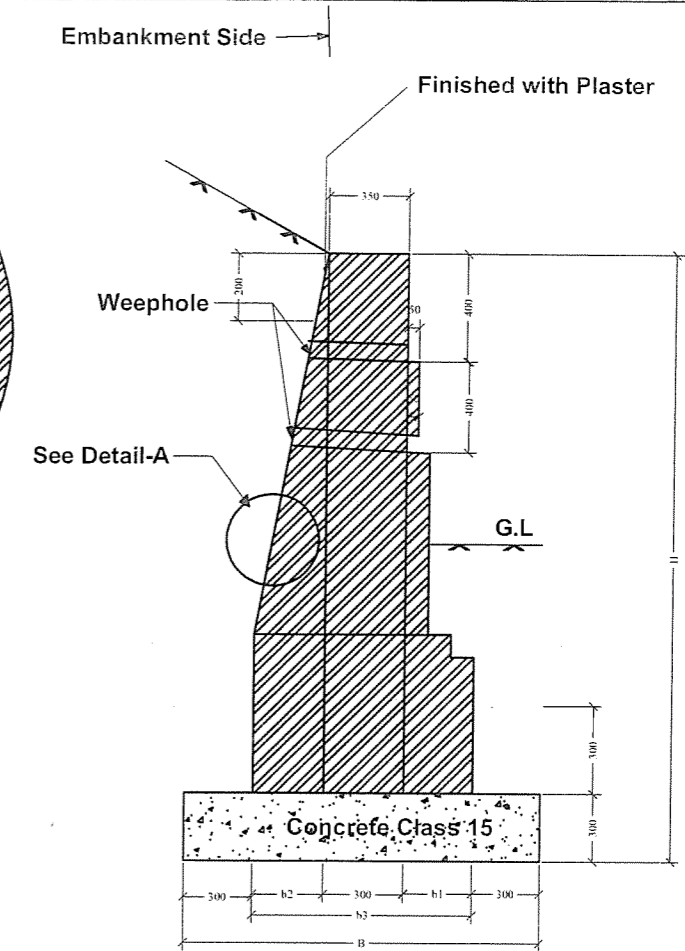


LOCATION MAP  
Scale: 1:6000

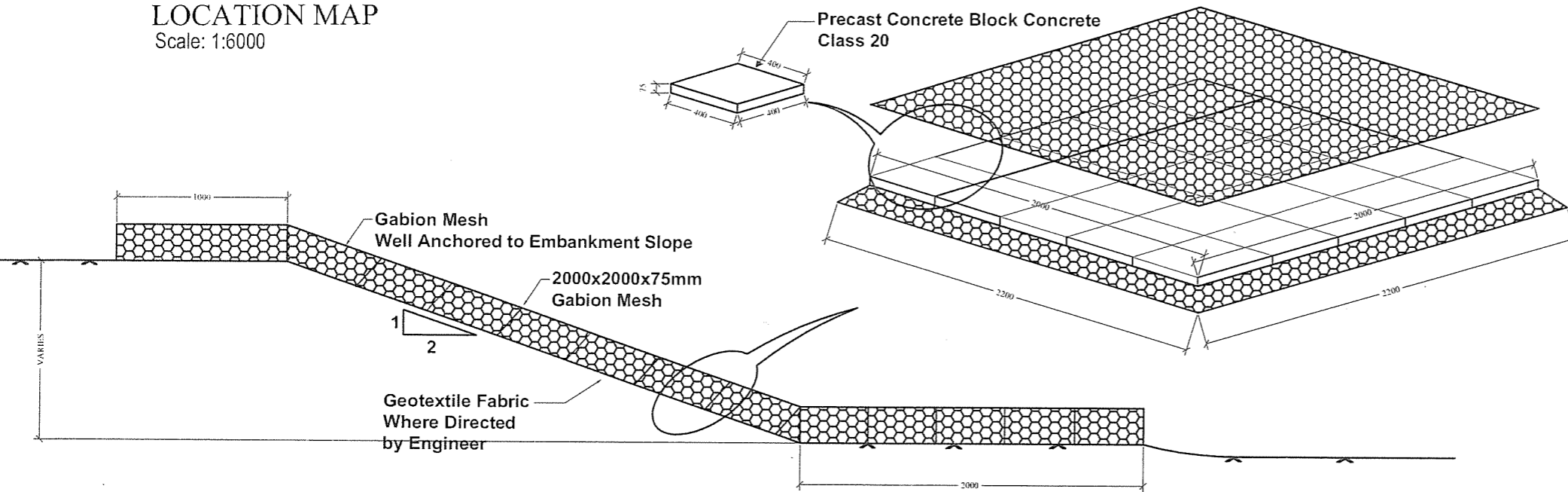
Dimension	H<2500		
	1500	2500	Compute as Follows
b1	100	210	(H-600) x 0.11
b2	200	440	(H-650) x 0.24
b3	600	950	b1+b2+300
B	1300	1650	b3+700



DETAIL OF A



BRICK MASONRY TOE WALL



EMBANKMENT SLOPE PROTECTION (CONCRETE BLOCKS)

Notes :

For Toe Wall

1. All brick masonry work shall be done in 1:3 cementmar mortar.
2. Weep holes shall be provided as per specification and shall be provided one per 1.5m.square of vertical area unless directed by the engineer. Their spacing shall be staggered
3. Applicable only where subgrade > 5% CBR.

1. All dimensions are in mm unless otherwise specified.

REV.	DESCRIPTION	DATE

Roads and Highways Department (RHD) Ministry of Communications	NAME OF THE PROJECT :	JAPAN INTERNATIONAL COOPERATION AGENCY(JICA)	DRAWING TITLE :	SCALE :	DATE :	DRAWING NO.
	Preparatory Survey on chittagong Area Coal Fared Power Plant Development Project in Bangladesh (JICA Study).		Roadside Drainage	SCALE : 1:30	AUGUST, 2013	SDR/DWG- 04 of 04

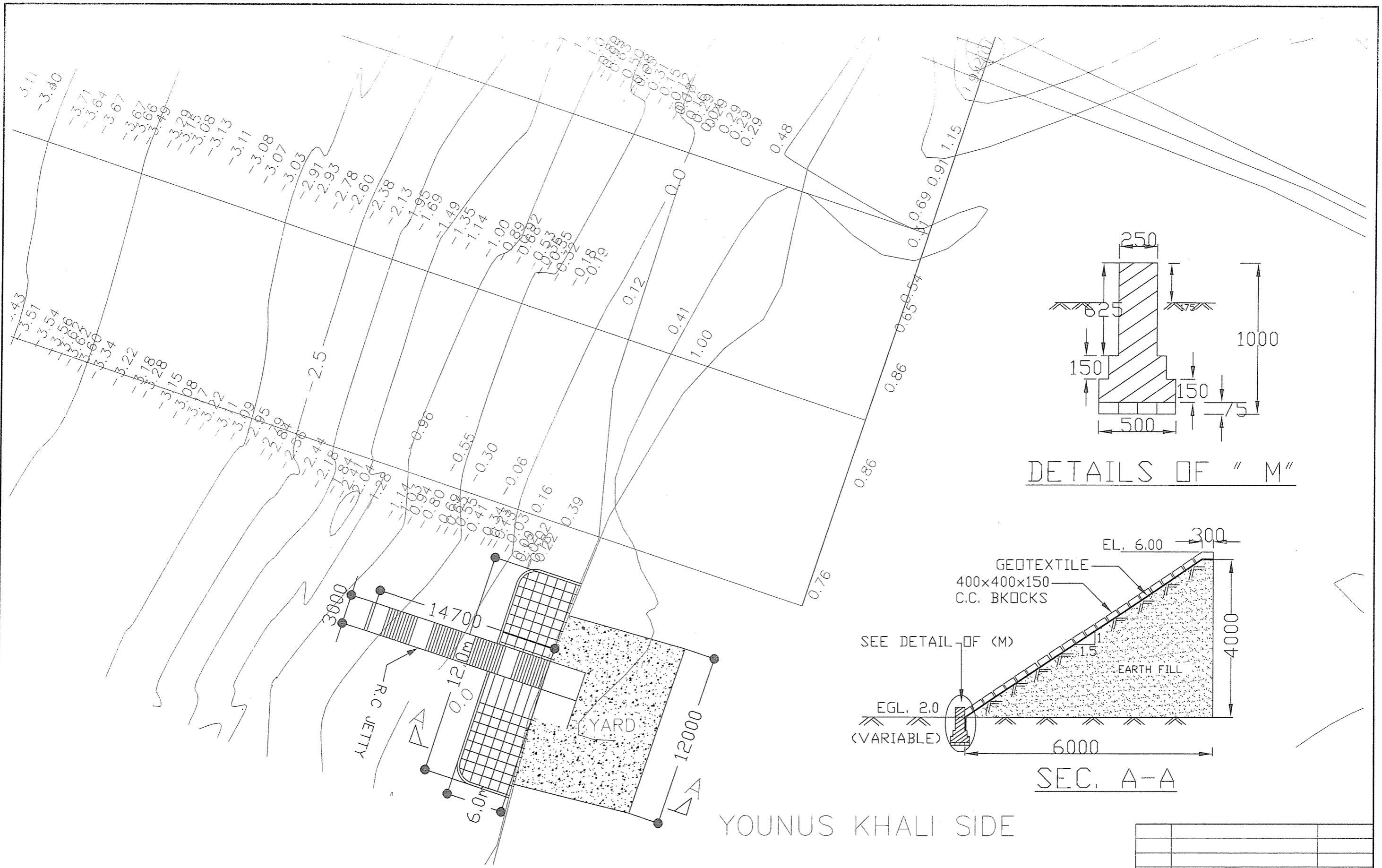
## GENERAL NOTES FOR THE CONSTRUCTION OF REINFORCED CONCRETE (RCC) GHAT

1. CEMENT :  
ORDINARY PORTLAND CEMENT TYPE-I(ASTM-C150-86)
  - a) SETTING TIME :  
INITIAL SETTING TIME : NOT LESS THAN 45 MINUTES  
FINAL SETTING TIME : NOT MORE THAN 8 HOURS
  - b) STRENGTH :  
COMPRESSIVE STRENGTH 50mm CUBE SPECIMEN AS PER ASTM-C150-86  
07 DAYS STRENGTH : 19.30 Mpa (2800 psi).
  
2. REINFORCEMENT :
  - a) STRENGTH :  
YIELD STRENGTH ( $f_y$ ) OF MILD STEEL DEFORMED BAR SHALL NOT BE LESS THAN 410 N/sq.mm (60000 psi)  
AND THE STEEL SHOULD CONFORM ASTM-A615-88 & EQUIVALENT.
  - b) SPLICES IN REINFORCEMENT  
-SPLICES IN REINFORCEMENT IF NECESSARY SHALL BE MADE ONLY AS APPROVED BY THE ENGINEER-IN-CHARGE.  
-SPLICES IN REINFORCEMENT OF MAXIMUM STRESS IN SLABS, BEAMS AND GIRDERS SHOULD BE AVOIDED.
  - c) LAP LENGTH :
    - i) FOR TENSION M.S. DEFORMED BAR  
- 40 BAR DIAMETER WITHOUT HOOKS
    - ii) FOR COMPRESSION M.S. DEFORMED BAR  
- 30 BAR DIAMETER WITHOUT HOOKS
  
3. CONCRETE :
  - i) FOR PILE CAP, ABUTMENT & WINGWALL, PIER, GIRDER, DIAPHRAGM, DECK SLAB, RAIL POSTS AND HAND RAILS.  
28 DAYS STANDARD CYLINDER CRUSHING STRENGTH,  $f_c = 25$  N/sq.mm (3600 psi)
  - ii) FOR RCC PRECAST PILES.  
28 DAYS STANDARD CYLINDER CRUSHING STRENGTH,  $f_c = 25$  N/sq.mm (3600 psi)  
YIELD STRENGTH OF M.S. DEFORMED BAR,  $f_y = 410$  N/sq.mm (60,000 psi)  
FOR PRECAST PILE MIX RATIO BY VOLUME, CEMENT:SAND:COARSE AGGREGATE : 1:1.5:3
  - iii) FOR RCC CAST-IN-SITU PILES.  
28 DAYS STANDARD CYLINDER CRUSHING STRENGTH,  $f_c = 25$  N/sq.mm (3600 psi)  
YIELD STRENGTH OF M.S. DEFORMED BAR,  $f_y = 410$  N/sq.mm (60,000 psi)
  
4. MINIMUM CLEAR COVER TO MAIN REINFORCEMENT :
  - a) FOR ROOF SLAB AND BUILDING : 20mm
  - b) FOR DECK SLAB  
TOP REINF. : 50 mm  
BOTTOM REINF. : 25 mm
  - c) FOR GIRDER, DIAPHRAGM AND PIER CAP :  
BOTTOM BAR : 40 mm  
SIDE : 40 mm
  - d) FOR RETAINING WALL :  
EARTH FACE : 50 mm when form work is used  
WATER FACE : 50 mm when form work is used
  - e) PILE CAP  
BOTTOM : 50 mm above pile cut-off level  
OTHER FACES : 50 mm
  - f) MEMBERS CAST AGAINST AND PERMANENTLY EXPOSED TO NON-SALINE WATER / SOIL : 75 mm
  - g) MEMBERS PERMANENTLY EXPOSED TO SALINE WATER / SOIL : 100 mm
  
5. MIXER MACHINE AND VIBRATOR MUST BE USED IN ALL RCC CASTING.
6. CONSTRUCTION JOINTS IN ADDITION TO THE PLACES SHOWN IN THE DRAWING SHALL BE PROVIDED AS PER DIRECTION OF THE ENGINEER-IN-CHARGE.
7. ALL DIMENSIONS ARE IN MILLIMETER UNLESS OTHERWISE MENTIONED.
8. COARSE AGGREGATE : 20 mm down graded stone chips in accordance with BS882 or equivalent.
9. SAND FILLING MUST BE MECHANICALLY COMPECTED AND COMPACTION SHALL BE OF 95% MDD (MODIFIED)
10. FOR HANDLING /OR LIFTING OF PRECAST PILE 25mm ~50mm DIAMETER TOGGLE HOLES REQUIRED AND THEIR LOCATION ARE AT 0.206L FROM EITHER END, WERE L=LENGTH OF PILE.

REV.	DESCRIPTION	DATE

ROADS AND HIGHWAYS DEPARTMENT (RHD) Ministry of Communications	NAME OF THE PROJECT : Preparatory Survey on Chittagong Area Coal Fired Power Plant Development Project in Bangladesh (JICA Study).	JAPAN INTERNATIONAL COOPERATION AGENCY (JICA)	DRAWING TITLE : GENERAL NOTES OF RCC WORK		SCALE : Scale : N.T.S.	DATE : Sept' 2013	DRAWING NO. BRDG/GEN/DWG-01

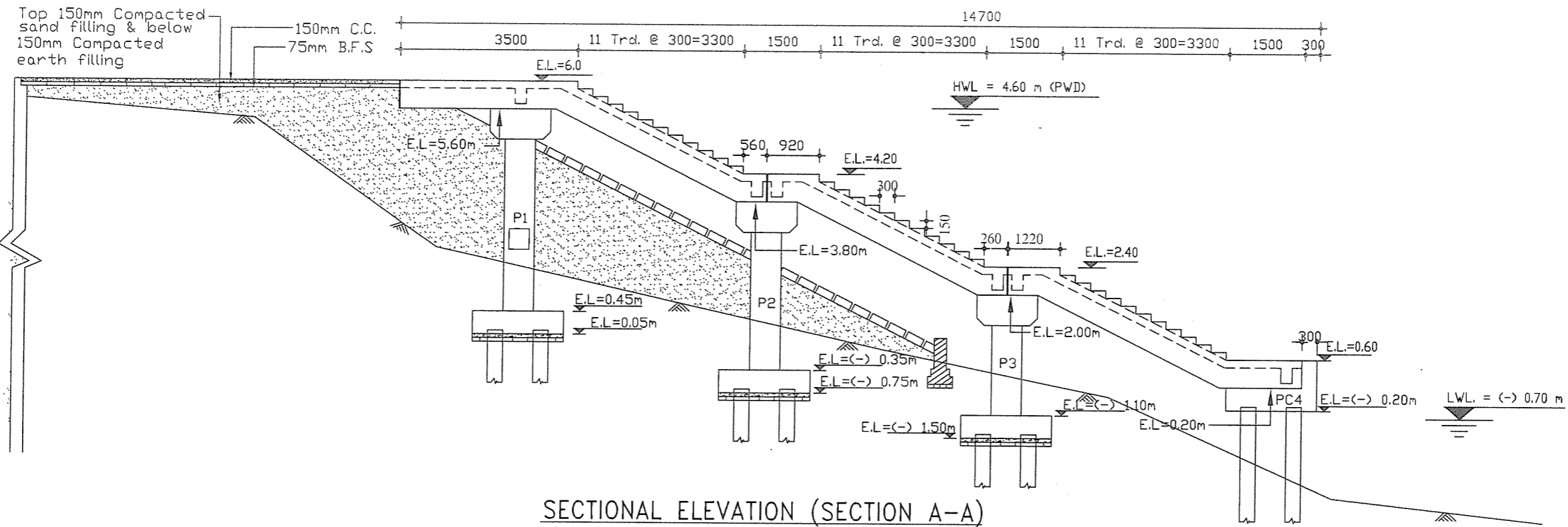




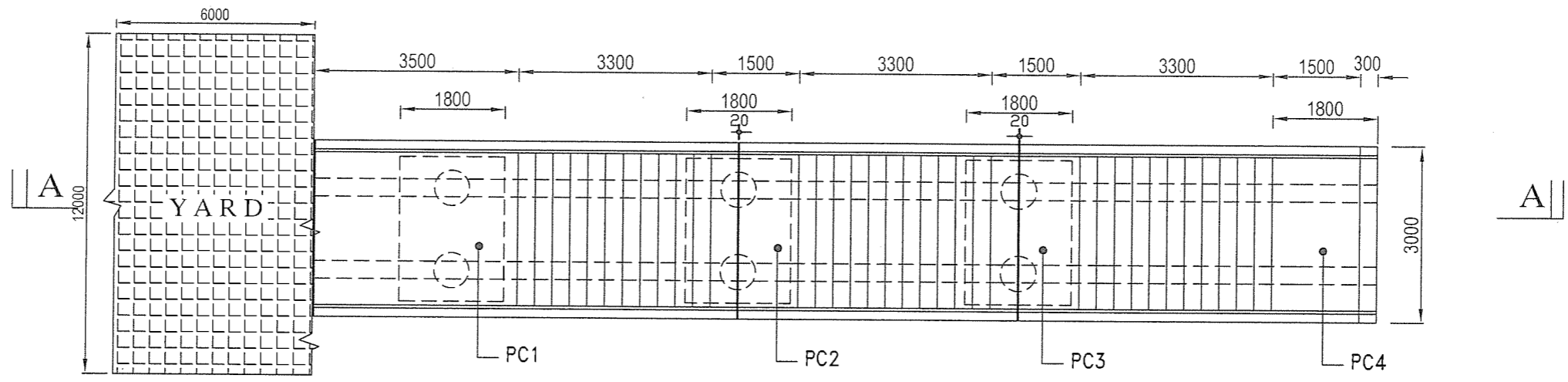
YOUNUS KHALI SIDE

REV.	DESCRIPTION	DATE

ROADS AND HIGHWAYS DEPARTMENT (RHD) Ministry of Communications	NAME OF THE PROJECT : Preparatory Survey on Chittagong Area Coal Fired Power Plant Development Project in Bangladesh (JICA Study).	JAPAN INTERNATIONAL COOPERATION AGENCY (JICA)	DRAWING TITLE :	SCALE :	DATE :	DRAWING NO.
			LAYOUT PLAN OF RCC JETY AT RIVER BANK OF UNUSKHALI END, COX'S BAZAR (REVISED).	Scale : As above	02 July' 2013	BRDG/S_LP/DWG-02



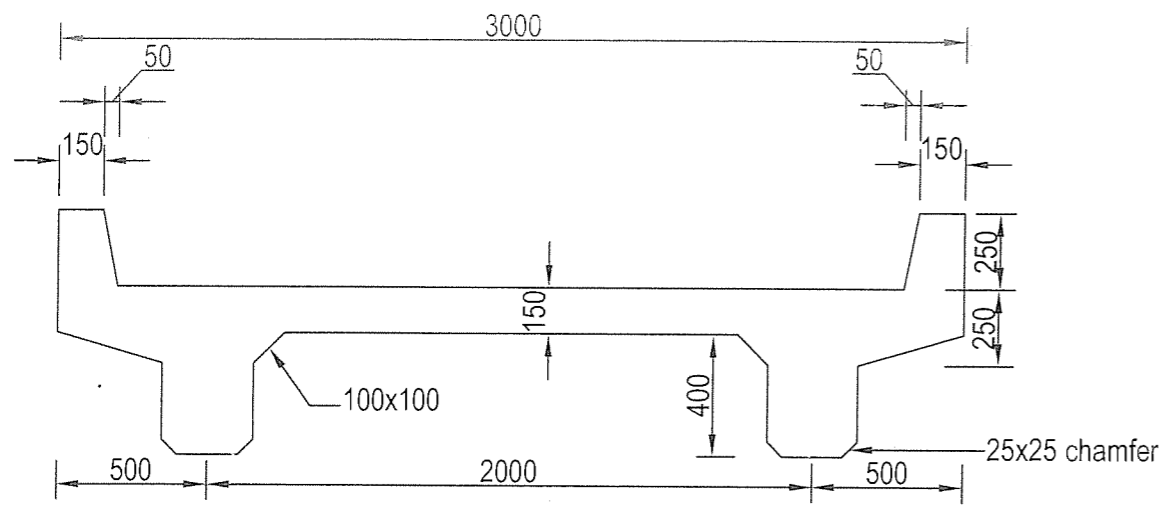
SECTIONAL ELEVATION (SECTION A-A)



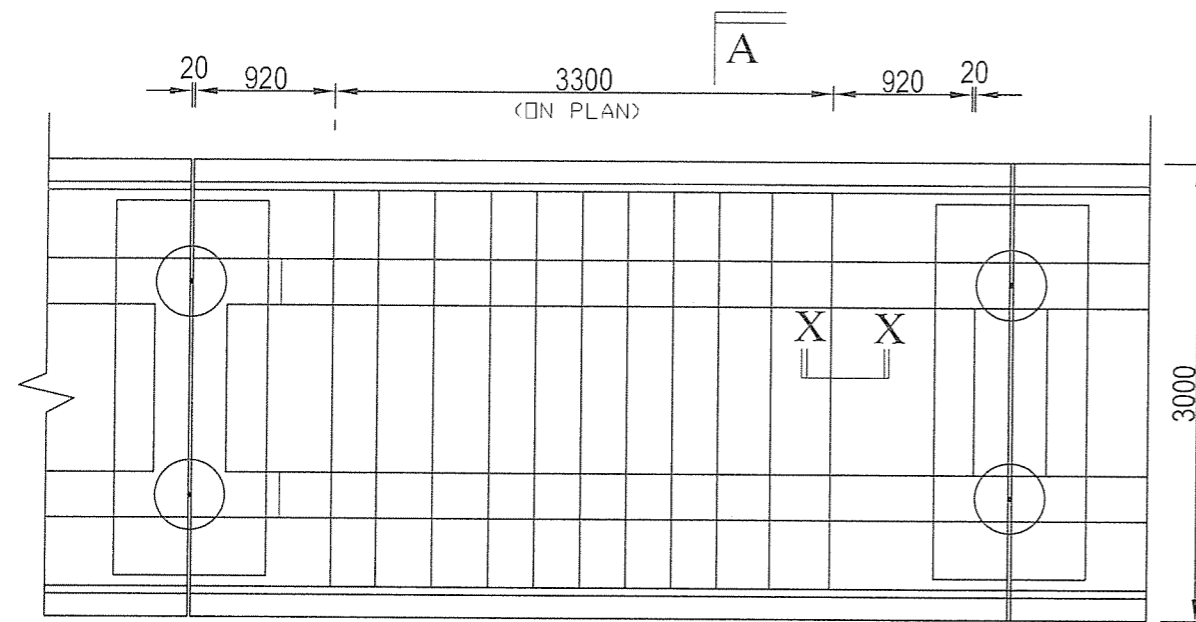
PLAN OF R.C.C JETTY  
(Scale : 1:100)

REV.	DESCRIPTION	DATE

ROADS AND HIGHWAYS DEPARTMENT (RHD) Ministry of Communications	NAME OF THE PROJECT : Preparatory Survey on Chittagong Area Coal Fired Power Plant Development Project in Bangladesh (JICA Study).	JAPAN INTERNATIONAL COOPERATION AGENCY (JICA)	DRAWING TITLE :		
			PLAN & SECTIONAL ELEVATION OF RCC JETTY (REVISED)		
		SCALE :	DATE :	DRAWING NO.	
		Scale : As above	Sept' 2013	BRDG/P_ELV/DWG-03	

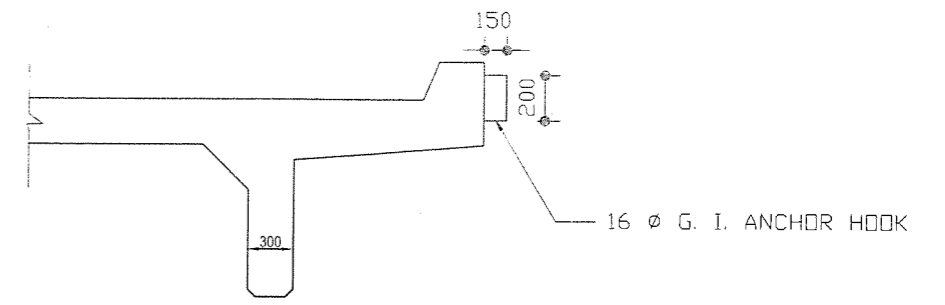


**SECTION A-A**

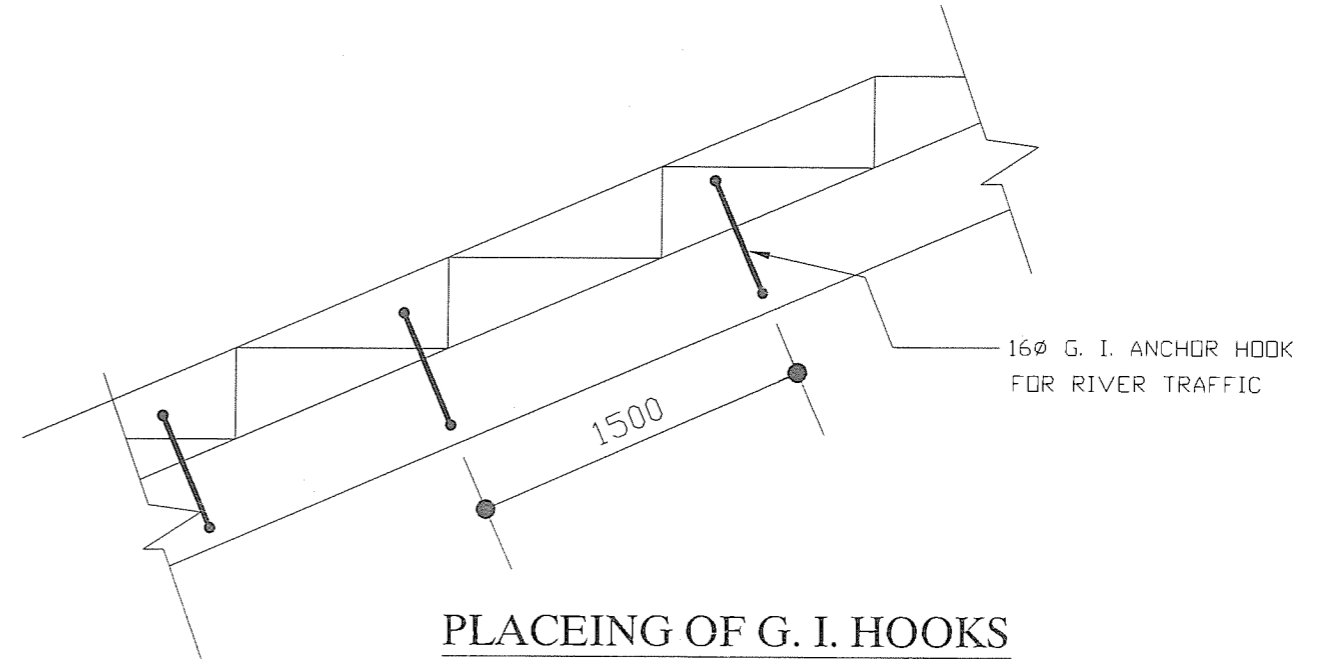


**PLAN**

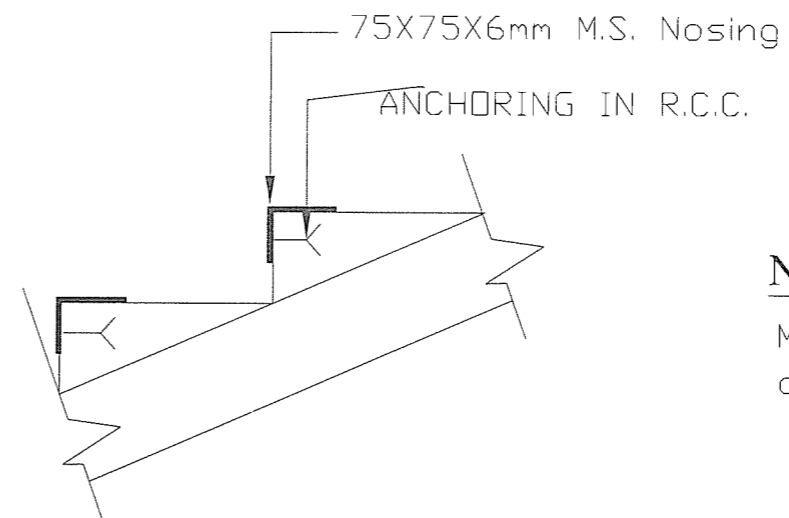
**A**



16  $\phi$  G. I. ANCHOR HOOK



**PLACEING OF G. I. HOOKS**



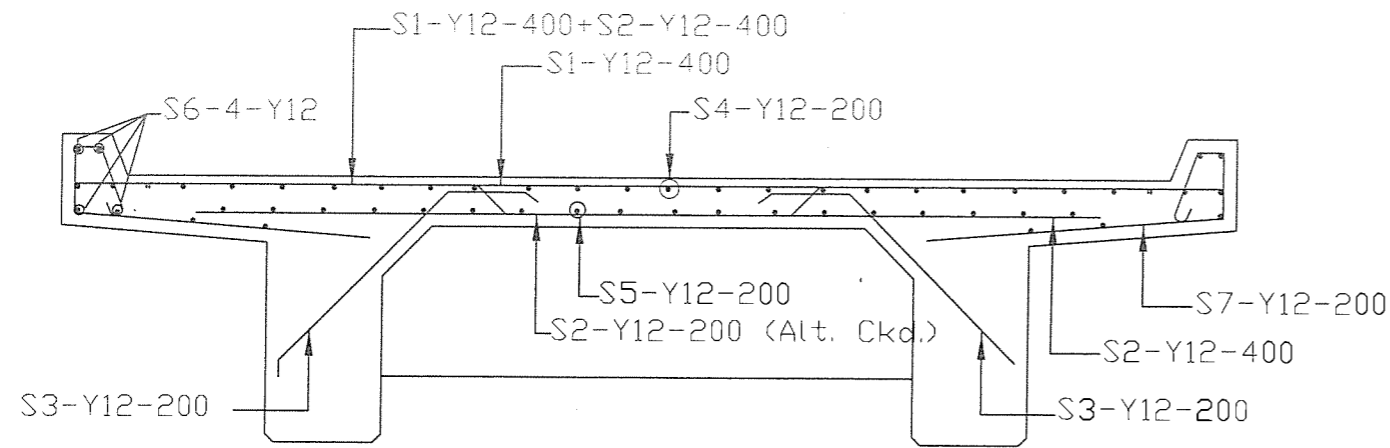
**SEC. X-X  
PLACING OF M.S. NOSING**

**NOTE :**

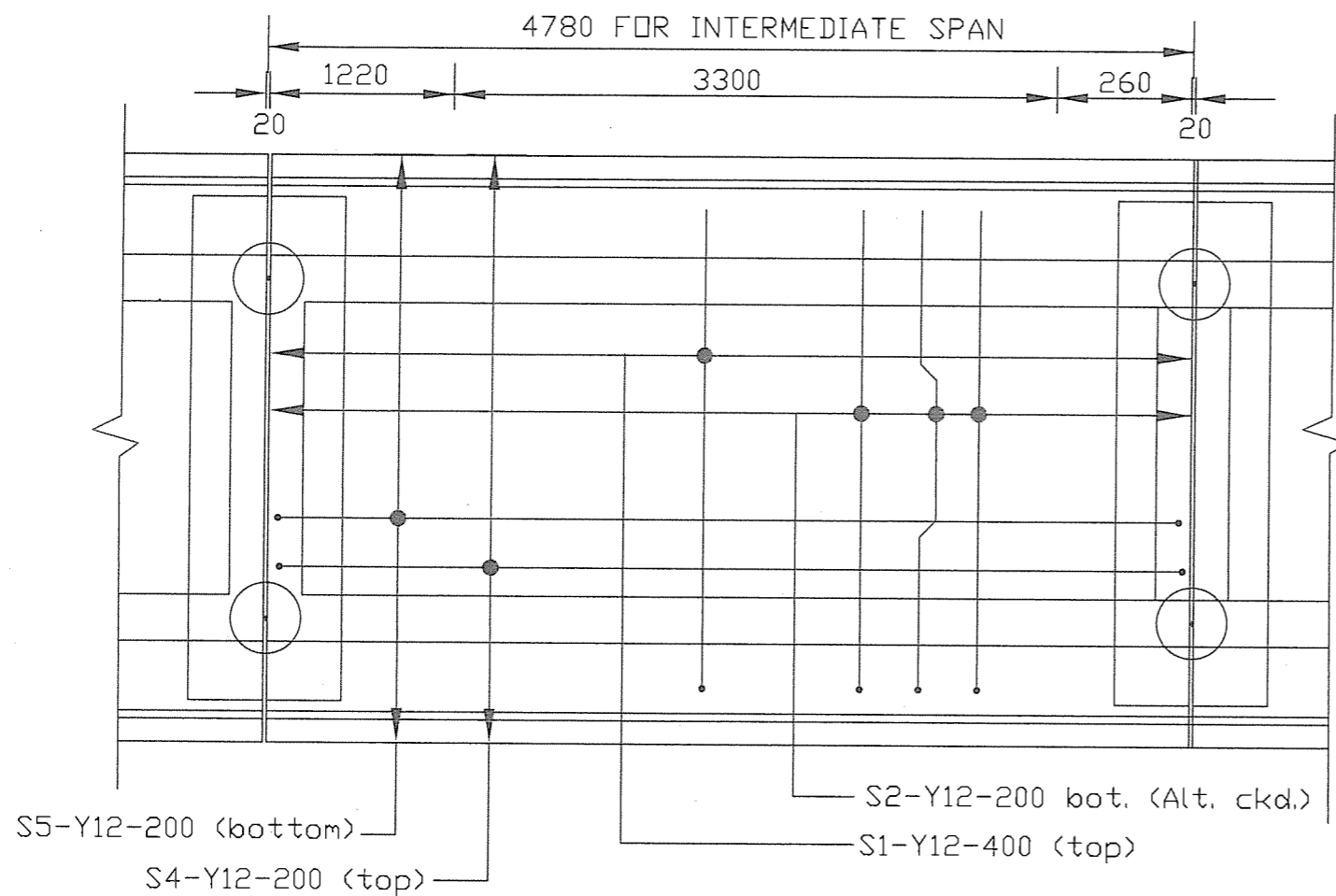
M.S Nosing to be provided on all edges of step

REV.	DESCRIPTION	DATE

ROADS AND HIGHWAYS DEPARTMENT (RHD) Ministry of Communications	NAME OF THE PROJECT : Preparatory Survey on Chittagong Area Coal Fired Power Plant Development Project in Bangladesh (JICA Study).	JAPAN INTERNATIONAL COOPERATION AGENCY (JICA)	DRAWING TITLE :	SCALE :	DATE :	DRAWING NO.
			DETAILS OF DECK SECTION FOR RCC JETTY (REVISED)	Scale : As above	02 July' 2013	BRDG/DECK/DWG-04



**REINF. DETAIL OF SLAB**



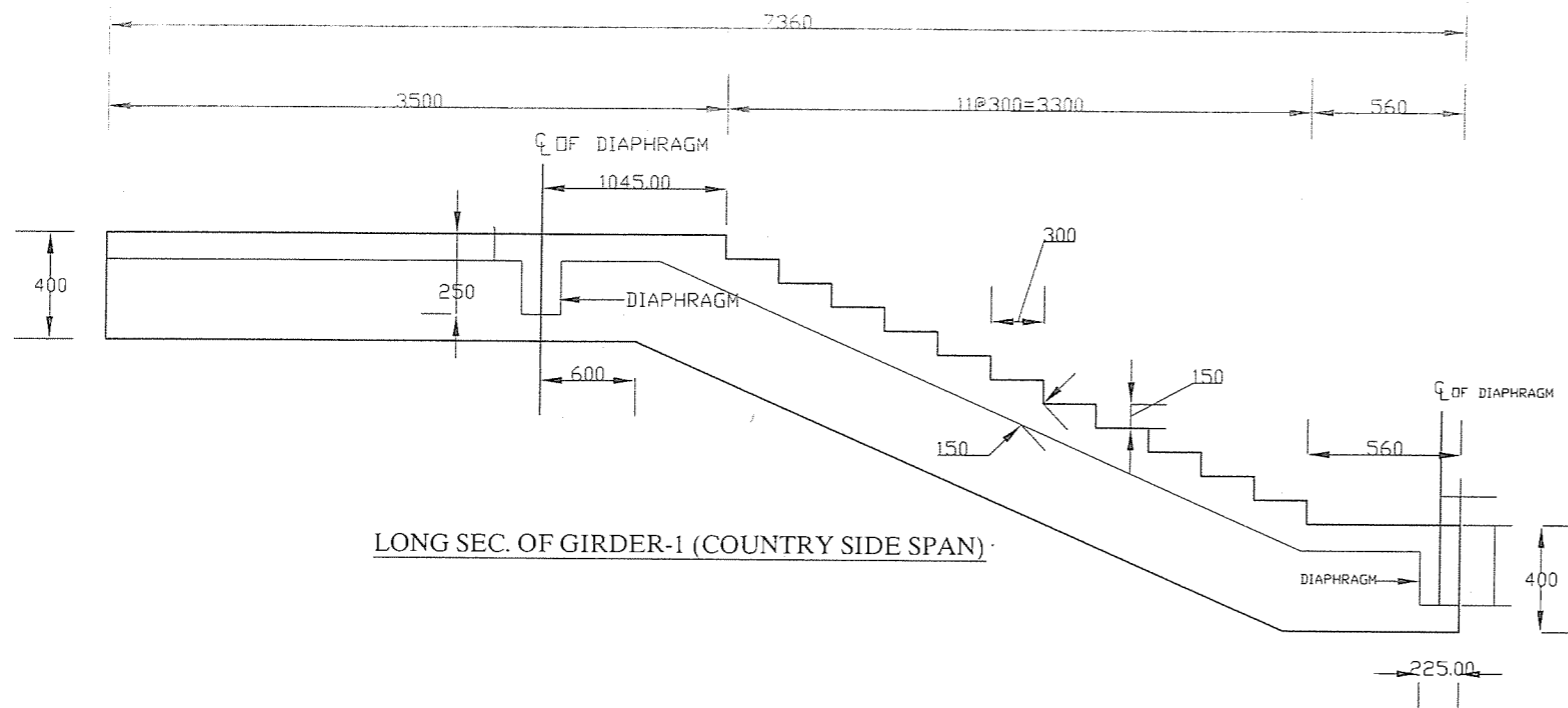
**PLAN OF DECK SLAB  
( REINF. )**

**LEGEND :**

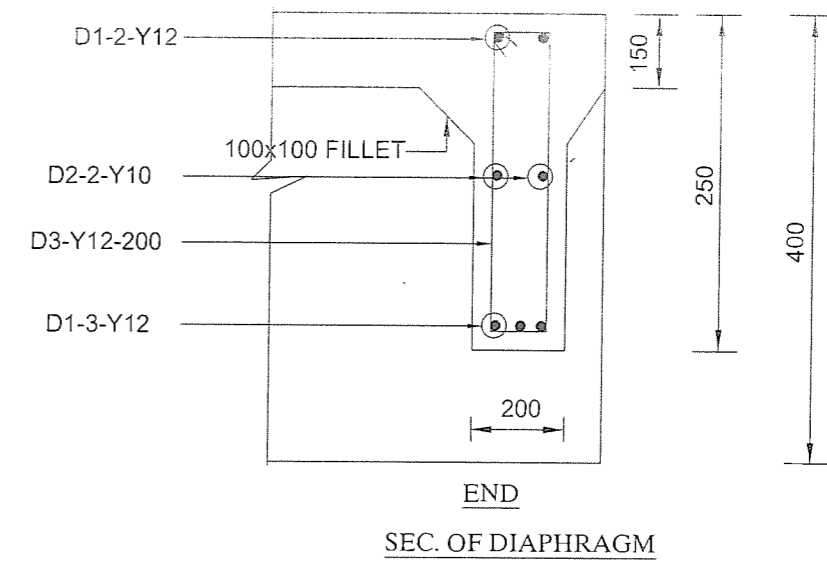
- S3-Y12-200 :  
 S3 : BAR MARK  
 Y12 : DIA OF DEFORMED BAR  
 200 : SPACING OF BAR IN MM
- S6-4-Y12 :  
 S6 : BAR MARK  
 4 : NOS OF BAR  
 Y12 : DIA OF DEFORMED BAR

REV.	DESCRIPTION	DATE

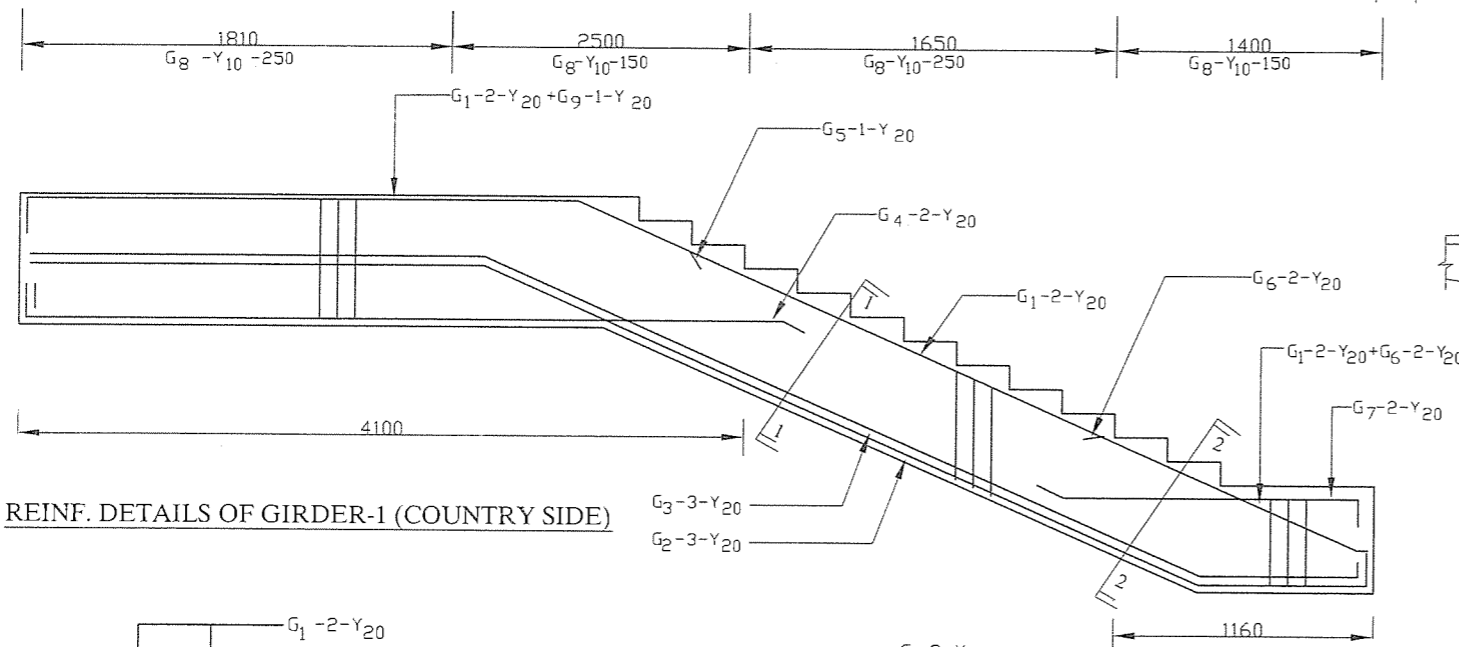
ROADS AND HIGHWAYS DEPARTMENT (RHD) Ministry of Communications	NAME OF THE PROJECT : Preparatory Survey on Chittagong Area Coal Fired Power Plant Development Project in Bangladesh (JICA Study).	JAPAN INTERNATIONAL COOPERATION AGENCY (JICA)	DRAWING TITLE :		
			REINF. DETAILS OF DECK SECTION FOR RCC JETTY (REVISED)	SCALE : Scale : As above	DATE : sept' 2013



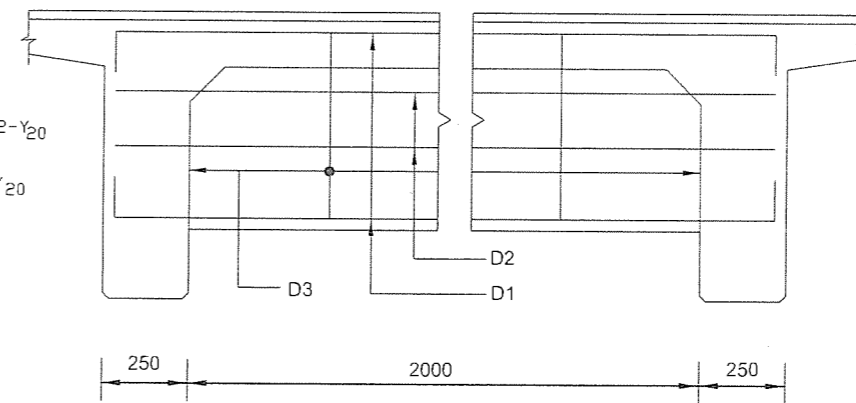
LONG SEC. OF GIRDER-1 (COUNTRY SIDE SPAN)



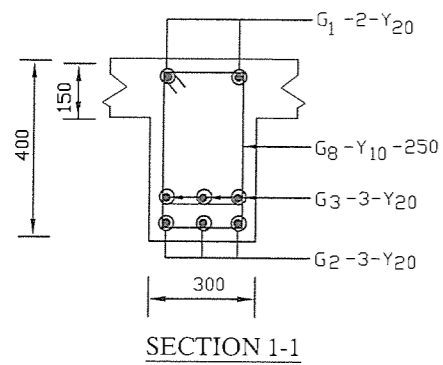
END SEC. OF DIAPHRAGM



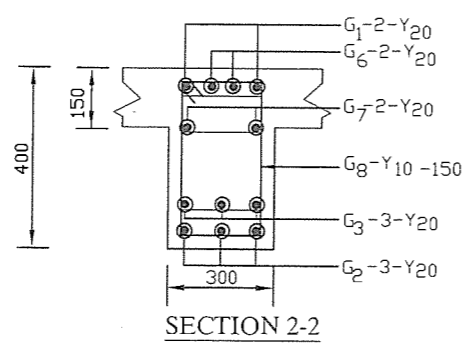
REINF. DETAILS OF GIRDER-1 (COUNTRY SIDE)



DETAILS REINF. OF DIAPHRAGM



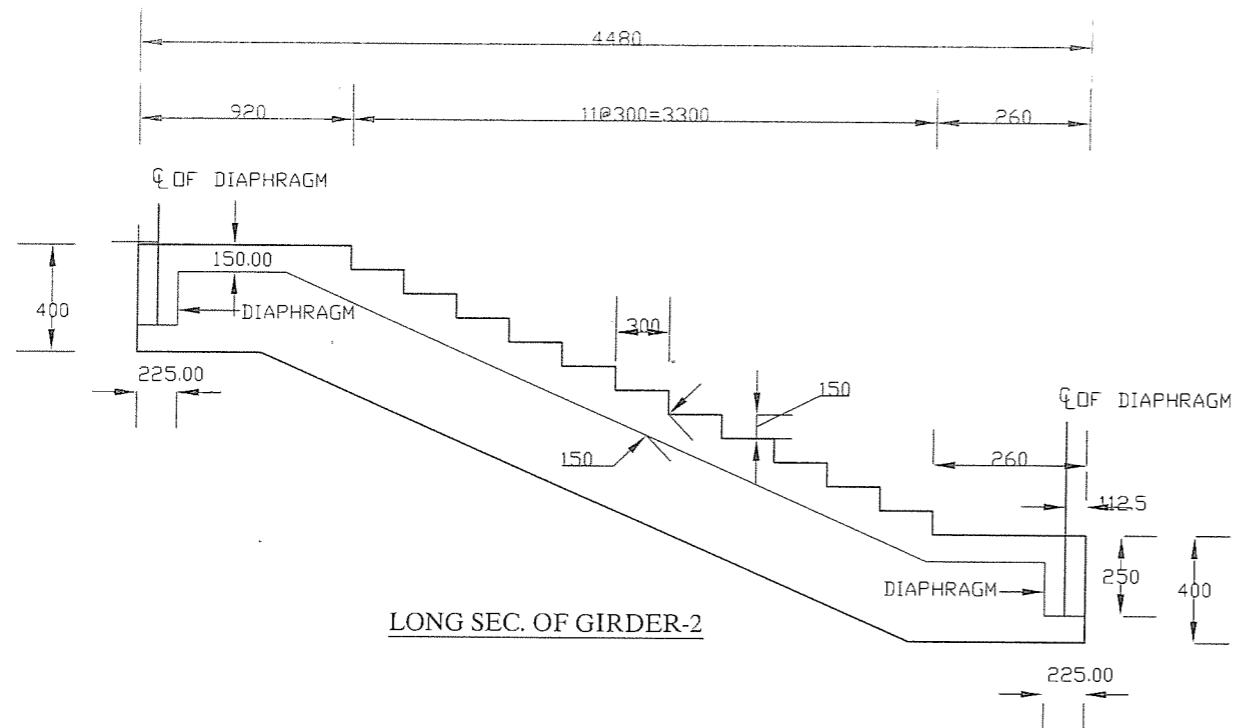
SECTION 1-1



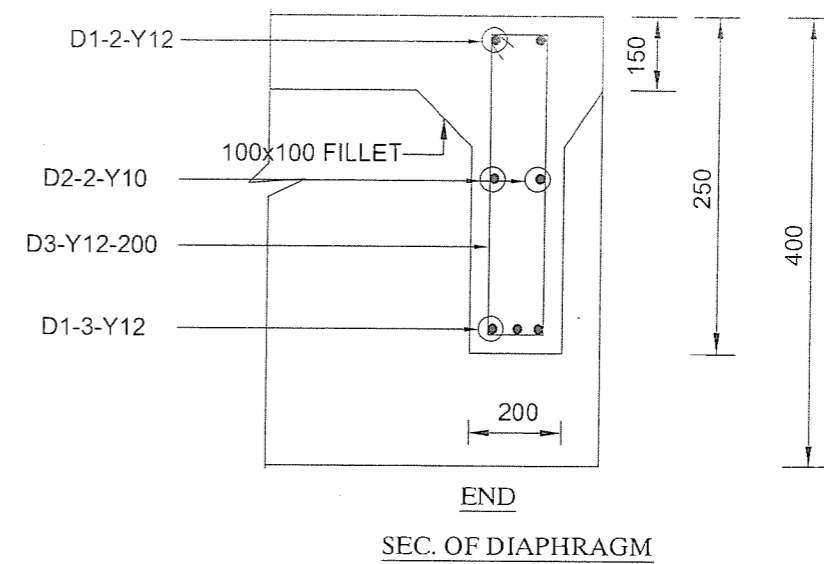
SECTION 2-2

REV.	DESCRIPTION	DATE

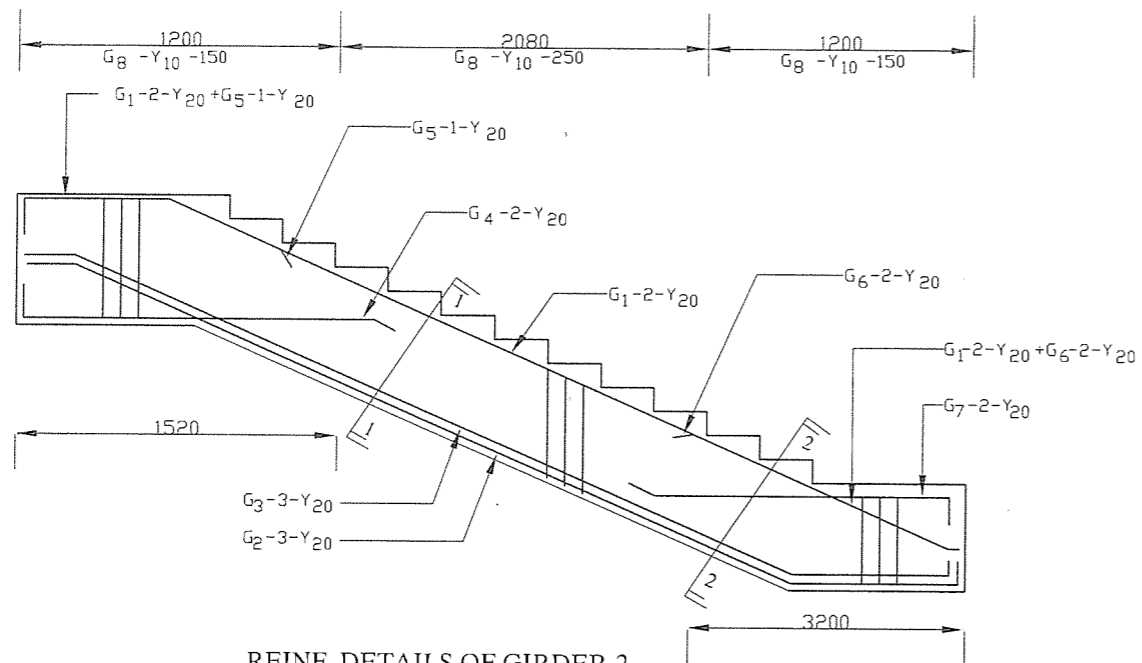
ROADS AND HIGHWAYS DEPARTMENT (RHD) Ministry of Communications	NAME OF THE PROJECT : Preparatory Survey on Chittagong Area Coal Fired Power Plant Development Project in Bangladesh (JICA Study).	JAPAN INTERNATIONAL COOPERATION AGENCY (JICA)	DRAWING TITLE :		SCALE :	DATE :	DRAWING NO.
			DETAILS OF GIRDER G1 (1ST SPAN)		Scale : As above	02 July' 2013	BRDG/G1/DWG-06



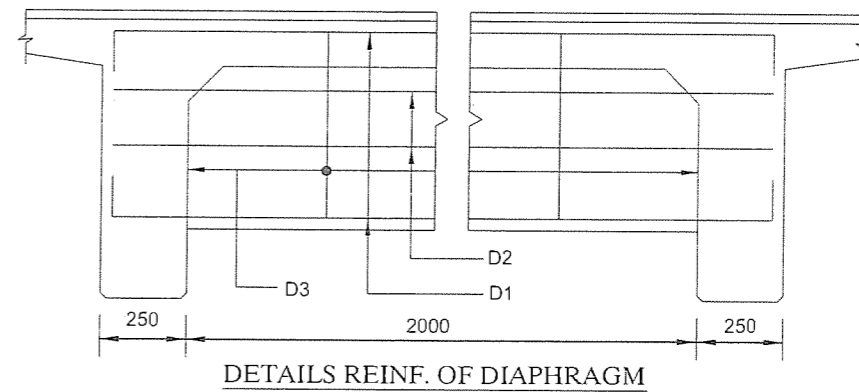
LONG SEC. OF GIRDER-2



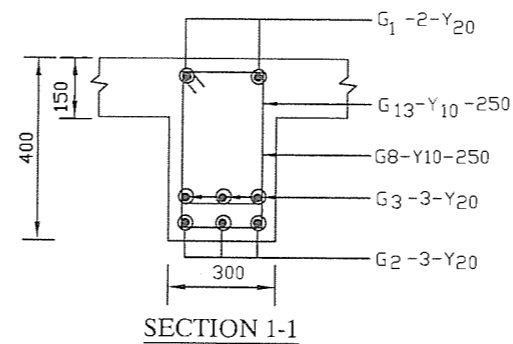
END  
SEC. OF DIAPHRAGM



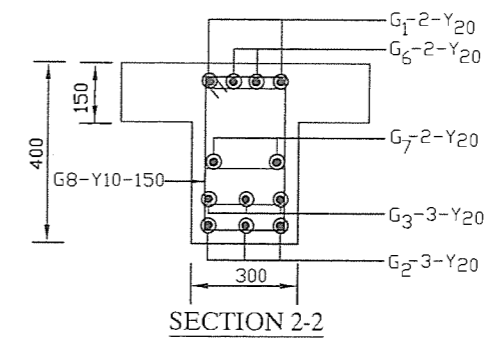
REINF. DETAILS OF GIRDER-2



DETAILS REINF. OF DIAPHRAGM



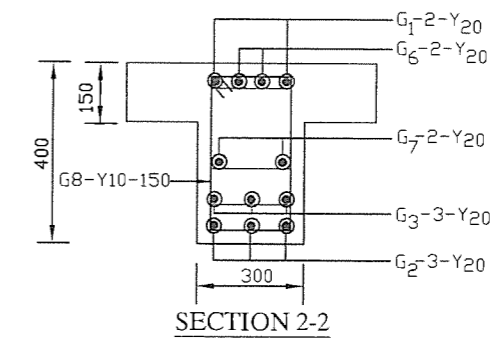
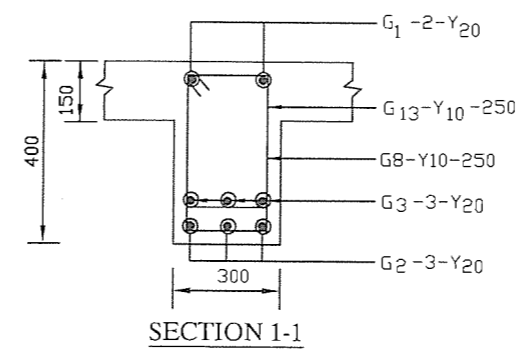
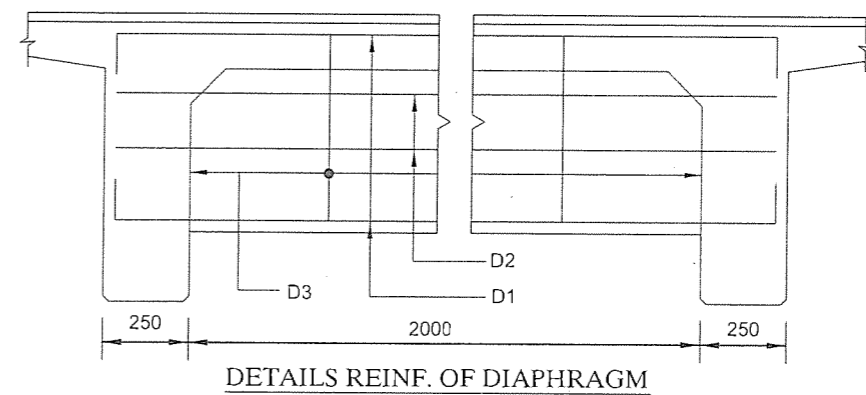
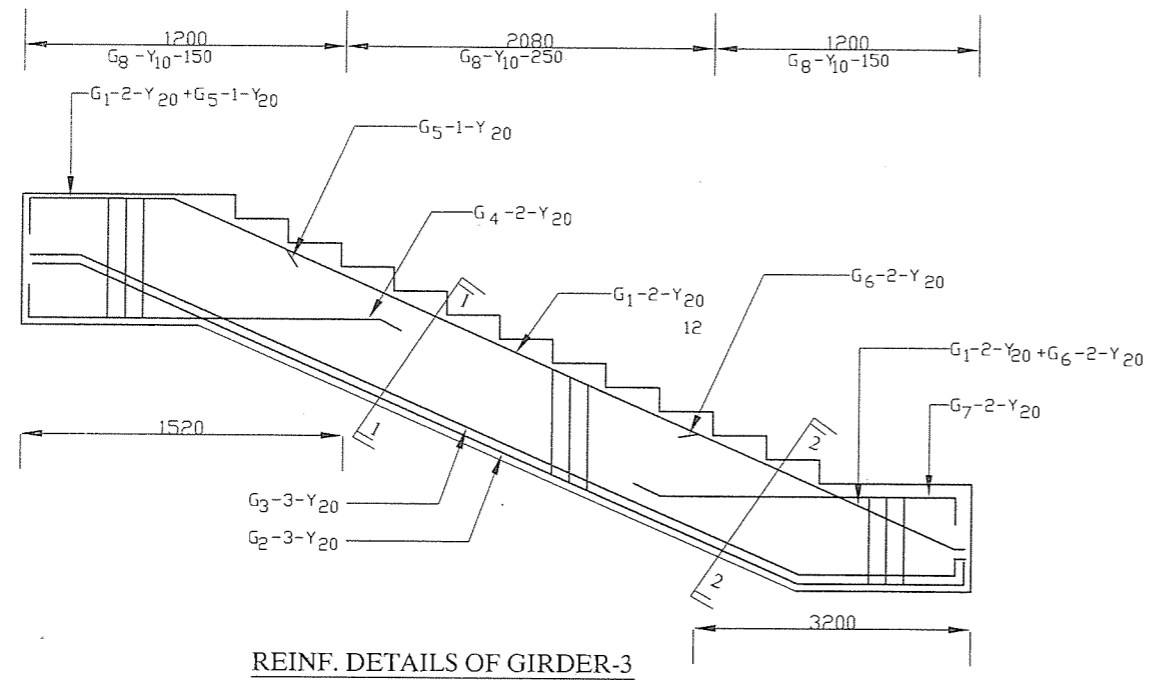
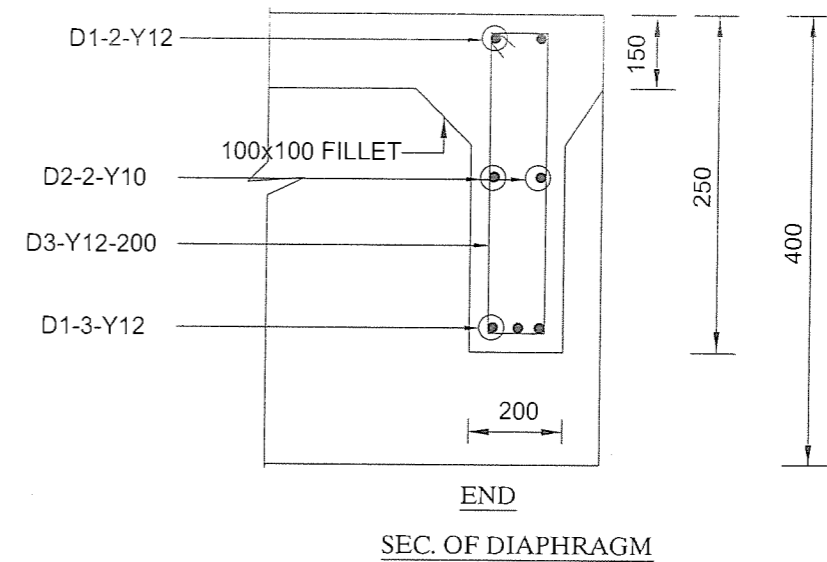
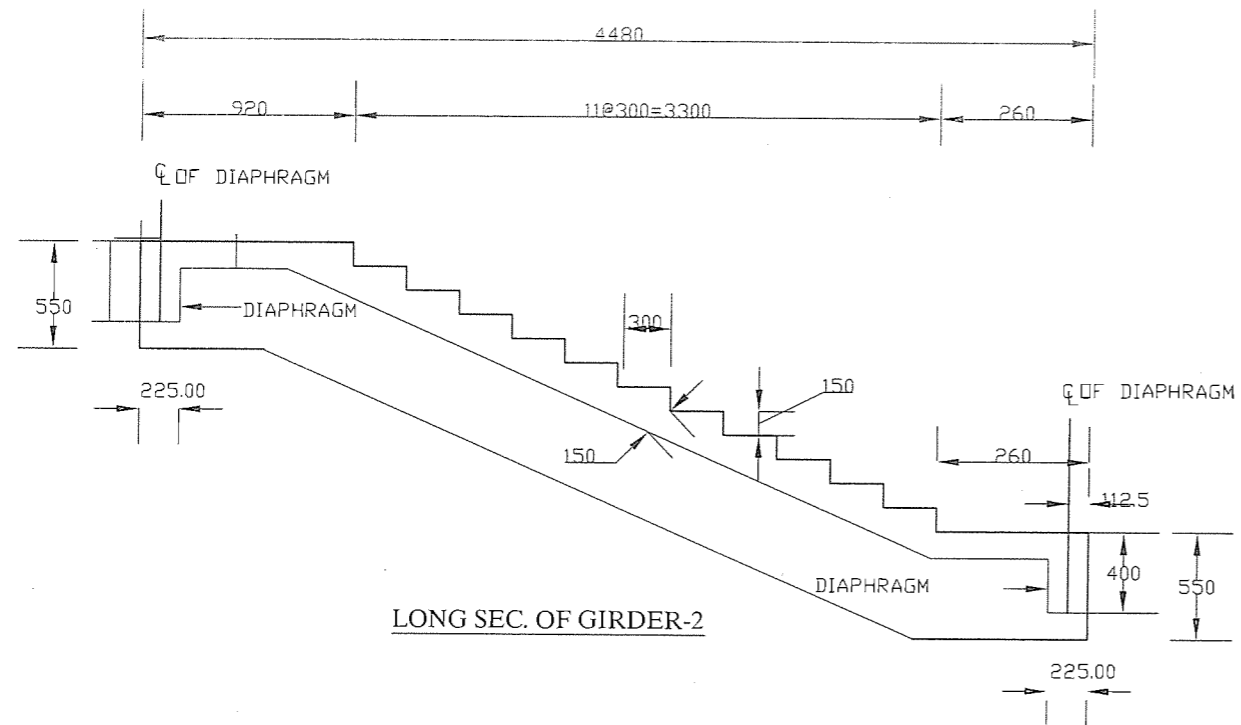
SECTION 1-1



SECTION 2-2

REV.	DESCRIPTION	DATE

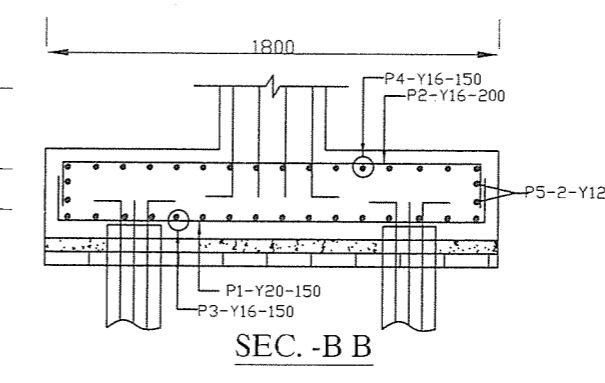
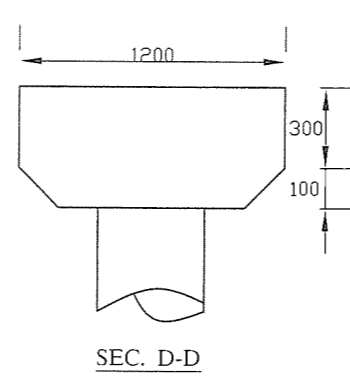
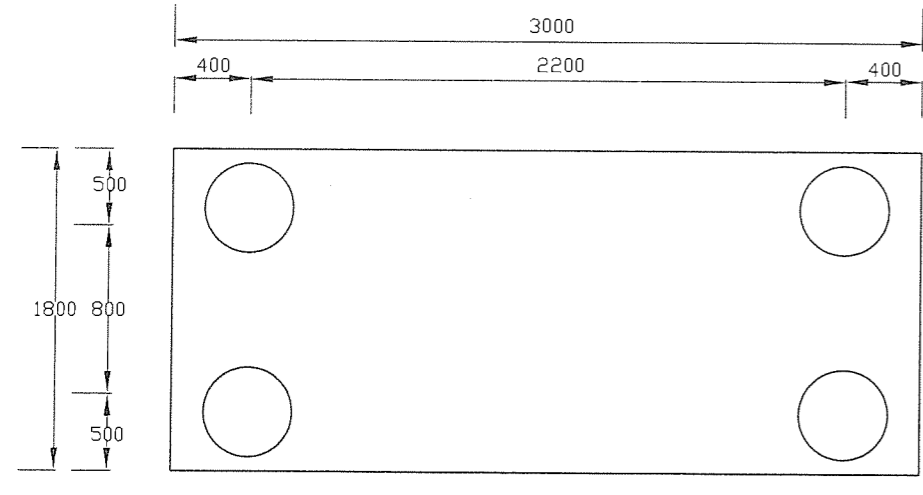
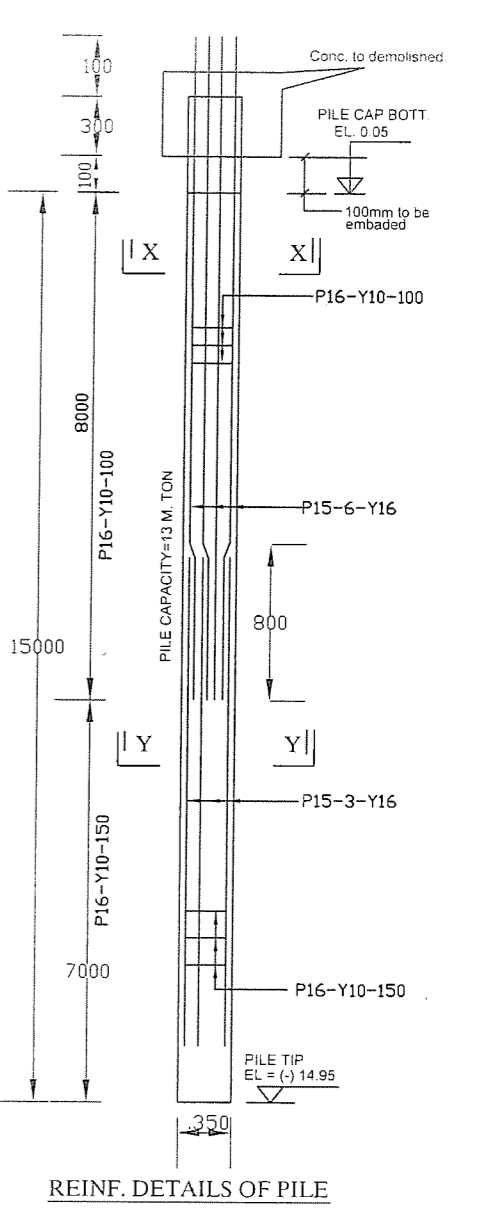
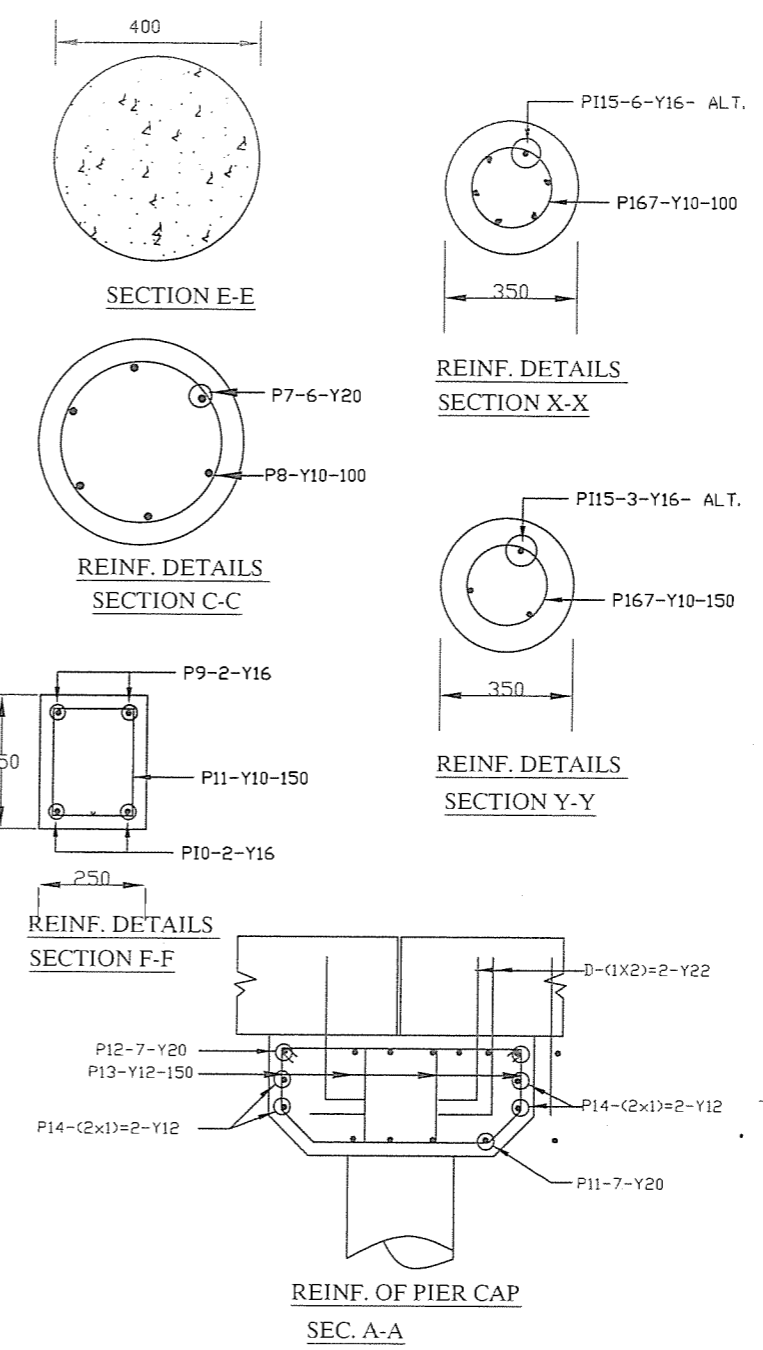
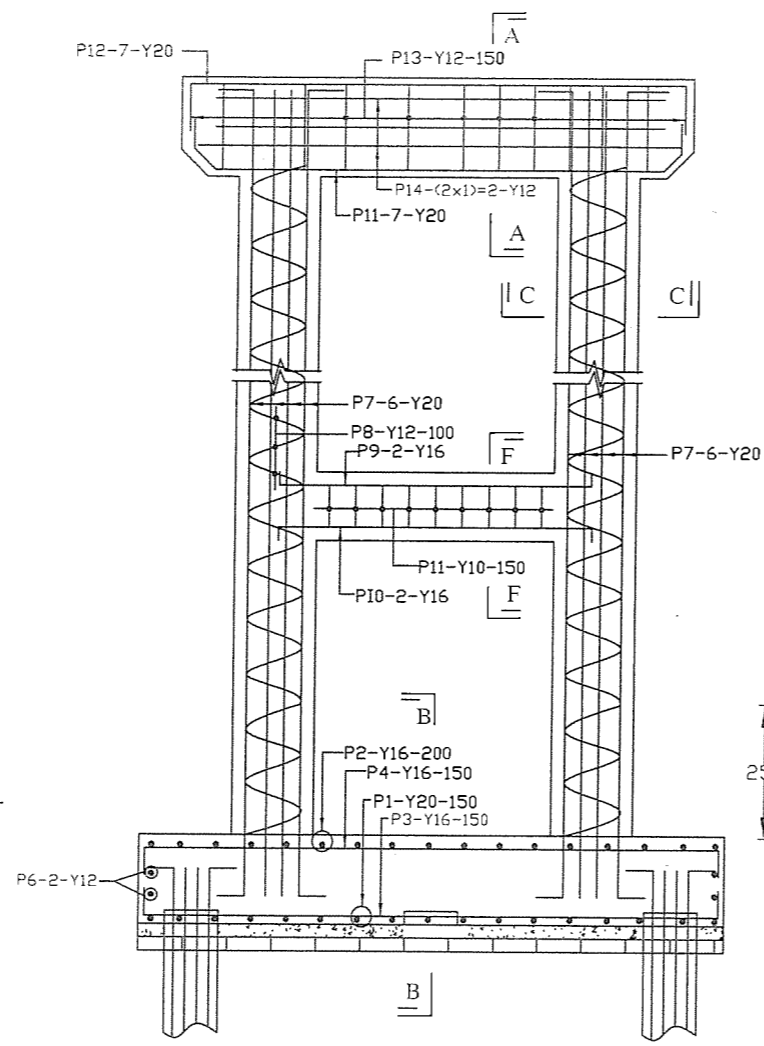
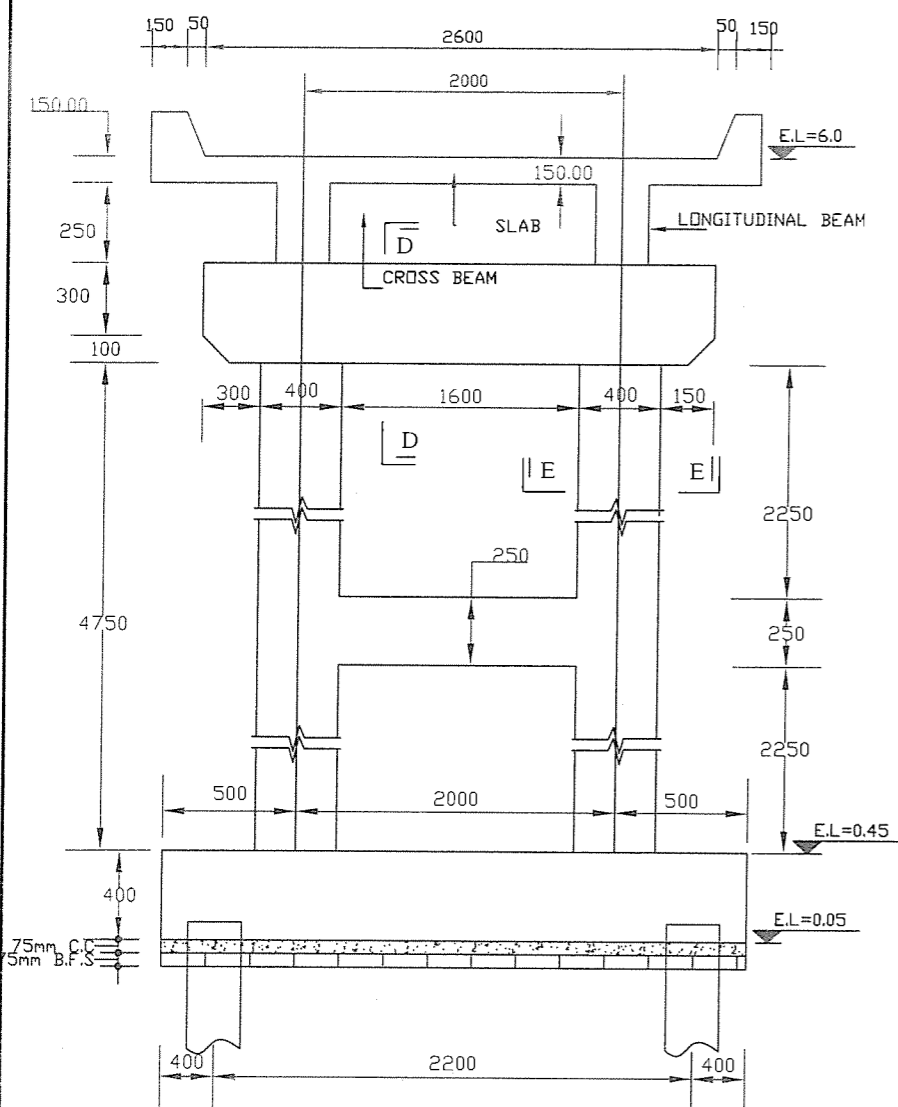
ROADS AND HIGHWAYS DEPARTMENT (RHD) Ministry of Communications	NAME OF THE PROJECT : Preparatory Survey on Chittagong Area Coal Fired Power Plant Development Project in Bangladesh (JICA Study).	JAPAN INTERNATIONAL COOPERATION AGENCY (JICA)	DRAWING TITLE :	SCALE :	DATE :	DRAWING NO.
			DETAILS OF GIRDER G2 (2ND SPAN) (REVISED)	Scale : As above	02 July' 2013	BRDG/G1/DWG-07



REV.	DESCRIPTION	DATE

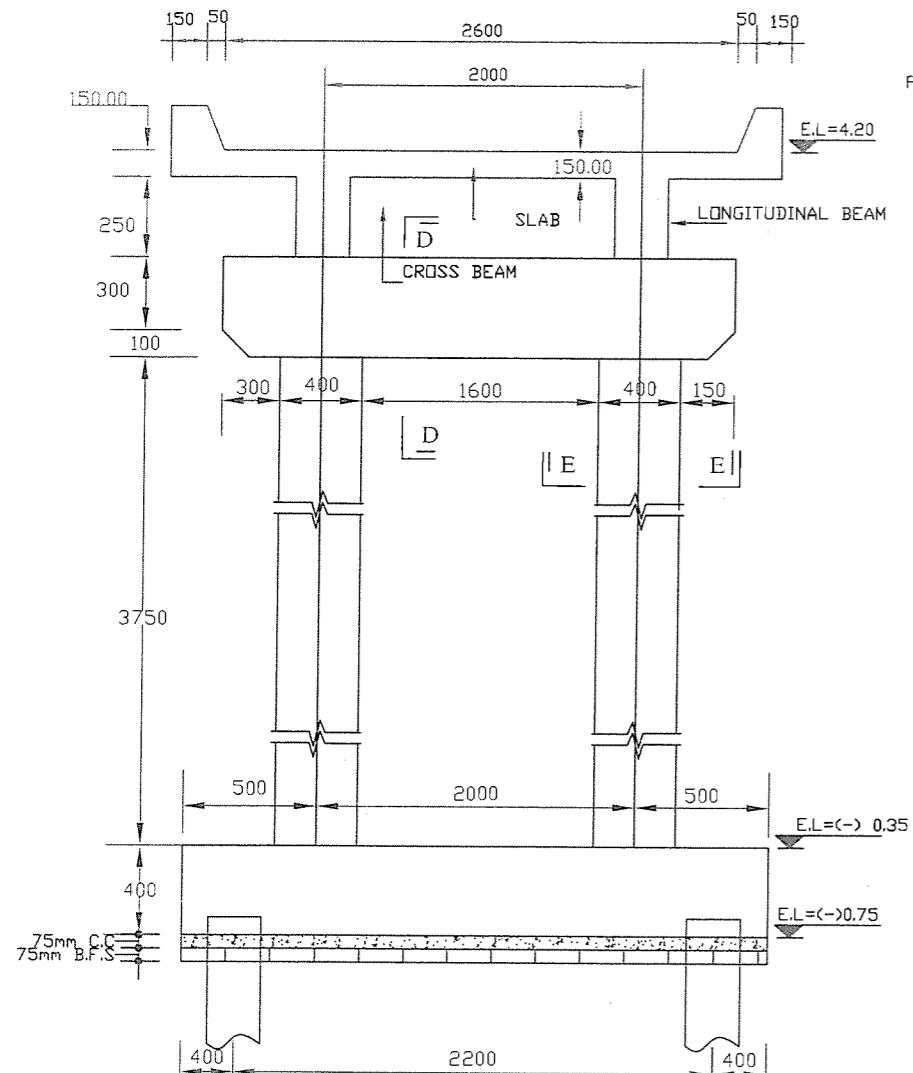
ROADS AND HIGHWAYS DEPARTMENT (RHD) Ministry of Communications	NAME OF THE PROJECT : Preparatory Survey on Chittagong Area Coal Fired Power Plant Development Project in Bangladesh (JICA Study).	JAPAN INTERNATIONAL COOPERATION AGENCY (JICA)	DRAWING TITLE : DETAILS OF GIRDER G3 (3RD SPAN) (REVISED)		
			SCALE : Scale : As above	DATE : 02 July' 2013	DRAWING NO. BRDG/G1/DWG-08



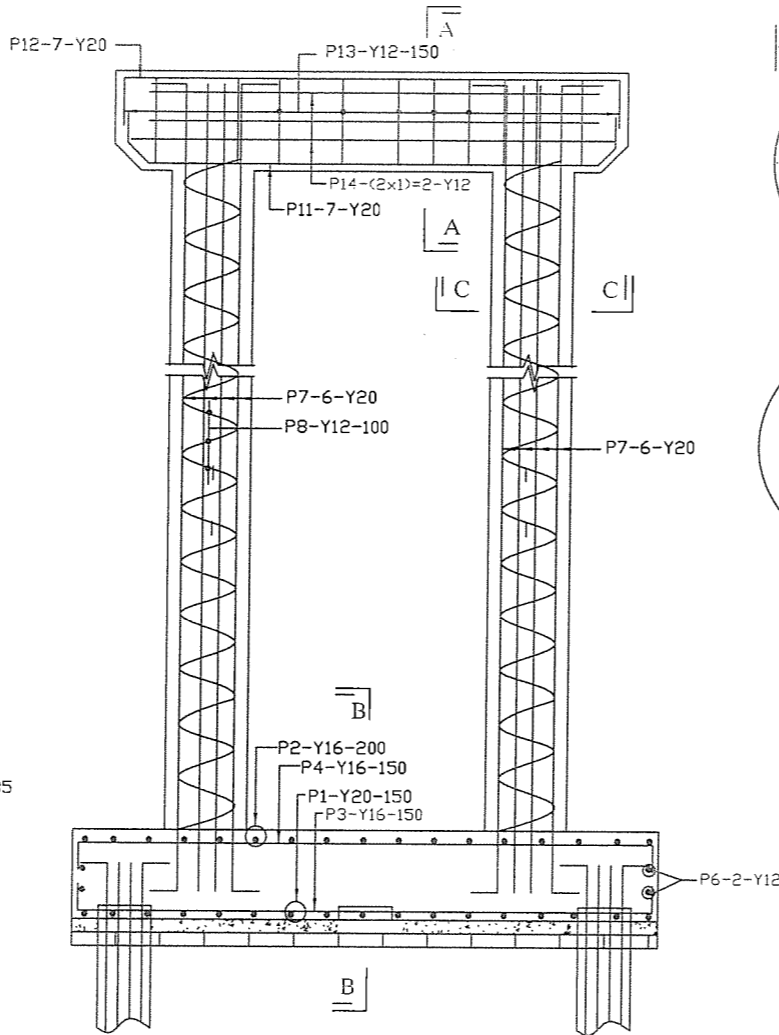


NOTE :  
During construction work soil test to be conducted in order to verify the pile load capacity.

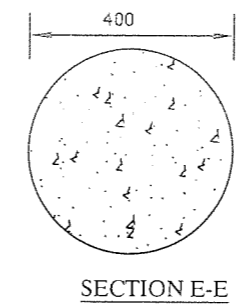
ROADS AND HIGHWAYS DEPARTMENT (RHD) Ministry of Communications	NAME OF THE PROJECT : Preparatory Survey on Chittagong Area Coal Fired Power Plant Development Project in Bangladesh (JICA Study).	JAPAN INTERNATIONAL COOPERATION AGENCY (JICA)	DRAWING TITLE :	SCALE :	DATE :	DRAWING NO.
			CONCRETE OUTLINE & REINFORCEMENT DETAILS OF PIER - P1	Scale : As above	Sept' 2013	BRDG/P1/DWG-09



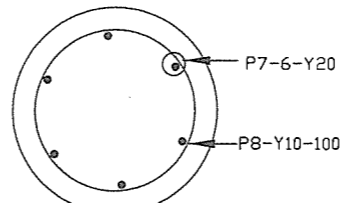
CONCRETE OUTLINE DETAILS OF PIER ELEV.



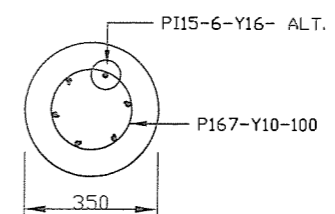
REINF. DETAILS (LONGITUDINAL ELEVATION)



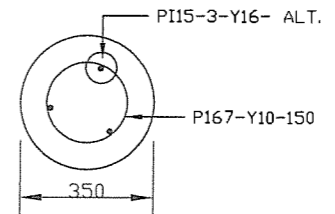
SECTION E-E



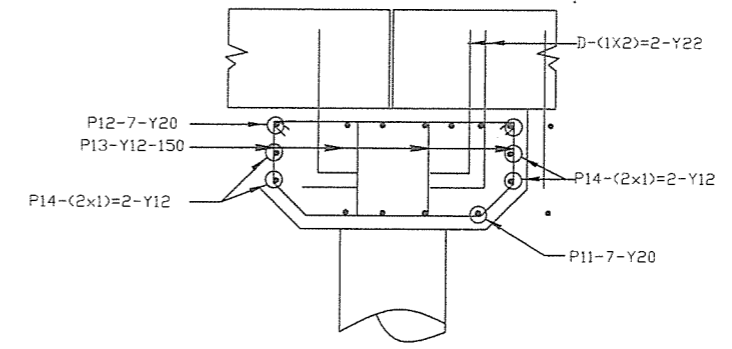
REINF. DETAILS SECTION C-C



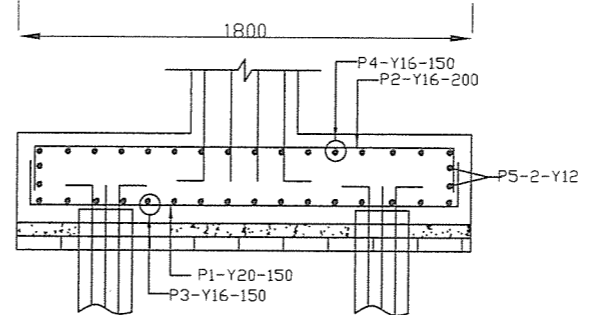
REINF. DETAILS SECTION X-X



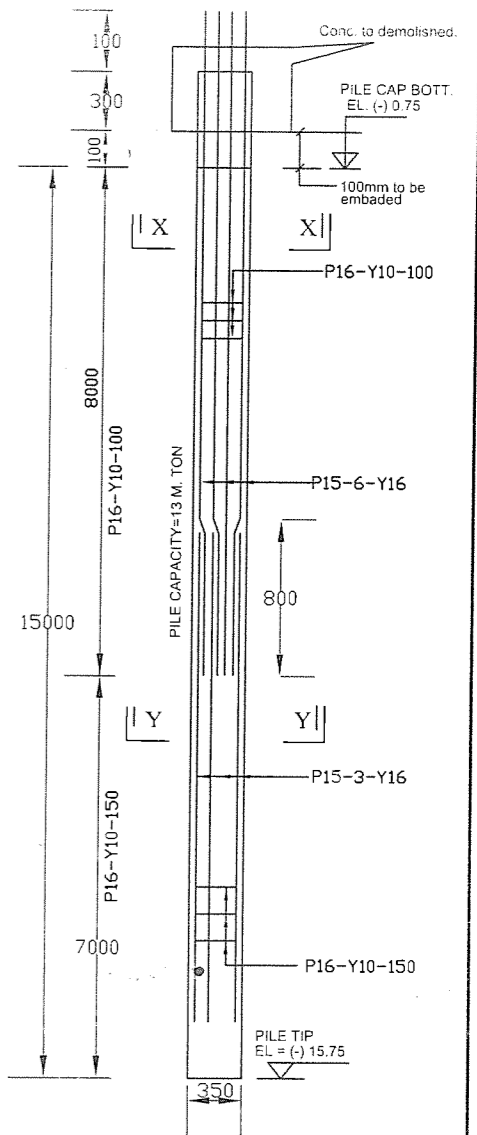
REINF. DETAILS SECTION Y-Y



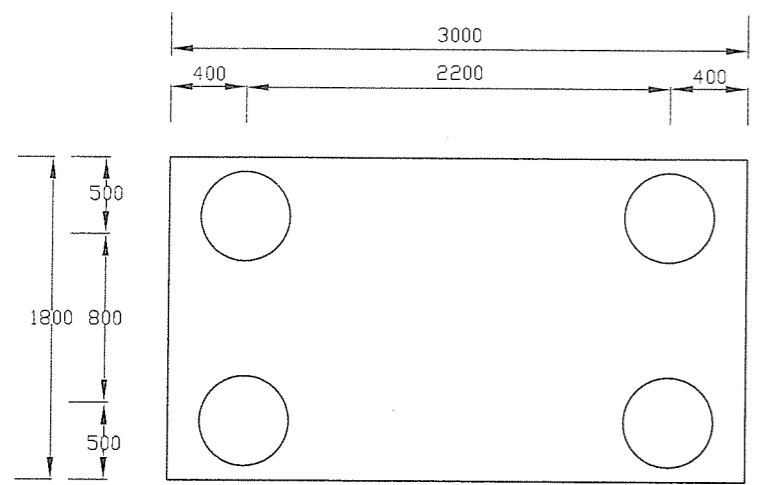
REINF. OF PIER CAP SEC. A-A



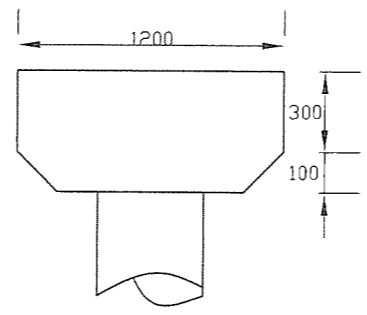
SEC. -B B



REINF. DETAILS OF PILE



PILE LAYOUT PLAN

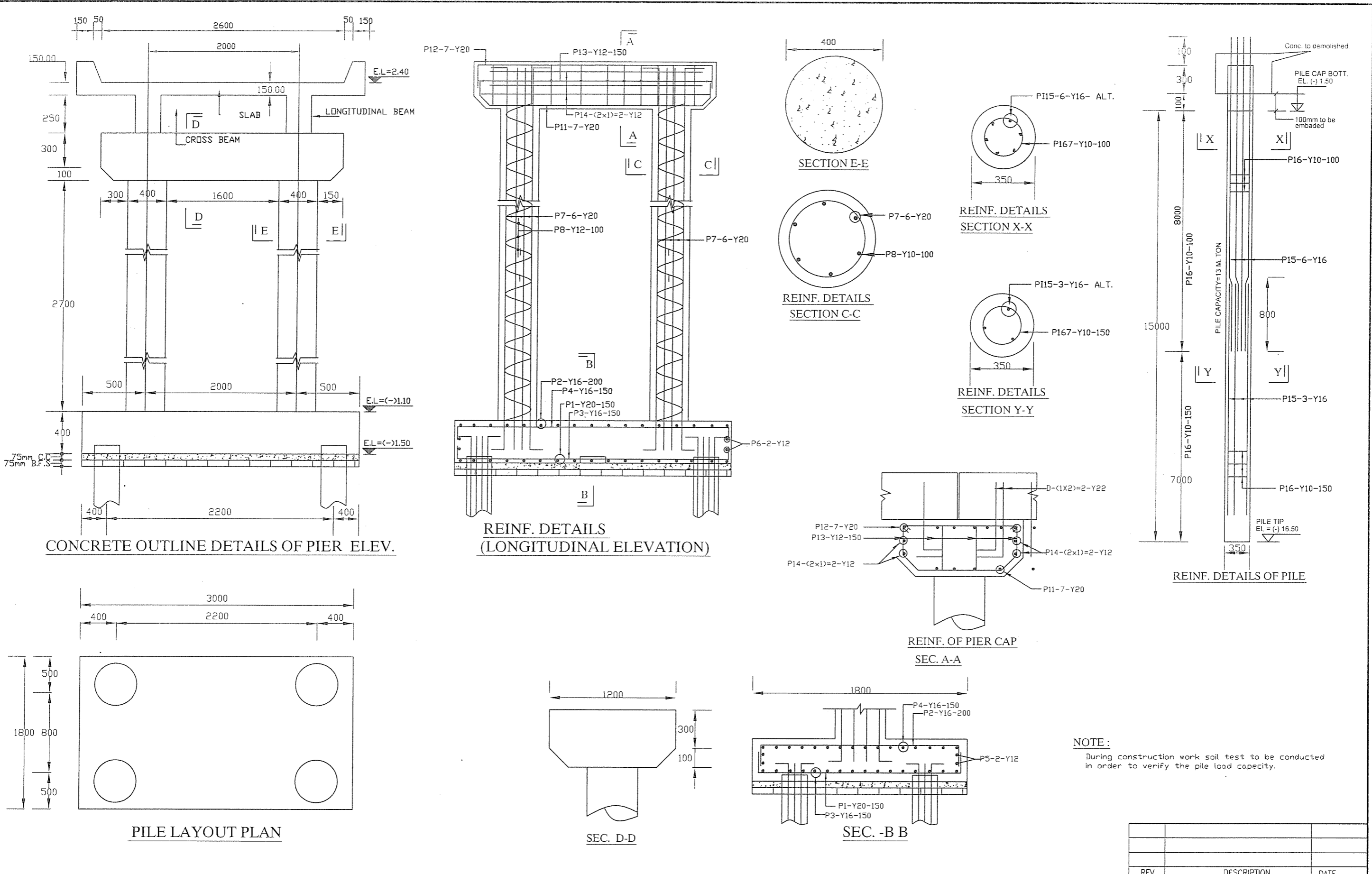


SEC. D-D

NOTE:  
During construction work soil test to be conducted in order to verify the pile load capacity.

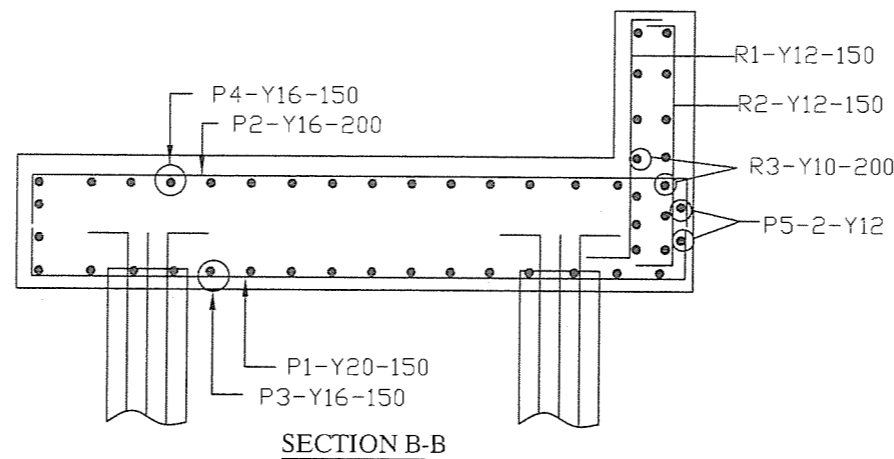
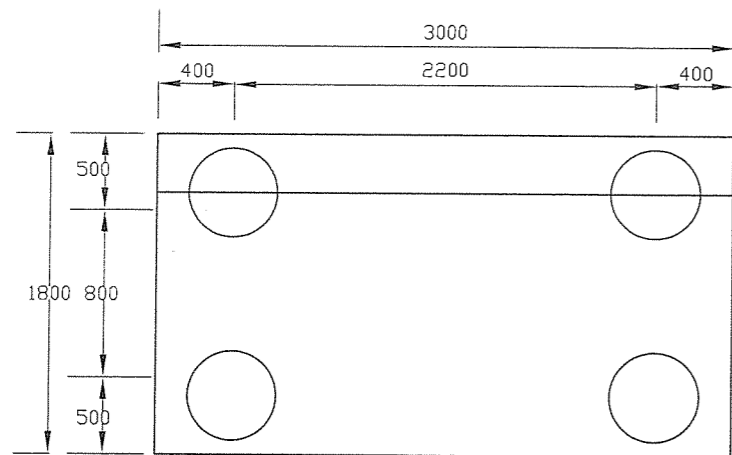
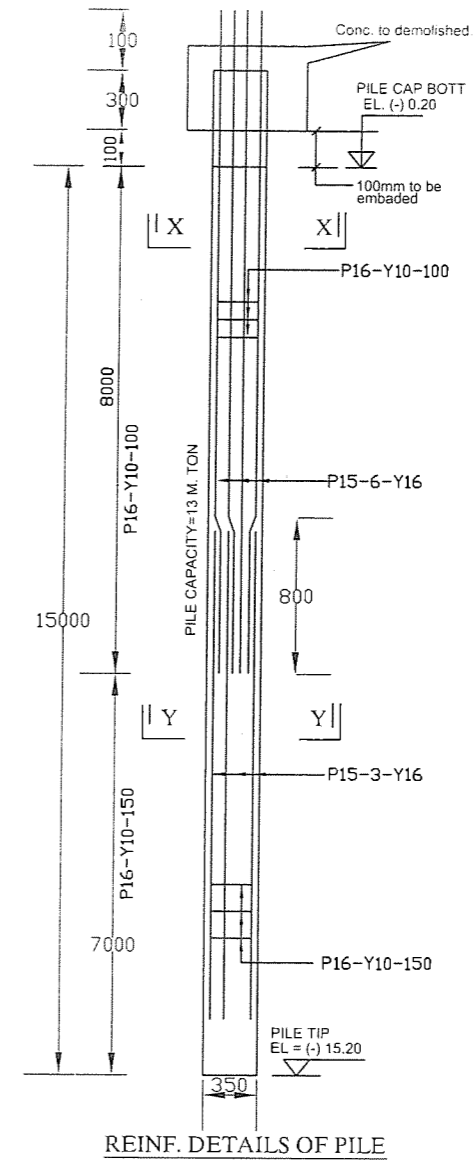
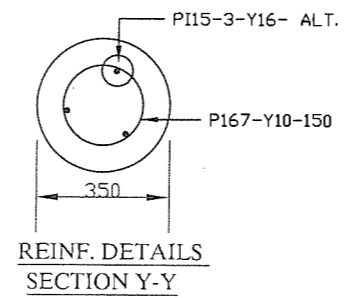
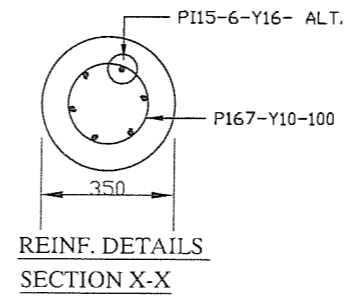
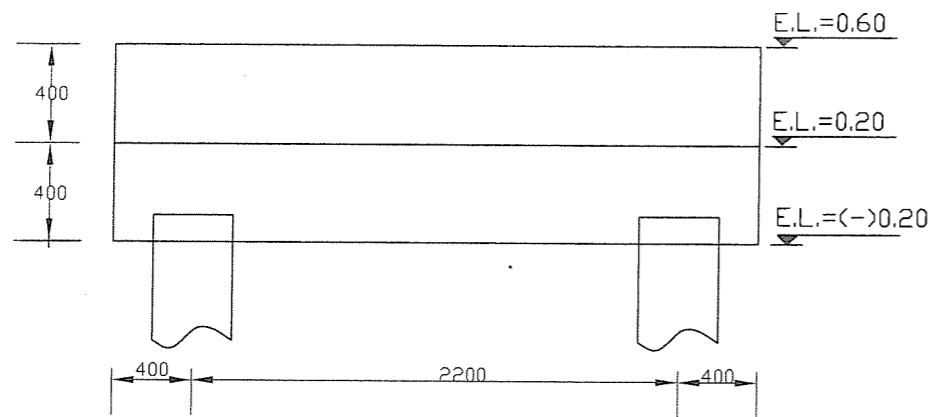
REV.	DESCRIPTION	DATE

ROADS AND HIGHWAYS DEPARTMENT (RHD) Ministry of Communications	NAME OF THE PROJECT : Preparatory Survey on Chittagong Area Coal Fired Power Plant Development Project in Bangladesh (JICA Study).	JAPAN INTERNATIONAL COOPERATION AGENCY (JICA)	DRAWING TITLE :	SCALE :	DATE :	DRAWING NO.
			CONCRETE OUTLINE & REINFORCEMENT DETAILS OF PIER - P2 (REVISED)	Scale : As above	Sept' 2013	BRDG/P2/DWG-10



REV.	DESCRIPTION	DATE

ROADS AND HIGHWAYS DEPARTMENT (RHD) Ministry of Communications	NAME OF THE PROJECT :	JAPAN INTERNATIONAL COOPERATION AGENCY (JICA)	DRAWING TITLE :	SCALE :	DATE :	DRAWING NO.
	Preparatory Survey on Chittagong Area Coal Fired Power Plant Development Project in Bangladesh (JICA Study).		CONCRETE OUTLINE & REINFORCEMENT DETAILS OF PIER - P3 (REVISED)	Scale : As above	Sept' 2013	BRDG/P3/DWG-11



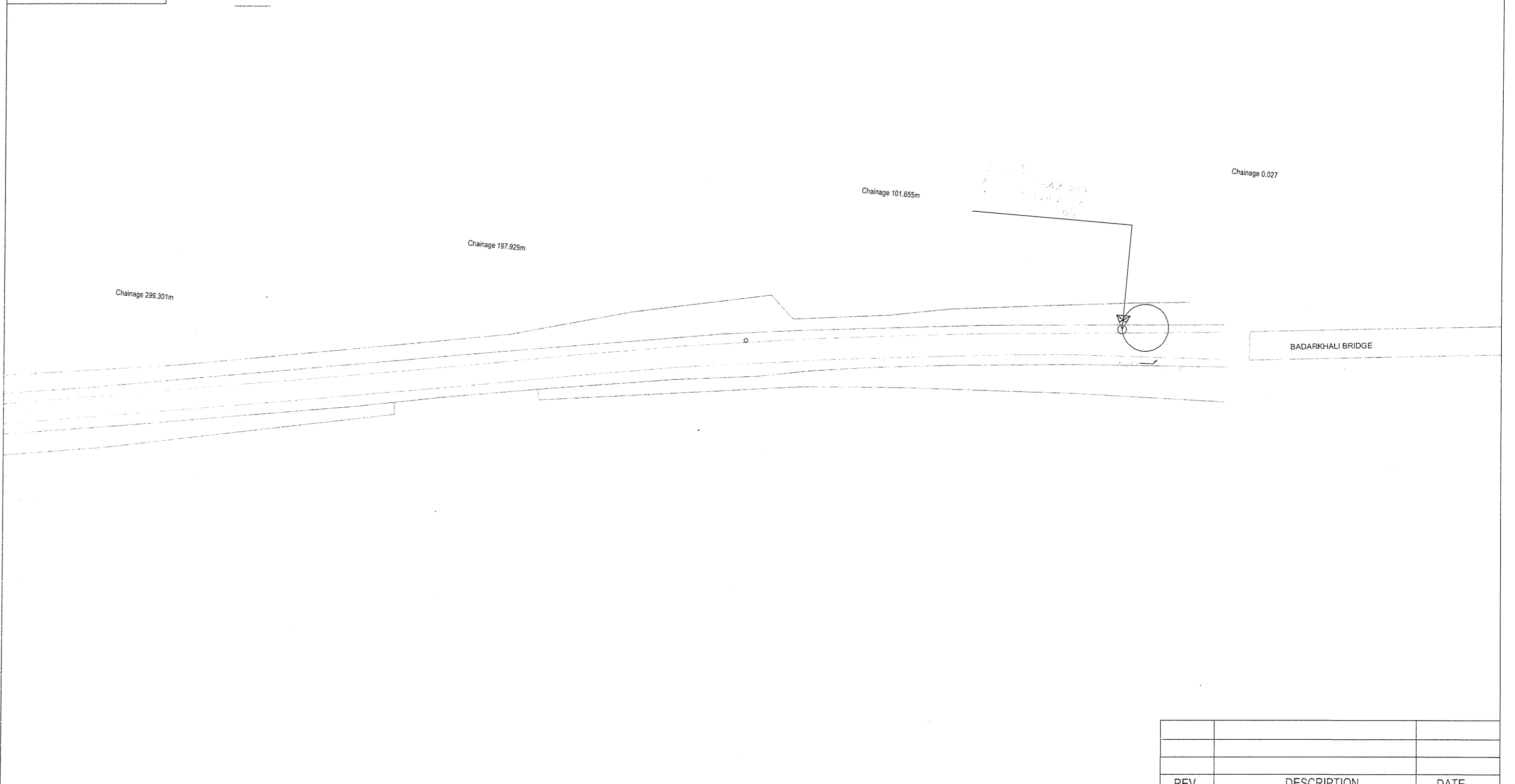
**NOTE:**  
During construction work soil test to be conducted in order to verify the pile load capacity.

ROADS AND HIGHWAYS DEPARTMENT (RHD)		NAME OF THE PROJECT :		DRAWING TITLE :		SCALE :	DATE :	DRAWING NO.
Ministry of Communications		Preparatory Survey on Chittagong Area Coal Fired Power Plant Development Project in Bangladesh (JICA Study).		CONCRETE OUTLINE & REINFORCEMENT DETAILS OF PIER-P4 (REVISED)		Scale : As above	Sept' 2013	BRDG/P3/DWG-12
JAPAN INTERNATIONAL COOPERATION AGENCY (JICA)								

# **DRAINAGE ROUTE MAP**

**LEGENDS**

- ROAD
- EMBANKMENT
- KHAL
- DRAIN
- POND
- WATER FLOW
- CULVERT
- CHAINAGE LINE
- CENTER LINE 2

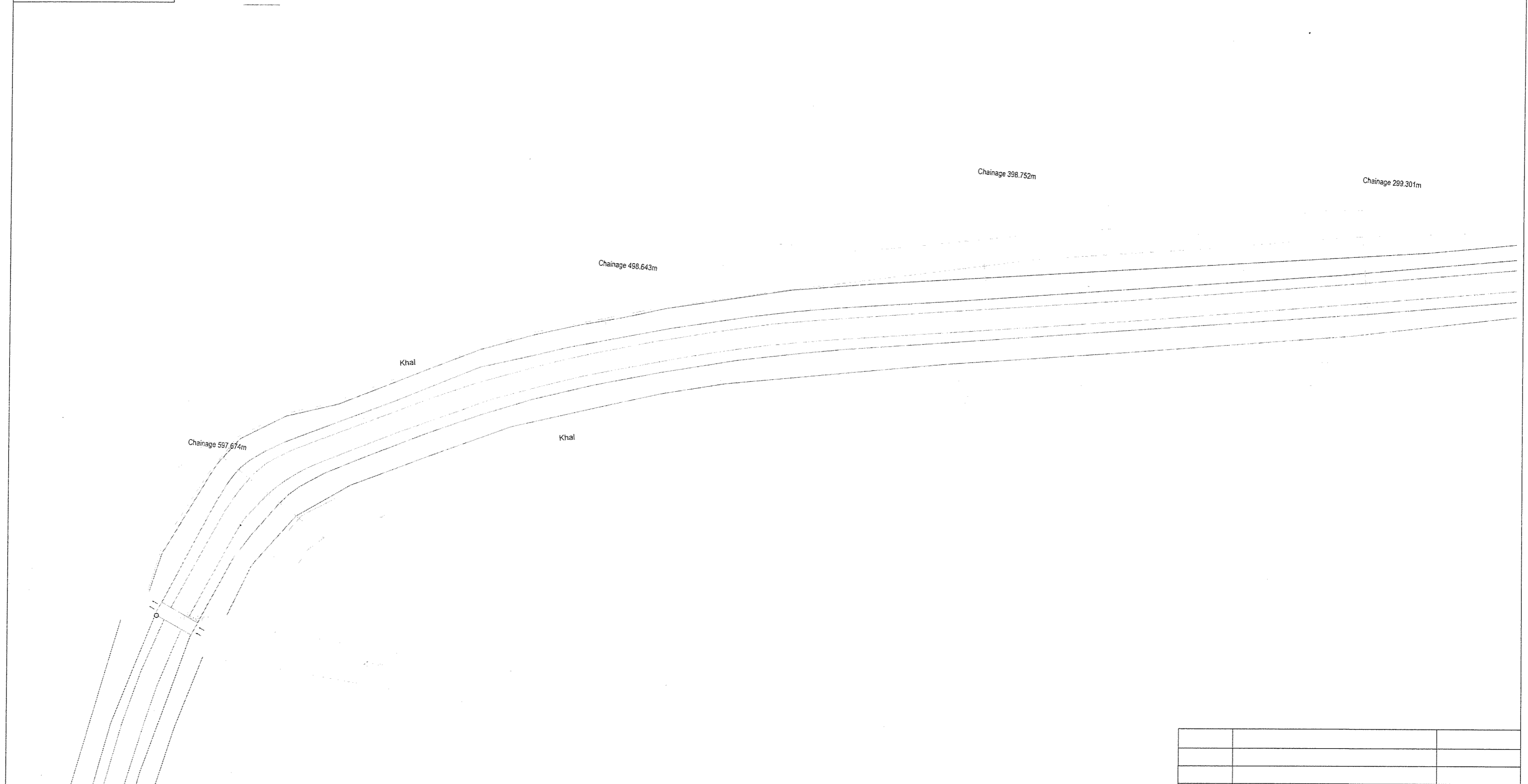


REV.	DESCRIPTION	DATE

Roads and Highways Department (RHD) Ministry of Communications	NAME OF THE PROJECT :		JAPAN INTERNATIONAL COOPERATION AGENCY(JICA)	DRAWING TITLE :		SCALE :	DATE :	DRAWING NO.
	Preparatory Survey on chittagong Area Coal Fared Power Plant Development Project in Bangladesh (JICA Study).			DRAINAGE ROUTE BADARKHALI TO POWER PLANT SITE		SCALE : 1:1000	AUGUST, 2013	DR/DWG- 01 of 21

**LEGENDS**

- ROAD
- EMBANKMENT
- KHAL
- DRAIN
- POND
- WATER FLOW
- CULVERT
- CHAINAGE LINE
- CENTER LINE 2



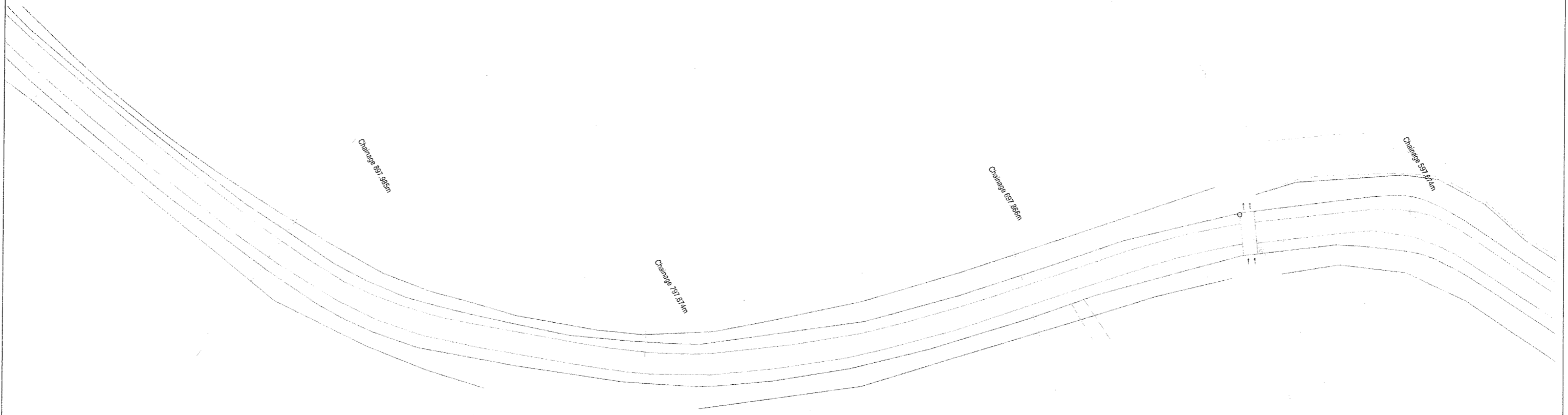
REV.	DESCRIPTION	DATE

Roads and Highways Department (RHD) Ministry of Communications	NAME OF THE PROJECT :		DRAWING TITLE :		SCALE :	DATE :	DRAWING NO.
	Preparatory Survey on chittagong Area Coal Fared Power Plant Development Project in Bangladesh (JICA Study).		JAPAN INTERNATIONAL COOPERATION AGENCY(JICA)		DRAINAGE ROUTE BADARKHALI TO POWER PLANT SITE	SCALE : 1:1000	AUGUST, 2013



**LEGENDS**

- ROAD
- EMBANKMENT
- KHAL
- DRAIN
- POND
- WATER FLOW →
- CULVERT
- CHAINAGE LINE
- CENTER LINE 2



REV.	DESCRIPTION	DATE

Roads and Highways Department (RHD) Ministry of Communications	NAME OF THE PROJECT : Preparatory Survey on chittagong Area Coal Fared Power Plant Development Project in Bangladesh (JICA Study).	JAPAN INTERNATIONAL COOPERATION AGENCY(JICA)	DRAWING TITLE :	SCALE :	DATE :	DRAWING NO.
			DRAINAGE ROUTE BADARKHALI TO POWER PLANT SITE	SCALE : 1:1000	AUGUST, 2013	DR/DWG- 03 of 21

**LEGENDS**

- ROAD
- EMBANKMENT
- KHAL
- DRAIN
- POND
- WATER FLOW
- CULVERT
- CHAINAGE LINE
- CENTER LINE 2

Chainage 1195.450m

Chainage 1097.010m

Chainage 997.330m

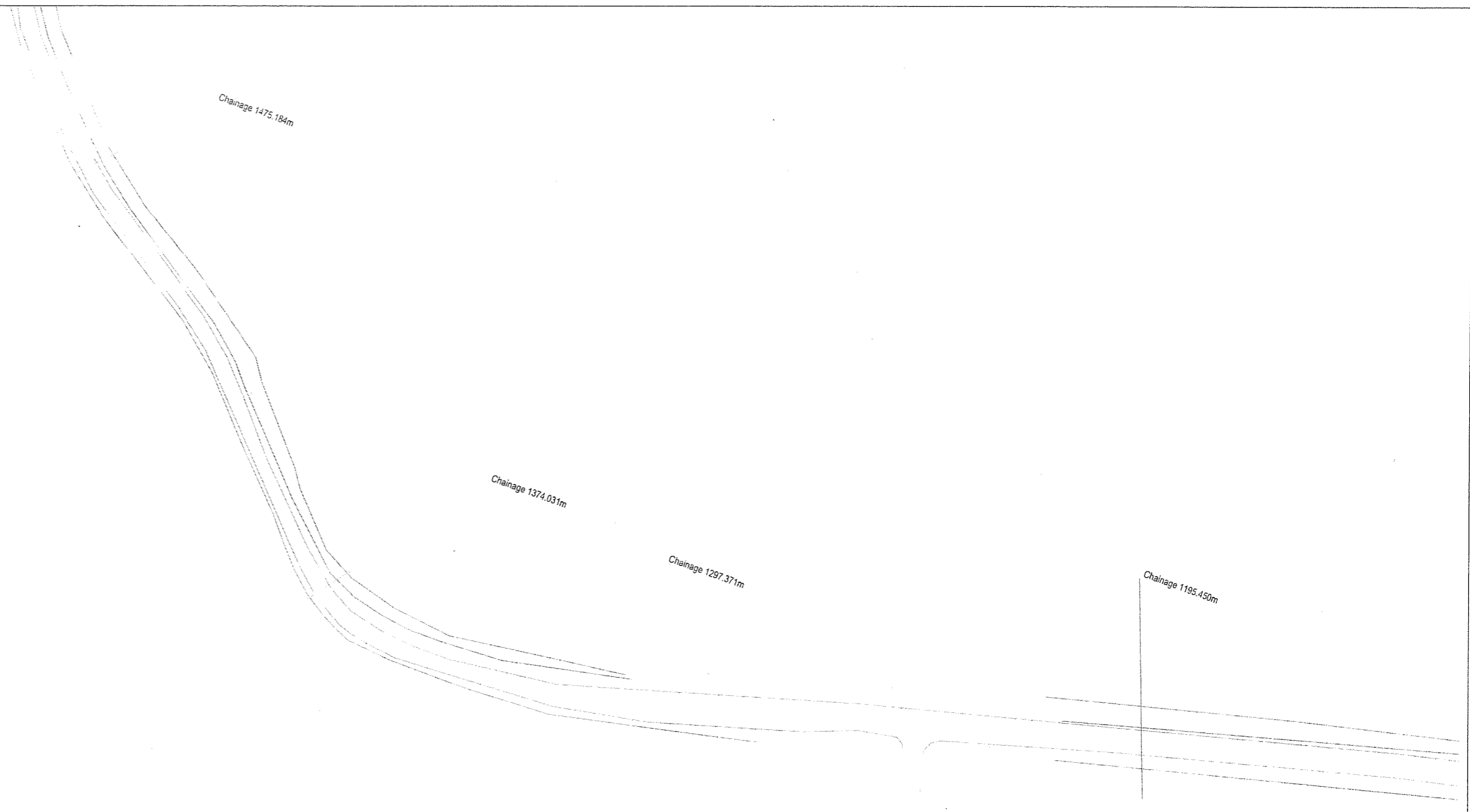
Chainage 697.995m

REV.	DESCRIPTION	DATE

Roads and Highways Department (RHD) Ministry of Communications	NAME OF THE PROJECT : Preparatory Survey on chittagong Area Coal Fared Power Plant Development Project in Bangladesh (JICA Study).	JAPAN INTERNATIONAL COOPERATION AGENCY(JICA)	DRAWING TITLE :		SCALE :	DATE :	DRAWING NO.
			DRAINAGE ROUTE BADARKHALI TO POWER PLANT SITE		SCALE : 1:1000	AUGUST, 2013	DR/DWG- 04 of 21

**LEGENDS**

- ROAD
- EMBANKMENT
- KHAL
- DRAIN
- POND
- WATER FLOW
- CULVERT
- CHAINAGE LINE
- CENTER LINE 2

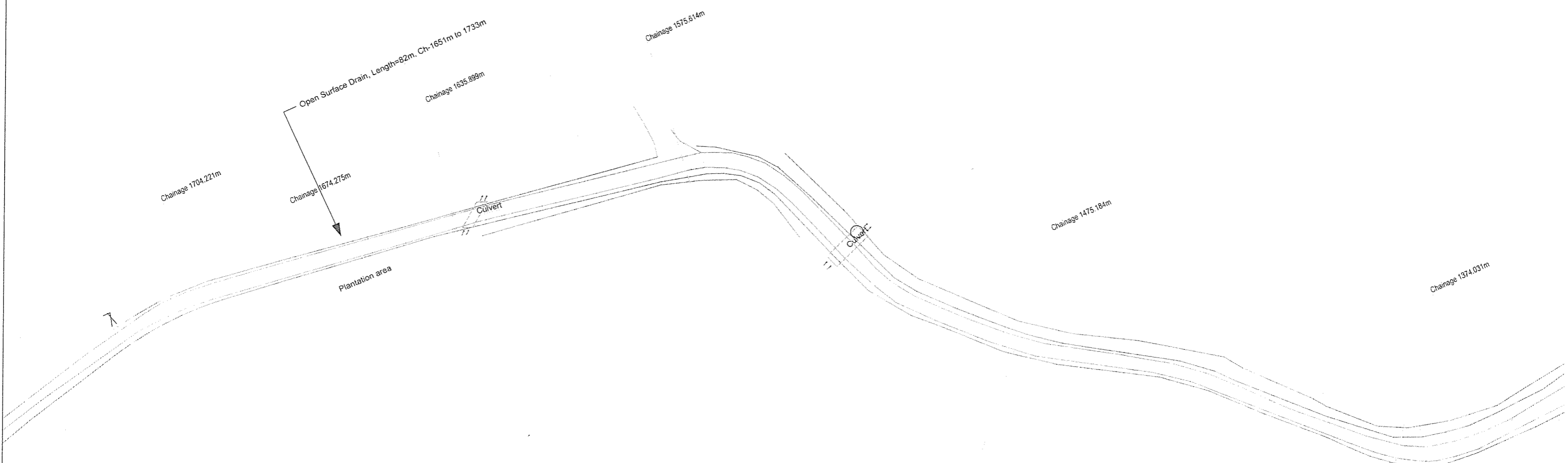


REV.	DESCRIPTION	DATE

Roads and Highways Department (RHD) Ministry of Communications	NAME OF THE PROJECT :	JAPAN INTERNATIONAL COOPERATION AGENCY(JICA)	DRAWING TITLE :	SCALE :	DATE :	DRAWING NO.
	Preparatory Survey on chittagong Area Coal Fared Power Plant Development Project in Bangladesh (JICA Study).		DRAINAGE ROUTE BADARKHALI TO POWER PLANT SITE	SCALE : 1:1000	AUGUST, 2013	DR/DWG- 05 of 21

**LEGENDS**

- ROAD
- EMBANKMENT
- KHAL
- DRAIN
- POND
- WATER FLOW >
- CULVERT
- CHAINAGE LINE
- CENTER LINE 2

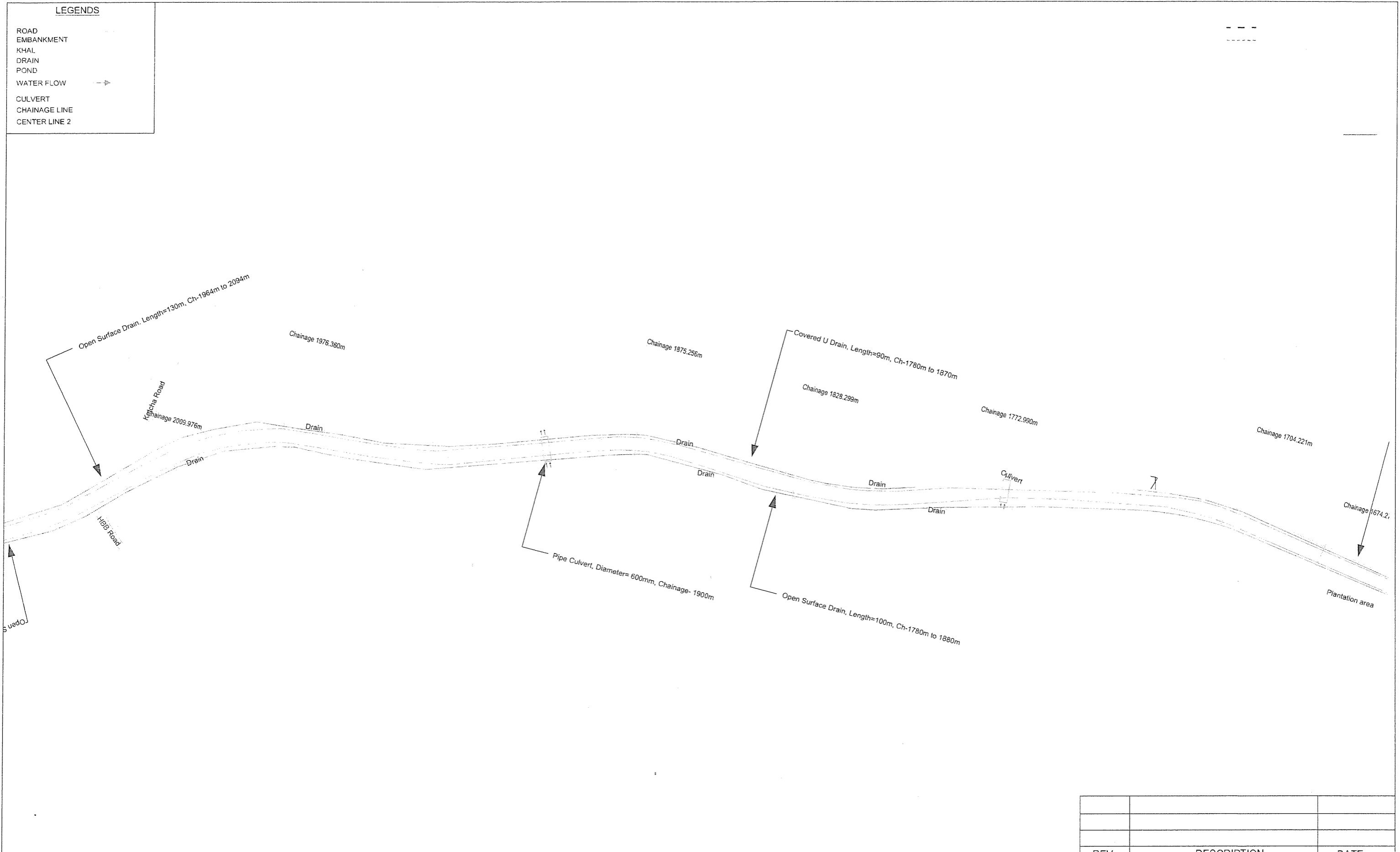


REV.	DESCRIPTION	DATE

Roads and Highways Department (RHD) Ministry of Communications	NAME OF THE PROJECT : Preparatory Survey on chittagong Area Coal Fared Power Plant Development Project in Bangladesh (JICA Study).	JAPAN INTERNATIONAL COOPERATION AGENCY(JICA)	DRAWING TITLE :  DRAINAGE ROUTE BADARKHALI TO POWER PLANT SITE	SCALE :  SCALE : 1:1000	DATE :  AUGUST, 2013	DRAWING NO.  DR/DWG- 06 of 21
---	---	---	---	-------------------------------	----------------------------	-------------------------------------

**LEGENDS**

- ROAD
- EMBANKMENT
- KHAL
- DRAIN
- POND
- WATER FLOW
- CULVERT
- CHAINAGE LINE
- CENTER LINE 2

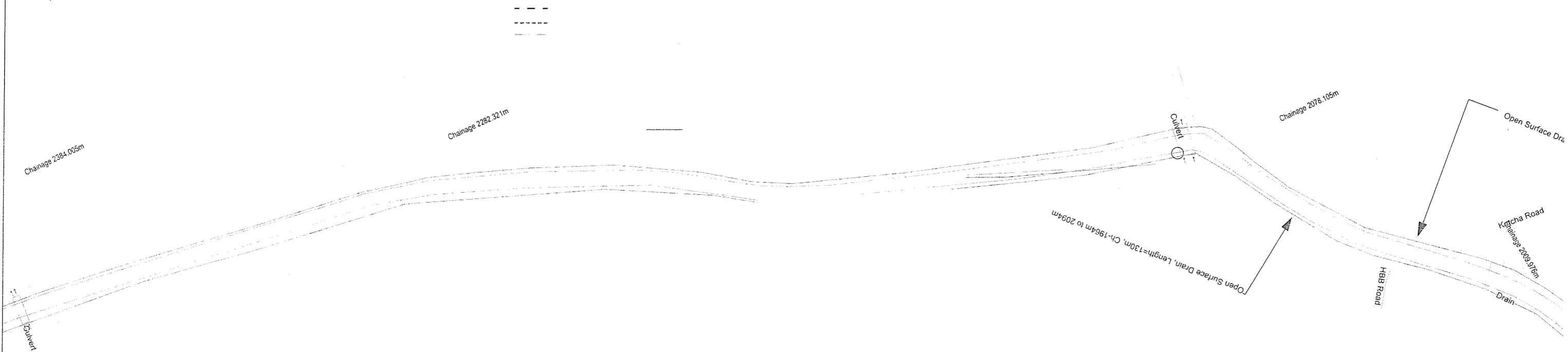


REV.	DESCRIPTION	DATE

Roads and Highways Department (RHD) Ministry of Communications	NAME OF THE PROJECT : Preparatory Survey on chittagong Area Coal Fared Power Plant Development Project in Bangladesh (JICA Study).	JAPAN INTERNATIONAL COOPERATION AGENCY(JICA)	DRAWING TITLE :	SCALE :	DATE :	DRAWING NO.
			DRAINAGE ROUTE BADARKHALI TO POWER PLANT SITE	SCALE : 1:1000	AUGUST, 2013	DR/DWG- 07 of 21

**LEGENDS**

- ROAD -----
- EMBANKMENT - - - - -
- KHAL -----
- DRAIN -----
- POND -----
- WATER FLOW ----->
- CULVERT -----
- CHAINAGE LINE -----
- CENTER LINE 2 -----



REV.	DESCRIPTION	DATE

Roads and Highways Department (RHD) Ministry of Communications	NAME OF THE PROJECT :	JAPAN INTERNATIONAL COOPERATION AGENCY(JICA)	DRAWING TITLE :	SCALE :	DATE :	DRAWING NO.
	Preparatory Survey on chittagong Area Coal Fared Power Plant Development Project in Bangladesh (JICA Study).		DRAINAGE ROUTE BADARKHALI TO POWER PLANT SITE	SCALE : 1:1000	AUGUST, 2013	DR/DWG- 08 of 21

**LEGENDS**

- ROAD
- EMBANKMENT
- KHAL
- DRAIN
- POND
- WATER FLOW
- CULVERT
- CHAINAGE LINE
- CENTER LINE 2

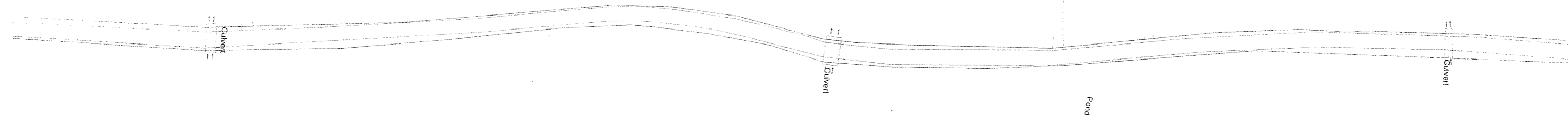
way, Size= 20m, Chainage- 2776m

Chainage 2384.005m

Chainage 2681.434m

Chainage 2581.518m

Chainage 2476.525m



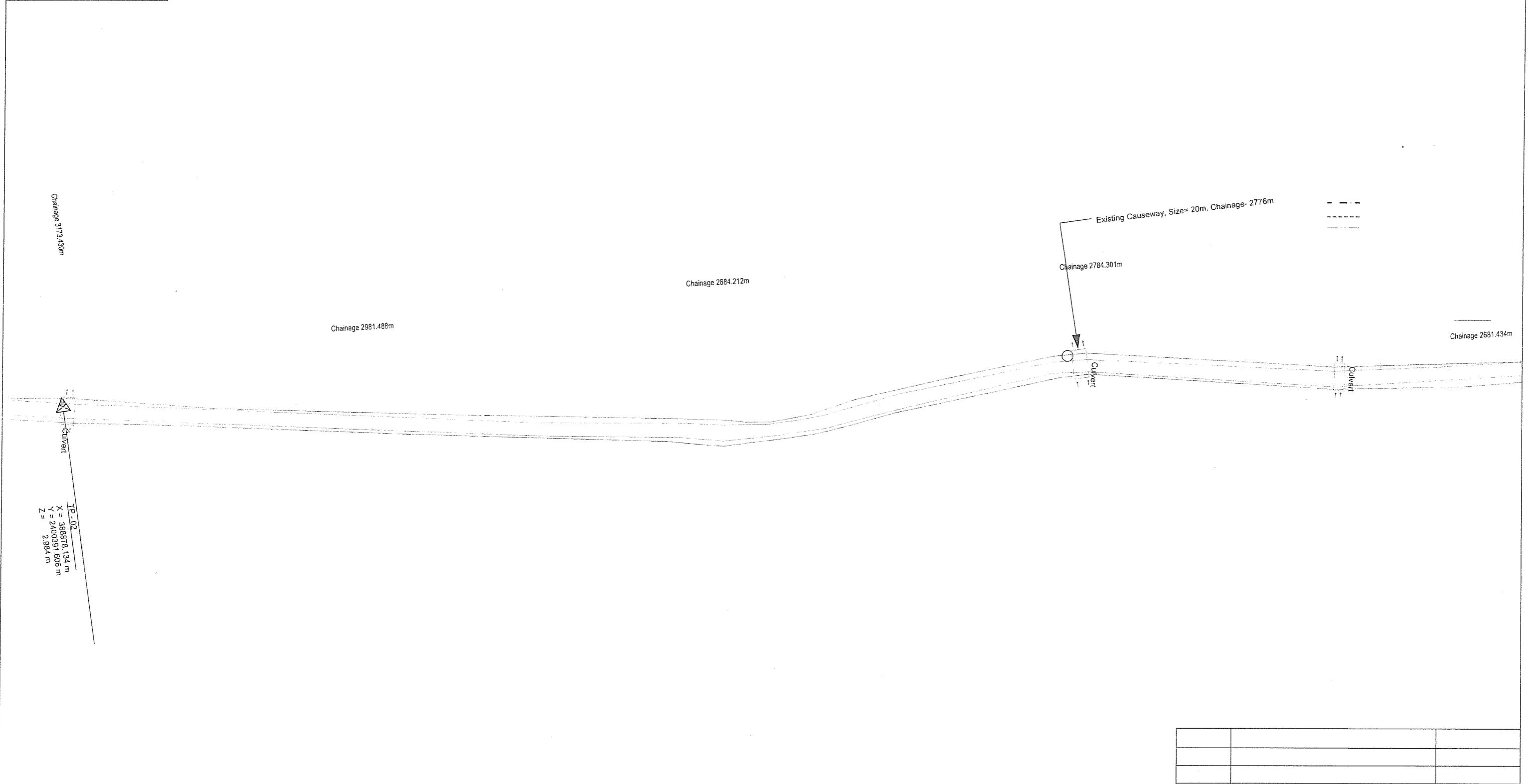
REV.	DESCRIPTION	DATE

Roads and Highways Department (RHD) Ministry of Communications	NAME OF THE PROJECT :	JAPAN INTERNATIONAL COOPERATION AGENCY(JICA)	DRAWING TITLE :	SCALE :	DATE :	DRAWING NO.
	Preparatory Survey on chittagong Area Coal Fared Power Plant Development Project in Bangladesh (JICA Study).		DRAINAGE ROUTE BADARKHALI TO POWER PLANT SITE	SCALE : 1:1000	AUGUST, 2013	DR/DWG- 09 of 21



**LEGENDS**

- ROAD
- EMBANKMENT
- KHAL
- DRAIN
- POND
- WATER FLOW
- CULVERT
- CHAINAGE LINE
- CENTER LINE 2

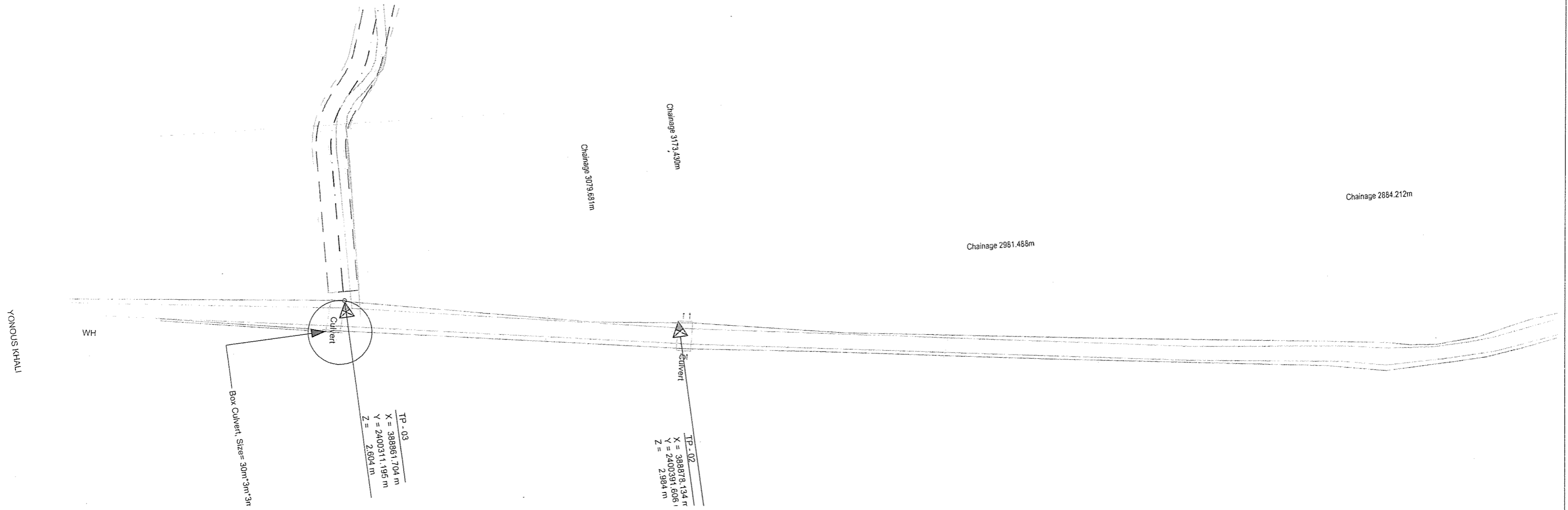


REV.	DESCRIPTION	DATE

Roads and Highways Department (RHD) Ministry of Communications	NAME OF THE PROJECT :	JAPAN INTERNATIONAL COOPERATION AGENCY(JICA)	DRAWING TITLE :	SCALE :	DATE :	DRAWING NO.
	Preparatory Survey on chittagong Area Coal Fared Power Plant Development Project in Bangladesh (JICA Study).		DRAINAGE ROUTE BADARKHALI TO POWER PLANT SITE	SCALE : 1:1000	AUGUST, 2013	DR/DWG- 10 of 21

**LEGENDS**

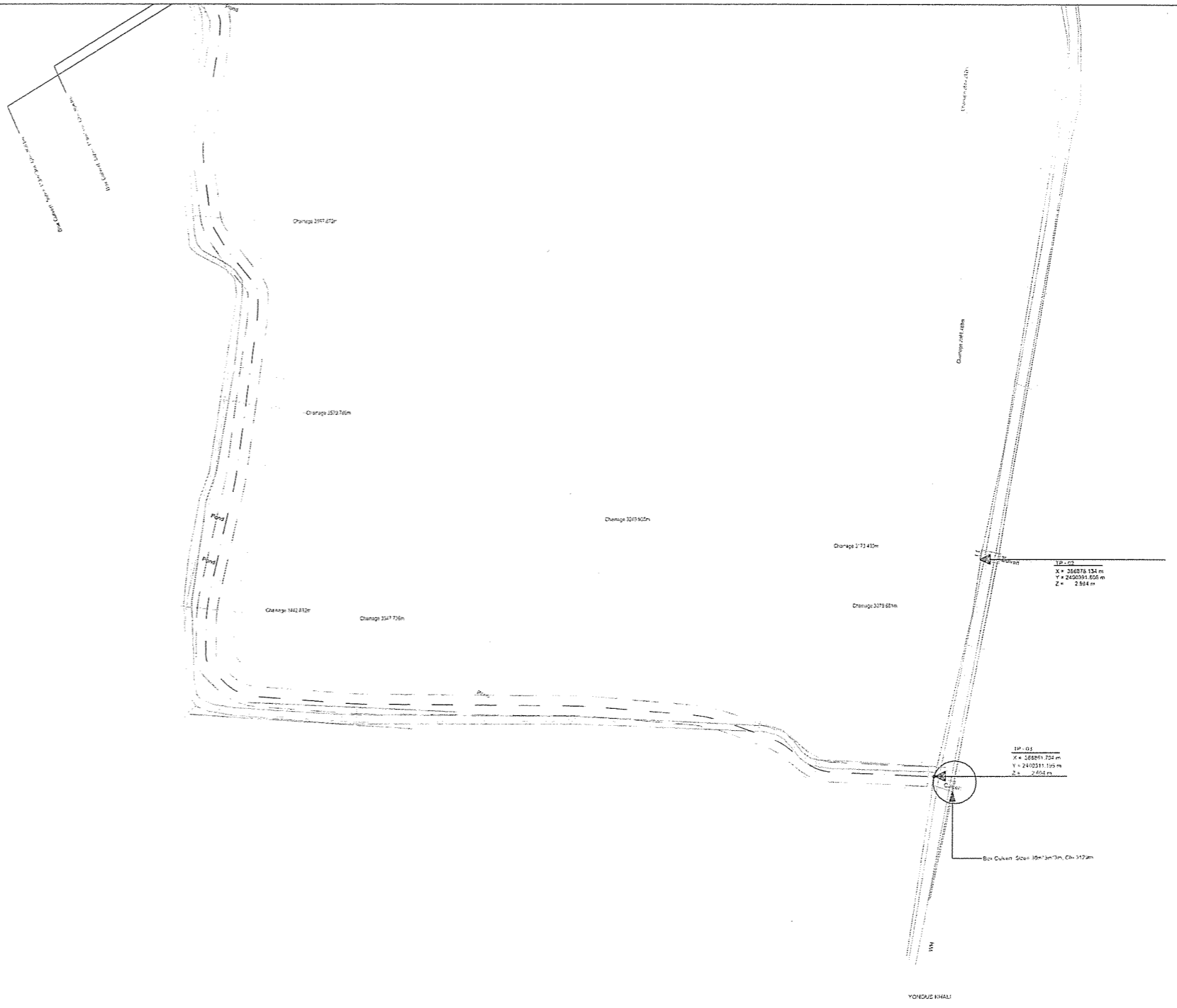
- ROAD
- EMBANKMENT
- KHAL
- DRAIN
- POND
- WATER FLOW
- CULVERT
- CHAINAGE LINE
- CENTER LINE 2



REV.	DESCRIPTION	DATE

Roads and Highways Department (RHD) Ministry of Communications	NAME OF THE PROJECT : Preparatory Survey on chittagong Area Coal Fared Power Plant Development Project in Bangladesh (JICA Study).	JAPAN INTERNATIONAL COOPERATION AGENCY(JICA)	DRAWING TITLE : DRAINAGE ROUTE BADARKHALI TO POWER PLANT SITE	SCALE : SCALE : 1:1000	DATE : AUGUST, 2013	DRAWING NO. DR/DWG- 11 of 21
---	---	---	---	---------------------------	------------------------	---------------------------------

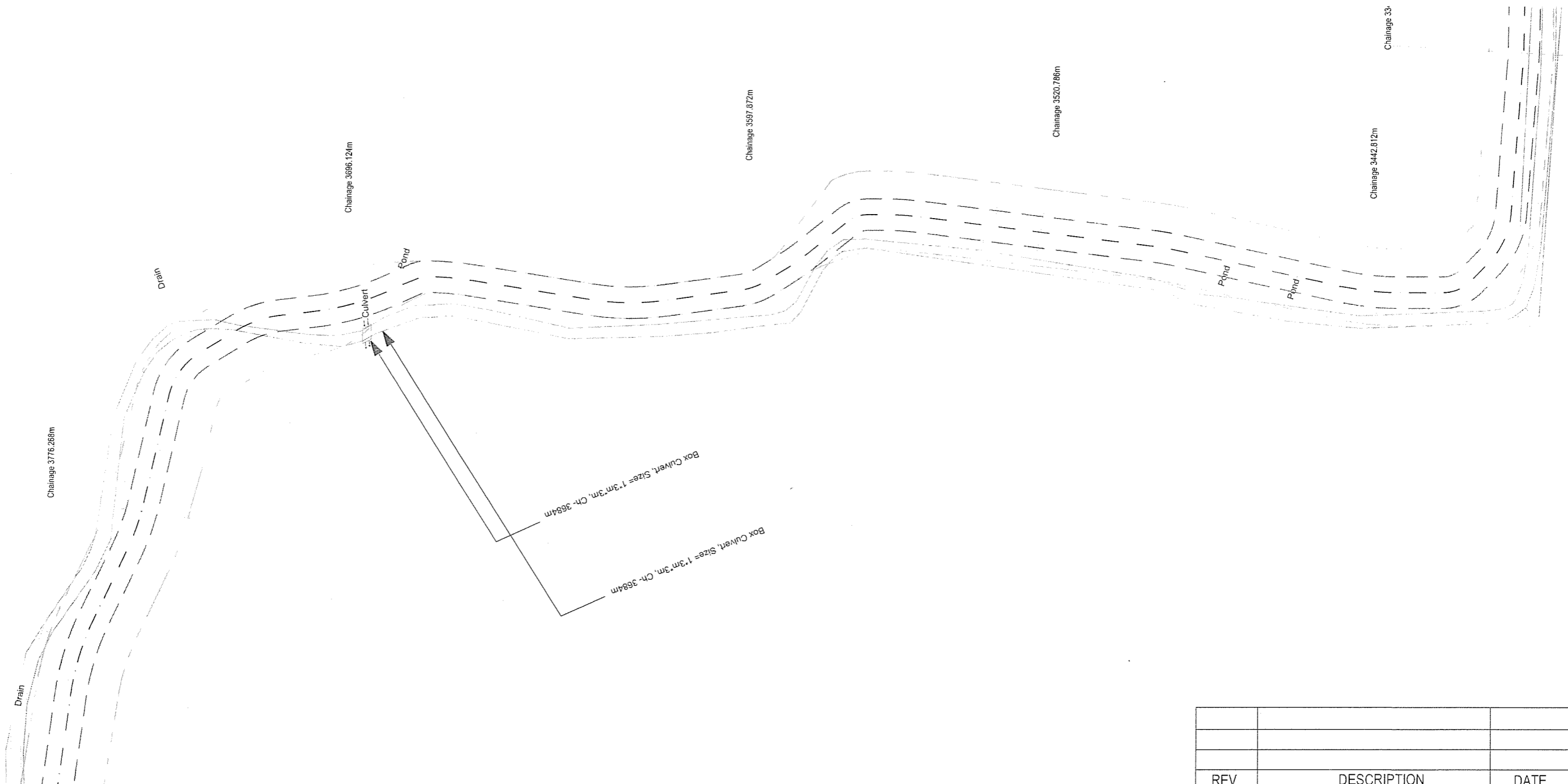
LEGENDS	
ROAD	---
EMBANKMENT	---
KHAL	---
DRAIN	---
POND	---
WATER FLOW	→
CULVERT	○
CHAINAGE LINE	---
CENTER LINE 2	---



REV.	DESCRIPTION	DATE

Roads and Highways Department (RHD) Ministry of Communications	NAME OF THE PROJECT : Preparatory Survey on chittagong Area Coal Fared Power Plant Development Project in Bangladesh (JICA Study).	JAPAN INTERNATIONAL COOPERATION AGENCY(JICA)	DRAWING TITLE :	SCALE :	DATE :	DRAWING NO.
			DRAINAGE ROUTE BADARKHALI TO POWER PLANT SITE	SCALE : 1:1000	AUGUST, 2013	DR/DWG- 12 of 21

LEGENDS	
ROAD	
EMBANKMENT	
KHAL	
DRAIN	
POND	
WATER FLOW	
CULVERT	
CHAINAGE LINE	
CENTER LINE 2	

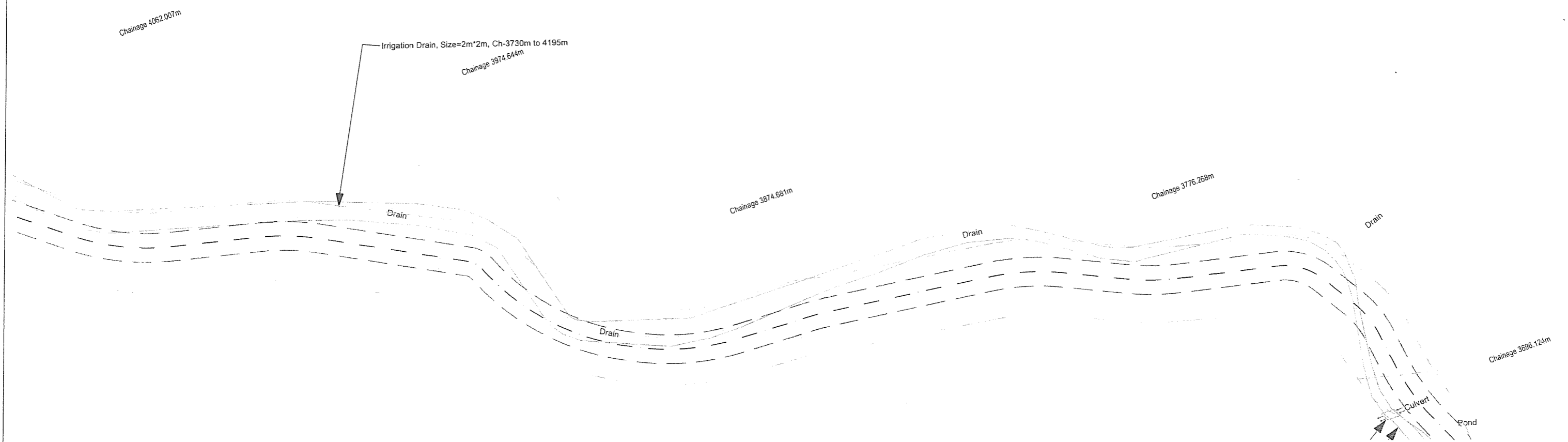


REV.	DESCRIPTION	DATE

Roads and Highways Department (RHD) Ministry of Communications	NAME OF THE PROJECT :	JAPAN INTERNATIONAL COOPERATION AGENCY(JICA)	DRAWING TITLE :	SCALE :	DATE :	DRAWING NO.
	Preparatory Survey on chittagong Area Coal Fared Power Plant Development Project in Bangladesh (JICA Study).		DRAINAGE ROUTE BADARKHALI TO POWER PLANT SITE	SCALE : 1:1000	AUGUST, 2013	DR/DWG- 13 of 21

**LEGENDS**

- ROAD
- EMBANKMENT
- KHAL
- DRAIN
- POND
- WATER FLOW
- CULVERT
- CHAINAGE LINE
- CENTER LINE 2

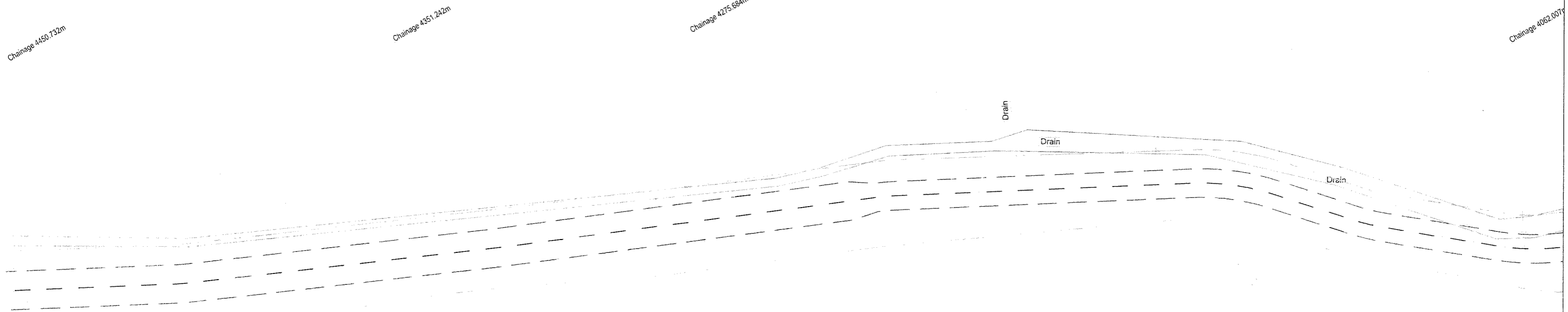


REV.	DESCRIPTION	DATE

Roads and Highways Department (RHD) Ministry of Communications	NAME OF THE PROJECT :	JAPAN INTERNATIONAL COOPERATION AGENCY(JICA)	DRAWING TITLE :	SCALE :	DATE :	DRAWING NO.
	Preparatory Survey on chittagong Area Coal Fared Power Plant Development Project in Bangladesh (JICA Study).		DRAINAGE ROUTE BADARKHALI TO POWER PLANT SITE	SCALE : 1:1000	AUGUST, 2013	DR/DWG- 14 of 21

**LEGENDS**

- ROAD
- EMBANKMENT
- KHAL
- DRAIN
- POND
- WATER FLOW
- CULVERT
- CHAINAGE LINE
- CENTER LINE 2

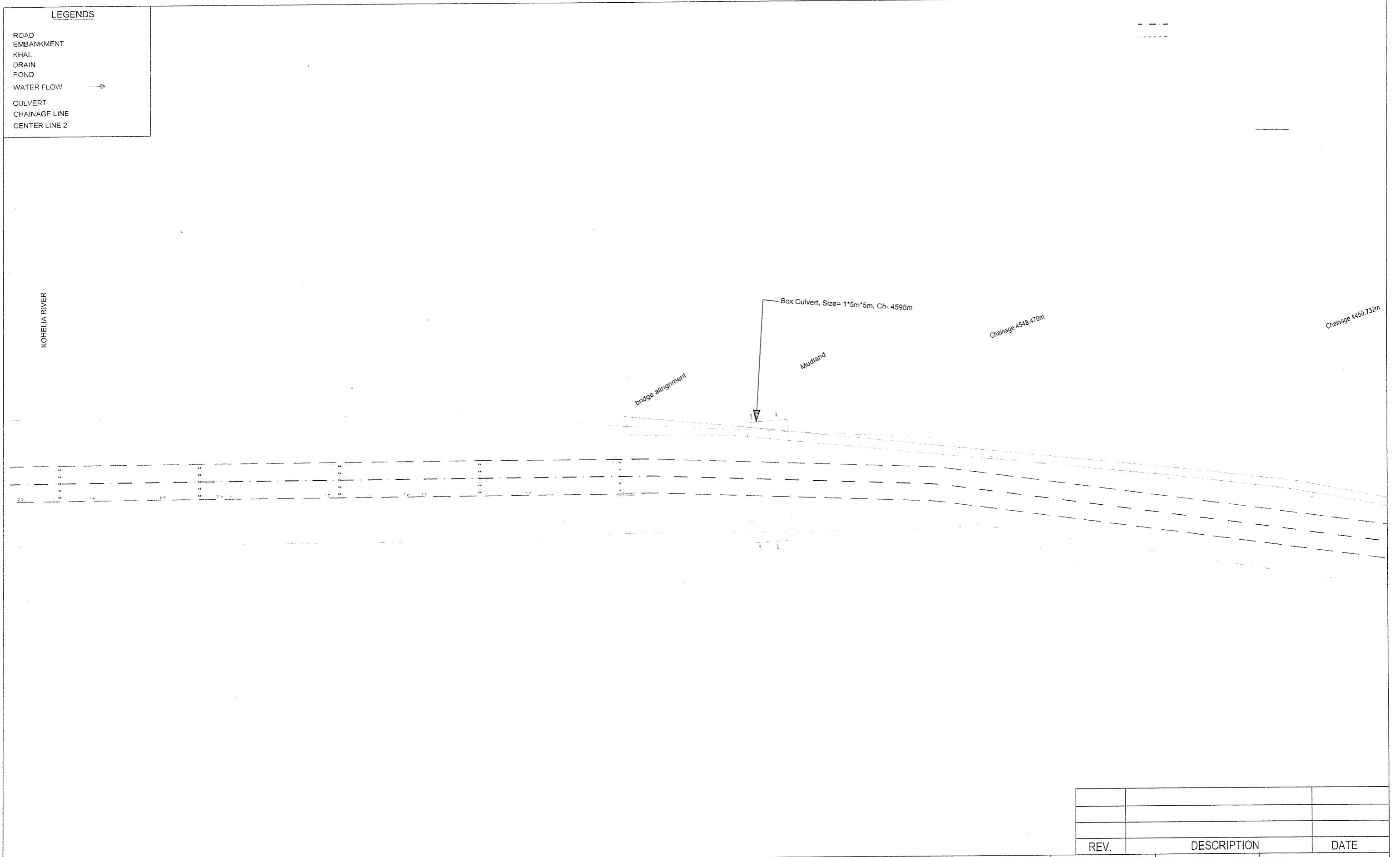


REV.	DESCRIPTION	DATE

Roads and Highways Department (RHD) Ministry of Communications	NAME OF THE PROJECT : Preparatory Survey on chittagong Area Coal Fared Power Plant Development Project in Bangladesh (JICA Study).	JAPAN INTERNATIONAL COOPERATION AGENCY(JICA)	DRAWING TITLE :	SCALE :	DATE :	DRAWING NO.
			DRAINAGE ROUTE BADARKHALI TO POWER PLANT SITE	SCALE : 1:1000	AUGUST, 2013	DR/DWG- 15 of 21

**LEGENDS**

- ROAD
- EMBANKMENT
- KHAL
- DRAIN
- POND
- WATER FLOW →
- CULVERT
- CHAINAGE LINE
- CENTER LINE 2



REV.	DESCRIPTION	DATE

Roads and Highways Department (RHD) Ministry of Communications	NAME OF THE PROJECT :  Preparatory Survey on chittagong Area Coal Fared Power Plant Development Project in Bangladesh (JICA Study).	JAPAN INTERNATIONAL COOPERATION AGENCY(JICA)	DRAWING TITLE :			SCALE :	DATE :	DRAWING NO.
			DRAINAGE ROUTE BADARKHALI TO POWER PLANT SITE			SCALE : 1:1000	AUGUST, 2013	DR/DWG- 16 of 21



**LEGENDS**

- ROAD
- EMBANKMENT
- KHAL
- DRAIN
- POND
- WATER FLOW →
- CULVERT
- CHAINAGE LINE
- CENTER LINE 2

KOHILIA RIVER

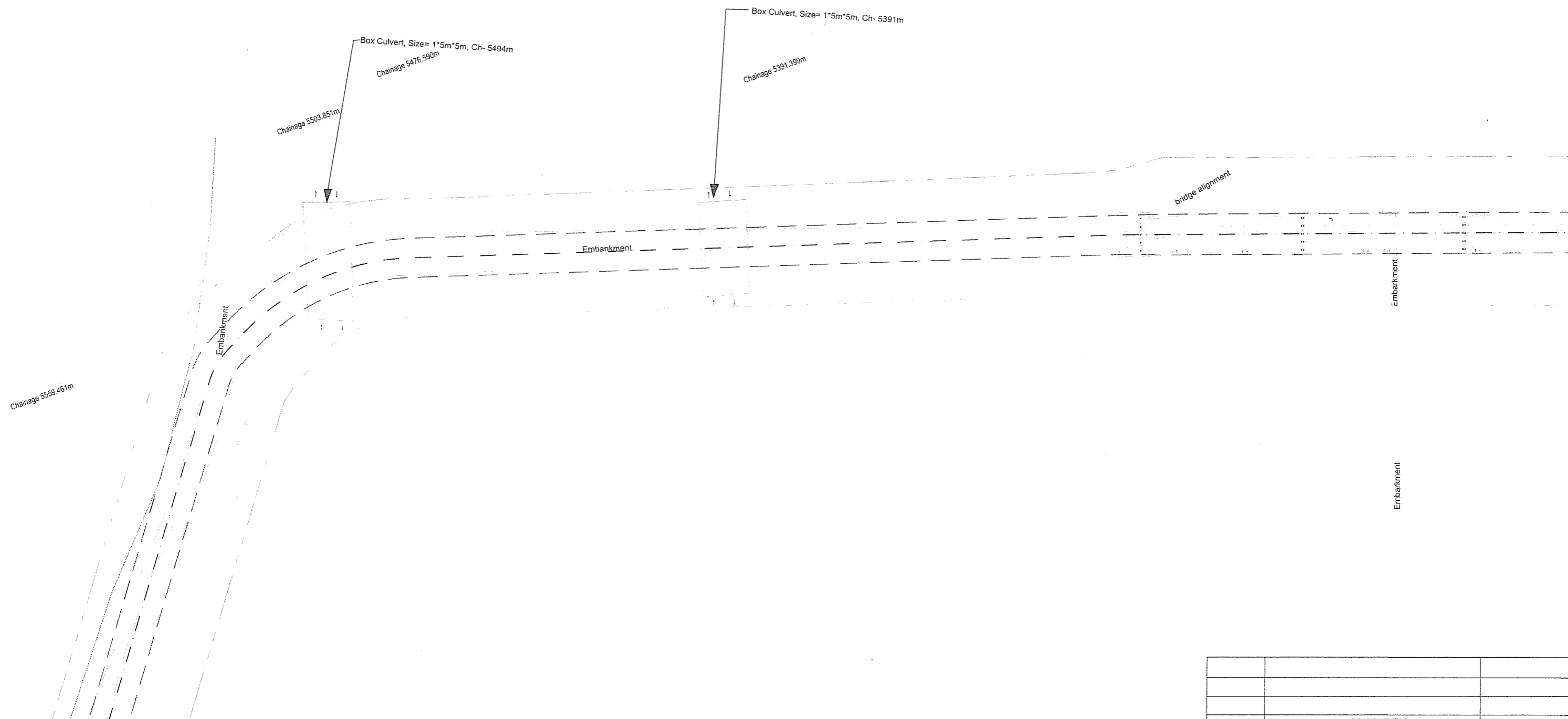
---

REV.	DESCRIPTION	DATE

Roads and Highways Department (RHD) Ministry of Communications	NAME OF THE PROJECT :	JAPAN INTERNATIONAL COOPERATION AGENCY(JICA)	DRAWING TITLE :	SCALE :	DATE :	DRAWING NO.
	Preparatory Survey on chittagong Area Coal Fared Power Plant Development Project in Bangladesh (JICA Study).		DRAINAGE ROUTE BADARKHALI TO POWER PLANT SITE	SCALE : 1:1000	AUGUST, 2013	DR/DWG- 17 of 21

**LEGENDS**

- ROAD
- EMBANKMENT
- KHAL
- DRAIN
- POND
- WATER FLOW
- CULVERT
- CHAINAGE LINE
- CENTER LINE 2

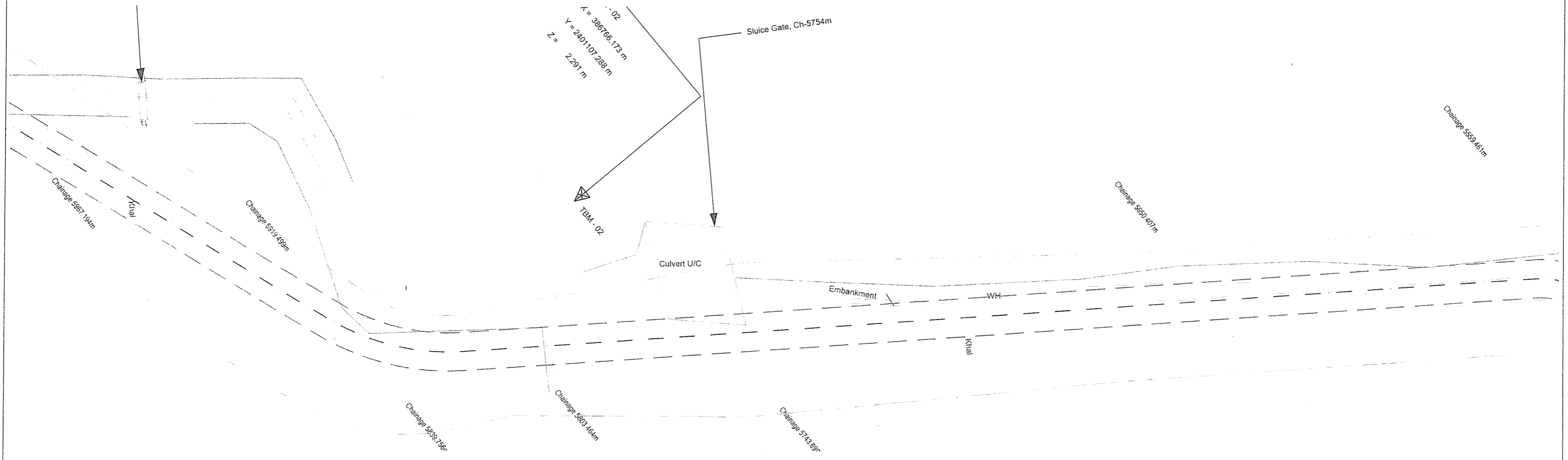


REV.	DESCRIPTION	DATE

Roads and Highways Department (RHD) Ministry of Communications	NAME OF THE PROJECT :	JAPAN INTERNATIONAL COOPERATION AGENCY(JICA)	DRAWING TITLE :	SCALE :	DATE :	DRAWING NO.
	Preparatory Survey on chittagong Area Coal Fared Power Plant Development Project in Bangladesh (JICA Study).		DRAINAGE ROUTE BADARKHALI TO POWER PLANT SITE	SCALE : 1:1000	AUGUST, 2013	DR/DWG- 18 of 21

**LEGENDS**

- ROAD
- EMBANKMENT
- KHAL
- DRAIN
- POND
- WATER FLOW →
- CULVERT
- CHAINAGE LINE
- CENTER LINE 2

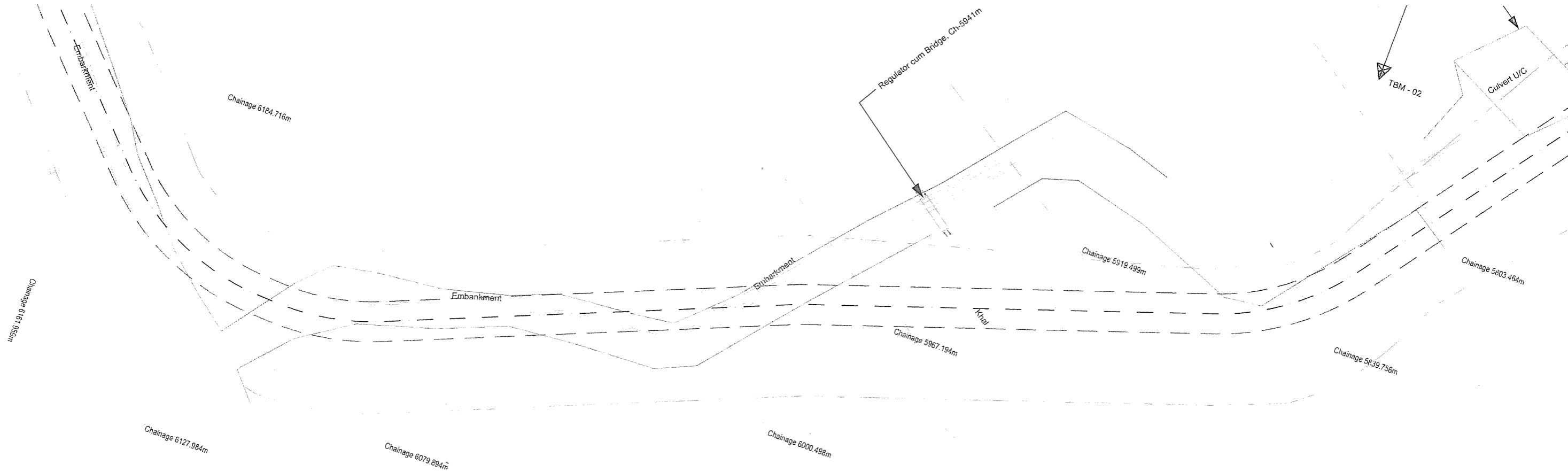


REV.	DESCRIPTION	DATE

Roads and Highways Department (RHD) Ministry of Communications	NAME OF THE PROJECT :	JAPAN INTERNATIONAL COOPERATION AGENCY(JICA)	DRAWING TITLE :	SCALE :	DATE :	DRAWING NO.
	Preparatory Survey on chittagong Area Coal Fared Power Plant Development Project in Bangladesh (JICA Study).		DRAINAGE ROUTE BADARKHALI TO POWER PLANT SITE	SCALE : 1:1000	AUGUST, 2013	DR/DWG- 19 of 21

**LEGENDS**

- ROAD
- EMBANKMENT
- KHAL
- DRAIN
- POND
- WATER FLOW
- CULVERT
- CHAINAGE LINE
- CENTER LINE 2

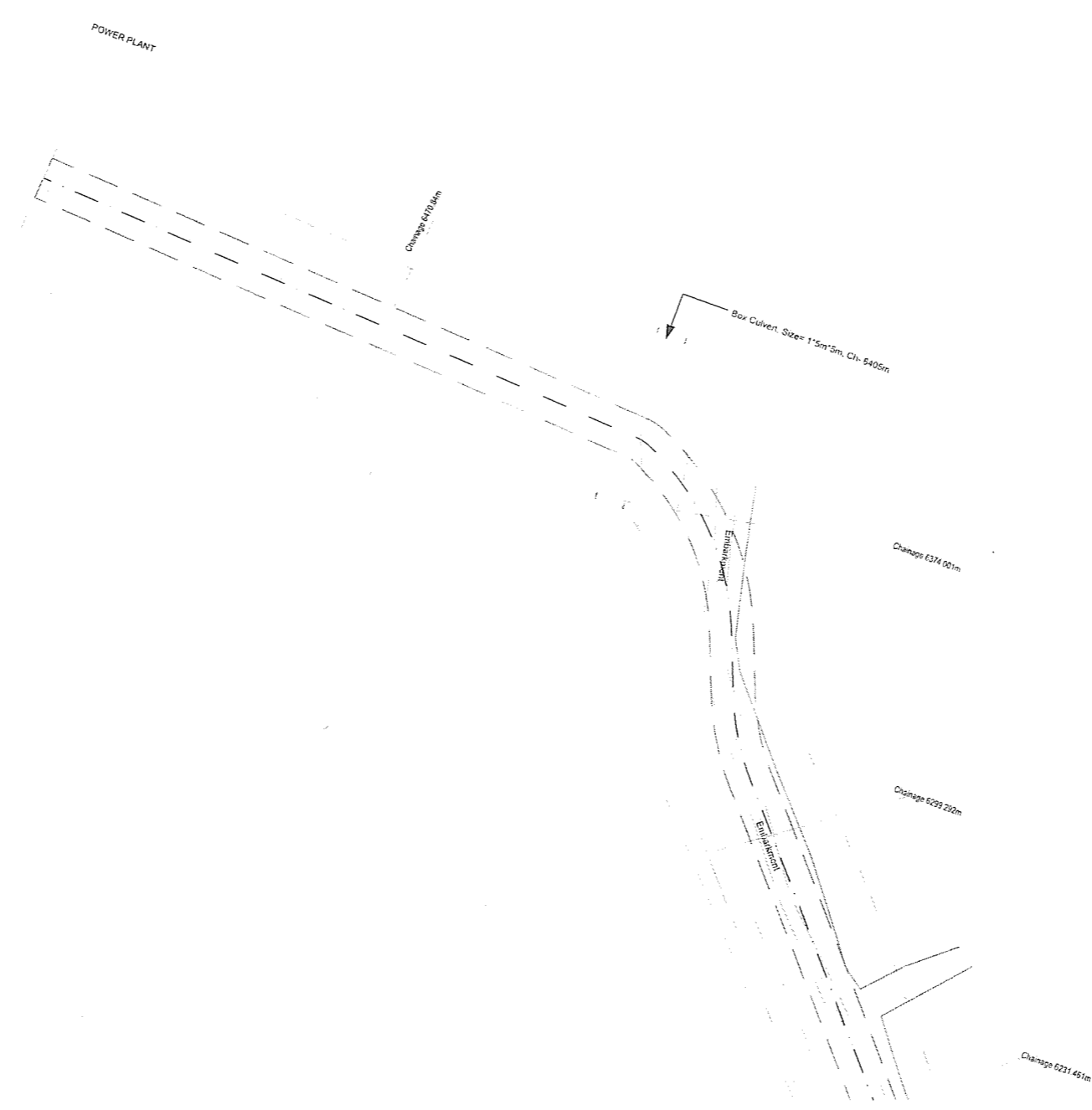


REV.	DESCRIPTION	DATE

Roads and Highways Department (RHD) Ministry of Communications	NAME OF THE PROJECT :  Preparatory Survey on chittagong Area Coal Fared Power Plant Development Project in Bangladesh (JICA Study).	JAPAN INTERNATIONAL COOPERATION AGENCY(JICA)	DRAWING TITLE :  DRAINAGE ROUTE BADARKHALI TO POWER PLANT SITE	SCALE :  SCALE : 1:1000	DATE :  AUGUST, 2013	DRAWING NO.  DR/DWG- 20 of 21

**LEGENDS**

- ROAD
- EMBANKMENT
- KHAL
- DRAIN
- POND
- WATER FLOW
- CULVERT
- CHAINAGE LINE
- CENTER LINE 2

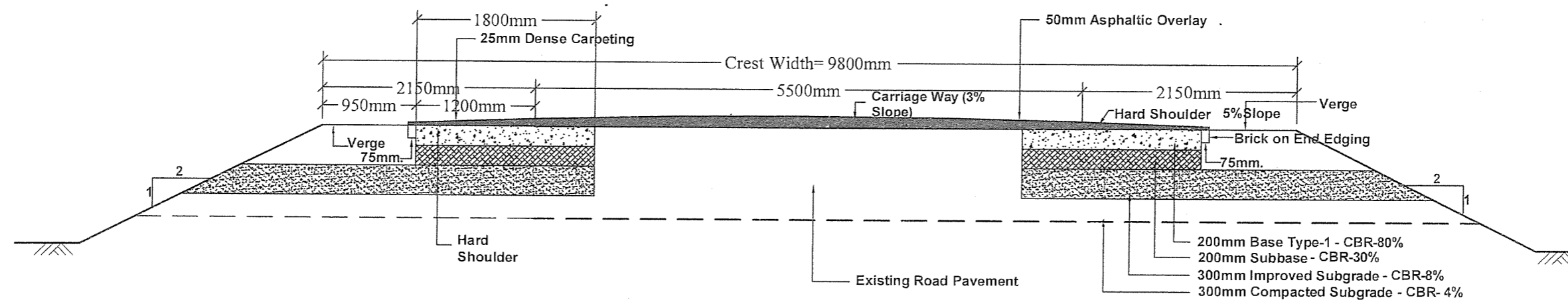


REV.	DESCRIPTION	DATE

Roads and Highways Department (RHD) Ministry of Communications	NAME OF THE PROJECT : Preparatory Survey on chittagong Area Coal Fared Power Plant Development Project in Bangladesh (JICA Study).	JAPAN INTERNATIONAL COOPERATION AGENCY(JICA)	DRAWING TITLE :	SCALE :	DATE :	DRAWING NO.
			DRAINAGE ROUTE BADARKHALI TO POWER PLANT SITE	SCALE : 1:1000	AUGUST, 2013	DR/DWG- 20 of 21

# TYPICAL CROSS SECTION

1. (a) Ekota Bazar to Pekua Intersection, 50% Length to be Asphaltic Overlay

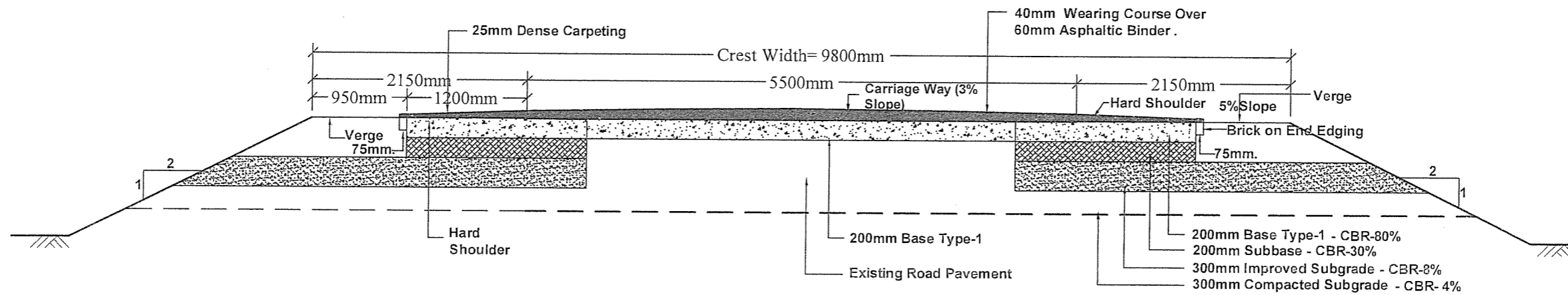


Section: Ekota Bazar to Pekua Intersection (Length Approx. 11.8Km)

REV.	DESCRIPTION	DATE

Roads and Highways Department (RHD) Ministry of Communications	NAME OF THE PROJECT : Preparatory Survey on chittagong Area Coal Fared Power Plant Development Project in Bangladesh (JICA Study).	JAPAN INTERNATIONAL COOPERATION AGENCY(JICA)	DRAWING TITLE :	SCALE :	DATE :	DRAWING NO.
			ROAD TYPICAL CROSS SECTION AKOTA BAZAR TO PEKUA INTERSECTION	1 : 50	AUGUST, 2013	RDS/DWG-01 of 09

1. (b) Ekota Bazar to Pekua Intersection 50% Partial Reconstruction



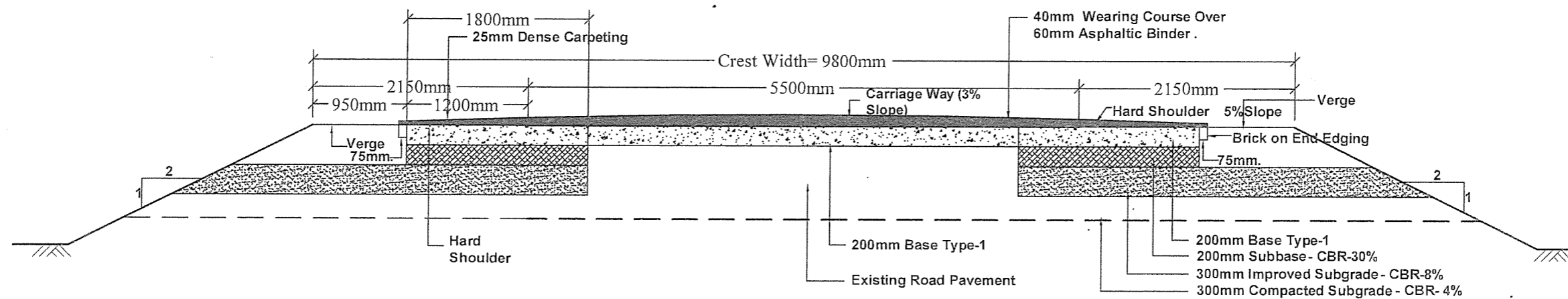
Section: Ekota Bazar to Pekua Intersection (Length Approx. 11.8Km)

REV.	DESCRIPTION	DATE

Roads and Highways Department (RHD) Ministry of Communications	NAME OF THE PROJECT : Preparatory Survey on chittagong Area Coal Fared Power Plant Development Project in Bangladesh (JICA Study).	JAPAN INTERNATIONAL COOPERATION AGENCY(JICA)	DRAWING TITLE :	SCALE :	DATE :	DRAWING NO.
			ROAD TYPICAL CROSS SECTION AKOTA BAZAR TO PEKUA INTERSECTION	1 : 50	AUGUST, 2013	RDS/DWG-02 of 09



## 2. Pekua Intersection to Eidmoni Intersection Partial Reconstruction

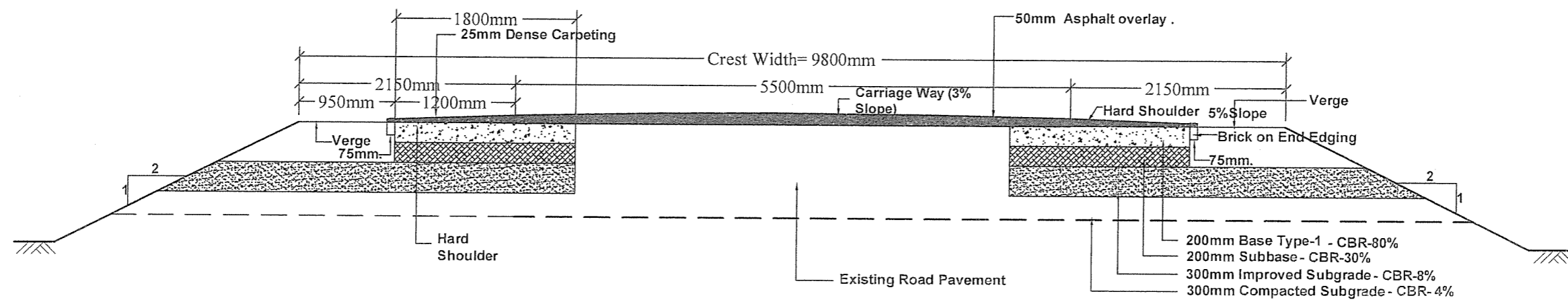


### Section: Pekua Intersection to Eidmoni Intersection (Length Approx. 10.90Km)

REV.	DESCRIPTION	DATE

Roads and Highways Department (RHD) Ministry of Communications	NAME OF THE PROJECT : Preparatory Survey on chittagong Area Coal Fared Power Plant Development Project in Bangladesh (JICA Study).	JAPAN INTERNATIONAL COOPERATION AGENCY(JICA)	DRAWING TITLE :  ROAD TYPICAL CROSS SECTION PEKUA INTERSECTION EIDMONI	SCALE :  1 : 50	DATE :  AUGUST, 2013	DRAWING NO.  RDS/DWG-03 of 09
---	---	---	---	-----------------------	----------------------------	-------------------------------------

### 3. Eidmoni Intersection to Janata Bazar Asphaltic Overlay

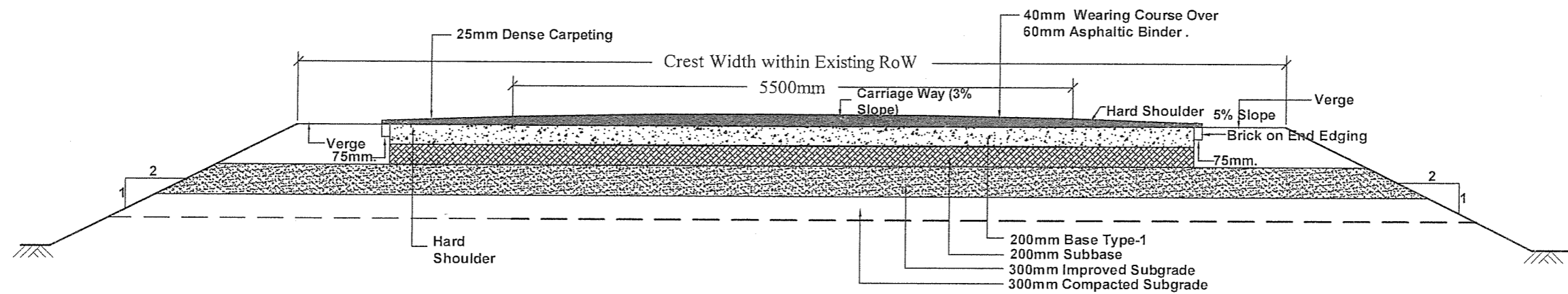


### Section: Eidmoni Intersection to Janata Bazar (Length Approx. 8.6Km)

REV.	DESCRIPTION	DATE

Roads and Highways Department (RHD) Ministry of Communications	NAME OF THE PROJECT : Preparatory Survey on chittagong Area Coal Fared Power Plant Development Project in Bangladesh (JICA Study).	JAPAN INTERNATIONAL COOPERATION AGENCY(JICA)	DRAWING TITLE :	SCALE :	DATE :	DRAWING NO.
			ROAD TYPICAL CROSS SECTION EIDMONI TO JANATA BAZAR	1 : 50	AUGUST, 2013	RDS/DWG-04 of 09

### 4. Janata Bazar to Yunuskhali Intersection Full Reconstruction

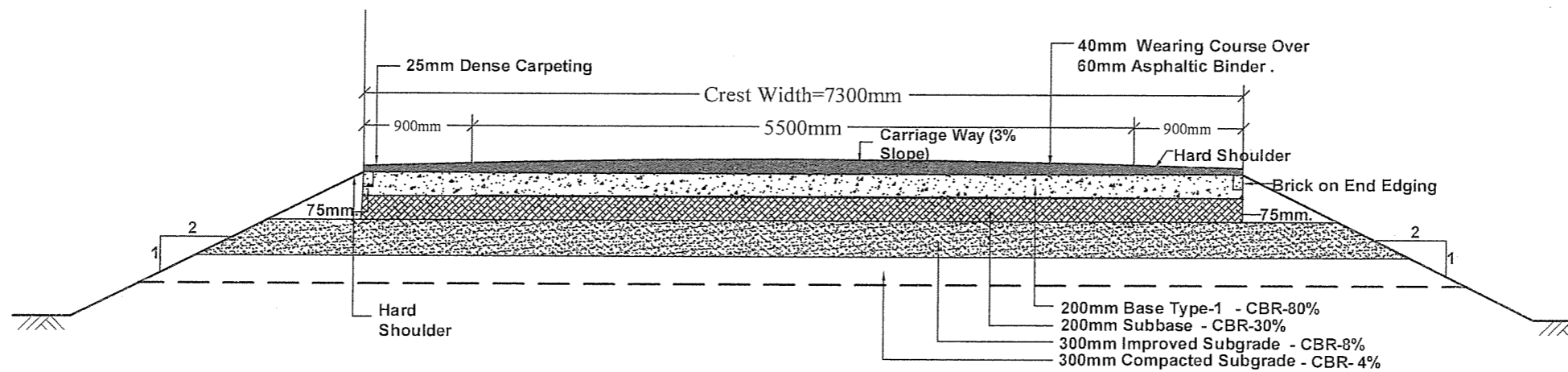


**Section: Janata Bazar to Yunuskhali Intersection (Length Approx. 1.9Km)**

REV.	DESCRIPTION	DATE

Roads and Highways Department (RHD) Ministry of Communications	NAME OF THE PROJECT : Preparatory Survey on chittagong Area Coal Fared Power Plant Development Project in Bangladesh (JICA Study).	JAPAN INTERNATIONAL COOPERATION AGENCY(JICA)	DRAWING TITLE :	SCALE :	DATE :	DRAWING NO.
			ROAD TYPICAL CROSS SECTION JANATA BAZAR TO YUNUSKHALI VILLAGE	1 : 50	AUGUST, 2013	RDS/DWG-05 of 09

### 5. a. Yunuskhali End New Construction

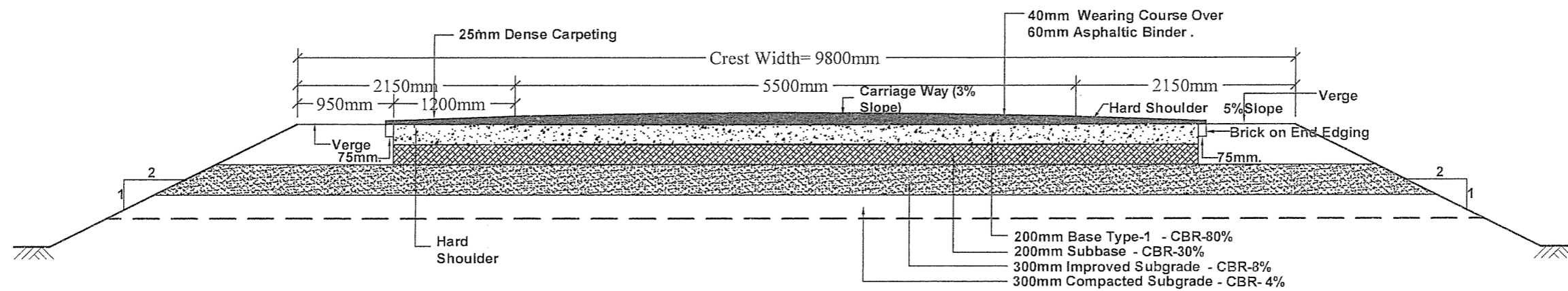


**Section: Through Yunuskhali village. (Length Approx. 1071.44 m, Ch-3125.56m to 4197m)**

REV.	DESCRIPTION	DATE

Roads and Highways Department (RHD) Ministry of Communications	NAME OF THE PROJECT : Preparatory Survey on chittagong Area Coal Fared Power Plant Development Project in Bangladesh (JICA Study).	JAPAN INTERNATIONAL COOPERATION AGENCY(JICA)	DRAWING TITLE :	SCALE :	DATE :	DRAWING NO.
			ROAD TYPICAL CROSS SECTION YUNUSKHALI END	1 : 50	AUGUST, 2013	RDS/DWG-06 of 09

### 5. b. Yunuskhali End New Construction

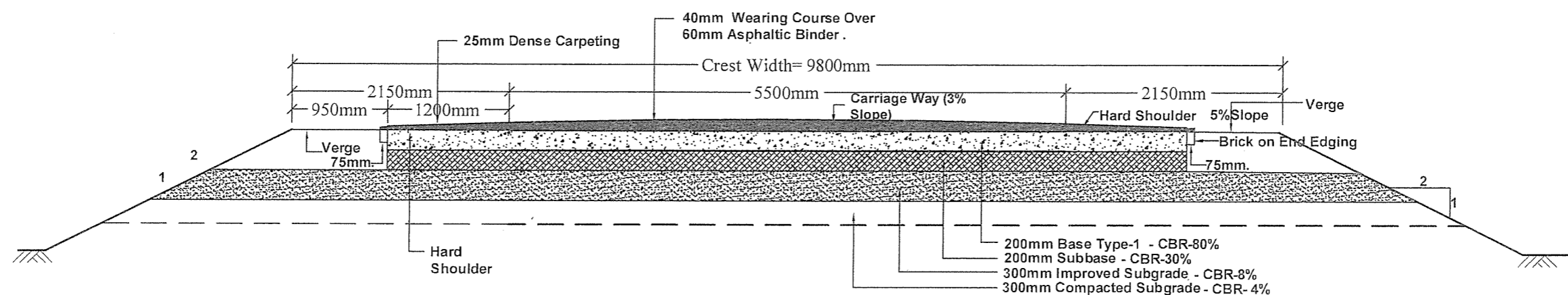


**Section: New Construction through Salt Field at Yunuskhali End (Length Approx. 452m, Ch-4194.84 to 4647.84)**

REV.	DESCRIPTION	DATE

Roads and Highways Department (RHD) Ministry of Communications	NAME OF THE PROJECT :	JAPAN INTERNATIONAL COOPERATION AGENCY(JICA)	DRAWING TITLE :	SCALE :	DATE :	DRAWING NO.
	Preparatory Survey on chittagong Area Coal Fared Power Plant Development Project in Bangladesh (JICA Study).		ROAD TYPICAL CROSS SECTION YUNUSKHALI VILLAGE	1 : 50	AUGUST, 2013	RDS/DWG-07 of 09

### 6. (a) New Construction through Salt Field

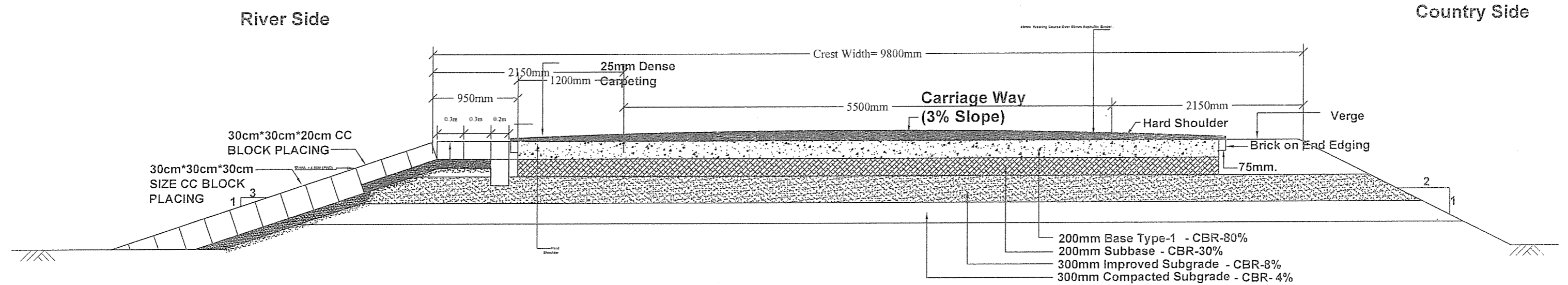


**Section: New Construction through Salt Field (Length approx. 659.86m)**

REV.	DESCRIPTION	DATE

Roads and Highways Department (RHD) Ministry of Communications	NAME OF THE PROJECT :	JAPAN INTERNATIONAL COOPERATION AGENCY(JICA)	DRAWING TITLE :	SCALE :	DATE :	DRAWING NO.
	Preparatory Survey on chittagong Area Coal Fared Power Plant Development Project in Bangladesh (JICA Study).		ROAD TYPICAL CROSS SECTION NEW CONSTRUCTION THROUGH SALT FIELD	1 : 50	AUGUST, 2013	RDS/DWG-08 of 09

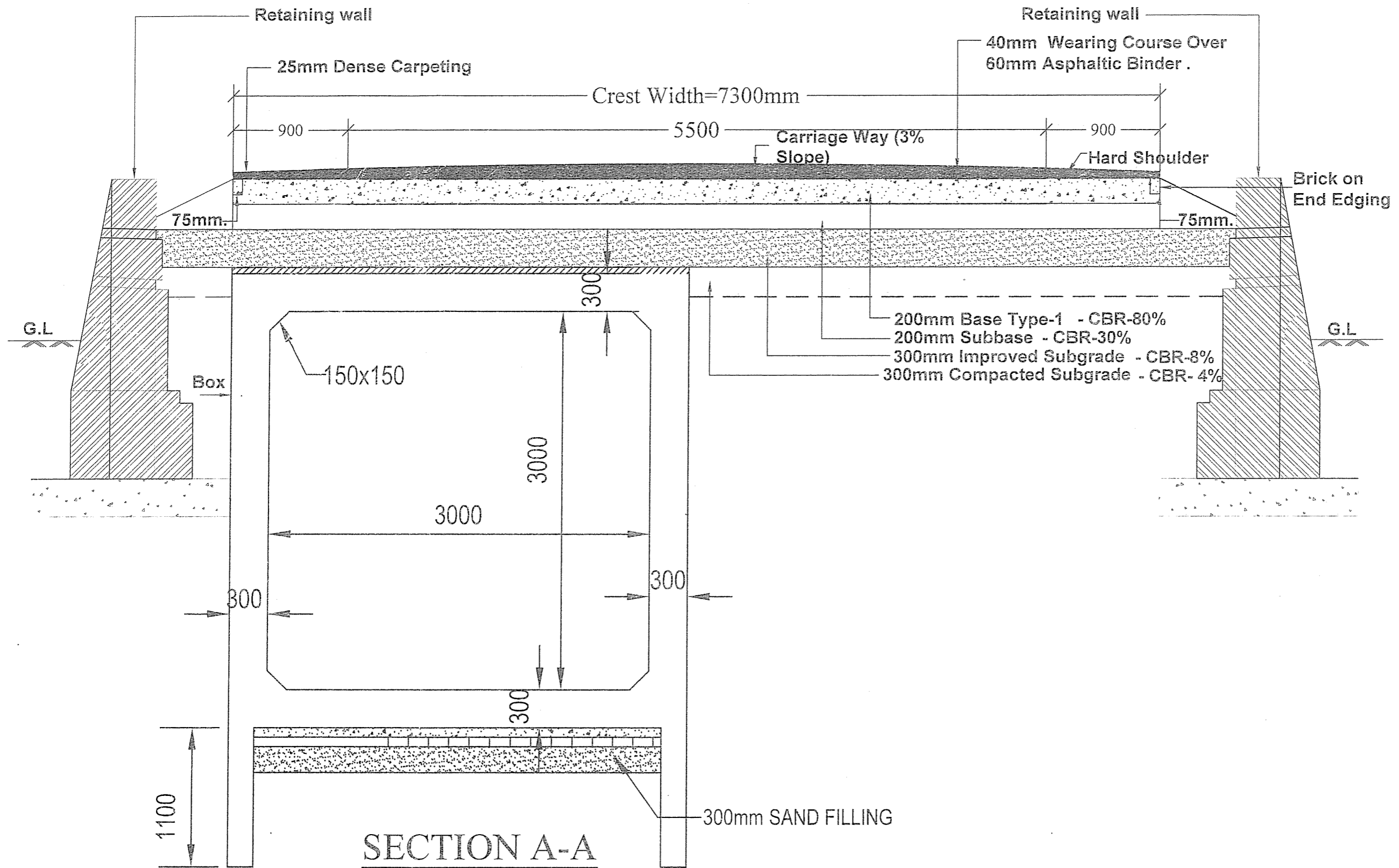
## New Construction over BWDB Embankment



**Section: New Construction over BWDB Embankment (Length Approx.605.75m)**

REV.	DESCRIPTION	DATE

Roads and Highways Department (RHD) Ministry of Communications	NAME OF THE PROJECT : Preparatory Survey on chittagong Area Coal Fared Power Plant Development Project in Bangladesh (JICA Study).	JAPAN INTERNATIONAL COOPERATION AGENCY(JICA)	DRAWING TITLE : ROAD CROSS SECTION WITH REVETMENT	SCALE : 1 : 40	DATE : AUGUST, 2013	DRAWING NO. RDS/DWG
---	---	---	--	-------------------	------------------------	------------------------



**Section: Near Yunuskhali Intersection (Chainage- 3173.43m)**

REV.	DESCRIPTION	DATE

Roads and Highways Department (RHD) Ministry of Communications	NAME OF THE PROJECT : Preparatory Survey on chittagong Area Coal Fared Power Plant Development Project in Bangladesh (JICA Study).	JAPAN INTERNATIONAL COOPERATION AGENCY(JICA)	DRAWING TITLE :	SCALE :	DATE :	DRAWING NO.
			ROAD TYPICAL CROSS SECTION NEAR YUNUSKHALI INTERSECTION	1 : 30	AUGUST, 2013	RS/DWG-01 of 01