

**ROADS AND HIGHWAYS DEPARTMENT
MINISTRY OF ROAD TRANSPORTATION AND BRIDGES
THE PEOPLE'S REPUBLIC OF BANGLADESH**

**PREPARATORY SURVEY
ON
WESTERN BANGLADESH
BRIDGES IMPROVEMENT PROJECT**

**FINAL REPORT
VOLUME 2: DRAWINGS**

APRIL 2015

JAPAN INTERNATIONAL COOPERATION AGENCY

ORIENTAL CONSULTANTS GLOBAL CO., LTD.

KATAHIRA & ENGINEERS INTERNATIONAL

| |
|---------------|
| 4 R |
| JR(先) |
| 15-025 |

**ROADS AND HIGHWAYS DEPARTMENT
MINISTRY OF ROAD TRANSPORTATION AND BRIDGES
THE PEOPLE'S REPUBLIC OF BANGLADESH**

**PREPARATORY SURVEY
ON
WESTERN BANGLADESH
BRIDGES IMPROVEMENT PROJECT**

**FINAL REPORT
VOLUME 2: DRAWINGS**

APRIL 2015

**JAPAN INTERNATIONAL COOPERATION AGENCY
ORIENTAL CONSULTANTS GLOBAL CO., LTD.
KATAHIRA & ENGINEERS INTERNATIONAL**

Preparatory Survey on Western Bangladesh Bridges Improvement Project

Drawings

Table of Contents (1)

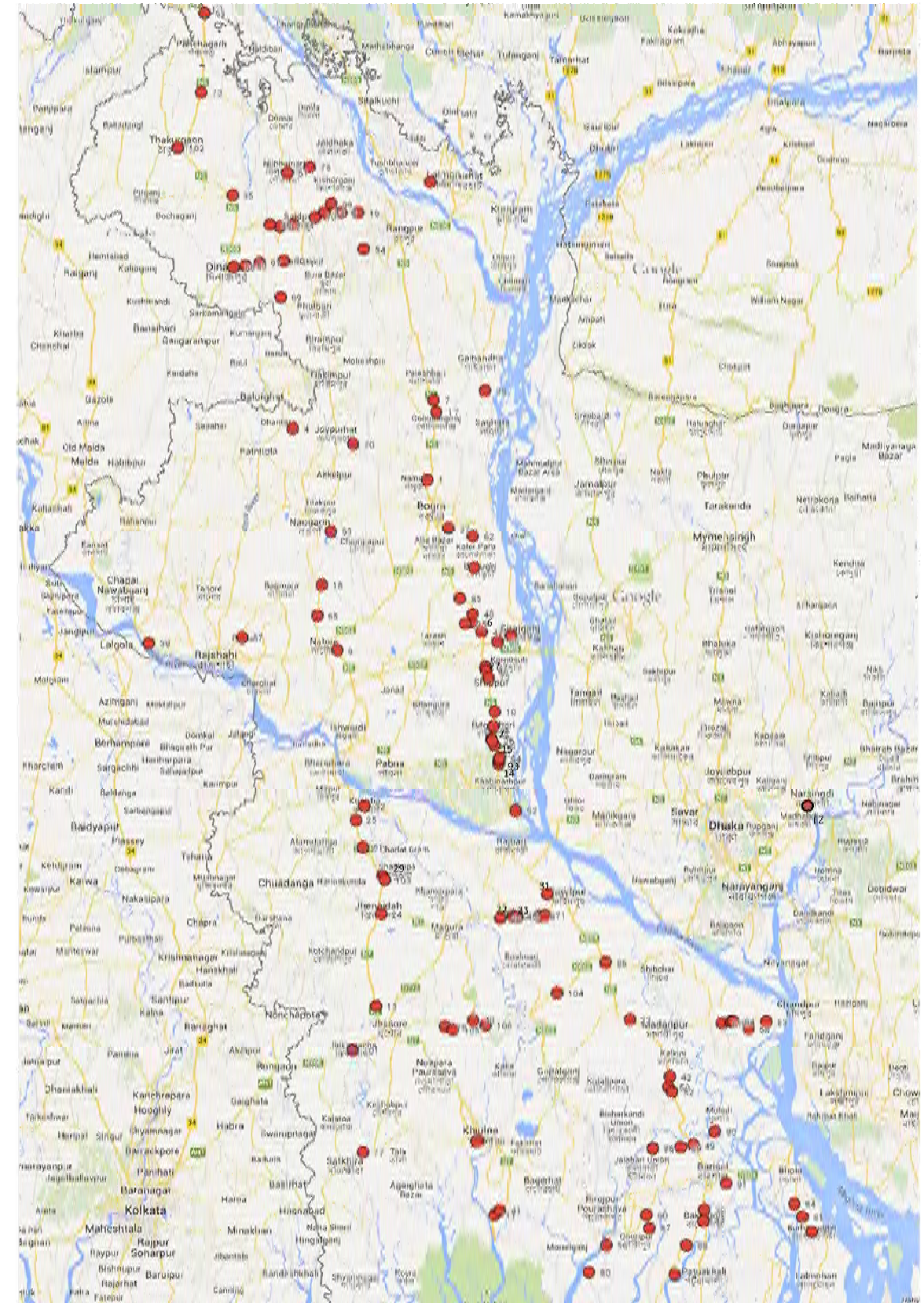
| No. | Drawing Title | Drawing No. | No. | Drawing Title | Drawing No. |
|-----|------------------------------|------------------|-----|------------------------|------------------|
| A | General Drawings | | | | |
| 1 | Project Location Map | GD - 1 | 2 | Typical Cross Section | GD - 2 |
| B | Plan and Profile | | | | |
| 1 | Mohosthan Bridge | BR - 001 - 1 ~ 2 | 31 | Jhuldibazar Bridge | BR - 031 - 1 ~ 2 |
| 2 | Nukali Bridge | BR - 002 - 1 ~ 2 | 32 | G.K. Bridge | BR - 032 - 1 ~ 2 |
| 3 | Barati Bridge | BR - 003 - 1 ~ 2 | 33 | Bimankanda Bridge | BR - 033 - 1 ~ 2 |
| 4 | Mongle bari kuthibari Bridge | BR - 004 - 1 ~ 2 | 34 | Khorkhori Bridge | BR - 034 - 1 ~ 2 |
| 5 | Sharnamoti Bridge | BR - 005 - 1 ~ 2 | 35 | Choto dhepa Bridge | BR - 035 - 1 ~ 2 |
| 6 | Bhuyagati Bridge | BR - 006 - 1 ~ 2 | 36 | Bondorer pool Bridge | BR - 036 - 1 ~ 2 |
| 7 | Bupinath Bridge | BR - 007 - 1 ~ 2 | 37 | Khottapara Bridge | BR - 037 - 1 ~ 2 |
| 8 | Karimpur Bridge | BR - 008 - 1 ~ 2 | 38 | Ichamoti Bridge | BR - 038 - 1 ~ 2 |
| 9 | Dattapara Bridge | BR - 009 - 1 ~ 2 | 39 | Horisonkorpor Bridge | BR - 039 - 1 ~ 2 |
| 10 | Jugnidaha Bridge | BR - 010 - 1 ~ 2 | 40 | Gurakhali Bridge | BR - 040 - 1 ~ 2 |
| 11 | Gora Bridge | BR - 011 - 1 ~ 2 | 41 | Balai Bridge. | BR - 041 - 1 ~ 2 |
| 12 | Gaudangi Bridge | BR - 012 - 1 ~ 2 | 42 | Souderkhal Bridge | BR - 042 - 1 ~ 2 |
| 13 | Buri Bhairab Bridge | BR - 013 - 1 ~ 2 | 43 | Bakerganj Steel Bridge | BR - 043 - 1 ~ 2 |
| 14 | Pundurua Bridge | BR - 014 - 1 ~ 2 | 44 | Nangtichira Bridge | BR - 044 - 1 ~ 2 |
| 15 | Vitapara Bridge | BR - 015 - 1 ~ 2 | 45 | Brahmonkanda Bridge | BR - 045 - 1 ~ 2 |
| 16 | Kharua Vanga Bridge | BR - 016 - 1 ~ 2 | 46 | Chowkidhoh Bridge | BR - 046 - 1 ~ 2 |
| 17 | Katakhali Bridge | BR - 017 - 1 ~ 2 | 47 | Notun Dhoh Bridge | BR - 047 - 1 ~ 2 |
| 18 | Atrai Bridge | BR - 018 - 1 ~ 2 | 48 | Dhatia Bridge | BR - 048 - 1 ~ 2 |
| 19 | Chondi Das Bridge | BR - 019 - 1 ~ 2 | 49 | Rahamatpur Bridge | BR - 049 - 1 ~ 2 |
| 20 | Bottoli Bridge | BR - 020 - 1 ~ 2 | 50 | gounagata Bridge | BR - 050 - 1 ~ 2 |
| 21 | Goilhar Bridge | BR - 021 - 1 ~ 2 | 51 | Bittipara Bridge | BR - 051 - 1 ~ 2 |
| 22 | Porkitpur Bridge | BR - 022 - 1 ~ 2 | 52 | Asokoti Bridge | BR - 052 - 1 ~ 2 |
| 23 | Amgram Bridge | BR - 023 - 1 ~ 2 | 53 | Chawai Bridge | BR - 053 - 1 ~ 2 |
| 24 | Dhopa Ghata Bridge | BR - 024 - 1 ~ 2 | 54 | Shampur Bridge. | BR - 054 - 1 ~ 2 |
| 25 | Balipara Bridge | BR - 025 - 1 ~ 2 | 55 | Raiyer hat Bridge | BR - 055 - 1 ~ 2 |
| 26 | Palgari Bridge | BR - 026 - 1 ~ 2 | 56 | Bottala Bridge | BR - 056 - 1 ~ 2 |
| 27 | Purbodalua Bridge | BR - 027 - 1 ~ 2 | 57 | Feliarbil Bridge | BR - 057 - 1 ~ 2 |
| 28 | Barashia Bridge | BR - 028 - 1 ~ 2 | 58 | Gabura Bridge. | BR - 058 - 1 ~ 2 |
| 29 | Barda Bridge | BR - 029 - 1 ~ 2 | 59 | Madarganj Bridge | BR - 059 - 1 ~ 2 |
| 30 | Boalia Bazar Bridge | BR - 030 - 1 ~ 2 | 60 | Afalbarir Khal Bridge | BR - 060 - 1 ~ 2 |

A. General Drawings


Location Map



Location of Bangladesh
Scale 1:2,000,000



Location of Objective Bridges
Non-Scale

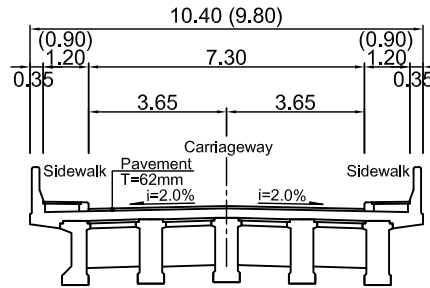
| | | | | | | | |
|---|---|---|----|---|--------------|--------------|----------|
|  MINISTRY OF ROAD TRANSPORT AND BRIDGES (MORTB) PEOPLE'S REPUBLIC OF BANGLADESH ROADS & HIGHWAYS DEPARTMENT (RHD) |  JAPAN INTERNATIONAL COOPERATION AGENCY | | | PREPARATORY SURVEY ON WESTERN BANGLADESH BRIDGES IMPROVEMENT PROJECT | DESIGNED BY: | | |
| | |  ORIENTAL CONSULTANTS GLOBAL CO., LTD. KATAHIRA & ENGINEERS INTERNATIONAL | | | | APPROVED BY: | |
| | | | No | REVISION | DATE | Location Map | DWG. NO. |

Typical Cross Section

Bridge

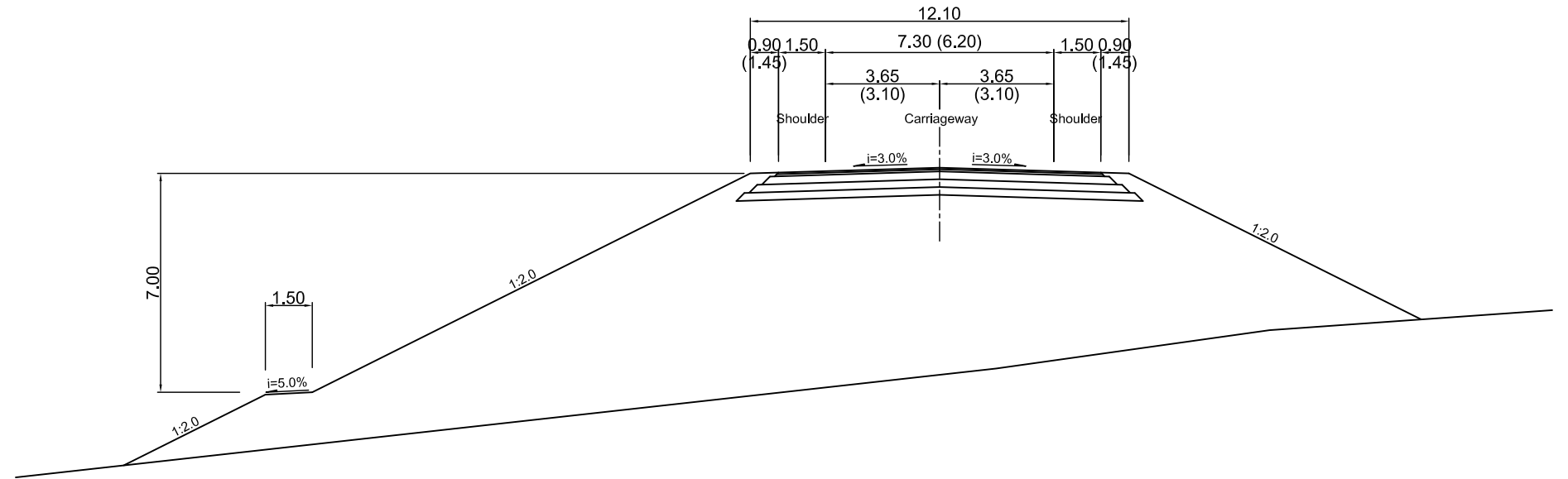
Scale: 1/100

2-Lane Carriageway for National, Regional and Zilla Road

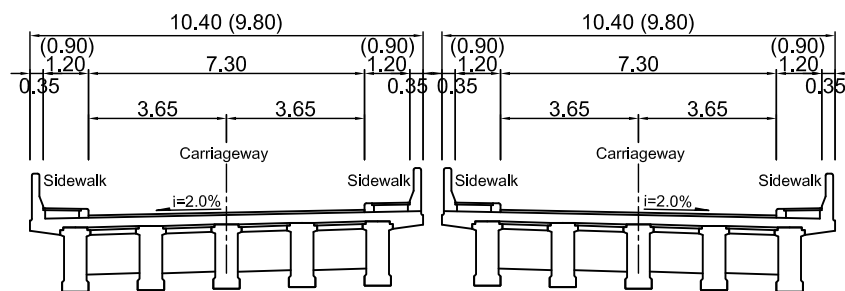


Embankment

Scale: 1/100



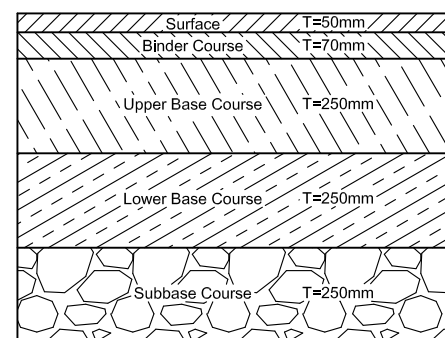
4-Lane Carriageway for Asian Highway No.1



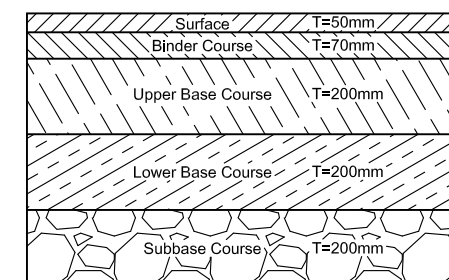
Pavement Structure

Scale: 1/10

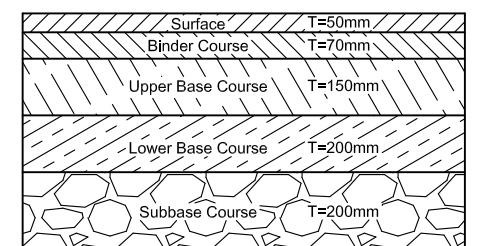
National Road



Regional and Zilla Road



Approach Road of EZ



Note:

- The numerical value in parentheses shows Zilla Road.
- The cross section for approach road of EZ is the same as Regional Road.