

VOLUME 4

OUTLINE DESIGN



The Project for Study on Improvement of Bridges
Through Disaster Mitigating Measures for Large Scale Earthquakes
In the Republic of the Philippines

Outline Design Drawings

of

Lambingan Bridge, Guadalupe Bridge, 1st Mandaue-Mactan Bridge, Palanit Bridge,
Mawo Bridge, Lilo-an Bridge, and Wawa Bridge



CTI Engineering International Co., Ltd.
Consulting Engineers



人・夢・技術

CHODAI CO., LTD.
CONSULTING ENGINEERS & PLANNERS

NIPPON KOEI

Challenging mind, Changing dynamics

December, 2013

Index of Drawings

1. Replacement Design

- 1-A1 General View of Lambingan Bridge
- 1-A2 Structural Drawing (Superstructure) of Lambingan Bridge
- 1-A3 Structural Drawing (Substructure) of Lambingan Bridge
- 1-B1 General View of Guadalupe Bridge (Outer Bridges)
- 1-B2 Structural Drawing (Superstructure) of Guadalupe Bridge (Outer Bridges)
- 1-B3/ 1-B4 Structural Drawing (Substructure) of Guadalupe Bridge (Outer Bridges)
(2 Pages)
- 1-C1 General View of Palanit Bridge
- 1-C2 Structural Drawing (Superstructure) of Palanit Bridge
- 1-C3 Structural Drawing (Substructure) of Palanit Bridge
- 1-D1 General View of Mawo Bridge
- 1-D2 Structural Drawing (Superstructure) of Mawo Bridge
- 1-D3/ 1-D4 Structural Drawing (Substructure) of Mawo Bridge (2 Pages)
- 1-E1 General View of Wawa Bridge
- 1-E2 Structural Drawing (Superstructure) of Wawa Bridge
- 1-E3/ 1-E4 Structural Drawing (Substructure) of Wawa Bridge (2 Pages)

2. Seismic Retrofit Design

- 2-A1 General View of Guadalupe Bridge (Inner Bridge)
- 2-B1 General View of 1st Mandaue-Mactan Bridge (1)
- 2-B2 General View of 1st Mandaue-Mactan Bridge (2)
- 2-B3 General View of 1st Mandaue-Mactan Bridge (3)
- 2-B4 Structural Drawing of 1st Mandaue-Mactan Bridge (1)
- 2-B5 Structural Drawing of 1st Mandaue-Mactan Bridge (2)
- 2-B6 Structural Drawing of 1st Mandaue-Mactan Bridge (3)
- 2-B7 Structural Drawing of 1st Mandaue-Mactan Bridge (4)
- 2-C1 General View of Lilo-an Bridge (1)
- 2-C2 General View of Lilo-an Bridge (2)
- 2-C3 Structural Drawing of Lilo-an Bridge (1)
- 2-C4 Structural Drawing of Lilo-an Bridge (2)

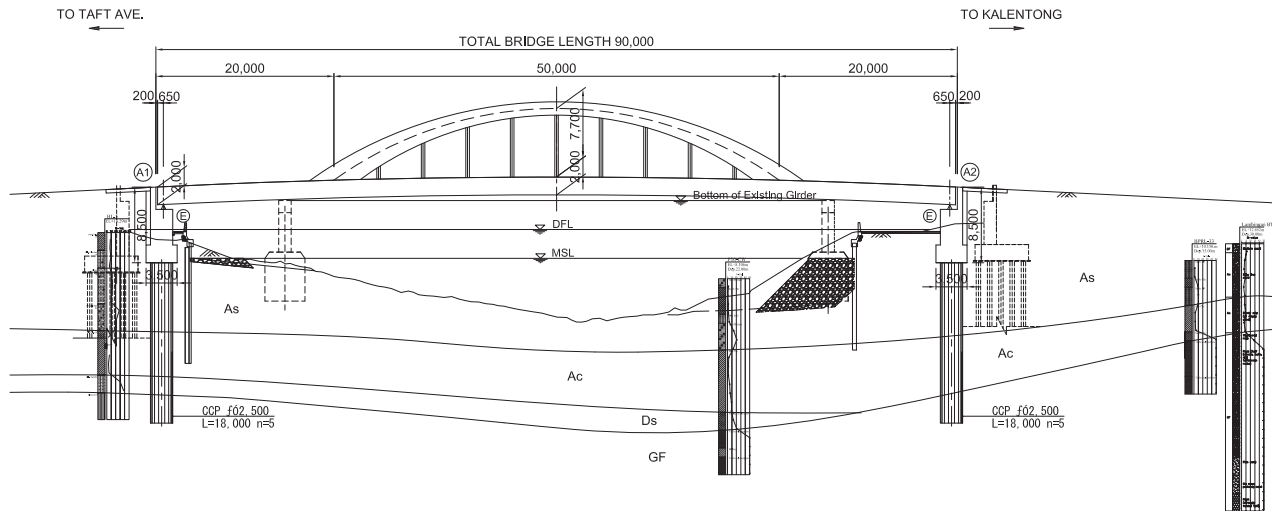
3. Road Design for Replacement Plans

- 3-A1 Plan and Profile of Lambingan Bridge
 - 3-A2/ 3-A5 Road Cross Sections of Lambingan Bridge
(4 Pages)
 - 3-B1 Plan and Profile of Guadalupe Bridge (Outer Bridges)
 - 3-B2/ 3-B3 Road Cross Sections of Guadalupe Bridge
(2 Pages)
 - 3-C1 Plan and Profile of Palanit Bridge
 - 3-C2/ 3-C3 Road Cross Sections of Palanit Bridge (2 Pages)
 - 3-D1 Plan and Profile of Mawo Bridge
 - 3-D2/ 3-D4 Road Cross Sections of Mawo Bridge (3 Pages)
 - 3-E1 Plan and Profile of Wawa Bridge
 - 3-E2/ 3-E5 Road Cross Sections of Wawa Bridge (4 Pages)
- ## 4. Construction Planning
- 4-A1 Temporary Road of Lambingan Bridge
 - 4-B1 Temporary Road of Guadalupe Bridge
 - 4-B2 Temporary Support of Guadalupe Bridge
 - 4-C1 Temporary Road of 1st Mandaue-Mactan Bridge
 - 4-D1 Temporary Road of Palanit Bridge
 - 4-E1 Temporary Road of Mawo Bridge
 - 4-F1 Temporary Road of Wawa Bridge

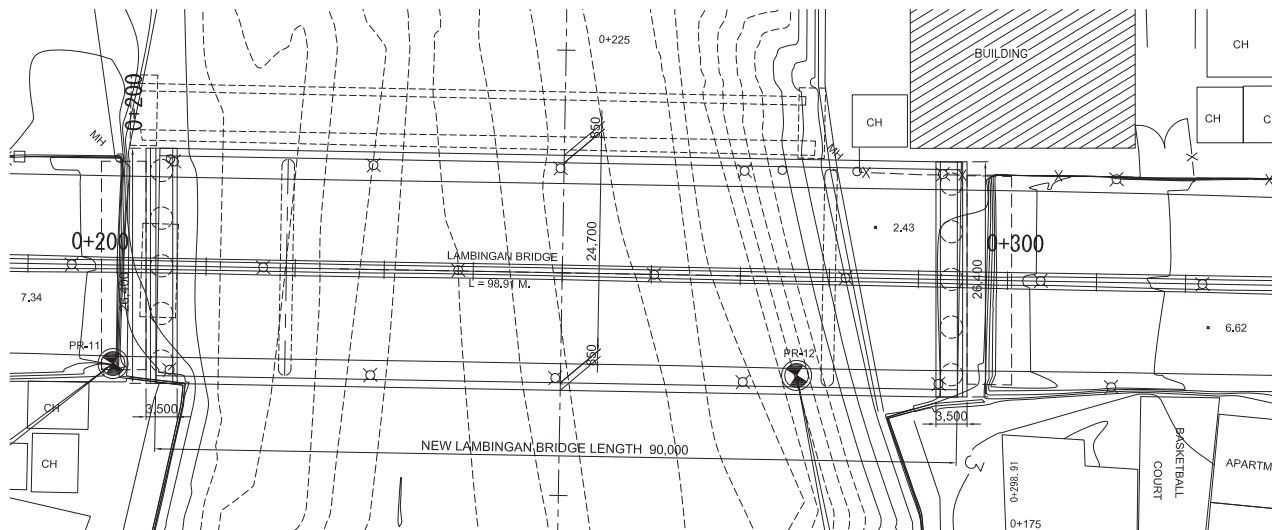


GENERAL VIEW OF LAMBINGAN BRIDGE

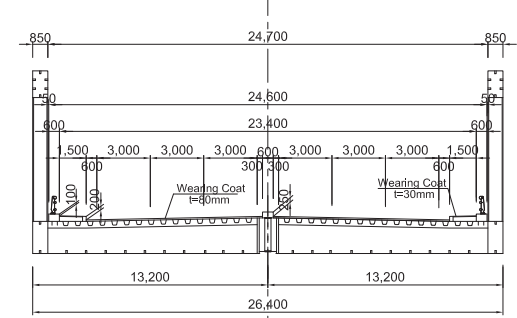
ELEVATION
S=1:600



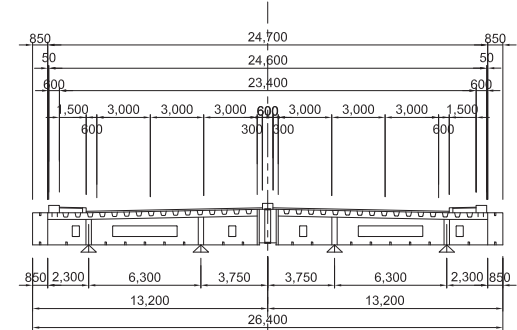
PLAN
S=1:600



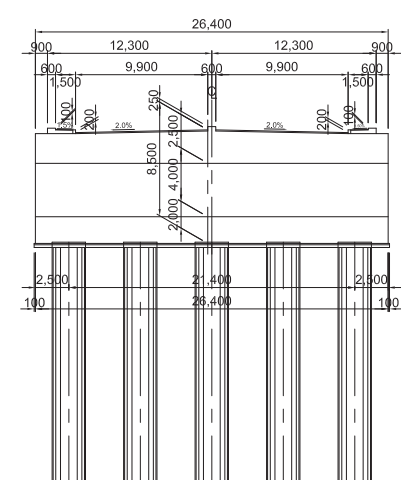
SECTION @ CENTERLINE
S=1:300








SECTION @ ABUTMENT
S=1:300



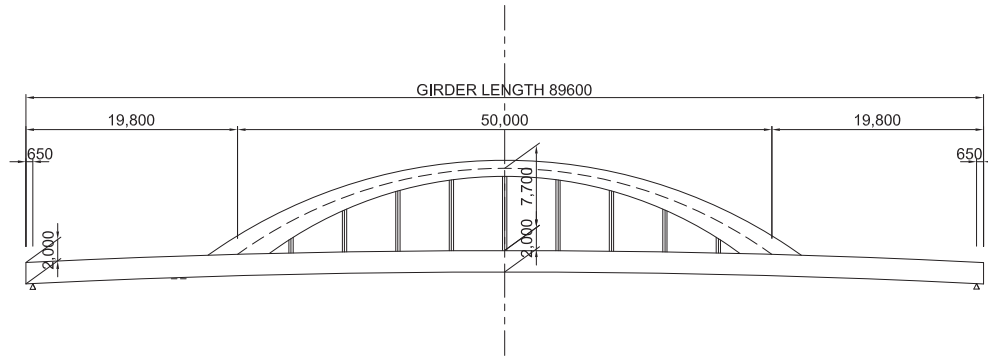
A1,A2 ABUT
S=1:400



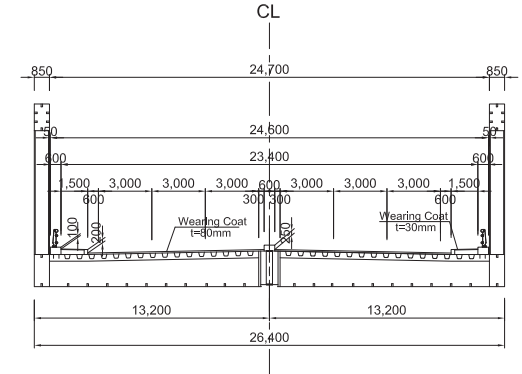
Clients:	Consultants:	Project Title:	Bridge Name:	Sheet Contents:	SHT. NO.
 Japan International Cooperation Agency  DEPARTMENT OF PUBLIC WORKS AND HIGHWAYS REPUBLIC OF THE PHILIPPINES	 CTI Engineering Co., Ltd.  Chodai Co., Ltd.  Nippon Koei	Project for Study on Improvement of Bridges Through Disaster Mitigating Measures for the Large Scale Earthquakes in the Republic of the Philippines	LAMBINGAN BRIDGE	GENERAL VIEW	1-A1

STRUCTURAL DRAWING (SUPERSTRUCTURE) LAMBINGAN BRIDGE

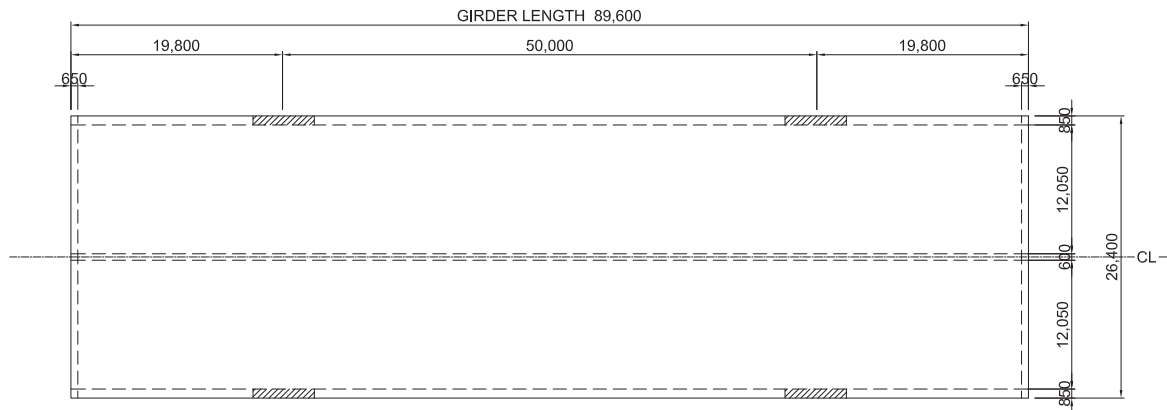
SIDE VIEW
S=1:500



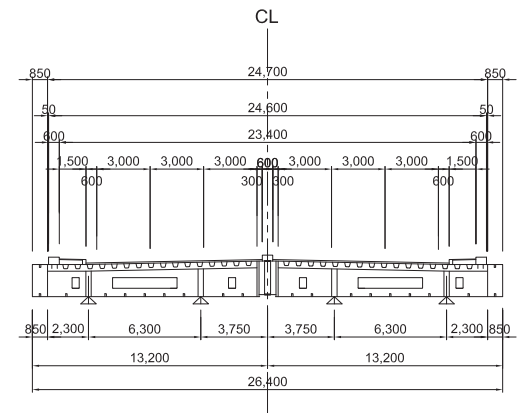
SECTION @ CENTERLINE
S=1:300



PLAN VIEW
S=1:500



SECTION @ ABUTMENT
S=1:300

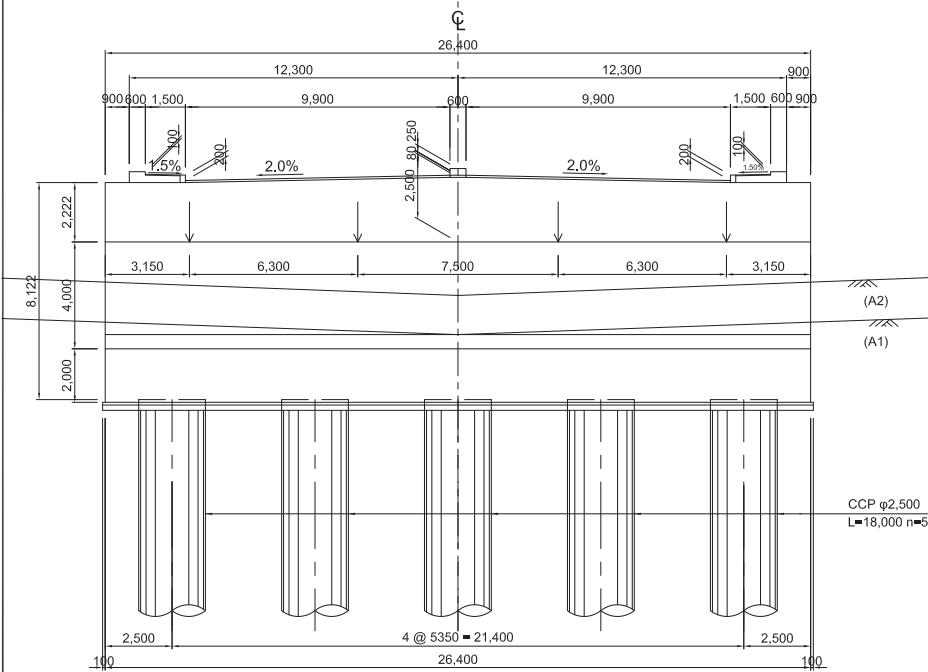


Clients:	Consultants:	Project Title:	Bridge Name:	Sheet Contents:	SHT. NO.
Japan International Cooperation Agency DEPARTMENT OF PUBLIC WORKS AND HIGHWAYS REPUBLIC OF THE PHILIPPINES	CTI Engineering Co., Ltd. Chodai Co., Ltd. Nippon Koei	Project for Study on Improvement of Bridges Through Disaster Mitigating Measures for the Large Scale Earthquakes in the Republic of the Philippines	LAMBINGAN BRIDGE	STRUCTURAL DRAWING (SUPERSTRUCTURE)	1-A2

STRUCTURAL DRAWING (SUBSTRUCTURE) LAMBINGAN BRIDGE

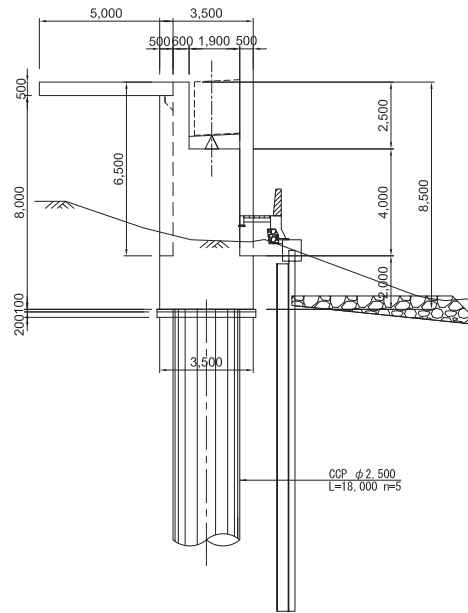
FRONT VIEW A1 & A2

S = 1:200



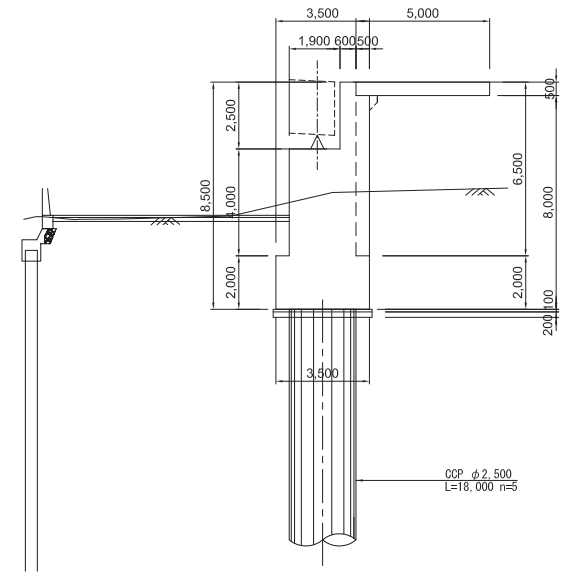
SIDE VIEW OF A1

S = 1:200



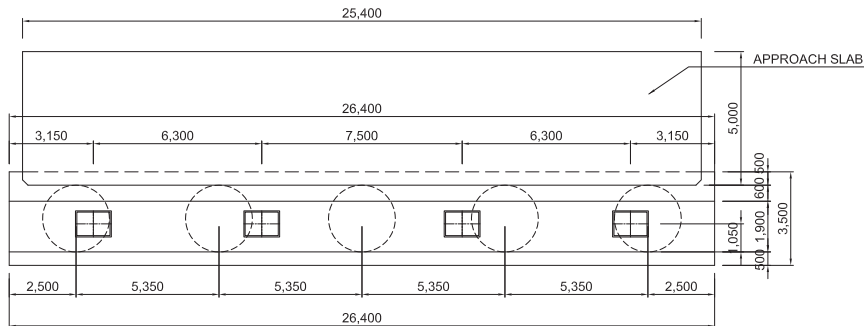
SIDE VIEW OF A2

S = 1:200



FRONT VIEW A1 & A2

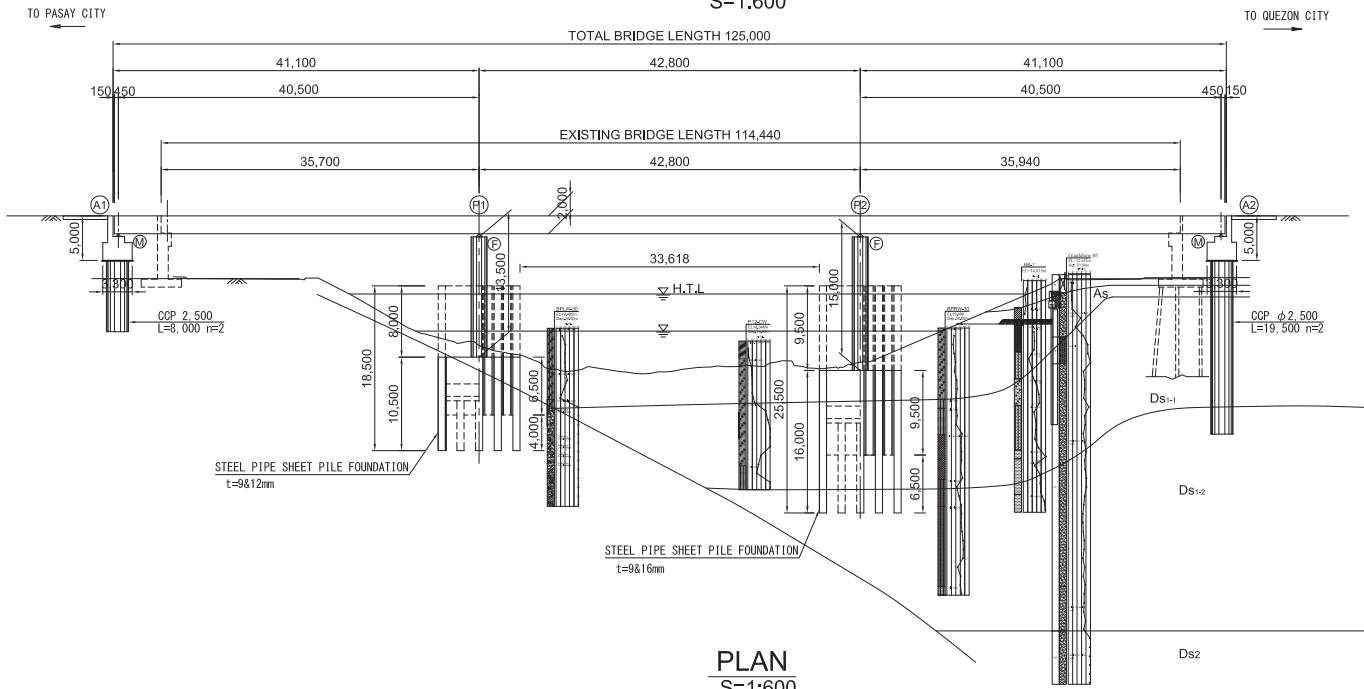
S = 1:200



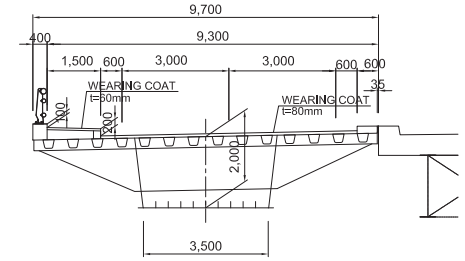
Clients:	Consultants:	Project Title:	Bridge Name:	Sheet Contents:	SHT. NO.
Japan International Cooperation Agency DEPARTMENT OF PUBLIC WORKS AND HIGHWAYS REPUBLIC OF THE PHILIPPINES	CTI Engineering Co., Ltd. Chodal Co., Ltd. Nippon Koei	Project for Study on Improvement of Bridges Through Disaster Mitigating Measures for the Large Scale Earthquakes in the Republic of the Philippines	LAMBINGAN BRIDGE	STRUCTURAL DRAWING SUBSTRUCTURE	1-A3

GENERAL VIEW OF GUADALUPE BRIDGE (OUTER BRIDGE)

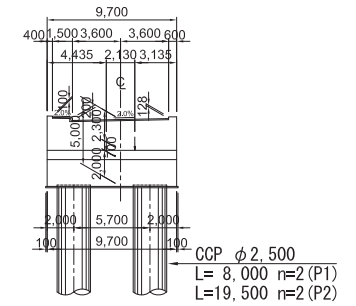
ELEVATION
S=1:600



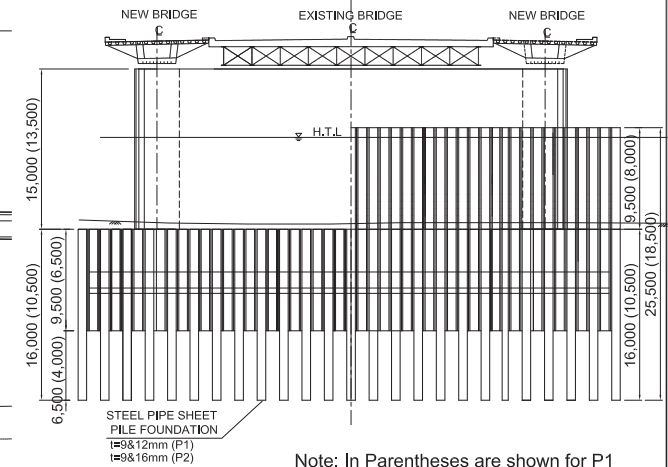
GIRDER SECTION
S=1:150



A1, A2 ABUT
S=1:400

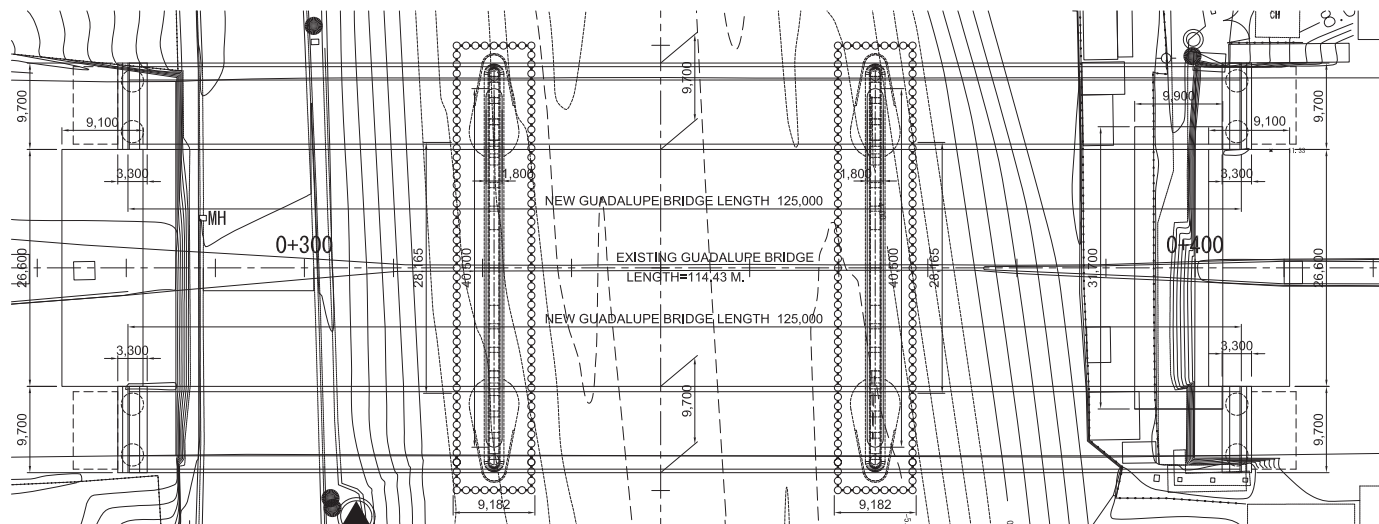


P1, P2 PIER
S=1:500



Note: In Parentheses are shown for P1

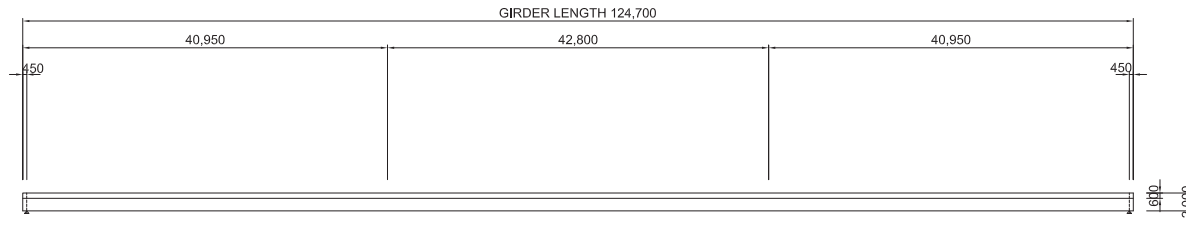
PLAN
S=1:600



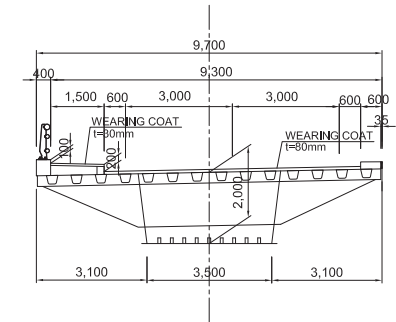
Clients:	Consultants:	Project Title:	Bridge Name:	Sheet Contents:	SHT. NO.
Japan International Cooperation Agency DEPARTMENT OF PUBLIC WORKS AND HIGHWAYS REPUBLIC OF THE PHILIPPINES	CTI Engineering Co., Ltd. Chodai Co., Ltd. Nippon Koei	Project for Study on Improvement of Bridges Through Disaster Mitigating Measures for the Large Scale Earthquakes in the Republic of the Philippines	GUADALUPE BRIDGE (OUTER BRIDGE)	GENERAL VIEW	1-B1

STRUCTURAL DRAWING (SUPERSTRUCTURE) GUADALUPE BRIDGE (OUTER BIDGE)

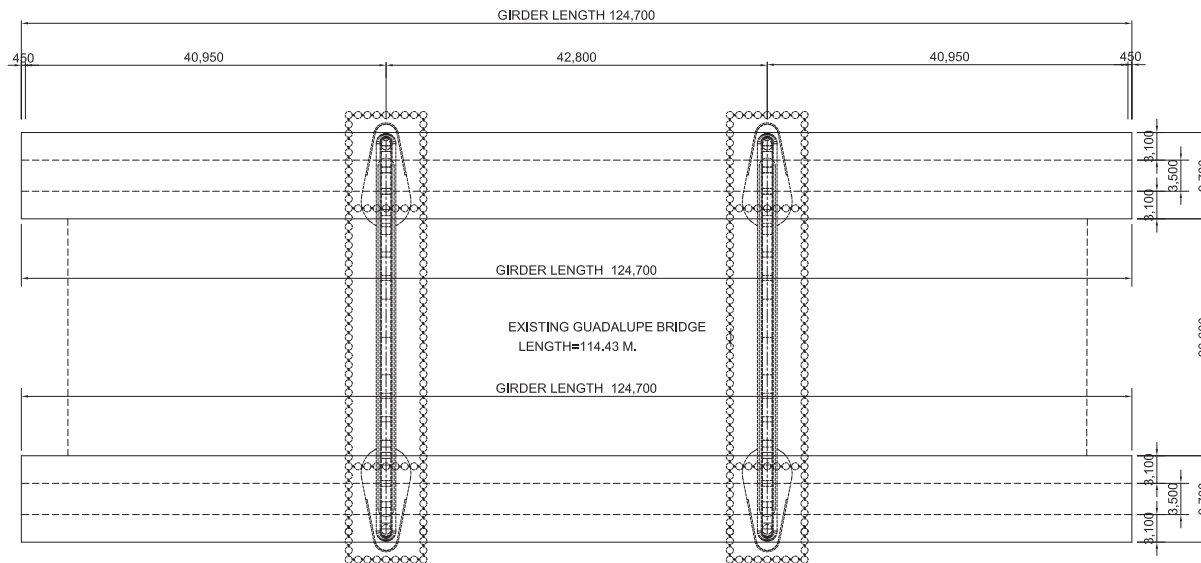
SIDE VIEW
S=1:600



GIRDER SECTION
S=1:150



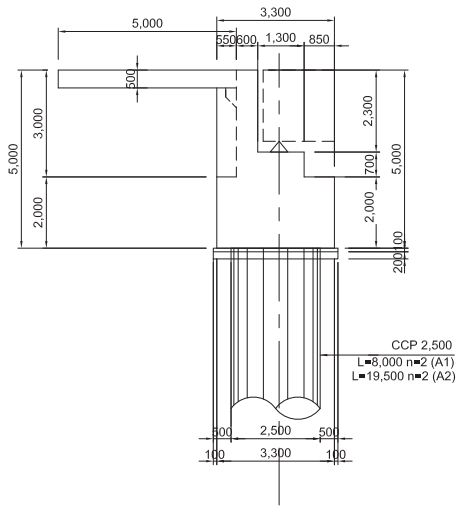
PLAN VIEW
S=1:600



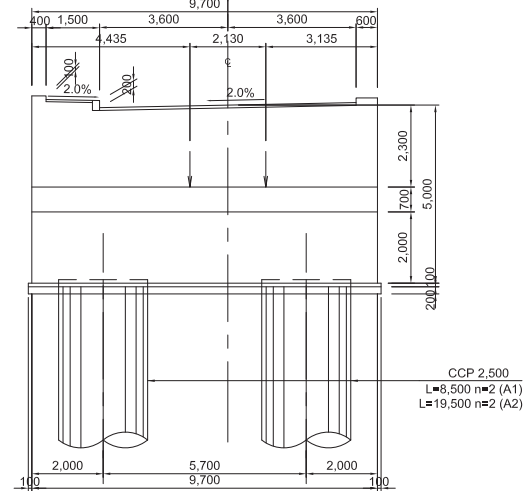
Clients:	Consultants:	Project Title:	Bridge Name:	Sheet Contents:	SHT. NO.
Japan International Cooperation Agency DEPARTMENT OF PUBLIC WORKS AND HIGHWAYS REPUBLIC OF THE PHILIPPINES	CTI Engineering Co., Ltd. Chodai Co., Ltd. Nippon Koei	Project for Study on Improvement of Bridges Through Disaster Mitagating Measures for the Large Scale Earthquakes in the Republic of the Philippines	GUADALUPE BRIDGE (OUTER BRIDGE)	STRUCTURAL DRAWING (SUPERSTRUCTURE)	1-B2

STRUCTURAL DRAWING (SUBSTRUCTURE) GUADALUPE (OUTER BRIDGE) (1)

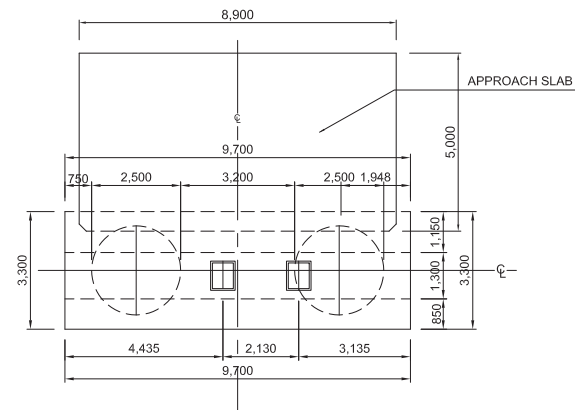
SIDE VIEW OF A1 & A2
S = 1:150








FRONT VIEW OF A1 & A2
S = 1:150



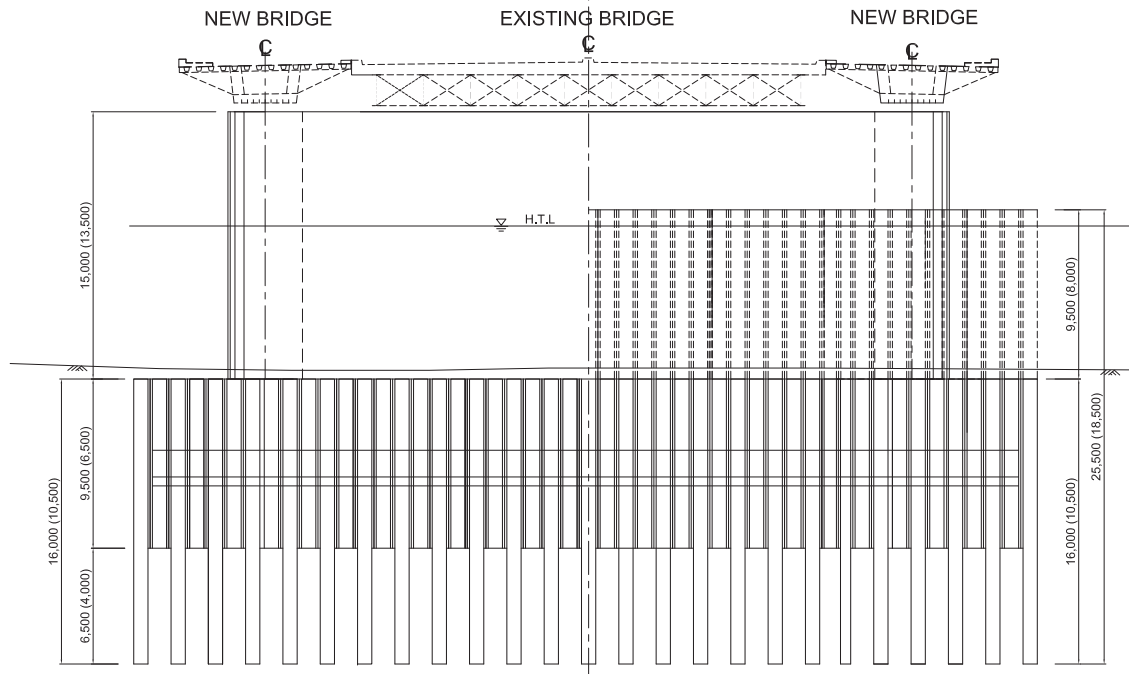
PLAN VIEW A1 & A2
S = 1:150



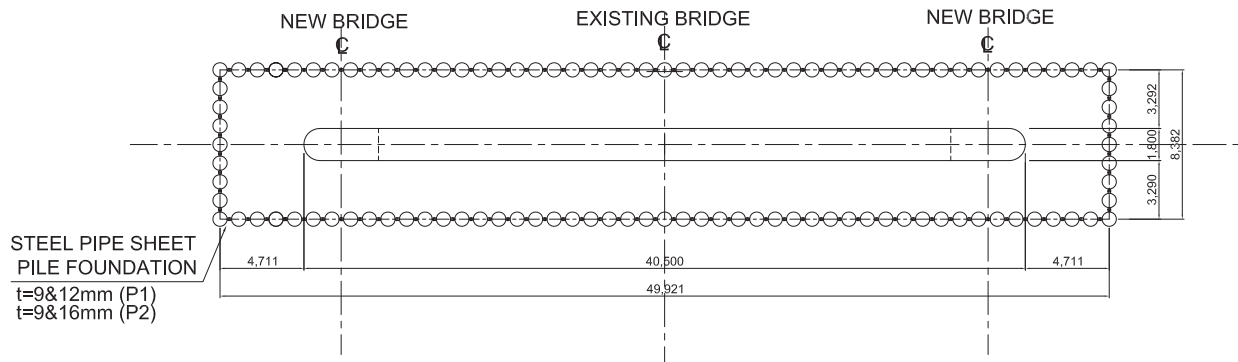
Clients:	Consultants:	Project Title:	Bridge Name:	Sheet Contents:	SHT. NO.
 Japan International Cooperation Agency  DEPARTMENT OF PUBLIC WORKS AND HIGHWAYS REPUBLIC OF THE PHILIPPINES	 CTI Engineering Co., Ltd.  Chodal Co., Ltd.  Nippon Koei	Project for Study on Improvement of Bridges Through Disaster Mitigating Measures for the Large Scale Earthquakes in the Republic of the Philippines	GUADALUPE BRIDGE (OUTER BRIDGE)	STRUCTURAL DRAWING SUBSTRUCTURE (1)	1-B3

STRUCTURAL DRAWING (SUBSTRUCTURE) GUADALUPE (OUTER BRIDGE) (2)

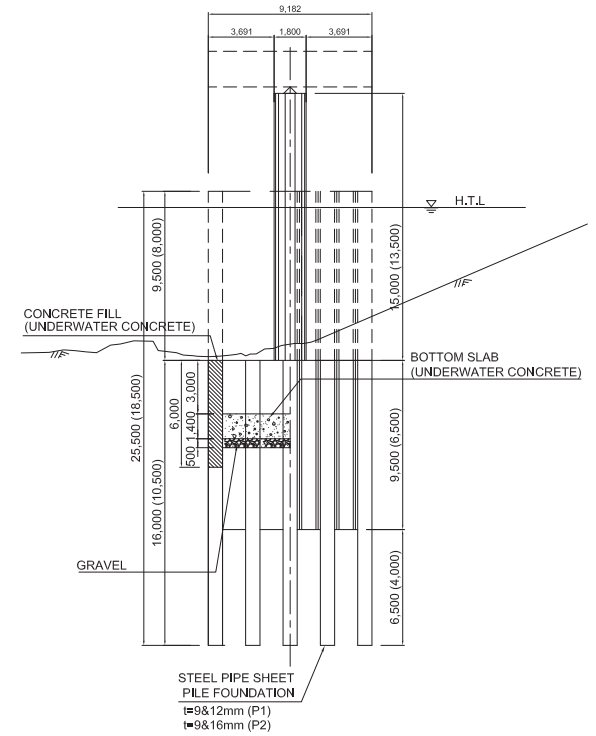
FRONT VIEW OF P1 & P2
S = 1:300







PLAN VIEW OF P1 & P2
S = 1:300



SIDE VIEW OF P1 & P2
S = 1:300



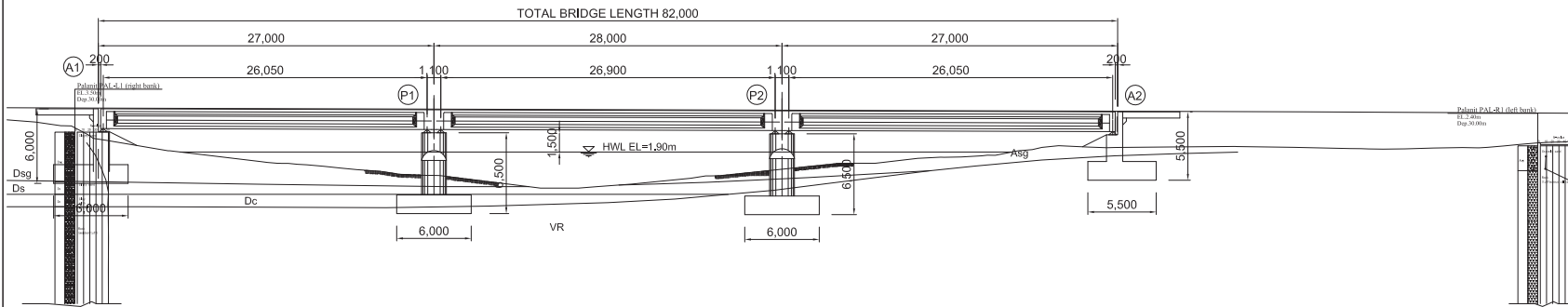
Note: In Parentheses are shown for P1

Clients:	Consultants:	Project Title:	Bridge Name:	Sheet Contents:	SHT. NO.
 Japan International Cooperation Agency	 CTI Engineering Co., Ltd.  Chodal Co., Ltd.  Nippon Koei	Project for Study on Improvement of Bridges Through Disaster Mitigating Measures for the Large Scale Earthquakes in the Republic of the Philippines	GUADALUPE BRIDGE (OUTER BRIDGE)	STRUCTURAL DRAWING SUBSTRUCTURE (2)	1-B4

GENERAL VIEW OF PALANIT BRIDGE

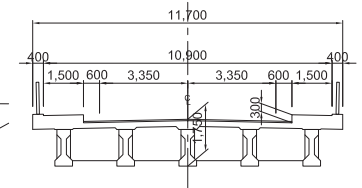
ELEVATION

S=1:400



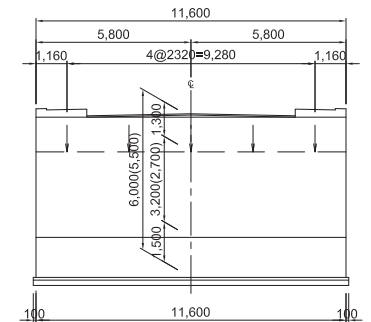
GIRDER SECTION

S=1:200



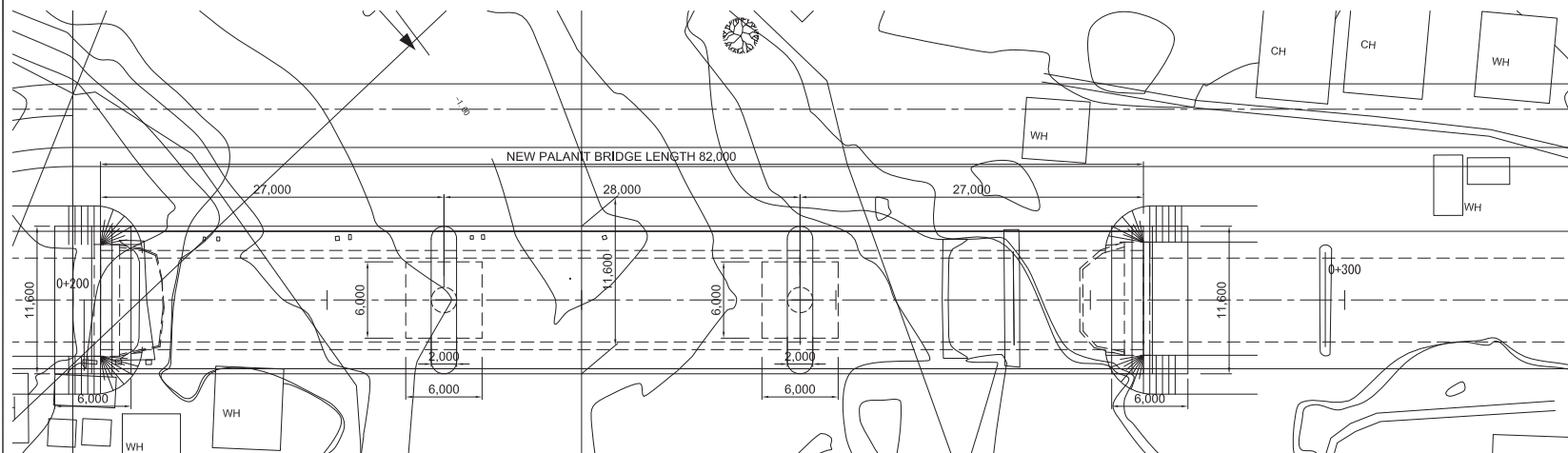
A1,A2 ABUT

S=1:200



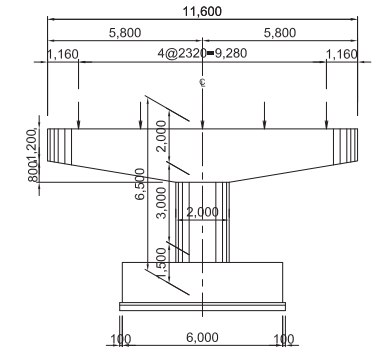
PLAN






S=1:400



P1,P2 PIER

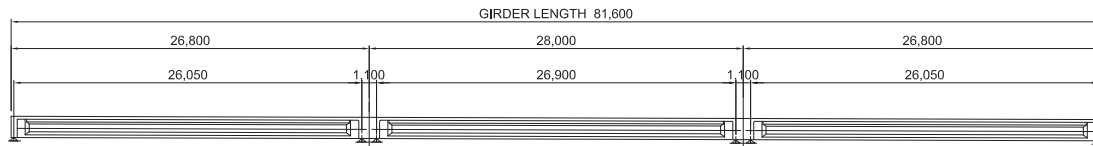
S=1:200



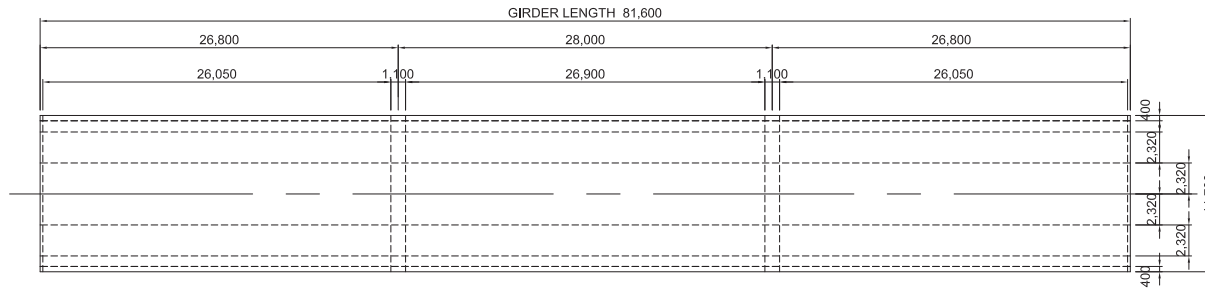
Clients:	Consultants:	Project Title:	Bridge Name:	Sheet Contents:	SHT. NO.
 Japan International Cooperation Agency  DEPARTMENT OF PUBLIC WORKS AND HIGHWAYS REPUBLIC OF THE PHILIPPINES	 CTI Engineering Co., Ltd.  Chodai Co., Ltd.  Nippon Koei	Project for Study on Improvement of Bridges Through Disaster Mitagating Measures for the Large Scale Earthquakes in the Republic of the Philippines	PALANIT BRIDGE	GENERAL VIEW	1-C1

STRUCTURAL DRAWING (SUPERSTRUCTURE) PALANIT BRIDGE

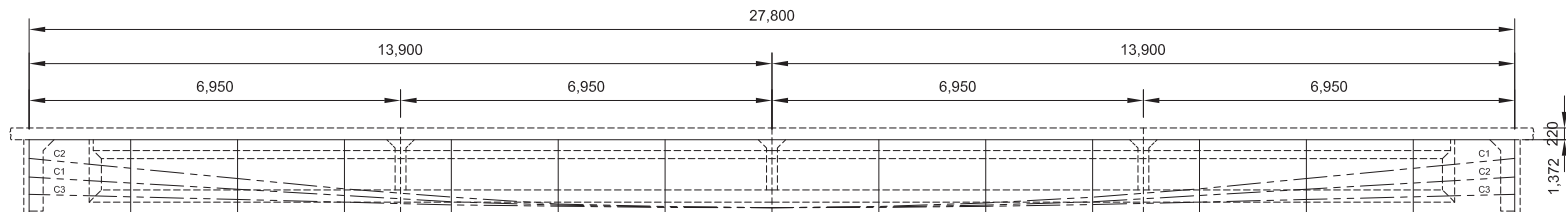
SIDE VIEW
S=1:400



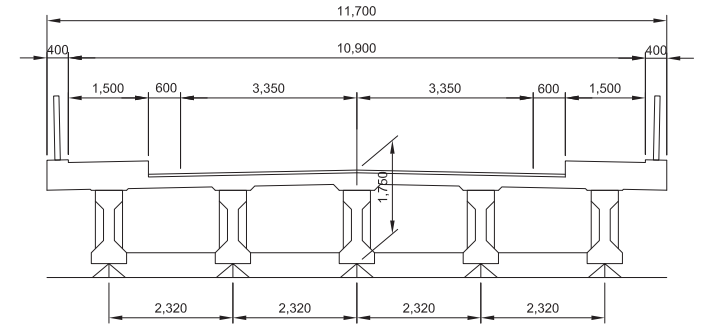
PLAN VIEW
S=1:400



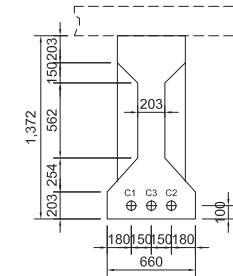
PROFILE OF CABLES @ CENTERSPAN
SCALE 1:100



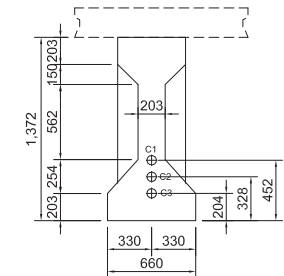
GIRDER SECTION
SCALE 1:100



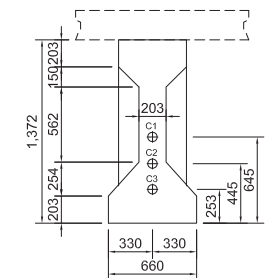
SECTION @ CENTERLINE
SCALE 1:40



SECTION @ 8.00M
SCALE 1:40



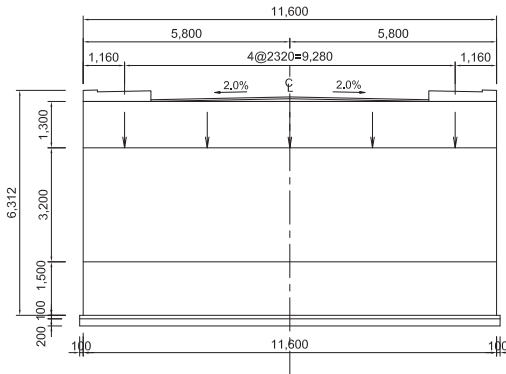
SECTION @ 10.00M
SCALE 1:40



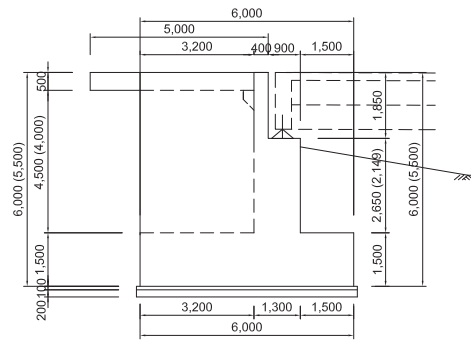
Clients:	Consultants:	Project Title:	Bridge Name:	Sheet Contents:	SHT. NO.
Japan International Cooperation Agency DEPARTMENT OF PUBLIC WORKS AND HIGHWAYS REPUBLIC OF THE PHILIPPINES	CTI Engineering Co., Ltd. Chodai Co., Ltd. Nippon Koei	Project for Study on Improvement of Bridges Through Disaster Mitagating Measures for the Large Scale Earthquakes in the Republic of the Philippines	PALANIT BRIDGE	STRUCTURAL DRAWING (SUPERSTRUCTURE)	1-C2

STRUCTURAL DRAWING (SUBSTRUCTURE) PALANIT BRIDGE

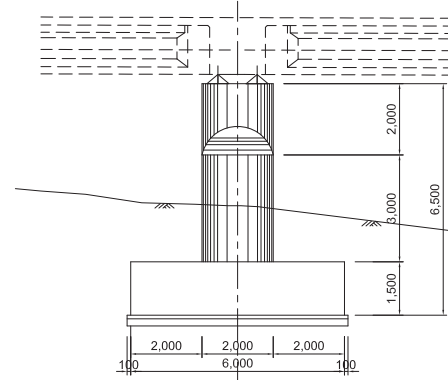
FRONT VIEW A1 & A2
SCALE = 1:150



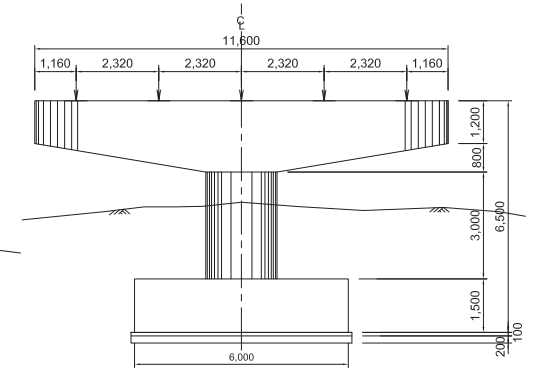
SIDE VIEW A1 & A2
SCALE = 1:150



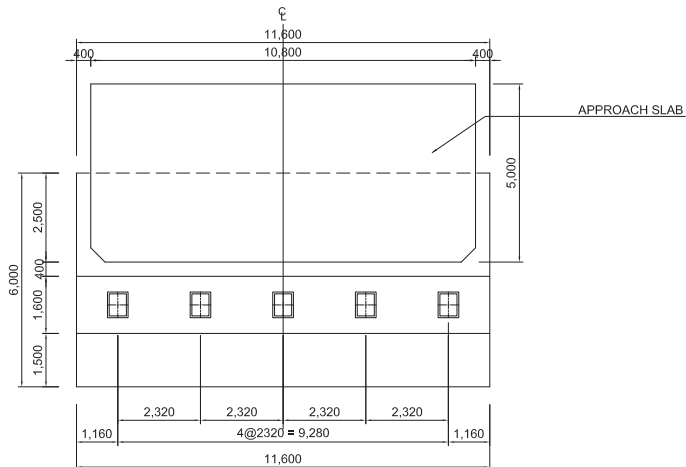
FRONT VIEW P1 & P2
S = 1:150



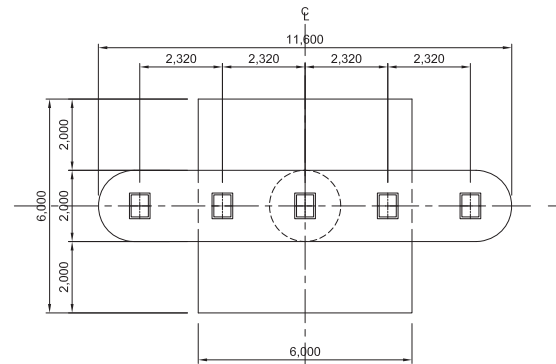
SIDE VIEW OF P1 & P2
S = 1:150








PLAN VIEW OF A1 & A2
SCALE = 1:150



PLAN VIEW P1 & P2
S = 1:150



Clients:	Consultants:	Project Title:	Bridge Name:	Sheet Contents:	SHT. NO.
 Japan International Cooperation Agency	 DEPARTMENT OF PUBLIC WORKS AND HIGHWAYS REPUBLIC OF THE PHILIPPINES	 CTI Engineering Co., Ltd.  Chodal Co., Ltd.  Nippon Koei	Project for Study on Improvement of Bridges Through Disaster Mitagating Measures for the Large Scale Earthquakes in the Republic of the Philippines	PALANIT BRIDGE	STRUCTURAL DRAWING SUBSTRUCTURE

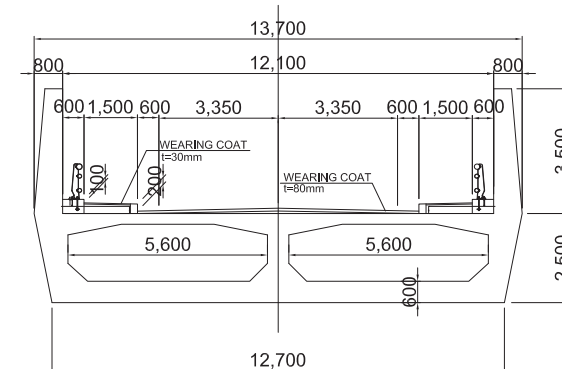
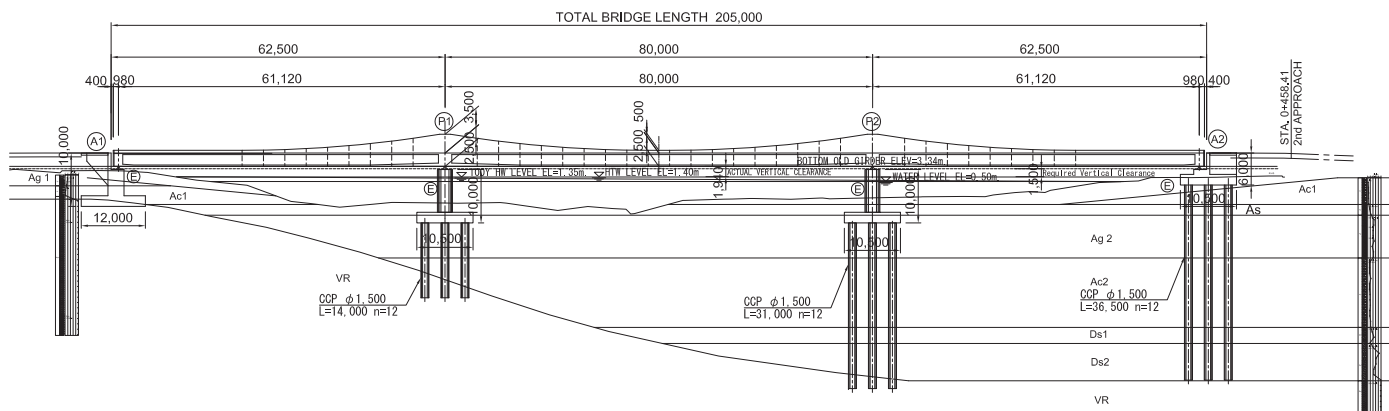
GENERAL VIEW OF MAWO BRIDGE

GIRDER SECTION @ PIER

SCALE 1:150

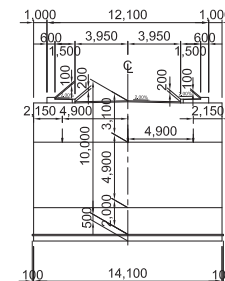
ELEVATION

S=1:1000



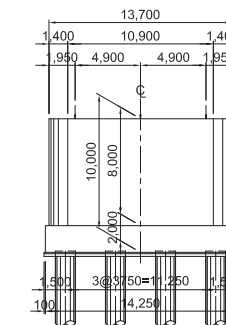
A1 ABUT

S=1:400



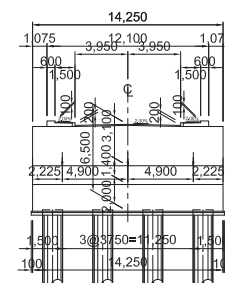
P1,P2 PIER

S=1:400



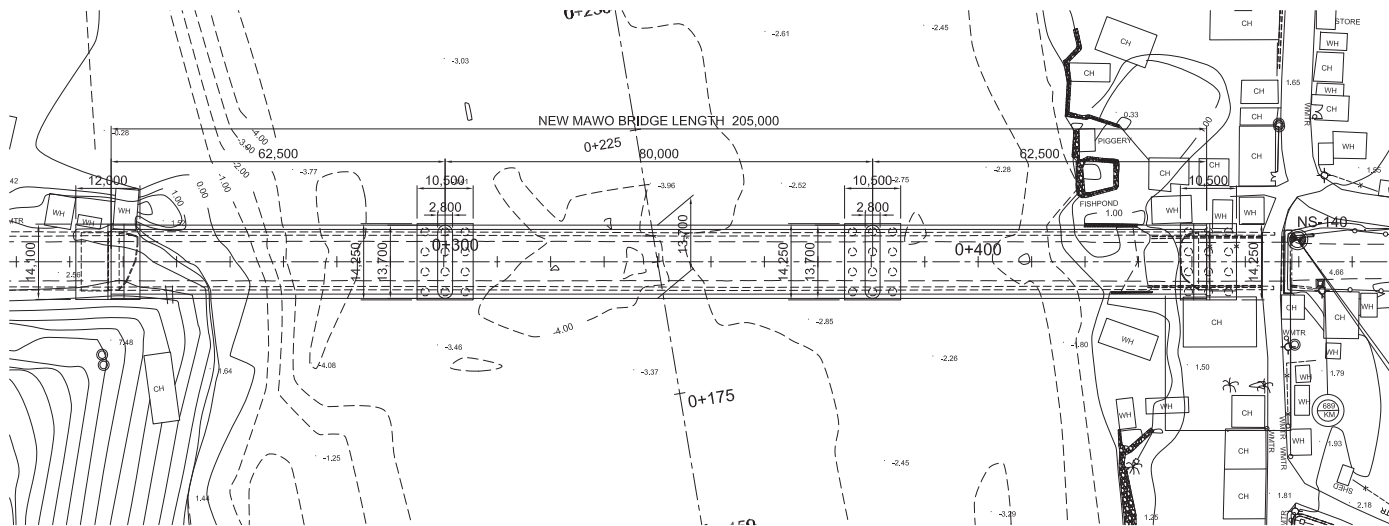
A2 ABUT

S=1:400



PLAN

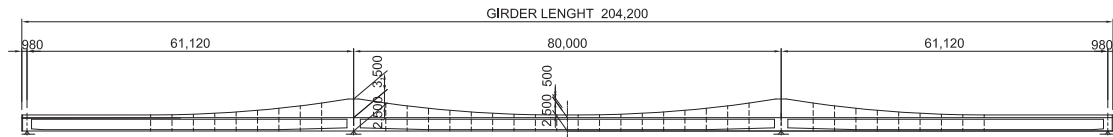
S=1:1000



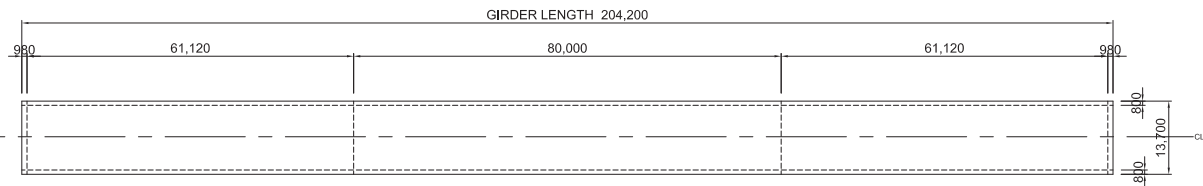
Clients:	Consultants:	Project Title:	Bridge Name:	Sheet Contents:	SHT. NO.
Japan International Cooperation Agency DEPARTMENT OF PUBLIC WORKS AND HIGHWAYS REPUBLIC OF THE PHILIPPINES	CTI Engineering Co., Ltd. Chodai Co., Ltd. Nippon Koei	Project for Study on Improvement of Bridges Through Disaster Mitigating Measures for the Large Scale Earthquakes in the Republic of the Philippines	MAWO BRIDGE	GENERAL VIEW	1-D1

STRUCTURAL DRAWING (SUPERSTRUCTURE) MAWO BRIDGE

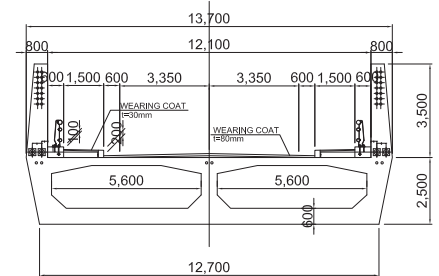
SIDE VIEW
S=1:1000



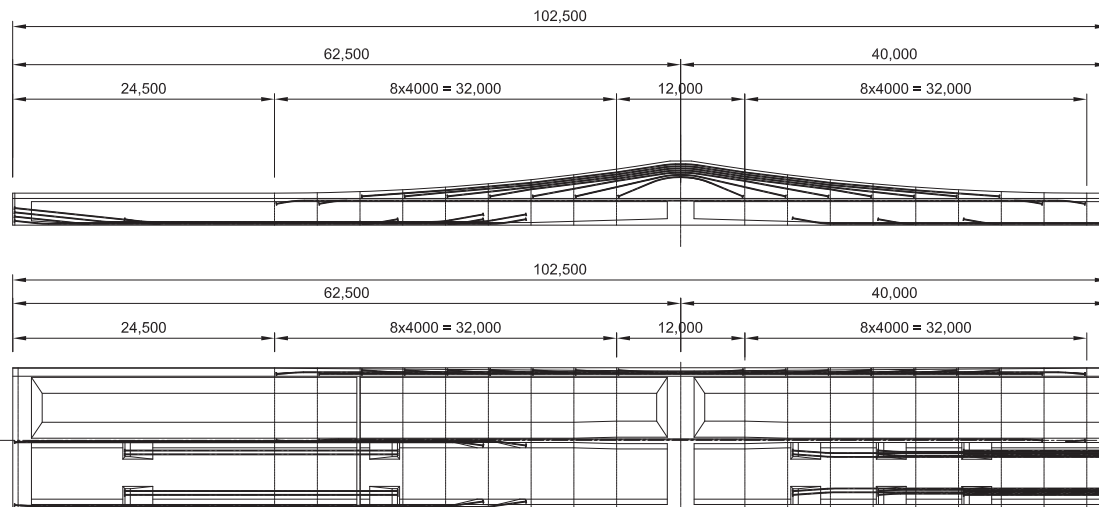
PLAN VIEW
S=1:1000



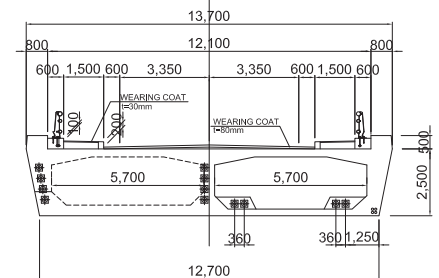
SECTION @ PIER
SCALE 1:200



GIRDER PC CABLE ARRANGEMENT
SCALE 1:500



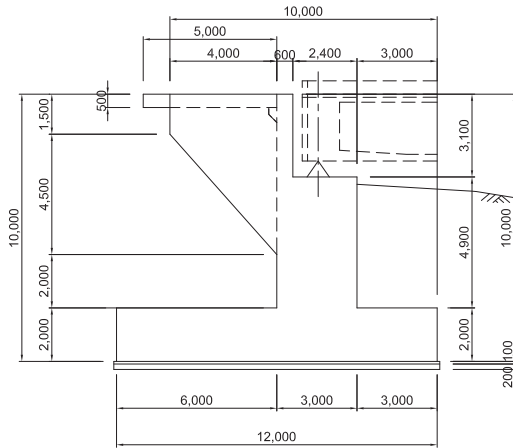
SECTION @ CENTER
SCALE 1:200



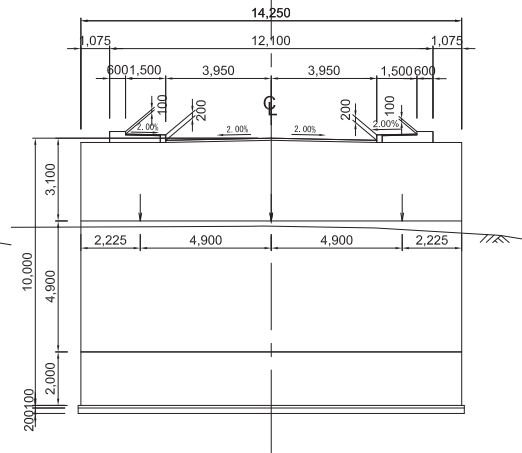
Clients:	Consultants:	Project Title:	Bridge Name:	Sheet Contents:	SHT. NO.
Japan International Cooperation Agency DEPARTMENT OF PUBLIC WORKS AND HIGHWAYS REPUBLIC OF THE PHILIPPINES	CTI Engineering Co., Ltd. Chodai Co., Ltd. Nippon Koei	Project for Study on Improvement of Bridges Through Disaster Mitigating Measures for the Large Scale Earthquakes in the Republic of the Philippines	MAWO BRIDGE	STRUCTURAL DRAWING (SUPERSTRUCTURE)	1-D2

STRUCTURAL DRAWING (SUBSTRUCTURE) MAWO BRIDGE (1)

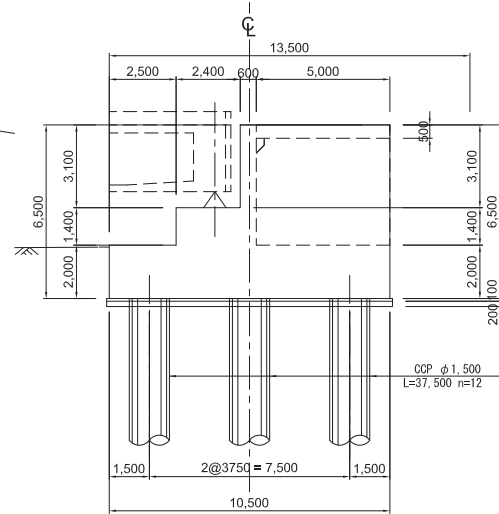
SIDE VIEW OF A1
S = 1:200



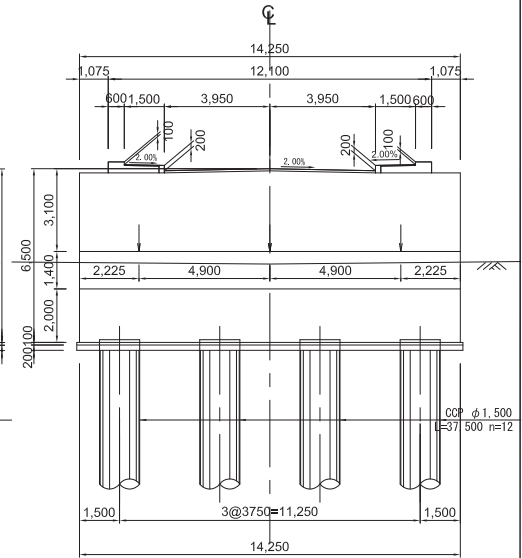
FRONT VIEW OF A1
S = 1:200



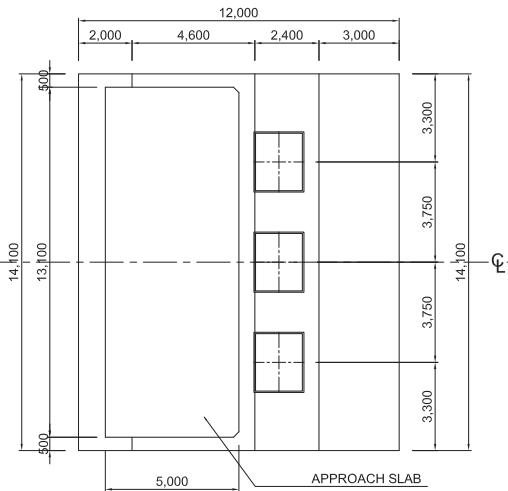
SIDE VIEW OF A2
S = 1:200



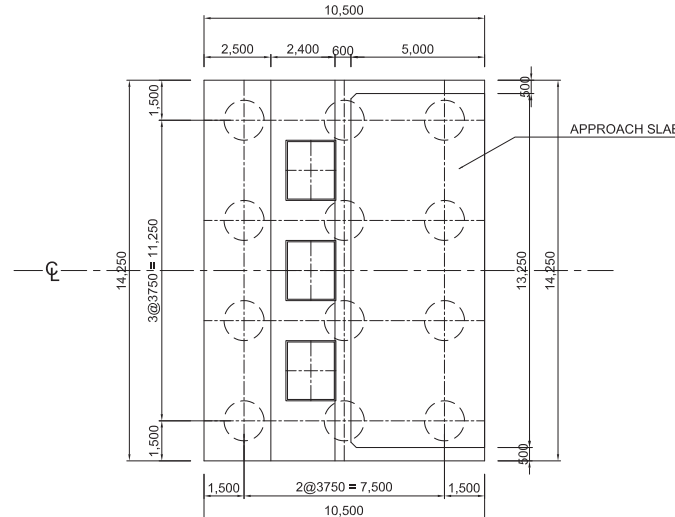
FRONT VIEW OF A2
S = 1:200



PLAN VIEW OF A1
S = 1:200



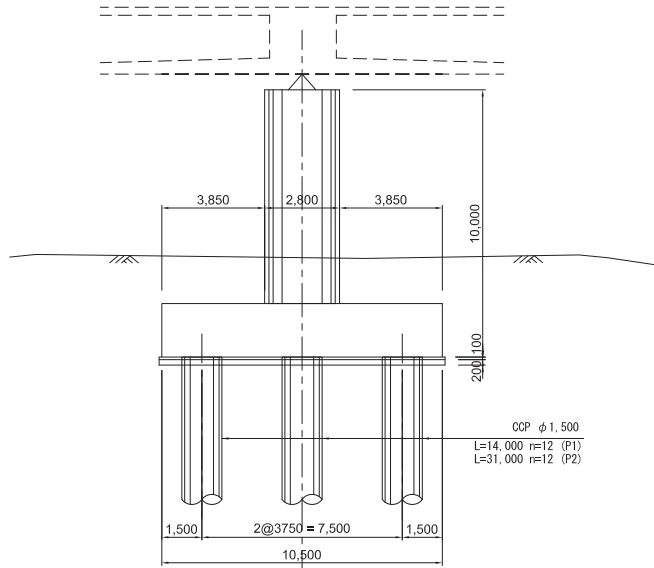
PLAN VIEW OF A2
S = 1:200



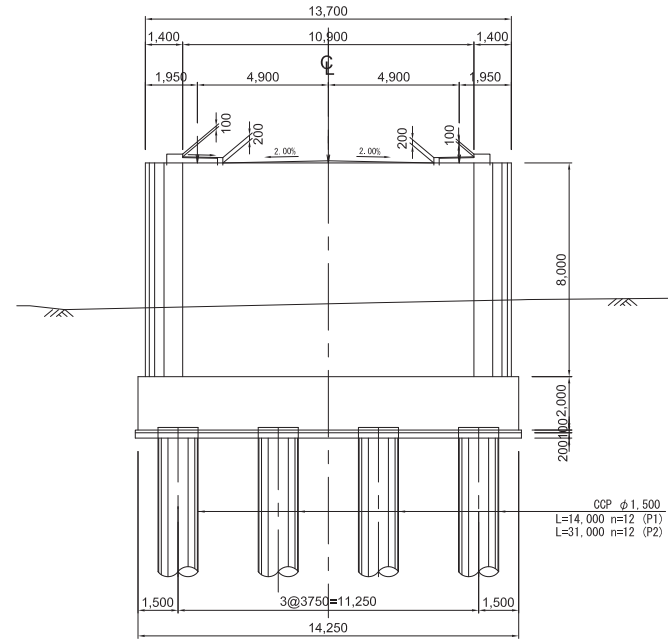
Clients:	Consultants:	Project Title:	Bridge Name:	Sheet Contents:	SHT. NO.
Japan International Cooperation Agency DEPARTMENT OF PUBLIC WORKS AND HIGHWAYS REPUBLIC OF THE PHILIPPINES	CTI Engineering Co., Ltd. Chodal Co., Ltd. Nippon Koei	Project for Study on Improvement of Bridges Through Disaster Mitigating Measures for the Large Scale Earthquakes in the Republic of the Philippines	MAWO BRIDGE	STRUCTURAL DRAWING SUBSTRUCTURE (1)	1-D3

STRUCTURAL DRAWING (SUBSTRUCTURE) MAWO BRIDGE (2)

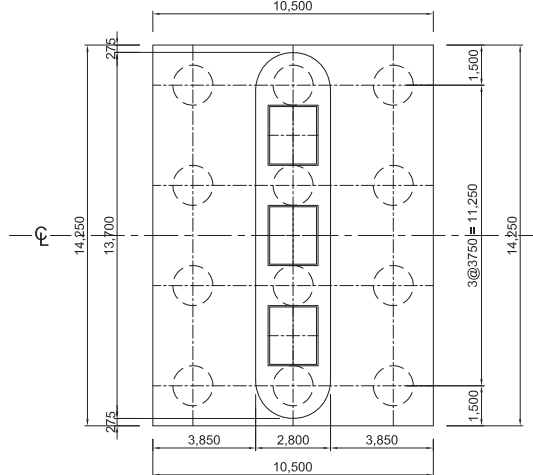
SIDE VIEW OF P1 & P2
S = 1:200








FRONT VIEW OF P1 & P2
S = 1:200



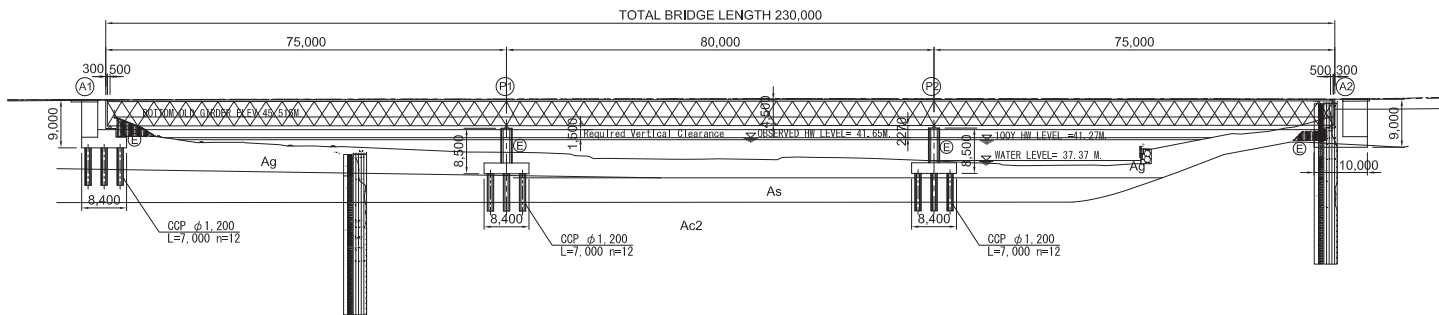
PLAN VIEW OF P1 & P2
S = 1:200



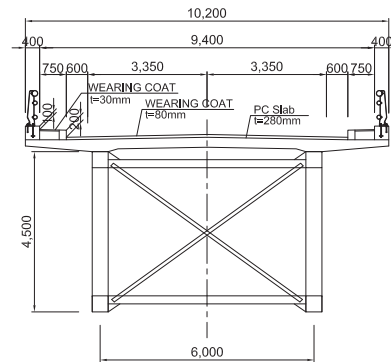
Clients:	Consultants:	Project Title:	Bridge Name:	Sheet Contents:	SHT. NO.
 Japan International Cooperation Agency  DEPARTMENT OF PUBLIC WORKS AND HIGHWAYS REPUBLIC OF THE PHILIPPINES	 CTI Engineering Co., Ltd.  Chodal Co., Ltd.  Nippon Koei	Project for Study on Improvement of Bridges Through Disaster Mitagating Measures for the Large Scale Earthquakes in the Republic of the Philippines	MAWO BRIDGE	STRUCTURAL DRAWING SUBSTRUCTURE (2)	1-D4

GENERAL VIEW OF WAWA BRIDGE

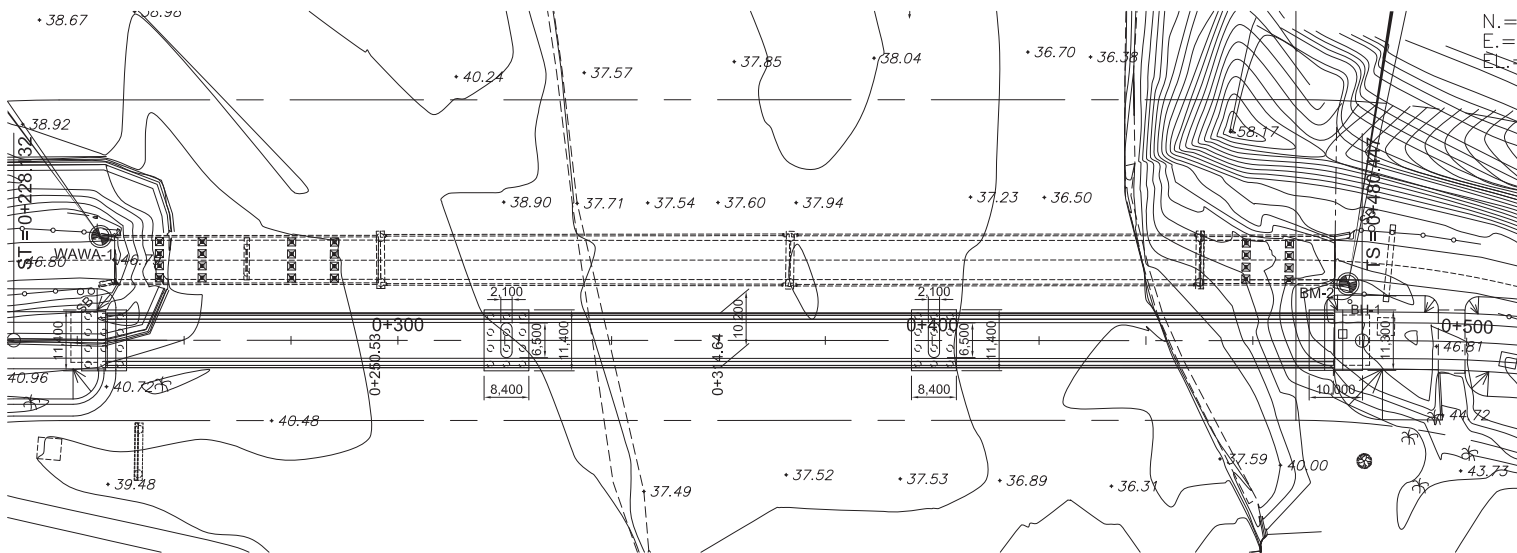
ELEVATION
S=1:1000



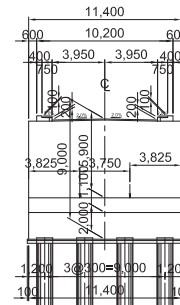
GIRDER SECTION
S=1:150



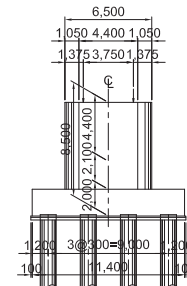
PLAN
S=1:1000



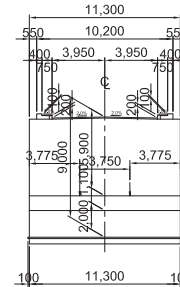
A1 ABUT
S=1:400



P1, P2 PIER
S=1:400



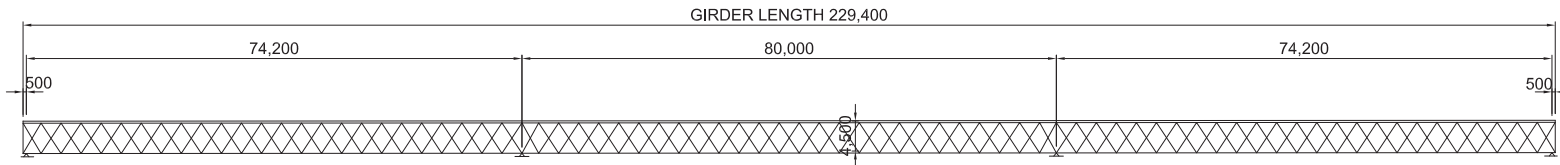
A2 ABUT
S=1:400



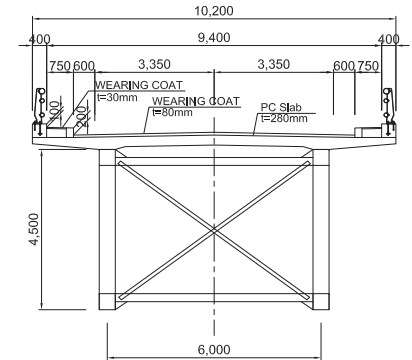
Clients:	Consultants:	Project Title:	Bridge Name:	Sheet Contents:	SHT. NO.
Japan International Cooperation Agency DEPARTMENT OF PUBLIC WORKS AND HIGHWAYS REPUBLIC OF THE PHILIPPINES	CTI Engineering Co., Ltd. Chodai Co., Ltd. Nippon Koei	Project for Study on Improvement of Bridges Through Disaster Mitigating Measures for the Large Scale Earthquakes in the Republic of the Philippines	WAWA BRIDGE	GENERAL VIEW	1-E1

STRUCTURAL DRAWING (SUPERSTRUCTURE) WAWA BRIDGE

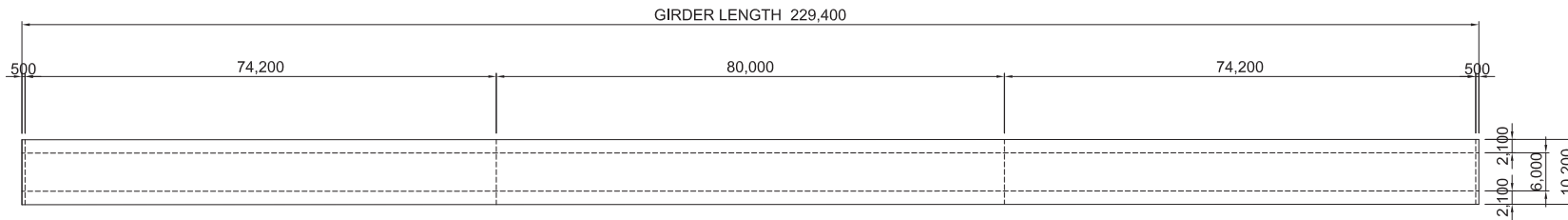
SIDE VIEW
S=1:800



GIRDER SECTION
S=1:150



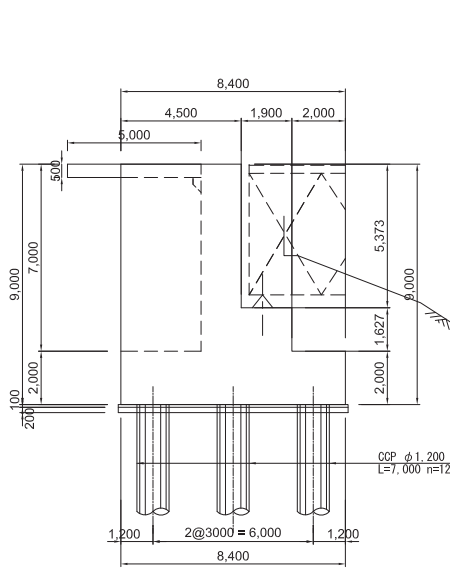
PLAN VIEW
S=1:800



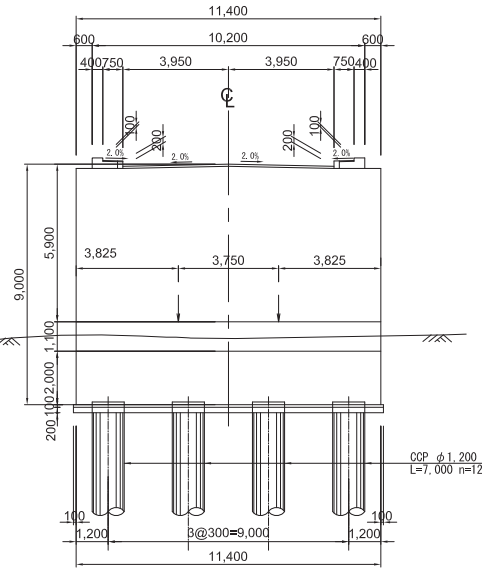
Clients:	Consultants:	Project Title:	Bridge Name:	Sheet Contents:	SHT. NO.
Japan International Cooperation Agency DEPARTMENT OF PUBLIC WORKS AND HIGHWAYS REPUBLIC OF THE PHILIPPINES	CTI Engineering Co., Ltd. Chodai Co., Ltd. Nippon Koei	Project for Study on Improvement of Bridges Through Disaster Mitagating Measures for the Large Scale Earthquakes in the Republic of the Philippines	WAWA BRIDGE	STRUCTURAL DRAWING (SUPERSTRUCTURE)	1-E2

STRUCTURAL DRAWING (SUBSTRUCTURE) WAWA BRIDGE (1)

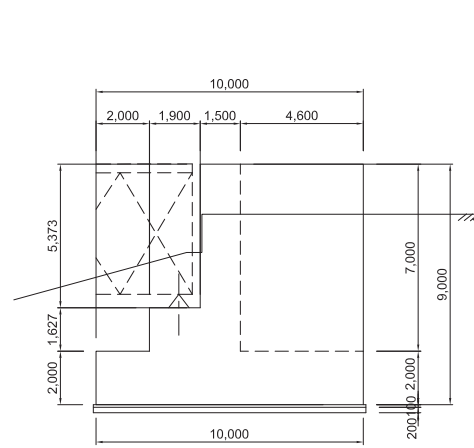
SIDE VIEW OF A1
S = 1:200



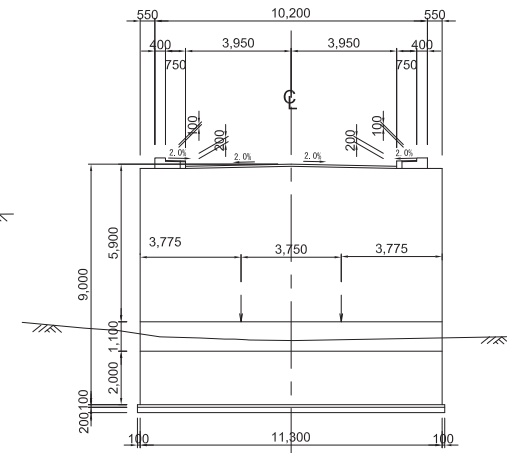
FRONT VIEW OF A1
S = 1:200



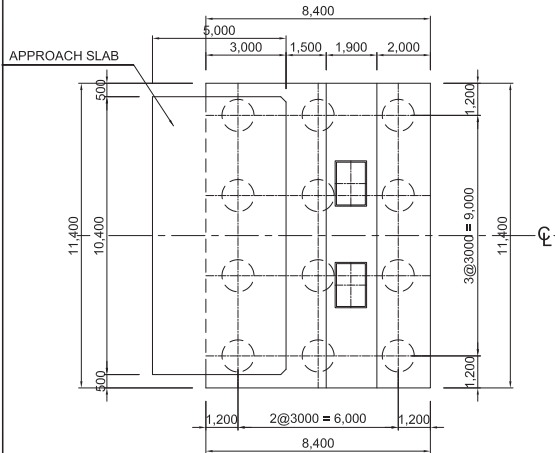
SIDE VIEW OF A2
S = 1:200



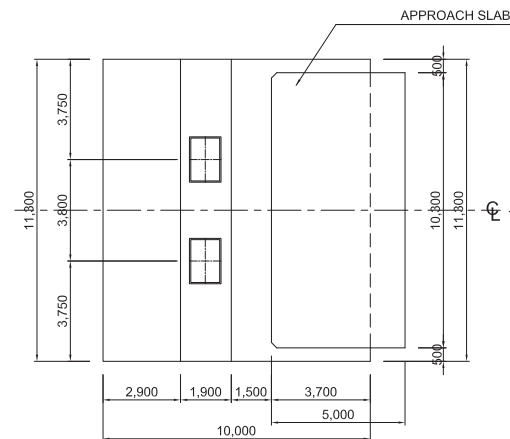
FRONT VIEW OF A2
S = 1:200








PLAN VIEW OF A1
S = 1:200



PLAN VIEW OF A2
S = 1:200

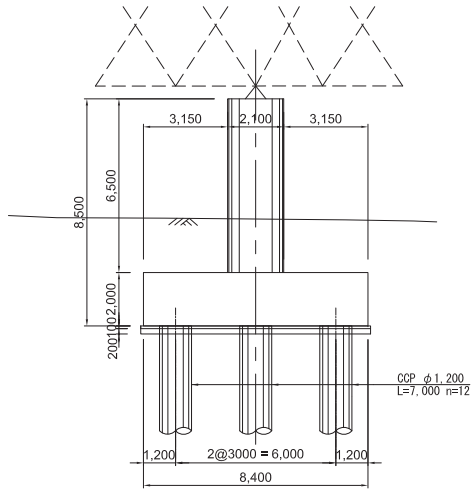


Clients:	Consultants:	Project Title:	Bridge Name:	Sheet Contents:	SHT. NO.
 Japan International Cooperation Agency  DEPARTMENT OF PUBLIC WORKS AND HIGHWAYS REPUBLIC OF THE PHILIPPINES	 CTI Engineering Co., Ltd.  Chodal Co., Ltd.  Nippon Koei	Project for Study on Improvement of Bridges Through Disaster Mitigating Measures for the Large Scale Earthquakes in the Republic of the Philippines	WAWA BRIDGE	STRUCTURAL DRAWING SUBSTRUCTURE (1)	1-E3

STRUCTURAL DRAWING (SUBSTRUCTURE) WAWA BRIDGE (2)

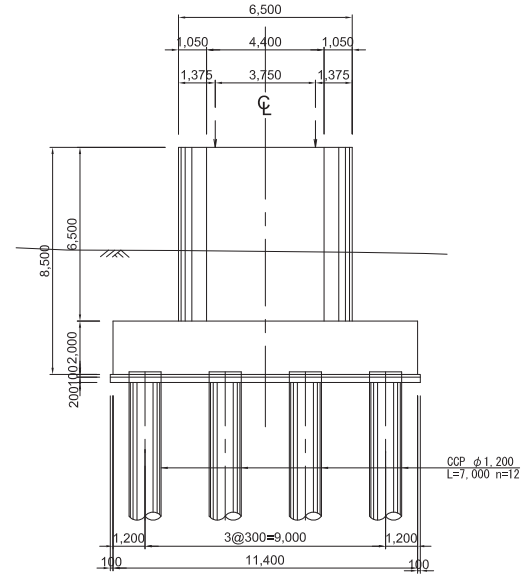
SIDE VIEW OF P1 & P2

S = 1:200



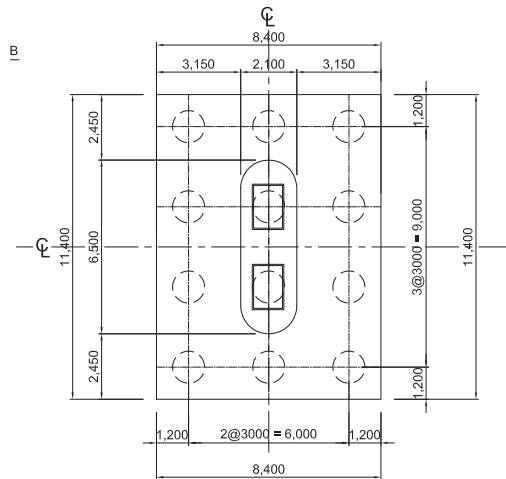
FRONT VIEW OF P1 & P2






S = 1:200



PLAN VIEW OF P1 & P2

S = 1:200

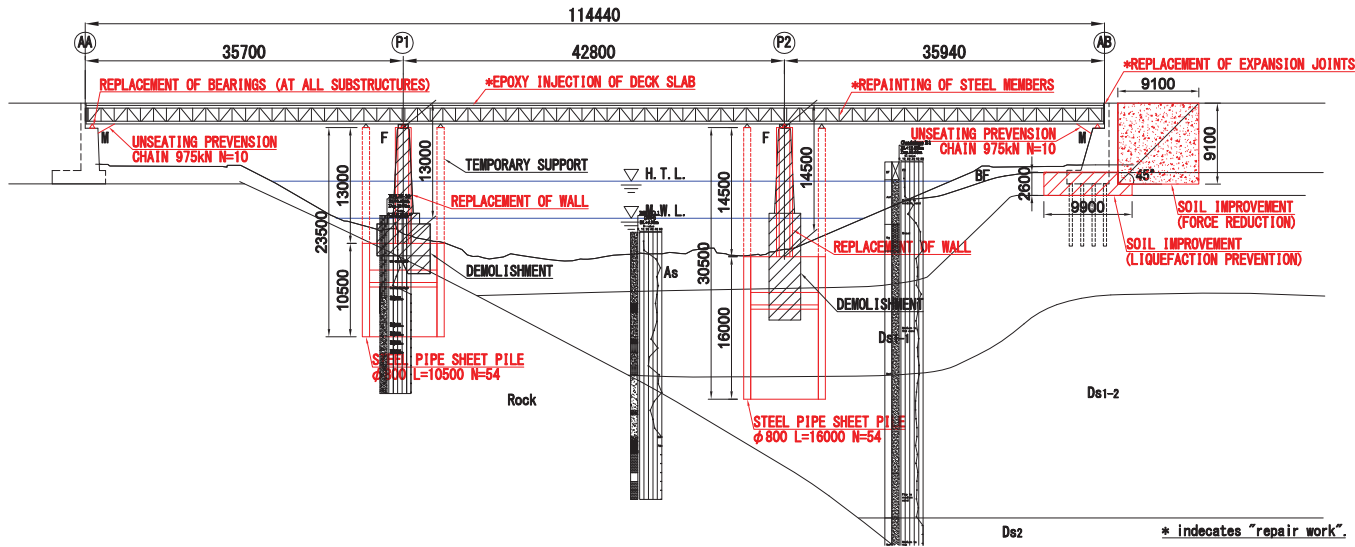


Clients:	Consultants:	Project Title:	Bridge Name:	Sheet Contents:	SHT. NO.
 Japan International Cooperation Agency  DEPARTMENT OF PUBLIC WORKS AND HIGHWAYS REPUBLIC OF THE PHILIPPINES	 CTI Engineering Co., Ltd.  Chodal Co., Ltd.  Nippon Koei	Project for Study on Improvement of Bridges Through Disaster Mitigating Measures for the Large Scale Earthquakes in the Republic of the Philippines	WAWA BRIDGE	STRUCTURAL DRAWING SUBSTRUCTURE (2)	1-E4

GENERAL VIEW OF GUADALUPE BRIDGE (INNER BRIDGE)

ELEVATION

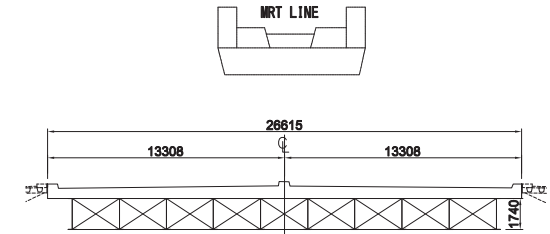
SCALE 1:600



CROSS SECTION

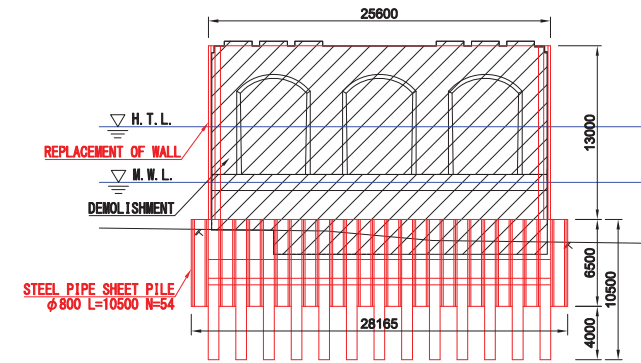
Steel Trussed I-Girder

SCALE 1:300



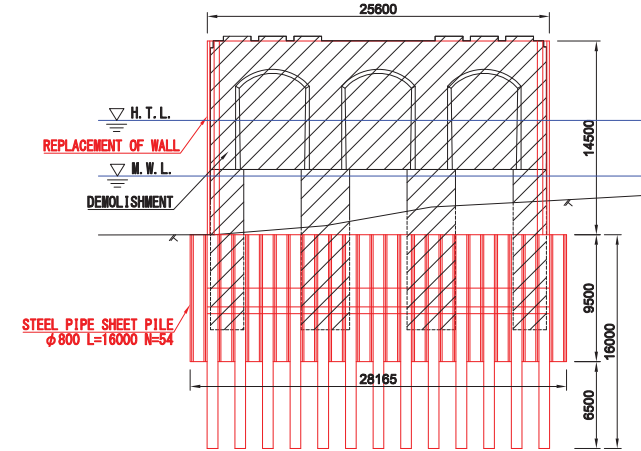
P1

SCALE 1:400



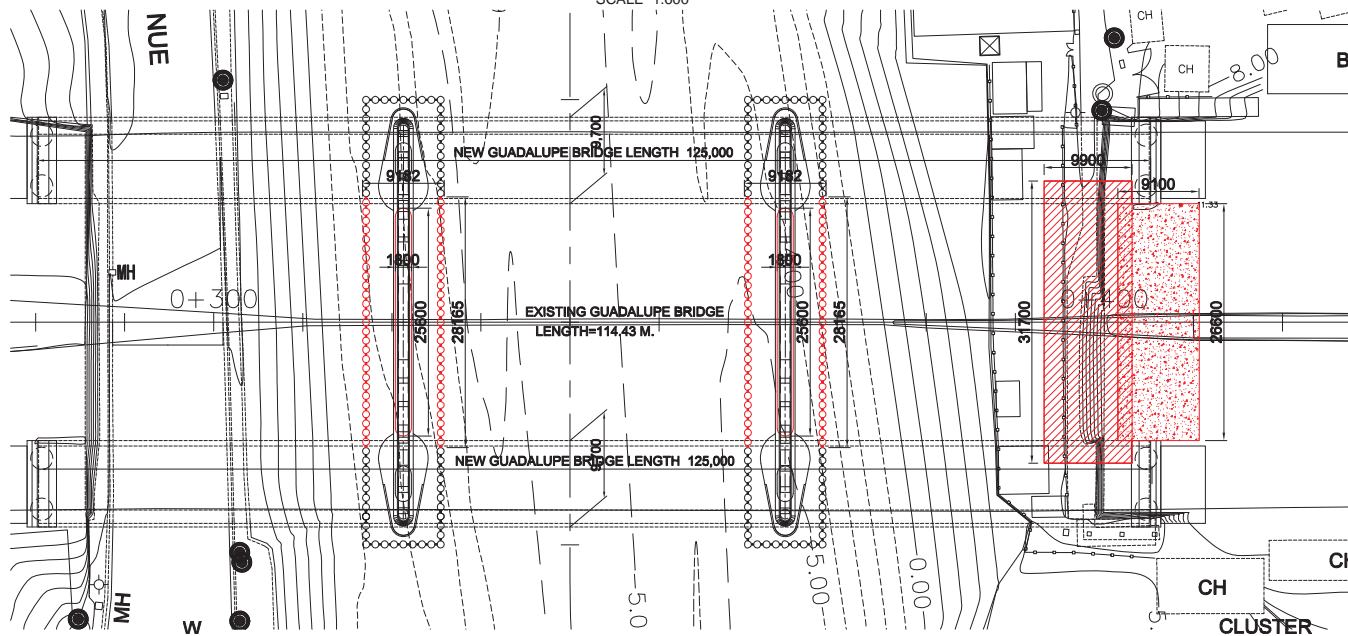
P2

SCALE 1:400



PLAN

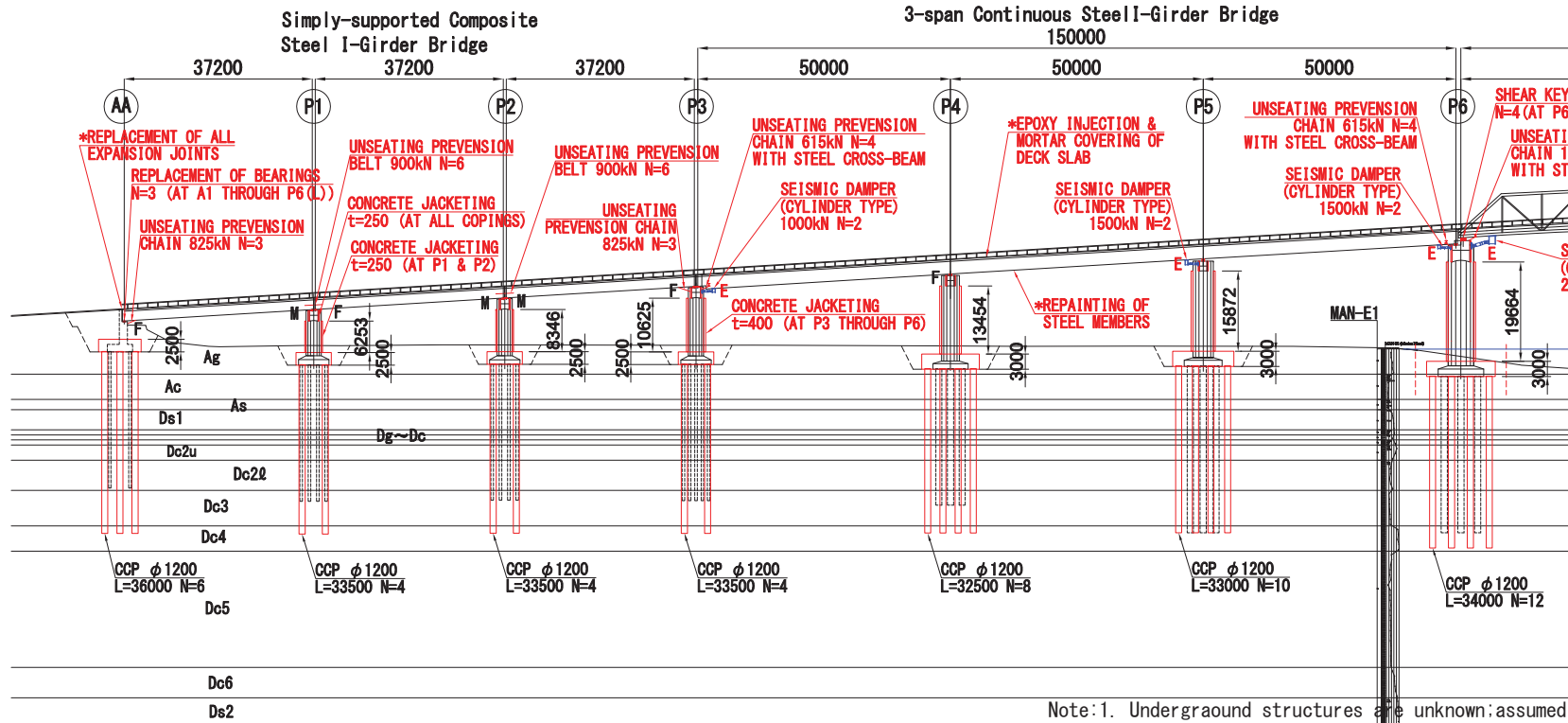
SCALE 1:600



Clients:	Consultants:	Project Title:	Bridge Name:	Sheet Contents:	SHT. NO.
Japan International Cooperation Agency DEPARTMENT OF PUBLIC WORKS AND HIGHWAYS REPUBLIC OF THE PHILIPPINES	CTI Engineering Co., Ltd. Chodal Co., Ltd. Nippon Koei	Project for Study on Improvement of Bridges Through Disaster Mitigating Measures for the Large Scale Earthquakes in the Republic of the Philippines	GUADALUPE BRIDGE	GENERAL VIEW (INNER BRIDGE)	2-A1

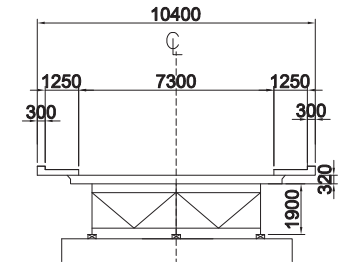
GENERAL VIEW OF 1st MANDAUE-MACTAN BRIDGE(1)

ELEVATION
SCALE 1:1000



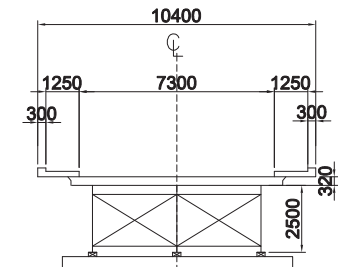
CROSS SECTION

Simply-supported Composite Steel I-Girder Bridge
SCALE 1:200



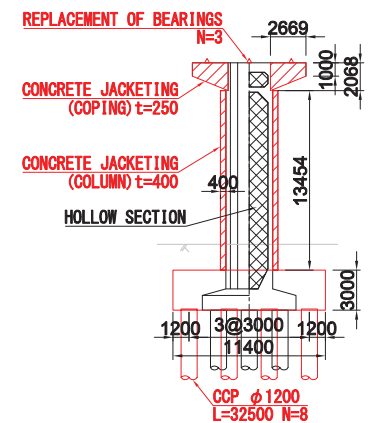
Continuous Steel I-Girder Bridge

SCALE 1:200

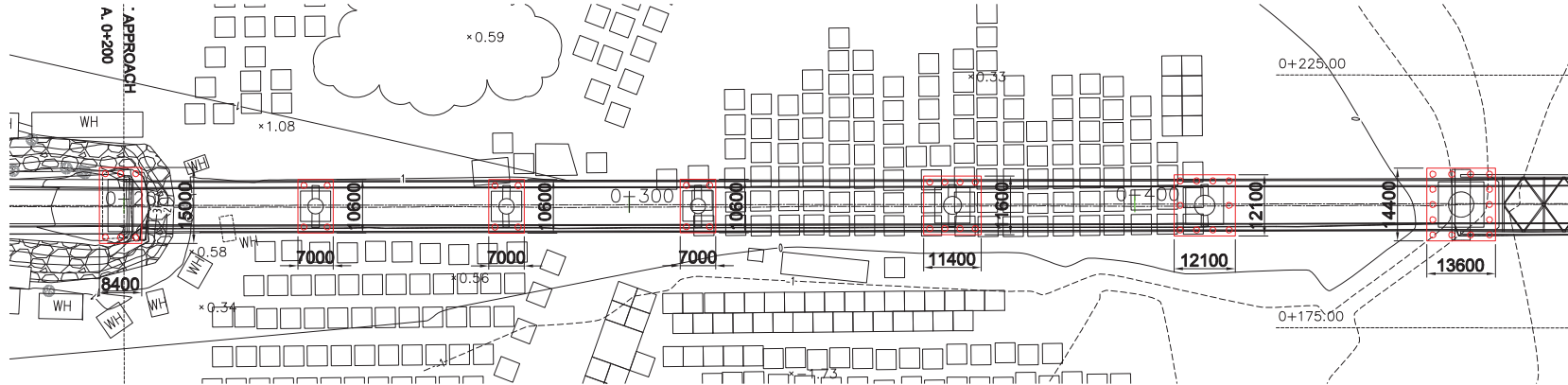


P4

SCALE 1:400



PLAN
SCALE 1:1000



Note: 1. Underground structures are unknown; assumed
2. * indicates "repair work".

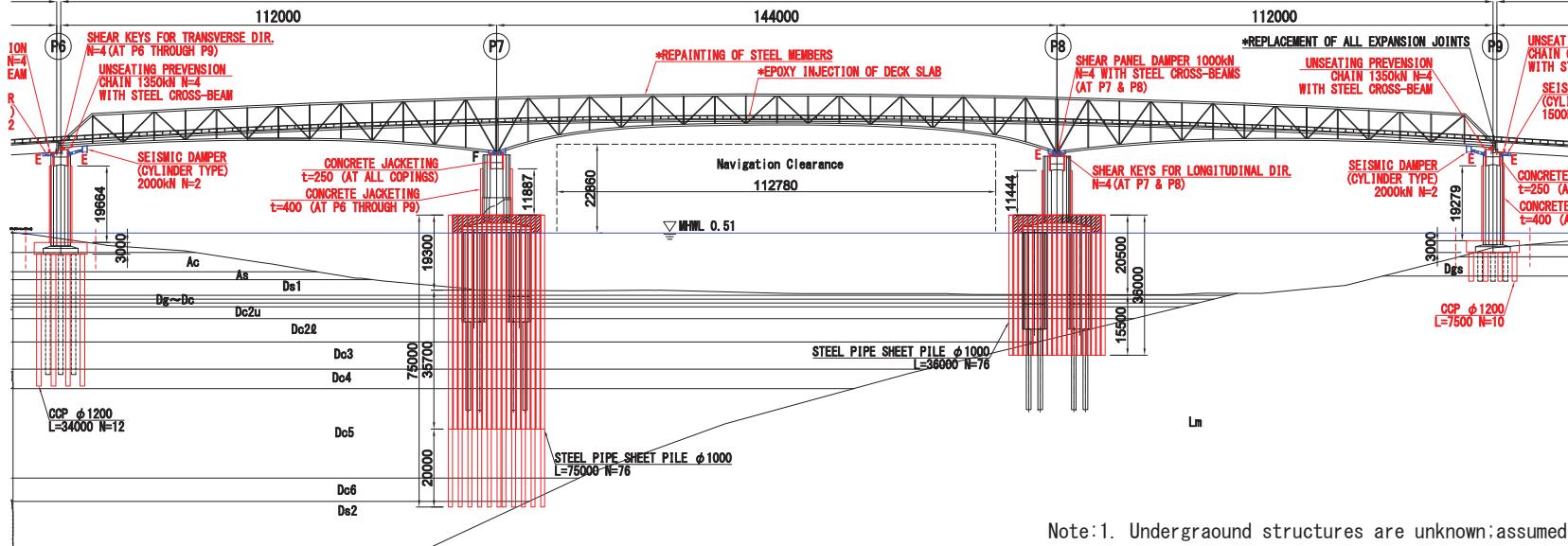
Clients:	Consultants:	Project Title:	Bridge Name:	Sheet Contents:	SHT. NO.
Japan International Cooperation Agency DEPARTMENT OF PUBLIC WORKS AND HIGHWAYS REPUBLIC OF THE PHILIPPINES	CTI Engineering Co., Ltd. Chodai Co., Ltd. Nippon Koei	Project for Study on Improvement of Bridges Through Disaster Mitagating Measures for the Large Scale Earthquakes in the Republic of the Philippines	1st MANDAUE - MACTAN BRIDGE	GENERAL VIEW (1)	2-B1

GENERAL VIEW OF 1st MANDAUE-MACTAN BRIDGE(2)

ELEVATION

SCALE 1:1300

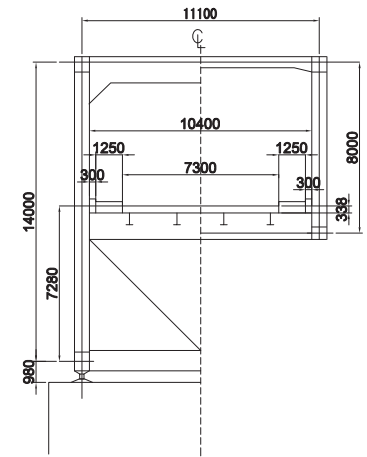
3-span Continuous Steel Through Truss Bridge
368000



CROSS SECTION

SCALE 1:250

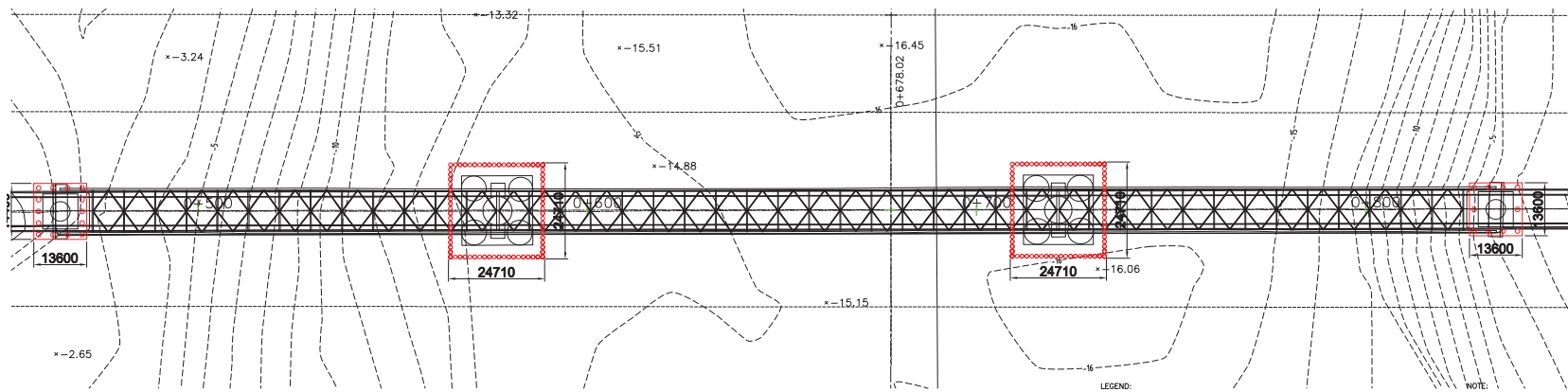
Continuous Steel Through Truss Bridge



Note: 1. Underground structures are unknown; assumed
2. * indicates "repair work".

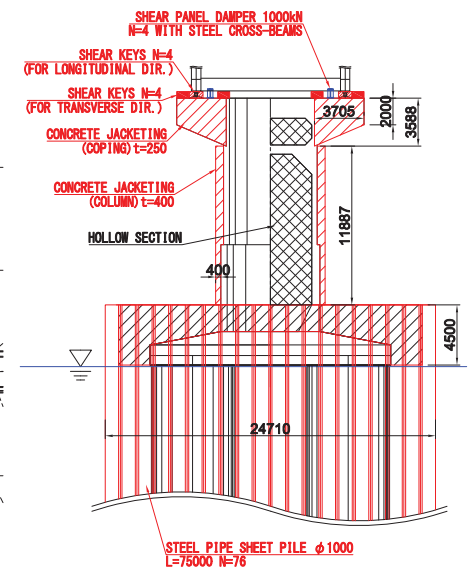
PLAN

SCALE 1:1300



P7

SCALE 1:400

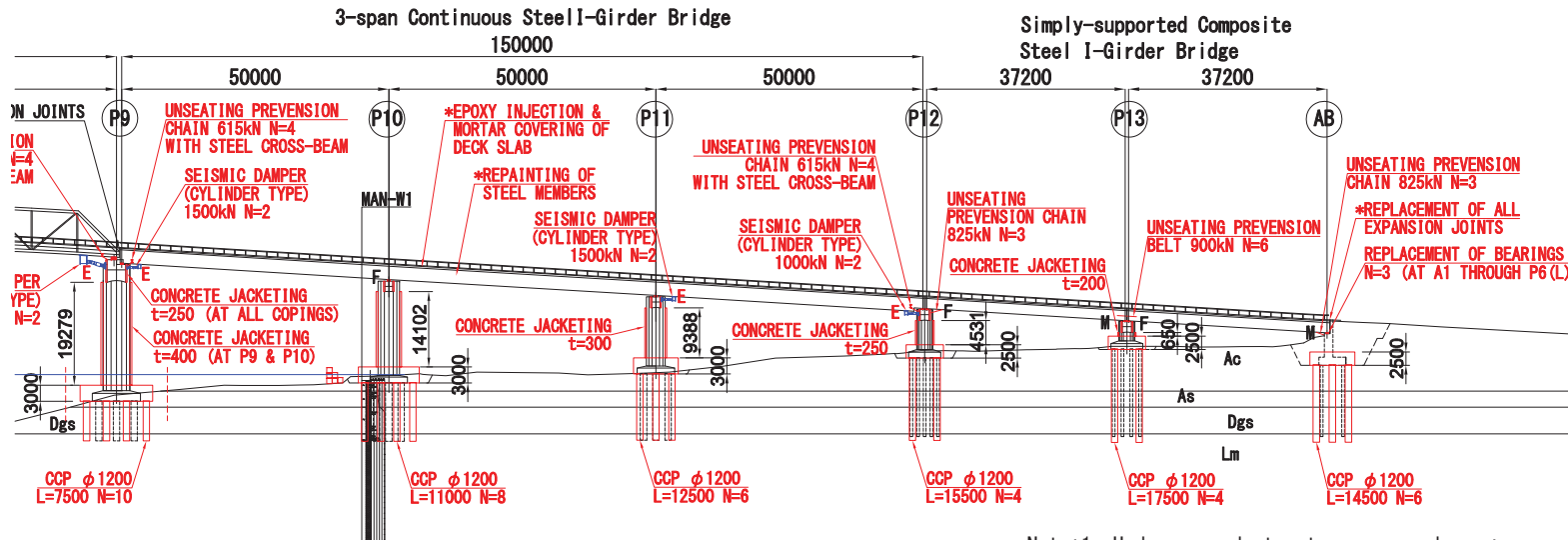


Clients:	Consultants:	Project Title:	Bridge Name:	Sheet Contents:	SHT. NO.
Japan International Cooperation Agency DEPARTMENT OF PUBLIC WORKS AND HIGHWAYS REPUBLIC OF THE PHILIPPINES	CTI Engineering Co., Ltd. Chodai Co., Ltd. Nippon Koei	Project for Study on Improvement of Bridges Through Disaster Mitagating Measures for the Large Scale Earthquakes in the Republic of the Philippines	1st MANDAUE - MACTAN BRIDGE	GENERAL VIEW (2)	2-B2

GENERAL VIEW OF 1st MANDAUE-MACTAN BRIDGE(3)

ELEVATION

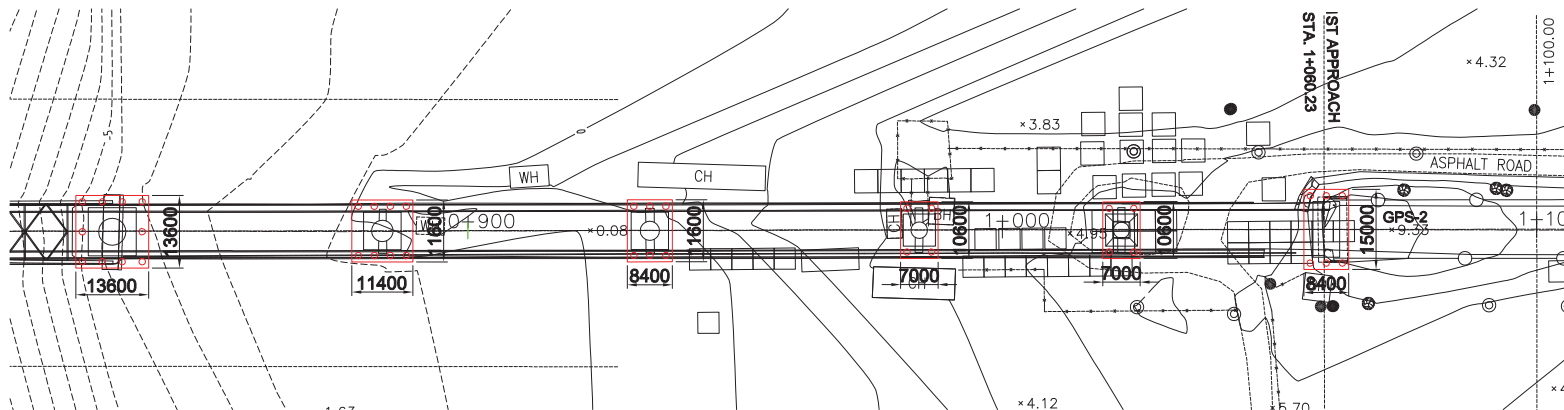
SCALE 1:1000



Note: 1. Underground structures are unknown; assumed
2. * indicates "repair work".

PLAN

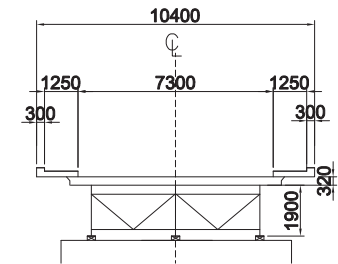
SCALE 1:1000



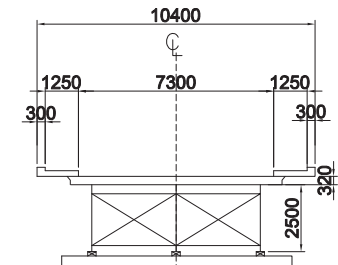
CROSS SECTION

SCALE 1:200

Simply-supported Composite Steel I-Girder Bridge

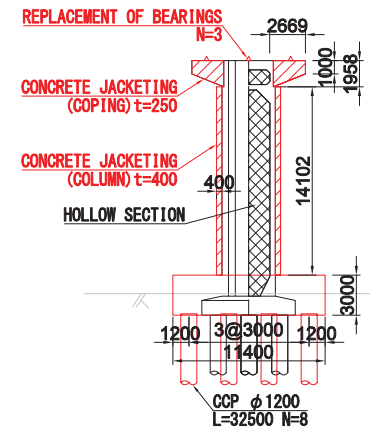


Continuous Steel I-Girder Bridge



P10

SCALE 1:400



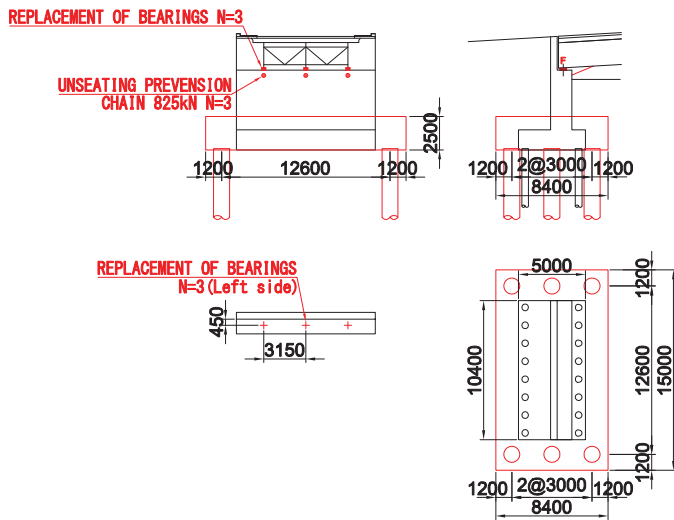
Clients:	Consultants:	Project Title:	Bridge Name:	Sheet Contents:	SHT. NO.
Japan International Cooperation Agency DEPARTMENT OF PUBLIC WORKS AND HIGHWAYS REPUBLIC OF THE PHILIPPINES	CTI Engineering Co., Ltd. Chodai Co., Ltd. Nippon Koei	Project for Study on Improvement of Bridges Through Disaster Mitagating Measures for the Large Scale Earthquakes in the Republic of the Philippines	1st MANDAUE - MACTAN BRIDGE	GENERAL VIEW (3)	2-B3

STRUCTURAL DRAWING OF 1st MANDAUE-MACTAN BRIDGE (1)

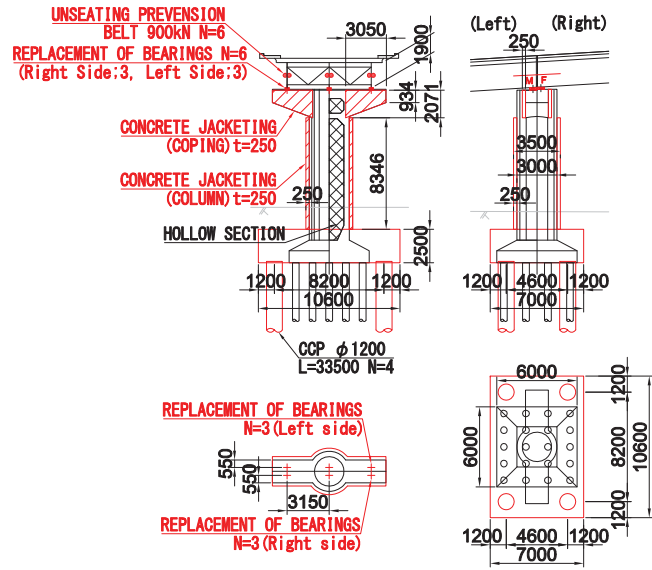
SCALE

1:400

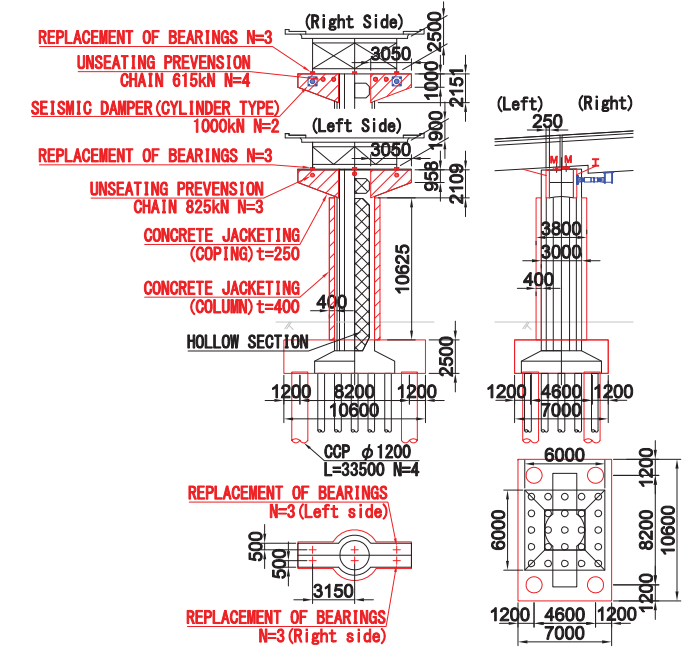
ABUTMENT - A



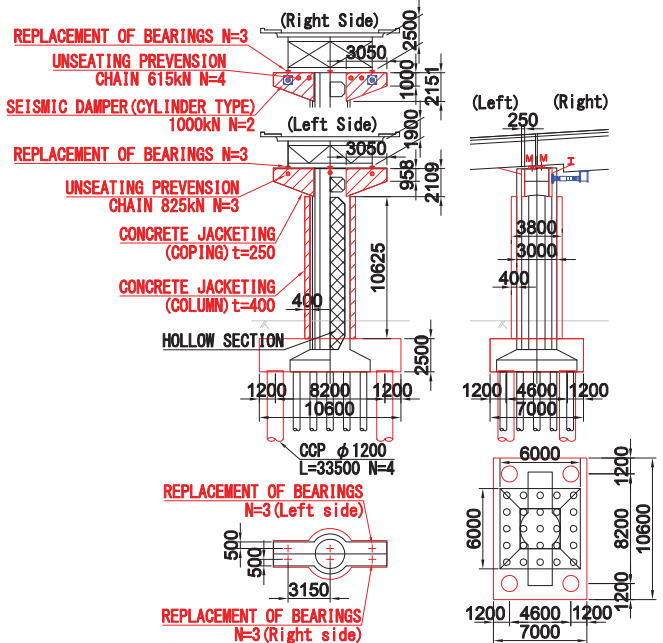
PIER - 1



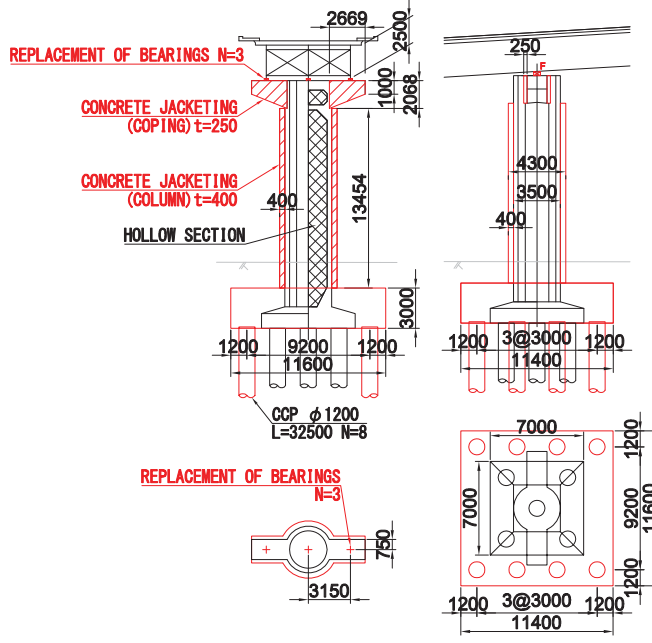
PIER - 2



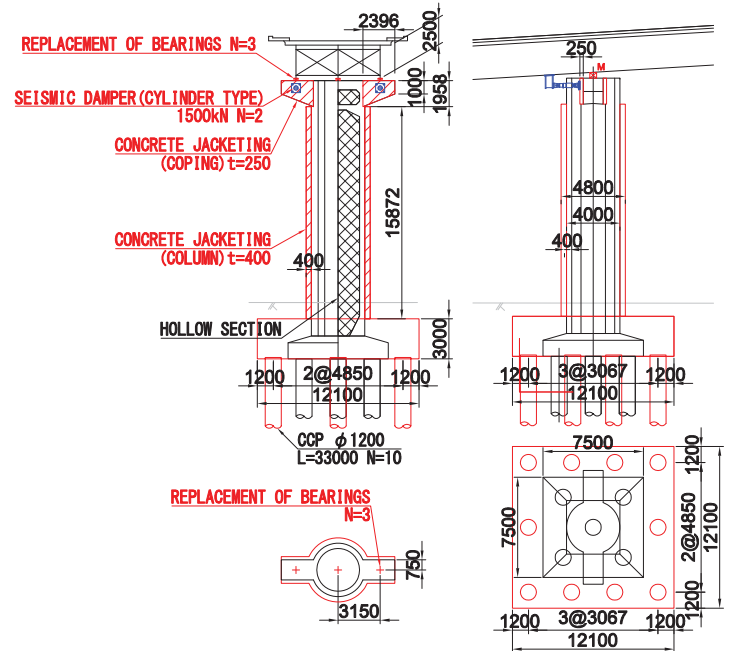
PIER - 3



PIER - 4



PIER - 5

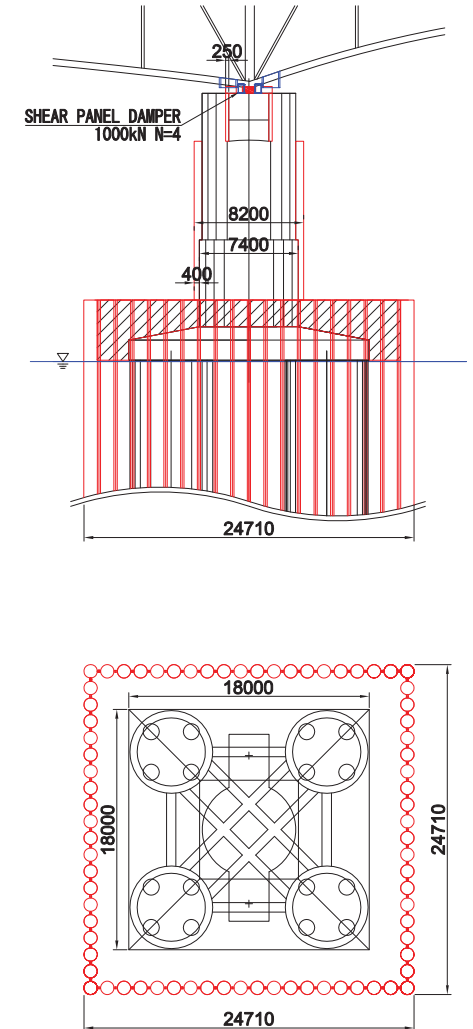
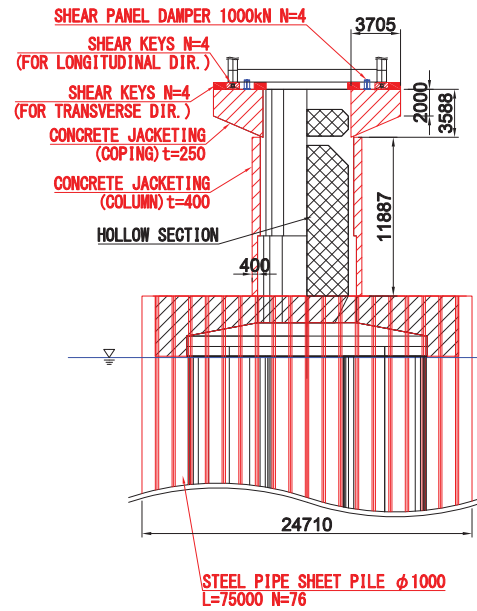
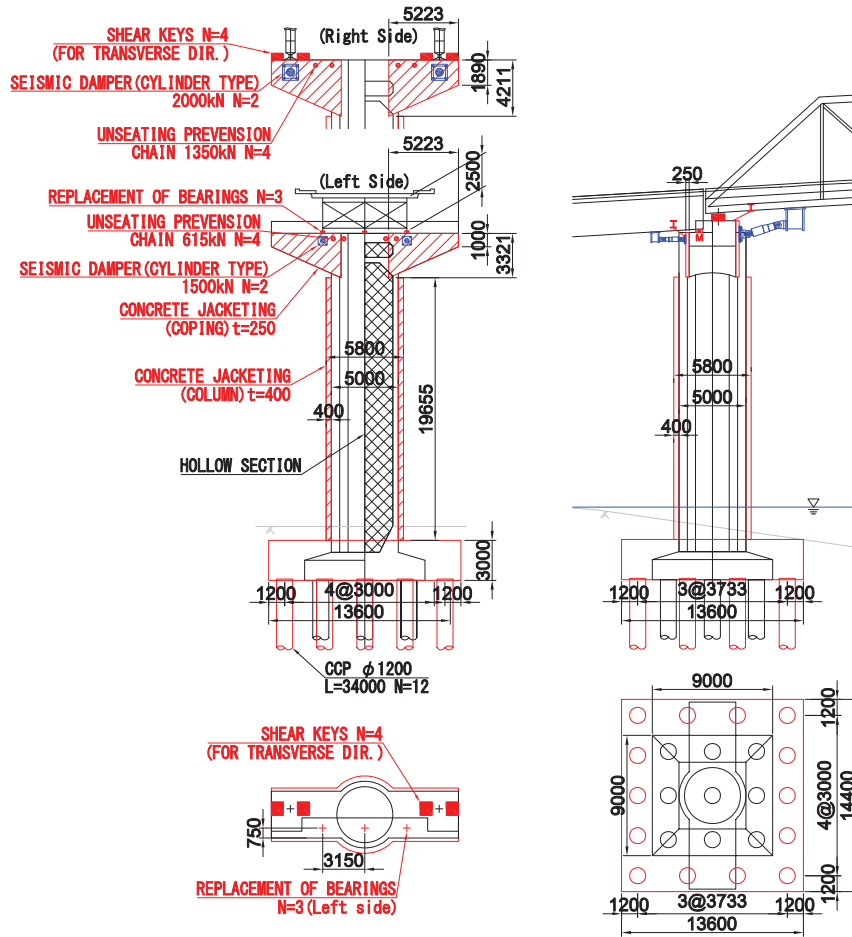


<p>Clients:</p>	<p>Consultants:</p> <ul style="list-style-type: none"> CTI Engineering Co., Ltd. Chodai Co., Ltd. Nippon Koei 	<p>Project Title:</p> <p>Project for Study on Improvement of Bridges Through Disaster Mitagating Measures for the Large Scale Earthquakes in the Republic of the Philippines</p>	<p>Bridge Name:</p> <p>1st MANDAUE - MACTAN BRIDGE</p>	<p>Sheet Contents:</p> <p>STRUCTURAL DRAWING (1)</p>	<p>SHT. NO.</p> <p>2-B4</p>
-----------------	--	--	--	--	-----------------------------

STRUCTURAL DRAWING OF 1st MANDAUE-MACTAN BRIDGE (2)

PIER - 6
SCALE 1:400

PIER - 7
SCALE 1:400

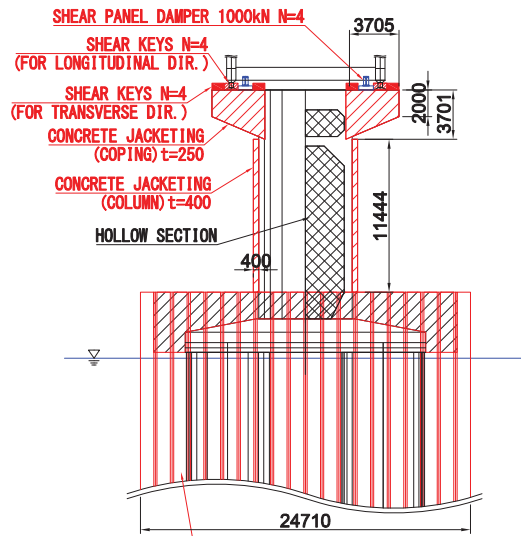


Clients:	Consultants:	Project Title:	Bridge Name:	Sheet Contents:	SHT. NO.
Japan International Cooperation Agency DEPARTMENT OF PUBLIC WORKS AND HIGHWAYS REPUBLIC OF THE PHILIPPINES	CTI Engineering Co., Ltd. Chodai Co., Ltd. Nippon Koei	Project for Study on Improvement of Bridges Through Disaster Mitigating Measures for the Large Scale Earthquakes in the Republic of the Philippines	1st MANDAUE - MACTAN BRIDGE	STRUCTURAL DRAWING (2)	2-B5

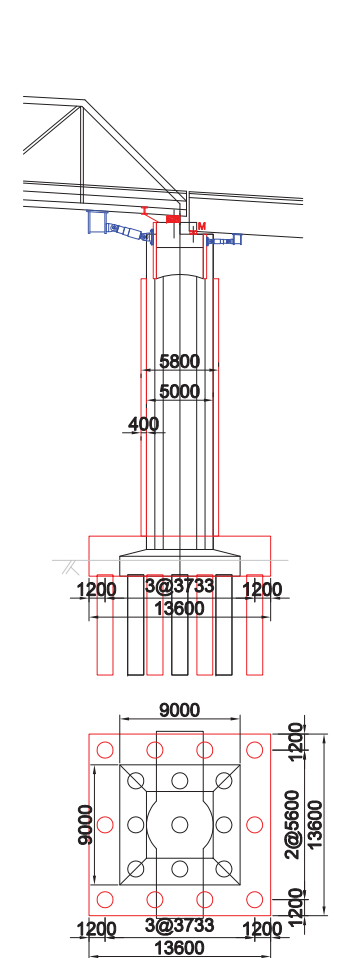
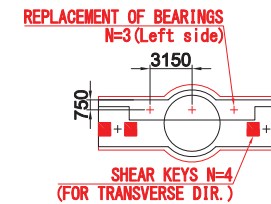
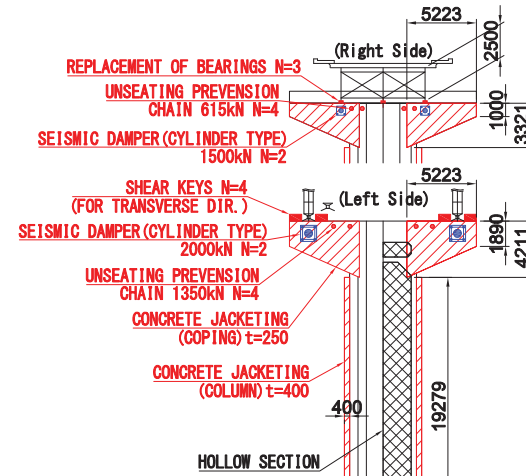
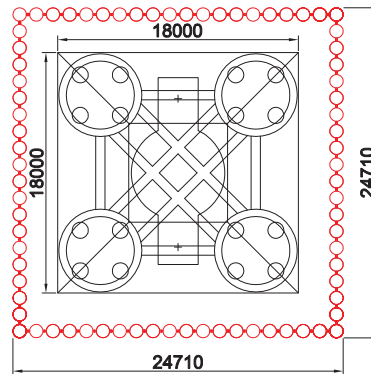
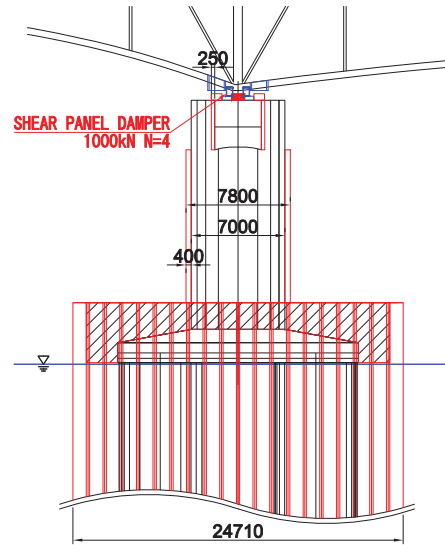
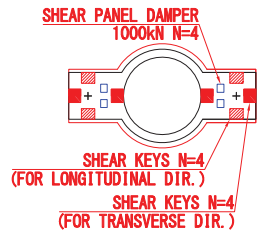
STRUCTURAL DRAWING OF 1st MANDAUE-MACTAN BRIDGE (3)

PIER - 8
SCALE 1:400

PIER - 9
SCALE 1:400

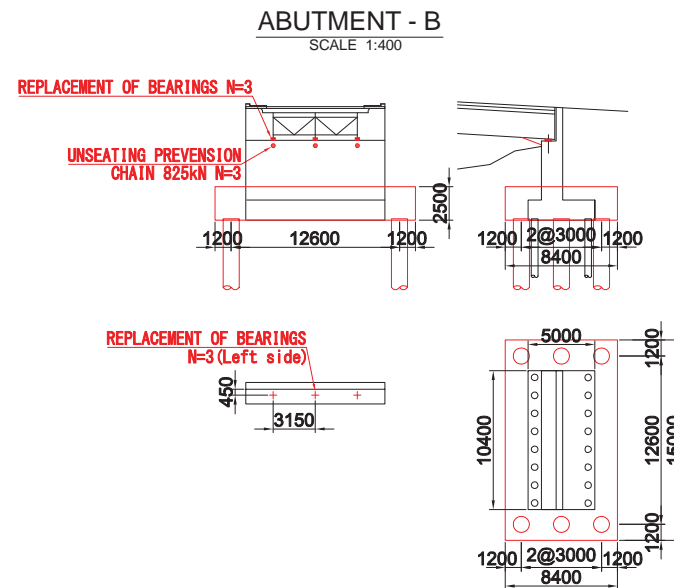
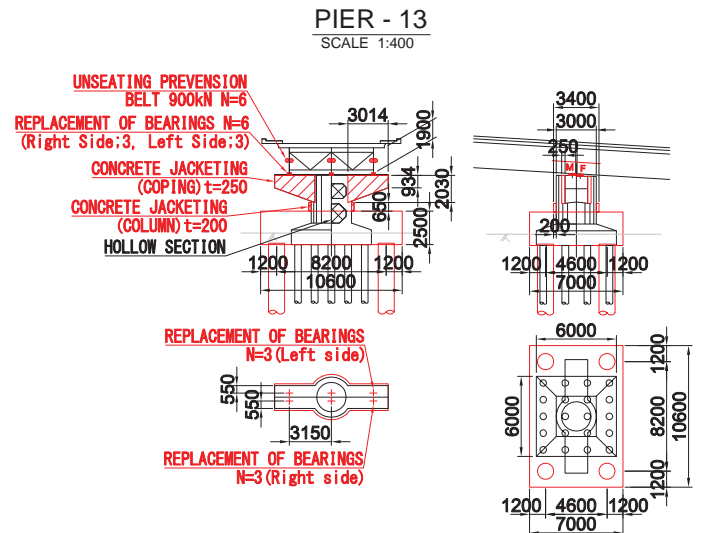
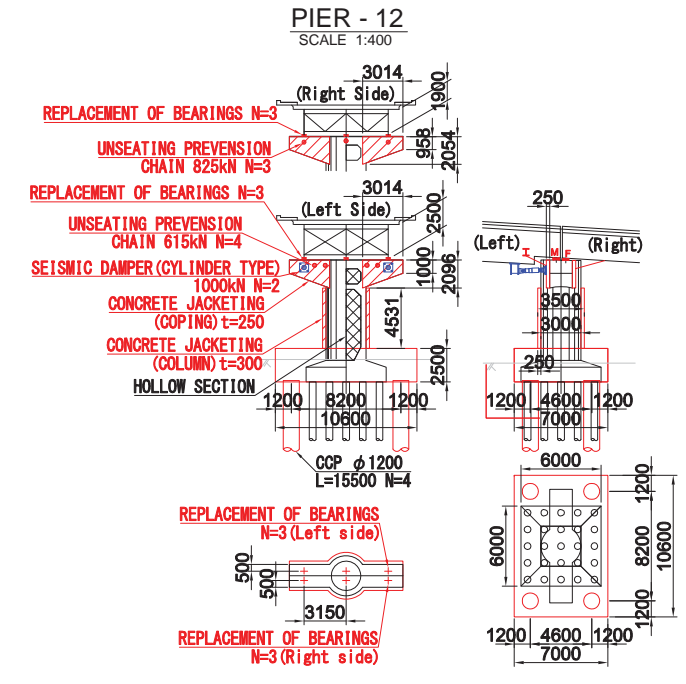
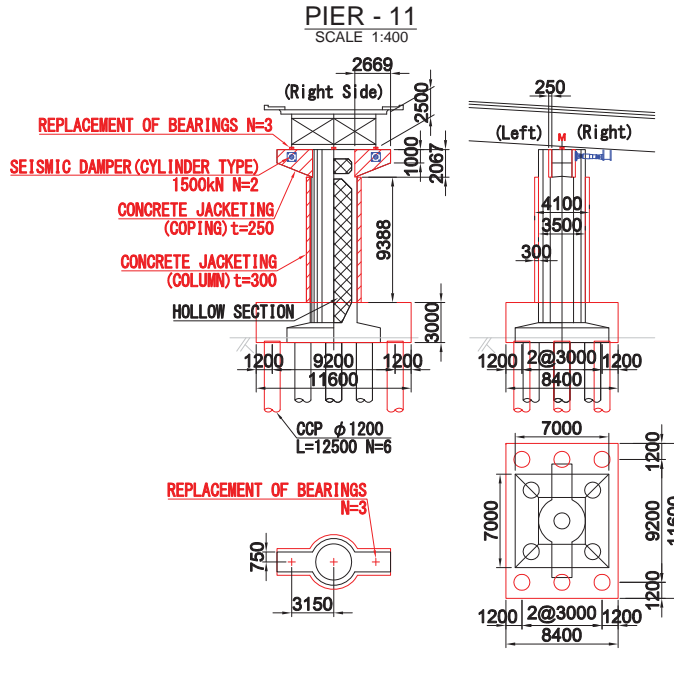
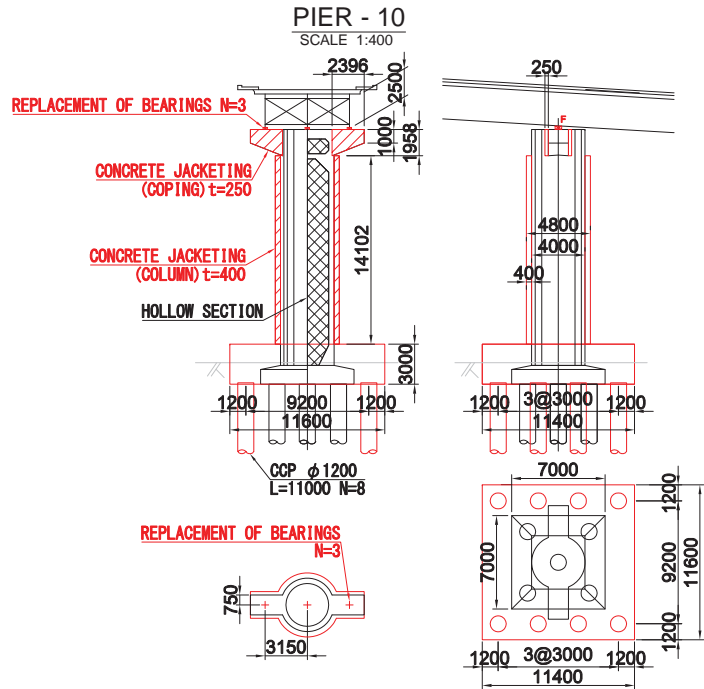


STEEL PIPE SHEET PILE ϕ 1000
L=36000 N=76



Clients:	Consultants:	Project Title:	Bridge Name:	Sheet Contents:	SHT. NO.
Japan International Cooperation Agency DEPARTMENT OF PUBLIC WORKS AND HIGHWAYS REPUBLIC OF THE PHILIPPINES	CTI Engineering Co., Ltd. Chodai Co., Ltd. Nippon Koei	Project for Study on Improvement of Bridges Through Disaster Mitigating Measures for the Large Scale Earthquakes in the Republic of the Philippines	1st MANDAUE - MACTAN BRIDGE	STRUCTURAL DRAWING (3)	2-B6

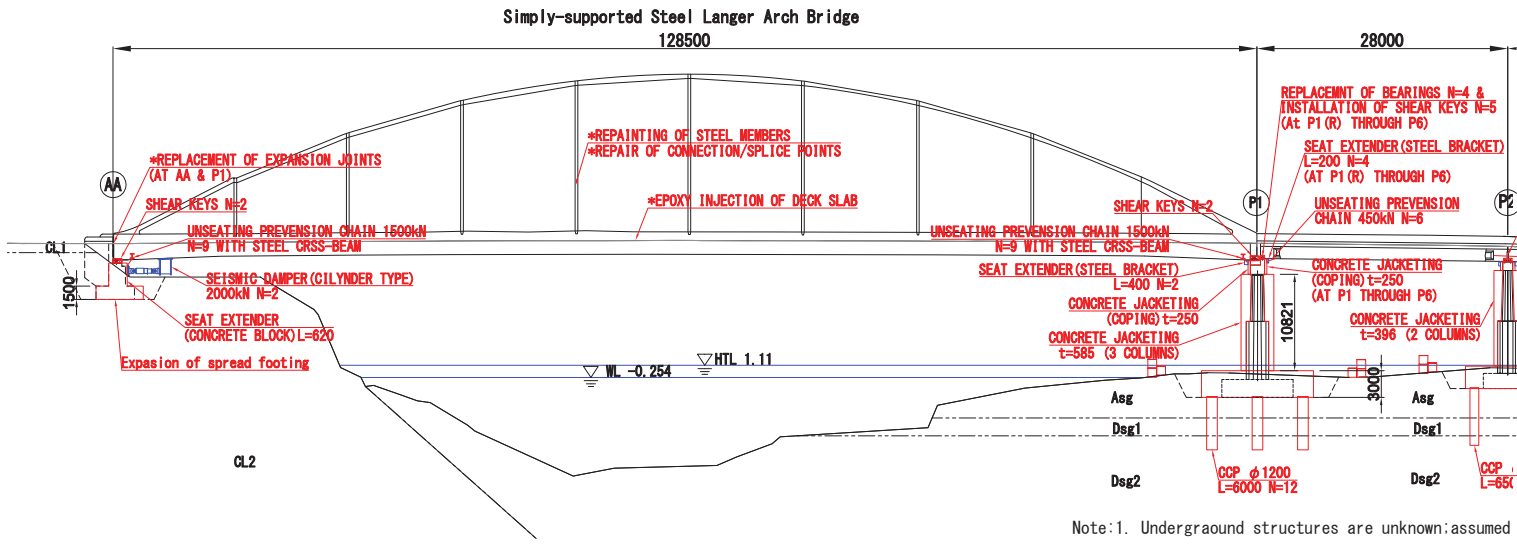
STRUCTURAL DRAWING OF 1st MANDAUE-MACTAN BRIDGE (4)



<p>Clients:</p>	<p>Consultants:</p>	<p>Project Title:</p> <p>Project for Study on Improvement of Bridges Through Disaster Mitigating Measures for the Large Scale Earthquakes in the Republic of the Philippines</p>	<p>Bridge Name:</p> <p>1st MANDAUE - MACTAN BRIDGE</p>	<p>Sheet Contents:</p> <p>STRUCTURAL DRAWING (4)</p>	<p>SHT. NO.</p> <p>2-B7</p>
-----------------	---------------------	--	--	--	-----------------------------

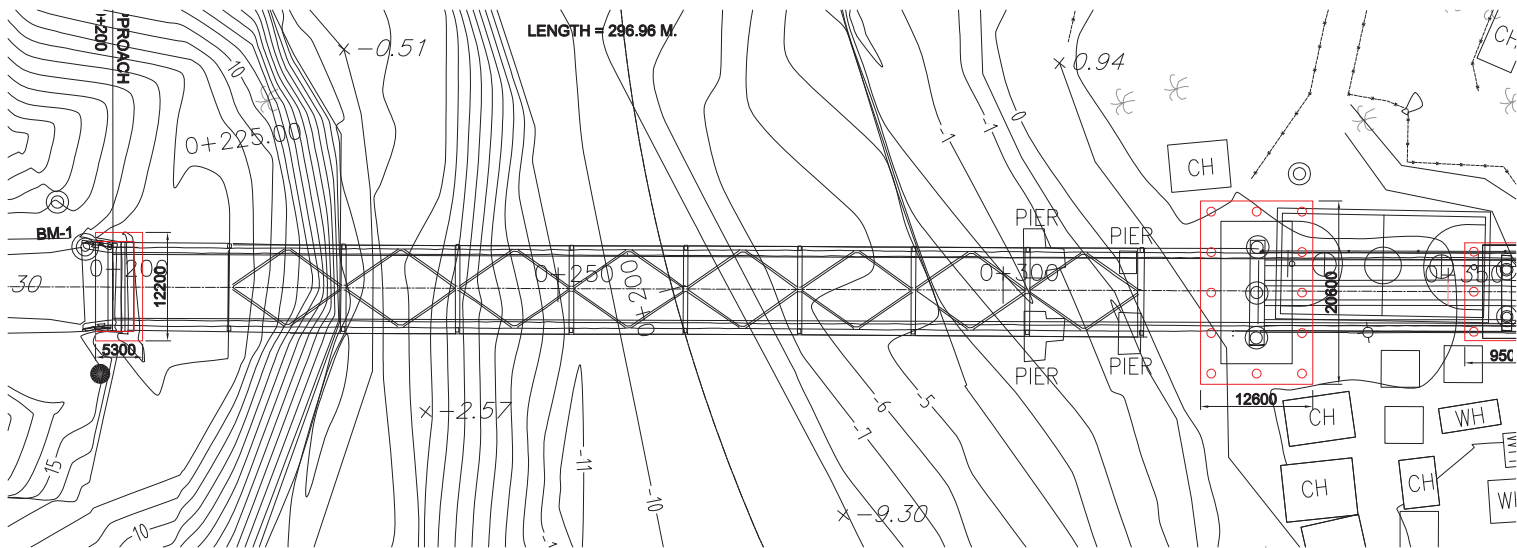
GENERAL VIEW OF LILO-AN BRIDGE (1)

ELEVATION
SCALE 1:600



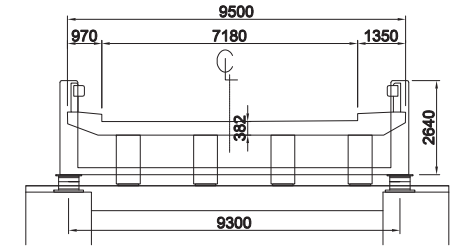
Note: 1. Underground structures are unknown: assumed
2. * indicates "repair work".

PLAN
SCALE 1:600

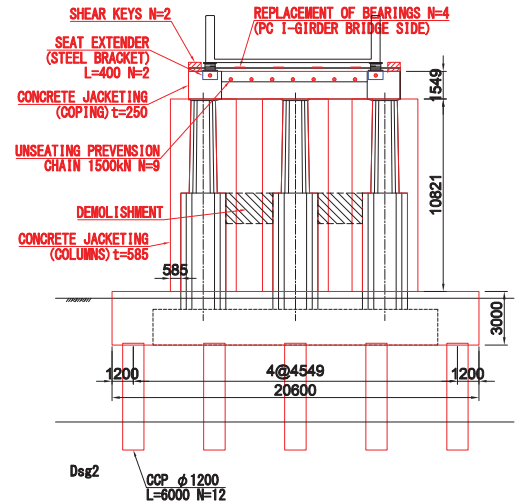


CROSS SECTION

Steel Lnganger Arch Bridge (at P1)
SCALE 1:150



P1
SCALE 1:300

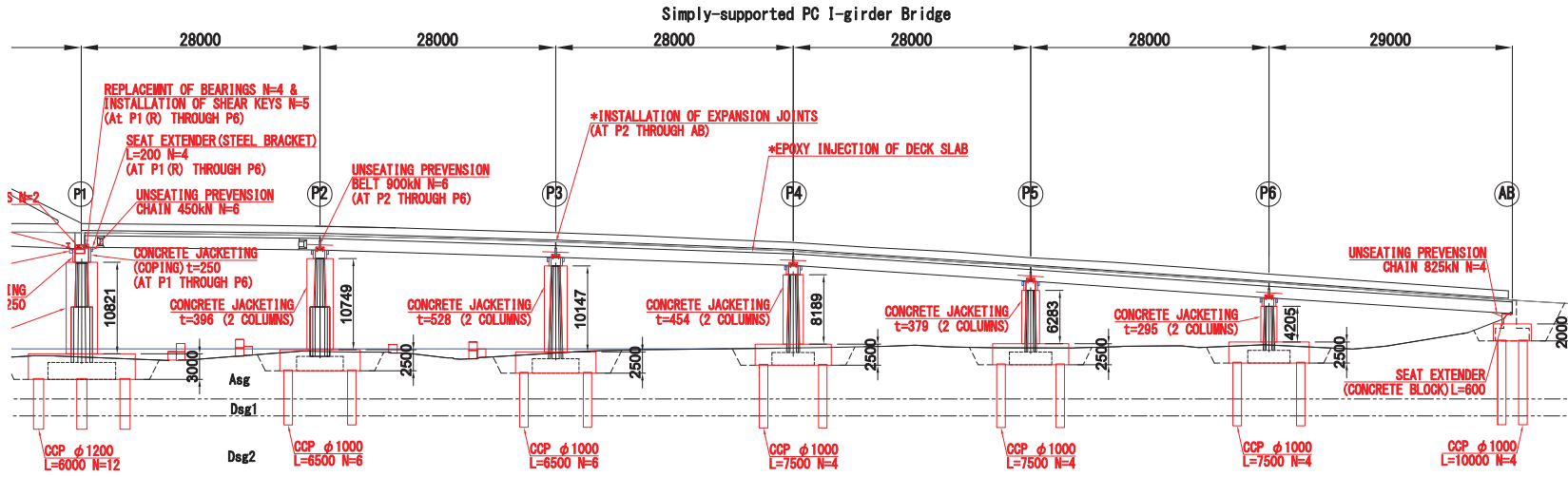


Clients:	Consultants:	Project Title:	Bridge Name:	Sheet Contents:	SHT. NO.
Japan International Cooperation Agency DEPARTMENT OF PUBLIC WORKS AND HIGHWAYS REPUBLIC OF THE PHILIPPINES	CTI Engineering Co., Ltd. Chodai Co., Ltd. Nippon Koel	Project for Study on Improvement of Bridges Through Disaster Mitagating Measures for the Large Scale Earthquakes in the Republic of the Philippines	LILO-AN BRIDGE	GENERAL DRAWING (1)	2-C1

GENERAL VIEW OF LILO-AN BRIDGE (2)

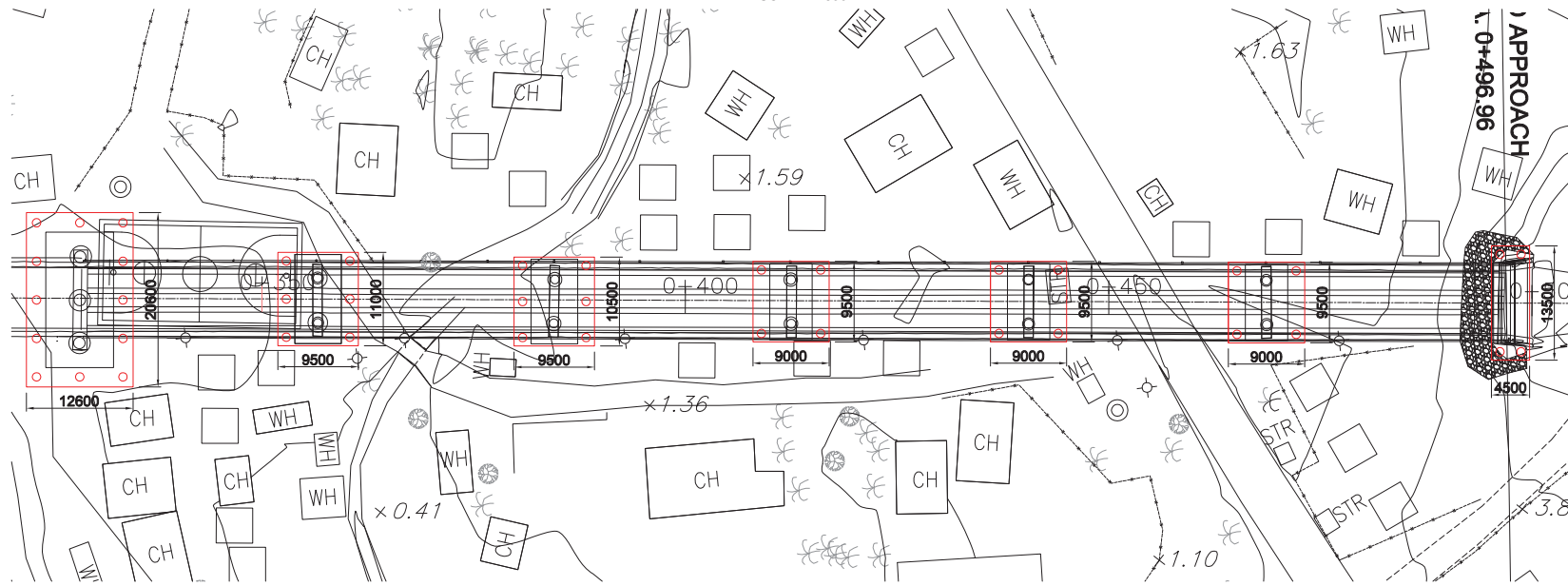
ELEVATION

SCALE 1:600



PLAN

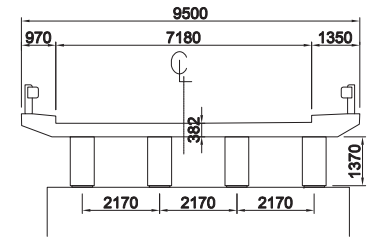
SCALE 1:600



CROSS SECTION

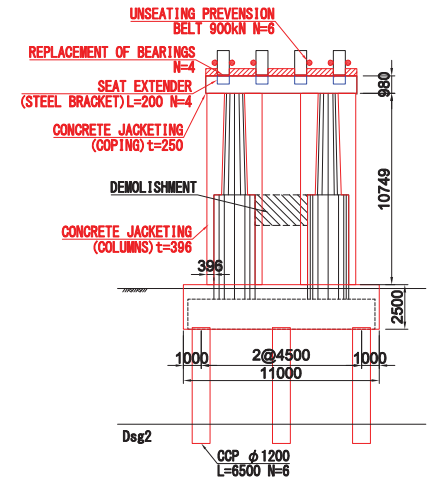
PC I-Girder

SCALE 1:150



P2

SCALE 1:300

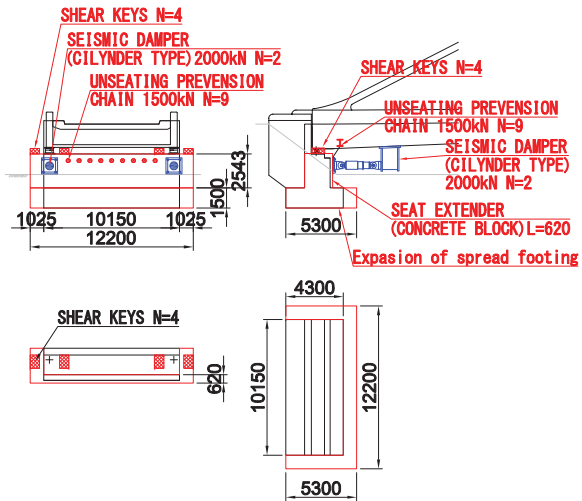


Note: 1. Underground structures are unknown: assumed
2. * indicates "repair work".

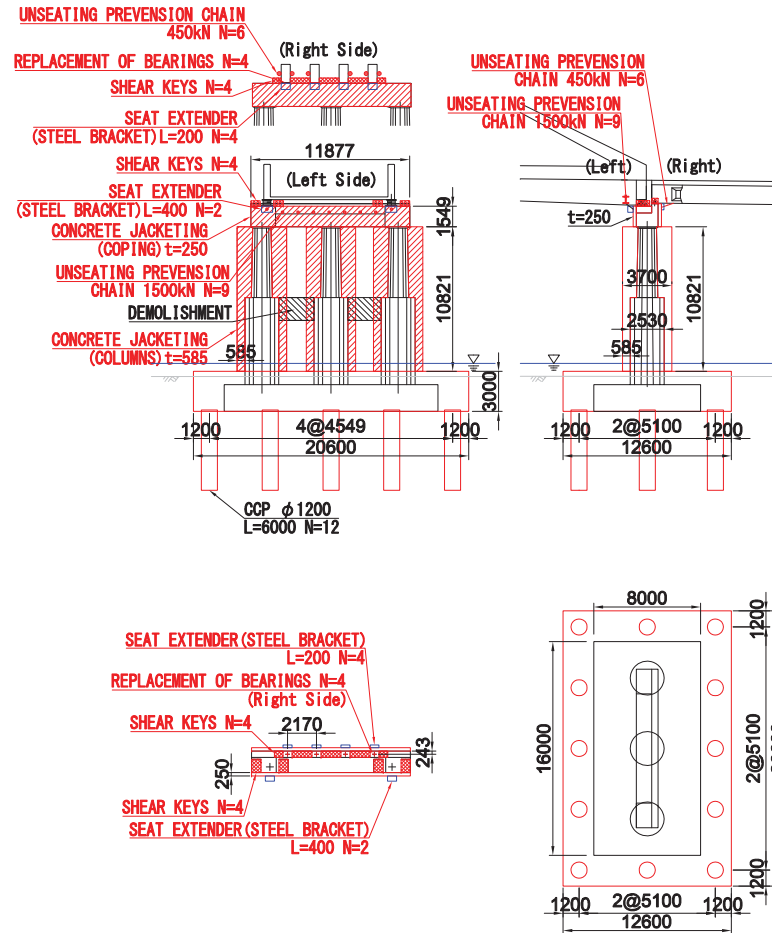
Clients:	Consultants:	Project Title:	Bridge Name:	Sheet Contents:	SHT. NO.
Japan International Cooperation Agency DEPARTMENT OF PUBLIC WORKS AND HIGHWAYS REPUBLIC OF THE PHILIPPINES	CTI Engineering Co., Ltd. Chodai Co., Ltd. Nippon Koei	Project for Study on Improvement of Bridges Through Disaster Mitagating Measures for the Large Scale Earthquakes in the Republic of the Philippines	LILO-AN BRIDGE	GENERAL DRAWING (2)	2-C2

STRUCTURAL DRAWING OF LILO-AN BRIDGE (1)

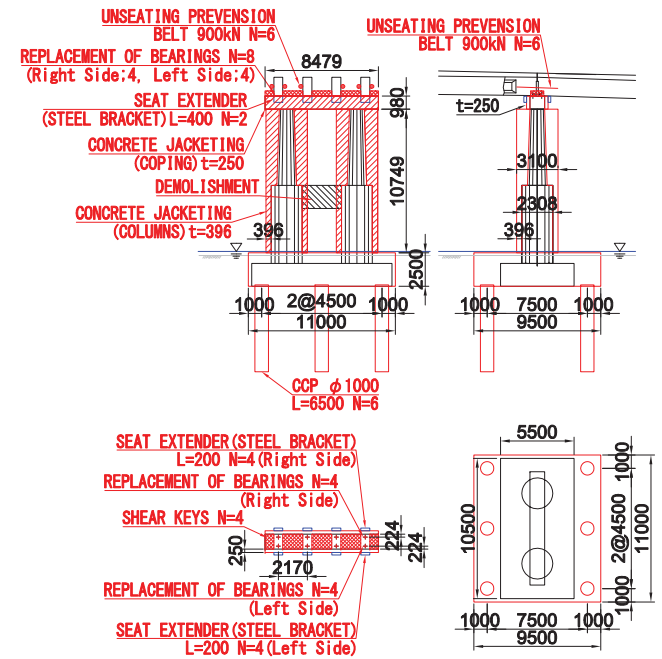
ABUTMENT - A
SCALE 1:400



PIER - 1
SCALE 1:400



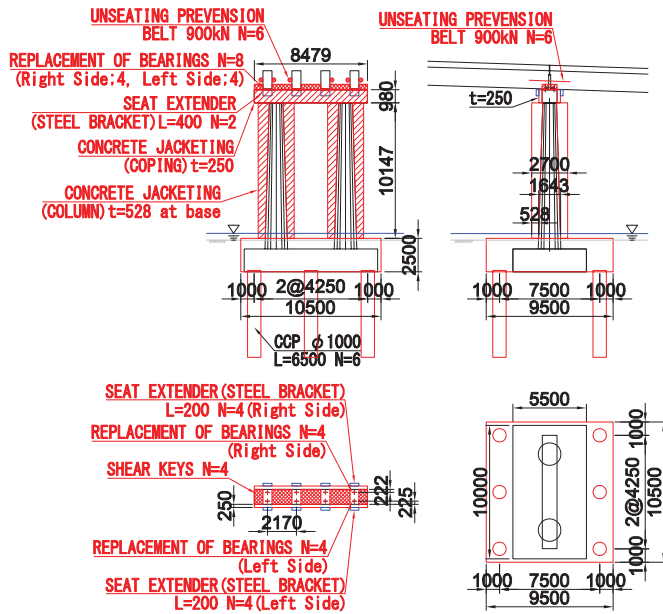
PIER - 2
SCALE 1:400



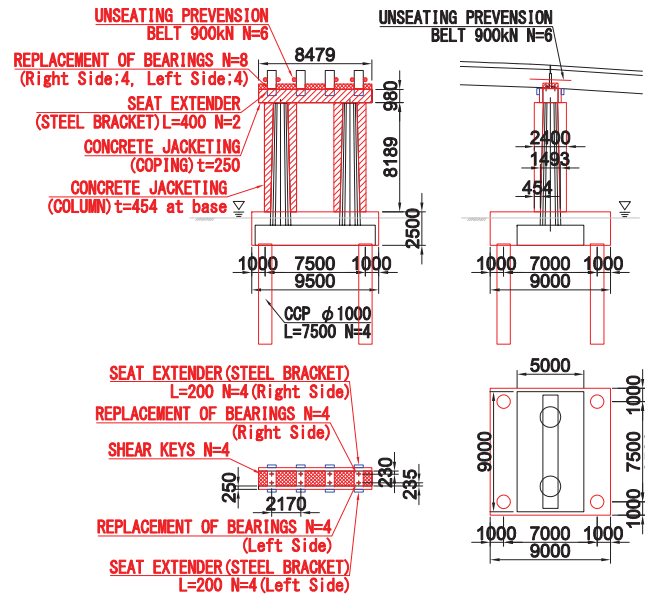
Clients:	Consultants:	Project Title:	Bridge Name:	Sheet Contents:	SHT. NO.
Japan International Cooperation Agency DEPARTMENT OF PUBLIC WORKS AND HIGHWAYS REPUBLIC OF THE PHILIPPINES	CTI Engineering Co., Ltd. Chodai Co., Ltd. Nippon Koei	Project for Study on Improvement of Bridges Through Disaster Mitagating Measures for the Large Scale Earthquakes in the Republic of the Philippines	LILO-AN BRIDGE	STRUCTURAL DRAWING (1)	(2-C3)

STRUCTURAL DRAWING OF LILO-AN BRIDGE (2)

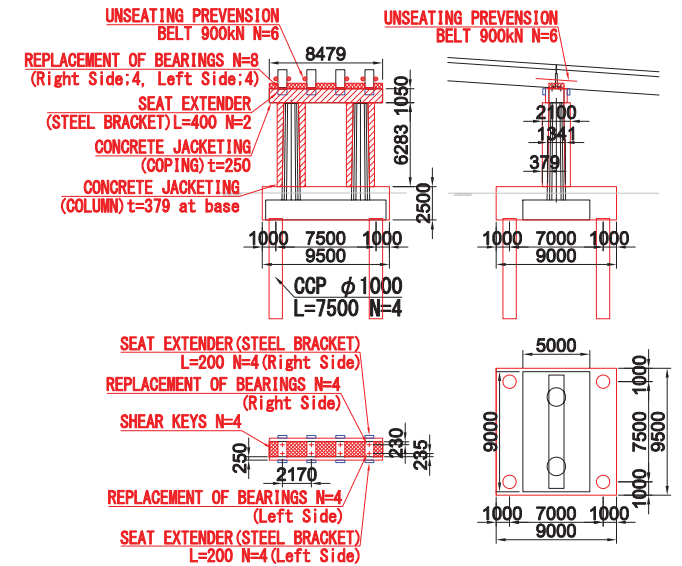
PIER - 3
SCALE 1:400



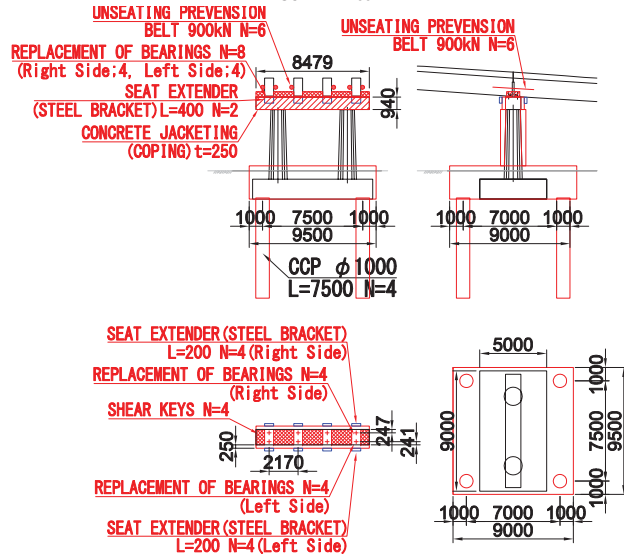
PIER - 4
SCALE 1:400



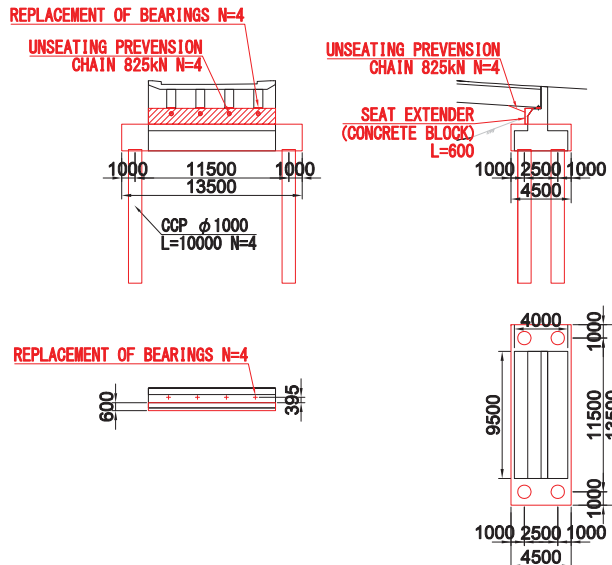
PIER - 5
SCALE 1:400



PIER - 6
SCALE 1:400



ABUTMENT - B
SCALE 1:400



Clients:	Consultants:	Project Title:	Bridge Name:	Sheet Contents:	SHT. NO.
Japan International Cooperation Agency DEPARTMENT OF PUBLIC WORKS AND HIGHWAYS REPUBLIC OF THE PHILIPPINES	CTI Engineering Co., Ltd. Chodai Co., Ltd. Nippon Koei	Project for Study on Improvement of Bridges Through Disaster Mitagating Measures for the Large Scale Earthquakes in the Republic of the Philippines	LILO-AN BRIDGE	STRUCTURAL DRAWING (2)	2-C4