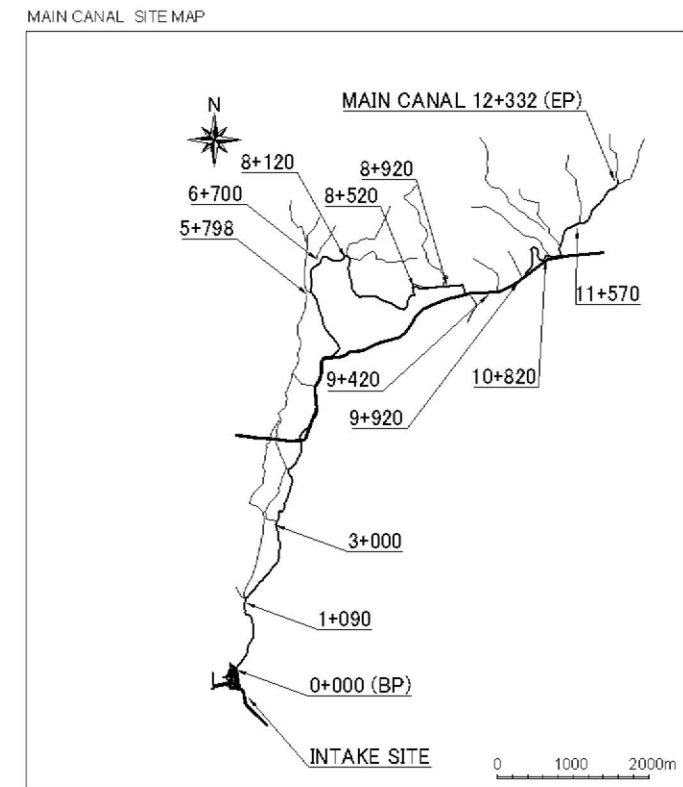
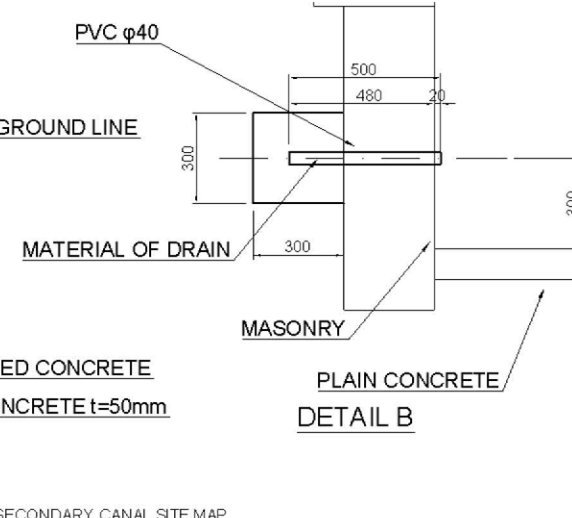
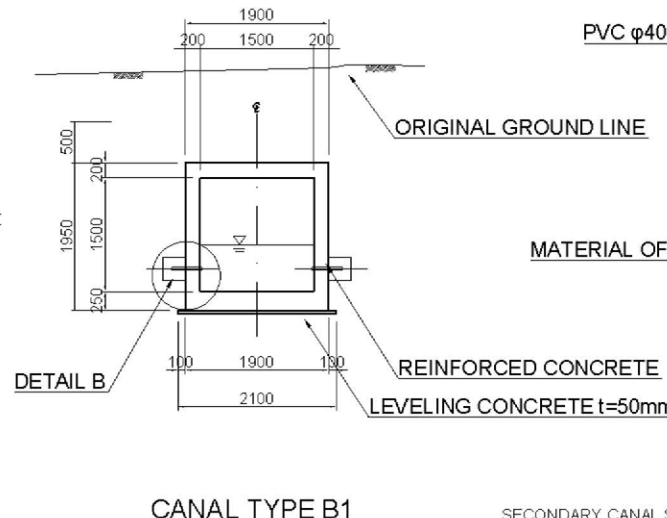
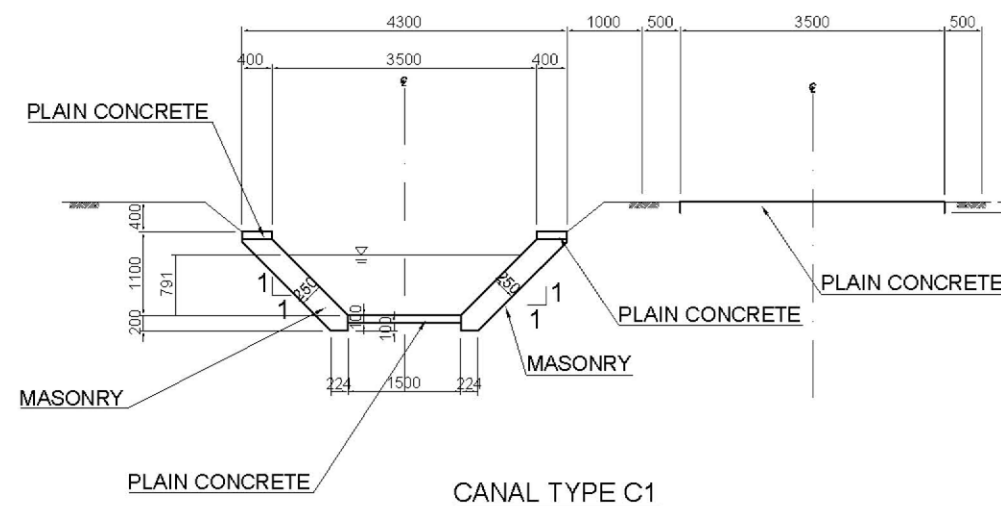
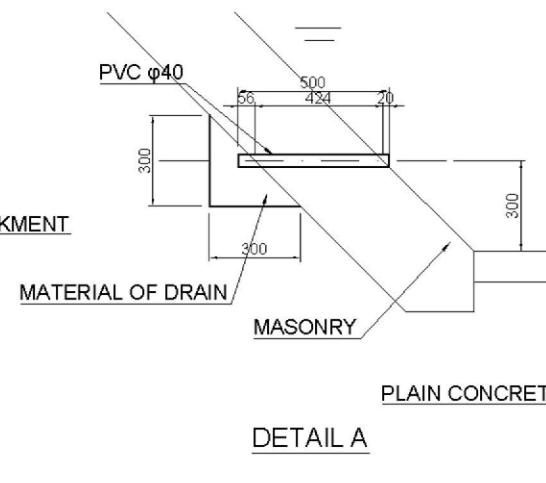
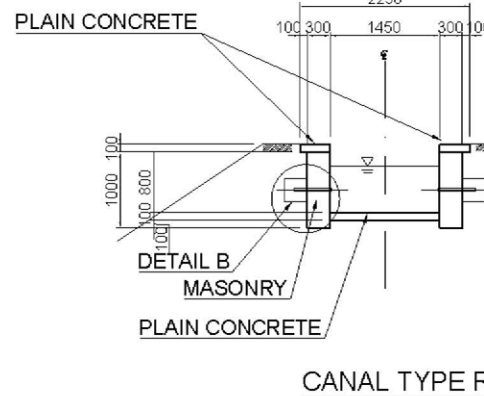
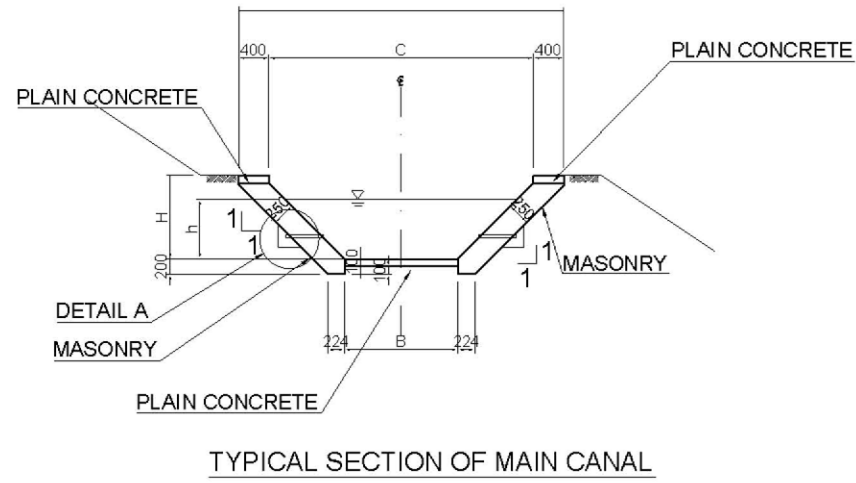


GENERAL PLAN OF CANAL

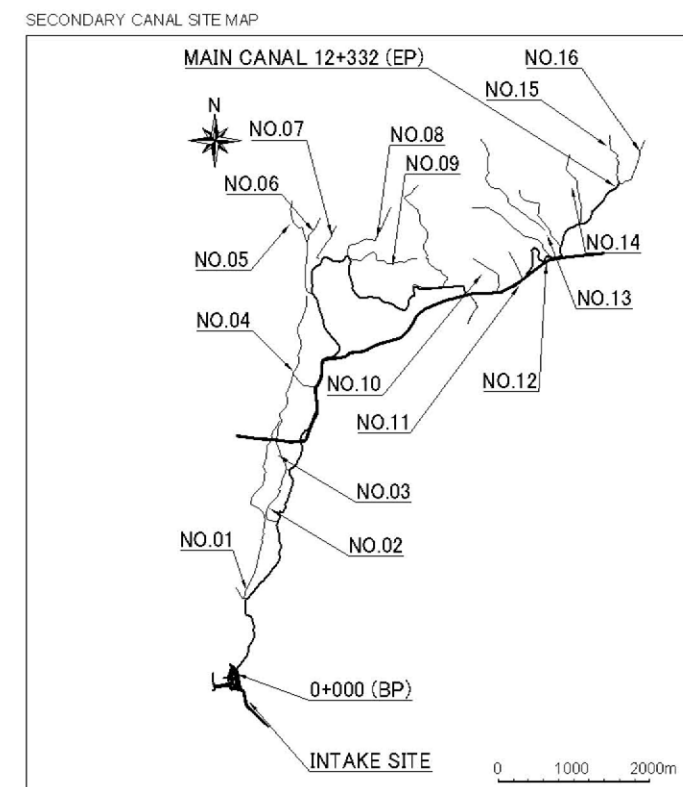
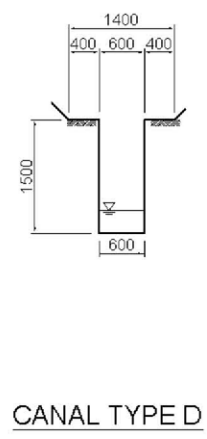
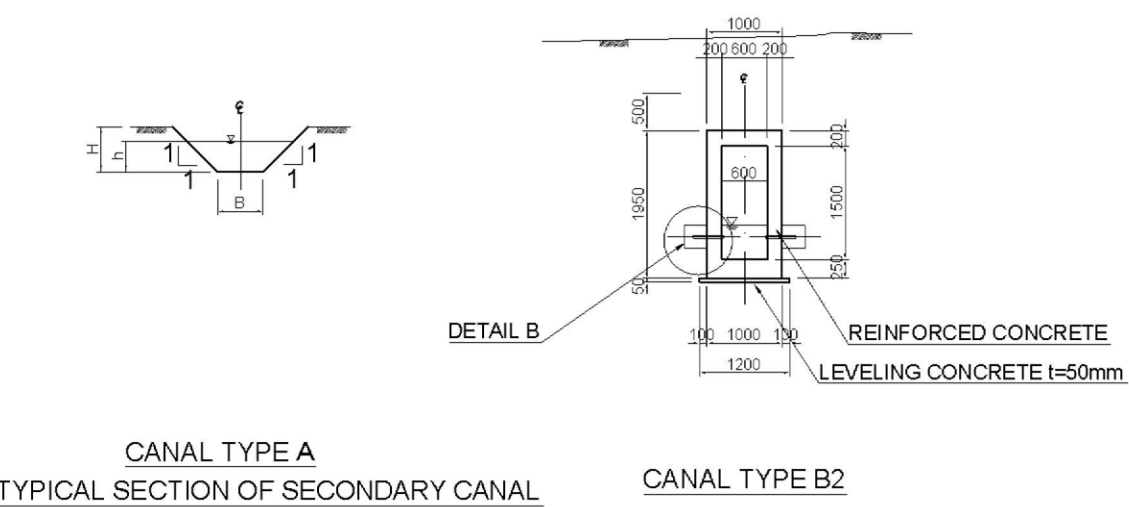
MAIN CANAL		SECONDARY CANAL	
CONTENTS	REMARK	CONTENTS	REMARK
MAIN CANAL	1 LINE	SECONDARY CANAL	16 LINES
TRAPEZOID MASONRY CANAL	L=11.4 km	EARTH CANAL	L=1.426 m
RECTANGLE MASONRY CANAL	L= 0.4 km	BOX CULVERT	L= 240 m
BOX CULVERT CANAL	L= 0.5 km	OFFTAKE STRUCTURE	1 SITE
DROP STRUCTURE	33 SITES	DRAINAGE CANAL	
OFFTAKE STRUCTURE	23 SITES	CONTENTS	REMARK
CHECK GATE	21 SITES	DRAINAGE CANAL	2 LINES
SPLII WAY	2 SITES	EARTH CANAL	L=4.6 Km
EMERGENCY OUTLET STRUCTURE	2 SITES	DRAINAGE DISPERSION WEIR	12 SITES

GENERAL MAP OF BULUTO IRRIGATION SYSTEM

 NTC INTERNATIONAL CO., LTD.	REVISION	PROJECT TITLE	DATE	DESIGNED BY	DWG. NO.
		THE PROJECT FOR REHABILITATION AND IMPROVEMENT OF BULUTO IRRIGATION SCHEME	2013.09	NTC INTERNATIONAL Co.,Ltd.	GMB.01
		DWG. TITLE	SCALE	APPROVED BY	SERIAL NO.
		GENERAL MAP OF BULUTO IRRIGATION SYSTEM	1:30000		0

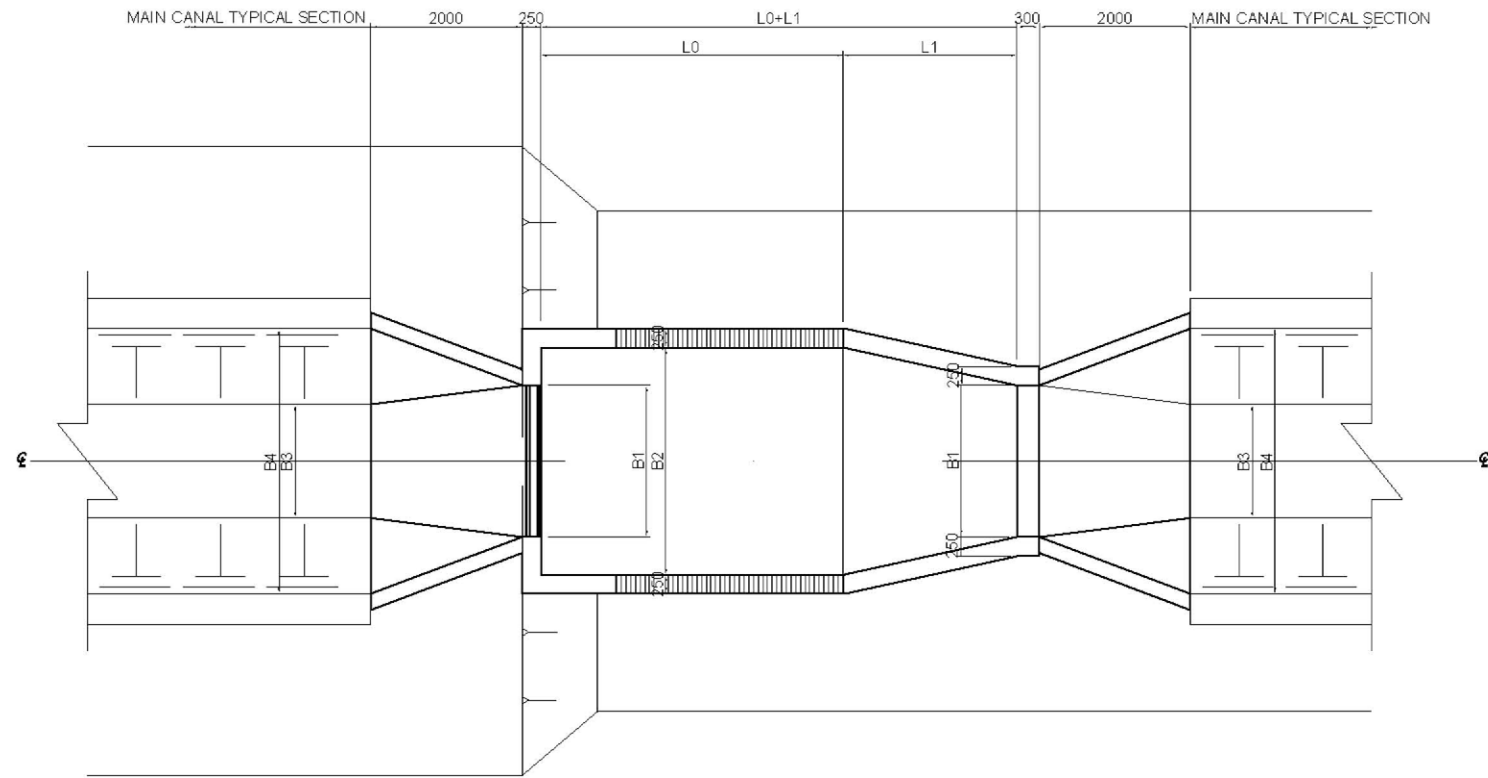


SECTION TYPE	SPAN	DISTANCE	A	B	C	h
C1	0+000 - 1+090	L=1090M	AS SHOWN			
C2	1+090 - 3+000	L=1910M	1100	1500	3500	0.76
C3	3+000 - 5+798	L=2798M	1000	1500	3300	0.72
C4	5+798 - 6+770	L=972M	1000	1400	3200	0.72
C5	6+770 + 8+120	L=1350M	900	1250	2850	0.63
C6	8+120 - 8+520	L=400M	900	1200	2600	0.62
R1	8+520 - 8+920	L=400M	AS SHOWN			
C6	8+920 - 9+420	L=500M	900	1200	2600	0.62
B1	9+420 - 9+920	L=500M	AS SHOWN			
C6	9+920 - 10+820	L=900M	900	1200	2600	0.62
C7	10+820 - 11+570	L=750M	900	1000	2500	0.52
C8	11+570 - 12+332	L=762M	600	600	1600	0.36
TOTAL		L=12,332M				

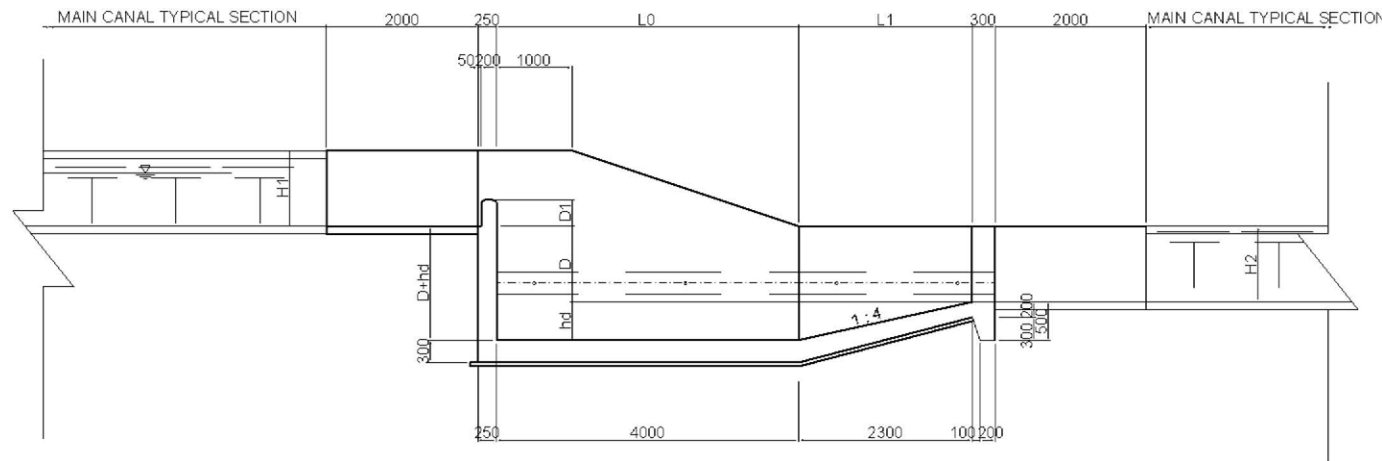


CANAL NO.	OFFTAKE POINT	CANAL TYPE	DISTANCE	B	A	h
NO.01	BL.1	A	L=2599M	0.40	0.55	0.23
NO.02	BL.3	A	L=850M	0.40	0.35	0.13
NO.03	BL.4	A	L=1200M	0.40	0.45	0.20
NO.04	BL.6	A	L=1459M	0.50	0.50	0.32
NO.05	BL.9	A	L=1083M	0.50	0.55	0.13
NO.06	BL.9a	A	L=389M	0.40	0.40	0.20
NO.07 UPSTREAM	BL.10	A	L=259M	0.50	0.55	0.32
NO.07 DOWNSTREAM	BL.10	A	L=127M	0.50	0.50	0.32
NO.08	BL.11	A	L=844M	0.40	0.45	0.13
NO.09	BL.12	A	L=839M	0.60	0.50	0.20
NO.10 UPSTREAM	BL.15	B2	L=140M	AS SHOWN		
NO.10 DOWNSTREAM	BL.15	D	L=484M	AS SHOWN		
NO.11	BL.16	B2	L=100M	AS SHOWN		
NO.12 UPSTREAM	BL.17	A	L=454M	0.60	0.70	0.20
NO.12 DOWNSTREAM	BL.20	A	L=679M	0.60	0.60	0.20
NO.13	BL.18	A	L=1317M	0.60	0.50	0.32
NO.14	BL.20	A	L=889M	0.60	0.40	0.20
NO.15	BL.22	A	L=650M	0.40	0.55	0.32
NO.16	BL.22	A	L=669M	0.40	0.55	0.13
TOTAL			L=14,900M			

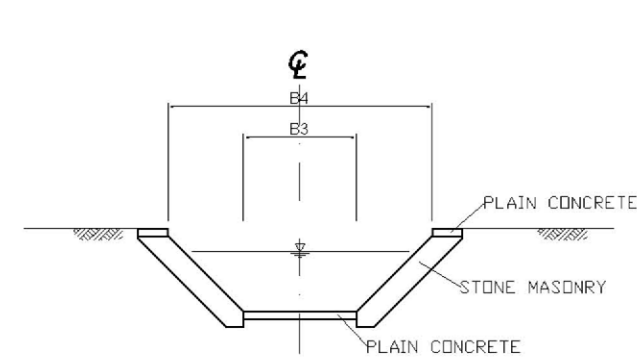
<p><b>NTC INTERNATIONAL CO., LTD.</b></p>	<p>REVISION</p>	<p>PROJECT TITLE</p> <p><b>THE PROJECT FOR REHABILITATION AND IMPROVEMENT OF BULUTO IRRIGATION SCHEME</b></p>	<p>DATE</p>	<p>DESIGNED BY</p>	<p>DWG NO.</p>
	<p>DWG TITLE</p> <p><b>IRRIGATION CANAL PLAN</b> <b>TYPICAL CROSS SECTION OF MAIN CANAL, SECONDARY CANAL</b></p>	<p>SCALE</p> <p><b>1:100</b></p>	<p>APPROVED BY</p>	<p>SERIAL NO.</p> <p><b>CTS.01</b></p>	



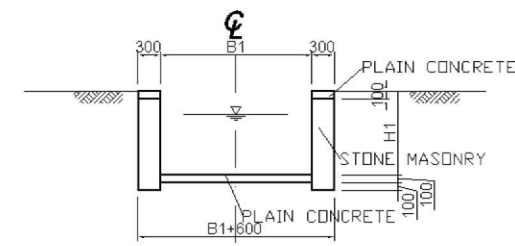
**PLAN**



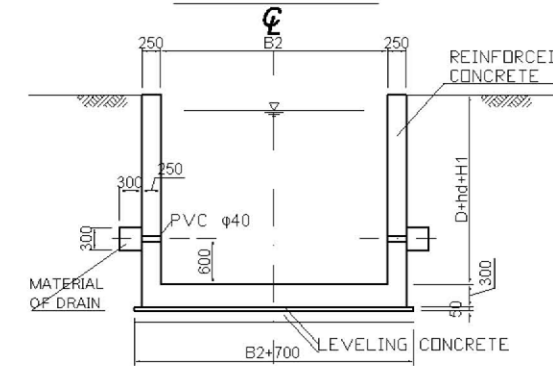
**SECTION A-A**



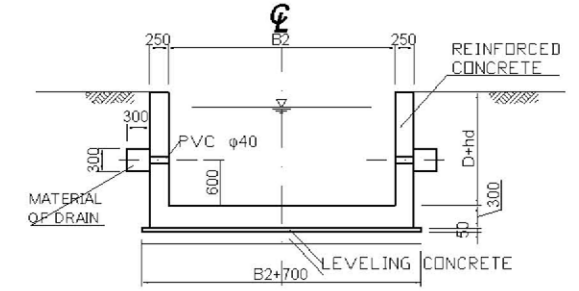
**SECTION B-B**



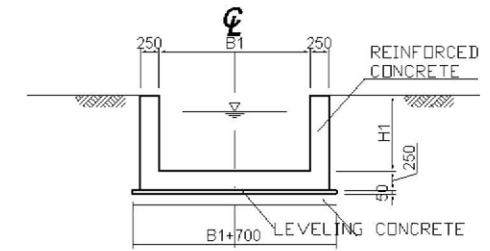
**SECTION C-C**



**SECTION D-D**

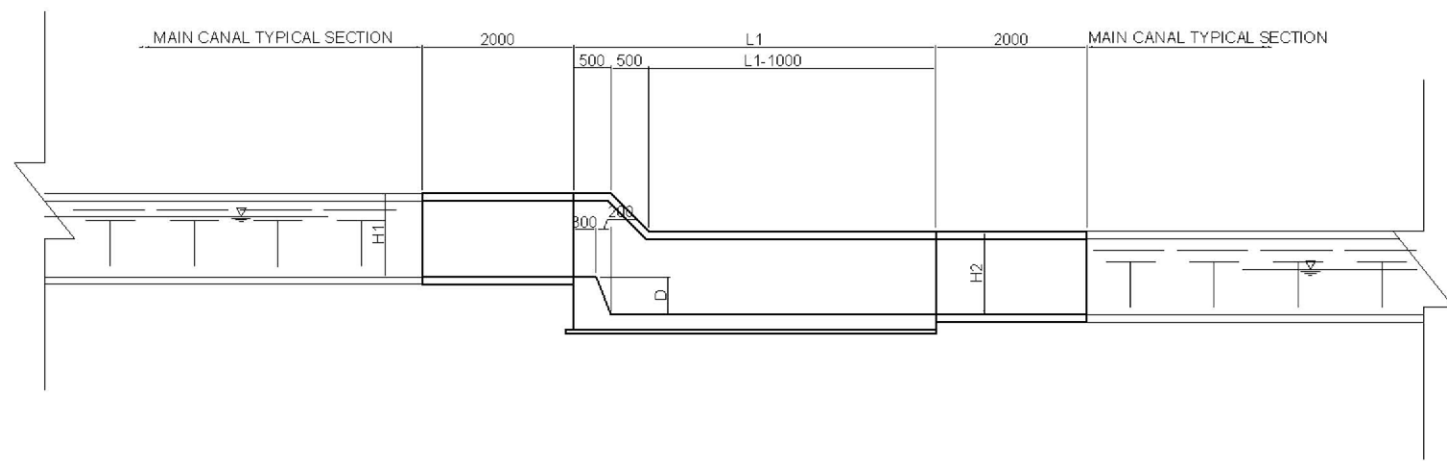
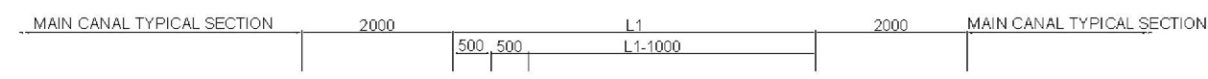
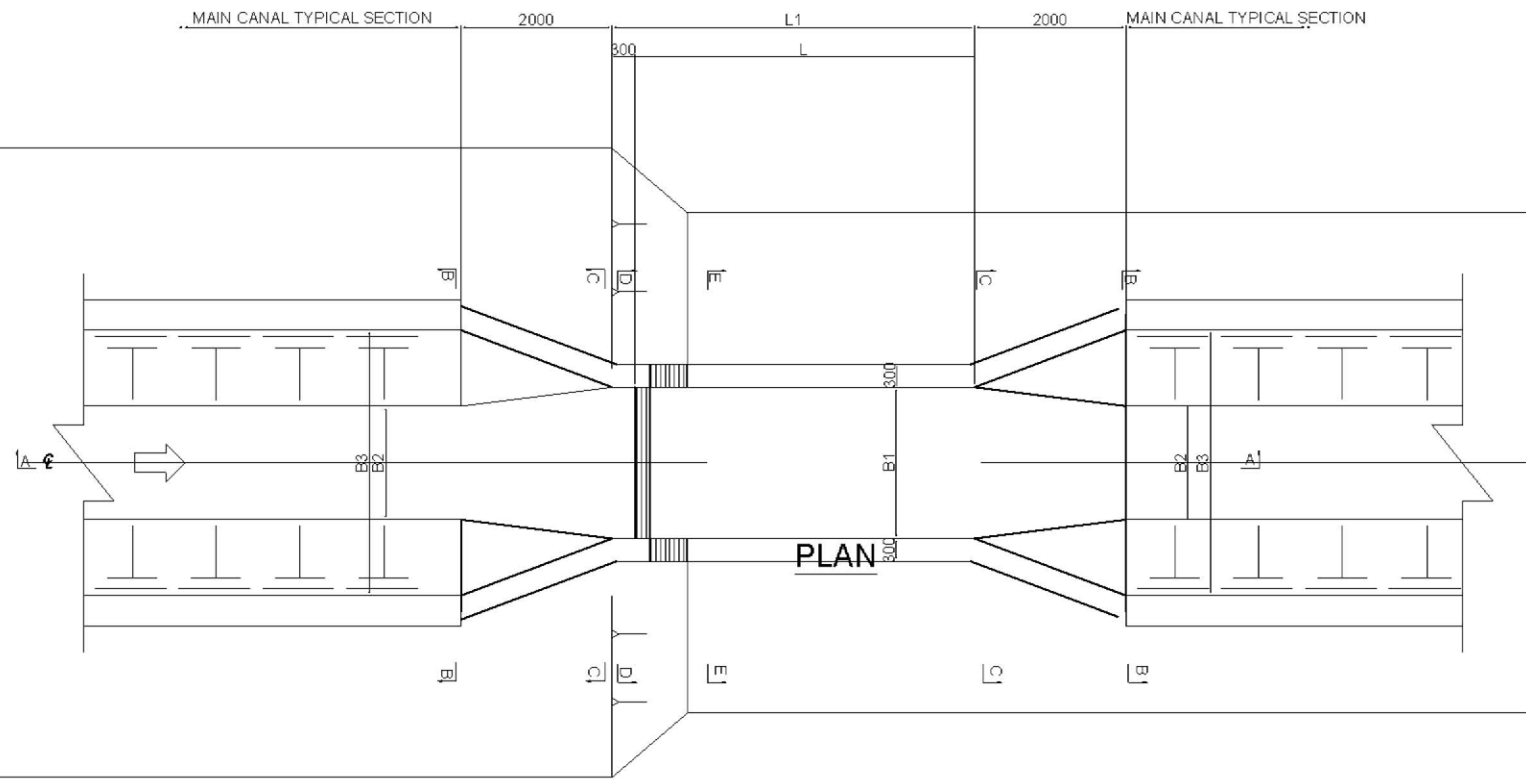


**SECTION E-E**

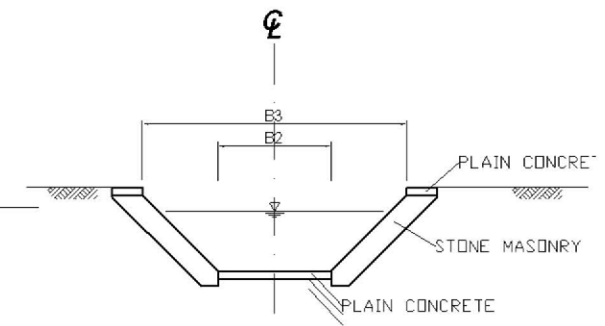


**SECTION F-F**

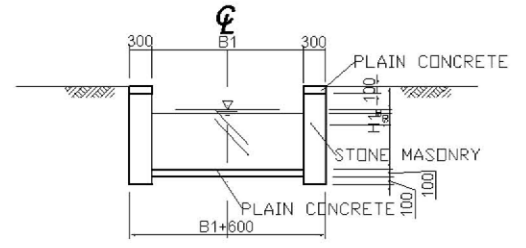
Canal Type	STATION	D (Drop)	B1	B2	D1	hd	L0	L1	H1	B3	B4	Remark
D1	1+090-3+000	1.00	2.00	2.50	0.13	0.60	3.90	2.40	1.10	1.50	3.50	
D2	3+000-5+798	1.00	2.00	2.50	0.13	0.60	3.60	2.20	1.00	1.50	3.30	
D3	5+798-6+770	1.00	1.50	2.00	0.13	0.40	3.60	2.20	1.00	1.40	3.20	
D4	10+820-11+570	1.00	1.20	1.70	0.10	0.40	2.50	1.20	0.90	1.00	2.50	
D5	11+570-12+332	1.00	1.20	1.70	0.10	0.20	1.60	1.10	0.60	0.60	1.60	



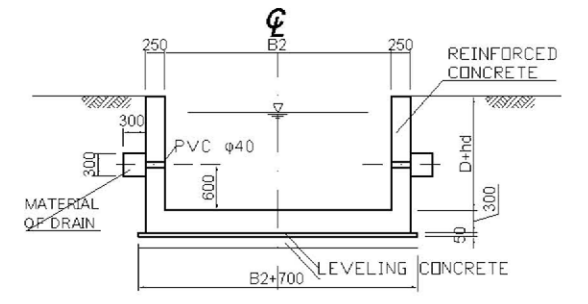
SECTION A-A



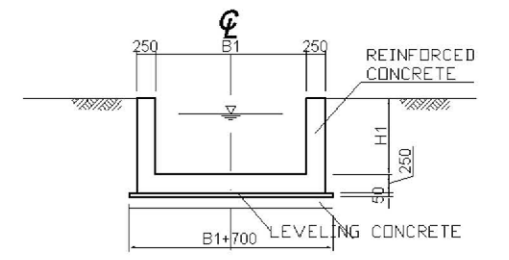
SECTION B-B



SECTION C-C



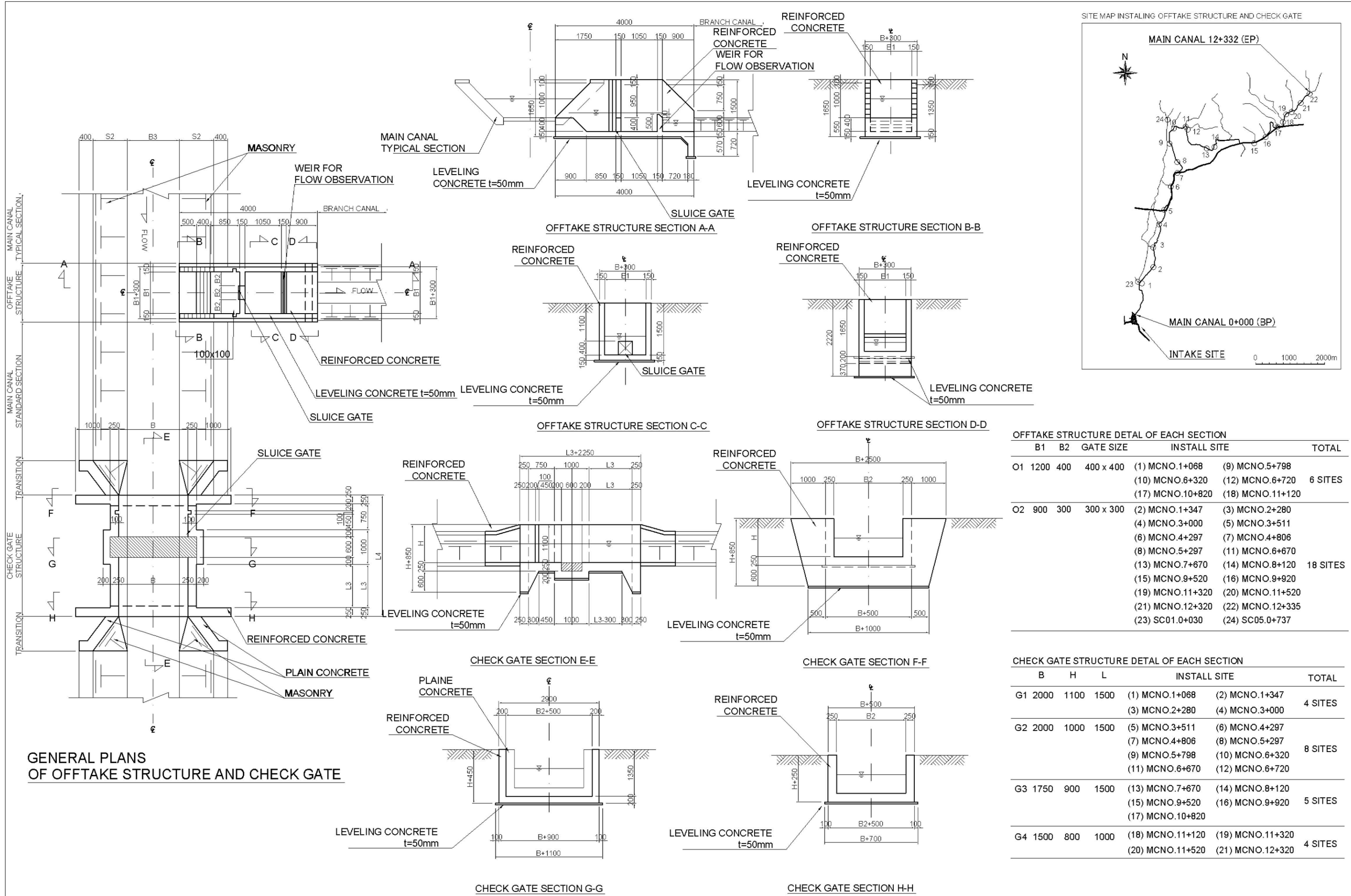
SECTION D-D



SECTION E-E

Canal Type	STATION	D (Drop)	B1	B2	B3	L	L1	H1	H2	Remark
C1	0+000-1+090	0.50	2.00	1.50	3.50	4.50	4.80	1.10	1.10	
C2	1+090-3+000	0.50	2.00	1.50	3.50	4.50	4.80	1.00	1.00	
C3	3+000-5+798	0.50	2.00	1.50	3.30	4.20	4.50	1.00	1.00	
C4	5+798-6+770	0.50	1.50	1.40	3.20	4.20	4.50	1.00	1.00	
C7	10+620-11+570	0.50	1.20	1.00	2.90	2.90	3.20	0.90	0.90	
C8	11+570-12+382	0.50	1.20	0.60	1.60	1.80	2.10	0.60	0.60	

	<b>NTC INTERNATIONAL CO., LTD.</b>	REVISION	PROJECT TITLE	DATE	DESIGNED BY	DWG NO.
			<b>THE PROJECT FOR REHABILITATION AND IMPROVEMENT OF BULUTO IRRIGATION SCHEME</b>		<b>NTC INTERNATIONAL Co.,Ltd.</b>	<b>PDS.02</b>
			DWG TITLE	SCALE	APPROVED BY	SERIAL NO.
			<b>PRAN OF DROP STRUCTURE 0.5M TYPE</b>			<b>0</b>

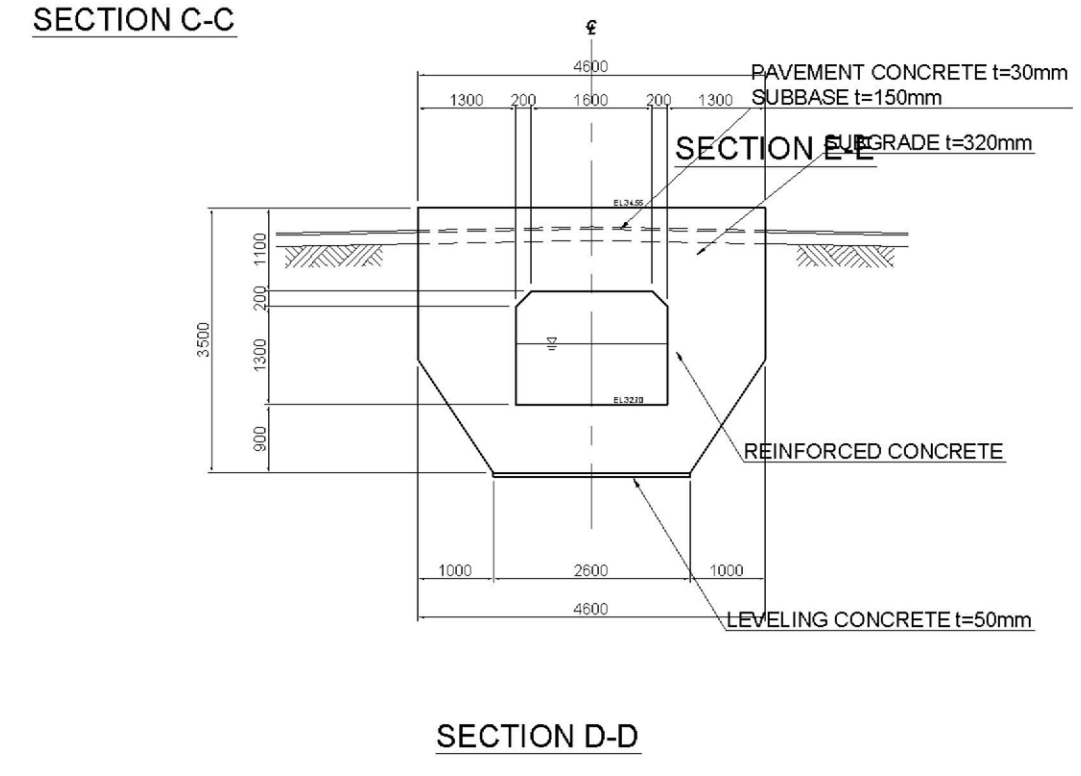
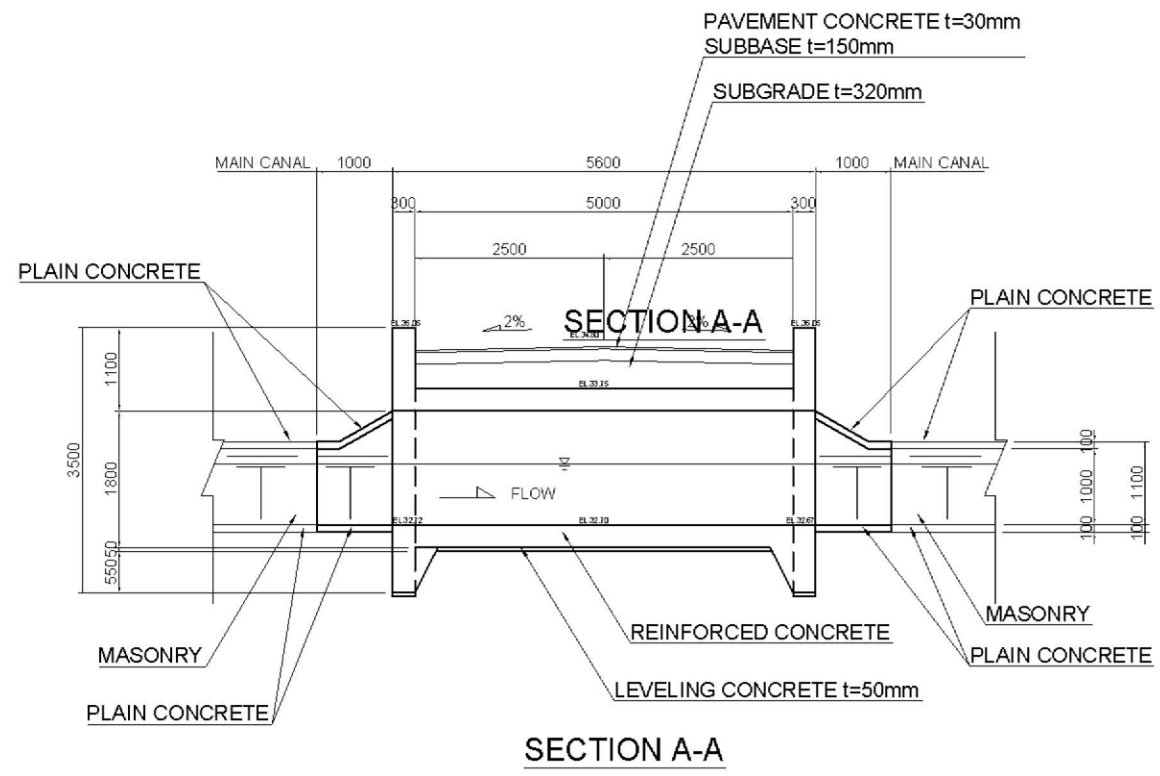
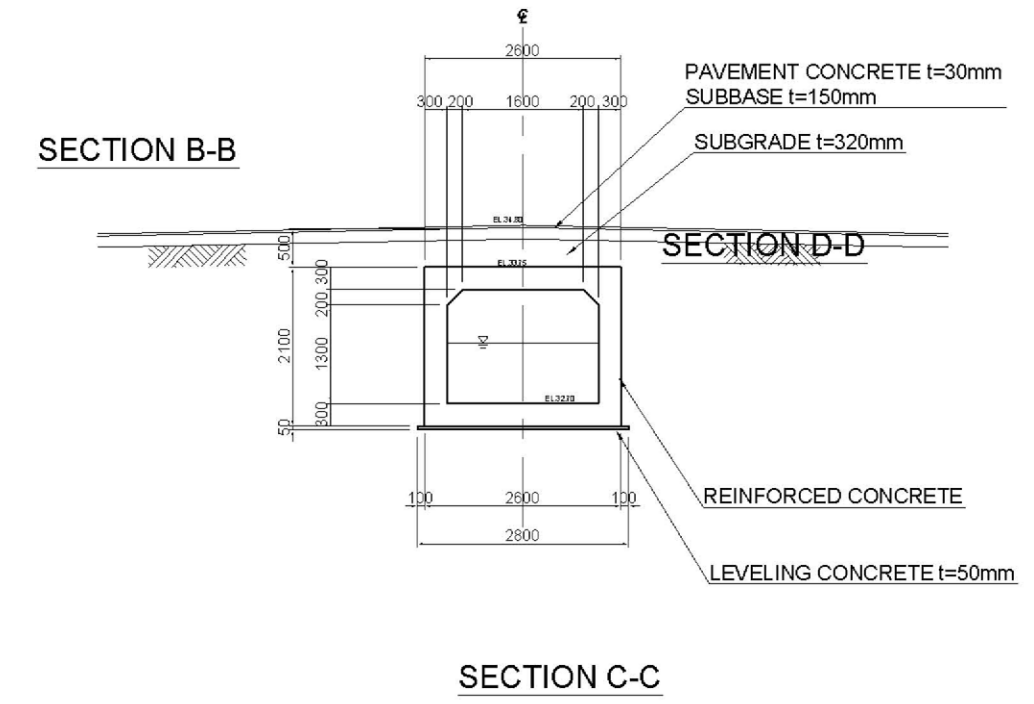
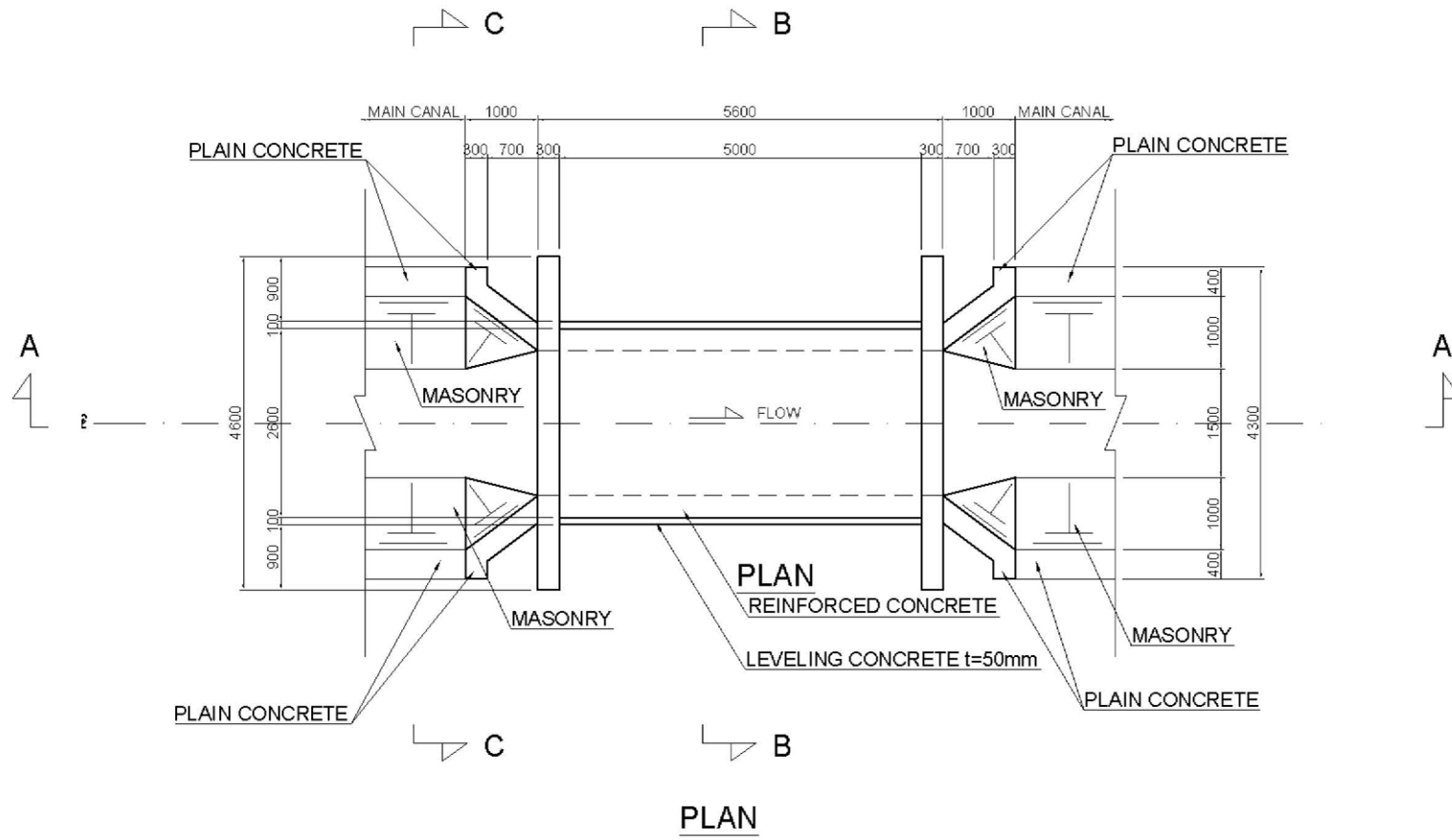


**OFFTAKE STRUCTURE DETAIL OF EACH SECTION**

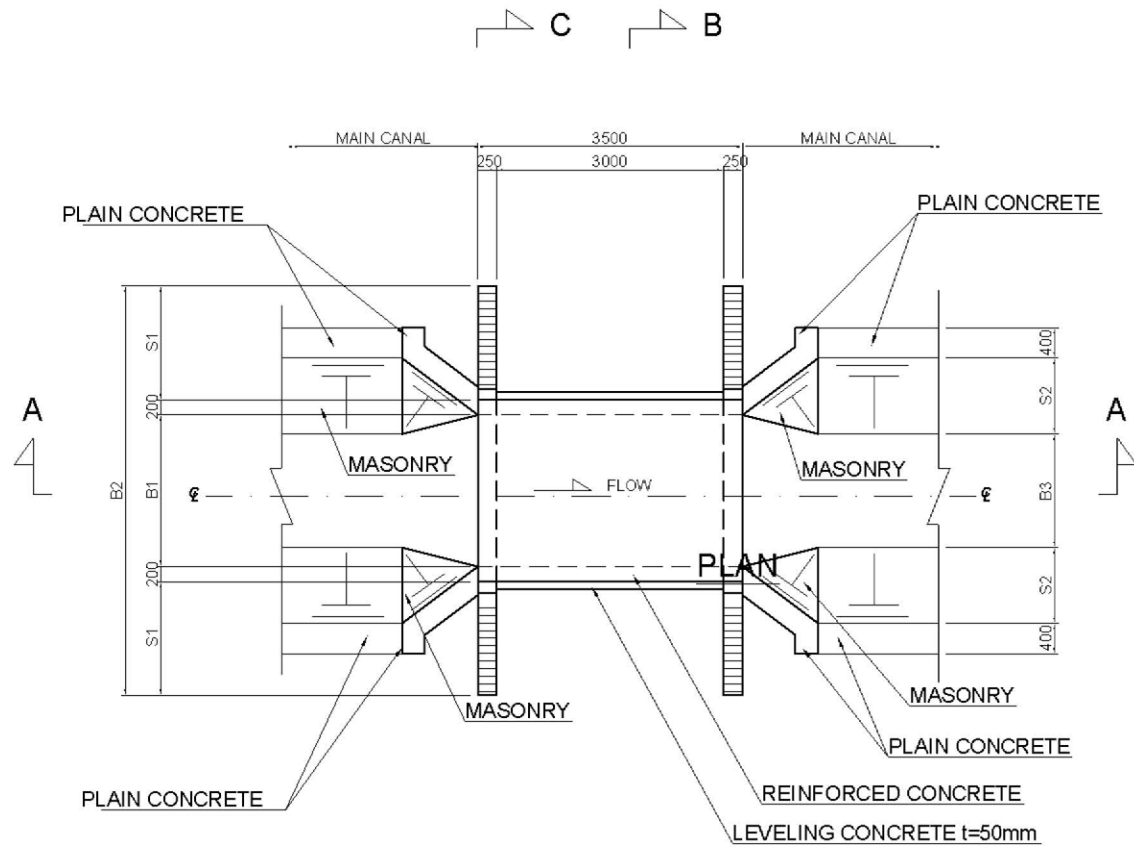
	B1	B2	GATE SIZE	INSTALL SITE		TOTAL
O1	1200	400	400 x 400	(1) MCNO.1+068	(9) MCNO.5+798	6 SITES
				(10) MCNO.6+320	(12) MCNO.6+720	
				(17) MCNO.10+820	(18) MCNO.11+120	
O2	900	300	300 x 300	(2) MCNO.1+347	(3) MCNO.2+280	18 SITES
				(4) MCNO.3+000	(5) MCNO.3+511	
				(6) MCNO.4+297	(7) MCNO.4+806	
				(8) MCNO.5+297	(11) MCNO.6+670	
				(13) MCNO.7+670	(14) MCNO.8+120	
				(15) MCNO.9+520	(16) MCNO.9+920	
				(19) MCNO.11+320	(20) MCNO.11+520	
				(21) MCNO.12+320	(22) MCNO.12+335	
				(23) SC01.0+030	(24) SC05.0+737	

**CHECK GATE STRUCTURE DETAIL OF EACH SECTION**

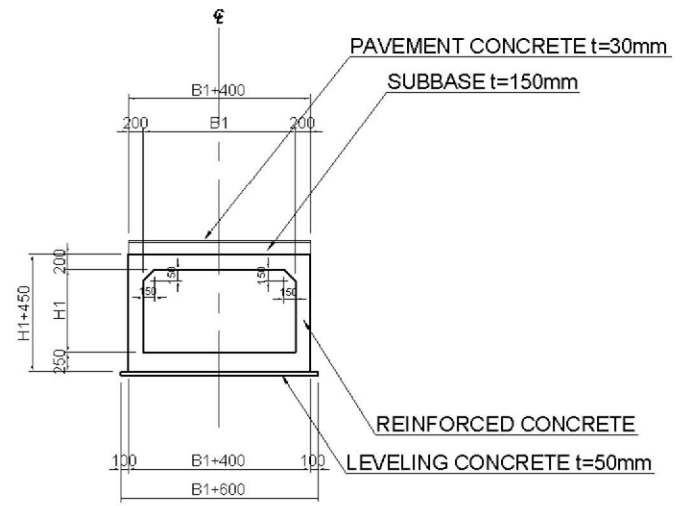
	B	H	L	INSTALL SITE		TOTAL
G1	2000	1100	1500	(1) MCNO.1+068	(2) MCNO.1+347	4 SITES
				(3) MCNO.2+280	(4) MCNO.3+000	
G2	2000	1000	1500	(5) MCNO.3+511	(6) MCNO.4+297	8 SITES
				(7) MCNO.4+806	(8) MCNO.5+297	
				(9) MCNO.5+798	(10) MCNO.6+320	
				(11) MCNO.6+670	(12) MCNO.6+720	
G3	1750	900	1500	(13) MCNO.7+670	(14) MCNO.8+120	5 SITES
				(15) MCNO.9+520	(16) MCNO.9+920	
				(17) MCNO.10+820		
G4	1500	800	1000	(18) MCNO.11+120	(19) MCNO.11+320	4 SITES
				(20) MCNO.11+520	(21) MCNO.12+320	



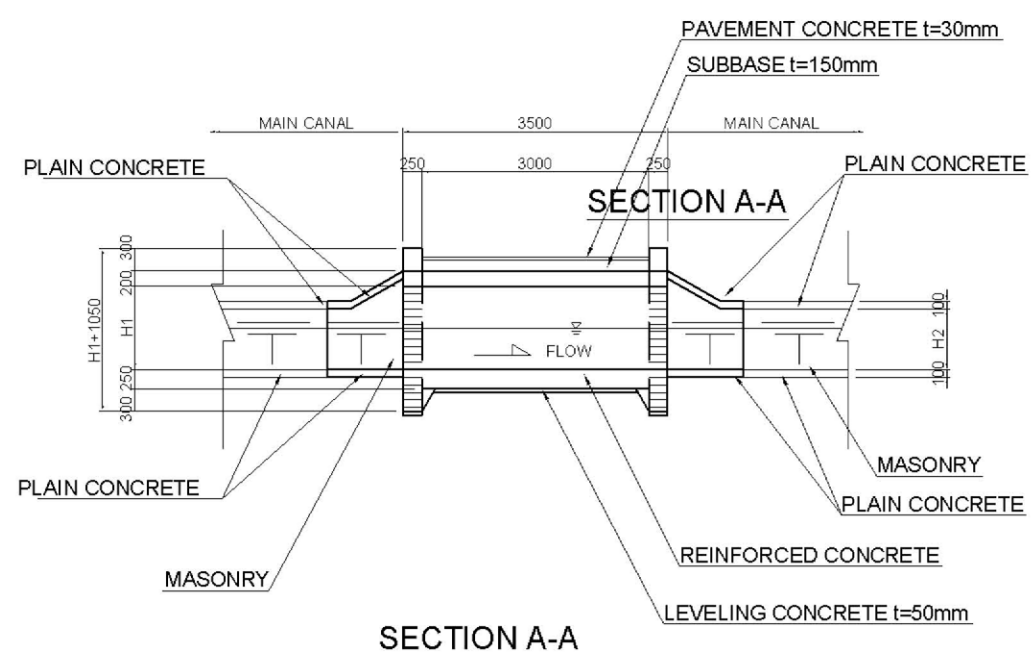
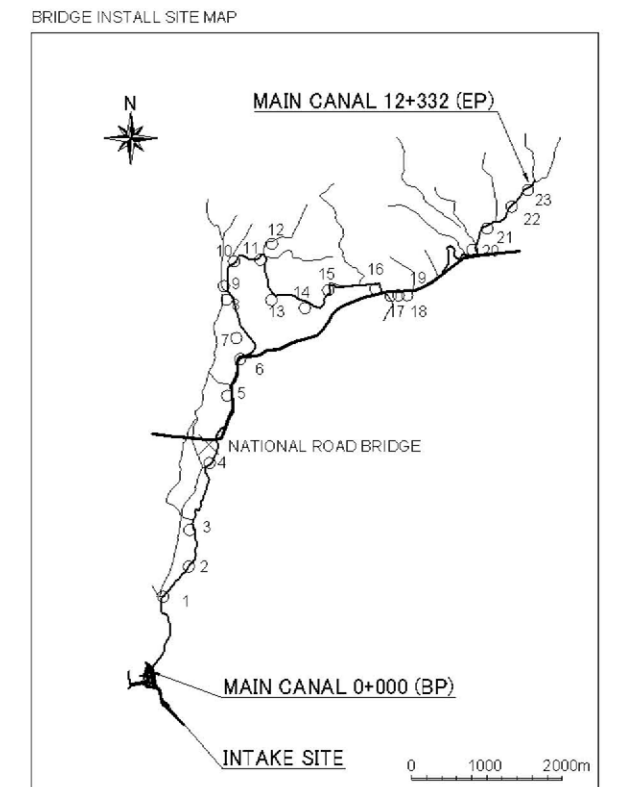
	<b>NTC INTERNATIONAL CO., LTD.</b>	REVISION	PROJECT TITLE	DATE	DESIGNED BY	DWG. NO.
			<b>THE PROJECT FOR REHABILITATION AND IMPROVEMENT OF BULUTO IRRIGATION SCHEME</b>		<b>NTC INTERNATIONAL Co.,Ltd.</b>	<b>BCC.01</b>
			DWG. TITLE	SCALE	APPROVED BY	SERIAL NO.
			<b>BRIDGE CROSSING NATIONAL ROAD</b>			<b>0</b>



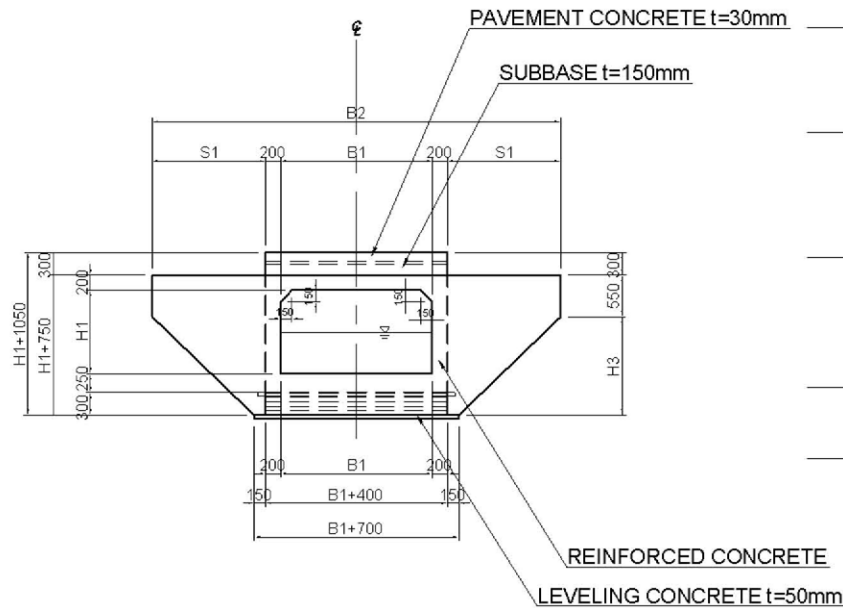
PLAN



SECTION B-B



SECTION A-A



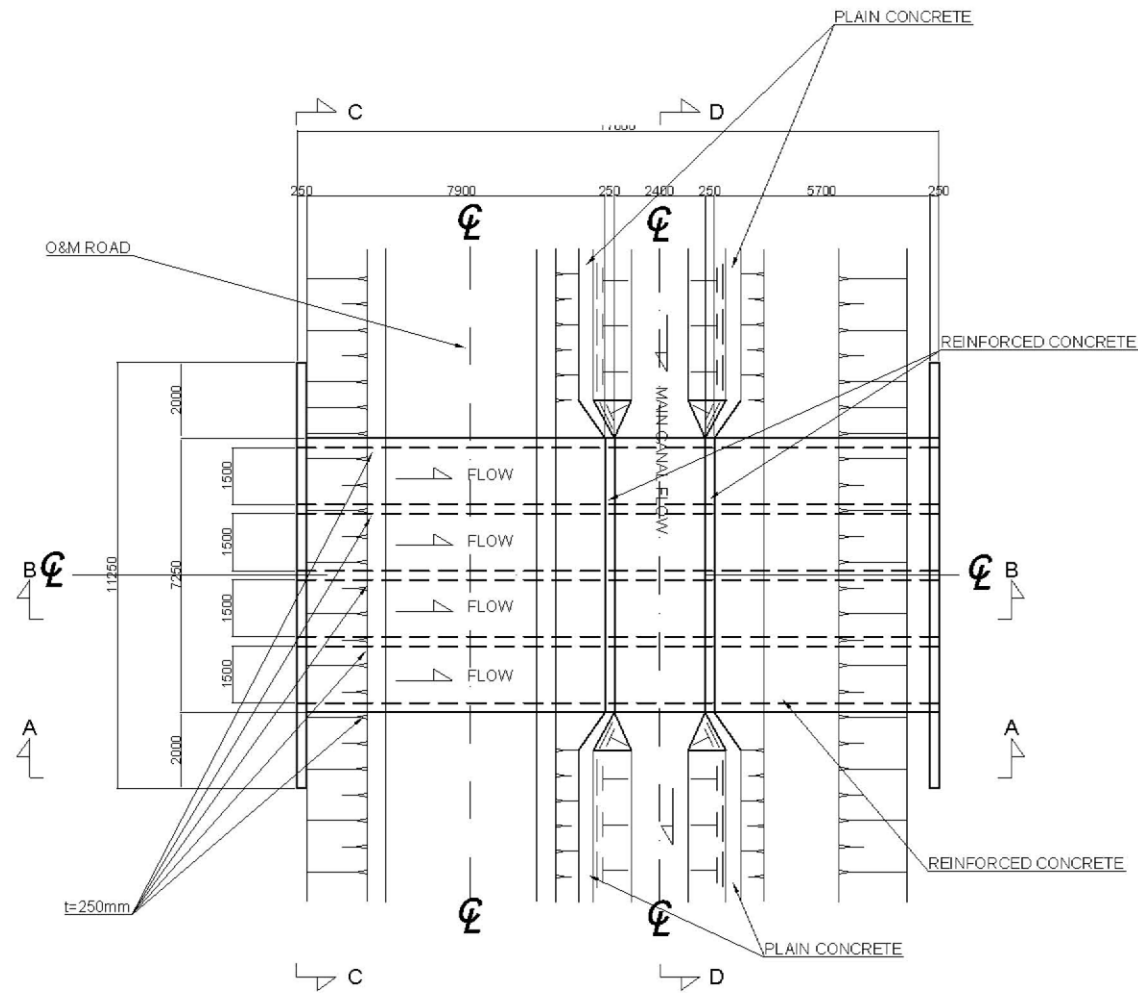
SECTION C-C

DETAIL OF EACH SECTION

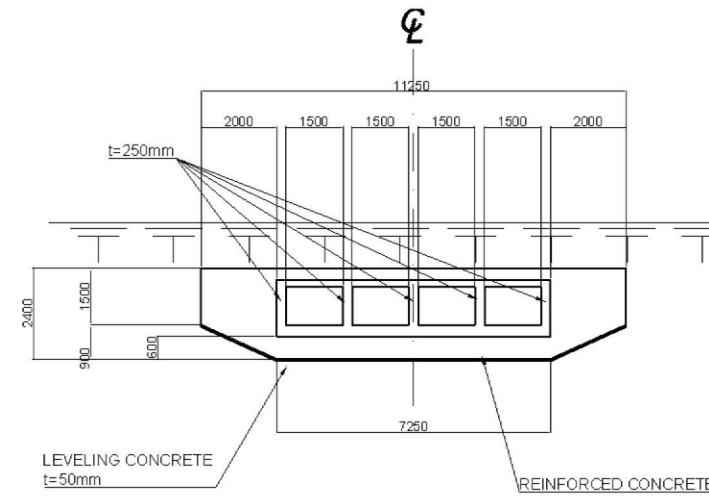
TYPE NO.	STRUCTURE SIZE						INSTALL SITE		TOTAL
	B1	B2	S	H1	H2	H3	SITE NO.		
B1	CF : DESIGN OF NATIONAL ROAD BRIDGE						MCNO.3+495 (x)		1 SITES
B2	2.00	5.40	1.50	1.10	1.55	1.35	MCNO.1+090 (1)	MCNO.1+472 (2)	6 SITES
							MCNO.2+175 (3)	MCNO.3+146 (4)	
							MCNO.4+264 (5)	MCNO.4+896 (6)	
B3	1.50	4.70	1.40	1.00	1.45	1.25	MCNO.5+970 (7)	MCNO.6+270 (8)	7 SITES
							MCNO.6+720 (9)	MCNO.6+920 (13)	
							MCNO.7+520 (14)	MCNO.8+270 (15)	
							MCNO.9+020 (16)		
B4	1.20	4.40	1.40	0.90	1.35	1.15	MCNO.11+270 (20)	MCNO.11+570 (21)	7 SITES
							MCNO.11+820 (22)	MCNO.12+270 (23)	
							SC05.0+010 (10)	SC08.0+240 (11)	
							TERTIARY CANALS FROM BL.8 (12)		
B5	1.50	4.70	1.40	1.50	1.95	1.75	MCNO.9+220 (17)	MCNO.9+270 (18)	3 SITES
							MCNO.9+320 (19)		

	<b>NTC INTERNATIONAL CO., LTD.</b>	REVISION	PROJECT TITLE	DATE	DESIGNED BY	DWG. NO.
			<b>THE PROJECT FOR REHABILITATION AND IMPROVEMENT OF BULUTO IRRIGATION SCHEME</b>		<b>NTC INTERNATIONAL Co.,Ltd.</b>	<b>BCC.02</b>
			DWG. TITLE	SCALE	APPROVED BY	SERIAL NO.
			<b>BRIDGE CROSSING IRRIGATION CANAL</b>			<b>0</b>

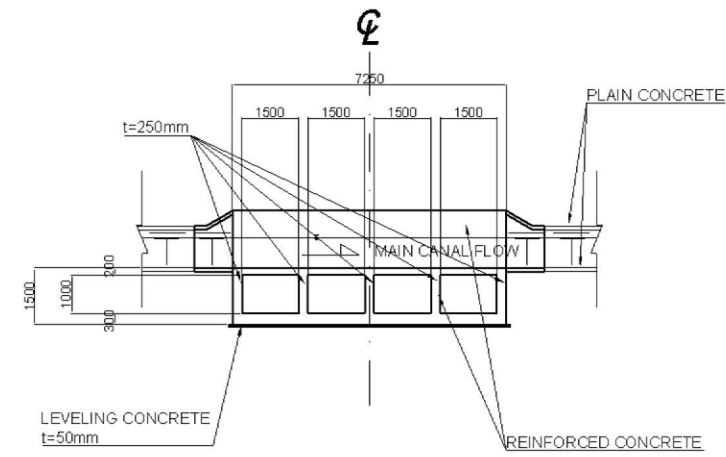
4LINE TYPE



GENERAL PLAN OF THE DRAIN BOX CULVERT

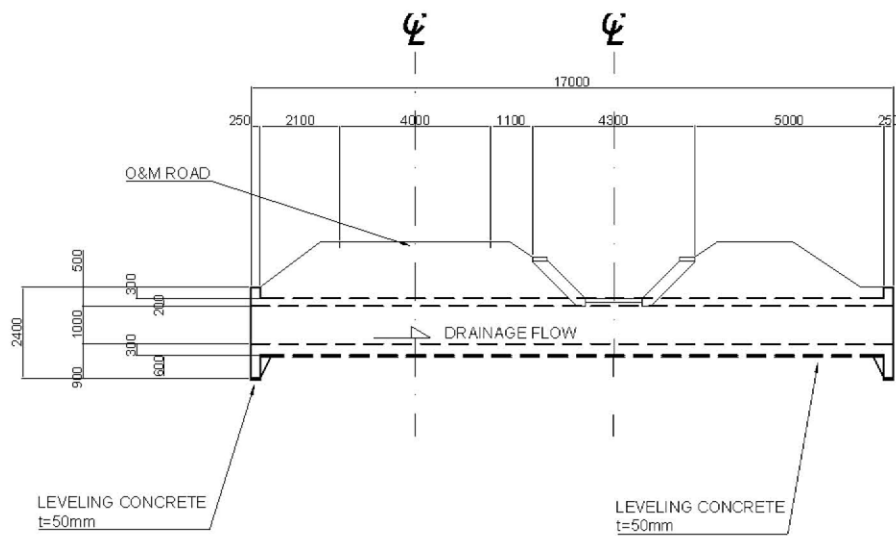
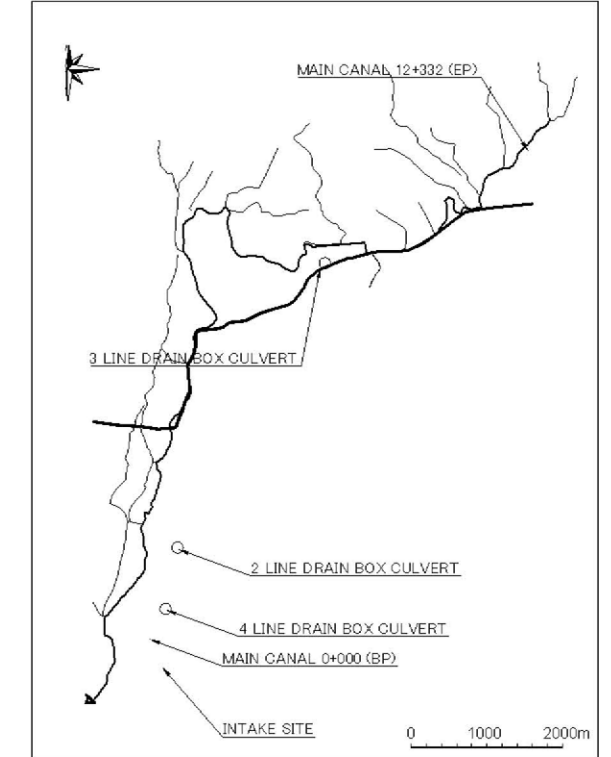


DRAIN BOX CULVERT SECTION C-C

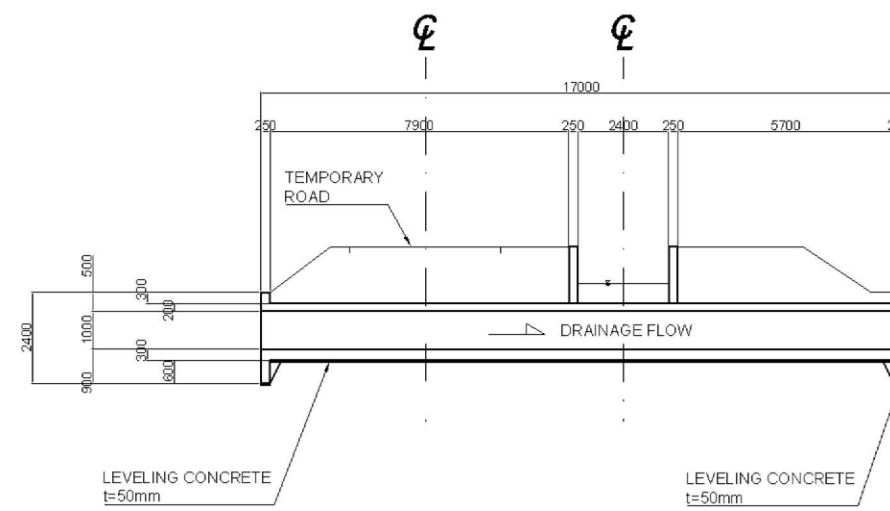


DRAIN BOX CULVERT SECTION D-D

SITE MAP INSTALLING DRAINAGE BOX CULVERT




DRAIN BOX CULVERT SECTION A-A

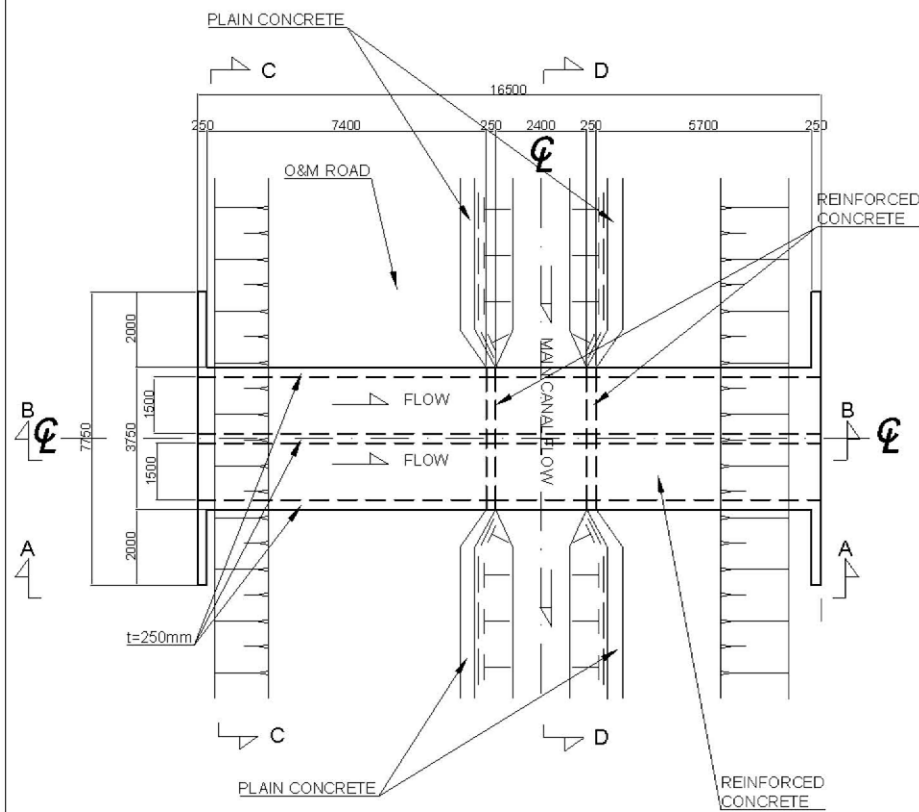


DRAIN BOX CULVERT SECTION B-B

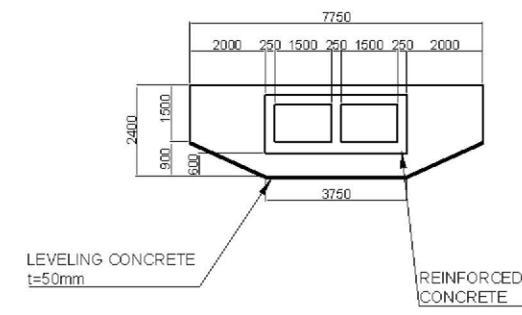
2 - 105

 <b>NTC INTERNATIONAL CO., LTD.</b>	REVISION	PROJECT TITLE	DATE	DESIGNED BY	DWG NO.
		THE PROJECT FOR REHABILITATION AND IMPROVEMENT OF BULUTO IRRIGATION SCHEME	2013.09	NTC INTERNATIONAL Co.,Ltd.	DBC.01
		DWG TITLE	SCALE	APPROVED BY	SERIAL NO.
		PLAN OF THE DRAIN BOX CULVERT 4 LINE TYPE	1:200		0

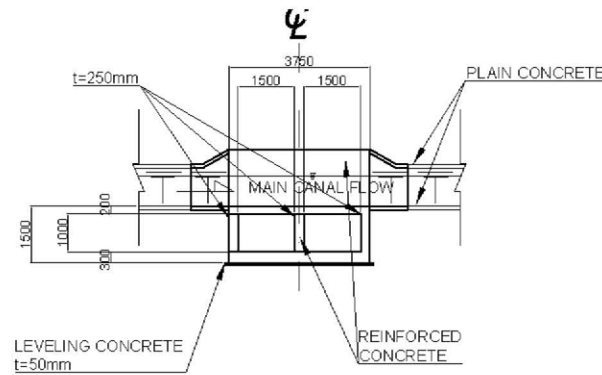




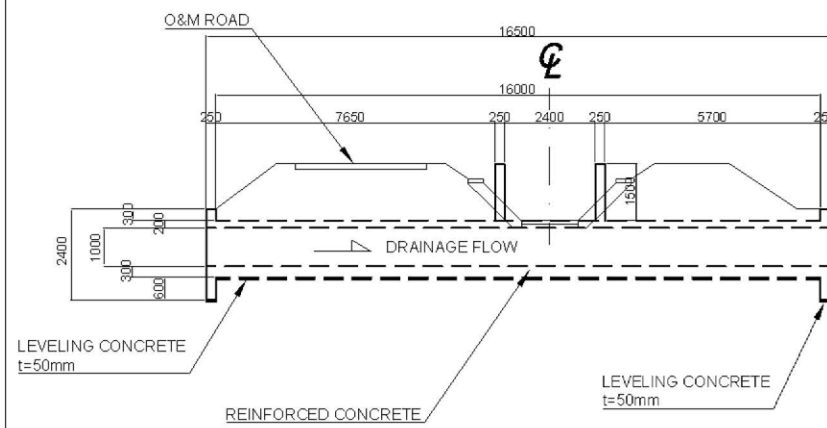
GENERAL PLAN OF THE DRAIN BOX CULVERT



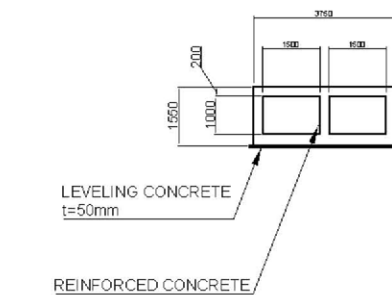
DRAIN BOX CULVERT SECTION C-C



DRAIN BOX CULVERT SECTION D-D

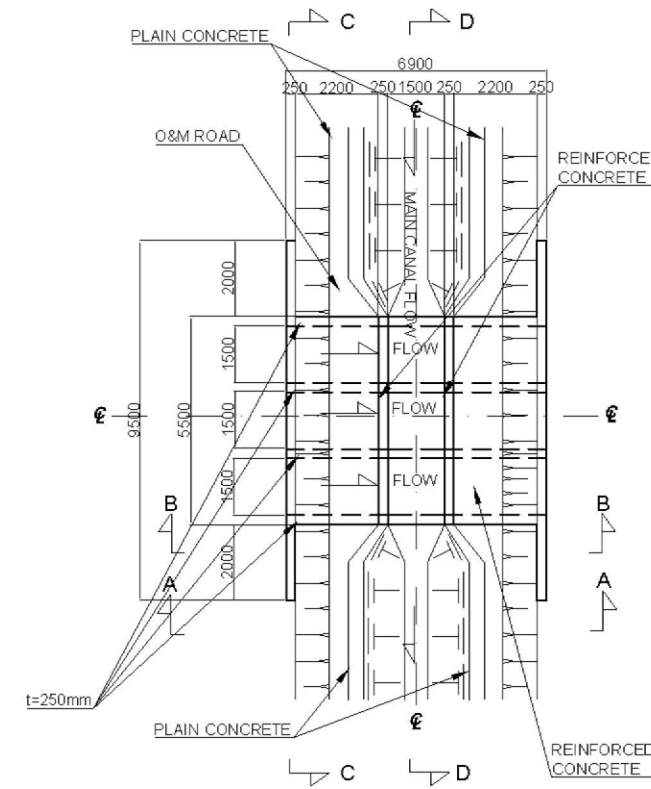


DRAIN BOX CULVERT SECTION A-A

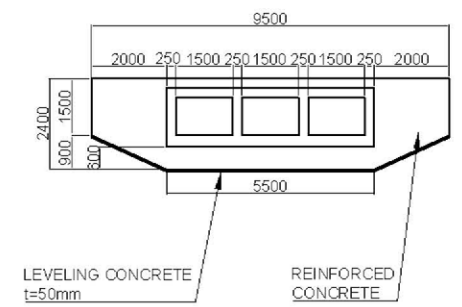


DRAIN BOX CULVERT SECTION B-B

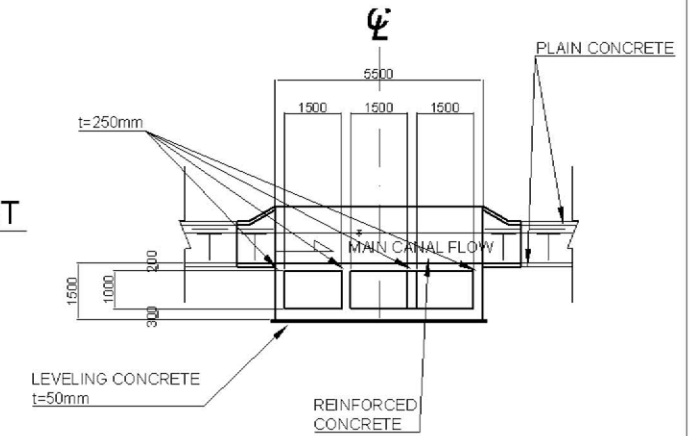
2LINE TYPE



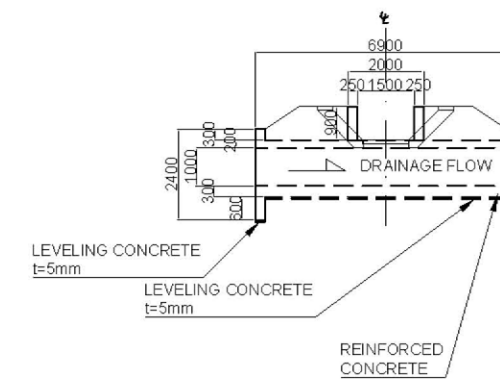
GENERAL PLAN OF THE DRAIN BOX CULVERT



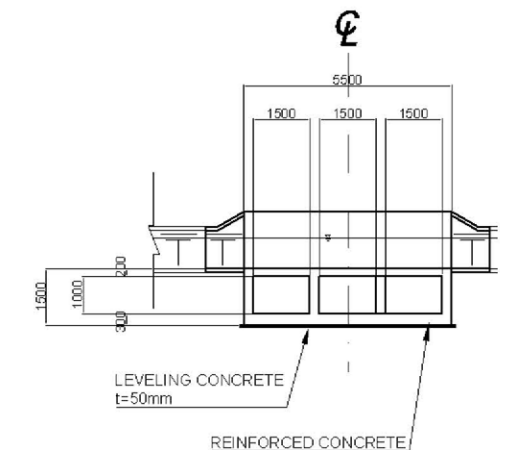
DRAIN BOX CULVERT SECTION C-C



DRAIN BOX CULVERT SECTION D-D




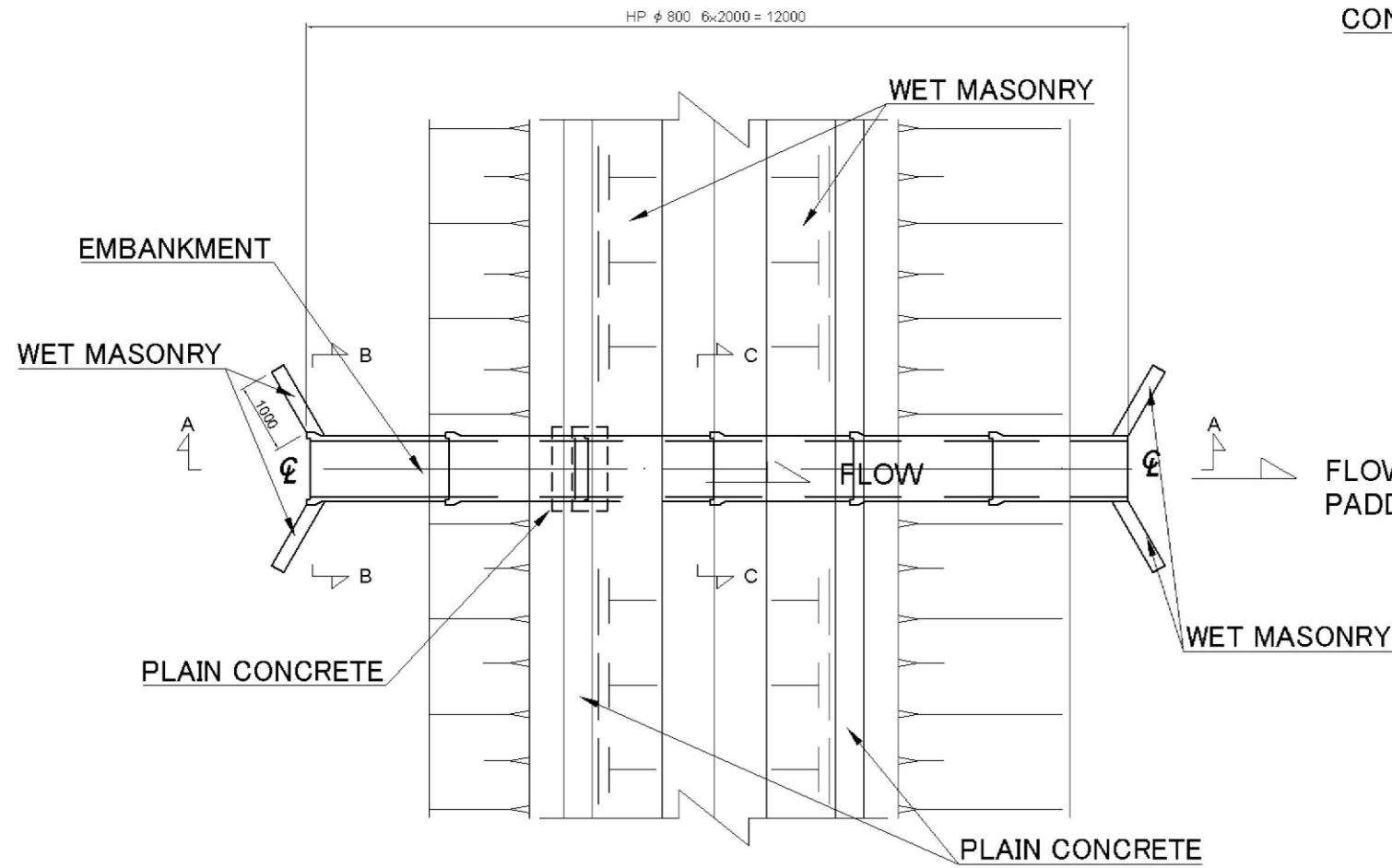
DRAIN BOX CULVERT SECTION A-A



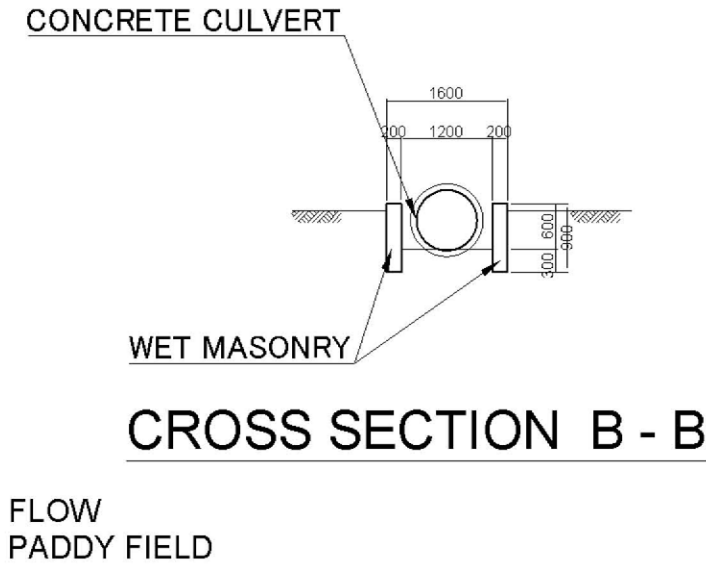
DRAIN BOX CULVERT SECTION B-B

3LINE TYPE

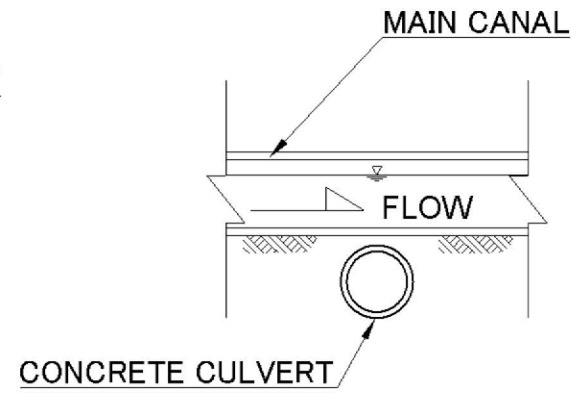
 <b>NTC INTERNATIONAL CO., LTD.</b>	REVISION	PROJECT TITLE	DATE	DESIGNED BY	DWG NO.
		THE PROJECT FOR REHABILITATION AND IMPROVEMENT OF BULUTO IRRIGATION SCHEME	2013.09	NTC INTERNATIONAL Co.,Ltd.	DBC.02
		DWG TITLE	SCALE	APPROVED BY	SERIAL NO.
		PLAN OF THE DRAIN BOX CULVERT 2 LINE,3 LINE TYPE	1:200		0



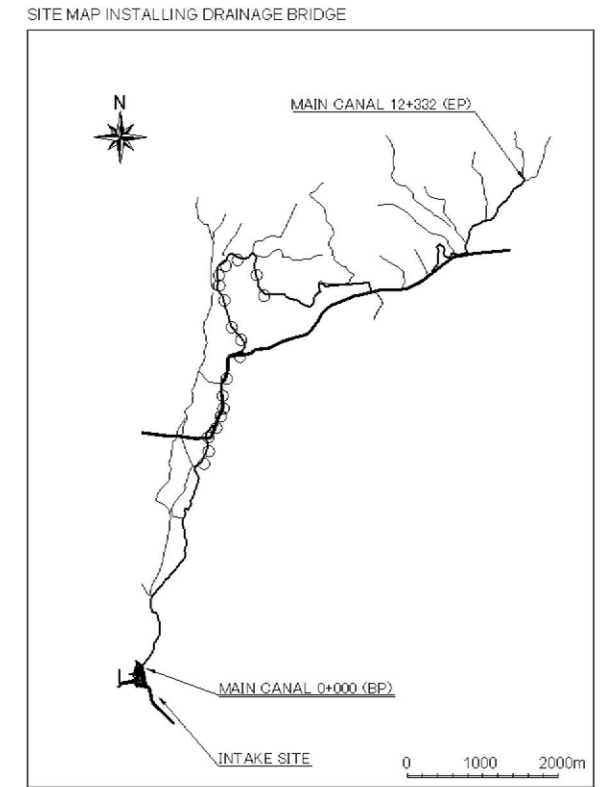
**GENERAL PLAN OF DRAIN PIPE CULVERT**



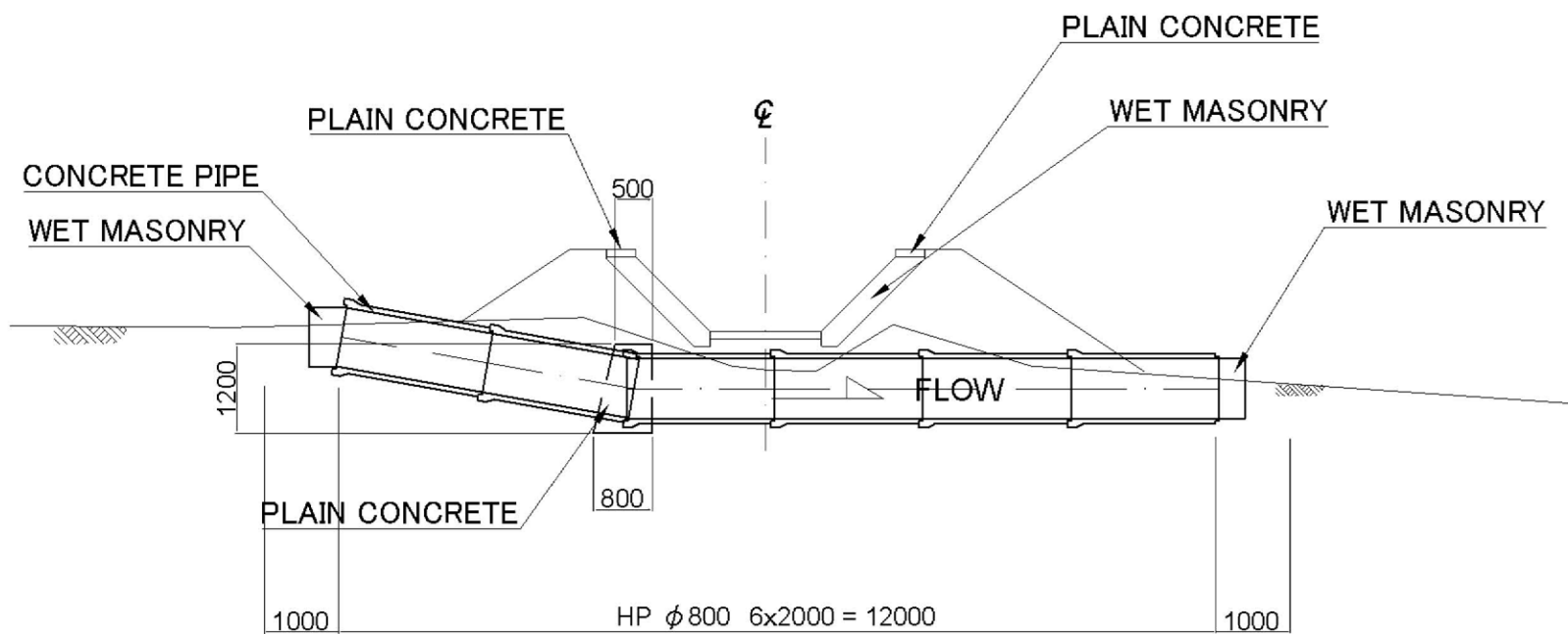
**CROSS SECTION B - B**




**CROSS SECTION C - C**

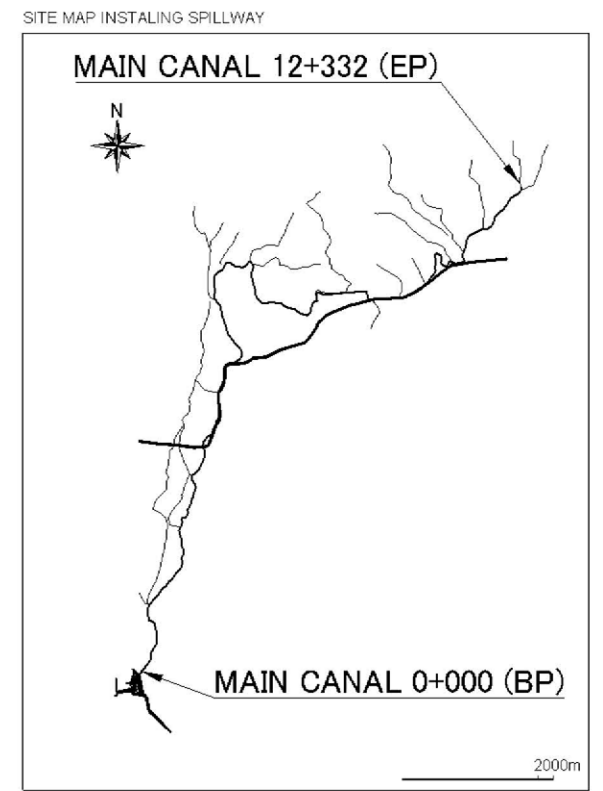
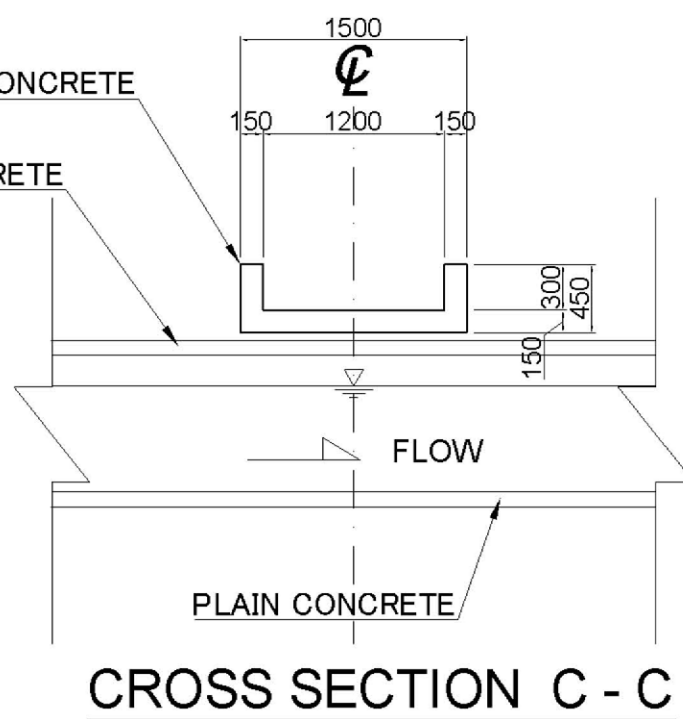
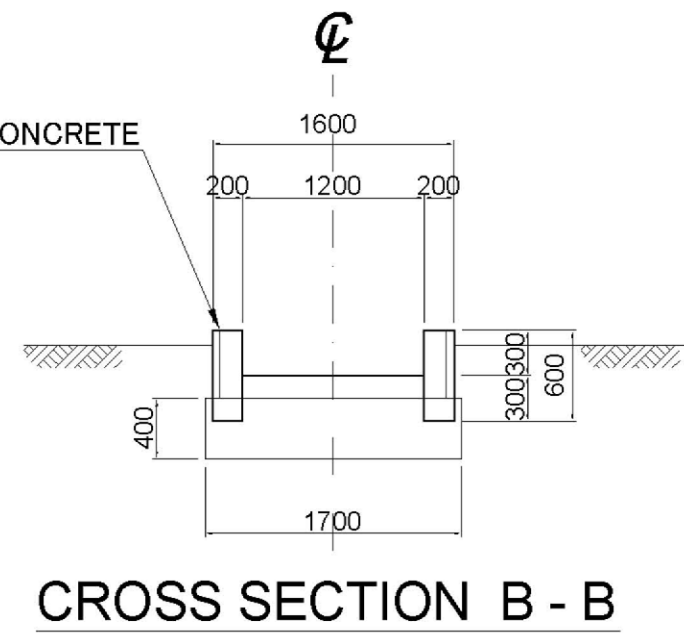
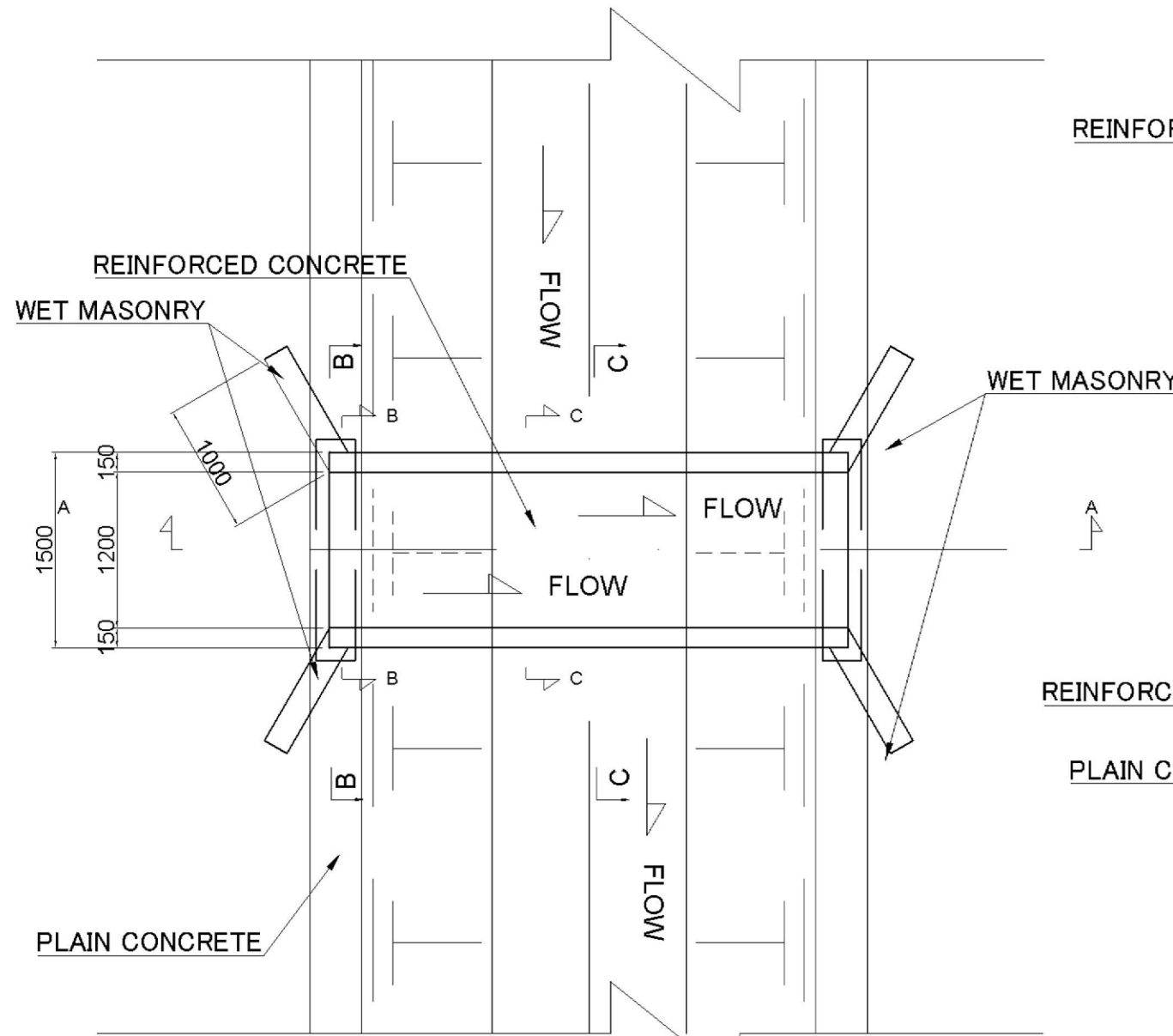


**INSTALL SITE**

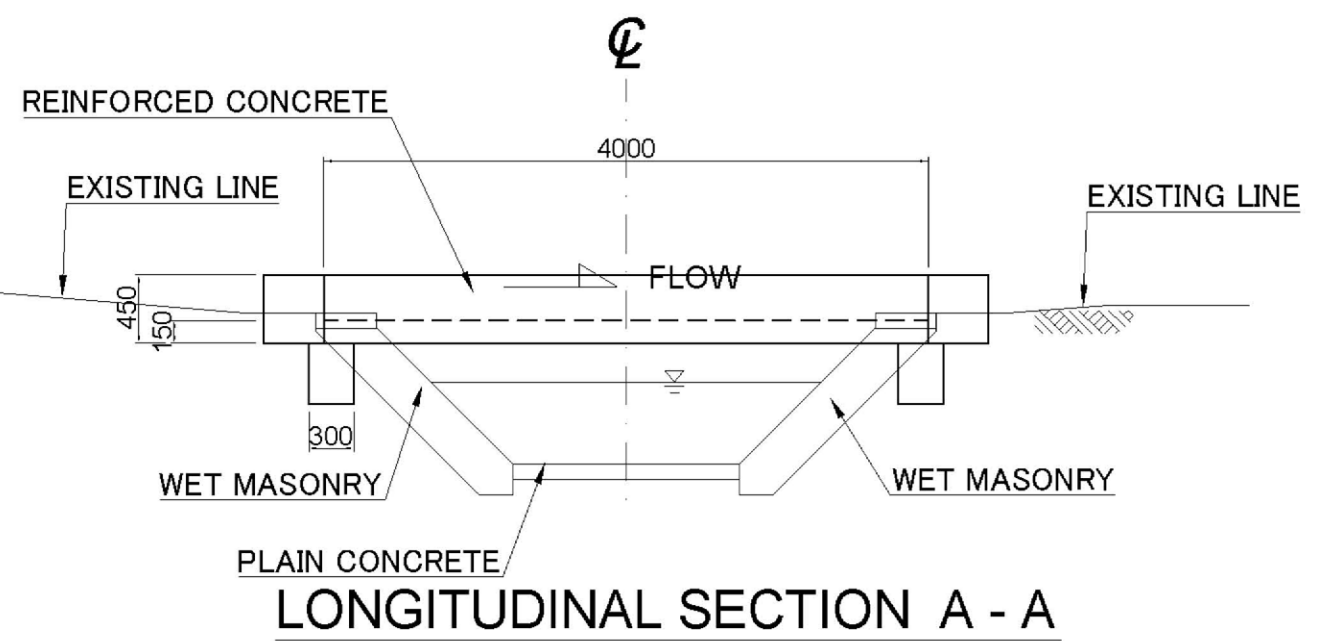


**LONGITUDINAL SECTION A - A**

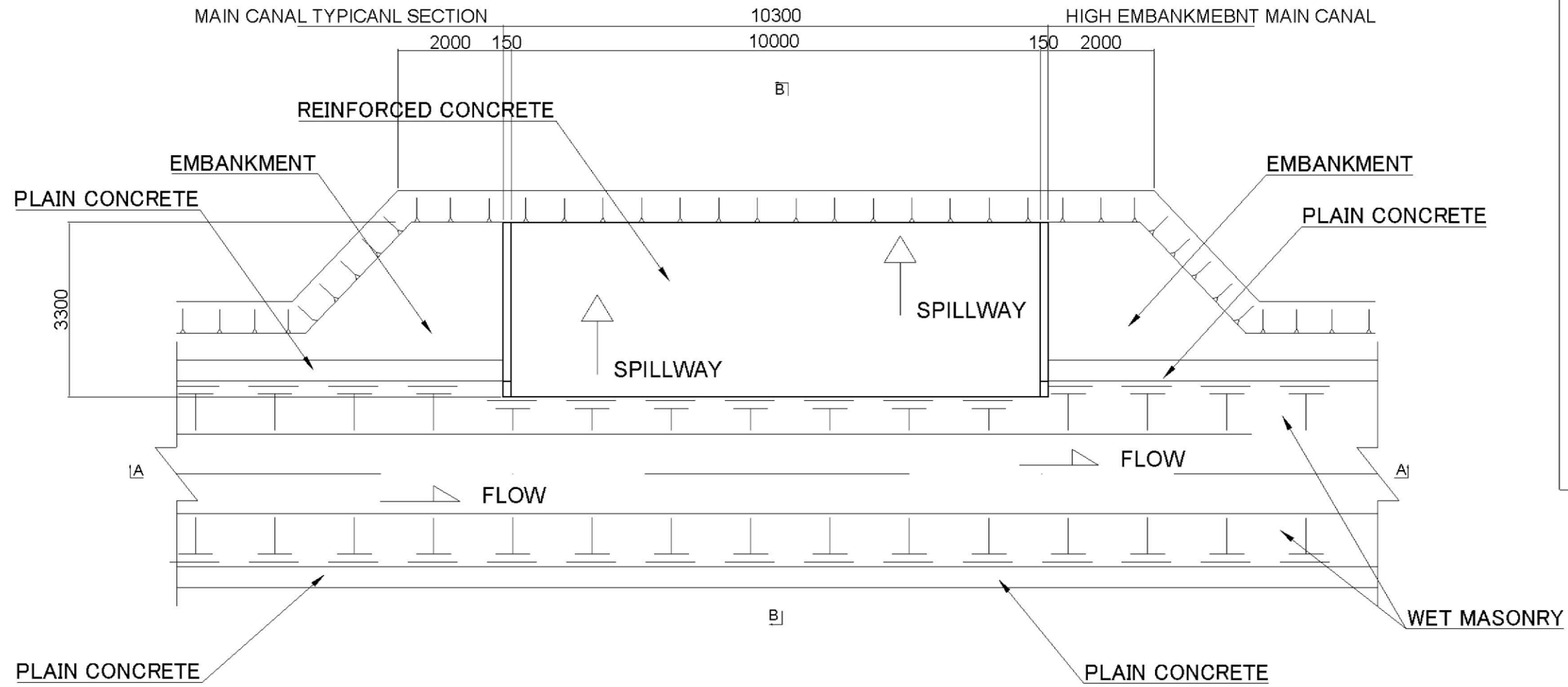
 <b>NTC</b>	<b>NTC INTERNATIONAL CO., LTD.</b>	REVISION	PROJECT TITLE	DATE	DESIGNED BY	DWG. NO.
			<b>THE PROJECT FOR REHABILITATION AND IMPROVEMENT OF BULUTO IRRIGATION SCHEME</b>	2013.09	NTC INTERNATIONAL Co.,Ltd.	DPC.01
			DWG. TITLE	SCALE	APPROVED BY	SERIAL NO.
			<b>PLAN OF DRAIN PIPE CULVERT</b>	1:100		0



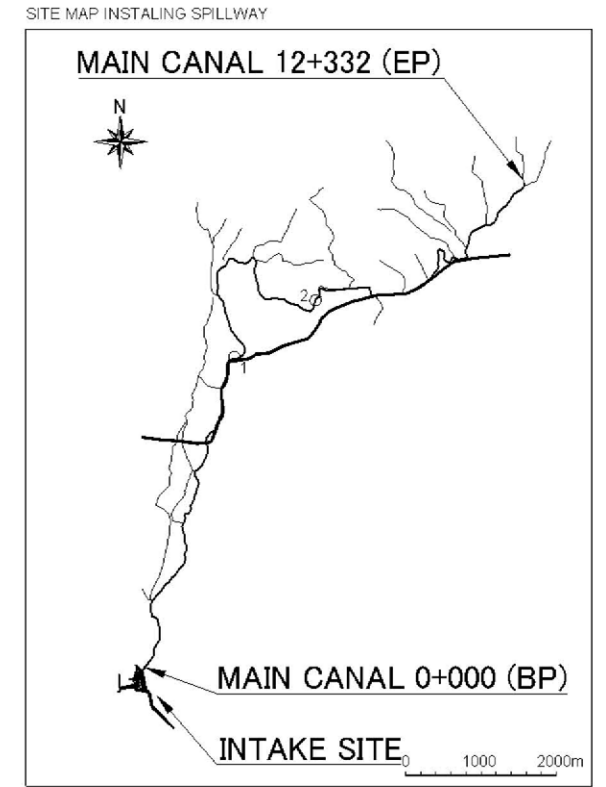
INSTALL SITE



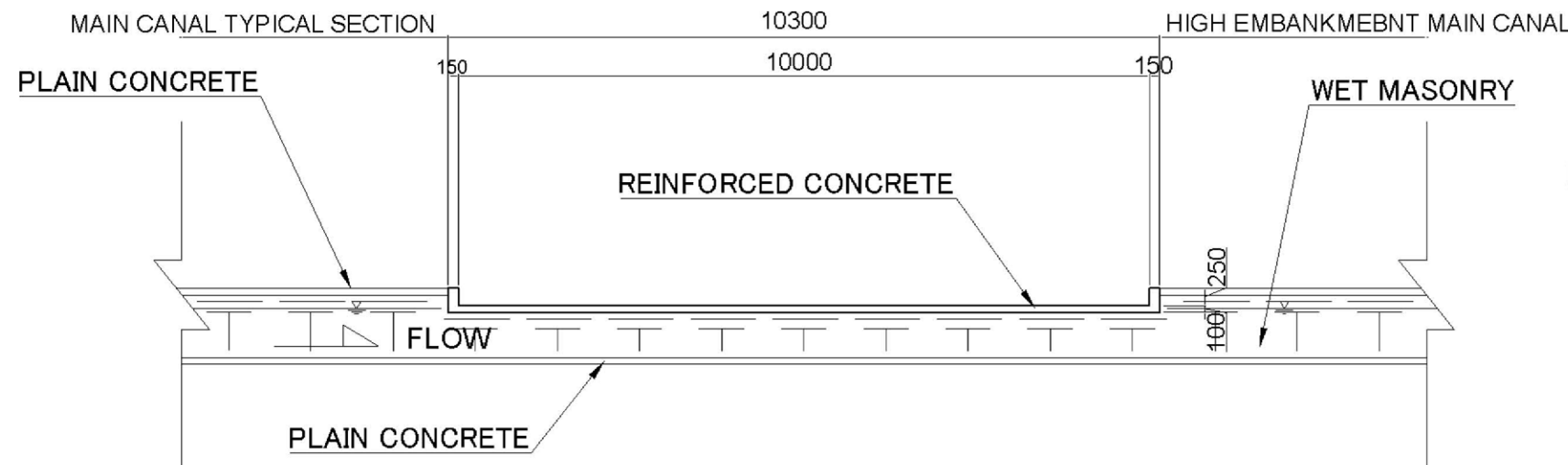
	<b>NTC INTERNATIONAL CO., LTD.</b>	REVISION	PROJECT TITLE	DATE	DESIGNED BY	DWG NO.
			<b>THE PROJECT FOR REHABILITATION AND IMPROVEMENT OF BULUTO IRRIGATION SCHEME</b>	2013.09	NTC INTERNATIONAL Co.,Ltd.	DBS.01
			DWG. TITLE	SCALE	APPROVED BY	SERIAL NO.
			PLAN OF DRAIN BRIDGE	1:50		0



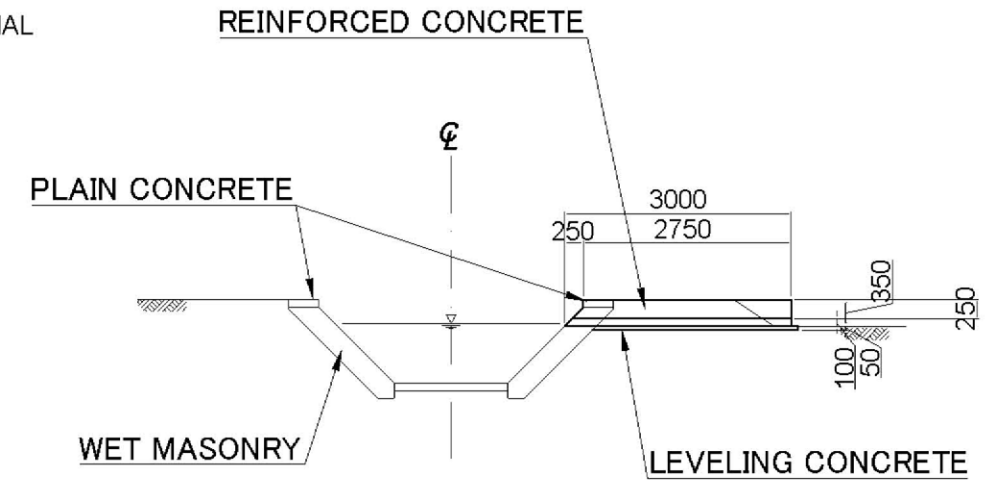
**GENERAL PLAN OF SPILLWAY**



INSTALL SITE	DRAINAGE DESTINATION
1 MCNO.4+575	EXISTING PADDY FIELD
2 MCNO.8+320	EXISTING DRAINAGE CANAL



**LONGITUDINAL SECTION A - A**



**CROSS SECTION B - B**

	<b>NTC INTERNATIONAL CO., LTD.</b>	REVISION	PROJECT TITLE	DATE	DESIGNED BY	DWG. NO.
			<b>THE PROJECT FOR REHABILITATION AND IMPROVEMENT OF BULUTO IRRIGATION SCHEME</b>	2013.09	NTC INTERNATIONAL Co.,Ltd.	PSW.01
			DWG. TITLE	SCALE	APPROVED BY	SERIAL NO.
			PLAN OF SPILL WAY	1:100		0

