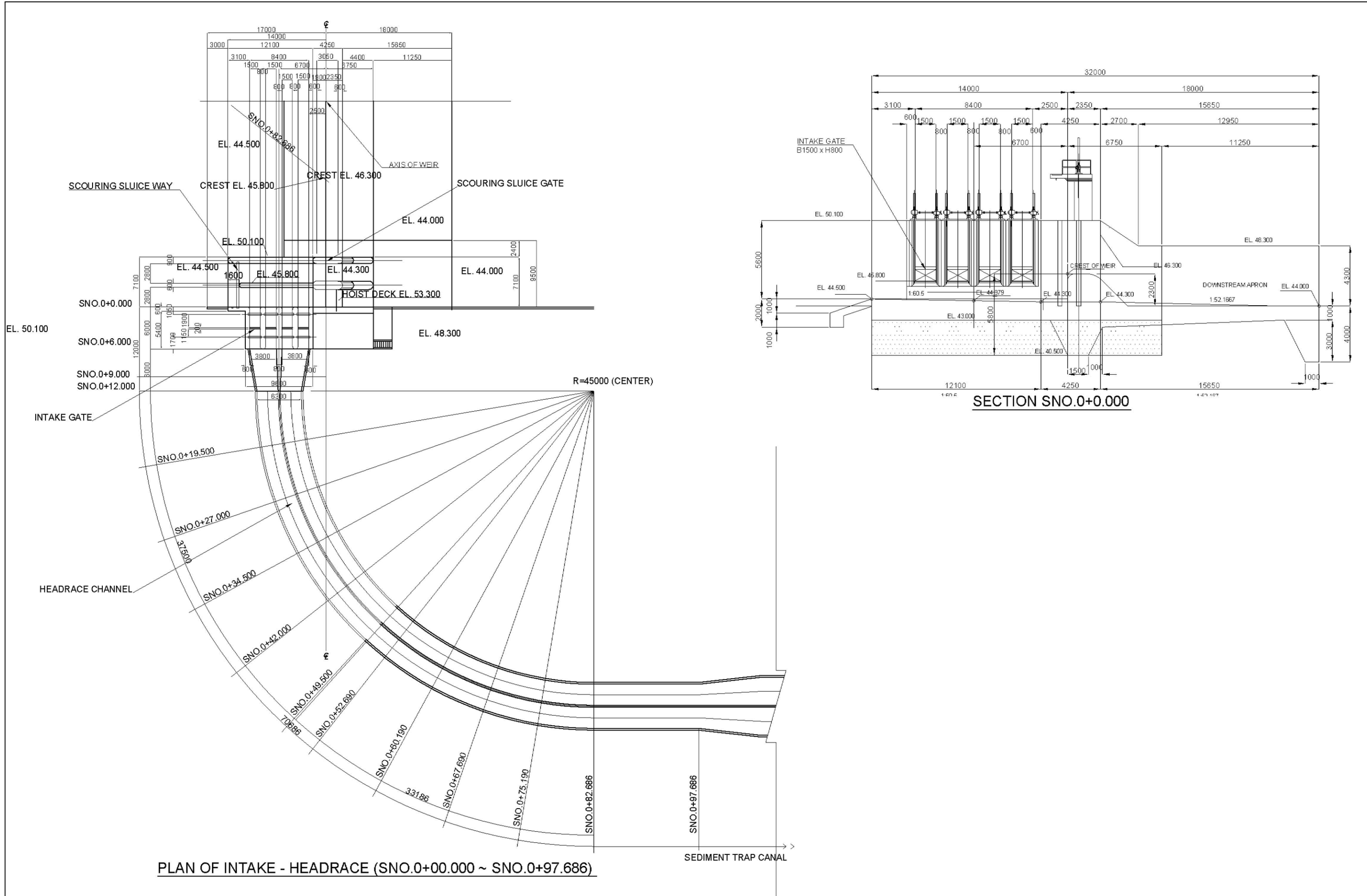

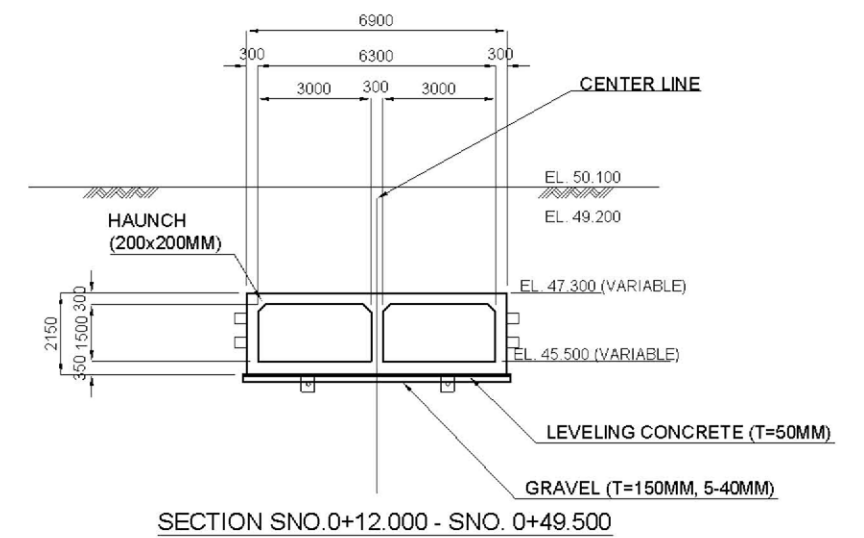
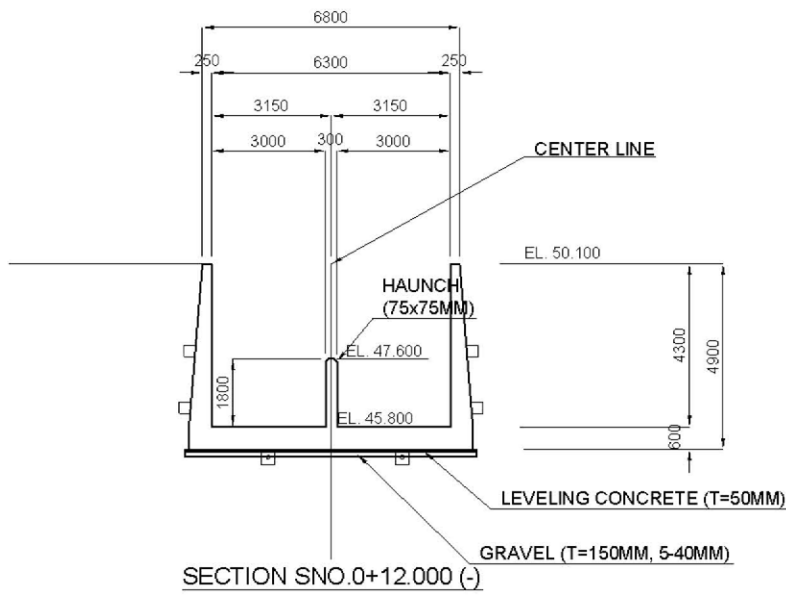
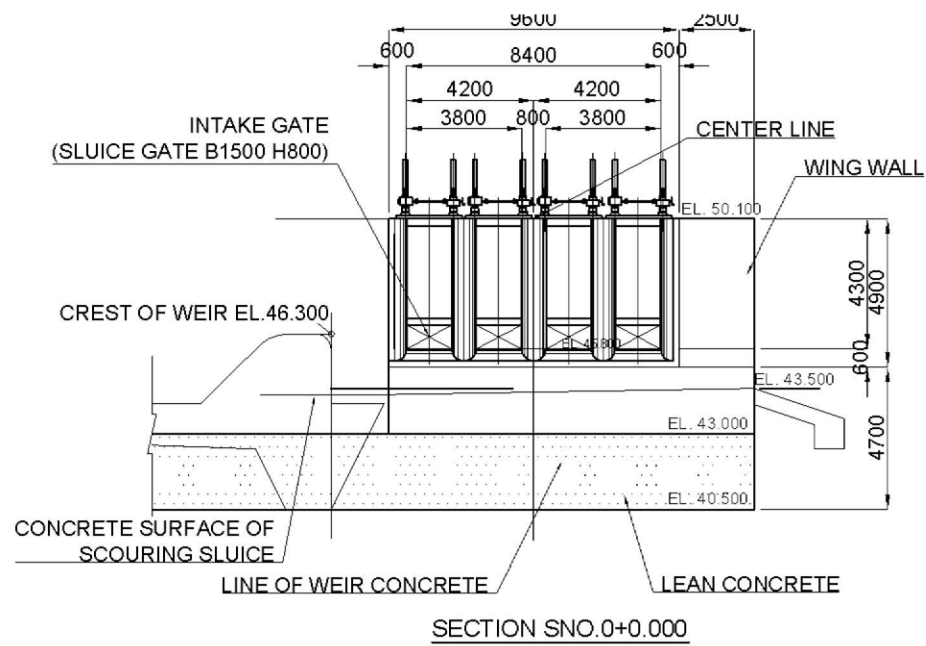
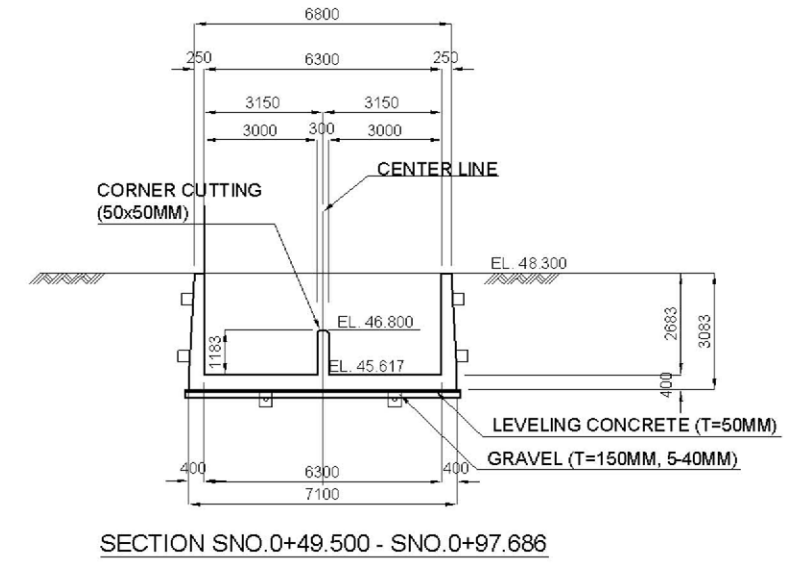
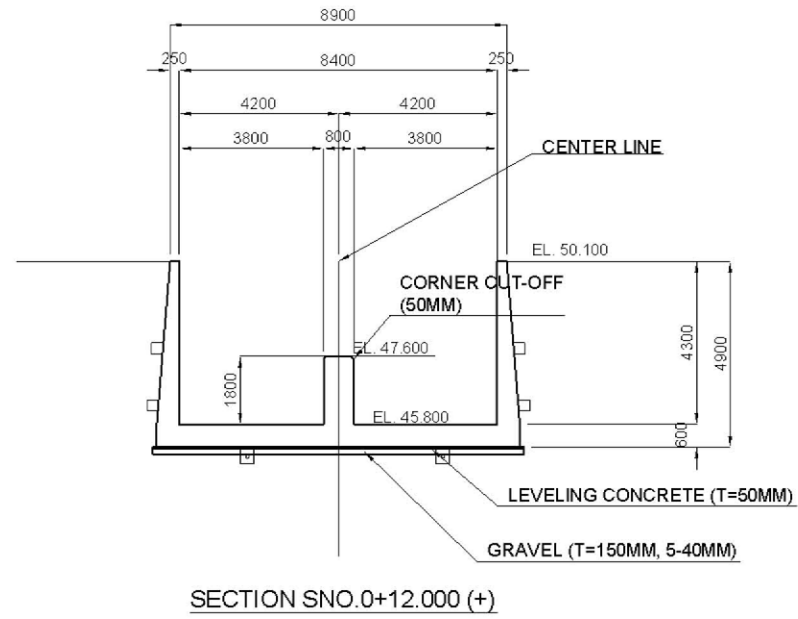
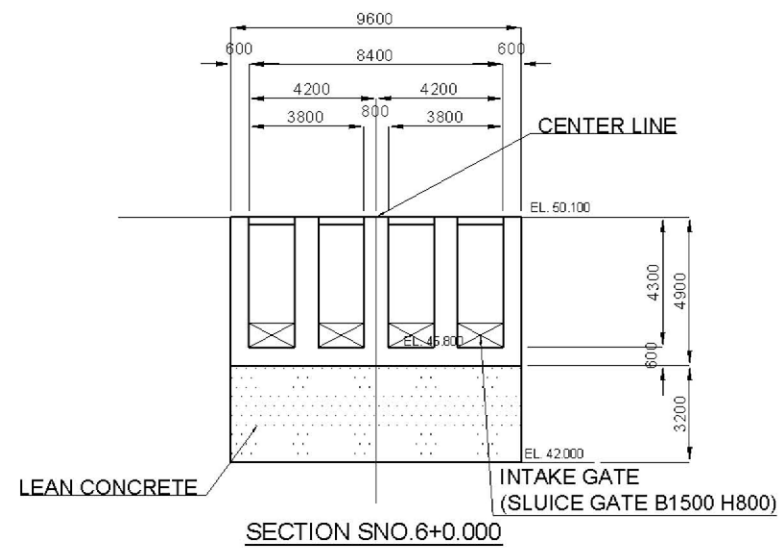


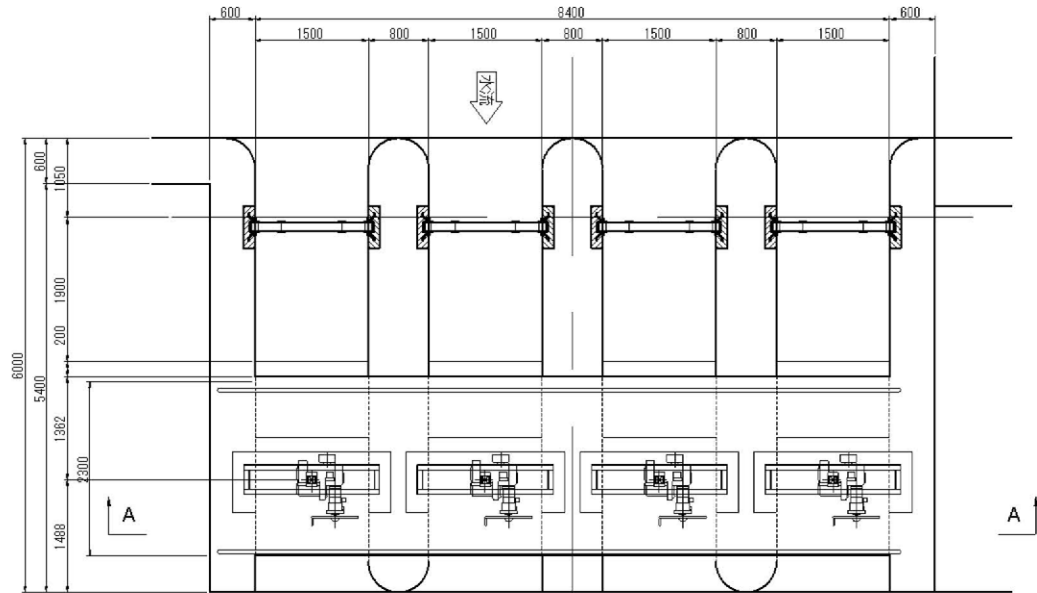
	<b>NTC INTERNATIONAL CO., LTD.</b>	REVISION	PROJECT TITLE	DATE	DESIGNED BY	DWG NO.
			<b>THE PROJECT FOR REHABILITATION AND IMPROVEMENT OF BULUTO IRRIGATION SCHEME</b>		NTC INTERNATIONAL Co.,Ltd.	GPI.01
			DWG. TITLE	SCALE	APPROVED BY	SERIAL NO.
			<b>INTAKE PLAN</b> <b>GENERAL PLAN OF INTAKE CANAL</b>	1 : 800		



 <b>NTC INTERNATIONAL CO., LTD.</b>	REVISION	PROJECT TITLE	DATE	DESIGNED BY	DWG. NO.
		THE PROJECT FOR REHABILITATION AND IMPROVEMENT OF BULUTO IRRIGATION SCHEME	2013.09	NTC INTERNATIONAL Co., Ltd	HRC.01
		DWG. TITLE	SCALE	APPROVED BY	SERIAL NO.
		INTAKE PLAN PLAN OF HEADRACE CANAL	1 : 500		

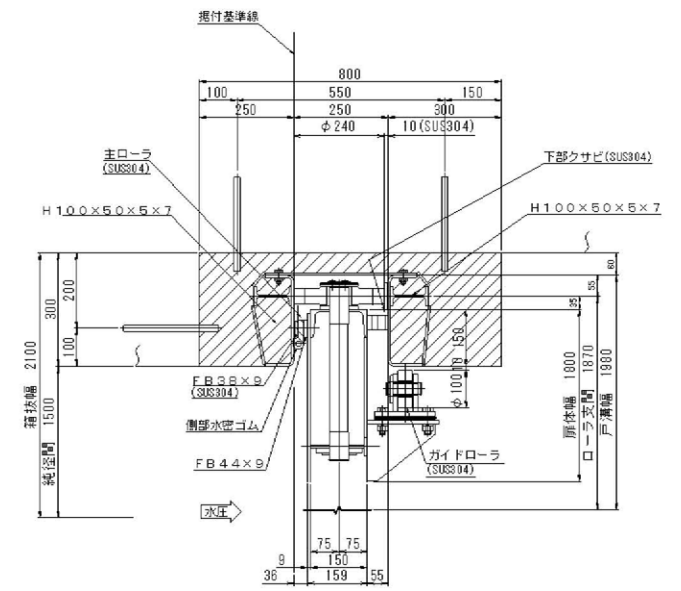


	<b>NTC INTERNATIONAL CO., LTD.</b>	REVISION	PROJECT TITLE	DATE	DESIGNED BY	DWG NO.
			<b>THE PROJECT FOR REHABILITATION AND IMPROVEMENT OF BULUTO IRRIGATION SCHEME</b>		NTC INTERNATIONAL Co., Ltd.	HRC.02
			DWG TITLE	SCALE	APPROVED BY	SERIAL NO.
			<b>CROSS SECTIONS OF HEADRACE CANAL</b>	1 : 200		

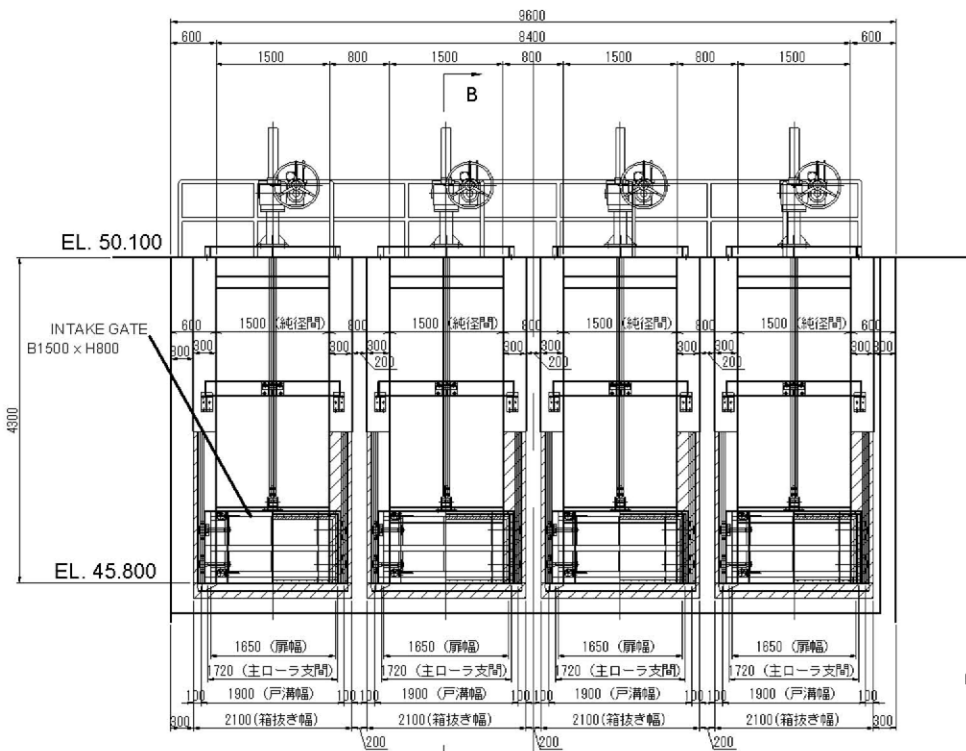


PLAN OF INTAKE GATE

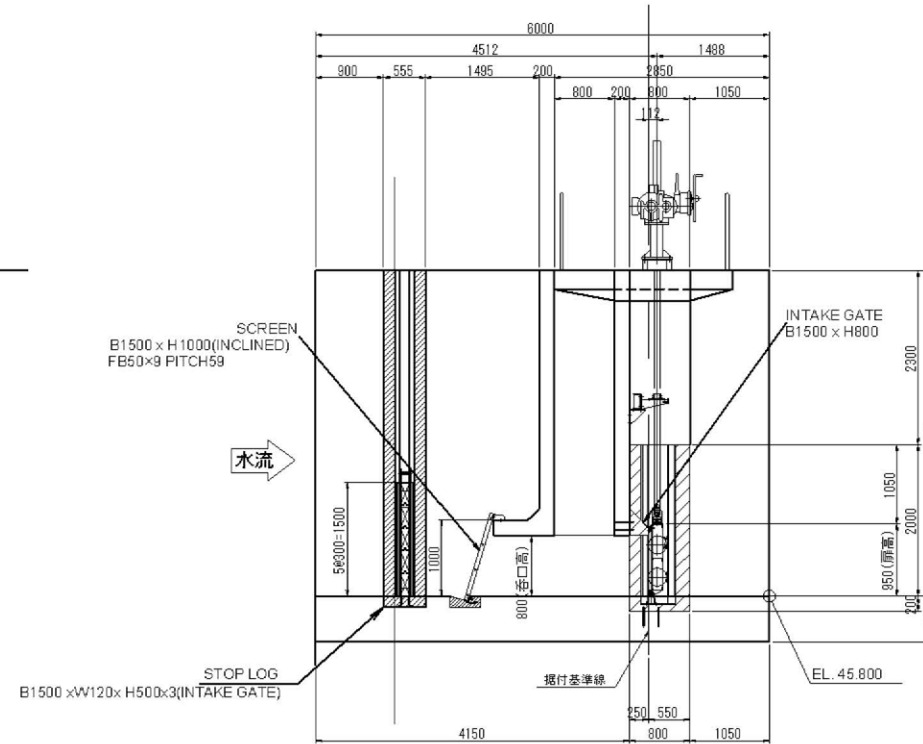
設計条件	
型式	鋼製ローラゲート
設置数	4門
総経間	1.500 m
有効高	0.800 m
設計水深	(前面) 3.300 m (後面) 0 m
操作水深	開時 (前面) 3.300 m (後面) 0 m 閉時 (前面) 3.300 m (後面) 0 m
水密方式	前面4方ゴム水密
開閉方式	手動ラック式 (1本吊り)
開閉速度	0.142 m/min
揚程	0.950 m
操作方式	手動操作



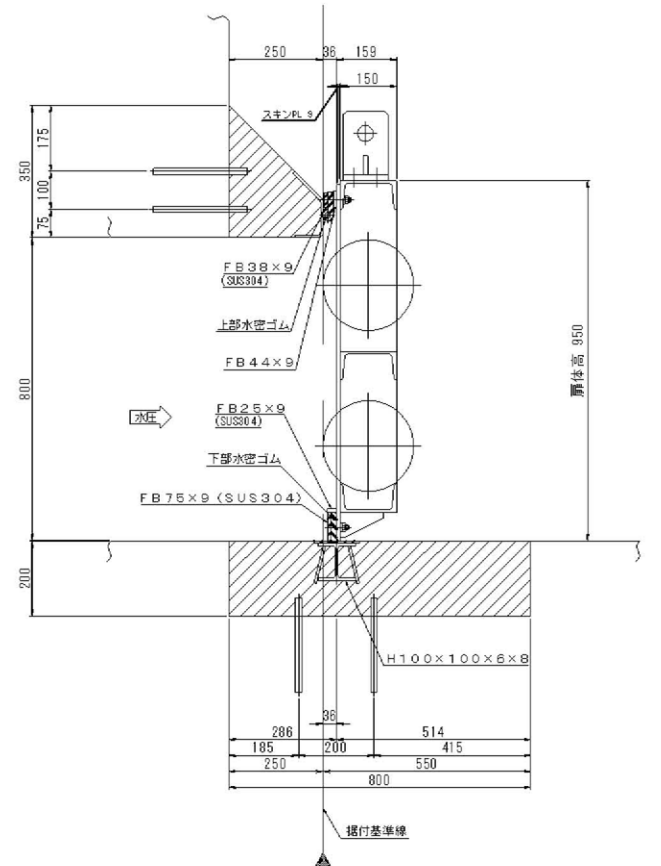
DETAIL OF WATERTIGHT CONSTRUCTION  
(SIDE SURFACE)



SECTION A - A



SECTION B - B



DETAIL OF WATERTIGHT CONSTRUCTION  
(UPPER SIDE)

	<b>NTC INTERNATIONAL CO., LTD.</b>	REVISION	PROJECT TITLE	DATE	DESIGNED BY	DWG NO.
			<b>THE PROJECT FOR REHABILITATION AND IMPROVEMENT OF BULUTO IRRIGATION SCHEME</b>		NTC INTERNATIONAL Co., Ltd.	HRC.03
			DWG TITLE	SCALE	APPROVED BY	SERIAL NO.
			<b>INTAKE PLAN PLAN OF INTAKE GATE</b>	1 : 20 1 : 100		

R=45000 (CENTER)

7500 24000 9000 8000 35000 9000 9000 9000 15000 7500 7500

SEDIMENT TRAP BASIN  
B=8.000 M, L=50.000 M

3000 750 8191 300 7200 7200 300  
1000 250

EL. 48.300

SEDIMENT FLUSHING CANAL

SEDIMENT FLUSHING GATE

PARTITION WALL

EL. 48.300

SLUICE GATE

SNO.0+82.686

SNO.0+97.686

SNO.1+41.686

SNO.1+54.261

SNO.1+56.686

SNO.1+78.313

EL. 48.300

SNO.1+87.313  
SNO.1+90.813  
SNO.1+92.313

EL. 46.800

SNO.1+96.313

EL. 46.800

SNO.2+6.313

CONNECTION TO IRRIGATION CANAL

SNO.2+21.313


EL. 45.500

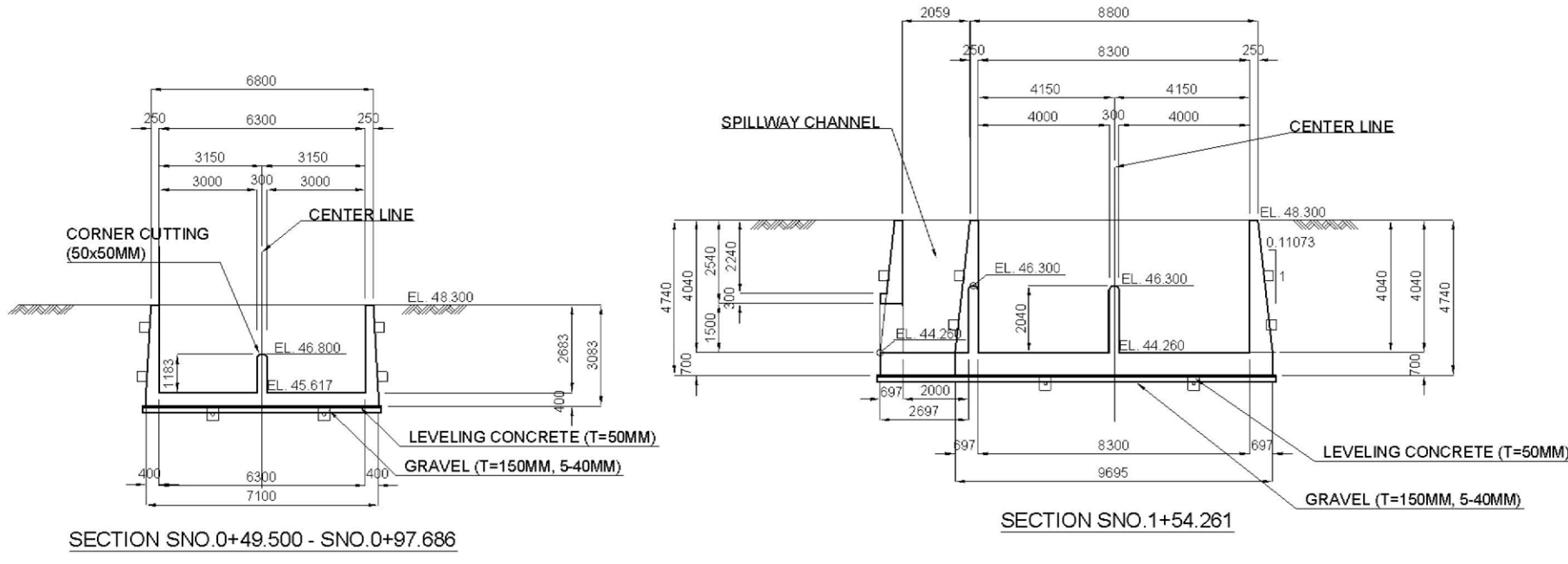
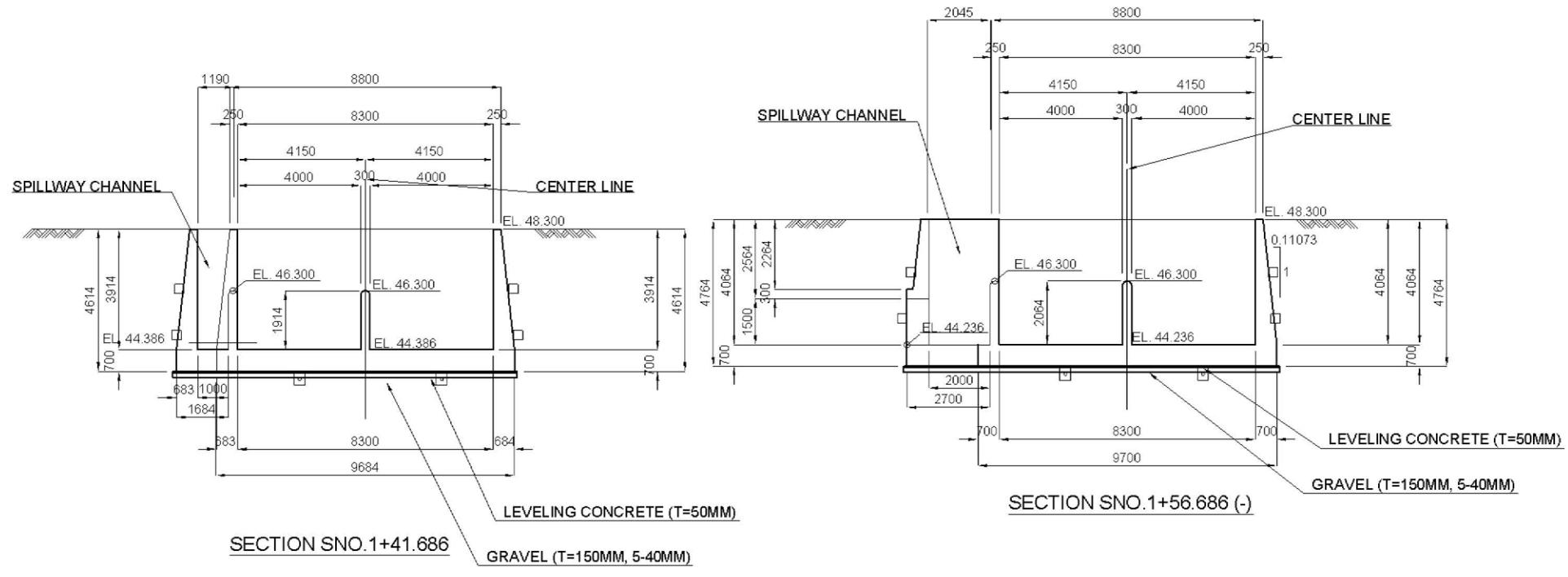
SNO.2+36.236


EL. 45.300

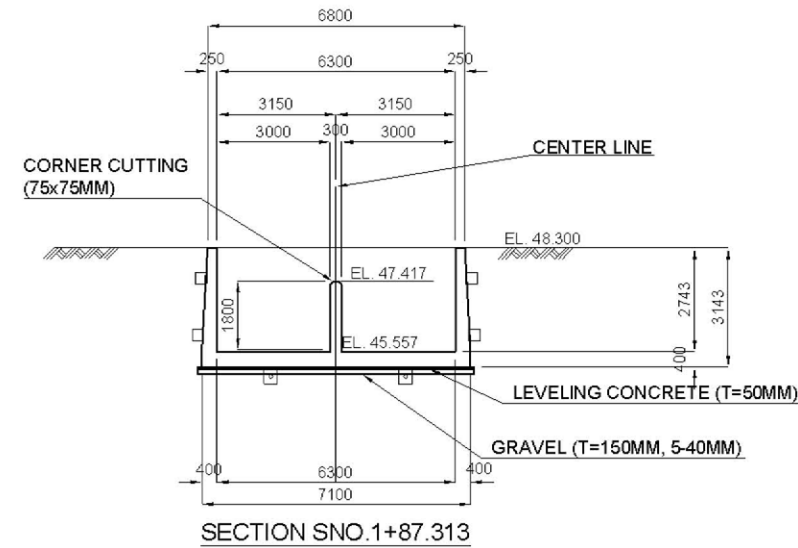
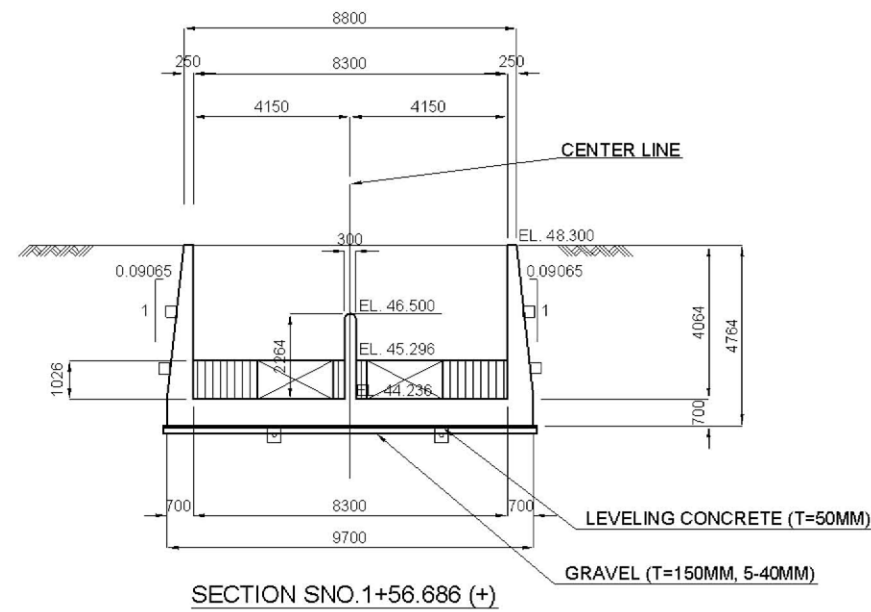
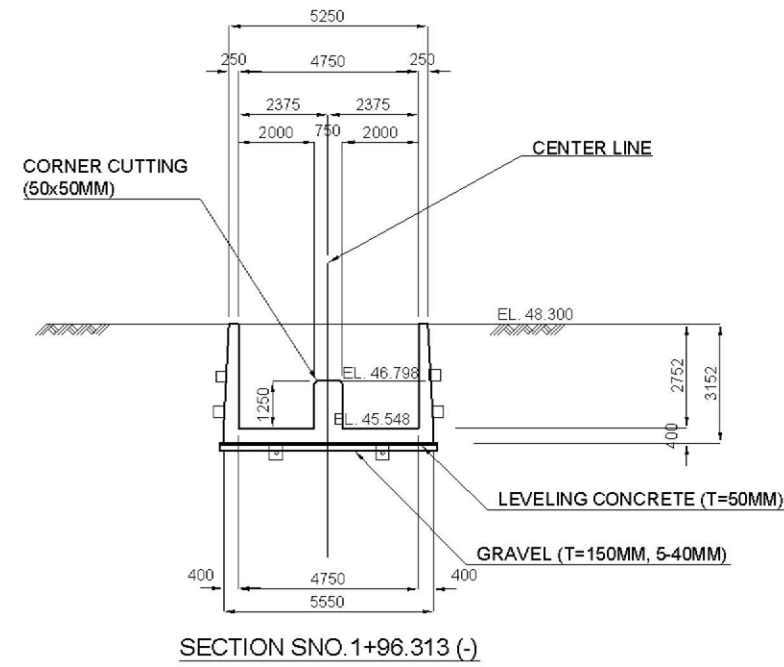
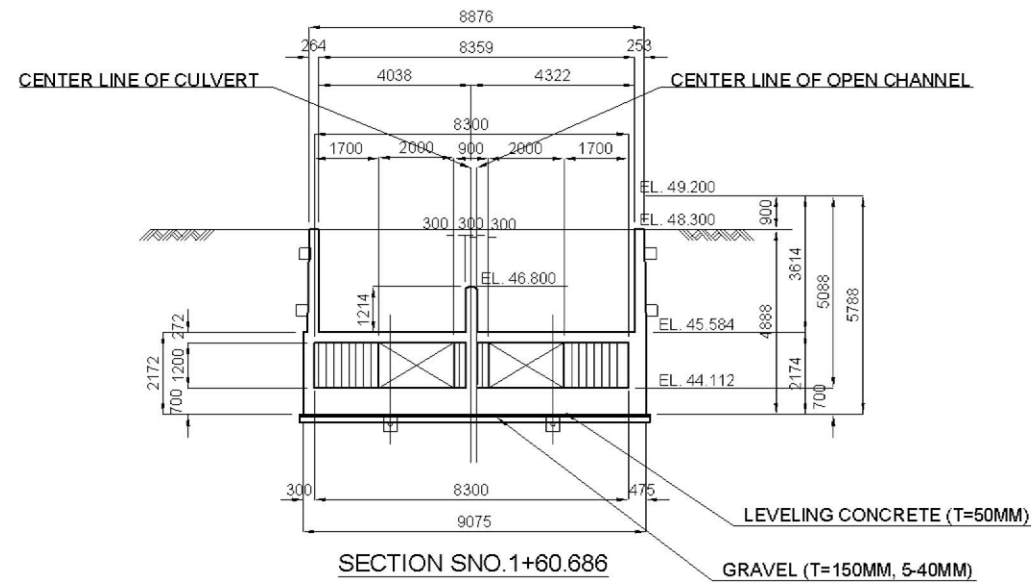
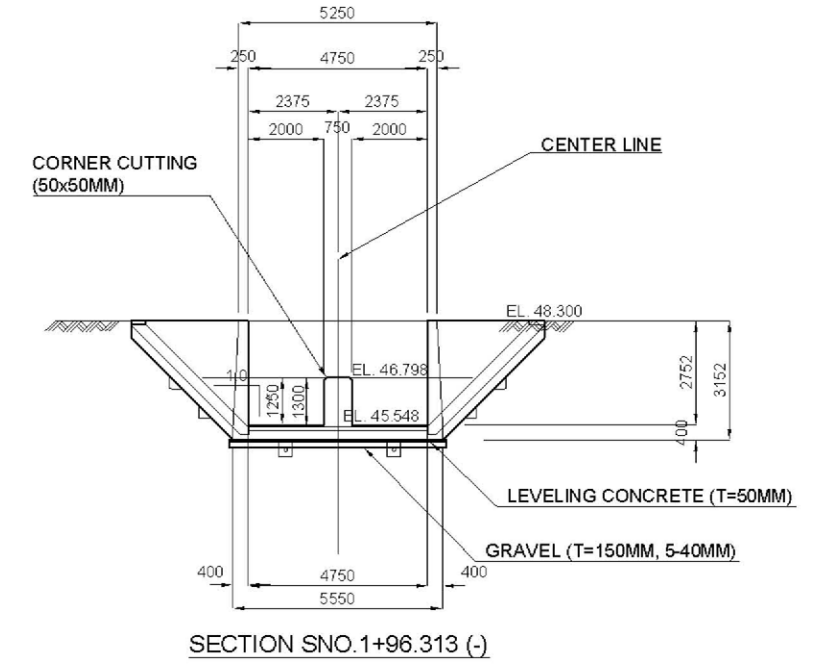
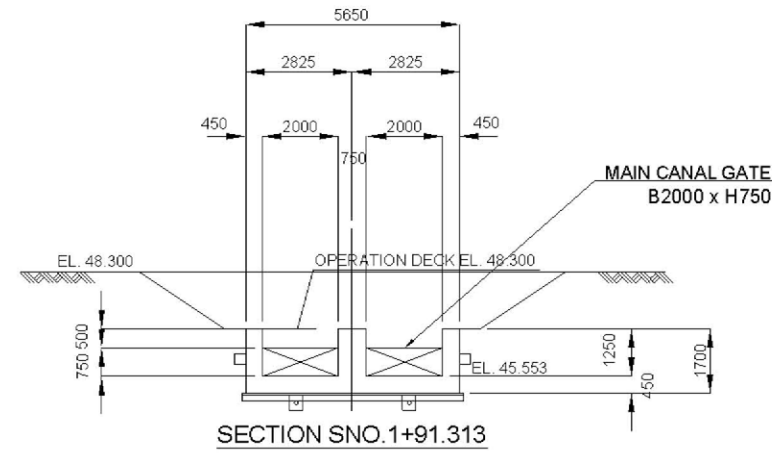
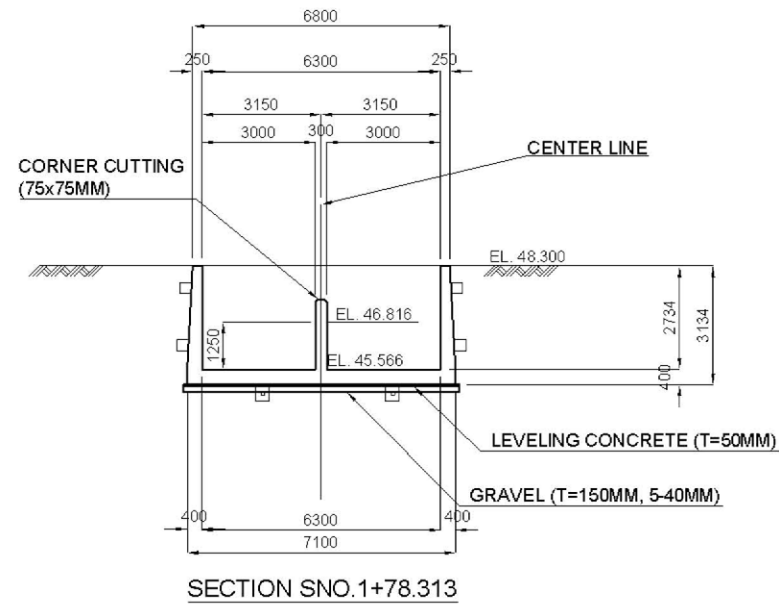
SNO.2+46.236

SNO.2+56.236

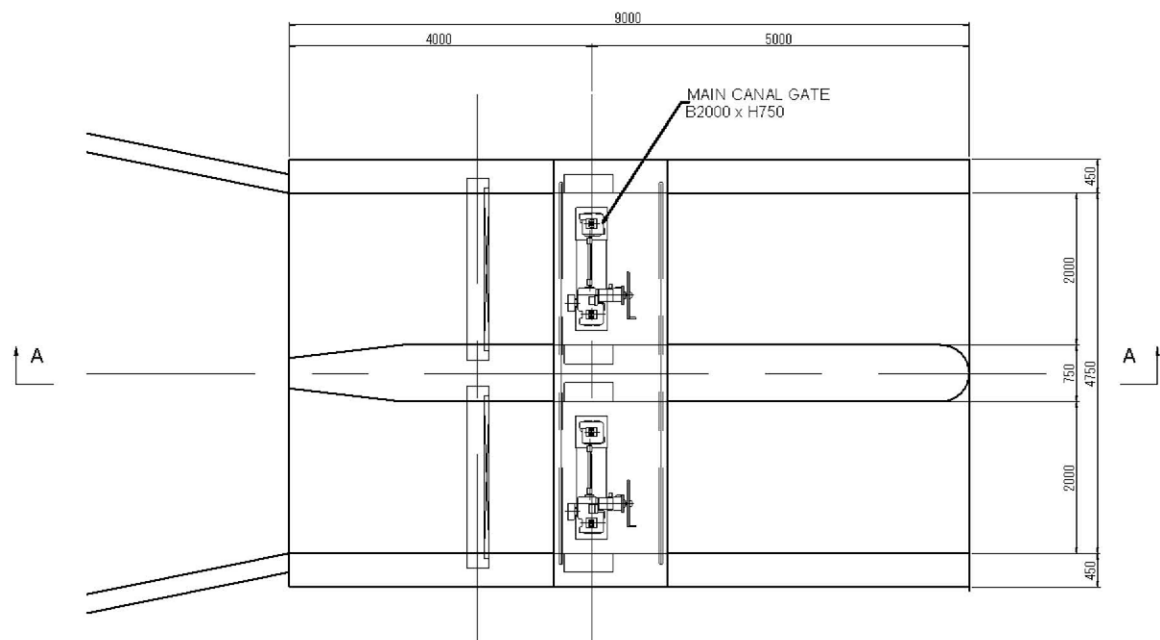
 <b>NTC INTERNATIONAL CO., LTD.</b>	REVISION	PROJECT TITLE	DATE	DESIGNED BY	DWG NO.
		THE PROJECT FOR REHABILITATION AND IMPROVEMENT OF BULUTO IRRIGATION SCHEME		NTC INTERNATIONAL Co., Ltd.	STC.01
		DWG. TITLE	SCALE	APPROVED BY	SERIAL NO.
		INTAKE PLAN PLAN OF SEDIMENT TRAP, IRRIGATION CANAL	1 : 400		



 <b>NTC</b>	<b>NTC INTERNATIONAL CO., LTD.</b>	REVISION	PROJECT TITLE	DATE	DESIGNED BY	DWG NO.
			<b>THE PROJECT FOR REHABILITATION AND IMPROVEMENT OF BULUTO IRRIGATION SCHEME</b>		NTC INTERNATIONAL Co., Ltd.	STC.02
			DWG. TITLE	SCALE	APPROVED BY	SERIAL NO.
			<b>INTAKE PLAN CROSS SECTIONS OF SEDIMENT TRAP</b>	1 : 200		

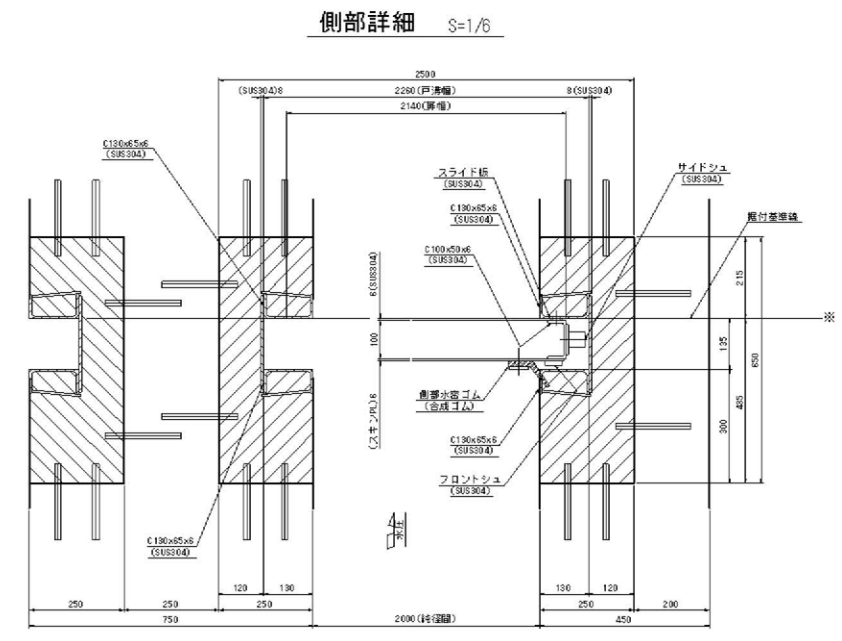


	<b>NTC INTERNATIONAL CO., LTD.</b>	REVISION	PROJECT TITLE	DATE	DESIGNED BY	DWG. NO.
			<b>THE PROJECT FOR REHABILITATION AND IMPROVEMENT OF BULUTO IRRIGATION SCHEME</b>		NTC INTERNATIONAL Co., Ltd.	STC.03
			DWG. TITLE	SCALE	APPROVED BY	SERIAL NO.
			<b>INTAKE PLAN</b> <b>CROSS SECTIONS OF IRRIGATION CANAL</b>	1 : 900		

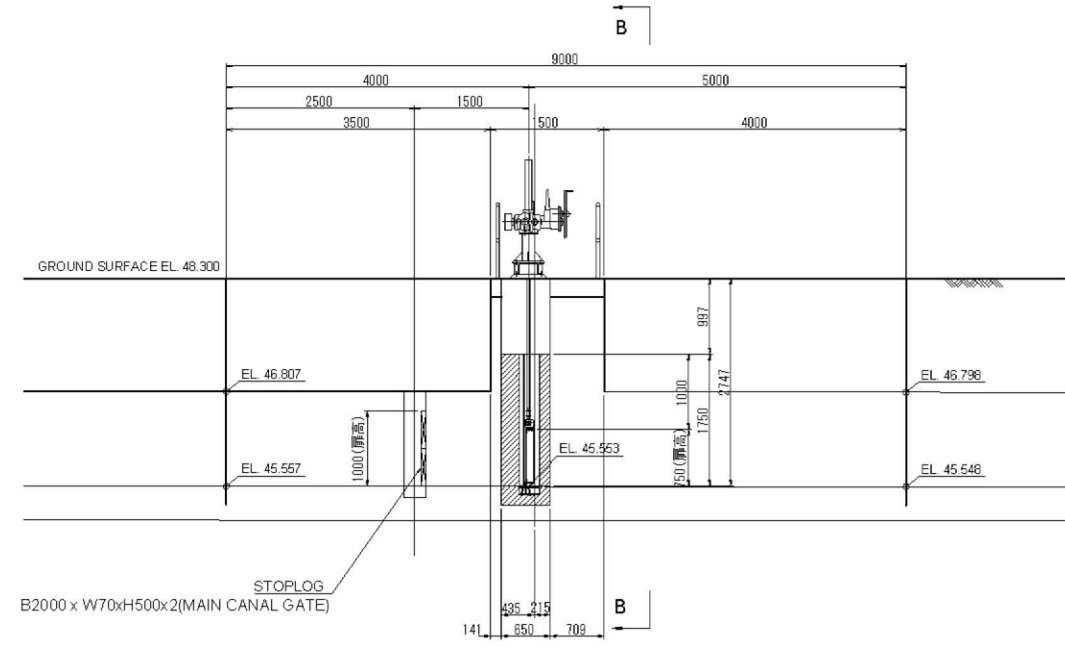


PLAN

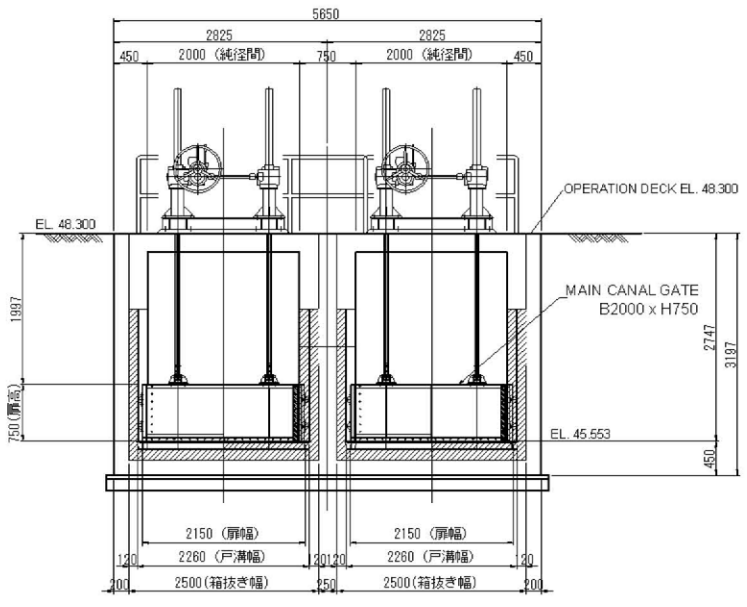
設計条件	
型式	鋼製スライドゲート
設置数	2P
純径間	2.000 m
有効高	0.750 m
設計水深	(前面) 0.750 m (後面) 0 m
操作水深	閉鎖時 (前面) 0.750 m (後面) 0 m 開鎖時 (前面) 0.750 m (後面) 0 m
水密方式	前面3方ゴム水密
開閉方式	手動ラック式 (2本吊り)
開閉速度	0.212 m/min
揚程	0.850 m
操作方式	手動操作



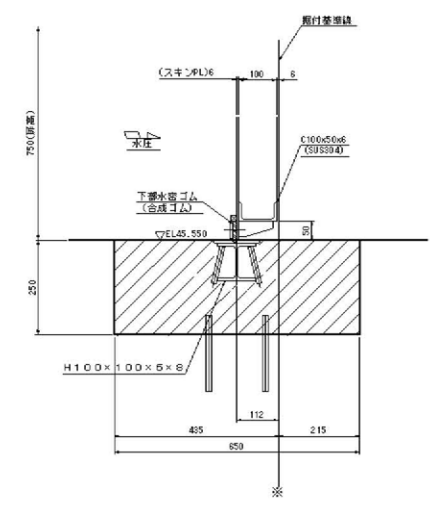
側部詳細 S=1/6



SECTION A - A



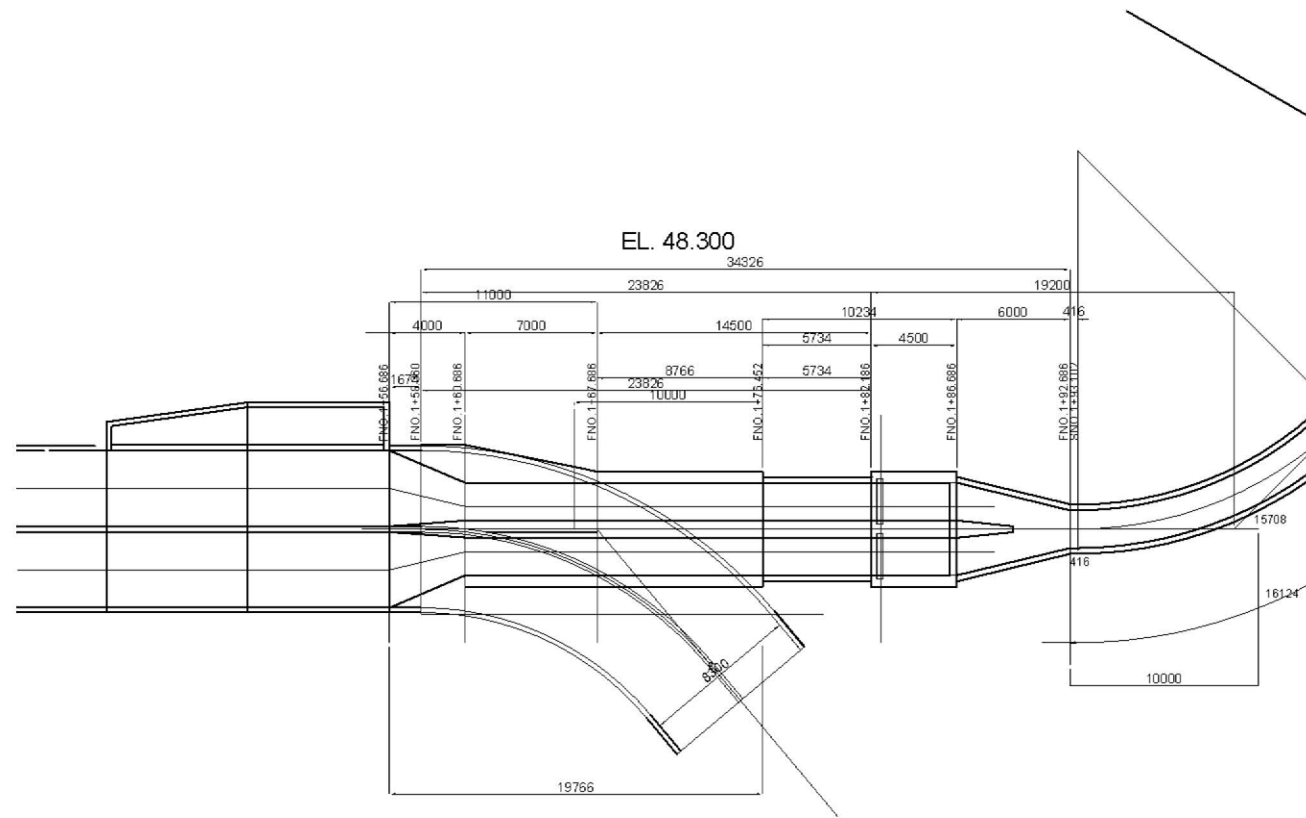
SECTION B - B



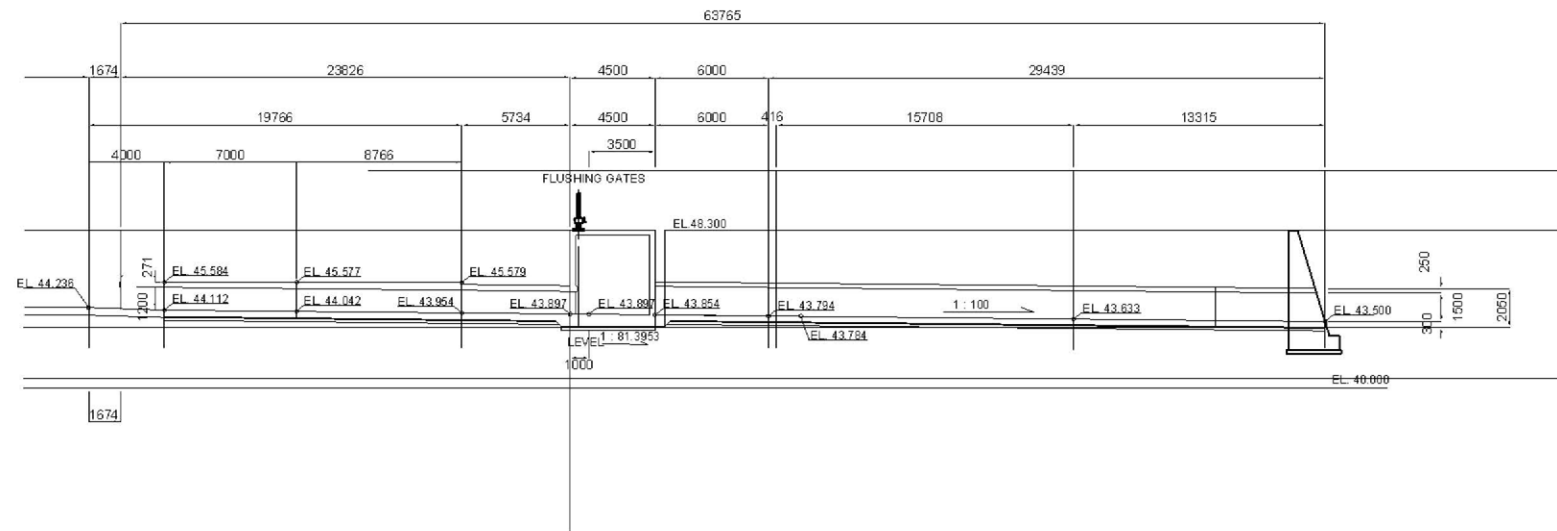
下部詳細 S=1/6

	<b>NTC INTERNATIONAL CO., LTD.</b>	REVISION	PROJECT TITLE	DATE	DESIGNED BY	DWG NO.
			<b>THE PROJECT FOR REHABILITATION AND IMPROVEMENT OF BULUTO IRRIGATION SCHEME</b> <b>INTAKE PLAN</b> <b>PLAN OF IRRIGATION CANAL GATE</b>	SCALE	NTC INTERNATIONAL Co., Ltd. APPROVED BY	STC.04 SERIAL NO.




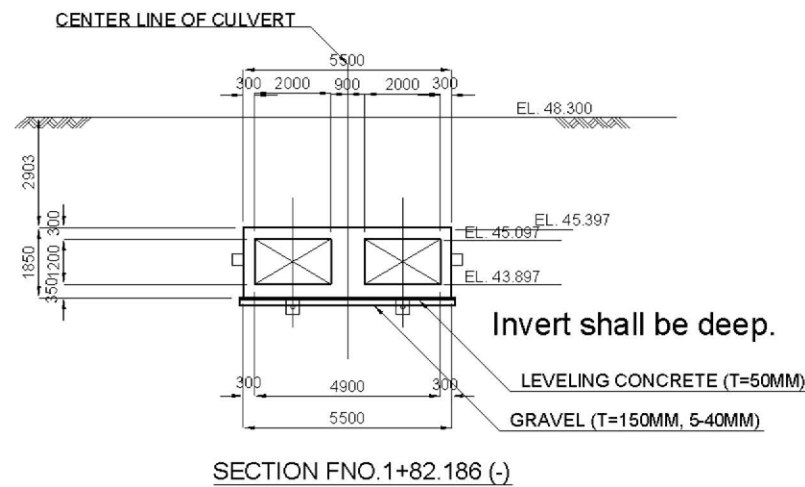
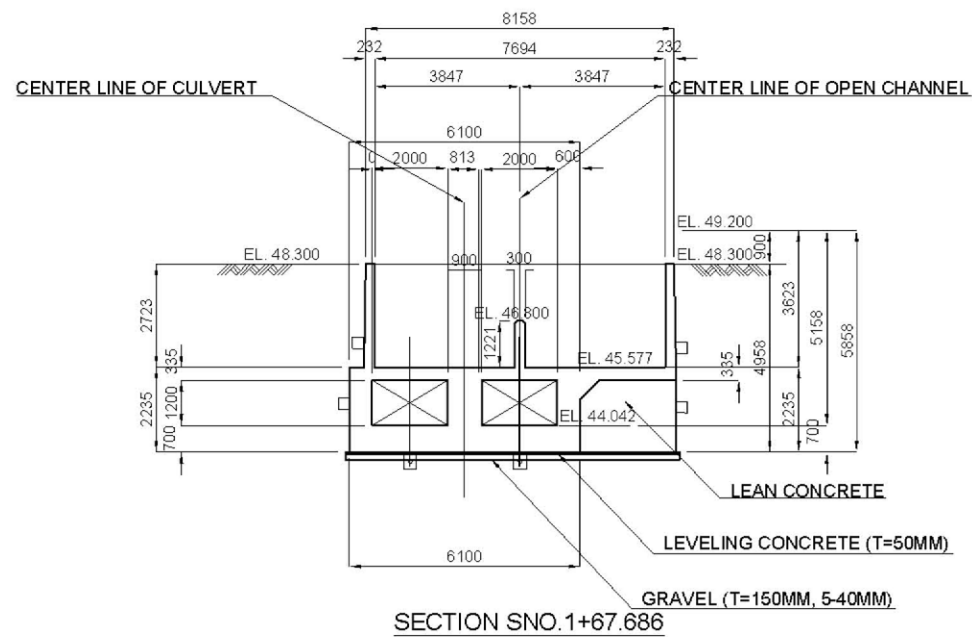
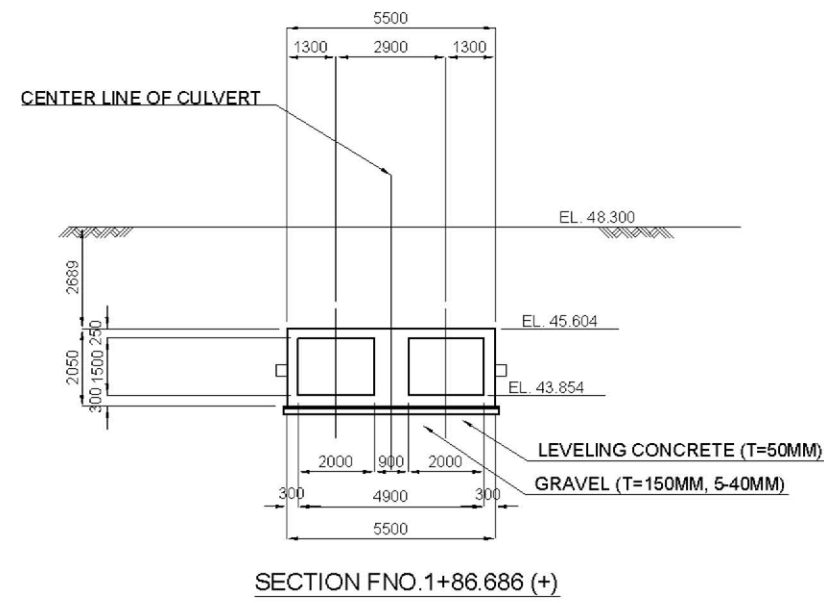
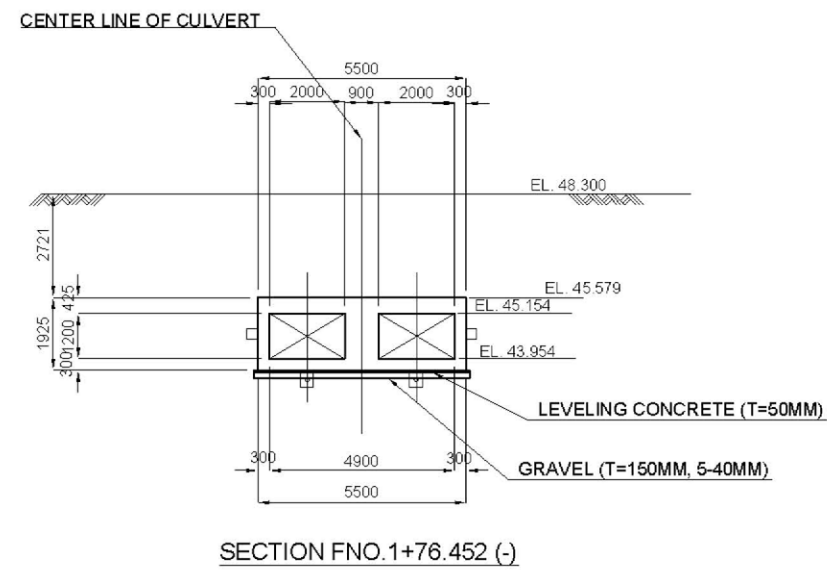
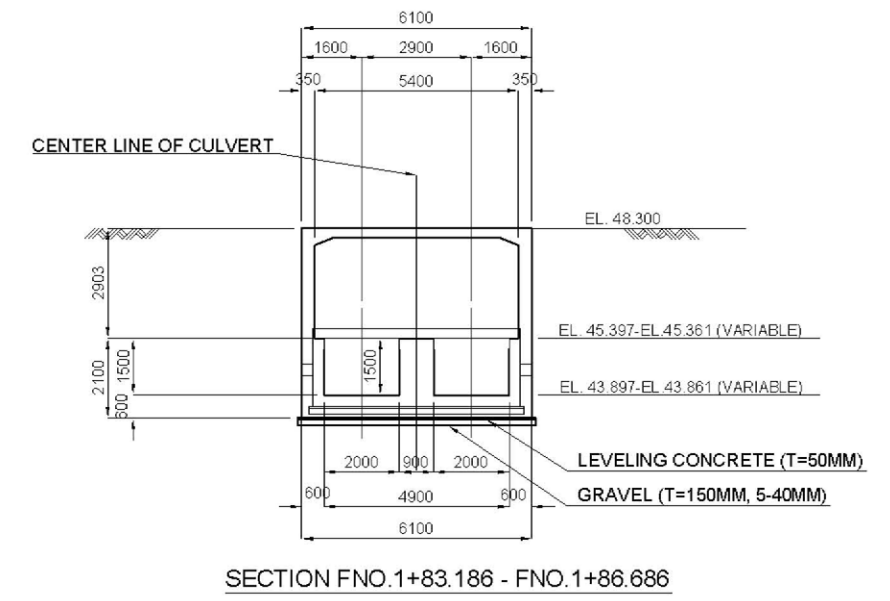
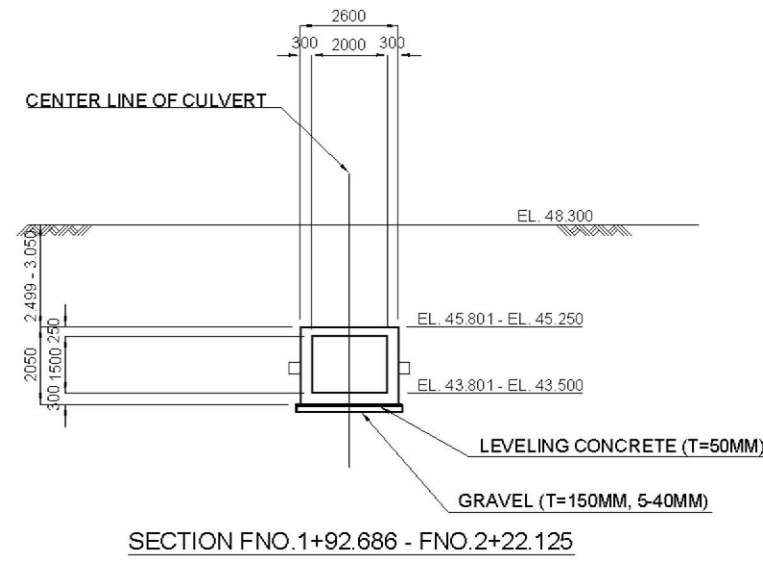
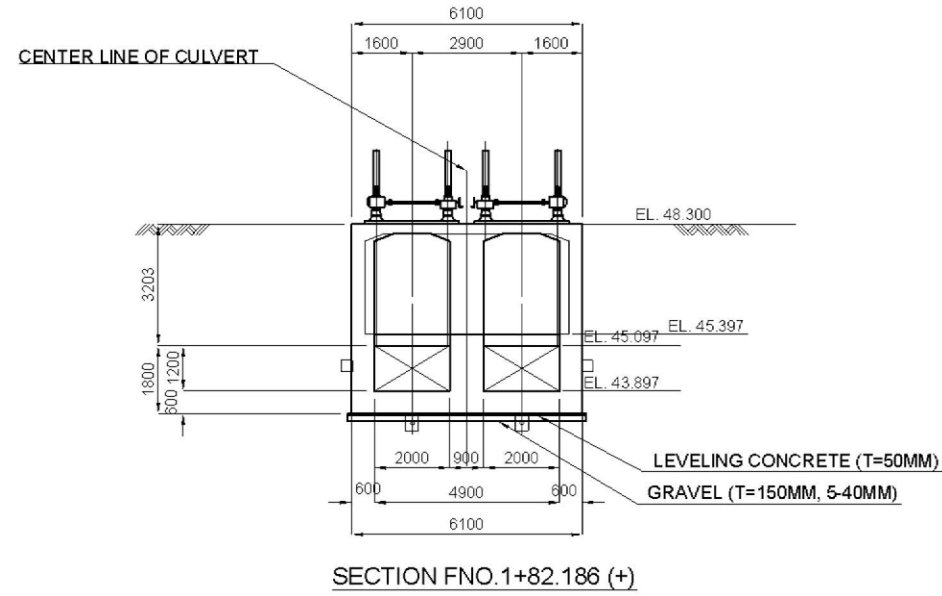


**PLAN OF SEDIMENT FLUSHING GATE**

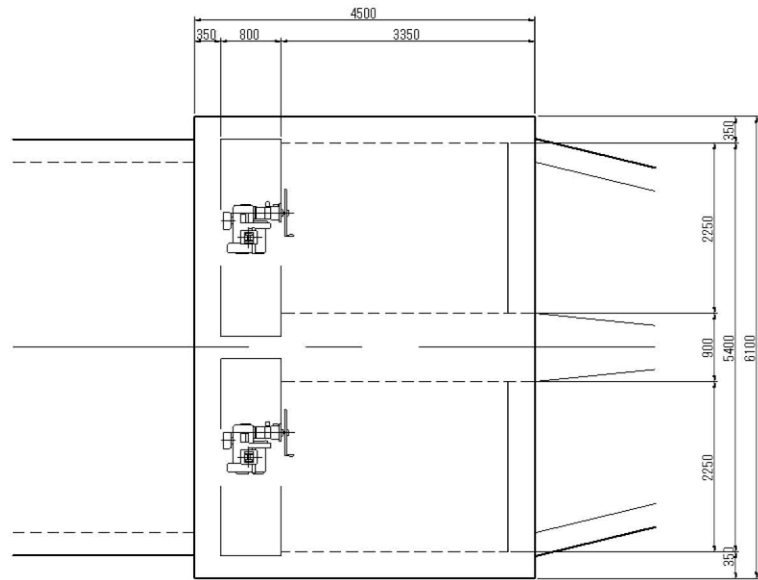


**LONGTIDUNAL SECTION OF SEDIMENT FLUSHING GATE**

 <b>NTC</b>	<b>NTC INTERNATIONAL CO., LTD.</b>	REVISION	PROJECT TITLE	DATE	DESIGNED BY	DWG NO.
			<b>THE PROJECT FOR REHABILITATION AND IMPROVEMENT OF BULUTO IRRIGATION SCHEME</b>		NTC INTERNATIONAL Co., Ltd.	SFC.01
			DWG. TITLE	SCALE	APPROVED BY	SERIAL NO.
			<b>INTAKE PLAN PLAN OF SEDIMENT FLASH CANAL</b>	1 : 900		

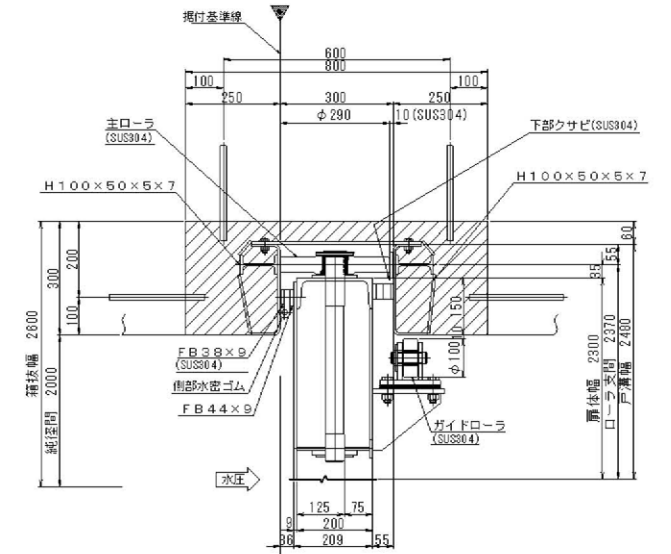


	<b>NTC INTERNATIONAL CO., LTD.</b>	REVISION	PROJECT TITLE	DATE	DESIGNED BY	DWG NO.
			THE PROJECT FOR REHABILITATION AND IMPROVEMENT OF BULUTO IRRIGATION SCHEME		NTC INTERNATIONAL Co., Ltd.	SFC.02
			DWG SCALE	SCALE	APPROVED BY	SERIAL NO.
			INTAKE PLAN CROSS SECTIONS OF SEDIMENT FLASH CANAL	1 : 900		

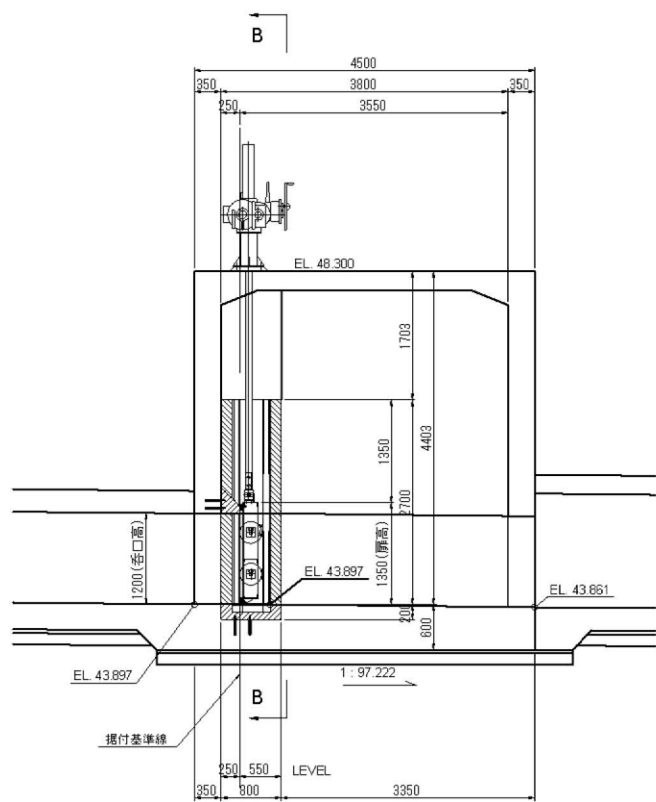


PLAN OF FLUSH GATE

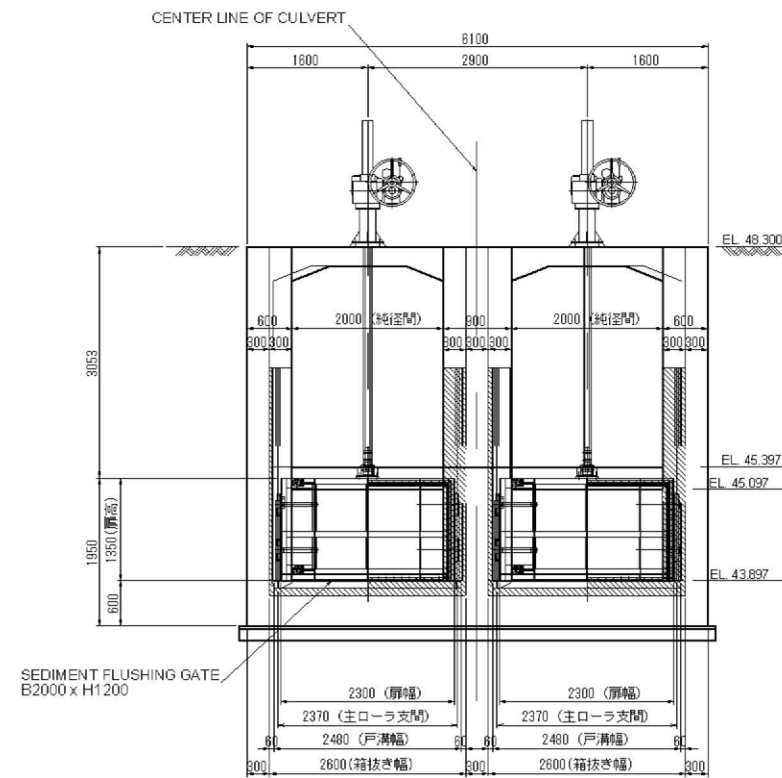
設計条件	
型式	鋼製ローラゲート
設置数	2門
純総間	2.000 m
有効高	1.200 m
設計水深	(前面) 5.203 m (後面) 0 m
操作水深	閉鎖時 (前面) 5.203 m (後面) 0 m 開閉時 (前面) 5.203 m (後面) 0 m
水密方式	前面4方ゴム水密
開閉方式	手動ラック式 (1本吊り)
開閉速度	0.107 m/min
揚程	1.400 m
操作方式	手動操作



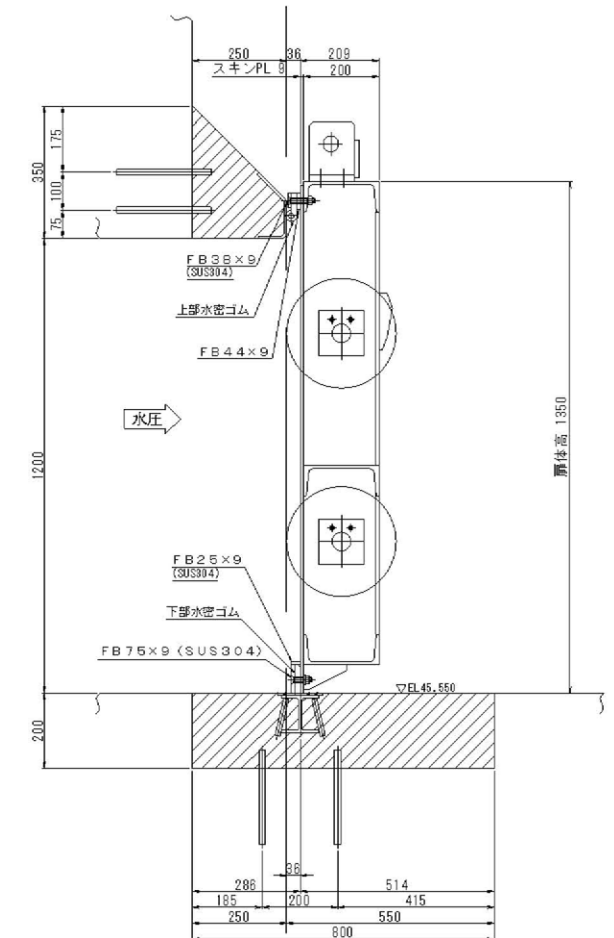
DETAIL OF WATERTIGHT CONSTRUCTION (SIDE SURFACE)



SECTION A - A

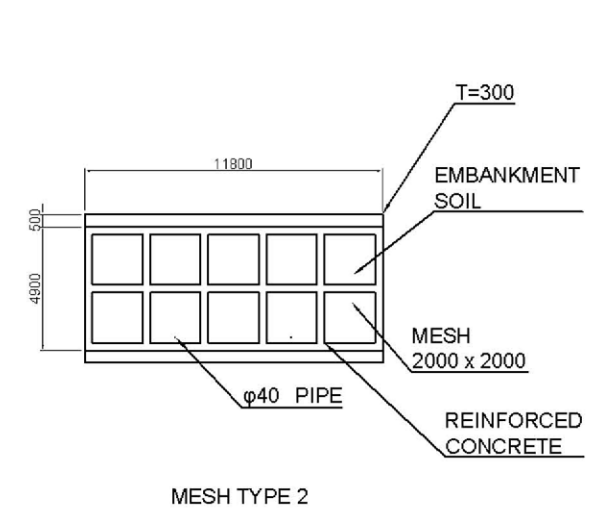
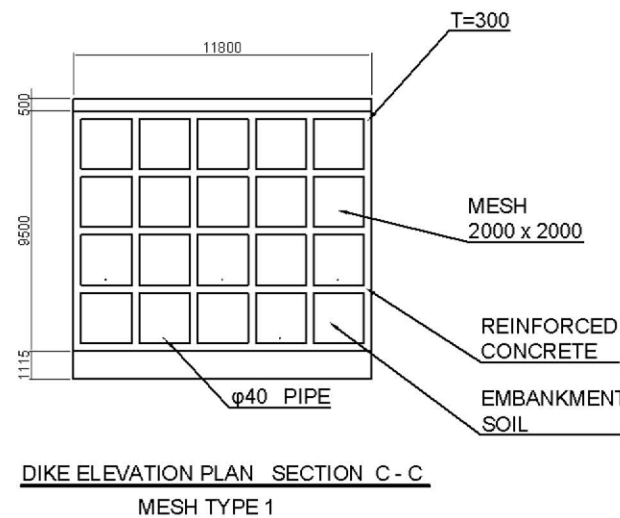
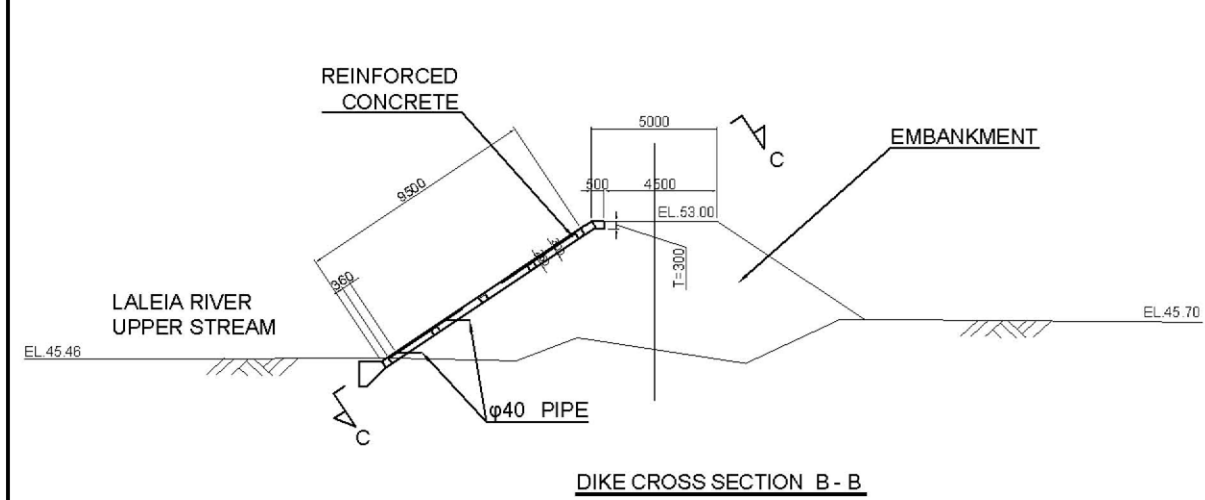
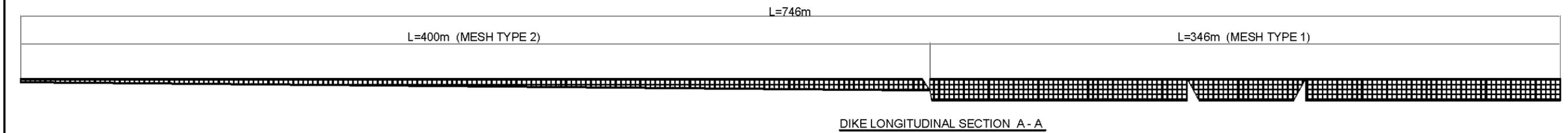
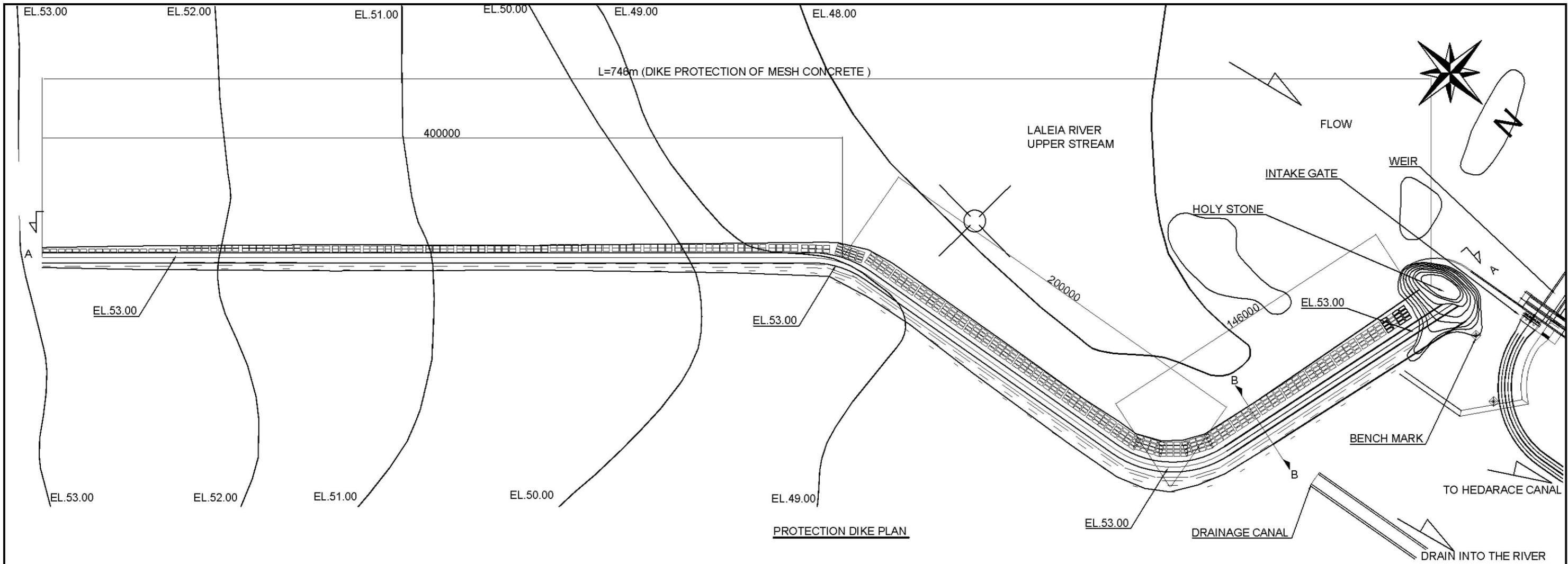


SECTION B - B

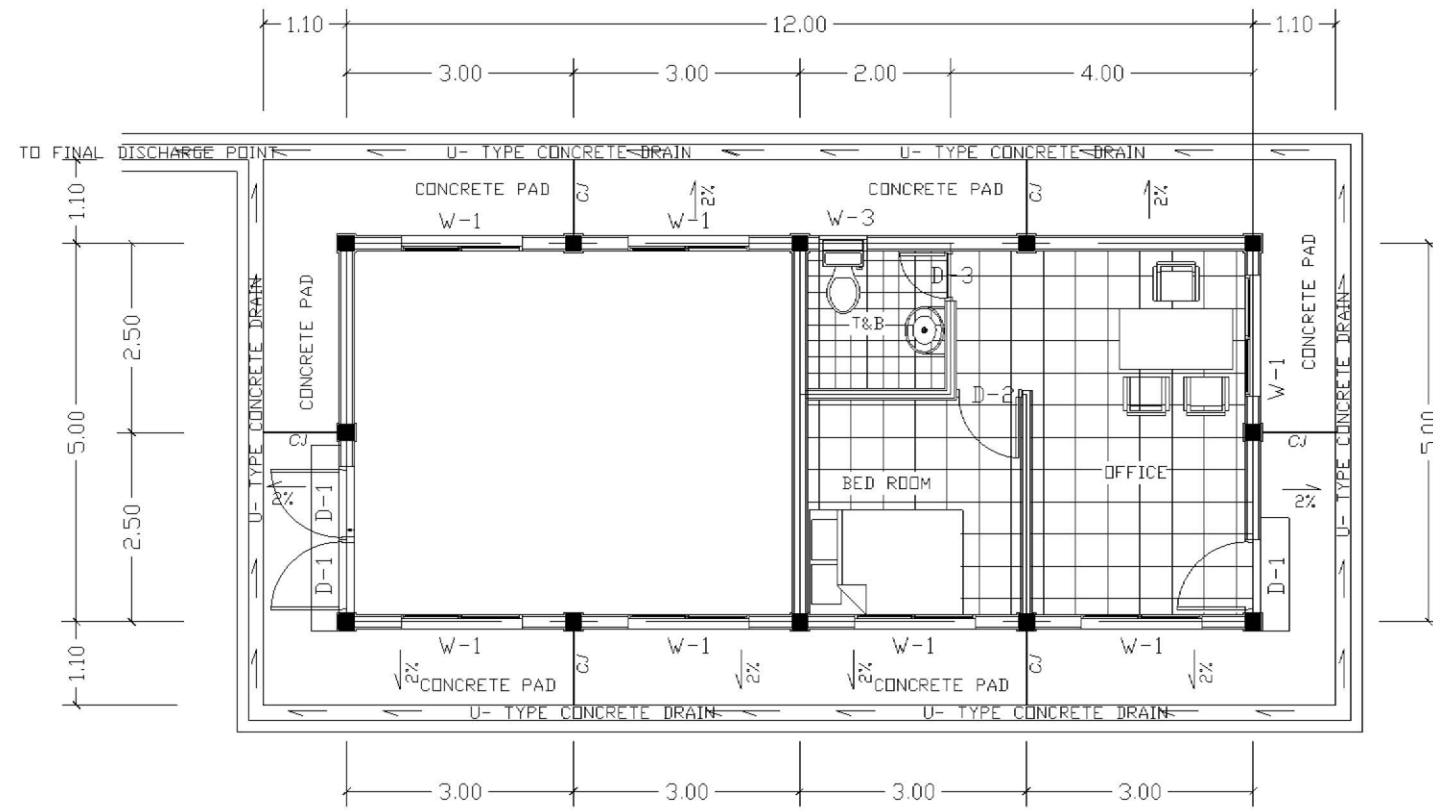


DETAIL OF WATERTIGHT CONSTRUCTION (UPPER SIDE)

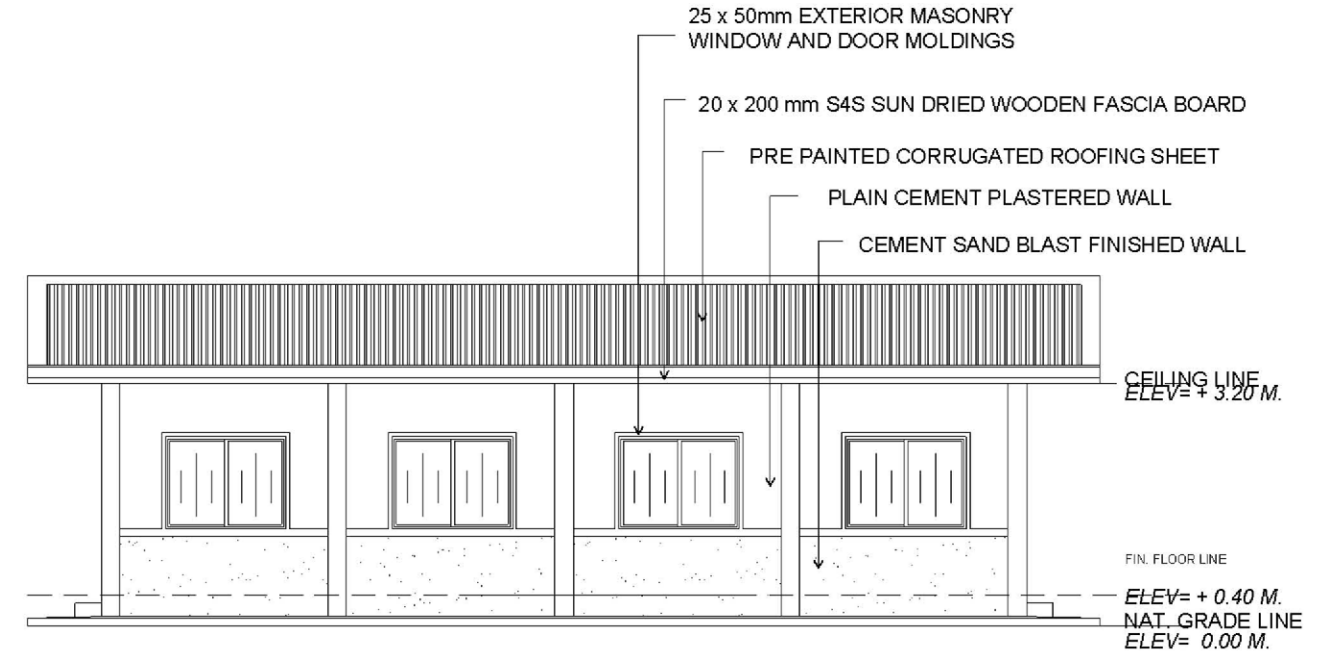
	<b>NTC INTERNATIONAL CO., LTD.</b>	REVISION	PROJECT TITLE	DATE	DESIGNED BY	DWG NO.
			<b>THE PROJECT FOR REHABILITATION AND IMPROVEMENT OF BULUTO IRRIGATION SCHEME</b>		NTC INTERNATIONAL Co., Ltd	SFG-01
			DWG TITLE	SCALE	APPROVED BY	SERIAL NO.
			<b>INTAKE PLAN PLAN OF FLASH GATE</b>	1 : 20 1 : 100		



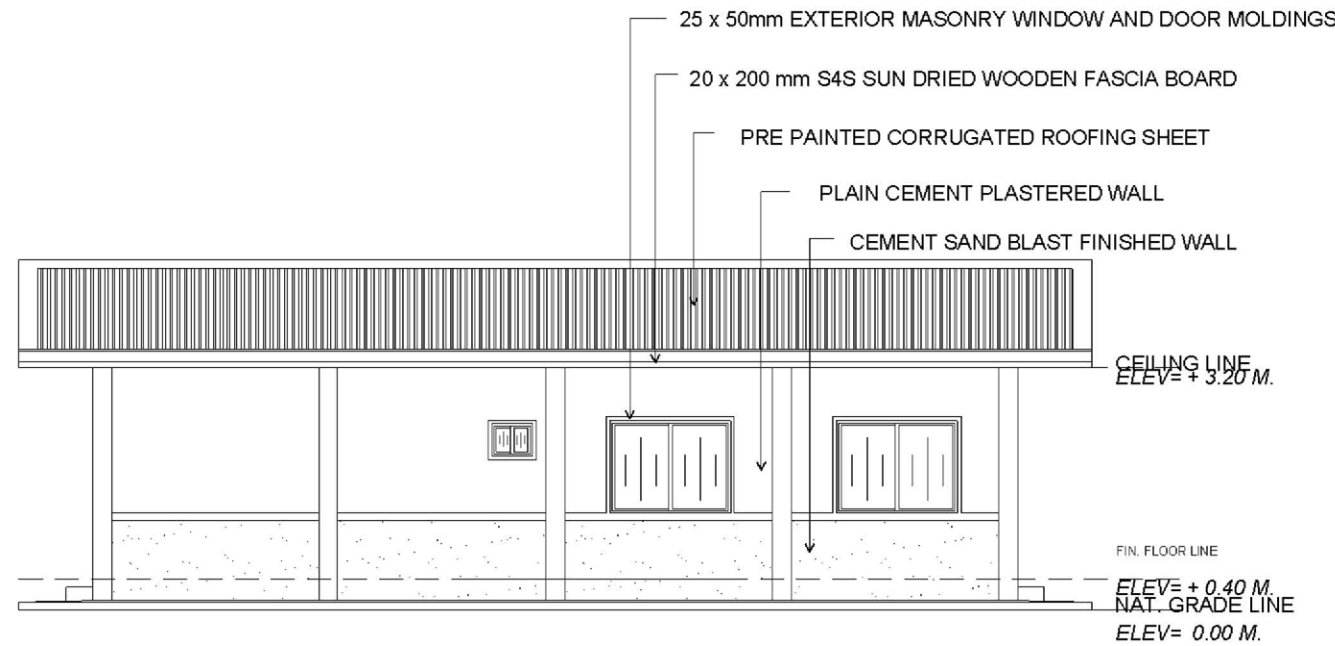
	<b>NTC INTERNATIONAL CO., LTD.</b>	REVISION	PROJECT TITLE	DATE	DESIGNED BY	DWG. NO.
			<b>THE PROJECT FOR REHABILITATION AND IMPROVEMENT OF BULUTO IRRIGATION SCHEME</b>	2013.09	NTC INTERNATIONAL Co.,Ltd.	PPD.01
			DWG. TITLE	SCALE	APPROVED BY	SERIAL NO.
			<b>INTAKE PLAN</b> <b>PLAN OF PROTECTION DIKE</b>	1 : 2000 1 : 300		0



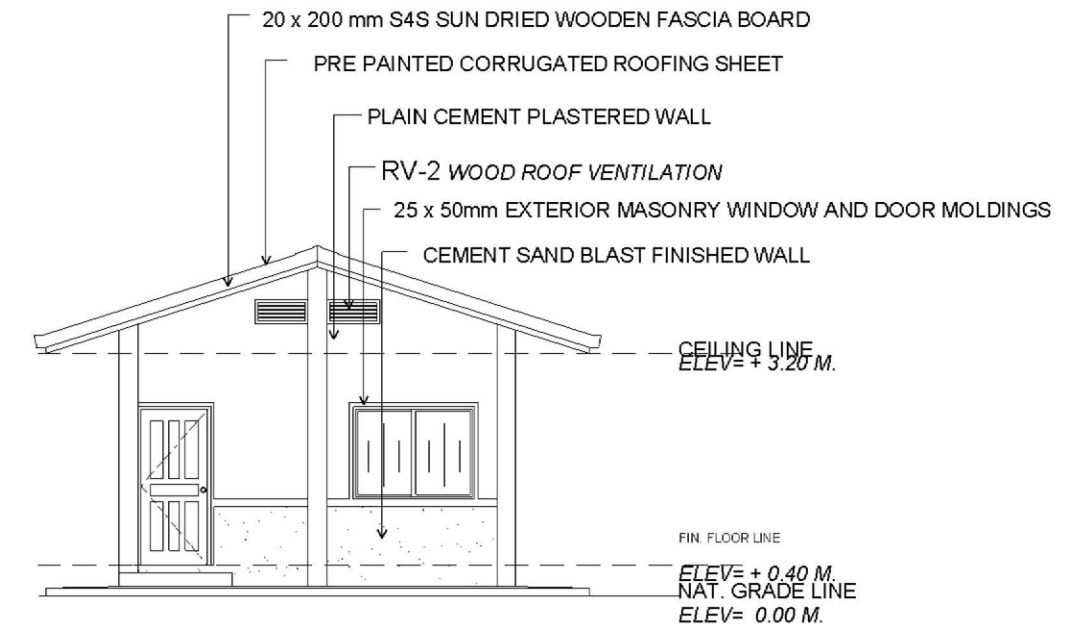
**PLAN OF GATE OPERATING HOUSE**



**LEFT SIDE ELEVATION**



**RIGHT SIDE ELEVATION**



**FRONT ELEVATION**

	<b>NTC INTERNATIONAL CO., LTD.</b>	REVISION	PROJECT TITLE	DATE	DESIGNED BY	DWG. NO.
			<b>THE PROJECT FOR REHABILITATION AND IMPROVEMENT OF BULUTO IRRIGATION SCHEME</b>			GOH.01
			DWG. TITLE	SCALE	APPROVED BY	SERIAL NO.
			<b>INTAKE PLAN PLAN OF GATE OPERATING HOUSE</b>	1 : 100		