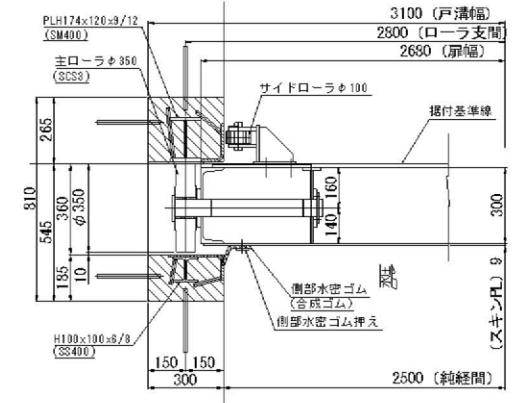
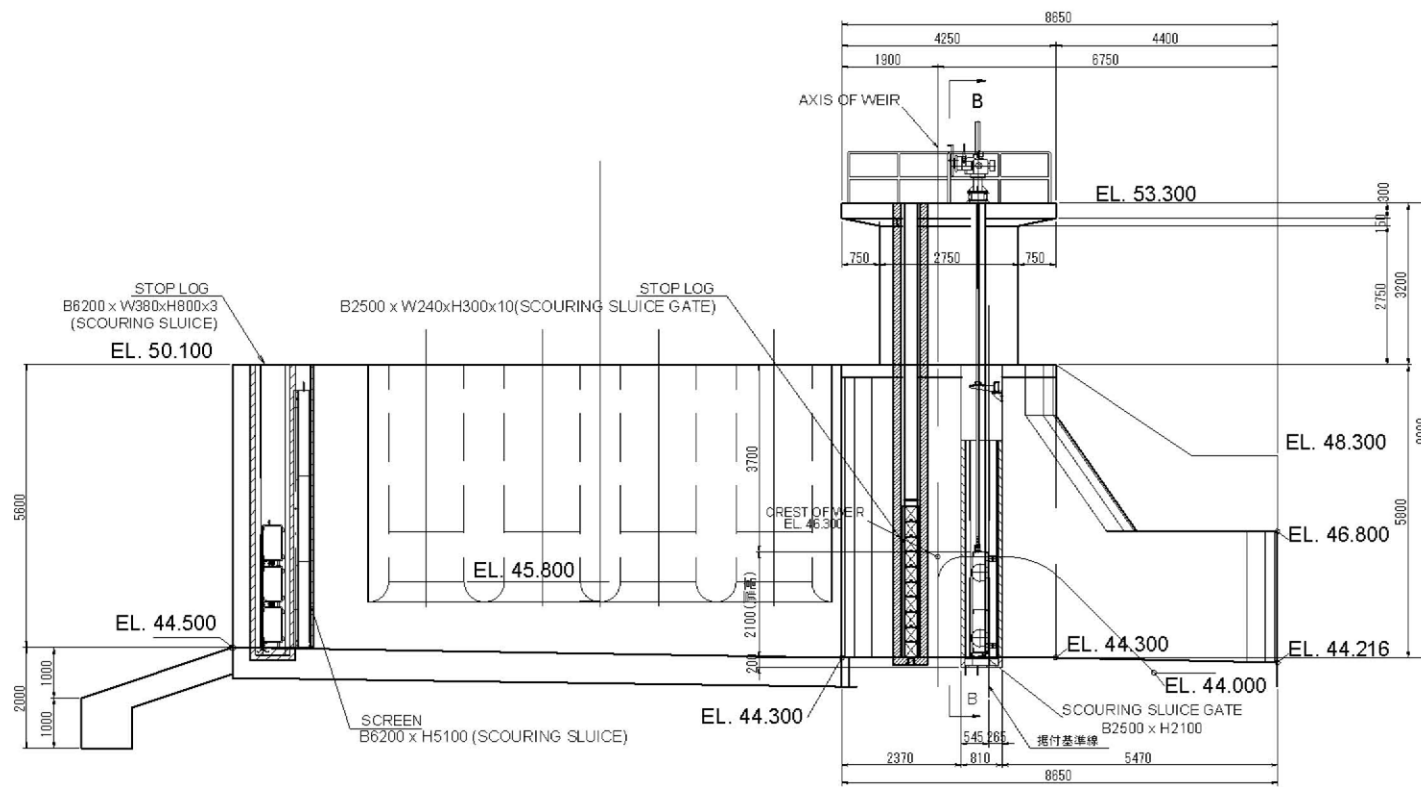


PLAN OF SCOURING SLUICE GATE

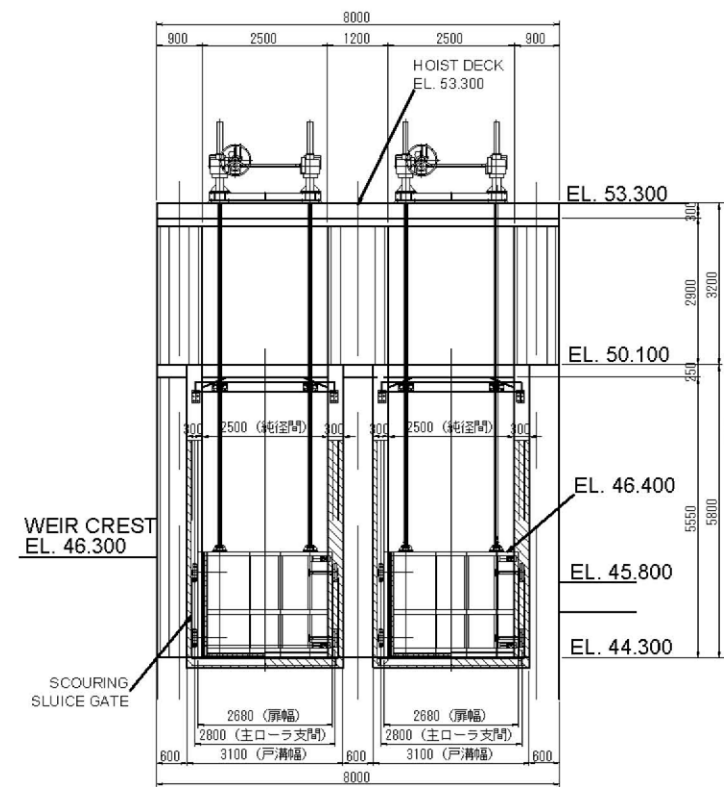
設計条件	
型式	鋼製ローラゲート
設置数	2門
純経間	2.500 m
有効高	2.100 m
設計水深	(前面) 4.800 m (後面) 0 m
操作水深	閉鎖時 (前面) 4.800 m (後面) 0 m 開鎖時 (前面) 4.800 m (後面) 0 m
水密方式	前面4方ゴム水密
閉鎖方式	手動ロック式 (2本用)
閉鎖速度	0.077 m/min
揚程	2.200 m
操作方式	手動操作



DETAIL OF WATERTIGHT CONSTRUCTION (SIDE SURFACE)

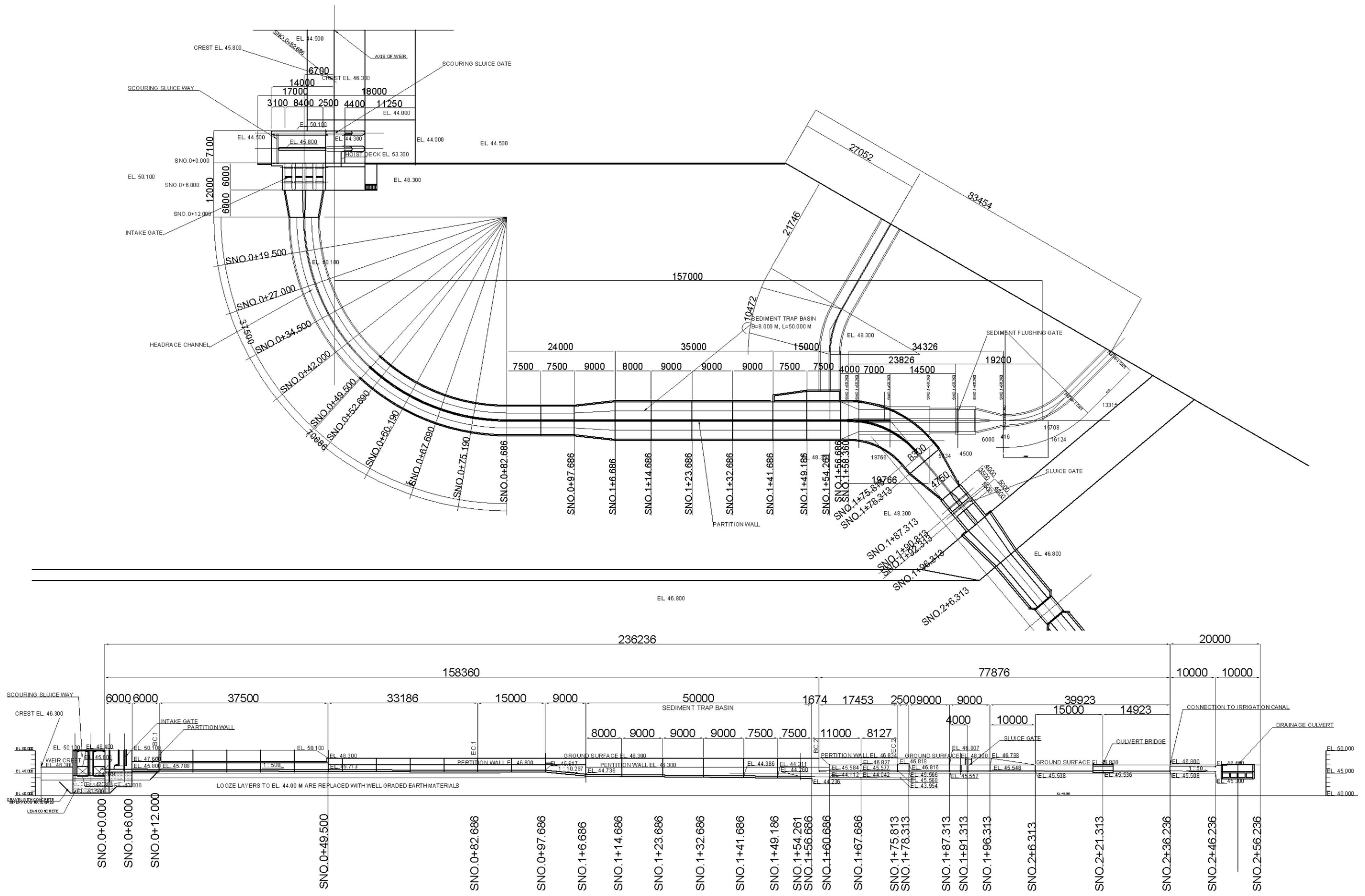



SECTION A - A

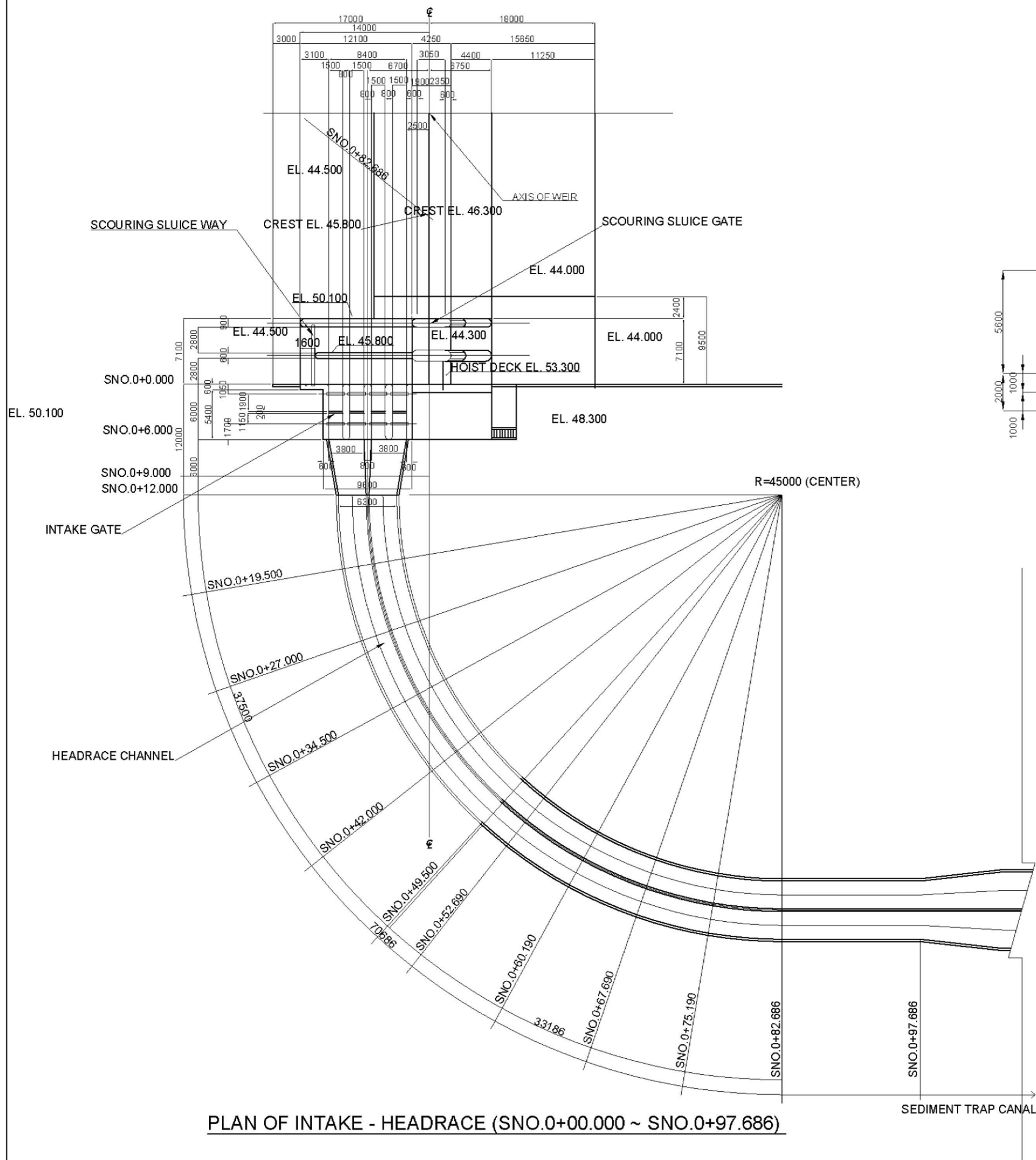


SECTION B - B

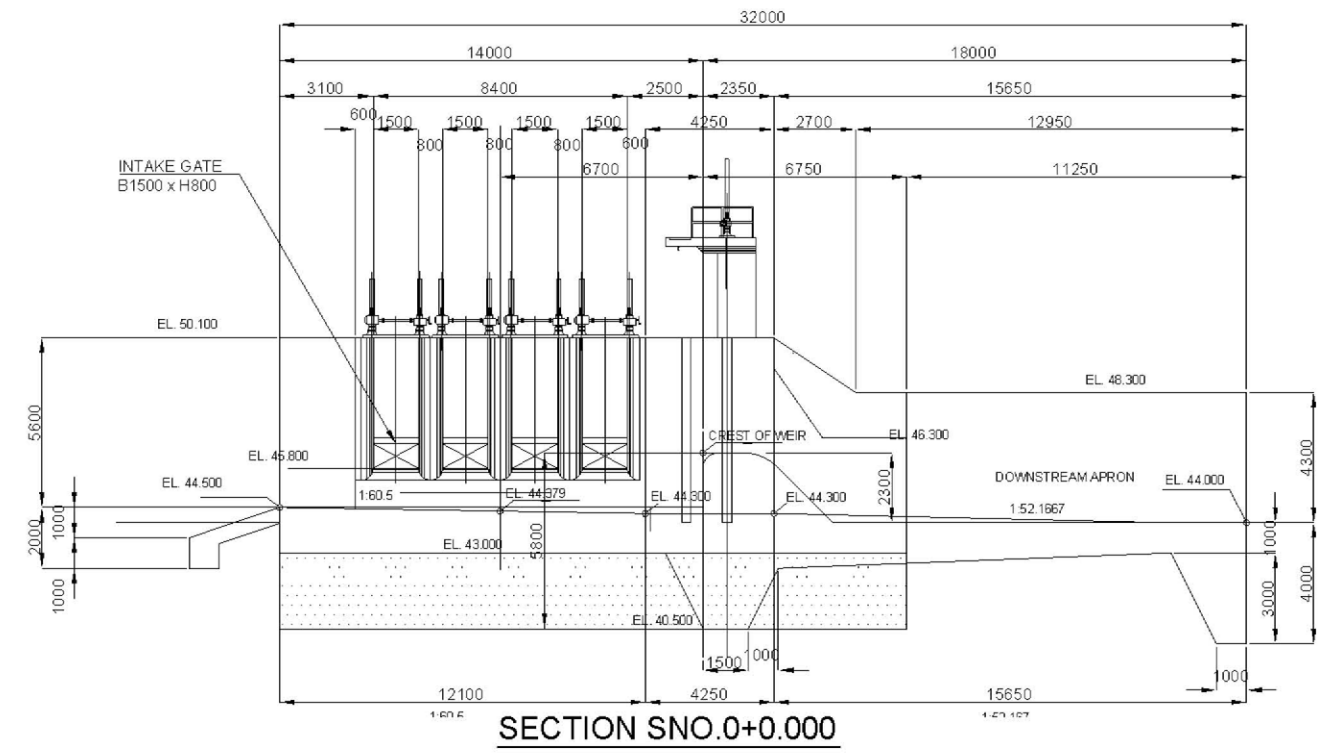
	<b>NTC INTERNATIONAL CO., LTD.</b>	REVISION	PROJECT TITLE	DATE	DESIGNED BY	DWG NO.
			<b>THE PROJECT FOR REHABILITATION AND IMPROVEMENT OF BULUTO IRRIGATION SCHEME</b>		NTC INTERNATIONAL Co., Ltd.	PSG.02
			DWG. TITLE	SCALE	APPROVED BY	SERIAL NO.
			<b>INTAKE PLAN PLAN OF SCOURING SLUICE GATE</b>	1 : 30 1 : 150		




 <b>NTC INTERNATIONAL CO., LTD.</b>	REVISION  	PROJECT TITLE <b>THE PROJECT FOR REHABILITATION AND IMPROVEMENT OF BULUTO IRRIGATION SCHEME</b>	DATE 	DESIGNED BY NTC INTERNATIONAL Co.,Ltd.	DWG NO. GPI.01
	DWG. TITLE <b>INTAKE PLAN GENERAL PLAN OF INTAKE CANAL</b>	SCALE 1 : 800	APPROVED BY 	SERIAL NO.	

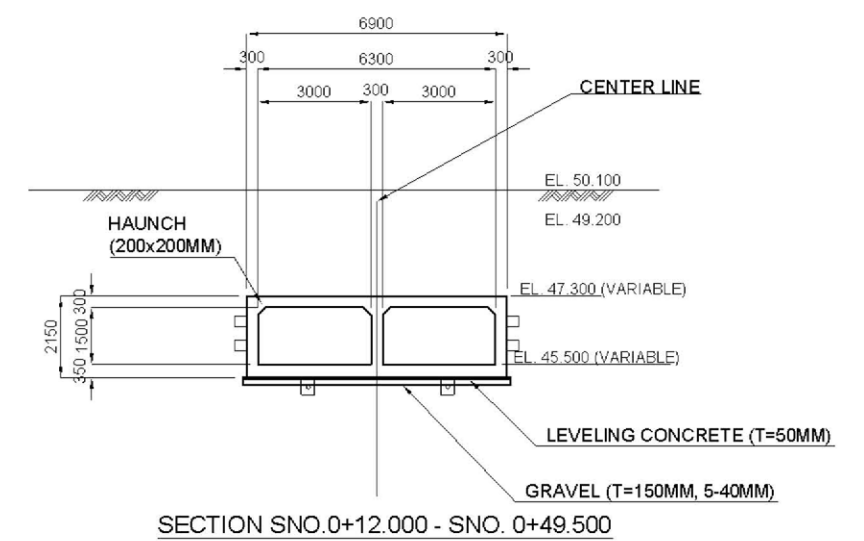
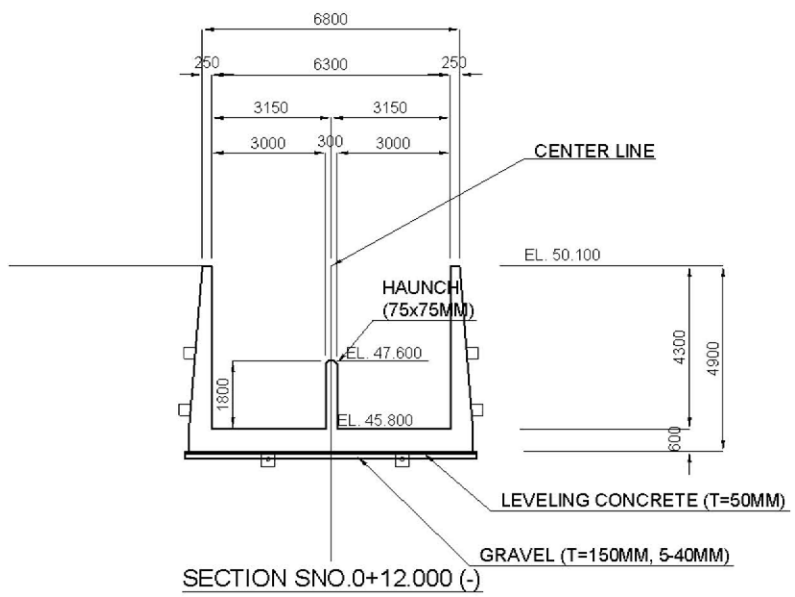
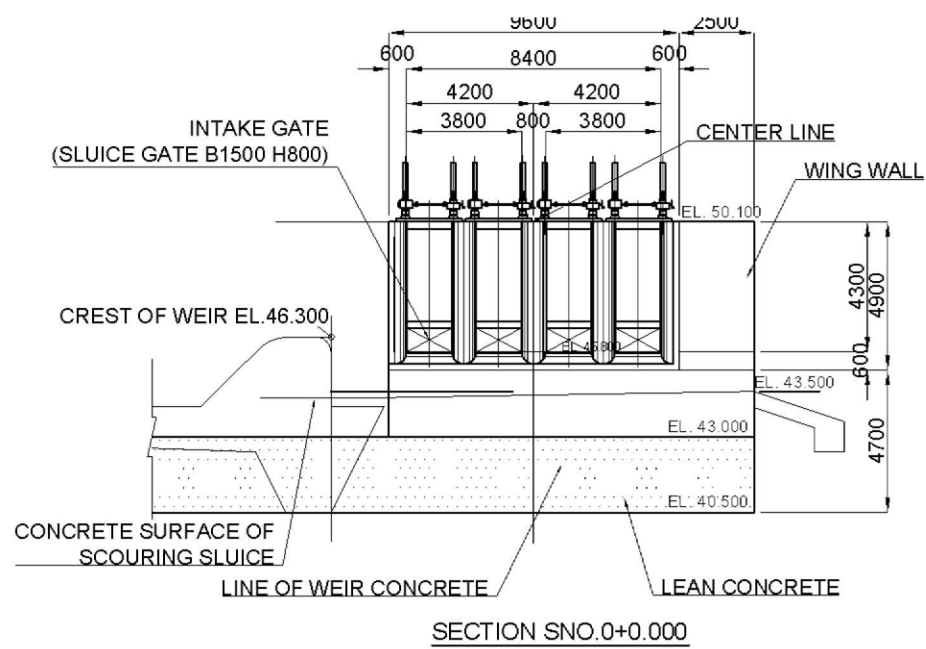
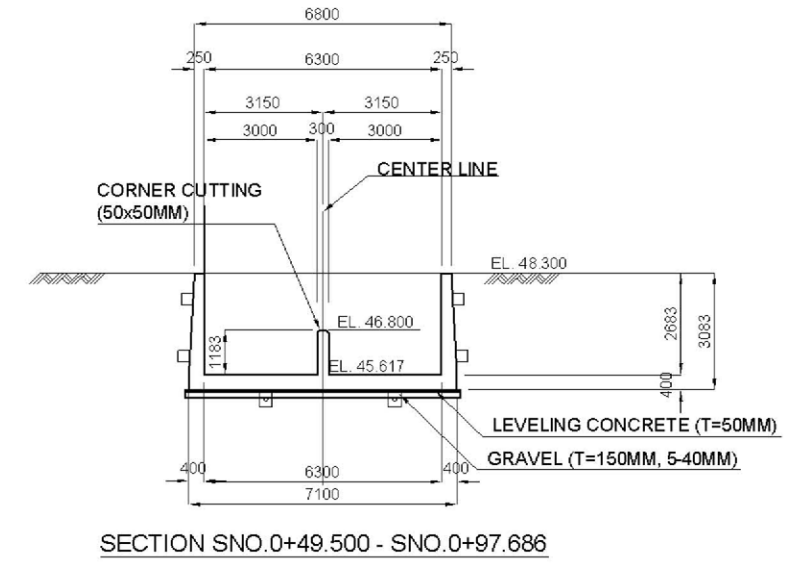
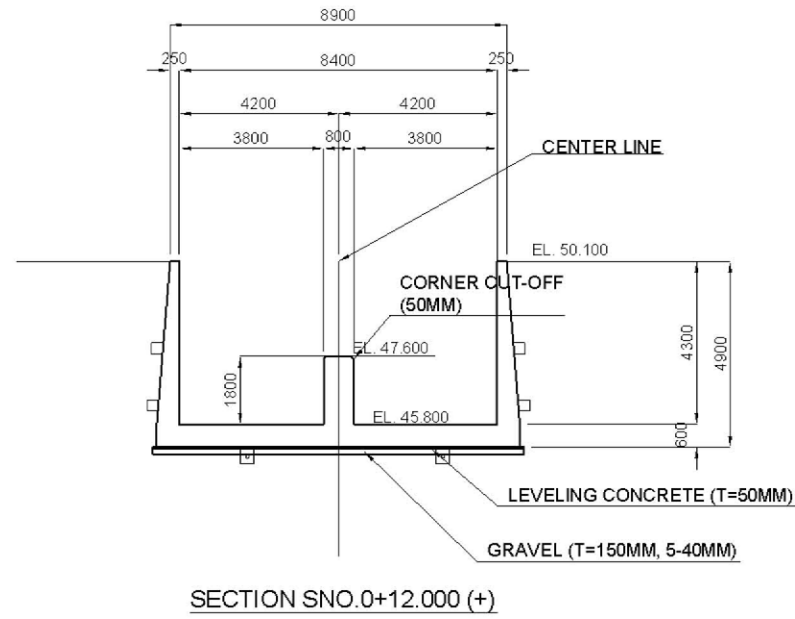
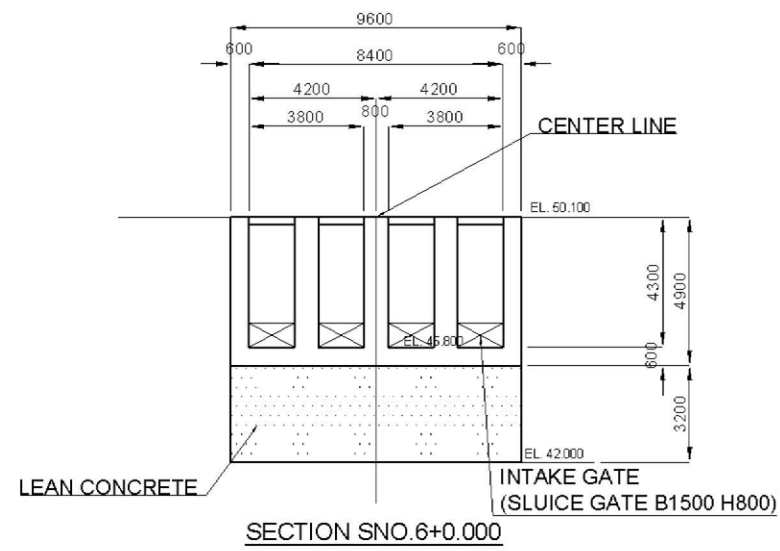



PLAN OF INTAKE - HEADRACE (SNO.0+00.000 ~ SNO.0+97.686)



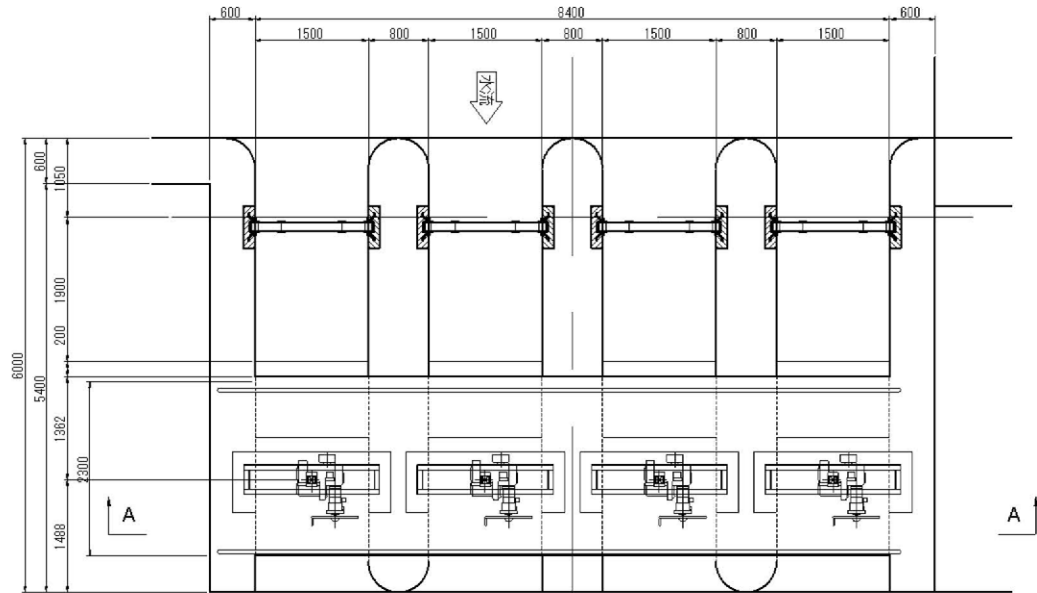
SECTION SNO.0+0.000

 <b>NTC</b> NTC INTERNATIONAL CO., LTD.	REVISION	PROJECT TITLE	DATE	DESIGNED BY	DWG. NO.
		THE PROJECT FOR REHABILITATION AND IMPROVEMENT OF BULUTO IRRIGATION SCHEME	2013.09	NTC INTERNATIONAL Co., Ltd	HRC.01
		DWG. TITLE	SCALE	APPROVED BY	SERIAL NO.
		INTAKE PLAN PLAN OF HEADRACE CANAL	1 : 500		



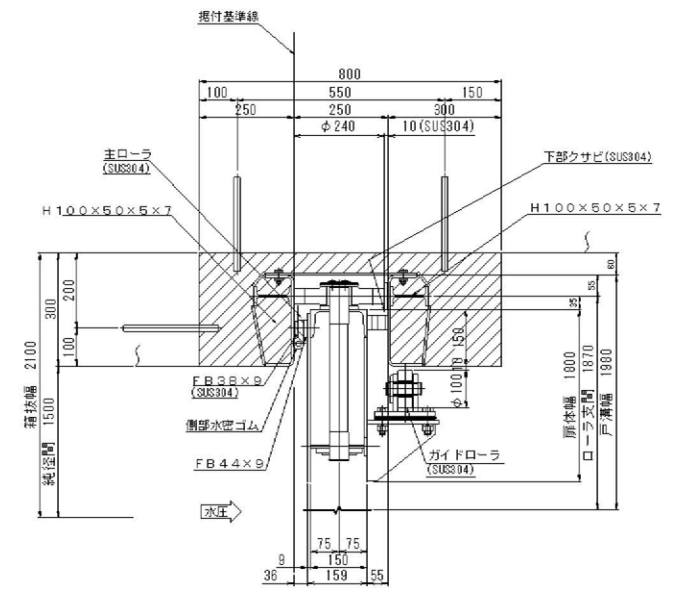
 <b>NTC</b> NTC INTERNATIONAL CO., LTD.	REVISION	PROJECT TITLE	DATE	DESIGNED BY	DWG NO.
		THE PROJECT FOR REHABILITATION AND IMPROVEMENT OF BULUTO IRRIGATION SCHEME		NTC INTERNATIONAL Co., Ltd.	HRC.02
		DWG TITLE	SCALE	APPROVED BY	SERIAL NO.
		CROSS SECTIONS OF HEADRACE CANAL	1 : 200		



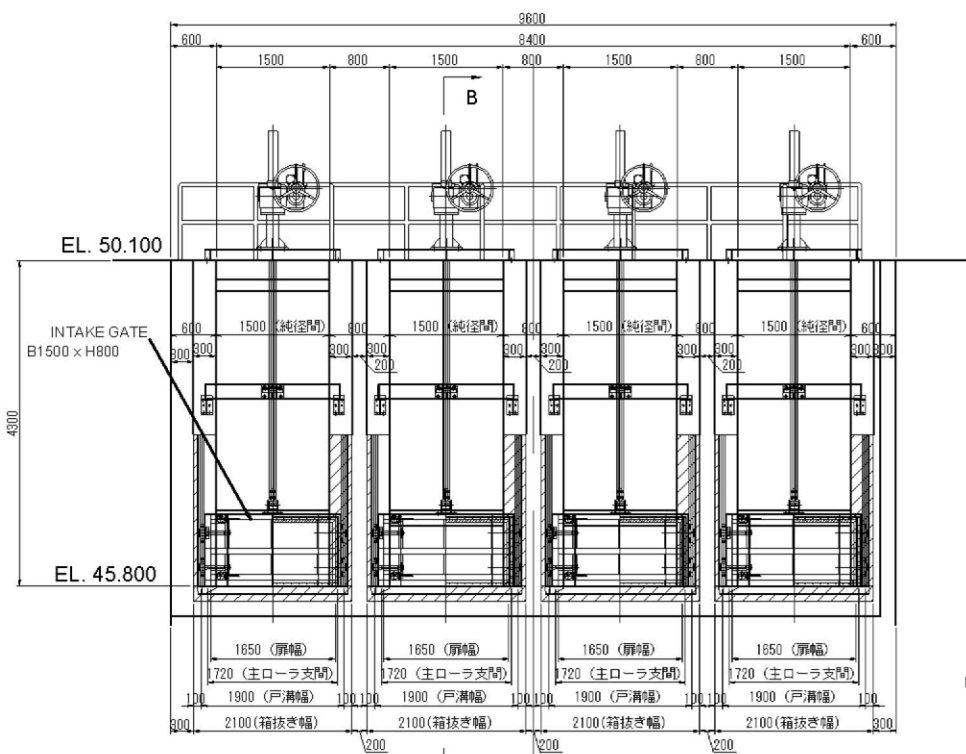


PLAN OF INTAKE GATE

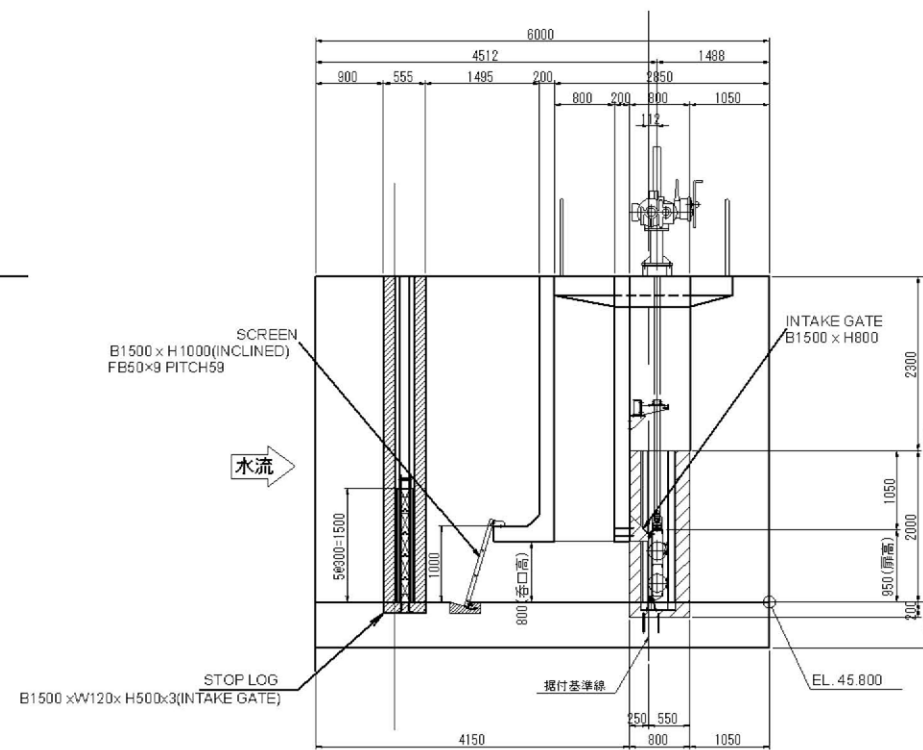
設計条件	
型式	鋼製ローラゲート
設置数	4門
総経間	1.500 m
有効高	0.800 m
設計水深	(前面) 3.300 m (後面) 0 m
操作水深	開時 (前面) 3.300 m (後面) 0 m 閉時 (前面) 3.300 m (後面) 0 m
水密方式	前面4方ゴム水密
開閉方式	手動ラック式 (1本吊り)
開閉速度	0.142 m/min
揚程	0.950 m
操作方式	手動操作



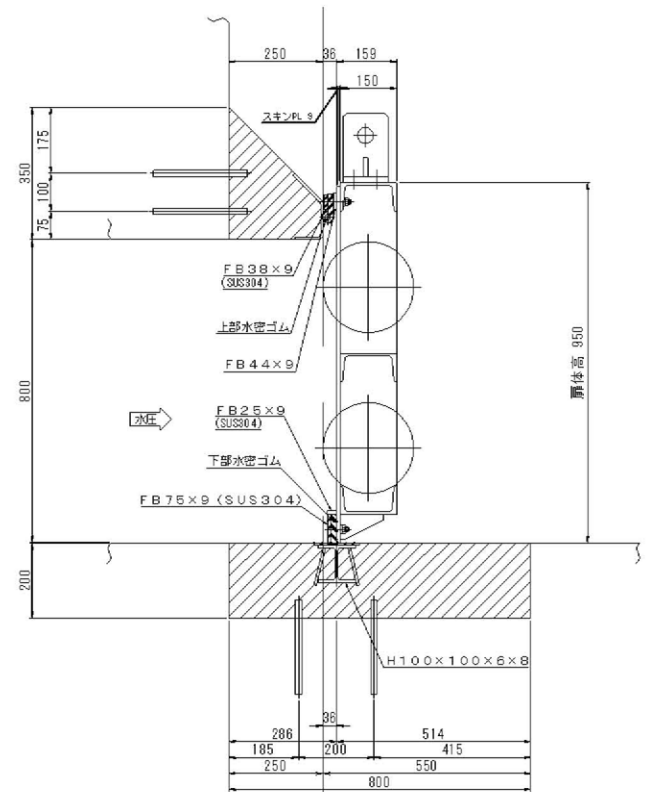
DETAIL OF WATERTIGHT CONSTRUCTION  
(SIDE SURFACE)



SECTION A - A



SECTION B - B



DETAIL OF WATERTIGHT CONSTRUCTION  
(UPPER SIDE)

	<b>NTC INTERNATIONAL CO., LTD.</b>	REVISION	PROJECT TITLE	DATE	DESIGNED BY	DWG NO.
			<b>THE PROJECT FOR REHABILITATION AND IMPROVEMENT OF BULUTO IRRIGATION SCHEME</b>		NTC INTERNATIONAL Co., Ltd.	HRC.03
			DWG TITLE	SCALE	APPROVED BY	SERIAL NO.
			<b>INTAKE PLAN PLAN OF INTAKE GATE</b>	1 : 20 1 : 100		

R=45000 (CENTER)

7500 24000 9000 8000 35000 9000 9000 9000 15000 7500 7500

SEDIMENT TRAP BASIN  
B=8.000 M, L=50.000 M

3000 750 8191 300 7200 7200 300  
1000 250

EL. 48.300

SEDIMENT FLUSHING CANAL

SEDIMENT FLUSHING GATE

PARTITION WALL

EL. 48.300

SLUICE GATE

SNO.0+82.686

SNO.0+97.686

SNO.1+41.686

SNO.1+54.261

SNO.1+56.686

SNO.1+78.313

EL. 48.300

SNO.1+87.313  
SNO.1+90.813  
SNO.1+92.313

EL. 46.800

SNO.1+96.313

EL. 46.800

SNO.2+6.313

CONNECTION TO IRRIGATION CANAL

SNO.2+21.313

EL. 45.500


SNO.2+36.236

EL. 45.300

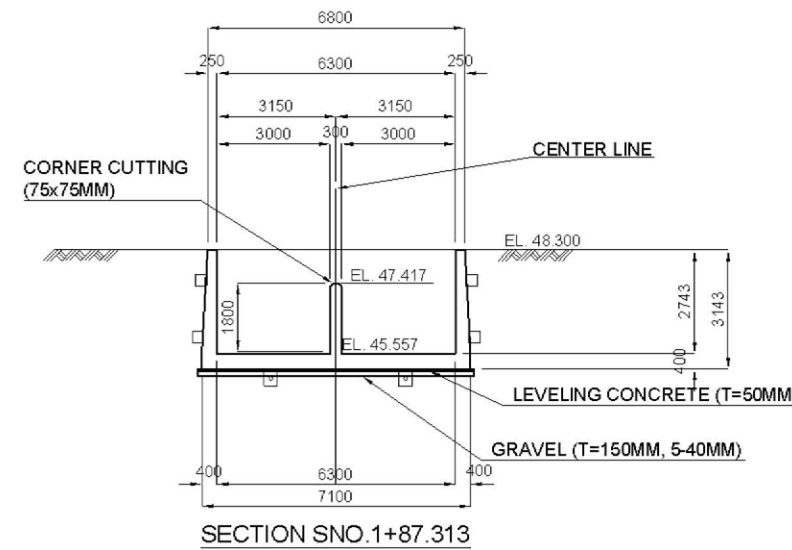
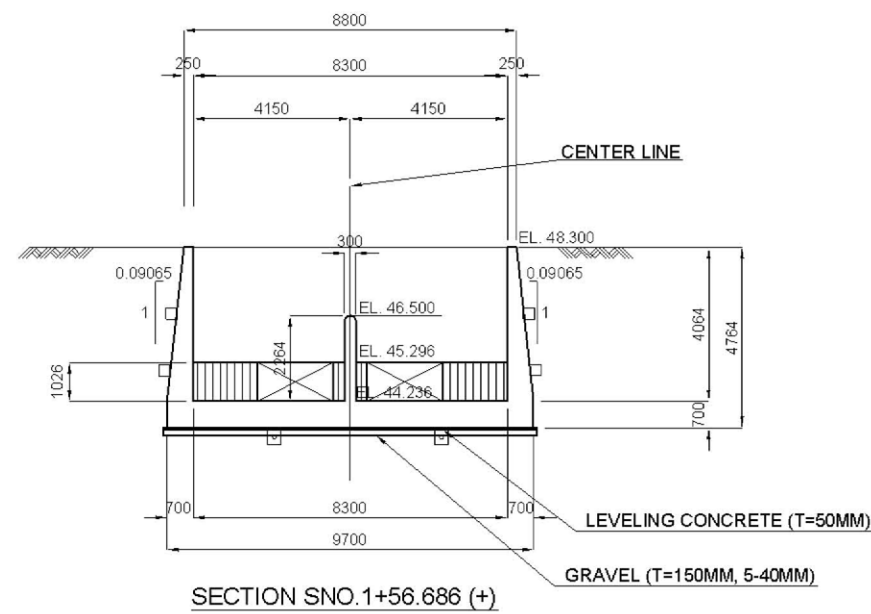
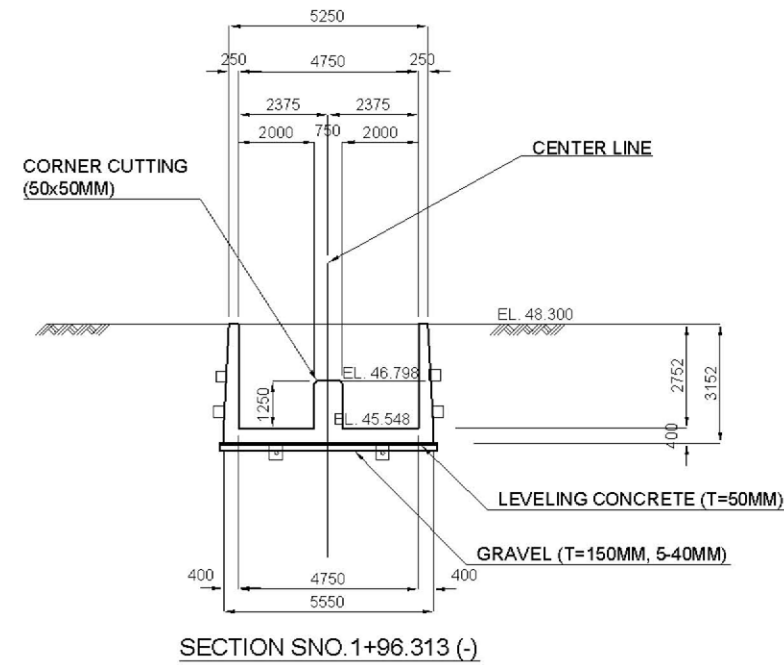
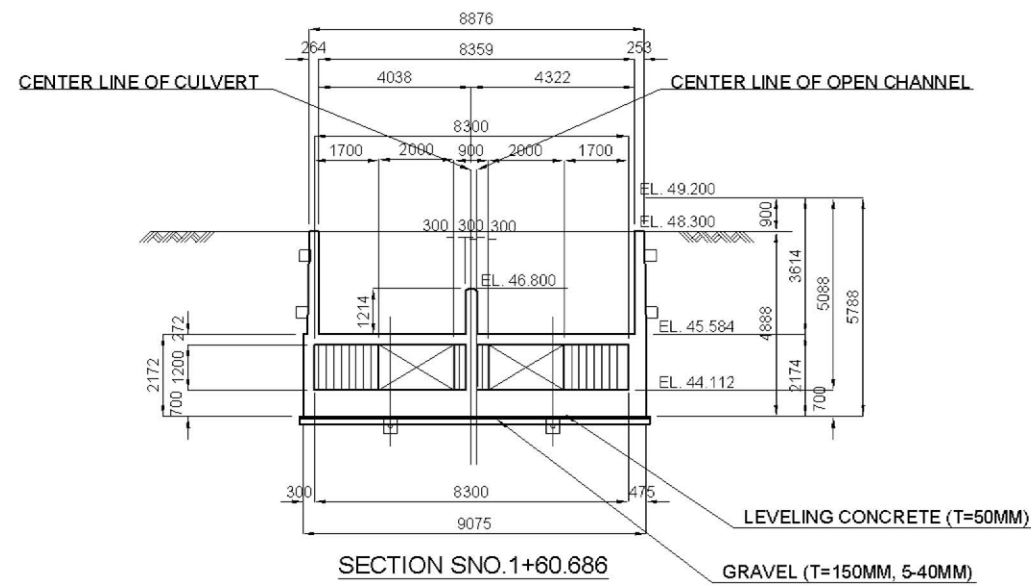
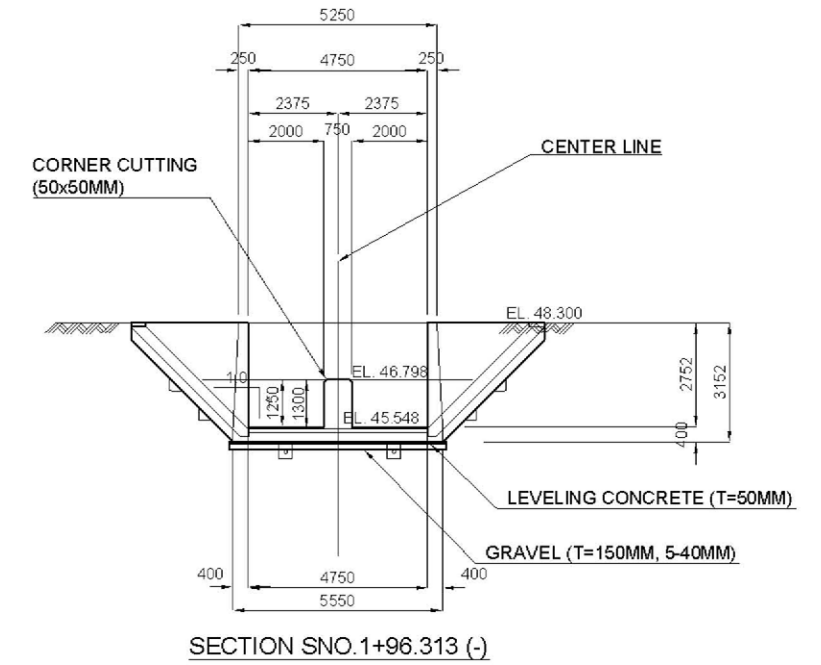
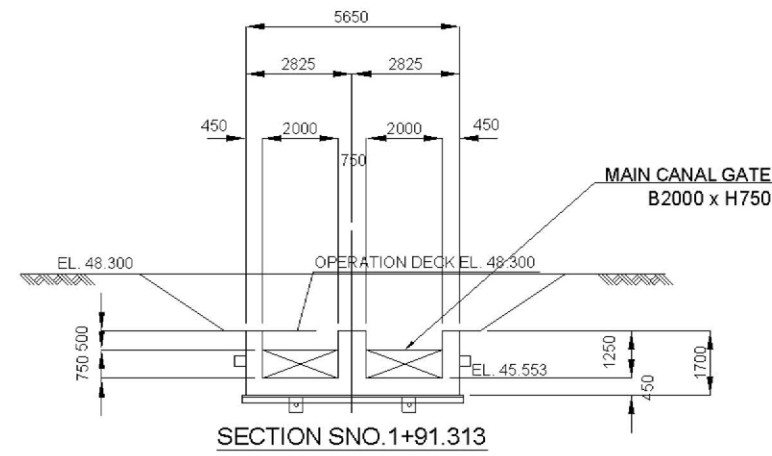
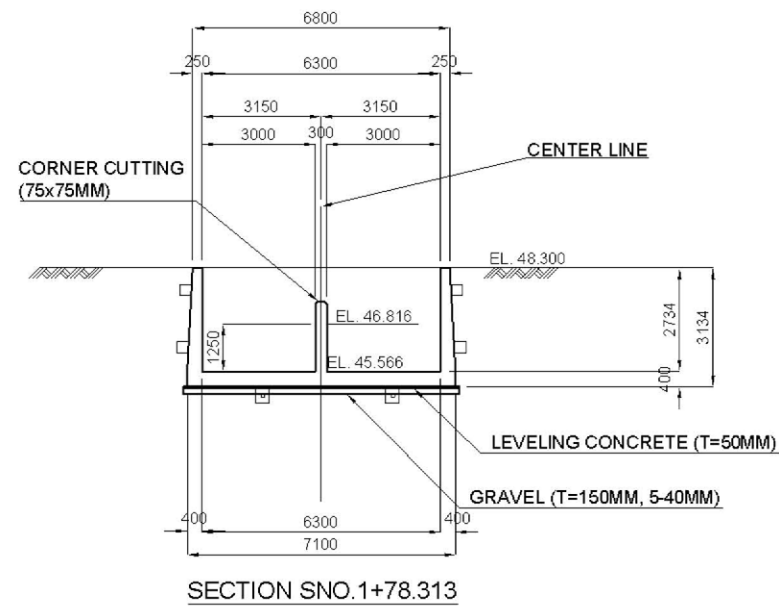
SNO.2+46.236


SNO.2+56.236

3 - 83

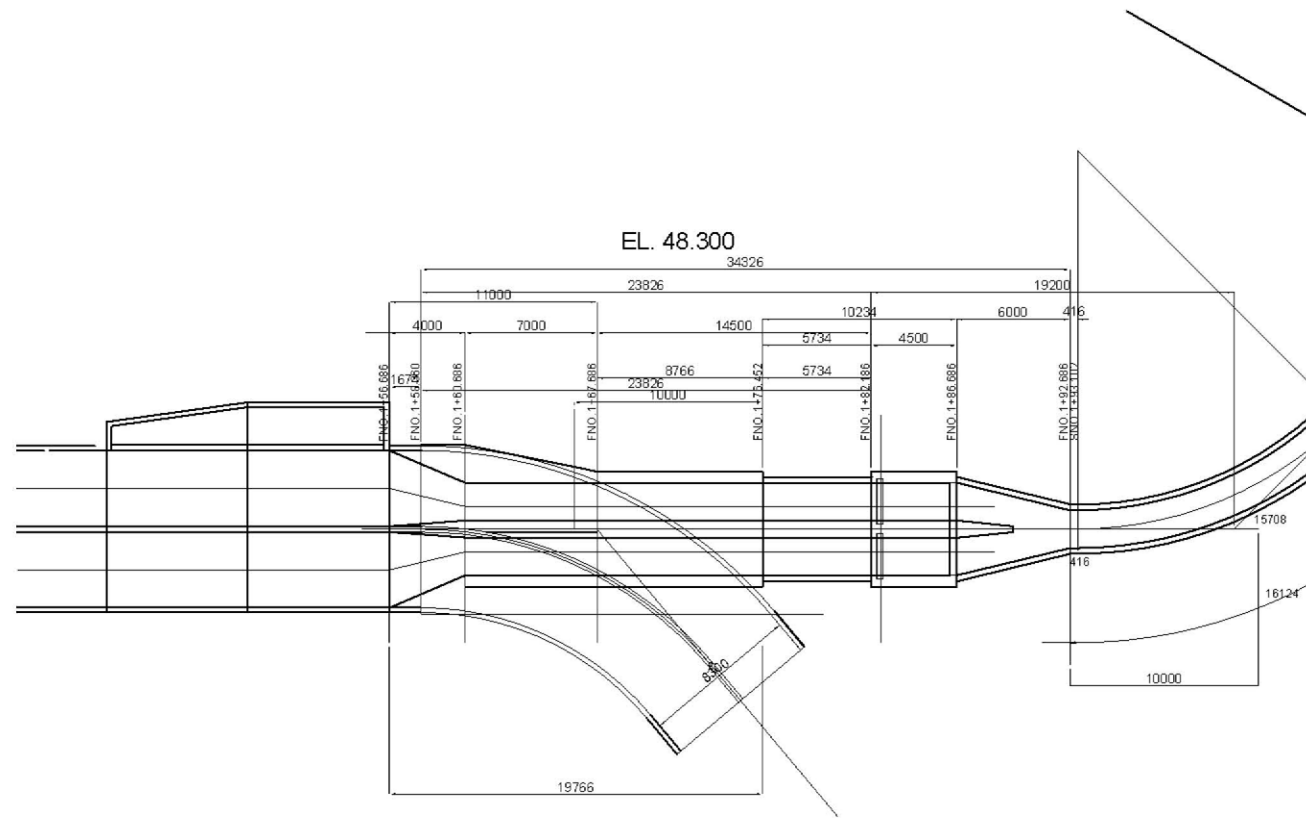
 <b>NTC INTERNATIONAL CO., LTD.</b>	REVISION	PROJECT TITLE	DATE	DESIGNED BY	DWG NO.
		THE PROJECT FOR REHABILITATION AND IMPROVEMENT OF BULUTO IRRIGATION SCHEME		NTC INTERNATIONAL Co., Ltd.	STC.01
		DWG. TITLE	SCALE	APPROVED BY	SERIAL NO.
		INTAKE PLAN PLAN OF SEDIMENT TRAP, IRRIGATION CANAL	1 : 400		



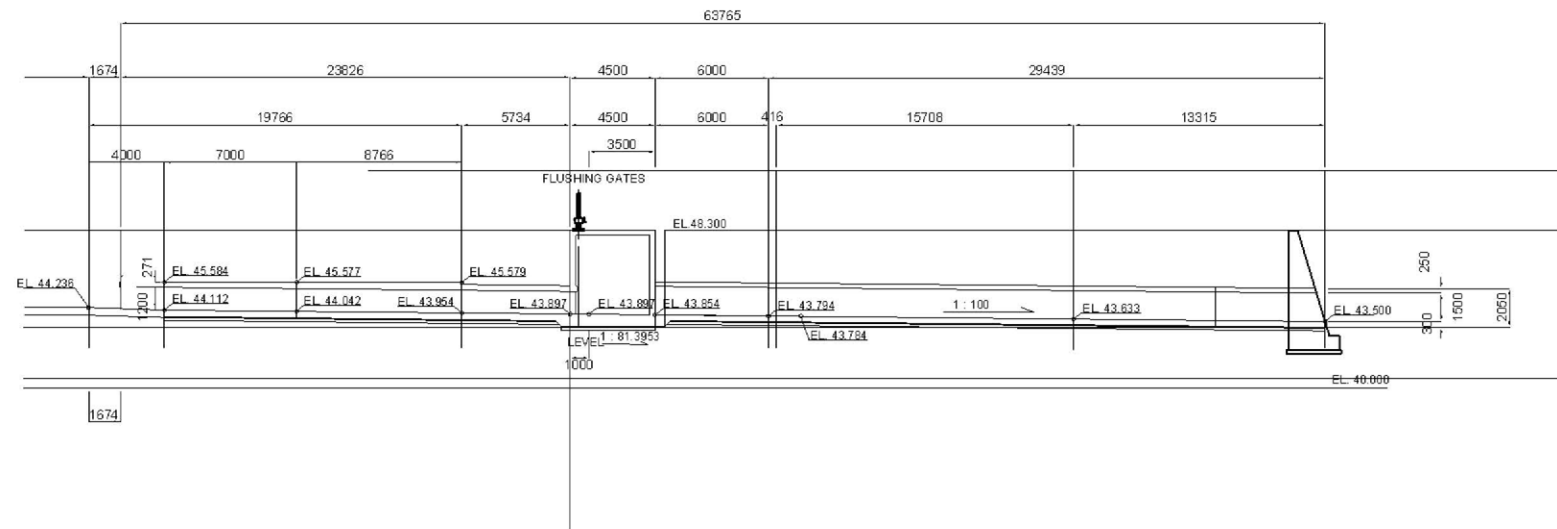


 <b>NTC INTERNATIONAL CO., LTD.</b>	REVISION	PROJECT TITLE	DATE	DESIGNED BY	DWG. NO.
		THE PROJECT FOR REHABILITATION AND IMPROVEMENT OF BULUTO IRRIGATION SCHEME		NTC INTERNATIONAL Co., Ltd	STC.03
		DWG. TITLE	SCALE	APPROVED BY	SERIAL NO.
		CROSS SECTIONS OF IRRIGATION CANAL	1 : 900		




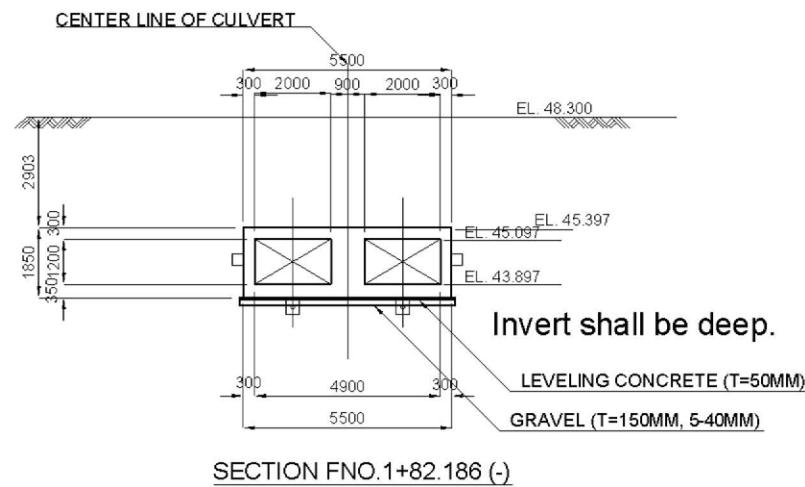
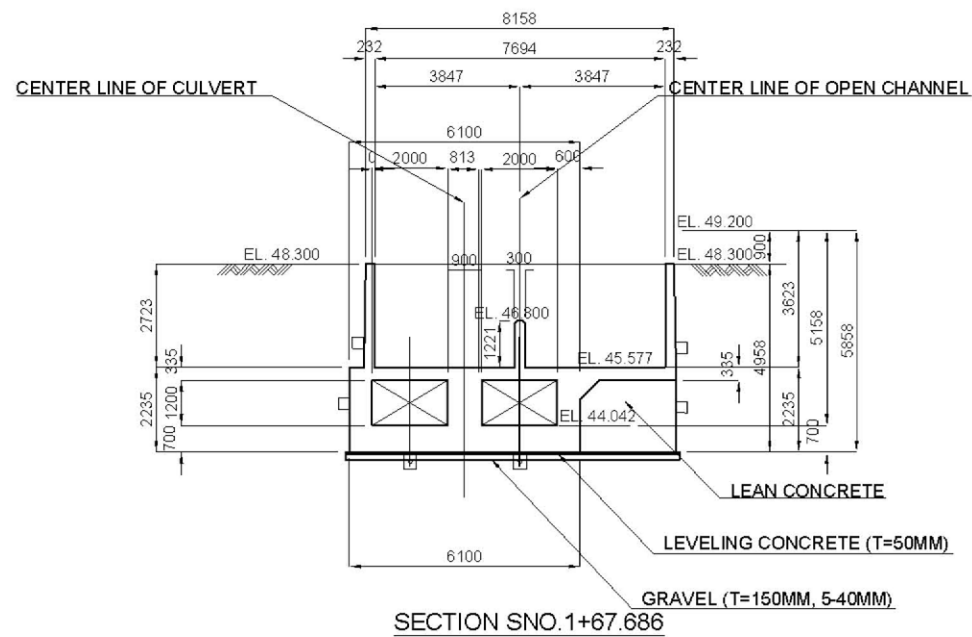
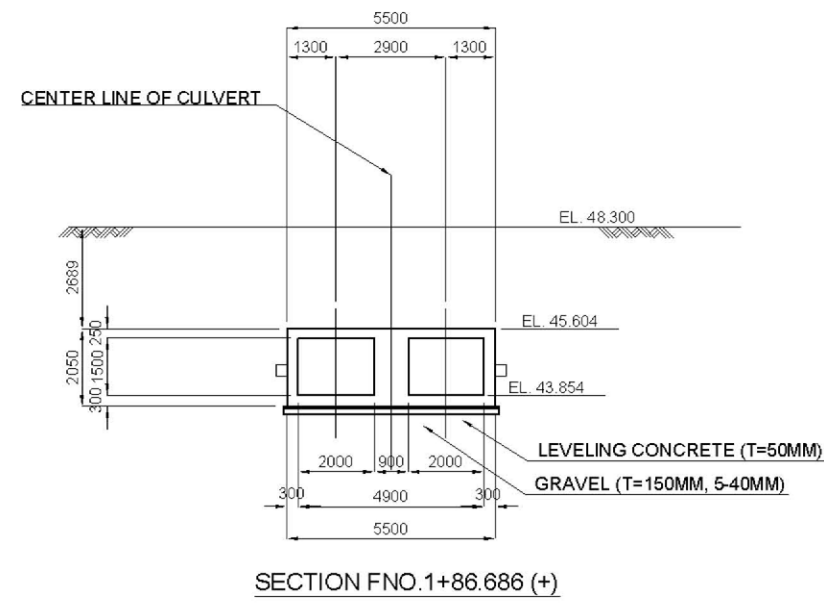
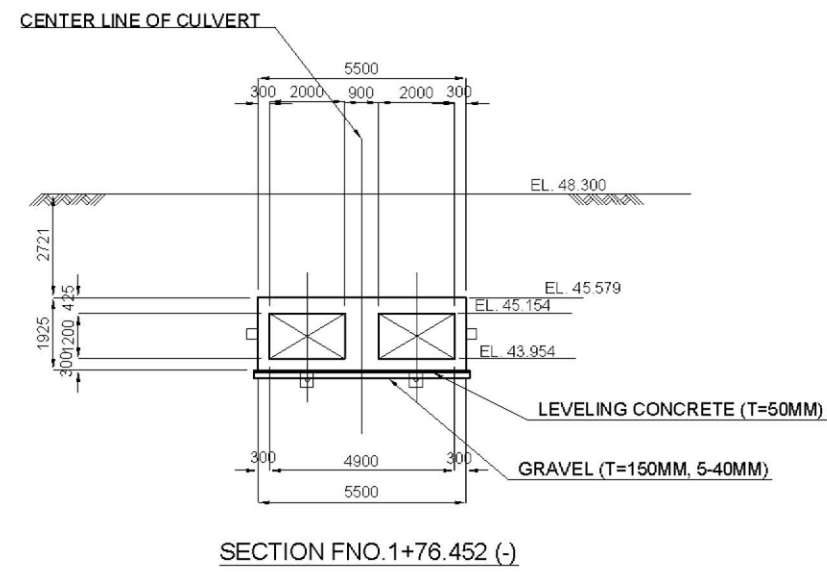
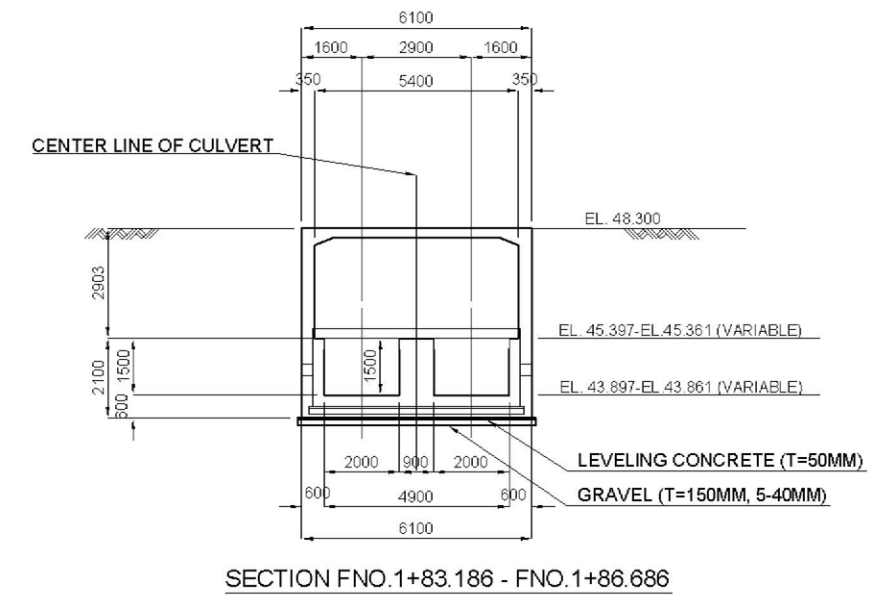
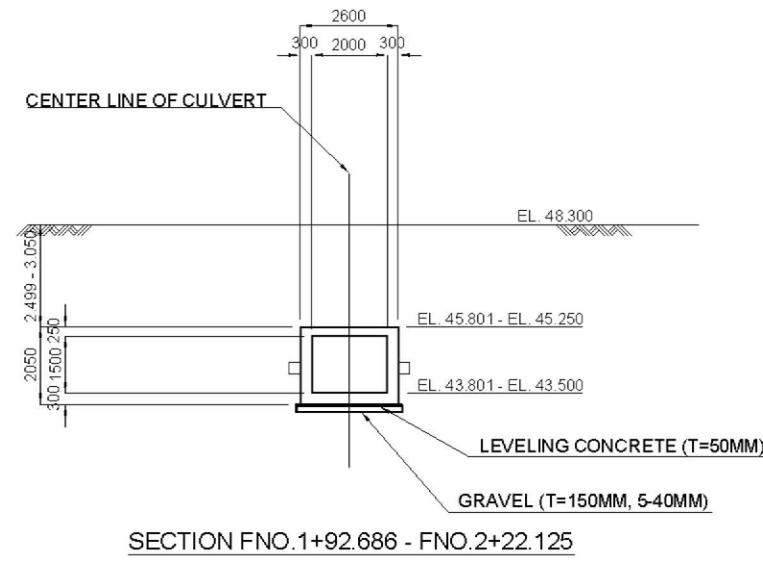
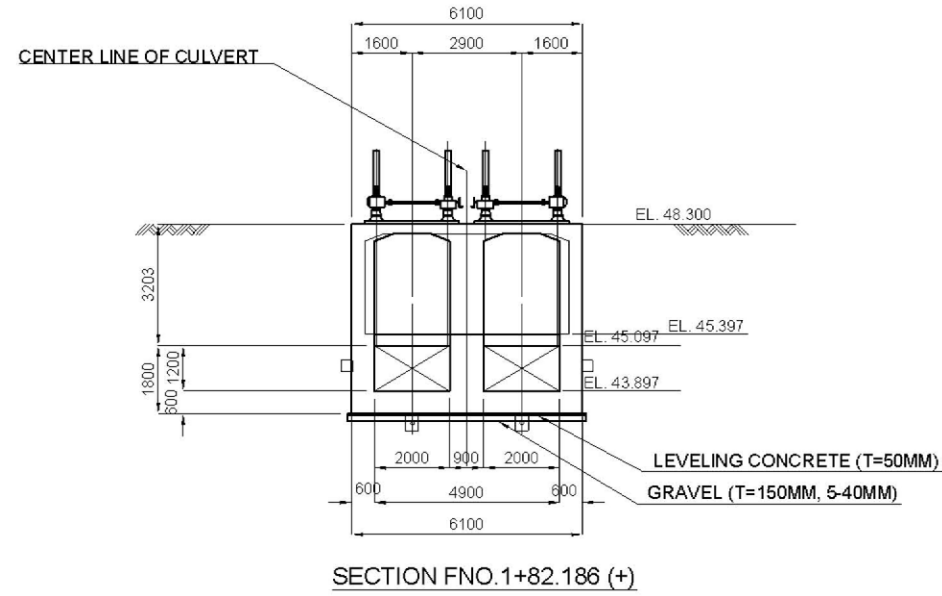


PLAN OF SEDIMENT FLUSHING GATE

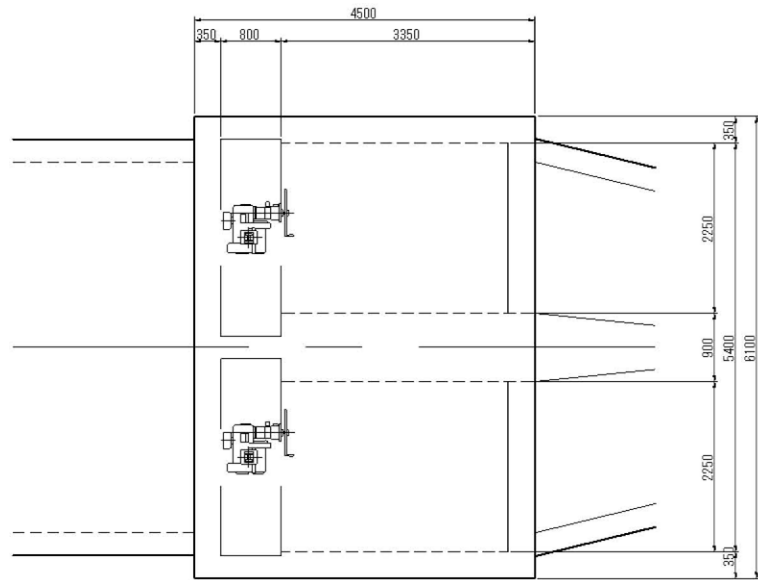


LONGTIDUNAL SECTION OF SEDIMENT FLUSHING GATE

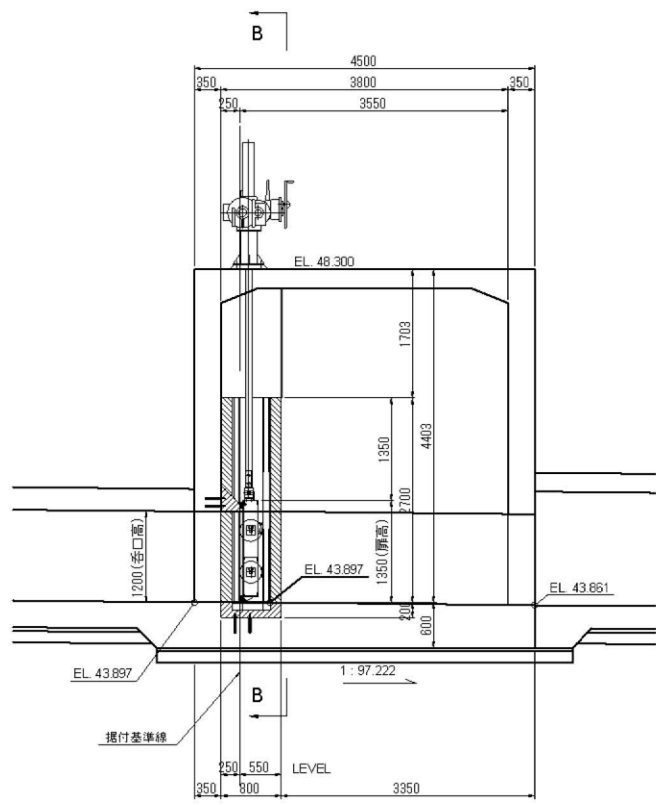
 <b>NTC</b>	<b>NTC INTERNATIONAL CO., LTD.</b>	REVISION	PROJECT TITLE	DATE	DESIGNED BY	DWG NO.
			<b>THE PROJECT FOR REHABILITATION AND IMPROVEMENT OF BULUTO IRRIGATION SCHEME</b>		NTC INTERNATIONAL Co., Ltd.	SFC.01
			DWG TITLE	SCALE	APPROVED BY	SERIAL NO.
			<b>INTAKE PLAN PLAN OF SEDIMENT FLASH CANAL</b>	1 : 900		



	<b>NTC INTERNATIONAL CO., LTD.</b>	REVISION	PROJECT TITLE	DATE	DESIGNED BY	DWG NO.
			<b>THE PROJECT FOR REHABILITATION AND IMPROVEMENT OF BULUTO IRRIGATION SCHEME</b>		NTC INTERNATIONAL Co., Ltd.	SFC.02
			DWG SCALE	SCALE	APPROVED BY	SERIAL NO.
			<b>CROSS SECTIONS OF SEDIMENT FLASH CANAL</b>	1 : 900		

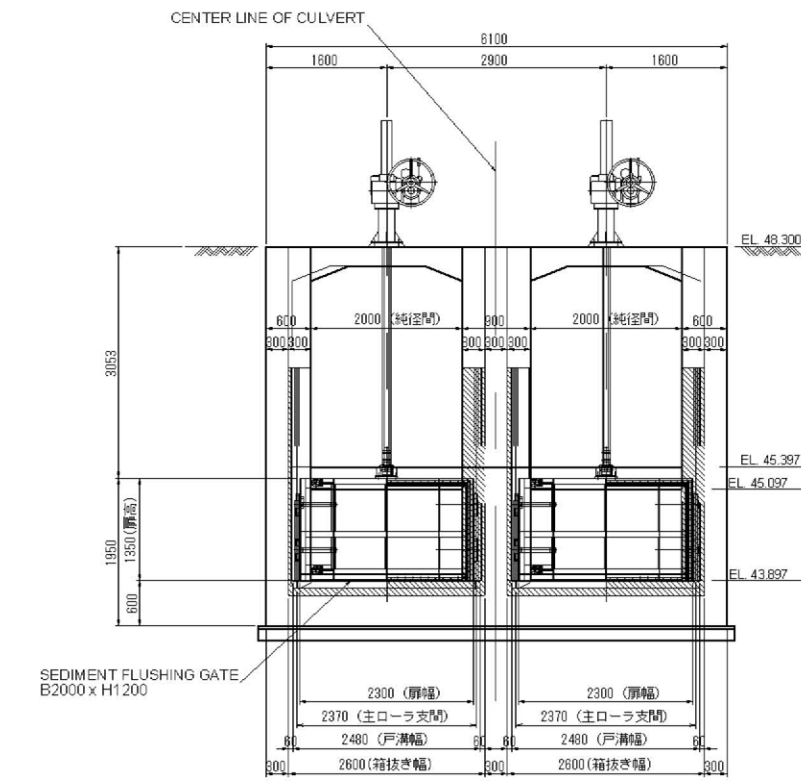


PLAN OF FLUSH GATE

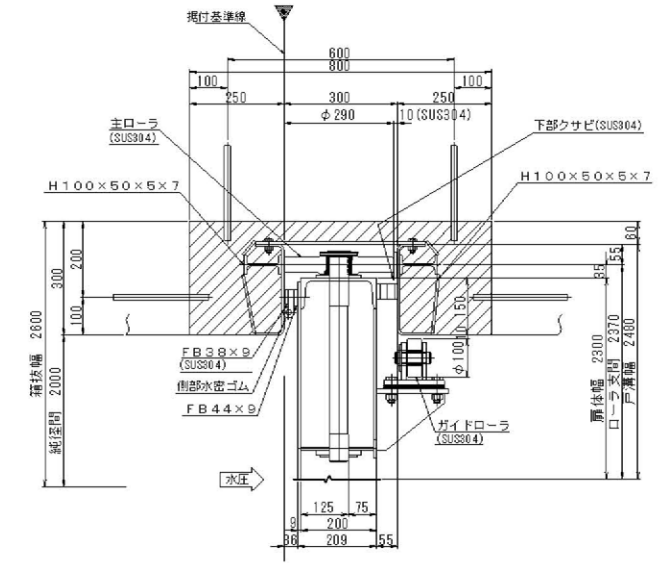


SECTION A - A

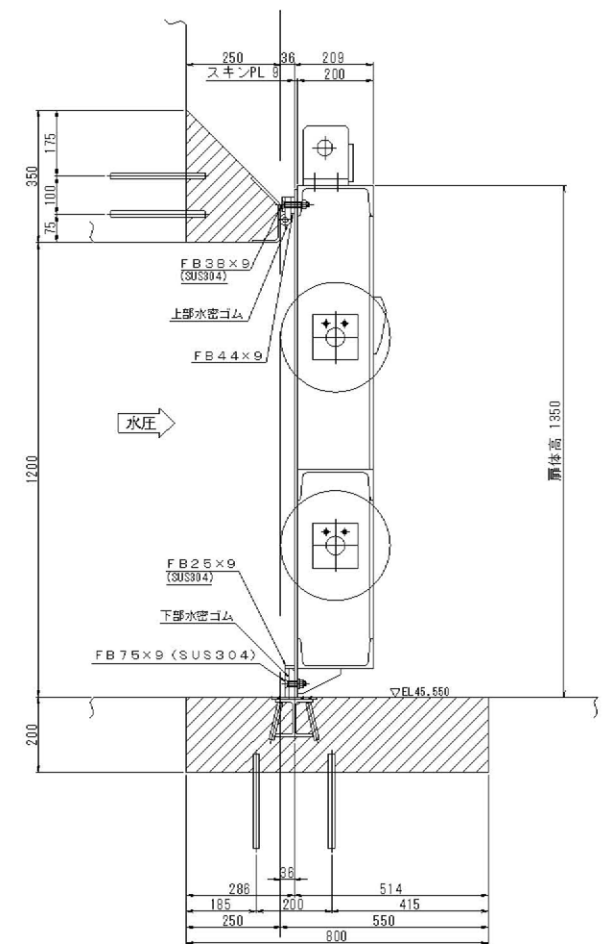
設計条件	
型式	鋼製ローラゲート
設置数	2門
純総間	2.000 m
有効高	1.200 m
設計水深	(前面) 5.203 m (後面) 0 m
操作水深	開閉時 (前面) 5.203 m (後面) 0 m
	閉鎖時 (前面) 5.203 m (後面) 0 m
水密方式	前面4方ゴム水密
開閉方式	手動ラック式 (1本吊り)
開閉速度	0.107 m/min
揚程	1.400 m
操作方式	手動操作



SECTION B - B



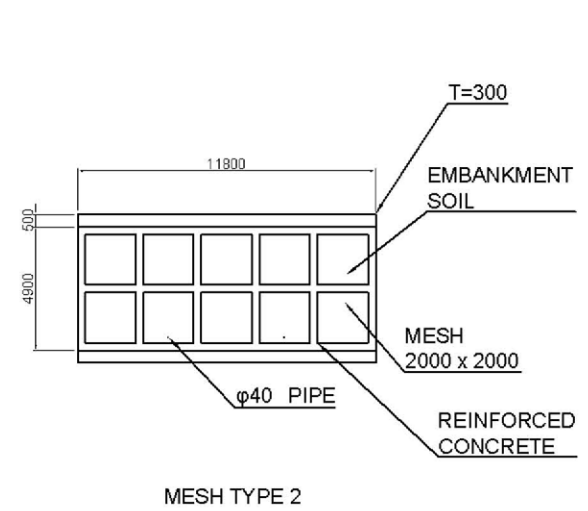
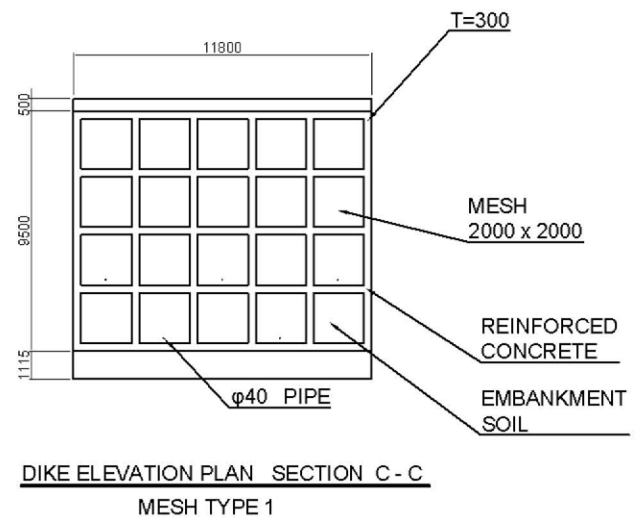
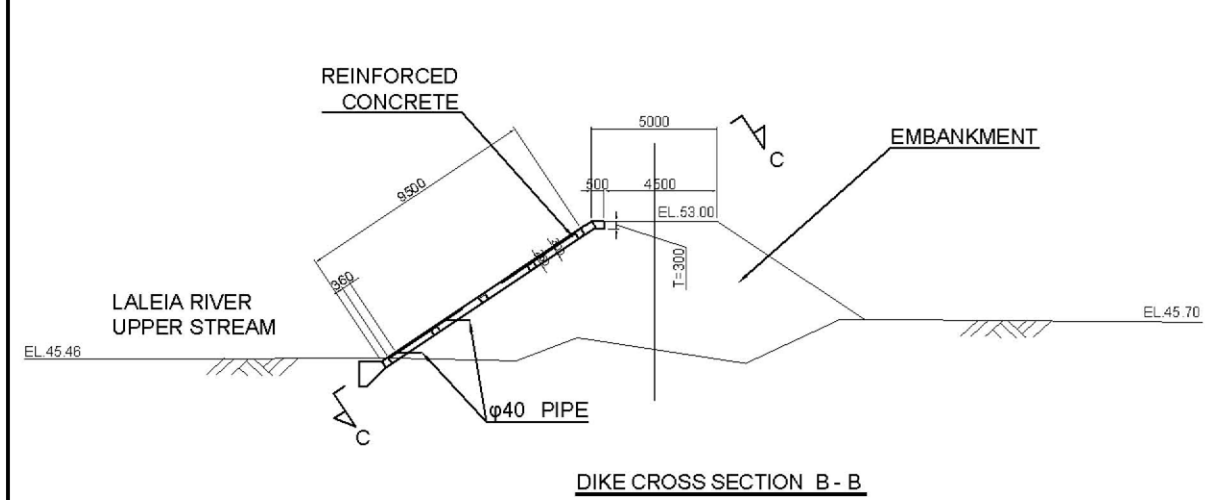
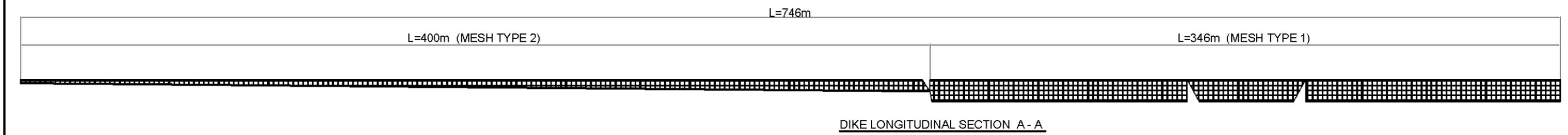
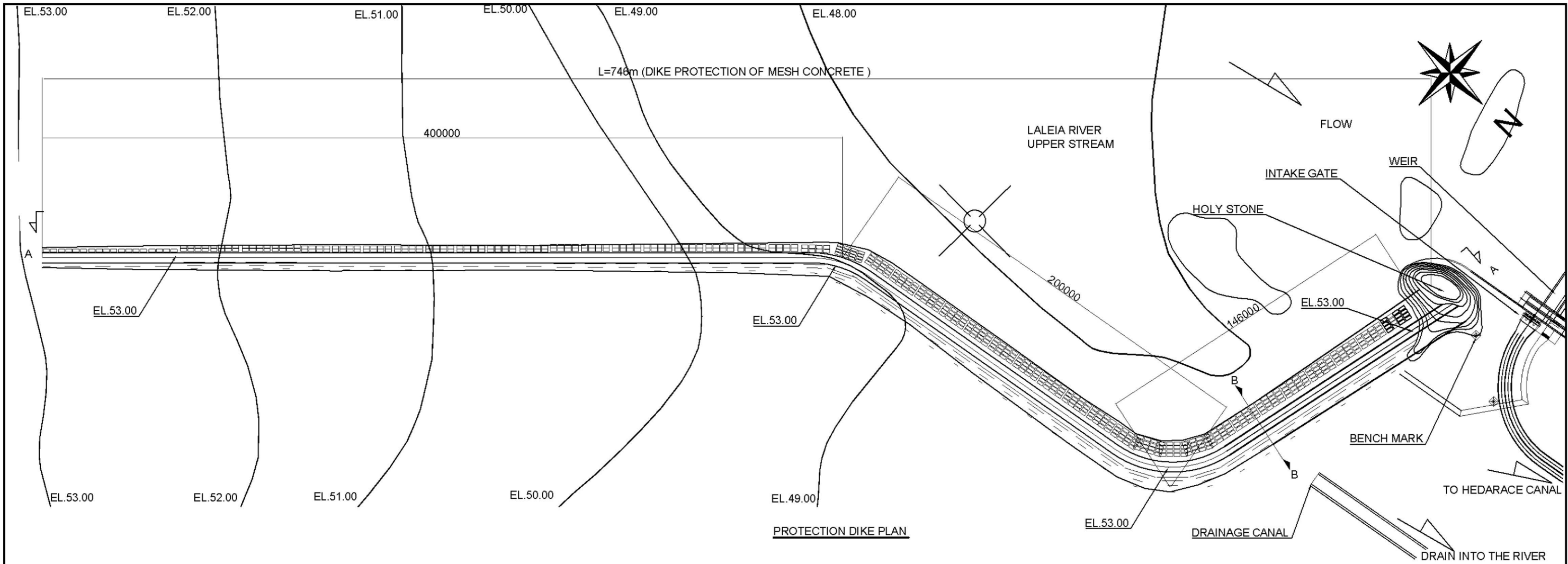
DETAIL OF WATERTIGHT CONSTRUCTION (SIDE SURFACE)



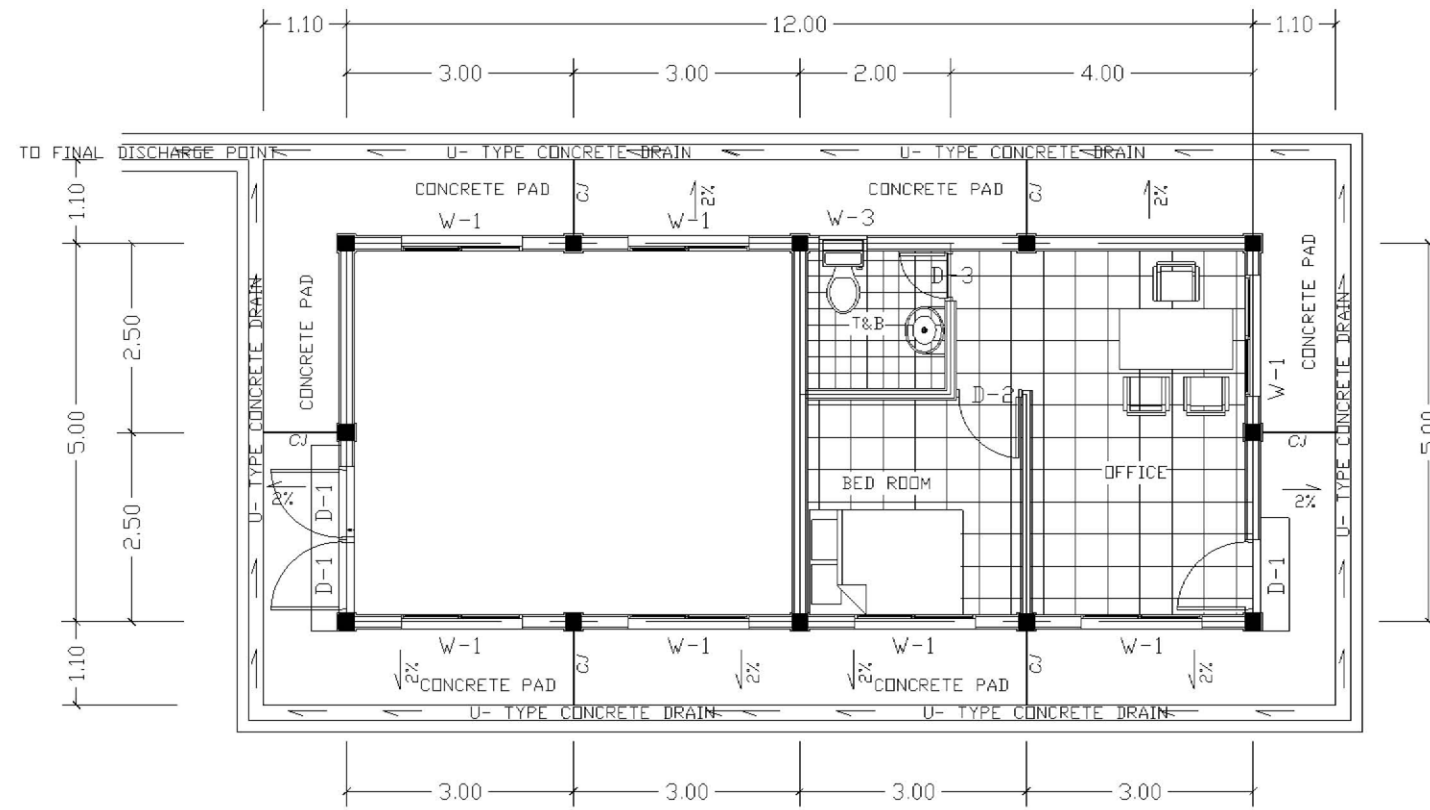
DETAIL OF WATERTIGHT CONSTRUCTION (UPPER SIDE)

	<b>NTC INTERNATIONAL CO., LTD.</b>	REVISION	PROJECT TITLE	DATE	DESIGNED BY	DWG NO.
			<b>THE PROJECT FOR REHABILITATION AND IMPROVEMENT OF BULUTO IRRIGATION SCHEME</b>		NTC INTERNATIONAL Co., Ltd	SFG-01
			DWG TITLE	SCALE	APPROVED BY	SERIAL NO.
			<b>INTAKE PLAN PLAN OF FLASH GATE</b>	1 : 20 1 : 100		

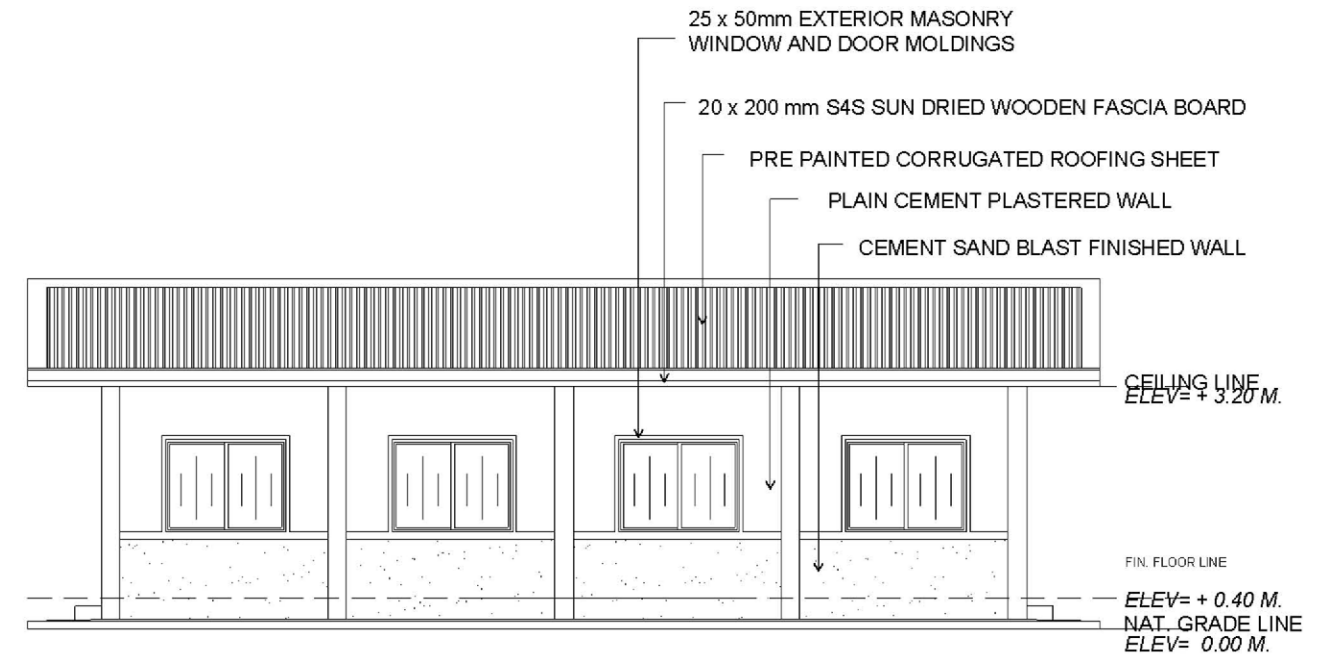




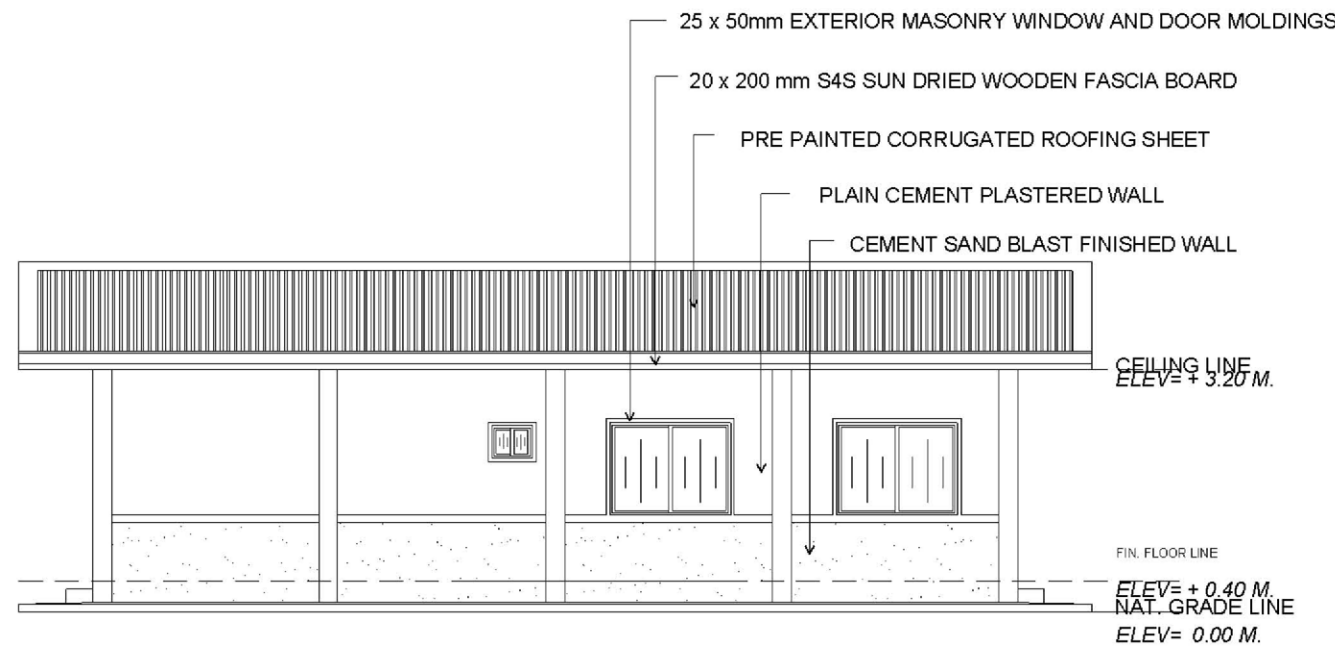
	<b>NTC INTERNATIONAL CO., LTD.</b>	REVISION	PROJECT TITLE	DATE	DESIGNED BY	DWG. NO.
			<b>THE PROJECT FOR REHABILITATION AND IMPROVEMENT OF BULUTO IRRIGATION SCHEME</b>	2013.09	NTC INTERNATIONAL Co.,Ltd.	PPD.01
			DWG. TITLE	SCALE	APPROVED BY	SERIAL NO.
			<b>INTAKE PLAN</b> <b>PLAN OF PROTECTION DIKE</b>	1 : 2000 1 : 300		0



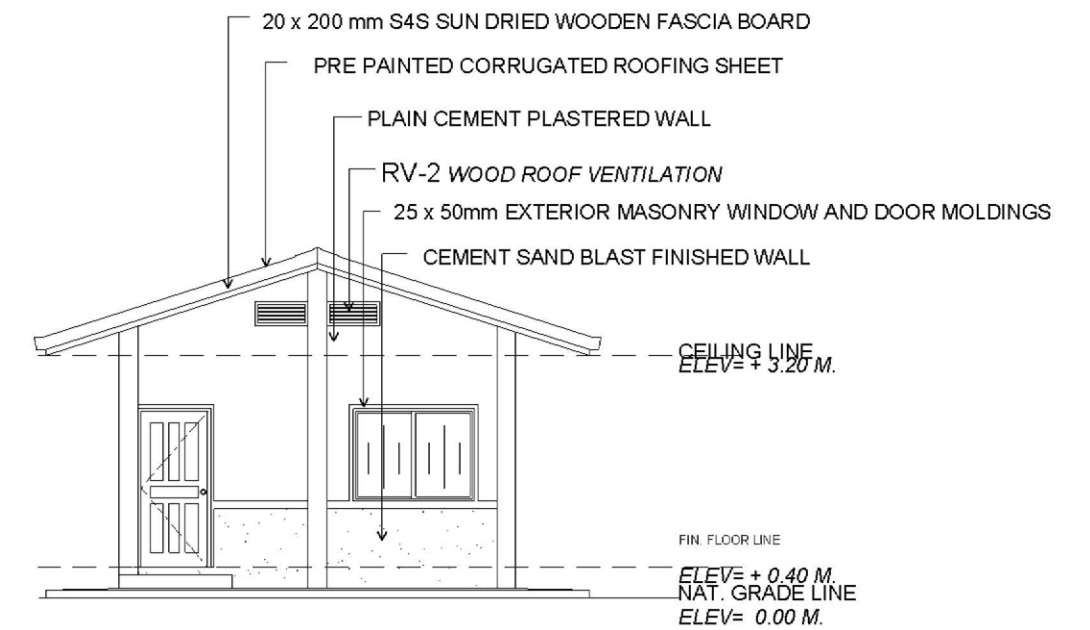
**PLAN OF GATE OPERATING HOUSE**



**LEFT SIDE ELEVATION**

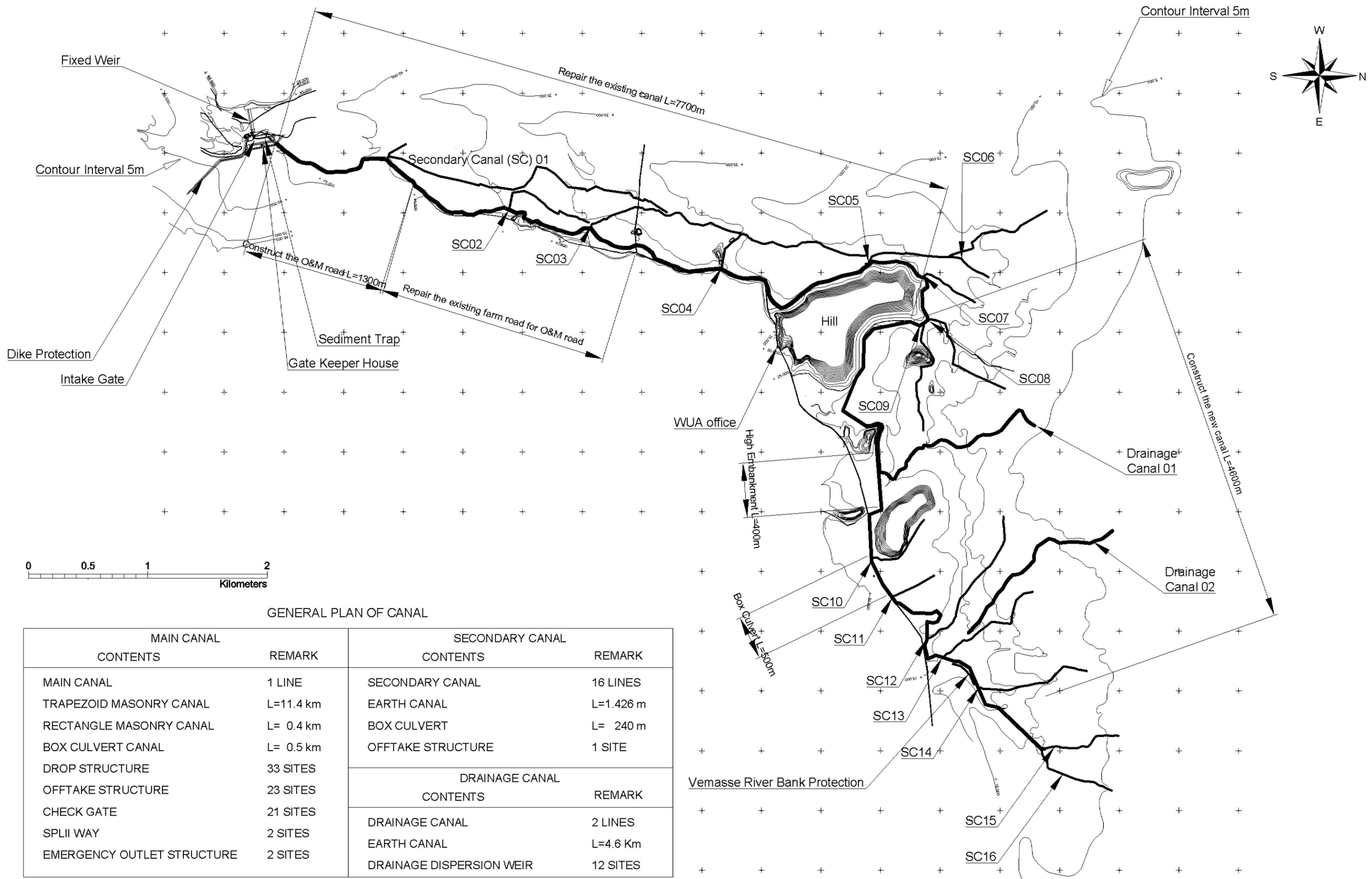


**RIGHT SIDE ELEVATION**



**FRONT ELEVATION**

 <b>NTC</b>	<b>NTC INTERNATIONAL CO., LTD.</b>	REVISION	PROJECT TITLE	DATE	DESIGNED BY	DWG. NO.
			<b>THE PROJECT FOR REHABILITATION AND IMPROVEMENT OF BULUTO IRRIGATION SCHEME</b>			GOH.01
			DWG. TITLE	SCALE	APPROVED BY	SERIAL NO.
			<b>INTAKE PLAN</b>	1 : 100		
			<b>PLAN OF GATE OPERATING HOUSE</b>			

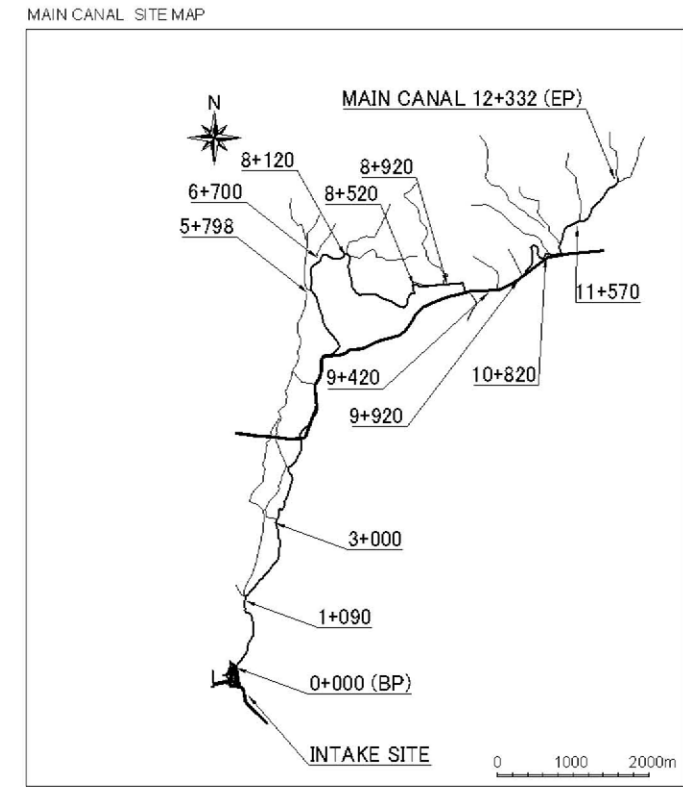
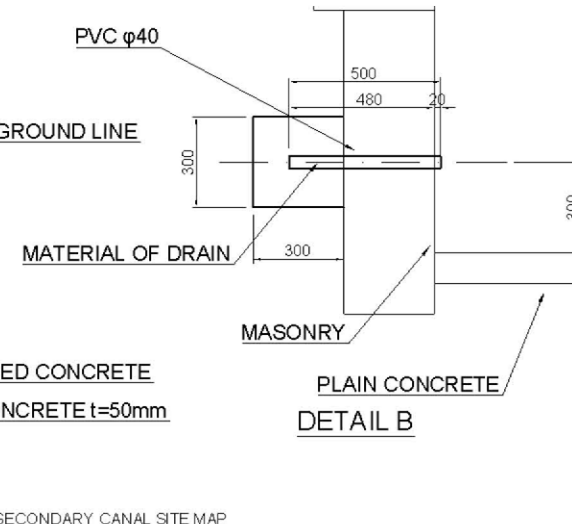
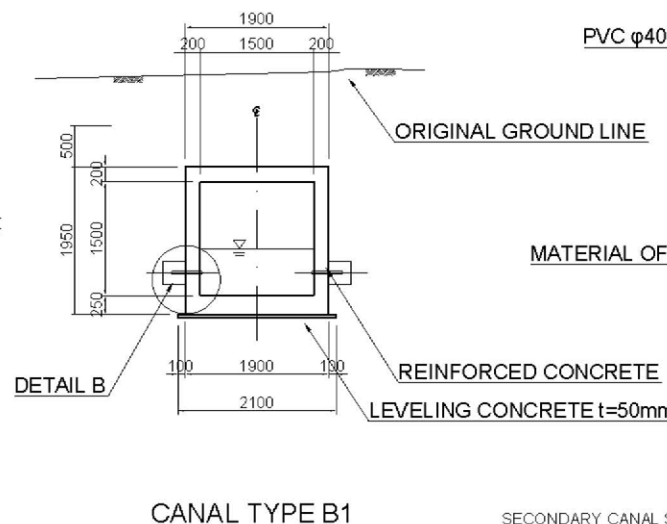
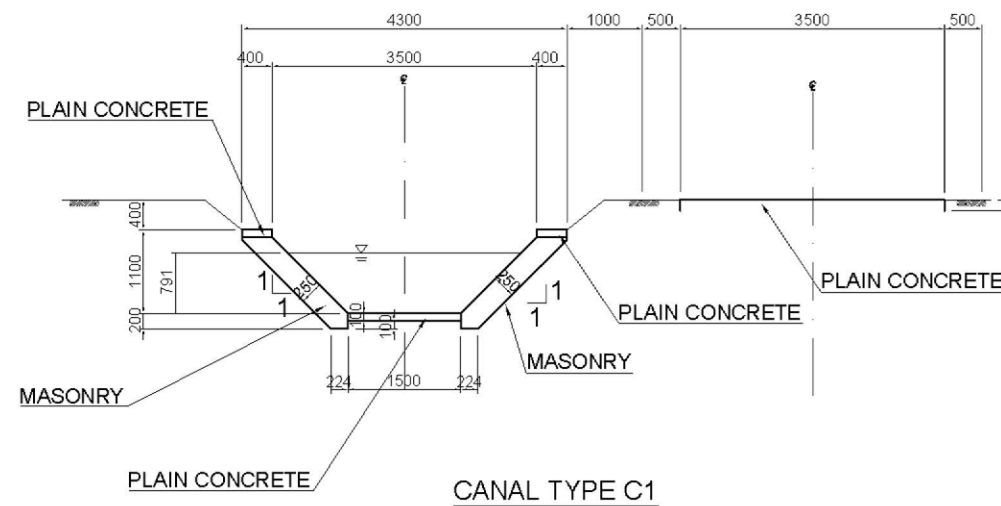
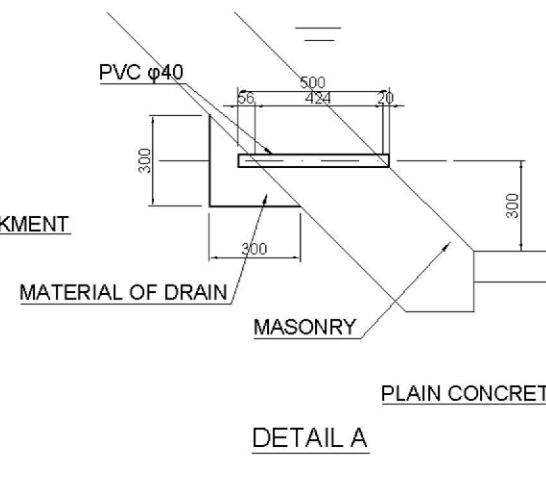
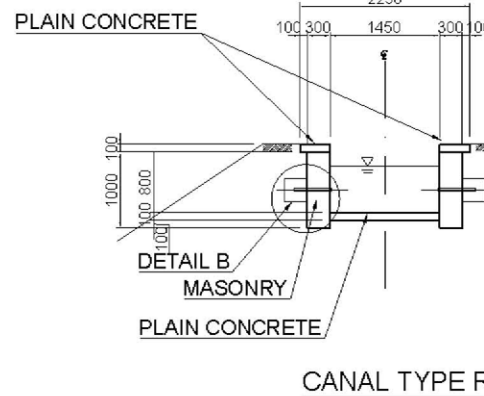
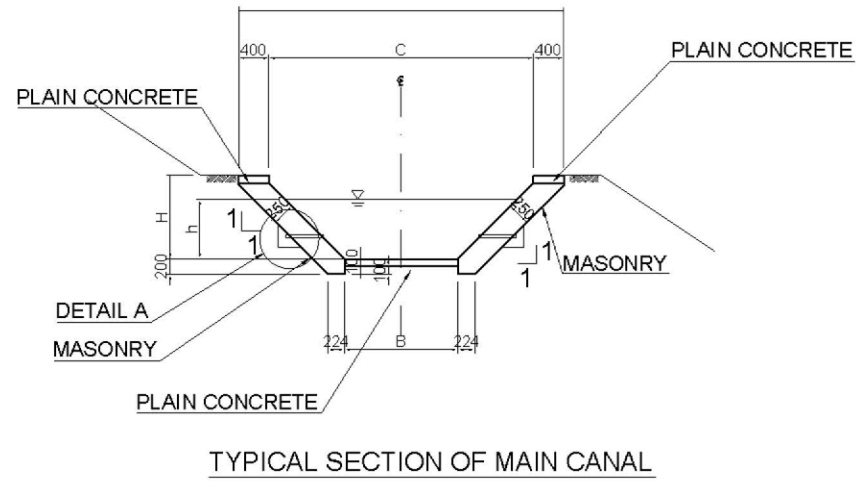


GENERAL PLAN OF CANAL

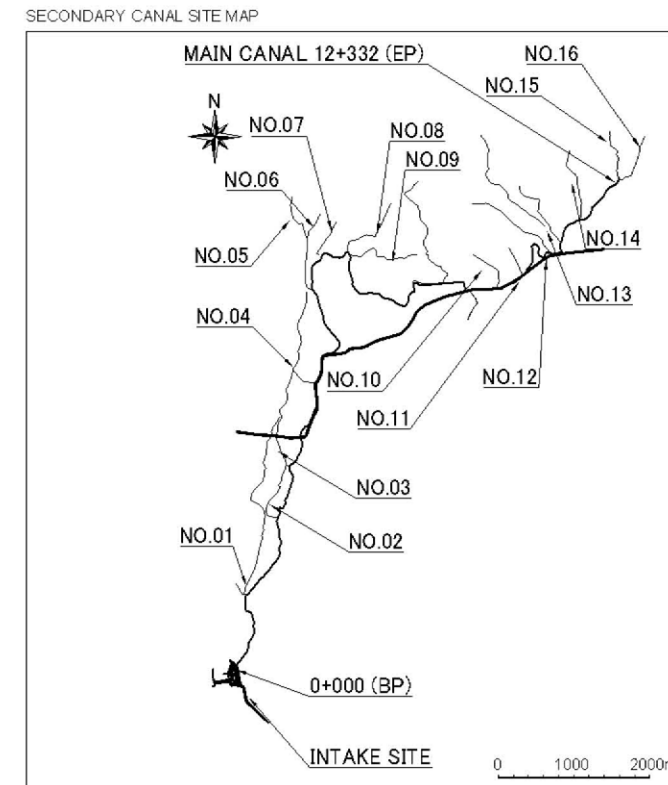
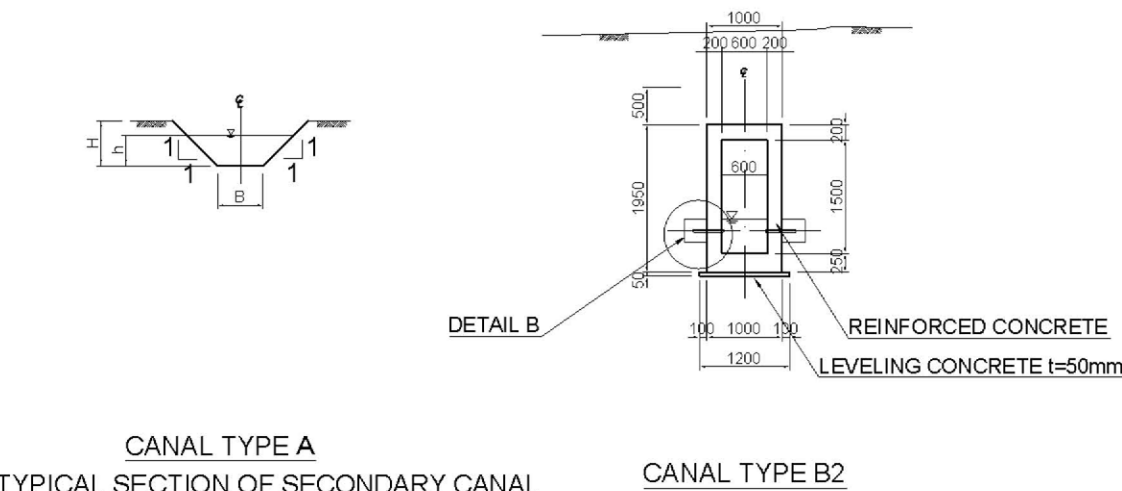
MAIN CANAL		SECONDARY CANAL	
CONTENTS	REMARK	CONTENTS	REMARK
MAIN CANAL	1 LINE	SECONDARY CANAL	16 LINES
TRAPEZOID MASONRY CANAL	L=11.4 km	EARTH CANAL	L=1.426 m
RECTANGLE MASONRY CANAL	L= 0.4 km	BOX CULVERT	L= 240 m
BOX CULVERT CANAL	L= 0.5 km	OFFTAKE STRUCTURE	1 SITE
DROP STRUCTURE	33 SITES	DRAINAGE CANAL	
OFFTAKE STRUCTURE	23 SITES	CONTENTS	REMARK
CHECK GATE	21 SITES	DRAINAGE CANAL	2 LINES
SPLI WAY	2 SITES	EARTH CANAL	L=4.6 Km
EMERGENCY OUTLET STRUCTURE	2 SITES	DRAINAGE DISPERSION WEIR	12 SITES

GENERAL MAP OF BULUTO IRRIGATION SYSTEM

 NTC INTERNATIONAL CO., LTD.	REVISION	PROJECT TITLE	DATE	DESIGNED BY	DWG. NO.
		THE PROJECT FOR REHABILITATION AND IMPROVEMENT OF BULUTO IRRIGATION SCHEME	2013.09	NTC INTERNATIONAL Co.,Ltd.	GMB.01
		DWG. TITLE	SCALE	APPROVED BY	SERIAL NO.
		GENERAL MAP OF BULUTO IRRIGATION SYSTEM	1:30000		0



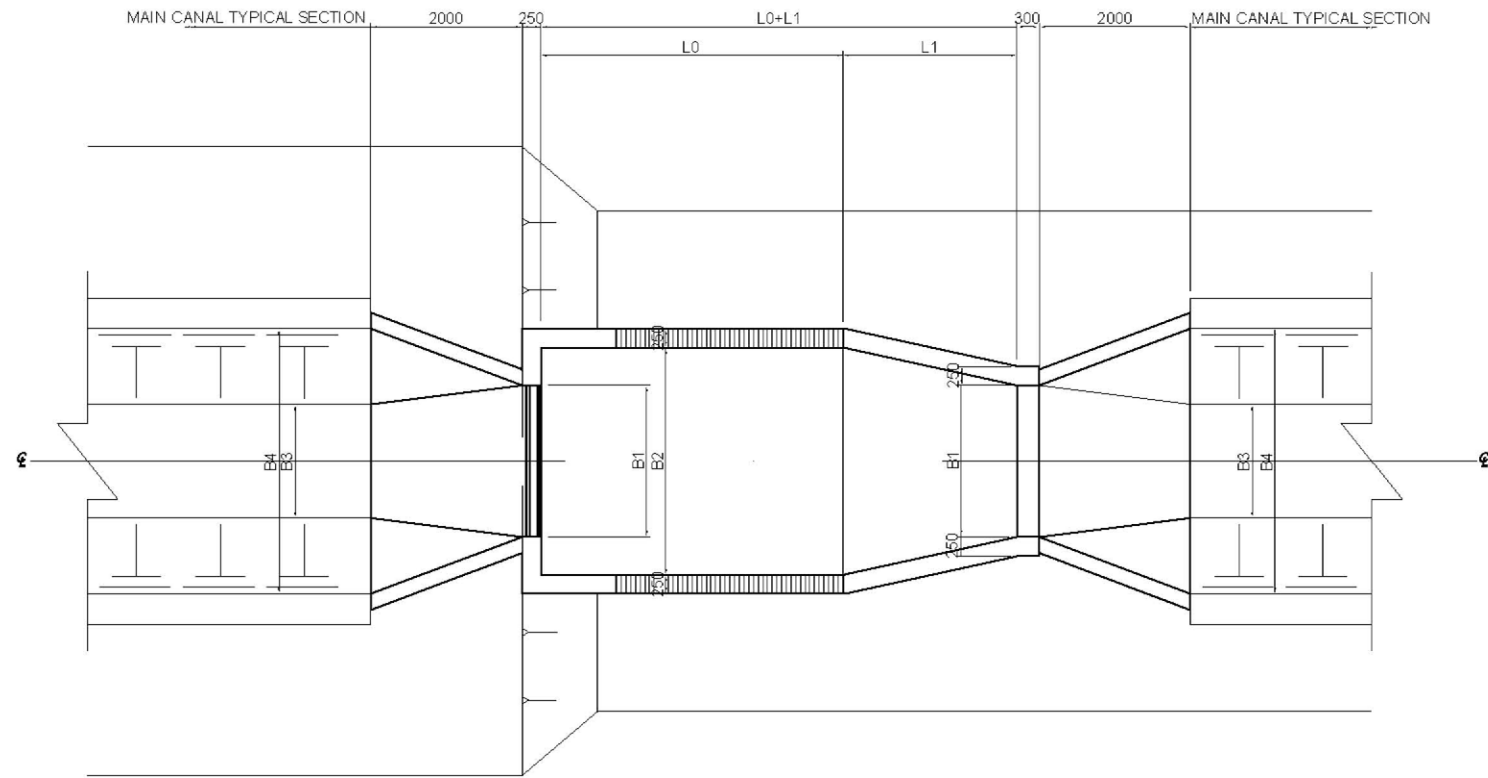
SECTION TYPE	SPAN	DISTANCE	A	B	C	h
C1	0+000 - 1+090	L=1090M	AS SHOWN			
C2	1+090 - 3+000	L=1910M	1100	1500	3500	0.76
C3	3+000 - 5+798	L=2798M	1000	1500	3300	0.72
C4	5+798 - 6+770	L=972M	1000	1400	3200	0.72
C5	6+770 + 8+120	L=1350M	900	1250	2850	0.63
C6	8+120 - 8+520	L=400M	900	1200	2600	0.62
R1	8+520 - 8+920	L=400M	AS SHOWN			
C6	8+920 - 9+420	L=500M	900	1200	2600	0.62
B1	9+420 - 9+920	L=500M	AS SHOWN			
C6	9+920 - 10+820	L=900M	900	1200	2600	0.62
C7	10+820 - 11+570	L=750M	900	1000	2500	0.52
C8	11+570 - 12+332	L=762M	600	600	1600	0.36
TOTAL		L=12,332M				



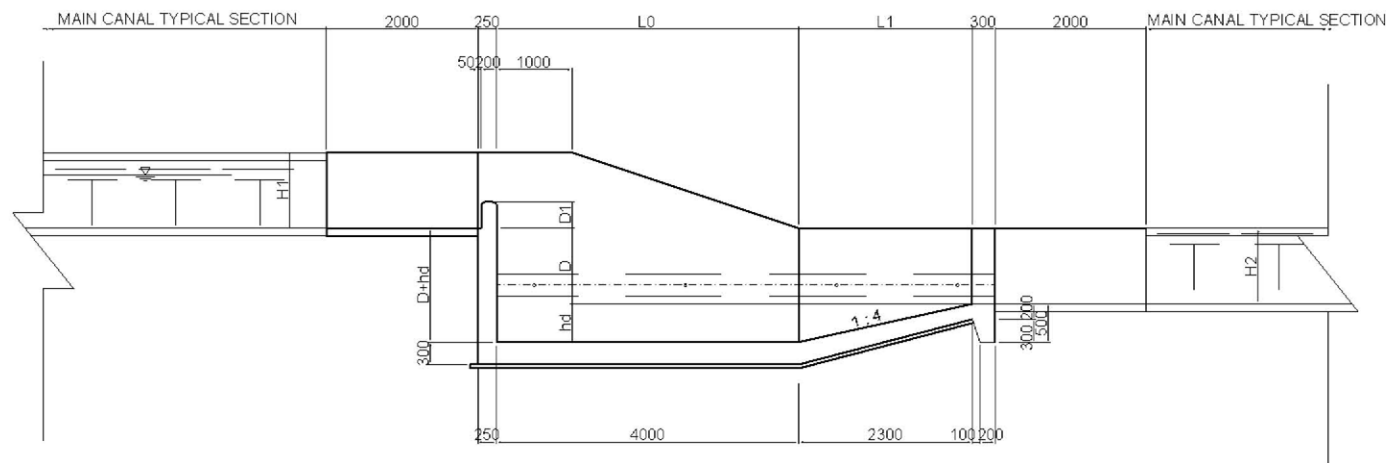
CANAL NO.	OFF TAKE POINT	CANAL TYPE	DISTANCE	B	A	h
NO.01	BL.1	A	L=2599M	0.40	0.55	0.23
NO.02	BL.3	A	L=850M	0.40	0.35	0.13
NO.03	BL.4	A	L=1200M	0.40	0.45	0.20
NO.04	BL.6	A	L=1459M	0.60	0.50	0.32
NO.05	BL.9	A	L=1083M	0.60	0.55	0.13
NO.06	BL.9a	A	L=389M	0.40	0.40	0.20
NO.07 UPSTREAM	BL.10	A	L=259M	0.60	0.55	0.32
NO.07 DOWNSTREAM	BL.10	A	L=127M	0.60	0.50	0.32
NO.08	BL.11	A	L=844M	0.40	0.45	0.13
NO.09	BL.12	A	L=839M	0.60	0.50	0.20
NO.10 UPSTREAM	BL.15	B2	L=140M	AS SHOWN		
NO.10 DOWNSTREAM	BL.15	D	L=464M	AS SHOWN		
NO.11	BL.16	B2	L=100M	AS SHOWN		
NO.12 UPSTREAM	BL.17	A	L=454M	0.60	0.70	0.20
NO.12 DOWNSTREAM	BL.20	A	L=679M	0.60	0.60	0.20
NO.13	BL.18	A	L=1317M	0.60	0.50	0.32
NO.14	BL.20	A	L=889M	0.60	0.40	0.20
NO.15	BL.22	A	L=650M	0.40	0.55	0.32
NO.16	BL.22	A	L=669M	0.40	0.55	0.13
TOTAL			L=14,900M			

REVISION	PROJECT TITLE	DATE	DESIGNED BY	DWG NO.
	THE PROJECT FOR REHABILITATION AND IMPROVEMENT OF BULUTO IRRIGATION SCHEME			CTS.01
	DWG TITLE	SCALE	APPROVED BY	SERIAL NO.
	IRRIGATION CANAL PLAN	1:100		
	TYPICAL CROSS SECTION OF MAIN CANAL, SECONDARY CANAL			

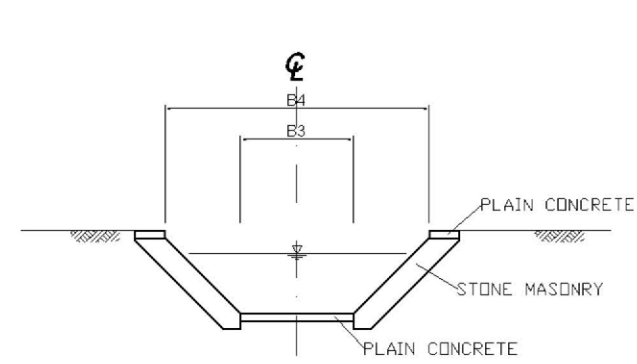
**NTC** NTC INTERNATIONAL CO., LTD.



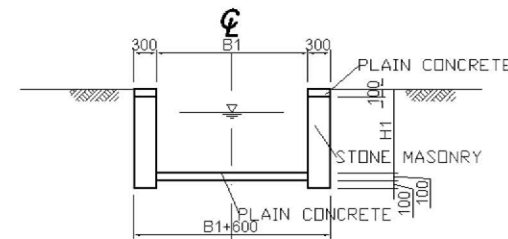
**PLAN**



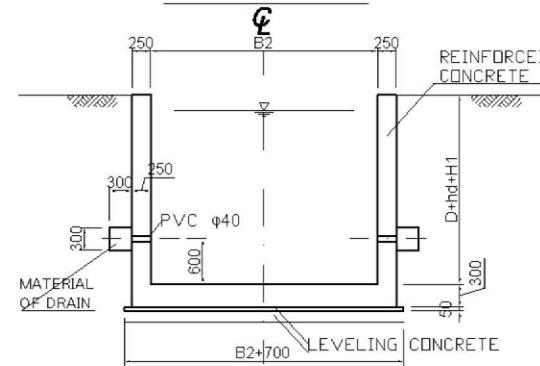
**SECTION A-A**



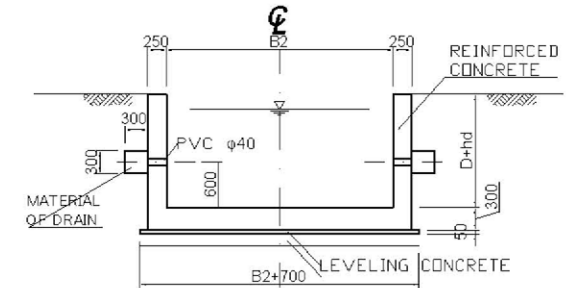
**SECTION B-B**



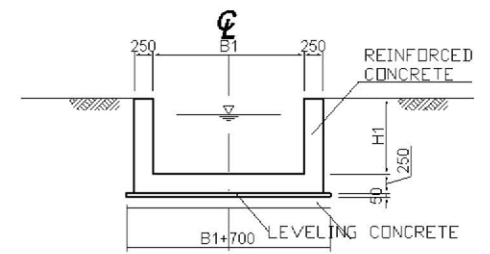
**SECTION C-C**



**SECTION D-D**

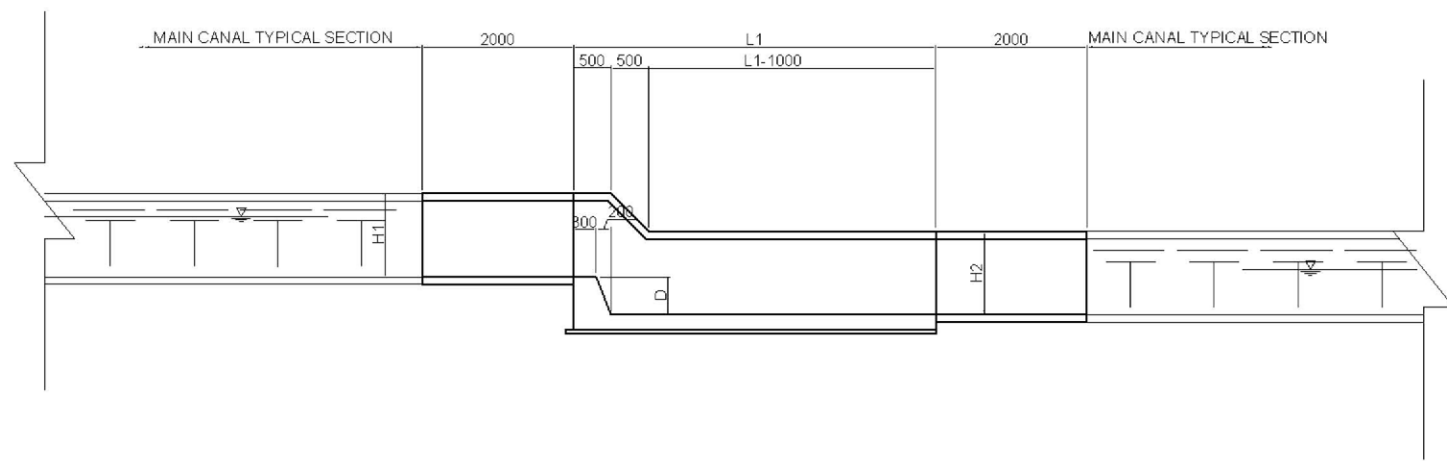
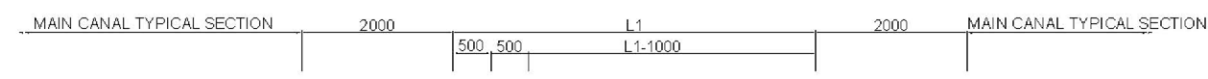
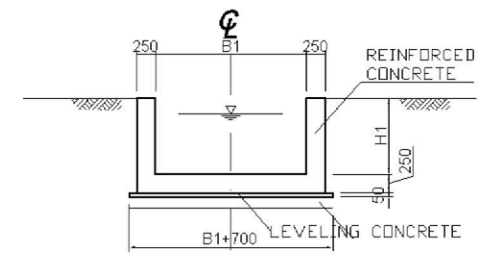
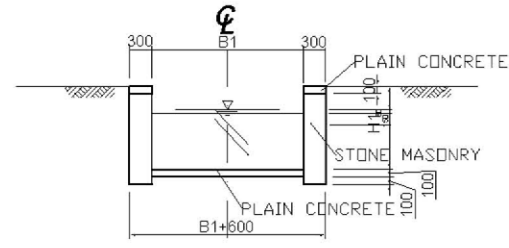
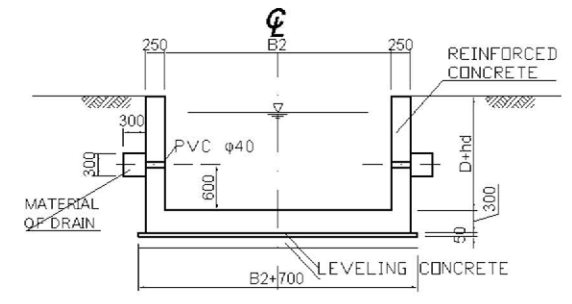
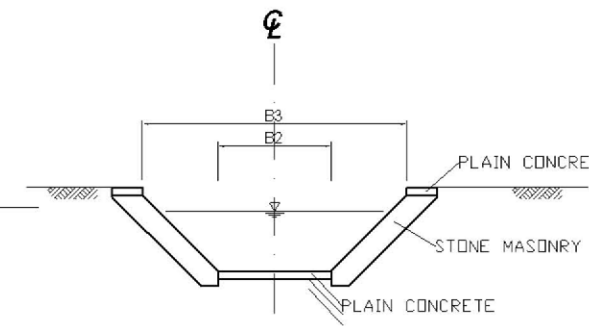
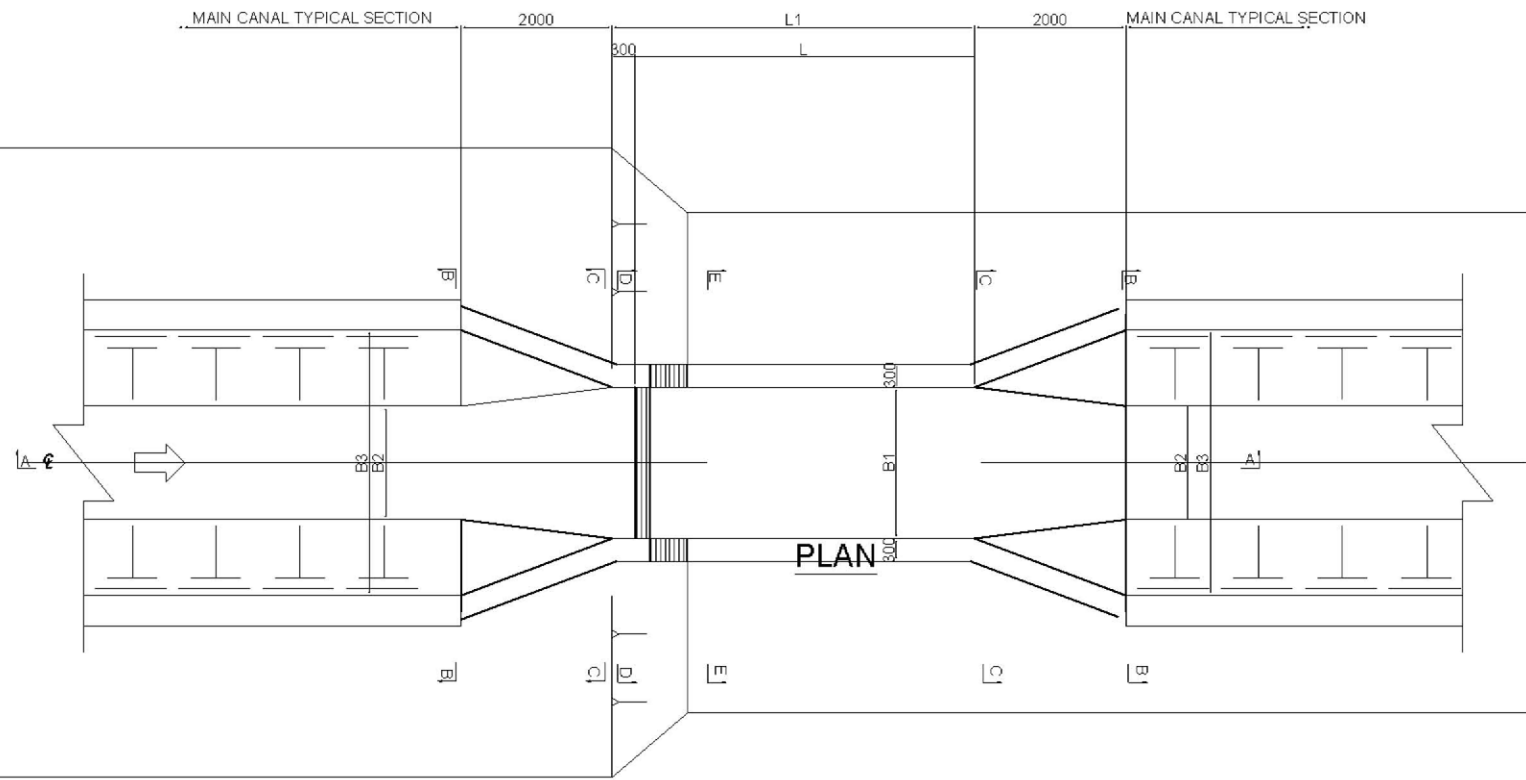


**SECTION E-E**



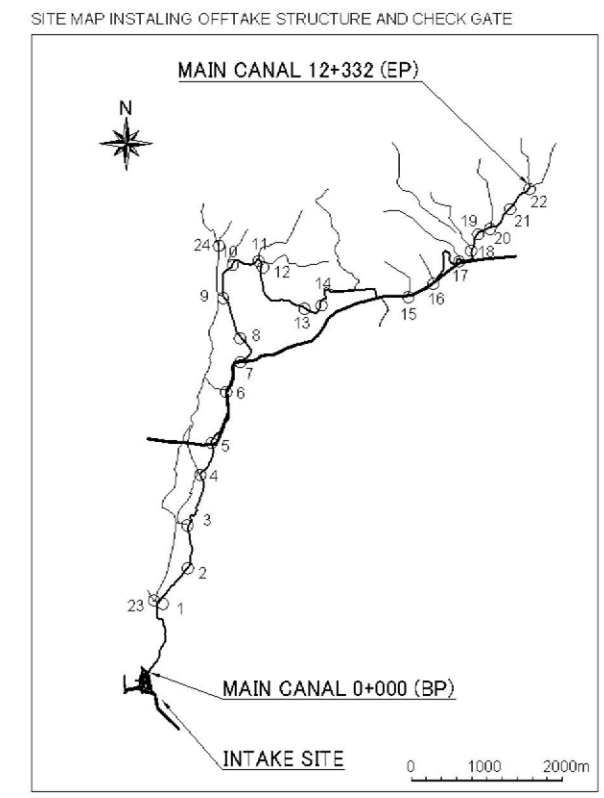
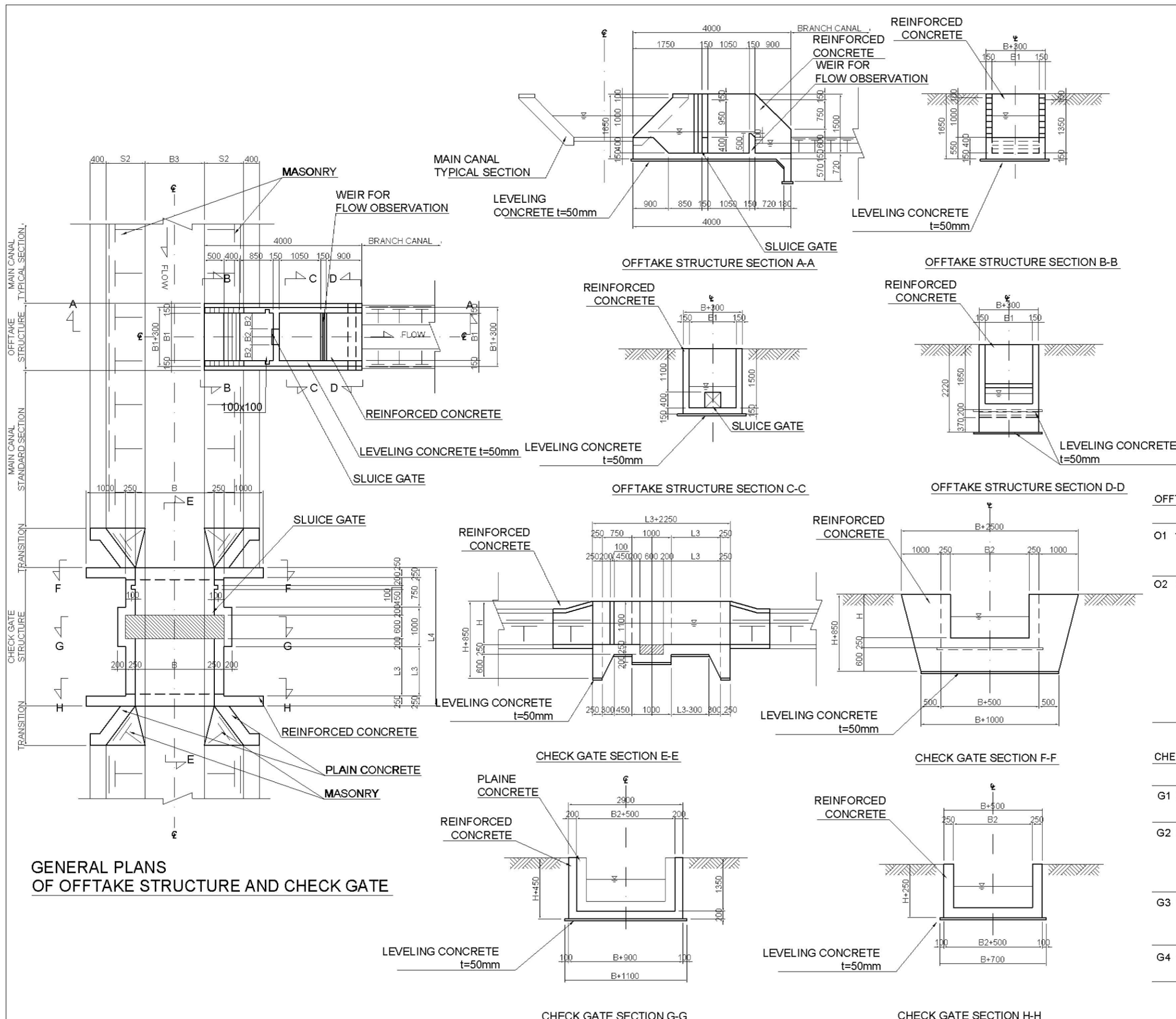
**SECTION F-F**

Canal Type	STATION	D (Drop)	B1	B2	D1	hd	L0	L1	H1	B3	B4	Remark
D1	1+090-3+000	1.00	2.00	2.50	0.13	0.60	3.90	2.40	1.10	1.50	3.50	
D2	3+000-5+798	1.00	2.00	2.50	0.13	0.60	3.60	2.20	1.00	1.50	3.30	
D3	5+798-6+770	1.00	1.50	2.00	0.13	0.40	3.60	2.20	1.00	1.40	3.20	
D4	10+820-11+570	1.00	1.20	1.70	0.10	0.40	2.50	1.20	0.90	1.00	2.50	
D5	11+570-12+332	1.00	1.20	1.70	0.10	0.20	1.60	1.10	0.60	0.60	1.60	



Canal Type	STATION	D (Drop)	B1	B2	B3	L	L1	H1	H2	Remark
C1	0+000-1+090	0.50	2.00	1.50	3.50	4.50	4.80	1.10	1.10	
C2	1+090-3+000	0.50	2.00	1.50	3.50	4.50	4.80	1.00	1.00	
C3	3+000-5+798	0.50	2.00	1.50	3.30	4.20	4.50	1.00	1.00	
C4	5+798-6+770	0.50	1.50	1.40	3.20	4.20	4.50	1.00	1.00	
C7	10+620-11+570	0.50	1.20	1.00	2.90	2.90	3.20	0.90	0.90	
C8	11+570-12+382	0.50	1.20	0.60	1.60	1.80	2.10	0.60	0.60	

	<b>NTC INTERNATIONAL CO., LTD.</b>	REVISION	PROJECT TITLE	DATE	DESIGNED BY	DWG NO.
			<b>THE PROJECT FOR REHABILITATION AND IMPROVEMENT OF BULUTO IRRIGATION SCHEME</b>		<b>NTC INTERNATIONAL Co., Ltd.</b>	<b>PDS.02</b>
			DWG. TITLE	SCALE	APPROVED BY	SERIAL NO.
			<b>PRAN OF DROP STRUCTURE 0.5M TYPE</b>			<b>0</b>



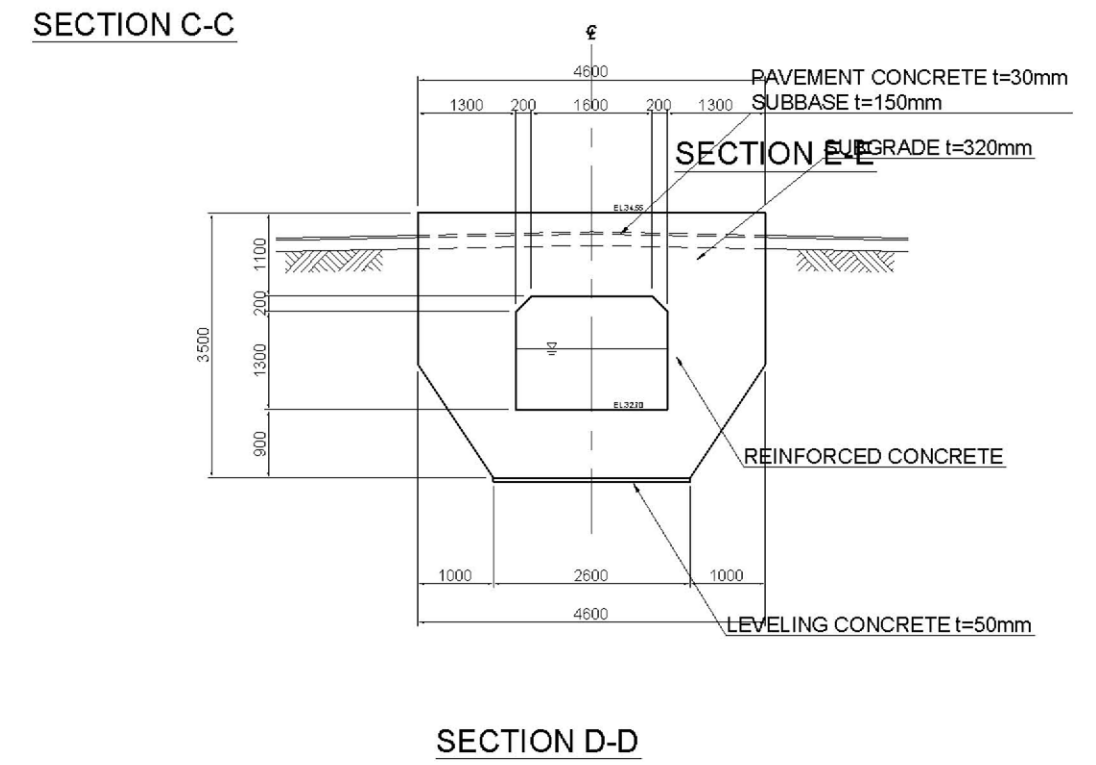
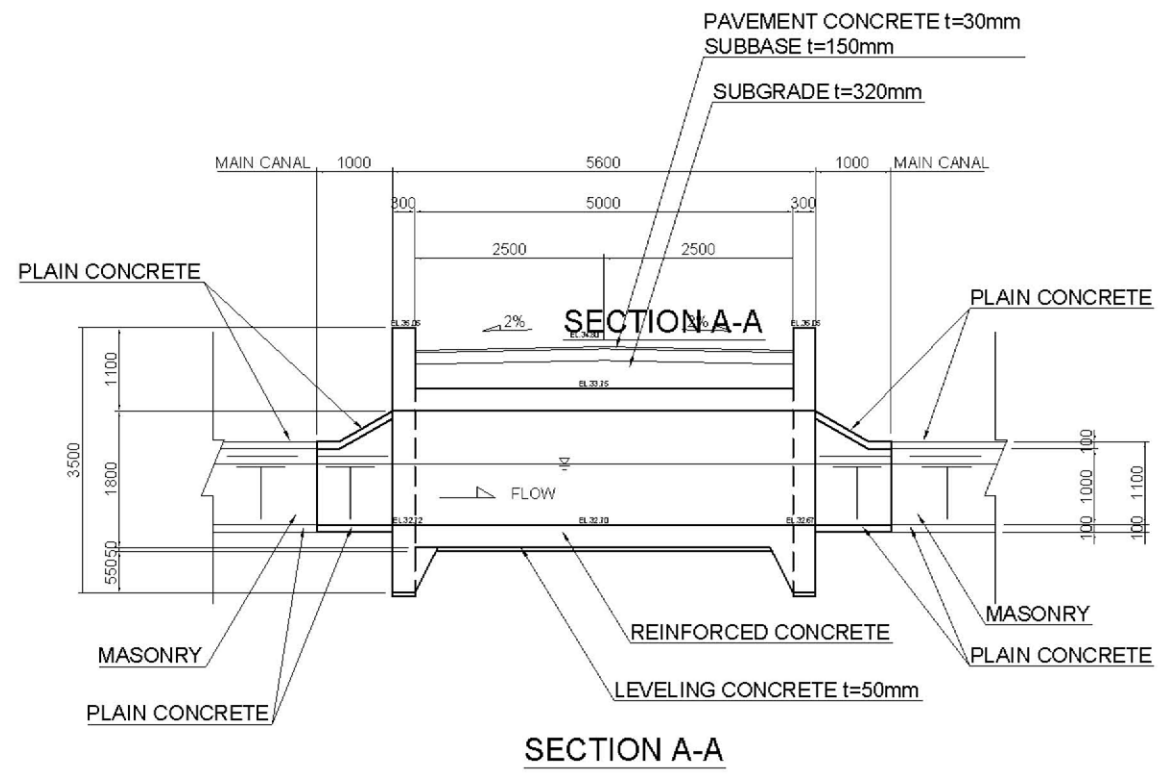
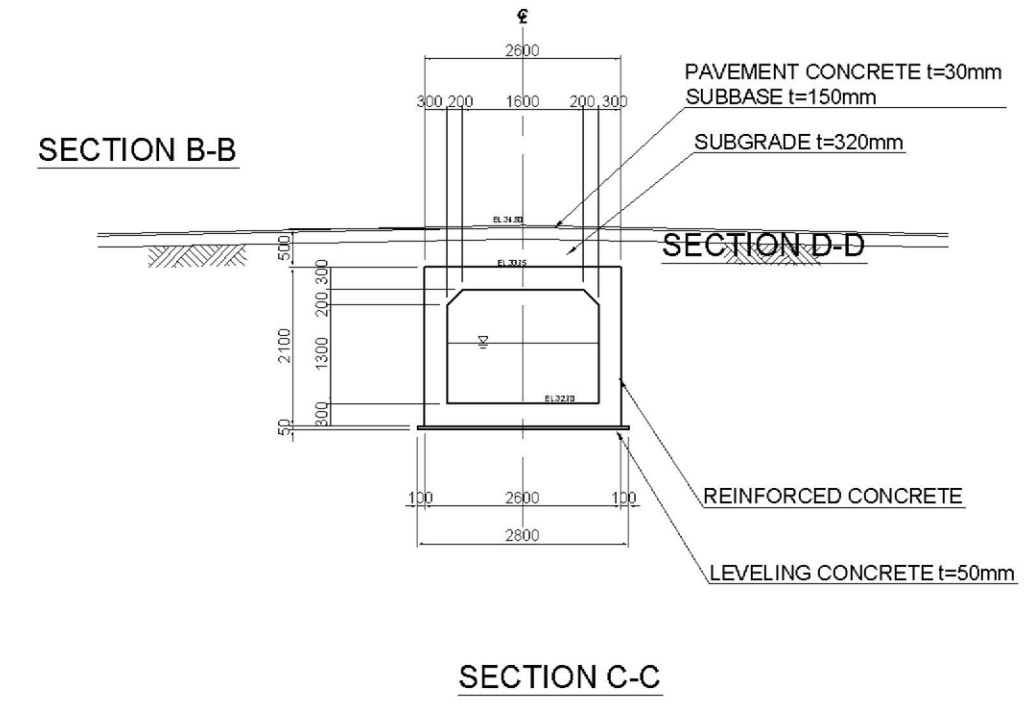
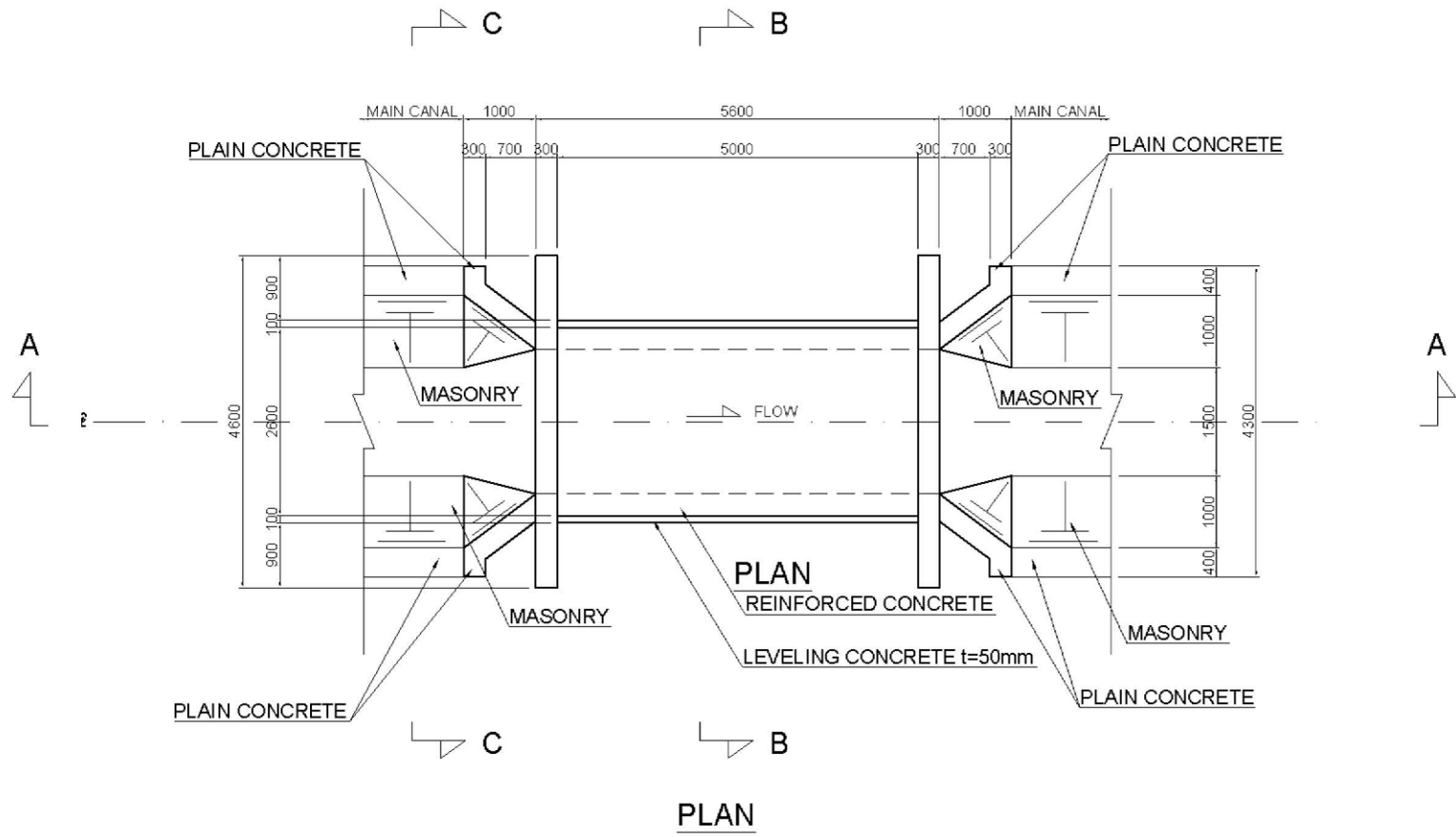
**OFFTAKE STRUCTURE DETAIL OF EACH SECTION**

	B1	B2	GATE SIZE	INSTALL SITE		TOTAL
O1	1200	400	400 x 400	(1) MCNO.1+068	(9) MCNO.5+798	6 SITES
				(10) MCNO.6+320	(12) MCNO.6+720	
				(17) MCNO.10+820	(18) MCNO.11+120	
O2	900	300	300 x 300	(2) MCNO.1+347	(3) MCNO.2+280	18 SITES
				(4) MCNO.3+000	(5) MCNO.3+511	
				(6) MCNO.4+297	(7) MCNO.4+806	
				(8) MCNO.5+297	(11) MCNO.6+670	
				(13) MCNO.7+670	(14) MCNO.8+120	
				(15) MCNO.9+520	(16) MCNO.9+920	
				(19) MCNO.11+320	(20) MCNO.11+520	
				(21) MCNO.12+320	(22) MCNO.12+335	
				(23) SC01.0+030	(24) SC05.0+737	

**CHECK GATE STRUCTURE DETAIL OF EACH SECTION**

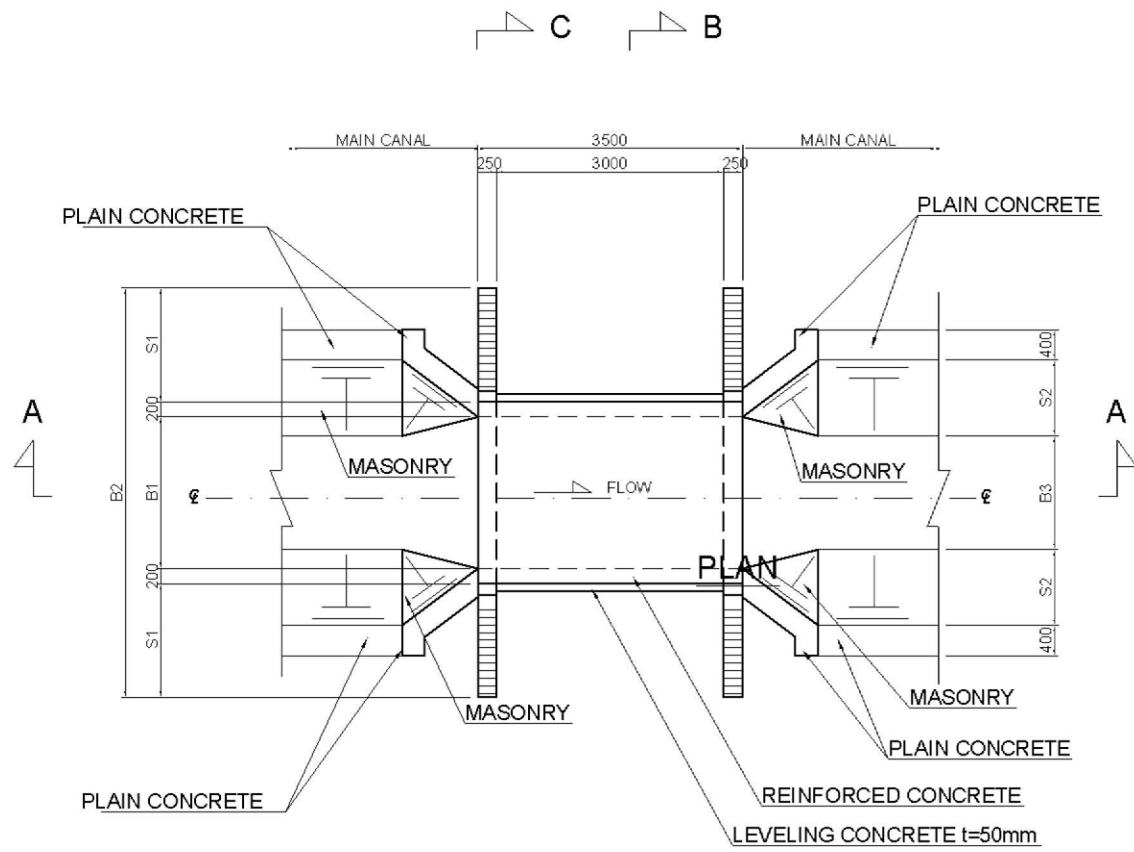
	B	H	L	INSTALL SITE		TOTAL
G1	2000	1100	1500	(1) MCNO.1+068	(2) MCNO.1+347	4 SITES
				(3) MCNO.2+280	(4) MCNO.3+000	
				(5) MCNO.3+511	(6) MCNO.4+297	
G2	2000	1000	1500	(7) MCNO.4+806	(8) MCNO.5+297	8 SITES
				(9) MCNO.5+798	(10) MCNO.6+320	
				(11) MCNO.6+670	(12) MCNO.6+720	
				(13) MCNO.7+670	(14) MCNO.8+120	
				(15) MCNO.9+520	(16) MCNO.9+920	
G3	1750	900	1500	(17) MCNO.10+820	(18) MCNO.11+120	5 SITES
				(15) MCNO.9+520	(16) MCNO.9+920	
G4	1500	800	1000	(18) MCNO.11+120	(19) MCNO.11+320	4 SITES
				(20) MCNO.11+520	(21) MCNO.12+320	



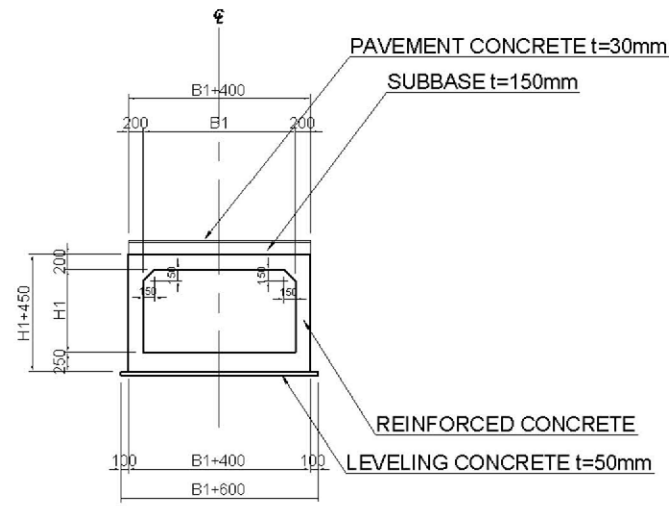


 <b>NTC</b>	<b>NTC INTERNATIONAL CO., LTD.</b>	REVISION	PROJECT TITLE	DATE	DESIGNED BY	DWG. NO.
			<b>THE PROJECT FOR REHABILITATION AND IMPROVEMENT OF BULUTO IRRIGATION SCHEME</b>		<b>NTC INTERNATIONAL Co.,Ltd.</b>	<b>BCC.01</b>
			DWG. TITLE	SCALE	APPROVED BY	SERIAL NO.
			<b>BRIDGE CROSSING NATIONAL ROAD</b>			<b>0</b>

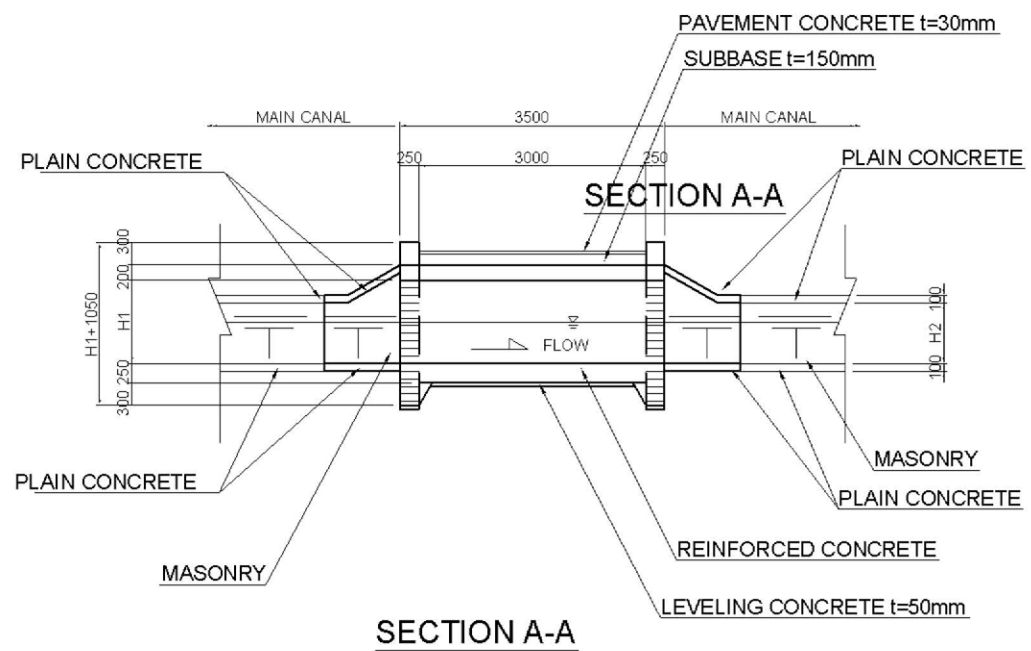
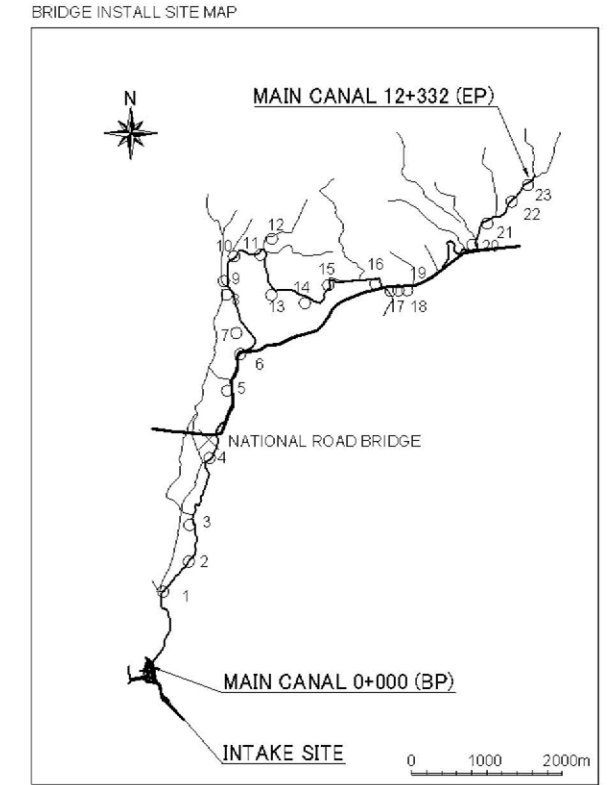




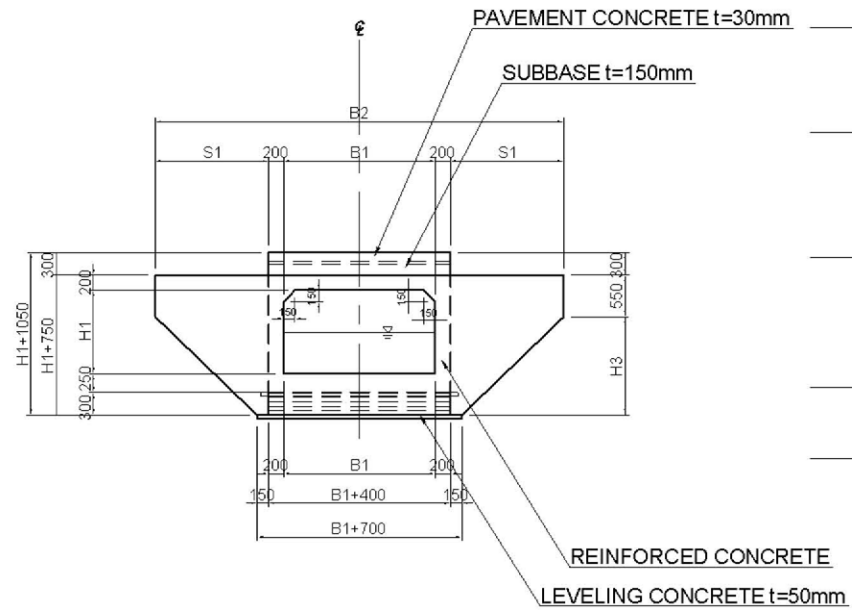
PLAN



SECTION B-B



SECTION A-A



SECTION C-C

DETAIL OF EACH SECTION

TYPE NO.	STRUCTURE SIZE						INSTALL SITE		TOTAL
	B1	B2	S	H1	H2	H3	SITE NO.		
B1	CF : DESIGN OF NATIONAL ROAD BRIDGE						MCNO.3+495 (x)		1 SITES
B2	2.00	5.40	1.50	1.10	1.55	1.35	MCNO.1+090 (1)	MCNO.1+472 (2)	6 SITES
							MCNO.2+175 (3)	MCNO.3+146 (4)	
							MCNO.4+264 (5)	MCNO.4+896 (6)	
B3	1.50	4.70	1.40	1.00	1.45	1.25	MCNO.5+970 (7)	MCNO.6+270 (8)	7 SITES
							MCNO.6+720 (9)	MCNO.6+920 (13)	
							MCNO.7+520 (14)	MCNO.8+270 (15)	
							MCNO.9+020 (16)		
B4	1.20	4.40	1.40	0.90	1.35	1.15	MCNO.11+270 (20)	MCNO.11+570 (21)	7 SITES
							MCNO.11+820 (22)	MCNO.12+270 (23)	
							SC05.0+010 (10)	SC08.0+240 (11)	
							TERTIARY CANALS FROM BL.8 (12)		
B5	1.50	4.70	1.40	1.50	1.95	1.75	MCNO.9+220 (17)	MCNO.9+270 (18)	3 SITES
							MCNO.9+320 (19)		



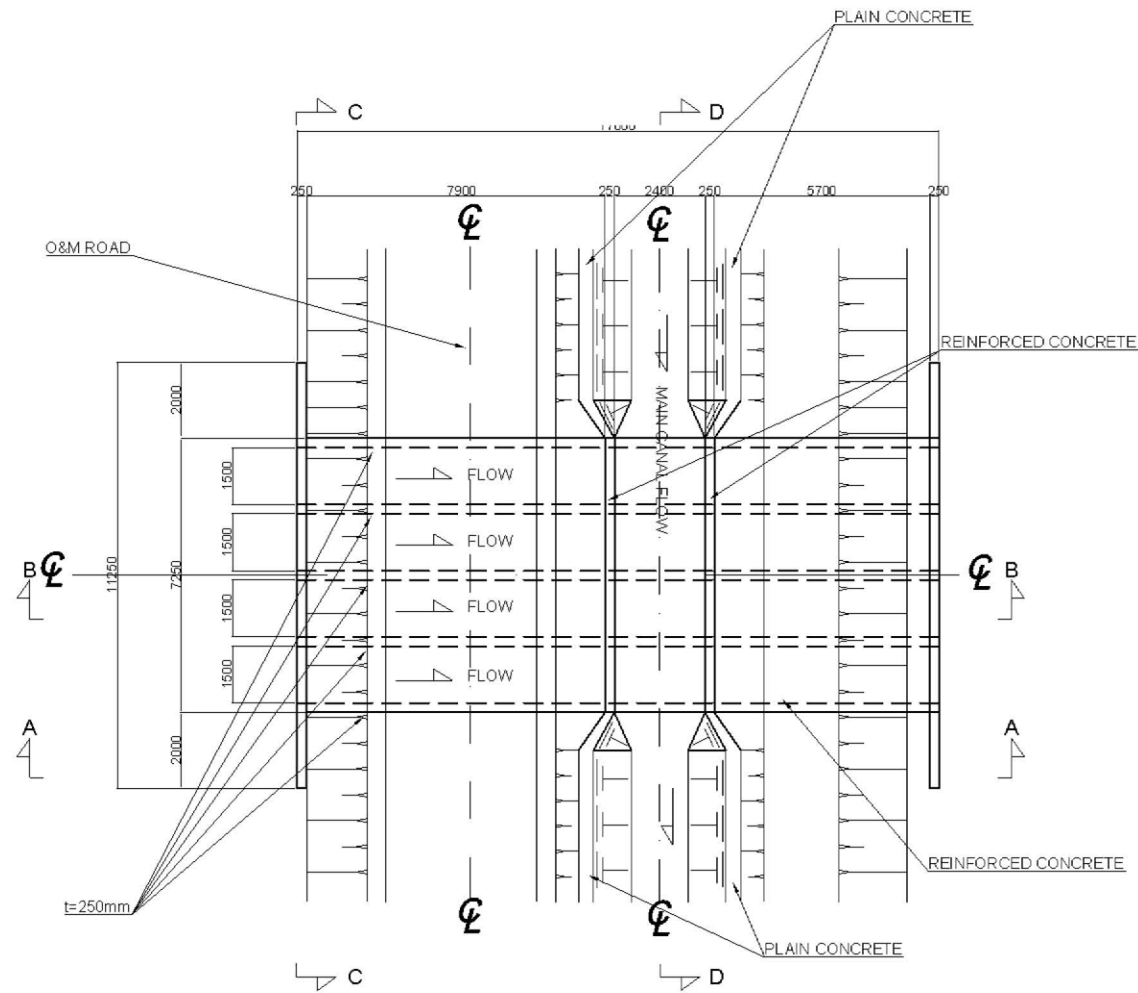
NTC INTERNATIONAL CO., LTD.

REVISION

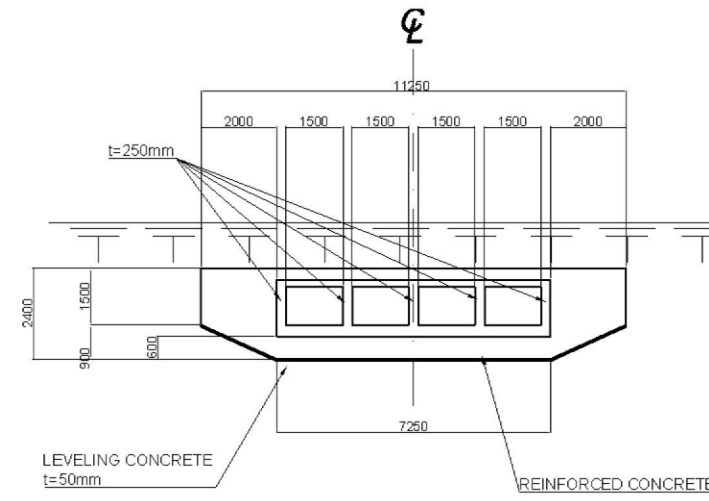
PROJECT TITLE	THE PROJECT FOR REHABILITATION AND IMPROVEMENT OF BULUTO IRRIGATION SCHEME
DWG. TITLE	BRIDGE CROSSING IRRIGATION CANAL

DATE	DESIGNED BY	DWG. NO.
SCALE	NTC INTERNATIONAL Co., Ltd.	BCC.02
APPROVED BY	SERIAL NO.	0

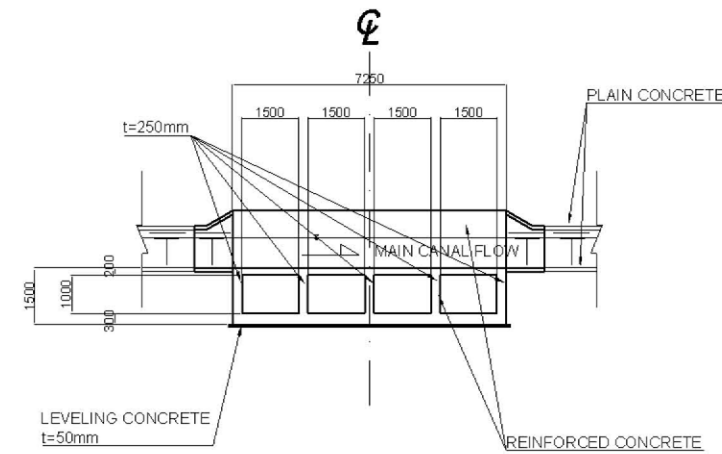
4LINE TYPE



GENERAL PLAN OF THE DRAIN BOX CULVERT

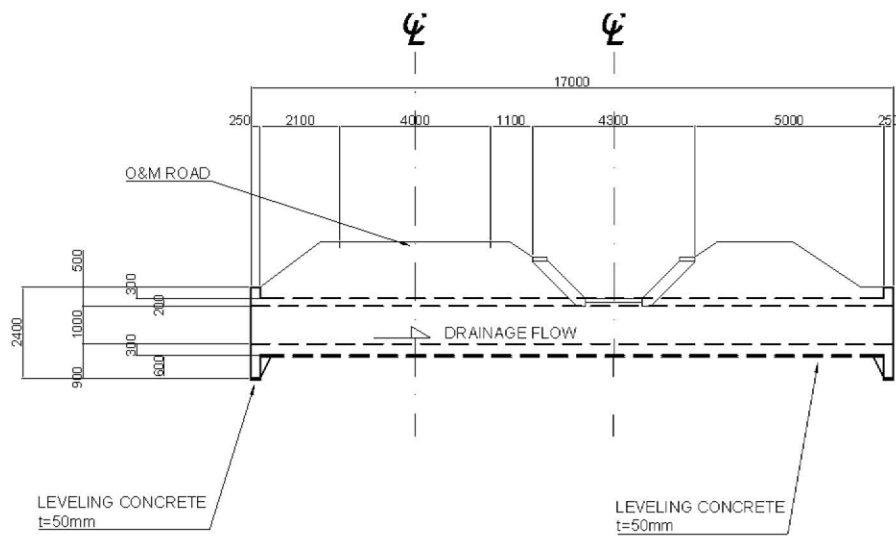
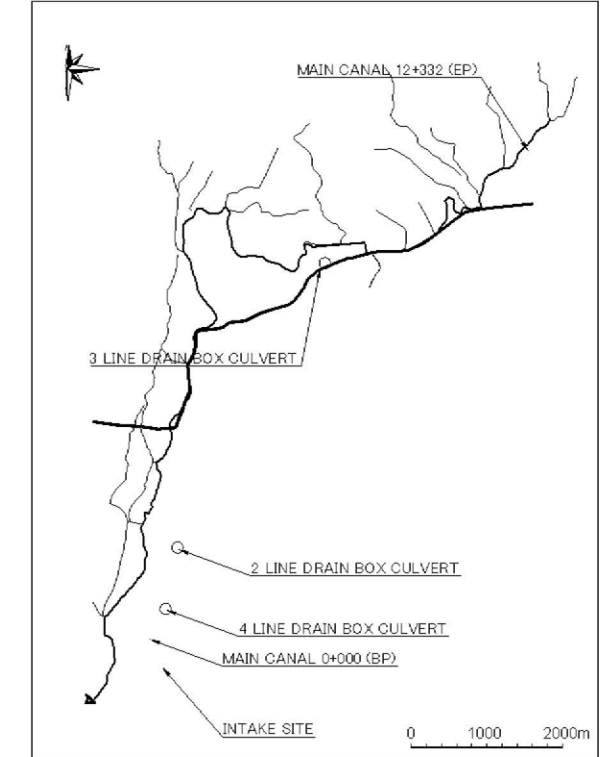


DRAIN BOX CULVERT SECTION C-C

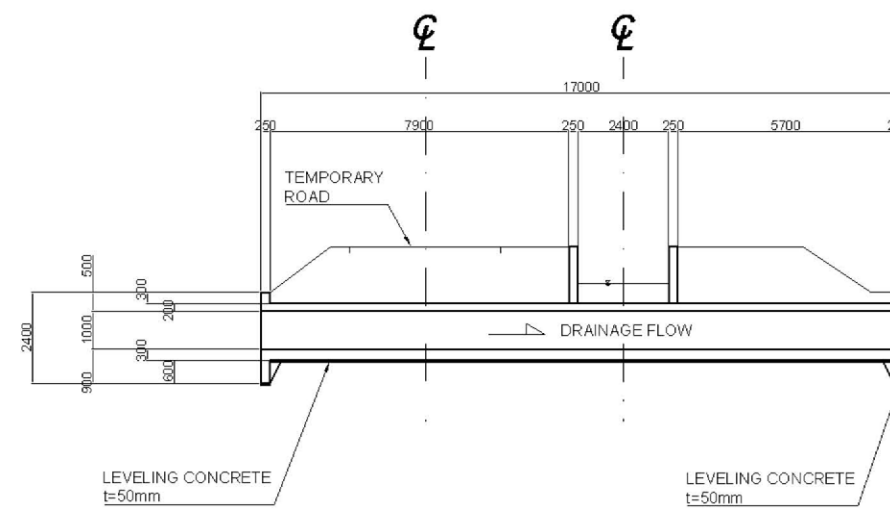


DRAIN BOX CULVERT SECTION D-D

SITE MAP INSTALLING DRAINAGE BOX CULVERT



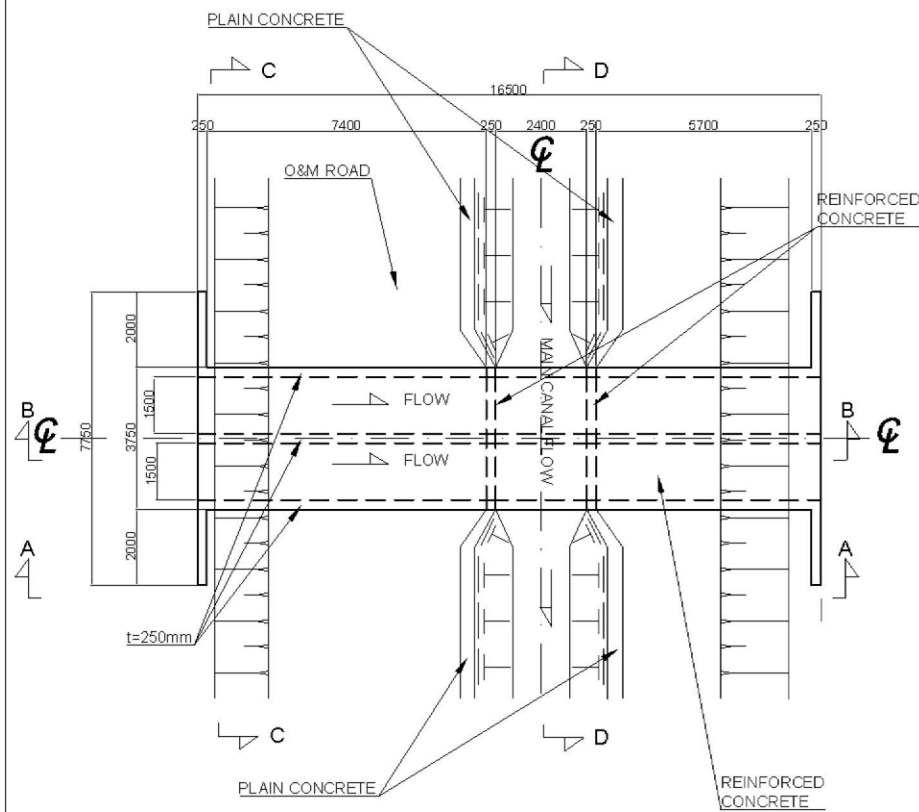
DRAIN BOX CULVERT SECTION A-A



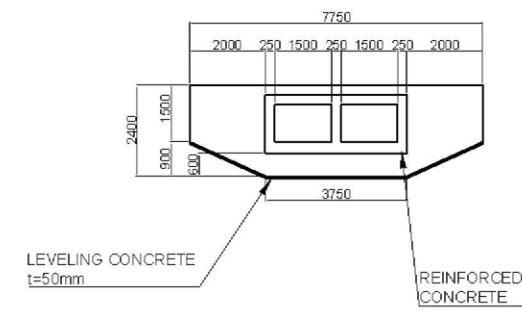
DRAIN BOX CULVERT SECTION B-B

3-99

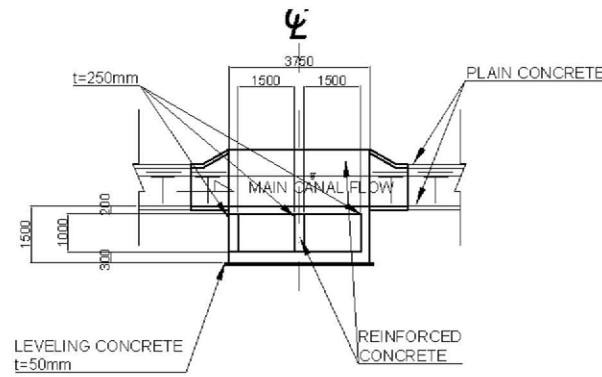
		<b>NTC INTERNATIONAL CO., LTD.</b>	REVISION	PROJECT TITLE	DATE	DESIGNED BY	DWG NO.
				<b>THE PROJECT FOR REHABILITATION AND IMPROVEMENT OF BULUTO IRRIGATION SCHEME</b>	2013.09	NTC INTERNATIONAL Co.,Ltd.	DBC.01
				DWG. TITLE	SCALE	APPROVED BY	SERIAL NO.
				<b>PLAN OF THE DRAIN BOX CULVERT 4 LINE TYPE</b>	1:200		0



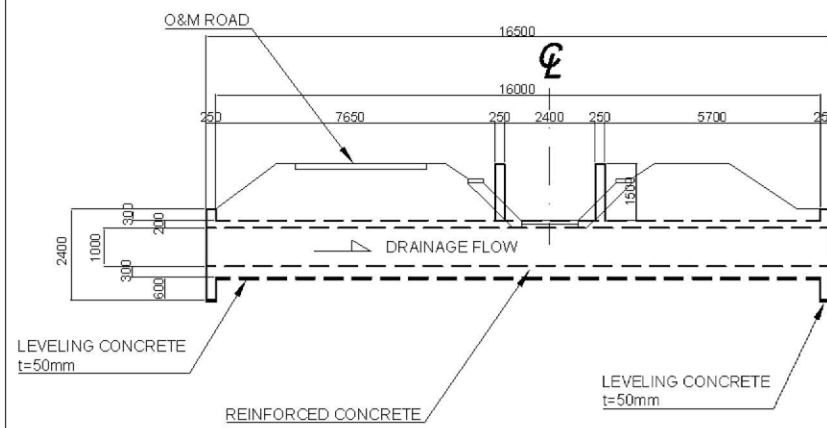
GENERAL PLAN OF THE DRAIN BOX CULVERT



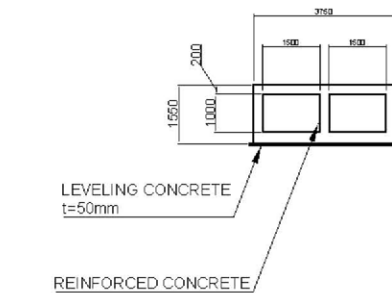
DRAIN BOX CULVERT SECTION C-C



DRAIN BOX CULVERT SECTION D-D

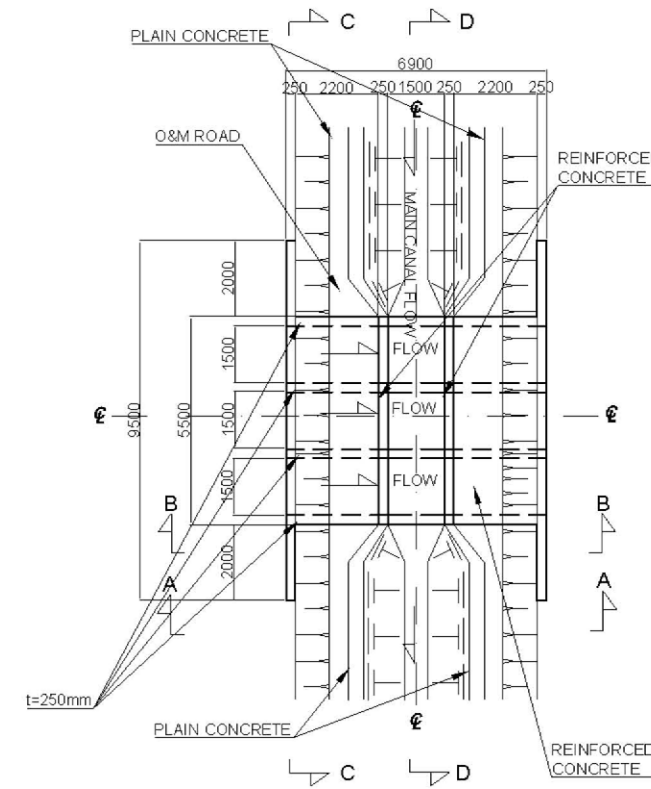


DRAIN BOX CULVERT SECTION A-A

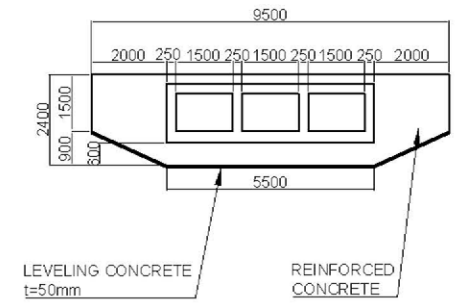


DRAIN BOX CULVERT SECTION B-B

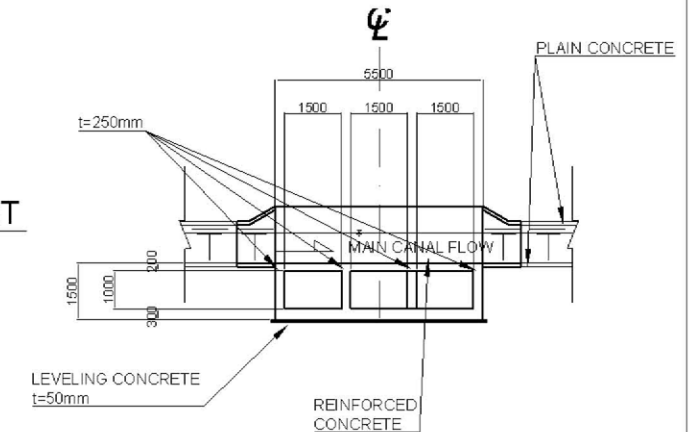
2LINE TYPE



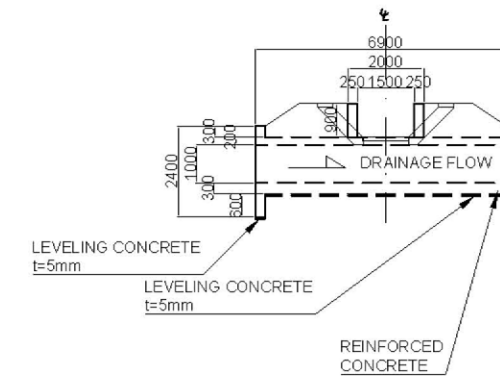
GENERAL PLAN OF THE DRAIN BOX CULVERT



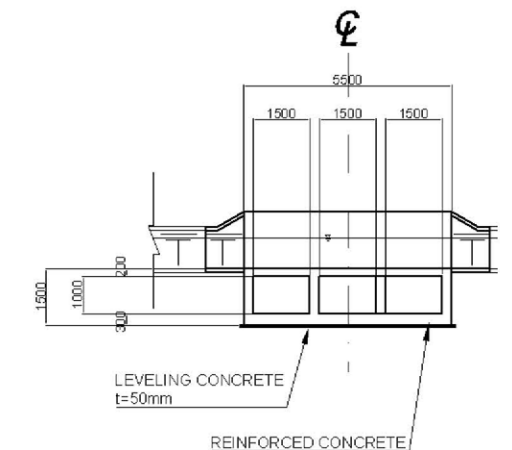
DRAIN BOX CULVERT SECTION C-C



DRAIN BOX CULVERT SECTION D-D




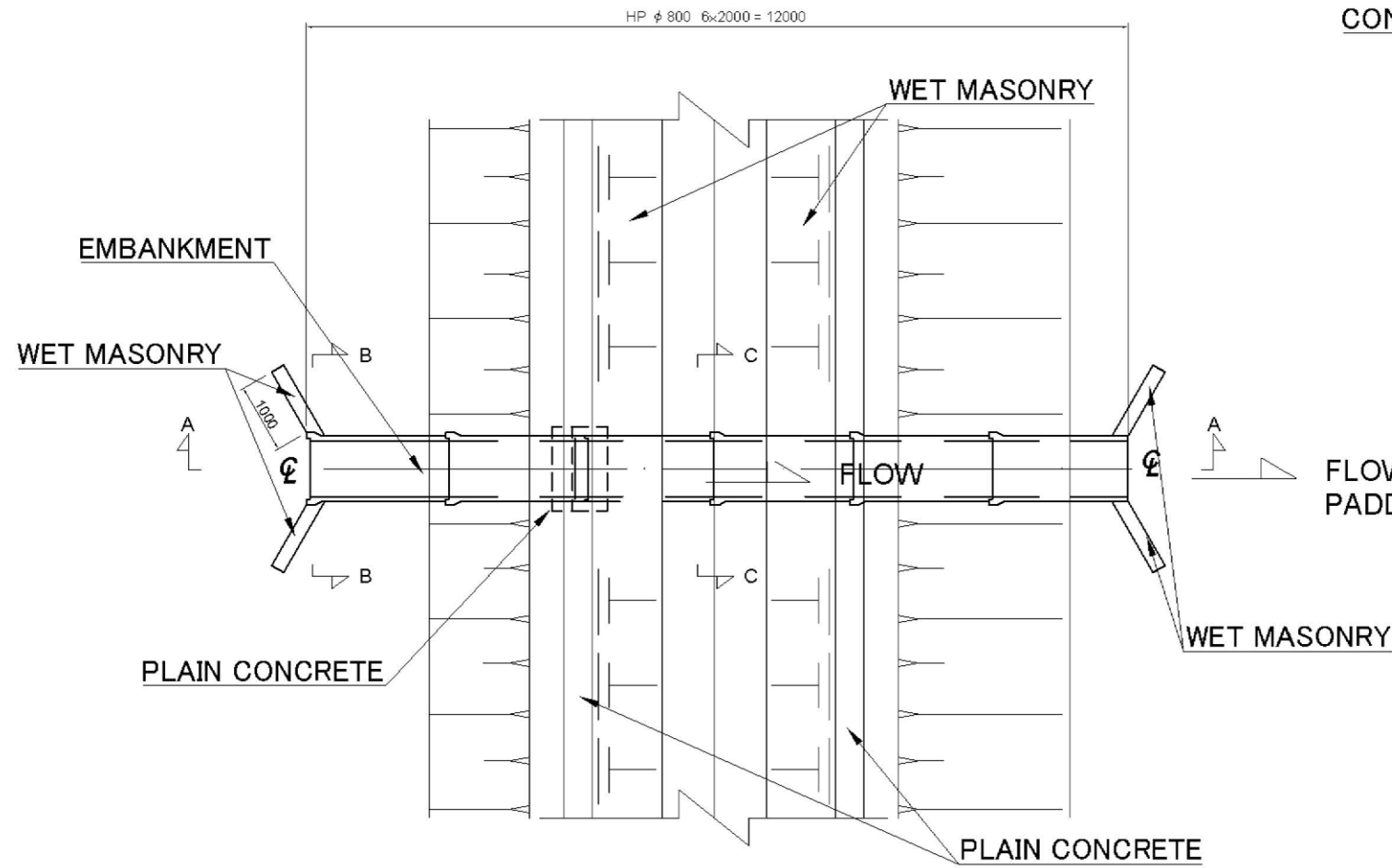
DRAIN BOX CULVERT SECTION A-A



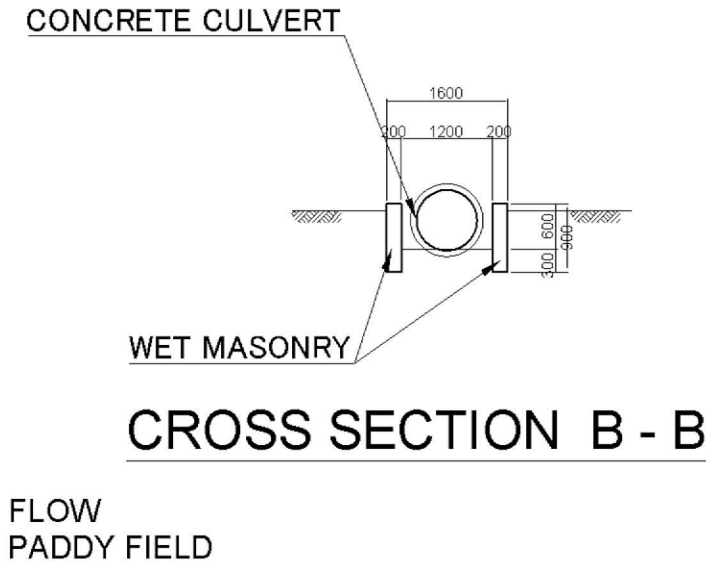
DRAIN BOX CULVERT SECTION B-B

3LINE TYPE

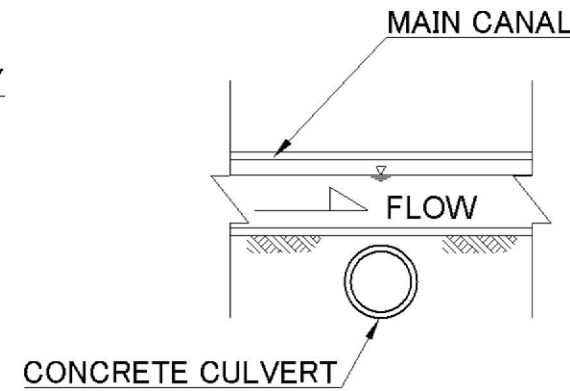
 <b>NTC INTERNATIONAL CO., LTD.</b>	REVISION	PROJECT TITLE	DATE	DESIGNED BY	DWG NO.
		THE PROJECT FOR REHABILITATION AND IMPROVEMENT OF BULUTO IRRIGATION SCHEME	2013.09	NTC INTERNATIONAL Co.,Ltd.	DBC.02
		DWG TITLE	SCALE	APPROVED BY	SERIAL NO.
		PLAN OF THE DRAIN BOX CULVERT 2 LINE,3 LINE TYPE	1:200		0



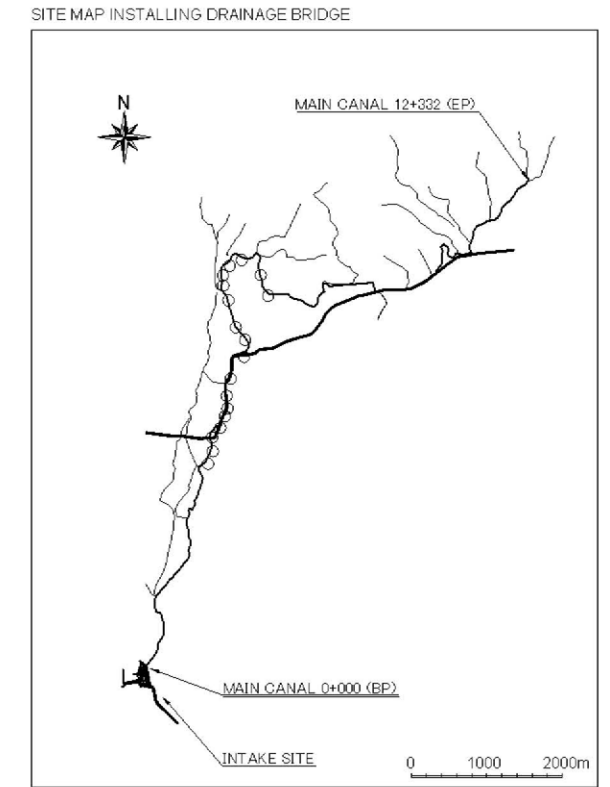
**GENERAL PLAN OF DRAIN PIPE CULVERT**



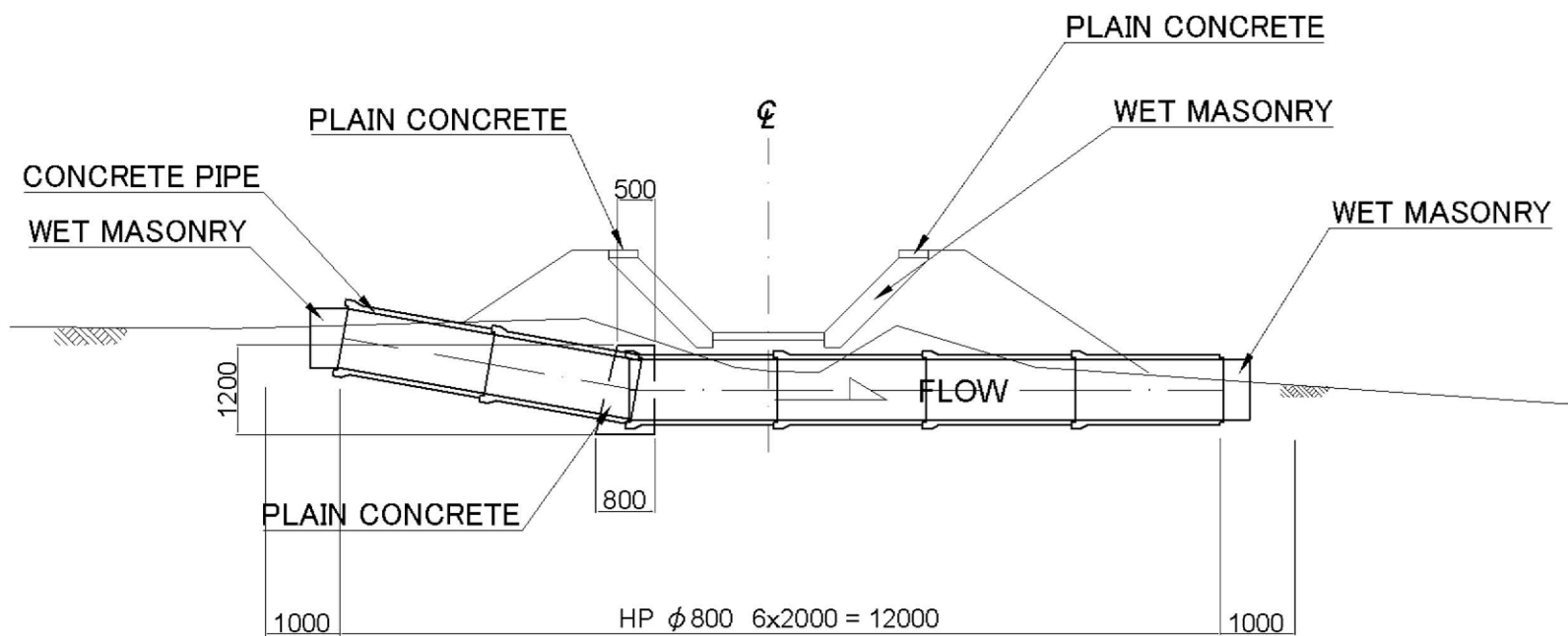
**CROSS SECTION B - B**



**CROSS SECTION C - C**

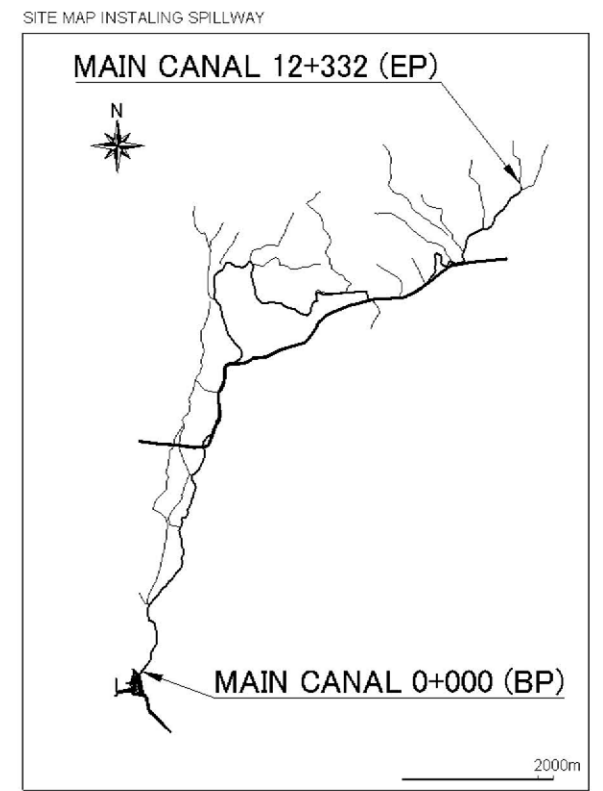
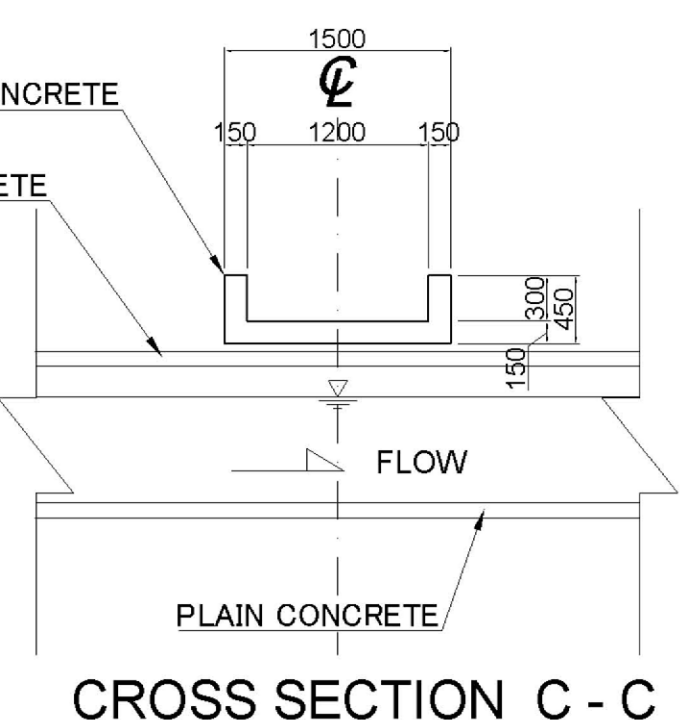
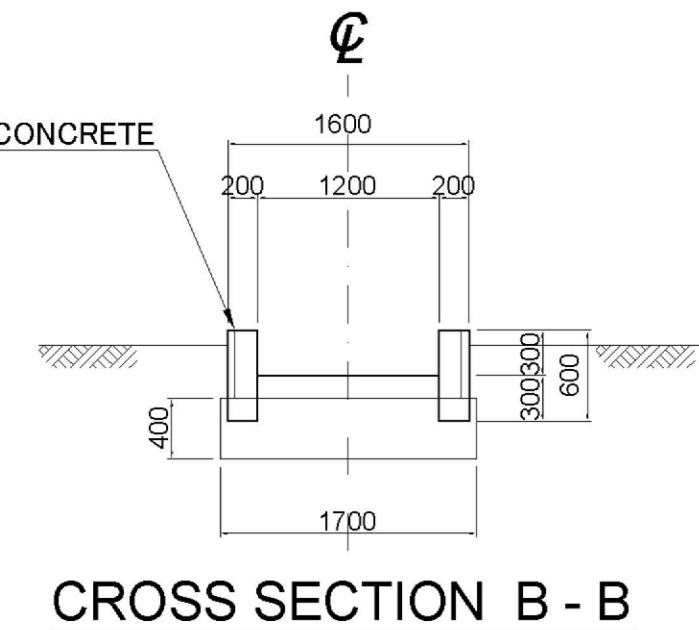
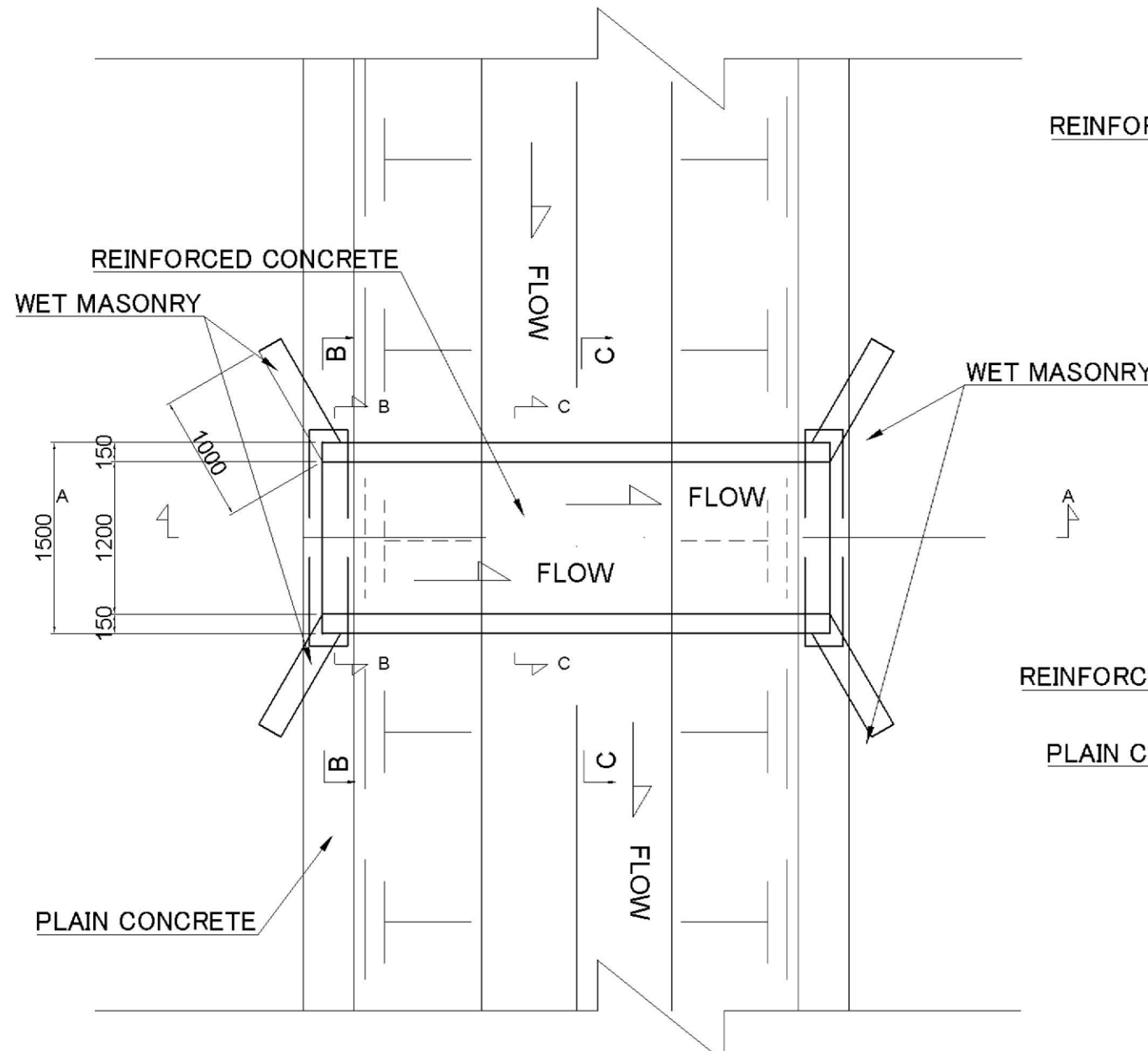


**INSTALL SITE**

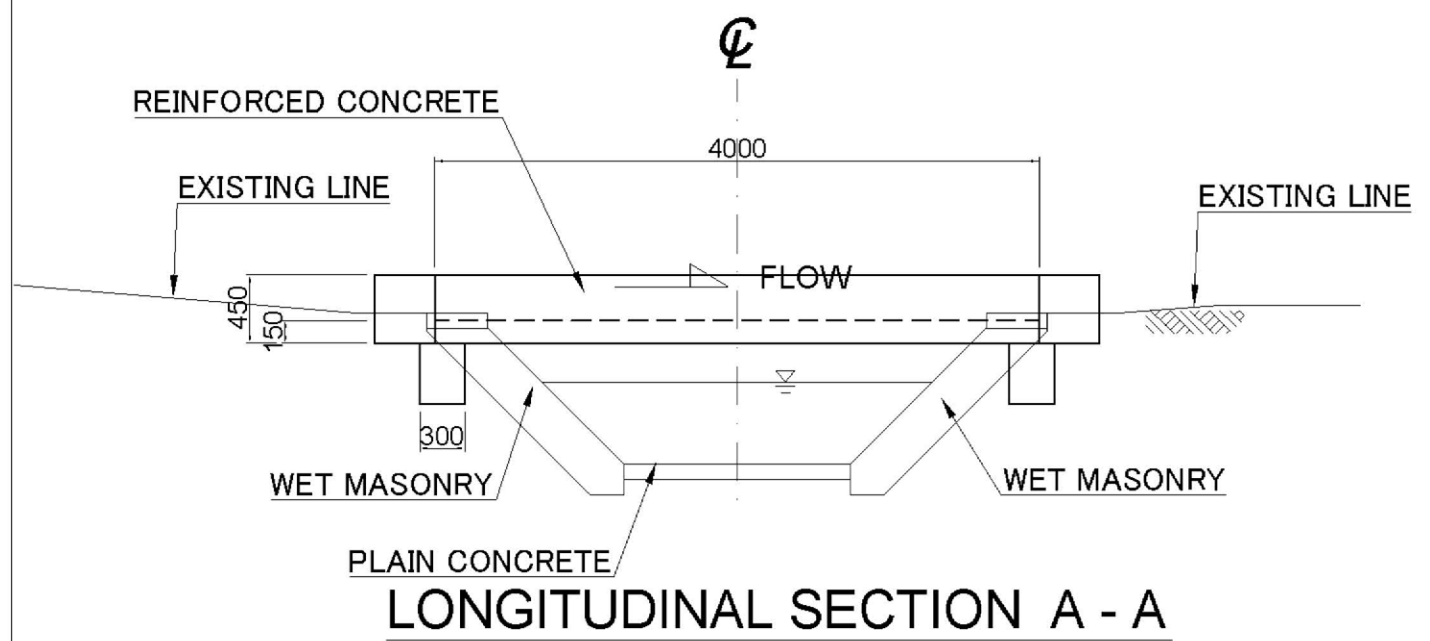


**LONGITUDINAL SECTION A - A**

 <b>NTC</b>	<b>NTC INTERNATIONAL CO., LTD.</b>	REVISION	PROJECT TITLE	DATE	DESIGNED BY	DWG. NO.
			<b>THE PROJECT FOR REHABILITATION AND IMPROVEMENT OF BULUTO IRRIGATION SCHEME</b>	2013.09	NTC INTERNATIONAL Co.,Ltd.	DPC.01
			DWG. TITLE	SCALE	APPROVED BY	SERIAL NO.
			<b>PLAN OF DRAIN PIPE CULVERT</b>	1:100		0



INSTALL SITE



	<b>NTC INTERNATIONAL CO., LTD.</b>	REVISION	PROJECT TITLE	DATE	DESIGNED BY	DWG NO.
			<b>THE PROJECT FOR REHABILITATION AND IMPROVEMENT OF BULUTO IRRIGATION SCHEME</b>	2013.09	NTC INTERNATIONAL Co.,Ltd.	DBS.01
			DWG. TITLE	SCALE	APPROVED BY	SERIAL NO.
			PLAN OF DRAIN BRIDGE	1:50		0