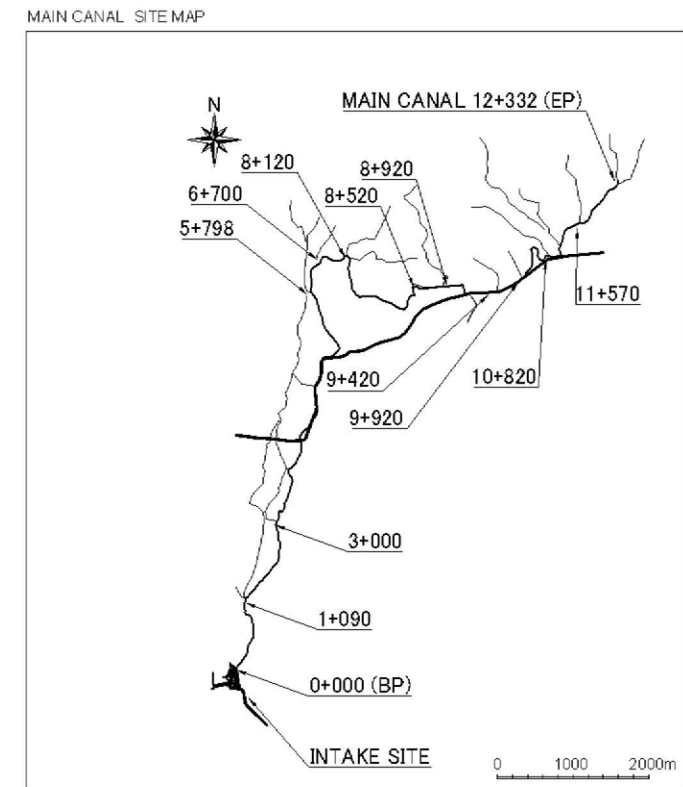
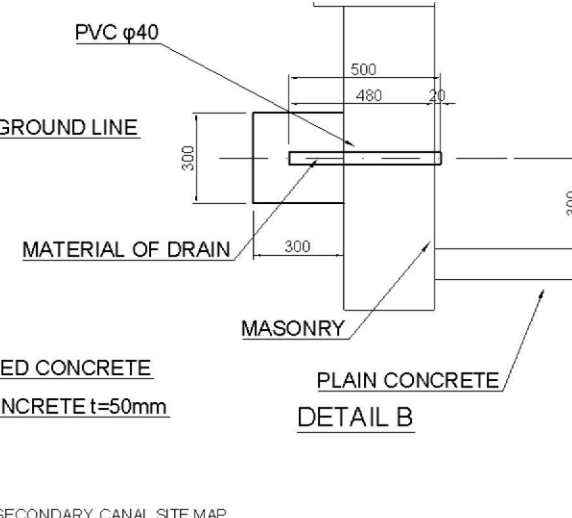
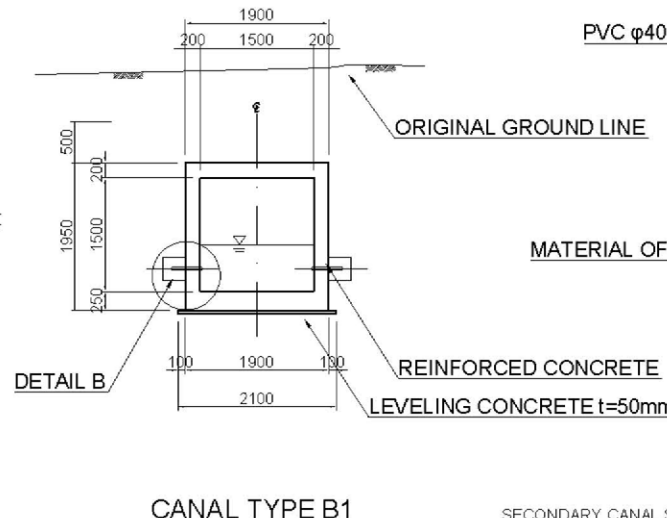
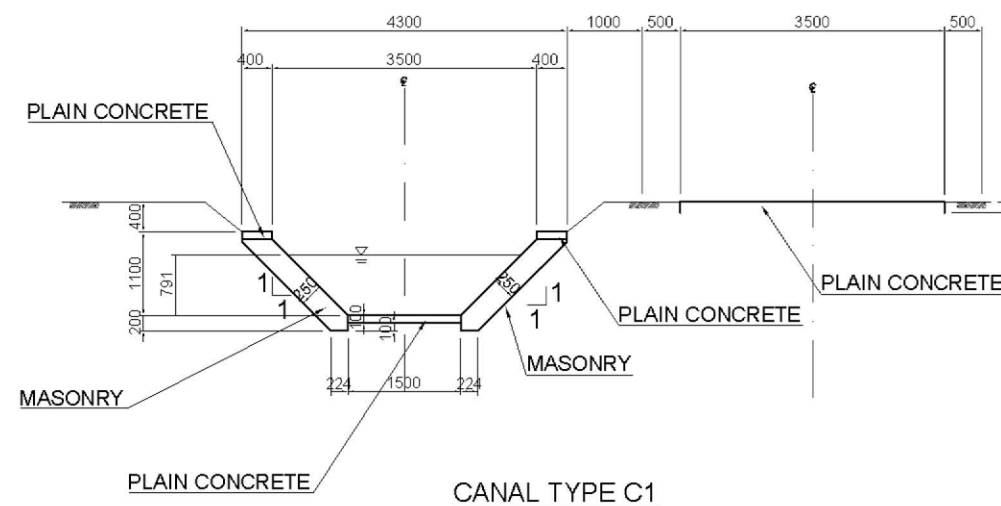
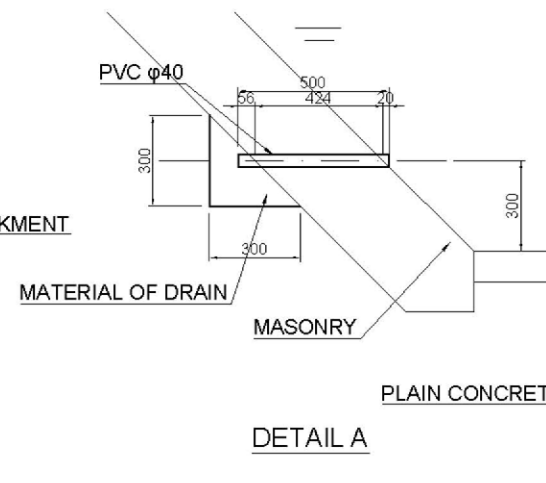
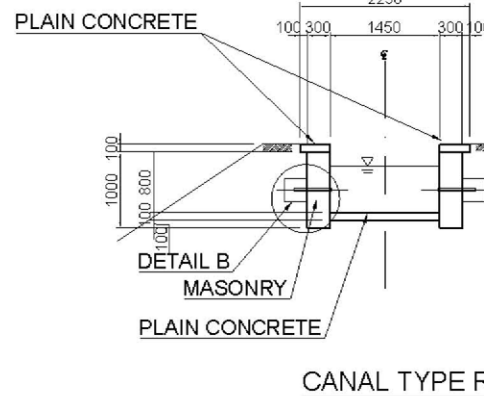
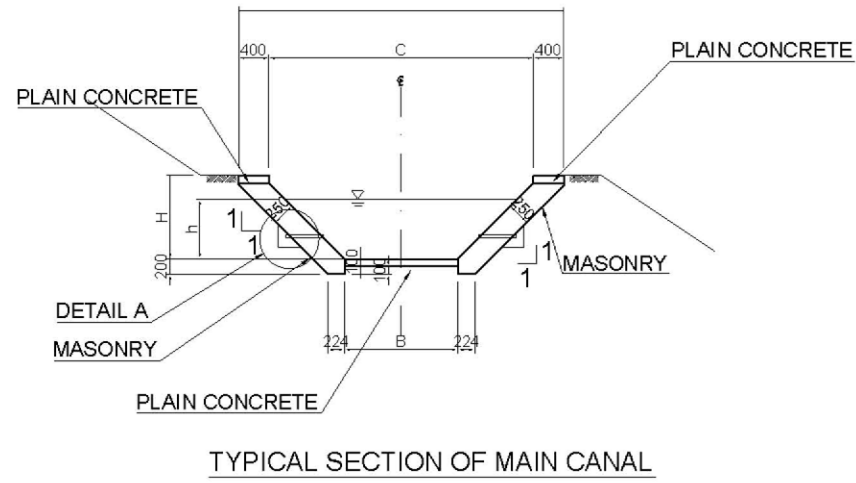


GENERAL PLAN OF CANAL

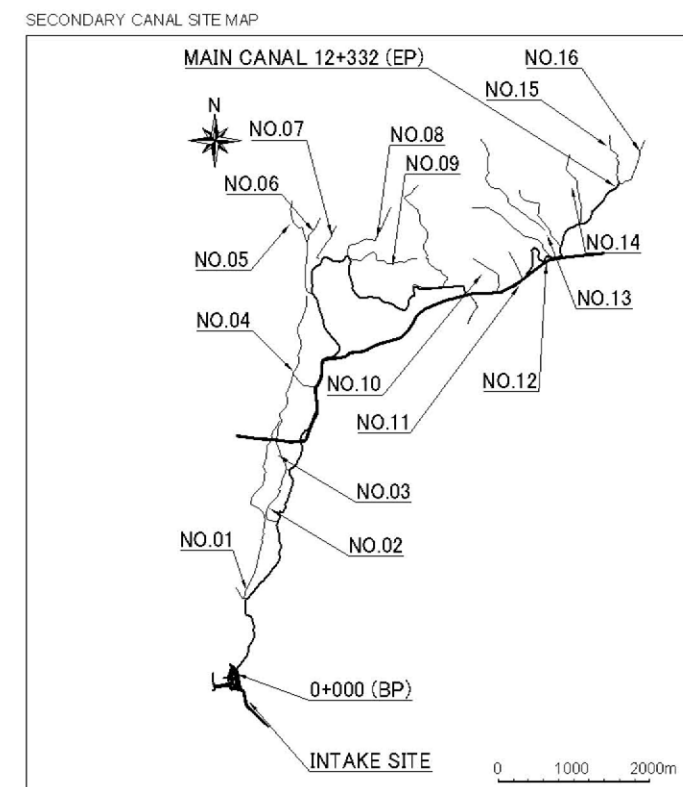
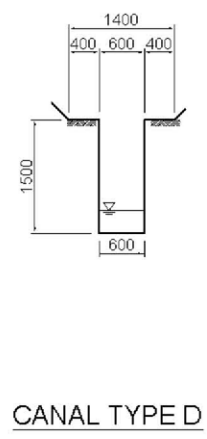
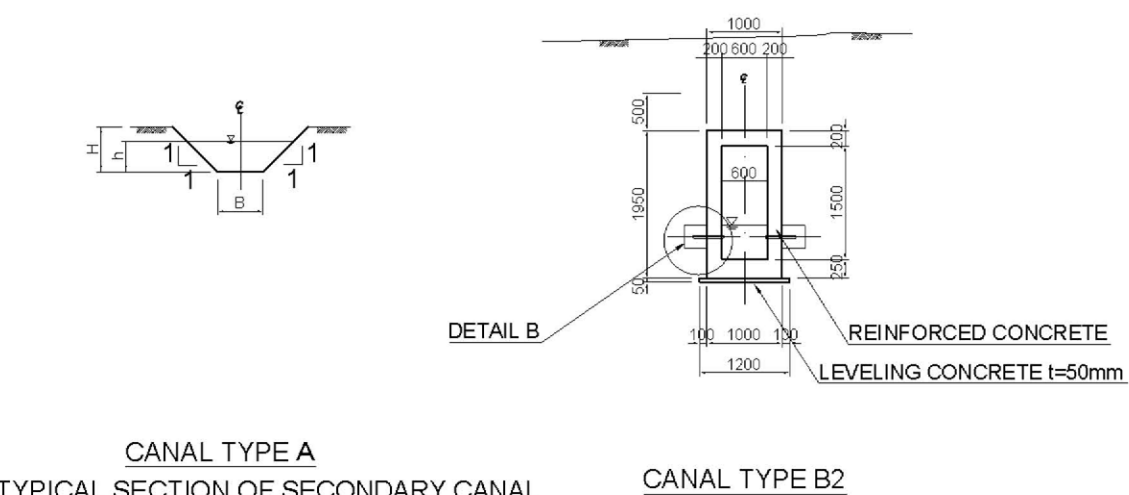
MAIN CANAL		SECONDARY CANAL	
CONTENTS	REMARK	CONTENTS	REMARK
MAIN CANAL	1 LINE	SECONDARY CANAL	16 LINES
TRAPEZOID MASONRY CANAL	L=11.4 km	EARTH CANAL	L=1.426 m
RECTANGLE MASONRY CANAL	L= 0.4 km	BOX CULVERT	L= 240 m
BOX CULVERT CANAL	L= 0.5 km	OFFTAKE STRUCTURE	1 SITE
DROP STRUCTURE	33 SITES		
OFFTAKE STRUCTURE	23 SITES	DRAINAGE CANAL	
CHECK GATE	21 SITES	CONTENTS	REMARK
SPLI WAY	2 SITES	DRAINAGE CANAL	2 LINES
EMERGENCY OUTLET STRUCTURE	2 SITES	EARTH CANAL	L=4.6 Km
		DRAINAGE DISPERSION WEIR	12 SITES

GENERAL MAP OF BULUTO IRRIGATION SYSTEM

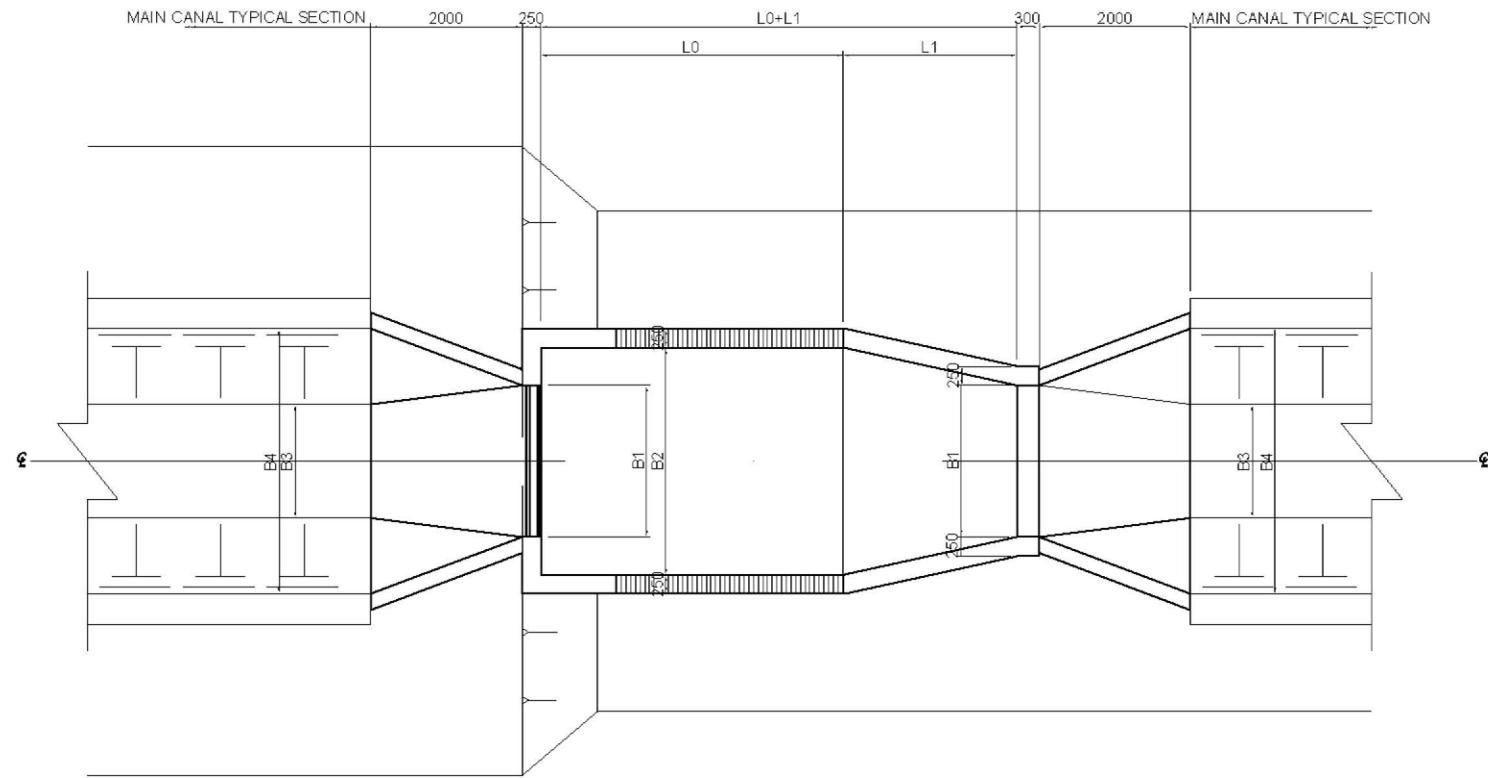
 NTC INTERNATIONAL CO., LTD.	REVISION	PROJECT TITLE	DATE	DESIGNED BY	DWG. NO.
		THE PROJECT FOR REHABILITATION AND IMPROVEMENT OF BULUTO IRRIGATION SCHEME	2013.09	NTC INTERNATIONAL Co.,Ltd.	GMB.01
		DWG. TITLE	SCALE	APPROVED BY	SERIAL NO.
		GENERAL MAP OF BULUTO IRRIGATION SYSTEM	1:30000		0



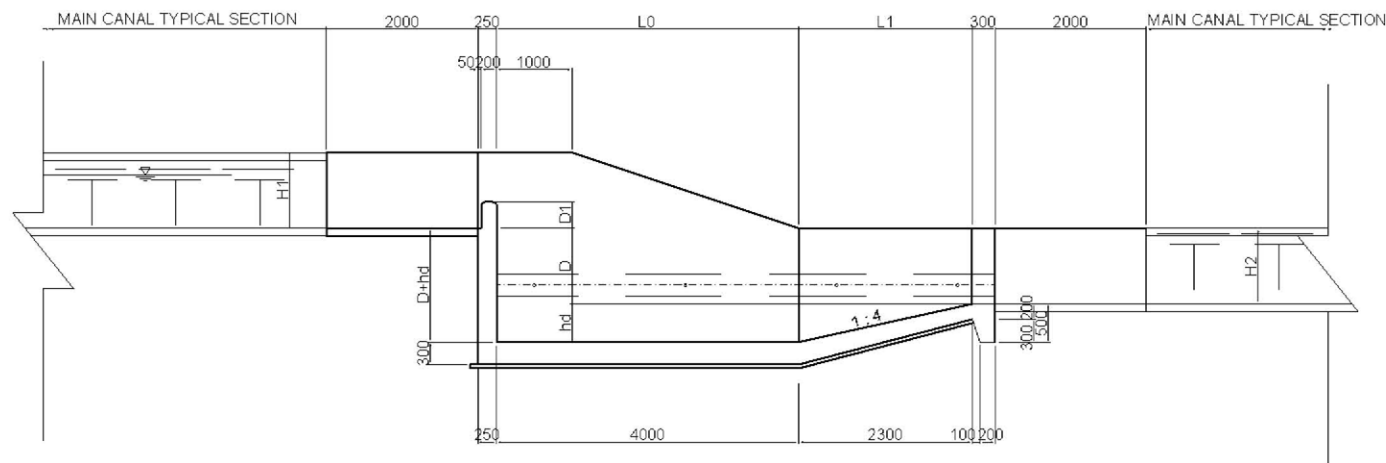
SECTION TYPE	SPAN	DISTANCE	A	B	C	h
C1	0+000 - 1+090	L=1090M	AS SHOWN			
C2	1+090 - 3+000	L=1910M	1100	1500	3500	0.76
C3	3+000 - 5+798	L=2798M	1000	1500	3300	0.72
C4	5+798 - 6+770	L=972M	1000	1400	3200	0.72
C5	6+770 + 8+120	L=1350M	900	1250	2850	0.63
C6	8+120 - 8+520	L=400M	900	1200	2600	0.62
R1	8+520 - 8+920	L=400M	AS SHOWN			
C6	8+920 - 9+420	L=500M	900	1200	2600	0.62
B1	9+420 - 9+920	L=500M	AS SHOWN			
C6	9+920 - 10+820	L=900M	900	1200	2600	0.62
C7	10+820 - 11+570	L=750M	900	1000	2500	0.52
C8	11+570 - 12+332	L=762M	600	600	1600	0.36
TOTAL		L=12,332M				



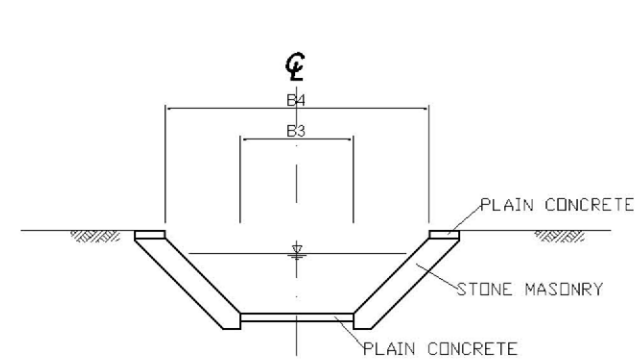
CANAL NO.	OFF TAKE POINT	CANAL TYPE	DISTANCE	B	A	h
NO.01	BL.1	A	L=2599M	0.40	0.55	0.23
NO.02	BL.3	A	L=850M	0.40	0.35	0.13
NO.03	BL.4	A	L=1200M	0.40	0.45	0.20
NO.04	BL.6	A	L=1459M	0.50	0.50	0.32
NO.05	BL.9	A	L=1083M	0.50	0.55	0.13
NO.06	BL.9a	A	L=389M	0.40	0.40	0.20
NO.07 UPSTREAM	BL.10	A	L=259M	0.50	0.55	0.32
NO.07 DOWNSTREAM	BL.10	A	L=127M	0.50	0.50	0.32
NO.08	BL.11	A	L=844M	0.40	0.45	0.13
NO.09	BL.12	A	L=839M	0.60	0.50	0.20
NO.10 UPSTREAM	BL.15	B2	L=142M	AS SHOWN		
NO.10 DOWNSTREAM	BL.15	D	L=484M	AS SHOWN		
NO.11	BL.16	B2	L=100M	AS SHOWN		
NO.12 UPSTREAM	BL.17	A	L=454M	0.60	0.70	0.20
NO.12 DOWNSTREAM	BL.20	A	L=679M	0.60	0.60	0.20
NO.13	BL.18	A	L=1317M	0.60	0.50	0.32
NO.14	BL.20	A	L=889M	0.60	0.40	0.20
NO.15	BL.22	A	L=650M	0.40	0.55	0.32
NO.16	BL.22	A	L=669M	0.40	0.55	0.13
TOTAL			L=14,900M			



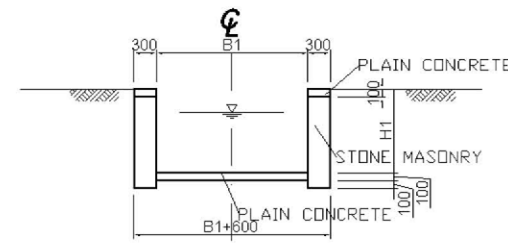
PLAN



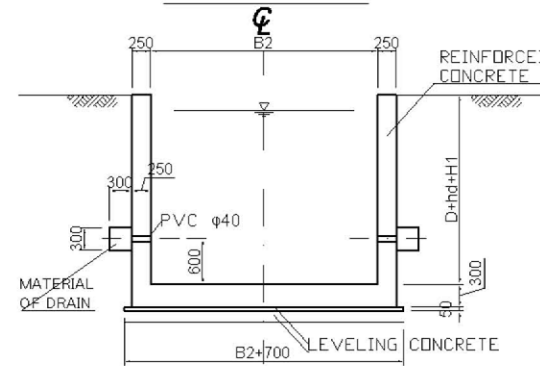
SECTION A-A



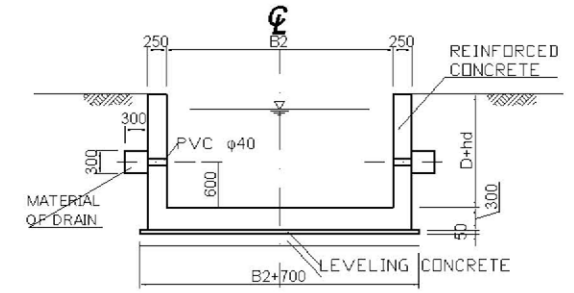
SECTION B-B



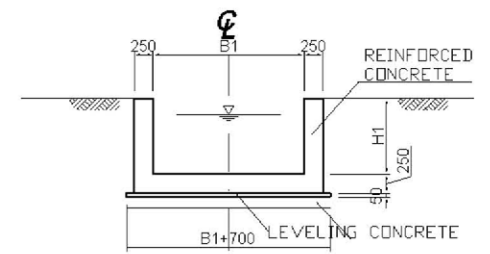
SECTION C-C



SECTION D-D

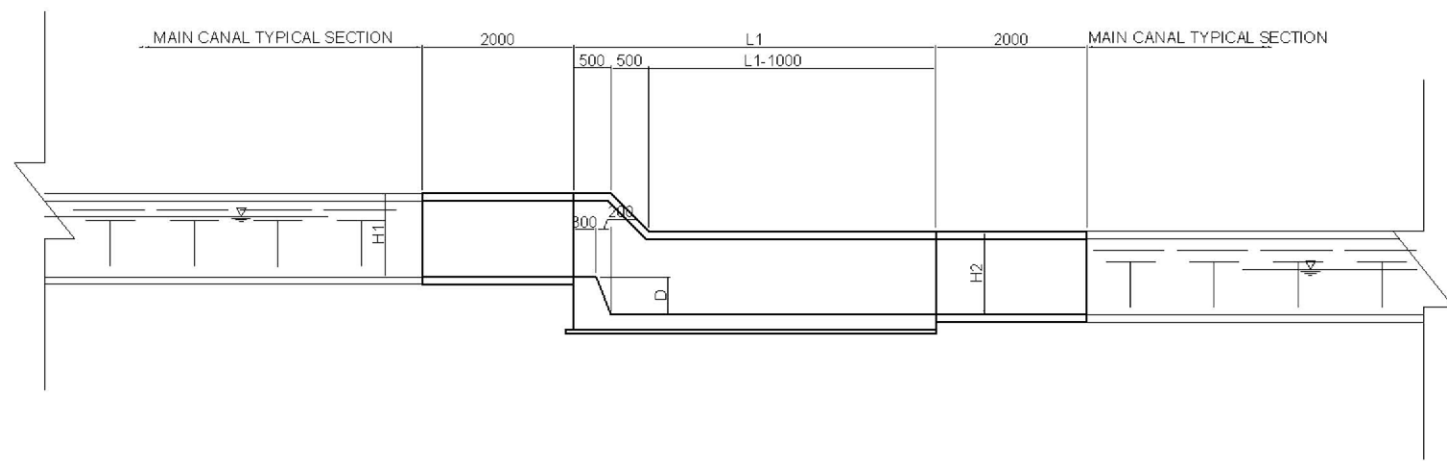
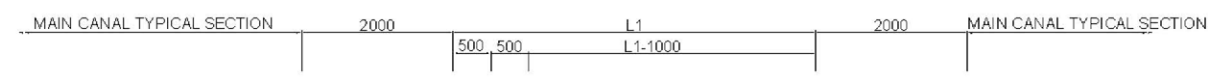
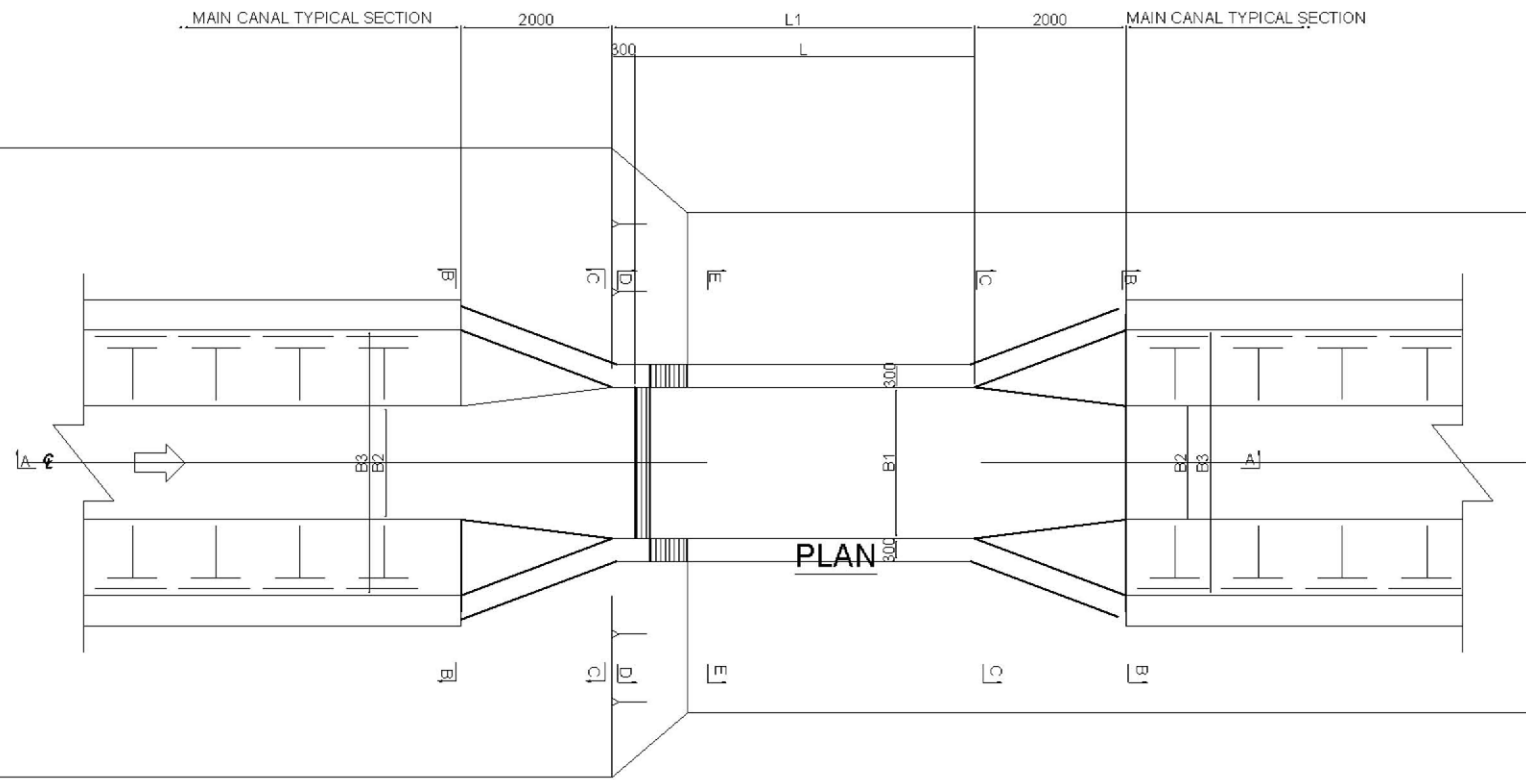


SECTION E-E

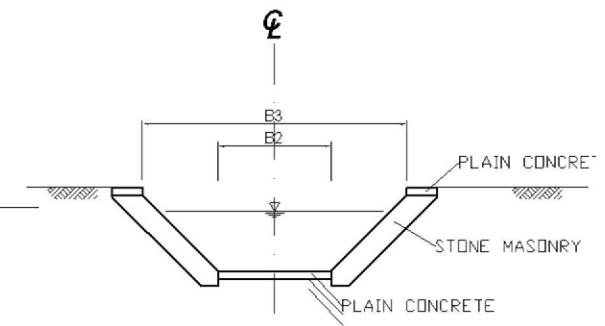


SECTION F-F

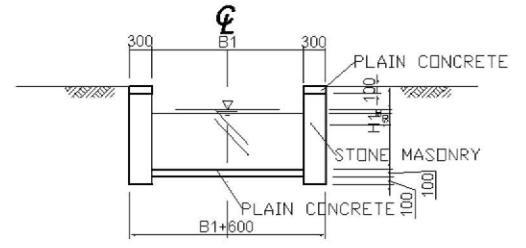
Canal Type	STATION	D (Drop)	B1	B2	D1	hd	L0	L1	H1	B3	B4	Remark
D1	1+090-3+000	1.00	2.00	2.50	0.13	0.60	3.90	2.40	1.10	1.50	3.50	
D2	3+000-5+798	1.00	2.00	2.50	0.13	0.60	3.60	2.20	1.00	1.50	3.30	
D3	5+798-6+770	1.00	1.50	2.00	0.13	0.40	3.60	2.20	1.00	1.40	3.20	
D4	10+820-11+570	1.00	1.20	1.70	0.10	0.40	2.50	1.20	0.90	1.00	2.50	
D5	11+570-12+332	1.00	1.20	1.70	0.10	0.20	1.60	1.10	0.60	0.60	1.60	



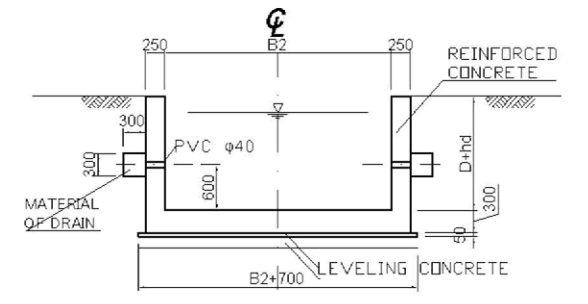
SECTION A-A



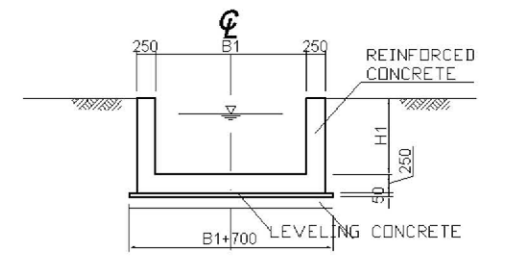
SECTION B-B



SECTION C-C



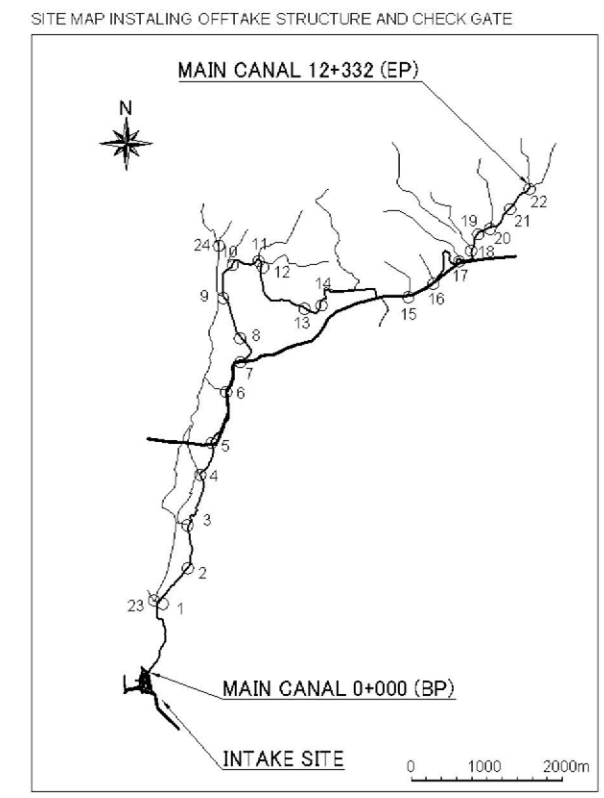
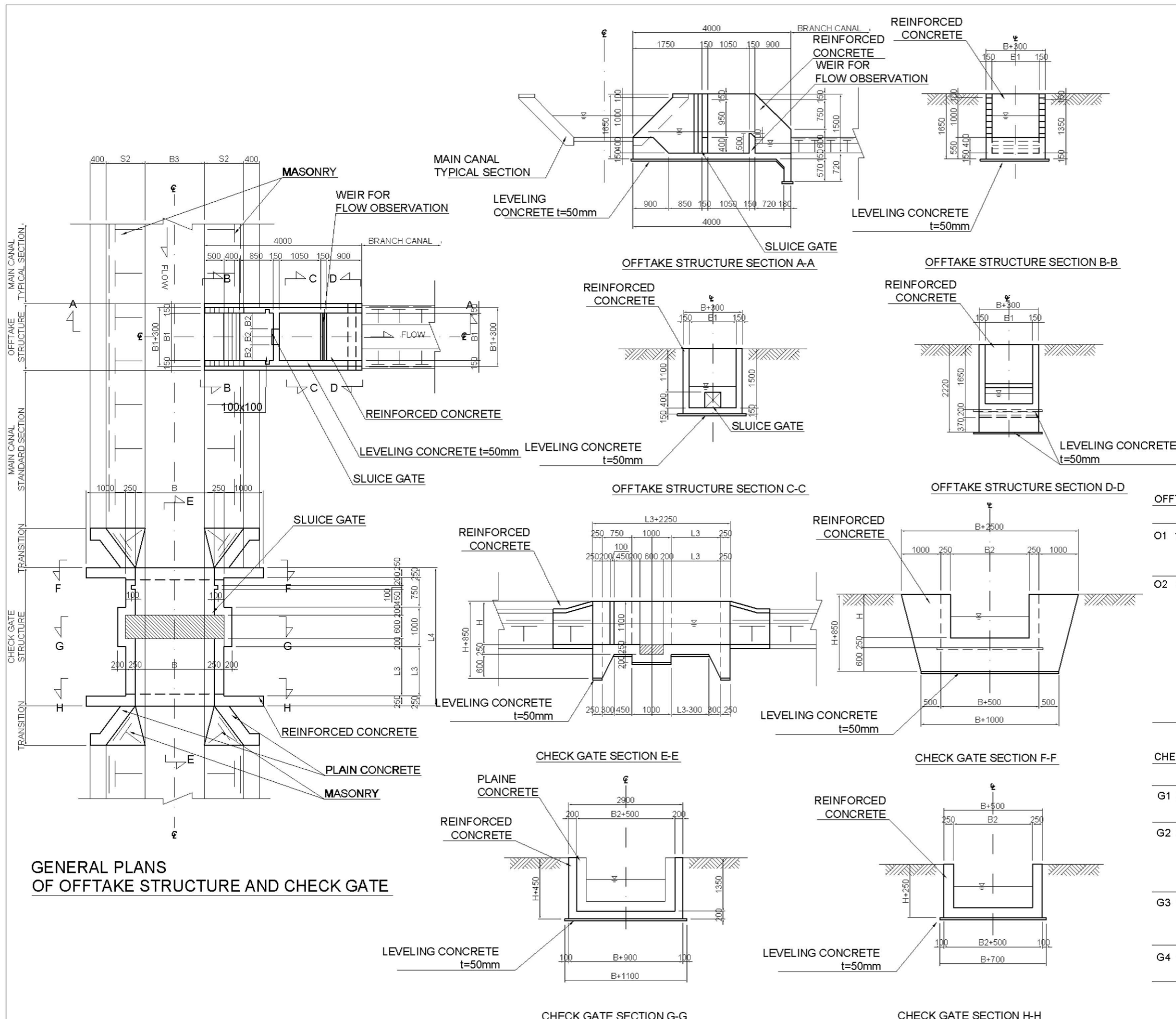
SECTION D-D



SECTION E-E

Canal Type	STATION	D (Drop)	B1	B2	B3	L	L1	H1	H2	Remark
C1	0+000-1+090	0.50	2.00	1.50	3.50	4.50	4.80	1.10	1.10	
C2	1+090-3+000	0.50	2.00	1.50	3.50	4.50	4.80	1.00	1.00	
C3	3+000-5+798	0.50	2.00	1.50	3.30	4.20	4.50	1.00	1.00	
C4	5+798-6+770	0.50	1.50	1.40	3.20	4.20	4.50	1.00	1.00	
C7	10+620-11+570	0.50	1.20	1.00	2.90	2.90	3.20	0.90	0.90	
C8	11+570-12+382	0.50	1.20	0.60	1.60	1.80	2.10	0.60	0.60	

	NTC INTERNATIONAL CO., LTD.	REVISION	PROJECT TITLE	DATE	DESIGNED BY	DWG. NO.
			THE PROJECT FOR REHABILITATION AND IMPROVEMENT OF BULUTO IRRIGATION SCHEME		NTC INTERNATIONAL Co., Ltd.	PDS.02
			DWG. TITLE	SCALE	APPROVED BY	SERIAL NO.
			PRAN OF DROP STRUCTURE 0.5M TYPE			0

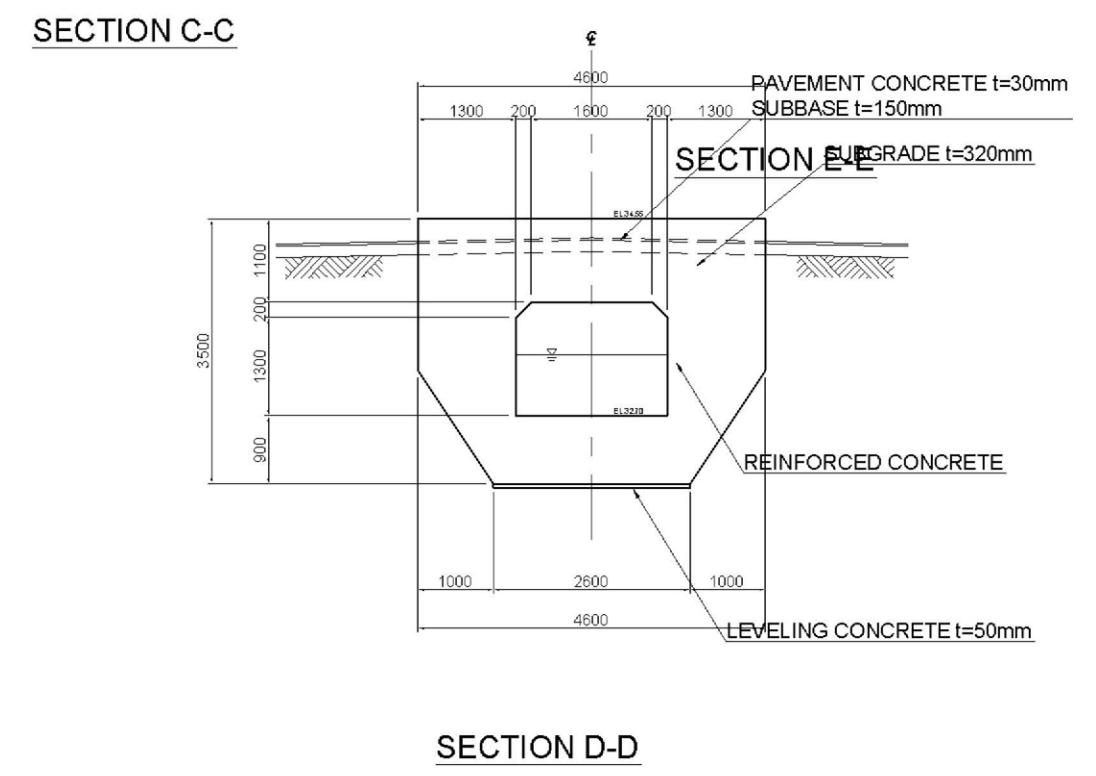
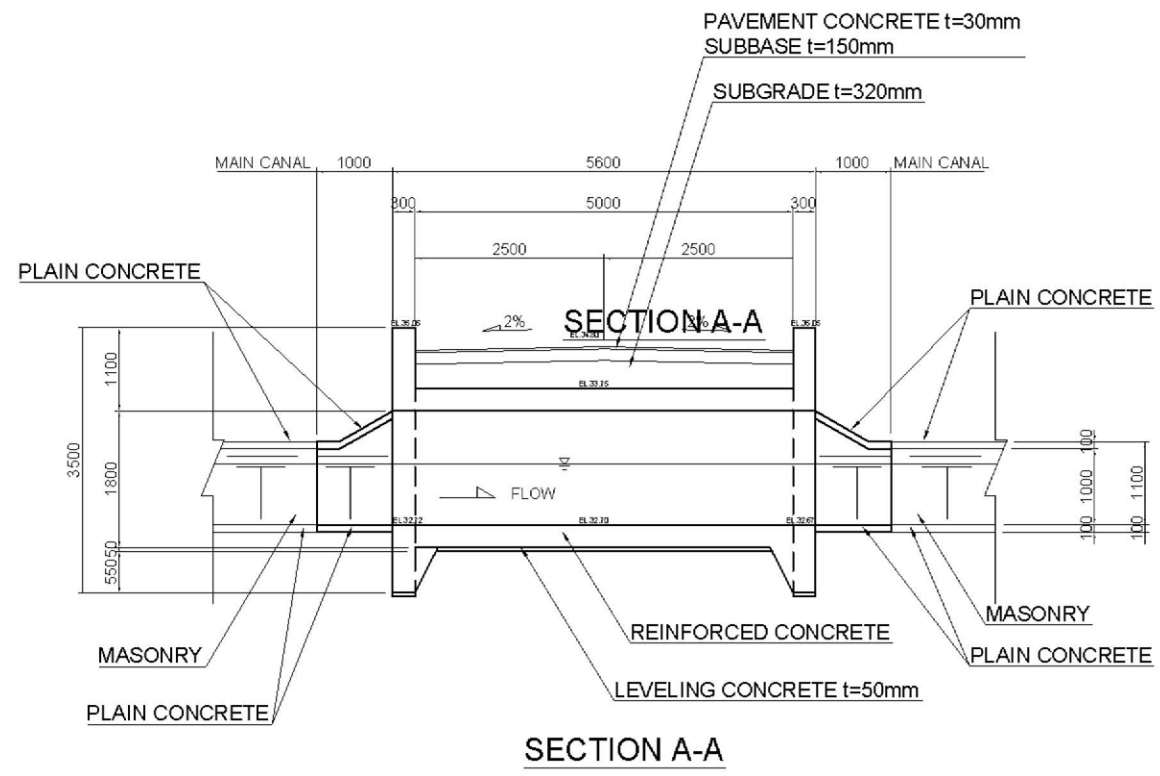
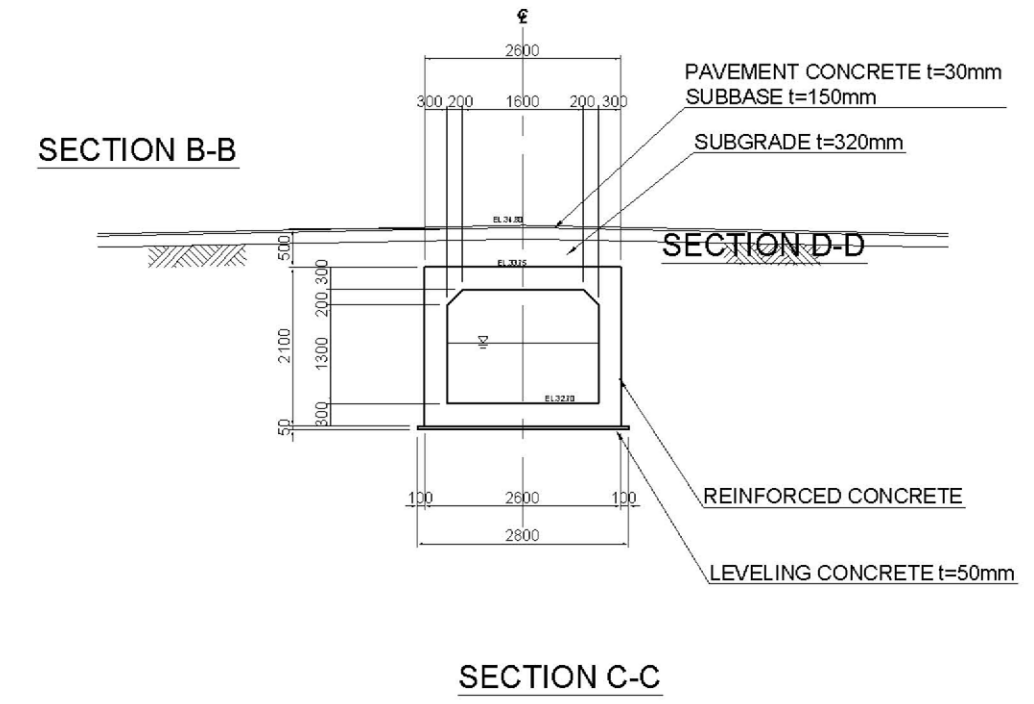
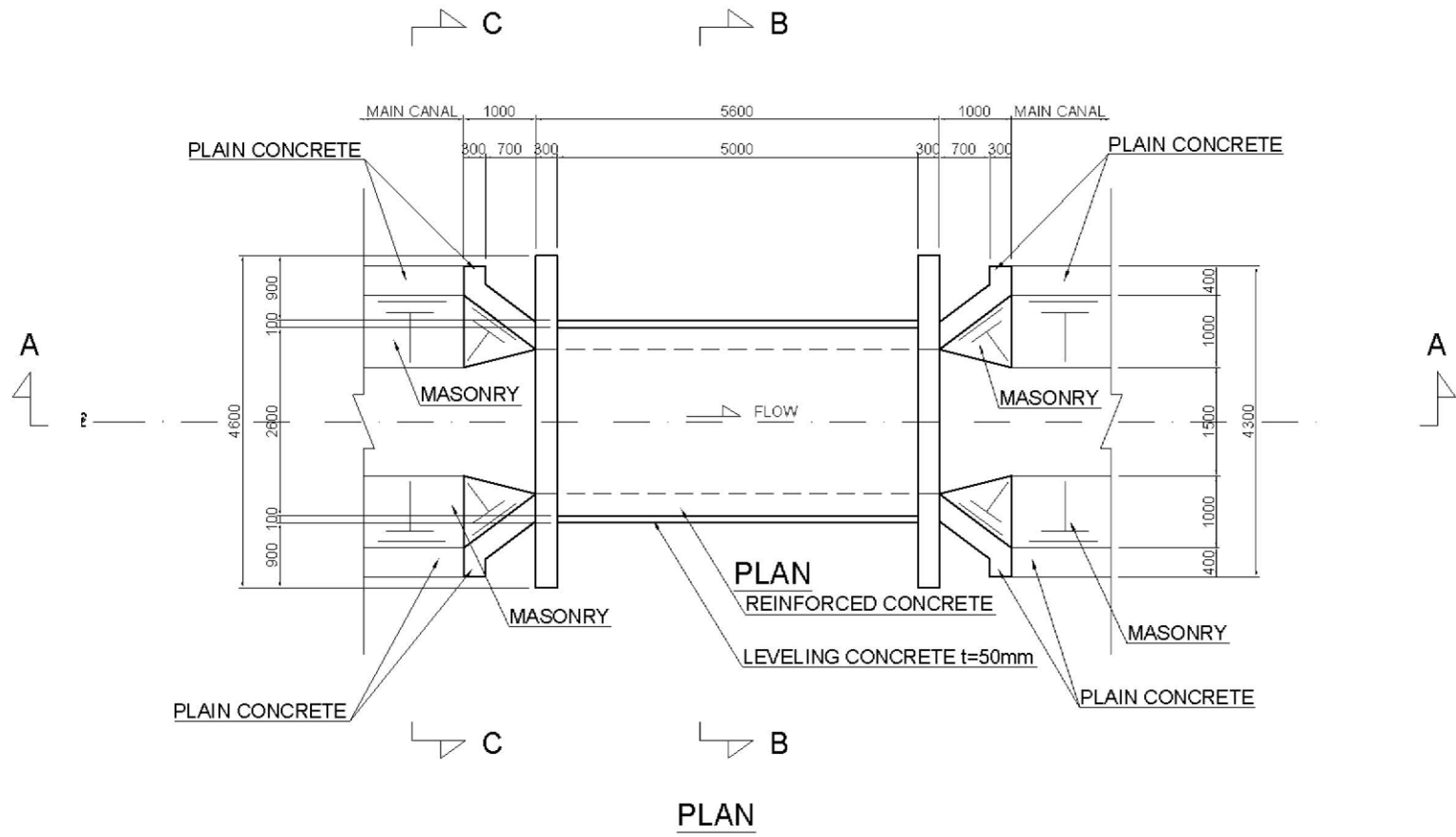


OFFTAKE STRUCTURE DETAIL OF EACH SECTION

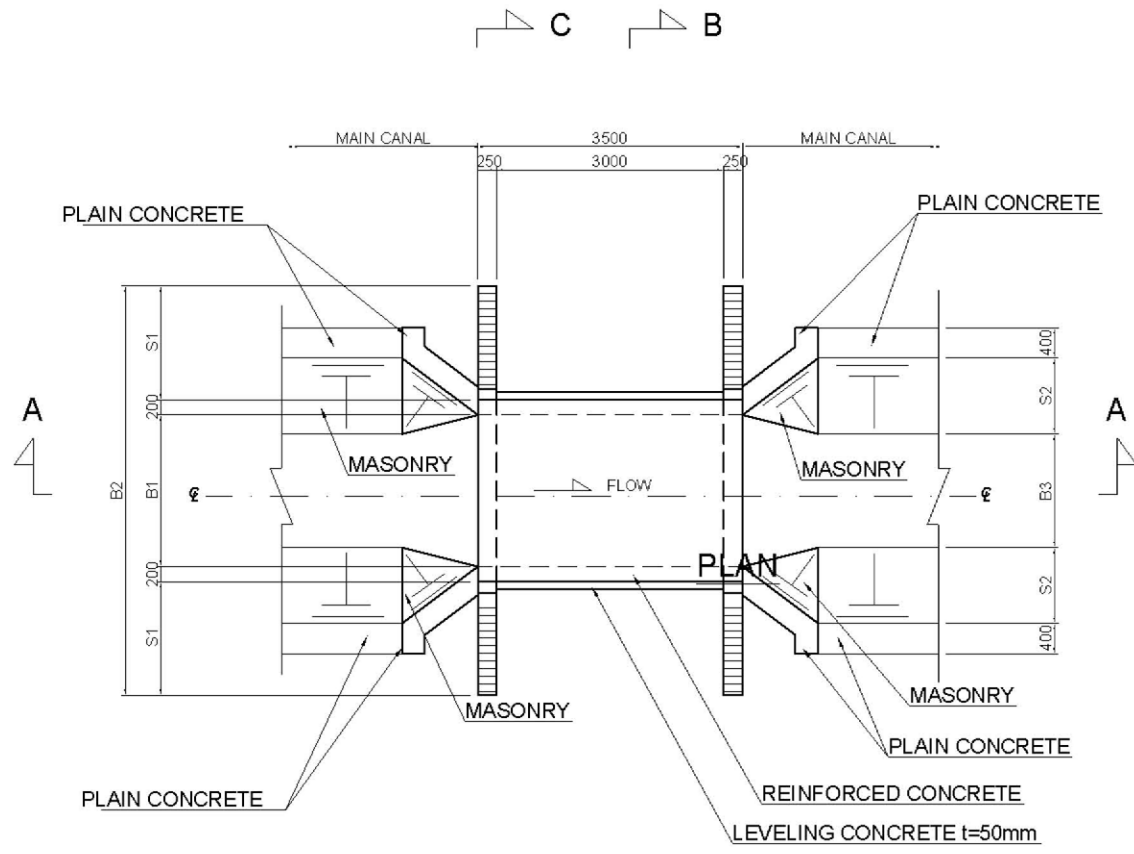
	B1	B2	GATE SIZE	INSTALL SITE		TOTAL
O1	1200	400	400 x 400	(1) MCNO.1+068	(9) MCNO.5+798	6 SITES
				(10) MCNO.6+320	(12) MCNO.6+720	
				(17) MCNO.10+820	(18) MCNO.11+120	
O2	900	300	300 x 300	(2) MCNO.1+347	(3) MCNO.2+280	18 SITES
				(4) MCNO.3+000	(5) MCNO.3+511	
				(6) MCNO.4+297	(7) MCNO.4+806	
				(8) MCNO.5+297	(11) MCNO.6+670	
				(13) MCNO.7+670	(14) MCNO.8+120	
				(15) MCNO.9+520	(16) MCNO.9+920	
				(19) MCNO.11+320	(20) MCNO.11+520	
				(21) MCNO.12+320	(22) MCNO.12+335	
				(23) SC01.0+030	(24) SC05.0+737	

CHECK GATE STRUCTURE DETAIL OF EACH SECTION

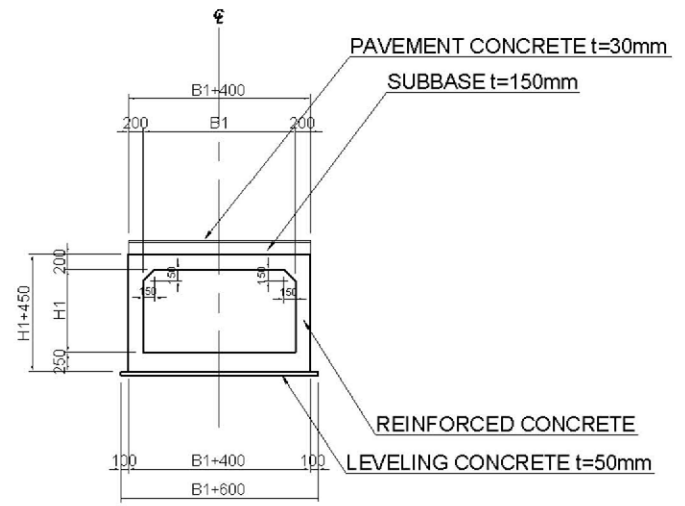
	B	H	L	INSTALL SITE		TOTAL
G1	2000	1100	1500	(1) MCNO.1+068	(2) MCNO.1+347	4 SITES
				(3) MCNO.2+280	(4) MCNO.3+000	
				(5) MCNO.3+511	(6) MCNO.4+297	
G2	2000	1000	1500	(7) MCNO.4+806	(8) MCNO.5+297	8 SITES
				(9) MCNO.5+798	(10) MCNO.6+320	
				(11) MCNO.6+670	(12) MCNO.6+720	
				(13) MCNO.7+670	(14) MCNO.8+120	
				(15) MCNO.9+520	(16) MCNO.9+920	
G3	1750	900	1500	(17) MCNO.10+820	(18) MCNO.11+120	5 SITES
				(15) MCNO.9+520	(16) MCNO.9+920	
G4	1500	800	1000	(18) MCNO.11+120	(19) MCNO.11+320	4 SITES
				(20) MCNO.11+520	(21) MCNO.12+320	



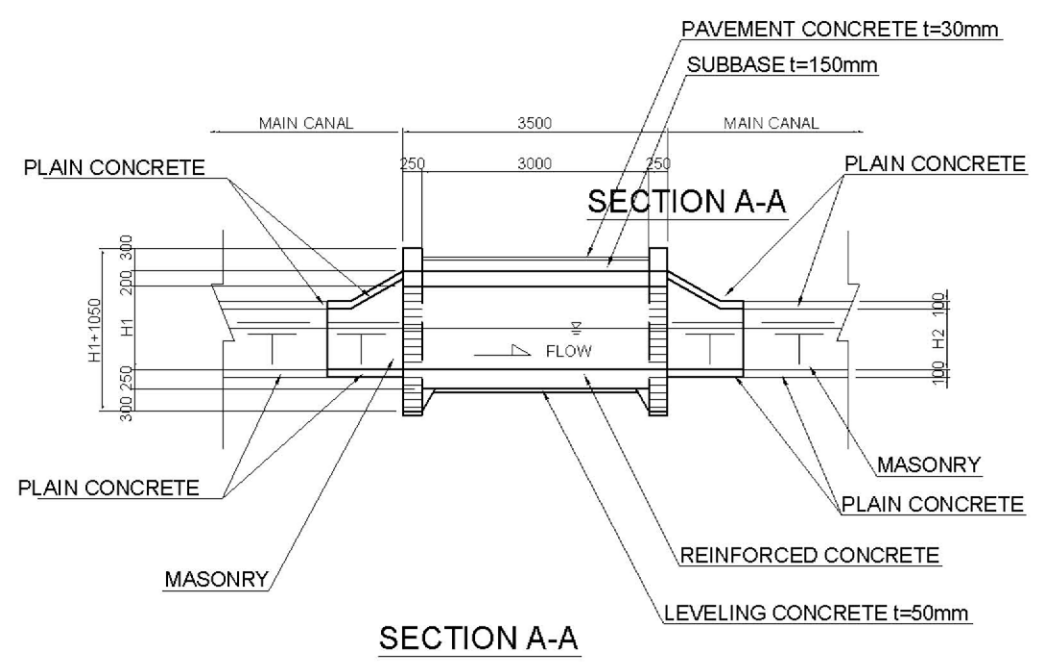
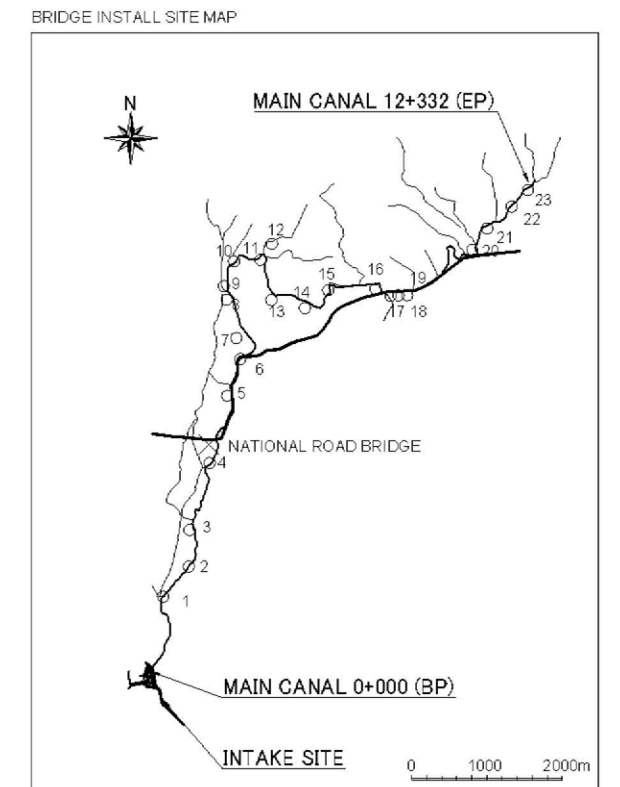
	NTC INTERNATIONAL CO., LTD.	REVISION	PROJECT TITLE	DATE	DESIGNED BY	DWG. NO.
			THE PROJECT FOR REHABILITATION AND IMPROVEMENT OF BULUTO IRRIGATION SCHEME		NTC INTERNATIONAL Co.,Ltd.	BCC.01
			DWG. TITLE	SCALE	APPROVED BY	SERIAL NO.
			BRIDGE CROSSING NATIONAL ROAD			0



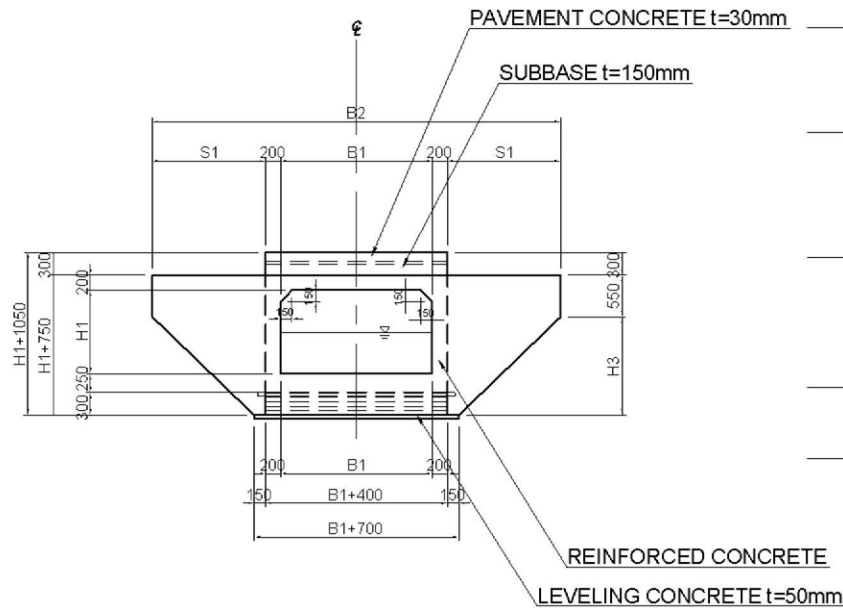
PLAN



SECTION B-B



SECTION A-A

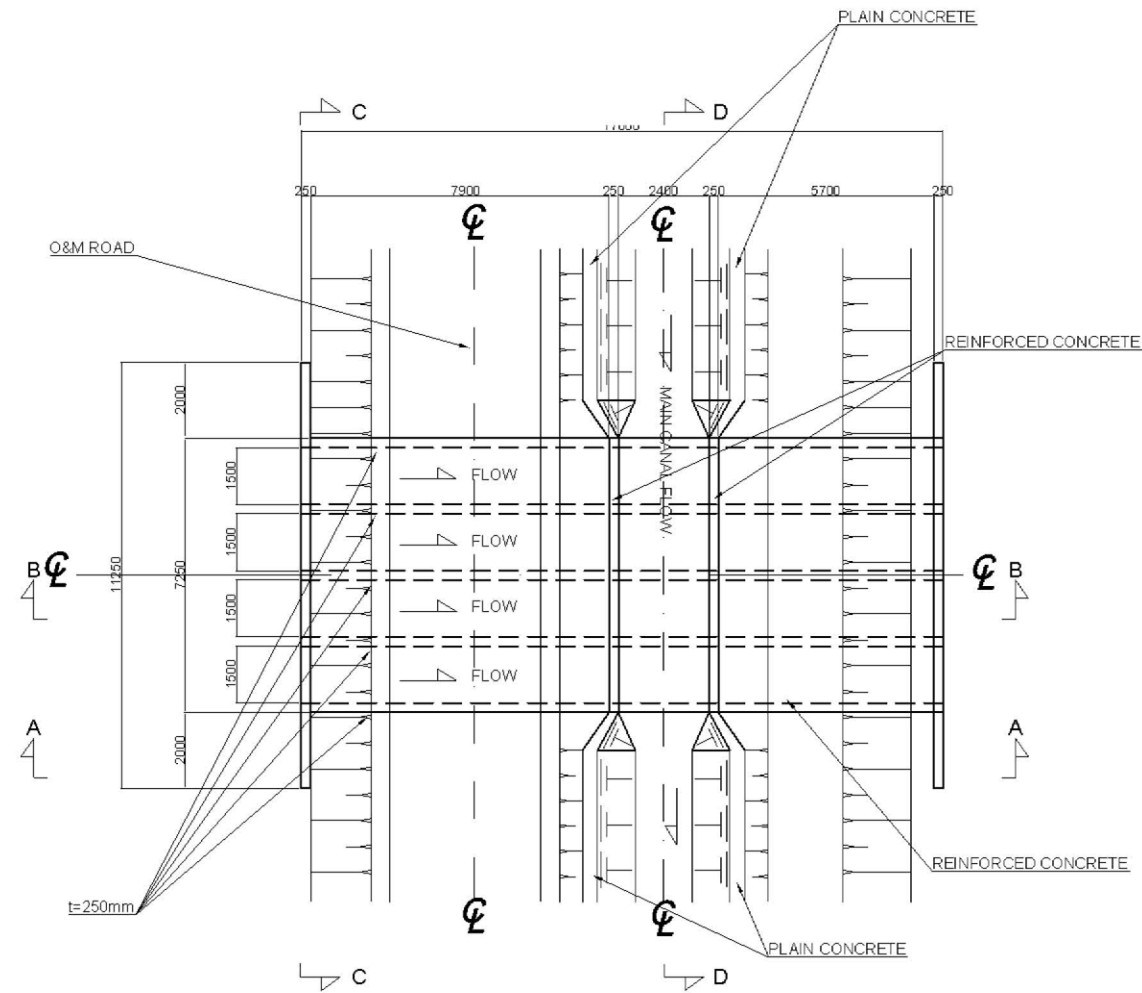


SECTION C-C

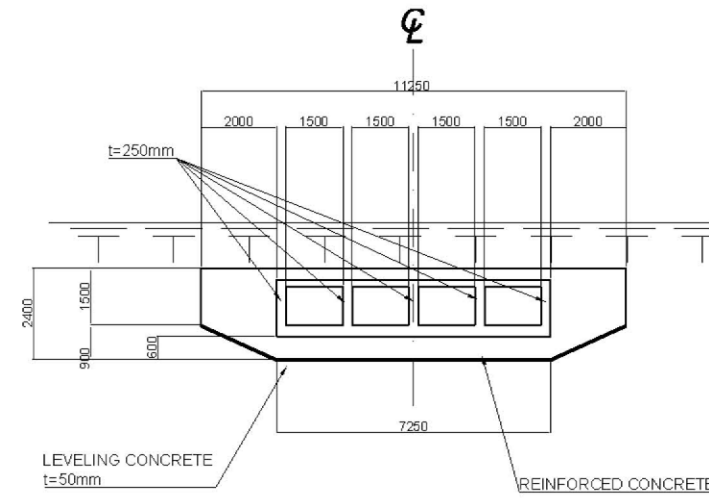
DETAIL OF EACH SECTION

TYPE NO.	STRUCTURE SIZE						INSTALL SITE		TOTAL
	B1	B2	S	H1	H2	H3	SITE NO.		
B1	CF : DESIGN OF NATIONAL ROAD BRIDGE						MCNO.3+495 (x)		1 SITES
B2	2.00	5.40	1.50	1.10	1.55	1.35	MCNO.1+090 (1)	MCNO.1+472 (2)	6 SITES
							MCNO.2+175 (3)	MCNO.3+146 (4)	
							MCNO.4+264 (5)	MCNO.4+896 (6)	
B3	1.50	4.70	1.40	1.00	1.45	1.25	MCNO.5+970 (7)	MCNO.6+270 (8)	7 SITES
							MCNO.6+720 (9)	MCNO.6+920 (13)	
							MCNO.7+520 (14)	MCNO.8+270 (15)	
							MCNO.9+020 (16)		
B4	1.20	4.40	1.40	0.90	1.35	1.15	MCNO.11+270 (20)	MCNO.11+570 (21)	7 SITES
							MCNO.11+820 (22)	MCNO.12+270 (23)	
							SC05.0+010 (10)	SC08.0+240 (11)	
							TERTIARY CANALS FROM BL.8 (12)		
B5	1.50	4.70	1.40	1.50	1.95	1.75	MCNO.9+220 (17)	MCNO.9+270 (18)	3 SITES
							MCNO.9+320 (19)		

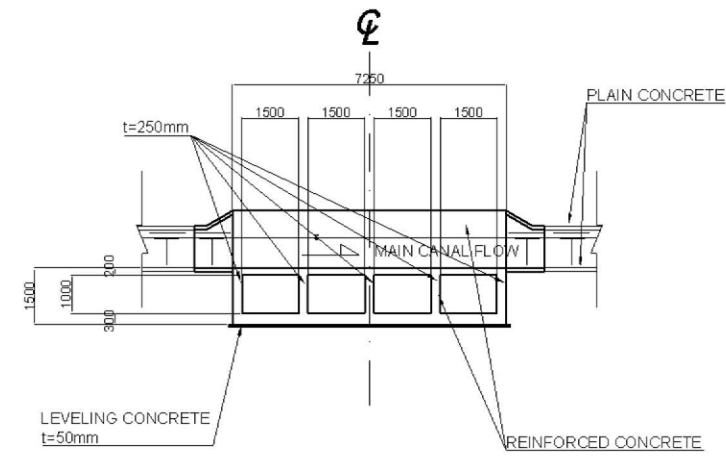
4LINE TYPE



GENERAL PLAN OF THE DRAIN BOX CULVERT

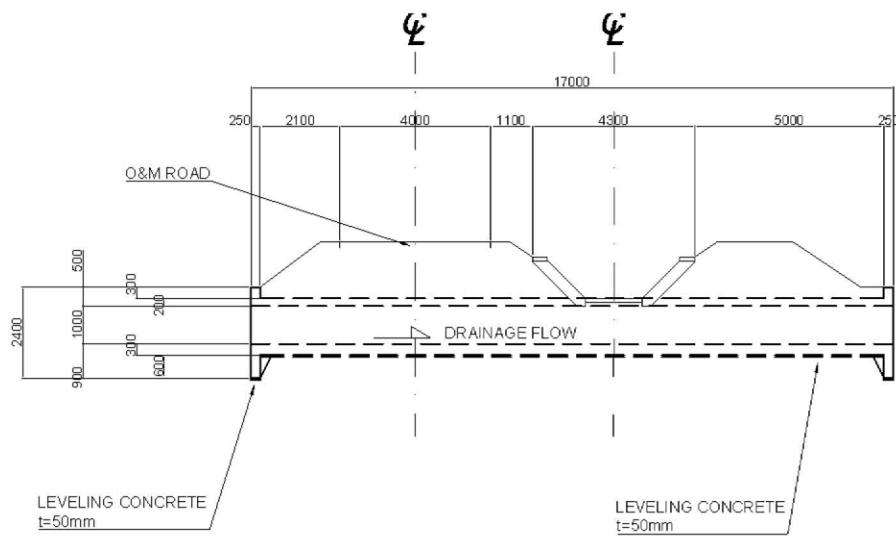
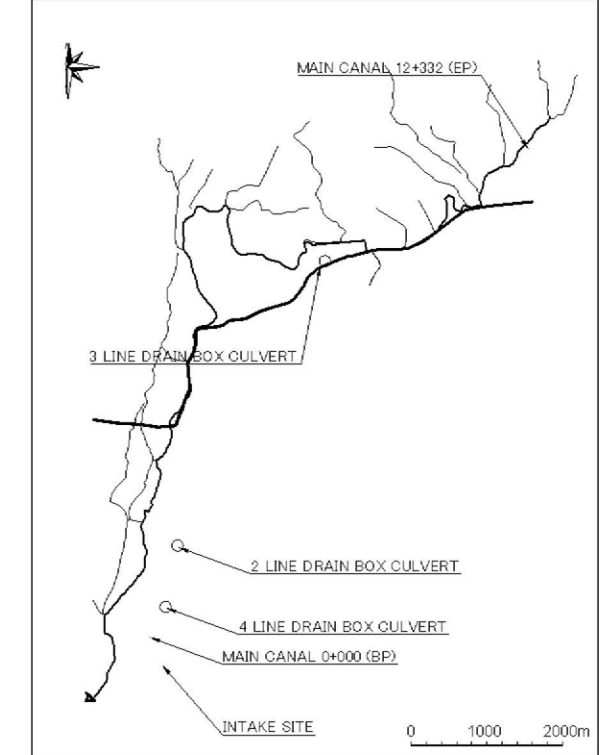


DRAIN BOX CULVERT SECTION C-C

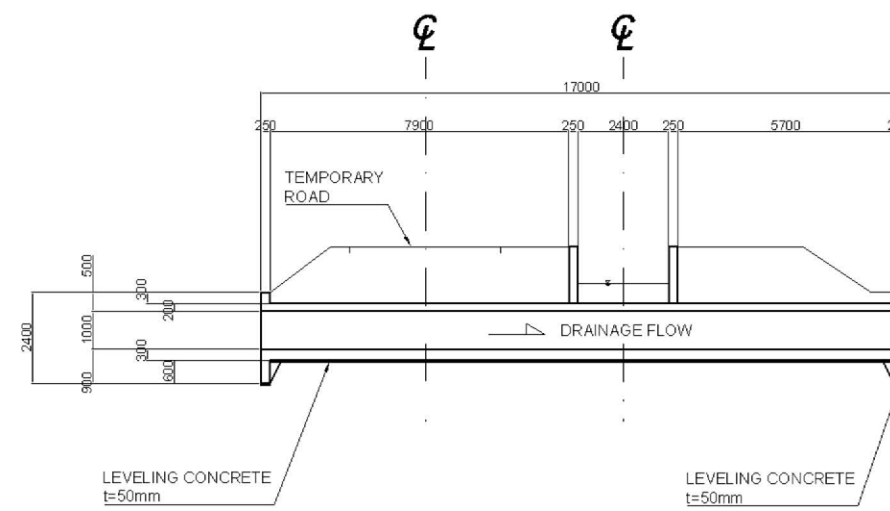


DRAIN BOX CULVERT SECTION D-D

SITE MAP INSTALLING DRAINAGE BOX CULVERT



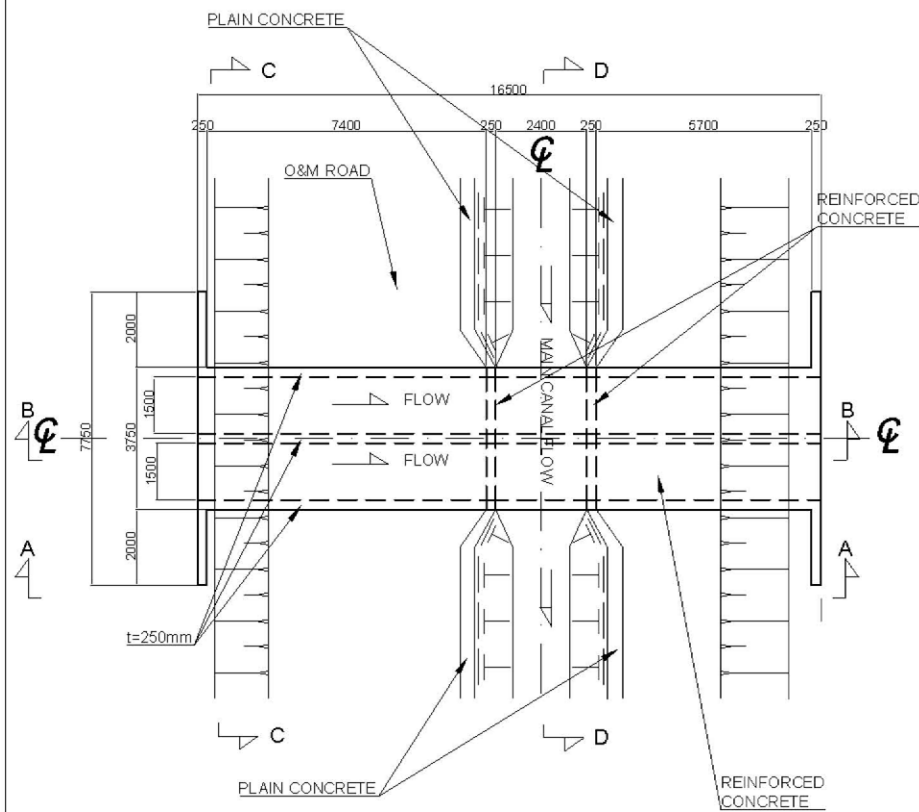
DRAIN BOX CULVERT SECTION A-A



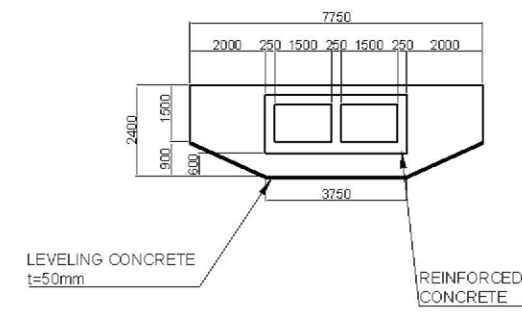
DRAIN BOX CULVERT SECTION B-B

3-99

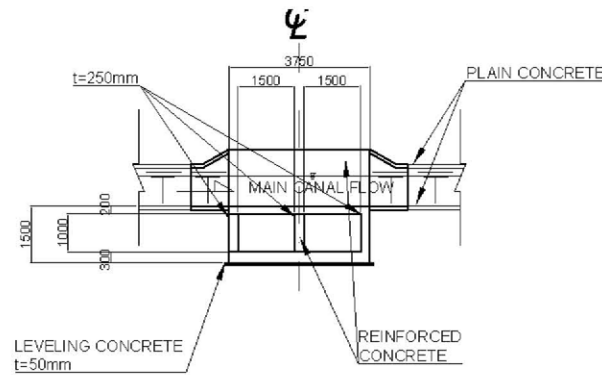
	NTC INTERNATIONAL CO., LTD.	REVISION	PROJECT TITLE	DATE	DESIGNED BY	DWG NO.
			THE PROJECT FOR REHABILITATION AND IMPROVEMENT OF BULUTO IRRIGATION SCHEME	2013.09	NTC INTERNATIONAL Co.,Ltd.	DBC.01
			DWG TITLE	SCALE	APPROVED BY	SERIAL NO.
			PLAN OF THE DRAIN BOX CULVERT 4 LINE TYPE	1:200		0



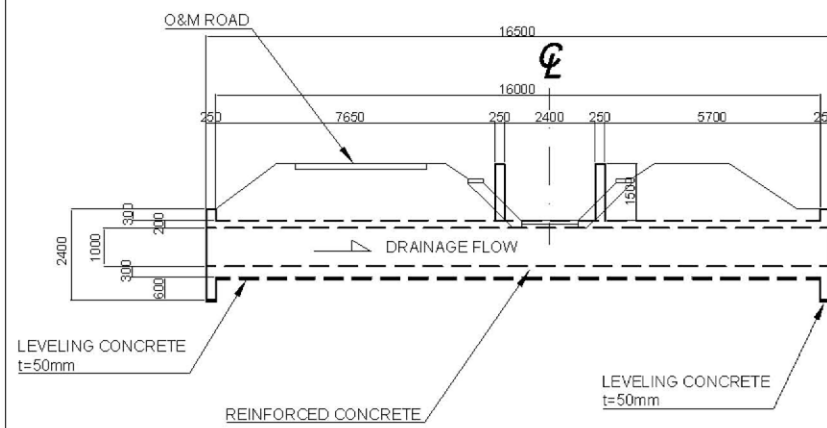
GENERAL PLAN OF THE DRAIN BOX CULVERT



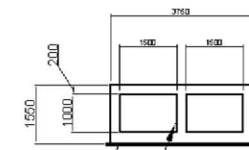
DRAIN BOX CULVERT SECTION C-C



DRAIN BOX CULVERT SECTION D-D

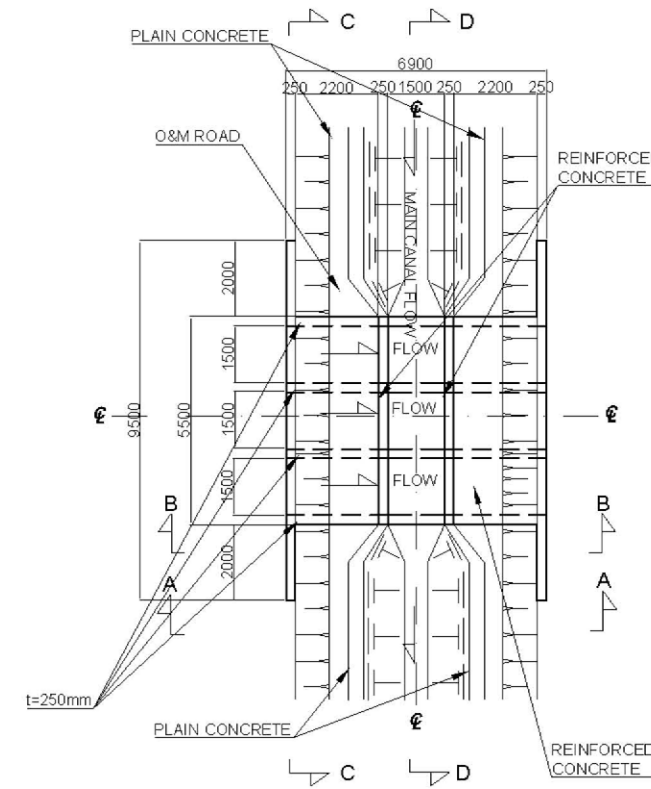


DRAIN BOX CULVERT SECTION A-A

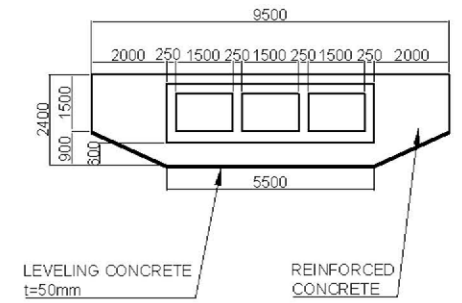


DRAIN BOX CULVERT SECTION B-B

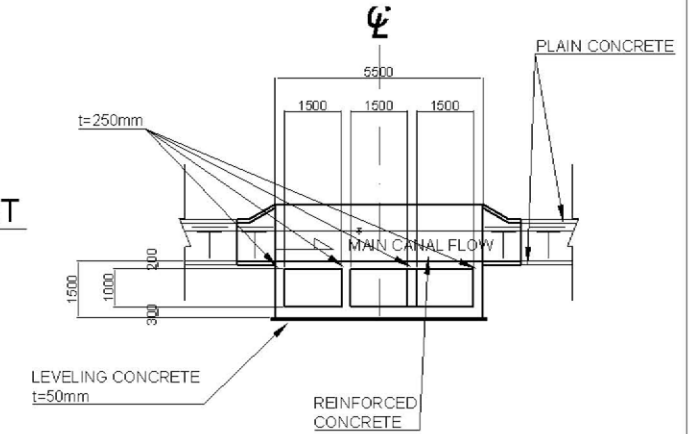
2LINE TYPE



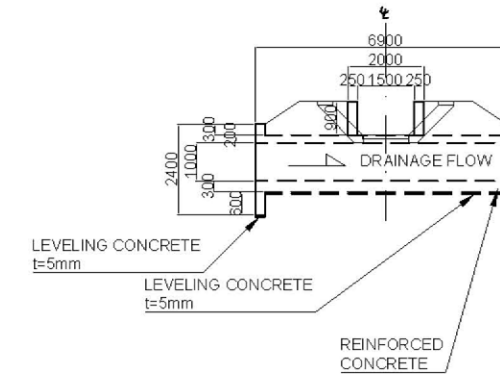
GENERAL PLAN OF THE DRAIN BOX CULVERT



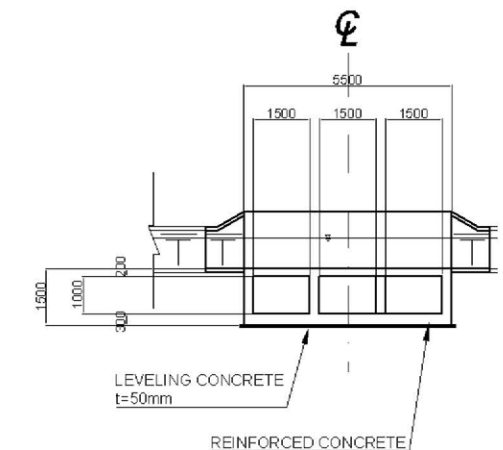
DRAIN BOX CULVERT SECTION C-C



DRAIN BOX CULVERT SECTION D-D




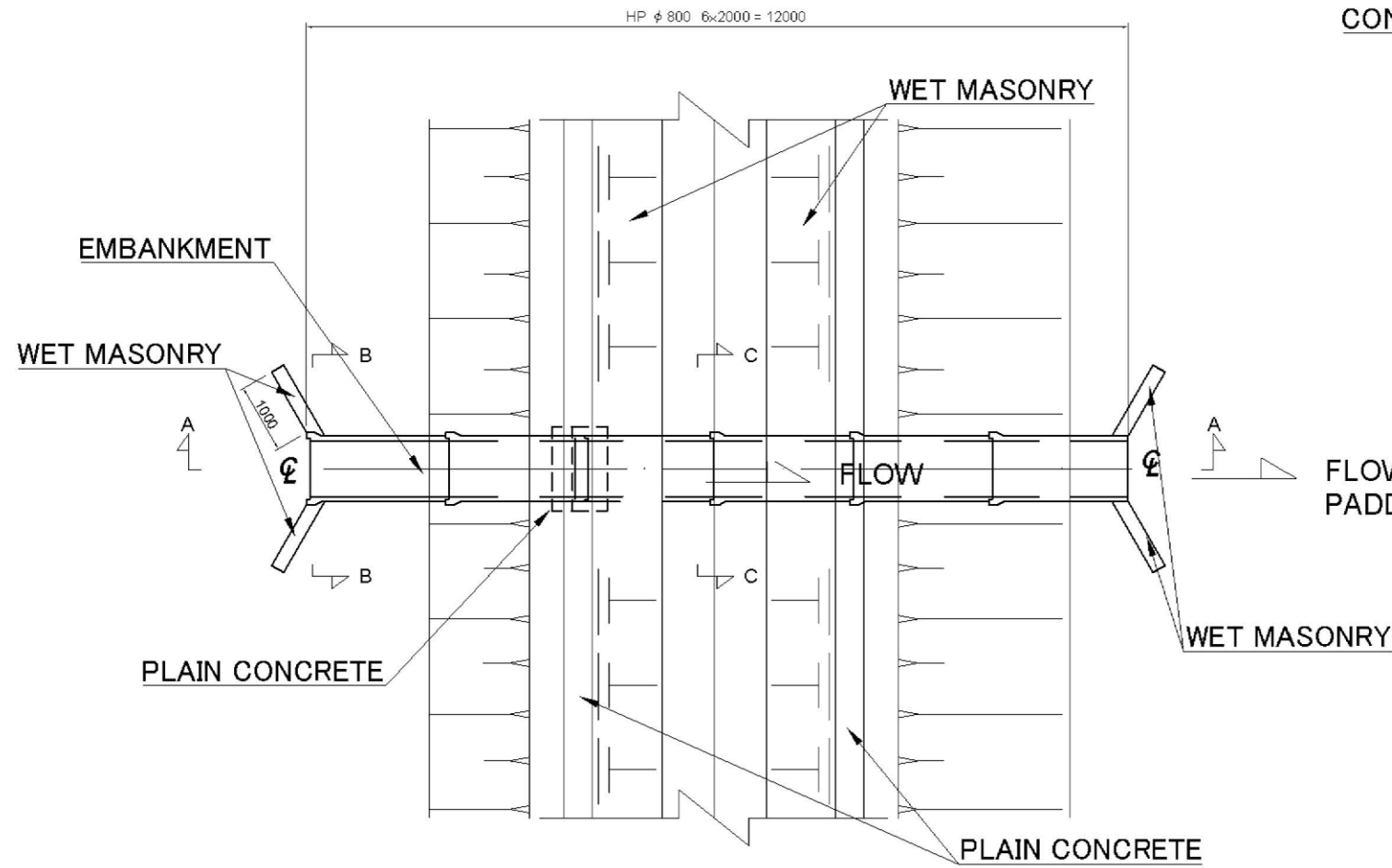
DRAIN BOX CULVERT SECTION A-A



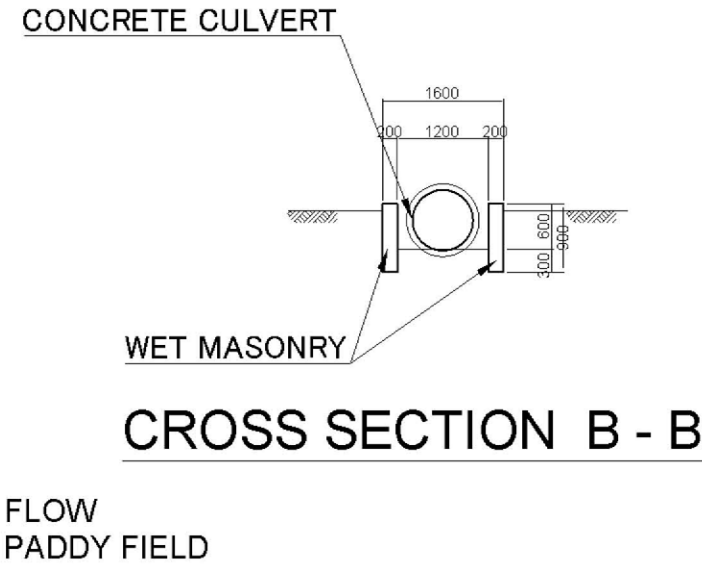
DRAIN BOX CULVERT SECTION B-B

3LINE TYPE

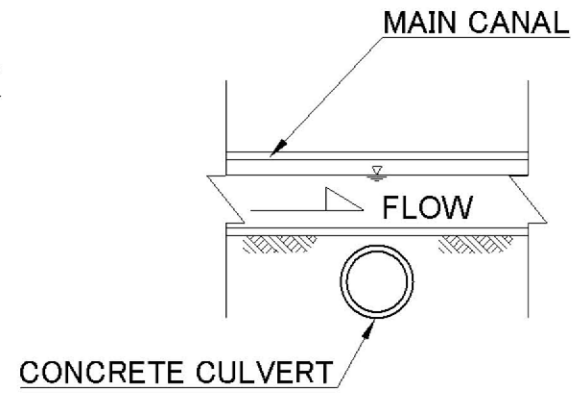
 NTC INTERNATIONAL CO., LTD.	REVISION	PROJECT TITLE	DATE	DESIGNED BY	DWG NO.
		THE PRJECT FOR REHABILITATION AND IMPROVEMENT OF BULUTO IRRIGATION SCHEME	2013.09	NTC INTERNATIONAL Co.,Ltd.	DBC.02
		DWG TITLE	SCALE	APPROVED BY	SERIAL NO.
		PLAN OF THE DRAIN BOX CULVERT 2 LINE,3 LINE TYPE	1:200		0



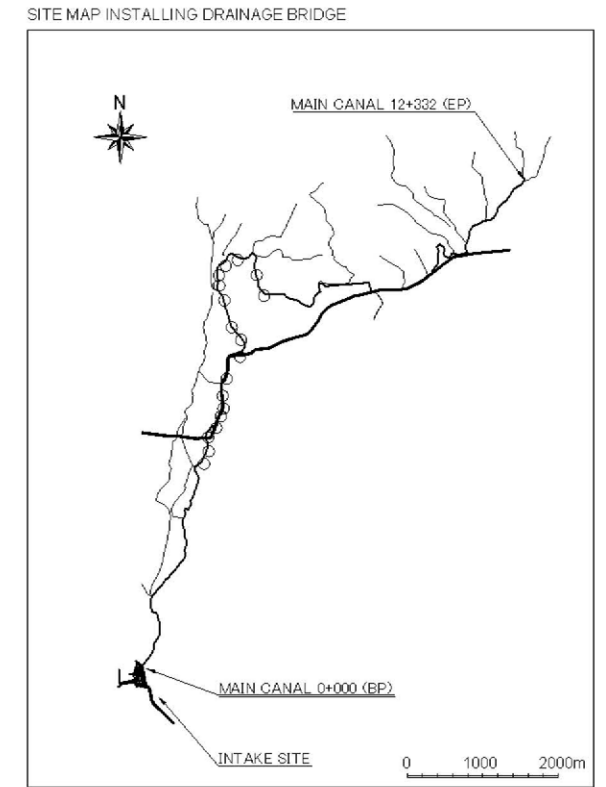
GENERAL PLAN OF DRAIN PIPE CULVERT



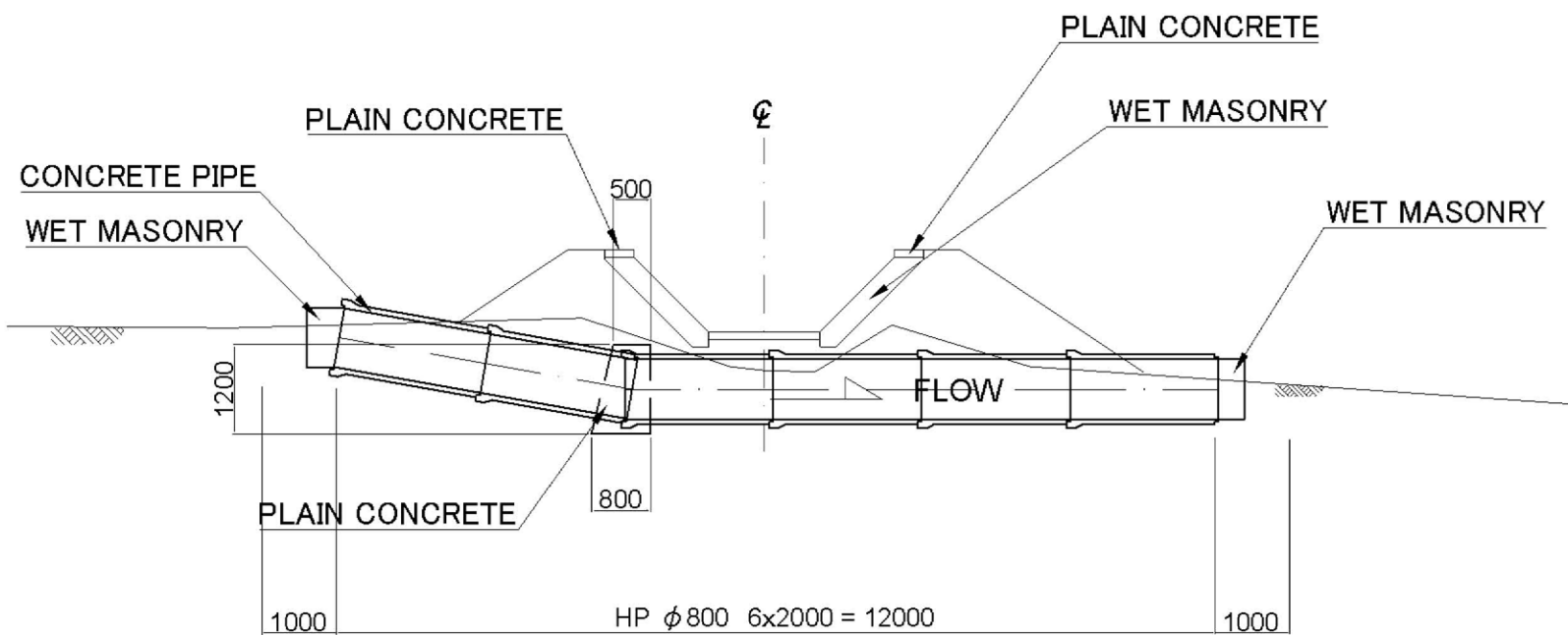
CROSS SECTION B - B



CROSS SECTION C - C

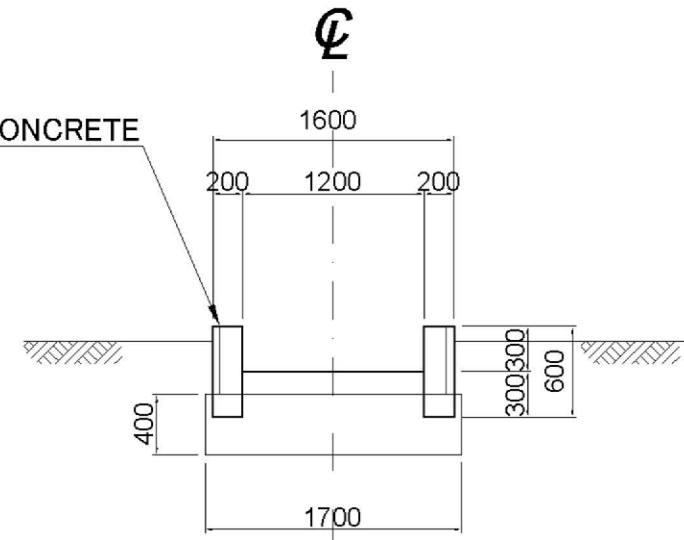
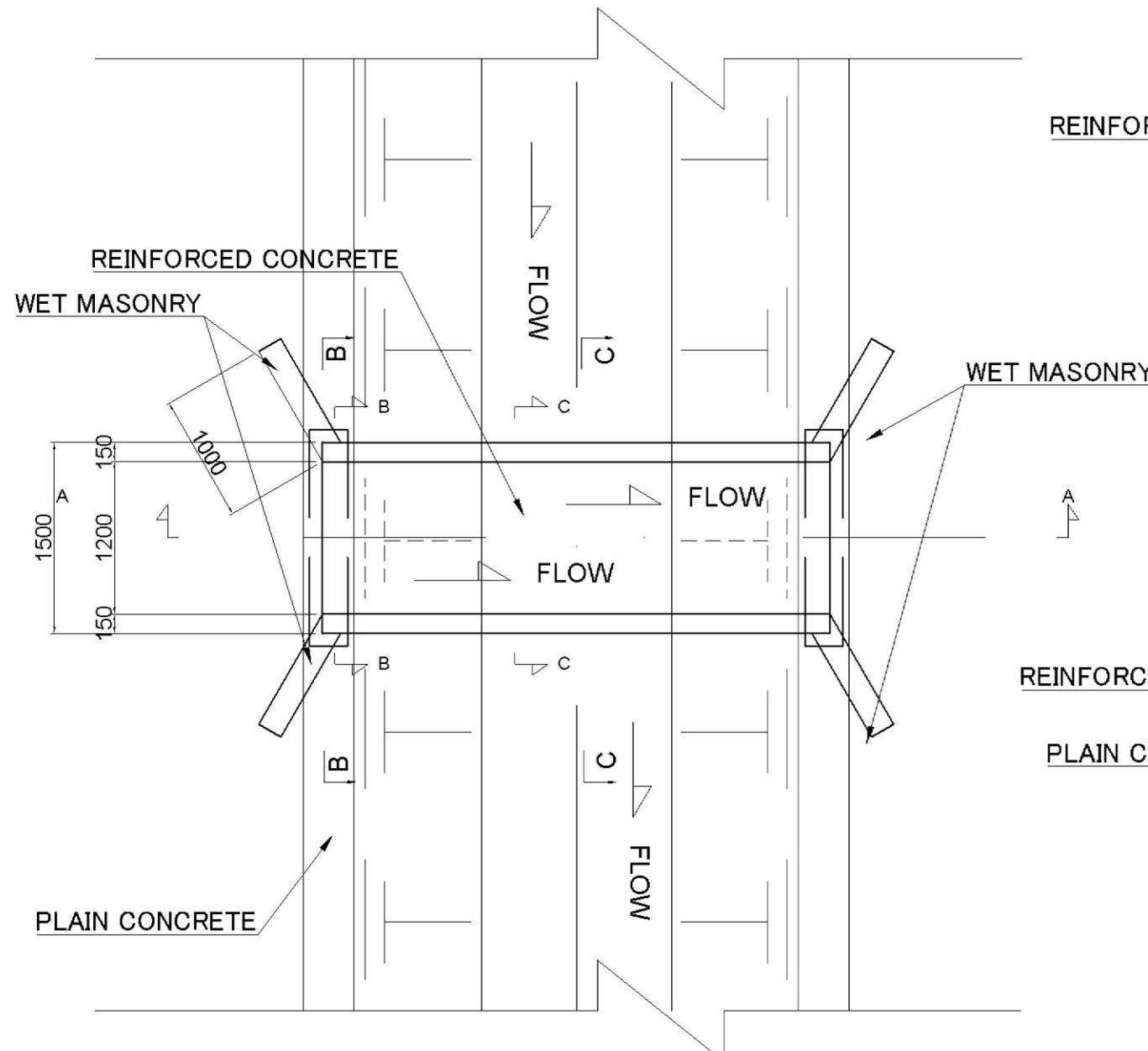


INSTALL SITE

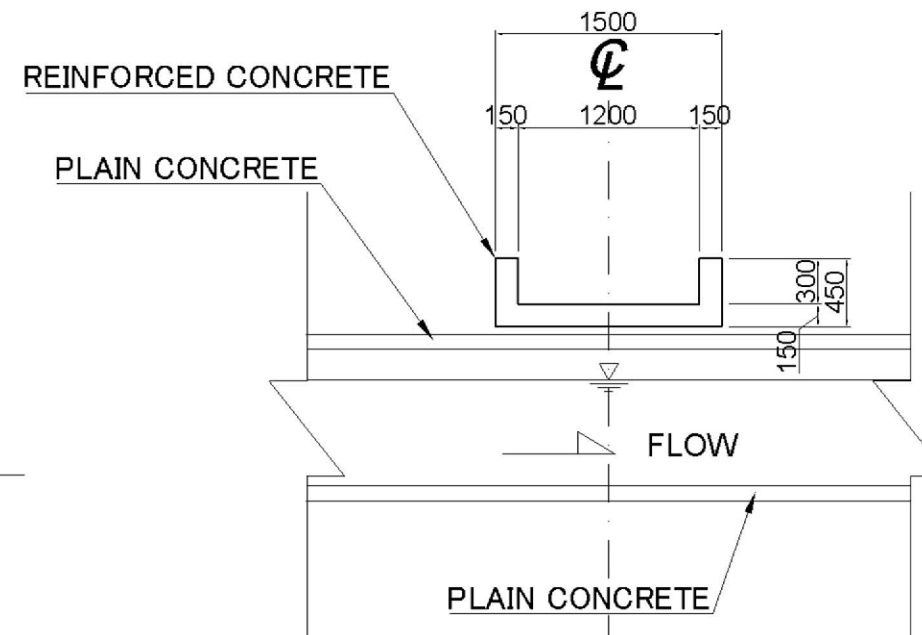


LONGITUDINAL SECTION A - A

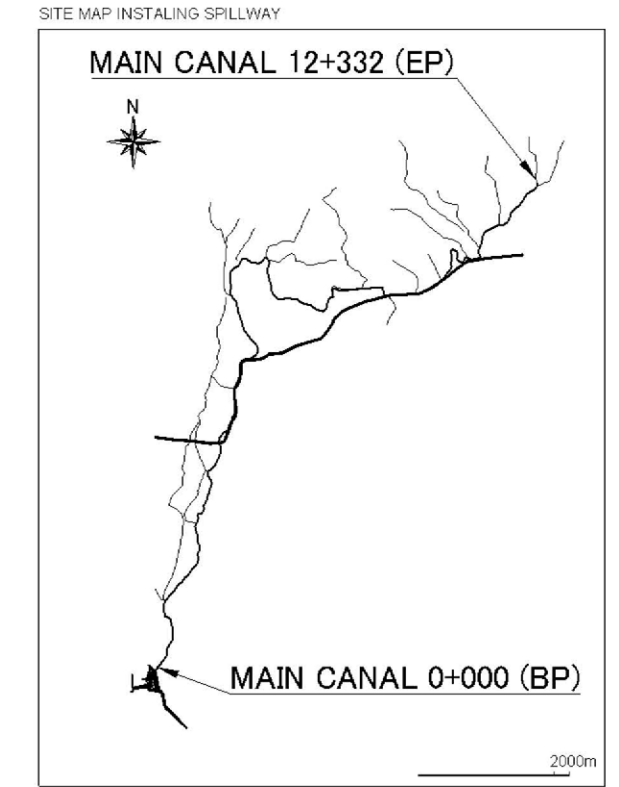
	NTC INTERNATIONAL CO., LTD.	REVISION	PROJECT TITLE	DATE	DESIGNED BY	DWG NO.
			THE PROJECT FOR REHABILITATION AND IMPROVEMENT OF BULUTO IRRIGATION SCHEME	2013.09	NTC INTERNATIONAL Co.,Ltd.	DPC.01
			DWG. TITLE	SCALE	APPROVED BY	SERIAL NO.
			PLAN OF DRAIN PIPE CULVERT	1:100		0



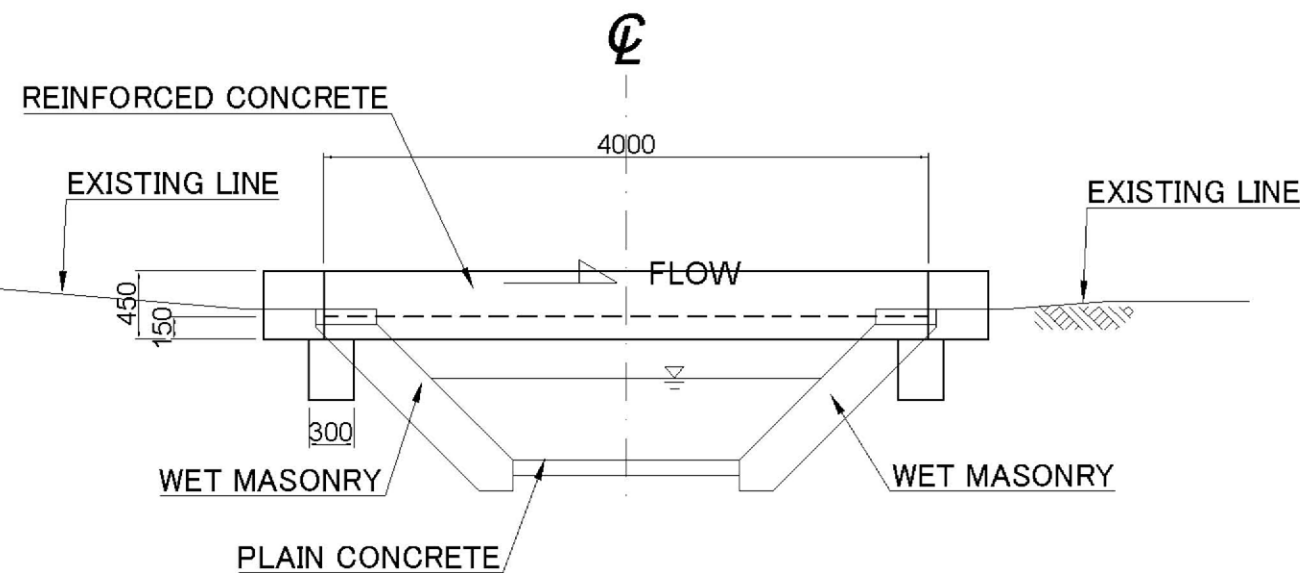
CROSS SECTION B - B



CROSS SECTION C - C

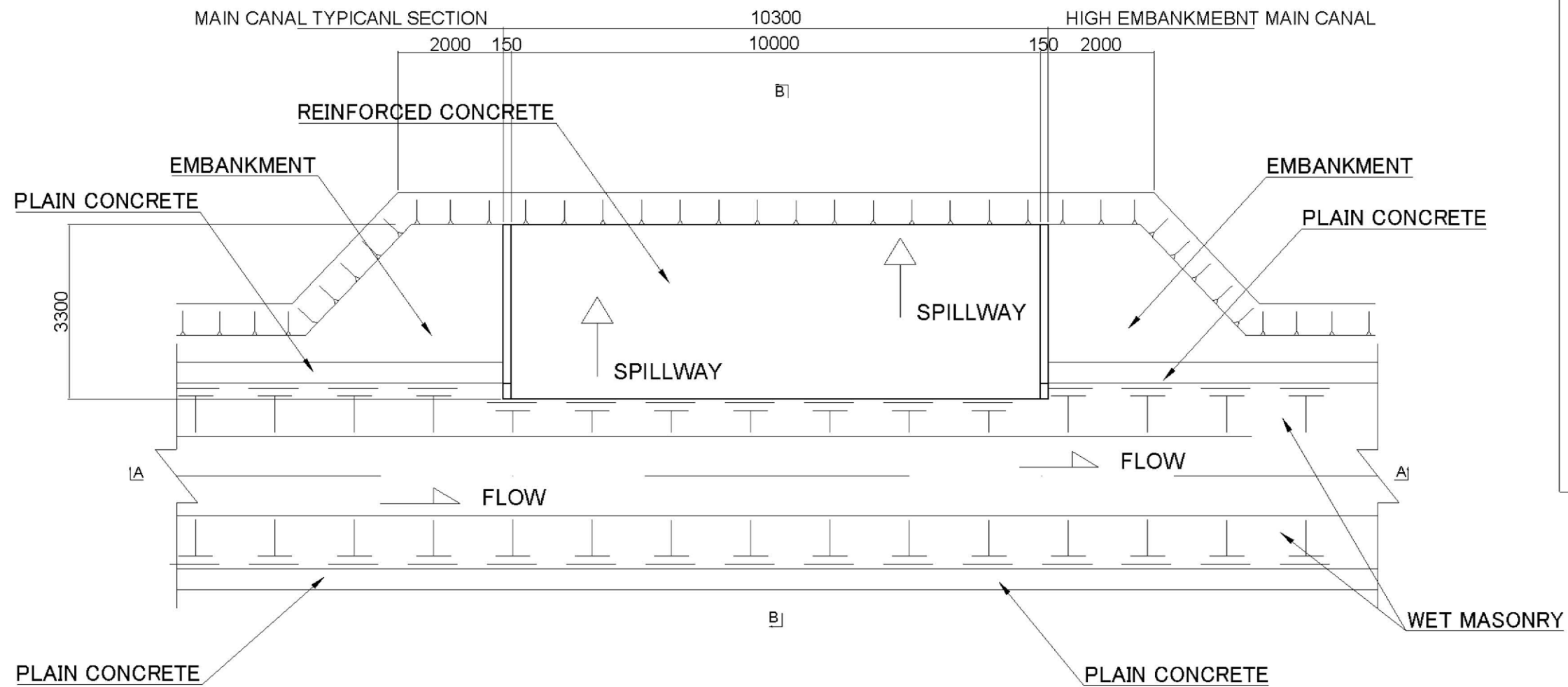


INSTALL SITE

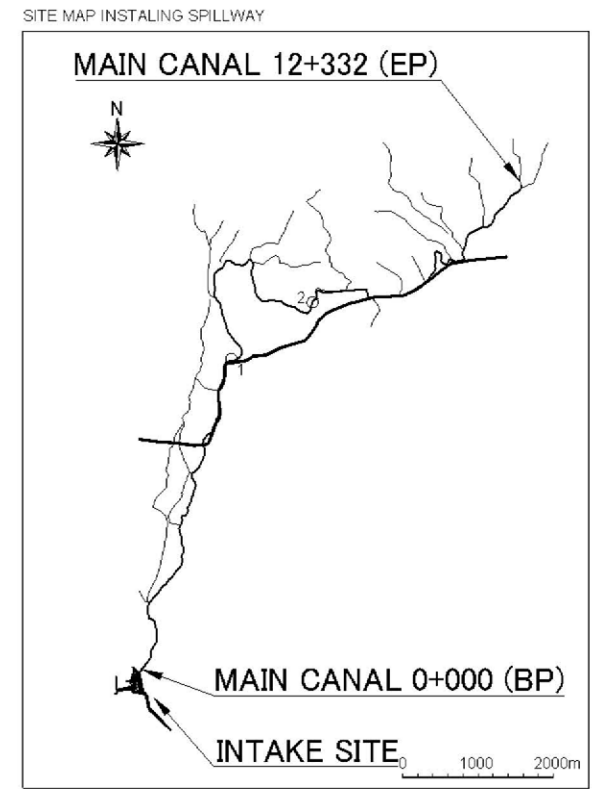


LONGITUDINAL SECTION A - A

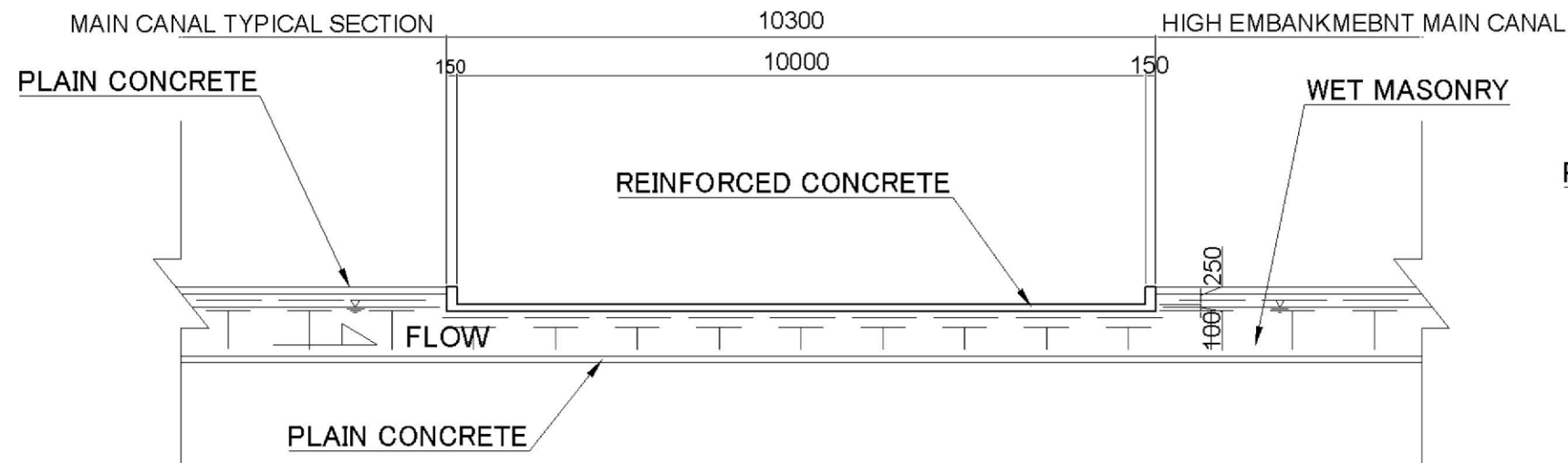
	NTC INTERNATIONAL CO., LTD.	REVISION	PROJECT TITLE	DATE	DESIGNED BY	DWG NO.
			THE PROJECT FOR REHABILITATION AND IMPROVEMENT OF BULUTO IRRIGATION SCHEME	2013.09	NTC INTERNATIONAL Co.,Ltd.	DBS.01
			DWG. TITLE	SCALE	APPROVED BY	SERIAL NO.
			PLAN OF DRAIN BRIDGE	1:50		0



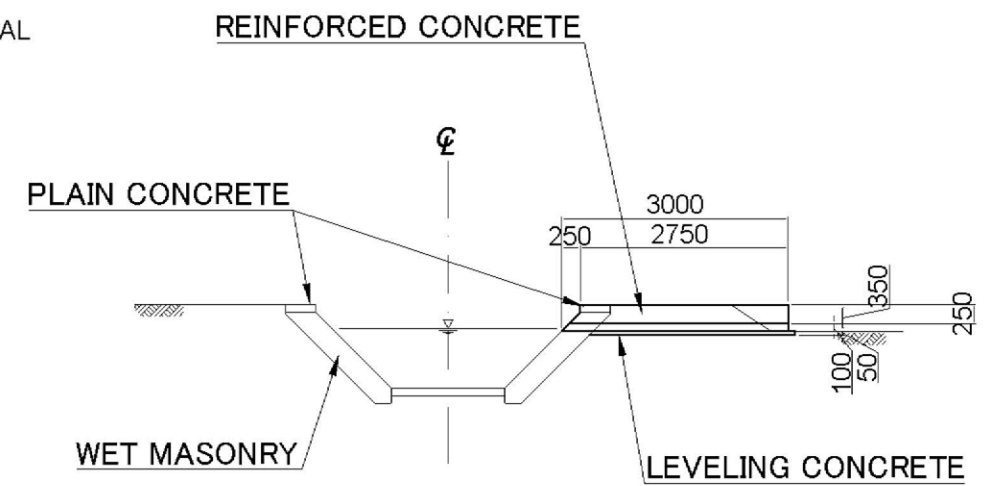
GENERAL PLAN OF SPILLWAY



INSTALL SITE	DRAINAGE DESTINATION
1 MCNO.4+575	EXISTING PADDY FIELD
2 MCNO.8+320	EXISTING DRAINAGE CANAL

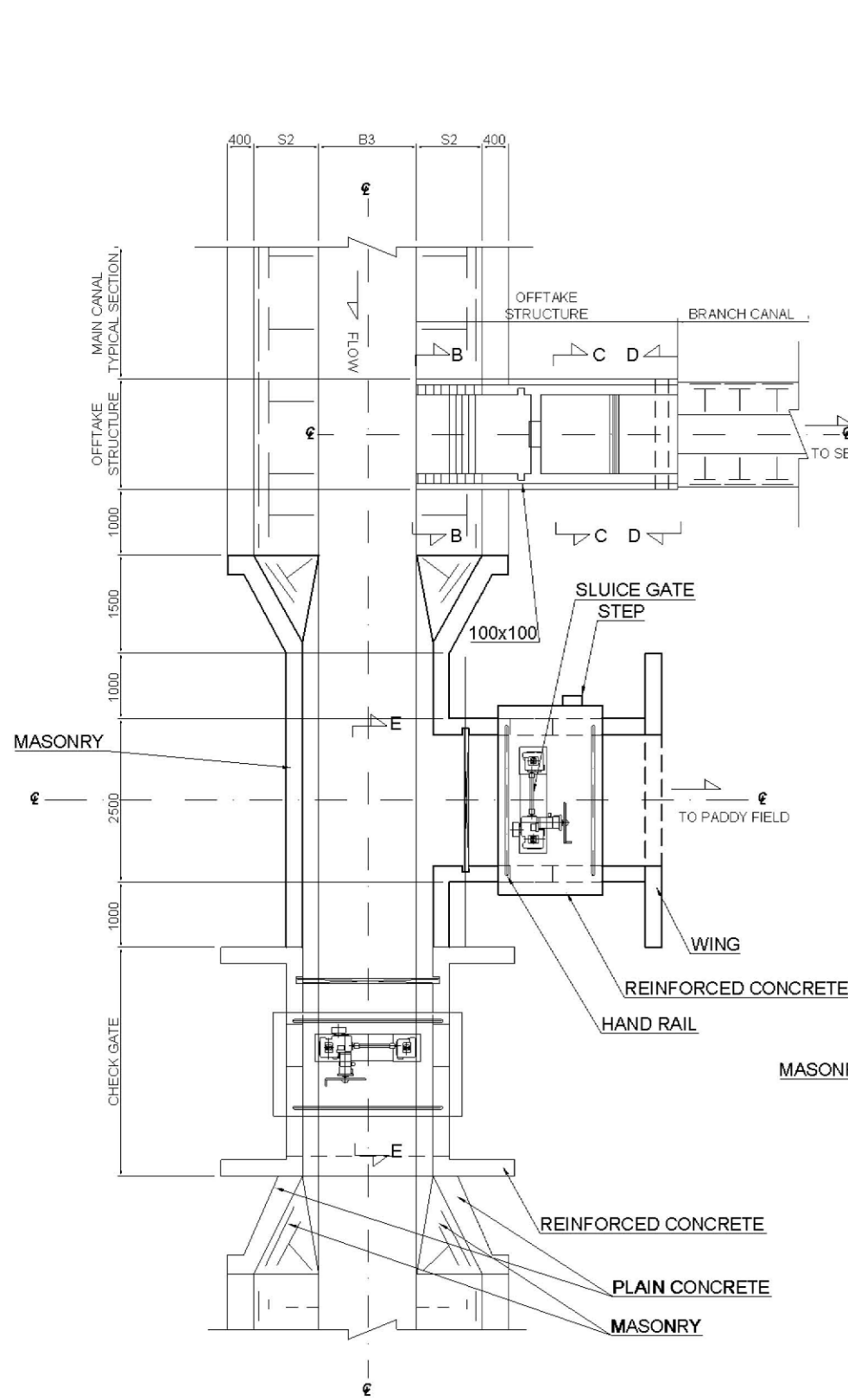


LONGITUDINAL SECTION A - A

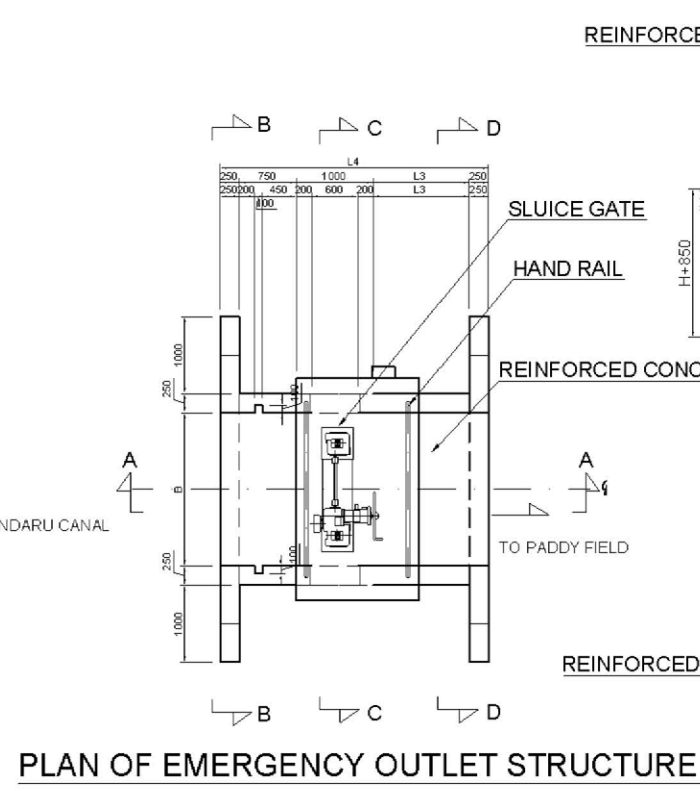


CROSS SECTION B - B

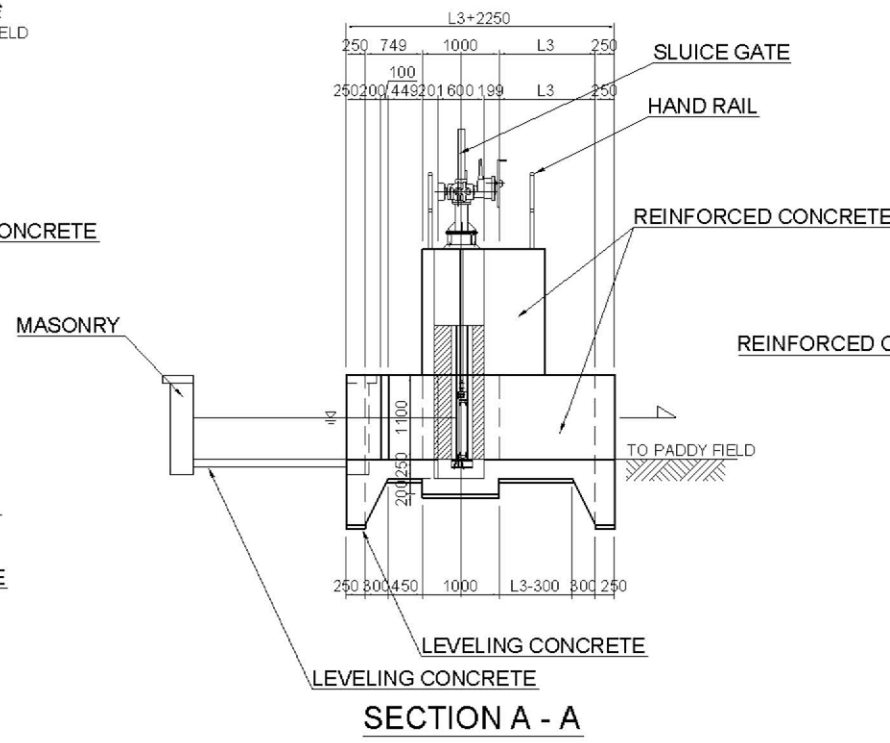
	NTC INTERNATIONAL CO., LTD.	REVISION	PROJECT TITLE	DATE	DESIGNED BY	DWG. NO.
			THE PROJECT FOR REHABILITATION AND IMPROVEMENT OF BULUTO IRRIGATION SCHEME	2013.09	NTC INTERNATIONAL Co.,Ltd.	PSW.01
			DWG. TITLE	SCALE	APPROVED BY	SERIAL NO.
			PLAN OF SPILL WAY	1:100		0



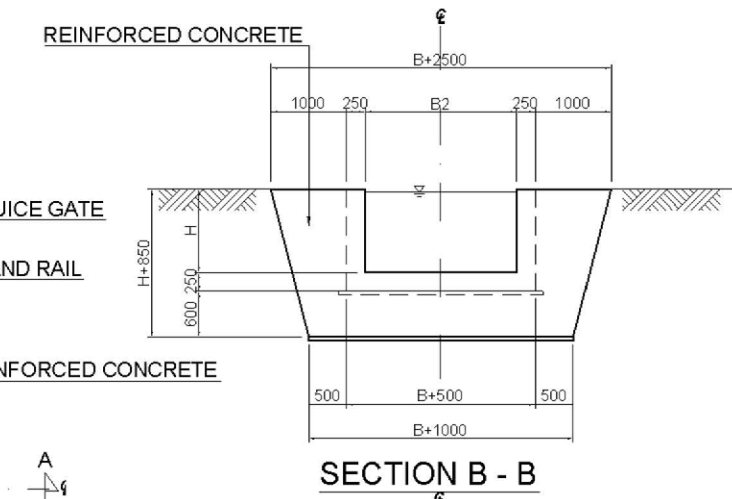
GENERAL PLAN OF EMERGENCY OUTLET



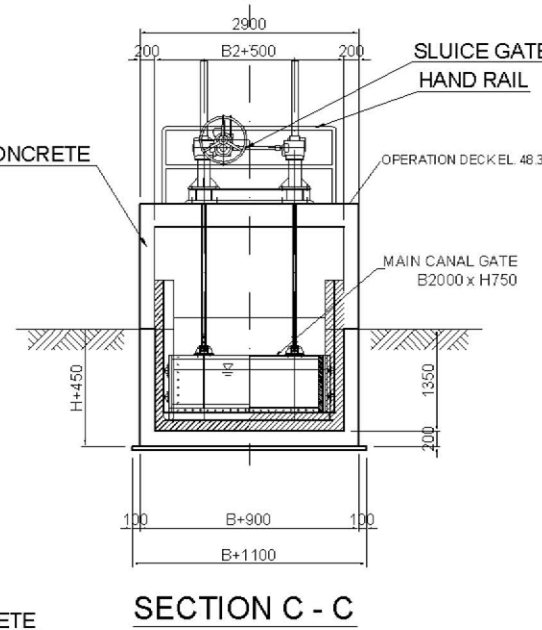
PLAN OF EMERGENCY OUTLET STRUCTURE



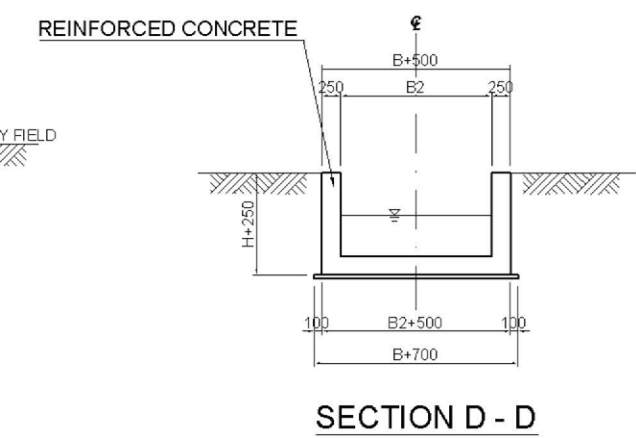
SECTION A - A



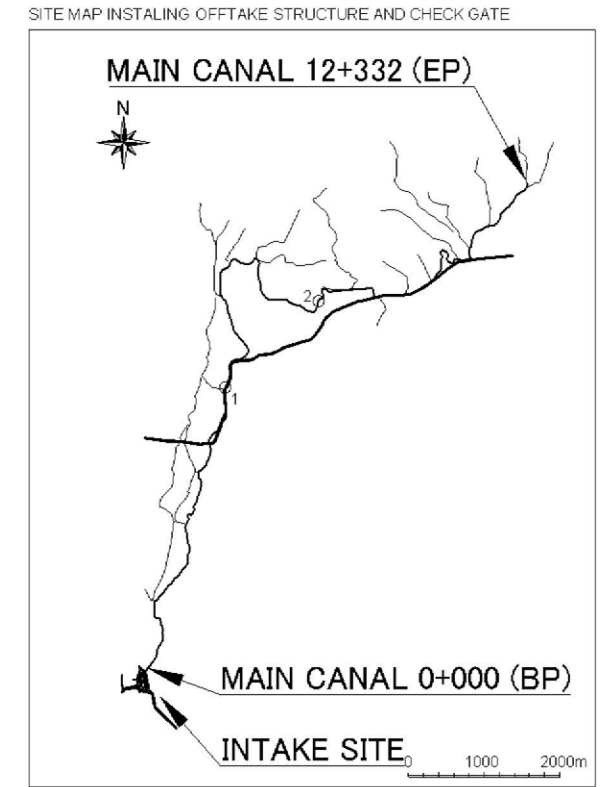
SECTION B - B



SECTION C - C



SECTION D - D



	NTC INTERNATIONAL CO., LTD.	REVISION	PROJECT TITLE	DATE	DESIGNED BY	DWG NO.
			THE PROJECT FOR REHABILITATION AND IMPROVEMENT OF BULUTO IRRIGATION SCHEME	2013.09	NTC INTERNATIONAL Co.,Ltd.	EOS.01
			DWG TITLE	SCALE	APPROVED BY	SERIAL NO.
			PLAN OF EMERGENCY OUTLET STRUCTURE	1:100		0