



Republic of the Philippines
DEPARTMENT OF TRANSPORTATION
AND
COMMUNICATIONS



JAPAN
INTERNATIONAL
COOPERATION
AGENCY

NEW BOHOL AIRPORT CONSTRUCTION AND SUSTAINABLE ENVIRONMENT PROTECTION PROJECT

DRAWINGS

COMPONENT-4 Building Works (B)

Subcomponent-4-7 Navaid Buildings (LZZ, GSB, VOR)



August 2013

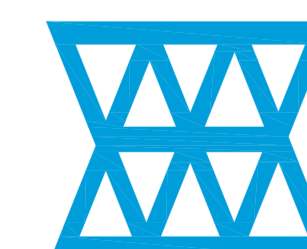
JICA DESIGN CONSULTANT JOINT VENTURE



JAPAN AIRPORT
CONSULTANTS,
INC.



NIPPON KOEI
CO., LTD.








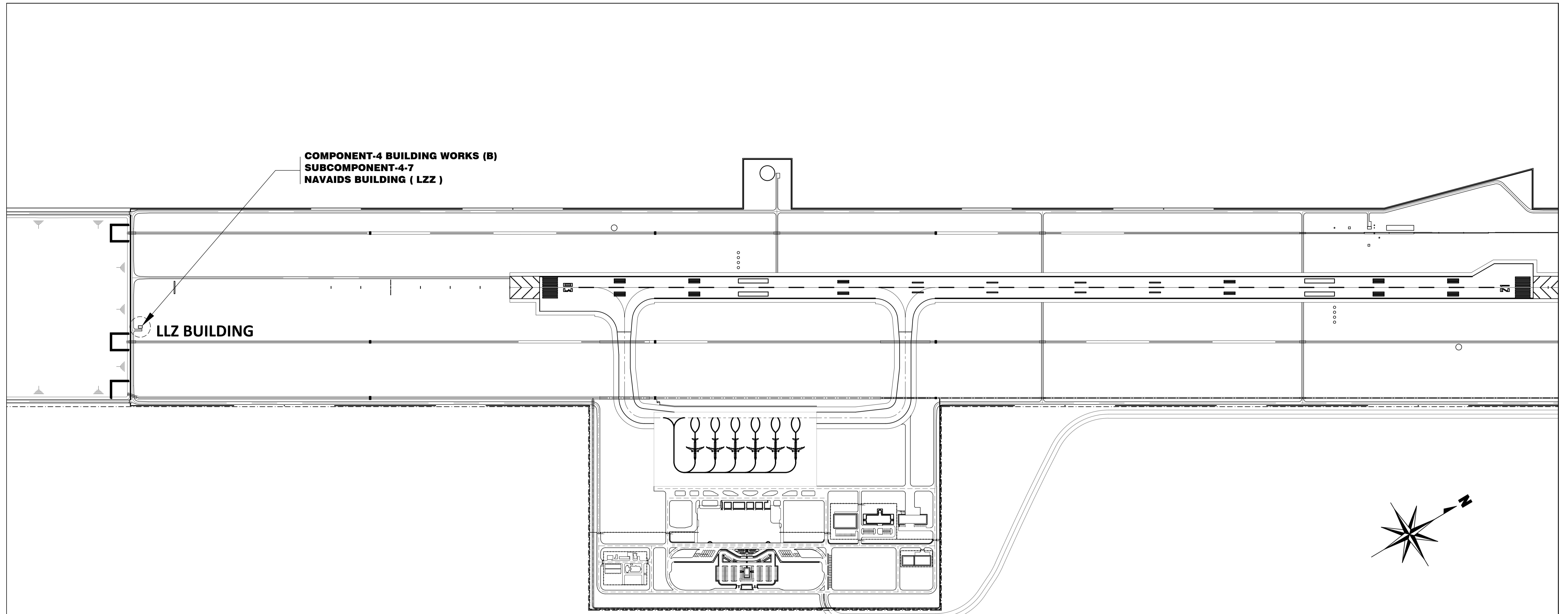
NJS CONSULTANTS
CO., LTD.

DRAWING LIST

DOCUMENT IV: DRAWINGS
COMPONENT-4: BUILDING WORKS (B)
SUBCOMPONENT-4-7: NAVAIDS BUILDING
(B71) LLZ BUILDING (LLZ)

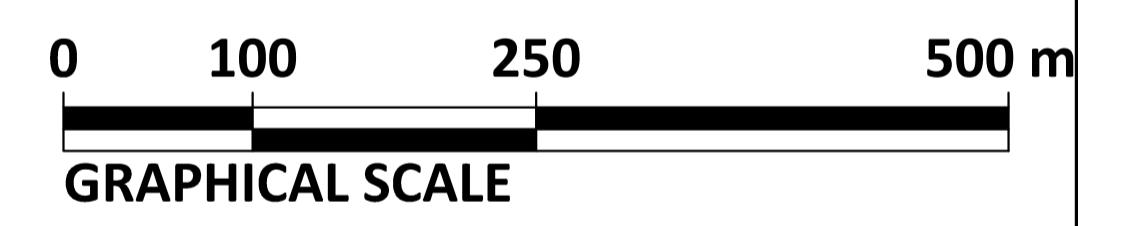
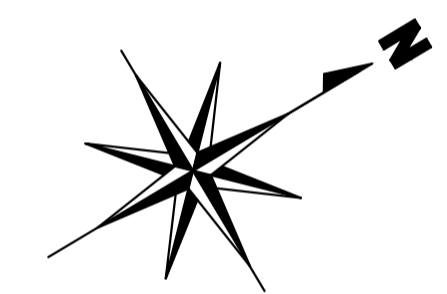
| SHEET No. | SHEET CONTENTS | SHEET No. | SHEET CONTENTS |
|-----------------|---|-----------|----------------|
| B71-4300 | ARCHITECTURAL WORKS | | |
| B71-4300-01 | LOCATION PLAN | | |
| B71-4300-02 | EXTERNAL-INTERNAL FINISHING SCHEDULE, LAYOUT PLAN, FLOOR AREA | | |
| B71-4300-03 | FLOOR PLAN, ROOF PLAN, CEILING PLAN, ELEVATIONS, SECTIONS & SECTION DETAIL | | |
| B71-4300-04 | DOORS & WINDOWS SCHEDULE | | |
| B71-4200 | STRUCTURAL WORKS | | |
| B71-4200-01 | FOUNDATION PLAN/FRAMING PLAN/SECTIONS AND DETAILS | | |
| B71-5100 | PLUMBING WORKS | | |
| B71-5100-01 | LLZ BUILDING(LLZ) MECHANICAL SANITARY & PLUMBING (1) GROUND FLOOR STORM DRAINAGE PLAN & ROOF DECK STORM DRAINAGE PLAN | | |
| B71-5200 | MECHANICAL WORKS | | |
| B71-5200-01 | LLZ BUILDING (LLZ) MECHANICAL VENTILATION AND AIR CONDITIONING AS SHOWN | | |
| B71-5300 | FIRE PROTECTION | | |
| B71-5300-01 | LLZ BUILDING (LLZ) MECHANICAL FIRE PROTECTION GROUND FLOOR FIRE PROTECTION LAYOUT | | |
| B71-6000 | ELECTRICAL WORKS | | |
| B71-6100-01 | EQUIP., FEEDER & CABLE TRAY LAYOUT | | |
| B71-6200-01 | RECEPTACLE, LIGHTING & PANEL SCHEDULE | | |
| B71-6300-01 | TELEPHONE LAYOUT | | |
| B71-6800-01 | FDAS LAYOUT | | |
| B71-6900-01 | GROUNDING LAYOUT | | |






| | | | | | | | | |
|---|---|---|---|--|--|---|--|---|
|  <p>Republic of the Philippines DEPARTMENT OF TRANSPORTATION AND COMMUNICATIONS</p> |  <p>JAPAN INTERNATIONAL COOPERATION AGENCY</p> | PREPARED BY: <p style="text-align: center;">WILLIAM I. MALLONGA</p> <small>PROF: Architect PTR: 3811137 REG. NO.: 4623 DATE: MAY 9, 2013 TEAM: 158-564-198 PLACE: MANILA CITY</small> | RECOMMENDING APPROVAL: <p style="text-align: center;">JULDEFONSO T. PATDU, JR. Assistant Secretary for Project Implementation, DOTC</p> | APPROVED: <p style="text-align: center;">JULIANITO G. BUCAYAN, JR. Undersecretary for Project Implementation, DOTC</p> | PROJECT TITLE: <p style="text-align: center;">NEW BOHOL AIRPORT CONSTRUCTION AND SUSTAINABLE ENVIRONMENT PROTECTION PROJECT</p> <p style="font-size: small;">LOCATION: MUNICIPALITY OF PANGLAO, PROVINCE OF BOHOL, PHILIPPINES</p> | SHEET CONTENTS: COMPONENT-4 BUILDING WORKS (B) SUBCOMPONENT-4-7 NAVAIDS BUILDINGS (B71) LLZ BUILDING DRAWING LIST | SHEET NO: <p style="font-size: large;">B71-LIST</p> DRAWING SCALE: <p style="text-align: center;">NTS</p> | |
| JICA DESIGN CONSULTANT JOINT VENTURE    | | | | | | | | Prepared by: WIM Checked by: HC Validated by: |



**COMPONENT-4 BUILDING WORKS (B)
SUBCOMPONENT-4-7
NAVAIDS BUILDING (LZZ)**

LLZ BUILDING



| | | | | | | | | | |
|--|---|--|--|---|--|---|--|-------------------------------------|-----------|
|  <p>Republic of the Philippines DEPARTMENT OF TRANSPORTATION AND COMMUNICATIONS</p> |  <p>JAPAN INTERNATIONAL COOPERATION AGENCY</p> | PREPARED BY: | RECOMMENDING APPROVAL: | APPROVED: | PROJECT TITLE: | SHEET CONTENTS: | | | SHEET NO: |
| | | <p>WILLIAM I. MALLONGA</p> <p>PROF: Architect PTR: 3811137 RES. NO.: 4623 DATE: MAY 9, 2013 TEAM: 128-564-198 PLACE: MANAR CITY</p> | <p>ILDEFONSO T. PATDU, JR. Assistant Secretary for Project Implementation, DOTC</p> | <p>JULIANITO G. BUCAYAN, JR. Undersecretary for Project Implementation, DOTC</p> | <p>NEW BOHOL AIRPORT CONSTRUCTION AND SUSTAINABLE ENVIRONMENT PROTECTION PROJECT</p> <p>LOCATION: MUNICIPALITY OF PANGLAO, PROVINCE OF BOHOL, PHILIPPINES</p> | <p>COMPONENT-4 BUILDING WORKS (B) SUBCOMPONENT-4-7 NAVAIDS BUILDING</p> <p>(B71) LLZ BUILDING ARCHITECTURAL LOCATION PLAN</p> | <p>B71-4300-01</p> | | |
| <p>JICA DESIGN CONSULTANT JOINT VENTURE</p> <p> JAPAN AIRPORT CONSULTANTS, INC.  NIPPON KOEI CO., LTD.  NIS CONSULTANTS CO., LTD.</p> | | <p>TADASHI AOI Team Leader</p> | | | | <p>JUNE 2013</p> | <p>Prepared by: WIM Checked by: HC Validated by:</p> | <p>DRAWING SCALE: 1:1000 M.</p> | |

LLZ BUILDING

OUTLINE OF EXTERNAL FINISHING SCHEDULE

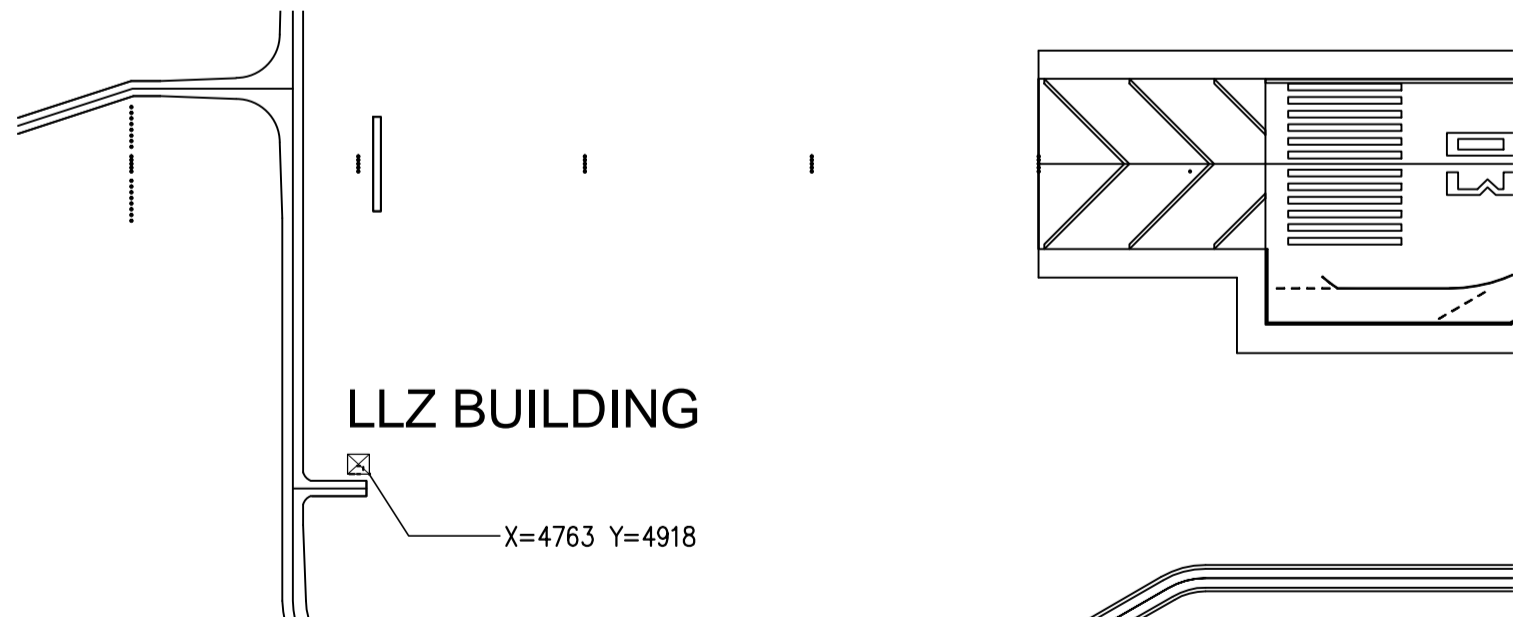
Table with 2 main columns for Portion and Finishing Material. It lists various external finishing items like Floor, Roof, Fascia, Parapet, etc., along with their respective materials and symbols.

OUTLINE OF INTERNAL FINISHING SCHEDULE

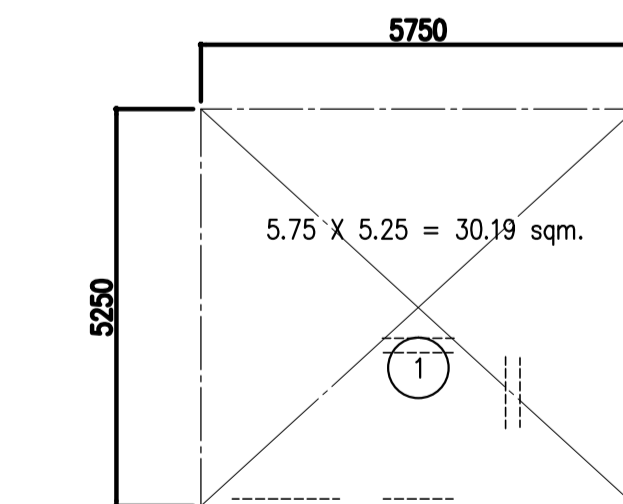
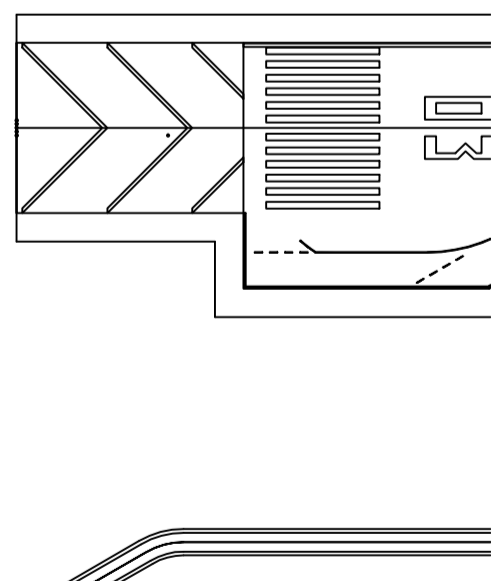
Large internal finishing schedule table with columns for Room Number, Building Element, Room Designation, and various finishing codes (F1-F11, W1-W10, Co1-Co8, B1-B4, C1-C3, C4-C8) with corresponding material descriptions and a Remarks column.

Legend for Paint Type

- List of paint types and water proofing codes: P-1 Synthetic Resin Emulsion Paint, P-2 Synthetic Resin Mixed Paint type I (for wood), P-3 Synthetic Resin Mixed Paint type II (for steel), P-4 Synthetic Resin Emulsion Multi-Layer Coating, P-5 Clear Lacquer, P-6 Epoxy Resin Floor Paint, P-7 Acrylic Resin Enamel Paint, P-8 Fluorine-resin Enamel coating, wp-3: Water Proofing : Urethane Waterproofing Coating, UE : Urethane Paint



1 LLZ LAYOUT PLAN SCALE: 1:500 MTS.

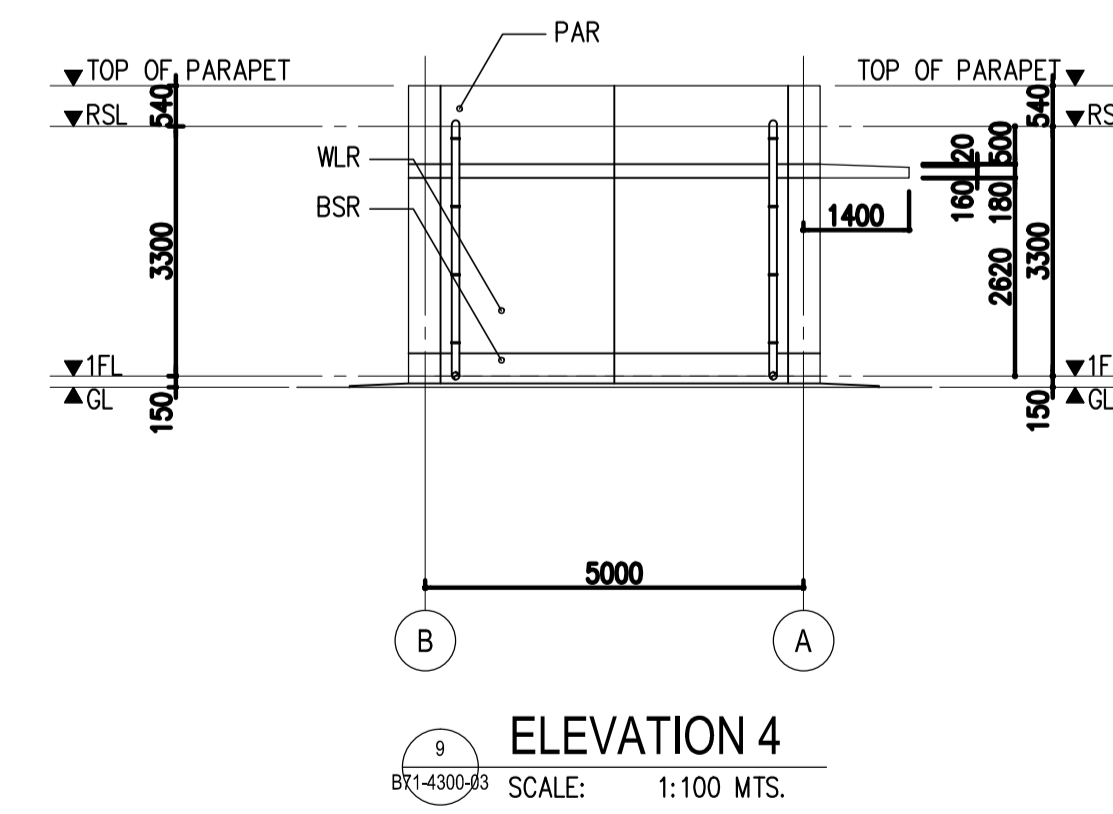
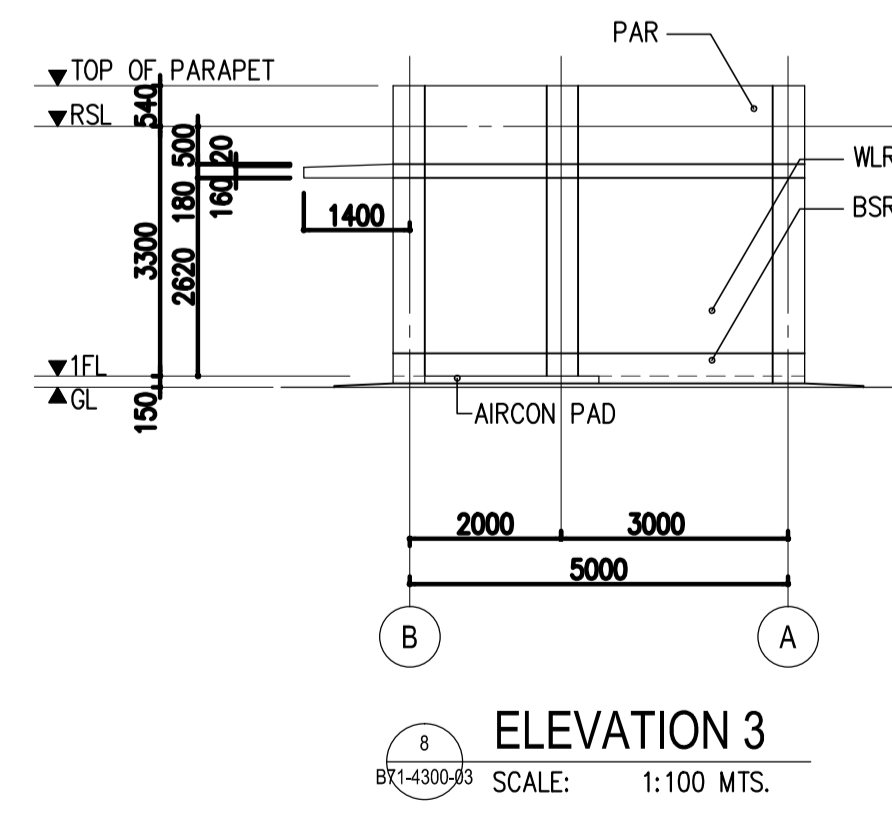
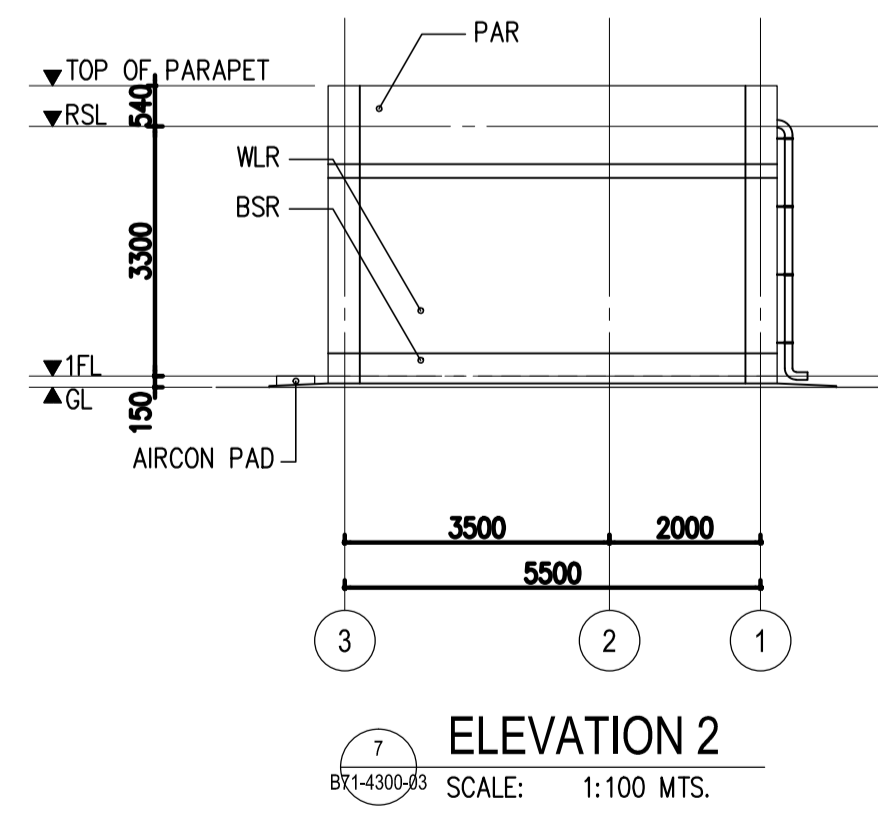
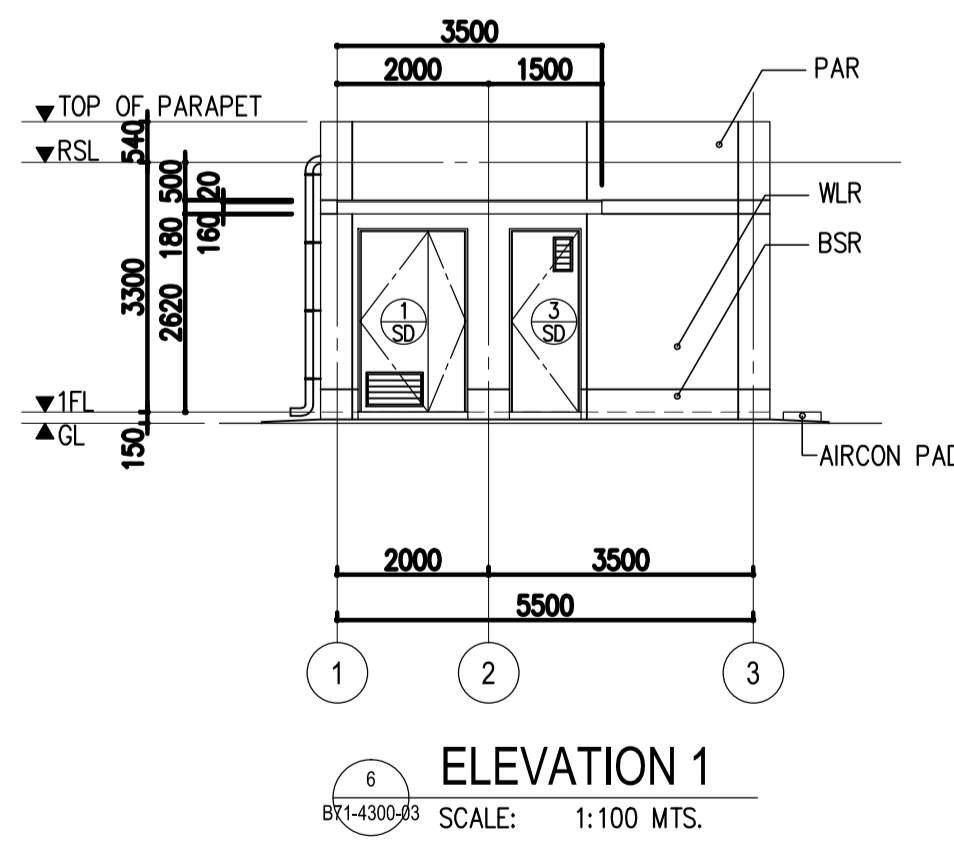
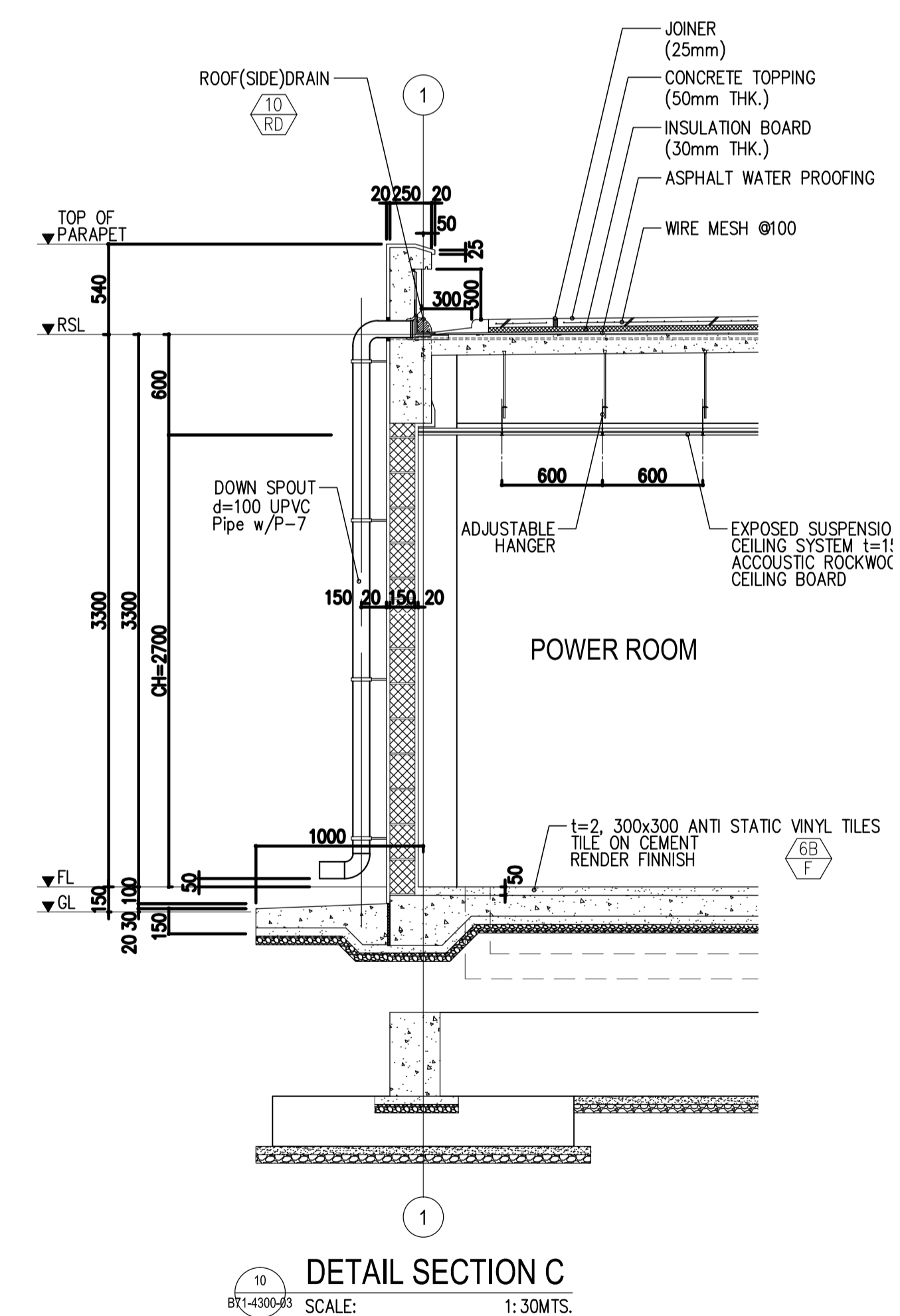
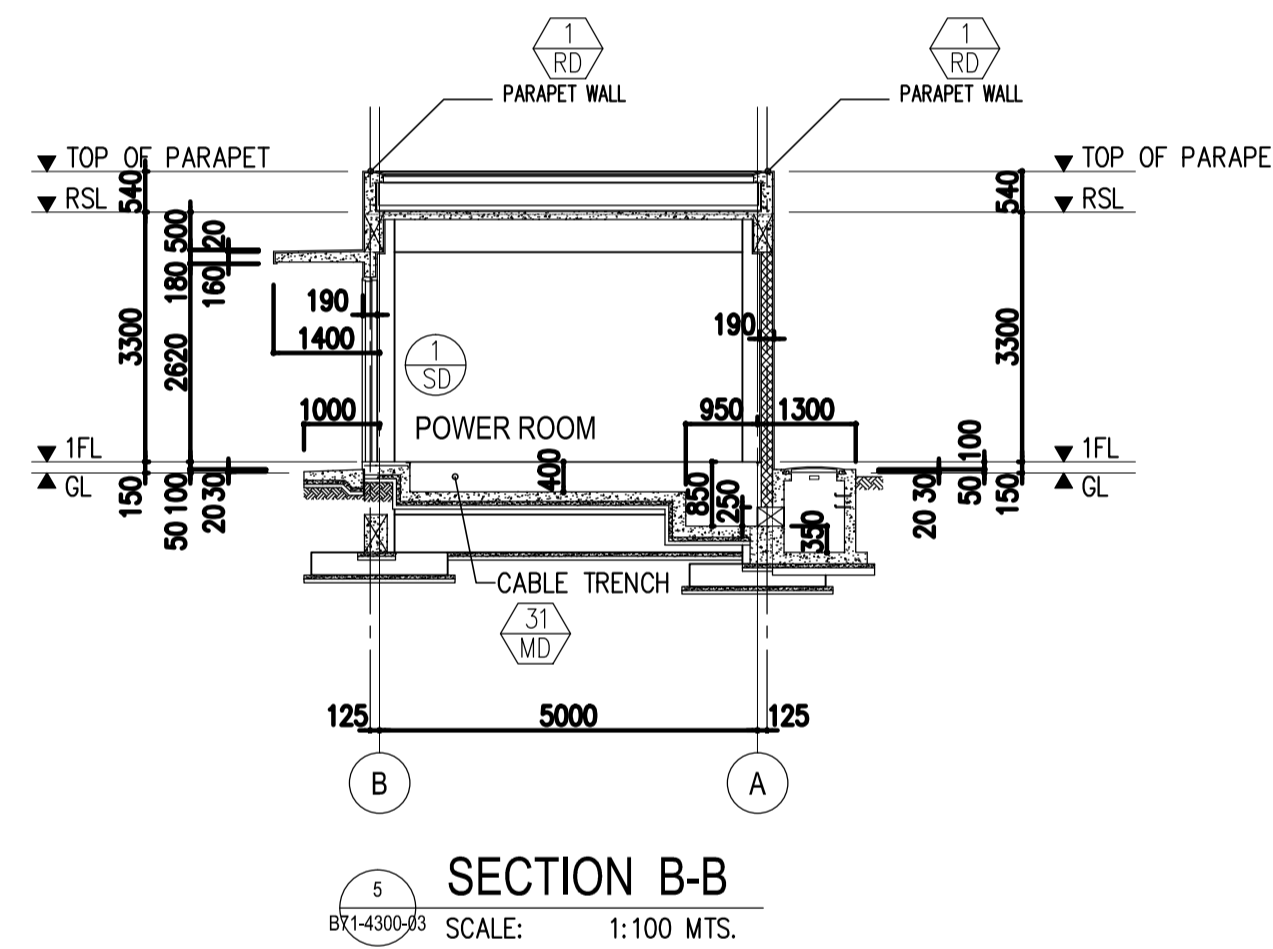
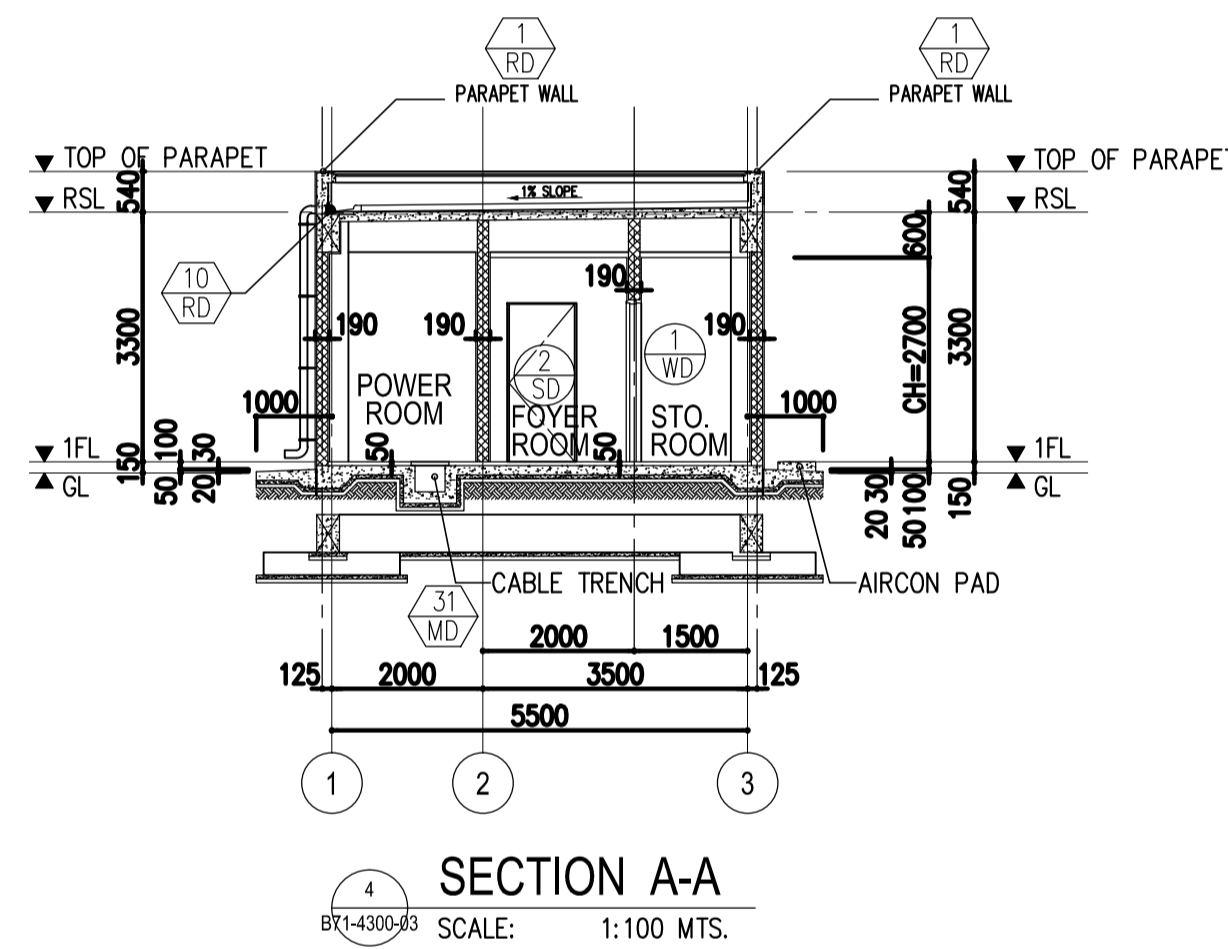
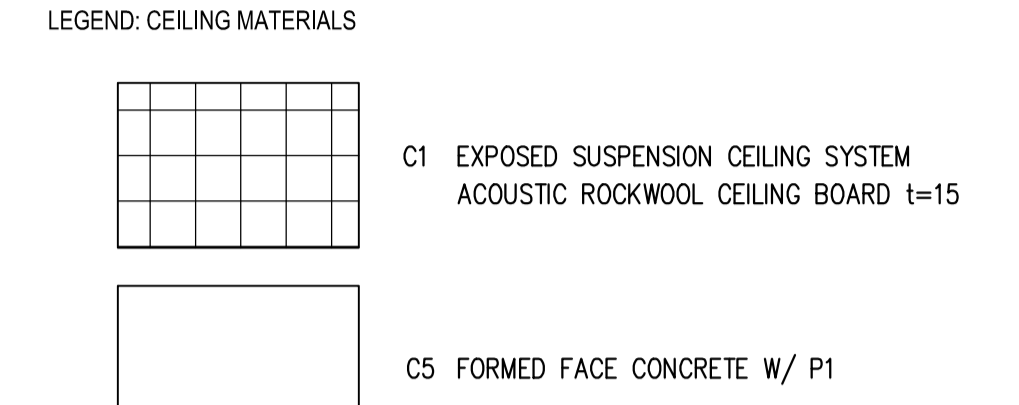
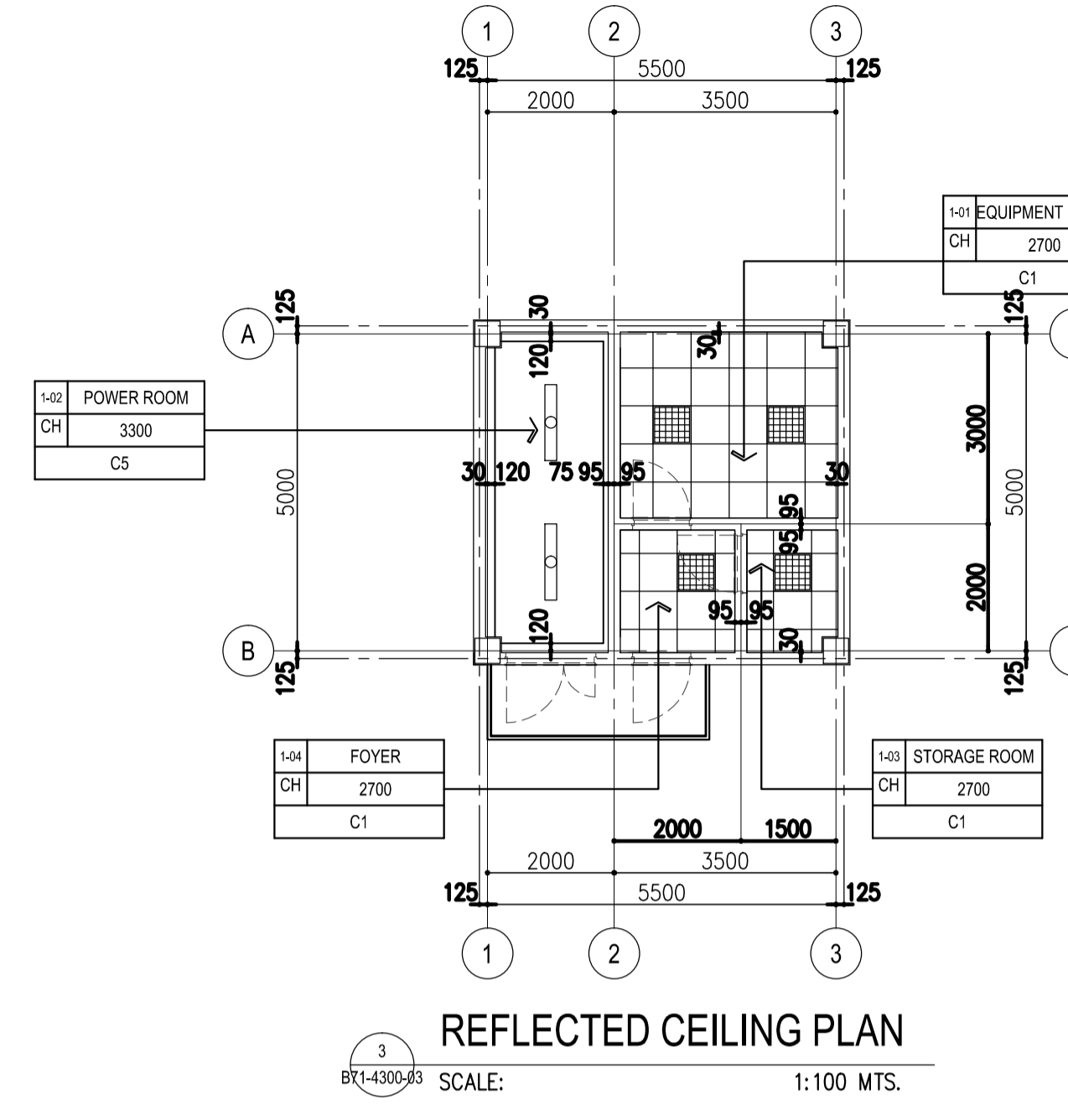
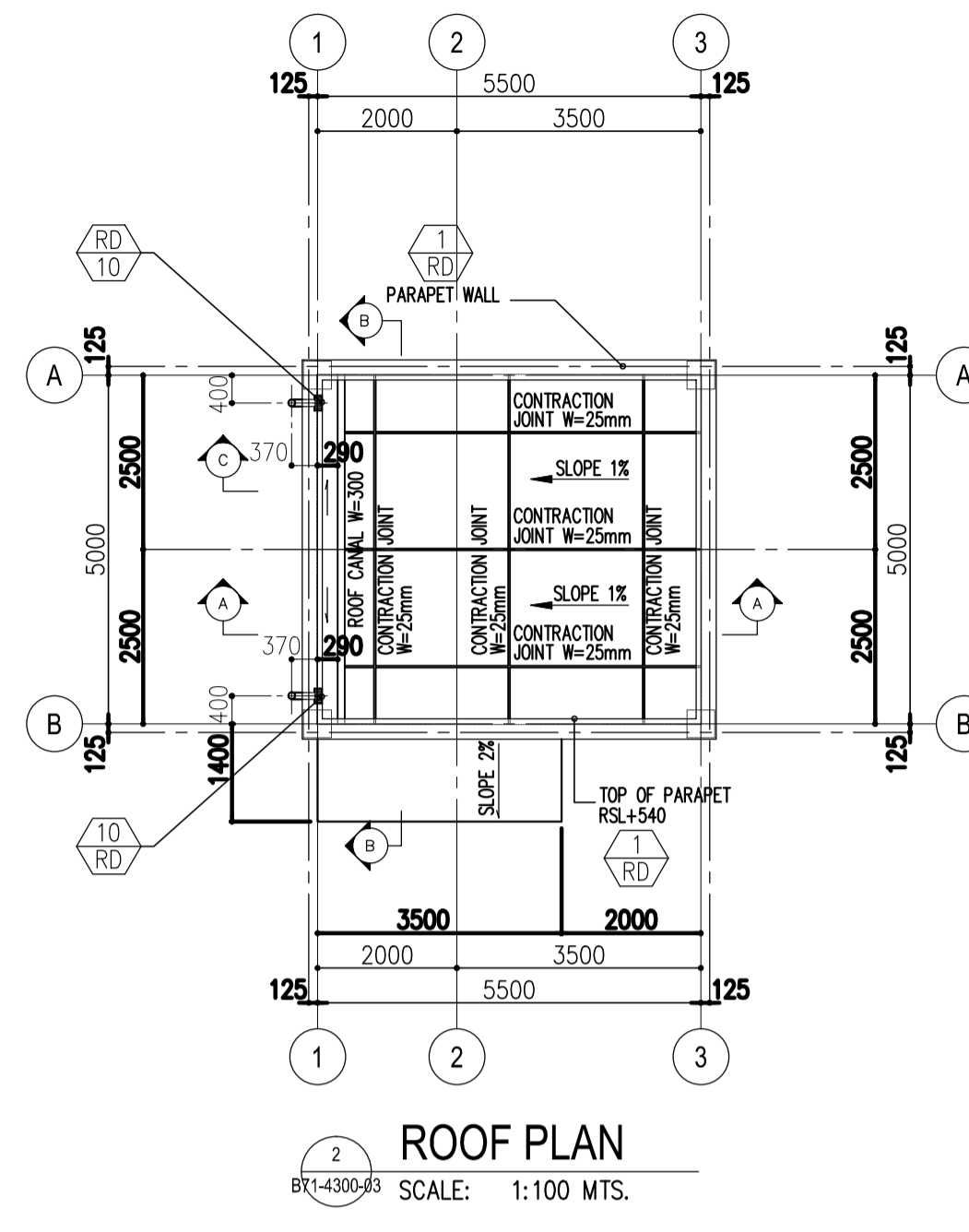
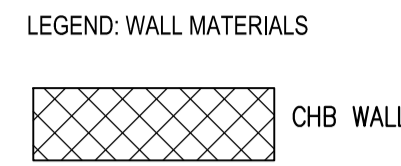
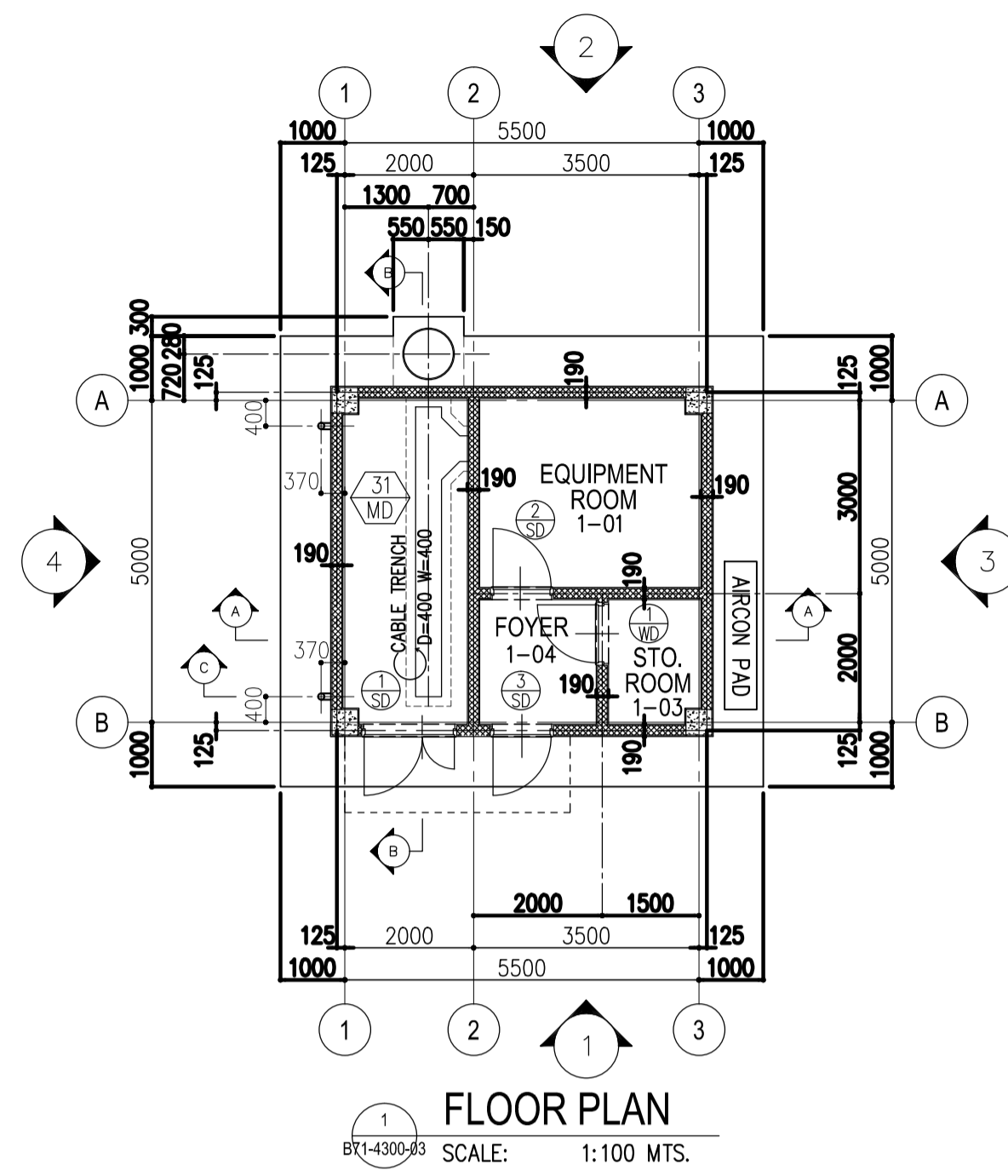


2 LLZ GROUND FLOOR AREA SCALE: 1:100 MTS.

LLZ BUILDING FLOOR AREA SCHEDULE

Table with 3 columns: FL, Floor Area No., Floor Area. Shows a total floor area of 30.19 sqm for the ground floor.

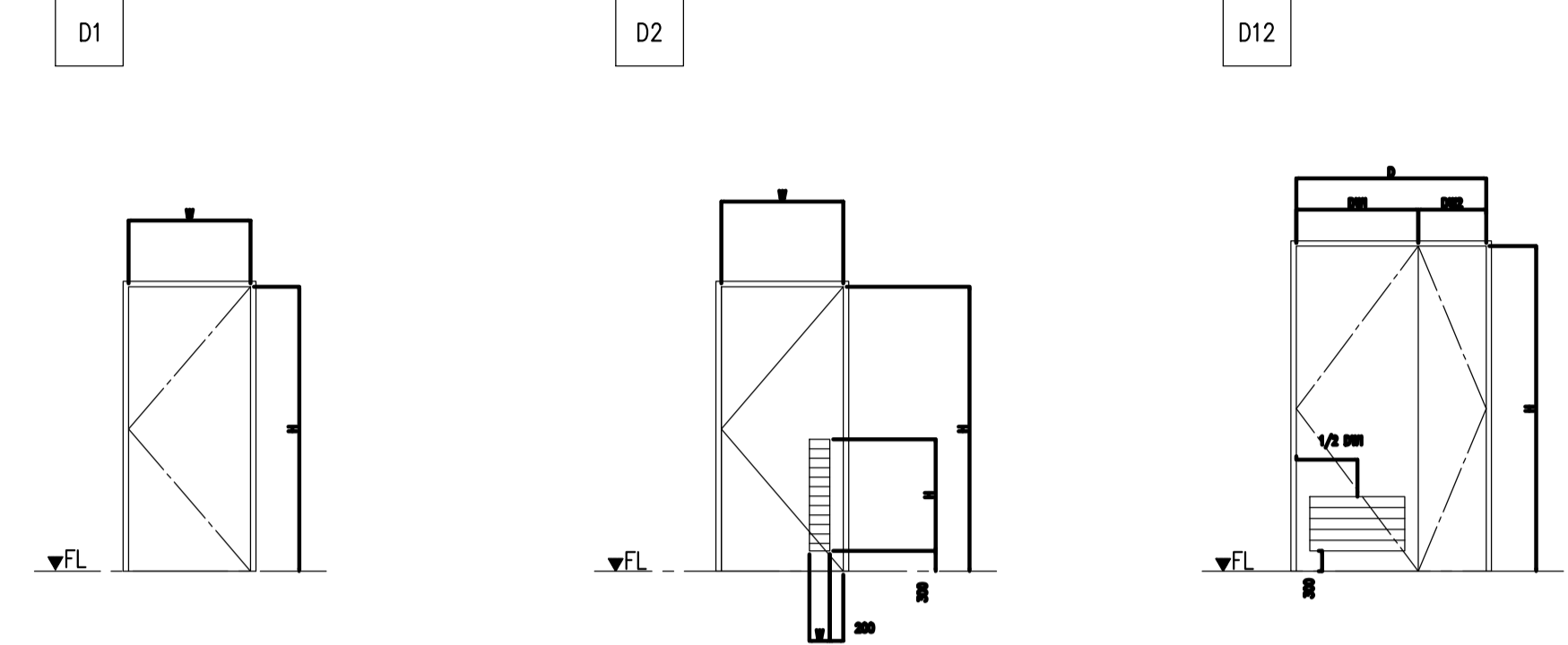
Project information block containing logos (Republic of the Philippines, JICA, JAC, Nippon Koei, NIS Consultants), preparation and approval details (William I. Mallonga, Ildefonso T. Patdu, Jr., Julianito G. Bucayan, Jr.), project title (New Bohol Airport Construction and Sustainable Environment Protection Project), location (Municipality of Panglao, Province of Bohol, Philippines), and sheet contents (Component-4 Building Works (B) Subcomponent-4-7 Navajds Building).



| | | | | | | | |
|--|--|---|---|--|---|--|---|
| | PREPARED BY: WILLIAM I. MALLONGA <small>PROF: Architect PIR: 3811137 RES. NO.: 4623 DATE: MAY 9, 2013 TEL: 120-564-198 PLACE: MANILA CITY</small> | RECOMMENDING APPROVAL: ILDEFONSO T. PATDU, JR. <small>Assistant Secretary for Project Implementation, DOTC</small> | APPROVED: JULIANITO G. BUCAYAN, JR. <small>Undersecretary for Project Implementation, DOTC</small> | PROJECT TITLE: NEW BOHOL AIRPORT CONSTRUCTION AND SUSTAINABLE ENVIRONMENT PROTECTION PROJECT | LOCATION: MUNICIPALITY OF PANGLAO, PROVINCE OF BOHOL, PHILIPPINES | SHEET CONTENTS: COMPONENT-4 BUILDING WORKS (B) SUBCOMPONENT-4-7 NAVAIDS BUILDING (B71) LLZ BUILDING ARCHITECTURAL FLOOR PLAN, ROOF PLAN, CEILING PLAN, ELEVATIONS, SECTIONS & SECTION DETAIL | SHEET NO: B71-4300-03 |
| | JICA DESIGN CONSULTANT JOINT VENTURE JAC JAPAN AIRPORT CONSULTANTS, INC. | JICA JAPAN INTERNATIONAL COOPERATION AGENCY | NIPPON KOEI CO., LTD. | NIS CONSULTANTS CO., LTD. | DATE: JUNE 2013 INDEX: | AMENDMENTS: | Prepared by: WIM Checked by: HC Validated by: |

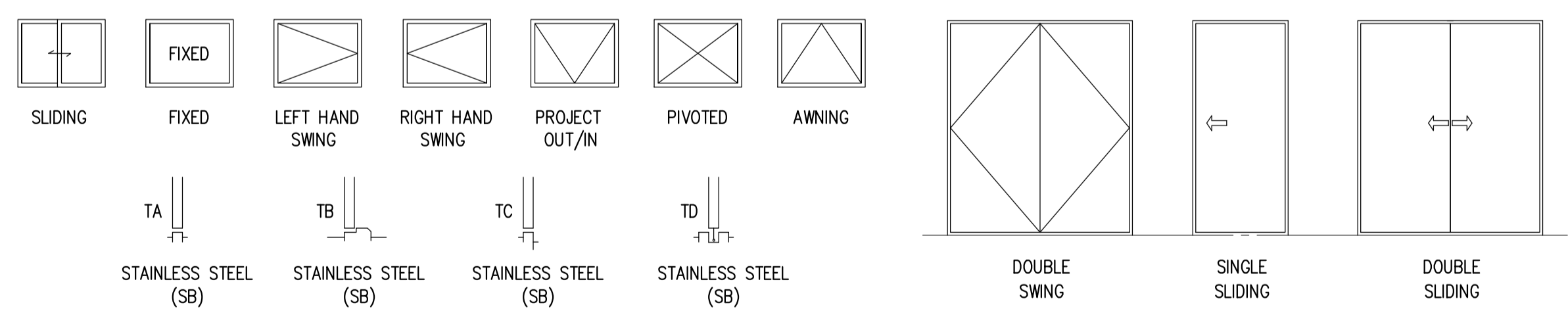
SCHEDULE OF DOORS & WINDOWS

| MARK | TYPE | FIGURE | QUANTITY | DIMENSION | | DIMENSION | | GLAZING | | LOUVER | | IRON MONGERY | | | | OTHERS | | | | REMARKS | | |
|---------|------|--------|----------|---------------|-------|--------------------|----------|---------|------|-----------|-----------------|--------------|--------|-------------------------------|--------|----------------|-------------|-----------|-------------|---------|-----------------|-----------|
| | | | | W (w) x H (h) | FRAME | DOOR PANEL OR SASH | MATERIAL | FINISH | TYPE | THICKNESS | DIMENSION W x H | MATERIAL | FINISH | ALL FITTING FIXING & HARDWARE | HINGES | LOCK AND LATCH | DOOR CLOSER | DOOR STOP | DOOR HANDLE | | WEATHER MOLDING | SILL/TRIM |
| 1 SD | D12 | | 1 | 1400 x 2400 | 130 | 40 | ST | P-3 | | | 700 x 400 | ST | P-3 | BH | ML | 0 | 0 | | | TB | 0 | |
| 2 SD | D1 | | 1 | 900 x 2100 | 130 | 40 | ST | P-3 | | | | | | BH | ML | 0 | 0 | | | TA | 0 | |
| 3 SD | D2 | | 1 | 900 x 2400 | 130 | 40 | ST | P-3 | | | 200 x 400 | ST | P-3 | BH | ML | 0 | 0 | | | TB | 0 | |
| 1 WD | D2 | | 1 | 900 x 2100 | 130 | 40 | WD | P-2 | | | 200 x 400 | WD | P-2 | BH | ML | 0 | 0 | | | TA | 0 | |

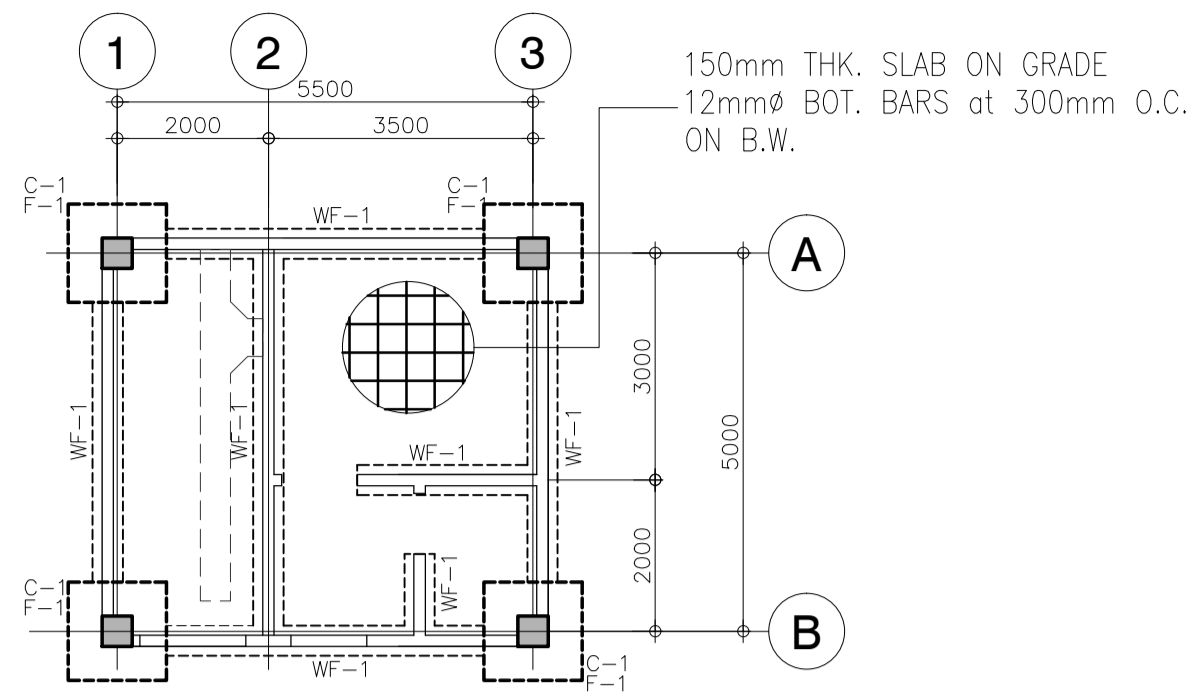


- | | | | | | |
|--|---|--|--|--|--|
| DOOR & WINDOW AD - ALUMINIUM DOOR AW - ALUMINIUM WINDOW AL - ALUMINIUM LOUVER SD - STEEL DOOR FWD - FLUSH DOOR LWD - LOUVER DOOR RS - ROLLING SHUTTER DOOR RG - ROLLING GRILLE AS - ALUMINIUM SCREEN FP - FOLDING PARTITION WD - WOODEN DOOR | MATERIAL ST - STEEL SST - STAINLESS STEEL AL - ALUMINIUM TG - TEMPERED GLASS HC - HONEY COMB WD - WOOD | FINISH AN - ANODIZING WITH ELECTRO DEPOSITION ALUMINIUM SB - SCRATCH BRUSHED MR - MELANIN RESIN OVERLAID EPX - EPOXY-POLYESTER BAKED PAINT P-2 - SYNTHETIC RESIN MIXED PAINT (WOOD) P-3 - SYNTHETIC RESIN MIXED PAINT (STEEL) UE - URETHAN RESIN | GLAZING CG - CLEAR FLOAT GLASS CWG - CLEAR WIRE GLASS FG - FIGURED GLASS FWG - FIGURED WIRE GLASS HAG - HEAT ABSORBING GLASS HAWG - HEAT ABSORBING WIRE GLASS LG - LAMINATED GLASS TG - TEMPERED GLASS HTG - HEAT ABSORBING TEMPERED GLASS | HINGES BH - BUTT HINGE FH - FLOOR HINGE PH - PIVOT HINGE SH - SPRING HINGE DL - DEADBOLT MORTISE LOCK ML - MORTISE LOCK & LEVER HANDLE CL - CYLINDRICAL LOCK HC - HOOK LOCK EL - EMERGENCY LOCK & LEVER HANDLE | PL - PASSAGE LATCH LL - LAVATORY LATCH WITH INDICATOR FB - FLUSH BOLT PP - PUSH-PULL PLATE CS - CRESCENT SASH LOCK CLH - CAM LATCH HANDLE & ARM RT - ROLLER TIGHTENING HANDLE RW - ROCK WOOL IS - INSECT SCREEN AT - AIRTIGHTNESS BB - BLIND BOX FTG - FRAMELESS DOOR |
|--|---|--|--|--|--|

SYMBOLS & CONVENTION OF DOOR & WINDOW



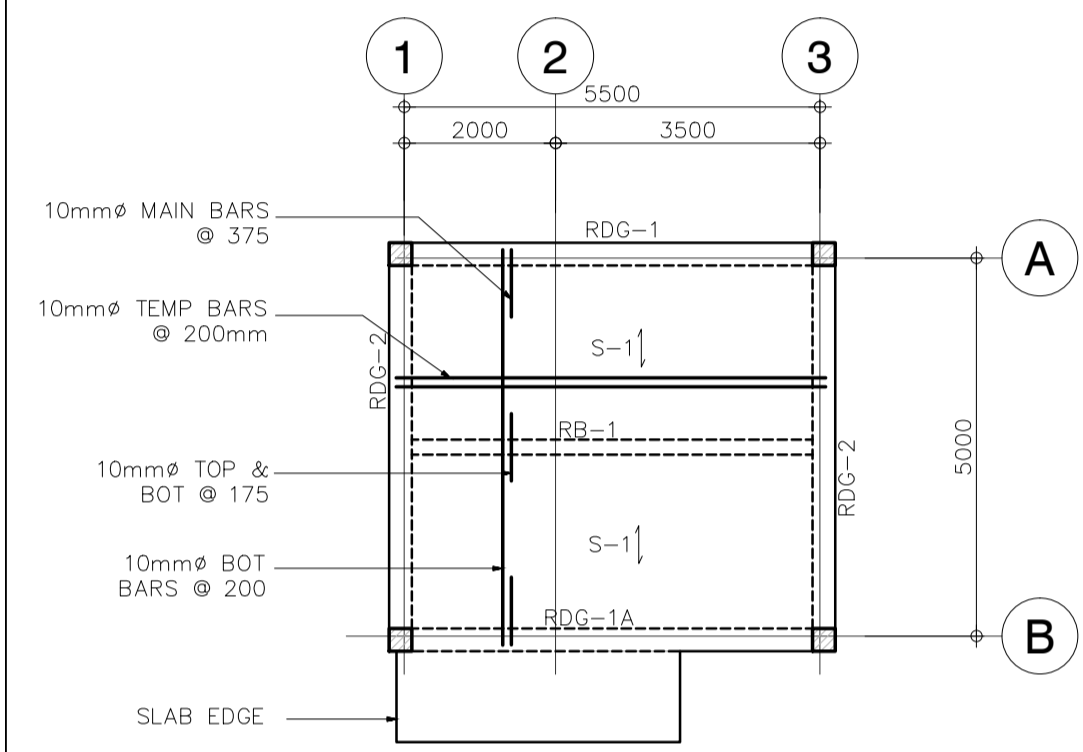
| | | | | | | | |
|--|---|---|---|---|---|---|---|
| | JICA DESIGN CONSULTANT JOINT VENTURE JAPAN AIRPORT CONSULTANTS, INC. NIPPON KOEI CO., LTD. NIS CONSULTANTS CO., LTD. | PREPARED BY: WILLIAM I. MALLONGA <small>PROF. Architect PTR. 3011137</small> <small>RES. NO.: 4623 DATE: MAY 9, 2013</small> <small>TEAM: 120-564-198 PLACE: MANILA CITY</small> | RECOMMENDING APPROVAL: ILDEFONSO T. PATDU, JR. <small>Assistant Secretary for Project Implementation, DOTC</small> | APPROVED: JULIANITO G. BUCAYAN, JR. <small>Undersecretary for Project Implementation, DOTC</small> | PROJECT TITLE: NEW BOHOL AIRPORT CONSTRUCTION AND SUSTAINABLE ENVIRONMENT PROTECTION PROJECT LOCATION: MUNICIPALITY OF PANGLAO, PROVINCE OF BOHOL, PHILIPPINES | SHEET CONTENTS: COMPONENT-4 BUILDING WORKS (B) SUBCOMPONENT-4-7 NAVAIDS BUILDING (B71) LLZ BUILDING ARCHITECTURAL DOORS & WINDOWS SCHEDULE | SHEET NO: B71-4300-04 DRAWING SCALE: 1:50 MTS. |
| DATE: JUNE 2013 INDEX AMENDMENTS Prepared by: WIM Checked by: HC Validated by: | | | | | | | |



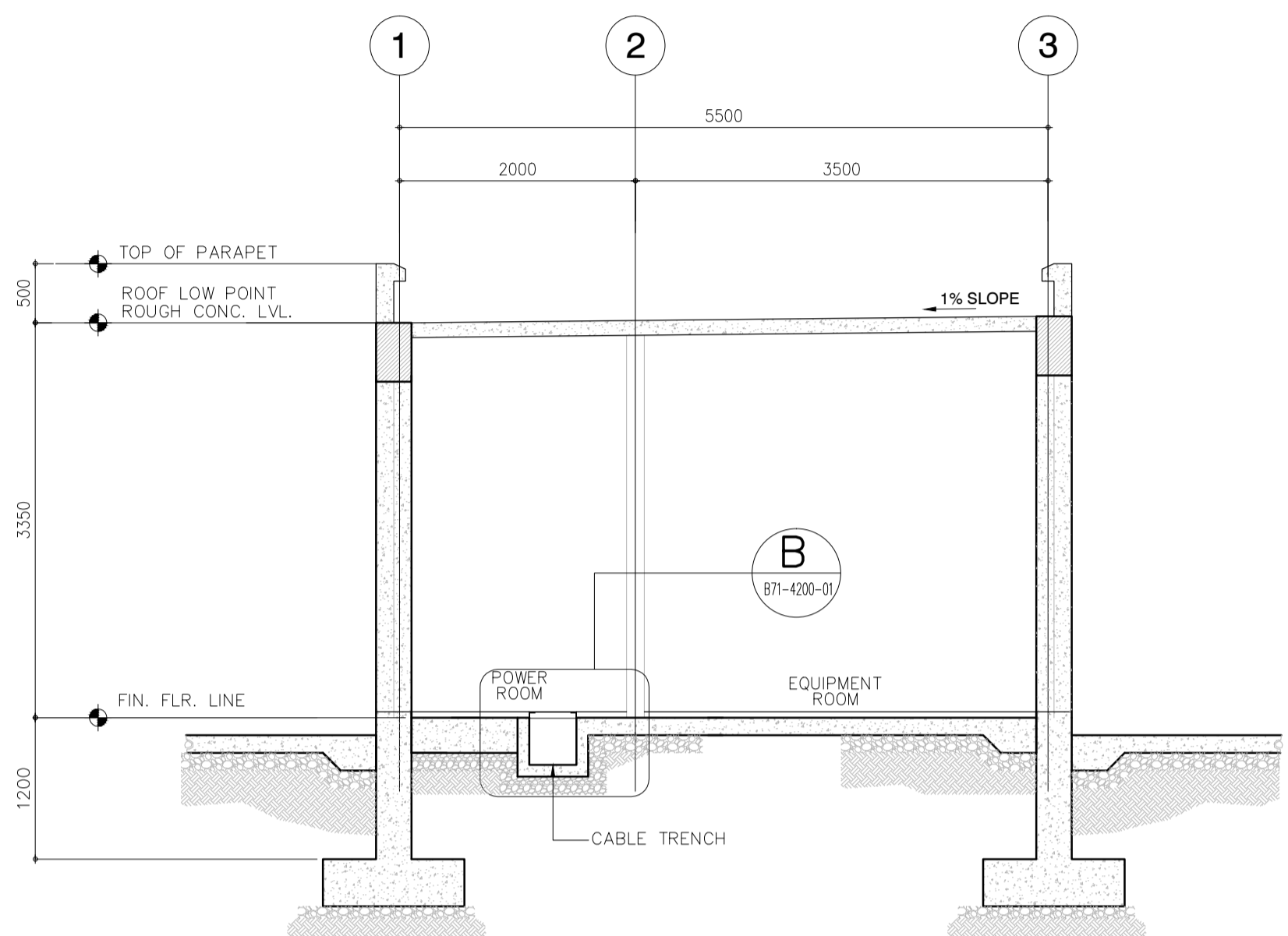
1 LLZ BLDG. FOUNDATION PLAN
SCALE 1 : 100 M.

| MARK | DIMENSIONS | REINFORCMENTS | | | | | | STIRRUP TYPE |
|--------|------------|---------------|---------|---------|---------|----------|---------|--------------|
| | | SUPPORT | | MIDSPAN | | VERTICAL | | |
| | | TOP | BOT | TOP | BOT | TOP | BOT | |
| RB-1 | 200 400 | 2-16mmØ | 3-16mmØ | 2-16mmØ | 6-16mmØ | 2-16mmØ | 3-16mmØ | A |
| RDG-1 | 200 400 | 2-16mmØ | 2-16mmØ | 2-16mmØ | 2-16mmØ | 3-16mmØ | 2-16mmØ | A |
| RDG-2 | 200 400 | 3-16mmØ | 2-16mmØ | 2-16mmØ | 4-16mmØ | 4-16mmØ | 2-16mmØ | A |
| RDG-1A | 300 700 | 3-16mmØ | 3-16mmØ | 3-16mmØ | 4-16mmØ | 4-16mmØ | 3-16mmØ | A |

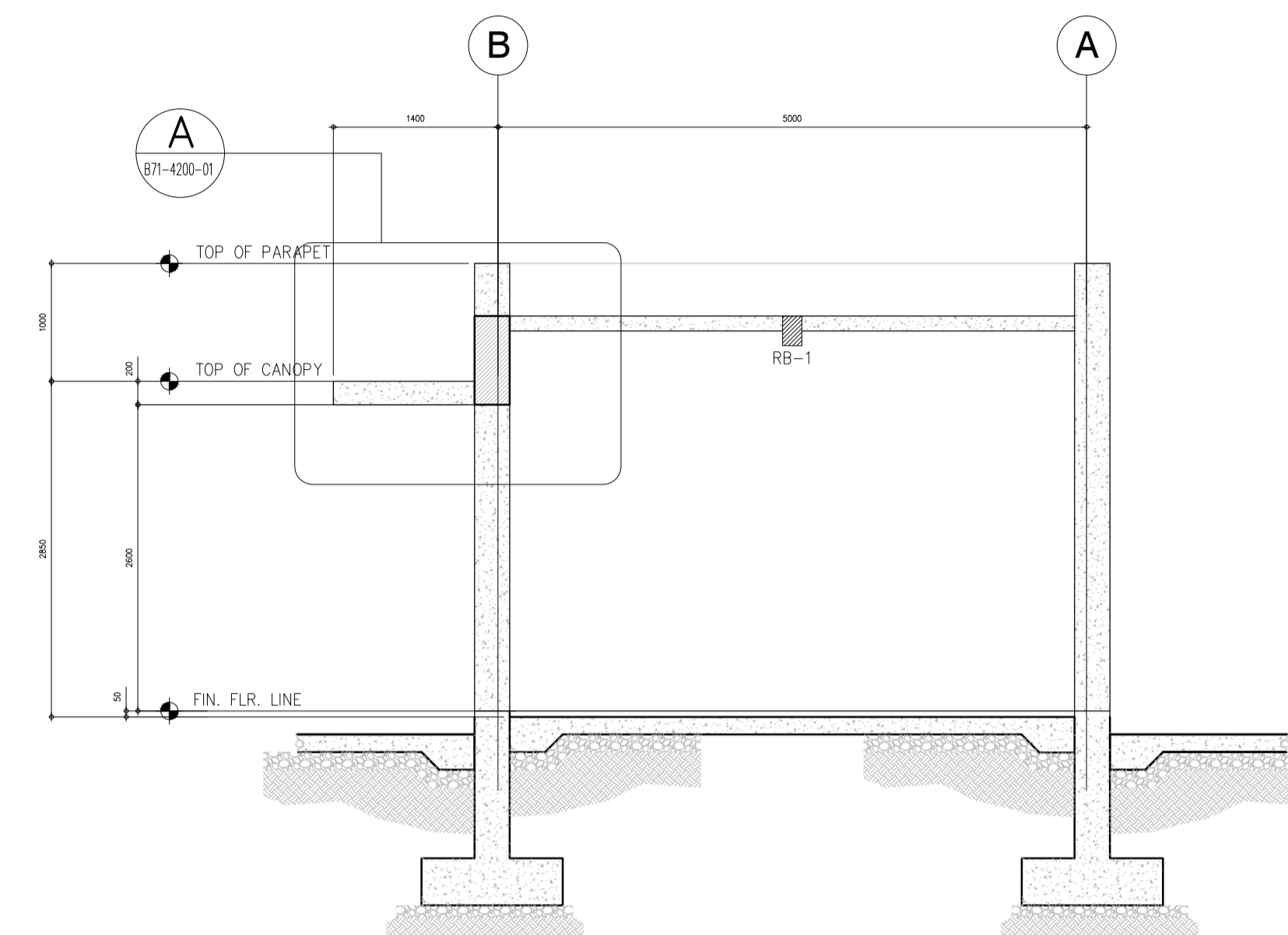
STIRRUP A : 1-10mmØ, 1 @ 50, 10 @ 150, REST @ 250mm



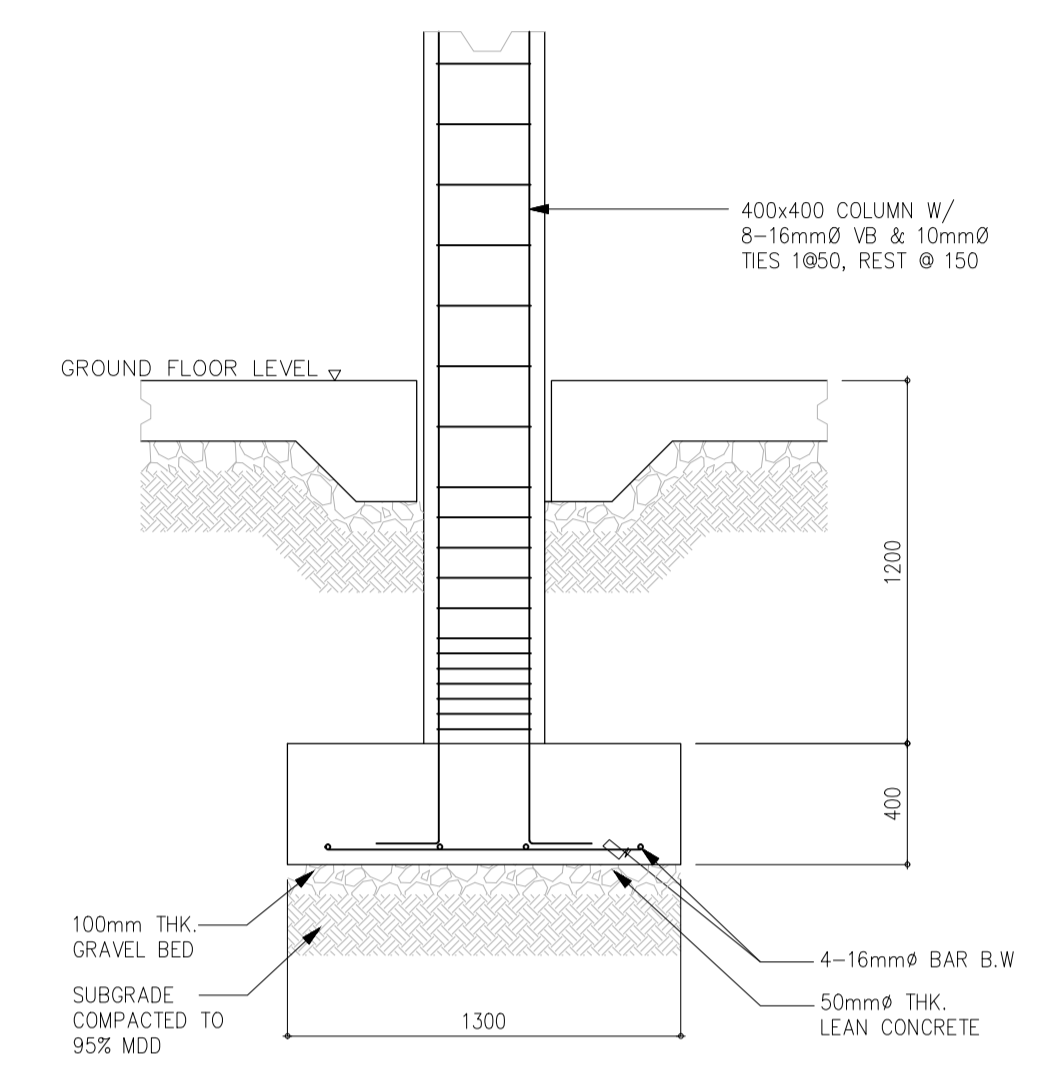
2 LLZ BLDG. ROOF DECK FRAMING PLAN
SCALE 1 : 100 M.



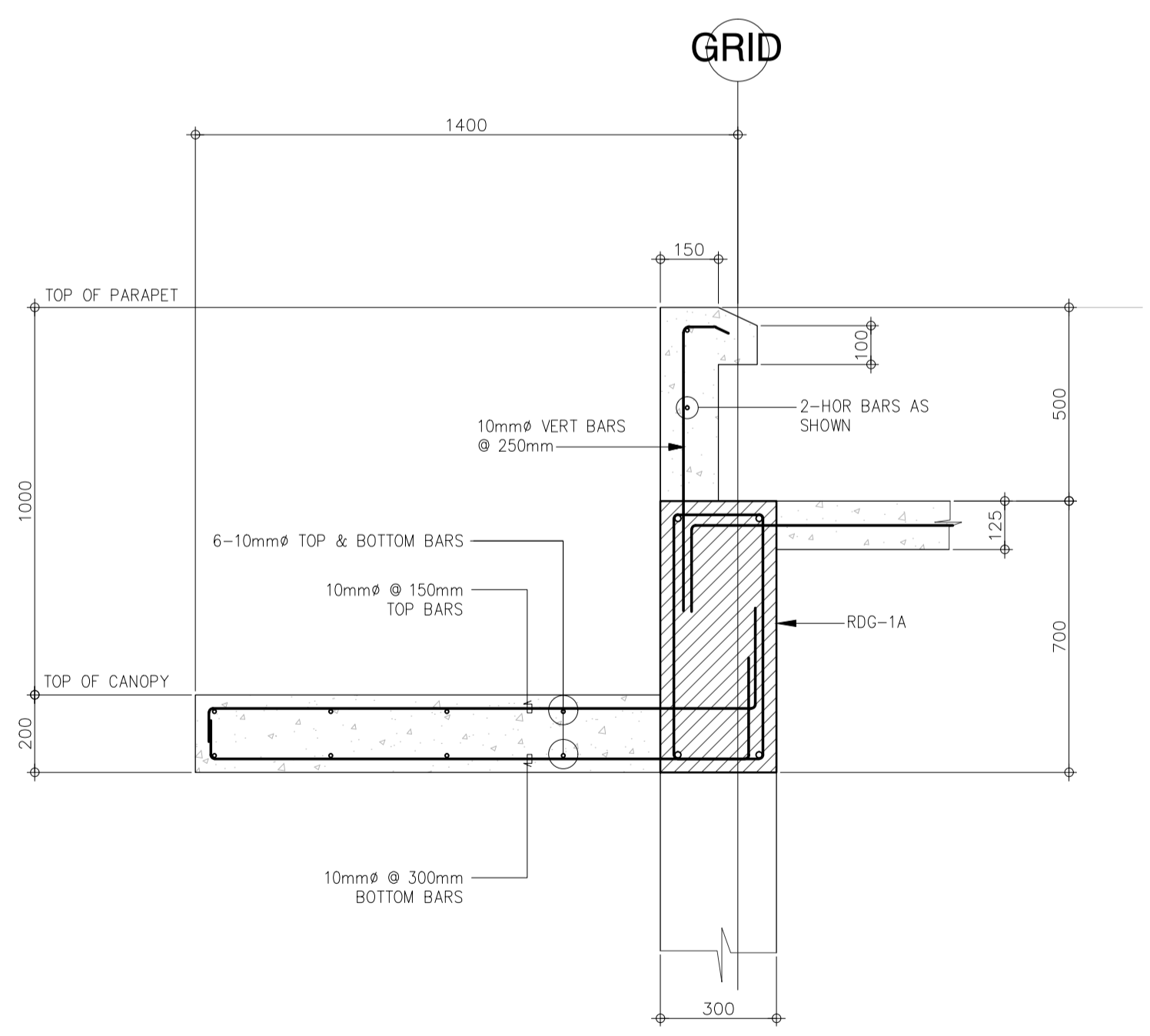
3 LLZ BLDG. SECTION ELEVATION ALONG GRID B
SCALE 1 : 50



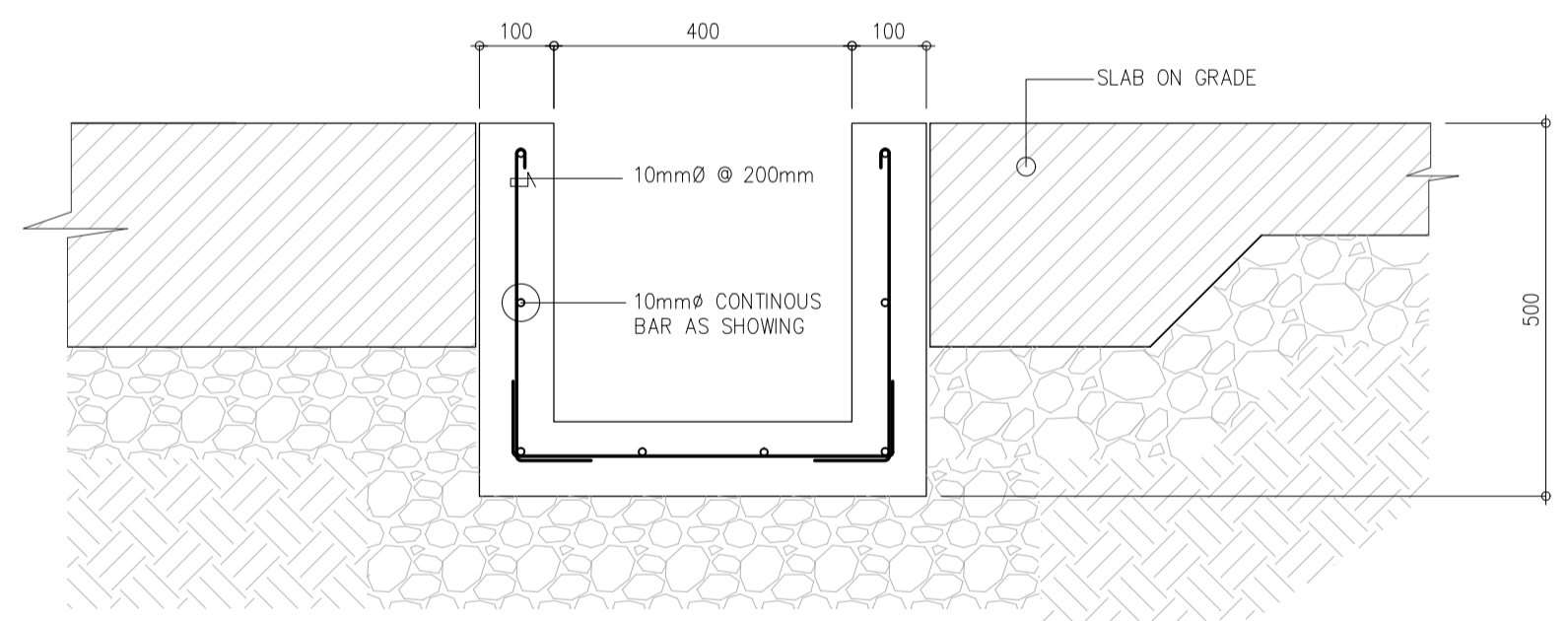
4 LLZ BLDG. SECTION ELEVATION ALONG GRID 1
SCALE 1 : 50



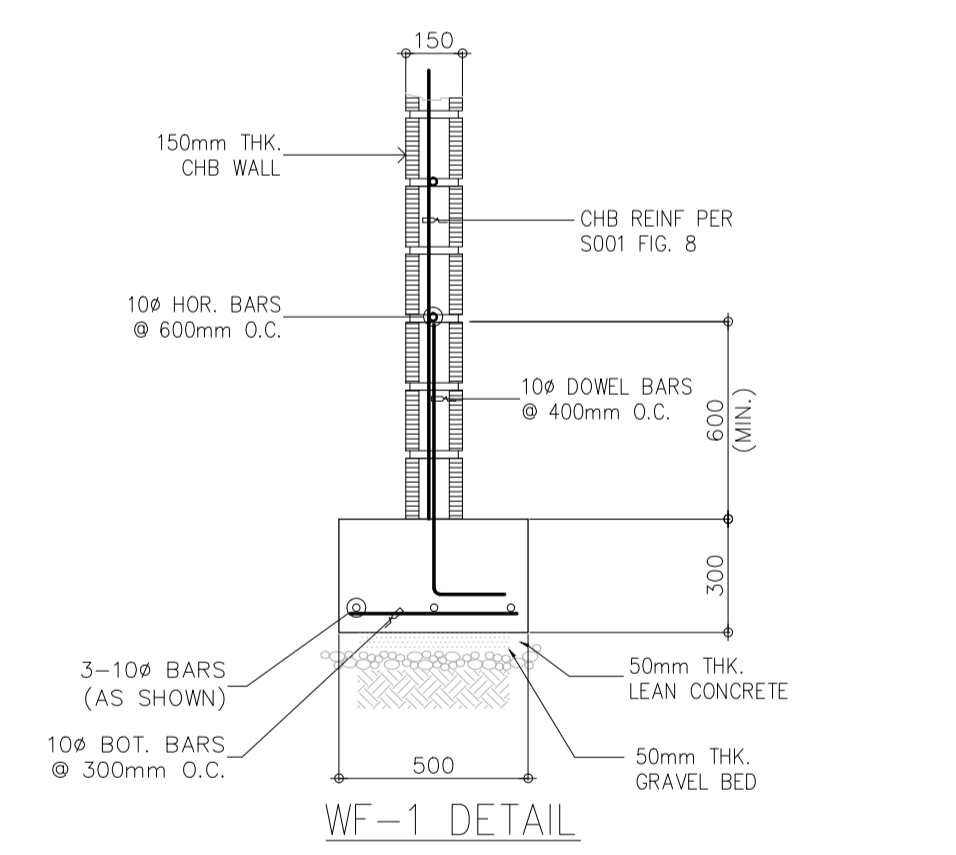
7 C-1 / F-1 DETAILS
SCALE 1 : 25 M



5 SECTION A
SCALE 1 : 15M



6 SECTION B
SCALE 1 : 20M

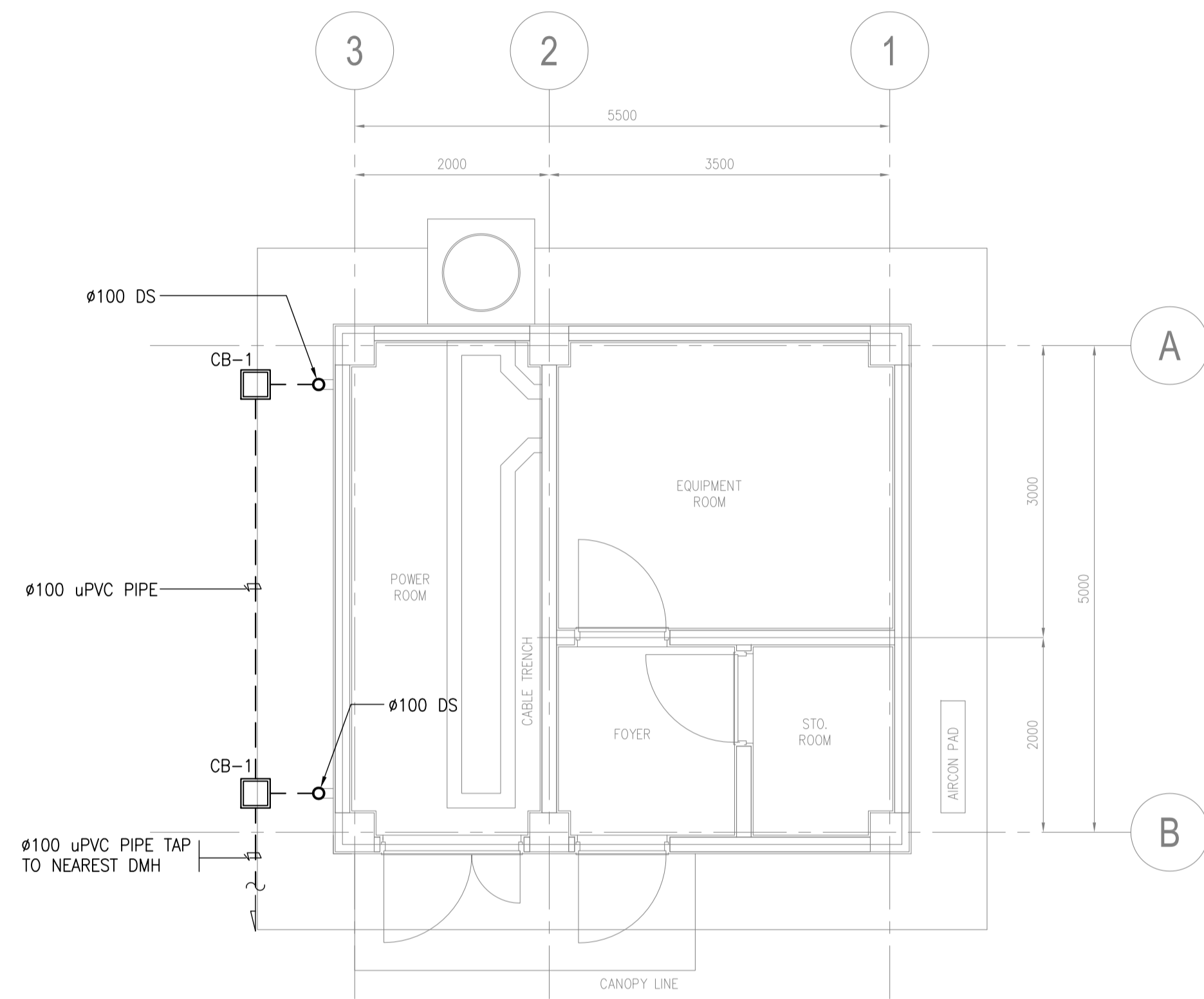


8 TYP. CHB WALL FOOTING DETAIL
SCALE 1 : 20 M.

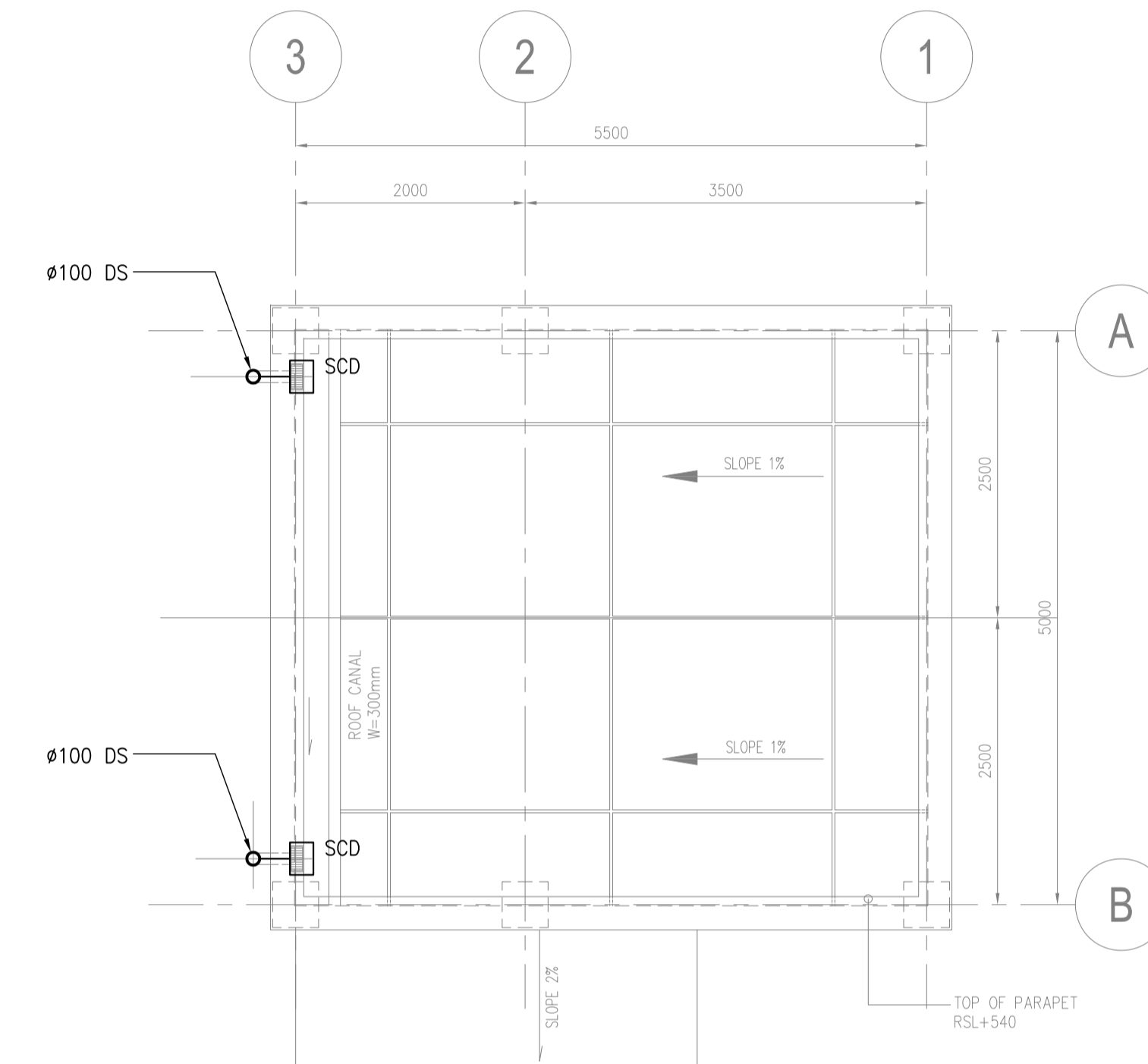
| | | | | | | | |
|--|---|---|---|--|---|---|---------------------------------|
| | PREPARED BY: EDGARDO C. CRUZ <small>CIVIL ENGINEER PTR. 7589023B</small> | RECOMMENDING APPROVAL: ILDEFONSO T. PATDU, JR. <small>Assistant Secretary for Project Implementation, DOTC</small> | APPROVED: JULIANITO G. BUCAYAN, JR. <small>Undersecretary for Project Implementation, DOTC</small> | PROJECT TITLE: NEW BOHOL AIRPORT CONSTRUCTION AND SUSTAINABLE ENVIRONMENT PROTECTION PROJECT | LOCATION: MUNICIPALITY OF PANGLAO, PROVINCE OF BOHOL, PHILIPPINES | SHEET CONTENTS: COMPONENT-4: BUILDING WORKS (B) SUB-COMPONENT 4-7 NAWAIDS BUILDING LLZ (LLZ BUILDING) STRUCTURAL FOUNDATION PLAN ROOF FRAMING PLAN DETAILS & SECTION | SHEET NO: B71-4200-01 |
| | JICA DESIGN CONSULTANT JOINT VENTURE <small>JAPAN INTERNATIONAL COOPERATION AGENCY</small> | PROF. NO.: 23983 REG. NO.: 681-157-021 DATE: JANUARY 03, 2013 PLACE: QUEZON CITY | JUN 2013 DATE INDEX AMENDMENTS | Prepared by: FRS Jr. Checked by: WIM Validated by: HC | DRAWING SCALE: AS SHOWN | | |

CATCH BASIN SCHEDULE:

| SYMBOL | PIT NAME | PIT DIM. | PIT DEPTH | MANHOLE SPECS. | REMARKS |
|--------|----------|----------|-----------|------------------------------|---------|
| □ | CB-1 | 500x500 | 825 (MIN) | R.C. COVER W/ LIFTING HANDLE | |



1 GROUND FLOOR STORM DRAINAGE PLAN
SCALE 1:50M



2 ROOF DECK STORM DRAINAGE PLAN
SCALE 1:50M

| | | | | | | |
|--|--|---|---|--|--|---|
| | PREPARED BY: LEOVIMEL J. VINELES <small>Philippine Registered Engineer</small> PROF: SANITARY ENGINEER PTR: 2024236 REG. NO: 0002435 DATE: 07-09-2013 T.I.N: 237-652-802-000 PLACE: MANILA | RECOMMENDING APPROVAL: ILDEFONSO T. PATDU, JR. Assistant Secretary for Project Implementation, DOTC | APPROVED: JULIANITO G. BUCAYAN, JR. Undersecretary for Project Implementation, DOTC | PROJECT TITLE: NEW BOHOL AIRPORT CONSTRUCTION AND SUSTAINABLE ENVIRONMENT PROTECTION PROJECT | SHEET CONTENTS: COMPONENT-4: BUILDING WORKS (B) SUBCOMPONENT-4-7: NAVAIDS BUILDINGS (B71) LLZ BUILDING MECHANICAL SANITARY AND PLUMBING GROUND FLOOR STORM DRAINAGE PLAN & ROOF DECK STORM DRAINAGE PLAN | SHEET NO: B71-5100-01 |
| | JICA DESIGN CONSULTANT JOINT VENTURE | LOCATION: MUNICIPALITY OF PANGLAO, PROVINCE OF BOHOL, PHILIPPINES | DATE: JUNE 2013 | INDEX: | AMENDMENTS: | Prepared by: WIM Checked by: HC Validated by: |

LLZ BUILDING

SPLIT TYPE AIR CONDITIONING UNIT:

| UNIT DESIGNATIONS | | EQUIPMENT | AREA SERVED | EQUIPMENT LOCATION | QUANTITY | EQUIPMENT | | REFRIGERANT TYPE | ELECTRICAL CHARACTERISTICS | | | | TYPE | REMARKS |
|-------------------|--------------|---------------|----------------|--------------------|----------|-----------------------------|--------------------|------------------|----------------------------|-------|-------|-------|----------------------------|-----------------|
| INDOOR UNIT | OUTDOOR UNIT | | | | | TOTAL COOLING CAPACITY (KW) | AIR FLOWRATE (lps) | | POWER INPUT (W) | VOLTS | PHASE | HERTZ | | |
| FCU-1 GF | ACCU-1 GF | FAN COIL UNIT | EQUIPMENT ROOM | LLZ BUILDING | 1 | 3.5 | 200 | R410A | 1210 | 230 | 1 | 60 | WALL MOUNTED FAN COIL UNIT | DUTY & STAND-BY |
| FCU-2 GF | ACCU-2 GF | FAN COIL UNIT | EQUIPMENT ROOM | LLZ BUILDING | 1 | 3.5 | 200 | R410A | 1210 | 230 | 1 | 60 | WALL MOUNTED FAN COIL UNIT | |

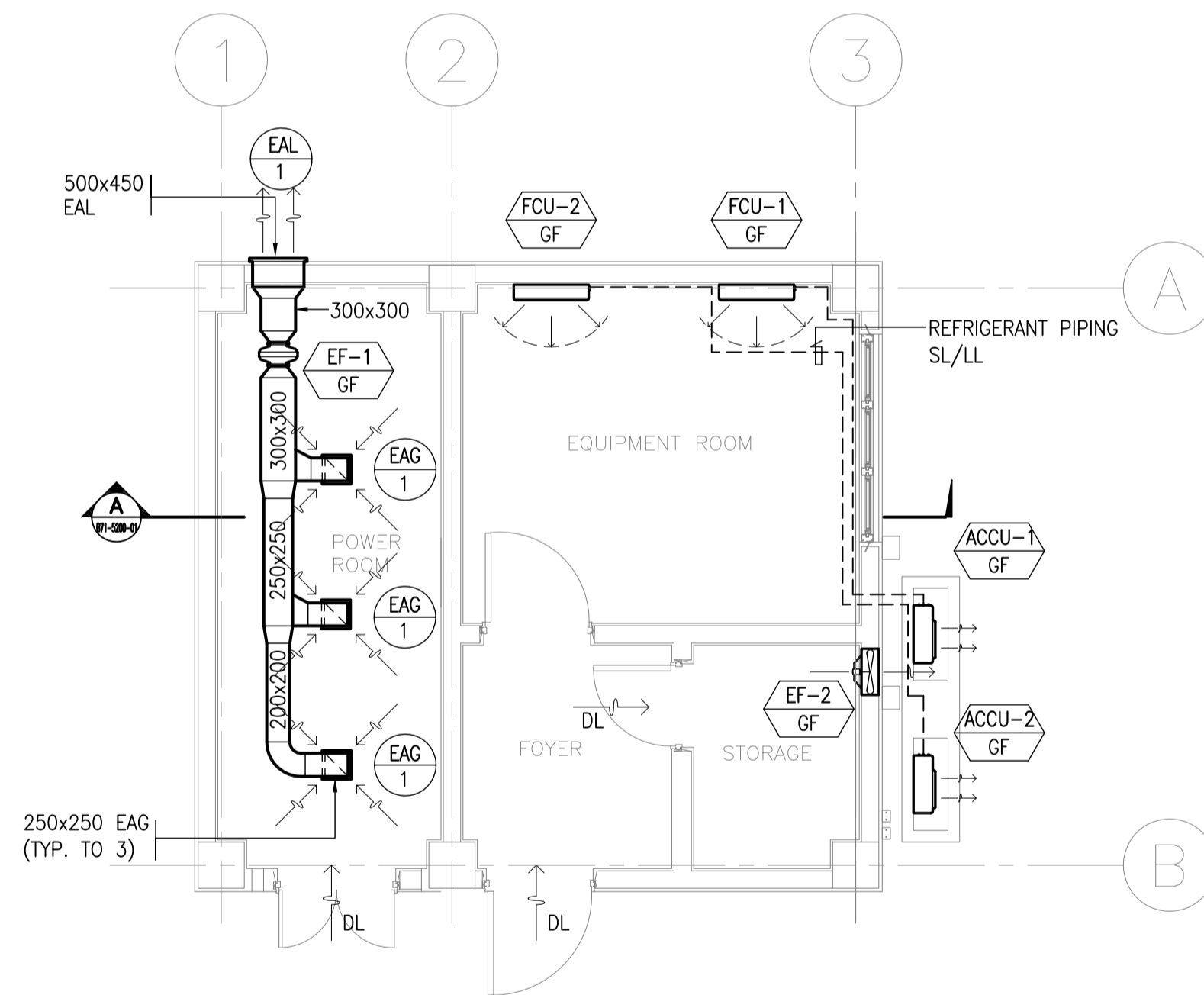
EXHAUST FAN:

| UNIT DESIGNATION | EQUIPMENT | AREA SERVED | QUANTITY | EQUIPMENT AIRFLOW (lps) | STATIC PRESSURE (Pa) | POWER INPUT (W) | ELECTRICAL CHARACTERISTIC | | | TYPE OF FAN |
|------------------|-------------|-------------|----------|-------------------------|----------------------|-----------------|---------------------------|-------|-------|----------------------------|
| | | | | | | | VOLTS | PHASE | HERTZ | |
| EF-1 GF | EXHAUST FAN | POWER ROOM | 1 | 294 | 47 | 212 | 230 | 1 | 60 | IN-LINE CENTRIFUGAL FAN |
| EF-2 GF | EXHAUST FAN | STORAGE | 1 | 356 | - | 47 | 230 | 1 | 60 | WALL MOUNTED PROPELLER FAN |

AIR TERMINAL DEVICE SCHEDULE:

| AIR TERMINAL DEVICE DESIGNATION | LOCATION | LEVEL | SERVICE | QUANTITY | TOTAL AIR FLOWRATE (lps) | TYPE | AIR FLOWRATE PER TERMINAL DEVICE (lps) | DIMENSION | | REMARKS |
|---------------------------------|---------------------------|--------------|-------------|----------|--------------------------|--------------------|--|-------------|------------|---|
| | | | | | | | | HEIGHT (mm) | WIDTH (mm) | |
| EAL 1 | POWER ROOM (LLZ BUILDING) | GROUND FLOOR | EXHAUST AIR | 1 | 294 | EXHAUST AIR LOUVER | 294 | 500 | 450 | LOW NOISE, WEATHER PROOF |
| EAG 1 | POWER ROOM (LLZ BUILDING) | GROUND FLOOR | EXHAUST AIR | 3 | 294 | EXHAUST AIR GRILLE | 98 | 250 | 250 | TWO-WAY OPPOSED BLADE W/ INTEGRAL VOLUME DAMPER |

| LEGENDS: | |
|----------|----------------------------|
| | IN-LINE CENTRIFUGAL FAN |
| | EXHAUST AIR LOUVER |
| | EXHAUST AIR GRILLE |
| | WALL MOUNTED FAN COIL UNIT |
| | AIR COOLED CONDENSING UNIT |
| | WALL MOUNTED PROPELLER FAN |

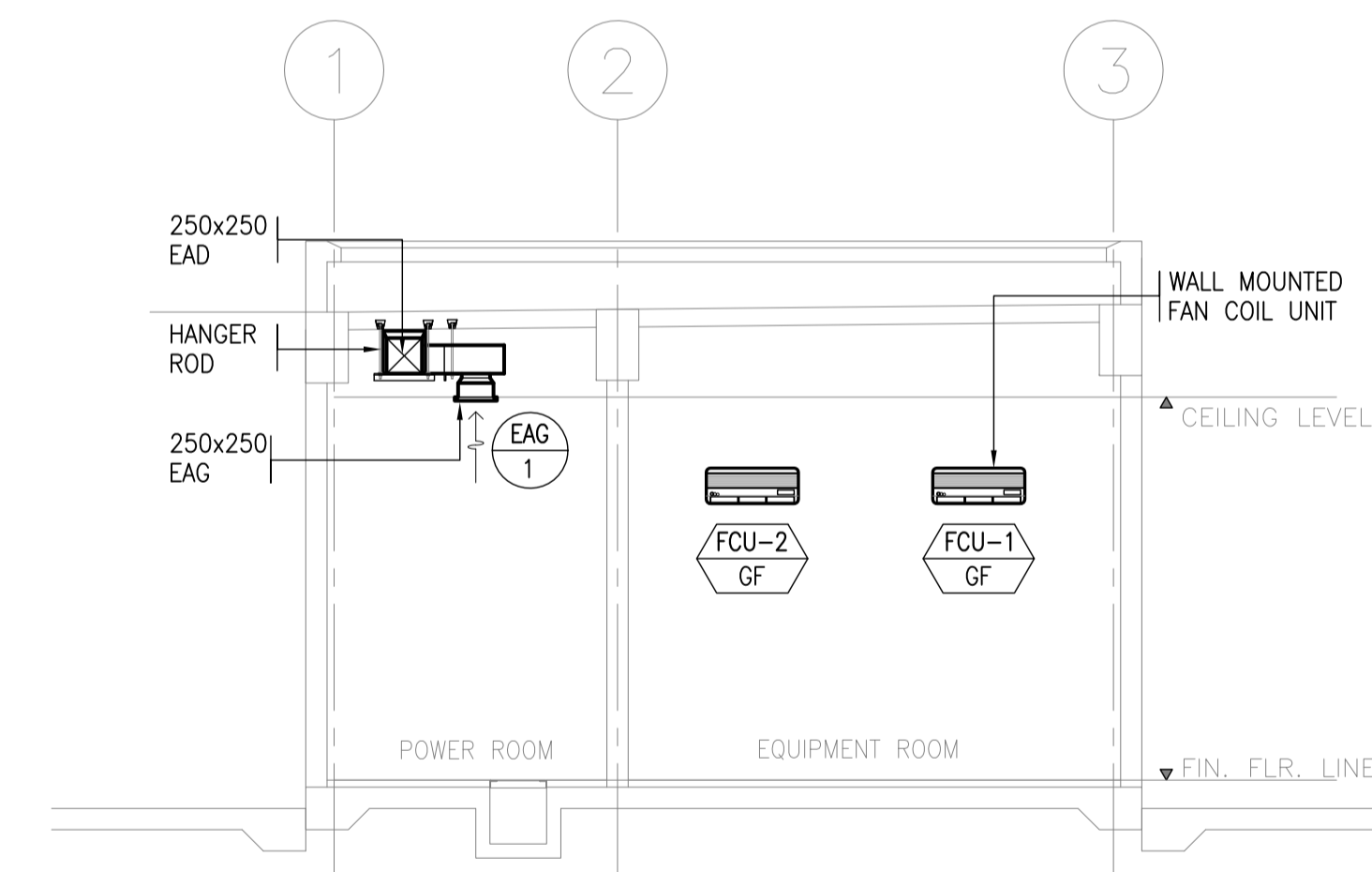


LLZ BUILDING AIR-CONDITIONING AND VENTILATION LAYOUT

1
971-5200-01

SCALE

1:50M



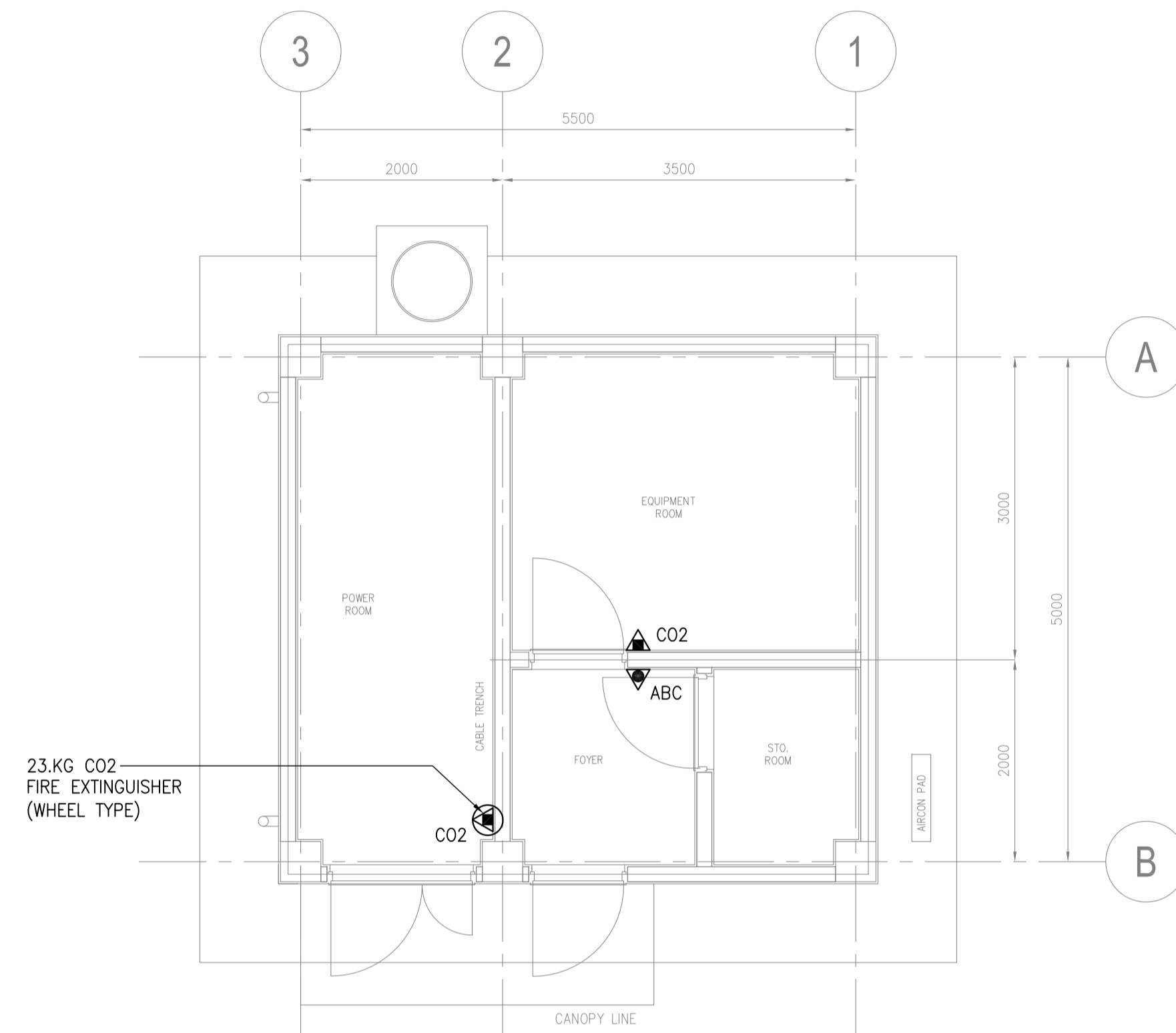
LLZ BUILDING SECTION "A"

2
971-5200-01

SCALE

1:50M

| | | | | | | |
|--|---|---|---|---|--|---|
| | PREPARED BY: RENATO A. ARRIOLA Filipino Registered Engineer PROF. MECHANICAL ENGINEER PIR. 1725187 REC. NO. 2379 DATE: JANUARY 07, 2013 TEL. 150-563-379 PLACE: TAGUIG CITY | RECOMMENDING APPROVAL: ILDEFONSO T. PATDU, JR. Assistant Secretary for Project Implementation, DOTC | APPROVED: JULIANITO G. BUCAYAN, JR. Undersecretary for Project Implementation, DOTC | PROJECT TITLE: NEW BOHOL AIRPORT CONSTRUCTION AND SUSTAINABLE ENVIRONMENT PROTECTION PROJECT LOCATION: MUNICIPALITY OF PANGLAO, PROVINCE OF BOHOL, PHILIPPINES | SHEET CONTENTS: COMPONENT-4: BUILDING WORKS (B) SUBCOMPONENT-4-7: NAVASIS BUILDINGS (B71) LLZ BUILDING MECHANICAL VENTILATION AND AIR-CONDITIONING AND EQUIPMENT SCHEDULE | SHEET NO: B71-5200-01 DRAWING SCALE: 1:50M |
| | JICA DESIGN CONSULTANT JOINT VENTURE JAPAN AIRPORT CONSULTANTS, INC. | JAPAN INTERNATIONAL COOPERATION AGENCY | NIPPON KOEI CO., LTD. | NJS CONSULTANTS CO., LTD. | DATE: JUNE 2013 INDEX: AMENDMENTS Prepared by: WIM Checked by: IIC Validated by: | SHEET NO: B71-5200-01 DRAWING SCALE: 1:50M |



**LLZ BUILDING
GROUND FLOOR FIRE PROTECTION LAYOUT**

1
B71-5300-01

SCALE

1:25M

| LEGEND: | |
|---------|---|
| | 4.5 KG. FIRE EXTINGUISHER DRY CHEMICAL |
| | 9.0 KG. FIRE EXTINGUISHER CARBON DIOXIDE |
| | 23.0 KG. FIRE EXTINGUISHER CARBON DIOXIDE (WHEEL TYPE) |

| | | | | | | | | |
|--|--|--|--|--|---|---|---|---|
| | PREPARED BY: RENATO A. ARRIOLA <small>Filipino Registered Engineer</small> PROF: MECHANICAL ENGINEER PTR. 1725187 REG. NO: 2379 DATE: JANUARY 01, 2013 T.I.N: 150-563-379 PLACE: TAGBILAR CITY | RECOMMENDING APPROVAL: JLDEFONSO T. PATDU, JR. <small>Assistant Secretary</small> for Project Implementation, DOTC | APPROVED: JULIANITO G. BUCAYAN, JR. <small>Undersecretary</small> for Project Implementation, DOTC | PROJECT TITLE: NEW BOHOL AIRPORT CONSTRUCTION AND SUSTAINABLE ENVIRONMENT PROTECTION PROJECT | LOCATION: MUNICIPALITY OF PANGLAO, PROVINCE OF BOHOL, PHILIPPINES | DATE: JUNE 2013 INDEX: - AMENDMENTS: - Prepared by: - Checked by: WIM Validated by: HC | SHEET CONTENTS: COMPONENT-4: BUILDING WORKS (B) SUBCOMPONENT-4-7: NAVAJDS BUILDINGS (B71) LLZ BUILDING MECHANICAL FIRE PROTECTION FIRE PROTECTION LAYOUT | SHEET NO: B71-5300-01 DRAWING SCALE: 1:25M |
| | JICA DESIGN CONSULTANT JOINT VENTURE | | | | | | | |

Tabulation of providing equipment

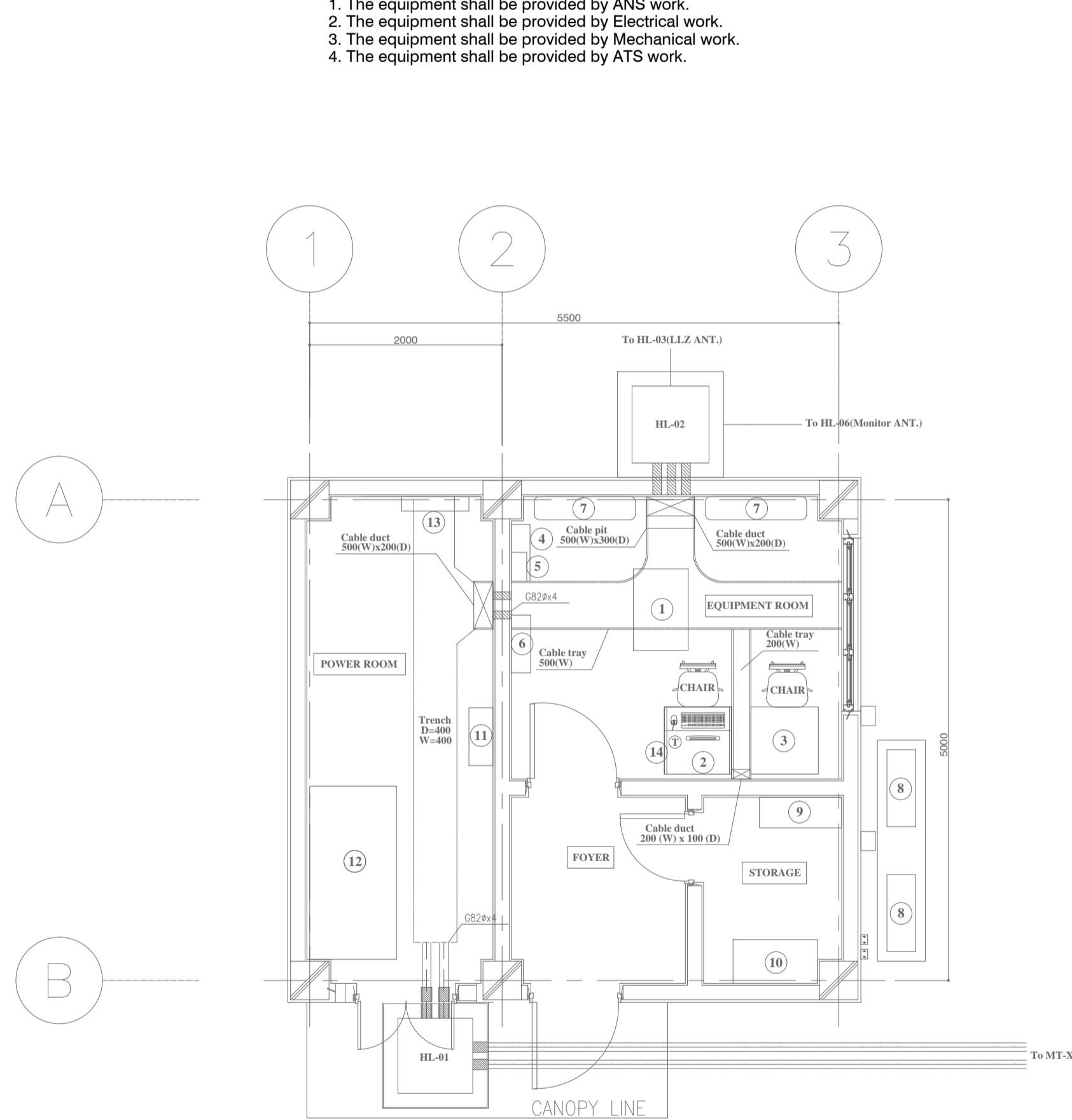
| No. | Name of equipment | Remarks |
|-----|---------------------------------------|------------|
| ① | LLZ Transmitter | See Note 1 |
| ② | PC Type BITE for LLZ | -ditto- |
| ③ | Working bench | -ditto- |
| ④ | DC battery | -ditto- |
| ⑤ | Terminal board | See Note 2 |
| ⑥ | Power distribution board for ANS | -ditto- |
| ⑦ | Air-condition | See Note 3 |
| ⑧ | Outdoor unit for AIR-CON | -ditto- |
| ⑨ | Cabinet for document | See Note 1 |
| ⑩ | Cabinet for tool and spare parts | -ditto- |
| ⑪ | Power distribution board for lighting | See Note 2 |
| ⑫ | Switch gear panel with transformer | -ditto- |
| ⑬ | Grounding test box | -ditto- |
| ⑭ | Maintenance intercom | See Note 4 |

Note

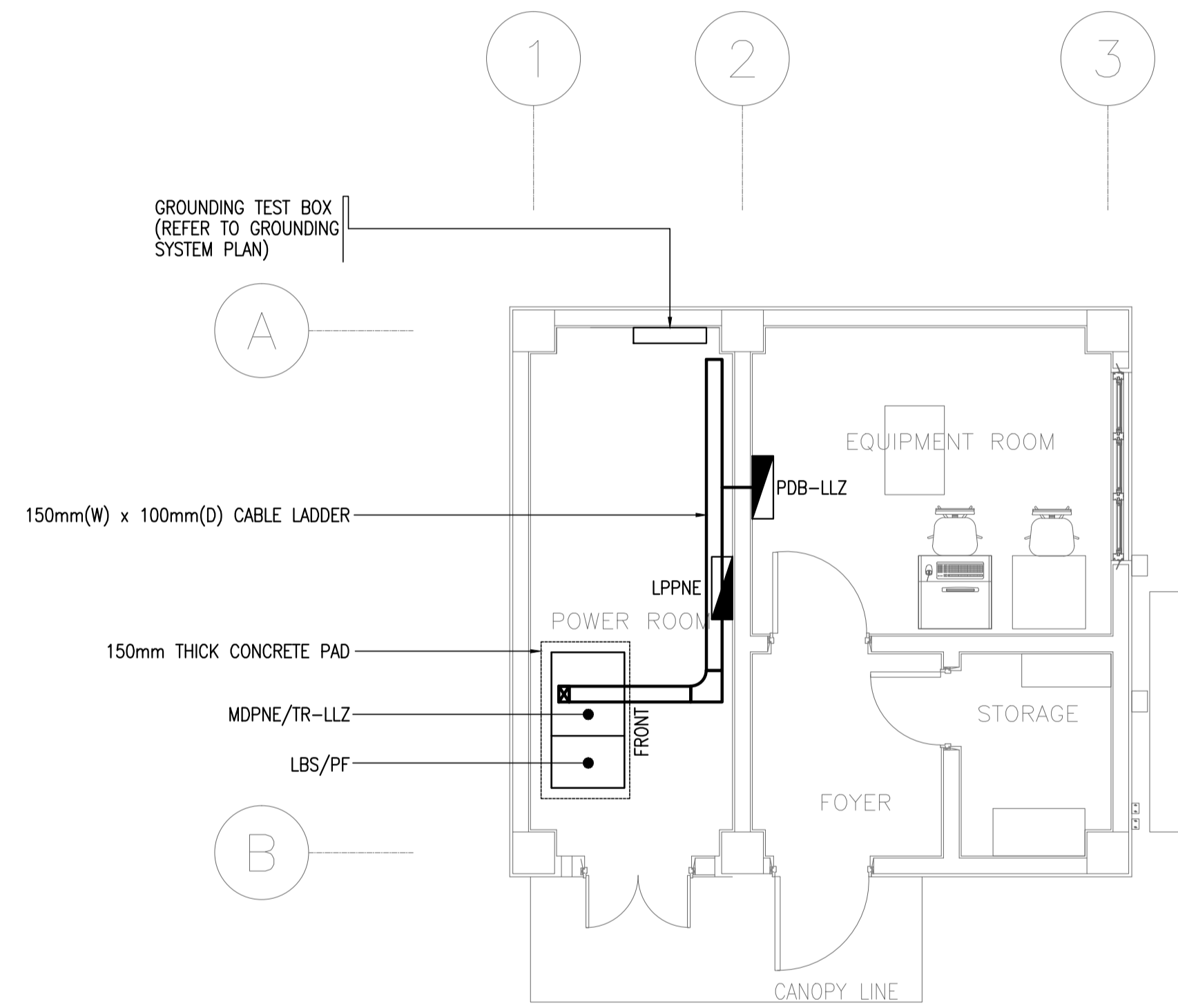
1. The equipment shall be provided by ANS work.
2. The equipment shall be provided by Electrical work.
3. The equipment shall be provided by Mechanical work.
4. The equipment shall be provided by ATS work.

EQUIPMENT/ACCESSORIES SCHEDULE:

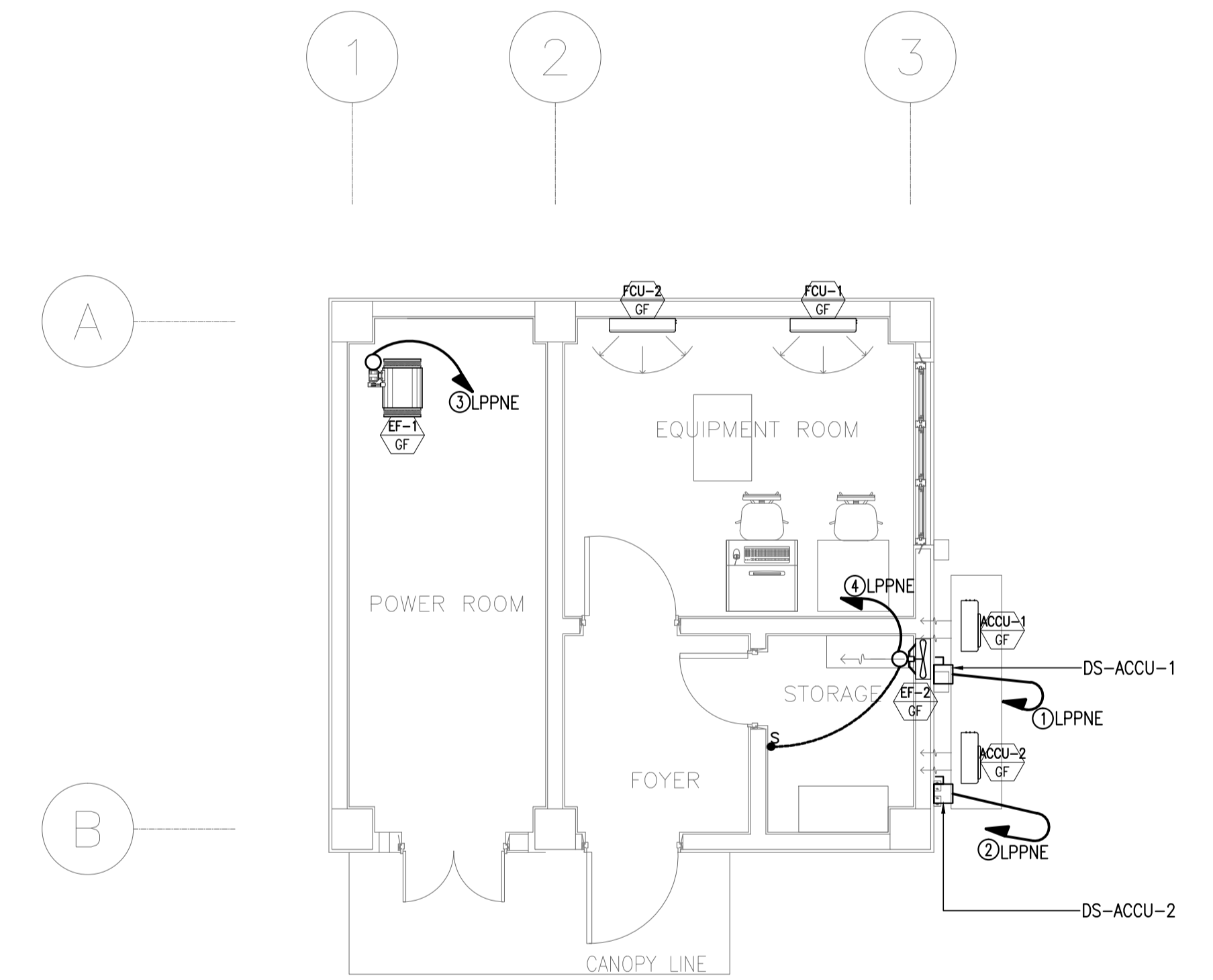
| | |
|-------------|--|
| □ DS-ACCU-1 | MANUAL DISCONNECT SWITCH 30A 2PST 250V QUICK-MAKE, QUICK-BREAK HEAVY DUTY NON-FUSIBLE NEMA-4 (RAINTIGHT) STAINLESS STEEL ENCL. |
| □ DS-ACCU-2 | - ditto - |



**1 LLZ BUILDING (LLZ)
LLZ LAYOUT PLAN**
871-6100-01 GRAPHIC SCALE 0 1 2 5m



**2 LLZ BUILDING (LLZ)
CABLE TRAY LAYOUT PLAN**
871-6100-01 GRAPHIC SCALE 0 1 2 5m



NOTE: REFER TO SHEET NO. B71-6200-01 FOR PANEL SCHEDULE.

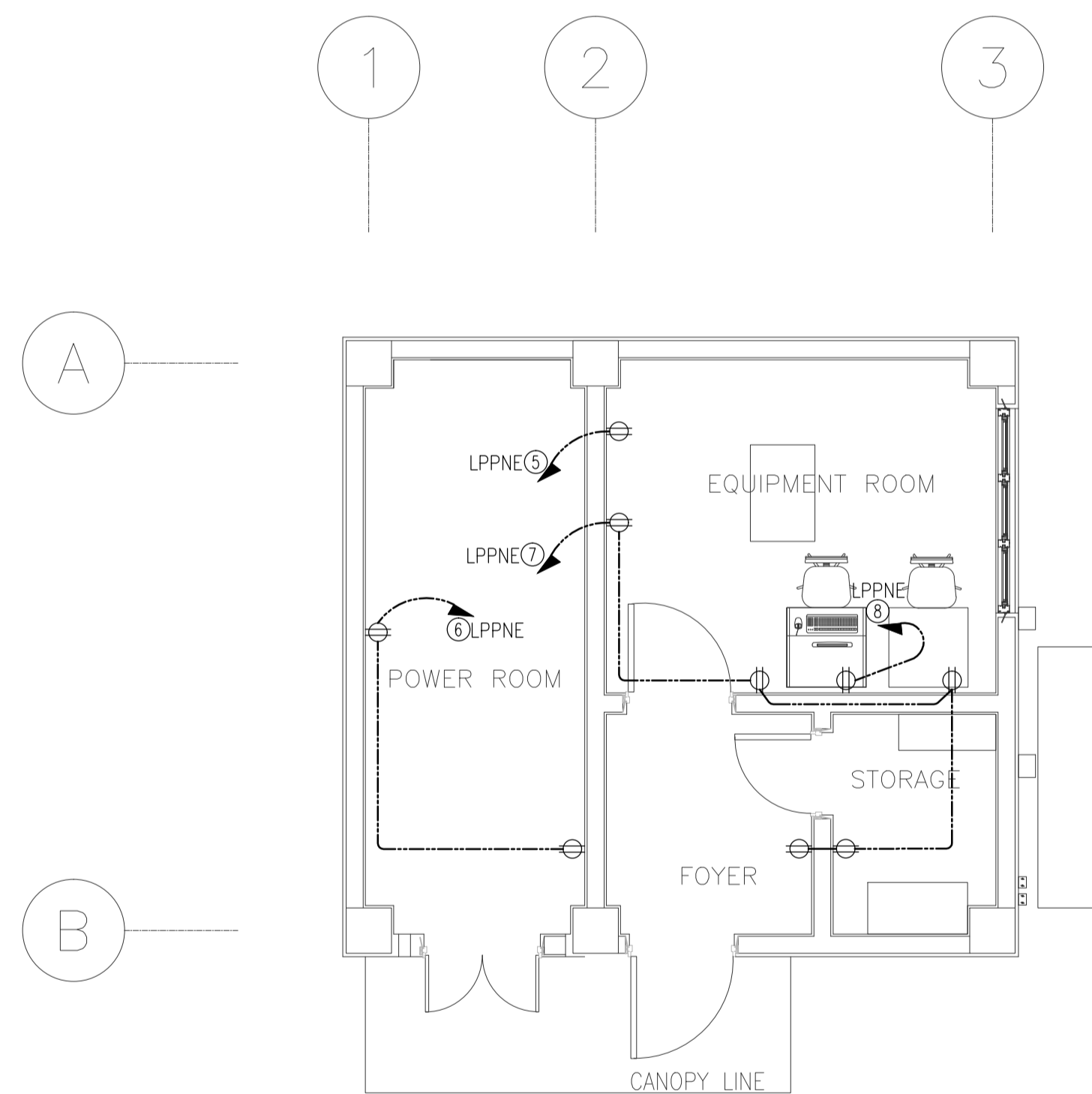
**3 LLZ BUILDING (LLZ)
VAC FEEDER LAYOUT PLAN**
871-6100-01 GRAPHIC SCALE 0 1 2 5m

| | | | | | | |
|--|---|---|---|--|--|---------------------------------|
| | PREPARED BY: TEODORO N. PAMATMAT <small>PROF. ELECTRICAL ENGINEER PTR. 1403773</small> <small>REG. NO.: 1927 DATE: 1-04-13</small> <small>TIN: 119-747-900 PLACE: MANILA</small> | RECOMMENDING APPROVAL: ILDEFONSO T. PATDU, JR. Assistant Secretary for Project Implementation, DOTC | APPROVED: JULIANITO G. BUCAYAN, JR. Undersecretary for Project Implementation, DOTC | PROJECT TITLE: NEW BOHOL AIRPORT CONSTRUCTION AND SUSTAINABLE ENVIRONMENT PROTECTION PROJECT | SHEET CONTENTS: COMPONENT-4 BUILDING WORKS (B) SUBCOMPONENT-4-7 (B71) LLZ Building ELECTRICAL EQUIP., FEEDER & CABLE TRAY LAYOUT | SHEET NO: B71-6100-01 |
| | JICA DESIGN CONSULTANT JOINT VENTURE JAPAN AIRPORT CONSULTANTS, INC. | TADASHI AOI Team Leader | ILDEFONSO T. PATDU, JR. Assistant Secretary for Project Implementation, DOTC | JULIANITO G. BUCAYAN, JR. Undersecretary for Project Implementation, DOTC | LOCATION: MUNICIPALITY OF PANGLAO, PROVINCE OF BOHOL, PHILIPPINES | DRAWING SCALE: 1:50 m |

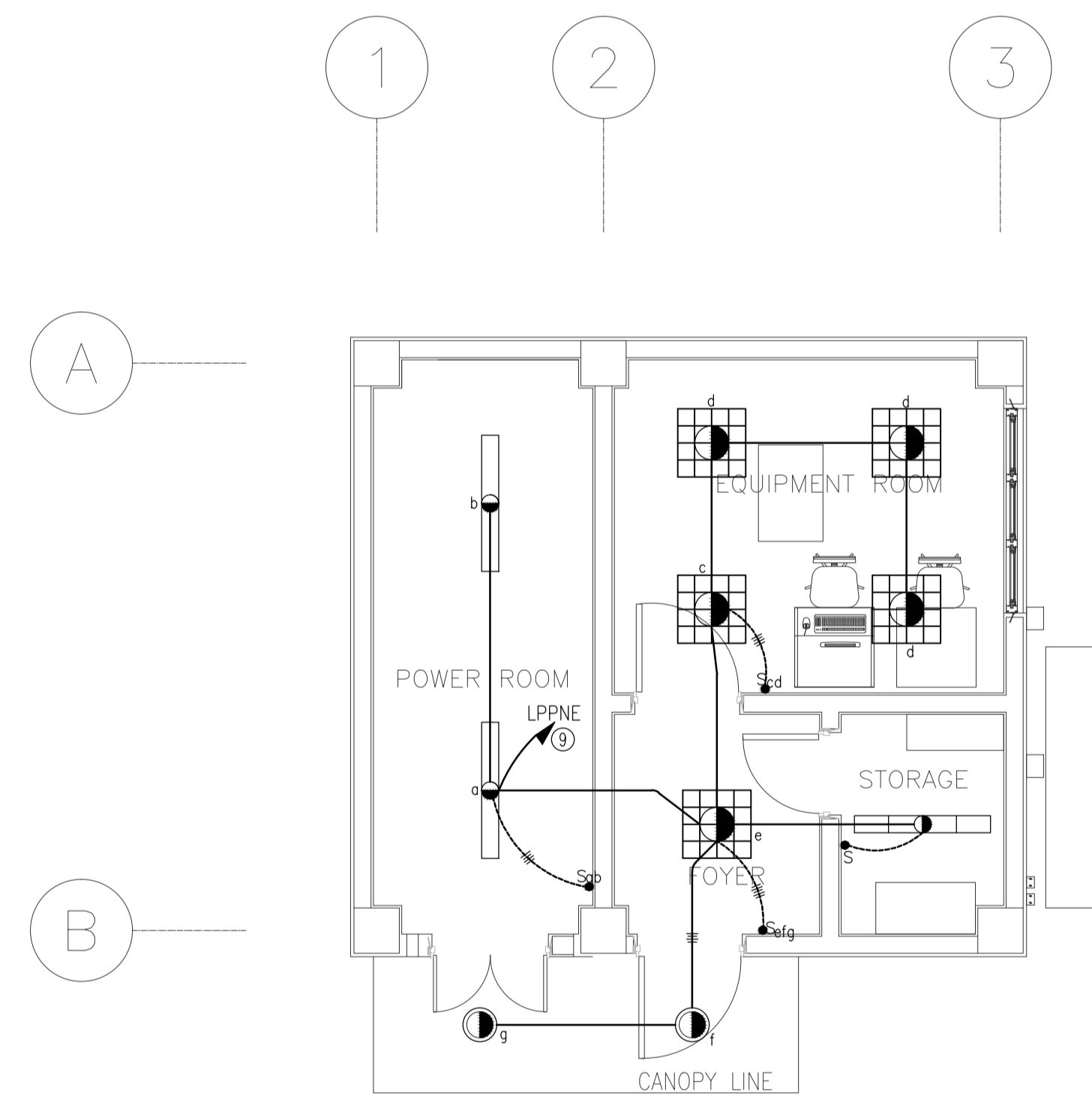
| MDP: | PDB-LLZ | VOLTAGE: | 230V 1ø 2W | SUPPLY: | NORMAL/EMERGENCY | | | |
|--|-----------------------|----------|-------------|---------|------------------|---------------------------|---------|-------------------|
| TO: | LVSONE-LLZ | | | | | | | |
| CKT NO. | LOAD DESCRIPTION | VA | AMPERE LOAD | | | WIRE | CONDUIT | PROTECTION |
| | | | ØAB | ØBC | ØCA 3ø LOAD | | | |
| 1 | LLZ TRANSMITTER | 1000 | 4.35 | | | 3-3.5mm ² THHN | 15mmØ | 20AT, 100AF 2P CB |
| 2 | 2 - OB LIGHT | 400 | 1.74 | | | 3-3.5mm ² THHN | 15mmØ | 20AT, 100AF 2P CB |
| 3 | THEODOLITE PAD OUTLET | 500 | 2.17 | | | 3-3.5mm ² THHN | 15mmØ | 20AT, 100AF 2P CB |
| 4 | BITE | 300 | 1.30 | | | 3-3.5mm ² THHN | 15mmØ | 20AT, 100AF 2P CB |
| 5 | 2 - MODEM FOR BITE | 200 | 0.87 | | | 3-3.5mm ² THHN | 15mmØ | 20AT, 100AF 2P CB |
| 6 | MET SENSOR | 700 | 3.04 | | | 3-3.5mm ² THHN | 15mmØ | 20AT, 100AF 2P CB |
| 7 | SPARE | | | | | | | 20AT, 100AF 2P CB |
| 8 | SPARE | | | | | | | 20AT, 100AF 2P CB |
| | | 3100 | 13.47 | | | | | |
| It = 13.47 A | | | | | | | | |
| FEEDER SIZE: 2-4mm ² XLPE + 1-5.5mm ² TW | | | | | | | | |
| MAIN PROTECTION: 30AT, 50AF 2P MCCB, 10kAIC | | | | | | | | |

| MDP: | LPPNE-LLZ | VOLTAGE: | 230V 1ø 2W | SUPPLY: | NORMAL/EMERGENCY | | | |
|--|---|----------|-------------|---------|------------------|---------------------------|---------|-------------------|
| TO: | LVSONE-LLZ | | | | | | | |
| CKT NO. | LOAD DESCRIPTION | VA | AMPERE LOAD | | | WIRE | CONDUIT | PROTECTION |
| | | | ØAB | ØBC | ØCA 3ø LOAD | | | |
| 1 | 1210W ACCU + FCU @ EQUIPMENT RM | 1512 | 6.58 | | | 3-3.5mm ² THHN | 15mmØ | 20AT, 100AF 2P CB |
| 2 | 1210W ACCU + FCU @ EQUIPMENT RM (STANDBY) | - | - | | | 3-3.5mm ² THHN | 15mmØ | 20AT, 100AF 2P CB |
| 3 | 212W EF @ POWER RM | 265 | 1.15 | | | 3-3.5mm ² THHN | 15mmØ | 20AT, 100AF 2P CB |
| 4 | 47W EF @ STORAGE | 59 | 0.26 | | | 3-3.5mm ² THHN | 15mmØ | 20AT, 100AF 2P CB |
| 5 | SUPPLY FOR BATTERY CHARGER @ EQUIPMENT RM | 500 | 2.17 | | | 3-3.5mm ² THHN | 15mmØ | 20AT, 100AF 2P CB |
| 6 | 2 - CONV. RECEPT. @ POWER RM | 720 | 3.13 | | | 3-3.5mm ² THHN | 15mmØ | 20AT, 100AF 2P CB |
| 7 | 5 - CONV. RECEPT. @ EQUIPMENT RM, FOYER & STORAGE | 1800 | 7.83 | | | 3-3.5mm ² THHN | 15mmØ | 20AT, 100AF 2P CB |
| 8 | 1 - COMPUTER OUTLET @ EQUIPMENT RM | 300 | 1.30 | | | 3-3.5mm ² THHN | 15mmØ | 20AT, 100AF 2P CB |
| 9 | 3 - 40W FLUO. + 5 - 4x20W FLUO. + 2 - 18W PLC | 695 | 3.02 | | | 3-3.5mm ² THHN | 15mmØ | 20AT, 100AF 2P CB |
| 10 | SPARE | | | | | | | 20AT, 100AF 2P CB |
| 11 | SPARE | | | | | | | 20AT, 100AF 2P CB |
| 12 | SPARE | | | | | | | 20AT, 100AF 2P CB |
| | | 5851 | 25.44 | | | | | |
| It = 25.44 A | | | | | | | | |
| FEEDER SIZE: 2-4mm ² XLPE + 1-5.5mm ² TW | | | | | | | | |
| MAIN PROTECTION: 50AT, 50AF 2P MCCB, 10kAIC | | | | | | | | |

3 LLZ BUILDING (LLZ) PANEL SCHEDULE
B71-6200-01 NOT TO SCALE



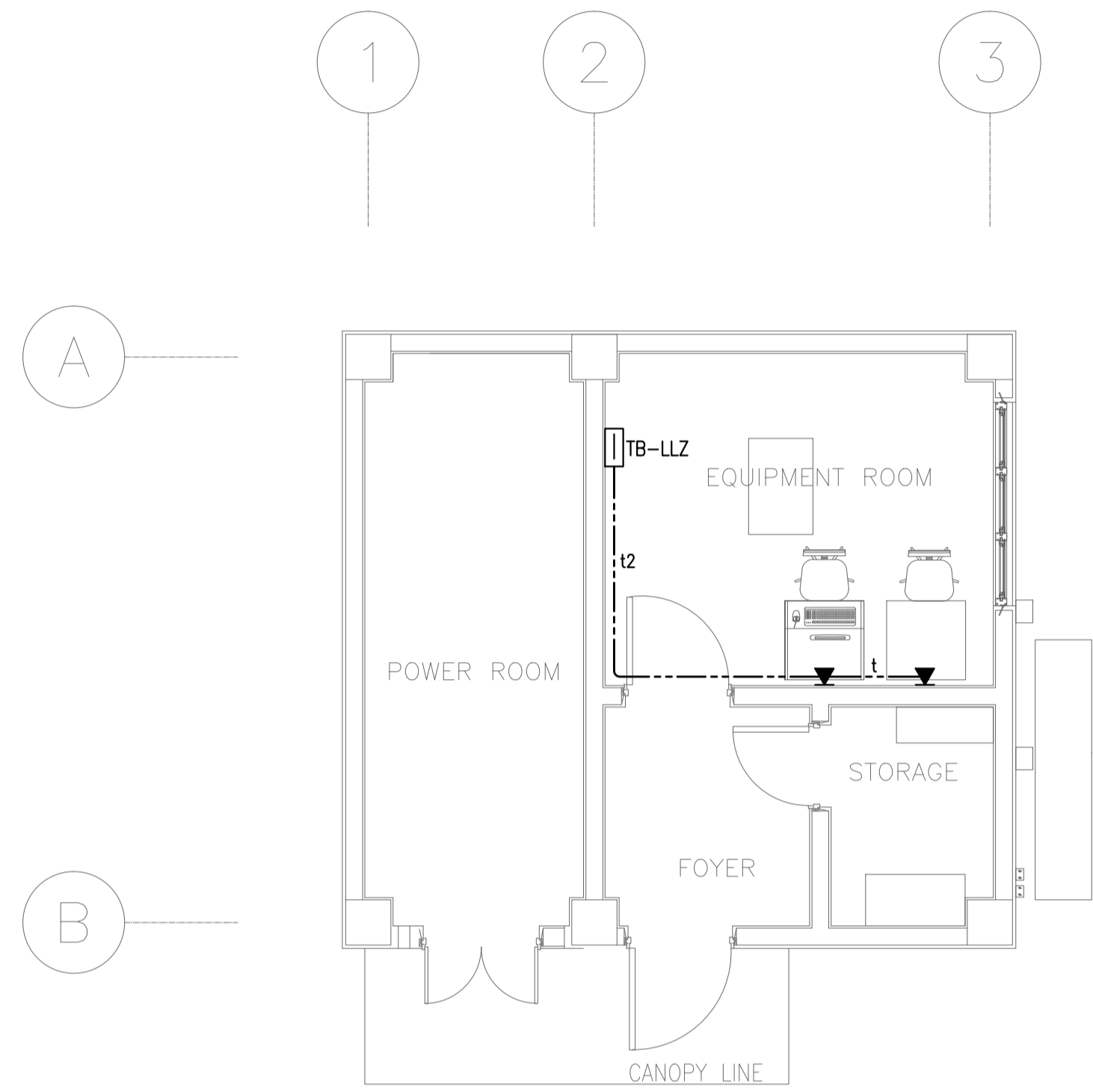
1 LLZ BUILDING (LLZ) RECEPTACLE LAYOUT PLAN
B71-6200-01 GRAPHIC SCALE 0 1 2 5m



2 LLZ BUILDING (LLZ) LIGHTING LAYOUT PLAN
B71-6200-01 GRAPHIC SCALE 0 1 2 5m

NOTE: REFER TO CABLE TRAY LAYOUT PLAN THE LOCATION OF PANELS.

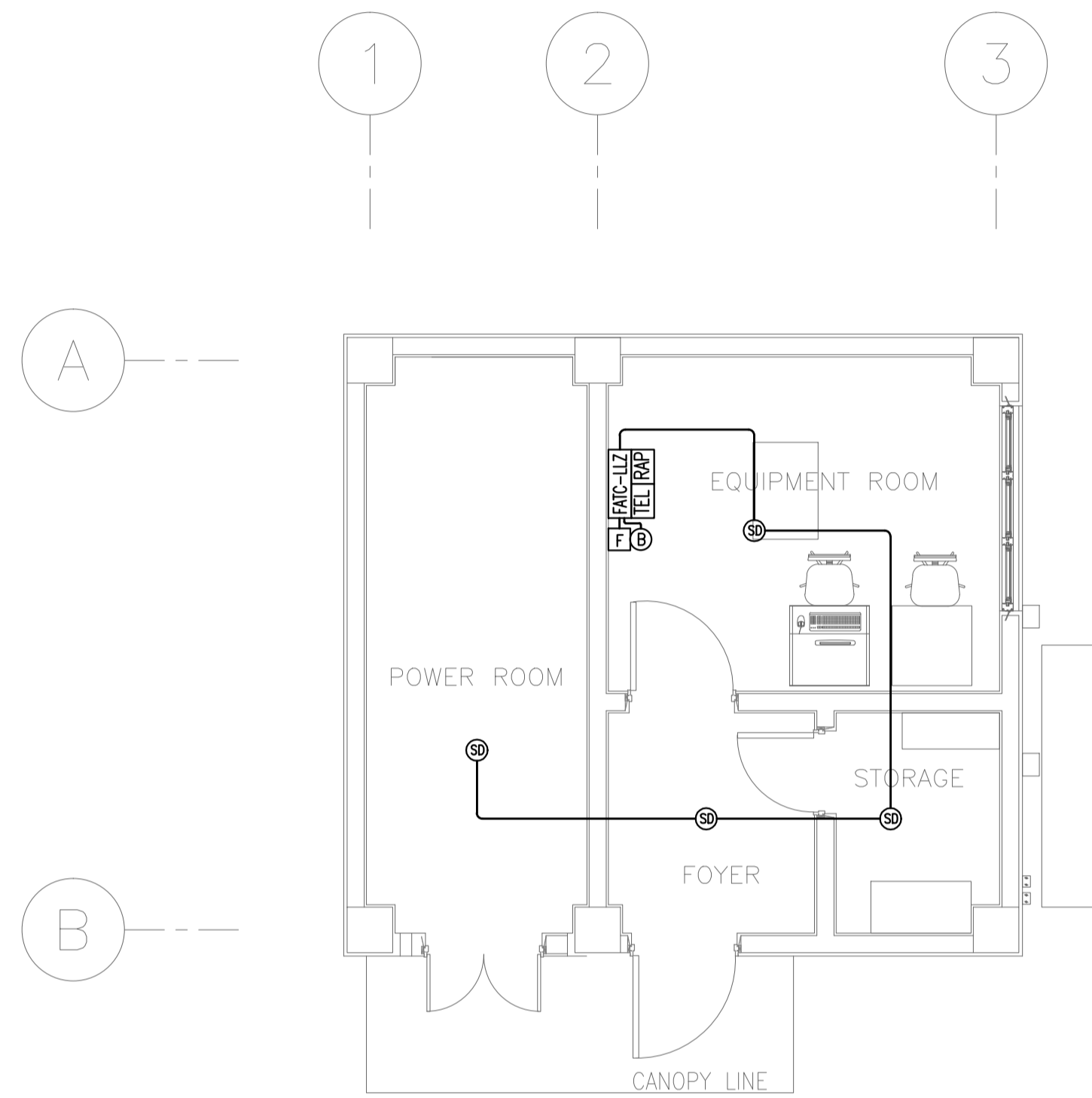
| | | | | | | |
|--|---|---|---|---|---|---|
| | PREPARED BY: TEODORO N. PAMATMAT <small>PROF. ELECTRICAL ENGINEER PTR. 1403773</small> <small>REG. NO.: 1927 DATE: 1-04-13</small> <small>TIN: 119-747-900 PLACE: MANILA</small> | RECOMMENDING APPROVAL: ILDEFONSO T. PATDU, JR. <small>Assistant Secretary for Project Implementation, DOTC</small> | APPROVED: JULIANITO G. BUCAYAN, JR. <small>Undersecretary for Project Implementation, DOTC</small> | PROJECT TITLE: NEW BOHOL AIRPORT CONSTRUCTION AND SUSTAINABLE ENVIRONMENT PROTECTION PROJECT LOCATION: MUNICIPALITY OF PANGLAO, PROVINCE OF BOHOL, PHILIPPINES | SHEET CONTENTS: COMPONENT-4 BUILDING WORKS (B) SUBCOMPONENT-4-7 (B71) LLZ Building ELECTRICAL RECEPTACLE, LIGHTING & PANEL SCHEDULE | SHEET NO: B71-6200-01 DRAWING SCALE: 1:50 m |
| | JICA DESIGN CONSULTANT JOINT VENTURE <small>DATE: JUNE 2013</small> | DATE: JUNE 2013 INDEX: AMENDMENTS Prepared by: WIM Checked by: HC Validated by: | | | | |



NOTE: REFER TO TELEPHONE SYSTEM SCHEMATIC DIAGRAM FOR WIRING SCHEDULE.

1 LLZ BUILDING (LLZ)
TELEPHONE SYSTEM PLAN
 871-6300-01 GRAPHIC SCALE 0 1 2 5m

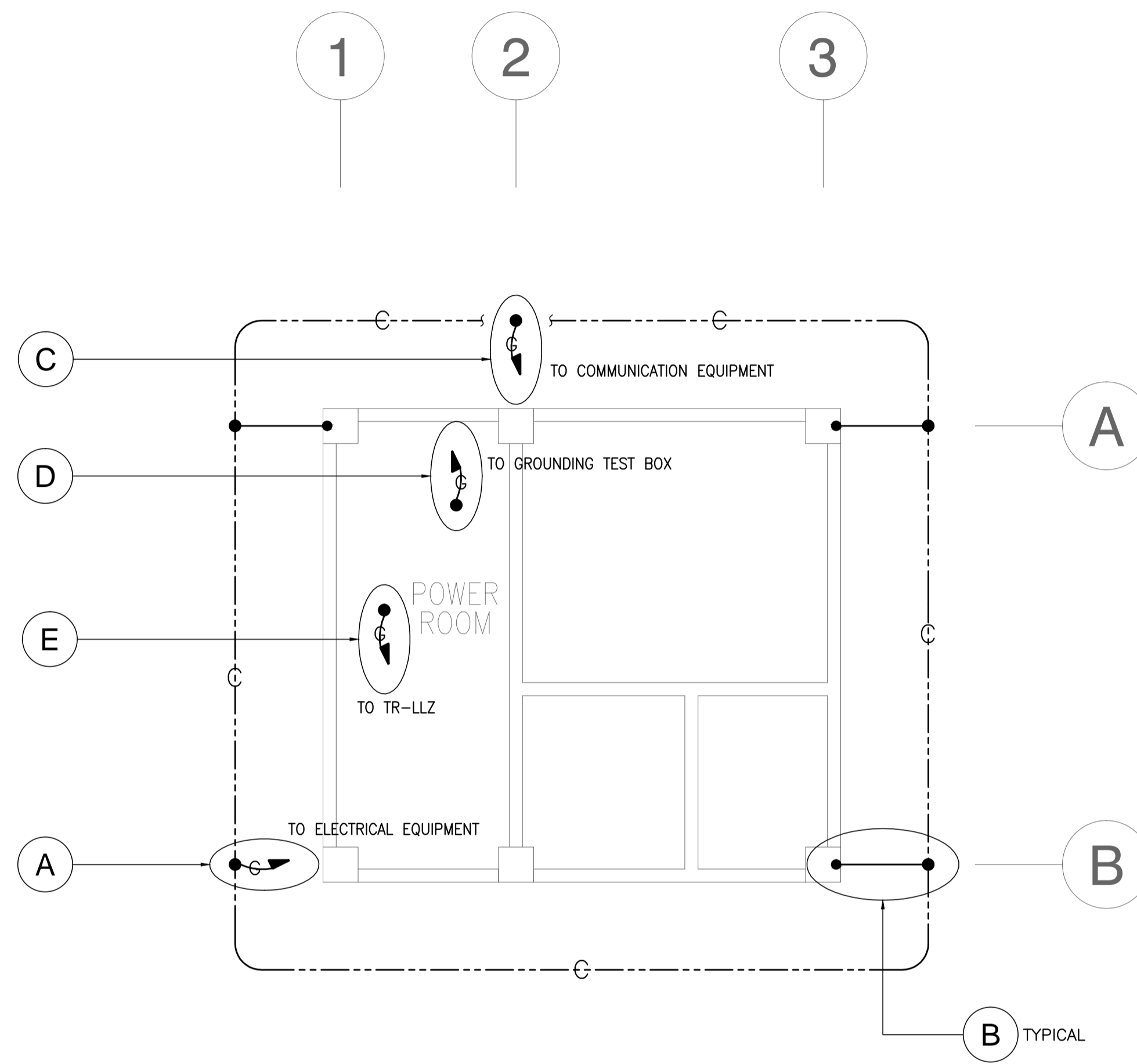
| | | | | | | | |
|--|---|---|---|--|---|--|---------------------------------|
| | PREPARED BY: TEODORO N. PAMATMAT <small>PROF. ELECTRICAL ENGINEER PTR. 1403773</small> <small>REG. NO.: 1927 DATE: 1-04-13</small> <small>T.N. 119-747-900 PLACE: MANILA</small> | RECOMMENDING APPROVAL: ILDEFONSO T. PATDU, JR. <small>Assistant Secretary for Project Implementation, DOTC</small> | APPROVED: JULIANITO G. BUCAYAN, JR. <small>Undersecretary for Project Implementation, DOTC</small> | PROJECT TITLE: NEW BOHOL AIRPORT CONSTRUCTION AND SUSTAINABLE ENVIRONMENT PROTECTION PROJECT | LOCATION: MUNICIPALITY OF PANGLAO, PROVINCE OF BOHOL, PHILIPPINES | SHEET CONTENTS: COMPONENT-4 BUILDING WORKS (B) SUBCOMPONENT-4-7 (B71) LLZ Building ELECTRICAL TELEPHONE LAYOUT | SHEET NO: B71-6300-01 |
| | JICA DESIGN CONSULTANT JOINT VENTURE TADASHI AOI <small>Team Leader</small> | JUNE 2013 DATE INDEX AMENDMENTS Prepared by Checked by Validated by | DRAWING SCALE: 1:50 m | | | | |



NOTE: REFER TO FIRE DETECTION AND ALARM SYSTEM SCHEMATIC DIAGRAM FOR WIRING SCHEDULE.

LLZ BUILDING (LLZ)
1 FIRE DETECTION AND ALARM SYSTEM PLAN
 871-6800-01 GRAPHIC SCALE 0 1 2 5m

| | | | | | | |
|--|---|---|---|--|---|---------------------------------|
| | PREPARED BY: TEODORO N. PAMATMAT <small>PROF. ELECTRICAL ENGINEER PIR. 1403773</small> <small>REG. NO.: 1927 DATE: 1-04-13</small> <small>T.N. 119-747-900 PLACE: MANILA</small> | RECOMMENDING APPROVAL: ILDEFONSO T. PATDU, JR. <small>Assistant Secretary</small> <small>for Project Implementation, DOTC</small> | APPROVED: JULIANITO G. BUCAYAN, JR. <small>Undersecretary</small> <small>for Project Implementation, DOTC</small> | PROJECT TITLE: NEW BOHOL AIRPORT CONSTRUCTION AND SUSTAINABLE ENVIRONMENT PROTECTION PROJECT | SHEET CONTENTS: COMPONENT-4 BUILDING WORKS (B) SUBCOMPONENT-4-7 (B71) LLZ Building ELECTRICAL FDAS LAYOUT | SHEET NO: B71-6800-01 |
| | JICA DESIGN CONSULTANT JOINT VENTURE TADASHI AOI <small>Team Leader</small> | LOCATION: MUNICIPALITY OF PANGLAO, PROVINCE OF BOHOL, PHILIPPINES | DATE: JUNE 2013 INDEX: WIM HC AMENDMENTS: Prepared by, Checked by, Validated by | DRAWING SCALE: 1:50 m | | |



NOTE: REFER TO SHEET NO. B0-6900-04 & B0-6900-05 FOR DETAILS.






1 LLZ BUILDING (LLZ)
GROUNDING SYSTEM PLAN
 871-6900-01 GRAPHIC SCALE 0 1 2 5m

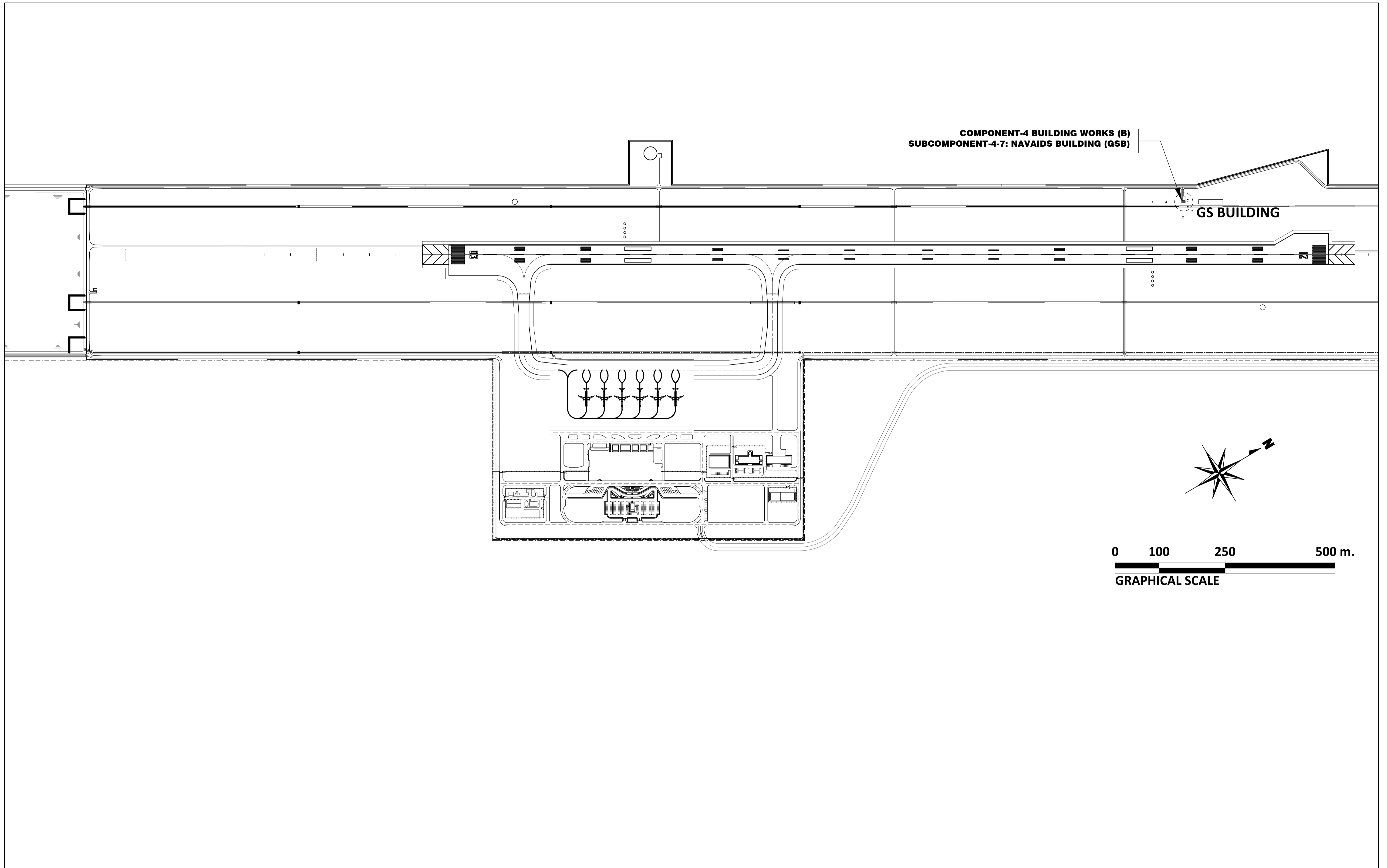
| | | | | | | |
|--|---|--|--|---|--|---------------------------------|
| | PREPARED BY: TEODORO N. PAMATMAT <small>PROF. ELECTRICAL ENGINEER PTR. 1403773</small> <small>REG. NO.: 1927 DATE: 1-04-13</small> <small>T.N. 119-747-900 PLACE: MANILA</small> | RECOMMENDING APPROVAL: | APPROVED: | PROJECT TITLE: | SHEET CONTENTS: COMPONENT-4 BUILDING WORKS (B) SUBCOMPONENT-4-7 (B71) LLZ Building ELECTRICAL GROUNDING LAYOUT | SHEET NO: B71-6900-01 |
| | JICA DESIGN CONSULTANT JOINT VENTURE <small>JAPAN AIRPORT CONSULTANTS, INC. NIPPON KOEI CO., LTD. NIS CONSULTANTS CO., LTD.</small> | TADASHI AOI Team Leader | ILDEFONSO T. PATDU, JR. Assistant Secretary for Project Implementation, DOTC | JULIANITO G. BUCAYAN, JR. Undersecretary for Project Implementation, DOTC | LOCATION: MUNICIPALITY OF PANGLAO, PROVINCE OF BOHOL, PHILIPPINES DATE: JUNE 2013 INDEX: AMENDMENTS Prepared by: WIM Checked by: HC Validated by: | DRAWING SCALE: 1:50 m |






DRAWING LIST

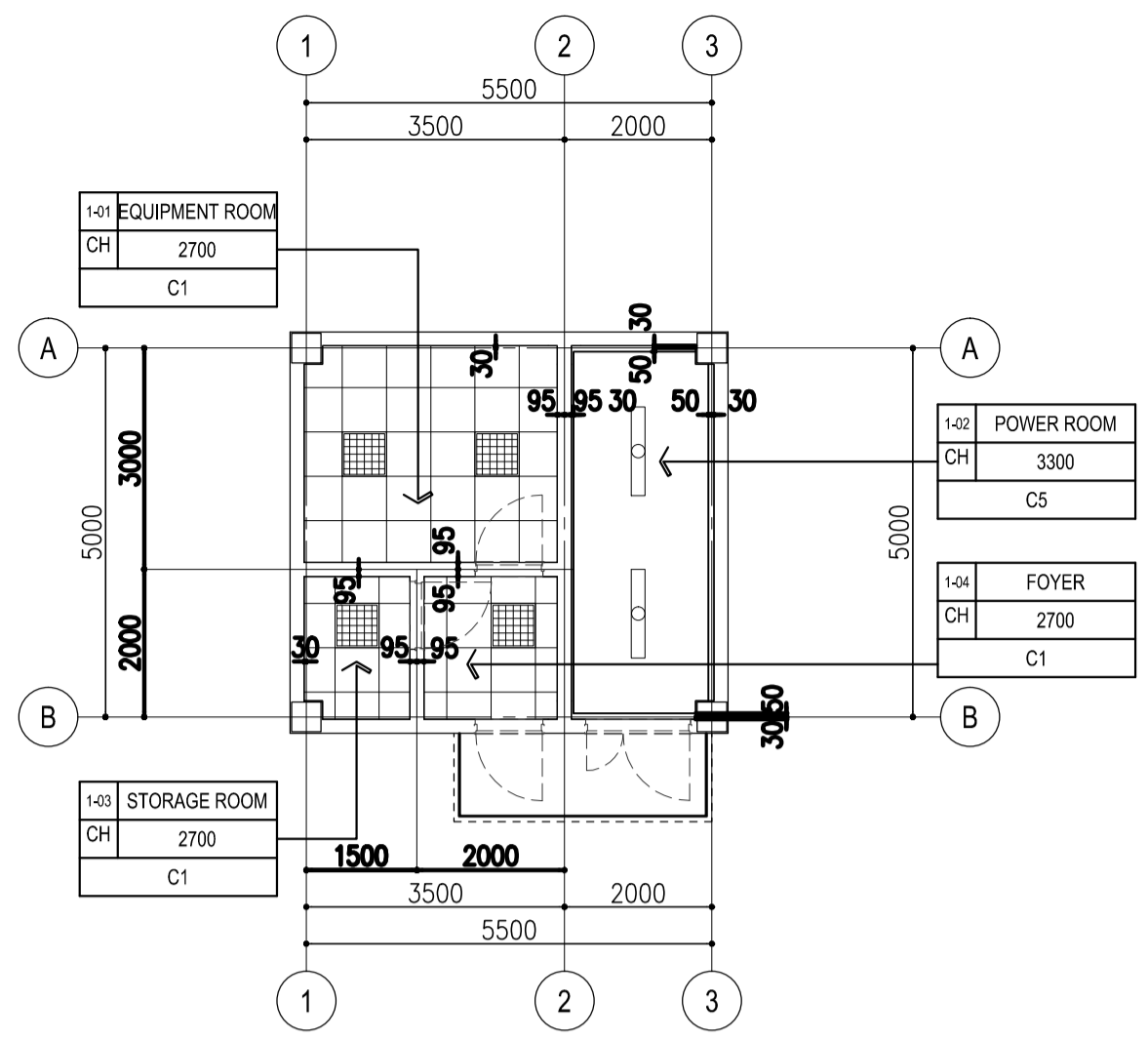
**DOCUMENT IV: DRAWINGS
 COMPONENT-4: BUILDING WORKS (B)
 SUBCOMPONENT-4-7: NAVAIDS BUILDING
 (B72) GS BUILDING (GSB)**

| SHEET No. | SHEET CONTENTS | SHEET No. | SHEET CONTENTS |
|-----------------|--|-----------|----------------|
| B72-4300 | ARCHITECTURAL WORKS | | |
| B72-4300-01 | LOCATION PLAN | | |
| B72-4300-02 | EXTERNAL-INTERNAL FINISHING SCHEDULE, LAYOUT PLAN, FLOOR AREA | | |
| B72-4300-03 | FLOOR PLAN, ROOF PLAN, CEILING PLAN, ELEVATIONS, SECTIONS & SECTION DETAIL | | |
| B72-4300-04 | DOORS & WINDOWS SCHEDULE | | |
| B72-4200 | STRUCTURAL WORKS | | |
| B72-4200-01 | FOUNDATION PLAN/FRAMING PLAN/SECTIONS AND DETAILS | | |
| B72-5100 | PLUMBING WORKS | | |
| B72-5100-01 | GS BUILDING (GS) MECHANICAL SANITARY & PLUMBING (1) SC4 GROUND FLOOR STORM DRAINAGE PLAN & ROOF DECK STORM DRAINAGE PLAN | | |
| B72-5200 | MECHANICAL WORKS | | |
| B72-5200-01 | GS BUILDING (GS) MECHANICAL VENTILATION AND AIR-CONDITIONING LAYOUT, EQUIPMENT SCHEDULE AND AIR TERMINAL DEVICE SCHEDULE | | |
| B72-5300 | FIRE PROTECTION | | |
| B72-5300-01 | GS BUILDING (GS) MECHANICAL FIRE PROTECTION GROUND FLOOR FIRE PROTECTION LAYOUT | | |
| B72-6100 | ELECTRICAL WORKS | | |
| B72-6100-01 | EQUIP., FEEDER & CABLE TRAY LAYOUT | | |
| B72-6200-01 | RECEPTACLE, LIGHTING & PANEL SCHEDULE | | |
| B72-6300-01 | TELEPHONE LAYOUT | | |
| B72-6800-01 | FDAS LAYOUT | | |
| B72-6900-01 | GROUNDING LAYOUT | | |

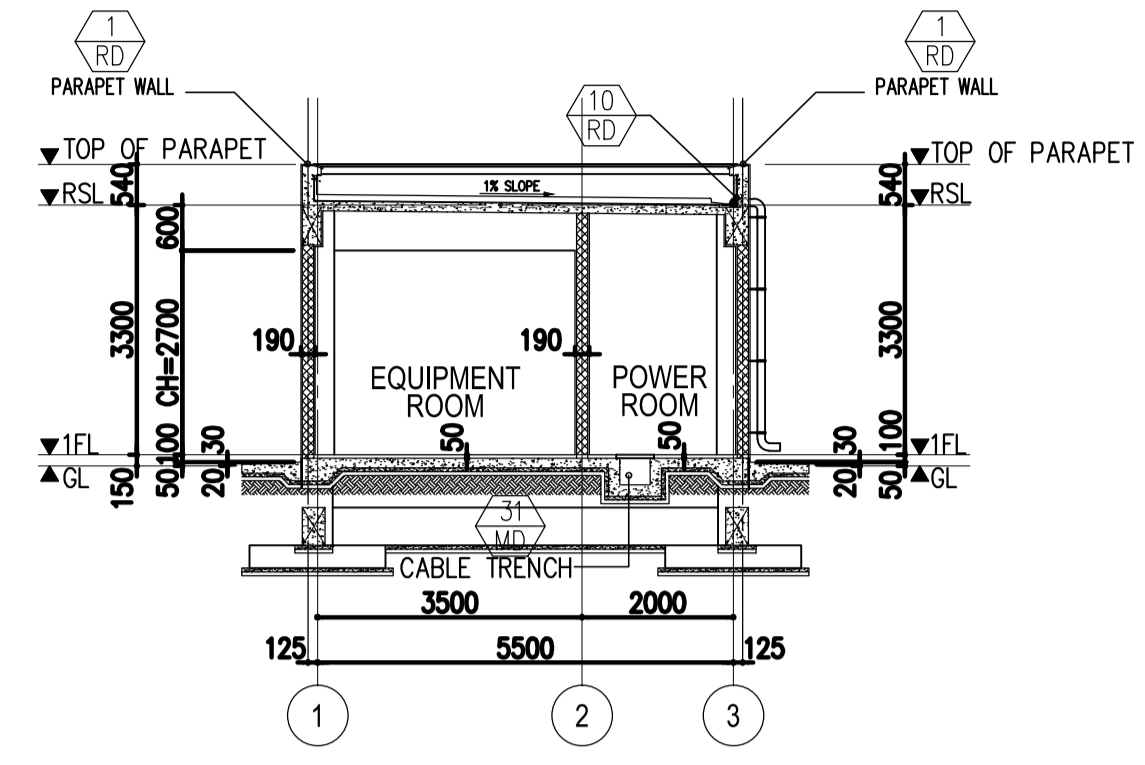
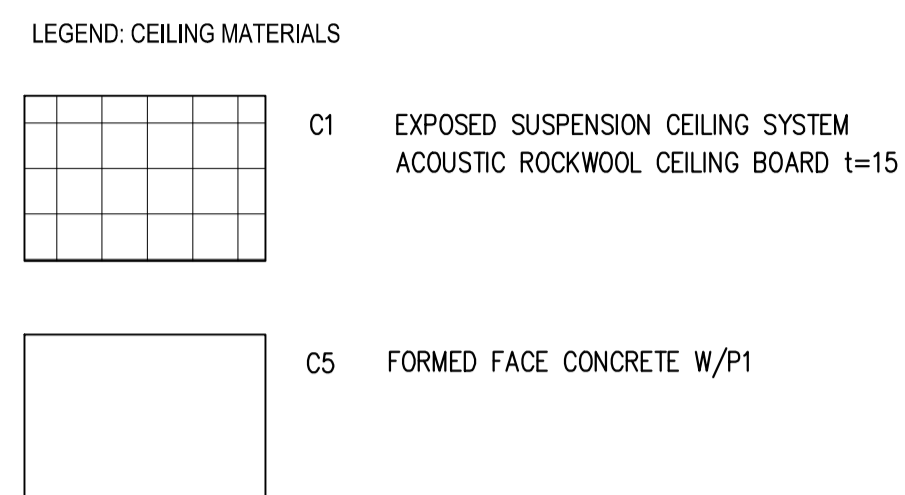
| | | | | | | | |
|---|--|---|---|---|---|--|--|
|  Republic of the Philippines DEPARTMENT OF TRANSPORTATION AND COMMUNICATIONS |  JAPAN INTERNATIONAL COOPERATION AGENCY | PREPARED BY: WILLIAM I. MALLONGA <small>PROF: Architect PTR: 3011137 REG. NO.: 4623 DATE: MAY 9, 2013 T.S.N. 150-564-196 PLACE: MANILA CITY</small> | RECOMMENDING APPROVAL: ILDEFONSO T. PATDU, JR. <small>Assistant Secretary for Project Implementation, DOTC</small> | APPROVED: JULIANITO G. BUCAYAN, JR. <small>Undersecretary for Project Implementation, DOTC</small> | PROJECT TITLE: NEW BOHOL AIRPORT CONSTRUCTION AND SUSTAINABLE ENVIRONMENT PROTECTION PROJECT LOCATION: MUNICIPALITY OF PANGLAO, PROVINCE OF BOHOL, PHILIPPINES | SHEET CONTENTS: COMPONENT-4 BUILDING WORKS (B) SUBCOMPONENT-4-7 NAVAIDS BUILDINGS (B72) GS BUILDING DRAWING LIST | SHEET NO: B72-LIST DRAWING SCALE: NTS |
| JICA DESIGN CONSULTANT JOINT VENTURE  JAPAN AIRPORT CONSULTANTS, INC.  NIPPON KOEI CO., LTD.  NIS CONSULTANTS CO., LTD. | | | | | JUNE 2013 DATE INDEX AMENDMENTS Prepared by Checked by Validated by | | |



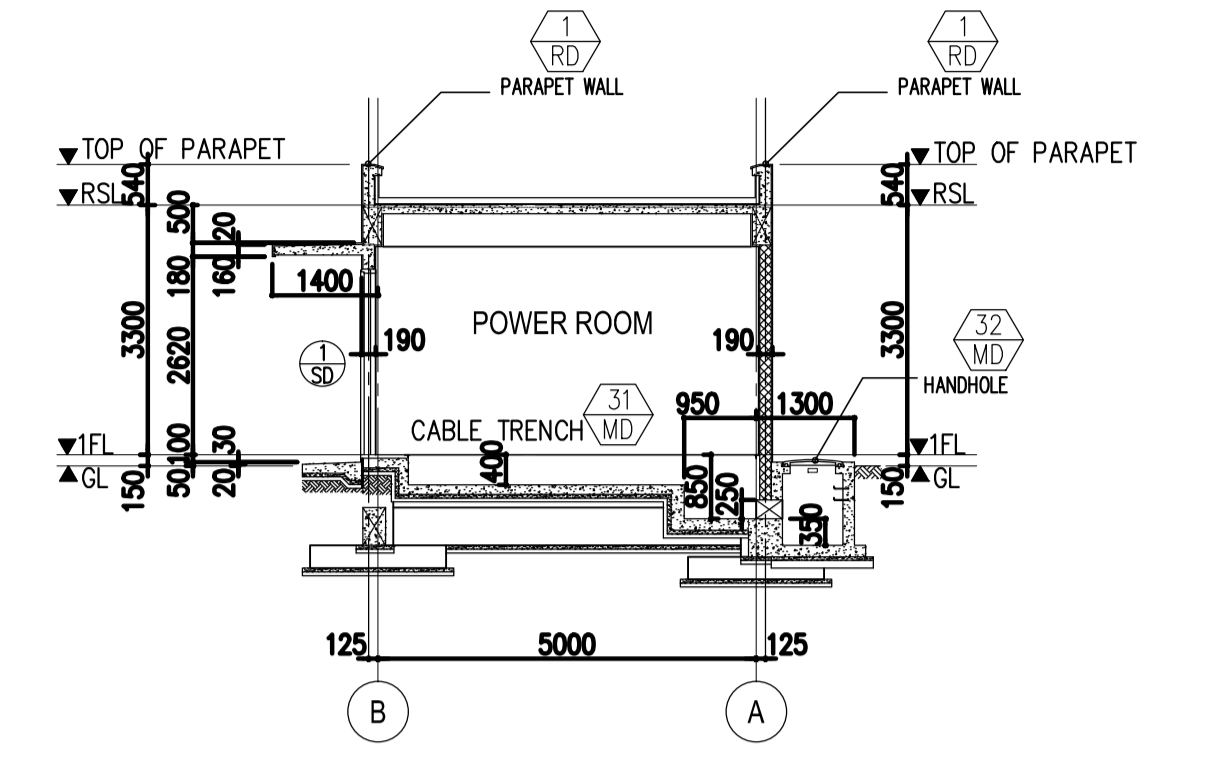
| | | | | | | | | | | | | |
|--|---|---|--|---|--|------|-------|------------|-------------|---|--|--|
|  <p>Republic of the Philippines DEPARTMENT OF TRANSPORTATION AND COMMUNICATIONS</p> |  <p>JAPAN INTERNATIONAL COOPERATION AGENCY</p> | PREPARED BY: | RECOMMENDING APPROVAL: | APPROVED: | PROJECT TITLE: | | | | | SHEET CONTENTS: | SHEET NO: | |
| | | <p>WILLIAM I. MALLONGA</p> <p>PROF: Architect PTR: 3811137 RES. NO.: 4623 DATE: MAY 9, 2013 TEAM: 128-564-198 PLACE: MANARU CITY</p> | <p>ILDEFONSO T. PATDU, JR. Assistant Secretary for Project Implementation, DOTC</p> | <p>JULIANITO G. BUCAYAN, JR. Undersecretary for Project Implementation, DOTC</p> | <p>NEW BOHOL AIRPORT CONSTRUCTION AND SUSTAINABLE ENVIRONMENT PROTECTION PROJECT</p> <p>LOCATION: MUNICIPALITY OF PANGLAO, PROVINCE OF BOHOL, PHILIPPINES</p> | | | | | <p>COMPONENT-4 BUILDING WORKS (B) SUBCOMPONENT-4-7 NAVAIDS BUILDING</p> <p>(B2) GS BUILDING ARCHITECTURAL LOCATION PLAN</p> | <p>B72-4300-01</p> <p>DRAWING SCALE: 1:1000 M.</p> | |
| <p>JICA DESIGN CONSULTANT JOINT VENTURE</p>  <p>JAPAN AIRPORT CONSULTANTS, INC.</p>  <p>NIPPON KOEI CO., LTD.</p>  <p>NIS CONSULTANTS CO., LTD.</p> | | <p>TADASHI AOI Team Leader</p> | | | | | | | | | | |
| | | | | | | DATE | INDEX | AMENDMENTS | Prepared by | Checked by | Validated by | |



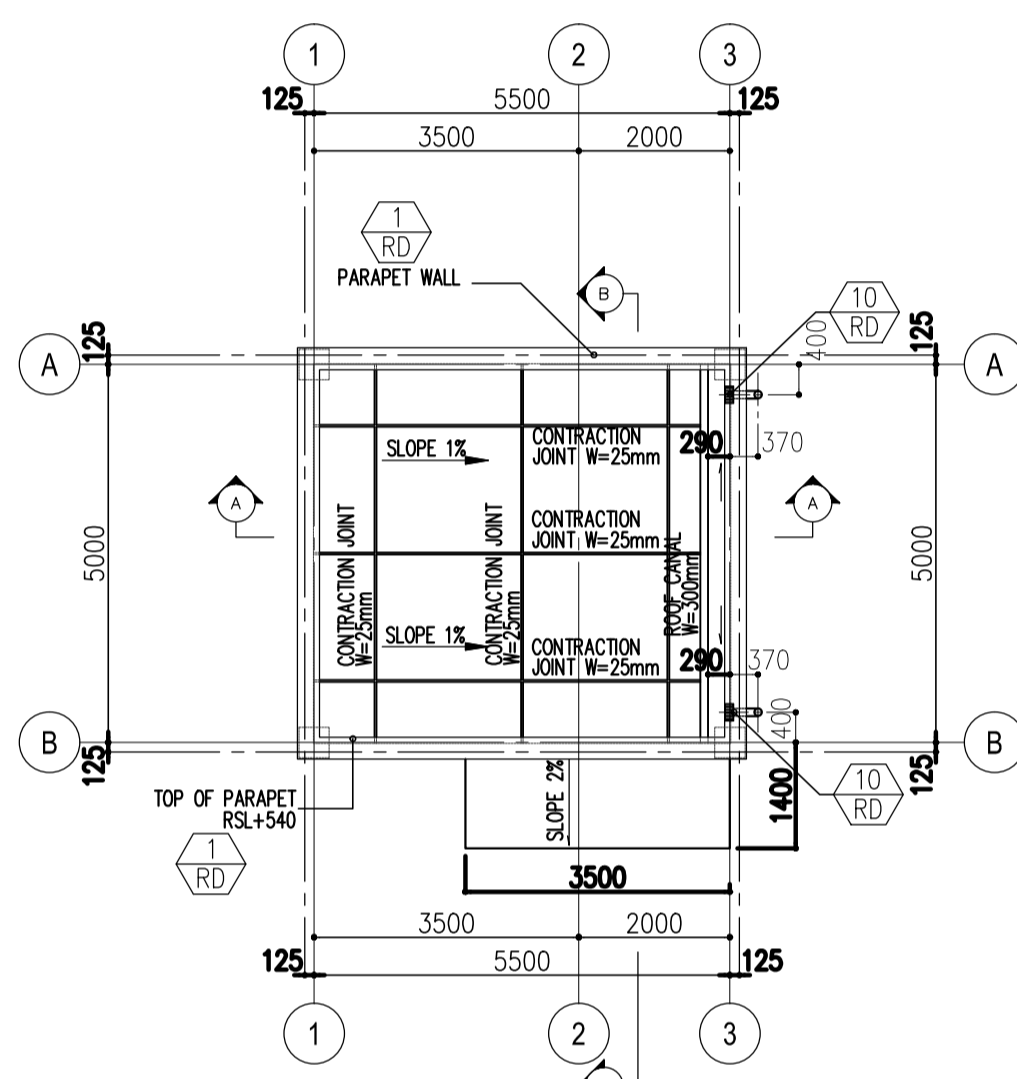
REFLECTED CEILING PLAN
SCALE: 1:100 MTS.



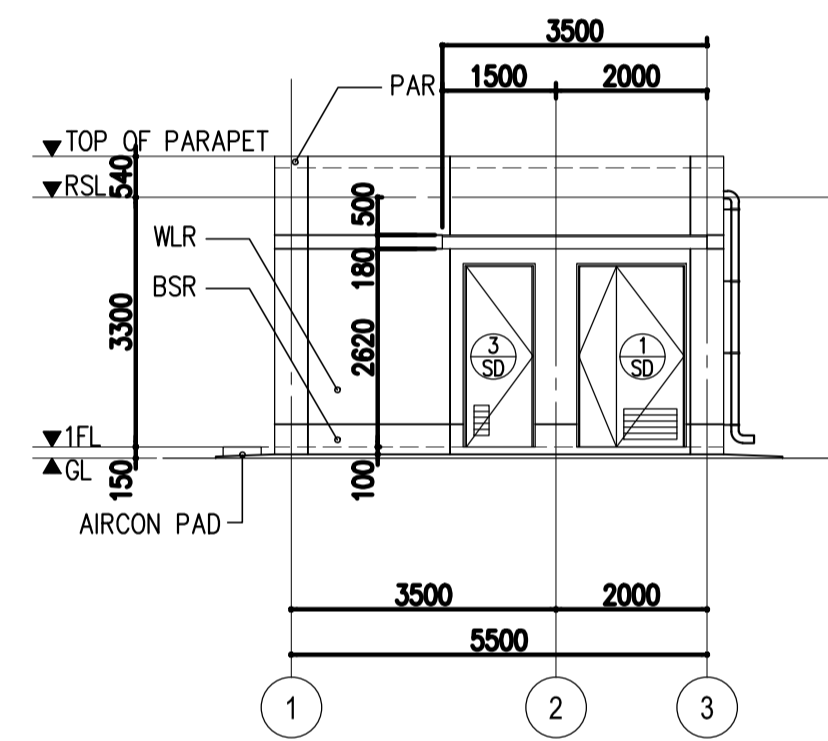
SECTION A-A
SCALE: 1:100 MTS.



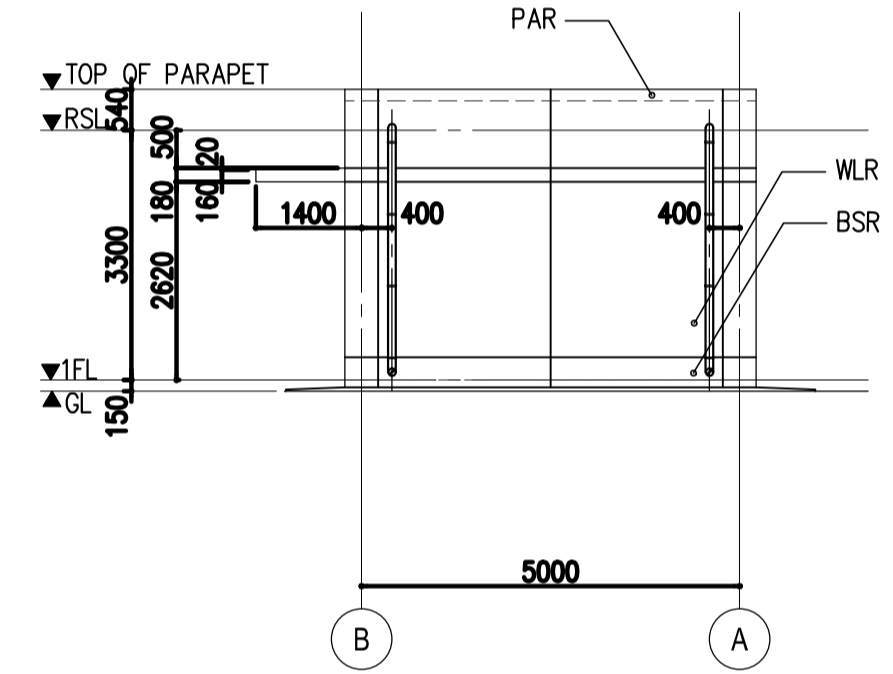
SECTION B-B
SCALE: 1:100 MTS.



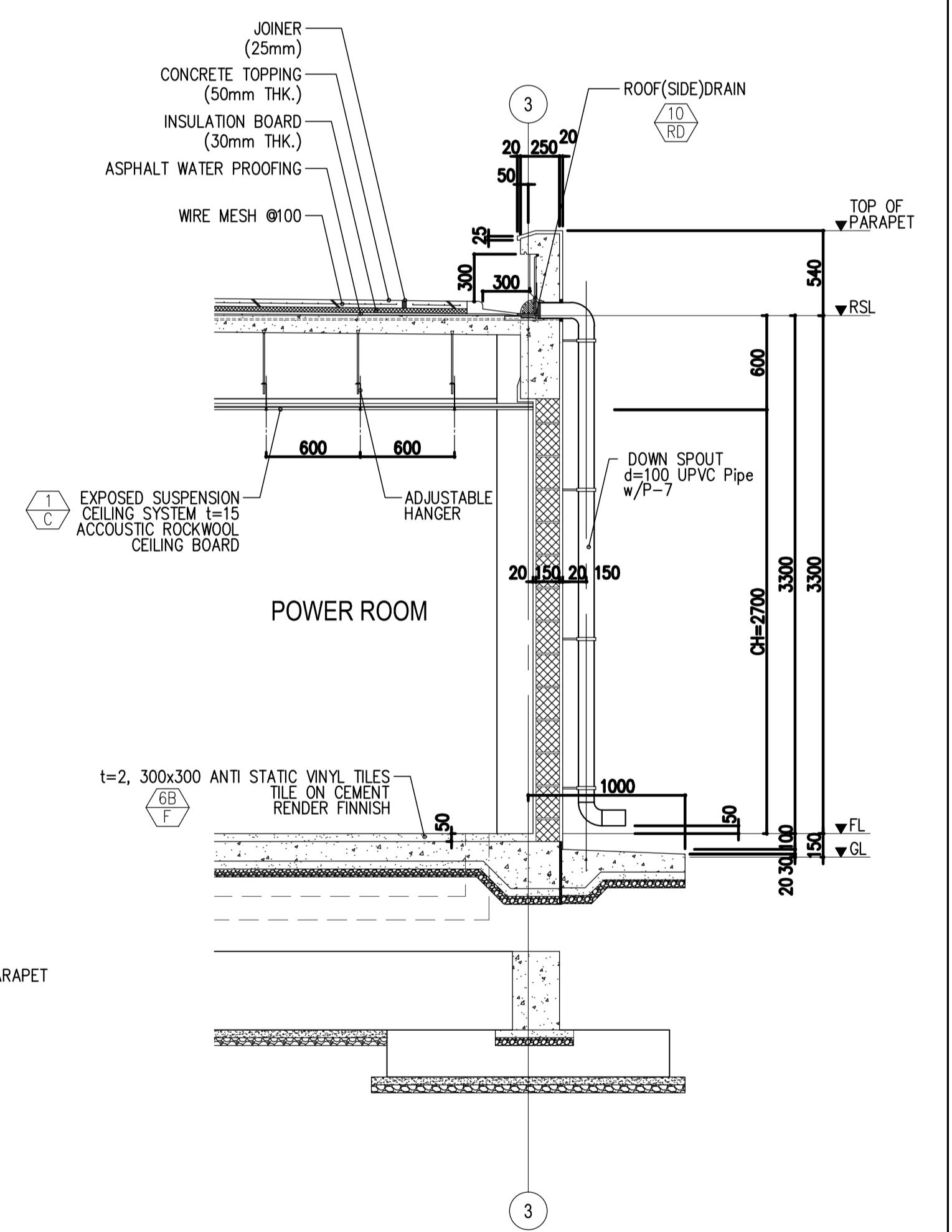
ROOF PLAN
SCALE: 1:100 MTS.



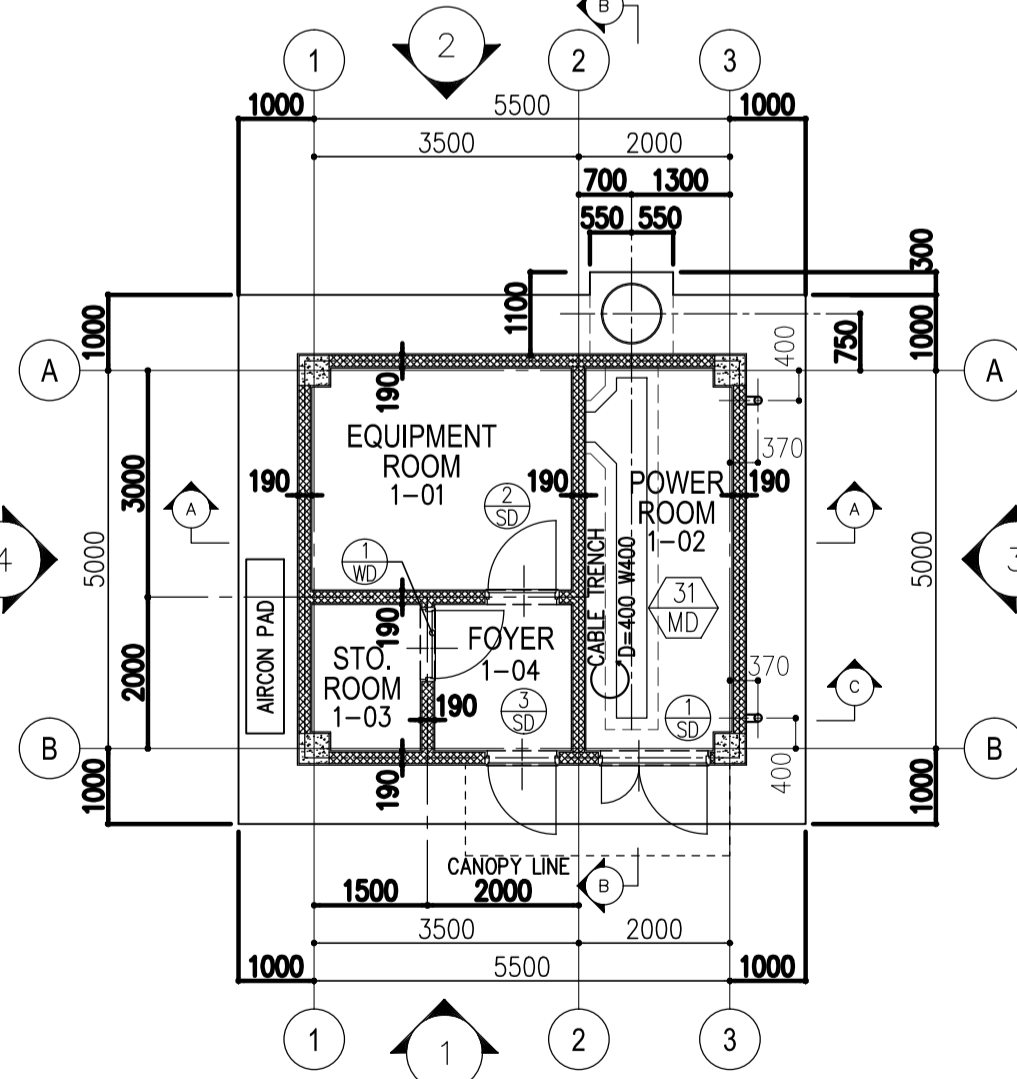
ELEVATION 1
SCALE: 1:100 MTS.



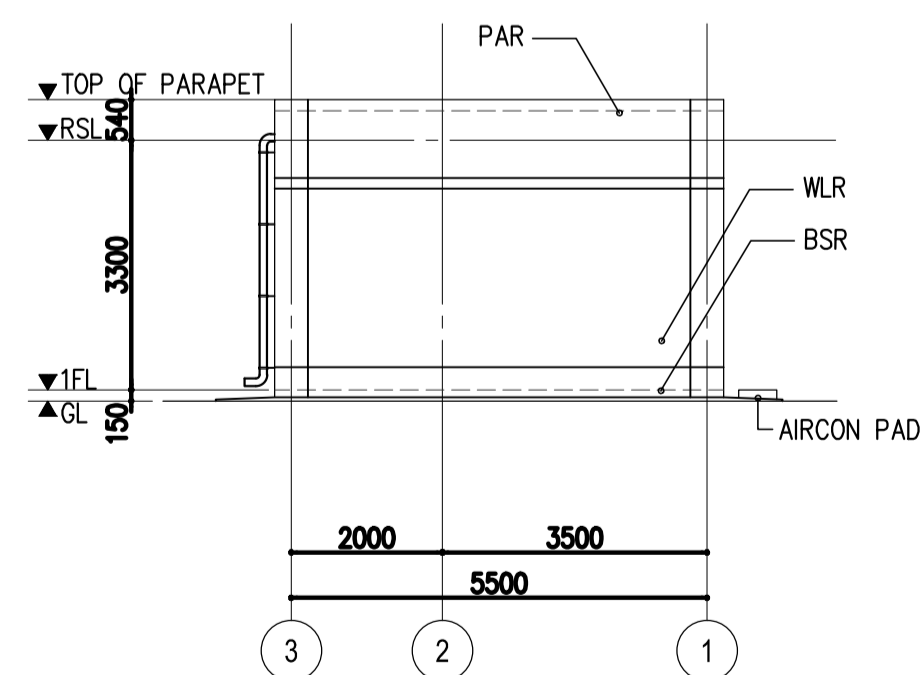
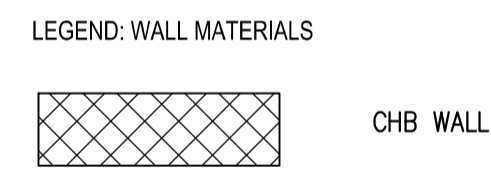
ELEVATION 3
SCALE: 1:100 MTS.



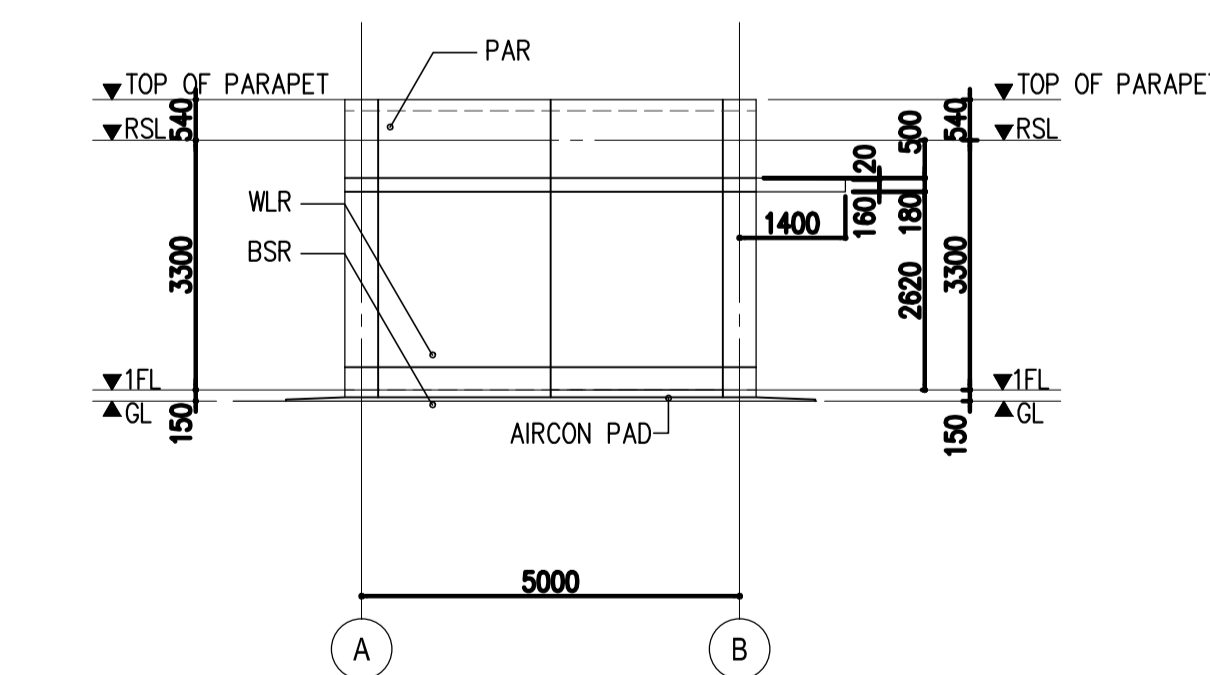
DETAIL SECTION C
SCALE: 1:30 MTS.



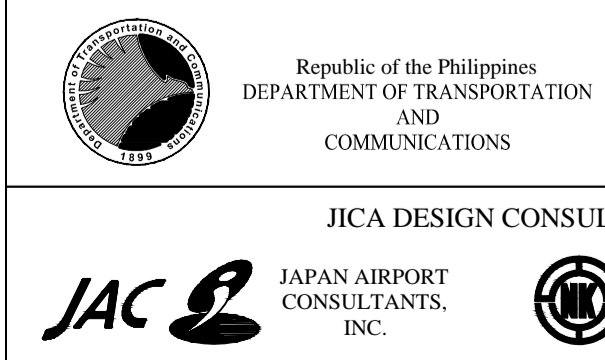
FLOOR PLAN
SCALE: 1:100 MTS.



ELEVATION 2
SCALE: 1:100 MTS.



ELEVATION 4
SCALE: 1:100 MTS.



JAPAN INTERNATIONAL COOPERATION AGENCY
JICA DESIGN CONSULTANT JOINT VENTURE
JAPAN AIRPORT CONSULTANTS, INC. NIPPON KOEI CO., LTD. NIS CONSULTANTS CO., LTD.

PREPARED BY: WILLIAM I. MALLONGA
PROF. Architect PIR. 3811137
RES. NO.: 4623 DATE: MAY 9, 2013
TEL. 159-564-198 PLACE: MANILA CITY

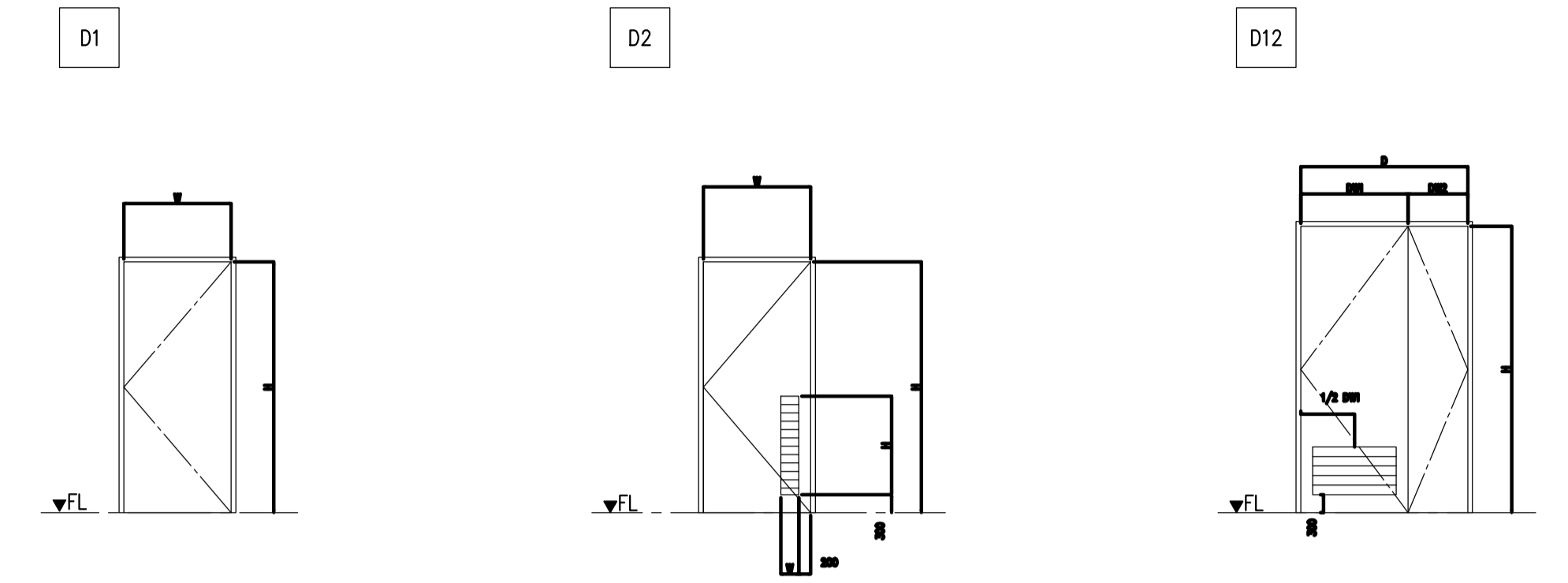
RECOMMENDING APPROVAL: ILDEFONSO T. PATDU, JR. Assistant Secretary for Project Implementation, DOTC
APPROVED: JULIANITO G. BUCAYAN, JR. Undersecretary for Project Implementation, DOTC

PROJECT TITLE: NEW BOHOL AIRPORT CONSTRUCTION AND SUSTAINABLE ENVIRONMENT PROTECTION PROJECT
LOCATION: MUNICIPALITY OF PANGLAO, PROVINCE OF BOHOL, PHILIPPINES

| DATE | INDEX | AMENDMENTS | Prepared by | Checked by | Validated by |
|-----------|-------|------------|-------------|------------|--------------|
| JUNE 2013 | | | WIM | HC | |

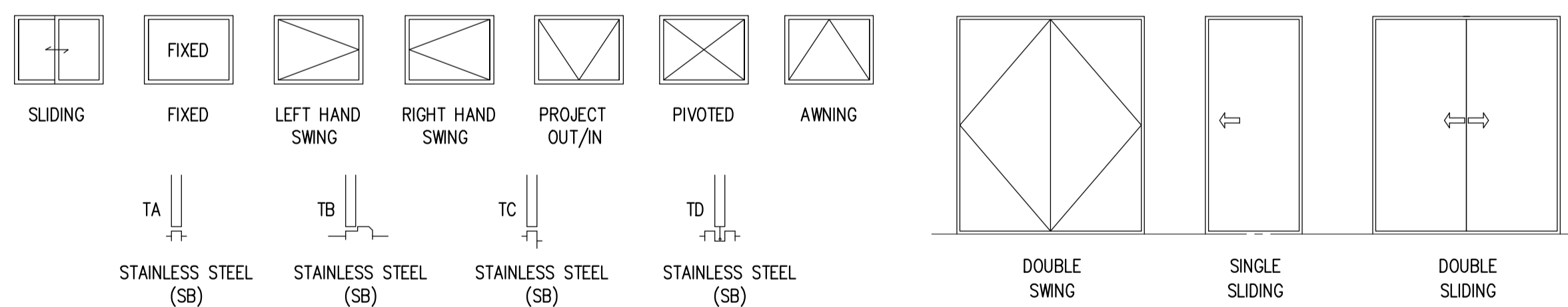
SHEET CONTENTS: COMPONENT-4 BUILDING WORKS (B) SUBCOMPONENT-4-7 NAVAIDS BUILDING (B72) GS BUILDING ARCHITECTURAL FLOOR PLAN, ROOF PLAN, CEILING PLAN, ELEVATIONS, SECTIONS & SECTION DETAIL
SHEET NO: B72-4300-03
DRAWING SCALE: 1:100 MTS.

| SCHEDULE OF DOORS & WINDOWS | | | | | | | | | | | | | | | | | | | | | | |
|-----------------------------|--------|----------|---------------|--|-------|--------------------|----------|--------|---------|-----------|-----------------|----------|--------|-------------------------------|--------------|----------------|-------------|-----------|-------------|------------------|-----------|---------|
| MARK | FIGURE | QUANTITY | DIMENSION | | FRAME | DOOR PANEL OR SASH | MATERIAL | FINISH | GLAZING | | LOUVER | | | | IRON MONGERY | | | | OTHERS | | | REMARKS |
| | | | W (w) X H (h) | | | | | | TYPE | THICKNESS | DIMENSION W x H | MATERIAL | FINISH | ALL FITTING FIXING & HARDWARE | HINGES | LOCK AND LATCH | DOOR CLOSER | DOOR STOP | DOOR HANDLE | WEATHER MOULDING | SILL/TRIM | |
| 1 SB | D12 | 1 | 1400 x 2400 | | 130 | 40 | ST | P-3 | | | | | | | | | | | | | | |
| 2 SB | D1 | 1 | 900 x 2100 | | 130 | 40 | ST | P-3 | | | | | | | | | | | | | | |
| 3 SB | D2 | 1 | 900 x 2400 | | 130 | 40 | ST | P-3 | | | | | | | | | | | | | | |
| 1 WD | D2 | 1 | 900 x 2100 | | 130 | 40 | WD | P-2 | | | | | | | | | | | | | | |

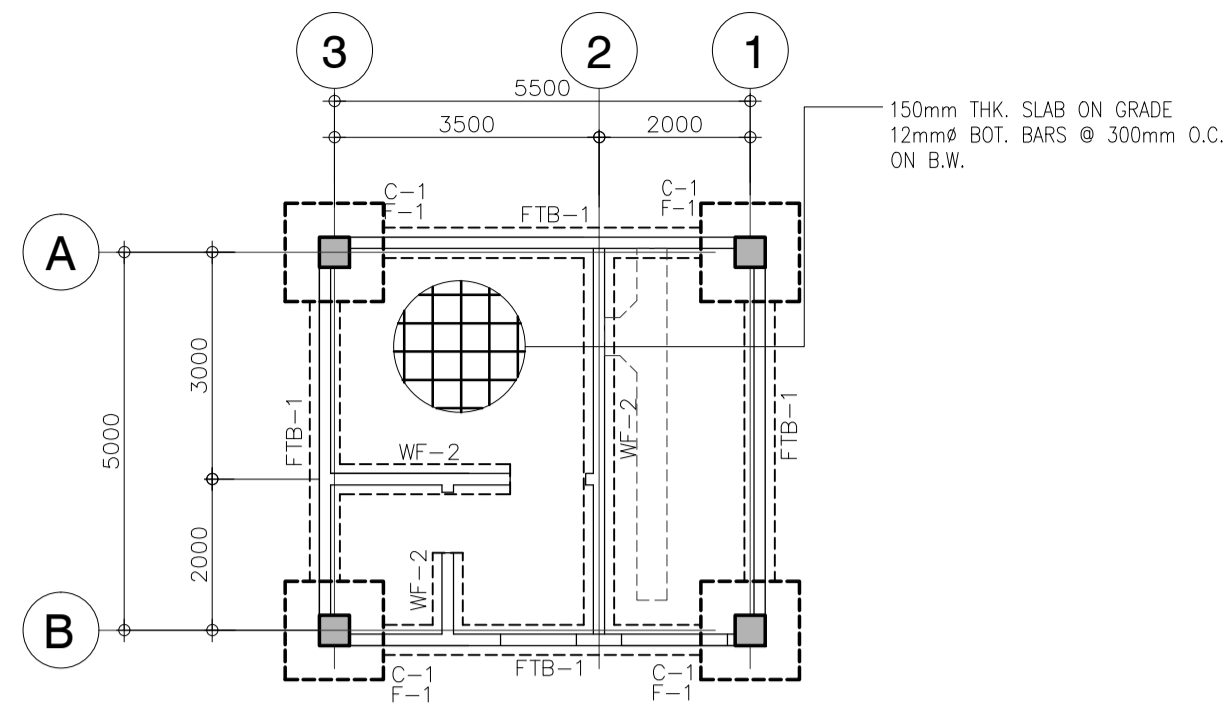


| | | | | | |
|---------------------------|-----------------------|--|-------------------------------------|------------------------------------|-------------------------------|
| DOOR & WINDOW | MATERIAL | FINISH | GLAZING | HINGES | |
| AD - ALUMINIUM DOOR | ST - STEEL | AN - ANODIZING WITH ELECTRO DEPOSITION ALUMINIUM | CG - CLEAR FLOAT GLASS | BH - BUTT HINGE | PL - PASSAGE LATCH |
| AW - ALUMINIUM WINDOW | SST - STAINLESS STEEL | SB - SCRATCH BRUSHED | CWG - CLEAR WIRE GLASS | FH - FLOOR HINGE | LL - LAVATORY LATCH |
| AL - ALUMINIUM LOUVER | AL - ALUMINIUM | MR - MELANIN RESIN OVERLAD | FG - FIGURED GLASS | PH - PIVOT HINGE | WI - WITH INDICATOR |
| SD - STEEL DOOR | TG - TEMPERED GLASS | EPX - EPOXY-POLYESTER | FWG - FIGURED WIRE GLASS | SH - SPRING HINGE | FB - FLUSH BOLT |
| FWD - FLUSH DOOR | HC - HONEY COMB | P-2 - SYNTHETIC RESIN MIXED PAINT (WOOD) | HAG - HEAT ABSORBING GLASS | | PP - PUSH-PULL PLATE |
| LWD - LOUVER DOOR | WD - WOOD | P-3 - SYNTHETIC RESIN MIXED PAINT (STEEL) | HAWG - HEAT ABSORBING WIRE GLASS | LOCK & LATCH/DOOR HANDLE | CS - CRESCENT SASH LOCK |
| RS - ROLLING SHUTTER DOOR | | UE - URETHAN RESIN | LG - LAMINATED GLASS | DL - DEADBOLT MORTISE LOCK | CLH - CAM LATCH HANDLE & ARM |
| RG - ROLLING GRILLE | | | HTG - HEAT ABSORBING TEMPERED GLASS | ML - MORTISE LOCK & LEVER HANDLE | RT - ROLLER TIGHTENING HANDLE |
| AS - ALUMINIUM SCREEN | | | | CL - CYLINDRICAL LOCK | OTHERS |
| FP - FOLDING PARTITION | | | | HC - HOOK LOCK | RW - ROCK WOOL |
| WD - WOODEN DOOR | | | | EL - EMERGENCY LOCK & LEVER HANDLE | IS - INSECT SCREEN |
| | | | | | AT - AIRTIGHTNESS |
| | | | | | BB - BLIND BOX |
| | | | | | FTG - FRAMELESS DOOR |

SYMBOLS & CONVENTION OF DOOR & WINDOW



| | | | | | | |
|--|--|---|---|---|--|---|
| | PREPARED BY: WILLIAM I. MALLONGA <small>PROF: Architect PTR: 3811137 REG. NO.: 4623 DATE: MAY 9, 2013 TEL: 159-564-198 PLACE: MANILA CITY</small> | RECOMMENDING APPROVAL: ILDEFONSO T. PATDU, JR. <small>Assistant Secretary for Project Implementation, DOTC</small> | APPROVED: JULIANITO G. BUCAYAN, JR. <small>Undersecretary for Project Implementation, DOTC</small> | PROJECT TITLE: NEW BOHOL AIRPORT CONSTRUCTION AND SUSTAINABLE ENVIRONMENT PROTECTION PROJECT LOCATION: MUNICIPALITY OF PANGLAO, PROVINCE OF BOHOL, PHILIPPINES | SHEET CONTENTS: COMPONENT-4 BUILDING WORKS (B) SUBCOMPONENT-4-7 NAVAFS BUILDING (B72) GS BUILDING ARCHITECTURAL DOORS & WINDOW SCHEDULE | SHEET NO: B72-4300-04 DRAWING SCALE: 1:50 MTS. |
| | | | | | | |

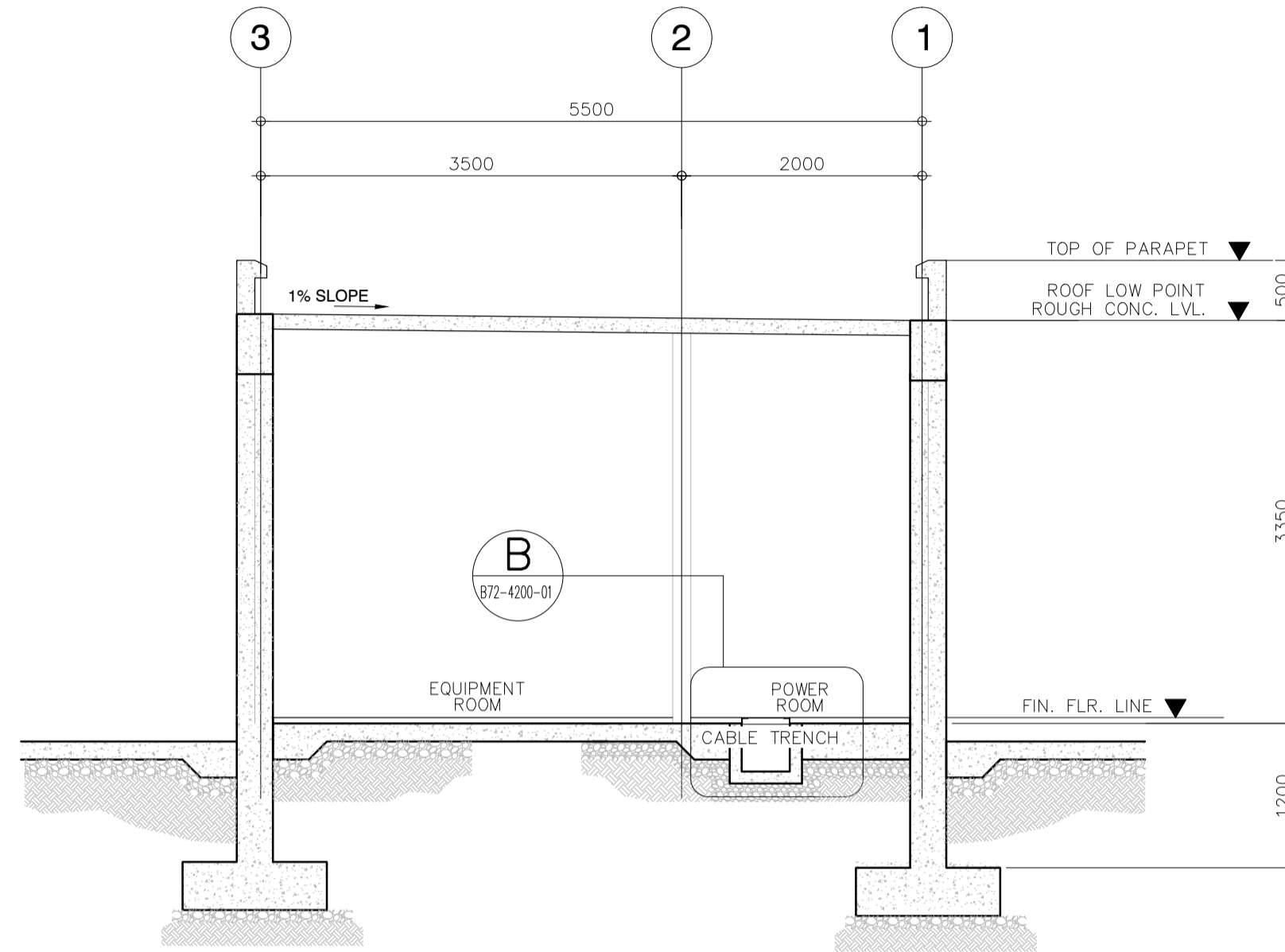


1 GS BLDG. FOUNDATION PLAN
SCALE 1 : 100 M.

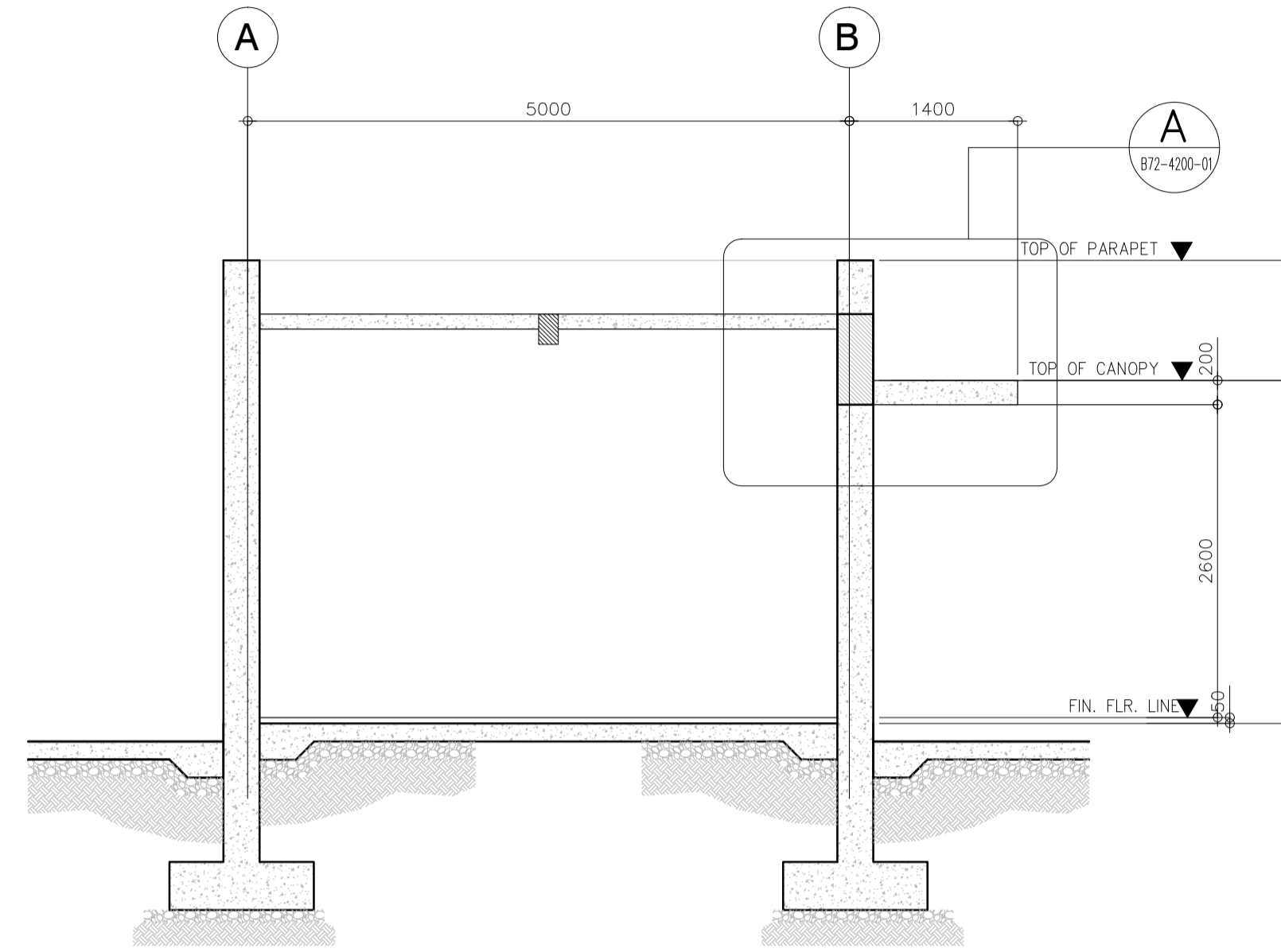
BEAM/GIRDER SCHEDULE

| MARK | DIMENSIONS | | REINFORCEMENTS | | | | | | STIRRUP TYPE |
|--------|------------|-----|--------------------|--------------------|--------------------|--------------------|--------------------|--------------------|--------------|
| | | | SUPPORT | | MIDSPAN | | VERTICAL | | |
| | | | TOP | MID | TOP | BOT | TOP | BOT | |
| RB-1 | 200 | 400 | 2-16mm \emptyset | 2-16mm \emptyset | 2-16mm \emptyset | 4-16mm \emptyset | 2-16mm \emptyset | 2-16mm \emptyset | A |
| RDG-1 | 200 | 400 | 2-16mm \emptyset | 2-16mm \emptyset | 2-16mm \emptyset | 2-16mm \emptyset | 2-16mm \emptyset | 2-16mm \emptyset | A |
| RDG-2 | 200 | 400 | 3-16mm \emptyset | 2-16mm \emptyset | 2-16mm \emptyset | 4-16mm \emptyset | 3-16mm \emptyset | 2-16mm \emptyset | A |
| RDG-1A | 300 | 700 | 3-16mm \emptyset | 3-16mm \emptyset | 3-16mm \emptyset | 4-16mm \emptyset | 3-16mm \emptyset | 3-16mm \emptyset | A |

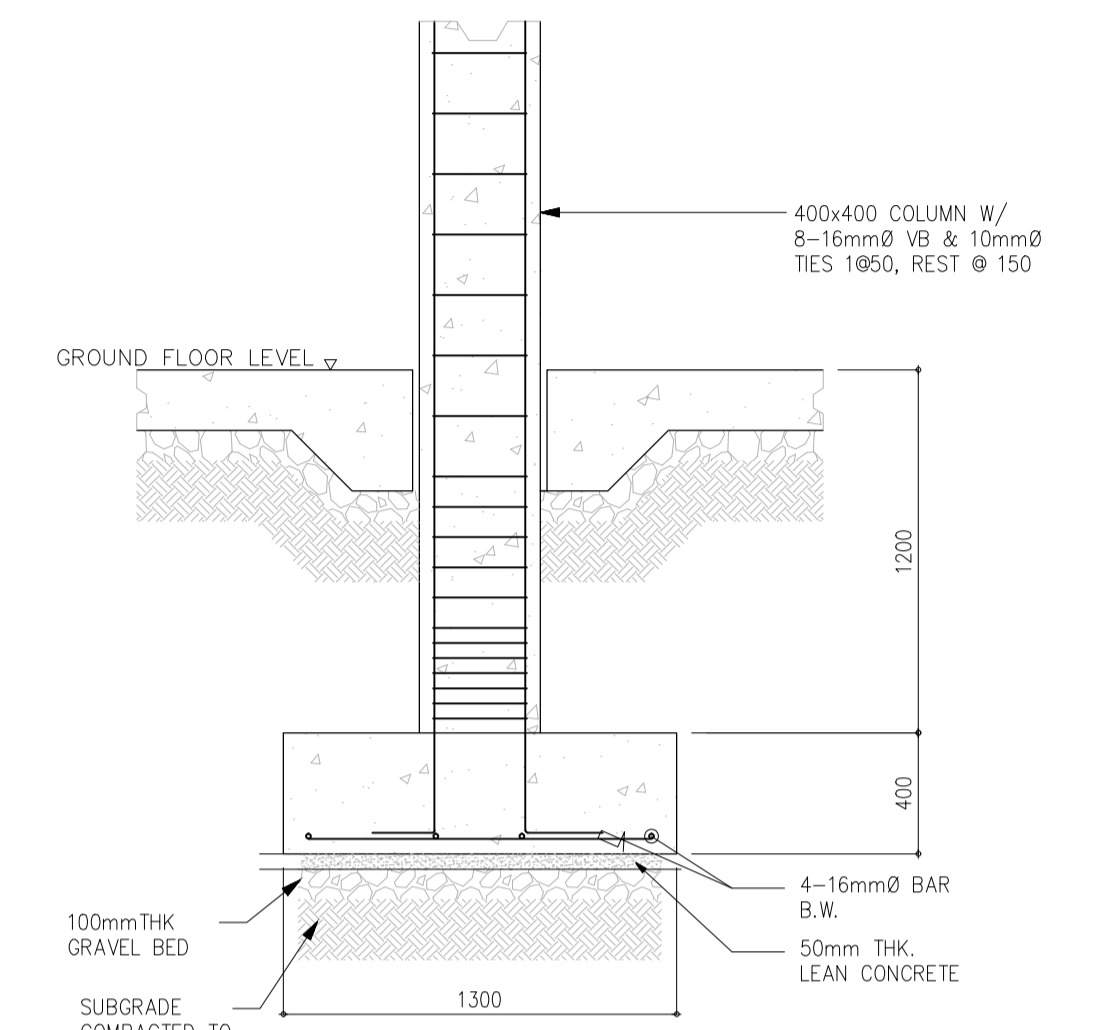
STIRRUP A : 1-10mm \emptyset , 1 @ 50, 10 @ 150, REST @ 250mm



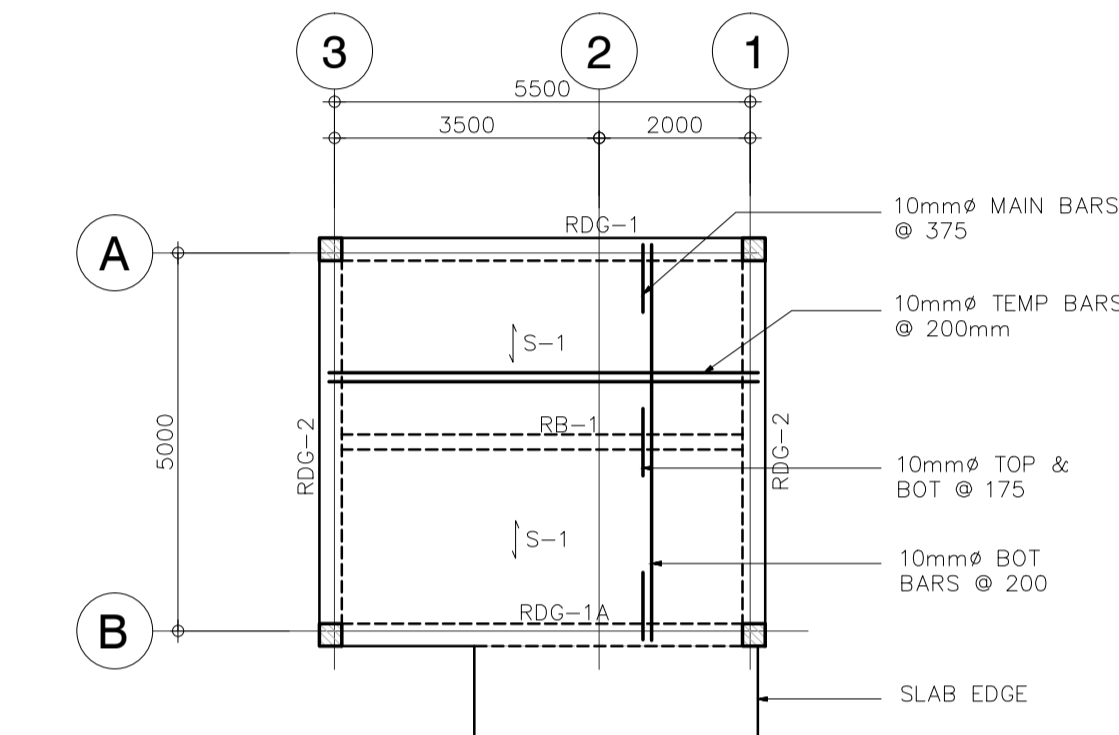
3 GS BLDG. FRAME ELEVATION ALONG GRID B
SCALE 1 : 50



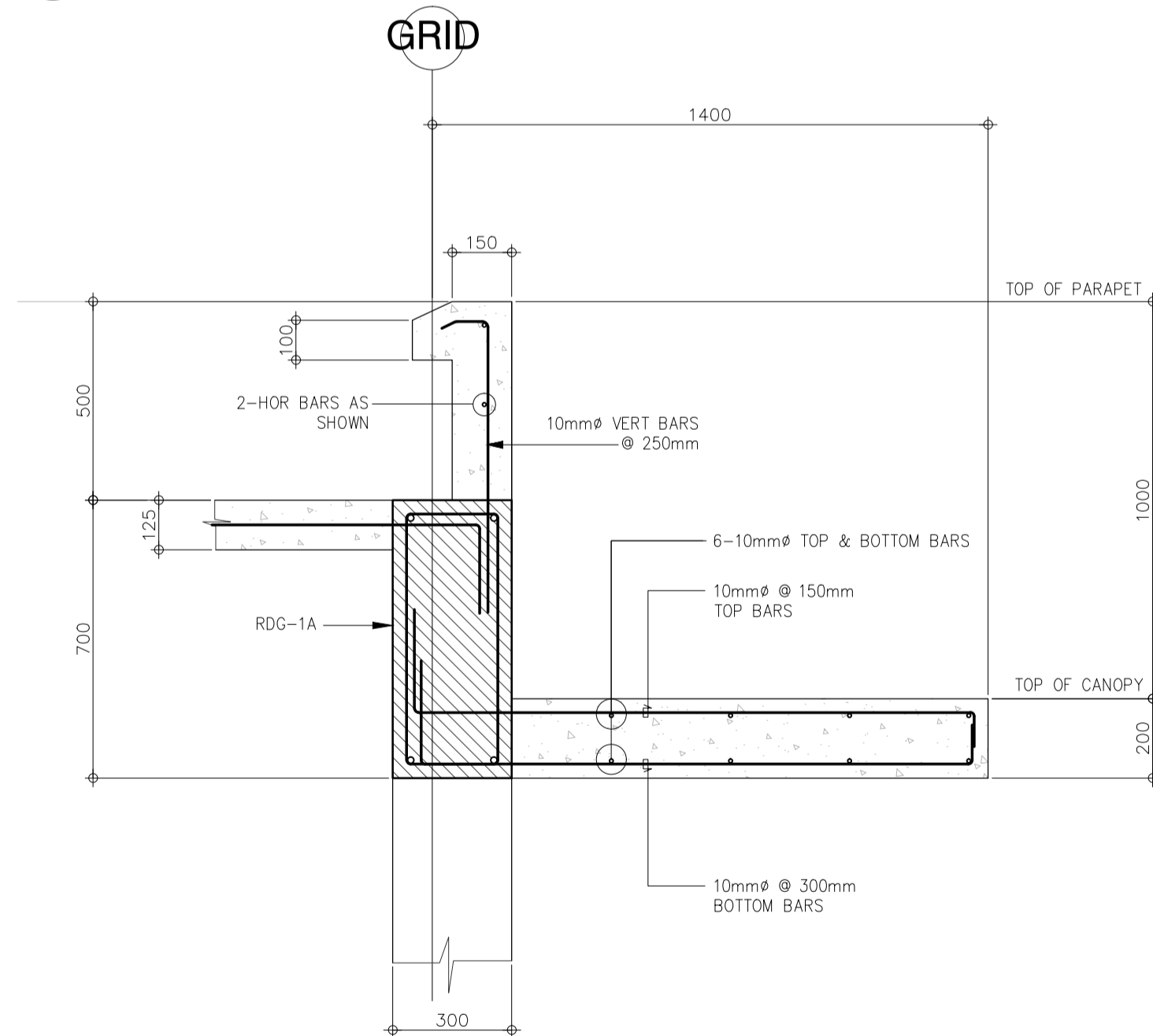
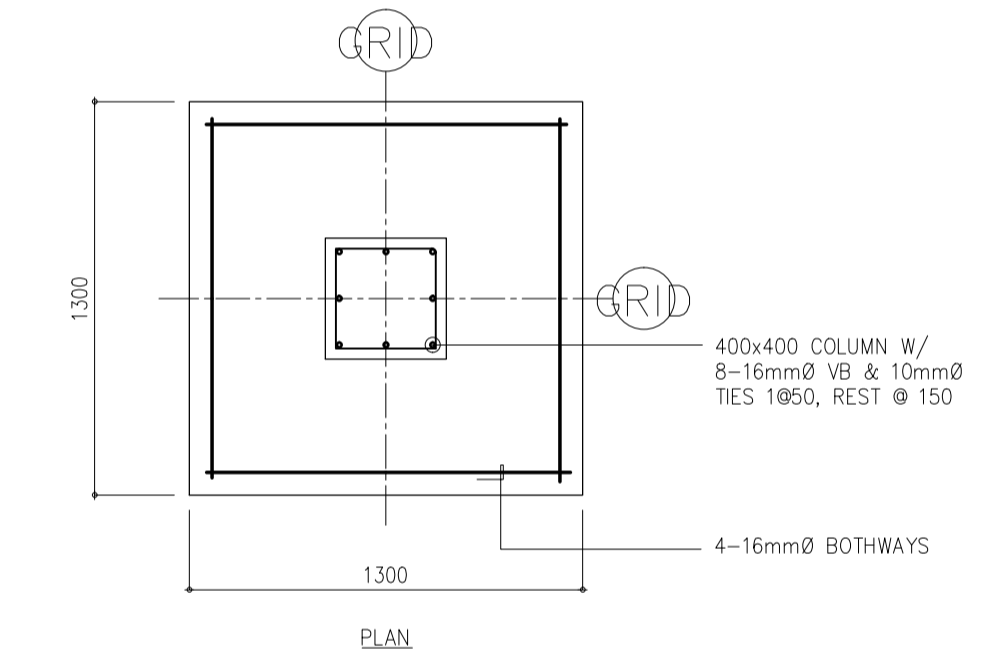
4 GS BLDG. FRAME ELEVATION ALONG GRID 1
SCALE 1 : 50



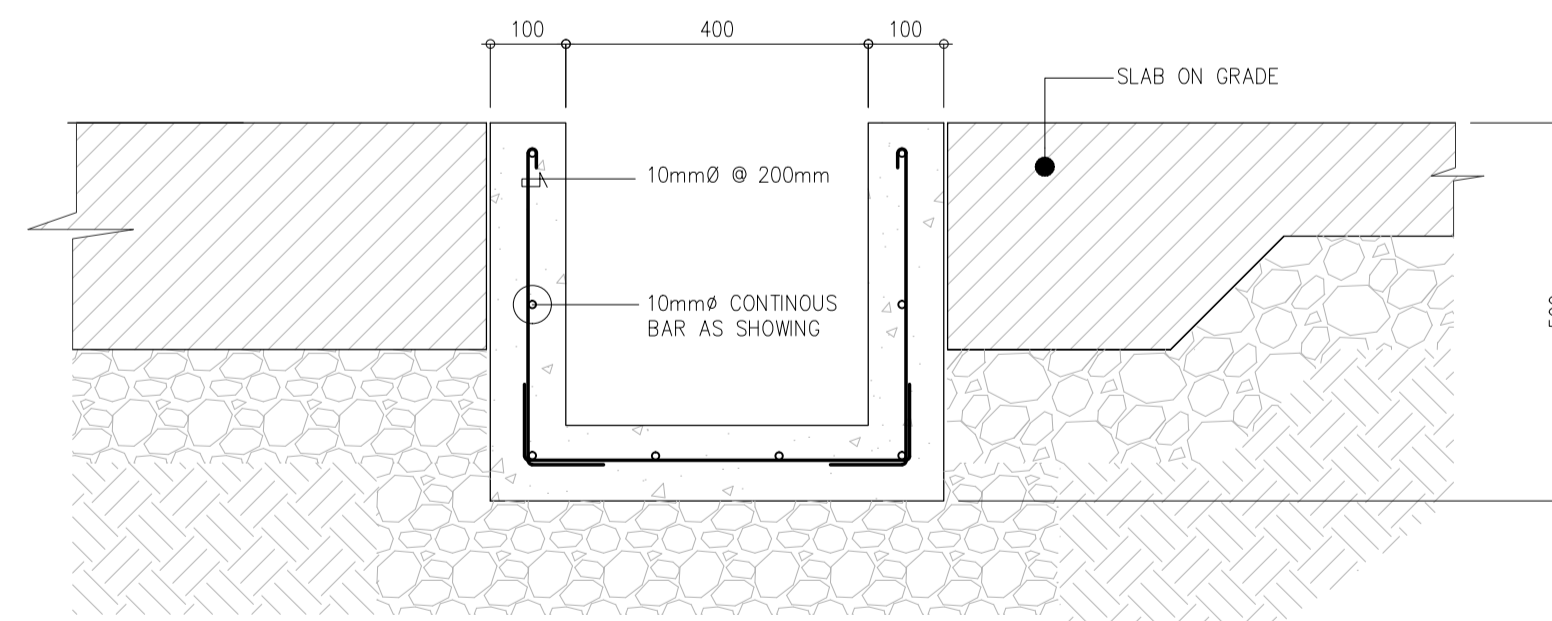
7 C-1 / F-1 DETAIL
SCALE 1 : 25 MTS



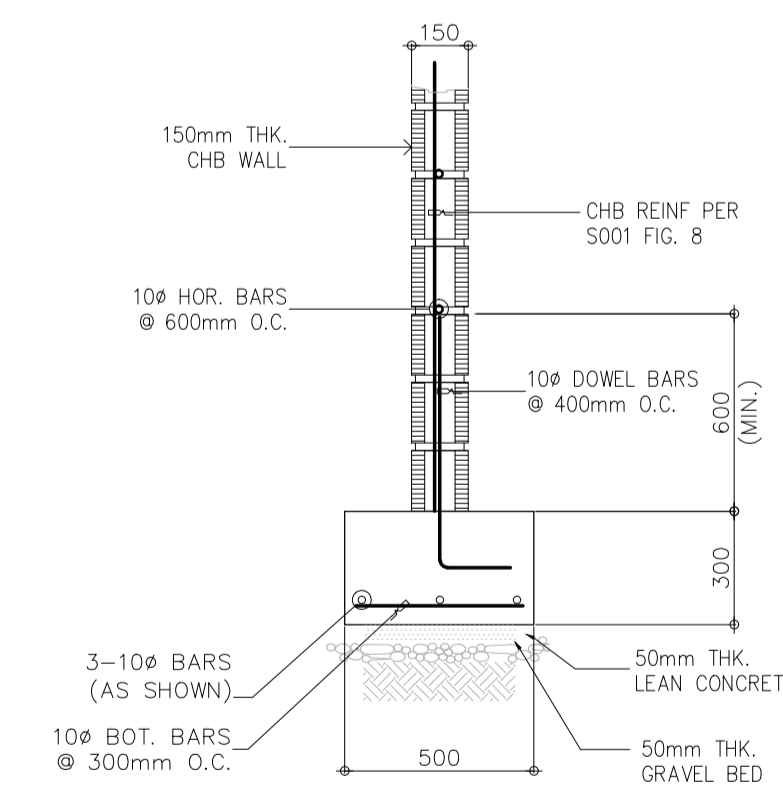
2 GS BLDG. ROOF DECK FRAMING PLAN
SCALE 1 : 100 M.



5 SECTION A
SCALE 1 : 15



6 SECTION B
SCALE 1 : 20

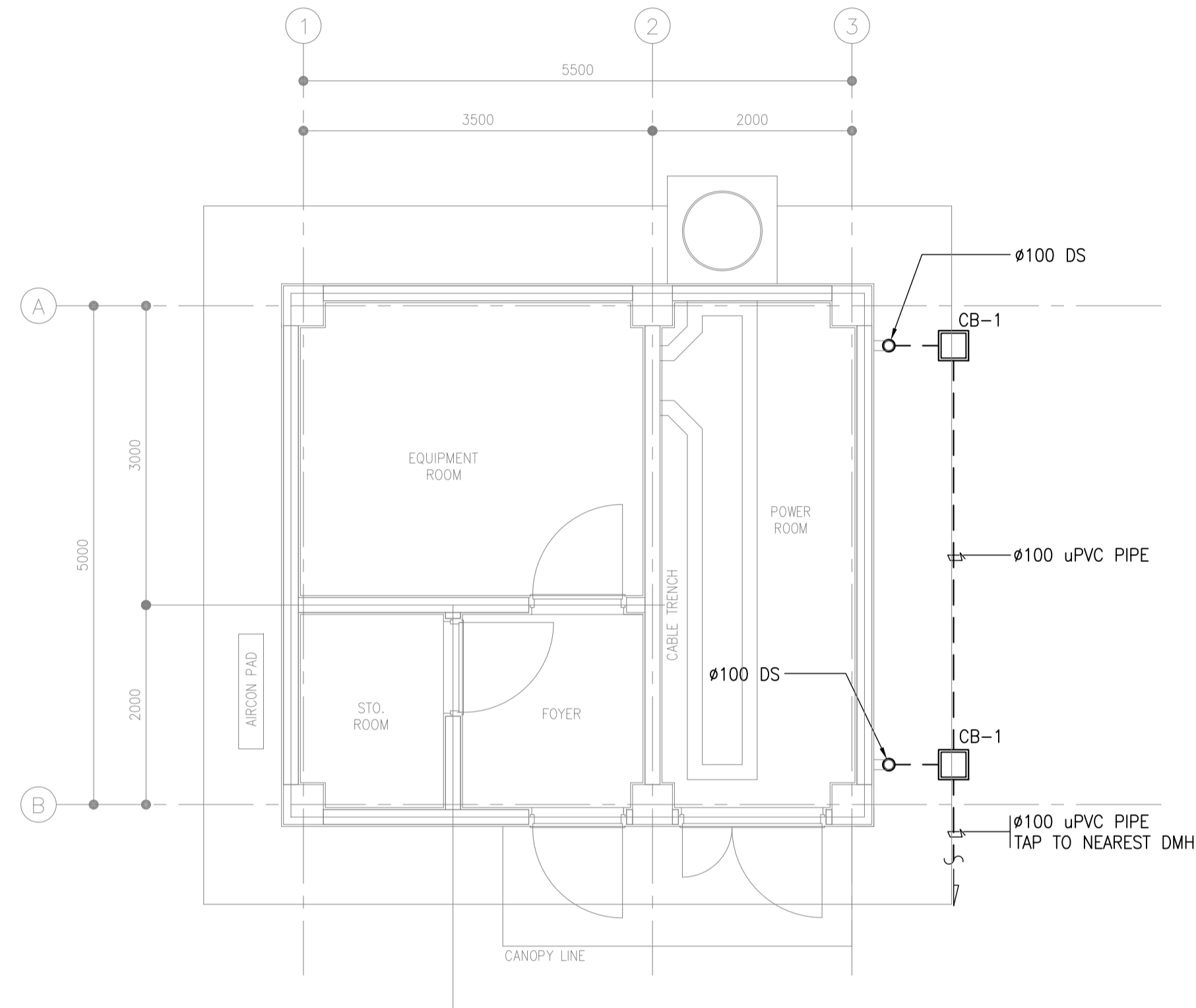


8 TYP. CHB WALL FOOTING DETAIL
SCALE 1 : 20 M.

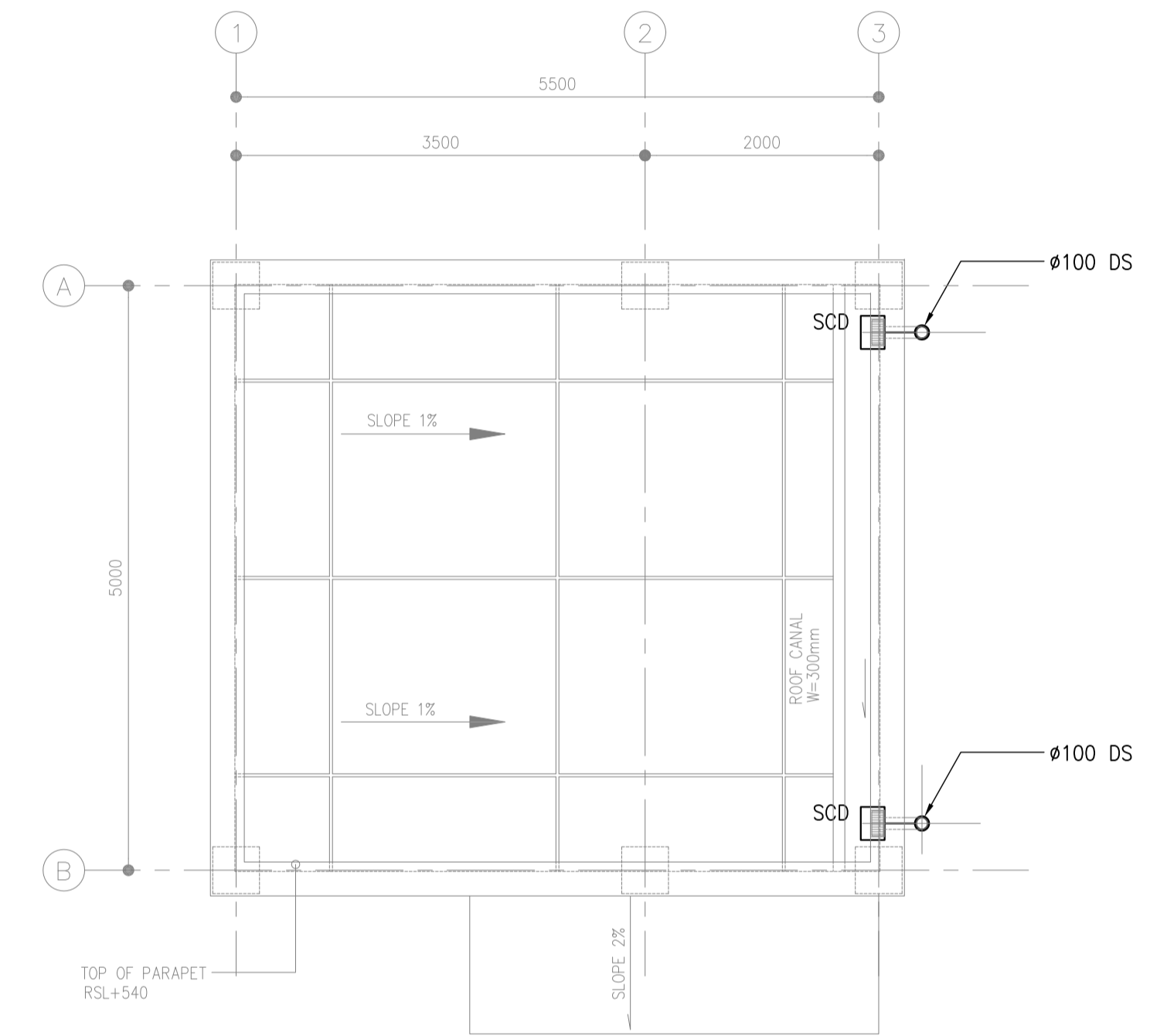
| | | | | | | | |
|--|---|---|---|--|---|---|---------------------------------|
| | PREPARED BY: EDGARDO C. CRUZ <small>PROF. CIVIL ENGINEER PTR. 7589023B REG. NO.: 23983 DATE: JANUARY 03, 2013 TEAM: 651-157-021 PLACE: QUEZON CITY</small> | RECOMMENDING APPROVAL: ILDEFONSO T. PATDU, JR. <small>Assistant Secretary for Project Implementation, DOTC</small> | APPROVED: JULIANITO G. BUCAYAN, JR. <small>Undersecretary for Project Implementation, DOTC</small> | PROJECT TITLE: NEW BOHOL AIRPORT CONSTRUCTION AND SUSTAINABLE ENVIRONMENT PROTECTION PROJECT | LOCATION: MUNICIPALITY OF PANGLAO, PROVINCE OF BOHOL, PHILIPPINES | SHEET CONTENTS: COMPONENT-4: BUILDING WORKS (B) SUB-COMPONENT 4-7 : NAVAIDS BUILDING GSB (GS BUILDING) STRUCTURAL FOUNDATION PLAN, ROOFDECK FRAMING PLAN FRAME ELEVATION ALONG GRID 1 & B PEDESTAL & WALL FOOTING DETAIL | SHEET NO: B72-4200-01 |
| | JICA DESIGN CONSULTANT JOINT VENTURE JAPAN AIRPORT CONSULTANTS, INC. NIPPON KOEI CO., LTD. NIS CONSULTANTS CO., LTD. | TADASHI AOI Team Leader | ILDEFONSO T. PATDU, JR. Assistant Secretary for Project Implementation, DOTC | JULIANITO G. BUCAYAN, JR. Undersecretary for Project Implementation, DOTC | DATE: JUNE 2013 INDEX: AMENDMENTS | Prepared by: FRS Jr. WIM IC Checked by: Validated by: | DRAWING SCALE: AS SHOWN |

CATCH BASIN SCHEDULE

| SYMBOL | PIT NAME | PIT DIM. | PIT DEPTH | MANHOLE SPECS. | REMARKS |
|--------|----------|----------|-----------|------------------------------|---------|
| □ | CB-1 | 500x500 | 825 (MIN) | R.C. COVER W/ LIFTING HANDLE | |



1 GROUND FLOOR STORM DRAINAGE PLAN
 SCALE 1:50M



2 ROOF DECK STORM DRAINAGE PLAN
 SCALE 1:50M

| | | | | | | |
|--|---|--|---|---|---|---|
| | PREPARED BY: LEOVIMEL J. VINELES Filipino Registered Engineer PROF. SANITARY ENGINEER PTR. 2024236 REG. NO. 0002435 DATE: 07-09-2013 T.I.N. 237-652-802-000 PLACE: MANILA | RECOMMENDING APPROVAL: JILDEFONSO T. PATDU, JR. Assistant Secretary for Project Implementation, DOTC | APPROVED: JULIANITO G. BUCAYAN, JR. Undersecretary for Project Implementation, DOTC | PROJECT TITLE: NEW BOHOL AIRPORT CONSTRUCTION AND SUSTAINABLE ENVIRONMENT PROTECTION PROJECT LOCATION: MUNICIPALITY OF PANGLAO, PROVINCE OF BOHOL, PHILIPPINES | SHEET CONTENTS: COMPONENT-4: BUILDING WORKS (B) SUBCOMPONENT-4-7: NAVAIDS BUILDINGS (B72) GS BUILDING MECHANICAL SANITARY AND PLUMBING GROUND FLOOR STORM DRAINAGE PLAN & ROOF DECK STORM DRAINAGE PLAN | SHEET NO: B72-5100-01 DRAWING SCALE: 1:50M |
| | JICA DESIGN CONSULTANT JOINT VENTURE JAPAN AIRPORT CONSULTANTS, INC. NIPON KOEI CO., LTD. NJS CONSULTANTS CO., LTD. | DATE: JUNE 2013 INDEX: AMENDMENTS Prepared by: WIM Checked by: IIC Validated by: | | | | |

**GS BUILDING
SPLIT TYPE AIR CONDITIONING UNIT:**

| UNIT DESIGNATIONS | | EQUIPMENT | AREA SERVED | EQUIPMENT LOCATION | QUANTITY | EQUIPMENT | | REFRIGERANT TYPE | ELECTRICAL CHARACTERISTICS | | | | TYPE | REMARKS |
|-------------------|--------------|---------------|----------------|--------------------|----------|-----------------------------|--------------------|------------------|----------------------------|-------|-------|-------|----------------------------|-----------------|
| INDOOR UNIT | OUTDOOR UNIT | | | | | TOTAL COOLING CAPACITY (KW) | AIR FLOWRATE (lps) | | POWER INPUT (W) | VOLTS | PHASE | HERTZ | | |
| FCU-1 GF | ACCU-1 GF | FAN COIL UNIT | EQUIPMENT ROOM | GS | 1 | 3.5 | 200 | R410A | 1210 | 230 | 1 | 60 | WALL MOUNTED FAN COIL UNIT | DUTY & STAND-BY |
| FCU-2 GF | ACCU-2 GF | FAN COIL UNIT | EQUIPMENT ROOM | GS | 1 | 3.5 | 200 | R410A | 1210 | 230 | 1 | 60 | WALL MOUNTED FAN COIL UNIT | |

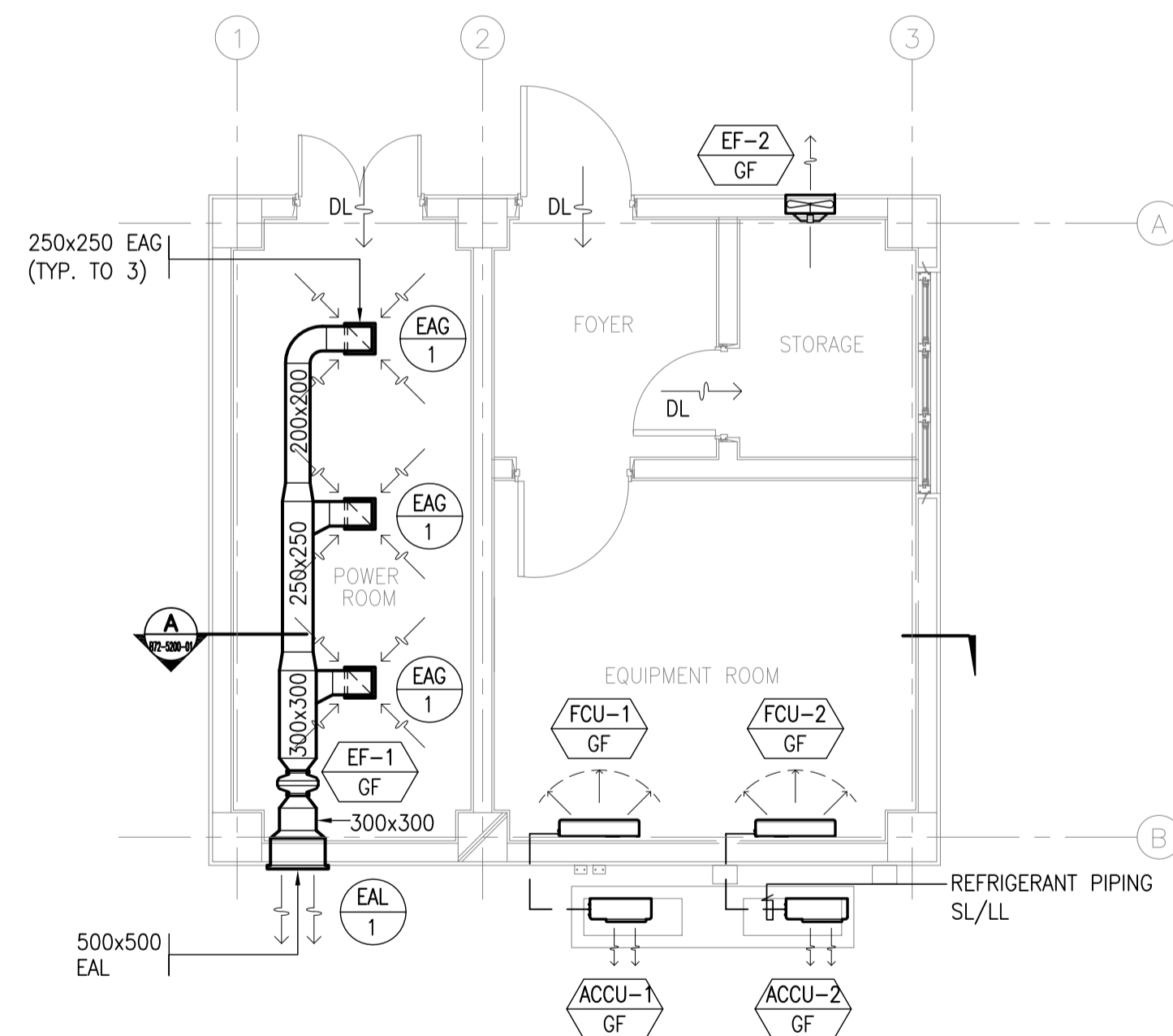
EXHAUST FAN:

| UNIT DESIGNATION | EQUIPMENT | AREA SERVED | QUANTITY | EQUIPMENT AIRFLOW (lps) | STATIC PRESSURE (Pa) | POWER INPUT (W) | ELECTRICAL CHARACTERISTIC | | | TYPE OF FAN |
|------------------|-------------|-------------|----------|-------------------------|----------------------|-----------------|---------------------------|-------|-------|----------------------------|
| | | | | | | | VOLTS | PHASE | HERTZ | |
| EF-1 GF | EXHAUST FAN | POWER ROOM | 1 | 288 | 50 | 212 | 230 | 1 | 60 | IN-LINE CENTRIFUGAL FAN |
| EF-2 GF | EXHAUST FAN | STORAGE | 1 | 356 | - | 47 | 230 | 1 | 60 | WALL MOUNTED PROPELLER FAN |

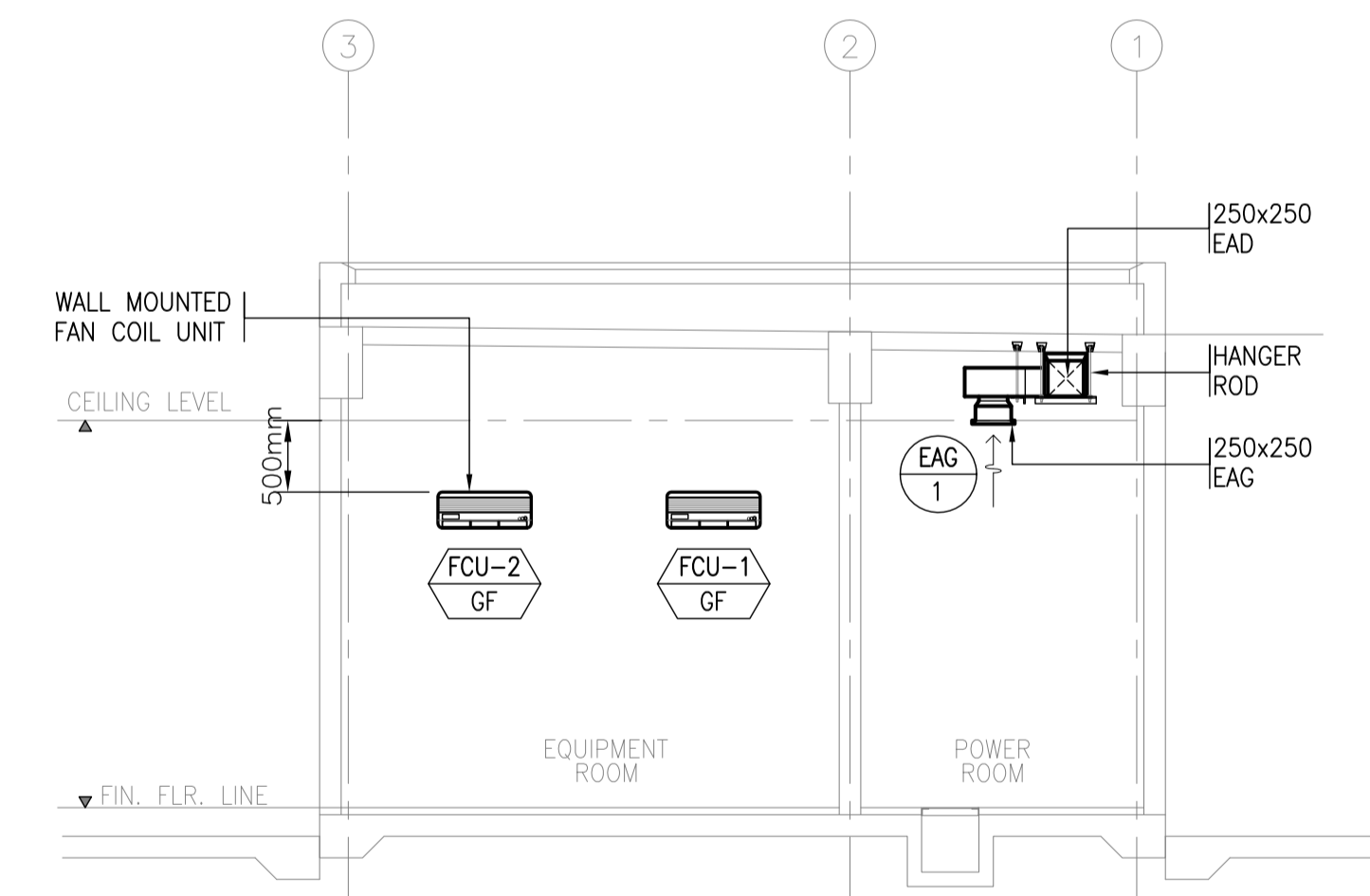
AIR TERMINAL DEVICE SCHEDULE:

| AIR TERMINAL DEVICE DESIGNATION | LOCATION | LEVEL | SERVICE | QUANTITY | TOTAL AIR FLOWRATE (lps) | TYPE | AIR FLOWRATE PER TERMINAL DEVICE (lps) | DIMENSION | | REMARKS |
|---------------------------------|--------------------------|--------------|-------------|----------|--------------------------|--------------------|--|-------------|------------|---|
| | | | | | | | | HEIGHT (mm) | WIDTH (mm) | |
| EAL 1 | POWER ROOM (GS BUILDING) | GROUND FLOOR | EXHAUST AIR | 1 | 288 | EXHAUST AIR LOUVER | 288 | 500 | 500 | LOW NOISE, WEATHER PROOF |
| EAG 1 | POWER ROOM (GS BUILDING) | GROUND FLOOR | EXHAUST AIR | 3 | 288 | EXHAUST AIR GRILLE | 96 | 250 | 250 | TWO-WAY OPPOSED BLADE W/ INTEGRAL VOLUME DAMPER |

| LEGENDS: | |
|----------|----------------------------|
| | IN-LINE CENTRIFUGAL FAN |
| | EXHAUST AIR LOUVER |
| | EXHAUST AIR GRILLE |
| | WALL MOUNTED FAN COIL UNIT |
| | AIR COOLED CONDENSING UNIT |
| | WALL MOUNTED PROPELLER FAN |

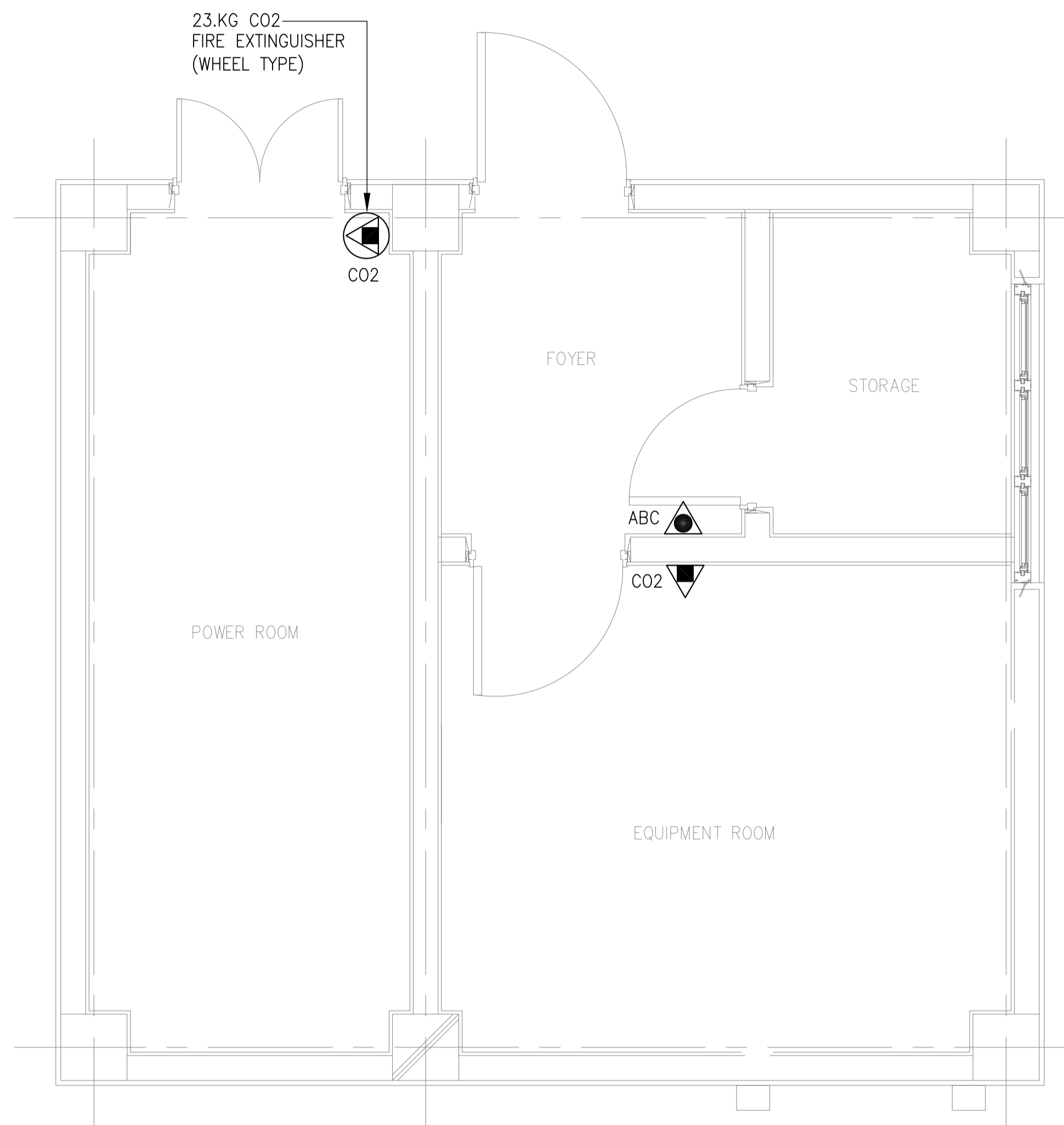


**GS BUILDING
AIR-CONDITIONING AND VENTILATION LAYOUT**
3
B72-5200-07 SCALE 1:50M



**GS BUILDING
SECTION "A"**
A
B72-5200-07 SCALE 1:50M

| | | | | | | |
|--|---|---|---|---|--|--|
| | PREPARED BY: RENATO A. ARRIOLA Filipino Registered Engineer PROF: MECHANICAL ENGINEER PIR. 1725187 REG. NO: 2379 DATE: JANUARY 01, 2013 TIN: 150-563-379 PLACE: TAGUIG CITY | RECOMMENDING APPROVAL: ILDEFONSO T. PATDU, JR. Assistant Secretary for Project Implementation, DOTC | APPROVED: JULIANITO G. BUCAYAN, JR. Undersecretary for Project Implementation, DOTC | PROJECT TITLE: NEW BOHOL AIRPORT CONSTRUCTION AND SUSTAINABLE ENVIRONMENT PROTECTION PROJECT LOCATION: MUNICIPALITY OF PANGLAO, PROVINCE OF BOHOL, PHILIPPINES | SHEET CONTENTS: COMPONENT-4: BUILDING WORKS (B) SUBCOMPONENT-4-7: NAVAJDS BUILDINGS (B72) GS BUILDING MECHANICAL VENTILATION AND AIR-CONDITIONING AND VENTILATION LAYOUT AND EQUIPMENT SCHEDULE | SHEET NO: B72-5200-01 DRAWING SCALE: AS SHOWN |
| | JICA DESIGN CONSULTANT JOINT VENTURE JAPAN AIRPORT CONSULTANTS, INC. NIPPON KOEI CO., LTD. NJS CONSULTANTS CO., LTD. | DATE: JUNE 2013 INDEX AMENDMENTS Prepared by: WIM Checked by: HIC Validated by: | | | | |



1
**GS BUILDING
GROUND FLOOR FIRE PROTECTION LAYOUT**
B72-5300-01 SCALE 1:25M

| LEGEND: | |
|---------|---|
| | 4.5 KG. FIRE EXTINGUISHER DRY CHEMICAL |
| | 9.0 KG. FIRE EXTINGUISHER CARBON DIOXIDE |
| | 23.0 KG. FIRE EXTINGUISHER CARBON DIOXIDE (WHEEL TYPE) |

| | | | | | | | |
|---|---|---|---|---|--|--|---|
| Republic of the Philippines DEPARTMENT OF TRANSPORTATION AND COMMUNICATIONS | JAPAN INTERNATIONAL COOPERATION AGENCY | PREPARED BY: RENATO A. ARRIOLA <small>Filipino Registered Engineer</small> <small>PROF: MECHANICAL ENGINEER PTR: 1725187</small> <small>REC. NO: 2379 DATE: JANUARY 01, 2013</small> <small>T.I.N: 150-563-379 PLACE: TAGBILAR CITY</small> | RECOMMENDING APPROVAL: ILDEFONSO T. PATDU, JR. <small>Assistant Secretary</small> <small>for Project Implementation, DOTC</small> | APPROVED: JULIANITO G. BUCAYAN, JR. <small>Undersecretary</small> <small>for Project Implementation, DOTC</small> | PROJECT TITLE: NEW BOHOL AIRPORT CONSTRUCTION AND SUSTAINABLE ENVIRONMENT PROTECTION PROJECT <small>LOCATION: MUNICIPALITY OF PANGLAO, PROVINCE OF BOHOL, PHILIPPINES</small> | SHEET CONTENTS: COMPONENT-4: BUILDING WORKS (B) SUBCOMPONENT-4-7: NAVAJDS BUILDINGS (B72) GS BUILDING MECHANICAL FIRE PROTECTION FIRE PROTECTION LAYOUT | SHEET NO: B72-5300-01 DRAWING SCALE: 1:25M |
| JICA DESIGN CONSULTANT JOINT VENTURE JAPAN AIRPORT CONSULTANTS, INC. NIPPON KOEI CO., LTD. NJS CONSULTANTS CO., LTD. | | | | | | DATE INDEX AMENDMENTS JUNE 2013 Prepared by: WIM Checked by: HC Validated by: | |

Tabulation of providing equipment

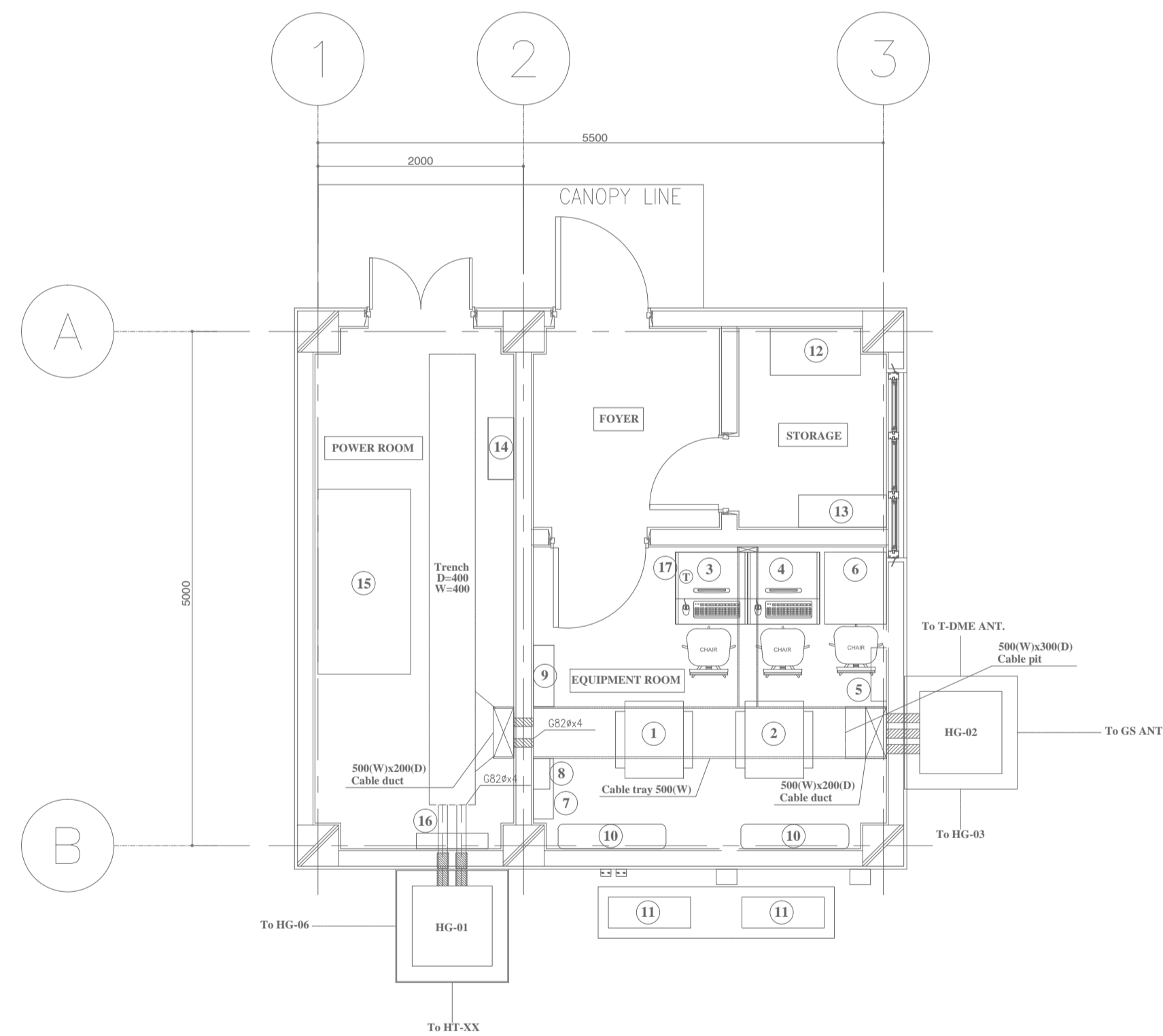
| No. | Name of equipment | Remarks |
|-----|---------------------------------------|------------|
| 1 | T-DME Transmitter | See Note 1 |
| 2 | GS Transmitter | -ditto- |
| 3 | PC Type BITE for T-DME | -ditto- |
| 4 | PC Type BITE for GS | -ditto- |
| 5 | Monitor network | -ditto- |
| 6 | Working bench | -ditto- |
| 7 | DC battery | -ditto- |
| 8 | Terminal board | See Note 2 |
| 9 | Power distribution board for ANS | -ditto- |
| 10 | Air-condition | See Note 3 |
| 11 | Outdoor unit for AIR-CON | -ditto- |
| 12 | Cabinet for document | See Note 1 |
| 13 | Cabinet for tool and spare parts | -ditto- |
| 14 | Power distribution board for lighting | See Note 2 |
| 15 | Switch gear panel with transformer | -ditto- |
| 16 | Grounding test box | -ditto- |
| 17 | Maintenance intercom | See Note 4 |

Note

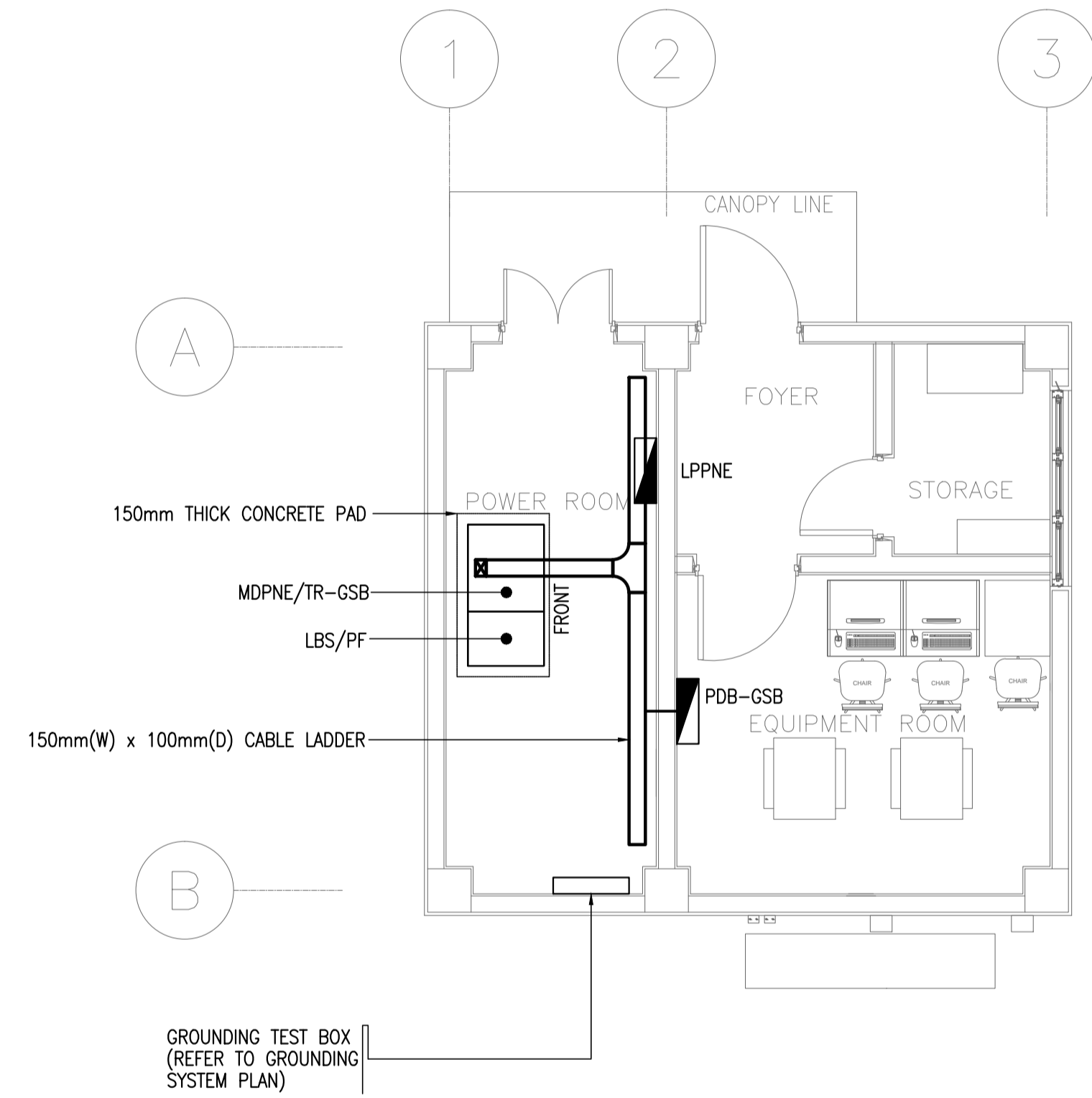
1. The equipment shall be provided by ANS work.
2. The equipment shall be provided by Electrical work.
3. The equipment shall be provided by Mechanical work.
4. The equipment shall be provided by ATS work.

EQUIPMENT/ACCESORIES SCHEDULE:

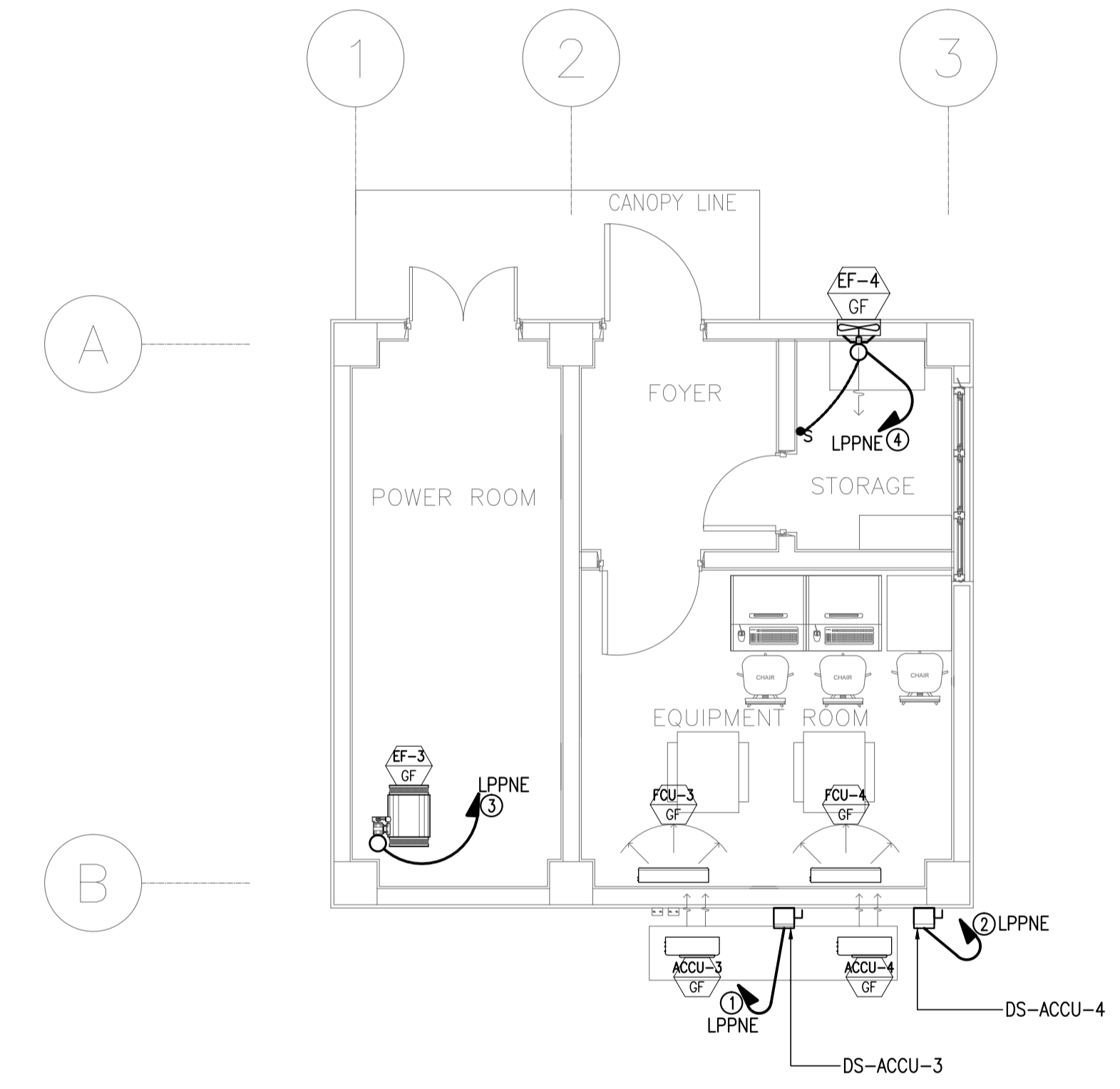
| | |
|-------------|--|
| □ DS-ACCU-3 | MANUAL DISCONNECT SWITCH 30A 2PST 250V QUICK-MAKE, QUICK-BREAK HEAVY DUTY NON-FUSIBLE NEMA-4 (RAINTIGHT) STAINLESS STEEL ENCL. |
| □ DS-ACCU-4 | - ditto - |



1 GS BUILDING (GSB)
GSB LAYOUT PLAN
872-6100-01 GRAPHIC SCALE 0 1 2 5m



2 GS BUILDING (GSB)
CABLE TRAY LAYOUT PLAN
872-6100-01 GRAPHIC SCALE 0 1 2 5m



NOTE: REFER TO SHEET NO. B72-6200-01 FOR PANEL SCHEDULE.

3 GS BUILDING (GSB)
VAC FEEDER LAYOUT PLAN
872-6100-01 GRAPHIC SCALE 0 1 2 5m

| | | | | | | | | |
|--|---|---|---|--|---|---|---------------------------------|---|
| | PREPARED BY: TEODORO N. PAMATMAT <small>PROF. ELECTRICAL ENGINEER PIR. 1403773</small> <small>REG. NO.: 1927 DATE: 1-04-13</small> <small>T.N. 119-747-900 PLACE: MANILA</small> | RECOMMENDING APPROVAL: ILDEFONSO T. PATDU, JR. <small>Assistant Secretary for Project Implementation, DOTC</small> | APPROVED: JULIANITO G. BUCAYAN, JR. <small>Undersecretary for Project Implementation, DOTC</small> | PROJECT TITLE: NEW BOHOL AIRPORT CONSTRUCTION AND SUSTAINABLE ENVIRONMENT PROTECTION PROJECT | LOCATION: MUNICIPALITY OF PANGLAO, PROVINCE OF BOHOL, PHILIPPINES | SHEET CONTENTS: COMPONENT-4 BUILDING WORKS (B) SUBCOMPONENT-4-7 (B72) GS Building ELECTRICAL EQUIP., FEEDER & CABLE TRAY LAYOUT | SHEET NO: B72-6100-01 | |
| | JICA DESIGN CONSULTANT JOINT VENTURE JAPAN AIRPORT CONSULTANTS, INC. | TADASHI AOI Team Leader | ILDEFONSO T. PATDU, JR. Assistant Secretary for Project Implementation, DOTC | JULIANITO G. BUCAYAN, JR. Undersecretary for Project Implementation, DOTC | DATE: JUNE 2013 | INDEX: | AMENDMENTS: | Prepared by: WIM Checked by: HC Validated by: |

| MDP: PDB-GS | | VOLTAGE: 230V 1Ø 2W | | SUPPLY: NORMAL/EMERGENCY | | | | |
|---------------|-----------------------|---------------------|-------------|--------------------------|-------------|---------------------------|---------|-------------------|
| TO: LVSGNE-GS | | | | | | | | |
| CKT NO. | LOAD DESCRIPTION | VA | AMPERE LOAD | | | WIRE | CONDUIT | PROTECTION |
| | | | ØAB | ØBC | ØCA 3Ø LOAD | | | |
| 1 | GS TRANSMITTER | 950 | | 4.13 | | 3-3.5mm ² THHN | 15mmØ | 20AT, 100AF 2P CB |
| 2 | TDME TRANSMITTER | 500 | | 2.17 | | 3-3.5mm ² THHN | 15mmØ | 20AT, 100AF 2P CB |
| 3 | BITE FOR GS | 300 | | 1.30 | | 3-3.5mm ² THHN | 15mmØ | 20AT, 100AF 2P CB |
| 4 | BITE FOR TDME | 300 | | 1.30 | | 3-3.5mm ² THHN | 15mmØ | 20AT, 100AF 2P CB |
| 5 | 3 - OB LIGHT | 600 | | 2.61 | | 3-3.5mm ² THHN | 15mmØ | 20AT, 100AF 2P CB |
| 6 | THEODOLITE PAD OUTLET | 500 | | 2.17 | | 3-3.5mm ² THHN | 15mmØ | 20AT, 100AF 2P CB |
| 7 | 4 - MODEM FOR BITE | 400 | | 1.74 | | 3-3.5mm ² THHN | 15mmØ | 20AT, 100AF 2P CB |
| 8 | MET SENSOR | 787 | | 3.42 | | 3-3.5mm ² THHN | 15mmØ | 20AT, 100AF 2P CB |
| 9 | CEILOMETER | 310 | | 1.35 | | 3-3.5mm ² THHN | 15mmØ | 20AT, 100AF 2P CB |
| 10 | SPARE | | | | | | | 20AT, 100AF 2P CB |
| 11 | SPARE | | | | | | | 20AT, 100AF 2P CB |
| 12 | SPARE | | | | | | | 20AT, 100AF 2P CB |
| | | 4647 | | 20.19 | | | | |

It = 20.19 A

FEEDER SIZE: 2-4mm² XLPE + 1-5.5mm² TW

MAIN PROTECTION: 30AT, 50AF 2P MCCB, 10kAIC

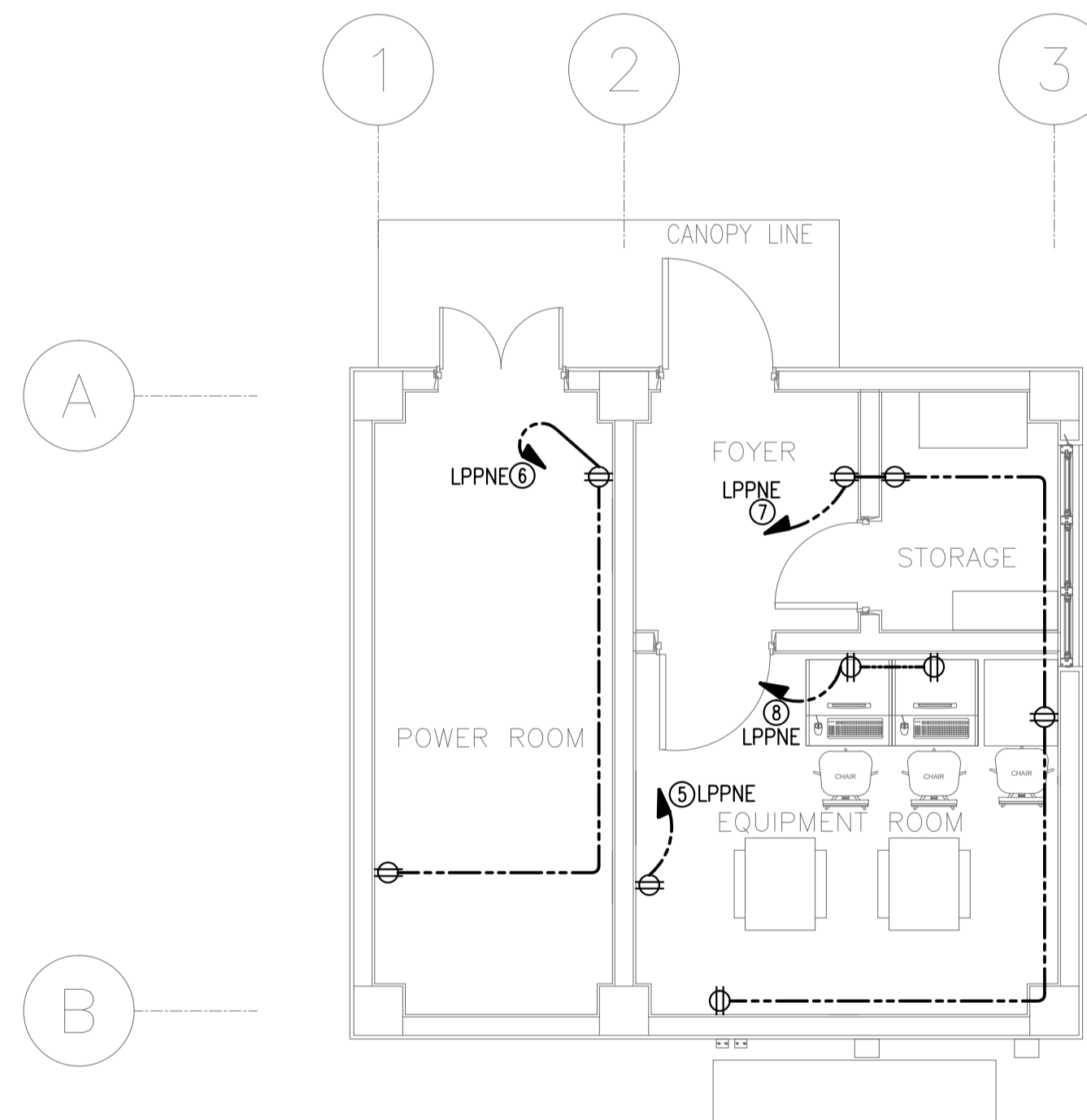
| MDP: LPPNE-GS | | VOLTAGE: 230V 1Ø 2W | | SUPPLY: NORMAL/EMERGENCY | | | | |
|---------------|---|---------------------|-------------|--------------------------|-------------|---------------------------|---------|-------------------|
| TO: LVSGNE-GS | | | | | | | | |
| CKT NO. | LOAD DESCRIPTION | VA | AMPERE LOAD | | | WIRE | CONDUIT | PROTECTION |
| | | | ØAB | ØBC | ØCA 3Ø LOAD | | | |
| 1 | 1.21kW ACCU + FCU @ EQUIPMENT RM | 1512 | | 6.58 | | 3-3.5mm ² THHN | 15mmØ | 20AT, 100AF 2P CB |
| 2 | 1.21kW ACCU + FCU @ EQUIPMENT RM (STANDBY) | - | | - | | 3-3.5mm ² THHN | 15mmØ | 20AT, 100AF 2P CB |
| 3 | 212W EF @ POWER RM | 265 | | 1.15 | | 3-3.5mm ² THHN | 15mmØ | 20AT, 100AF 2P CB |
| 4 | 47W EF @ STORAGE | 59 | | 0.26 | | 3-3.5mm ² THHN | 15mmØ | 20AT, 100AF 2P CB |
| 5 | SUPPLY FOR BATTERY CHARGER @ EQUIPMENT RM | 500 | | 2.17 | | 3-3.5mm ² THHN | 15mmØ | 20AT, 100AF 2P CB |
| 6 | 2 - CONV. RECEPT. @ POWER RM | 720 | | 3.13 | | 3-3.5mm ² THHN | 15mmØ | 20AT, 100AF 2P CB |
| 7 | 4 - CONV. RECEPT. @ EQUIPMENT RM, FOYER & STORAGE | 1440 | | 6.26 | | 3-3.5mm ² THHN | 15mmØ | 20AT, 100AF 2P CB |
| 8 | 2 - COMPUTER OUTLET @ EQUIPMENT RM | 600 | | 2.61 | | 3-3.5mm ² THHN | 15mmØ | 20AT, 100AF 2P CB |
| 9 | 3 - 40W FLUO. + 5 - 4x20W FLUO. + 2 - 18W PLC | 695 | | 3.02 | | 3-3.5mm ² THHN | 15mmØ | 20AT, 100AF 2P CB |
| 10 | SPARE | | | | | | | 20AT, 100AF 2P CB |
| 11 | SPARE | | | | | | | 20AT, 100AF 2P CB |
| 12 | SPARE | | | | | | | 20AT, 100AF 2P CB |
| | | 5791 | | 25.18 | | | | |

It = 25.18 A

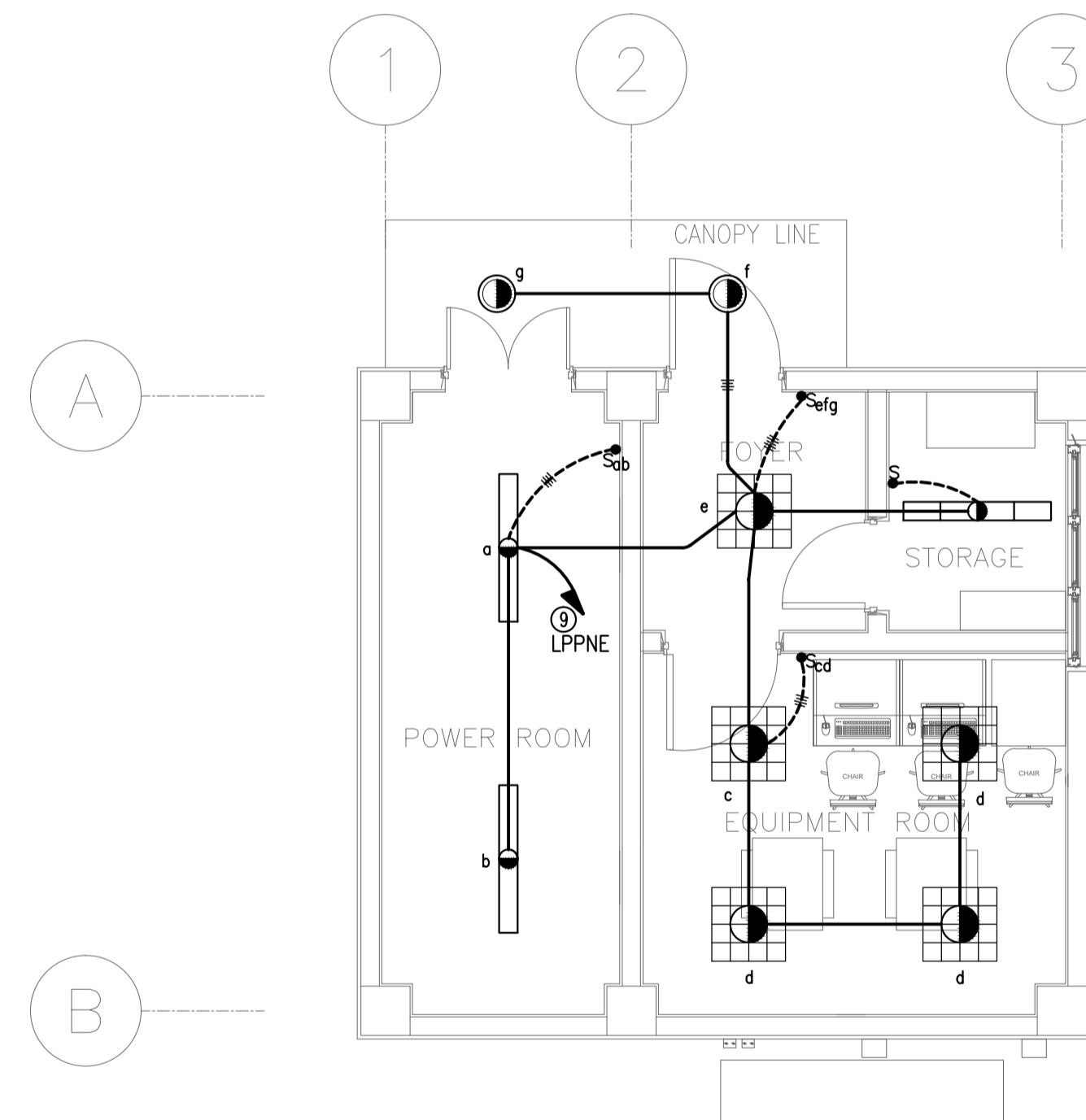
FEEDER SIZE: 2-4mm² XLPE + 1-5.5mm² TW

MAIN PROTECTION: 50AT, 50AF 2P MCCB, 10kAIC

3 GS BUILDING (GSB)
PANEL SCHEDULE
 872-6200-01/ NOT TO SCALE



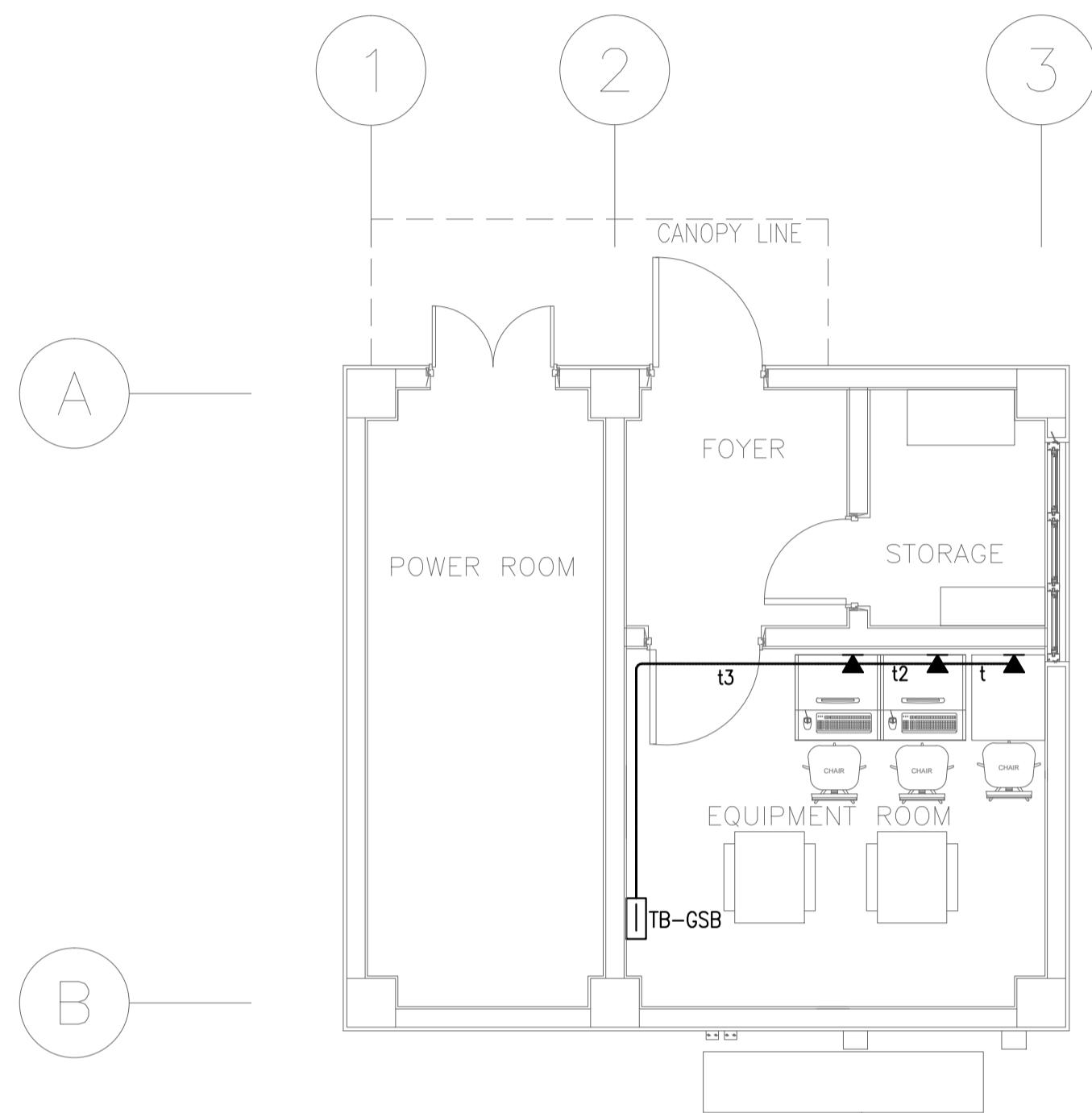
1 GS BUILDING (GSB)
RECEPTACLE LAYOUT PLAN
 872-6200-01/ GRAPHIC SCALE



2 GS BUILDING (GSB)
LIGHTING LAYOUT PLAN
 872-6200-01/ GRAPHIC SCALE

NOTE: REFER TO CABLE TRAY LAYOUT PLAN THE LOCATION OF PANELS.

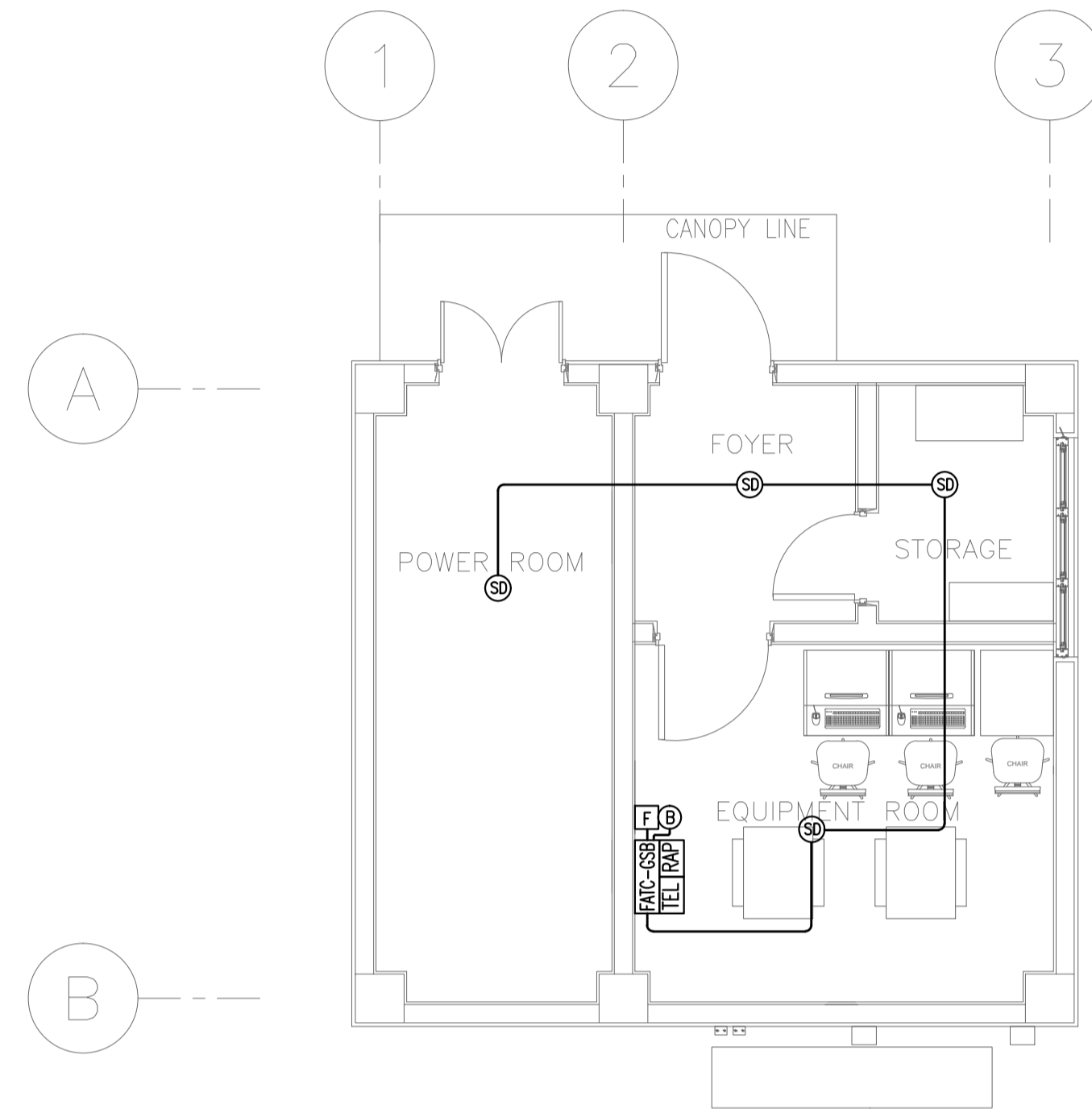
| | | | | | | |
|--|---|---|---|--|--|---------------------------------|
| | PREPARED BY: TEODORO N. PAMATMAT <small>PROF. ELECTRICAL ENGINEER PIR. 1403773</small> <small>REG. NO.: 1927 DATE: 1-04-13</small> <small>T.I.N. 119-747-900 PLACE: MANILA</small> | RECOMMENDING APPROVAL: ILDEFONSO T. PATDU, JR. <small>Assistant Secretary for Project Implementation, DOTC</small> | APPROVED: JULIANITO G. BUCAYAN, JR. <small>Undersecretary for Project Implementation, DOTC</small> | PROJECT TITLE: NEW BOHOL AIRPORT CONSTRUCTION AND SUSTAINABLE ENVIRONMENT PROTECTION PROJECT | SHEET CONTENTS: COMPONENT-4 BUILDING WORKS (B) SUBCOMPONENT-4-7 (B72) GS Building ELECTRICAL RECEPTACLE, LIGHTING & PANEL SCHEDULE LAYOUT | SHEET NO: B72-6200-01 |
| | JICA DESIGN CONSULTANT JOINT VENTURE JAC JAPAN AIRPORT CONSULTANTS, INC. NIPPON KOEI CO., LTD. NIS CONSULTANTS CO., LTD. | TADASHI AOI <small>Team Leader</small> | ILDEFONSO T. PATDU, JR. <small>Assistant Secretary for Project Implementation, DOTC</small> | JULIANITO G. BUCAYAN, JR. <small>Undersecretary for Project Implementation, DOTC</small> | LOCATION: MUNICIPALITY OF PANGLAO, PROVINCE OF BOHOL, PHILIPPINES DATE: JUNE 2013 INDEX: AMENDMENTS Prepared by: WIM Checked by: HC Validated by: | DRAWING SCALE: 1:50 m |



NOTE: REFER TO TELEPHONE SYSTEM SCHEMATIC DIAGRAM FOR WIRING SCHEDULE.

1 GS BUILDING (GSB)
TELEPHONE SYSTEM PLAN
 872-6300-01 GRAPHIC SCALE 0 1 2 5m

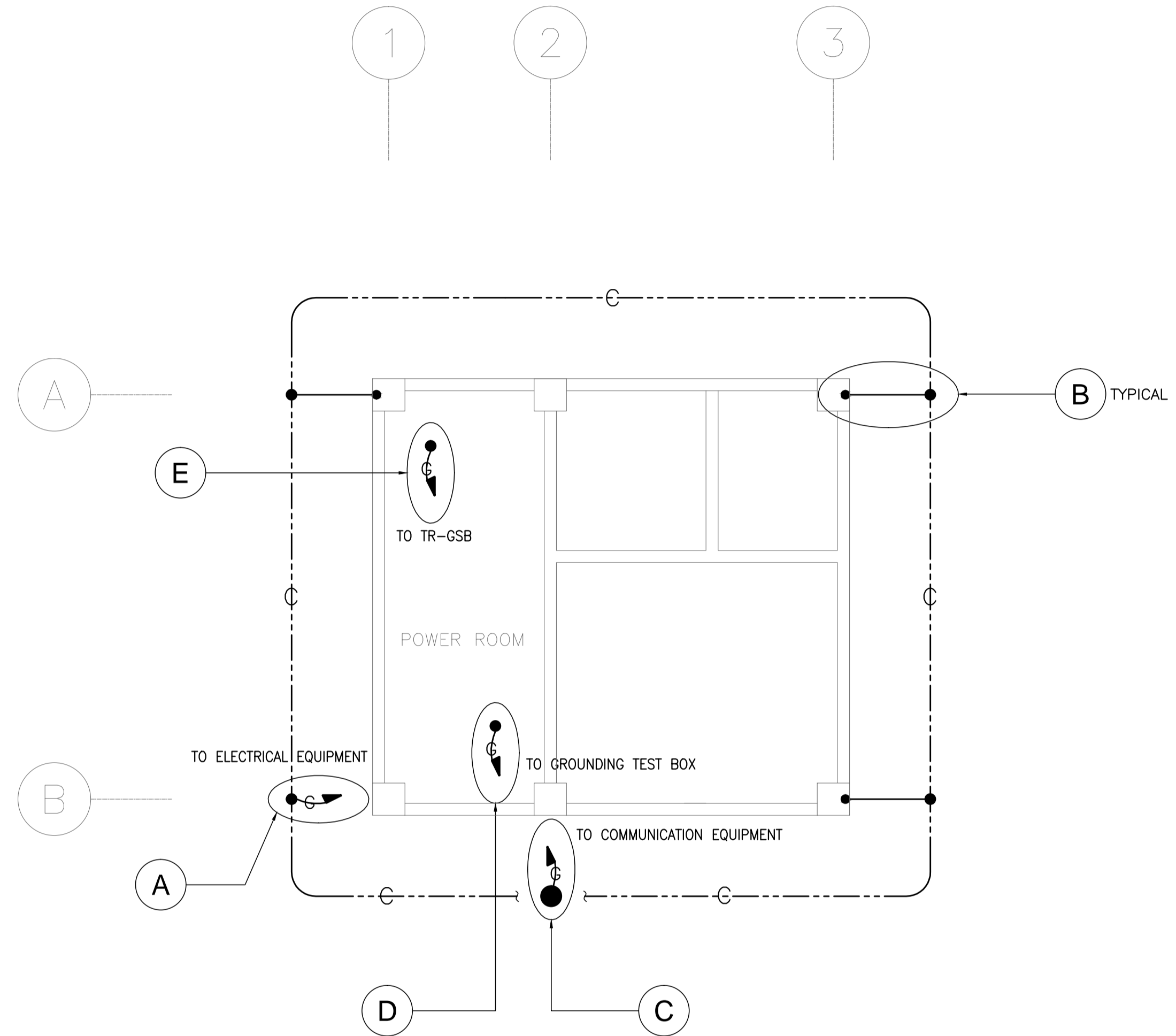
| | | | | | | | |
|--|---|---|---|--|---|---|---------------------------------|
| | PREPARED BY: TEODORO N. PAMATMAT <small>PROF. ELECTRICAL ENGINEER PTR. 1403773</small> <small>REG. NO.: 1927 DATE: 1-04-13</small> <small>T.N. 119-747-900 PLACE: MANILA</small> | RECOMMENDING APPROVAL: ILDEFONSO T. PATDU, JR. <small>Assistant Secretary for Project Implementation, DOTC</small> | APPROVED: JULIANITO G. BUCAYAN, JR. <small>Undersecretary for Project Implementation, DOTC</small> | PROJECT TITLE: NEW BOHOL AIRPORT CONSTRUCTION AND SUSTAINABLE ENVIRONMENT PROTECTION PROJECT | LOCATION: MUNICIPALITY OF PANGLAO, PROVINCE OF BOHOL, PHILIPPINES | SHEET CONTENTS: COMPONENT-4 BUILDING WORKS (B) SUBCOMPONENT-4-7 (B72) GS Building ELECTRICAL TELEPHONE LAYOUT | SHEET NO: B72-6300-01 |
| | JICA DESIGN CONSULTANT JOINT VENTURE TADASHI AOI <small>Team Leader</small> | JUNE 2013 DATE INDEX AMENDMENTS Prepared by Checked by Validated by | DRAWING SCALE: 1:50 m | | | | |



NOTE: REFER TO FIRE DETECTION AND ALARM SYSTEM SCHEMATIC DIAGRAM FOR WIRING SCHEDULE.

GS BUILDING (GSB)
1 FIRE DETECTION AND ALARM SYSTEM PLAN
 B72-6800-01 GRAPHIC SCALE 0 1 2 5m

| | | | | | | | | | |
|--|---|---|---|--|---|---|---|--|---------------------------------|
| | PREPARED BY: TEODORO N. PAMATMAT <small>PROF. ELECTRICAL ENGINEER PIR. 1403773</small> <small>REG. NO.: 1927 DATE: 1-04-13</small> <small>T.N. 119-747-900 PLACE: MANILA</small> | RECOMMENDING APPROVAL: ILDEFONSO T. PATDU, JR. <small>Assistant Secretary for Project Implementation, DOTC</small> | APPROVED: JULIANITO G. BUCAYAN, JR. <small>Undersecretary for Project Implementation, DOTC</small> | PROJECT TITLE: NEW BOHOL AIRPORT CONSTRUCTION AND SUSTAINABLE ENVIRONMENT PROTECTION PROJECT | DATE: JUNE 2013 INDEX: | AMENDMENTS: | Prepared by: WIM Checked by: HC Validated by: | SHEET CONTENTS: COMPONENT-4 BUILDING WORKS (B) SUBCOMPONENT-4-7 (B72) GS Building ELECTRICAL FDAS LAYOUT | SHEET NO: B72-6800-01 |
| | JICA DESIGN CONSULTANT JOINT VENTURE JAC JAPAN AIRPORT CONSULTANTS, INC. NIPPON KOEI CO., LTD. NIS CONSULTANTS CO., LTD. | TADASHI AOI <small>Team Leader</small> | ILDEFONSO T. PATDU, JR. <small>Assistant Secretary for Project Implementation, DOTC</small> | JULIANITO G. BUCAYAN, JR. <small>Undersecretary for Project Implementation, DOTC</small> | LOCATION: MUNICIPALITY OF PANGLAO, PROVINCE OF BOHOL, PHILIPPINES | DATE INDEX AMENDMENTS Prepared by Checked by Validated by | DRAWING SCALE: 1:50 m | | |



NOTE: REFER TO SHEET NO. B0-6900-04 & B0-6900-05 FOR DETAILS.



1 GSB BUILDING (GSB)
GROUNDING SYSTEM PLAN
 072-6900-01 GRAPHIC SCALE 0 1 2 5m

| | | | | | | |
|--|---|--|---|--|--|---|
| | PREPARED BY: TEODORO N. PAMATMAT <small>PROF. ELECTRICAL ENGINEER PTR. 1403773</small> <small>REG. NO.: 1927 DATE: 1-04-13</small> <small>T.N. 119-747-900 PLACE: MANILA</small> | RECOMMENDING APPROVAL: | APPROVED: | PROJECT TITLE: | SHEET CONTENTS: | SHEET NO.: |
| | JICA DESIGN CONSULTANT JOINT VENTURE <small>JAPAN AIRPORT CONSULTANTS, INC. NIPPON KOEI CO., LTD. NIS CONSULTANTS CO., LTD.</small> | ILDEFONSO T. PATDU, JR. Assistant Secretary for Project Implementation, DOTC | JULJANITO G. BUCAYAN, JR. Undersecretary for Project Implementation, DOTC | NEW BOHOL AIRPORT CONSTRUCTION AND SUSTAINABLE ENVIRONMENT PROTECTION PROJECT LOCATION: MUNICIPALITY OF PANGLAO, PROVINCE OF BOHOL, PHILIPPINES | COMPONENT-4 BUILDING WORKS (B) SUBCOMPONENT-4-7 (B72) GS Building ELECTRICAL GROUNDING LAYOUT | B72-6900-01 DRAWING SCALE: 1:50 m |
| | | | | DATE: JUNE 2013 INDEX: | AMENDMENTS: | Prepared by: WIM Checked by: HC Validated by: |

DRAWING LIST

DOCUMENT IV: DRAWINGS
COMPONENT-4: BUILDING WORKS (B)
SUBCOMPONENT-4-7: NAVAIDS BUILDING
(B73) VOR BUILDING (VOR)

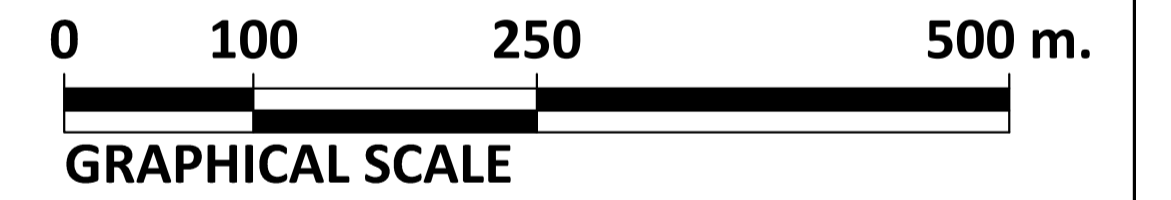
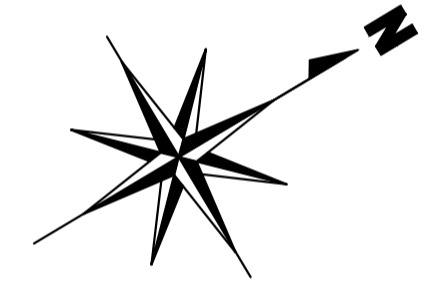
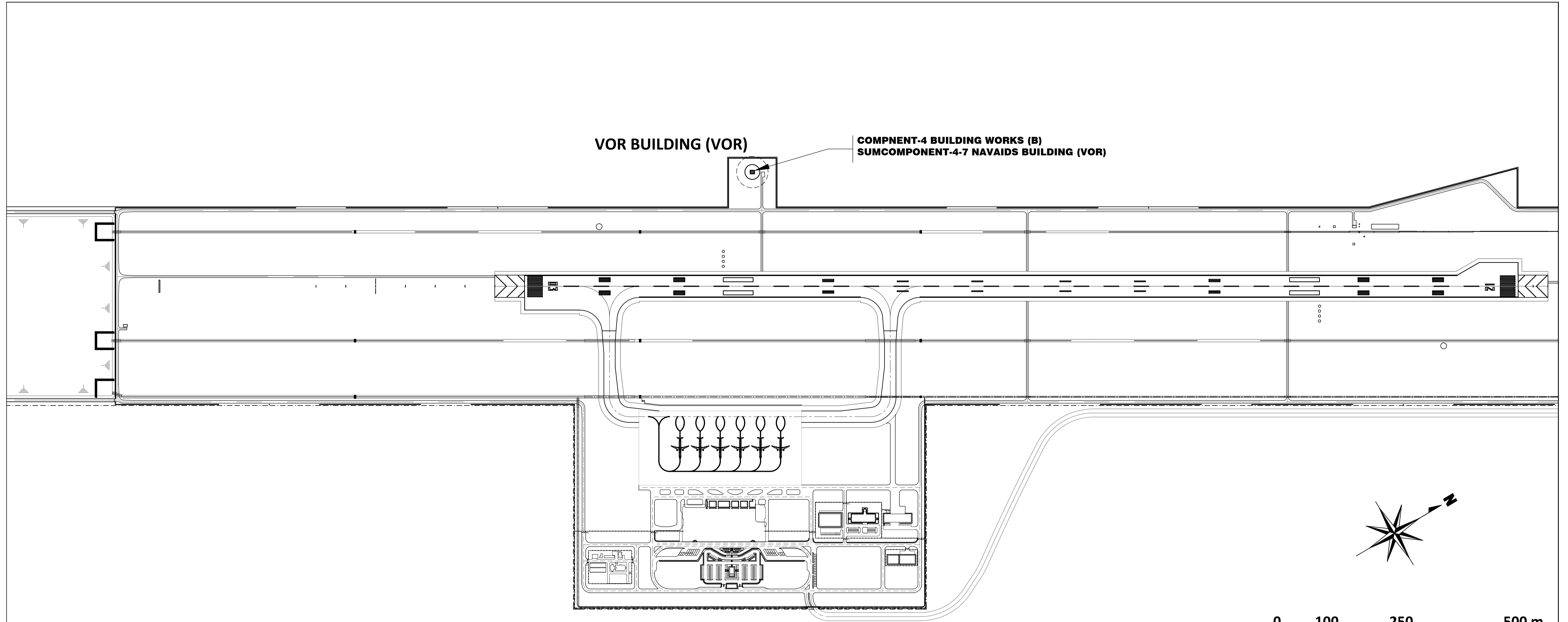
| SHEET No. | SHEET CONTENTS | SHEET No. | SHEET CONTENTS |
|-------------|--|-----------|----------------|
| B73-4300 | ARCHITECTURAL WORKS | | |
| B73-4300-01 | LOCATION PLAN | | |
| B73-4300-02 | EXTERNAL-INTERNAL FINISHING SCHEDULE, LAYOUT PLAN, FLOOR AREA | | |
| B73-4300-03 | FLOOR PLAN, ROOF PLAN, CEILING PLAN, ELEVATIONS, SECTIONS & SECTION DETAIL | | |
| B73-4300-04 | DOORS & WINDOWS SCHEDULE | | |
| B73-4200 | STRUCTURAL WORKS | | |
| B73-4200-01 | FOUNDATION PLAN/FRAMING PLAN/SECTIONS AND DETAILS | | |
| B73-5100 | PLUMBING WORKS | | |
| B73-5100-01 | VOR BUILDING (VOR) MECHANICAL SANITARY & PLUMBING (1) GROUND FLOOR STORM DRAINAGE PLAN & ROOF DECK STORM DRAINAGE PLAN | | |
| B73-5200 | MECHANICAL WORKS | | |
| B73-5200-01 | VOR BUILDING (VOR) MECHANICAL VENTILATION AND AIR-CONDITIONING AS SHOWN | | |
| B73-5300 | FIRE PROTECTION | | |
| B73-5300-01 | VOR BUILDING (VOR) MECHANICAL FIRE PROTECTION GROUND FLOOR FIRE PROTECTION LAYOUT | | |
| B73-6000 | ELECTRICAL WORKS | | |
| B73-6100-01 | EQUIP., FEEDER & CABLE TRAY LAYOUT | | |
| B73-6200-01 | RECEPTACLE, LIGHTING & PANEL SCHEDULE | | |
| B73-6300-01 | TELEPHONE LAYOUT | | |
| B73-6800-01 | FDAS LAYOUT | | |
| B73-6900-01 | GROUNDING LAYOUT | | |



| | | | | | | | | | | | | | |
|---|--|--|---|--|--|-----------|-----------------------|---|--|----------|----------------|-----------------|-----------|
|  Republic of the Philippines DEPARTMENT OF TRANSPORTATION AND COMMUNICATIONS |  JAPAN INTERNATIONAL COOPERATION AGENCY | PREPARED BY: | RECOMMENDING APPROVAL: | APPROVED: | PROJECT TITLE: | | | | | | | SHEET CONTENTS: | SHEET NO: |
| | | WILLIAM I. MALLONGA <small>PROF: Architect PTR: 3811137 REG. NO.: 4623 DATE: MAY 9, 2013 T.S.N. 159-564-198 PLACE: MANAR CITY</small> | ILDEFONSO T. PATDU, JR. <small>Assistant Secretary for Project Implementation, DOTC</small> | JULIANITO G. BUCAYAN, JR. <small>Undersecretary for Project Implementation, DOTC</small> | NEW BOHOL AIRPORT CONSTRUCTION AND SUSTAINABLE ENVIRONMENT PROTECTION PROJECT | JUNE 2013 | DATE INDEX AMENDMENTS | Prepared by: WIM Checked by: HC Validated by: | COMPONENT-4 BUILDING WORKS (B) SUBCOMPONENT-4-7 NAVAIDS BUILDINGS (B73) VOR BUILDING DRAWING LIST | B73-LIST | | | |
| JICA DESIGN CONSULTANT JOINT VENTURE | | | | | | | | | | | DRAWING SCALE: | NTS | |

| | | |
|--|---|---|
|  JAPAN AIRPORT CONSULTANTS, INC. |  NIPPON KOEI CO., LTD. |  NIS CONSULTANTS CO., LTD. |
|--|---|---|

VOR BUILDING (VOR)

COMPONENT-4 BUILDING WORKS (B)
SUBCOMPONENT-4-7 NAVAIDS BUILDING (VOR)



| | | | | | | | | | |
|--|--|---|---|--|--|---|------------------------------|--|-------------------------------------|
|  <p>Republic of the Philippines DEPARTMENT OF TRANSPORTATION AND COMMUNICATIONS</p> |  <p>JICA JAPAN INTERNATIONAL COOPERATION AGENCY</p> | PREPARED BY: | RECOMMENDING APPROVAL: | APPROVED: | PROJECT TITLE: | SHEET CONTENTS: | | | SHEET NO: |
| | | <p>WILLIAM I. MALLONGA</p> <p>PROF. Architect PTR. 3011137 RES. NO. 4623 DATE: MAY 9, 2013 TEAM 120-564-198 PLACE: MANAR CITY</p> | <p>ILDEFONSO T. PATDU, JR. Assistant Secretary for Project Implementation, DOTC</p> | <p>JULIANITO G. BUCAYAN, JR. Undersecretary for Project Implementation, DOTC</p> | <p>NEW BOHOL AIRPORT CONSTRUCTION AND SUSTAINABLE ENVIRONMENT PROTECTION PROJECT</p> | <p>COMPONENT-4 BUILDING WORKS (B) SUBCOMPONENT-4-7 NAVAIDS BUILDING</p> <p>(B73) VOR BUILDING ARCHITECTURAL LOCATION PLAN</p> | <p>B73-4300-01</p> | | |
| <p>JICA DESIGN CONSULTANT JOINT VENTURE</p> <p>JAC JAPAN AIRPORT CONSULTANTS, INC. NIPPON KOEI CO., LTD. NIS CONSULTANTS CO., LTD.</p> | | <p>TADASHI AOI Team Leader</p> | <p>ILDEFONSO T. PATDU, JR. Assistant Secretary for Project Implementation, DOTC</p> | <p>JULIANITO G. BUCAYAN, JR. Undersecretary for Project Implementation, DOTC</p> | <p>LOCATION: MUNICIPALITY OF PANGLAO, PROVINCE OF BOHOL, PHILIPPINES</p> | <p>JUNE 2013</p> | <p>DATE INDEX AMENDMENTS</p> | <p>Prepared by: WIM Checked by: HC Validated by:</p> | <p>DRAWING SCALE: 1:1000 M.</p> |

VOR BUILDING
OUTLINE OF EXTERNAL FINISHING SCHEDULE

| Portion | Appl. | Symbol | Finishing Material | Portion | Appl. | Symbol | Finishing Material |
|----------------|-------|--------|--|-----------------|-------|---|---|
| Floor | | FLG | t=30 Granite tile with jet burner finish on cement setting bed | Walls | | WLA | Aluminum Back-mullion Curtain wall Framing system |
| | x | FLS | Cement render finishing with metal troweled (t=30) | | x | WLR | Cement render finish w/P-4 |
| Roof | | FLC | Ceramic tile 300 x 300 slip resistance finishing | | | WLC | Fair faced concrete w/P-4 |
| | | ROD | Single folded steel plate roof with insulation (Folded steel plate : t=0.6, h=41 Fluorin-resin coated aluminized steel, Insulation : t=100 Glass wool wrapped in polyethylene film) | | | WLD | Aluminum Cladding: Anodizing with electro deposition Aluminum composite panel w/ polyethylene insulation t=40mm |
| | | ROS | Single folded steel plate (t=0.6, h=41) fluorine-resin coated aluminized steel w/ prefabricated fiber glass sheet t=5mm | | AW | Anodizing with electro deposition aluminum window | |
| | x | ROC | Protective concrete layer on insulation board and pre-formed waterproofing membrane WP-1 | Windows | | | |
| | | ROPS | Vinyl Chloride resin sheet membrane on insulation board t=30 | Doors | x | SD | Steel door w/P3 |
| | | ROPR | Hot applied rubberized asphalt waterproofing system WP-2 | | | AD | Anodizing with electro deposition aluminum door |
| | | RGGA | Stainless sheet (t=2) w/ polyethylene foam W=500 | Column | x | CNR | Cement render finish w/P-4 |
| Roof Gutter | | RGB | Stainless sheet (t=2) w/ polyethylene foam W=300 | | CNC | Fair faced concrete w/P-4 | |
| | | | | | CNF | Fair faced concrete | |
| Fascia | | EVA | t=2.5 Aluminum panel w/P-8 | | CNB | t=8 Calcium silicate board w/P-4 | |
| | | EVT | Aluminum decorative louver w/P-8 | | CNS | Steel structure w/P-8 | |
| Parapet | x | PAR | Cement render finish w/P4 | Beam | x | BMR | Cement render finish w/P-4 |
| | | PAF | Fair faced concrete w/ P4 | | BMC | Fair faced concrete w/P-4 | |
| Downspout | x | DSA | d=100 Galvanized SGP w/P-3 | | BMF | Fair faced concrete | |
| | | DSB | d=150 Galvanized SGP w/P-3 | | BMS | Steel structure w/P-4 | |
| | | DSC | d=100 UPVC Pipe w/P-7 | Base | x | BSR | Cement render finish w/P4 h=300 |
| Soffit | | SFA | t=8 Calcium silicate board w/P-7 | | BSF | Fair faced concrete h=300 | |
| | | SFB | t=8 Calcium silicate board w/P-1 | | SKG | t=25 Granite tile H=100 | |
| | x | SFC | Formed Face Concrete w/ P4 | Roller Doors | | RDST | Roller steel door w/P-3 |
| Parapet Coping | | PCA | Anodizing with electro deposition Aluminum Coping | | RDG | Roller steel grill w/P-3 | |
| | x | PCR | Cement render finish w/ P4 | Expansion Joint | | EXJ | Pre-fabricated stainless steel expansion joint covers |
| Sky Light | | SKL | Laminated glass with anodizing with electro deposition frame | | | | |
| Ladder | | LDS | Stainless steel pipe | | | | |

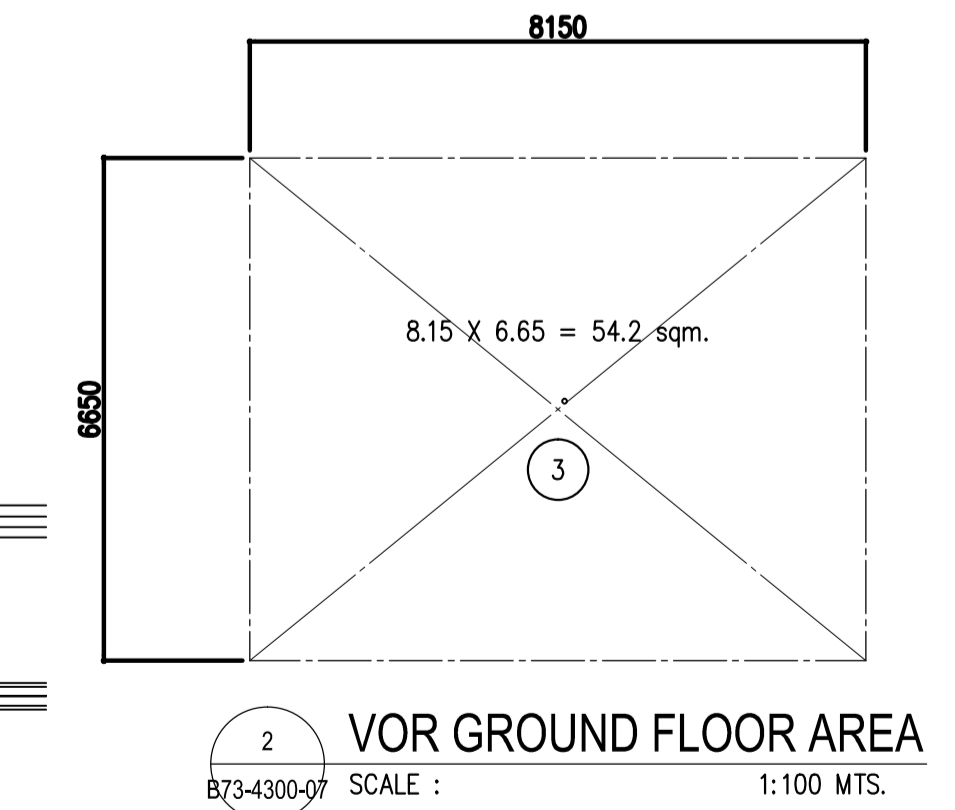
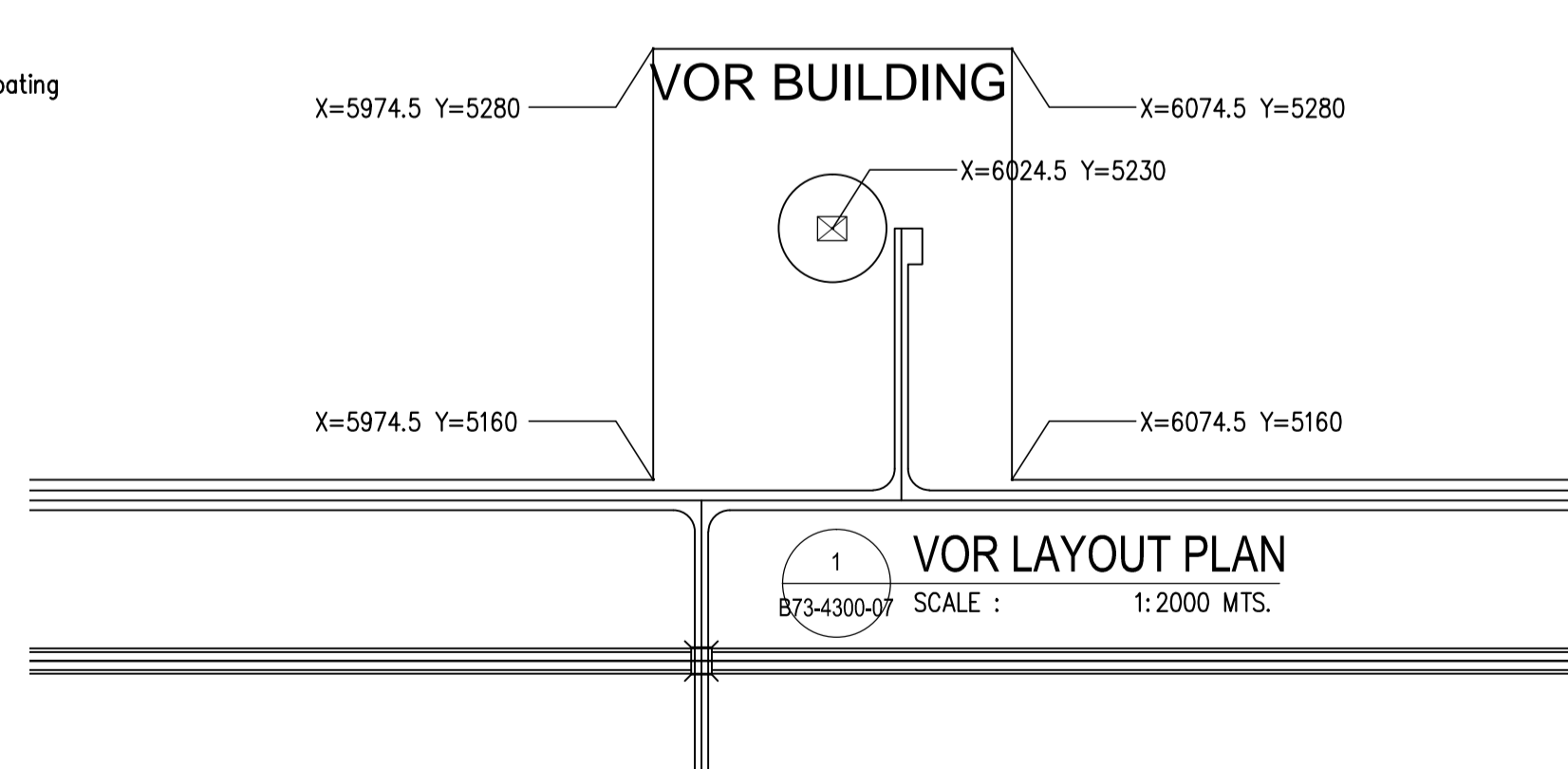
OUTLINE OF INTERNAL FINISHING SCHEDULE

| Room Number | Room Designation | CH | Floor | | | | | | | | | | Skirting | | | | | | | | | | Wall | | | | | | | | | | Columns | | | | | | | | | | Beam | | | | Ceilings | | | | | | | | Remarks |
|-------------|------------------|------|-------|----|----|----|----|----|----|----|----|-----|----------|----|----|----|----|----|----|----|----|----|------|----|----|----|----|-----|-----|-----|-----|-----|---------|-----|-----|-----|----|----|----|----|----|----|------|----|----|----|----------|----|--|--|--|--|--|--|---------|
| | | | F1 | F2 | F3 | F4 | F5 | F6 | F7 | F8 | F9 | F10 | F11 | S1 | S2 | S3 | S4 | S5 | W1 | W2 | W3 | W4 | W5 | W6 | W7 | W8 | W9 | W10 | Co1 | Co2 | Co3 | Co4 | Co5 | Co6 | Co7 | Co8 | B1 | B2 | B3 | B4 | C1 | C2 | C3 | C4 | C5 | C6 | C7 | C8 | | | | | | | |
| 1-01 | Equipment Room | 2700 | | | | | | | | | x | | | | | | | | | | | | | | | | | | | | | | | | | | | | | | | | | | | | | | | | | | | | |
| 1-02 | Power Room | - | | | | | | | | | | | | | | | | | | | | | | | | | | | | | | | | | | | | | | | | | | | | | | | | | | | | | |
| 1-03 | Storage Room | 2700 | | | | | | | | | | | | | | | | | | | | | | | | | | | | | | | | | | | | | | | | | | | | | | | | | | | | | |
| 1-04 | Entrance | 2700 | | | | | | | | | | | | | | | | | | | | | | | | | | | | | | | | | | | | | | | | | | | | | | | | | | | | | |

Legend for Paint Type

- P-1 Synthetic Resin Emulsion Point
- P-2 Synthetic Resin Mixed Paint type I (for wood)
- P-3 Synthetic Resin Mixed Paint type II (for steel)
- P-4 Synthetic Resin Emulsion Multi-Layer Coating
- P-5 Clear Lacquer
- P-6 Epoxy Resin Floor Paint
- P-7 Acrylic Resin Enamel Paint
- P-8 Fluorine-resin Enamel coating

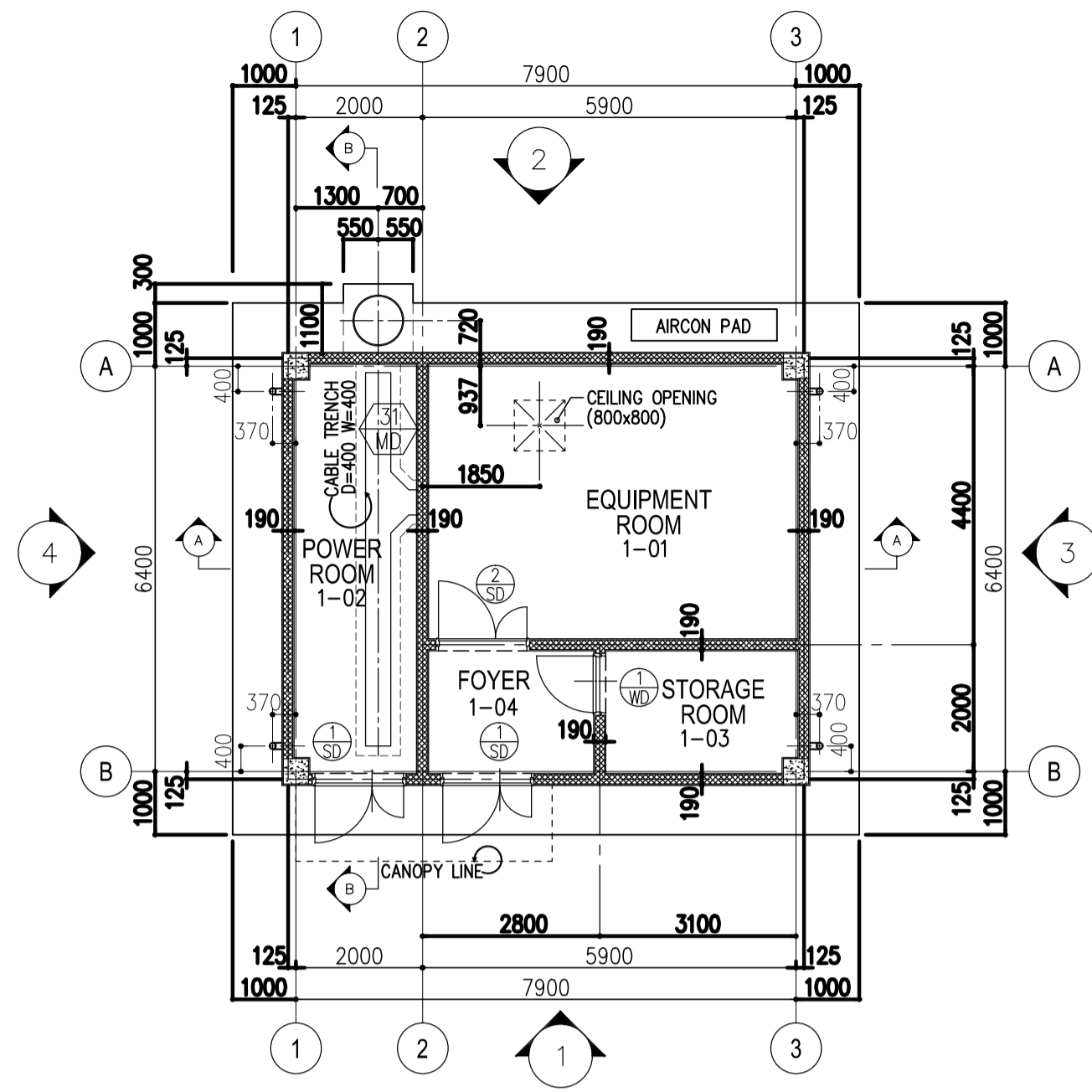
wp-3: Water Proofing : Urethane Waterproofing Coating
UE : Urethane Paint



LLZ & GS BUILDING FLOOR AREA SCHEDULE

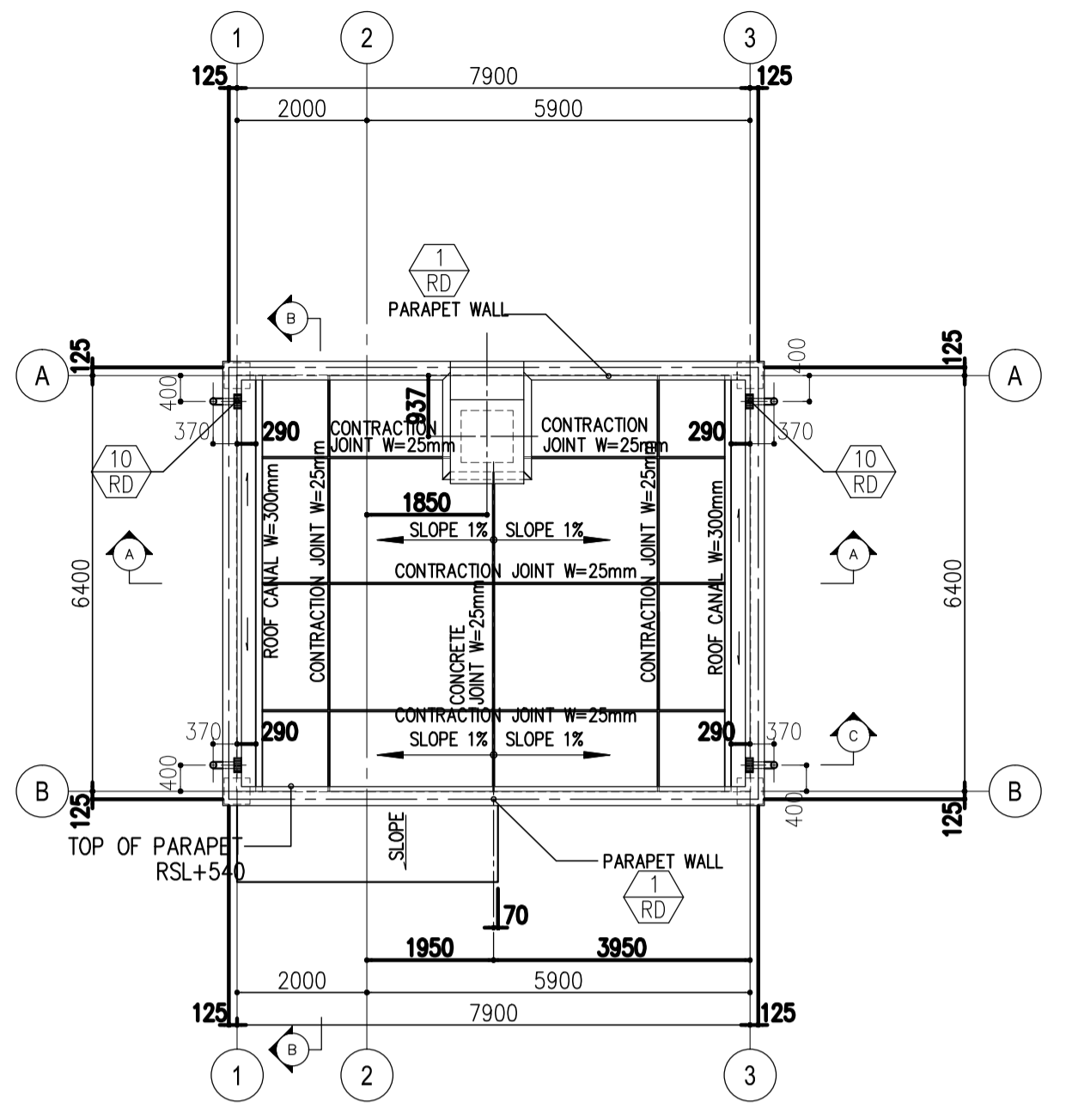
| FL | Floor Area No. | Floor Area |
|-----|----------------|------------|
| GFL | 3 | 54.2 sqm. |
| | TOTAL | 54.2 sqm. |

| | | | | | | | | | |
|--|---|--|--|--|------------------------------------|-------------------|--|---|---|
| | <p>PREPARED BY: WILLIAM I. MALLONGA Architect RES. NO.: 4623 TEL. 159-564-196</p> | <p>RECOMMENDING APPROVAL: ILDEFONSO T. PATDU, JR. Assistant Secretary for Project Implementation, DOTC</p> | <p>APPROVED: JULIANITO G. BUCAYAN, JR. Undersecretary for Project Implementation, DOTC</p> | <p>PROJECT TITLE: NEW BOHOL AIRPORT CONSTRUCTION AND SUSTAINABLE ENVIRONMENT PROTECTION PROJECT</p> <p>LOCATION: MUNICIPALITY OF PANGLAO, PROVINCE OF BOHOL, PHILIPPINES</p> | <p>JUNE 2013</p> <p>DATE INDEX</p> | <p>AMENDMENTS</p> | <p>Prepared by: WIM Checked by: HC Validated by:</p> | <p>SHEET CONTENTS: COMPONENT-4 BUILDING WORKS (B) SUBCOMPONENT-4-7 NAVAIDS BUILDING (B73) VOR BUILDING ARCHITECTURAL EXTERNAL & INTERNAL FINISHING SCHEDULE</p> | <p>SHEET NO: B73-4300-02</p> <p>DRAWING SCALE: AS SHOWN</p> |
|--|---|--|--|--|------------------------------------|-------------------|--|---|---|

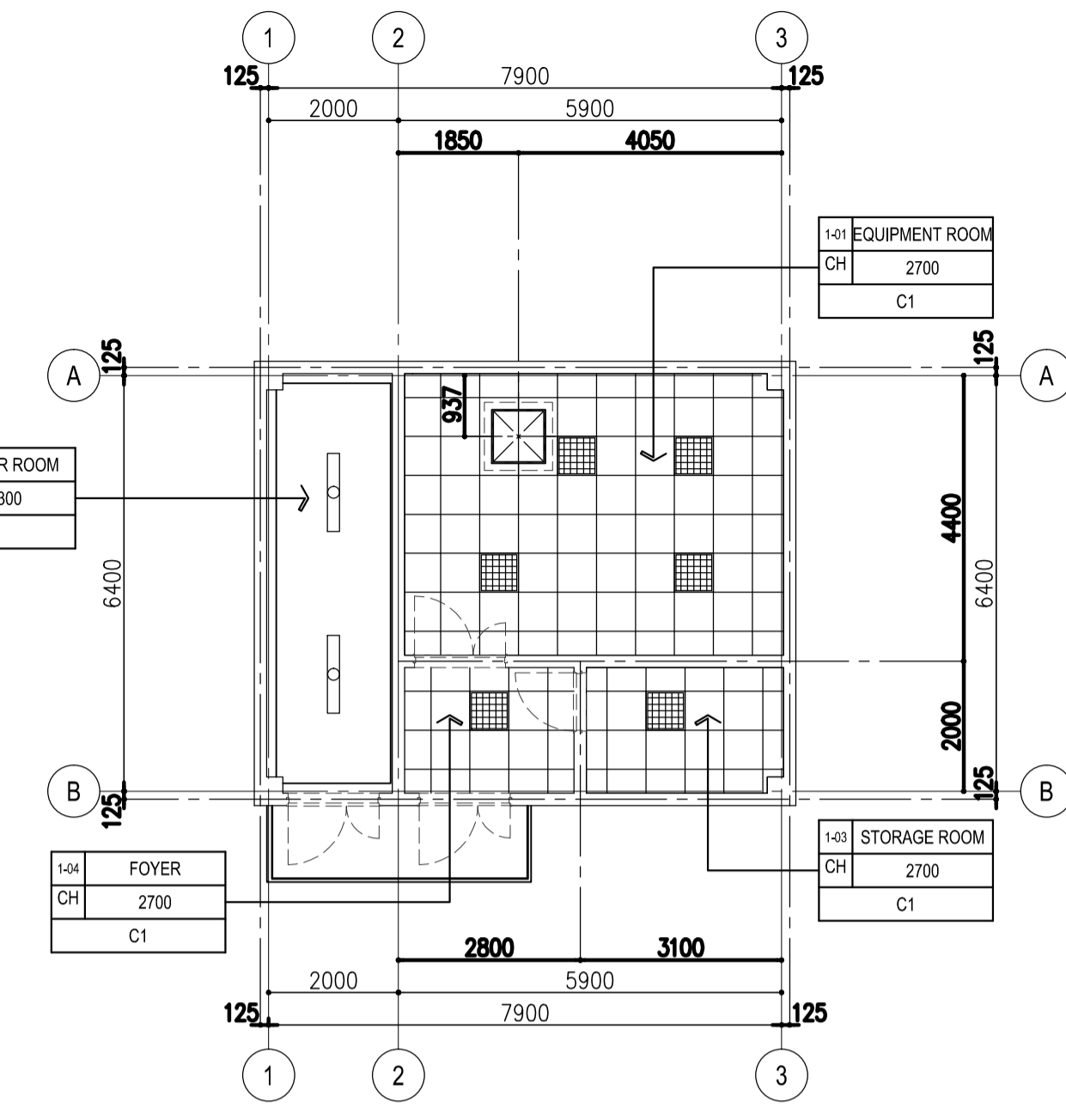


FLOOR PLAN
SCALE: 1:100 MTS.

LEGEND: WALL MATERIALS
CHB WALL

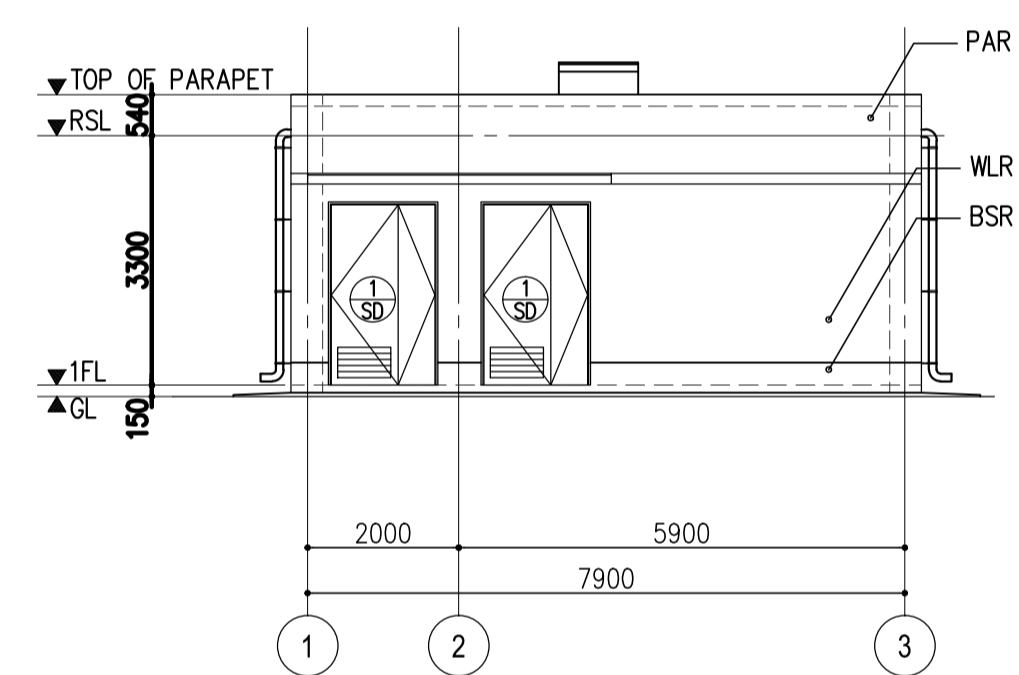


ROOF PLAN
SCALE: 1:100 MTS.

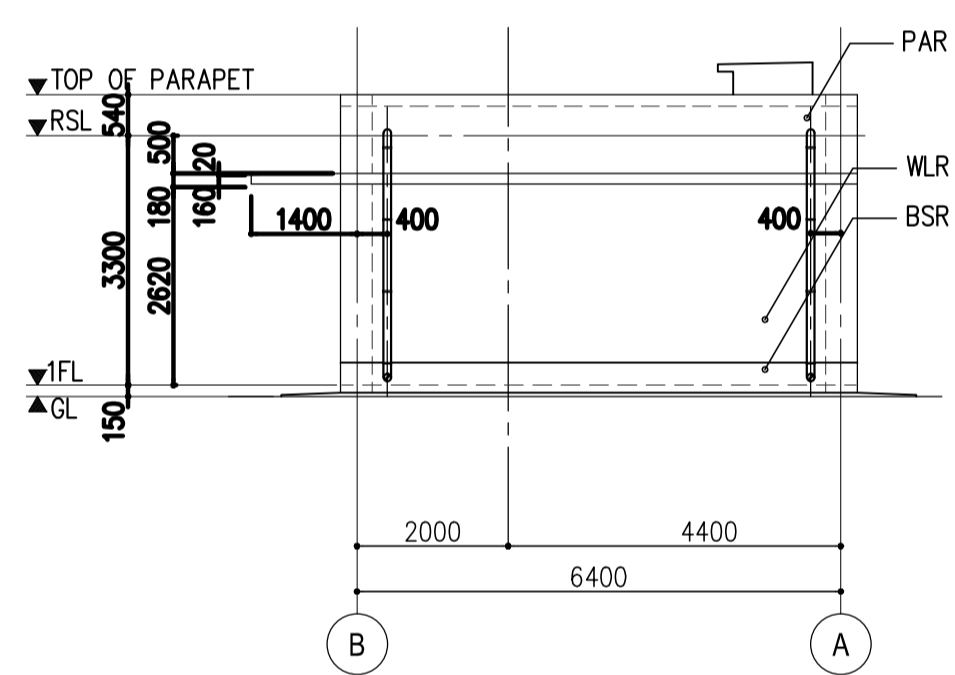


REFLECTED CEILING PLAN
SCALE: 1:100 MTS.

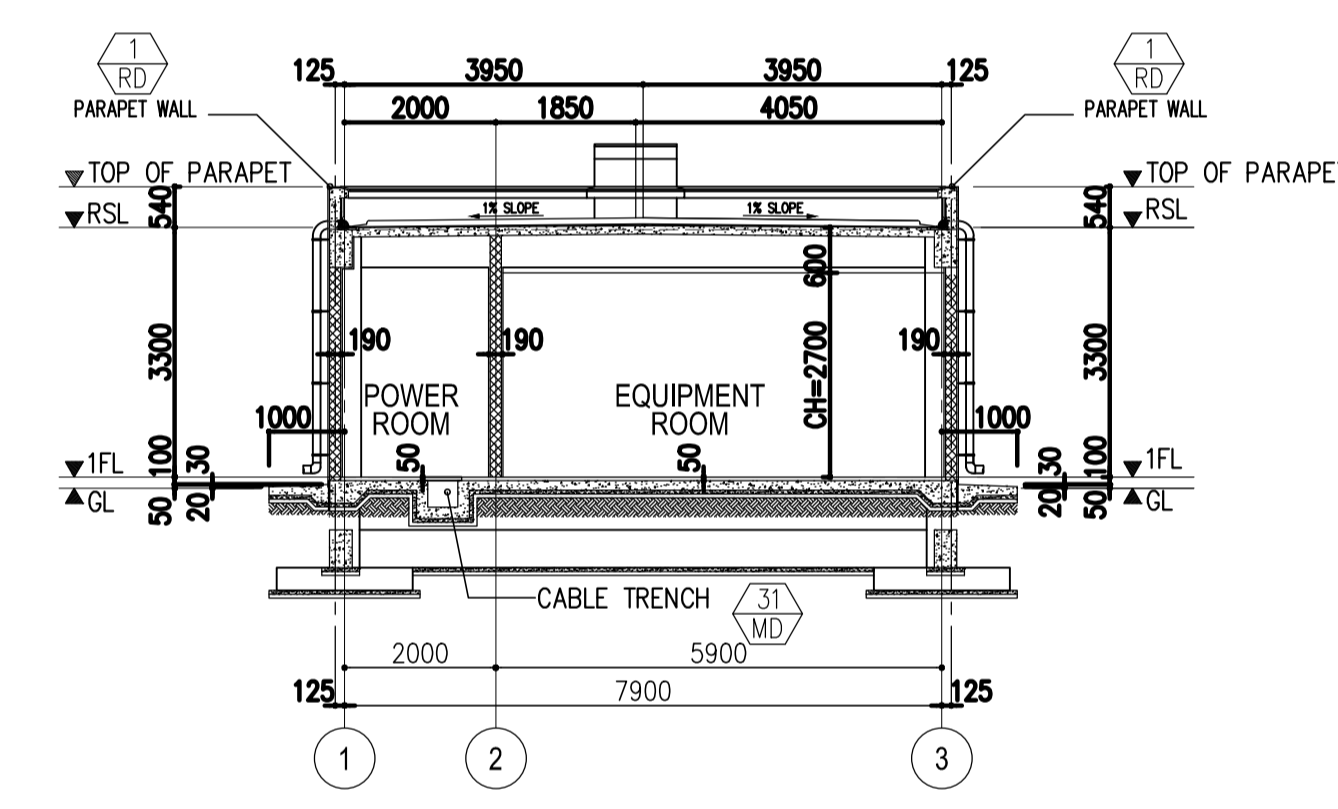
LEGEND: CEILING MATERIALS
C1 EXPOSED SUSPENSION CEILING SYSTEM
ACOUSTIC ROCKWOOL CEILING BOARD t=15
C5 FORMED FACE CONCRETE W/P1



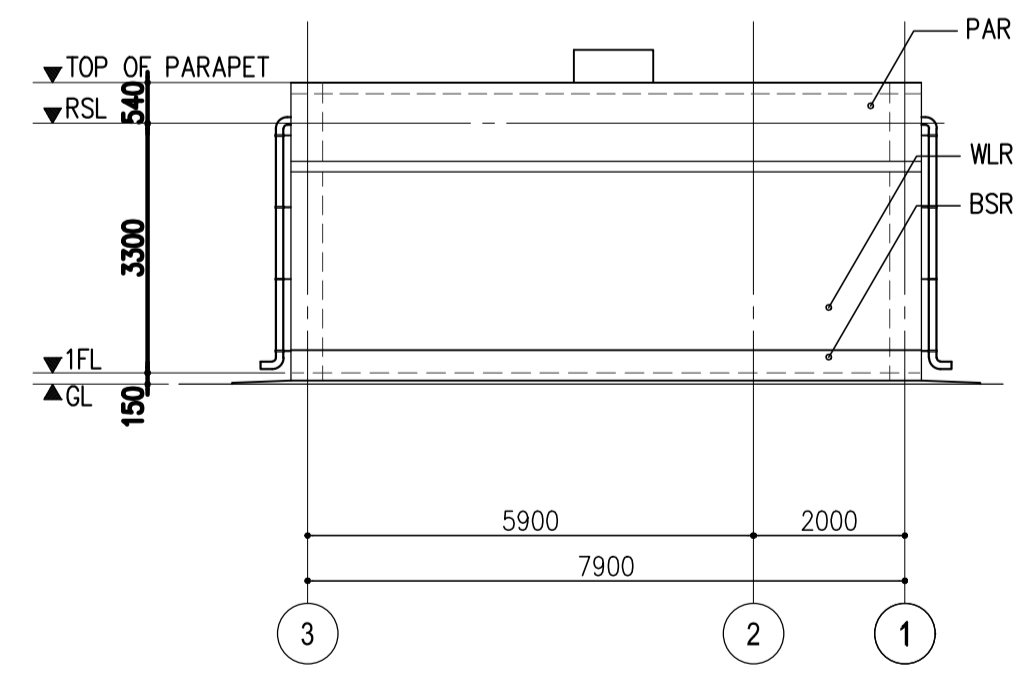
ELEVATION 1
SCALE: 1:100 MTS.



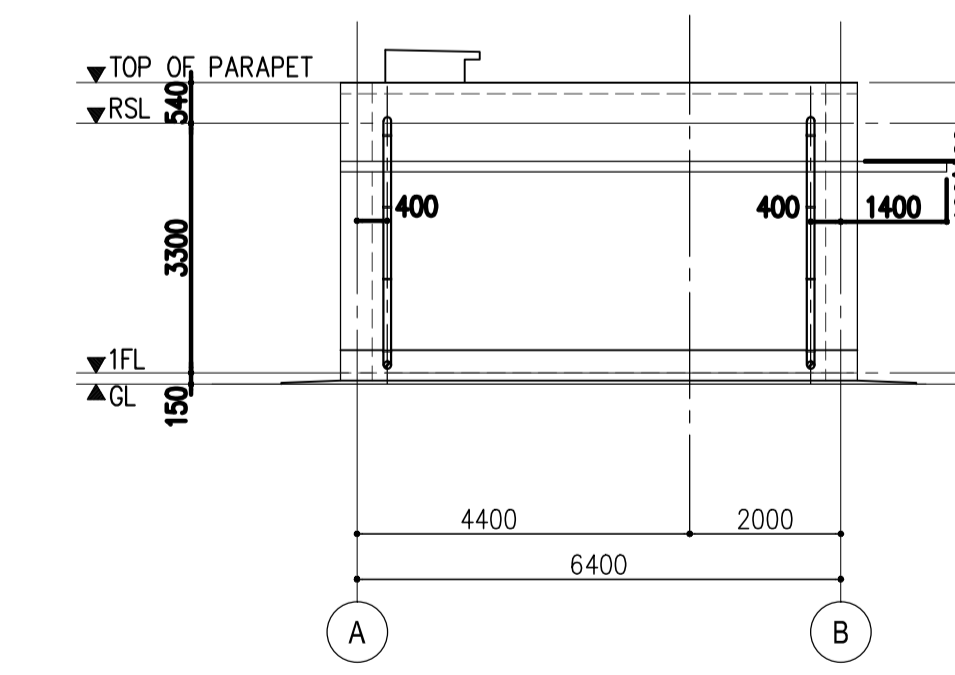
ELEVATION 3
SCALE: 1:100 MTS.



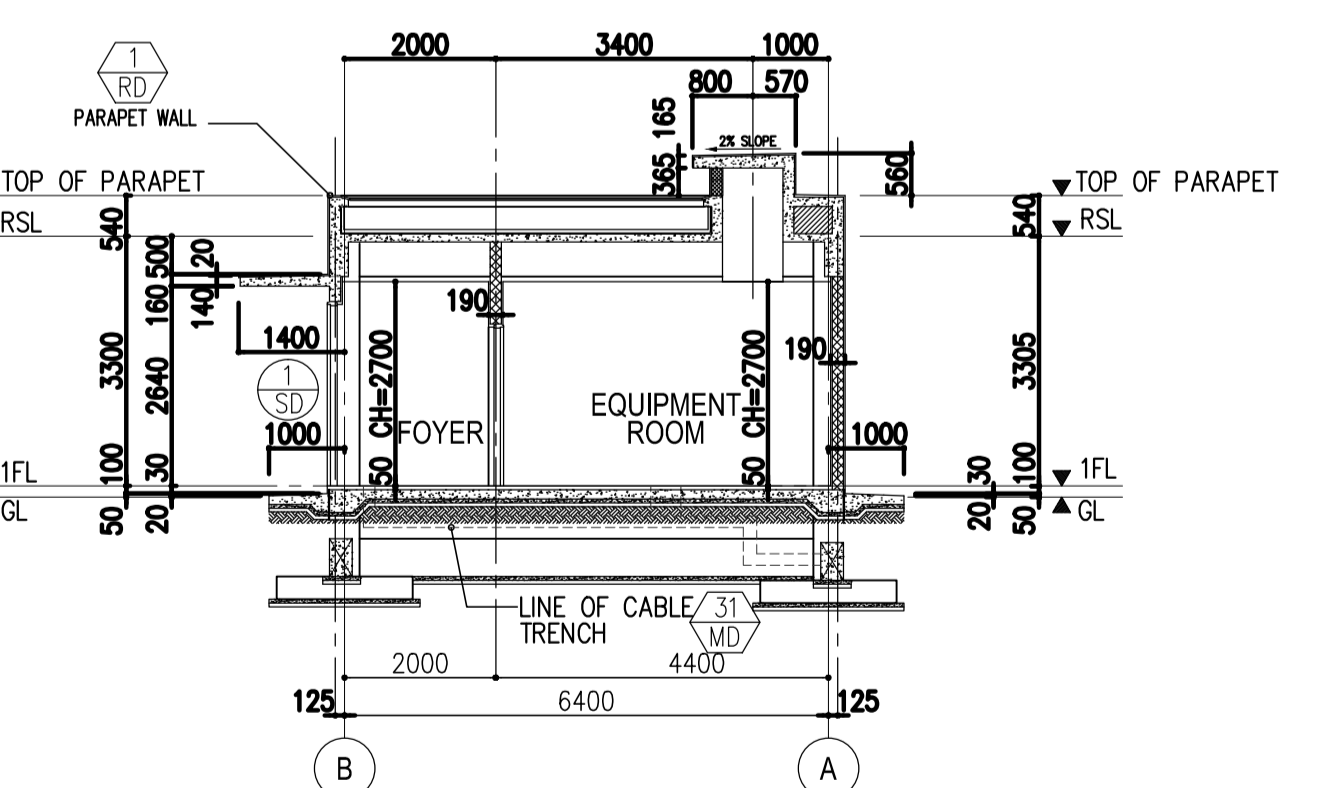
SECTION A-A
SCALE: 1:100 MTS.



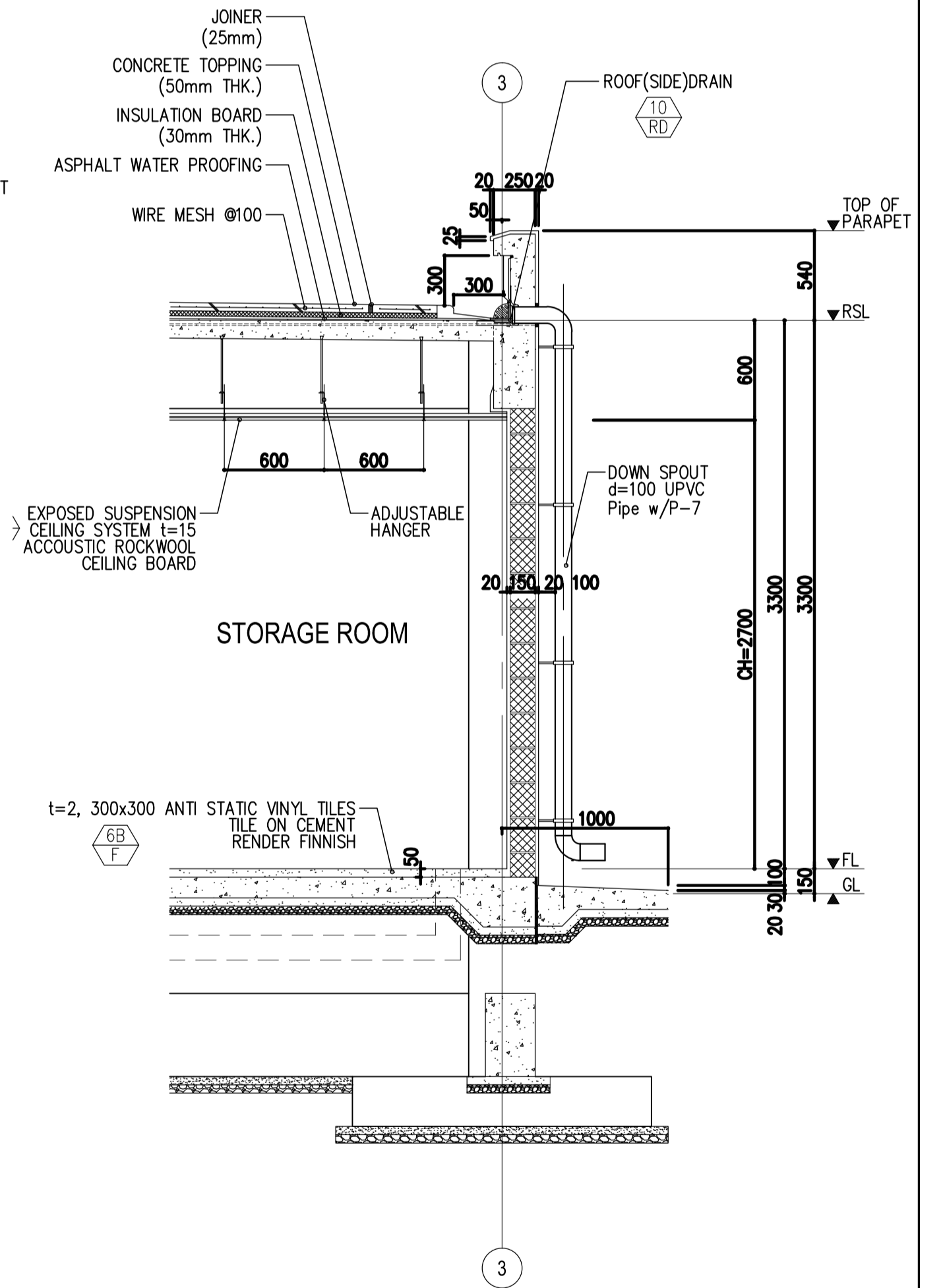
ELEVATION 2
SCALE: 1:100 MTS.



ELEVATION 4
SCALE: 1:100 MTS.



SECTION B-B
SCALE: 1:100 MTS.

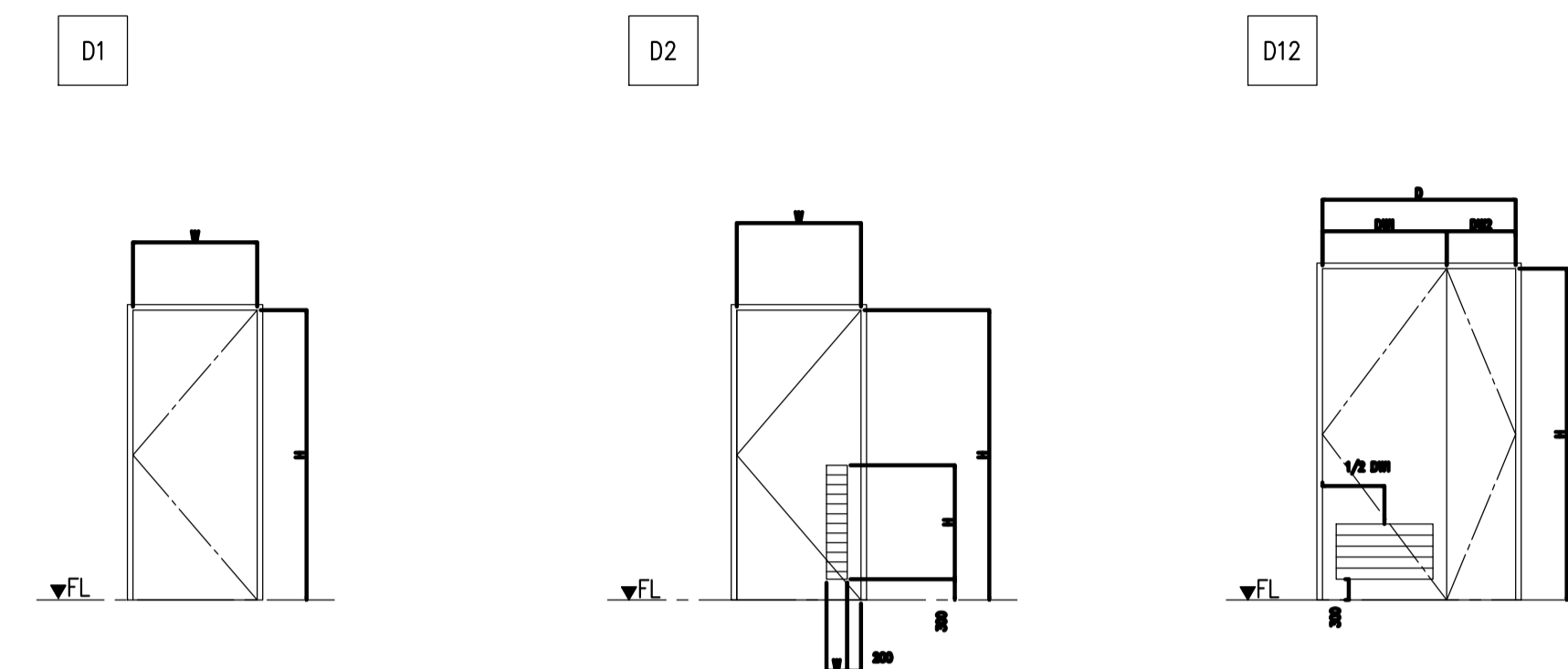


DETAIL SECTION C
SCALE: 1:30 MTS.

| | | | | | | | | |
|--|--|---|---|--|---|---|---------------------------------|---|
| | PREPARED BY: WILLIAM I. MALLONGA <small>PROF. Architect PIR. 3811137 RES. NO.: 4623 DATE: MAY 9, 2013 TEL. 129-564-198 PLACE: MANILA CITY</small> | RECOMMENDING APPROVAL: ILDEFONSO T. PATDU, JR. <small>Assistant Secretary for Project Implementation, DOTC</small> | APPROVED: JULIANITO G. BUCAYAN, JR. <small>Undersecretary for Project Implementation, DOTC</small> | PROJECT TITLE: NEW BOHOL AIRPORT CONSTRUCTION AND SUSTAINABLE ENVIRONMENT PROTECTION PROJECT | LOCATION: MUNICIPALITY OF PANGLAO, PROVINCE OF BOHOL, PHILIPPINES | SHEET CONTENTS: COMPONENT-4 BUILDING WORKS (B) SUBCOMPONENT-4-7 NAVADIS BUILDING (B73) VOR BUILDING ARCHITECTURAL FLOOR PLAN, ROOF PLAN, CEILING PLAN, ELEVATIONS, SECTIONS & SECTION DETAIL | SHEET NO: B73-4300-03 | |
| | JICA DESIGN CONSULTANT JOINT VENTURE | TADASHI AOI <small>Team Leader</small> | ILDEFONSO T. PATDU, JR. <small>Assistant Secretary for Project Implementation, DOTC</small> | JULIANITO G. BUCAYAN, JR. <small>Undersecretary for Project Implementation, DOTC</small> | DATE: JUNE 2013 | INDEX: | AMENDMENTS: | Prepared by: WIM Checked by: HC Validated by: |

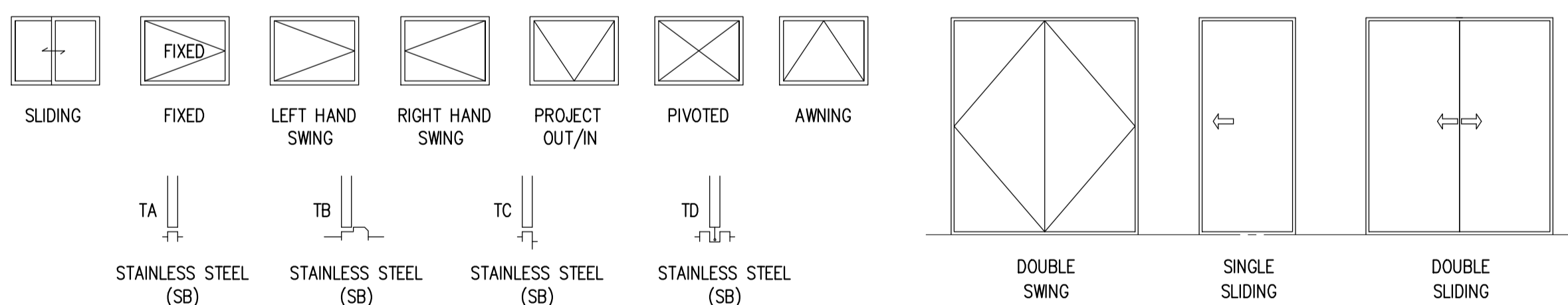
SCHEDULE OF DOORS & WINDOWS

| MARK | FIGURE | QUANTITY | DIMENSION W (w) x H (h) | DIMENSION | | MATERIAL | FINISH | GLAZING | | LOUVER | | IRON MONGERY | | | | | | OTHERS | | | REMARKS | |
|---------|--------|----------|----------------------------|-----------|--------------------|----------|--------|---------|-----------|-----------------|----------|--------------|-------------------------------|--------|----------------|-------------|-----------|-------------|------------------|-----------|---------|----------------|
| | | | | FRAME | DOOR PANEL OR SASH | | | TYPE | THICKNESS | DIMENSION W x H | MATERIAL | FINISH | ALL FITTING FIXING & HARDWARE | HINGES | LOCK AND LATCH | DOOR CLOSER | DOOR STOP | DOOR HANDLE | WEATHER MOULDING | SILL/TRIM | | DOOR THRESHOLD |
| 1 SB | D12 | 2 | 1400x2400 | 130 | 40 | ST | P-3 | | | 700x400 | ST | P-3 | BH | ML | 0 | 0 | | | TB | 0 | | |
| 2 SB | D1 | 1 | 1400x2100 | 130 | 40 | ST | P-3 | | | | | | BH | ML | 0 | 0 | | | TA | 0 | | |
| 1 WD | D2 | 1 | 900x2100 | 130 | 40 | ST | P-2 | | | 200x400 | WD | P-2 | BH | ML | 0 | 0 | | | TA | 0 | | |

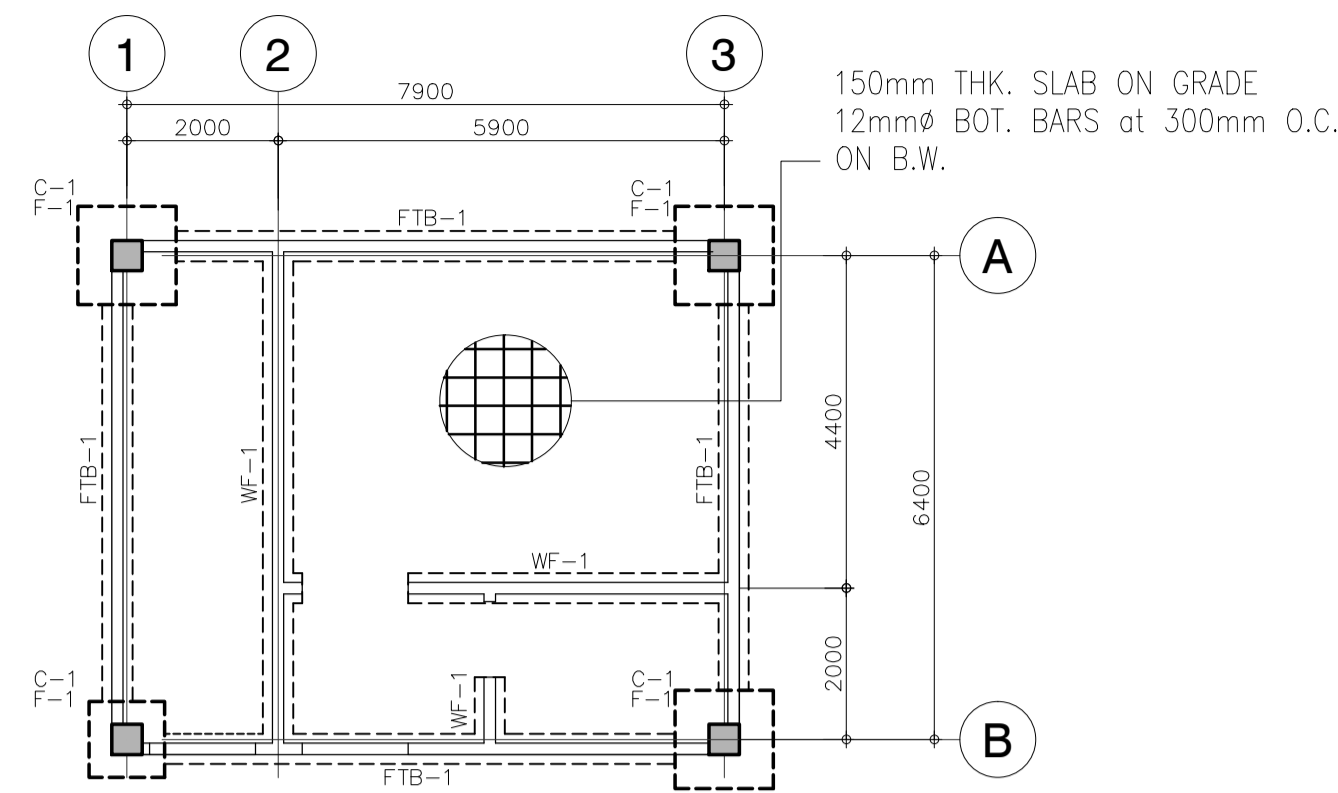


| DOOR & WINDOW | MATERIAL | FINISH | GLAZING | HINGES | |
|---------------------------|-----------------------|---|-------------------------------------|------------------------------------|-------------------------------|
| AD - ALUMINIUM DOOR | ST - STEEL | AN - ANODIZING WITH ELECTRO DEPOSITION ALUMINUM | CG - CLEAR FLOAT GLASS | BH - BUTT HINGE | PL - PASSAGE LATCH |
| AW - ALUMINIUM WINDOW | SST - STAINLESS STEEL | | CWG - CLEAR WIRE GLASS | FH - FLOOR HINGE | LL - LAVATORY LATCH |
| AL - ALUMINIUM LOUVER | AL - ALUMINIUM | SB - SCRATCH BRUSHED | FG - FIGURED GLASS | PH - PIVOT HINGE | WI - WITH INDICATOR |
| SD - STEEL DOOR | TG - TEMPERED GLASS | MR - MELANIN RESIN OVERLAID | FWG - FIGURED WIRE GLASS | SH - SPRING HINGE | FB - FLUSH BOLT |
| FWD - FLUSH DOOR | HC - HONEY COMB | EPX - EPOXY-POLYESTER | HAG - HEAT ABSORBING GLASS | | PP - PUSH-PULL PLATE |
| LWD - LOUVER DOOR | WD - WOOD | | HAWG - HEAT ABSORBING WIRE GLASS | LOCK & LATCH/DOOR HANDLE | CS - CRESCENT SASH LOCK |
| RS - ROLLING SHUTTER DOOR | | P-2 - SYNTHETIC RESIN MIXED PAINT (WOOD) | LG - LAMINATED GLASS | DL - DEADBOLT MORTISE LOCK | CLH - CAM LATCH HANDLE & ARM |
| RG - ROLLING GRILLE | | P-3 - SYNTHETIC RESIN MIXED PAINT (STEEL) | TG - TEMPERED GLASS | ML - MORTISE LOCK & LEVER HANDLE | RT - ROLLER TIGHTENING HANDLE |
| AS - ALUMINIUM SCREEN | | | HTG - HEAT ABSORBING TEMPERED GLASS | | OTHERS |
| FP - FOLDING PARTITION | | | | CL - CYLINDRICAL LOCK | RW - ROCK WOOL |
| WD - WOODEN DOOR | | | | HC - HOOK LOCK | IS - INSECT SCREEN |
| | | | | EL - EMERGENCY LOCK & LEVER HANDLE | AT - AIRTIGHTNESS |
| | | | | | BB - BLIND BOX |
| | | | | | FTG - FRAMELESS DOOR |

SYMBOLS & CONVENTION OF DOOR & WINDOW



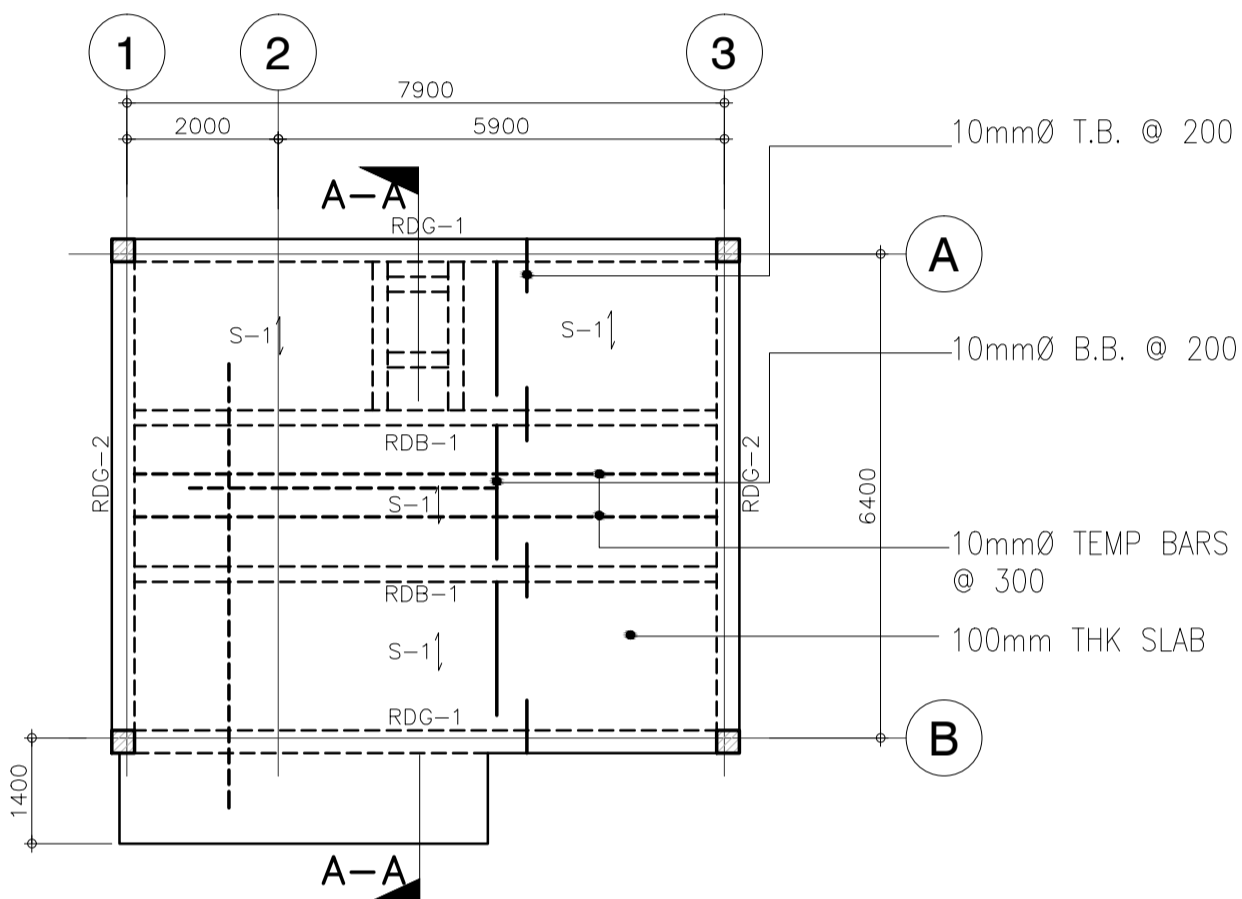
| | | | | | | |
|--|---|--|---|---|---|---|
| | PREPARED BY: WILLIAM I. MALLONGA <small>PROF: Architect PIR: 3811137 RES. NO.: 4623 DATE: MAY 9, 2013 TEAM: 158-564-198 PLACE: MANILA CITY</small> | RECOMMENDING APPROVAL: JILDEFONSO T. PATDU, JR. <small>Assistant Secretary for Project Implementation, DOTC</small> | APPROVED: JULIANITO G. BUCAYAN, JR. <small>Undersecretary for Project Implementation, DOTC</small> | PROJECT TITLE: NEW BOHOL AIRPORT CONSTRUCTION AND SUSTAINABLE ENVIRONMENT PROTECTION PROJECT LOCATION: MUNICIPALITY OF PANGLAO, PROVINCE OF BOHOL, PHILIPPINES | SHEET CONTENTS: COMPONENT-4 BUILDING WORKS (B) SUBCOMPONENT-4-7 NAVAIDS BUILDING (B73) VOR BUILDING ARCHITECTURAL DOORS & WINDOWS SCHEDULE | SHEET NO: B73-4300-04 DRAWING SCALE: 1:50 MTS. |
| | JICA DESIGN CONSULTANT JOINT VENTURE JAPAN AIRPORT CONSULTANTS, INC. NIPPON KOEI CO., LTD. NIS CONSULTANTS CO., LTD. | Republic of the Philippines DEPARTMENT OF TRANSPORTATION AND COMMUNICATIONS JAPAN INTERNATIONAL COOPERATION AGENCY | JUNE 2013 | DATE INDEX AMENDMENTS | Prepared by: WIM Checked by: HC Validated by: | |



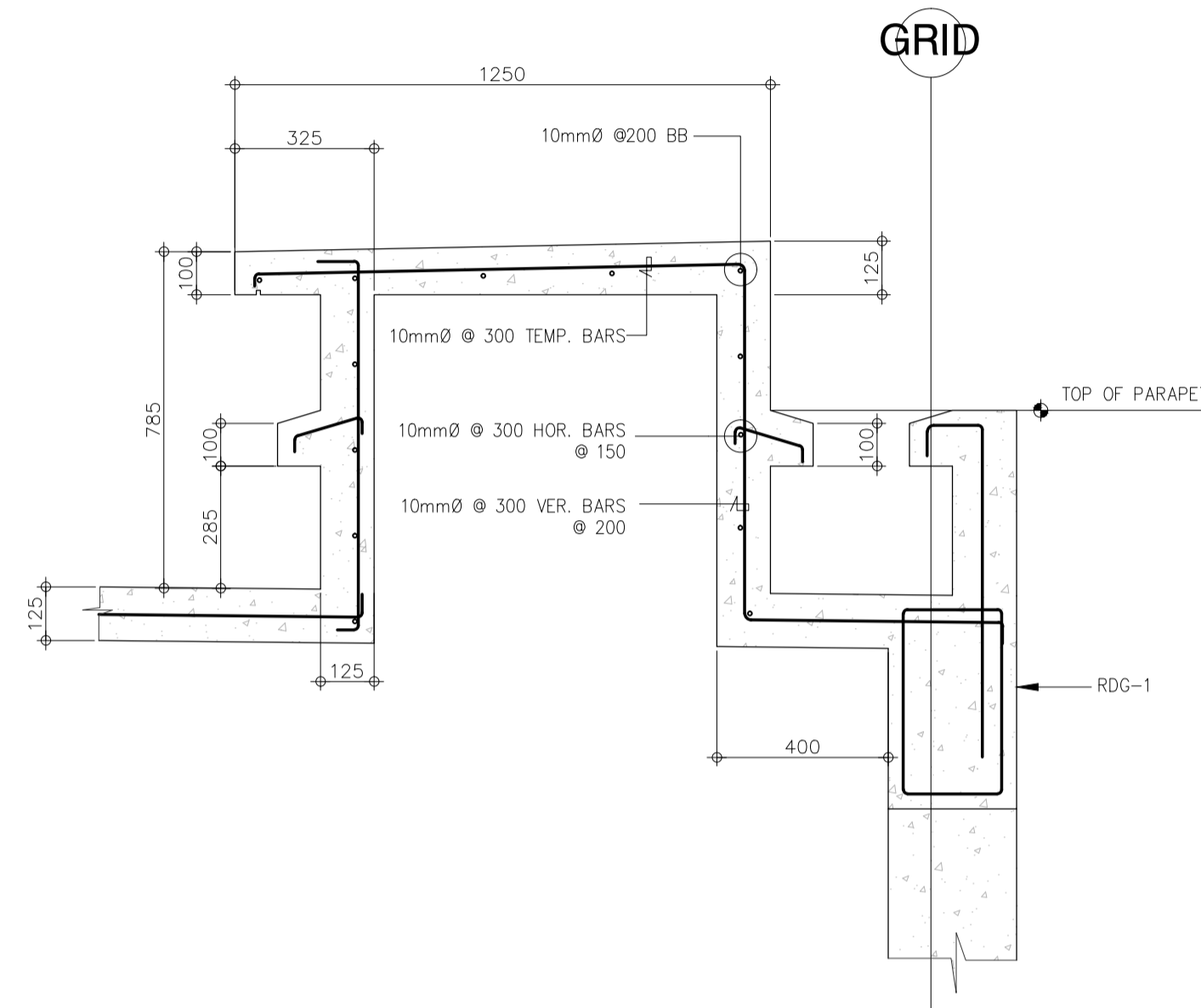
1 VOR-DME BLDG. FOUNDATION PLAN
SCALE 1 : 100

| MARK | DIMENSIONS | REINFORCEMENTS | | | | | | STIRRUPS |
|-------|------------|----------------|---------|---------|---------|----------|---------|----------|
| | | SUPPORT | | MIDSPAN | | VERTICAL | | |
| | | TOP | BOT | TOP | BOT | TOP | BOT | |
| RDB-1 | 200 400 | 2-16mmØ | 5-16mmØ | 2-16mmØ | 7-16mmØ | 2-16mmØ | 5-16mmØ | A |
| RDG-1 | 200 400 | 3-16mmØ | 2-16mmØ | 2-16mmØ | 3-16mmØ | 5-16mmØ | 2-16mmØ | A |
| RDG-2 | 200 400 | 4-16mmØ | 4-16mmØ | 2-16mmØ | 4-16mmØ | 6-16mmØ | 3-16mmØ | A |

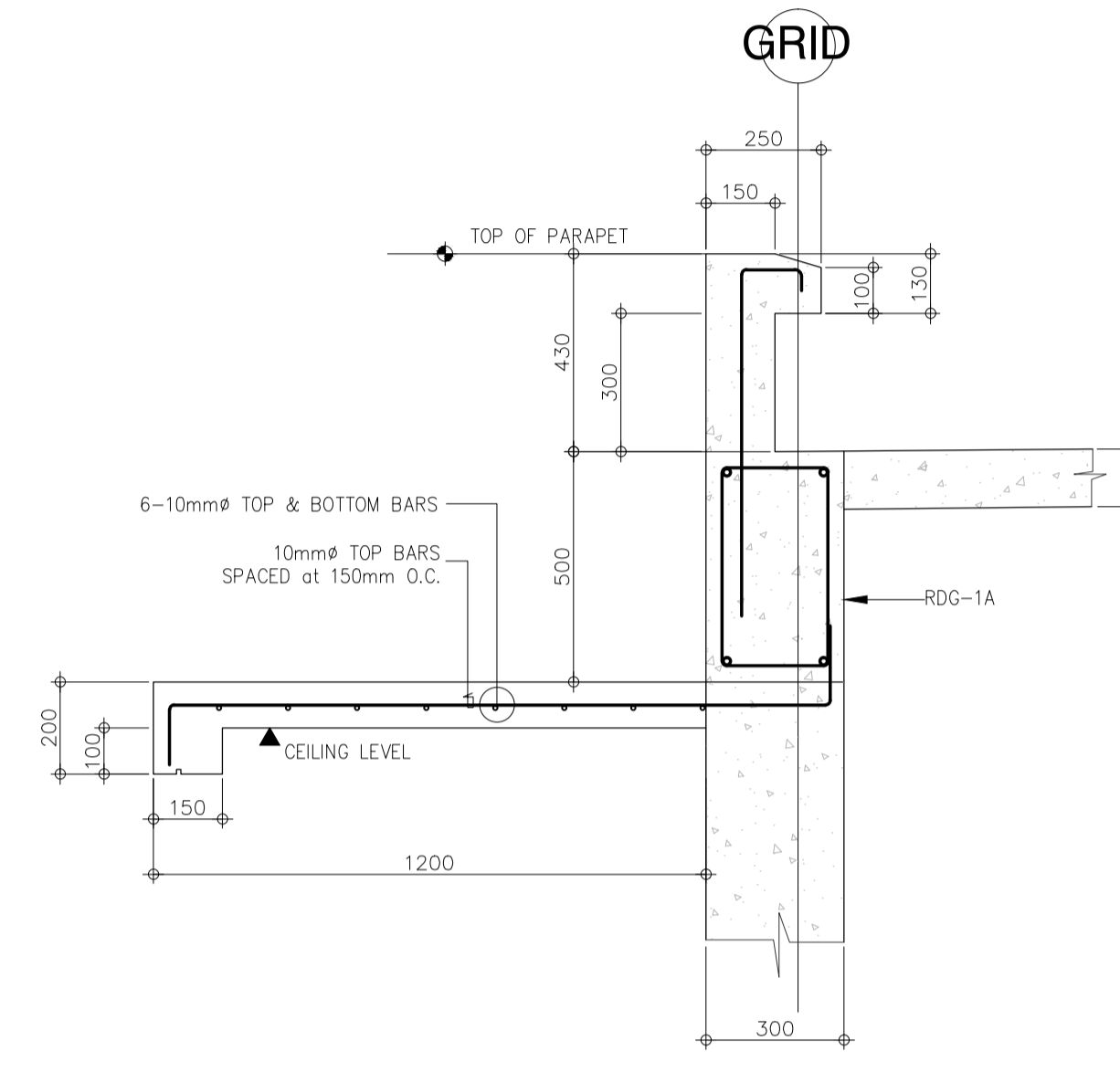
STIRRUPS
A-10mmØ, Ø50, 10Ø100 REST @250



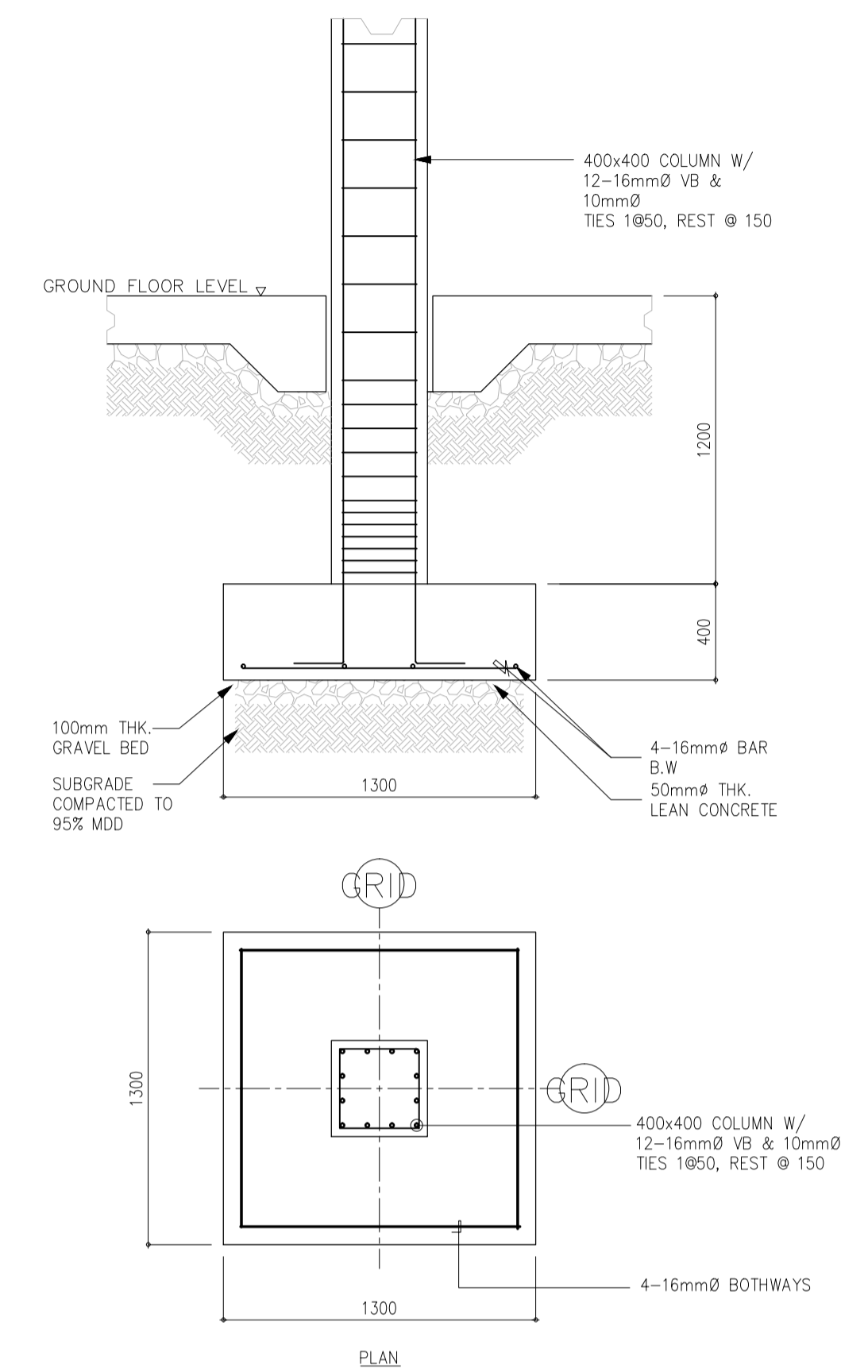
2 VOR-DME BLDG. ROOF DECK FRAMING PLAN
SCALE 1 : 100



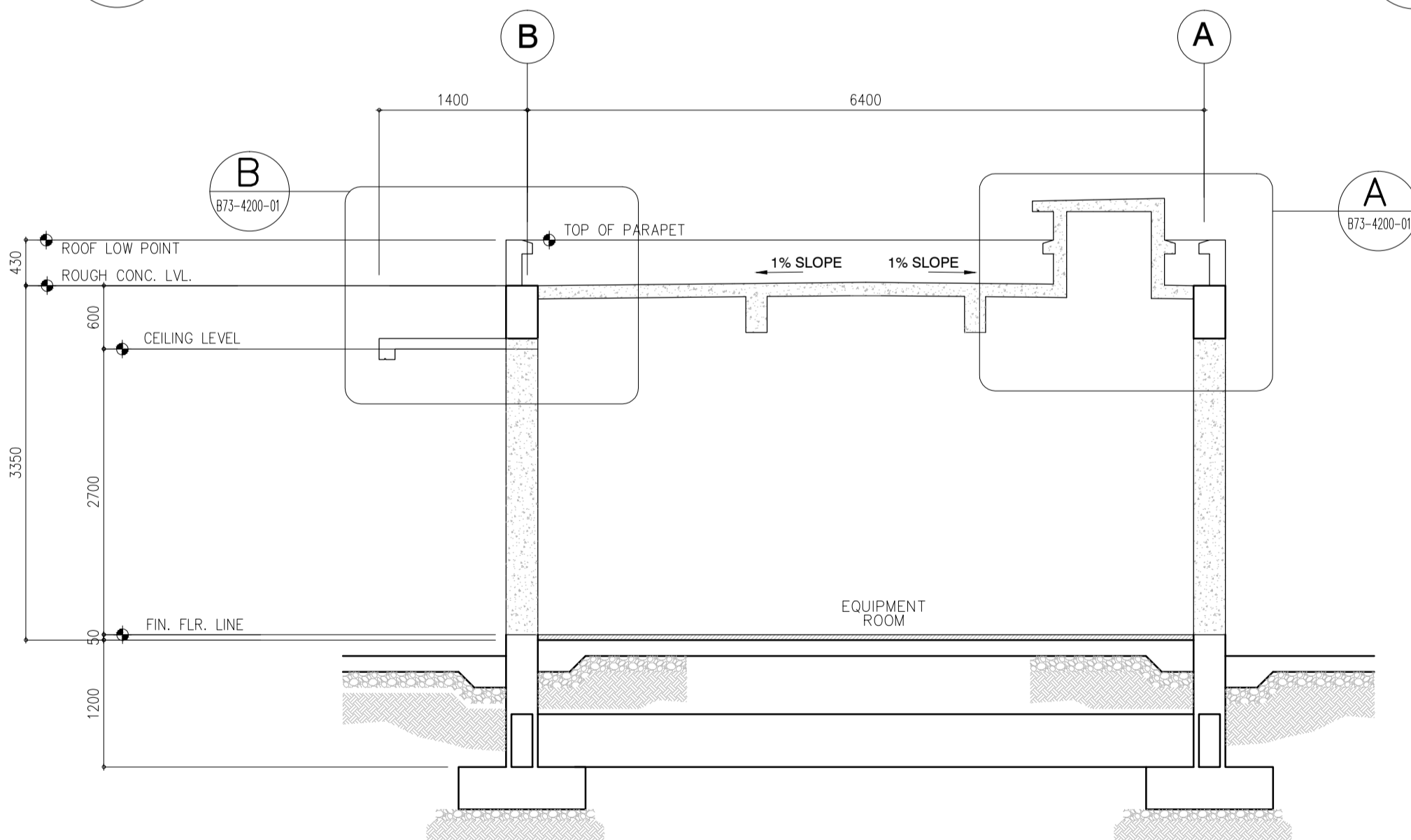
4 SECTION A
SCALE 1 : 15 MTS



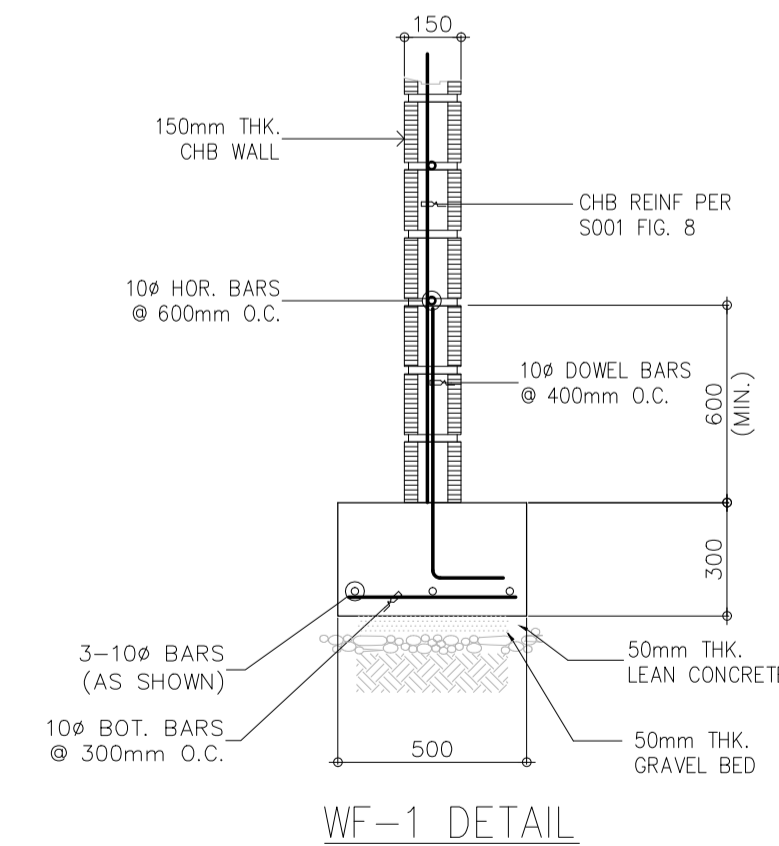
5 SECTION B
SCALE 1 : 15 MTS



6 C-1 / F-1 DETAILS
SCALE 1 : 25 MTS



3 VOR-DME BLDG. SECTION A-A
SCALE 1 : 50 MTS

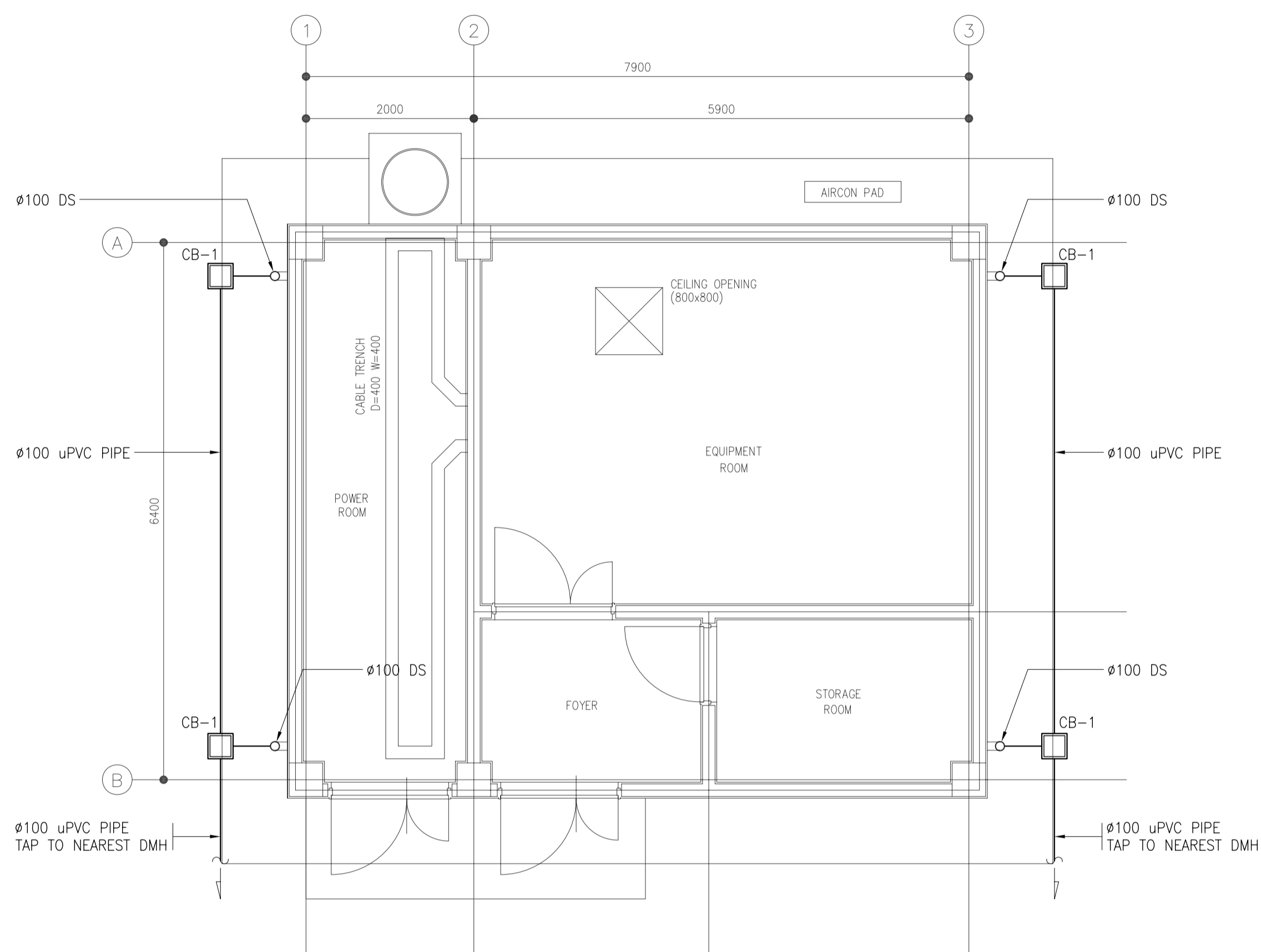


7 TYP. CHB WALL FOOTING DETAIL
SCALE 1 : 20 M.

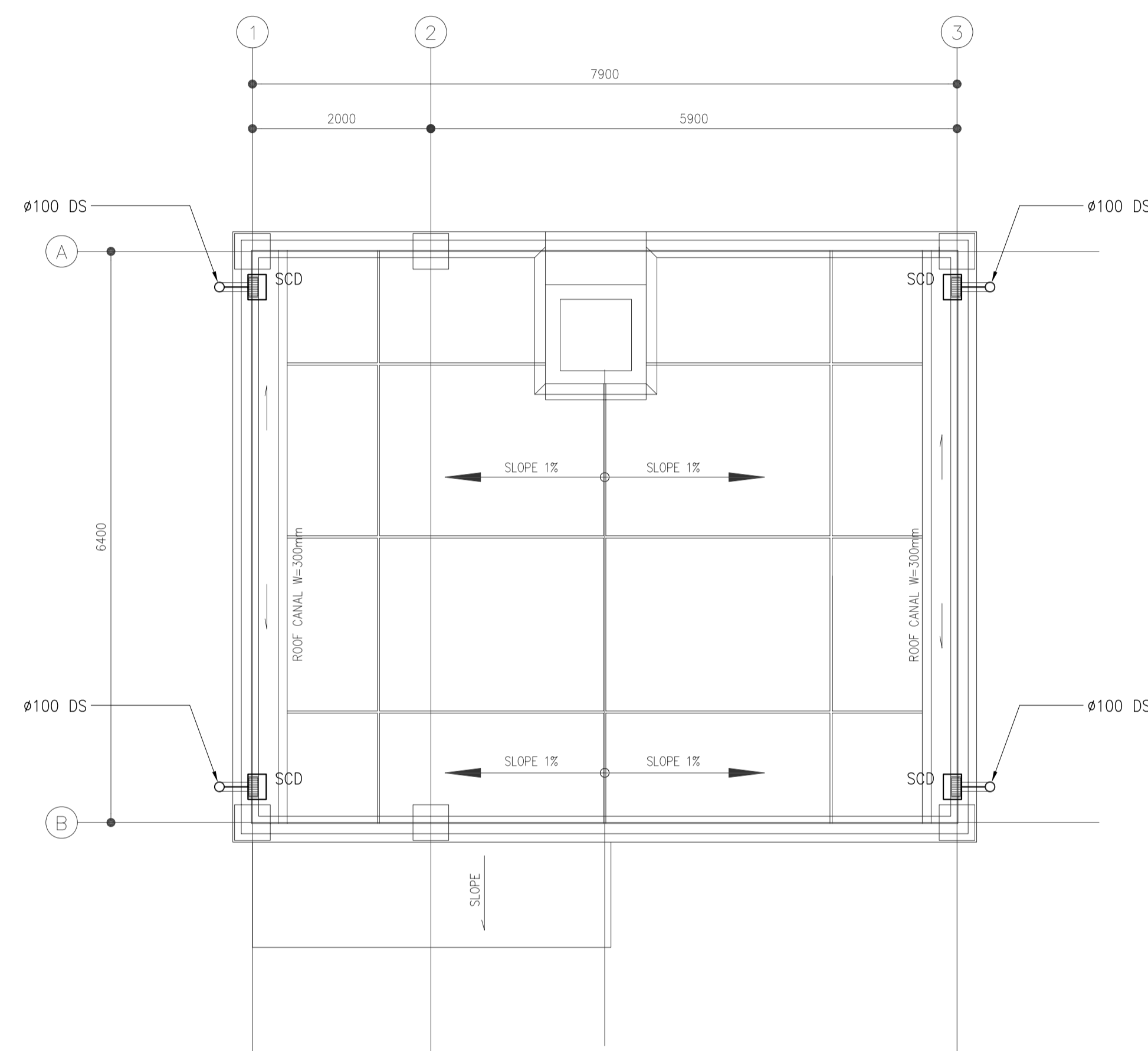
| | | | | | | |
|--|---|---|---|---|---|---|
| | PREPARED BY: EDGARDO C. CRUZ <small>PROF. CIVIL ENGINE PTR. 7589023B REG. NO.: 23983 DATE: JANUARY 03, 2013 TEAM: 601-157-021 PLACE: QUEZON CITY</small> | RECOMMENDING APPROVAL: ILDEFONSO T. PATDU, JR. <small>Assistant Secretary for Project Implementation, DOTC</small> | APPROVED: JULIANITO G. BUCAYAN, JR. <small>Undersecretary for Project Implementation, DOTC</small> | PROJECT TITLE: NEW BOHOL AIRPORT CONSTRUCTION AND SUSTAINABLE ENVIRONMENT PROTECTION PROJECT LOCATION: MUNICIPALITY OF PANGLAO, PROVINCE OF BOHOL, PHILIPPINES | SHEET CONTENTS: COMPONENT-4 : BUILDING WORKS (B) SUB-COMPONENT 4-7 : NAVAIDS BUILDINGS VOR (VOR BUILDING) STRUCTURAL FOUNDATION PLAN ROOF FRAMING PLAN DETAILS & SECTION | SHEET NO: B73-4200-01 DRAWING SCALE: AS SHOWN |
| | JICA DESIGN CONSULTANT JOINT VENTURE JAPAN AIRPORT CONSULTANTS, INC. NIPON KOEI CO., LTD. NIS CONSULTANTS CO., LTD. | JUNE 2013 DATE INDEX AMENDMENTS Prepared by: FRS Jr. WIM IIC Checked by: Validated by: | | | | |

CATCH BASIN SCHEDULE

| SYMBOL | PIT NAME | PIT DIM. | PIT DEPTH | MANHOLE SPECS. | REMARKS |
|--------|----------|----------|-----------|------------------------------|---------|
| □ | CB-1 | 500x500 | 825 (min) | R.C. Cover w/ Lifting Handle | |



1 GROUND FLOOR STORM DRAINAGE PLAN
B73-5100-01 SCALE 1:50M



2 ROOF DECK STORM DRAINAGE PLAN
B73-5100-01 SCALE 1:50M

| | | | | | | | | | | | | |
|---|--|---|--|---|---|--|------------------------|--------------|-------------------|---|---|---|
| <p>JICA DESIGN CONSULTANT JOINT VENTURE</p> | <p>REPUBLIC OF THE PHILIPPINES DEPARTMENT OF TRANSPORTATION AND COMMUNICATIONS</p> | <p>JAPAN INTERNATIONAL COOPERATION AGENCY</p> | <p>PREPARED BY: LEOVIMEL J. VINELES Filipino Registered Engineer PROF. SANITARY ENGINEER PIR. 2024236 REG. NO.: 0002435 DATE: 07-09-2013 TEL. 237-652-802-000 PLACE: MANILA</p> | <p>RECOMMENDING APPROVAL: ILDEFONSO T. PATDU, JR. Assistant Secretary for Project Implementation, DOTC</p> | <p>APPROVED: JULIANITO G. BUCAYAN, JR. Undersecretary for Project Implementation, DOTC</p> | <p>PROJECT TITLE: NEW BOHOL AIRPORT CONSTRUCTION AND SUSTAINABLE ENVIRONMENT PROTECTION PROJECT</p> | <p>DATE: JUNE 2013</p> | <p>INDEX</p> | <p>AMENDMENTS</p> | <p>Prepared by: WIM Checked by: HIC Validated by:</p> | <p>SHEET CONTENTS: COMPONENT-4: BUILDING WORKS (B) SUBCOMPONENT-4-7: NAVAIDS BUILDINGS (B73) VOR BUILDING MECHANICAL SANITARY AND PLUMBING GROUND FLOOR STORM DRAINAGE PLAN & ROOF DECK STORM DRAINAGE PLAN</p> | <p>SHEET NO: B73-5100-01</p> |
| | <p>LOCATION: MUNICIPALITY OF PANGLAO, PROVINCE OF BOHOL, PHILIPPINES</p> | <p>DRAWING SCALE: 1:50M</p> | | | | | | | | | | |

**VOR BUILDING
SPLIT TYPE AIR CONDITIONING UNIT:**

| UNIT DESIGNATIONS | | EQUIPMENT | AREA SERVED | EQUIPMENT LOCATION | QUANTITY | EQUIPMENT | | REFRIGERANT TYPE | ELECTRICAL CHARACTERISTICS | | | | TYPE | REMARKS |
|-------------------|--------------|---------------|----------------|--------------------|----------|-----------------------------|--------------------|------------------|----------------------------|-------|-------|-------|----------------------------|-----------------|
| INDOOR UNIT | OUTDOOR UNIT | | | | | TOTAL COOLING CAPACITY (KW) | AIR FLOWRATE (lps) | | POWER INPUT (W) | VOLTS | PHASE | HERTZ | | |
| FCU-1 GF | ACCU-1 GF | FAN COIL UNIT | EQUIPMENT ROOM | VOR | 1 | 7 | 332 | R410A | 2650 | 230 | 1 | 60 | WALL MOUNTED FAN COIL UNIT | DUTY & STAND-BY |
| FCU-2 GF | ACCU-2 GF | FAN COIL UNIT | EQUIPMENT ROOM | VOR | 1 | 7 | 332 | R410A | 2650 | 230 | 1 | 60 | WALL MOUNTED FAN COIL UNIT | |

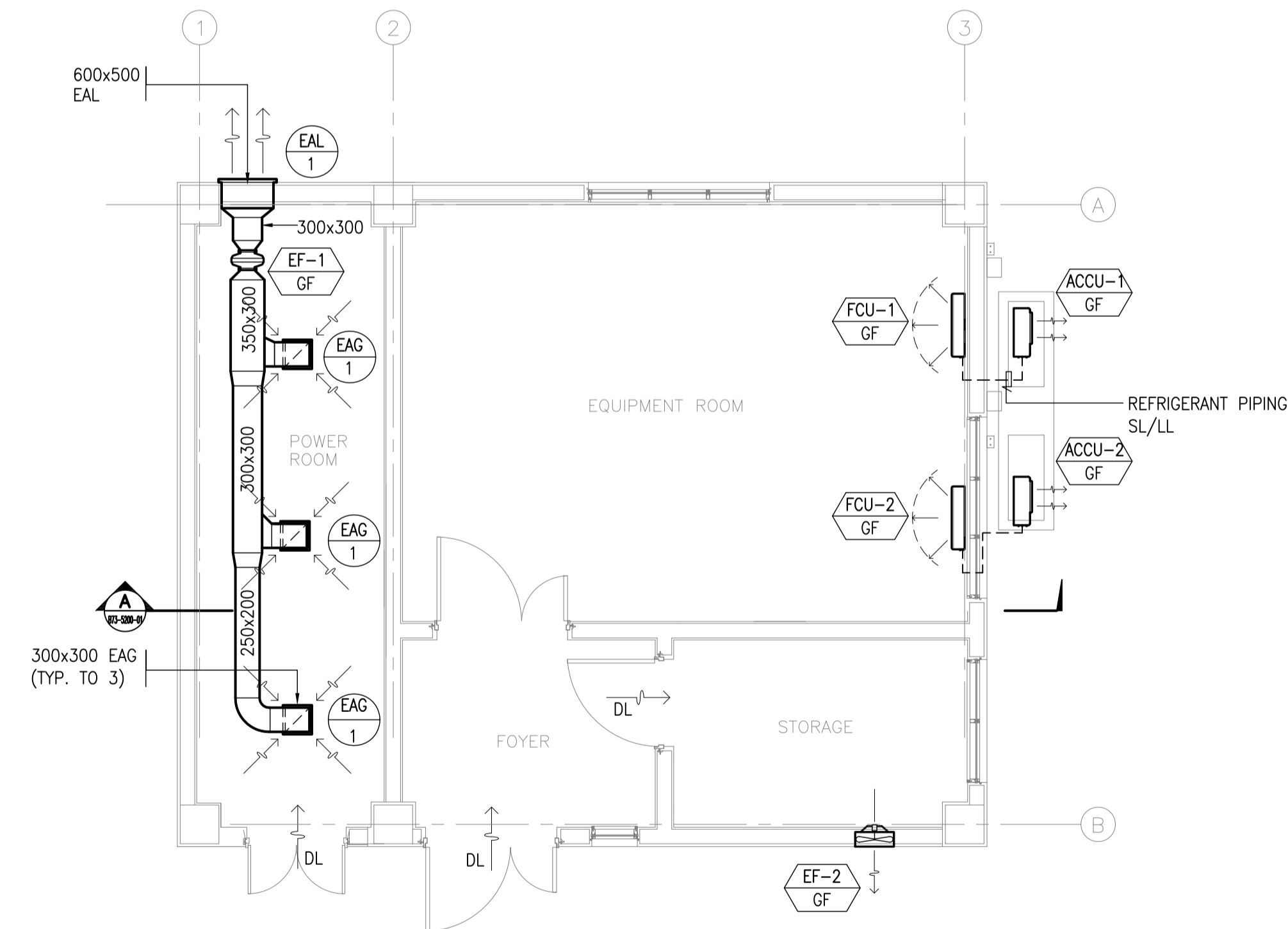
EXHAUST FAN:

| UNIT DESIGNATION | EQUIPMENT | AREA SERVED | QUANTITY | EQUIPMENT AIRFLOW (lps) | STATIC PRESSURE (Pa) | POWER INPUT (W) | ELECTRICAL CHARACTERISTIC | | | TYPE OF FAN |
|------------------|-------------|-------------|----------|-------------------------|----------------------|-----------------|---------------------------|-------|-------|----------------------------|
| | | | | | | | VOLTS | PHASE | HERTZ | |
| EF-1 GF | EXHAUST FAN | POWER ROOM | 1 | 377 | 35 | 212 | 230 | 1 | 60 | IN-LINE CENTRIFUGAL FAN |
| EF-2 GF | EXHAUST FAN | STORAGE | 1 | 356 | - | 47 | 230 | 1 | 60 | WALL MOUNTED PROPELLER FAN |

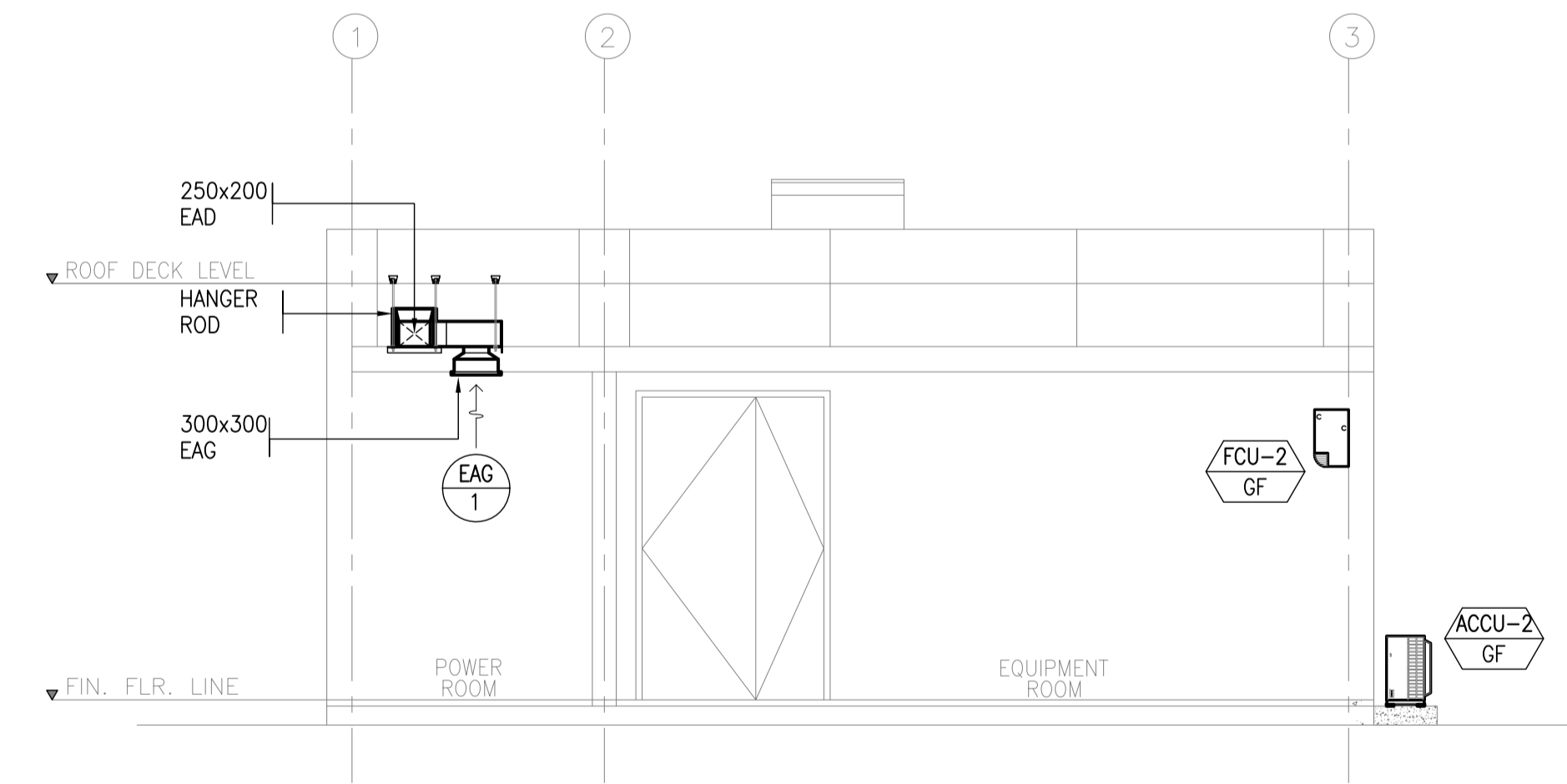
AIR TERMINAL DEVICE SCHEDULE:

| AIR TERMINAL DEVICE DESIGNATION | LOCATION | LEVEL | SERVICE | QUANTITY | TOTAL AIR FLOWRATE (lps) | TYPE | AIR FLOWRATE PER TERMINAL DEVICE (lps) | DIMENSION | | REMARKS |
|---------------------------------|---------------------------|--------------|-------------|----------|--------------------------|--------------------|--|-------------|------------|---|
| | | | | | | | | HEIGHT (mm) | WIDTH (mm) | |
| EAL 1 | POWER ROOM (VOR BUILDING) | GROUND FLOOR | EXHAUST AIR | 1 | 377 | EXHAUST AIR LOUVER | 377 | 600 | 500 | LOW NOISE, WEATHER PROOF |
| EAG 1 | POWER ROOM (VOR BUILDING) | GROUND FLOOR | EXHAUST AIR | 3 | 377 | EXHAUST AIR GRILLE | 126 | 300 | 300 | TWO-WAY OPPOSED BLADE W/ INTEGRAL VOLUME DAMPER |

| LEGENDS: | |
|----------|----------------------------|
| | IN-LINE CENTRIFUGAL FAN |
| | EXHAUST AIR LOUVER |
| | EXHAUST AIR GRILLE |
| | WALL MOUNTED FAN COIL UNIT |
| | AIR COOLED CONDENSING UNIT |
| | WALL MOUNTED PROPELLER FAN |

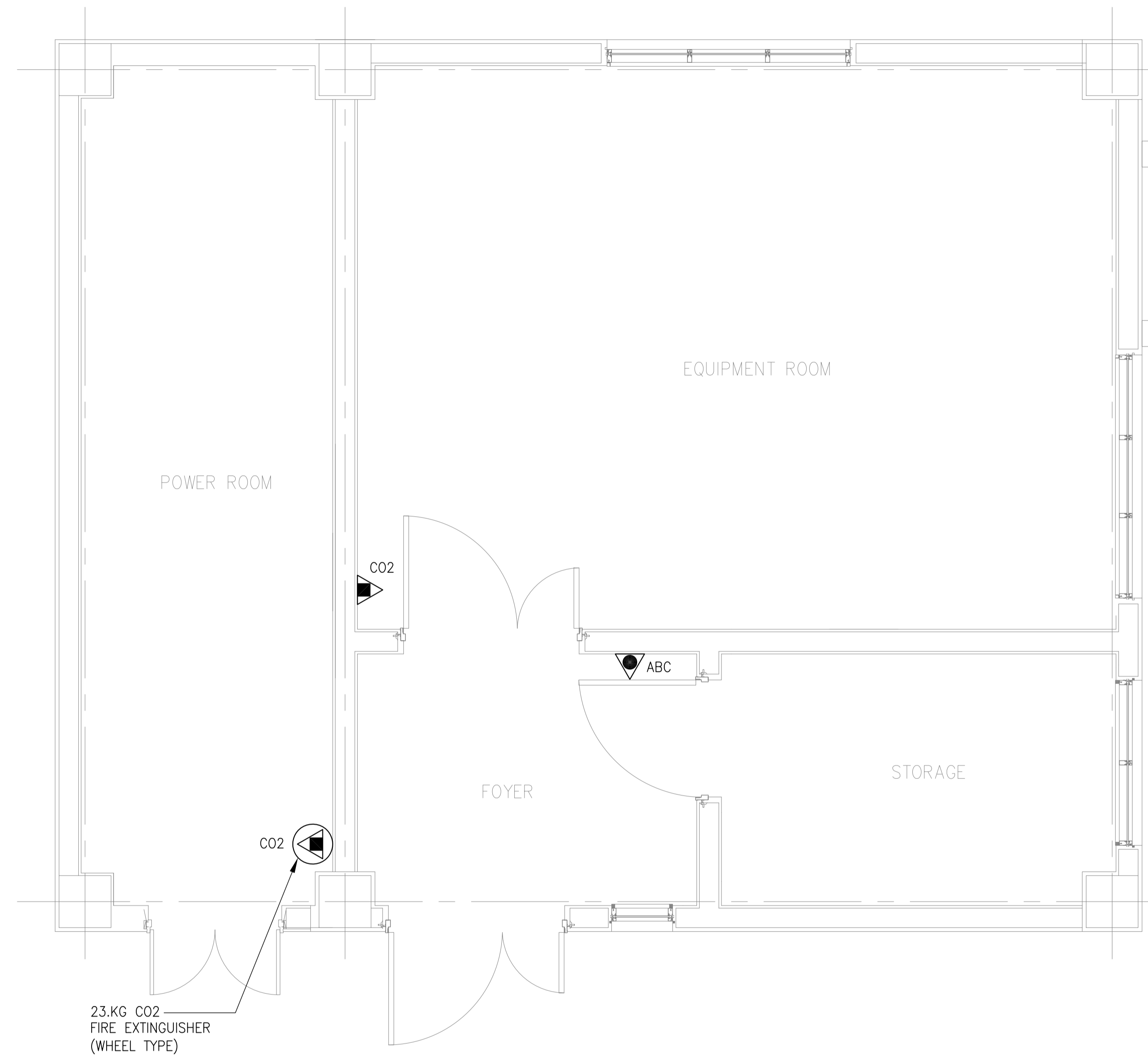


**VOR BUILDING
AIR-CONDITIONING AND VENTILATION LAYOUT**
SCALE 1:50M



**VOR BUILDING
SECTION "A"**
SCALE 1:50M

| | | | | | | |
|--|---|---|---|---|--|--|
| | PREPARED BY: RENATO A. ARRIOLA Filipino Registered Engineer PROF. MECHANICAL ENGINEER PIR. 1725187 REG. NO. 2379 DATE: JANUARY 01, 2013 T.I.N. 150-563-379 PLACE: TAGBILAR CITY | RECOMMENDING APPROVAL: ILDEFONSO T. PATDU, JR. Assistant Secretary for Project Implementation, DOTC | APPROVED: JULIANITO G. BUCAYAN, JR. Undersecretary for Project Implementation, DOTC | PROJECT TITLE: NEW BOHOL AIRPORT CONSTRUCTION AND SUSTAINABLE ENVIRONMENT PROTECTION PROJECT LOCATION: MUNICIPALITY OF PANGLAO, PROVINCE OF BOHOL, PHILIPPINES | SHEET CONTENTS: COMPONENT-4: BUILDING WORKS (B) SUBCOMPONENT-4-7: NAVAFS BUILDINGS (B73) VOR BUILDING MECHANICAL VENTILATION AND AIR-CONDITIONING AND VENTILATION LAYOUT AND EQUIPMENT SCHEDULE | SHEET NO: B73-5200-01 DRAWING SCALE: AS SHOWN |
| | JICA DESIGN CONSULTANT JOINT VENTURE JAPAN AIRPORT CONSULTANTS, INC. NIPPON KOEI CO., LTD. NJS CONSULTANTS CO., LTD. | DATE: JUNE 2013 INDEX: AMENDMENTS Prepared by: WIM Checked by: HIC Validated by: | | | | |



1
**VOR BUILDING
GROUND FLOOR FIRE PROTECTION LAYOUT**
873-5300-01 SCALE 1:25M

| LEGEND: | |
|---------|---|
| | 4.5 KG. FIRE EXTINGUISHER DRY CHEMICAL |
| | 9.0 KG. FIRE EXTINGUISHER CARBON DIOXIDE |
| | 23.0 KG. FIRE EXTINGUISHER CARBON DIOXIDE (WHEEL TYPE) |

| | | | | | | | |
|---|---|---|--|--|---|--|---|
| Republic of the Philippines DEPARTMENT OF TRANSPORTATION AND COMMUNICATIONS | JAPAN INTERNATIONAL COOPERATION AGENCY | PREPARED BY: RENATO A. ARRIOLA <small>Filipino Registered Engineer</small> PROF: MECHANICAL ENGINEER PIR: 1725187 REG. NO: 2379 DATE: JANUARY 07, 2013 T.I.N: 150-563-379 PLACE: TAGBILAR CITY | RECOMMENDING APPROVAL: ILDEFONSO T. PATDU, JR. <small>Assistant Secretary</small> for Project Implementation, DOTC | APPROVED: JULIANITO G. BUCAYAN, JR. <small>Undersecretary</small> for Project Implementation, DOTC | PROJECT TITLE: NEW BOHOL AIRPORT CONSTRUCTION AND SUSTAINABLE ENVIRONMENT PROTECTION PROJECT LOCATION: MUNICIPALITY OF PANGLAO, PROVINCE OF BOHOL, PHILIPPINES | SHEET CONTENTS: COMPONENT-4: BUILDING WORKS (B) SUBCOMPONENT-4-7: NAVAFS BUILDINGS (B73) VOR BUILDING MECHANICAL FIRE PROTECTION FIRE PROTECTION LAYOUT | SHEET NO: B73-5300-01 DRAWING SCALE: 1:25M |
| JICA DESIGN CONSULTANT JOINT VENTURE JAPAN AIRPORT CONSULTANTS, INC. NIPPON KOEI CO., LTD. NJS CONSULTANTS CO., LTD. | | TADASHI AOI <small>Team Leader</small> | | | DATE: JUNE 2013 INDEX: AMENDMENTS: Prepared by: Checked by: Validated by: | | |

Tabulation of providing equipment

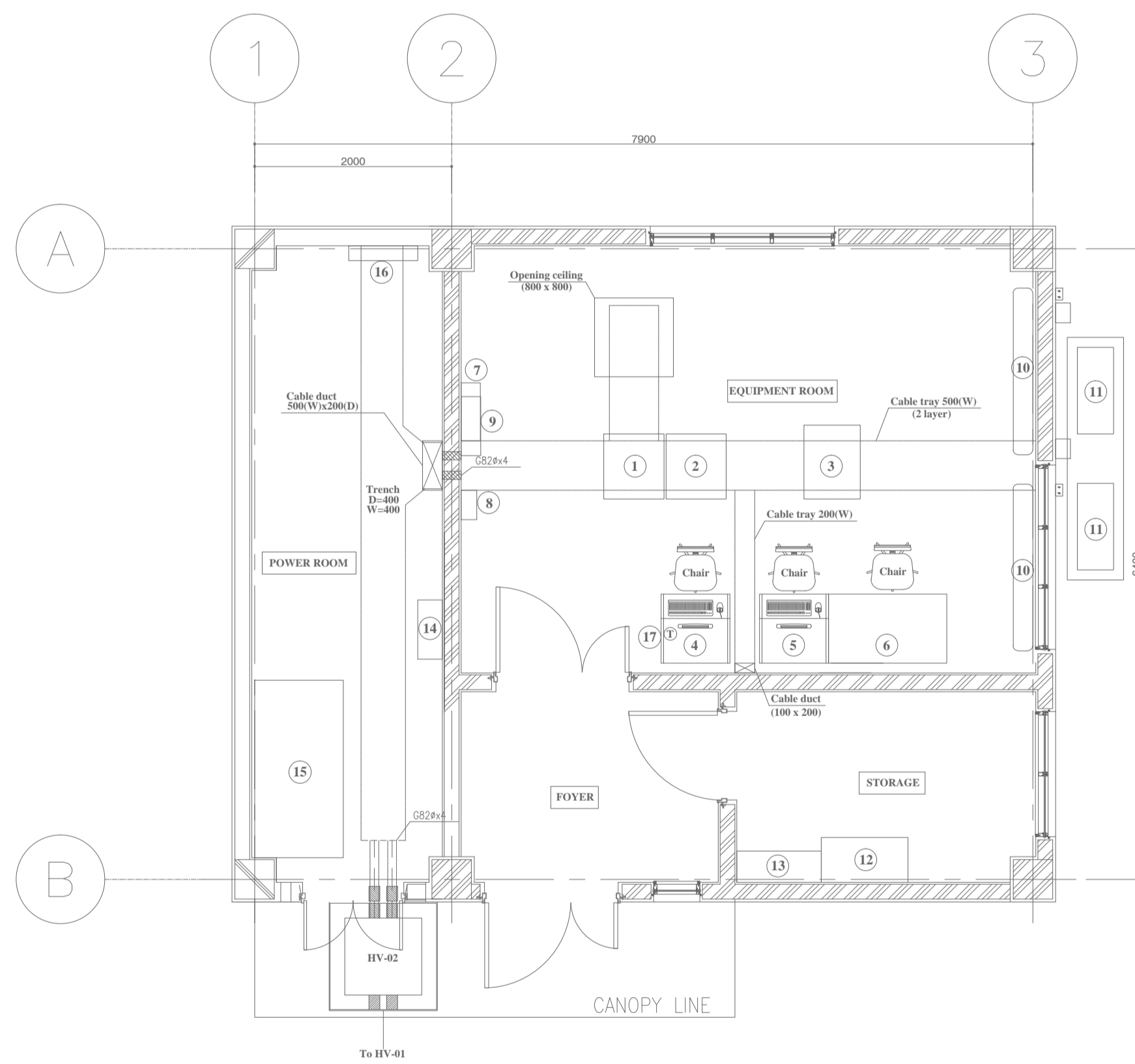
| No. | Name of equipment | Remarks |
|-----|---------------------------------------|------------|
| ① | VOR Distributor | See Note 1 |
| ② | VOR Transmitter | -ditto- |
| ③ | DME Transmitter | -ditto- |
| ④ | PC Type BITE for VOR | -ditto- |
| ⑤ | PC Type BITE for DME | -ditto- |
| ⑥ | Working bench | -ditto- |
| ⑦ | DC battery | -ditto- |
| ⑧ | Terminal board | See Note 2 |
| ⑨ | Power distribution board for ANS | -ditto- |
| ⑩ | Air-condition | See Note 3 |
| ⑪ | Outdoor unit for AIR-CON | -ditto- |
| ⑫ | Cabinet for document | See Note 1 |
| ⑬ | Cabinet for tool and spare parts | -ditto- |
| ⑭ | Power distribution board for lighting | See Note 2 |
| ⑮ | Switch gear panel with transformer | -ditto- |
| ⑯ | Grounding test box | -ditto- |
| ⑰ | Maintenance intercom | See Note 4 |

Note

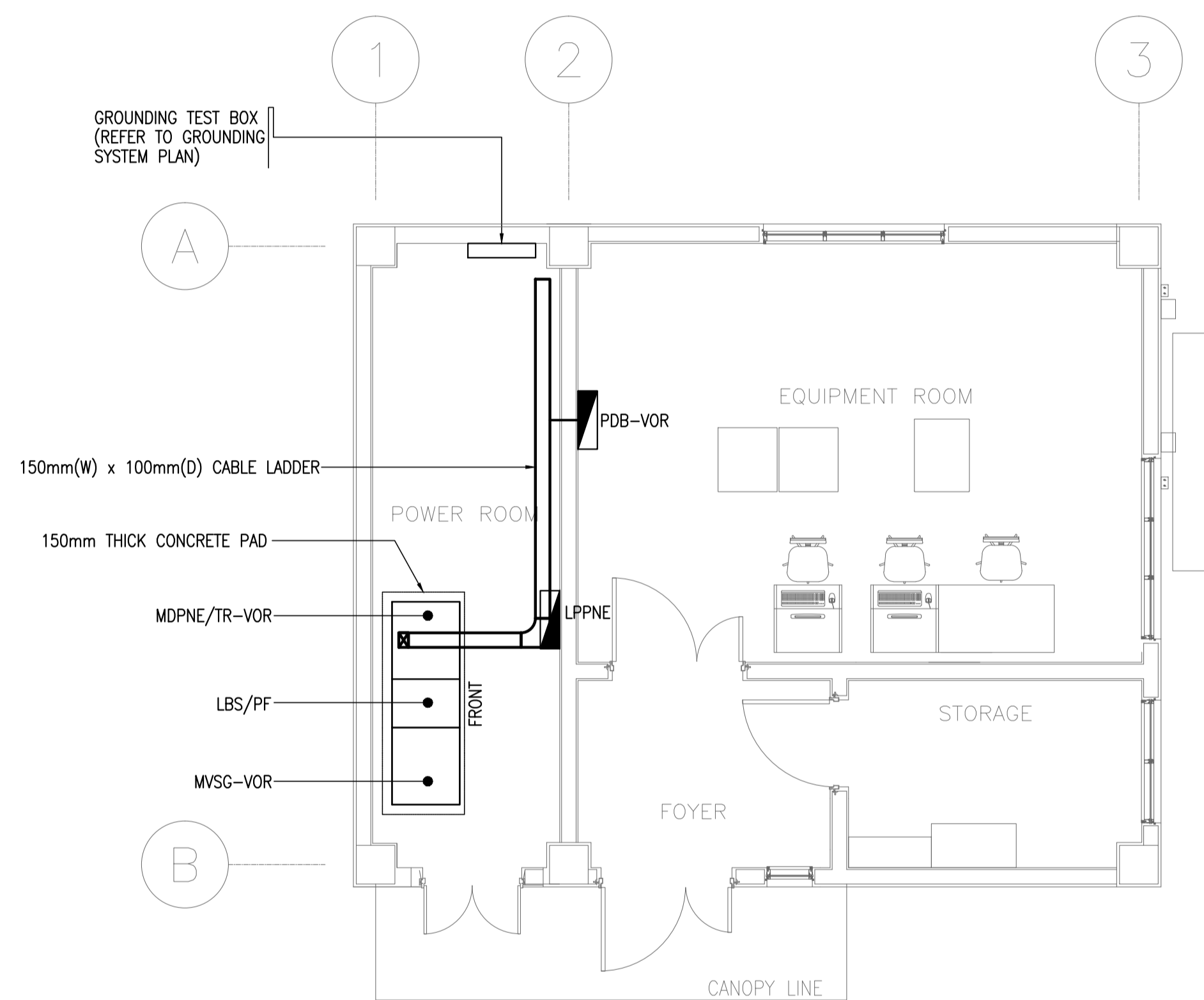
1. The equipment shall be provided by ANS work.
2. The equipment shall be provided by Electrical work.
3. The equipment shall be provided by Mechanical work.
4. The equipment shall be provided by ATS work.

EQUIPMENT/ACCESSORIES SCHEDULE:

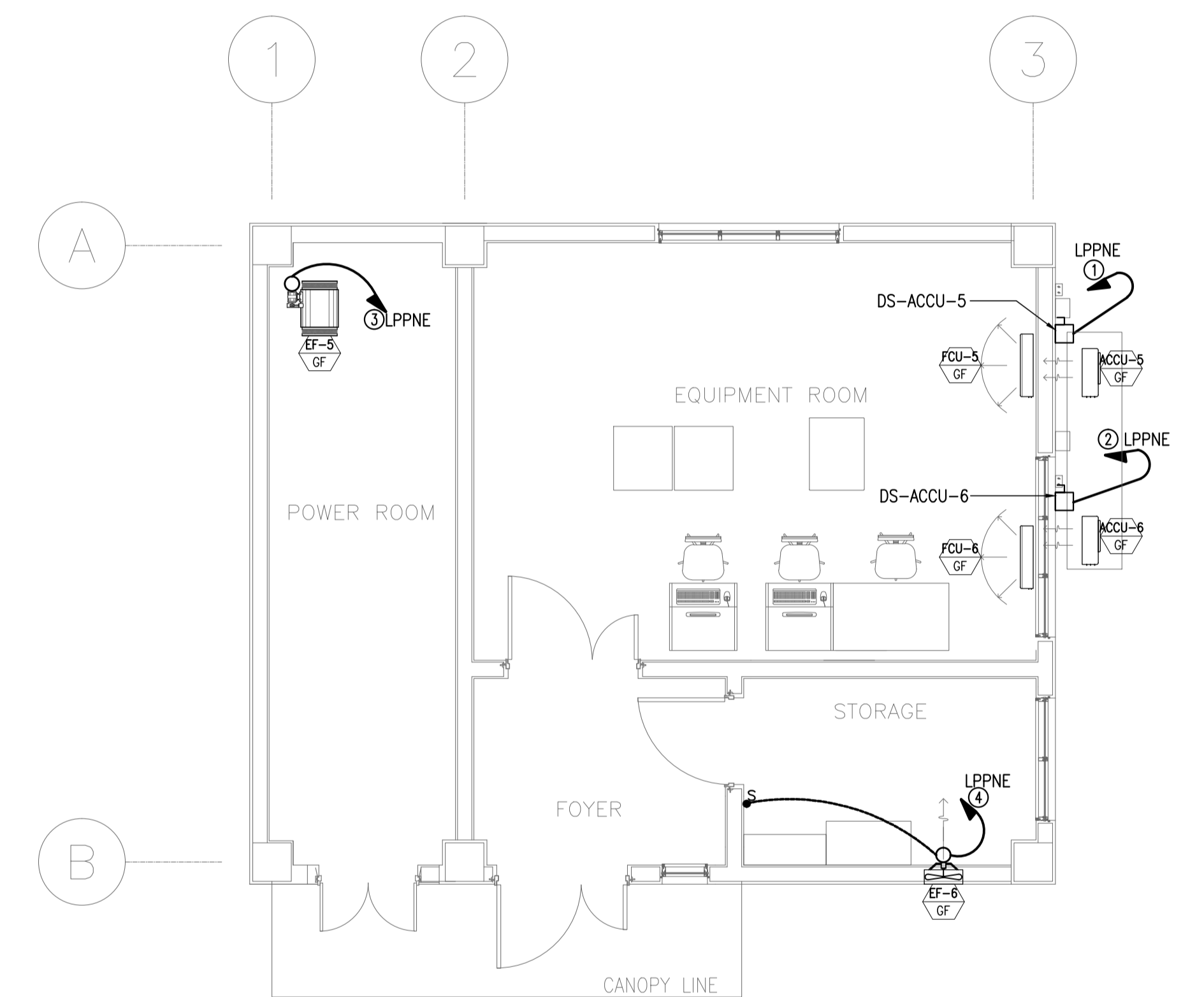
| | |
|-------------|--|
| □ DS-ACCU-5 | MANUAL DISCONNECT SWITCH 30A 2PST 250V QUICK-MAKE, QUICK-BREAK HEAVY DUTY NON-FUSIBLE NEMA-4 (RAINTIGHT) STAINLESS STEEL ENCL. |
| □ DS-ACCU-6 | - ditto - |



1 VOR LAYOUT PLAN
B73-6100-01 GRAPHIC SCALE 0 1 2 5m



2 VOR BUILDING (VOR) CABLE TRAY LAYOUT PLAN
B73-6100-01 GRAPHIC SCALE 0 1 2 5m



3 VOR BUILDING (VOR) VAC FEEDER LAYOUT PLAN
B73-6100-01 GRAPHIC SCALE 0 1 2 5m

NOTE: REFER TO SHEET NO. B73-6200-01 FOR PANEL SCHEDULE.

| | | | | | | |
|--|---|---|---|--|---|---------------------------------|
| | PREPARED BY: TEODORO N. PAMATMAT <small>PROF. ELECTRICAL ENGINEER PIR. 1403773</small> <small>REG. NO.: 1927 DATE: 1-04-13</small> <small>T.N. 119-747-900 PLACE: MANILA</small> | RECOMMENDING APPROVAL: ILDEFONSO T. PATDU, JR. <small>Assistant Secretary for Project Implementation, DOTC</small> | APPROVED: JULIANITO G. BUCAYAN, JR. <small>Undersecretary for Project Implementation, DOTC</small> | PROJECT TITLE: NEW BOHOL AIRPORT CONSTRUCTION AND SUSTAINABLE ENVIRONMENT PROTECTION PROJECT | SHEET CONTENTS: COMPONENT-4 BUILDING WORKS (B) SUBCOMPONENT-4-7 (B73) VOR Building ELECTRICAL EQUIP., FEEDER & CABLE TRAY LAYOUT | SHEET NO: B73-6100-01 |
| | JICA DESIGN CONSULTANT JOINT VENTURE JAPAN AIRPORT CONSULTANTS, INC. | TADASHI AOI Team Leader | ILDEFONSO T. PATDU, JR. Assistant Secretary for Project Implementation, DOTC | JULIANITO G. BUCAYAN, JR. Undersecretary for Project Implementation, DOTC | LOCATION: MUNICIPALITY OF PANGLAO, PROVINCE OF BOHOL, PHILIPPINES | DRAWING SCALE: 1:50 m |

| MDP: PDB-VOR | | VOLTAGE: 230V 1Ø 2W | | SUPPLY: NORMAL/EMERGENCY | | | | |
|---------------------|-----------------------|---------------------|-------------|--------------------------|-------------|---------------------------|---------|-------------------|
| TO: LVSGNE-VOR | | | | | | | | |
| CKT NO. | LOAD DESCRIPTION | VA | AMPERE LOAD | | | WIRE | CONDUIT | PROTECTION |
| | | | ØAB | ØBC | ØCA 3Ø LOAD | | | |
| 1 | VOR TRANSMITTER | 3800 | | 16.52 | | 3-3.5mm ² THHN | 15mmØ | 20AT, 100AF 2P CB |
| 2 | BITE FOR VOR | 300 | | 1.30 | | 3-3.5mm ² THHN | 15mmØ | 20AT, 100AF 2P CB |
| 3 | 4 - MODEM FOR BITE | 400 | | 1.74 | | 3-3.5mm ² THHN | 15mmØ | 20AT, 100AF 2P CB |
| 4 | OB LIGHT | 200 | | 0.87 | | 3-3.5mm ² THHN | 15mmØ | 20AT, 100AF 2P CB |
| 5 | THEODOLITE PAD OUTLET | 500 | | 2.17 | | 3-3.5mm ² THHN | 15mmØ | 20AT, 100AF 2P CB |
| 6 | DME TRANSMITTER | 500 | | 2.17 | | 3-3.5mm ² THHN | 15mmØ | 20AT, 100AF 2P CB |
| 7 | BITE FOR DME | 300 | | 1.30 | | 3-3.5mm ² THHN | 15mmØ | 20AT, 100AF 2P CB |
| 8 | SPARE | | | | | | | 20AT, 100AF 2P CB |
| 9 | SPARE | | | | | | | 20AT, 100AF 2P CB |
| 10 | SPARE | | | | | | | 20AT, 100AF 2P CB |
| | | 6000 | | 26.09 | | | | |

It = 26 A

FEEDER SIZE: 2-4mm² XLPE + 1-5.5mm² TW

MAIN PROTECTION: 50AT, 50AF 2P MCCB, 10kAIC

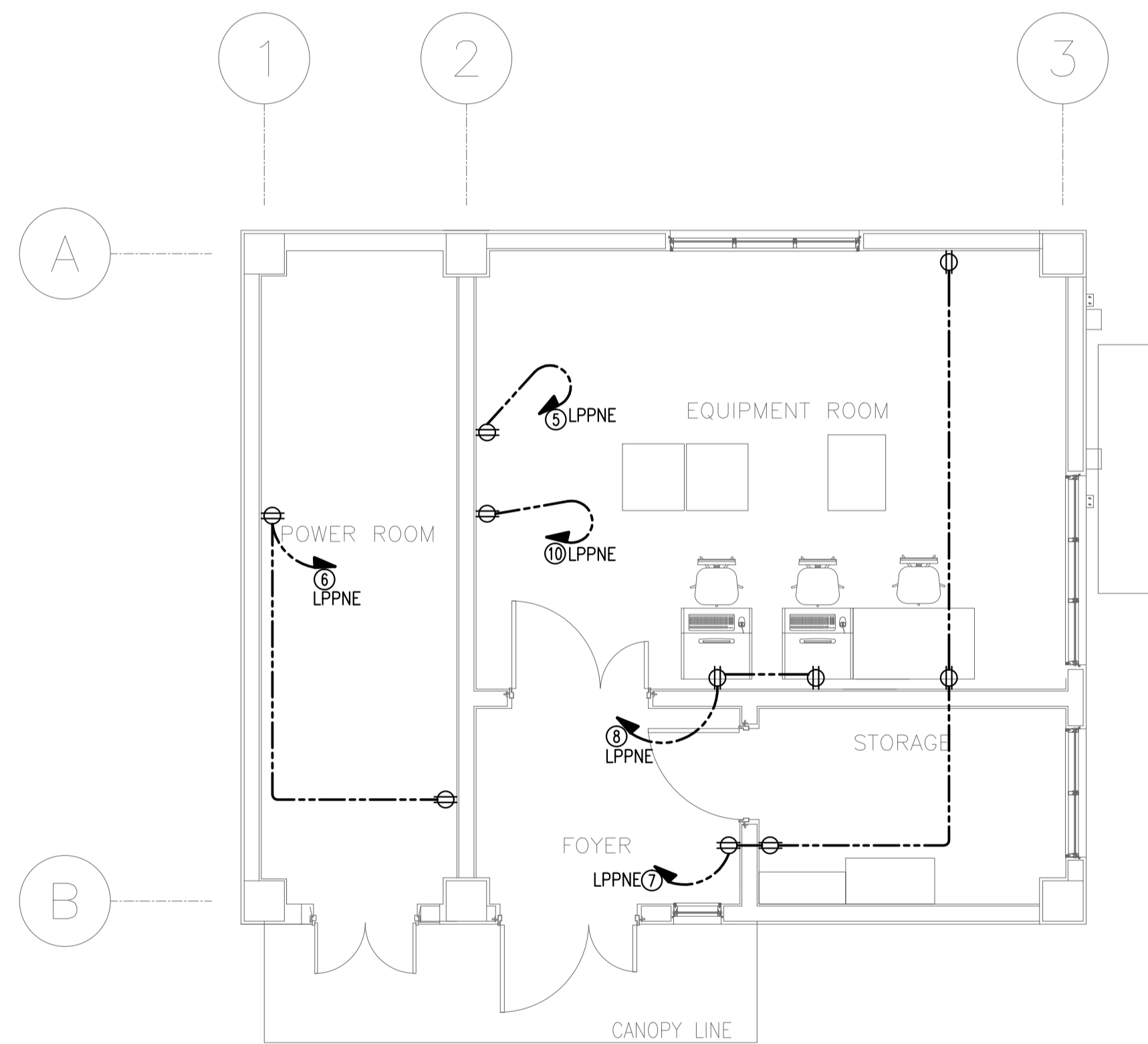
| MDP: LPPNE-VOR | | VOLTAGE: 230V 1Ø 2W | | SUPPLY: NORMAL/EMERGENCY | | | | |
|-----------------------|--|---------------------|-------------|--------------------------|-------------|---------------------------|---------|-------------------|
| TO: LVSGNE-VOR | | | | | | | | |
| CKT NO. | LOAD DESCRIPTION | VA | AMPERE LOAD | | | WIRE | CONDUIT | PROTECTION |
| | | | ØAB | ØBC | ØCA 3Ø LOAD | | | |
| 1 | 2.65kW ACCU + FCU @ EQUIPMENT RM | 3310 | | 14.40 | | 3-3.5mm ² THHN | 15mmØ | 20AT, 100AF 2P CB |
| 2 | 2.65kW ACCU + FCU @ EQUIPMENT RM (STANDBY) | - | | - | | 3-3.5mm ² THHN | 15mmØ | 20AT, 100AF 2P CB |
| 3 | 212W EF @ POWER RM | 265 | | 1.15 | | 3-3.5mm ² THHN | 15mmØ | 20AT, 100AF 2P CB |
| 4 | 47W EF @ STORAGE | 59 | | 0.26 | | 3-3.5mm ² THHN | 15mmØ | 20AT, 100AF 2P CB |
| 5 | SUPPLY FOR BATTERY CHARGER @ EQUIPMENT RM | 500 | | 2.17 | | 3-3.5mm ² THHN | 15mmØ | 20AT, 100AF 2P CB |
| 6 | 2 - CONV. RECEP. @ POWER RM | 720 | | 3.13 | | 3-3.5mm ² THHN | 15mmØ | 20AT, 100AF 2P CB |
| 7 | 4 - CONV. RECEP. @ EQUIPMENT RM, FOYER & STORAGE | 1440 | | 6.26 | | 3-3.5mm ² THHN | 15mmØ | 20AT, 100AF 2P CB |
| 8 | 2 - COMPUTER OUTLET @ EQUIPMENT RM | 600 | | 2.61 | | 3-3.5mm ² THHN | 15mmØ | 20AT, 100AF 2P CB |
| 9 | 3 - 40W FLUO. + 6 - 4x20W FLUO. + 2 - 18W PLC | 795 | | 3.45 | | 3-3.5mm ² THHN | 15mmØ | 20AT, 100AF 2P CB |
| 10 | SUPPLY FOR FACP-3 | 300 | | 1.30 | | 3-3.5mm ² THHN | 15mmØ | 20AT, 100AF 2P CB |
| 11 | SPARE | | | | | | | 20AT, 100AF 2P CB |
| 12 | SPARE | | | | | | | 20AT, 100AF 2P CB |
| | | 7989 | | 34.73 | | | | |

It = 34.73 A

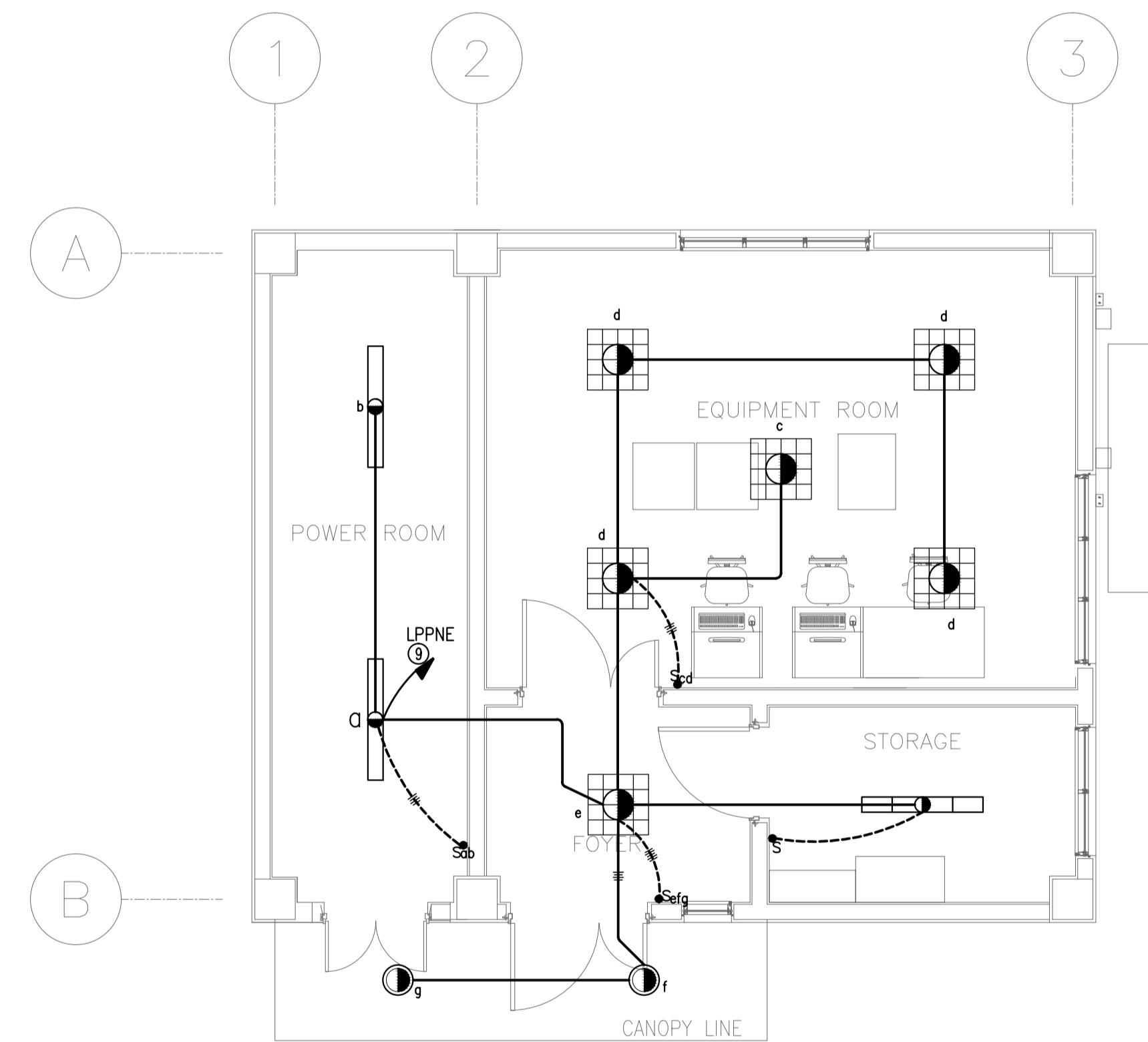
FEEDER SIZE: 2-4mm² XLPE + 1-5.5mm² TW

MAIN PROTECTION: 50AT, 50AF 2P MCCB, 10kAIC

3 VOR BUILDING (VOR)
PANEL SCHEDULE
B73-6200-01 NOT TO SCALE



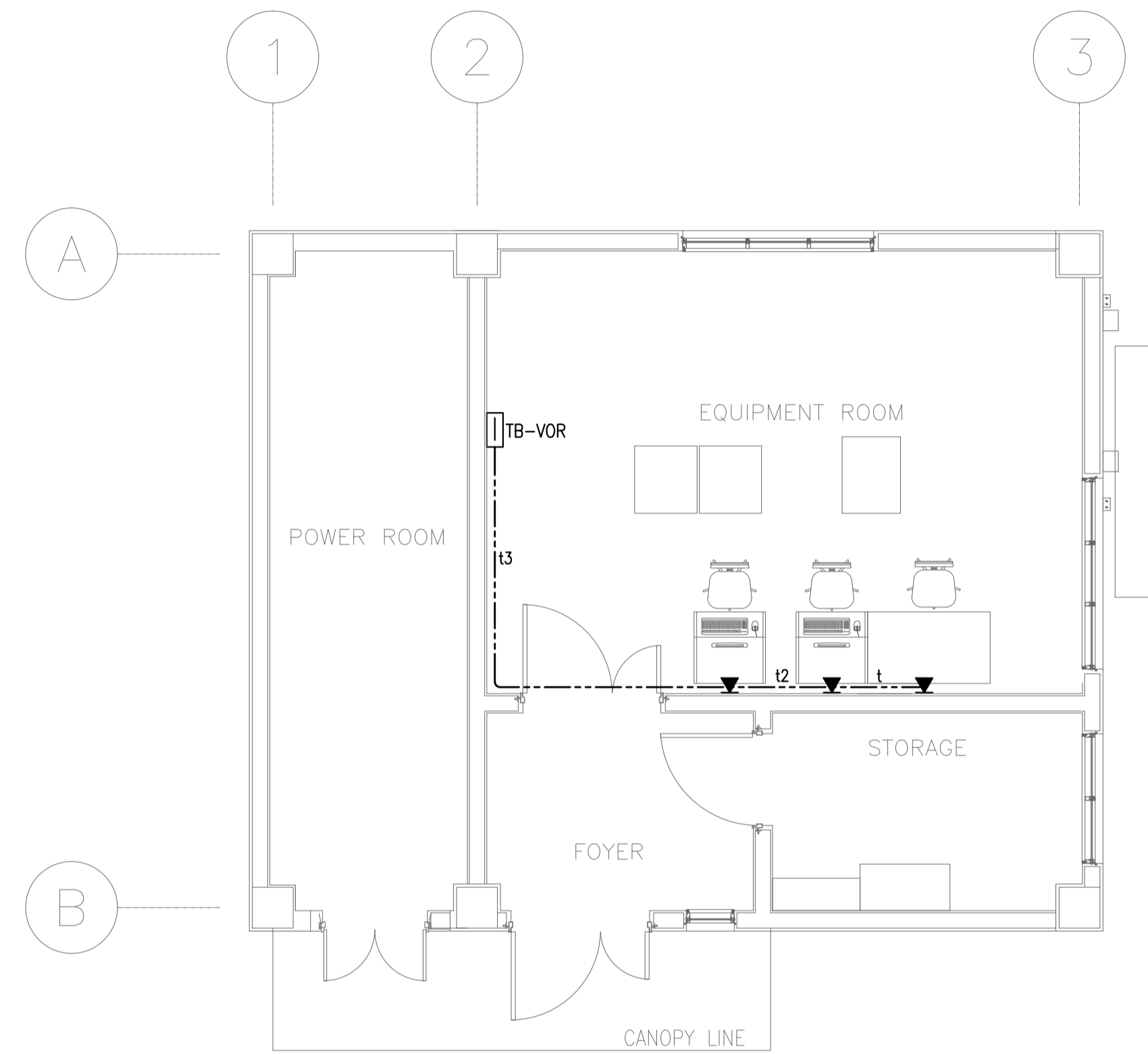
1 VOR BUILDING (VOR)
RECEPTACLE LAYOUT PLAN
B73-6200-01 GRAPHIC SCALE



2 VOR BUILDING (VOR)
LIGHTING LAYOUT PLAN
B73-6200-01 GRAPHIC SCALE

NOTE: REFER TO CABLE TRAY LAYOUT PLAN THE LOCATION OF PANELS.

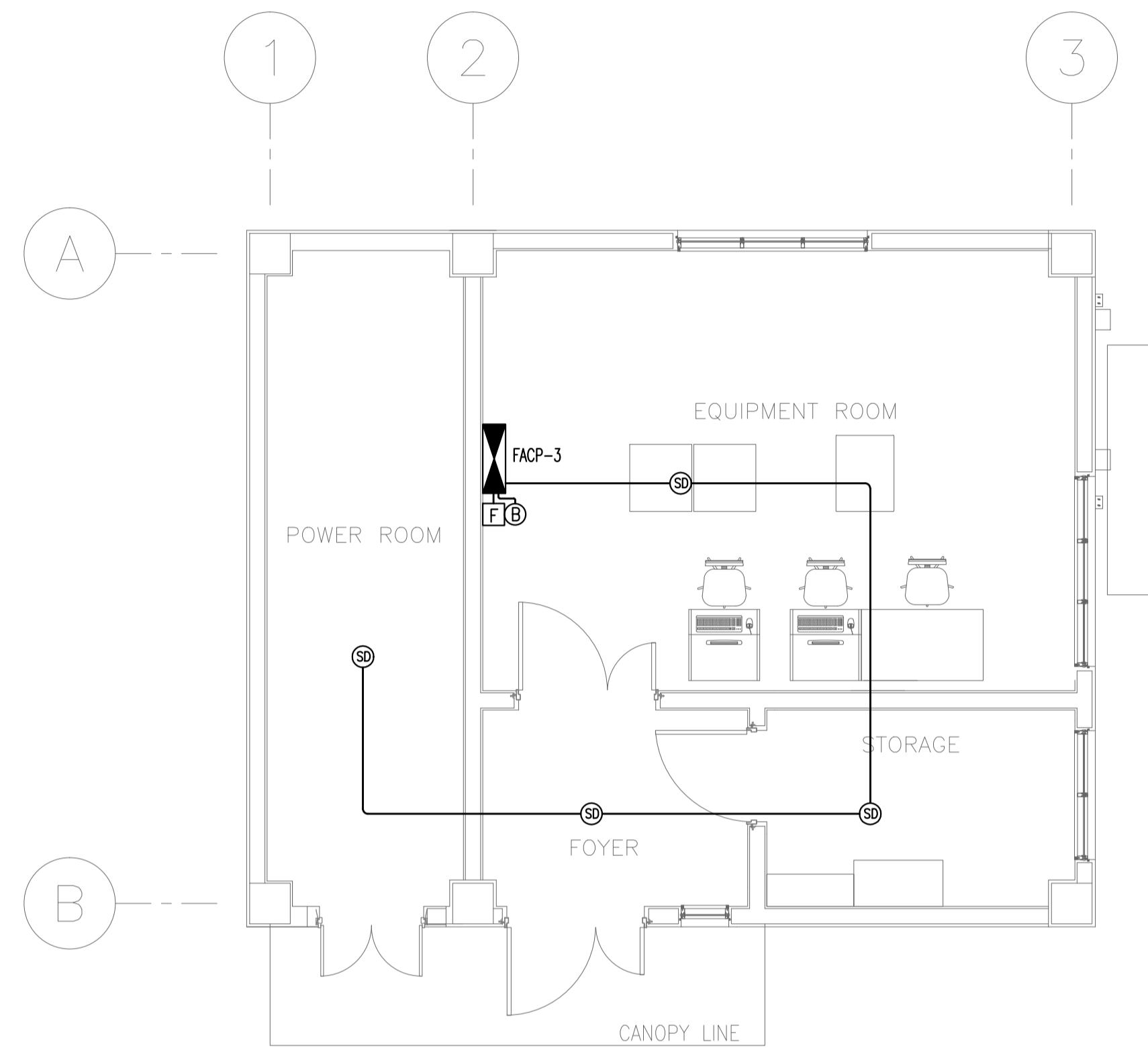
| | | | | | | | |
|--|---|---|---|---|---|---|---|
| | JICA DESIGN CONSULTANT JOINT VENTURE JAPAN AIRPORT CONSULTANTS, INC. NIPPON KOEI CO., LTD. NIS CONSULTANTS CO., LTD. | PREPARED BY: TEODORO N. PAMATMAT <small>PROF. ELECTRICAL ENGINEER PIR. 1403773</small> <small>REG. NO.: 1927 DATE: 1-04-13</small> <small>TIN. 119-747-900 PLACE: MANILA</small> | RECOMMENDING APPROVAL: ILDEFONSO T. PATDU, JR. <small>Assistant Secretary for Project Implementation, DOTC</small> | APPROVED: JULIANITO G. BUCAYAN, JR. <small>Undersecretary for Project Implementation, DOTC</small> | PROJECT TITLE: NEW BOHOL AIRPORT CONSTRUCTION AND SUSTAINABLE ENVIRONMENT PROTECTION PROJECT LOCATION: MUNICIPALITY OF PANGLAO, PROVINCE OF BOHOL, PHILIPPINES | SHEET CONTENTS: COMPONENT-4 BUILDING WORKS (B) SUBCOMPONENT-4-7 (B73) VOR Building ELECTRICAL RECEPTACLE, LIGHTING & PANEL SCHEDULE | SHEET NO: B73-6200-01 DRAWING SCALE: 1:50 m |
| JUNE 2013 DATE INDEX AMENDMENTS Prepared by Checked by Validated by WIM HC | | | | | | | |



NOTE: REFER TO TELEPHONE SYSTEM SCHEMATIC DIAGRAM FOR WIRING SCHEDULE.

1 VOR BUILDING (VOR)
TELEPHONE SYSTEM PLAN
 873-6300-01 GRAPHIC SCALE 0 1 2 5m

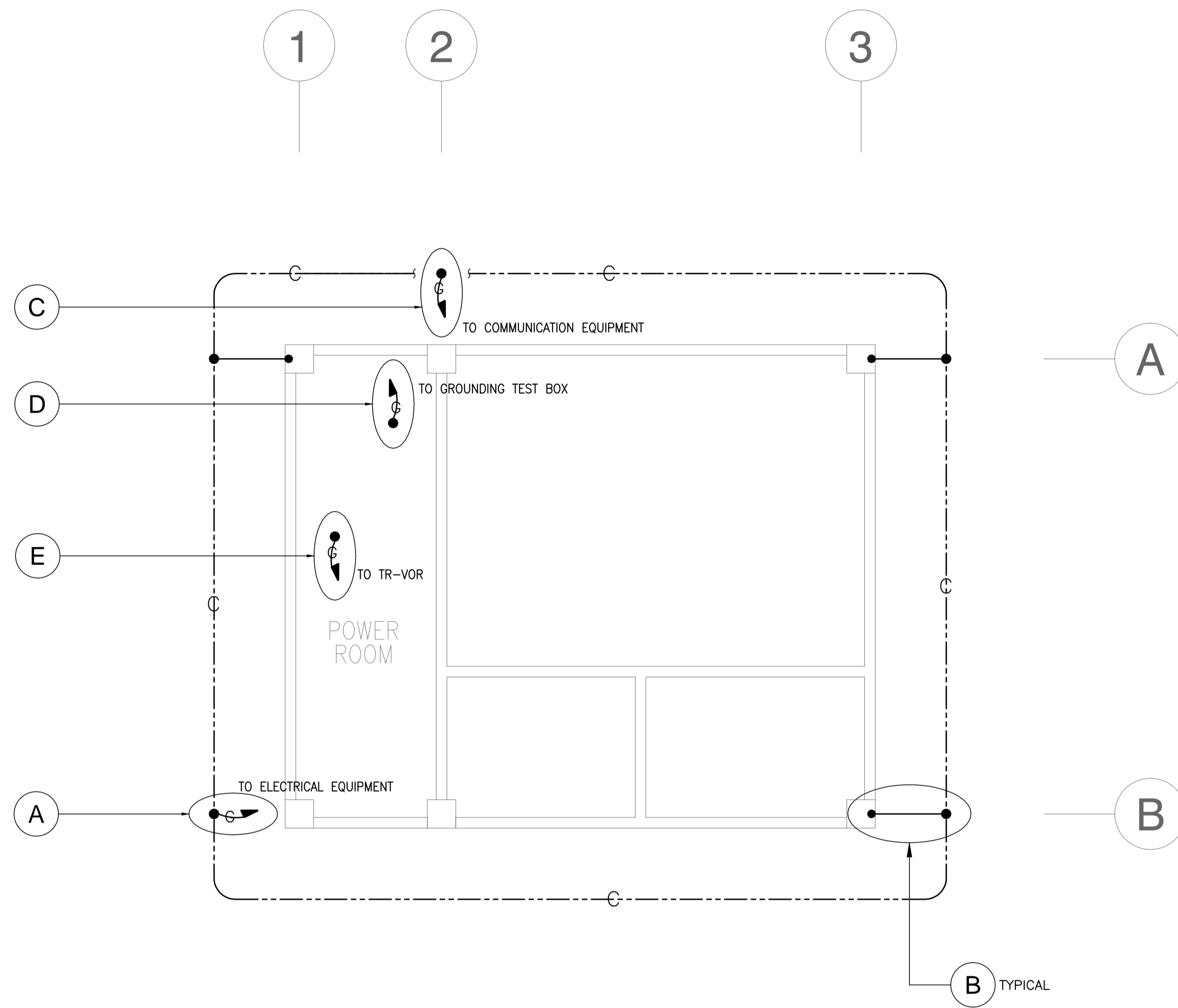
| | | | | | | |
|--|---|--|--|---|--|---|
| | PREPARED BY: TEODORO N. PAMATMAT <small>PROF. ELECTRICAL ENGINEER PTR. 1403773</small> <small>REG. NO.: 1927 DATE: 1-04-13</small> <small>T.N. 119-747-900 PLACE: MANILA</small> | RECOMMENDING APPROVAL: | APPROVED: | PROJECT TITLE: | SHEET CONTENTS: COMPONENT-4 BUILDING WORKS (B) SUBCOMPONENT-4-7 (B73) VOR Building ELECTRICAL TELEPHONE LAYOUT | SHEET NO: B73-6300-01 |
| | JICA DESIGN CONSULTANT JOINT VENTURE | TADASHI AOI Team Leader | ILDEFONSO T. PATDU, JR. Assistant Secretary for Project Implementation, DOTC | JULIANITO G. BUCAYAN, JR. Undersecretary for Project Implementation, DOTC | LOCATION: MUNICIPALITY OF PANGLAO, PROVINCE OF BOHOL, PHILIPPINES | DATE INDEX AMENDMENTS Prepared by Checked by Validated by |



NOTE: REFER TO FIRE DETECTION AND ALARM SYSTEM SCHEMATIC DIAGRAM FOR WIRING SCHEDULE.

VOR BUILDING (VOR)
1 FIRE DETECTION AND ALARM SYSTEM PLAN
 873-6800-01 GRAPHIC SCALE 0 1 2 5m

| | | | | | | |
|--|---|---|--|---|---|---------------------------------|
| | PREPARED BY: TEODORO N. PAMATMAT <small>PROF. ELECTRICAL ENGINEER PIR. 1403773</small> <small>REG. NO.: 1927 DATE: 1-04-13</small> <small>T.N. 119-747-900 PLACE: MANILA</small> | RECOMMENDING APPROVAL: | APPROVED: | PROJECT TITLE: | SHEET CONTENTS: COMPONENT-4 BUILDING WORKS (B) SUBCOMPONENT-4-7 (B73) VOR Building ELECTRICAL FDAS LAYOUT | SHEET NO: B73-6800-01 |
| | JICA DESIGN CONSULTANT JOINT VENTURE TADASHI AOI Team Leader | ILDEFONSO T. PATDU, JR. Assistant Secretary for Project Implementation, DOTC | JULJANITO G. BUCAYAN, JR. Undersecretary for Project Implementation, DOTC | LOCATION: MUNICIPALITY OF PANGLAO, PROVINCE OF BOHOL, PHILIPPINES | DATE: JUNE 2013 INDEX: AMENDMENTS: Prepared by: WIM Checked by: HC Validated by: | DRAWING SCALE: 1:50 m |



NOTE: REFER TO SHEET NO. B0-6900-04 & B0-6900-05 FOR DETAILS.

1 VOR BUILDING (VOR)
GROUNDING SYSTEM PLAN
 873-6900-01 GRAPHIC SCALE 0 1 2 5m

| | | | | | | | |
|--|---|---|--|--|---|---|---------------------------------|
| | PREPARED BY: TEODORO N. PAMATMAT <small>PROF. ELECTRICAL ENGINEER PTR. 1403773</small> <small>REG. NO.: 1927 DATE: 1-04-13</small> <small>T.N. 119-747-900 PLACE: MANILA</small> | RECOMMENDING APPROVAL: ILDEFONSO T. PATDU, JR. <small>Assistant Secretary for Project Implementation, DOTC</small> | APPROVED: JULJANTO G. BUCAYAN, JR. <small>Undersecretary for Project Implementation, DOTC</small> | PROJECT TITLE: NEW BOHOL AIRPORT CONSTRUCTION AND SUSTAINABLE ENVIRONMENT PROTECTION PROJECT | LOCATION: MUNICIPALITY OF PANGLAO, PROVINCE OF BOHOL, PHILIPPINES | SHEET CONTENTS: COMPONENT-4 BUILDING WORKS (B) SUBCOMPONENT-4-7 (B73) VOR Building ELECTRICAL GROUNDING LAYOUT | SHEET NO: B73-6900-01 |
| | JICA DESIGN CONSULTANT JOINT VENTURE TADASHI AOI <small>Team Leader</small> | JICA <small>JAPAN INTERNATIONAL COOPERATION AGENCY</small> | JAC <small>JAPAN AIRPORT CONSULTANTS, INC.</small> | NIPPO KOEI CO., LTD. <small>NIPPO KOEI CO., LTD.</small> | NIS CONSULTANTS CO., LTD. <small>NIS CONSULTANTS CO., LTD.</small> | DATE: JUNE 2013 INDEX: AMENDMENTS Prepared by: WIM Checked by: HC Validated by: | DRAWING SCALE: 1:50 m |