



Republic of the Philippines
DEPARTMENT OF TRANSPORTATION
AND
COMMUNICATIONS



JAPAN
INTERNATIONAL
COOPERATION
AGENCY

NEW BOHOL AIRPORT CONSTRUCTION AND SUSTAINABLE ENVIRONMENT PROTECTION PROJECT

DRAWINGS

COMPONENT-4 Building Works (B)

Subcomponent-4-6 Utility Buildings (WPH, PWH, STP, MRF)



August 2013

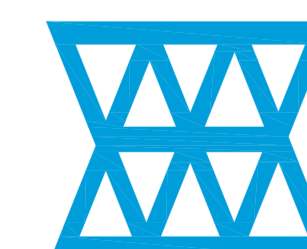
JICA DESIGN CONSULTANT JOINT VENTURE



JAPAN AIRPORT
CONSULTANTS,
INC.

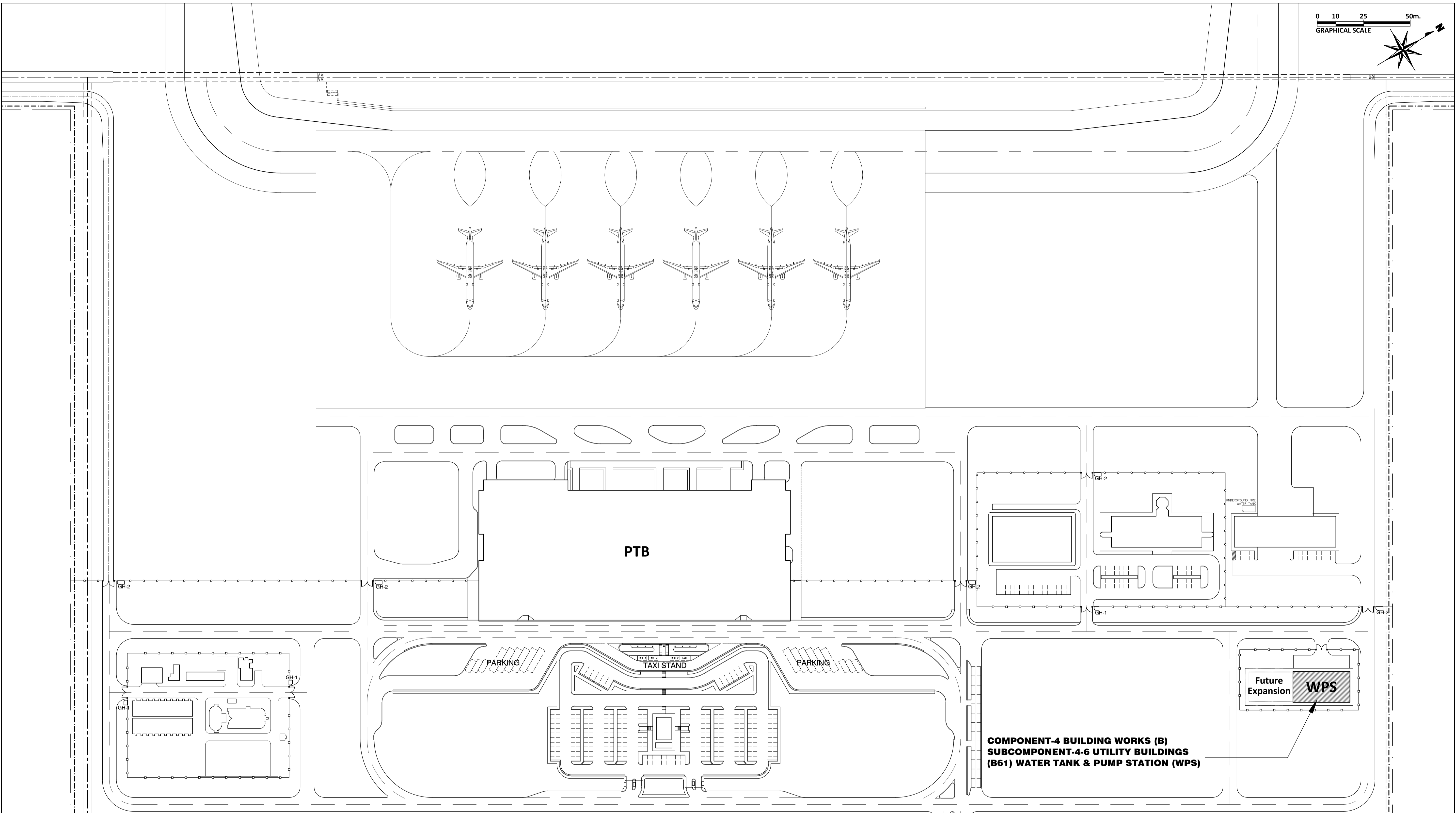
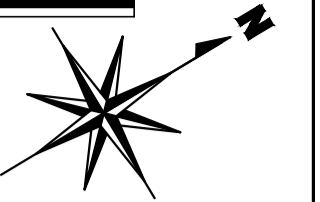


NIPPON KOEI
CO., LTD.



NJS CONSULTANTS
CO., LTD.

0 10 25 50m.
GRAPHICAL SCALE



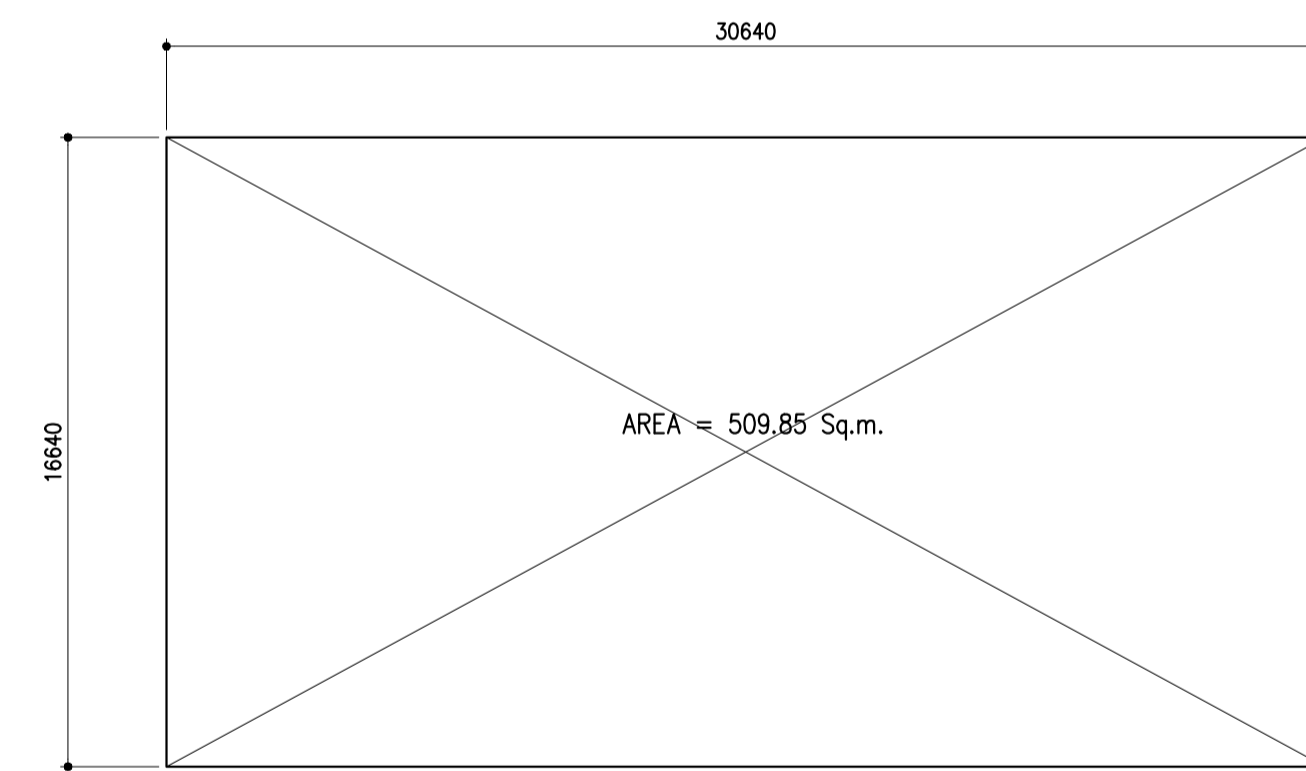
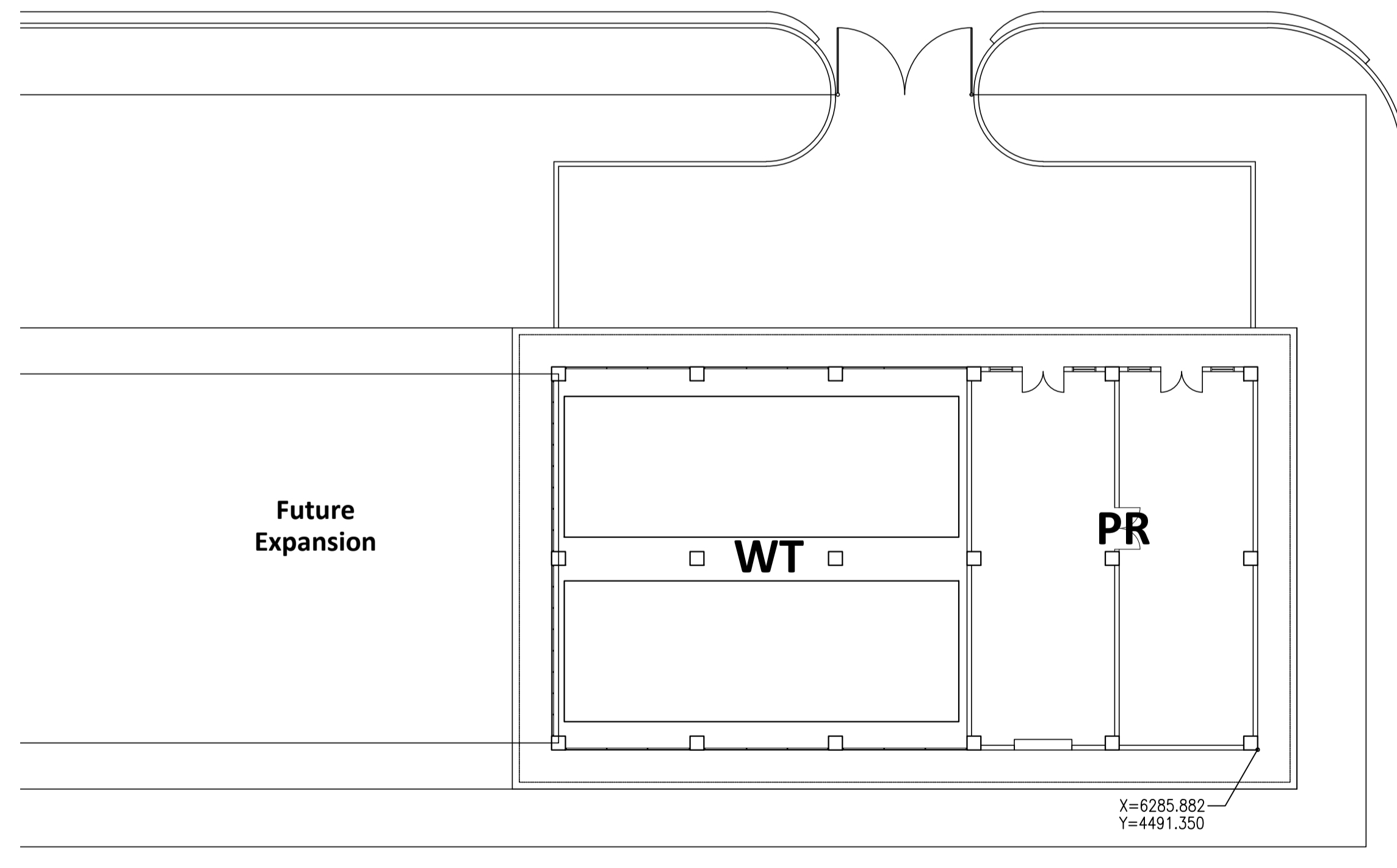
1 LOCATION PLAN
B61-4300/01 SCALE: 1:1000 M.

	PREPARED BY: WILLIAM I. MALLONGA	RECOMMENDING APPROVAL: JILDEFONSO T. PATDU, JR. Assistant Secretary for Project Implementation, DOTC	APPROVED: JULIANITO G. BUCAYAN, JR. Undersecretary for Project Implementation, DOTC	PROJECT TITLE: NEW BOHOL AIRPORT CONSTRUCTION AND SUSTAINABLE ENVIRONMENT PROTECTION PROJECT	SHEET CONTENTS: COMPONENT-4 BUILDING WORKS (B) SUBCOMPONENT-4-6 UTILITY BUILDINGS (B61) WATER TANK & PUMP STATION ARCHITECTURAL LOCATION PLAN	SHEET NO: B61-4300-01
	PROF: Architect RES. NO.: 4623 TEAM: 129-564-198	PTR: 3811137 DATE: MAY 9, 2013 PLACE: MANAR CITY	TADASHI AOI Team Leader	LOCATION: MUNICIPALITY OF PANGLAO, PROVINCE OF BOHOL, PHILIPPINES	DATE: JUNE 2013 INDEX AMENDMENTS Prepared by: WIM Checked by: HC Validated by:	DRAWING SCALE: 1:1000 M.

**WATER TANK & PUMPHOUSE BUILDING
OUTLINE OF EXTERNAL FINISHING SCHEDULE**

Portion	Appl.	Symbol	Finishing Material	Portion	Appl.	Symbol	Finishing Material
Floor		FLG	t=30 Granite tile with jet burner finish on cement setting bed	Walls		WLA	Aluminum Back-mullion Curtain wall Framing system
	X	FLS	Cement render finishing with metal troweled (t=30)		X	WLR	Cement render finish w/P-4
		FLC	Ceramic tile 300 x 300 slip resistance finishing			WLC	Fair faced concrete w/P-4
Roof		ROD	Single folded steel plate roof with insulation (Folded steel plate : t=0.6, h=41 Fluorin-resin coated aluminized steel, Insulation : t=100 Glass wool wrapped in polyethylene film)	Windows		WLD	Aluminum Cladding; Anodizing with electro deposition Aluminum composite panel w/ polyethylene insulation t=40mm
		ROS	Single folded steel plate (t=0.6, h=41) fluorine-resin coated aluminized steel w/ prefabricated fiber glass sheet t=5mm		X	AW	Anodizing with electro deposition aluminum window
	X	ROC	Protective concrete layer on insulation board and pre-formed waterproofing membrane WP-1				
		ROPS	Vinyl Chloride resin sheet membrane on insulation board t=30				
		ROPR	Hot applied rubberized asphalt waterproofing system WP-2				
Roof Gutter		RGA	Stainless sheet (t=2) w/ polyethylene foam W=500	Doors	X	SD	Steel door w/P3
		RGB	Stainless sheet (t=2) w/ polyethylene foam W=300			AD	Anodizing with electro deposition aluminum door
Fascia		EVA	t=2.5 Aluminum panel w/P-8	Column	X	CNR	Cement render finish w/P-4
		EVT	Aluminum decorative louver w/P-8			CNC	Fair faced concrete w/P-4
Parapet	X	PAR	Cement render finish w/P4			CNF	Fair faced concrete
		PAF	Fair faced concrete w/ P4			CNB	t=8 Calcium silicate board w/P-4
Downspout		DSA	d=100 Galvanized SGP w/P-3			CNS	Steel structure w/P-8
		DSB	d=150 Galvanized SGP w/P-3	Beam	X	BMR	Cement render finish w/P-4
	X	DSC	d=100 UPVC Pipe w/P-7			BMC	Fair faced concrete w/P-4
	SFA	t=8 Calcium silicate board w/P-7			BMF	Fair faced concrete	
Soffit		SFB	t=8 Calcium silicate board w/P-1		BMS	Steel structure w/P-4	
	X	SFC	Formed Face Concrete	Base	X	BSR	Cement render finish w/P4 h=300
		PCA	Anodizing with electro deposition Aluminum Coping			BSF	Fair faced concrete h=300
X	PCR	Cement render finish w/ P4			SKG	t=25 Granite tile H=100	
Parapet Coping		PCA	Anodizing with electro deposition Aluminum Coping	Roller Doors		RDST	Roller steel door w/P-3
	X	PCR	Cement render finish w/ P4			RDG	Roller steel grill w/P-3
Sky Light		SKL	Laminated glass with anodizing with electro deposition frame	Expansion Joint		EXJ	Pre-fabricated stainless steel expansion joint covers
Ladder		LDS	Stainless steel pipe				

Legend for Paint Type
P-1 Synthetic Resin Emulsion Paint
P-2 Synthetic Resin Mixed Paint type I (for wood)
P-3 Synthetic Resin Mixed Paint type II (for steel)
P-4 Synthetic Resin Emulsion Multi-Layer Coating
P-5 Clear Lacquer
P-6 Epoxy Resin Floor Paint
wp-3: Water Proofing : Urethane Waterproofing Coating
UE : Urethane Paint



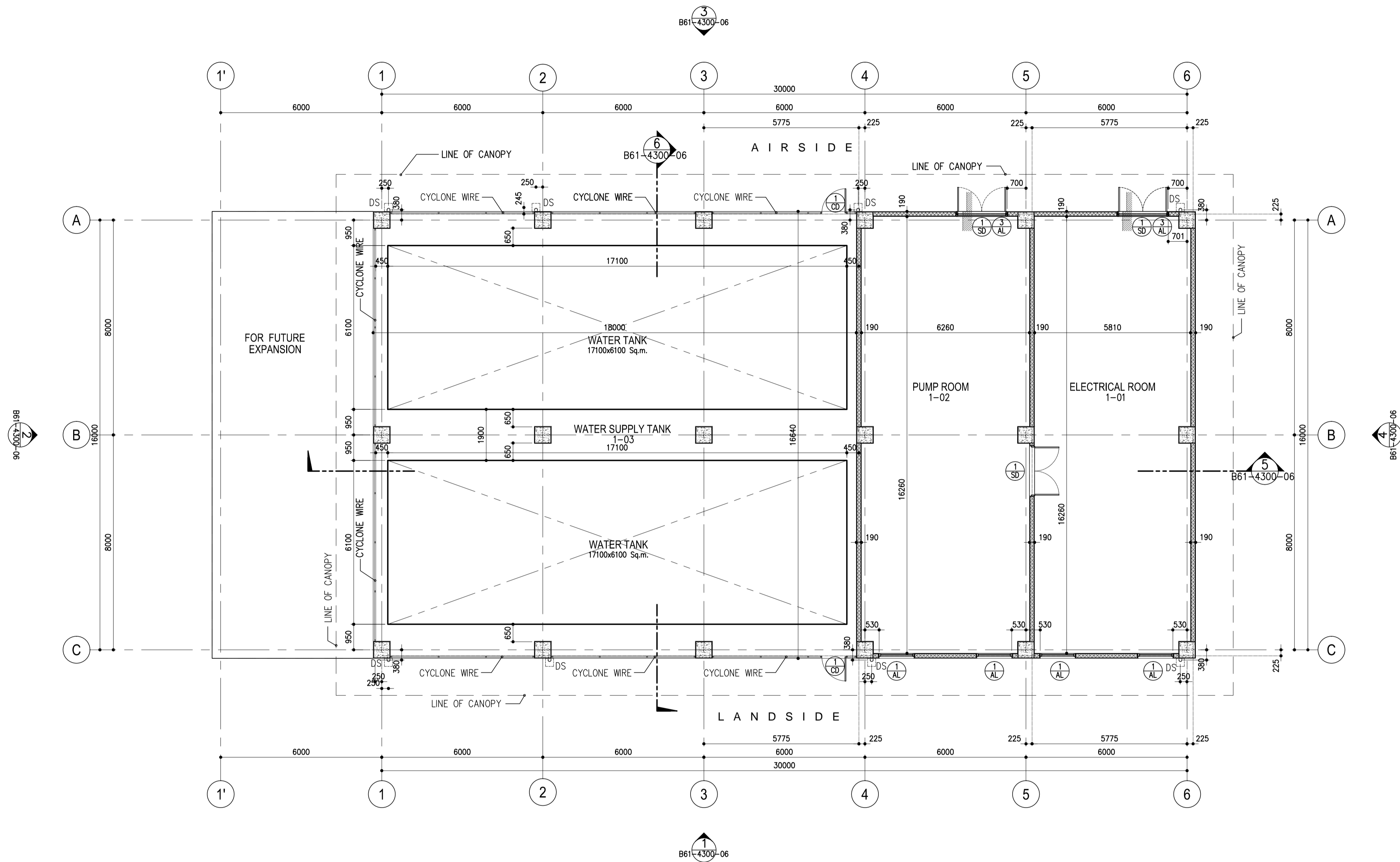
2 GROUND FLOOR PLAN
SCALE: 1:200 M.

WATER TANK & PUMPHOUSE BLDG. FLOOR AREA SCHEDULE

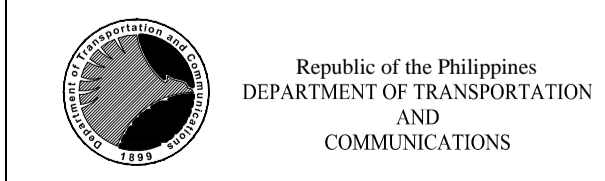
WPH	FL	Floor Area
	GF	509.85 m ²
TOTAL =		509.85 m ²

1 LAYOUT PLAN
SCALE: 1:200 M.

	PREPARED BY: WILLIAM I. MALLONGA <small>PROF: Architect PIR: 3911137 REG. NO.: 4623 DATE: MAY 9, 2013 T.E.N. 159-564-198 PLACE: MANILA CITY</small>	RECOMMENDING APPROVAL: ILDEFONSO T. PATDU, JR. <small>Assistant Secretary for Project Implementation, DOTC</small>	APPROVED: JULIANITO G. BUCAYAN, JR. <small>Undersecretary for Project Implementation, DOTC</small>	PROJECT TITLE: NEW BOHOL AIRPORT CONSTRUCTION AND SUSTAINABLE ENVIRONMENT PROTECTION PROJECT	LOCATION: MUNICIPALITY OF PANGLAO, PROVINCE OF BOHOL, PHILIPPINES	SHEET CONTENTS: COMPONENT-4 BUILDING WORKS (B) SUBCOMPONENT-4-6 UTILITY BUILDINGS (B61) WATER TANK & PUMP STATION ARCHITECTURAL EXTERNAL FINISHING SCHEDULE LAYOUT PLAN & FLOOR AREA SCHEDULE	SHEET NO: B61-4300-02
	JICA DESIGN CONSULTANT JOINT VENTURE 	TADASHI AOI Team Leader	JULIANITO G. BUCAYAN, JR. Undersecretary for Project Implementation, DOTC	JULIANITO G. BUCAYAN, JR. Undersecretary for Project Implementation, DOTC	DATE: JUNE 2013 INDEX: AMENDMENTS: Prepared by: WIM Checked by: HC Validated by:	DRAWING SCALE: AS SHOWN	



1 GROUND FLOOR PLAN
 SCALE: 1:100 M.



PREPARED BY:
WILLIAM I. MALLONGA
 ARCHITECT
 PTR. 3811137
 REG. NO.: 4623 DATE: MAY 9, 2013
 TEL. 120-564-198 PLACE: MANILA CITY

RECOMMENDING APPROVAL:
JILDEFONSO T. PATDU, JR.
 Assistant Secretary
 for Project Implementation, DOTC

APPROVED:
JULIANITO G. BUCAYAN, JR.
 Undersecretary
 for Project Implementation, DOTC

NEW BOHOL AIRPORT CONSTRUCTION AND SUSTAINABLE ENVIRONMENT PROTECTION PROJECT

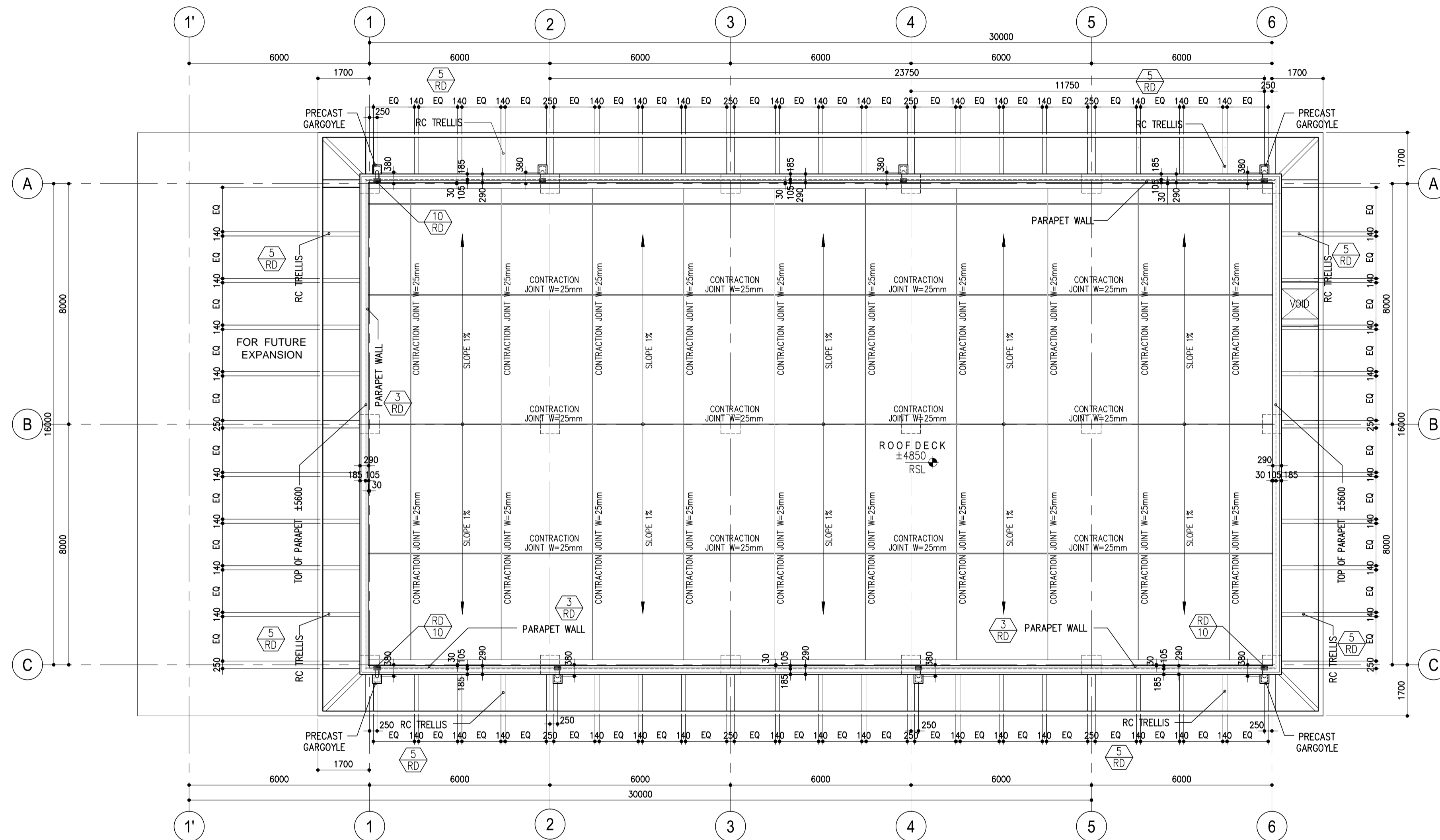
LOCATION: MUNICIPALITY OF PANGLAO, PROVINCE OF BOHOL, PHILIPPINES

DATE	INDEX	AMENDMENTS	Prepared by	Checked by	Validated by
JUNE 2013				WIM	HC

SHEET CONTENTS:
 COMPONENT-4 BUILDING WORKS (B)
 SUBCOMPONENT-4-6 UTILITY BUILDINGS
 (B61) WATER TANK & PUMP STATION
 ARCHITECTURAL
 GROUND FLOOR PLAN

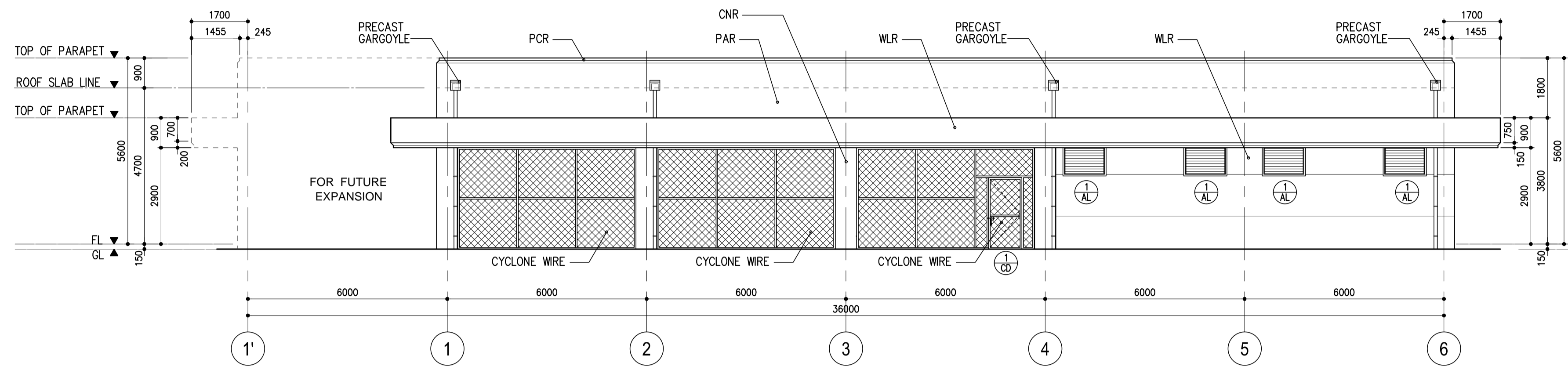
SHEET NO:
B61-4300-04
 DRAWING SCALE:
 1:100 M.



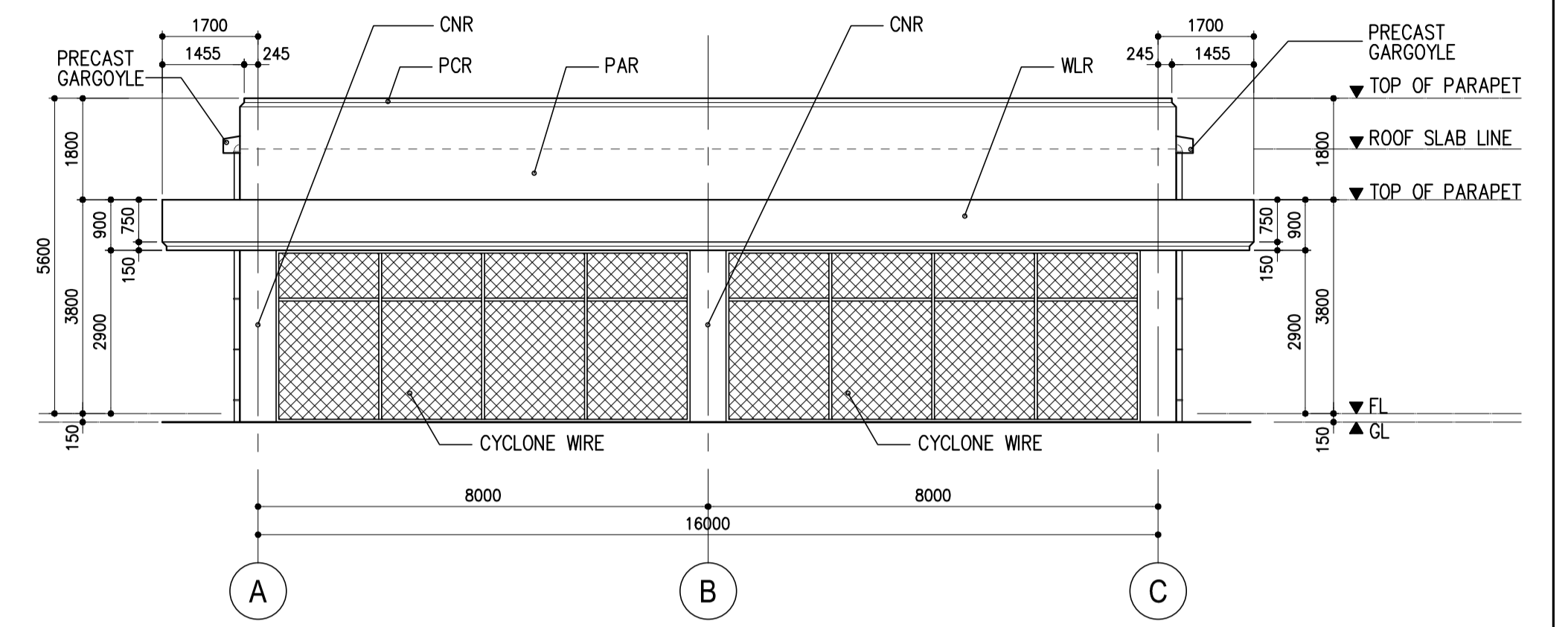


1 ROOF PLAN
B61-4300-05 SCALE: 1:100 M.

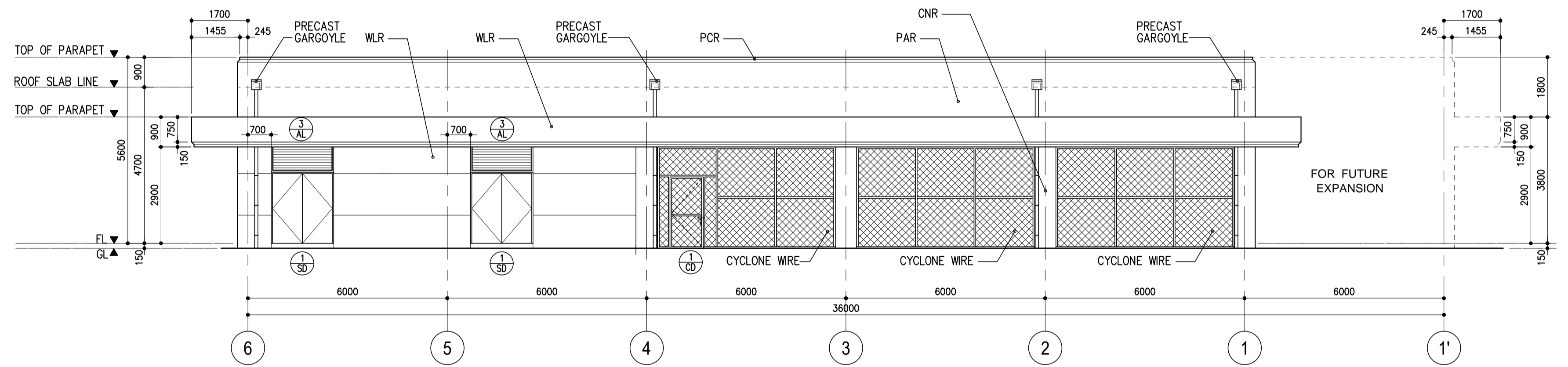
	PREPARED BY: WILLIAM I. MALLONGA <small>PROF: Architect PIR: 3811137 RES. NO.: 4623 DATE: MAY 9, 2013 TEL: 120-564-198 PLACE: MANILA CITY</small>	RECOMMENDING APPROVAL: ILDEFONSO T. PATDU, JR. <small>Assistant Secretary for Project Implementation, DOTC</small>	APPROVED: JULIANITO G. BUCAYAN, JR. <small>Undersecretary for Project Implementation, DOTC</small>	PROJECT TITLE: NEW BOHOL AIRPORT CONSTRUCTION AND SUSTAINABLE ENVIRONMENT PROTECTION PROJECT	LOCATION: MUNICIPALITY OF PANGLAO, PROVINCE OF BOHOL, PHILIPPINES	SHEET CONTENTS: COMPONENT-4 BUILDING WORKS (B) SUBCOMPONENT-4-6 UTILITY BUILDINGS (B61) WATER TANK & PUMP STATION ARCHITECTURAL ROOF PLAN	SHEET NO: B61-4300-05
	JICA DESIGN CONSULTANT JOINT VENTURE	TADASHI AOI <small>Team Leader</small>	JULIANITO G. BUCAYAN, JR. <small>Undersecretary for Project Implementation, DOTC</small>	DATE: JUNE 2013 INDEX: _____ AMENDMENTS: _____	Prepared by: WIM Checked by: HC Validated by: _____	DRAWING SCALE: 1:100 M.	



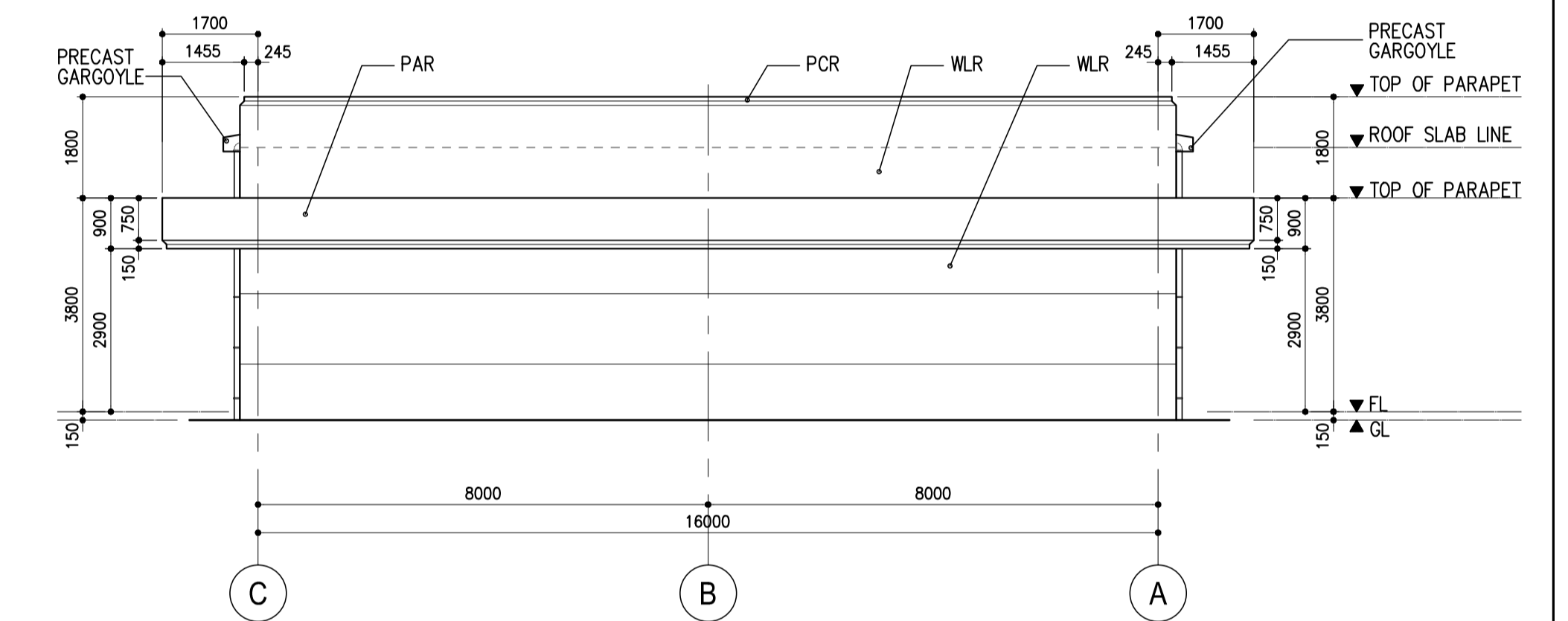
1 ELEVATION 1
B61-4300-06 SCALE: 1:100 M.



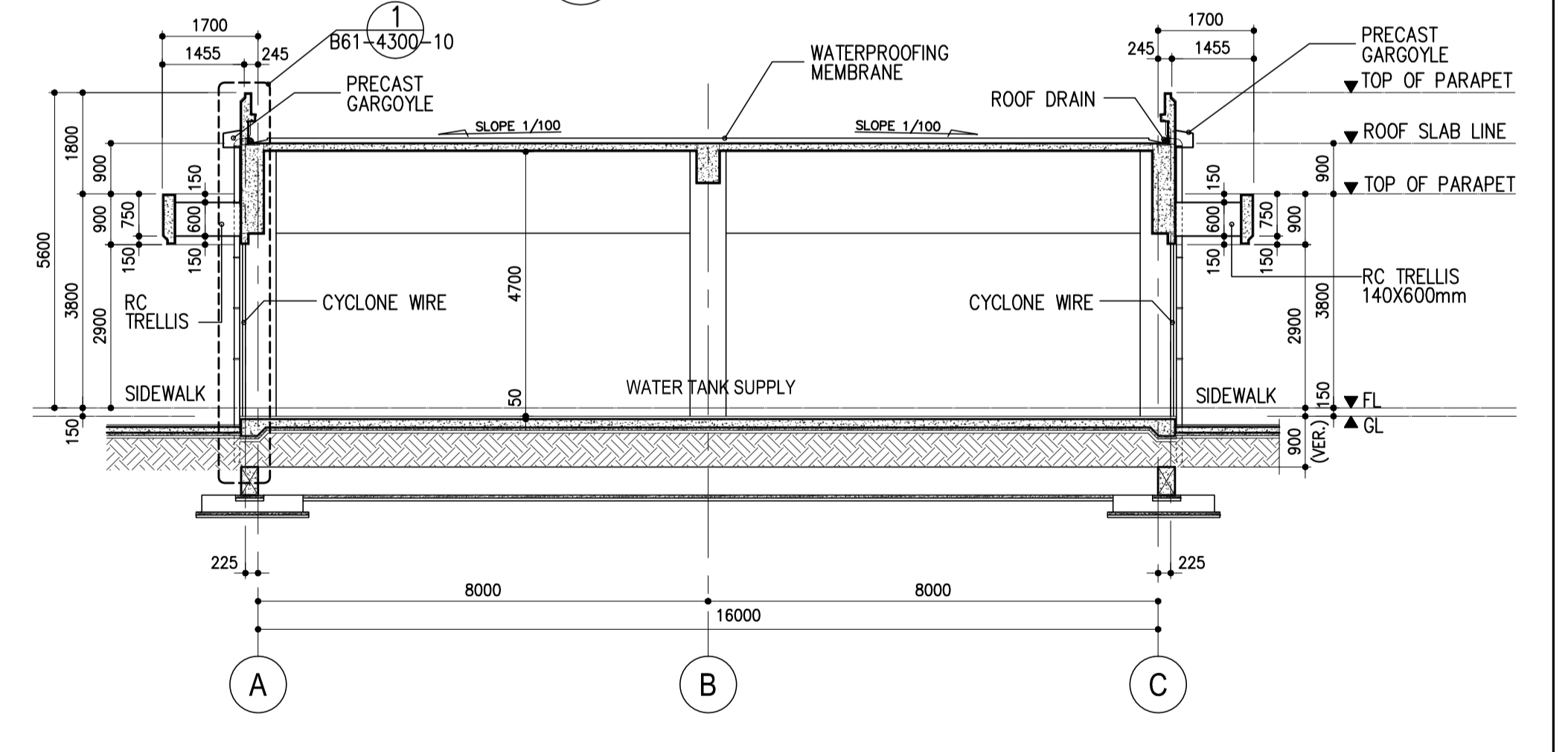
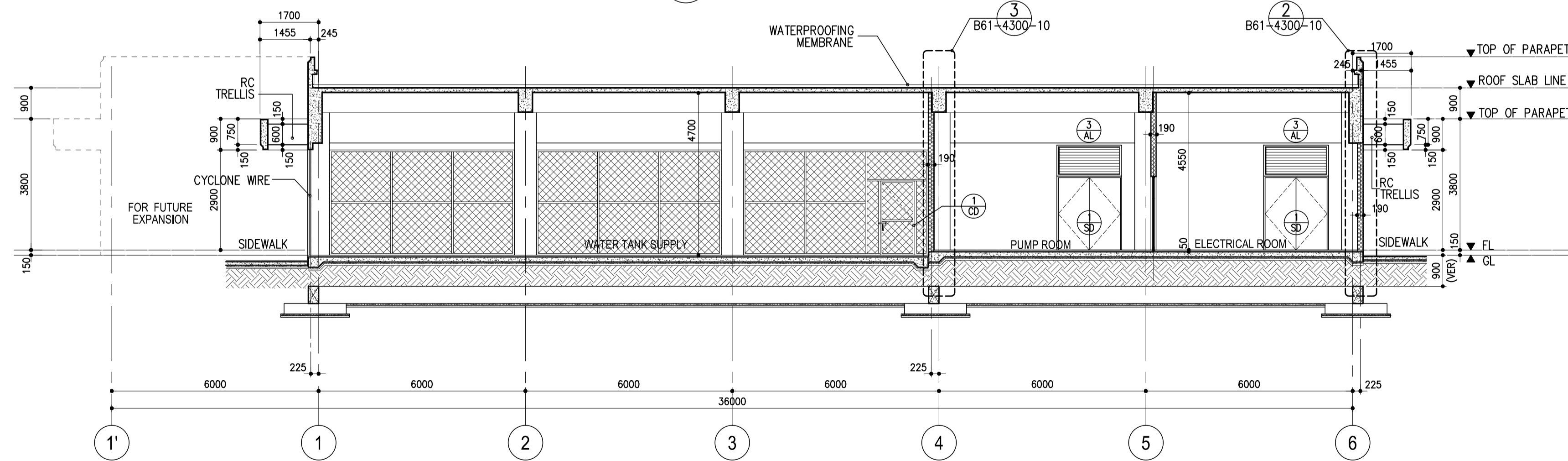
2 ELEVATION 2
B61-4300-06 SCALE: 1:100 M.



3 ELEVATION 3
B61-4300-06 SCALE: 1:100 M.



4 ELEVATION 4
B61-4300-06 SCALE: 1:100 M.



PREPARED BY:
WILLIAM I. MALLONGA
PROF. Architect PIR. 3811137
RES. NO.: 4623 DATE: MAY 9, 2013
TEAM: 159-564-198 PLACE: MAKATI CITY

RECOMMENDING APPROVAL:
ILDEFONSO T. PATDU, JR.
Assistant Secretary
for Project Implementation, DOTC

APPROVED:
JULIANITO G. BUCAYAN, JR.
Undersecretary
for Project Implementation, DOTC

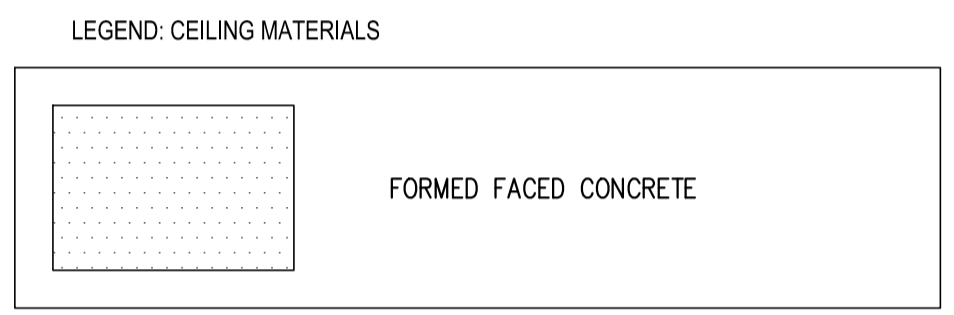
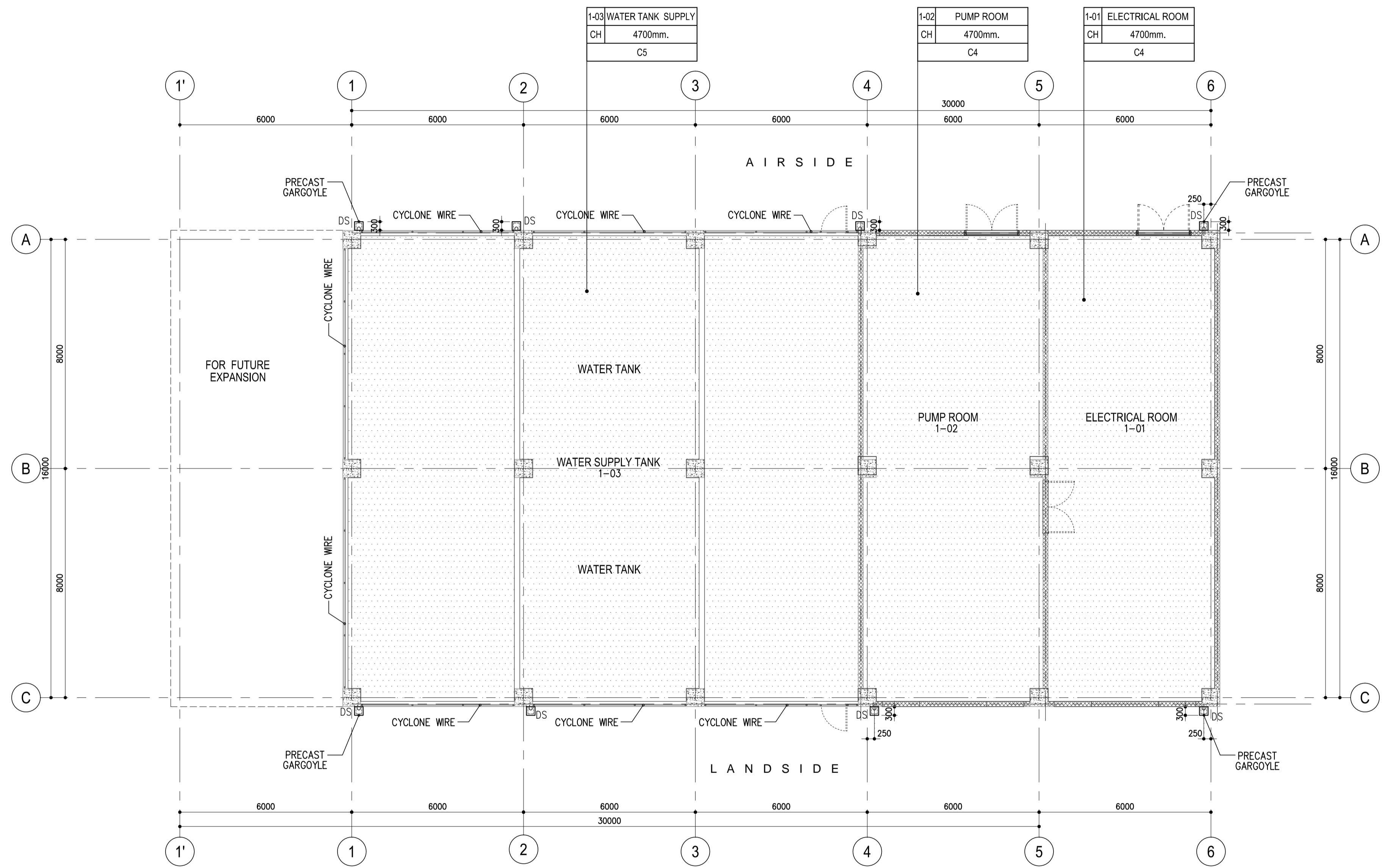
PROJECT TITLE:
NEW BOHOL AIRPORT CONSTRUCTION AND SUSTAINABLE ENVIRONMENT PROTECTION PROJECT
LOCATION: MUNICIPALITY OF PANGLAO, PROVINCE OF BOHOL, PHILIPPINES

SHEET CONTENTS:
COMPONENT-4 BUILDING WORKS (B)
SUBCOMPONENT-4-6 UTILITY BUILDINGS
(B61) WATER TANK & PUMP STATION
ARCHITECTURAL ELEVATIONS & SECTIONS

SHEET NO:
B61-4300-06
DRAWING SCALE:
1:100 M.

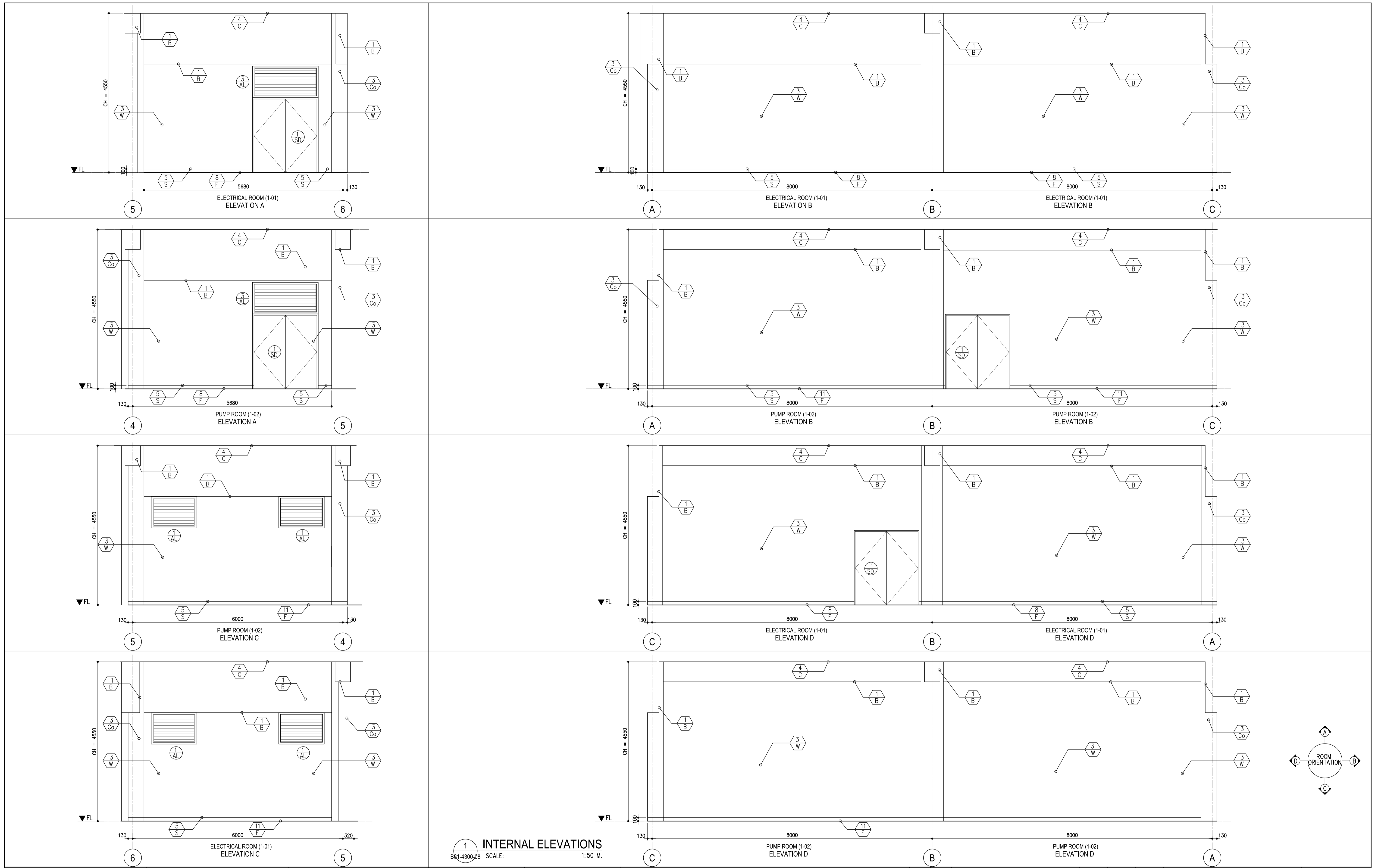


DATE	INDEX	AMENDMENTS	Prepared by	Checked by	Validated by
JUNE 2013			WIM	HC	



1 REFLECTED CEILING PLAN
 B61-4300-07 SCALE: 1:100 M.

	PREPARED BY: WILLIAM I. MALLONGA <small>PROF: Architect PIR. 3011137 RES. NO.: 4623 DATE: MAY 9, 2013 TEL. 120-564-198 PLACE: MANILA CITY</small>	RECOMMENDING APPROVAL: ILDEFONSO T. PATDU, JR. <small>Assistant Secretary for Project Implementation, DOTC</small>	APPROVED: JULIANITO G. BUCAYAN, JR. <small>Undersecretary for Project Implementation, DOTC</small>	PROJECT TITLE: NEW BOHOL AIRPORT CONSTRUCTION AND SUSTAINABLE ENVIRONMENT PROTECTION PROJECT	LOCATION: MUNICIPALITY OF PANGLAO, PROVINCE OF BOHOL, PHILIPPINES	SHEET CONTENTS: COMPONENT-4 BUILDING WORKS (B) SUBCOMPONENT-4-6 UTILITY BUILDINGS (B61) WATER TANK & PUMP STATION ARCHITECTURAL REFLECTED CEILING PLAN	SHEET NO: B61-4300-07
	JICA DESIGN CONSULTANT JOINT VENTURE	TADASHI AOI Team Leader	JULIANITO G. BUCAYAN, JR. Undersecretary for Project Implementation, DOTC	DATE: JUNE 2013	INDEX:	AMENDMENTS:	Prepared by: WIM Checked by: HC Validated by:



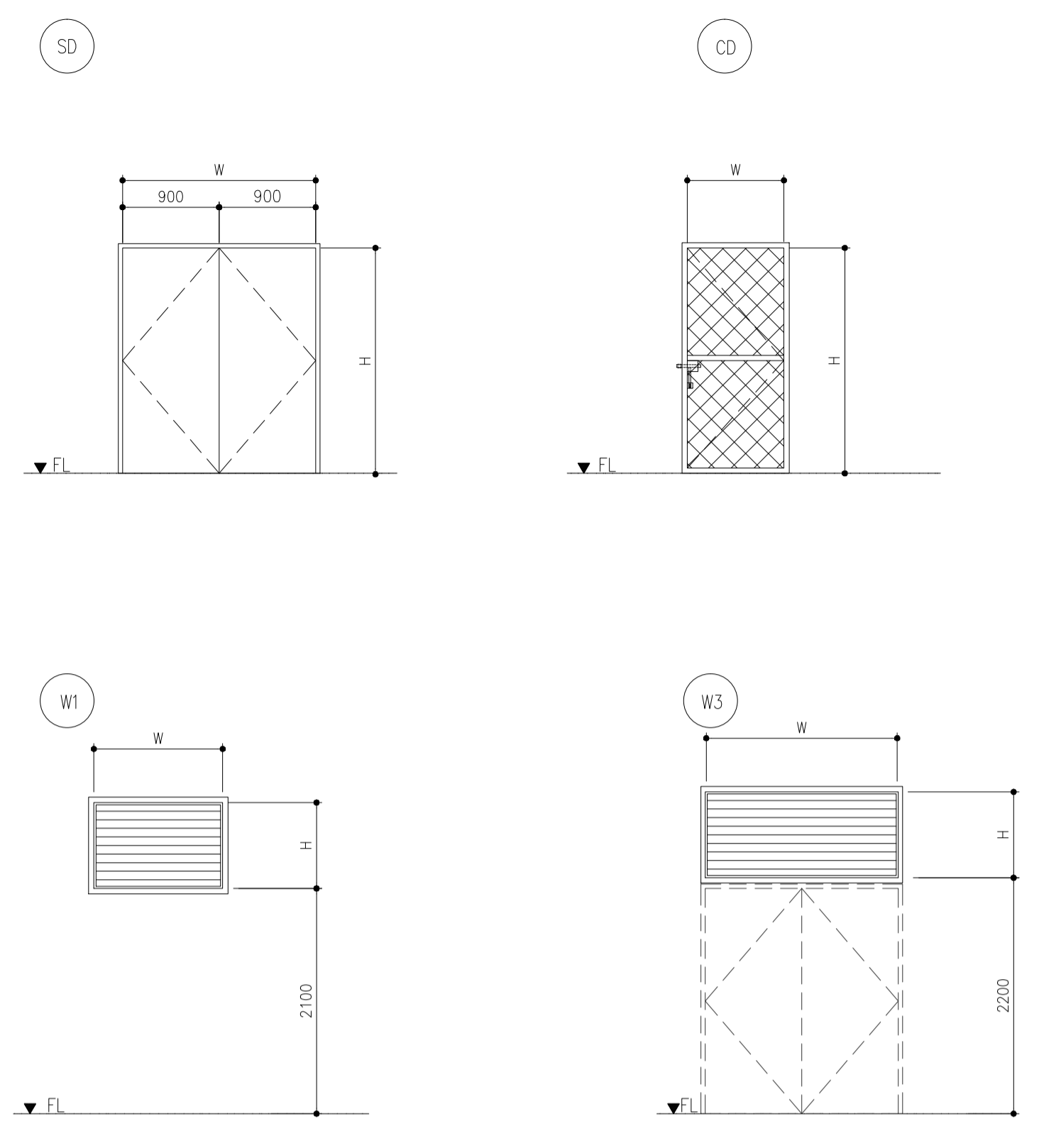
1 INTERNAL ELEVATIONS
B61-4300-08 SCALE: 1:50 M.

	PREPARED BY: WILLIAM I. MALLONGA <small>PROF: Architect PIR: 3011137 RES. NO.: 4623 DATE: MAY 9, 2013 TEL: 120-564-198 PLACE: MANILA CITY</small>	RECOMMENDING APPROVAL: JILDEFONSO T. PATDU, JR. <small>Assistant Secretary for Project Implementation, DOTC</small>	APPROVED: JULIANITO G. BUCAYAN, JR. <small>Undersecretary for Project Implementation, DOTC</small>	PROJECT TITLE: NEW BOHOL AIRPORT CONSTRUCTION AND SUSTAINABLE ENVIRONMENT PROTECTION PROJECT	LOCATION: MUNICIPALITY OF PANGLAO, PROVINCE OF BOHOL, PHILIPPINES	SHEET CONTENTS: COMPONENT-4 BUILDING WORKS (B) SUBCOMPONENT-4-6 UTILITY BUILDINGS (B61) WATER TANK & PUMP STATION ARCHITECTURAL INTERNAL ELEVATIONS	SHEET NO: B61-4300-08
	JICA DESIGN CONSULTANT JOINT VENTURE JAC JAPAN AIRPORT CONSULTANTS, INC.	TADASHI AOI Team Leader	JUNE 2013	DATE INDEX AMENDMENTS	Prepared by: WIM Checked by: HC Validated by:	DRAWING SCALE: 1:50 M.	

SCHEDULE OF DOORS & WINDOWS

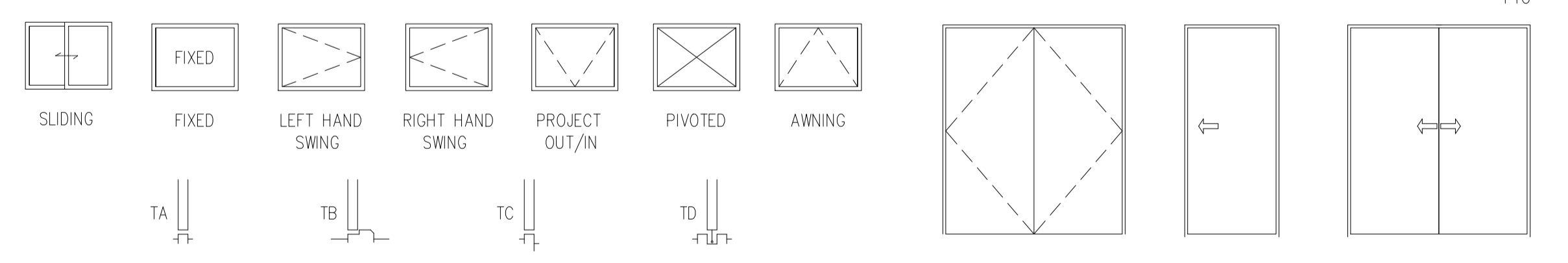
MARK	TYPE	FIGURE	QUANTITY	DIMENSION			GLAZING		LOUVER			IRON MONGERY					OTHERS			REMARKS			
				W (w) x H (h)	FRAME	DOOR PANEL OR SASH	MATERIAL	FINISH	TYPE	THICKNESS	DIMENSION W x H	MATERIAL	FINISH	ALL FITTING FIXING & HARDWARE	HINGES	LOCK AND LATCH	DOOR CLOSER	DOOR STOP	WEATHER MOULDING		SILL TRIM	DOOR THRESHOLD	DOOR NAME PLATE
① SD	SD		3	1800 x 2100	130	40	ST	P-3															
① CD	CD		2	900 x 2100	50		CY	P-3				X	X	X									CHAINLINK FABRIC ON 50# GAL. PIPE FRAME WITH STANDARD PADLOCK BRACKET AND HANDLE @ EXTERNAL SIDE W/ KEY PADLOCK
① AL	W1		2	1200 x 800	100		AL	AED	HAG	X	900 X 900	AL	AED	X			X						
③ AL	W3		2	1800 x 800	100		AL	AED	HAG	X	1800 X 900	AL	AED	X			X						

X = APPLICABLE

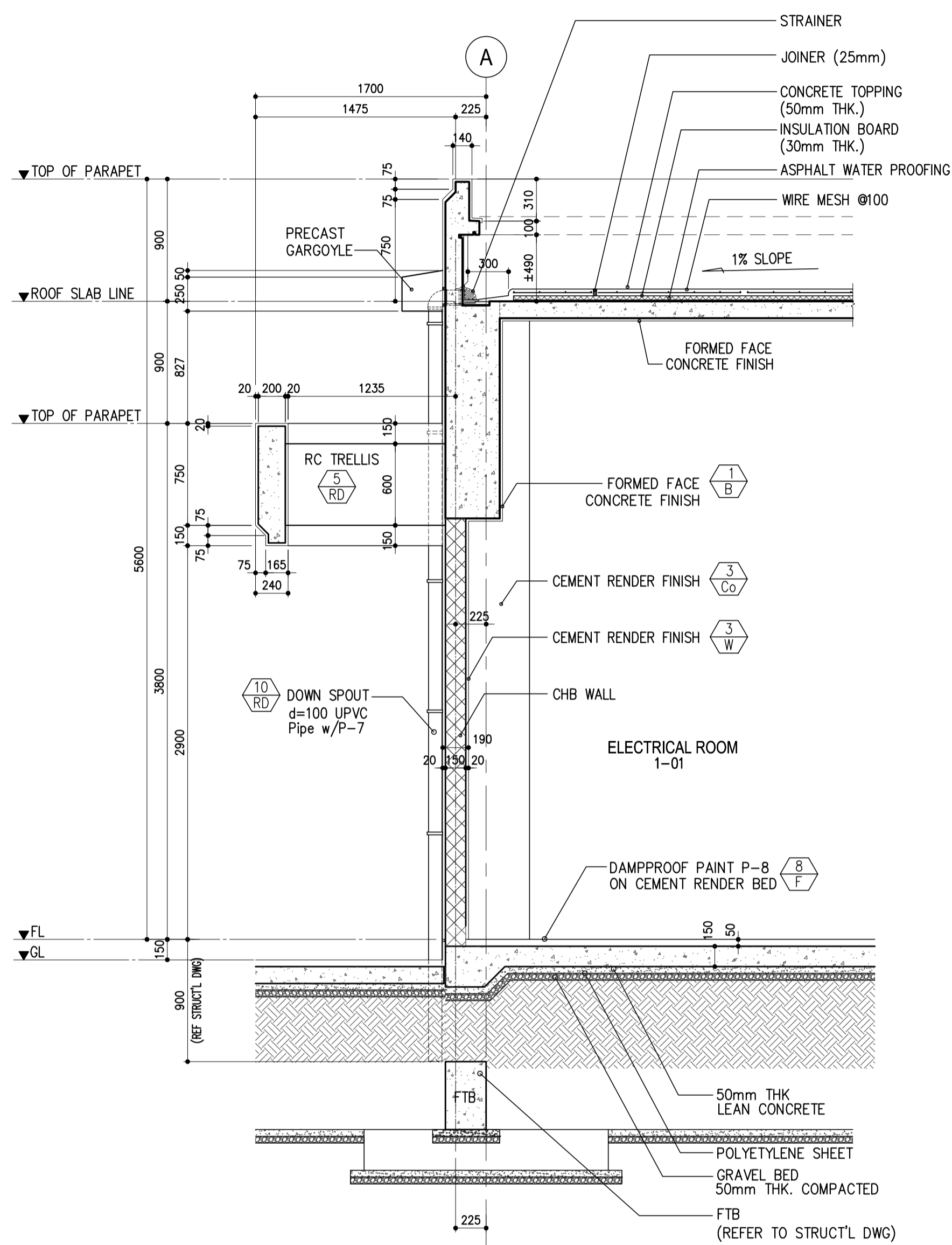


- | | | | | |
|--|--|---|---|--|
| <p>DOOR & WINDOW</p> <ul style="list-style-type: none"> AD - ALUMINIUM DOOR AW - ALUMINIUM WINDOW AL - ALUMINIUM LOUVER CD - CYCLONE WIRE DOOR SD - STEEL DOOR FWD - FLUSH DOOR LWD - LOUVER DOOR RS - ROLLING SHUTTER DOOR RG - ROLLING GRILLE AS - ALUMINIUM SCREEN FP - FOLDING PARTITION WD - WOODEN DOOR | <p>MATERIAL</p> <ul style="list-style-type: none"> ST - STEEL SST - STAINLESS STEEL AL - ALUMINIUM TG - TEMPERED GLASS HC - HONEY COMB WD - WOOD CY - CYCLONE WIRE | <p>FINISH</p> <ul style="list-style-type: none"> AED - ANODIZING WITH ELECTRO DEPOSITION ALUMINIUM SB - SCRATCH BRUSHED MR - MELANIN RESIN OVERLAID EPX - EPOXY-POLYESTER - BAKED PAINT P-2 - SYNTHETIC RESIN MIXED PAINT (WOOD) P-3 - SYNTHETIC RESIN MIXED PAINT (STEEL) UE - URETHAN RESIN | <p>GLAZING</p> <ul style="list-style-type: none"> CG - CLEAR FLOAT GLASS CWG - CLEAR WIRED GLASS FG - FIGURED GLASS FWG - FIGURED WIRED GLASS HAG - HEAT ABSORBING GLASS HAWG - HEAT ABSORBING WIRED GLASS LG - LAMINATED GLASS TG - TEMPERED GLASS HTG - HEAT ABSORBING TEMPERED GLASS | <p>HINGES</p> <ul style="list-style-type: none"> BH - BUTT HINGE FH - FLOOR HINGE PH - PIVOT HINGE SH - SPRING HINGE <p>LOCK & LATCH/DOOR HANDLE</p> <ul style="list-style-type: none"> DL - DEADBOLT MORTISE LOCK ML - MORTISE LOCK & LEVER HANDLE CL - CYLINDRICAL LOCK HC - HOOK LOCK EL - EMERGENCY LOCK & LEVER HANDLE <p>OTHERS</p> <ul style="list-style-type: none"> PL - PASSAGE LATCH LL - LAVATORY LATCH WITH INDICATOR FB - FLUSH BOLT PP - PUSH-PULL BAR CS - CRESCENT SASH LOCK CLH - CAM LATCH HANDLE & ARM RT - ROLLER TIGHTENING HANDLE RW - ROCK WOOL IS - INSECT SCREEN AT - AIRTIGHTNESS BB - BLIND BOX FTG - FRAMELESS DOOR |
|--|--|---|---|--|

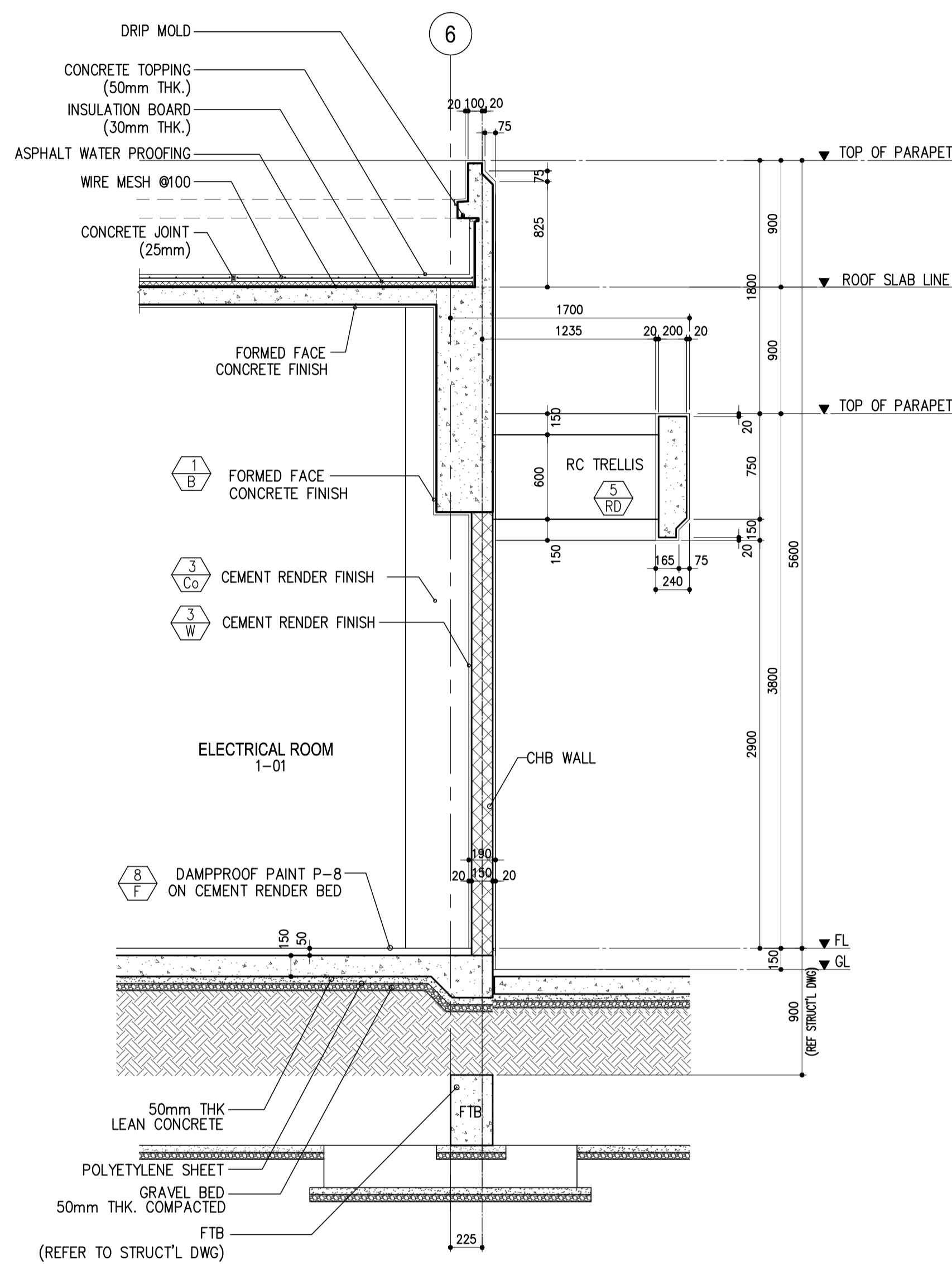
SYMBOLS & CONVENTION OF DOOR & WINDOW



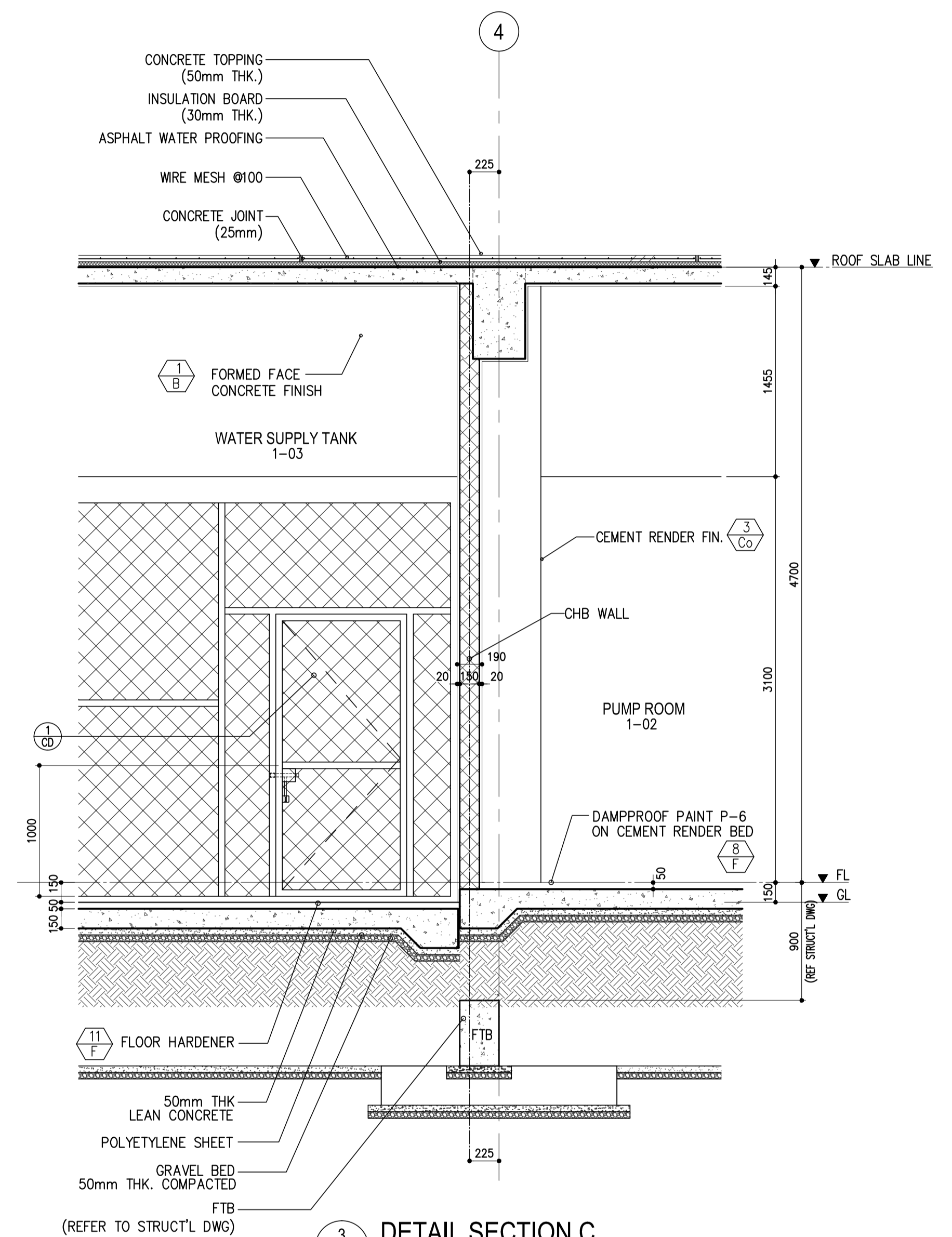
	<p>PREPARED BY: WILLIAM I. MALLONGA</p> <p>PROF. Architect PTR. 3811137</p> <p>REG. NO. 4823 DATE: MAY 9, 2013</p> <p>T.E.N. 120-564-198 PLACE: MAKATI CITY</p>	<p>RECOMMENDING APPROVAL: ILDEFONSO T. PATDU, JR.</p> <p>Assistant Secretary for Project Implementation, DOTC</p>	<p>APPROVED: JULIANITO G. BUCCAYAN, JR.</p> <p>Undersecretary for Project Implementation, DOTC</p>	<p>PROJECT TITLE: NEW BOHOL AIRPORT CONSTRUCTION AND SUSTAINABLE ENVIRONMENT PROTECTION PROJECT</p> <p>LOCATION: MUNICIPALITY OF PANGLAO, PROVINCE OF BOHOL, PHILIPPINES</p>	<p>SHEET CONTENTS:</p> <p>COMPONENT-4 BUILDING WORKS (B) SUBCOMPONENT-4-6 UTILITY BUILDINGS</p> <p>(B61) WATER TANK & PUMP STATION ARCHITECTURAL SCHEDULE OF DOORS & WINDOWS</p>	<p>SHEET NO: B61-4300-09</p> <p>DRAWING SCALE: 1:50 M.</p>
--	---	---	--	--	--	--



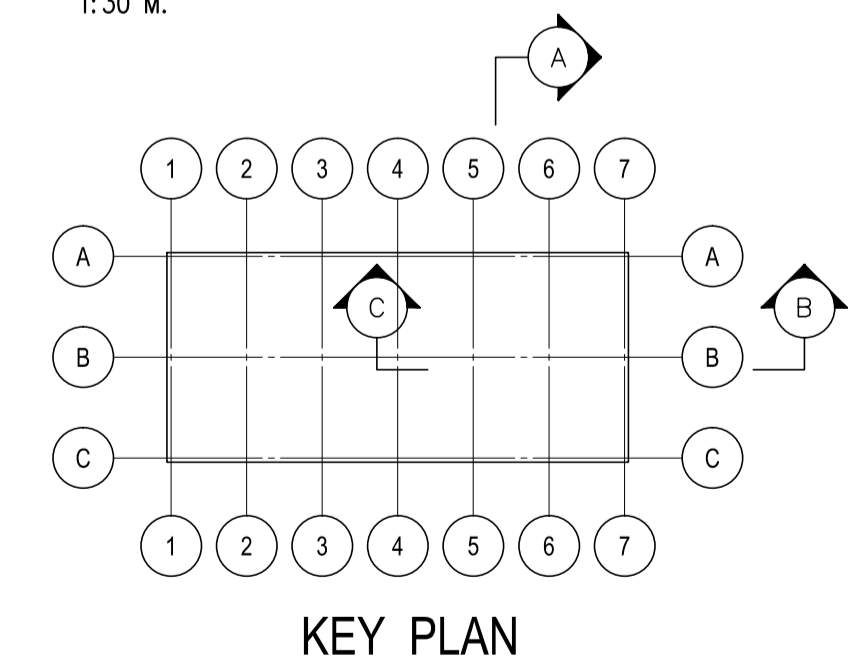
1 DETAIL SECTION A
 B&I-4300-10 SCALE: 1:30 M.



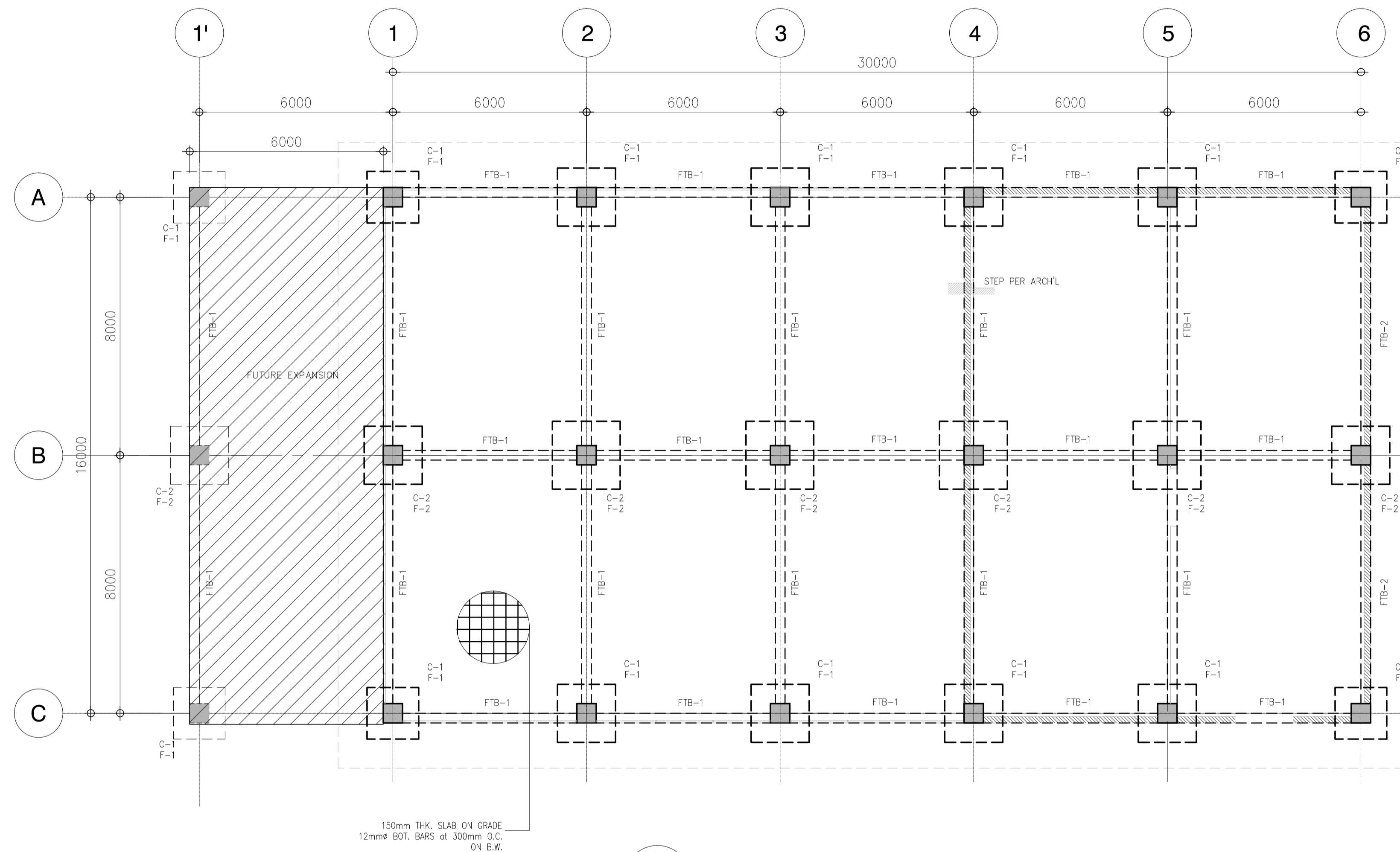
2 DETAIL SECTION B
 B&I-4300-10 SCALE: 1:30 M.



3 DETAIL SECTION C
 B&I-4300-10 SCALE: 1:30 M.



	PREPARED BY: WILLIAM I. MALLONGA <small>PROF: Architect PIR: 3811137 RES. NO.: 4623 DATE: MAY 9, 2013 TEL: 159-564-198 PLACE: MANAR CITY</small>	RECOMMENDING APPROVAL: ILDEFONSO T. PATDU, JR. <small>Assistant Secretary for Project Implementation, DOTC</small>	APPROVED: JULIANITO G. BUCAYAN, JR. <small>Undersecretary for Project Implementation, DOTC</small>	PROJECT TITLE: NEW BOHOL AIRPORT CONSTRUCTION AND SUSTAINABLE ENVIRONMENT PROTECTION PROJECT	LOCATION: MUNICIPALITY OF PANGLAO, PROVINCE OF BOHOL, PHILIPPINES	SHEET CONTENTS: COMPONENT-4 BUILDING WORKS (B) SUBCOMPONENT-4-6 UTILITY BUILDINGS (B61) WATER TANK & PUMP STATION ARCHITECTURAL SECTION DETAIL	SHEET NO: B61-4300-10	
	JICA DESIGN CONSULTANT JOINT VENTURE JAC JAPAN AIRPORT CONSULTANTS, INC.	JICA JAPAN INTERNATIONAL COOPERATION AGENCY	TADASHI AOI <small>Team Leader</small>	JULIANITO G. BUCAYAN, JR. <small>Undersecretary for Project Implementation, DOTC</small>	DATE: JUNE 2013	INDEX:	AMENDMENTS:	Prepared by: WIM Checked by: IC Validated by:



1 FOUNDATION PLAN
B61-4200-01 SCALE 1 : 100

COLUMN LEGEND:

- CONTINUOUS COLUMN
- TERMINATED COLUMN

GENERAL FOUNDATION NOTES

A. SEE SHEET B0-4200-01 TO B0-4200-02 FOR GENERAL STRUCTURAL NOTES AND TYPICAL WALL CONSTRUCTION NOTES.

B. ALL COLUMN FOOTINGS ARE CENTERED ON COLUMN AND COLUMNS ARE CENTERED ON GRIDS UNO.

C. DIMENSION ON THIS PLAN ARE CENTER TO CENTER OF COLUMNS

D. T/E INDICATED TOP OF FOOTING ELEVATION(DATUM: GROUND FLR LVL = 0.00m)
TYP T/E UNO: -1.5m
TYP T/O FTB ELEV: -0.90m

E. VERIFY SIZE, LOCATION AND DEPTH OF UTILITIES AND SLEEVES WITH OTHER TRADES.

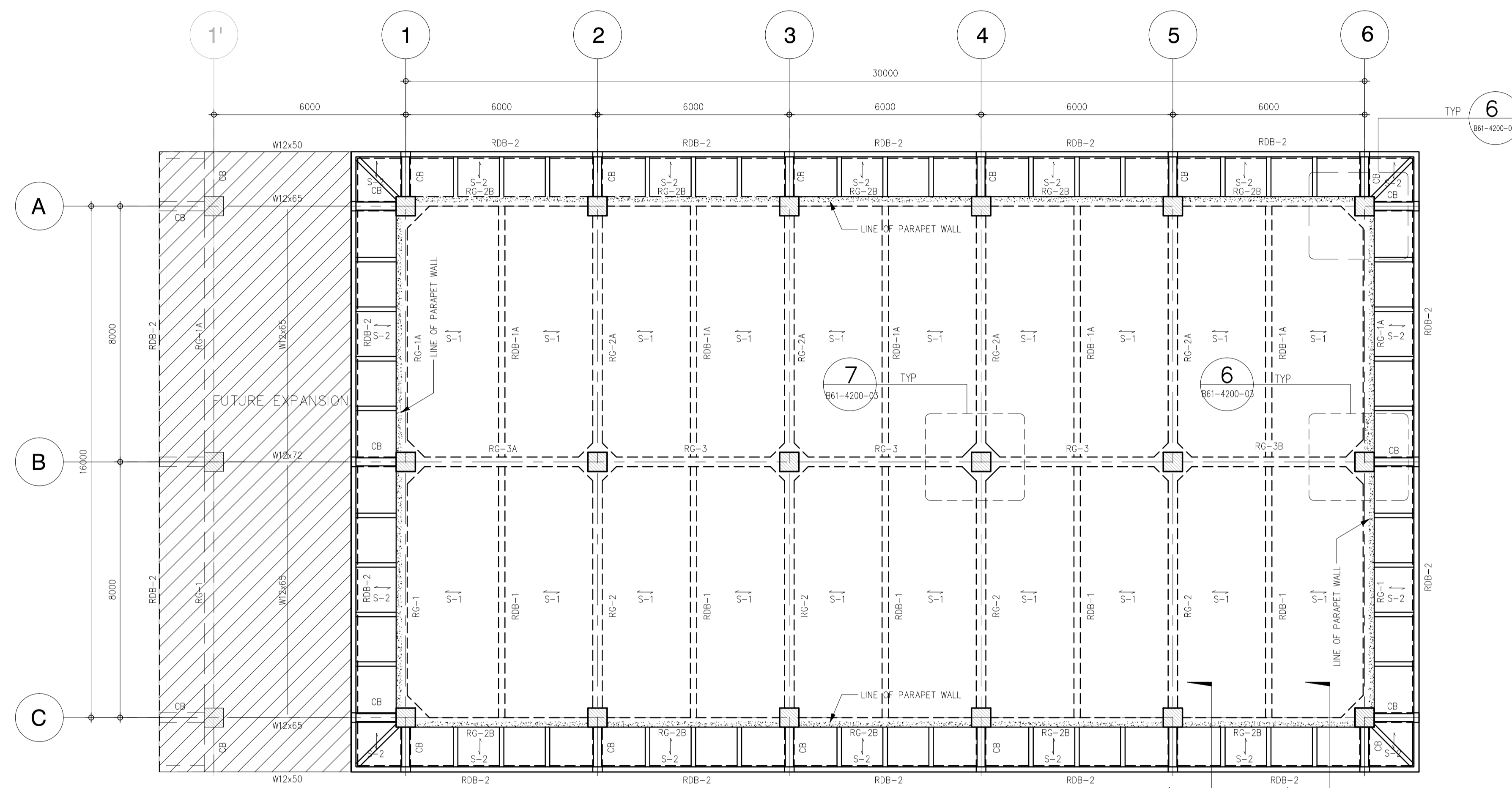
F. SEE ARCHITECTURAL DRAWINGS FOR LOCATION OF RECESSES SLABS, SLOPED AREAS IN SLABS ON GRADE, AND CURBS AT EXTERIOR BUILDING FACE

G. F1, F2 ETC ON PLAN DENOTES CONC FOOTING. SEE SHEET B61-4200-04.

H. C1, C2 ETC ON PLAN DENOTES COLUMNS. SEE SHEET B61-4200-04.

- CHB WALL

	PREPARED BY: EDGARDO C. CRUZ <small>PROF. CIVIL ENGINEER PTR. 7589023B REG. NO.: 23983 DATE: JANUARY 03, 2013 T.E.N. 661-157-021 PLACE: QUEZON CITY</small>	RECOMMENDING APPROVAL: ILDEFONSO T. PATDU, JR. <small>Assistant Secretary for Project Implementation, DOTC</small>	APPROVED: JULIANITO G. BUCAYAN, JR. <small>Undersecretary for Project Implementation, DOTC</small>	PROJECT TITLE: NEW BOHOL AIRPORT CONSTRUCTION AND SUSTAINABLE ENVIRONMENT PROTECTION PROJECT LOCATION: MUNICIPALITY OF PANGLAO, PROVINCE OF BOHOL, PHILIPPINES	SHEET CONTENTS: COMPONENT-4 : BUILDING WORKS (B) SUB-COMPONENT 4-6 : UTILITY BUILDINGS WPH (WATER TANK & PUMP HOUSE) STRUCTURAL FOUNDATION PLAN	SHEET NO: B61-4200-01 DRAWING SCALE: 1 : 100 MTS
	JICA DESIGN CONSULTANT JOINT VENTURE <small>TADASHI AOI Team Leader</small>	JUN 2013 DATE INDEX AMENDMENTS Prepared by: FRS Jr. WIM HC Checked by: Validated by:				

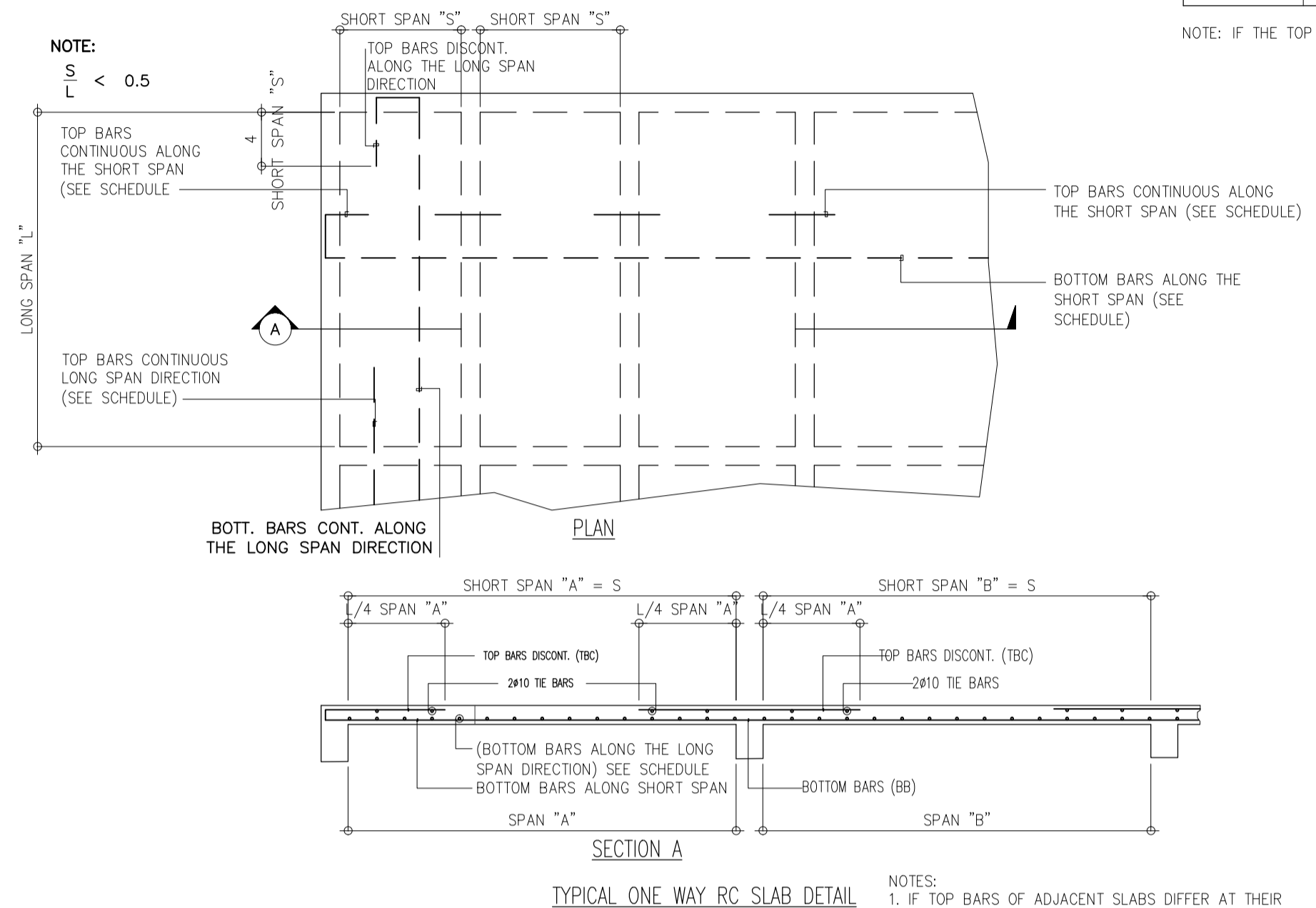
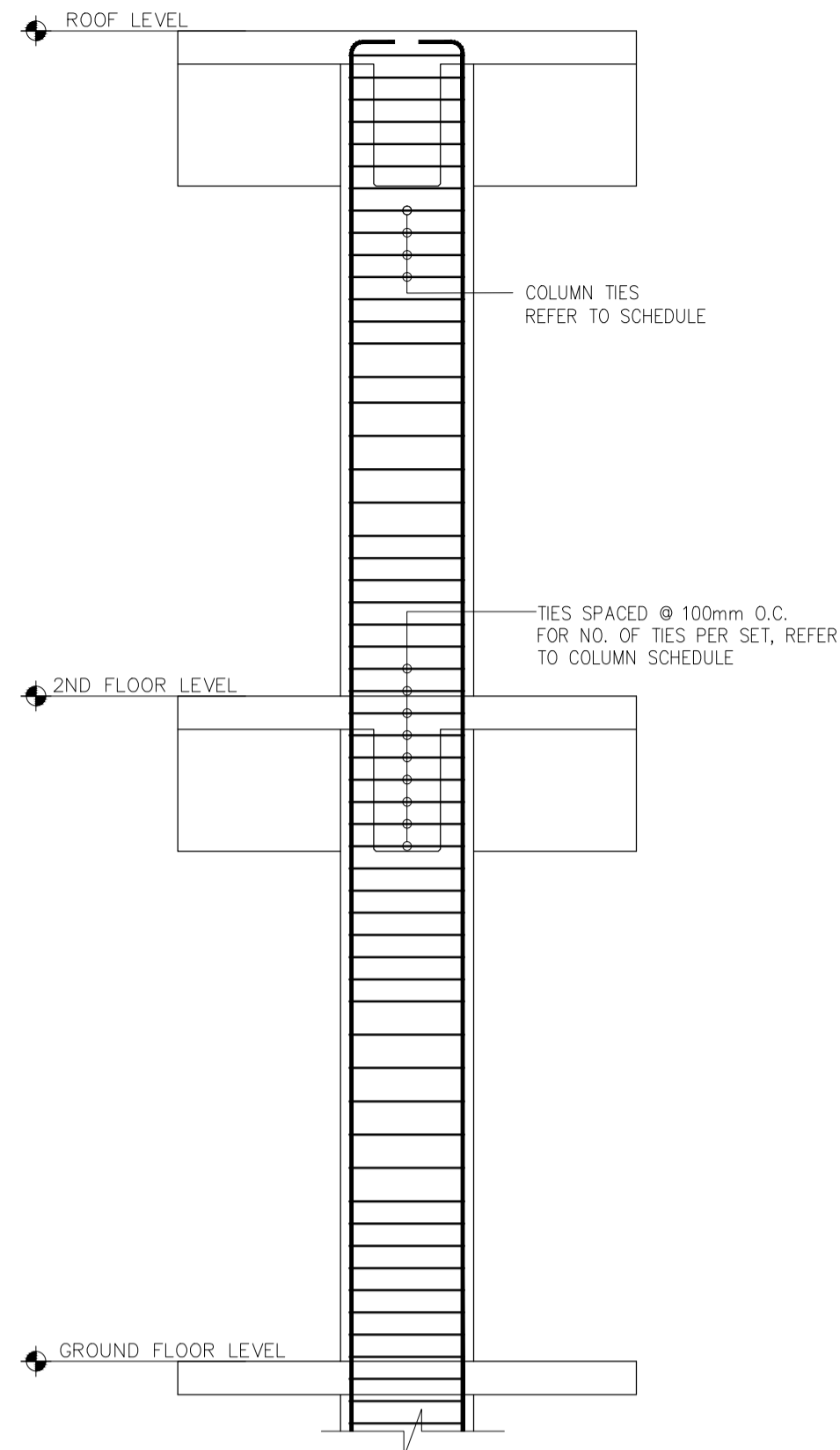
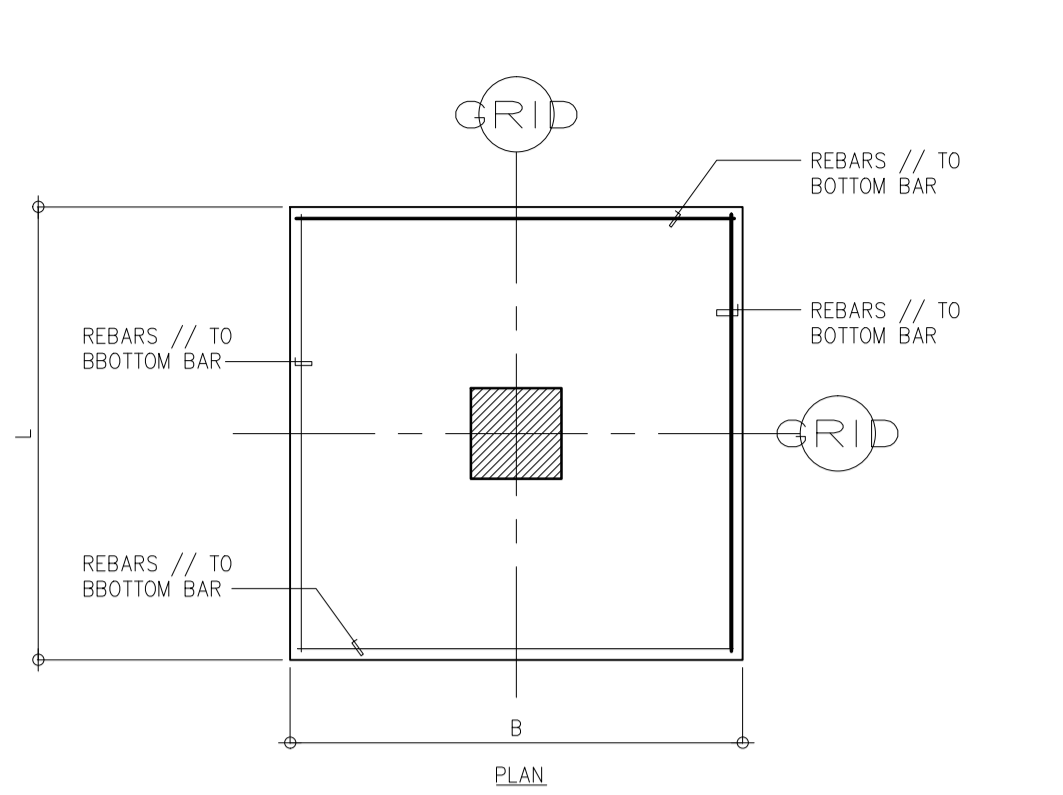


1 WATER TANK & PUMP HOUSE ROOFDECK FRAMING PLAN
 SCALE 1 : 100 MTS

COLUMN LEGEND:

	- TERMINATED COLUMN
	- DEPRESSED SLAB
	- PARAPET WALL

	PREPARED BY: EDGARDO C. CRUZ <small>PROF. CIVIL ENGINEER PTR. 7589023B REG. NO.: 23983 DATE: JANUARY 03, 2013 TEL. 651-157-0211 PLACE: QUEZON CITY</small>	RECOMMENDING APPROVAL: ILDEFONSO T. PATDU, JR. <small>Assistant Secretary for Project Implementation, DOTC</small>	APPROVED: JULIANITO G. BUCAYAN, JR. <small>Undersecretary for Project Implementation, DOTC</small>	PROJECT TITLE: NEW BOHOL AIRPORT CONSTRUCTION AND SUSTAINABLE ENVIRONMENT PROTECTION PROJECT LOCATION: MUNICIPALITY OF PANGLAO, PROVINCE OF BOHOL, PHILIPPINES	SHEET CONTENTS: COMPONENT-4 : BUILDING WORKS (B) SUB-COMPONENT 4-6 : UTILITY BUILDINGS WPH (WATER TANK & PUMP HOUSE) STRUCTURAL ROOF FRAMING PLAN	SHEET NO: B61-4200-02 DRAWING SCALE: 1 : 100 MTS
	JICA DESIGN CONSULTANT JOINT VENTURE <small>Republic of the Philippines DEPARTMENT OF TRANSPORTATION AND COMMUNICATIONS</small>	<small>JUNE 2013</small> DATE INDEX AMENDMENTS Prepared by: FRS Jr. WIM HC Checked by: Validated by:				



SCHEDULE OF R.C. SLABS

SLAB MARK	THICKNESS (mm)	BAR SIZE	SHORT DIRECTION			LONG DIRECTION			REMARKS
			BOTTOM MIDSPAN	TOP BARS		BOTTOM MIDSPAN	TOP BARS		
				CONT EDGE	DISC EDGE		CONT EDGE	DISC EDGE	
S-1	100	10mm ϕ	125mm	100mm	-	300mm	300mm	300mm	ONE-WAY
S-2	100	10mm ϕ	125mm	100mm	200mm	300mm	300mm	300mm	ONE-WAY

NOTE: IF THE TOP BARS OF ADJACENT SLABS DIFFER AT COMMON SUPPORT, THE SMALLER SPACING SHALL GOVERN

FOOTING SCHEDULE

MARK	DIMENSIONS			REINFORCEMENTS				REMARKS
	LENGTH (L)	WIDTH (B)	THICKNESS (t)	TOP		BOTTOM		
				BARS // TO "L"	BARS // TO "B"	BARS // TO "L"	BARS // TO "B"	
F1	2000	2000	500	-	-	8-20mm ϕ	8-20mm ϕ	
F2	2200	2200	500	-	-	10-20mm ϕ	10-20mm ϕ	

SCHEDULE OF COLUMNS

LEVEL	MARK	C-1	C-2
GROUND LEVEL TO ROOF DECK LEVEL			
	SIZE:	600x600mm	600x600mm
	REBARS:	16-20mm ϕ	20-25mm ϕ
	TIES:	3 SETS 12mm ϕ , 1 ϕ 50mm, 10 ϕ 100, REST @ 150mm OC TO M.H.	3 SETS 12mm ϕ , 1 ϕ 50mm, 10 ϕ 100, REST @ 150mm OC TO M.H.
FOUNDATION TO GROUND FLOOR LEVEL			
	SIZE:	670x670mm	670x670mm
	REBARS:	16-20mm ϕ	20-25mm ϕ
	TIES:	3 SETS 12mm ϕ , 1 ϕ 50mm, 10 ϕ 100, REST @ 150mm OC TO M.H.	3 SETS 12mm ϕ , 1 ϕ 50mm, 10 ϕ 100, REST @ 150mm OC TO M.H.

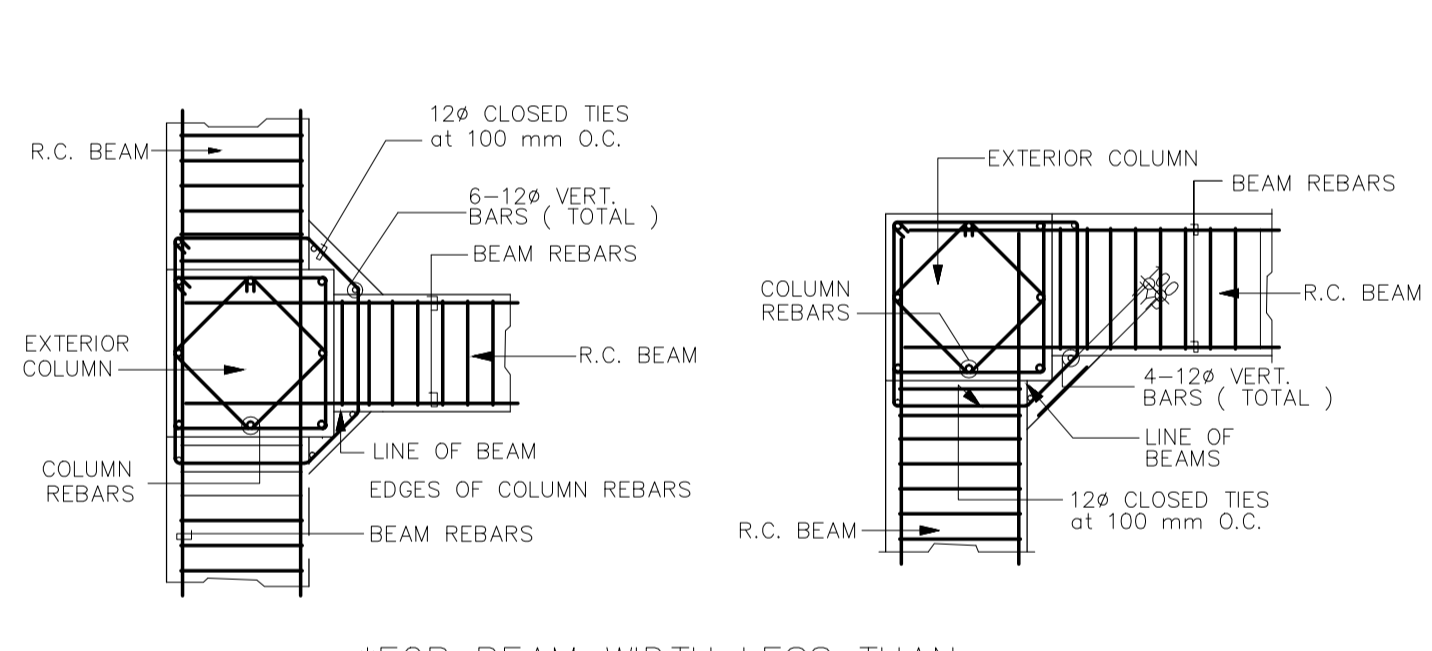
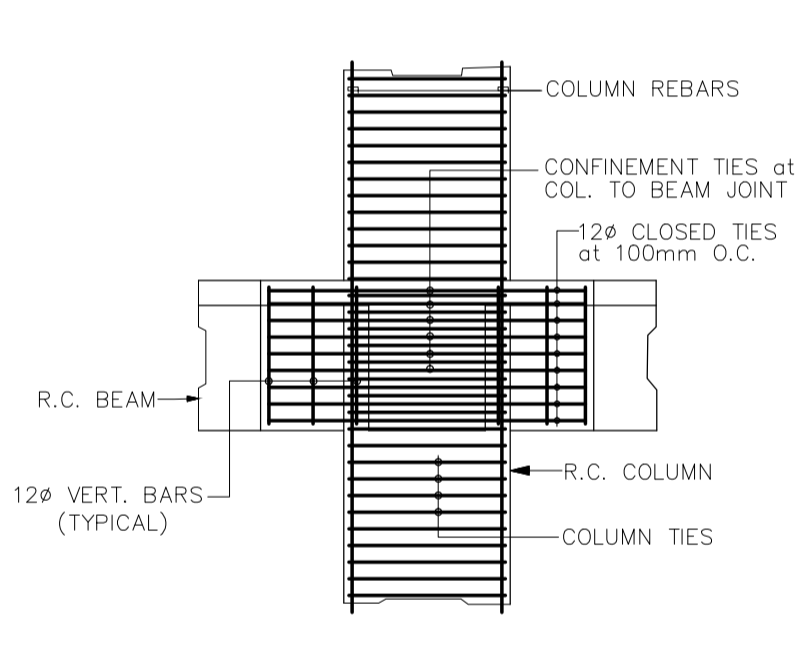
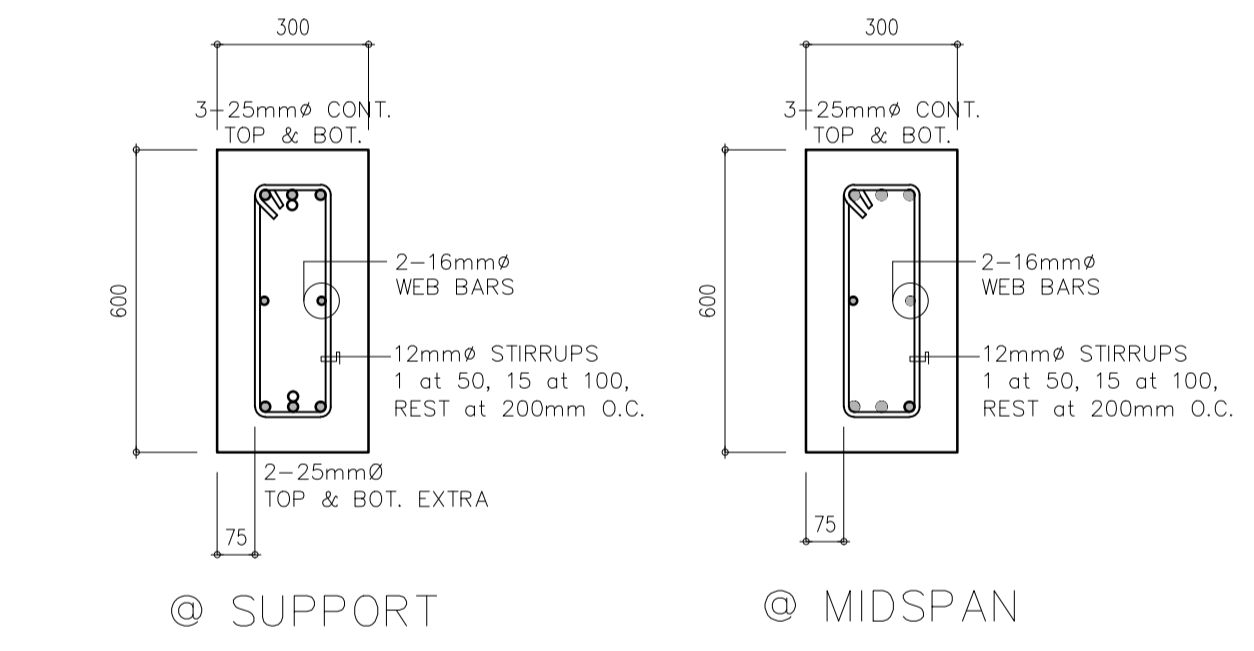
CANOPY BEAMS AND GIRDERS SCHEDULE

MARK	SIZE	REBAR	LOC	LEFT	MIDSPAN	RIGHT	WEB BARS	STIRRUPS
RDB-1	300x550	25	TOP	2	2	6		2-10mm, 1 ϕ 50, 20 ϕ 100, REST @ 150mm O.C.
		25	BOT	3	4	3		
RDB-1A	300x550	25	TOP	6	2	2		2-10mm, 1 ϕ 50, 20 ϕ 100, REST @ 150mm O.C.
		25	BOT	3	4	2		
RDB-2	200x550	25	TOP	4	2	4		1-10mm, 1 ϕ 50, rest @ 100mm O.C.
		25	BOT	2	4	2		
RG-1	350x1450	25	TOP	3	2	3	6-16mm ϕ	3-12mm, 1 ϕ 50, 29 @ 100 REST @ 125mm O.C.
		25	BOT	2	2	2		
RG-1A	350x1630	25	TOP	3	2	3	6-16mm ϕ	3-12mm, 1 ϕ 50, 29 @ 100 REST @ 125mm O.C.
		25	BOT	2	2	2		
RG-2	350x550	25	TOP	5	2	5		1-10mm, 1 ϕ 50, 20 ϕ 150, REST @ 250mm O.C.
		25	BOT	2	3	2		
RG-2A	300x550	25	TOP	5	2	5		1-10mm, 1 ϕ 50, 20 ϕ 150, rest @ 250mm O.C.
		25	BOT	2	3	2		
RG-2B	400x1630	25	TOP	3	2	3	6-16mm ϕ	1-12mm, 1 ϕ 50, 29 @ 100 REST @ 200mm O.C.
		25	BOT	2	2	2		
RG-3	300x550	25	TOP	8	2	8		2-10mm, 1 ϕ 50, 20 ϕ 100, REST @ 150mm O.C.
		25	BOT	3	8	3		
RG-3A	300x550	25	TOP	6	3	8		2-10mm, 1 ϕ 50, 20 ϕ 100, REST @ 150mm O.C.
		25	BOT	3	7	4		
RG-3B	300x550	25	TOP	8	3	6		2-10mm, 1 ϕ 50, 20 ϕ 100, REST @ 150mm O.C.
		25	BOT	4	7	3		
CB	300x550	25	TOP	4	4	4		1-10mm, 1 ϕ 50, REST @ 100mm O.C.
		25	BOT	2	2	2		

1 TYP. ISOLATED FOOTING DETAIL WITH CONCRETE COLUMN SCALE 1:50 MTS

2 COLUMN ELEVATION SHOWING TIE SPACING SCALE 1:30 MTS

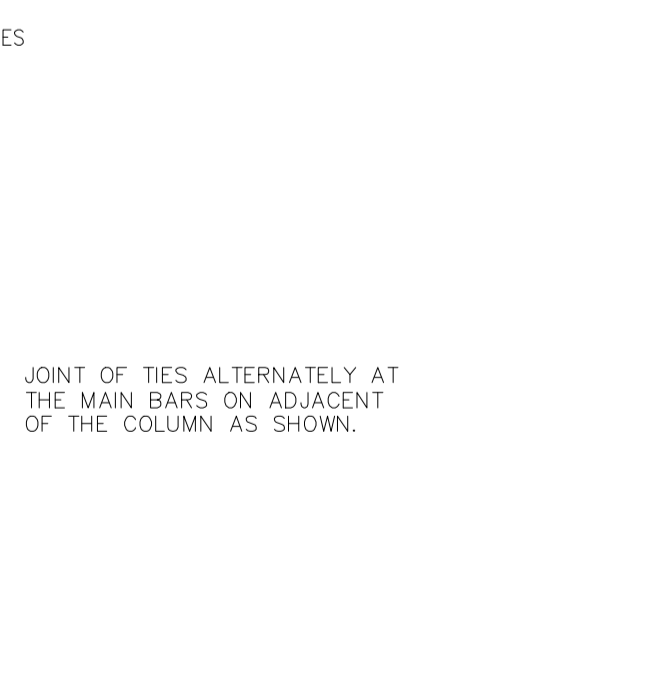
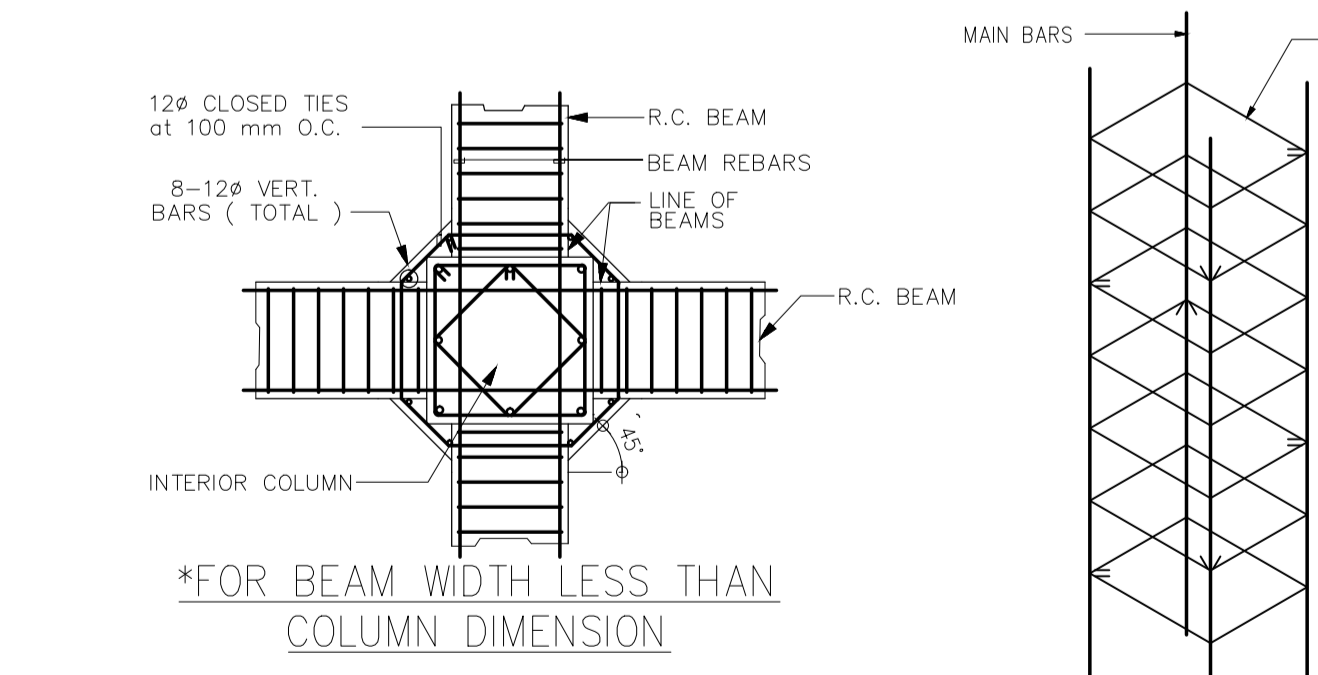
3 ELEVATION OF RC SLABS SCALE 1:50 MTS



4 FOOTING TIE BEAM DETAIL SCALE 1:15 MTS

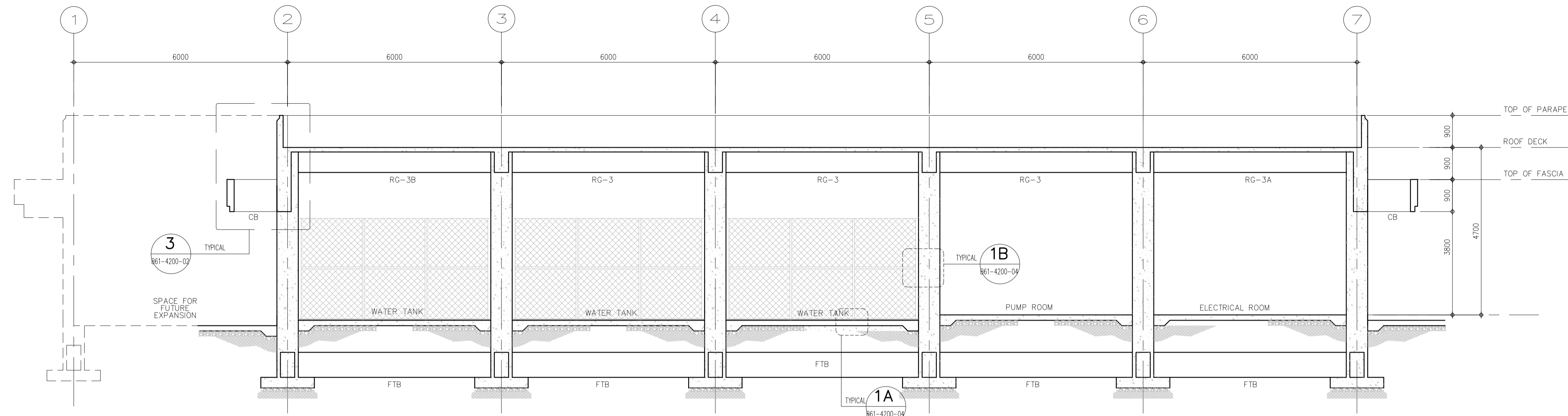
5 TYP. BEAM TO COLUMN JOINT ELEVATION SCALE 1:50 MTS

6 TYP. EXTERIOR BEAM TO COLUMN JOINT ELEVATION SCALE 1:50 MTS

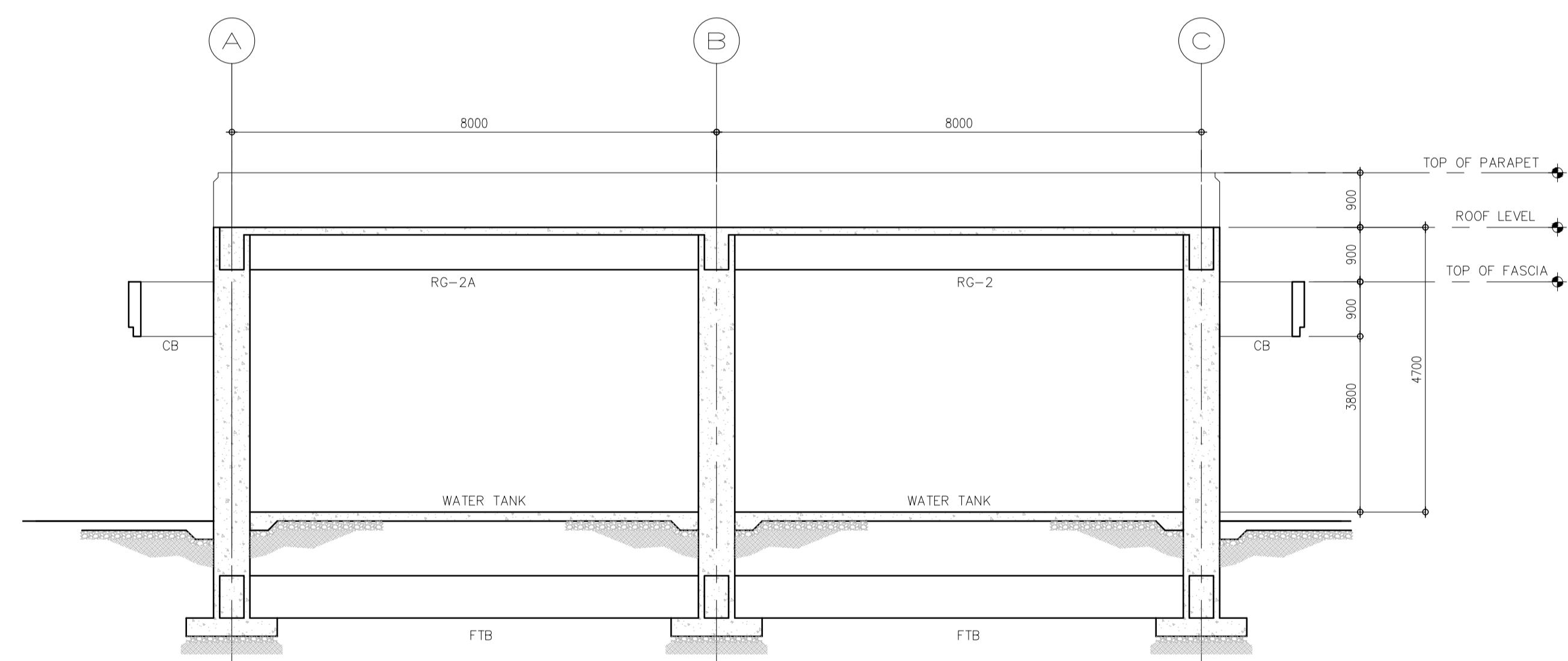


7 TYP. INTERIOR BEAM TO COLUMN JOINT ELEVATION SCALE 1:50 MTS

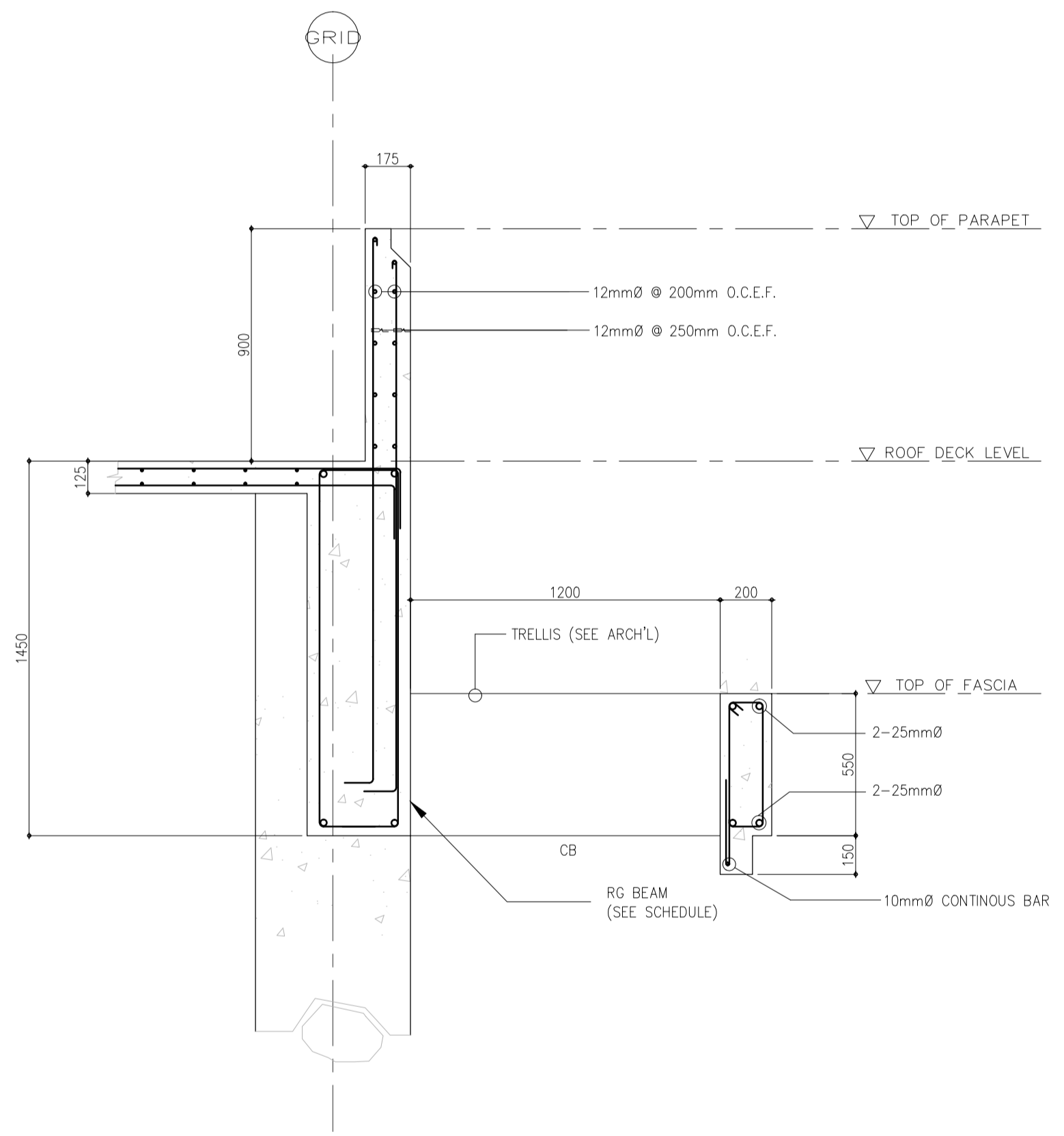
	PREPARED BY: EDGARDO C. CRUZ <small>PROF. CIVIL ENGINEER PTR. 7589023B REG. NO.: 23983 DATE: JANUARY 03, 2013 TEAM: 661-157-021 PLACE: QUEZON CITY</small>	RECOMMENDING APPROVAL: ILDEFONSO T. PATDU, JR. <small>Assistant Secretary for Project Implementation, DOTC</small>	APPROVED: JULIANITO G. BUCAYAN, JR. <small>Undersecretary for Project Implementation, DOTC</small>	PROJECT TITLE: NEW BOHOL AIRPORT CONSTRUCTION AND SUSTAINABLE ENVIRONMENT PROTECTION PROJECT	LOCATION: MUNICIPALITY OF PANGLAO, PROVINCE OF BOHOL, PHILIPPINES	SHEET CONTENTS: COMPONENT-4 : BUILDINGS WORKS (B) SUB-COMPONENT 4-6 : UTILITY BUILDINGS WPH (WATER TANK & PUMP HOUSE) STRUCTURAL TIE BEAM, CHB WALL/RC WALL COLUMN DETAILS COLUMNS, GIRDERS, BEAMS SCHEDULE	SHEET NO: B61-4200-03 DRAWING SCALE: AS SHOWN
	JICA DESIGN CONSULTANT JOINT VENTURE JAPAN AIRPORT CONSULTANTS, INC. NIPON KOEI CO. LTD. NIS CONSULTANTS CO. LTD.	TADASHI AOI <small>Team Leader</small>	ILDEFONSO T. PATDU, JR. <small>Assistant Secretary for Project Implementation, DOTC</small>	JULIANITO G. BUCAYAN, JR. <small>Undersecretary for Project Implementation, DOTC</small>	DATE: JUNE 2013 INDEX:	AMENDMENTS:	Prepared by: FRS Jr. WIM IIC Checked by: Validated by:



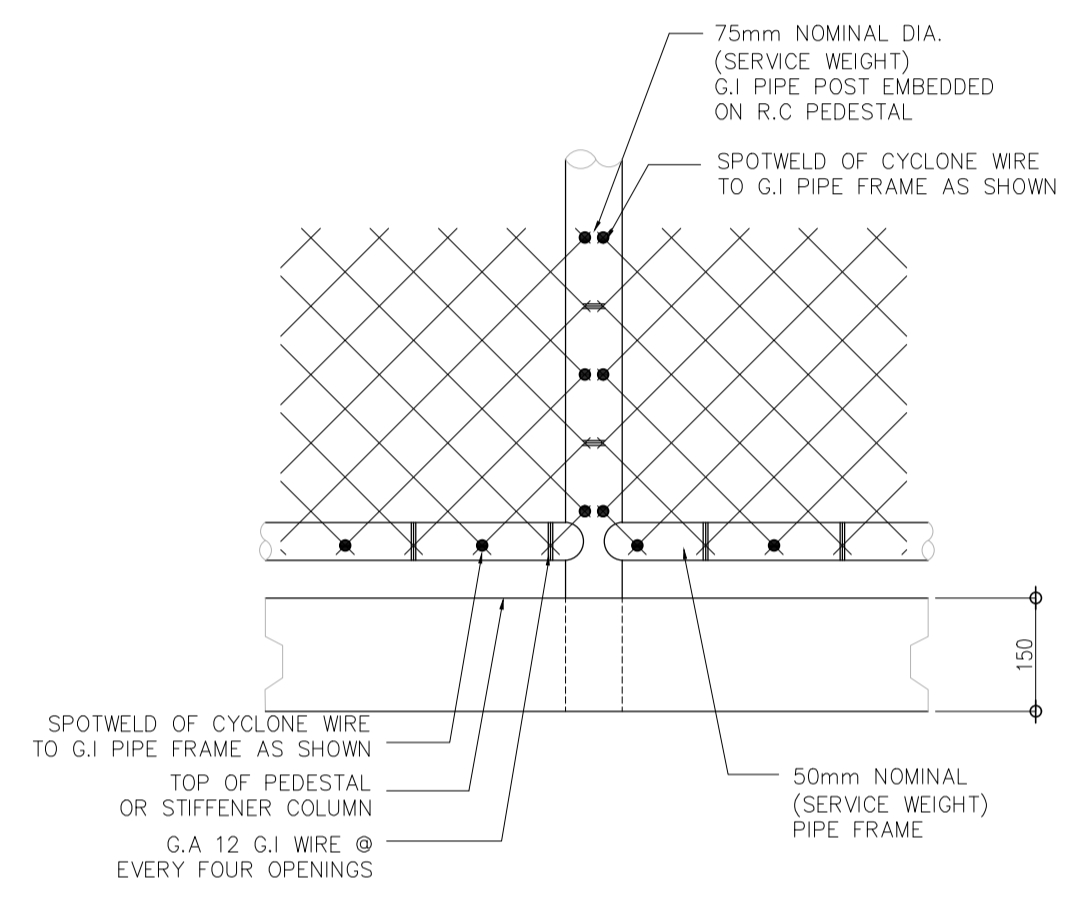
1 FRAME ELEVATION @ GRID B
 861-4200-04 SCALE 1 : 75 MTS



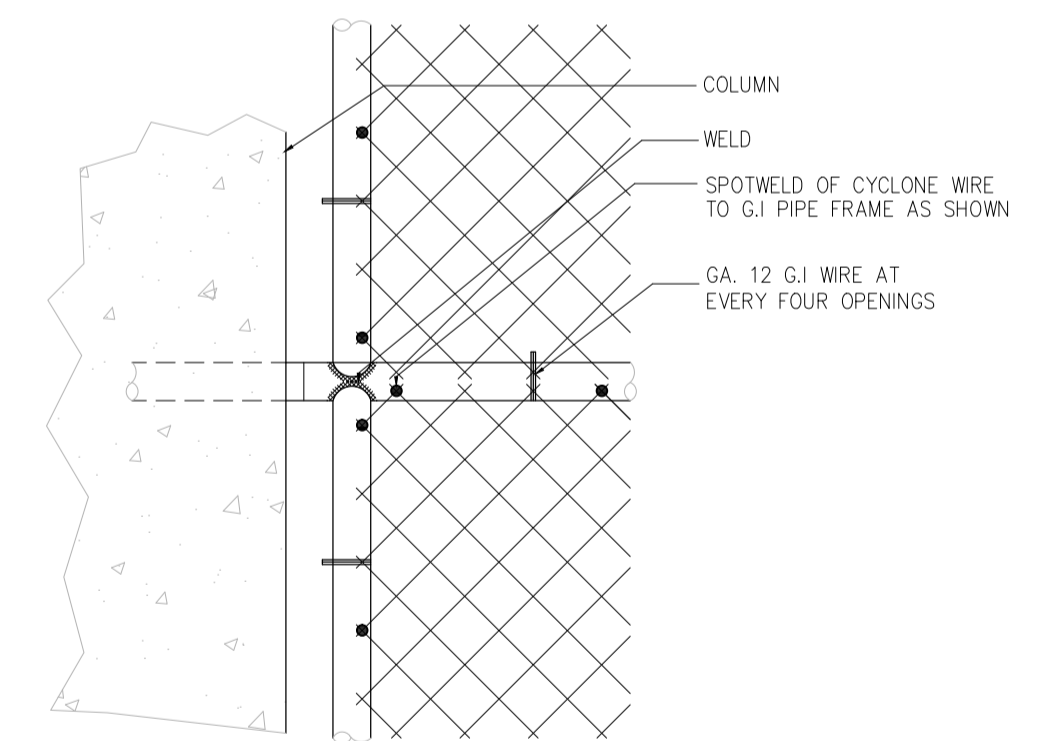
2 FRAME ELEVATION @ GRID 4
 861-4200-04 SCALE 1 : 75 MTS



3 TYPICAL CS-1 SECTION DETAIL
 861-4200-04 SCALE 1 : 20 MTS

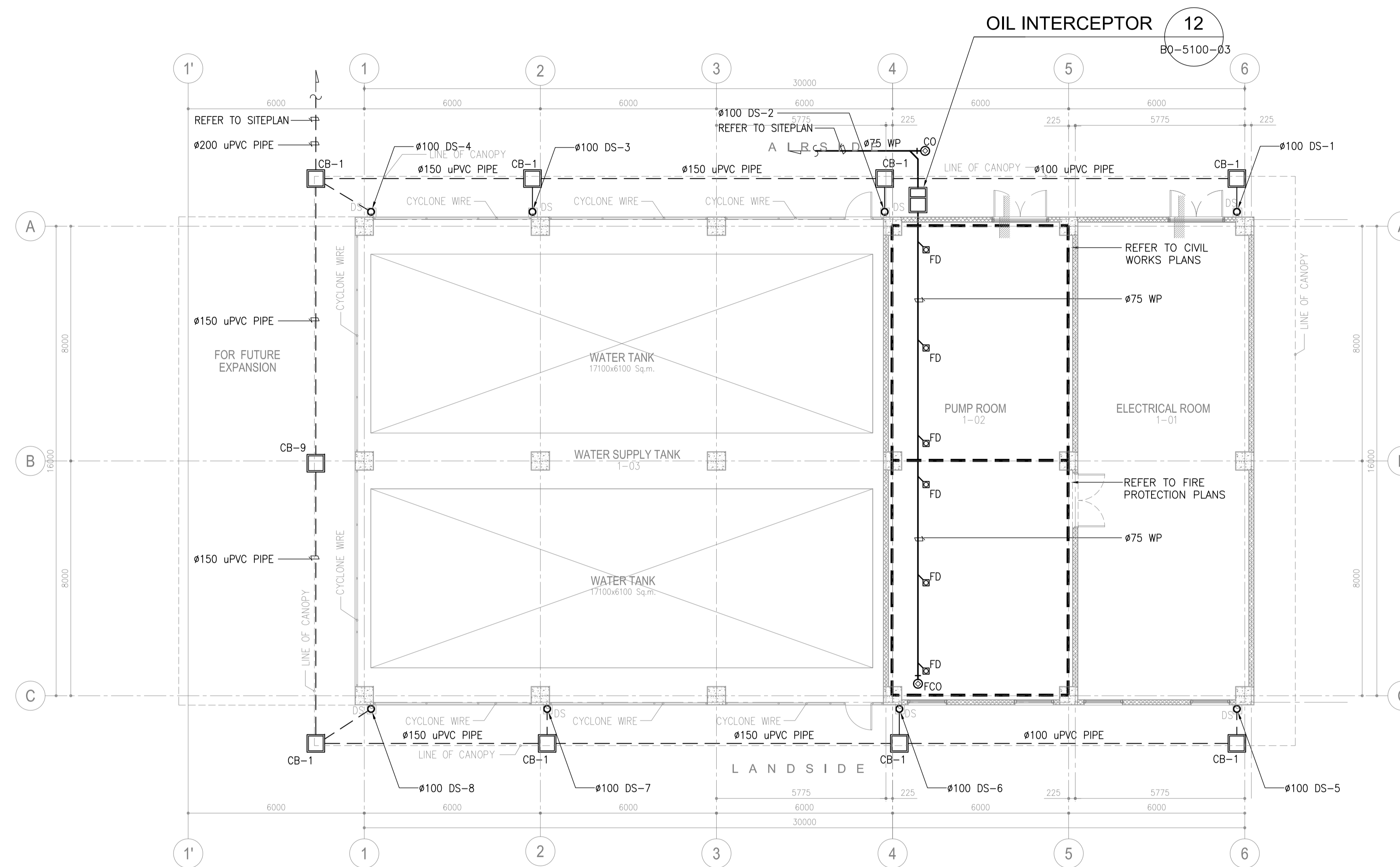


1A TYPICAL DETAIL A
 861-4200-04 SCALE 1 : 20 MTS



1B TYPICAL DETAIL
 861-4200-04 SCALE 1 : 20 MTS

	PREPARED BY: EDGARDO C. CRUZ <small>PROF. CIVIL ENGINEER PTR. 7589023B REG. NO.: 23983 DATE: JANUARY 03, 2013 T.I.N. 651-157-021 PLACE: QUEZON CITY</small>	RECOMMENDING APPROVAL: ILDEFONSO T. PATDU, JR. <small>Assistant Secretary for Project Implementation, DOTC</small>	APPROVED: JULIANITO G. BUCAYAN, JR. <small>Undersecretary for Project Implementation, DOTC</small>	PROJECT TITLE: NEW BOHOL AIRPORT CONSTRUCTION AND SUSTAINABLE ENVIRONMENT PROTECTION PROJECT	LOCATION: MUNICIPALITY OF PANGLAO, PROVINCE OF BOHOL, PHILIPPINES	SHEET CONTENTS: COMPONENT-4 : BUILDING WORKS (B) SUB-COMPONENT 4-6 : UTILITY BUILDINGS WPH (WATER TANK & PUMP HOUSE) STRUCTURAL SECTION ELEVATION ALONG GRID B & 4 TYPICAL SECTION DETAIL	SHEET NO: B61-4200-04
	JICA DESIGN CONSULTANT JOINT VENTURE	TADASHI AOI <small>Team Leader</small>	ILDEFONSO T. PATDU, JR. <small>Assistant Secretary for Project Implementation, DOTC</small>	JULIANITO G. BUCAYAN, JR. <small>Undersecretary for Project Implementation, DOTC</small>	DATE: JUNE 2013 INDEX:	AMENDMENTS:	SHEET SCALE: AS SHOWN

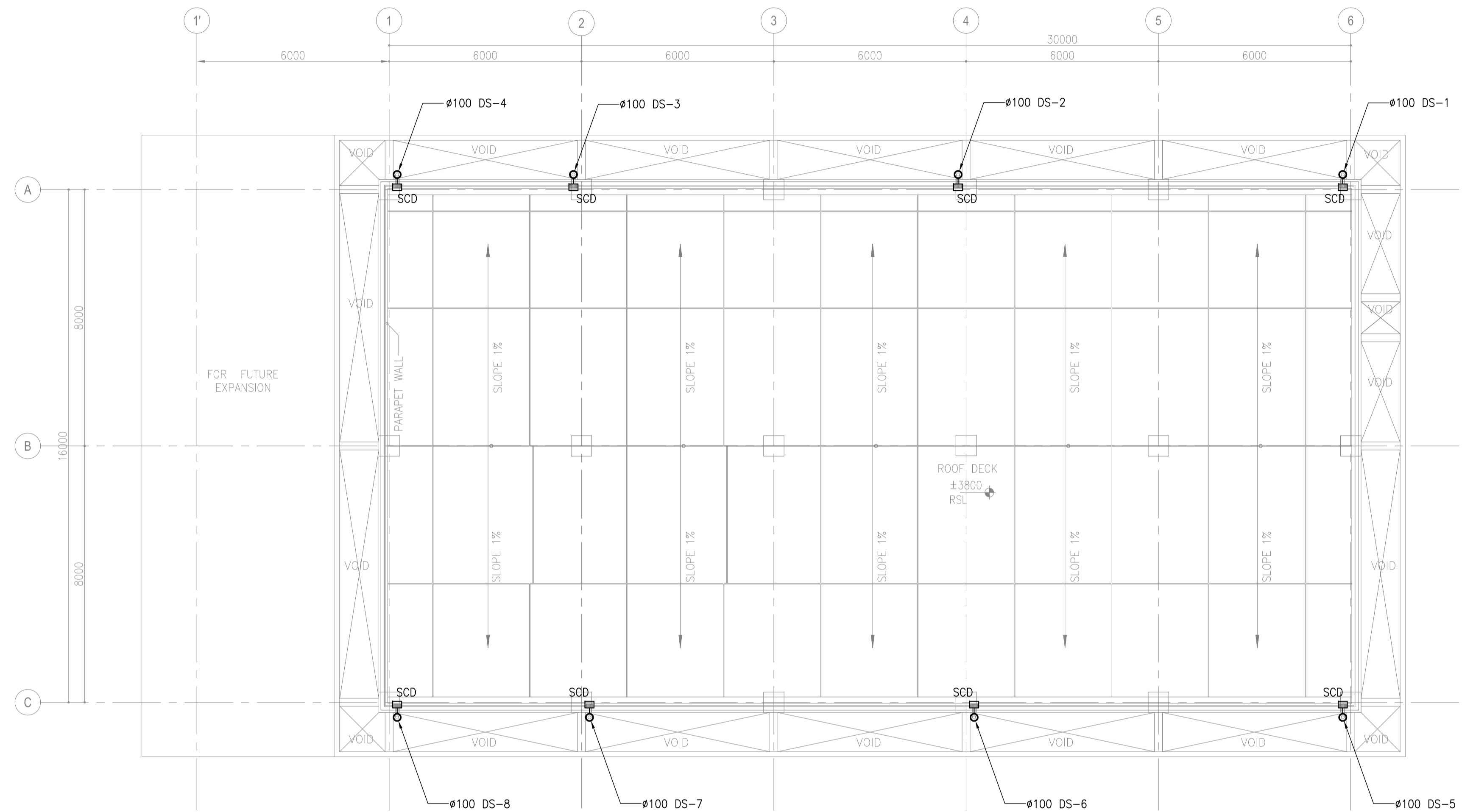


1
WATER TANK AND PUMP HOUSE
GROUND FLOOR PLUMBING PLAN
SCALE 1:100M

CATCH BASIN SCHEDULE:

SYMBOL	PIT NAME	PIT DIM.	PIT DEPTH	MANHOLE SPECS.	REMARKS
□	CB-1	500x500	825 (MIN)	R.C. COVER W/ LIFTING HANDLE	

	<p>PREPARED BY: LEOVIMEL J. VINELES <small>Philippine Registered Engineer</small></p> <p>RECOMMENDING APPROVAL: JILDEFONSO T. PATDU, JR. <small>Assistant Secretary for Project Implementation, DOTC</small></p>	<p>APPROVED: JULIANITO G. BUCAYAN, JR. <small>Undersecretary for Project Implementation, DOTC</small></p>	<p>PROJECT TITLE: NEW BOHOL AIRPORT CONSTRUCTION AND SUSTAINABLE ENVIRONMENT PROTECTION PROJECT</p> <p>LOCATION: MUNICIPALITY OF PANGLAO, PROVINCE OF BOHOL, PHILIPPINES</p>	<p>SHEET CONTENTS: COMPONENT-4: BUILDING WORKS (B) SUBCOMPONENT-4-6: UTILITY BUILDINGS (B61) WATER TANK & PUMP STATION</p> <p>MECHANICAL SANITARY AND PLUMBING GROUND FLOOR PLUMBING PLAN</p>	<p>SHEET NO: B61-5100-01</p> <p>DRAWING SCALE: 1:100M</p>
<p>DATE: JUNE 2013</p> <p>Prepared by: WIM Checked by: HC Validated by:</p>					



1
 WATER TANK AND PUMP HOUSE
 ROOF DECK PLUMBING PLAN
 B61-5300-02 SCALE 1:100M

	PREPARED BY: LEOVIMEL J. VINELES <small>Philippine Registered Engineer</small> <small>PROF. SANITARY ENGINEER PTR. 2024236</small> <small>REG. NO. 0002435 DATE: 07-09-2013</small> <small>TIN: 237-652-802-000 PLACE: MANILA</small>	RECOMMENDING APPROVAL: ILDEFONSO T. PATDU, JR. <small>Assistant Secretary</small> <small>for Project Implementation, DOTC</small>	APPROVED: JULIANITO G. BUCAYAN, JR. <small>Undersecretary</small> <small>for Project Implementation, DOTC</small>	PROJECT TITLE: <p style="text-align: center;">NEW BOHOL AIRPORT CONSTRUCTION AND SUSTAINABLE ENVIRONMENT PROTECTION PROJECT</p> LOCATION: MUNICIPALITY OF PANGLAO, PROVINCE OF BOHOL, PHILIPPINES	SHEET CONTENTS: COMPONENT-4: BUILDING WORKS (B) SUBCOMPONENT-4-6: UTILITY BUILDINGS (B61) WATER TANK & PUMP STATION MECHANICAL SANITARY AND PLUMBING ROOF DECK PLUMBING PLAN	SHEET NO: B61-5100-02 DRAWING SCALE: 1:100M
JICA DESIGN CONSULTANT JOINT VENTURE <small>Republic of the Philippines DEPARTMENT OF TRANSPORTATION AND COMMUNICATIONS</small> <small>JAPAN INTERNATIONAL COOPERATION AGENCY</small> <small>JAPAN AIRPORT CONSULTANTS, INC.</small> <small>NIPPON KOEI CO., LTD.</small> <small>NJS CONSULTANTS CO., LTD.</small>					DATE: JUNE 2013 INDEX: - AMENDMENTS: - Prepared by: WIM Checked by: HC Validated by:	

WATER TANK AND PUMP HOUSE

EXHAUST FAN:

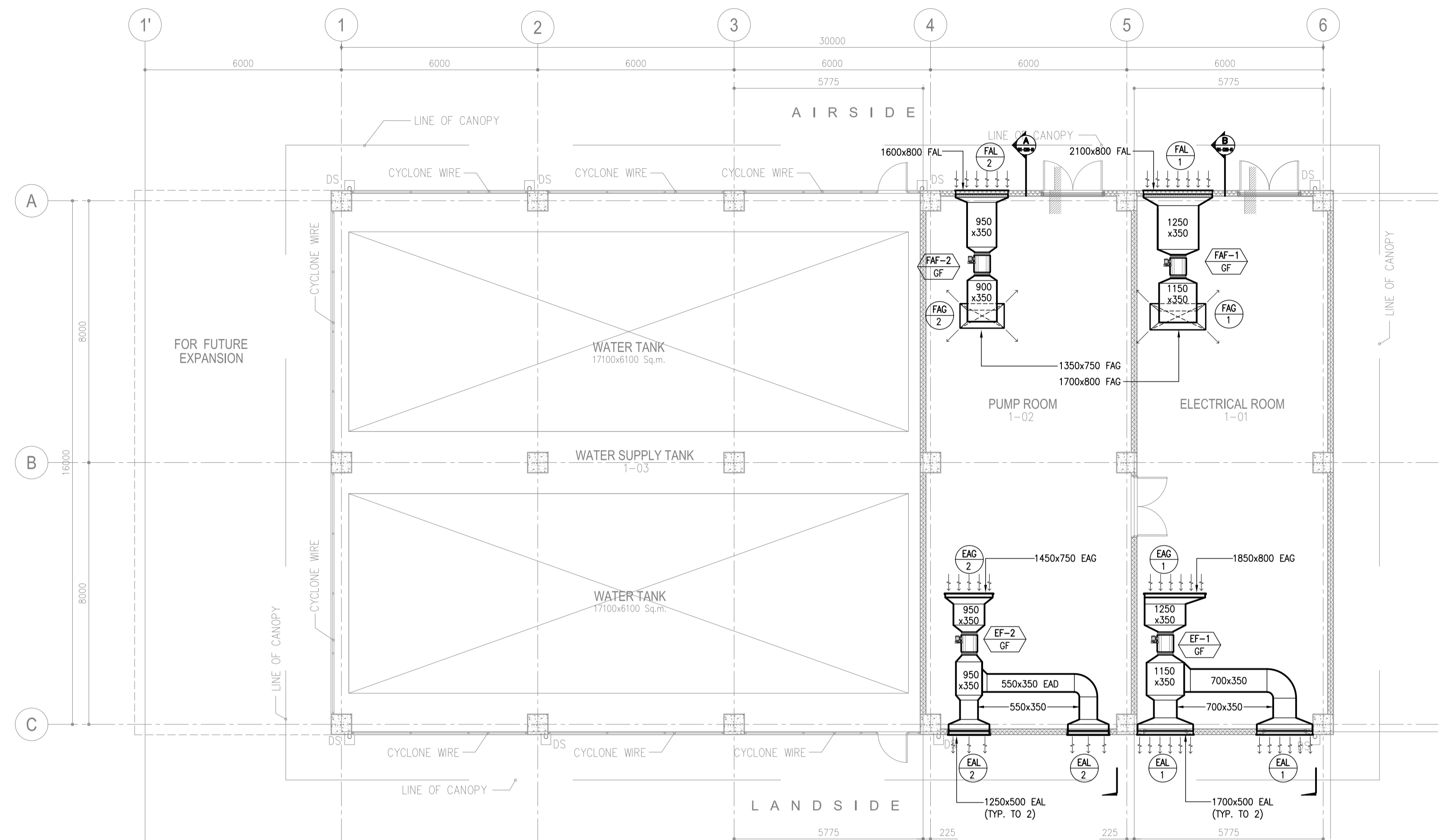
UNIT DESIGNATION	EQUIPMENT	AREA SERVED	QUANTITY	EQUIPMENT AIRFLOW (lps)	STATIC PRESSURE (Pa)	POWER INPUT (W)	ELECTRICAL CHARACTERISTICS			TYPE OF FAN
							VOLTS	PHASE	HERTZ	
EF-1 GF	EXHAUST FAN	ELECTRICAL ROOM	1	2450	160	1100	230	3	60	IN-LINE AXIAL FAN
EF-2 GF	EXHAUST FAN	PUMP ROOM	1	1750	105	550	230	3	60	IN-LINE AXIAL FAN

FRESH AIR FAN:

UNIT DESIGNATION	EQUIPMENT	AREA SERVED	QUANTITY	EQUIPMENT AIRFLOW (lps)	STATIC PRESSURE (Pa)	POWER INPUT (W)	ELECTRICAL CHARACTERISTICS			TYPE OF FAN
							VOLTS	PHASE	HERTZ	
FAF-1 GF	FRESH AIR FAN	ELECTRICAL ROOM	1	2450	160	1100	230	3	60	IN-LINE AXIAL FAN
FAF-2 GF	FRESH AIR FAN	PUMP ROOM	1	1750	105	550	230	3	60	IN-LINE AXIAL FAN

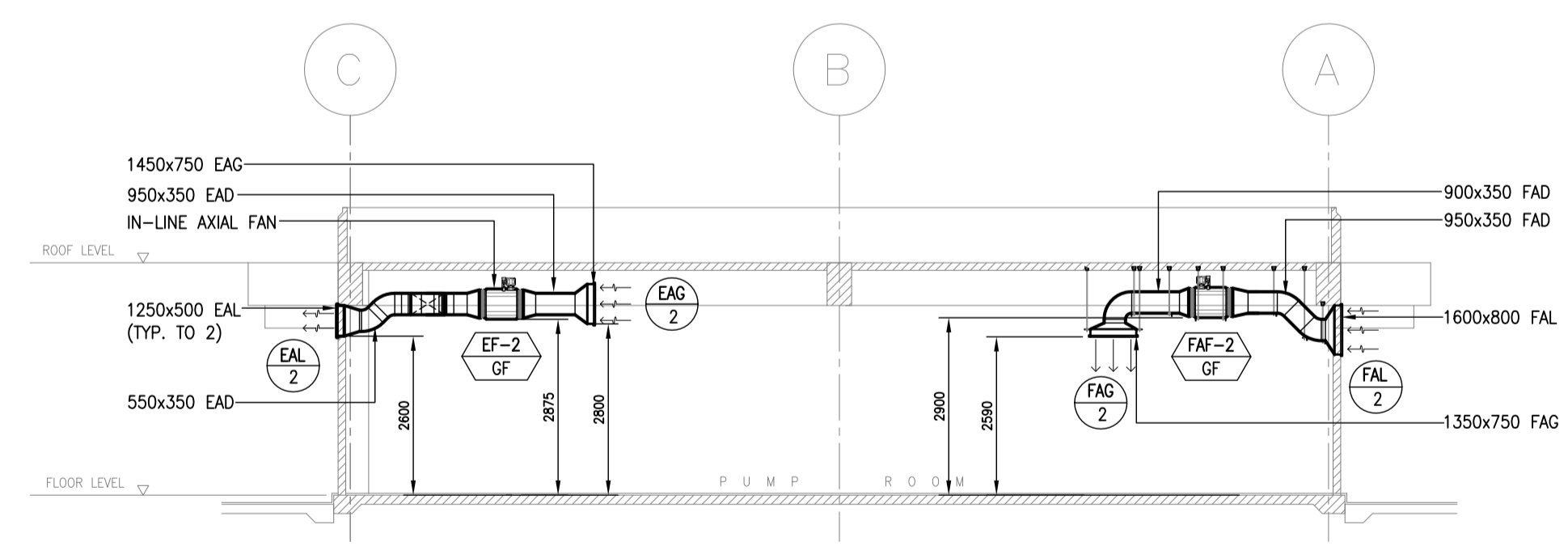
AIR TERMINAL DEVICES:

AIR TERMINAL DEVICE DESIGNATION	LOCATION	LEVEL	SERVICE	QUANTITY	TOTAL AIR FLOWRATE (lps)	TYPE	AIR FLOWRATE PER TERMINAL DEVICE (lps)	DIMENSION		REMARKS
								HEIGHT (mm)	WIDTH (mm)	
FAL 1	ELECTRICAL ROOM	GROUND FLOOR	FRESH AIR	1	2450	FRESH AIR LOUVER	2450	2100	800	LOW NOISE, WEATHER PROOF
FAG 1	ELECTRICAL ROOM	GROUND FLOOR	FRESH AIR	1	2450	FRESH AIR GRILLE	2450	1700	800	TWO-WAY OPPOSED BLADE W/ INTEGRAL VOLUME DAMPER
EAL 1	ELECTRICAL ROOM	GROUND FLOOR	EXHAUST AIR	2	2450	EXHAUST AIR LOUVER	1225	1700	500	LOW NOISE, WEATHER PROOF
EAG 1	ELECTRICAL ROOM	GROUND FLOOR	EXHAUST AIR	1	2450	EXHAUST AIR GRILLE	2450	1850	800	TWO-WAY OPPOSED BLADE W/ INTEGRAL VOLUME DAMPER
FAL 2	PUMP ROOM	GROUND FLOOR	FRESH AIR	1	1750	FRESH AIR LOUVER	1750	1600	800	LOW NOISE, WEATHER PROOF
FAG 2	PUMP ROOM	GROUND FLOOR	FRESH AIR	1	1750	FRESH AIR GRILLE	1750	1350	750	TWO-WAY OPPOSED BLADE W/ INTEGRAL VOLUME DAMPER
EAL 2	PUMP ROOM	GROUND FLOOR	EXHAUST AIR	2	1750	EXHAUST AIR LOUVER	875	1250	500	LOW NOISE, WEATHER PROOF
EAG 2	PUMP ROOM	GROUND FLOOR	EXHAUST AIR	1	1750	EXHAUST AIR GRILLE	1750	1450	750	TWO-WAY OPPOSED BLADE W/ INTEGRAL VOLUME DAMPER



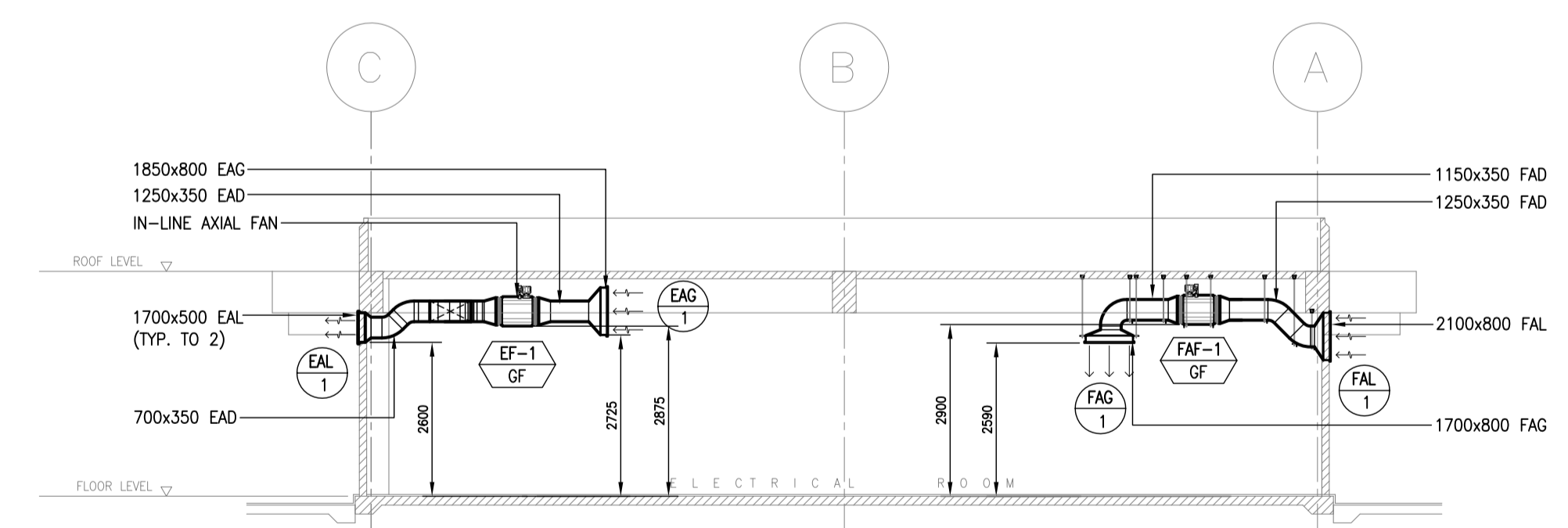
**WATER TANK AND PUMP HOUSE
GROUND FLOOR VENTILATION LAYOUT**

1
B61-5200-01 SCALE 1:100M



**WATER TANK AND PUMP HOUSE
SECTION "A" LAYOUT**

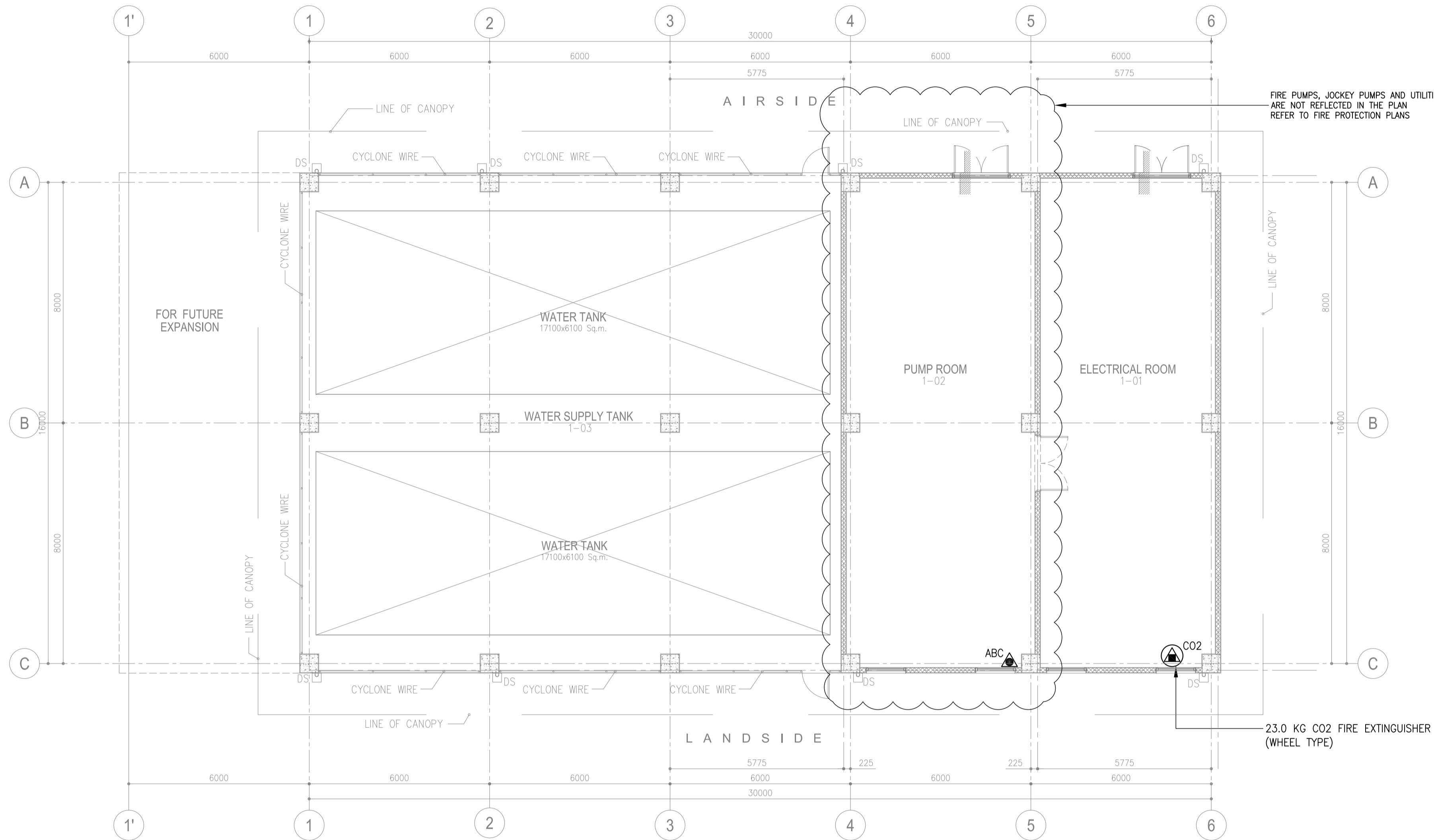
A
B61-5200-01 SCALE 1:100M



**WATER TANK AND PUMP HOUSE
SECTION "B" LAYOUT**

B
B61-5200-01 SCALE 1:100M

	PREPARED BY: RENATO A. ARRIOLA Filipino Registered Engineer PIR: 1725187 REG. NO: 2379 DATE: JANUARY 01, 2013 T.I.N: 150-563-379 PLACE: TAGBILIG CITY	RECOMMENDING APPROVAL: ILDEFONSO T. PATDU, JR. Assistant Secretary for Project Implementation, DOTC	APPROVED: JULIANITO G. BUCAYAN, JR. Undersecretary for Project Implementation, DOTC	PROJECT TITLE: NEW BOHOL AIRPORT CONSTRUCTION AND SUSTAINABLE ENVIRONMENT PROTECTION PROJECT	LOCATION: MUNICIPALITY OF PANGLAO, PROVINCE OF BOHOL, PHILIPPINES	SHEET CONTENTS: COMPONENT-4: BUILDING WORKS (B) SUBCOMPONENT-4-6: UTILITY BUILDINGS (B61) WATER TANK & PUMP STATION MECHANICAL VENTILATION AND AIR-CONDITIONING EQUIPMENT SCHEDULE VENTILATION AND AIR-CONDITIONING LAYOUT	SHEET NO: B61-5200-01
	JICA DESIGN CONSULTANT JOINT VENTURE	TADASHI AOI Team Leader	DATE: JUNE 2013	INDEX	AMENDMENTS	Prepared by: WIM Checked by: IIC Validated by:	DRAWING SCALE: 1:100M

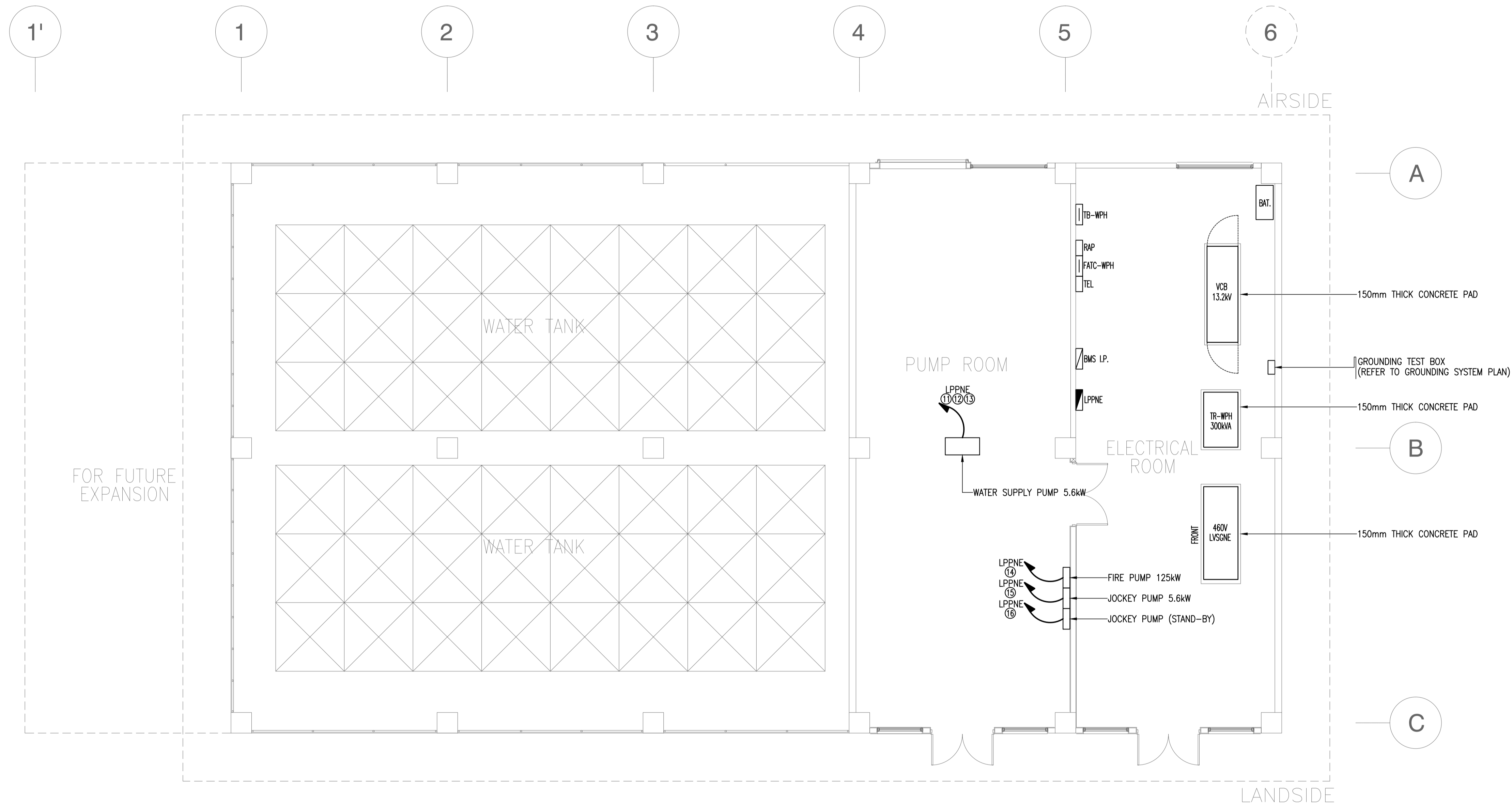


**WATER TANK AND PUMP HOUSE
GROUND FLOOR FIRE PROTECTION LAYOUT**

1
B61-5300-01 SCALE 1:100M

LEGEND:	
	4.5 KG. FIRE EXTINGUISHER DRY CHEMICAL
	23.0 KG. FIRE EXTINGUISHER CARBON DIOXIDE (WHEEL TYPE)

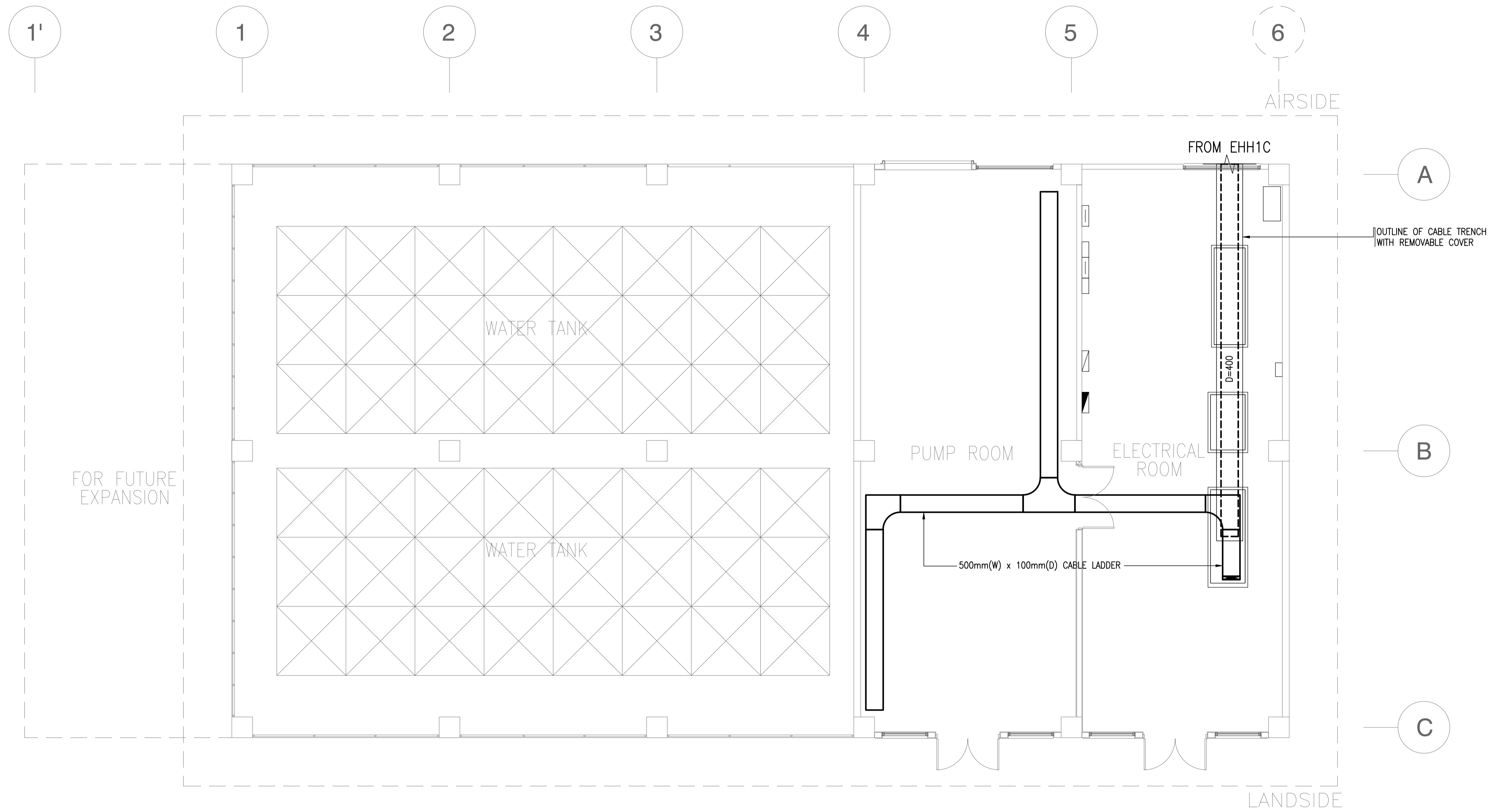
	PREPARED BY: RENATO A. ARRIOLA <small>Filipino Registered Engineer</small> PROF: MECHANICAL ENGINEER PTR. 1725187 REG. NO: 2378 DATE: JANUARY 01, 2013 TEL: 150-563-379 PLACE: TAGBILAR CITY	RECOMMENDING APPROVAL: ILDEFONSO T. PATDU, JR. <small>Assistant Secretary</small> for Project Implementation, DOTC	APPROVED: JULIANITO G. BUCAYAN, JR. <small>Undersecretary</small> for Project Implementation, DOTC	PROJECT TITLE: NEW BOHOL AIRPORT CONSTRUCTION AND SUSTAINABLE ENVIRONMENT PROTECTION PROJECT LOCATION: MUNICIPALITY OF PANGLAO, PROVINCE OF BOHOL, PHILIPPINES	SHEET CONTENTS: COMPONENT-4: BUILDING WORKS (B) SUBCOMPONENT-4-6: UTILITY BUILDINGS (B61) WATER TANK & PUMP STATION MECHANICAL FIRE PROTECTION FIRE PROTECTION LAYOUT	SHEET NO: B61-5300-01 DRAWING SCALE: 1:100M
	JICA DESIGN CONSULTANT JOINT VENTURE JAPAN AIRPORT CONSULTANTS, INC. NIPPON KOEI CO., LTD. NIS CONSULTANTS CO., LTD.	DATE: JUNE 2013 INDEX: AMENDMENTS Prepared by: WIM Checked by: IIC Validated by:				



1 WATER TANK & PUMP HOUSE (WPH)
PUMP & ELECTRICAL EQUIPMENT LAYOUT PLAN
 B61-6100-01 GRAPHIC SCALE

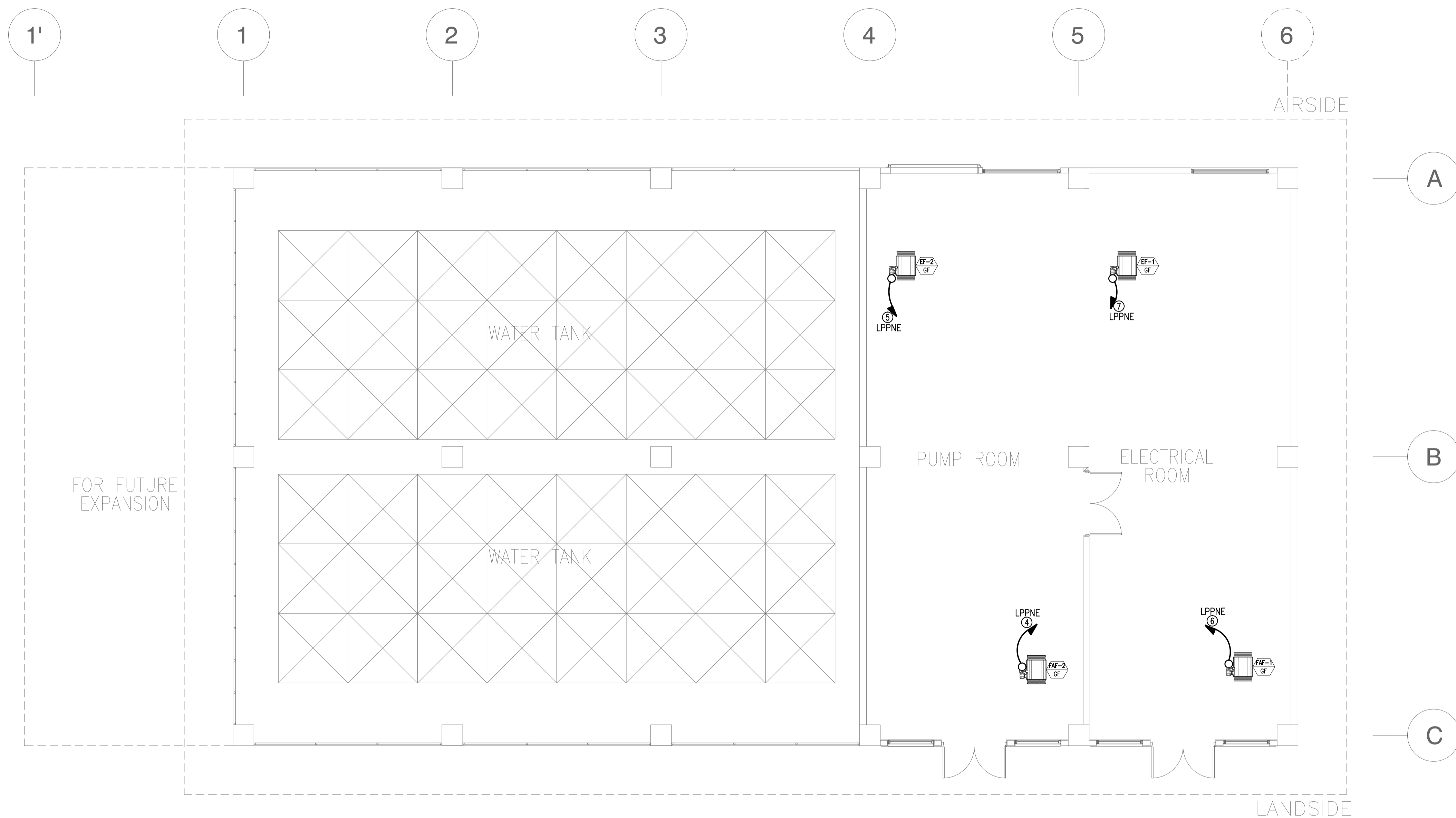


	PREPARED BY: TEODORO N. PAMATMAT <small>PROF. ELECTRICAL ENGINEER PIR. 1403773</small> <small>REG. NO.: 1927 DATE: 1-04-13</small> <small>T.N. 119-747-900 PLACE: MANILA</small>	RECOMMENDING APPROVAL: ILDEFONSO T. PATDU, JR. <small>Assistant Secretary</small> <small>for Project Implementation, DOTC</small>	APPROVED: JULIANITO G. BUCAYAN, JR. <small>Undersecretary</small> <small>for Project Implementation, DOTC</small>	PROJECT TITLE: NEW BOHOL AIRPORT CONSTRUCTION AND SUSTAINABLE ENVIRONMENT PROTECTION PROJECT	SHEET CONTENTS: COMPONENT-4 BUILDING WORKS (B) SUBCOMPONENT-4-6 (B61) Water Tank & Pump Station ELECTRICAL PUMP & ELEC. EQUIP. LAYOUT	SHEET NO: B61-6100-01
	JICA DESIGN CONSULTANT JOINT VENTURE JAC JAPAN AIRPORT CONSULTANTS, INC.	TADASHI AOI <small>Team Leader</small>	JULIANITO G. BUCAYAN, JR. <small>Undersecretary</small> <small>for Project Implementation, DOTC</small>	LOCATION: MUNICIPALITY OF PANGLAO, PROVINCE OF BOHOL, PHILIPPINES	DATE: JUNE 2013 INDEX:	DRAWING SCALE: 1:75 m



1 WATER TANK & PUMP HOUSE (WPH)
CABLE TRAY LAYOUT PLAN
 B61-6100-02 GRAPHIC SCALE 0 1 2 5m

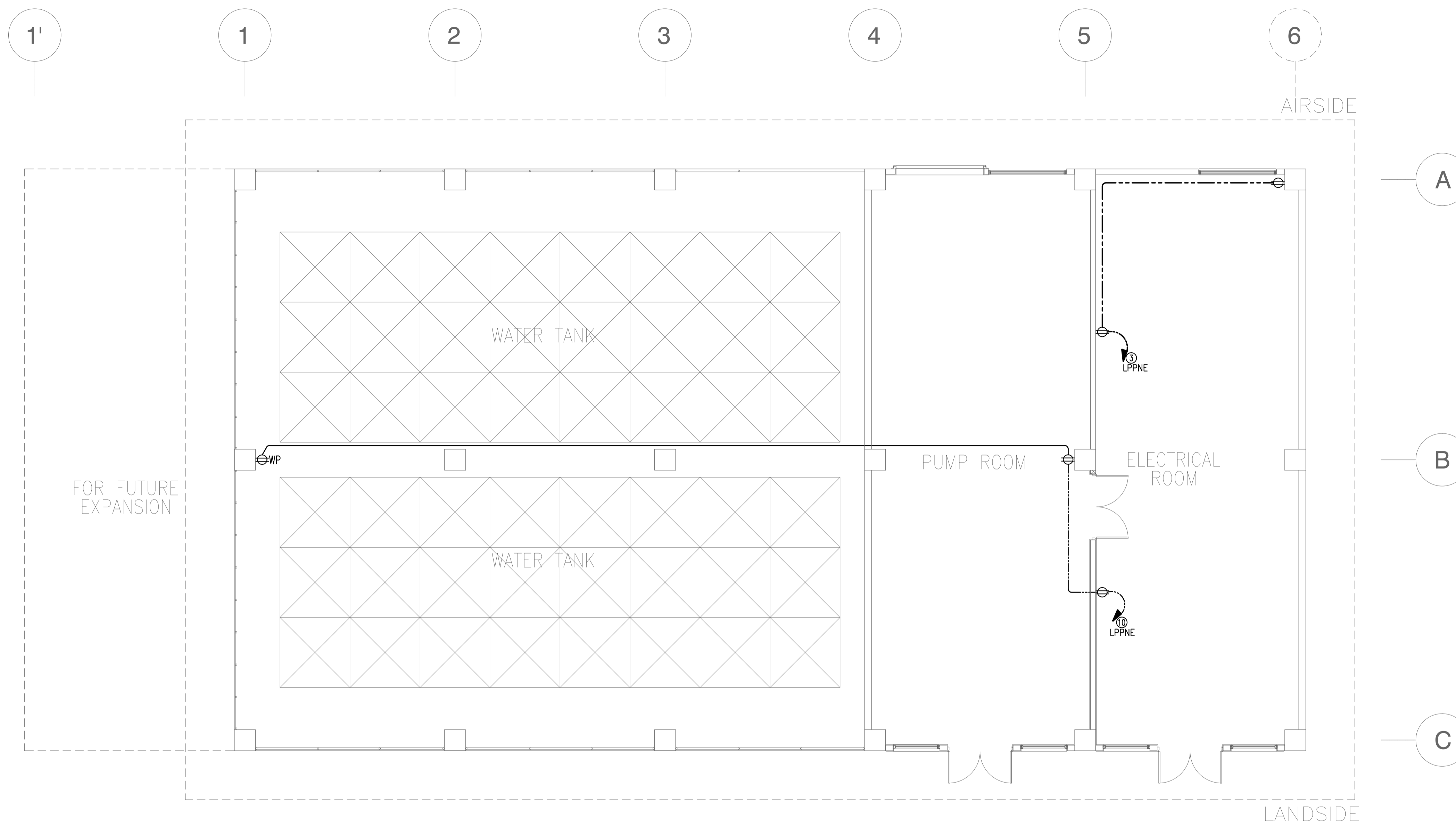
	PREPARED BY: TEODORO N. PAMATMAT <small>PROF. ELECTRICAL ENGINEER PIR. 1403773</small> <small>REG. NO.: 1927 DATE: 1-04-13</small> <small>T.N. 119-747-900 PLACE: MANILA</small>	RECOMMENDING APPROVAL: ILDEFONSO T. PATDU, JR. <small>Assistant Secretary</small> <small>for Project Implementation, DOTC</small>	APPROVED: JULIANITO G. BUCAYAN, JR. <small>Undersecretary</small> <small>for Project Implementation, DOTC</small>	PROJECT TITLE: NEW BOHOL AIRPORT CONSTRUCTION AND SUSTAINABLE ENVIRONMENT PROTECTION PROJECT	SHEET CONTENTS: COMPONENT-4 BUILDING WORKS (B) SUBCOMPONENT-4-6 (B61) Water Tank & Pump Station ELECTRICAL CABLE TRAY LAYOUT	SHEET NO: B61-6100-02
	JICA DESIGN CONSULTANT JOINT VENTURE TADASHI AOI <small>Team Leader</small>	LOCATION: MUNICIPALITY OF PANGLAO, PROVINCE OF BOHOL, PHILIPPINES	DATE: JUNE 2013 INDEX: WIM HC AMENDMENTS: Prepared by, Checked by, Validated by	DRAWING SCALE: 1:75 m		



NOTE: REFER TO ELECTRICAL EQUIPMENT LAYOUT PLAN THE LOCATION OF PANELS.

1 WATER TANK & PUMP HOUSE (WPH)
VAC FEEDER LAYOUT PLAN
 061-6100-03 GRAPHIC SCALE 0 1 2 5m

	PREPARED BY: TEODORO N. PAMATMAT <small>PROF. ELECTRICAL ENGINEER PTR. 1403773</small> <small>REG. NO.: 1927 DATE: 1-04-13</small> <small>T.N. 119-747-900 PLACE: MANILA</small>	RECOMMENDING APPROVAL: ILDEFONSO T. PATDU, JR. <small>Assistant Secretary for Project Implementation, DOTC</small>	APPROVED: JULIANITO G. BUCAYAN, JR. <small>Undersecretary for Project Implementation, DOTC</small>	PROJECT TITLE: NEW BOHOL AIRPORT CONSTRUCTION AND SUSTAINABLE ENVIRONMENT PROTECTION PROJECT	SHEET CONTENTS: COMPONENT-4 BUILDING WORKS (B) SUBCOMPONENT-4-6 (B61) Water Tank & Pump Station ELECTRICAL VAC FEEDER LAYOUT	SHEET NO: B61-6100-03 DRAWING SCALE: 1:75 m
	JICA DESIGN CONSULTANT JOINT VENTURE <small>JAPAN AIRPORT CONSULTANTS, INC. NIPPON KOEI CO., LTD. NIS CONSULTANTS CO., LTD.</small>	TADASHI AOI <small>Team Leader</small>	ILDEFONSO T. PATDU, JR. <small>Assistant Secretary for Project Implementation, DOTC</small>	JULIANITO G. BUCAYAN, JR. <small>Undersecretary for Project Implementation, DOTC</small>	LOCATION: MUNICIPALITY OF PANGLAO, PROVINCE OF BOHOL, PHILIPPINES DATE: JUNE 2013 INDEX: WIM HC AMENDMENTS: Prepared by, Checked by, Validated by	



NOTE: REFER TO ELECTRICAL EQUIPMENT LAYOUT PLAN THE LOCATION OF PANELS.

1 WATER TANK & PUMP HOUSE (WPH)
RECEPTACLE LAYOUT PLAN
 B61-6200-01 GRAPHIC SCALE 0 1 2 5m

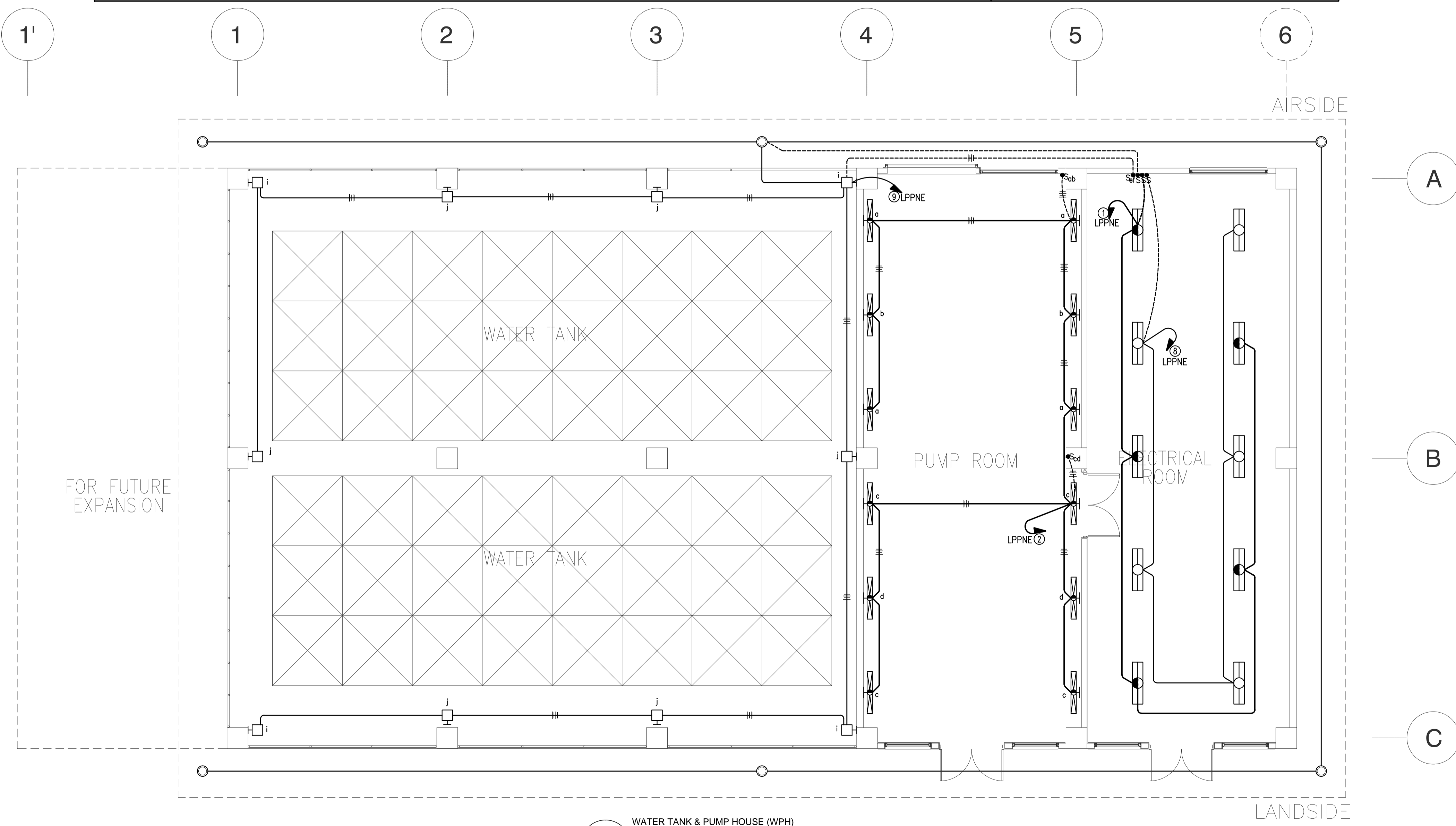
	PREPARED BY: TEODORO N. PAMATMAT <small>PROF. ELECTRICAL ENGINEER PIR. 1403773</small> <small>REG. NO.: 1927 DATE: 1-04-13</small> <small>T.N. 119-747-900 PLACE: MANILA</small>	RECOMMENDING APPROVAL: ILDEFONSO T. PATDU, JR. <small>Assistant Secretary for Project Implementation, DOTC</small>	APPROVED: JULIANITO G. BUCAYAN, JR. <small>Undersecretary for Project Implementation, DOTC</small>	PROJECT TITLE: NEW BOHOL AIRPORT CONSTRUCTION AND SUSTAINABLE ENVIRONMENT PROTECTION PROJECT	DATE: JUNE 2013 INDEX:	AMENDMENTS:	Prepared by: WIM Checked by: HC Validated by:	SHEET CONTENTS: COMPONENT-4 BUILDING WORKS (B) SUBCOMPONENT-4-6 (B61) Water Tank & Pump Station ELECTRICAL RECEPTACLE LAYOUT	SHEET NO: B61-6200-01 DRAWING SCALE: 1:75 m
	JICA DESIGN CONSULTANT JOINT VENTURE JAC JAPAN AIRPORT CONSULTANTS, INC.	JAPAN INTERNATIONAL COOPERATION AGENCY	NIPON KOEI CO., LTD.	NIS CONSULTANTS CO., LTD.	LOCATION: MUNICIPALITY OF PANGLAO, PROVINCE OF BOHOL, PHILIPPINES	DATE:	INDEX:	AMENDMENTS:	Prepared by: WIM Checked by: HC Validated by:

PANEL: LPPNE (WPH)		VOLTAGE: 230V 3Ø 3W				SUPPLY: NORMAL/EMERGENCY			
TO: 4.16KV/230V 175KVA TRANSFORMER-WPH		AMPERE LOAD		WIRE		CONDUIT		PROTECTION	
CKT NO.	LOAD DESCRIPTION	VA	ØAB	ØBC	ØCA	3Ø LOAD			
1	5 - 2x40W FLUO. @ EE RM	500	2.17				3-3.5mm ² THHN	15mmØ	20AT, 2P CB
2	12 - 40W FLUO. @ PUMP RM	600		2.61			3-3.5mm ² THHN	15mmØ	20AT, 2P CB
3	2 - CONV. RECEP. @ EE RM	720			3.13		3-3.5mm ² THHN	15mmØ	20AT, 2P CB
4	1100W FAF @ PUMP RM	1380		6.00			3-3.5mm ² THHN	15mmØ	20AT, 2P CB
5	550W EF @ PUMP RM	690		3.00			3-3.5mm ² THHN	15mmØ	20AT, 2P CB
6	1100W FAF @ EE RM	1380			6.00		3-3.5mm ² THHN	15mmØ	20AT, 2P CB
7	550W EF @ EE RM	690			3.00		3-3.5mm ² THHN	15mmØ	20AT, 2P CB
8	5 - 2x40W FLUO. @ EE RM	500		2.17			3-3.5mm ² THHN	15mmØ	20AT, 2P CB
9	6 - 18W PLC + 10 - 18 W WALL LAMP @ PERIMETER	1040	4.52				3-3.5mm ² THHN	15mmØ	20AT, 2P CB
10	3 - CONV. RECEP. @ EE RM, PUMP RM & WATER TANK RM	1080	4.70				3-3.5mm ² THHN	15mmØ	20AT, 2P CB
11	WATER SUPPLY PUMP 1	7000				17.57	3-5.5mm ² THHN	20mmØ	30AT, 3P CB
12	WATER SUPPLY PUMP 2	7000				17.57	3-5.5mm ² THHN	20mmØ	30AT, 3P CB
13	WATER SUPPLY PUMP (STAND-BY)	(7000)					3-5.5mm ² THHN	20mmØ	30AT, 3P CB
14	FIRE PUMP	150000				376.54	3-150mm ² XLPE	40mmØ	400AT, 3P CB
15	JOCKEY PUMP	7000				17.57	3-6mm ² XLPE	20mmØ	30AT, 3P CB
16	JOCKEY PUMP (STAND-BY)	(7000)					3-6mm ² XLPE	20mmØ	30AT, 3P CB
17	SPARE								20AT, 2P CB
18	SPARE								20AT, 2P CB
		179580	11.39	13.78	12.13	429.25			

$I_t = 13.78 \times 1.732 + 429.25 + 376.54(25\%) = 547.25 \text{ A}$
 FEEDER SIZE: 3-120mm² XLPE + 1-38mm² TW
 MAIN PROTECTION: 600AT, 600AF 3P MCCB, 10kAIC

$I_t = 547.25 \times 70\% \text{ DF}$
 $= 383.075 \text{ A}$
 $I_t = 383.075 \text{ A}$
 TRANSFORMER-WPH CAPACITY:
 $\text{KVA} = 383.075 \times 230 \times 1.732$
 1000
 $= 152.6 \text{ kVA} \quad 175 \text{ kVA}$
 MAIN PROTECTION:
 600AT, 600AF, 3P, 230V, 25KAIC, ACB
 PRIMARY VOLTAGE AT 4.16KV
 SECONDARY VOLTAGE AT 230V
 CAST RESIN DRY TYPE, INDOOR
 MAIN CABLE AT PRIMARY = 3-35mm² 5kV XLPE
 MAIN CABLE AT SECONDARY = 2 SETS OF 3-95mm² XLPE

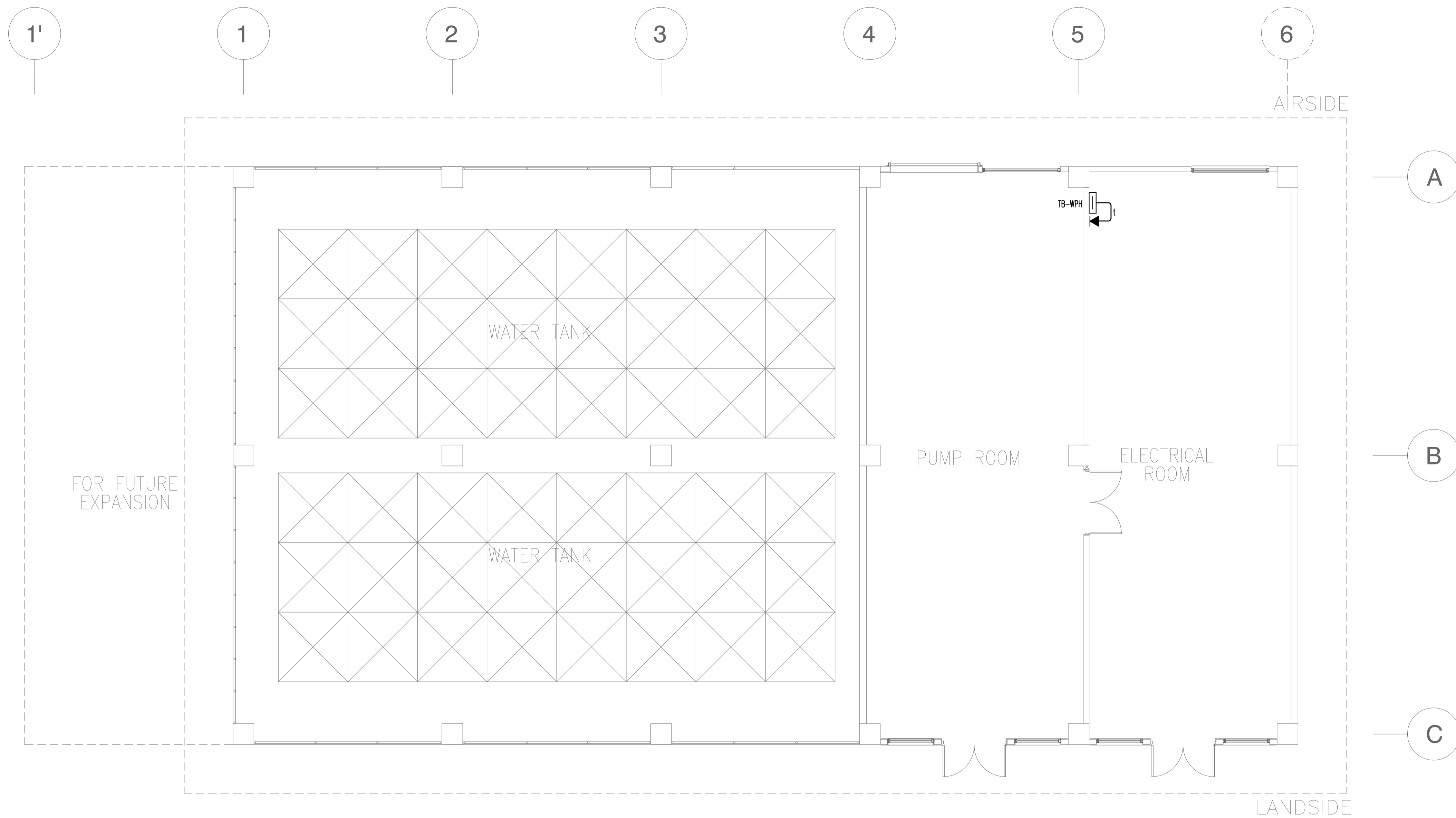
2 WATER TANK & PUMP HOUSE (WPH)
PANEL SCHEDULE
 B61-6200-02 NOT TO SCALE



1 WATER TANK & PUMP HOUSE (WPH)
LIGHTING LAYOUT PLAN
 B61-6200-02 GRAPHIC SCALE 0 1 2 5m

NOTE: REFER TO ELECTRICAL EQUIPMENT LAYOUT PLAN THE LOCATION OF PANELS.

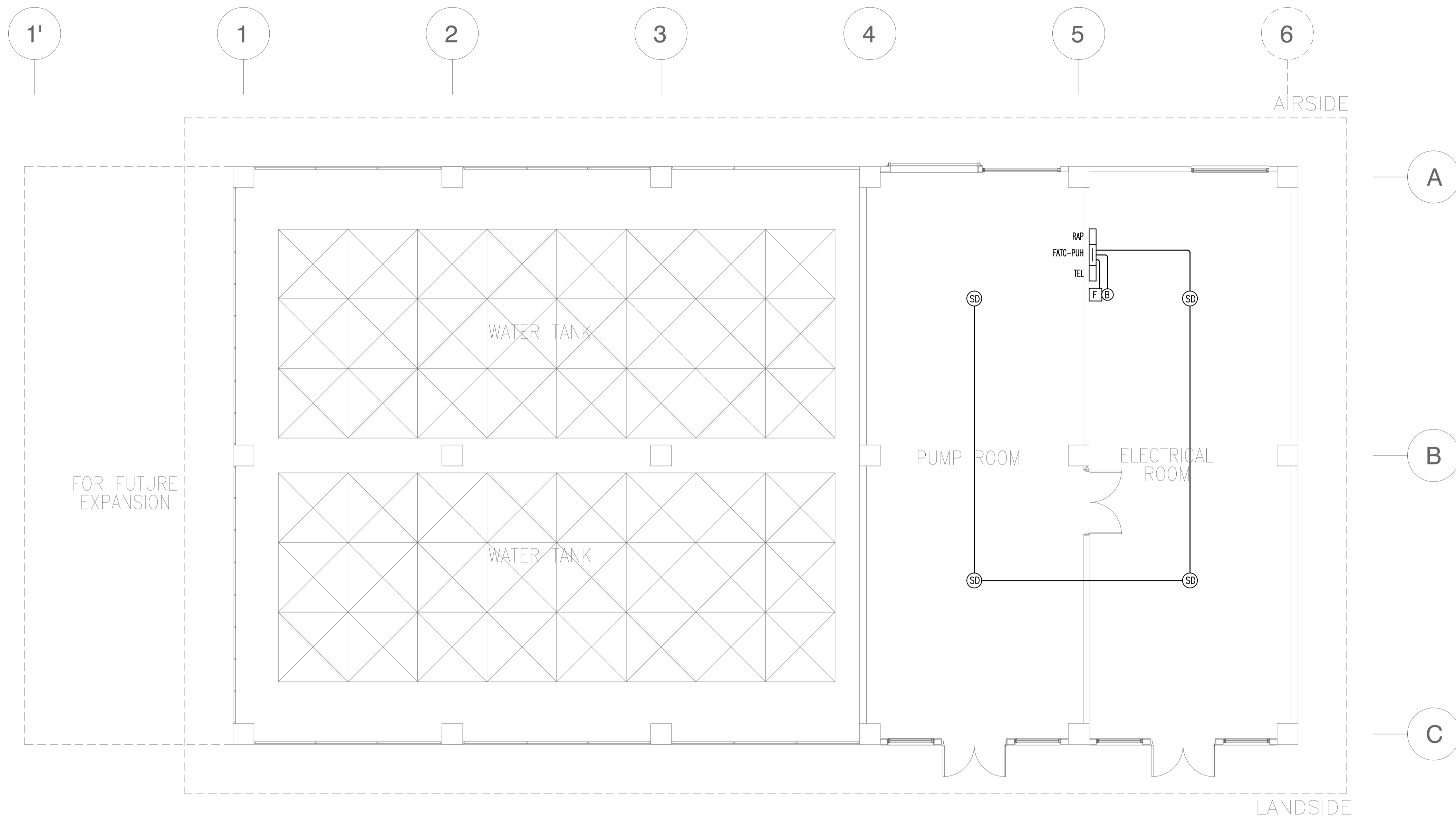
	PREPARED BY: TEODORO N. PAMATMAT <small>PROF. ELECTRICAL ENGINEER PIR. 1403773</small> <small>RES. NO.: 1927 DATE: 1-04-13</small> <small>T.E.N. 119-747-900 PLACE: MANILA</small>	RECOMMENDING APPROVAL: ILDEFONSO T. PATDU, JR. <small>Assistant Secretary for Project Implementation, DOTC</small>	APPROVED: JULIANITO G. BUCAYAN, JR. <small>Undersecretary for Project Implementation, DOTC</small>	PROJECT TITLE: NEW BOHOL AIRPORT CONSTRUCTION AND SUSTAINABLE ENVIRONMENT PROTECTION PROJECT LOCATION: MUNICIPALITY OF PANGLAO, PROVINCE OF BOHOL, PHILIPPINES	SHEET CONTENTS: COMPONENT-4 BUILDING WORKS (B) SUBCOMPONENT-4-6 (B61) Water Tank & Pump Station ELECTRICAL LIGHTING & PANEL SCHEDULE	SHEET NO: B61-6200-02 DRAWING SCALE: 1:75 m
	JICA DESIGN CONSULTANT JOINT VENTURE JAPAN AIRPORT CONSULTANTS, INC.	JAPAN INTERNATIONAL COOPERATION AGENCY	NIPPON KOEI CO., LTD.	NIS CONSULTANTS CO., LTD.	DATE: JUNE 2013 INDEX: AMENDMENTS Prepared by: WIM Checked by: HC Validated by:	



NOTE: REFER TO FIRE DETECTION AND ALARM SYSTEM SCHEMATIC DIAGRAM AND TELEPHONE SYSTEM SCHEMATIC DIAGRAM FOR WIRING SCHEDULE.

1 WATER TANK & PUMP HOUSE (WPH)
TELEPHONE SYSTEM PLAN
 B61-6300-01 GRAPHIC SCALE 0 1 2 5m

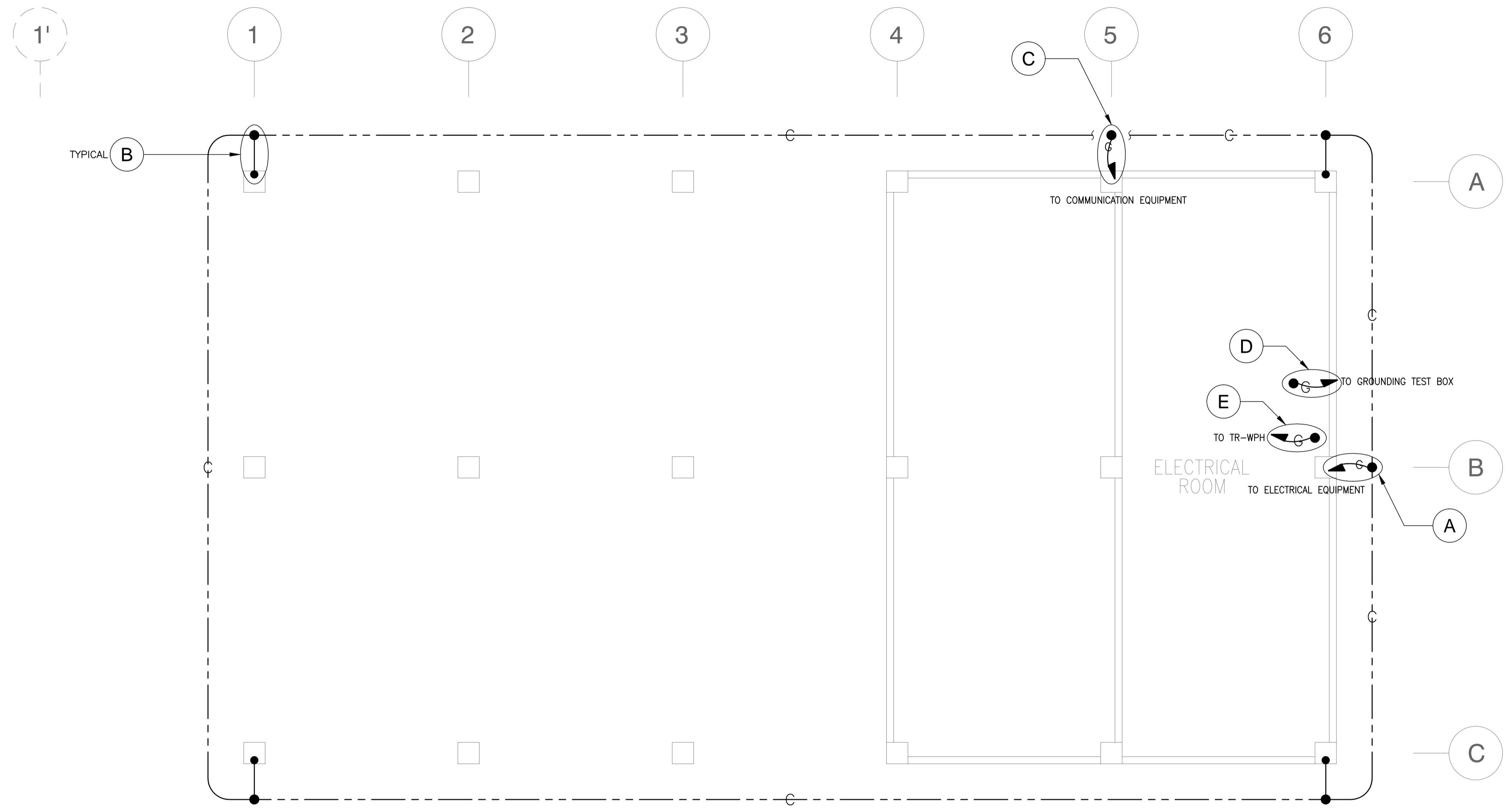
	PREPARED BY: TEODORO N. PAMATMAT <small>PROF. ELECTRICAL ENGINEER PIR. 1403773</small> <small>REG. NO.: 1927 DATE: 1-04-13</small> <small>T.N. 119-747-900 PLACE: MANILA</small>	RECOMMENDING APPROVAL: ILDEFONSO T. PATDU, JR. <small>Assistant Secretary</small> <small>for Project Implementation, DOTC</small>	APPROVED: JULIANITO G. BUCAYAN, JR. <small>Undersecretary</small> <small>for Project Implementation, DOTC</small>	PROJECT TITLE: NEW BOHOL AIRPORT CONSTRUCTION AND SUSTAINABLE ENVIRONMENT PROTECTION PROJECT	LOCATION: MUNICIPALITY OF PANGLAO, PROVINCE OF BOHOL, PHILIPPINES	SHEET CONTENTS: COMPONENT-4 BUILDING WORKS (B) SUBCOMPONENT-4-6 (B61) Water Tank & Pump Station ELECTRICAL TELEPHONE LAYOUT	SHEET NO: B61-6300-01
	JICA DESIGN CONSULTANT JOINT VENTURE TADASHI AOI <small>Team Leader</small>	JUNE 2013 DATE INDEX AMENDMENTS Prepared by Checked by Validated by	DRAWING SCALE: 1:75 m				



NOTE: REFER TO FIRE DETECTION AND ALARM SYSTEM SCHEMATIC DIAGRAM AND TELEPHONE SYSTEM SCHEMATIC DIAGRAM FOR WIRING SCHEDULE.

1 WATER TANK & PUMP HOUSE (WPH)
FIRE DETECTION AND ALARM SYSTEM PLAN
 B61-6800-01 GRAPHIC SCALE 0 1 2 5m

	PREPARED BY: TEODORO N. PAMATMAT <small>PROF. ELECTRICAL ENGINEER PIR. 1403773 REG. NO.: 1927 DATE: 1-04-13 T.N. 119-747-900 PLACE: MANILA</small>	RECOMMENDING APPROVAL: ILDEFONSO T. PATDU, JR. <small>Assistant Secretary for Project Implementation, DOTC</small>	APPROVED: JULJANITO G. BUCAYAN, JR. <small>Undersecretary for Project Implementation, DOTC</small>	PROJECT TITLE: NEW BOHOL AIRPORT CONSTRUCTION AND SUSTAINABLE ENVIRONMENT PROTECTION PROJECT	SHEET CONTENTS: COMPONENT-4 BUILDING WORKS (B) SUBCOMPONENT-4-6 (B61) Water Tank & Pump Station ELECTRICAL FDAS LAYOUT	SHEET NO: B61-6800-01
	JICA DESIGN CONSULTANT JOINT VENTURE TADASHI AOI <small>Team Leader</small>	LOCATION: MUNICIPALITY OF PANGLAO, PROVINCE OF BOHOL, PHILIPPINES	DATE: JUNE 2013 INDEX: WIM AMENDMENTS: HC Prepared by: WIM Checked by: HC Validated by:	DRAWING SCALE: 1:75 m		



NOTE: SEE SHEET NO. B0-6900-04 & B0-6900-05 FOR DETAILS.






1 WATER TANK & PUMP HOUSE (WPH)
GROUND FLOOR GROUNDING SYSTEM PLAN
 861-6900-01 GRAPHIC SCALE 0 1 2 3m

	PREPARED BY: TEODORO N. PAMATMAT <small>PROF. ELECTRICAL ENGINEER PIR. 1403773</small> <small>REG. NO.: 1927 DATE: 1-04-13</small> <small>T.N. 119-747-900 PLACE: MANILA</small>	RECOMMENDING APPROVAL: ILDEFONSO T. PATDU, JR. <small>Assistant Secretary for Project Implementation, DOTC</small>	APPROVED: JULIANITO G. BUCAYAN, JR. <small>Undersecretary for Project Implementation, DOTC</small>	PROJECT TITLE: NEW BOHOL AIRPORT CONSTRUCTION AND SUSTAINABLE ENVIRONMENT PROTECTION PROJECT	SHEET CONTENTS: COMPONENT-4 BUILDING WORKS (B) SUBCOMPONENT-4-6 (B61) Water Tank & Pump Station ELECTRICAL GROUNDING LAYOUT	SHEET NO: B61-6900-01
	JICA DESIGN CONSULTANT JOINT VENTURE TADASHI AOI <small>Team Leader</small>	LOCATION: MUNICIPALITY OF PANGLAO, PROVINCE OF BOHOL, PHILIPPINES	DATE: JUNE 2013 INDEX: WIM HC AMENDMENTS: Prepared by, Checked by, Validated by	DRAWING SCALE: 1:75 m		

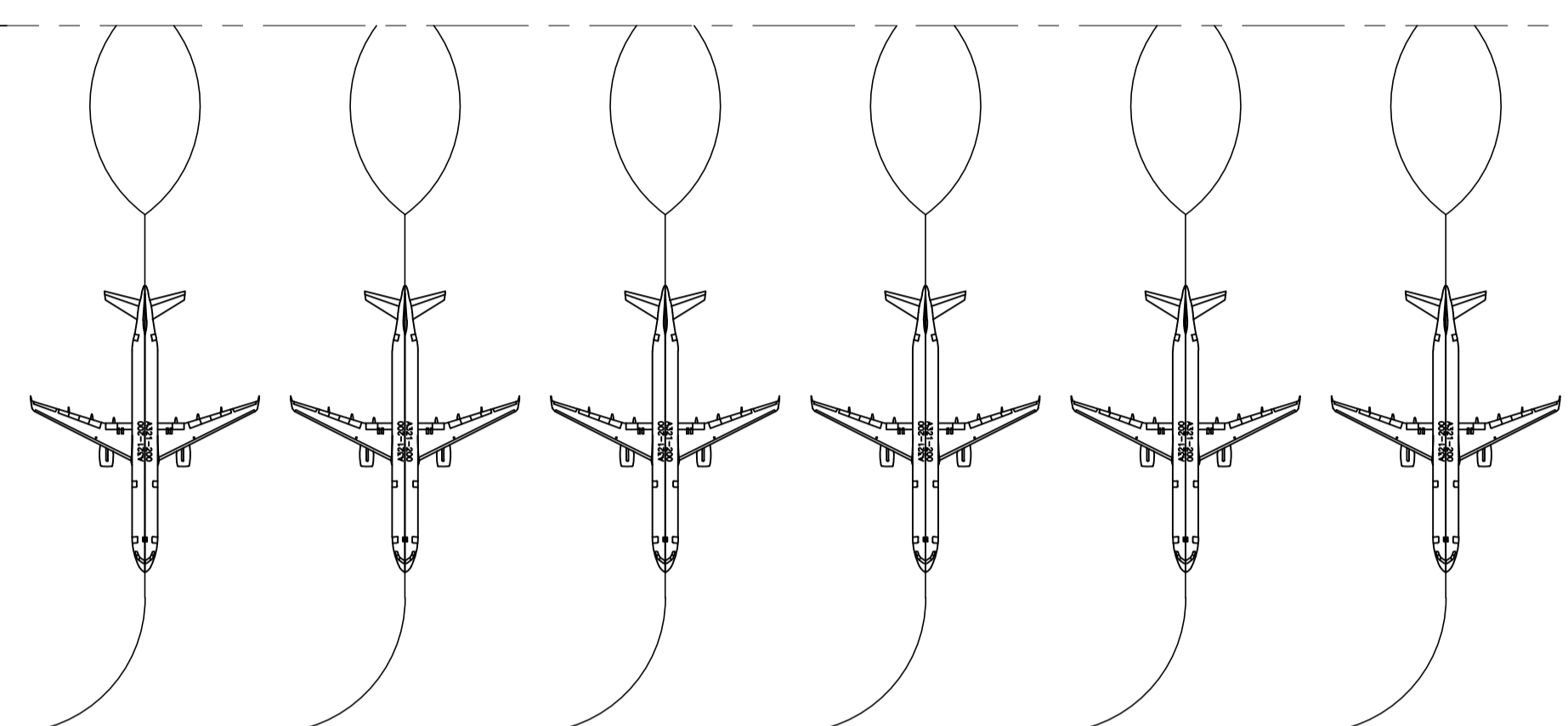
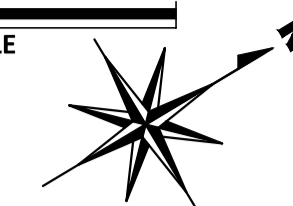
DRAWING LIST

DOCUMENT IV: DRAWINGS
COMPONENT-4: BUILDING WORKS (B)
SUBCOMPONENT-4-6: UTILITY BUILDINGS
(B62) POWER HOUSE (PWH)

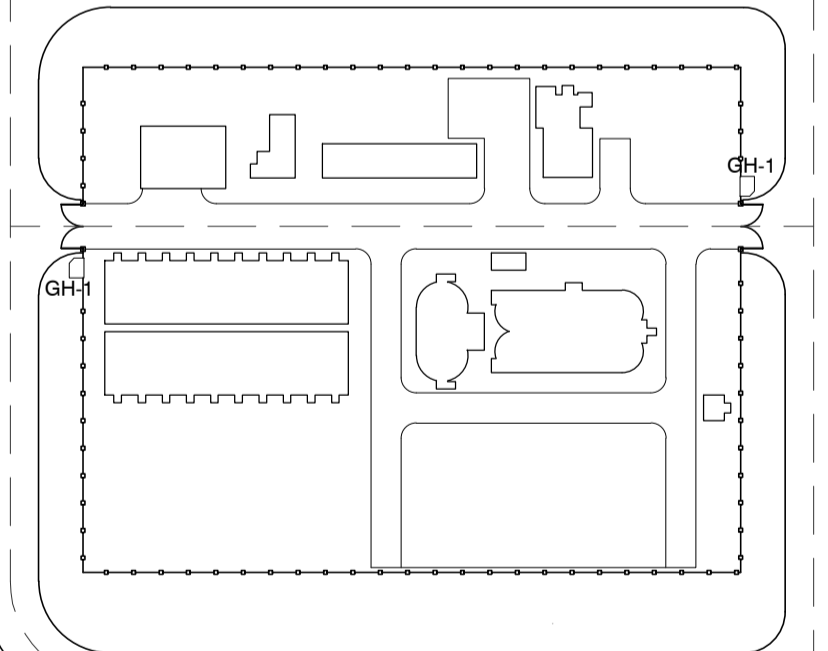
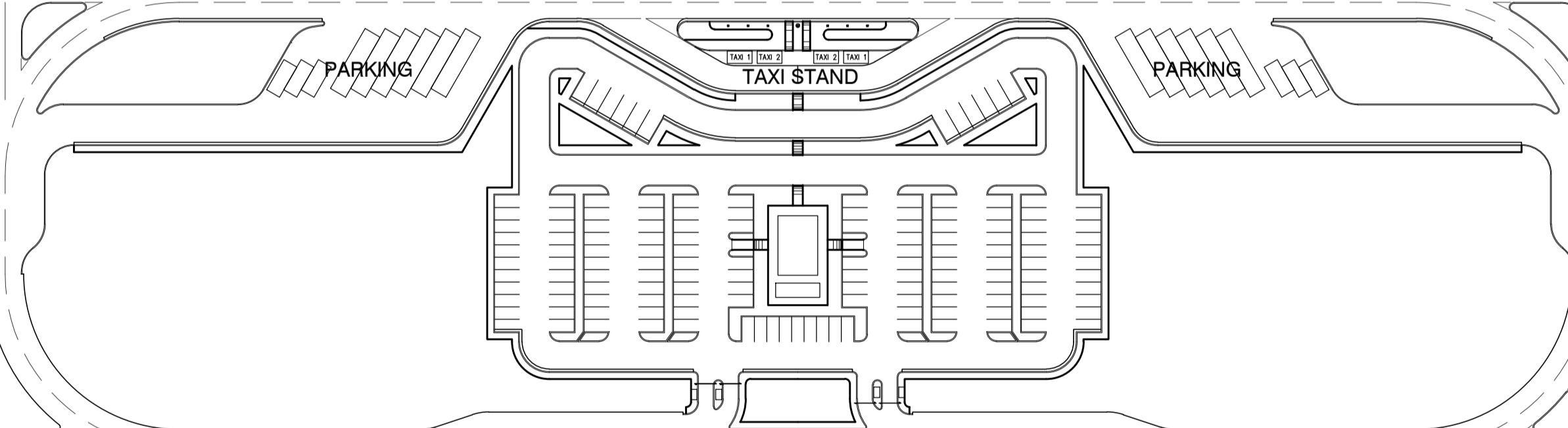
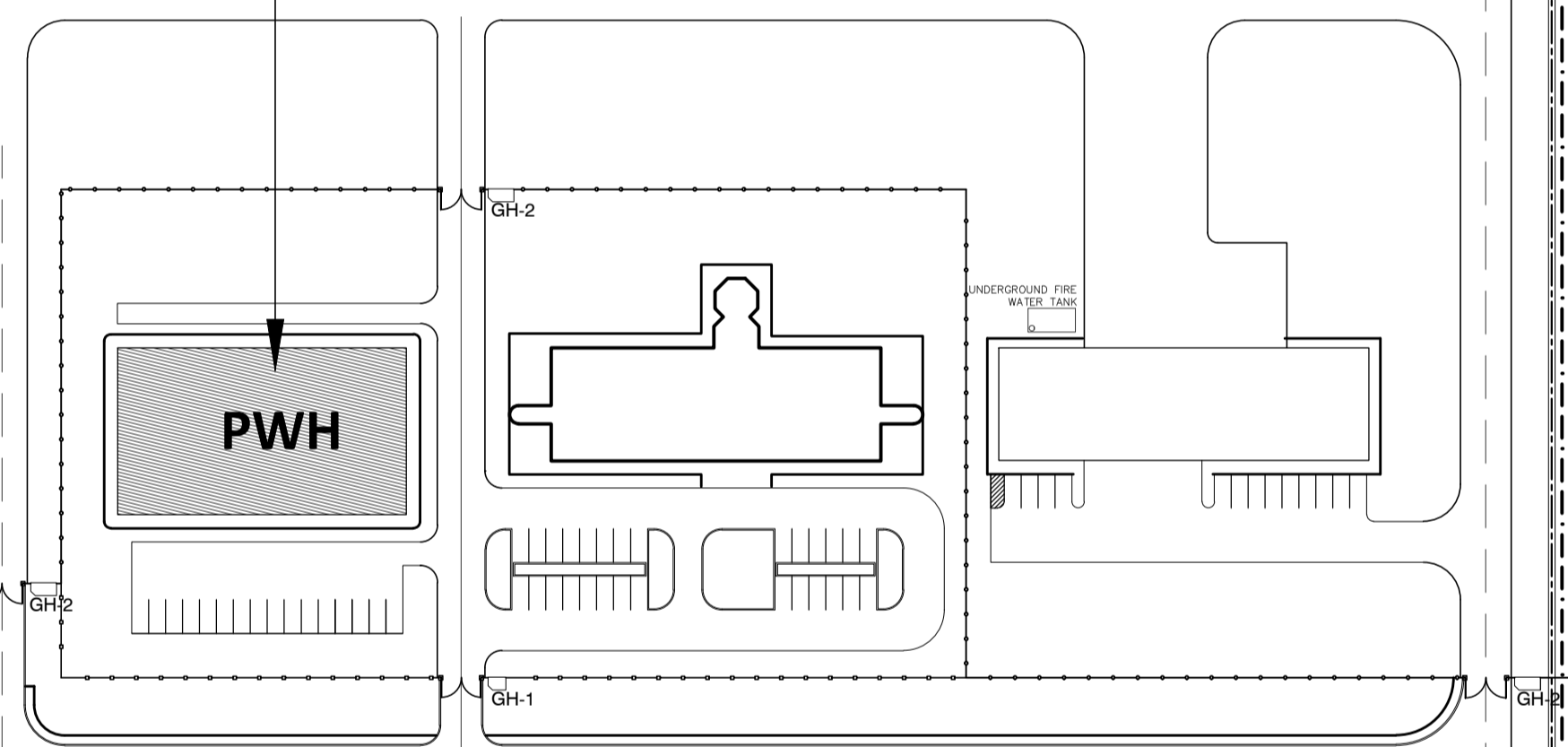
SHEET No.	SHEET CONTENTS	SHEET No.	SHEET CONTENTS
B62-4300	ARCHITECTURAL WORKS		
B62-4300-01	LOCATION PLAN	B62-6200-03	PANEL SCHEDULE
B62-4300-02	LAYOUT PLAN & FLOOR AREA SCHEDULE, EXTERNAL FINISHING SCHEDULE	B62-6300-01	TELEPHONE AND DATA SYSTEM PAN
B62-4300-03	INTERNAL FINISHING SCHEDULE	B62-6800-01	FIRE DETECTION AND ALARM SYSTEM PLAN
B62-4300-04	FLOOR PLAN	B62-6900-01	GROUND FLOOR GROUNDING SYSTEM PLAN
B62-4300-05	ROOF PLAN		
B62-4300-06	ELEVATIONS & SECTIONS		
B62-4300-07	TOILET-1 DETAIL PLAN & SECTION		
B62-4300-08	TOILET-2 DETAIL PLAN & SECTION		
B62-4300-09	REFLECTED CEILING PLAN		
B62-4300-10	KITCHEN DETAIL PLAN & SECTION		
B62-4300-11	INTERNAL ELEVATIONS 1-2		
B62-4300-12	INTERNAL ELEVATIONS 2-2		
B62-4300-13	SCHEDULE OF DOORS & WINDOWS		
B62-4200	STRUCTURAL WORKS		
B62-4200-01	FOUNDATION PLAN		
B62-4200-02	CANOPY LEVEL FRAMING PLAN		
B62-4200-03	ROOF FRAMING PLAN		
B62-4200-04	TIE BEAM, CHB WALL DETAILS		
B62-4200-05	BEAMS AND GIRDERS SCHEDULE		
B62-4200-06	RC SLAB DETAIL		
B62-4200-07	SECTION ELEVATIONS		
B62-4200-08	SECTION DETAILS		
B62-5100	PLUMBING WORKS		
B62-5100-01	POWER HOUSE (PWH) MECHANICAL SANITARY & PLUMBING (1) GROUND FLOOR PLUMBING PLAN, SCHEDULE OF PLUMBING EQUIPMENT & SANITARY FIXTURE SCHEDULE		
B62-5100-02	POWER HOUSE (PWH) MECHANICAL SANITARY & PLUMBING (2) TOILET 1 & 2 BLOW - UP PLAN		
B62-5100-03	POWER HOUSE (PWH) MECHANICAL SANITARY & PLUMBING ROOF DECK PLUMBING PLAN AND CATCH BASIN SCHEDULE		
B62-5200	MECHANICAL WORKS		
B62-5200-01	POWER HOUSE (PWH) MECHANICAL VENTILATION AND AIR-CONDITIONING EQUIPMENT AND AIR TERMINAL DEVICE SCHEDULE		
B62-5200-02	POWER HOUSE (PWH) MECHANICAL VENTILATION AND AIR-CONDITIONING AIR-CONDITIONING AND VENTILATION LAYOUT		
B62-5200-03	POWER HOUSE (PWH) MECHANICAL VENTILATION AND AIR-CONDITIONING REFRIGERANT PIPING LAYOUT		
B62-5300	FIRE PROTECTION		
B62-5300-01	POWER HOUSE (PWH) MECHANICAL FIRE PROTECTION POWER HOUSE FIRE PROTECTION LAYOUT		
B62-6000	ELECTRICAL WORKS		
B62-6100-01	ELEC. EQUIP.LAYOUT		
B62-6100-02	CABLE TRENCH		
B62-6100-03	VAC FEEDER LAYOUT		
B62-6200-01	RECEPTACLE LAYOUT PLAN		
B62-6200-02	LIGHTING LAYOUT PLAN		

 Republic of the Philippines DEPARTMENT OF TRANSPORTATION AND COMMUNICATIONS	 JAPAN INTERNATIONAL COOPERATION AGENCY	PREPARED BY: WILLIAM I. MALLONGA <small>PROF: Architect PTR: 3811137 REG. NO.: 4623 DATE: MAY 9, 2013 TEL: 159-564-198 PLACE: MANILA CITY</small>	RECOMMENDING APPROVAL: ILDEFONSO T. PATDU, JR. <small>Assistant Secretary for Project Implementation, DOTC</small>	APPROVED: JULIANITO G. BUCAYAN, JR. <small>Undersecretary for Project Implementation, DOTC</small>	PROJECT TITLE: <p style="text-align: center;">NEW BOHOL AIRPORT CONSTRUCTION AND SUSTAINABLE ENVIRONMENT PROTECTION PROJECT</p> LOCATION: MUNICIPALITY OF PANGLAO, PROVINCE OF BOHOL, PHILIPPINES	SHEET CONTENTS: COMPONENT-4 BUILDING WORKS (B) SUBCOMPONENT-4-6 UTILITY BUILDINGS (B62) POWERHOUSE DRAWING LIST	SHEET NO: B62-LIST DRAWING SCALE: NTS
JICA DESIGN CONSULTANT JOINT VENTURE   						DATE INDEX AMENDMENTS Prepared by: WIM Checked by: HC Validated by:	

0 10 25 50m.
GRAPHICAL SCALE



**COMPONENT-4 BUILDING WORKS (B)
SUBCOMPONENT-4-6 UTILITY BUILDINGS
(B61) POWER HOUSE (PWH)**



	PREPARED BY: WILLIAM I. MALLONGA <small>PROF: Architect PTR: 3011137 REG. NO.: 4623 DATE: MAY 9, 2013 TEAM: 120-564-198 PLACE: MANILA CITY</small>	RECOMMENDING APPROVAL: ILDEFONSO T. PATDU, JR. <small>Assistant Secretary for Project Implementation, DOTC</small>	APPROVED: JULIANITO G. BUCAYAN, JR. <small>Undersecretary for Project Implementation, DOTC</small>	PROJECT TITLE: NEW BOHOL AIRPORT CONSTRUCTION AND SUSTAINABLE ENVIRONMENT PROTECTION PROJECT	SHEET CONTENTS: COMPONENT-4 BUILDING WORKS (B) SUBCOMPONENT-4-6 UTILITY BUILDINGS (B62) POWER HOUSE ARCHITECTURAL LOCATION PLAN	SHEET NO: B62-4300-01
	JICA DESIGN CONSULTANT JOINT VENTURE JAC JAPAN AIRPORT CONSULTANTS, INC.	TADASHI AOI Team Leader	ILDEFONSO T. PATDU, JR. Assistant Secretary for Project Implementation, DOTC	JULIANITO G. BUCAYAN, JR. Undersecretary for Project Implementation, DOTC	LOCATION: MUNICIPALITY OF PANGLAO, PROVINCE OF BOHOL, PHILIPPINES	DATE INDEX AMENDMENTS Prepared by: WIM Checked by: HC Validated by:

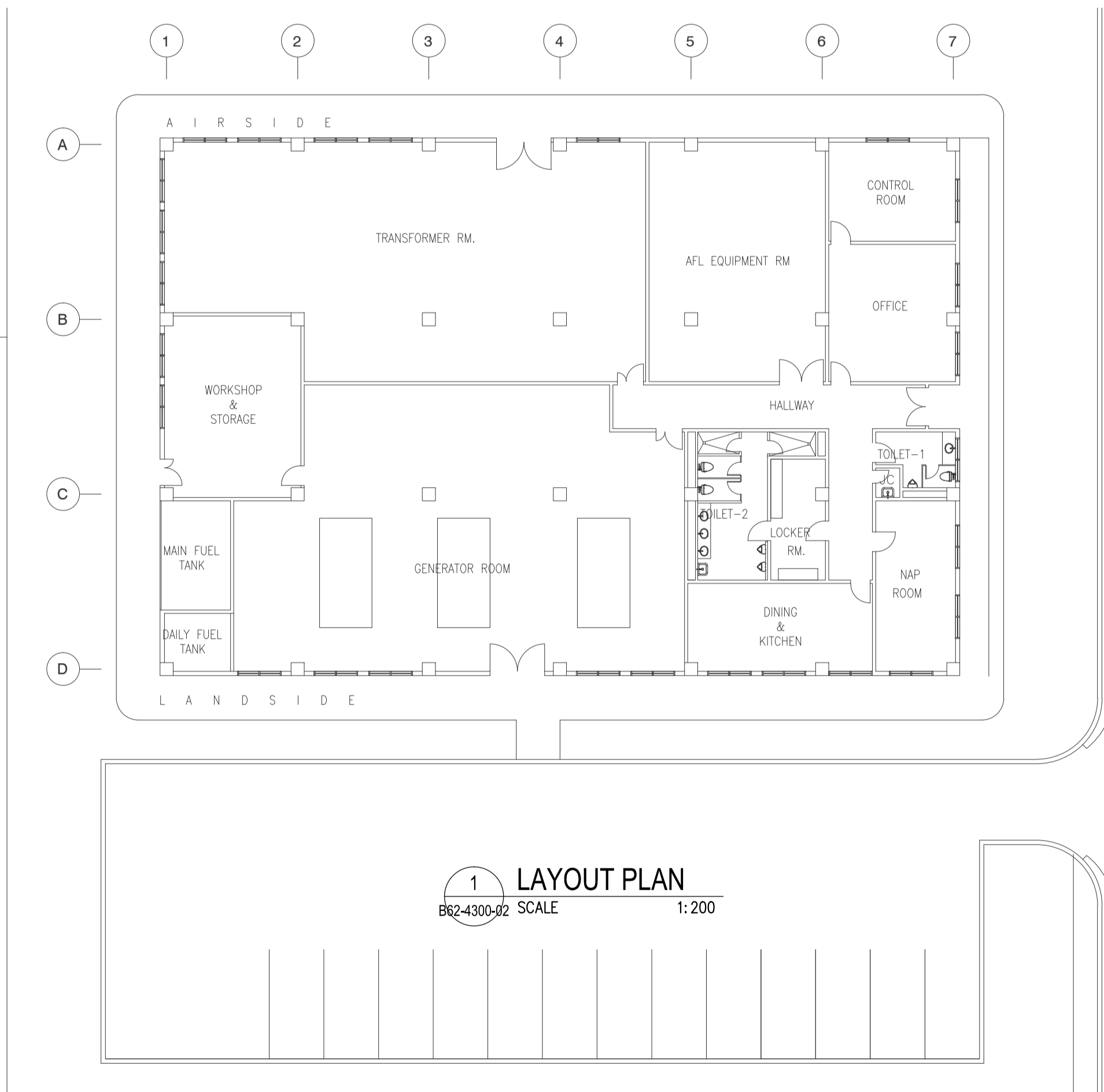
POWER HOUSE BUILDING

OUTLINE OF EXTERNAL FINISHING SCHEDULE

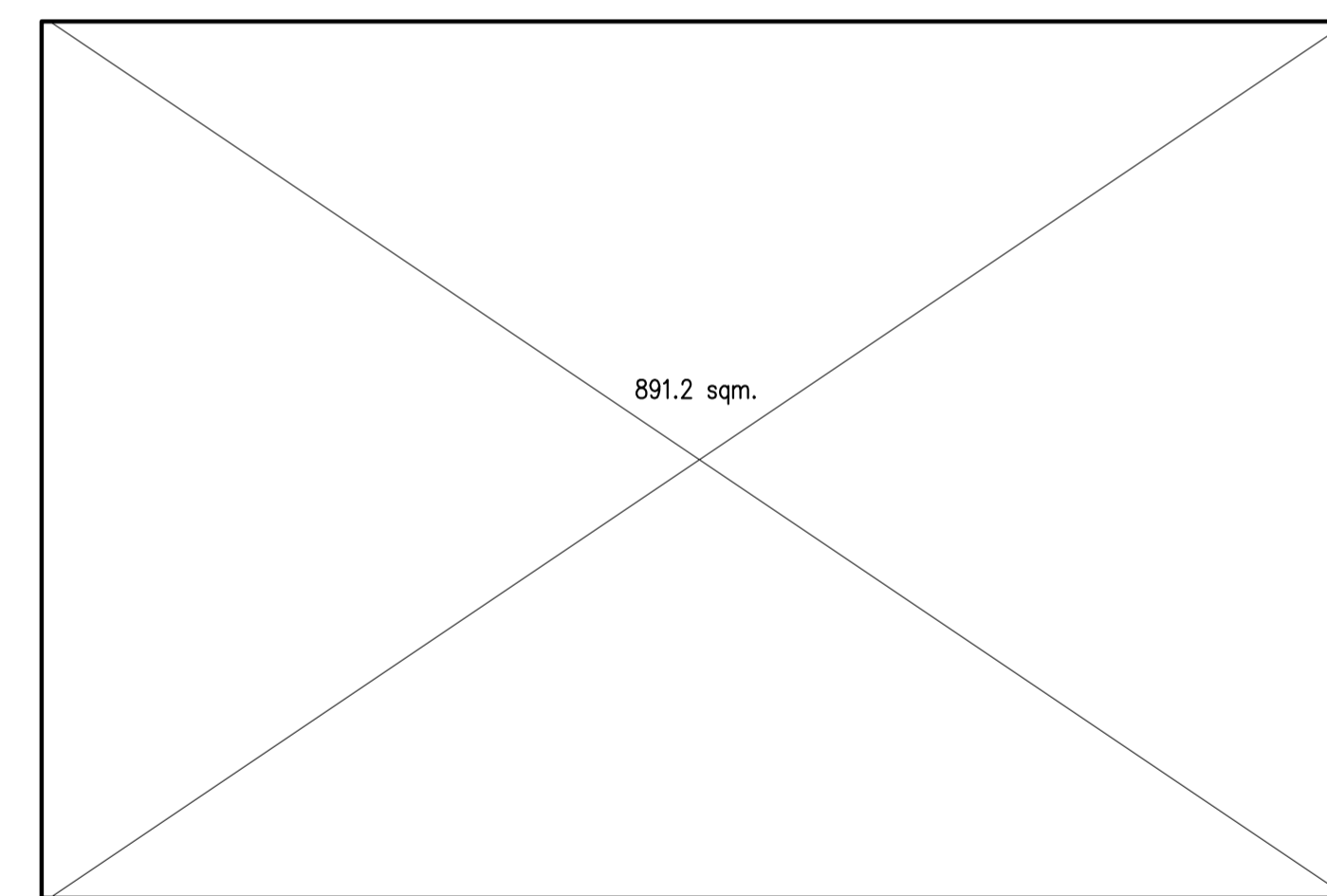
Portion	Appl.	Symbol	Finishing Material	Portion	Appl.	Symbol	Finishing Material
Floor		FLG	t=30 Granite tile with jet burner finish on cement setting bed	Walls		WLA	Aluminum Back-mullion Curtain wall Framing system
	X	FLS	Cement render finishing with metal troweled (t=30)		X	WLR	Cement render finish w/P-4
		FLC	Ceramic tile 300 x 300 slip resistance finishing			WLC	Fair faced concrete w/P-4
Roof		ROD	Single folded steel plate roof with insulation (Folded steel plate : t=0.6, h=41 Fluorin-resin coated aluminized steel, Insulation : t=100 Glass wool wrapped in polyethylene film)	Windows		WLD	Aluminum Cladding: Anodizing with electro deposition Aluminum composite panel w/ polyethylene insulation t=40mm
		ROS	Single folded steel plate (t=0.6, h=41) fluorine-resin coated aluminized steel w/ prefabricated fiber glass sheet t=5mm		X	AW	Anodizing with electro deposition aluminum window
	X	ROC	Protective concrete layer on insulation board and pre-formed waterproofing membrane WP-1				
		ROPS	Vinyl Chloride resin sheet membrane on insulation board t=30				
		ROPR	Hot applied rubberized asphalt waterproofing system WP-2				
		RGA	Stainless sheet (t=2) w/ polyethylene foam W=500				
Roof Gutter		RGB	Stainless sheet (t=2) w/ polyethylene foam W=300	Doors	X	SD	Steel door w/P3
					X	AD	Anodizing with electro deposition aluminum door
Fascia		EVA	t=2.5 Aluminum panel w/P-8	Column	X	CNR	Cement render finish w/P-4
		EVT	Aluminum decorative louver w/P-8			CNC	Fair faced concrete w/P-4
Parapet	X	PAR	Cement render finish w/P4			CNF	Fair faced concrete
		PAF	Fair faced concrete w/ P4			CNB	t=8 Calcium silicate board w/P-4
Downspout		DSA	d=100 Galvanized SGP w/P-3			CNS	Steel structure w/P-8
		DSB	d=150 Galvanized SGP w/P-3	Beam	X	BMR	Cement render finish w/P-4
	X	DSC	d=100 UPVC Pipe w/P-7			BMC	Fair faced concrete w/P-4
		SFA	t=8 Calcium silicate board w/P-7			BMF	Fair faced concrete
	SFB	t=8 Calcium silicate board w/P-1			BMS	Steel structure w/P-4	
Soffit	X	SFC	Formed Face Concrete		Base	X	BSR
		PCA	Anodizing with electro deposition Aluminum Coping			BSF	Fair faced concrete h=300
	X	PCR	Cement render finish w/ P4			SKG	t=25 Granite tile H=100
Parapet Coping				Roller Doors		X	RDST
	X					RDC	Roller steel grill w/P-3
Sky Light		SKL	Laminated glass with anodizing with electro deposition frame	Expansion Joint		EXJ	Pre-fabricated stainless steel expansion joint covers
Ladder		LDS	Stainless steel pipe				

Legend for Paint Type

- P-1 Synthetic Resin Emulsion Paint
 - P-2 Synthetic Resin Mixed Paint type I (for wood)
 - P-3 Synthetic Resin Mixed Paint type II (for steel)
 - P-4 Synthetic Resin Emulsion Multi-Layer Coating
 - P-5 Clear Lacquer
 - P-6 Epoxy Resin Floor Paint
 - P-7 Acrylic Resin Enamel Paint
 - P-8 Fluorine-resin Enamel coating
- wp-3: Water Proofing : Urethane Waterproofing Coating
 - UE : Urethane Paint



1 LAYOUT PLAN
B62-4300-02 SCALE 1:200

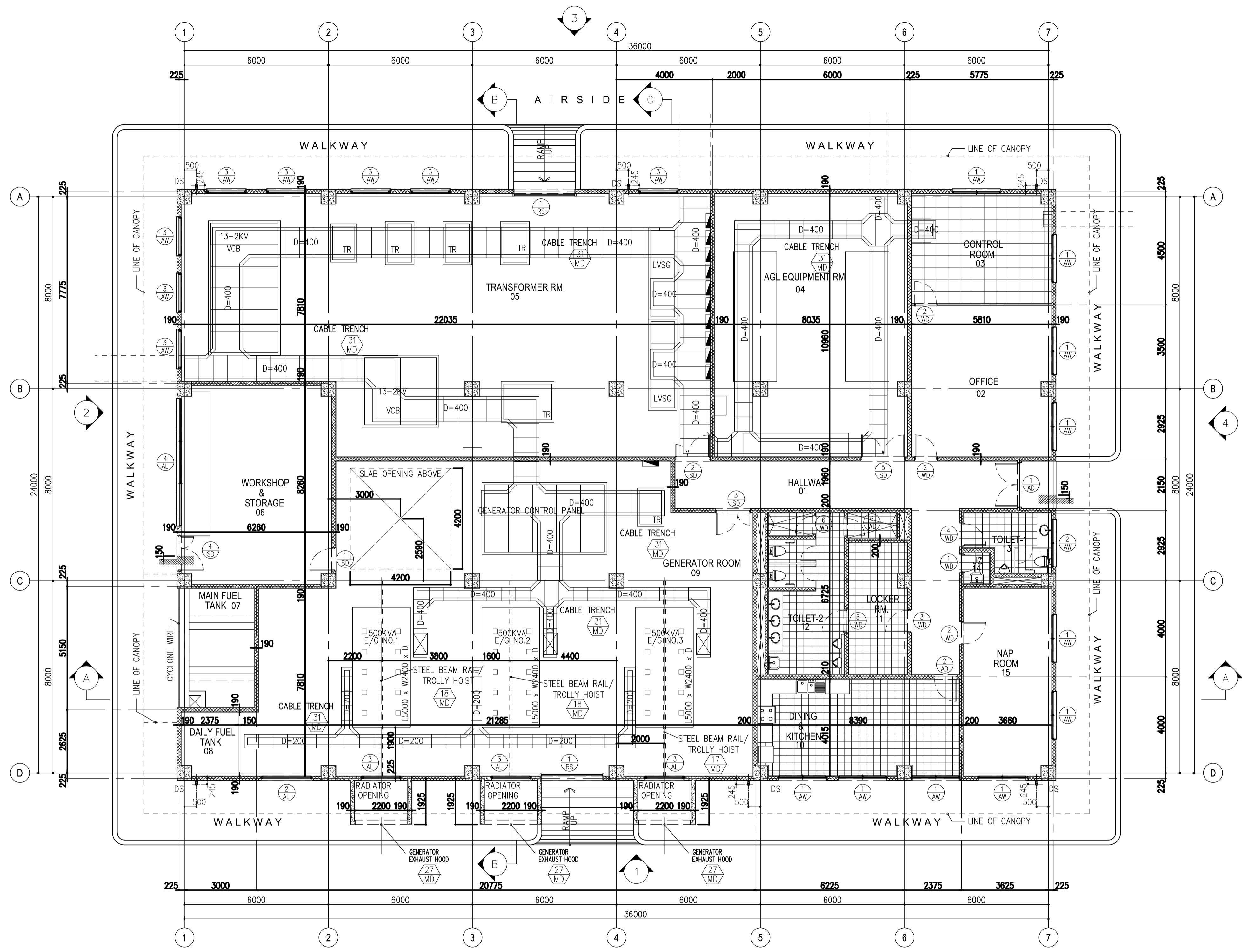


1 GROUND FLOOR
B62-4300-02 SCALE 1:200

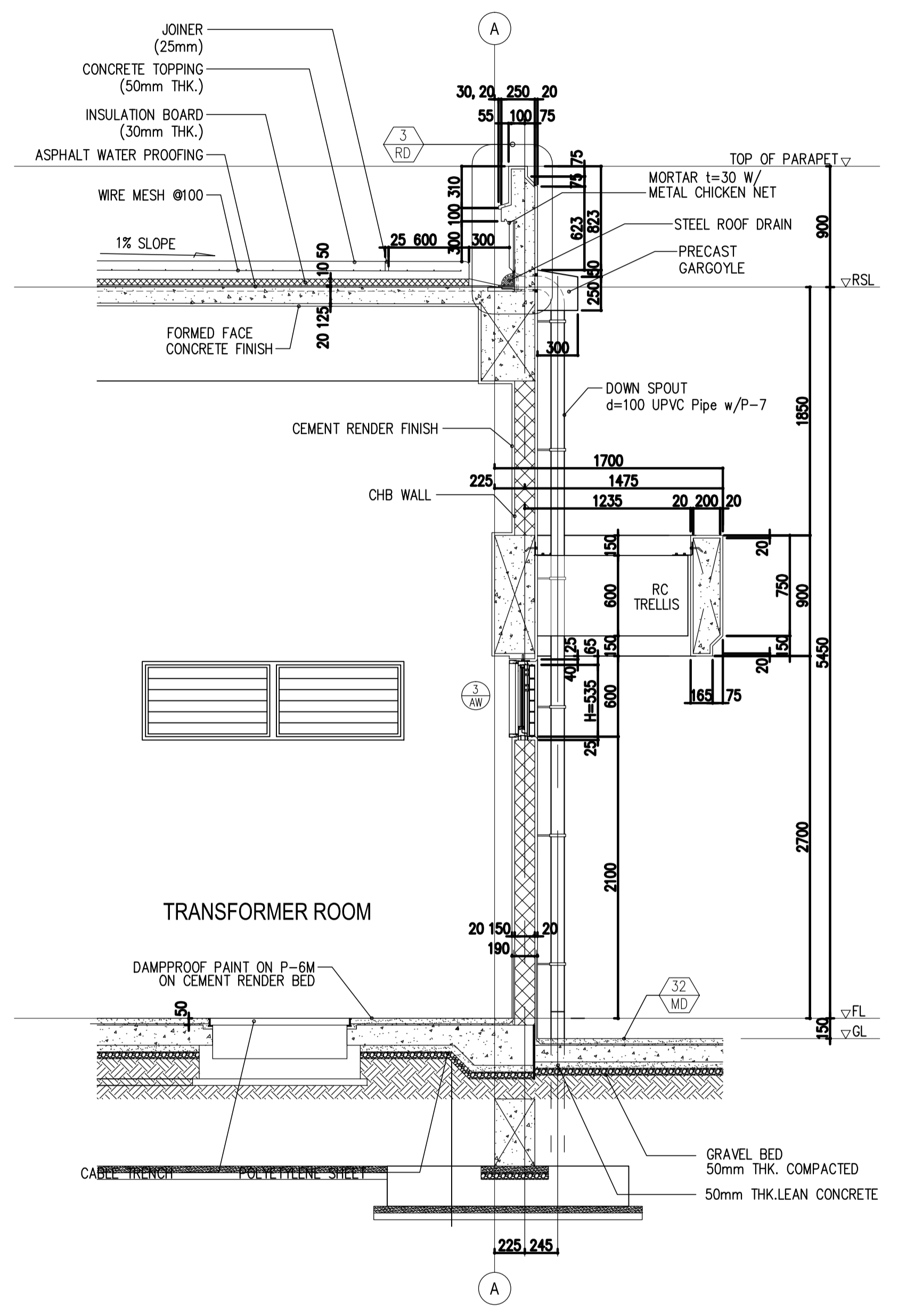
WATER TANK & PUMPHOUSE BLDG. FLOOR AREA SCHEDULE

PW	FL	Floor Area
	GF	891.2 m ²
TOTAL =		891.2 m ²

	PREPARED BY: WILLIAM I. MALLONGA <small>PROF: Architect PIR: 3811137 RES. NO.: 4623 DATE: MAY 9, 2013 TEL: 129-564-198 PLACE: MANILA CITY</small>	RECOMMENDING APPROVAL: ILDEFONSO T. PATDU, JR. <small>Assistant Secretary for Project Implementation, DOTC</small>	APPROVED: JULIANITO G. BUCAYAN, JR. <small>Undersecretary for Project Implementation, DOTC</small>	PROJECT TITLE: NEW BOHOL AIRPORT CONSTRUCTION AND SUSTAINABLE ENVIRONMENT PROTECTION PROJECT	LOCATION: MUNICIPALITY OF PANGLAO, PROVINCE OF BOHOL, PHILIPPINES	SHEET CONTENTS: COMPONENT-4 BUILDING WORKS (B) SUBCOMPONENT-4-6 UTILITY BUILDINGS (B62) POWER HOUSE ARCHITECTURAL EXTERNAL FINISHING SCHEDULE, LAYOUT PLAN & FLOOR AREA SCHEDULE	SHEET NO: B62-4300-02
	JICA DESIGN CONSULTANT JOINT VENTURE	TADASHI AOI <small>Team Leader</small>	JULIANITO G. BUCAYAN, JR. <small>Undersecretary for Project Implementation, DOTC</small>	DATE: JUNE 2013	INDEX:	AMENDMENTS:	Prepared by: WIM Checked by: HC Validated by:

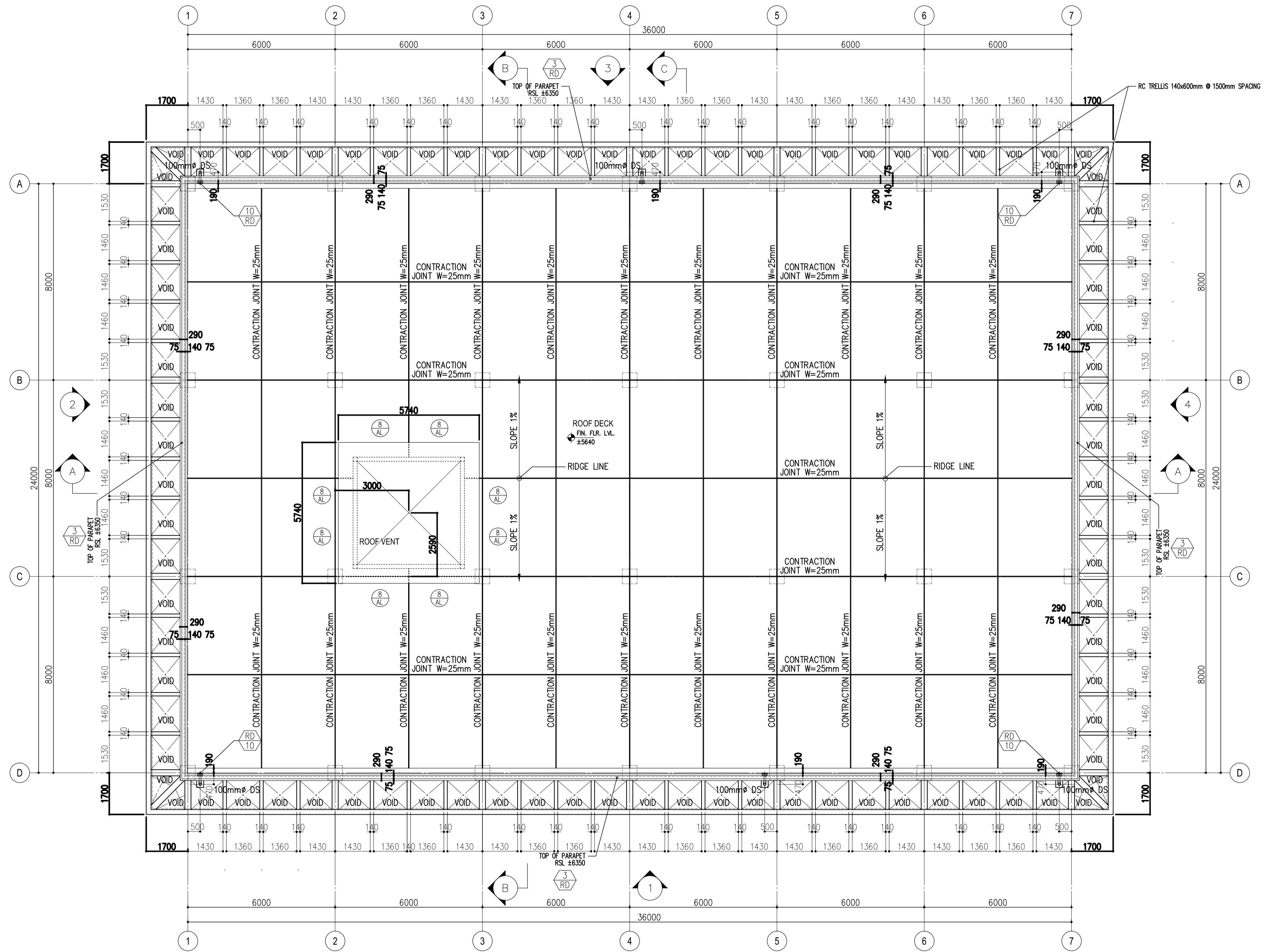


LANDSIDE
 1 FLOOR PLAN
 862-4300-04 SCALE: 1:100 M.



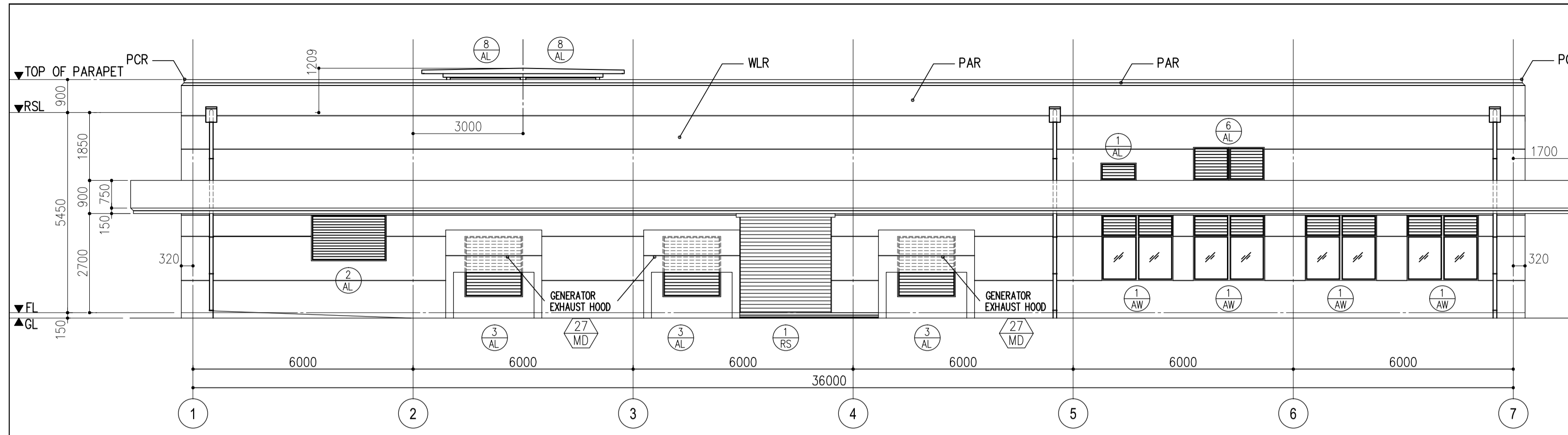
2 DETAIL SECTION C
 862-4300-04 SCALE: 1:30MTS.

	PREPARED BY: WILLIAM I. MALLONGA <small>PROF. Architect PIR. 3811137 RES. NO. 4623 DATE: MAY 9, 2013 TEL. 159-564-198 PLACE: MANILA CITY</small>	RECOMMENDING APPROVAL: ILDEFONSO T. PATDU, JR. <small>Assistant Secretary for Project Implementation, DOTC</small>	APPROVED: JULIANITO G. BUCAYAN, JR. <small>Undersecretary for Project Implementation, DOTC</small>	PROJECT TITLE: NEW BOHOL AIRPORT CONSTRUCTION AND SUSTAINABLE ENVIRONMENT PROTECTION PROJECT	LOCATION: MUNICIPALITY OF PANGLAO, PROVINCE OF BOHOL, PHILIPPINES	SHEET CONTENTS: COMPONENT-4 BUILDING WORKS (B) SUBCOMPONENT-4-6 UTILITY BUILDINGS (B62) POWER HOUSE ARCHITECTURAL FLOOR PLAN DETAIL SECTION C	SHEET NO: B62-4300-04
	JICA DESIGN CONSULTANT JOINT VENTURE JAC JAPAN AIRPORT CONSULTANTS, INC.	JAPAN INTERNATIONAL COOPERATION AGENCY	NIPPON KOEI CO., LTD.	NIS CONSULTANTS CO., LTD.	DATE: JUNE 2013 INDEX:	AMENDMENTS:	Prepared by: WIM Checked by: HC Validated by:

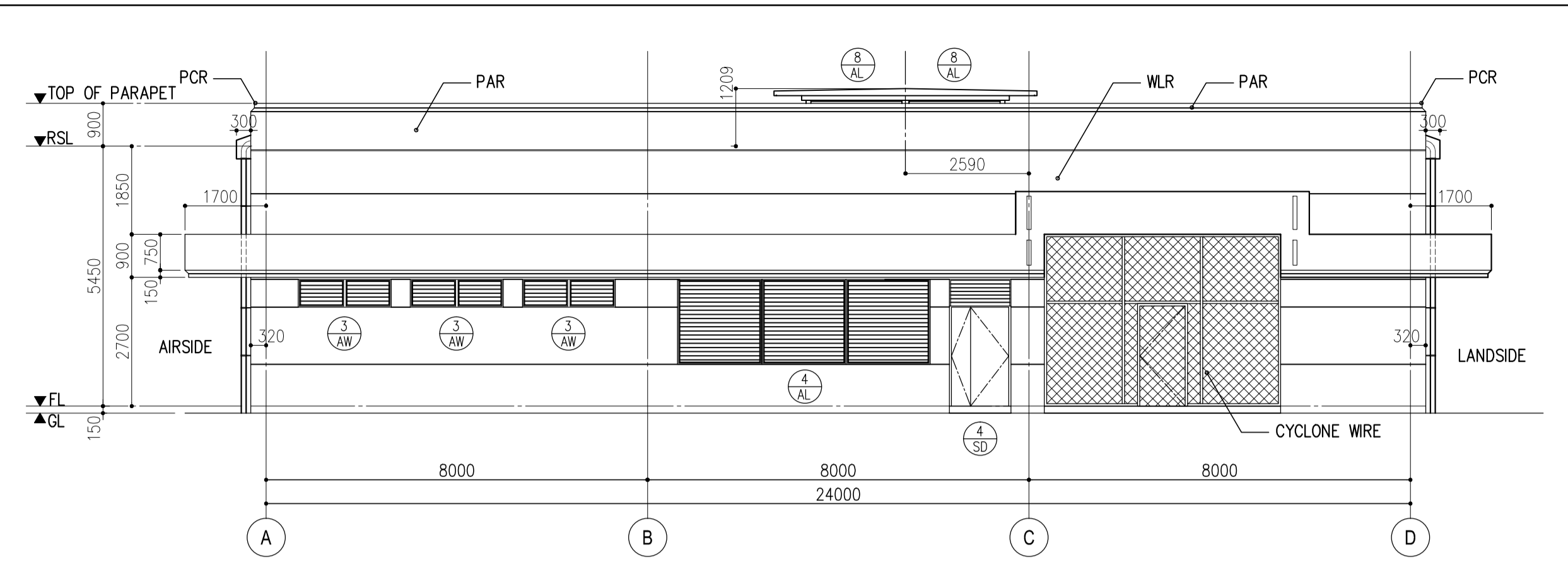


1 ROOF PLAN
B62-4300-05 SCALE 1: 100 M.

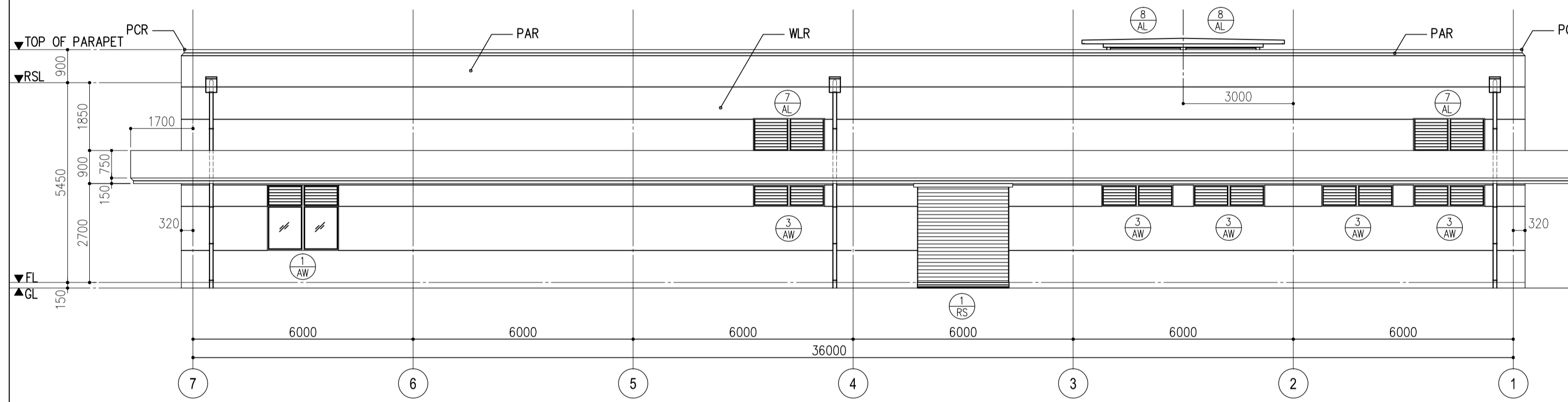
	PREPARED BY: WILLIAM I. MALLONGA <small>PROF. Architect PIR. 3811137 RES. NO.: 4623 DATE: MAY 9, 2013 TEL. 159-564-198 PLACE: MANILA CITY</small>	RECOMMENDING APPROVAL: ILDEFONSO T. PATDU, JR. <small>Assistant Secretary for Project Implementation, DOTC</small>	APPROVED: JULIANITO G. BUCAYAN, JR. <small>Undersecretary for Project Implementation, DOTC</small>	PROJECT TITLE: NEW BOHOL AIRPORT CONSTRUCTION AND SUSTAINABLE ENVIRONMENT PROTECTION PROJECT	LOCATION: MUNICIPALITY OF PANGLAO, PROVINCE OF BOHOL, PHILIPPINES	SHEET CONTENTS: COMPONENT-4 BUILDING WORKS (B) SUBCOMPONENT-4-6 UTILITY BUILDINGS (B62) POWER HOUSE ARCHITECTURAL ROOF PLAN	SHEET NO: B62-4300-05
	JICA DESIGN CONSULTANT JOINT VENTURE	TADASHI AOI Team Leader	ILDEFONSO T. PATDU, JR. Assistant Secretary for Project Implementation, DOTC	JULIANITO G. BUCAYAN, JR. Undersecretary for Project Implementation, DOTC	DATE: JUNE 2013 INDEX:	AMENDMENTS:	Prepared by: WIM Checked by: HC Validated by:



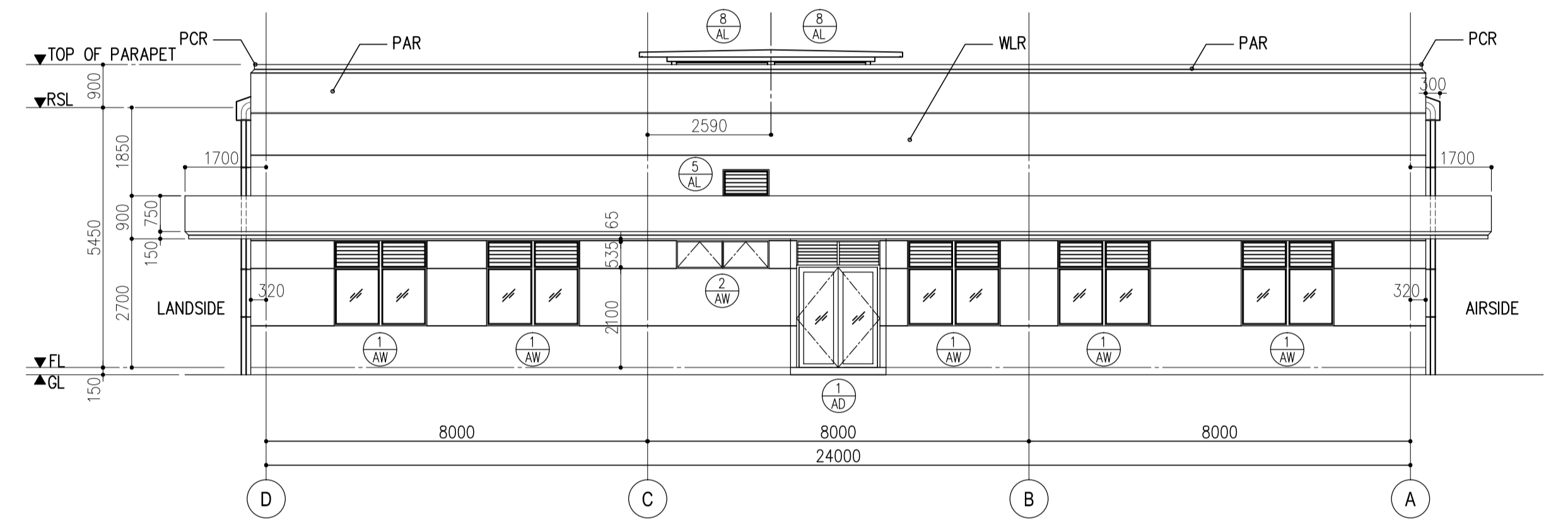
1 ELEVATION 1
B62-4300-06 SCALE 1: 100 M.



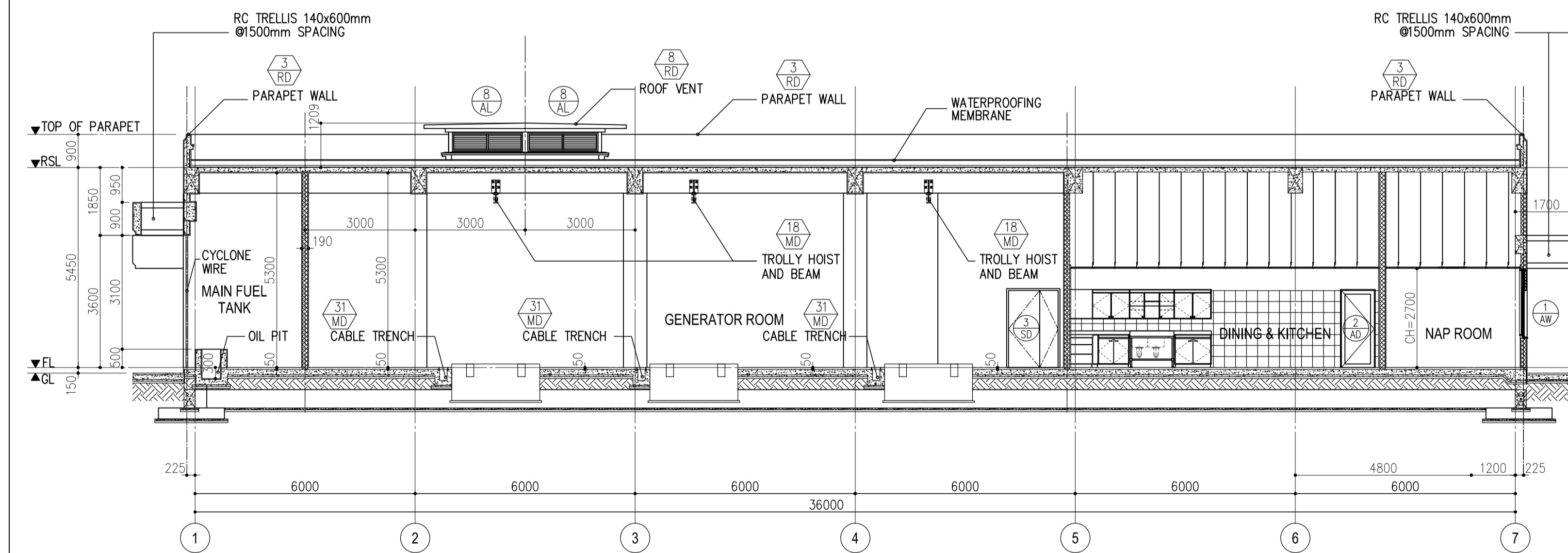
2 ELEVATION 2
B62-4300-06 SCALE 1: 100 M.



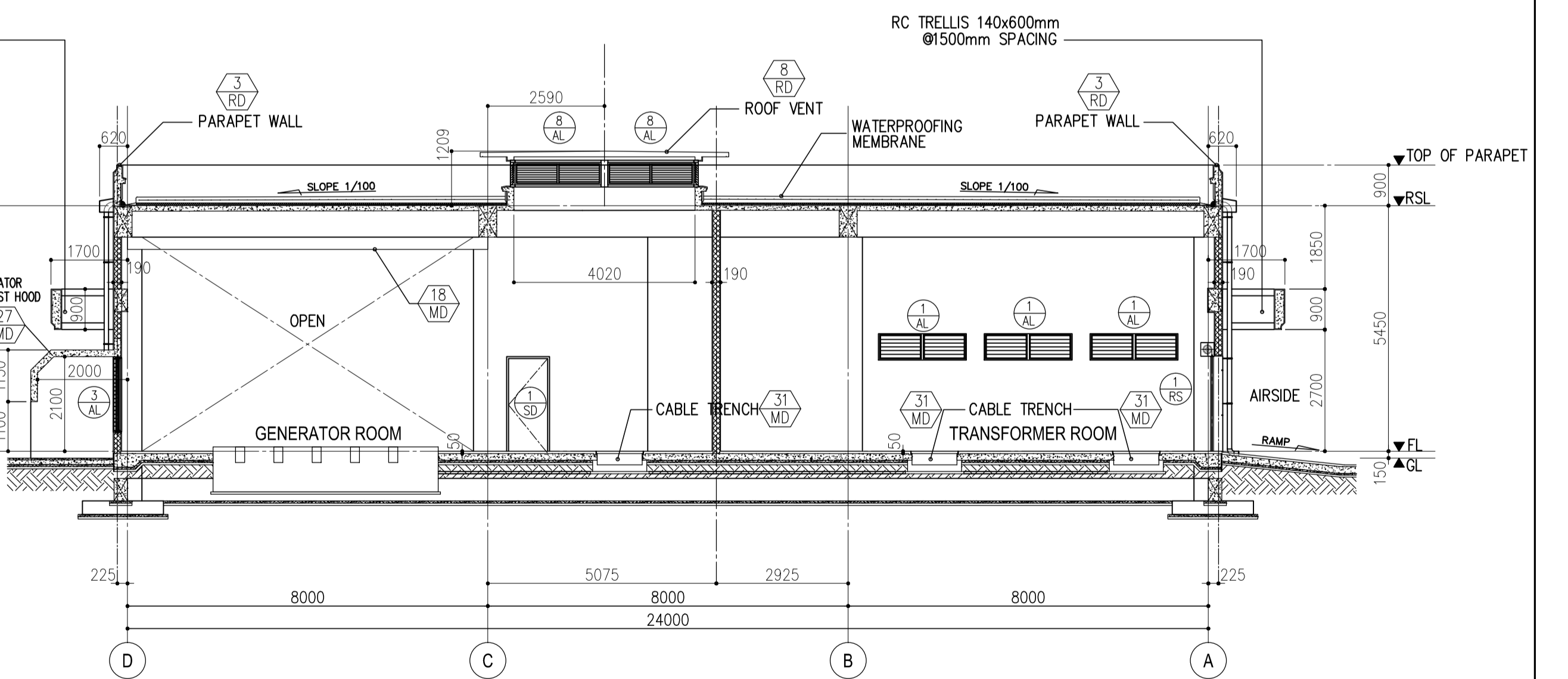
3 ELEVATION 3
B62-4300-06 SCALE 1: 100 M.



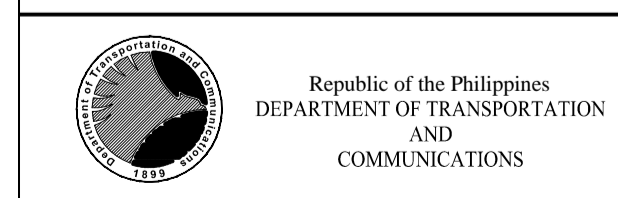
4 ELEVATION 4
B62-4300-06 SCALE 1: 100 M.



1 SECTION A-A
B62-4300-06 SCALE 1: 100 M.



2 SECTION B-B
B62-4300-06 SCALE 1: 100 M.



PREPARED BY:
WILLIAM I. MALLONGA
PROF. Architect PIR. 3811137
RES. NO.: 4623 DATE: MAY 9, 2013
TEL. 129-564-198 PLACE: MANILA CITY

TADASHI AOI
Team Leader

RECOMMENDING APPROVAL:
ILDEFONSO T. PATDU, JR.
Assistant Secretary
for Project Implementation, DOTC

APPROVED:
JULIANITO G. BUCAYAN, JR.
Undersecretary
for Project Implementation, DOTC

PROJECT TITLE:
NEW BOHOL AIRPORT CONSTRUCTION AND SUSTAINABLE ENVIRONMENT PROTECTION PROJECT

LOCATION: MUNICIPALITY OF PANGLAO, PROVINCE OF BOHOL, PHILIPPINES

SHEET CONTENTS:
COMPONENT-4 BUILDING WORKS (B)
SUBCOMPONENT-4-6 UTILITY BUILDINGS

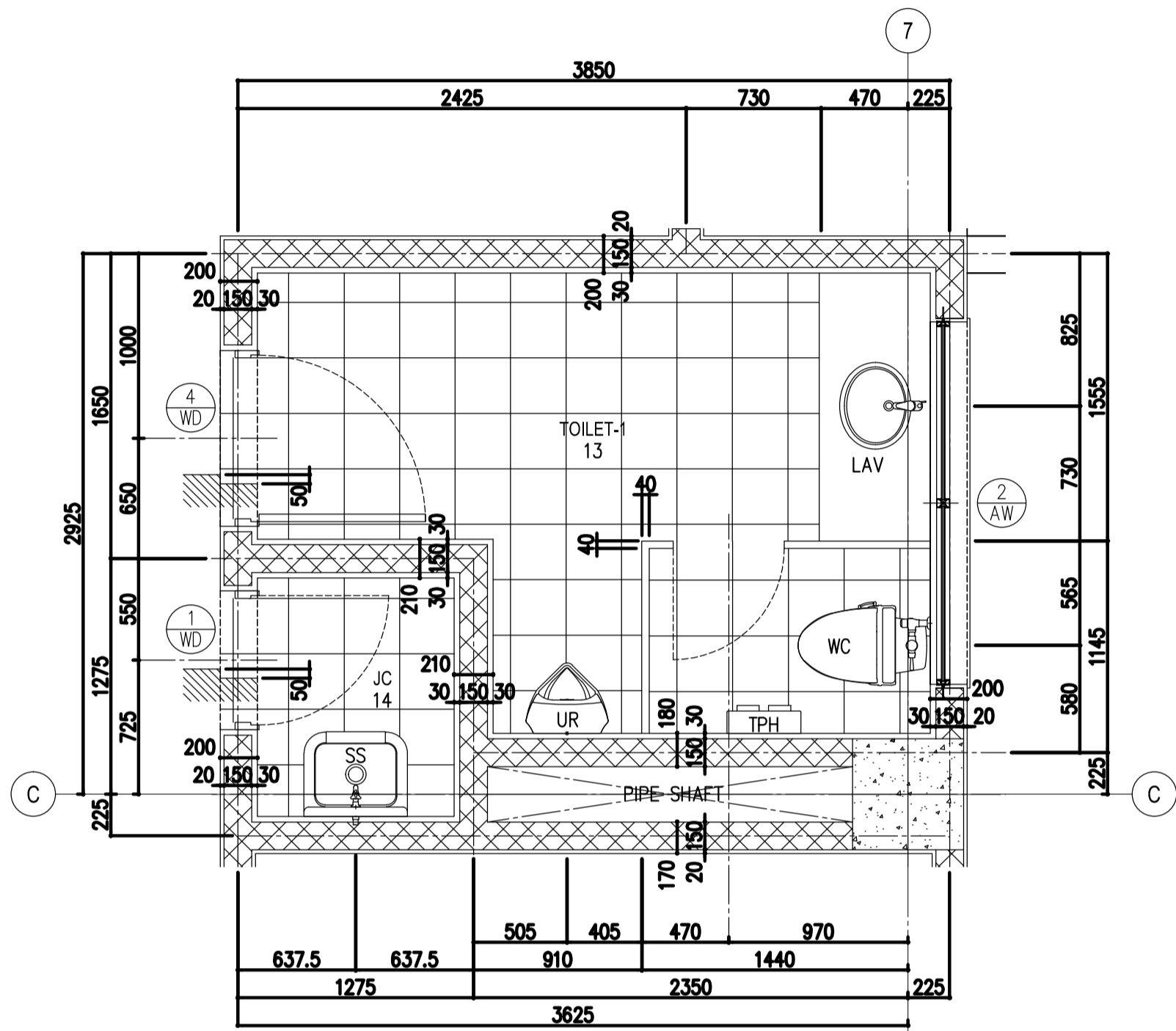
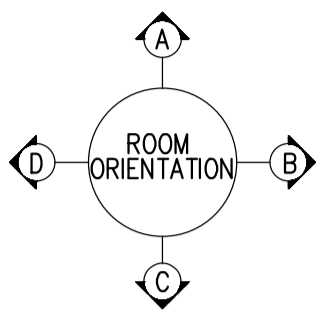
(B62) POWER HOUSE
ARCHITECTURAL
ELEVATIONS & SECTIONS

SHEET NO:
B62-4300-06

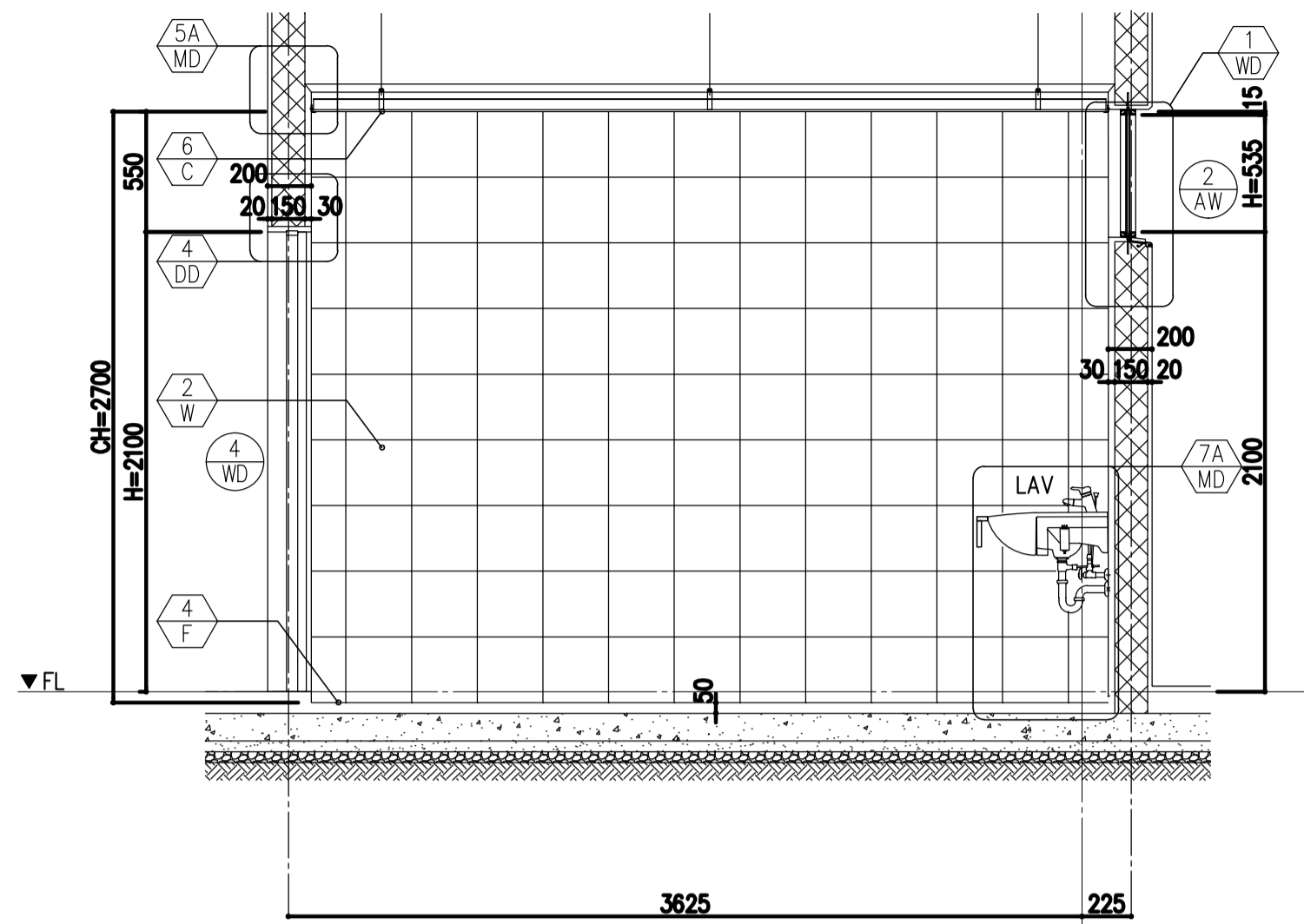
DRAWING SCALE:
1:100 MTS.



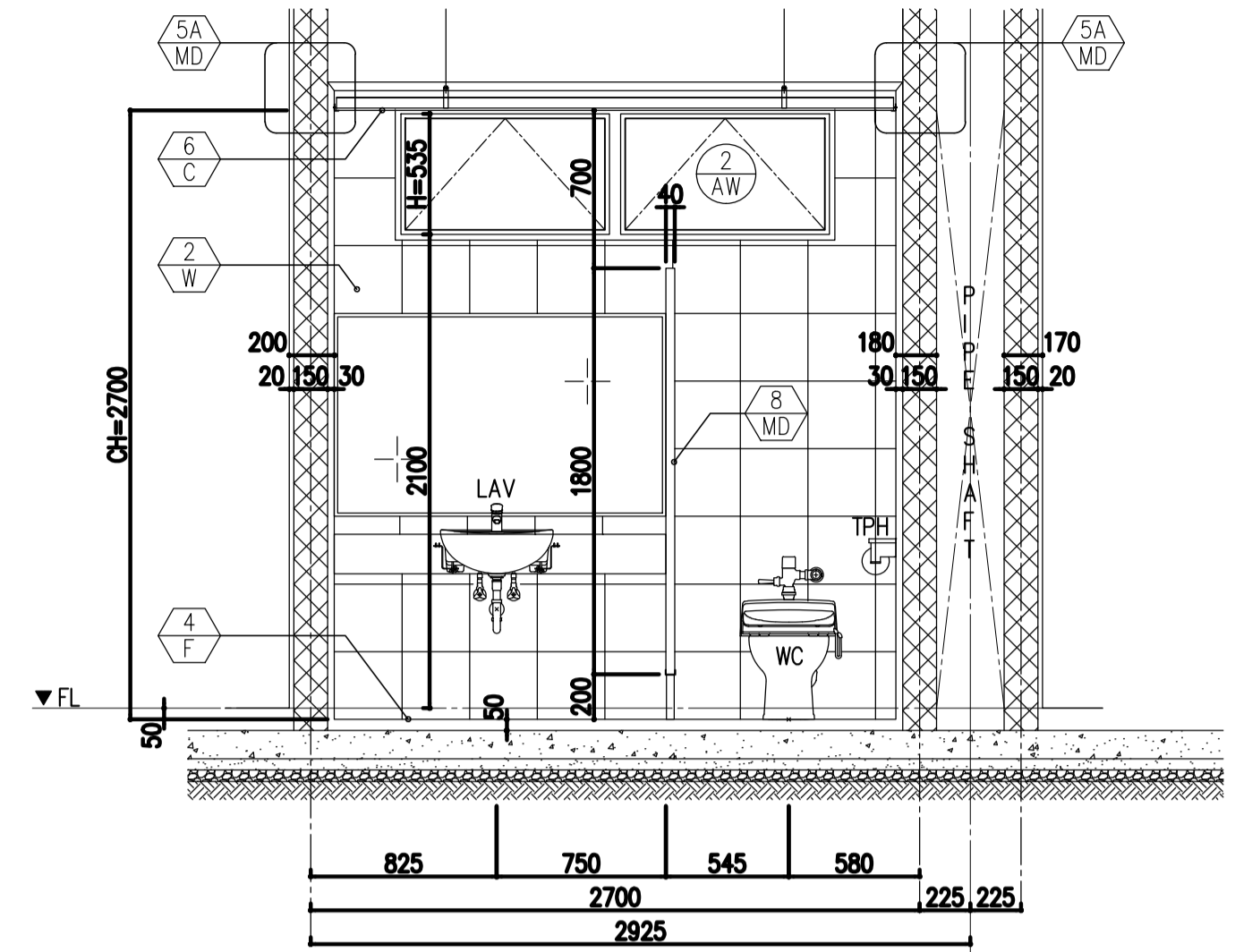
DATE	INDEX	AMENDMENTS	Prepared by	Checked by	Validated by
JUNE 2013			WIM	HC	



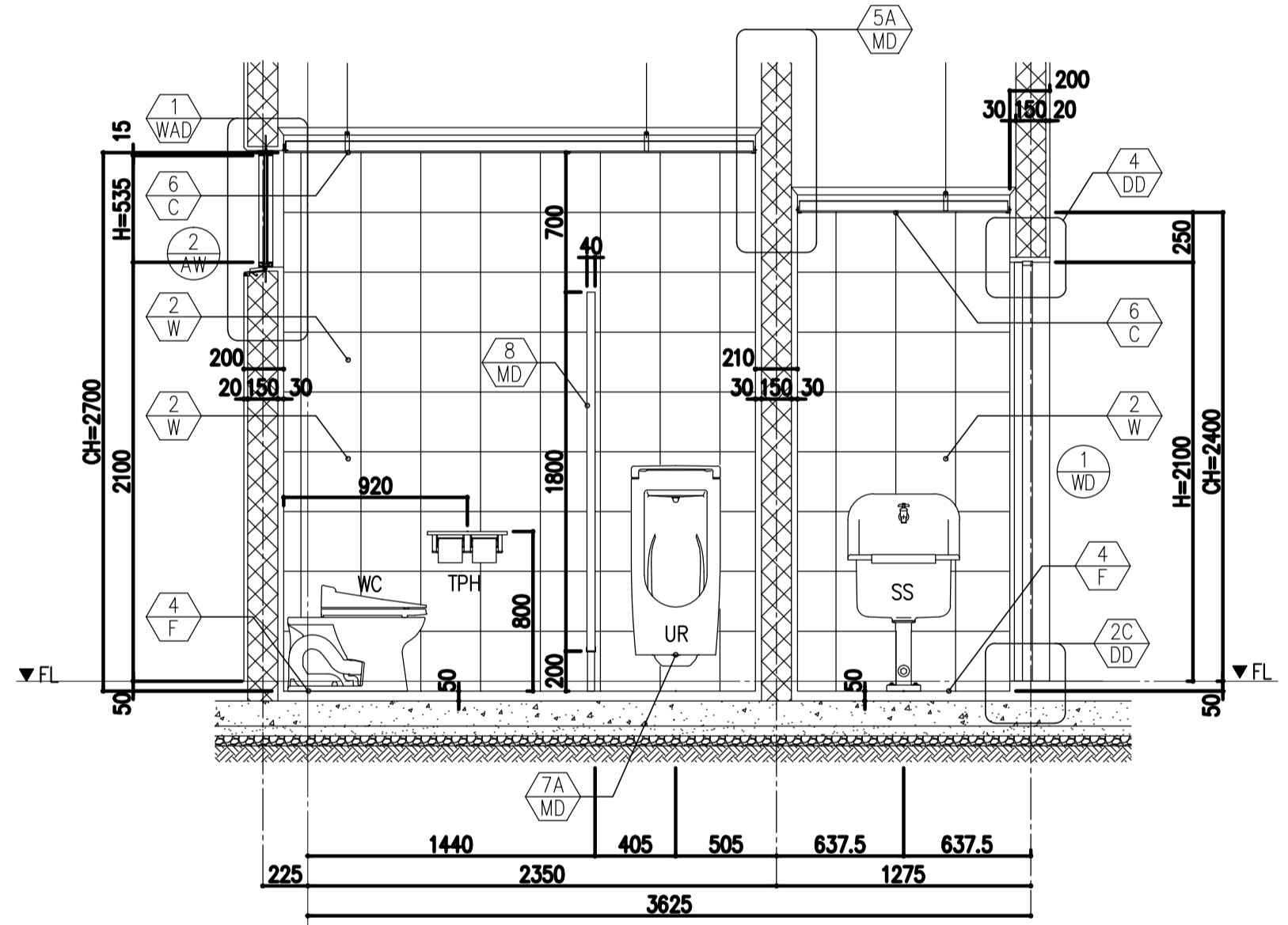
1 TOILET-1 DETAIL PLAN
B62-4300-07 SCALE : 1:30 MTS.



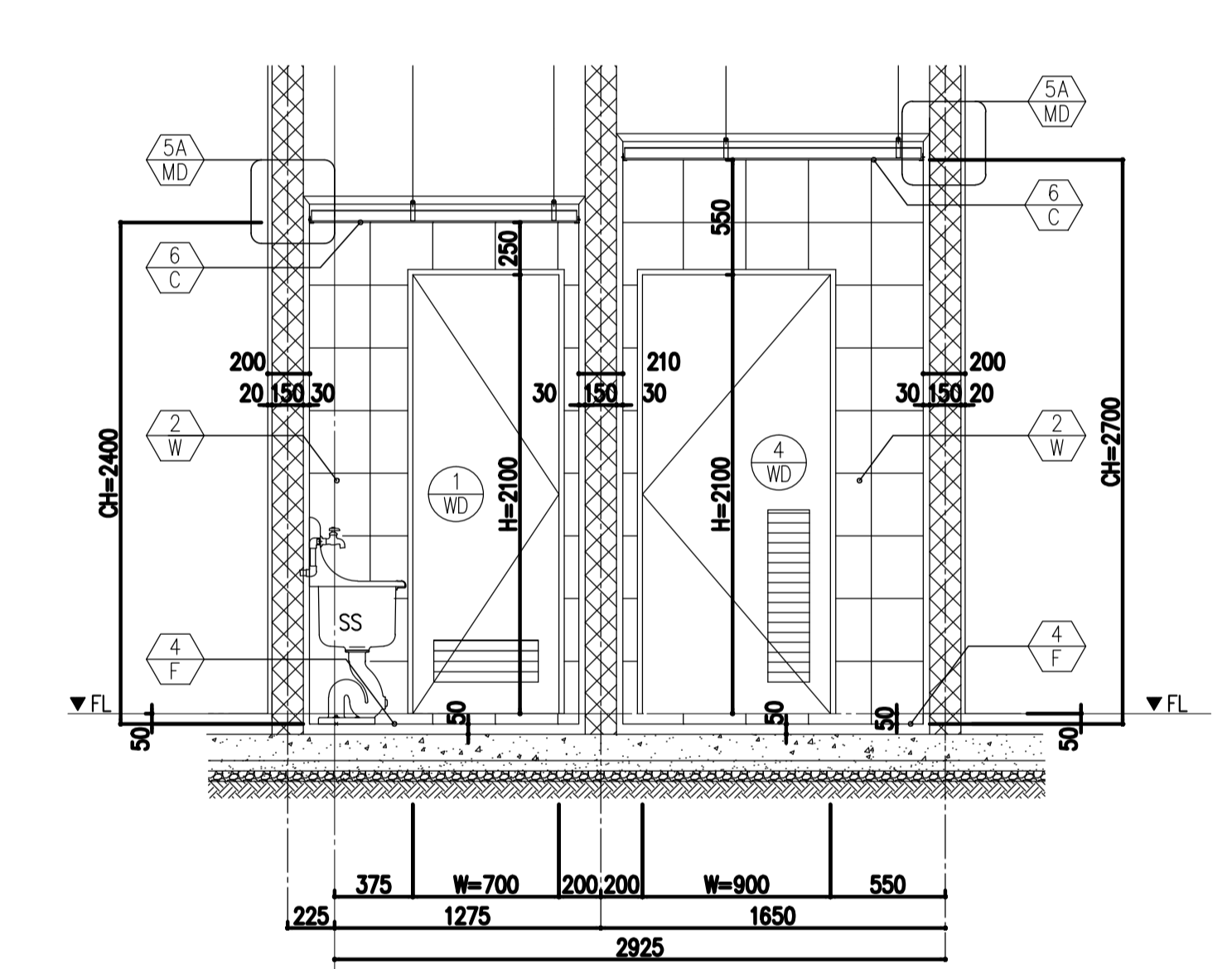
2 ELEVATION A
B62-4300-07 SCALE : 1:30 MTS.



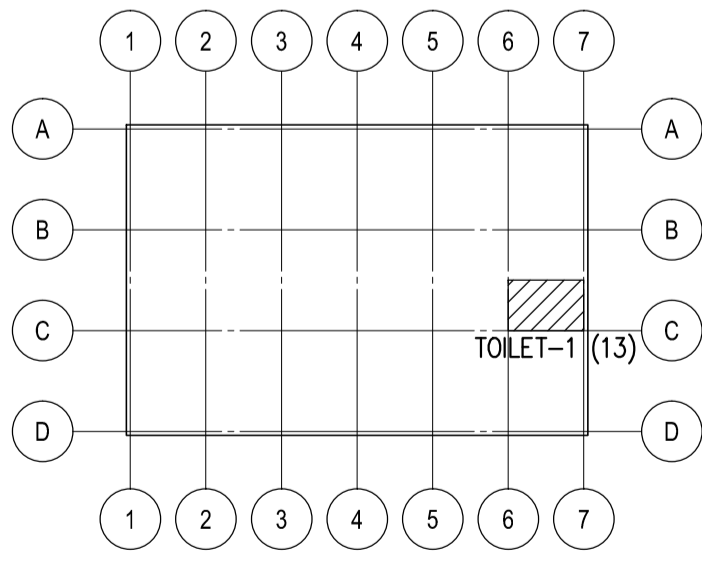
3 ELEVATION B
B62-4300-07 SCALE : 1:30 MTS.



4 ELEVATION C
B62-4300-07 SCALE : 1:30 MTS.



5 ELEVATION D
B62-4300-07 SCALE : 1:30 MTS.



KEY PLAN

LEGEND

FD	FLOOR DRAIN	TPH	TOILET PAPER HOLDER
LAV	LAVATORY	UR	URINAL
SS	SLOPE SINK	WC	WATER CLOSET

TYPICAL TOILET FINISHING SCHEDULE			
FLOORING	F4	300x300x8	CERAMIC TILE
WALL	W2	300x300x8	CERAMIC TILE
CEILING	C6	t=12 + t=9	GYPSON BOARD W/ PAINT



PREPARED BY:
WILLIAM I. MALLONGA

RECOMMENDING APPROVAL:
ILDEFONSO T. PATDU, JR.
Assistant Secretary
for Project Implementation, DOTC

APPROVED:
JULIANITO G. BUCAYAN, JR.
Undersecretary
for Project Implementation, DOTC

PROJECT TITLE:
NEW BOHOL AIRPORT CONSTRUCTION AND SUSTAINABLE ENVIRONMENT PROTECTION PROJECT

LOCATION: MUNICIPALITY OF PANGLAO, PROVINCE OF BOHOL, PHILIPPINES

SHEET CONTENTS:
COMPONENT-4 BUILDING WORKS (B)
SUBCOMPONENT-4-6 UTILITY BUILDINGS
(B62) POWERHOUSE
ARCHITECTURAL
TOILET-1 DETAIL PLAN & SECTION

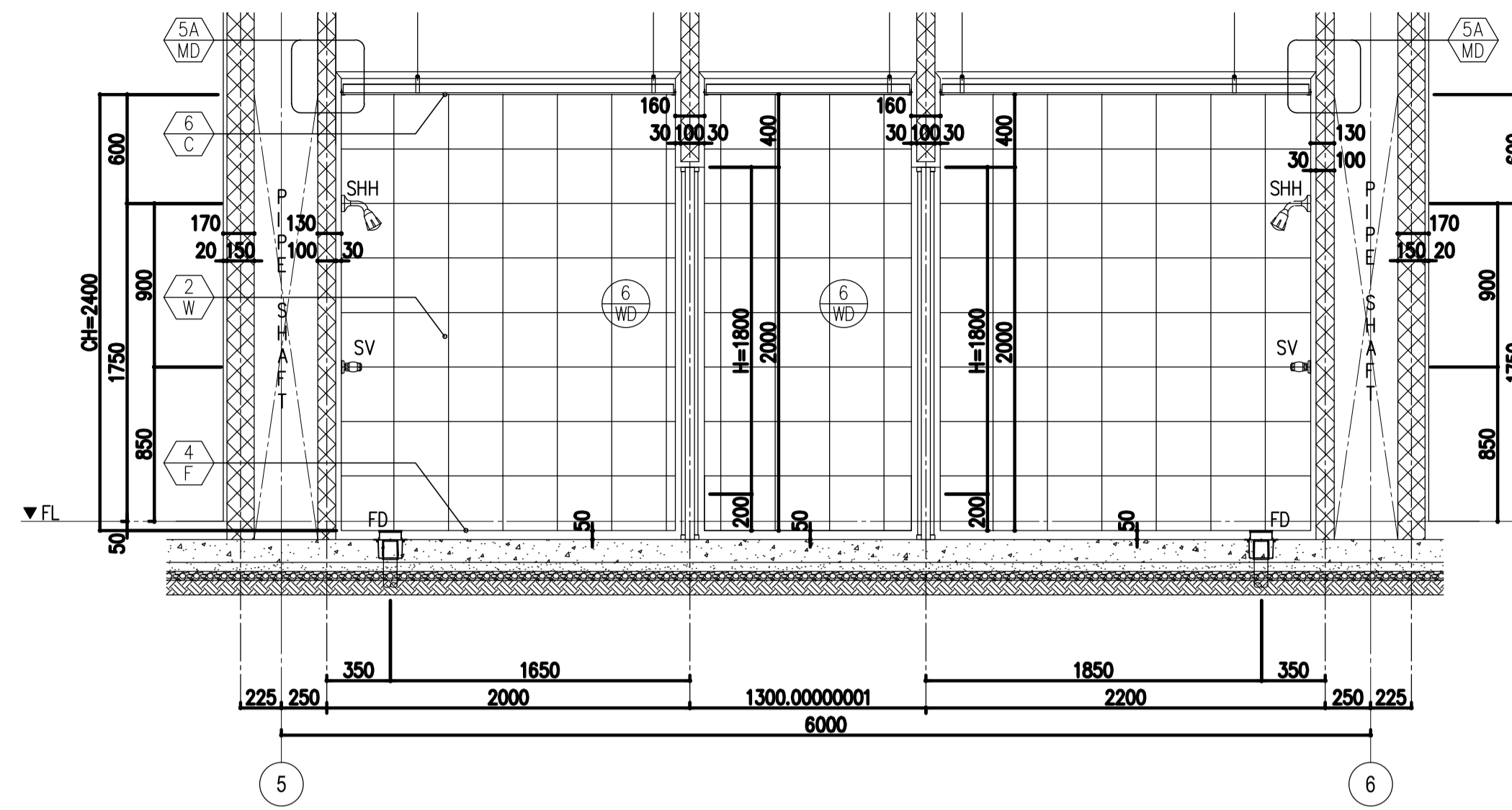
SHEET NO:
B62-4300-07

DRAWING SCALE:
1:30 MTS.

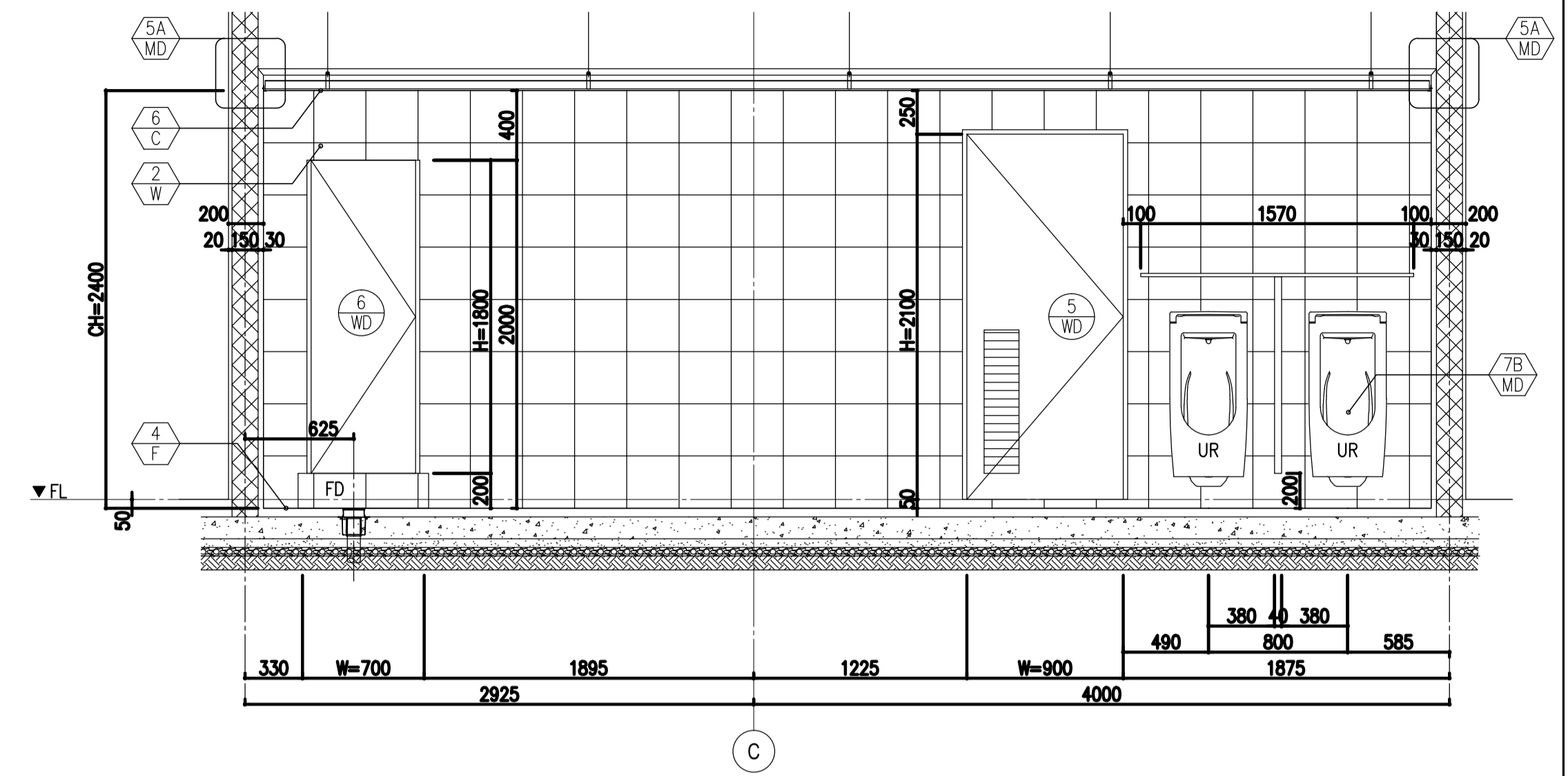


TADASHI AOI
Team Leader

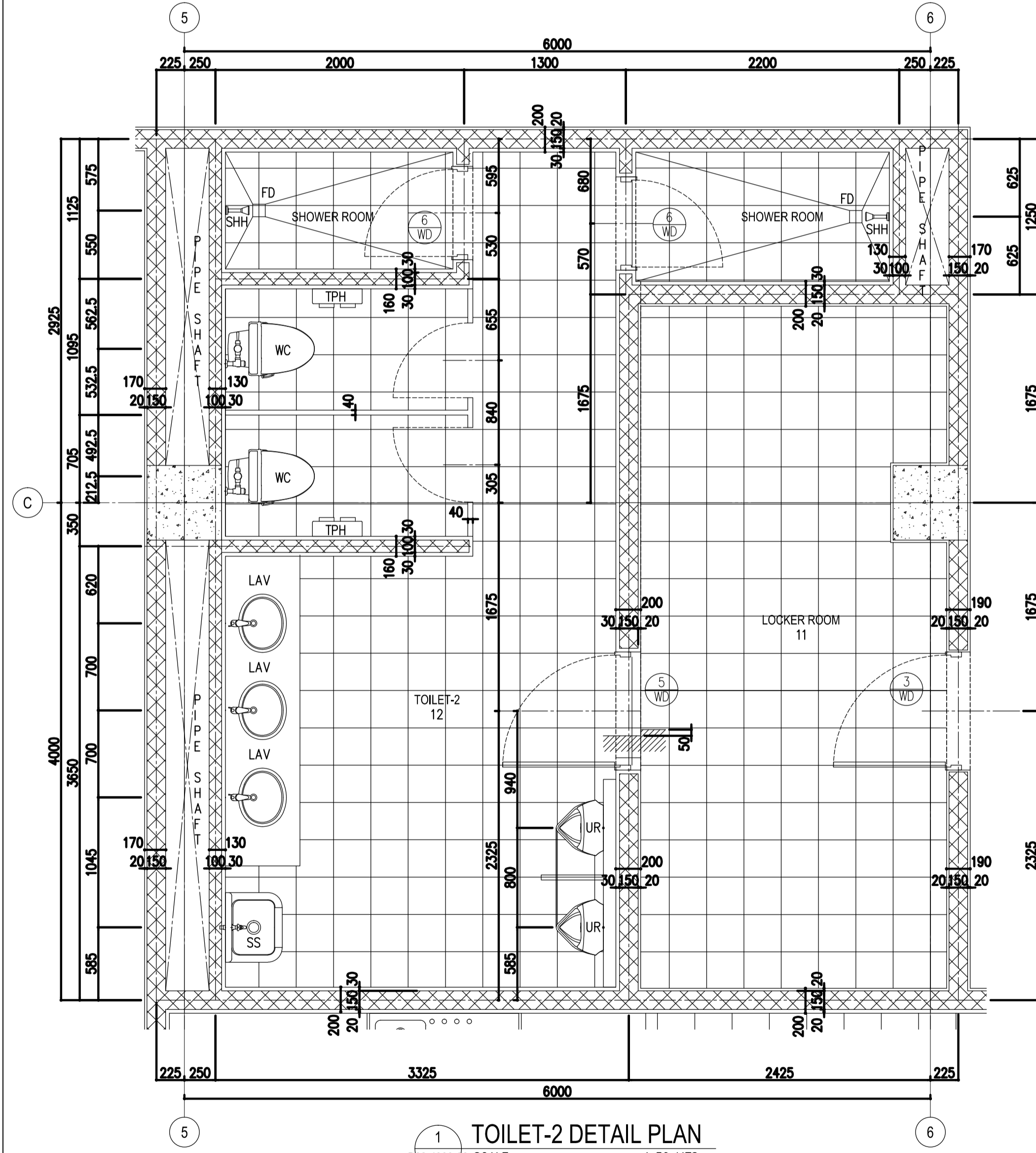
JUNE 2013
DATE INDEX AMENDMENTS
Prepared by: WIM
Checked by: HC
Validated by:



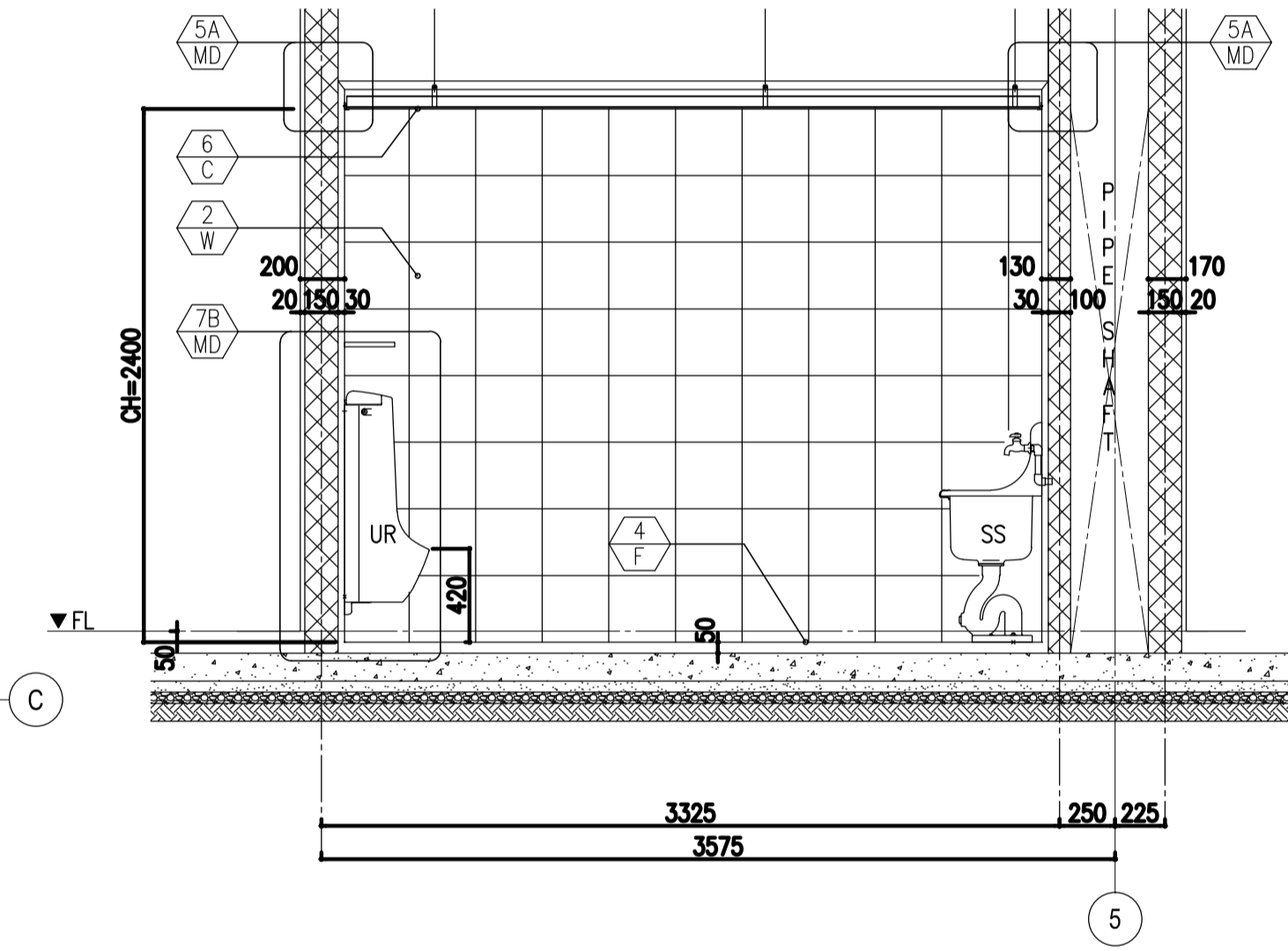
2 ELEVATION A
B62-4300-08 SCALE : 1:30 MTS.



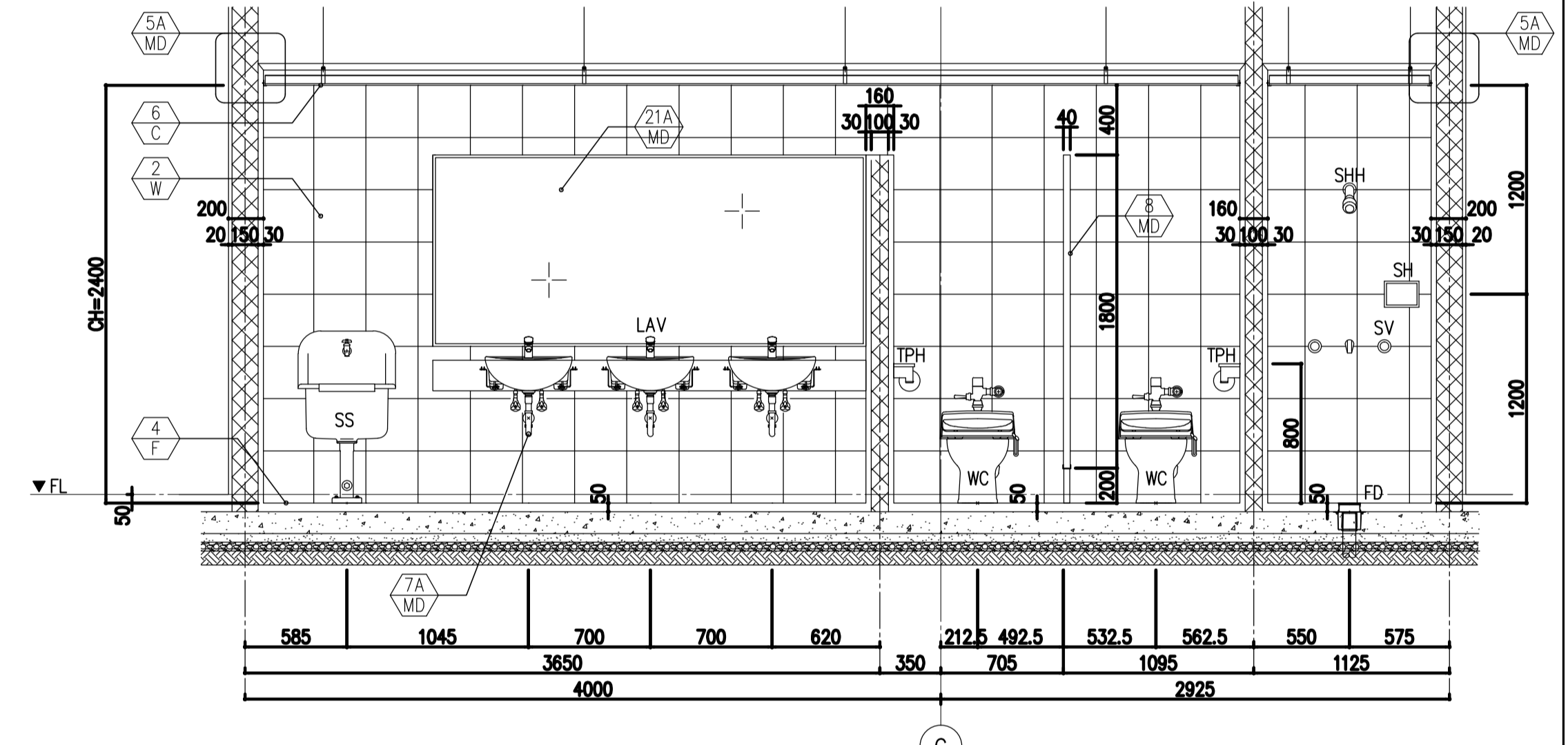
3 ELEVATION B
B62-4300-08 SCALE : 1:30 MTS.



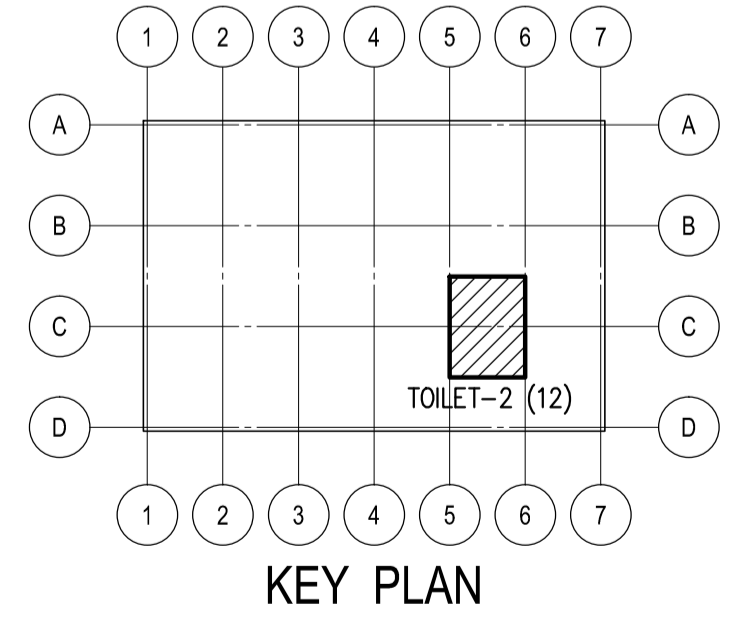
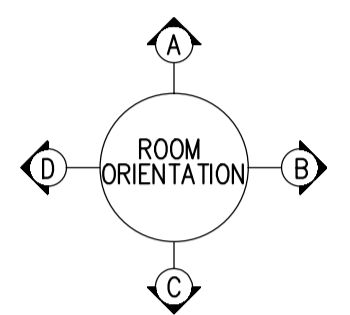
1 TOILET-2 DETAIL PLAN
B62-4300-08 SCALE : 1:30 MTS.



4 ELEVATION C
B62-4300-08 SCALE : 1:30 MTS.



5 ELEVATION D
B62-4300-08 SCALE : 1:30 MTS.



LEGEND

- FD FLOOR DRAIN
- LAV LAVATORY
- SH SOAP HOLDER
- SHH SHOWER HEAD
- SV SHOWER VALVE
- SS SLOPE SINK
- TPH TOILET PAPER HOLDER
- UR URINAL
- WC WATER CLOSET

TYPICAL TOILET FINISHING SCHEDULE	
FLOORING	F4 300x300x8 CERAMIC TILE
WALL	W2 300x300x8 CERAMIC TILE
CEILING	C6 t=12 + t=9 GYPSUM BOARD W/ PAINT

Republic of the Philippines
DEPARTMENT OF TRANSPORTATION
AND
COMMUNICATIONS

JICA
JAPAN
INTERNATIONAL
COOPERATION
AGENCY

PREPARED BY:
WILLIAM I. MALLONGA
PROF: Architect PIR 3811137
RES. NO.: 4623 DATE: MAY 9, 2013
TEL. 159-564-198 PLACE: MANILA CITY

RECOMMENDING APPROVAL:
ILDEFONSO T. PATDU, JR.
Assistant Secretary
for Project Implementation, DOTC

APPROVED:
JULIANITO G. BUCAYAN, JR.
Undersecretary
for Project Implementation, DOTC

PROJECT TITLE:
**NEW BOHOL AIRPORT CONSTRUCTION AND
SUSTAINABLE ENVIRONMENT PROTECTION PROJECT**

LOCATION: MUNICIPALITY OF PANGLAO, PROVINCE OF BOHOL, PHILIPPINES

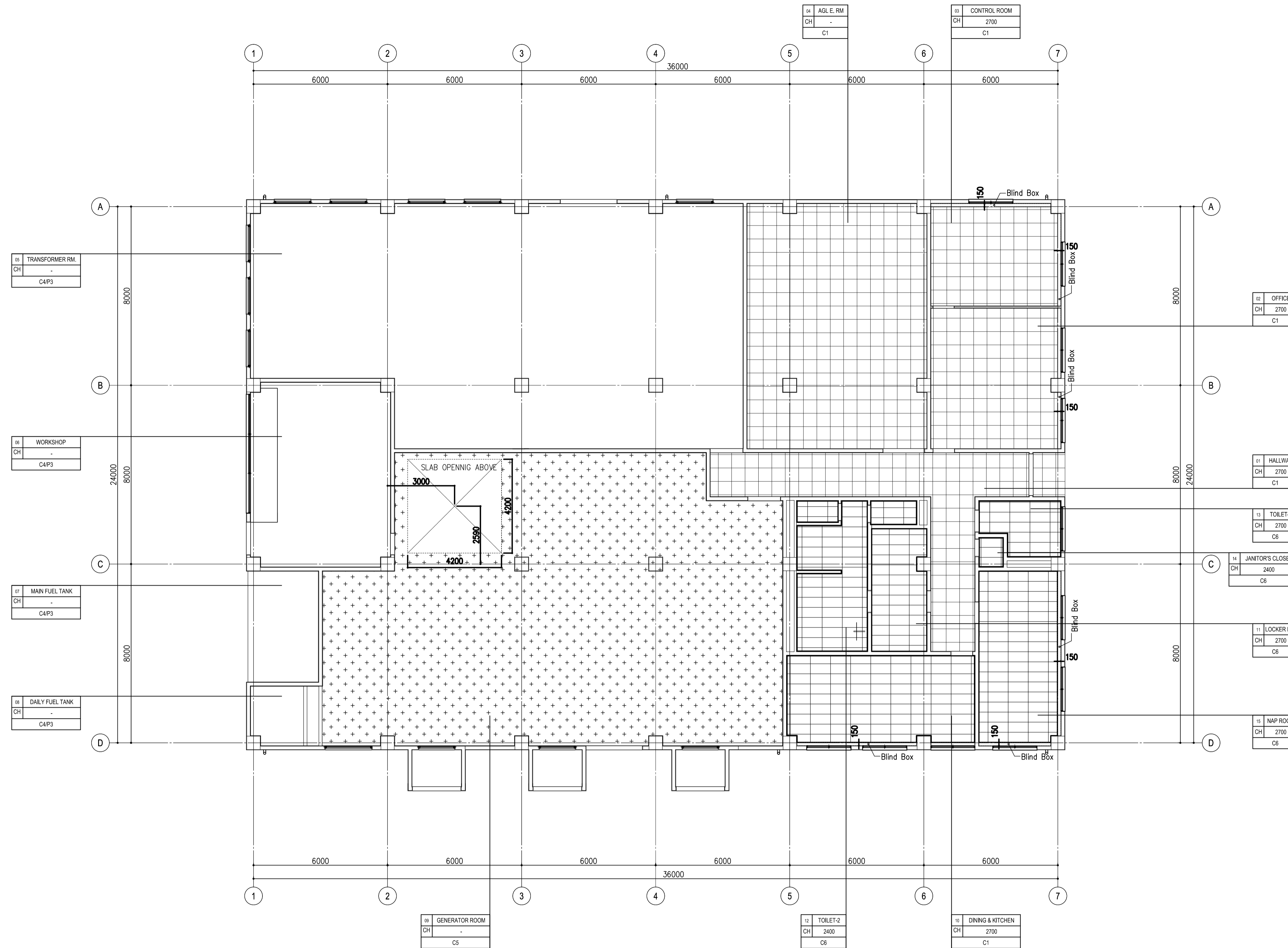
DATE	INDEX	AMENDMENTS	Prepared by	Checked by	Validated by
JUNE 2013			WIM	HC	

SHEET CONTENTS:
COMPONENT-4 BUILDING WORKS (B)
SUBCOMPONENT-4-6 UTILITY BUILDINGS

(B62) POWER HOUSE
ARCHITECTURAL
TOILET-2 DETAIL PLAN & SECTIONS

SHEET NO:
B62-4300-08

DRAWING SCALE:
1:30 MTS.

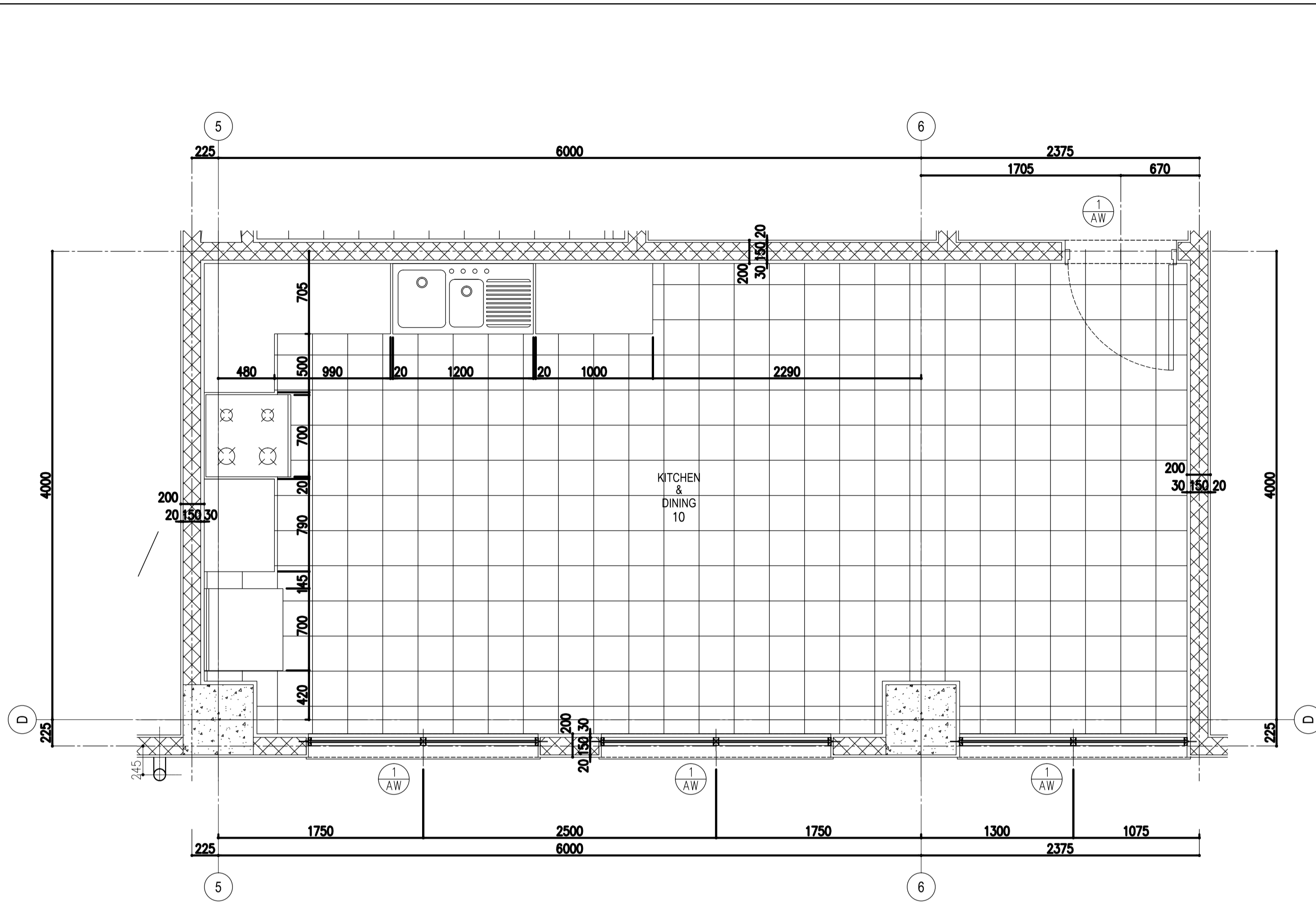


1 REFLECTED CEILING PLAN
 B62-4300-09 SCALE 1: 100 M.

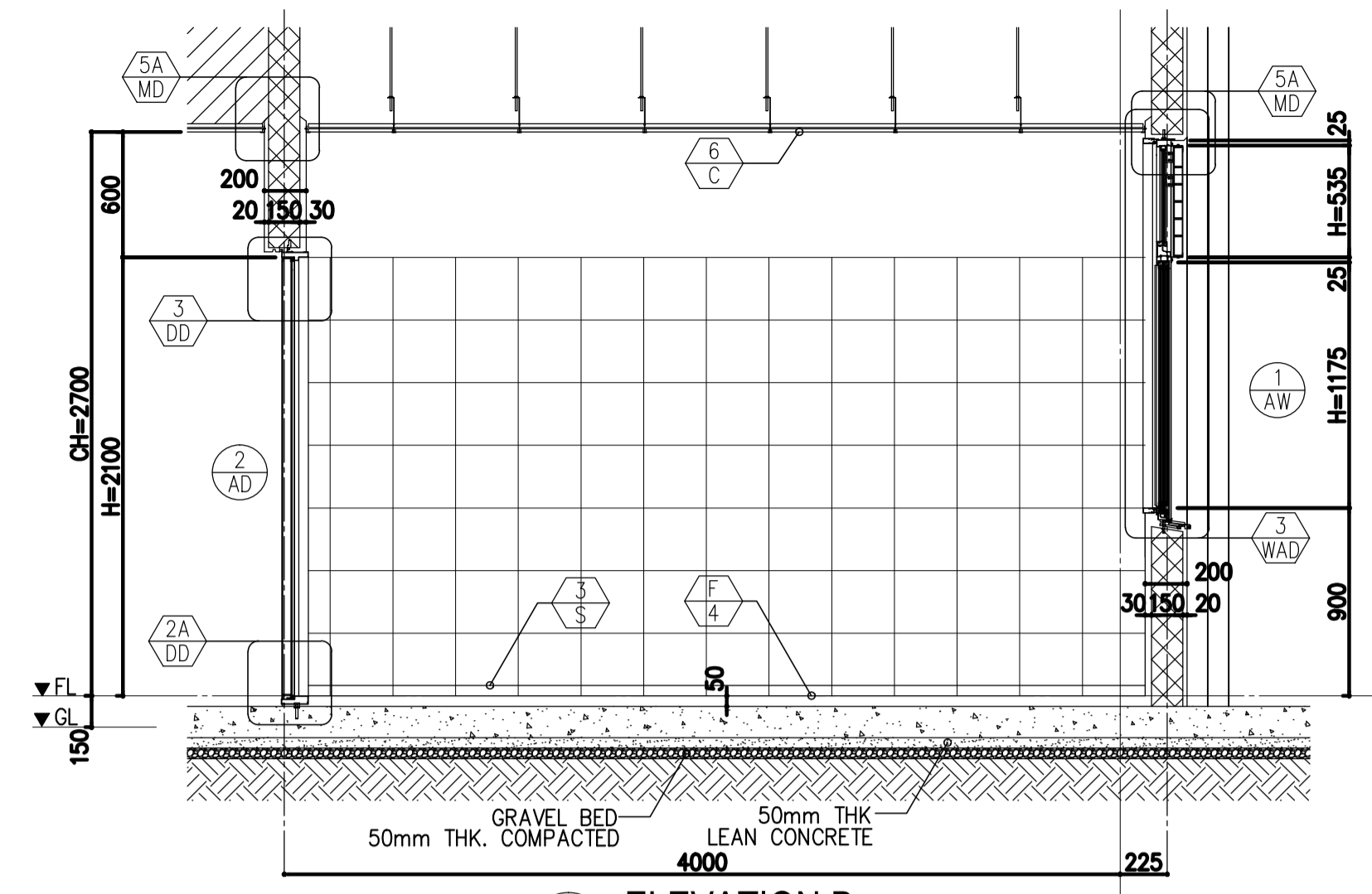
LEGEND: CEILING MATERIALS

	C1 EXPOSED SUSPENSION CEILING SYSTEM ACOUSTIC ROCKWOOL CEILING BOARD t=15
	C2 DOUBLE CEILING SYSTEM COLORED ACOUSTIC ROCKWOOL BOARD t=12 GYPSUM BOARD t=9
	C4 FORMED FACED CONCRETE
	C5 GLASSWOOL BOARD W/ GLASSWOOL CLOTH
	C6 GYPSUM BOARD t=12 + t=9 W/ PAINT

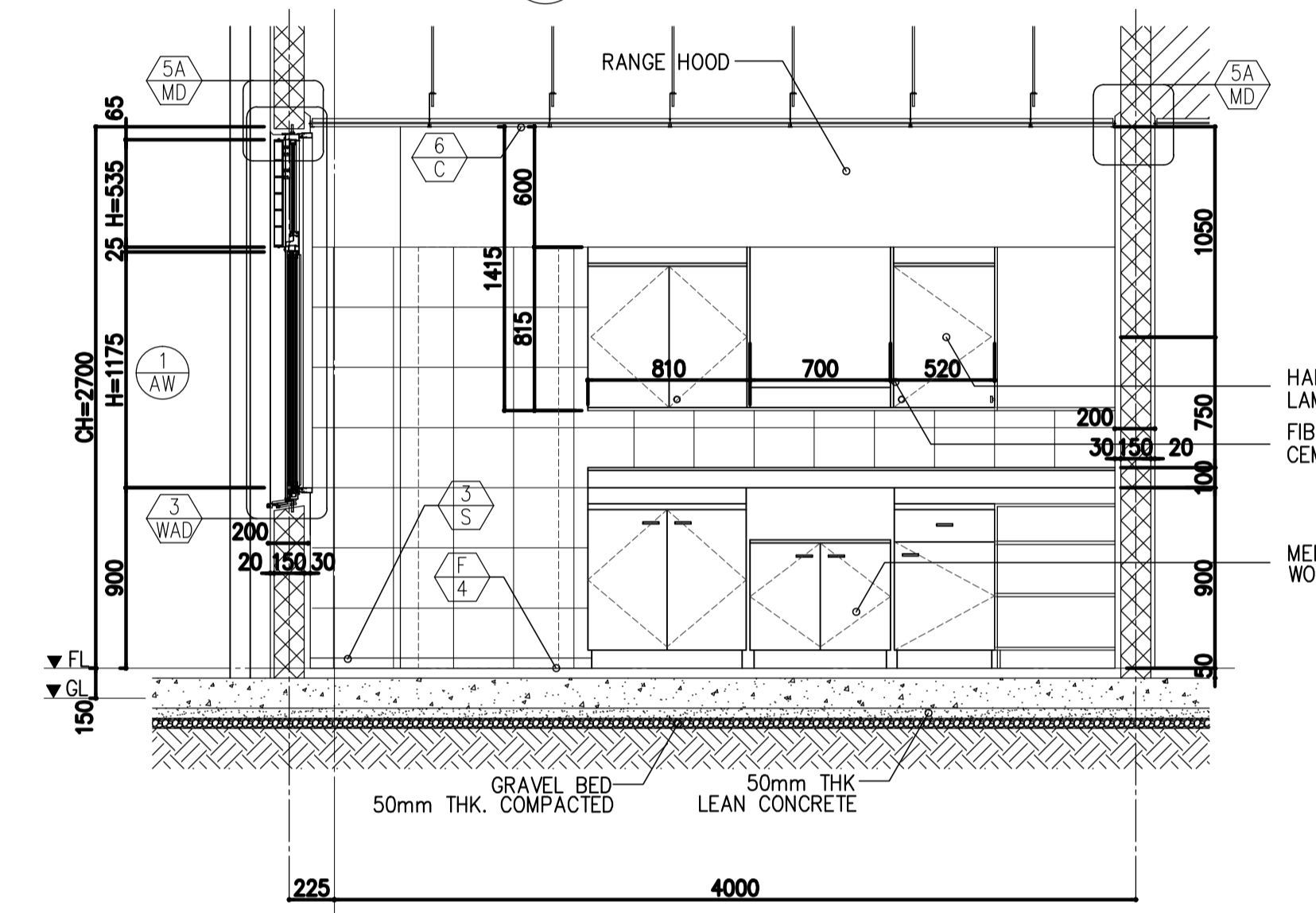
 Republic of the Philippines DEPARTMENT OF TRANSPORTATION AND COMMUNICATIONS	 JAPAN INTERNATIONAL COOPERATION AGENCY	PREPARED BY: WILLIAM I. MALLONGA <small>PROF: Architect PIR. 3811137 REG. NO.: 4623 DATE: MAY 9, 2013 TEL. 159-564-198 PLACE: MANILA CITY</small>	RECOMMENDING APPROVAL: ILDEFONSO T. PATDU, JR. <small>Assistant Secretary for Project Implementation, DOTC</small>	APPROVED: JULIANITO G. BUCAYAN, JR. <small>Undersecretary for Project Implementation, DOTC</small>	PROJECT TITLE: <h3 style="text-align: center;">NEW BOHOL AIRPORT CONSTRUCTION AND SUSTAINABLE ENVIRONMENT PROTECTION PROJECT</h3> LOCATION: MUNICIPALITY OF PANGLAO, PROVINCE OF BOHOL, PHILIPPINES	SHEET CONTENTS: COMPONENT-4 BUILDING WORKS (B) SUBCOMPONENT-4-6 UTILITY BUILDINGS (B62) POWER HOUSE ARCHITECTURAL REFLECTED CEILING PLAN	SHEET NO: B62-4300-09 DRAWING SCALE: 1:100 MTS.
JICA DESIGN CONSULTANT JOINT VENTURE JAPAN AIRPORT CONSULTANTS, INC. NIPPON KOEI CO., LTD. NIS CONSULTANTS CO., LTD.						DATE: JUNE 2013 INDEX: AMENDMENTS:	Prepared by: WIM Checked by: Validated by: HC



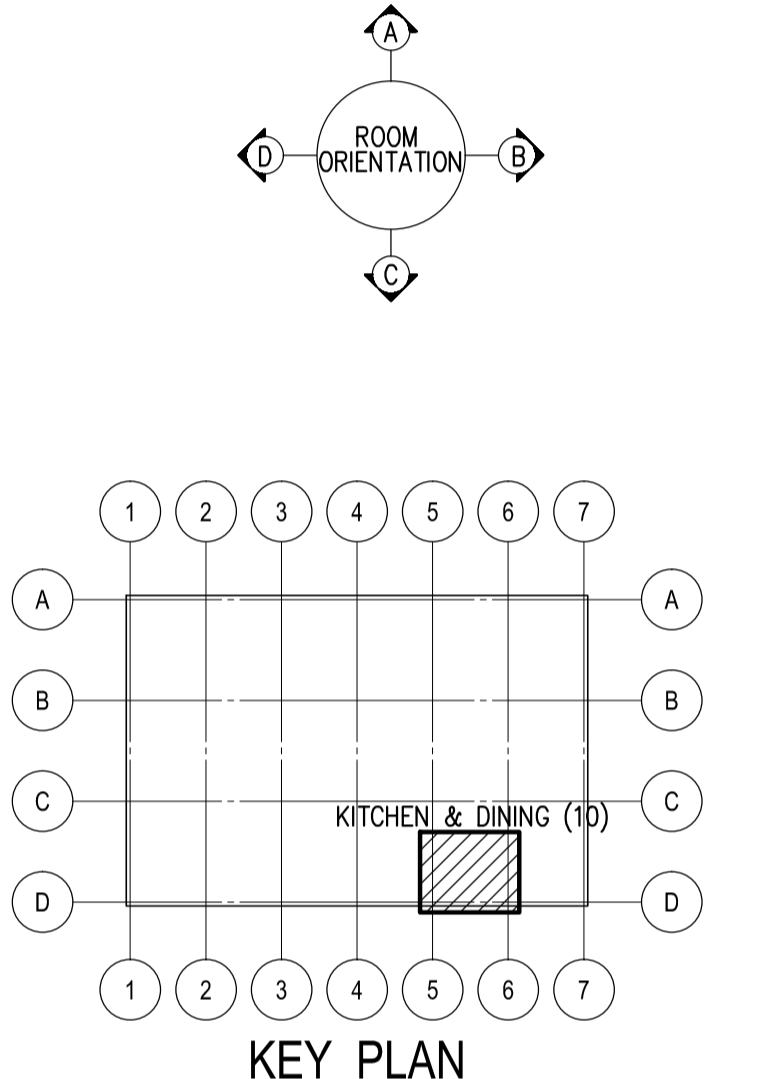
1 KITCHEN DETAIL PLAN
B62-4300-10 SCALE : 1:30 MTS.



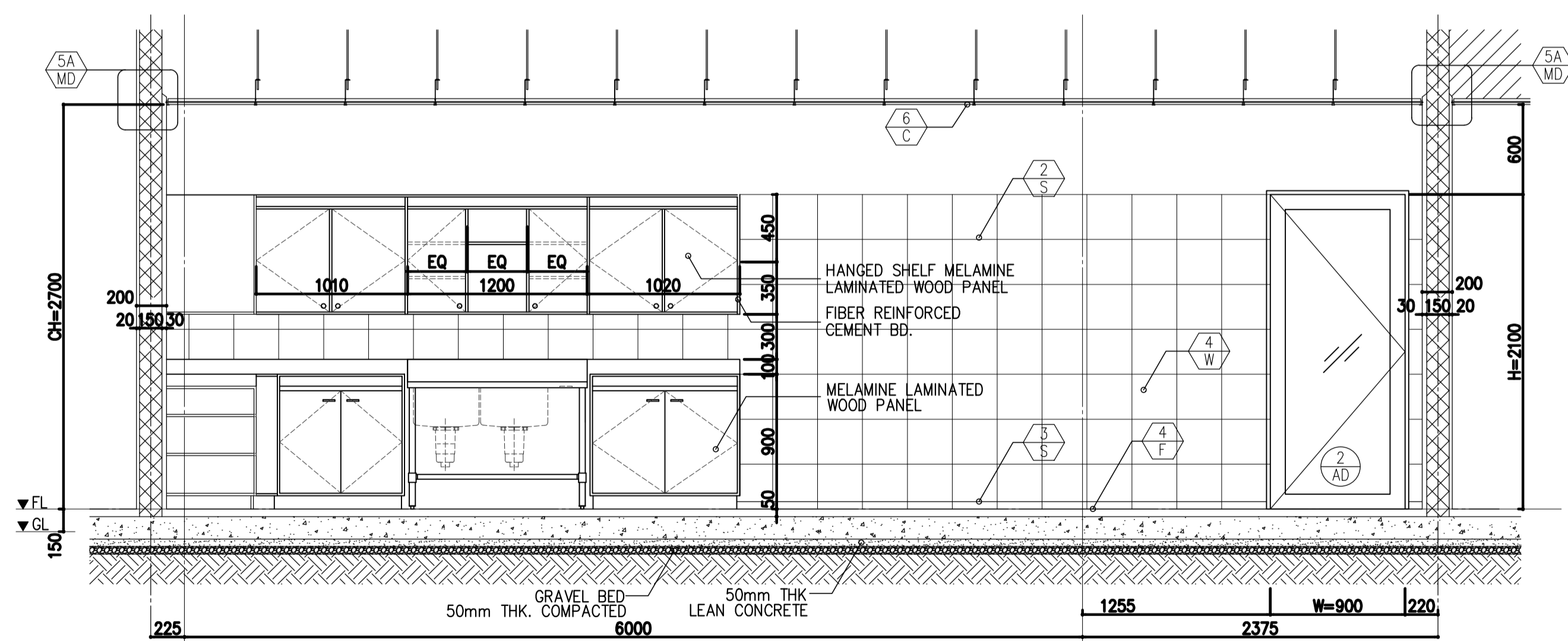
3 ELEVATION B
B62-4300-10 SCALE : 1:30 MTS.



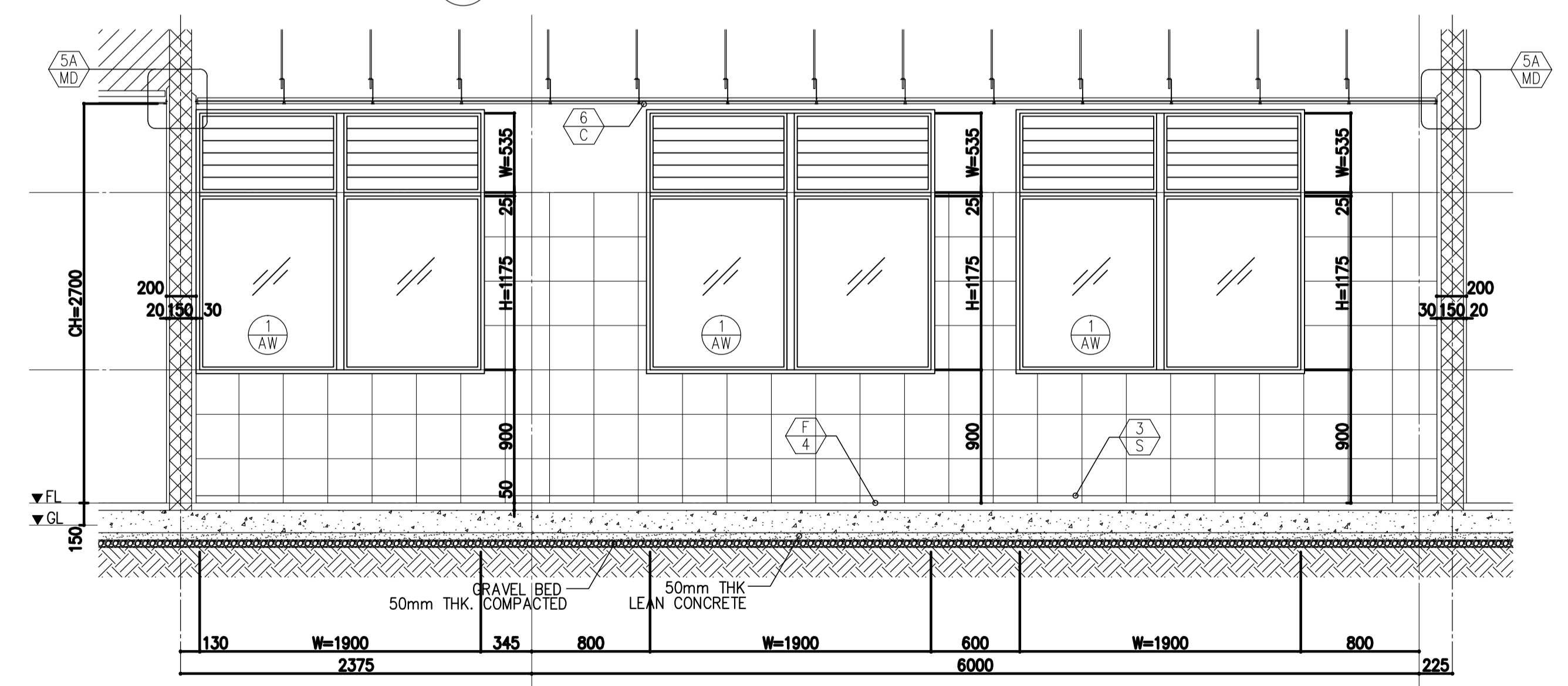
5 ELEVATION D
B62-4300-10 SCALE : 1:30 MTS.



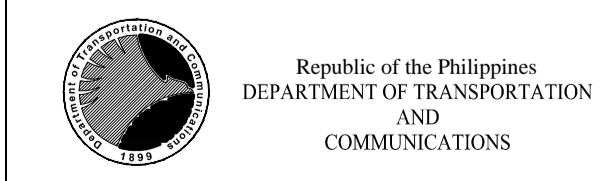
KEY PLAN



2 ELEVATION A
B62-4300-10 SCALE : 1:30 MTS.



4 ELEVATION C
B62-4300-10 SCALE : 1:30 MTS.



PREPARED BY:
WILLIAM I. MALLONGA
Architect
RES. NO.: 4623
TEL. 159-564-198
PTR. 3911137
DATE: MAY 9, 2013
PLACE: MANILA CITY

RECOMMENDING APPROVAL:
ILDEFONSO T. PATDU, JR.
Assistant Secretary
for Project Implementation, DOTC

APPROVED:
JULIANITO G. BUCAYAN, JR.
Undersecretary
for Project Implementation, DOTC

PROJECT TITLE:
NEW BOHOL AIRPORT CONSTRUCTION AND
SUSTAINABLE ENVIRONMENT PROTECTION PROJECT

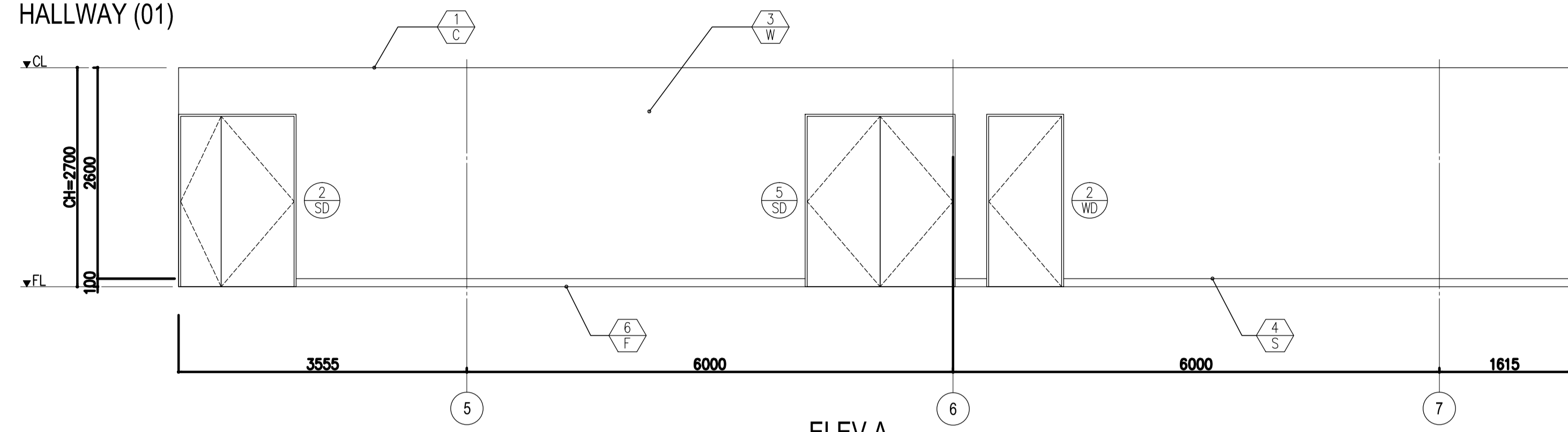
LOCATION: MUNICIPALITY OF PANGLAO, PROVINCE OF BOHOL, PHILIPPINES

DATE	INDEX	AMENDMENTS	Prepared by	Checked by	Validated by
JUNE 2013			WIM	HC	

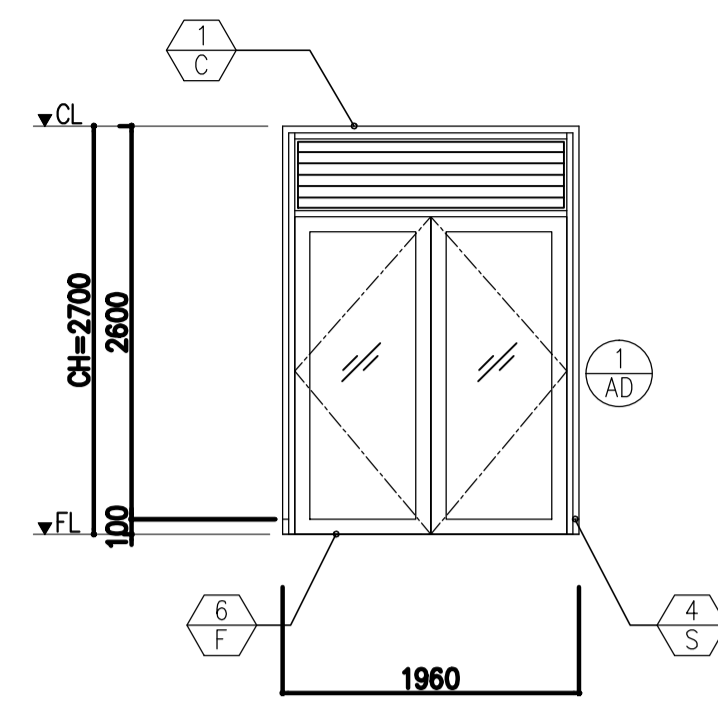
SHEET CONTENTS:
COMPONENT-4 BUILDING WORKS (B)
SUBCOMPONENT-4-6 UTILITY BUILDINGS
(B62) POWER HOUSE
ARCHITECTURAL
KITCHEN DETAIL PLAN & SECTIONS

SHEET NO:
B62-4300-10
DRAWING SCALE:
1:30 MTS.

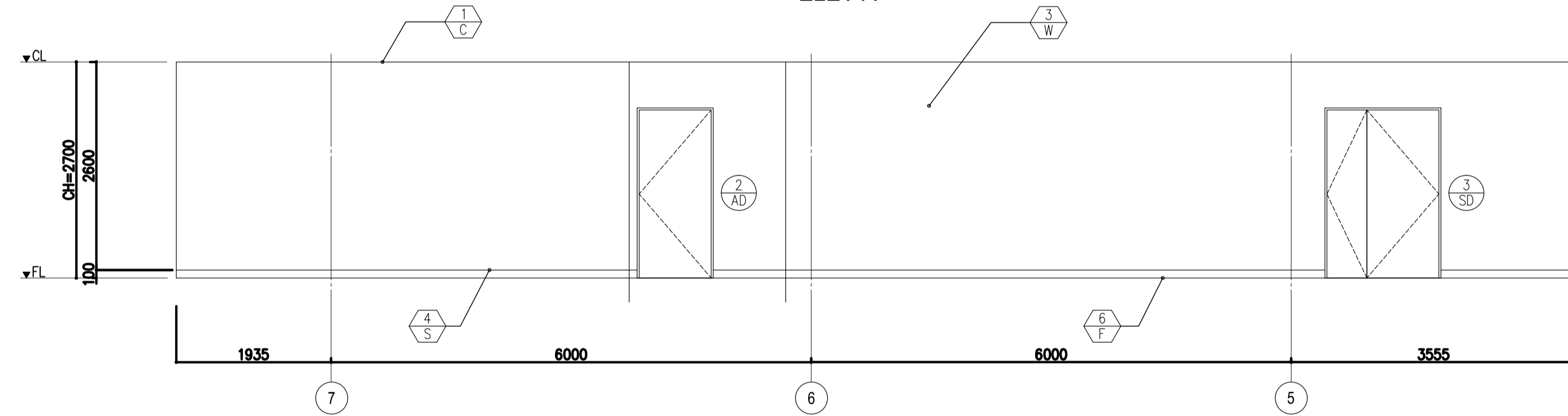
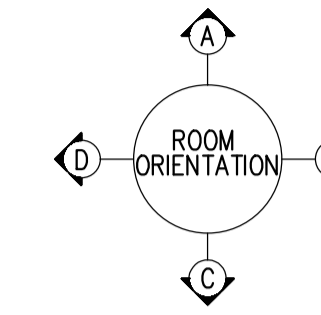
HALLWAY (01)



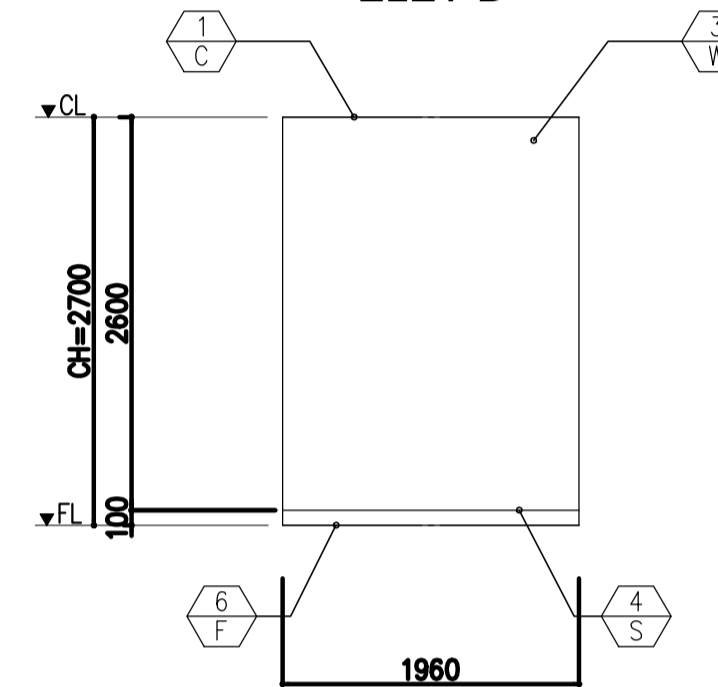
ELEV A



ELEV B

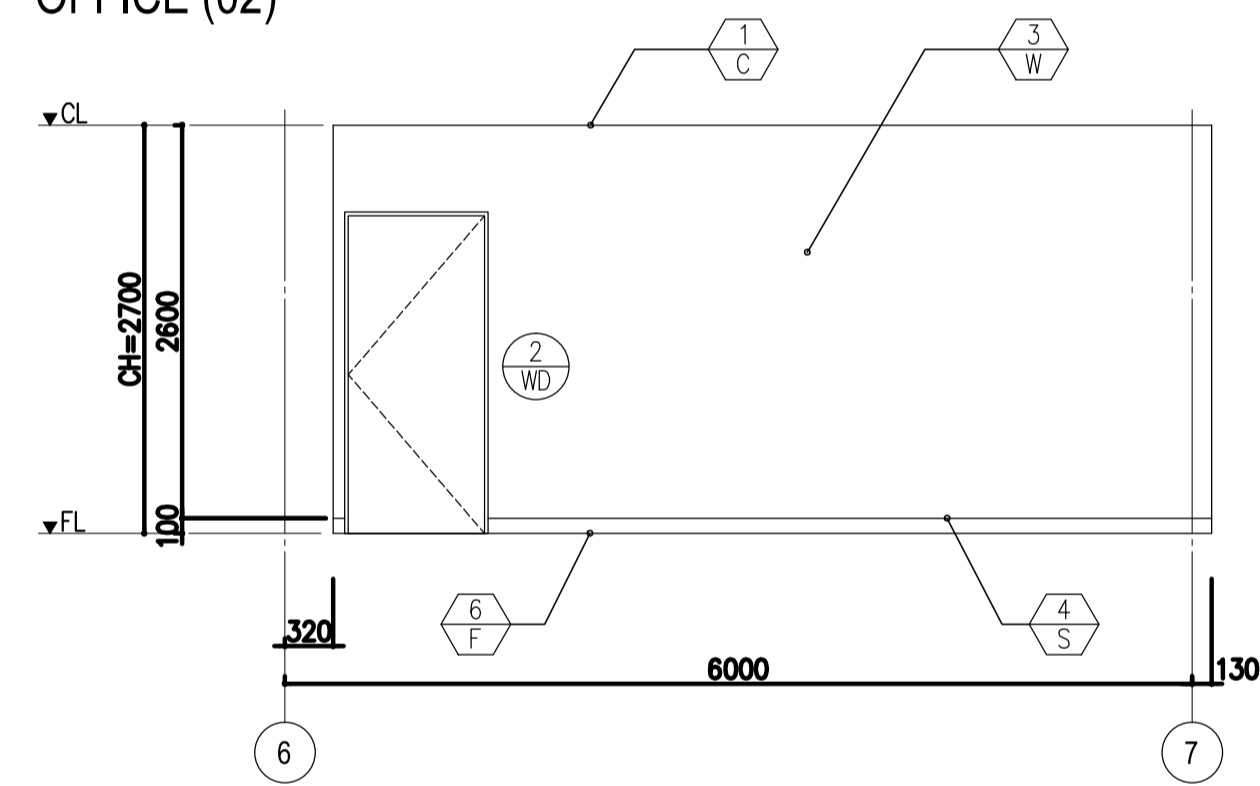


ELEV C

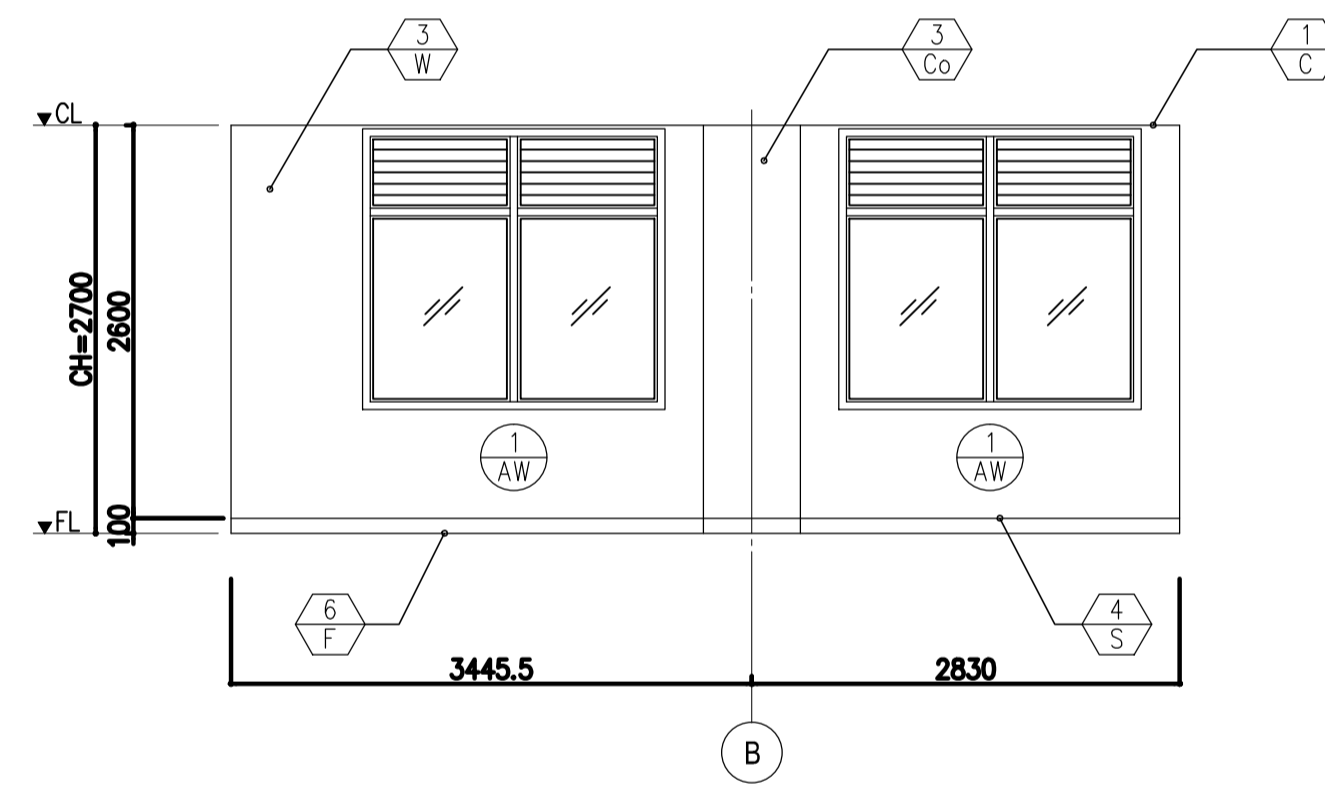


ELEV D

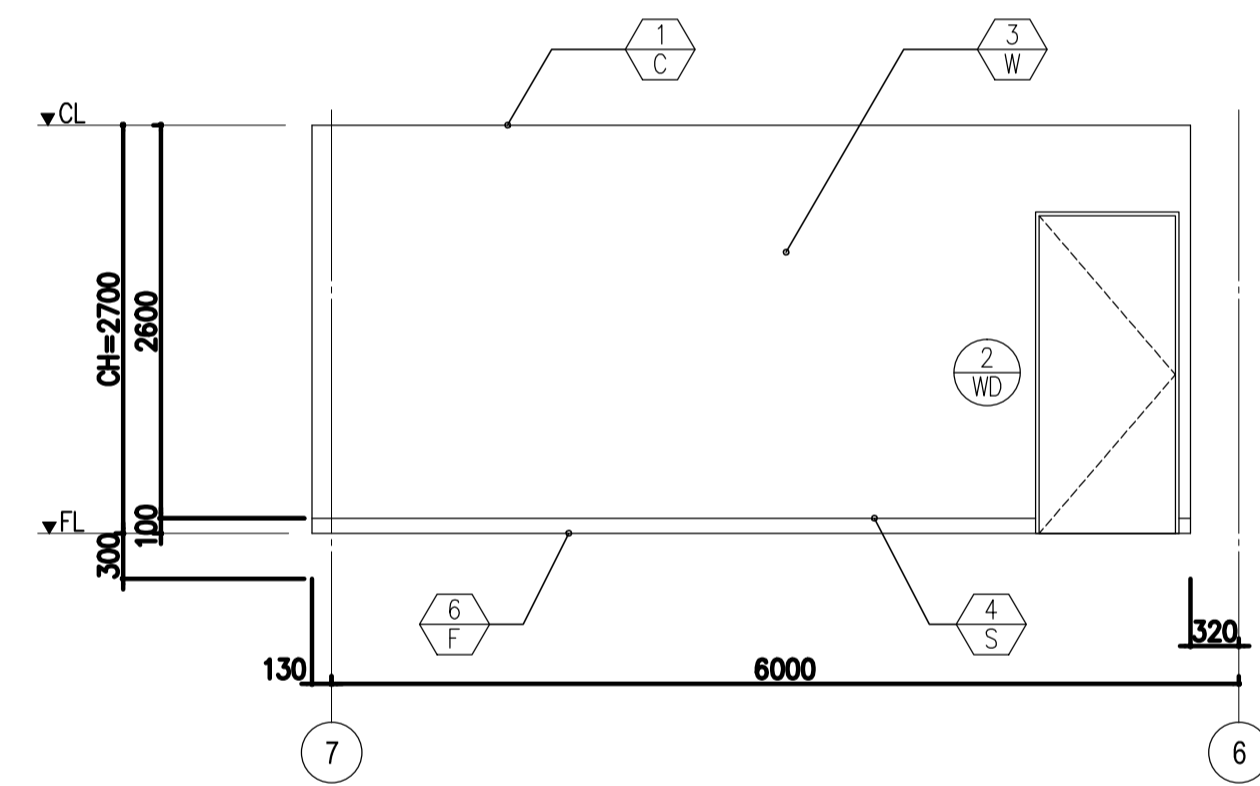
OFFICE (02)



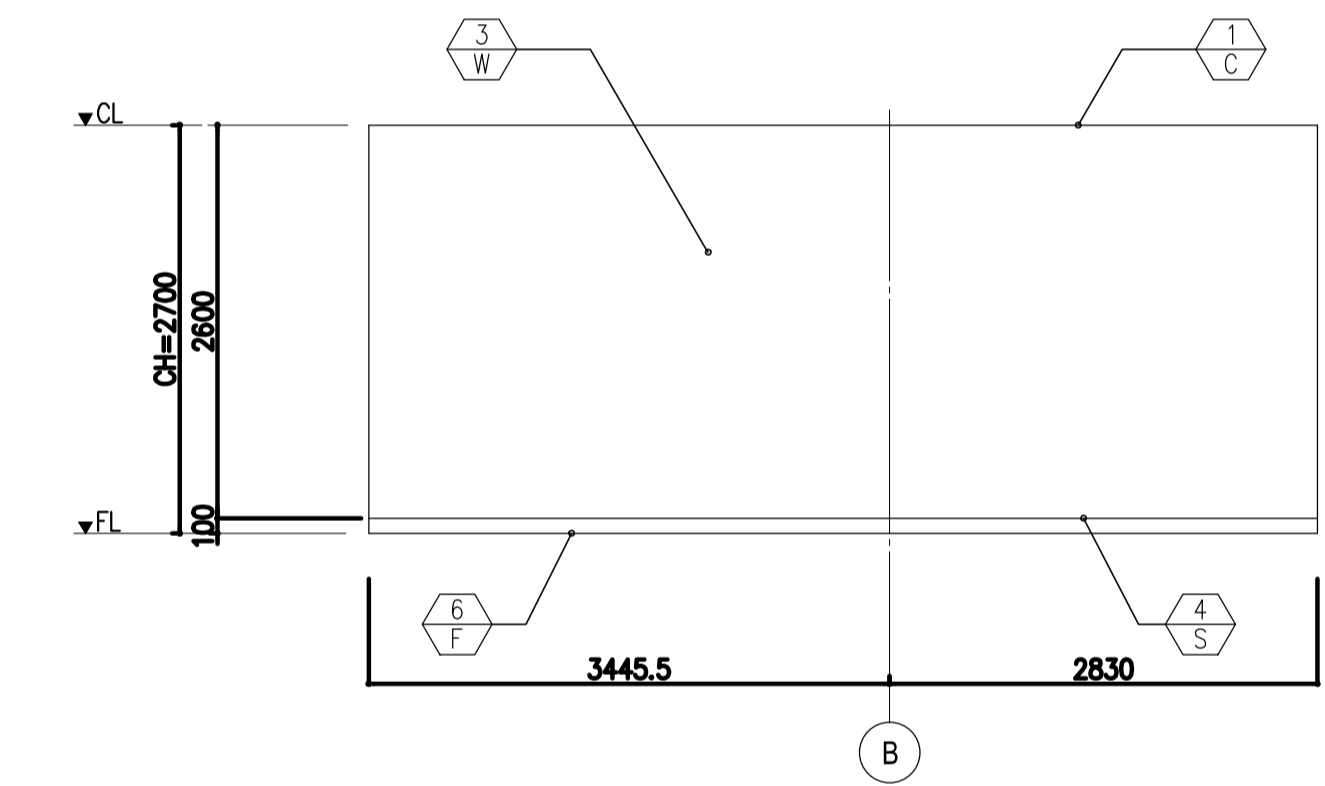
ELEV A



ELEV B

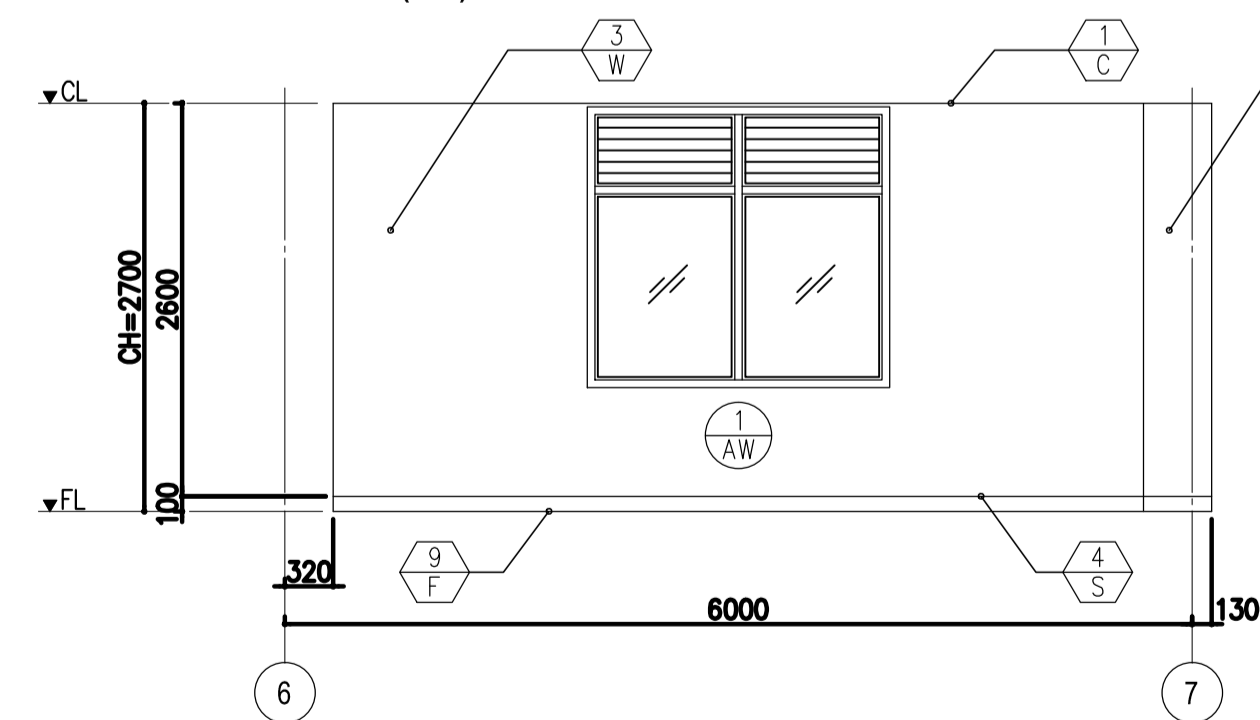


ELEV C

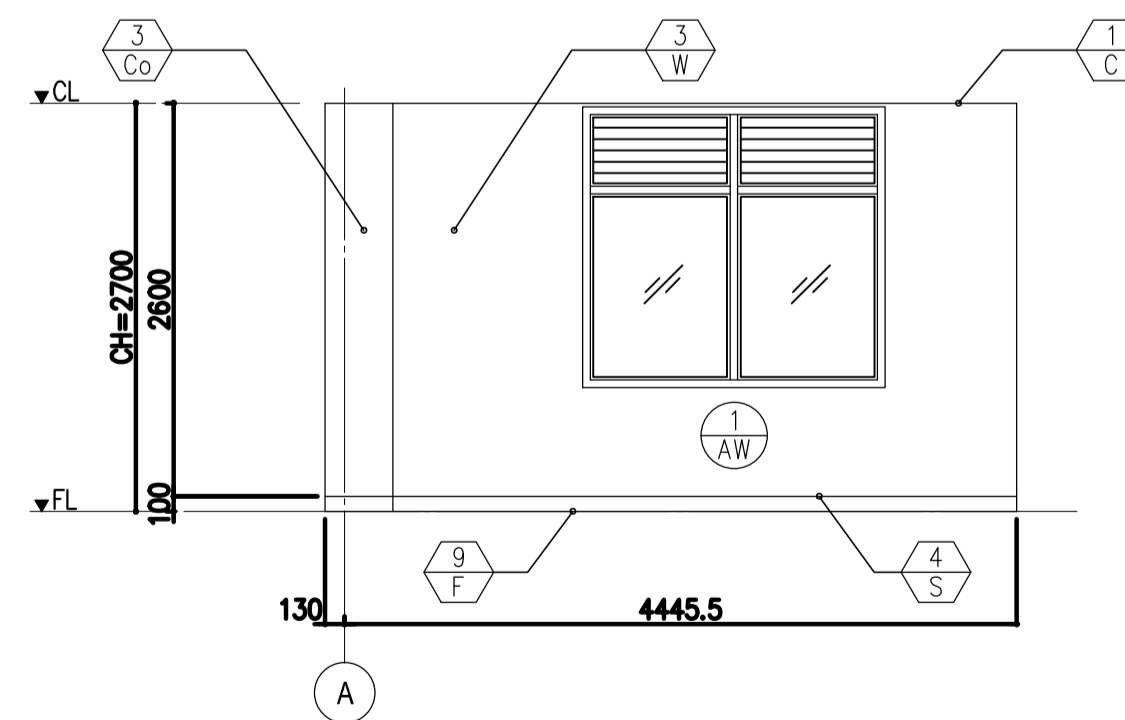


ELEV D

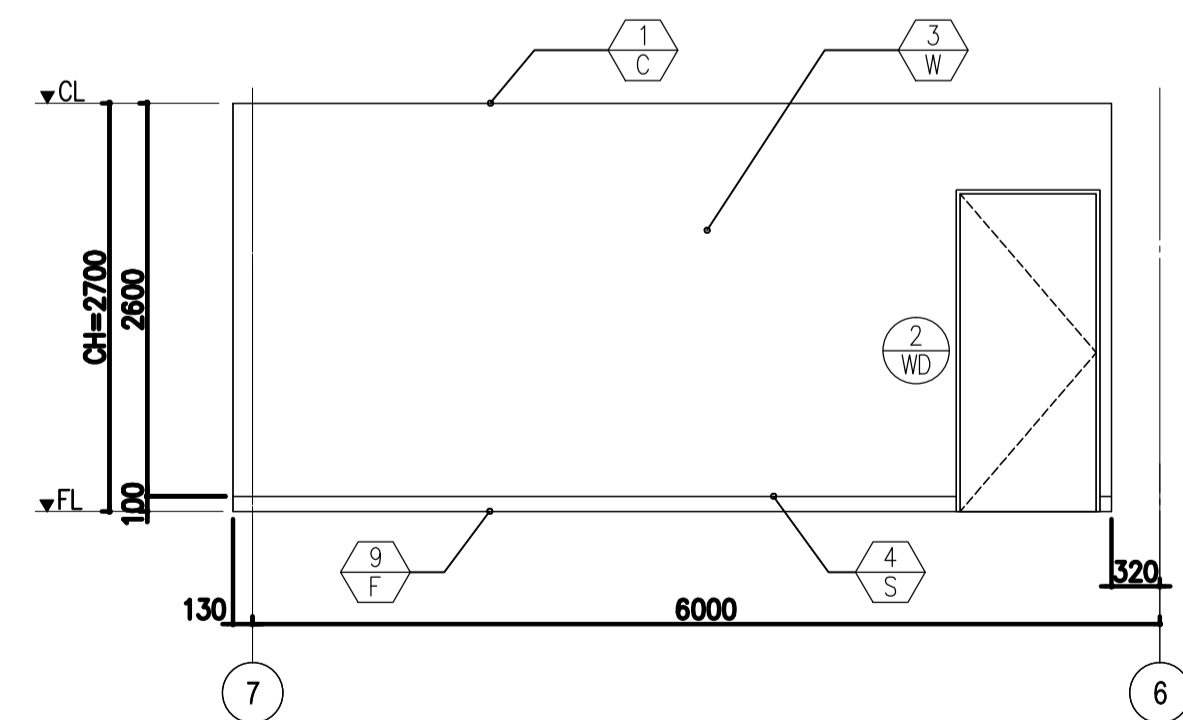
CONTROL ROOM (03)



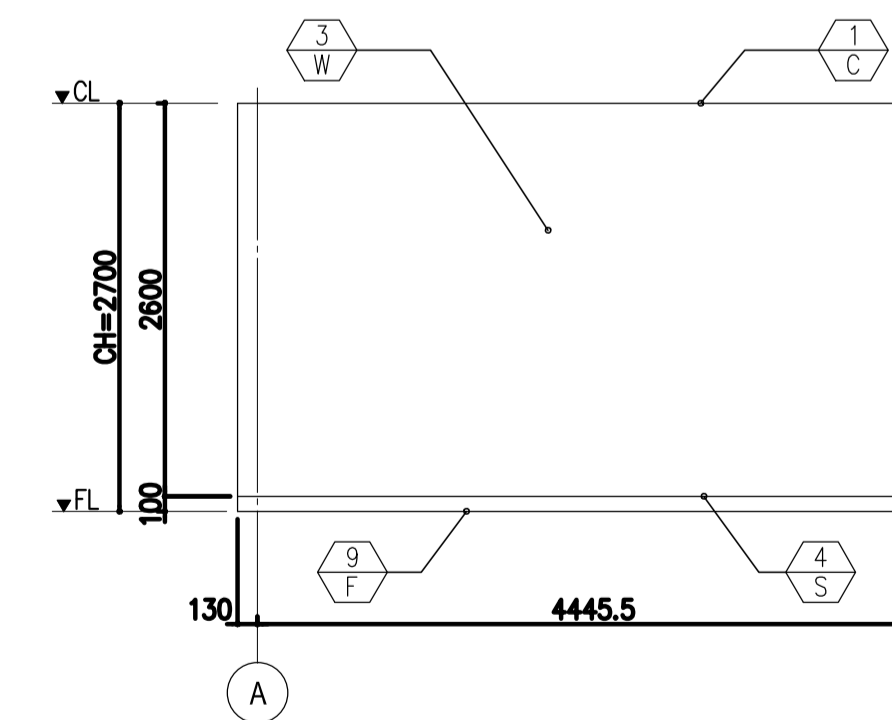
ELEV A



ELEV B



ELEV C



ELEV D

Republic of the Philippines
DEPARTMENT OF TRANSPORTATION
AND
COMMUNICATIONS

JICA
JAPAN
INTERNATIONAL
COOPERATION
AGENCY

JICA DESIGN CONSULTANT JOINT VENTURE

JAC JAPAN AIRPORT
CONSULTANTS,
INC.

NK NIPPON KOEI
CO., LTD.

NS NIS CONSULTANTS
CO., LTD.

PREPARED BY:
WILLIAM I. MALLONGA
PROF. Architect PTR. 3811137
RES. NO.: 4623 DATE: MAY 9, 2013
TEAM: 129-564-198 PLACE: MANILA CITY

TADASHI AOI
Team Leader

RECOMMENDING APPROVAL:
ILDEFONSO T. PATDU, JR.
Assistant Secretary
for Project Implementation, DOTC

APPROVED:
JULIANITO G. BUCAYAN, JR.
Undersecretary
for Project Implementation, DOTC

PROJECT TITLE:
**NEW BOHOL AIRPORT CONSTRUCTION AND
SUSTAINABLE ENVIRONMENT PROTECTION PROJECT**

LOCATION: MUNICIPALITY OF PANGLAO, PROVINCE OF BOHOL, PHILIPPINES

DATE	INDEX	AMENDMENTS	Prepared by	Checked by	Validated by
JUNE 2013			WIM	HC	

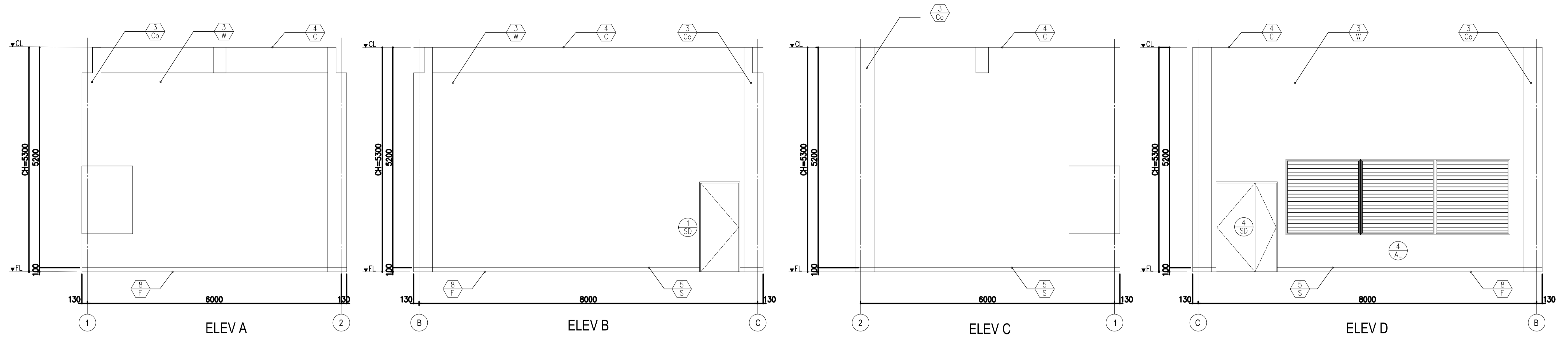
SHEET CONTENTS:
COMPONENT-4 BUILDING WORKS (B)
SUBCOMPONENT-4-6 UTILITY BUILDINGS

(B62) POWER HOUSE
ARCHITECTURAL
INTERNAL ELEVATIONS 1-2

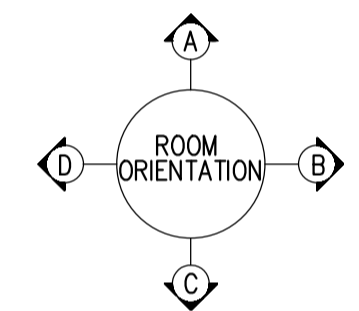
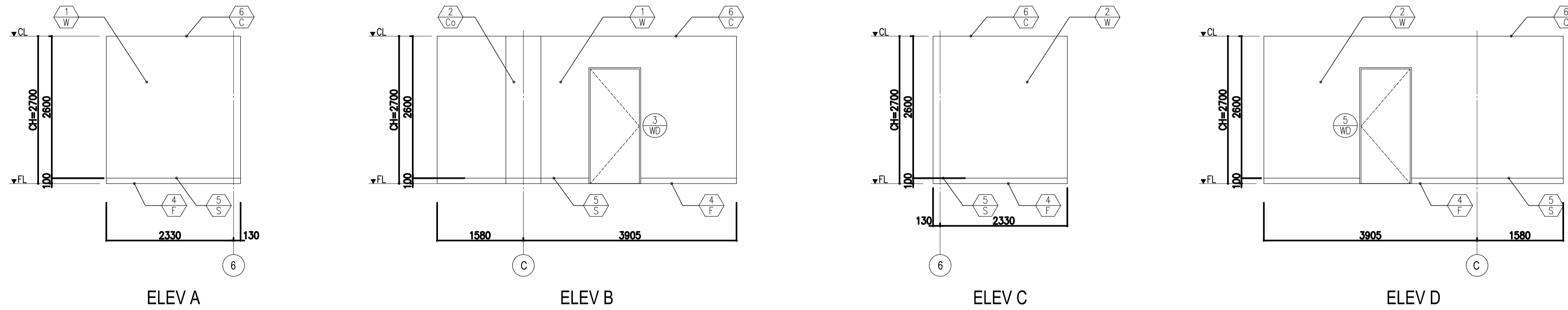
SHEET NO:
B62-4300-11

DRAWING SCALE:
1:50 MTS.

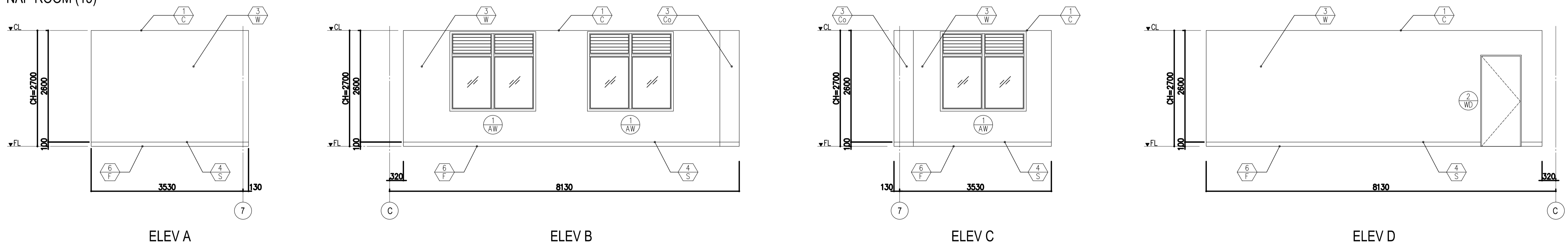
WORKSHOP & STORAGE (06)



LOCKER ROOM (11)



NAP ROOM (15)

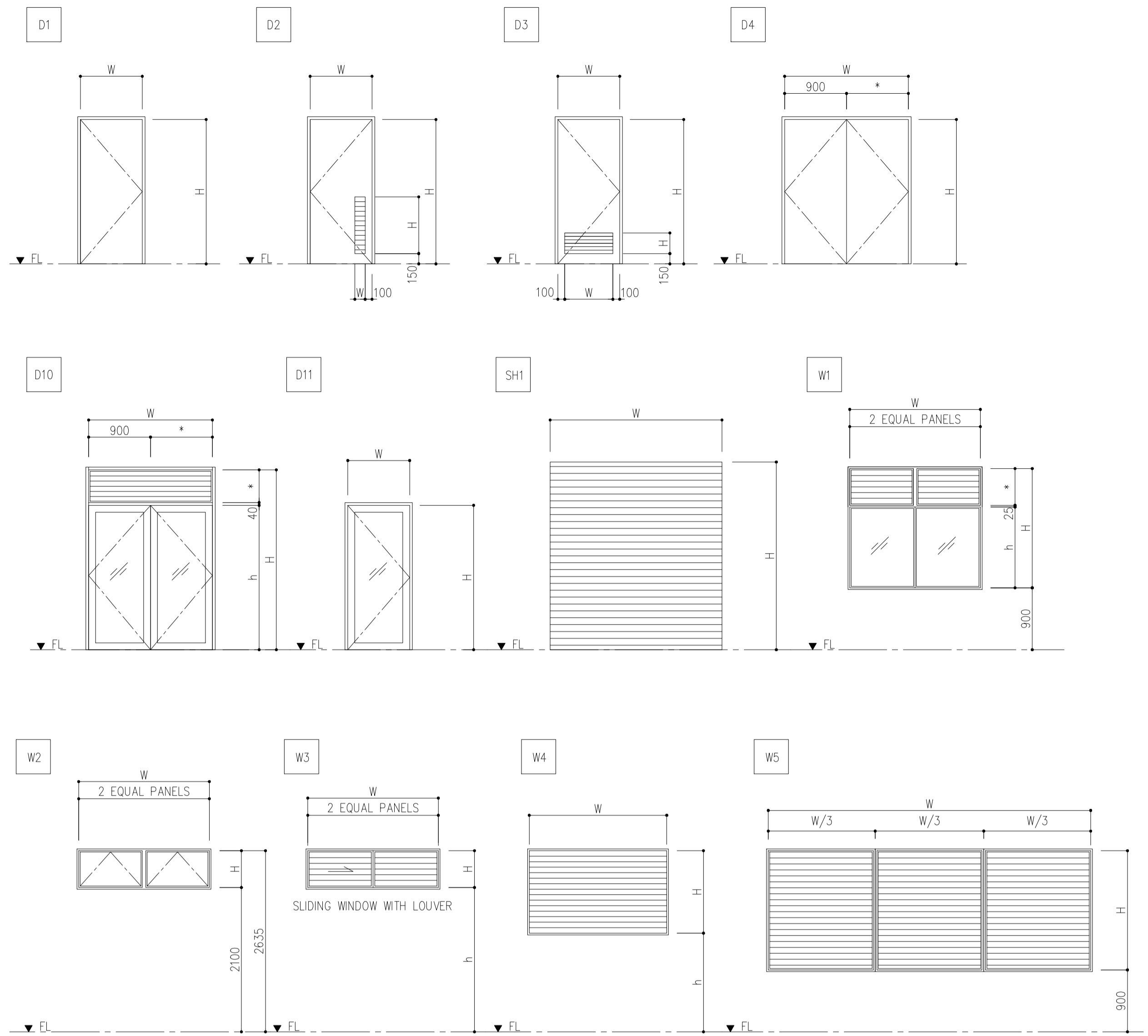


	PREPARED BY: WILLIAM I. MALLONGA <small>PROF: Architect PIR: 3011137 RES. NO.: 4623 DATE: MAY 9, 2013 TEL: 120-564-198 PLACE: MANILA CITY</small>	RECOMMENDING APPROVAL: ILDEFONSO T. PATDU, JR. <small>Assistant Secretary for Project Implementation, DOTC</small>	APPROVED: JULIANITO G. BUCAYAN, JR. <small>Undersecretary for Project Implementation, DOTC</small>	PROJECT TITLE: NEW BOHOL AIRPORT CONSTRUCTION AND SUSTAINABLE ENVIRONMENT PROTECTION PROJECT	SHEET CONTENTS: COMPONENT-4 BUILDING WORKS (B) SUBCOMPONENT-4-6 UTILITY BUILDINGS (B62) POWER HOUSE ARCHITECTURAL INTERNAL ELEVATIONS 2-2	SHEET NO: B62-4300-12
	JICA DESIGN CONSULTANT JOINT VENTURE JAPAN AIRPORT CONSULTANTS, INC. NIPPON KOEI CO., LTD. NIS CONSULTANTS CO., LTD.	TADASHI AOI Team Leader	ILDEFONSO T. PATDU, JR. Assistant Secretary for Project Implementation, DOTC	JULIANITO G. BUCAYAN, JR. Undersecretary for Project Implementation, DOTC	LOCATION: MUNICIPALITY OF PANGLAO, PROVINCE OF BOHOL, PHILIPPINES	DRAWING SCALE: 1:50 MTS.

SCHEDULE OF DOORS AND WINDOWS

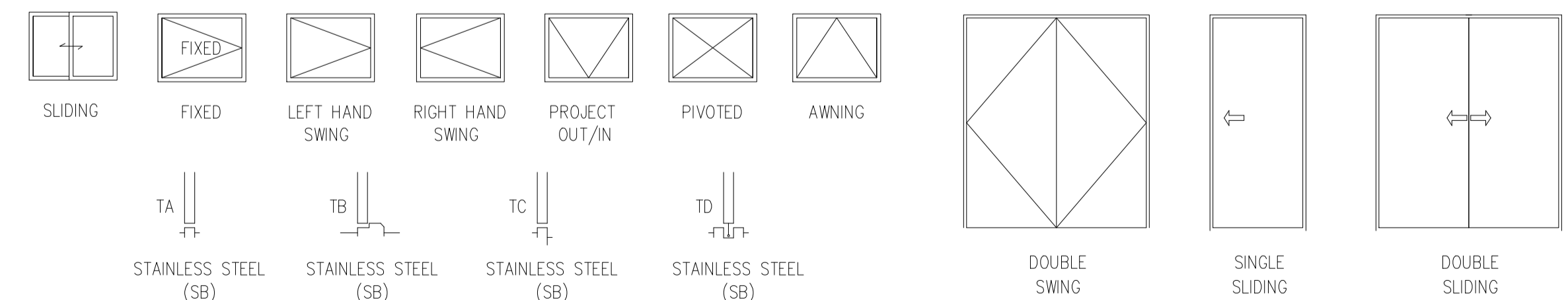
MARK	FIGURE	QUANTITY	DIMENSION		FRAME	DOOR PANEL OR SASH	MATERIAL	FINISH	GLAZING		LOUVER				IRON MONGERY				OTHERS				REMARKS	
			W (w) x H (h)						TYPE	THICKNESS	ANTI-SHATTER FILM	DIMENSION W x H	MATERIAL	FINISH	ALL FITTING FIXING & HARDWARE	HINGES	LOCK AND LATCH	DOOR CLOSER	DOOR STOP	WEATHER MOULDING	SILL/TRIM	DOOR THRESHOLD		DOOR NAME PLATE
1 AD	D10	1	1800 x 2625 (2100)		100	40	AL	AED	HAG	8	X	1800 x 525	AL	AED	X	FH	DL			X	X	TA	X	PP DOOR HANDLE, TG TO DOORS
2 AD	D11	1	900 x 2100		100	40	AL	AED	HAG	8	X				X	FH	DL			X	X	TA	X	PP DOOR HANDLE, TG TO DOORS
1 SD	D1	1	900 x 2100		130	40	ST	P-3							X	BH	ML	X	X			TA	X	
2 SD	D4	1	1400 x 2100		130	40	ST	P-3							X	BH	ML	X	X			TA	X	
3 SD	D4	1	1400 x 2100		130	40	ST	P-3							X	BH	ML	X	X			TB	X	RT/AT
4 SD	D4	1	1400 x 2100		130	40	ST	P-3			700 x 1800	ST	P-3	X	BH	ML	X	X	X	X	X	TB	X	
5 SD	D4	1	1800 x 2100		130	40	ST	P-3							X	BH	ML	X	X			TA	X	
1 WD	D3	1	700 x 2100		130	40	WD	P-2			500 x 200	WD	P-2	X	BH	ML	X	X				TA	X	
2 WD	D1	3	900 x 2100		130	40	WD	P-2							X	BH	ML	X	X			TA	X	
3 WD	D2	1	900 x 2100		130	40	WD	P-2			200 x 825	WD	P-2	X	BH	ML	X	X				TA	X	
4 WD	D2	1	900 x 2100		130	40	WD	P-2			200 x 825	WD	P-2	X	BH	ML	X	X				TC	X	
5 WD	D3	1	900 x 2100		130	40	WD	P-2			700 x 300	WD	P-2	X	BH	ML	X	X				TC	X	
6 WD	D1	2	600 x 1800		130	40	WD	P-2							X	BH	ML	X	X			TC	X	
1 RS	SH1	2	2500 x 2100				ST	P-3							X									
1 AW	W1	10	1900 x 1175		70		AL	AED	HAG	8	X	1900 x 535	AL	AED	X					X	AL	TA	X	W/ KEYLOCK W/ BLINDS
2 AW	W2	1	2000 x 1200		70		AL	AED	HAG	8	X				X					X	AL	TA		
3 AW	W3	8	1900 x 535		70		AL	AED	HAG	8		1900 x 535	AL	AED	X					X	AL	TA		
1 AL	W4	1	950 x 400		70		AL	AED				1900 x 535	AL	AED	X					X				
2 AL	W4	1	2000 x 1200		70		AL	AED				1760 x 530	AL	AED	X					X				
3 AL	W4	3	1530 x 1600		70		AL	AED				1760 x 530	AL	AED	X					X				
4 AL	W5	1	5250 x 1735		70		AL	AED				5250 x 1750	AL	AED	X					X				
5 AL	W4	1	500 x 300		70		AL	AED				500 x 300	AL	AED	X					X				
6 AL	W4	1	1900 x 850		70		AL	AED				1900 x 850	AL	AED	X					X				
7 AL	W4	2	1900 x 600		70		AL	AED				1900 x 600	AL	AED	X					X				
8 AL	W3	8	1910 x 500		70		AL	AED	HAG	8		1900 x 535	AL	AED	X					X				

X = APPLICABLE

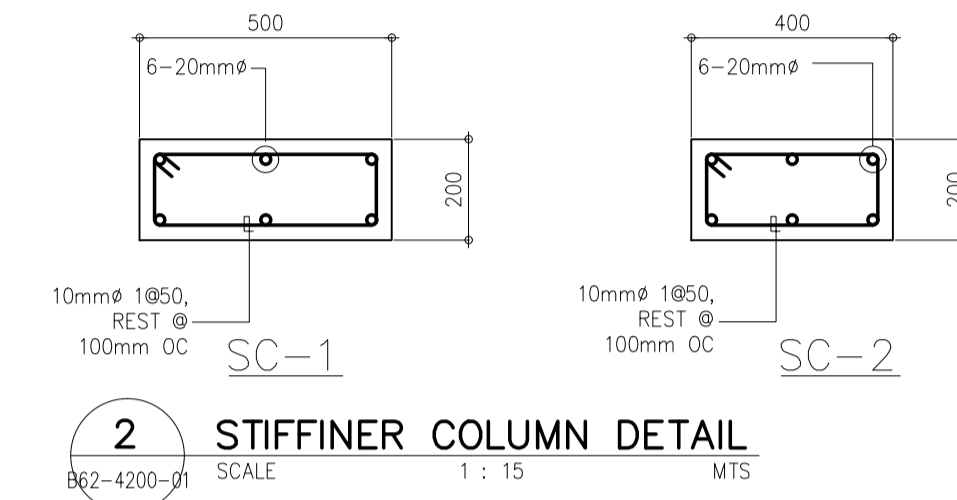
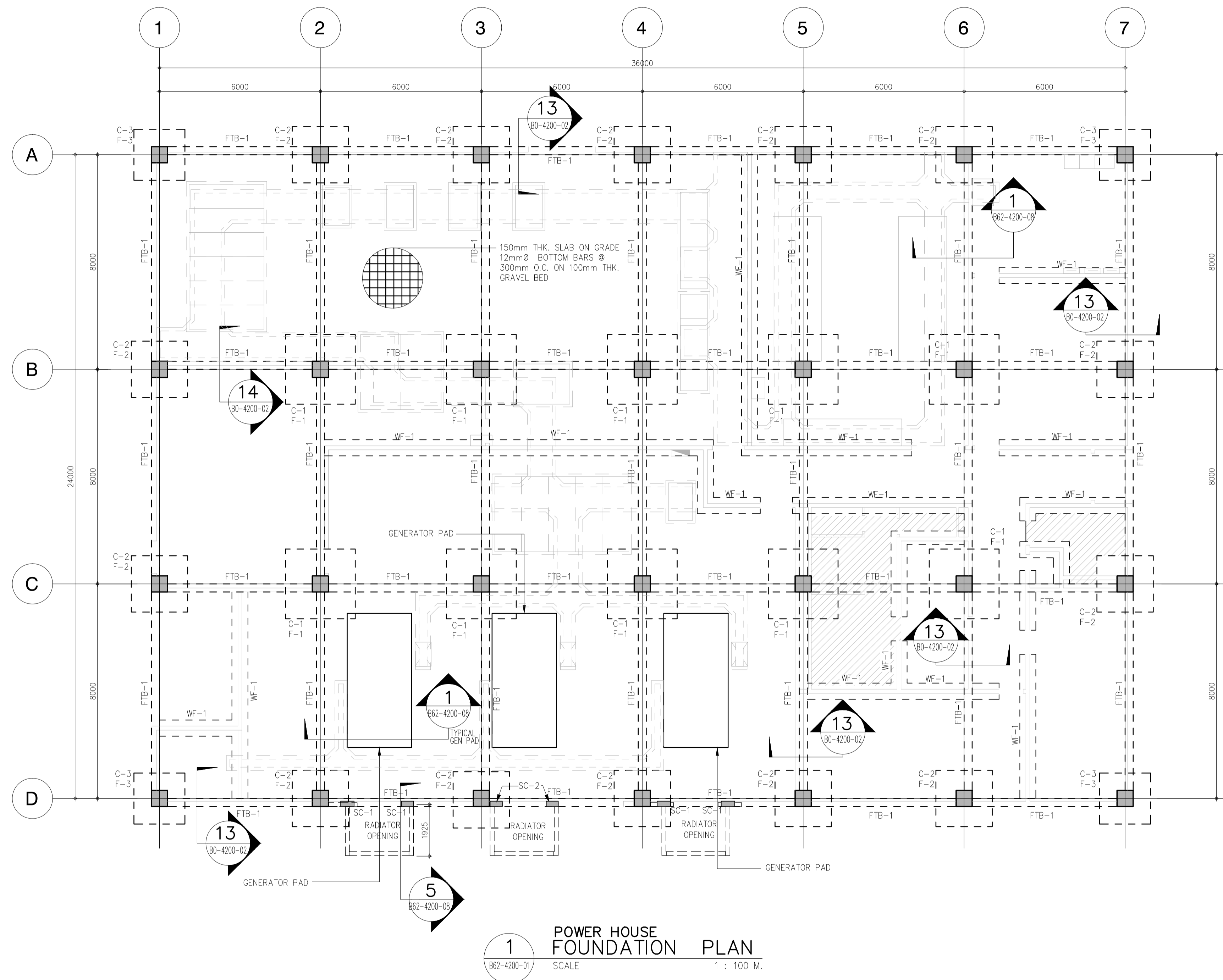


- DOOR & WINDOW**
- AD - ALUMINIUM DOOR
 - AW - ALUMINIUM WINDOW
 - AL - ALUMINIUM LOUVER
 - SD - STEEL DOOR
 - FWD - FLUSH DOOR
 - LWD - LOUVER DOOR
 - RS - ROLLING SHUTTER DOOR
 - RG - ROLLING GRILLE
 - AS - ALUMINIUM SCREEN
 - FP - FOLDING PARTITION
 - WD - WOODEN DOOR
- MATERIAL**
- ST - STEEL
 - SST - STAINLESS STEEL
 - AL - ALUMINIUM
 - TG - TEMPERED GLASS
 - HC - HONEY COMB
 - WD - WOOD
- FINISH**
- AED - ANODIZING WITH ELECTRO DEPOSITION ALUMINIUM
 - SB - SCRATCH BRUSHED
 - MR - MELANIN RESIN OVERLAID
 - EPX - EPOXY-POLYESTER
 - BK - BAKED PAINT
 - P-2 - SYNTHETIC RESIN MIXED PAINT (WOOD)
 - P-3 - SYNTHETIC RESIN MIXED PAINT (STEEL)
 - UE - URETHAN RESIN
- GLAZING**
- CG - CLEAR FLOAT GLASS
 - CWG - CLEAR WIRED GLASS
 - FG - FIGURED GLASS
 - FWG - FIGURED WIRED GLASS
 - HAG - HEAT ABSORBING GLASS
 - HAWG - HEAT ABSORBING WIRED GLASS
 - LG - LAMINATED GLASS
 - TG - TEMPERED GLASS
 - HTG - HEAT ABSORBING TEMPERED GLASS
- HINGES**
- BH - BUTT HINGE
 - FH - FLOOR HINGE
 - PH - PIVOT HINGE
 - SH - SPRING HINGE
- LOCK & LATCH/DOOR HANDLE**
- DL - DEADBOLT MORTISE LOCK
 - ML - MORTISE LOCK & LEVER HANDLE
 - CL - CYLINDRICAL LOCK
 - HC - HOOK LOCK
 - EL - EMERGENCY LOCK & LEVER HANDLE
- OTHERS**
- PL - PASSAGE LATCH
 - LL - LAVATORY LATCH
 - WI - WITH INDICATOR
 - FB - FLUSH BOLT
 - PP - PUSH-PULL BAR
 - CS - CRESCENT SASH LOCK
 - CLH - CAM LATCH HANDLE & ARM
 - RT - ROLLER TIGHTENING HANDLE
 - RW - ROCK WOOL
 - IS - INSECT SCREEN
 - AT - AIRTIGHTNESS
 - BB - BLIND BOX
 - FTG - FRAMELESS DOOR

SYMBOLS & CONVENTION OF DOOR & WINDOW



	PREPARED BY: WILLIAM I. MALLONGA <small>PROF. Architect PTR. 3911137 REG. NO.: 4623 DATE: MAY 9, 2013 TEL. 150-564-198 PLACE: MAKATI CITY</small>	RECOMMENDING APPROVAL: JILDEFONSO T. PATDU, JR. <small>Assistant Secretary for Project Implementation, DOTC</small>	APPROVED: JULIANITO G. BUCCAYAN, JR. <small>Undersecretary for Project Implementation, DOTC</small>	PROJECT TITLE: NEW BOHOL AIRPORT CONSTRUCTION AND SUSTAINABLE ENVIRONMENT PROTECTION PROJECT LOCATION: MUNICIPALITY OF PANGLAO, PROVINCE OF BOHOL, PHILIPPINES	SHEET CONTENTS: COMPONENT-4 BUILDING WORKS (B) SUBCOMPONENT-4-6 UTILITY BUILDINGS (B62) POWER HOUSE ARCHITECTURAL SCHEDULE OF DOORS & WINDOWS	SHEET NO: B62-4300-13 DRAWING SCALE: 1:50 MTS.
	JICA DESIGN CONSULTANT JOINT VENTURE JAPAN AIRPORT CONSULTANTS, INC. NIPPON KOEI CO., LTD. NIS CONSULTANTS CO., LTD.	JUNE 2013 DATE INDEX AMENDMENTS Prepared by: WIM Checked by: HC Validated by:				



GENERAL FOUNDATION NOTES

A. SEE SHEET B0-4200-01 TO B0-4200-02 FOR GENERAL STRUCTURAL NOTES AND TYPICAL WALL CONSTRUCTION NOTES.

B. ALL COLUMN FOOTINGS ARE CENTERED ON COLUMN AND COLUMNS ARE CENTERED ON GRIDS UNO.

C. DIMENSION ON THIS PLAN ARE CENTER TO CENTER OF COLUMNS

D. TFE INDICATED TOP OF FOOTING ELEVATION(DATUM: GROUND FLR LVL = 0.00m)
 TYP TFE UNO = 1.50m
 TYP T/O FTB ELEV: -0.60m

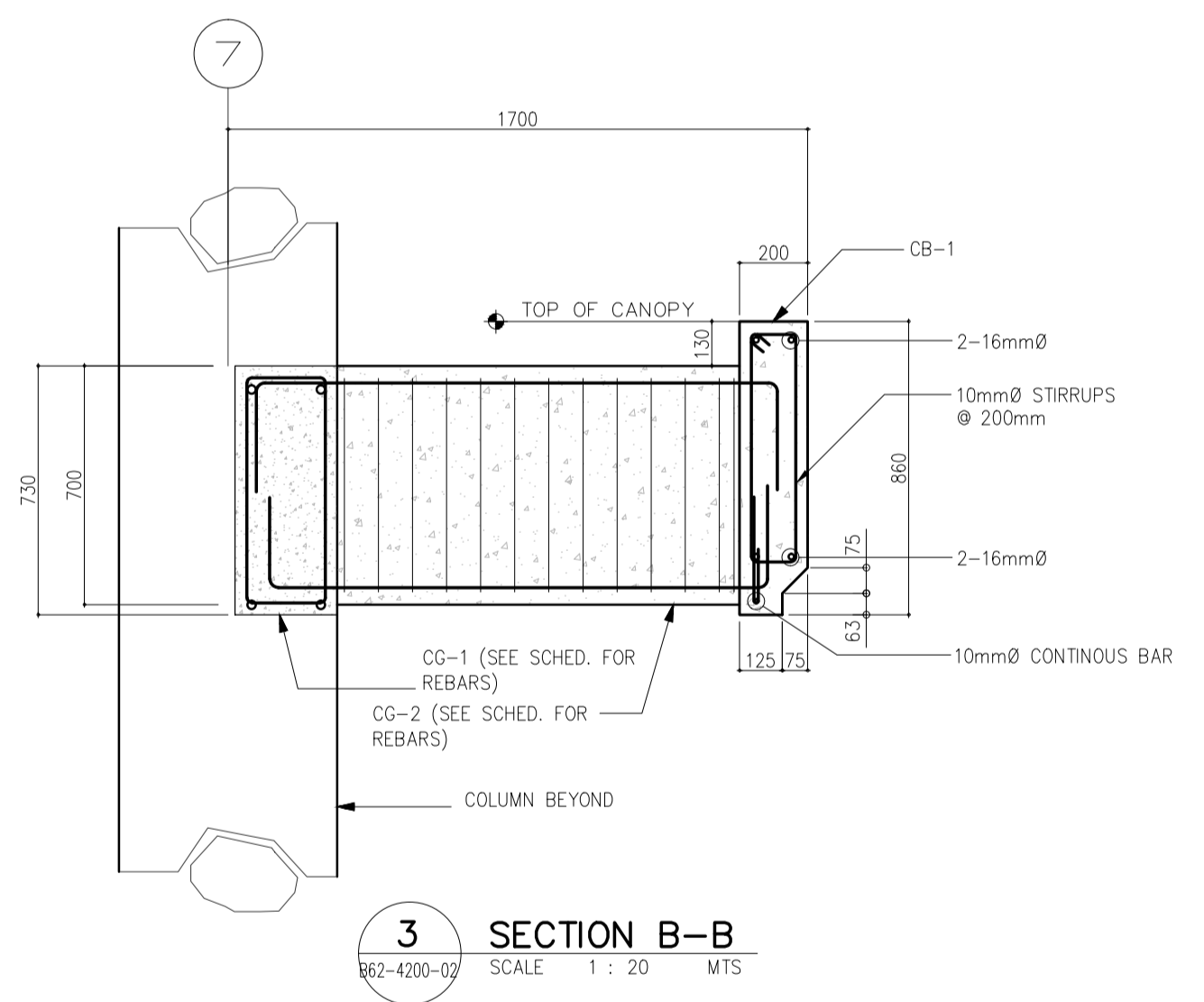
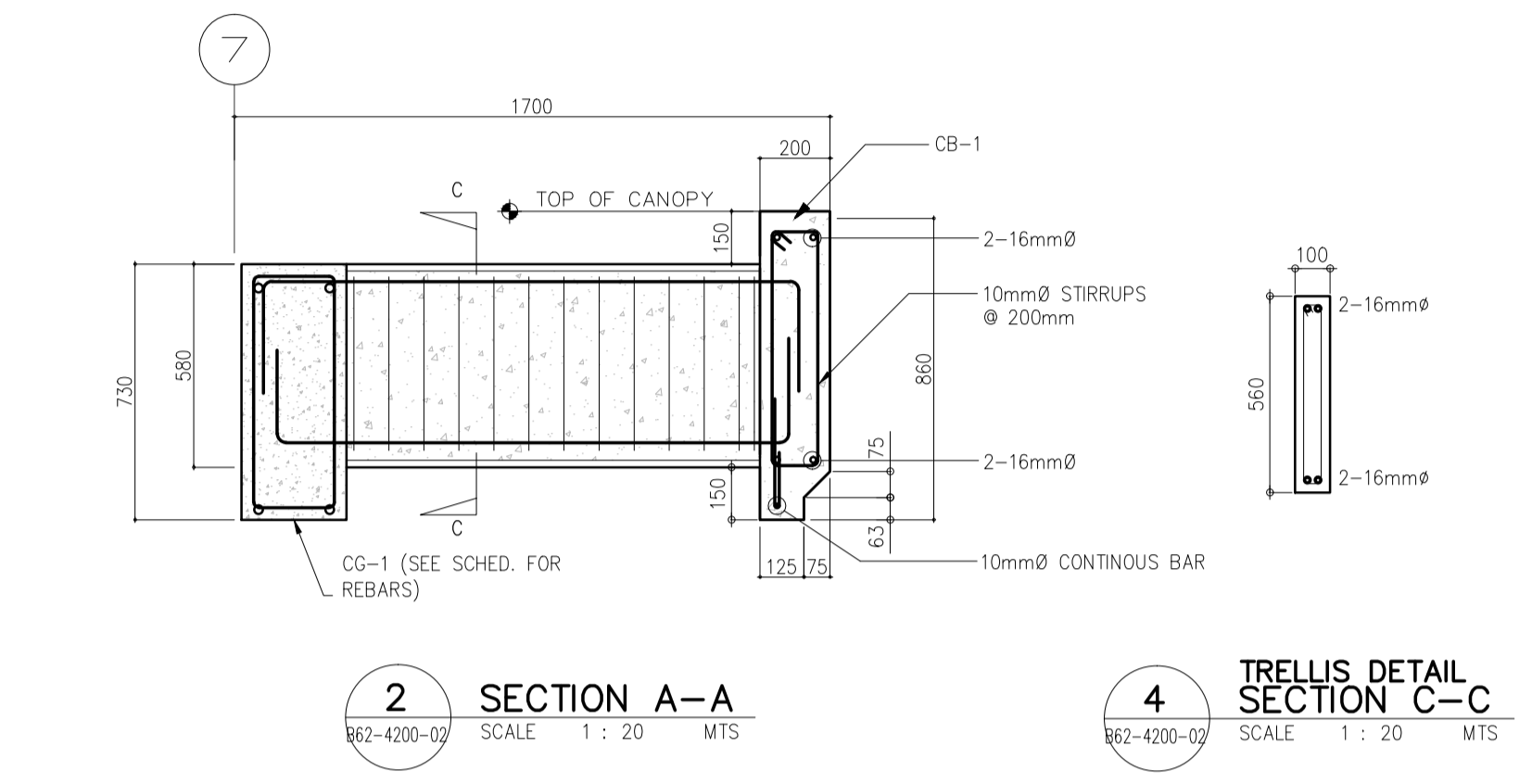
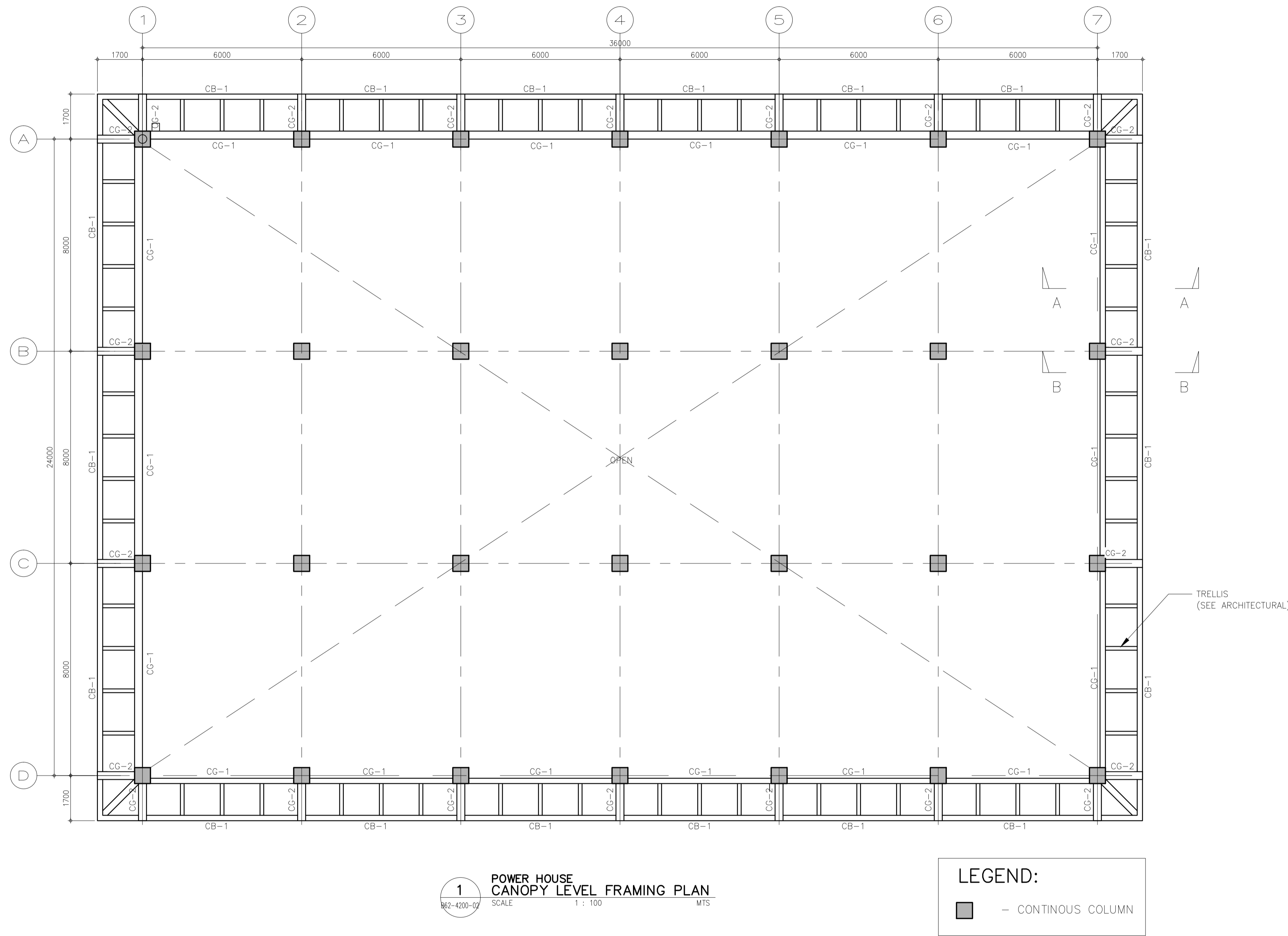
E. VERIFY SIZE, LOCATION AND DEPTH OF UTILITIES AND SLEEVES WITH OTHER TRADES.

F. SEE ARCHITECTURAL DRAWINGS FOR LOCATION OF RECESSES SLABS, SLOPED AREAS IN SLABS ON GRADE, AND CURBS AT EXTERIOR BUILDING FACE.

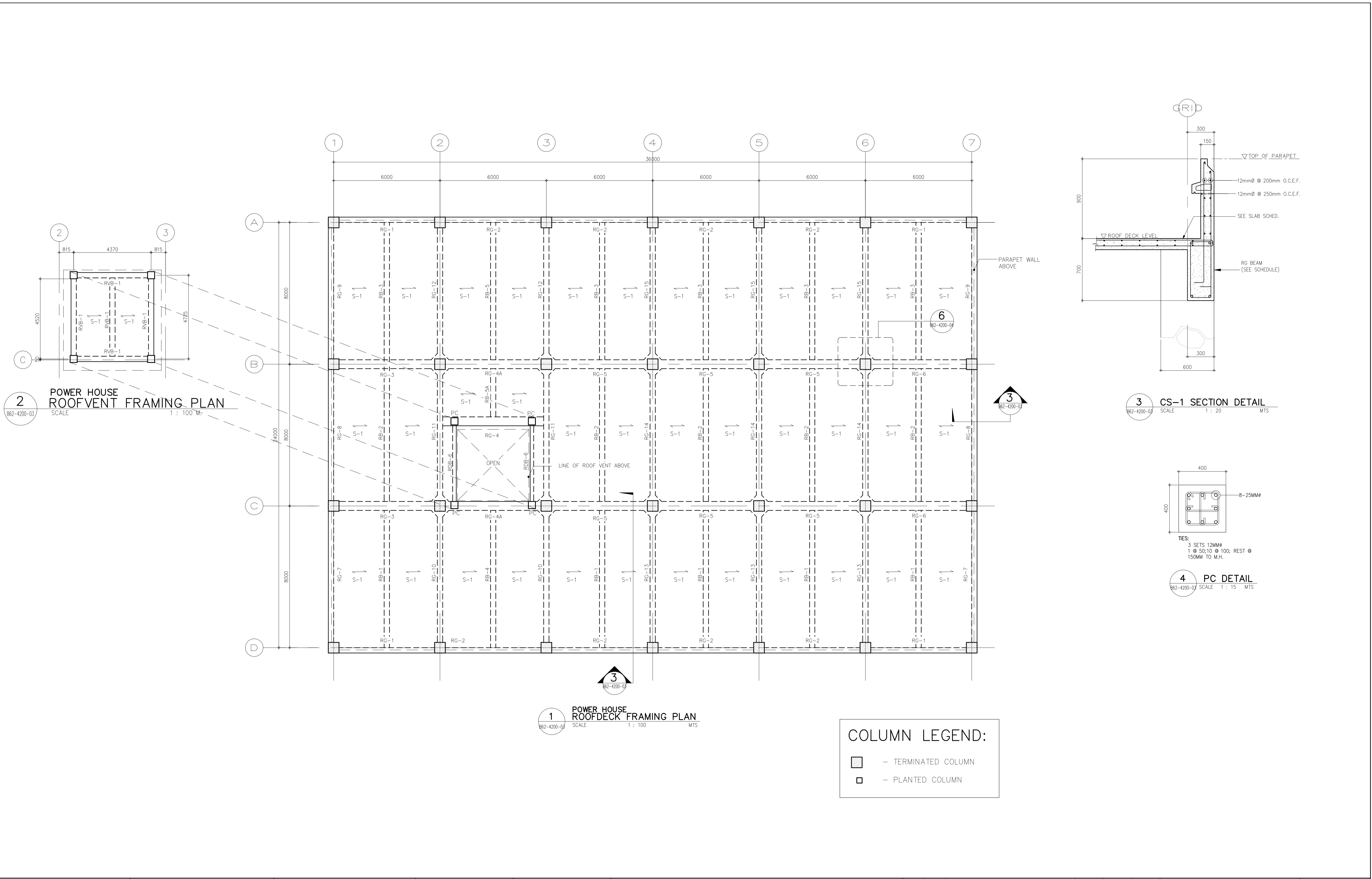
G. F1, F2 ETC ON PLAN DENOTES CONC FOOTING. SEE SHEET B62-4200-06.

H. C1, C2 ETC ON PLAN DENOTES COLUMNS. SEE SHEET B62-4200-06.

	PREPARED BY: EDGARDO C. CRUZ <small>PROF. CIVIL ENGINEER PTR. 7589023B REG. NO.: 23983 DATE: JANUARY 03, 2013 T.I.N. 651-157-021 PLACE: QUEZON CITY</small>	RECOMMENDING APPROVAL: JILDEFONSO T. PATDU, JR. <small>Assistant Secretary for Project Implementation, DOTC</small>	APPROVED: JULIANITO G. BUCAYAN, JR. <small>Undersecretary for Project Implementation, DOTC</small>	PROJECT TITLE: NEW BOHOL AIRPORT CONSTRUCTION AND SUSTAINABLE ENVIRONMENT PROTECTION PROJECT	LOCATION: MUNICIPALITY OF PANGLAO, PROVINCE OF BOHOL, PHILIPPINES	SHEET CONTENTS: COMPONENT-4 : BUILDING WORKS (B) SUB-COMPONENT 4-6 : UTILITY BUILDINGS PWH (POWER HOUSE) STRUCTURAL FOUNDATION PLAN	SHEET NO: B62-4200-01
	JICA DESIGN CONSULTANT JOINT VENTURE JAC JAPAN AIRPORT CONSULTANTS, INC.	TADASHI AOI <small>Team Leader</small>	JILDEFONSO T. PATDU, JR. <small>Assistant Secretary for Project Implementation, DOTC</small>	JULIANITO G. BUCAYAN, JR. <small>Undersecretary for Project Implementation, DOTC</small>	DATE: JUNE 2013 INDEX:	AMENDMENTS:	SHEET SCALE: AS SHOWN



	PREPARED BY: EDGARDO C. CRUZ <small>PROF. CIVIL ENGINE PTR. 7589023B REG. NO.: 23983 DATE: JANUARY 03, 2013 T.E.N. 651-157-021 PLACE: QUEZON CITY</small>	RECOMMENDING APPROVAL: ILDEFONSO T. PATDU, JR. <small>Assistant Secretary for Project Implementation, DOTC</small>	APPROVED: JULIANITO G. BUCAYAN, JR. <small>Undersecretary for Project Implementation, DOTC</small>	PROJECT TITLE: NEW BOHOL AIRPORT CONSTRUCTION AND SUSTAINABLE ENVIRONMENT PROTECTION PROJECT LOCATION: MUNICIPALITY OF PANGLAO, PROVINCE OF BOHOL, PHILIPPINES	SHEET CONTENTS: COMPONENT-4 : BUILDING WORKS (B) SUB-COMPONENT 4-6 : UTILITY BUILDINGS PWH (POWER HOUSE) STRUCTURAL CANOPY FRAMING PLAN SECTION B-B	SHEET NO: B62-4200-02 DRAWING SCALE: AS SHOWN
	JICA DESIGN CONSULTANT JOINT VENTURE JAC JAPAN AIRPORT CONSULTANTS, INC.	TADASHI AOI Team Leader	ILDEFONSO T. PATDU, JR. Assistant Secretary for Project Implementation, DOTC	JULIANITO G. BUCAYAN, JR. Undersecretary for Project Implementation, DOTC	DATE: JUNE 2013 INDEX:	AMENDMENTS:



2 POWER HOUSE ROOFVENT FRAMING PLAN
 SCALE 1 : 100 MTS
 862-4200-03

1 POWER HOUSE ROOFDECK FRAMING PLAN
 SCALE 1 : 100 MTS
 862-4200-03

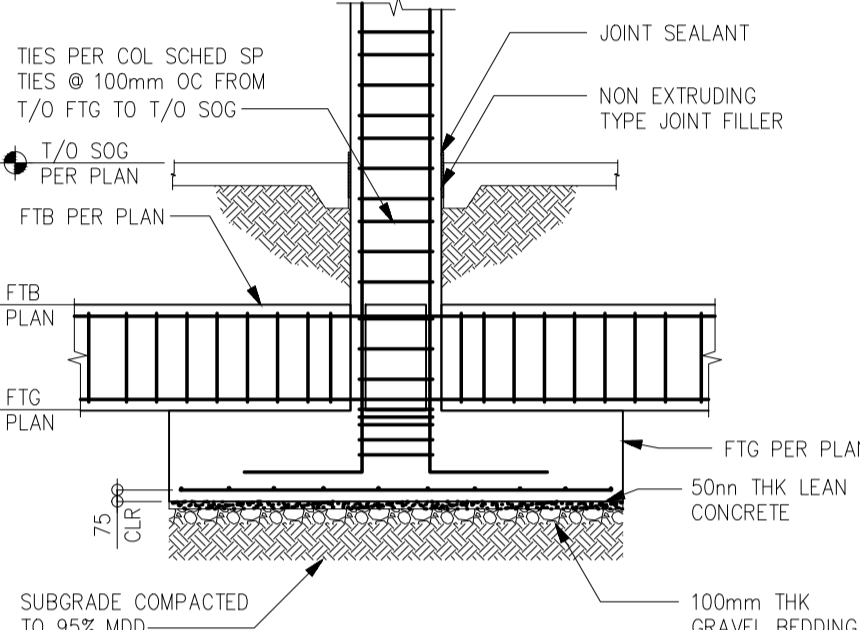
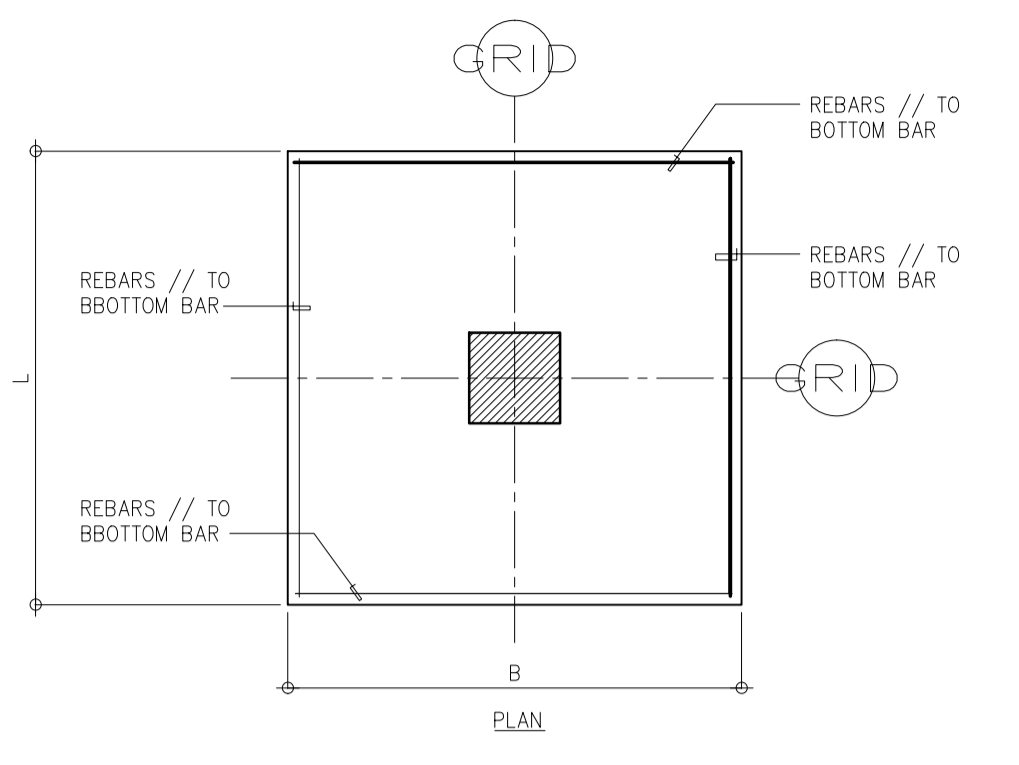
3 CS-1 SECTION DETAIL
 SCALE 1 : 20 MTS
 862-4200-03

4 PC DETAIL
 SCALE 1 : 15 MTS
 862-4200-03

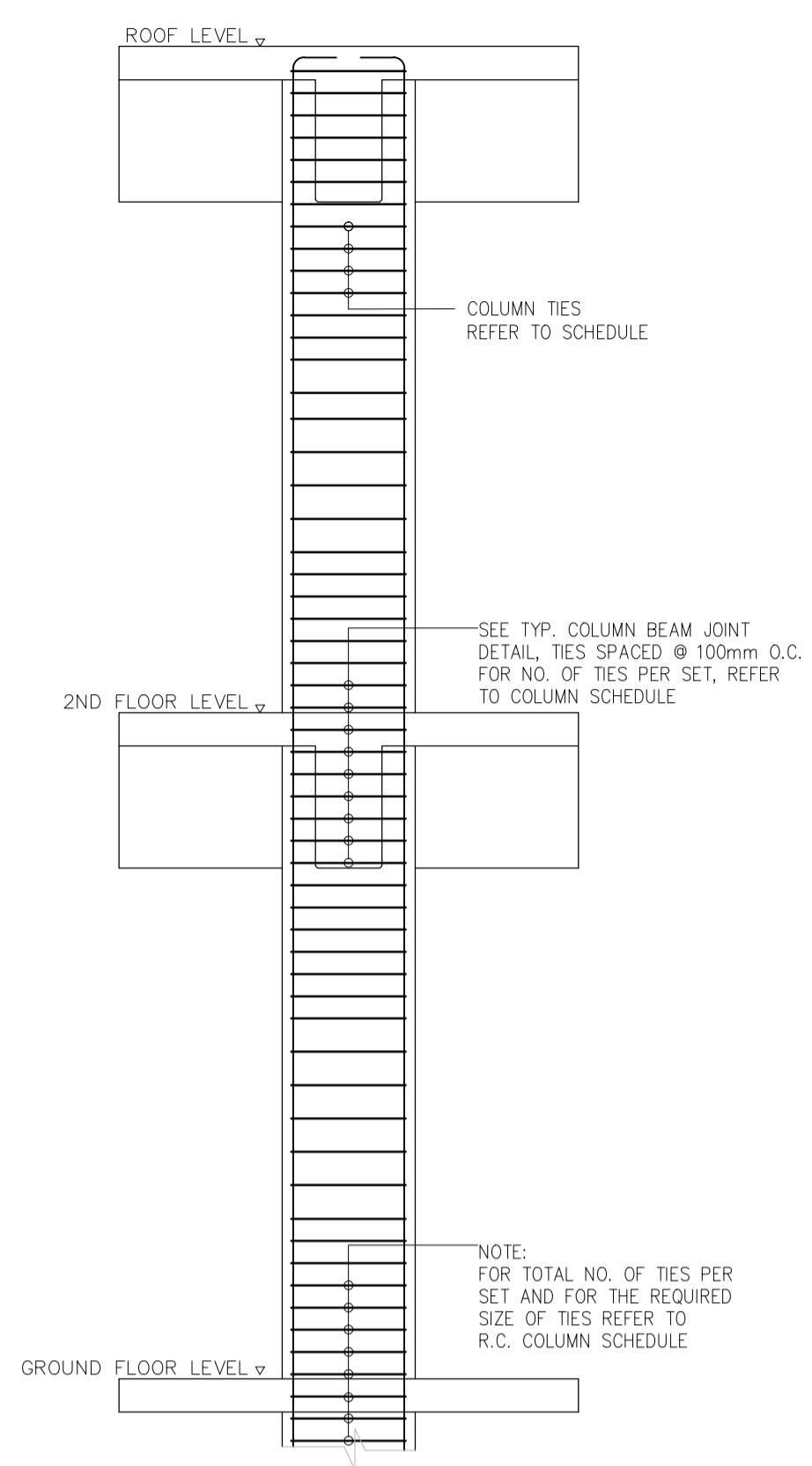
COLUMN LEGEND:

- TERMINATED COLUMN
- PLANTED COLUMN

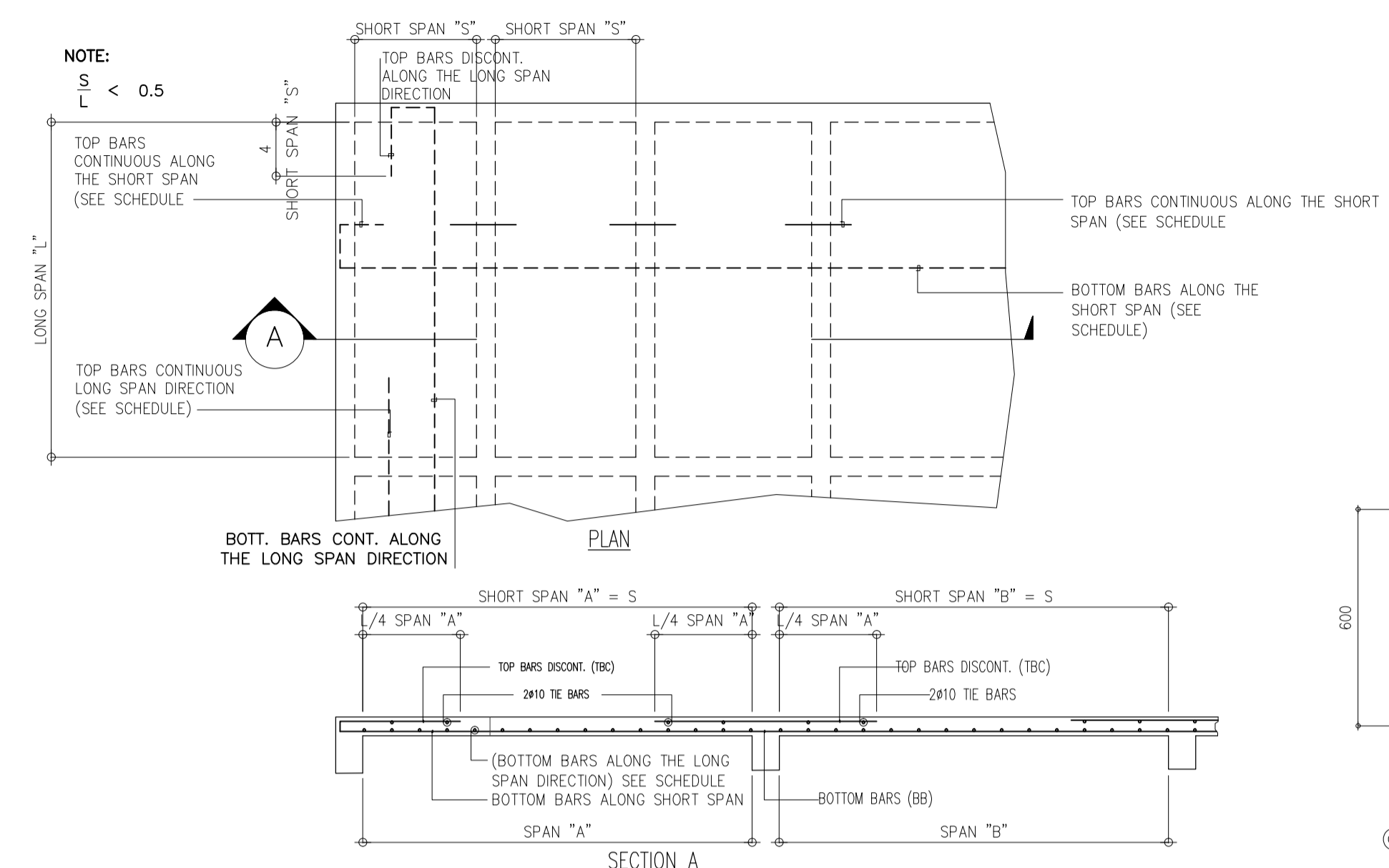
	PREPARED BY: EDGARDO C. CRUZ <small>PROF. CIVIL ENGINEER PTR. 7589023B REG. NO.: 23983 DATE: JANUARY 03, 2013 T.I.N. 651-157-021 PLACE: QUEZON CITY</small>	RECOMMENDING APPROVAL: ILDEFONSO T. PATDU, JR. <small>Assistant Secretary for Project Implementation, DOTC</small>	APPROVED: JULIANITO G. BUCAYAN, JR. <small>Undersecretary for Project Implementation, DOTC</small>	PROJECT TITLE: NEW BOHOL AIRPORT CONSTRUCTION AND SUSTAINABLE ENVIRONMENT PROTECTION PROJECT LOCATION: MUNICIPALITY OF PANGLAO, PROVINCE OF BOHOL, PHILIPPINES	SHEET CONTENTS: COMPONENT-4 : BUILDING WORKS (B) SUB-COMPONENT 4-6 : UTILITY BUILDINGS PWH (POWER HOUSE) STRUCTURAL ROOF DECK & ROOF VENT FRAMING PLAN HOIST BEAM DETAIL CS-1 SECTION DETAIL	SHEET NO: B62-4200-03 DRAWING SCALE: AS SHOWN
JICA DESIGN CONSULTANT JOINT VENTURE <small>JAPAN AIRPORT CONSULTANTS, INC. NIPPON KOEI CO., LTD. NIS CONSULTANTS CO., LTD.</small>					DATE INDEX AMENDMENTS JUNE 2013 Prepared by: FRS Jr. WIM HC Checked by: Validated by:	



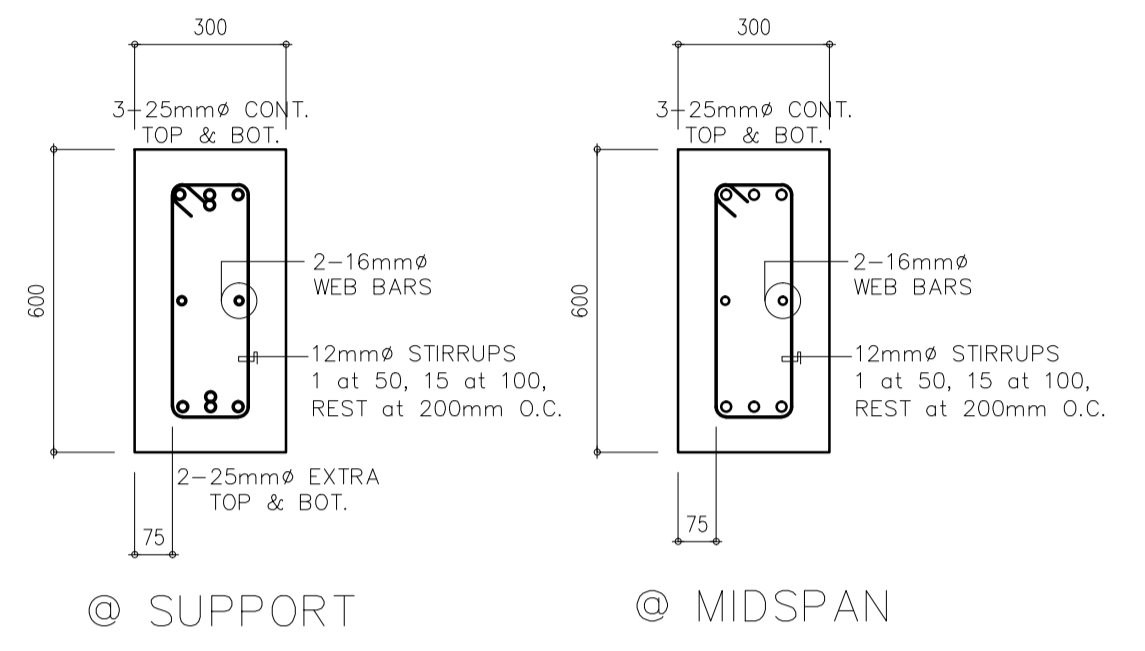
1 TYP. ISOLATED FOOTING DETAIL WITH CONCRETE COLUMN
SCALE 1 : 50 MTS



2 COLUMN ELEVATION SHOWING TIE SPACING
SCALE 1 : 30 MTS

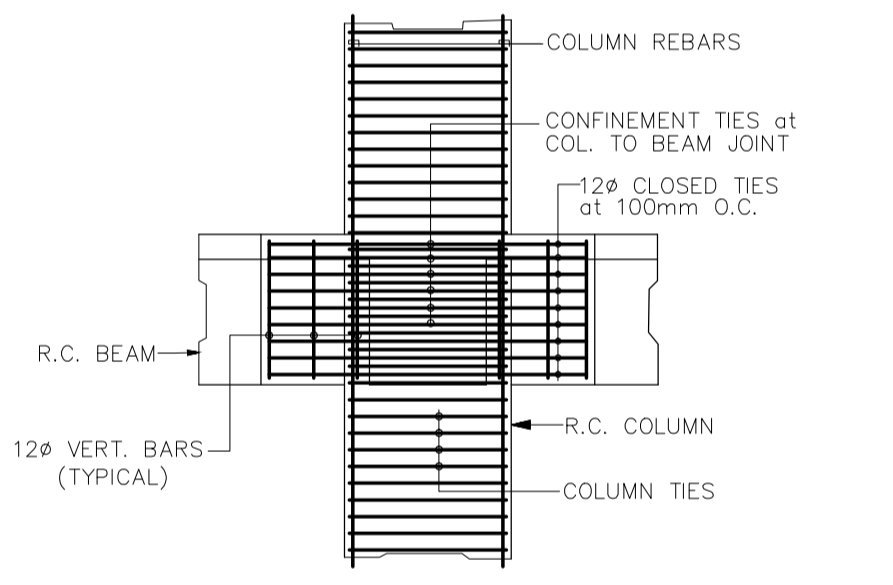


3 ELEVATION OF RC SLABS
SCALE 1 : 50 MTS

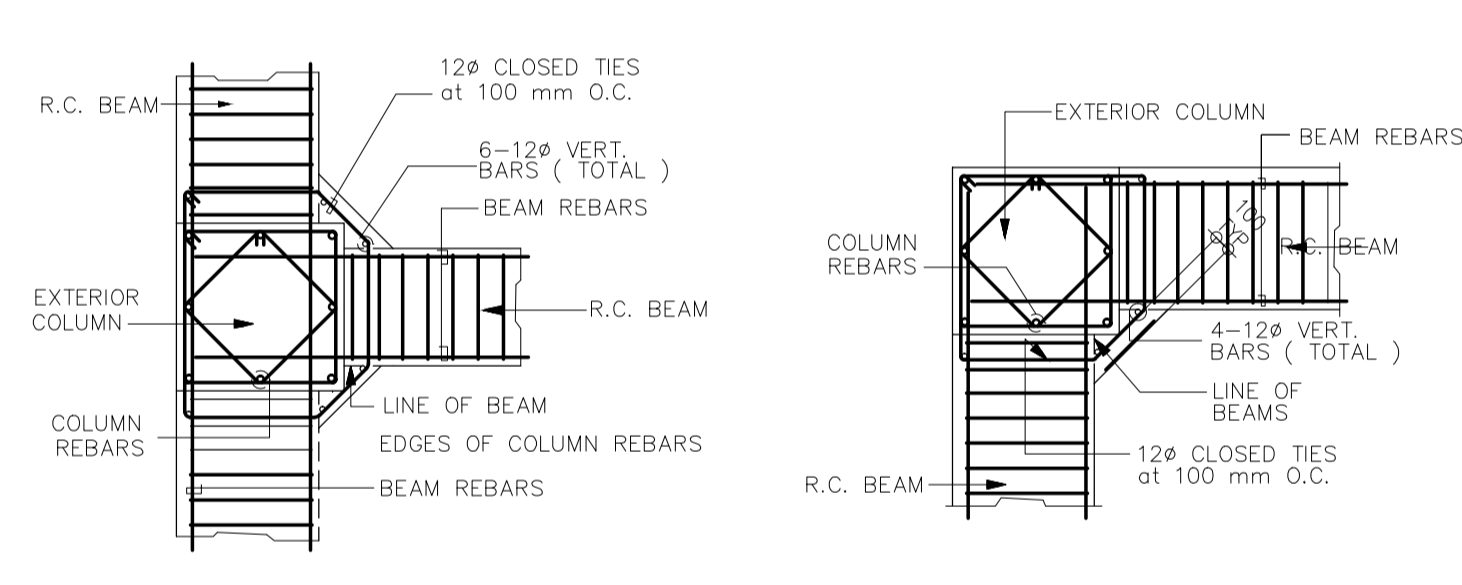


4 FOOTING TIE BEAM DETAIL
SCALE 1 : 15 MTS

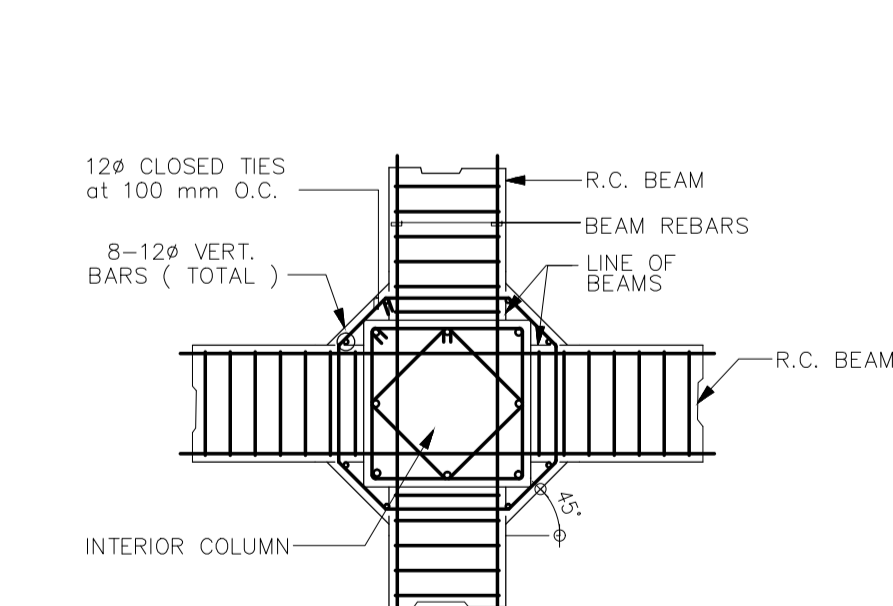
MARK	DIMENSIONS			REINFORCEMENTS				REMARKS
	LENGTH (L)	WIDTH (B)	THICKNESS (t)	TOP BARS // TO L*	TOP BARS // TO B*	BOTTOM BARS // TO L*	BOTTOM BARS // TO B*	
F1	2600	2600	500	-	-	12-20mm#	12-20mm#	
F2	2400	2400	500	-	-	8-20mm#	8-20mm#	
F3	2200	2200	400	-	-	8-20mm#	8-20mm#	



5 TYP. BEAM TO COLUMN JOINT ELEVATION
SCALE 1 : 50 MTS



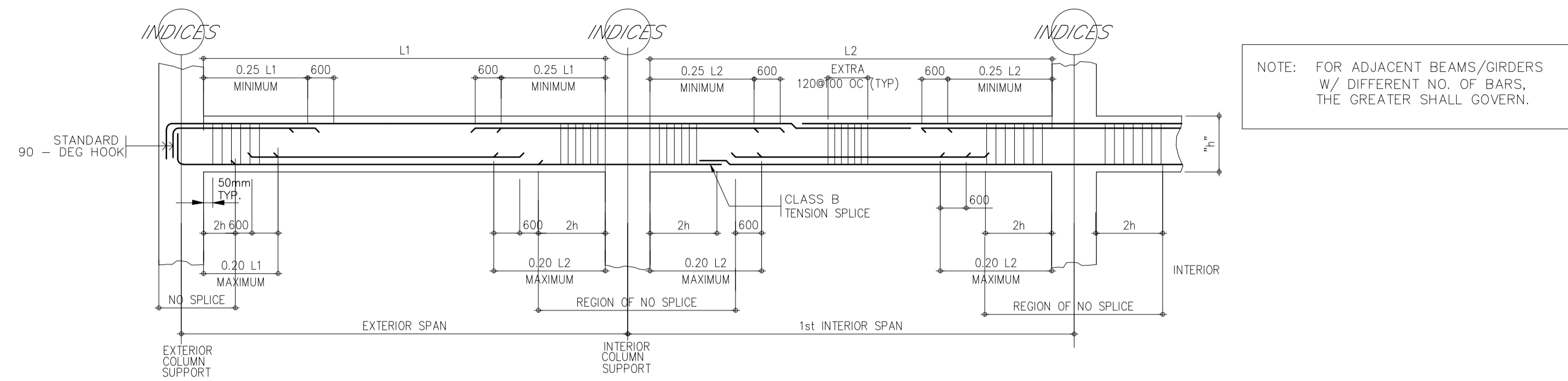
6 TYP. EXTERIOR BEAM TO COLUMN JOINT ELEVATION
SCALE 1 : 50 MTS



7 TYP. EXTERIOR BEAM TO COLUMN JOINT ELEVATION
SCALE 1 : 50 MTS



LEVEL	MARK	SCHEDULE OF COLUMNS		
		C-1	C-2	C-3
ROOF DECK TO GROUND LEVEL				
GROUND LEVEL TO FOUNDATION				
		SIZE: 600x600mm REBARS: 20-25mm# TIES: 3 SETS 12mm#, 1050mm, 12#100, REST @ 150mm OC TO M.H	SIZE: 600x600mm REBARS: 16-25mm# TIES: 3 SETS 12mm#, 1050mm, 12#100, REST @ 150mm OC TO M.H	SIZE: 600x600mm REBARS: 12-25mm# TIES: 3 SETS 12mm#, 1050mm, 12#100, REST @ 150mm OC TO M.H
		SIZE: 670x670mm REBARS: 20-25mm# TIES: 3 SETS 12mm#, 1050mm, 12#100, REST @ 150mm OC TO M.H	SIZE: 670x670mm REBARS: 16-25mm# TIES: 3 SETS 12mm#, 1050mm, 12#100, REST @ 150mm OC TO M.H	SIZE: 670x670mm REBARS: 12-25mm# TIES: 3 SETS 12mm#, 1050mm, 12#100, REST @ 150mm OC TO M.H



1 TYPICAL BAR DETAILS FOR PRISMATIC GIRDERS

CANOPY BEAMS AND GIRDERS SCHEDULE

MARK	SIZE	REBAR	LOC	LEFT	MIDSPAN	RIGHT	WEB BARS	STIRRUPS
RB-1	300X600	25	TOP	2	2	6		1-12mm, 1@50, rest @ 100mm O.C.
		25	BOT	3	5	3		
RB-2	300X600	25	TOP	6	2	6		1-12mm, 1@50, 20@100, rest @ 125mm O.C.
		25	BOT	3	4	3		
RB-3	300X600	25	TOP	6	2	2		1-12mm, 1@50, rest @ 100mm O.C.
		25	BOT	3	5	3		
RB-5A	300X500	25	TOP	2	3	5		1-12mm, 1@50, rest @ 100mm O.C.
		25	BOT	2	3	3		
RDB-6	200X500	25	TOP	2	2	2		1-12mm, 1@50, rest @ 100mm O.C.
		25	BOT	2	2	2		

CB-1	200X750	20	TOP	3	2	3		1-12mm, 1@50, 20@100, rest @ 150mm O.C.
		20	BOT	2	3	2		
CG-1	300X730	20	TOP	5	2	5		1-12mm, 1@50, 20@100, rest @ 200mm O.C.
		20	BOT	3	3	3		
CG-2	300X700	20	TOP	3	3	3		1-12mm, 1@50, 20@100, rest @ 200mm O.C.
		20	BOT	2	2	2		
RB-4	300X600	25	TOP	3	2	3		1-12mm, 1@50, 20@100, rest @ 200mm O.C.
		25	BOT	4	6	4		
RB-5	300X600	25	TOP	5	2	2		1-12mm, 1@50, 20@100, rest @ 200mm O.C.
		25	BOT	3	4	3		

RVB-1	200X500	25	TOP	3	2	3		1-12mm, 1@50, 20@100, rest @ 200mm O.C.
		25	BOT	3	2	3		

RG-1	300X700	25	TOP	3	2	3		1-10mm, 1@50, 20@100, rest @ 150mm O.C.
		25	BOT	2	3	2		
RG-2	300X700	25	TOP	2	2	2		1-12mm, 1@50, rest @ 200mm O.C.
		25	BOT	2	4	2		
RG-3	500X700	25	TOP	4	3	5		2-12mm, 1@50, 20@100, rest @ 150mm O.C.
		25	BOT	3	7	3		
RG-4	500X700	25	TOP	2	2	2		2-12mm, 1@50, 20@100, rest @ 150mm O.C.
		25	BOT	4	4	4		
RG-4A	500X700	25	TOP	4	4	2		1-10mm, 1@50, rest @ 100mm O.C.
		25	BOT	3	6	2		
RG-5	500X700	25	TOP	5	3	5		2-12mm, 1@50, 20@100, rest @ 150mm O.C.
		25	BOT	3	8	3		
RG-6	500X700	25	TOP	6	3	4		2-12mm, 1@50, 20@100, rest @ 150mm O.C.
		25	BOT	3	7	3		
RG-7	300X700	25	TOP	3	2	4		1-12mm, 1@50, rest @ 200mm O.C.
		25	BOT	2	3	2		
RG-8	300X700	25	TOP	3	2	3		1-12mm, 1@50, rest @ 200mm O.C.
		25	BOT	2	2	2		
RG-9	300X700	25	TOP	4	2	3		1-10mm, 1@50, 20@100, rest @ 150mm O.C.
		25	BOT	2	3	2		
RG-10	300X600	25	TOP	3	2	4		1-12mm, 1@50, 20@100, rest @ 150mm O.C.
		25	BOT	2	4	2		
RG-11	300X600	25	TOP	5	2	5		2-12mm, 1@50, 20@100, rest @ 150mm O.C.
		25	BOT	3	4	3		
RG-12	300X600	25	TOP	4	2	3		1-12mm, 1@50, 20@100, rest @ 150mm O.C.
		25	BOT	2	4	2		
RG-13	300X600	25	TOP	4	2	4		1-12mm, 1@50, 20@100, rest @ 150mm O.C.
		25	BOT	2	4	2		
RG-14	300X600	25	TOP	6	2	6		1-12mm, 1@50, 20@100, rest @ 150mm O.C.
		25	BOT	3	5	3		
RG-15	300X600	25	TOP	6	2	6		1-10mm, 1@50, 20@100, rest @ 150mm O.C.
		25	BOT	3	5	3		



PREPARED BY:
EDGARDO C. CRUZ
PROF. CIVIL ENGINEER PIR. 7589023B
REG. NO.: 23983 DATE: JANUARY 03, 2013
TEL. 651-157-021 PLACE: QUEZON CITY

RECOMMENDING APPROVAL:
ILDEFONSO T. PATDU, JR.
Assistant Secretary
for Project Implementation, DOTC

APPROVED:
JULIANITO G. BUCAYAN, JR.
Undersecretary
for Project Implementation, DOTC

PROJECT TITLE:
NEW BOHOL AIRPORT CONSTRUCTION AND SUSTAINABLE ENVIRONMENT PROTECTION PROJECT
LOCATION: MUNICIPALITY OF PANGLAO, PROVINCE OF BOHOL, PHILIPPINES

SHEET CONTENTS:
COMPONENT-4 : BUILDING WORKS (B)
SUB-COMPONENT 4-6 : UTILITY BUILDINGS
PWH (POWER HOUSE)
STRUCTURAL
CANOPY BEAM AND GIRDER SCHEDULE

SHEET NO:
B62-4200-05



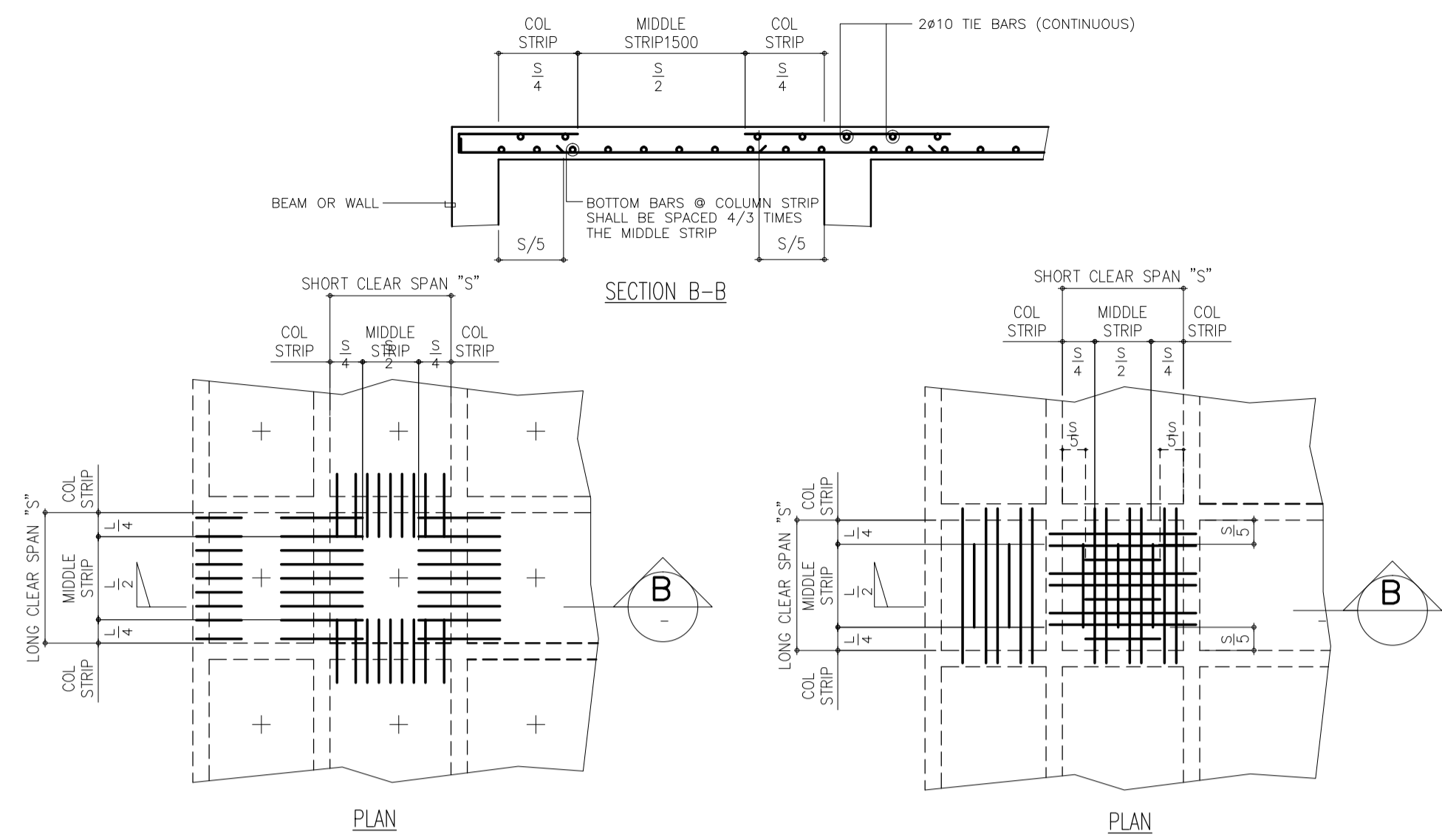
TADASHI AOI
Team Leader

ILDEFONSO T. PATDU, JR.
Assistant Secretary
for Project Implementation, DOTC

JULIANITO G. BUCAYAN, JR.
Undersecretary
for Project Implementation, DOTC

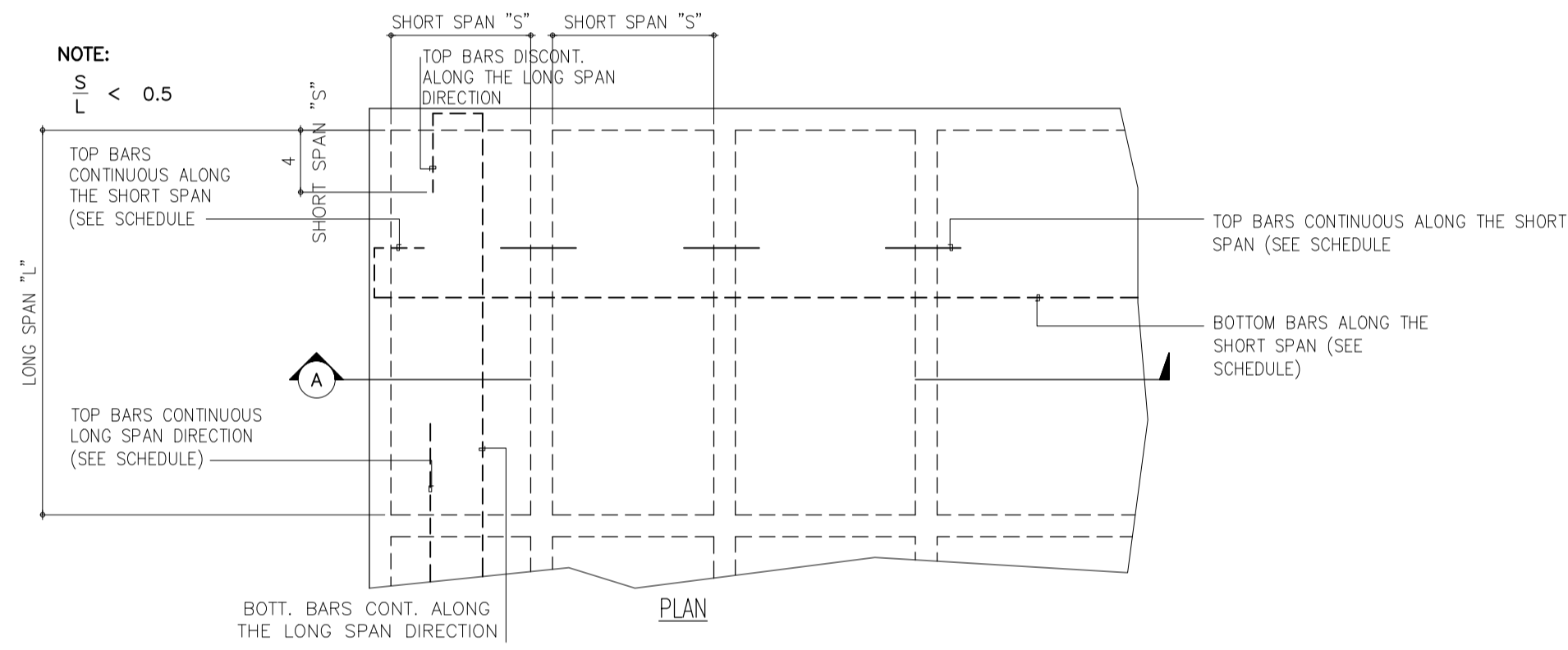
DATE	INDEX	AMENDMENTS	Prepared by	Checked by	Validated by
JUNE 2013			FRS Jr.	WIM	HC

DRAWING SCALE:
AS SHOWN

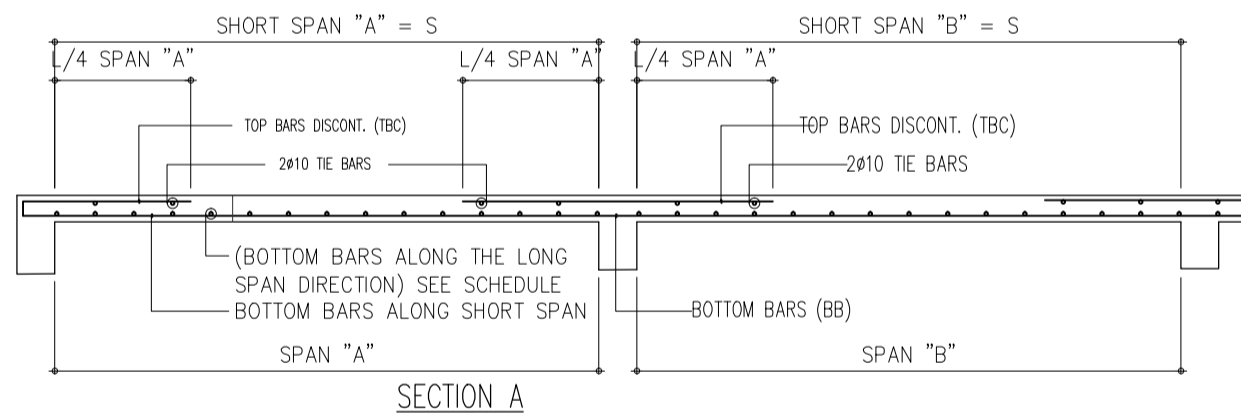


TYP. FRAMING PLAN OF TWO-WAY SLAB SHOWING TOP BAR REINFORCEMENT

TYP. FRAMING PLAN OF TWO-WAY SLAB SHOWING BOTTOM BAR REINFORCEMENT



NOTES:
1. IF TOP BARS OF ADJACENT SLABS DIFFER AT THEIR COMMON SUPPORT THE SMALLER SPACING SHALL GOVERN

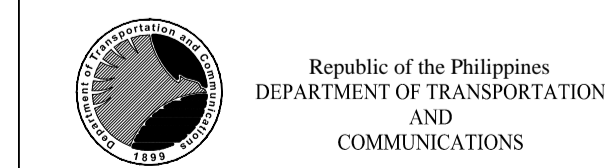


1 ELEVATION OF RC SLABS
SCALE 1 : 50

SCHEDULE OF R.C SLABS

SLAB MARK	THICKNESS (mm)	BAR SIZE	SHORT DIRECTION			LONG DIRECTION			REMARKS
			BOTTOM MIDSPAN	TOP BARS		BOTTOM MIDSPAN	TOP BARS		
				CONT EDGE	DISC EDGE		CONT EDGE	DISC EDGE	
S-1	100	10mm#	125mm	100mm	-	300mm	300mm	300mm	ONE-WAY
S-2	100	10mm#	125mm	100mm	200mm	300mm	300mm	300mm	ONE-WAY

NOTE: IF THE TOP BARS OF ADJACENT SLABS DIFFER AT COMMON SUPPORT, THE SMALLER SPACING SHALL GOVERN



PREPARED BY:
EDGARDO C. CRUZ
PROF. CIVIL ENGINEER PTR. 7589023B
REG. NO.: 23983 DATE: JANUARY 03, 2013
TEL. 651-157-021 PLACE: QUEZON CITY

RECOMMENDING APPROVAL:
ILDEFONSO T. PATDU, JR.
Assistant Secretary
for Project Implementation, DOTC

APPROVED:
JULIANITO G. BUCAYAN, JR.
Undersecretary
for Project Implementation, DOTC

PROJECT TITLE:
NEW BOHOL AIRPORT CONSTRUCTION AND SUSTAINABLE ENVIRONMENT PROTECTION PROJECT

LOCATION: MUNICIPALITY OF PANGLAO, PROVINCE OF BOHOL, PHILIPPINES

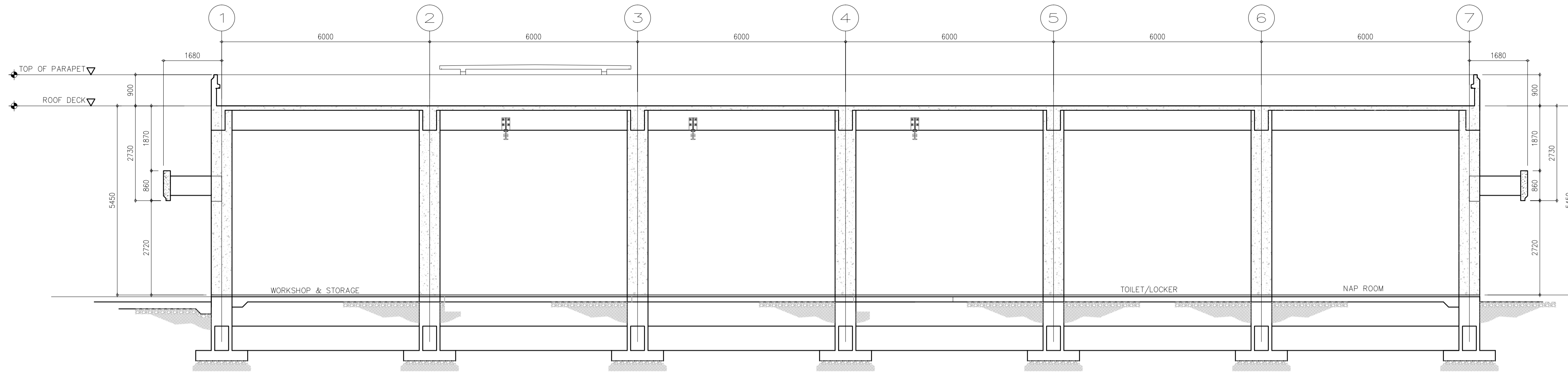
SHEET CONTENTS:
COMPONENT-4 : BUILDING WORKS (B)
SUB-COMPONENT 4-6 : UTILITY BUILDINGS
PWH (POWER HOUSE)
STRUCTURAL
SCHEDULE OF RC SLAB

SHEET NO:
B62-4300-06

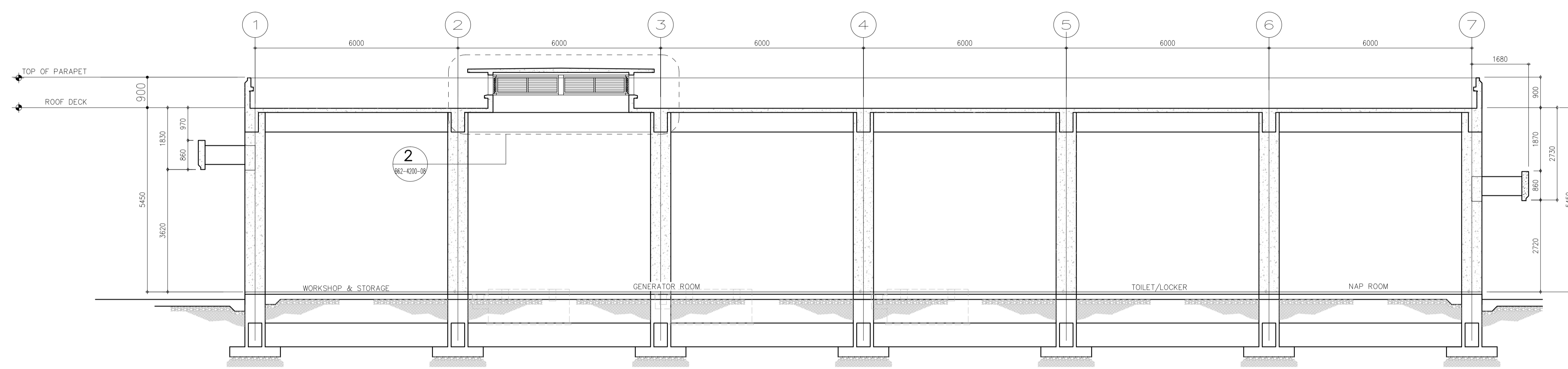
DRAWING SCALE:
AS SHOWN



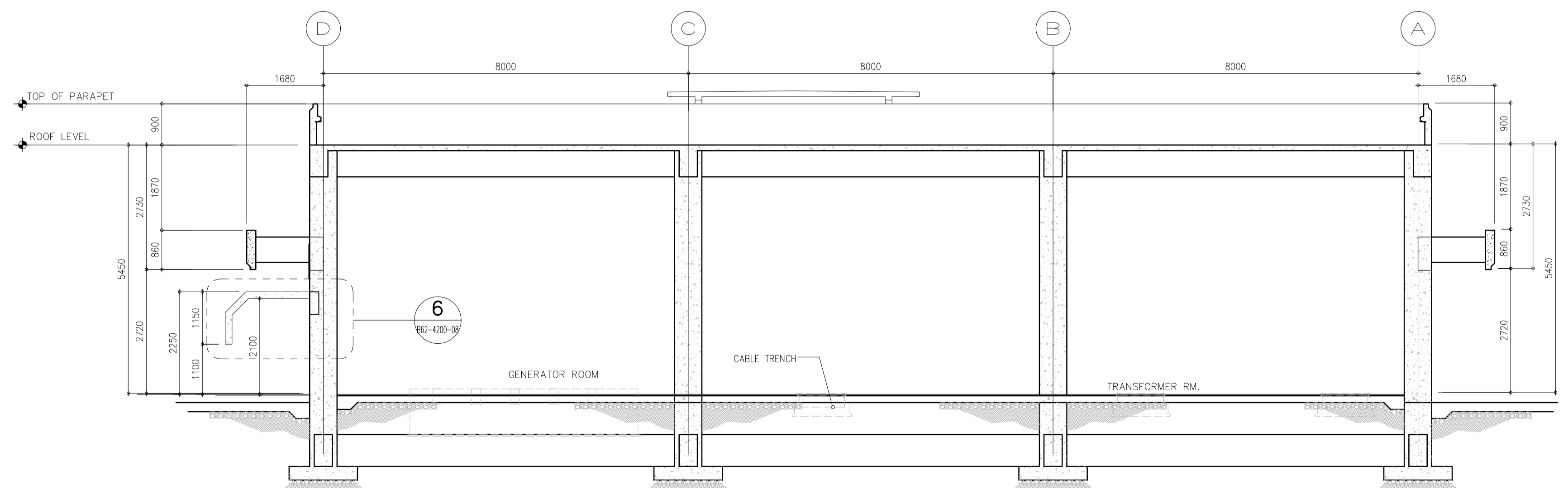
DATE	INDEX	AMENDMENTS	Prepared by	Checked by	Validated by
JUNE 2013			FRS Jr.	WIM	HC



1 FRAME ELEVATION ALONG GRID A,B & D
 B62-4200-07 SCALE 1 : 75 MTS

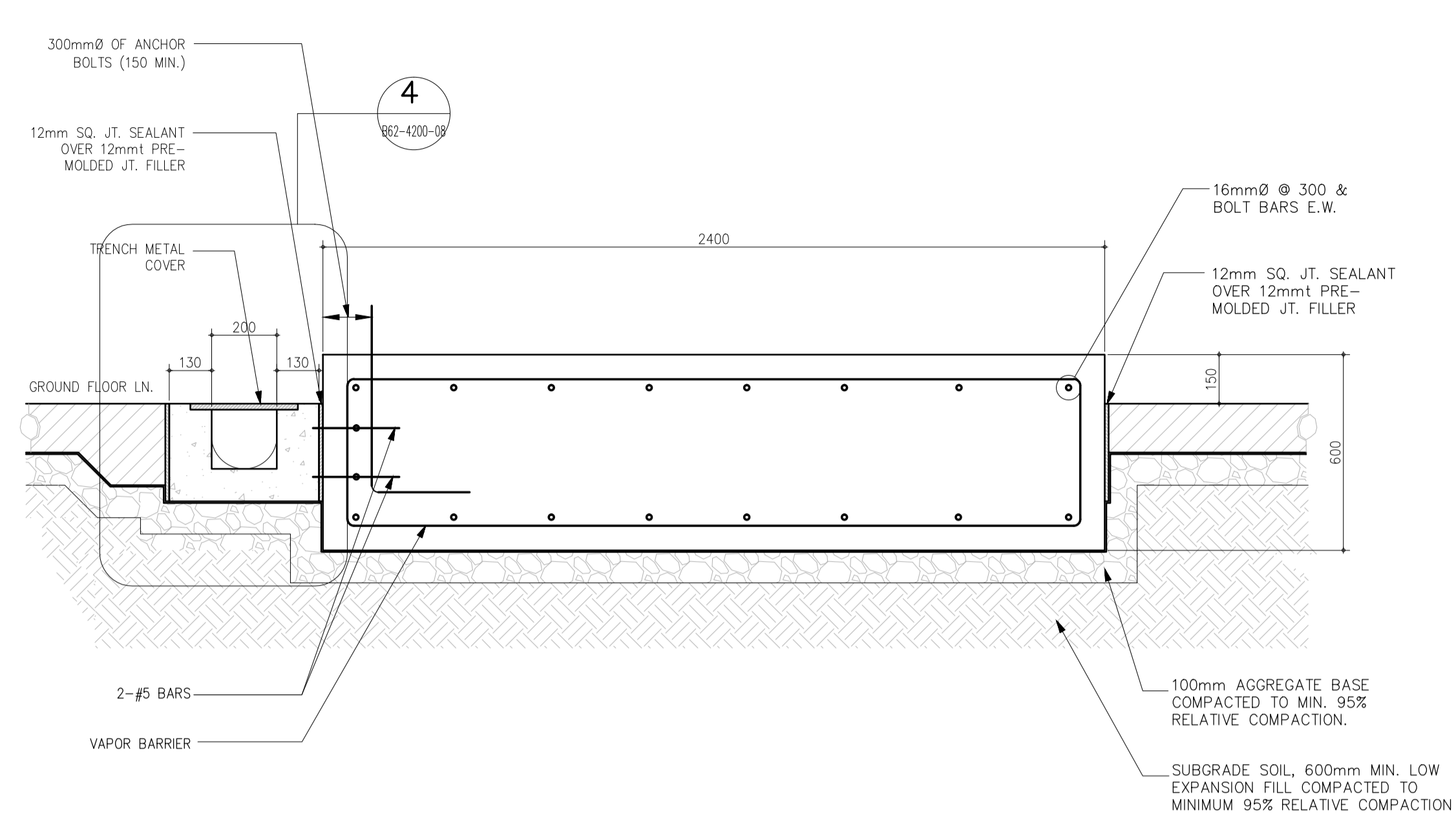


2 FRAME ELEVATION ALONG GRID C
 B62-4200-07 SCALE 1 : 75 MTS

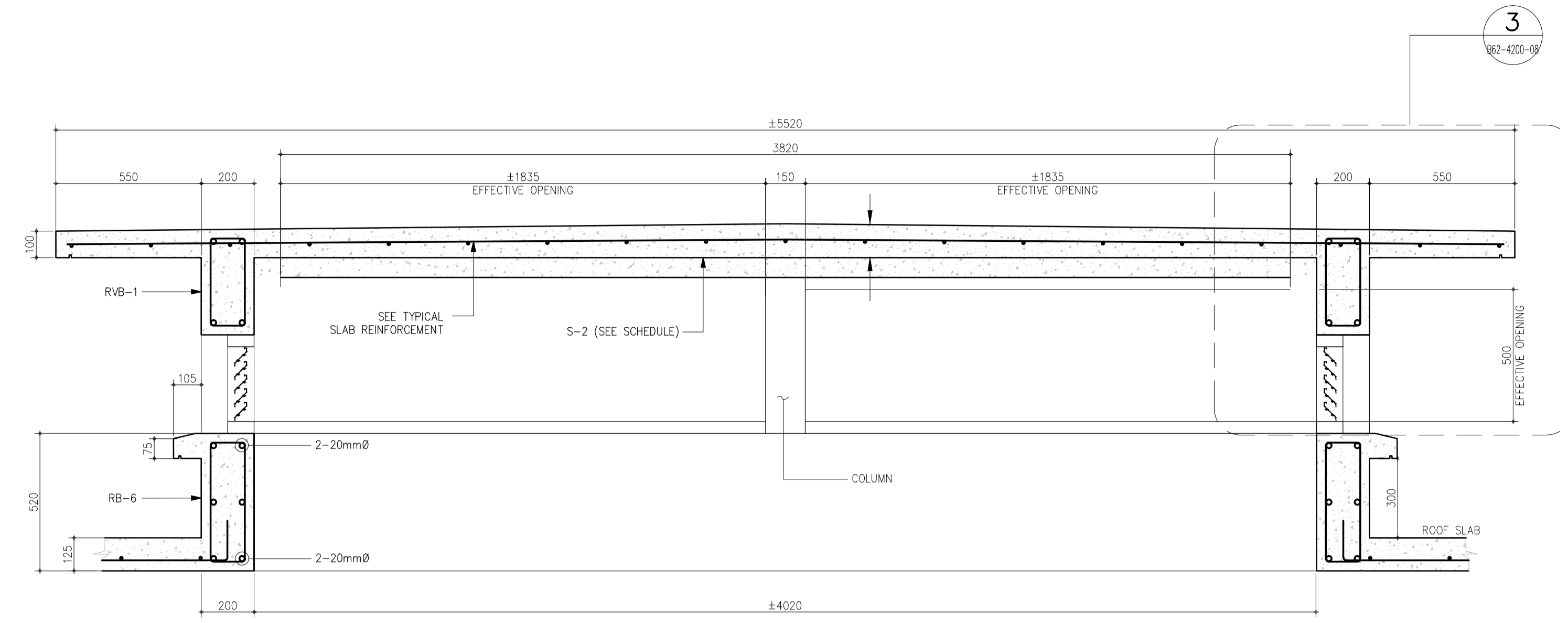


3 FRAME ELEVATION ALONG GRID 1,2,3,4,5,6,7
 B62-4200-07 SCALE 1 : 75 MTS

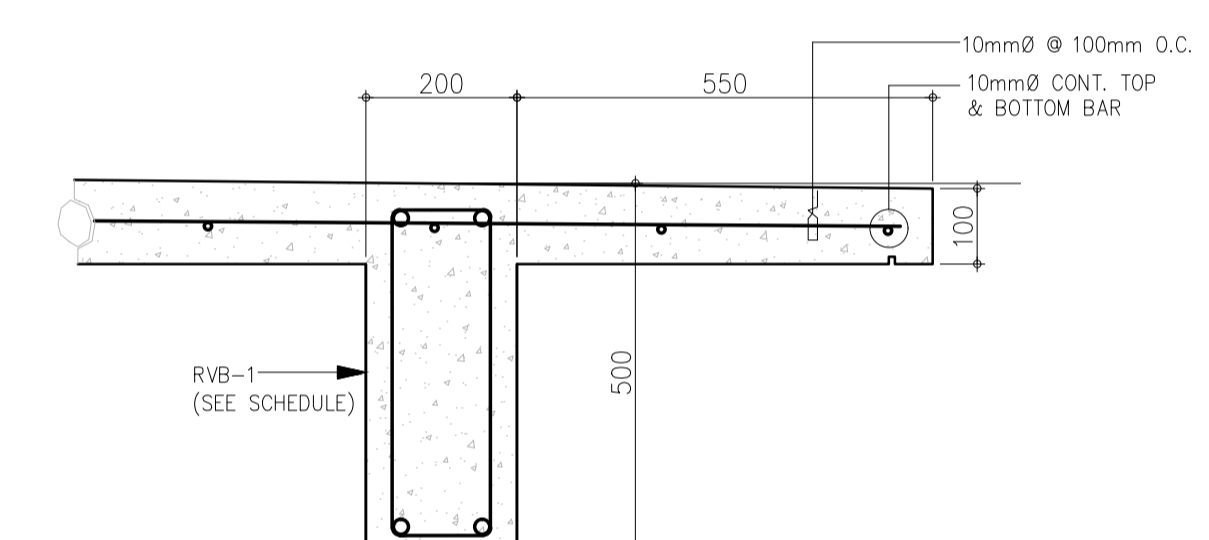
	PREPARED BY: EDGARDO C. CRUZ <small>PROF. CIVIL ENGINE PTR. 7589023B REG. NO.: 23983 DATE: JANUARY 03, 2013 TEL. 651-157-021 PLACE: QUEZON CITY</small>	RECOMMENDING APPROVAL: ILDEFONSO T. PATDU, JR. <small>Assistant Secretary for Project Implementation, DOTC</small>	APPROVED: JULIANITO G. BUCAYAN, JR. <small>Undersecretary for Project Implementation, DOTC</small>	PROJECT TITLE: NEW BOHOL AIRPORT CONSTRUCTION AND SUSTAINABLE ENVIRONMENT PROTECTION PROJECT LOCATION: MUNICIPALITY OF PANGLAO, PROVINCE OF BOHOL, PHILIPPINES	SHEET CONTENTS: COMPONENT-4 : BUILDING WORKS (B) SUB-COMPONENT 4-6 : UTILITY BUILDINGS PWH (POWER HOUSE) STRUCTURAL FRAME ELEVATION A,B,C,D	SHEET NO: B62-4200-07 DRAWING SCALE: 1 : 75 MTS
	JICA DESIGN CONSULTANT JOINT VENTURE <small>JAC JAPAN AIRPORT CONSULTANTS, INC. NIPPON KOEI CO., LTD. NIS CONSULTANTS CO., LTD.</small>	TADASHI AOI Team Leader	ILDEFONSO T. PATDU, JR. Assistant Secretary for Project Implementation, DOTC	JULIANITO G. BUCAYAN, JR. Undersecretary for Project Implementation, DOTC	DATE INDEX AMENDMENTS JUNE 2013	Prepared by: FRS Jr. WIM IC Checked by: Validated by:



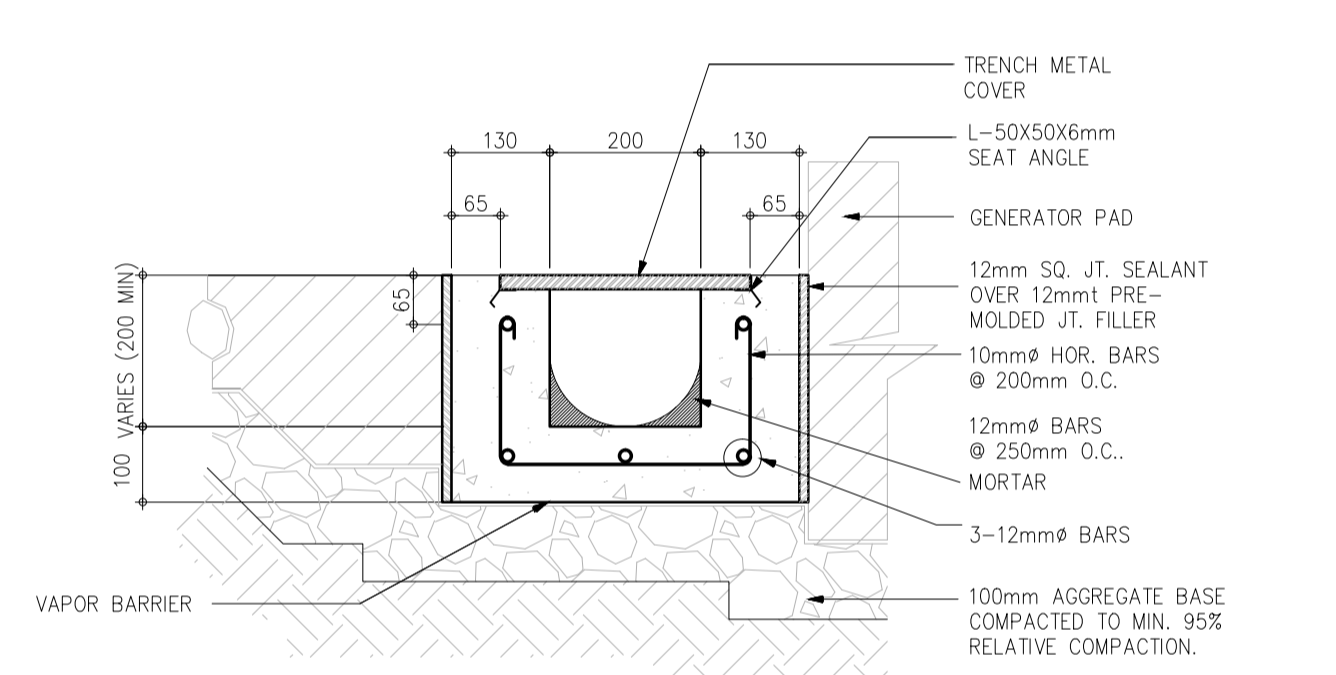
1 TYPICAL GENERATOR PAD DETAILS
 B62-4200-07 SCALE 1 : 15 MTS



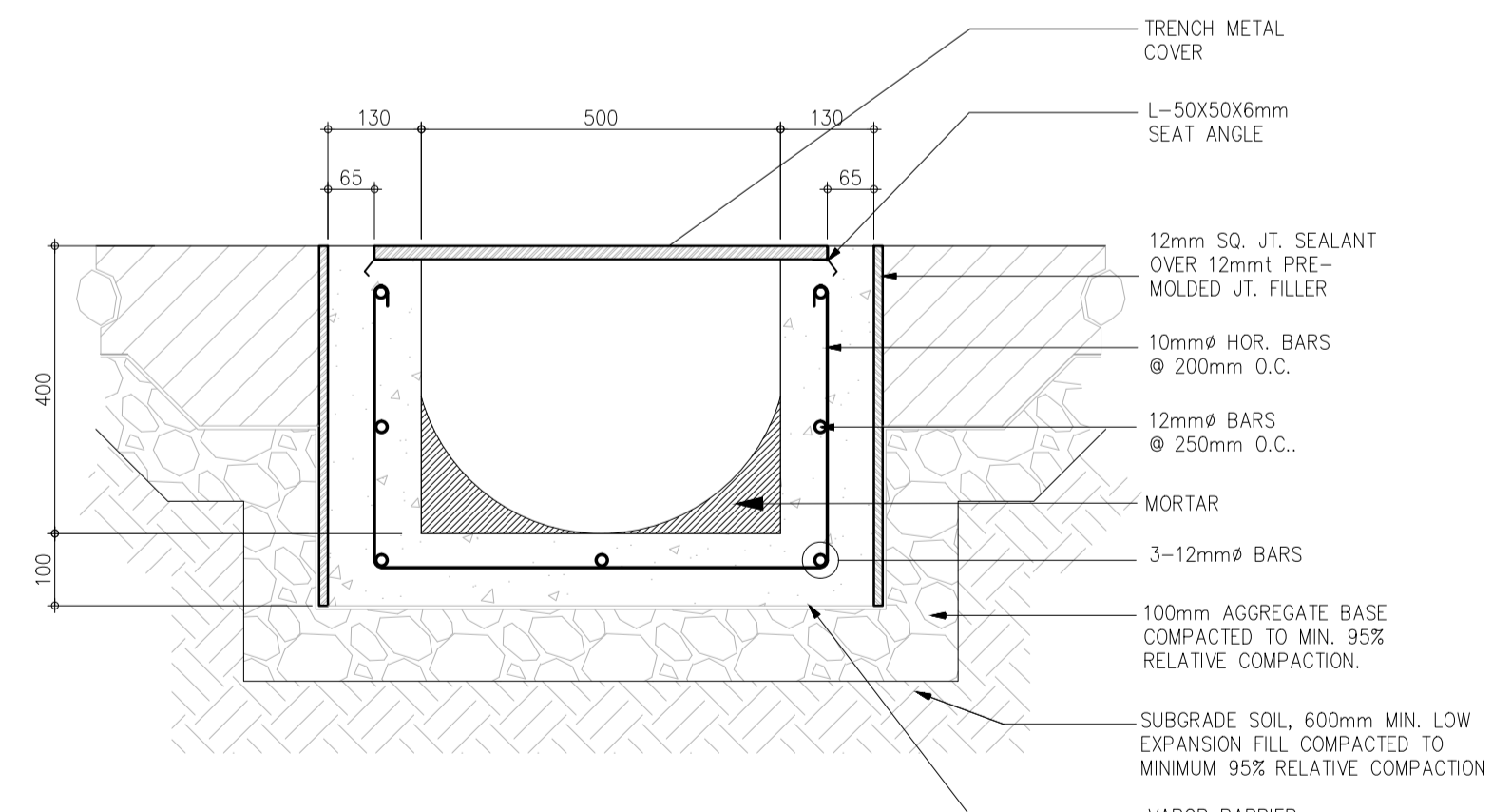
2 VENT ROOF SECTION
 B62-4200-08 SCALE 1 : 15 MTS



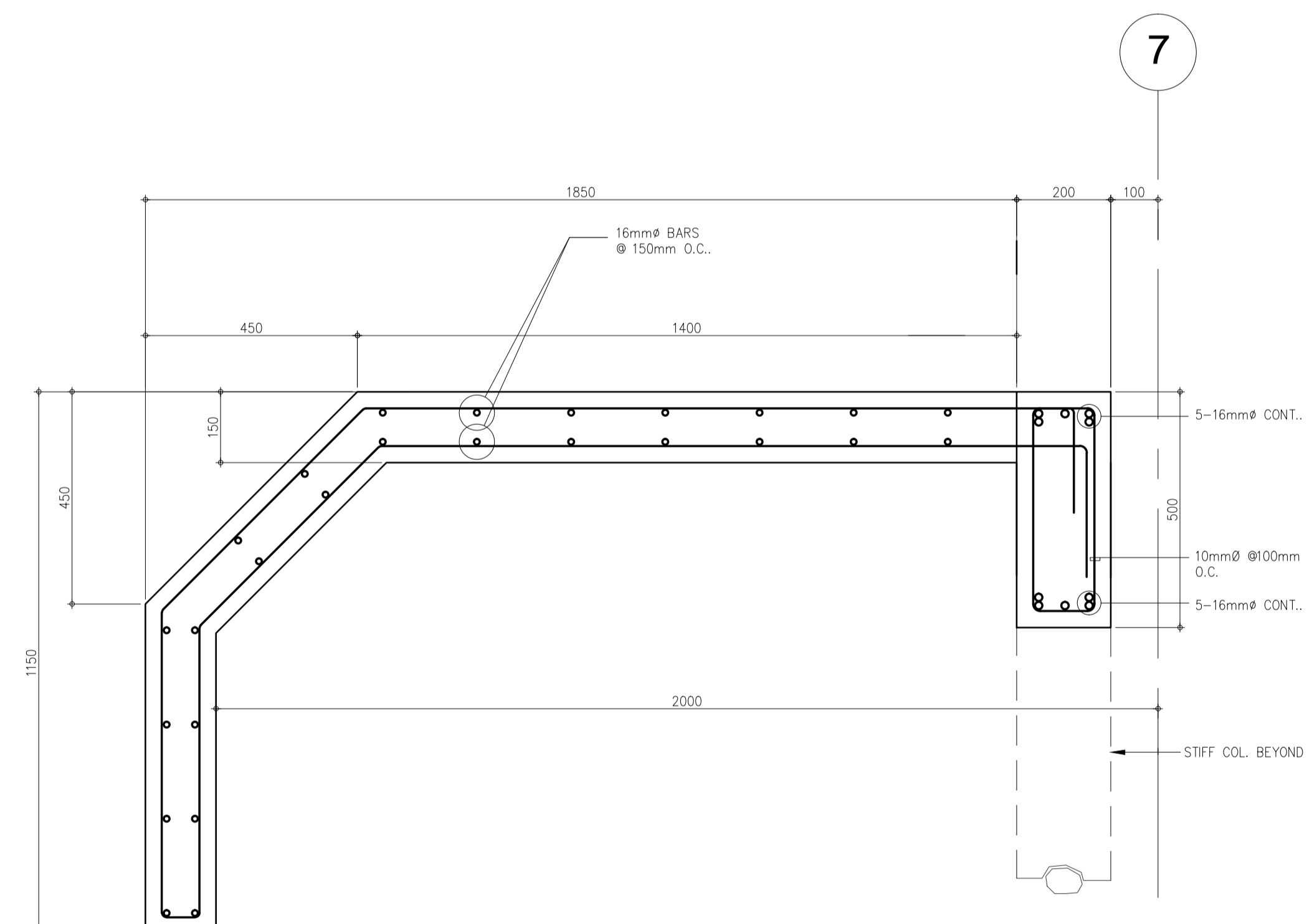
3 SPOT DETAIL
 B62-4200-08 SCALE 1 : 10 MTS



4 TRENCH SECTION A
 B62-4200-08 SCALE 1 : 10 MTS



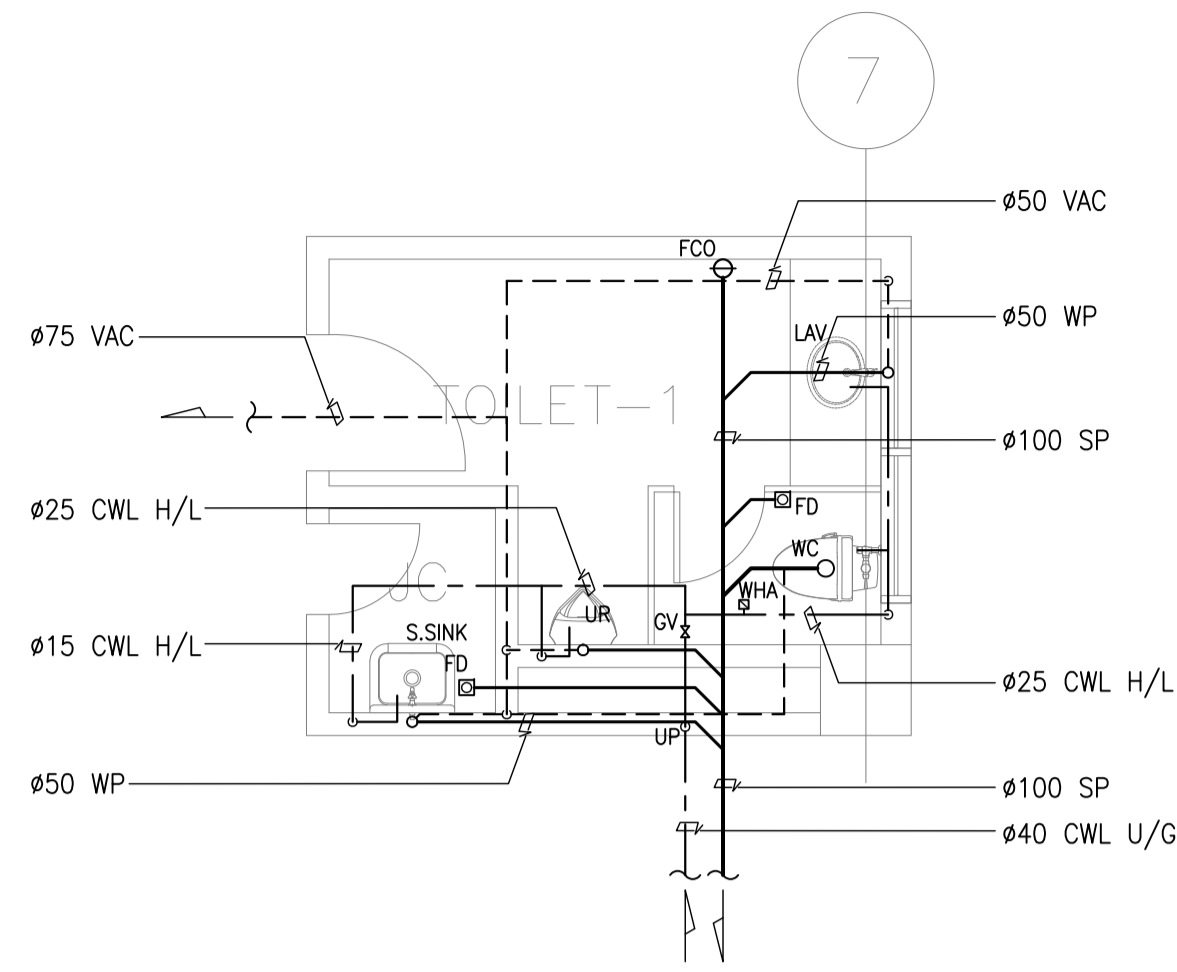
5 TRENCH SECTION B
 B62-4200-01 SCALE 1 : 10 MTS



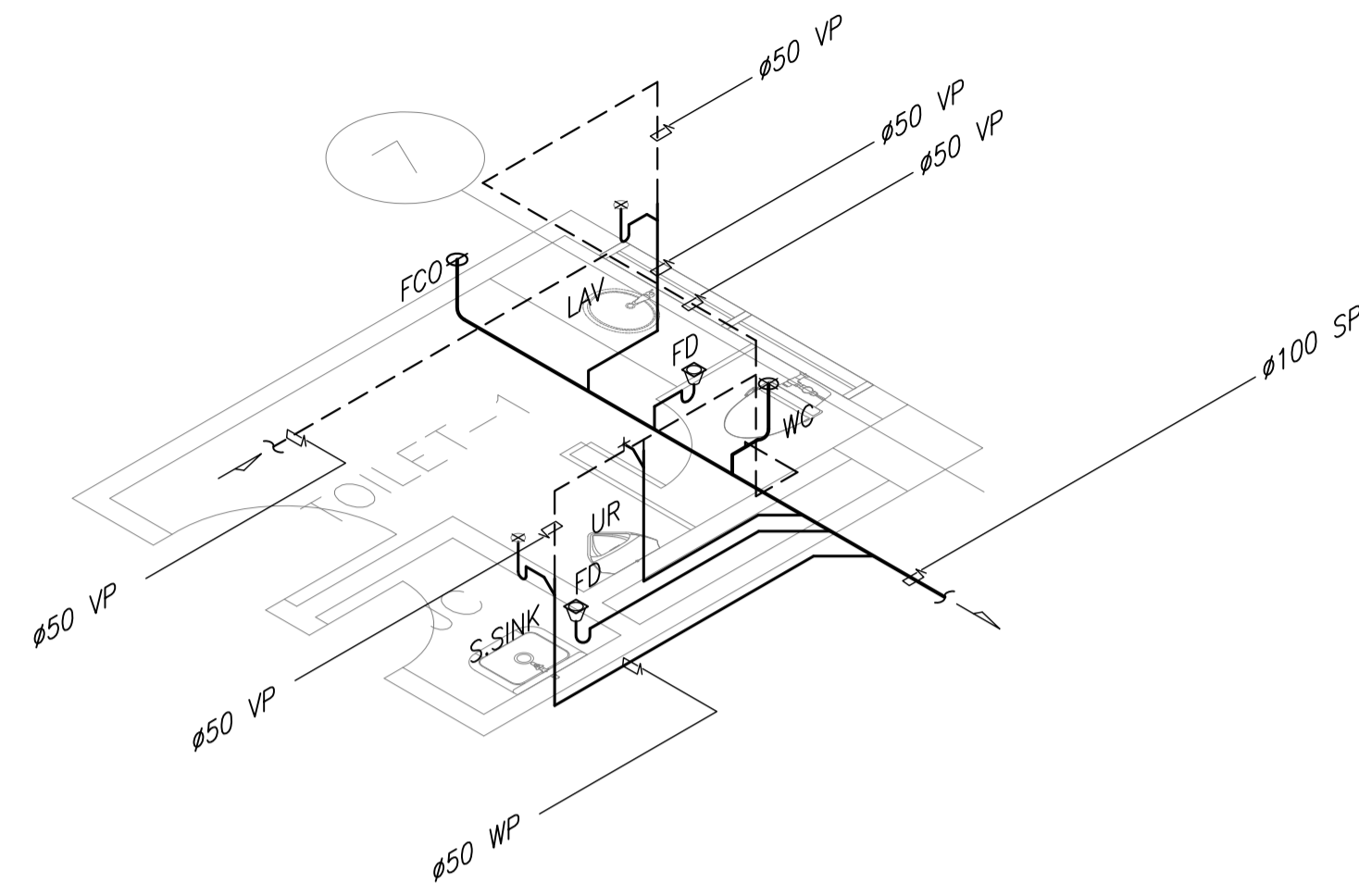
6 RADIATOR OPENING HOOD SECTION
 B62-4200-07 SCALE 1 : 10 MTS

7

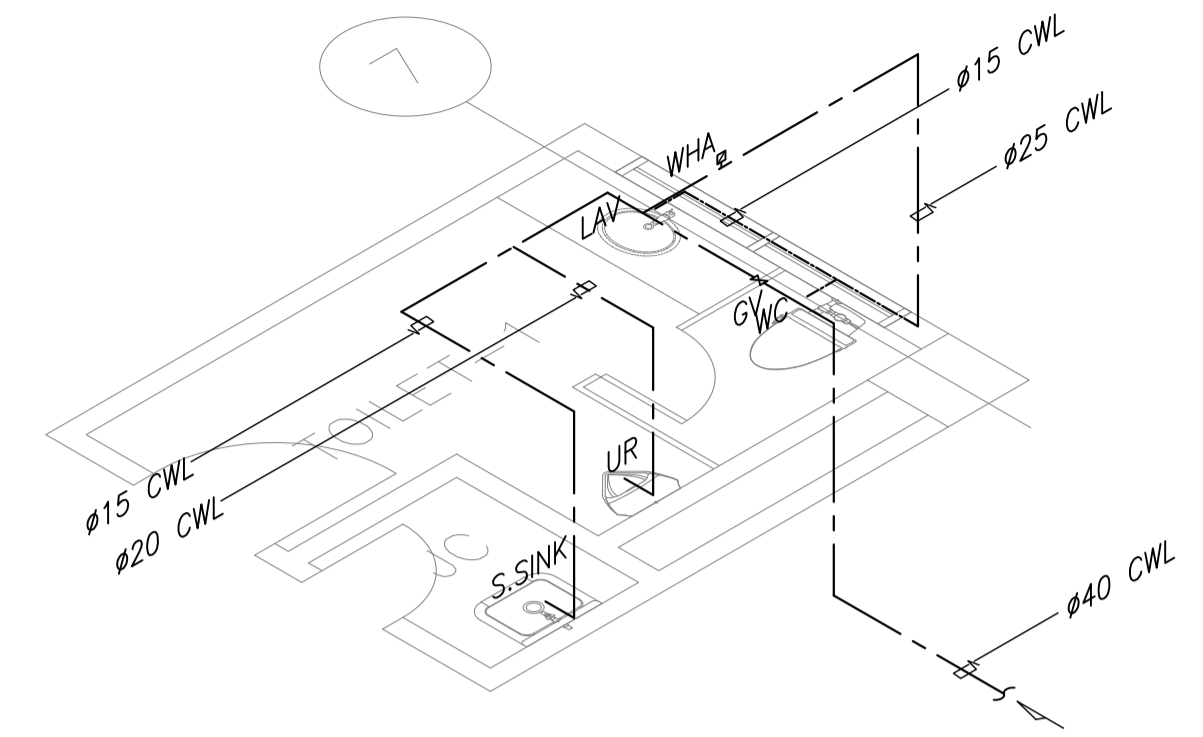
	PREPARED BY: EDGARDO C. CRUZ <small>PROF. CIVIL ENGINEER PIR. 7589023B REG. NO.: 23983 DATE: JANUARY 03, 2013 TEL. 651-157-021 PLACE: QUEZON CITY</small>	RECOMMENDING APPROVAL: ILDEFONSO T. PATDU, JR. <small>Assistant Secretary for Project Implementation, DOTC</small>	APPROVED: JULIANITO G. BUCAYAN, JR. <small>Undersecretary for Project Implementation, DOTC</small>	PROJECT TITLE: NEW BOHOL AIRPORT CONSTRUCTION AND SUSTAINABLE ENVIRONMENT PROTECTION PROJECT	LOCATION: MUNICIPALITY OF PANGLAO, PROVINCE OF BOHOL, PHILIPPINES	SHEET CONTENTS: COMPONENT-4 : BUILDING WORKS (B) SUB-COMPONENT 4-6 : UTILITY BUILDINGS PWH (POWER HOUSE) STRUCTURAL TYPICAL GENERATOR PAD DETAILS VENT ROOF SECTION TRENCH DETAILS	SHEET NO: B62-4200-08
	JICA DESIGN CONSULTANT JOINT VENTURE	TADASHI AOI <small>Team Leader</small>	JULIANITO G. BUCAYAN, JR. <small>Undersecretary for Project Implementation, DOTC</small>	DATE: JUNE 2013	INDEX:	AMENDMENTS:	Prepared by: FRS Jr. WIM IIC Checked by: Validated by:



PLAN

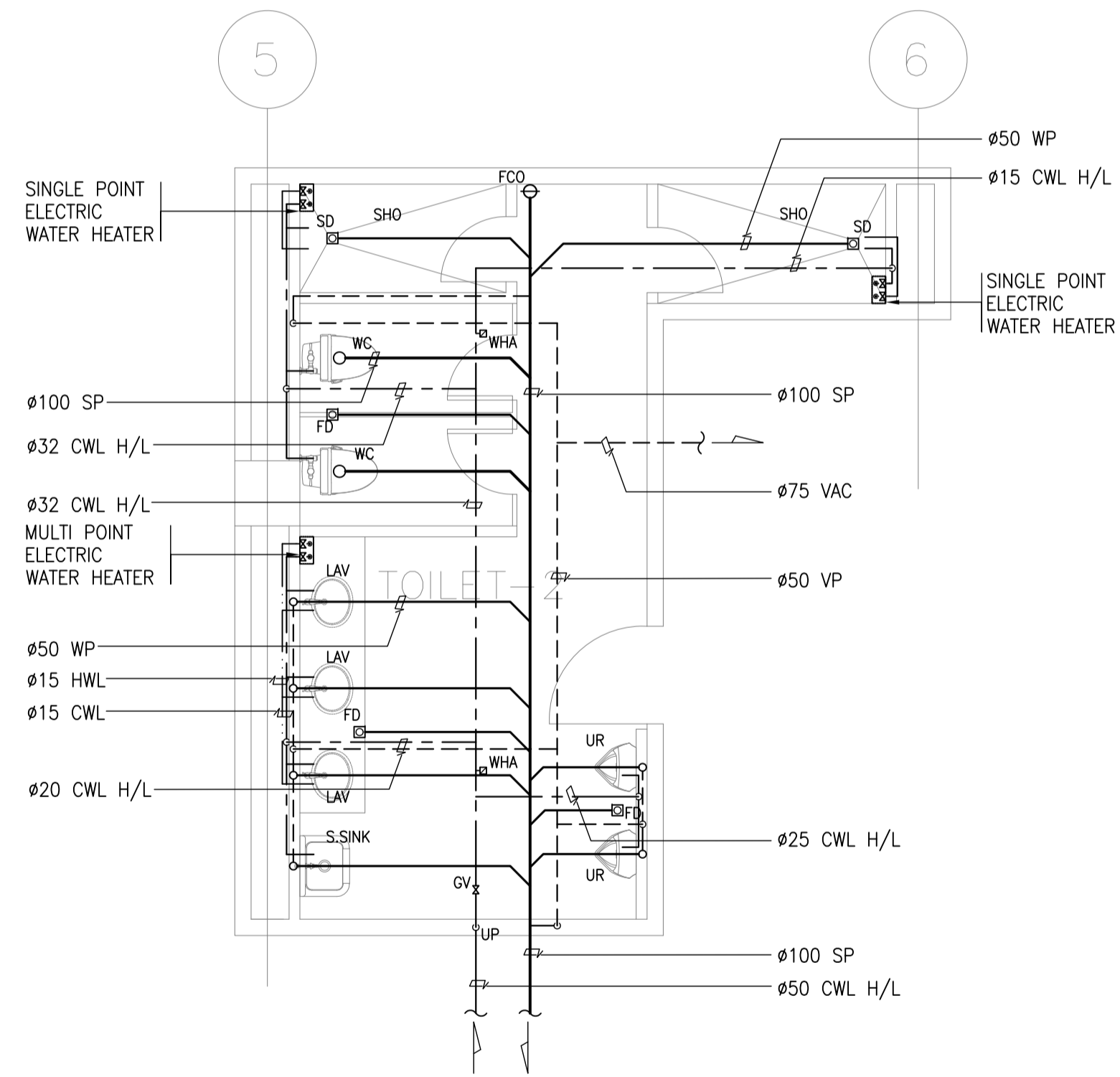


DRAINAGE ISOMETRIC

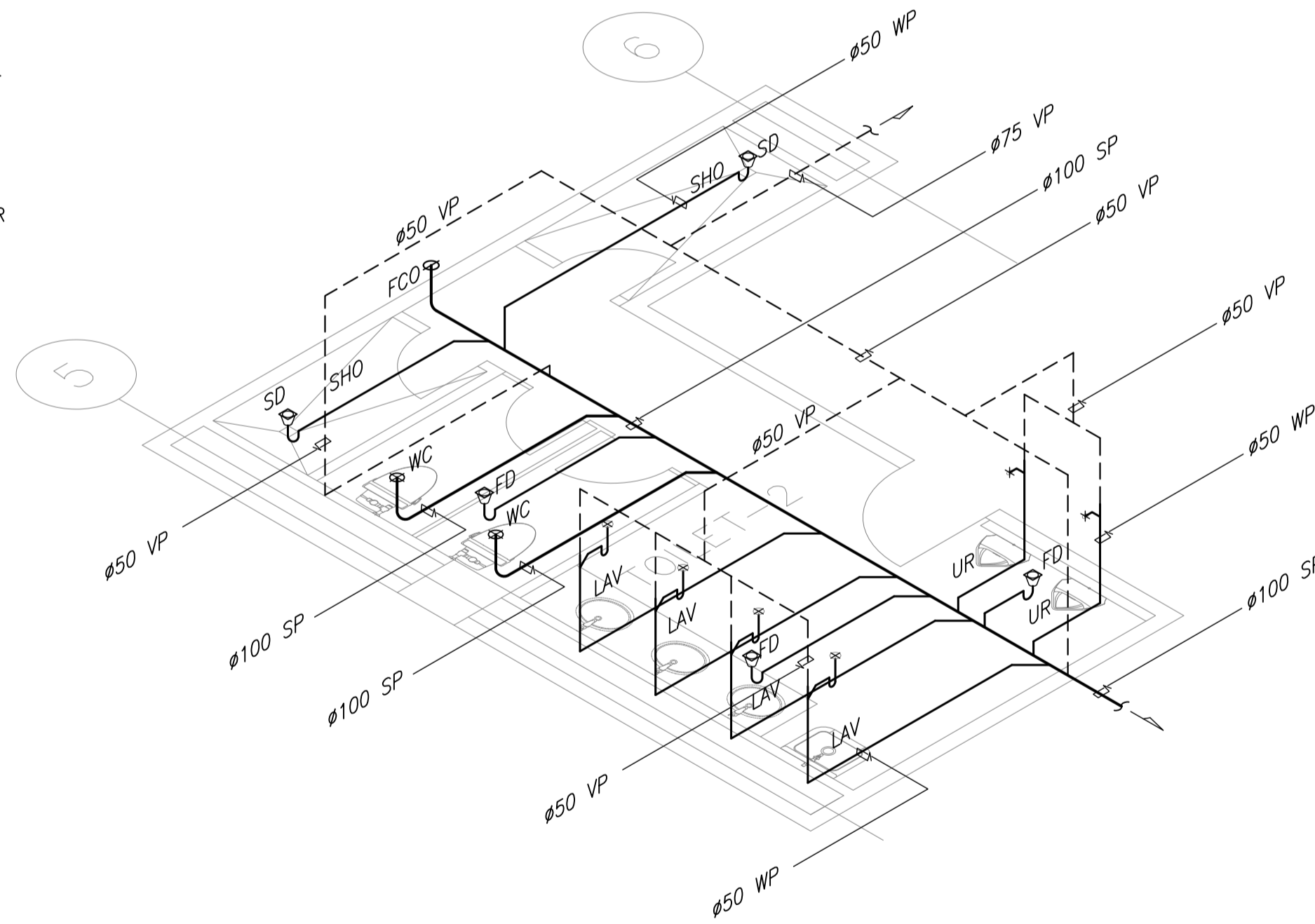


WATERLINE ISOMETRIC

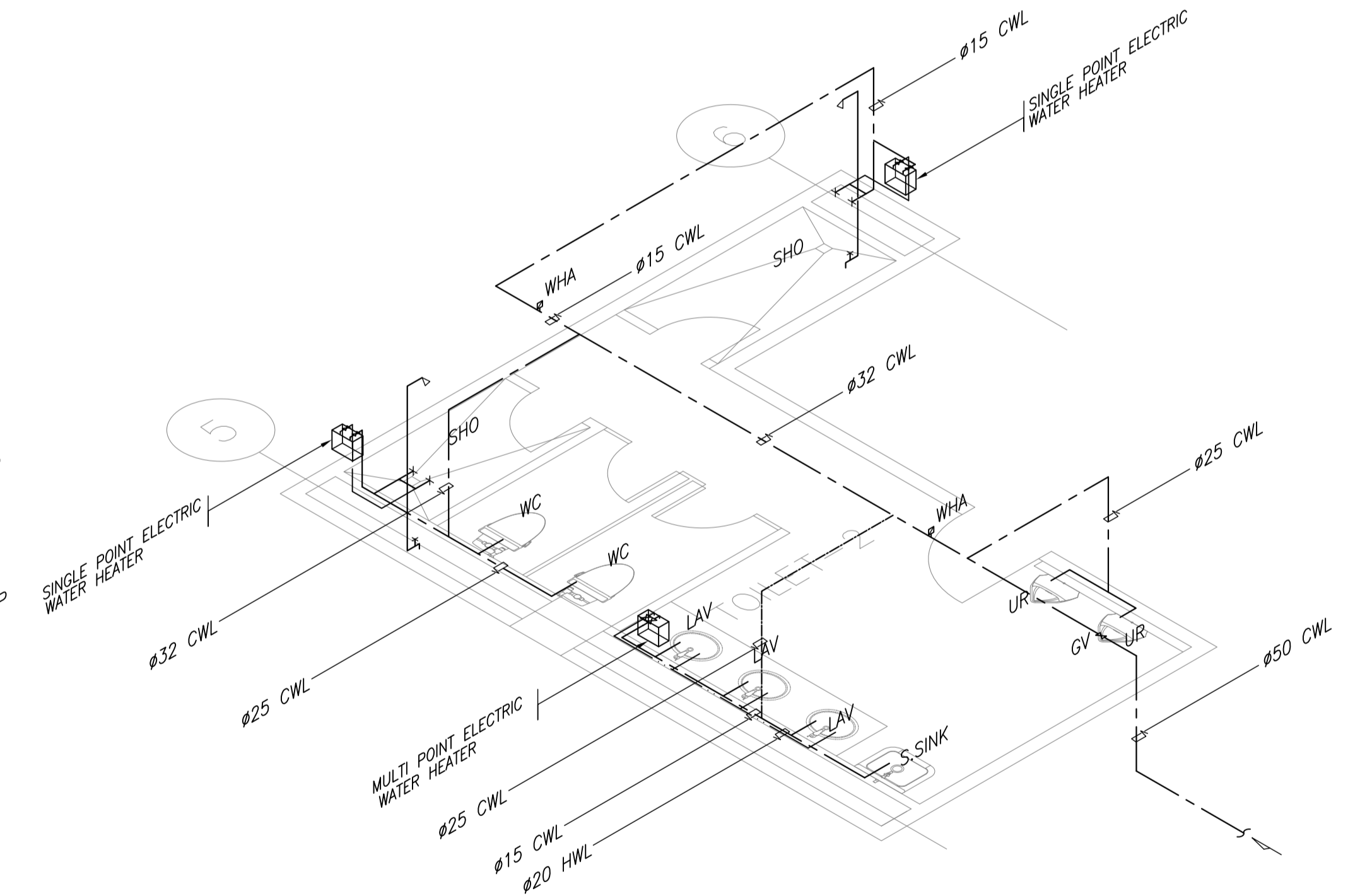
1 TOILET - 1 BLOW-UP PLAN
B62-5100-02 SCALE 1:50M



PLAN



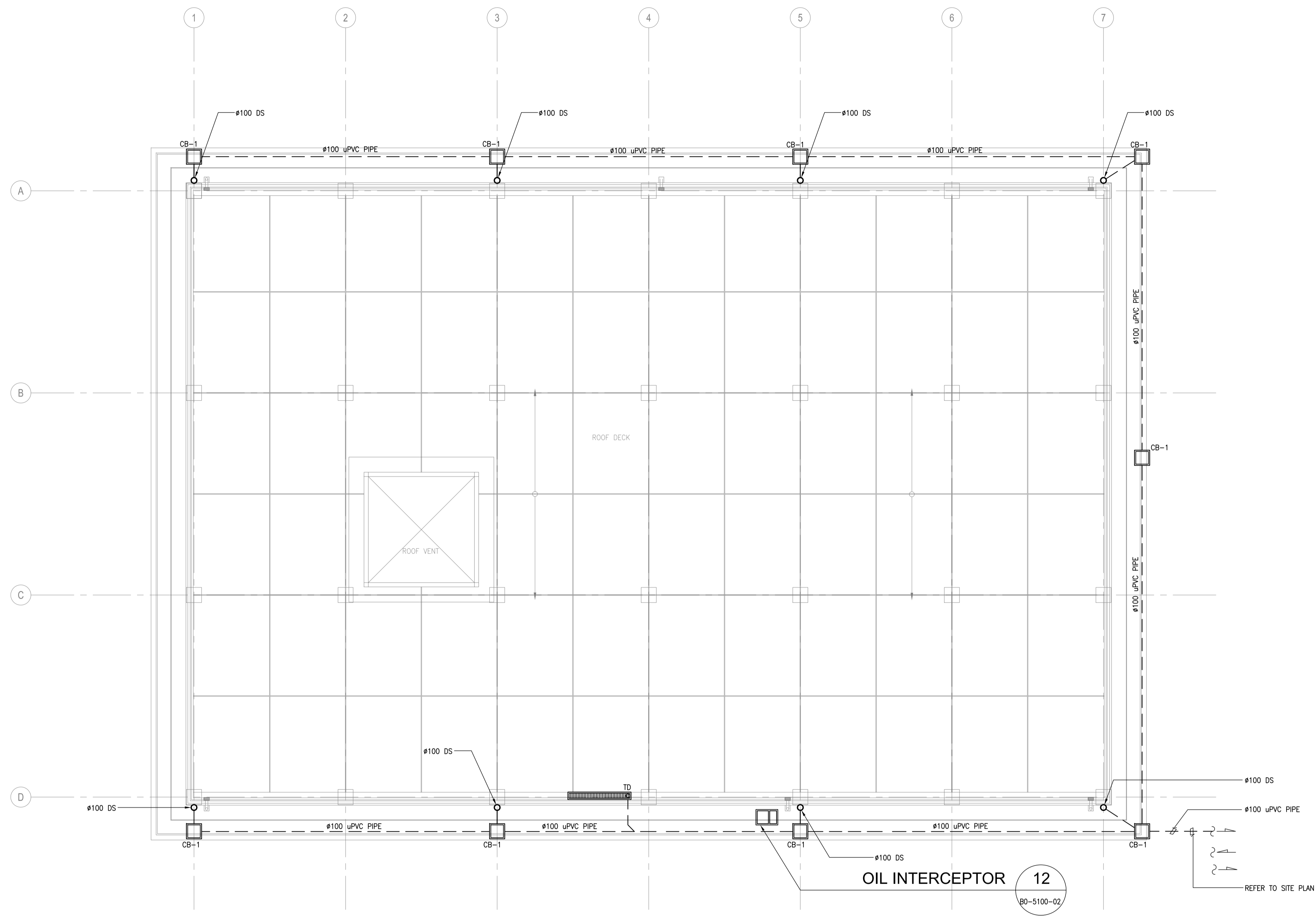
DRAINAGE ISOMETRIC



WATERLINE ISOMETRIC

2 TOILET - 2 BLOW-UP PLAN
B62-5100-02 SCALE 1:50M

	PREPARED BY: LEOVIMEL J. VINELES <small>Philippine Registered Engineer</small> PROF: SANITARY ENGINEER PTR: 2024236 REG. NO: 0002435 DATE: 07-09-2013 T.I.N: 237-652-602-000 PLACE: MANILA	RECOMMENDING APPROVAL: ILDEFONSO T. PATDU, JR. <small>Assistant Secretary</small> for Project Implementation, DOTC	APPROVED: JULIANITO G. BUCAYAN, JR. <small>Undersecretary</small> for Project Implementation, DOTC	PROJECT TITLE: NEW BOHOL AIRPORT CONSTRUCTION AND SUSTAINABLE ENVIRONMENT PROTECTION PROJECT LOCATION: MUNICIPALITY OF PANGLAO, PROVINCE OF BOHOL, PHILIPPINES	SHEET CONTENTS: COMPONENT-4: BUILDING WORKS (B) SUBCOMPONENT-4-6: UTILITY BUILDINGS (B62) POWER HOUSES MECHANICAL SANITARY AND PLUMBING TOILET 1 & 2 BLOW-UP PLAN	SHEET NO: B62-5100-02 DRAWING SCALE: 1:50M
	JICA DESIGN CONSULTANT JOINT VENTURE JAPAN AIRPORT CONSULTANTS, INC. NIPPON KOEI CO., LTD. NIS CONSULTANTS CO., LTD.	JUNE 2013 DATE INDEX AMENDMENTS Prepared by WIM Checked by IIC Validated by				



1
POWER HOUSE
ROOF DECK PLUMBING PLAN
SCALE 1:100M
B62-5100-03

CATCH BASIN SCHEDULE

SYMBOL	PIT NAME	PIT DIM.	PIT DEPTH	MANHOLE SPECS.	REMARKS
□	CB-1	500x500	825 (MIN)	R.C. COVER W/ LIFTING HANDLE	

	PREPARED BY: LEOVIMEL J. VINELES <small>Philippine Registered Engineer</small> PROF. SANITARY ENGINEER PIR. 2024236 REG. NO. 0002435 DATE: 07-09-2013 T.I.N. 237-652-602-000 PLACE: MANILA	RECOMMENDING APPROVAL: JILDEFONSO T. PATDU, JR. <small>Assistant Secretary</small> for Project Implementation, DOTC	APPROVED: JULIANITO G. BUCAYAN, JR. <small>Undersecretary</small> for Project Implementation, DOTC	PROJECT TITLE: NEW BOHOL AIRPORT CONSTRUCTION AND SUSTAINABLE ENVIRONMENT PROTECTION PROJECT LOCATION: MUNICIPALITY OF PANGLAO, PROVINCE OF BOHOL, PHILIPPINES	SHEET CONTENTS: COMPONENT-4: BUILDING WORKS (B) SUBCOMPONENT-4-6: UTILITY BUILDINGS (B62) POWER HOUSES MECHANICAL SANITARY AND PLUMBING ROOF DECK PLUMBING PLAN AND CATCH BASIN SCHEDULE	SHEET NO: B62-5100-03 DRAWING SCALE: AS SHOWN
	JICA DESIGN CONSULTANT JOINT VENTURE JAPAN AIRPORT CONSULTANTS, INC. NIPPON KOEI CO., LTD. NIS CONSULTANTS CO., LTD.	JUNE 2013 DATE INDEX AMENDMENTS Prepared by WIM Checked by IIC Validated by				

POWER HOUSE

SPLIT TYPE AIR CONDITIONING UNIT:

UNIT DESIGNATIONS		EQUIPMENT	AREA SERVED	LEVEL	QUANTITY	EQUIPMENT		REFRIGERANT	ELECTRICAL CHARACTERISTICS				TYPE	REMARKS
INDOOR	OUTDOOR					TOTAL COOLING CAPACITY (KW)	AIR FLOWRATE (lps)		POWER INPUT (W)	VOLTS	PHASE	HERTZ		
FCU-1 GF	ACCU-1 GF	FAN COIL UNIT	NAP ROOM	GROUND FLOOR	1	7.0	332	R410A	2650	230	1	60	WALL MOUNTED	DUTY
FCU-2 GF	ACCU-2 GF	FAN COIL UNIT	DINING & KITCHEN	GROUND FLOOR	1	8.8	300	R410A	4100	230	1	60	CEILING SUSPENDED	DUTY
FCU-3 GF	ACCU-3 GF	FAN COIL UNIT	OFFICE	GROUND FLOOR	1	7.0	334	R410A	2500	230	1	60	CEILING CASSETTE	DUTY
FCU-4A GF	ACCU-4A GF	FAN COIL UNIT	CONTROL ROOM	GROUND FLOOR	1	7.0	334	R410A	2500	230	1	60	CEILING CASSETTE	DUTY/STAND-BY
FCU-4B GF	ACCU-4B GF	FAN COIL UNIT	CONTROL ROOM	GROUND FLOOR	1	7.0	334	R410A	2500	230	1	60	CEILING CASSETTE	DUTY/STAND-BY

WAC:

UNIT DESIGNATIONS		EQUIPMENT	AREA SERVED	LEVEL	QUANTITY	EQUIPMENT		ELECTRICAL CHARACTERISTICS				TYPE	REMARKS
INDOOR	OUTDOOR					TOTAL COOLING CAPACITY (KW)	AIR FLOWRATE (lps)	POWER INPUT (W)	VOLTS	PHASE	HERTZ		
WAC-1A GF		AIR-CONDITIONING UNIT	CONSTANT CURRENT REGULATOR ROOM	GROUND FLOOR	1	6.7	359	2608	230	1	60	WINDOW TYPE	DUTY
WAC-1B GF		AIR-CONDITIONING UNIT	CONSTANT CURRENT REGULATOR ROOM	GROUND FLOOR	1	6.7	359	2608	230	1	60	WINDOW TYPE	DUTY
WAC-1C GF		AIR-CONDITIONING UNIT	CONSTANT CURRENT REGULATOR ROOM	GROUND FLOOR	1	6.7	359	2608	230	1	60	WINDOW TYPE	STAND-BY

EXHAUST FANS:

UNIT DESIGNATIONS	EQUIPMENT	AREA SERVED	QUANTITY	EQUIPMENT AIRFLOW (lps)	STATIC PRESSURE (Pa)	POWER INPUT (W)	ELECTRICAL CHARACTERISTICS			TYPE OF FAN
							VOLTS	PHASE	HERTZ	
EF-1 GF	EXHAUST FAN	TOILET 1/JANITOR'S CLOSET	1	133	180	178	230	1	60	IN-LINE CENTRIFUGAL FAN
EF-2 GF	EXHAUST FAN	TOILET 2/LOCKER	1	375	180	352	230	1	60	IN-LINE CENTRIFUGAL FAN
EF-3 GF	EXHAUST FAN	DINING/KITCHEN	1	69	70	370	230	1	60	CEILING CASSETTE
EF-4 GF	EXHAUST FAN	DAILY FUEL TANK	1	356	-	47	230	1	60	WALL-MOUNTED PROPELLER FAN
EF-5 GF	EXHAUST FAN	WORKSHOP & STORAGE	1	1125	80	370	230	1	60	IN-LINE AXIAL FAN
EF-6 GF	EXHAUST FAN	TRANSFORMER ROOM	1	2837	190	1500	230	3	60	IN-LINE AXIAL FAN
EF-7A GF	EXHAUST FAN	GENERATOR ROOM	1	3665	230	2200	230	3	60	IN-LINE AXIAL FAN
EF-7B GF	EXHAUST FAN	GENERATOR ROOM	1	3665	230	2200	230	3	60	IN-LINE AXIAL FAN
EF-7C GF	EXHAUST FAN	GENERATOR ROOM	1	3665	230	2200	230	3	60	IN-LINE AXIAL FAN
EF-8 GF	EXHAUST FAN	DINING/KITCHEN	1	139	230	2200	230	3	60	RANGE HOOD

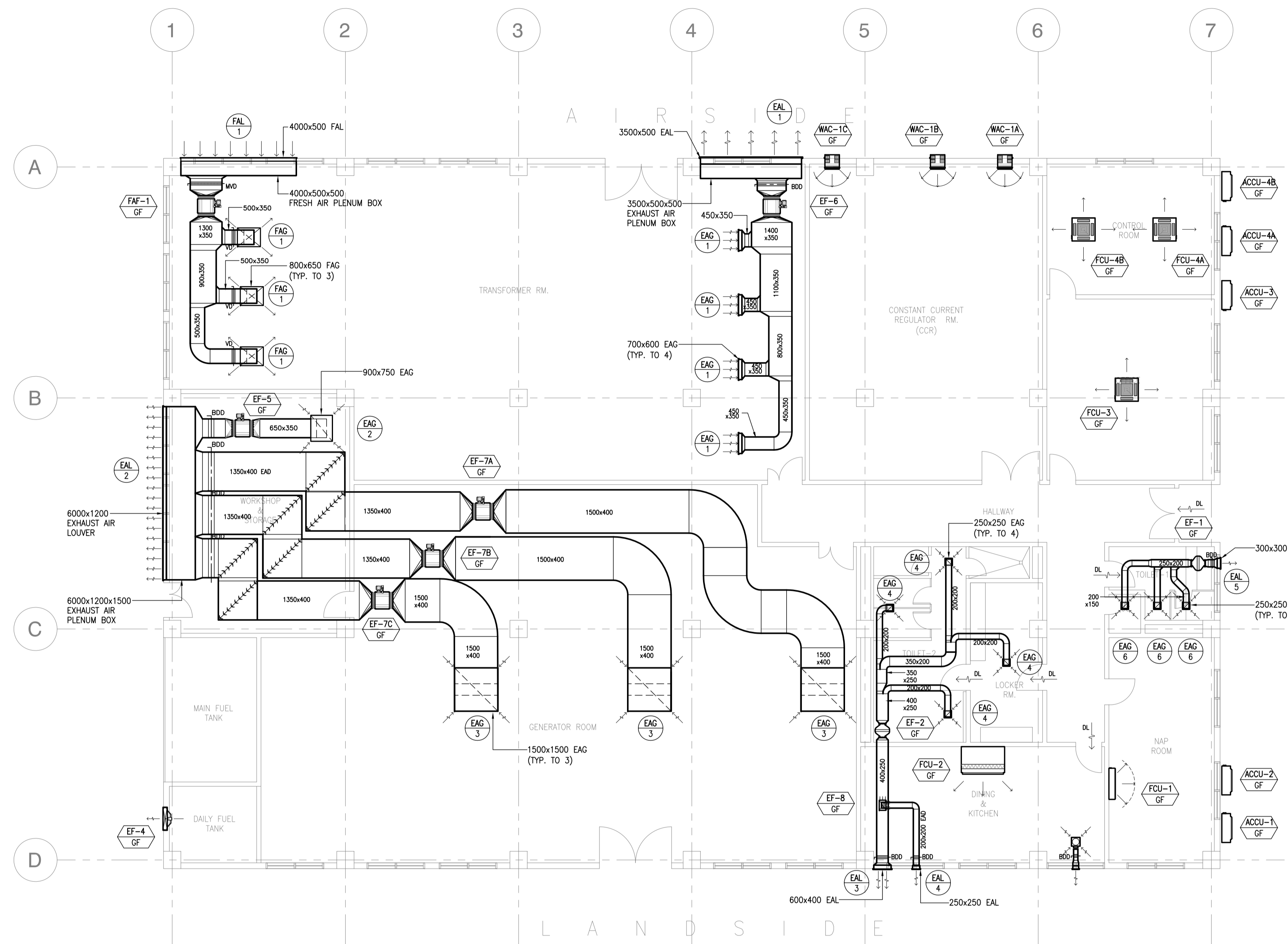
FRESH AIR FAN:

UNIT DESIGNATIONS	EQUIPMENT	AREA SERVED	QUANTITY	EQUIPMENT AIRFLOW (lps)	STATIC PRESSURE (Pa)	POWER INPUT (W)	ELECTRICAL CHARACTERISTICS			TYPE OF FAN
							VOLTS	PHASE	HERTZ	
FAF-1 GF	FRESH AIR FAN	TRANSFORMER ROOM	1	2837	190	1500	230	3	60	IN-LINE AXIAL FAN

AIR TERMINAL DEVICES:

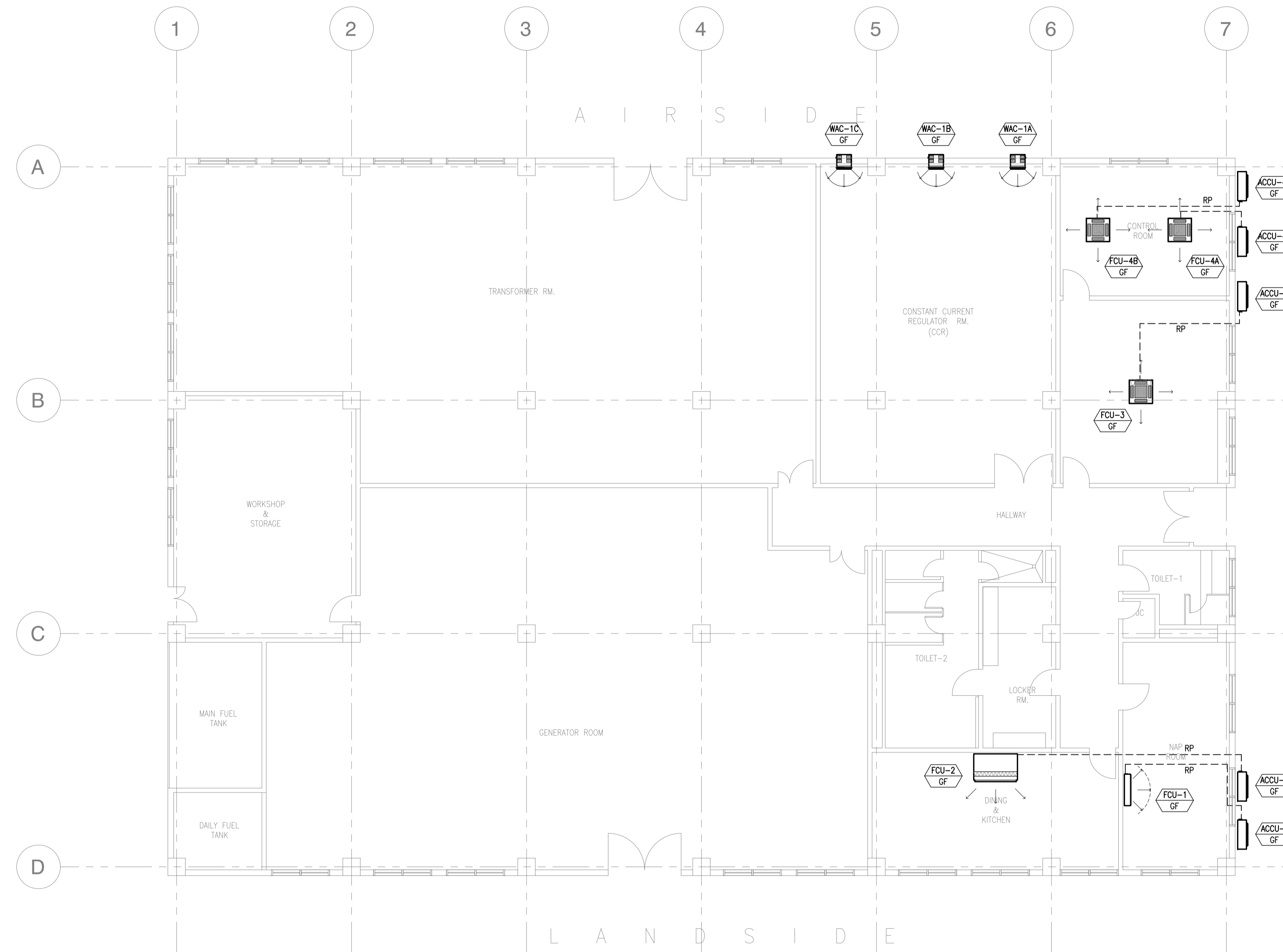
AIR TERMINAL DEVICE DESIGNATION	EQUIPMENT	LEVEL	SERVICE	QUANTITY	TOTAL AIR FLOWRATE (lps)	TYPE	AIR FLOWRATE PER TERMINAL DEVICE (lps)	DIMENSION		REMARKS
								HEIGHT (mm)	WIDTH (mm)	
								FAL 1	TRANSFORMER ROOM	
FAG 1	TRANSFORMER ROOM	GROUND FLOOR	FRESH AIR	3	2837	FRESH AIR GRILLE	946	800	650	TWO-WAY OPPOSED BLADE W/ INTEGRAL VOLUME DAMPER
EAL 1	TRANSFORMER ROOM	GROUND FLOOR	EXHAUST AIR	1	2837	EXHAUST AIR LOUVER	2837	3500	500	LOW NOISE,WEATHER PROOF
EAG 1	TRANSFORMER ROOM	GROUND FLOOR	EXHAUST AIR	4	2837	EXHAUST AIR GRILLE	709	700	600	TWO-WAY OPPOSED BLADE W/ INTEGRAL VOLUME DAMPER
EAG 2	WORKSHOP & STORAGE	GROUND FLOOR	EXHAUST AIR	1	1125	EXHAUST AIR GRILLE	1125	900	750	LOW NOISE,WEATHER PROOF
EAG 3	GENERATOR ROOM	GROUND FLOOR	EXHAUST AIR	3	10995	EXHAUST AIR GRILLE	3665	1500	1500	TWO-WAY OPPOSED BLADE W/ INTEGRAL VOLUME DAMPER
EAL 2	WORKSHOP & STORAGE/ GENERATOR ROOM	GROUND FLOOR	EXHAUST AIR	1	12120	EXHAUST AIR LOUVER	12120	6000	1200	LOW NOISE,WEATHER PROOF
EAL 3	TOILET 2/LOCKER	GROUND FLOOR	EXHAUST AIR	1	375	EXHAUST AIR LOUVER	375	600	400	LOW NOISE,WEATHER PROOF
EAG 4	TOILET 2/LOCKER	GROUND FLOOR	EXHAUST AIR	4	375	EXHAUST AIR GRILLE	94	250	250	TWO-WAY OPPOSED BLADE W/ INTEGRAL VOLUME DAMPER
EAL 4	DINING/KITCHEN	GROUND FLOOR	EXHAUST AIR	1	1200	EXHAUST AIR LOUVER	1200	900	800	LOW NOISE,WEATHER PROOF
EAL 5	TOILET 1/JANITOR'S CLOSET	GROUND FLOOR	EXHAUST AIR	1	133	EXHAUST AIR LOUVER	133	300	300	LOW NOISE,WEATHER PROOF
EAG 6	TOILET 1/JANITOR'S CLOSET	GROUND FLOOR	EXHAUST AIR	3	133	EXHAUST AIR GRILLE	44	250	250	TWO-WAY OPPOSED BLADE W/ INTEGRAL VOLUME DAMPER

	PREPARED BY: RENATO A. ARRIOLA Filipino Registered Engineer PROF: MECHANICAL ENGINEER PIR. 1725187 REG. NO: 2379 DATE: JANUARY 01, 2013 TEL: 150-563-379 PLACE: TAGBILAR CITY	RECOMMENDING APPROVAL: ILDEFONSO T. PATDU, JR. Assistant Secretary for Project Implementation, DOTC	APPROVED: JULIANITO G. BUCAYAN, JR. Undersecretary for Project Implementation, DOTC	PROJECT TITLE: NEW BOHOL AIRPORT CONSTRUCTION AND SUSTAINABLE ENVIRONMENT PROTECTION PROJECT LOCATION: MUNICIPALITY OF PANGLAO, PROVINCE OF BOHOL, PHILIPPINES	SHEET CONTENTS: COMPONENT-4: BUILDING WORKS (B) SUBCOMPONENT-4-6: UTILITY BUILDINGS (B62) POWER HOUSES MECHANICAL VENTILATION AND AIR-CONDITIONING EQUIPMENT SCHEDULE AND AIR TERMINAL DEVICE SCHEDULE	SHEET NO: B62-5200-01 DRAWING SCALE: NTS
	JICA DESIGN CONSULTANT JOINT VENTURE JAPAN AIRPORT CONSULTANTS, INC. NIPPON KOEI CO., LTD. NJS CONSULTANTS CO., LTD.	DATE: JUNE 2013 INDEX: AMENDMENTS Prepared by: WIM Checked by: IIC Validated by:				



1
**POWER HOUSE
GROUND FLOOR AIR-CONDITIONING AND VENTILATION LAYOUT**
 B62-5200-02 SCALE 1:100M

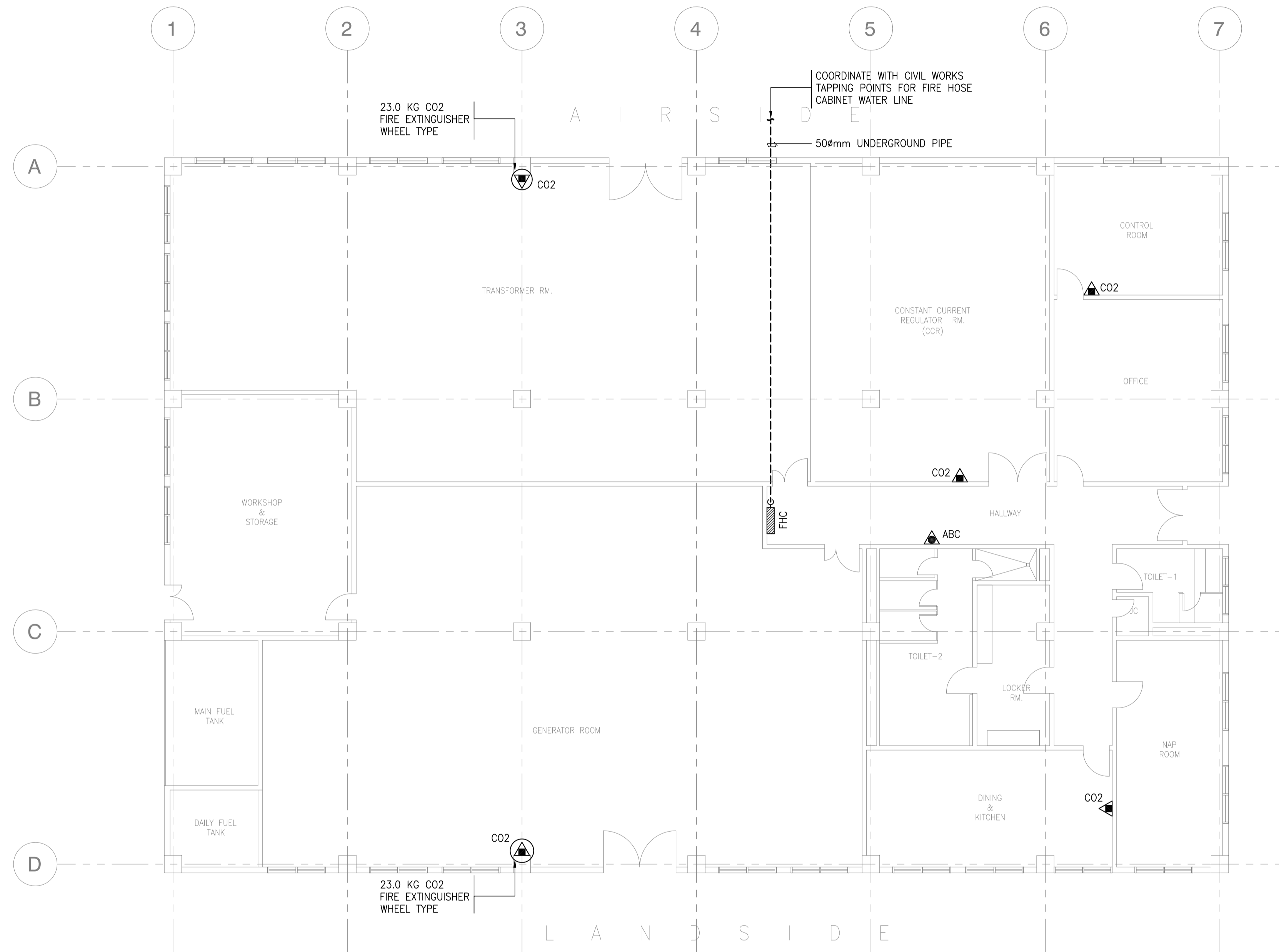
	Republic of the Philippines DEPARTMENT OF TRANSPORTATION AND COMMUNICATIONS		JAPAN INTERNATIONAL COOPERATION AGENCY	PREPARED BY: RENATO A. ARRIOLA Filipino Registered Engineer <small>PROF. MECHANICAL ENGINEER PTR. 1725187 REG. NO. 2378 DATE: JANUARY 01, 2013 T.M. 150-563-378 PLACE: TAGBILAR CITY</small>	RECOMMENDING APPROVAL: JILDEFONSO T. PATDU, JR. Assistant Secretary for Project Implementation, DOTC	APPROVED: JULIANITO G. BUCAYAN, JR. Undersecretary for Project Implementation, DOTC	PROJECT TITLE: NEW BOHOL AIRPORT CONSTRUCTION AND SUSTAINABLE ENVIRONMENT PROTECTION PROJECT LOCATION: MUNICIPALITY OF PANGLAO, PROVINCE OF BOHOL, PHILIPPINES	SHEET CONTENTS: COMPONENT-4: BUILDING WORKS (B) SUBCOMPONENT-4-6: UTILITY BUILDINGS (B62) POWER HOUSES MECHANICAL VENTILATION AND AIR-CONDITIONING AIR-CONDITIONING AND VENTILATION LAYOUT	SHEET NO: B62-5200-02 DRAWING SCALE: 1:100M
JICA DESIGN CONSULTANT JOINT VENTURE 								DATE: JUNE 2013 INDEX: _____ AMENDMENTS: _____ Prepared by: _____ Checked by: _____ Validated by: _____	



1
 B62-5200-03 SCALE 1:100M

POWER HOUSE
 GROUND FLOOR REFRIGERANT PIPING LAYOUT

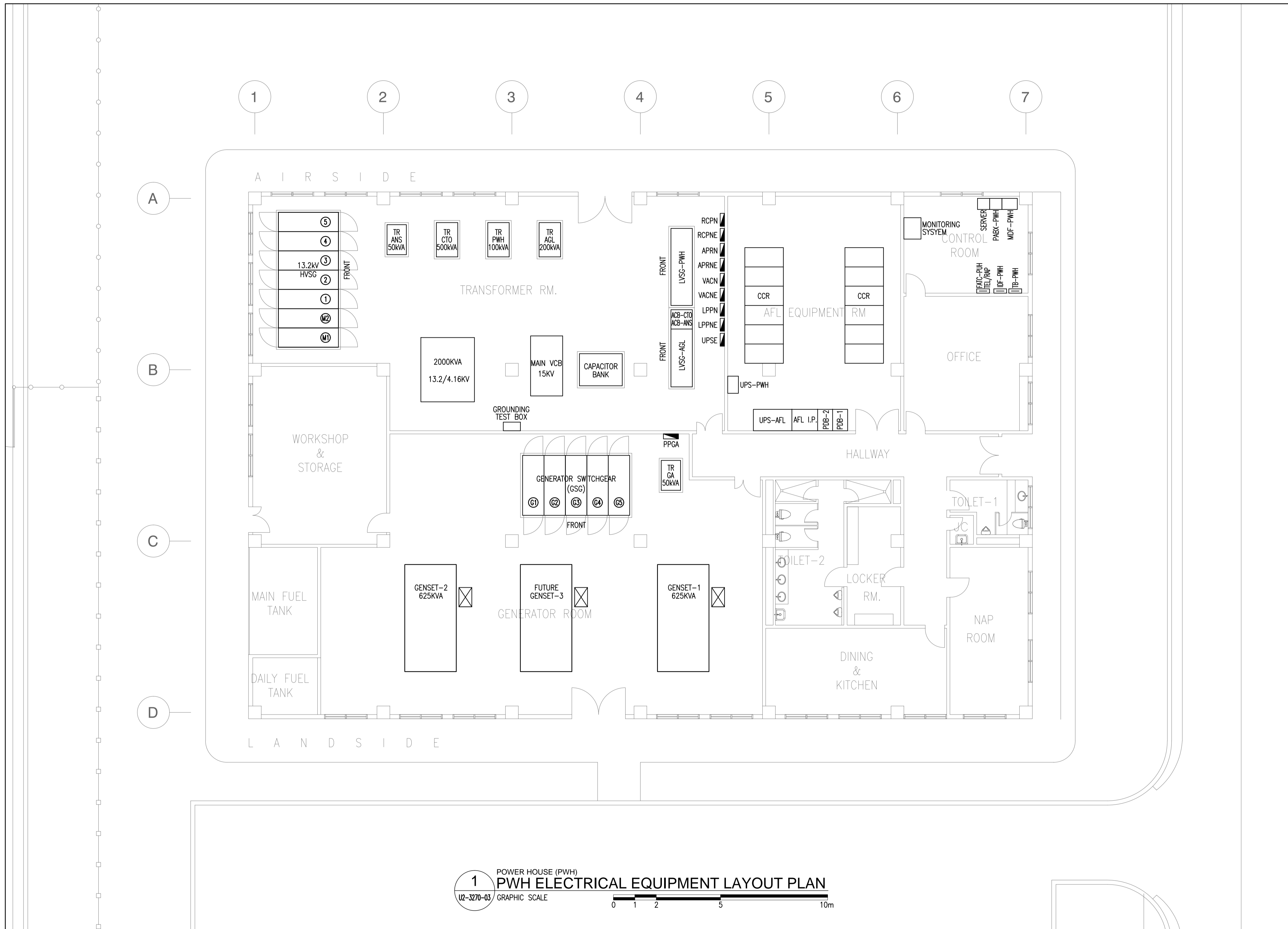
	Republic of the Philippines DEPARTMENT OF TRANSPORTATION AND COMMUNICATIONS		JAPAN INTERNATIONAL COOPERATION AGENCY	PREPARED BY: RENATO A. ARRIOLA <small>Filipino Registered Engineer</small> PROF: MECHANICAL ENGINEER PTR. 1725187 REG. NO: 2379 DATE: JANUARY 01, 2013 TIN: 150-563-379 PLACE: TAGBILAR CITY	RECOMMENDING APPROVAL: ILDEFONSO T. PATDU, JR. <small>Assistant Secretary</small> for Project Implementation, DOTC	APPROVED: JULIANITO G. BUCAYAN, JR. <small>Undersecretary</small> for Project Implementation, DOTC	PROJECT TITLE: <p style="text-align: center; font-weight: bold;"> NEW BOHOL AIRPORT CONSTRUCTION AND SUSTAINABLE ENVIRONMENT PROTECTION PROJECT </p> LOCATION: MUNICIPALITY OF PANGLAO, PROVINCE OF BOHOL, PHILIPPINES	SHEET CONTENTS: COMPONENT-4: BUILDING WORKS (B) SUBCOMPONENT-4-6: UTILITY BUILDINGS (B62) POWER HOUSES MECHANICAL VENTILATION AND AIR-CONDITIONING REFRIGERANT PIPING LAYOUT	SHEET NO: B62-5200-03 DRAWING SCALE: 1:100M
JICA DESIGN CONSULTANT JOINT VENTURE 							DATE: JUNE 2013 INDEX: - - - AMENDMENTS: - - - Prepared by: WIM Checked by: IIC Validated by:		



1
**POWER HOUSE
GROUND FLOOR FIRE PROTECTION LAYOUT**
 SCALE 1:100M

LEGEND:	
	FIRE HOSE CABINET
	4.5 KG. FIRE EXTINGUISHER DRY CHEMICAL
	9.0 KG. FIRE EXTINGUISHER CARBON DIOXIDE
	23.0 KG. FIRE EXTINGUISHER CARBON DIOXIDE (WHEEL TYPE)
	50mm UNDERGROUND PIPE

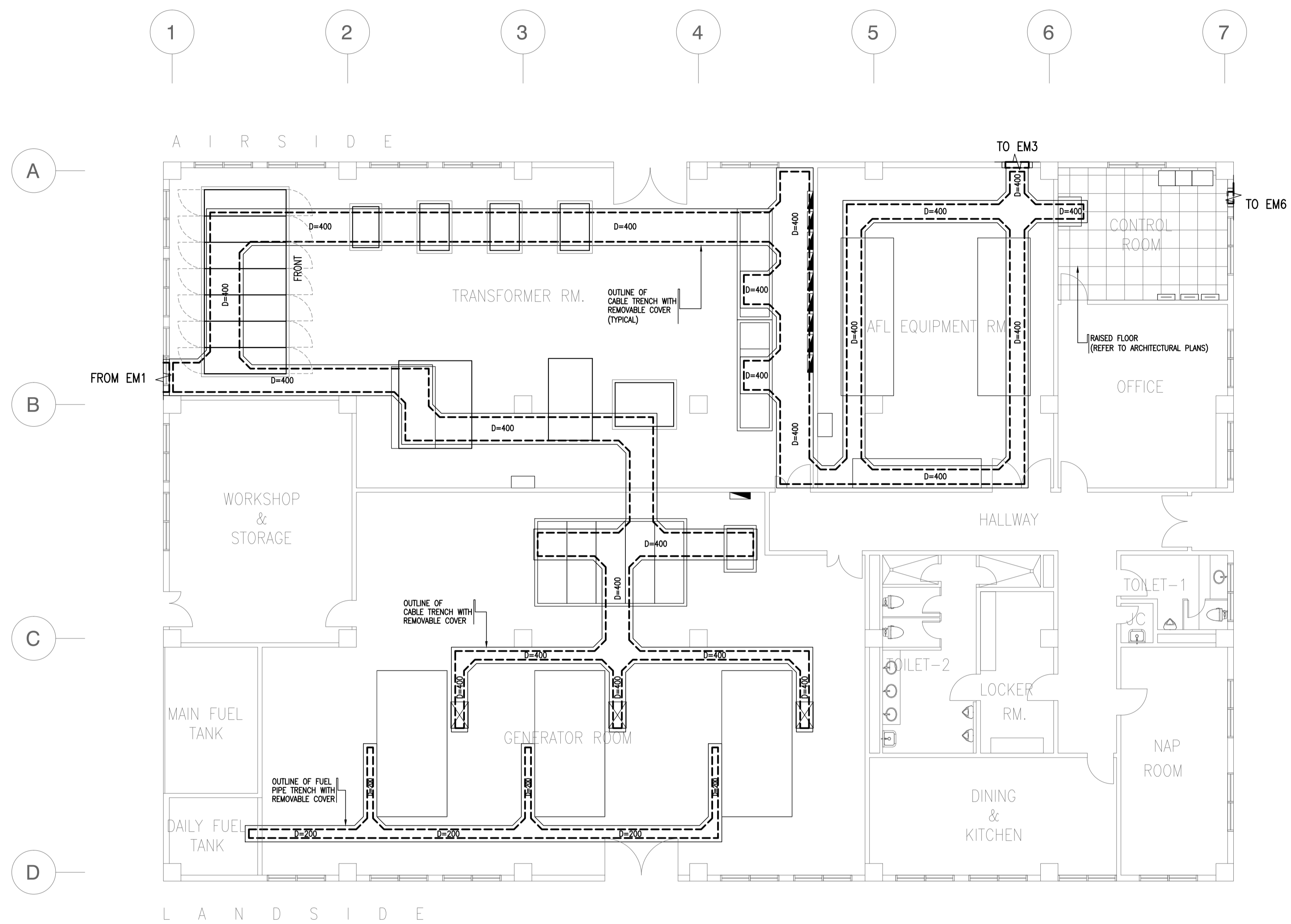
		PREPARED BY: RENATO A. ARRIOLA <small>Filipino Registered Engineer</small> <small>PROF. MECHANICAL ENGINEER PIR. 1725187</small> <small>REC. NO. 2379 DATE: JANUARY 01, 2013</small> <small>T.I.N. 150-563-379 PLACE: TAGBILAR CITY</small>	RECOMMENDING APPROVAL: ILDEFONSO T. PATDU, JR. <small>Assistant Secretary</small> <small>for Project Implementation, DOTC</small>	APPROVED: JULIANITO G. BUCAYAN, JR. <small>Undersecretary</small> <small>for Project Implementation, DOTC</small>	PROJECT TITLE: <p style="text-align: center;">NEW BOHOL AIRPORT CONSTRUCTION AND SUSTAINABLE ENVIRONMENT PROTECTION PROJECT</p> LOCATION: MUNICIPALITY OF PANGLAO, PROVINCE OF BOHOL, PHILIPPINES	SHEET CONTENTS: COMPONENT-4: BUILDING WORKS (B) SUBCOMPONENT-4-6: UTILITY BUILDINGS (B62) POWER HOUSES MECHANICAL FIRE PROTECTION POWER HOUSE FIRE PROTECTION LAYOUT	SHEET NO: B62-5300-01 DRAWING SCALE: 1:100M
JICA DESIGN CONSULTANT JOINT VENTURE 		TADASHI AOI <small>Team Leader</small>				DATE: JUNE 2013 INDEX: - AMENDMENTS: - Prepared by: WIM Checked by: IIC Validated by:	



1 POWER HOUSE (PWH)
PWH ELECTRICAL EQUIPMENT LAYOUT PLAN
 U2-3270-03 GRAPHIC SCALE



	PREPARED BY: TEODORO N. PAMATMAT <small>PROF. ELECTRICAL ENGINEER PIR. 1403773</small> <small>REG. NO.: 1927 DATE: 1-04-13</small> <small>T.N. 119-747-900 PLACE: MANILA</small>	RECOMMENDING APPROVAL: 	APPROVED: 	PROJECT TITLE: 	SHEET CONTENTS: COMPONENT-4 BUILDING WORKS (B) SUBCOMPONENT-4-6 (B62) Power Houses ELECTRICAL ELEC. EQUIP.LAYOUT	SHEET NO: B62-6100-01
	JICA DESIGN CONSULTANT JOINT VENTURE JAC JAPAN AIRPORT CONSULTANTS, INC.	JAPAN INTERNATIONAL COOPERATION AGENCY JICA	ILDEFONSO T. PATDU, JR. Assistant Secretary for Project Implementation, DOTC	JULIANITO G. BUCAYAN, JR. Undersecretary for Project Implementation, DOTC	NEW BOHOL AIRPORT CONSTRUCTION AND SUSTAINABLE ENVIRONMENT PROTECTION PROJECT LOCATION: MUNICIPALITY OF PANGLAO, PROVINCE OF BOHOL, PHILIPPINES	DATE INDEX AMENDMENTS JUNE 2013 Prepared by WIM Checked by HC Validated by



1 POWER HOUSE (PWH)
CABLE TRENCH LAYOUT PLAN
 862-6100-02 GRAPHIC SCALE 0 1 2 5 10m

	PREPARED BY: TEODORO N. PAMATMAT <small>PROF. ELECTRICAL ENGINEER PIR. 1403773</small> <small>REG. NO.: 1927 DATE: 1-04-13</small> <small>T.N.K. 119-747-900 PLACE: MANILA</small>	RECOMMENDING APPROVAL: ILDEFONSO T. PATDU, JR. <small>Assistant Secretary for Project Implementation, DOTC</small>	APPROVED: JULJANITO G. BUCAYAN, JR. <small>Undersecretary for Project Implementation, DOTC</small>	PROJECT TITLE: NEW BOHOL AIRPORT CONSTRUCTION AND SUSTAINABLE ENVIRONMENT PROTECTION PROJECT LOCATION: MUNICIPALITY OF PANGLAO, PROVINCE OF BOHOL, PHILIPPINES	SHEET CONTENTS: COMPONENT-4 BUILDING WORKS (B) SUBCOMPONENT-4-6 (B62) Power Houses ELECTRICAL CABLE TRENCH	SHEET NO: B62-6100-02 DRAWING SCALE: 1:100 m
	JICA DESIGN CONSULTANT JOINT VENTURE TADASHI AOI <small>Team Leader</small>	JUNE 2013 DATE INDEX AMENDMENTS Prepared by: WIM Checked by: HC Validated by:				



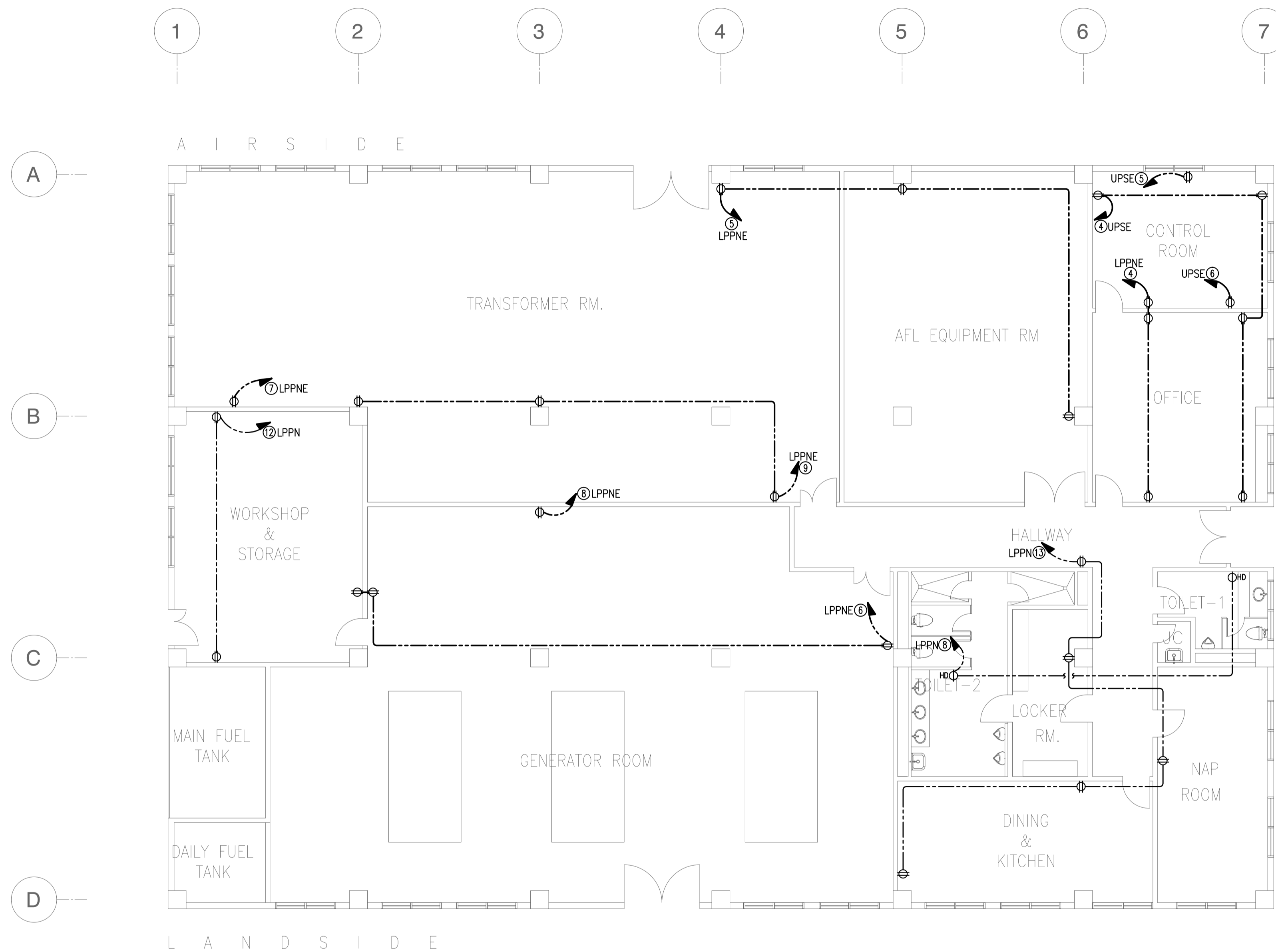
EQUIPMENT/ACCESSORIES SCHEDULE:

□ DS-ACCU-1	MANUAL DISCONNECT SWITCH 30A 2PST 250V QUICK-MAKE, QUICK-BREAK HEAVY DUTY NON-FUSIBLE NEMA-4 (RAINTIGHT) STAINLESS STEEL ENCL.
□ DS-ACCU-2	SAME AS □ DS-ACCU-1 EXCEPT 40A
□ DS-ACCU-3	SAME AS □ DS-ACCU-1
□ DS-ACCU-4A	SAME AS □ DS-ACCU-1
□ DS-ACCU-4B	SAME AS □ DS-ACCU-1
□ DS-FP	SAME AS □ DS-ACCU-1
[WH] DS-T1	MANUAL DISCONNECT SWITCH 30A 2PST 250V QUICK-MAKE, QUICK-BREAK HEAVY DUTY NON-FUSIBLE NEMA-3R (WATERTIGHT) STAINLESS STEEL ENCL.
[WH] DS-T2-1	SAME AS [WH] DS-T1 EXCEPT 40A
[WH] DS-T2-1A	SAME AS [WH] DS-T1
[WH] DS-T2-1B	SAME AS [WH] DS-T1

NOTE: REFER TO ELECTRICAL EQUIPMENT LAYOUT PLAN THE LOCATION OF PANELS.

1 POWER HOUSE (PWH)
VAC FEEDER LAYOUT PLAN
B62-6100-03 GRAPHIC SCALE 0 1 2 5 10m

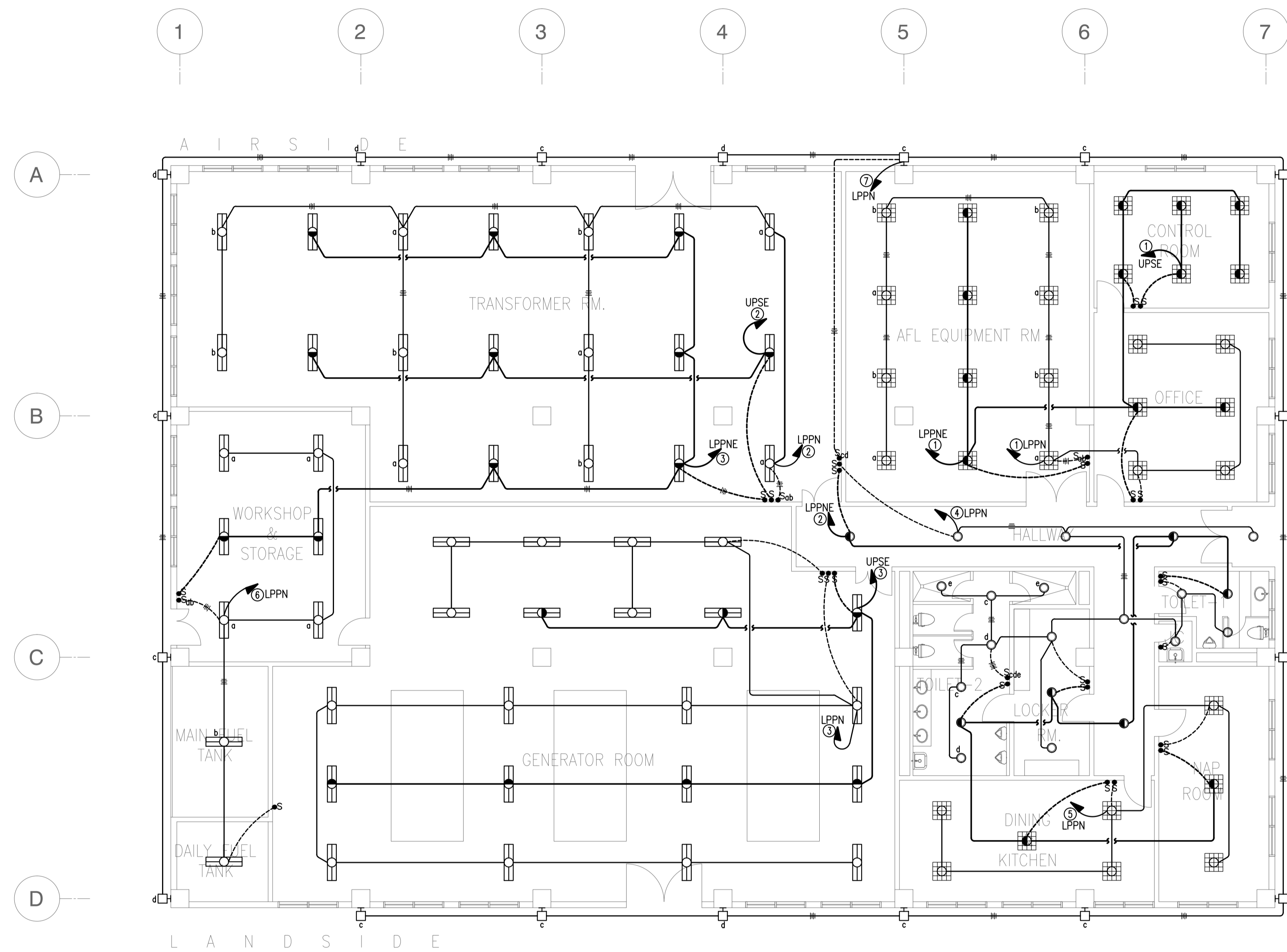
	PREPARED BY: TEODORO N. PAMATMAT <small>PROF. ELECTRICAL ENGINEER PIR. 1403773</small> <small>REG. NO.: 1927 DATE: 1-04-13</small> <small>T.N. 119-747-900 PLACE: MANILA</small>	RECOMMENDING APPROVAL: ILDEFONSO T. PATDU, JR. <small>Assistant Secretary for Project Implementation, DOTC</small>	APPROVED: JULIANITO G. BUCAYAN, JR. <small>Undersecretary for Project Implementation, DOTC</small>	PROJECT TITLE: NEW BOHOL AIRPORT CONSTRUCTION AND SUSTAINABLE ENVIRONMENT PROTECTION PROJECT LOCATION: MUNICIPALITY OF PANGLAO, PROVINCE OF BOHOL, PHILIPPINES	SHEET CONTENTS: COMPONENT-4 BUILDING WORKS (B) SUBCOMPONENT-4-6 (B62) Power Houses ELECTRICAL VAC FEEDER LAYOUT	SHEET NO: B62-6100-03 DRAWING SCALE: 1:100 m
	JICA DESIGN CONSULTANT JOINT VENTURE <small>Republic of the Philippines DEPARTMENT OF TRANSPORTATION AND COMMUNICATIONS</small> <small>JAPAN INTERNATIONAL COOPERATION AGENCY</small>	<small>TADASHI AOI</small> Team Leader	<small>ILDEFONSO T. PATDU, JR.</small> Assistant Secretary for Project Implementation, DOTC	<small>JULIANITO G. BUCAYAN, JR.</small> Undersecretary for Project Implementation, DOTC	DATE: JUNE 2013 INDEX: _____ AMENDMENTS: _____ Prepared by: WIM Checked by: HC Validated by: _____	



NOTE: REFER TO ELECTRICAL EQUIPMENT LAYOUT PLAN THE LOCATION OF PANELS.

1 POWER HOUSE (PWH)
RECEPTACLE LAYOUT PLAN
 B62-6200-01 GRAPHIC SCALE 0 1 2 5 10m

	PREPARED BY: TEODORO N. PAMATMAT <small>PROF. ELECTRICAL ENGINEER PTR. 1403773</small> <small>REG. NO.: 1927 DATE: 1-04-13</small> <small>T.N. 119-747-900 PLACE: MANILA</small>	RECOMMENDING APPROVAL: ILDEFONSO T. PATDU, JR. <small>Assistant Secretary for Project Implementation, DOTC</small>	APPROVED: JULIANITO G. BUCAYAN, JR. <small>Undersecretary for Project Implementation, DOTC</small>	PROJECT TITLE: NEW BOHOL AIRPORT CONSTRUCTION AND SUSTAINABLE ENVIRONMENT PROTECTION PROJECT LOCATION: MUNICIPALITY OF PANGLAO, PROVINCE OF BOHOL, PHILIPPINES	SHEET CONTENTS: COMPONENT-4 BUILDING WORKS (B) SUBCOMPONENT-4-6 (B62) Power Houses ELECTRICAL RECEPTACLE LAYOUT	SHEET NO: B62-6200-01 DRAWING SCALE: 1:100 m
	JICA DESIGN CONSULTANT JOINT VENTURE <small>JAPAN AIRPORT CONSULTANTS, INC. NIPPON KOEI CO., LTD. NIS CONSULTANTS CO., LTD.</small>	TADASHI AOI <small>Team Leader</small>	ILDEFONSO T. PATDU, JR. <small>Assistant Secretary for Project Implementation, DOTC</small>	JULIANITO G. BUCAYAN, JR. <small>Undersecretary for Project Implementation, DOTC</small>	DATE: JUNE 2013 INDEX: AMENDMENTS: Prepared by: WIM, Checked by: HC, Validated by:	



NOTE: REFER TO ELECTRICAL EQUIPMENT LAYOUT PLAN THE LOCATION OF PANELS.

1 POWER HOUSE (PWH)
1 LIGHTING LAYOUT PLAN
 862-6200-02 GRAPHIC SCALE 0 1 2 5 10m

	PREPARED BY: TEODORO N. PAMATMAT <small>PROF. ELECTRICAL ENGINEER PIR. 1403773</small> <small>REG. NO.: 1927 DATE: 1-04-13</small> <small>T.N. 119-747-900 PLACE: MANILA</small>	RECOMMENDING APPROVAL: ILDEFONSO T. PATDU, JR. <small>Assistant Secretary</small> <small>for Project Implementation, DOTC</small>	APPROVED: JULIANITO G. BUCAYAN, JR. <small>Undersecretary</small> <small>for Project Implementation, DOTC</small>	PROJECT TITLE: NEW BOHOL AIRPORT CONSTRUCTION AND SUSTAINABLE ENVIRONMENT PROTECTION PROJECT LOCATION: MUNICIPALITY OF PANGLAO, PROVINCE OF BOHOL, PHILIPPINES	SHEET CONTENTS: COMPONENT-4 BUILDING WORKS (B) SUBCOMPONENT-4-6 (B62) Power Houses ELECTRICAL LIGHTING LAYOUT	SHEET NO: B62-6200-02 DRAWING SCALE: 1:100 m
	JICA DESIGN CONSULTANT JOINT VENTURE <small>JAPAN AIRPORT CONSULTANTS, INC. NIPPON KOEI CO., LTD. NIS CONSULTANTS CO., LTD.</small>	TADASHI AOI <small>Team Leader</small>	ILDEFONSO T. PATDU, JR. <small>Assistant Secretary</small> <small>for Project Implementation, DOTC</small>	JULIANITO G. BUCAYAN, JR. <small>Undersecretary</small> <small>for Project Implementation, DOTC</small>	DATE: JUNE 2013 INDEX: [] AMENDMENTS: [] Prepared by: WIM Checked by: HC Validated by:	

PANEL: VACNE		VOLTAGE: 230V 3Ø 3W		SUPPLY: NORMAL/EMERGENCY					
TO: 230V LVSGNE-PWH									
CKT NO.	LOAD DESCRIPTION	VA	AMPERE LOAD				WIRE	CONDUIT	PROTECTION
			ØAB	ØBC	ØCA	3Ø LOAD			
1	2.5KW ACCU-3 + FCU @ OFFICE	3130	13.59			3-5.5mm ² THHN	15mmØ	30AT, 2P CB	
2	2.5KW ACCU-4B + FCU @ CONTROL ROOM (STANDBY)	3130		13.59		3-5.5mm ² THHN	15mmØ	30AT, 2P CB	
3	2.5KW ACCU-4A + FCU @ CONTROL ROOM	3130			13.59	3-5.5mm ² THHN	15mmØ	30AT, 2P CB	
4	2.608KW WACU @ CCR (STANDBY)	3260	14.17			3-5.5mm ² THHN	15mmØ	30AT, 2P CB	
5	2.608KW WACU @ CCR	3260		14.17		3-5.5mm ² THHN	15mmØ	30AT, 2P CB	
6	2.608KW WACU @ CCR	3260			14.17	3-5.5mm ² THHN	15mmØ	30AT, 2P CB	
7	1500W FAF @ TRANSFORMER RM	1880			8.15	3-3.5mm ² THHN	15mmØ	20AT, 2P CB	
8	1500W EF @ TRANSFORMER RM	1880		8.15		3-3.5mm ² THHN	15mmØ	20AT, 2P CB	
9	187W EF @ MAIN FUEL TANK	230		1.02		3-3.5mm ² THHN	15mmØ	20AT, 2P CB	
10	47W EF @ DAILY FUEL TANK	60			0.26	3-3.5mm ² THHN	15mmØ	20AT, 2P CB	
11	1/4HP FUEL TRANSFER PUMP (ASSUMED)	1330	5.80			3-3.5mm ² THHN	15mmØ	20AT, 2P CB	
12	SPARE							20AT, 2P CB	
13	SPARE							20AT, 2P CB	
14	SPARE							20AT, 2P CB	
15	SPARE							20AT, 2P CB	
		24530	33.56	36.93	36.17				

It = 36.93 x 1.732 = 63.96 A

FEEDER SIZE: 3-10mm² XLPE + 1-5.5mm² TW

MAIN PROTECTION: 100AT, 100AF 3P MCCB, 10kAIC

PANEL: VACN		VOLTAGE: 230V 3Ø 3W		SUPPLY: NORMAL ONLY					
TO: 230V LVSGN-PWH									
CKT NO.	LOAD DESCRIPTION	VA	AMPERE LOAD				WIRE	CONDUIT	PROTECTION
			ØAB	ØBC	ØCA	3Ø LOAD			
1	2.65KW ACCU-1 + FCU @ NAP RM	3310				3-5.5mm ² THHN	15mmØ	30AT, 2P CB	
2	4.1KW ACCU-2 + FCU @ DINING	5130		22.28	14.40	3-5.5mm ² THHN	15mmØ	40AT, 2P CB	
3	187W EF @ TOILET-2	230			1.02	3-3.5mm ² THHN	15mmØ	20AT, 2P CB	
4	187W EF @ TOILET-1	230	1.02			3-3.5mm ² THHN	15mmØ	20AT, 2P CB	
5	370W EF @ WORKSHOP	460		2.01		3-3.5mm ² THHN	15mmØ	20AT, 2P CB	
6	370W EF @ KITCHEN	460			2.01	3-3.5mm ² THHN	15mmØ	20AT, 2P CB	
7	3.5KW WATER HEATER @ TOILET-1	3500		15.22		3-3.5mm ² THHN	15mmØ	20AT, 2P CB	
8	6.5KW WATER HEATER @ TOILET-2 LAVATORY	6500			28.26	[2-8mm ² + 1-5.5mm ²] THHN	20mmØ	40AT, 2P CB	
9	4.5KW WATER HEATER @ TOILET-2 SHOWER-1	4500	19.57			3-5.5mm ² THHN	15mmØ	30AT, 2P CB	
10	4.5KW WATER HEATER @ TOILET-2 SHOWER-2	4500	19.57			3-5.5mm ² THHN	15mmØ	30AT, 2P CB	
11	SPARE							20AT, 2P CB	
12	SPARE							20AT, 2P CB	
		28820	40.15	39.51	45.69				

It = 45.69 x 1.732 = 79.13 A

FEEDER SIZE: 3-10mm² XLPE + 1-14mm² TW

MAIN PROTECTION: 100AT, 100AF 3P MCCB, 10kAIC

PANEL: LPPNE		VOLTAGE: 230V 3Ø 3W		SUPPLY: NORMAL/EMERGENCY					
TO: 230V LVSGNE-PWH									
CKT NO.	LOAD DESCRIPTION	VA	AMPERE LOAD				WIRE	CONDUIT	PROTECTION
			ØAB	ØBC	ØCA	3Ø LOAD			
1	10 - 4x20W FLUO. @ CCR & OFFICE	2600	11.30			3-3.5mm ² THHN	15mmØ	20AT, 2P CB	
2	6 - 18WPLC + 2 - 4x20W FLUO. @ HALLWAY, TOILET 1&2, LOCKER, NAP RM & DINING	910	3.96			3-3.5mm ² THHN	15mmØ	20AT, 2P CB	
3	8 - 2x40W FLUO. @ X'MER RM, WORKSHOP & STORAGE	1280			5.57	3-3.5mm ² THHN	15mmØ	20AT, 2P CB	
4	3 - CONV. RECEP. @ CONTROL RM & OFFICE	1080		4.70		3-3.5mm ² THHN	15mmØ	20AT, 2P CB	
5	3 - CONV. RECEP. @ X'MER RM & CCR	1080		4.70		3-3.5mm ² THHN	15mmØ	20AT, 2P CB	
6	3 - CONV. RECEP. @ GENSET & WORKSHOP	1080			4.70	3-3.5mm ² THHN	15mmØ	20AT, 2P CB	
7	SUPPLY FOR BATTERY CHARGER @ X'MER RM	500		2.17		3-3.5mm ² THHN	15mmØ	20AT, 2P CB	
8	SUPPLY FOR BATTERY CHARGER @ GENSET RM	500		2.17		3-3.5mm ² THHN	15mmØ	20AT, 2P CB	
9	3 - CONV. RECEP. @ X'MER	1080			4.70	3-3.5mm ² THHN	15mmØ	20AT, 2P CB	
10	SPARE							20AT, 2P CB	
11	SPARE							20AT, 2P CB	
12	SPARE							20AT, 2P CB	
13	SPARE							20AT, 2P CB	
14	SPARE							20AT, 2P CB	
15	SPARE							20AT, 2P CB	
		10110	15.26	13.74	14.96				

It = 15.26 x 1.732 = 26 A

FEEDER SIZE: 3-6mm² XLPE + 1-5.5mm² TW

MAIN PROTECTION: 50AT, 100AF 3P MCCB, 10kAIC

PANEL: LPPN		VOLTAGE: 230V 3Ø 3W		SUPPLY: NORMAL ONLY					
TO: 230V LVSGN-PWH									
CKT NO.	LOAD DESCRIPTION	VA	AMPERE LOAD				WIRE	CONDUIT	PROTECTION
			ØAB	ØBC	ØCA	3Ø LOAD			
1	12 - 4x20W FLUO. @ CCR & OFFICE	3120	13.57			3-3.5mm ² THHN	15mmØ	20AT, 2P CB	
2	10 - 2x40W FLUO. @ X'MER RM	1600		6.96		3-3.5mm ² THHN	15mmØ	20AT, 2P CB	
3	14 - 2x40W FLUO. @ GENSET RM	2240			9.74	3-3.5mm ² THHN	15mmØ	20AT, 2P CB	
4	15 - 18W PLC @ HALLWAY, TOILET1&2 & LOCKER RM	980	4.24			3-3.5mm ² THHN	15mmØ	20AT, 2P CB	
5	6 - 4x20W FLUO. @ DINING & NAP RM	1560		6.78		3-3.5mm ² THHN	15mmØ	20AT, 2P CB	
6	2 - 2x40W FLUO. @ WORKSHOP, MAIN & DAILY FUEL T	960			4.17	3-3.5mm ² THHN	15mmØ	20AT, 2P CB	
7	18 - 18W WALL LAMP @ PERIMETER	1170	5.09			3-3.5mm ² THHN	15mmØ	20AT, 2P CB	
8	2 - 1000VA HAND DRYER	2000		8.70		3-3.5mm ² THHN	15mmØ	20AT, 2P CB	
9	CB @ GH1-PWH (2 - 18W PLC + 2-CONV. RECEP. + 47W TF)	550			2.39	3-3.5mm ² THHN	15mmØ	20AT, 2P CB	
10	CB @ GH2-PWH-1 (2 - 18W PLC + 2-CONV. RECEP. + 65W TEF + 47W TF)	630	2.74			[2-5.5mm ² + 1-3.5mm ²] THHN	25mmØ/EMH/EHH	20AT, 2P CB	
11	CB @ GH2-PWH-2 (2 - 18W PLC + 2-CONV. RECEP. + 65W TEF + 47W TF)	630		2.74		[2-5.5mm ² + 1-3.5mm ²] THHN	25mmØ/EMH/EHH	20AT, 2P CB	
12	2 - CONV. RECEP. @ WORKSHOP & STORAGE	720			3.13	3-5.5mm ² THHN	15mmØ	20AT, 2P CB	
13	5 - CONV. RECEP. @ HALLWAY, LOCKER, DINING & NAP ROOM	1800			7.83	3-5.5mm ² THHN	15mmØ	20AT, 2P CB	
14	SPARE							20AT, 2P CB	
15	SPARE							20AT, 2P CB	
16	SPARE							20AT, 2P CB	
17	SPARE							20AT, 2P CB	
18	SPARE							20AT, 2P CB	
		17960	25.63	25.17	27.26				

It = 27.26 x 1.732 = 47 A

FEEDER SIZE: 3-10mm² XLPE + 1-8mm² TW

MAIN PROTECTION: 75AT, 100AF 3P MCCB, 10kAIC

PANEL: UPSE		VOLTAGE: 230V 1Ø 2W		SUPPLY: NORMAL/EMERGENCY/UPS					
TO: 230V LVSGNE-PWH									
CKT NO.	LOAD DESCRIPTION	VA	AMPERE LOAD				WIRE	CONDUIT	PROTECTION
			ØAB	ØBC	ØCA	3Ø LOAD			
1	2 - 4x20W FLUO. @ CONTROL ROOM	520	2.26			3-3.5mm ² THHN	15mmØ	20AT, 2P CB	
2	3 - 2x40W FLUO. @ X'MER RM	480	2.09			3-3.5mm ² THHN	15mmØ	20AT, 2P CB	
3	7 - 2x40W FLUO. @ GENSET RM	1120	4.87			3-3.5mm ² THHN	15mmØ	20AT, 2P CB	
4	4 - COMPUTER OUTLET @ CONTROL RM & OFFICE	1200	5.22			3-3.5mm ² THHN	15mmØ	20AT, 2P CB	
5	SUPPLY FOR IDF-PWH	100	0.43			3-3.5mm ² THHN	15mmØ	20AT, 2P CB	
6	SPARE							20AT, 2P CB	
7	SPARE							20AT, 2P CB	
8	SPARE							20AT, 2P CB	
9	SPARE							20AT, 2P CB	
10	SPARE							20AT, 2P CB	
11	SPARE							20AT, 2P CB	
		5420	23.57						

It = 24 A

FEEDER SIZE: 2-6mm² XLPE + 1-5.5mm² TW

MAIN PROTECTION: 50AT, 100AF 3P MCCB, 10kAIC

1 POWER HOUSE (PWH)
PANEL SCHEDULE
 862-6200-03 NOT TO SCALE

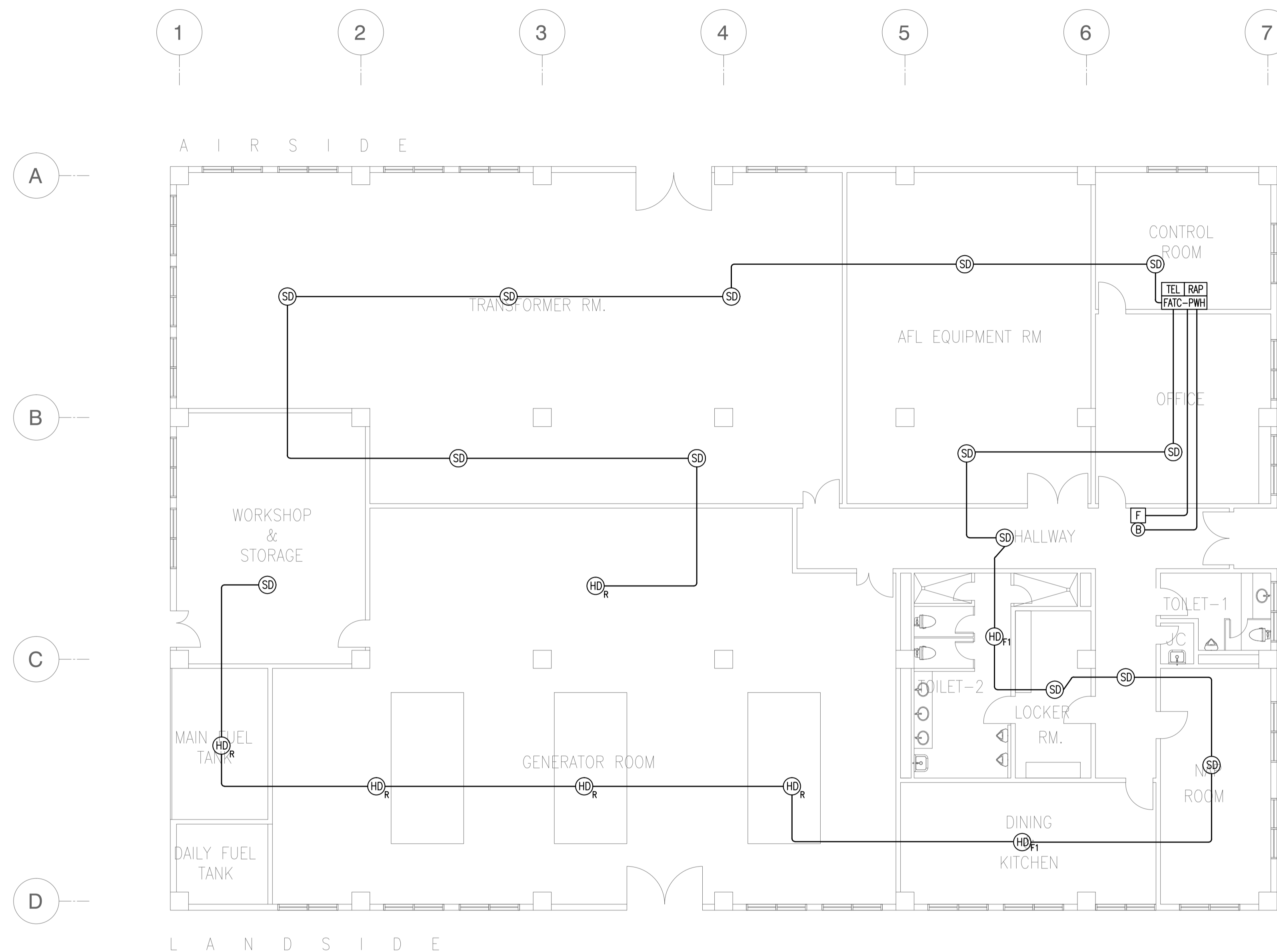
	PREPARED BY: TEODORO N. PAMATMAT <small>PROF. ELECTRICAL ENGINEER PIR. 1403773 REG. NO.: 1927 DATE: 1-04-13 T.I.N. 119-747-900 PLACE: MANILA</small>	RECOMMENDING APPROVAL: ILDEFONSO T. PATDU, JR. <small>Assistant Secretary for Project Implementation, DOTC</small>	APPROVED: JULIANITO G. BUCAYAN, JR. <small>Undersecretary for Project Implementation, DOTC</small>	PROJECT TITLE: NEW BOHOL AIRPORT CONSTRUCTION AND SUSTAINABLE ENVIRONMENT PROTECTION PROJECT LOCATION: MUNICIPALITY OF PANGLAO, PROVINCE OF BOHOL, PHILIPPINES	SHEET CONTENTS: COMPONENT-4 BUILDING WORKS (B) SUBCOMPONENT-4-6 (B62) Power Houses ELECTRICAL PANEL SCHEDULE	SHEET NO: B62-6200-03 DRAWING SCALE: AS SHOWN
	JICA DESIGN CONSULTANT JOINT VENTURE JAPAN AIRPORT CONSULTANTS, INC.	TADASHI AOI Team Leader	ILDEFONSO T. PATDU, JR. Assistant Secretary for Project Implementation, DOTC	JULIANITO G. BUCAYAN, JR. Undersecretary for Project Implementation, DOTC	DATE INDEX AMENDMENTS JUNE 2013	Prepared by WIM Checked by HC Validated by



NOTE: REFER TO TELEPHONE SYSTEM SCHEMATIC DIAGRAM AND DATA SYSTEM SCHEMATIC DIAGRAM FOR WIRING SCHEDULE.

1 POWER HOUSE (PWH)
TELEPHONE AND DATA SYSTEM PLAN
 862-6300-01 GRAPHIC SCALE 0 1 2 5 10m

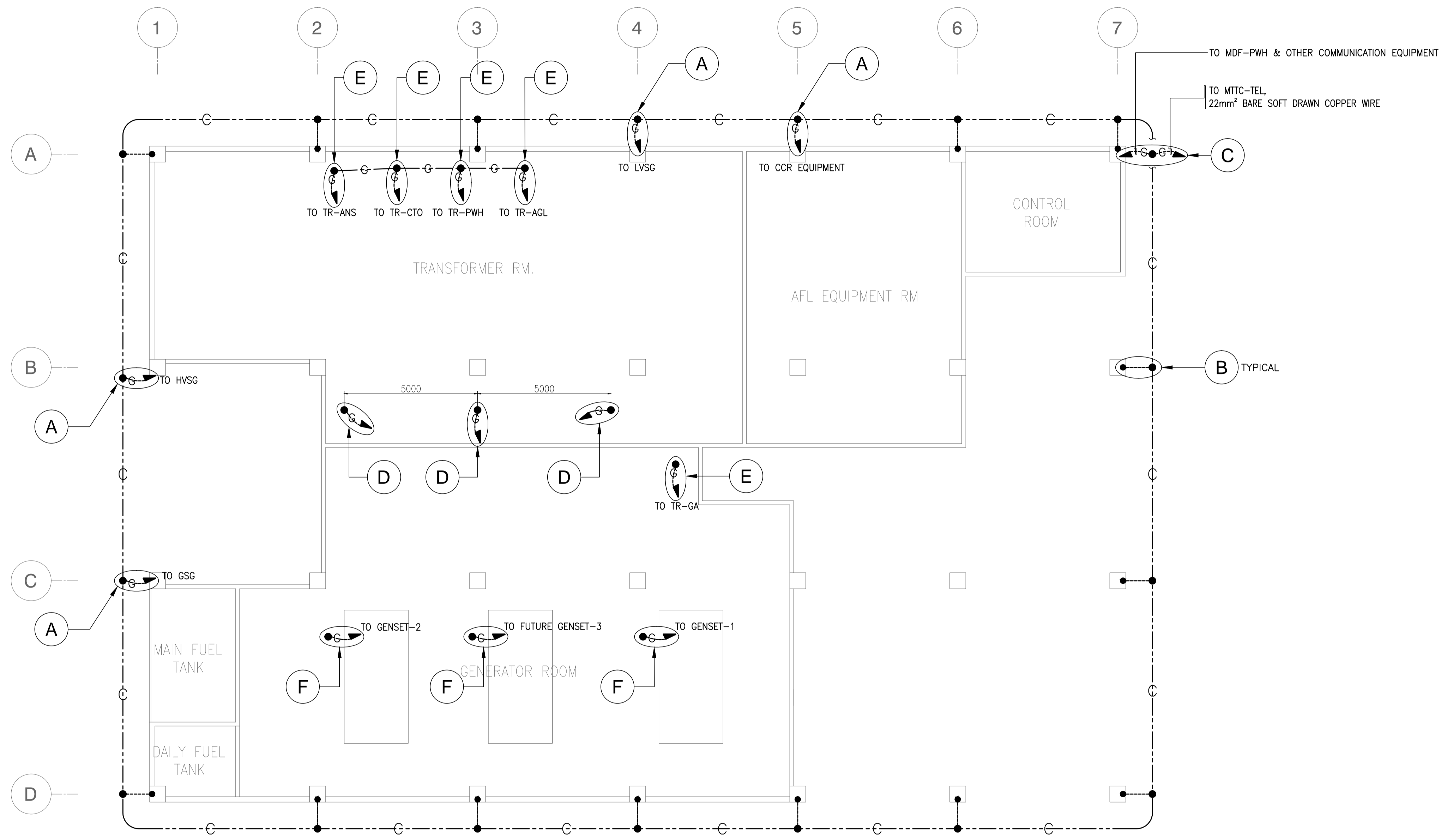
	PREPARED BY: TEODORO N. PAMATMAT <small>PROF. ELECTRICAL ENGINEER PTR. 1403773</small> <small>REG. NO.: 1927 DATE: 1-04-13</small> <small>T.N. 119-747-900 PLACE: MANILA</small>	RECOMMENDING APPROVAL: ILDEFONSO T. PATDU, JR. <small>Assistant Secretary for Project Implementation, DOTC</small>	APPROVED: JULIANITO G. BUCAYAN, JR. <small>Undersecretary for Project Implementation, DOTC</small>	PROJECT TITLE: NEW BOHOL AIRPORT CONSTRUCTION AND SUSTAINABLE ENVIRONMENT PROTECTION PROJECT	LOCATION: MUNICIPALITY OF PANGLAO, PROVINCE OF BOHOL, PHILIPPINES	SHEET CONTENTS: COMPONENT-4 BUILDING WORKS (B) SUBCOMPONENT-4-6 (B62) Power Houses ELECTRICAL TEL & DATA LAYOUT	SHEET NO: B62-6300-01
	JICA DESIGN CONSULTANT JOINT VENTURE JAC JAPAN AIRPORT CONSULTANTS, INC. NIPON KOEI CO., LTD. NIS CONSULTANTS CO., LTD.	TADASHI AOI <small>Team Leader</small>	JULIANITO G. BUCAYAN, JR. <small>Undersecretary for Project Implementation, DOTC</small>	DATE: JUNE 2013 INDEX: _____ AMENDMENTS: _____ Prepared by: _____ Checked by: _____ Validated by: _____	DRAWING SCALE: 1:100 m		



NOTE: REFER TO FIRE DETECTION AND ALARM SYSTEM SCHEMATIC DIAGRAM FOR WIRING SCHEDULE.

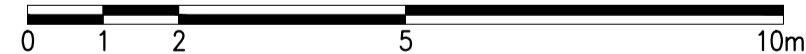
1 POWER HOUSE (PWH)
FIRE DETECTION AND ALARM SYSTEM PLAN
 B62-6800-01 GRAPHIC SCALE 0 1 2 5 10m

	PREPARED BY: TEODORO N. PAMATMAT <small>PROF. ELECTRICAL ENGINEER PIR. 1403773</small> <small>REG. NO.: 1927 DATE: 1-04-13</small> <small>T.N. 119-747-900 PLACE: MANILA</small>	RECOMMENDING APPROVAL: 	APPROVED: 	PROJECT TITLE: 	SHEET CONTENTS: COMPONENT-4 BUILDING WORKS (B) SUBCOMPONENT-4-6 (B62) Power Houses ELECTRICAL FDAS LAYOUT	SHEET NO: B62-6800-01
	JICA DESIGN CONSULTANT JOINT VENTURE 	RECOMMENDING APPROVAL: ILDEFONSO T. PATDU, JR. <small>Assistant Secretary for Project Implementation, DOTC</small>	APPROVED: JULIANITO G. BUCAYAN, JR. <small>Undersecretary for Project Implementation, DOTC</small>	PROJECT TITLE: NEW BOHOL AIRPORT CONSTRUCTION AND SUSTAINABLE ENVIRONMENT PROTECTION PROJECT	LOCATION: MUNICIPALITY OF PANGLAO, PROVINCE OF BOHOL, PHILIPPINES DATE: JUNE 2013 INDEX: WIM HC AMENDMENTS: Prepared by, Checked by, Validated by	DRAWING SCALE: 1:100 m



NOTE: SEE SHEET NO. B0-6900-04 & B0-6900-05 FOR DETAILS.

1 POWER HOUSE (PWH)
GROUND FLOOR GROUNDING SYSTEM PLAN
 B62-6900-01 GRAPHIC SCALE



	PREPARED BY: TEODORO N. PAMATMAT <small>PROF. ELECTRICAL ENGINEER PIR. 1403773</small> <small>REG. NO.: 1927 DATE: 1-04-13</small> <small>T.N. 119-747-900 PLACE: MANILA</small>	RECOMMENDING APPROVAL: ILDEFONSO T. PATDU, JR. <small>Assistant Secretary for Project Implementation, DOTC</small>	APPROVED: JULJANITO G. BUCAYAN, JR. <small>Undersecretary for Project Implementation, DOTC</small>	PROJECT TITLE: NEW BOHOL AIRPORT CONSTRUCTION AND SUSTAINABLE ENVIRONMENT PROTECTION PROJECT	SHEET CONTENTS: COMPONENT-4 BUILDING WORKS (B) SUBCOMPONENT-4-6 (B62) Power Houses ELECTRICAL GROUNDING LAYOUT	SHEET NO: B62-6900-01
	JICA DESIGN CONSULTANT JOINT VENTURE TADASHI AOI <small>Team Leader</small>	LOCATION: MUNICIPALITY OF PANGLAO, PROVINCE OF BOHOL, PHILIPPINES	DATE: JUNE 2013 INDEX: _____ AMENDMENTS: _____ Prepared by: _____ Checked by: WIM Validated by: HC	DRAWING SCALE: 1:100 m		