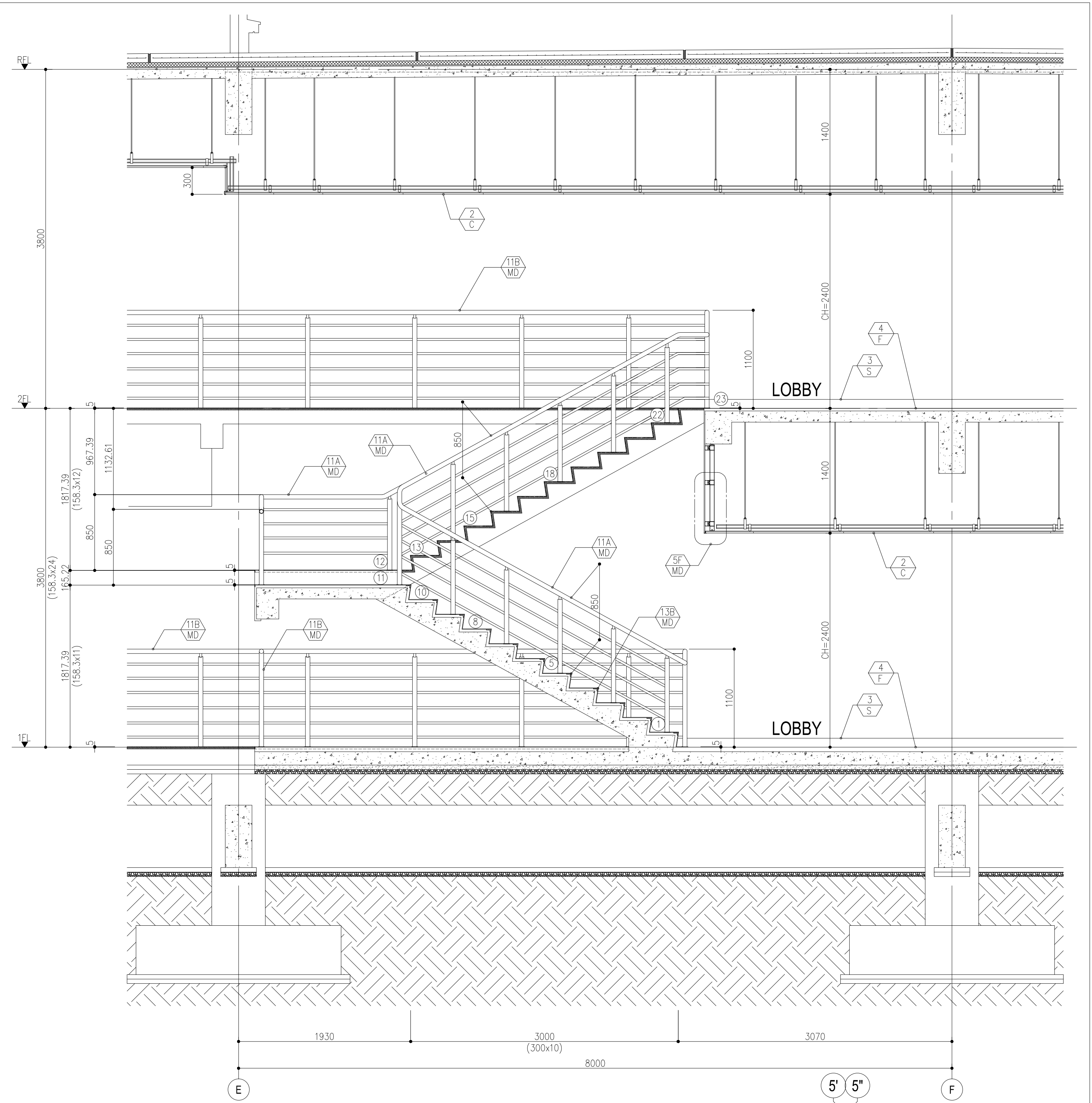
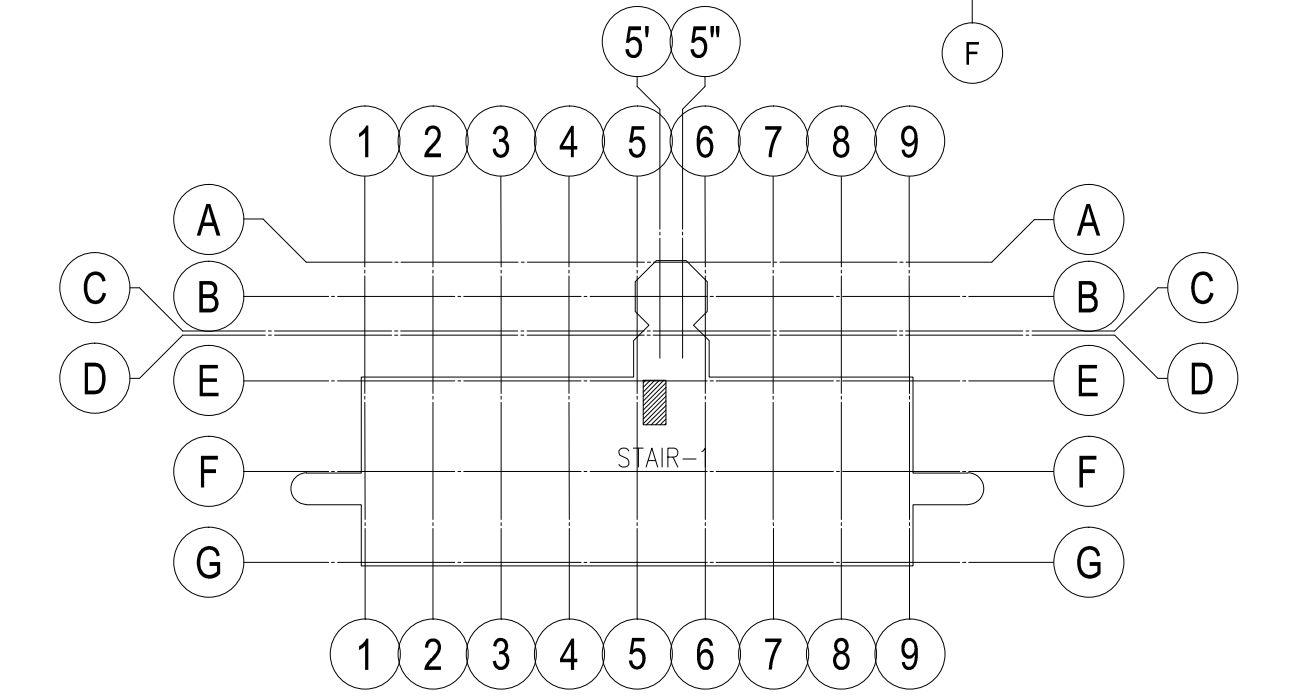


1 STAIR-2 DETAIL PLAN @ (GROUND FLOOR)
 B3-4300-25 SCALE 1:30 MTS.

2 STAIR-2 DETAIL PLAN @ (2ND FLOOR)
 B3-4300-25 SCALE 1:30 MTS.



3 SECTION A-A
 B3-4300-25 SCALE 1:30 MTS.



Republic of the Philippines
 DEPARTMENT OF TRANSPORTATION
 AND COMMUNICATIONS
 JICA
 JAPAN INTERNATIONAL COOPERATION AGENCY
 JICA DESIGN CONSULTANT JOINT VENTURE
 JAC JAPAN AIRPORT CONSULTANTS, INC.
 NIPPON KOEI CO., LTD.
 NIS CONSULTANTS CO., LTD.

PREPARED BY:

WILLIAM I. MALLONGA

PROF. Architect	PTR. 3911137
REG. NO. 4623	DATE: MAY 9, 2013
T.E.N. 150-564-198	PLACE: MAKATI CITY

TADASHI AOI
Team Leader

RECOMMENDING APPROVAL:

JULDEFONSO T. PATDU, JR.
Assistant Secretary
for Project Implementation, DOTC

APPROVED:

JULIANITO G. BUÇAYAN, JR.
Undersecretary
for Project Implementation, DOTC

PROJECT TITLE:

NEW BOHOL AIRPORT CONSTRUCTION AND SUSTAINABLE ENVIRONMENT PROTECTION PROJECT

LOCATION: MUNICIPALITY OF PANGLAO, PROVINCE OF BOHOL, PHILIPPINES

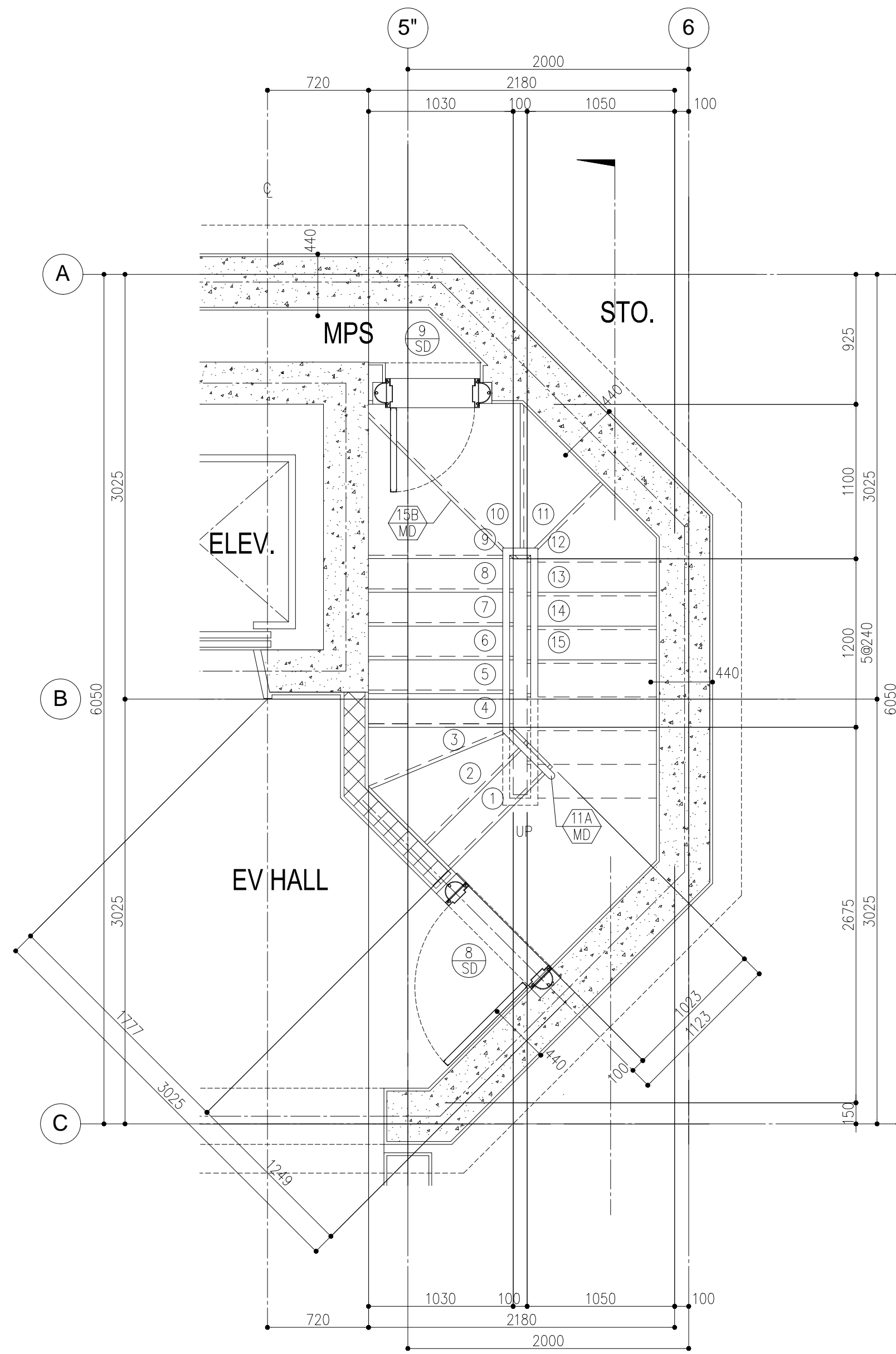
DATE	INDEX	AMENDMENTS	Prepared by	Checked by	Validated by
JUNE 2013			WIM	HC	

SHEET CONTENTS:

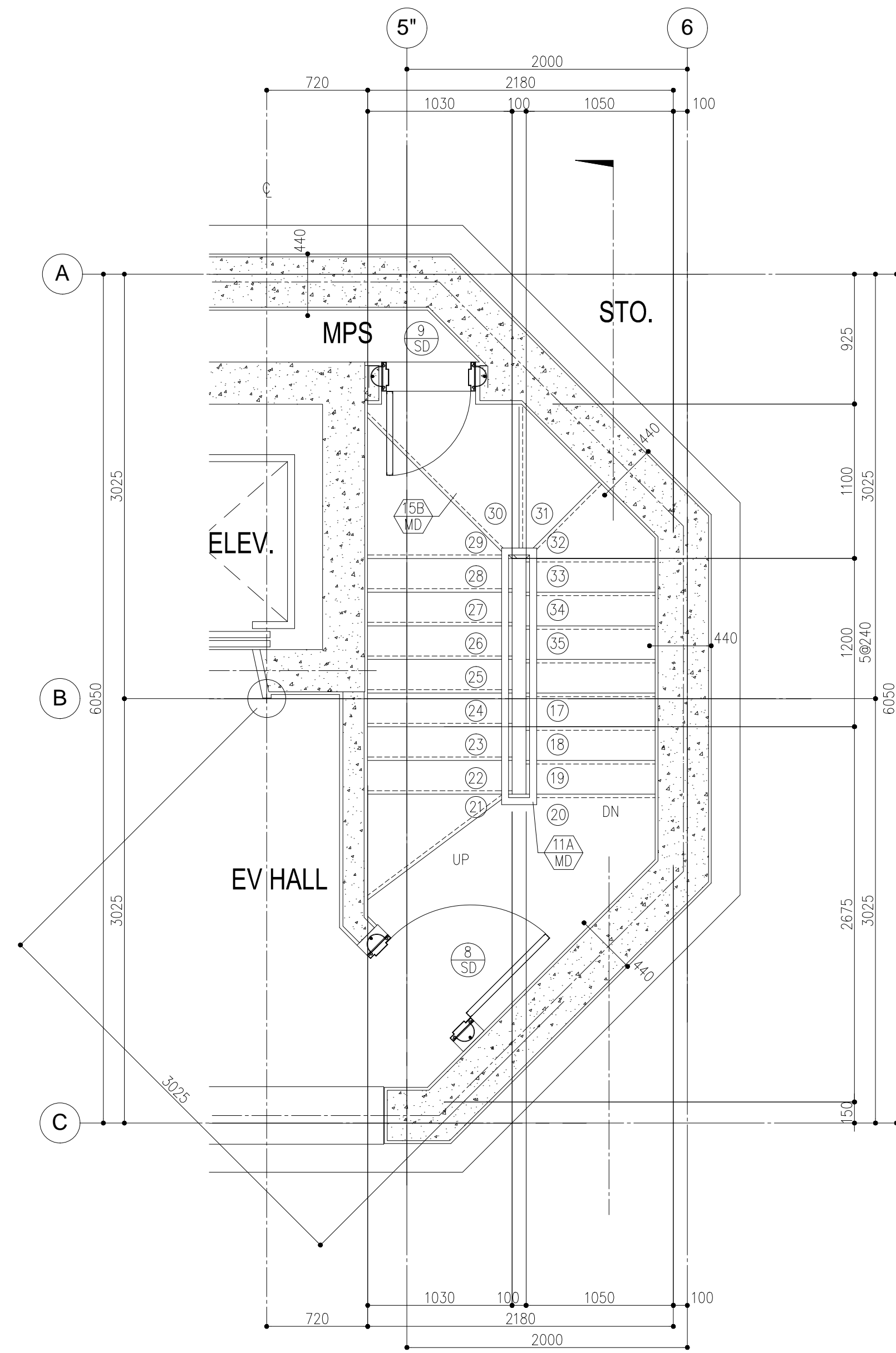
COMPONENT-4 BUILDING WORKS (B)
 SUBCOMPONENT -4-3
 (B3) CONTROL TOWER, ATC OPERATION AND ADMINISTRATION BUILDING ARCHITECTURAL
 8TH FLOOR TOILET
 STAIR-1 DETAIL SECTION FR. 5TH-9TH FLR.

SHEET NO:
B3-4300-25

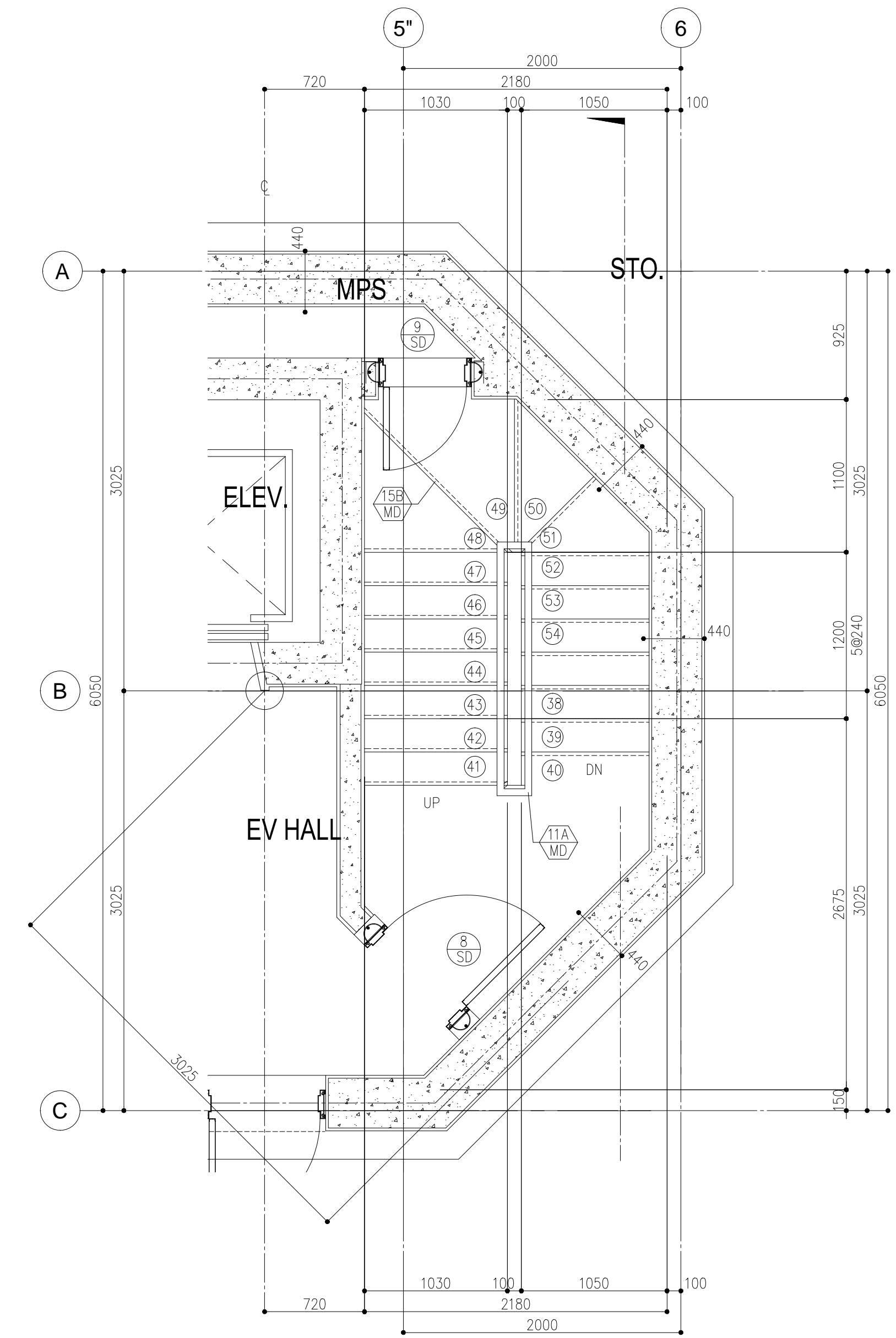
DRAWING SCALE:
 1:30 MTS.



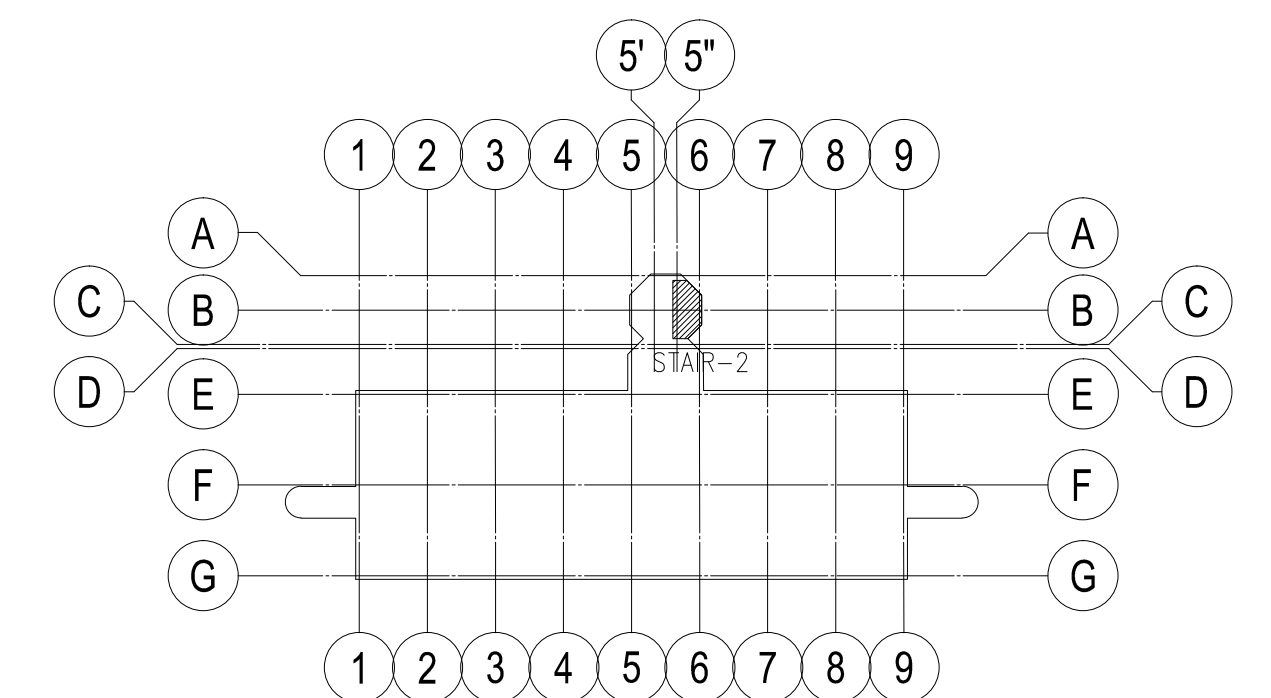
1 STAIR-2 DETAIL PLAN @ (GROUND FLOOR)
 B3-4300-26 SCALE 1:30 MTS.



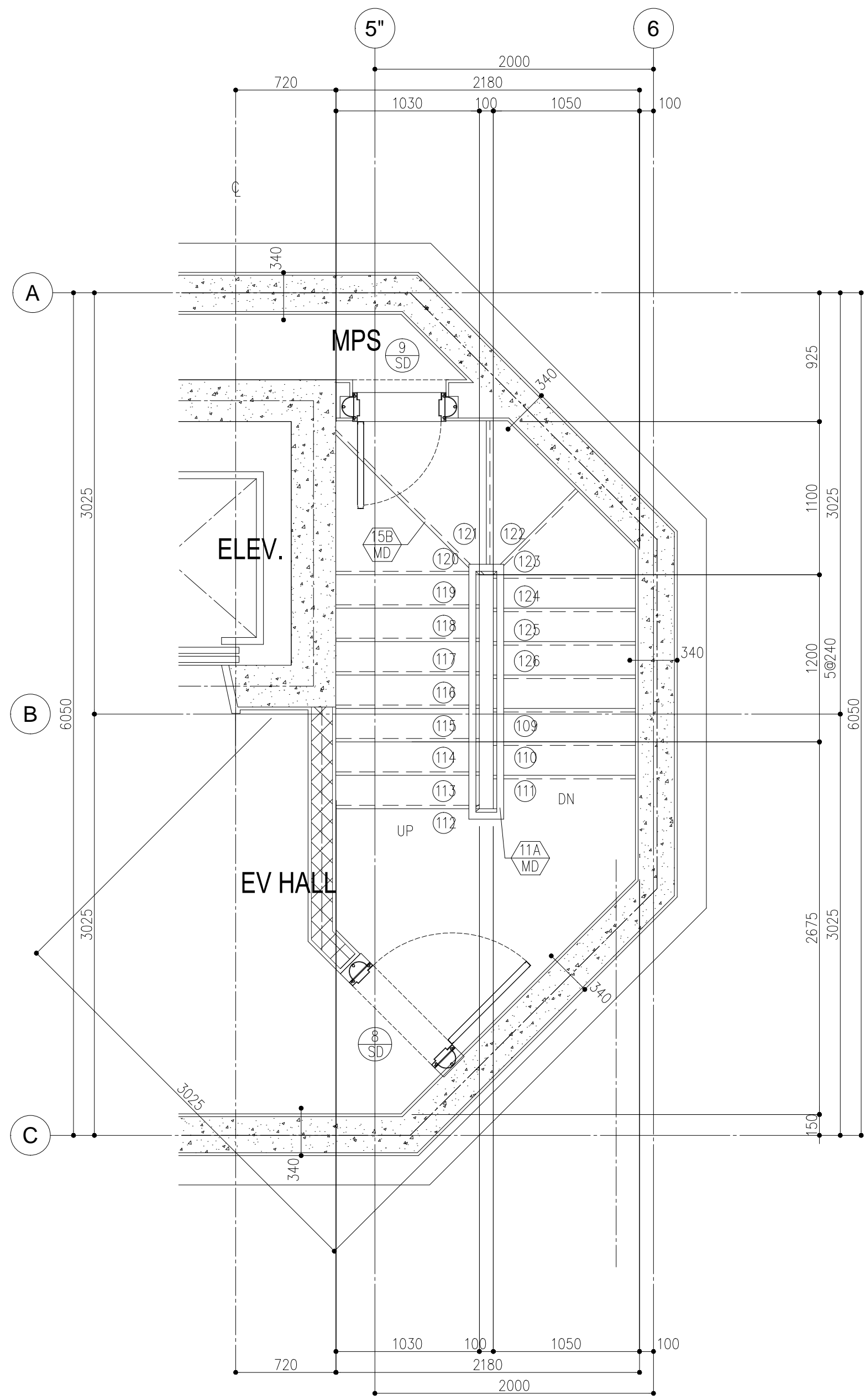
2 STAIR-2 DETAIL PLAN @ (2ND FLOOR)
 B3-4300-26 SCALE 1:30 MTS.



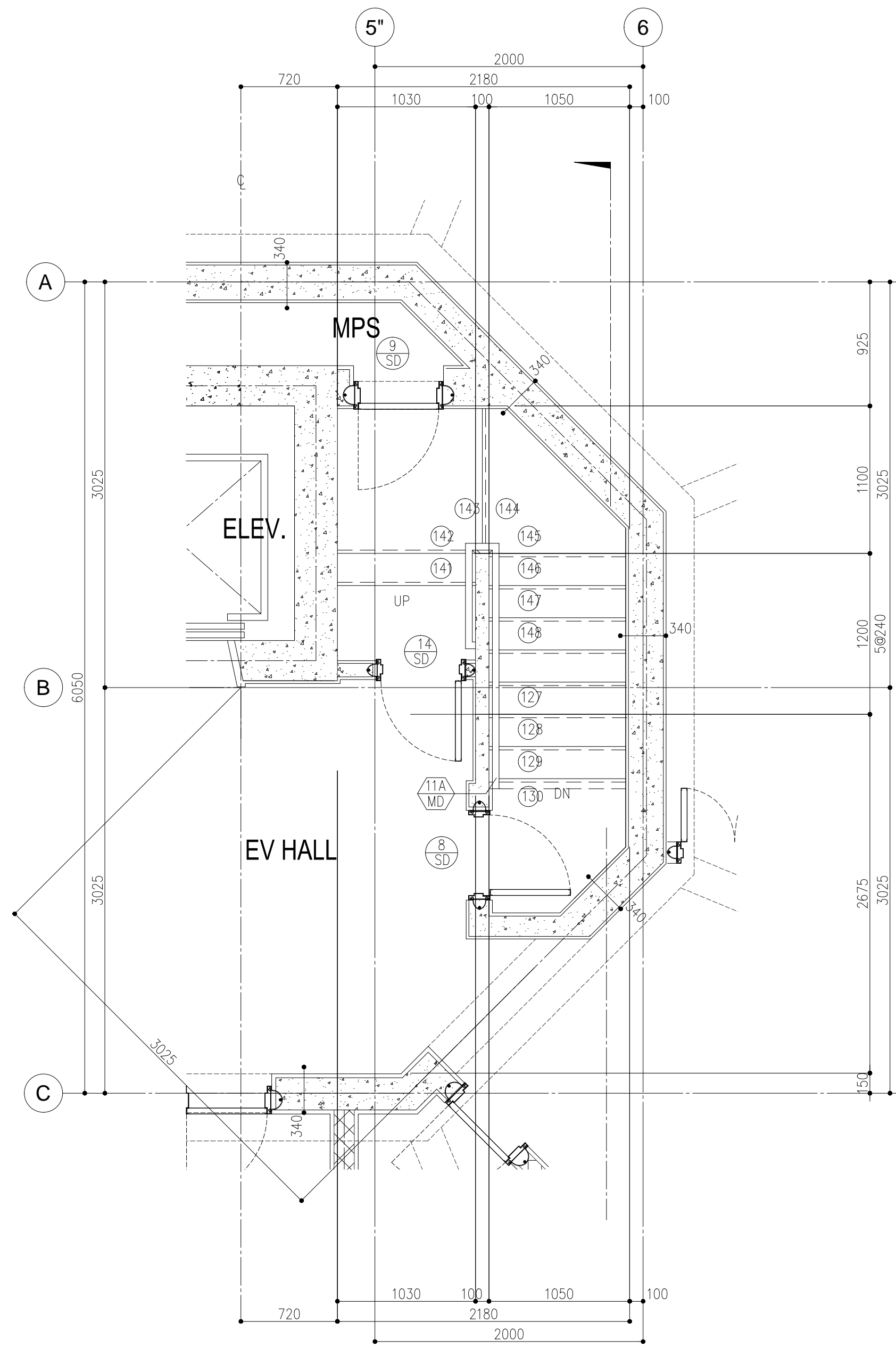
3 STAIR-2 DETAIL PLAN @ (3RD FLOOR)
 B3-4300-26 SCALE 1:30 MTS.



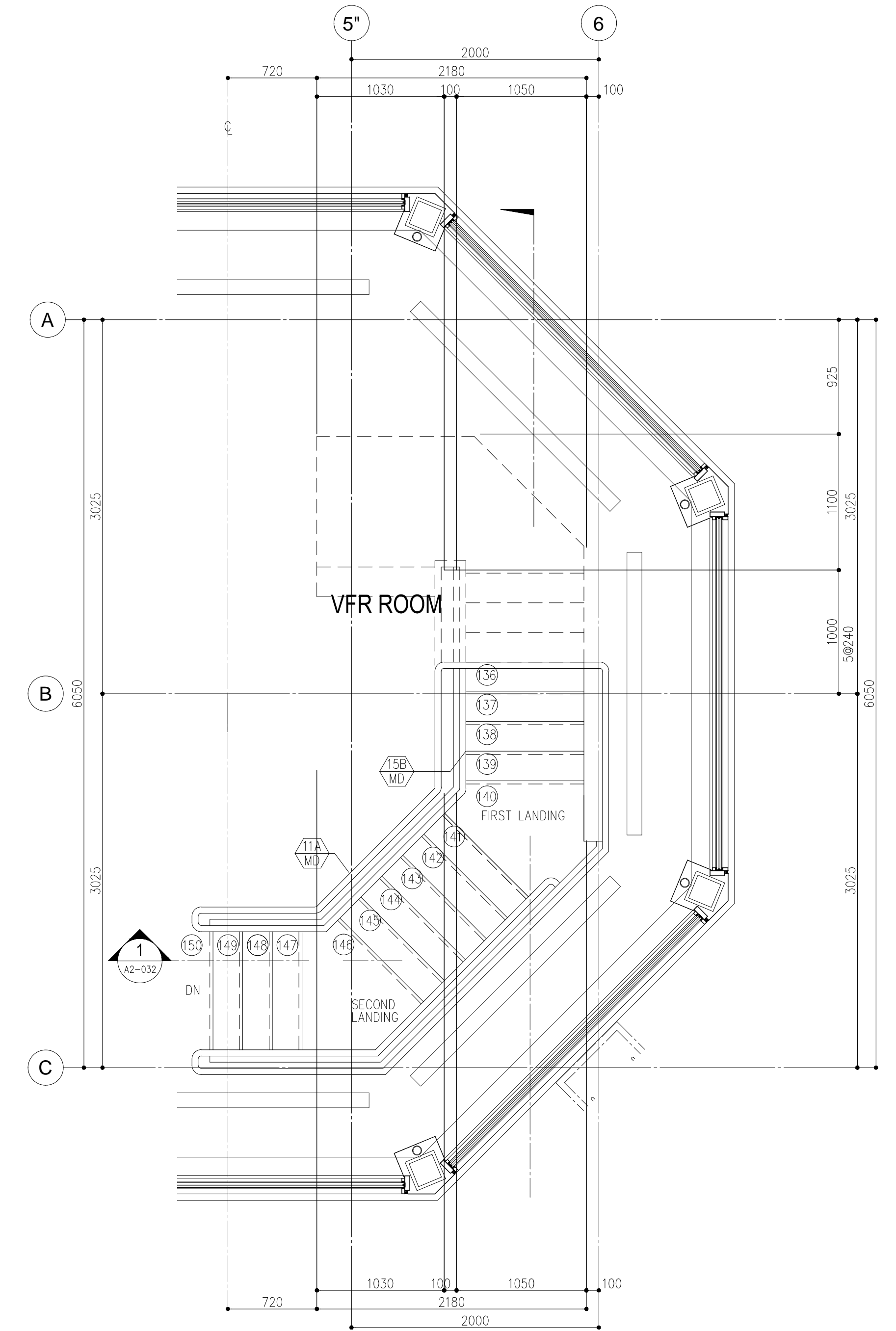
	PREPARED BY: WILLIAM I. MALLONGA <small>PROF. Architect PTR. 3911137 REG. NO. 4623 DATE: MAY 9, 2013 T.E.N. 150-544-198 PLACE: MAKATI CITY</small>	RECOMMENDING APPROVAL: ILDEFONSO T. PATDU, JR. <small>Assistant Secretary for Project Implementation, DOTC</small>	APPROVED: JULIANITO G. BUCAYAN, JR. <small>Undersecretary for Project Implementation, DOTC</small>	PROJECT TITLE: NEW BOHOL AIRPORT CONSTRUCTION AND SUSTAINABLE ENVIRONMENT PROTECTION PROJECT	LOCATION: MUNICIPALITY OF PANGLAO, PROVINCE OF BOHOL, PHILIPPINES	SHEET CONTENTS: COMPONENT-4 BUILDING WORKS (B) SUBCOMPONENT -4-3 (B3) CONTROL TOWER, ATC OPERATION AND ADMINISTRATION BUILDING ARCHITECTURAL 8TH FLOOR TOILET STAIR-2 DETAIL PLAN FR. GF TO 3RD FLOOR	SHEET NO: B3-4300-26
	JICA DESIGN CONSULTANT JOINT VENTURE TADASHI AOI <small>Team Leader</small>	JUN 2013 DATE INDEX AMENDMENTS	Prepared by: WIM Checked by: HC Validated by:	DRAWING SCALE: 1:30 MTS.			



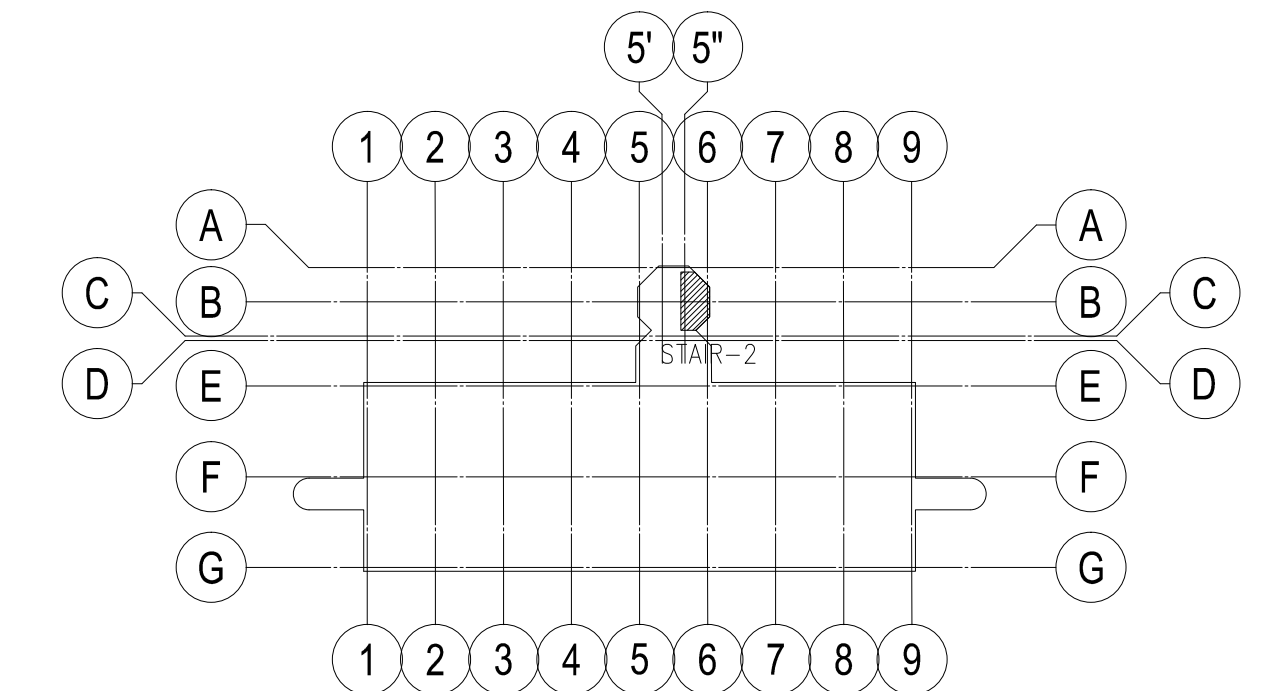
1 STAIR-1 DETAIL PLAN @ (4TH TO 7TH FLOOR)
 B3-4300-27 SCALE 1:30 MTS.



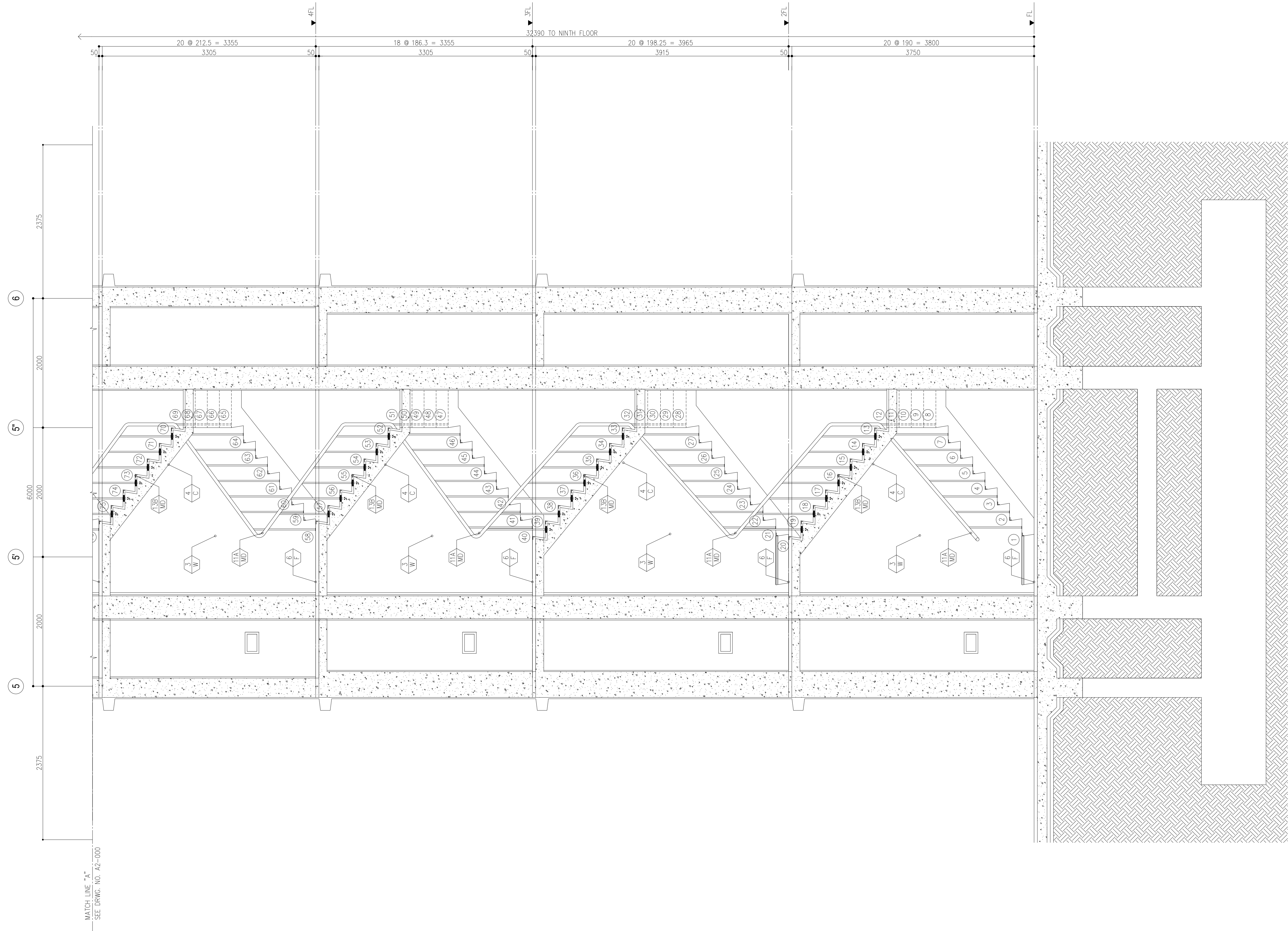
2 STAIR-1 DETAIL PLAN @ (8TH FLOOR)
 B3-4300-27 SCALE 1:30 MTS.



3 STAIR-1 DETAIL PLAN @ (9TH FLOOR)
 B3-4300-27 SCALE 1:30 MTS.

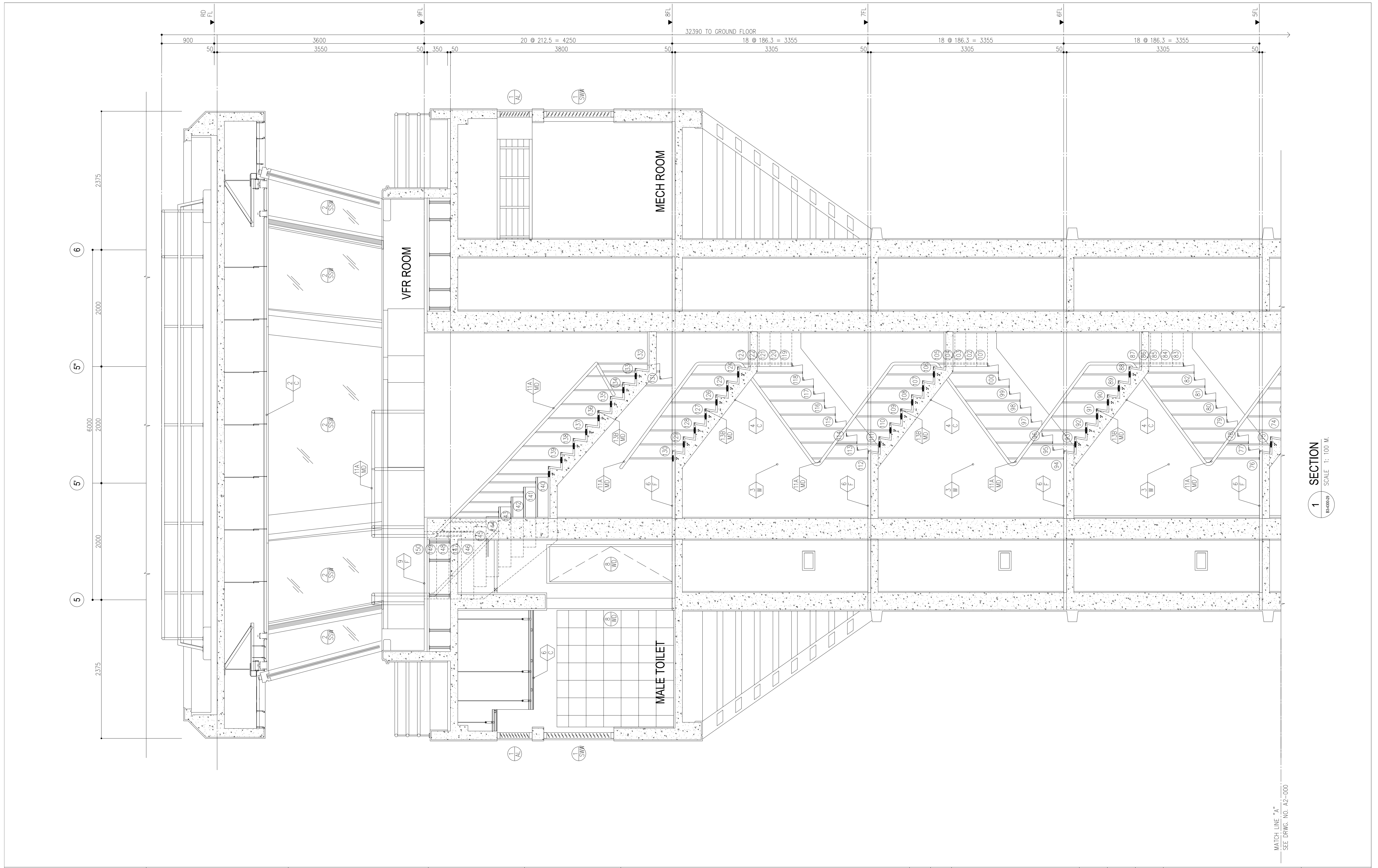


	PREPARED BY: WILLIAM I. MALLONGA <small>PROF. Architect PTR. 3911137 REG. NO.: 4623 DATE: MAY 9, 2013 T.N. 150-544-196 PLACE: MAKATI CITY</small>	RECOMMENDING APPROVAL: ILDEFONSO T. PATDU, JR. <small>Assistant Secretary for Project Implementation, DOTC</small>	APPROVED: JULIANITO G. BUÇAYAN, JR. <small>Undersecretary for Project Implementation, DOTC</small>	PROJECT TITLE: NEW BOHOL AIRPORT CONSTRUCTION AND SUSTAINABLE ENVIRONMENT PROTECTION PROJECT	LOCATION: MUNICIPALITY OF PANGLAO, PROVINCE OF BOHOL, PHILIPPINES	SHEET CONTENTS: COMPONENT-4 BUILDING WORKS (B) SUBCOMPONENT-4-3 (B3) CONTROL TOWER, ATC OPERATION AND ADMINISTRATION BUILDING ARCHITECTURAL STAIR-1 DETAIL PLAN FR. 7TH TO 9TH FLR.	SHEET NO: B3-4300-27
	JICA DESIGN CONSULTANT JOINT VENTURE TADASHI AOI <small>Team Leader</small>	JUN 2013	DATE INDEX	AMENDMENTS	Prepared by: WIM Checked by: HC Validated by:	DRAWING SCALE: 1:30 MTS.	



SECTION
SCALE 1: 100 M.

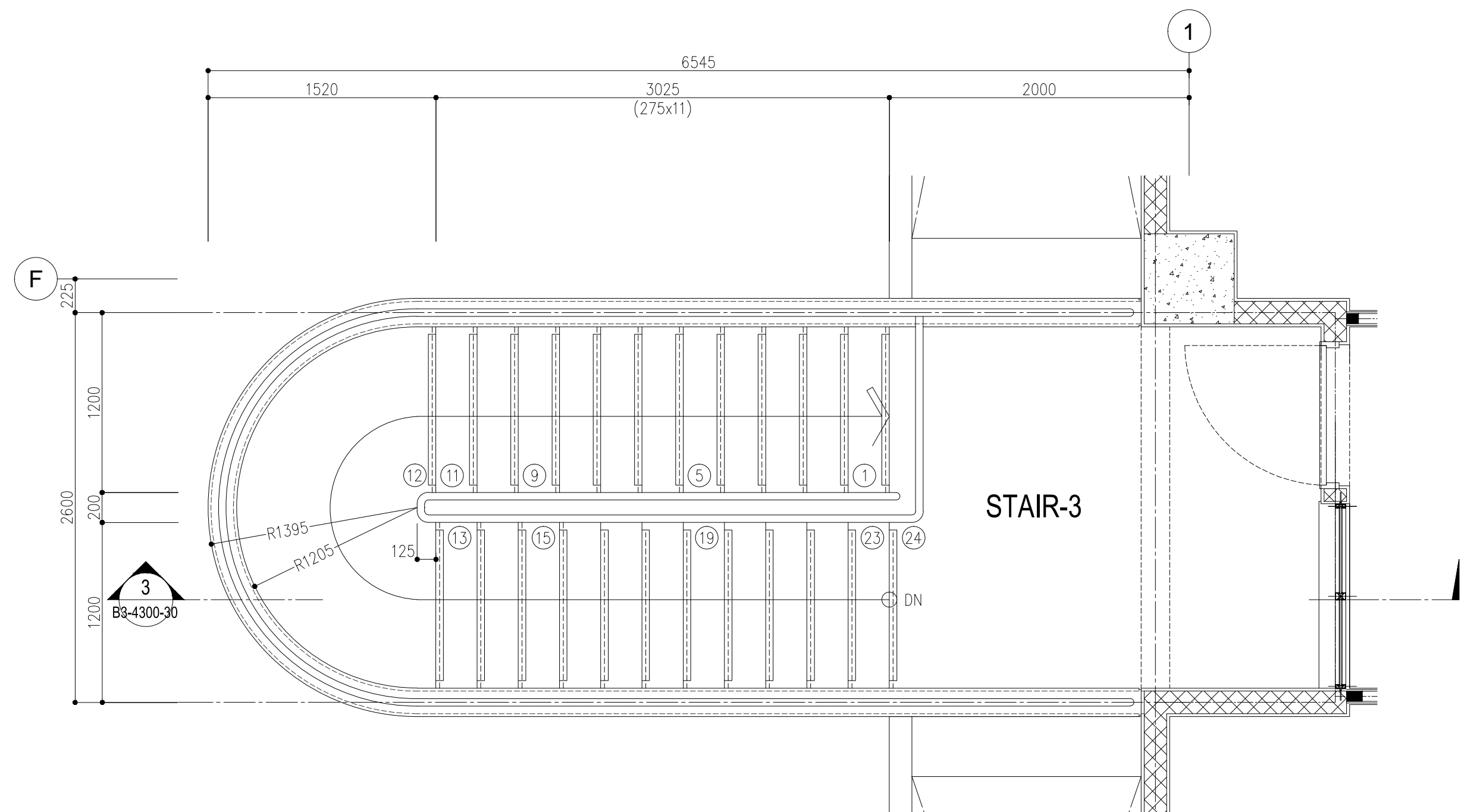
	PREPARED BY: WILLIAM I. MALLONGA <small>PROF. Architect PTR. 3911137 REG. NO.: 4623 DATE: MAY 9, 2013 TEL: 152-544-196 PLACE: MAKATI CITY</small>	RECOMMENDING APPROVAL: ILDEFONSO T. PATDU, JR. <small>Assistant Secretary for Project Implementation, DOTC</small>	APPROVED: JULIANITO G. BUÇAYAN, JR. <small>Undersecretary for Project Implementation, DOTC</small>	PROJECT TITLE: NEW BOHOL AIRPORT CONSTRUCTION AND SUSTAINABLE ENVIRONMENT PROTECTION PROJECT LOCATION: MUNICIPALITY OF PANGLAO, PROVINCE OF BOHOL, PHILIPPINES	SHEET CONTENTS: COMPONENT-4 BUILDING WORKS (B) SUBCOMPONENT-4-3 (B3) CONTROL TOWER, ATC OPERATION AND ADMINISTRATION BUILDING ARCHITECTURAL STAIR-1 DETAIL SECTION FR. GROUND FLOOR TO 4TH FLOOR	SHEET NO: B3-4300-28 DRAWING SCALE: 1: 30 MTS.
	TADASHI AOI <small>Team Leader</small>	JULIANITO G. BUÇAYAN, JR. <small>Undersecretary for Project Implementation, DOTC</small>	JUNE 2013 DATE INDEX AMENDMENTS Prepared by WIM Checked by HC Validated by			



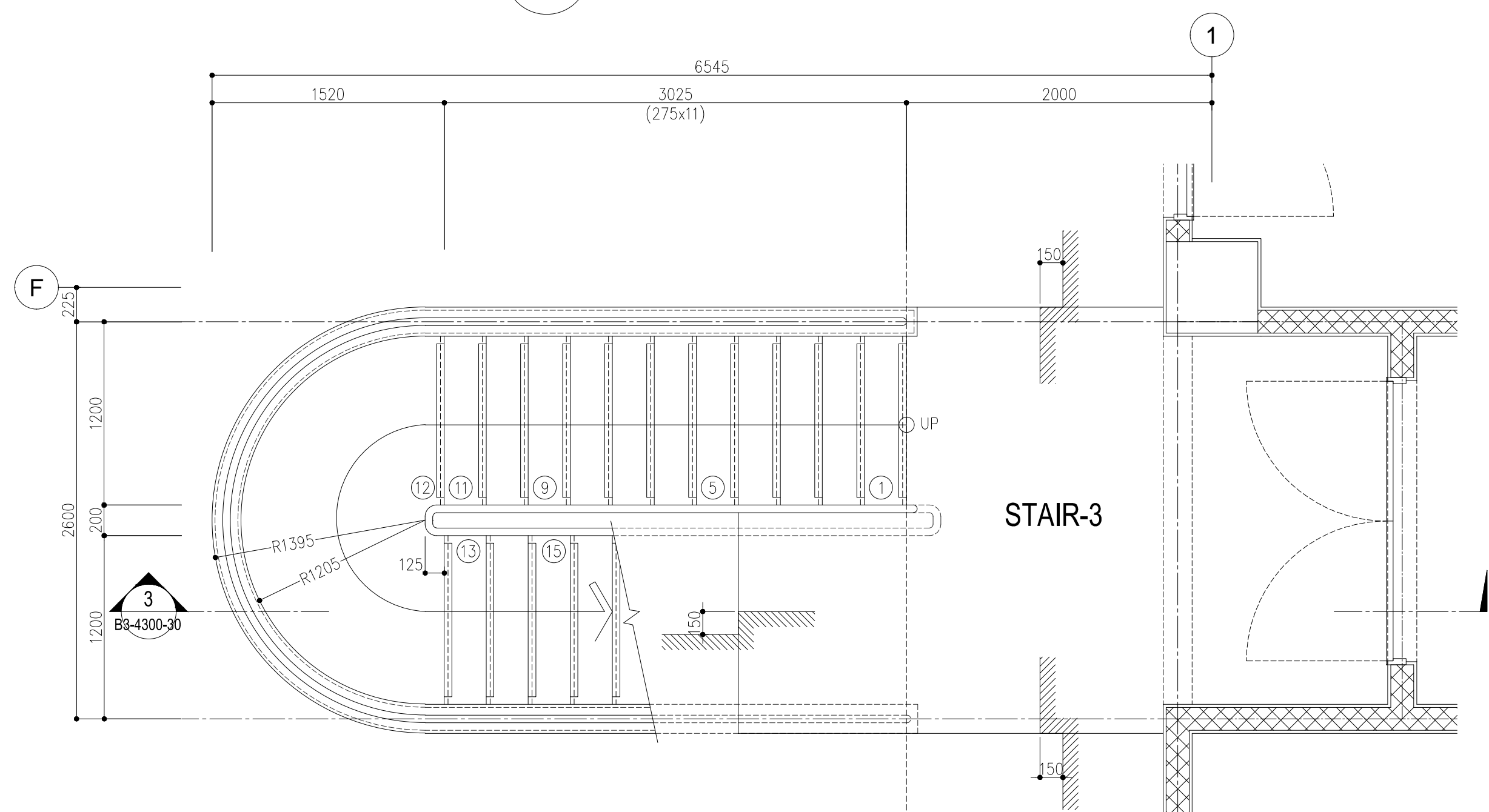
SECTION 1
SCALE 1: 100 M.

MATCH LINE "A"
SEE DRWG. NO. A2-000

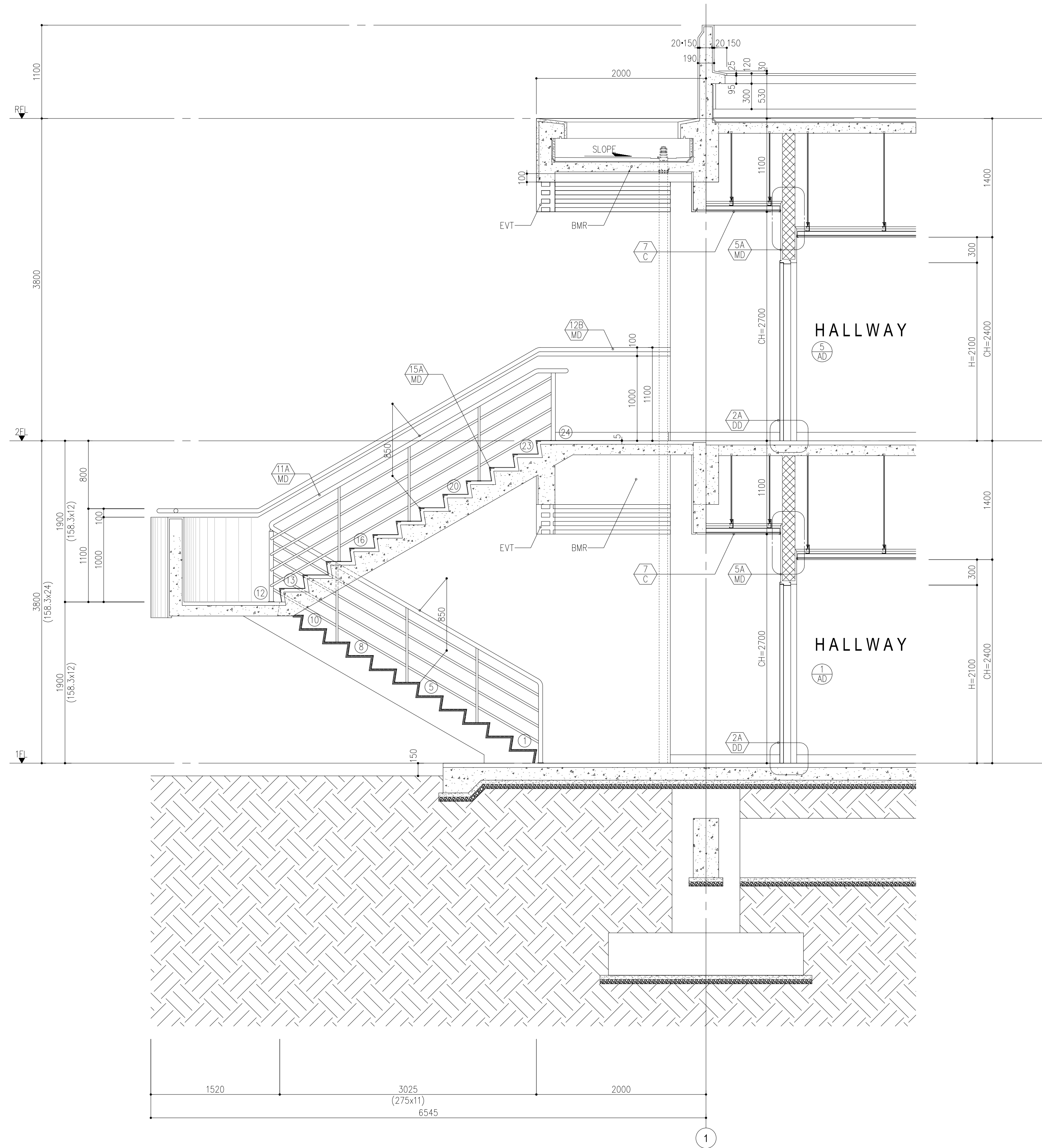
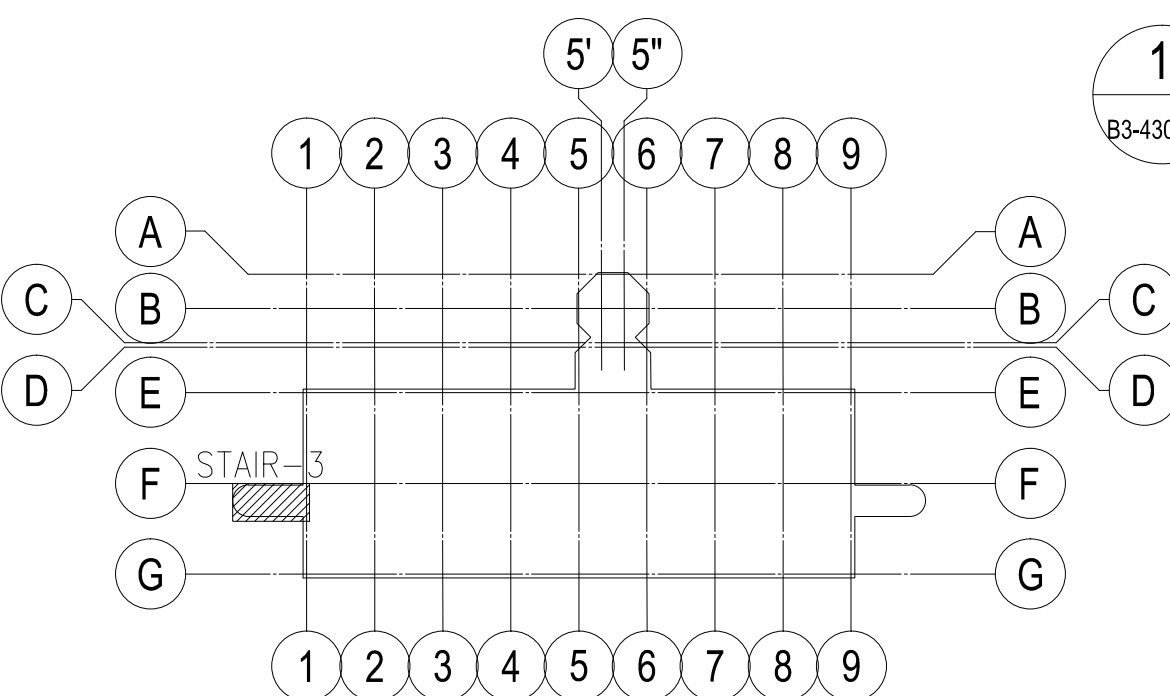
	PREPARED BY: WILLIAM I. MALLONGA <small>PROF. Architect PTR. 3911137 REG. NO.: 4623 DATE: MAY 9, 2013 TEL. 150-564-198 PLACE: MAKATI CITY</small>	RECOMMENDING APPROVAL: ILDEFONSO T. PATDU, JR. <small>Assistant Secretary for Project Implementation, DOTC</small>	APPROVED: JULIANITO G. BUCAYAN, JR. <small>Undersecretary for Project Implementation, DOTC</small>	PROJECT TITLE: NEW BOHOL AIRPORT CONSTRUCTION AND SUSTAINABLE ENVIRONMENT PROTECTION PROJECT LOCATION: MUNICIPALITY OF PANGLAO, PROVINCE OF BOHOL, PHILIPPINES	SHEET CONTENTS: COMPONENT-4 BUILDING WORKS (B) SUBCOMPONENT-4-3 (B3) CONTROL TOWER, ATC OPERATION AND ADMINISTRATION BUILDING ARCHITECTURAL STAIR-1 DETAIL SECTION FR. 5TH-9TH FLR.	SHEET NO.: B3-4300-29 DRAWING SCALE: AS SHOWN
	JICA DESIGN CONSULTANT JOINT VENTURE <small>Prepared by</small> WILLIAM I. MALLONGA <small>Checked by</small> WIM <small>Validated by</small> HC	<small>DATE</small> JUNE 2013 <small>INDEX</small> <small>AMENDMENTS</small>	<small>Prepared by</small> WIM <small>Checked by</small> HC <small>Validated by</small>			



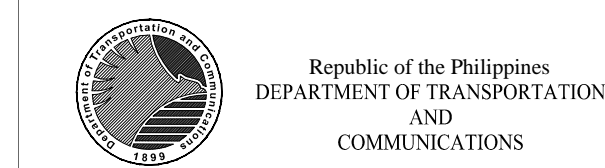
2 STAIR-3 DETAIL PLAN @ (2ND FLOOR)
 B3-4300-30 SCALE 1:30 MTS.



1 STAIR-3 DETAIL PLAN @ (GROUND FLOOR)
 B3-4300-30 SCALE 1:30 MTS.



3 SECTION A-A
 B3-4300-30 SCALE 1:30 MTS.



PREPARED BY:
 WILLIAM I. MALLONGA
 ARCHITECT
 REG. NO.: 4623
 T.E.N.: 150-564-198

RECOMMENDING APPROVAL:
 ILDEFONSO T. PATDU, JR.
 Assistant Secretary
 for Project Implementation, DOTC

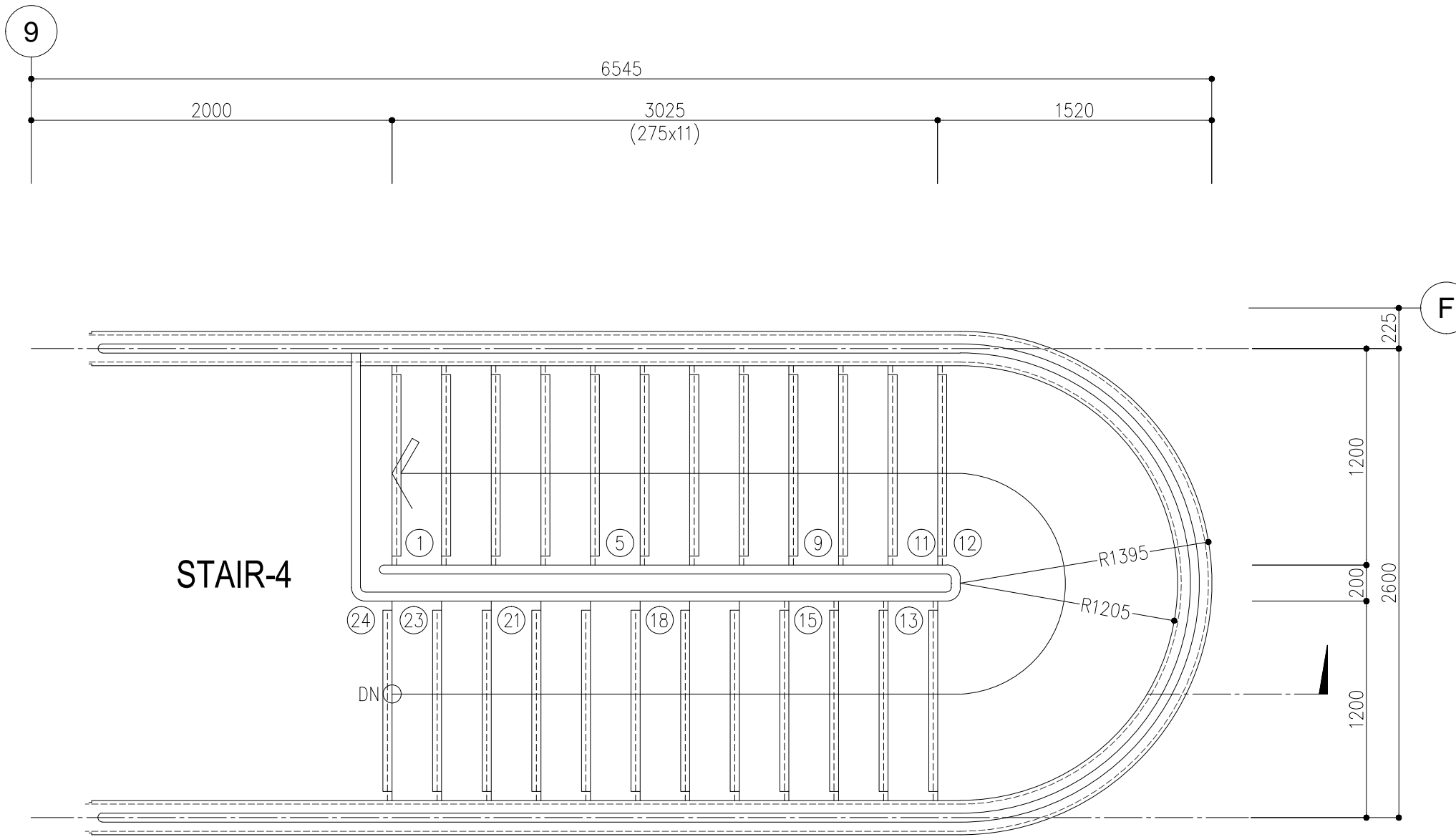
APPROVED:
 JULIANITO G. BUCAYAN, JR.
 Undersecretary
 for Project Implementation, DOTC

PROJECT TITLE:
NEW BOHOL AIRPORT CONSTRUCTION AND SUSTAINABLE ENVIRONMENT PROTECTION PROJECT
 LOCATION: MUNICIPALITY OF PANGLAO, PROVINCE OF BOHOL, PHILIPPINES

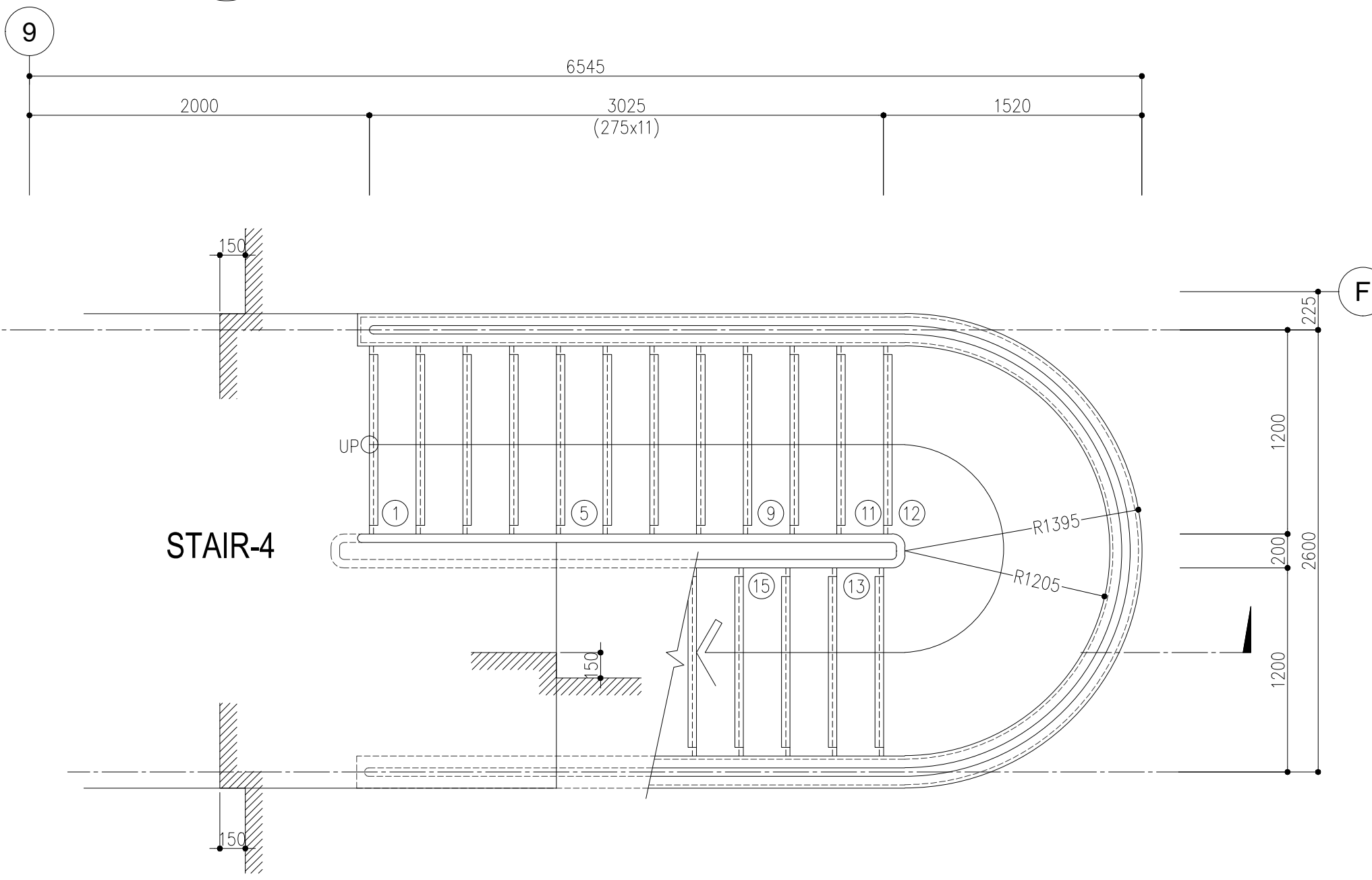
DATE	INDEX	AMENDMENTS	Prepared by	Checked by	Validated by
JUNE 2013			WIM	HC	

SHEET CONTENTS:
 COMPONENT-4 BUILDING WORKS (B)
 SUBCOMPONENT-4-3
 (B3) CONTROL TOWER, ATC OPERATION AND ADMINISTRATION BUILDING
 ARCHITECTURAL
 STAIR-3 DETAIL PLAN AND SECTION

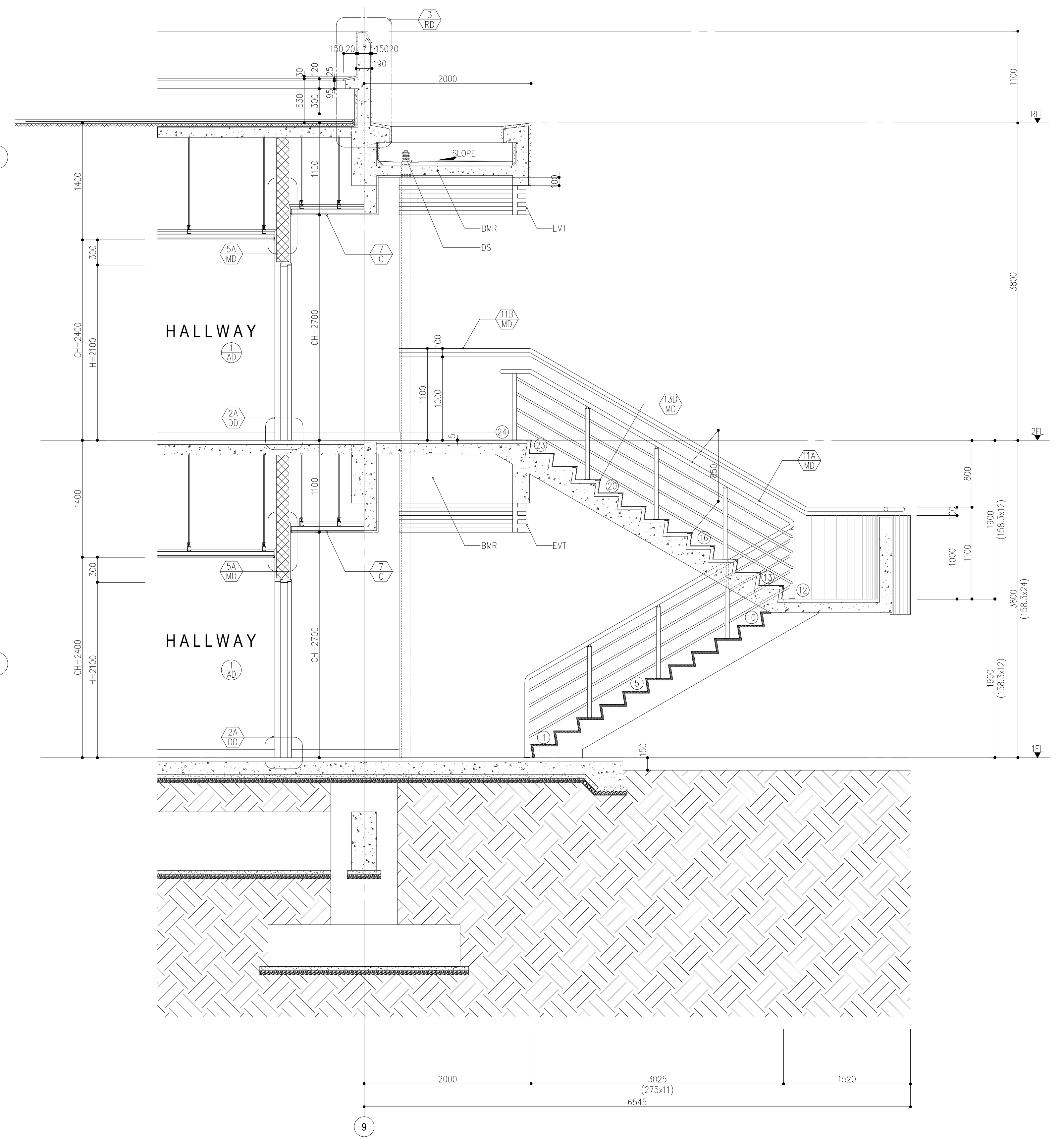
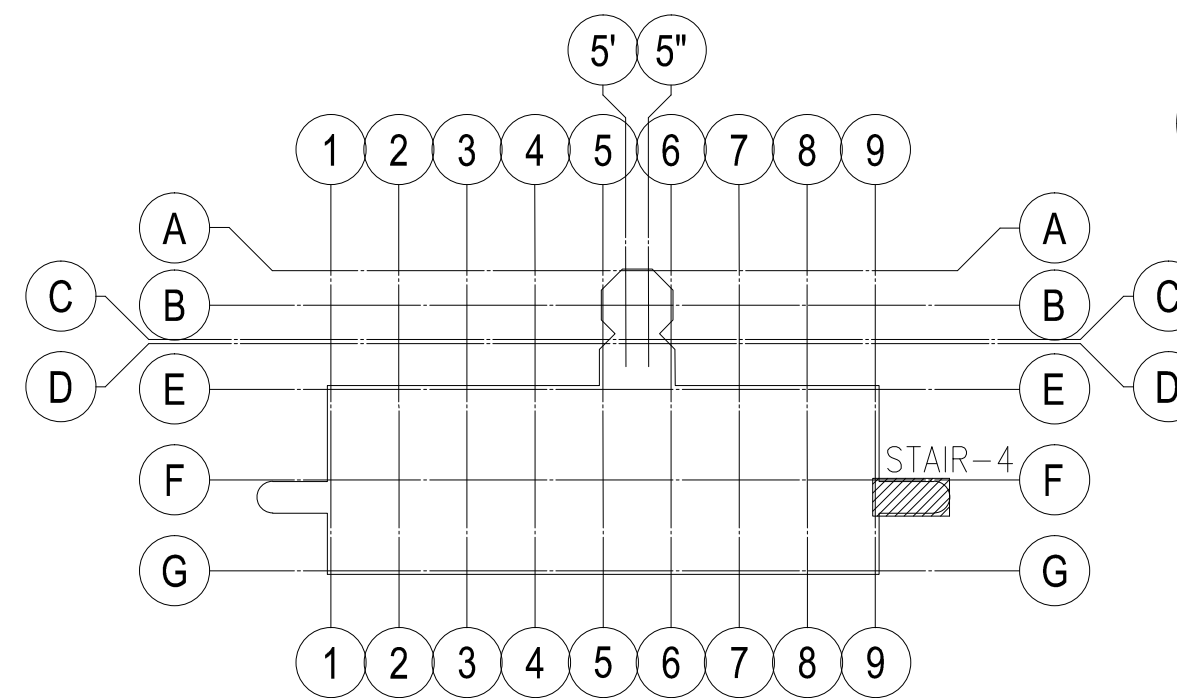
SHEET NO:
B3-4300-30
 DRAWING SCALE:
 1: 30 MTS.



2 STAIR-4 DETAIL PLAN @ (2ND FLOOR)
 B3-4300-31 SCALE 1:30 MTS.

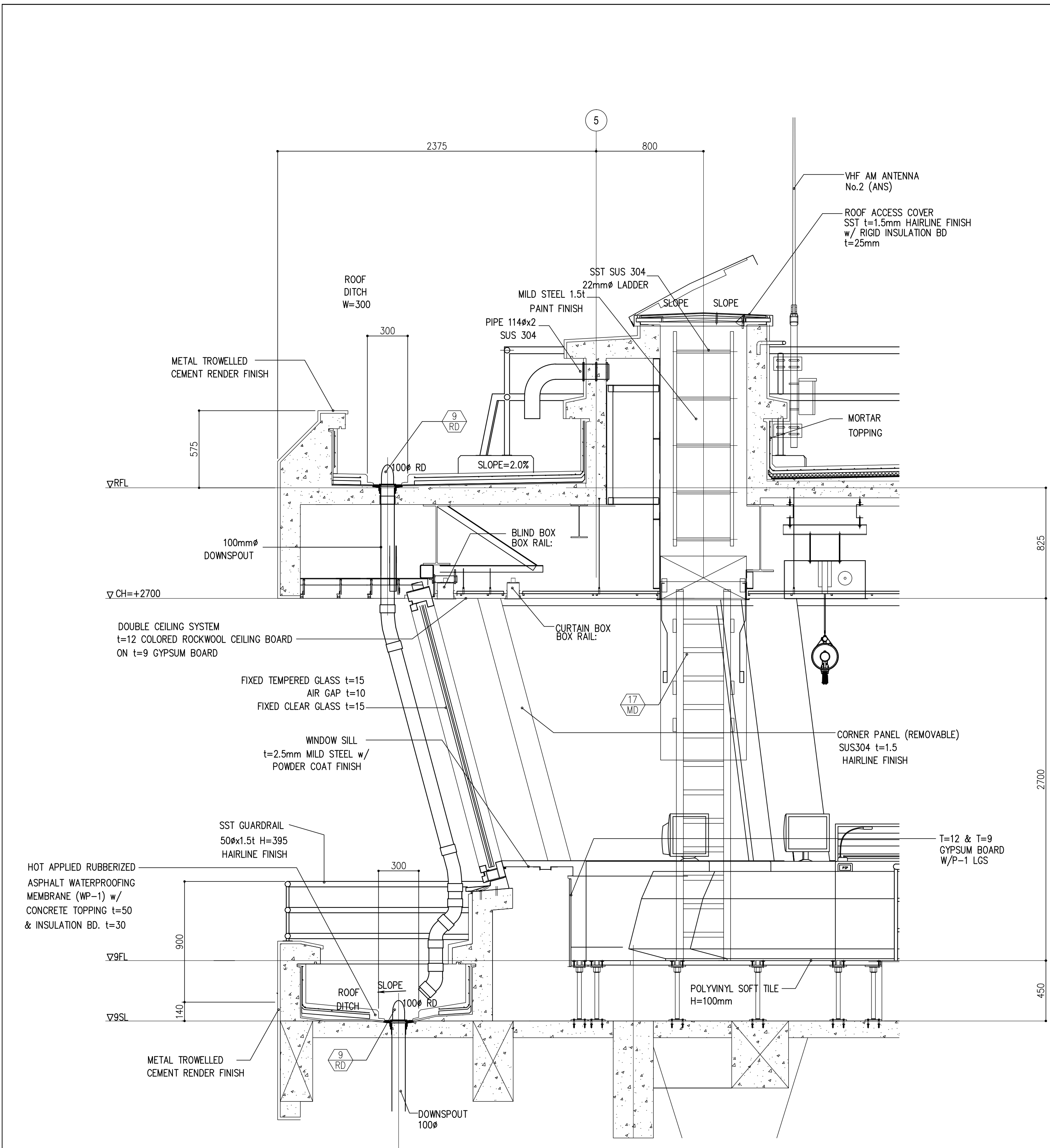


1 STAIR-4 DETAIL PLAN @ (GROUND FLOOR)
 B3-4300-31 SCALE 1:30 MTS.

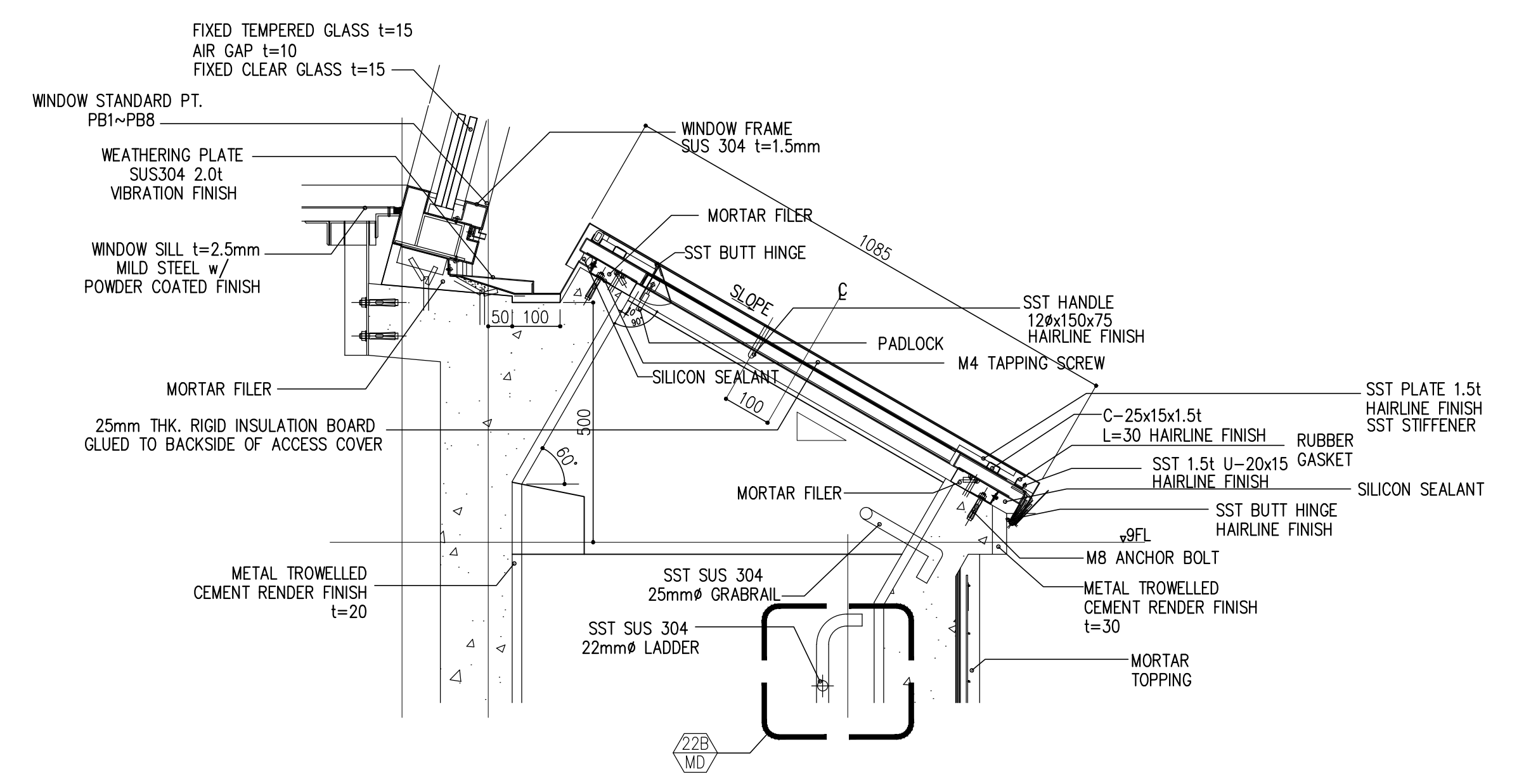


3 SECTION
 B3-4300-31 SCALE 1:30 MTS.

	PREPARED BY: WILLIAM I. MALLONGA <small>PROF. Architect PTR. 3911137 REG. NO.: 4623 DATE: MAY 9, 2013 T.N. 150-564-198 PLACE: MAKATI CITY</small>	RECOMMENDING APPROVAL: ILDEFONSO T. PATDU, JR. <small>Assistant Secretary for Project Implementation, DOTC</small>	APPROVED: JULIANITO G. BUCAVAN, JR. <small>Undersecretary for Project Implementation, DOTC</small>	PROJECT TITLE: NEW BOHOL AIRPORT CONSTRUCTION AND SUSTAINABLE ENVIRONMENT PROTECTION PROJECT	SHEET CONTENTS: COMPONENT-4 BUILDING WORKS (B) SUBCOMPONENT-4-3 (B3) CONTROL TOWER, ATC OPERATION AND ADMINISTRATION BUILDING ARCHITECTURAL STAIR-4 DETAIL PLAN AND SECTION	SHEET NO: B3-4300-31
	JICA DESIGN CONSULTANT JOINT VENTURE JAPAN AIRPORT CONSULTANTS, INC. NIPPON KOEI CO., LTD. NIS CONSULTANTS CO., LTD.	TADASHI AOI <small>Team Leader</small>	ILDEFONSO T. PATDU, JR. <small>Assistant Secretary for Project Implementation, DOTC</small>	JULIANITO G. BUCAVAN, JR. <small>Undersecretary for Project Implementation, DOTC</small>	LOCATION: MUNICIPALITY OF PANGLAO, PROVINCE OF BOHOL, PHILIPPINES	DATE: JUNE 2013 INDEX: AMENDMENTS: Prepared by: WIM Checked by: IIC Validated by:

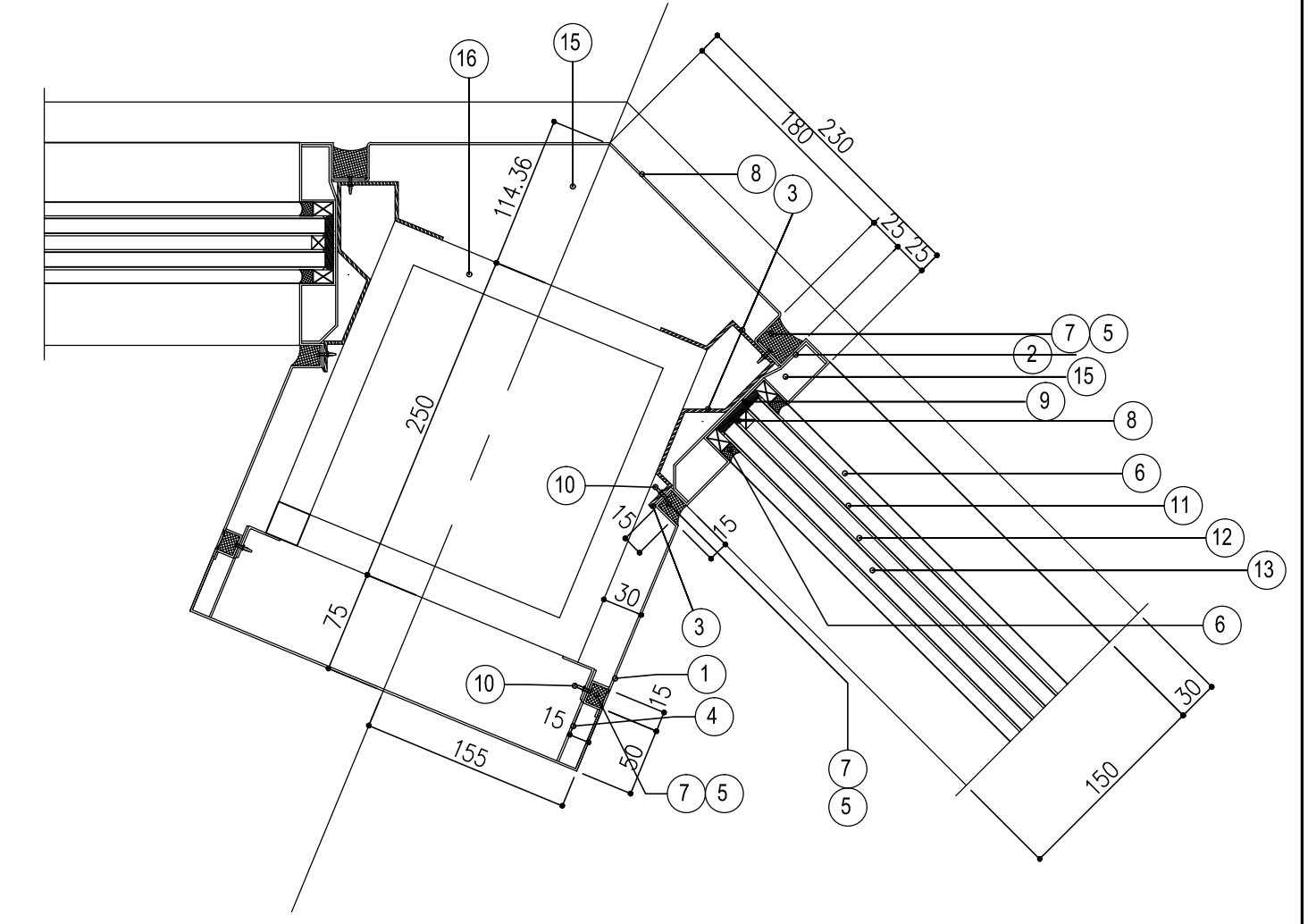


1
DETAIL SECTION 1
 SCALE: 1:20MTS.



2
DETAIL SECTION 2
 SCALE: 1:10MTS.

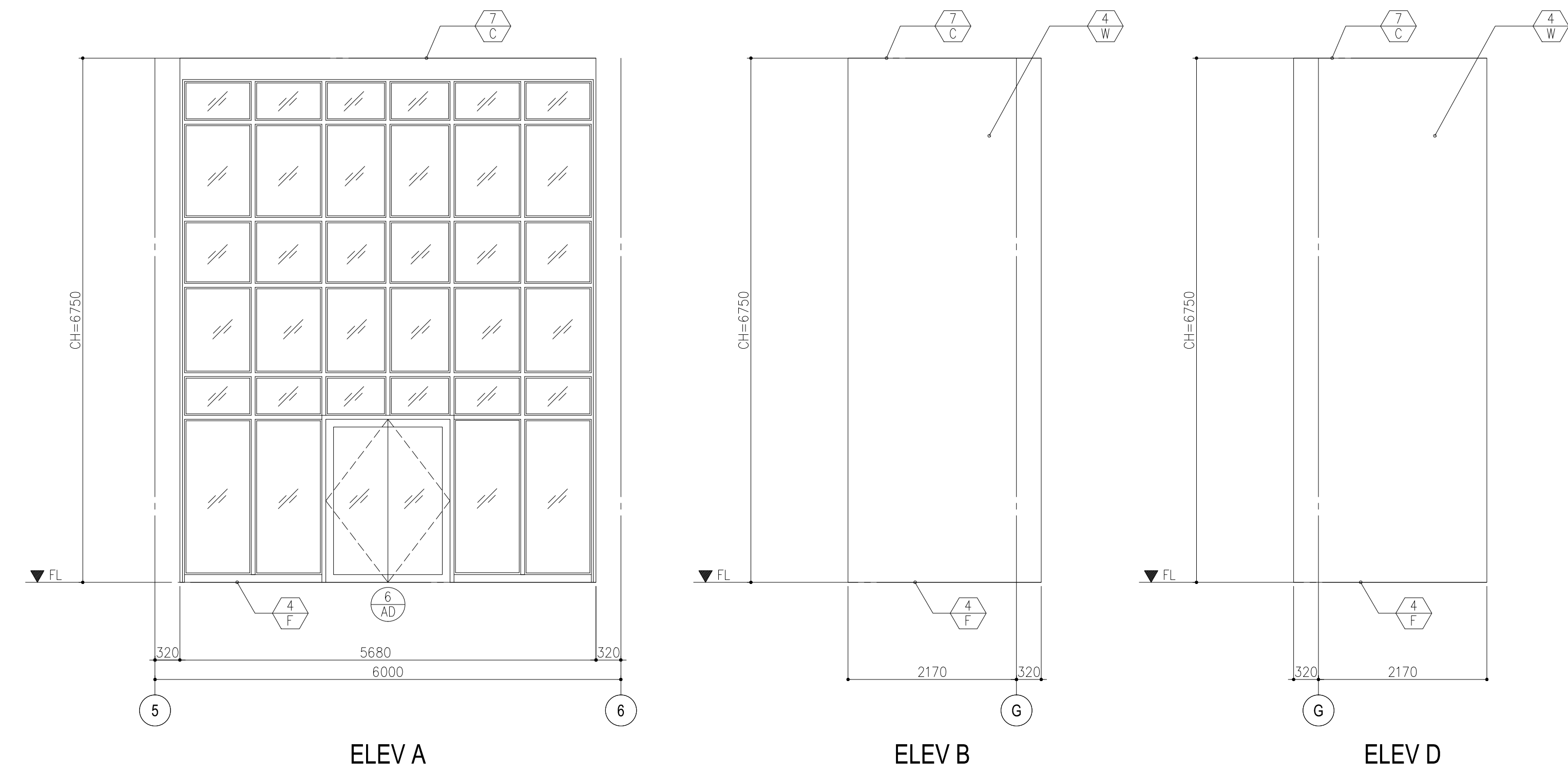
- ① SUS 304 PLATE; t=1.5 HAIR LINE FIN.
- ② STEEL PLATE; t=1.6 CONTINUOUS
- ③ STEEL PLATE; t=2.3 CONTINUOUS
- ④ ANGULAR STEEL & FLAT BAR SUPPORT
- ⑤ POLYSULFIDE SEALANT
- ⑥ SILICON SEALANT
- ⑦ BACK-UP POLYETHYLENE FOAM
- ⑧ SPACER; SUS 304
- ⑨ SYNTHETIC RUBBER CUSHION
- ⑩ FLAT HEAD SCREW; SUS 304; 3.0 ϕ
- ⑪ HEAT ABSORBING TEMPERED GLASS=12mm.
- ⑫ AIR CAP=12mm.
- ⑬ CLEAR FLOAT GLASS=15mm.
- ⑭ URETHANE FOAM; FILLED INSIDE WINDOW JAMB & MULLION
- ⑮ URETHANE FOAM; SPRAYED INSIDE OUTER METAL COLUMN CLADDING 25 mm thick
- ⑯ BUILT-UP STEEL COLUMN



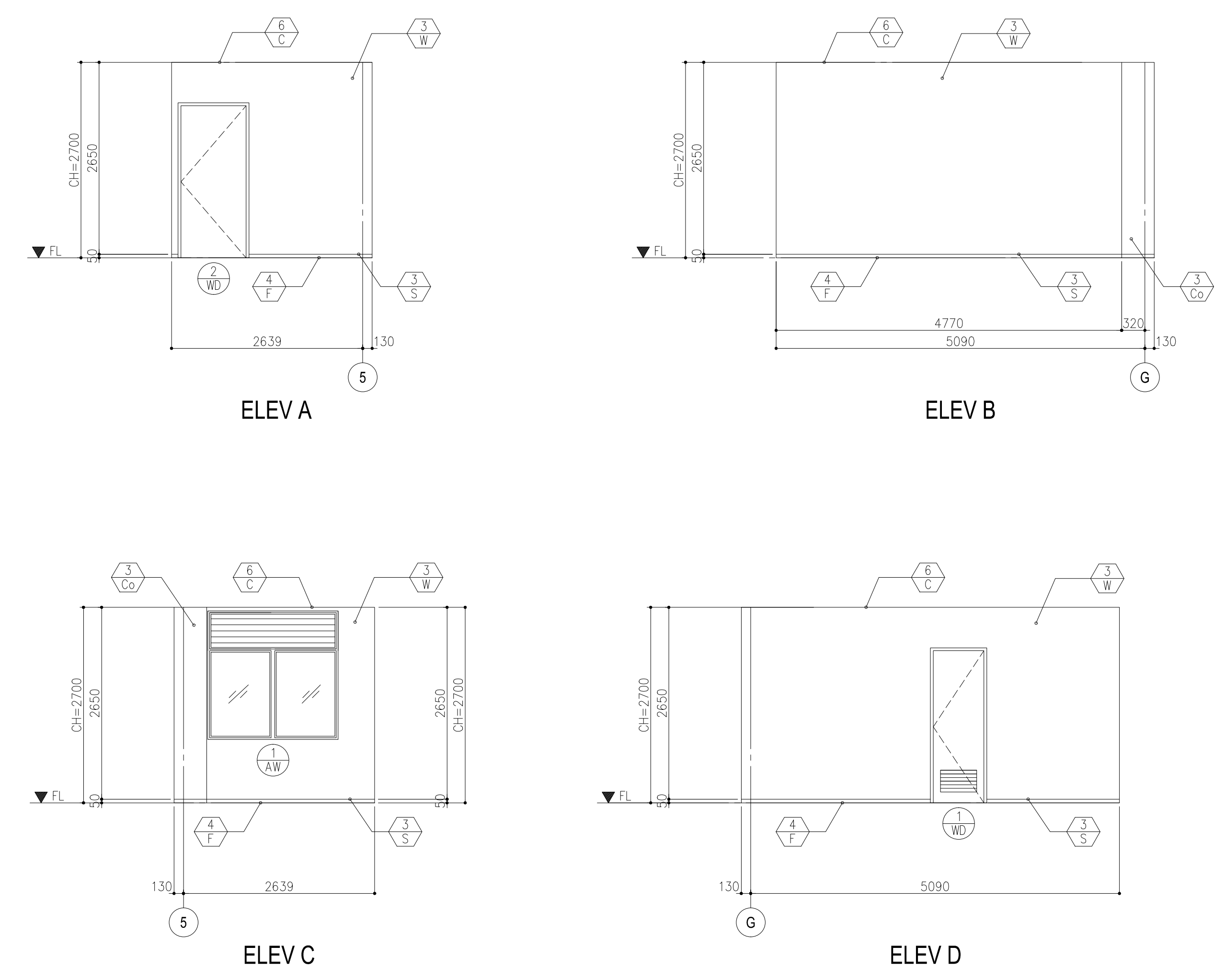
3
COLUMN CLADDING & GLAZING DETAIL
 SCALE: 1:5MTS.

	PREPARED BY: WILLIAM I. MALLONGA <small>PROF. Architect PIR. 3811137 RES. NO.: 4623 DATE: MAY 9, 2013 TEL. 129-564-198 PLACE: MANILA CITY</small>	RECOMMENDING APPROVAL: JILDEFONSO T. PATDU, JR. <small>Assistant Secretary for Project Implementation, DOTC</small>	APPROVED: JULIANITO G. BUCAYAN, JR. <small>Undersecretary for Project Implementation, DOTC</small>	PROJECT TITLE: NEW BOHOL AIRPORT CONSTRUCTION AND SUSTAINABLE ENVIRONMENT PROTECTION PROJECT	LOCATION: MUNICIPALITY OF PANGLAO, PROVINCE OF BOHOL, PHILIPPINES	SHEET CONTENTS: COMPONENT-4 BUILDING WORKS (B) SUBCOMPONENT-4-3 (B3) CONTROL TOWER, ATC OPERATION AND ADMINISTRATION BUILDING ARCHITECTURAL SECTION DETAIL 1&2 COLUMN CLADDINGS & GLAZING DETAIL	SHEET NO: B3-4300-32
	JICA DESIGN CONSULTANT JOINT VENTURE JAC JAPAN AIRPORT CONSULTANTS, INC. NIPON KOEI CO., LTD. NIS CONSULTANTS CO., LTD.	TADASHI AOI Team Leader	JILDEFONSO T. PATDU, JR. Assistant Secretary for Project Implementation, DOTC	JULIANITO G. BUCAYAN, JR. Undersecretary for Project Implementation, DOTC	DATE: JUNE 2013 INDEX: AMENDMENTS: Prepared by: WIM Checked by: HC Validated by:	DRAWING SCALE: AS SHOWN	

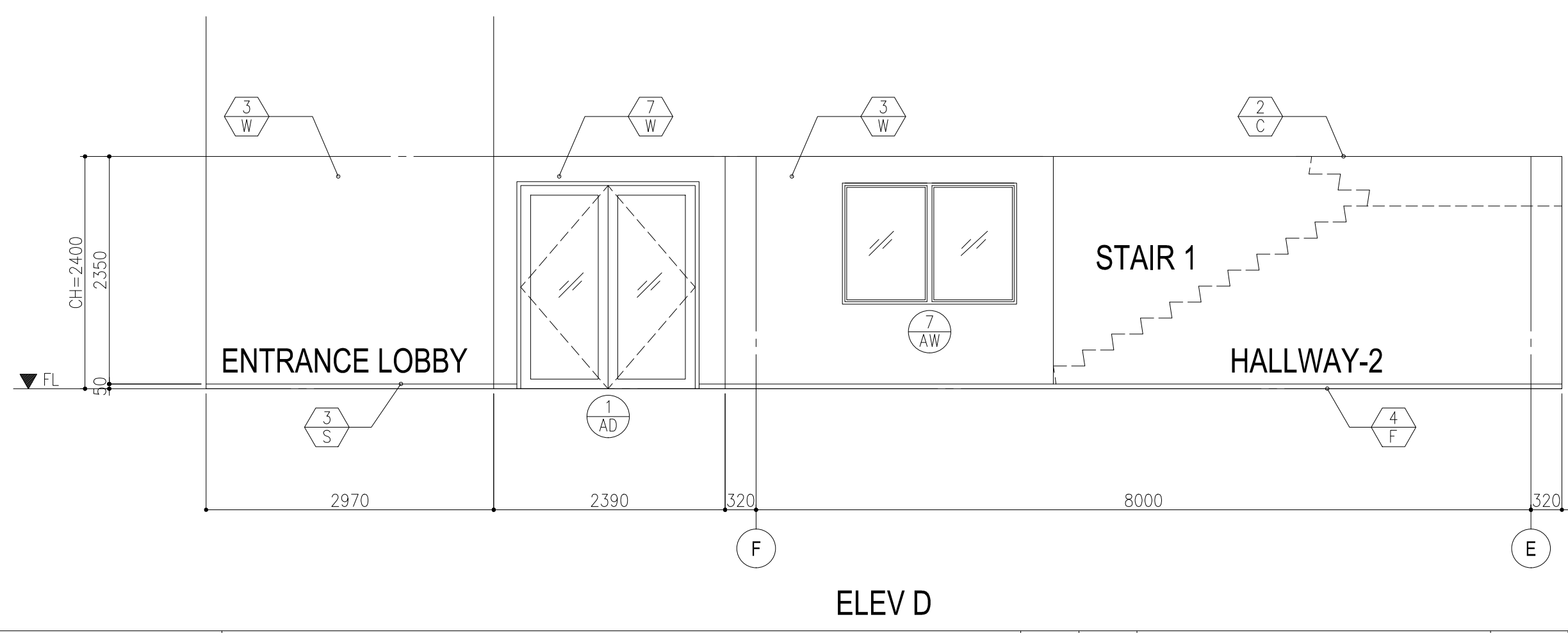
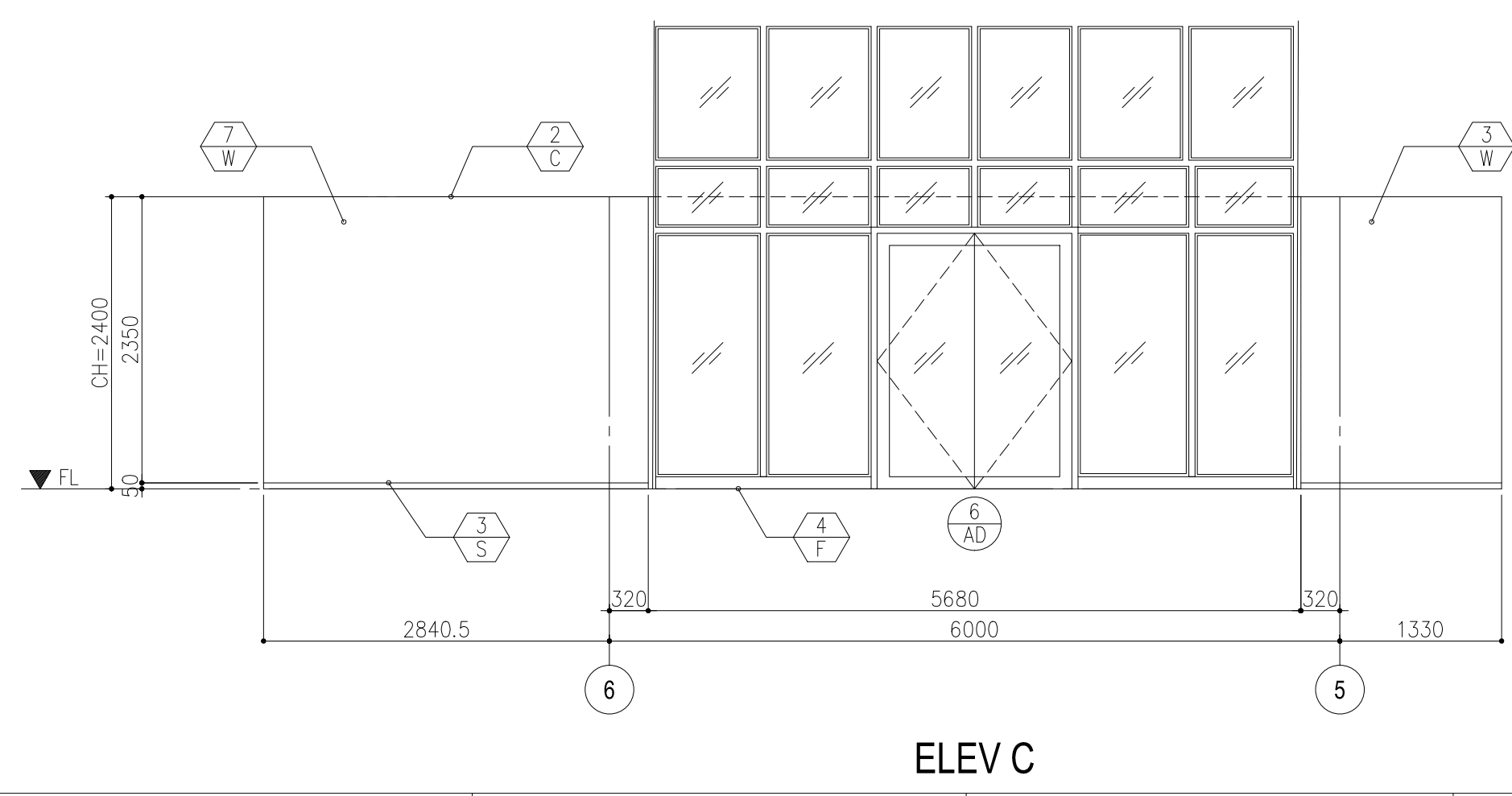
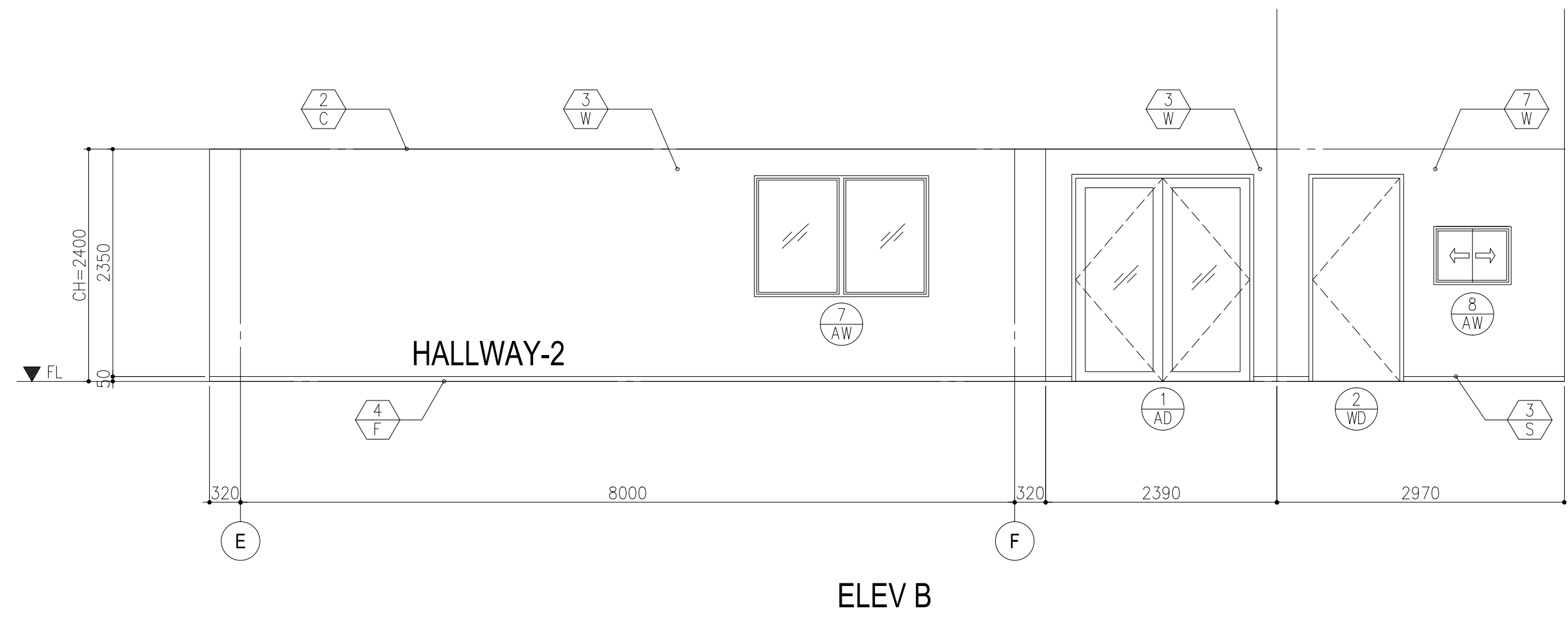
PORCH (1-01)



LOCKER ROOM (FEMALE)_ (1-03)

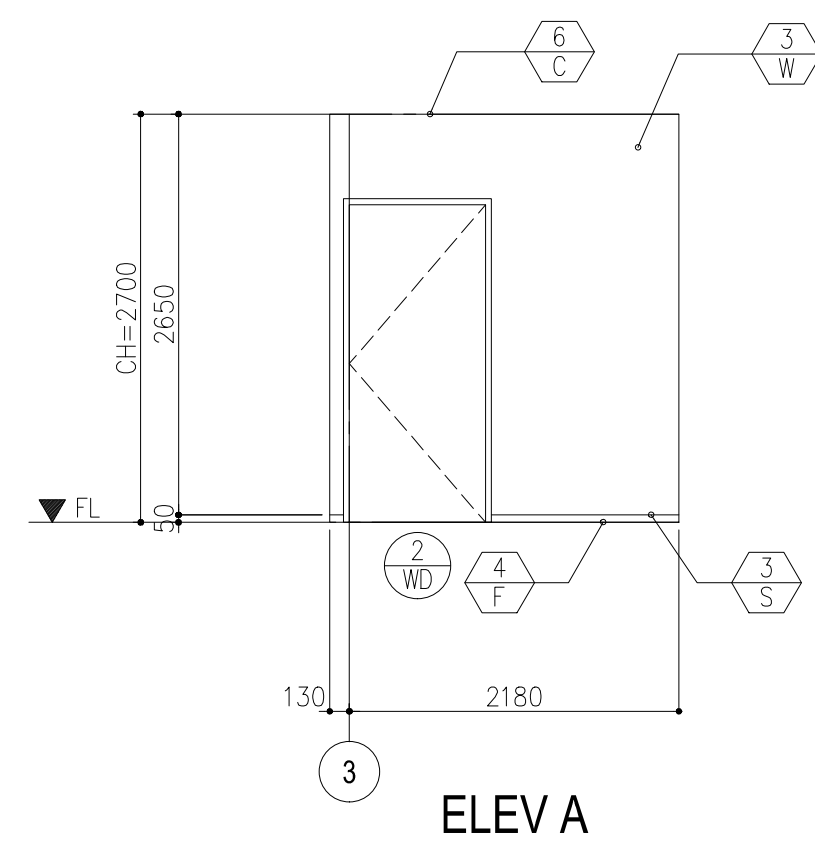


ENTRANCE LOBBY (1-02), LOBBY (1-16) & HALLWAY-2 (1-17)

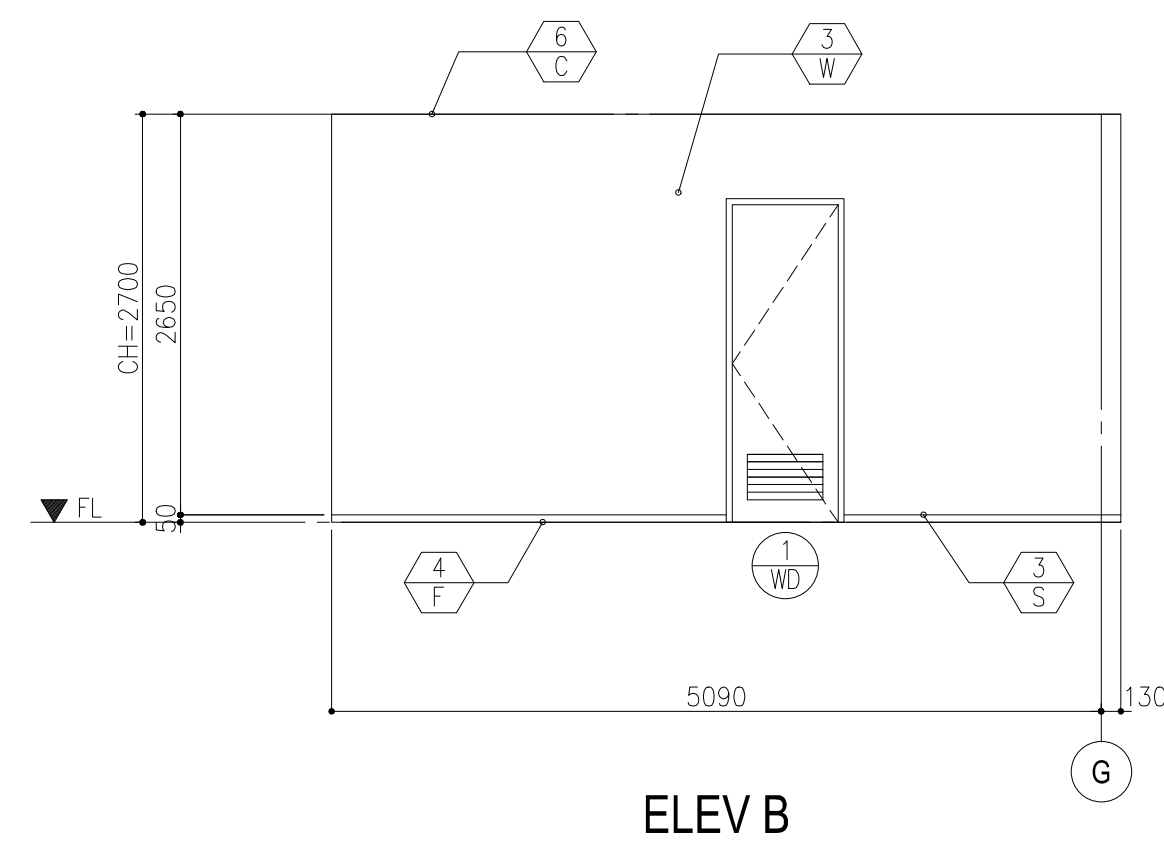


	PREPARED BY: WILLIAM I. MALLONGA <small>PROF. Architect PTR. 3911137 REG. NO.: 4623 DATE: MAY 9, 2013 TEL. 150-564-198 PLACE: MAKATI CITY</small>	RECOMMENDING APPROVAL: ILDEFONSO T. PATDU, JR. <small>Assistant Secretary for Project Implementation, DOTC</small>	APPROVED: JULIANITO G. BUCCAYAN, JR. <small>Undersecretary for Project Implementation, DOTC</small>	PROJECT TITLE: NEW BOHOL AIRPORT CONSTRUCTION AND SUSTAINABLE ENVIRONMENT PROTECTION PROJECT	SHEET CONTENTS: COMPONENT-4 BUILDING WORKS (B) SUBCOMPONENT-4-3 (B3) CONTROL TOWER, ATC OPERATION AND ADMINISTRATION BUILDING ARCHITECTURAL ELEVATIONS 1-7	SHEET NO: B3-4300-33
	TADASHI AOI <small>Team Leader</small>	LOCATION: MUNICIPALITY OF PANGLAO, PROVINCE OF BOHOL, PHILIPPINES	DATE: JUNE 2013	INDEX:	AMENDMENTS:	Prepared by: WIM Checked by: HC Validated by:

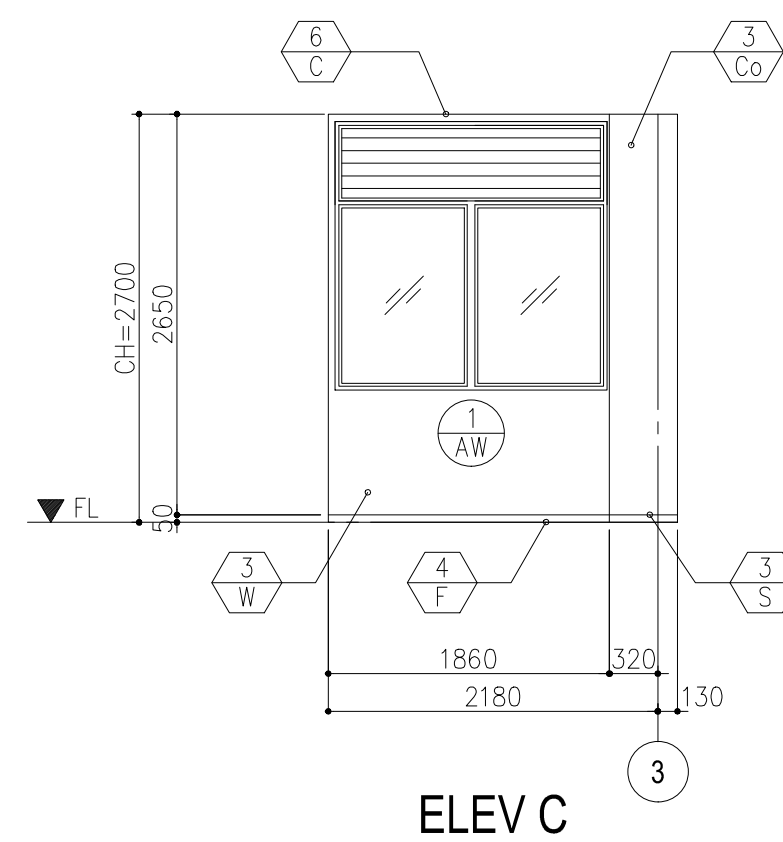
LOCKER ROOM (MALE)_ (1-06)



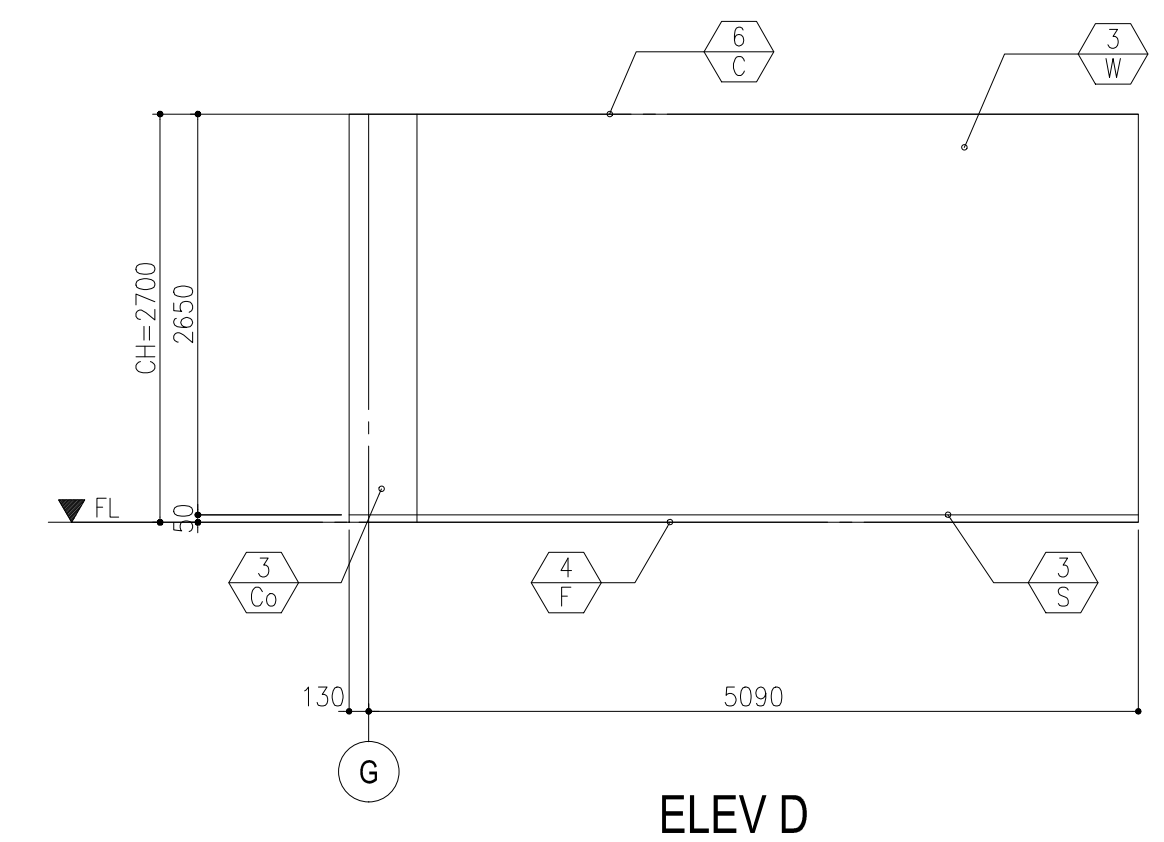
ELEV A



ELEV B

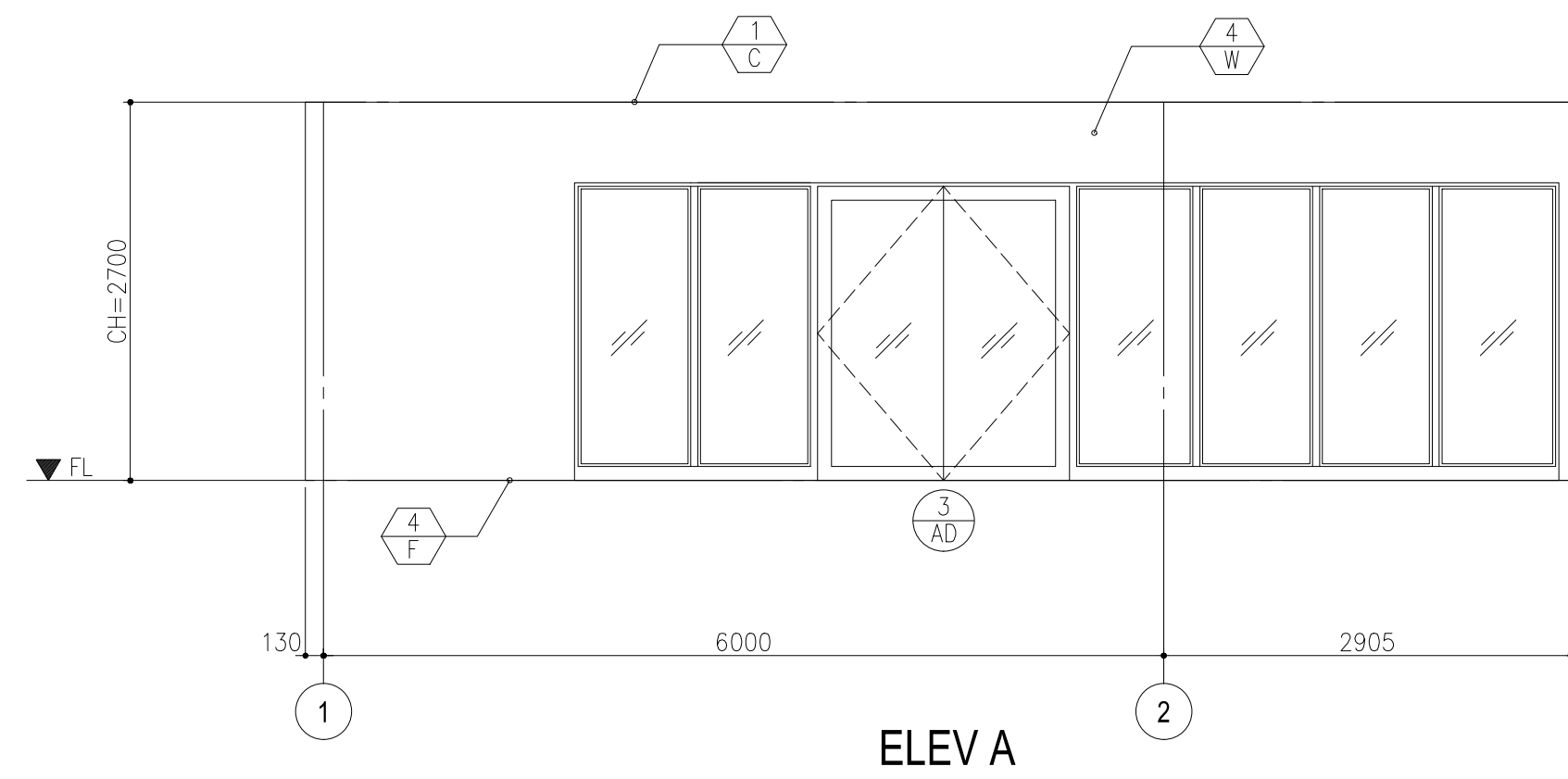


ELEV C

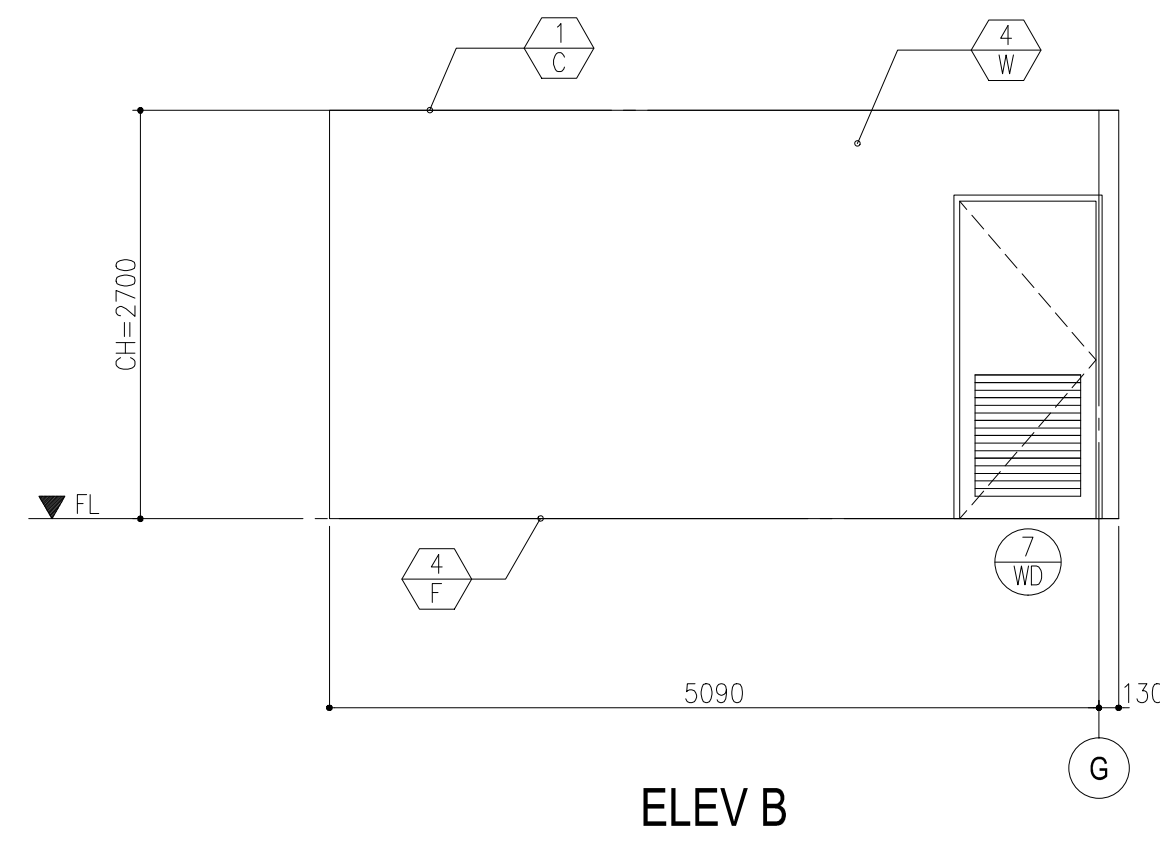


ELEV D

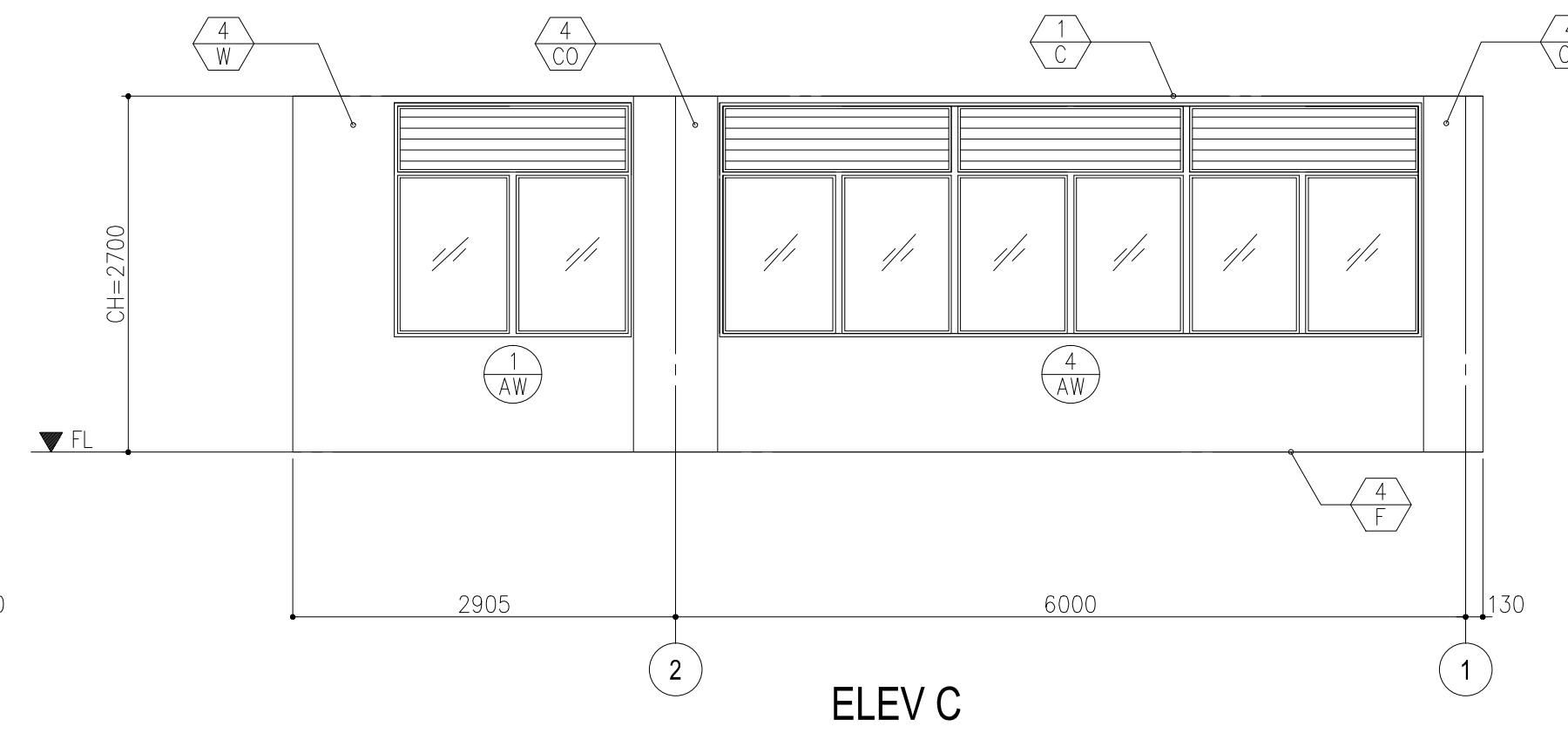
DINING ROOM (1-08)



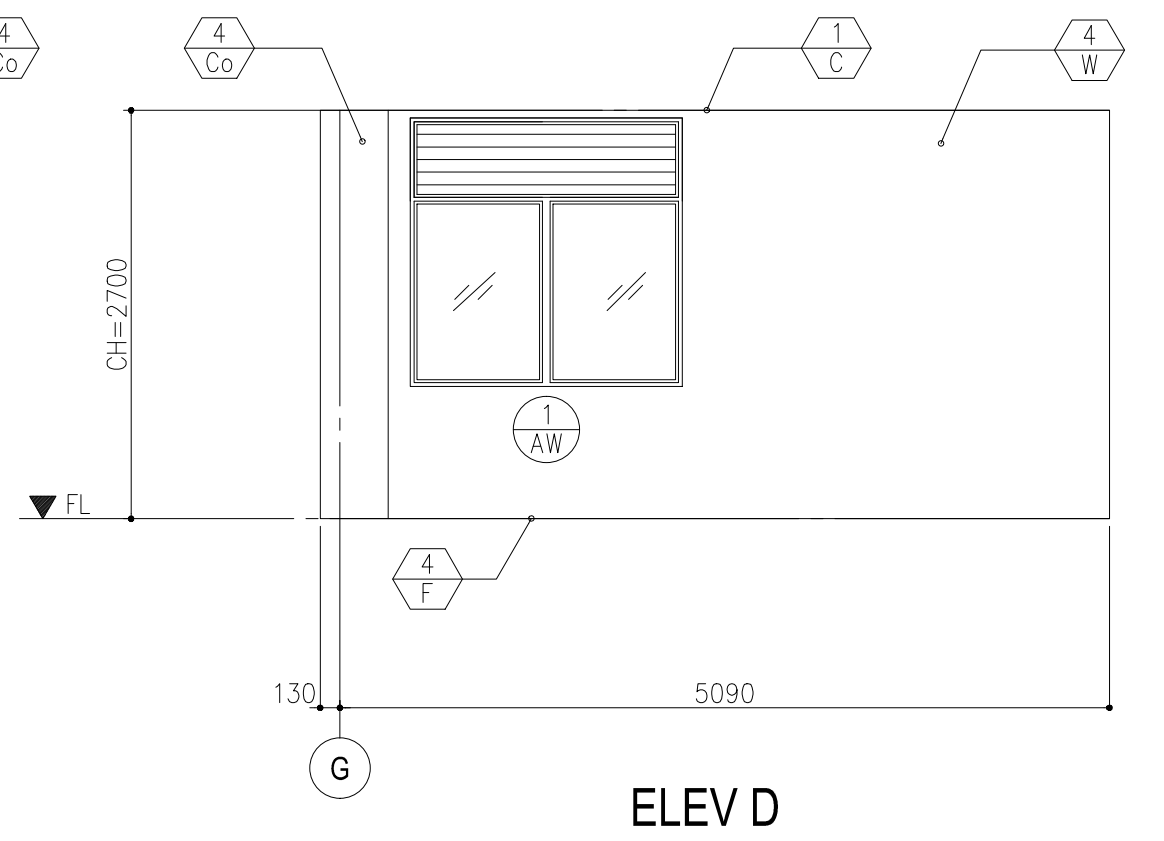
ELEV A



ELEV B

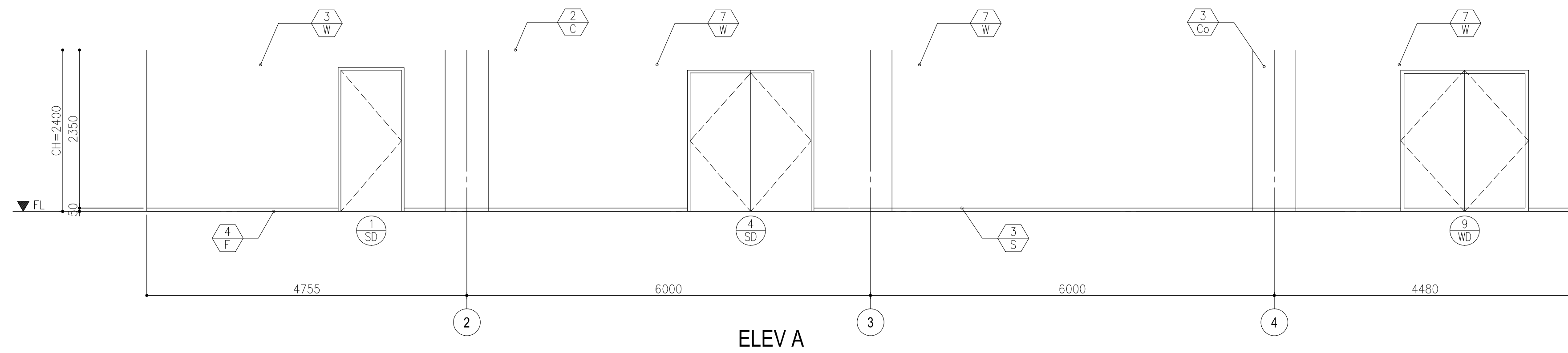


ELEV C

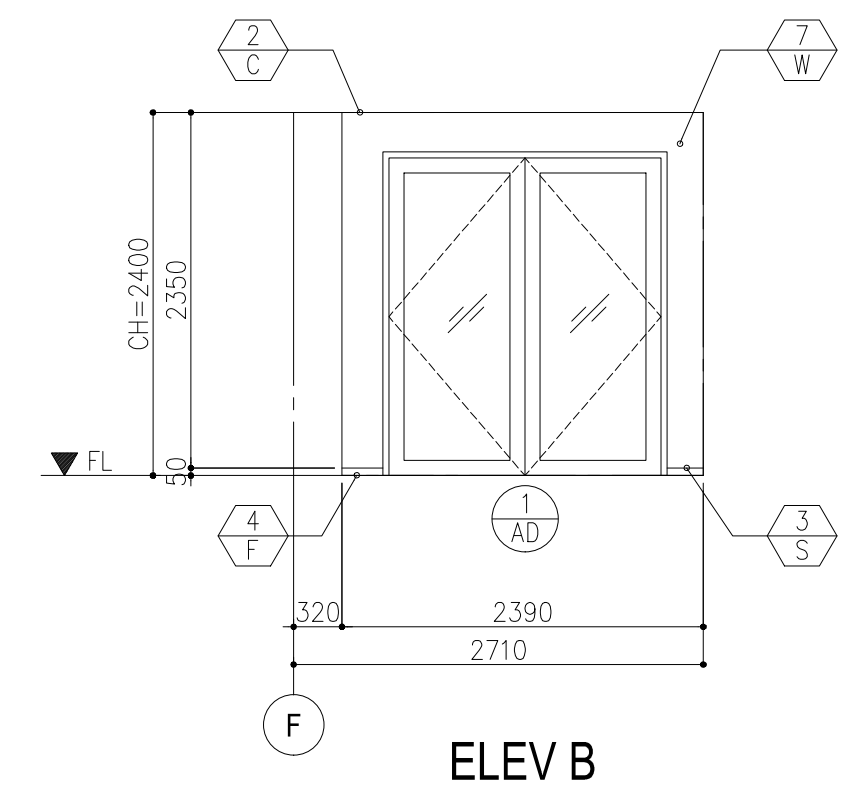


ELEV D

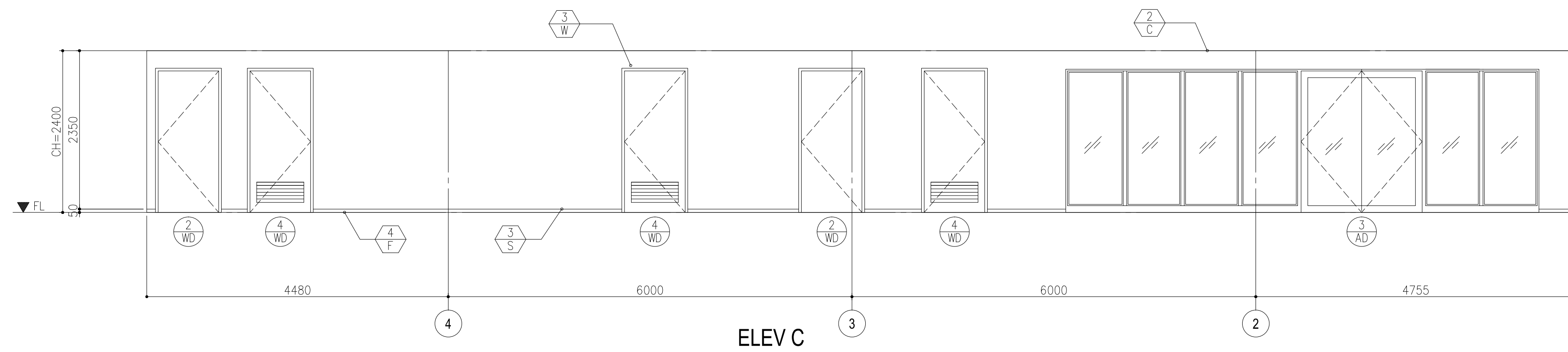
HALLWAY - 1 (1-09)



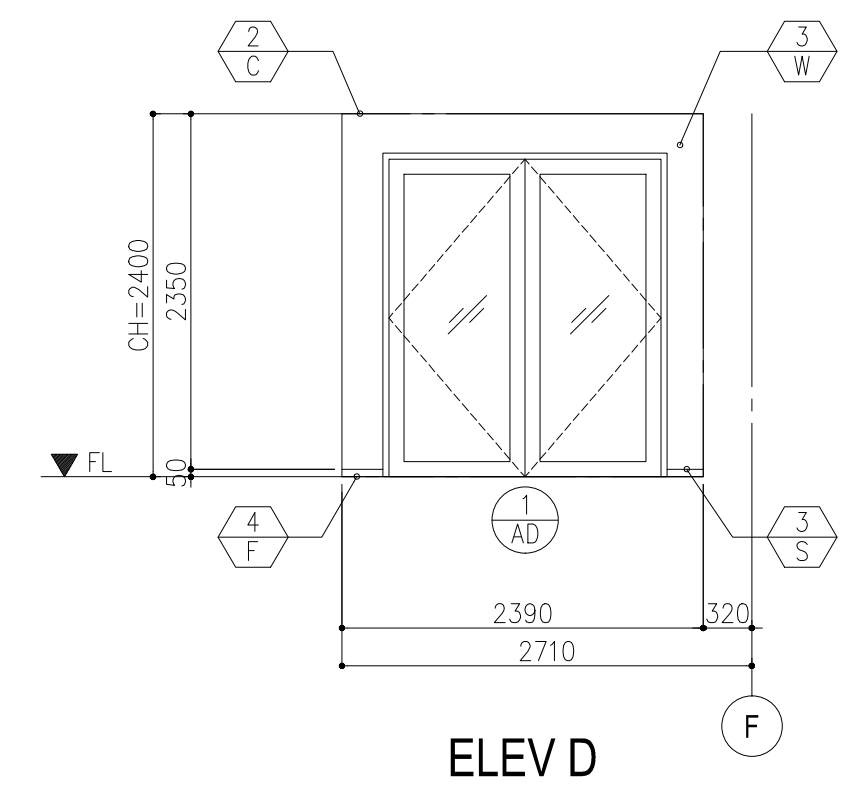
ELEV A



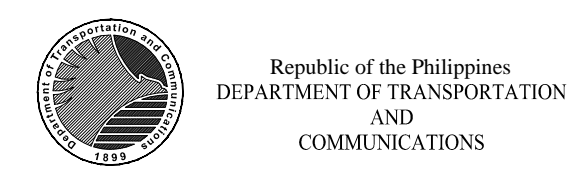
ELEV B



ELEV C



ELEV D



PREPARED BY:
WILLIAM I. MALLONGA
PROF. Architect PTR. 3911137
REG. NO.: 4623 DATE: MAY 9, 2013
TEL: 150-564-198 PLACE: MAKATI CITY

TADASHI AOI
Team Leader

RECOMMENDING APPROVAL:
ILDEFONSO T. PATDU, JR.
Assistant Secretary
for Project Implementation, DOTC

APPROVED:
JULIANITO G. BUICAYAN, JR.
Undersecretary
for Project Implementation, DOTC

PROJECT TITLE:
NEW BOHOL AIRPORT CONSTRUCTION AND SUSTAINABLE ENVIRONMENT PROTECTION PROJECT

LOCATION: MUNICIPALITY OF PANGLAO, PROVINCE OF BOHOL, PHILIPPINES

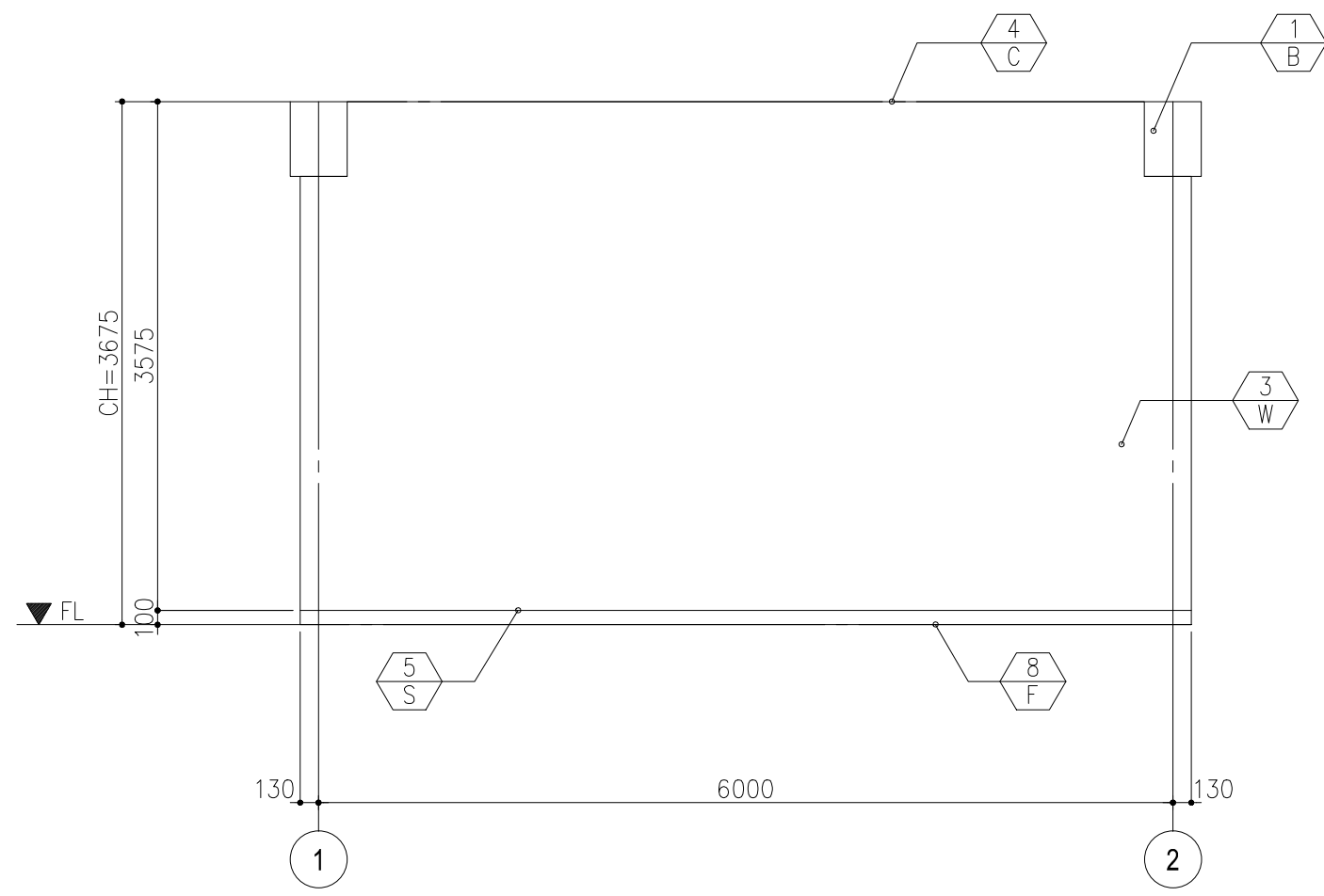
DATE	INDEX	AMENDMENTS	Prepared by	Checked by	Validated by
JUNE 2013			WIM	HC	

SHEET CONTENTS:
COMPONENT-4 BUILDING WORKS (B) SUBCOMPONENT-4-3
(B3) CONTROL TOWER, ATC OPERATION AND ADMINISTRATION BUILDING ARCHITECTURAL GF INTERNAL ELEVATIONS 2-7

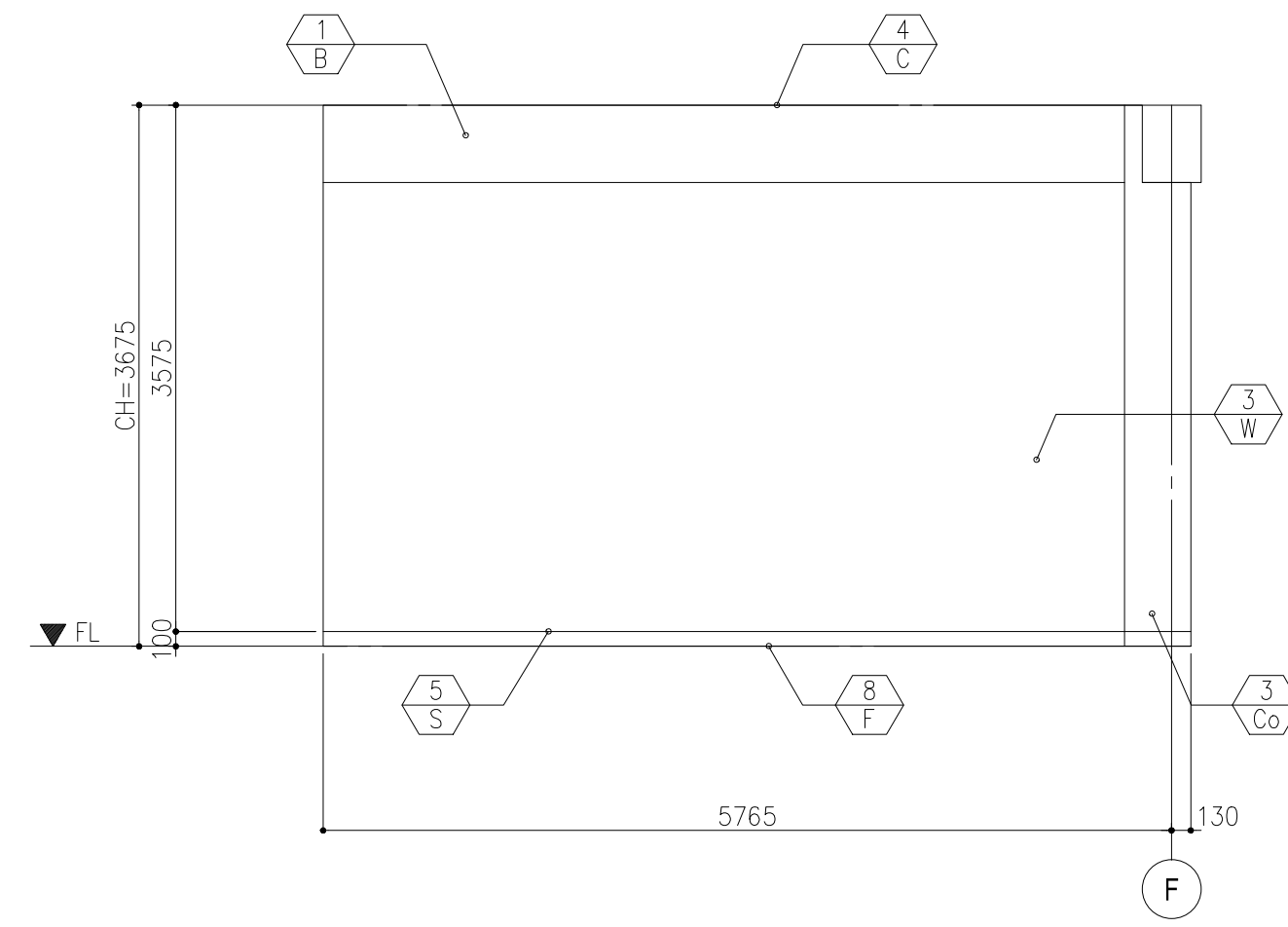
SHEET NO:
B3-4300-34

DRAWING SCALE:
1:50M.

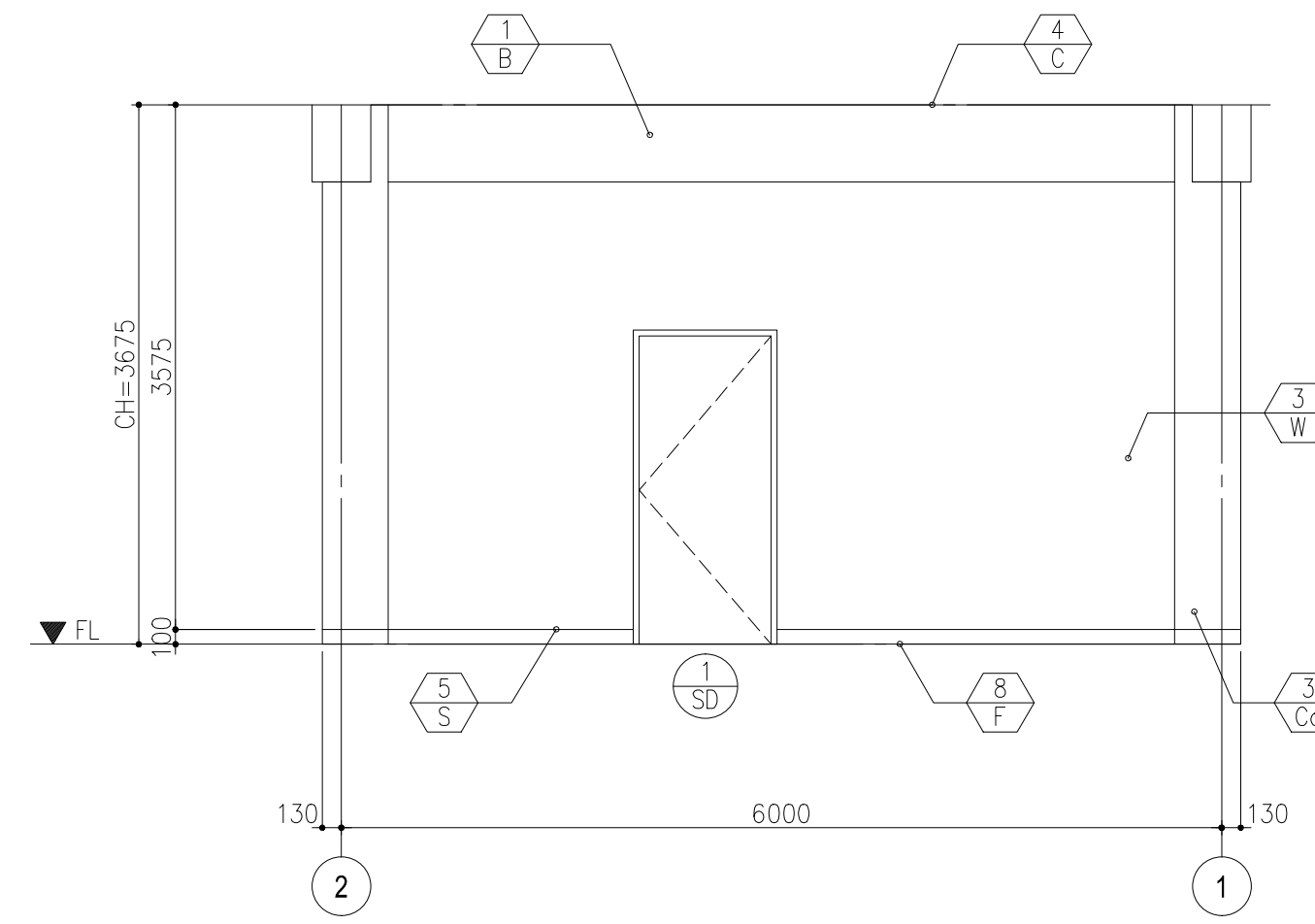
ELECTRICAL ROOM (1-10)



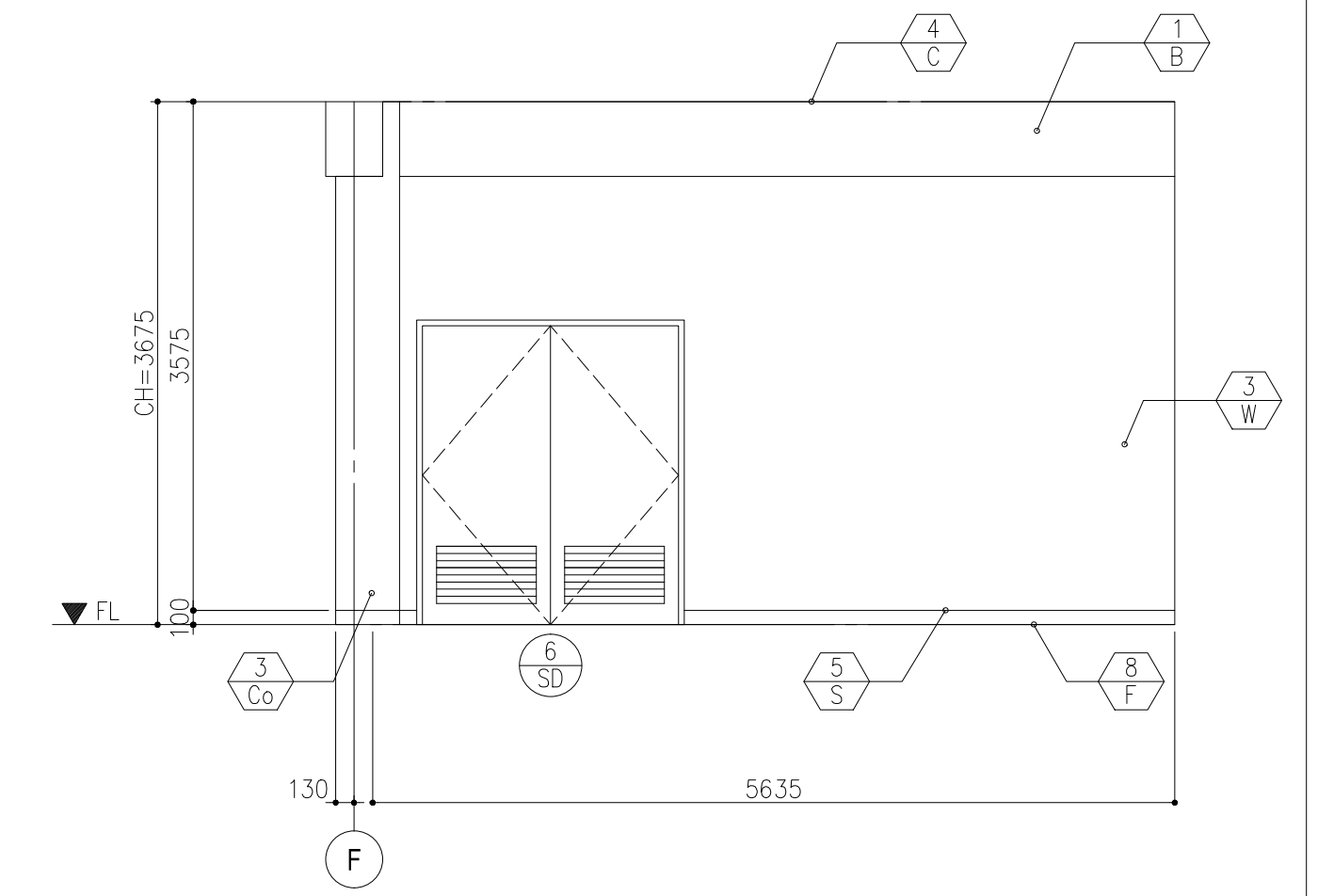
ELEV A



ELEV B

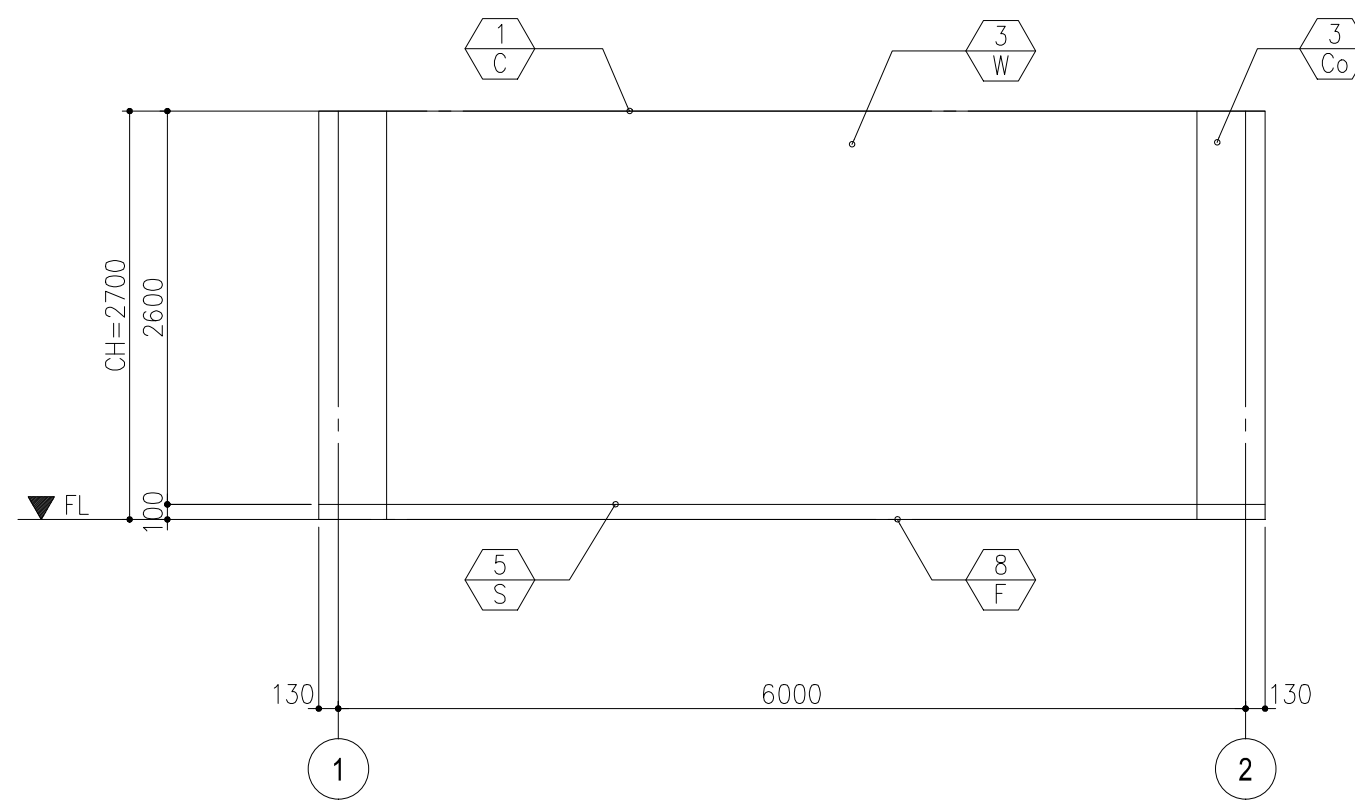


ELEV C

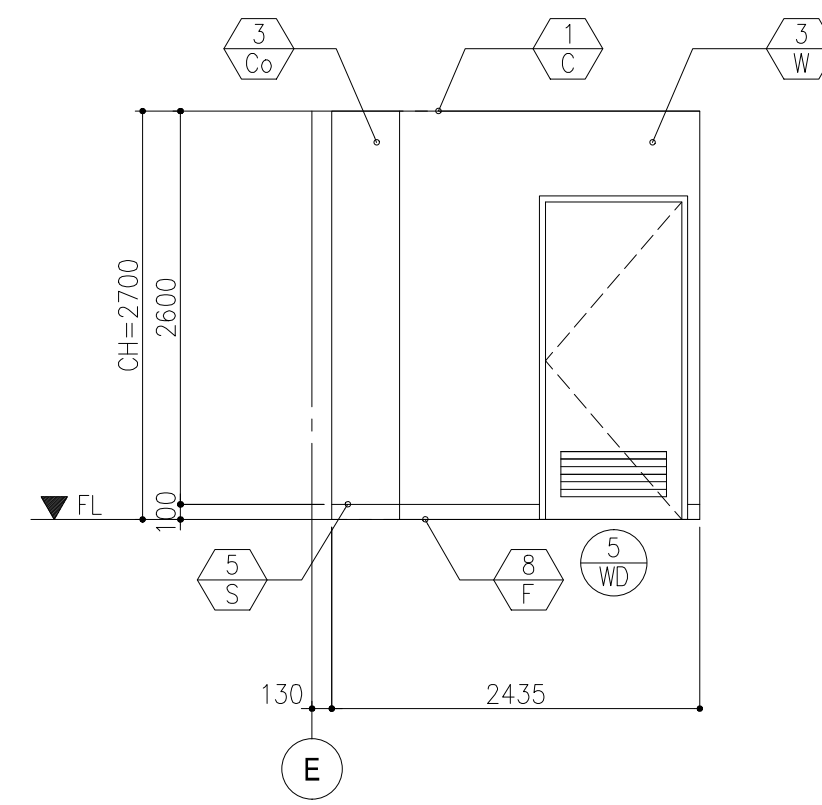


ELEV D

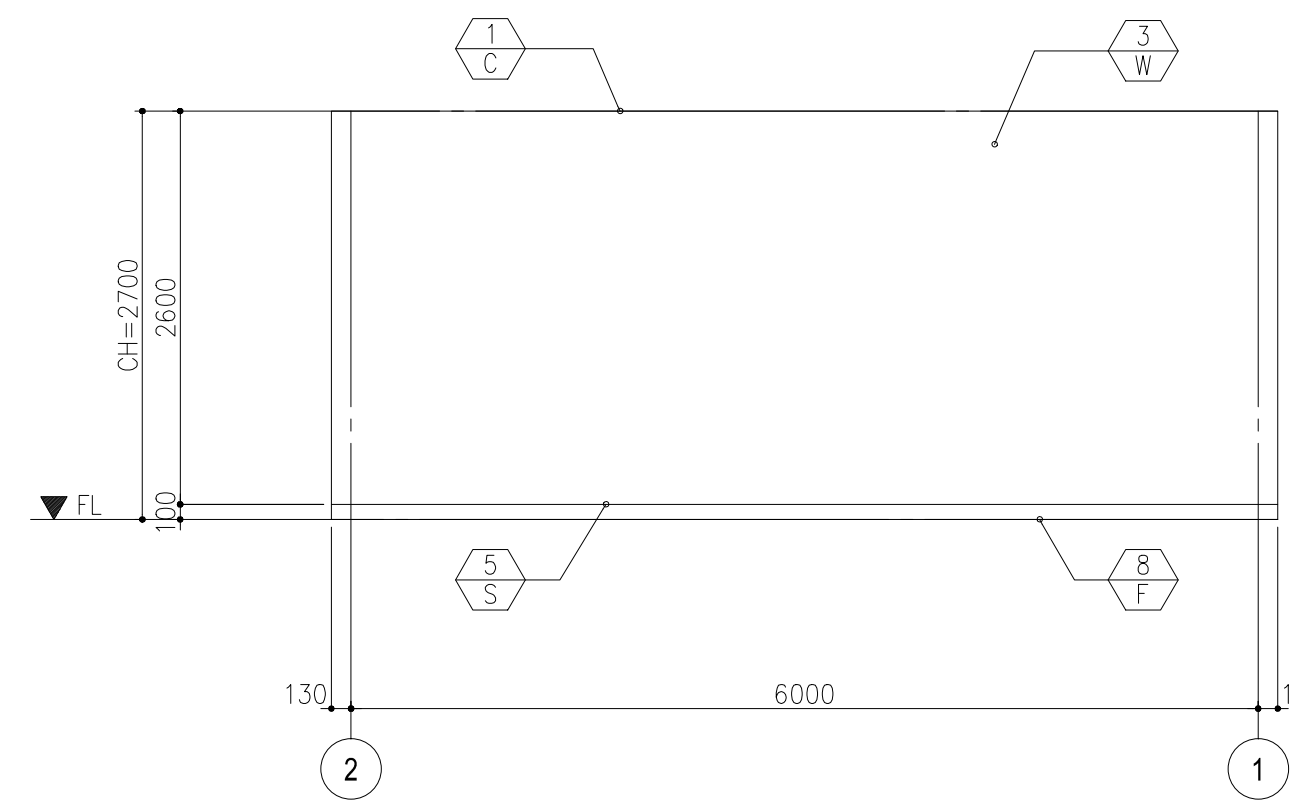
STORAGE (1-11)



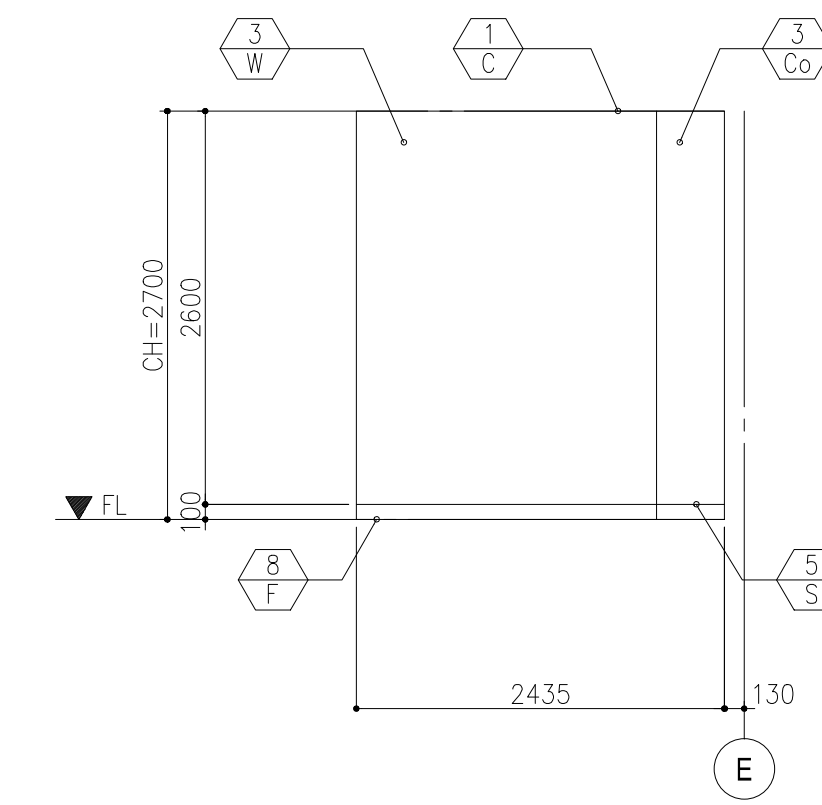
ELEV A



ELEV B

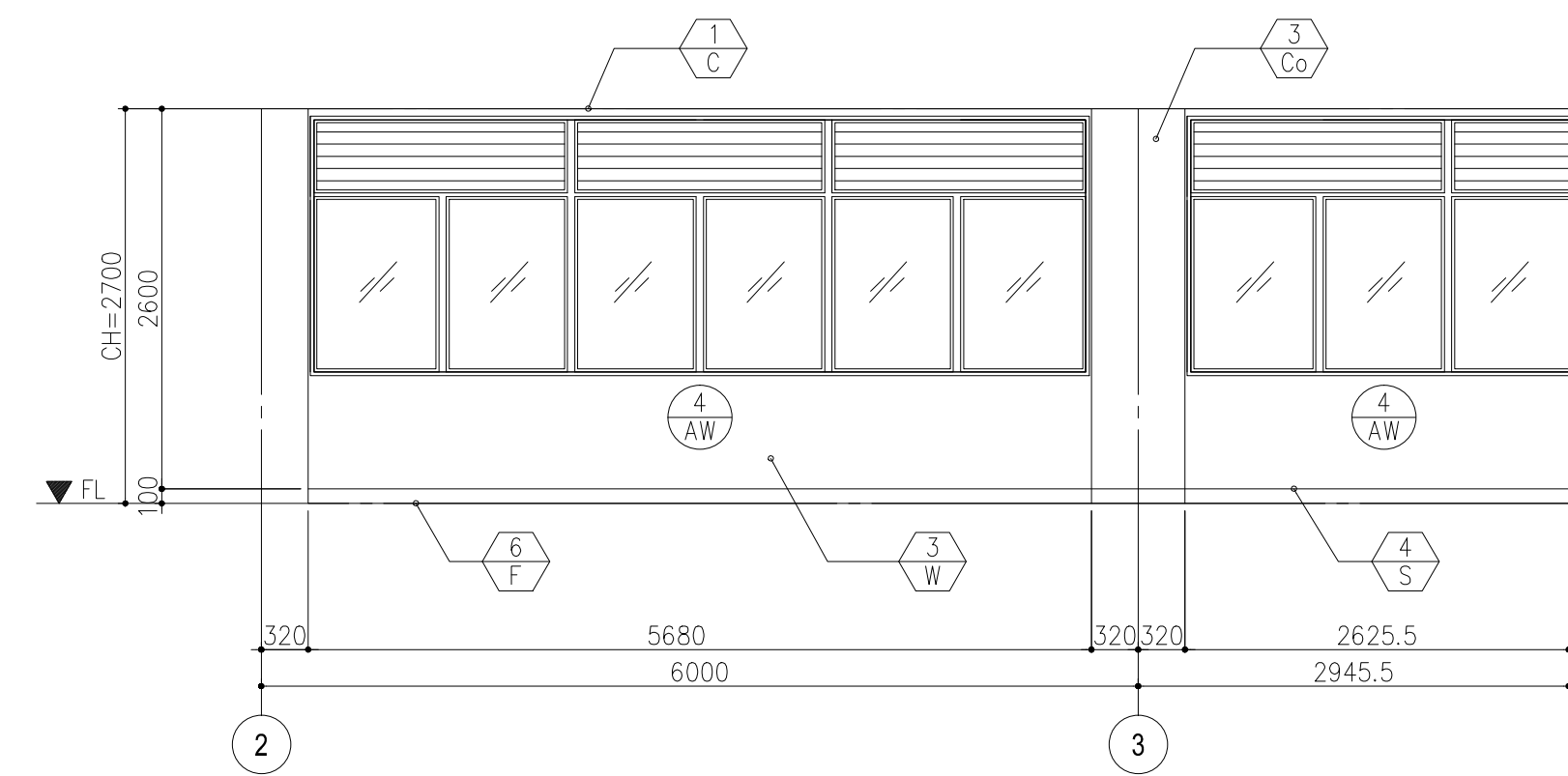


ELEV C

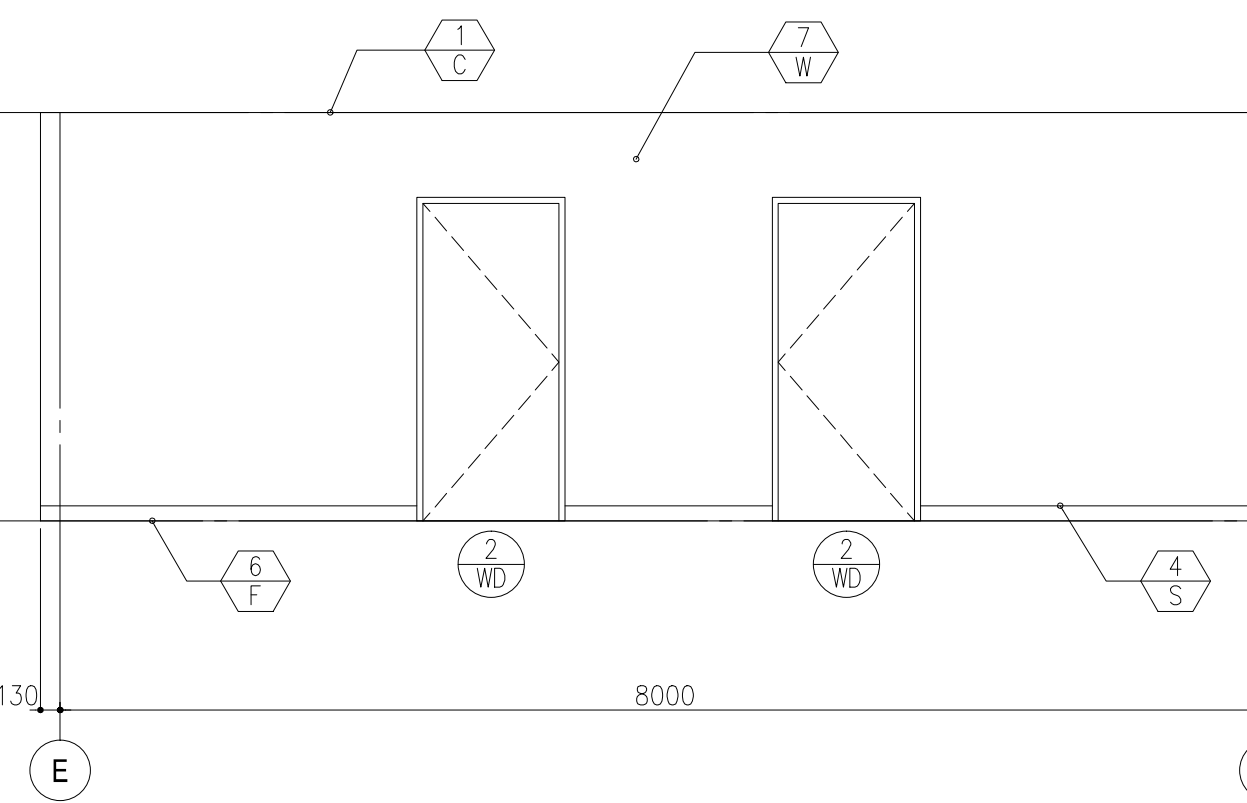


ELEV D

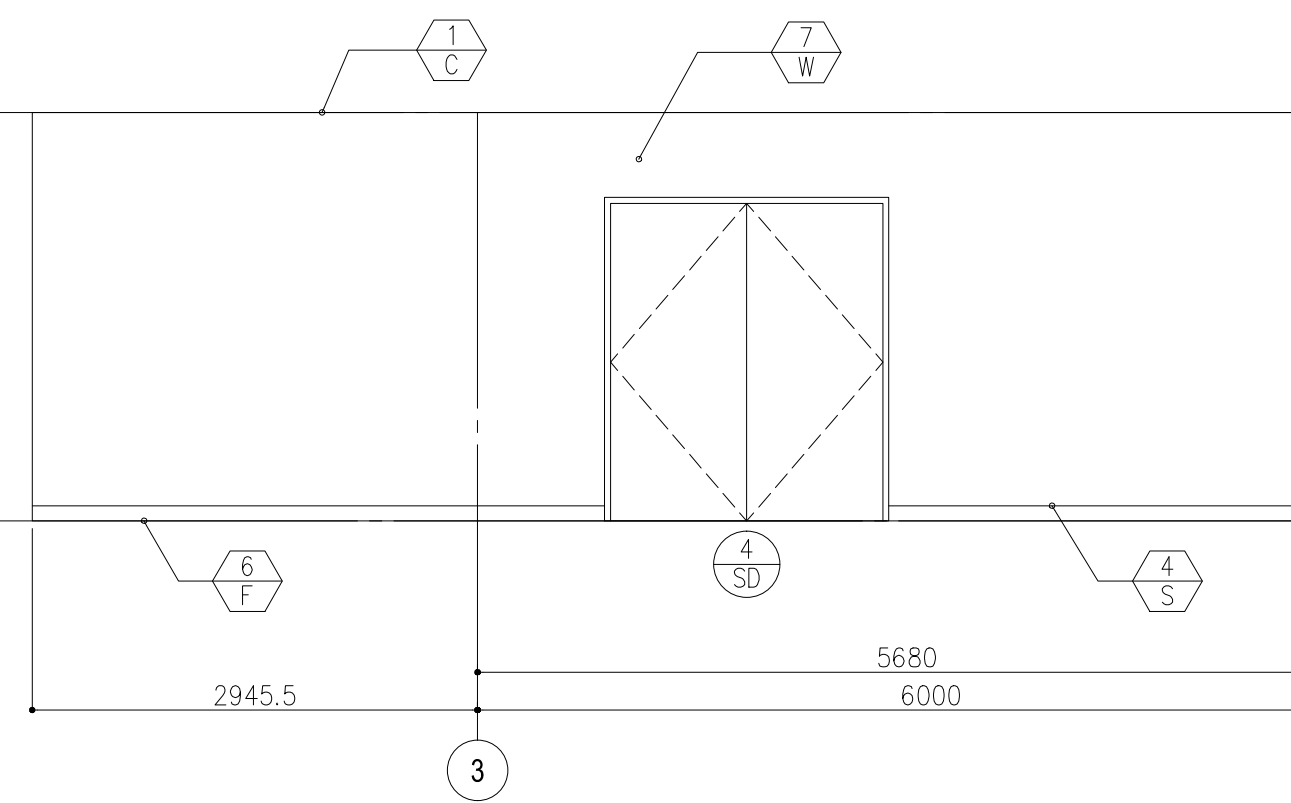
FOBS (1-12)



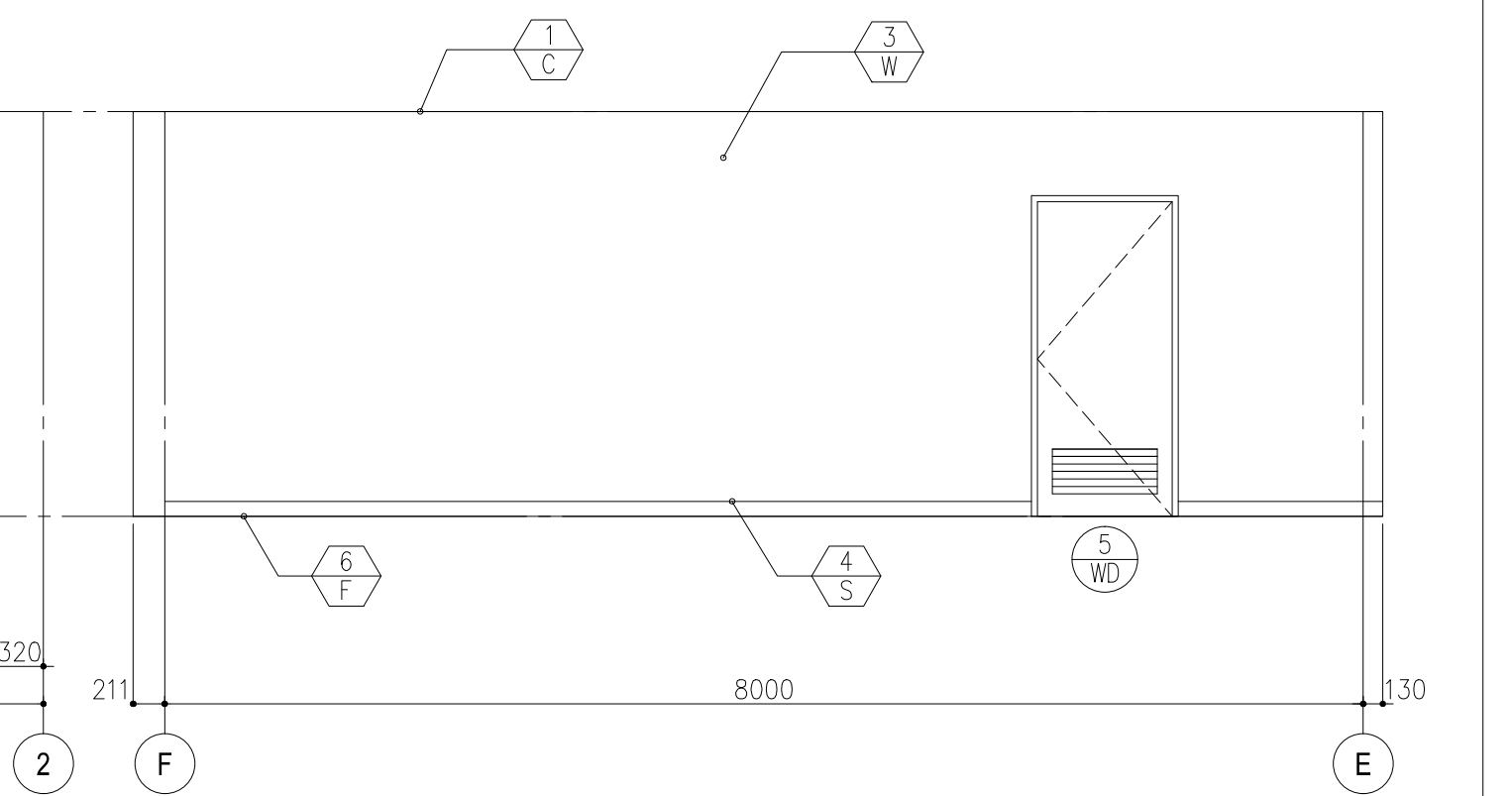
ELEV A



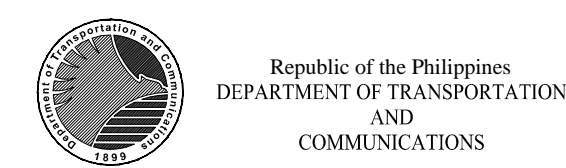
ELEV B



ELEV C



ELEV D



PREPARED BY:
WILLIAM I. MALLONGA
PROF. Architect PTR. 3911137
REG. NO.: 4623 DATE: MAY 9, 2013
TEL: 150-544-198 PLACE: MAKATI CITY

TADASHI AOI
Team Leader

RECOMMENDING APPROVAL:
ILDEFONSO T. PATDU, JR.
Assistant Secretary
for Project Implementation, DOTC

APPROVED:
JULIANITO G. BUCCAYAN, JR.
Undersecretary
for Project Implementation, DOTC

PROJECT TITLE:
NEW BOHOL AIRPORT CONSTRUCTION AND SUSTAINABLE ENVIRONMENT PROTECTION PROJECT

LOCATION: MUNICIPALITY OF PANGLAO, PROVINCE OF BOHOL, PHILIPPINES

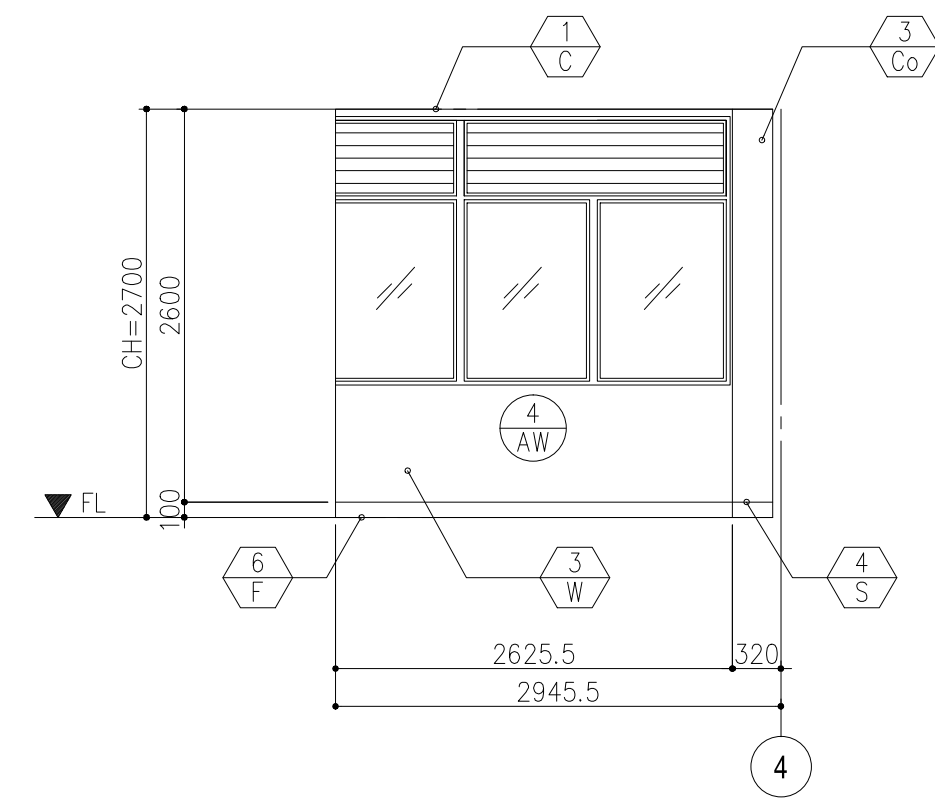
DATE	INDEX	AMENDMENTS	Prepared by	Checked by	Validated by
JUNE 2013				WIM	HC

SHEET CONTENTS:
COMPONENT-4 BUILDING WORKS (B)
SUBCOMPONENT-4-3
(B3) CONTROL TOWER, ATC OPERATION AND ADMINISTRATION BUILDING ARCHITECTURAL GF INTERNAL ELEVATIONS 3-7

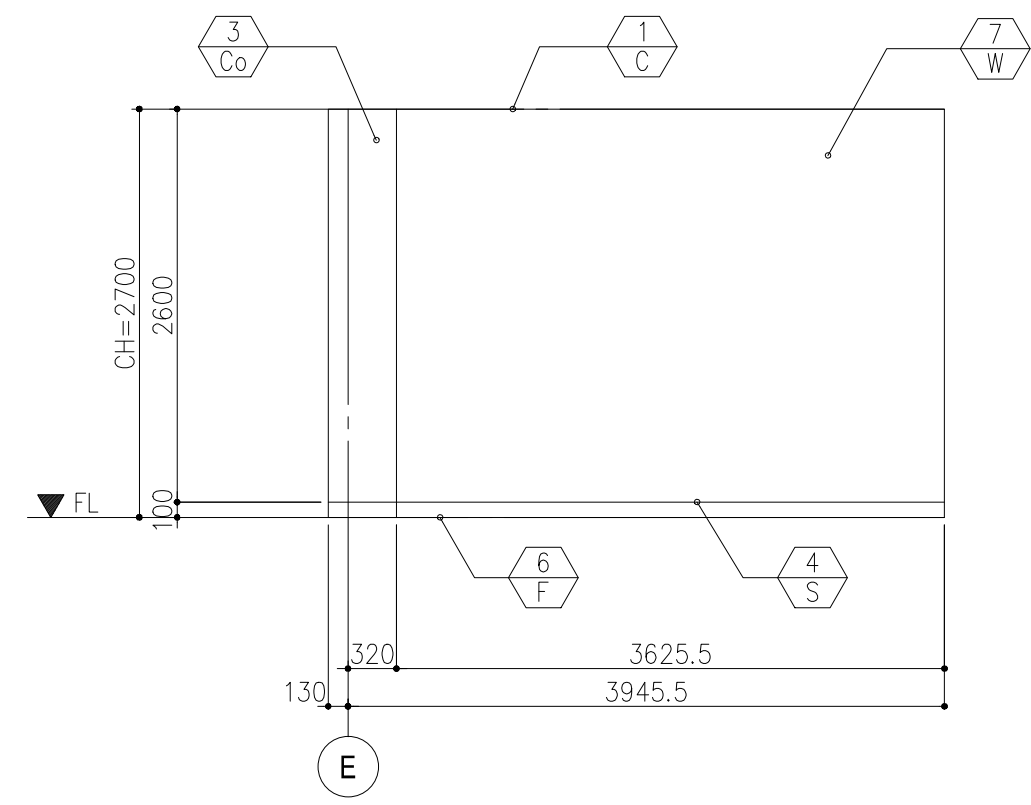
SHEET NO:
B3-4300-35
DRAWING SCALE:
1:50M.



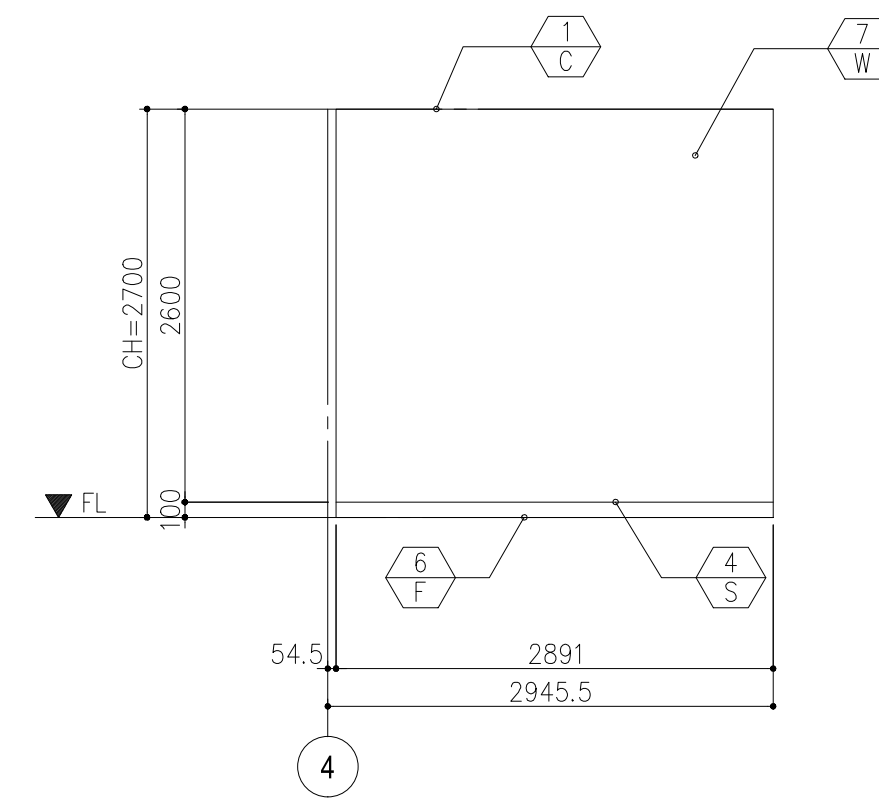
FSS RADIO (1-13)



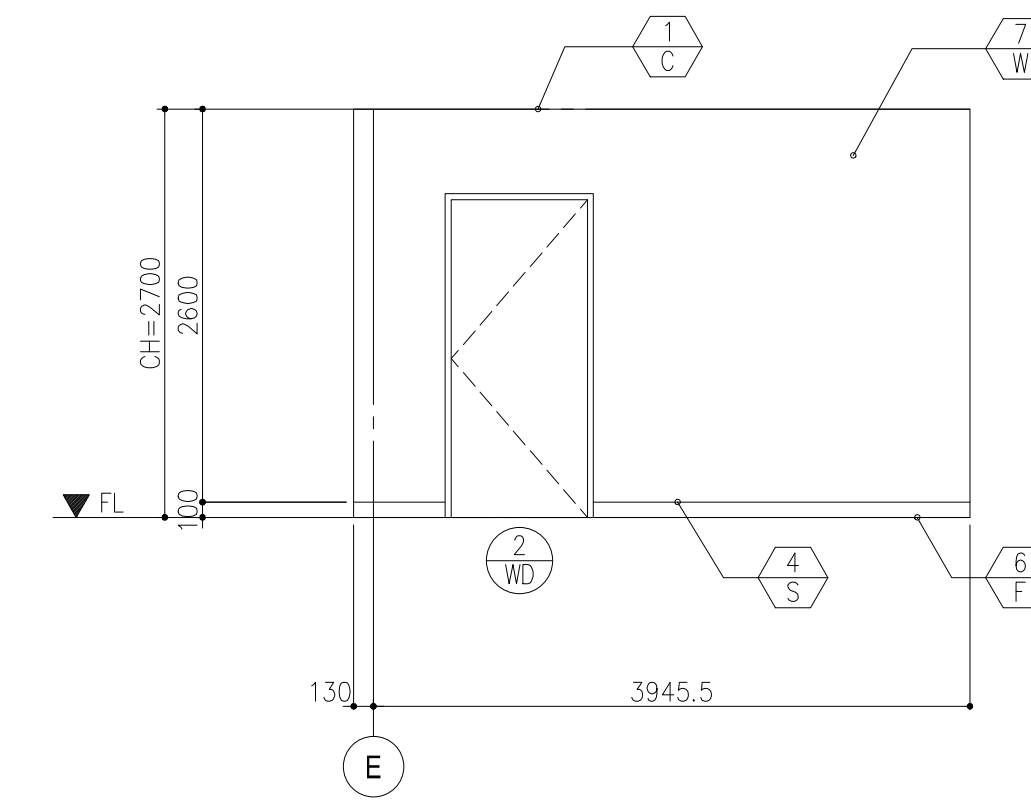
ELEV A



ELEV B

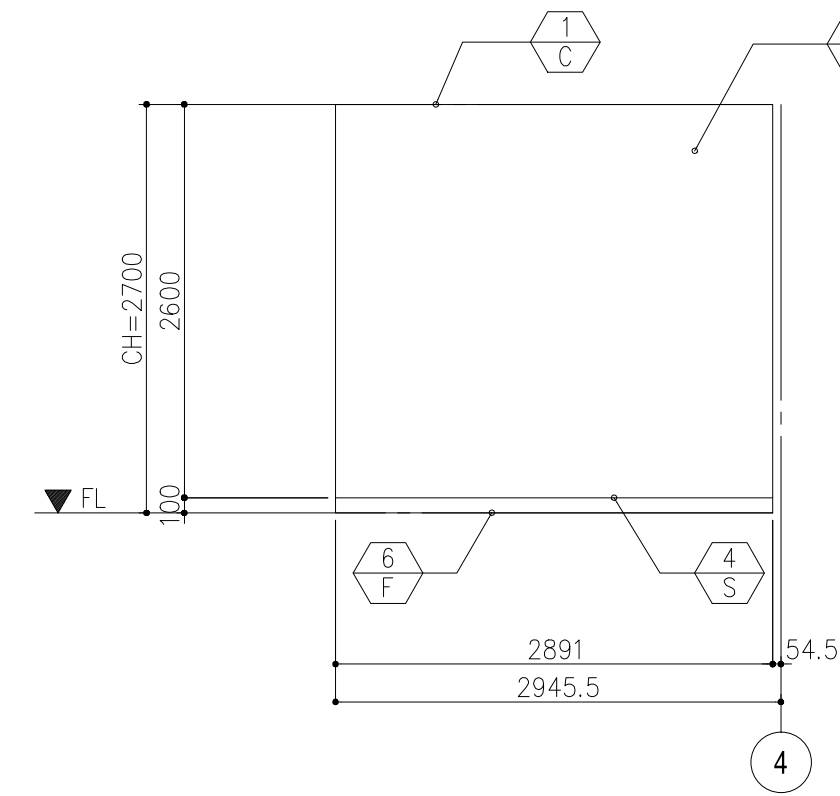


ELEV C

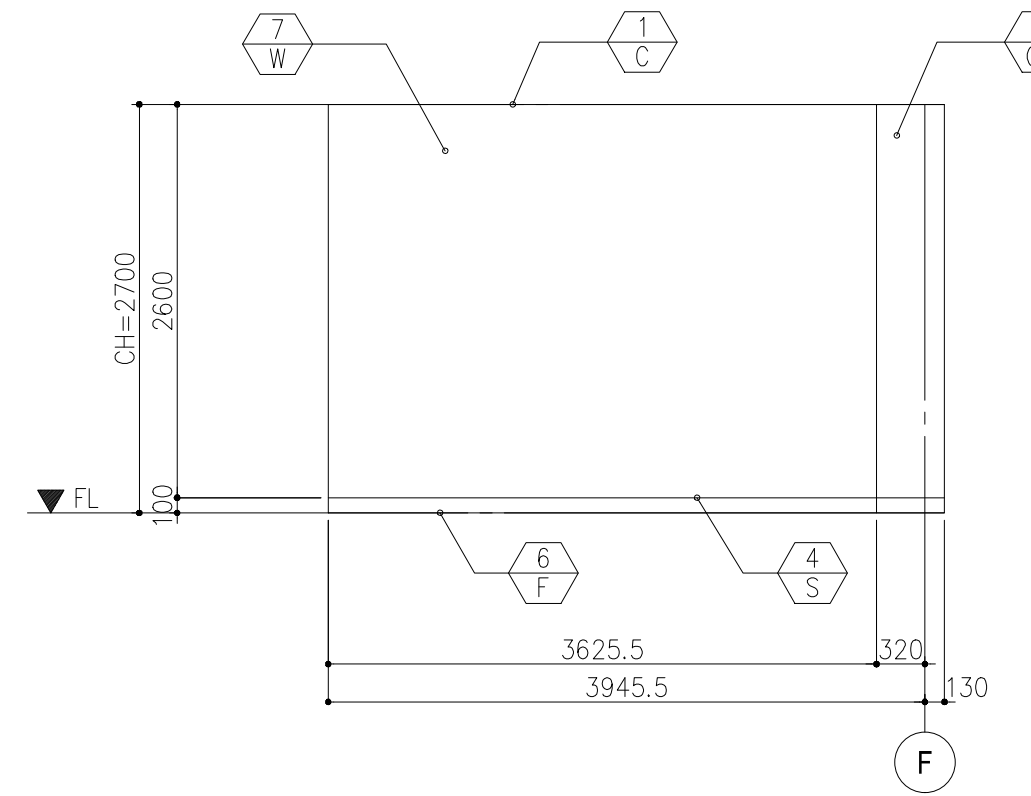


ELEV D

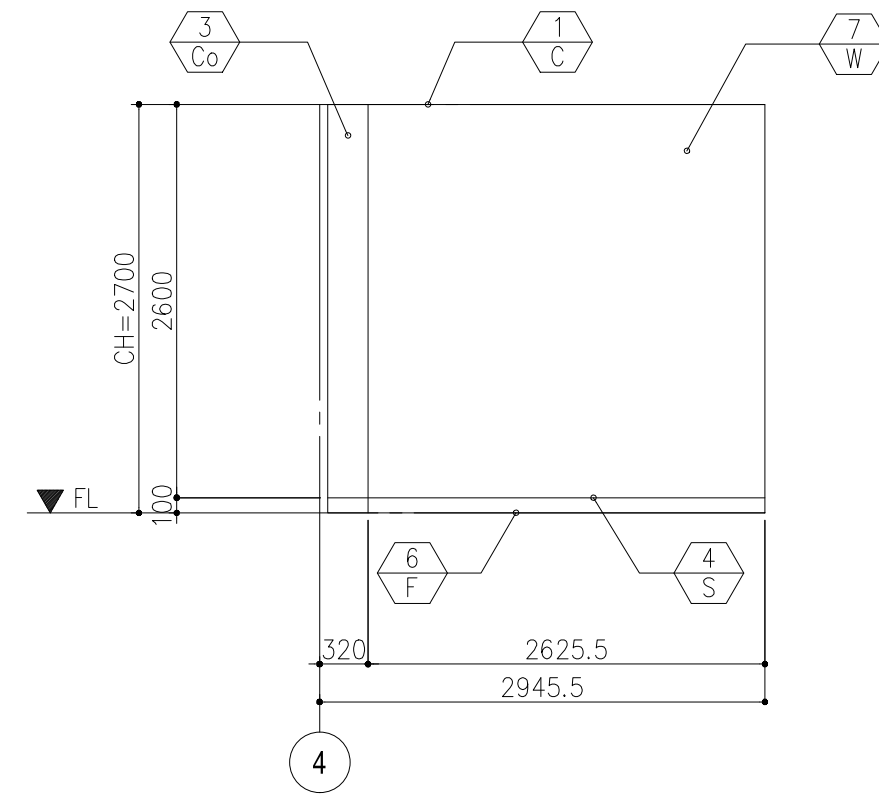
FSS/FIC (1-14)



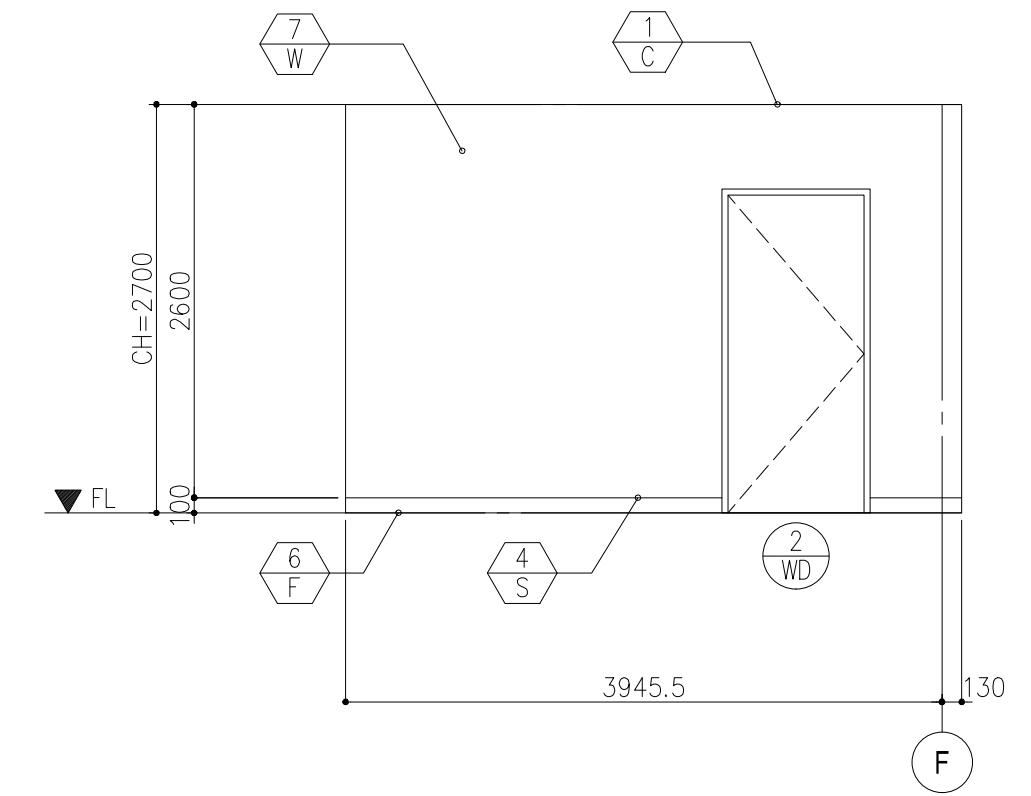
ELEV A



ELEV B

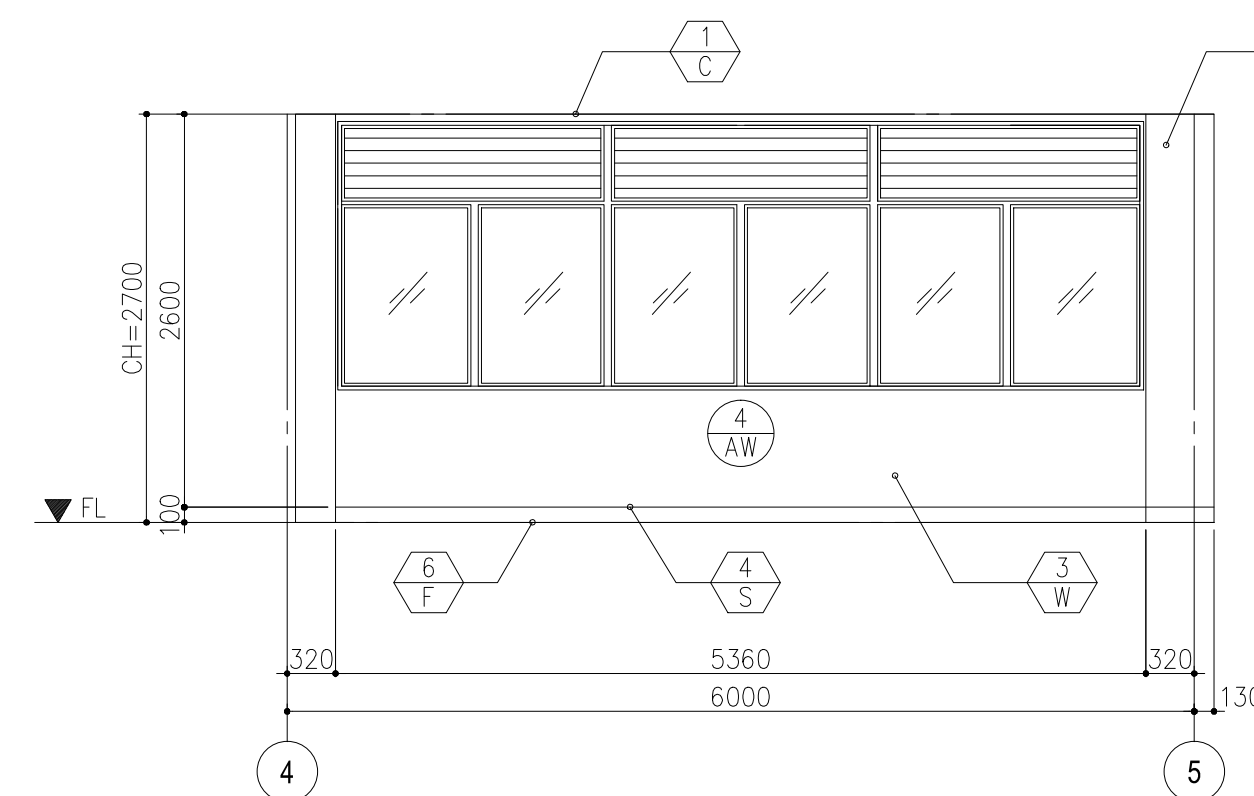


ELEV C

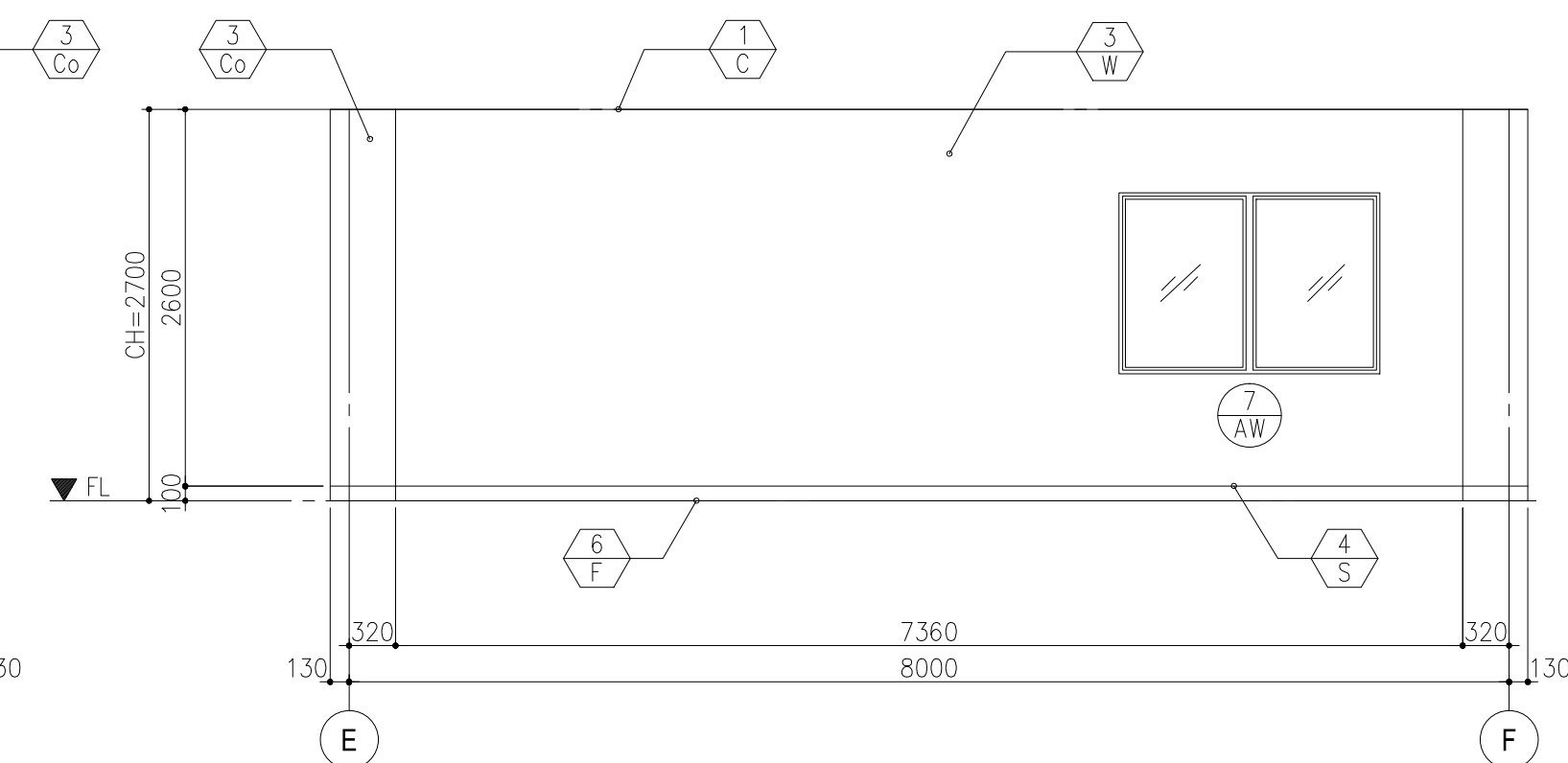


ELEV D

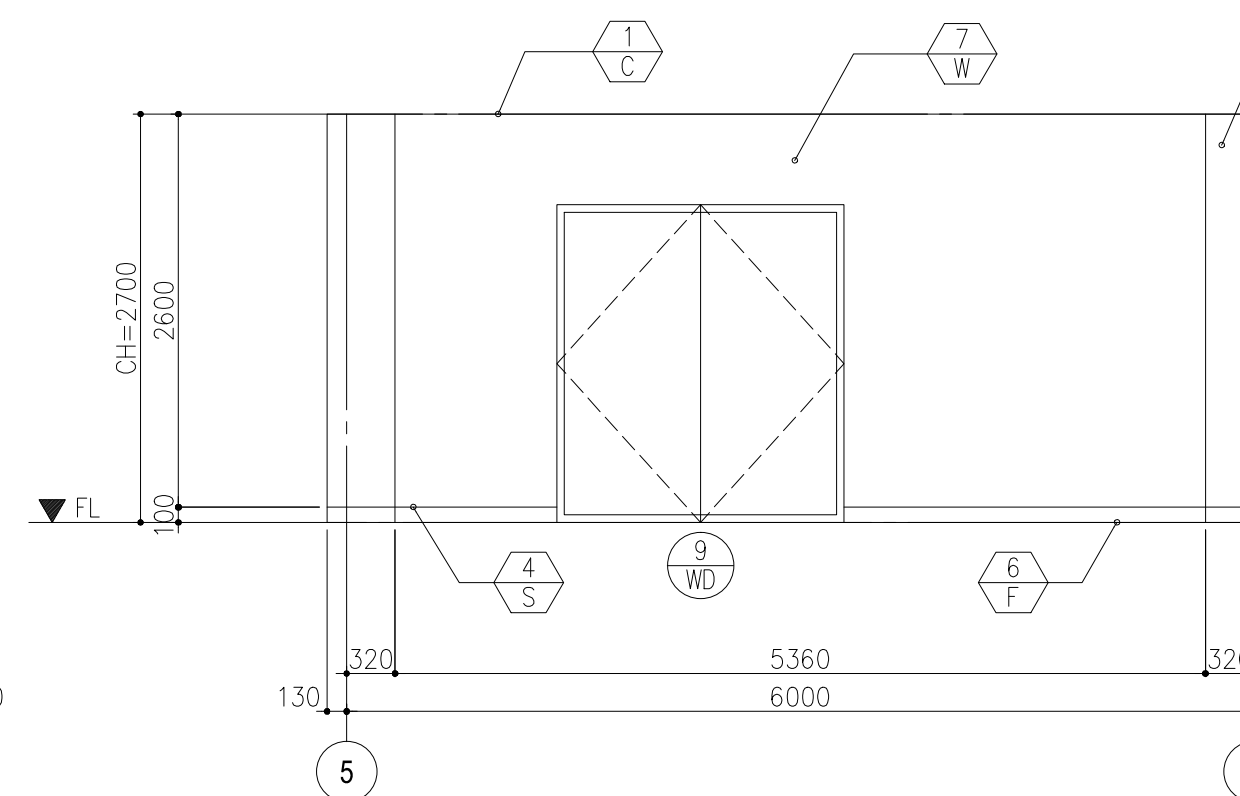
SECURITY OFFICE (1-15)



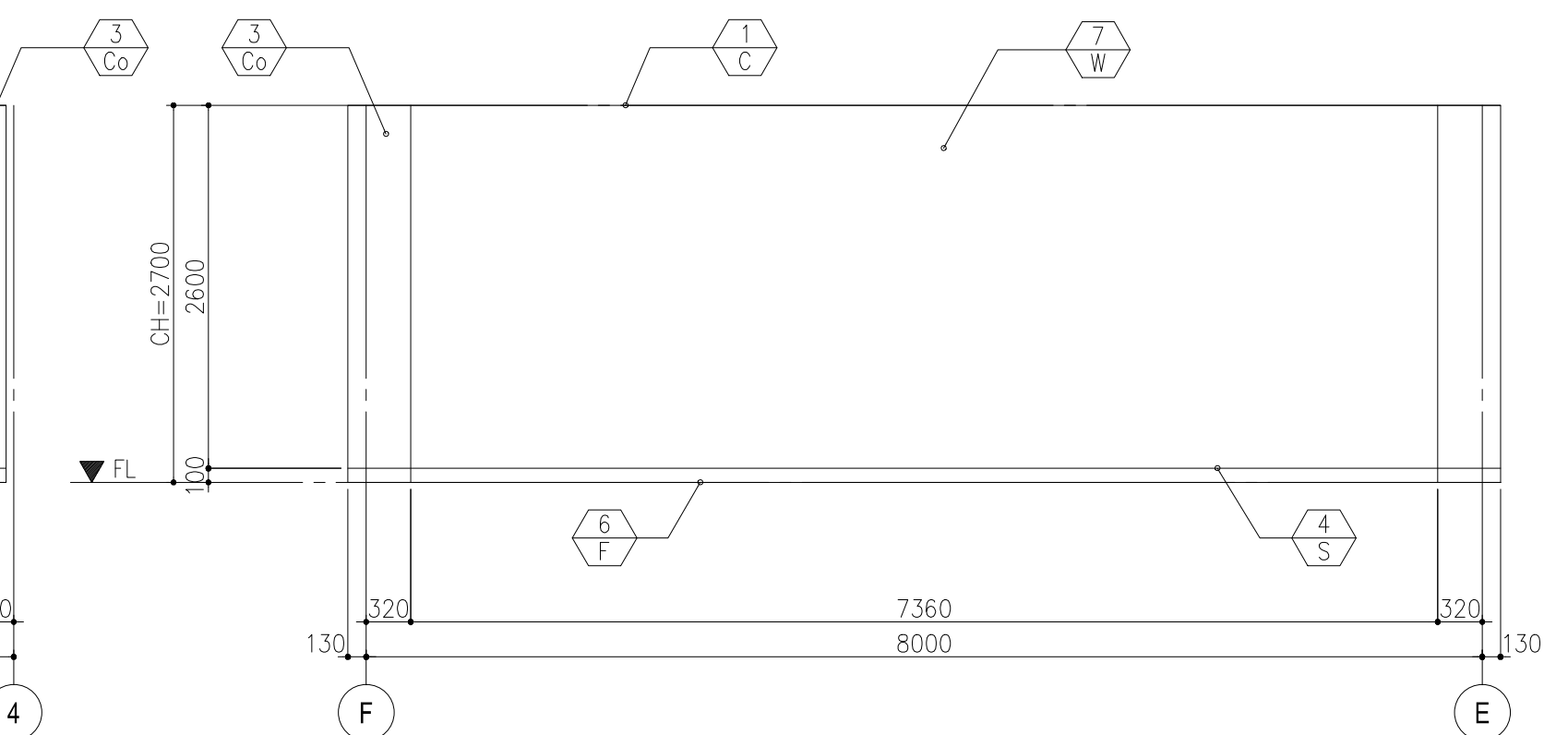
ELEV A



ELEV B



ELEV C



ELEV D

Republic of the Philippines
DEPARTMENT OF TRANSPORTATION
AND
COMMUNICATIONS

JICA
JAPAN
INTERNATIONAL
COOPERATION
AGENCY

JICA DESIGN CONSULTANT JOINT VENTURE

JAC JAPAN AIRPORT
CONSULTANTS,
INC.

NK NIPPON KOEI
CO., LTD.

NS NIS CONSULTANTS
CO., LTD.

PREPARED BY: WILLIAM I. MALLONGA

RECOMMENDING APPROVAL: ILDEFONSO T. PATDU, JR.
Assistant Secretary
for Project Implementation, DOTC

APPROVED: JULIANITO G. BUCCAYAN, JR.
Undersecretary
for Project Implementation, DOTC

PROF. Architect PTR. 3911137
REG. NO.: 4623 DATE: MAY 9, 2013
TEL. 150-544-198 PLACE: MAKATI CITY

TADASHI AOI
Team Leader

PROJECT TITLE: NEW BOHOL AIRPORT CONSTRUCTION AND SUSTAINABLE ENVIRONMENT PROTECTION PROJECT

LOCATION: MUNICIPALITY OF PANGLAO, PROVINCE OF BOHOL, PHILIPPINES

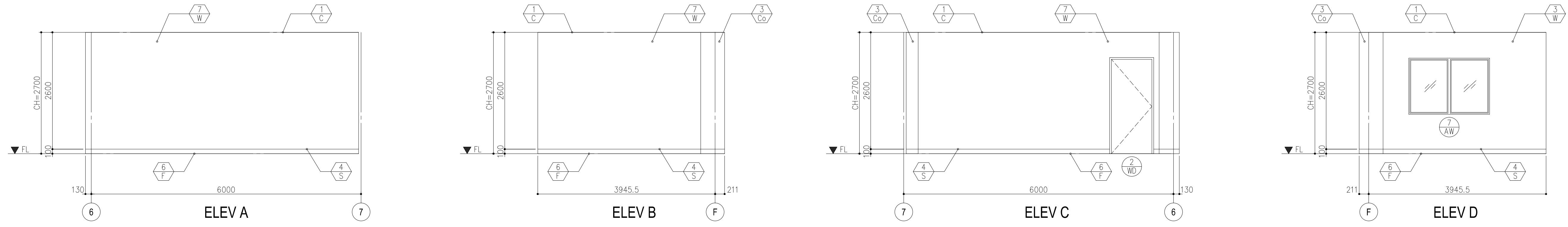
DATE	INDEX	AMENDMENTS	Prepared by	Checked by	Validated by
JUNE 2013				WIM	HC

SHEET CONTENTS: COMPONENT-4 BUILDING WORKS (B) SUBCOMPONENT-4-3 (B3) CONTROL TOWER, ATC OPERATION AND ADMINISTRATION BUILDING ARCHITECTURAL GF INTERNAL ELEVATIONS 4-7

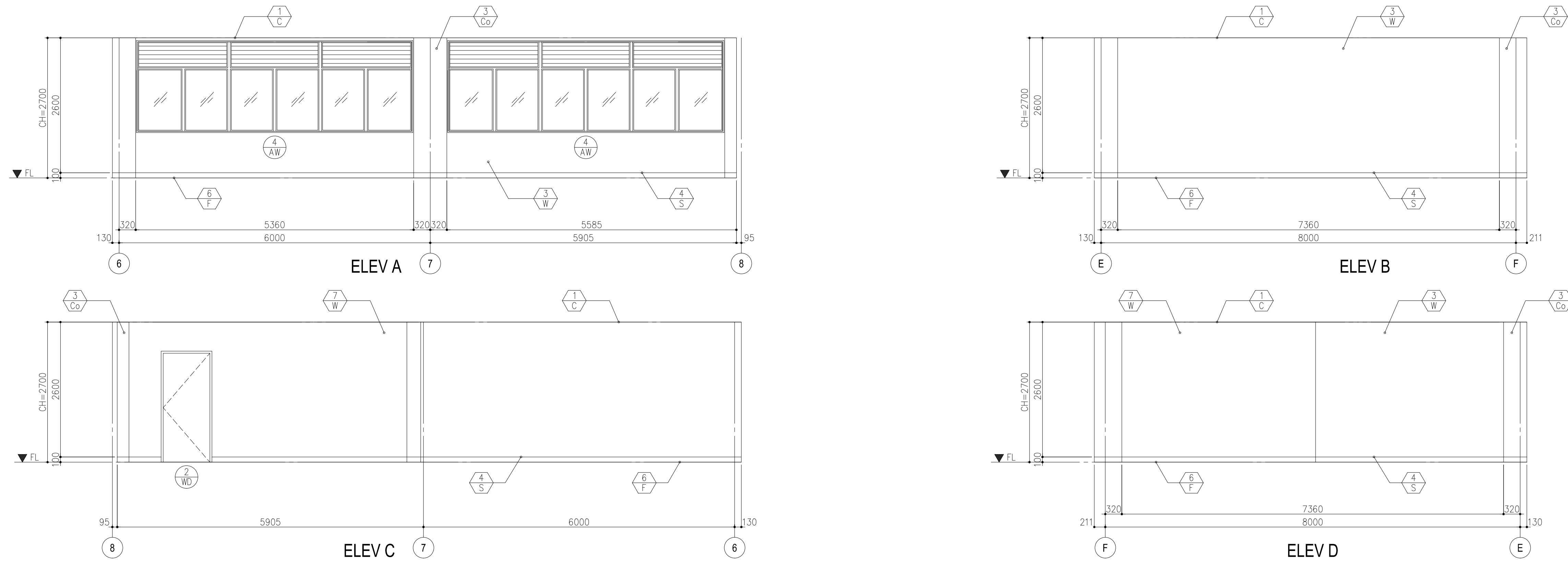
SHEET NO: B3-4300-36

DRAWING SCALE: 1:50M.

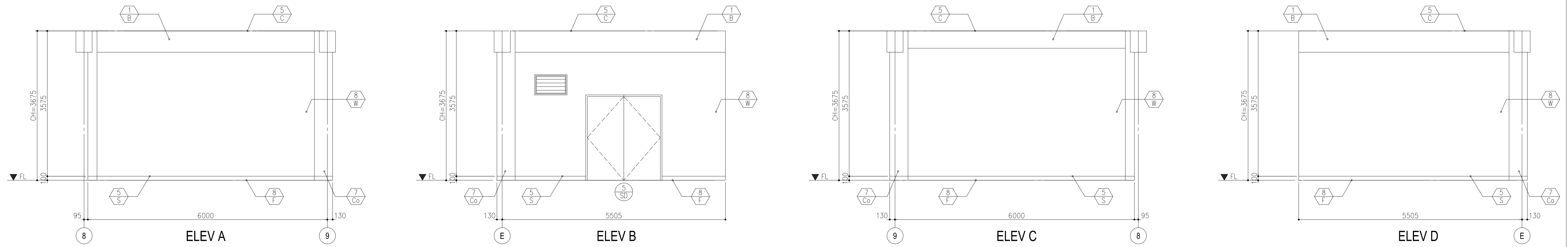
RECORD & SUPPLY (1-18)



HUMAN RESOURCES (1-19)

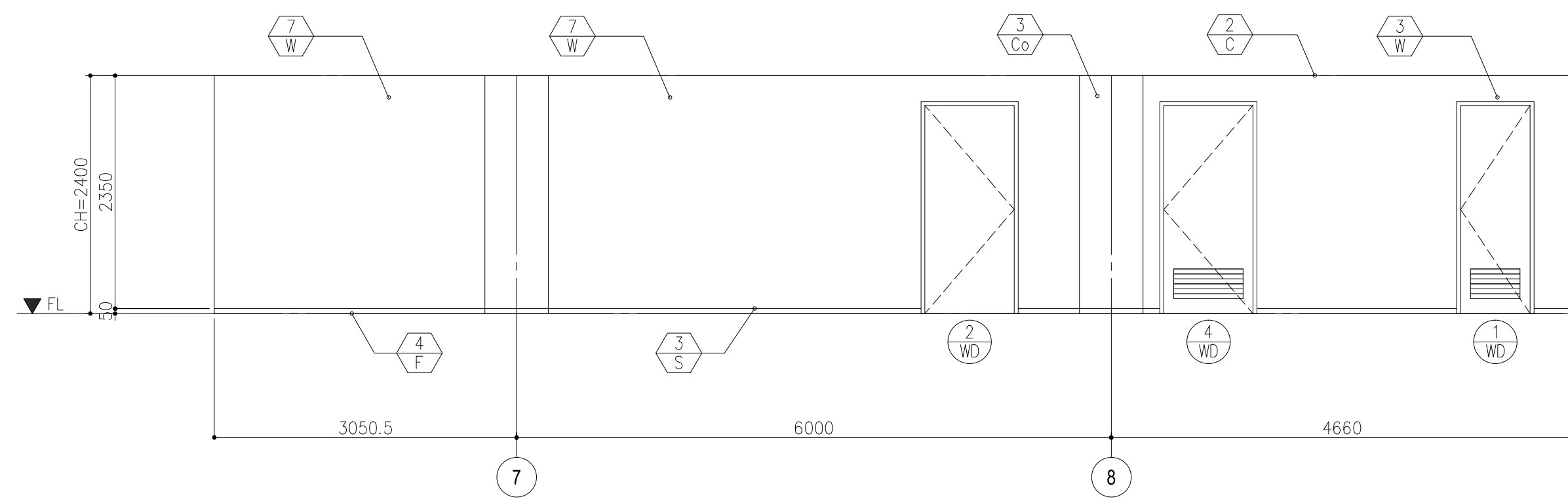


MECHANICAL ROOM (1-20)

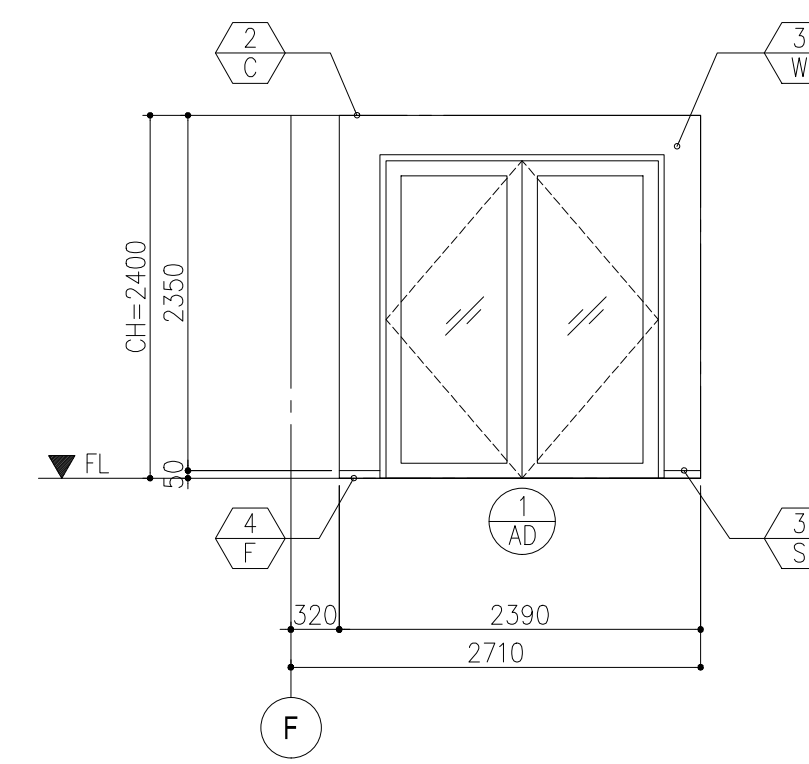


	PREPARED BY: WILLIAM I. MALLONGA <small>PROF. Architect PTR. 3911137 REG. NO.: 4623 DATE: MAY 9, 2013 TEL. 150-564-198 PLACE: MARIKINA CITY</small>	RECOMMENDING APPROVAL: ILDEFONSO T. PATDU, JR. <small>Assistant Secretary for Project Implementation, DOTC</small>	APPROVED: JULIANITO G. BUCCAYAN, JR. <small>Undersecretary for Project Implementation, DOTC</small>	PROJECT TITLE: NEW BOHOL AIRPORT CONSTRUCTION AND SUSTAINABLE ENVIRONMENT PROTECTION PROJECT LOCATION: MUNICIPALITY OF PANGLAO, PROVINCE OF BOHOL, PHILIPPINES	SHEET CONTENTS: COMPONENT-4 BUILDING WORKS (B) SUBCOMPONENT-4-3 (B3) CONTROL TOWER, ATC OPERATION AND ADMINISTRATION BUILDING ARCHITECTURAL GF INTERNAL ELEVATIONS 5-7	SHEET NO: B3-4300-37 DRAWING SCALE: 1:50M.
	JICA DESIGN CONSULTANT JOINT VENTURE JAPAN AIRPORT CONSULTANTS, INC. NIPPON KOEI CO., LTD. NIS CONSULTANTS CO., LTD.	TADASHI AOI Team Leader	JUN 2013 DATE INDEX AMENDMENTS	Prepared by WIM Checked by HC Validated by		

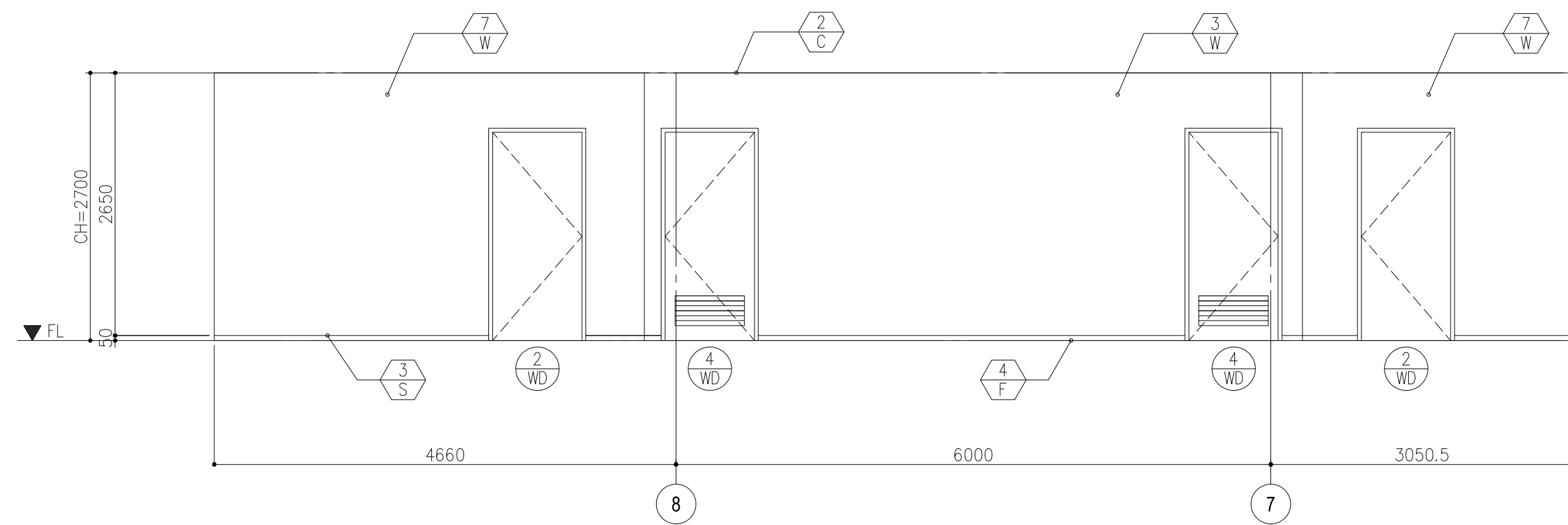
HALLWAY - 3 (1-23)



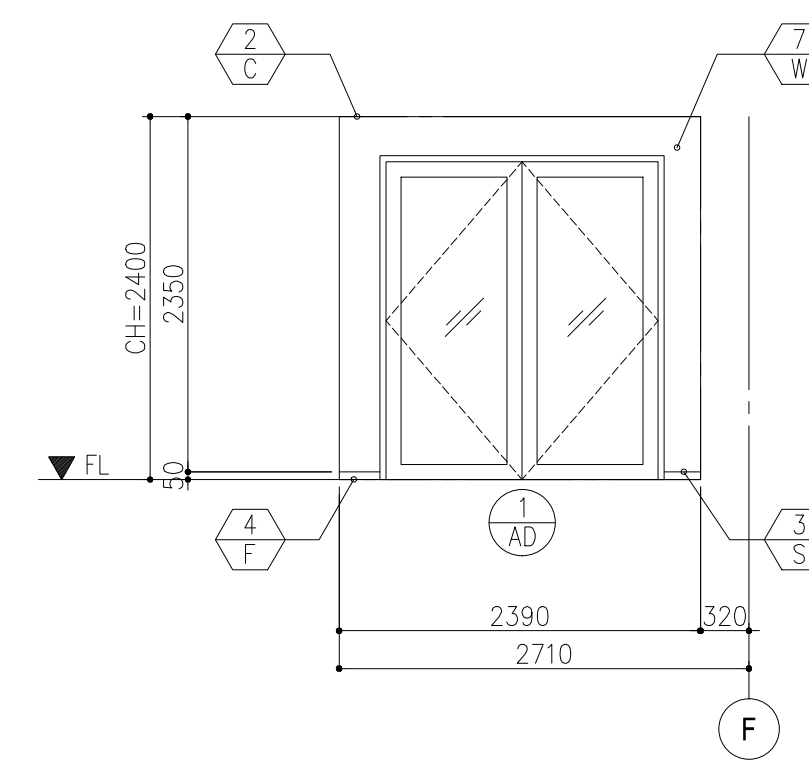
ELEV A



ELEV B

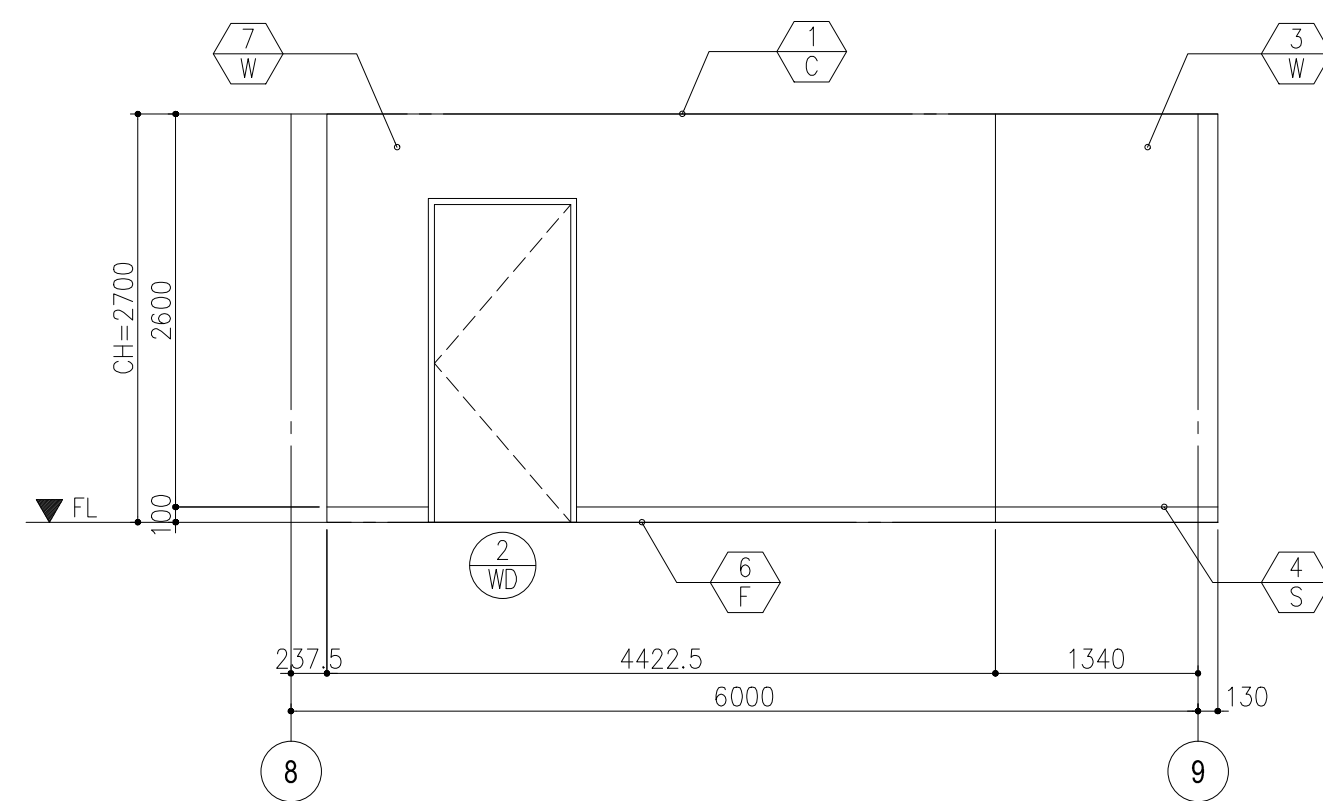


ELEV C

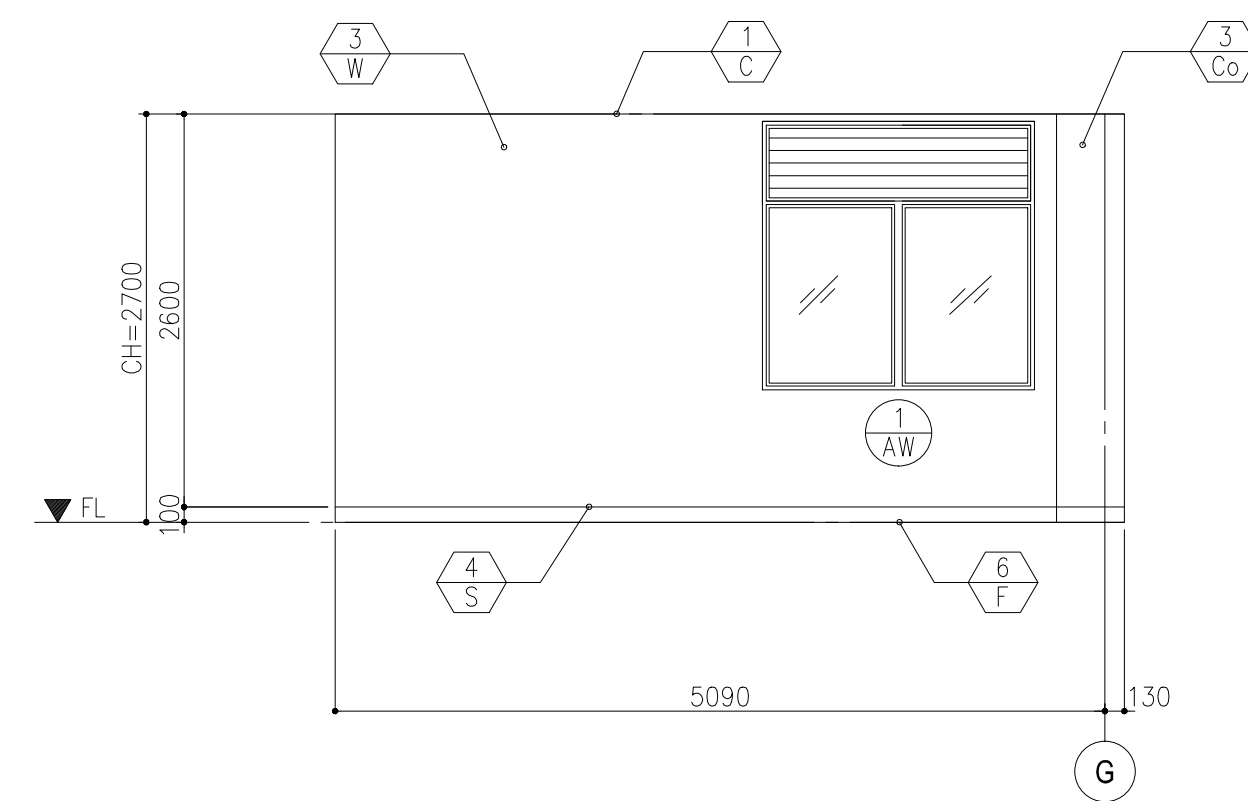


ELEV D

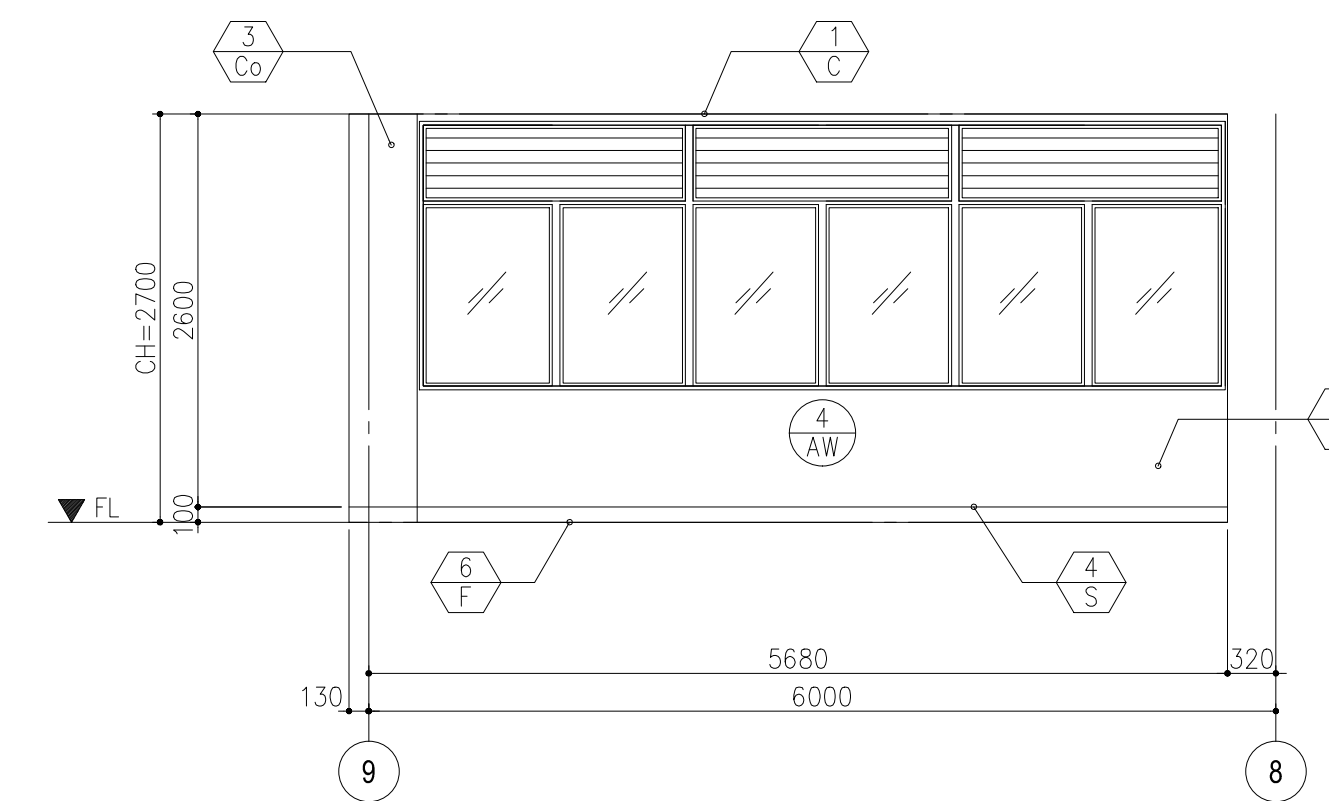
FINANCIAL SECTION (1-24)



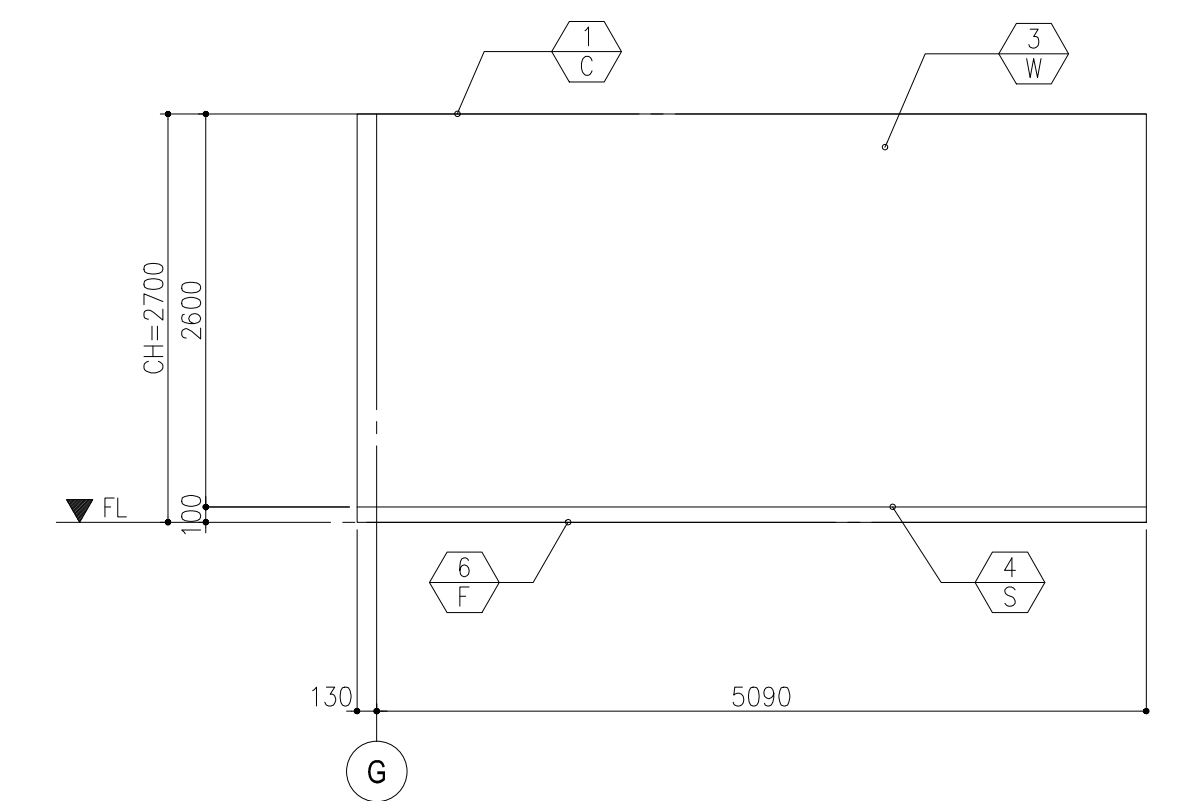
ELEV A



ELEV B



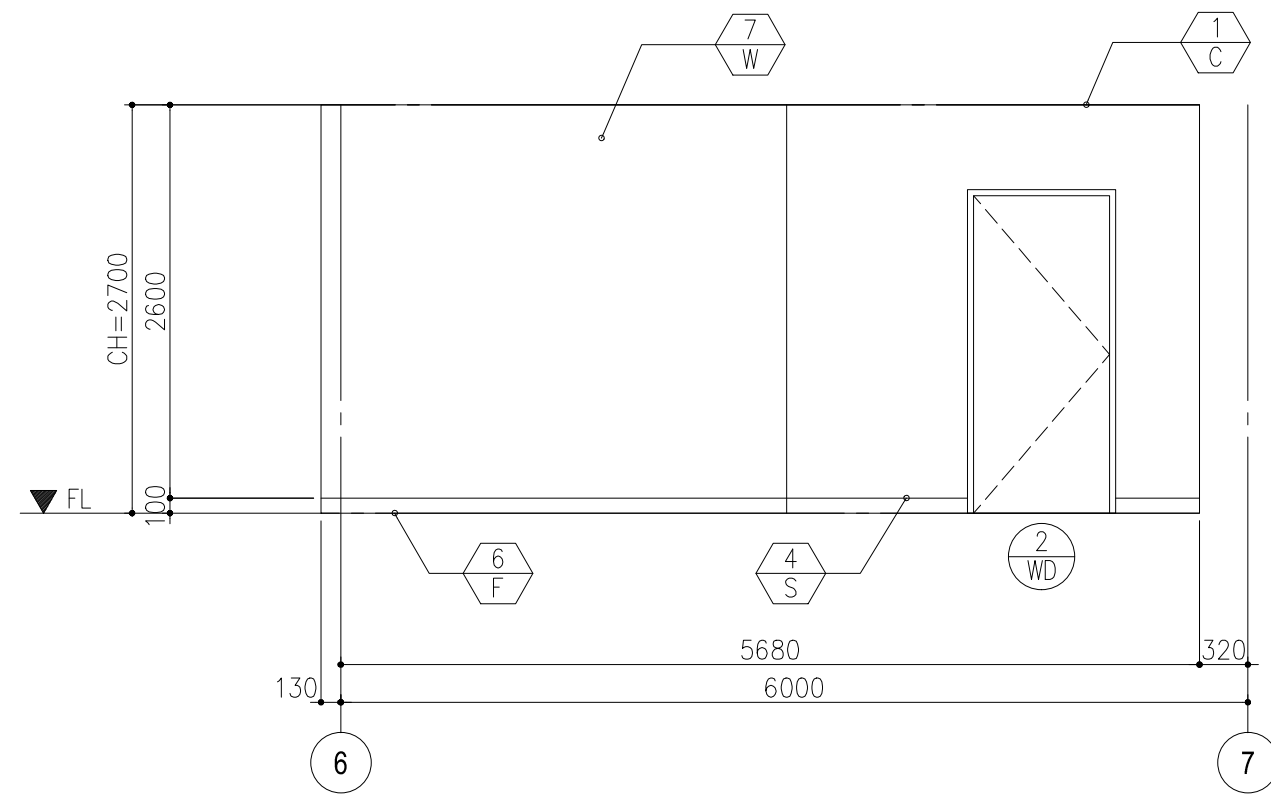
ELEV C



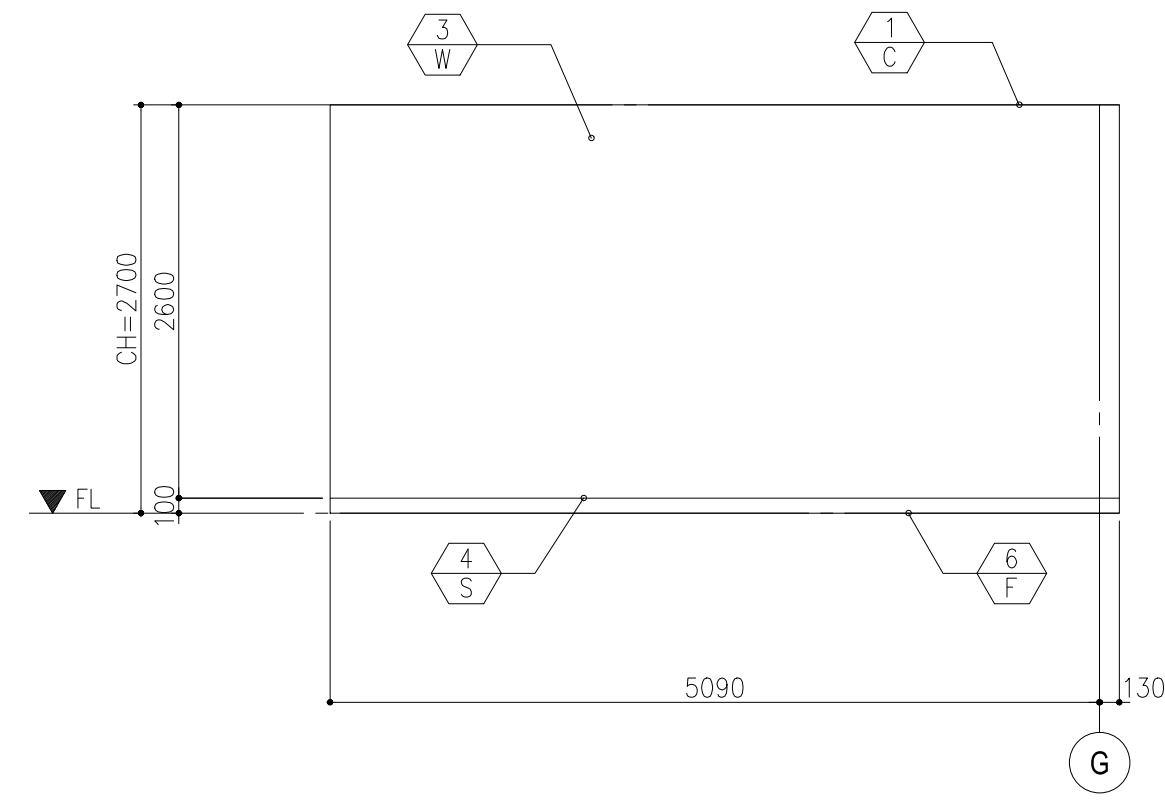
ELEV D

	PREPARED BY: WILLIAM I. MALLONGA <small>PROF. Architect PTR. 3911137 REG. NO.: 4623 DATE: MAY 9, 2013 TEL. 150-564-198 PLACE: MAKATI CITY</small>	RECOMMENDING APPROVAL: ILDEFONSO T. PATDU, JR. <small>Assistant Secretary for Project Implementation, DOTC</small>	APPROVED: JULIANITO G. BUÇAYAN, JR. <small>Undersecretary for Project Implementation, DOTC</small>	PROJECT TITLE: NEW BOHOL AIRPORT CONSTRUCTION AND SUSTAINABLE ENVIRONMENT PROTECTION PROJECT LOCATION: MUNICIPALITY OF PANGLAO, PROVINCE OF BOHOL, PHILIPPINES	SHEET CONTENTS: COMPONENT-4 BUILDING WORKS (B) SUBCOMPONENT-4-3 (B3) CONTROL TOWER, ATC OPERATION AND ADMINISTRATION BUILDING ARCHITECTURAL GF INTERNAL ELEVATIONS 6-7	SHEET NO: B3-4300-38
	JICA DESIGN CONSULTANT JOINT VENTURE JAPAN AIRPORT CONSULTANTS, INC. NIPPON KOEI CO., LTD. NIS CONSULTANTS CO., LTD.	TADASHI AOI Team Leader	ILDEFONSO T. PATDU, JR. Assistant Secretary for Project Implementation, DOTC	JULIANITO G. BUÇAYAN, JR. Undersecretary for Project Implementation, DOTC	DATE: JUNE 2013 INDEX: AMENDMENTS Prepared by: WIM Checked by: IC Validated by:	DRAWING SCALE: 1:50M.

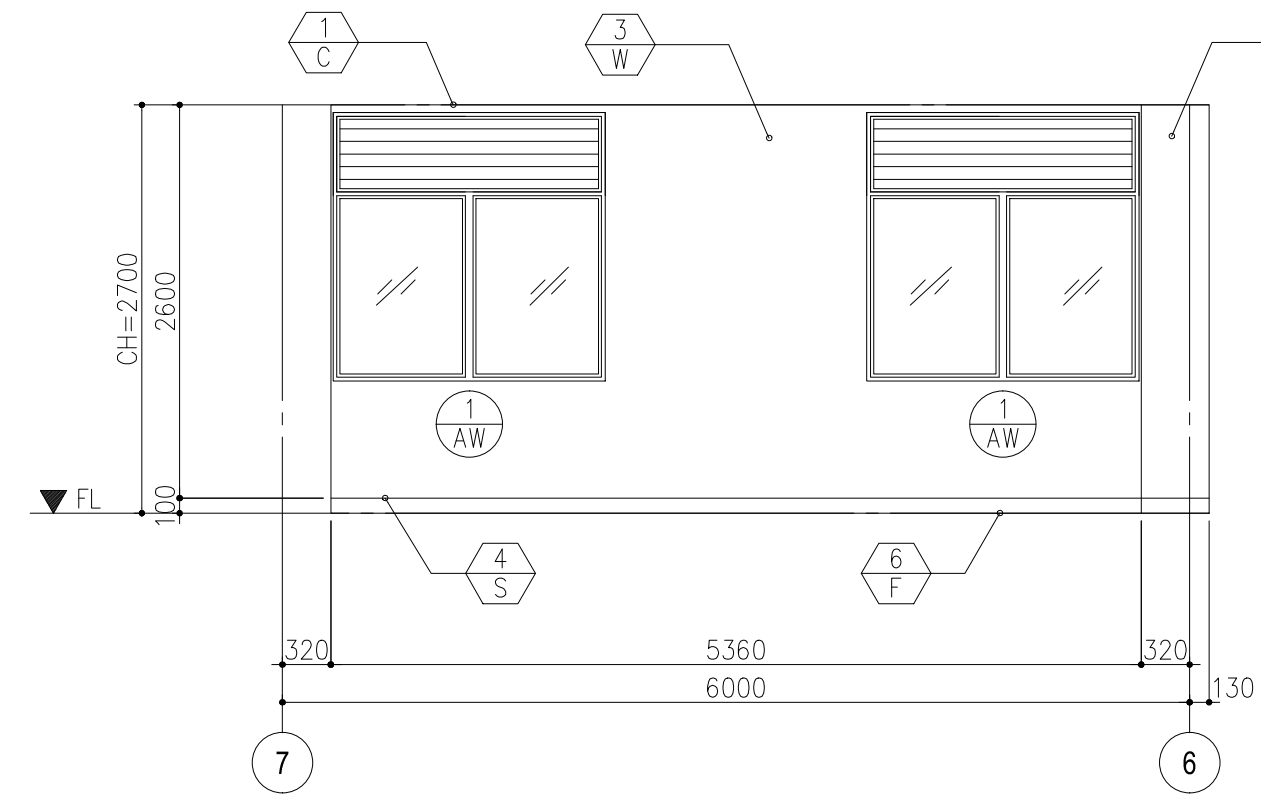
CLINIC (1-27)



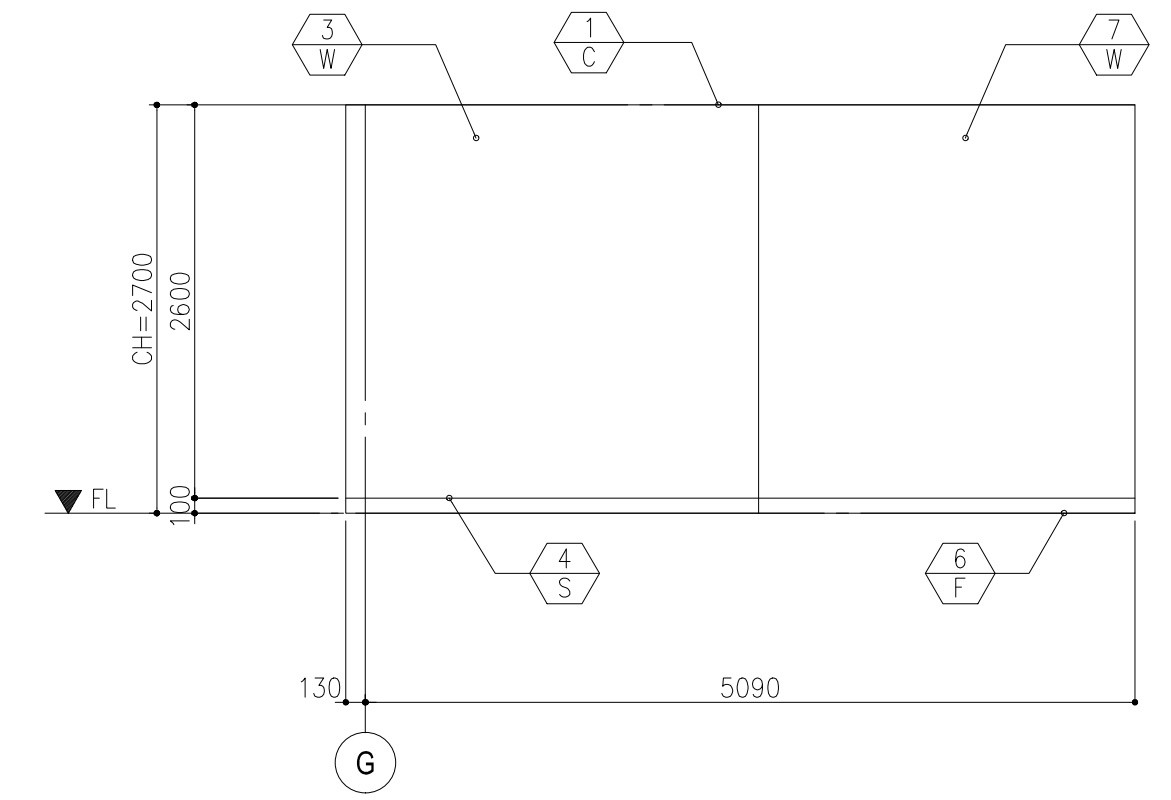
ELEV A



ELEV B

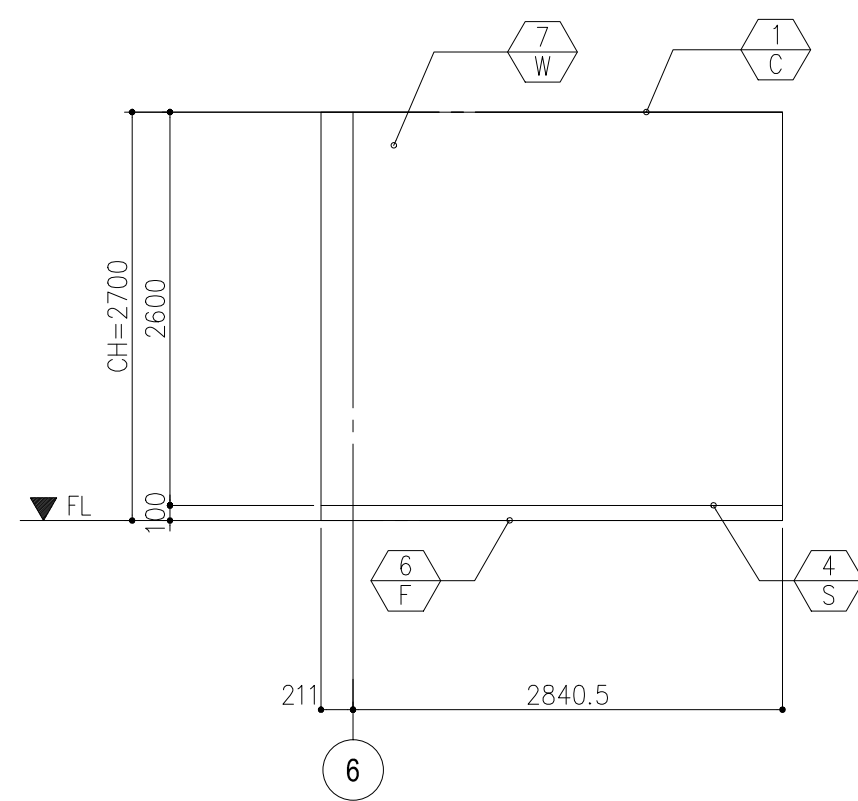


ELEV C

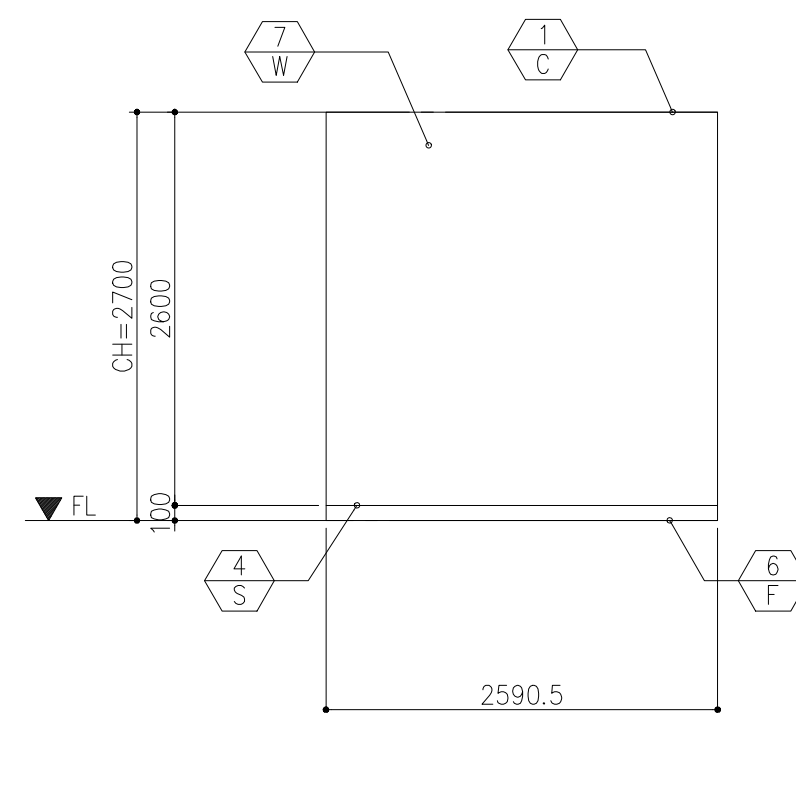


ELEV D

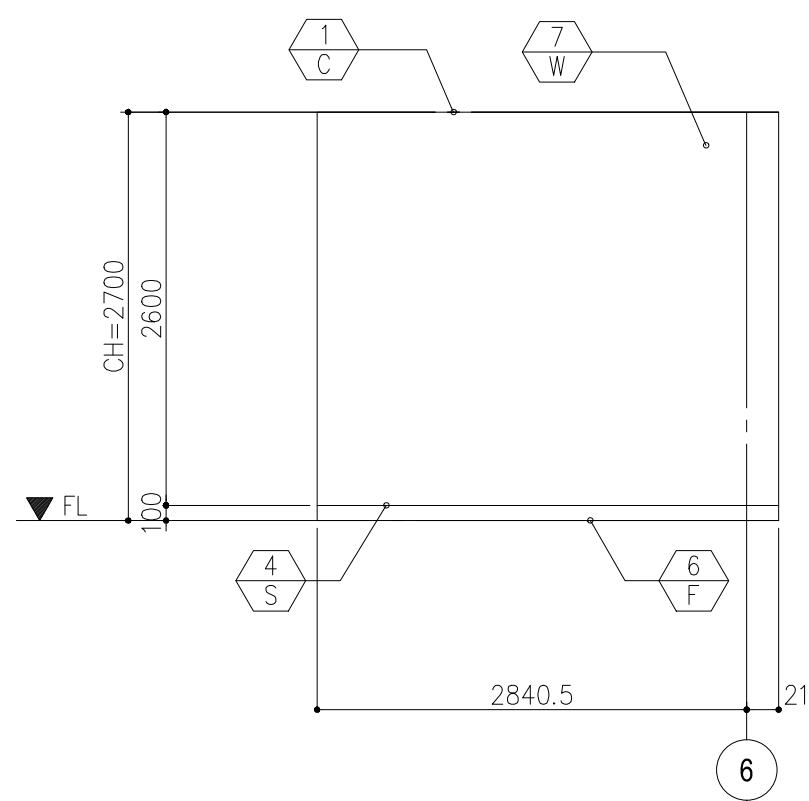
SECURITY (1-28)



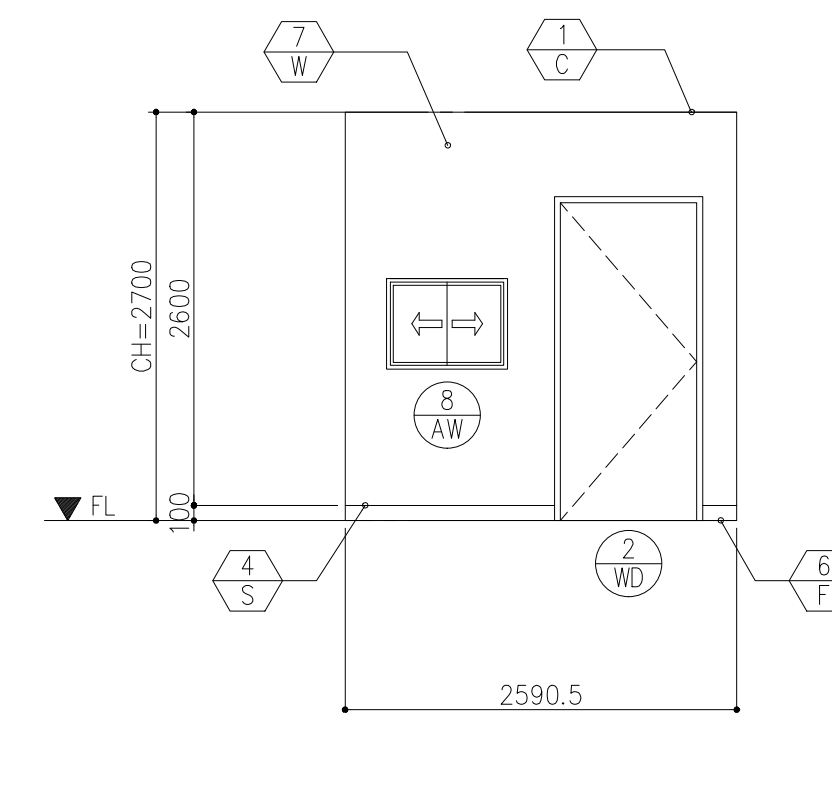
ELEV A



ELEV B



ELEV C



ELEV D

Republic of the Philippines
DEPARTMENT OF TRANSPORTATION
AND
COMMUNICATIONS

JICA
JAPAN
INTERNATIONAL
COOPERATION
AGENCY

JICA DESIGN CONSULTANT JOINT VENTURE

JAC JAPAN AIRPORT
CONSULTANTS,
INC.

NKC NIPPON KOEI
CO., LTD.

NCS NIS CONSULTANTS
CO., LTD.

PREPARED BY:

WILLIAM I. MALLONGA

PROF. Architect	PTR. 3911137
REG. NO.: 4623	DATE: MAY 9, 2013
T.E.N. 150-544-198	PLACE: MAKATI CITY

TADASHI AOI
Team Leader

RECOMMENDING APPROVAL:

JILDEFONSO T. PATDU, JR.
Assistant Secretary
for Project Implementation, DOTC

APPROVED:

JULIANITO G. BUCAYAN, JR.
Undersecretary
for Project Implementation, DOTC

PROJECT TITLE:

**NEW BOHOL AIRPORT CONSTRUCTION AND
SUSTAINABLE ENVIRONMENT PROTECTION PROJECT**

LOCATION: MUNICIPALITY OF PANGLAO, PROVINCE OF BOHOL, PHILIPPINES

JUNE 2013	DATE	INDEX	AMENDMENTS	Prepared by	Checked by	Validated by
				WIM	HC	

SHEET CONTENTS:

COMPONENT-4 BUILDING WORKS (B)
SUBCOMPONENT-4-3

(B3) CONTROL TOWER, ATC OPERATION
AND ADMINISTRATION BUILDING
ARCHITECTURAL
GF INTERNAL ELEVATIONS 7-7

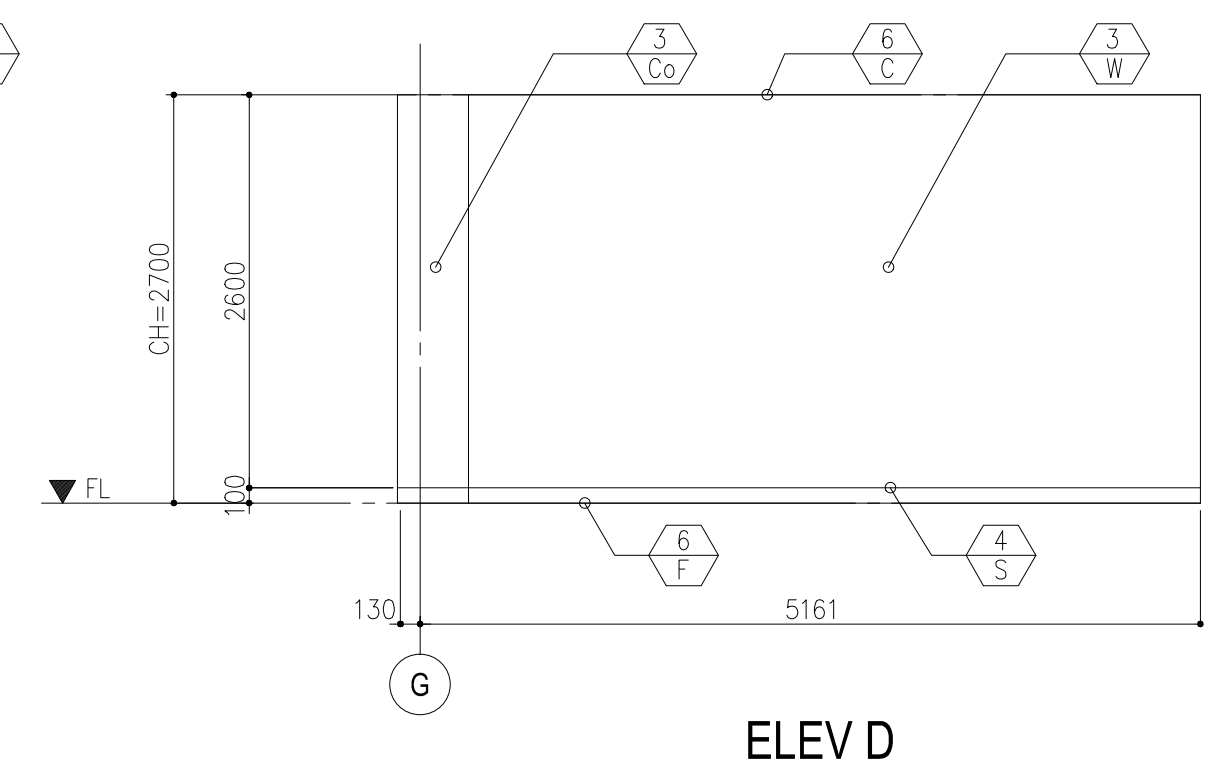
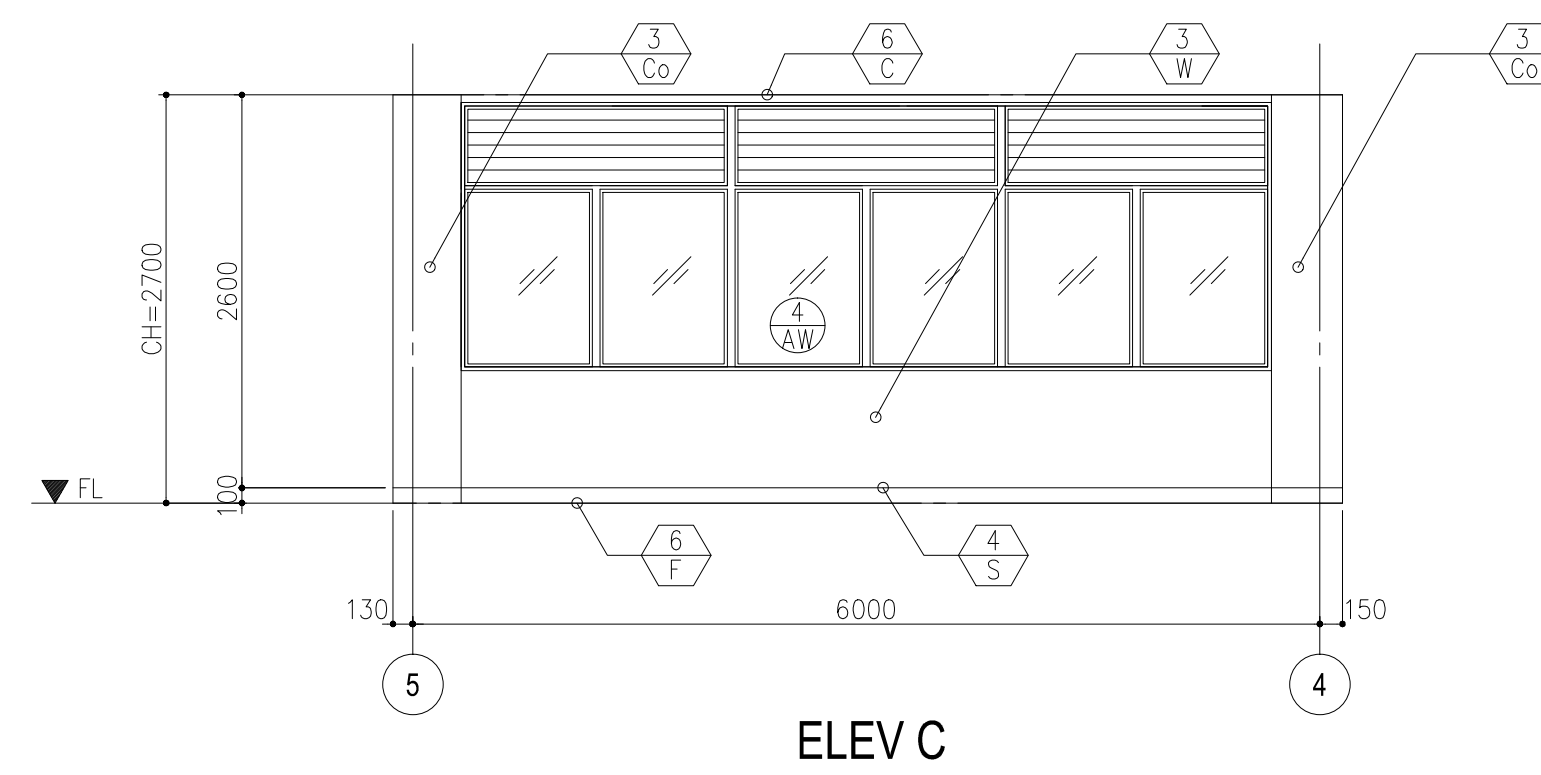
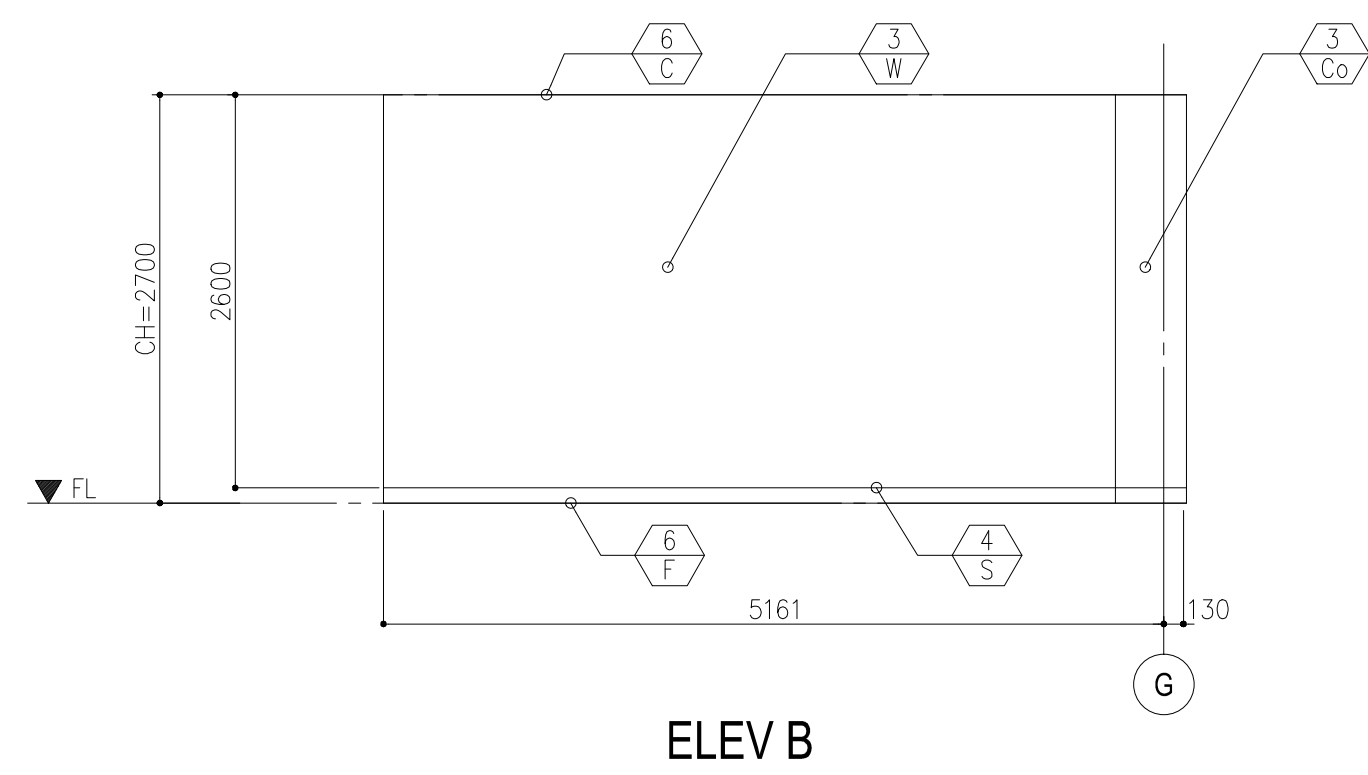
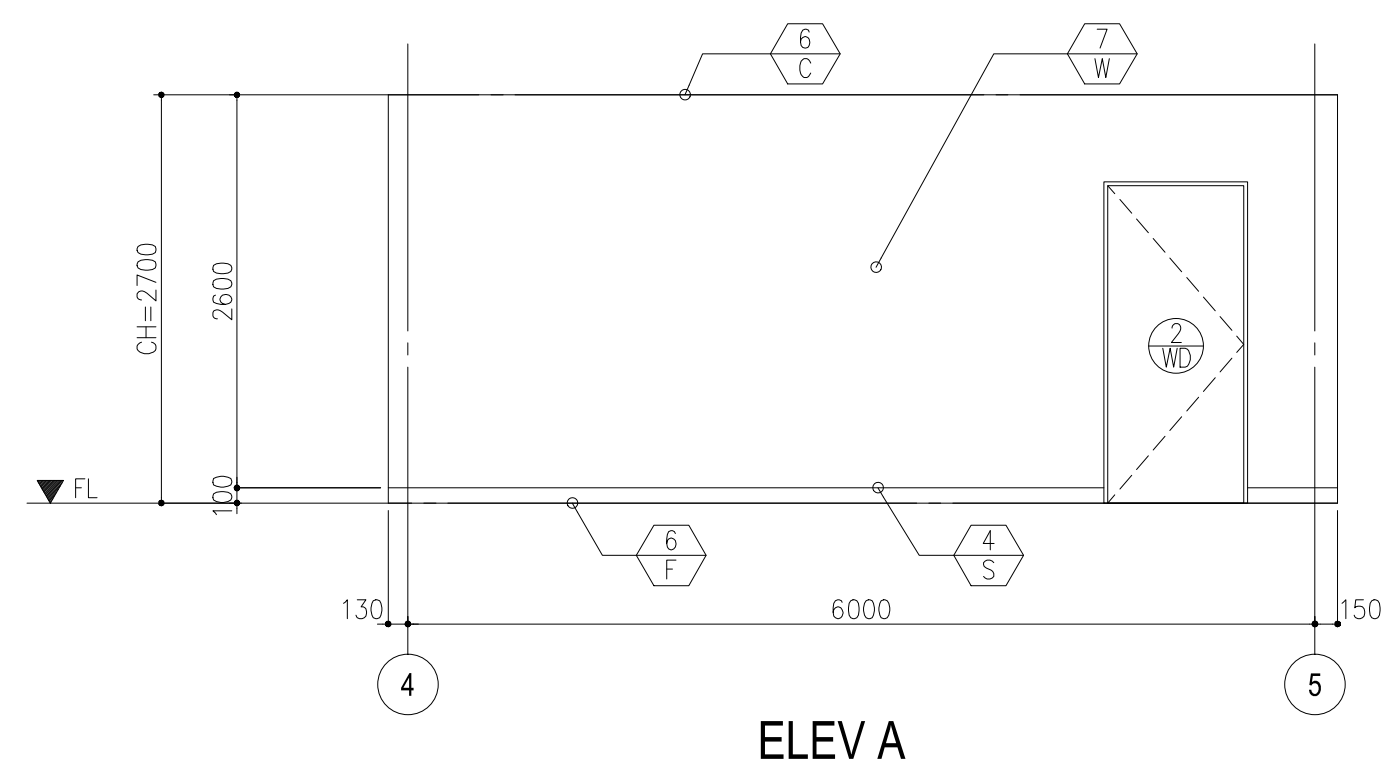
SHEET NO:

B3-4300-39

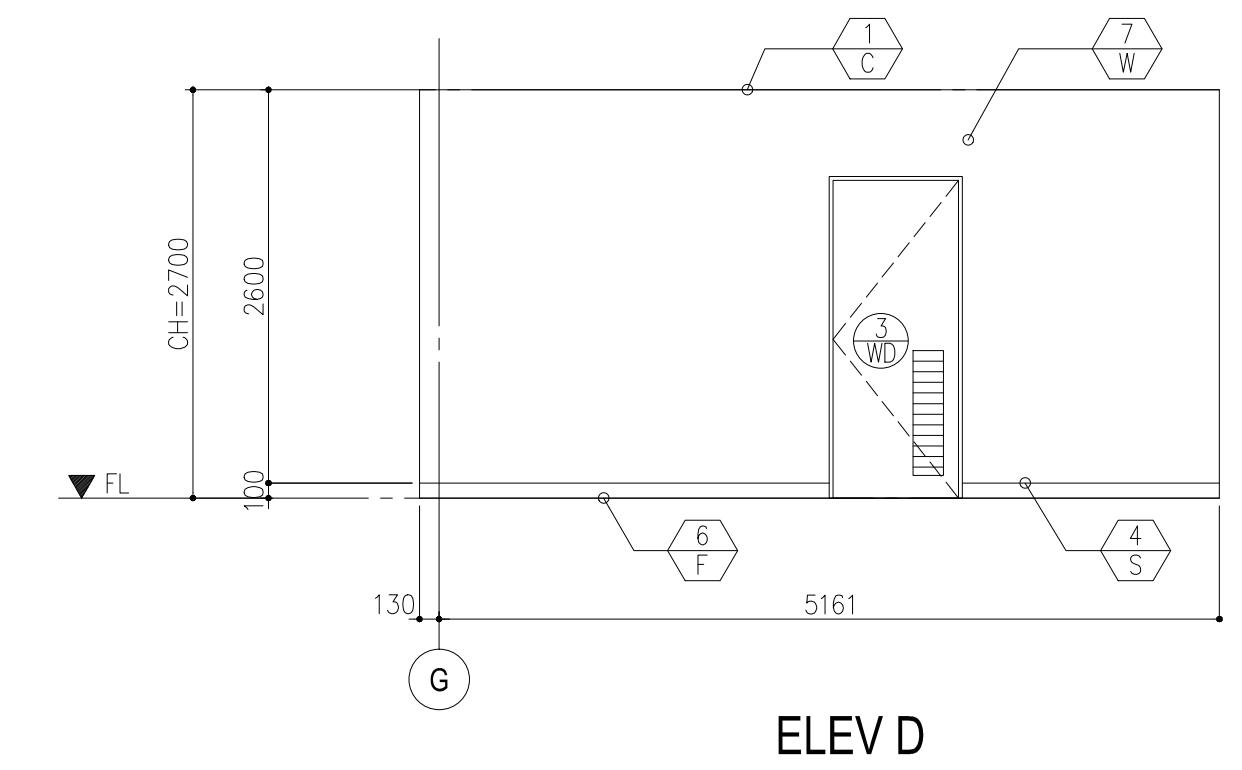
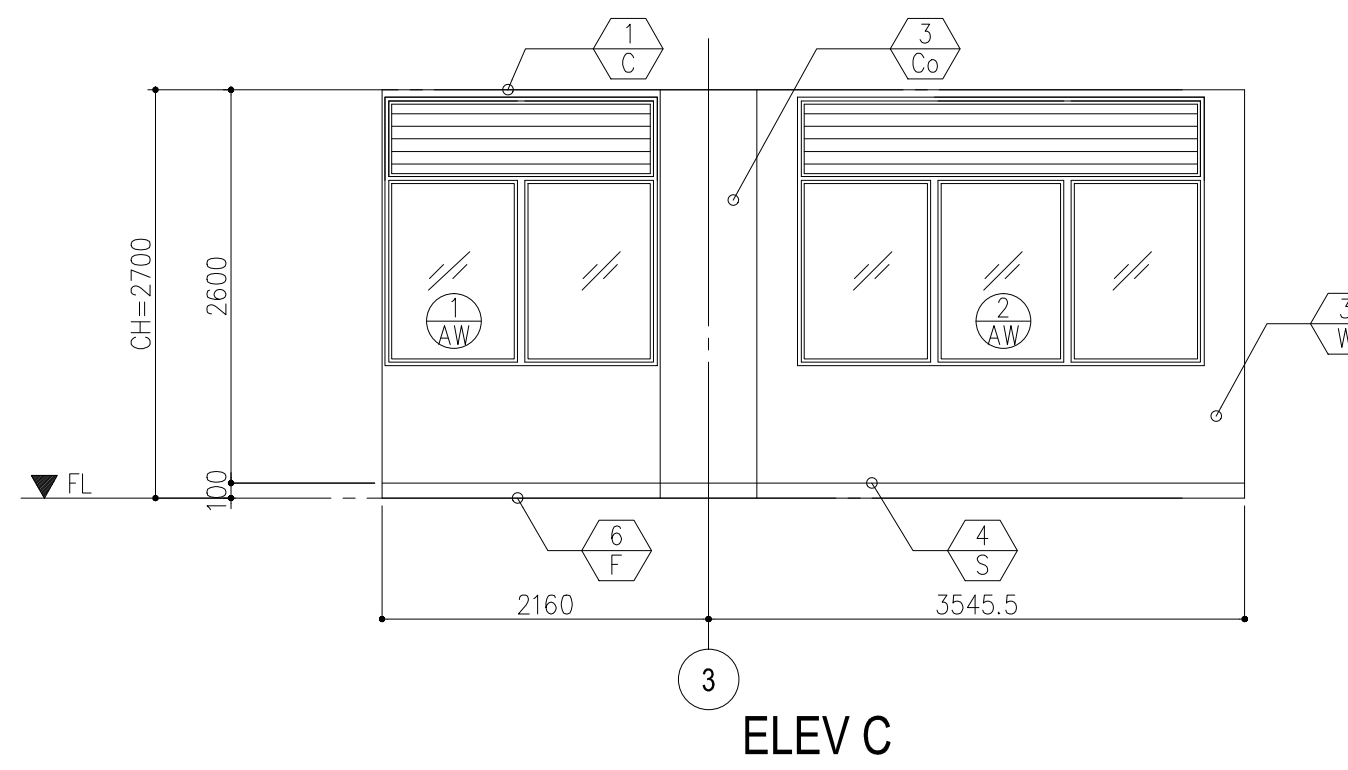
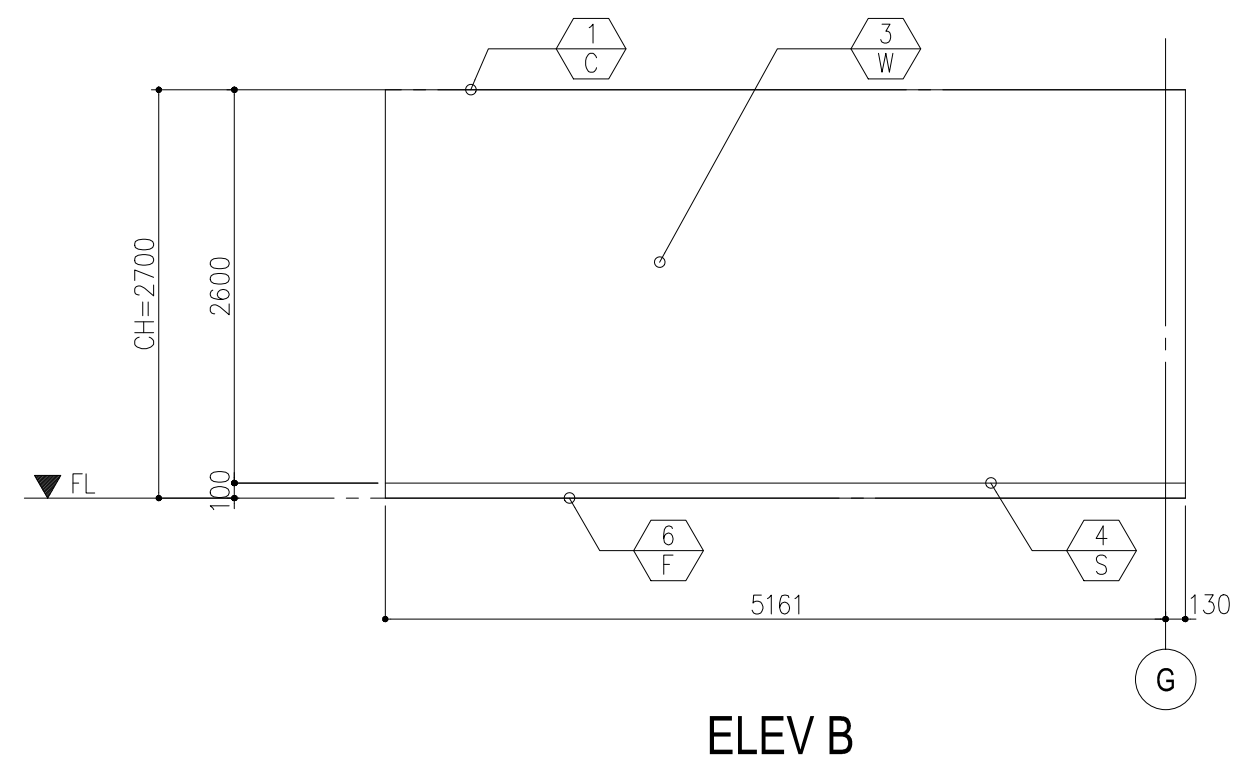
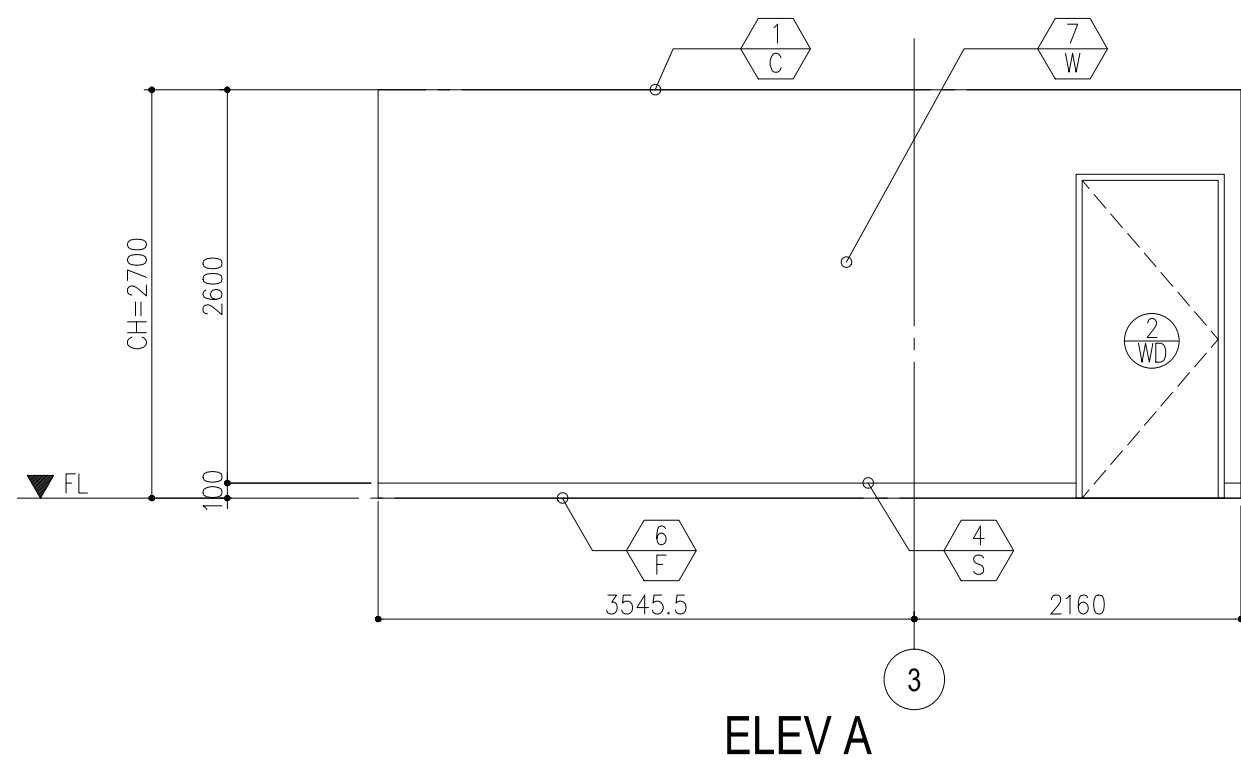
DRAWING SCALE:

1:50M.

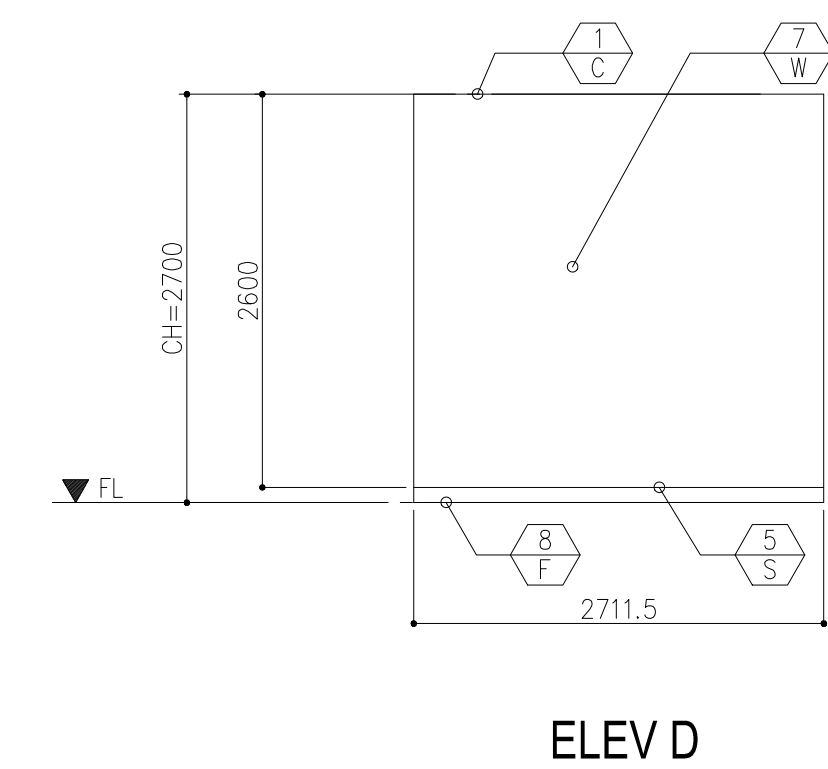
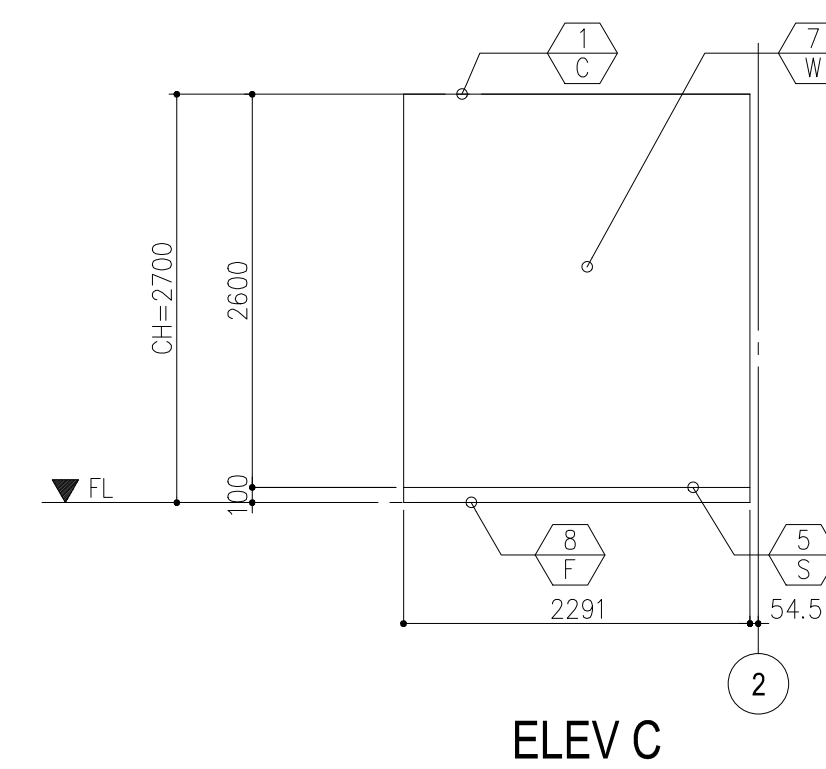
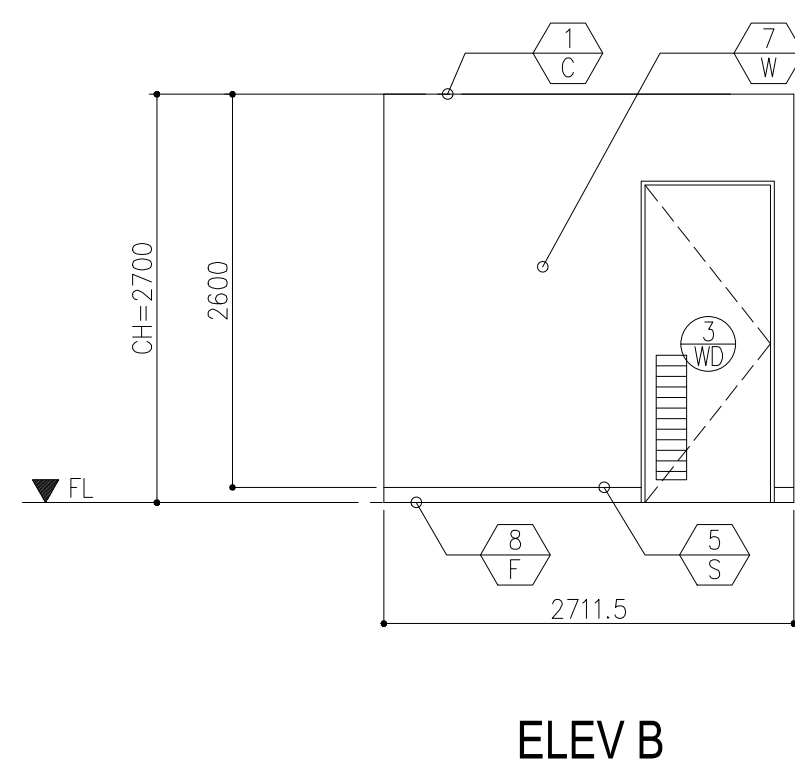
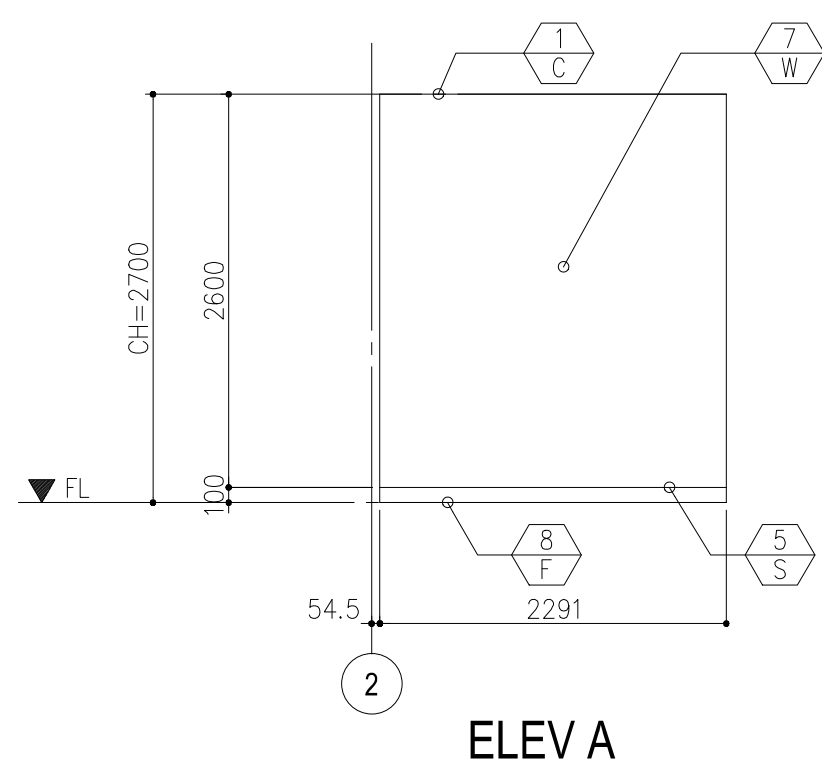
NAP ROOM MALE (2-01)



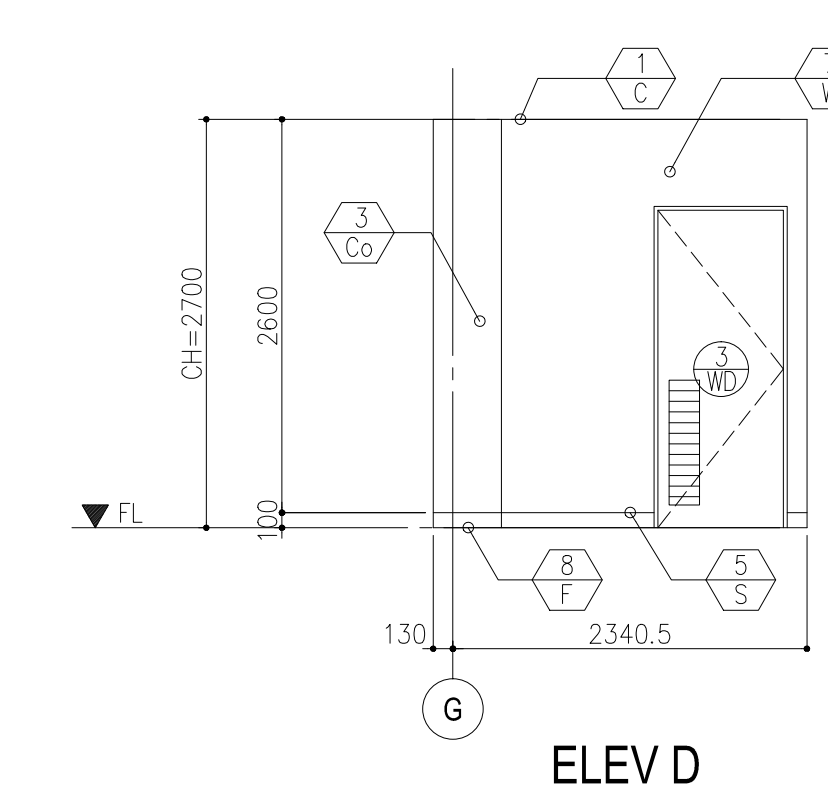
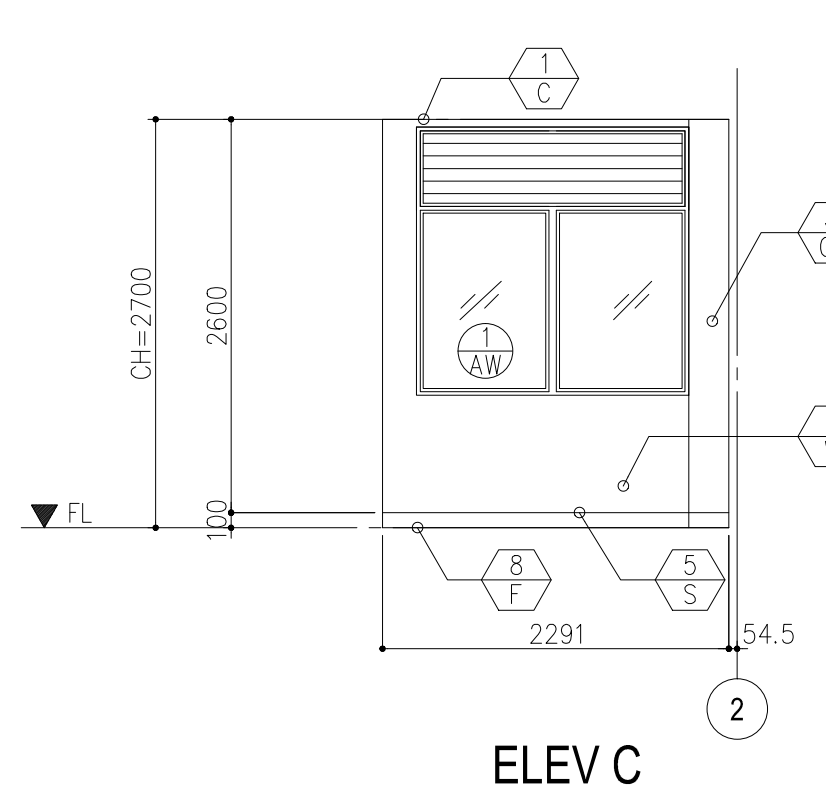
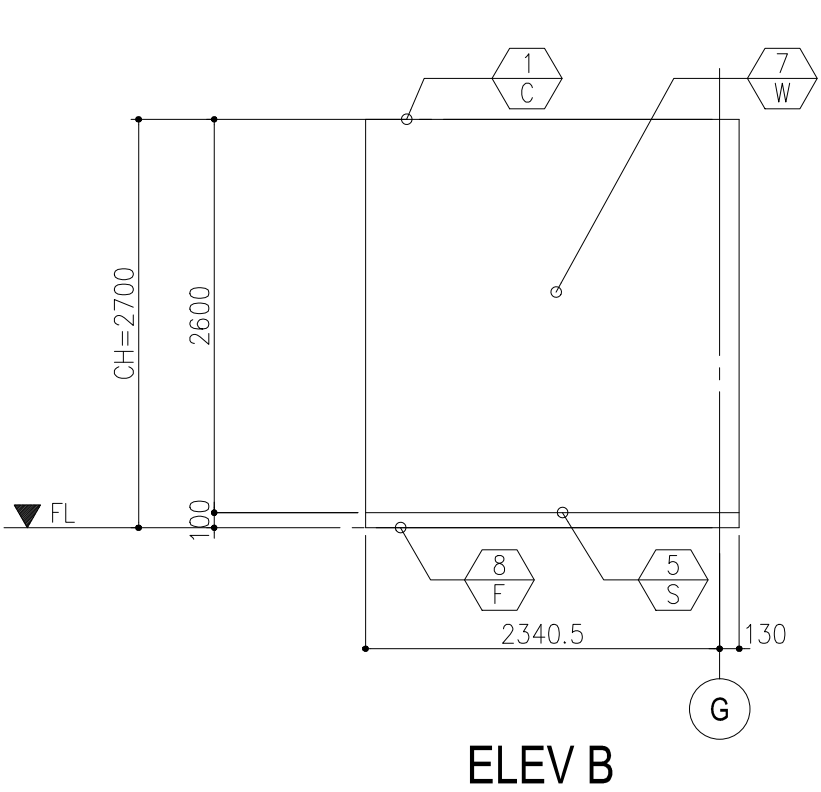
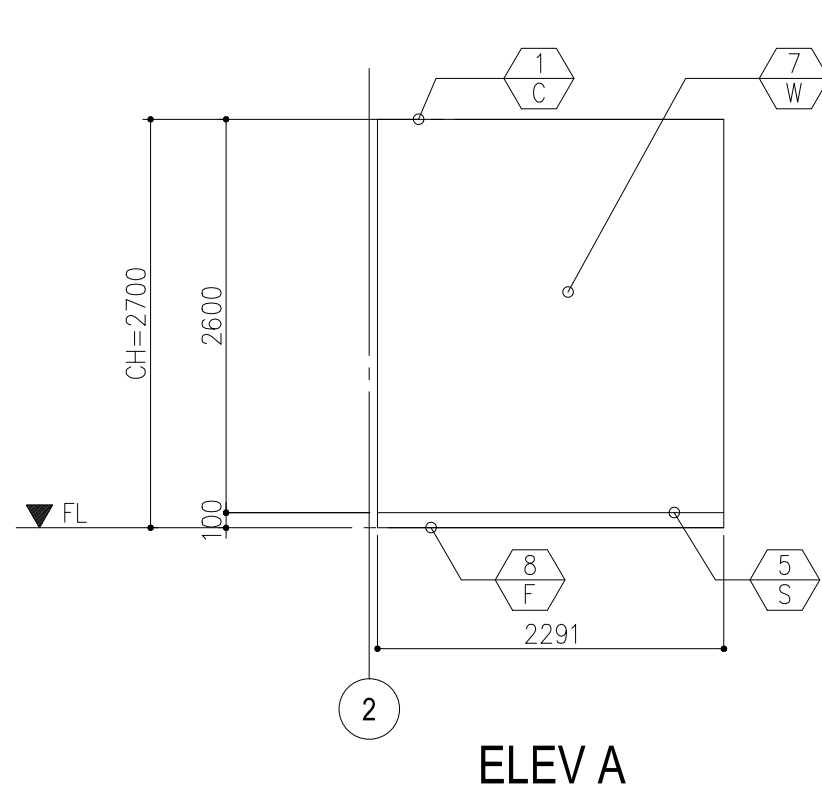
ATC OFFICE (2-03)



STORAGE 1 (2-04)



STORAGE 2 (2-05)



Republic of the Philippines
DEPARTMENT OF TRANSPORTATION
AND
COMMUNICATIONS

JICA
JAPAN
INTERNATIONAL
COOPERATION
AGENCY

JICA DESIGN CONSULTANT JOINT VENTURE

JAC JAPAN AIRPORT
CONSULTANTS,
INC.

NK NIPPON KOEI
CO., LTD.

NIS NIS CONSULTANTS
CO., LTD.

PREPARED BY:	RECOMMENDING APPROVAL:	APPROVED:
WILLIAM I. MALLONGA	JULDEFONSO T. PATDU, JR. Assistant Secretary for Project Implementation, DOTC	JULIANITO G. BUCCAYAN, JR. Undersecretary for Project Implementation, DOTC
PROF. Architect	PTB. 3911137	
REG. NO.: 4623	DATE: MAY 9, 2013	
T.E.N. 150-564-198	PLACE: MARIKINA CITY	
TADASHI AOI Team Leader		

PROJECT TITLE:

**NEW BOHOL AIRPORT CONSTRUCTION AND
SUSTAINABLE ENVIRONMENT PROTECTION PROJECT**

LOCATION: MUNICIPALITY OF PANGLAO, PROVINCE OF BOHOL, PHILIPPINES

JUNE 2013				
DATE	INDEX	AMENDMENTS	Prepared by	Checked by
			WIM	HC
			Validated by	

SHEET CONTENTS:

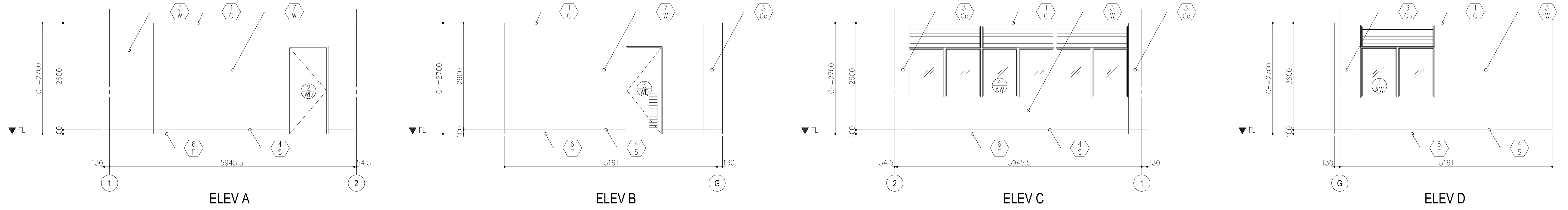
COMPONENT-4 BUILDING WORKS (B)
SUBCOMPONENT-4-3

(B3) CONTROL TOWER, ATC OPERATION
AND ADMINISTRATION BUILDING
ARCHITECTURAL
2F INTERNAL ELEVATIONS 1-6

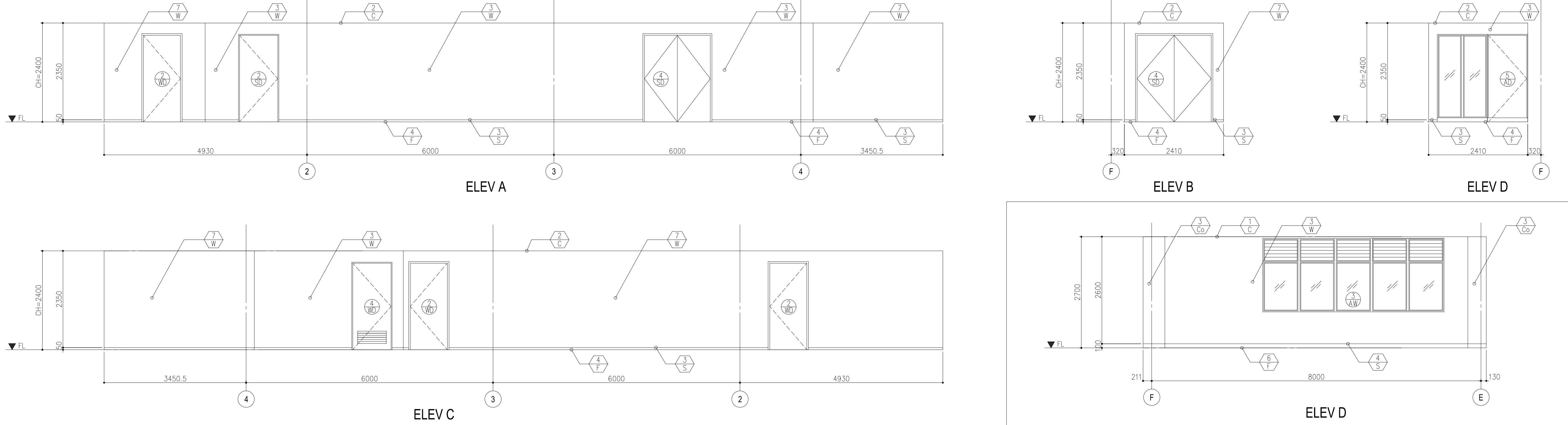
SHEET NO:
B3-4300-40

DRAWING SCALE:
1:50M.

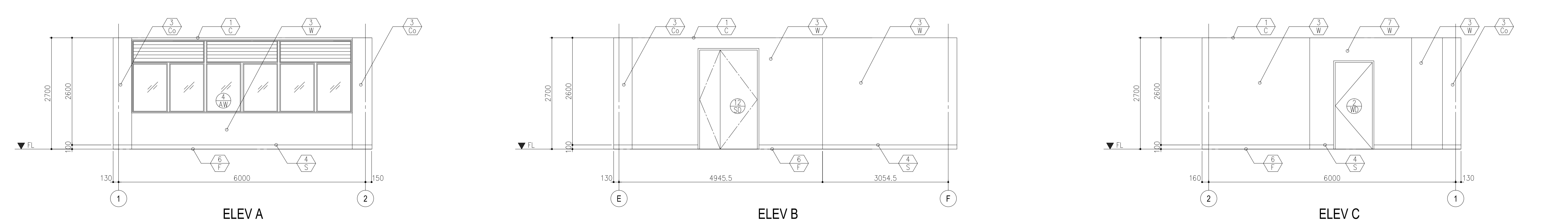
ATC/FIC OFFICE (2-06)



HALLWAY (2-07)

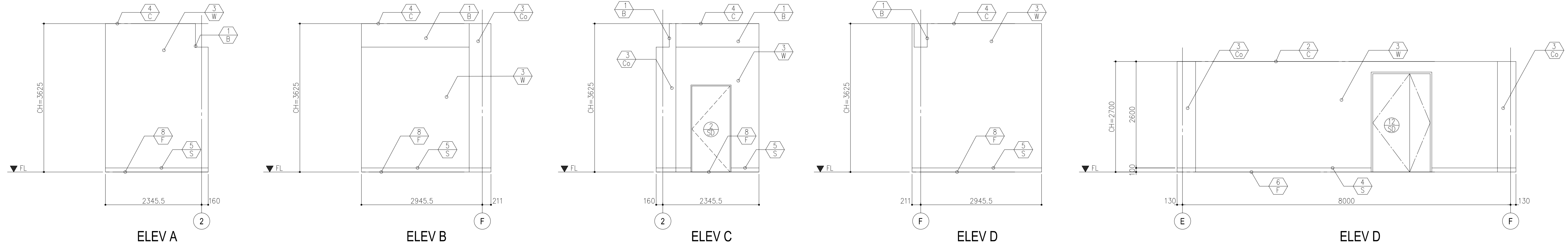


ANS & FIC OFFICE (2-08)

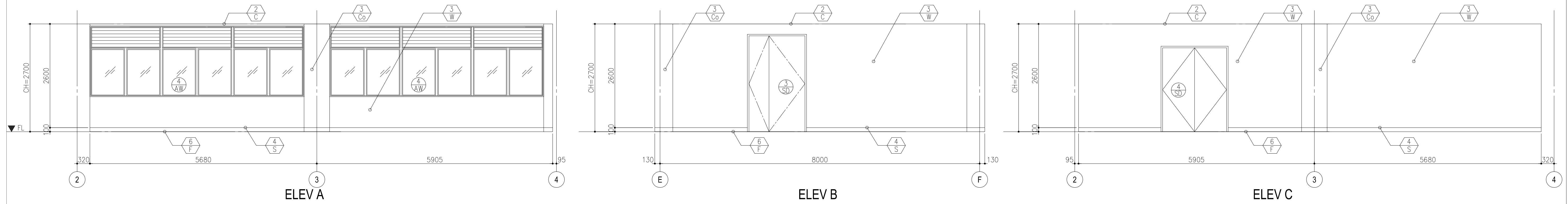


	PREPARED BY: WILLIAM I. MALLONGA <small>PROF. Architect PTR. 3911137 REG. NO. 4623 DATE: MAY 9, 2013 TEL. 150-564-198 PLACE: MAKATI CITY</small>	RECOMMENDING APPROVAL: ILDEFONSO T. PATDU, JR. <small>Assistant Secretary for Project Implementation, DOTC</small>	APPROVED: JULIANITO G. BUCCAYAN, JR. <small>Undersecretary for Project Implementation, DOTC</small>	PROJECT TITLE: NEW BOHOL AIRPORT CONSTRUCTION AND SUSTAINABLE ENVIRONMENT PROTECTION PROJECT LOCATION: MUNICIPALITY OF PANGLAO, PROVINCE OF BOHOL, PHILIPPINES	SHEET CONTENTS: COMPONENT-4 BUILDING WORKS (B) SUBCOMPONENT-4-3 (B3) CONTROL TOWER, ATC OPERATION AND ADMINISTRATION BUILDING ARCHITECTURAL 2F INTERNAL ELEVATIONS 2-6	SHEET NO: B3-4300-41 DRAWING SCALE: 1:50M.
	JICA DESIGN CONSULTANT JOINT VENTURE JAPAN AIRPORT CONSULTANTS, INC. NIPPON KOEI CO., LTD. NIS CONSULTANTS CO., LTD.	TADASHI AOI Team Leader	JUN 2013	DATE INDEX AMENDMENTS Prepared by WIM Checked by HC Validated by		

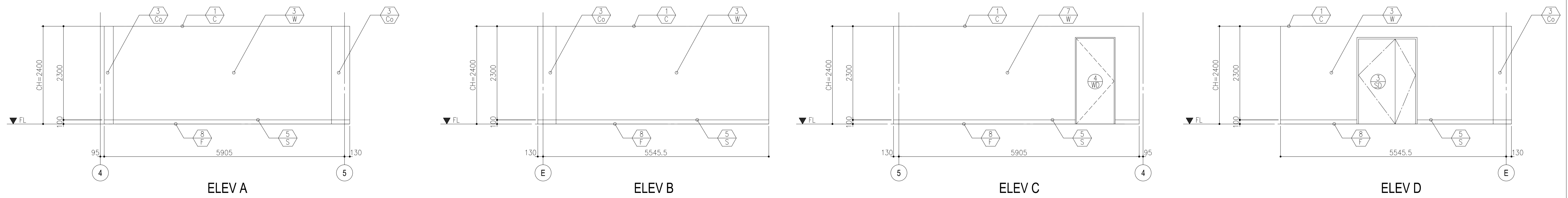
EPS (2-09)



EQUIPMENT ROOM (2-10)

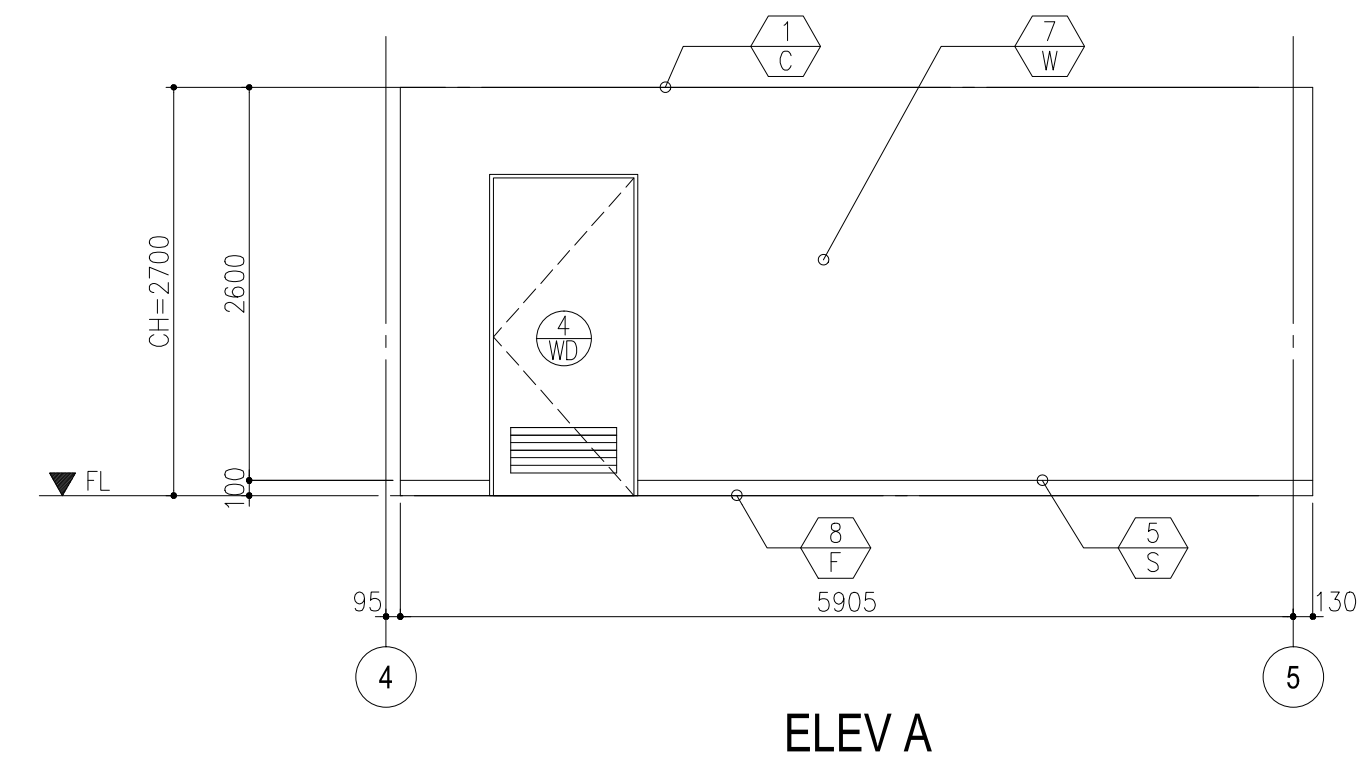


WORKSHOP (EQUIPMENT) (2-11)

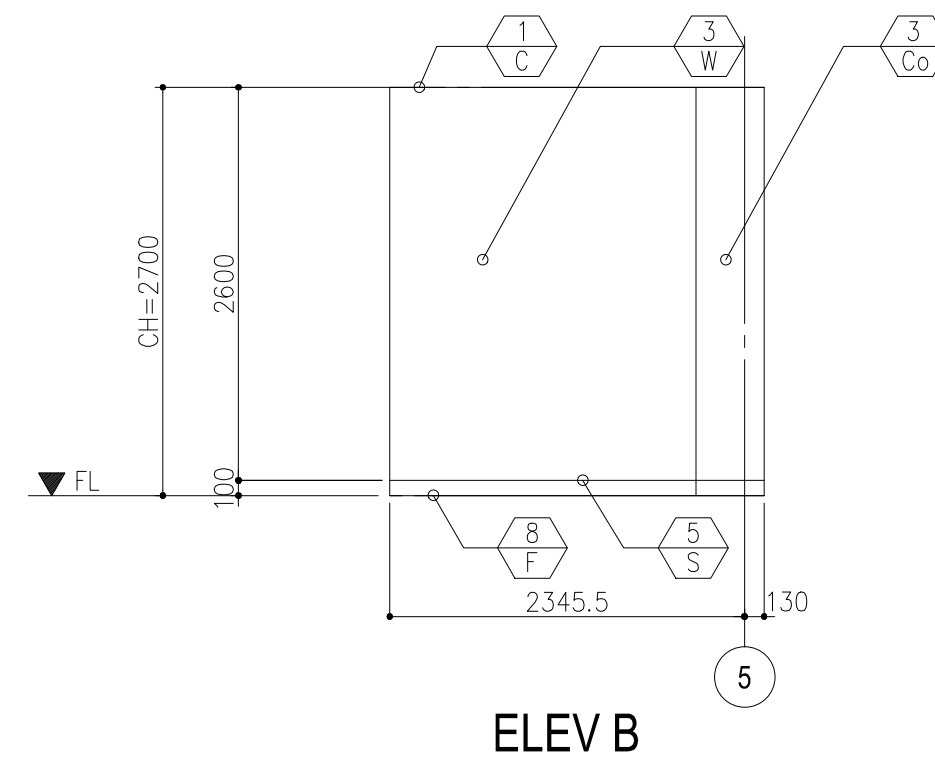


	PREPARED BY: WILLIAM I. MALLONGA <small>PROJ: Architect PTR: 3911137 REG. NO: 4623 DATE: MAY 9, 2013 TEL: 150-564-198 PLACE: MAKATI CITY</small>	RECOMMENDING APPROVAL: ILDEFONSO T. PATDU, JR. <small>Assistant Secretary for Project Implementation, DOTC</small>	APPROVED: JULIANITO G. BUCAYAN, JR. <small>Undersecretary for Project Implementation, DOTC</small>	PROJECT TITLE: NEW BOHOL AIRPORT CONSTRUCTION AND SUSTAINABLE ENVIRONMENT PROTECTION PROJECT LOCATION: MUNICIPALITY OF PANGLAO, PROVINCE OF BOHOL, PHILIPPINES	SHEET CONTENTS: COMPONENT-4 BUILDING WORKS (B) SUBCOMPONENT-4-3 (B3) CONTROL TOWER, ATC OPERATION AND ADMINISTRATION BUILDING ARCHITECTURAL 2F INTERNAL ELEVATIONS 3-6	SHEET NO: B3-4300-42
	JICA DESIGN CONSULTANT JOINT VENTURE JAPAN AIRPORT CONSULTANTS, INC. NIPPON KOEI CO., LTD. NIS CONSULTANTS CO., LTD.	TADASHI AOI Team Leader	ILDEFONSO T. PATDU, JR. Assistant Secretary for Project Implementation, DOTC	JULIANITO G. BUCAYAN, JR. Undersecretary for Project Implementation, DOTC	DATE: JUNE 2013 INDEX: AMENDMENTS: Prepared by: WIM, Checked by: HC, Validated by:	DRAWING SCALE: 1:50M.

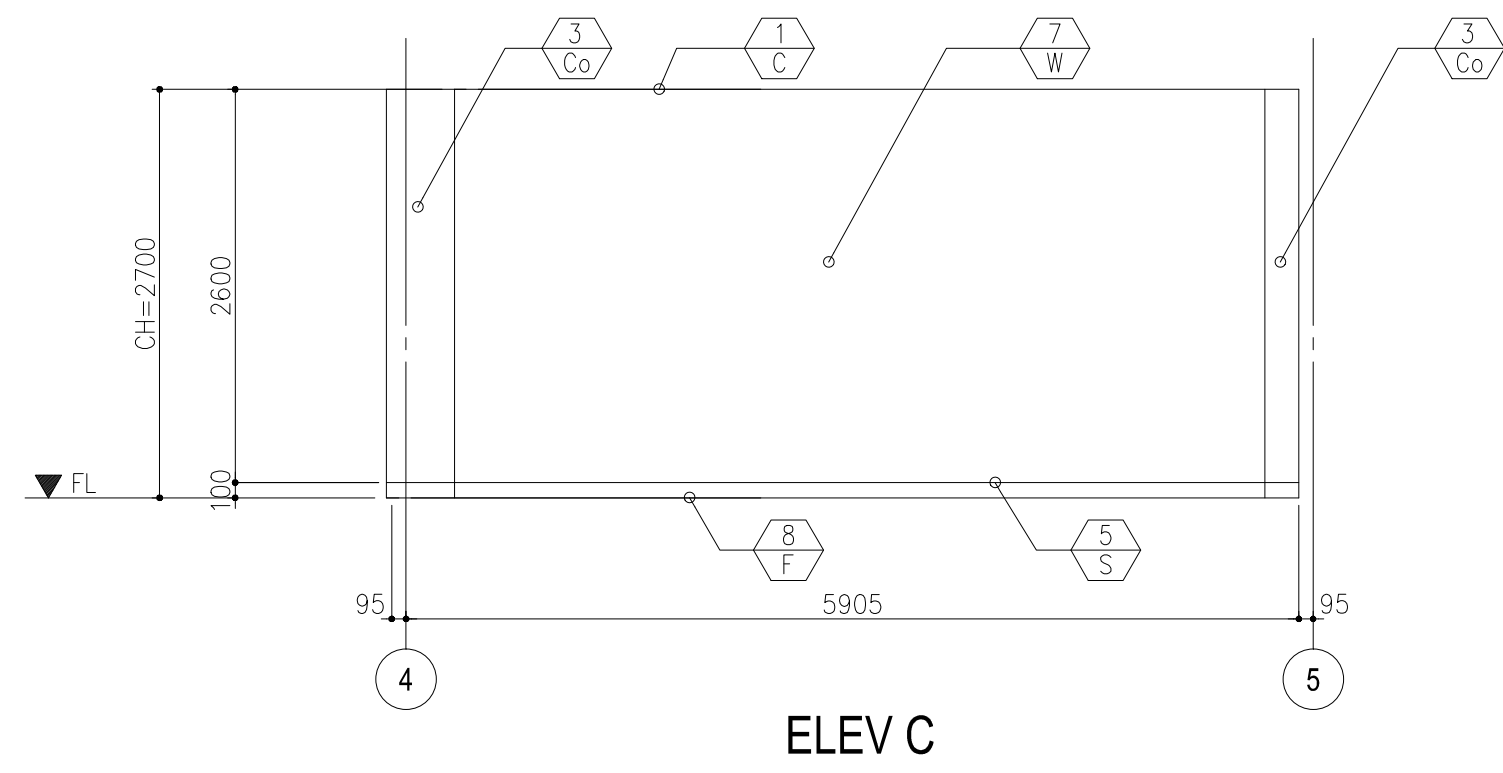
STORE (2-12)



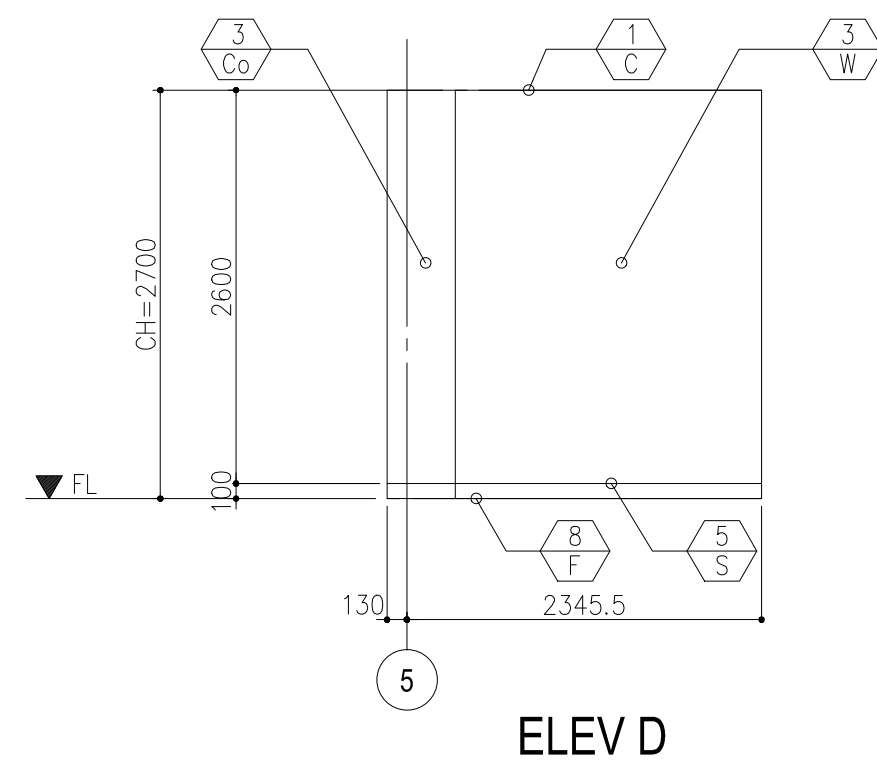
ELEV A



ELEV B

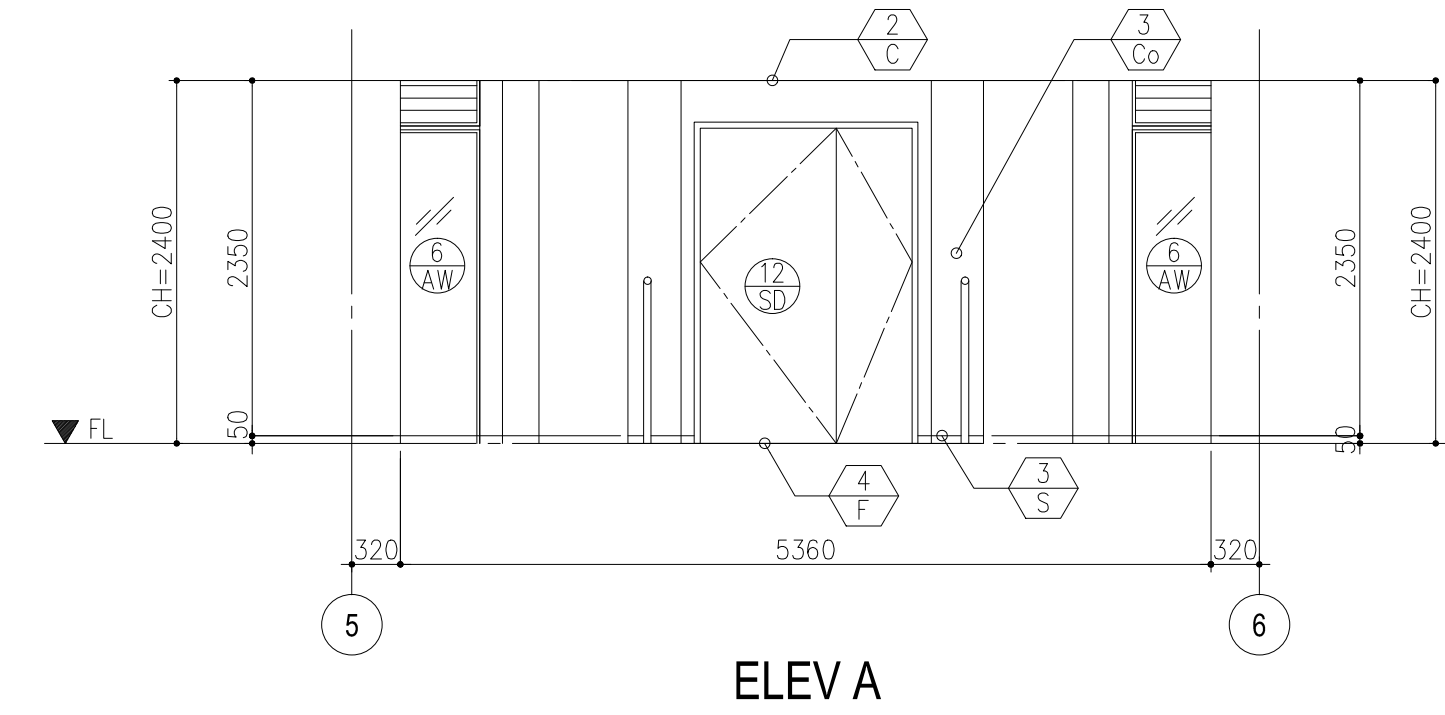


ELEV C

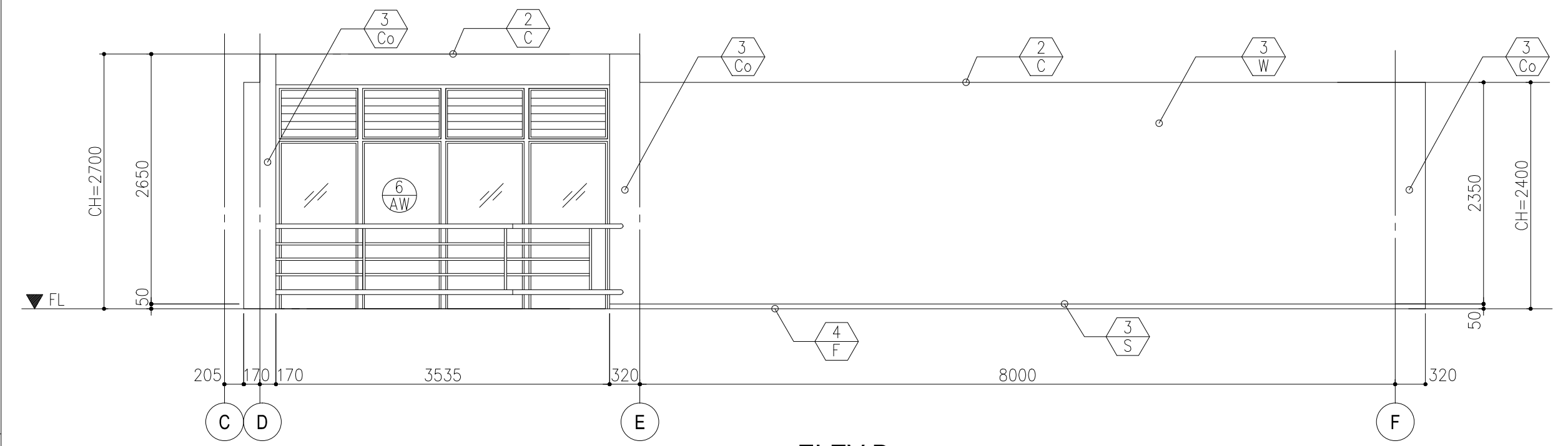


ELEV D

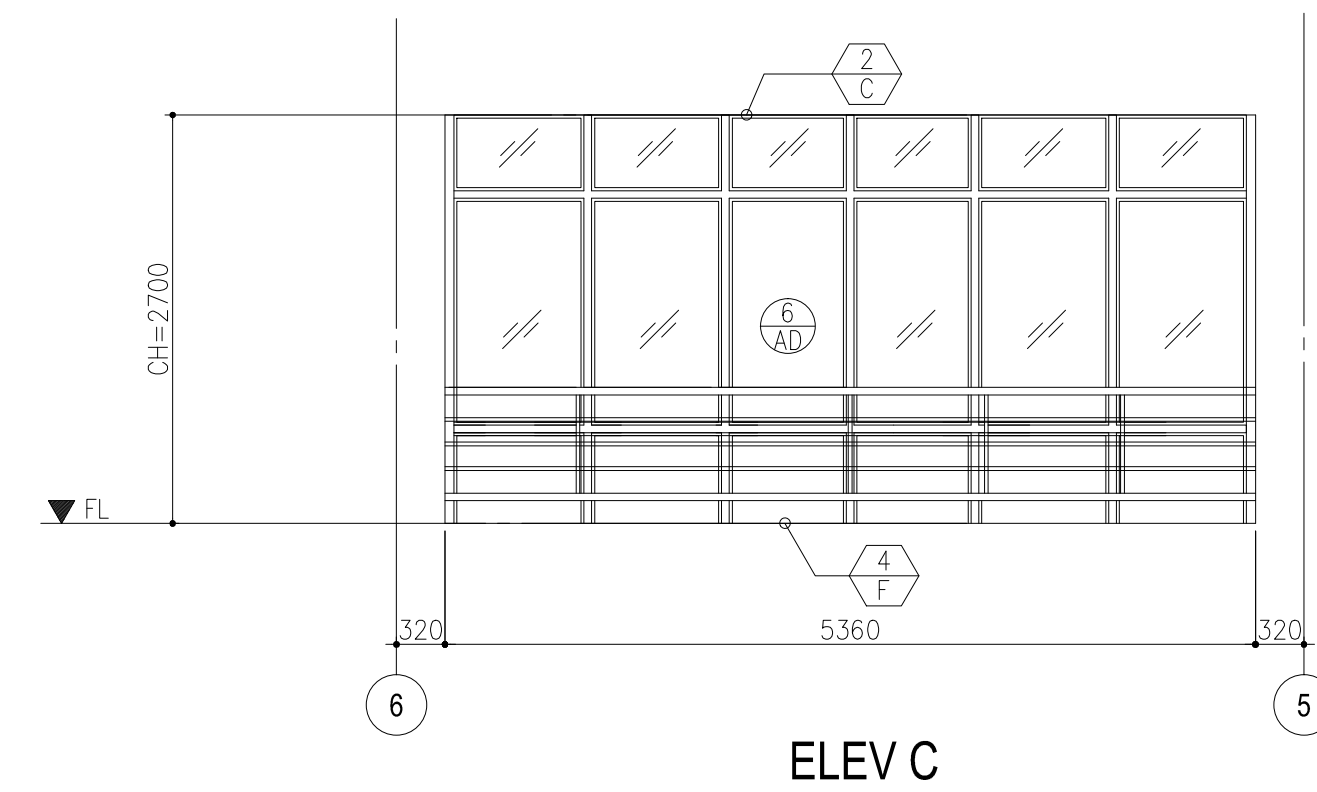
HALLWAY-5 (2-14)



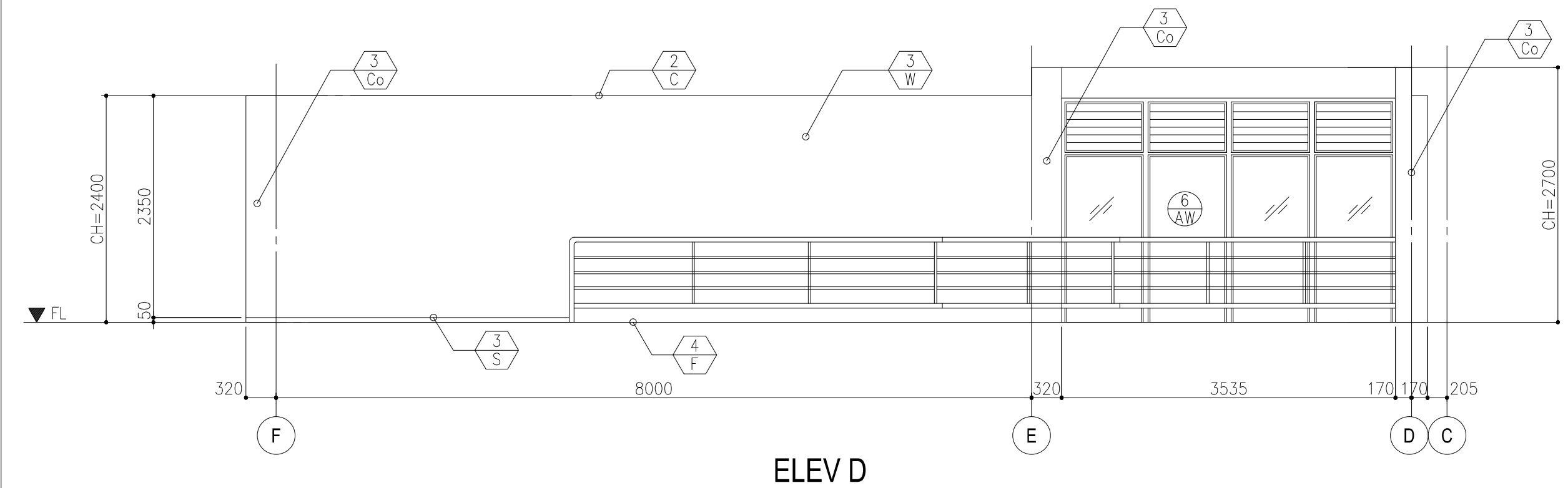
ELEV A



ELEV B

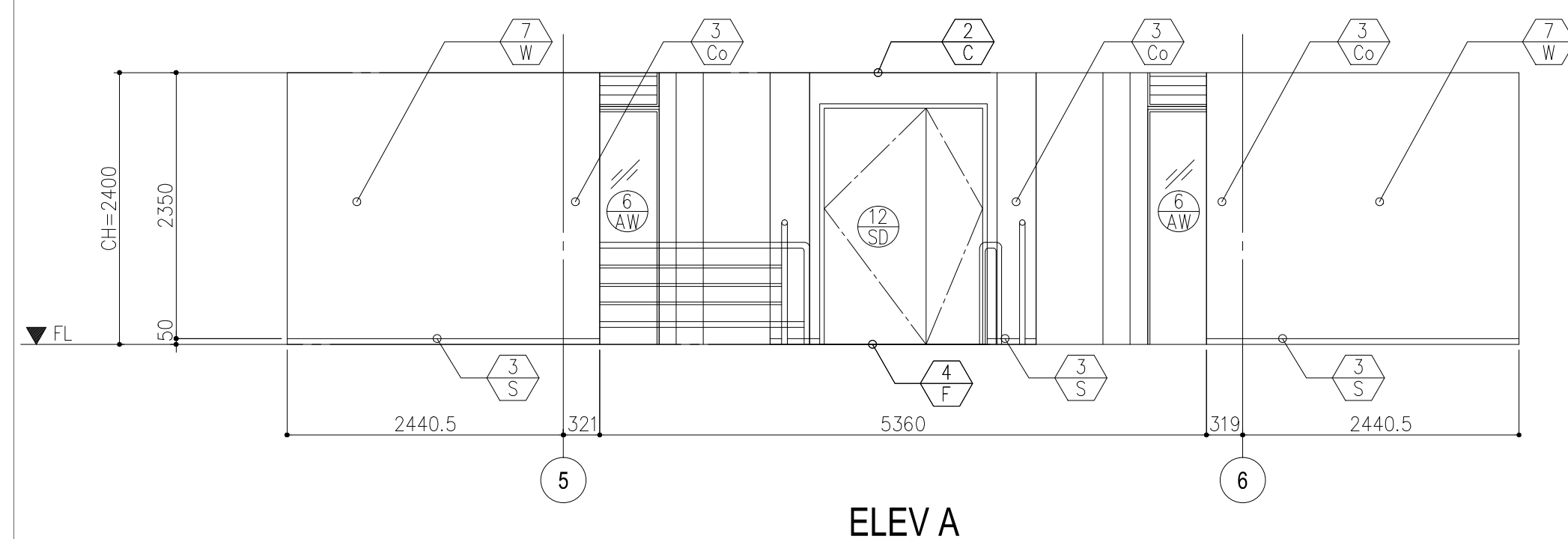


ELEV C

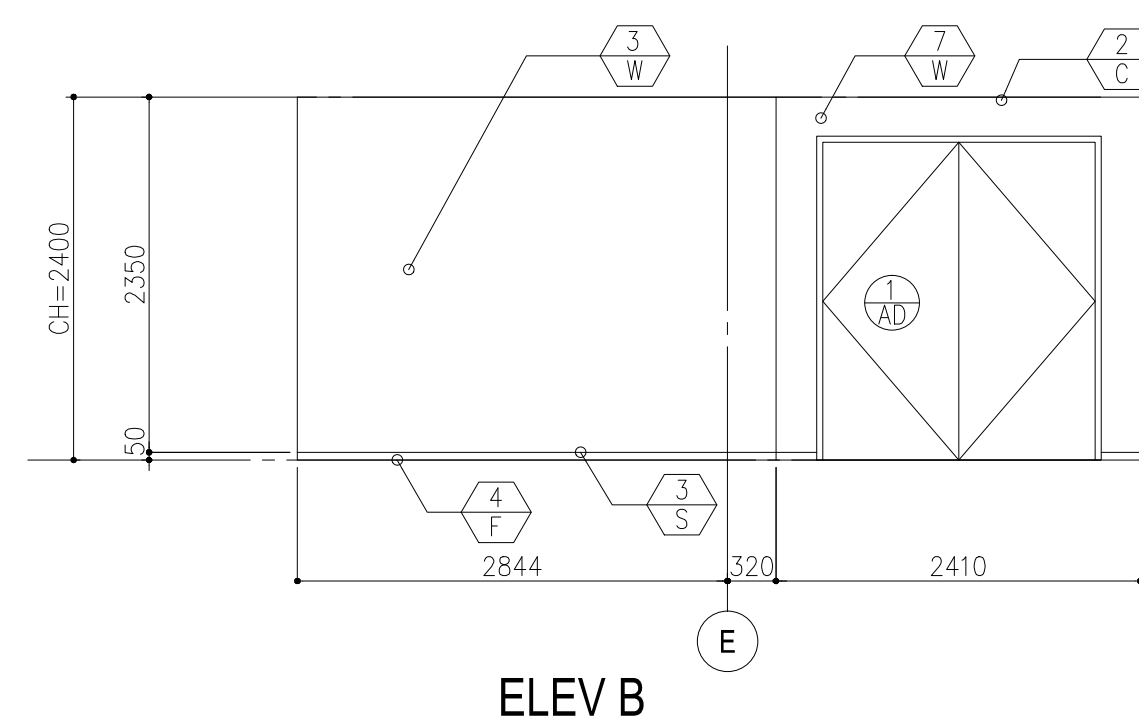


ELEV D

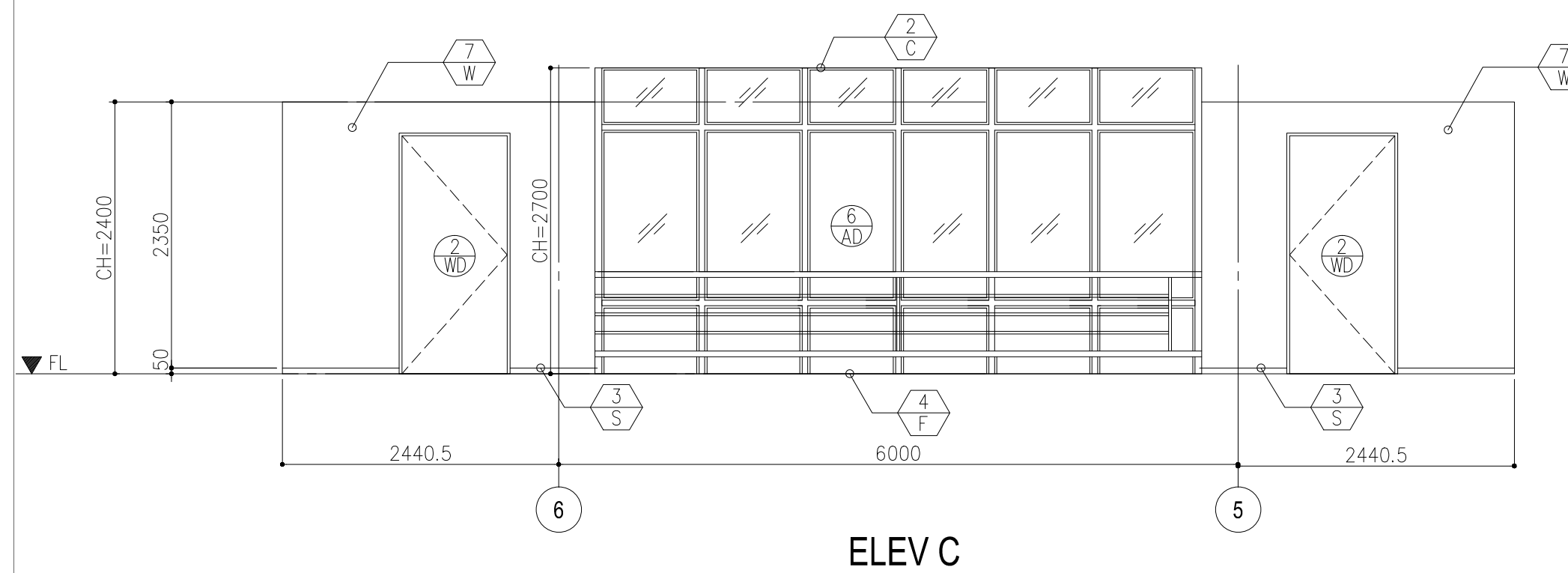
LOBBY (2-13)



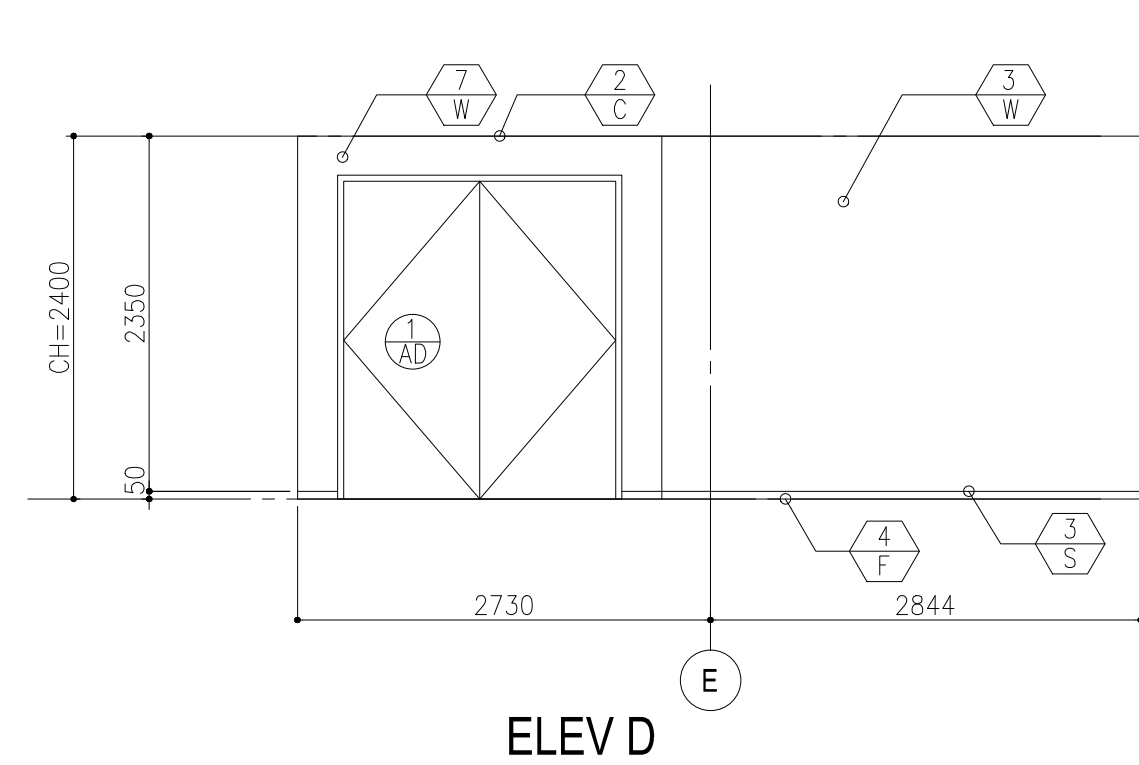
ELEV A



ELEV B



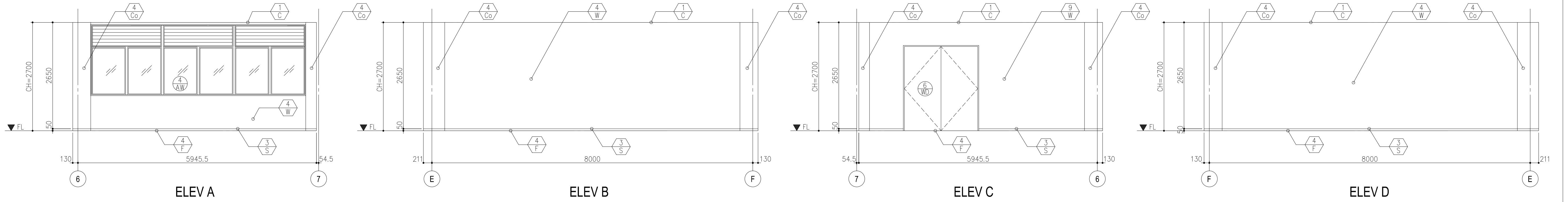
ELEV C



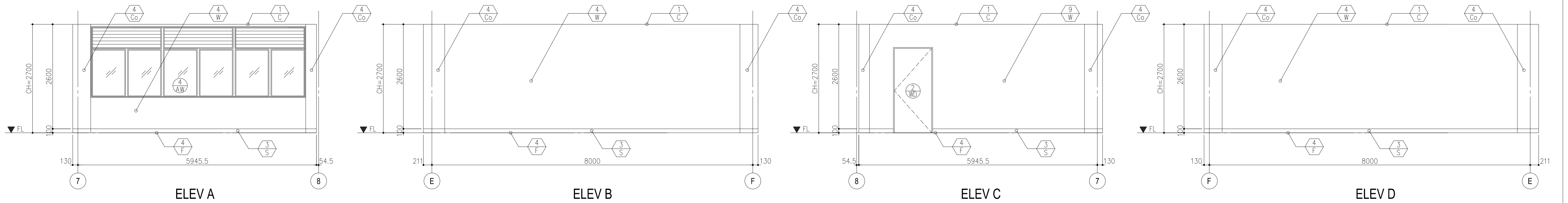
ELEV D

	PREPARED BY: WILLIAM I. MALLONGA <small>PROF. Architect PTR. 3911137 REG. NO.: 4623 DATE: MAY 9, 2013 TEL. 150-564-198 PLACE: MAKATI CITY</small>	RECOMMENDING APPROVAL: ILDEFONSO T. PATDU, JR. <small>Assistant Secretary for Project Implementation, DOTC</small>	APPROVED: JULIANITO G. BUÇAYAN, JR. <small>Undersecretary for Project Implementation, DOTC</small>	PROJECT TITLE: NEW BOHOL AIRPORT CONSTRUCTION AND SUSTAINABLE ENVIRONMENT PROTECTION PROJECT LOCATION: MUNICIPALITY OF PANGLAO, PROVINCE OF BOHOL, PHILIPPINES	SHEET CONTENTS: COMPONENT-4 BUILDING WORKS (B) SUBCOMPONENT-4-3 (B3) CONTROL TOWER, ATC OPERATION AND ADMINISTRATION BUILDING ARCHITECTURAL 2F INTERNAL ELEVATIONS 4-6	SHEET NO: B3-4300-43 DRAWING SCALE: 1:50M.
	JICA DESIGN CONSULTANT JOINT VENTURE JAPAN AIRPORT CONSULTANTS, INC. NIPPON KOEI CO., LTD. NIS CONSULTANTS CO., LTD.	TADASHI AOI Team Leader	JUN 2013	DATE INDEX AMENDMENTS Prepared by WIM Checked by IIC Validated by		

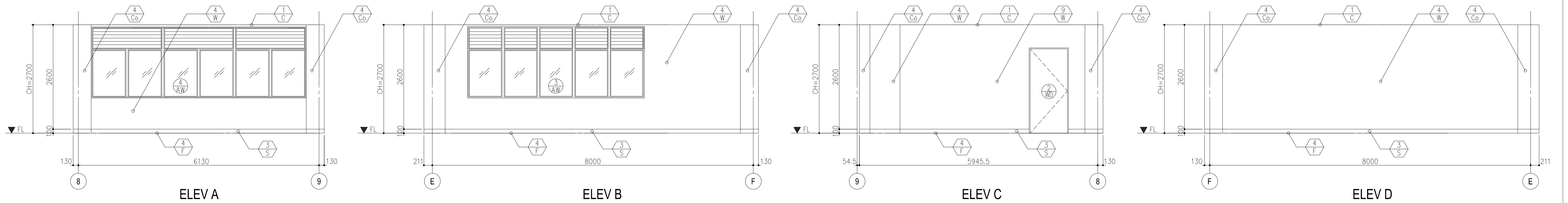
MEETING ROOM (CONFERENCE) (2-15)



AIRPORT DEPT. MANAGER (2-16)

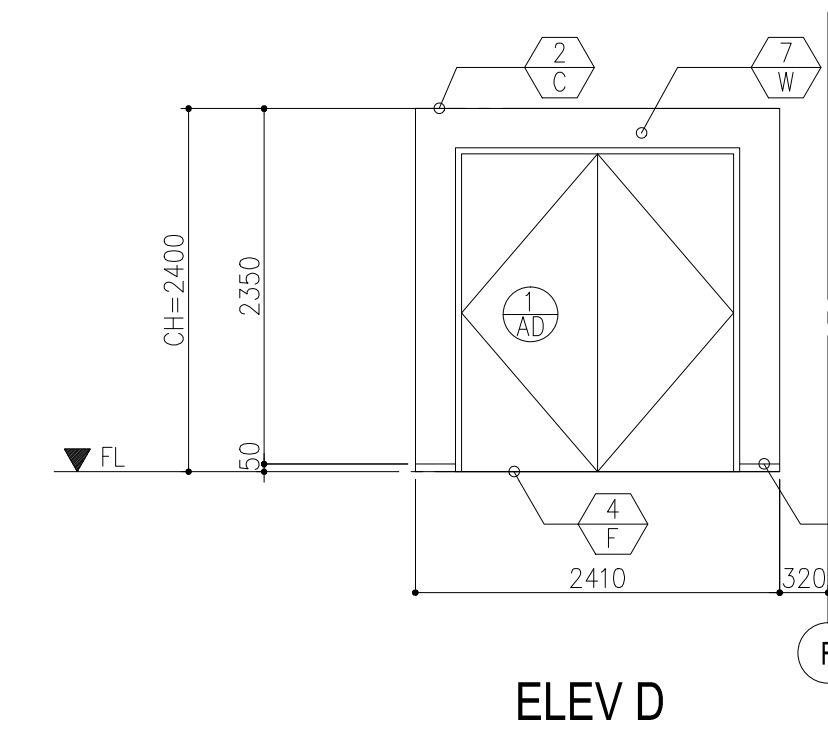
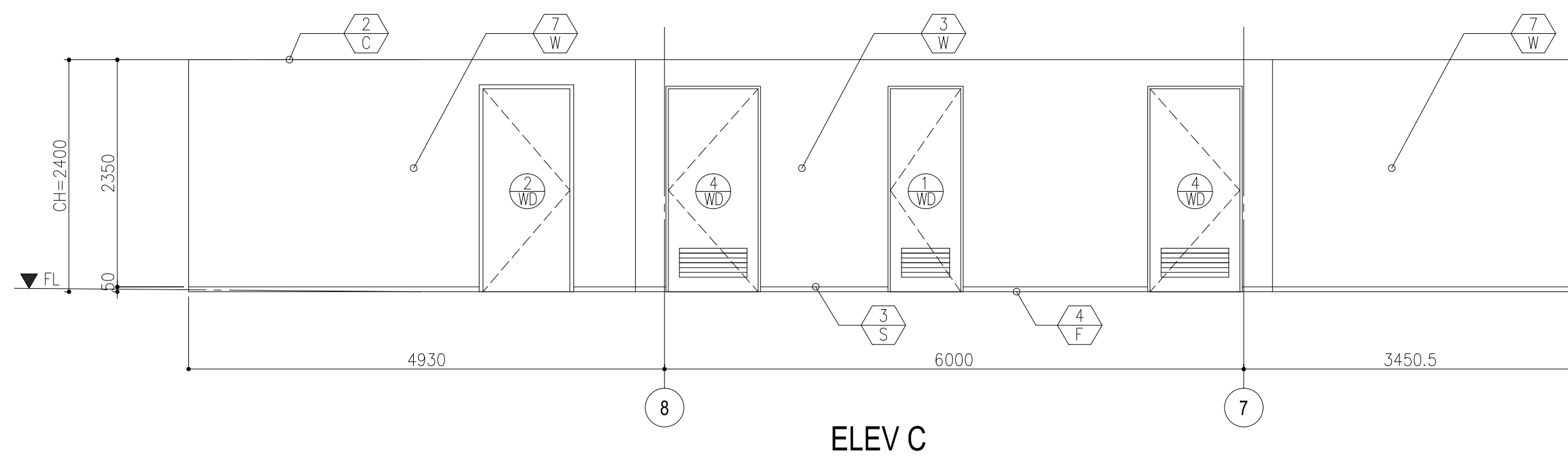
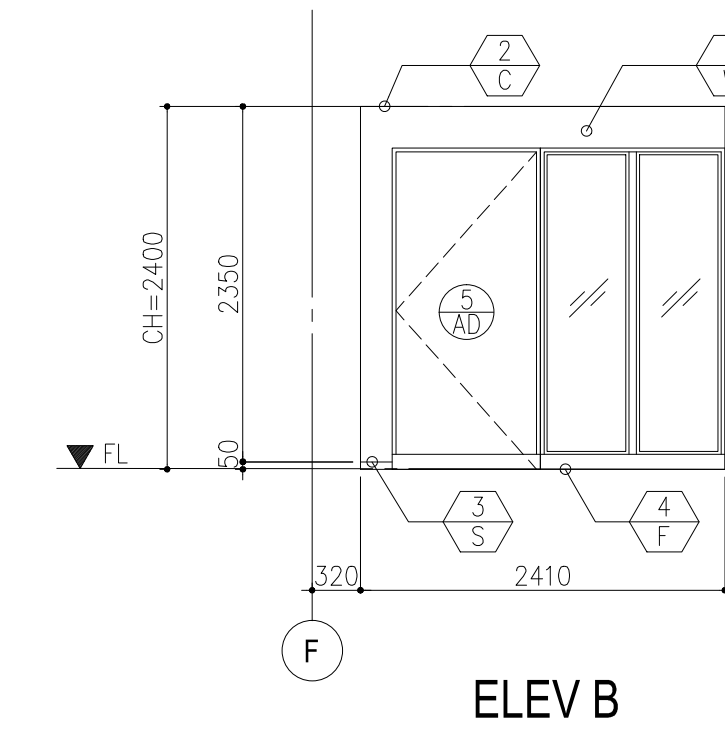
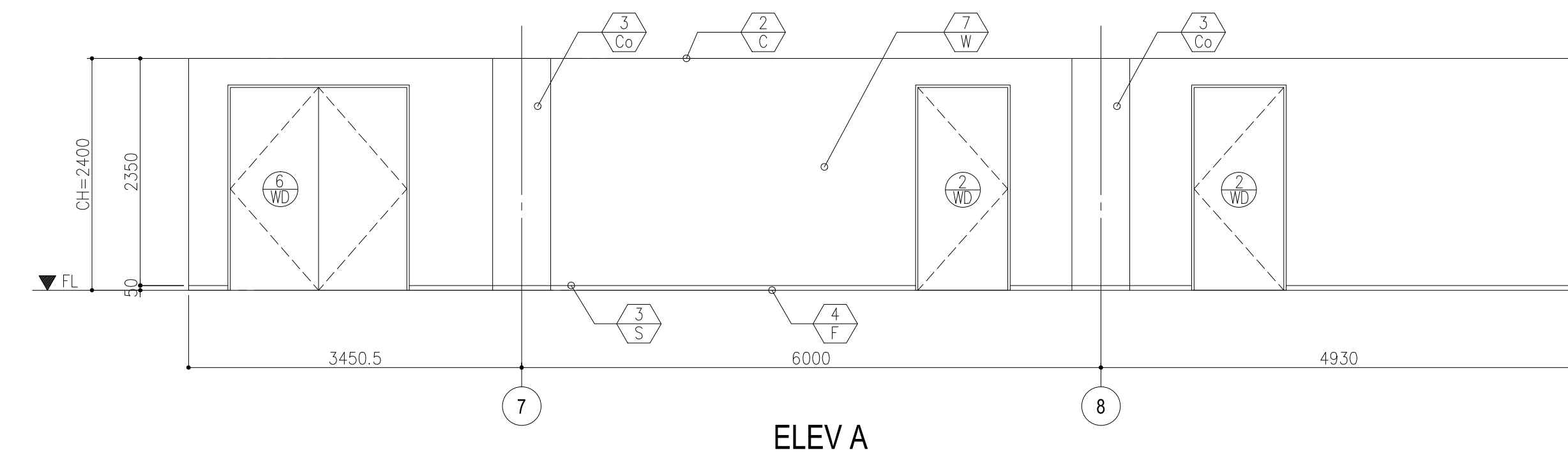


AIRPORT MANAGER (2-17)

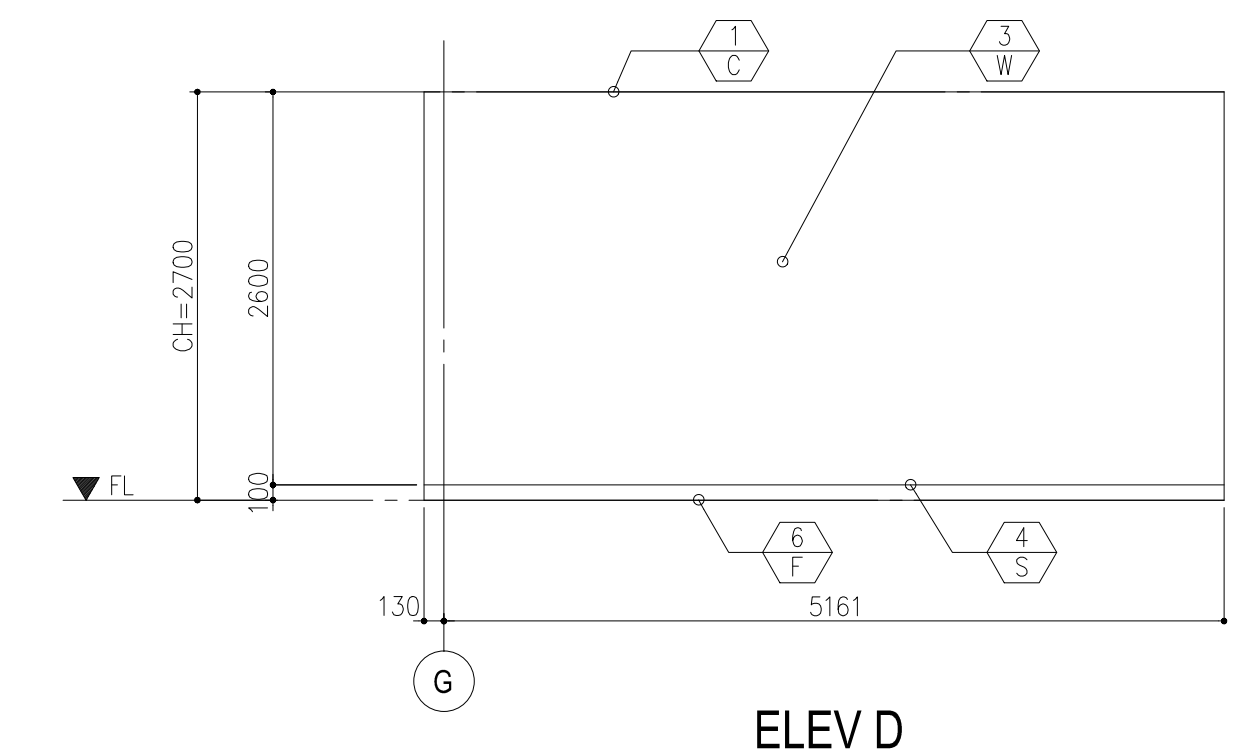
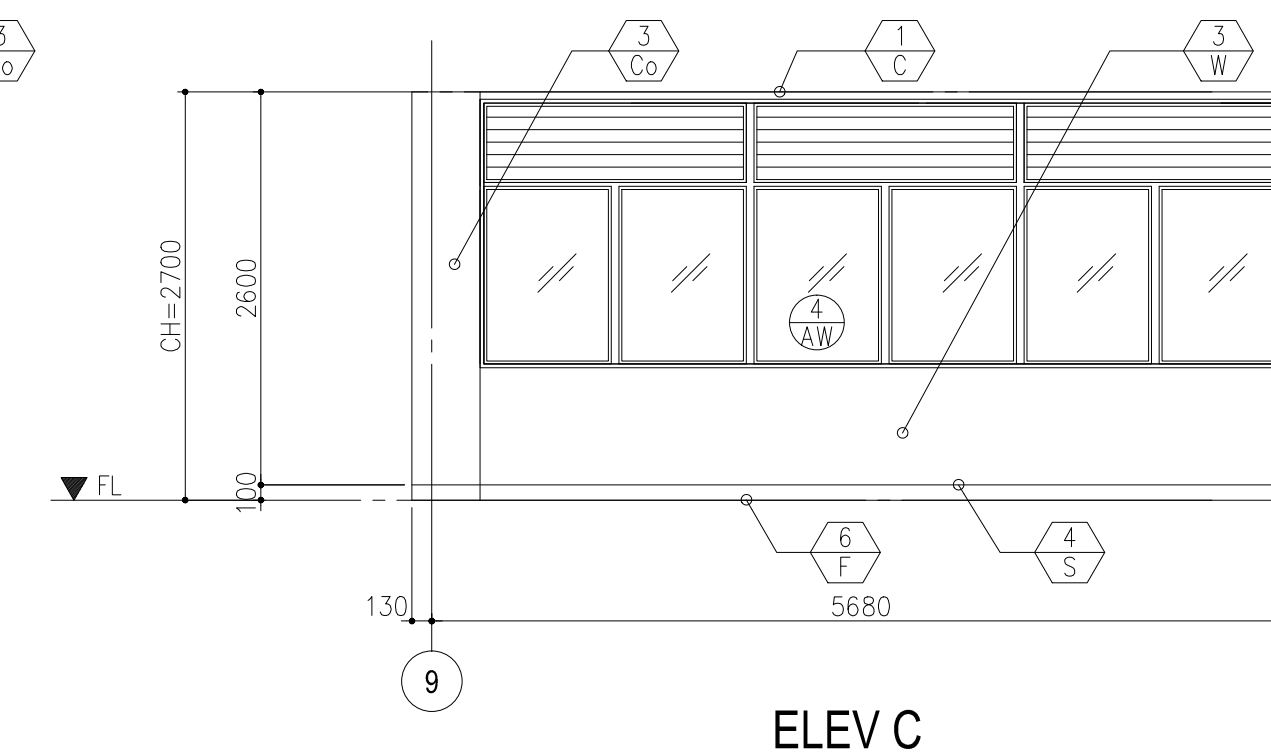
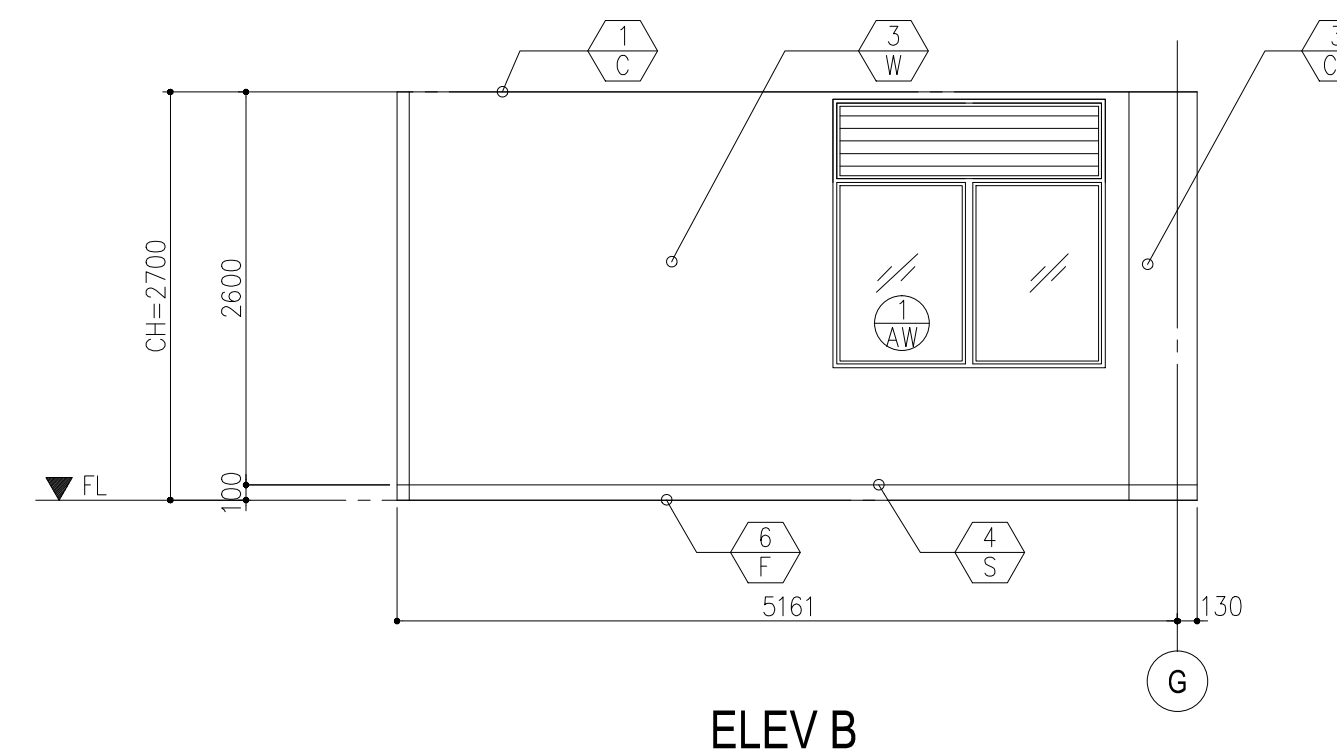
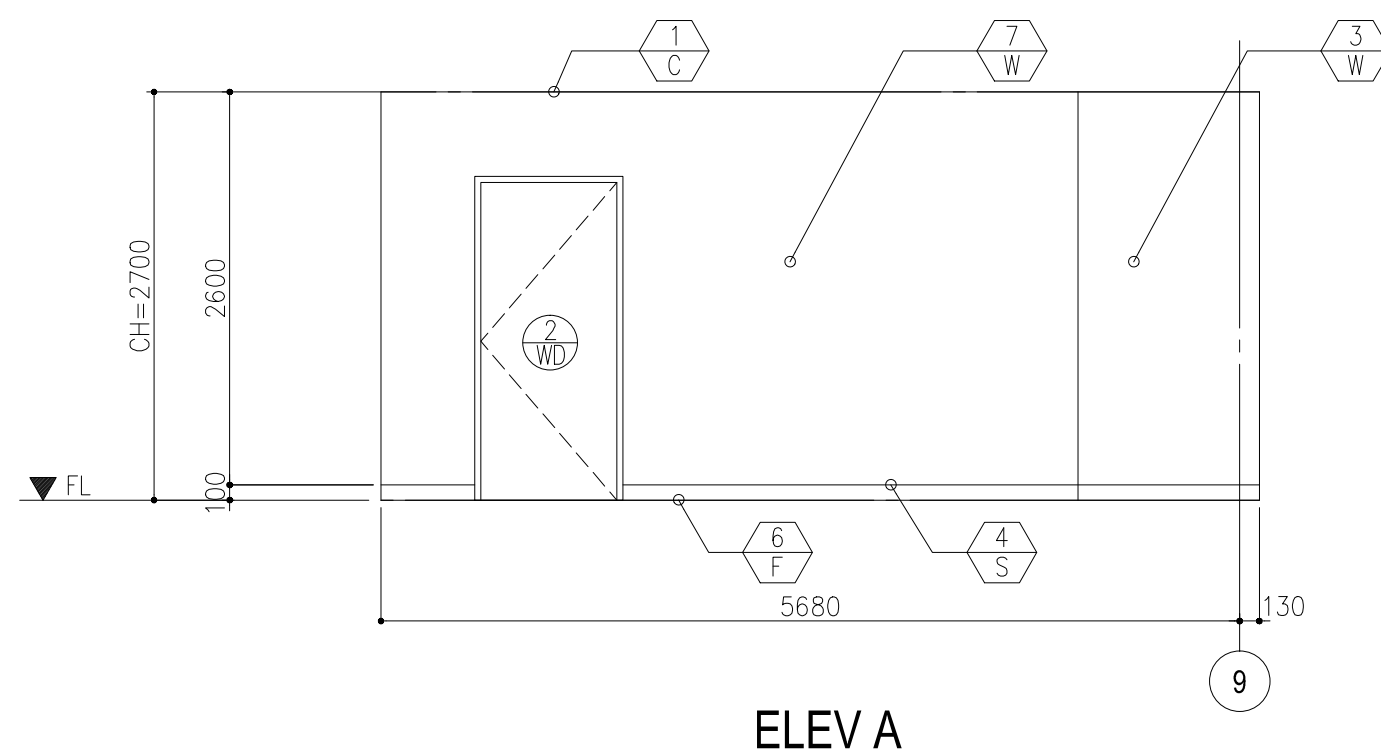


	PREPARED BY: WILLIAM I. MALLONGA <small>PROF. Architect PTR. 3911137 REG. NO. 4623 DATE: MAY 9, 2013 TEL. 150-564-198 PLACE: MAKATI CITY</small>	RECOMMENDING APPROVAL: ILDEFONSO T. PATDU, JR. <small>Assistant Secretary for Project Implementation, DOTC</small>	APPROVED: JULIANITO G. BUCCAYAN, JR. <small>Undersecretary for Project Implementation, DOTC</small>	PROJECT TITLE: NEW BOHOL AIRPORT CONSTRUCTION AND SUSTAINABLE ENVIRONMENT PROTECTION PROJECT LOCATION: MUNICIPALITY OF PANGLAO, PROVINCE OF BOHOL, PHILIPPINES	SHEET CONTENTS: COMPONENT-4 BUILDING WORKS (B) SUBCOMPONENT-4-3 (B3) CONTROL TOWER, ATC OPERATION AND ADMINISTRATION BUILDING ARCHITECTURAL 2F INTERNAL ELEVATIONS 5-6	SHEET NO: B3-4300-44 DRAWING SCALE: 1:50M.
	JICA DESIGN CONSULTANT JOINT VENTURE JAC JAPAN AIRPORT CONSULTANTS, INC. NIPON KOEI CO., LTD. NIS CONSULTANTS CO., LTD.	TADASHI AOI Team Leader	ILDEFONSO T. PATDU, JR. Assistant Secretary for Project Implementation, DOTC	JULIANITO G. BUCCAYAN, JR. Undersecretary for Project Implementation, DOTC	JUNE 2013 DATE INDEX AMENDMENTS Prepared by WIM Checked by HIC Validated by	

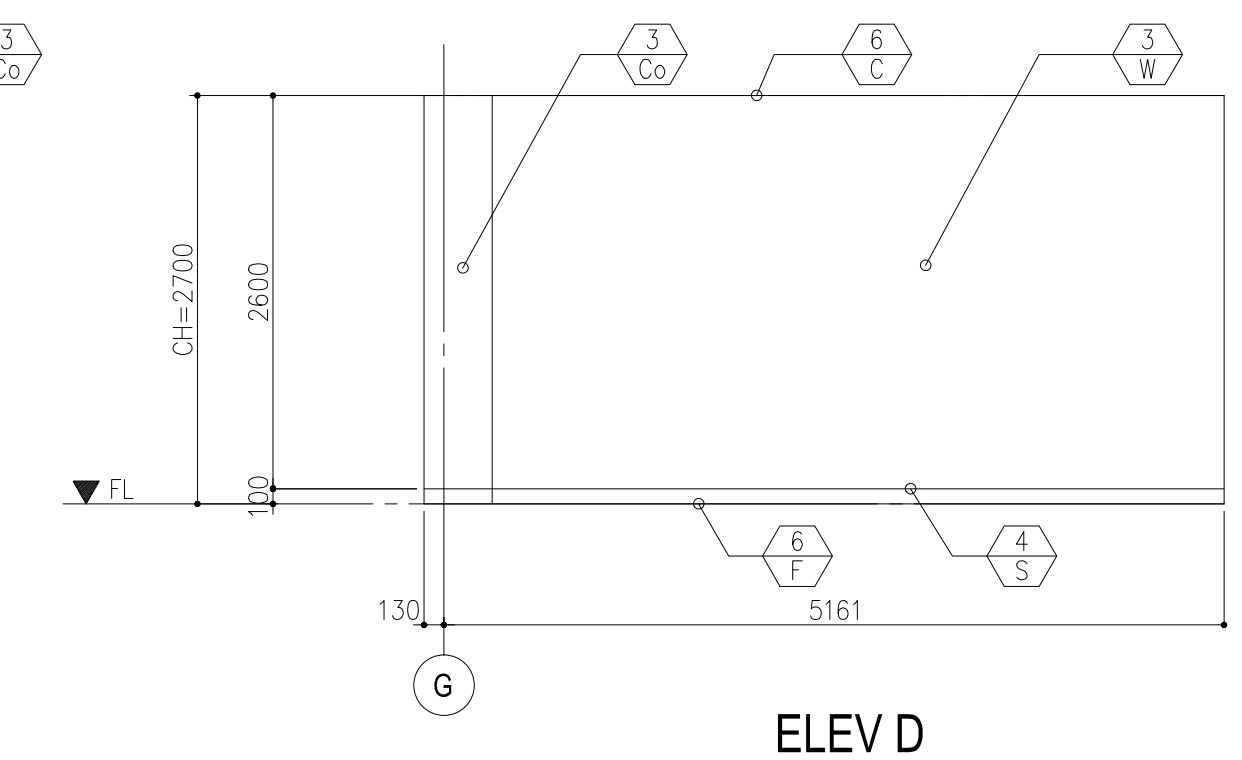
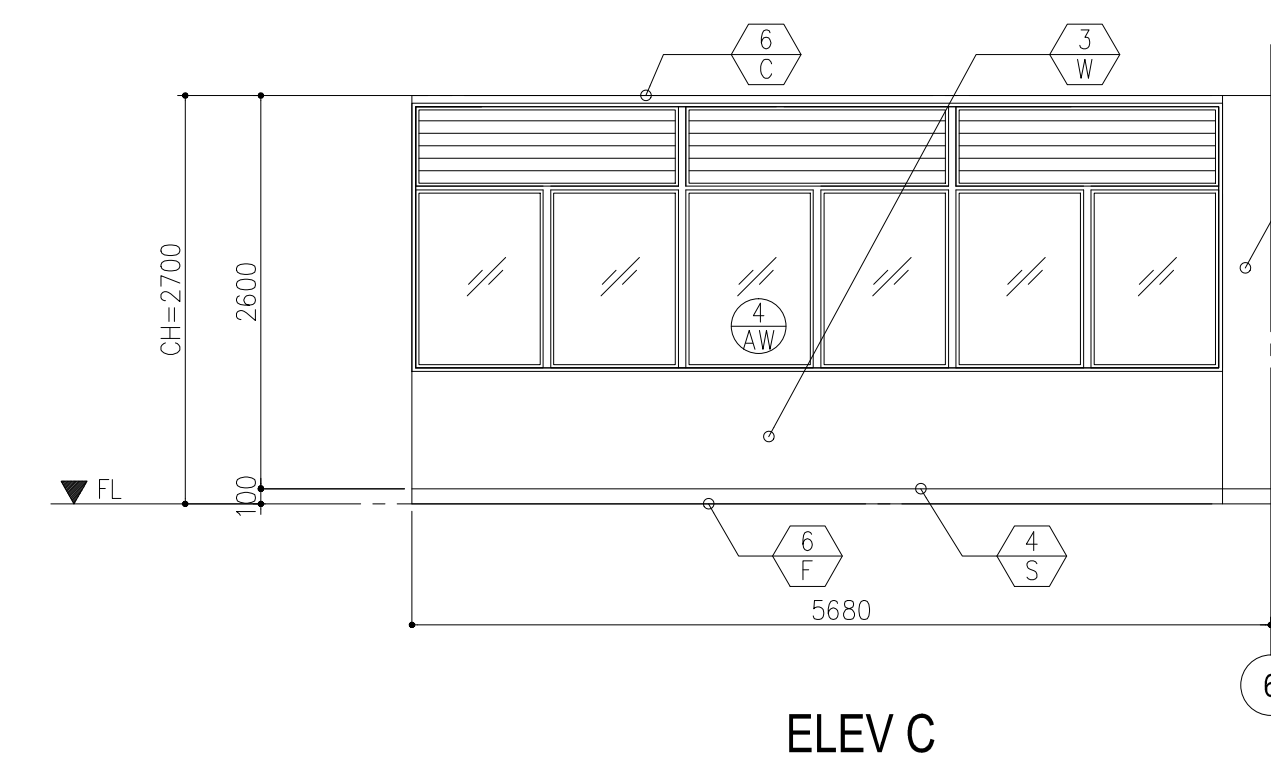
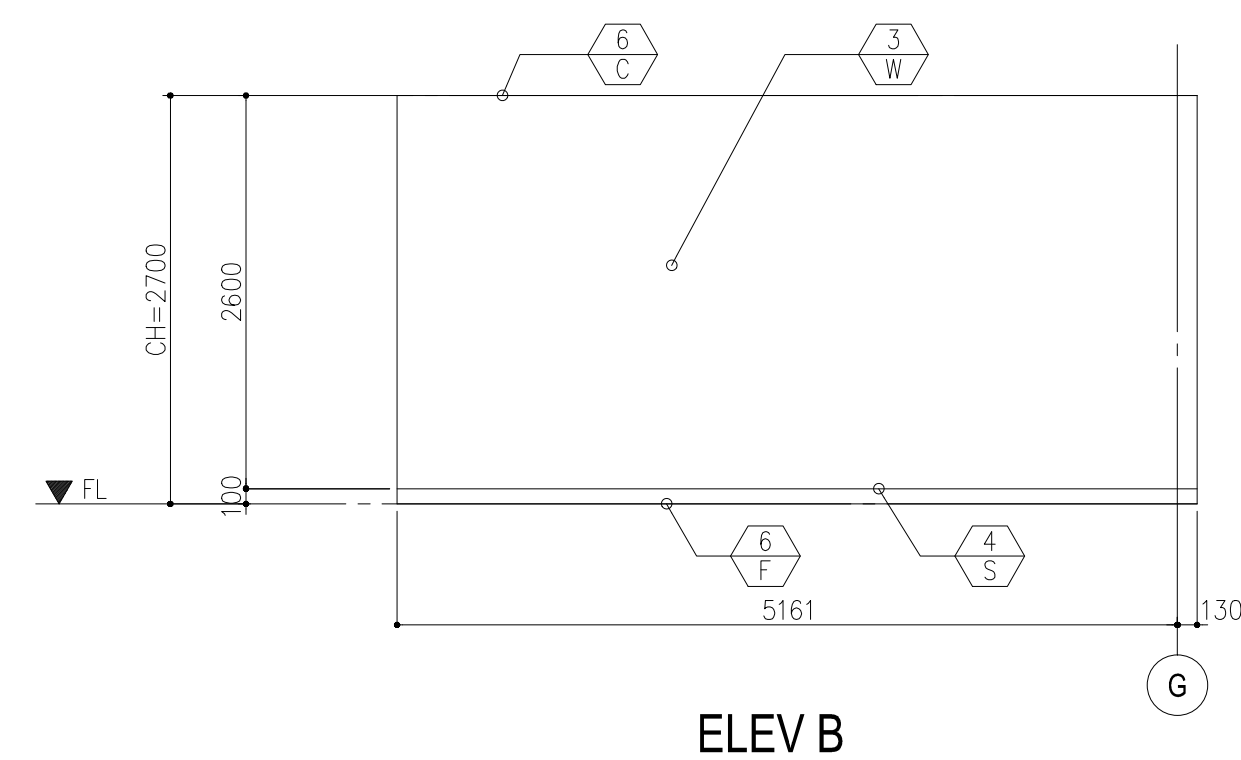
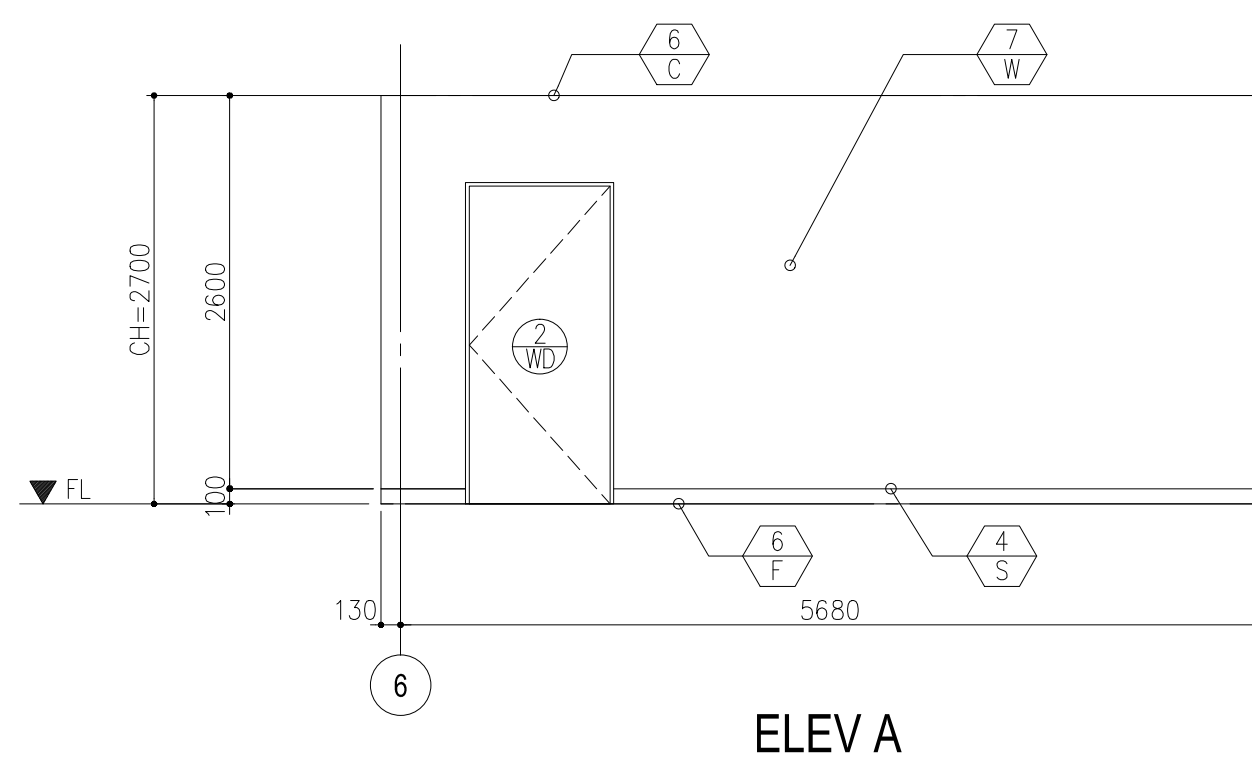
HALLWAY-6 (2-18)



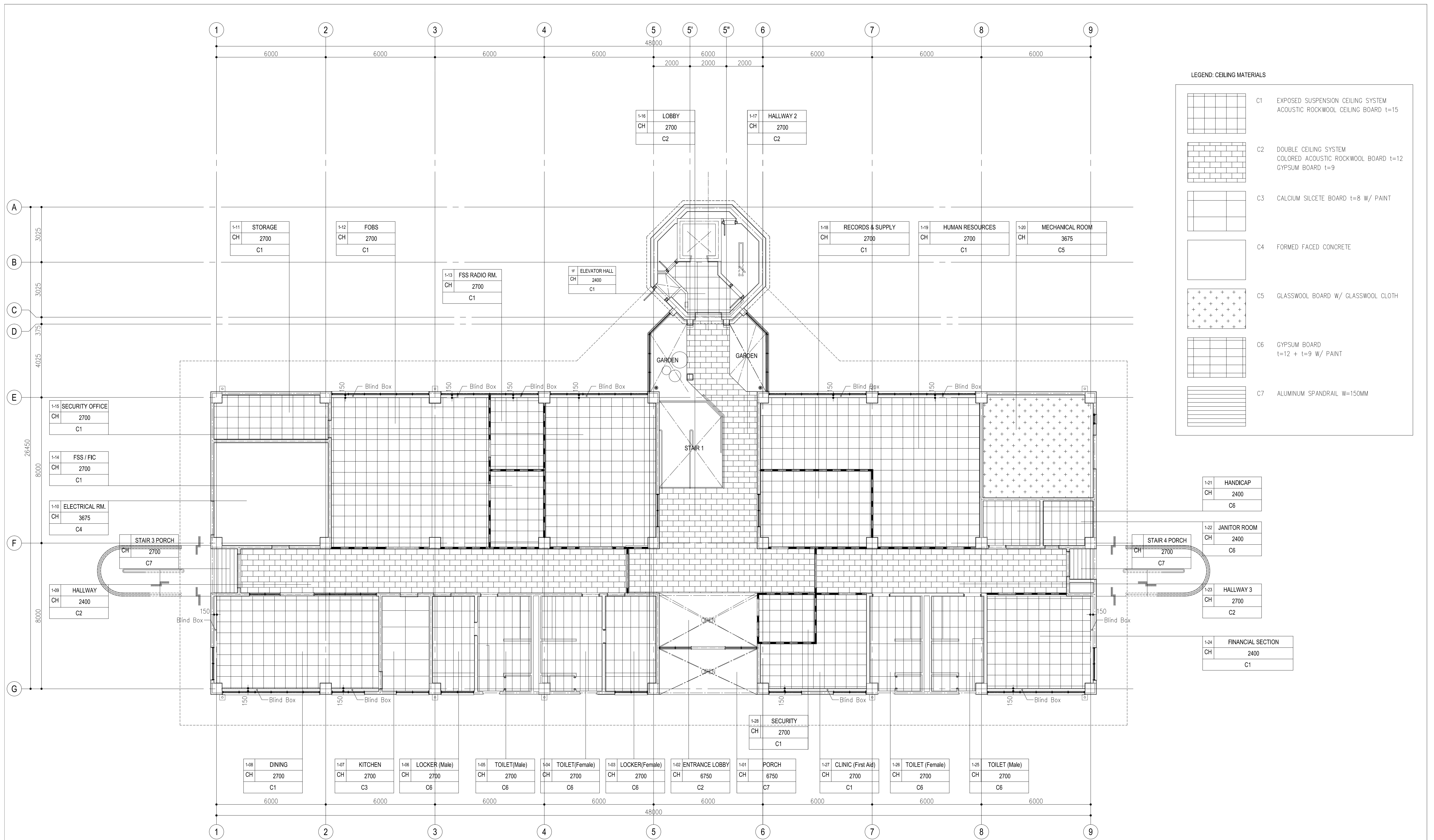
OFFICE 1 (2-19)



NAP ROOM (FEMALE) (2-22)



	PREPARED BY: WILLIAM I. MALLONGA Architect PTR. 3911137 REG. NO.: 4623 DATE: MAY 9, 2013 T.E.N. 150-564-198 PLACE: MAKATI CITY	RECOMMENDING APPROVAL: ILDEFONSO T. PATDU, JR. Assistant Secretary for Project Implementation, DOTC	APPROVED: JULIANITO G. BUCCAYAN, JR. Undersecretary for Project Implementation, DOTC	PROJECT TITLE: NEW BOHOL AIRPORT CONSTRUCTION AND SUSTAINABLE ENVIRONMENT PROTECTION PROJECT LOCATION: MUNICIPALITY OF PANGLAO, PROVINCE OF BOHOL, PHILIPPINES	SHEET CONTENTS: COMPONENT-4 BUILDING WORKS (B) SUBCOMPONENT-4-3 (B3) CONTROL TOWER, ATC OPERATION AND ADMINISTRATION BUILDING ARCHITECTURAL 2F INTERNAL ELEVATIONS 6-6	SHEET NO: B3-4300-45
	JICA DESIGN CONSULTANT JOINT VENTURE JAC JAPAN AIRPORT CONSULTANTS, INC. NIPON KOEI CO., LTD. NIS CONSULTANTS CO., LTD.	TADASHI AOI Team Leader	DATE: JUNE 2013	INDEX:	AMENDMENTS:	Prepared by: WIM Checked by: HC Validated by:



LEGEND: CEILING MATERIALS

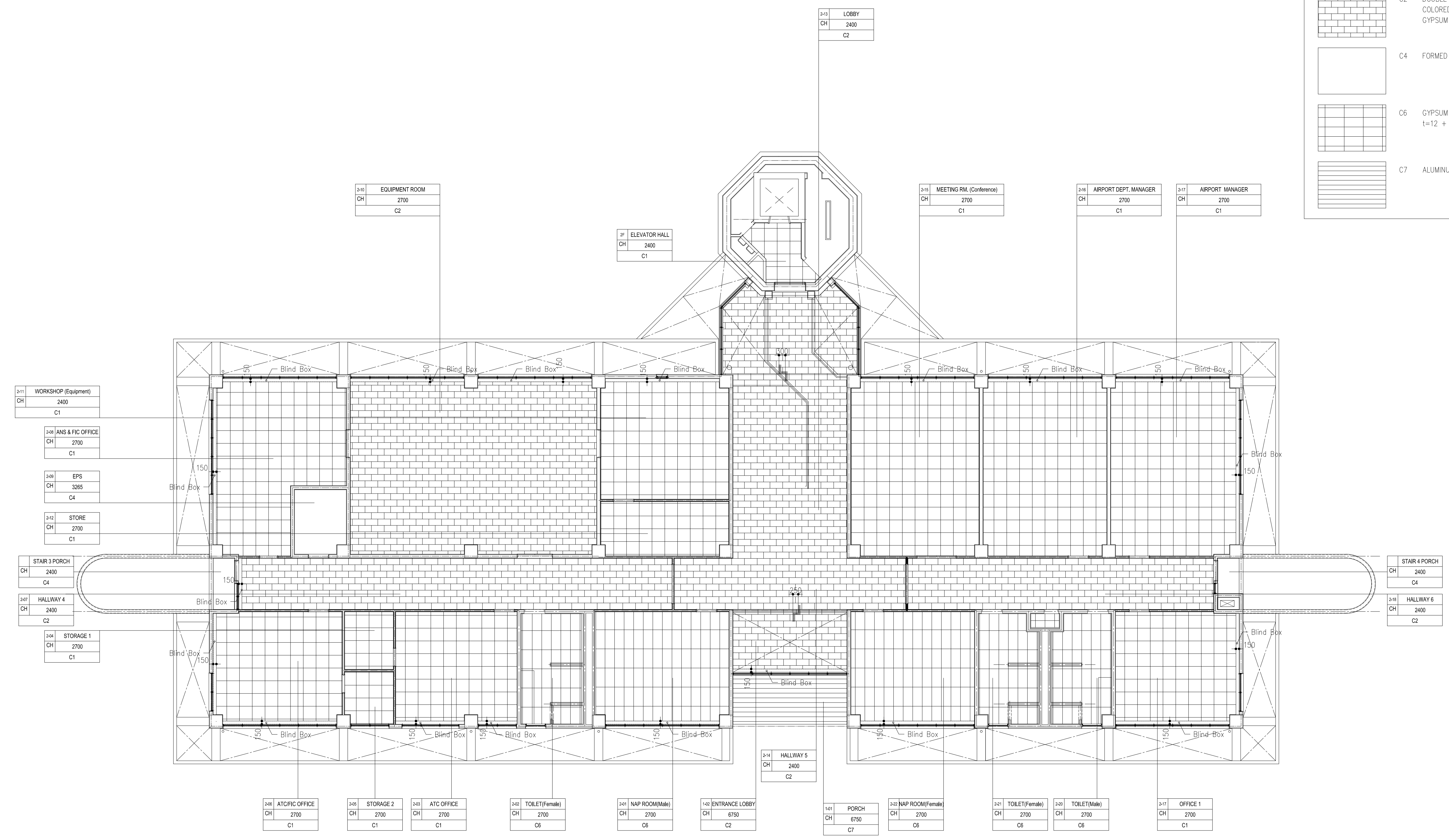
	C1	EXPOSED SUSPENSION CEILING SYSTEM ACOUSTIC ROCKWOOL CEILING BOARD t=15
	C2	DOUBLE CEILING SYSTEM COLORED ACOUSTIC ROCKWOOL BOARD t=12 GYPSUM BOARD t=9
	C3	CALCIUM SILCETE BOARD t=8 W/ PAINT
	C4	FORMED FACED CONCRETE
	C5	GLASSWOOL BOARD W/ GLASSWOOL CLOTH
	C6	GYPSUM BOARD t=12 + t=9 W/ PAINT
	C7	ALUMINUM SPANDRIL W=150MM

1 CONTROL TOWER OPERATION & ADMINISTRATION BLDG.
B3-4300-48 GROUND FLOOR REFLECTED CEILING PLAN
SCALE : 1:100 MTS.

	PREPARED BY: WILLIAM I. MALLONGA <small>PROF. Architect PTR. 3911137 REG. NO.: 4623 DATE: MAY 9, 2013 TEL. 150-564-198 PLACE: MAKATI CITY</small>	RECOMMENDING APPROVAL: ILDEFONSO T. PATDU, JR. <small>Assistant Secretary for Project Implementation, DOTC</small>	APPROVED: JULIANITO G. BUÇAYAN, JR. <small>Undersecretary for Project Implementation, DOTC</small>	PROJECT TITLE: NEW BOHOL AIRPORT CONSTRUCTION AND SUSTAINABLE ENVIRONMENT PROTECTION PROJECT	LOCATION: MUNICIPALITY OF PANGLAO, PROVINCE OF BOHOL, PHILIPPINES	SHEET CONTENTS: COMPONENT-4 BUILDING WORKS (B) SUBCOMPONENT-4-3 (B3) CONTROL TOWER, ATC OPERATION AND ADMINISTRATION BUILDING ARCHITECTURAL GROUND FLOOR REFLECTED CEILING PLAN	SHEET NO: B3-4300-46
	JICA DESIGN CONSULTANT JOINT VENTURE JAPAN INTERNATIONAL COOPERATION AGENCY	TADASHI AOI <small>Team Leader</small>	JUN 2013	DATE INDEX AMENDMENTS	Prepared by: WIM Checked by: IC Validated by:	DRAWING SCALE: 1:100 MTS.	

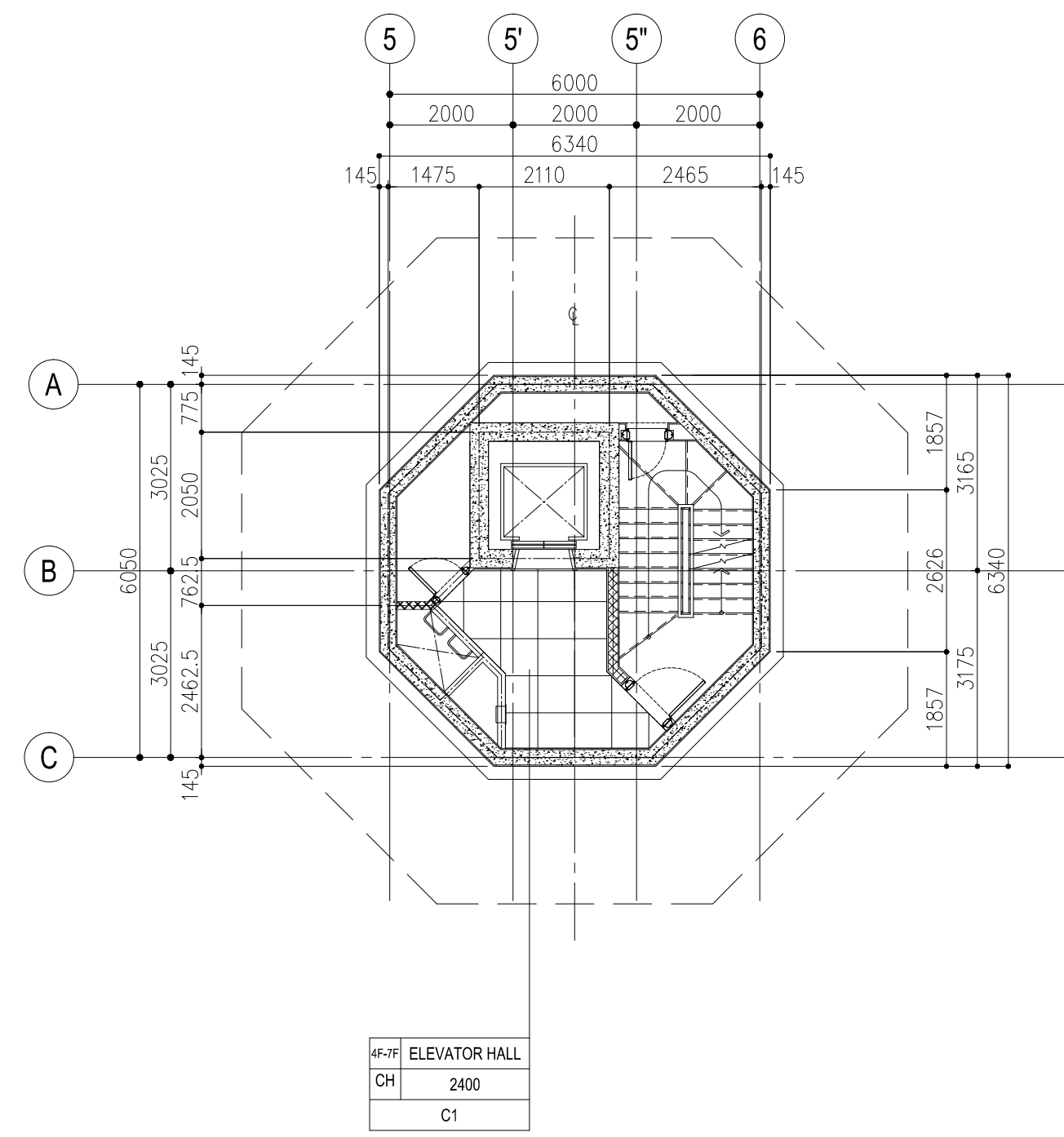
LEGEND: CEILING MATERIALS

	C1	EXPOSED SUSPENSION CEILING SYSTEM ACOUSTIC ROCKWOOL CEILING BOARD t=15
	C2	DOUBLE CEILING SYSTEM COLORED ACOUSTIC ROCKWOOL BOARD t=12 GYPSUM BOARD t=9
	C4	FORMED FACED CONCRETE
	C6	GYPSUM BOARD t=12 + t=9 W/ PAINT
	C7	ALUMINUM SPANDRAIL W=150MM

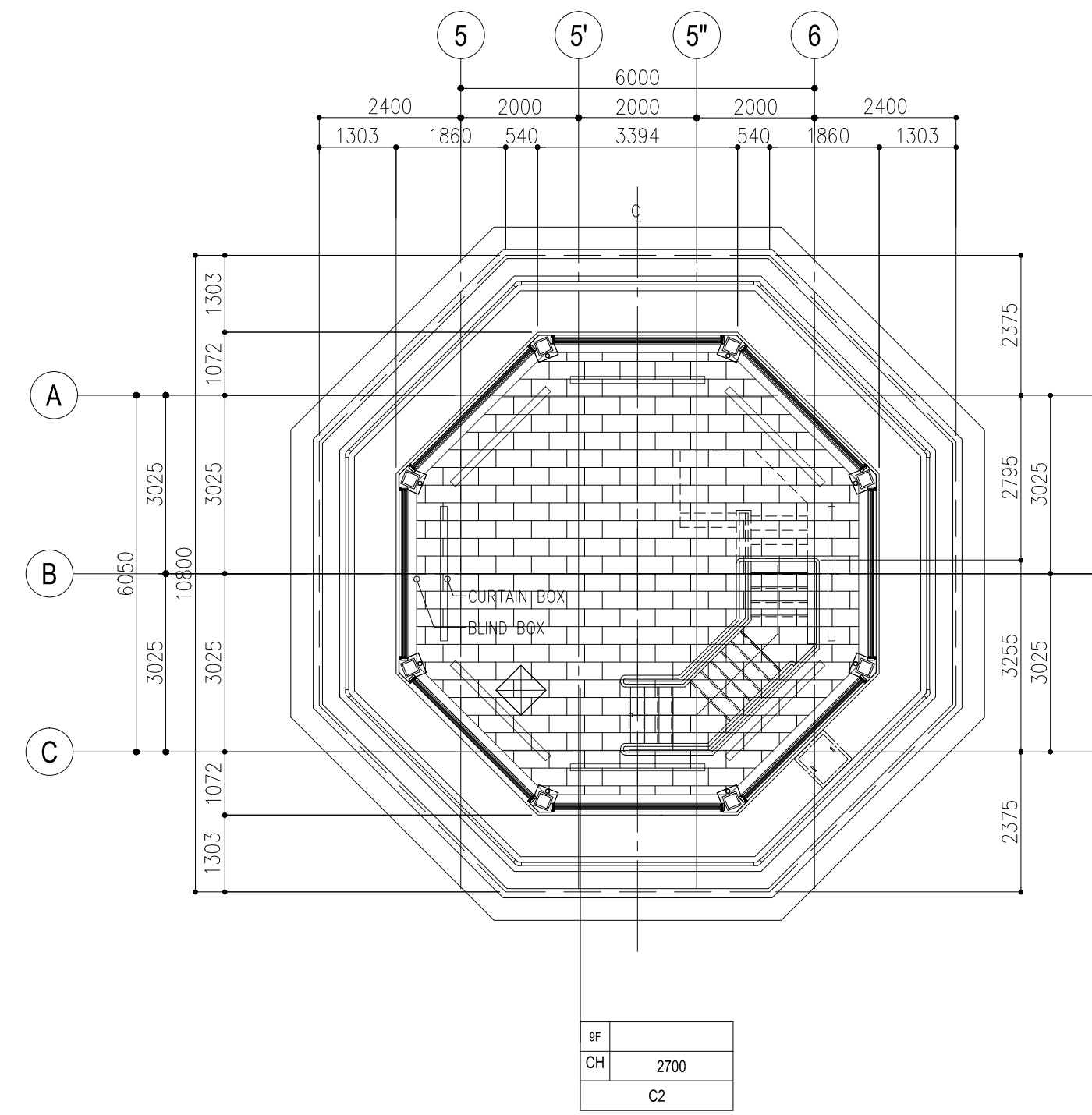


2 CONTROL TOWER OPERATION & ADMINISTRATION BLDG.
 B3-4300-47 SECOND FLOOR REFLECTED CEILING PLAN SCALE : 1:100 MTS.

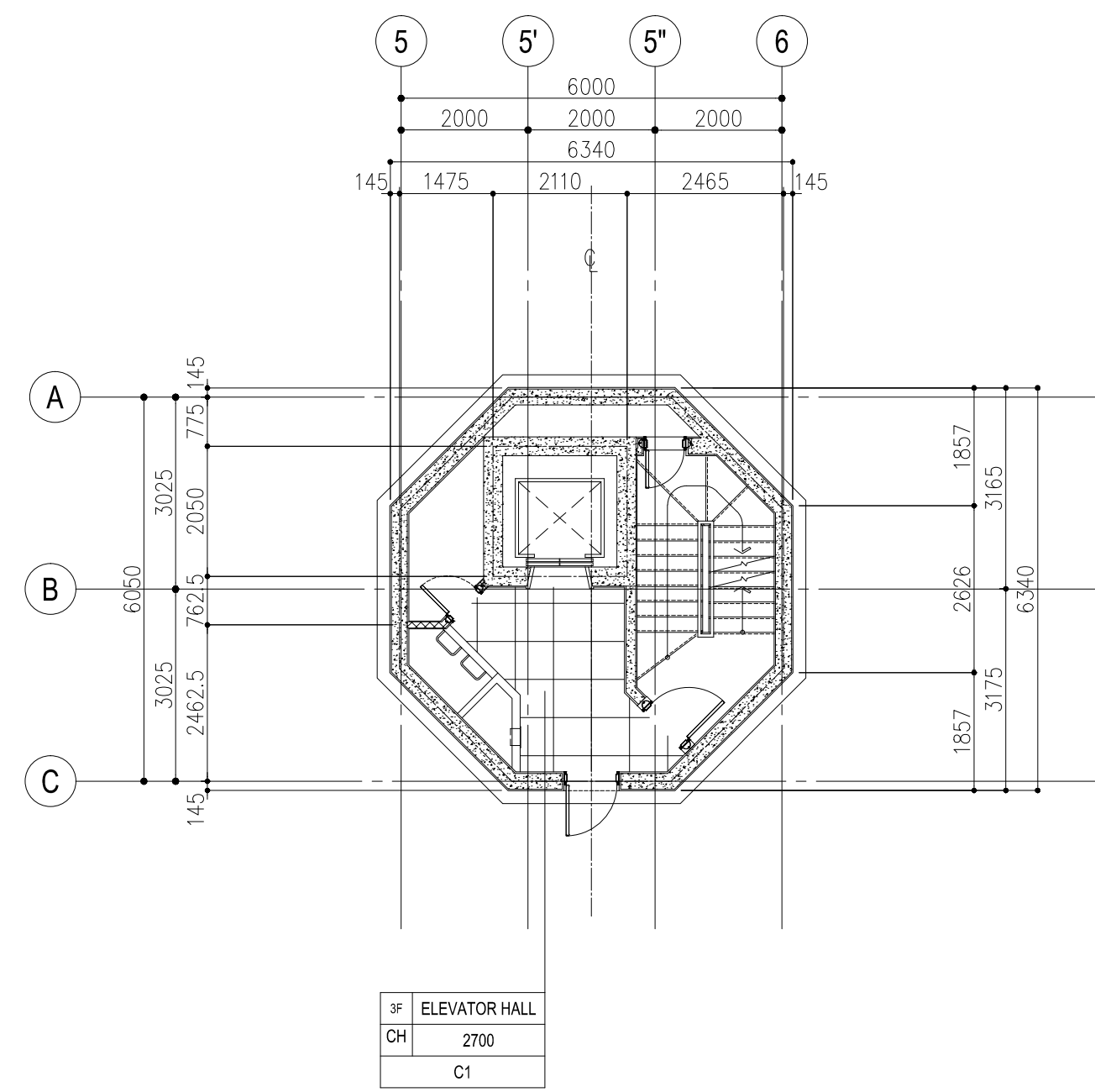
	PREPARED BY: WILLIAM I. MALLONGA <small>PROF. Architect PTR. 3911137 REG. NO.: 4623 DATE: MAY 9, 2013 T.N. 150-564-198 PLACE: MAKATI CITY</small>	RECOMMENDING APPROVAL: ILDEFONSO T. PATDU, JR. <small>Assistant Secretary for Project Implementation, DOTC</small>	APPROVED: JULIANITO G. BUCAYAN, JR. <small>Undersecretary for Project Implementation, DOTC</small>	PROJECT TITLE: NEW BOHOL AIRPORT CONSTRUCTION AND SUSTAINABLE ENVIRONMENT PROTECTION PROJECT LOCATION: MUNICIPALITY OF PANGLAO, PROVINCE OF BOHOL, PHILIPPINES	SHEET CONTENTS: COMPONENT-4 BUILDING WORKS (B) SUBCOMPONENT-4-3 (B3) CONTROL TOWER, ATC OPERATION AND ADMINISTRATION BUILDING ARCHITECTURAL SECOND FLOOR REFLECTED CEILING PLAN	SHEET NO: B3-4300-47 DRAWING SCALE: 1:100 MTS.
	JICA DESIGN CONSULTANT JOINT VENTURE JAPAN INTERNATIONAL COOPERATION AGENCY	TADASHI AOI Team Leader	ILDEFONSO T. PATDU, JR. Assistant Secretary for Project Implementation, DOTC	JULIANITO G. BUCAYAN, JR. Undersecretary for Project Implementation, DOTC	JUNE 2013 DATE INDEX AMENDMENTS	Prepared by: WIM Checked by: HC Validated by:



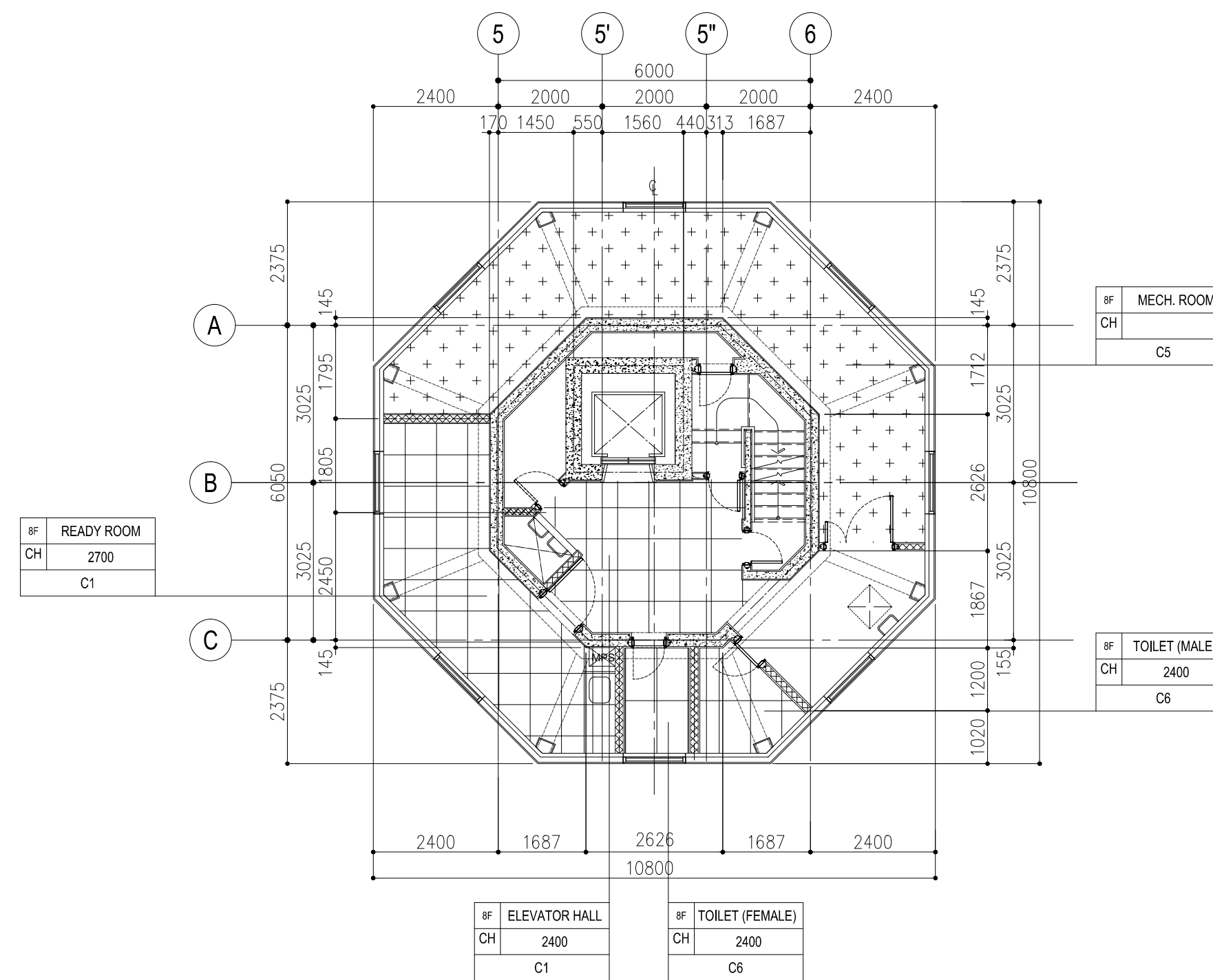
4 4TH-7TH FLR. REF'D CEILING PLAN (TYPICAL)
 B3-4300-46 SCALE: 1: 100 M.



6 9TH FLR. REF'D CEILING PLAN
 B3-4300-46 SCALE: 1: 100 M.



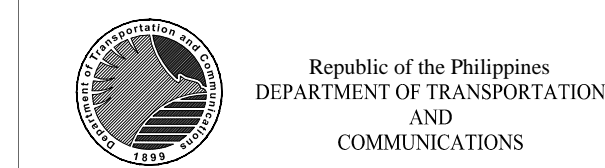
3 3TH FLR. REF'D CEILING PLAN
 B3-4300-46 SCALE: 1: 100 M.



5 8TH FLR. REF'D CEILING PLAN
 B3-4300-46 SCALE: 1: 100 M.

LEGEND: CEILING MATERIALS

	C1 EXPOSED SUSPENSION CEILING SYSTEM ACOUSTIC ROCKWOOL CEILING BOARD t=15
	C2 DOUBLE CEILING SYSTEM COLORED ACOUSTIC ROCKWOOL BOARD t=12 GYPSUM BOARD t=9
	C5 GLASSWOOL BOARD W/ GLASSWOOL CLOTH
	C6 GYPSUM BOARD t=12 + t=9 W/ PAINT



JICA DESIGN CONSULTANT JOINT VENTURE



PREPARED BY:
 WILLIAM I. MALLONGA
 PROF. Architect PTR. 3911137
 REG. NO.: 4623 DATE: MAY 9, 2013
 TEL. 150-544-198 PLACE: MAKATI CITY

TADASHI AOI
 Team Leader

RECOMMENDING APPROVAL:
 ILDEFONSO T. PATDU, JR.
 Assistant Secretary
 for Project Implementation, DOTC

APPROVED BY:
 JULIANITO G. BUCAYAN, JR.
 Undersecretary
 for Project Implementation, DOTC

PROJECT TITLE:
NEW BOHOL AIRPORT CONSTRUCTION AND SUSTAINABLE ENVIRONMENT PROTECTION PROJECT

LOCATION: MUNICIPALITY OF PANGLAO, PROVINCE OF BOHOL, PHILIPPINES

DATE	INDEX	AMENDMENTS	Prepared by	Checked by	Validated by
JUNE 2013				WIM	HC

SHEET CONTENTS:
 COMPONENT-4 BUILDING WORKS (B)
 SUBCOMPONENT-4-3
 (B3) CONTROL TOWER, ATC OPERATION AND ADMINISTRATION BUILDING ARCHITECTURAL 3RD TO 9TH FLOOR REFLECTED CEILING PLAN

SHEET NO:
B3-4300-48

DRAWING SCALE:
 1:100 MTS.

DOOR & WINDOW SCHEDULE

MARK	FIGURE	QUANTITY	DIMENSION W (w) x H (h)	FRAME	DOOR PANEL OR SASH	MATERIAL	FINISH	GLAZING		LOUVER		IRON MONGERY				OTHERS			REMARKS		
								TYPE	THICKNESS	ANT SHATTER FILM	DIMENSION W x H	MATERIAL	FINISH	ALL FITTING FIXING & HARDWARE	HINGES	LOCK AND LATCH	DOOR CLOSER	DOOR STOP		WEATHER MOULDING	SILL TRIM
1 SD	D1	1	900 x 2100	130	40	ST	P-3														
2 SD	D3	1	900 x 2100	130	40	ST	P-3			700x300	ST	P-3	X	BH	ML	X	X		TA	X	
3 SD	D12	1	1400 x 2100	130	40	ST	P-3			200x825	ST	P-3	X	BH	ML	X	X		TA	X	
4 SD	D4	3	1800 x 2100	130	40	ST	P-3						X	BH	ML	X	X		TA	X	
5 SD	D4	1	1800 x 2100	130	40	ST	P-3						X	BH	ML	X	X	X	SST	TB	X
6 SD	D6	1	1800 x 2100	130	40	ST	P-3			700x600(2 NOS.)	ST	P-3	X	BH	ML	X	X	X	SST	TB	X
7 SD	D1	8	600 x 2100	130	40	ST	P-3			400x200	ST	P-3	X	BH	ML	X	X		TA	X	1 HOUR FIRE RATED
8 SD	D1	9	800 x 2100	130	40	ST	P-3						X	BH	ML	X	X	X	SST	TA	X
9 SD	D14	8	600 x 600	130	40	ST	P-3						X	BH	ML	X	X		TA	X	1 HOUR FIRE RATED
12 SD	D9	3	1400 x 2100	130	40	ST	P-3						X	BH	ML	X	X	X	SST	TA	X
13 SD	D1	1	900 x 2100	130	40	ST	P-3						X	BH	ML	X	X		TB	X	(WEATHER MOULDING AT ROOF)
14 SD	D1	1	900 x 2100	130	40	ST	P-3						X	BH	ML	X	X			X	1 HOUR FIRE RATED W/ EL
15 SD	D4	1	1400 x 2100	130	40	ST	P-3						X	BH	ML	X	X		TB	X	
																					W/ RT
1 WD	D3	4	700 x 2100	130	40	WD	P-2			500x200			X	BH	ML	X	X		TA	X	
2 WD	D1	17	900 x 2100	130	40	WD	P-2						X	BH	ML	X	X		TA	X	
3 WD	D2	2	900 x 2100	130	40	WD	P-2			200x825			X	BH	ML	X	X		TC	X	
4 WD	D3	12	900 x 2100	130	40	WD	P-2			700x200			X	BH	ML	X	X		TA	X	
5 WD	D3	1	900 x 2100	130	40	WD	P-2			700x300			X	BH	ML	X	X		TA	X	
6 WD	D1	7	600 x 1800	130	40	WD	P-2						X	BH	ML	X	X		TA	X	
8 WD	D2	2	600 x 2100	130	40	WD	P-2			200x825			X	BH	ML	X	X		TA	X	
9 WD	D4	2	1800 x 2100	130	40	WD	P-2						X	BH	ML	X	X		TA	X	
1 AD	D5	5	1800x2100	70		AL	AED	TG	8	X			AED	X	FH/PH		X	AL	TA	X	W/ PP
3 AD	W7	1	6980(1800) x 2100	70		AL	AED	HAG	8	X			AED	X	FH/PH		X	AL	TB	X	TG TO DOOR
5 AD	W9	2	1200(900) x 2100	70		AL	AED	HAG	8	X			AED	X	FH/PH		X	AL	TB	X	TG TO DOOR
6 AD	W10	1	5240 x 6450(2100)	70		AL	AED	HAG	10	X			AED	X	FH/PH		X	AL	TB	X	TG TO DOOR
7 AD	D15	1	1340 x 6450(2100)	70		AL	AED	TG	8	X			AED	X	FH/PH		X	AL	TB	X	TG TO DOOR
8 AD	W17	1	1447 x 6450(2100)	70		AL	AED	HAG	8	X			AED	X	FH/PH		X	AL	TB	X	TG TO DOOR

X = APPLICABLE

DOOR & WINDOW

- AD - ALUMINUM DOOR
- AW - ALUMINUM WINDOW
- AL - ALUMINUM LOUVER
- SD - STEEL DOOR
- WD - WOODEN DOOR
- RS - ROLLING SHUTTER DOOR
- AS - ALUMINUM SCREEN

MATERIAL

- ST - STEEL
- SST - STAINLESS STEEL
- AL - ALUMINUM
- TG - TEMPERED GLASS
- HC - HONEY COMB
- WD - WOOD
- AN - ANODIZED
- AED - ANODIZING ELECTRO DEPOSITION
- SB - SCRATCH BRUSHED
- MR - MELAMINE RESIN OVERLAID
- EPX - EPOXY-POLYESTER BAKED PAINT
- P-2 - SYNTHETIC RESIN MIXED PAINT TYPE-1 (WOOD)
- P-3 - SYNTHETIC RESIN MIXED PAINT (STEEL)
- UE - POLYURETHANE ENAMEL

FINISH

- AN - ANODIZED
- AED - ANODIZING ELECTRO DEPOSITION
- SB - SCRATCH BRUSHED
- MR - MELAMINE RESIN OVERLAID
- EPX - EPOXY-POLYESTER BAKED PAINT
- P-2 - SYNTHETIC RESIN MIXED PAINT TYPE-1 (WOOD)
- P-3 - SYNTHETIC RESIN MIXED PAINT (STEEL)
- UE - POLYURETHANE ENAMEL

GLAZING

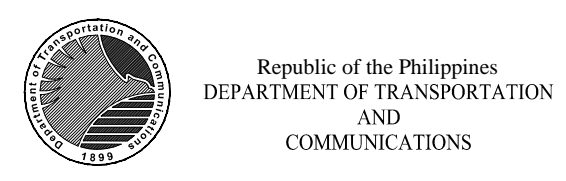
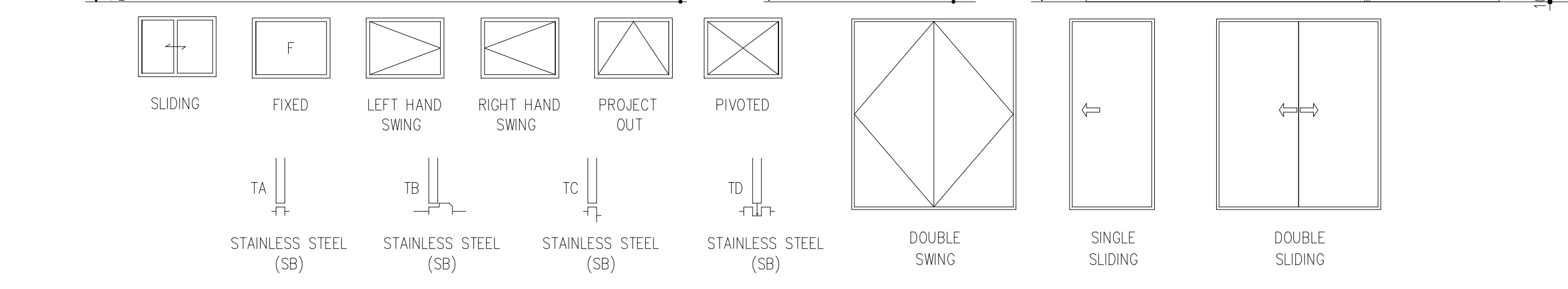
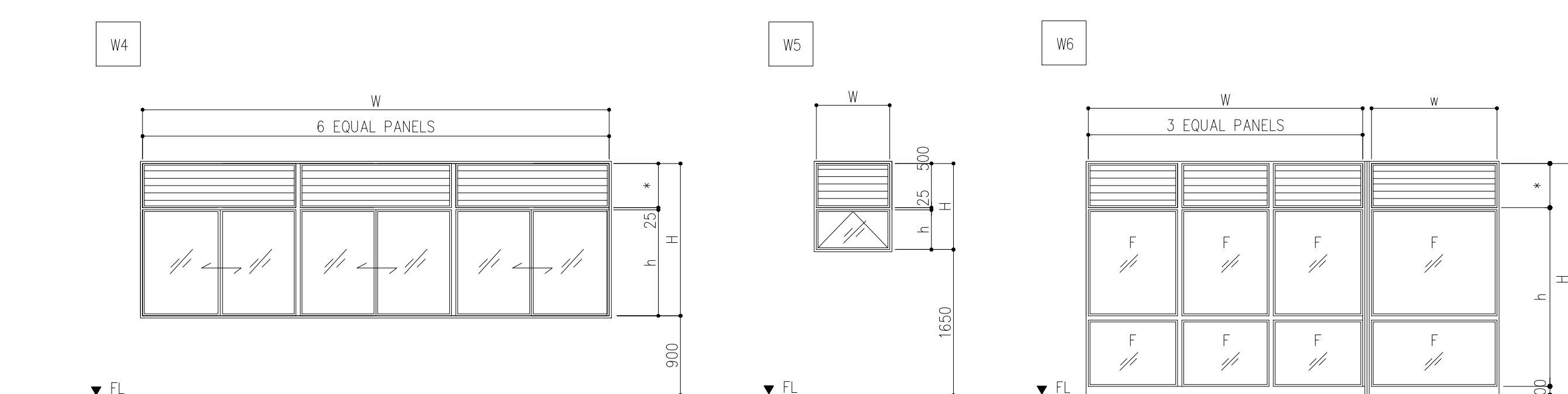
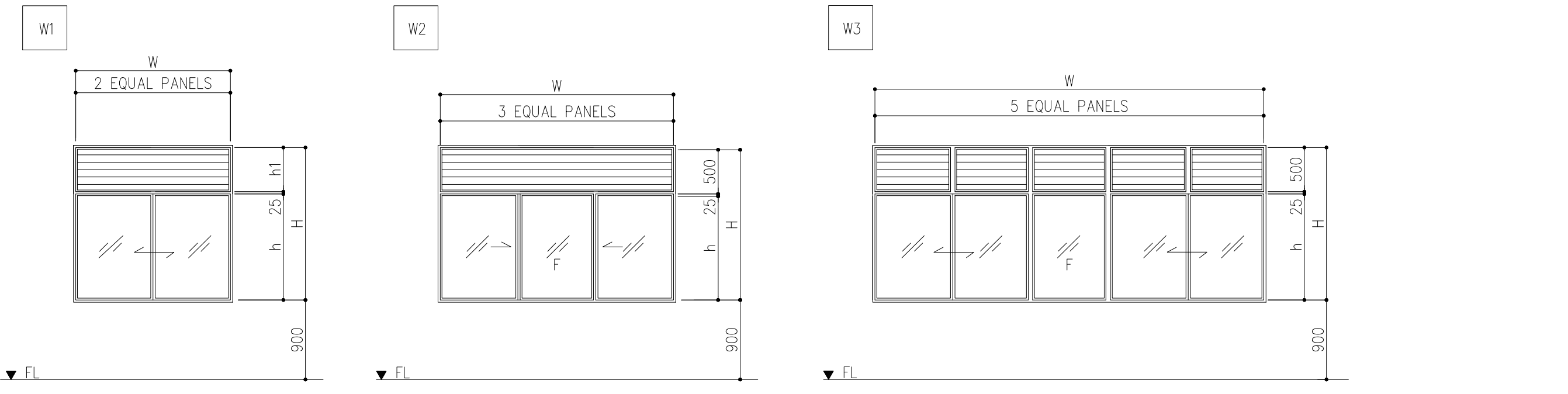
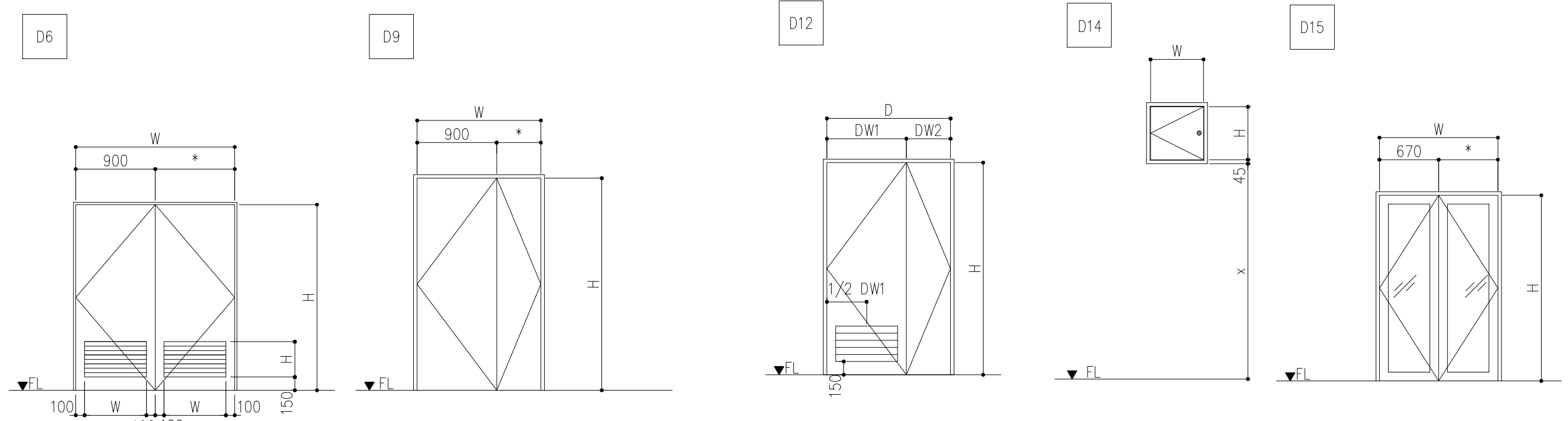
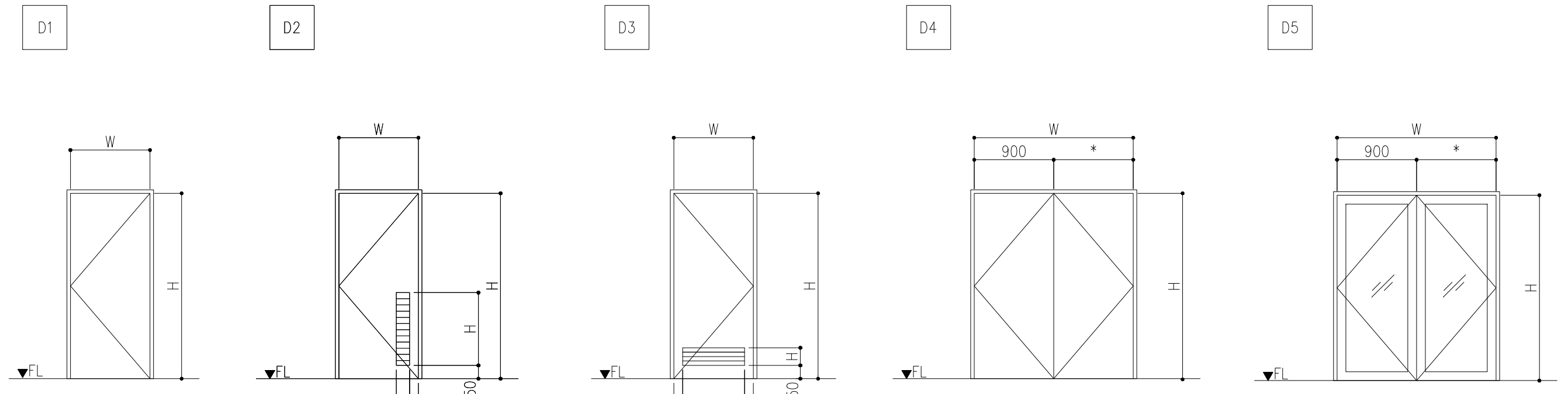
- CG - CLEAR FLOAT GLASS
- CWG - CLEAR WIRED GLASS
- FG - FIGURED GLASS
- FWG - FIGURED WIRED GLASS
- HAG - HEAT ABSORBING GLASS
- HAWG - HEAT ABSORBING WIRED GLASS
- LG - LAMINATED GLASS
- TG - TEMPERED GLASS
- LWE - LOW EMISSIVITY GLASS

HINGES

- BH - BUTT HINGE
- FH - FLOOR HINGE
- PH - PIVOT HINGE
- SH - SPRING HINGE
- DL - DEADBOLT MORTISE LOCK
- ML - MORTISE LOCK & LEVER HANDLE
- CL - CYLINDRICAL LOCK
- HC - HOOK LOCK
- EL - EMERGENCY LOCK & LEVER HANDLE

LOCK & LATCH/DOOR HANDLE

- PL - PASSAGE LATCH
- LL - LAVATORY LATCH WITH INDICATOR
- FB - FLUSH BOLT
- PP - PUSH-PULL BAR
- CS - CRESCENT SASH LOCK
- CLH - CAM LATCH HANDLE & ARM
- RT - ROLLER TIGHTNING HANDLE
- OTHERS
- RW - ROCK WOOL
- IS - INSECT SCREEN
- AT - AIRTIGHTNESS
- BB - BLIND BOX
- FTG - FRAMELESS DOOR



PREPARED BY:
WILLIAM I. MALLONGA
Architect
REG. NO.: 4623
TEL: 150-564-198

RECOMMENDING APPROVAL:
JILDEFONSO T. PATDU, JR.
Assistant Secretary
for Project Implementation, DOTC

APPROVED:
JULIANITO G. BUCCAYAN, JR.
Undersecretary
for Project Implementation, DOTC



NEW BOHOL AIRPORT CONSTRUCTION AND SUSTAINABLE ENVIRONMENT PROTECTION PROJECT

LOCATION: MUNICIPALITY OF PANGLAO, PROVINCE OF BOHOL, PHILIPPINES

DATE	INDEX	AMENDMENTS	Prepared by	Checked by	Validated by
JUNE 2013			WIM	HC	

SHEET CONTENTS:
COMPONENT-4 BUILDING WORKS (B) SUBCOMPONENT-4-3
(B3) CONTROL TOWER, ATC OPERATION AND ADMINISTRATION BUILDING ARCHITECTURAL SCHEDULE OF DOORS & WINDOWS 1-2

SHEET NO:
B3-4300-49
DRAWING SCALE:
1:50 MTS.

DOOR & WINDOW SCHEDULE

MARK	TYPE	FIGURE	QUANTITY	DIMENSION		FRAME	DOOR PANEL OR SASH	MATERIAL	FINISH	GLAZING			LOUVER				IRON MONGERY				OTHERS				REMARKS	
				W (w) x H (h)						TYPE	THICKNESS	ANTI SHATTER FILM	DIMENSION W x H	MATERIAL	FINISH	ALL FITTING FIXING & HARDWARE	HINGES	LOCK AND LATCH	DOOR CLOSER	DOOR STOP	WEATHER MOULDING	SILL/FRAM	DOOR THRESHOLD	DOOR NAME PLATE		BLINDS
1 AW	W1		12	1750 x 1750(1200)		70		AL	AED	HAG	8	X	1750 x 500	AL	AED	X					X	AL			X	W/ KEYLOCK W/ BLINDS
2 AW	W2		1	2640 x 1750(1200)		70		AL	AED	HAG	8	X	2550 x 500	AL	AED	X					X	AL			X	W/ KEYLOCK W/ BLINDS
3 AW	W3		2	4400 x 1750(1200)		70		AL	AED	HAG	8	X	4400 x 500	AL	AED	X					X	AL			X	W/ KEYLOCK W/ BLINDS
4 AW	W4		17	5280 x 1750(1200)		70		AL	AED	HAG	8	X	5290 x 500	AL	AED	X					X	AL			X	W/ KEYLOCK W/ BLINDS
5 AW	W5		7	830 x 450		70		AL	AED	HAG	8	X	830 x 500	AL	AED	X					X	AL			X	W/ KEYLOCK
6 AW	W6		4	3105(1440) x 1750(1200)		70		AL	AED	HAG	8	X	4540 x 500	AL	AED	X					X	AL			X	
7 AW	W14		1	1750 x 1200		70		AL	AED	HAG	8	X		AL	AED	X					X	AL			X	W/ KEYLOCK W/ BLINDS
8 AW	W15		1	600 x 500		70		AL	AED	HAG	8	X		AL	AED	X					X	AL			X	W/ KEYLOCK
1 AL	W11		8	4400 x 500		70		AL	AED					AL	AED	X					X	AL				W/ KEYLOCK
2 AL	W16		1	1200 x 500		70		AL	AED					AL	AED	X					X	AL				
3 AL	W16		1	600 x 250		70		AL	AED					AL	AED	X					X	AL				
4 AL	W16		1	400 x 400		70		AL	AED					AL	AED	X					X	AL				
5 AL	W16		1	1500 x 400		70		AL	AED					AL	AED	X					X	AL				
6 AL	W16		1	750 x 450		70		AL	AED					AL	AED	X					X	AL				
7 AL	W16		2	400 x 300		70		AL	AED					AL	AED	X					X	AL				
8 AL	W16		6	350 x 300		70		AL	AED					AL	AED	X					X	AL				
9 AL	W16		1	500 x 300		70		AL	AED					AL	AED	X					X	AL				
1 SSW	W12		8	1100 ø		150		SST	SB	HAG	10	X	1100 ø	SST	SB	X					X	SST				
2 SSW	W13		8	3192(2810) x 2046		150		SST	SB	PG	15+10+15			SST	SB	X					X	SST				

X = APPLICABLE

DOOR & WINDOW

- AD - ALUMINUM DOOR
- AW - ALUMINUM WINDOW
- SSW - STAINLESS WINDOW
- AL - ALUMINUM LOUVER
- SD - STEEL DOOR
- WD - WOODEN DOOR
- RS - ROLLING SHUTTER DOOR
- AS - ALUMINUM SCREEN

MATERIAL

- ST - STEEL
- SST - STAINLESS STEEL
- AL - ALUMINUM
- TG - TEMPERED GLASS
- HC - HONEY COMB
- WD - WOOD

FINISH

- AN - ANODIZED
- AED - ANODIZING ELECTRO DEPOSITION
- SB - SCRATCH BRUSHED
- MR - MELAMINE RESIN OVERLAD
- EPX - EPOXY-POLYESTER BAKED PAINT
- P-2 - SYNTHETIC RESIN MIXED PAINT TYPE-1 (WOOD)
- P-3 - SYNTHETIC RESIN MIXED PAINT (STEEL)
- UE - POLYURETHANE ENAMEL

GLAZING

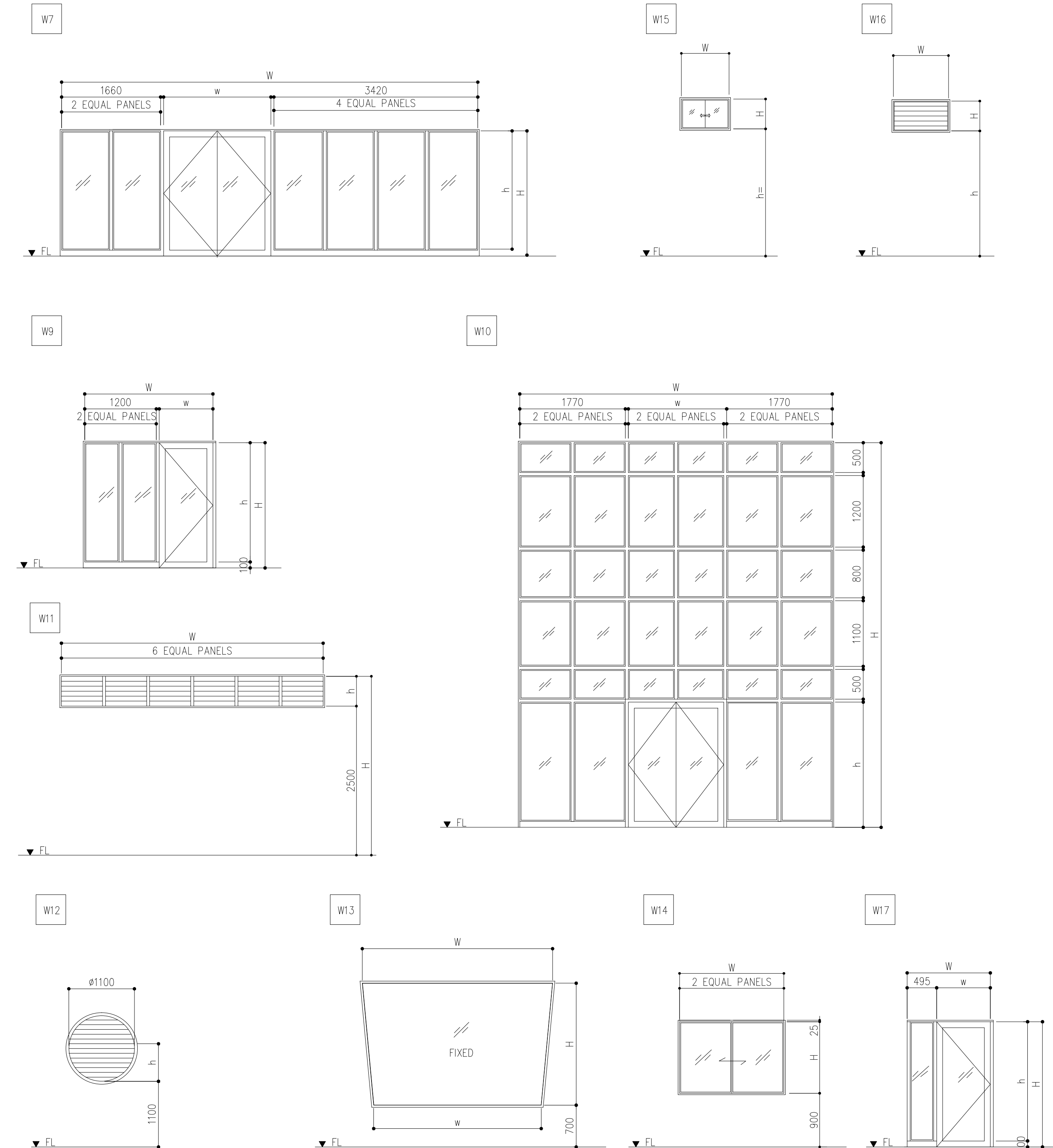
- CG - CLEAR FLOAT GLASS
- CWG - CLEAR WIRED GLASS
- FG - FIGURED GLASS
- FWG - FIGURED WIRED GLASS
- HAG - HEAT ABSORBING GLASS
- HAWG - HEAT ABSORBING WIRED GLASS
- LG - LAMINATED GLASS
- TAG - TEMPERED GLASS

HINGES

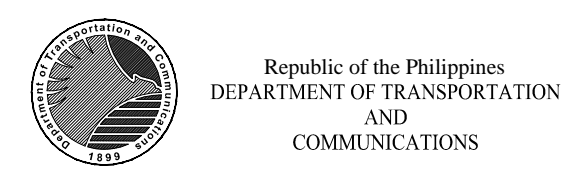
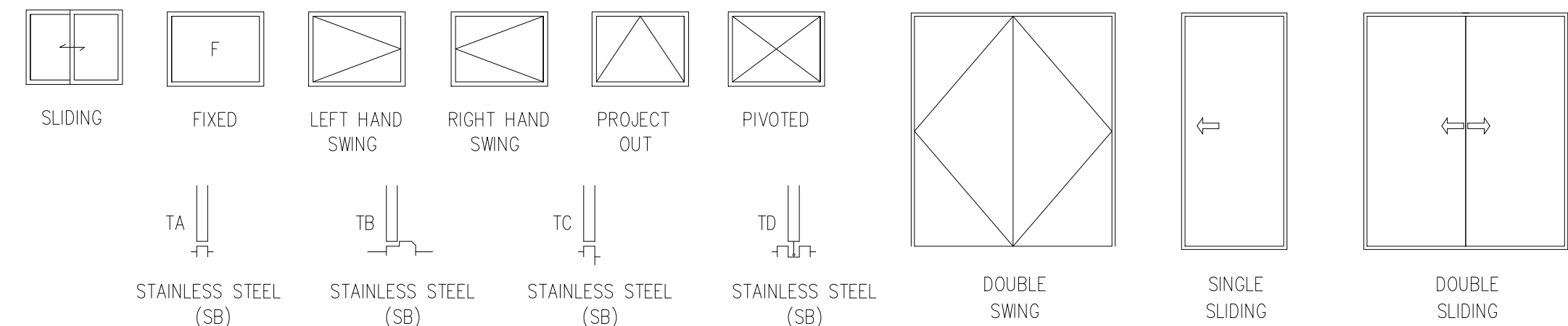
- BH - BUTT HINGE
- FH - FLOOR HINGE
- PH - PIVOT HINGE
- SH - SPRING HINGE
- DL - DEADBOLT MORTISE LOCK
- ML - MORTISE LOCK & LEVER HANDLE
- CL - CYLINDRICAL LOCK
- HC - HOOK LOCK
- EL - EMERGENCY LOCK & LEVER HANDLE

LOCK & LATCH/DOOR HANDLE

- PL - PASSAGE LATCH
- LL - LAVATORY LATCH WITH INDICATOR
- FB - FLUSH BOLT
- PP - PUSH-PULL BAR
- CS - CRESCENT SASH LOCK
- CLH - CAMLATCH HANDLE & ARM
- RT - ROLLER TIGHTNING HANDLE
- OTHERS
- RW - ROCK WOOL
- IS - INSECT SCREEN
- AT - AIRTIGHTNESS
- BB - BLIND BOX
- FTG - FRAMELESS DOOR



SYMBOLS & CONVENTION OF DOOR & WINDOW



PREPARED BY: WILLIAM I. MALLONGA
 ARCHITECT
 REG. NO.: 4623
 TEL. 150-564-198

RECOMMENDING APPROVAL: JILDEFONSO T. PATDU, JR.
 Assistant Secretary for Project Implementation, DOTC

APPROVED: JULIANITO G. BUÇAYAN, JR.
 Undersecretary for Project Implementation, DOTC

NEW BOHOL AIRPORT CONSTRUCTION AND SUSTAINABLE ENVIRONMENT PROTECTION PROJECT

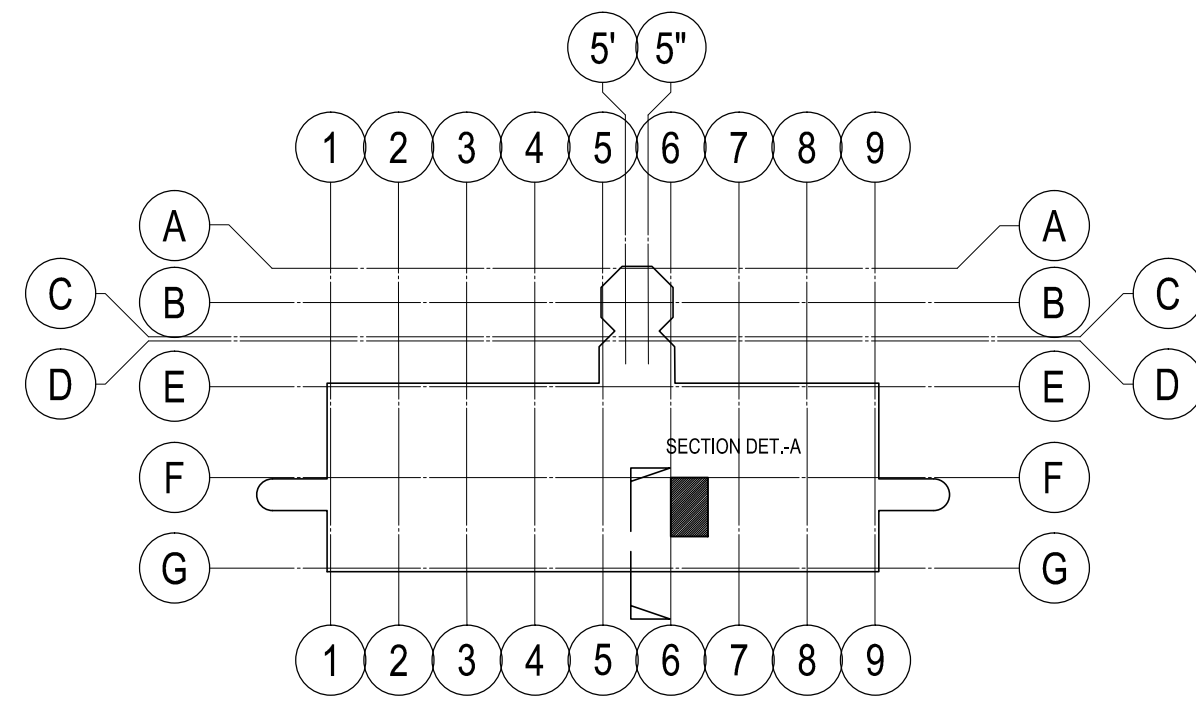
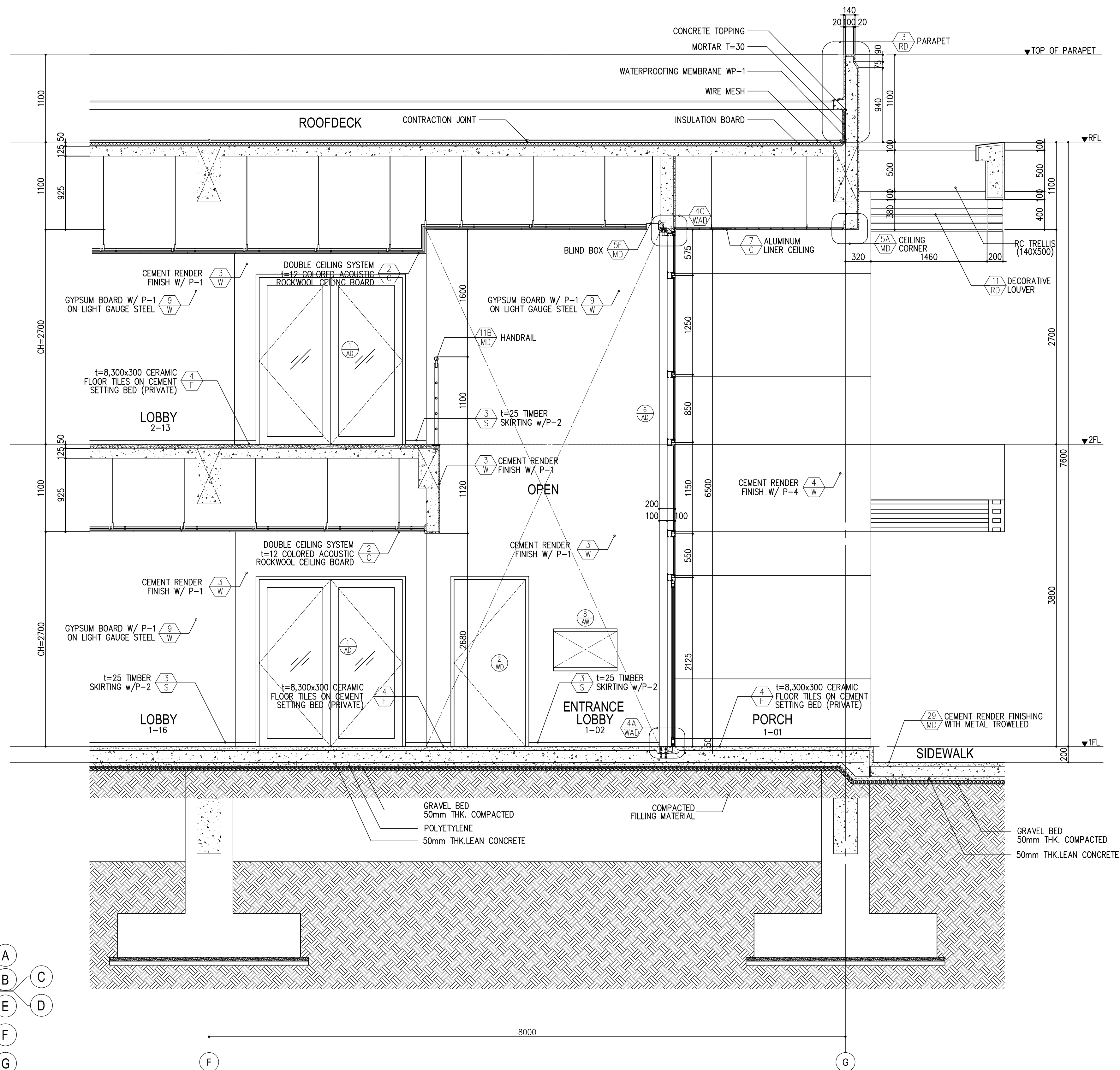
LOCATION: MUNICIPALITY OF PANGLAO, PROVINCE OF BOHOL, PHILIPPINES

SHEET CONTENTS: COMPONENT-4 BUILDING WORKS (B) SUBCOMPONENT-4-3 (B3) CONTROL TOWER, ATC OPERATION AND ADMINISTRATION BUILDING ARCHITECTURAL SCHEDULE OF DOORS & WINDOWS 2-2

SHEET NO: B3-4300-50
 DRAWING SCALE: 1:50 MTS.

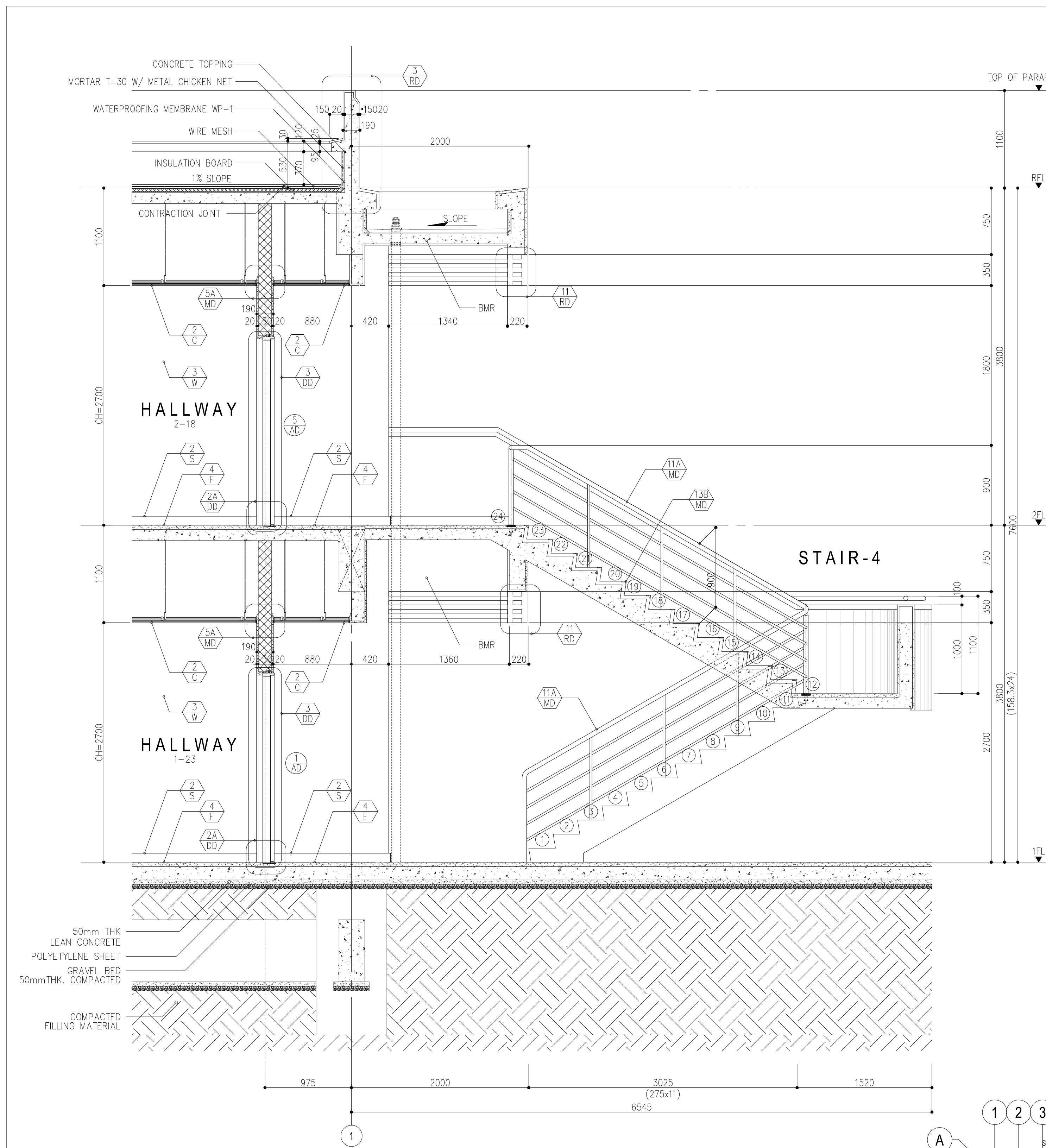


DATE	INDEX	AMENDMENTS	Prepared by	Checked by	Validated by
JUNE 2013			WIM	HC	

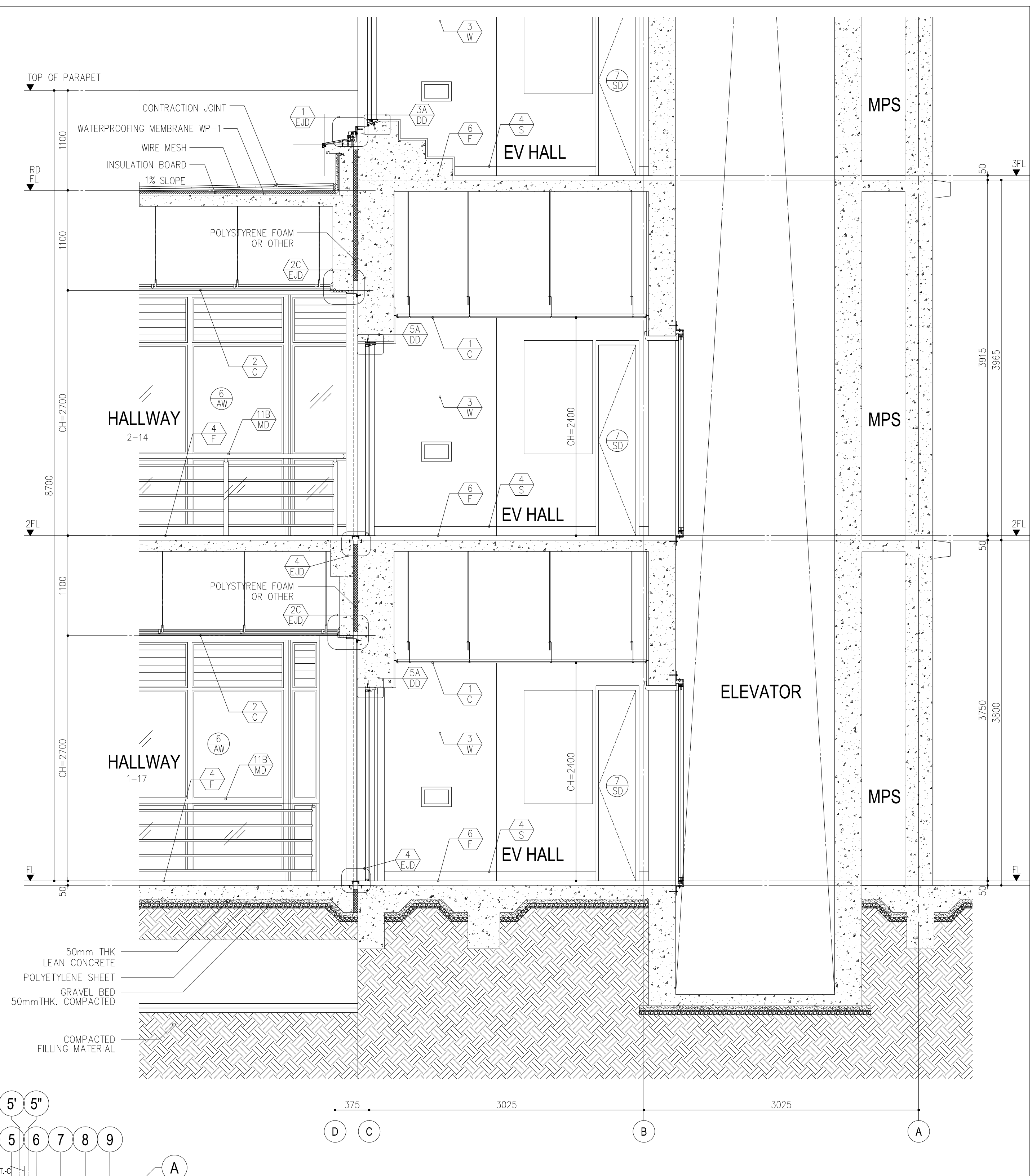


SECTION DETAIL - A
SCALE: 1:30 MTS.

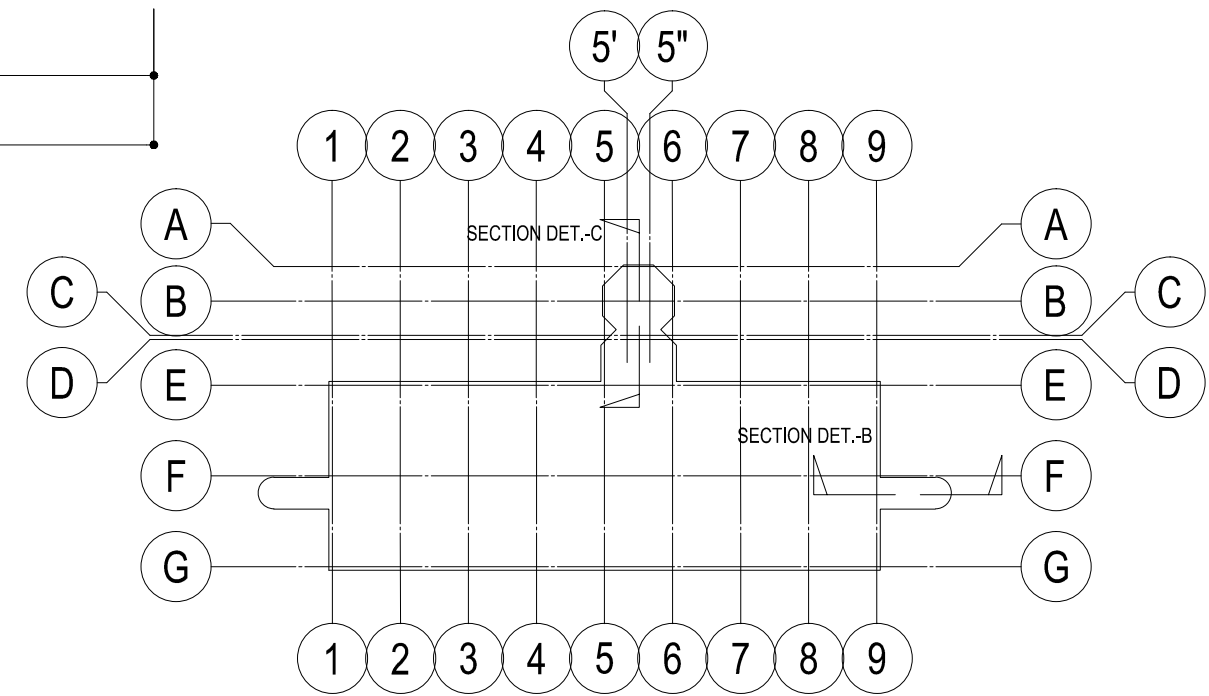
	PREPARED BY: WILLIAM I. MALLONGA <small>PROF: Architect PIR: 3811137 RES. NO.: 4623 DATE: MAY 9, 2013 TEL: 129-564-198 PLACE: MANILA CITY</small>	RECOMMENDING APPROVAL: ILDEFONSO T. PATDU, JR. <small>Assistant Secretary for Project Implementation, DOTC</small>	APPROVED: JULIANITO G. BUCAYAN, JR. <small>Undersecretary for Project Implementation, DOTC</small>	PROJECT TITLE: NEW BOHOL AIRPORT CONSTRUCTION AND SUSTAINABLE ENVIRONMENT PROTECTION PROJECT	SHEET CONTENTS: COMPONENT-4 BUILDING WORKS (B) SUBCOMPONENT-4-3 (B3) CONTROL TOWER, ATC OPERATION AND ADMINISTRATION BUILDING ARCHITECTURAL SECTION DETAIL-A	SHEET NO: B3-4300-51
	JICA DESIGN CONSULTANT JOINT VENTURE JAC JAPAN AIRPORT CONSULTANTS, INC.	TADASHI AOI <small>Team Leader</small>	ILDEFONSO T. PATDU, JR. <small>Assistant Secretary for Project Implementation, DOTC</small>	JULIANITO G. BUCAYAN, JR. <small>Undersecretary for Project Implementation, DOTC</small>	LOCATION: MUNICIPALITY OF PANGLAO, PROVINCE OF BOHOL, PHILIPPINES	DATE INDEX AMENDMENTS Prepared by: WIM Checked by: HC Validated by:



1 SECTION DETAIL-B
SCALE: 1:30 MTS.



2 SECTION DETAIL-C
SCALE: 1:30 MTS.



Republic of the Philippines
DEPARTMENT OF TRANSPORTATION
AND
COMMUNICATIONS

JICA
JAPAN
INTERNATIONAL
COOPERATION
AGENCY

JICA DESIGN CONSULTANT JOINT VENTURE

JAC JAPAN AIRPORT
CONSULTANTS,
INC.

NK NIPPON KOEI
CO., LTD.

NIS NIS CONSULTANTS
CO., LTD.

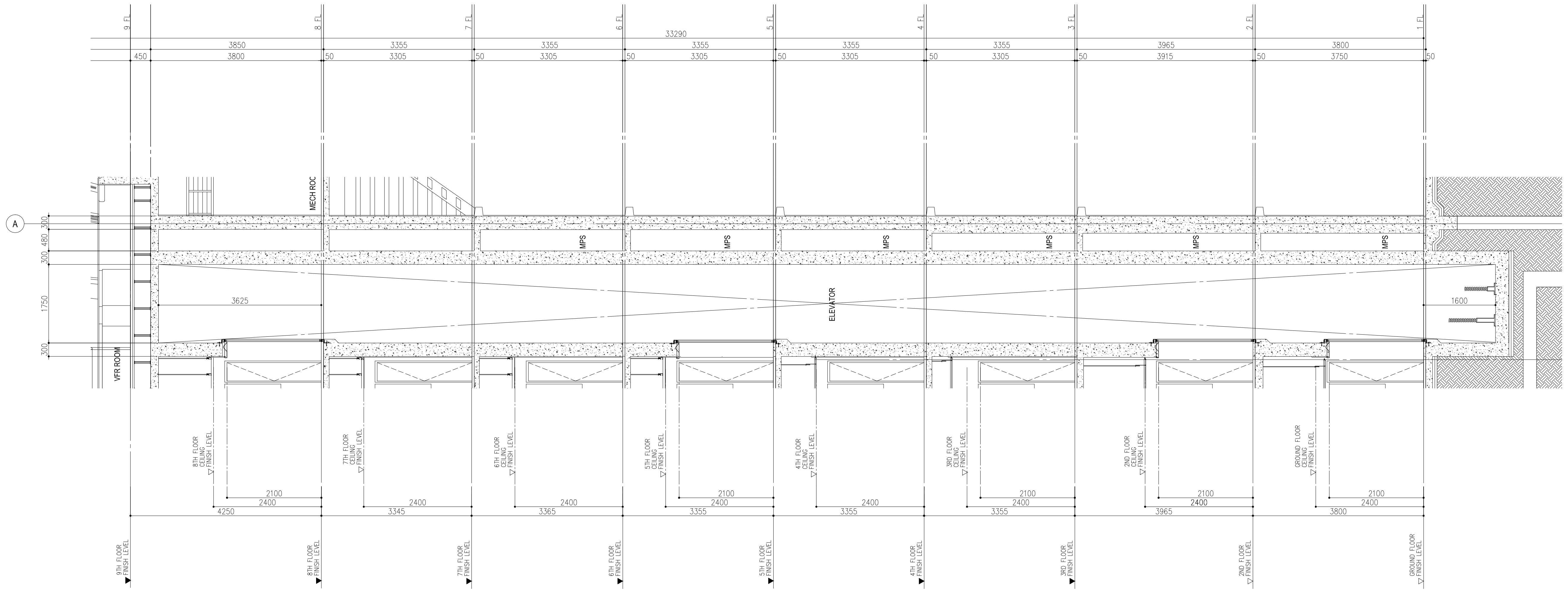
PREPARED BY: WILLIAM I. MALLONGA	RECOMMENDING APPROVAL: ILDEFONSO T. PATDU, JR. Assistant Secretary for Project Implementation, DOTC	APPROVED: JULIANITO G. BUICAYAN, JR. Undersecretary for Project Implementation, DOTC
PROF. Architect RES. NO.: 4623 T.E.N. 150-544-198	PTR. 3911137 DATE: MAY 9, 2013 PLACE: MAKATI CITY	
TADASHI AOI Team Leader		

PROJECT TITLE:
**NEW BOHOL AIRPORT CONSTRUCTION AND
SUSTAINABLE ENVIRONMENT PROTECTION PROJECT**

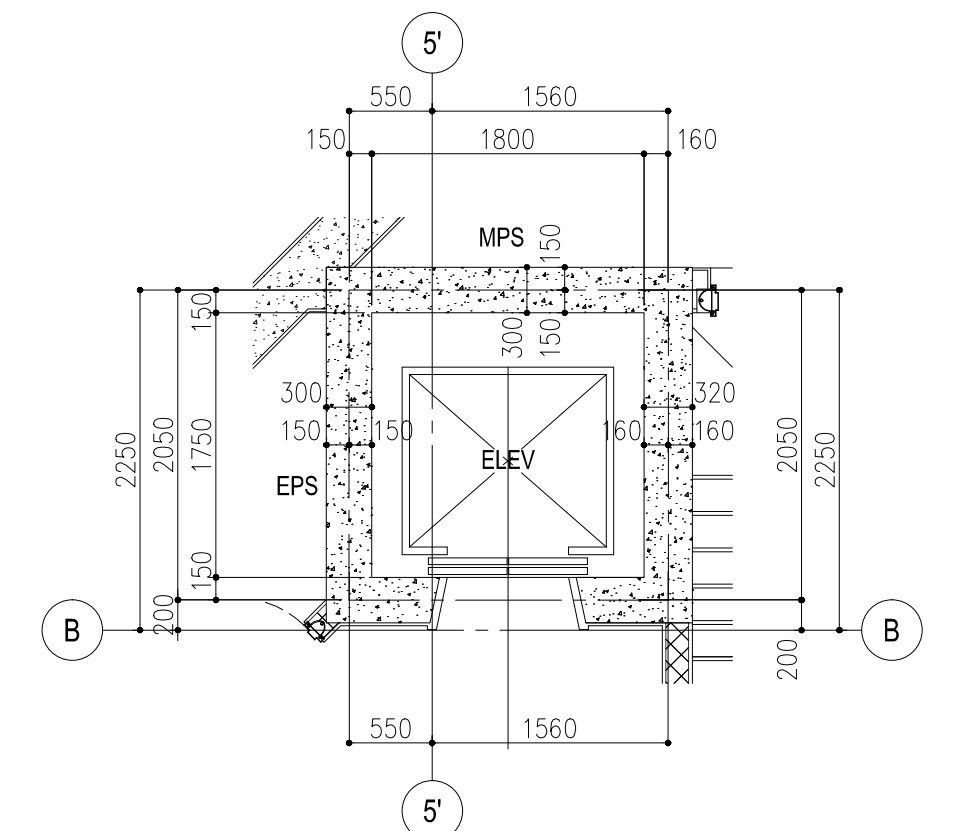
LOCATION: MUNICIPALITY OF PANGLAO, PROVINCE OF BOHOL, PHILIPPINES

JUNE 2013	DATE	INDEX	AMENDMENTS	Prepared by	Checked by	Validated by

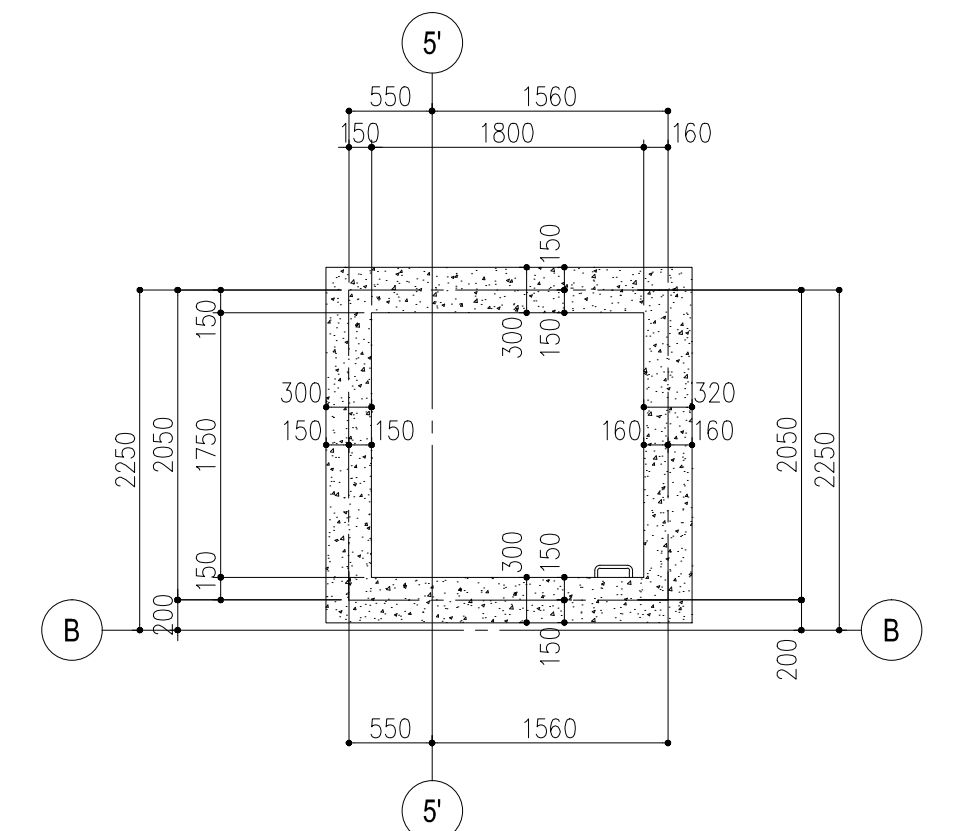
SHEET CONTENTS: COMPONENT-4 BUILDING WORKS (B) SUBCOMPONENT-4-3 (B3) CONTROL TOWER, ATC OPERATION AND ADMINISTRATION BUILDING ARCHITECTURAL SECTION DETAIL-B & C	SHEET NO: B3-4300-52
DRAWING SCALE: 1:30 MTS.	



3 HOISTWAY SECTION
SCALE : 1:50 MTS.



1 HOISTWAY PLAN
SCALE : 1:50 MTS.



2 PIT PLAN
SCALE : 1:50 MTS.

	PREPARED BY: WILLIAM I. MALLONGA <small>PROF. Architect PTR. 3911137 REG. NO. 4623 DATE: MAY 9, 2013 TEL. 150-544-198 PLACE: MAKATI CITY</small>	RECOMMENDING APPROVAL: ILDEFONSO T. PATDU, JR. <small>Assistant Secretary for Project Implementation, DOTC</small>	APPROVED: JULIANITO G. BUCAYAN, JR. <small>Undersecretary for Project Implementation, DOTC</small>	PROJECT TITLE: NEW BOHOL AIRPORT CONSTRUCTION AND SUSTAINABLE ENVIRONMENT PROTECTION PROJECT	LOCATION: MUNICIPALITY OF PANGLAO, PROVINCE OF BOHOL, PHILIPPINES	SHEET CONTENTS: COMPONENT-4 BUILDING WORKS (B) SUBCOMPONENT-4-3 (B3) CONTROL TOWER, ATC OPERATION AND ADMINISTRATION BUILDING ARCHITECTURAL HOISTWAY DETAIL PLAN & SECTION	SHEET NO: B3-4300-53
	JICA DESIGN CONSULTANT JOINT VENTURE JAPAN INTERNATIONAL COOPERATION AGENCY	JAC JAPAN AIRPORT CONSULTANTS, INC. NIPPON KOEI CO., LTD. NIS CONSULTANTS CO., LTD.	TADASHI AOI Team Leader	DATE: JUNE 2013 INDEX: AMENDMENTS Prepared by: WIM Checked by: HC Validated by:	DRAWING SCALE: 1:50 MTS.		