

Republic of the Philippines  
DEPARTMENT OF TRANSPORTATION  
AND  
COMMUNICATIONS

JICA DESIGN CONSULTANT JOINT VENTURE

JAC JAPAN AIRPORT CONSULTANTS, INC.

NIPPON KOEI CO., LTD.

NIS CONSULTANTS CO., LTD.

JAPAN INTERNATIONAL COOPERATION AGENCY

PREPARED BY:  
**TEODORO N. PAMATMAT**  
PROF. ELECTRICAL ENGINEER PIR. 1403773  
REG. NO.: 1927 DATE: 1-04-13  
TEL. 119-747-900 PLACE: MANILA

TADASHI AOI  
Team Leader

RECOMMENDING APPROVAL:  
**ILDEFONSO T. PATDU, JR.**  
Assistant Secretary  
for Project Implementation, DOTC

APPROVED:  
**JULIANITO G. BUCAYAN, JR.**  
Undersecretary  
for Project Implementation, DOTC

PROJECT TITLE:  
**NEW BOHOL AIRPORT CONSTRUCTION AND SUSTAINABLE ENVIRONMENT PROTECTION PROJECT**

LOCATION: MUNICIPALITY OF PANGLAO, PROVINCE OF BOHOL, PHILIPPINES

DATE	INDEX	AMENDMENTS	Prepared by	Checked by	Validated by
JUNE 2013			WIM	HC	

SHEET CONTENTS:  
COMPONENT-4  
BUILDING WORKS (B)  
SUBCOMPONENT-4-1  
(B1) Passenger Terminal Building  
ELECTRICAL LIGHTING LAYOUT

SHEET NO:  
**B1-6200-02**

DRAWING SCALE:  
AS SHOWN

PANEL: <b>PN1</b>		VOLTAGE: 230V 3Ø 3W		SUPPLY: NORMAL				
TO: 230V LVSGNE-PTB								
CKT NO.	LOAD DESCRIPTION	VA	AMPERE LOAD			WIRE	CONDUIT	PROTECTION
			ØAB	ØBC	ØCA 3Ø LOAD			
1	5 - DUPLEX C.O. PANTRY, OFFICE, EE ROOM AND RAMP ROOM	1725	7.5			3-3.5mm <sup>2</sup> THHN	20mmØ	20AT, 2P CB
2	4 - DUPLEX C.O. BHS-IN LINE SCREENING	1380		6		3-3.5mm <sup>2</sup> THHN	20mmØ	20AT, 2P CB
3	2 - HAND DRYER OUTLET AND 4 - POWER SUPPLY URINAL/ <sup>WILE</sup> <sup>TABLE</sup>	3440			15	2-5.5mm <sup>2</sup> THHN 1-3.5mm <sup>2</sup> TW	20mmØ	30AT, 2P CB
4	5 - DUPLEX C.O.(FLOOR MOUNTED) DOMESTIC GATE LOUNGE	1725	7.5			3-3.5mm <sup>2</sup> THHN	20mmØ	20AT, 2P CB
5	4 - DUPLEX C.O. - DOMESTIC GATE LOUNGE	1380		6		3-3.5mm <sup>2</sup> THHN	20mmØ	20AT, 2P CB
6	3 - DUPLEX C.O. CHECK-IN	1035			4.5	3-3.5mm <sup>2</sup> THHN	20mmØ	20AT, 2P CB
7	4 - DUPLEX C.O. ON FIDS FALL STANDBY RACK AND PUBLIC PAYPHONE RACK	1380		6		3-3.5mm <sup>2</sup> THHN	20mmØ	20AT, 2P CB
8	2 - DUPLEX C.O. ON PUBLIC PAYPHONE/DOMESTIC GATE LOUNGE	690	3			3-3.5mm <sup>2</sup> THHN	20mmØ	20AT, 2P CB
9	7 - DUPLEX C.O. CHECK-IN	2415	10.5			3-3.5mm <sup>2</sup> THHN	20mmØ	20AT, 2P CB
10	4 - DUPLEX C.O. CHECK-IN	1380		6		3-3.5mm <sup>2</sup> THHN	20mmØ	20AT, 2P CB
11	5 - DUPLEX C.O. CHECK-IN	1725			7.5	3-3.5mm <sup>2</sup> THHN	20mmØ	20AT, 2P CB
12	SPARE		7.5					20AT, 2P CB
13	SPARE			7.5				20AT, 2P CB
14	SPARE				7.5			20AT, 2P CB
			36	31.5	34.5			

It = 36 x 1.732 = 62.35 A

MAIN PROTECTION: 100AT, 100AF, 230V, 3P, 10KAIC

FEEDER SIZE: 3-10mm<sup>2</sup> XLPE

PANEL: <b>PNE1</b>		VOLTAGE: 230V 3Ø 3W		SUPPLY: NORMAL/EMERGENCY				
TO: 230V LVSGNE-PTB								
CKT NO.	LOAD DESCRIPTION	VA	AMPERE LOAD			WIRE	CONDUIT	PROTECTION
			ØAB	ØBC	ØCA 3Ø LOAD			
1	6 - DUPLEX C.O., CHECK-IN COUNTER	2070	9			3-3.5mm <sup>2</sup> THHN	20mmØ	30AT, 2P CB
2	5 - DUPLEX C.O., CHECK-IN COUNTER	1725		7.5		3-3.5mm <sup>2</sup> THHN	20mmØ	20AT, 2P CB
3	5 - DUPLEX C.O., CHECK-IN COUNTER	1725			7.5	3-3.5mm <sup>2</sup> THHN	20mmØ	20AT, 2P CB
4	1 - SPECIAL OUTLET FOR BIG X-RAY MACHINE	2000	8.69			2-5.5mm <sup>2</sup> THHN 1-3.5mm <sup>2</sup> TW	20mmØ	20AT, 2P CB
5	BHS-IN LINE SCREENING	2000		8.69		2-5.5mm <sup>2</sup> THHN 1-3.5mm <sup>2</sup> TW	20mmØ	20AT, 2P CB
6	8 - FLOOT MOUNTED OUTLET ON DOMESTIC DEPARTURE GATE	2760			12	2-5.5mm <sup>2</sup> THHN 1-3.5mm <sup>2</sup> TW	20mmØ	30AT, 2P CB
7	4 - DUPLEX C.O., AIRLINE OFFICES	1380	6			3-3.5mm <sup>2</sup> THHN	20mmØ	20AT, 2P CB
8	2 - SPECIAL OUTLET X-RAY SEE. CHECK	2000		8.69		2-5.5mm <sup>2</sup> THHN 1-3.5mm <sup>2</sup> TW	20mmØ	20AT, 2P CB
9	2 - SPECIAL OUTLET X-RAY SEE. CHECK	2000			8.69	2-5.5mm <sup>2</sup> THHN 1-3.5mm <sup>2</sup> TW	20mmØ	20AT, 2P CB
10	SUPPLY FOR CONVEYOR	19918			50	3-22mm <sup>2</sup> THHN 1-5.5mm <sup>2</sup> TW	32mmØ	100AT, 3P CB
11	SPARE		6					20AT, 2P CB
12	SPARE			6				20AT, 2P CB
13	SPARE				6			20AT, 2P CB
14	SPARE							10
			29.69	30.88	34.19	60		

It = 34.19 x 1.732 + 60 + 25%(50) = 131.72 A

MAIN PROTECTION: 150AT, 200AF, 3P, 230V, 10KAIC

FEEDER SIZE: 3-35mm<sup>2</sup> XLPE

PANEL: <b>PN2</b>		VOLTAGE: 230V 3Ø 3W		SUPPLY: NORMAL				
TO: 230V LVSGNE-PTB								
CKT NO.	LOAD DESCRIPTION	VA	AMPERE LOAD			WIRE	CONDUIT	PROTECTION
			ØAB	ØBC	ØCA 3Ø LOAD			
1	5 - DUPLEX C.O. IMMGR., SEC. OFFICE, ELECT/FM200 ROOM	1725	7.5			3-3.5mm <sup>2</sup> THHN	20mmØ	20AT, 2P CB
2	2 - HAND DRYER OUTLET, URINAL SUPPLY	3440	15			2-5.5mm <sup>2</sup> THHN 1-3.5mm <sup>2</sup> TW	20mmØ	30AT, 2P CB
3	2 - HAND DRYER OUTLET, URINAL SUPPLY	3440		15		2-5.5mm <sup>2</sup> THHN 1-3.5mm <sup>2</sup> TW	20mmØ	30AT, 2P CB
4	2 - HAND DRYER OUTLET, URINAL SUPPLY	3440			15	2-5.5mm <sup>2</sup> THHN 1-3.5mm <sup>2</sup> TW	20mmØ	30AT, 2P CB
5	2 - FLOOR MOUNTED OUTLET	1725		7.5		3-3.5mm <sup>2</sup> THHN	20mmØ	20AT, 2P CB
6	3 - DUPLEX C.O., INTERNATIONAL GATE LOUNGE	1725			7.5	3-3.5mm <sup>2</sup> THHN	20mmØ	20AT, 2P CB
7	6 - DUPLEX C.O., TICKET, BANK AND CAR RENTAL OFFICE	2070	9			3-3.5mm <sup>2</sup> THHN	20mmØ	20AT, 2P CB
8	6 - DUPLEX C.O., CUSTOMS OFFICE, BONDED STORE	2070			9	3-3.5mm <sup>2</sup> THHN	20mmØ	20AT, 2P CB
9	2 - HAND DRYER OUTLET, URINAL SUPPLY	3440	15			2-5.5mm <sup>2</sup> THHN 1-3.5mm <sup>2</sup> TW	20mmØ	30AT, 2P CB
10	4 - DUPLEX C.O., BAGGAGE CLAIM	1380			6	3-3.5mm <sup>2</sup> THHN	20mmØ	20AT, 2P CB
11	7 - DUPLEX C.O., LOST AND FOUND BAGGAGE AND MECHANICAL ROOM	2415			10.5	3-3.5mm <sup>2</sup> THHN	20mmØ	20AT, 2P CB
12	2 - HAND DRYER OUTLET, URINAL SUPPLY	3440		15		2-5.5mm <sup>2</sup> THHN 1-3.5mm <sup>2</sup> TW	20mmØ	30AT, 2P CB
13	7 - DUPLEX C.O., AOD, INTEL, ICTS, CASHIER	2415	10.5			3-3.5mm <sup>2</sup> THHN	20mmØ	20AT, 2P CB
14	6 - DUPLEX C.O., 2 - OFFICES AND MTC. ROOM	2070			9	3-3.5mm <sup>2</sup> THHN	20mmØ	20AT, 2P CB
15	5 - DUPLEX C.O., 2 - OFFICES AND COPY ROOM	1725			7.5	3-3.5mm <sup>2</sup> THHN	20mmØ	20AT, 2P CB
16	SPARE		6					20AT, 2P CB
17	SPARE			6				20AT, 2P CB
18	SPARE				6			20AT, 2P CB
			63	61.5	63			

It = 63 x 1.732 = 109.116 A

MAIN PROTECTION: 100AT, 100AF, 230V, 3P, 10KAIC

FEEDER SIZE: 3-150mm<sup>2</sup> XLPE

PANEL: <b>PNE2</b>		VOLTAGE: 230V 3Ø 3W		SUPPLY: NORMAL/EMERGENCY				
TO: 230V LVSGNE-PTB								
CKT NO.	LOAD DESCRIPTION	VA	AMPERE LOAD			WIRE	CONDUIT	PROTECTION
			ØAB	ØBC	ØCA 3Ø LOAD			
1	4 - DUPLEX C.O. OR FLOOR MOUNTED C.O. ON PASSPORT CONTROL(DEPARTURE)	1380	6			3-3.5mm <sup>2</sup> THHN	20mmØ	20AT, 2P CB
2	2 - SPECIAL OUTLET X-RAY STAFF AND GOODS	2000		8.69		2-5.5mm <sup>2</sup> THHN 1-3.5mm <sup>2</sup> TW	20mmØ	20AT, 2P CB
3	5 - DUPLEX C.O. IMMIGRATION AND SECURITY OFFICE	1725			7.5	3-3.5mm <sup>2</sup> THHN	20mmØ	20AT, 2P CB
4	4 - DUPLEX C.O. COMMAND CONTROL ROOM	1380	6			3-3.5mm <sup>2</sup> THHN	20mmØ	20AT, 2P CB
5	3 - DUPLEX C.O. TICKET, BANK AND CAR RENTAL OFFICE	1035			4.65	3-3.5mm <sup>2</sup> THHN	20mmØ	20AT, 2P CB
6	4 - DUPLEX C.O. OR FLOOR MOUNTED C.O. ON PASSPORT CONTROL(ARRIVAL)	1035			4.65	3-3.5mm <sup>2</sup> THHN	20mmØ	20AT, 2P CB
7	2 - DUPLEX C.O. OR FLOOR MOUNTED C.O., CUSTOMS	690	3			3-3.5mm <sup>2</sup> THHN	20mmØ	20AT, 2P CB
8	SUPPLY FOR BAGGAGE CLAIM CONVEYOR 1	9959			25	3-14mm <sup>2</sup> THHN 1-5.5mm <sup>2</sup> TW	25mmØ	50AT, 3P CB
9	SUPPLY FOR BAGGAGE CLAIM CONVEYOR 2	9959			25	3-14mm <sup>2</sup> THHN 1-5.5mm <sup>2</sup> TW	25mmØ	50AT, 3P CB
10	4 - DUPLEX C.O., INTEL, AOD, CASHIER, ICTS, etc.	1380		6		3-3.5mm <sup>2</sup> THHN	20mmØ	20AT, 2P CB
11	3 - DUPLEX C.O., QUARANTINE	1035			4.65	3-3.5mm <sup>2</sup> THHN	20mmØ	20AT, 2P CB
12	5 - DUPLEX C.O., 2 - OFFICES, COPY ROOM	1725	7.5			3-3.5mm <sup>2</sup> THHN	20mmØ	20AT, 2P CB
13	4 - DUPLEX C.O., BORDING PASS READER	1380			6	3-3.5mm <sup>2</sup> THHN	20mmØ	20AT, 2P CB
14	4 - DUPLEX C.O., BORDING PASS READER	1380			6	3-3.5mm <sup>2</sup> THHN	20mmØ	20AT, 2P CB
15	SPARE		5					20AT, 2P CB
			27.5	25.34	22.8	50		

It = 27.5 x 1.732 + 50 + 25%(25) = 103.88 A

MAIN PROTECTION: 100AT, 100AF, 3P, 230V, 10KAIC

FEEDER SIZE: 3-150mm<sup>2</sup> XLPE

PASSENGER TERMINAL BUILDING (PTB)

**1** PANEL SCHEDULE 1

NOT TO SCALE

	PREPARED BY: <b>TEODORO N. PAMATMAT</b> <small>PROF. ELECTRICAL ENGINEER PIR. 1403773</small> <small>REG. NO.: 1927 DATE: 1-04-13</small> <small>T.J.N. 119-747-900 PLACE: MANILA</small>	RECOMMENDING APPROVAL: <b>ILDEFONSO T. PATDU, JR.</b> <small>Assistant Secretary for Project Implementation, DOTC</small>	APPROVED: <b>JULIANITO G. BUCAYAN, JR.</b> <small>Undersecretary for Project Implementation, DOTC</small>	PROJECT TITLE: <b>NEW BOHOL AIRPORT CONSTRUCTION AND SUSTAINABLE ENVIRONMENT PROTECTION PROJECT</b> LOCATION: MUNICIPALITY OF PANGLAO, PROVINCE OF BOHOL, PHILIPPINES	SHEET CONTENTS: COMPONENT-4 BUILDING WORKS (B) SUBCOMPONENT-4-1 (B1) Passenger Terminal Building ELECTRICAL PANEL SCHEDULE1	SHEET NO: <b>B1-6200-03</b> DRAWING SCALE: AS SHOWN
	JICA DESIGN CONSULTANT JOINT VENTURE <small>DATE: JUNE 2013</small>	<small>DATE: INDEX</small>	<small>DATE: AMENDMENTS</small>	<small>DATE: INDEX</small>	<small>DATE: INDEX</small>	<small>DATE: INDEX</small>

PANEL: UPSE1		VOLTAGE: 230V 3Ø 3W		SUPPLY: NORMAL/EMERGENCY/UPS					
TO: 230V LVSGNE-PTB									
CKT NO.	LOAD DESCRIPTION	VA	AMPERE LOAD				WIRE	CONDUIT	PROTECTION
			ØAB	ØBC	ØCA	3Ø LOAD			
1	6 - 200W FIDS OUTLET FOR AIRLINE OFFICE	1500	6.52				3-5.5mm <sup>2</sup> THHN	20mmØ	20AT, 2P CB
2	7 - 200W FIDS OUTLET FOR CHECK-IN COUNTER	1750		7.61			3-5.5mm <sup>2</sup> THHN	20mmØ	20AT, 2P CB
3	1 - DIGITAL SLAVE CLOCK FOR CHECK-IN COUNTER								
3	9 - 200W FIDS OUTLET FOR FIDS CHECK-IN COUNTER	2250			9.78		3-5.5mm <sup>2</sup> THHN	20mmØ	20AT, 2P CB
4	4 - 200W FIDS OUTLET FOR BAGGAGE, MAKE-UP AREA, CONCESSION AND BHS-IN LINE SCREENING	1000	4.34				3-3.5mm <sup>2</sup> THHN	20mmØ	20AT, 2P CB
5	4 - 200W FIDS OUTLET FOR GATE LOUNGE	1000		4.34			3-3.5mm <sup>2</sup> THHN	20mmØ	20AT, 2P CB
1	DIGITAL SLAVE CLOCK FOR GATE LOUNGE								
6	4 - 200W FIDS OUTLET FOR DEPARTURE & ARRIVAL PUBLIC	1000			4.34		3-3.5mm <sup>2</sup> THHN	20mmØ	20AT, 2P CB
4	DIGITAL SLAVE CLOCK FOR DEPARTURE & ARRIVAL PUBLIC								
7	3 - 200W FIDS OUTLET FOR CONCESSION	750	3.26				3-3.5mm <sup>2</sup> THHN	20mmØ	20AT, 2P CB
1	DIGITAL SLAVE CLOCK FOR CONCESSION								
8	4 - 200W FIDS OUTLET FOR BAGGAGE CLAIM	1000		4.34			3-3.5mm <sup>2</sup> THHN	20mmØ	20AT, 2P CB
3	DIGITAL SLAVE CLOCK FOR BAGGAGE CLAIM								
9	1000W SUPPLY FOR FIDS	1250			5.43		3-3.5mm <sup>2</sup> THHN	20mmØ	20AT, 2P CB
10	1000W SUPPLY FOR CCTV	1250	5.43				3-3.5mm <sup>2</sup> THHN	20mmØ	20AT, 2P CB
11	1000W SUPPLY FOR PUBLIC ADDRESS	1250		5.43			3-3.5mm <sup>2</sup> THHN	20mmØ	20AT, 2P CB
12	1000W SUPPLY FOR MASTER CLOCK & FDAS	1250			5.43		3-3.5mm <sup>2</sup> THHN	20mmØ	20AT, 2P CB
13	1000W SUPPLY FOR BMS	1250	5.43				3-3.5mm <sup>2</sup> THHN	20mmØ	20AT, 2P CB
14	SPARE	1000		4.34					20AT, 2P CB
15	SPARE	1000			4.34				20AT, 2P CB
16	SPARE	1000	4.34						20AT, 2P CB
			33.19	33.19					
		It = 29.32 x 1.732 = 50.78 A							
MAIN PROTECTION:		100AT, 100AF, 3P, 230V, MCCB, 10KAIC							
FEEDER SIZE:		3-6mm <sup>2</sup> XLPE							

PANEL: PACN		VOLTAGE: 230V 3Ø 3W		SUPPLY: NORMAL					
TO: 230V LVSGNE-PTB									
CKT NO.	LOAD DESCRIPTION	VA	AMPERE LOAD				WIRE	CONDUIT	PROTECTION
			ØAB	ØBC	ØCA	3Ø LOAD			
1	VRF 1	50000				125	3-50mm <sup>2</sup> THHN 1-14mm <sup>2</sup> TW	50mmØ	150AT, 3P CB
2	VRF 2	50000				125	3-50mm <sup>2</sup> THHN 1-14mm <sup>2</sup> TW	50mmØ	150AT, 3P CB
3	VRF 3	50000				125	3-50mm <sup>2</sup> THHN 1-14mm <sup>2</sup> TW	50mmØ	150AT, 3P CB
4	VRF 4	50000				125	3-50mm <sup>2</sup> THHN 1-14mm <sup>2</sup> TW	50mmØ	150AT, 3P CB
5	6 FCU - LOST AND FOUND, CONCESSION 105	420	1.82				3-3.5mm <sup>2</sup> THHN	20mmØ	20AT, 2P CB
6	5 FCU - CONCESSION DUTY FREE	755	3.28				3-3.5mm <sup>2</sup> THHN	20mmØ	20AT, 2P CB
7	5 FCU - TICKET OFFICE, BANK, CAR RENTAL, CONCESSION 146	350		1.52			3-3.5mm <sup>2</sup> THHN	20mmØ	20AT, 2P CB
8	6 FCU - MTG. COPY, OFFICES	420		1.82			3-3.5mm <sup>2</sup> THHN	20mmØ	20AT, 2P CB
9	3 FCU - INTERNATIONAL GATE LOUNGE, SECURITY	2375			10.32		3-5.5mm <sup>2</sup> THHN	20mmØ	20AT, 2P CB
10	7 FCU - FOBS, SEC. OFFICE, CONCESSION 123	490			2.13		3-3.5mm <sup>2</sup> THHN	20mmØ	20AT, 2P CB
11	5 FCU - SEC. CHECK-IN	590	2.56				3-3.5mm <sup>2</sup> THHN	20mmØ	20AT, 2P CB
12	3 FCU - DOMESTIC GATE LOUNGE, CONCESSION 164	2375	10.32				3-5.5mm <sup>2</sup> THHN	20mmØ	20AT, 2P CB
13	8 FCU - CHECK-IN, OFFICE, CONCESSION 154	800		3.47			3-3.5mm <sup>2</sup> THHN	20mmØ	20AT, 2P CB
14	5 FCU - DOMESTIC GATE LOUNGE, CONCESSION 164, BHS-IN LINE	1635		7.10			3-3.5mm <sup>2</sup> THHN	20mmØ	20AT, 2P CB
15	8 FCU - CONCESSION 134, 148	560			2.4		3-3.5mm <sup>2</sup> THHN	20mmØ	20AT, 2P CB
16	SPARE				2.5				20AT, 2P CB
			17.98	13.91	17.35	500			
		It = 17.98 x 1.732 + 500 + 125(25%) = 562.39 A							
MAIN PROTECTION:		600AT, 700AF, 230V, 3P, ACB, 10KAIC							
FEEDER SIZE:		2 SETS OF 3-150mm <sup>2</sup> XLPE 1-30mm <sup>2</sup> GROUND WIRE							

PANEL: UPSE2		VOLTAGE: 230V 3Ø 3W		SUPPLY: NORMAL/EMERGENCY/UPS					
TO: 230V LVSGNE-PTB									
CKT NO.	LOAD DESCRIPTION	VA	AMPERE LOAD				WIRE	CONDUIT	PROTECTION
			ØAB	ØBC	ØCA	3Ø LOAD			
1	11 - 24W LED TYPE DOWN LIGHT FOR CHECK-IN COUNTER	330	1.43				3-3.5mm <sup>2</sup> THHN	20mmØ	20AT, 2P CB
2	5 - 24W LED TYPE DOWN LIGHT FOR SECURITY CHECK	150		0.65			3-3.5mm <sup>2</sup> THHN	20mmØ	20AT, 2P CB
3	5 - 24W LED TYPE DOWN LIGHT FOR STAFF & GOODS	150			0.65		3-3.5mm <sup>2</sup> THHN	20mmØ	20AT, 2P CB
4	5 - 31W LED TYPE RECESSED LIGHT FOR CHECK-IN COUNTER	200	0.86				3-3.5mm <sup>2</sup> THHN	20mmØ	20AT, 2P CB
5	3 - 10W LED TYPE EXIT LIGHT FOR CORRIDOR	274		1.2			3-3.5mm <sup>2</sup> THHN	20mmØ	20AT, 2P CB
8	24W LED TYPE DOWN LIGHT FOR CORRIDOR								
6	4 - 10W LED TYPE EXIT LIGHT FOR CORRIDOR	198			0.86		3-3.5mm <sup>2</sup> THHN	20mmØ	20AT, 2P CB
5	24W LED TYPE DOWN LIGHT FOR CORRIDOR								
7	2 - 10W LED TYPE EXIT LIGHT FOR ARRIVAL HALL	24	0.1				3-3.5mm <sup>2</sup> THHN	20mmØ	20AT, 2P CB
8	4 - 10W LED TYPE EXIT LIGHT FOR GATE LOUNGE	48		0.21			3-3.5mm <sup>2</sup> THHN	20mmØ	20AT, 2P CB
9	11 - ACCESS CONTROL DOOR	300			1.3		3-3.5mm <sup>2</sup> THHN	20mmØ	20AT, 2P CB
10	14 - ACCESS CONTROL DOOR	300	1.3				3-3.5mm <sup>2</sup> THHN	20mmØ	20AT, 2P CB
11	11 - ACCESS CONTROL DOOR	300		1.3			3-3.5mm <sup>2</sup> THHN	20mmØ	20AT, 2P CB
12	SPARE				1.3				20AT, 2P CB
13	SPARE		1.3						20AT, 2P CB
14	SPARE			1.3					20AT, 2P CB
15	SPARE				1.3				20AT, 2P CB
			4.99	4.66	5.41				
		It = 5.41 A x 1.732 = 9.73 A							
MAIN PROTECTION:		30AT, 100AF, 3P, 230V, MCCB, 10KAIC							
FEEDER SIZE:		3-4mm <sup>2</sup> XLPE							

PANEL: PACNE		VOLTAGE: 230V 3Ø 3W		SUPPLY: NORMAL/EMERGENCY					
TO: 230V LVSGNE-PTB									
CKT NO.	LOAD DESCRIPTION	VA	AMPERE LOAD				WIRE	CONDUIT	PROTECTION
			ØAB	ØBC	ØCA	3Ø LOAD			
1	VRF 5	50000				125	3-50mm <sup>2</sup> THHN 1-14mm <sup>2</sup> TW	50mmØ	150AT, 3P CB
2	VRF 6	50000				125	3-50mm <sup>2</sup> THHN 1-14mm <sup>2</sup> TW	50mmØ	150AT, 3P CB
3	VRF 7	50000				125	3-50mm <sup>2</sup> THHN 1-14mm <sup>2</sup> TW	50mmØ	150AT, 3P CB
4	VRF 8	50000				125	3-50mm <sup>2</sup> THHN 1-14mm <sup>2</sup> TW	50mmØ	150AT, 3P CB
5	VRF 9 (STAND-BY)	(20000)				(50)	3-14mm <sup>2</sup> THHN 1-5.5mm <sup>2</sup> TW	25mmØ	100AT, 3P CB
6	7 FCU - QUARANTINE, CUSTOMS OFFICE, AOD, ICTS, INTEL, CASHIER	490	2.13				3-3.5mm <sup>2</sup> THHN	20mmØ	20AT, 2P CB
7	3 FCU - CORRIDOR, CONCESSION 125	1425		6.19			3-3.5mm <sup>2</sup> THHN	20mmØ	20AT, 2P CB
8	4 FCU - COMMAND CENTER	280			1.21		3-3.5mm <sup>2</sup> THHN	20mmØ	20AT, 2P CB
9	6 FCU - INTERNATIONAL GATE, CONCESSION 125	2180	9.47				3-5.5mm <sup>2</sup> THHN	20mmØ	20AT, 2P CB
10	5 FCU - STAFF AND GOODS, TOILET, ELECTRICAL ROOM(UPS)	1240		5.39			3-3.5mm <sup>2</sup> THHN	20mmØ	20AT, 2P CB
11	3 FCU - DOMESTIC GATE LOUNGE	2850			12.39		3-5.5mm <sup>2</sup> THHN	20mmØ	20AT, 2P CB
12	5 FCU - SECURITY, CONCESSION 170	755	3.28				3-3.5mm <sup>2</sup> THHN	20mmØ	20AT, 2P CB
13	5 FCU - AIRLINE OFFICE, CHECK-IN	430		1.86			3-3.5mm <sup>2</sup> THHN	20mmØ	20AT, 2P CB
14	4 FCU - CHECK-IN	600			2.61		3-3.5mm <sup>2</sup> THHN	20mmØ	20AT, 2P CB
15	5 FCU - DOMESTIC GATE LOUNGE, CONCESSION 172, BHS-IN LINE	2515		10.9			3-5.5mm <sup>2</sup> THHN	20mmØ	20AT, 2P CB
16	SPARE				5.0				20AT, 2P CB
17	SPARE		5.0						20AT, 2P CB
			19.88	24.34	21.21	500			
		It = 24.34 x 1.732 + 500 + 125(25%) = 573.4 A							
MAIN PROTECTION:		600AT, 700AF, 230V, 3P, ACB, 10KAIC							
FEEDER SIZE:		3 SETS OF 3-240mm <sup>2</sup> XLPE							

PASSENGER TERMINAL BUILDING (PTB)

**2** PANEL SCHEDULE 2  
B3-6200-04 NOT TO SCALE

	PREPARED BY: <b>TEODORO N. PAMATMAT</b> <small>PROF. ELECTRICAL ENGINEER PIR. 1403773</small> <small>REG. NO: 1927 DATE: 1-04-13</small> <small>TIN: 119-747-900 PLACE: MANILA</small>	RECOMMENDING APPROVAL: <b>ILDEFONSO T. PATDU, JR.</b> <small>Assistant Secretary</small> for Project Implementation, DOTC	APPROVED: <b>JULIANITO G. BUCAYAN, JR.</b> <small>Undersecretary</small> for Project Implementation, DOTC	PROJECT TITLE: <b>NEW BOHOL AIRPORT CONSTRUCTION AND SUSTAINABLE ENVIRONMENT PROTECTION PROJECT</b> LOCATION: MUNICIPALITY OF PANGLAO, PROVINCE OF BOHOL, PHILIPPINES	SHEET CONTENTS: COMPONENT-4 BUILDING WORKS (B) SUBCOMPONENT-4-1 (B1) Passenger Terminal Building ELECTRICAL PANEL SCHEDULE2	SHEET NO: <b>B1-6200-04</b> DRAWING SCALE: AS SHOWN
	JICA DESIGN CONSULTANT JOINT VENTURE JAPAN AIRPORT CONSULTANTS, INC. NIPPON KOEI CO., LTD. NIS CONSULTANTS CO., LTD.	TADASHI AOI Team Leader	ILDEFONSO T. PATDU, JR. Assistant Secretary for Project Implementation, DOTC	JULIANITO G. BUCAYAN, JR. Undersecretary for Project Implementation, DOTC	DATE INDEX AMENDMENTS Prepared by WIM Checked by HC Validated by	

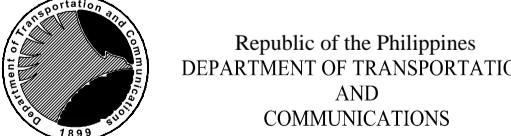




PANEL: LPN1 (BMS CONTROL)		VOLTAGE: 230V 3Ø 3W		SUPPLY: NORMAL				
TO: 230V LVSGNE-PTB								
CKT NO.	LOAD DESCRIPTION	VA	AMPERE LOAD			WIRE	CONDUIT	PROTECTION
			ØAB	ØBC	ØCA 3Ø LOAD			
1	21 - 28W LED TYPE DOWN LIGHT	735	3.19			3-3.5mm <sup>2</sup> THHN	20mmØ	20AT, 2P CB
2	16 - 28W LED TYPE DOWN LIGHT	560		2.43		3-3.5mm <sup>2</sup> THHN	20mmØ	20AT, 2P CB
3	7 - 120W LED TYPE WALL LIGHT	1050			4.56	3-3.5mm <sup>2</sup> THHN	20mmØ	20AT, 2P CB
4	6 - 120W LED TYPE WALL LIGHT	900	3.91			3-3.5mm <sup>2</sup> THHN	20mmØ	20AT, 2P CB
5	12 - 24W LED TYPE DOWN LIGHT	360		1.56		3-3.5mm <sup>2</sup> THHN	20mmØ	20AT, 2P CB
6	12 - 24W LED TYPE DOWN LIGHT	360			1.56	3-3.5mm <sup>2</sup> THHN	20mmØ	20AT, 2P CB
7	12 - 24W LED TYPE DOWN LIGHT	360	1.56			3-3.5mm <sup>2</sup> THHN	20mmØ	20AT, 2P CB
8	12 - 24W LED TYPE DOWN LIGHT	360			1.56	3-3.5mm <sup>2</sup> THHN	20mmØ	20AT, 2P CB
9	4 - 120W LED TYPE WALL LIGHT	600			2.61	3-3.5mm <sup>2</sup> THHN	20mmØ	20AT, 2P CB
10	4 - 120W LED TYPE WALL LIGHT	600	2.61			3-3.5mm <sup>2</sup> THHN	20mmØ	20AT, 2P CB
11	10 - 8W LED TYPE WITH MOTION SENSOR FOR TOILET1	100		0.43		3-3.5mm <sup>2</sup> THHN	20mmØ	20AT, 2P CB
12	10 - 8W LED TYPE WITH MOTION SENSOR FOR TOILET1	100			0.43	3-3.5mm <sup>2</sup> THHN	20mmØ	20AT, 2P CB
13	7 - 50W LED TYPE LIGHT FOR BUS GATE	438	1.9			3-3.5mm <sup>2</sup> THHN	20mmØ	20AT, 2P CB
14	20 - 8W LED TYPE WITH MOTION SENSOR FOR TOILET2	200		0.86		3-3.5mm <sup>2</sup> THHN	20mmØ	20AT, 2P CB
15	SPARE	500			2.17			20AT, 2P CB
16	SPARE	500			2.17			20AT, 2P CB
It = 13.17 x 1.732 = 22.81 A			13.17	9.01	11.33			
MAIN PROTECTION: 50AT, 100AF, 3P, 230V, MCCB, 10KAIC								
FEEDER SIZE: 3-4mm <sup>2</sup> XLPE								

PANEL: LPNE1 (BMS CONTROL)		VOLTAGE: 230V 3Ø 3W		SUPPLY: NORMAL/EMERGENCY				
TO: 230V LVSGNE-PTB								
CKT NO.	LOAD DESCRIPTION	VA	AMPERE LOAD			WIRE	CONDUIT	PROTECTION
			ØAB	ØBC	ØCA 3Ø LOAD			
1	8 - 28W LED TYPE DOWN LIGHT FOR BAGGAGE BREAKDOWN	280	1.22			3-3.5mm <sup>2</sup> THHN	20mmØ	20AT, 2P CB
2	4 - 120W LED TYPE WALL LIGHT FOR BAGGAGE CLAIM (DOME)	600		2.61		3-3.5mm <sup>2</sup> THHN	20mmØ	20AT, 2P CB
3	4 - 120W LED TYPE WALL LIGHT FOR BAGGAGE CLAIM (INTER)	600			2.61	3-3.5mm <sup>2</sup> THHN	20mmØ	20AT, 2P CB
4	4 - 120W LED TYPE WALL LIGHT FOR GATE LOUNGE (DOME)	600	2.61			3-3.5mm <sup>2</sup> THHN	20mmØ	20AT, 2P CB
5	7 - 120W LED TYPE WALL LIGHT FOR GATE LOUNGE (INTER)	1050		4.56		3-3.5mm <sup>2</sup> THHN	20mmØ	20AT, 2P CB
6	4 - 120W LED TYPE DOWN LIGHT FOR BAGGAGE MAKE-UP	600			2.61	3-3.5mm <sup>2</sup> THHN	20mmØ	20AT, 2P CB
7	6 - 2 X 28W FLUORESCENT LIGHT FOR BAGGAGE MAKE-UP	420	1.83			3-3.5mm <sup>2</sup> THHN	20mmØ	20AT, 2P CB
8	15 - 24W LED TYPE DOWN LIGHT FOR CHECK-IN COUNTER	450			1.96	3-3.5mm <sup>2</sup> THHN	20mmØ	20AT, 2P CB
9	6 - 120W LED TYPE WALL LIGHT FOR PUBLIC CONCOURSE	900			3.91	3-3.5mm <sup>2</sup> THHN	20mmØ	20AT, 2P CB
10	6 - 120W LED TYPE WALL LIGHT FOR SECURITY CHECK	180	0.78			3-3.5mm <sup>2</sup> THHN	20mmØ	20AT, 2P CB
11	10 - 8W LED TYPE WITH MOTION SENSOR FOR TOILET4	100		0.43		3-3.5mm <sup>2</sup> THHN	20mmØ	20AT, 2P CB
12	8 - 8W LED TYPE WITH MOTION SENSOR FOR TOILET5	80			0.35	3-3.5mm <sup>2</sup> THHN	20mmØ	20AT, 2P CB
13	10 - 8W LED TYPE WITH MOTION SENSOR FOR TOILET2	100	0.43			3-3.5mm <sup>2</sup> THHN	20mmØ	20AT, 2P CB
14	12 - 24W LED TYPE DOWN LIGHT FOR BAGGAGE CLAIM (INTER)	660		2.86		3-3.5mm <sup>2</sup> THHN	20mmØ	20AT, 2P CB
15	12 - 24W LED TYPE DOWN LIGHT FOR BAGGAGE CLAIM (DOME)	660			2.86	3-3.5mm <sup>2</sup> THHN	20mmØ	20AT, 2P CB
16	10 - 8W LED TYPE WITH MOTION SENSOR FOR TOILET1	100	0.43			3-3.5mm <sup>2</sup> THHN	20mmØ	20AT, 2P CB
17	SPARE	500		2.17				20AT, 2P CB
18	SPARE	500		2.17				20AT, 2P CB
It = 12.42 x 1.732 = 21.51 A			11.64	12.42	12.34			
MAIN PROTECTION: 30AT, 100AF, 3P, 230V, MCCB, 10KAIC								
FEEDER SIZE: 3-25mm <sup>2</sup> XLPE								

PANEL: LPN2 (BMS CONTROL)		VOLTAGE: 230V 3Ø 3W		SUPPLY: NORMAL				
TO: 230V LVSGNE-PTB								
CKT NO.	LOAD DESCRIPTION	VA	AMPERE LOAD			WIRE	CONDUIT	PROTECTION
			ØAB	ØBC	ØCA 3Ø LOAD			
1	4 - 120W LED TYPE WALL LIGHT	600	2.6			3-3.5mm <sup>2</sup> THHN	20mmØ	20AT, 2P CB
2	6 - 120W LED TYPE WALL LIGHT	900		3.91		3-3.5mm <sup>2</sup> THHN	20mmØ	20AT, 2P CB
3	19 - 8W LED TYPE WITH MOTION SENSOR FOR TOILET2	190			0.83	3-3.5mm <sup>2</sup> THHN	20mmØ	20AT, 2P CB
4	4 - 24W LED TYPE DOWN LIGHT FOR STAFF GOODS	120	0.52			3-3.5mm <sup>2</sup> THHN	20mmØ	20AT, 2P CB
5	11 - 24W LED TYPE DOWN LIGHT FOR SECURITY CHECK	330		1.43		3-3.5mm <sup>2</sup> THHN	20mmØ	20AT, 2P CB
6	11 - 24W LED TYPE DOWN LIGHT FOR SECURITY CHECK	330			1.43	3-3.5mm <sup>2</sup> THHN	20mmØ	20AT, 2P CB
7	4 - 120W LED TYPE WALL LIGHT	600	2.6			3-3.5mm <sup>2</sup> THHN	20mmØ	20AT, 2P CB
8	9 - 8W LED TYPE WITH MOTION SENSOR FOR TOILET4	90		0.39		3-3.5mm <sup>2</sup> THHN	20mmØ	20AT, 2P CB
9	14 - 24W LED TYPE DOWN LIGHT FOR CORRIDOR	420			1.82	3-3.5mm <sup>2</sup> THHN	20mmØ	20AT, 2P CB
10	18 - 8W LED TYPE WITH MOTION SENSOR FOR TOILET5	180	0.78			3-3.5mm <sup>2</sup> THHN	20mmØ	20AT, 2P CB
11	4 - 120W LED TYPE WALL LIGHT	600		2.6		3-3.5mm <sup>2</sup> THHN	20mmØ	20AT, 2P CB
12	4 - 120W LED TYPE WALL LIGHT	600			2.6	3-3.5mm <sup>2</sup> THHN	20mmØ	20AT, 2P CB
13	4 - 120W LED TYPE WALL LIGHT	600	2.6			3-3.5mm <sup>2</sup> THHN	20mmØ	20AT, 2P CB
14	4 - 120W LED TYPE WALL LIGHT	600		2.6		3-3.5mm <sup>2</sup> THHN	20mmØ	20AT, 2P CB
15	SPARE	500			2.17			20AT, 2P CB
16	SPARE	500			2.17			20AT, 2P CB
It = 11.27 x 1.732 = 19.51 A			11.27	10.93	8.85			
MAIN PROTECTION: 30AT, 100AF, 3P, 230V, MCCB, 10KAIC								
FEEDER SIZE: 3-4mm <sup>2</sup> XLPE								

PANEL: LPNE2 (BMS CONTROL)		VOLTAGE: 230V 3Ø 3W		SUPPLY: NORMAL/EMERGENCY				
TO: 230V LVSGNE-PTB								
CKT NO.	LOAD DESCRIPTION	VA	AMPERE LOAD			WIRE	CONDUIT	PROTECTION
			ØAB	ØBC	ØCA 3Ø LOAD			
1	2 - 120W LED TYPE WALL LIGHT FOR LOST & FOUND	380	1.65			3-3.5mm <sup>2</sup> THHN	20mmØ	20AT, 2P CB
	2 - 31W LED TYPE WALL LIGHT FOR QUARANTINE							
2	3 - 31W LED TYPE RECESSED LIGHT FOR CUSTOM	120		0.52		3-3.5mm <sup>2</sup> THHN	20mmØ	20AT, 2P CB
3	6 - 31W LED TYPE RECESSED LIGHT FOR TICKET, BANK, CAR RENT	240			1.04	3-3.5mm <sup>2</sup> THHN	20mmØ	20AT, 2P CB
4	10 - 31W LED TYPE RECESSED LIGHT FOR CCO ROOM	490	2.13			3-3.5mm <sup>2</sup> THHN	20mmØ	20AT, 2P CB
	3 - 24W LED TYPE DOWN LIGHT FOR OFFICE							
5	5 - 31W LED TYPE RECESSED LIGHT FOR CASHIER	260		1.13		3-3.5mm <sup>2</sup> THHN	20mmØ	20AT, 2P CB
	2 - 24W LED TYPE DOWN LIGHT FOR CASHIER							
6	8 - 31W LED TYPE RECESSED LIGHT FOR OFFICES	320			1.39	3-3.5mm <sup>2</sup> THHN	20mmØ	20AT, 2P CB
7	6 - 31W LED TYPE RECESSED LIGHT FOR AIRLINE OFFICES	240	1.04			3-3.5mm <sup>2</sup> THHN	20mmØ	20AT, 2P CB
8	SPARE	500		2.17		3-3.5mm <sup>2</sup> THHN	20mmØ	20AT, 2P CB
9	SPARE	500			2.17	3-3.5mm <sup>2</sup> THHN	20mmØ	20AT, 2P CB
10	SPARE	500		2.17		3-3.5mm <sup>2</sup> THHN	20mmØ	20AT, 2P CB
It = 5.99 x 1.732 = 10.37 A			4.82	5.99	4.6			
MAIN PROTECTION: 30AT, 100AF, 3P, 230V, MCCB, 10KAIC								
FEEDER SIZE: 3-16mm <sup>2</sup> XLPE								

PASSENGER TERMINAL BUILDING (PTB)  
**3** PANEL SCHEDULE 3  
 B3-6200-09 NOT TO SCALE

 Republic of the Philippines DEPARTMENT OF TRANSPORTATION AND COMMUNICATIONS	 JAPAN INTERNATIONAL COOPERATION AGENCY	PREPARED BY: <b>TEODORO N. PAMATMAT</b> <small>PROF. ELECTRICAL ENGINEER PIR. 1403773</small> <small>REG. NO.: 1927 DATE: 1-04-13</small> <small>TIN: 119-747-900 PLACE: MANILA</small>	RECOMMENDING APPROVAL: <b>ILDEFONSO T. PATDU, JR.</b> <small>Assistant Secretary</small> for Project Implementation, DOTC	APPROVED: <b>JULIANITO G. BUCAYAN, JR.</b> <small>Undersecretary</small> for Project Implementation, DOTC	PROJECT TITLE: <b>NEW BOHOL AIRPORT CONSTRUCTION AND SUSTAINABLE ENVIRONMENT PROTECTION PROJECT</b> LOCATION: MUNICIPALITY OF PANGLAO, PROVINCE OF BOHOL, PHILIPPINES	SHEET CONTENTS: COMPONENT-4 BUILDING WORKS (B) SUBCOMPONENT-4-1 (B1) Passenger Terminal Building ELECTRICAL PANEL SCHEDULE3	SHEET NO: <b>B1-6200-05</b> DRAWING SCALE: AS SHOWN
JICA DESIGN CONSULTANT JOINT VENTURE  JAPAN AIRPORT CONSULTANTS, INC.  NIPPON KOEI CO., LTD.  NIS CONSULTANTS CO., LTD.		TADASHI AOI Team Leader		JUNE 2013 DATE INDEX AMENDMENTS Prepared by: WIM Checked by: HC Validated by:			






PANEL: LPN3 (BMS CONTROL)		VOLTAGE: 230V 3Ø 3W		SUPPLY: NORMAL				
TO: 230V LVSGNE-PTB								
CKT NO.	LOAD DESCRIPTION	VA	AMPERE LOAD			WIRE	CONDUIT	PROTECTION
			ØAB	ØBC	ØCA 3Ø LOAD			
1	19 - 8W LED TYPE WITH MOTION SENSOR FOR TOILET6	190	0.83			3-3.5mm <sup>2</sup> THHN	20mmØ	20AT, 2P CB
2	6 - 120W LED TYPE WALL LIGHT	900		3.91		3-3.5mm <sup>2</sup> THHN	20mmØ	20AT, 2P CB
3	6 - 120W LED TYPE WALL LIGHT	900			3.91	3-3.5mm <sup>2</sup> THHN	20mmØ	20AT, 2P CB
4	3 - 120W LED TYPE WALL LIGHT FOR BAGGAGE MAKE-UP	450	1.96			3-3.5mm <sup>2</sup> THHN	20mmØ	20AT, 2P CB
5	3 - 120W LED TYPE WALL LIGHT FOR BAGGAGE MAKE-UP	450		1.96		3-3.5mm <sup>2</sup> THHN	20mmØ	20AT, 2P CB
6	9 - 28W LED TYPE DOWN LIGHT	315			1.36	3-3.5mm <sup>2</sup> THHN	20mmØ	20AT, 2P CB
7	9 - 28W LED TYPE DOWN LIGHT	315	1.36			3-3.5mm <sup>2</sup> THHN	20mmØ	20AT, 2P CB
8	12 - 2 X 28W FLUORESCENT TYPE	840		3.65		3-3.5mm <sup>2</sup> THHN	20mmØ	20AT, 2P CB
9	12 - 2 X 28W FLUORESCENT TYPE FOR BHS-IN LINE	700			3.04	3-3.5mm <sup>2</sup> THHN	20mmØ	20AT, 2P CB
10	26 - 24W LED TYPE DOWN LIGHT FOR CHECK-IN	780	3.39			3-3.5mm <sup>2</sup> THHN	20mmØ	20AT, 2P CB
11	26 - 24W LED TYPE DOWN LIGHT FOR CHECK-IN	780		3.39		3-3.5mm <sup>2</sup> THHN	20mmØ	20AT, 2P CB
12	5 - 120W LED TYPE WALL LIGHT	750			3.26	3-3.5mm <sup>2</sup> THHN	20mmØ	20AT, 2P CB
13	4 - 120W LED TYPE WALL LIGHT	600	2.61			3-3.5mm <sup>2</sup> THHN	20mmØ	20AT, 2P CB
14	SPARE	500		2.17				20AT, 2P CB
15	SPARE	500			2.17			20AT, 2P CB
16	SPARE	500	2.17					20AT, 2P CB
			12.32	15.08	13.74			
It = 15.08 x 1.732 = 26.11 A								
MAIN PROTECTION: 50AT, 100AF, 3P, 230V, MCCB, 10KAIC								
FEEDER SIZE: 3-4mm <sup>2</sup> XLPE								

PANEL: LPN4 (BMS CONTROL)		VOLTAGE: 230V 3Ø 3W		SUPPLY: NORMAL				
TO: 230V LVSGNE-PTB								
CKT NO.	LOAD DESCRIPTION	VA	AMPERE LOAD			WIRE	CONDUIT	PROTECTION
			ØAB	ØBC	ØCA 3Ø LOAD			
1	5 - 50W LED TYPE DOWN LIGHT	315	1.37			3-3.5mm <sup>2</sup> THHN	20mmØ	20AT, 2P CB
2	12 - 50W LED TYPE DOWN LIGHT	756		3.28		3-3.5mm <sup>2</sup> THHN	20mmØ	20AT, 2P CB
3	12 - 50W LED TYPE DOWN LIGHT	756			3.28	3-3.5mm <sup>2</sup> THHN	20mmØ	20AT, 2P CB
4	12 - 50W LED TYPE DOWN LIGHT	756	3.28			3-3.5mm <sup>2</sup> THHN	20mmØ	20AT, 2P CB
5	12 - 50W LED TYPE DOWN LIGHT	756		3.28		3-3.5mm <sup>2</sup> THHN	20mmØ	20AT, 2P CB
6	12 - 50W LED TYPE DOWN LIGHT	756			3.28	3-3.5mm <sup>2</sup> THHN	20mmØ	20AT, 2P CB
7	5 - 50W LED TYPE DOWN LIGHT	315	1.37			3-3.5mm <sup>2</sup> THHN	20mmØ	20AT, 2P CB
8	7 - 50W LED TYPE DOWN LIGHT	441		1.92		3-3.5mm <sup>2</sup> THHN	20mmØ	20AT, 2P CB
9	5 - 120W LED TYPE WALL LIGHT	750			3.26	3-3.5mm <sup>2</sup> THHN	20mmØ	20AT, 2P CB
10	4 - 120W LED TYPE WALL LIGHT	600	2.61			3-3.5mm <sup>2</sup> THHN	20mmØ	20AT, 2P CB
11	4 - 120W LED TYPE WALL LIGHT	852		3.7		3-3.5mm <sup>2</sup> THHN	20mmØ	20AT, 2P CB
12	5 - 120W LED TYPE DOWN LIGHT	1065			4.63	3-3.5mm <sup>2</sup> THHN	20mmØ	20AT, 2P CB
13	5 - 120W LED TYPE DOWN LIGHT FOR BAGGAGE CLAIM (INTER)	1065	4.63			3-3.5mm <sup>2</sup> THHN	20mmØ	20AT, 2P CB
14	5 - 120W LED TYPE DOWN LIGHT FOR BAGGAGE CLAIM (DOME)	750		3.26		3-3.5mm <sup>2</sup> THHN	20mmØ	20AT, 2P CB
15	5 - 120W LED TYPE WALL LIGHT	1065			4.63	3-3.5mm <sup>2</sup> THHN	20mmØ	20AT, 2P CB
16	5 - 120W LED TYPE WALL LIGHT	750	3.26			3-3.5mm <sup>2</sup> THHN	20mmØ	20AT, 2P CB
17	7 - 50W LED TYPE WALL LIGHT	441		1.92		3-3.5mm <sup>2</sup> THHN	20mmØ	20AT, 2P CB
18	SPARE	500		2.17				20AT, 2P CB
19	SPARE	500	2.17					20AT, 2P CB
20	SPARE	500	2.17					20AT, 2P CB
			20.86	19.53	19.08			
It = 20.86 x 1.732 = 36.13 A								
MAIN PROTECTION: 50AT, 100AF, 3P, 230V, MCCB, 10KAIC								
FEEDER SIZE: 3-4mm <sup>2</sup> XLPE								

PANEL: LPN5		VOLTAGE: 230V 3Ø 3W		SUPPLY: NORMAL				
TO: 230V LVSGNE-PTB								
CKT NO.	LOAD DESCRIPTION	VA	AMPERE LOAD			WIRE	CONDUIT	PROTECTION
			ØAB	ØBC	ØCA 3Ø LOAD			
1	8 - 2 x 28W FLUORESCENT LIGHT FOR MECHANICAL ROOM	280	1.22			3-3.5mm <sup>2</sup> THHN	20mmØ	20AT, 2P CB
2	2-120W LED TYPE WALL LIGHT, 2-31W LED TYPE RECESSED LIGHT	410		1.78		3-3.5mm <sup>2</sup> THHN	20mmØ	20AT, 2P CB
3	3-8W LED TYPE DOWN LIGHT FOR LOST & FOUND	490			2.13	3-3.5mm <sup>2</sup> THHN	20mmØ	20AT, 2P CB
4	7 - 2 x 28W FLUORESCENT LIGHT FOR ELECTRICAL ROOM	490				3-3.5mm <sup>2</sup> THHN	20mmØ	20AT, 2P CB
5	5-31W LED TYPE RECESSED LIGHT, 4-8W LED TYPE, 4-24W LED TYPE DOWN LIGHT FOR CUSTOM & PANTRY	360	1.56			3-3.5mm <sup>2</sup> THHN	20mmØ	20AT, 2P CB
6	8-31W LED TYPE RECESSED LIGHT, 4-8W LED TYPE, 2-8W LED TYPE DOWN LIGHT	340		1.47		3-3.5mm <sup>2</sup> THHN	20mmØ	20AT, 2P CB
7	12 - 24W DOWN LIGHT	430			1.87	3-3.5mm <sup>2</sup> THHN	20mmØ	20AT, 2P CB
8	1 - 2 x 28W FLUORESCENT LIGHT FOR STORAGE	430				3-3.5mm <sup>2</sup> THHN	20mmØ	20AT, 2P CB
9	8 - 31W LED TYPE RECESSED LIGHT FOR OFFICE	320	1.4			3-3.5mm <sup>2</sup> THHN	20mmØ	20AT, 2P CB
10	8 - 31W LED TYPE RECESSED LIGHT FOR OFFICE	320		1.4		3-3.5mm <sup>2</sup> THHN	20mmØ	20AT, 2P CB
11	7 - 31W LED TYPE RECESSED LIGHT FOR FOBS, SECURITY OFFICE	350			1.52	3-3.5mm <sup>2</sup> THHN	20mmØ	20AT, 2P CB
12	1 - 2 x 28W FLUORESCENT LIGHT	350				3-3.5mm <sup>2</sup> THHN	20mmØ	20AT, 2P CB
13	6 - 31W LED TYPE RECESSED LIGHT FOR AIRLINE OFFICE	240	1.04			3-3.5mm <sup>2</sup> THHN	20mmØ	20AT, 2P CB
14	6 - 2 x 28W FLUORESCENT LIGHT FOR ELECTRICAL ROOM	240		1.04		3-3.5mm <sup>2</sup> THHN	20mmØ	20AT, 2P CB
15	2-31W LED TYPE RECESSED LIGHT, 4-24W LED TYPE DOWN LIGHT	300			1.3	3-3.5mm <sup>2</sup> THHN	20mmØ	20AT, 2P CB
16	10-8W LED TYPE DOWN LIGHT FOR OFFICE, PANTRY, TOILET	500	2.17					20AT, 2P CB
17	SPARE	500		2.17				20AT, 2P CB
18	SPARE	500	2.17					20AT, 2P CB
			7.39	7.86	6.82			
It = 7.86 x 1.732 = 13.61 A								
MAIN PROTECTION: 30AT, 100AF, 3P, 230V, MCCB, 10KAIC								
FEEDER SIZE: 3-4mm <sup>2</sup> XLPE								

PANEL: PCFNE (BMS CONTROL)		VOLTAGE: 230V 3Ø 3W		SUPPLY: NORMAL/EMERGENCY				
TO: 230V LVSGNE-PTB								
CKT NO.	LOAD DESCRIPTION	VA	AMPERE LOAD			WIRE	CONDUIT	PROTECTION
			ØAB	ØBC	ØCA 3Ø LOAD			
1	3 - 300W CEILING FAN	1125	4.89			3-3.5mm <sup>2</sup> THHN	20mmØ	20AT, 2P CB
2	4 - 300W CEILING FAN	1500		6.52		3-3.5mm <sup>2</sup> THHN	20mmØ	20AT, 2P CB
3	3 - 300W CEILING FAN	1125			4.89	3-3.5mm <sup>2</sup> THHN	20mmØ	20AT, 2P CB
4	4 - 300W CEILING FAN	1500	6.52			3-3.5mm <sup>2</sup> THHN	20mmØ	20AT, 2P CB
5	6 - 300W CEILING FAN	2250		9.78		3-5.5mm <sup>2</sup> THHN	20mmØ	20AT, 2P CB
6	6 - 300W CEILING FAN	2250			9.78	3-5.5mm <sup>2</sup> THHN	20mmØ	20AT, 2P CB
7	SPARE							
8	SPARE							
			11.41	16.3	14.67			
It = 16.3 x 1.732 = 28.23 A								
MAIN PROTECTION: 50AT, 100AF, 3P, 230V, MCCB, 10KAIC								
FEEDER SIZE: 3-4mm <sup>2</sup> XLPE								

PASSENGER TERMINAL BUILDING (PTB)  
**4** PANEL SCHEDULE 4  
 B3-6200-09 NOT TO SCALE

 Republic of the Philippines DEPARTMENT OF TRANSPORTATION AND COMMUNICATIONS	 JAPAN INTERNATIONAL COOPERATION AGENCY	PREPARED BY: <b>TEODORO N. PAMATMAT</b> <small>PROF. ELECTRICAL ENGINEER PIR. 1403773</small> <small>REG. NO.: 1927 DATE: 1-04-13</small> <small>TIN: 119-747-900 PLACE: MANILA</small>	RECOMMENDING APPROVAL: <b>ILDEFONSO T. PATDU, JR.</b> <small>Assistant Secretary</small> for Project Implementation, DOTC	APPROVED: <b>JULIANITO G. BUCAYAN, JR.</b> <small>Undersecretary</small> for Project Implementation, DOTC	PROJECT TITLE: <b>NEW BOHOL AIRPORT CONSTRUCTION AND        SUSTAINABLE ENVIRONMENT PROTECTION PROJECT</b> LOCATION: MUNICIPALITY OF PANGLAO, PROVINCE OF BOHOL, PHILIPPINES	SHEET CONTENTS: COMPONENT-4 BUILDING WORKS (B) SUBCOMPONENT-4-1 (B1) Passenger Terminal Building ELECTRICAL PANEL SCHEDULE 4	SHEET NO: <b>B1-6200-06</b> DRAWING SCALE: AS SHOWN
JICA DESIGN CONSULTANT JOINT VENTURE  JAPAN AIRPORT CONSULTANTS, INC.  NIPPON KOEI CO., LTD.  NIS CONSULTANTS CO., LTD.							

PANEL: <b>PNC1 (CONCESSION)</b>		VOLTAGE: 230V 3Ø 3W		SUPPLY: NORMAL				
TO: 230V LVSGNE-PTB								
CKT NO.	LOAD DESCRIPTION	VA	AMPERE LOAD			WIRE	CONDUIT	PROTECTION
			ØAB	ØBC	ØCA 3Ø LOAD			
1	CONCESSION 167	3450	15			3-5.5mm <sup>2</sup> THHN	20mmØ	30AT, 2P CB
2	CONCESSION 166	3450		15		3-5.5mm <sup>2</sup> THHN	20mmØ	30AT, 2P CB
3	CONCESSION 170	3450			15	3-5.5mm <sup>2</sup> THHN	20mmØ	30AT, 2P CB
4	CONCESSION 171	3450	15			3-5.5mm <sup>2</sup> THHN	20mmØ	30AT, 2P CB
5	CONCESSION 164	3450		15		3-5.5mm <sup>2</sup> THHN	20mmØ	30AT, 2P CB
6	CONCESSION 177	3450			15	3-5.5mm <sup>2</sup> THHN	20mmØ	30AT, 2P CB
7	CONCESSION 180	3450	15			3-5.5mm <sup>2</sup> THHN	20mmØ	30AT, 2P CB
8	SPARE	3450		15				30AT, 2P CB
9	SPARE	3450			15			30AT, 2P CB
			45	45	45			

It = 45 x 1.732 = 77.94 A

MAIN PROTECTION: 100AT, 100AF, 3P, 230V, MCCB, 10KAIC

FEEDER SIZE: 3-16mm<sup>2</sup> XLPE

NOTE: ALL CIRCUIT WITH KWH METER

PANEL: <b>PNC2 (CONCESSION)</b>		VOLTAGE: 230V 3Ø 3W		SUPPLY: NORMAL				
TO: 230V LVSGNE-PTB								
CKT NO.	LOAD DESCRIPTION	VA	AMPERE LOAD			WIRE	CONDUIT	PROTECTION
			ØAB	ØBC	ØCA 3Ø LOAD			
1	CONCESSION 163	3450	15			3-5.5mm <sup>2</sup> THHN	20mmØ	30AT, 2P CB
2	CONCESSION 159	3450		15		3-5.5mm <sup>2</sup> THHN	20mmØ	30AT, 2P CB
3	CONCESSION 152	3450			15	3-5.5mm <sup>2</sup> THHN	20mmØ	30AT, 2P CB
4	CONCESSION 118 (DUTY FREE)	3450	15			3-5.5mm <sup>2</sup> THHN	20mmØ	30AT, 2P CB
5	CONCESSION 161	3450		15		3-5.5mm <sup>2</sup> THHN	20mmØ	30AT, 2P CB
6	CONCESSION 111 (DUTY FREE)	3450			15	3-5.5mm <sup>2</sup> THHN	20mmØ	30AT, 2P CB
7	CONCESSION 103	3450	15			3-5.5mm <sup>2</sup> THHN	20mmØ	30AT, 2P CB
8	SPARE	3450		15				30AT, 2P CB
9	SPARE	3450			15			30AT, 2P CB
			45	45	45			

It = 45 x 1.732 = 77.94 A

MAIN PROTECTION: 100AT, 100AF, 3P, 230V, MCCB, 10KAIC

FEEDER SIZE: 3-95mm<sup>2</sup> XLPE

NOTE: ALL CIRCUIT WITH KWH METER

PANEL: <b>PVN</b>		VOLTAGE: 230V 3Ø 3W		SUPPLY: NORMAL				
TO: 230V LVSGNE-PTB								
CKT NO.	LOAD DESCRIPTION	VA	AMPERE LOAD			WIRE	CONDUIT	PROTECTION
			ØAB	ØBC	ØCA 3Ø LOAD			
1	EF-3, SF-3	900			2.26	4-3.5mm <sup>2</sup> THHN	20mmØ	20AT, 2P CB
2	EF-5, EF-13, EF-6, EF-11	1200			3.01	4-3.5mm <sup>2</sup> THHN	20mmØ	20AT, 2P CB
3	SF-2	1600			4.01	4-3.5mm <sup>2</sup> THHN	20mmØ	20AT, 2P CB
4	EF-2	1600			4.01	4-3.5mm <sup>2</sup> THHN	20mmØ	20AT, 2P CB
5	EF-14, EF-16	430			1.08	4-3.5mm <sup>2</sup> THHN	20mmØ	20AT, 2P CB
6	EF-8, EF-9	1050			2.64	4-3.5mm <sup>2</sup> THHN	20mmØ	20AT, 2P CB
7	EF-10, EF-1, SF-1, EF-12	900			2.26	4-3.5mm <sup>2</sup> THHN	20mmØ	20AT, 2P CB
8	EF-4	2400			6.02	4-3.5mm <sup>2</sup> THHN	20mmØ	20AT, 2P CB
9	EF-7, EF-15	195	0.85			4-3.5mm <sup>2</sup> THHN	20mmØ	20AT, 2P CB
10	SPARE			5.0				
11	SPARE				5.0			
12	SPARE		5.0					
			5.85	5.0	5.0	25.29		

It = 5.85 x 1.732 + 25.29 + 25% (6.02)  
= 10.13 + 25.29 + 1.5 = 36.92 A

MAIN PROTECTION: 50AT, 100AF, 3P, 230V, MCCB, 10KAIC

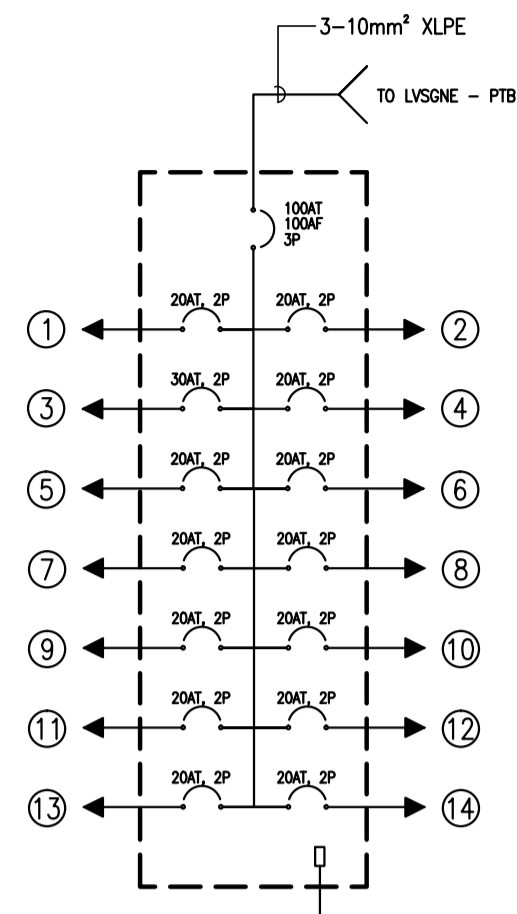
FEEDER SIZE: 3-50mm<sup>2</sup> XLPE

PASSENGER TERMINAL BUILDING (PTB)

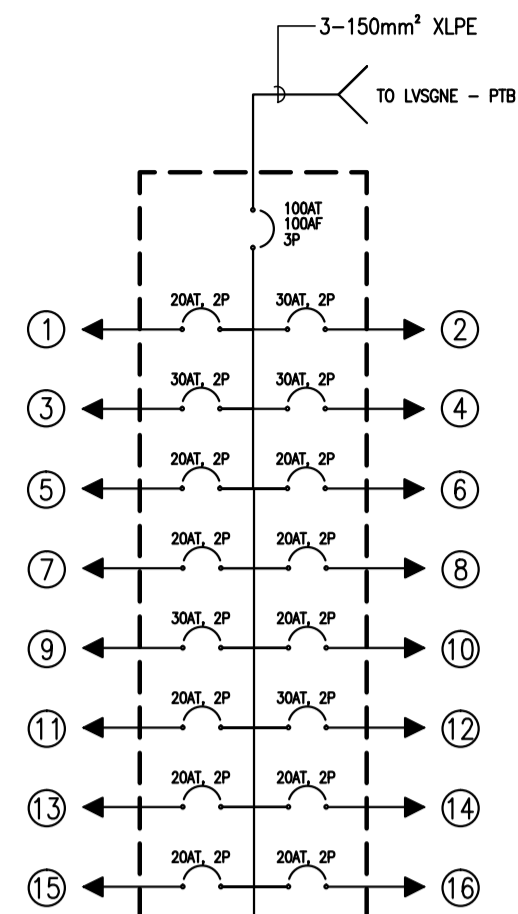
**6** PANEL SCHEDULE 6

B3-6200-09 NOT TO SCALE

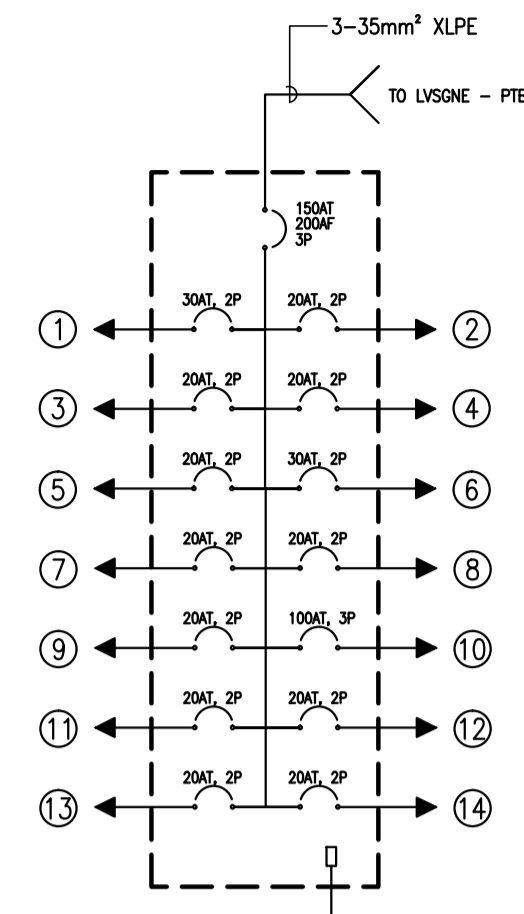
	PREPARED BY: <b>TEODORO N. PAMATMAT</b> <small>PROF. ELECTRICAL ENGINEER PIR. 1403773</small> <small>REG. NO.: 1927 DATE: 1-04-13</small> <small>T.J.N. 119-747-900 PLACE: MANILA</small>	RECOMMENDING APPROVAL: <b>ILDEFONSO T. PATDU, JR.</b> <small>Assistant Secretary for Project Implementation, DOTC</small>	APPROVED: <b>JULIANITO G. BUCAYAN, JR.</b> <small>Undersecretary for Project Implementation, DOTC</small>	PROJECT TITLE: <b>NEW BOHOL AIRPORT CONSTRUCTION AND SUSTAINABLE ENVIRONMENT PROTECTION PROJECT</b> LOCATION: MUNICIPALITY OF PANGLAO, PROVINCE OF BOHOL, PHILIPPINES	SHEET CONTENTS: COMPONENT-4 BUILDING WORKS (B) SUBCOMPONENT-4-1 (B1) Passenger Terminal Building ELECTRICAL PANEL SCHEDULES	SHEET NO: <b>B1-6200-07</b> DRAWING SCALE: AS SHOWN
	JICA DESIGN CONSULTANT JOINT VENTURE JAPAN AIRPORT CONSULTANTS, INC.	NIPPOON KOEI CO., LTD.	NIS CONSULTANTS CO., LTD.	TADASHI AOI Team Leader	DATE: JUNE 2013 INDEX: AMENDMENTS: Prepared by: WIM Checked by: HC Validated by:	



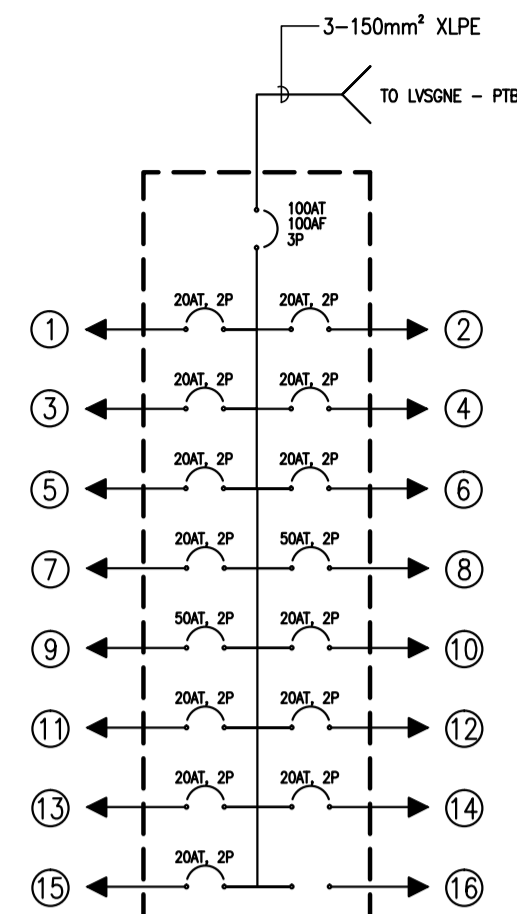
PN1 SINGLE LINE DIAGRAM



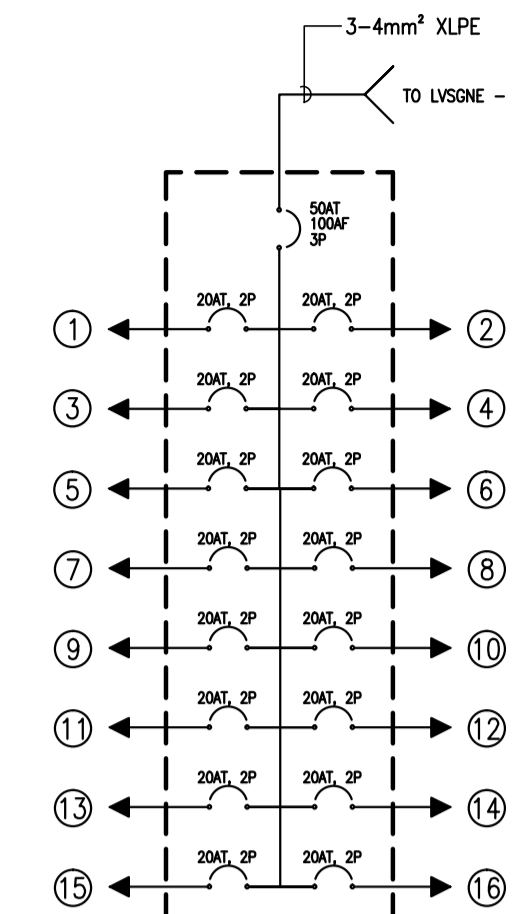
PN2 SINGLE LINE DIAGRAM



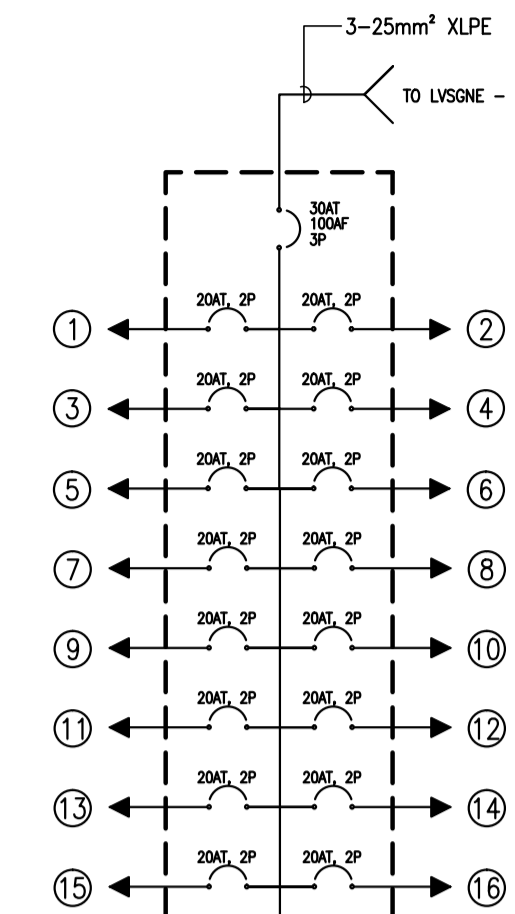
PNE1 SINGLE LINE DIAGRAM



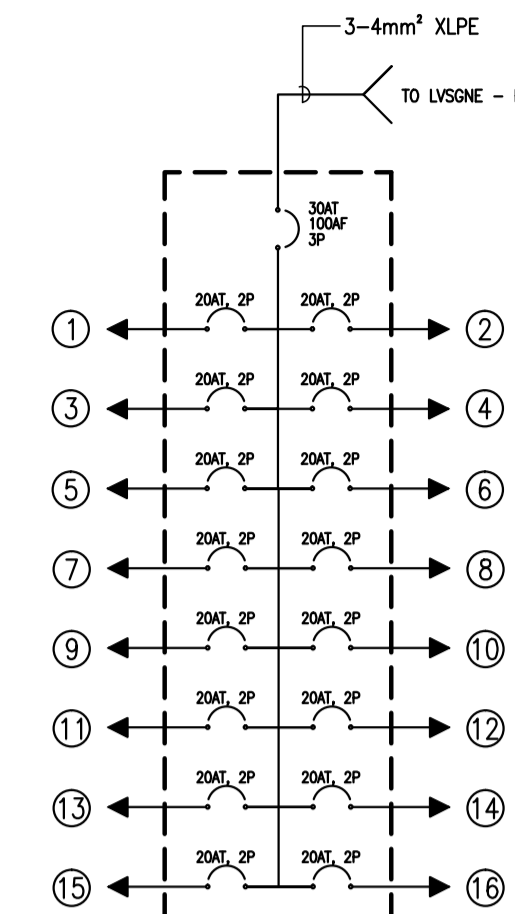
PNE2 SINGLE LINE DIAGRAM



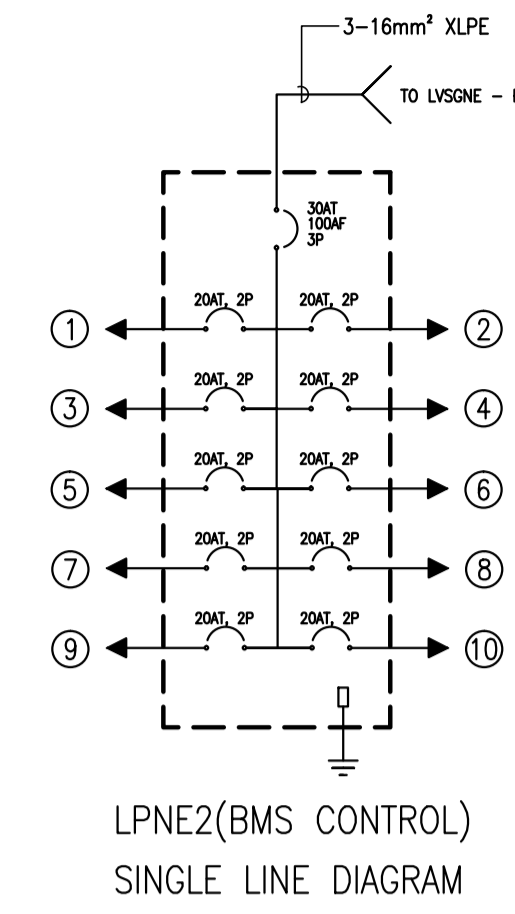
LPN1(BMS CONTROL)  
SINGLE LINE DIAGRAM



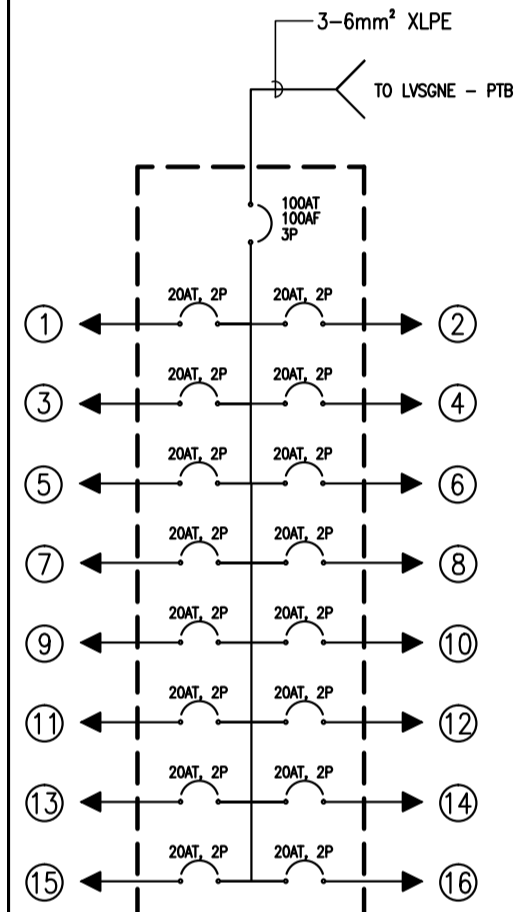
LPNE1(BMS CONTROL)  
SINGLE LINE DIAGRAM



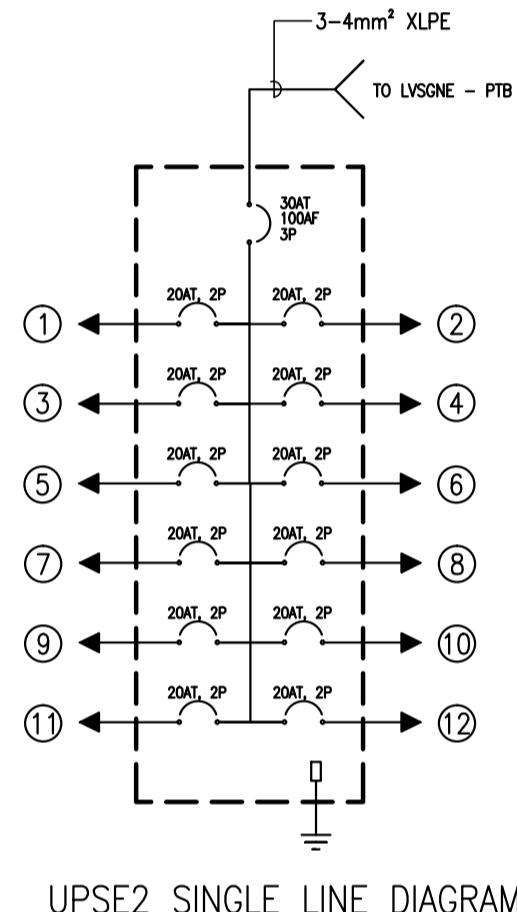
LPN2(BMS CONTROL)  
SINGLE LINE DIAGRAM



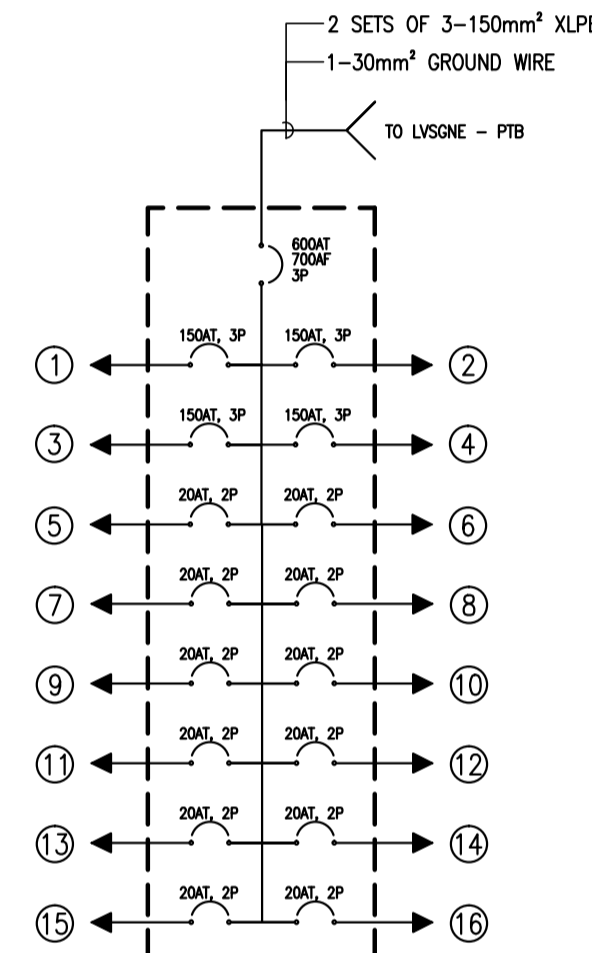
LPNE2(BMS CONTROL)  
SINGLE LINE DIAGRAM



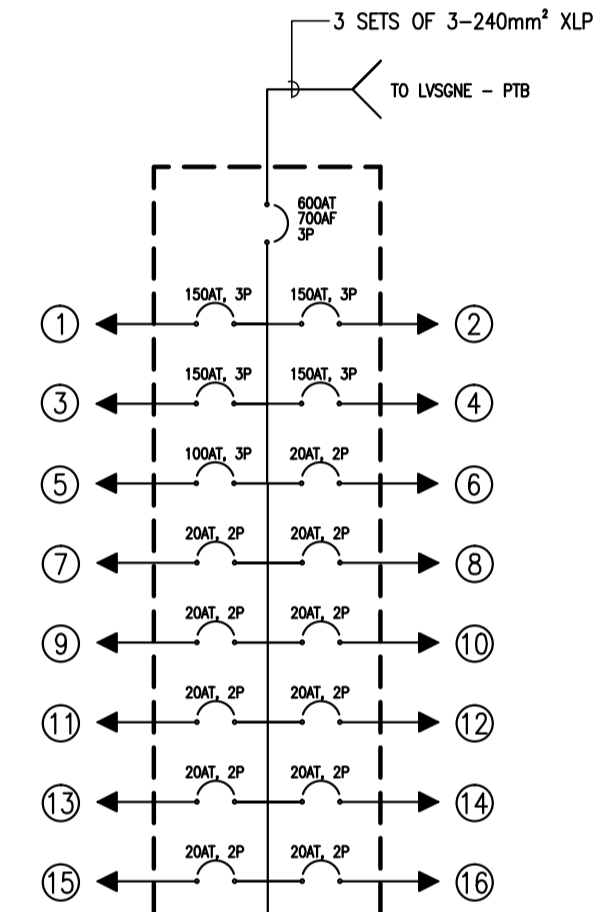
UPSE1 SINGLE LINE DIAGRAM



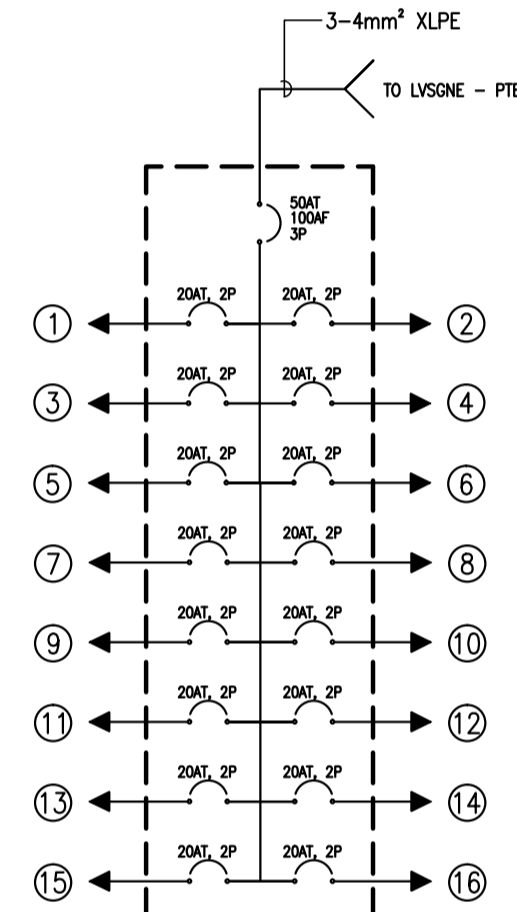
UPSE2 SINGLE LINE DIAGRAM



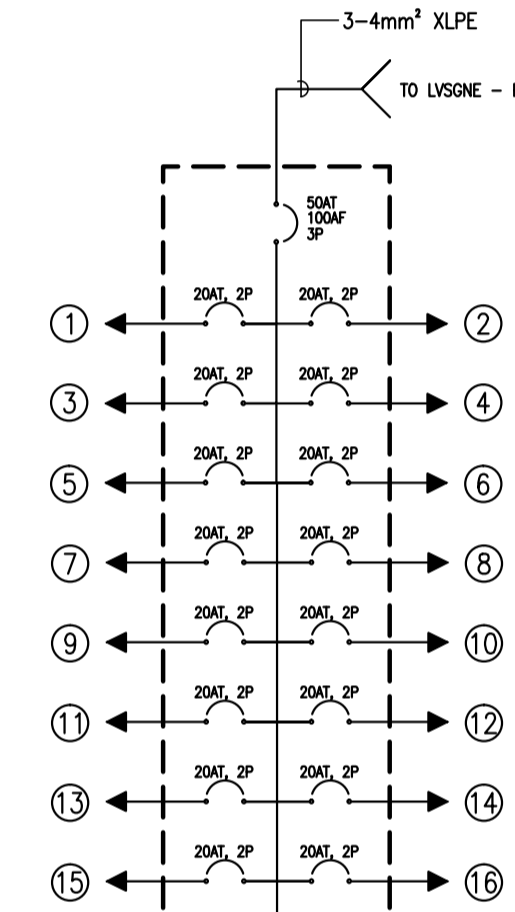
PACN SINGLE LINE DIAGRAM



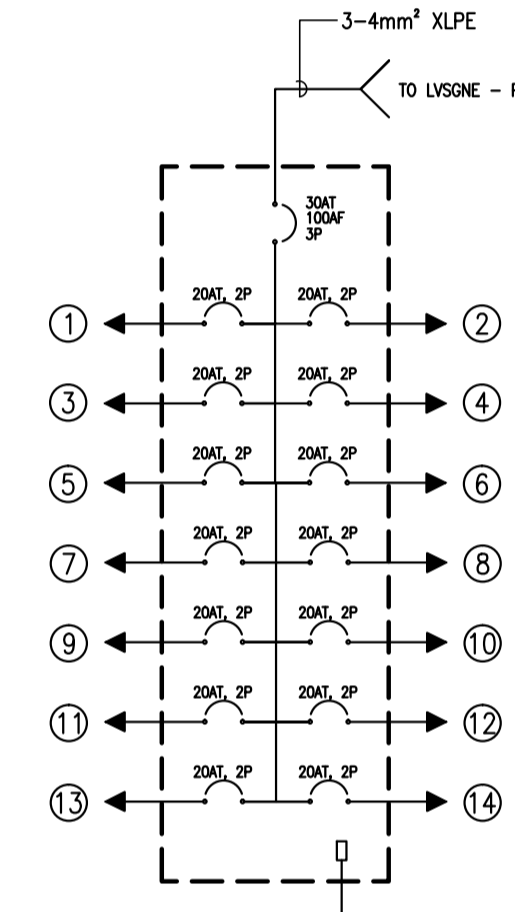
PACNE SINGLE LINE DIAGRAM



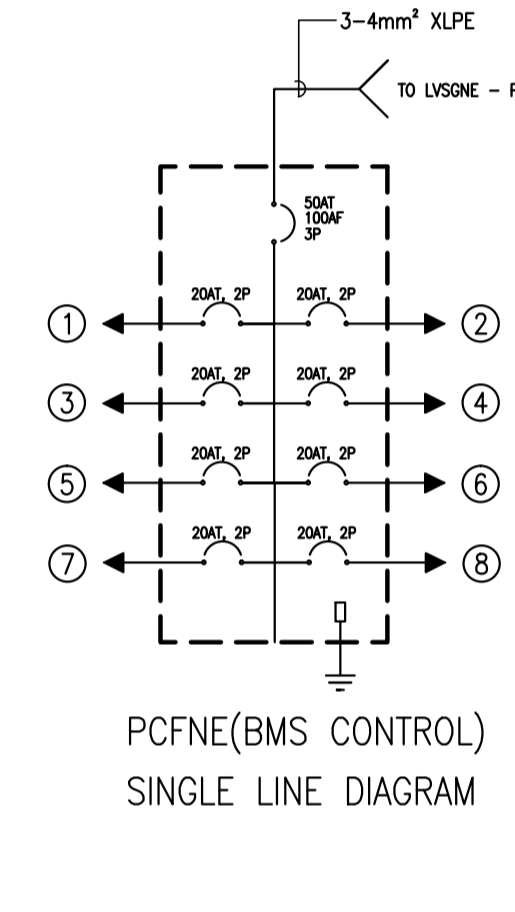
LPN3(BMS CONTROL)  
SINGLE LINE DIAGRAM



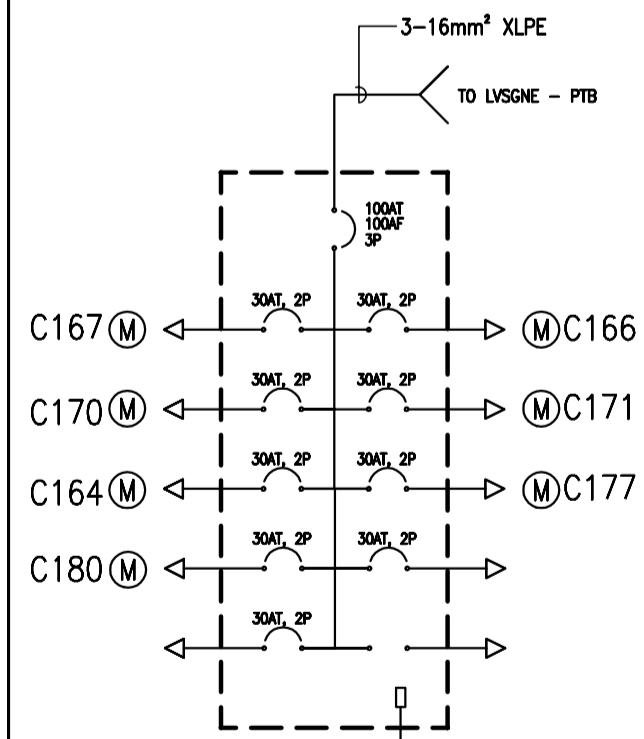
LPN4(BMS CONTROL)  
SINGLE LINE DIAGRAM



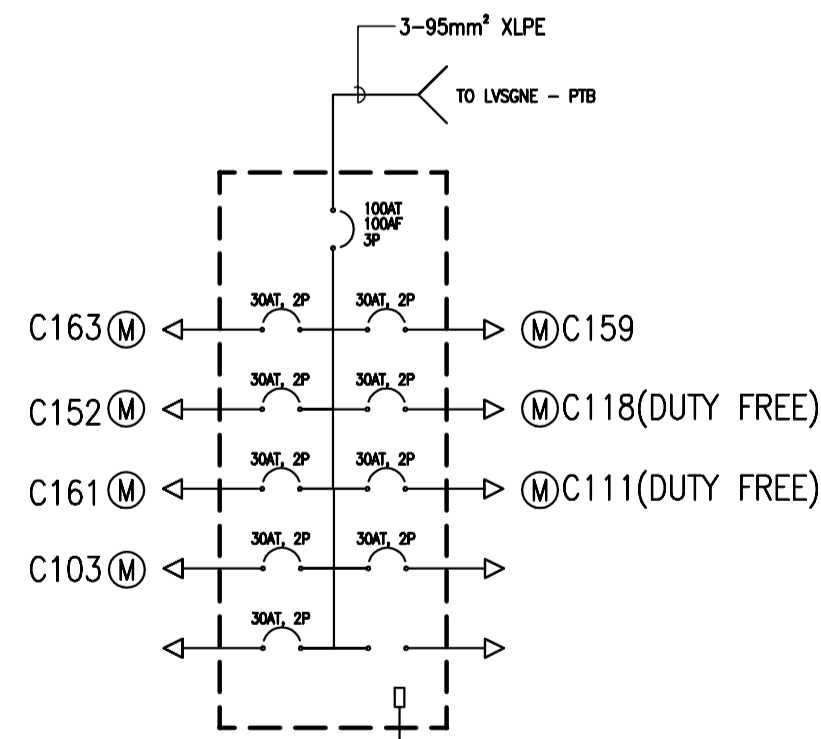
LPN5 SINGLE LINE DIAGRAM



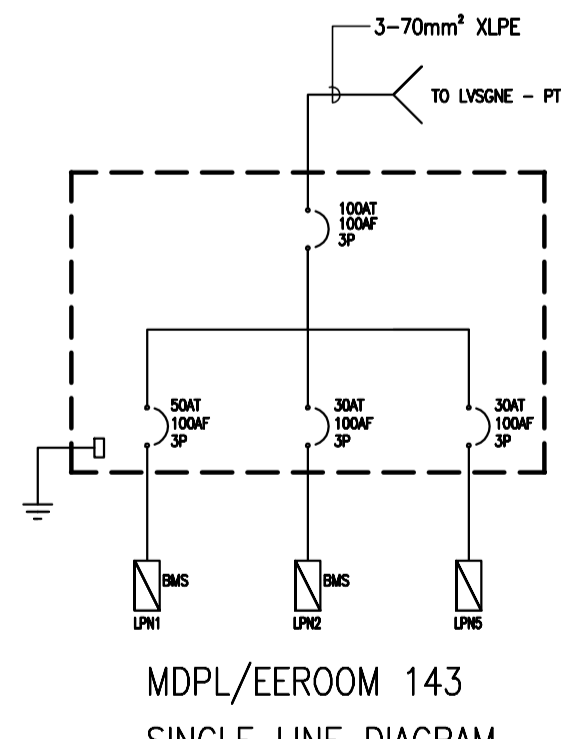
PCFNE(BMS CONTROL)  
SINGLE LINE DIAGRAM



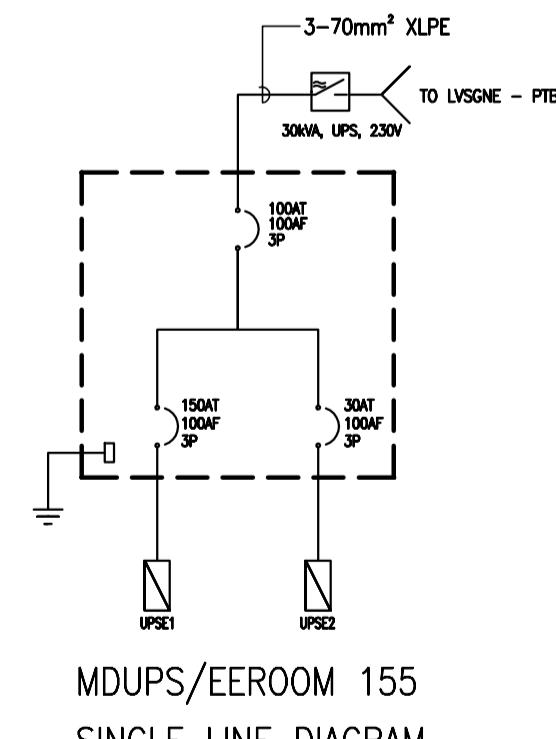
PNC1/EEROOM 168  
SINGLE LINE DIAGRAM



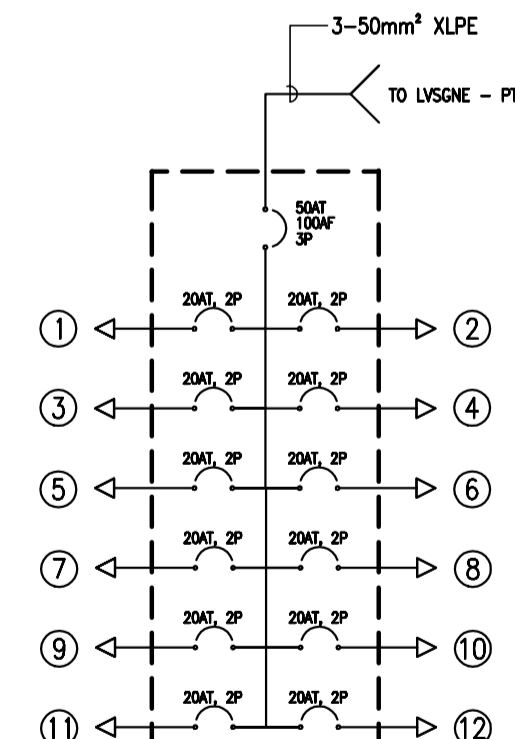
PNC2/EEROOM 143  
SINGLE LINE DIAGRAM



MDPL/EEROOM 143  
SINGLE LINE DIAGRAM



MDUPS/EEROOM 155  
SINGLE LINE DIAGRAM



PVN SINGLE LINE DIAGRAM



PREPARED BY:  
**TEODORO N. PAMATMAT**  
PROF. ELECTRICAL ENGINEER PTR. 1403773  
REG. NO.: 1927 DATE: 1-04-13  
PLAN: 119-747-900 PLACE: MANILA

RECOMMENDING APPROVAL:  
**ILDEFONSO T. PATDU, JR.**  
Assistant Secretary  
for Project Implementation, DOTC

APPROVED:  
**JULIANITO G. BUCAYAN, JR.**  
Undersecretary  
for Project Implementation, DOTC

PROJECT TITLE:  
**NEW BOHOL AIRPORT CONSTRUCTION AND  
SUSTAINABLE ENVIRONMENT PROTECTION PROJECT**

LOCATION: MUNICIPALITY OF PANGLAO, PROVINCE OF BOHOL, PHILIPPINES

DATE	INDEX	AMENDMENTS	Prepared by	Checked by	Validated by
JUNE 2013				WIM	HC

SHEET CONTENTS:  
COMPONENT-4  
BUILDING WORKS (B)  
SUBCOMPONENT-4-1  
(B1) Passenger Terminal Building  
ELECTRICAL  
POWER SINGLE LINE

SHEET NO:  
**B1-6200-08**

DRAWING SCALE:  
**AS SHOWN**



**TADASHI AOI**  
Team Leader

**JULIANITO G. BUCAYAN, JR.**  
Undersecretary  
for Project Implementation, DOTC

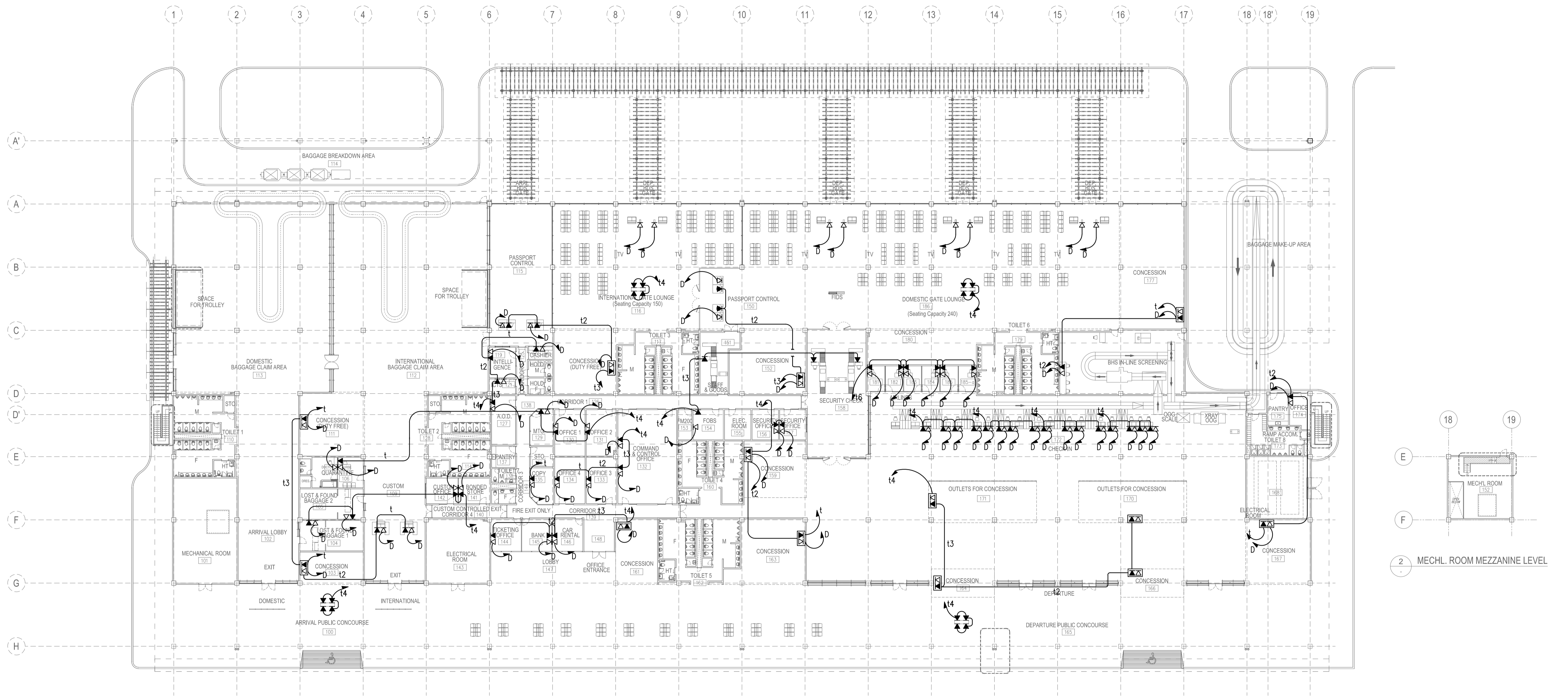
DATE: JUNE 2013

DATE	INDEX	AMENDMENTS	Prepared by	Checked by	Validated by
JUNE 2013				WIM	HC

SHEET CONTENTS:  
COMPONENT-4  
BUILDING WORKS (B)  
SUBCOMPONENT-4-1  
(B1) Passenger Terminal Building  
ELECTRICAL  
POWER SINGLE LINE

SHEET NO:  
**B1-6200-08**

DRAWING SCALE:  
**AS SHOWN**



LEGEND	
- TEL	
- LAN/DATA	
- Telephone/Voice	
- Data	
Concession	
- TEL / cable only	
- DATA / cable only	

Republic of the Philippines  
 DEPARTMENT OF TRANSPORTATION  
 AND  
 COMMUNICATIONS

JAPAN  
 INTERNATIONAL  
 COOPERATION  
 AGENCY

JICA DESIGN CONSULTANT JOINT VENTURE

JAC JAPAN AIRPORT CONSULTANTS, INC.  
 NIPPON KOEI CO., LTD.  
 NIS CONSULTANTS CO., LTD.

PREPARED BY:  
**TEODORO N. PAMATMAT**  
 PROF. PROF. ELECTRICAL ENGINEER PIR. 1403773  
 REG. NO.: 1927 DATE: 1-04-13  
 TEL. 119-747-900 PLACE: MANILA

**TADASHI AOI**  
 Team Leader

RECOMMENDING APPROVAL:  
**ILDEFONSO T. PATDU, JR.**  
 Assistant Secretary  
 for Project Implementation, DOTC

APPROVED:  
**JULIANITO G. BUCAYAN, JR.**  
 Undersecretary  
 for Project Implementation, DOTC

PROJECT TITLE:  
**NEW BOHOL AIRPORT CONSTRUCTION AND SUSTAINABLE ENVIRONMENT PROTECTION PROJECT**

LOCATION: MUNICIPALITY OF PANGLAO, PROVINCE OF BOHOL, PHILIPPINES

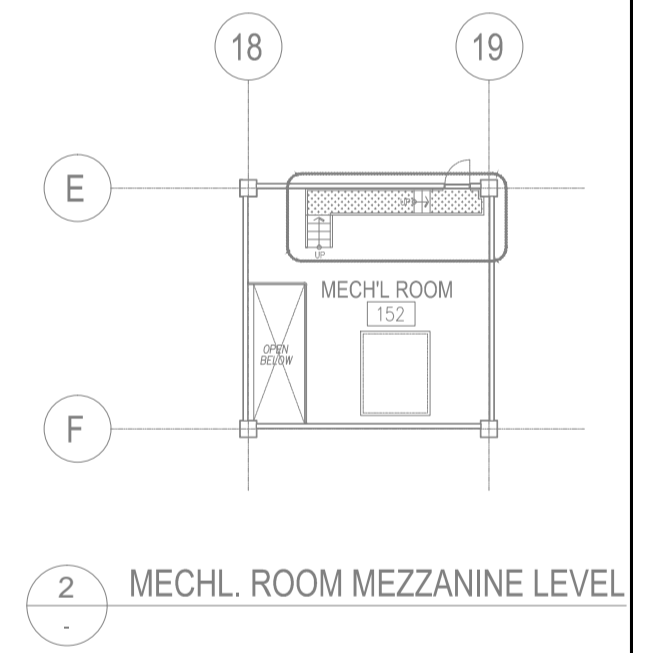
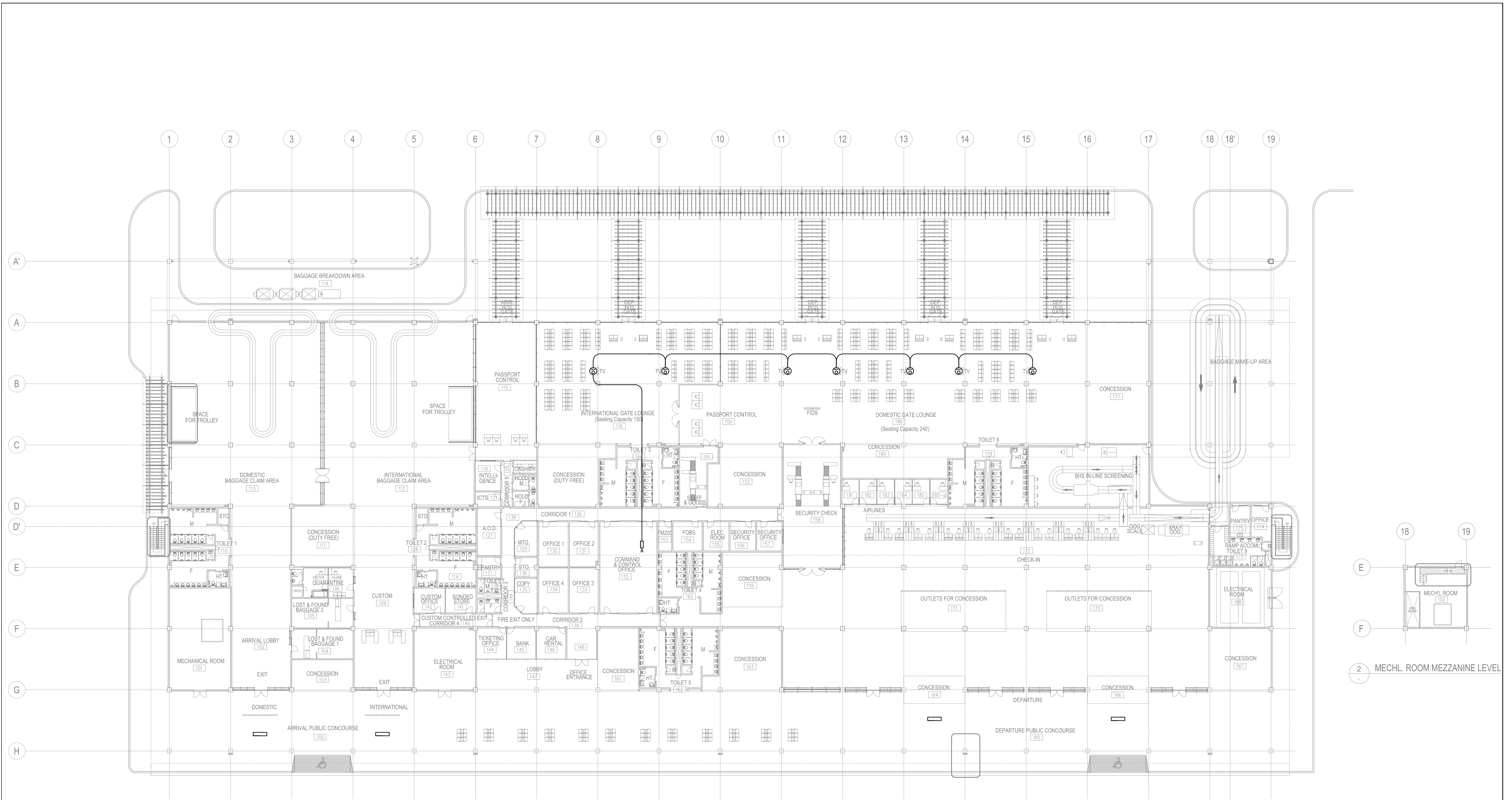
DATE	INDEX	AMENDMENTS	Prepared by	Checked by	Validated by
JUNE 2013			WIM	HC	

SHEET CONTENTS:  
 COMPONENT-4  
 BUILDING WORKS (B)  
 SUBCOMPONENT-4-1  
 (B1) Passenger Terminal Building  
 ELECTRICAL  
 TELEPHONE AND DATA LAYOUT

SHEET NO:  
**B1-6300-01**

DRAWING SCALE:  
**AS SHOWN**

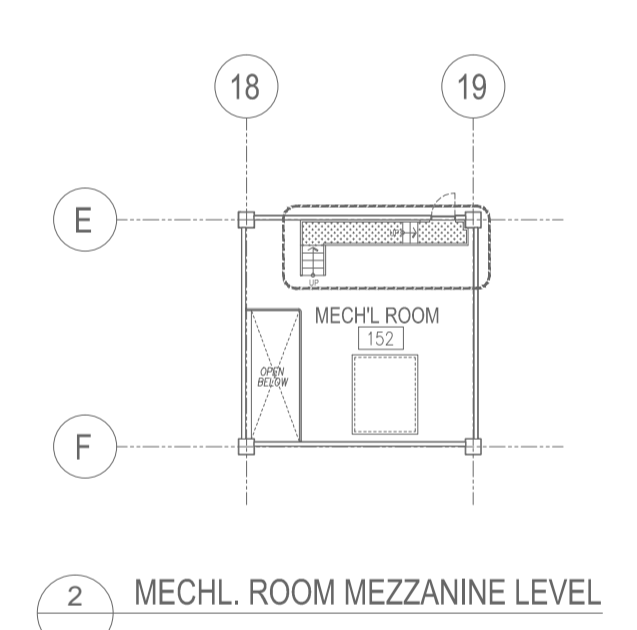
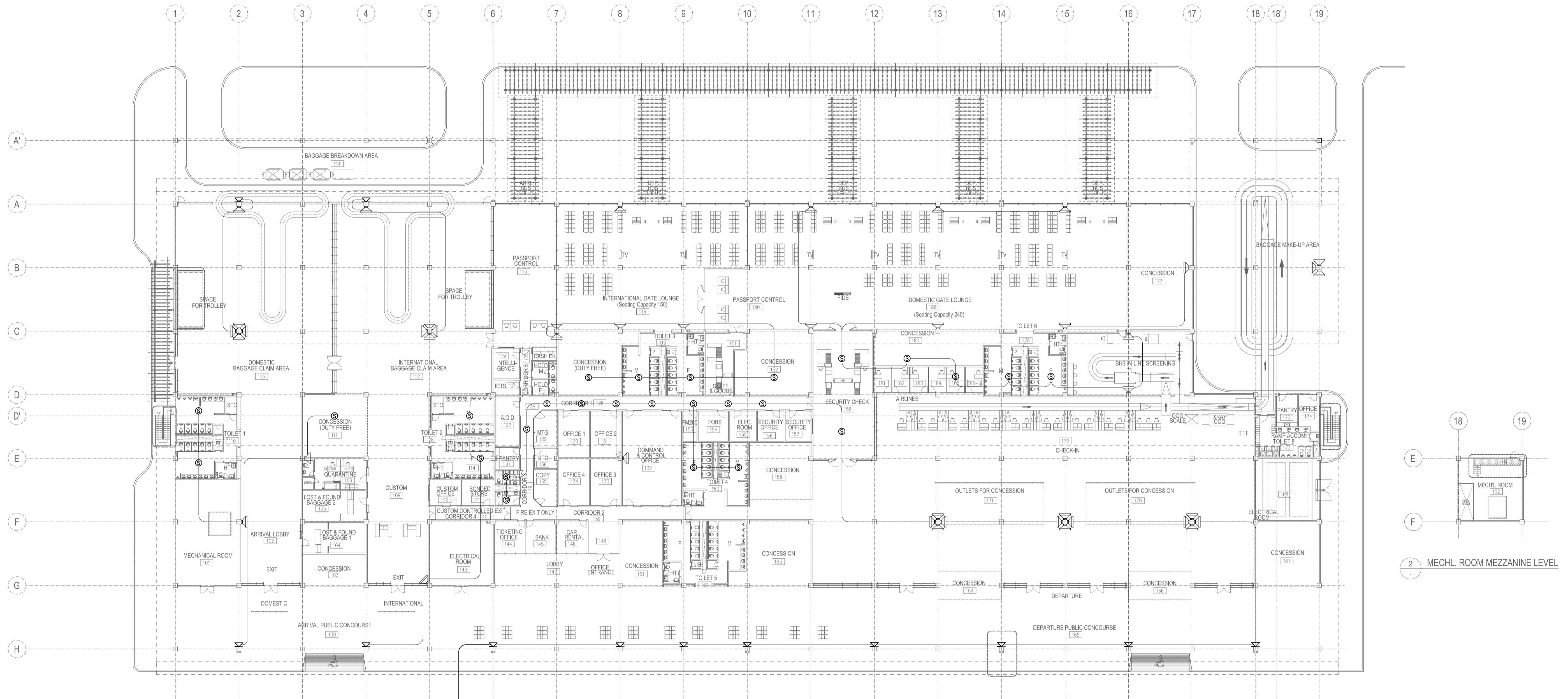




LEGEND:  
 Ⓟ - TV SIGNAL OUTLET

1 CABLE TV SYSTEM LAYOUT

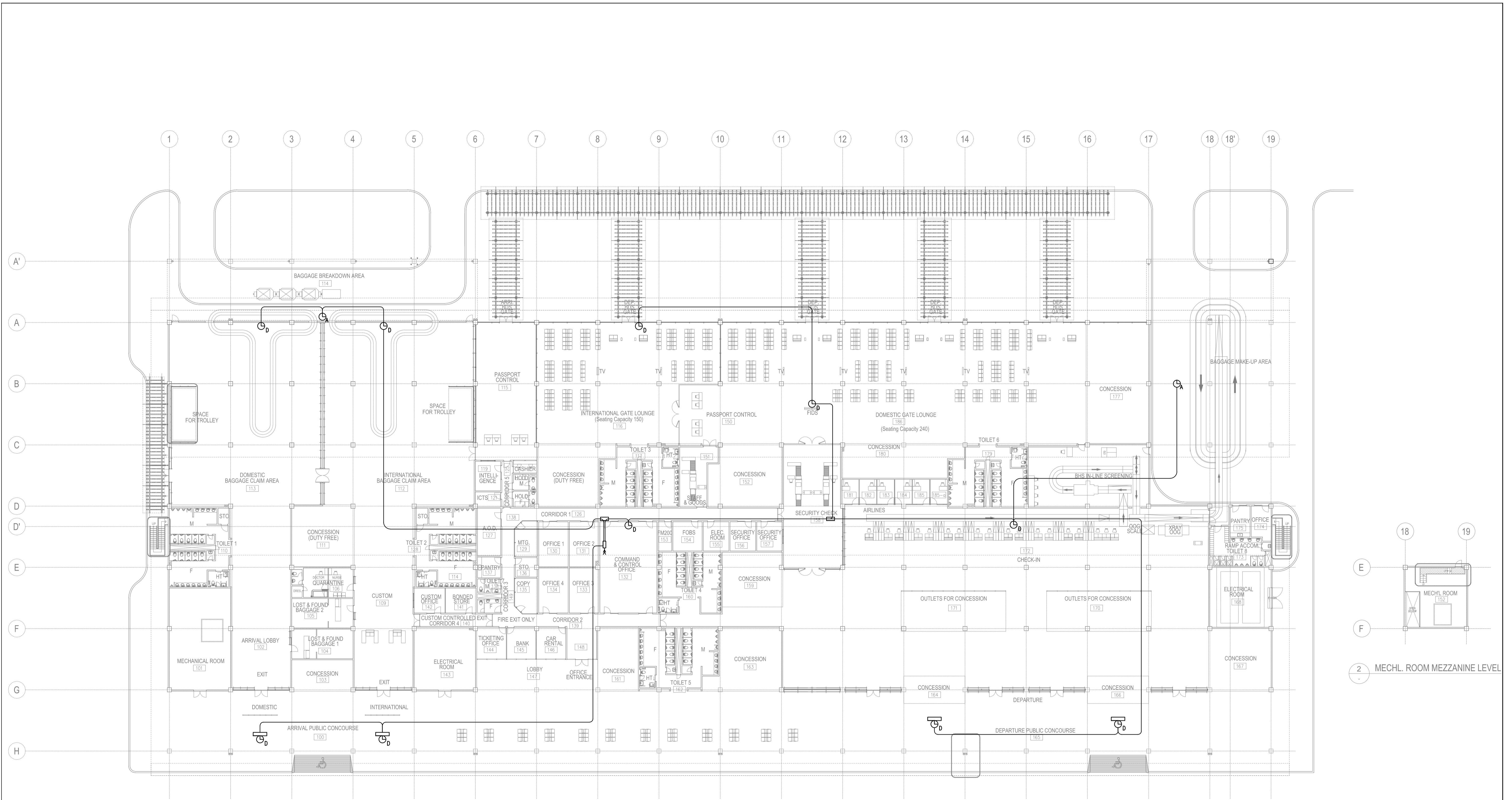
	PREPARED BY: <b>TEODORO N. PAMATMAT</b> <small>PROF. PROF. ELECTRICAL ENGINEER PIR 1403773          RES. NO.: 1927 DATE: 1-04-13          TEL. 119-747-900 PLACE: MANILA</small>	RECOMMENDING APPROVAL: <b>ILDEFONSO T. PATDU, JR.</b> <small>Assistant Secretary          for Project Implementation, DOTC</small>	APPROVED: <b>JULIANITO G. BUCAYAN, JR.</b> <small>Undersecretary          for Project Implementation, DOTC</small>	PROJECT TITLE: <b>NEW BOHOL AIRPORT CONSTRUCTION AND SUSTAINABLE ENVIRONMENT PROTECTION PROJECT</b>	LOCATION: MUNICIPALITY OF PANGLAO, PROVINCE OF BOHOL, PHILIPPINES	SHEET CONTENTS: COMPONENT-4 BUILDING WORKS (B) SUBCOMPONENT-4-1 (B1) Passenger Terminal Building ELECTRICAL CATV SYSTEM LAYOUT	SHEET NO: <b>B1-6400-01</b>
	JICA DESIGN CONSULTANT JOINT VENTURE <b>TADASHI AOI</b> <small>Team Leader</small>	<b>JULIANITO G. BUCAYAN, JR.</b> <small>Undersecretary          for Project Implementation, DOTC</small>	DATE: JUNE 2013 INDEX: _____ AMENDMENTS: _____ Prepared by: _____ Checked by: _____ Validated by: _____	DRAWING SCALE: <b>AS SHOWN</b>			



SEE DWG NO. \_\_\_\_\_ FOR DETAILS

LEGEND:  
 ○ - CEILING SPEAKER  
 ▽ - LINE ARRAY SPEAKER  
 K - LINE PROJECTION SPEAKER  
 K - HORN SPEAKER

	PREPARED BY: <b>TEODORO N. PAMATMAT</b> <small>PROF. PROF. ELECTRICAL ENGINEER PIR. 1403773</small> <small>REG. NO.: 1927 DATE: 1-04-13</small> <small>T.M. 119-747-900 PLACE: MANILA</small>	RECOMMENDING APPROVAL: <b>ILDEFONSO T. PATDU, JR.</b> <small>Assistant Secretary for Project Implementation, DOTC</small>	APPROVED: <b>JULIANITO G. BUCAYAN, JR.</b> <small>Undersecretary for Project Implementation, DOTC</small>	PROJECT TITLE: <b>NEW BOHOL AIRPORT CONSTRUCTION AND SUSTAINABLE ENVIRONMENT PROTECTION PROJECT</b>	LOCATION: MUNICIPALITY OF PANGLAO, PROVINCE OF BOHOL, PHILIPPINES	SHEET CONTENTS: COMPONENT-4 BUILDING WORKS (B) SUBCOMPONENT-4-1 (B1) Passenger Terminal Building ELECTRICAL PUBLIC ADDRESS LAYOUT	SHEET NO: <b>B1-6500-01</b>	
	JICA DESIGN CONSULTANT JOINT VENTURE	TADASHI AOI <small>Team Leader</small>	ILDEFONSO T. PATDU, JR. <small>Assistant Secretary for Project Implementation, DOTC</small>	JULIANITO G. BUCAYAN, JR. <small>Undersecretary for Project Implementation, DOTC</small>	DATE: JUNE 2013	INDEX:	AMENDMENTS:	Prepared by: WIM Checked by: HC Validated by:



1 CLOCK SYSTEM LAYOUT

LEGEND:  
 ⊕<sub>D</sub> - DIGITAL CLOCK  
 ⊕<sub>A</sub> - ANALOG CLOCK

	PREPARED BY: <b>TEODORO N. PAMATMAT</b> <small>PROF. PROF. ELECTRICAL ENGINEER PTR. 1403773          REG. NO.: 1927 DATE: 1-04-13          TEL. 119-747-900 PLACE: MANILA</small>	RECOMMENDING APPROVAL: <b>ILDEFONSO T. PATDU, JR.</b> <small>Assistant Secretary          for Project Implementation, DOTC</small>	APPROVED: <b>JULIANITO G. BUCAYAN, JR.</b> <small>Undersecretary          for Project Implementation, DOTC</small>	PROJECT TITLE: <b>NEW BOHOL AIRPORT CONSTRUCTION AND SUSTAINABLE ENVIRONMENT PROTECTION PROJECT</b>	LOCATION: MUNICIPALITY OF PANGLAO, PROVINCE OF BOHOL, PHILIPPINES	SHEET CONTENTS: COMPONENT-4 BUILDING WORKS (B) SUBCOMPONENT-4-1 (B1) Passenger Terminal Building ELECTRICAL CLOCK SYSTEM LAYOUT	SHEET NO: <b>B1-6600-01</b>
	JICA DESIGN CONSULTANT JOINT VENTURE <b>JAC</b> JAPAN AIRPORT CONSULTANTS, INC.	TADASHI AOI <small>Team Leader</small>	ILDEFONSO T. PATDU, JR. <small>Assistant Secretary          for Project Implementation, DOTC</small>	JULIANITO G. BUCAYAN, JR. <small>Undersecretary          for Project Implementation, DOTC</small>	DATE: JUNE 2013 INDEX:	AMENDMENTS:	Prepared by: WIM Checked by: IC Validated by: