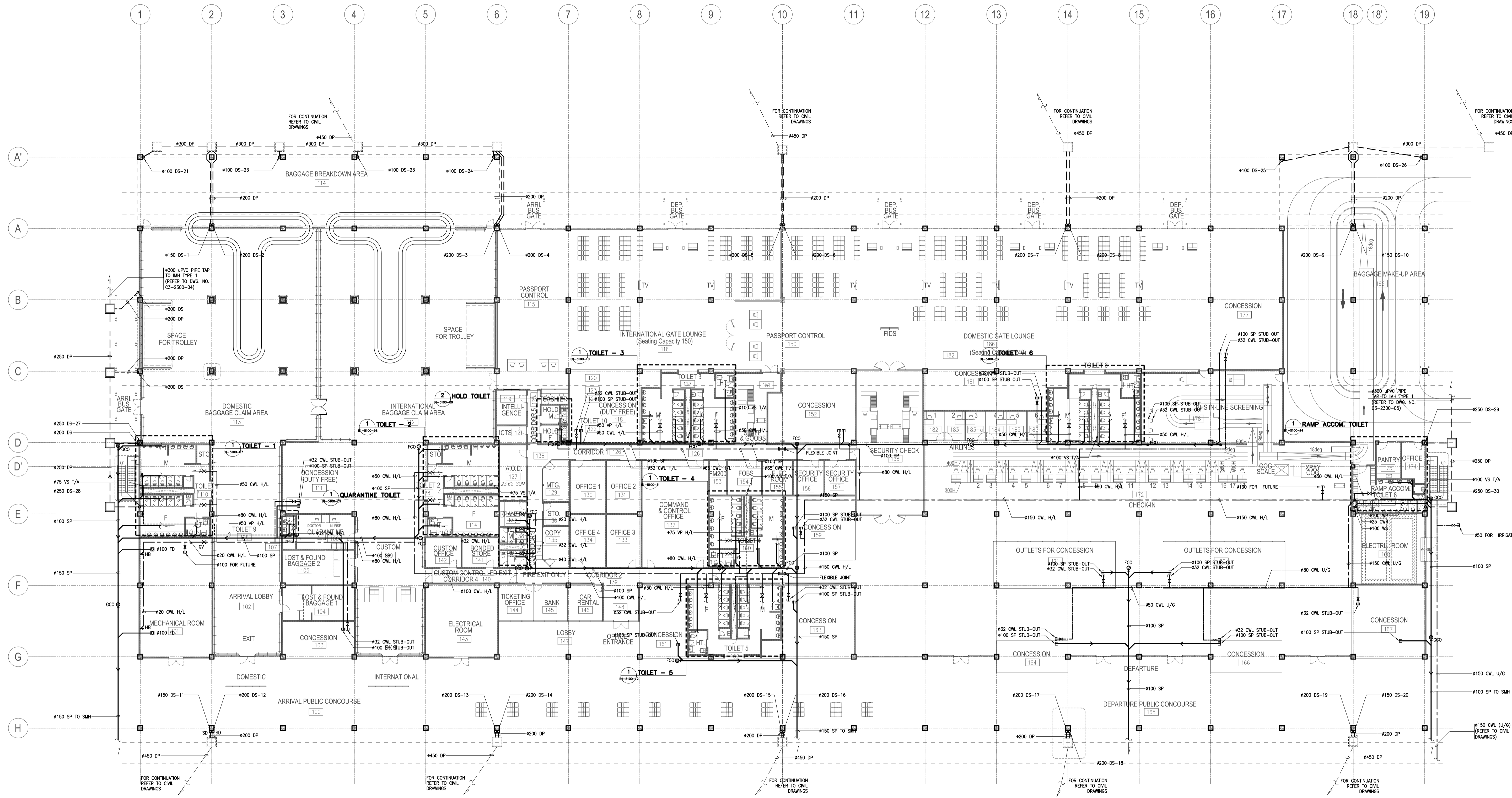







1
COLD WATER SUPPLY SYSTEM SCHEMATIC DIAGRAM
 B1-5100-03 NTS

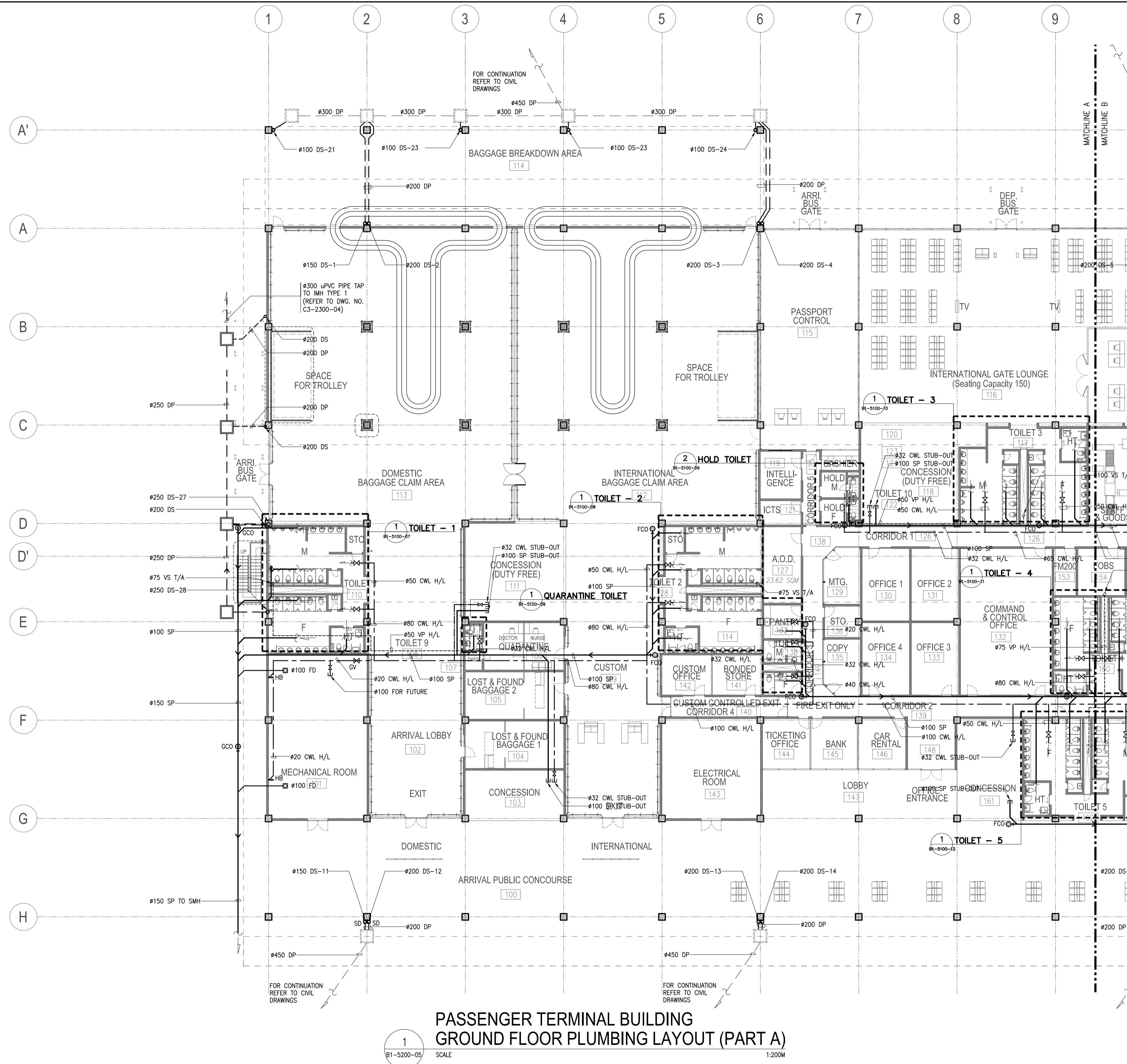
	Republic of the Philippines DEPARTMENT OF TRANSPORTATION AND COMMUNICATIONS		JAPAN INTERNATIONAL COOPERATION AGENCY	PREPARED BY: LEOVIMEL J. VINELES <small>Philippine Registered Engineer</small> PROF: SANITARY ENGINEER PTR: 2024236 REG. NO.: 0002435 DATE: 07-09-2013 T.I.N.: 237-652-602-000 PLACE: MANILA	RECOMMENDING APPROVAL: ILDEFONSO T. PATDU, JR. <small>Assistant Secretary</small> for Project Implementation, DOTC	APPROVED: JULIANITO G. BUCAYAN, JR. <small>Undersecretary</small> for Project Implementation, DOTC	PROJECT TITLE: NEW BOHOL AIRPORT CONSTRUCTION AND SUSTAINABLE ENVIRONMENT PROTECTION PROJECT LOCATION: MUNICIPALITY OF PANGLAO, PROVINCE OF BOHOL, PHILIPPINES	SHEET CONTENTS: COMPONENT-4: BUILDING WORKS (B) SUBCOMPONENT-4-1: (B1) PASSENGER TERMINAL BUILDING (PTB) MECHANICAL SANITARY AND PLUMBING COLD WATER SUPPLY SYSTEM SCHEMATIC DIAGRAM	SHEET NO: B1-5100-03 DRAWING SCALE: NTS
JICA DESIGN CONSULTANT JOINT VENTURE 				TADASHI AOI <small>Team Leader</small>				DATE INDEX AMENDMENTS JUNE 2013	Prepared by: WIM Checked by: HIC Validated by:



**PASSENGER TERMINAL BUILDING
GROUND FLOOR PLUMBING LAYOUT**

1
B1-5200-04 SCALE 1:250M

 Republic of the Philippines DEPARTMENT OF TRANSPORTATION AND COMMUNICATIONS	 JAPAN INTERNATIONAL COOPERATION AGENCY	PREPARED BY: LEOVIMEL J. VINELES <small>Filipino Registered Engineer</small> PROF. SANITARY ENGINEER PIR. 2024236 REG. NO. 0002435 DATE: 07-09-2013 TALK 297-652-622-000 PLACE: MANILA	RECOMMENDING APPROVAL: ILDEFONSO T. PATDU, JR. <small>Assistant Secretary for Project Implementation, DOTC</small>	APPROVED: JULIANITO G. BUCAYAN, JR. <small>Undersecretary for Project Implementation, DOTC</small>	PROJECT TITLE: <p style="text-align: center;">NEW BOHOL AIRPORT CONSTRUCTION AND SUSTAINABLE ENVIRONMENT PROTECTION PROJECT</p> LOCATION: MUNICIPALITY OF PANGLAO, PROVINCE OF BOHOL, PHILIPPINES	SHEET CONTENTS: COMPONENT-4: BUILDING WORKS (B) SUBCOMPONENT-4-1: (B1) PASSENGER TERMINAL BUILDING (PTB) MECHANICAL SANITARY AND PLUMBING GROUND FLOOR PLUMBING PLAN	SHEET NO: B1-5100-04 DRAWING SCALE: 1:250M
JICA DESIGN CONSULTANT JOINT VENTURE   		TADASHI AOI <small>Team Leader</small>			DATE: JUNE 2013 INDEX: - AMENDMENTS: - Prepared by: WIM Checked by: IIC Validated by:		



**PASSENGER TERMINAL BUILDING
GROUND FLOOR PLUMBING LAYOUT (PART A)**

1
B1-5200-05 SCALE 1:200M

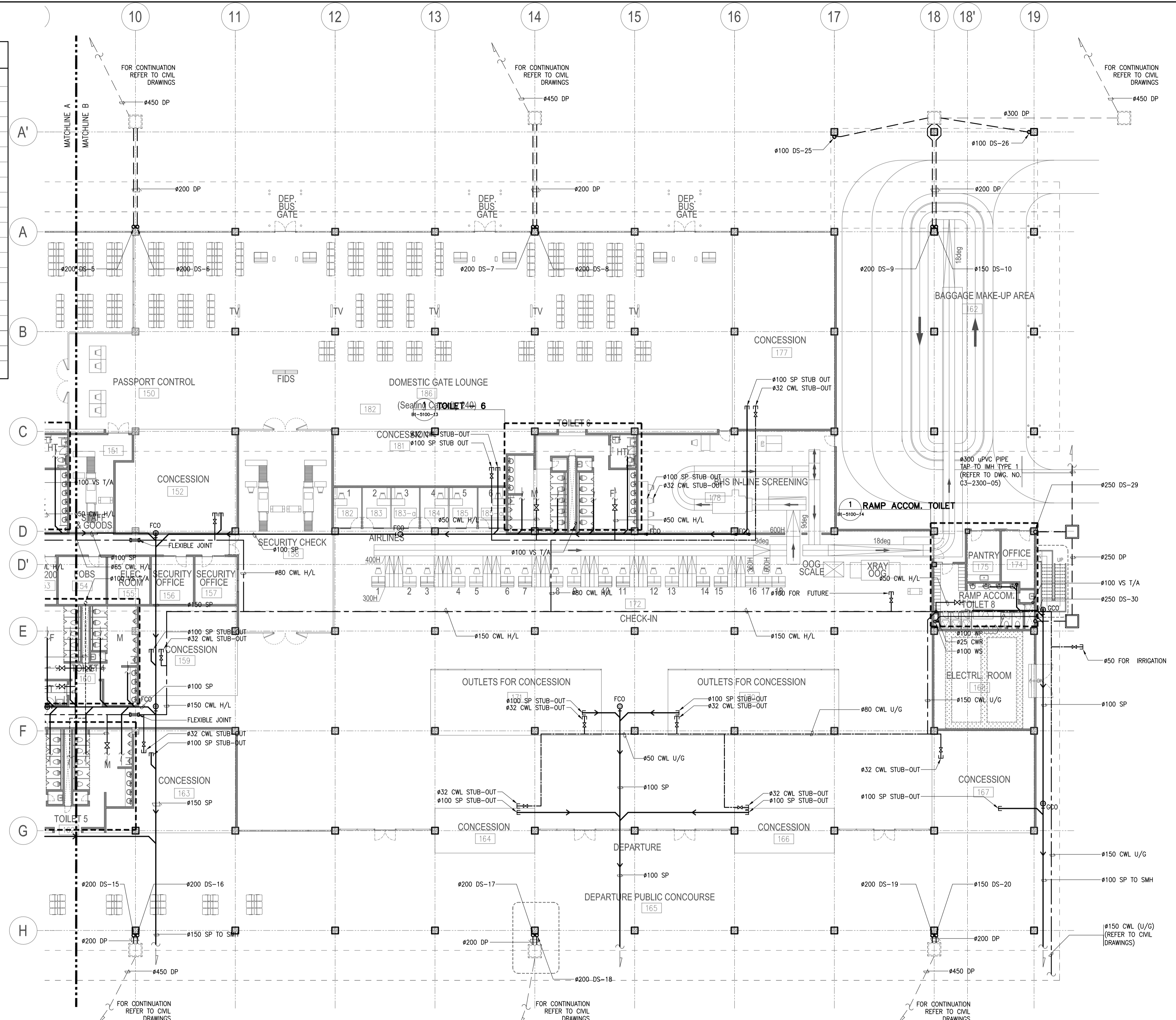
	PREPARED BY: LEOVIMEL J. VINELES <small>Filipino Registered Engineer</small> PROF. SANITARY ENGINEER PIR. 2024236 REC. NO. 0002435 DATE: 07-09-2013 T.I.N. 237-652-602-000 PLACE: MANILA	RECOMMENDING APPROVAL: ILDEFONSO T. PATDU, JR. <small>Assistant Secretary</small> for Project Implementation, DOTC	APPROVED: JULIANITO G. BUCAYAN, JR. <small>Undersecretary</small> for Project Implementation, DOTC	PROJECT TITLE: NEW BOHOL AIRPORT CONSTRUCTION AND SUSTAINABLE ENVIRONMENT PROTECTION PROJECT	LOCATION: MUNICIPALITY OF PANGLAO, PROVINCE OF BOHOL, PHILIPPINES	SHEET CONTENTS: COMPONENT-4: BUILDING WORKS (B) SUBCOMPONENT-4-1: (B1) PASSENGER TERMINAL BUILDING (PTB)	SHEET NO: B1-5100-05
	JICA DESIGN CONSULTANT JOINT VENTURE JAC JAPAN AIRPORT CONSULTANTS, INC. NK NIPPON KOEI CO., LTD. NJS NJS CONSULTANTS CO., LTD.	TADASHI AOI <small>Team Leader</small>					MECHANICAL SANITARY AND PLUMBING GROUND FLOOR PLUMBING PLAN (PART A)

DATE	INDEX	AMENDMENTS	Prepared by	Checked by	Validated by
JUNE 2013			WIM	HC	

SANITARY FIXTURE SCHEDULE

SYMBOL	SANITARY FIXTURE NAME	REFERENCED MODEL NO.	Q'TY	REMARKS
WC-1	WATER CLOSET (TANK)	-	59	
WC-2	WATER CLOSET (HANDICAP)	-	6	
WC-3	WATER CLOSET (FV)	-	7	
WCHD	WATER CLOSET HANDRAIL	-	6	
UR-1	URINAL	-	25	
UR-3	URINAL	-	4	
LAV-1	UNDER-COUNTER LAVATORY	-	59	
LAV-2	HANDICAPPED LAVATORY	-	6	
LAVHD	LAVATORY HANDRAIL	-	6	
LAV-3	UNDER-COUNTER LAVATORY	-	7	
LAV-4	WALL HANG LAVATORY	-	4	
SS-1	SERVICE SINK (SLOP SINK)	-	7	
F	FAUCET FOR KITCHEN SINK	-	2	
SHW	SHOWER SET	-	3	
HD	HAND DRYER	-	12	
TPH-1	TOILET PAPER HOLDER(DOUBLE)	-	65	
TPH-2	TOILET PAPER HOLDER(SINGLE)	-	7	
PTH	PAPER TOWEL HOLDER & DISPENSER	-	12	
SH	SOAP HOLDER	-	3	
BS	BABY SEAT	-	6	

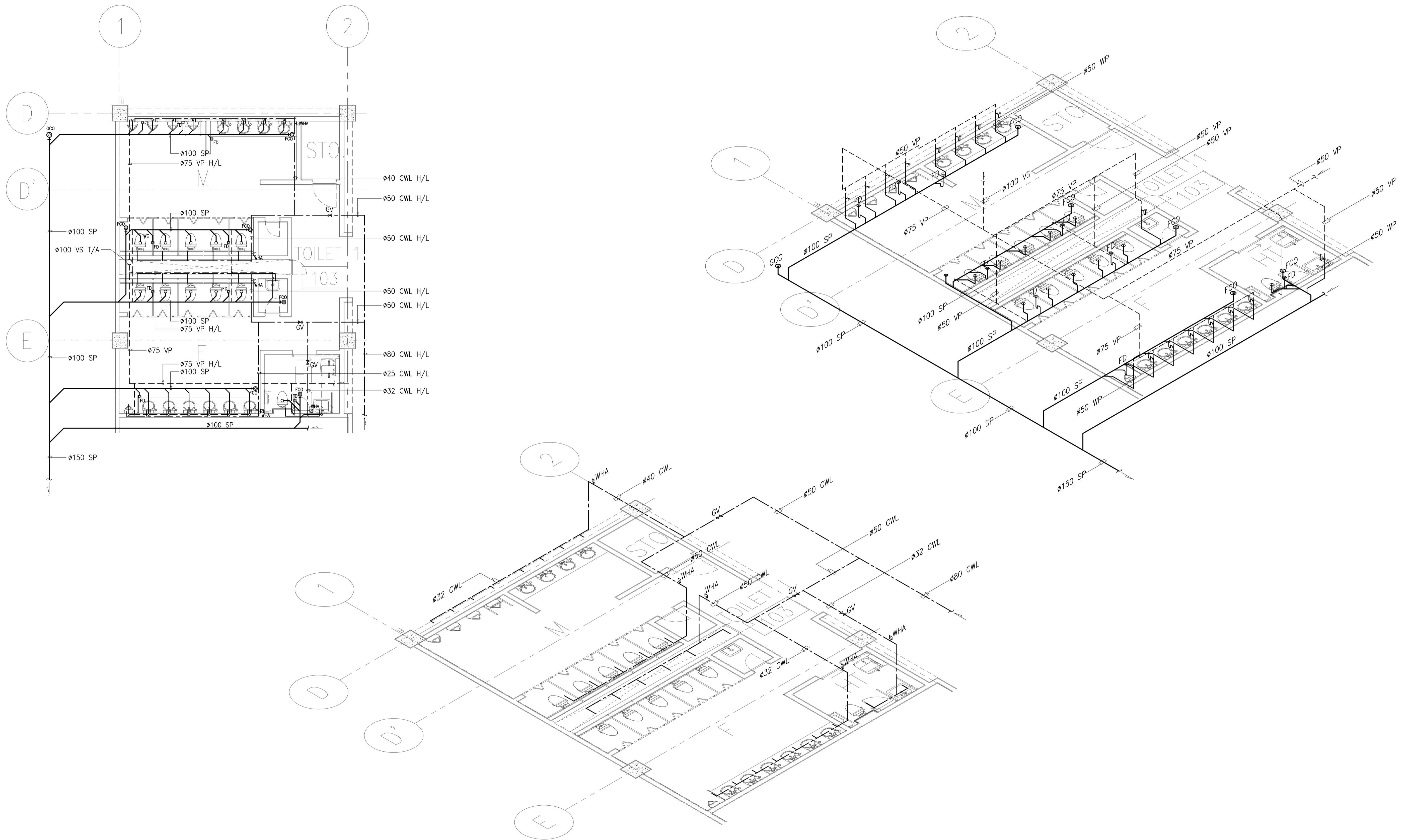
NOTE : SANITARY FIXTURE SHALL HAVE MANUFACTURER'S STANDARD ACCESSORIES.



**PASSENGER TERMINAL BUILDING
GROUND FLOOR PLUMBING LAYOUT (PART B)**

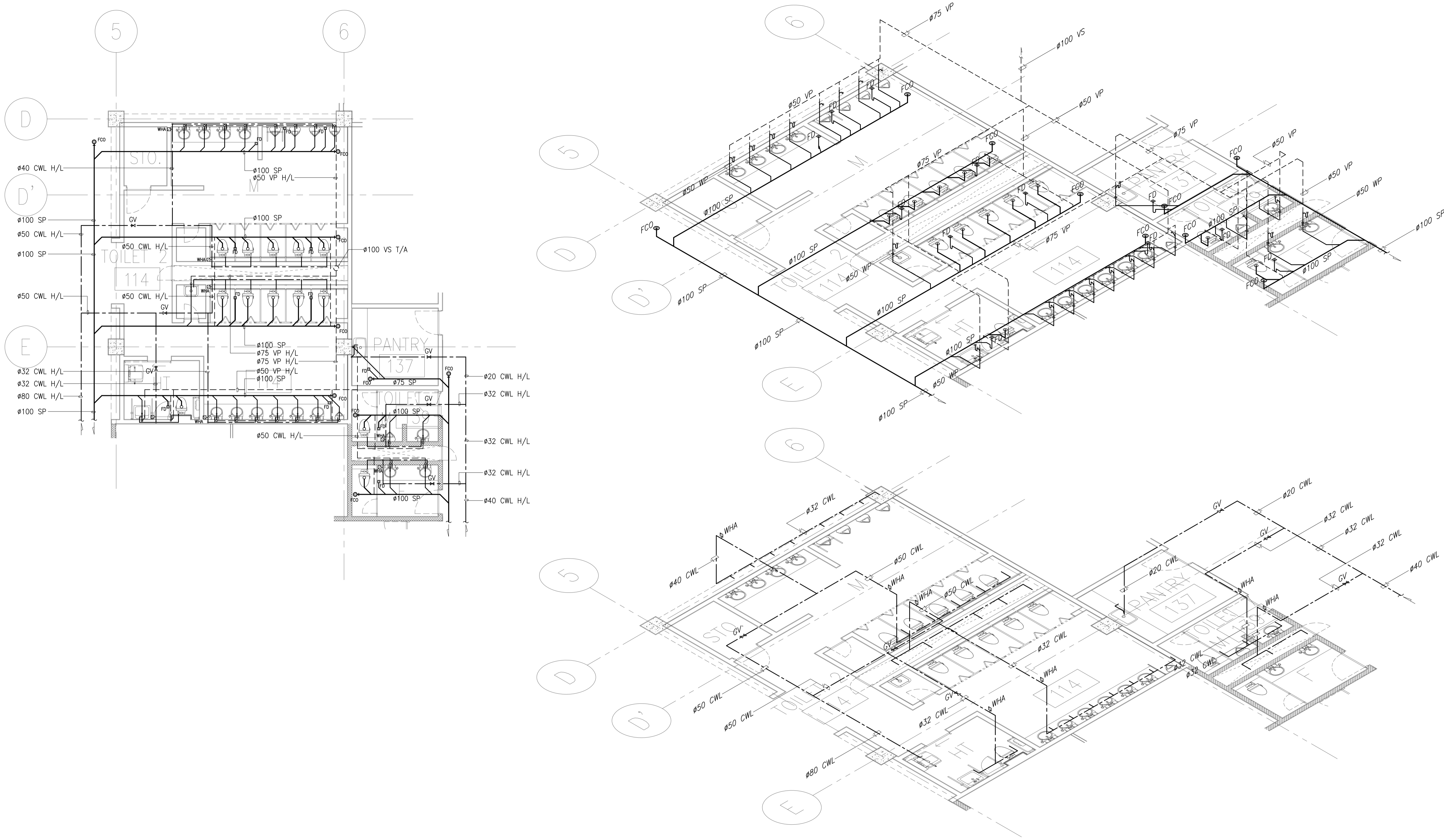
1
B1-5200-06 SCALE 1:200M

	PREPARED BY: LEOVIMEL J. VINELES <small>Filipino Registered Engineer</small> PROF. SANITARY ENGINEER PIR. 2024236 REC. NO. 0002435 DATE: 07-09-2013 T.I.N. 237-652-822-000 PLACE: MANILA	RECOMMENDING APPROVAL: ILDEFONSO T. PATDU, JR. <small>Assistant Secretary for Project Implementation, DOTC</small>	APPROVED: JULIANITO G. BUCAYAN, JR. <small>Undersecretary for Project Implementation, DOTC</small>	PROJECT TITLE: NEW BOHOL AIRPORT CONSTRUCTION AND SUSTAINABLE ENVIRONMENT PROTECTION PROJECT	LOCATION: MUNICIPALITY OF PANGLAO, PROVINCE OF BOHOL, PHILIPPINES	SHEET CONTENTS: COMPONENT-4: BUILDING WORKS (B) SUBCOMPONENT-4-1: (B1) PASSENGER TERMINAL BUILDING (PTB)	SHEET NO: B1-5100-06
	JICA DESIGN CONSULTANT JOINT VENTURE	TADASHI AOI <small>Team Leader</small>	ILDEFONSO T. PATDU, JR. <small>Assistant Secretary for Project Implementation, DOTC</small>	JULIANITO G. BUCAYAN, JR. <small>Undersecretary for Project Implementation, DOTC</small>	DATE: JUNE 2013	INDEX:	AMENDMENTS:

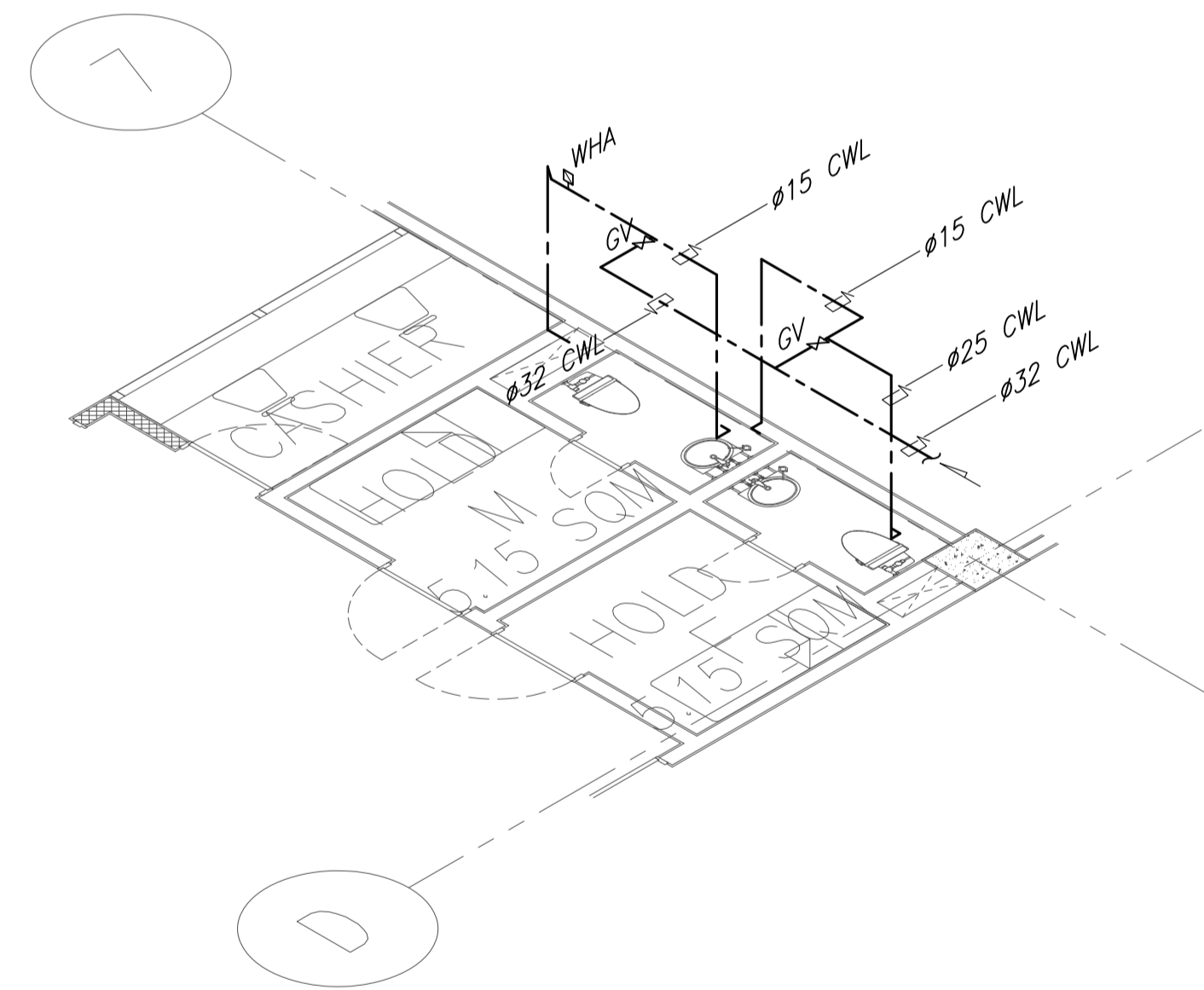
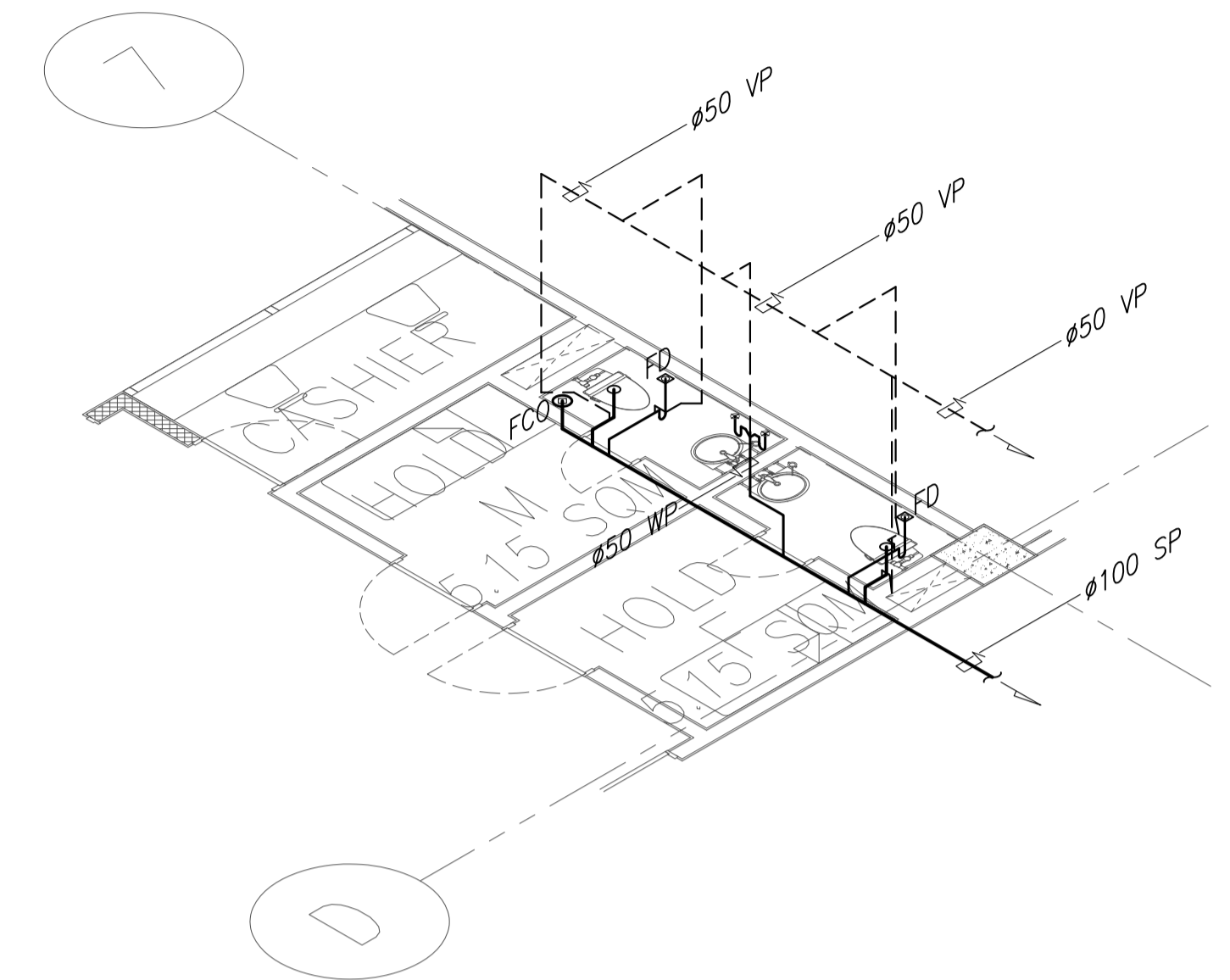
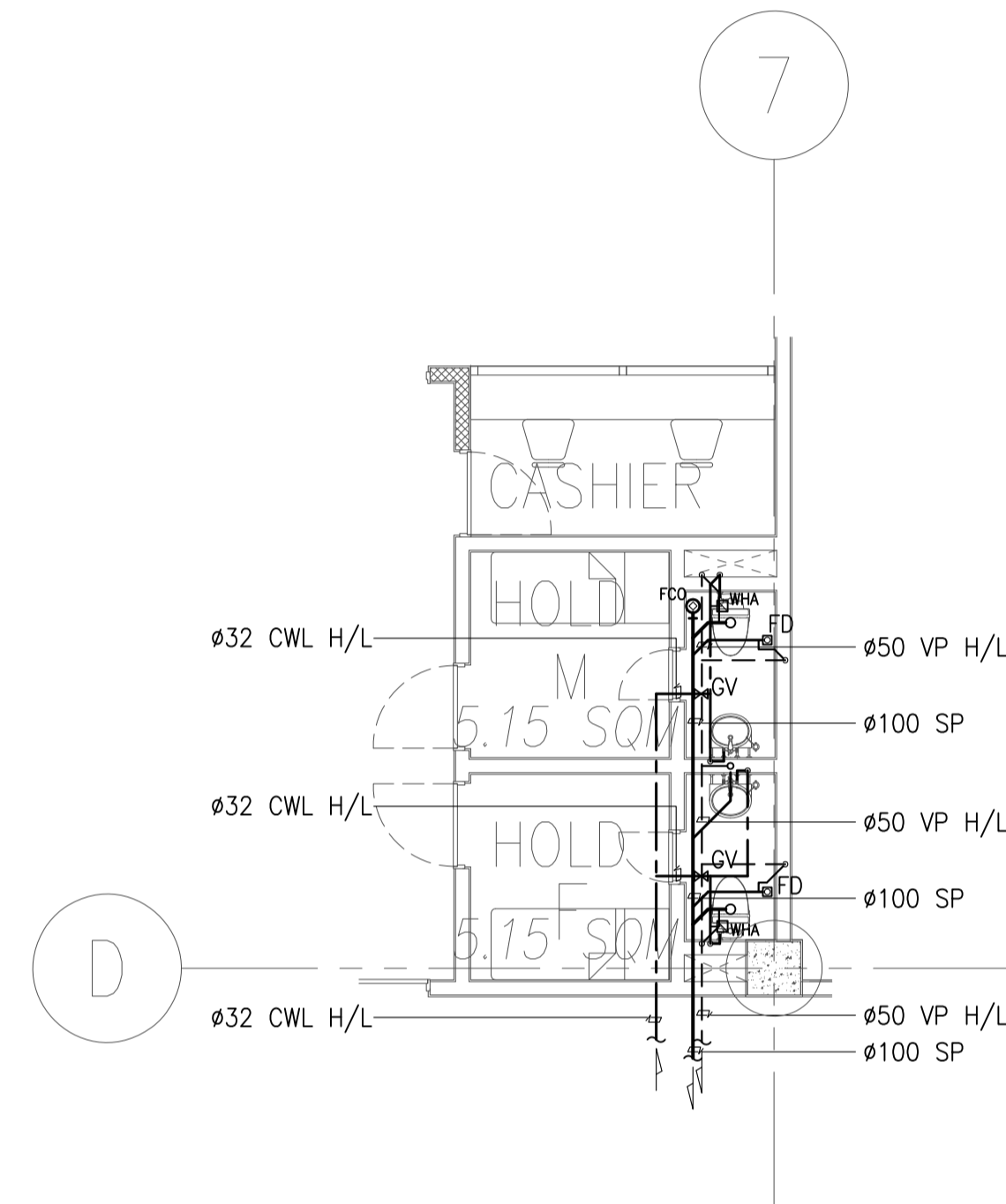
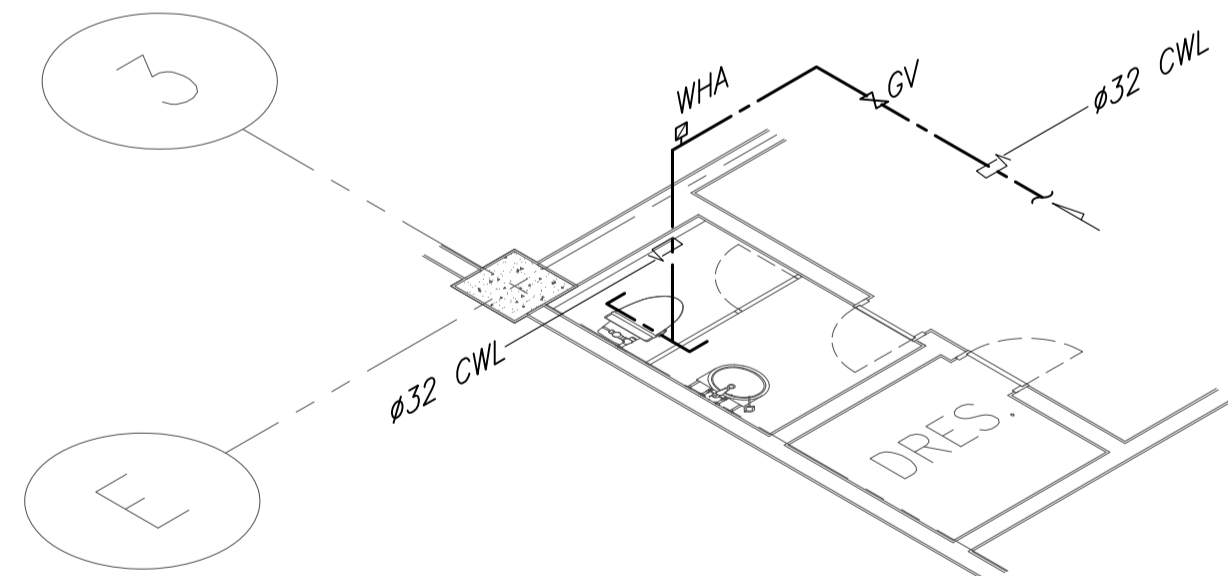
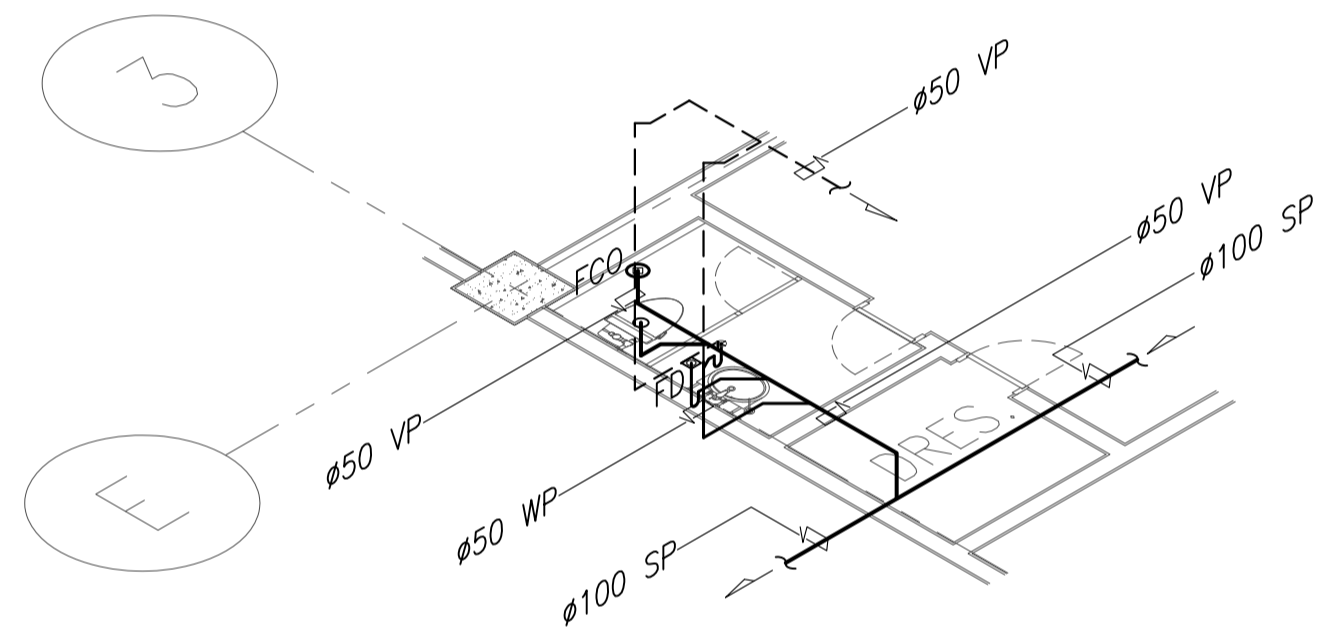
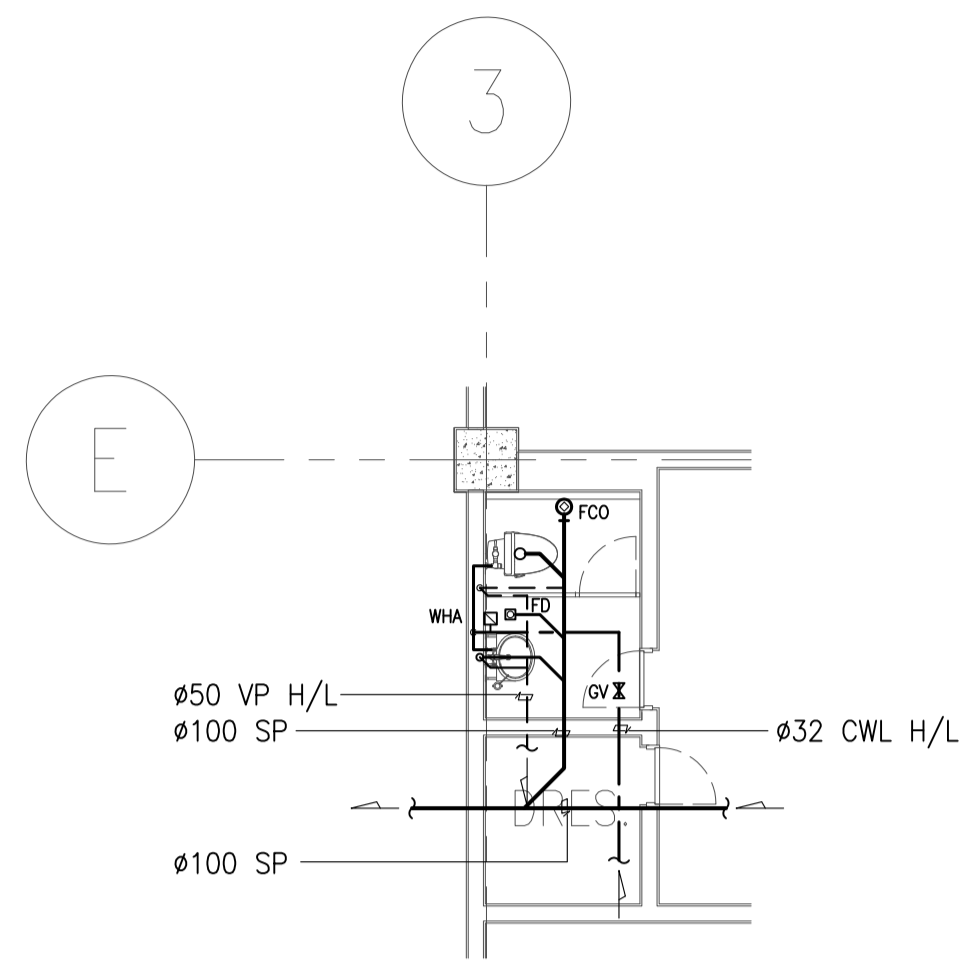


1 TOILET - 1 BLOW-UP PLAN
 B1-5100-09 SCALE 1:75M

	PREPARED BY: LEOVIMEL J. VINELES <small>Philippine Registered Engineer</small> <small>PROF. SANITARY ENGINEER PTR. 2024236</small> <small>REG. NO. 0002435 DATE: 07-09-2013</small> <small>T.M.N. 237-652-602-000 PLACE: MANILA</small>	RECOMMENDING APPROVAL: JILDEFONSO T. PATDU, JR. <small>Assistant Secretary for Project Implementation, DOTC</small>	APPROVED: JULIANITO G. BUCAYAN, JR. <small>Undersecretary for Project Implementation, DOTC</small>	PROJECT TITLE: NEW BOHOL AIRPORT CONSTRUCTION AND SUSTAINABLE ENVIRONMENT PROTECTION PROJECT LOCATION: MUNICIPALITY OF PANGLAO, PROVINCE OF BOHOL, PHILIPPINES	SHEET CONTENTS: COMPONENT-4: BUILDING WORKS (B) SUBCOMPONENT-4-1: (B1) PASSENGER TERMINAL BUILDING (PTB) MECHANICAL SANITARY AND PLUMBING TOILET 1 BLOW-UP PLANS	SHEET NO: B1-5100-09 DRAWING SCALE: 1:75M
	JICA DESIGN CONSULTANT JOINT VENTURE <small>JAPAN INTERNATIONAL COOPERATION AGENCY</small>	TADASHI AOI <small>Team Leader</small>	JUNE 2013 DATE INDEX AMENDMENTS Prepared by: WIM Checked by: HC Validated by:	- - - - -		



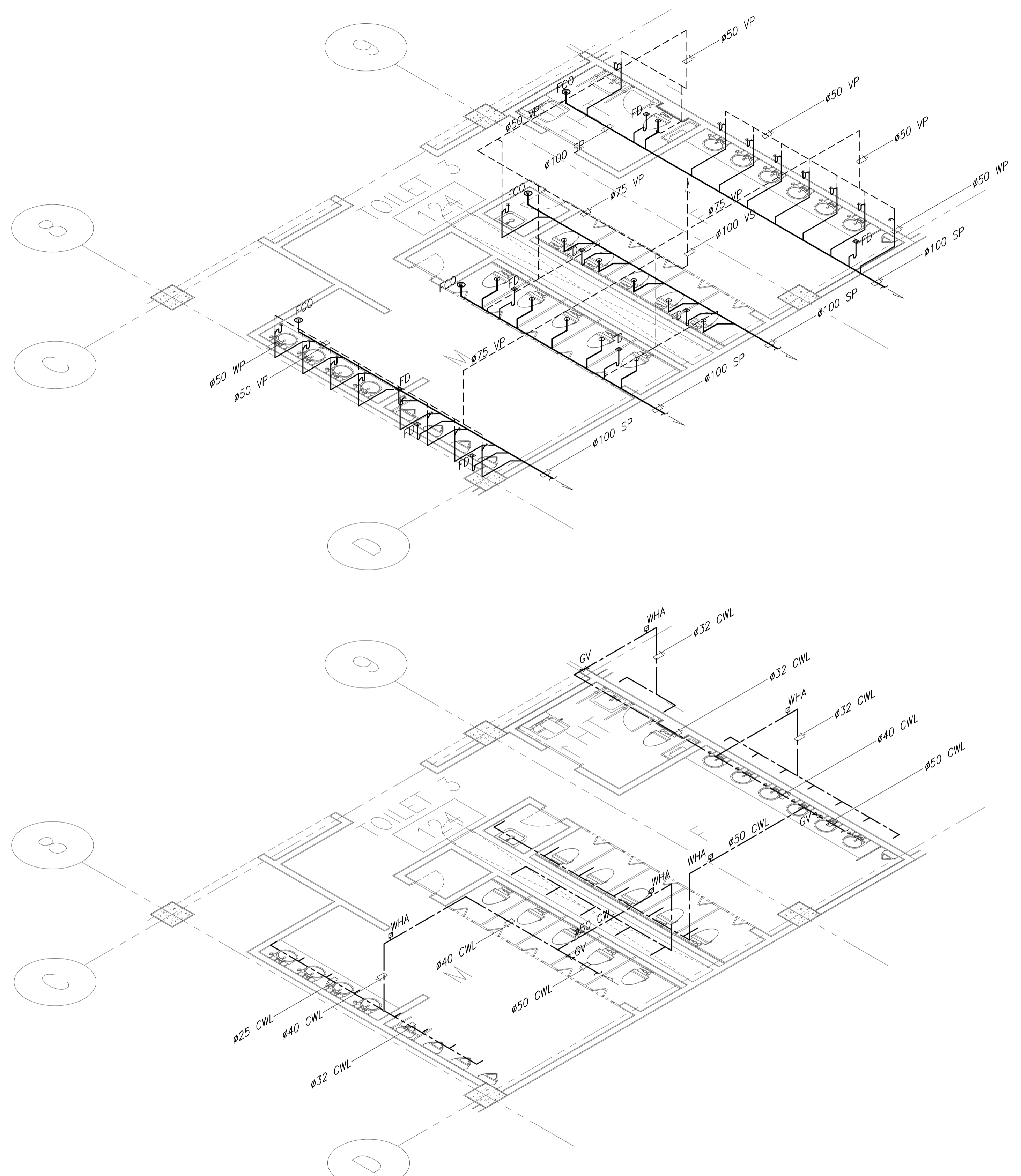
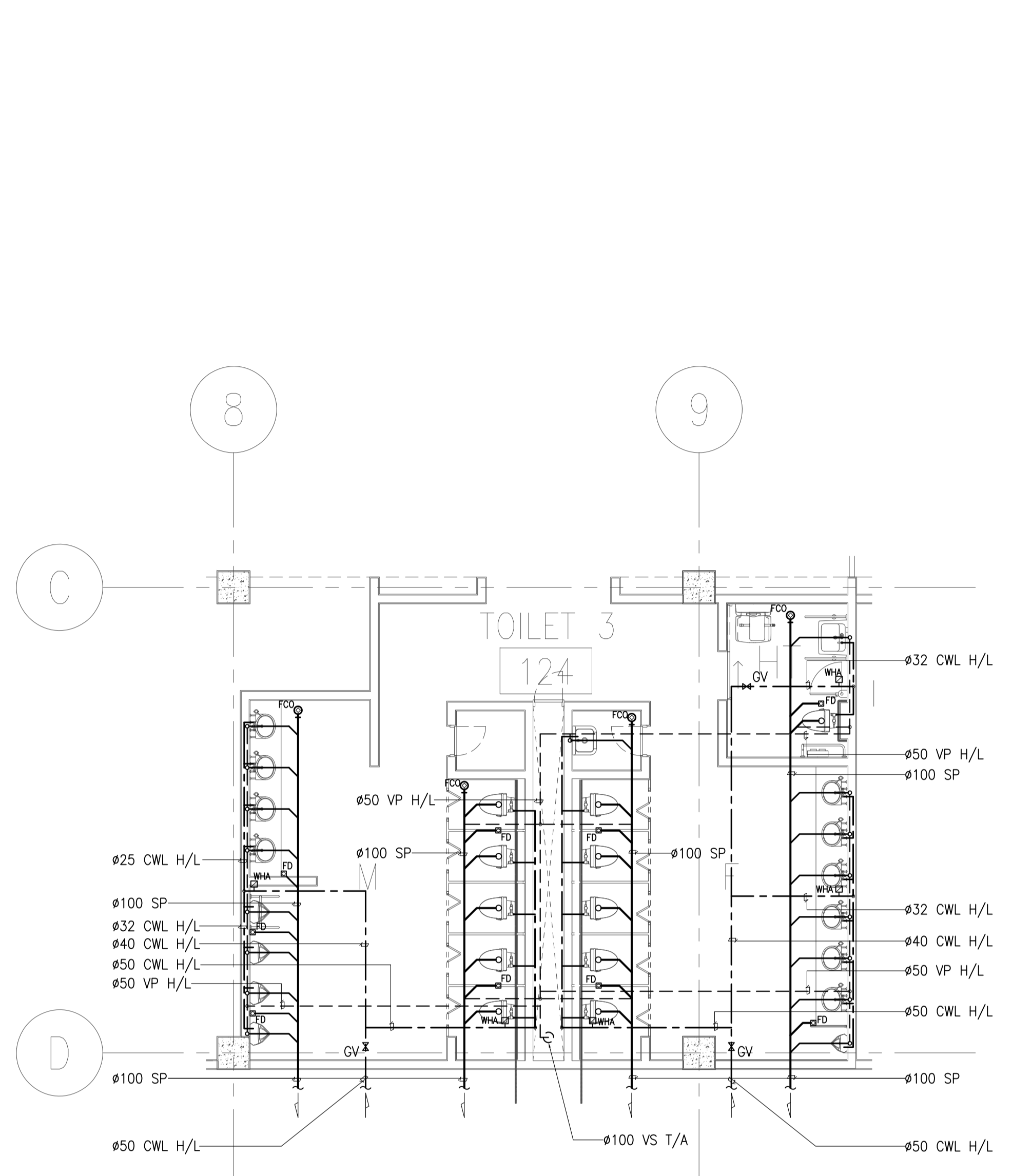
	PREPARED BY: LEOVIMEL J. VINELES <small>Philippine Registered Engineer</small> PROF. SANITARY ENGINEER PTR. 2024236 REG. NO. 0002435 DATE: 07-09-2013 TEL. 937-652-802-000 PLACE: MANILA	RECOMMENDING APPROVAL: JILDEFONSO T. PATDU, JR. <small>Assistant Secretary</small> for Project Implementation, DOTC	APPROVED: JULIANITO G. BUCAYAN, JR. <small>Undersecretary</small> for Project Implementation, DOTC	PROJECT TITLE: NEW BOHOL AIRPORT CONSTRUCTION AND SUSTAINABLE ENVIRONMENT PROTECTION PROJECT	LOCATION: MUNICIPALITY OF PANGLAO, PROVINCE OF BOHOL, PHILIPPINES	SHEET CONTENTS: COMPONENT-4: BUILDING WORKS (B) SUBCOMPONENT-4-1: (B1) PASSENGER TERMINAL BUILDING (PTB) MECHANICAL SANITARY AND PLUMBING TOILET 2, MALE, FEMALE & PANTRY BLOW-UP PLANS	SHEET NO: B1-5100-10
	JICA DESIGN CONSULTANT JOINT VENTURE	TADASHI AOI <small>Team Leader</small>	JUNE 2013	DATE INDEX AMENDMENTS	Prepared by: WIM Checked by: HIC Validated by:	DRAWING SCALE: 1:75M	



1 QUARANTINE TOILET BLOW-UP PLAN
B1-5100-11 SCALE 1:75M

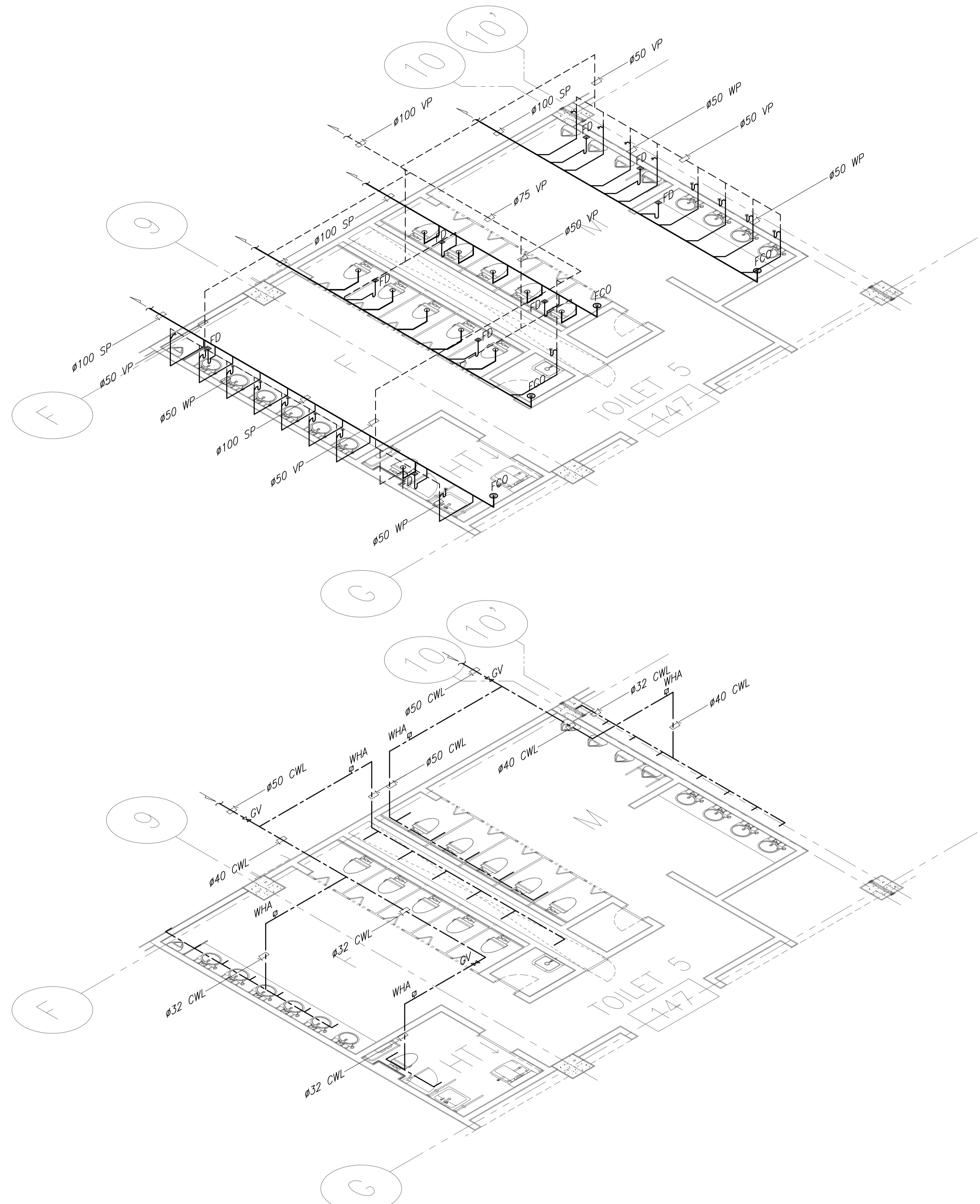
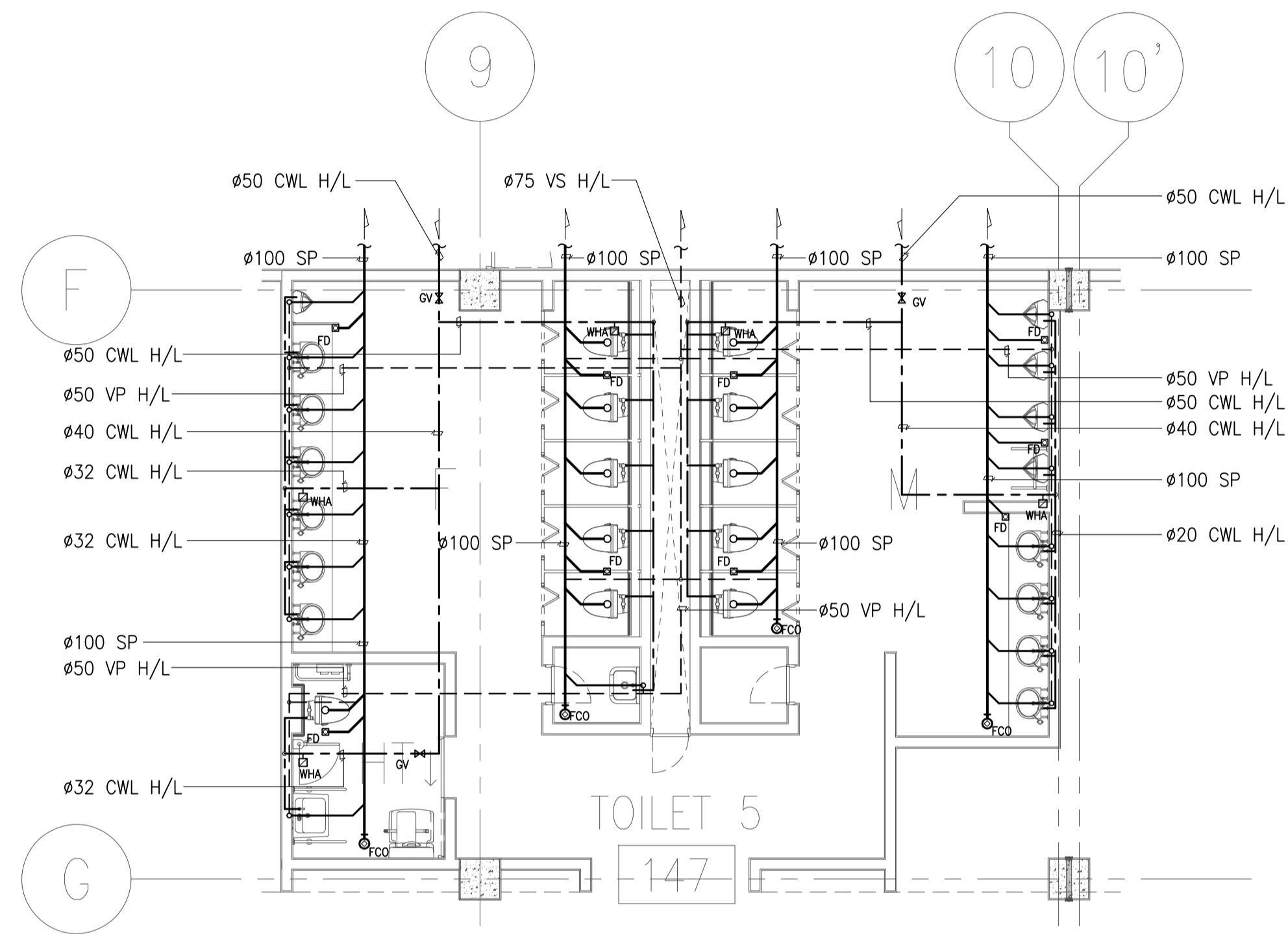
2 HOLD TOILET BLOW-UP PLAN
B1-5100-11 SCALE 1:75M

	PREPARED BY: LEOVIMEL J. VINELES <small>Philippine Registered Engineer</small> PROF: SANITARY ENGINEER PTR: 2024236 REG. NO.: 0002435 DATE: 07-09-2013 TEL: 937-852-802-000 PLACE: MANILA	RECOMMENDING APPROVAL: JILDEFONSO T. PATDU, JR. <small>Assistant Secretary for Project Implementation, DOTC</small>	APPROVED: JULIANITO G. BUCAYAN, JR. <small>Undersecretary for Project Implementation, DOTC</small>	PROJECT TITLE: NEW BOHOL AIRPORT CONSTRUCTION AND SUSTAINABLE ENVIRONMENT PROTECTION PROJECT LOCATION: MUNICIPALITY OF PANGLAO, PROVINCE OF BOHOL, PHILIPPINES	SHEET CONTENTS: COMPONENT-4: BUILDING WORKS (B) SUBCOMPONENT-4-1: (B1) PASSENGER TERMINAL BUILDING (PTB) MECHANICAL SANITARY AND PLUMBING QUARANTINE & HOLD TOILET BLOW-UP PLANS	SHEET NO: B1-5100-11 DRAWING SCALE: 1:75M
	JICA DESIGN CONSULTANT JOINT VENTURE JAPAN AIRPORT CONSULTANTS, INC. NIPPON KOHI CO., LTD. NIS CONSULTANTS CO., LTD.	DATE: JUNE 2013 INDEX: AMENDMENTS: Prepared by: WIM, Checked by: IIC, Validated by:				



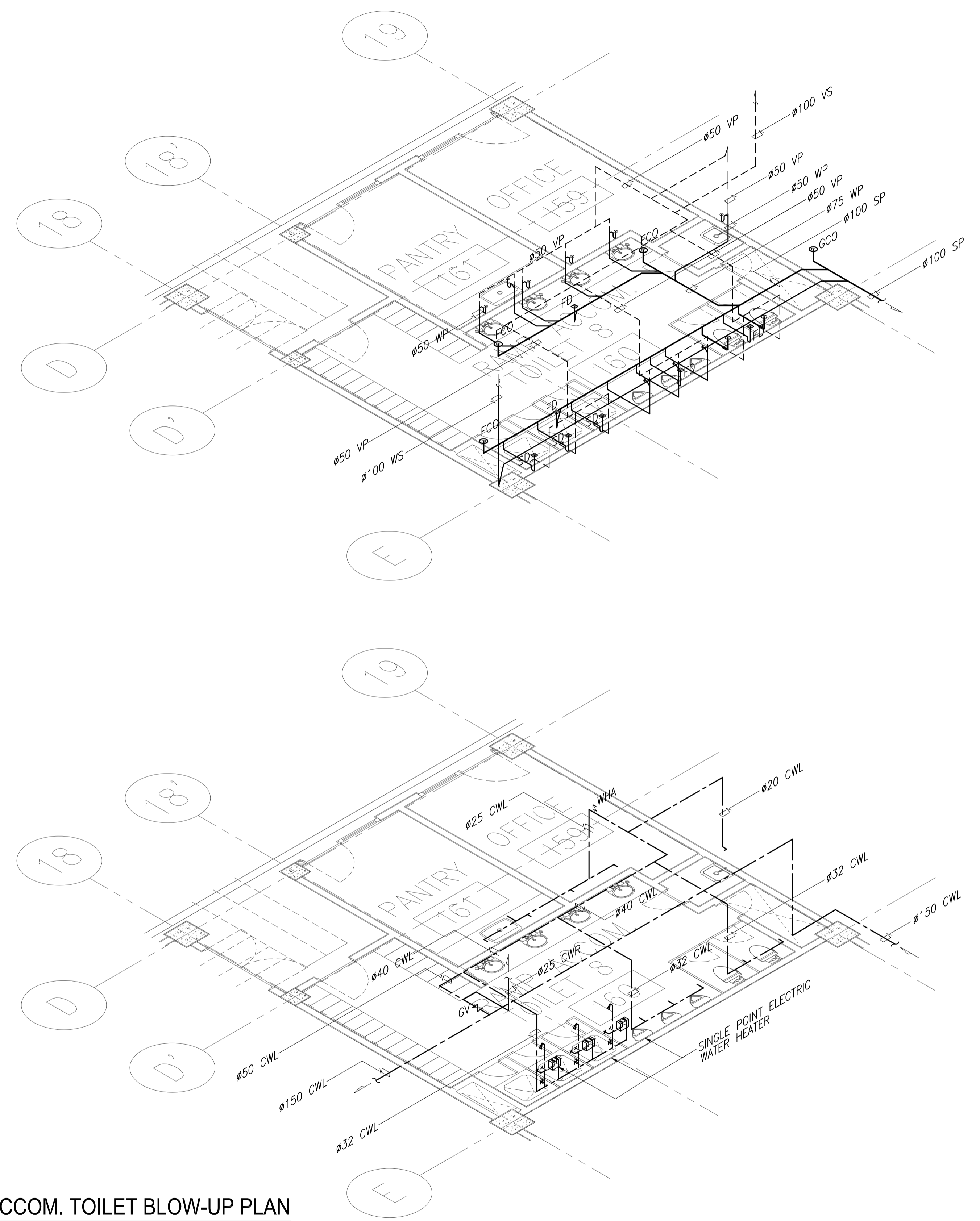
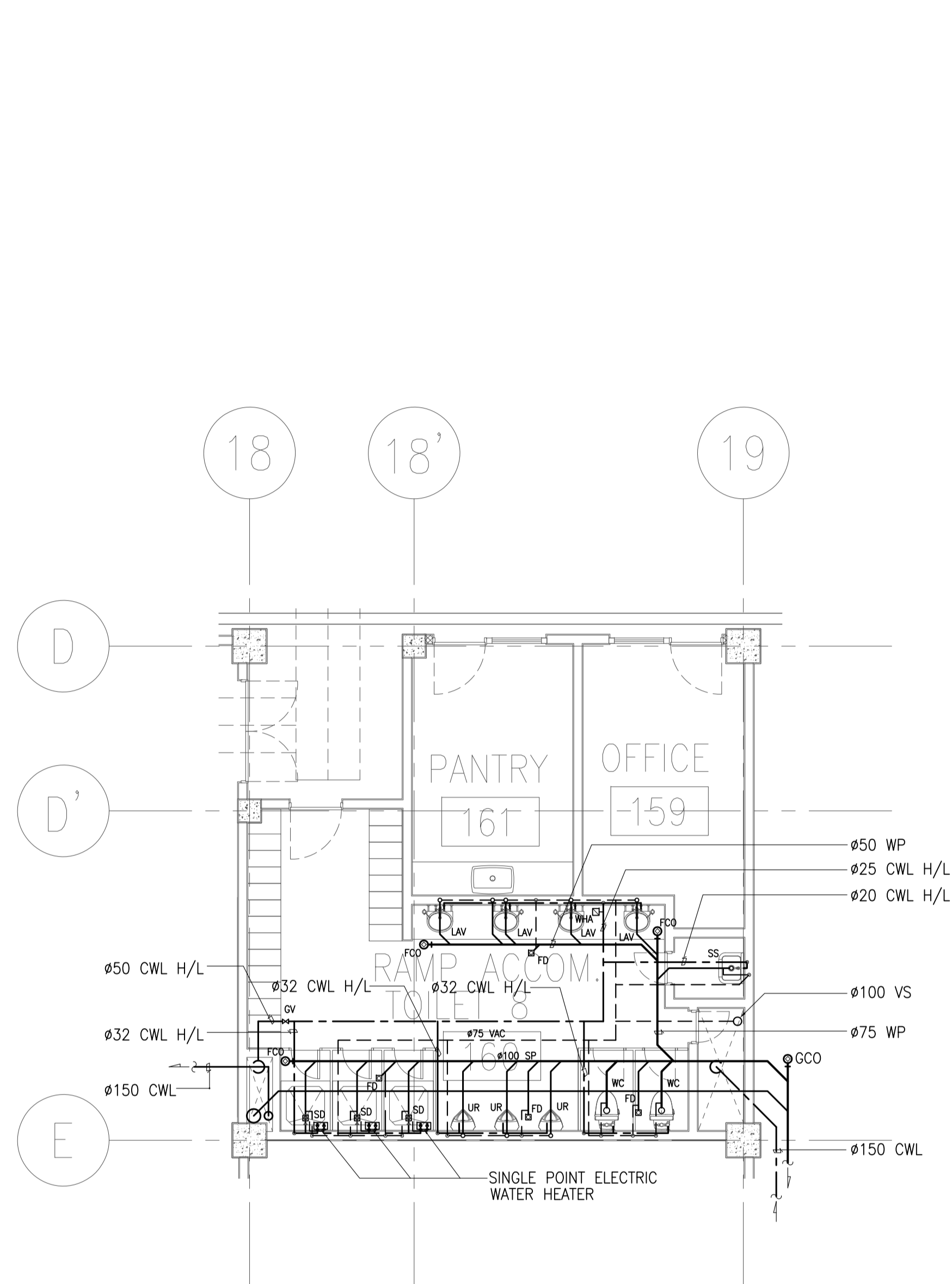
1 TOILET - 3 BLOW-UP PLAN
 B1-5100-12 SCALE 1:75M

	PREPARED BY: LEOVIMEL J. VINELES <small>Philippine Registered Engineer</small> PROF: SANITARY ENGINEER PTR: 2024236 REG. NO.: 0002435 DATE: 07-09-2013 TEL. NO.: 852-802-000 PLACE: MANILA	RECOMMENDING APPROVAL: JILDEFONSO T. PATDU, JR. <small>Assistant Secretary for Project Implementation, DOTC</small>	APPROVED: JULIANITO G. BUCAYAN, JR. <small>Undersecretary for Project Implementation, DOTC</small>	PROJECT TITLE: NEW BOHOL AIRPORT CONSTRUCTION AND SUSTAINABLE ENVIRONMENT PROTECTION PROJECT	LOCATION: MUNICIPALITY OF PANGLAO, PROVINCE OF BOHOL, PHILIPPINES	SHEET CONTENTS: COMPONENT-4: BUILDING WORKS (B) SUBCOMPONENT-4-1: (B1) PASSENGER TERMINAL BUILDING (PTB) MECHANICAL SANITARY AND PLUMBING TOILET 3 BLOW-UP PLANS	SHEET NO: B1-5100-12
	JICA DESIGN CONSULTANT JOINT VENTURE	TADASHI AOI <small>Team Leader</small>	JILDEFONSO T. PATDU, JR. <small>Assistant Secretary for Project Implementation, DOTC</small>	JULIANITO G. BUCAYAN, JR. <small>Undersecretary for Project Implementation, DOTC</small>	DATE: JUNE 2013 INDEX: - AMENDMENTS: - Prepared by: WIM Checked by: IIC Validated by:	DRAWING SCALE: 1:75M	



1 TOILET - 5 BLOW-UP PLAN
 B1-5100-14 SCALE 1:75M

	PREPARED BY: LEOVIMEL J. VINELES <small>Philippine Registered Engineer</small> PROF: SANITARY ENGINEER PTR: 2024236 REG. NO: 0002435 DATE: 07-09-2013 TEL: 937-852-802-000 PLACE: MANILA	RECOMMENDING APPROVAL: JILDEFONSO T. PATDU, JR. <small>Assistant Secretary for Project Implementation, DOTC</small>	APPROVED: JULIANITO G. BUCAYAN, JR. <small>Undersecretary for Project Implementation, DOTC</small>	PROJECT TITLE: NEW BOHOL AIRPORT CONSTRUCTION AND SUSTAINABLE ENVIRONMENT PROTECTION PROJECT LOCATION: MUNICIPALITY OF PANGLAO, PROVINCE OF BOHOL, PHILIPPINES	SHEET CONTENTS: COMPONENT-4: BUILDING WORKS (B) SUBCOMPONENT-4-1: (B1) PASSENGER TERMINAL BUILDING (PTB) MECHANICAL SANITARY AND PLUMBING TOILET 5 BLOW-UP PLANS	SHEET NO: B1-5100-14 DRAWING SCALE: 1:75M
	JICA DESIGN CONSULTANT JOINT VENTURE JAPAN AIRPORT CONSULTANTS, INC. NIPPON KOHI CO., LTD. NIS CONSULTANTS CO., LTD.	TADASHI AOI <small>Team Leader</small>	JILDEFONSO T. PATDU, JR. <small>Assistant Secretary for Project Implementation, DOTC</small>	JULIANITO G. BUCAYAN, JR. <small>Undersecretary for Project Implementation, DOTC</small>	DATE: JUNE 2013 INDEX: - AMENDMENTS: - Prepared by: WIM Checked by: IIC Validated by:	SHEET NO: B1-5100-14 DRAWING SCALE: 1:75M



1 RAMP ACCOM. TOILET BLOW-UP PLAN
 B1-5100-16 SCALE 1:75M

	PREPARED BY: LEOVIMEL J. VINELES <small>Philippine Registered Engineer</small> PROF: SANITARY ENGINEER PTR: 2024236 REG. NO: 0002435 DATE: 07-09-2013 TIN: 237-652-822-000 PLACE: MANILA	RECOMMENDING APPROVAL: ILDEFONSO T. PATDU, JR. <small>Assistant Secretary for Project Implementation, DOTC</small>	APPROVED: JULIANITO G. BUCAYAN, JR. <small>Undersecretary for Project Implementation, DOTC</small>	PROJECT TITLE: NEW BOHOL AIRPORT CONSTRUCTION AND SUSTAINABLE ENVIRONMENT PROTECTION PROJECT	LOCATION: MUNICIPALITY OF PANGLAO, PROVINCE OF BOHOL, PHILIPPINES	SHEET CONTENTS: COMPONENT-4: BUILDING WORKS (B) SUBCOMPONENT-4-1: (B1) PASSENGER TERMINAL BUILDING (PTB) MECHANICAL SANITARY AND PLUMBING RAMP ACCOM. TOILET BLOW-UP PLANS	SHEET NO: B1-5100-16 DRAWING SCALE: 1:75M
	JICA DESIGN CONSULTANT JOINT VENTURE JAPAN AIRPORT CONSULTANTS, INC. NIPPON KOEI CO., LTD. NJS CONSULTANTS CO., LTD.	TADASHI AOI <small>Team Leader</small>	JULIANITO G. BUCAYAN, JR. <small>Undersecretary for Project Implementation, DOTC</small>	DATE: JUNE 2013 INDEX: - AMENDMENTS: - Prepared by: WIM Checked by: HIC Validated by: -	DATE: - INDEX: - AMENDMENTS: -	SHEET NO: B1-5100-16 DRAWING SCALE: 1:75M	

EQUIPMENT LIST (PTB):

INDOOR UNIT		OUTDOOR UNIT	EQUIPMENT	EQUIPMENT LOCATION & ROOM NO.	LEVEL	TOTAL COOLING CAPACITY (kW)	AIR FLOW (l/s)	ELECTRICAL CHARACTERISTICS				CONNECTION PIPE SIZE			EXTERNAL STATIC PRESSURE (Pa)	TYPE	REMARKS	ROOM TEMPERATURE
UNIT DESIGNATION	QTY.	UNIT DESIGNATION						POWER INPUT (kW)	VOLTS	PHASE	HERTZ	LEQUID	GAS	DRAIN				
FCU-01A & 01B	2	VRF-1	FAN COIL UNIT	LOST & FOUND BAGGAGE-1	GROUND FLOOR	2.00	191	0.056	230	1	60	6.4	12.7	25		CEILING CASSETTE 4 WAY TYPE FAN COIL UNIT	24 C+/DB 17.2 C WB	
FCU-02A TO 02D	4		FAN COIL UNIT	DUTY FREE ON ARRIVAL-1	GROUND FLOOR	2.38	191	0.056	230	1	60	6.4	12.7	25		CEILING CASSETTE 4 WAY TYPE FAN COIL UNIT		
FCU-03A & 03B	2		FAN COIL UNIT	LOST & FOUND BAGGAGE-2	GROUND FLOOR	2.00	191	0.056	230	1	60	6.4	12.7	25		CEILING CASSETTE 4 WAY TYPE FAN COIL UNIT		
FCU-04	1		FAN COIL UNIT	PAHU	GROUND FLOOR	19.50	466	0.380	230	1	60	9.5	19.1	25	205	OUTDOOR AIR PROCESSING UNIT, CEILING SUSPENDED DUCT		
FCU-05A & 05B	2		FAN COIL UNIT	CONCESSION-2	GROUND FLOOR	4.35	225	0.056	230	1	60	6.4	12.7	25		CEILING CASSETTE 4 WAY TYPE FAN COIL UNIT		
FCU-06	1		FAN COIL UNIT	OFFICE-1	GROUND FLOOR	6.70	300	0.056	230	1	60	9.5	15.9	25		CEILING CASSETTE 4 WAY TYPE FAN COIL UNIT		
FCU-07	1		FAN COIL UNIT	OFFICE-2	GROUND FLOOR	6.70	300	0.056	230	1	60	9.5	15.9	25		CEILING CASSETTE 4 WAY TYPE FAN COIL UNIT		
FCU-08	1		FAN COIL UNIT	OFFICE-3	GROUND FLOOR	6.70	300	0.056	230	1	60	9.5	15.9	25		CEILING CASSETTE 4 WAY TYPE FAN COIL UNIT		
FCU-09	1		FAN COIL UNIT	OFFICE-4	GROUND FLOOR	6.70	300	0.056	230	1	60	9.5	15.9	25		CEILING CASSETTE 4 WAY TYPE FAN COIL UNIT		
FCU-10	1		FAN COIL UNIT	TICKETING OFFICE	GROUND FLOOR	4.70	225	0.056	230	1	60	6.4	12.7	25		CEILING CASSETTE 4 WAY TYPE FAN COIL UNIT		
FCU-11	1		FAN COIL UNIT	BANK	GROUND FLOOR	4.70	225	0.056	230	1	60	6.4	12.7	25		CEILING CASSETTE 4 WAY TYPE FAN COIL UNIT		
FCU-12	1		FAN COIL UNIT	CAR RENTAL-2	GROUND FLOOR	4.70	225	0.056	230	1	60	6.4	12.7	25		CEILING CASSETTE 4 WAY TYPE FAN COIL UNIT		
FCU-13A & 13B	2		FAN COIL UNIT	CONCESSION-7	GROUND FLOOR	4.60	225	0.056	230	1	60	6.4	12.7	25		CEILING CASSETTE 4 WAY TYPE FAN COIL UNIT		
FCU-14	1		FAN COIL UNIT	MEETING ROOM	GROUND FLOOR	6.70	300	0.056	230	1	60	9.5	15.9	25		CEILING CASSETTE 4 WAY TYPE FAN COIL UNIT		
FCU-15	1		FAN COIL UNIT	COPY ROOM	GROUND FLOOR	5.10	275	0.056	230	1	60	9.5	15.9	25		CEILING CASSETTE 4 WAY TYPE FAN COIL UNIT		
FCU-16A TO 16D	4	FAN COIL UNIT	CONCESSION-6	GROUND FLOOR	2.70	191	0.056	230	1	60	6.4	12.7	25		CEILING CASSETTE 4 WAY TYPE FAN COIL UNIT			
FCU-17B	1	FAN COIL UNIT	INTERNATIONAL GATE LOUNGE	GROUND FLOOR	24.30	1200	0.760	230	1	60	9.5	22.2	25	270	CEILING MOUNTED DUCT TYPE			
FCU-17D	1	FAN COIL UNIT	DOMESTIC GATE LOUNGE	GROUND FLOOR	22.34	1200	0.760	230	1	60	9.5	22.2	25	270	CEILING MOUNTED DUCT TYPE			
FCU-18D	1	FAN COIL UNIT	PAHU	GROUND FLOOR	24.50	583	0.380	230	1	60	9.5	22.2	25	205	OUTDOOR AIR PROCESSING UNIT, CEILING SUSPENDED DUCT			
FCU-19	1	FAN COIL UNIT	FOBS	GROUND FLOOR	2.50	191	0.056	230	1	60	6.4	12.7	25		CEILING CASSETTE 4 WAY TYPE FAN COIL UNIT			
FCU-20	1	FAN COIL UNIT	SECURITY OFFICE	GROUND FLOOR	2.30	191	0.056	230	1	60	6.4	12.7	25		CEILING CASSETTE 4 WAY TYPE FAN COIL UNIT			
FCU-21	1	FAN COIL UNIT	SECURITY OFFICE	GROUND FLOOR	2.30	191	0.056	230	1	60	6.4	12.7	25		CEILING CASSETTE 4 WAY TYPE FAN COIL UNIT			
FCU-22A TO 22D	4	FAN COIL UNIT	CONCESSION-5	GROUND FLOOR	1.98	191	0.056	230	1	60	6.4	12.7	25		CEILING CASSETTE 4 WAY TYPE FAN COIL UNIT			
FCU-23A TO 23D	4	FAN COIL UNIT	CONCESSION-8	GROUND FLOOR	4.00	225	0.056	230	1	60	6.4	12.7	25		CEILING CASSETTE 4 WAY TYPE FAN COIL UNIT			
FCU-24A & 24B	2	FAN COIL UNIT	CONCESSION-9	GROUND FLOOR	2.45	191	0.056	230	1	60	6.4	12.7	25		CEILING CASSETTE 4 WAY TYPE FAN COIL UNIT			
FCU-17F & 17H	2	FAN COIL UNIT	DOMESTIC GATE LOUNGE	GROUND FLOOR	22.34	1200	0.760	230	1	60	9.5	22.2	25	270	CEILING MOUNTED DUCT TYPE			
FCU-18	1	FAN COIL UNIT	PAHU	GROUND FLOOR	24.50	583	0.380	230	1	60	9.5	22.2	25	205	OUTDOOR AIR PROCESSING UNIT, CEILING SUSPENDED DUCT			
FCU-19A, 19CM, 19E	3	FAN COIL UNIT	CHECK IN LOBBY (SPOT COOLING)	GROUND FLOOR	10.80	466	0.120	230	1	60	9.5	15.9	25		CEILING CASSETTE 4 WAY TYPE FAN COIL UNIT			
FCU-20E & 20F	2	FAN COIL UNIT	SECURITY CHECK (SPOT COOLING)	GROUND FLOOR	3.30	216	0.056	230	1	60	6.4	12.7	25		CEILING CASSETTE 4 WAY TYPE FAN COIL UNIT			
FCU-17J	1	FAN COIL UNIT	DOMESTIC GATE LOUNGE	GROUND FLOOR	22.34	1200	0.760	230	1	60	9.5	22.2	25	270	CEILING MOUNTED DUCT TYPE			
FCU-18K	1	FAN COIL UNIT	PAHU	GROUND FLOOR	24.50	583	0.380	230	1	60	9.5	22.2	25	205	OUTDOOR AIR PROCESSING UNIT, CEILING SUSPENDED DUCT			
FCU-19G, 19I, 19K	3	FAN COIL UNIT	CHECK IN LOBBY (SPOT COOLING)	GROUND FLOOR	10.80	466	0.120	230	1	60	9.5	15.9	25		CEILING CASSETTE 4 WAY TYPE FAN COIL UNIT			
FCU-25	1	FAN COIL UNIT	BHS INLINE SCREENING (SPOT COOLING)	GROUND FLOOR	3.90	216	0.056	230	1	60	6.4	12.7	25		CEILING CASSETTE 4 WAY TYPE FAN COIL UNIT			
FCU-26A & 26B	2	FAN COIL UNIT	CONCESSION-9	GROUND FLOOR	2.45	191	0.056	230	1	60	6.4	12.7	25		CEILING CASSETTE 4 WAY TYPE FAN COIL UNIT			
FCU-27	1	FAN COIL UNIT	RAMP OFFICE	GROUND FLOOR	4.60	225	0.056	230	1	60	6.4	12.7	25		CEILING CASSETTE 4 WAY TYPE FAN COIL UNIT			
FCU-28A TO 28D	4	FAN COIL UNIT	CONCESSION-12	GROUND FLOOR	5.30	275	0.056	230	1	60	9.5	15.9	25		CEILING CASSETTE 4 WAY TYPE FAN COIL UNIT			
FCU-29A & 29B	2	FAN COIL UNIT	QUARANTINE	GROUND FLOOR	2.70	191	0.056	230	1	60	6.4	12.7	25		CEILING CASSETTE 4 WAY TYPE FAN COIL UNIT	EMERGENCY POWER, DUTY		
FCU-30	1	FAN COIL UNIT	AOD	GROUND FLOOR	3.40	216	0.056	230	1	60	6.4	12.7	25		CEILING CASSETTE 4 WAY TYPE FAN COIL UNIT	EMERGENCY POWER, DUTY		
FCU-31	1	FAN COIL UNIT	CUSTOM OFFICE	GROUND FLOOR	2.50	191	0.056	230	1	60	6.4	12.7	25		CEILING CASSETTE 4 WAY TYPE FAN COIL UNIT	EMERGENCY POWER, DUTY		
FCU-32	1	FAN COIL UNIT	CASHIER	GROUND FLOOR	0.90	75	0.040	230	1	60	6.4	12.7	13		WALL MOUNTED	EMERGENCY POWER, DUTY		
FCU-33	1	FAN COIL UNIT	INTELLIGENCE	GROUND FLOOR	2.30	191	0.056	230	1	60	6.4	12.7	25		CEILING CASSETTE 4 WAY TYPE FAN COIL UNIT	EMERGENCY POWER, DUTY		
FCU-34	1	FAN COIL UNIT	ICTS	GROUND FLOOR	1.20	75	0.040	230	1	60	6.4	12.7	25		WALL MOUNTED	EMERGENCY POWER, DUTY		
FCU-35A TO 35D	4	FAN COIL UNIT	CCO	GROUND FLOOR	5.95	275	0.056	230	1	60	9.5	15.9	25		CEILING CASSETTE 4 WAY TYPE FAN COIL UNIT	EMERGENCY POWER, DUTY		
FCU-18A, 18I, 18J	3	FAN COIL UNIT	PAHU	GROUND FLOOR	24.50	583	0.380	230	1	60	9.5	22.2	25	205	OUTDOOR AIR PROCESSING UNIT, CEILING SUSPENDED DUCT	EMERGENCY POWER, DUTY		
FCU-17A TO 17C	2	FAN COIL UNIT	INTERNATIONAL GATE LOUNGE	GROUND FLOOR	24.30	1200	0.760	230	1	60	9.5	22.2	25	270	CEILING MOUNT DUCT	EMERGENCY POWER, DUTY		
FCU-36A TO 36D	4	FAN COIL UNIT	DUTY FREE CONCESSION-4	GROUND FLOOR	2.60	191	0.056	230	1	60	6.4	12.7	25		CEILING CASSETTE 4 WAY TYPE FAN COIL UNIT	EMERGENCY POWER, DUTY		
FCU-18B & 18C	2	FAN COIL UNIT	PAHU	GROUND FLOOR	24.50	583	0.380	230	1	60	9.5	22.2	25		OUTDOOR AIR PROCESSING UNIT, CEILING SUSPENDED DUCT	EMERGENCY POWER, DUTY		
FCU-37	1	FAN COIL UNIT	ELEC ROOM-2	GROUND FLOOR	5.20	233	0.062	230	1	60	9.5	15.9	13		CEILING SUSPENDED	EMERGENCY POWER, DUTY		
FCU-38A & 38B	2	FAN COIL UNIT	STAFF & GOODS	GROUND FLOOR	3.95	225	0.056	230	1	60	6.4	12.7	25		CEILING CASSETTE 4 WAY TYPE FAN COIL UNIT	EMERGENCY POWER, DUTY		

	PREPARED BY: RENATO A. ARRIOLA <small>Filipino Registered Engineer</small> PROF: MECHANICAL ENGINEER PIR: 1725187 REG. NO: 2379 DATE: JANUARY 01, 2013 TEL: 150-563-379 PLACE: TAGUIG CITY	RECOMMENDING APPROVAL: ILDEFONSO T. PATDU, JR. <small>Assistant Secretary</small> for Project Implementation, DOTC	APPROVED: JULIANITO G. BUCAYAN, JR. <small>Undersecretary</small> for Project Implementation, DOTC	PROJECT TITLE: NEW BOHOL AIRPORT CONSTRUCTION AND SUSTAINABLE ENVIRONMENT PROTECTION PROJECT LOCATION: MUNICIPALITY OF PANGLAO, PROVINCE OF BOHOL, PHILIPPINES	SHEET CONTENTS: COMPONENT-4: BUILDING WORKS (B) SUBCOMPONENT-4-1: (B1) PASSENGER TERMINAL BUILDING (PTB) MECHANICAL VENTILATION AND AIR-CONDITIONING EQUIPMENT SCHEDULE (PART 1)	SHEET NO: B1-5200-01 DRAWING SCALE: AS SHOWN
	JICA DESIGN CONSULTANT JOINT VENTURE JAPAN AIRPORT CONSULTANTS, INC. NIPPON KOEI CO., LTD. NJS CONSULTANTS CO., LTD.				DATE: JUNE 2013 INDEX: _____ AMENDMENTS: _____ Prepared by: _____ Checked by: _____ Validated by: _____	

EQUIPMENT LIST (PTB):

INDOOR UNIT		OUTDOOR UNIT		EQUIPMENT	EQUIPMENT LOCATION & ROOM NO.	LEVEL	TOTAL COOLING CAPACITY (kW)	AIR FLOW (l/s)	ELECTRICAL CHARACTERISTICS				CONNECTION PIPE SIZE			EXTERNAL STATIC PRESSURE (Pa)	TYPE	REMARKS	ROOM TEMPERATURE
UNIT DESIGNATION	QTY.	UNIT DESIGNATION							POWER INPUT (kW)	VOLTS	PHASE	HERTZ	LEQUID	GAS	DRAIN				
FCU-17E, 17G, 17I	3	VRF-7	FAN COIL UNIT	DOMESTIC GATE LOUNGE	GROUND FLOOR	22.34	1200	0.760	230	1	60	9.5	22.2	25	270	CEILING MOUNTED DUCT TYPE	EMERGENCY POWER, DUTY	24 C+/DB 17.2 C WB	
FCU-18E	1		FAN COIL UNIT	PAHU	GROUND FLOOR	24.50	583	0.380	230	1	60	9.5	22.2	25	205	OUTDOOR AIR PROCESSING UNIT, CEILING SUSPENDED DUCT	EMERGENCY POWER, DUTY		
FCU-19B	1		FAN COIL UNIT	CHECK IN LOBBY (SPOT COOLING)	GROUND FLOOR	10.80	466	0.120	230	1	60	9.5	15.9	25		CEILING CASSETTE 4 WAY TYPE FAN COIL UNIT	EMERGENCY POWER, DUTY		
FCU-39A	1		FAN COIL UNIT	AIR LINE OFFICE-1	GROUND FLOOR	1.20	75	0.040	230	1	60	6.4	12.7	13		WALL MOUNTED	EMERGENCY POWER, DUTY		
FCU-39B	1		FAN COIL UNIT	AIR LINE OFFICE-2	GROUND FLOOR	1.20	75	0.040	230	1	60	6.4	12.7	13		WALL MOUNTED	EMERGENCY POWER, DUTY		
FCU-39C	1		FAN COIL UNIT	AIR LINE OFFICE-3	GROUND FLOOR	1.20	75	0.040	230	1	60	6.4	12.7	13		WALL MOUNTED	EMERGENCY POWER, DUTY		
FCU-39D	1		FAN COIL UNIT	AIR LINE OFFICE-4	GROUND FLOOR	1.20	75	0.040	230	1	60	6.4	12.7	13		WALL MOUNTED	EMERGENCY POWER, DUTY		
FCU-39E	1		FAN COIL UNIT	AIR LINE OFFICE-5	GROUND FLOOR	1.20	75	0.040	230	1	60	6.4	12.7	13		WALL MOUNTED	EMERGENCY POWER, DUTY		
FCU-39F	1		FAN COIL UNIT	AIR LINE OFFICE-6	GROUND FLOOR	1.20	75	0.040	230	1	60	6.4	12.7	13		WALL MOUNTED	EMERGENCY POWER, DUTY		
FCU-20A TO 20D	4	FAN COIL UNIT	SECURITY CHECK (SPOT COOLING)	GROUND FLOOR	3.30	216	0.056	230	1	60	6.4	12.7	25		CEILING CASSETTE 4 WAY TYPE FAN COIL UNIT	EMERGENCY POWER, DUTY			
FCU-17K & 17L	2	VRF-8	FAN COIL UNIT	DOMESTIC GATE LOUNGE	GROUND FLOOR	22.34	1200	0.760	230	1	60	9.5	22.2	25	270	CEILING MOUNTED DUCT	EMERGENCY POWER, DUTY		
FCU-43A & 43B	2		FAN COIL UNIT	BHS INLINE SCREENING (SPOT COOLING)	GROUND FLOOR	3.65	216	0.056	230	1	60	6.4	12.7	25		CEILING CASSETTE 4 WAY TYPE FAN COIL UNIT	EMERGENCY POWER, DUTY		
FCU-18G	1		FAN COIL UNIT	PAHU	GROUND FLOOR	24.50	583	0.380	230	1	60	9.5	22.2	25	205	OUTDOOR AIR PROCESSING UNIT, CEILING SUSPENDED DUCT	EMERGENCY POWER, DUTY		
FCU-19D, 19F, 19H, 19J	4	FAN COIL UNIT	CHECK IN LOBBY (SPOT COOLING)	GROUND FLOOR	10.80	466	0.120	230	1	60	9.5	15.9	25		CEILING CASSETTE 4 WAY TYPE FAN COIL UNIT	EMERGENCY POWER, DUTY			
FCU-44	1	VRF-9	FAN COIL UNIT	ELEC ROOM-2	GROUND FLOOR	5.20	233	0.062	230	1	60	9.5	15.9	13		WALL MOUNTED	EMERGENCY POWER, STAND-BY		
FCU-45	1		FAN COIL UNIT	ICTS	GROUND FLOOR	1.80	75	0.040	230	1	60	6.4	12.7	25		WALL MOUNTED	EMERGENCY POWER, STAND-BY		
FCU-46A TO 46C	3		FAN COIL UNIT	CCO	GROUND FLOOR	12.20	466	0.120	230	1	60	9.5	15.9	25		CEILING CASSETTE 4 WAY TYPE FAN COIL UNIT	EMERGENCY POWER, STAND-BY		

OUTDOOR UNIT (PTB):

UNIT DESIGNATION	EQUIPMENT	AREA SERVED	EQUIPMENT LOCATION	QTY.	TOTAL COOLING CAPACITY (kW)	REFRIGERANT	CONNECTION PIPE SIZE		ELECTRICAL CHARACTERISTICS				REMARKS	
							LEQUID	GAS	POWER INPUT	VOLTS	PHASE	HERTZ		
VRF-01	CONDENSING UNIT	GROUND FLOOR	ROOF DECK	1	121	R410A	19.1	41.3	39.6	230	3	60	OUTDOOR TEMP: 35.0°C DB INDOOR TEMP: 24.0°C DB 17.2°C WB	NORMAL POWER, DUTY
VRF-02	CONDENSING UNIT	GROUND FLOOR	ROOF DECK	1	121	R410A	19.1	41.3	39.6	230	3	60		NORMAL POWER, DUTY
VRF-03	CONDENSING UNIT	GROUND FLOOR	ROOF DECK	1	121	R410A	19.1	41.3	39.6	230	3	60		NORMAL POWER, DUTY
VRF-04	CONDENSING UNIT	GROUND FLOOR	ROOF DECK	1	121	R410A	19.1	41.3	39.6	230	3	60		NORMAL POWER, DUTY
VRF-05	CONDENSING UNIT	GROUND FLOOR	ROOF DECK	1	121	R410A	19.1	41.3	39.6	230	3	60		EMERGENCY POWER, DUTY
VRF-06	CONDENSING UNIT	GROUND FLOOR	ROOF DECK	1	121	R410A	19.1	41.3	39.6	230	3	60		EMERGENCY POWER, DUTY
VRF-07	CONDENSING UNIT	GROUND FLOOR	ROOF DECK	1	121	R410A	19.1	41.3	39.6	230	3	60		EMERGENCY POWER, DUTY
VRF-08	CONDENSING UNIT	GROUND FLOOR	ROOF DECK	1	121	R410A	19.1	41.3	39.6	230	3	60		EMERGENCY POWER, DUTY
VRF-09	CONDENSING UNIT	GROUND FLOOR	ROOF DECK	1	58	R410A	15.9	34.9	15.75	230	3	60		EMERGENCY POWER, STAND-BY

	PREPARED BY: RENATO A. ARRIOLA <small>Filipino Registered Engineer</small> PROF. MECHANICAL ENGINEER PTR. 1725187 REG. NO: 2379 DATE: JANUARY 01, 2013 TEL: 150-563-379 PLACE: TAGBILIG CITY	RECOMMENDING APPROVAL: ILDEFONSO T. PATDU, JR. <small>Assistant Secretary</small> for Project Implementation, DOTC	APPROVED: JULIANITO G. BUCAYAN, JR. <small>Undersecretary</small> for Project Implementation, DOTC	PROJECT TITLE: NEW BOHOL AIRPORT CONSTRUCTION AND SUSTAINABLE ENVIRONMENT PROTECTION PROJECT LOCATION: MUNICIPALITY OF PANGLAO, PROVINCE OF BOHOL, PHILIPPINES	SHEET CONTENTS: COMPONENT-4: BUILDING WORKS (B) SUBCOMPONENT-4-1: (B1) PASSENGER TERMINAL BUILDING (PTB) MECHANICAL VENTILATION AND AIR-CONDITIONING EQUIPMENT SCHEDULE (PART 2)	SHEET NO: B1-5200-02 DRAWING SCALE: AS SHOWN
	JICA DESIGN CONSULTANT JOINT VENTURE JAPAN AIRPORT CONSULTANTS, INC. NIPPON KOEI CO., LTD. NJS CONSULTANTS CO., LTD.	DATE: JUNE 2013 INDEX: _____ AMENDMENTS: _____ Prepared by: _____ Checked by: _____ Validated by: _____	WIM HC			

EXHAUST FANS:

UNIT DESIGNATION	EQUIPMENT	LEVEL	AREA SERVED	QTY.	AIR VOLUME (m ³ /hr)	STATIC PRESSURE (Pa)	ELECTRICAL CHARACTERISTICS				TYPE	REMARKS	
							POWER INPUT (kw)	VOLTS	PHASE	HERTZ			
EF-01	EXHAUST FAN	GROUND FLOOR	BHS IN-LINE SCREENING	1	1875	150	0.3	230	3	60	IN-LINE AXIAL FAN	LOW NOISE TYPE	
EF-02	EXHAUST FAN	GROUND FLOOR	ELECTRICAL ROOM-1	1	7420	170	1.6	230	3	60	IN-LINE AXIAL FAN	LOW NOISE TYPE	
EF-03	EXHAUST FAN	GROUND FLOOR	MECHANICAL ROOM-1	1	3103	130	0.45	230	3	60	IN-LINE AXIAL FAN	LOW NOISE TYPE	
EF-04	EXHAUST FAN	GROUND FLOOR	ELECTRICAL ROOM-3 MECHANICAL ROOM-2	1	8519	150	2.4	230	3	60	IN-LINE AXIAL FAN	LOW NOISE TYPE	
EF-05	EXHAUST FAN	GROUND FLOOR	TOILET 1	1	2742	180	0.45	230	3	60	IN-LINE AXIAL FAN	LOW NOISE TYPE	WITH SILENCER
EF-06	EXHAUST FAN	GROUND FLOOR	TOILET 2	1	2779	180	0.45	230	3	60	IN-LINE AXIAL FAN	LOW NOISE TYPE	WITH SILENCER
EF-07	EXHAUST FAN	GROUND FLOOR	TOILET 3	1	2647	200	0.45	230	3	60	IN-LINE AXIAL FAN	LOW NOISE TYPE	WITH SILENCER
EF-08	EXHAUST FAN	GROUND FLOOR	TOILET 4	1	2230	160	0.3	230	3	60	IN-LINE AXIAL FAN	LOW NOISE TYPE	WITH SILENCER
EF-09	EXHAUST FAN	GROUND FLOOR	TOILET 5	1	2660	200	0.45	230	3	60	IN-LINE AXIAL FAN	LOW NOISE TYPE	WITH SILENCER
EF-10	EXHAUST FAN	GROUND FLOOR	TOILET 6	1	2647	260	0.45	230	3	60	IN-LINE AXIAL FAN	LOW NOISE TYPE	WITH SILENCER
EF-11	EXHAUST FAN	GROUND FLOOR	TOILET 7	1	382	150	0.15	230	1	60	IN-LINE AXIAL FAN	LOW NOISE TYPE	WITH SILENCER
EF-12	EXHAUST FAN	GROUND FLOOR	TOILET 8/RAMP ACCOM.	1	1079	130	0.15	230	3	60	IN-LINE AXIAL FAN	LOW NOISE TYPE	WITH SILENCER
EF-13	EXHAUST FAN	GROUND FLOOR	TOILET 9	1	103	150	0.15	230	3	60	IN-LINE AXIAL FAN	LOW NOISE TYPE	WITH SILENCER
EF-14	EXHAUST FAN	GROUND FLOOR	TOILET 10	1	112	150	0.15	230	3	60	IN-LINE AXIAL FAN	LOW NOISE TYPE	WITH SILENCER
EF-15	EXHAUST FAN	GROUND FLOOR	PANTRY-2	1	360	60	0.045	230	1	60	CEILING CASSET FAN	LOW NOISE TYPE	
EF-16	EXHAUST FAN	GROUND FLOOR	BONDED STORE ELECTRICAL ROOM-2 FM-200 COPY ROOM STO. PANTRY-1	1	1460	240	0.28	230	3	60	IN-LINE AXIAL FAN	LOW NOISE TYPE	WITH SILENCER
SF-01	EXHAUST FAN	GROUND FLOOR	BHS IN-LINE SCREENING	1	1875	150	0.3	230	3	60	IN-LINE AXIAL FAN	LOW NOISE TYPE	
SF-02	EXHAUST FAN	GROUND FLOOR	ELECTRICAL ROOM-1	1	7420	170	1.6	230	3	60	IN-LINE AXIAL FAN	LOW NOISE TYPE	
SF-03	EXHAUST FAN	GROUND FLOOR	MECHANICAL ROOM-1	1	3103	130	0.45	230	3	60	IN-LINE AXIAL FAN	LOW NOISE TYPE	

FRESH AIR FILTER UNIT:

UNIT DESIGNATION	EQUIPMENT	AREA SERVED	EQUIPMENT LOCATION	QTY.	AIR FLOW (l/s)	EXTERNAL STATIC PRESSURE (Pa)	ELECTRICAL CHARACTERISTICS				REMARKS	
							POWER INPUT (kW)	VOLTS	PHASE	HERTZ		
FFU-01	FRESH AIR FILTER UNIT	MECHANICAL ROOM GROUND FLOOR	GROUND FLOOR	1	11,990	300	18.5	230	3	60	PRE FILTER ARI 80% ABOVE; MEDIUM FILTER NBS 80% ABOVE	EMERGENCY POWER, DUTY
FFU-02	FRESH AIR FILTER UNIT	MECHANICAL ROOM SECOND FLOOR	GROUND FLOOR	1	9,620	300	15	230	3	60	PRE FILTER ARI 80% ABOVE; MEDIUM FILTER NBS 80% ABOVE	EMERGENCY POWER, DUTY

	PREPARED BY: RENATO A. ARRIOLA <small>Mechanical Engineer</small>	RECOMMENDING APPROVAL: ILDEFONSO T. PATDU, JR. <small>Assistant Secretary for Project Implementation, DOTC</small>	APPROVED: JULIANITO G. BUCAYAN, JR. <small>Undersecretary for Project Implementation, DOTC</small>	PROJECT TITLE: NEW BOHOL AIRPORT CONSTRUCTION AND SUSTAINABLE ENVIRONMENT PROTECTION PROJECT	LOCATION: MUNICIPALITY OF PANGLAO, PROVINCE OF BOHOL, PHILIPPINES	SHEET CONTENTS: COMPONENT-4: BUILDING WORKS (B) SUBCOMPONENT-4-1: (B1) PASSENGER TERMINAL BUILDING (PTB)	SHEET NO: B1-5200-03	
	JICA DESIGN CONSULTANT JOINT VENTURE	TADASHI AOI <small>Team Leader</small>	JULIANITO G. BUCAYAN, JR. <small>Undersecretary for Project Implementation, DOTC</small>	DATE: JANUARY 07, 2013 PLACE: TAGBILAR CITY	DATE: JUNE 2013	INDEX:	AMENDMENTS:	Prepared by: WIM Checked by: HC Validated by:

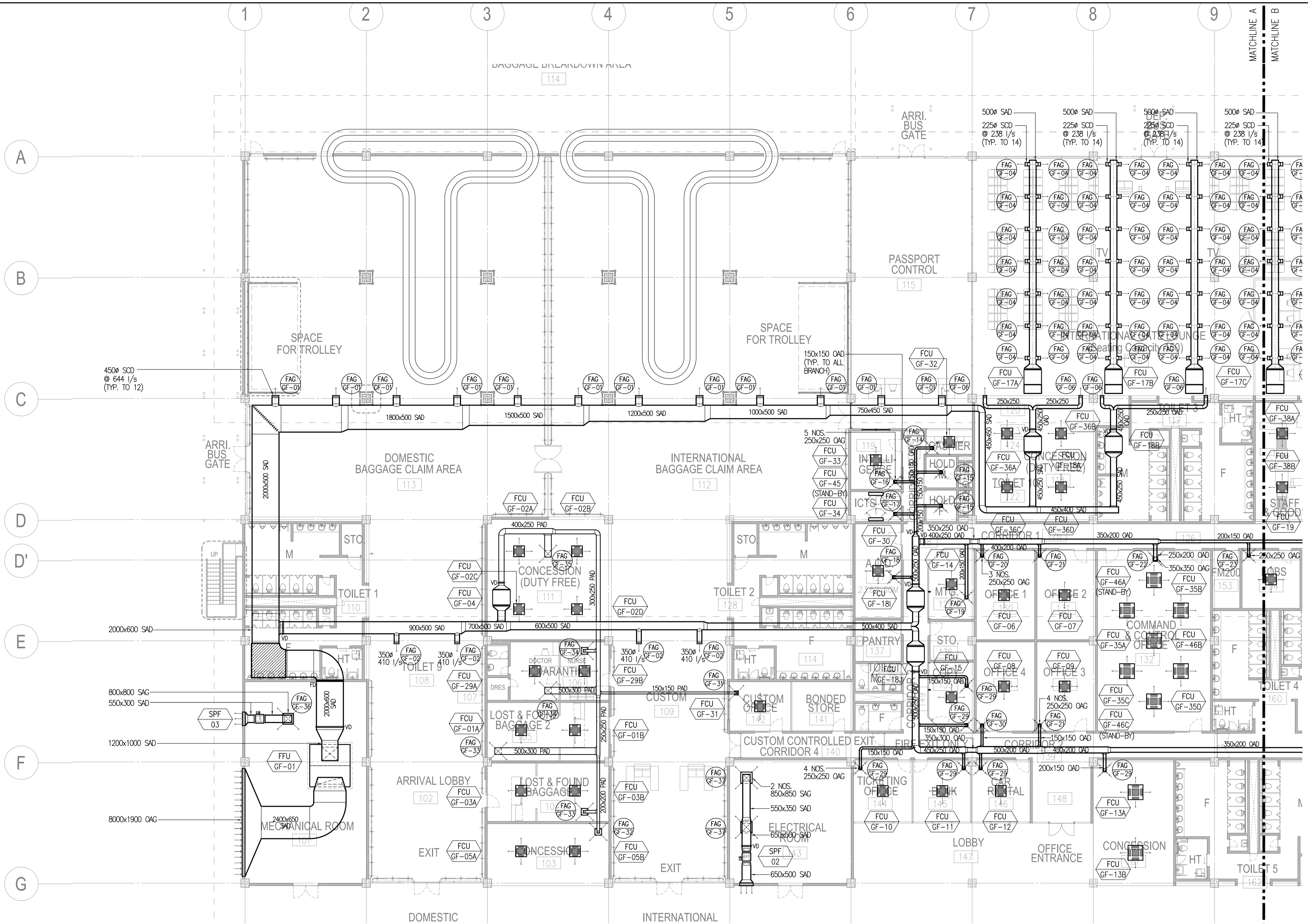
AIR TERMINAL DEVICE:

UNIT DESIGNATION	QTY.	EQUIPMENT LOCATION	DIMENSION	TYPE	CAPACITY (lps)	NOISE CRITERIA LEVEL	REMARKS
FAG-01	12	DOMESTIC BAGGAGE CLAIM AREA INTERNATIONAL BAGGAGE CLAIM AREA	450ø	JET DIFFUSER	644	20	
FAG-02	4	DOMESTIC EXIT INTERNATIONAL EXIT	350ø	JET DIFFUSER	410	20	
FAG-03	14	CHECK-IN LOBBY	350ø	JET DIFFUSER	447	20	
FAG-04	168	DOMESTIC GATE LOUNGE INTERNATIONAL GATE LOUNGE CONCESSION 172	225ø	JET DIFFUSER	238	20	
FAG-05	2	BHS IN-LINE SCREENING	450mm X 450mm	FRESH AIR GRILLE	261	20	
FAG-06	4	INTERNATIONAL GATE LOUNGE	450mm X 450mm	FRESH AIR GRILLE	272	20	
FAG-07	2	PASSPORT CONTROL 2	400mm X 400mm	FRESH AIR GRILLE	233	20	
FAG-08	2	DOMESTIC GATE LOUNGE	350mm X 350mm	FRESH AIR GRILLE	135	20	
FAG-09	2	DOMESTIC GATE LOUNGE	400mm X 400mm	FRESH AIR GRILLE	237	20	
FAG-10	6	DOMESTIC GATE LOUNGE CONCESSION 172	450mm X 450mm	FRESH AIR GRILLE	265	20	
FAG-11	6	AIRLINE OFFICE 1 AIRLINE OFFICE 2 AIRLINE OFFICE 3 AIRLINE OFFICE 4 AIRLINE OFFICE 5 AIRLINE OFFICE 6	250mm X 250mm	FRESH AIR GRILLE	15	20	
FAG-12	1	SECURITY CHECK	450mm X 450mm	FRESH AIR GRILLE	260	20	
FAG-13	1	STAFF & GOODS	300mm X 300mm	FRESH AIR GRILLE	64	20	
FAG-14	1	CASHER	250mm X 250mm	FRESH AIR GRILLE	10	20	
FAG-15	2	HOLD M HOLD F	250mm X 250mm	FRESH AIR GRILLE	15	20	
FAG-16	1	INTELLIGENCE	250mm X 250mm	FRESH AIR GRILLE	27	20	
FAG-17	1	ICTS	250mm X 250mm	FRESH AIR GRILLE	13	20	
FAG-18	1	AOD	250mm X 250mm	FRESH AIR GRILLE	39	20	
FAG-19	1	MTG.	250mm X 250mm	FRESH AIR GRILLE	81	20	
FAG-20	1	OFFICE 1	250mm X 250mm	FRESH AIR GRILLE	42	20	
FAG-21	1	OFFICE 2 OFFICE 3	250mm X 250mm	FRESH AIR GRILLE	44	20	
FAG-22	1	COMMAND AND CONTROL OFFICE	350mm X 350mm	FRESH AIR GRILLE	188	20	
FAG-23	1	FOBS	250mm X 250mm	FRESH AIR GRILLE	30	20	
FAG-24	1	ELECTRICAL ROOM 2	250mm X 250mm	FRESH AIR GRILLE	14	20	
FAG-25	2	SECURITY OFFICE	250mm X 250mm	FRESH AIR GRILLE	27	20	
FAG-26	1	CONCESSION 134	300mm X 300mm	FRESH AIR GRILLE	118	20	
FAG-27	1	CONCESSION 148	300mm X 300mm	FRESH AIR GRILLE	151	20	
FAG-28	1	CONCESSION 146	250mm X 250mm	FRESH AIR GRILLE	92	20	
FAG-29	5	CAR RENTAL BANK TICKETING OFFICE COPY	250mm X 250mm	FRESH AIR GRILLE	33	20	
FAG-30	1	OFFICE 4	250mm X 250mm	FRESH AIR GRILLE	42	20	
FAG-31	1	CUSTOM OFFICE	250mm X 250mm	FRESH AIR GRILLE	27	20	
FAG-32	1	CONCESSION 105	250mm X 250mm	FRESH AIR GRILLE	68	20	
FAG-33	2	LOST AND FOUND BAGGAGE 109 LOST AND FOUND BAGGAGE 110	250mm X 250mm	FRESH AIR GRILLE	64	20	
FAG-34	2	QUARANTINE	250mm X 250mm	FRESH AIR GRILLE	63	20	
FAG-35	1	CONCESSION 111	250mm X 250mm	FRESH AIR GRILLE	137	20	
FAG-36	1	MECHANICAL ROOM 1	800mm X 800mm	FRESH AIR GRILLE	861	20	
FAG-37	2	ELECTRICAL ROOM 1	850mm X 850mm	FRESH AIR GRILLE	1030	20	

AIR TERMINAL DEVICE:

UNIT DESIGNATION	QUANTITY	EQUIPMENT LOCATION	DIMENSION	TYPE	CAPACITY (lps)	NOISE CRITERIA LEVEL	REMARKS
EAG-01	6	TOILET 1	300mm X 300mm	EXHAUST AIR GRILLE	114	20	
EAG-02	1	TOILET 1 STORAGE	250mm X 250mm	EXHAUST AIR GRILLE	28	20	
EAG-03	1	HANDICAP TOILET 1	250mm X 250mm	EXHAUST AIR GRILLE	53	20	
EAG-04	1	TOILET 9 / QUARANTINE TOILET	250mm X 250mm	EXHAUST AIR GRILLE	29	20	
EAG-05	1	MECHANICAL ROOM 1	800mm X 800mm	EXHAUST AIR GRILLE	861	20	
EAG-06	6	TOILET 2	300mm X 300mm	EXHAUST AIR GRILLE	115	20	
EAG-07	1	TOILET 2 STORAGE	250mm X 250mm	EXHAUST AIR GRILLE	31	20	
EAG-08	1	HANDICAP TOILET 2	250mm X 250mm	EXHAUST AIR GRILLE	53	20	
EAG-09	2	TOILET 7 M/F	250mm X 250mm	EXHAUST AIR GRILLE	53	20	
EAG-10	2	ELECTRICAL ROOM 1	850mm X 850mm	EXHAUST AIR GRILLE	1030	20	
EAG-11	1	BONDED STORE	250mm X 250mm	EXHAUST AIR GRILLE	62	20	
EAG-12	1	COPY	300mm X 300mm	EXHAUST AIR GRILLE	125	20	
EAG-13	1	STO.	250mm X 250mm	EXHAUST AIR GRILLE	69	20	
EAG-14	1	FM 200	250mm X 250mm	EXHAUST AIR GRILLE	36	20	
EAG-15	1	ELECTRICAL ROOM 2	250mm X 250mm	EXHAUST AIR GRILLE	40	20	
EAG-16	2	TOILET 10 M/F	250mm X 250mm	EXHAUST AIR GRILLE	16	20	
EAG-17	6	TOILET 3	300mm X 300mm	EXHAUST AIR GRILLE	114	20	
EAG-18	1	HANDICAP TOILET 3	250mm X 250mm	EXHAUST AIR GRILLE	53	20	
EAG-19	6	TOILET 5	300mm X 300mm	EXHAUST AIR GRILLE	115	20	
EAG-20	1	HANDICAP TOILET 5	250mm X 250mm	EXHAUST AIR GRILLE	53	20	
EAG-21	6	TOILET 4	300mm X 300mm	EXHAUST AIR GRILLE	95	20	
EAG-22	1	HANDICAP TOILET 4	250mm X 250mm	EXHAUST AIR GRILLE	53	20	
EAG-23	5	TOILET 6	300mm X 300mm	EXHAUST AIR GRILLE	137	20	
EAG-24	1	HANDICAP TOILET 6	250mm X 250mm	EXHAUST AIR GRILLE	53	20	
EAG-25	2	BHS IN-LINE SCREENING	450mm X 450mm	EXHAUST AIR GRILLE	261	20	
EAG-26	3	TOILET 8 / RAMP ACCOM.	300mm X 300mm	EXHAUST AIR GRILLE	100	20	
EAG-27	2	ELECTRICAL RM. 3 / MECHANICAL RM. 2	850mm X 850mm	EXHAUST AIR GRILLE	991	20	

	PREPARED BY: _____ PROF: _____ PIR: _____ REC. NO.: _____ DATE: _____ SIGN: _____ PLACE: _____	RECOMMENDING APPROVAL: _____ ILDEFONSO T. PATDU, JR. Assistant Secretary for Project Implementation, DOTC	APPROVED: _____ JULIANITO G. BUCAYAN, JR. Undersecretary for Project Implementation, DOTC	PROJECT TITLE: NEW BOHOL AIRPORT CONSTRUCTION AND SUSTAINABLE ENVIRONMENT PROTECTION PROJECT LOCATION: MUNICIPALITY OF PANGLAO, PROVINCE OF BOHOL, PHILIPPINES	SHEET CONTENTS: COMPONENT-4: BUILDING WORKS (B) SUBCOMPONENT-4-1: (B1) PASSENGER TERMINAL BUILDING (PTB) MECHANICAL VENTILATION AND AIR-CONDITIONING EQUIPMENT SCHEDULE (PART 4)	SHEET NO: B1-5200-04 DRAWING SCALE: AS SHOWN
	JICA DESIGN CONSULTANT JOINT VENTURE JAPAN AIRPORT CONSULTANTS, INC.	TADASHI AOI Team Leader	JUNE 2013 DATE INDEX AMENDMENTS	Prepared by: _____ Checked by: _____ Validated by: _____		

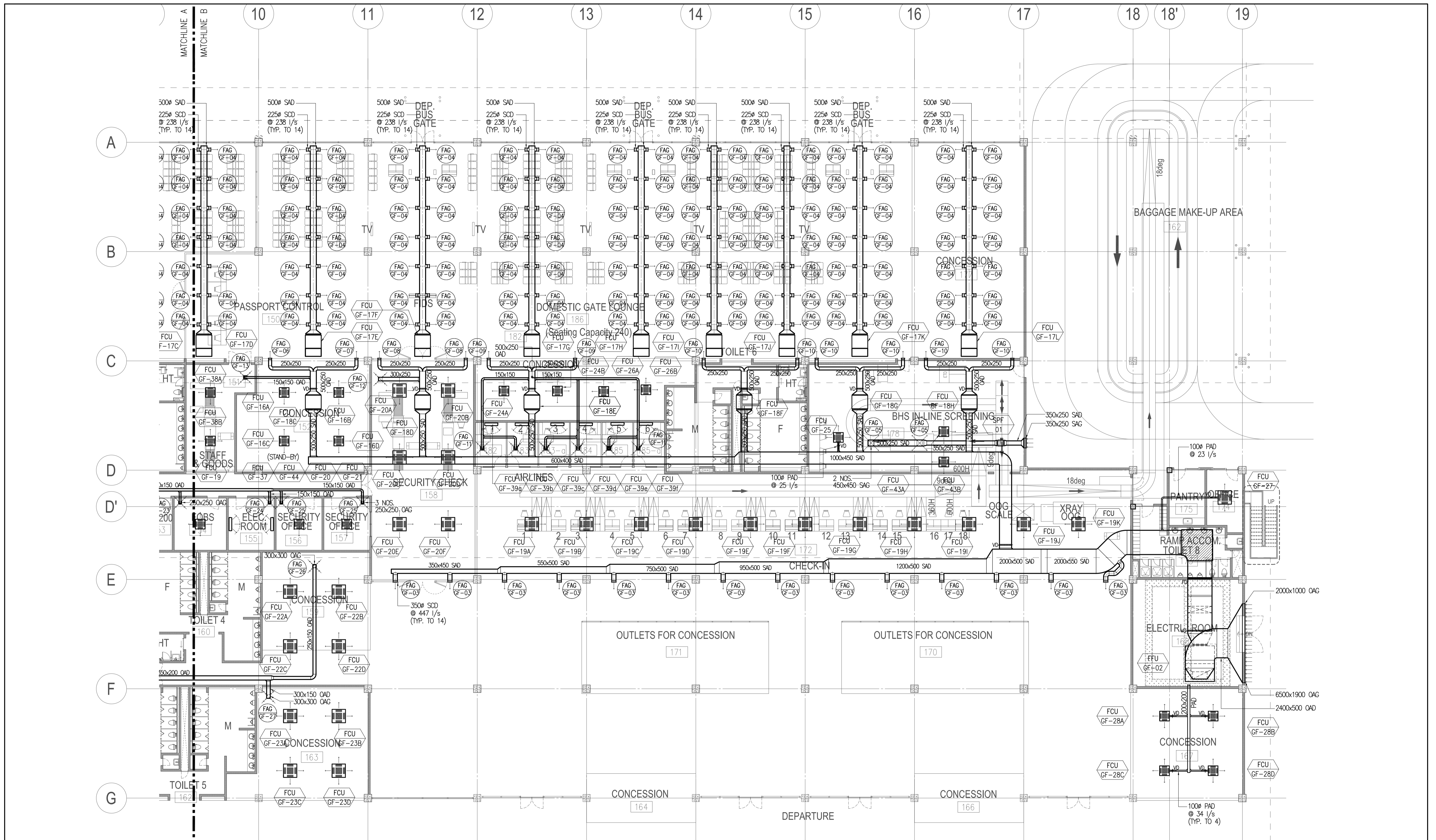


**PASSENGER TERMINAL BUILDING
GROUND FLOOR AIR-CONDITIONING & VENTILATION LAYOUT (PART A)**

1
B1-5200-06 SCALE

1:150M

	PREPARED BY: RENATO A. ARRIOLA <small>Filipino Registered Engineer</small> <small>PROJ. MECHANICAL ENGINEER PIR. 1725187</small> <small>REG. NO. 2379 DATE: JANUARY 01, 2013</small> <small>TIN. 150-563-379 PLACE: TAGUIG CITY</small>	RECOMMENDING APPROVAL: ILDEFONSO T. PATDU, JR. <small>Assistant Secretary</small> <small>for Project Implementation, DOTC</small>	APPROVED: JULIANITO G. BUCAYAN, JR. <small>Undersecretary</small> <small>for Project Implementation, DOTC</small>	PROJECT TITLE: NEW BOHOL AIRPORT CONSTRUCTION AND SUSTAINABLE ENVIRONMENT PROTECTION PROJECT	LOCATION: MUNICIPALITY OF PANGLAO, PROVINCE OF BOHOL, PHILIPPINES	SHEET CONTENTS: COMPONENT-4: BUILDING WORKS (B) SUBCOMPONENT-4-1: (B1) PASSENGER TERMINAL BUILDING (PTB) MECHANICAL VENTILATION AND AIR-CONDITIONING AIR-CONDITIONING, MECHANICAL AND VENTILATION (PART A)	SHEET NO: B1-5200-06 DRAWING SCALE: 1:150M
	JICA DESIGN CONSULTANT JOINT VENTURE JAC JAPAN AIRPORT CONSULTANTS, INC. NK NIPPON KOEI CO., LTD. NIS NIS CONSULTANTS CO., LTD.	TADASHI AOI <small>Team Leader</small>	ILDEFONSO T. PATDU, JR. <small>Assistant Secretary</small> <small>for Project Implementation, DOTC</small>	JULIANITO G. BUCAYAN, JR. <small>Undersecretary</small> <small>for Project Implementation, DOTC</small>	DATE: JUNE 2013 INDEX: - AMENDMENTS: - Prepared by: WIM Checked by: IIC Validated by:	JUNE 2013 INDEX: - AMENDMENTS: - Prepared by: WIM Checked by: IIC Validated by:	SHEET NO: B1-5200-06 DRAWING SCALE: 1:150M

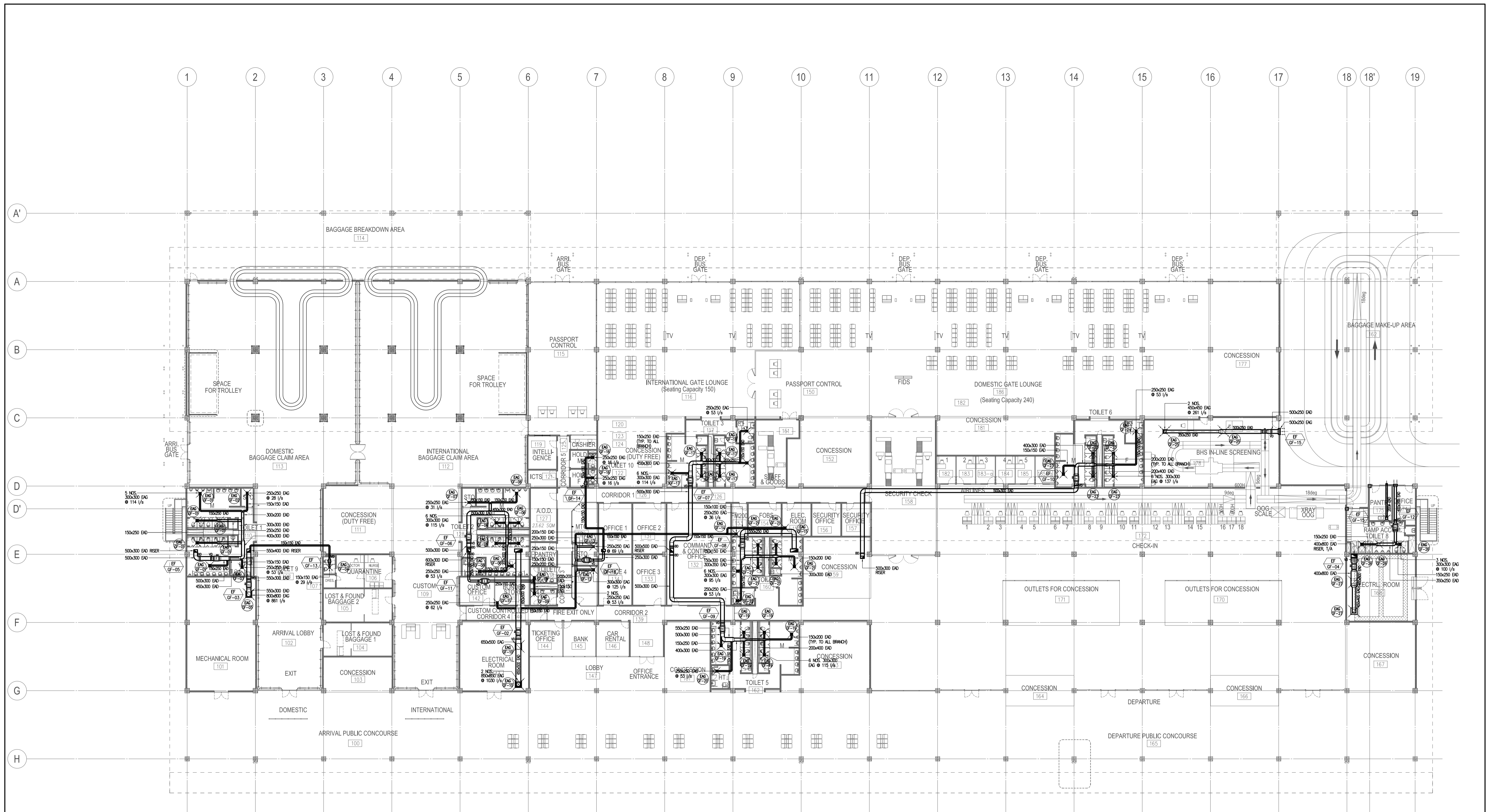


**PASSENGER TERMINAL BUILDING
GROUND FLOOR AIR-CONDITIONING & VENTILATION LAYOUT (PART B)**

1
B1-5200-07 SCALE

1:150M

	PREPARED BY: RENATO A. ARRIOLA <small>Philippine Registered Engineer</small> <small>PROF. MECHANICAL ENGINEER PIR. 1725187</small> <small>REG. NO. 2379 DATE: JANUARY 07, 2013</small> <small>TIN. 150-563-379 PLACE: TAGUIG CITY</small>	RECOMMENDING APPROVAL: JILDEFONSO T. PATDU, JR. <small>Assistant Secretary for Project Implementation, DOTC</small>	APPROVED: JULIANITO G. BUCAYAN, JR. <small>Undersecretary for Project Implementation, DOTC</small>	PROJECT TITLE: <p style="text-align: center;">NEW BOHOL AIRPORT CONSTRUCTION AND SUSTAINABLE ENVIRONMENT PROTECTION PROJECT</p> LOCATION: MUNICIPALITY OF PANGLAO, PROVINCE OF BOHOL, PHILIPPINES	SHEET CONTENTS: COMPONENT-4: BUILDING WORKS (B) SUBCOMPONENT-4-1: (B1) PASSENGER TERMINAL BUILDING (PTB) MECHANICAL VENTILATION AND AIR-CONDITIONING AIR-CONDITIONING, MECHANICAL AND VENTILATION (PART B)	SHEET NO: B1-5200-07 DRAWING SCALE: 1:150M
	JICA DESIGN CONSULTANT JOINT VENTURE 	TADASHI AOI <small>Team Leader</small>	JUNE 2013 DATE INDEX AMENDMENTS	Prepared by: [] Checked by: [] Validated by: []		



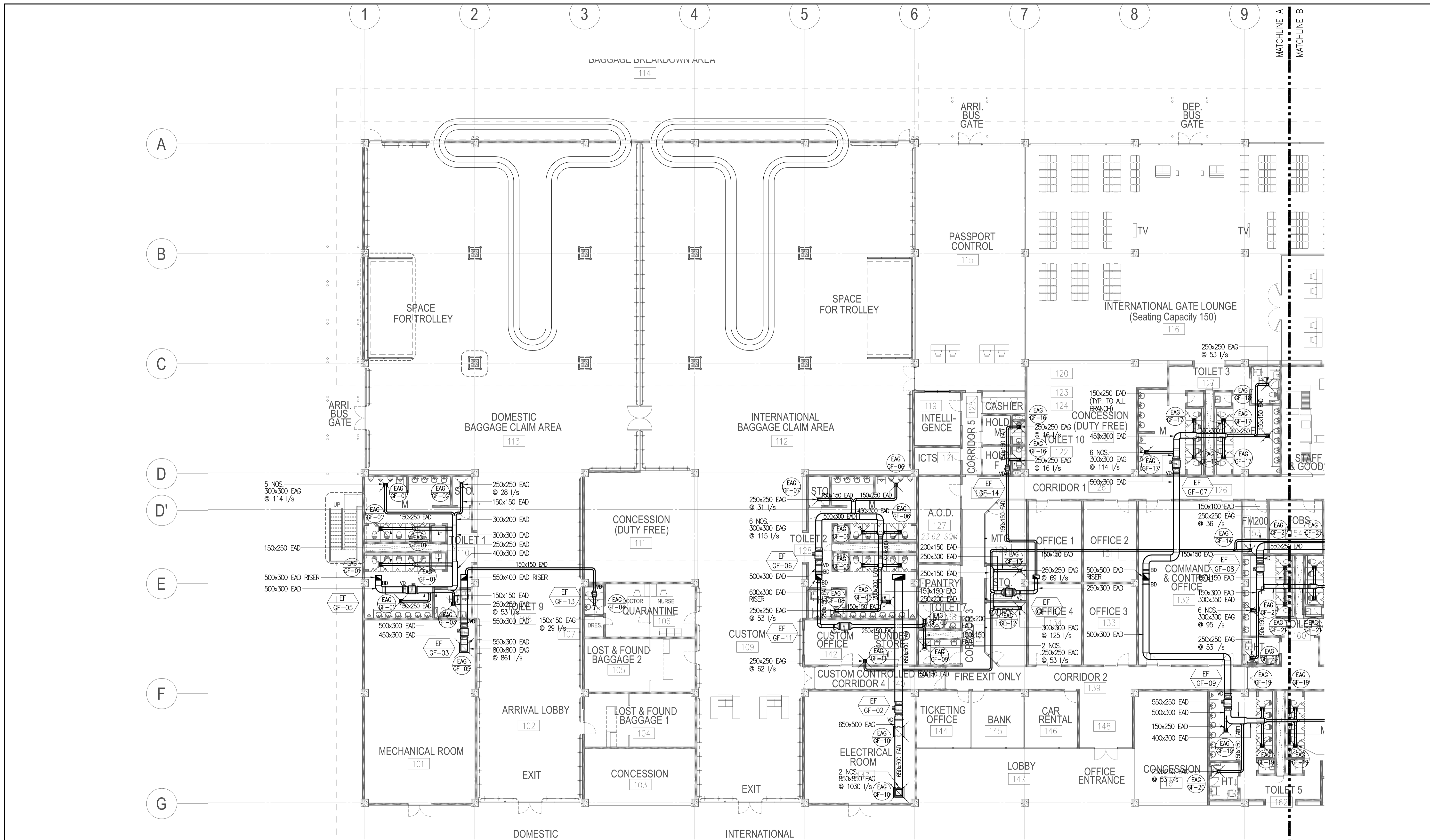
**PASSENGER TERMINAL BUILDING
GROUND FLOOR EXHAUST LAYOUT (PART A)**

1
B1-5200-07

SCALE

1:250M

	PREPARED BY: RENATO A. ARRIOLA <small>Filipino Registered Engineer</small> PROF. MECHANICAL ENGINEER PIR. 1725187 REC. NO. 2379 DATE: JANUARY 07, 2013 TEL. 150-563-379 PLACE: TAGBILAR CITY	RECOMMENDING APPROVAL: ILDEFONSO T. PATDU, JR. <small>Assistant Secretary for Project Implementation, DOTC</small>	APPROVED: JULIANITO G. BUCAYAN, JR. <small>Undersecretary for Project Implementation, DOTC</small>	PROJECT TITLE: NEW BOHOL AIRPORT CONSTRUCTION AND SUSTAINABLE ENVIRONMENT PROTECTION PROJECT	LOCATION: MUNICIPALITY OF PANGLAO, PROVINCE OF BOHOL, PHILIPPINES	SHEET CONTENTS: COMPONENT-4: BUILDING WORKS (B) SUBCOMPONENT-4-1: (B1) PASSENGER TERMINAL BUILDING (PTB) MECHANICAL VENTILATION AND AIR-CONDITIONING EXHAUST LAYOUT	SHEET NO: B1-5200-08 DRAWING SCALE: 1:250M
	JICA DESIGN CONSULTANT JOINT VENTURE JAC JAPAN AIRPORT CONSULTANTS, INC. NK NIPPON KOEI CO., LTD. NJS NJS CONSULTANTS CO., LTD.	JUNE 2013 DATE INDEX AMENDMENTS Prepared by: WIM Checked by: HC Validated by:					

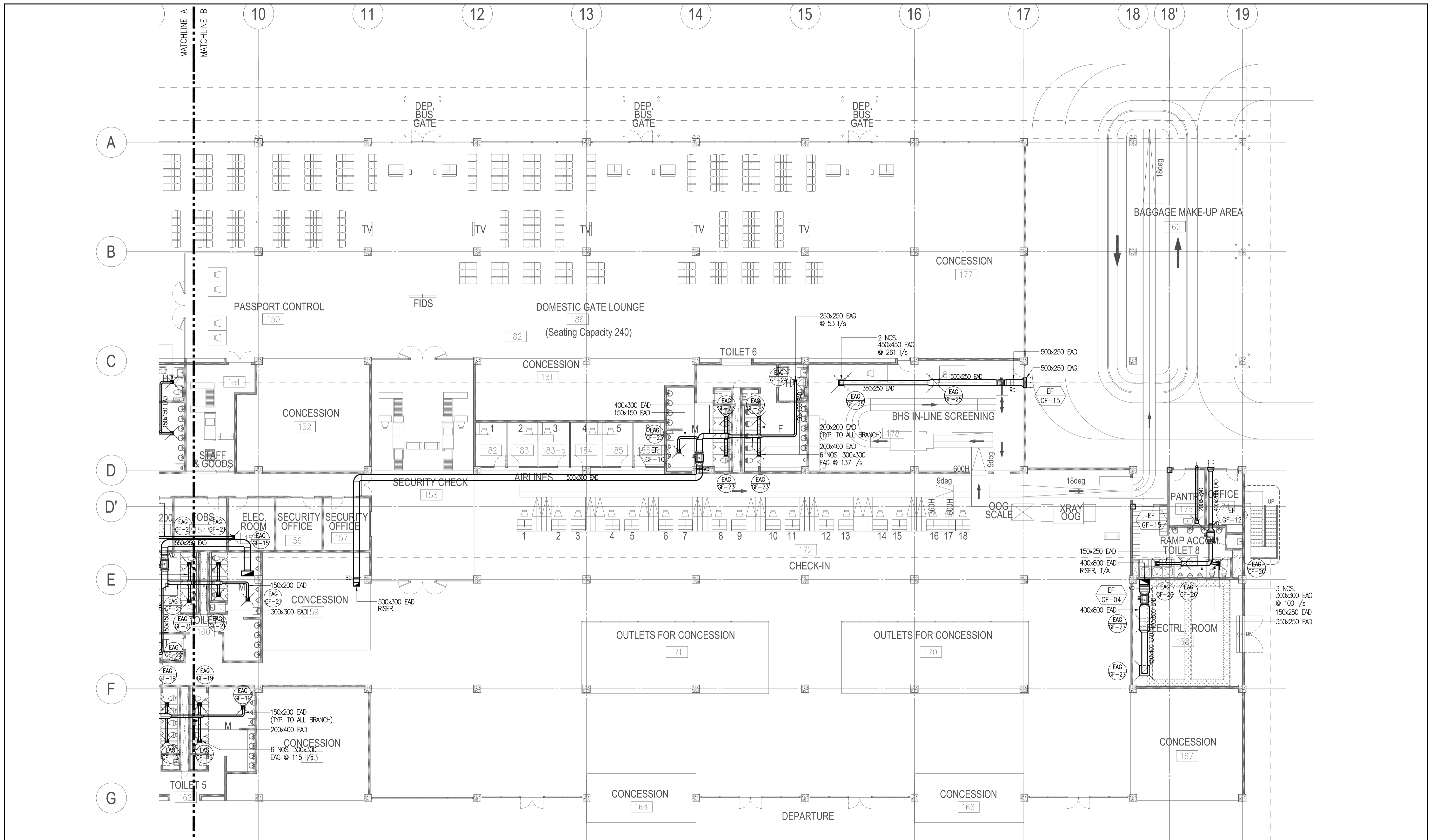


**PASSENGER TERMINAL BUILDING
GROUND FLOOR EXHAUST LAYOUT (PART A)**

1
B1-5200-08 SCALE

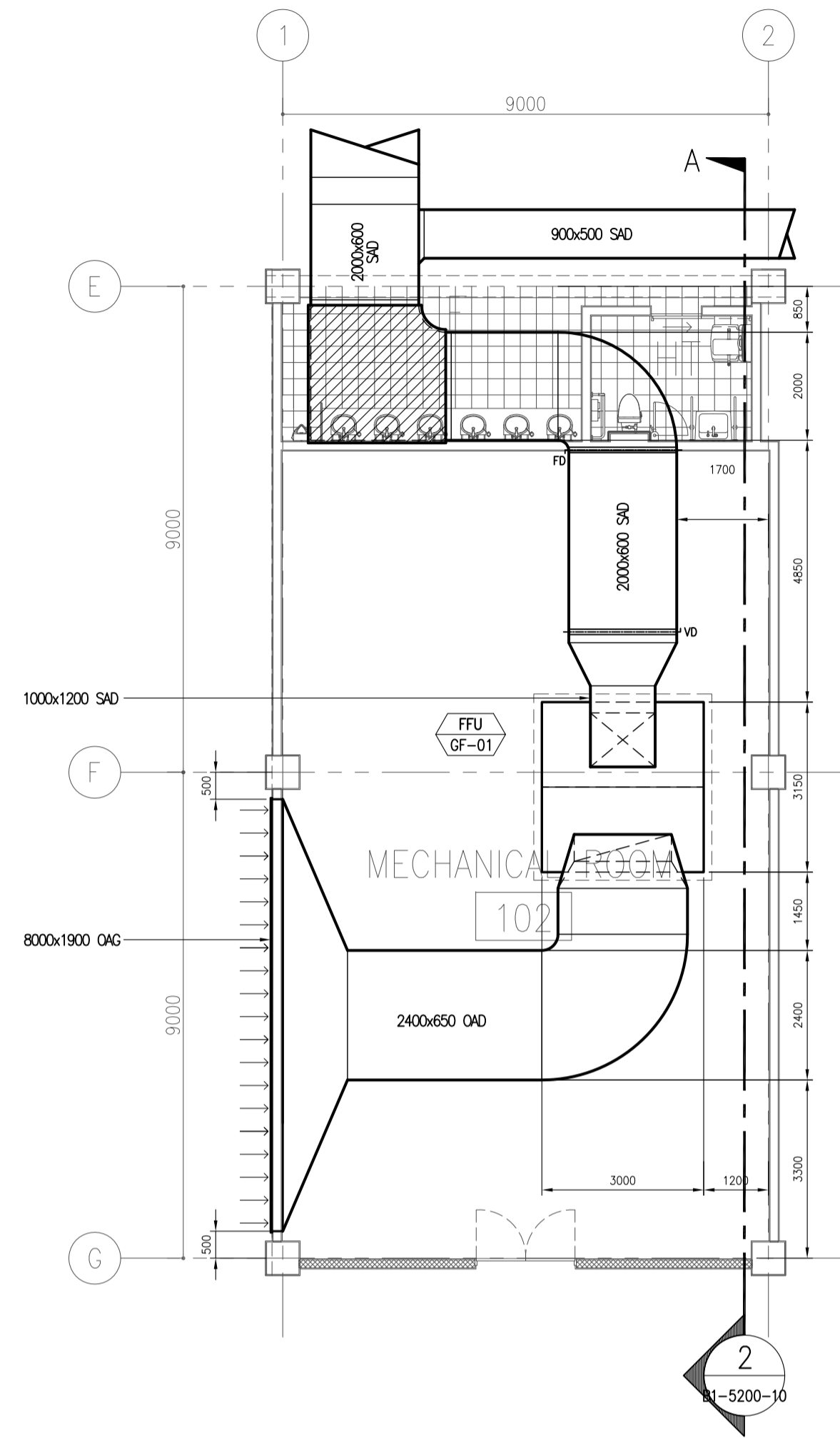
1:150M

	PREPARED BY: RENATO A. ARRIOLA <small>Filipino Registered Engineer</small> <small>PROF. MECHANICAL ENGINEER PIR. 1725187</small> <small>REC. NO. 2379 DATE: JANUARY 07, 2013</small> <small>TIN. 150-563-379 PLACE: TAGUIG CITY</small>	RECOMMENDING APPROVAL: JILDEFONSO T. PATDU, JR. <small>Assistant Secretary for Project Implementation, DOTC</small>	APPROVED: JULIANITO G. BUCAYAN, JR. <small>Undersecretary for Project Implementation, DOTC</small>	PROJECT TITLE: NEW BOHOL AIRPORT CONSTRUCTION AND SUSTAINABLE ENVIRONMENT PROTECTION PROJECT	LOCATION: MUNICIPALITY OF PANGLAO, PROVINCE OF BOHOL, PHILIPPINES	SHEET CONTENTS: COMPONENT-4: BUILDING WORKS (B) SUBCOMPONENT-4-1: (B1) PASSENGER TERMINAL BUILDING (PTB) MECHANICAL VENTILATION AND AIR-CONDITIONING EXHAUST LAYOUT (PART A)	SHEET NO: B1-5200-09 DRAWING SCALE: 1:150M
	JICA DESIGN CONSULTANT JOINT VENTURE JAC JAPAN AIRPORT CONSULTANTS, INC. NK NIPPON KOEI CO., LTD. NIS NIS CONSULTANTS CO., LTD.	TADASHI AOI <small>Team Leader</small>	JILDEFONSO T. PATDU, JR. <small>Assistant Secretary for Project Implementation, DOTC</small>	JULIANITO G. BUCAYAN, JR. <small>Undersecretary for Project Implementation, DOTC</small>	DATE: JUNE 2013 INDEX: - AMENDMENTS: - Prepared by: WIM Checked by: IIC Validated by:	DATE: - INDEX: - AMENDMENTS: -	

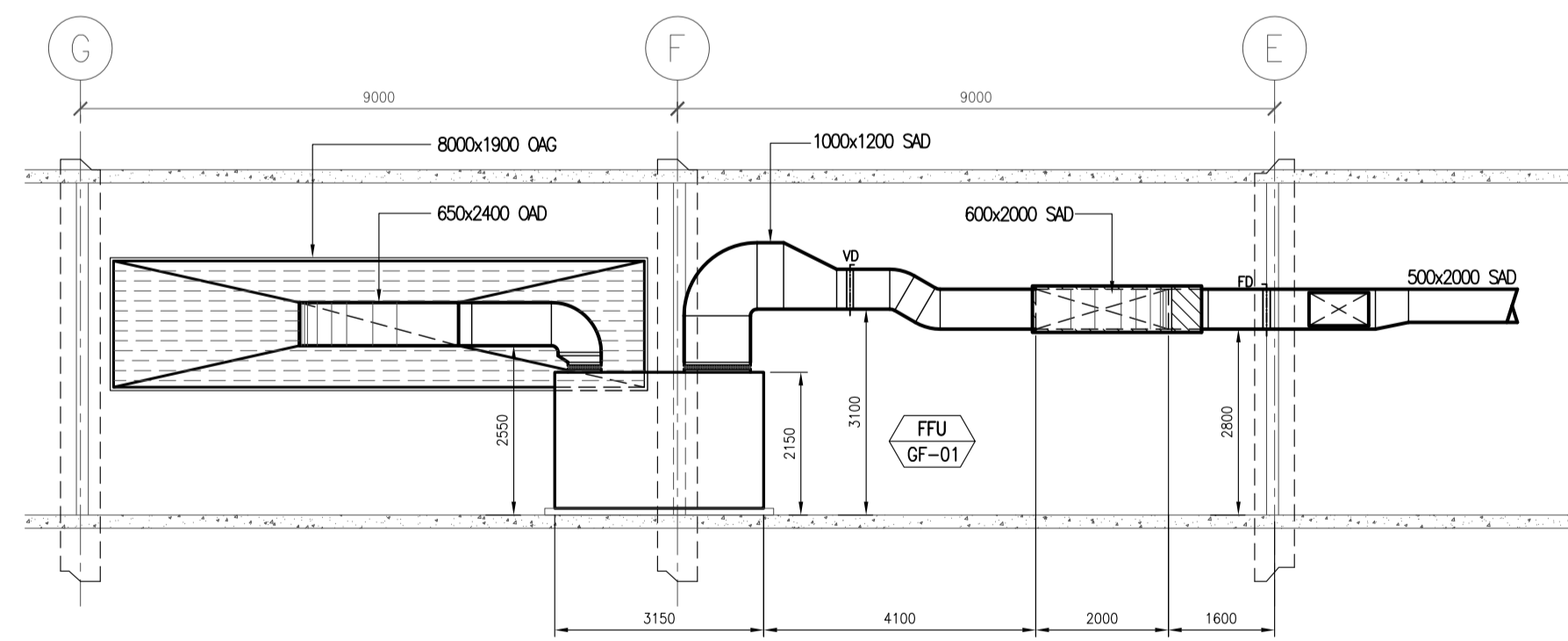


1
**PASSENGER TERMINAL BUILDING
 GROUND FLOOR EXHAUST LAYOUT (PART B)**
 SCALE 1:150M

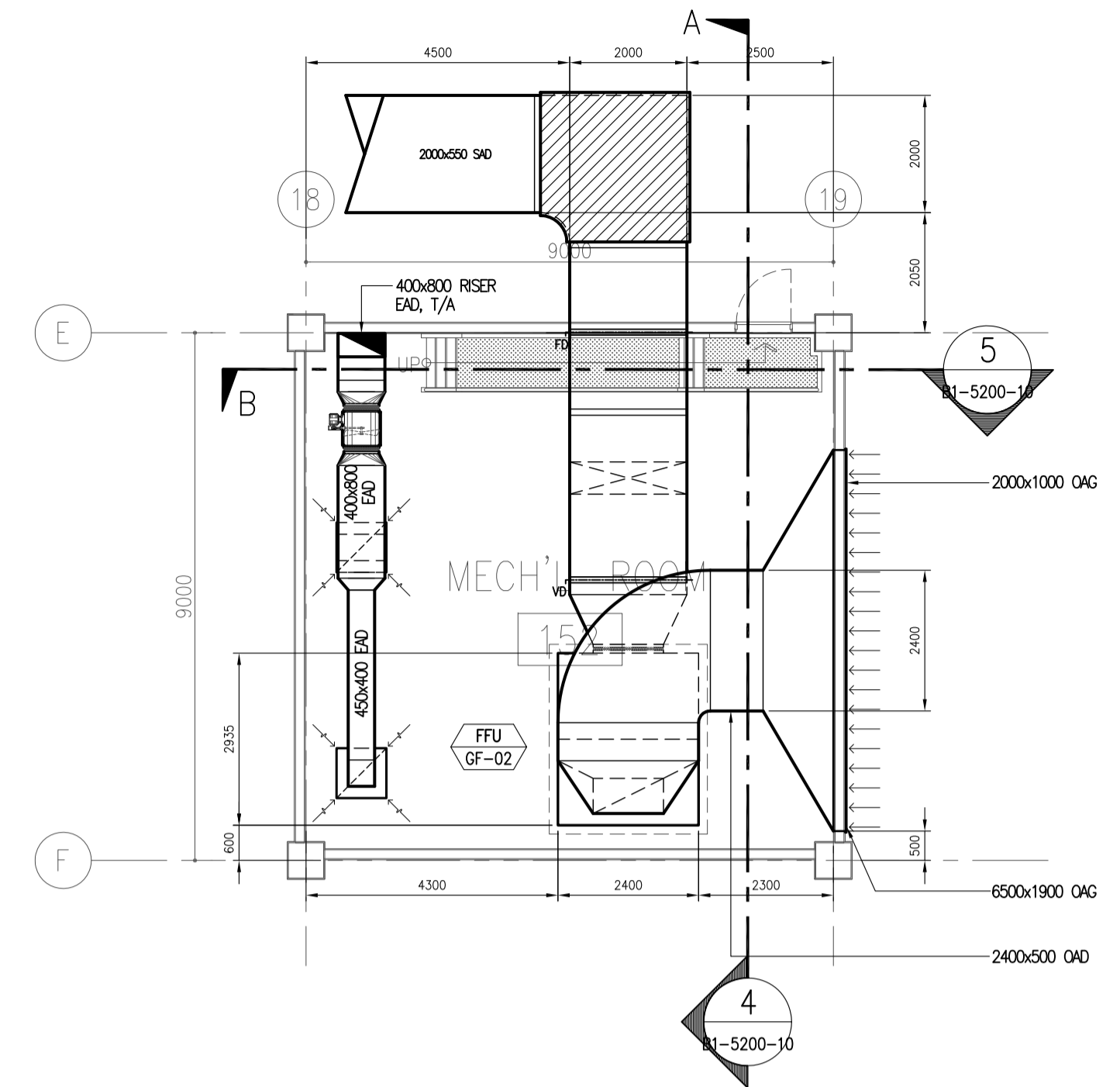
	PREPARED BY: RENATO A. ARRIOLA <small>Filipino Registered Engineer</small> <small>PROF. MECHANICAL ENGINEER PIR. 1725187</small> <small>REG. NO. 2379 DATE: JANUARY 01, 2013</small> <small>TIN. 150-563-379 PLACE: TAGBILIG CITY</small>	RECOMMENDING APPROVAL: JILDEFONSO T. PATDU, JR. <small>Assistant Secretary</small> <small>for Project Implementation, DOTC</small>	APPROVED: JULIANITO G. BUCAYAN, JR. <small>Undersecretary</small> <small>for Project Implementation, DOTC</small>	PROJECT TITLE: NEW BOHOL AIRPORT CONSTRUCTION AND SUSTAINABLE ENVIRONMENT PROTECTION PROJECT	LOCATION: MUNICIPALITY OF PANGLAO, PROVINCE OF BOHOL, PHILIPPINES	SHEET CONTENTS: COMPONENT-4: BUILDING WORKS (B) SUBCOMPONENT-4-1: (B1) PASSENGER TERMINAL BUILDING (PTB) MECHANICAL VENTILATION AND AIR-CONDITIONING EXHAUST LAYOUT (PART B)	SHEET NO: B1-5200-10 DRAWING SCALE: 1:150M
	JICA DESIGN CONSULTANT JOINT VENTURE JAC JAPAN AIRPORT CONSULTANTS, INC. NK NIPPON KOEI CO., LTD. NIS NIS CONSULTANTS CO., LTD.	TADASHI AOI <small>Team Leader</small>	JILDEFONSO T. PATDU, JR. <small>Assistant Secretary</small> <small>for Project Implementation, DOTC</small>	JULIANITO G. BUCAYAN, JR. <small>Undersecretary</small> <small>for Project Implementation, DOTC</small>	DATE: JUNE 2013 INDEX: - AMENDMENTS: -	Prepared by: WIM Checked by: IIC Validated by:	



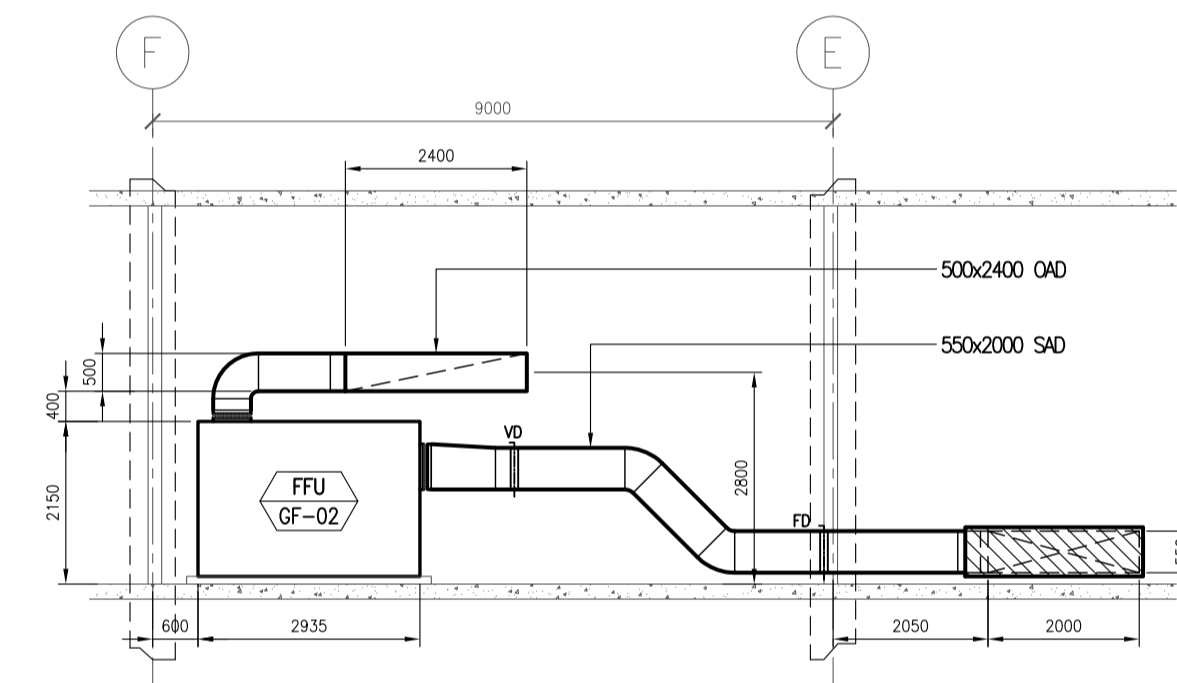
1 MECHANICAL ROOM 102 BLOW-UP
B1-5200-10 SCALE 1:100M



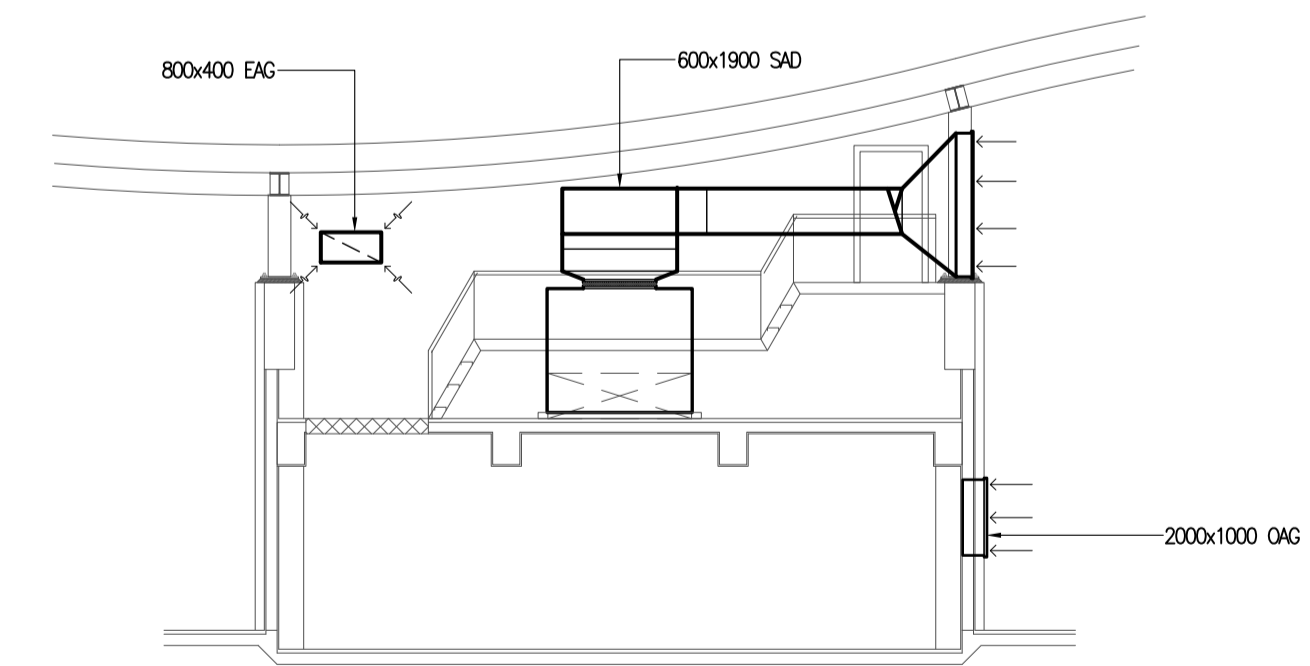
2 SECTION THRU-A
B1-5200-10 SCALE 1:100M



3 MECHANICAL ROOM 152 BLOW-UP
B1-5200-10 SCALE 1:100M



4 SECTION THRU-A
B1-5200-10 SCALE 1:100M



5 SECTION THRU-B
B1-5200-10 SCALE 1:100M

	PREPARED BY: RENATO A. ARRIOLA Filipino Registered Engineer PROF. MECHANICAL ENGINEER PTR. 1725187 REG. NO. 2379 DATE: JANUARY 07, 2013 T.I.N. 150-563-379 PLACE: TAGBILAR CITY	RECOMMENDING APPROVAL: ILDEFONSO T. PATDU, JR. Assistant Secretary for Project Implementation, DOTC	APPROVED: JULIANITO G. BUCAYAN, JR. Undersecretary for Project Implementation, DOTC	PROJECT TITLE: NEW BOHOL AIRPORT CONSTRUCTION AND SUSTAINABLE ENVIRONMENT PROTECTION PROJECT LOCATION: MUNICIPALITY OF PANGLAO, PROVINCE OF BOHOL, PHILIPPINES	SHEET CONTENTS: COMPONENT-4: BUILDING WORKS (B) SUBCOMPONENT-4-1: (B1) PASSENGER TERMINAL BUILDING (PTB) MECHANICAL VENTILATION AND AIR-CONDITIONING MECHANICAL ROOM 102 & 152 BLOW-UP, AND SECTIONS	SHEET NO: B1-5200-11 DRAWING SCALE: 1:100M
	JICA DESIGN CONSULTANT JOINT VENTURE Republic of the Philippines DEPARTMENT OF TRANSPORTATION AND COMMUNICATIONS JAPAN INTERNATIONAL COOPERATION AGENCY JAC JAPAN AIRPORT CONSULTANTS, INC. NIPPON KOEI CO., LTD. NIS CONSULTANTS CO., LTD.				DATE: JUNE 2013 INDEX: - AMENDMENTS: - Prepared by: - Checked by: WIM Validated by: IIC	