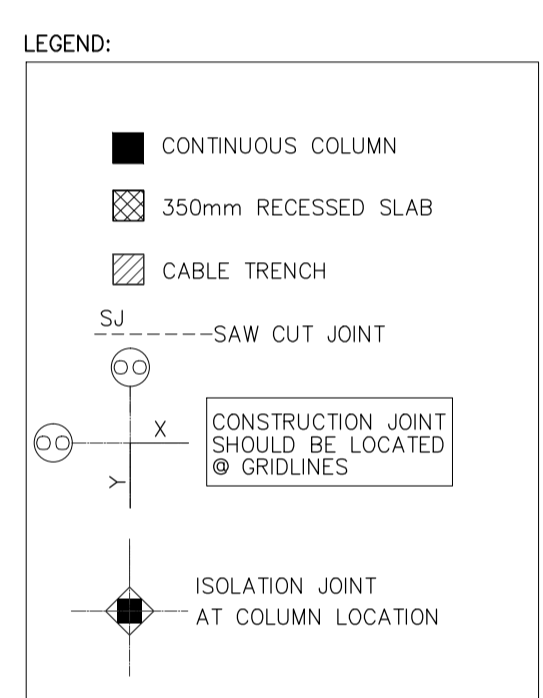


**GENERAL FOUNDATION NOTES**

- SEE SHEET B0-4200-01 TO B0-4200-03 FOR GENERAL STRUCTURAL NOTES AND TYPICAL WALL CONSTRUCTION NOTES.
- UON, BOTTOM OF FOOTING TO BE EL. +4.70M
- UON, TOP OF THE BEAM TO BE EL. 6.00M
- UON, ALL  $\phi$  OF COLUMNS TO BE EQUAL TO GRIDLINE
- UON, ALL FTB  $\phi$  TO BE EQUAL TO GRID LINE
- UON, ALL FOOTING  $\phi$  TO BE EQUAL TO GRID LINE
- UON, TOP OF SLAB ON GRADE TO BE G.F.L.-50 (ELEV.+8.450M)
- DIMENSION ON THIS PLAN ARE CENTER TO CENTER OF COLUMNS
- VERIFY SIZE, LOCATION AND DEPTH OF UTILITIES AND SLEEVES WITH OTHER TRADES.
- SEE ARCHITECTURAL DRAWINGS FOR LOCATION OF RECESSES SLABS, SLOPED AREAS IN SLABS ON GRADE, AND CURBS AT EXTERIOR BUILDING FACE.



**REFERENCE SHEETS:**

- B1-4200-15 FOR FOUNDATION SCHEDULES
- B1-4200-15 FOR COLUMN SCHEDULES
- B1-4200-15 FOR ISOLATION JOINT DETAIL

**1 FOUNDATION PLAN**  
SCALE 1 : 200 MTS

Republic of the Philippines  
DEPARTMENT OF TRANSPORTATION AND COMMUNICATIONS

**JICA**  
JAPAN INTERNATIONAL COOPERATION AGENCY

JICA DESIGN CONSULTANT JOINT VENTURE

**JAC** JAPAN AIRPORT CONSULTANTS, INC.  
**NK** NIPPON KOEI CO., LTD.  
**NIS** NIS CONSULTANTS CO., LTD.

PREPARED BY: **EDGARDO C. CRUZ**  
PROF. CIVIL ENGINEER PTR. 7589023B  
REG. NO.: 23983 DATE: JANUARY 03, 2013  
TEAM: 601-157-021 PLACE: QUEZON CITY

RECOMMENDING APPROVAL: **ILDEFONSO T. PATDU, JR.**  
Assistant Secretary for Project Implementation, DOTC

APPROVED: **JULIANITO G. BUCAYAN, JR.**  
Undersecretary for Project Implementation, DOTC

TADASHI AOI  
Team Leader

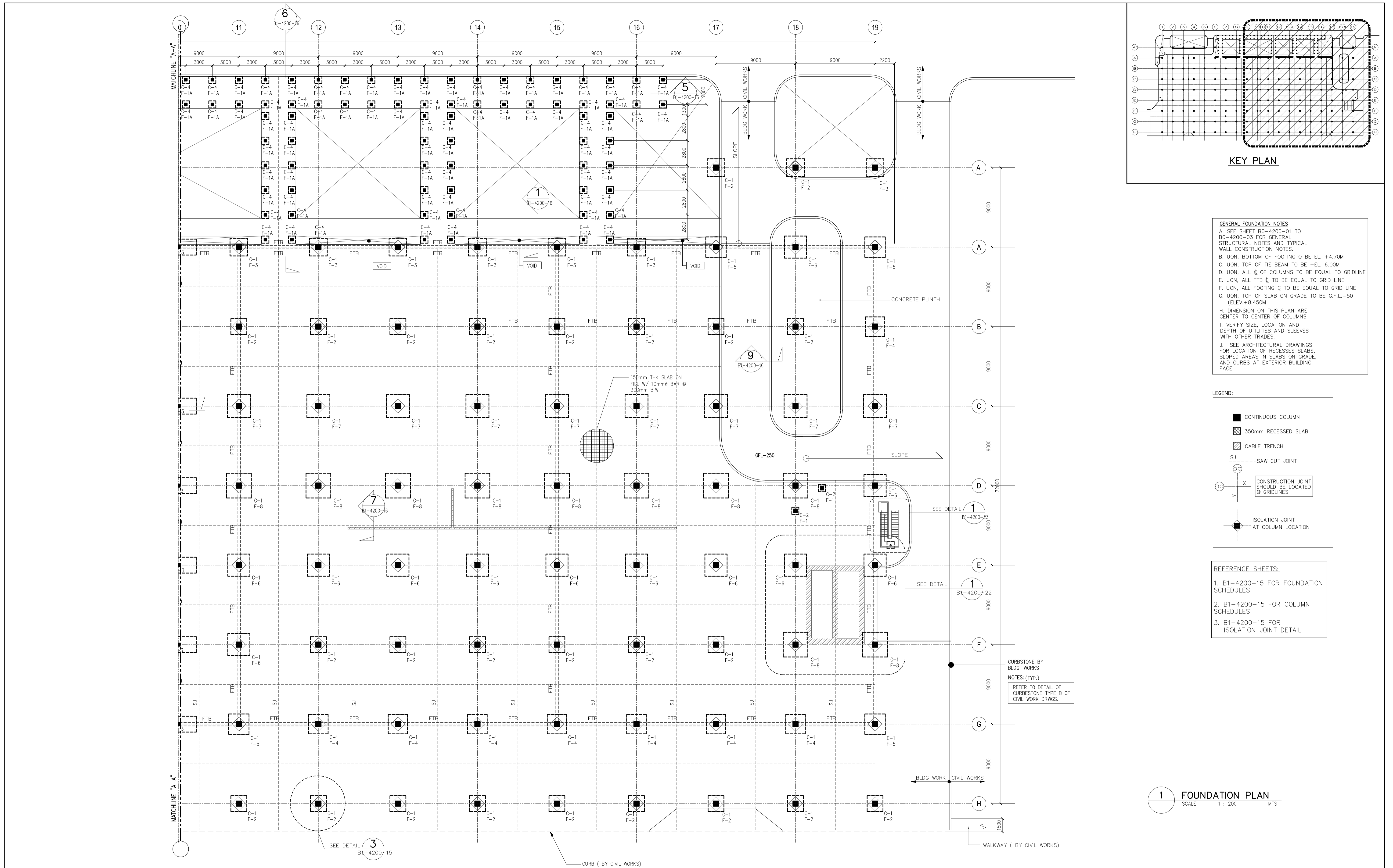
PROJECT TITLE:  
**NEW BOHOL AIRPORT CONSTRUCTION AND SUSTAINABLE ENVIRONMENT PROTECTION PROJECT**

LOCATION: MUNICIPALITY OF PANGLAO, PROVINCE OF BOHOL, PHILIPPINES

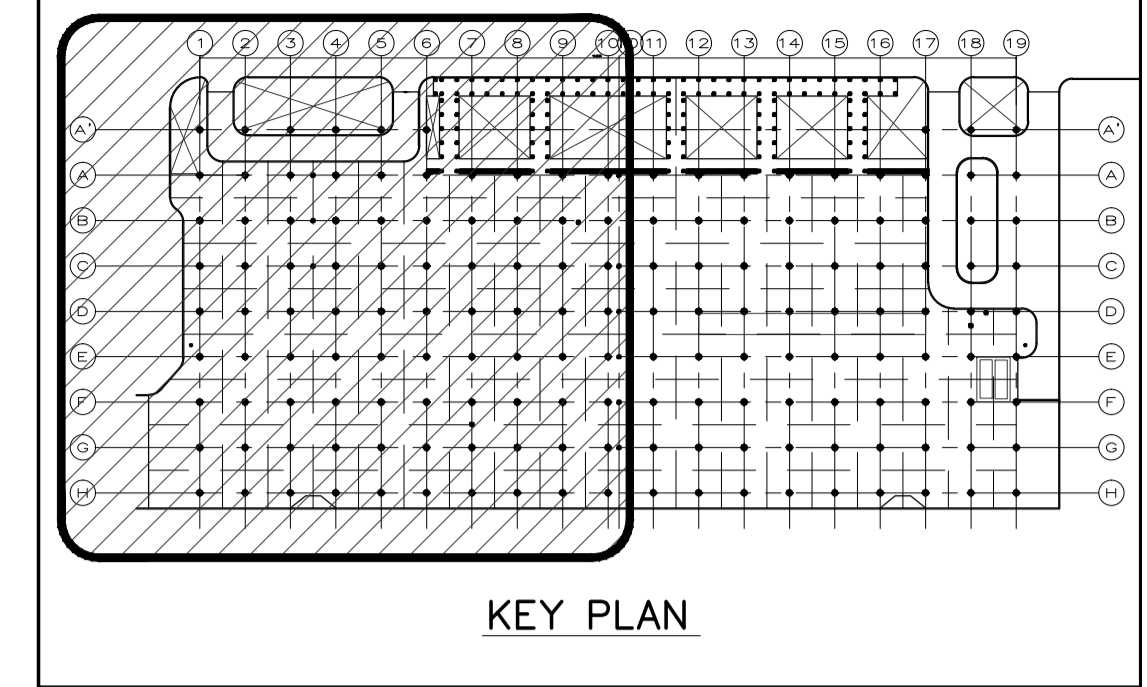
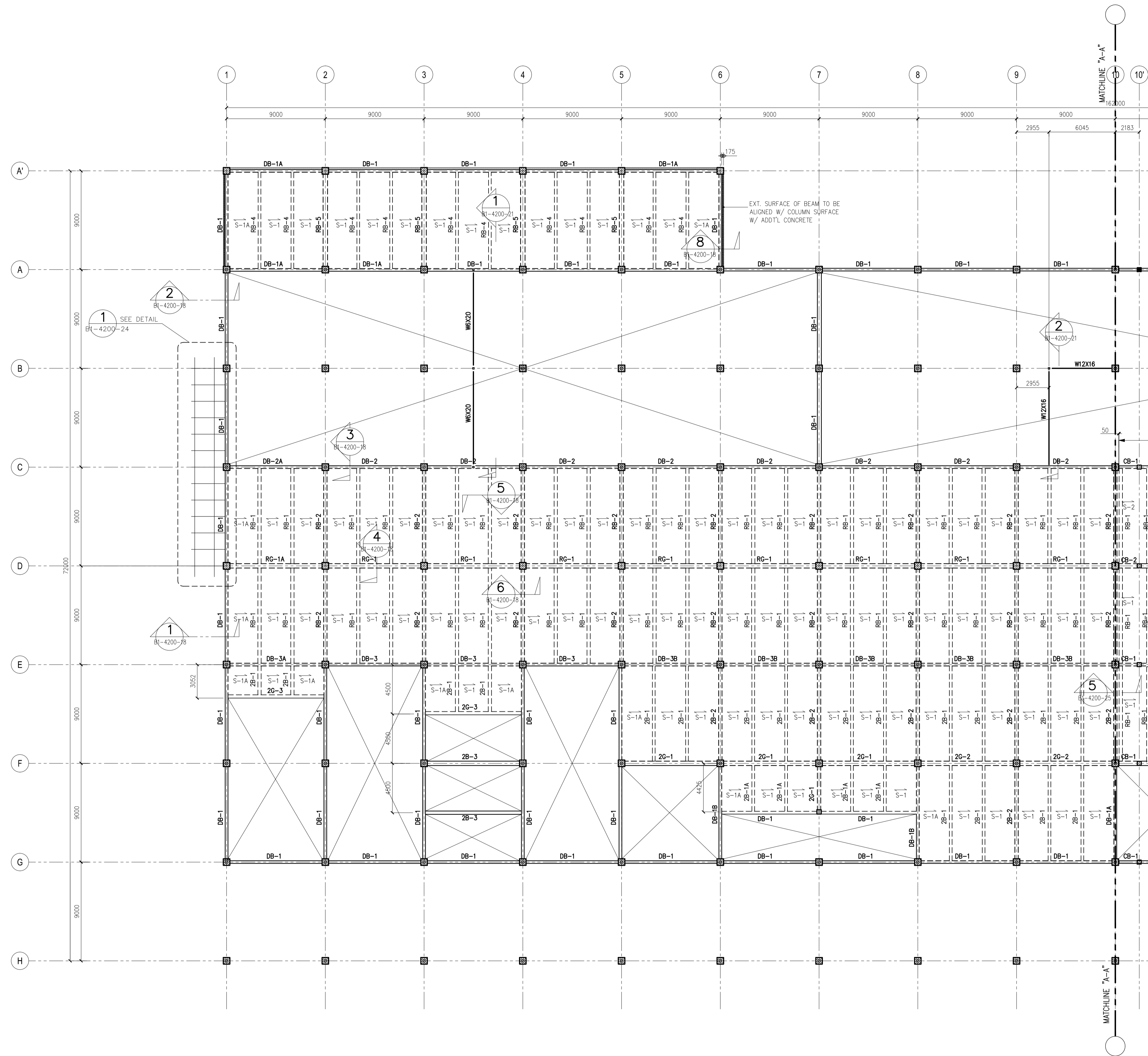
DATE	INDEX	AMENDMENTS	Prepared by	Checked by	Validated by
JUNE 2013			FRS Jr.	WIM	HC

SHEET CONTENTS:  
COMPONENT-4 : BUILDING WORKS (B)  
SUB-COMPONENT 4-1 : PASSENGER TERMINAL BUILDING  
STRUCTURAL FOUNDATION PLAN-1

SHEET NO.: **B1-4200-01**  
DRAWING SCALE:  
1:200 MTS.



	PREPARED BY: <b>EDGARDO C. CRUZ</b> <small>PROF. CIVIL ENGINEER PTR. 7589023B REG. NO.: 23983 DATE: JANUARY 03, 2013 TEL. 651-157-021 PLACE: QUEZON CITY</small>	RECOMMENDING APPROVAL: <b>ILDEFONSO T. PATDU, JR.</b> <small>Assistant Secretary for Project Implementation, DOTC</small>	APPROVED: <b>JULIANITO G. BUCAYAN, JR.</b> <small>Undersecretary for Project Implementation, DOTC</small>	PROJECT TITLE: <b>NEW BOHOL AIRPORT CONSTRUCTION AND SUSTAINABLE ENVIRONMENT PROTECTION PROJECT</b>	LOCATION: MUNICIPALITY OF PANGLAO, PROVINCE OF BOHOL, PHILIPPINES	SHEET CONTENTS: COMPONENT-4 : BUILDING WORKS (B) SUB-COMPONENT 4-1 : PASSENGER TERMINAL BUILDING STRUCTURAL FOUNDATION PLAN-2	SHEET NO: <b>B1-4200-02</b> DRAWING SCALE: 1:200 MTS.
	JICA DESIGN CONSULTANT JOINT VENTURE <b>JAC</b> JAPAN AIRPORT CONSULTANTS, INC.	JUNE 2013 DATE INDEX	AMENDMENTS	Prepared by: FRS Jr. Checked by: WIM Validated by: HC			



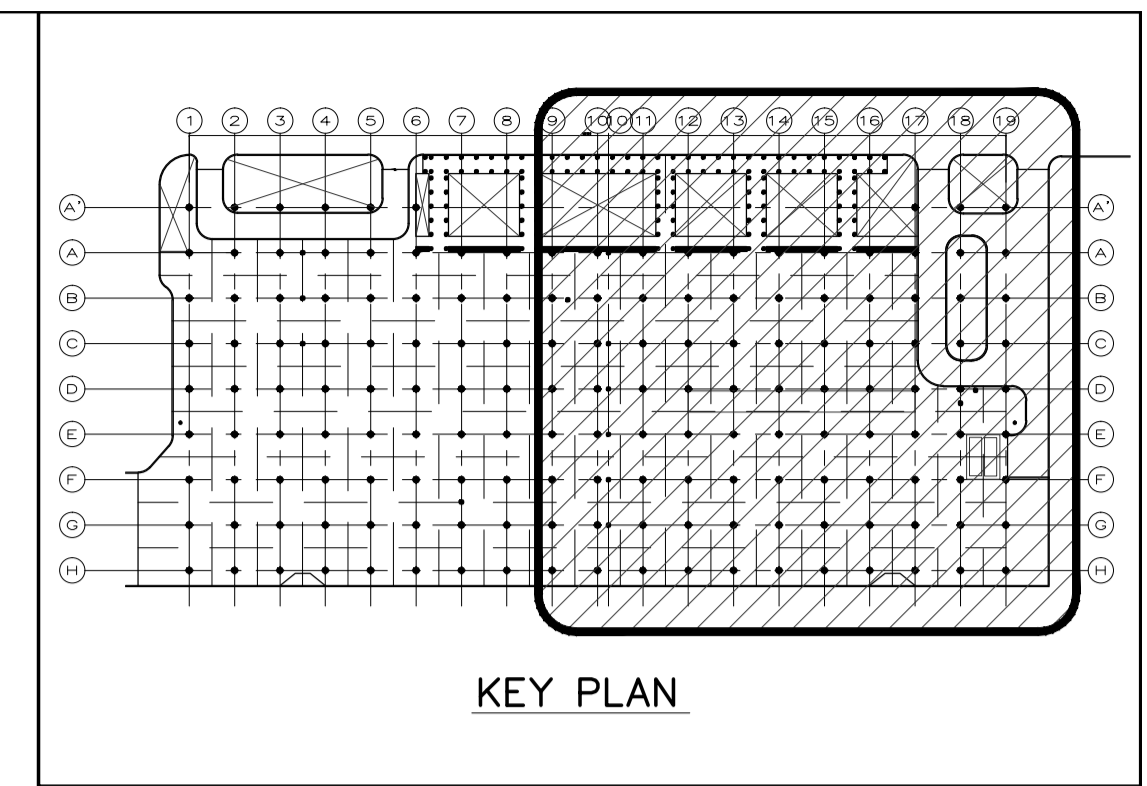
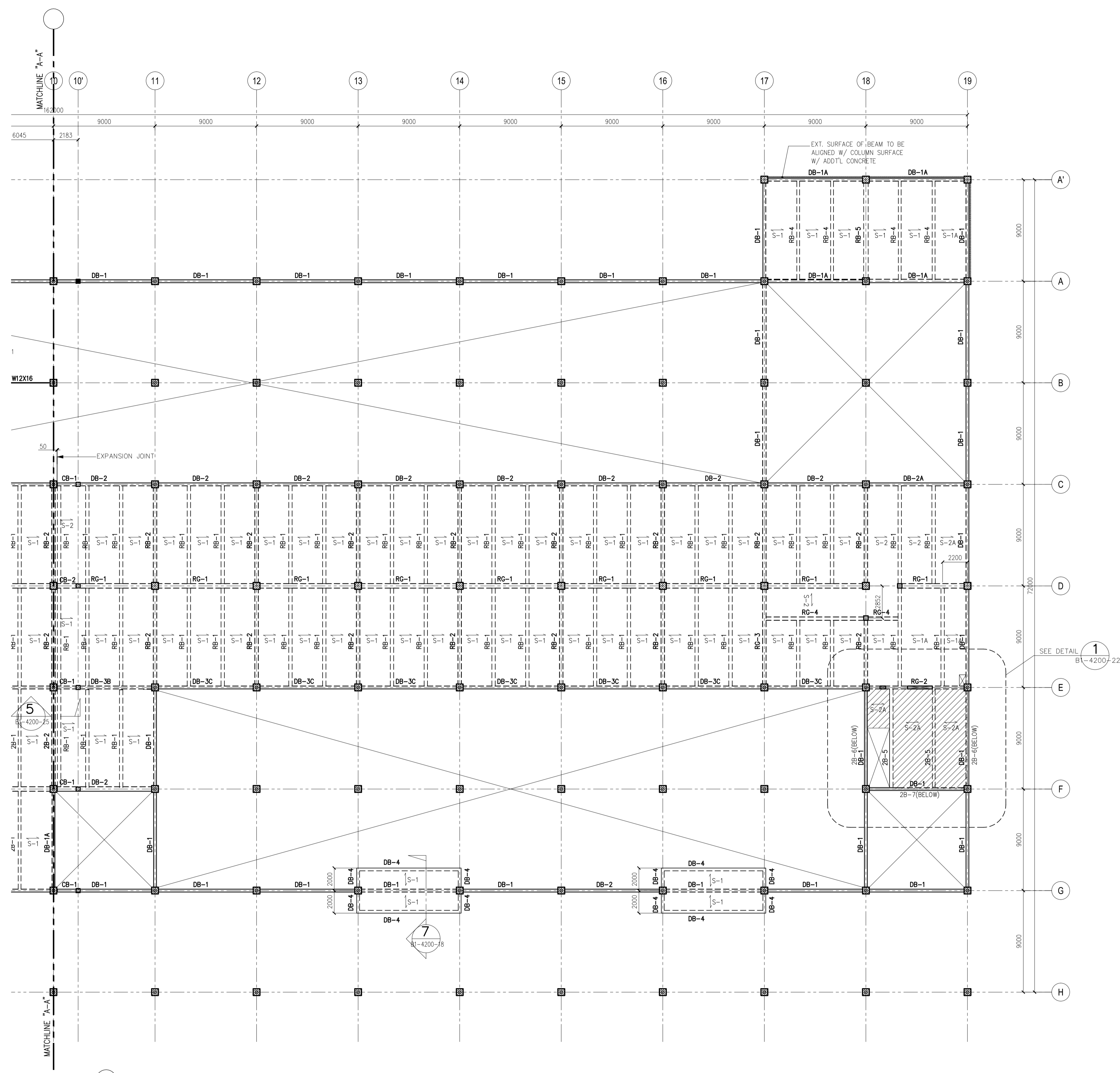
**NOTES:**  
 1. U.O.N. TOP OF CONCRETE SLAB TO BE @ GFL +4050

**REFERENCE SHEETS:**  
 1. B1-4200-15 FOR SLAB SCHEDULES  
 2. B1-4200-17 FOR BEAMS SCHEDULES

**LEGEND:**  
 -1250mm DEPRESS SLAB

**1 SECOND & ROOF DECK FRAMING PLAN**  
 SCALE 1 : 200 MTS

	PREPARED BY: <b>EDGARDO C. CRUZ</b> <small>PROF. CIVIL ENGINEER PTR. 75890238          REG. NO.: 23983 DATE: JANUARY 03, 2013          TEL. 651-157-021 PLACE: QUEZON CITY</small>	RECOMMENDING APPROVAL: <b>ILDEFONSO T. PATDU, JR.</b> <small>Assistant Secretary          for Project Implementation, DOTC</small>	APPROVED: <b>JULIANITO G. BUCAYAN, JR.</b> <small>Undersecretary          for Project Implementation, DOTC</small>	PROJECT TITLE: <b>NEW BOHOL AIRPORT CONSTRUCTION AND SUSTAINABLE ENVIRONMENT PROTECTION PROJECT</b> LOCATION: MUNICIPALITY OF PANGLAO, PROVINCE OF BOHOL, PHILIPPINES	SHEET CONTENTS: COMPONENT-4 : BUILDING WORKS (B) SUB-COMPONENT 4-1 : PASSENGER TERMINAL BUILDING STRUCTURAL 2ND FLOOR FRAMING PLAN-1	SHEET NO: <b>B1-4200-03</b> DRAWING SCALE: 1:200 MTS.
	JICA DESIGN CONSULTANT JOINT VENTURE <b>JAC</b> JAPAN AIRPORT CONSULTANTS, INC. <b>NK</b> NIPPON KOEI CO., LTD. <b>NIS</b> NIS CONSULTANTS CO., LTD.	TADASHI AOI Team Leader	ILDEFONSO T. PATDU, JR. Assistant Secretary for Project Implementation, DOTC	JULIANITO G. BUCAYAN, JR. Undersecretary for Project Implementation, DOTC	JUNE 2013 DATE INDEX AMENDMENTS Prepared by: FRS Jr. WIM HC Checked by: Validated by:	SHEET NO: <b>B1-4200-03</b> DRAWING SCALE: 1:200 MTS.



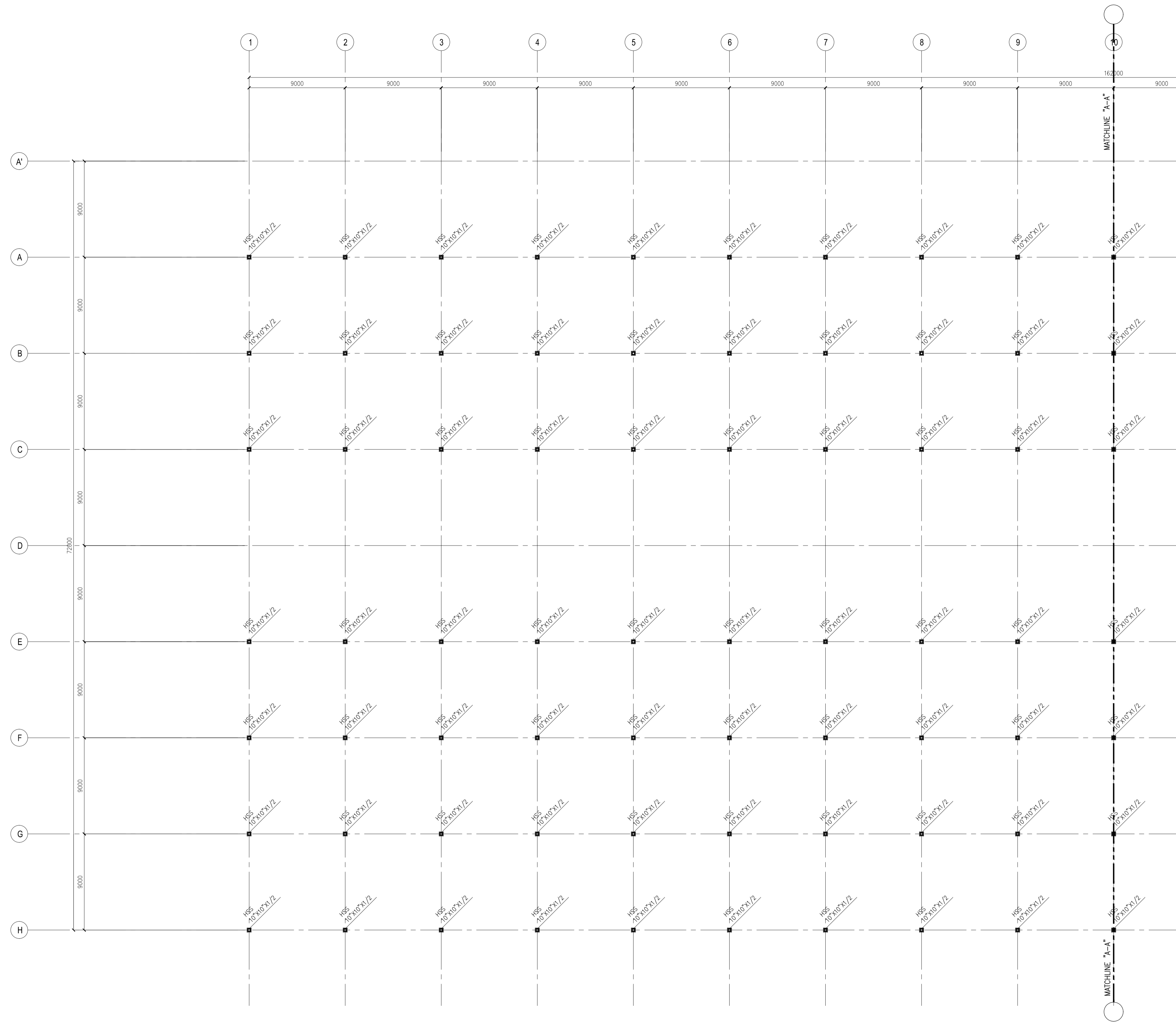
NOTES:  
1. U.O.N. TOP OF CONCRETE SLAB TO BE @ GFL +4050

REFERENCE SHEETS:  
1. B1-4200-15 FOR SLAB SCHEDULES  
2. B1-4200-17 FOR BEAMS SCHEDULES

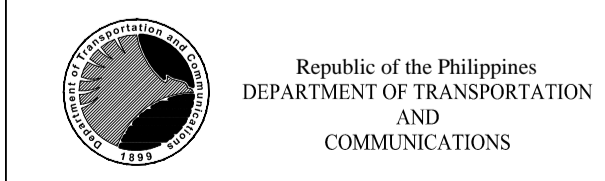
LEGEND:  
-1250mm DEPRESS SLAB

**1** SECOND & ROOF DECK FRAMING PLAN  
SCALE: 1 : 200 MTS

	PREPARED BY: <b>EDGARDO C. CRUZ</b> <small>PROF. CIVIL ENGINEER PTR. 7589023B REG. NO.: 23983 DATE: JANUARY 03, 2013 TEL. 651-157-021 PLACE: QUEZON CITY</small>	RECOMMENDING APPROVAL: <b>ILDEFONSO T. PATDU, JR.</b> <small>Assistant Secretary for Project Implementation, DOTC</small>	APPROVED: <b>JULIANITO G. BUCAYAN, JR.</b> <small>Undersecretary for Project Implementation, DOTC</small>	PROJECT TITLE: <b>NEW BOHOL AIRPORT CONSTRUCTION AND SUSTAINABLE ENVIRONMENT PROTECTION PROJECT</b>	LOCATION: MUNICIPALITY OF PANGLAO, PROVINCE OF BOHOL, PHILIPPINES	SHEET CONTENTS: COMPONENT-4 : BUILDING WORKS (B) SUB-COMPONENT 4-1 : PASSENGER TERMINAL BUILDING STRUCTURAL 2ND FLOOR FRAMING PLAN-2	SHEET NO: <b>B1-4200-04</b> DRAWING SCALE: 1:200 MTS.
	JICA DESIGN CONSULTANT JOINT VENTURE	TADASHI AOI <small>Team Leader</small>	ILDEFONSO T. PATDU, JR. <small>Assistant Secretary for Project Implementation, DOTC</small>	JULIANITO G. BUCAYAN, JR. <small>Undersecretary for Project Implementation, DOTC</small>	DATE: JUNE 2013 INDEX:	AMENDMENTS:	Prepared by: FRS Jr. Checked by: WIM Validated by: HC



1 STEEL COLUMN LAYOUT PLAN  
SCALE 1 : 200 MTS



PREPARED BY:  
EDGARDO C. CRUZ  
PROF. CIVIL ENGINEER PTR. 7589023B  
REG. NO.: 23983 DATE: JANUARY 03, 2013  
TEAM: 601-157-021 PLACE: QUEZON CITY

RECOMMENDING APPROVAL:  
ILDEFONSO T. PATDU, JR.  
Assistant Secretary  
for Project Implementation, DOTC

APPROVED:  
JULIANITO G. BUCAYAN, JR.  
Undersecretary  
for Project Implementation, DOTC

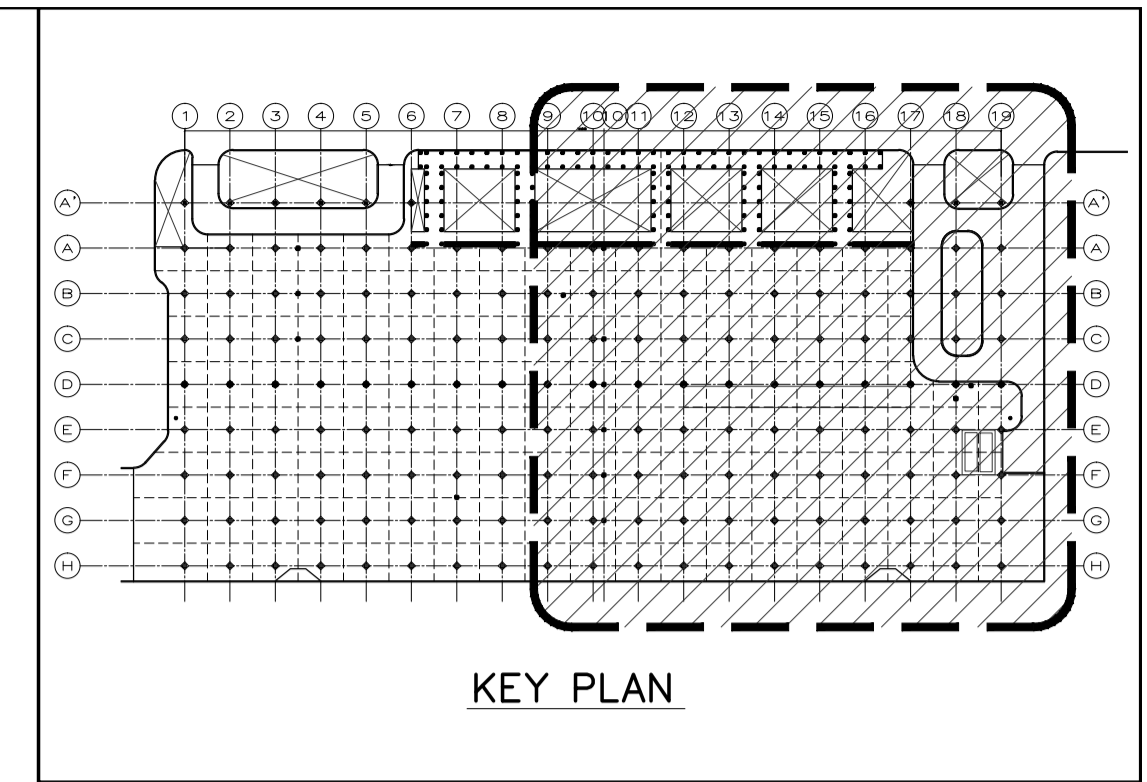
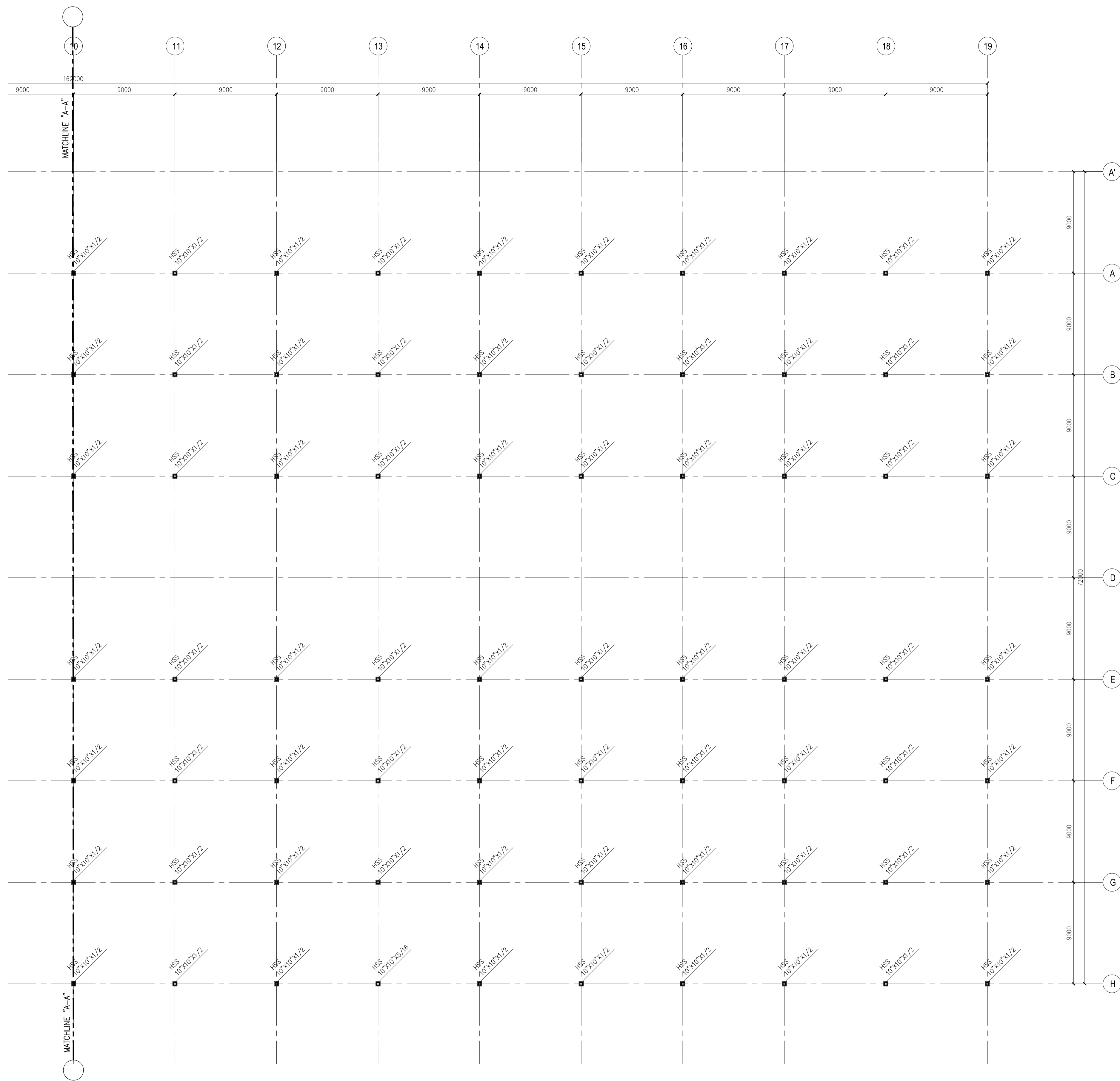
PROJECT TITLE:  
NEW BOHOL AIRPORT CONSTRUCTION AND SUSTAINABLE ENVIRONMENT PROTECTION PROJECT  
LOCATION: MUNICIPALITY OF PANGLAO, PROVINCE OF BOHOL, PHILIPPINES

DATE	INDEX	AMENDMENTS	Prepared by	Checked by	Validated by
JUNE 2013			FRS Jr.	WIM	HC

SHEET CONTENTS:  
COMPONENT-4 : BUILDING WORKS (B)  
SUB-COMPONENT 4-1 : PASSENGER TERMINAL BUILDING  
STRUCTURAL  
STEEL COLUMN LAYOUT PLAN -1

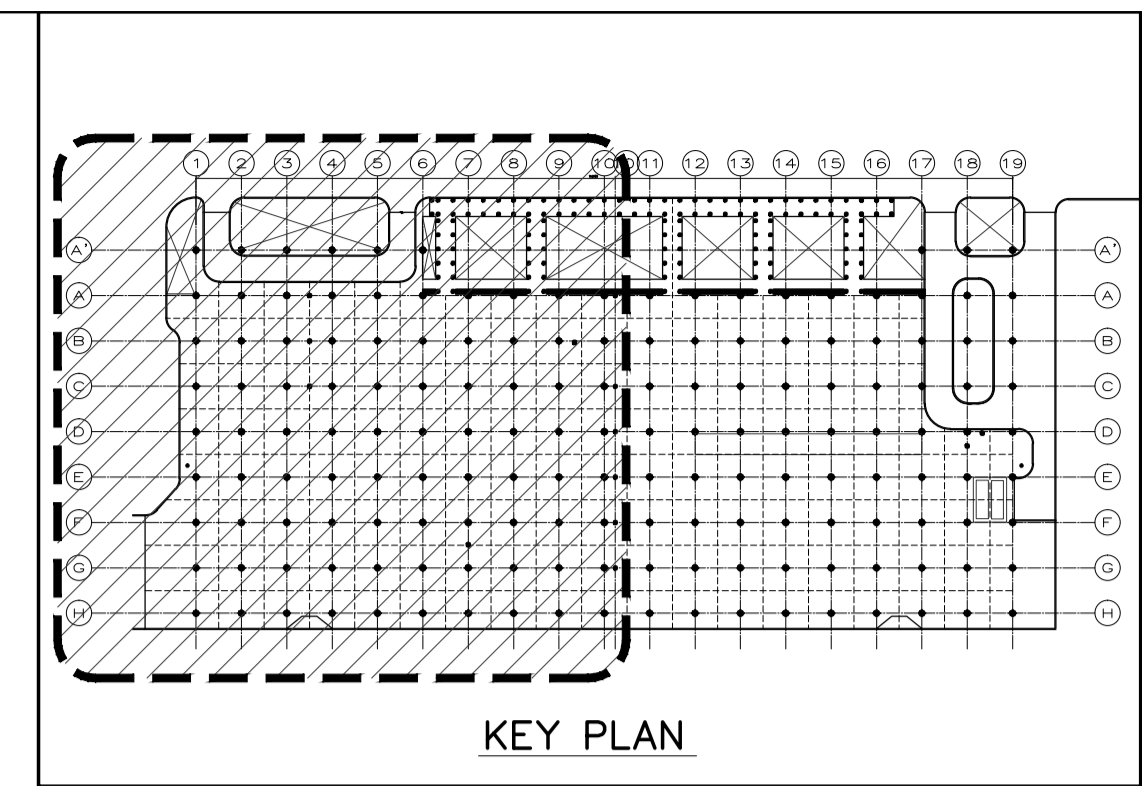
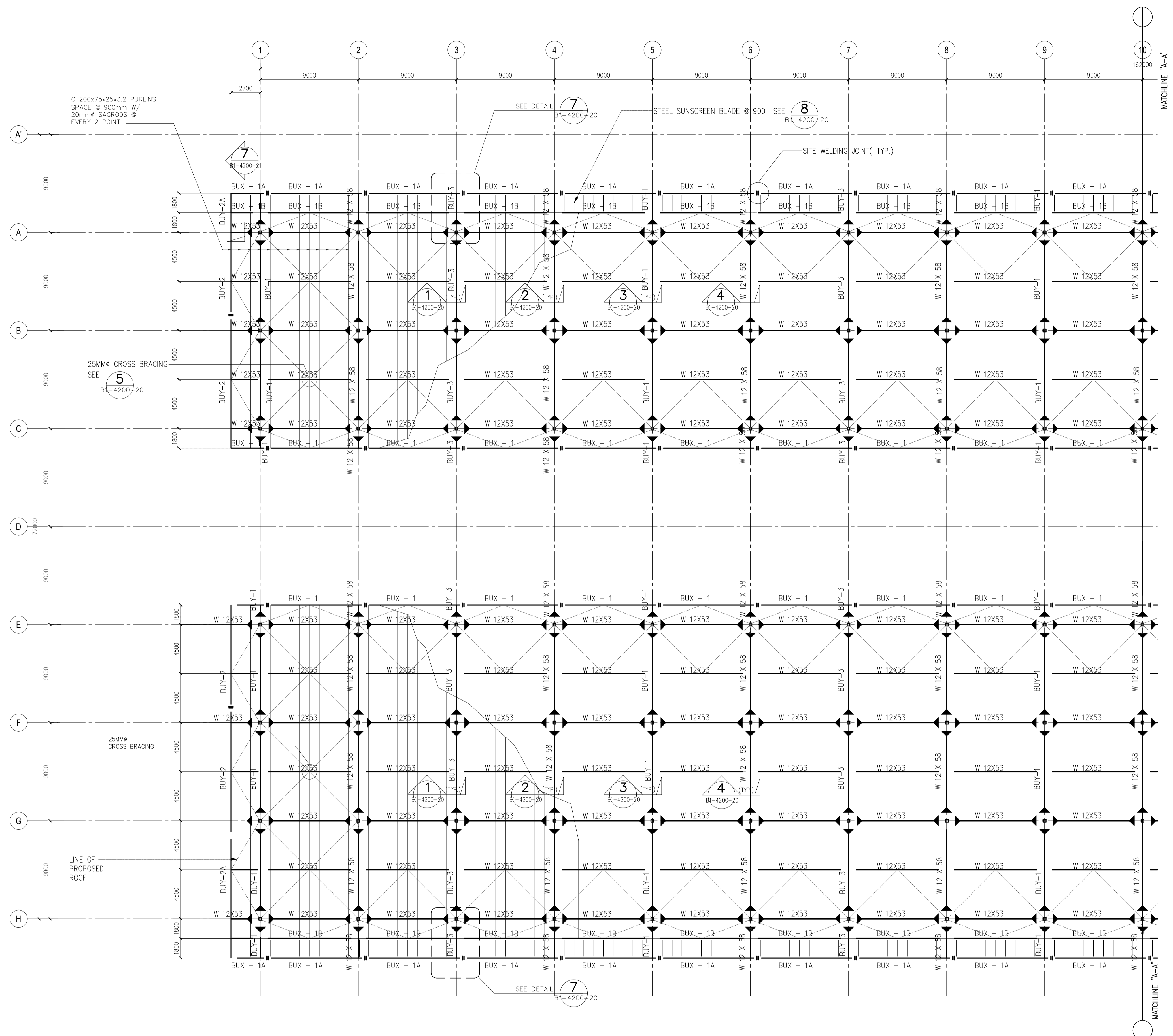
SHEET NO:  
B1-4200-05  
DRAWING SCALE:  
1:200 MTS.





**1 STEEL COLUMN LAYOUT PLAN**  
SCALE 1 : 200 MTS

	PREPARED BY: <b>EDGARDO C. CRUZ</b> <small>PROF. CIVIL ENGINEER PTR. 7589023B REG. NO.: 23983 DATE: JANUARY 03, 2013 TEL. 651-157-021 PLACE: QUEZON CITY</small>	RECOMMENDING APPROVAL: <b>ILDEFONSO T. PATDU, JR.</b> <small>Assistant Secretary for Project Implementation, DOTC</small>	APPROVED: <b>JULIANITO G. BUCAYAN, JR.</b> <small>Undersecretary for Project Implementation, DOTC</small>	PROJECT TITLE: <b>NEW BOHOL AIRPORT CONSTRUCTION AND SUSTAINABLE ENVIRONMENT PROTECTION PROJECT</b> LOCATION: MUNICIPALITY OF PANGLAO, PROVINCE OF BOHOL, PHILIPPINES	SHEET CONTENTS: COMPONENT-4 : BUILDING WORKS (B) SUB-COMPONENT 4-1 : PASSENGER TERMINAL BUILDING STRUCTURAL STEEL COLUMN LAYOUT PLAN -2	SHEET NO: <b>B1-4200-06</b> DRAWING SCALE: 1:200 MTS.
	JICA DESIGN CONSULTANT JOINT VENTURE <b>JAC</b> JAPAN AIRPORT CONSULTANTS, INC. <b>NK</b> NIPPON KOEI CO., LTD. <b>NIS</b> NIS CONSULTANTS CO., LTD.	TADASHI AOI Team Leader	JULIANITO G. BUCAYAN, JR. Undersecretary for Project Implementation, DOTC	JULIANITO G. BUCAYAN, JR. Undersecretary for Project Implementation, DOTC	DATE: JUNE 2013 INDEX AMENDMENTS	Prepared by: FRS Jr. Checked by: WIM Validated by: HC



**1 ROOF FRAMING PLAN**  
SCALE 1 : 200 MTS

Republic of the Philippines  
DEPARTMENT OF TRANSPORTATION  
AND  
COMMUNICATIONS

**JICA**  
JAPAN  
INTERNATIONAL  
COOPERATION  
AGENCY

JICA DESIGN CONSULTANT JOINT VENTURE

**JAC** JAPAN AIRPORT  
CONSULTANTS,  
INC.

**NK** NIPPON KOEI  
CO., LTD.

NIS CONSULTANTS  
CO., LTD.

PREPARED BY:  
**EDGARDO C. CRUZ**  
PROF. CIVIL ENGINEER PTR. 7589023B  
REG. NO.: 23983 DATE: JANUARY 03, 2013  
TEL. 651-157-021 PLACE: QUEZON CITY

TADASHI AOI  
Team Leader

RECOMMENDING APPROVAL:  
**ILDEFONSO T. PATDU, JR.**  
Assistant Secretary  
for Project Implementation, DOTC

APPROVED:  
**JULIANITO G. BUCAYAN, JR.**  
Undersecretary  
for Project Implementation, DOTC

PROJECT TITLE:  
**NEW BOHOL AIRPORT CONSTRUCTION AND  
SUSTAINABLE ENVIRONMENT PROTECTION PROJECT**

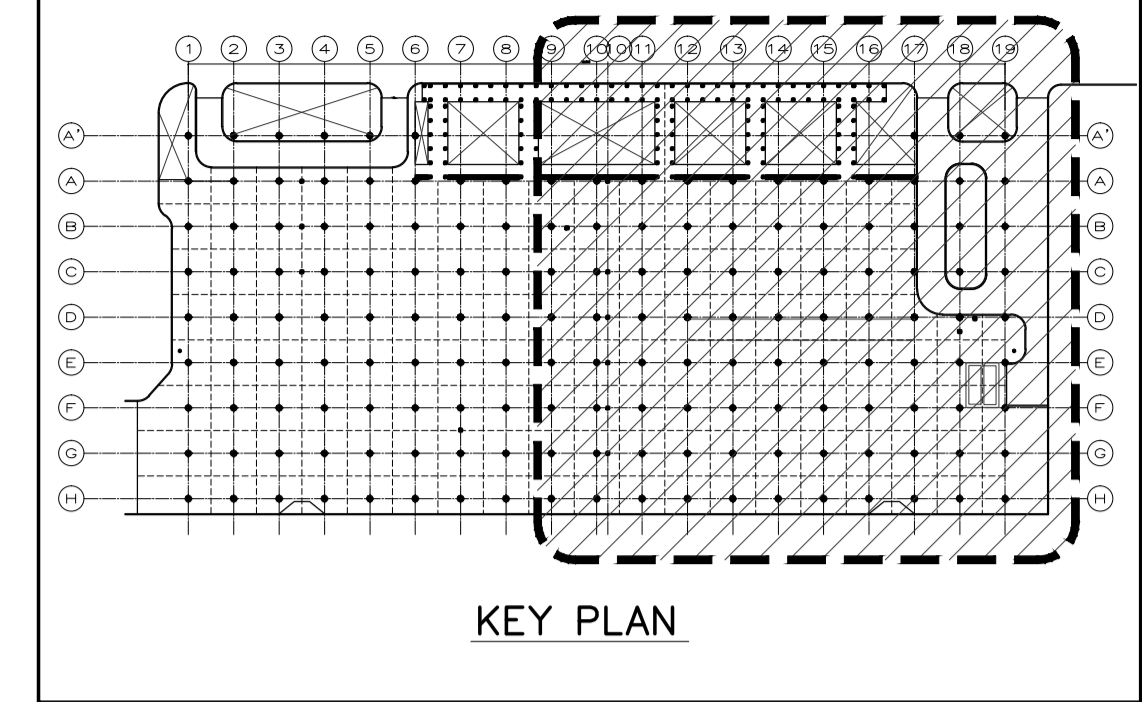
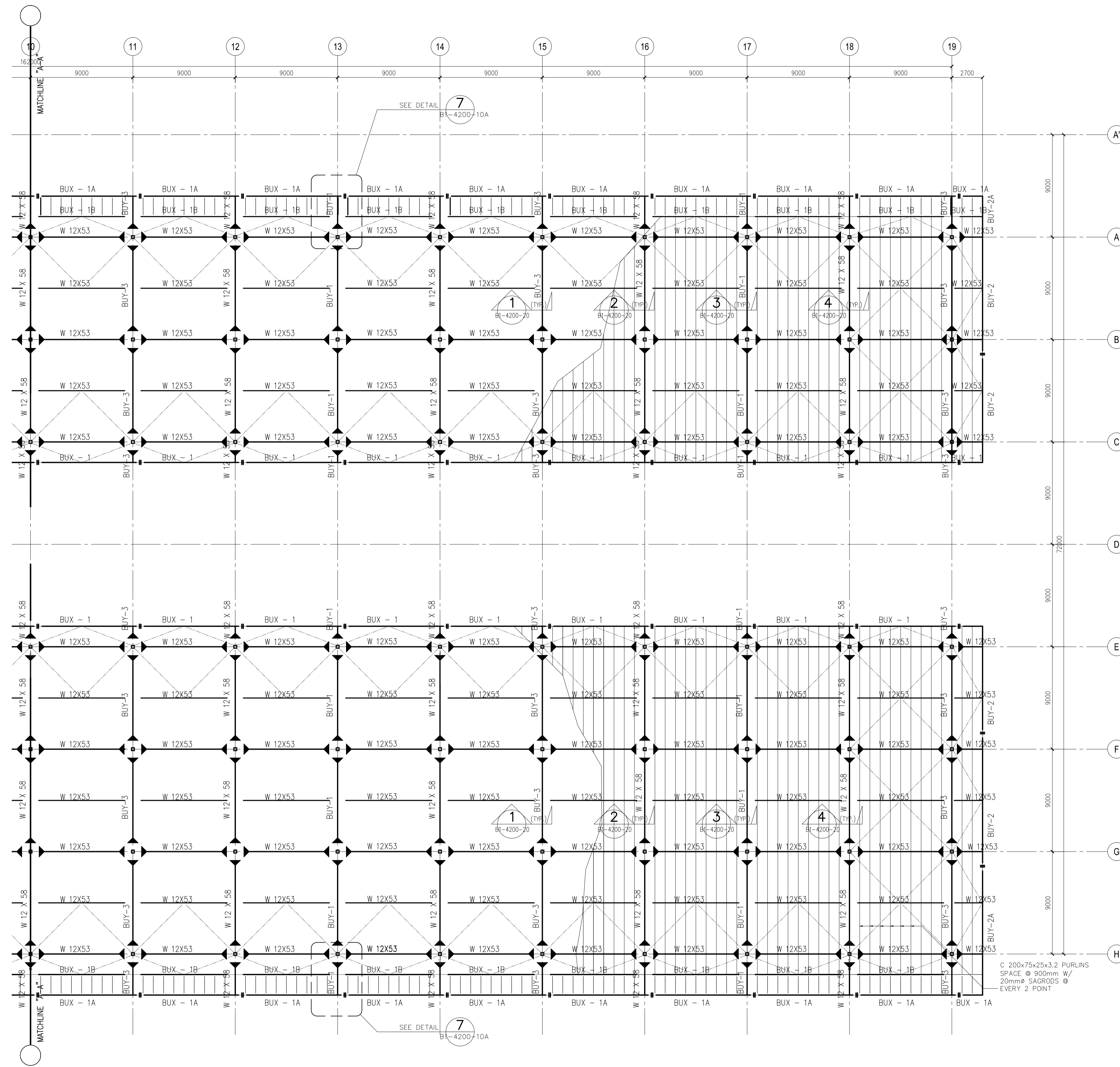
LOCATION: MUNICIPALITY OF PANGLAO, PROVINCE OF BOHOL, PHILIPPINES

DATE	INDEX	AMENDMENTS	Prepared by	Checked by	Validated by
JUNE 2013			FRS Jr.	WIM	HC

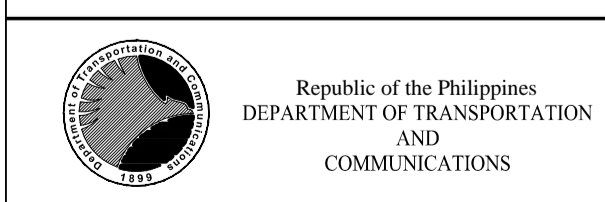
SHEET CONTENTS:  
COMPONENT-4 : BUILDING WORKS (B)  
SUB-COMPONENT 4-1 : PASSENGER TERMINAL  
BUILDING  
STRUCTURAL  
ROOF FRAMING PLAN-1

SHEET NO:  
**B1-4200-07**

DRAWING SCALE:  
1:200 MTS.



**1 ROOF FRAMING PLAN**  
SCALE 1 : 200 MTS



PREPARED BY:  
**EDGARDO C. CRUZ**  
PROF. CIVIL ENGINEER PTR. 7589023B  
REG. NO.: 23983 DATE: JANUARY 03, 2013  
TEL. 661-157-0211 PLACE: QUEZON CITY

RECOMMENDING APPROVAL:  
**ILDEFONSO T. PATDU, JR.**  
Assistant Secretary  
for Project Implementation, DOTC

APPROVED:  
**JULIANITO G. BUCAYAN, JR.**  
Undersecretary  
for Project Implementation, DOTC

PROJECT TITLE:  
**NEW BOHOL AIRPORT CONSTRUCTION AND SUSTAINABLE ENVIRONMENT PROTECTION PROJECT**

LOCATION: MUNICIPALITY OF PANGLAO, PROVINCE OF BOHOL, PHILIPPINES

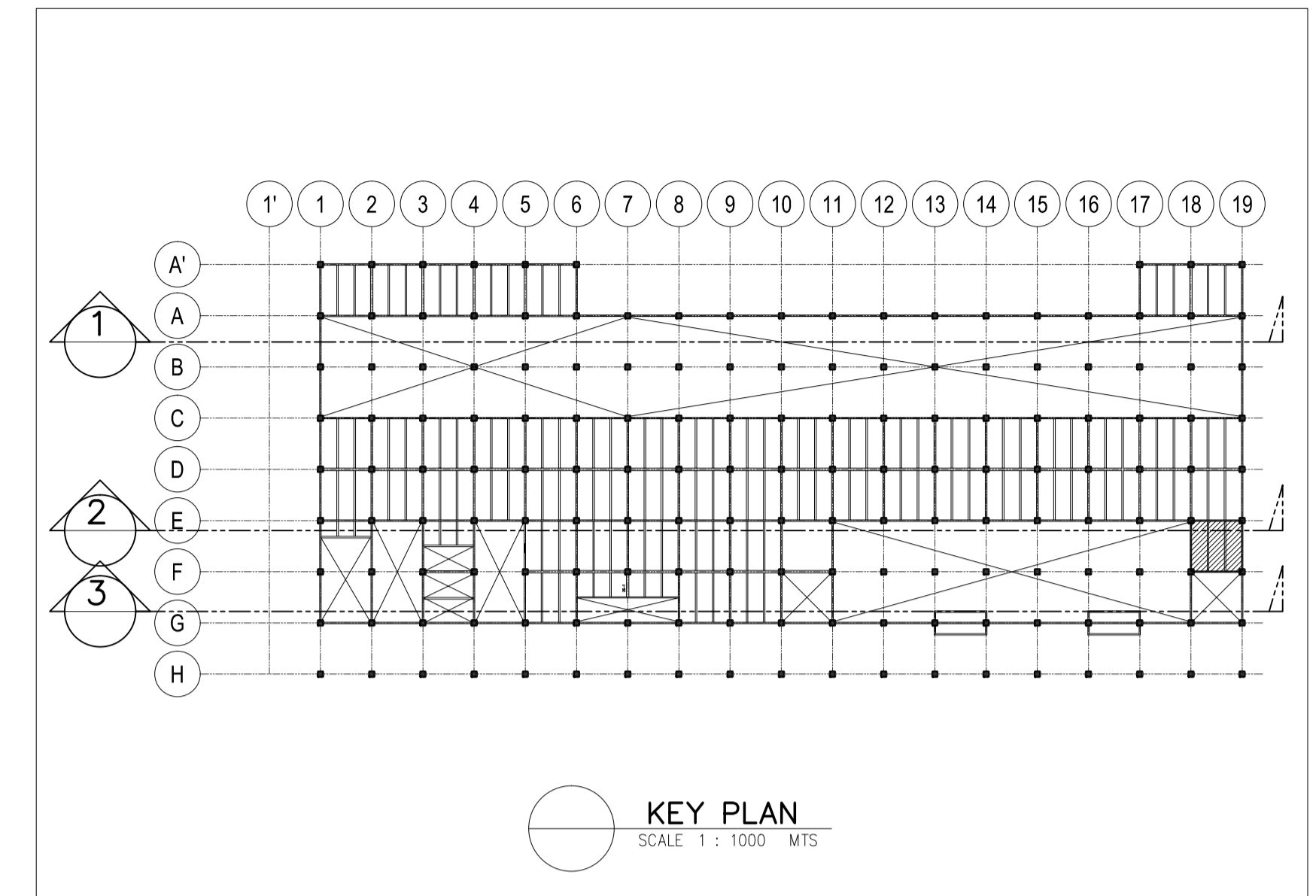
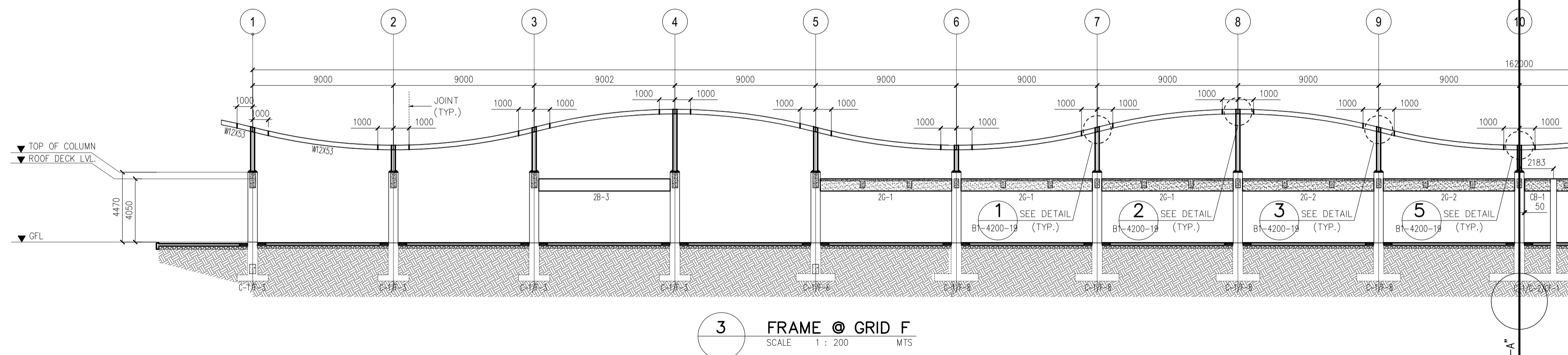
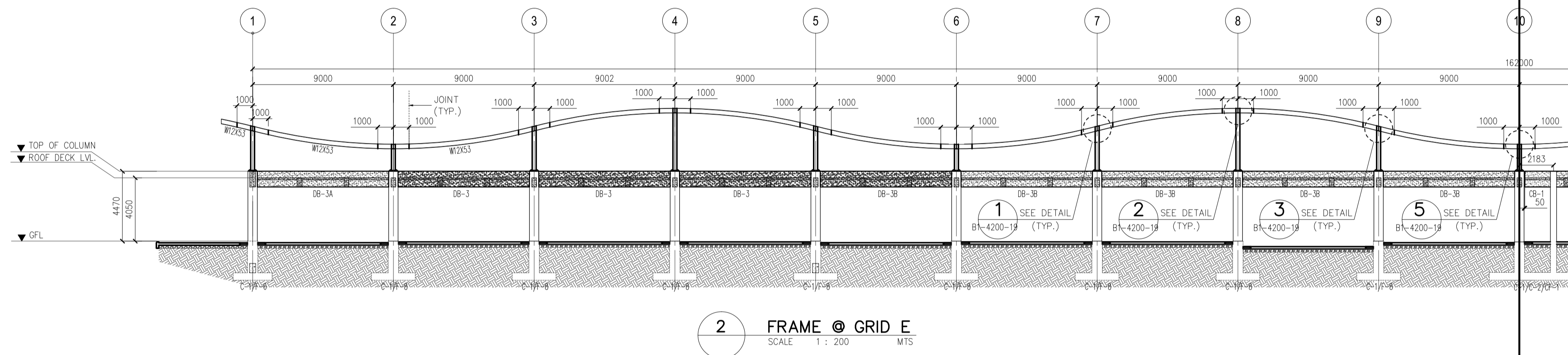
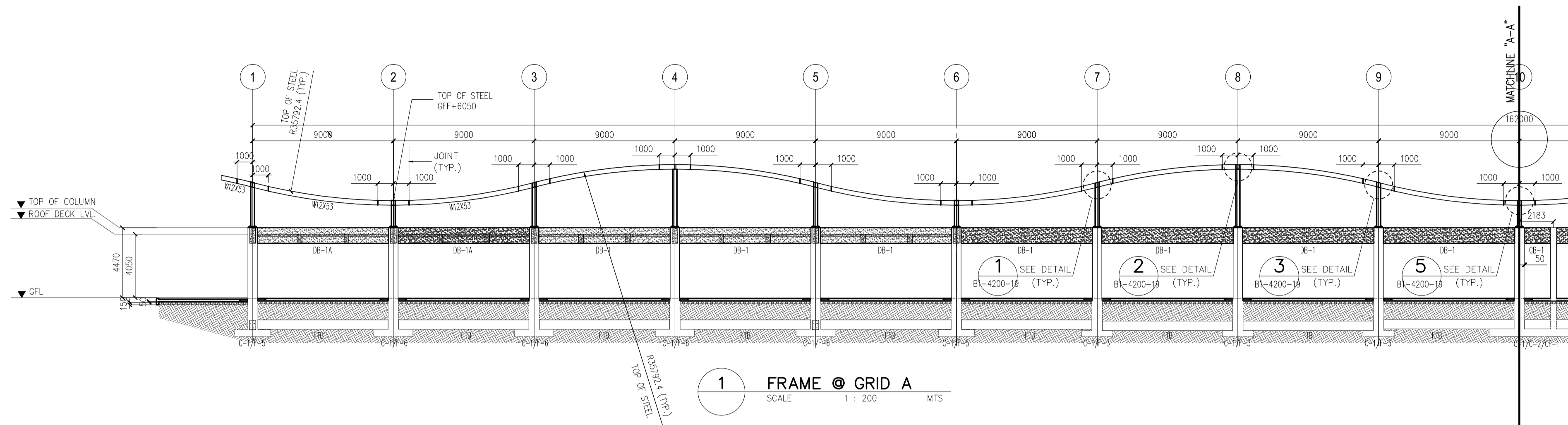
SHEET CONTENTS:  
COMPONENT-4 : BUILDING WORKS (B)  
SUB-COMPONENT 4-1 : PASSENGER TERMINAL BUILDING  
STRUCTURAL  
ROOF FRAMING PLAN-2

SHEET NO:  
**B1-4200-08**  
DRAWING SCALE:  
1:200 MTS.



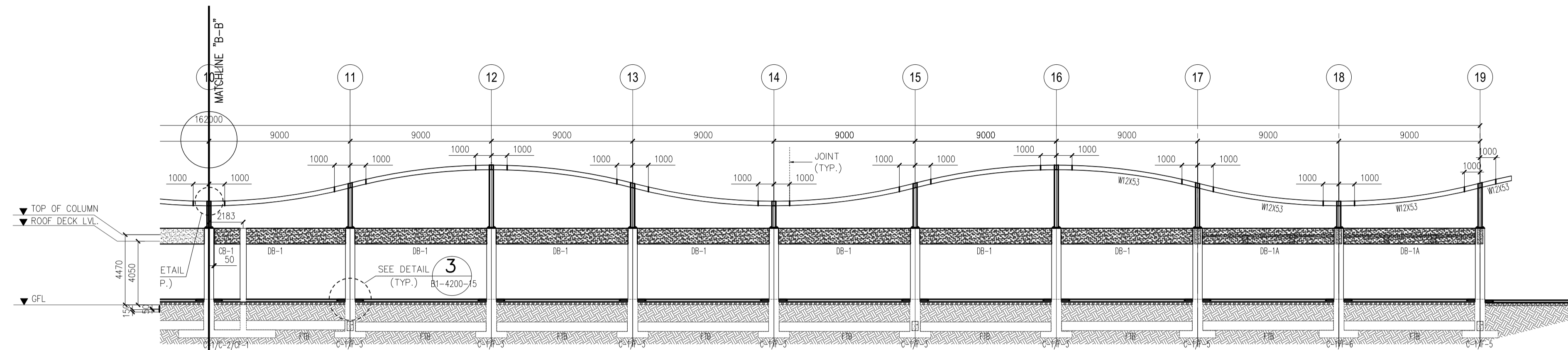
DATE	INDEX	AMENDMENTS	Prepared by	Checked by	Validated by
JUNE 2013			FRS Jr.	WIM	HC



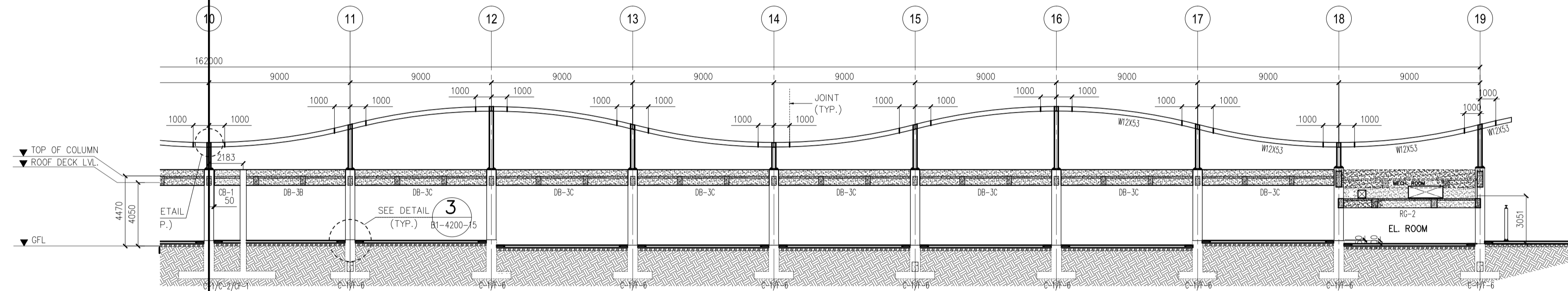


**NOTES:**  
ALL CURVED STEEL BEAMS SHALL BE CURVED IN CONVEX/CONCAVE CIRCLE HAVING A RADIUS AT TOP OF STEEL OF 35792.4MM WITH A CENTER ON EACH RELATED GRID LINE.

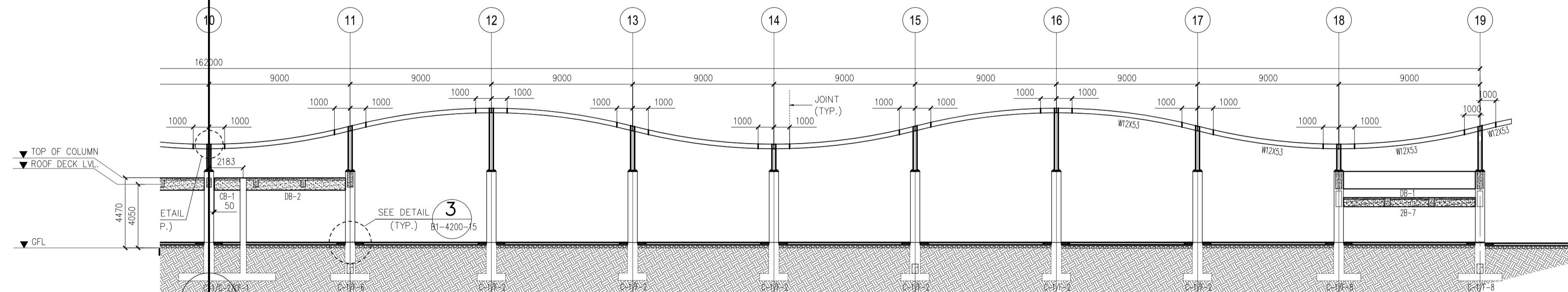
	PREPARED BY: <b>EDGARDO C. CRUZ</b> <small>PROF. CIVIL ENGINEER PTR. 7589023B REG. NO.: 23983 DATE: JANUARY 03, 2013 TEL. 651-157-021 PLACE: QUEZON CITY</small>	RECOMMENDING APPROVAL: <b>ILDEFONSO T. PATDU, JR.</b> <small>Assistant Secretary for Project Implementation, DOTC</small>	APPROVED: <b>JULIANITO G. BUCAYAN, JR.</b> <small>Undersecretary for Project Implementation, DOTC</small>	PROJECT TITLE: <b>NEW BOHOL AIRPORT CONSTRUCTION AND SUSTAINABLE ENVIRONMENT PROTECTION PROJECT</b>	LOCATION: MUNICIPALITY OF PANGLAO, PROVINCE OF BOHOL, PHILIPPINES	SHEET CONTENTS: COMPONENT-4 : BUILDING WORKS (B) SUB-COMPONENT 4-1 : PASSENGER TERMINAL BUILDING STRUCTURAL FRAME ELEVATION (LONGITUDINAL) -1	SHEET NO: <b>B1-4200-09</b> DRAWING SCALE: 1:200 MTS.
	JICA DESIGN CONSULTANT JOINT VENTURE <b>JAC</b> JAPAN AIRPORT CONSULTANTS, INC. <b>NIPPON KOEI CO., LTD.</b> <b>NIS CONSULTANTS CO., LTD.</b>	REPUBLIC OF THE PHILIPPINES DEPARTMENT OF TRANSPORTATION AND COMMUNICATIONS <b>JICA</b> JAPAN INTERNATIONAL COOPERATION AGENCY	JUNE 2013 DATE INDEX AMENDMENTS Prepared by: FRS Jr. WIM IC Checked by: Validated by:	JUNE 2013 DATE INDEX AMENDMENTS	JUNE 2013 DATE INDEX AMENDMENTS	JUNE 2013 DATE INDEX AMENDMENTS	



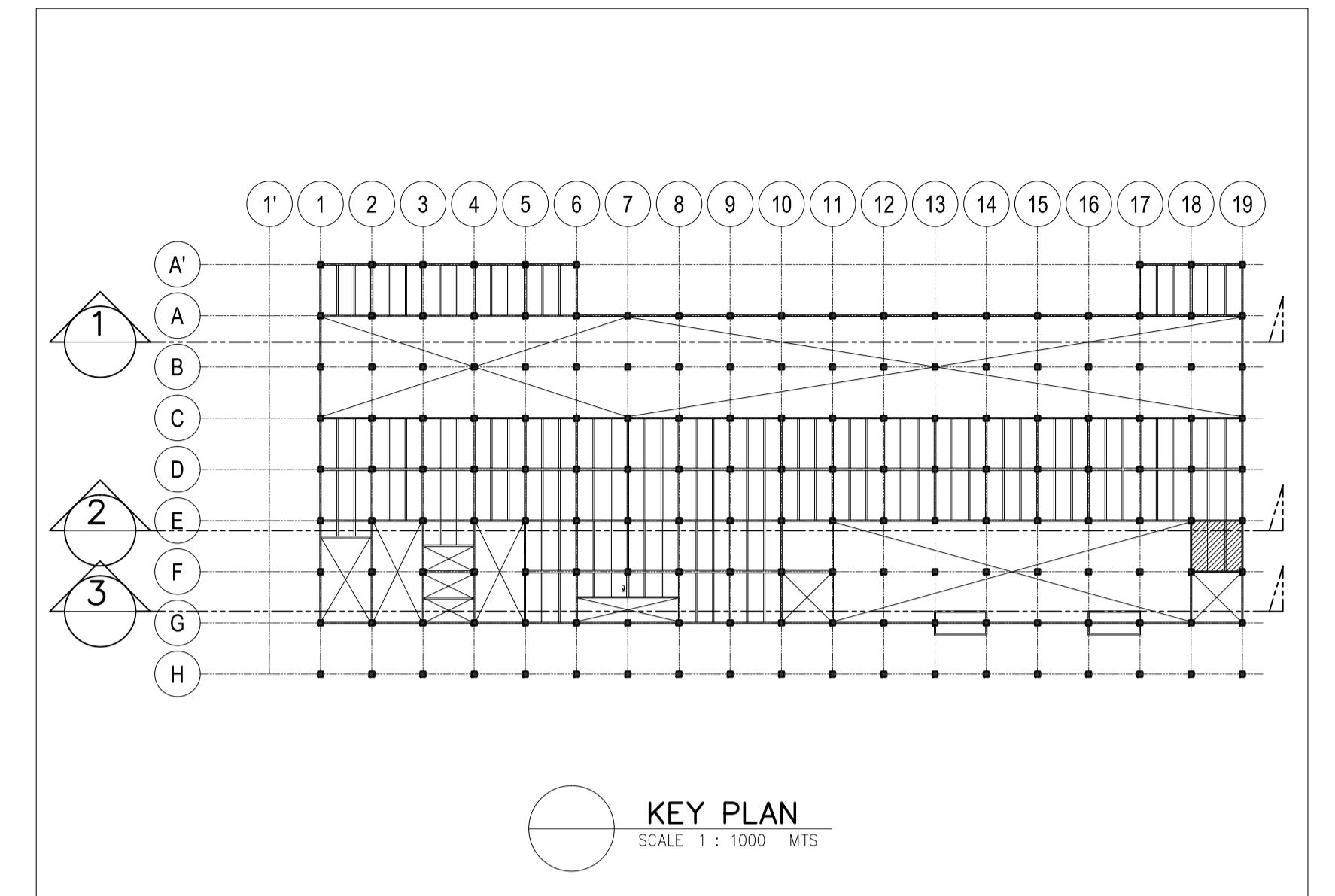
1 FRAME @ GRID A  
SCALE 1 : 200 MTS



2 FRAME @ GRID E  
SCALE 1 : 200 MTS

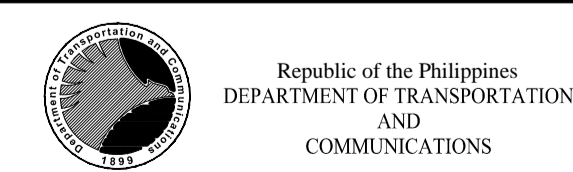


3 FRAME @ GRID F  
SCALE 1 : 200 MTS



KEY PLAN  
SCALE 1 : 1000 MTS

NOTES:  
ALL CURVED STEEL BEAMS SHALL BE CURVED IN CONVEX/CONCAVE CIRCLE HAVING A RADIUS AT TOP OF STEEL OF 35792.4MM WITH A CENTER ON EACH RELATED GRID LINE.



PREPARED BY:  
**EDGARDO C. CRUZ**  
PROF. CIVIL ENGINEER PTR. 7589023B  
REG. NO.: 23983 DATE: JANUARY 03, 2013  
TEAM: 651-157-021 PLACE: QUEZON CITY

RECOMMENDING APPROVAL:  
**ILDEFONSO T. PATDU, JR.**  
Assistant Secretary  
for Project Implementation, DOTC

APPROVED:  
**JULIANITO G. BUCAYAN, JR.**  
Undersecretary  
for Project Implementation, DOTC

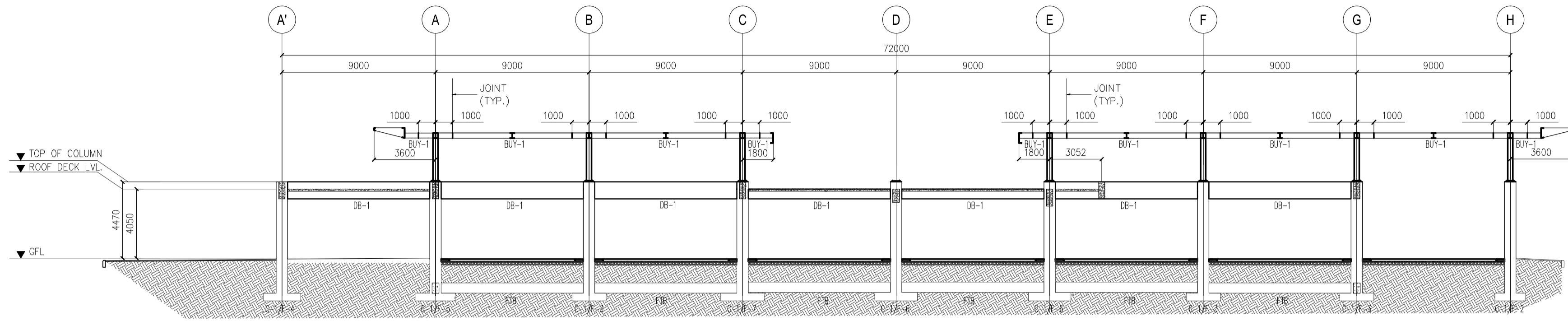
PROJECT TITLE:  
**NEW BOHOL AIRPORT CONSTRUCTION AND SUSTAINABLE ENVIRONMENT PROTECTION PROJECT**  
LOCATION: MUNICIPALITY OF PANGLAO, PROVINCE OF BOHOL, PHILIPPINES

JUNE 2013	FRS Jr.	WIM	HC
DATE	Prepared by	Checked by	Validated by
INDEX	AMENDMENTS		

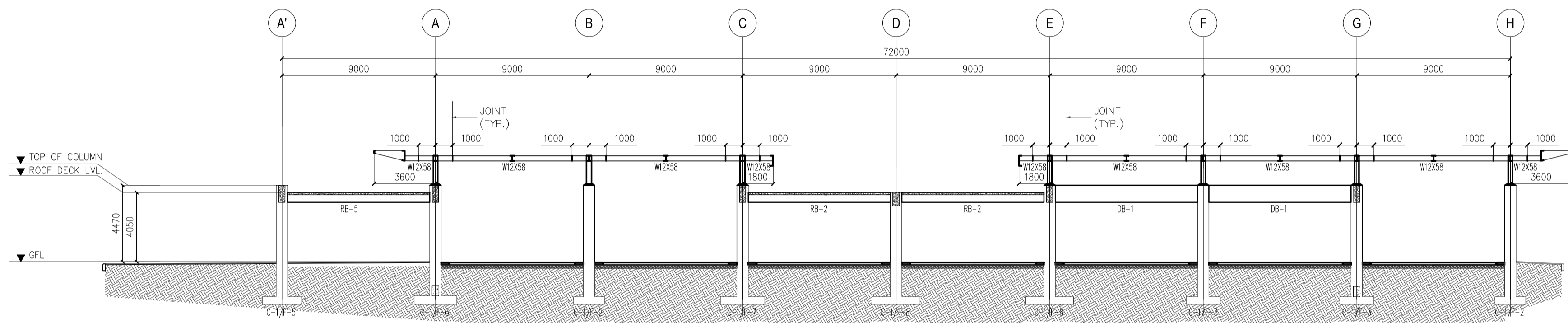
SHEET CONTENTS:  
COMPONENT-4 : BUILDING WORKS (B)  
SUB-COMPONENT 4-1 : PASSENGER TERMINAL BUILDING  
STRUCTURAL  
FRAME ELEVATION (LONGITUDINAL) -2

SHEET NO:  
**B1-4200-10**  
DRAWING SCALE:  
1:200 MTS.

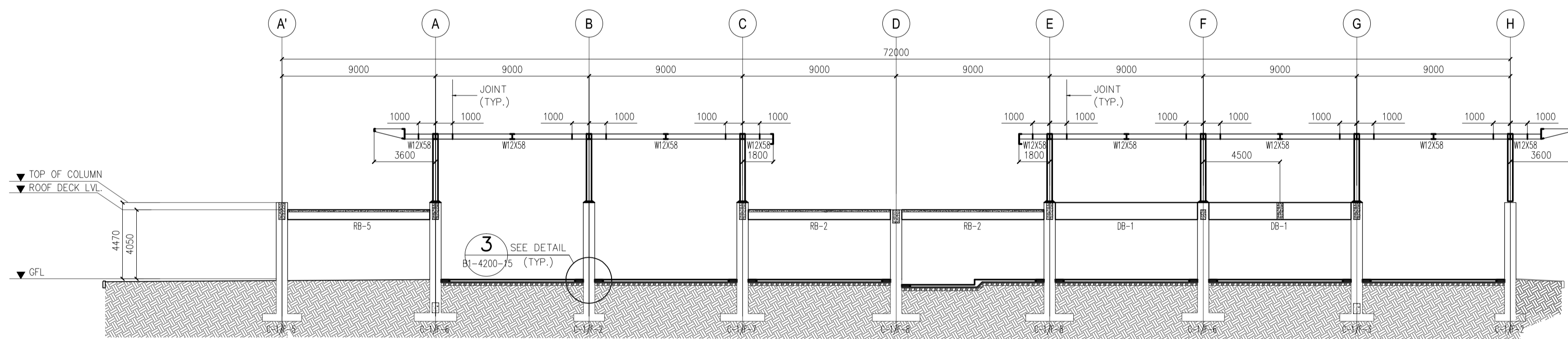




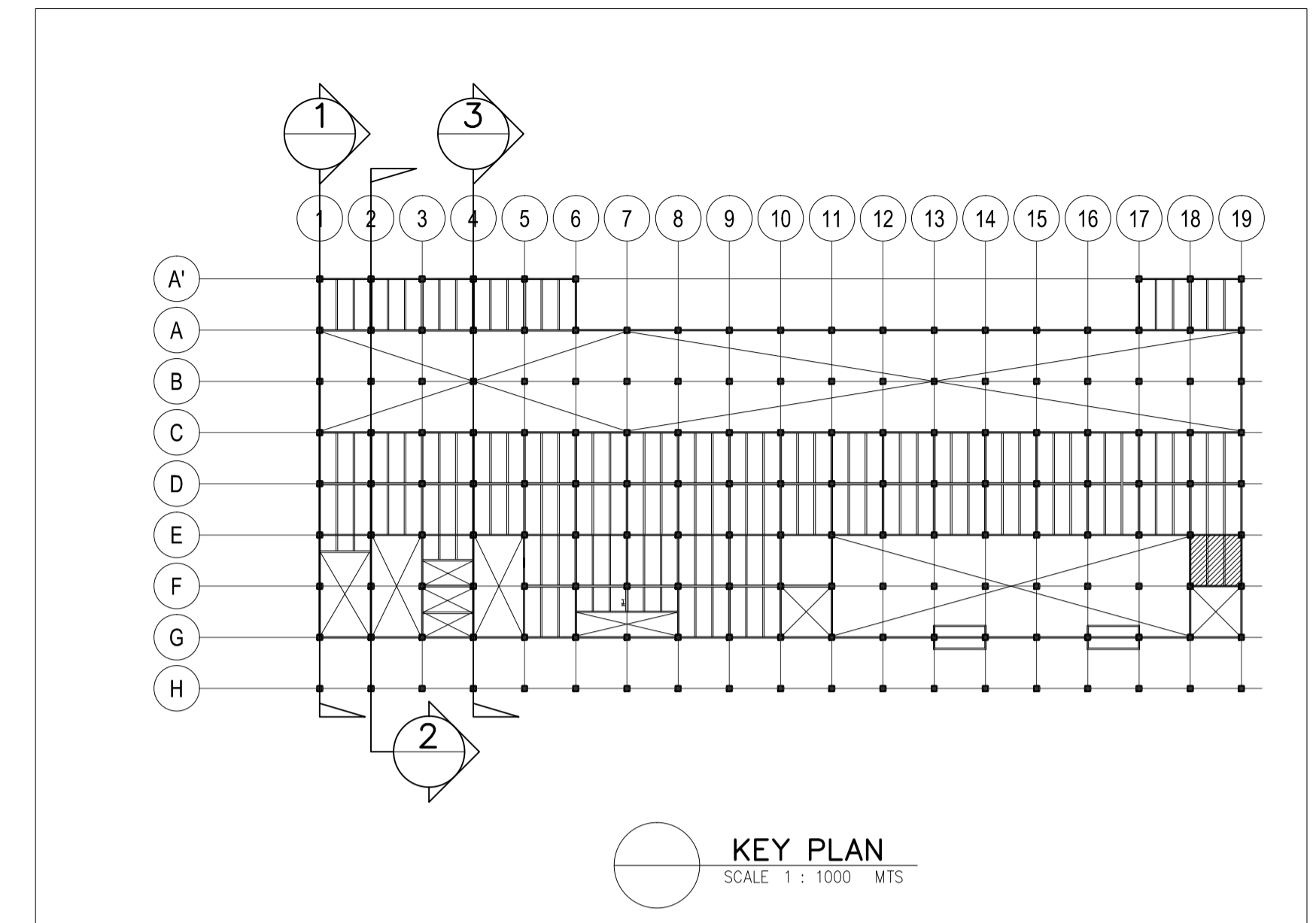
1 FRAME @ GRID 1  
SCALE 1 : 200 MTS



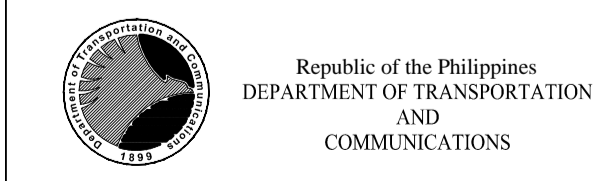
2 FRAME @ GRID 2  
SCALE 1 : 200 MTS



3 FRAME @ GRID 4  
SCALE 1 : 200 MTS



KEY PLAN  
SCALE 1 : 1000 MTS



PREPARED BY:  
**EDGARDO C. CRUZ**  
PROF. CIVIL ENGINEER PTR. 7589023B  
REG. NO.: 23983 DATE: JANUARY 03, 2013  
TEL. 651-157-021 PLACE: QUEZON CITY

RECOMMENDING APPROVAL:  
**ILDEFONSO T. PATDU, JR.**  
Assistant Secretary  
for Project Implementation, DOTC

APPROVED:  
**JULIANITO G. BUCAYAN, JR.**  
Undersecretary  
for Project Implementation, DOTC

PROJECT TITLE:  
**NEW BOHOL AIRPORT CONSTRUCTION AND SUSTAINABLE ENVIRONMENT PROTECTION PROJECT**

LOCATION: MUNICIPALITY OF PANGLAO, PROVINCE OF BOHOL, PHILIPPINES

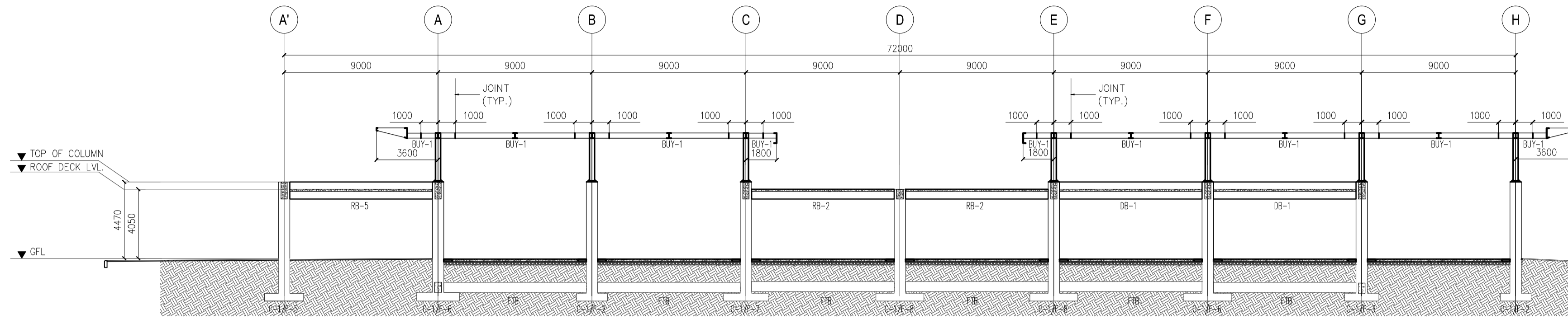
SHEET CONTENTS:  
COMPONENT-4 : BUILDING WORKS (B)  
SUB-COMPONENT 4-1 : PASSENGER TERMINAL BUILDING  
STRUCTURAL  
FRAME ELEVATIONS (TRANSVERSE) - 1

SHEET NO:  
**B1-4200-11**

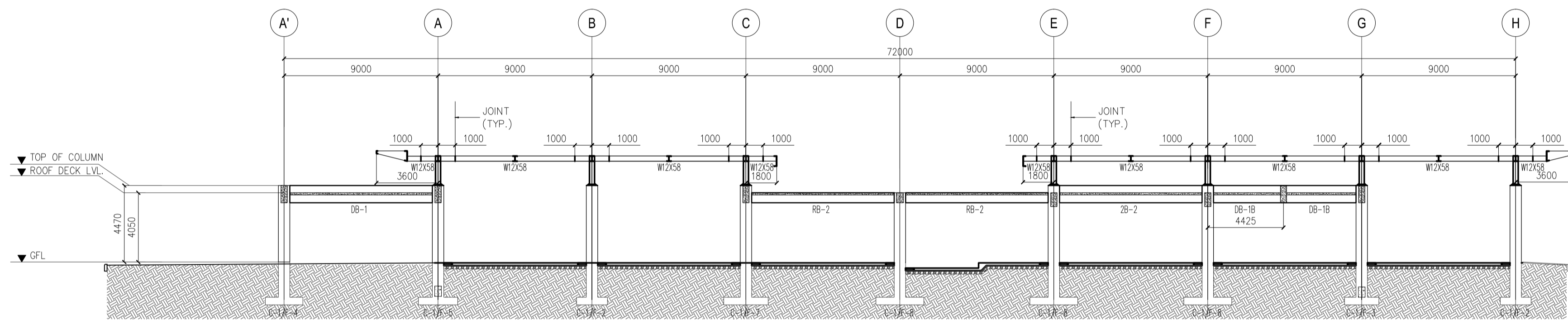
DRAWING SCALE:  
**1:200 MTS.**



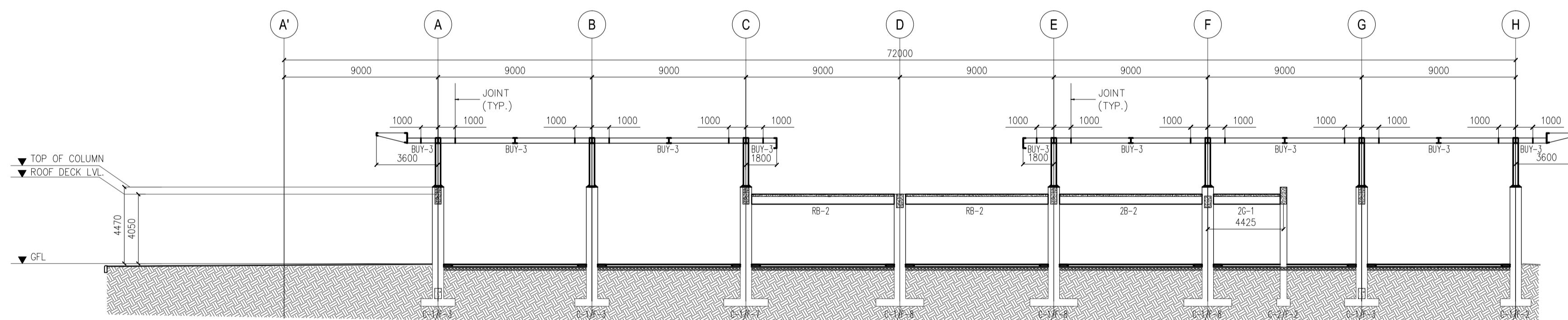
DATE	INDEX	AMENDMENTS	Prepared by	Checked by	Validated by
JUNE 2013			FRS Jr.	WIM	HC



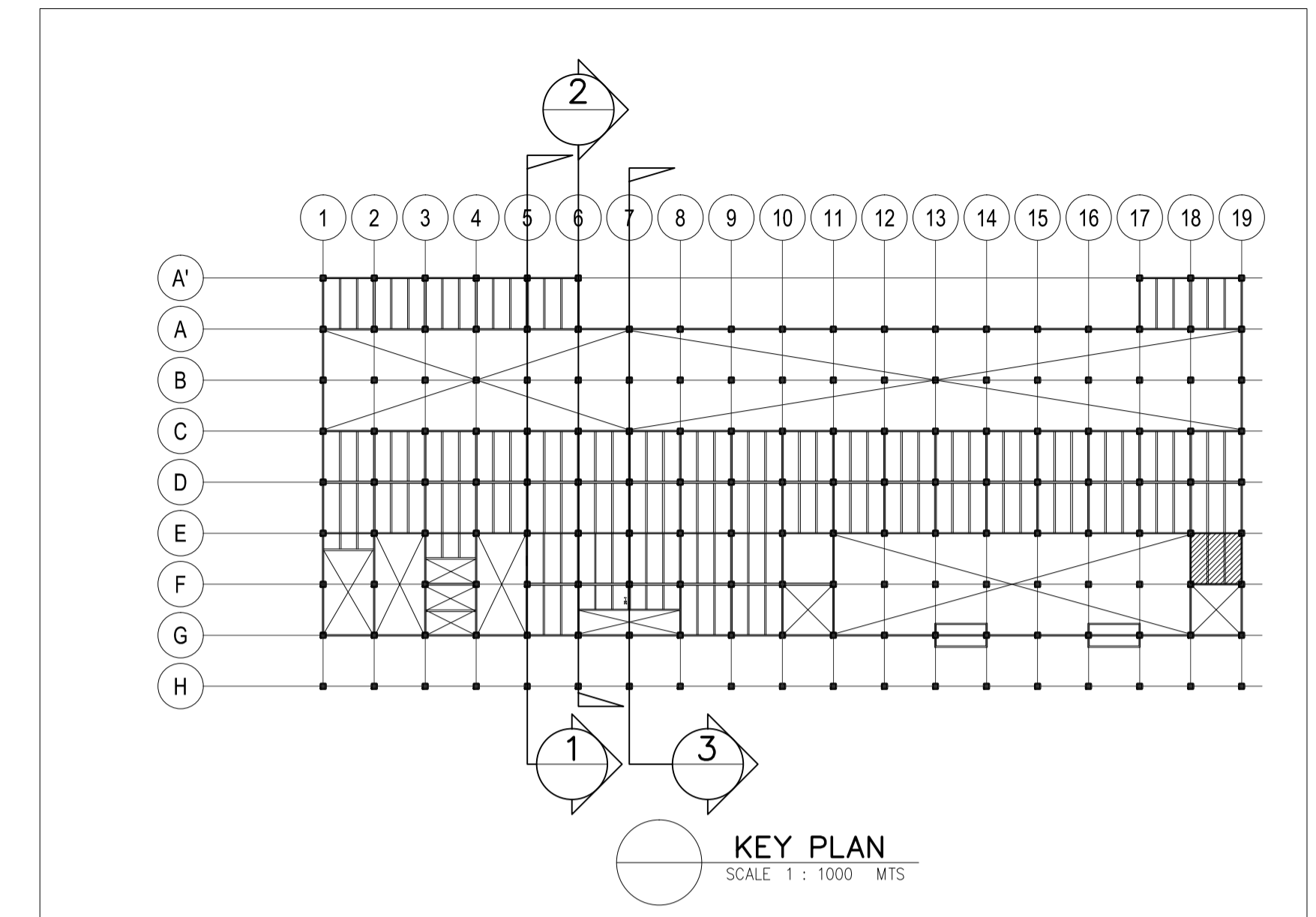
1 FRAME @ GRID 5  
SCALE 1 : 200 MTS



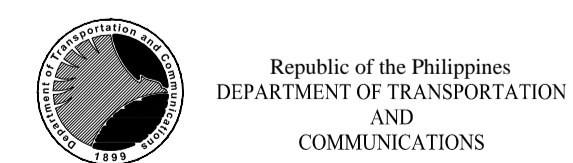
2 FRAME @ GRID 6  
SCALE 1 : 200 MTS



3 FRAME @ GRID 7  
SCALE 1 : 200 MTS



KEY PLAN  
SCALE 1 : 1000 MTS



PREPARED BY:  
**EDGARDO C. CRUZ**  
PROF. CIVIL ENGINEER PTR. 7589023B  
REG. NO.: 23983 DATE: JANUARY 03, 2013  
TEL. 651-157-021 PLACE: QUEZON CITY

RECOMMENDING APPROVAL:  
**ILDEFONSO T. PATDU, JR.**  
Assistant Secretary  
for Project Implementation, DOTC

APPROVED:  
**JULIANITO G. BUCAYAN, JR.**  
Undersecretary  
for Project Implementation, DOTC

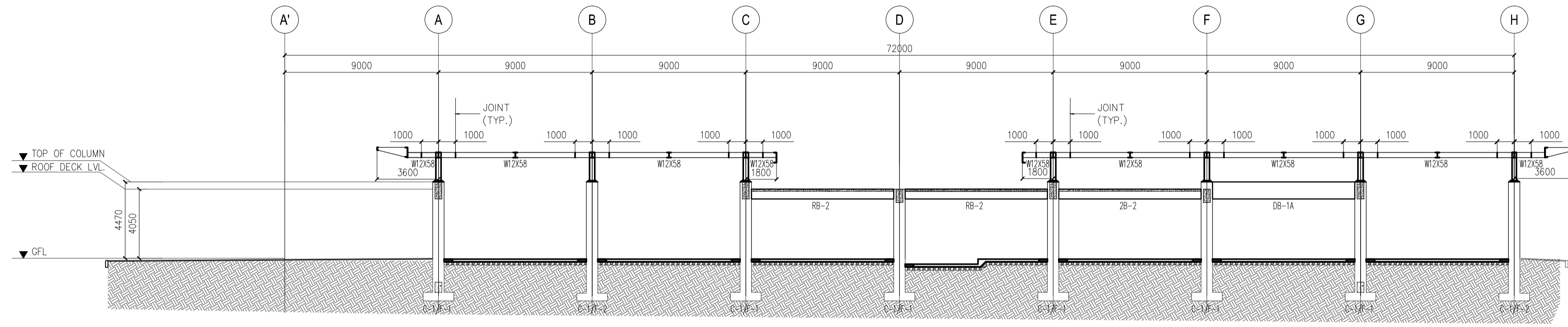
PROJECT TITLE:  
**NEW BOHOL AIRPORT CONSTRUCTION AND SUSTAINABLE ENVIRONMENT PROTECTION PROJECT**  
LOCATION: MUNICIPALITY OF PANGLAO, PROVINCE OF BOHOL, PHILIPPINES

DATE	INDEX	AMENDMENTS	Prepared by	Checked by	Validated by
JUNE 2013			FRS Jr.	WIM	HC

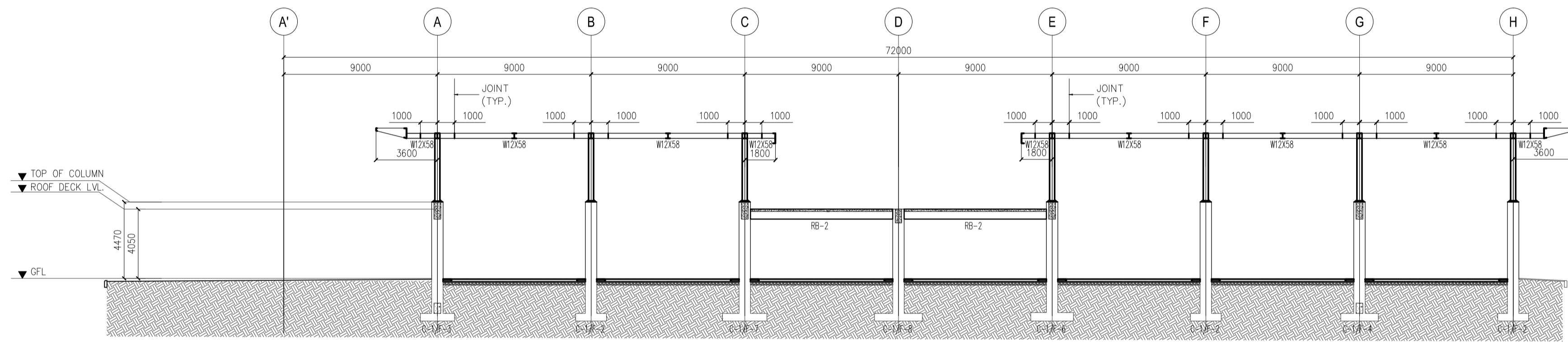
SHEET CONTENTS:  
COMPONENT-4 : BUILDING WORKS (B)  
SUB-COMPONENT 4-1 : PASSENGER TERMINAL BUILDING  
STRUCTURAL  
FRAME ELEVATIONS (TRANSVERSE) - 2

SHEET NO:  
**B1-4200-12**  
DRAWING SCALE:  
1:200 MTS.

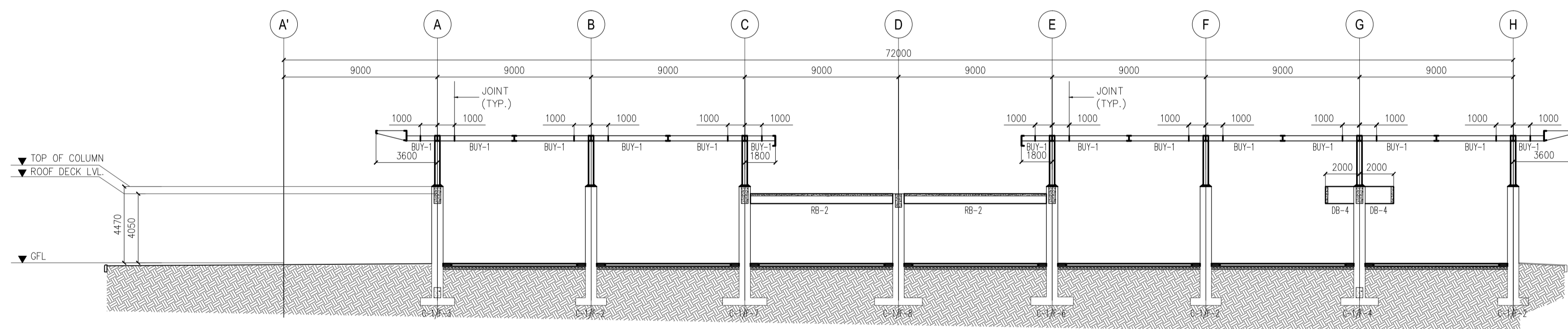




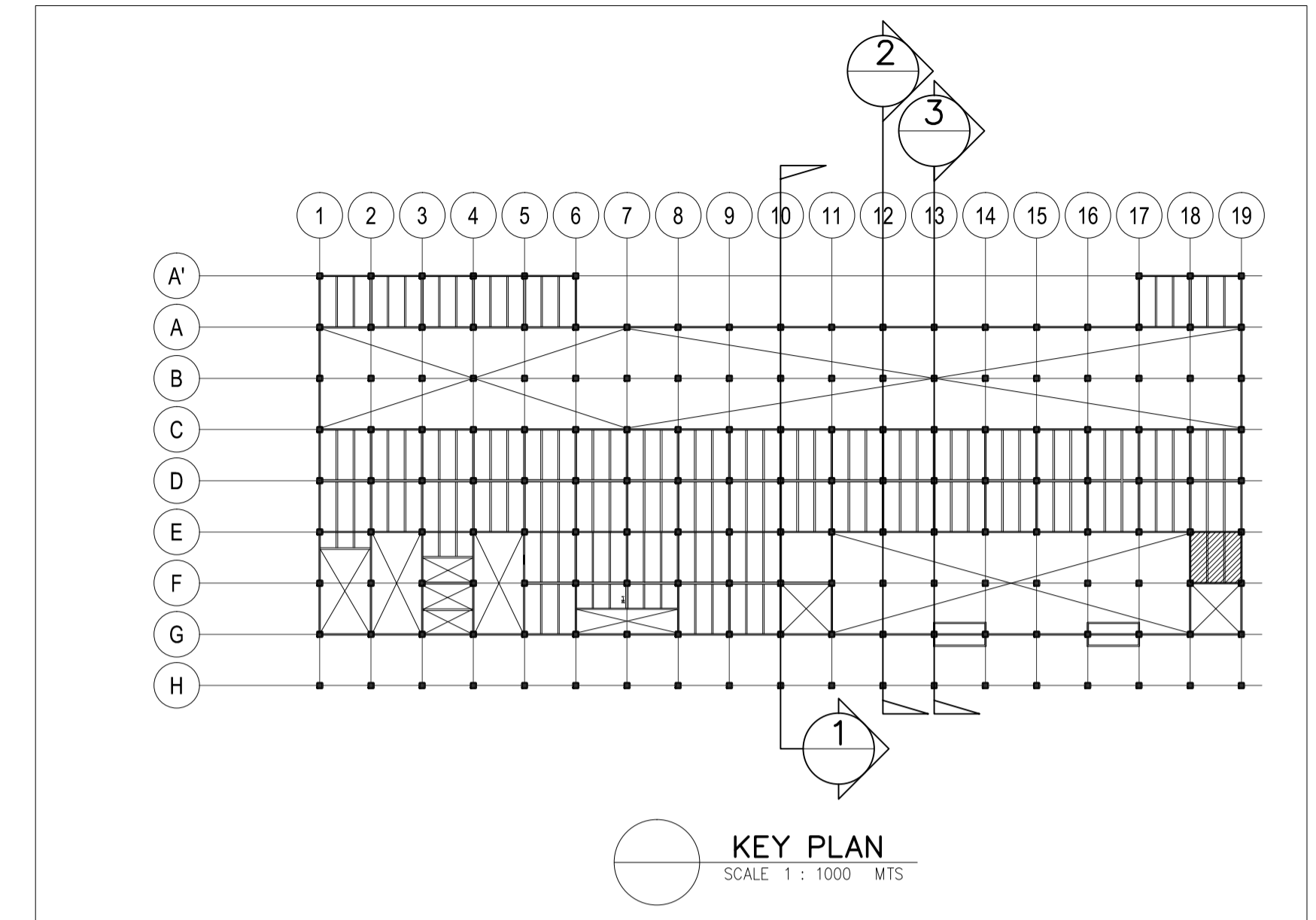
1 FRAME @ GRID 10  
SCALE 1 : 200 MTS



2 FRAME @ GRID 12  
SCALE 1 : 200 MTS



3 FRAME @ GRID 13  
SCALE 1 : 200 MTS



KEY PLAN  
SCALE 1 : 1000 MTS



PREPARED BY:  
EDGARDO C. CRUZ  
PROF. CIVIL ENGINEER PTR. 7589023B  
REG. NO.: 23983 DATE: JANUARY 03, 2013  
TEL. 651-157-021 PLACE: QUEZON CITY

RECOMMENDING APPROVAL:  
ILDEFONSO T. PATDU, JR.  
Assistant Secretary  
for Project Implementation, DOTC

APPROVED:  
JULIANITO G. BUCAYAN, JR.  
Undersecretary  
for Project Implementation, DOTC

PROJECT TITLE:  
NEW BOHOL AIRPORT CONSTRUCTION AND  
SUSTAINABLE ENVIRONMENT PROTECTION PROJECT

LOCATION: MUNICIPALITY OF PANGLAO, PROVINCE OF BOHOL, PHILIPPINES

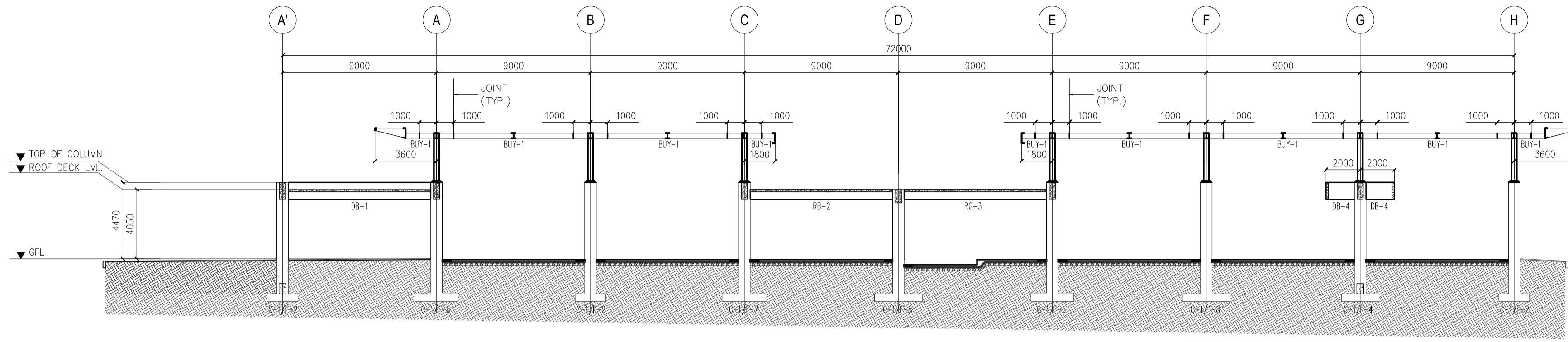
SHEET CONTENTS:  
COMPONENT-4 : BUILDING WORKS (B)  
SUB-COMPONENT 4-1 : PASSENGER TERMINAL  
BUILDING  
STRUCTURAL  
FRAME ELEVATIONS (TRANSVERSE) - 3

SHEET NO:  
B1-4200-13

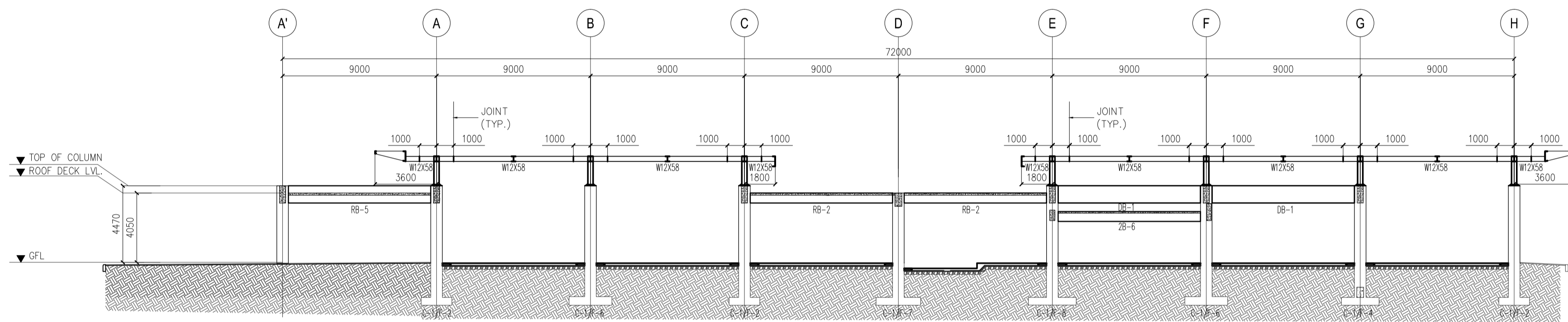
DRAWING SCALE:  
1:200 MTS.



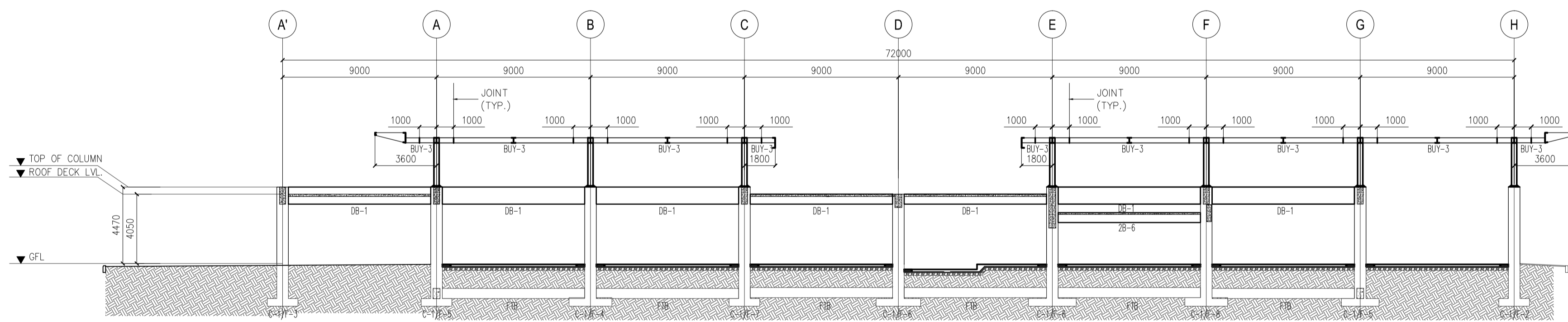
DATE	INDEX	AMENDMENTS	Prepared by	Checked by	Validated by
JUNE 2013			FRS Jr.	WIM	HC



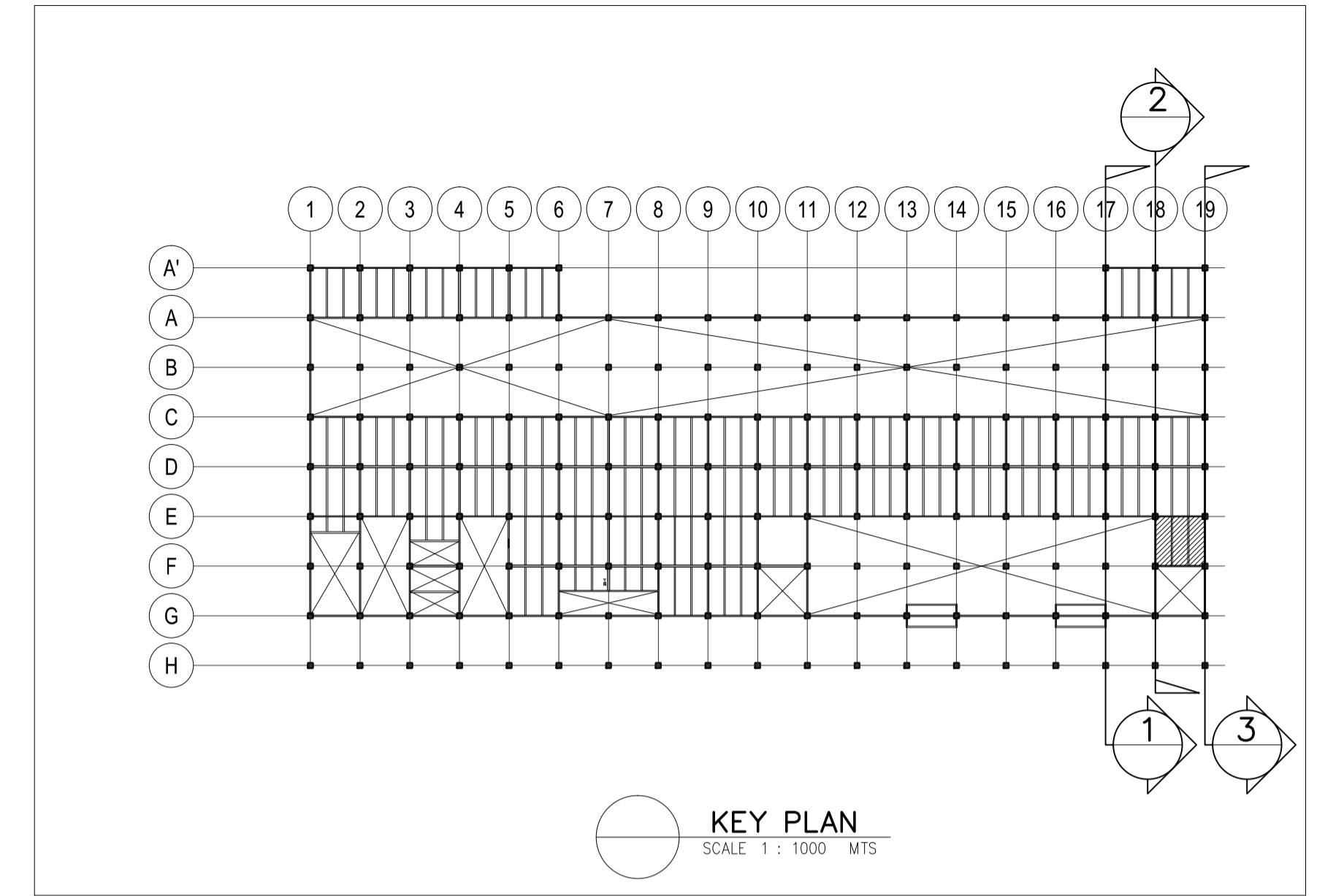
**1 FRAME @ GRID 17**  
SCALE 1 : 200 MTS



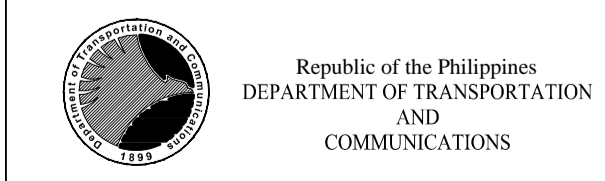
**2 FRAME @ GRID 18**  
SCALE 1 : 200 MTS



**3 FRAME @ GRID 19**  
SCALE 1 : 200 MTS



**KEY PLAN**  
SCALE 1 : 1000 MTS



PREPARED BY:  
**EDGARDO C. CRUZ**  
PROF. CIVIL ENGINEER PTR. 7589023B  
REG. NO.: 23983 DATE: JANUARY 03, 2013  
TEL. 651-157-021 PLACE: QUEZON CITY

TADASHI AOI  
Team Leader

RECOMMENDING APPROVAL:  
**ILDEFONSO T. PATDU, JR.**  
Assistant Secretary  
for Project Implementation, DOTC

APPROVED:  
**JULIANITO G. BUCAYAN, JR.**  
Undersecretary  
for Project Implementation, DOTC

PROJECT TITLE:  
**NEW BOHOL AIRPORT CONSTRUCTION AND SUSTAINABLE ENVIRONMENT PROTECTION PROJECT**

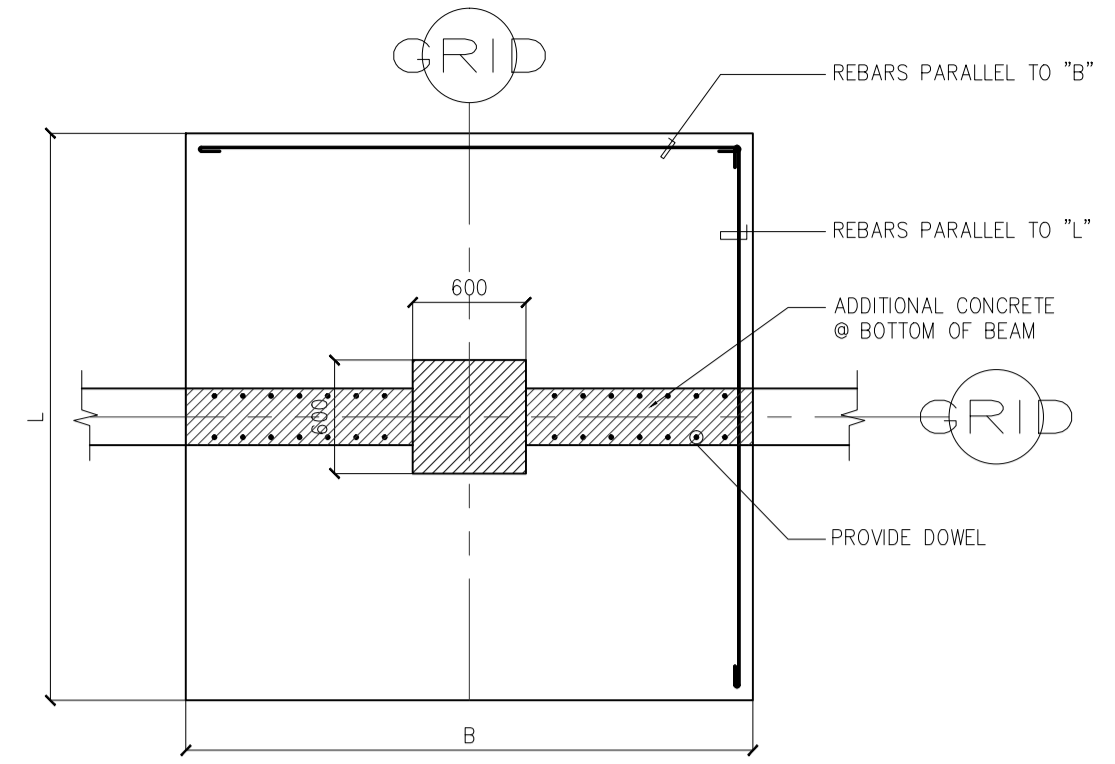
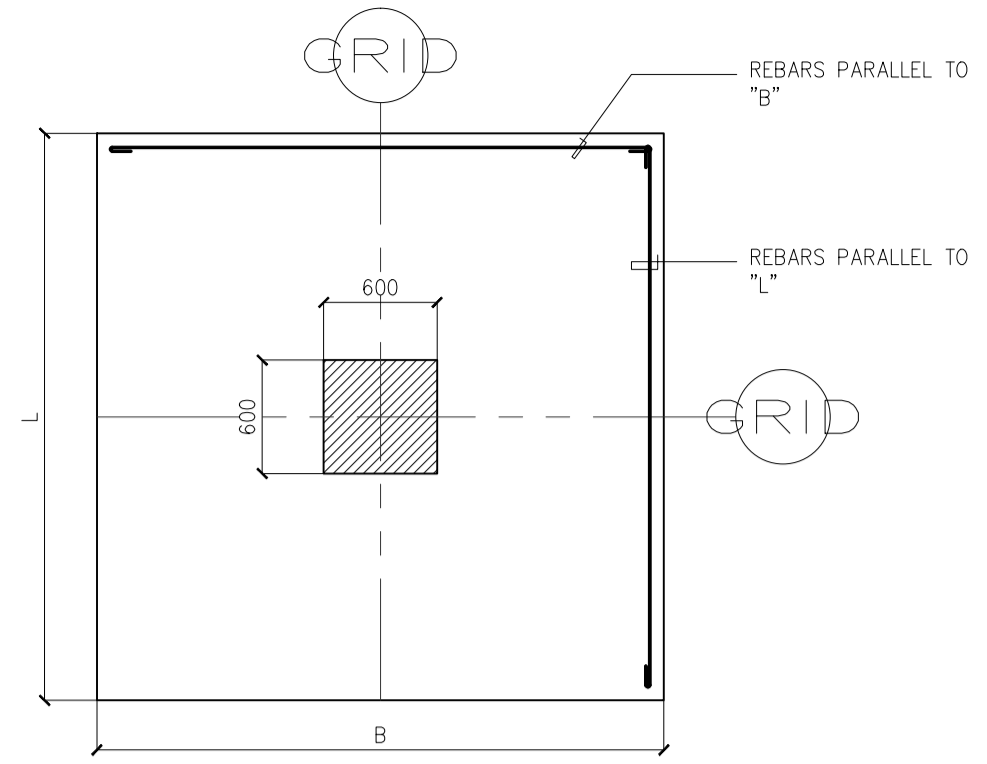
LOCATION: MUNICIPALITY OF PANGLAO, PROVINCE OF BOHOL, PHILIPPINES

DATE	INDEX	AMENDMENTS	Prepared by	Checked by	Validated by
JUNE 2013			FRS Jr.	WIM	HC

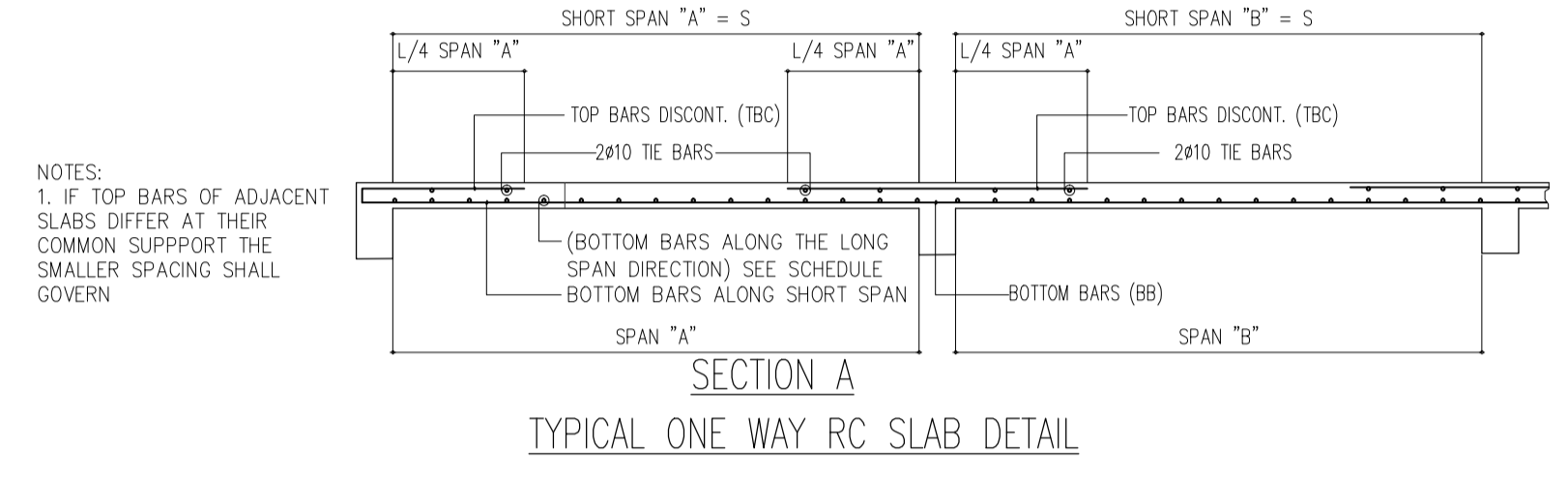
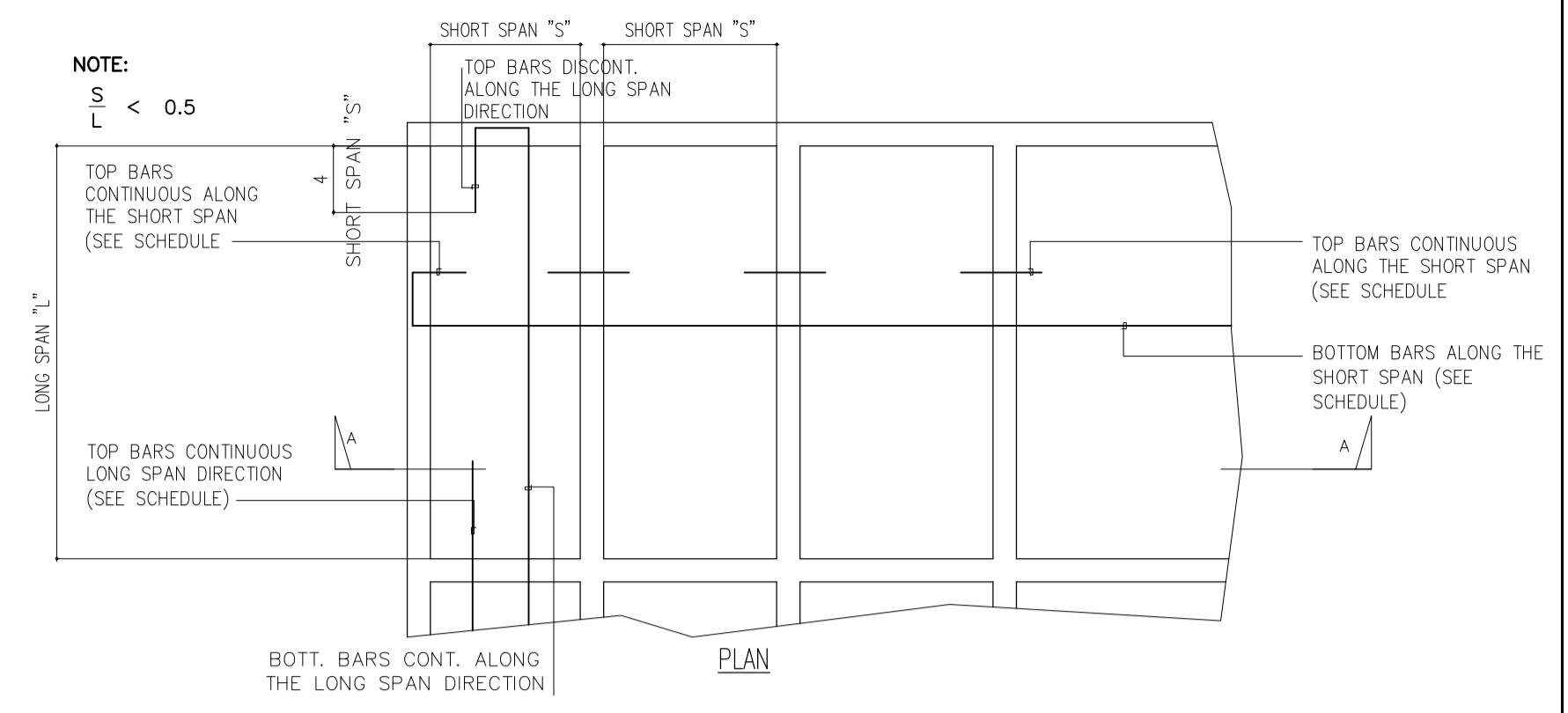
SHEET CONTENTS:  
COMPONENT-4 : BUILDING WORKS (B)  
SUB-COMPONENT 4-1 : PASSENGER TERMINAL BUILDING  
STRUCTURAL  
FRAME ELEVATIONS (TRANSVERSE) - 4

SHEET NO:  
**B1-4200-14**

DRAWING SCALE:  
1:200 MTS.



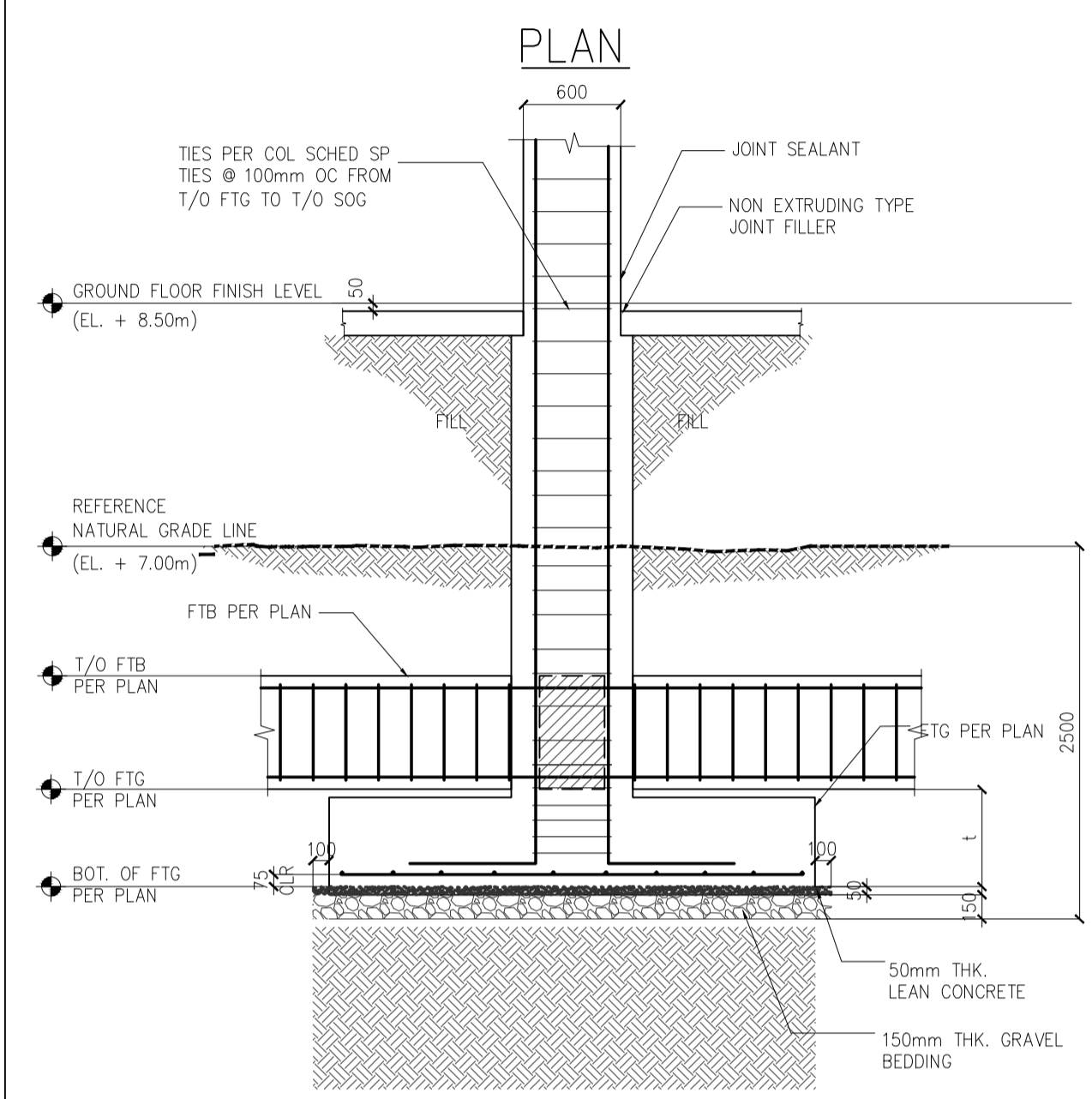
MARK	DIMENSIONS			REINFORCEMENTS				REMARKS
	LENGTH (L)	WIDTH (B)	THICKNESS (t)	TOP		BOTTOM		
				BARS PARALLEL TO "L"	BARS PARALLEL TO "B"	BARS PARALLEL TO "L"	BARS PARALLEL TO "B"	
F-1	800	800	300	-	-	4-16mm $\phi$	4-16mm $\phi$	
F-1A	800	800	300	-	-	4-16mm $\phi$	4-16mm $\phi$	
F-2	1800	1800	400	-	-	8-20mm $\phi$	8-20mm $\phi$	
F-3	2000	2000	400	-	-	8-20mm $\phi$	8-20mm $\phi$	
F-4	2200	2200	400	-	-	8-20mm $\phi$	8-20mm $\phi$	
F-5	2300	2300	450	-	-	8-20mm $\phi$	8-20mm $\phi$	
F-6	2500	2500	500	-	-	12-20mm $\phi$	12-20mm $\phi$	
F-7	2600	2600	450	-	-	14-20mm $\phi$	14-20mm $\phi$	
F-8	2800	2800	500	-	-	16-20mm $\phi$	16-20mm $\phi$	
CF-1						SEE DETAIL (1C)		



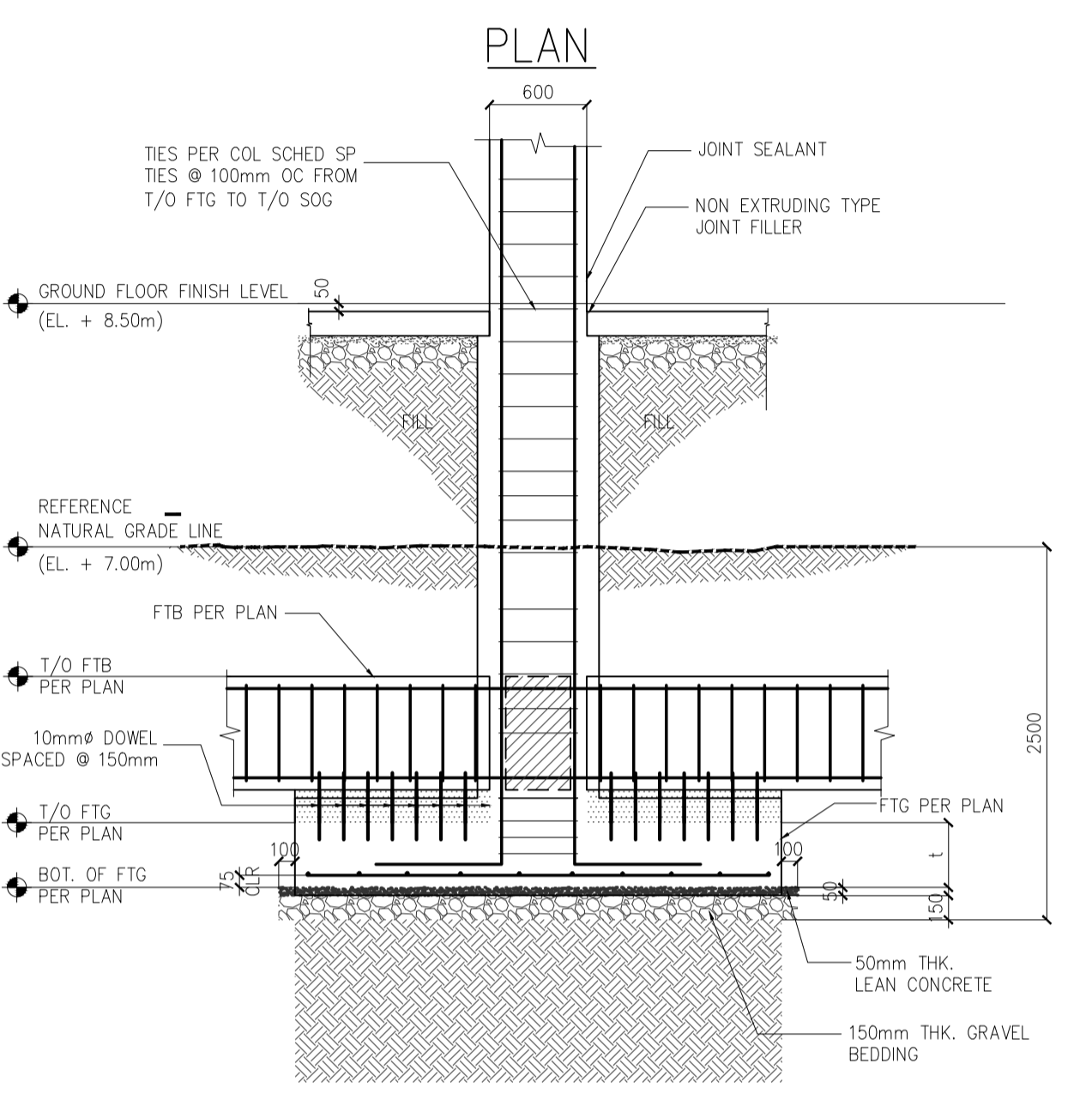
SLAB MARK	THICKNESS (mm)	BAR SIZE	SHORT DIRECTION SPACING		LONG DIRECTION SPACING	TEMP. BAR	REMARKS	LOCATION
			TOP BARS					
			DISC EDGE	CONT. EDGE				
S-1A	125	10mm $\phi$	200mm	150mm	125mm	10 @ 300mm	ONE-WAY	ROOFDECK
S-1	125	10mm $\phi$	-	150mm	125mm	10 @ 300mm	ONE-WAY	ROOFDECK
S-2A	150	10mm $\phi$	200mm	150mm	125mm	10 @ 250mm	ONE-WAY	MACHINE ROOM
S-2	150	10mm $\phi$	-	125mm	200mm	10 @ 250mm	ONE-WAY	MACHINE ROOM

NOTE: IF THE TOP BARS OF ADJACENT SLABS DIFFER AT COMMON SUPPORT, THE SMALLER SPACING SHALL GOVERN.

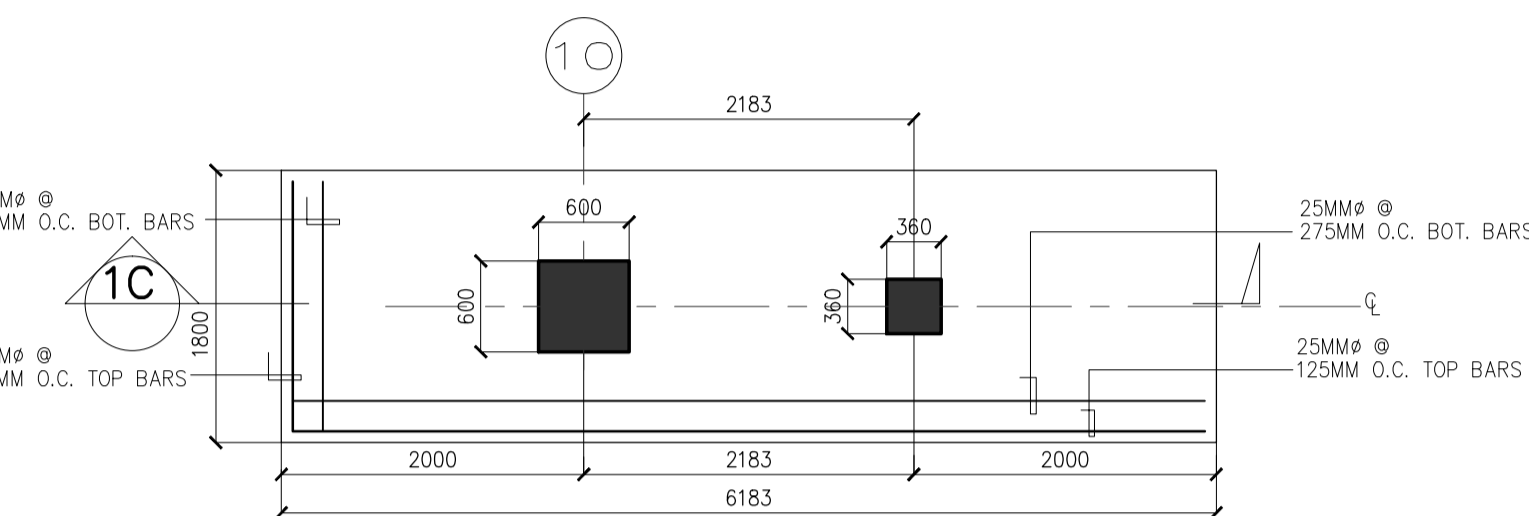
**4 SLAB SCHEDULE**  
SCALE: 1:50 MTS



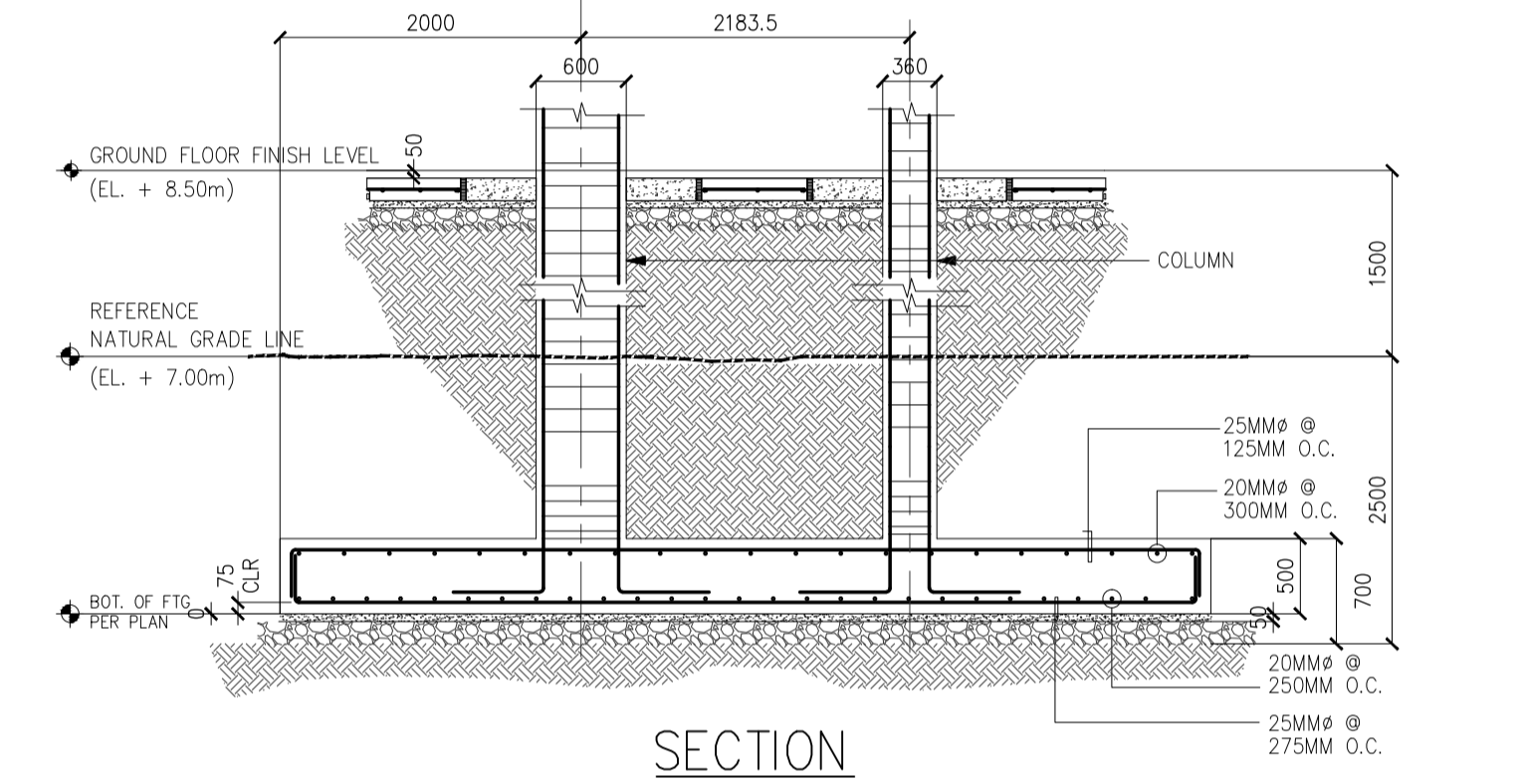
**1A TYP. ISOLATED FOOTING DETAIL WITH CONCRETE COLUMN**  
SCALE: 1:40



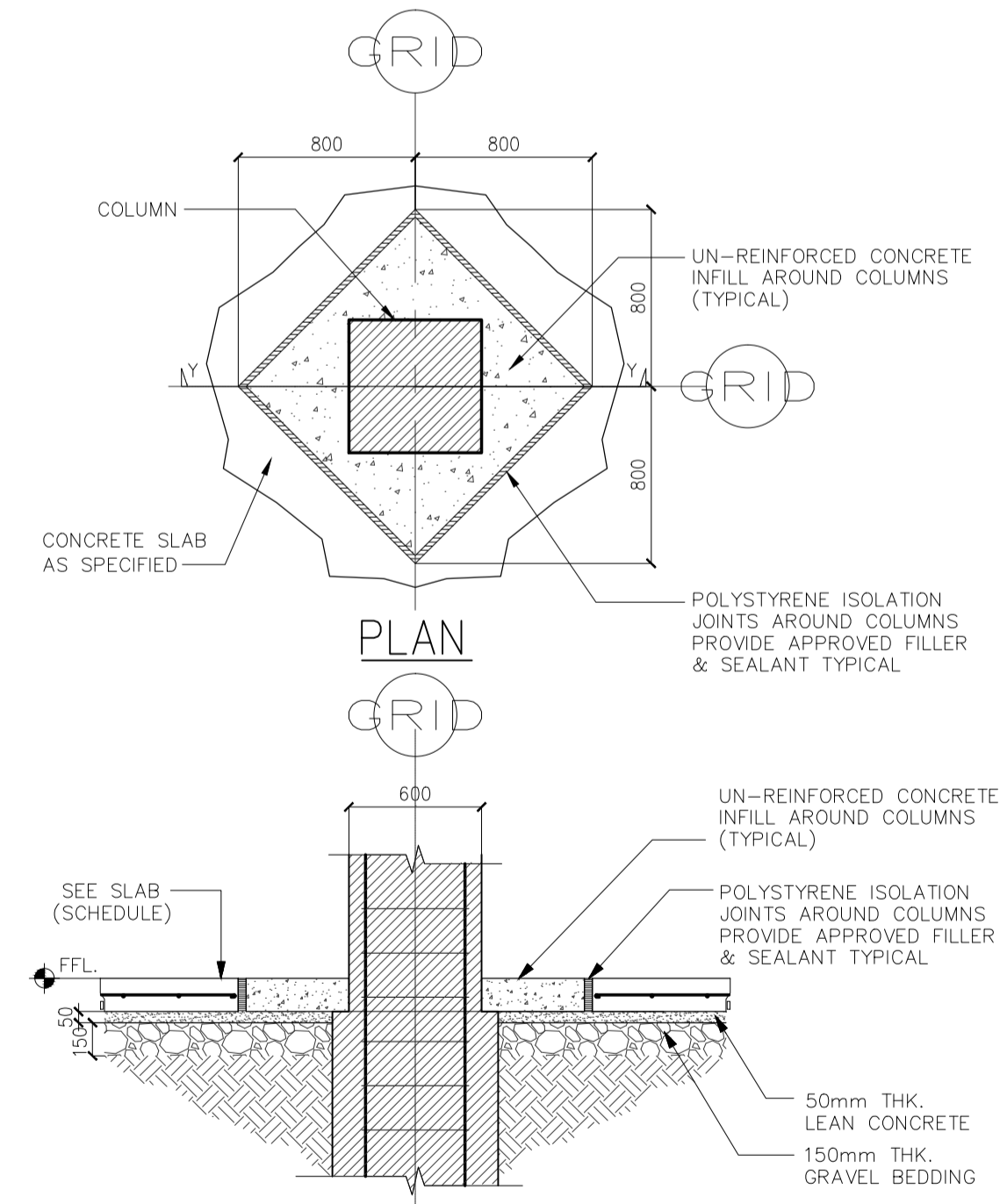
**1B TYP. ISOLATED FOOTING DETAIL WITH FOOTING THICKNESS IS LESS THAN 500mm**  
SCALE: 1:40



**1C CF-1 DETAIL**  
SCALE: 1:50 MTS



**2 FOOTING TIE BEAM DETAIL**  
SCALE: 1:15



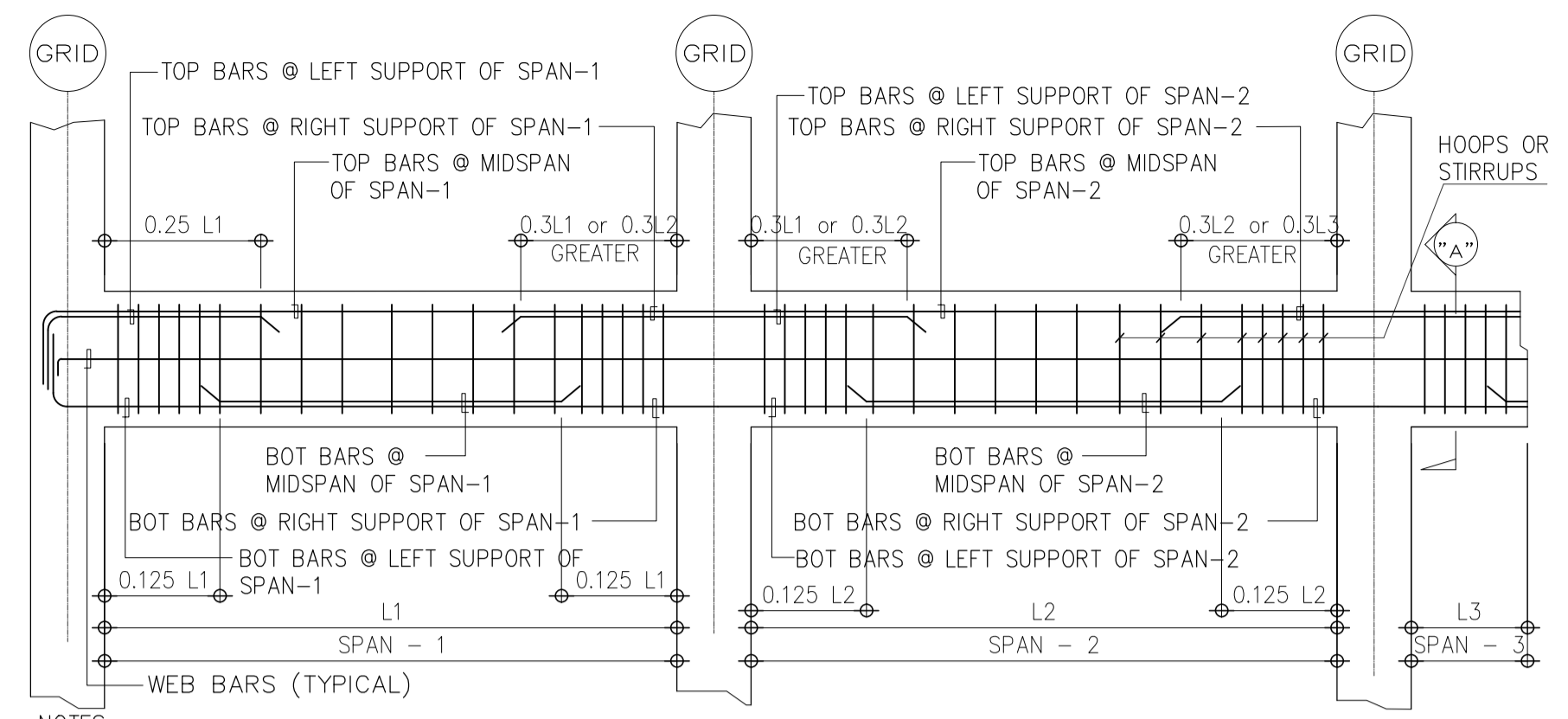
**3 ISOLATED JOINT AROUND COLUMN**  
SCALE: 1:30

**SCHEDULE OF COLUMNS**

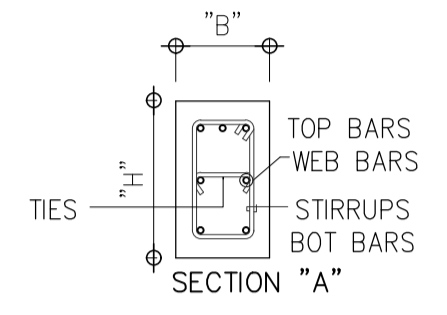
MARK	C-1	C-2	C-3	C-4
TOP OF COLUMN TO GROUND LEVEL				
GROUND LEVEL TO FOUNDATION				
SIZE:	600x600mm	400x400mm	360x360mm	300x300mm
REBARS:	12-25mm $\phi$	8-20mm $\phi$	8-20mm $\phi$	8-16mm $\phi$
TIES:	3 SETS 12mm $\phi$ , 1 $\phi$ 50mm, 10 $\phi$ 100, REST @ 150mm O.C. TO MID HEIGHT	1 SET-10mm $\phi$ 1 $\phi$ 50mm, REST @ 100mm	1 SET-10mm $\phi$ 1 $\phi$ 50mm, REST @ 100mm	1 SET-10mm $\phi$ 1 $\phi$ 50mm, REST @ 100mm
SIZE:	670x670mm	470x470mm	430x430mm	300x300mm
REBARS:	12-25mm $\phi$	8-20mm $\phi$	8-20mm $\phi$	8-16mm $\phi$
TIES:	3 SETS 12mm $\phi$ , 1 $\phi$ 50mm, 10 $\phi$ 100, REST @ 150mm O.C. TO MID HEIGHT	1 SET-10mm $\phi$ 1 $\phi$ 50mm, REST @ 100mm	1 SET-10mm $\phi$ 1 $\phi$ 50mm, REST @ 100mm	1 SET-10mm $\phi$ 1 $\phi$ 50mm, REST @ 100mm



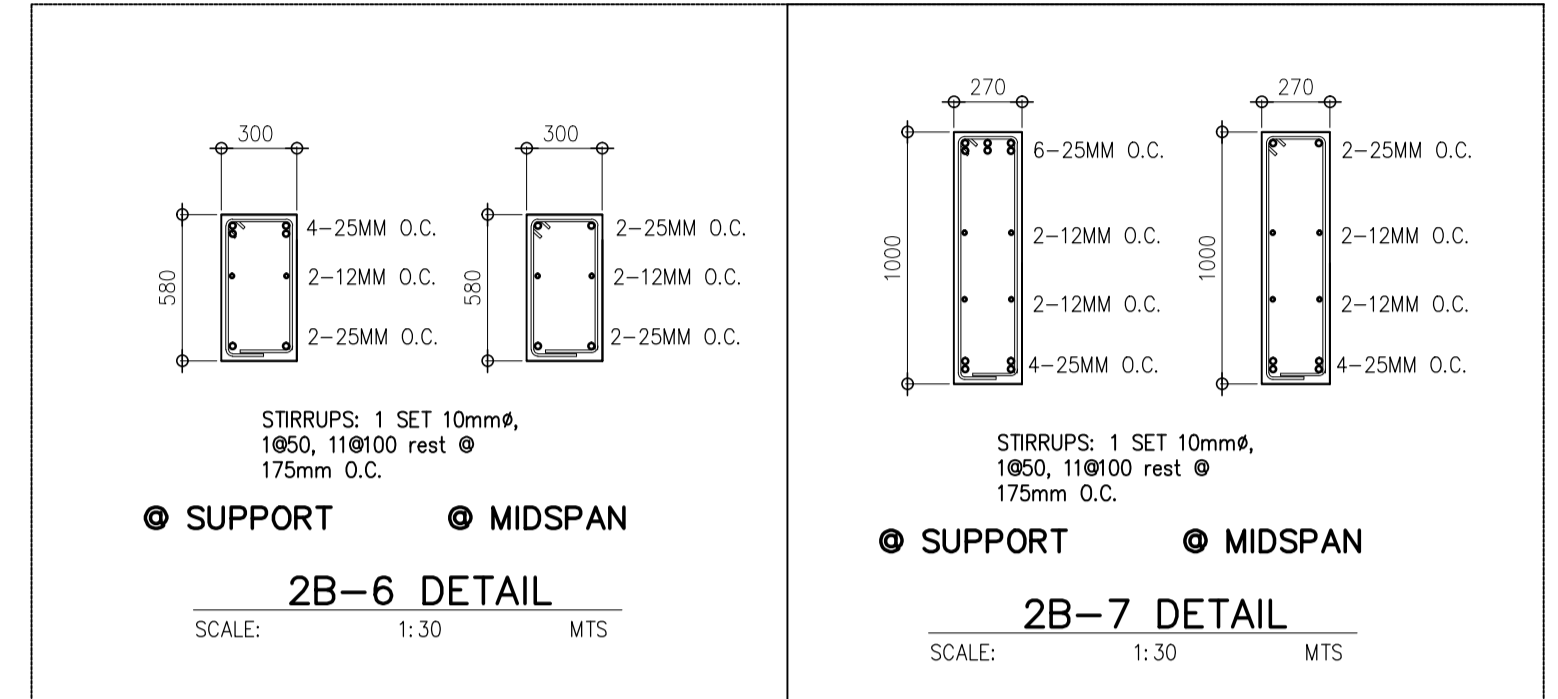




NOTES:  
 1.0 NO SPLICE SHALL BE MADE AT DISTANCE 2H FROM FACE OF THE SUPPORT  
 2.0 BOTTOM BARS SHALL BE SPLICED WITHIN L/4 BUT NOT LESS THAN 2H FROM FACE OF THE SUPPORT  
 3.0 TOP BARS CAN BE SPLICED ANYWHERE BEYOND 2H FROM FACE OF THE SUPPORT  
 4.0 HOOPS SHALL BE USED WITHIN THE DISTANCE 2H FROM FACE OF THE SUPPORT  
 5.0 HOOPS AT 100MM SHALL BE USED WITHIN THE SPLICED LENGTH  
 6.0 STIRRUPS WITH SEISMIC HOOK CAN BE USED BEYOND 2H



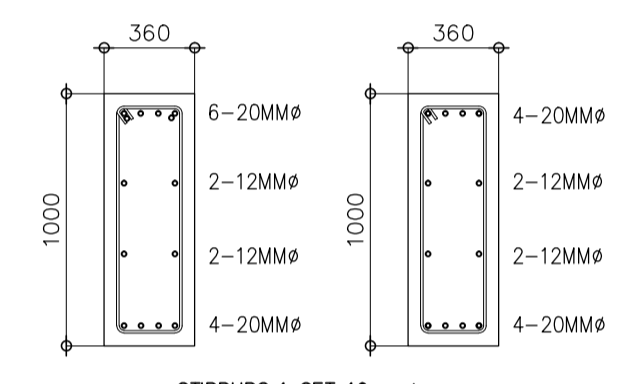
**1** TYPICAL BEAM DETAIL  
 SCALE: NTS



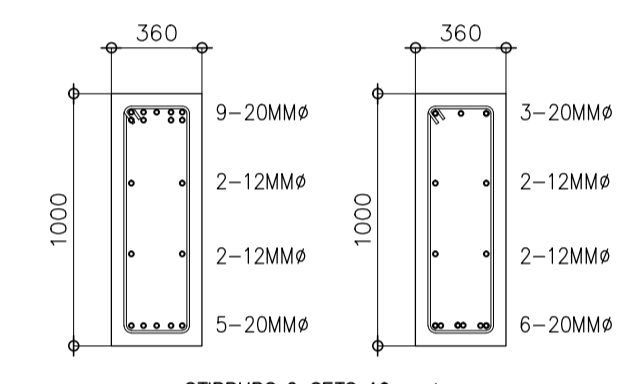
**2B-6 DETAIL**  
 SCALE: 1:30 MTS

**2B-7 DETAIL**  
 SCALE: 1:30 MTS

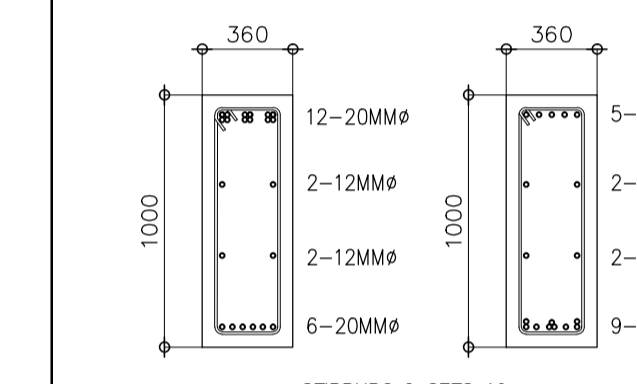
R.C. BEAMS DETAILS



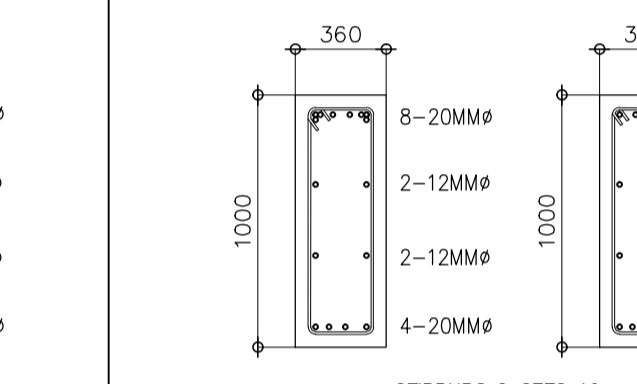
**DB-1 DETAIL**  
 SCALE: 1:30 MTS



**DB-1A DETAIL**  
 SCALE: 1:30 MTS



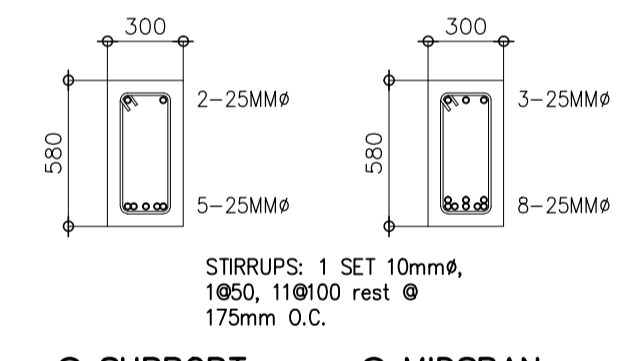
**DB-3B DETAIL**  
 SCALE: 1:30 MTS



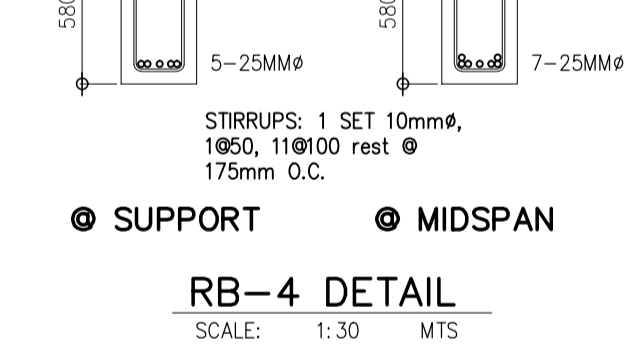
**DB-3C DETAIL**  
 SCALE: 1:30 MTS

**1G** SEE DETAILS  
 B1-4200-32

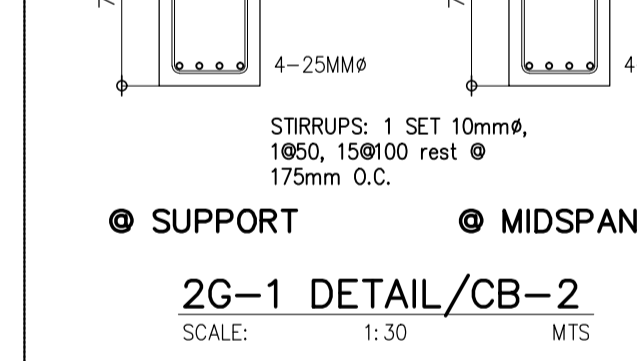
RG-2



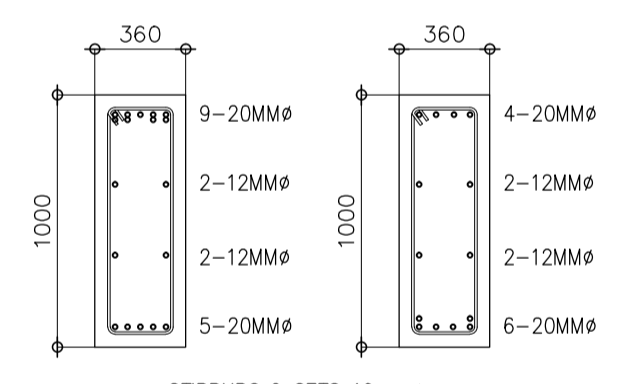
**RB-1/2B-5 DETAIL**  
 SCALE: 1:30 MTS



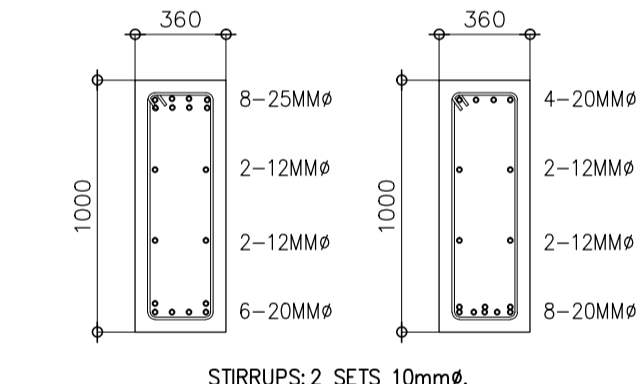
**RB-4 DETAIL**  
 SCALE: 1:30 MTS



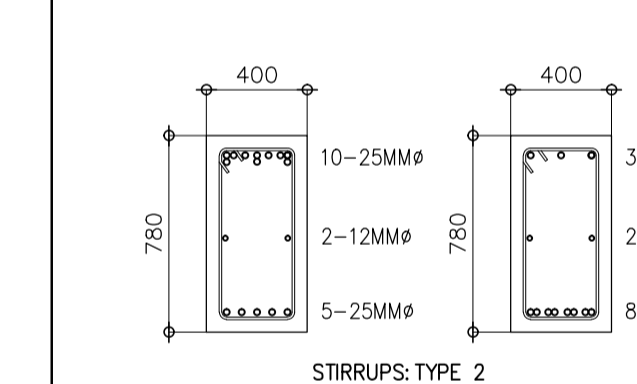
**2G-1 DETAIL/CB-2**  
 SCALE: 1:30 MTS



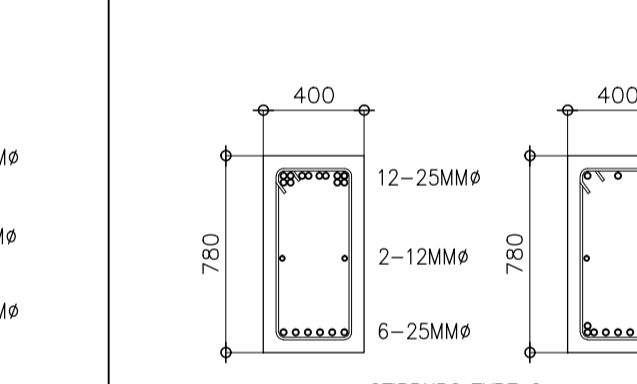
**DB-2 DETAIL**  
 SCALE: 1:30 MTS



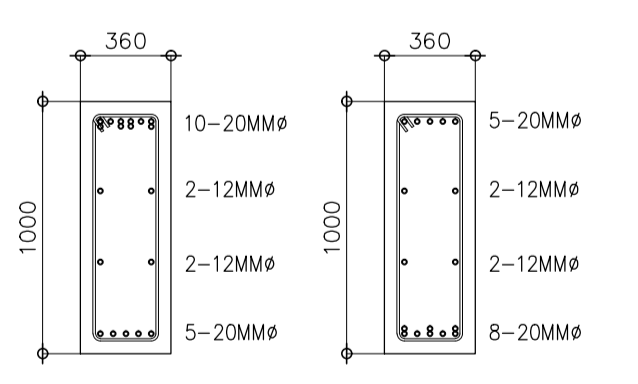
**DB-2A DETAIL**  
 SCALE: 1:30 MTS



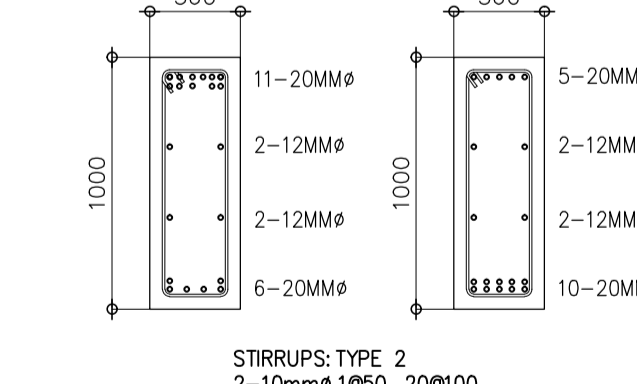
**RG-1/2G-2 DETAIL**  
 SCALE: 1:30 MTS



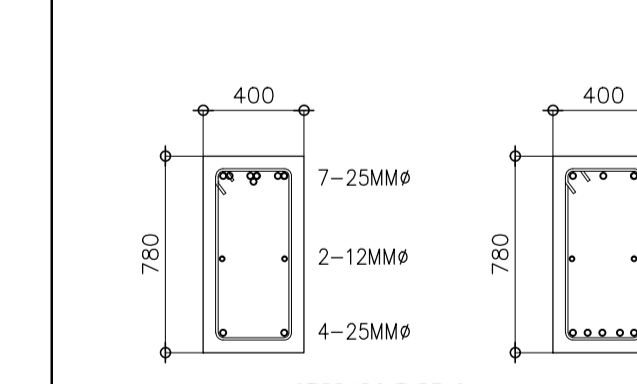
**RG-1A DETAIL**  
 SCALE: 1:30 MTS



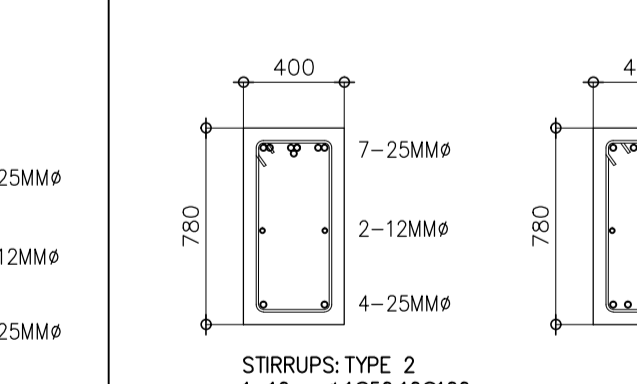
**DB-3 DETAIL**  
 SCALE: 1:30 MTS



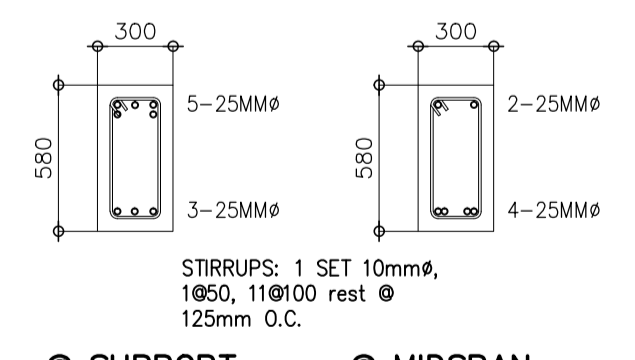
**DB-3A DETAIL**  
 SCALE: 1:30 MTS



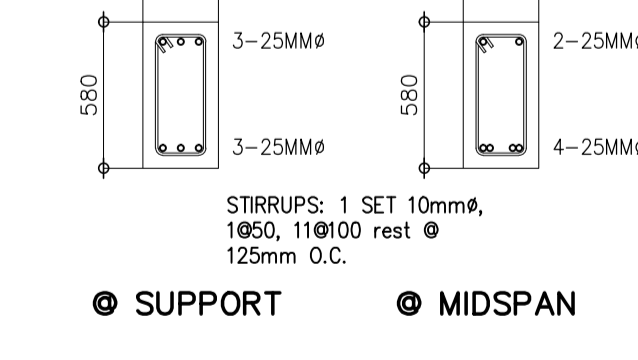
**RG-3 DETAIL**  
 SCALE: 1:30 MTS



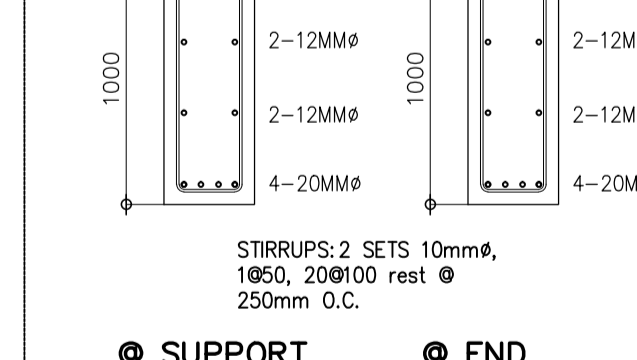
**RG-4 DETAIL**  
 SCALE: 1:30 MTS



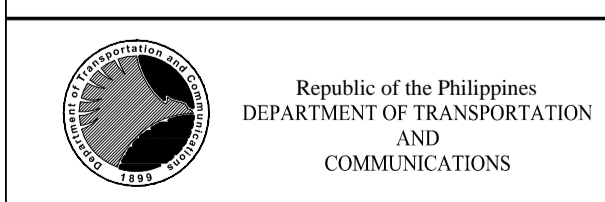
**RB-2/2G-3, 2B-2 DETAIL**  
 SCALE: 1:30 MTS



**RB-5 DETAIL**  
 SCALE: 1:30 MTS



**CB-1 DETAIL**  
 SCALE: 1:30 MTS



PREPARED BY:  
**EDGARDO C. CRUZ**  
 PROF: CIVIL ENGINEER PTR. 7589023B  
 REG. NO.: 23983 DATE: JANUARY 03, 2013  
 TEL: 601-157-0211 PLACE: QUEZON CITY

RECOMMENDING APPROVAL:  
**ILDEFONSO T. PATDU, JR.**  
 Assistant Secretary  
 for Project Implementation, DOTC

APPROVED:  
**JULIANITO G. BUCAYAN, JR.**  
 Undersecretary  
 for Project Implementation, DOTC

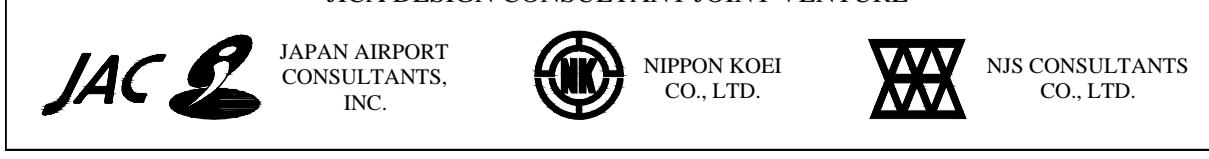
PROJECT TITLE:  
**NEW BOHOL AIRPORT CONSTRUCTION AND SUSTAINABLE ENVIRONMENT PROTECTION PROJECT**

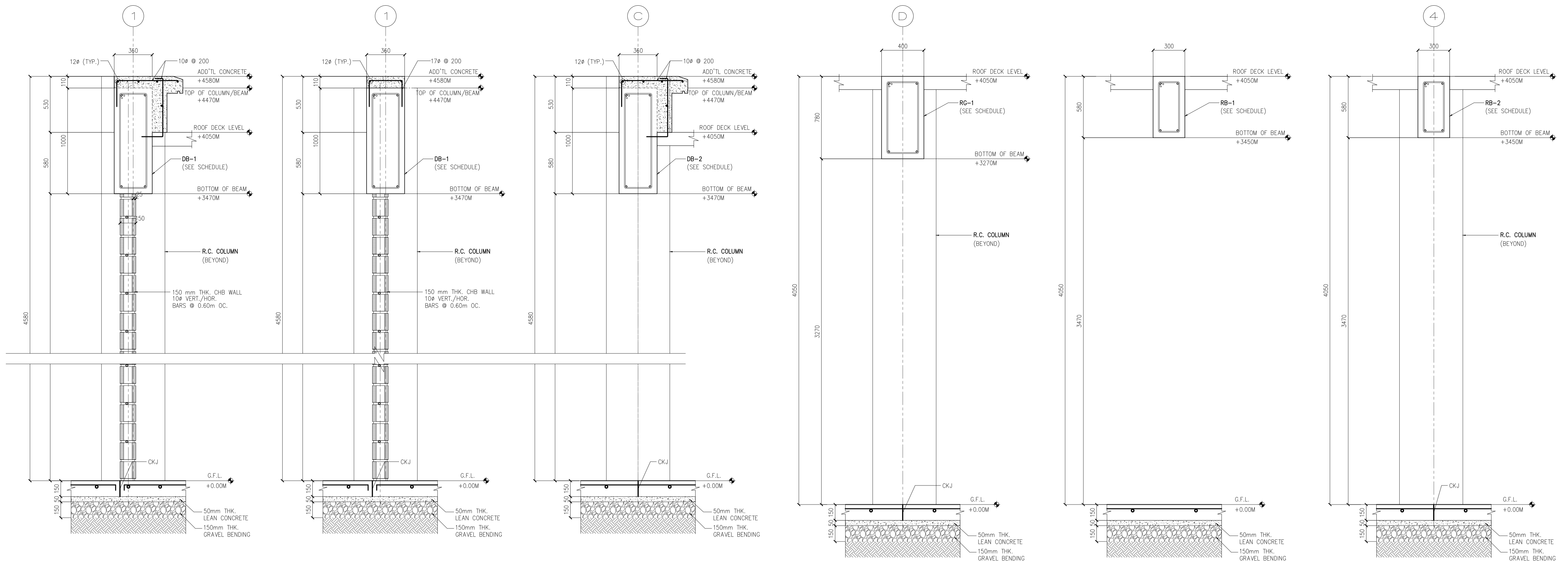
LOCATION: MUNICIPALITY OF PANGLAO, PROVINCE OF BOHOL, PHILIPPINES

JUNE 2013	FRS Jr.	WIM	HC
DATE	INDEX	AMENDMENTS	Prepared by Checked by Validated by

SHEET CONTENTS:  
 COMPONENT-4 : BUILDING WORKS (B)  
 SUB-COMPONENT 4-1 : PASSENGER TERMINAL BUILDING  
 STRUCTURAL BEAM SCHEDULE

SHEET NO:  
**B1-4200-17**  
 DRAWING SCALE:  
 AS SHOWN





1 DB-1 DETAIL  
SCALE 1 : 20 MTS

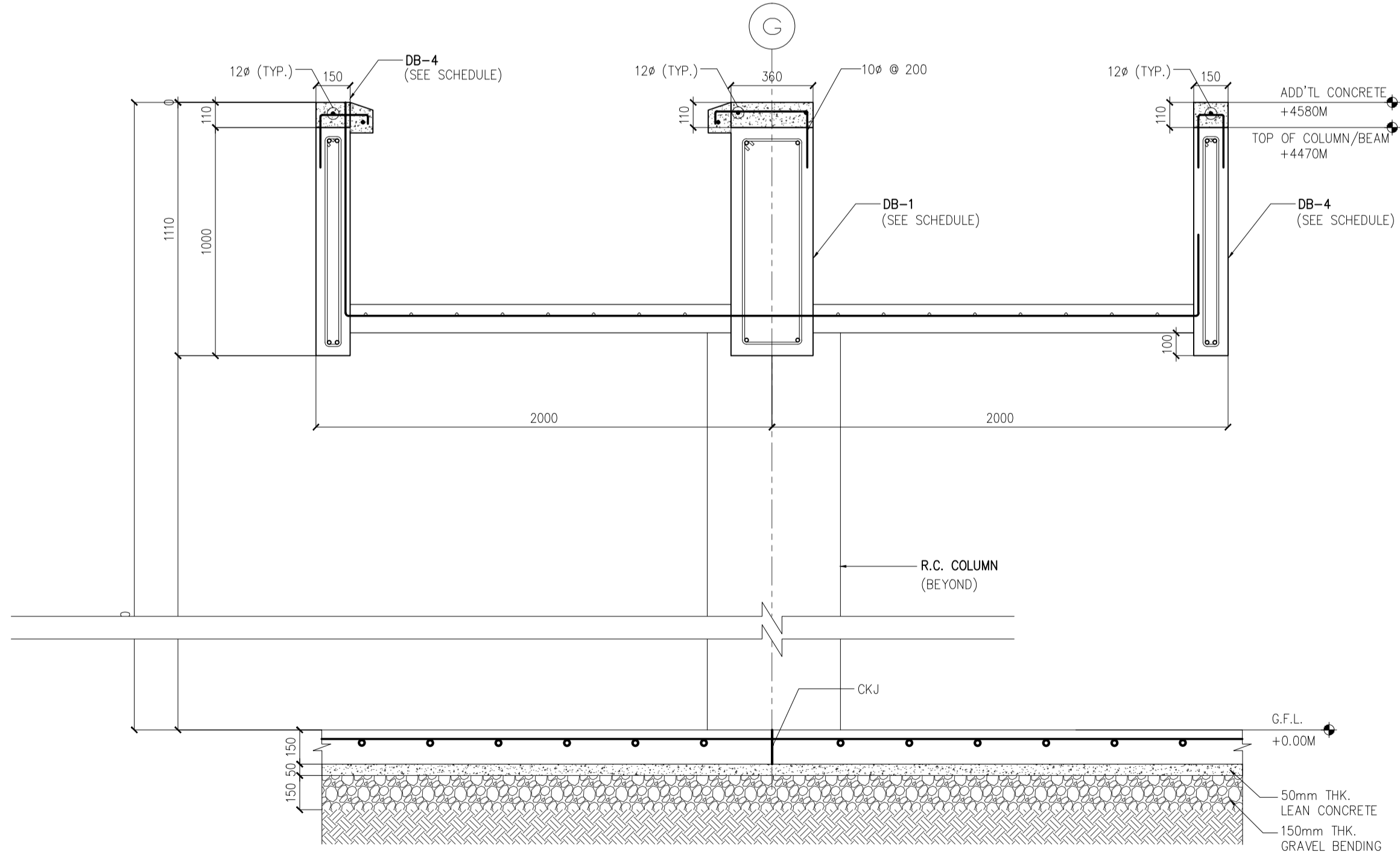
2 DB-1 DETAIL  
SCALE 1 : 20 MTS

3 DB-2 DETAIL  
SCALE 1 : 20 MTS

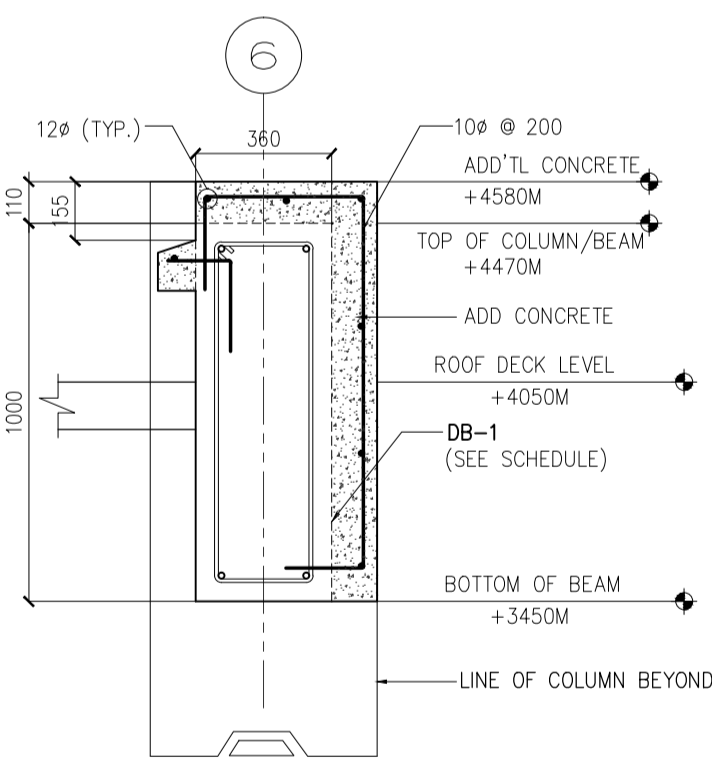
4 RG-1 DETAIL  
SCALE 1 : 20 MTS

5 RB-1 DETAIL  
SCALE 1 : 20 MTS

6 RB-2 DETAIL  
SCALE 1 : 20 MTS



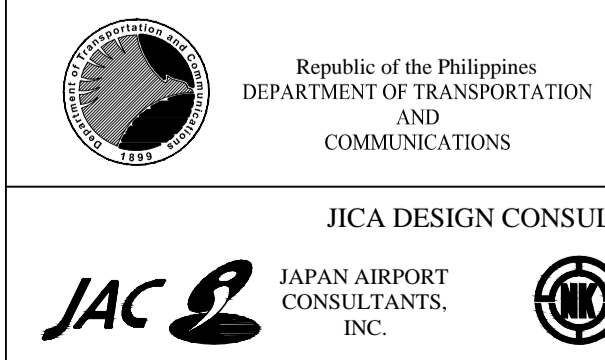
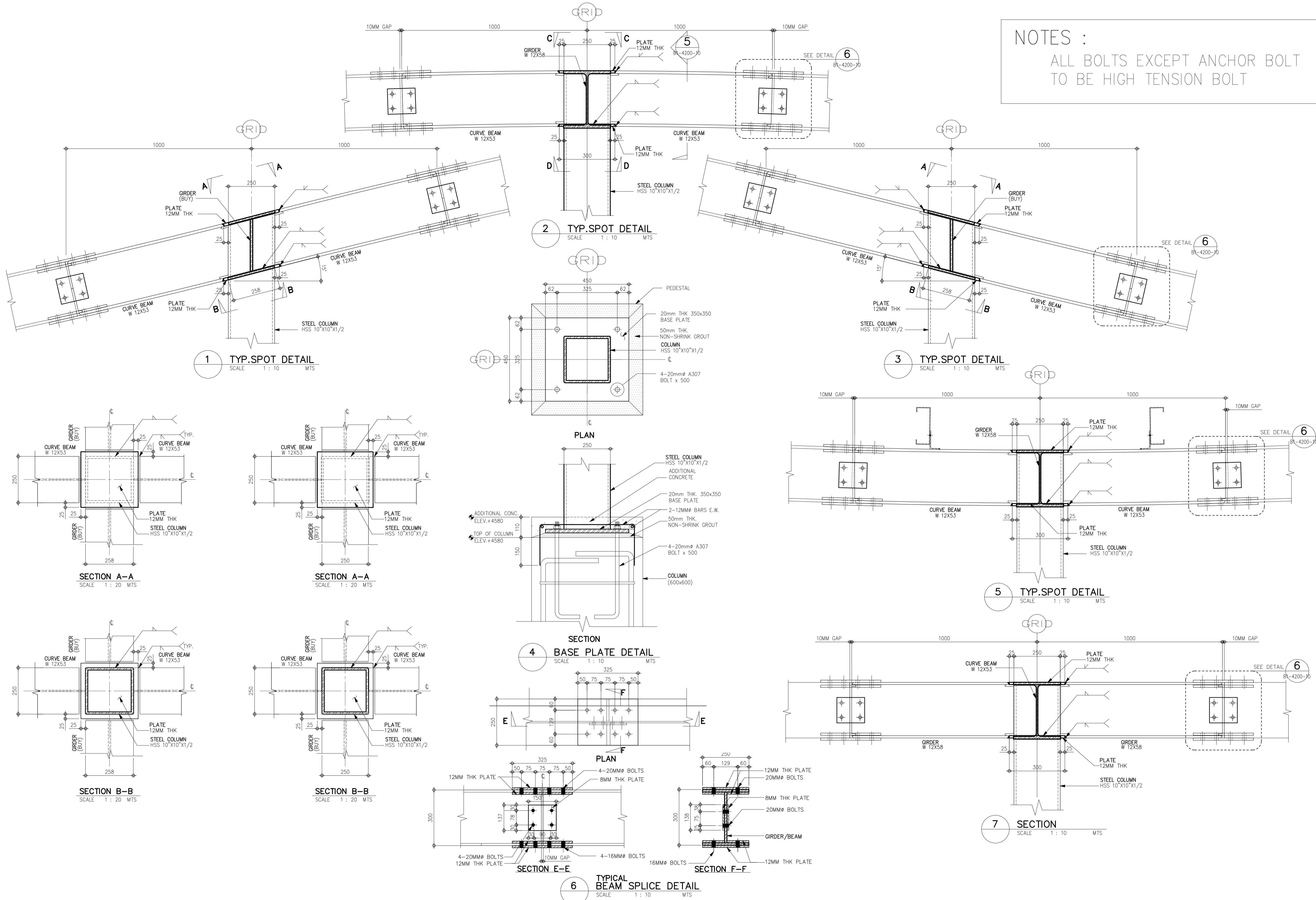
7 DB-1 DETAIL  
SCALE 1 : 20 MTS



8 SPOT DETAIL  
SCALE 1 : 20 MTS

	PREPARED BY: <b>EDGARDO C. CRUZ</b> <small>PROF. CIVIL ENGINEER PTR. 7589023B REG. NO.: 23983 DATE: JANUARY 03, 2013 TEAM: 601-157-021 PLACE: QUEZON CITY</small>	RECOMMENDING APPROVAL: <b>ILDEFONSO T. PATDU, JR.</b> <small>Assistant Secretary for Project Implementation, DOTC</small>	APPROVED: <b>JULIANITO G. BUCAYAN, JR.</b> <small>Undersecretary for Project Implementation, DOTC</small>	PROJECT TITLE: <b>NEW BOHOL AIRPORT CONSTRUCTION AND SUSTAINABLE ENVIRONMENT PROTECTION PROJECT</b>	LOCATION: MUNICIPALITY OF PANGLAO, PROVINCE OF BOHOL, PHILIPPINES	SHEET CONTENTS: COMPONENT-4 : BUILDING WORKS (B) SUB-COMPONENT 4-1 : PASSENGER TERMINAL BUILDING STRUCTURAL DETAILED SECTIONS	SHEET NO: <b>B1-4200-18</b> DRAWING SCALE: 1:20 MTS.
	JICA DESIGN CONSULTANT JOINT VENTURE JAPAN AIRPORT CONSULTANTS, INC. NIPPON KOEI CO., LTD. NIS CONSULTANTS CO., LTD.					DATE: JUNE 2013 INDEX: AMENDMENTS Prepared by: FRS Jr. WIM IC Checked by: Validated by:	

NOTES :  
ALL BOLTS EXCEPT ANCHOR BOLT  
TO BE HIGH TENSION BOLT



JICA DESIGN CONSULTANT JOINT VENTURE  
JAPAN INTERNATIONAL COOPERATION AGENCY

PREPARED BY:  
EDGARDO C. CRUZ  
PROF. CIVIL ENGINEER PTR. 7589023B  
REG. NO.: 23983 DATE: JANUARY 03, 2013  
TEAM: 601-157-021 PLACE: QUEZON CITY

RECOMMENDING APPROVAL:  
ILDEFONSO T. PATDU, JR.  
Assistant Secretary  
for Project Implementation, DOTC

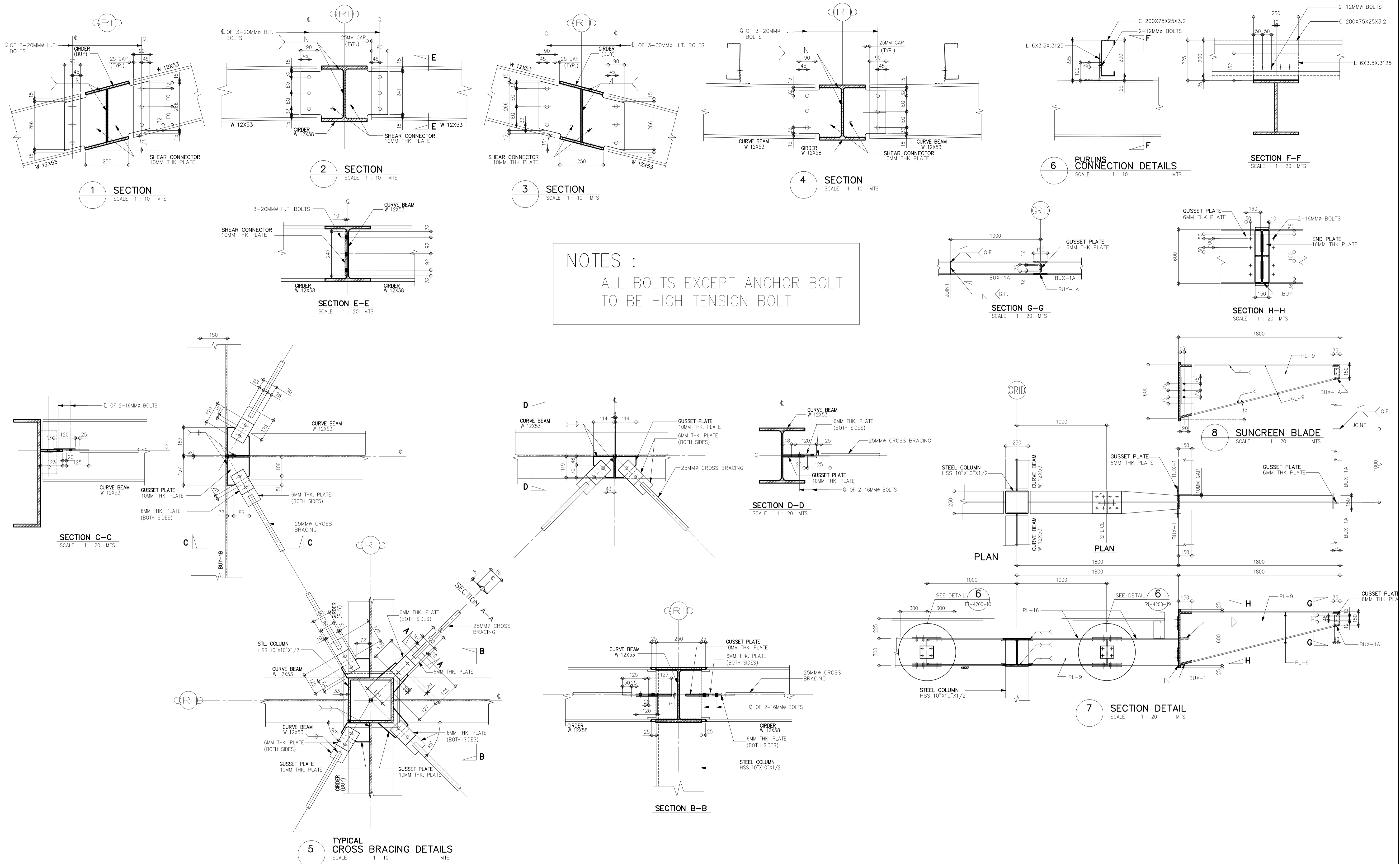
APPROVED:  
JULIANITO G. BUCAYAN, JR.  
Undersecretary  
for Project Implementation, DOTC

PROJECT TITLE:  
NEW BOHOL AIRPORT CONSTRUCTION AND  
SUSTAINABLE ENVIRONMENT PROTECTION PROJECT  
LOCATION: MUNICIPALITY OF PANGLAO, PROVINCE OF BOHOL, PHILIPPINES

DATE	INDEX	AMENDMENTS	Prepared by	Checked by	Validated by
JUNE 2013			FRS Jr.	WIM	HC

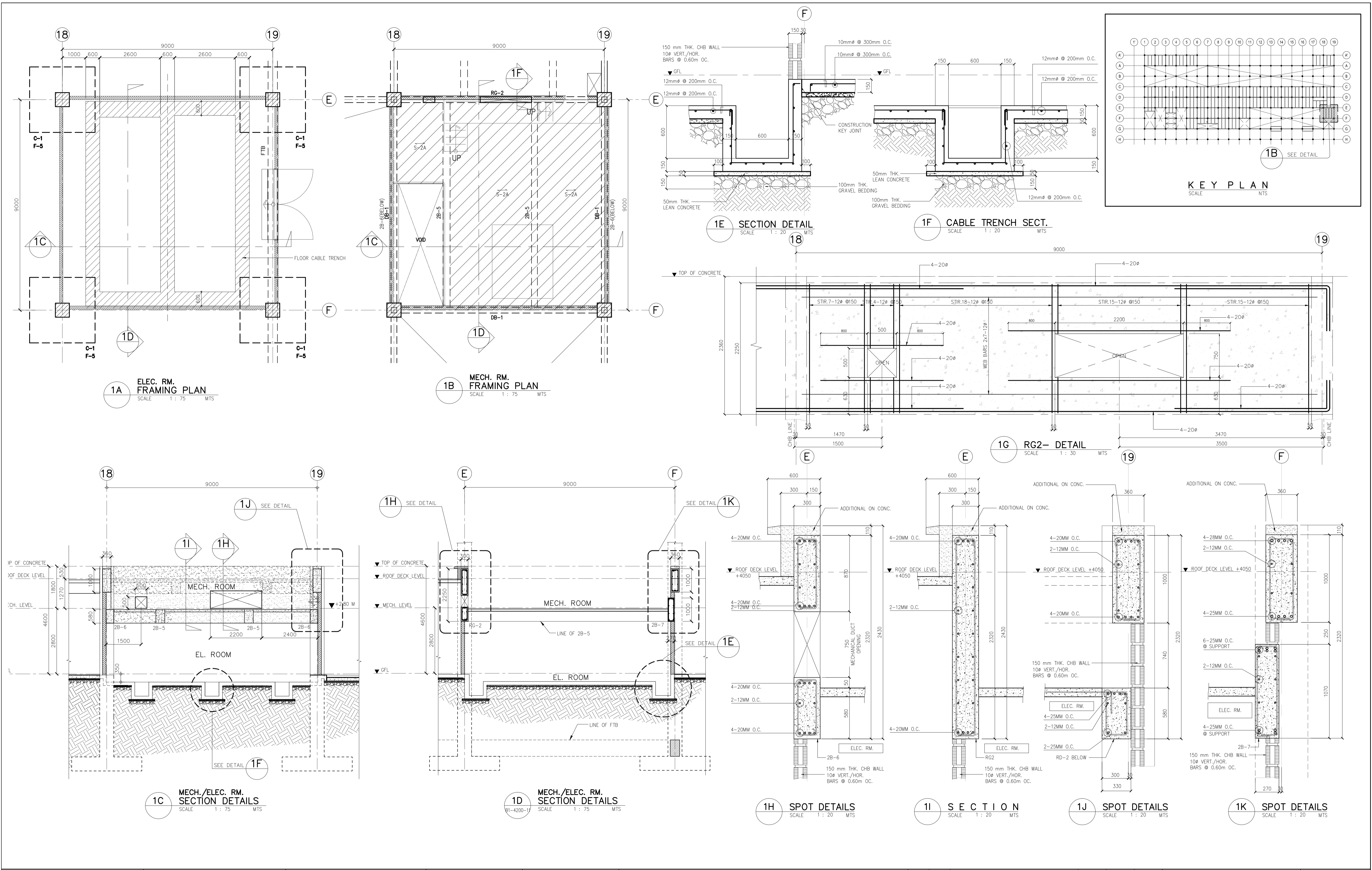
SHEET CONTENTS:  
COMPONENT-4 : BUILDING WORKS (B)  
SUB-COMPONENT 4-1 : PASSENGER TERMINAL BUILDING  
STEEL CONNECTION DETAILS - 1

SHEET NO:  
B1-4200-19  
DRAWING SCALE:  
1:20 MTS.

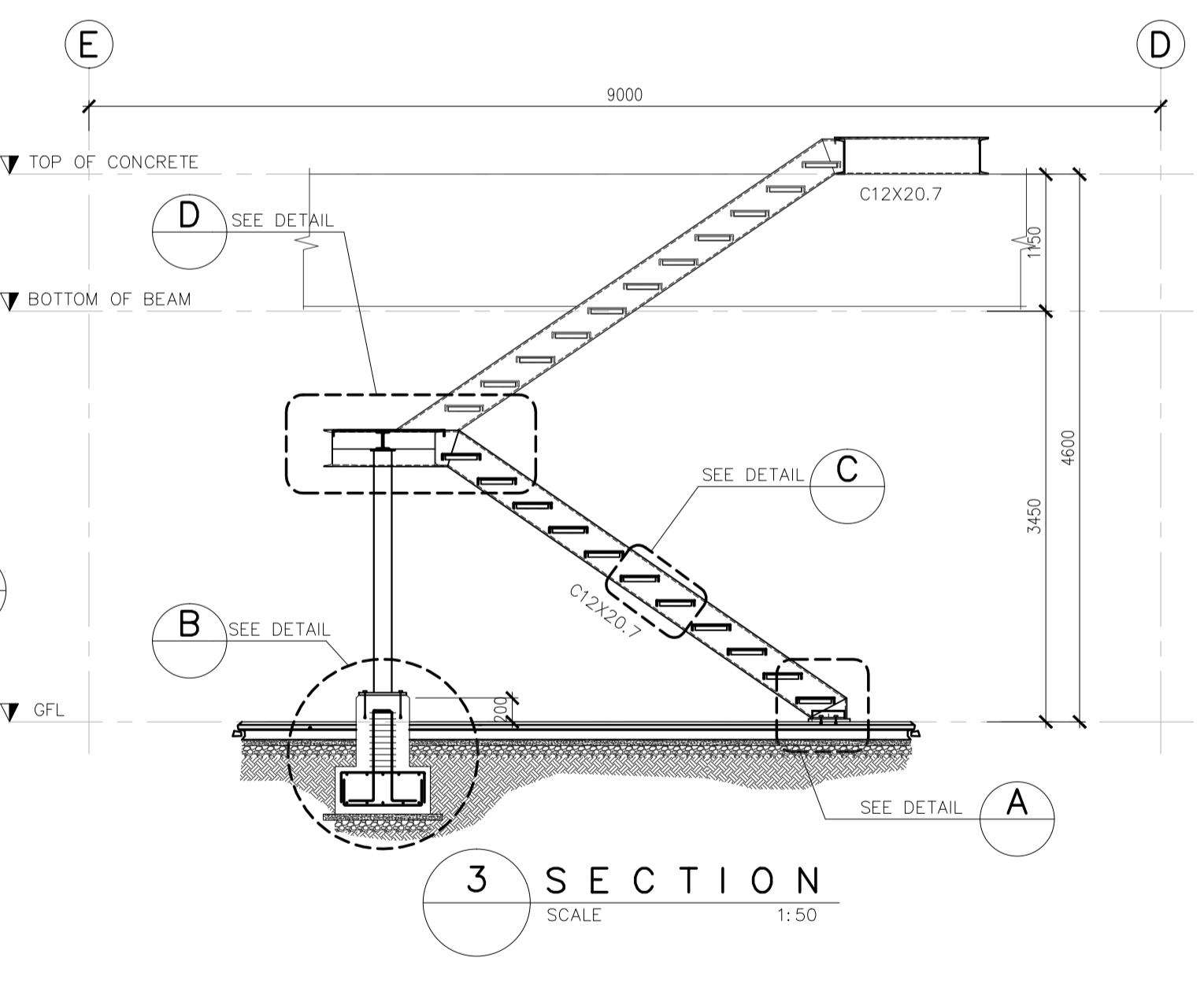
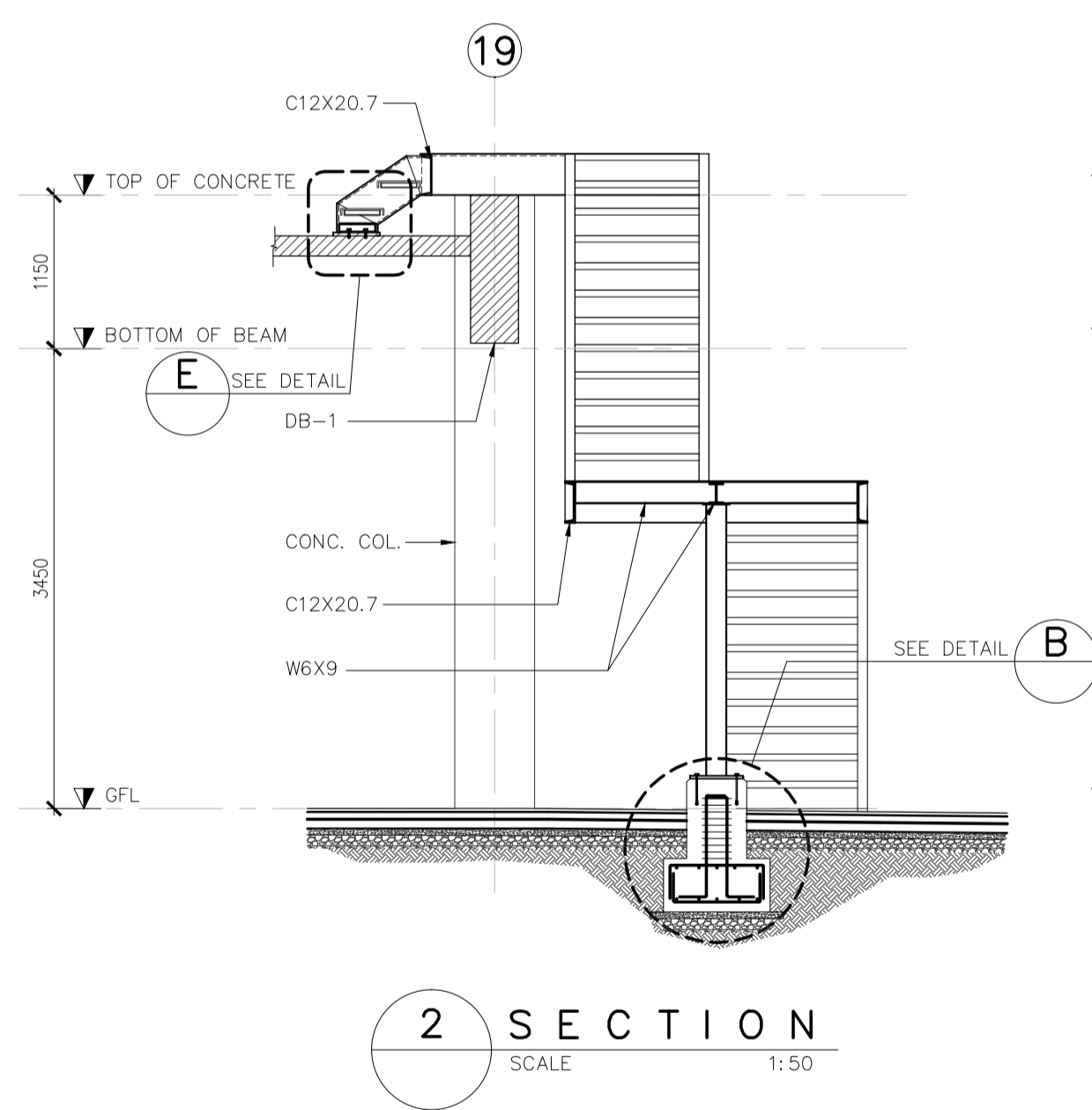
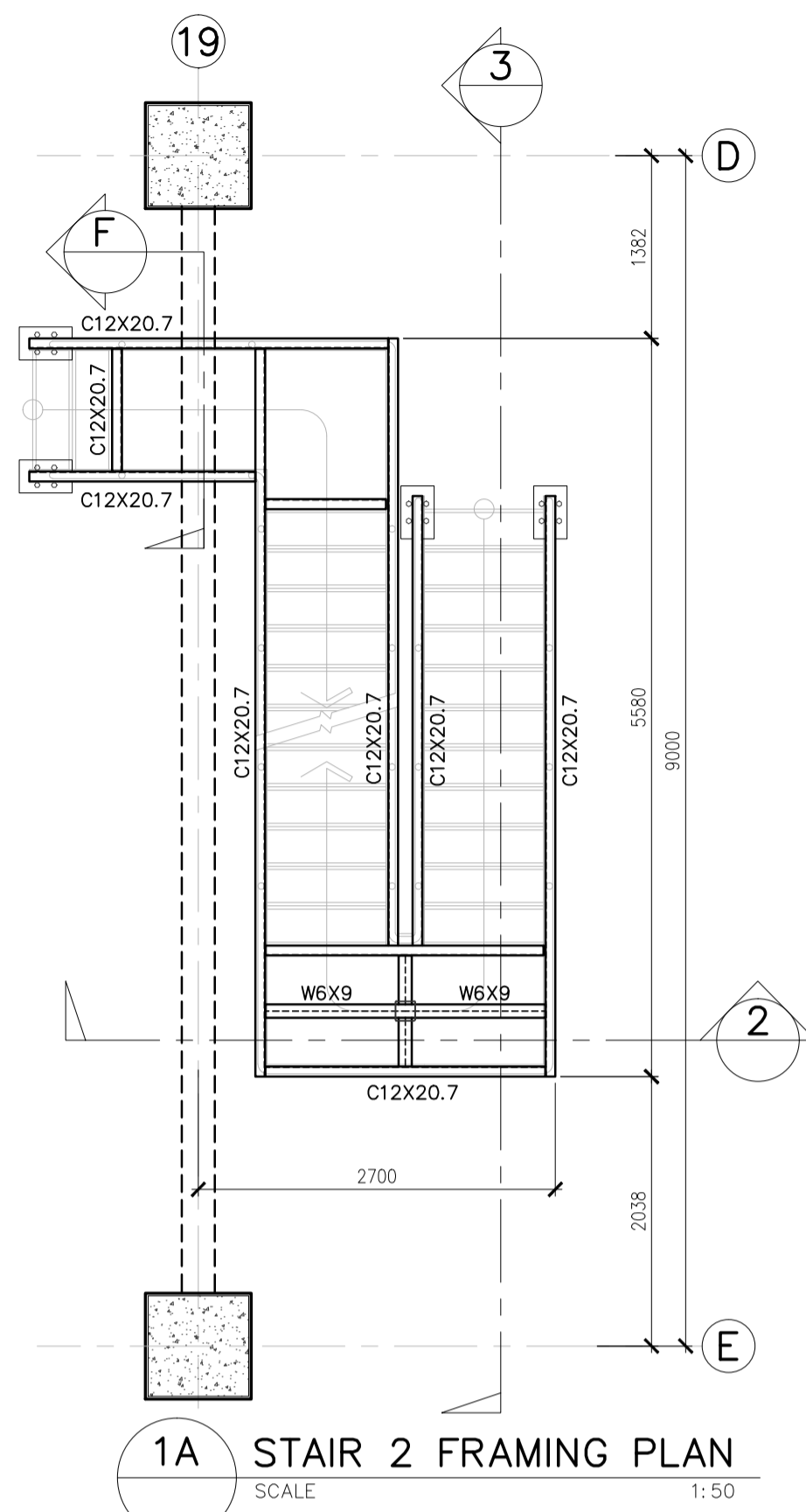


	PREPARED BY: <b>EDGARDO C. CRUZ</b> <small>PROF. CIVIL ENGINEER PIR. 75890238 REG. NO.: 23983 DATE: JANUARY 03, 2013 TEL. 601-157-021 PLACE: QUEZON CITY</small>	RECOMMENDING APPROVAL: <b>ILDEFONSO T. PATDU, JR.</b> <small>Assistant Secretary for Project Implementation, DOTC</small>	APPROVED: <b>JULIANITO G. BUCAYAN, JR.</b> <small>Undersecretary for Project Implementation, DOTC</small>	PROJECT TITLE: <b>NEW BOHOL AIRPORT CONSTRUCTION AND SUSTAINABLE ENVIRONMENT PROTECTION PROJECT</b>	LOCATION: MUNICIPALITY OF PANGLAO, PROVINCE OF BOHOL, PHILIPPINES	SHEET CONTENTS: COMPONENT-4 : BUILDING WORKS (B) SUB-COMPONENT 4-1 : PASSENGER TERMINAL BUILDING STEEL CONNECTION DETAILS - 2	SHEET NO: <b>B1-4200-20</b> DRAWING SCALE: 1:20 MTS.
	JICA DESIGN CONSULTANT JOINT VENTURE JAPAN AIRPORT CONSULTANTS, INC. NIPPON KOEI CO., LTD. NIS CONSULTANTS CO., LTD.	TADASHI AOI Team Leader	JULIANITO G. BUCAYAN, JR. Undersecretary for Project Implementation, DOTC	DATE: JUNE 2013 INDEX: AMENDMENTS Prepared by: FRS Jr. WIM IIC Checked by: Validated by:			

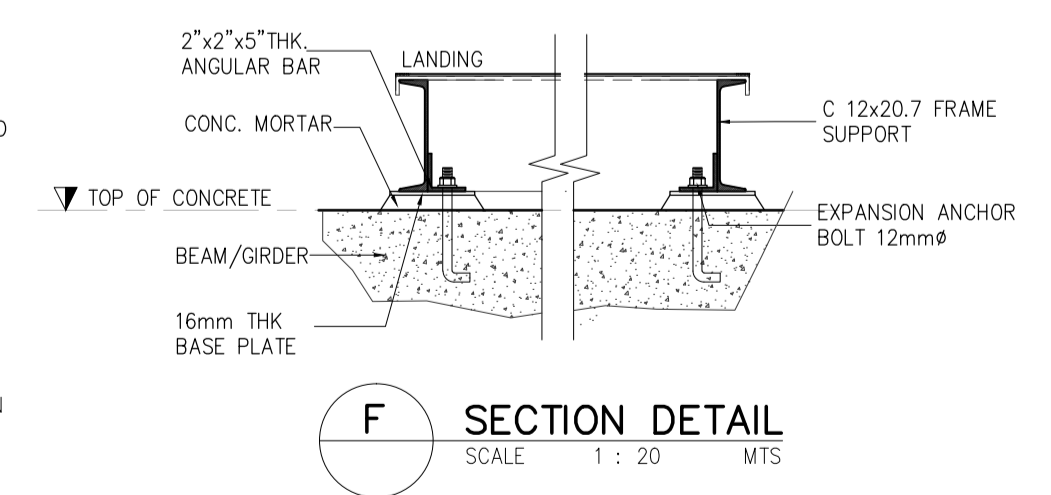
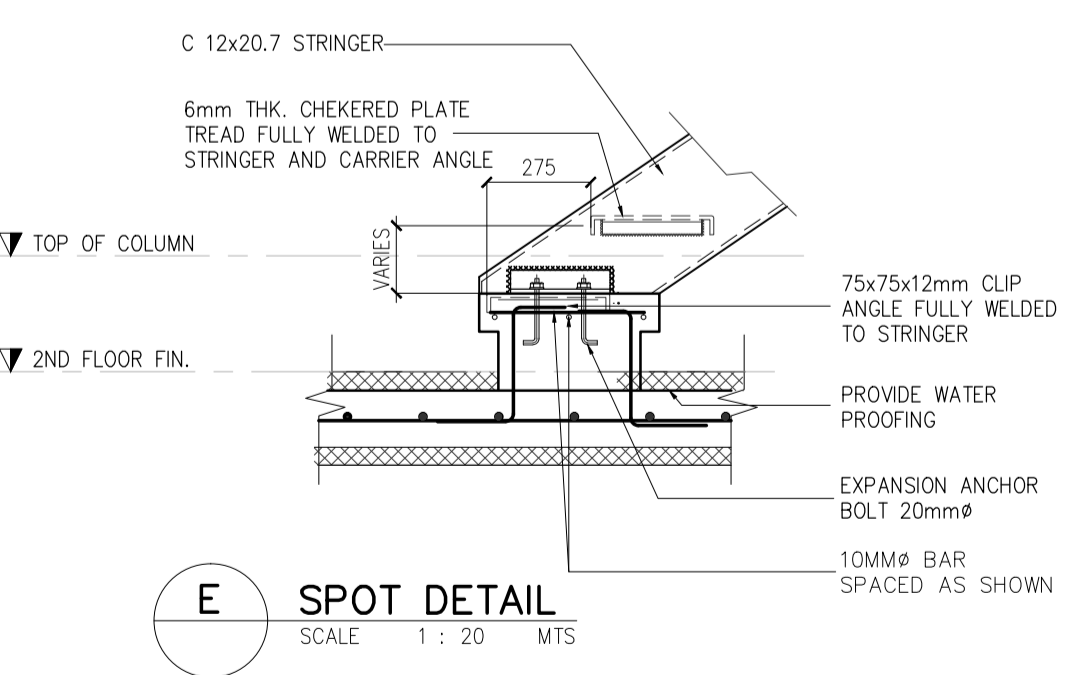
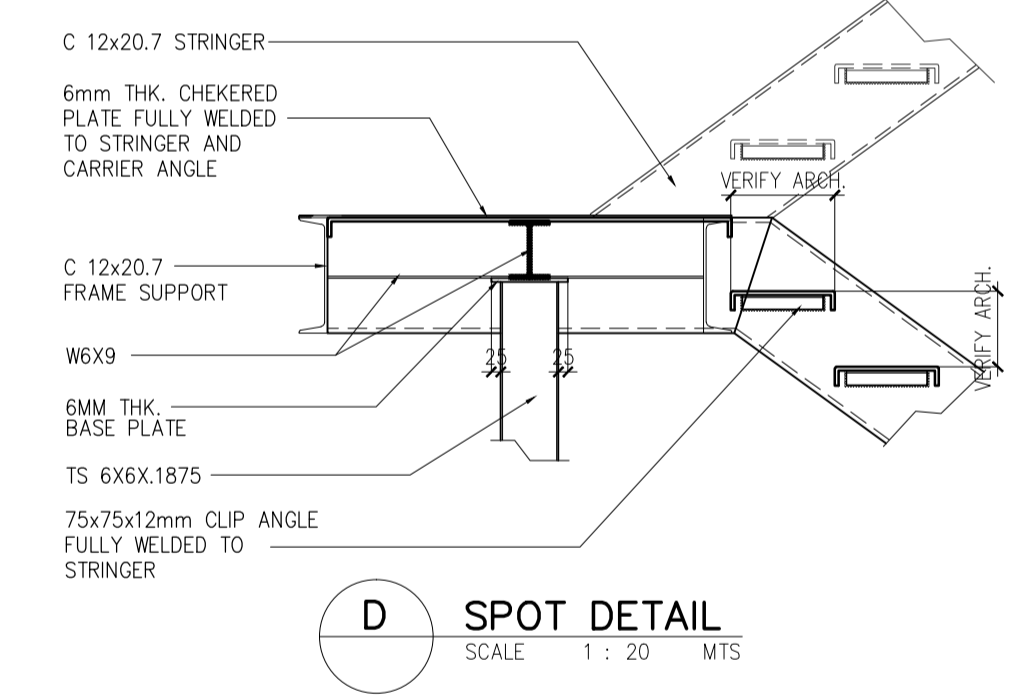
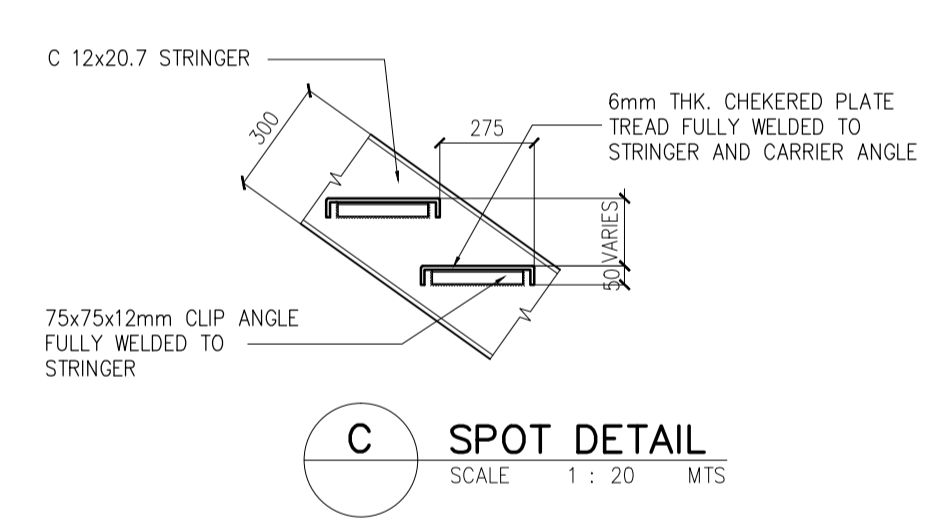
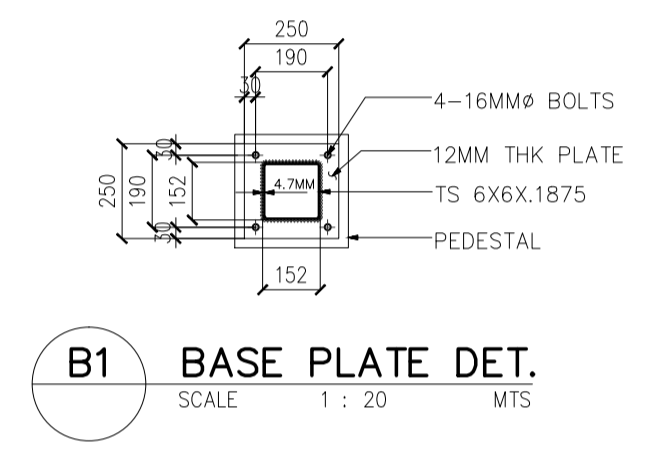
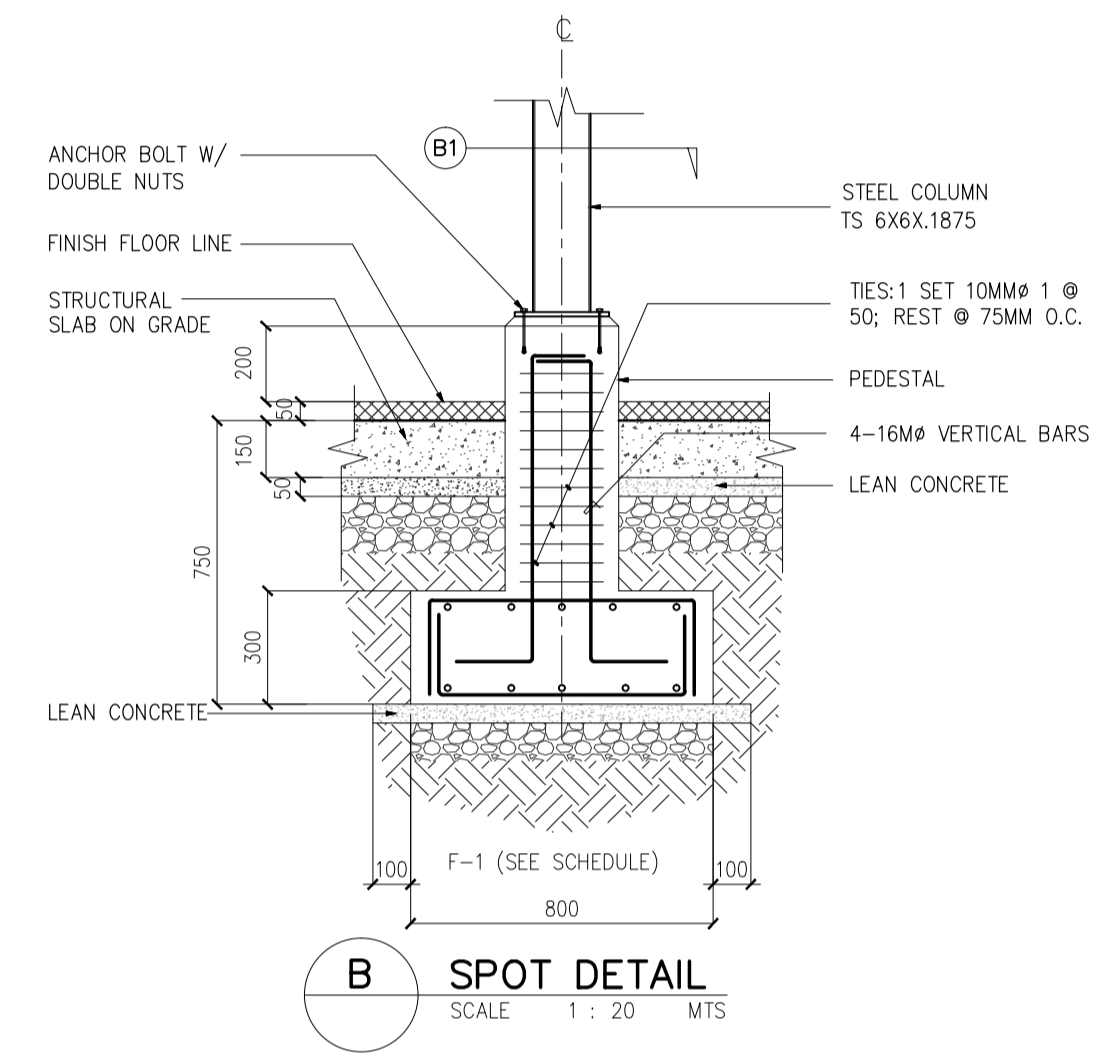
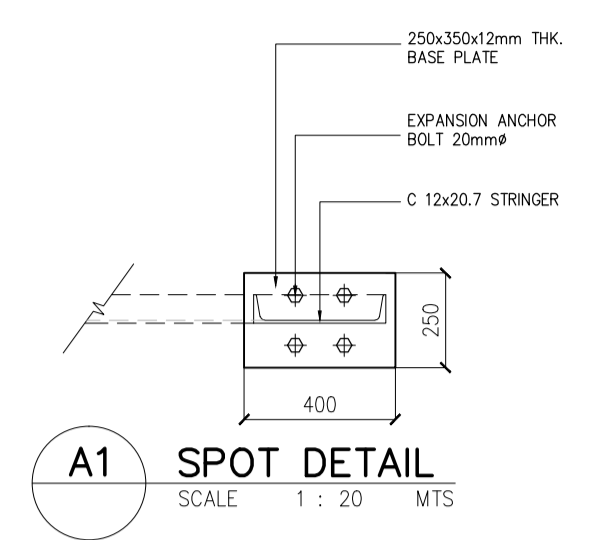
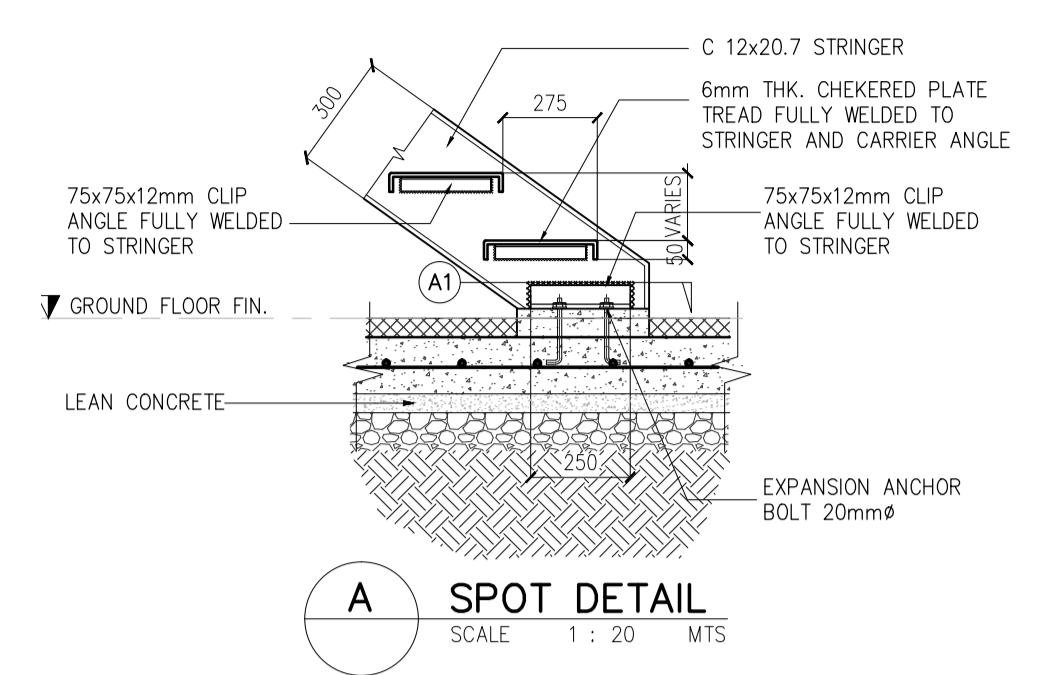




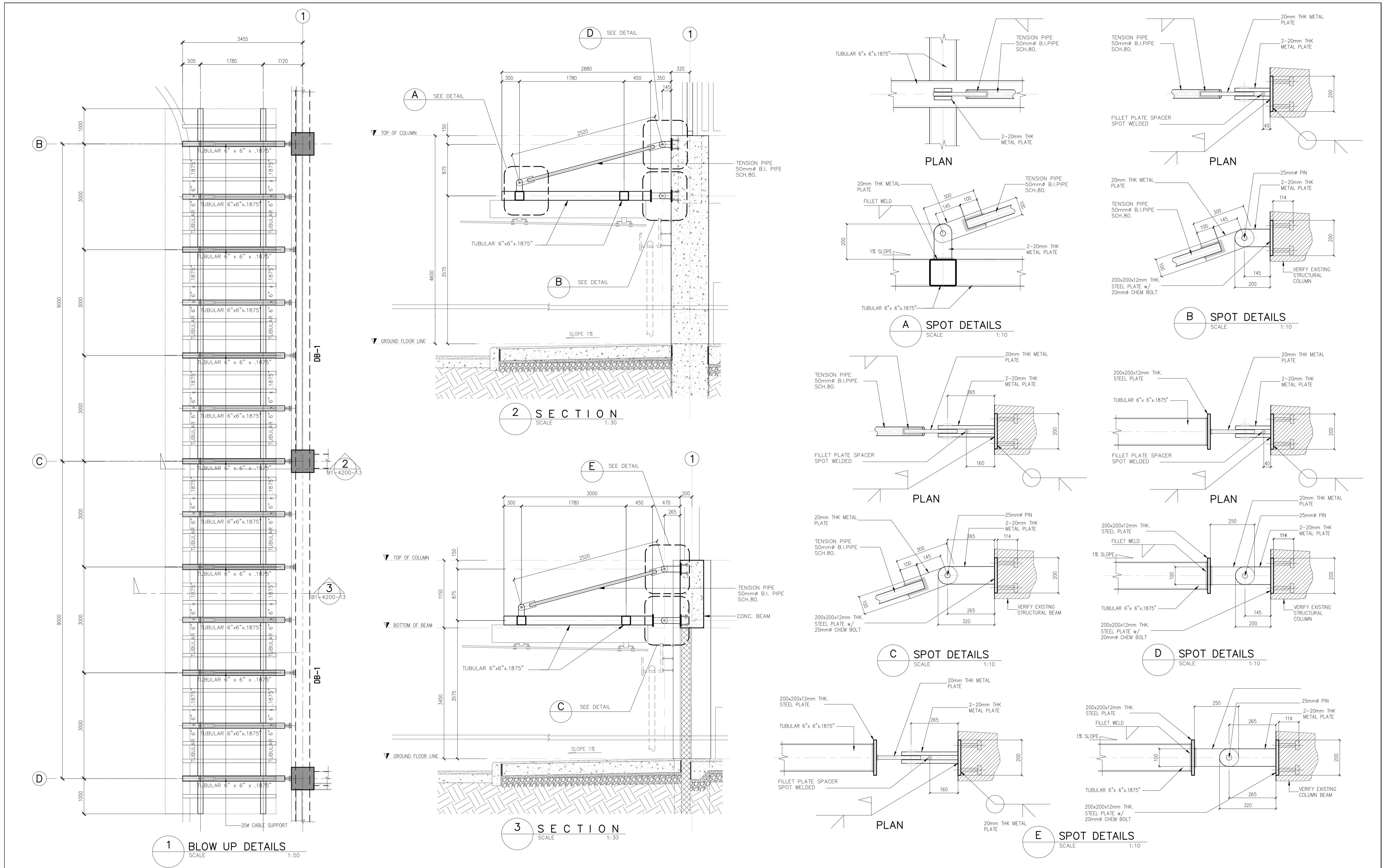
	PREPARED BY: <b>EDGARDO C. CRUZ</b> <small>PROF. CIVIL ENGINEER PTR. 7589023B          REG. NO.: 23983 DATE: JANUARY 03, 2013          TEL. 651-157-021 PLACE: QUEZON CITY</small>	RECOMMENDING APPROVAL: <b>ILDEFONSO T. PATDU, JR.</b> <small>Assistant Secretary          for Project Implementation, DOTC</small>	APPROVED: <b>JULIANITO G. BUCAYAN, JR.</b> <small>Undersecretary          for Project Implementation, DOTC</small>	PROJECT TITLE: <b>NEW BOHOL AIRPORT CONSTRUCTION AND SUSTAINABLE ENVIRONMENT PROTECTION PROJECT</b>	SHEET CONTENTS: COMPONENT-4 : BUILDING WORKS (B) SUB-COMPONENT 4-1 : PASSENGER TERMINAL BUILDING <b>MECHANICAL &amp; ELECTRICAL ROOM DETAILS</b>	SHEET NO.: <b>B1-4200-22</b>
	JICA DESIGN CONSULTANT JOINT VENTURE <b>JAC</b> JAPAN AIRPORT CONSULTANTS, INC. <b>NK</b> NIPPON KOEI CO., LTD. <b>NIS</b> NIS CONSULTANTS CO., LTD.	TADASHI AOI <small>Team Leader</small>	ILDEFONSO T. PATDU, JR. <small>Assistant Secretary          for Project Implementation, DOTC</small>	JULIANITO G. BUCAYAN, JR. <small>Undersecretary          for Project Implementation, DOTC</small>	LOCATION: MUNICIPALITY OF PANGLAO, PROVINCE OF BOHOL, PHILIPPINES	DATE: JUNE 2013 INDEX: _____ AMENDMENTS: _____ Prepared by: FRS Jr. Checked by: WIM Validated by: HC



**1 EXTERNAL STAIRCASE**  
SCALE AS SHOWN

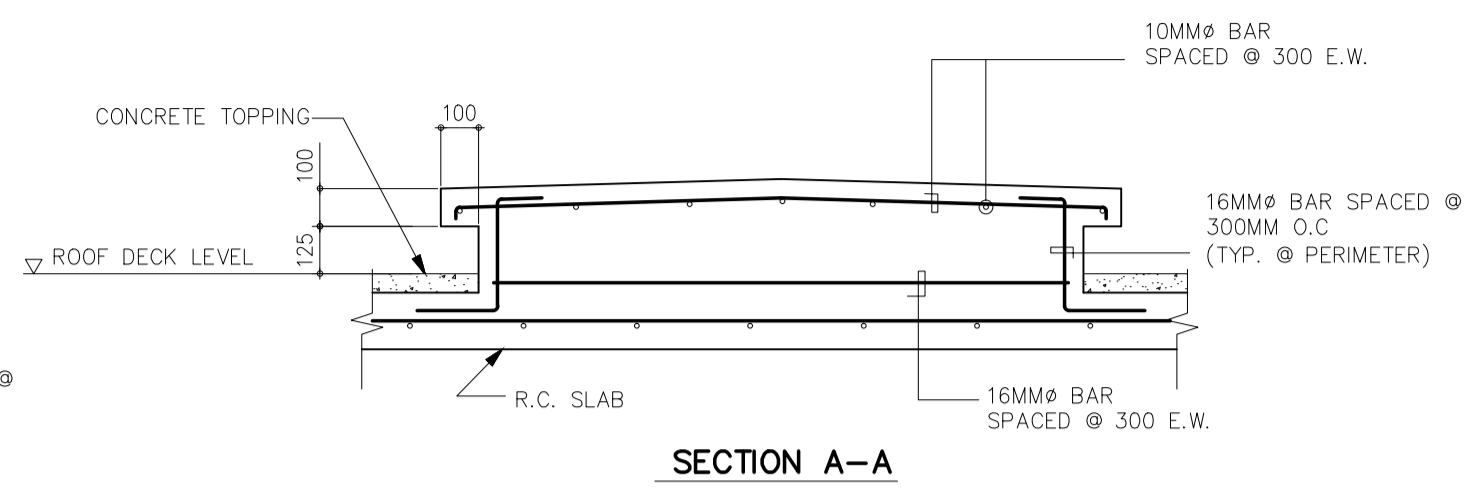
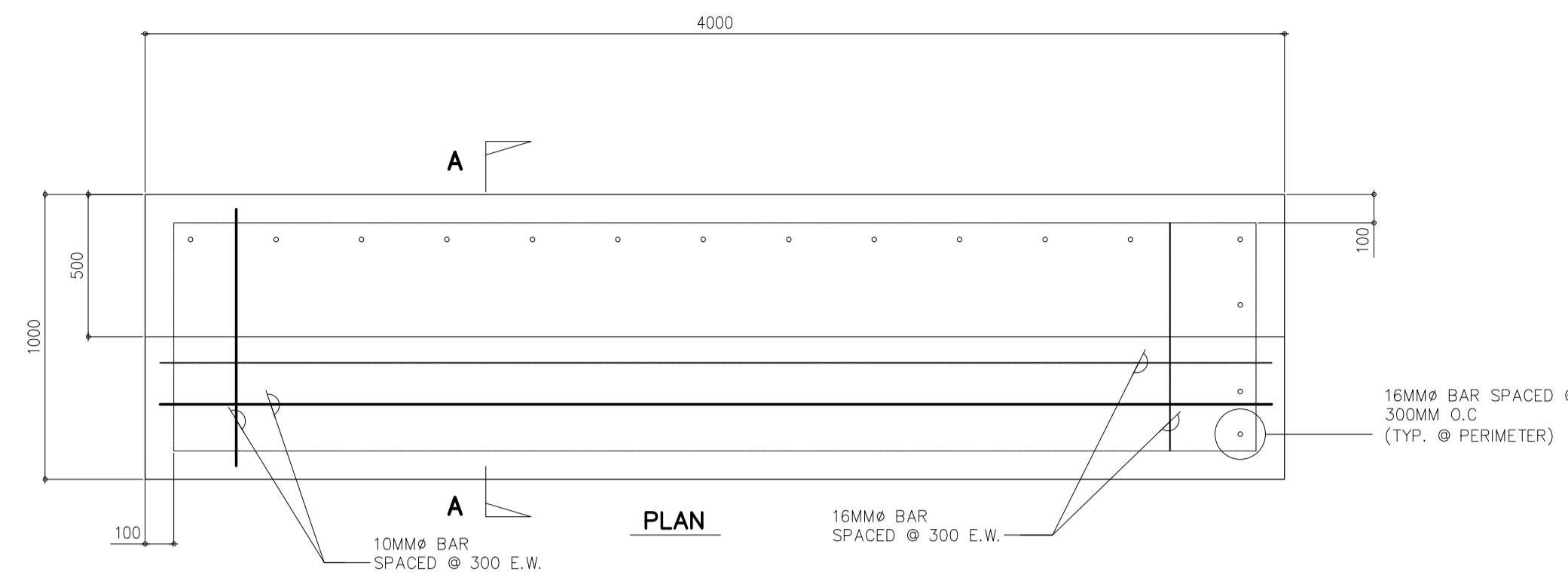


	PREPARED BY: <b>EDGARDO C. CRUZ</b> <small>PROF. CIVIL ENGINE PTR. 7589023B REG. NO.: 23983 DATE: JANUARY 03, 2013 TEL. 651-157-021 PLACE: QUEZON CITY</small>	RECOMMENDING APPROVAL: <b>ILDEFONSO T. PATDU, JR.</b> <small>Assistant Secretary for Project Implementation, DOTC</small>	APPROVED: <b>JULIANITO G. BUCAYAN, JR.</b> <small>Undersecretary for Project Implementation, DOTC</small>	PROJECT TITLE: <b>NEW BOHOL AIRPORT CONSTRUCTION AND SUSTAINABLE ENVIRONMENT PROTECTION PROJECT</b> LOCATION: MUNICIPALITY OF PANGLAO, PROVINCE OF BOHOL, PHILIPPINES	SHEET CONTENTS: COMPONENT-4 : BUILDING WORKS (B) SUB-COMPONENT 4-1 : PASSENGER TERMINAL BUILDING STRUCTURAL STEEL STAIR DETAILS	SHEET NO: <b>B1-4200-23</b> DRAWING SCALE: AS SHOWN
	JICA DESIGN CONSULTANT JOINT VENTURE JAPAN AIRPORT CONSULTANTS, INC. NIPPON KOEI CO., LTD. NIS CONSULTANTS CO., LTD.	TADASHI AOI Team Leader	ILDEFONSO T. PATDU, JR. Assistant Secretary for Project Implementation, DOTC	JULIANITO G. BUCAYAN, JR. Undersecretary for Project Implementation, DOTC	DATE INDEX AMENDMENTS JUNE 2013	Prepared by: FRS Jr. WIM IIC Checked by: Validated by:

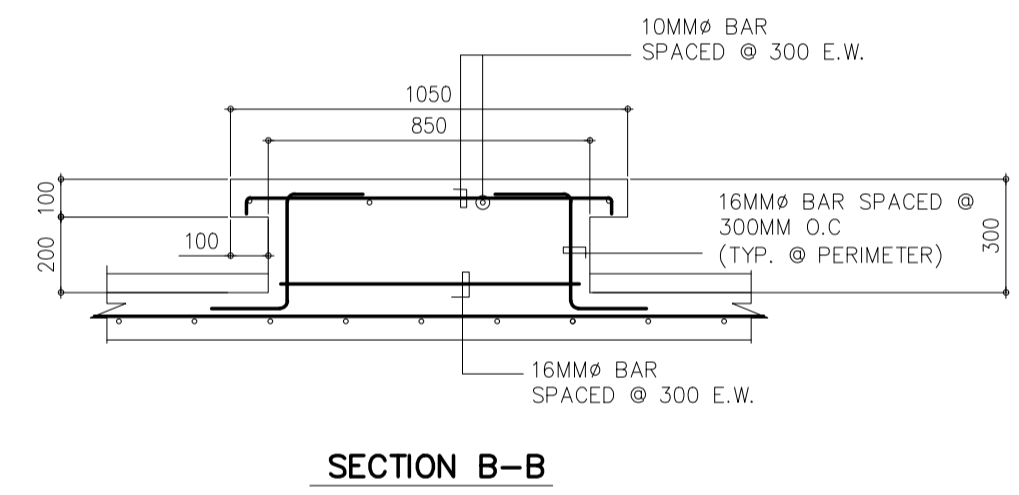
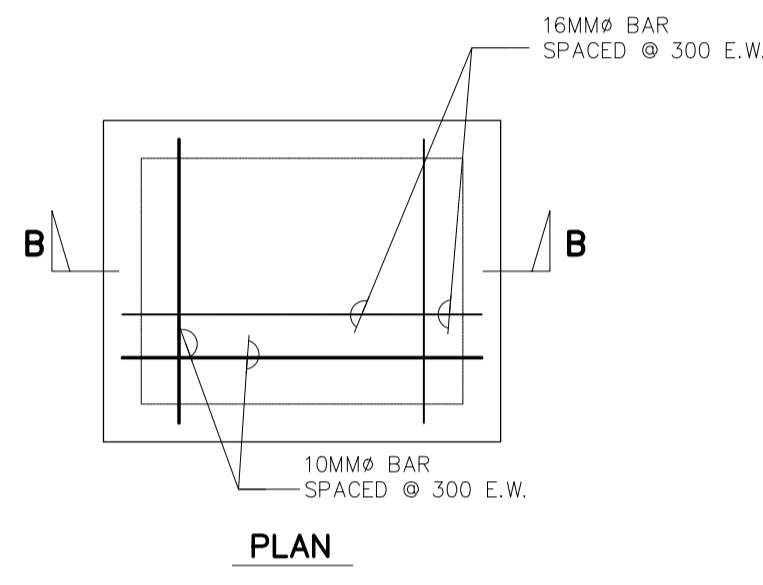


	PREPARED BY: <b>EDGARDO C. CRUZ</b> <small>PROF. CIVIL ENGINEER PTR. 7589023B REG. NO.: 23983 DATE: JANUARY 03, 2013 TEL. 651-157-021 PLACE: QUEZON CITY</small>	RECOMMENDING APPROVAL: <b>ILDEFONSO T. PATDU, JR.</b> <small>Assistant Secretary for Project Implementation, DOTC</small>	APPROVED: <b>JULIANITO G. BUCAYAN, JR.</b> <small>Undersecretary for Project Implementation, DOTC</small>	PROJECT TITLE: <b>NEW BOHOL AIRPORT CONSTRUCTION AND SUSTAINABLE ENVIRONMENT PROTECTION PROJECT</b>	LOCATION: MUNICIPALITY OF PANGLAO, PROVINCE OF BOHOL, PHILIPPINES	SHEET CONTENTS: COMPONENT-4 : BUILDING WORKS (B) SUB-COMPONENT 4-1 : PASSENGER TERMINAL BUILDING STRUCTURAL CANOPY DETAILS	SHEET NO: <b>B1-4200-24</b>
	JICA DESIGN CONSULTANT JOINT VENTURE <b>JAC</b> JAPAN AIRPORT CONSULTANTS, INC.	TADASHI AOI Team Leader	ILDEFONSO T. PATDU, JR. Assistant Secretary for Project Implementation, DOTC	JULIANITO G. BUCAYAN, JR. Undersecretary for Project Implementation, DOTC	DATE: JUNE 2013 INDEX:	AMENDMENTS:	SHEET SCALE: AS SHOWN

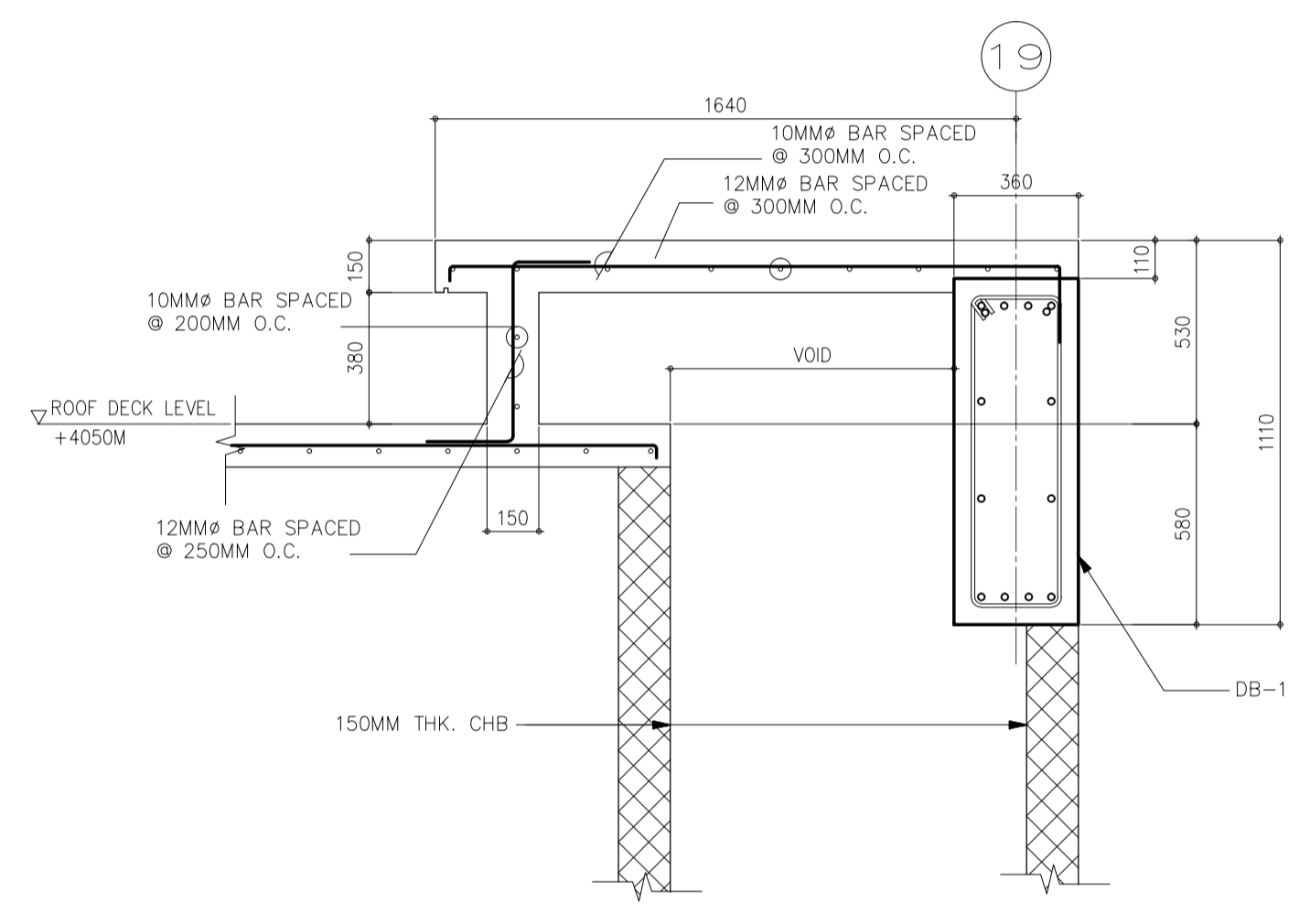




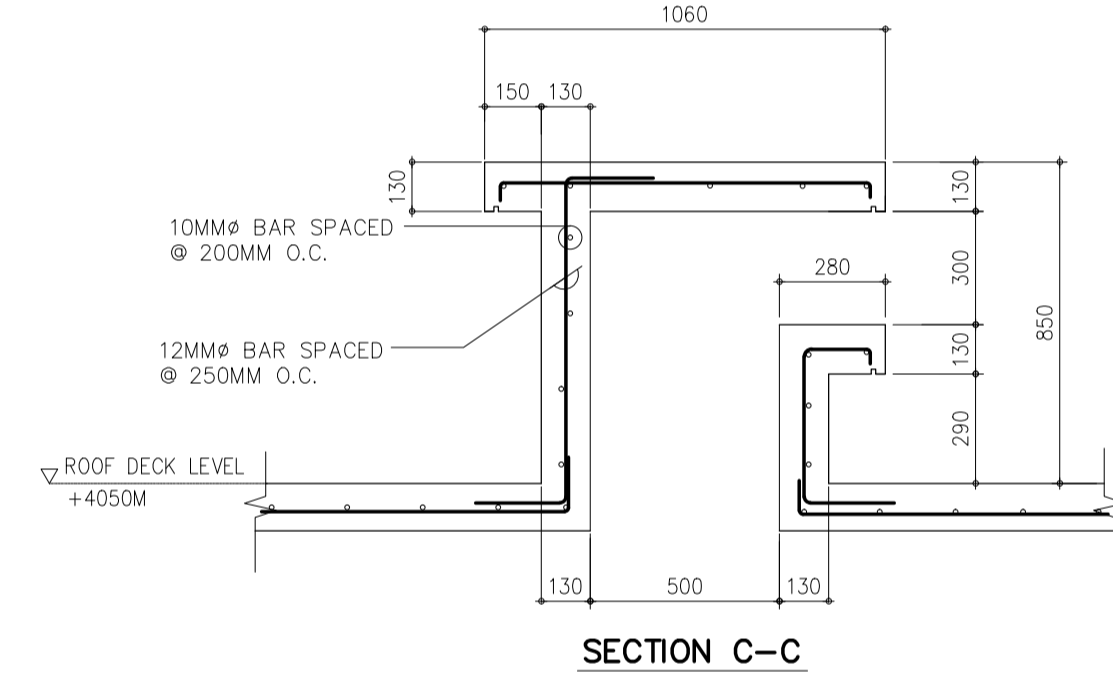
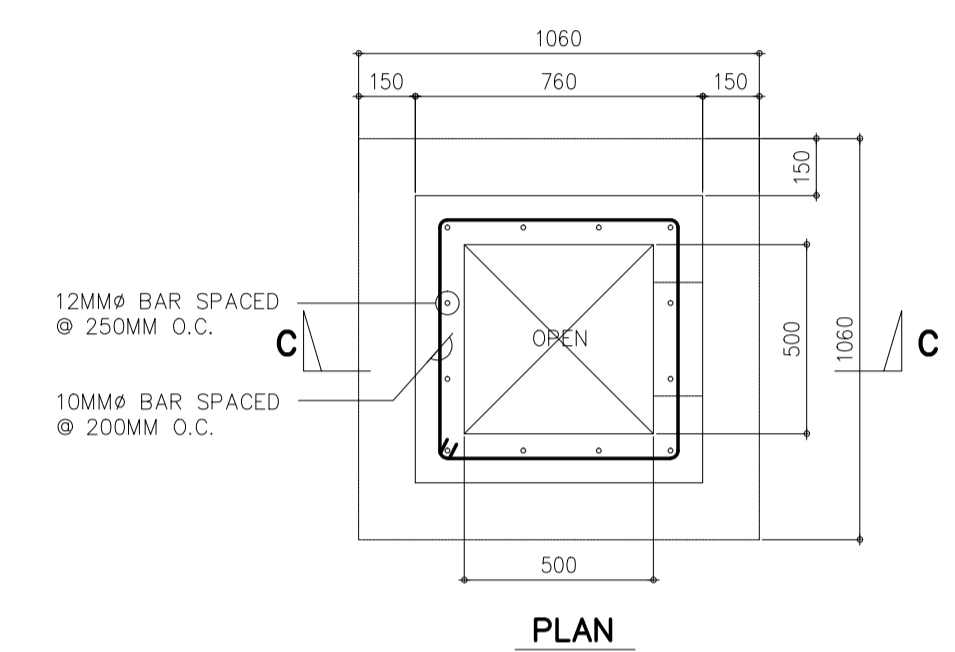
**1 MACHINE PLATFORM DETAIL**  
SCALE 1 : 20 MTS



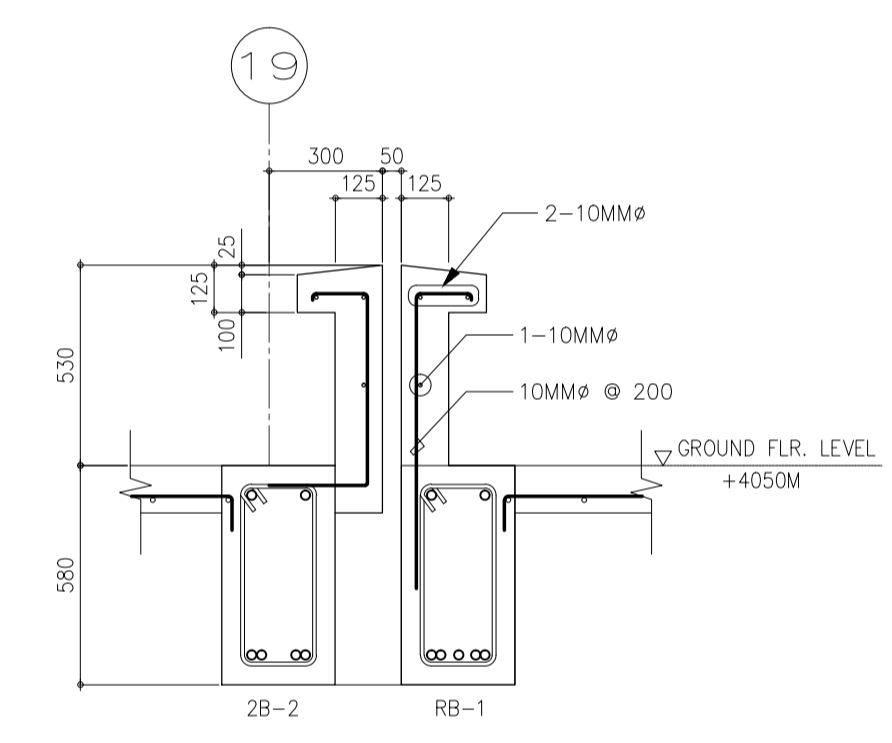
**2 MAINTENANCE LADDER PLATFORM**  
SCALE 1 : 20 MTS



**3 CABLE HOUSING DETAIL SECTION**  
SCALE 1 : 20 MTS



**4 PIGEON HOUSE DETAIL**  
SCALE 1 : 20 MTS



**5 EXPANSION JOINT**  
SCALE 1 : 20 MTS

	PREPARED BY: <b>EDGARDO C. CRUZ</b> <small>PROF. CIVIL ENGINEER PTR. 7589023B REG. NO.: 23983 DATE: JANUARY 03, 2013 TEL. 651-157-021 PLACE: QUEZON CITY</small>	RECOMMENDING APPROVAL: <b>ILDEFONSO T. PATDU, JR.</b> <small>Assistant Secretary for Project Implementation, DOTC</small>	APPROVED: <b>JULIANITO G. BUCAYAN, JR.</b> <small>Undersecretary for Project Implementation, DOTC</small>	PROJECT TITLE: <b>NEW BOHOL AIRPORT CONSTRUCTION AND SUSTAINABLE ENVIRONMENT PROTECTION PROJECT</b>	LOCATION: MUNICIPALITY OF PANGLAO, PROVINCE OF BOHOL, PHILIPPINES	SHEET CONTENTS: COMPONENT-4 : BUILDING WORKS (B) SUB-COMPONENT 4-1 : PASSENGER TERMINAL BUILDING STRUCTURAL MISCELLANEOUS DETAILS	SHEET NO: <b>B1-4200-25</b>
	JICA DESIGN CONSULTANT JOINT VENTURE	TADASHI AOI <small>Team Leader</small>	JULIANITO G. BUCAYAN, JR. <small>Undersecretary for Project Implementation, DOTC</small>	DATE: JUNE 2013	INDEX:	AMENDMENTS:	Prepared by: FRS Jr. WIM HC Checked by: Validated by: