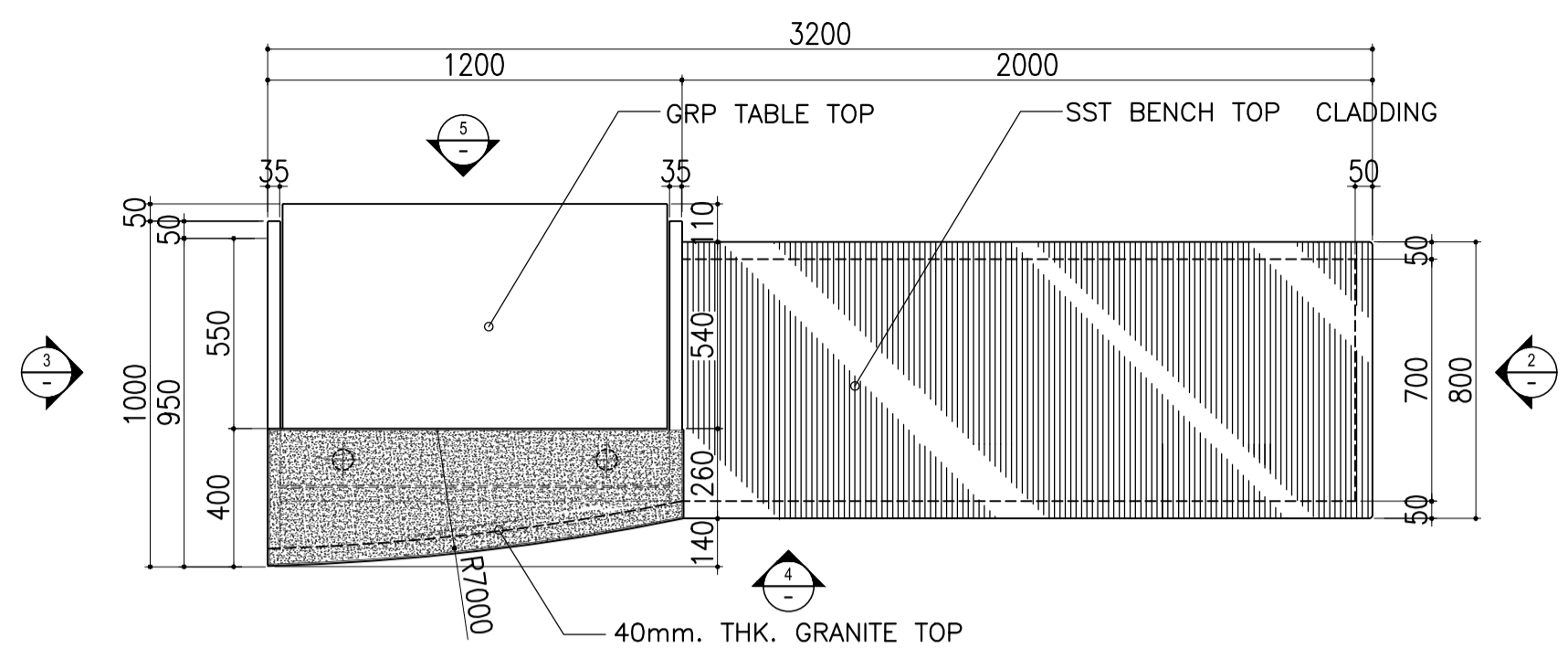
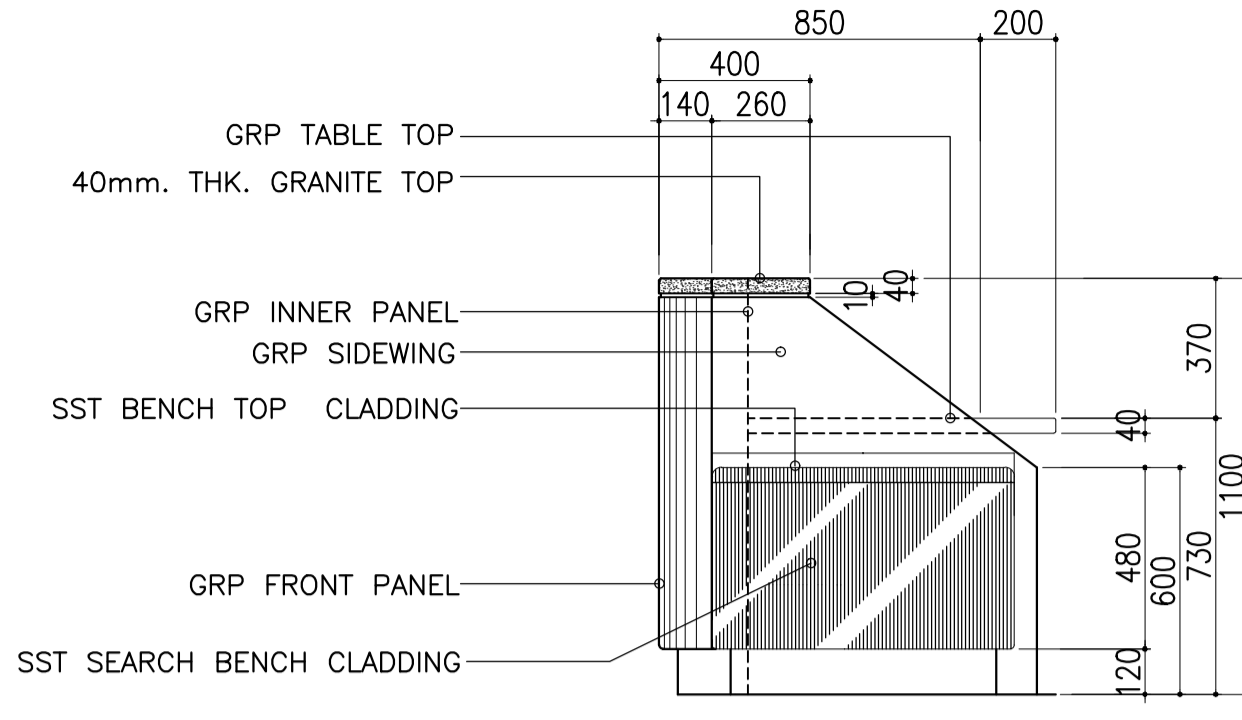


1 FURNITURE LAYOUT (FIXED)  
 B1-4300-80 SCALE: 1:250 MTS.

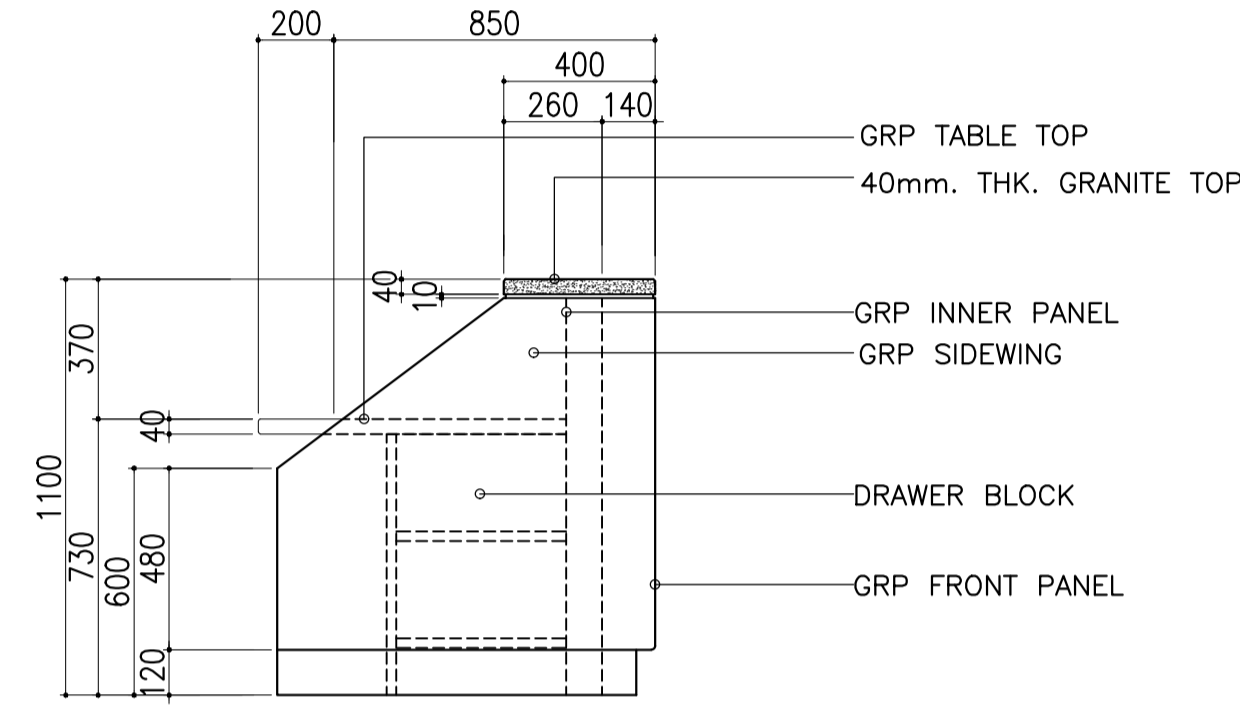
	PREPARED BY: <b>WILLIAM L. MALLONGA</b> <small>PROF: Architect PIR. 3911137          REG. NO.: 4623 DATE: MAY 9, 2013          T.I.N. 150-564-196 PLACE: MAKATI CITY</small>	RECOMMENDING APPROVAL: <b>ILDEFONSO T. PATDU, JR.</b> <small>Assistant Secretary          for Project Implementation, DOTC</small>	APPROVED: <b>JULIANITO G. BUCAYAN, JR.</b> <small>Undersecretary          for Project Implementation, DOTC</small>	PROJECT TITLE: <b>NEW BOHOL AIRPORT CONSTRUCTION AND SUSTAINABLE ENVIRONMENT PROTECTION PROJECT</b> LOCATION: MUNICIPALITY OF PANGLAO, PROVINCE OF BOHOL, PHILIPPINES	SHEET CONTENTS: COMPONENT-4 BUILDING WORKS (B) SUBCOMPONENT -4-1 (B1) PASSENGER TERMINAL BUILDING ARCHITECTURAL FURNITURE LAYOUT PLAN (FIXED)	SHEET NO: <b>B1-4300-80</b> DRAWING SCALE: 1:250 MTS.
	JICA DESIGN CONSULTANT JOINT VENTURE <b>JAC</b> JAPAN AIRPORT CONSULTANTS, INC. <b>NIPPON KOEI CO., LTD.</b> <b>NIS CONSULTANTS CO., LTD.</b>	TADASHI AOI <small>Team Leader</small>			DATE: JUNE 2013 INDEX: AMENDMENTS: Prepared by: WIM Checked by: HC Validated by:	



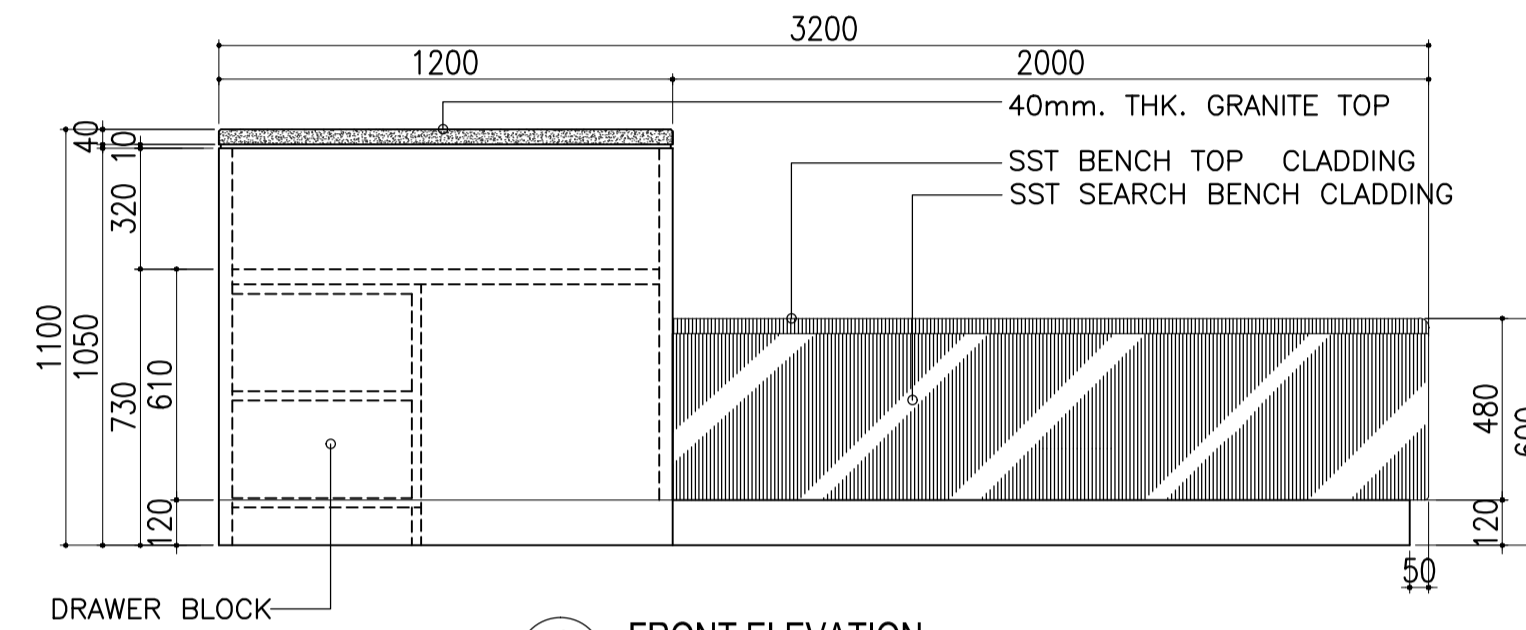
1 PLAN OF LOST BAGGAGE COUNTER  
SCALE: 1: 20 M.



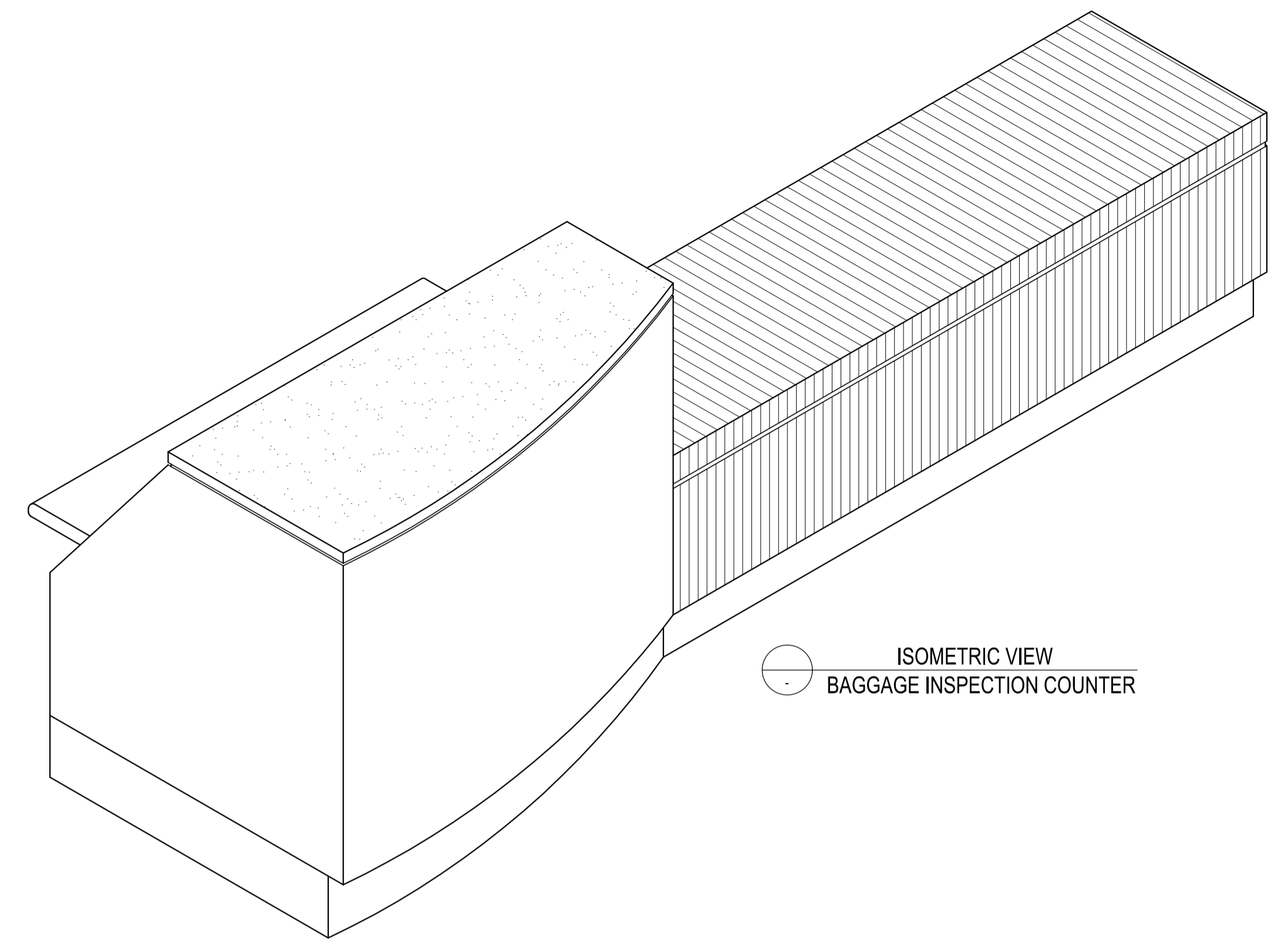
2 RIGHT SIDE ELEVATION  
SCALE: 1: 20 M.



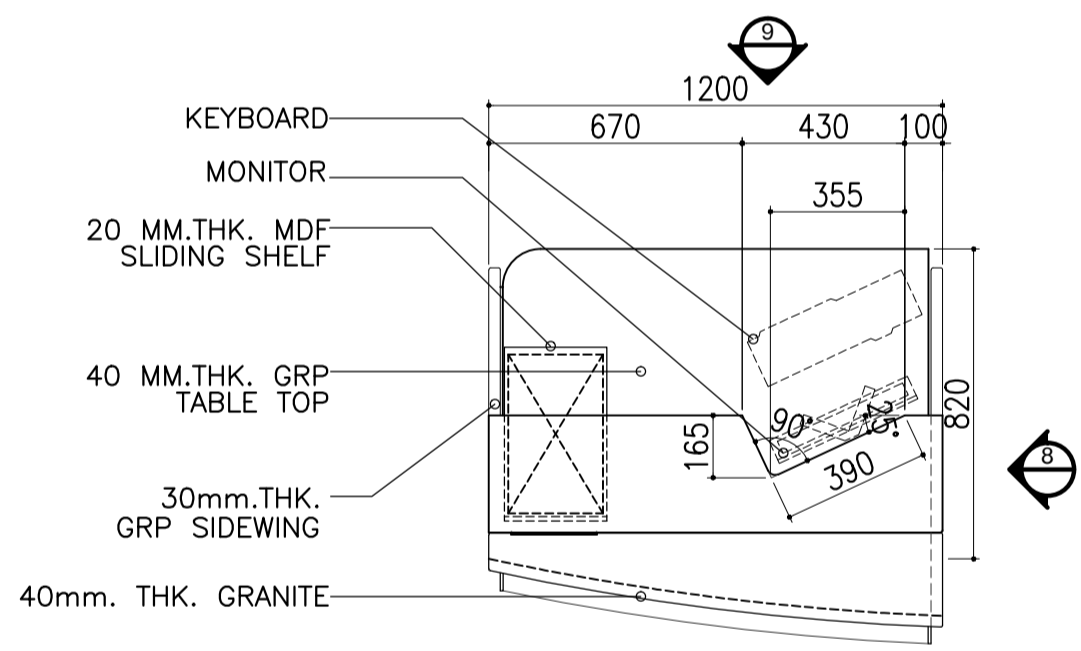
3 LEFT SIDE ELEVATION  
SCALE: 1: 20 M.



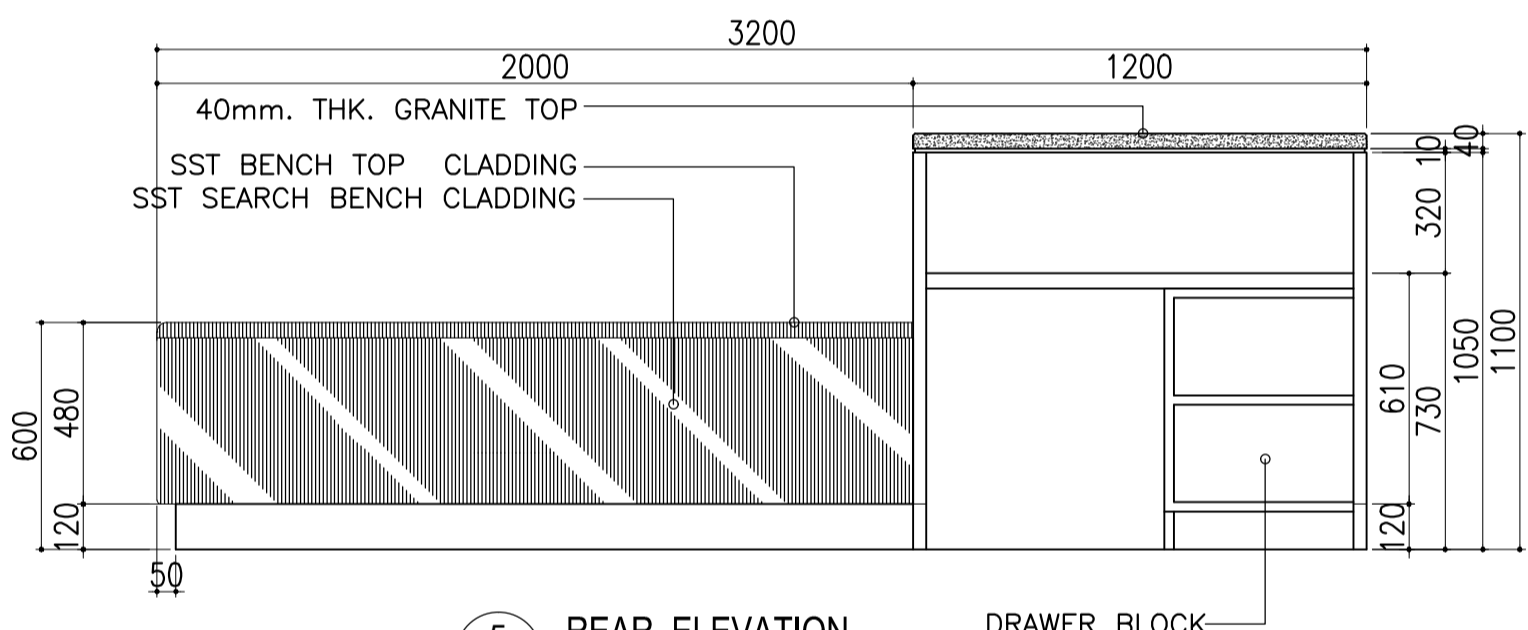
4 FRONT ELEVATION  
SCALE: 1: 20 M.



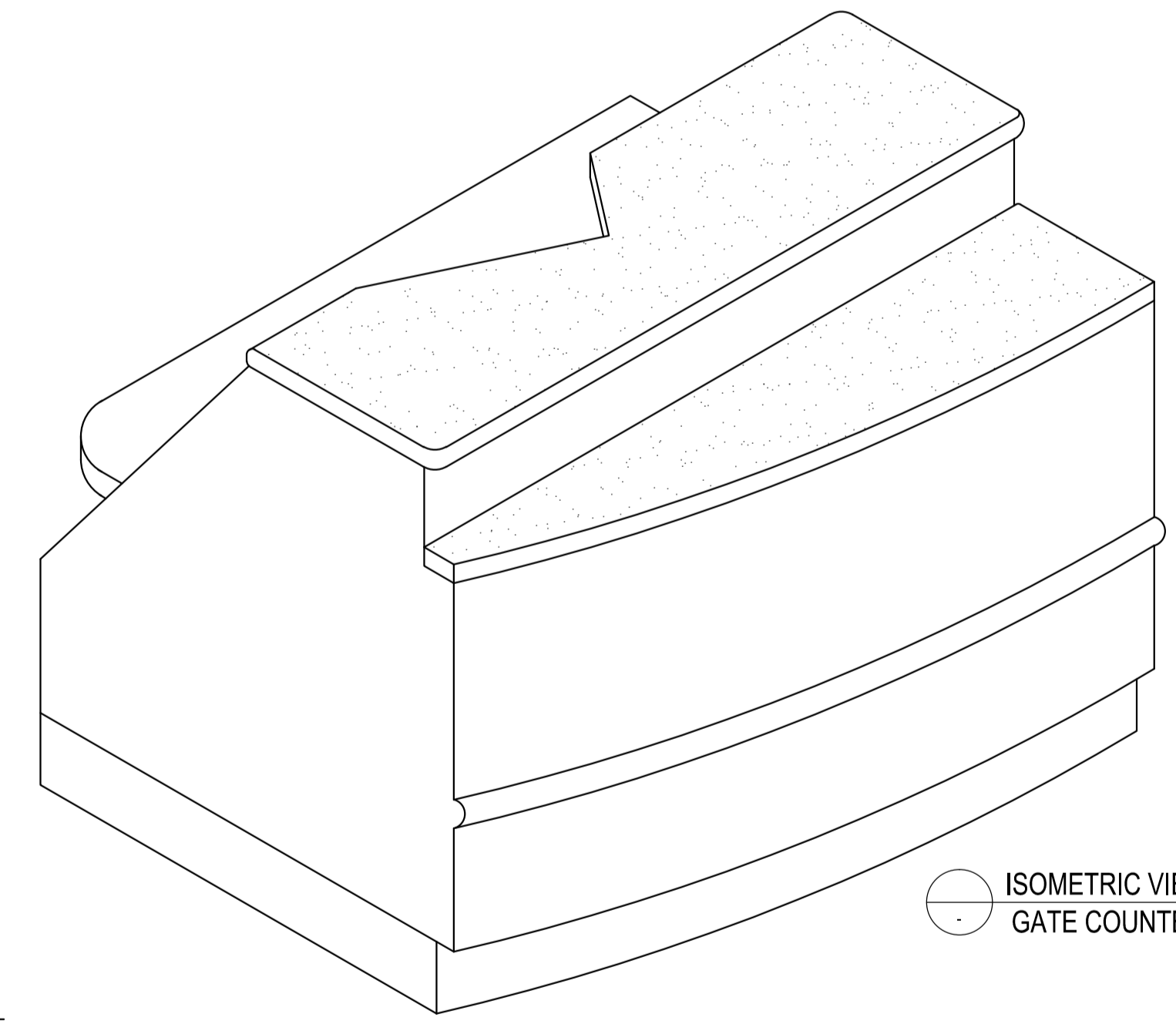
ISOMETRIC VIEW  
BAGGAGE INSPECTION COUNTER



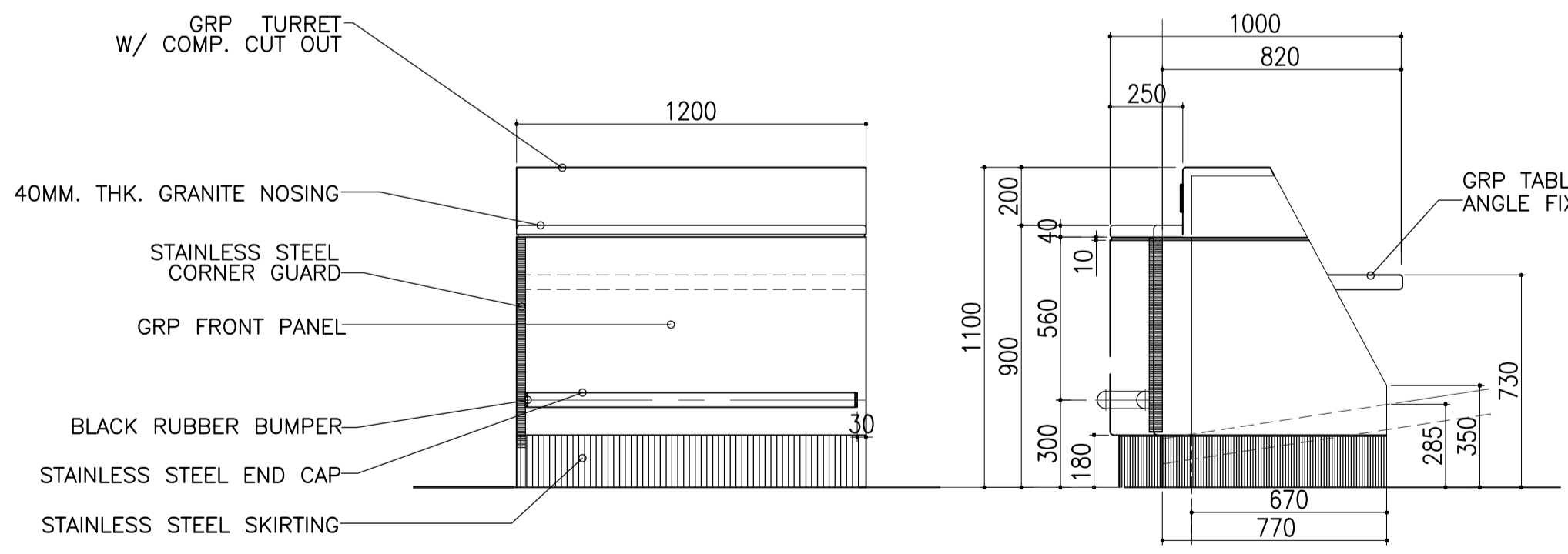
6 PLAN OF GATE COUNTER  
SCALE: 1: 20 M.



5 REAR ELEVATION  
SCALE: 1: 20 M.

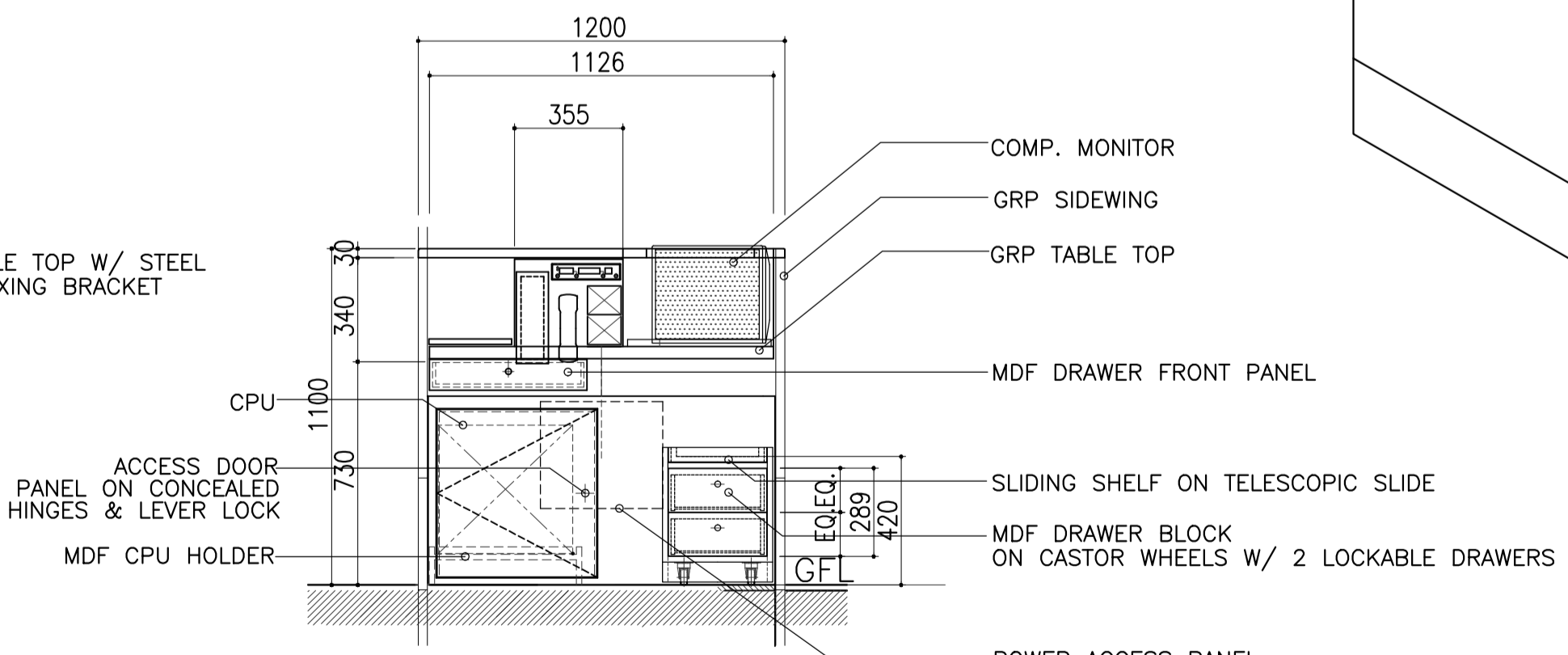


ISOMETRIC VIEW  
GATE COUNTER



7 FRONT ELEVATION  
SCALE: 1: 20 M.

8 SIDE ELEVATION  
SCALE: 1: 20 M.



9 REAR ELEVATION  
SCALE: 1: 20 M.

Republic of the Philippines  
DEPARTMENT OF TRANSPORTATION  
AND COMMUNICATIONS

JICA  
JAPAN INTERNATIONAL COOPERATION AGENCY

JICA DESIGN CONSULTANT JOINT VENTURE

JAC JAPAN AIRPORT CONSULTANTS, INC.

NIPPON KOEI CO., LTD.

NIS CONSULTANTS CO., LTD.

PREPARED BY:  
WILLIAM L. MALLONGA  
Architect  
P.R. 3911137  
REG. NO.: 4623 DATE: MAY 9, 2013  
T.N. 150-564-196 PLACE: MAKATI CITY

TADASHI AOI  
Team Leader

RECOMMENDING APPROVAL:  
ILDEFONSO T. PATDU, JR.  
Assistant Secretary  
for Project Implementation, DOTC

APPROVED:  
JULIANITO G. BUCAYAN, JR.  
Undersecretary  
for Project Implementation, DOTC

PROJECT TITLE:  
NEW BOHOL AIRPORT CONSTRUCTION AND  
SUSTAINABLE ENVIRONMENT PROTECTION PROJECT

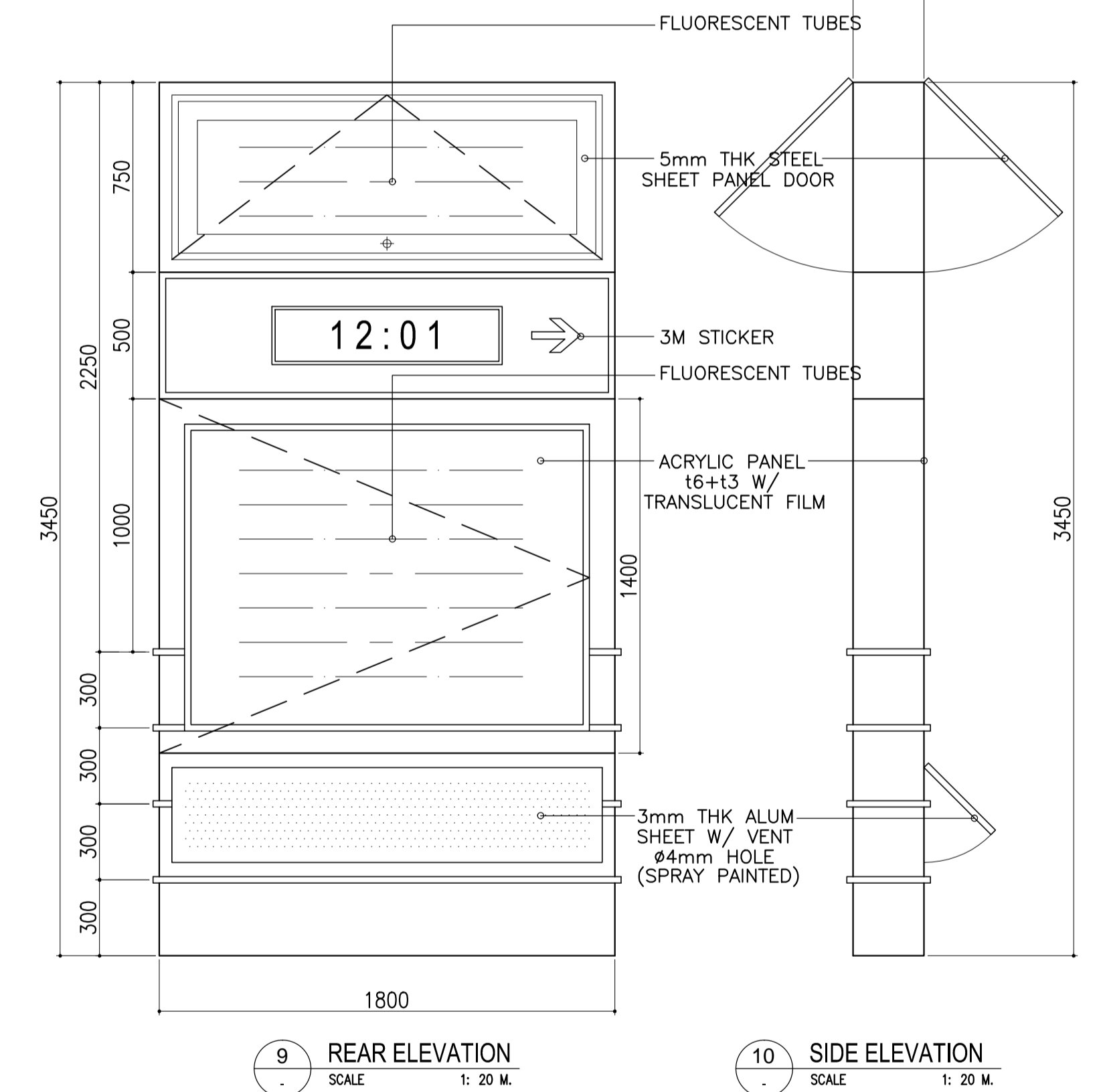
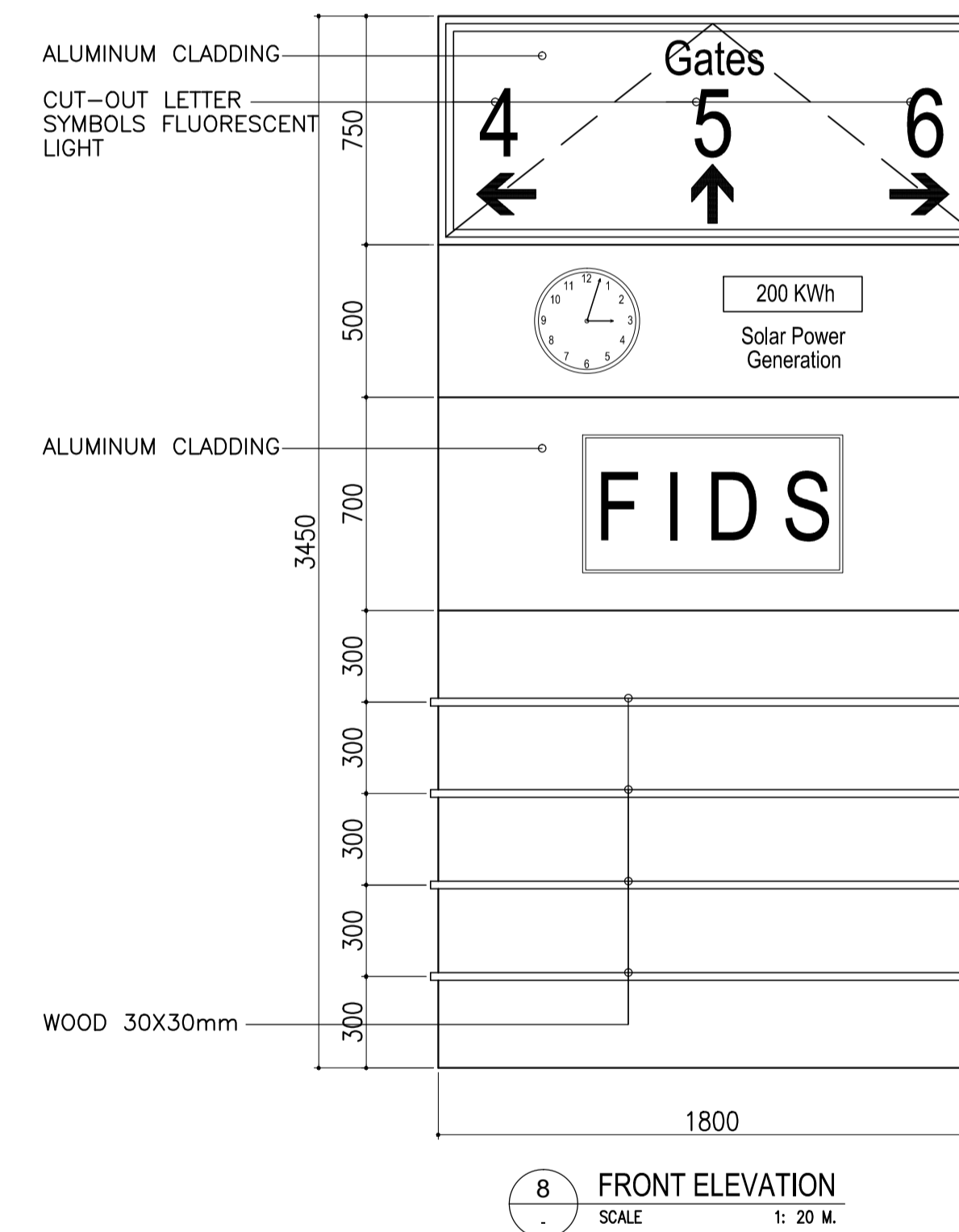
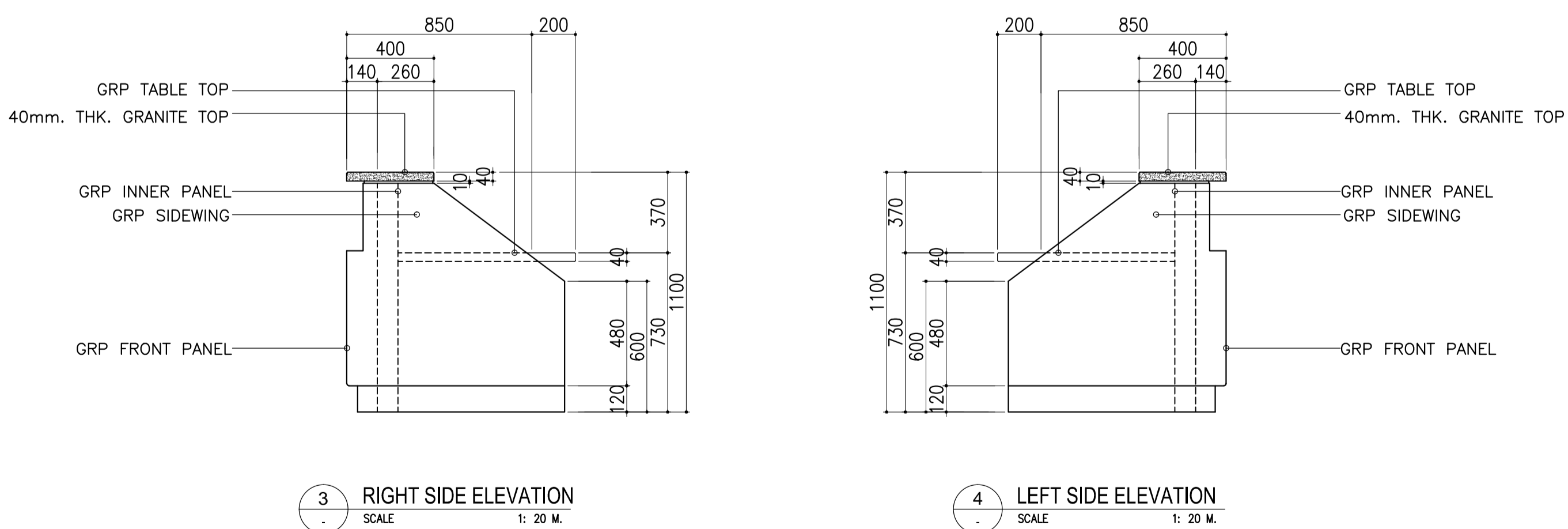
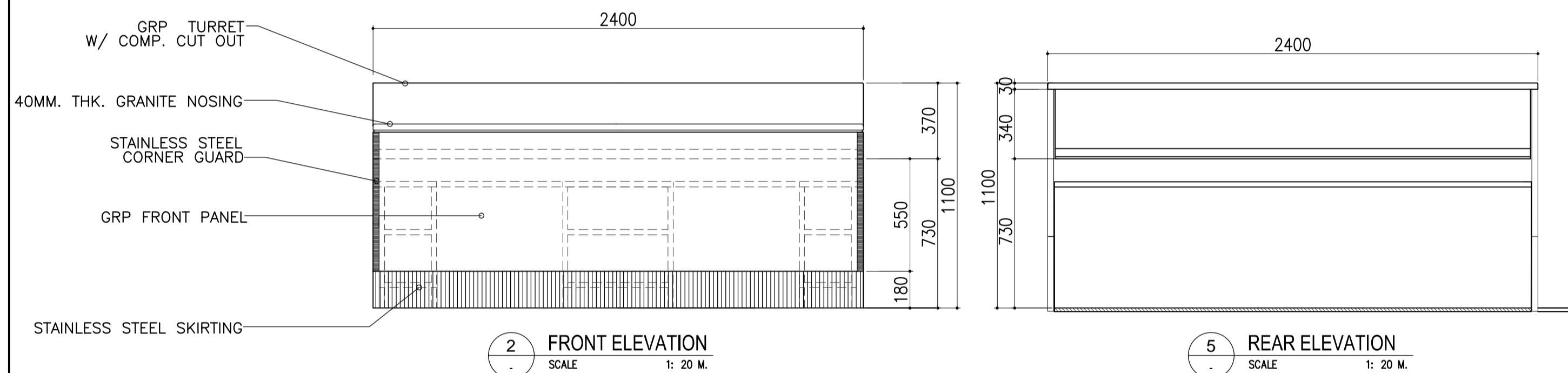
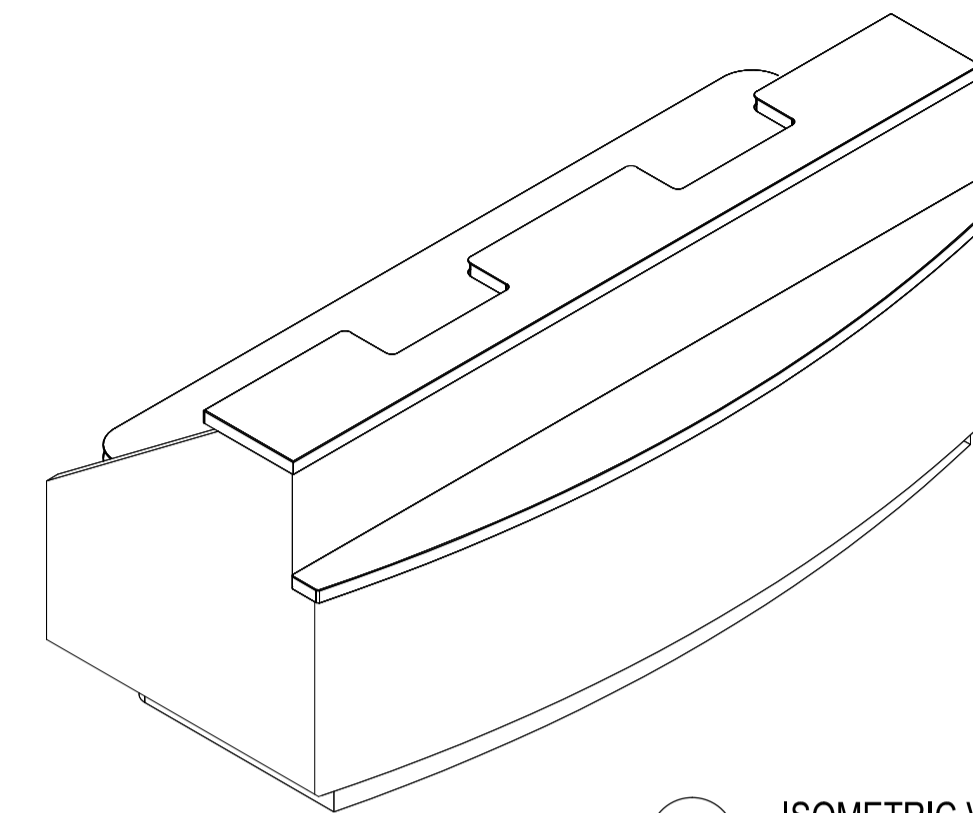
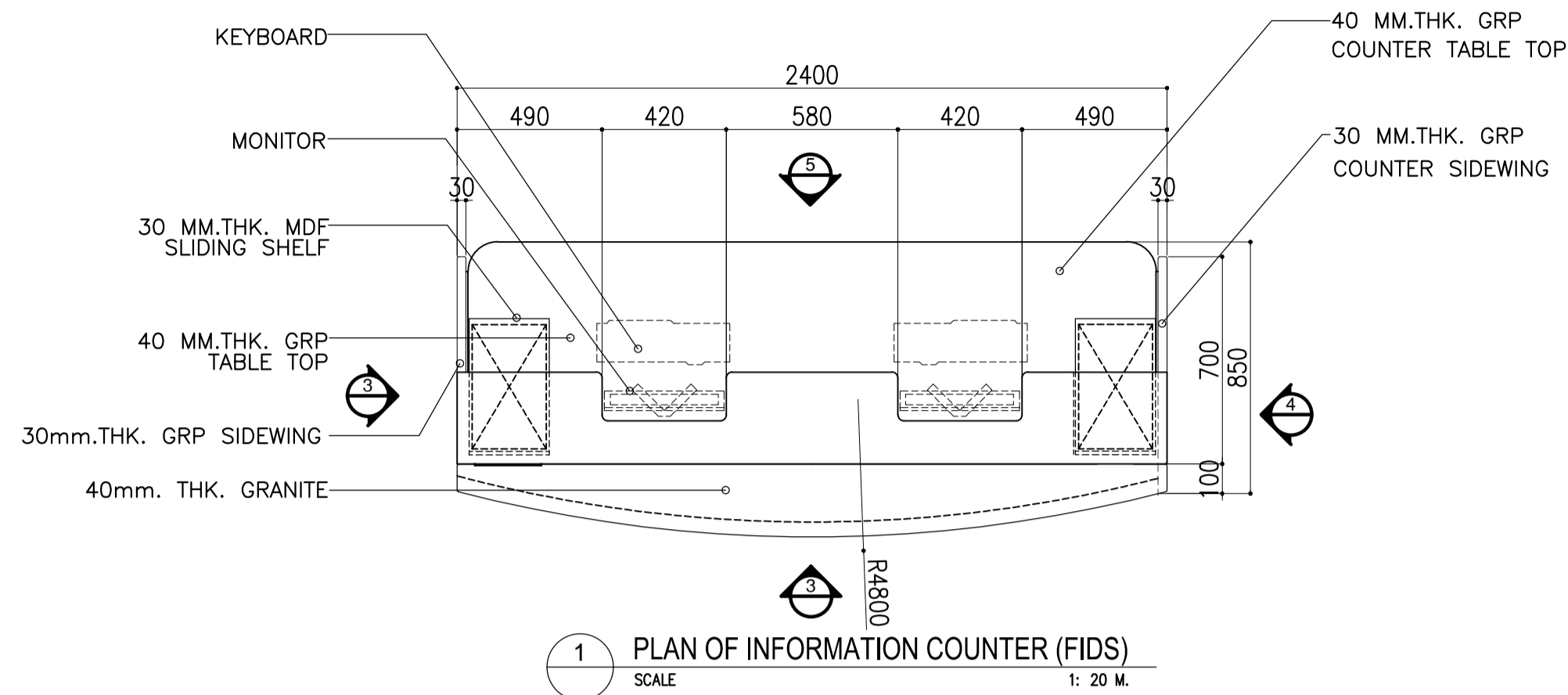
LOCATION: MUNICIPALITY OF PANGLAO, PROVINCE OF BOHOL, PHILIPPINES

DATE	INDEX	AMENDMENTS	Prepared by	Checked by	Validated by
JUNE 2013				WIM	HC

SHEET CONTENTS:  
COMPONENT-4 BUILDING WORKS (B)  
SUBCOMPONENT -4-1  
(B1) PASSENGER TERMINAL BUILDING  
ARCHITECTURAL  
FURNITURE DETAILS 1-6

SHEET NO:  
B1-4300-81

DRAWING SCALE:  
1:20 MTS.



PREPARED BY:  
**WILLIAM L. MALLONGA**  
Architect  
P.R. 3911137  
REG. NO.: 4623 DATE: MAY 9, 2013  
T.N. 150-564-196 PLACE: MAKATI CITY

TADASHI AOI  
Team Leader

RECOMMENDING APPROVAL:  
**ILDEFONSO T. PATDU, JR.**  
Assistant Secretary  
for Project Implementation, DOTC

APPROVED:  
**JULIANITO G. BUCAYAN, JR.**  
Undersecretary  
for Project Implementation, DOTC

PROJECT TITLE:  
**NEW BOHOL AIRPORT CONSTRUCTION AND  
SUSTAINABLE ENVIRONMENT PROTECTION PROJECT**

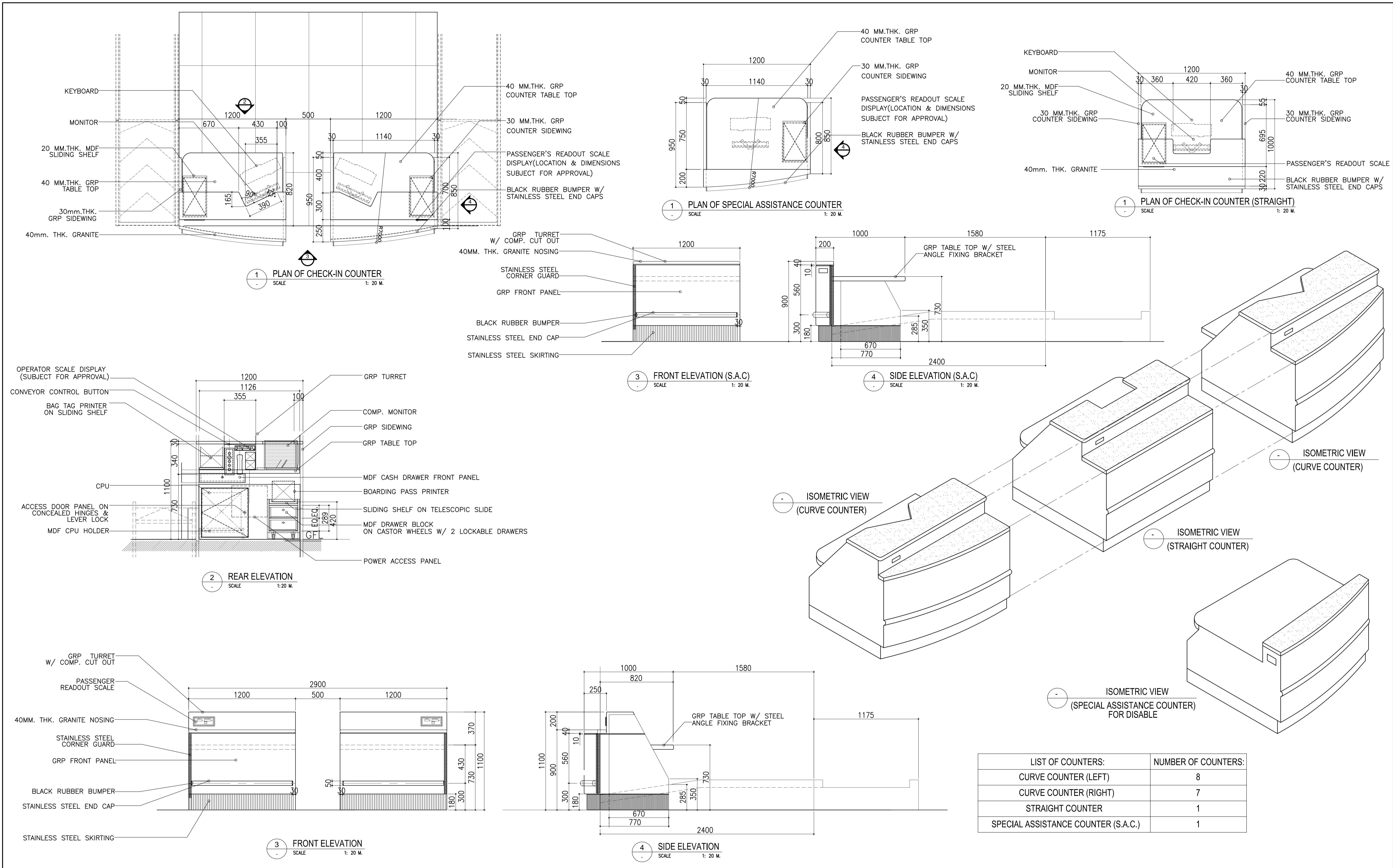
LOCATION: MUNICIPALITY OF PANGLAO, PROVINCE OF BOHOL, PHILIPPINES

JUNE 2013	DATE	INDEX	AMENDMENTS	Prepared by	Checked by	Validated by
				WIM	HC	

SHEET CONTENTS:  
COMPONENT-4 BUILDING WORKS (B)  
SUBCOMPONENT -4-1  
(B1) PASSENGER TERMINAL BUILDING  
ARCHITECTURAL  
FURNITURE DETAILS 2-6

SHEET NO:  
**B1-4300-82**

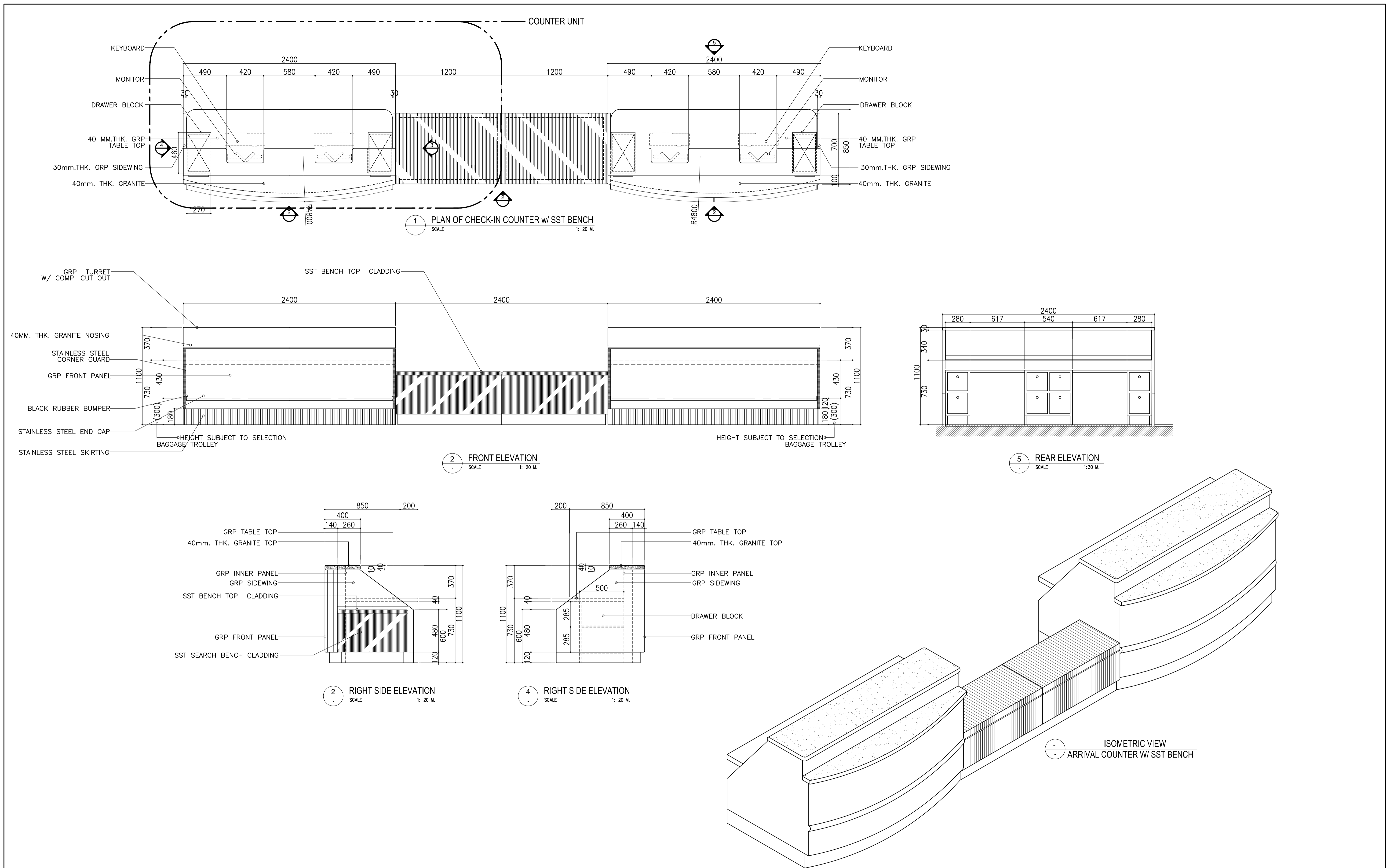
DRAWING SCALE:  
1:20 MTS.



LIST OF COUNTERS:	NUMBER OF COUNTERS:
CURVE COUNTER (LEFT)	8
CURVE COUNTER (RIGHT)	7
STRAIGHT COUNTER	1
SPECIAL ASSISTANCE COUNTER (S.A.C.)	1

	PREPARED BY: <b>WILLIAM L. MALLONGA</b> <small>Architect PIR 3911137</small> <small>REG. NO.: 4623 DATE: MAY 9, 2013</small> <small>TIN: 150-564-196 PLACE: MAKATI CITY</small>	RECOMMENDING APPROVAL: <b>ILDEFONSO T. PATDU, JR.</b> <small>Assistant Secretary for Project Implementation, DOTC</small>	APPROVED: <b>JULIANITO G. BUCAYAN, JR.</b> <small>Undersecretary for Project Implementation, DOTC</small>	PROJECT TITLE: <b>NEW BOHOL AIRPORT CONSTRUCTION AND SUSTAINABLE ENVIRONMENT PROTECTION PROJECT</b> LOCATION: MUNICIPALITY OF PANGLAO, PROVINCE OF BOHOL, PHILIPPINES	SHEET CONTENTS: COMPONENT-4 BUILDING WORKS (B) SUBCOMPONENT -4-1 (B1) PASSENGER TERMINAL BUILDING ARCHITECTURAL FURNITURE DETAILS 3-6	SHEET NO: <b>B1-4300-83</b>
	JICA DESIGN CONSULTANT JOINT VENTURE <b>JAC</b> JAPAN AIRPORT CONSULTANTS, INC. <b>NK</b> NIPPON KOEI CO., LTD. <b>NIS</b> NIS CONSULTANTS CO., LTD.	TADASHI AOI <small>Team Leader</small>	ILDEFONSO T. PATDU, JR. <small>Assistant Secretary for Project Implementation, DOTC</small>	JULIANITO G. BUCAYAN, JR. <small>Undersecretary for Project Implementation, DOTC</small>	DATE: JUNE 2013 INDEX: _____ AMENDMENTS: _____ Prepared by: _____ Checked by: _____ Validated by: _____	DRAWING SCALE: <b>AS SHOWN</b>





Republic of the Philippines  
DEPARTMENT OF TRANSPORTATION  
AND  
COMMUNICATIONS

**JICA**  
JAPAN  
INTERNATIONAL  
COOPERATION  
AGENCY

JICA DESIGN CONSULTANT JOINT VENTURE

**JAC** JAPAN AIRPORT  
CONSULTANTS,  
INC.

**NK** NIPPON KOEI  
CO., LTD.

**NS** NIS CONSULTANTS  
CO., LTD.

PREPARED BY:

**WILLIAM L. MALLONGA**

PROF: Architect PIR: 3911137  
REG. NO.: 4623 DATE: MAY 9, 2013  
T.I.N: 150-564-196 PLACE: MAKATI CITY

**TADASHI AOI**  
Team Leader

RECOMMENDING APPROVAL:

**ILDEFONSO T. PATDU, JR.**  
Assistant Secretary  
for Project Implementation, DOTC

APPROVED:

**JULIANITO G. BUCAYAN, JR.**  
Undersecretary  
for Project Implementation, DOTC

PROJECT TITLE:

**NEW BOHOL AIRPORT CONSTRUCTION AND  
SUSTAINABLE ENVIRONMENT PROTECTION PROJECT**

LOCATION: MUNICIPALITY OF PANGLAO, PROVINCE OF BOHOL, PHILIPPINES

DATE	INDEX	AMENDMENTS	Prepared by	Checked by	Validated by
JUNE 2013				WIM	HC

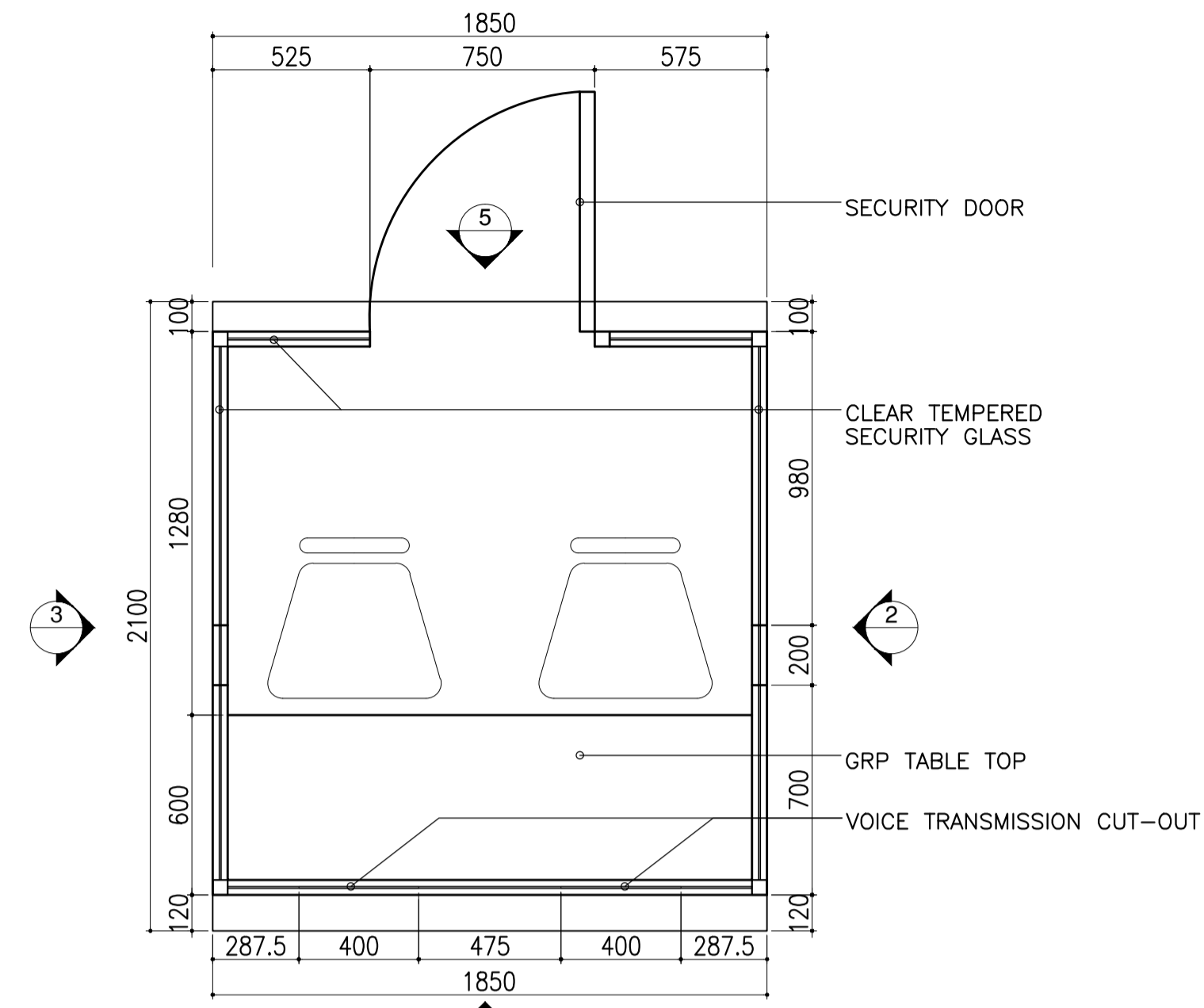
SHEET CONTENTS:

COMPONENT-4 BUILDING WORKS (B)  
SUBCOMPONENT -4-1

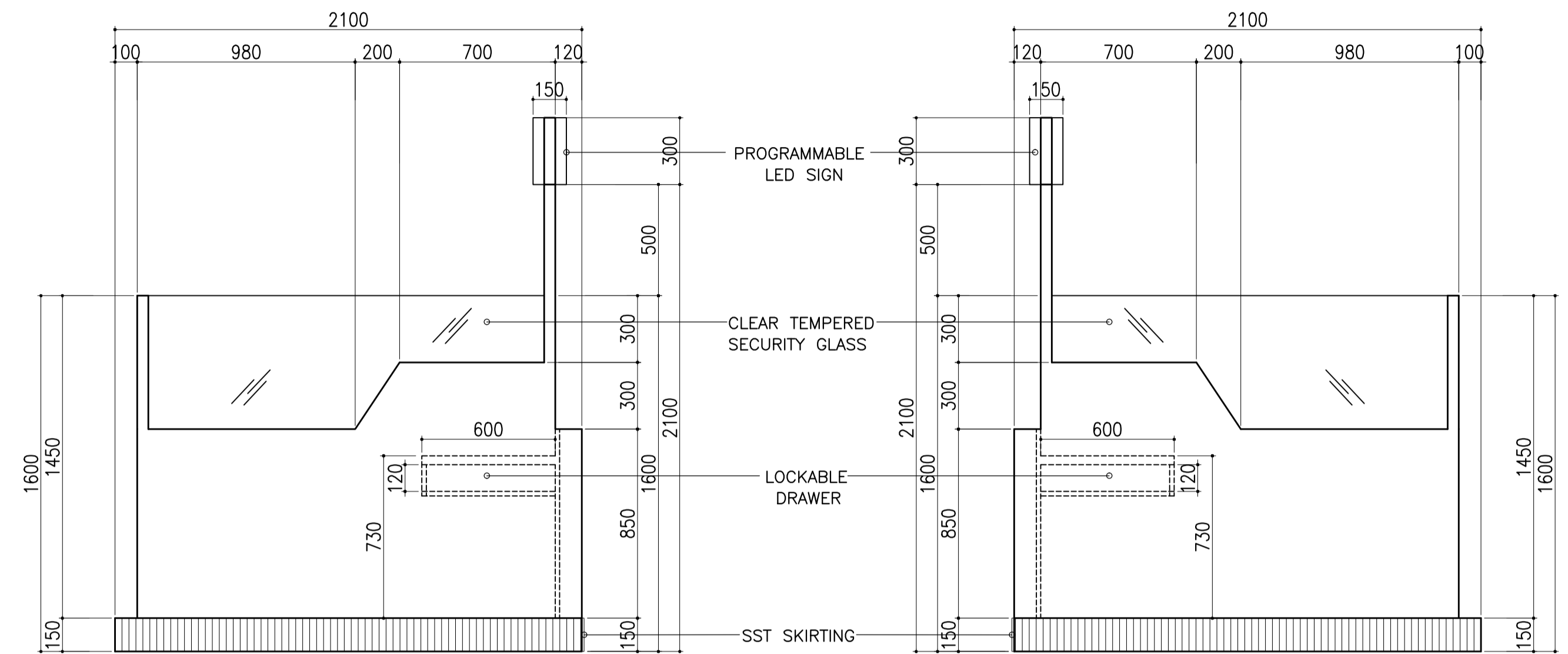
(B1) PASSENGER TERMINAL BUILDING  
ARCHITECTURAL  
FURNITURE DETAILS 4-6

SHEET NO:  
**B1-4300-84**

DRAWING SCALE:  
AS SHOWN

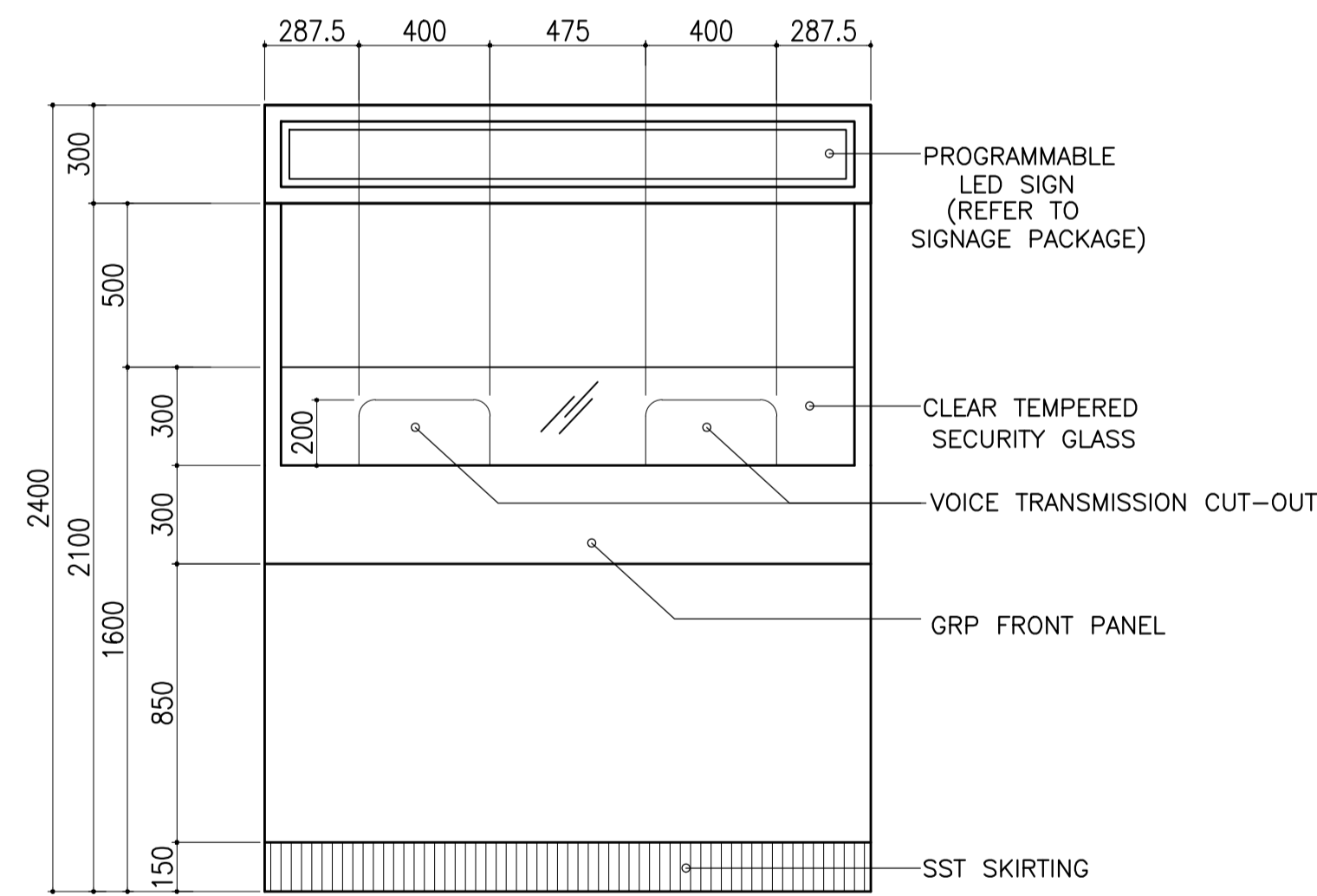
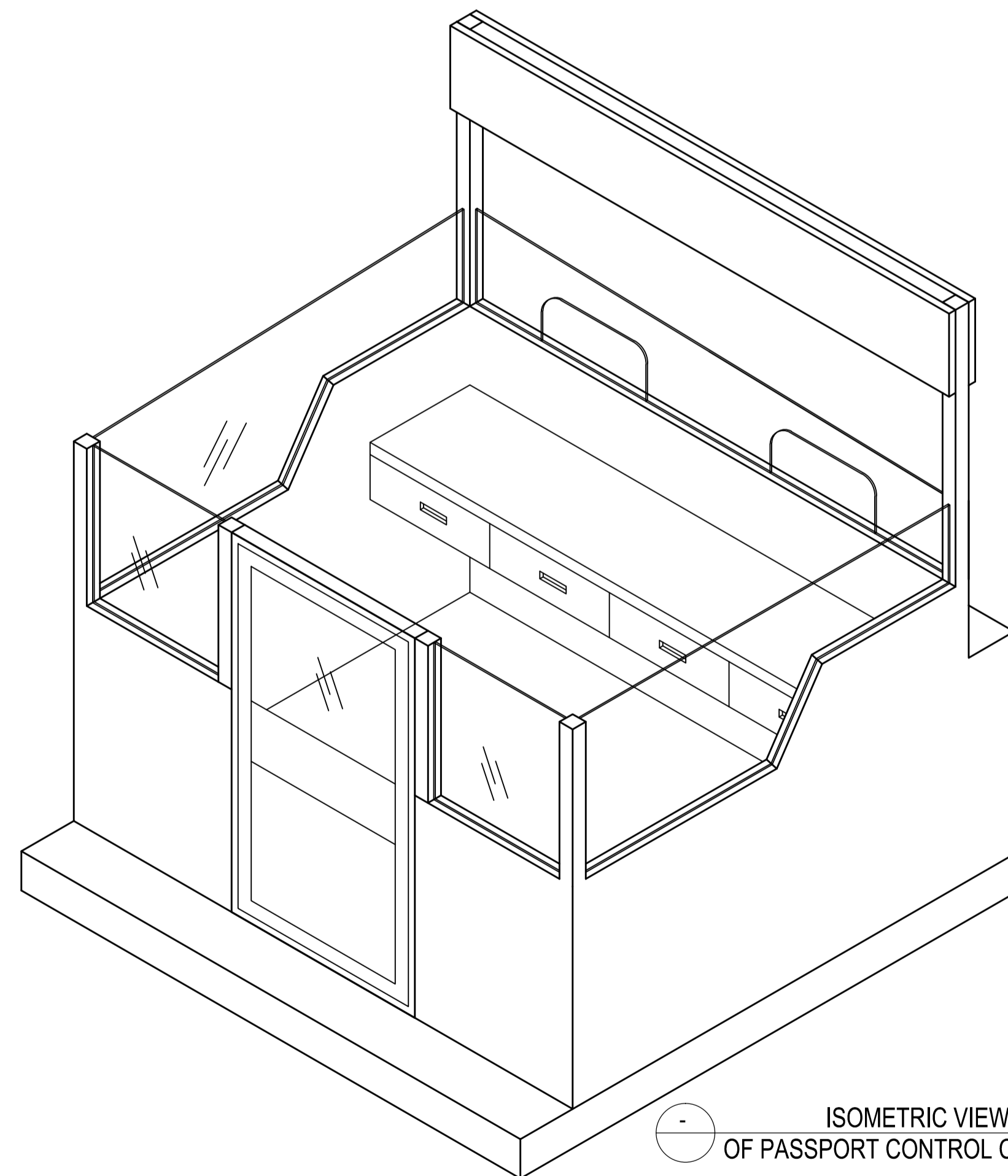


1 PLAN OF PASSPORT CONTROL COUNTER  
SCALE 1: 20 M.

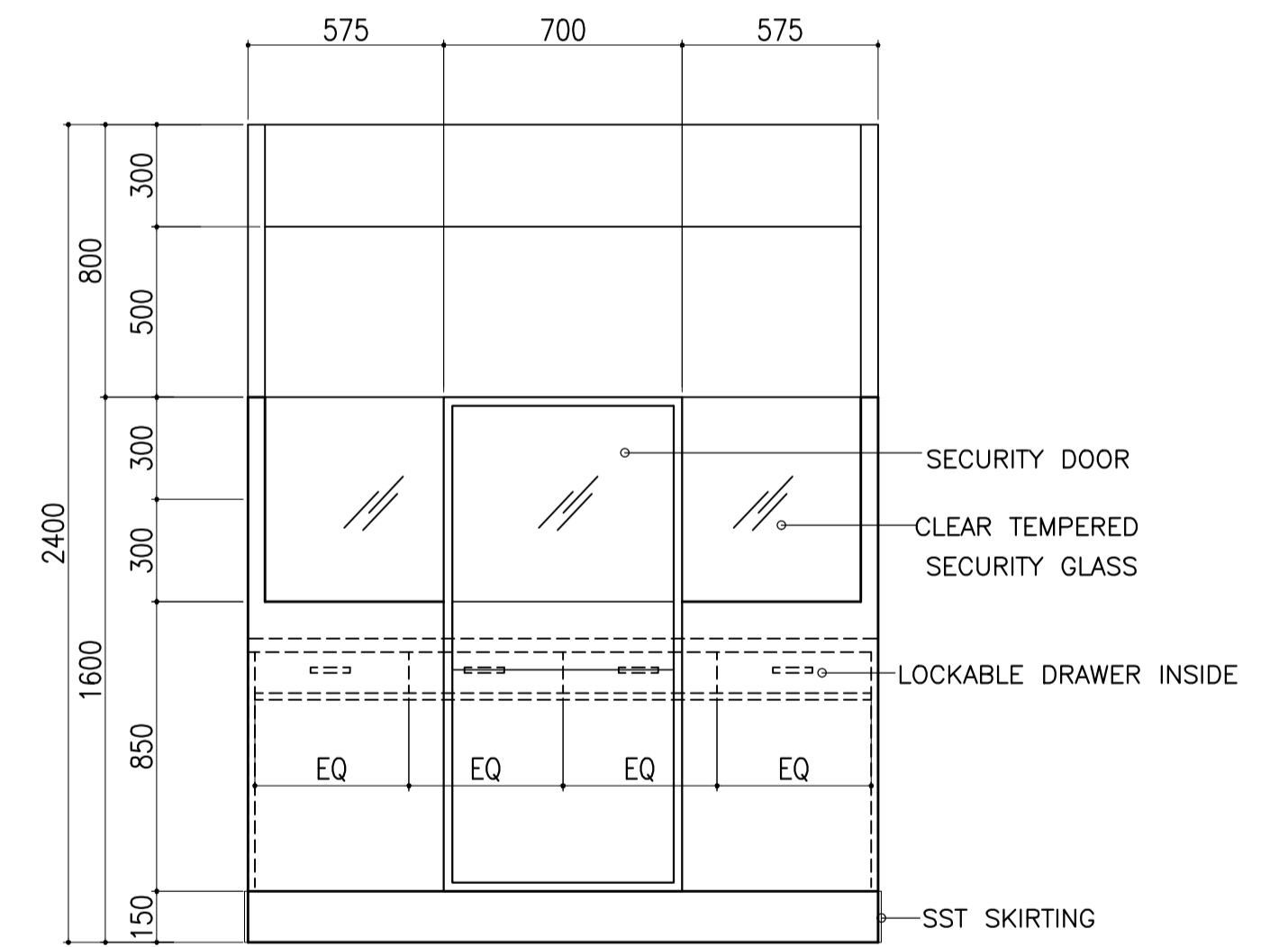


2 RIGHT SIDE ELEVATION  
SCALE 1: 20 M.

3 LEFT SIDE ELEVATION  
SCALE 1: 20 M.



4 FRONT ELEVATION  
SCALE 1: 20 M.



5 REAR ELEVATION  
SCALE 1: 20 M.



PREPARED BY:  
**WILLIAM L. MALLONGA**  
PROF: Architect PIR: 3911137  
REG. NO.: 4623 DATE: MAY 9, 2013  
TIN: 150-564-196 PLACE: MAKATI CITY

RECOMMENDING APPROVAL:  
**ILDEFONSO T. PATDU, JR.**  
Assistant Secretary for Project Implementation, DOTC

APPROVED:  
**JULIANITO G. BUCAYAN, JR.**  
Undersecretary for Project Implementation, DOTC

PROJECT TITLE:  
**NEW BOHOL AIRPORT CONSTRUCTION AND SUSTAINABLE ENVIRONMENT PROTECTION PROJECT**

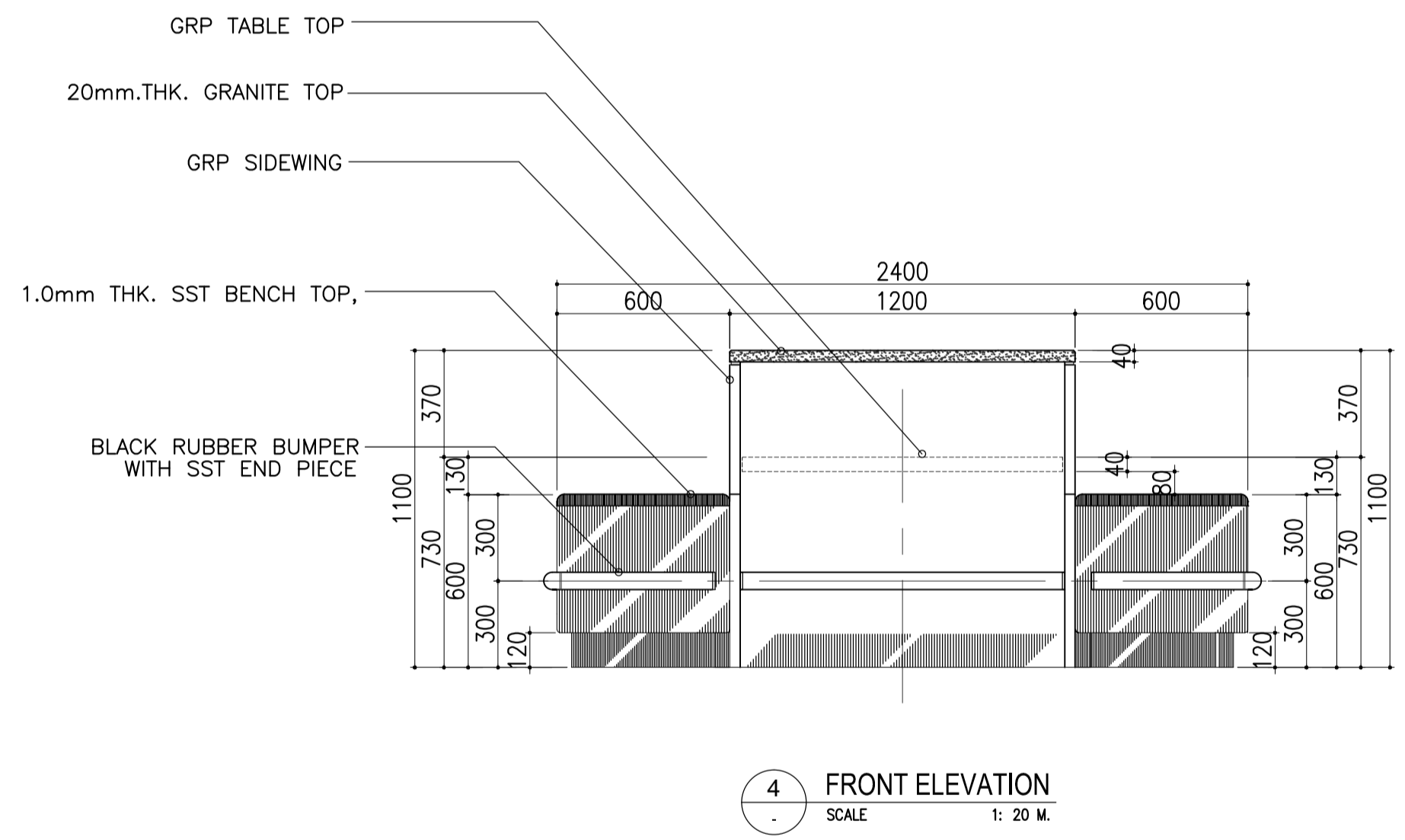
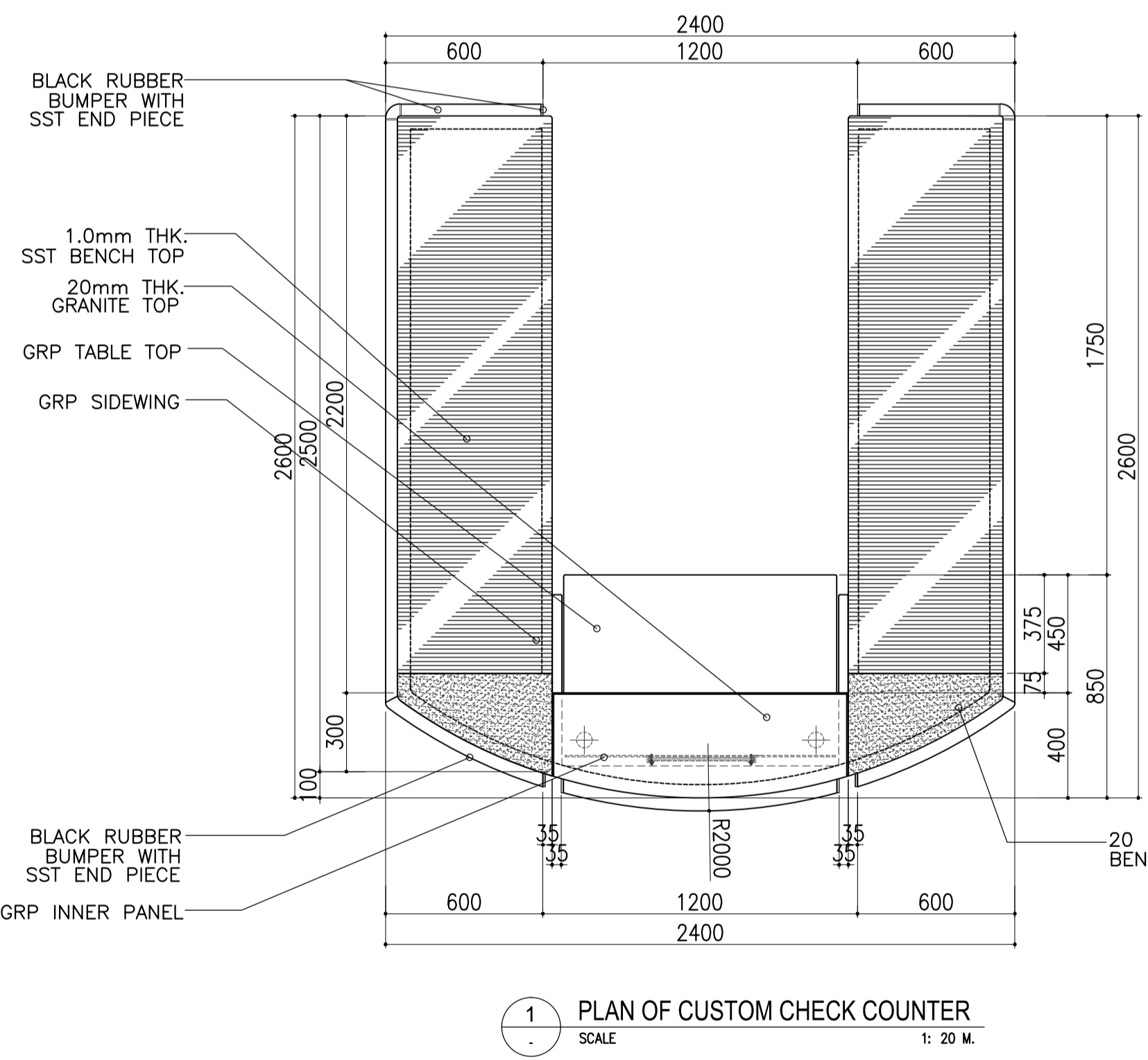
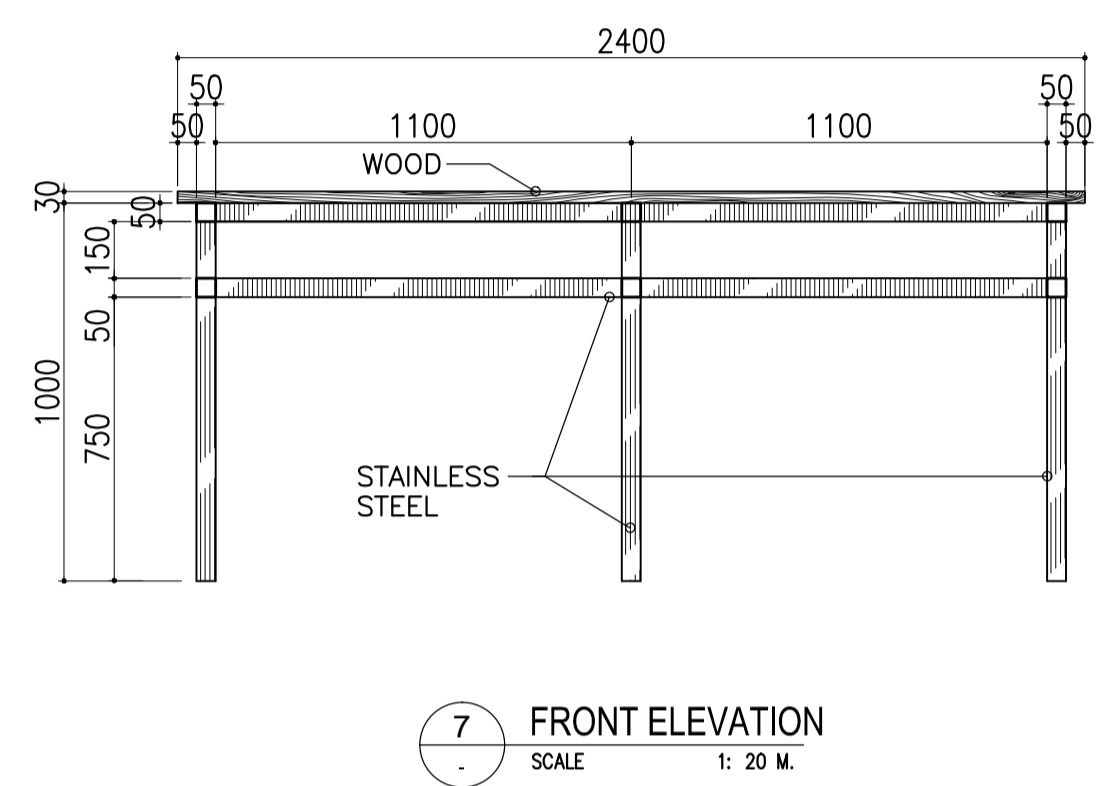
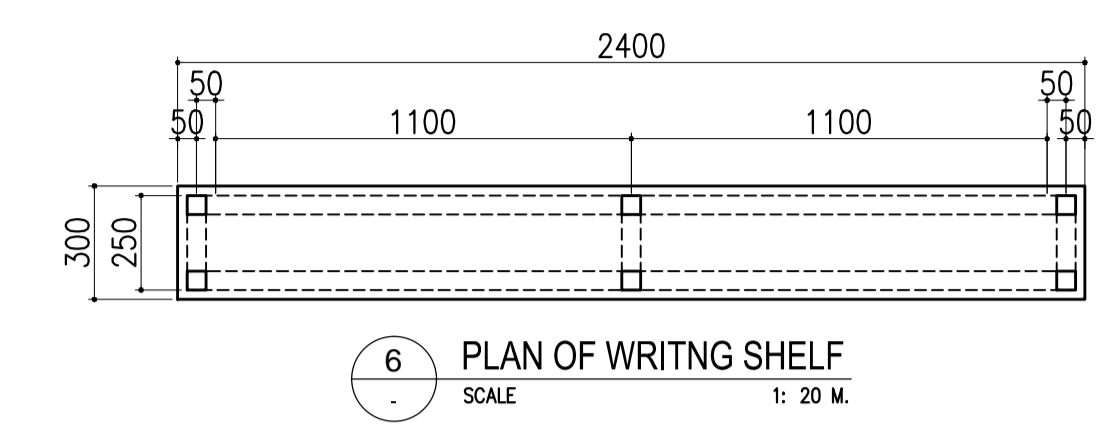
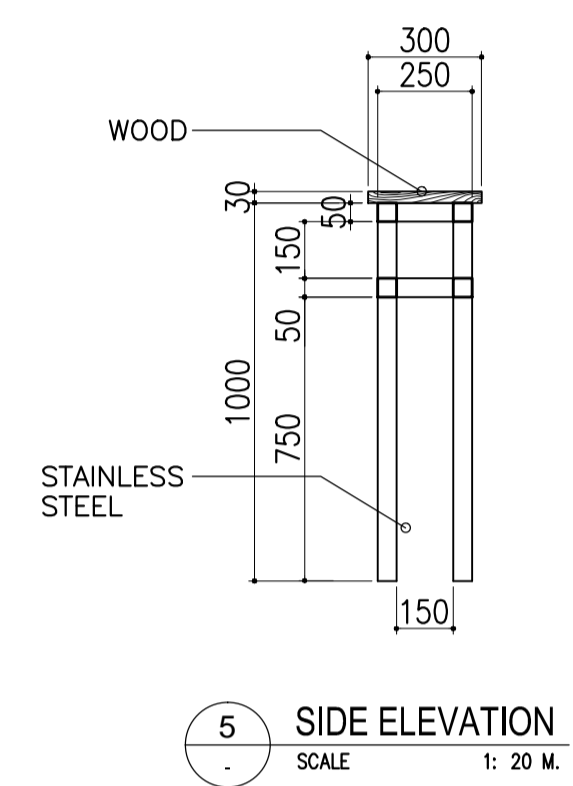
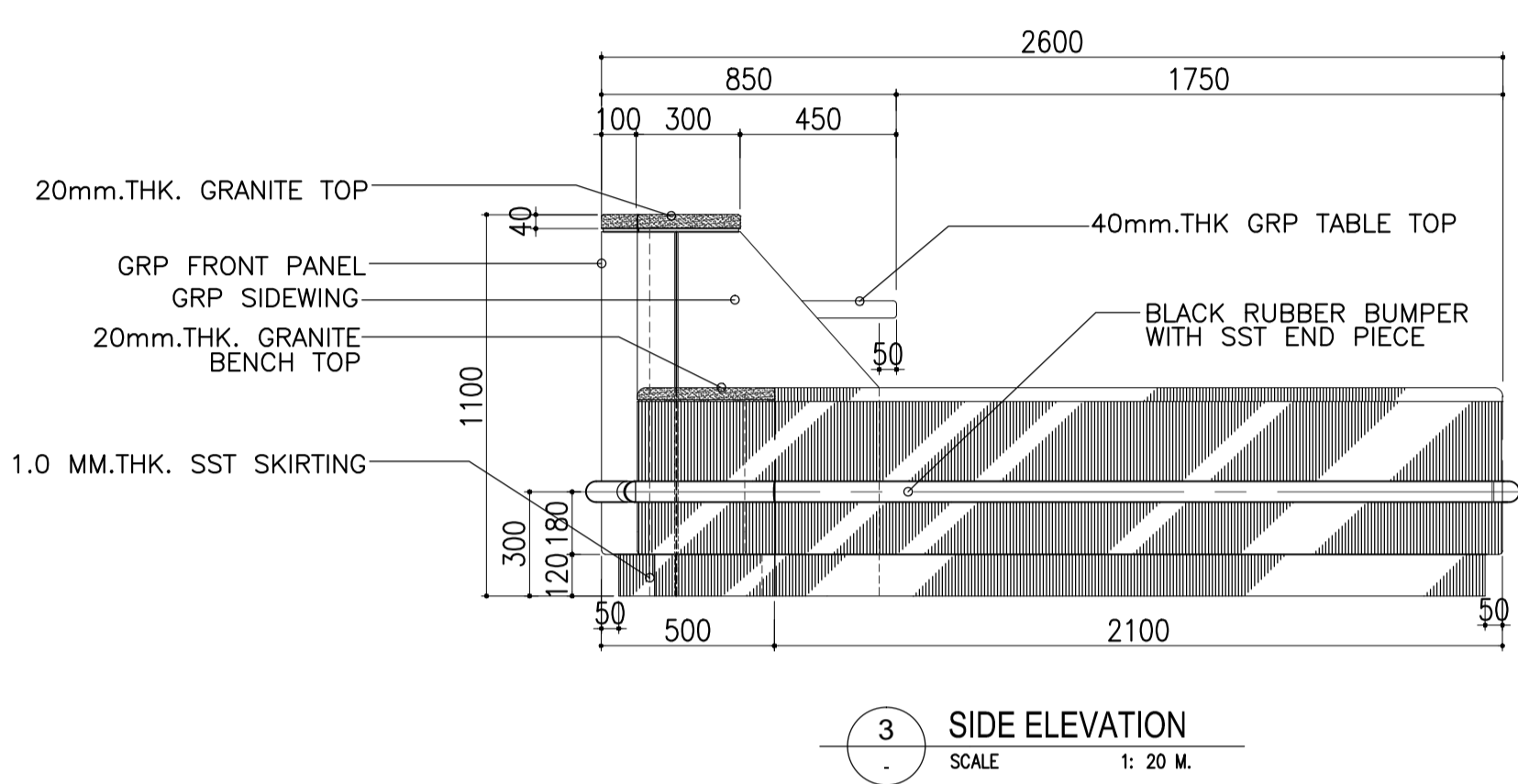
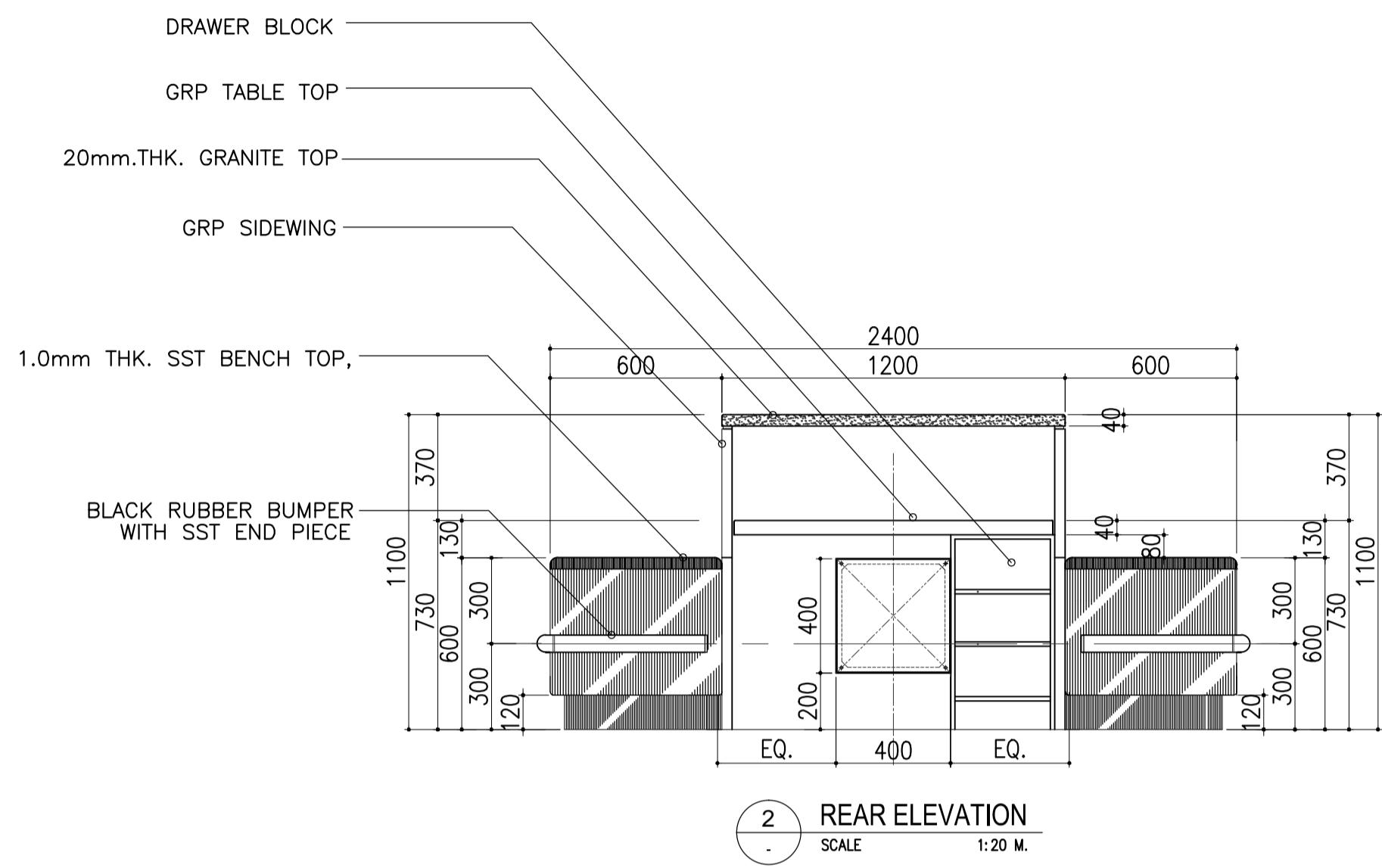
LOCATION: MUNICIPALITY OF PANGLAO, PROVINCE OF BOHOL, PHILIPPINES

DATE	INDEX	AMENDMENTS	Prepared by	Checked by	Validated by
JUNE 2013				WIM	HC

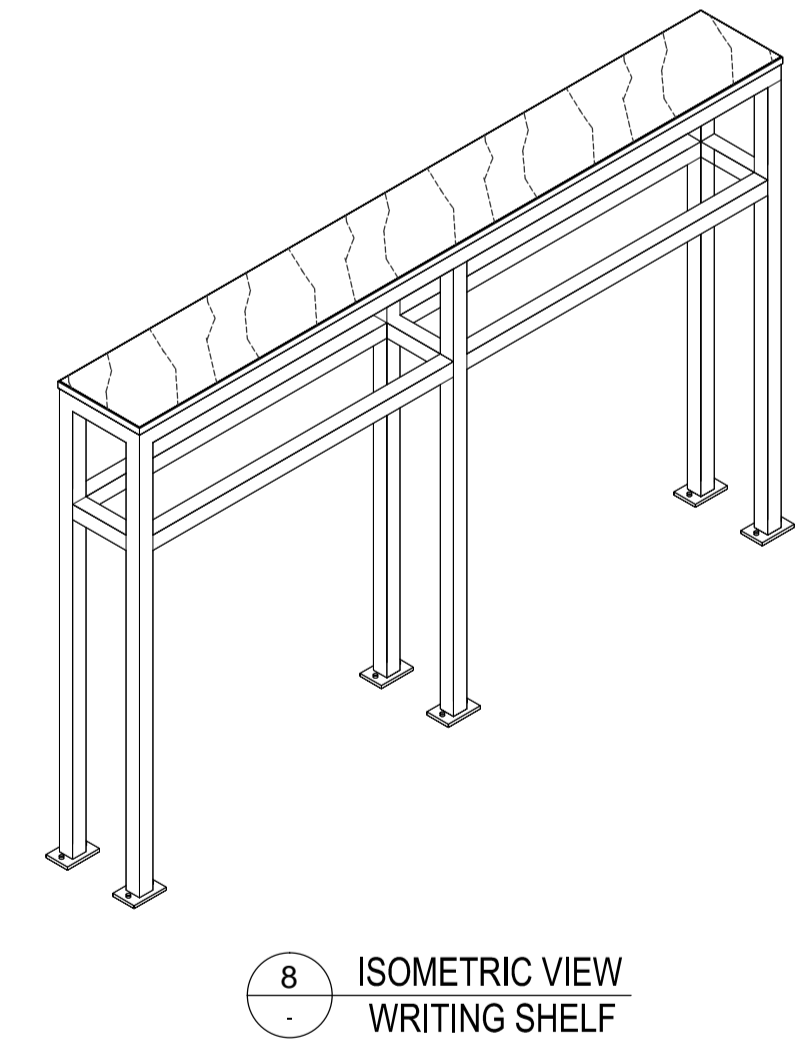
SHEET CONTENTS:  
COMPONENT-4 BUILDING WORKS (B)  
SUBCOMPONENT -4-1  
(B1) PASSENGER TERMINAL BUILDING  
ARCHITECTURAL  
FURNITURE DETAILS 5-6

SHEET NO:  
**B1-4300-85**  
DRAWING SCALE:  
1:20 MTS.

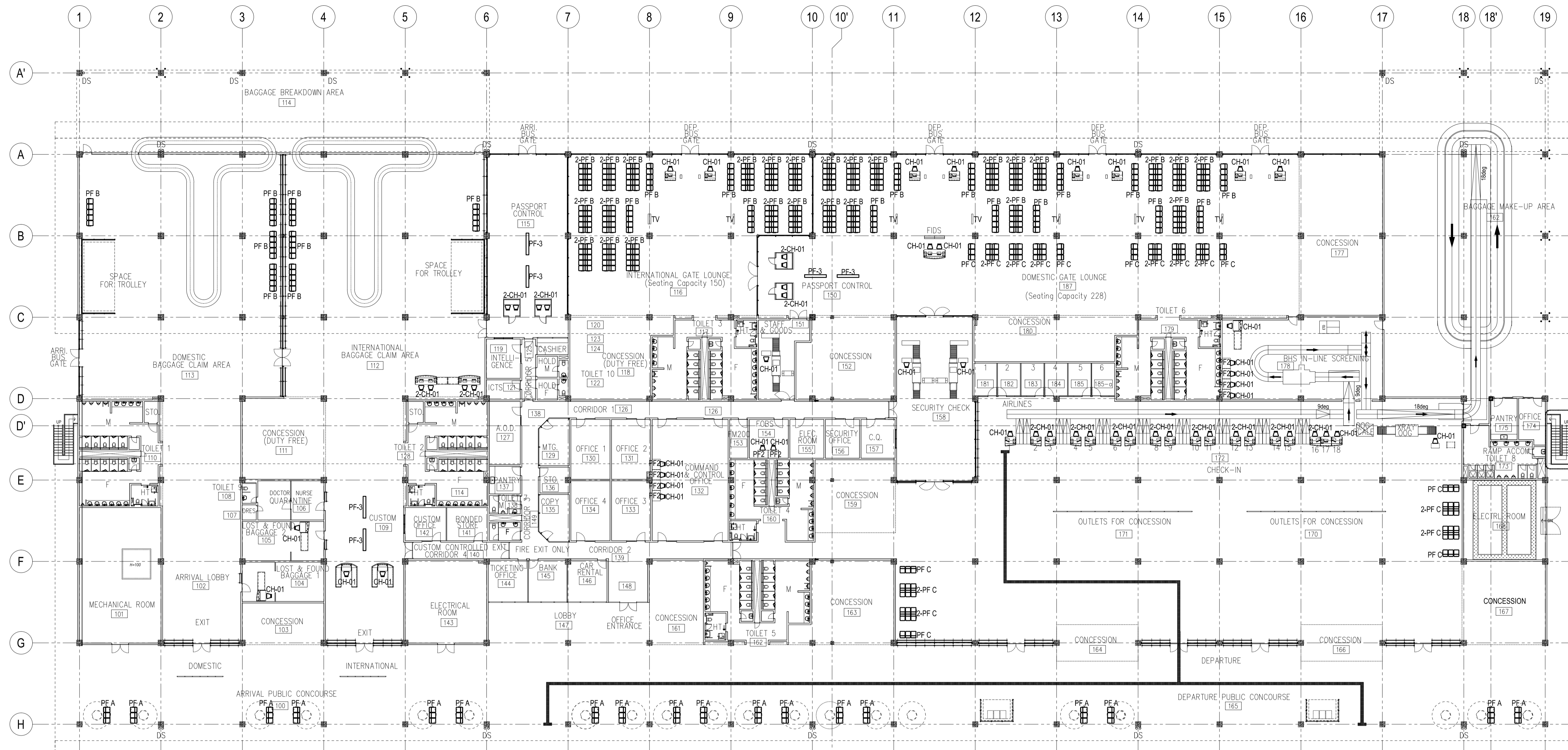




REFERENCE: WOOD WRITING COUNTER ON STAINLESS STEEL FRAMES AND LEGS FIXED TO FLOOR  
SIZE - 300W X 2400L X 1500H



	PREPARED BY: <b>WILLIAM L. MALLONGA</b> <small>PROF: Architect PIR: 3911137 REG. NO.: 4623 DATE: MAY 9, 2013 TIN: 150-564-196 PLACE: MAKATI CITY</small>	RECOMMENDING APPROVAL: <b>ILDEFONSO T. PATDU, JR.</b> <small>Assistant Secretary for Project Implementation, DOTC</small>	APPROVED: <b>JULIANITO G. BUCAYAN, JR.</b> <small>Undersecretary for Project Implementation, DOTC</small>	PROJECT TITLE: <b>NEW BOHOL AIRPORT CONSTRUCTION AND SUSTAINABLE ENVIRONMENT PROTECTION PROJECT</b>	LOCATION: MUNICIPALITY OF PANGLAO, PROVINCE OF BOHOL, PHILIPPINES	SHEET CONTENTS: COMPONENT-4 BUILDING WORKS (B) SUBCOMPONENT -4-1 (B1) PASSENGER TERMINAL BUILDING ARCHITECTURAL FURNITURE DETAILS 6-6	SHEET NO: <b>B1-4300-86</b>
	JICA DESIGN CONSULTANT JOINT VENTURE <b>JAC</b> JAPAN AIRPORT CONSULTANTS, INC. <b>NK</b> NIPPON KOEI CO., LTD. <b>NIS</b> NIS CONSULTANTS CO., LTD.	TADASHI AOI <small>Team Leader</small>	ILDEFONSO T. PATDU, JR. <small>Assistant Secretary for Project Implementation, DOTC</small>	JULIANITO G. BUCAYAN, JR. <small>Undersecretary for Project Implementation, DOTC</small>	DATE: JUNE 2013 INDEX: AMENDMENTS: Prepared by: WIM Checked by: HC Validated by:	DRAWING SCALE: AS SHOWN	



1 FURNITURE LAYOUT (LOOSE)  
 B1-4300-87 SCALE: 1:250 MTS.

LIST OF FURNITURES		PASSENGER TERMINAL BUILDING: PUBLIC FURNITURE																	TOTAL NUMBER OF FURNITURES	
FURNITURE NO.	FURNITURE NAME:	ROOM NUMBERS:	100	104	105	106	109	112	113	115	116	132	150	151	158	172	178	187		154
		ROOM NAMES:	PUBLIC CONCOURSE	LOST & FOUND BAGGAGE NO. 1	LOST & FOUND BAGGAGE NO. 2	QUARANTINE	CUSTOM	INTERNATIONAL BAGGAGE CLAIM AREA	DOMESTIC BAGGAGE CLAIM AREA	PASSPORT CONTROL NO. 1	INTERNATIONAL GATE LOUNGE	COMMAND & CONTROL OFFICE	PASSPORT CONTROL NO. 2	STAFF & GOODS	SECURITY CHECK	CHECK-IN HALL	BHS IN-LINE SCREENING	DOMESTIC GATE LOUNGE	FOBS	
CH-01	STAFF CHAIR, MIDBACK WITH ARMREST		-	1	1	-	2	4	-	4	2	4	4	1	2	19	5	8	2	59
PF-1	LOUNGE SEATS																			
A	3 SEATER (EXTERNAL)		18																	18
B	5 SEATER (INTERNAL)							4	4		30							36		74
C	3 SEATER (INTERNAL)															12		16		28
PF-2	WORKSTATION										4						4		2	10
PF-3	TROLLEY		100					100	100											300
PF-4	WASTE BINS		7					4	4		2					4		5		28

	PREPARED BY: <b>WILLIAM I. MALLONGA</b> <small>PROF: Architect PIR: 3911137          REC. NO.: 4623 DATE: MAY 9, 2013          T.I.N. 150-564-196 PLACE: MAKATI CITY</small>	RECOMMENDING APPROVAL: <b>ILDEFONSO T. PATDU, JR.</b> <small>Assistant Secretary for Project Implementation, DOTC</small>	APPROVED: <b>JULIANITO G. BUCAYAN, JR.</b> <small>Undersecretary for Project Implementation, DOTC</small>	PROJECT TITLE: <b>NEW BOHOL AIRPORT CONSTRUCTION AND SUSTAINABLE ENVIRONMENT PROTECTION PROJECT</b>	SHEET CONTENTS: COMPONENT-4 BUILDING WORKS (B) SUBCOMPONENT -4-1 (B1) PASSENGER TERMINAL BUILDING ARCHITECTURAL FURNITURE LAYOUT PLAN (LOOSE)	SHEET NO: <b>B1-4300-87</b>
	JICA DESIGN CONSULTANT JOINT VENTURE <b>JAC</b> JAPAN AIRPORT CONSULTANTS, INC. <b>NIPPON KOEI CO., LTD.</b> <b>NIS CONSULTANTS CO., LTD.</b>	DATE: JUNE 2013 INDEX AMENDMENTS Prepared by: WIM Checked by: HC Validated by:	LOCATION: MUNICIPALITY OF PANGLAO, PROVINCE OF BOHOL, PHILIPPINES	DRAWING SCALE: <b>1:250 MTS.</b>		



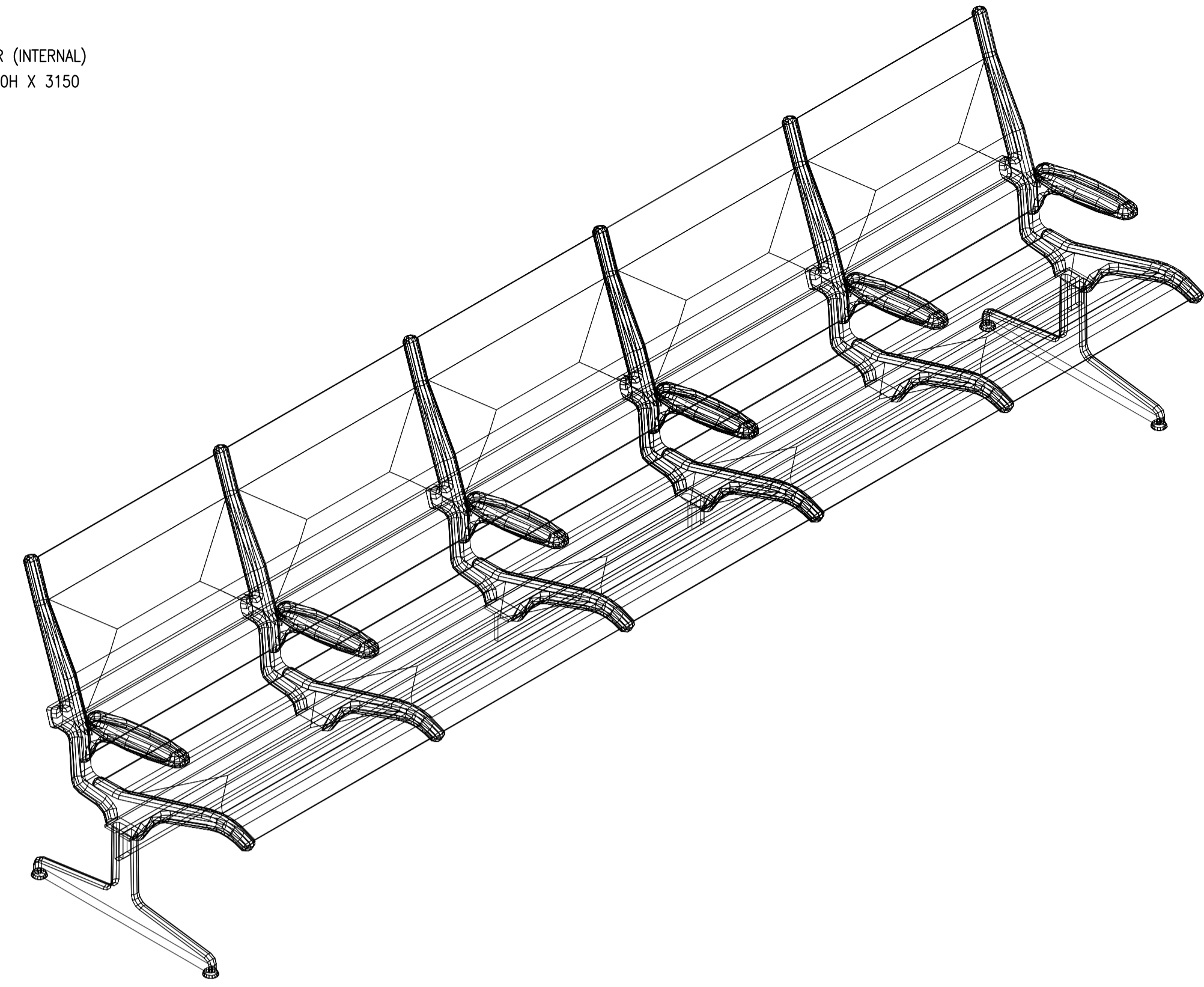
REFERENCE: MEDIUM BACK STAFF CHAIR W/ KNEE TILT MECHANISM  
GASLIFT AND ARMREST  
SIZE: 700W X 470D X 1145H



REFERENCE: TYPE A - 3 SEATER (EXTERNAL)  
TYPE C - 3 SEATER (INTERNAL)  
SIZE: 630W X 700D X 850H X 2100



REFERENCE: TYPE B - 5 SEATER (INTERNAL)  
SIZE: 630W X 700D X 850H X 3150



1 CH FURNITURE: STAFF CHAIR MID BACK

S: N.T.S.

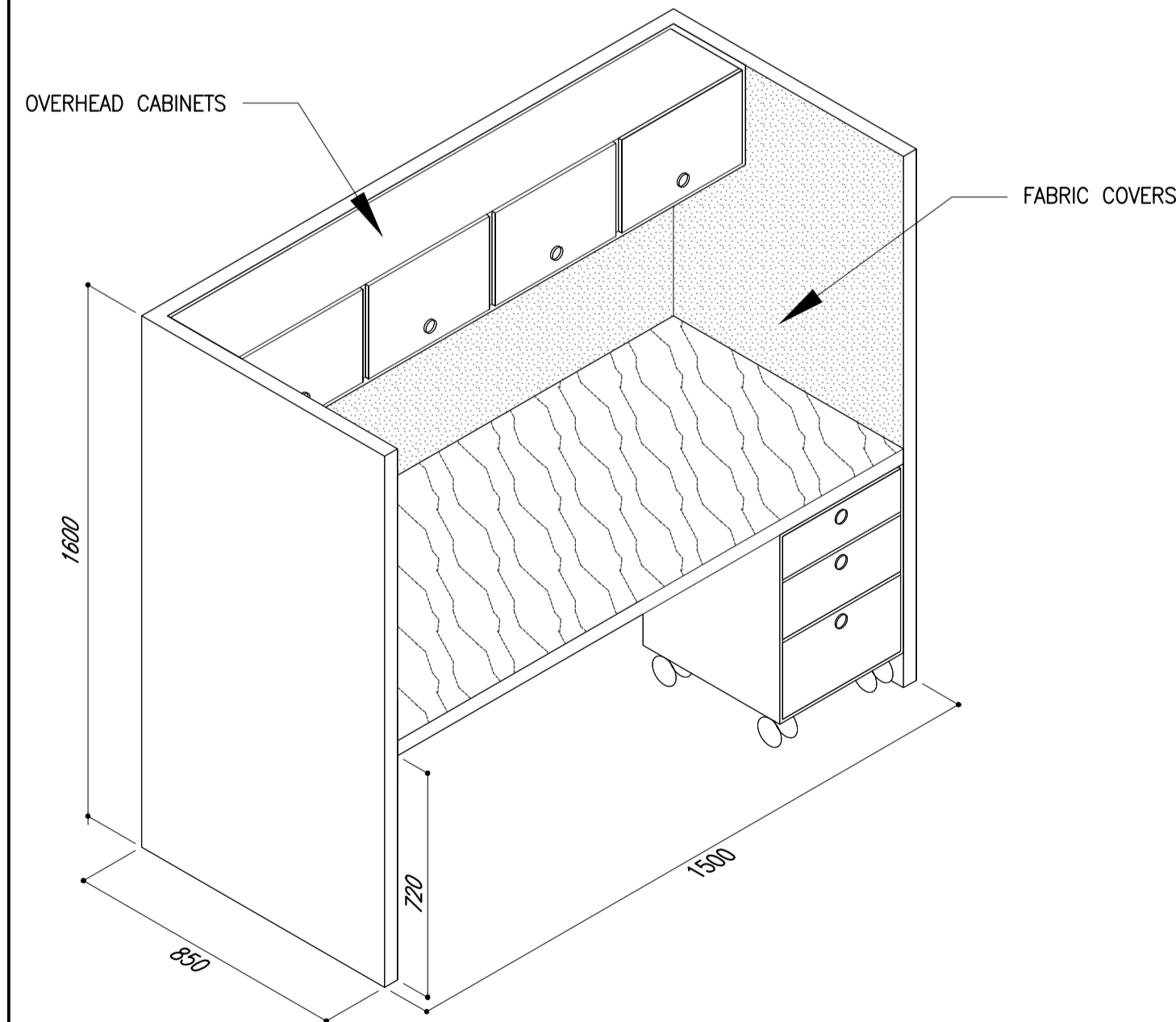
2 PF FURNITURE: LOUNGE SEATS 3 SEATER

S: N.T.S.

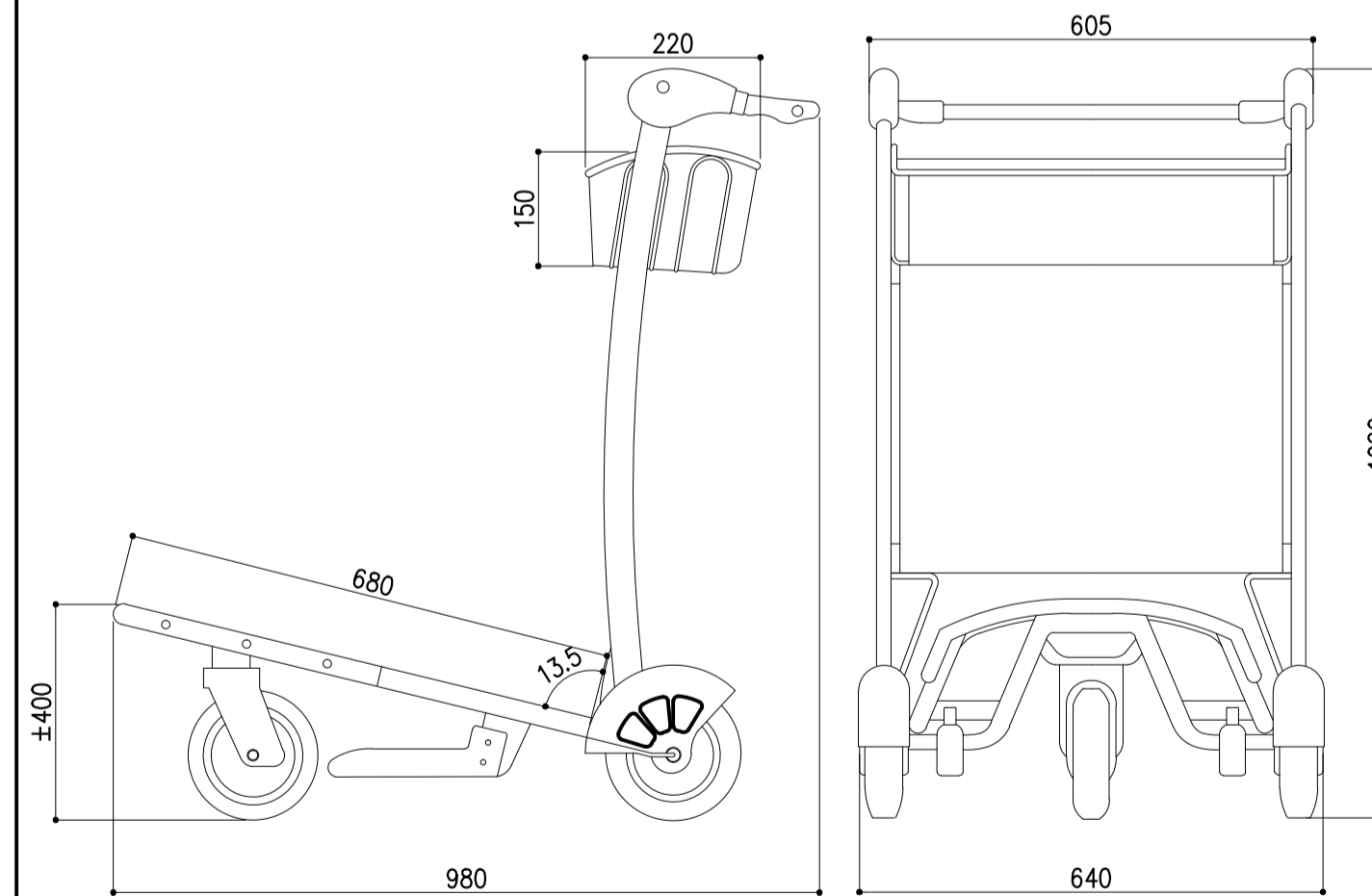
3 PF FURNITURE: LOUNGE SEATS 5 SEATER

S: N.T.S.

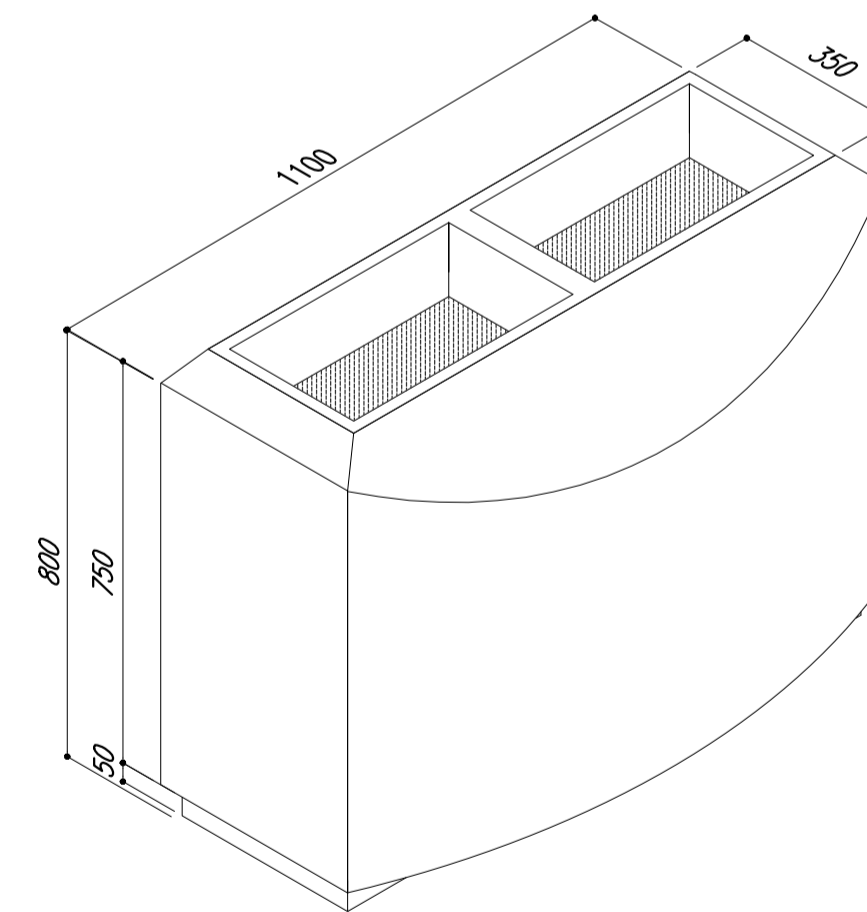
REFERENCE: HIGH PRESSURED LAMINATE ON MDF WORK DESK  
W/ MOBILE PEDESTAL W/ 3 DRAWERS & CASTERS 400W X 560D X 660H



REFERENCE:  
CASTORS - 2 FIXED CASTORS/1 SWIVEL CASTOR 180mmØ  
MATERIAL - STEEL GALVANIZED, ZINC CHROMATED  
SURFACE - TRANSPARENT, POLYESTER-COATED  
AUTOMATIC BRAKE - SELF ADJUSTING



REFERENCE: STAINLESS STEEL RECYCLE/TRASH BIN  
SIZE - 350W X 1100L X 800H X 1300radius



4 PF FURNITURE: WORKSTATION

S: N.T.S.

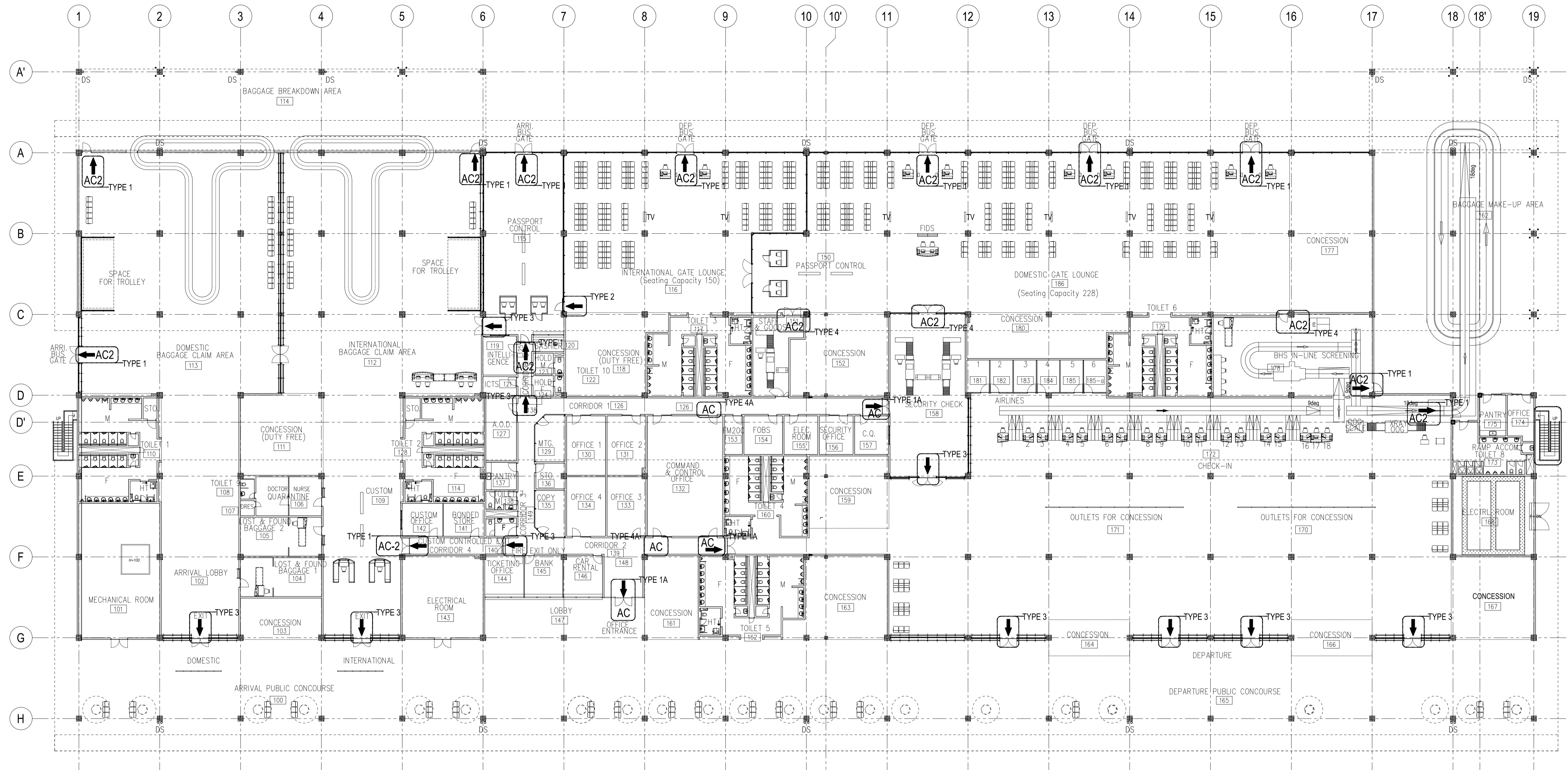
5 PF TROLLEY

S: N.T.S.

6 PF RUBBISH BIN

S: N.T.S.

	PREPARED BY: <b>WILLIAM L. MALLONGA</b> <small>PROF: Architect PIR. 3911137 REG. NO.: 4623 DATE: MAY 9, 2013 T.I.N. 150-564-196 PLACE: MAKATI CITY</small>	RECOMMENDING APPROVAL: <b>ILDEFONSO T. PATDU, JR.</b> <small>Assistant Secretary for Project Implementation, DOTC</small>	APPROVED: <b>JULIANITO G. BUCAYAN, JR.</b> <small>Undersecretary for Project Implementation, DOTC</small>	PROJECT TITLE: <b>NEW BOHOL AIRPORT CONSTRUCTION AND SUSTAINABLE ENVIRONMENT PROTECTION PROJECT</b> LOCATION: MUNICIPALITY OF PANGLAO, PROVINCE OF BOHOL, PHILIPPINES	SHEET CONTENTS: COMPONENT-4 BUILDING WORKS (B) SUBCOMPONENT -4-1 (B1) PASSENGER TERMINAL BUILDING ARCHITECTURAL FURNITURE DETAILS	SHEET NO: <b>B1-4300-88</b>
	JICA DESIGN CONSULTANT JOINT VENTURE	TADASHI AOI <small>Team Leader</small>	JULIANITO G. BUCAYAN, JR. <small>Undersecretary for Project Implementation, DOTC</small>	DATE: JUNE 2013 INDEX: AMENDMENTS: Prepared by: WIM, Checked by: HC, Validated by:	DRAWING SCALE: AS SHOWN	



1 FIRE EXITS & ACCESS CONTROLS  
 B1-4300-89 SCALE: 1:250 MTS.

LEGEND:


TYPE	AC	AC2	PB	FADS
1		X	X	X
1A	X		X	X
2			X	X
3			X	
4		X		
4A	X			
➔	FIRE EXIT			

**AC** - ACCESS CONTROL + PUSH TO EXIT BUTTON

**AC2** - ACCESS CONTROL BOTH SIDES

**PB** - PANIC BAR

**FADS** - LINKED TO FIRE ALARM DETECTION SYSTEM

	PREPARED BY: <b>WILLIAM I. MALLONGA</b> <small>PROF: Architect PIR: 391137          REC. NO.: 4623 DATE: MAY 9, 2013          T.I.N. 150-564-196 PLACE: MAKATI CITY</small>	RECOMMENDING APPROVAL: <b>ILDEFONSO T. PATDU, JR.</b> <small>Assistant Secretary          for Project Implementation, DOTC</small>	APPROVED: <b>JULIANITO G. BUCAYAN, JR.</b> <small>Undersecretary          for Project Implementation, DOTC</small>	PROJECT TITLE: <b>NEW BOHOL AIRPORT CONSTRUCTION AND SUSTAINABLE ENVIRONMENT PROTECTION PROJECT</b> LOCATION: MUNICIPALITY OF PANGLAO, PROVINCE OF BOHOL, PHILIPPINES	SHEET CONTENTS: COMPONENT-4 BUILDING WORKS (B) SUBCOMPONENT -4-1 (B1) PASSENGER TERMINAL BUILDING ARCHITECTURAL FIRE EXITS & ACCESS CONTROL	SHEET NO: <b>B1-4300-89</b> DRAWING SCALE: 1:250 MTS.											
<table border="1" style="width: 100%; border-collapse: collapse; font-size: small;"> <tr> <td style="width: 5%;">DATE</td> <td style="width: 5%;">INDEX</td> <td style="width: 10%;">AMENDMENTS</td> <td style="width: 5%;">Prepared by</td> <td style="width: 5%;">Checked by</td> <td style="width: 5%;">Validated by</td> </tr> <tr> <td>JUNE 2013</td> <td></td> <td></td> <td>WIM</td> <td>HC</td> <td></td> </tr> </table>						DATE	INDEX	AMENDMENTS	Prepared by	Checked by	Validated by	JUNE 2013			WIM	HC	
DATE	INDEX	AMENDMENTS	Prepared by	Checked by	Validated by												
JUNE 2013			WIM	HC													