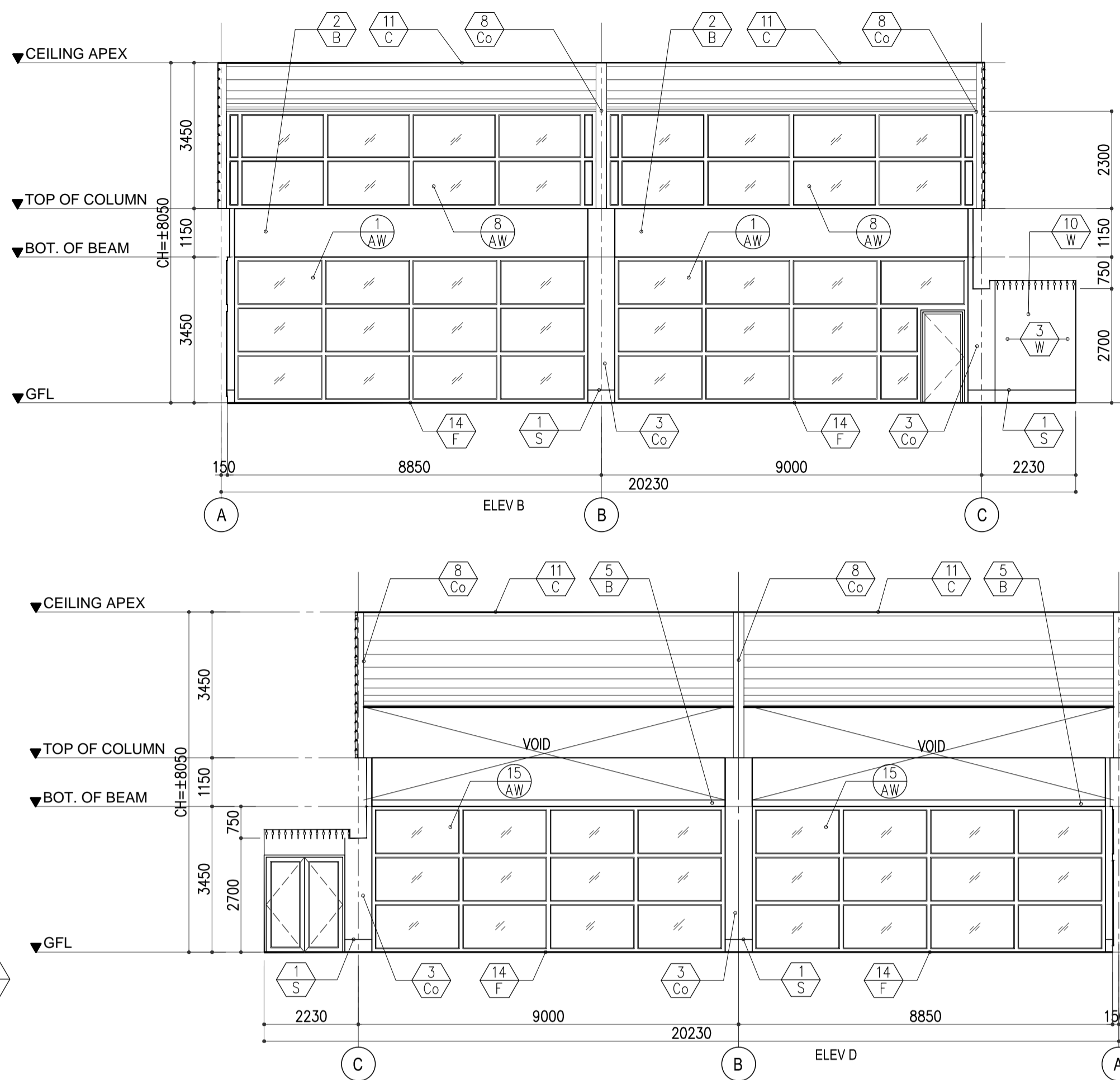
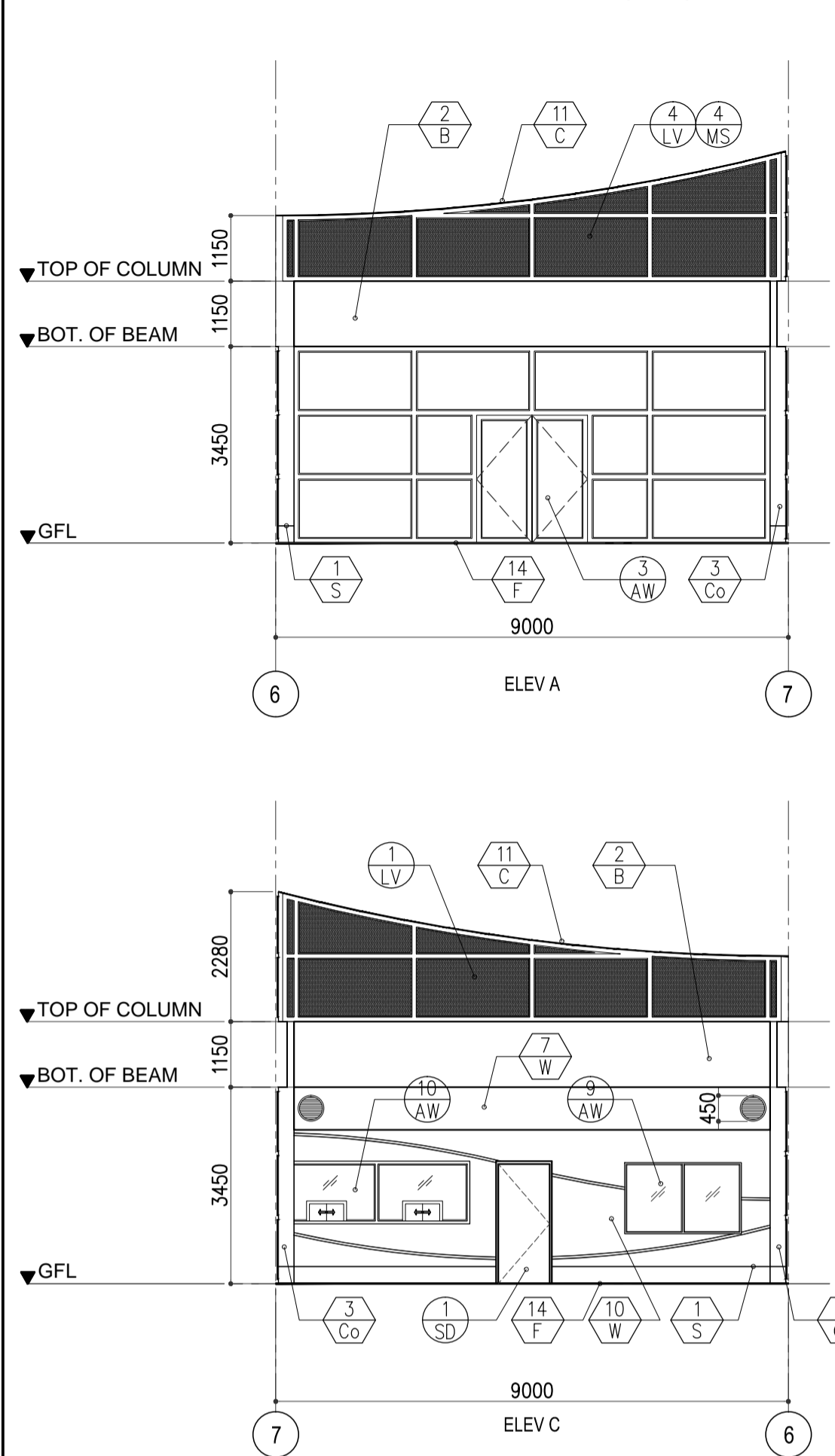
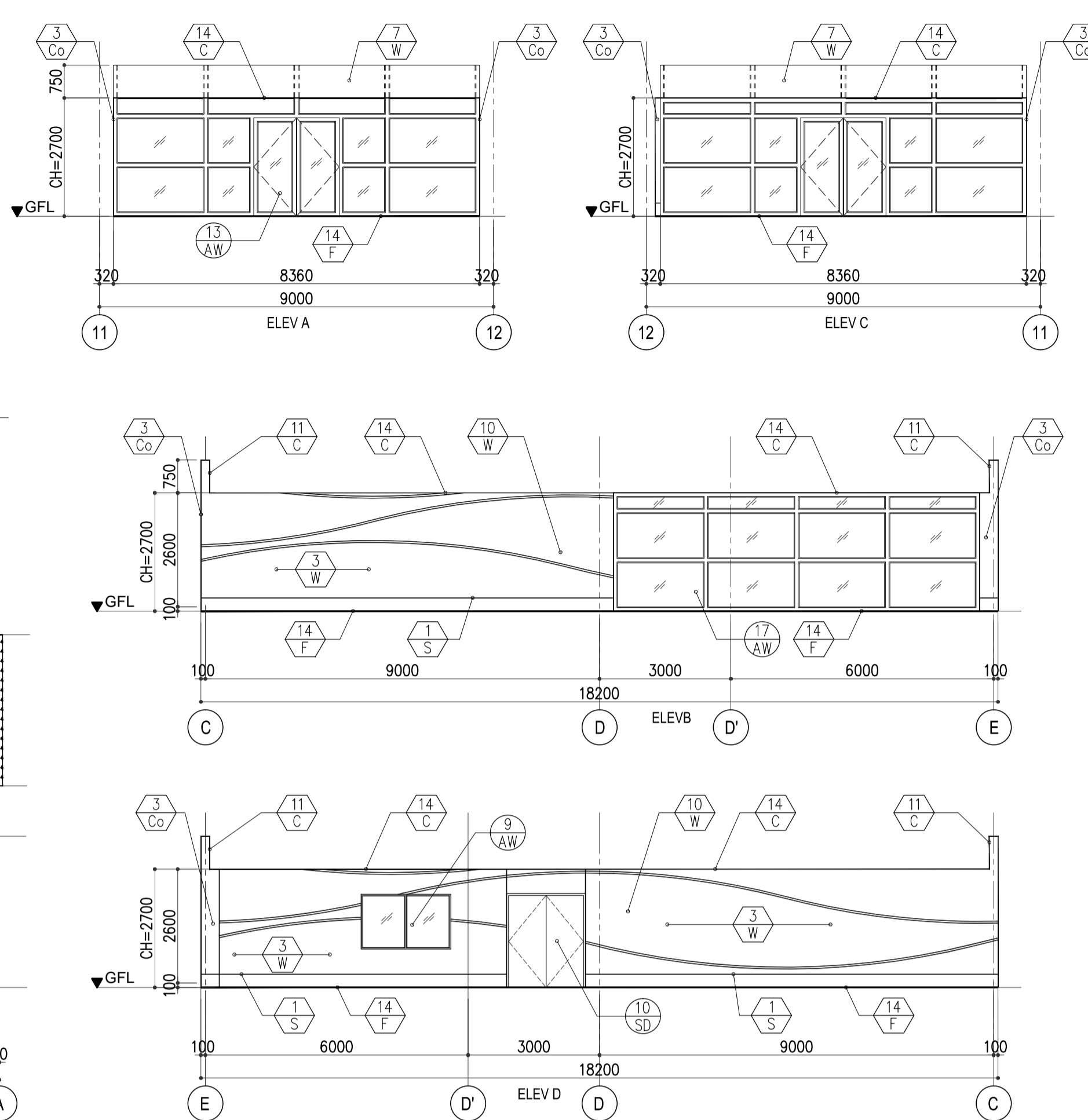


PASSPORT CONTROL (115)

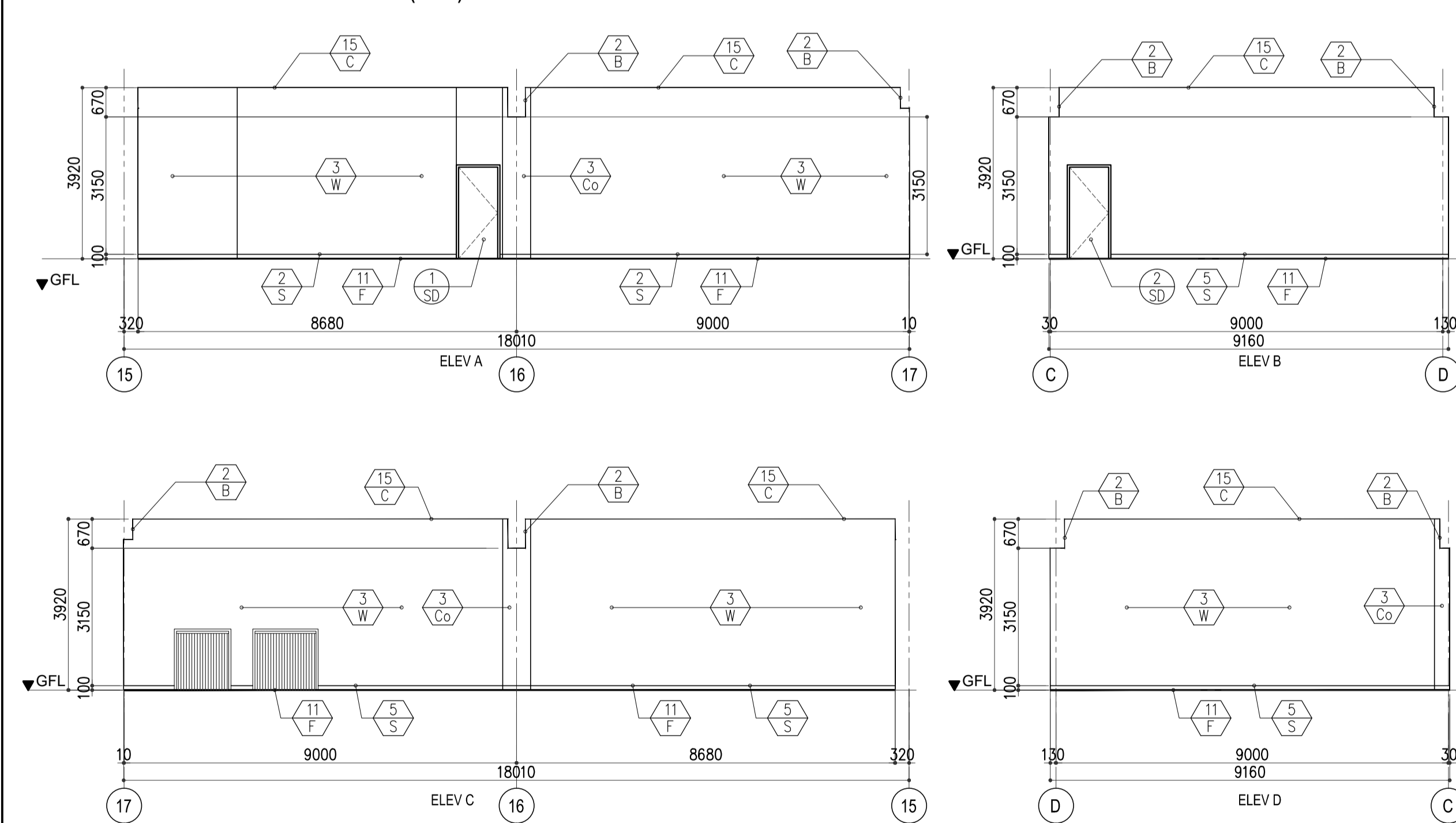


SECURITY CHECK (158)

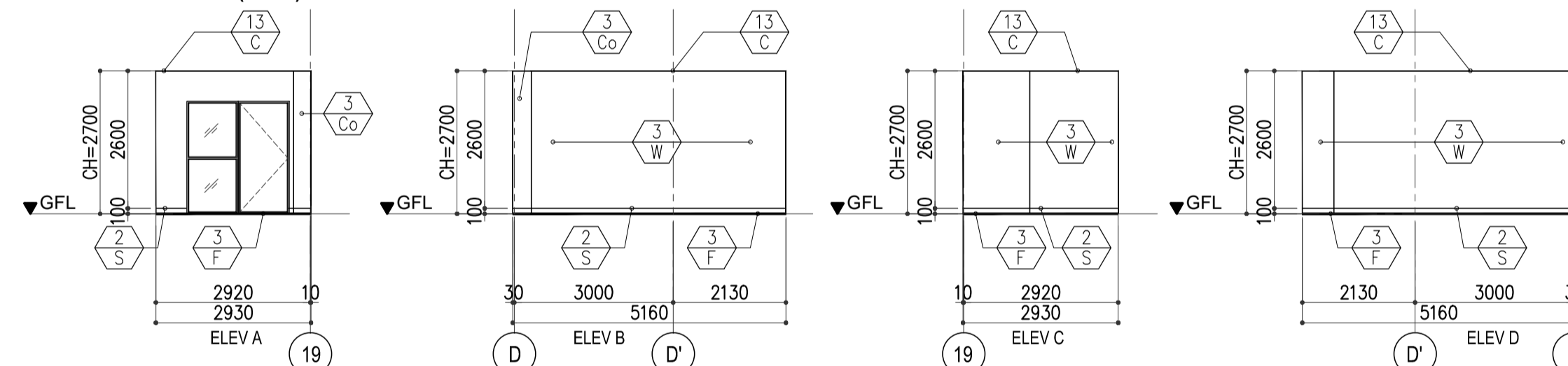


FINISHING LEGEND	
FLOOR	
F1	t=20, 600 x 600 FLAMED GRANITE W/ BURNER FINISHING
F2	t=20, 600 x 600 GRANITE TILE ON CEMENT SETTING BED
F3	t=8, 300 x 300 HOMOGENOUS FLOOR TILES ON CEMENT SETTING BED (PUBLIC)
F4	t=8, 300 x 300 HOMOGENOUS FLOOR TILES ON CEMENT SETTING BED (PRIVATE)
F5	t=3, 500 x 500 RUBBER TILE
F6	t=2, 300 x 300 VINYL TILES ON CEMENT RENDER FINISH
F7	t=8, BROOD LOOM CARPET ON CEMENT SETTING BED (VP/CP)
F8	DAMPPOOF PAINT ON P-6 ON CEMENT RENDER FINISH
F9	t=7, 500 x 500 ANTI-STATIC CARPET TILE ON RAISED FLOOR
F10	t=2, 500 x 500 ANTI-STATIC VINYL TILES ON RAISED FLOOR
F11	FLOOR HARDENER W/ EPOXY RESIN
F12	t=2, 300 x 300 VINYL TILES ON CEMENT ON RAISED FLOOR
F13	t=8 MARBLE (VP/CP)
F14	t=8 600 x 600 HOMOGENOUS TILES ON CEMENT SETTING BED
F15	t=30 CEMENT MORTAR BROOM FINISH W/ DUSTPROOF PAINT
SKIRTING	
S1	t=8 HOMOENOUS TILE h=300
S2	t=8 HOMOENOUS TILE h=100
S3	t=25 TIMBER W/P-2 h=50
S4	t=2 POLYVINYL SOFT TILE h=100
S5	CEMENT RENDER FINISH W/P-1, h=100
WALL	
W1	t=8, 300 x 300 HOMOENOUS WALL TILES (PUBLIC)
W2	t=8, 300 x 300 HOMOENOUS WALL TILES (PRIVATE)
W3	CEMENT RENDER FINISH W/P-1
W4	CEMENT RENDER FINISH W/P-4
W5	PADDED FABRIC
W6	FORMED FACE CONCRETE
W7	t=12 & t=9 GYPSUM BOARD W/P-1 ON LIGHT GAUGE STEEL
W8	t=25 GLASSWOOL BOARD W/ GLASSWOOL CLOTH
W9	t=12 & t=9 GYPSUM BOARD W/P-4 ON LIGHT GAUGE STEEL
W10	t=20 CEMENT RENDER FINISH / ALUMINUM GROOVE
W11	TIMBER WALL CLADDING (DECORATIVE)
COLUMNS	
Co1	t=8, 300 x 300 CERAMIC WALL TILES (PUBLIC)
Co2	t=8, 300 x 300 CERAMIC WALL TILES (PRIVATE)
Co3	CEMENT RENDER FINISH W/P-1
Co4	CEMENT RENDER FINISH W/P-4
Co5	PADDED FABRIC
Co6	FORMED FACE CONCRETE
Co7	t=25 GLASSWOOL BOARD W/ GLASSWOOL CLOTH
Co8	STEEL STRUCTURE
Co9	TIMBER WALL CLADDING (DECORATIVE)
Co10	t=20 CEMENT RENDER FINISH / ALUMINUM GROOVE
BEAM	
B1	FORMED FACE CONCRETE
B2	FORMED FACE CONCRETE W/P-1
B3	FORMED FACE CONCRETE W/P-4
B4	STEEL TRUSS BEAM W/P-3
B5	STEEL BEAM WF W/P-3
CEILING	
C1	EXPOSED SUSPENSION CEILING SYSTEM : t=15 ACOUSTIC ROCKWOOL CEILING BOARD
C2	DOUBLE CEILING SYSTEM : t=12 COLORED ACOUSTIC ROCKWOOL CEILING BOARD ON t=9 GYPSUM BOARD
C3	SUSPENDED BOARD CEILING : t=8 CALCIUM SILICATEBOARD W/P-7
C4	FORMED FACE CONCRETE
C5	t=25 GLASSWOOL BOARD W/ GLASSWOOL CLOTH
C6	SUSPENDED BOARD CEILING t=12 + t=9 GYPSUM BOARD W/ GLASSWOOL CLOTH
C7	W=150mm ALUMINUM LINER CEILING 1
C8	W=300mm ALUMINUM LINER CEILING 2
C9	W=84mm ALUMINUM LINER CEILING 3
C10	t=12 GYPSUM BOARD
C11	HIGHER CEILING t=12 GYPSUM BOARD w/ PAINT
C12	t=25, W=200 WOOD BATTENS W/ FLAME RETARDANT W/ P-8
C13	W=13 ALUMINUM LINEAR CEILING
C14	W=13, H=162 ALUMINUM BAFFLE CEILING
C15	EXPOSED CONSTRUCTION

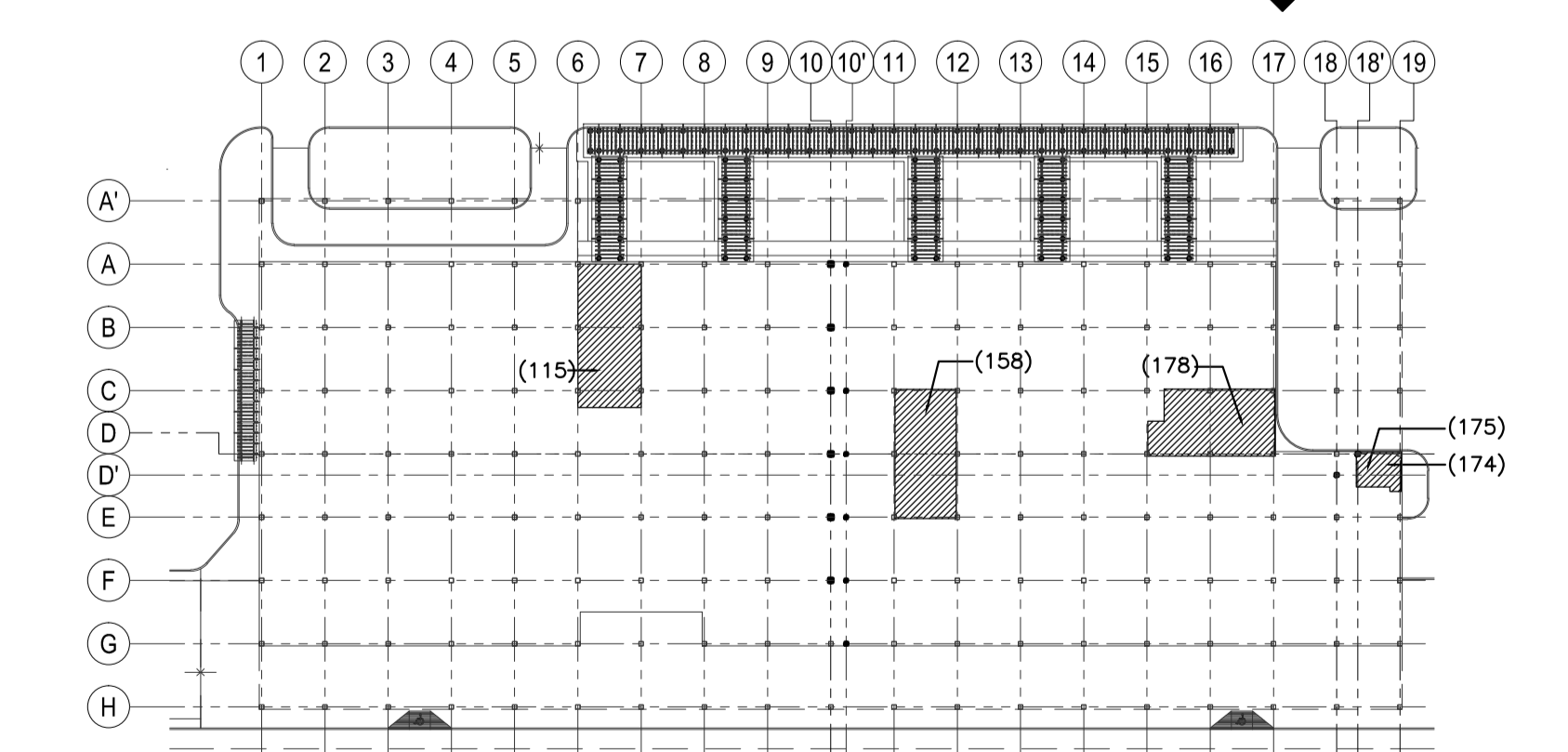
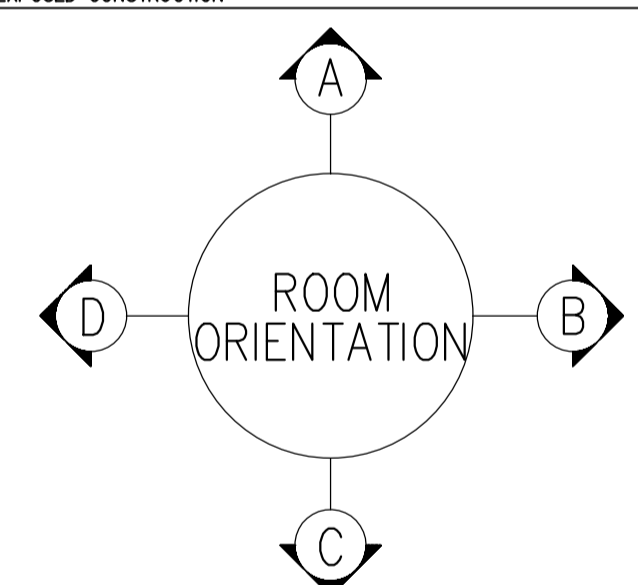
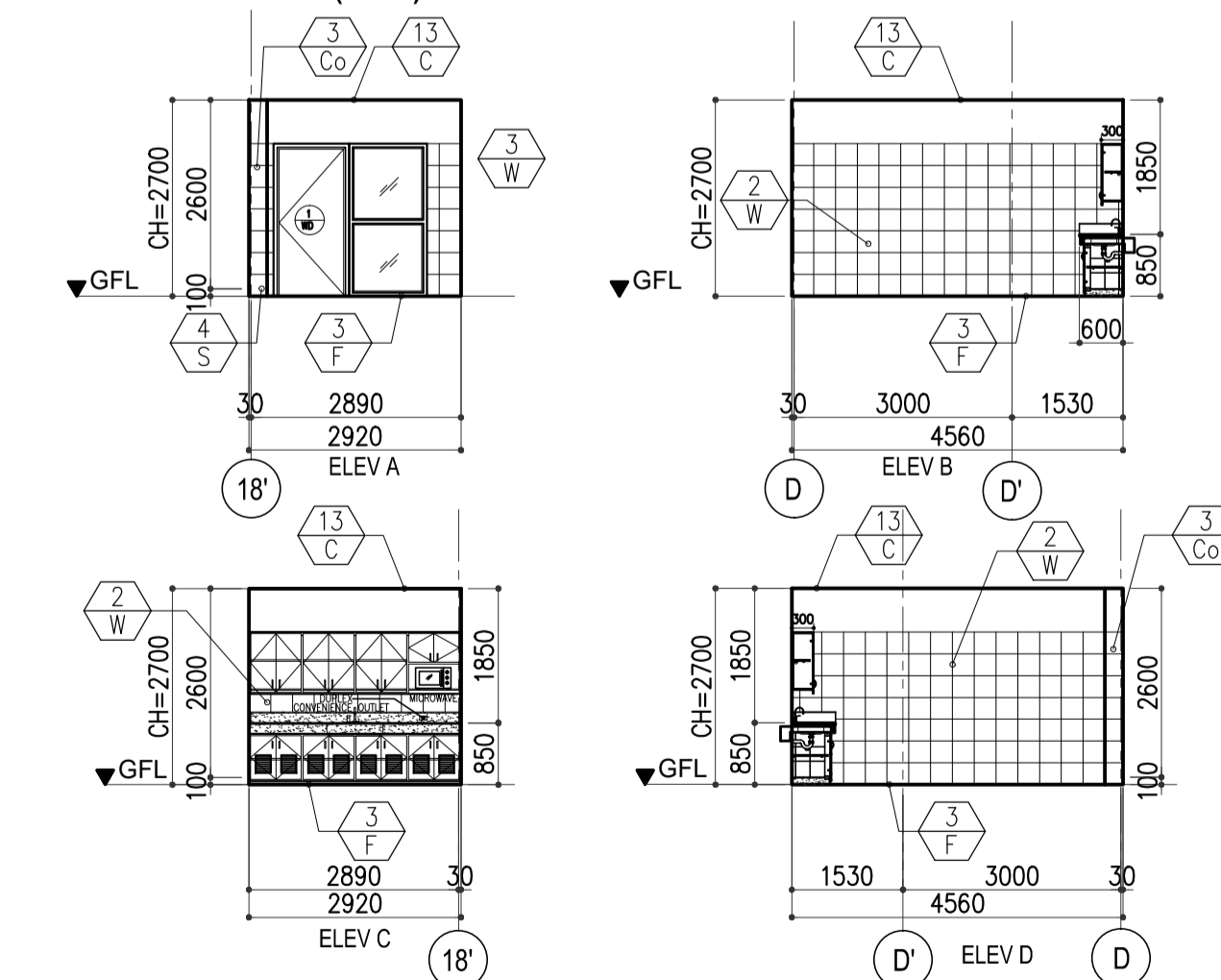
BHS IN-LINE SCREENING (178)



OFFICE (174)



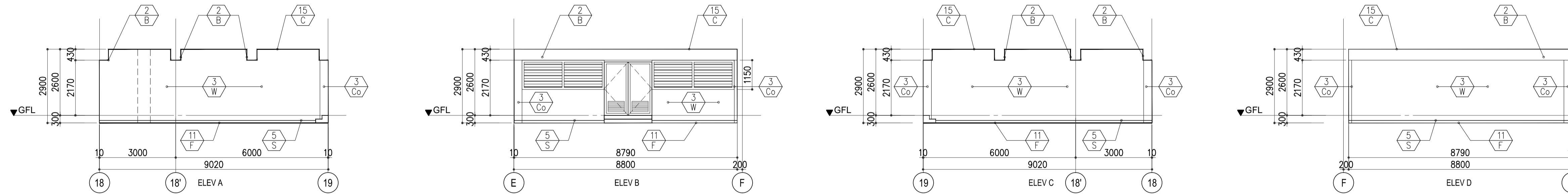
PANTRY (175)



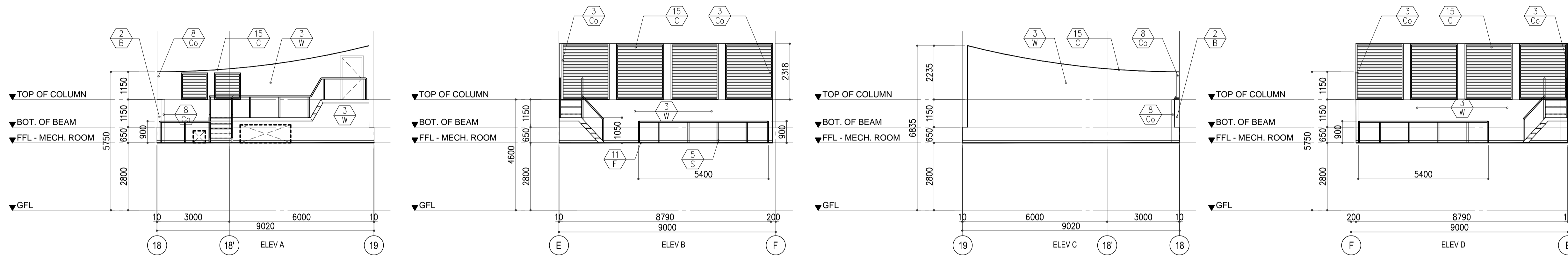
KEYPLAN

	PREPARED BY: WILLIAM L. MALLONGA <small>PRF: Architect PIR: 3911137 REG. NO.: 4623 DATE: MAY 9, 2013 TIN: 150-564-196 PLACE: MAKATI CITY</small>	RECOMMENDING APPROVAL: ILDEFONSO T. PATDU, JR. <small>Assistant Secretary for Project Implementation, DOTC</small>	APPROVED: JULIANITO G. BUCAYAN, JR. <small>Undersecretary for Project Implementation, DOTC</small>	PROJECT TITLE: NEW BOHOL AIRPORT CONSTRUCTION AND SUSTAINABLE ENVIRONMENT PROTECTION PROJECT	LOCATION: MUNICIPALITY OF PANGLAO, PROVINCE OF BOHOL, PHILIPPINES	SHEET CONTENTS: COMPONENT-4 BUILDING WORKS (B) SUBCOMPONENT -4-1 (B1) PASSENGER TERMINAL BUILDING ARCHITECTURAL INTERNAL ELEVATION 12	SHEET NO.: B1-4300-52
	JICA DESIGN CONSULTANT JOINT VENTURE	TADASHI AOI <small>Team Leader</small>	JUN 2013	DATE INDEX AMENDMENTS	Prepared by: WIM Checked by: HC Validated by:	DRAWING SCALE: 1:100 MTS.	

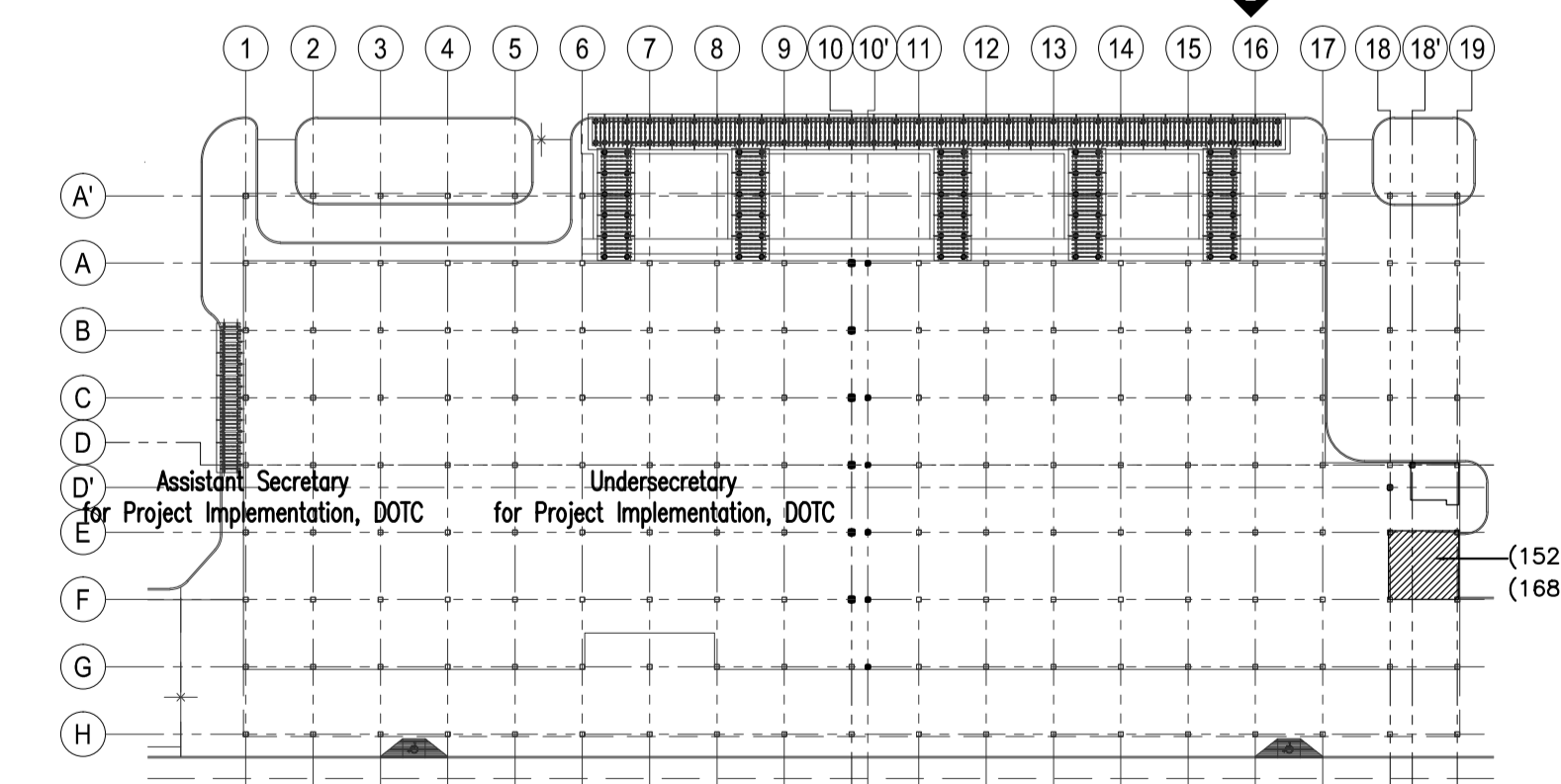
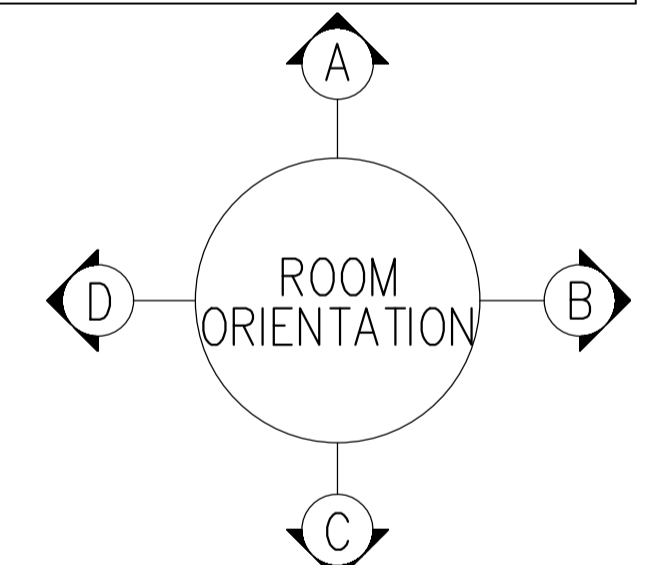
ELECTRICAL ROOM (168)



MECHANICAL ROOM (152)



FINISHING LEGEND	
FLOOR	
F1	t=20, 600 x 600 FLAMED GRANITE W/ BURNER FINISHING
F2	t=20, 600 x 600 GRANITE TILE ON CEMENT SETTING BED
F3	t=8, 300 x 300 HOMOGENOUS FLOOR TILES ON CEMENT SETTING BED (PUBLIC)
F4	t=8, 300 x 300 HOMOGENOUS FLOOR TILES ON CEMENT SETTING BED (PRIVATE)
F5	t=3, 500 x 500 RUBBER TILE
F6	t=2, 300 x 300 VINYL TILES ON CEMENT RENDER FINISH
F7	t=8, BROOD LOOM CARPET ON CEMENT SETTING BED (VP/CIP)
F8	DAMP PROOF PAINT ON P-6 ON CEMENT RENDER FINISH
F9	t=7, 500 x 500 ANTI-STATIC CARPET TILE ON RAISED FLOOR
F10	t=2, 500 x 500 ANTI-STATIC VINYL TILES ON RAISED FLOOR
F11	FLOOR HARDENER W/ EPOXY RESIN
F12	t=2, 300 x 300 VINYL TILES ON CEMENT ON RAISED FLOOR
F13	t=8 MARBLE (VP/CIP)
F14	t=8 600 x 600 HOMOGENOUS TILES ON CEMENT SETTING BED
F15	t=30 CEMENT MORTAR BROOM FINISH W/ DUSTPROOF PAINT
SKIRTING	
S1	t=8 HOMOGENOUS TILE h=300
S2	t=8 HOMOGENOUS TILE h=100
S3	t=35 TIMBER W/P-2 h=50
S4	t=2 POLYVINYL SOFT TILE h=100
S5	CEMENT RENDER FINISH W/P-1, h=100
WALL	
W1	t=8, 300 x 300 HOMOGENOUS WALL TILES (PUBLIC)
W2	t=8, 300 x 300 HOMOGENOUS WALL TILES (PRIVATE)
W3	CEMENT RENDER FINISH W/P-1
W4	CEMENT RENDER FINISH W/P-4
W5	PADDED FABRIC
W6	FORMED FACE CONCRETE
W7	t=12 & t=9 GYPSUM BOARD W/P-1 ON LIGHT GAUGE STEEL
W8	t=25 GLASSWOOL BOARD W/ GLASSWOOL CLOTH
W9	t=12 & t=9 GYPSUM BOARD W/P-4 ON LIGHT GAUGE STEEL
W10	t=20 CEMENT RENDER FINISH / ALUMINUM GROOVE
W11	TIMBER WALL CLADDING (DECORATIVE)
COLUMNS	
Co1	t=8, 300 x 300 CERAMIC WALL TILES (PUBLIC)
Co2	t=8, 300 x 300 CERAMIC WALL TILES (PRIVATE)
Co3	CEMENT RENDER FINISH W/P-1
Co4	CEMENT RENDER FINISH W/P-4
Co5	PADDED FABRIC
Co6	FORMED FACE CONCRETE
Co7	t=25 GLASSWOOL BOARD W/ GLASSWOOL CLOTH
Co8	STEEL STRUCTURE
Co9	TIMBER WALL CLADDING (DECORATIVE)
Co10	t=20 CEMENT RENDER FINISH / ALUMINUM GROOVE
BEAM	
B1	FORMED FACE CONCRETE
B2	FORMED FACE CONCRETE W/P-1
B3	FORMED FACE CONCRETE W/P-4
B4	STEEL TRUSS BEAM W/P-3
B5	STEEL BEAM W/P-3
CEILING	
C1	EXPOSED SUSPENSION CEILING SYSTEM : t=15 ACOUSTIC ROCKWOOL CEILING BOARD
C2	DOUBLE CEILING SYSTEM : t=12 COLORED ACOUSTIC ROCKWOOL CEILING BOARD ON t=9 GYPSUM BOARD
C3	SUSPENDED BOARD CEILING : t=8 CALCIUM SILICATEBOARD W/P-7
C4	FORMED FACE CONCRETE
C5	t=25 GLASSWOOL BOARD W/ GLASSWOOL CLOTH
C6	SUSPENDED BOARD CEILING t=12 + t=9 GYPSUM BOARD W/ GLASSWOOL CLOTH
C7	W=150mm ALUMINUM LINER CEILING 1
C8	W=300mm ALUMINUM LINER CEILING 2
C9	W=84mm ALUMINUM LINER CEILING 3
C10	t=12 GYPSUM BOARD
C11	HIGHER CEILING t=12 GYPSUM BOARD w/ PAINT
C12	t=25, W=200 WOOD BATTENS W/ FLAME RETARDANT W/P-8
C13	W=13 ALUMINUM LINER CEILING
C14	W=13, H=162 ALUMINUM BAFFLE CEILING
C15	EXPOSED CONSTRUCTION

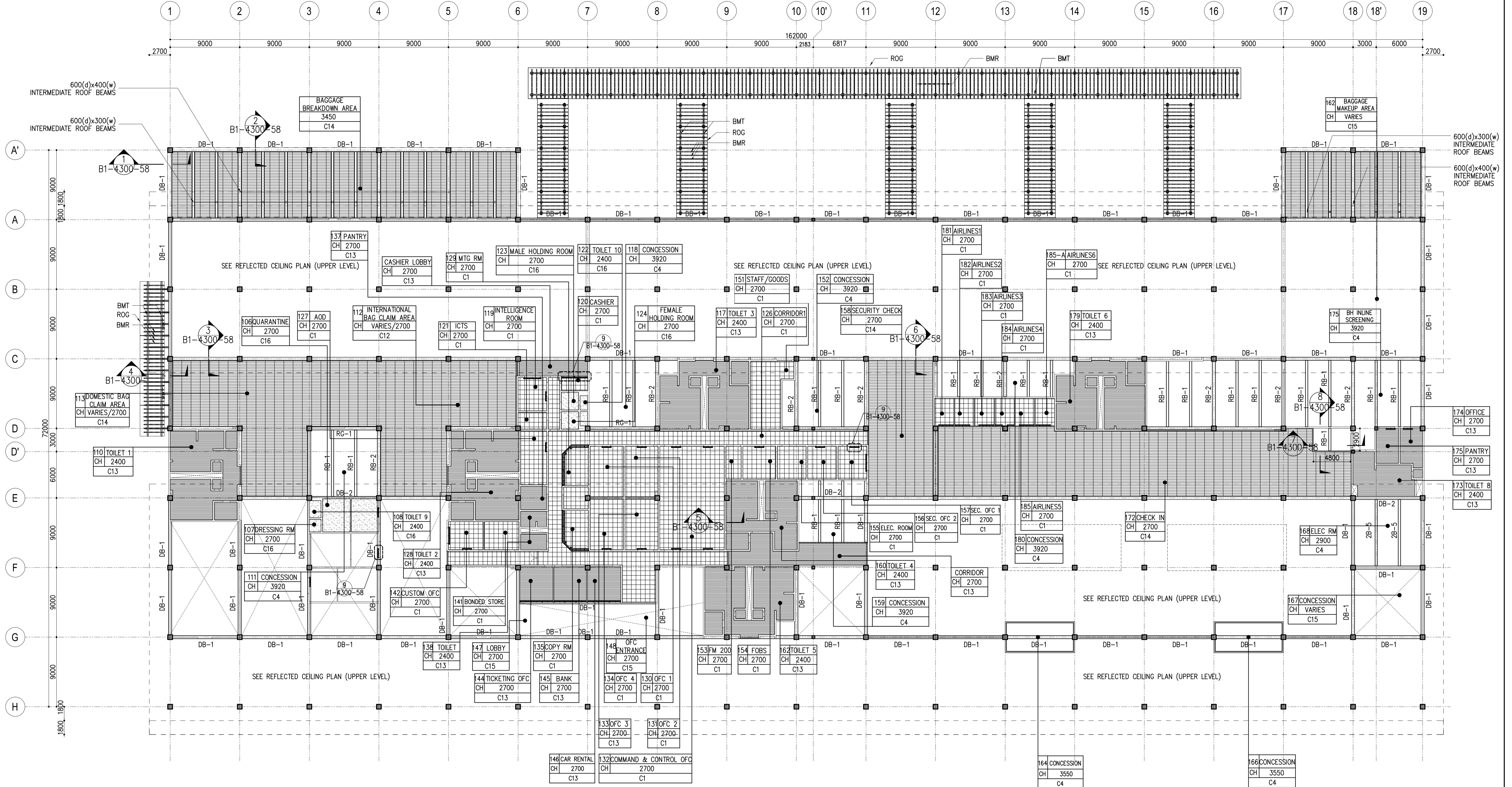


KEYPLAN

	PREPARED BY: WILLIAM I. MALLONGA <small>PROF: Architect PIR: 3811137 RES. NO.: 4623 DATE: MAY 9, 2013 TEAM: 159-564-198 PLACE: MANILA CITY</small>	RECOMMENDING APPROVAL: ILDEFONSO T. PATDU, JR. <small>Assistant Secretary for Project Implementation, DOTC</small>	APPROVED: JULIANITO G. BUCAYAN, JR. <small>Undersecretary for Project Implementation, DOTC</small>	PROJECT TITLE: NEW BOHOL AIRPORT CONSTRUCTION AND SUSTAINABLE ENVIRONMENT PROTECTION PROJECT	SHEET CONTENTS: COMPONENT-4 BUILDING WORKS (B) SUBCOMPONENT -4-1 (B1) PASSENGER TERMINAL BUILDING ARCHITECTURAL INTERNAL ELEVATION 13	SHEET NO: B1-4300-53
	JICA DESIGN CONSULTANT JOINT VENTURE JAPAN AIRPORT CONSULTANTS, INC. NIPPON KOEI CO., LTD. NIS CONSULTANTS CO., LTD.	TADASHI AOI Team Leader	ILDEFONSO T. PATDU, JR. Assistant Secretary for Project Implementation, DOTC	JULIANITO G. BUCAYAN, JR. Undersecretary for Project Implementation, DOTC	LOCATION: MUNICIPALITY OF PANGLAO, PROVINCE OF BOHOL, PHILIPPINES	DATE: JUNE 2013 INDEX: WIM, HC AMENDMENTS: Prepared by, Checked by, Validated by

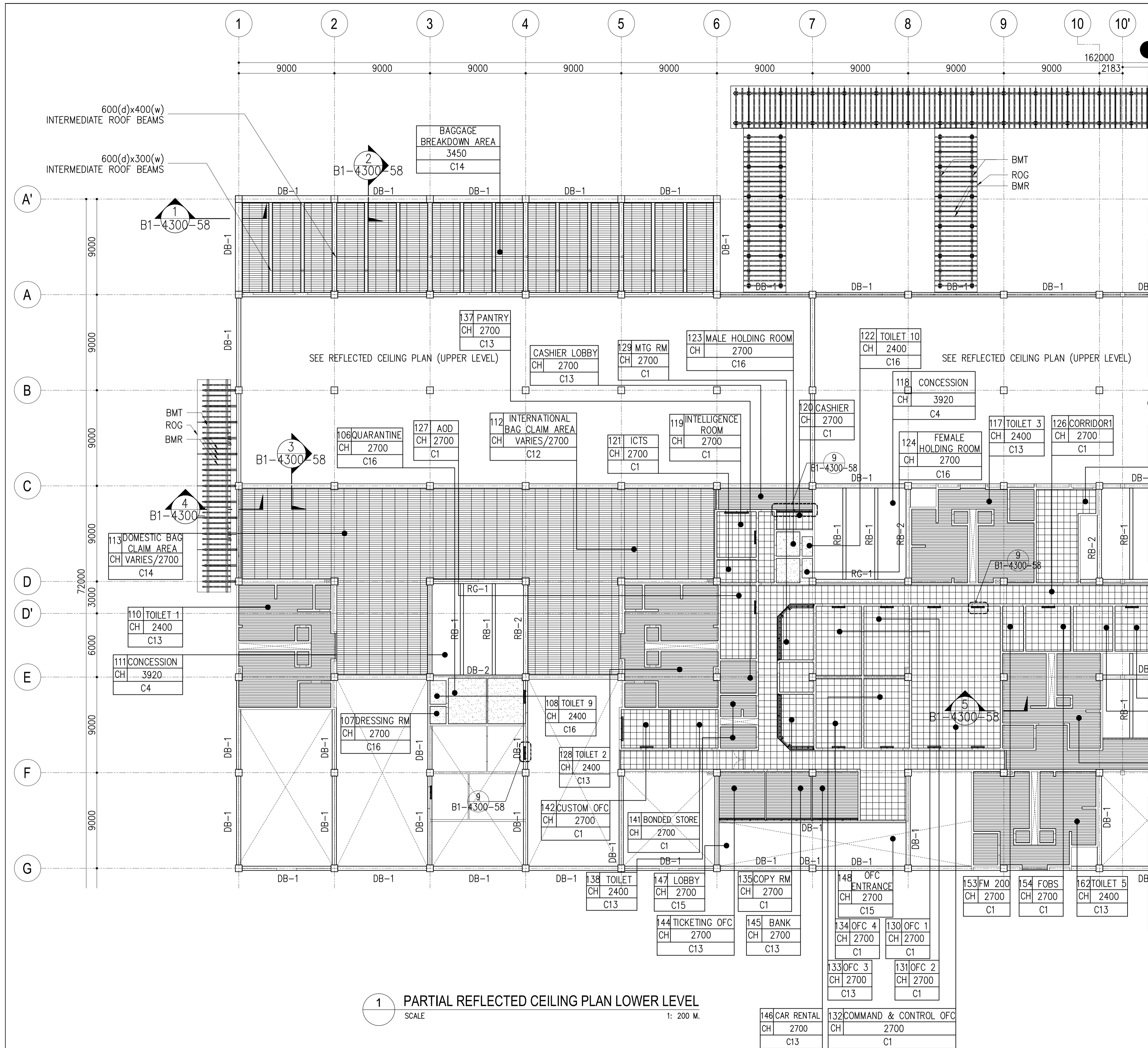
LEGEND: CEILING MATERIALS

C1 EXPOSED SUSPENSION CEILING SYSTEM ACUSTIC ROCKWOOL CEILING BOARD t=15	C4 FORMED FACED CONCRETE	C12 WOOD BATTENS W/ VARNISH t=25, w=200	C14 ALUMINUM BAFFLE CEILING W=13, H=122
C2 DOUBLE CEILING SYSTEM t=12 COLORED ROCKWOOL CEILING BOARD ON t=9 GYPSUM BOARD	C13 ALUMINUM LINEAR CEILING	C15 EXPOSED CONSTRUCTION STEEL STRUCTURE W/ P8	C16 SUSPENDED BOARD CEILING t=12 t=9 WATER RESISTANT GYPSUM BOARD W/ P4

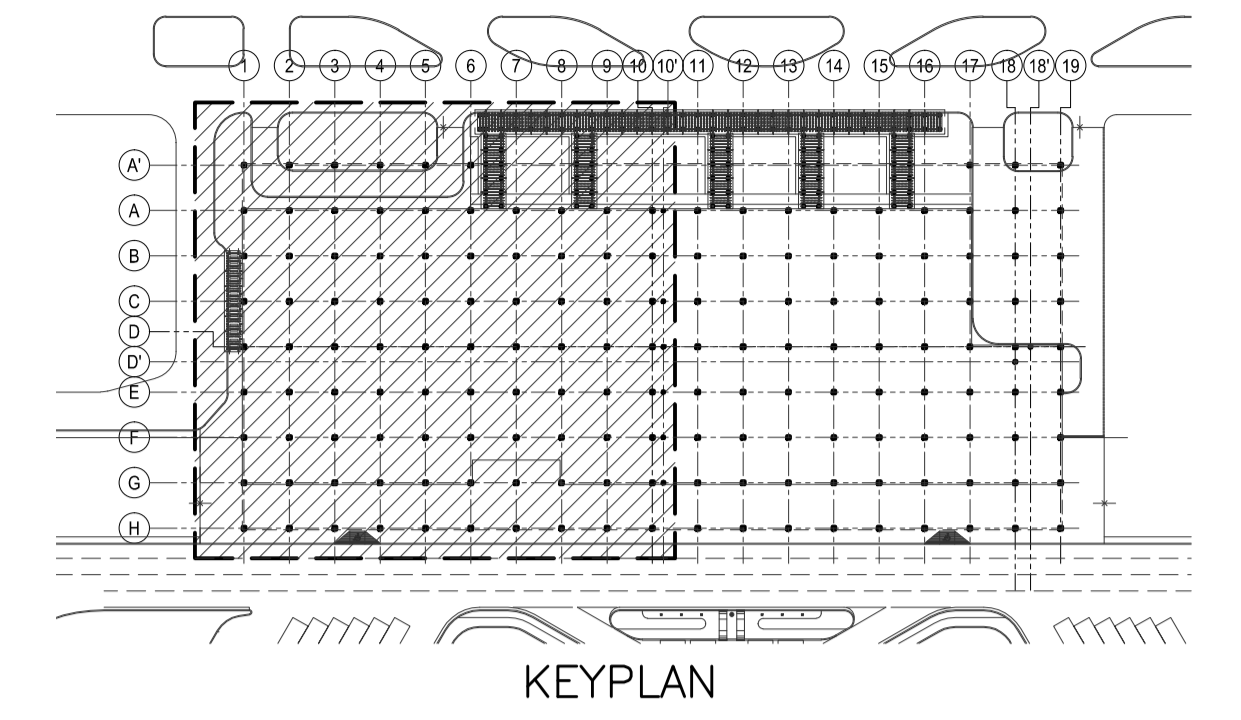


1 REFLECTED CEILING PLAN LOWER LEVEL
SCALE: 1:250 MTS.

	PREPARED BY: WILLIAM I. MALLONGA <small>Architect PIR 3811137</small> <small>REG. NO. 4623 DATE: MAY 9, 2013</small> <small>TIN: 150-564-196 PLACE: MARIKINA CITY</small>	RECOMMENDING APPROVAL: ILDEFONSO T. PATDU, JR. <small>Assistant Secretary for Project Implementation, DOTC</small>	APPROVED: JULIANITO G. BUCAYAN, JR. <small>Undersecretary for Project Implementation, DOTC</small>	PROJECT TITLE: NEW BOHOL AIRPORT CONSTRUCTION AND SUSTAINABLE ENVIRONMENT PROTECTION PROJECT LOCATION: MUNICIPALITY OF PANGLAO, PROVINCE OF BOHOL, PHILIPPINES	SHEET CONTENTS: COMPONENT-4 BUILDING WORKS (B) SUBCOMPONENT -4-1 (B1) PASSENGER TERMINAL BUILDING ARCHITECTURAL REFLECTED CEILING BASE PLAN (LOWER LEVEL)	SHEET NO: B1-4300-54 DRAWING SCALE: 1:250 MTS.
	JICA DESIGN CONSULTANT JOINT VENTURE JAC JAPAN AIRPORT CONSULTANTS, INC. NK NIPPON KOEI CO., LTD. NIS NIS CONSULTANTS CO., LTD.	TADASHI AOI Team Leader	ILDEFONSO T. PATDU, JR. Assistant Secretary for Project Implementation, DOTC	JULIANITO G. BUCAYAN, JR. Undersecretary for Project Implementation, DOTC	DATE: JUNE 2013 INDEX AMENDMENTS Prepared by: WIM Checked by: HC Validated by:	

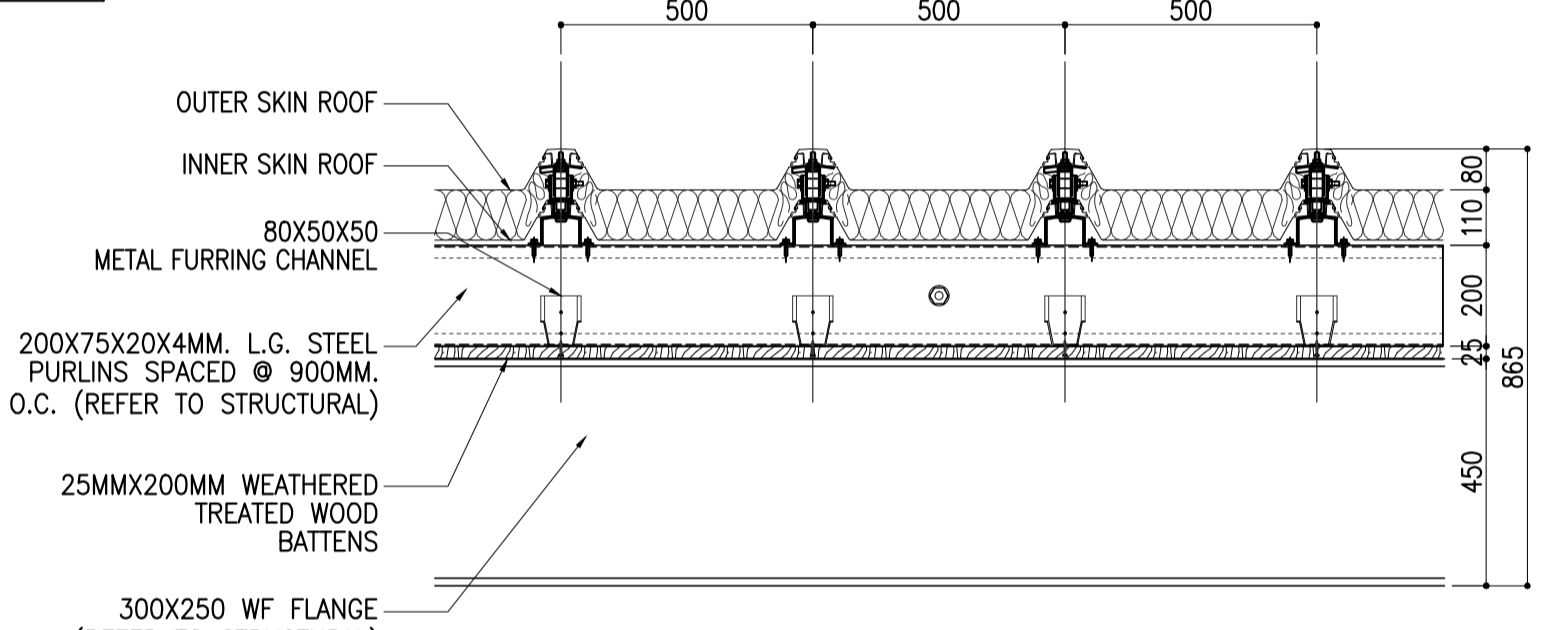


1 PARTIAL REFLECTED CEILING PLAN LOWER LEVEL
SCALE: 1: 200 M.

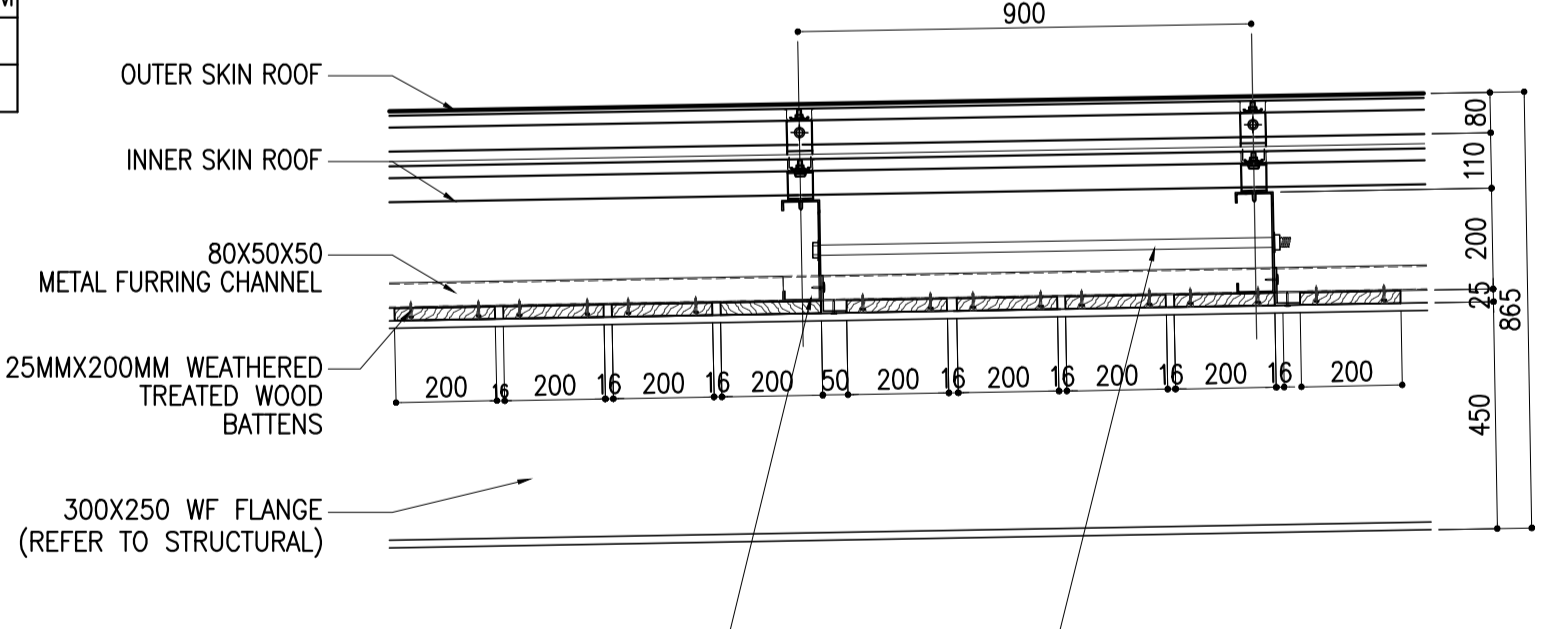


LEGEND: CEILING MATERIALS

C1 EXPOSED SUSPENSION CEILING SYSTEM ACOUSTIC ROCKWOOL CEILING BOARD t=15	C12 ALUMINUM BAFFLE CEILING t=25, w=200	C14 ALUMINUM BAFFLE CEILING W=13, H=122
C2 DOUBLE CEILING SYSTEM t=12 COLORED ROCKWOOL CEILING BOARD ON t=9 GYPSUM BOARD	C13 ALUMINUM LINEAR CEILING	C15 EXPOSED CONSTRUCTION STEEL STRUCTURE W/ P8
C4 FORMED FACED CONCRETE	C16 SUSPENDED BOARD CEILING t=12 + t=9 WATER RESISTANT GYPSUM BOARD W/ P4	



DETAIL SECTION 1



DETAIL SECTION 2

2 WOODEN BATTENS CEILING DETAILS
SCALE: 1:15 MTS.

Republic of the Philippines
DEPARTMENT OF TRANSPORTATION
AND
COMMUNICATIONS

JICA DESIGN CONSULTANT JOINT VENTURE

JAC JAPAN AIRPORT CONSULTANTS, INC.

NIPPON KOEI CO., LTD.

NIS CONSULTANTS CO., LTD.

JICA
JAPAN INTERNATIONAL COOPERATION AGENCY

PREPARED BY:
WILLIAM I. MALLONGA
PROF. Architect PIR. 3911137
RES. NO.: 4623 DATE: MAY 9, 2013
TEL. 159-564-198 PLACE: MANILA CITY

TADASHI AOI
Team Leader

RECOMMENDING APPROVAL:
ILDEFONSO T. PATDU, JR.
Assistant Secretary
for Project Implementation, DOTC

APPROVED:
JULIANITO G. BUCAYAN, JR.
Undersecretary
for Project Implementation, DOTC

PROJECT TITLE:
NEW BOHOL AIRPORT CONSTRUCTION AND
SUSTAINABLE ENVIRONMENT PROTECTION PROJECT

LOCATION: MUNICIPALITY OF PANGLAO, PROVINCE OF BOHOL, PHILIPPINES

SHEET CONTENTS:
COMPONENT-4 BUILDING WORKS (B)
SUBCOMPONENT -4-1
(B1) PASSENGER TERMINAL BUILDING
ARCHITECTURAL
PARTIAL REFLECTED CEILING PLAN
(LOWER LEVEL)
WOODEN BATTENS CEILING DETAILS

SHEET NO.:
B1-4300-55

DRAWING SCALE:
AS SHOWN

DATE: JUNE 2013

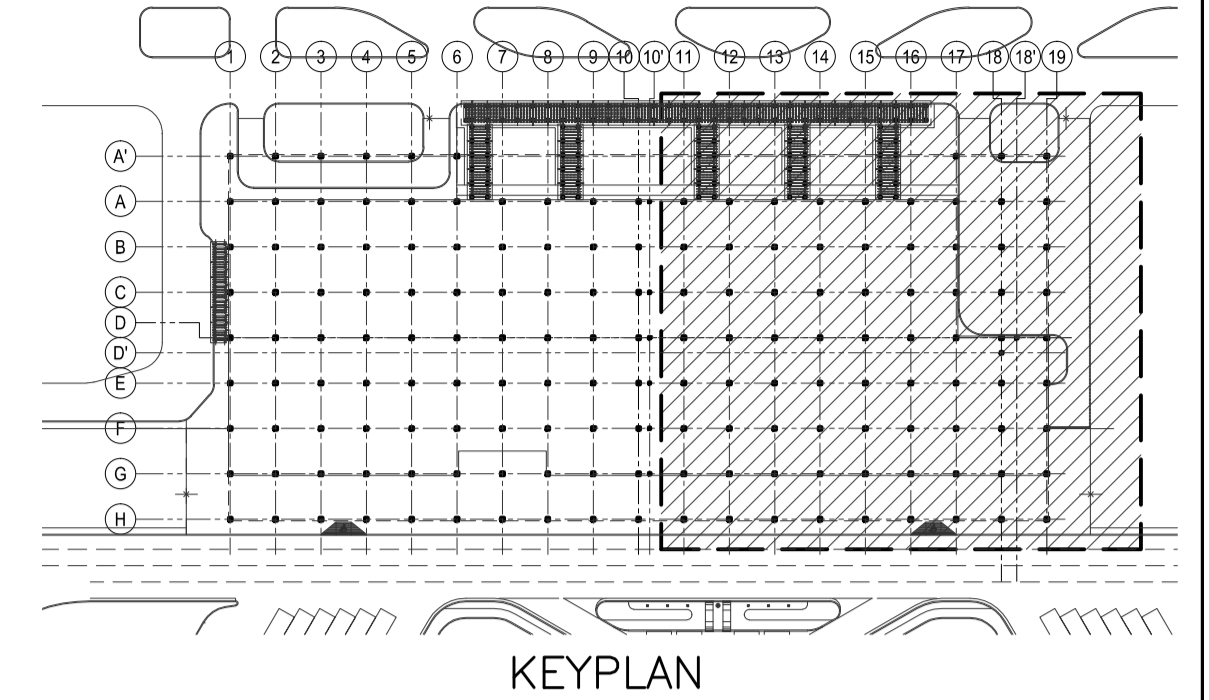
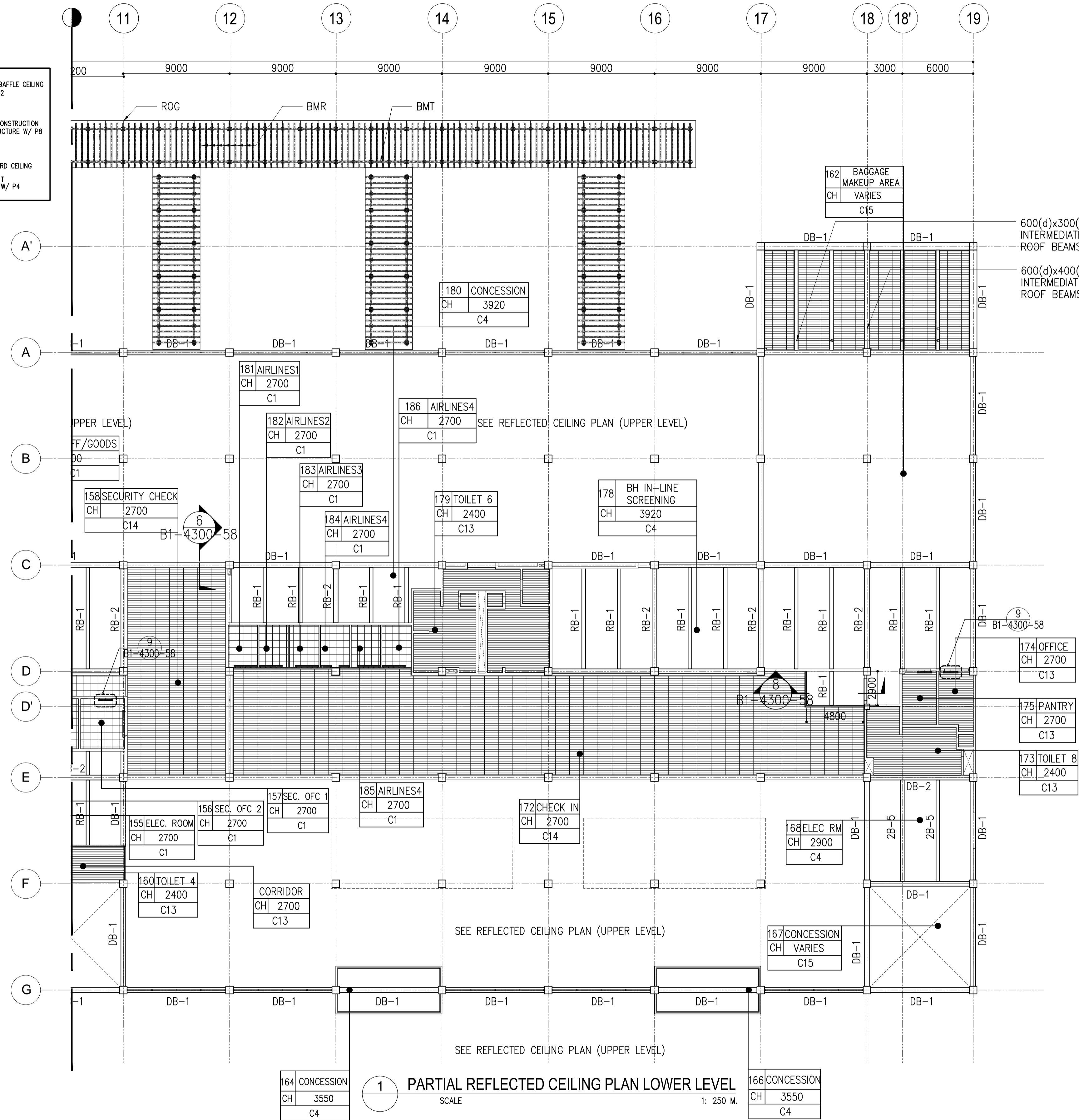
INDEX

AMENDMENTS

Prepared by: WIM
Checked by: IC
Validated by:

LEGEND: CEILING MATERIALS

C1 EXPOSED SUSPENSION CEILING SYSTEM ACOUSTIC ROCKWOOL CEILING BOARD t=15	C2 DOUBLE CEILING SYSTEM: t=12 COLORED ROCKWOOL CEILING BOARD ON t=9 GYPSUM BOARD	C3 ALUMINUM LINEAR CEILING	C4 FORMED FACED CONCRETE	C12 t=25, w=200	C13 ALUMINUM LINEAR CEILING	C14 ALUMINUM BAFFLE CEILING W=13, H=122	C15 EXPOSED CONSTRUCTION STEEL STRUCTURE W/ P8	C16 SUSPENDED BOARD CEILING t=12 + t=9 WATER RESISTANT GYPSUM BOARD W/ P4
--	---	----------------------------	--------------------------	-----------------	-----------------------------	--	--	--

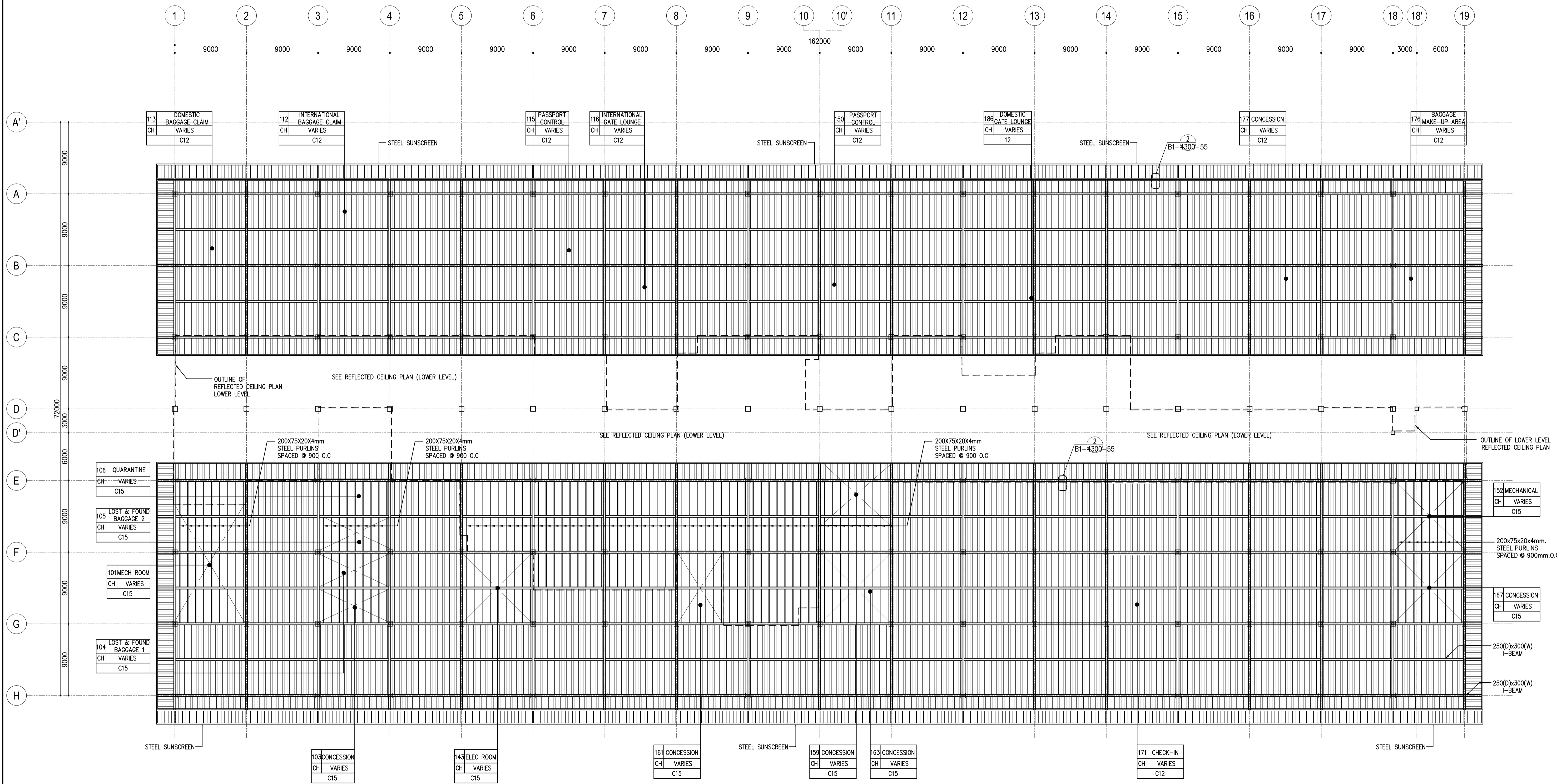


1 PARTIAL REFLECTED CEILING PLAN LOWER LEVEL
SCALE 1: 250 M.

	PREPARED BY: WILLIAM I. MALLONGA <small>PROF: Architect PIR. 3811137 RES. NO.: 4623 DATE: MAY 9, 2013 TEAM: 158-564-198 PLACE: MANILA CITY</small>	RECOMMENDING APPROVAL: ILDEFONSO T. PATDU, JR. <small>Assistant Secretary for Project Implementation, DOTC</small>	APPROVED: JULIANITO G. BUCAYAN, JR. <small>Undersecretary for Project Implementation, DOTC</small>	PROJECT TITLE: NEW BOHOL AIRPORT CONSTRUCTION AND SUSTAINABLE ENVIRONMENT PROTECTION PROJECT	LOCATION: MUNICIPALITY OF PANGLAO, PROVINCE OF BOHOL, PHILIPPINES	SHEET CONTENTS: COMPONENT-4 BUILDING WORKS (B) SUBCOMPONENT -4-1 (B1) PASSENGER TERMINAL BUILDING ARCHITECTURAL PARTIAL REFLECTED CEILING PLAN (LOWER LEVEL)	SHEET NO: B1-4300-56	
	JICA DESIGN CONSULTANT JOINT VENTURE JAPAN INTERNATIONAL COOPERATION AGENCY	TADASHI AOI Team Leader	ILDEFONSO T. PATDU, JR. Assistant Secretary for Project Implementation, DOTC	JULIANITO G. BUCAYAN, JR. Undersecretary for Project Implementation, DOTC	DATE: JUNE 2013	INDEX:	AMENDMENTS:	Prepared by: WIM Checked by: HC Validated by:

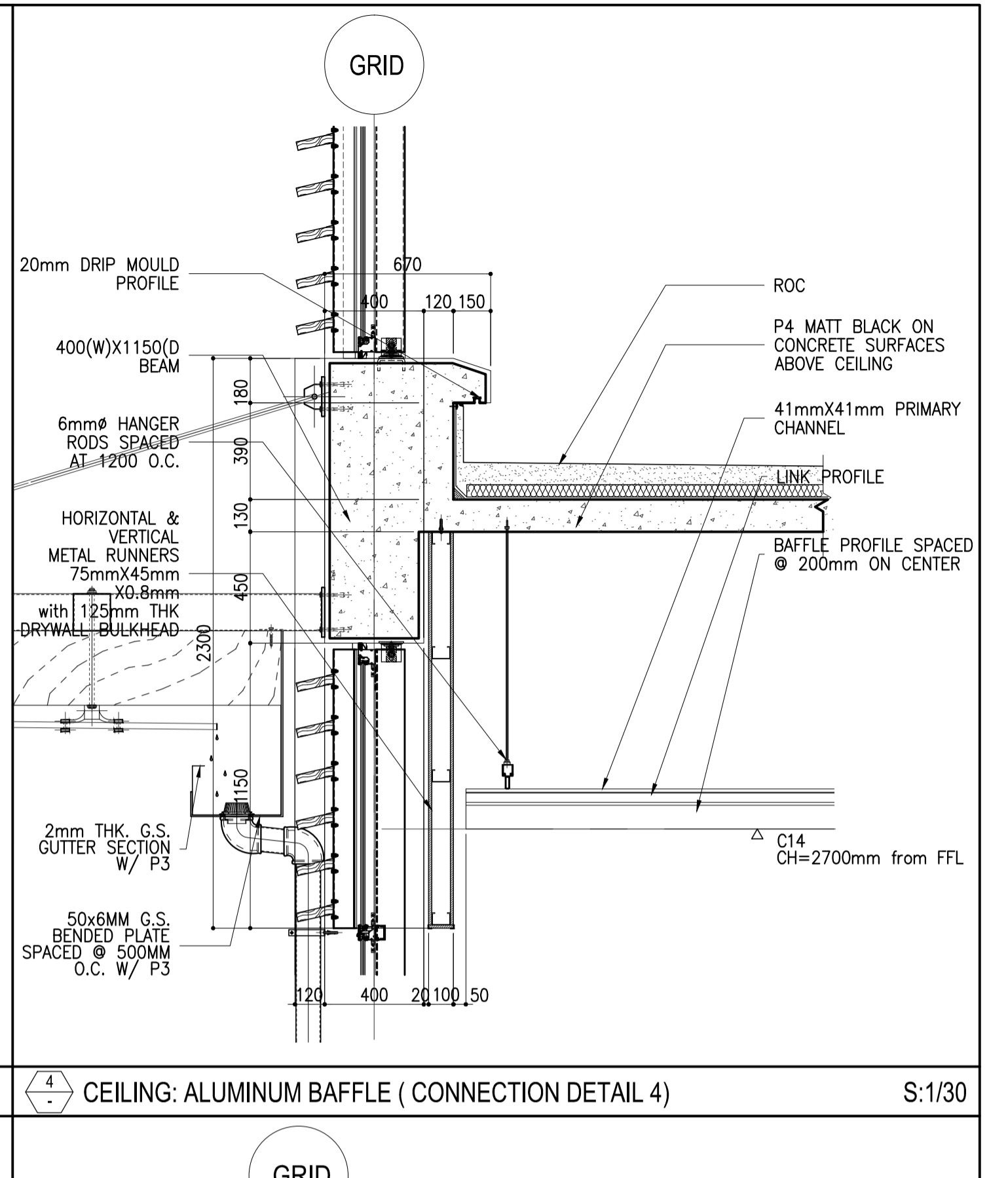
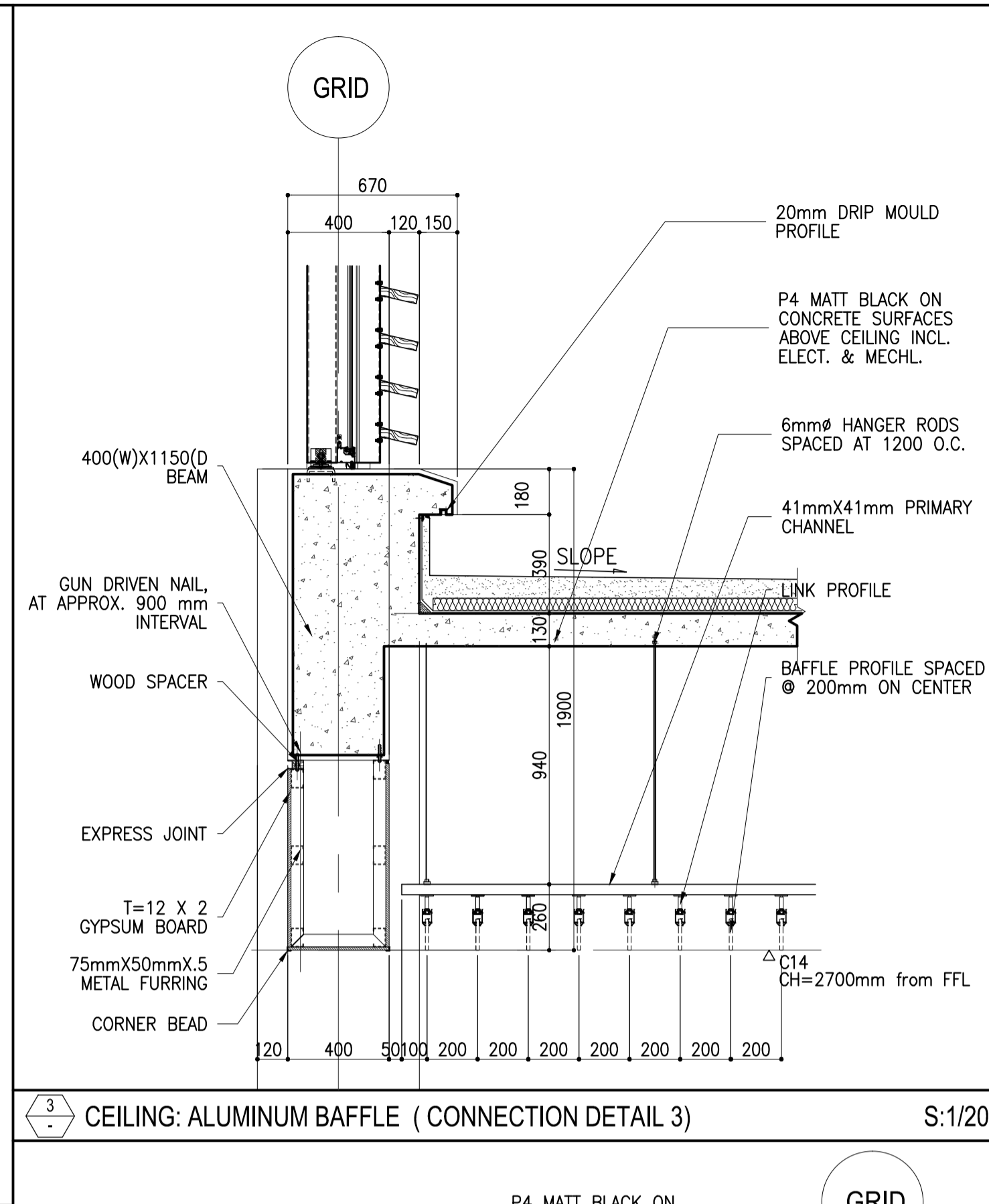
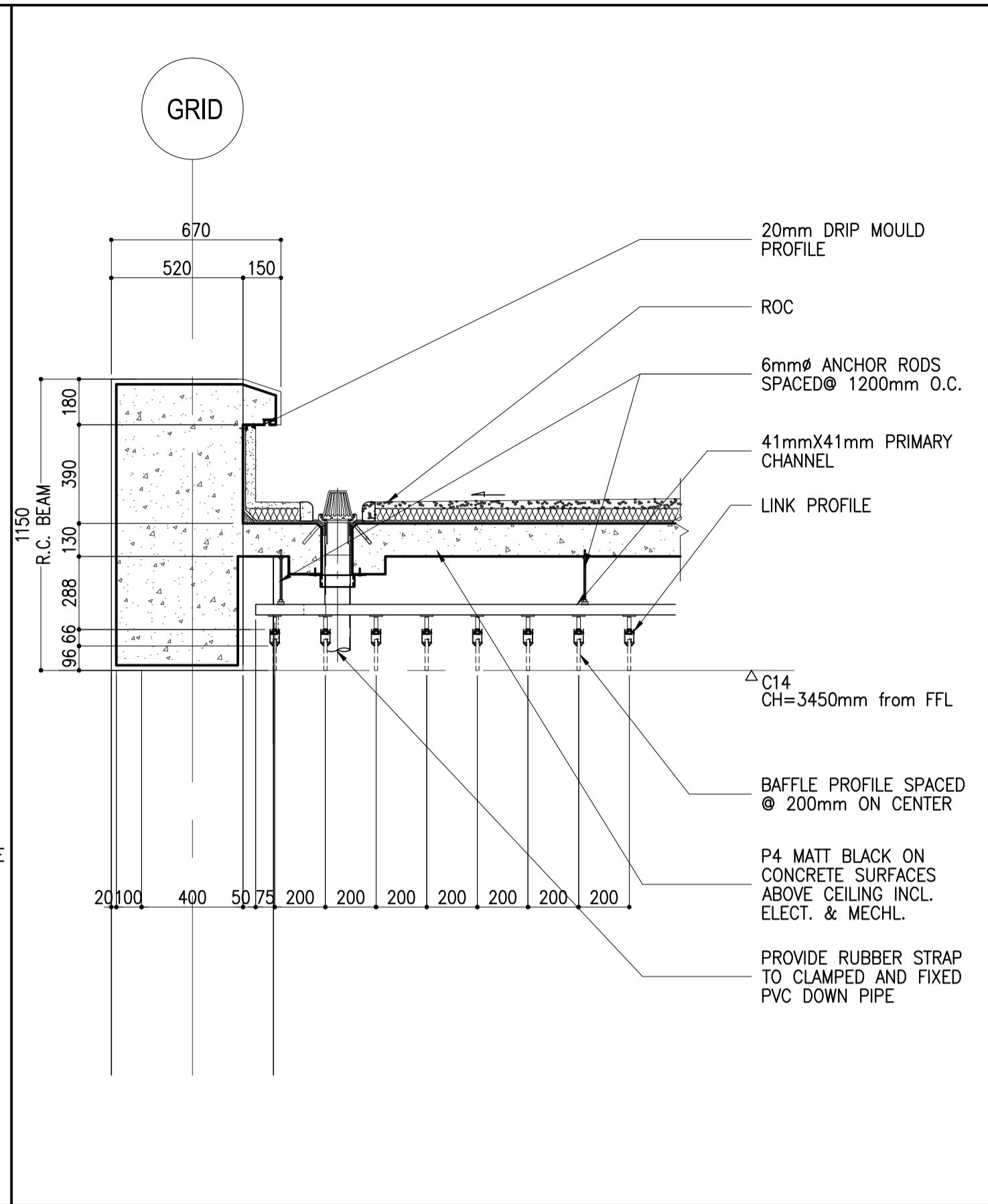
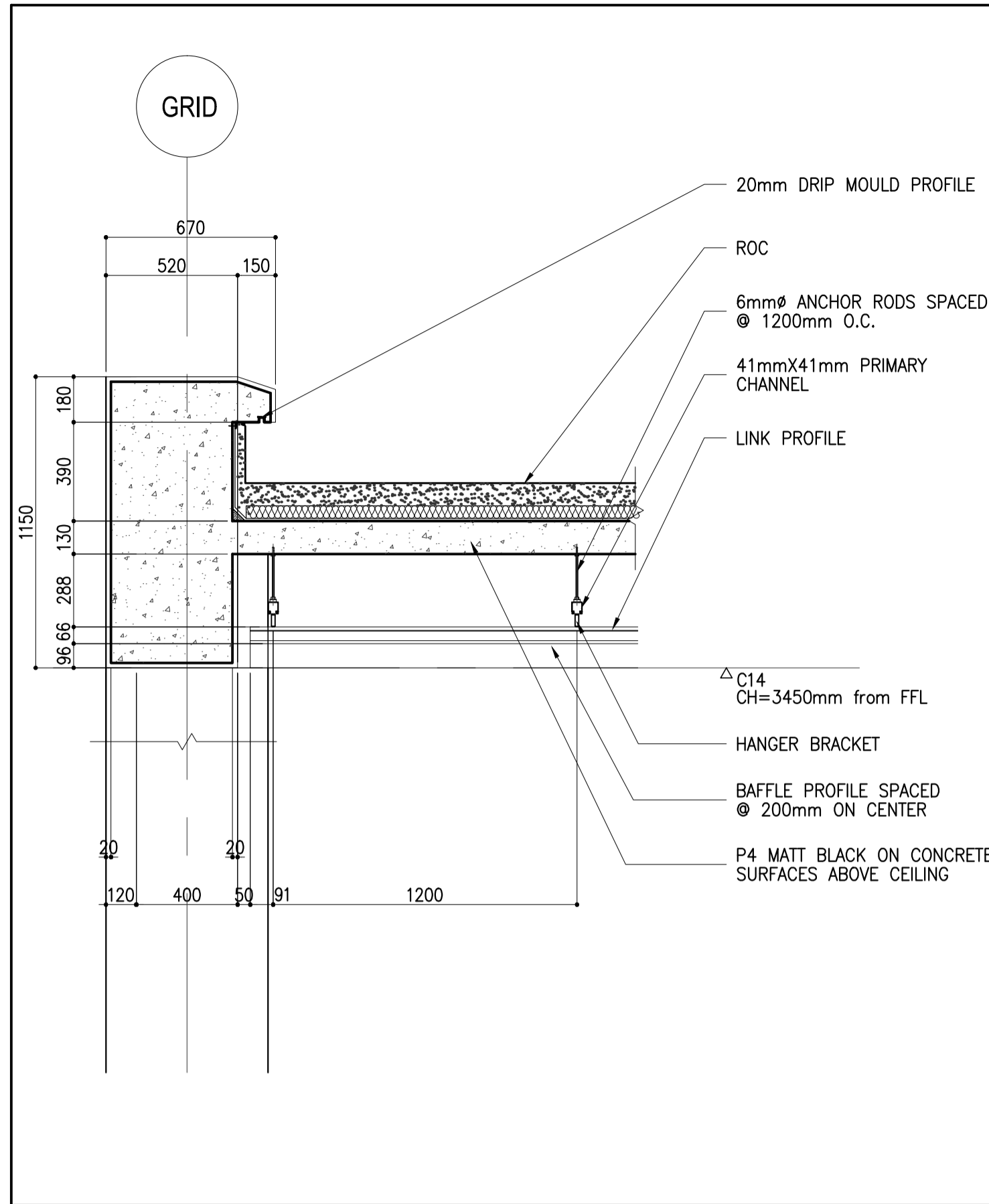
LEGEND: CEILING MATERIALS

C1 EXPOSED SUSPENSION CEILING SYSTEM ACOUSTIC ROCKWOOL CEILING BOARD t=15	C4 FORMED FACED CONCRETE	C12 WOOD BATTENS W/ VARNISH t=25, w=200	C14 ALUMINUM BAFFLE CEILING W=13, H=122
C2 DOUBLE CEILING SYSTEM t=12 COLORED ROCKWOOL CEILING BOARD ON t=9 GYPSUM BOARD	C13 ALUMINUM LINEAR CEILING	C15 EXPOSED CONSTRUCTION STEEL STRUCTURE W/ P8	C16 SUSPENDED BOARD CEILING t=12 + t=9 WATER RESISTANT GYPSUM BOARD W/ P4



1 REFLECTED CEILING PLAN UPPER LEVEL
SCALE: 1:250 M.

	PREPARED BY: WILLIAM L. MALLONGA <small>PROF: Architect PIR. 3911137 REG. NO.: 4623 DATE: MAY 9, 2013 TAN. 150-564-196 PLACE: MAKATI CITY</small>	RECOMMENDING APPROVAL: ILDEFONSO T. PATDU, JR. <small>Assistant Secretary for Project Implementation, DOTC</small>	APPROVED: JULIANITO G. BUCAYAN, JR. <small>Undersecretary for Project Implementation, DOTC</small>	PROJECT TITLE: NEW BOHOL AIRPORT CONSTRUCTION AND SUSTAINABLE ENVIRONMENT PROTECTION PROJECT	LOCATION: MUNICIPALITY OF PANGLAO, PROVINCE OF BOHOL, PHILIPPINES	SHEET CONTENTS: COMPONENT-4 BUILDING WORKS (B) SUBCOMPONENT -4-1 (B1) PASSENGER TERMINAL BUILDING ARCHITECTURAL REFLECTED CEILING PLAN UPPER LEVEL	SHEET NO: B1-4300-57
	JICA DESIGN CONSULTANT JOINT VENTURE	TADASHI AOI <small>Team Leader</small>	ILDEFONSO T. PATDU, JR. <small>Assistant Secretary for Project Implementation, DOTC</small>	JULIANITO G. BUCAYAN, JR. <small>Undersecretary for Project Implementation, DOTC</small>	DATE: JUNE 2013	INDEX:	AMENDMENTS:

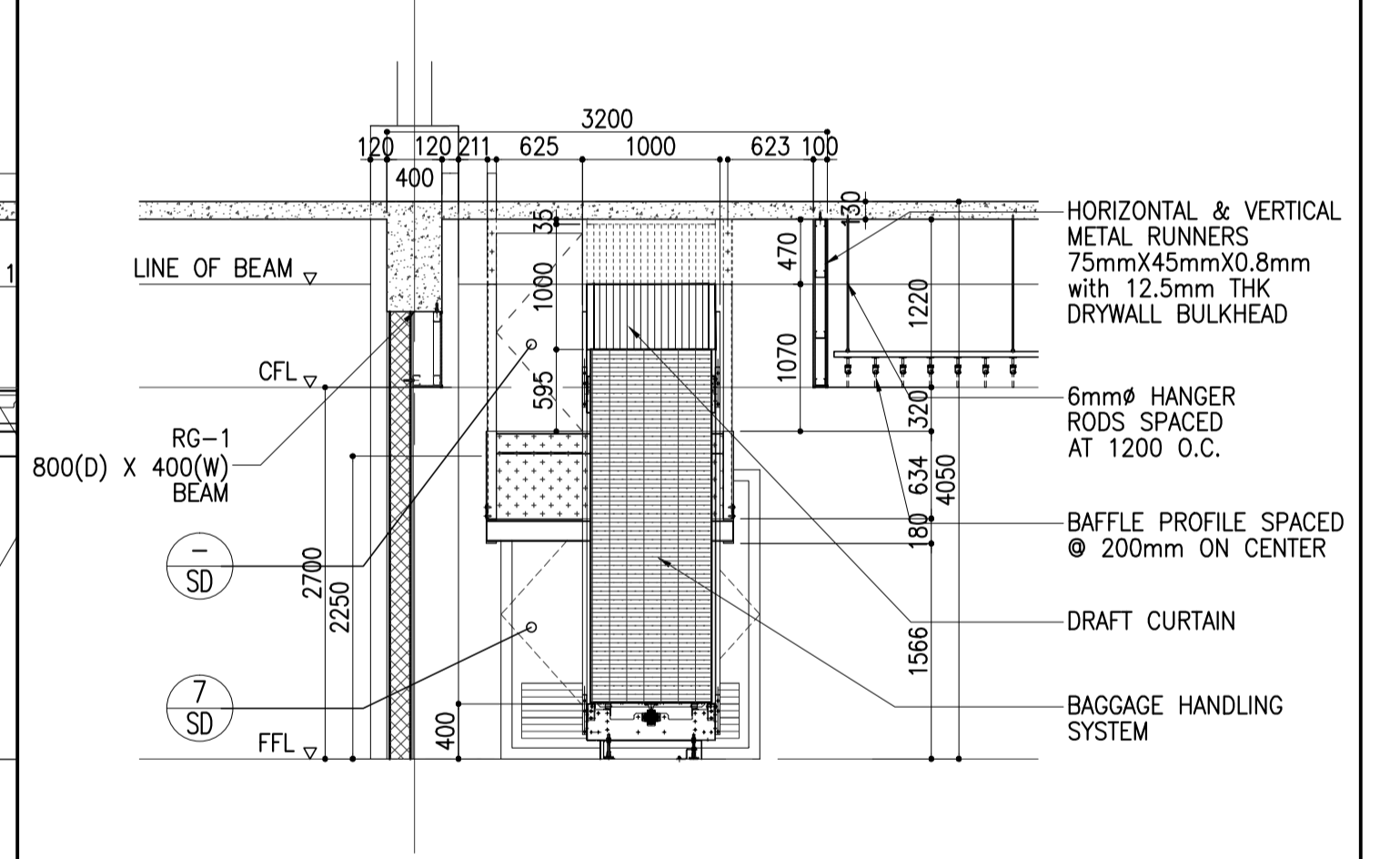
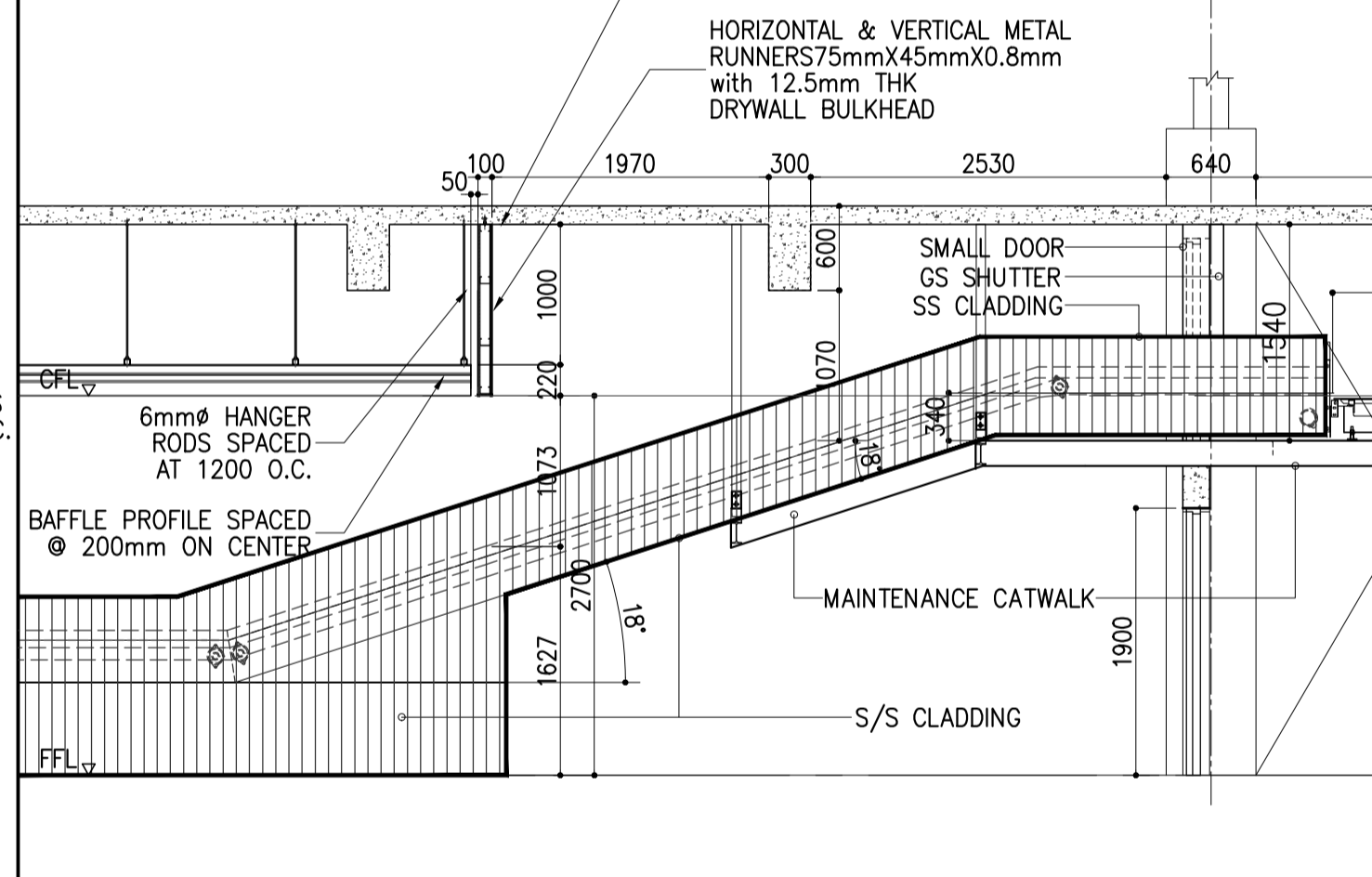
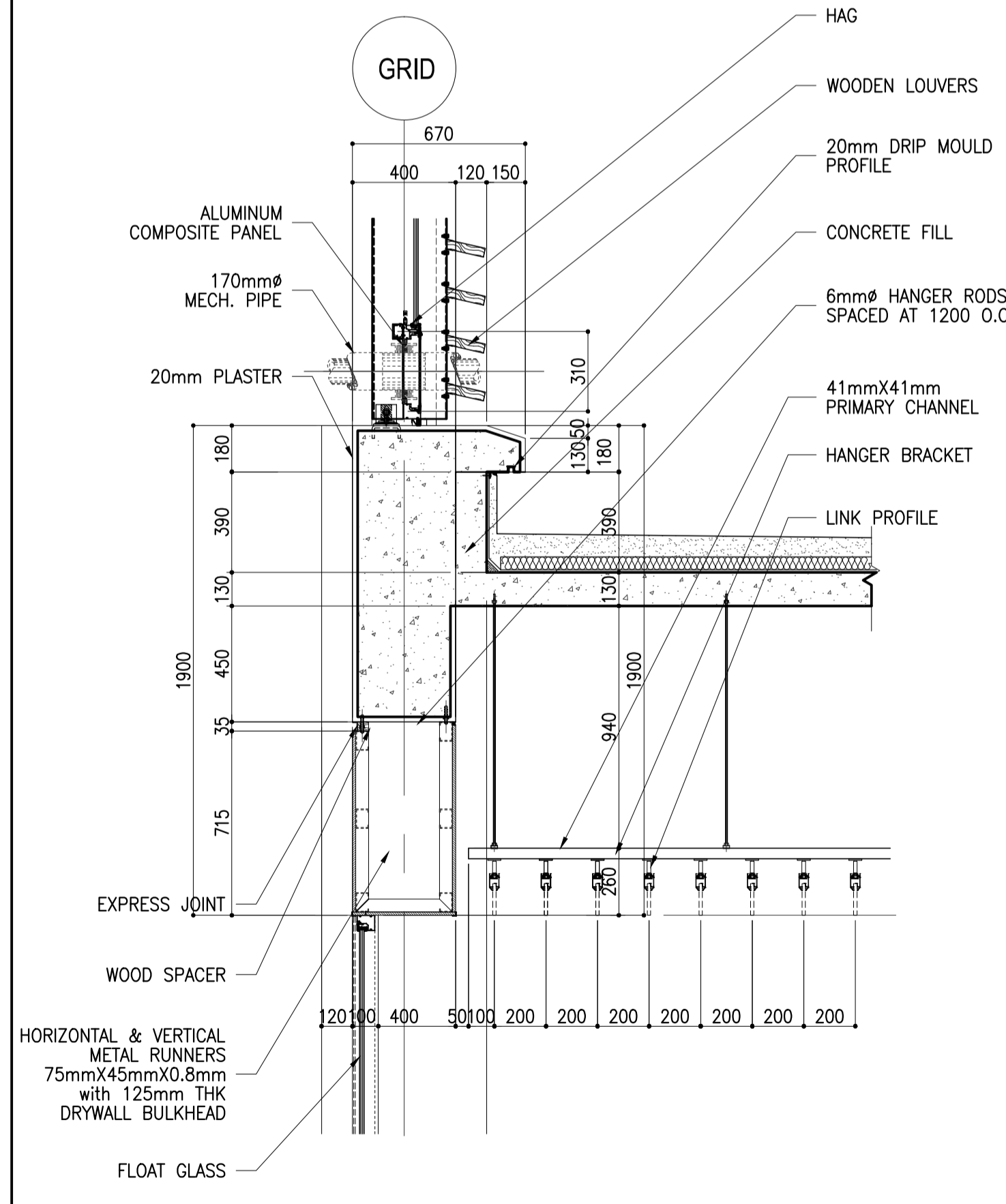
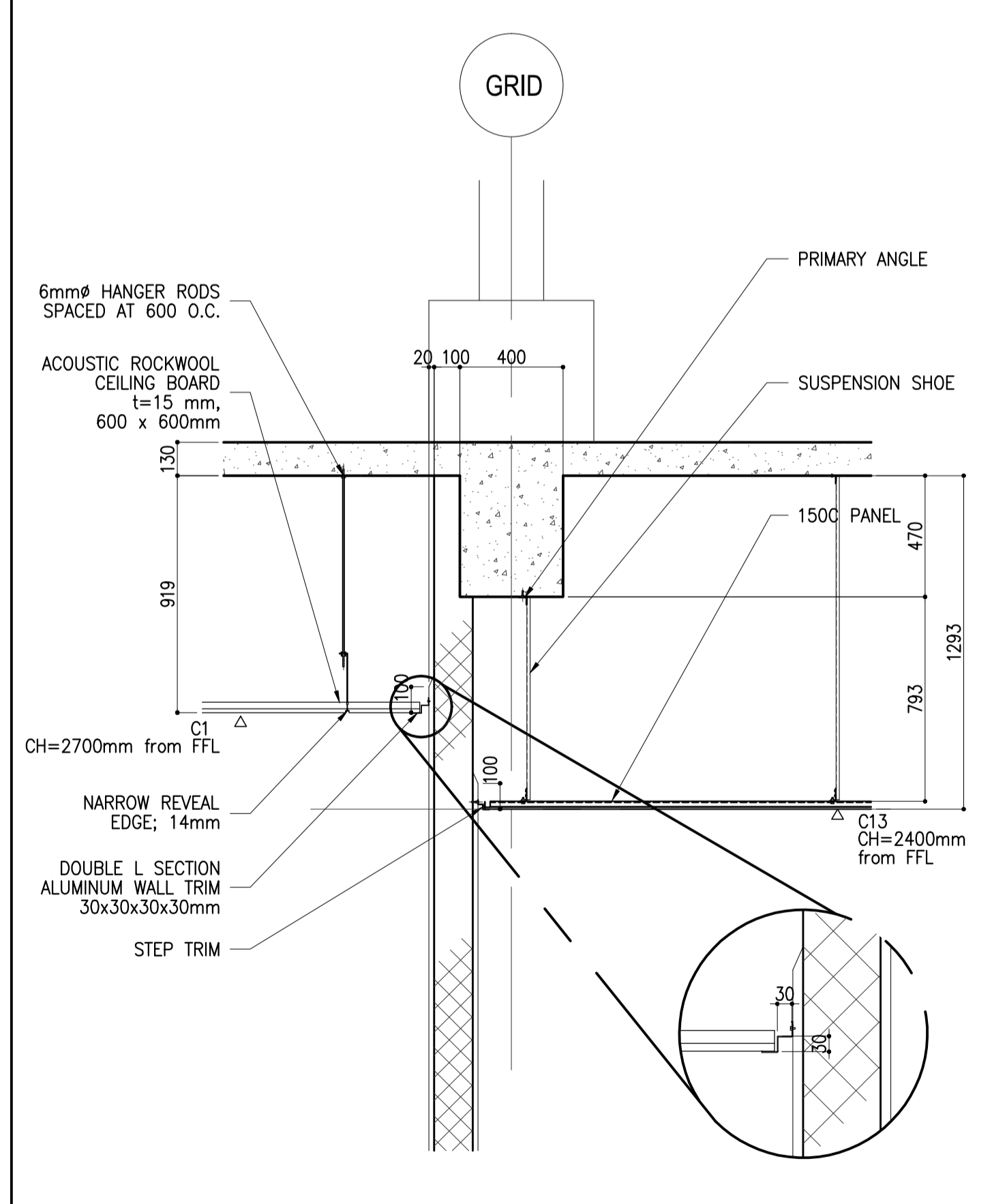


1 CEILING: ALUMINUM BAFFLE (CONNECTION DETAIL 1) S:1/20

2 CEILING: ALUMINUM BAFFLE (CONNECTION DETAIL 2) S:1/20

3 CEILING: ALUMINUM BAFFLE (CONNECTION DETAIL 3) S:1/20

4 CEILING: ALUMINUM BAFFLE (CONNECTION DETAIL 4) S:1/30



5 CEILING: ACOUSTIC RW & ALUMINUM LINEAR (CONNECTION DET. 5) S:1/20

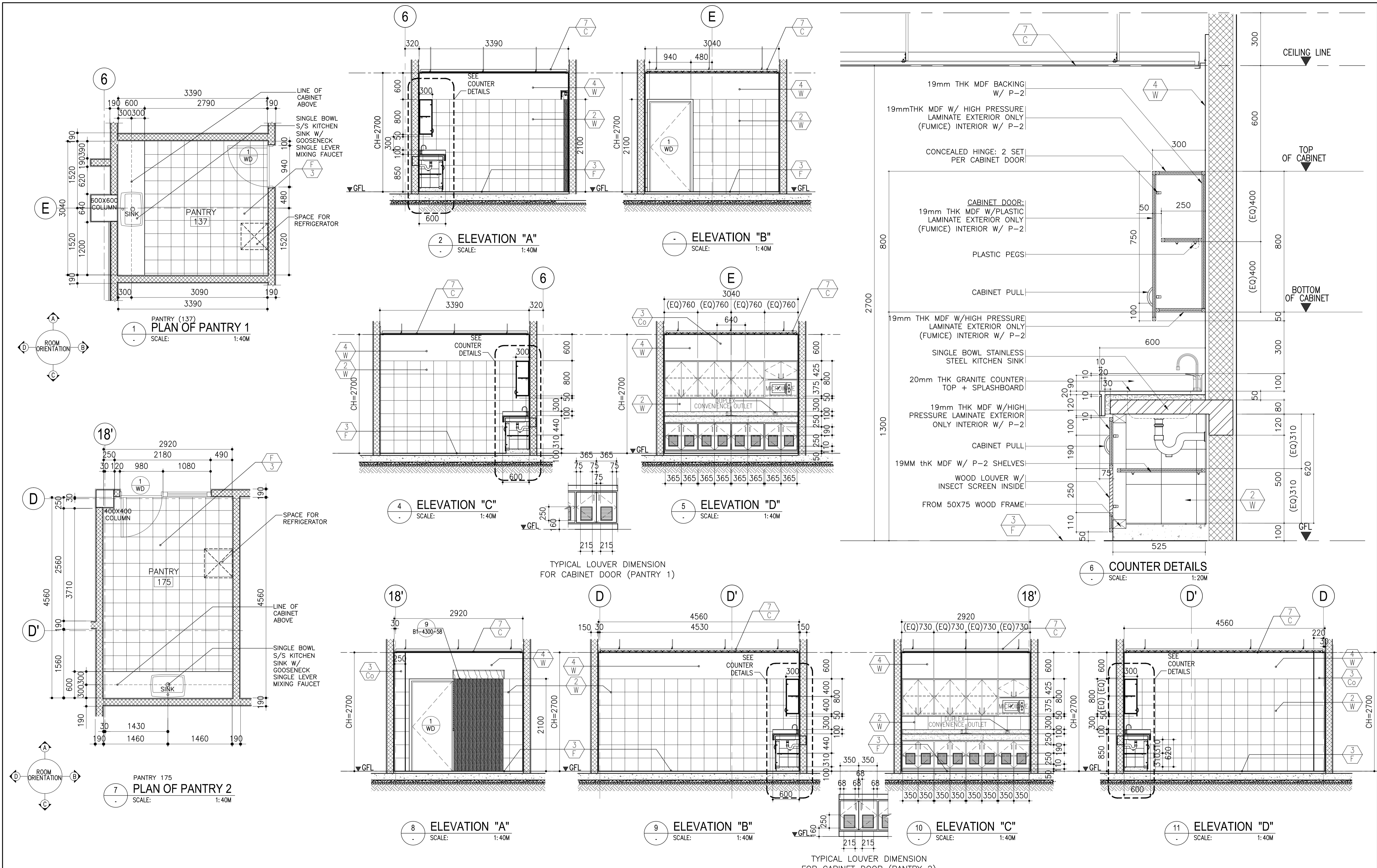
6 CEILING: ALUMINUM BAFFLE (CONNECTION DETAIL 6) S:1/20

7 CEILING: ALUMINUM BAFFLE (CONNECTION DETAIL 7) S:1/50

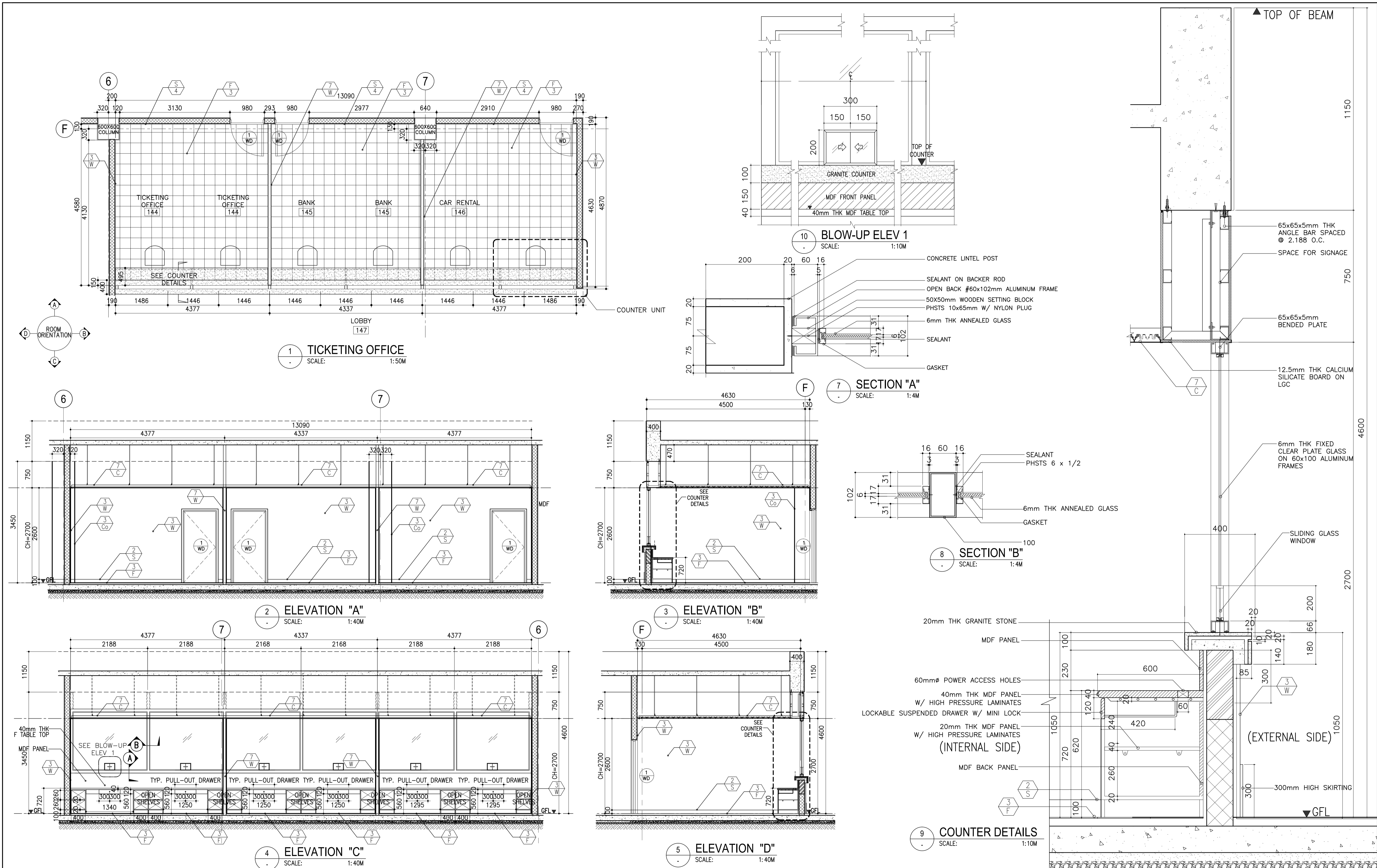
8 CEILING: ALUMINUM BAFFLE (CONNECTION DETAIL 8) S:1/50

	PREPARED BY: WILLIAM L. MALLONGA <small>PRF: Architect PIR: 3911137 REC. NO.: 4623 DATE: MAY 9, 2013 T.I.N: 150-564-196 PLACE: MAKATI CITY</small>	RECOMMENDING APPROVAL: ILDEFONSO T. PATDU, JR. <small>Assistant Secretary for Project Implementation, DOTC</small>	APPROVED: JULIANITO G. BUCAYAN, JR. <small>Undersecretary for Project Implementation, DOTC</small>	PROJECT TITLE: NEW BOHOL AIRPORT CONSTRUCTION AND SUSTAINABLE ENVIRONMENT PROTECTION PROJECT LOCATION: MUNICIPALITY OF PANGLAO, PROVINCE OF BOHOL, PHILIPPINES
--	---	---	---	---

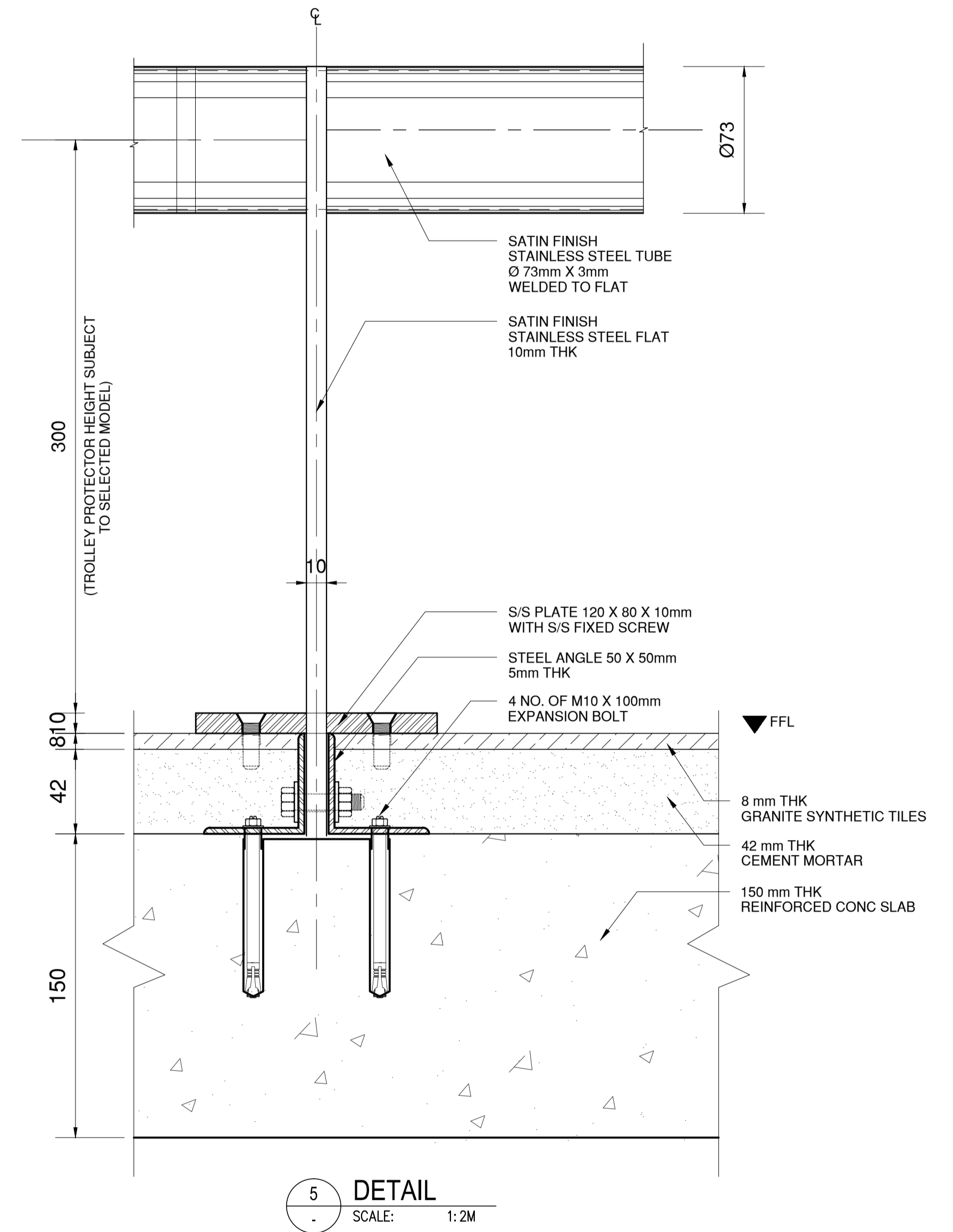
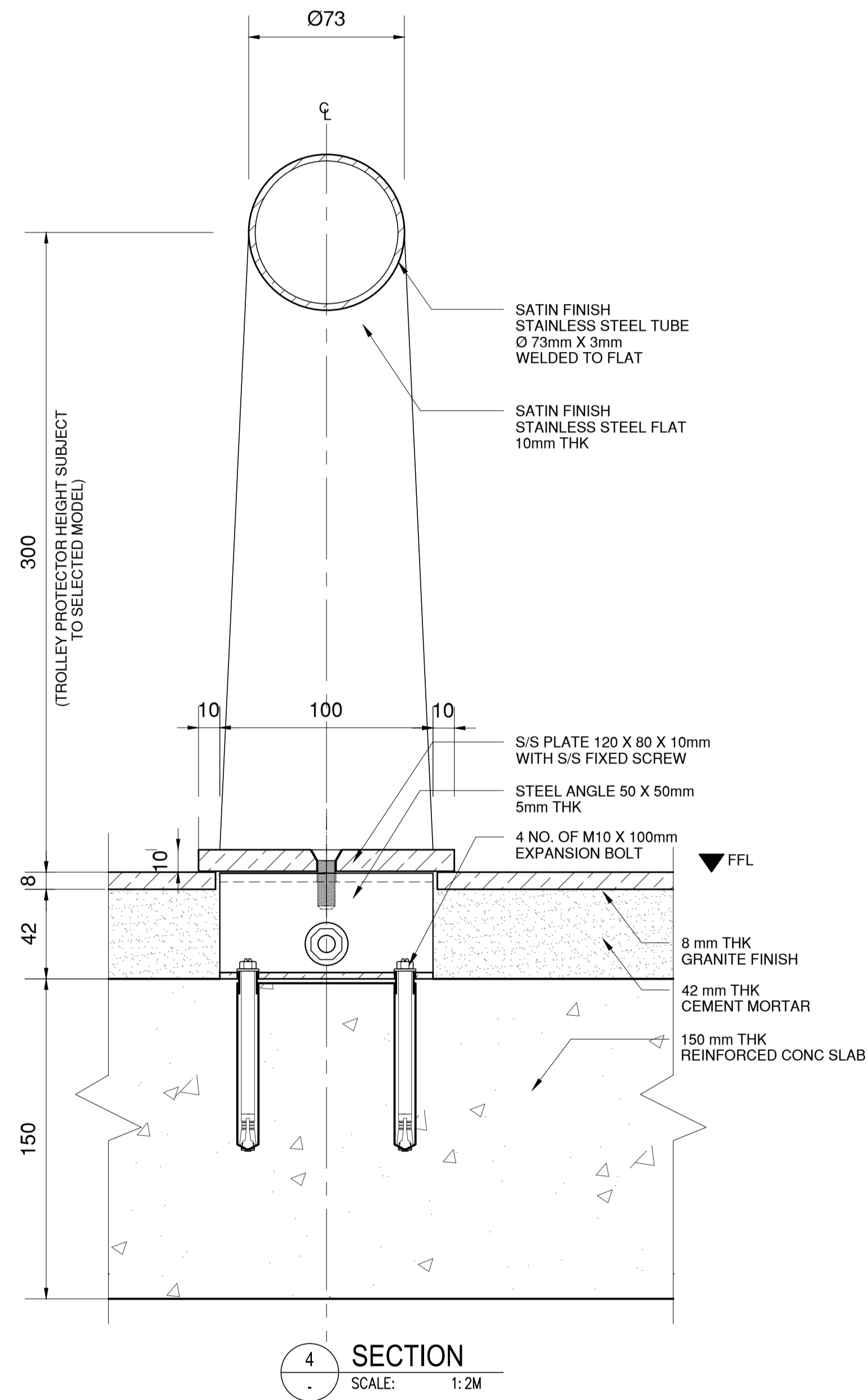
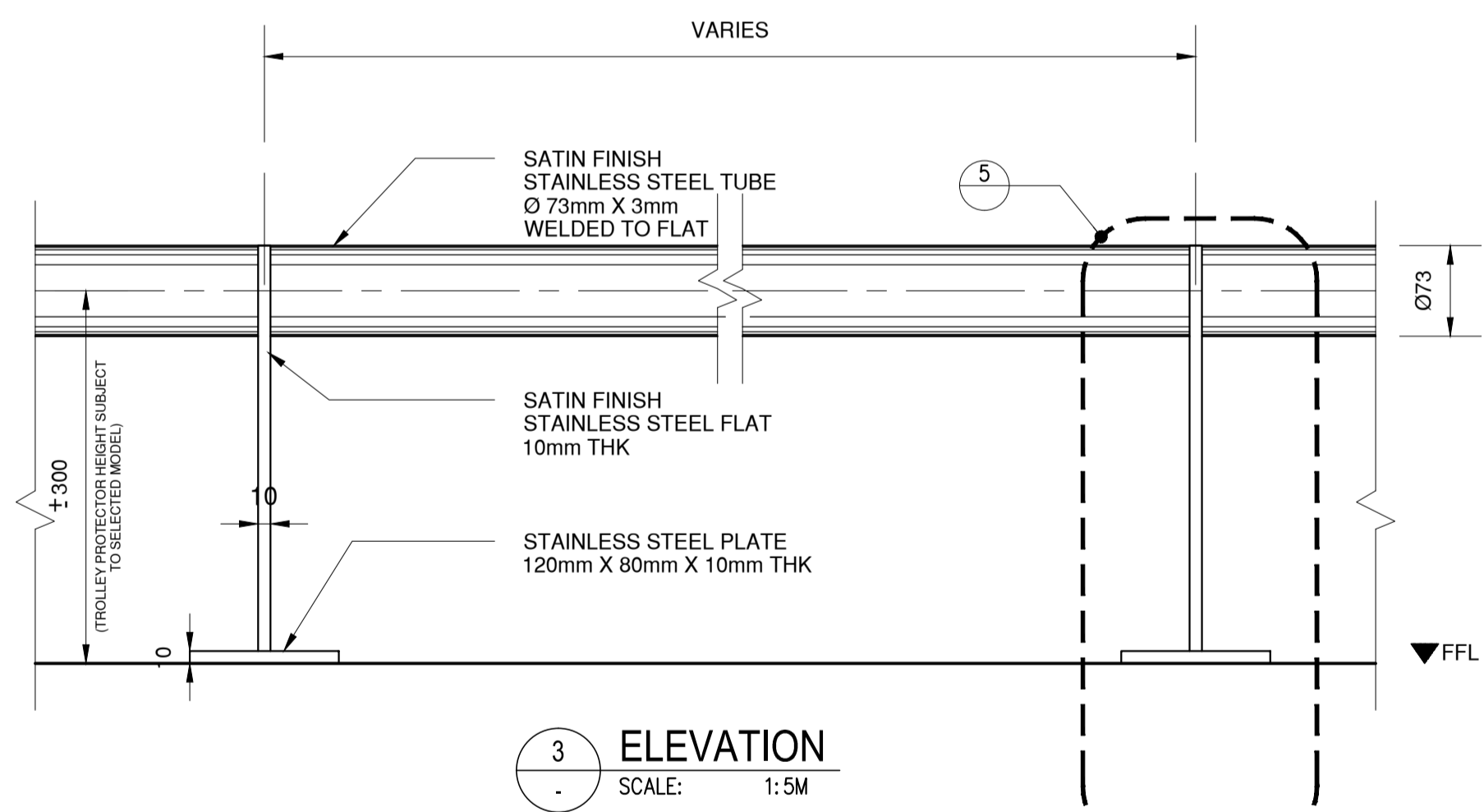
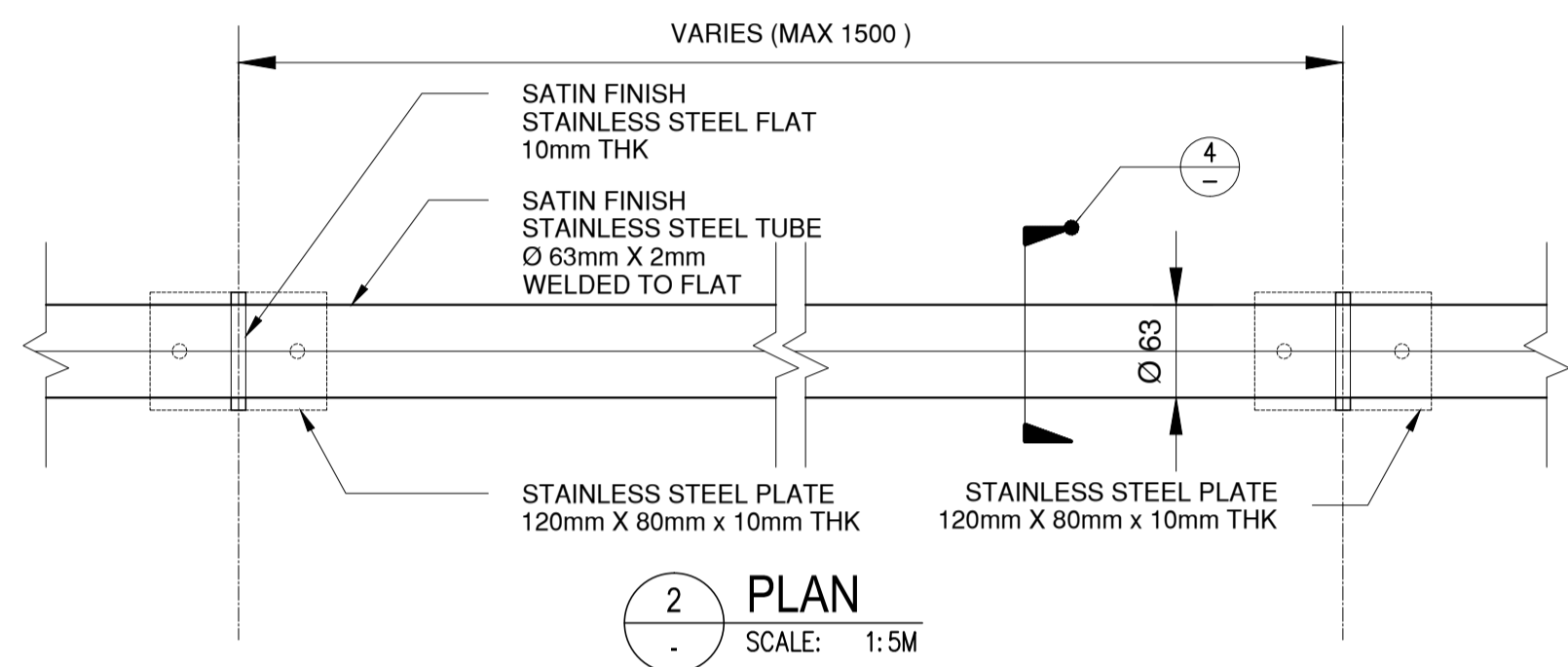
BLIND BOX DETAILS (VALANCE BOARD) S:1/20 	SHEET CONTENTS: COMPONENT-4 BUILDING WORKS (B) SUBCOMPONENT -4-1 (B1) PASSENGER TERMINAL BUILDING ARCHITECTURAL CEILING DETAILS	SHEET NO: B1-4300-58 DRAWING SCALE: AS SHOWN
--	---	---



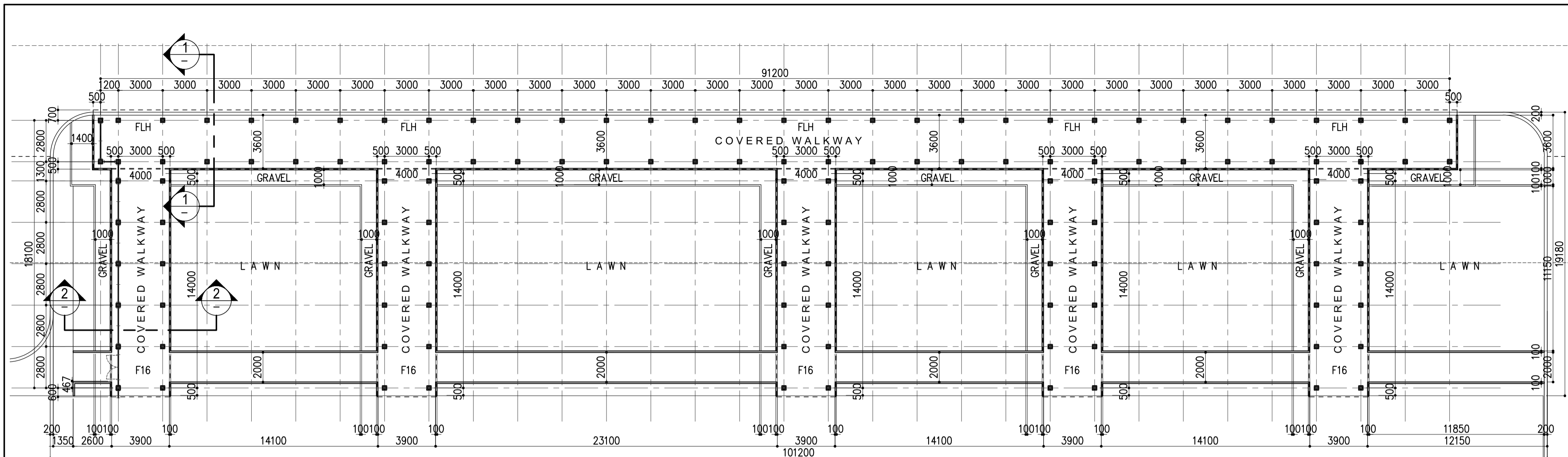
	PREPARED BY: WILLIAM I. MALLONGA <small>Architect PIR 3911137</small> <small>REG. NO.: 4623 DATE: MAY 9, 2013</small> <small>TIN: 150-564-196 PLACE: MARIKINA CITY</small>	RECOMMENDING APPROVAL: ILDEFONSO T. PATDU, JR. <small>Assistant Secretary for Project Implementation, DOTC</small>	APPROVED: JULIANITO G. BUCAYAN, JR. <small>Undersecretary for Project Implementation, DOTC</small>	PROJECT TITLE: NEW BOHOL AIRPORT CONSTRUCTION AND SUSTAINABLE ENVIRONMENT PROTECTION PROJECT	SHEET CONTENTS: COMPONENT-4 BUILDING WORKS (B) SUBCOMPONENT -4-1 (B1) PASSENGER TERMINAL BUILDING ARCHITECTURAL DETAILED PLAN, ELEVATION OF PANTRY 1&2 COUNTER DETAILS	SHEET NO.: B1-4300-59
	JICA DESIGN CONSULTANT JOINT VENTURE JAC JAPAN AIRPORT CONSULTANTS, INC. NIPPON KOEI CO., LTD. NIS CONSULTANTS CO., LTD.	TADASHI AOI <small>Team Leader</small>	ILDEFONSO T. PATDU, JR. <small>Assistant Secretary for Project Implementation, DOTC</small>	JULIANITO G. BUCAYAN, JR. <small>Undersecretary for Project Implementation, DOTC</small>	LOCATION: MUNICIPALITY OF PANGLAO, PROVINCE OF BOHOL, PHILIPPINES	SHEET SCALE: 1:40 MTS.



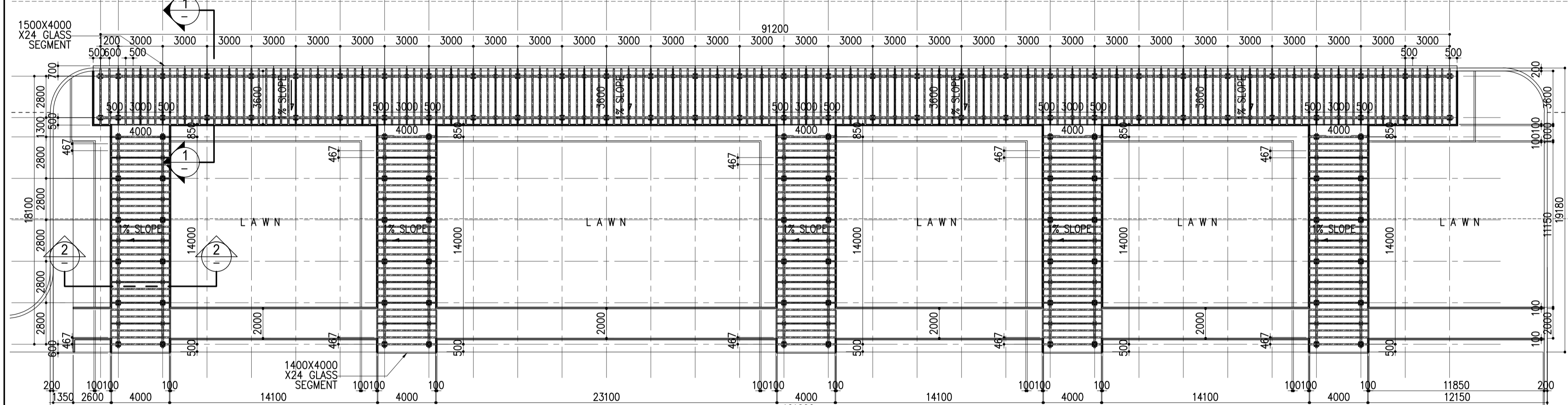
	PREPARED BY: WILLIAM I. MALLONGA <small>Architect</small> <small>REG. NO.: 4623</small> <small>TIN: 150-564-196</small>	RECOMMENDING APPROVAL: ILDEFONSO T. PATDU, JR. <small>Assistant Secretary</small> <small>for Project Implementation, DOTC</small>	APPROVED: JULIANITO G. BUCAYAN, JR. <small>Undersecretary</small> <small>for Project Implementation, DOTC</small>	PROJECT TITLE: NEW BOHOL AIRPORT CONSTRUCTION AND SUSTAINABLE ENVIRONMENT PROTECTION PROJECT LOCATION: MUNICIPALITY OF PANGLAO, PROVINCE OF BOHOL, PHILIPPINES	SHEET CONTENTS: COMPONENT-4 BUILDING WORKS (B) SUBCOMPONENT -4-1 (B1) PASSENGER TERMINAL BUILDING ARCHITECTURAL DETAILED PLAN, ELEVATION OF TICKET BOOTHS, COUNTER DETAILS	SHEET NO: B1-4300-60 DRAWING SCALE: AS SHOWN
	JICA DESIGN CONSULTANT JOINT VENTURE <small>JAPAN AIRPORT CONSULTANTS, INC.</small> <small>NIPPON KOEI CO., LTD.</small> <small>NIS CONSULTANTS CO., LTD.</small>	WILLIAM I. MALLONGA <small>Team Leader</small>	ILDEFONSO T. PATDU, JR. <small>Assistant Secretary</small> <small>for Project Implementation, DOTC</small>	JULIANITO G. BUCAYAN, JR. <small>Undersecretary</small> <small>for Project Implementation, DOTC</small>	DATE: JUNE 2013 INDEX AMENDMENTS Prepared by: WIM Checked by: HC Validated by:	SHEET NO: B1-4300-60 DRAWING SCALE: AS SHOWN



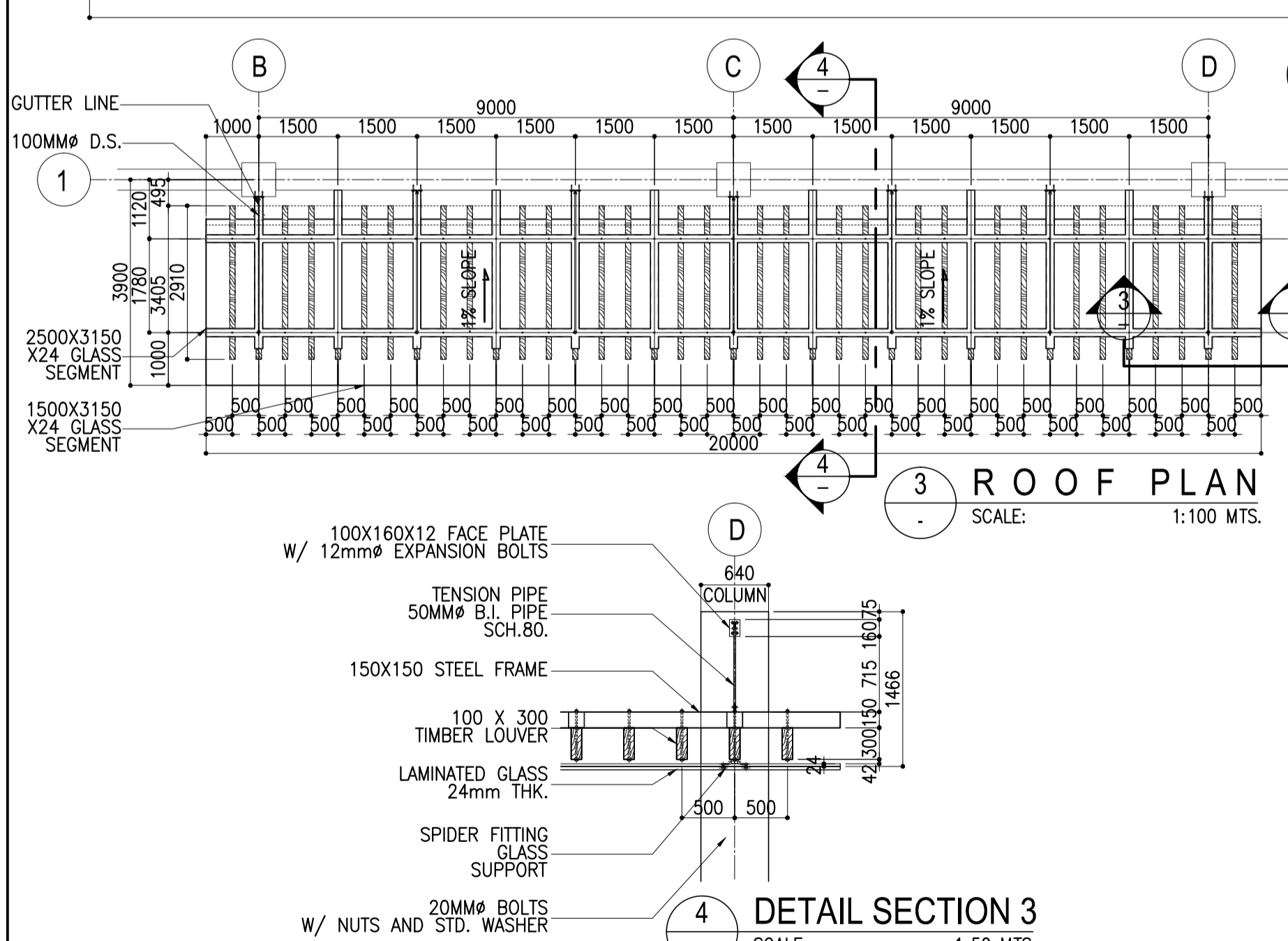
	PREPARED BY: WILLIAM I. MALLONGA	RECOMMENDING APPROVAL: 	APPROVED: 	PROJECT TITLE: NEW BOHOL AIRPORT CONSTRUCTION AND SUSTAINABLE ENVIRONMENT PROTECTION PROJECT	SHEET CONTENTS: COMPONENT-4 BUILDING WORKS (B) SUBCOMPONENT 4-1 (B1) PASSENGER TERMINAL BUILDING ARCHITECTURAL DETAIL, ELEVATION OF TROLLEY PROTECTORS, SPOT DETAILS	SHEET NO: B1-4300-61
	JICA DESIGN CONSULTANT JOINT VENTURE JAPAN AIRPORT CONSULTANTS, INC. NIPPON KOEI CO., LTD. NIS CONSULTANTS CO., LTD.	PROF: <i>Architect</i> PTRL 3811137 REG. NO: 4823 DATE: MAY 8 2013 T.I.N: 193-564-196 PLACE: MAKATI CITY	ILDEFONSO T. PATDU, JR. Assistant Secretary for Project Implementation, DOTC	JULIANITO G. BUCAYAN, JR. Undersecretary for Project Implementation, DOTC	LOCATION: MUNICIPALITY OF PANGLAO, PROVINCE OF BOHOL, PHILIPPINES	DATE INDEX AMENDMENTS JUNE 2013 Prepared by: WIM Checked by: HC Validated by:



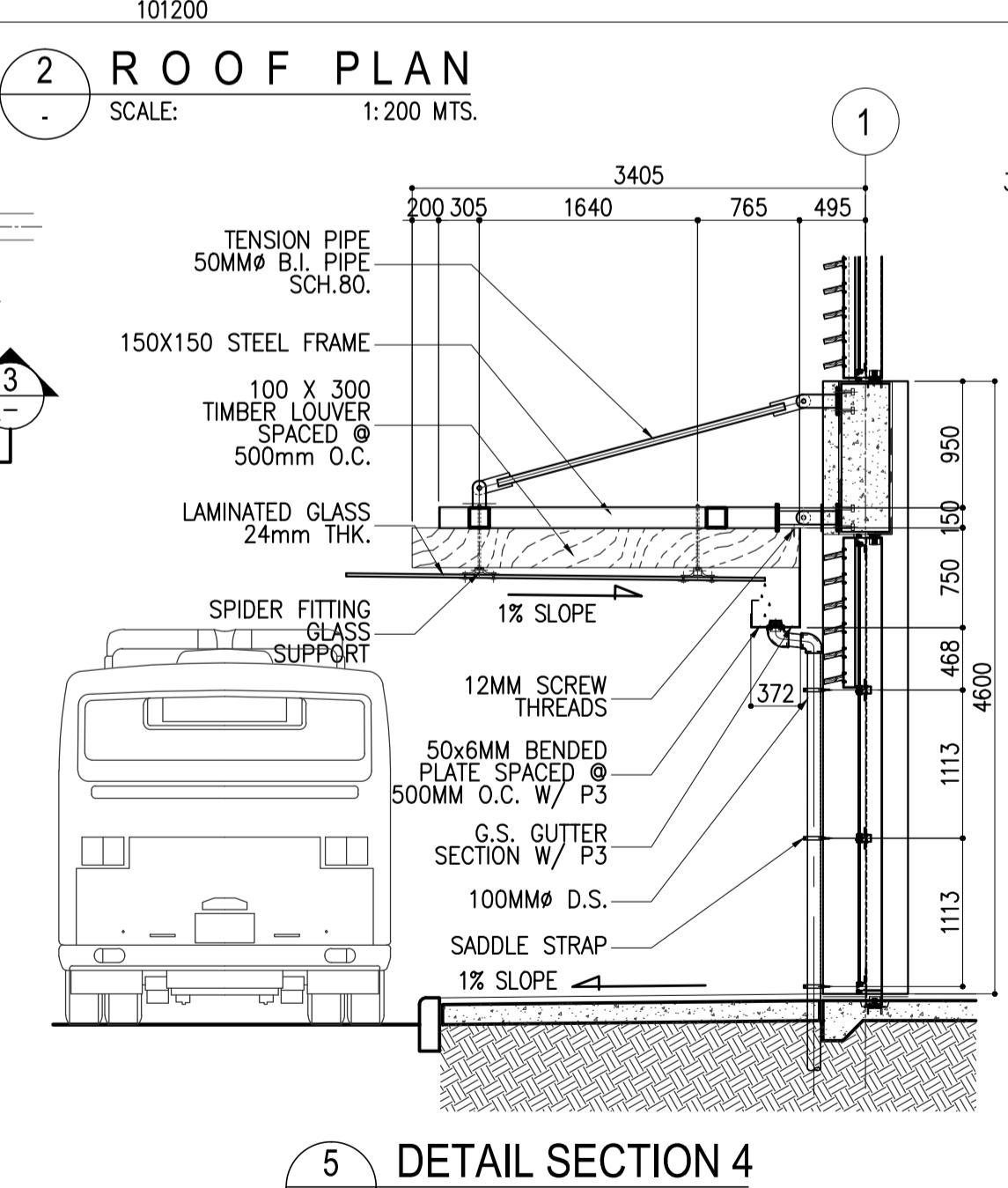
1 FLOOR PLAN
SCALE: 1:200 MTS.



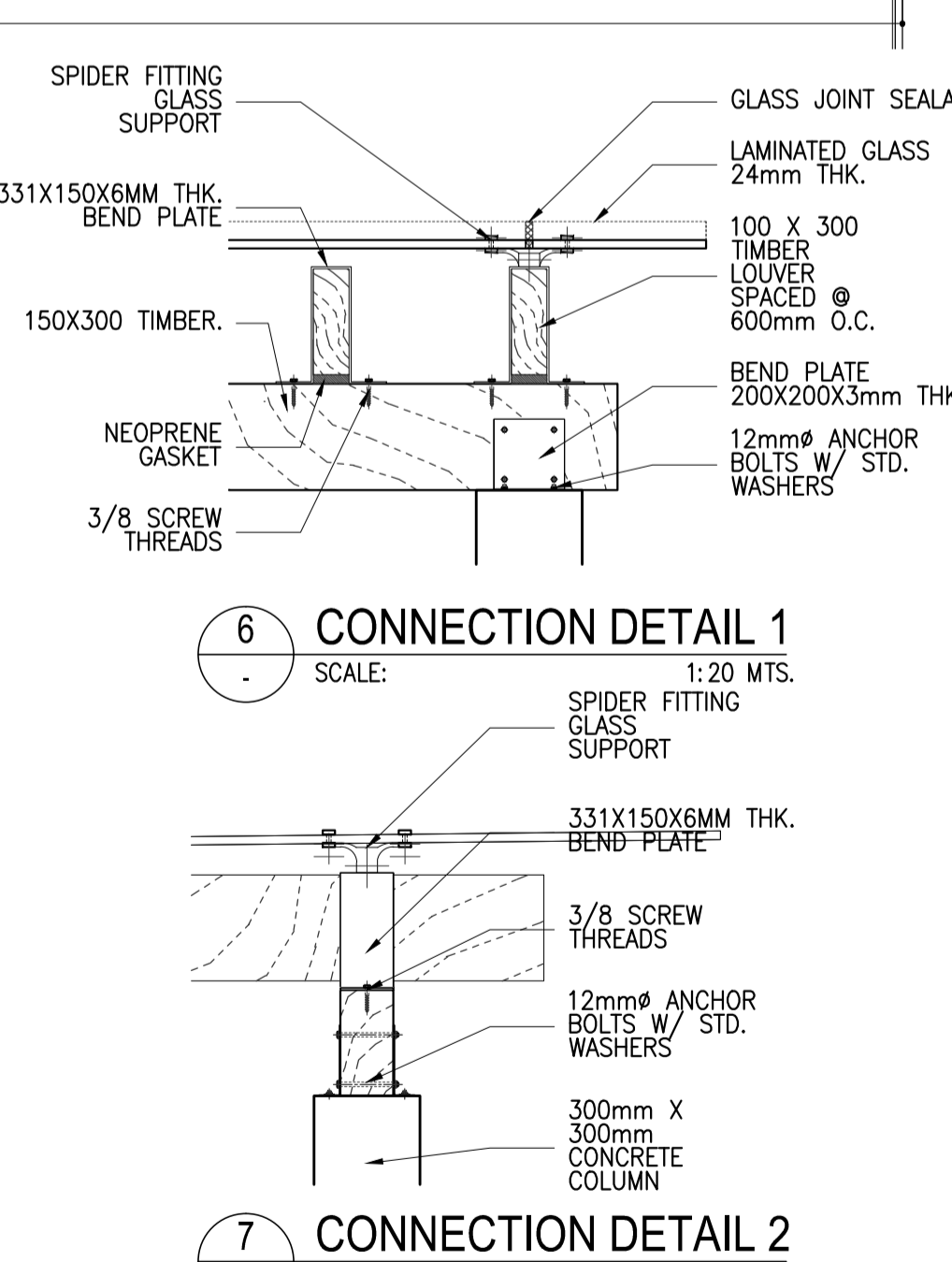
2 ROOF PLAN
SCALE: 1:200 MTS.



3 DETAIL SECTION 3
SCALE: 1:50 MTS.

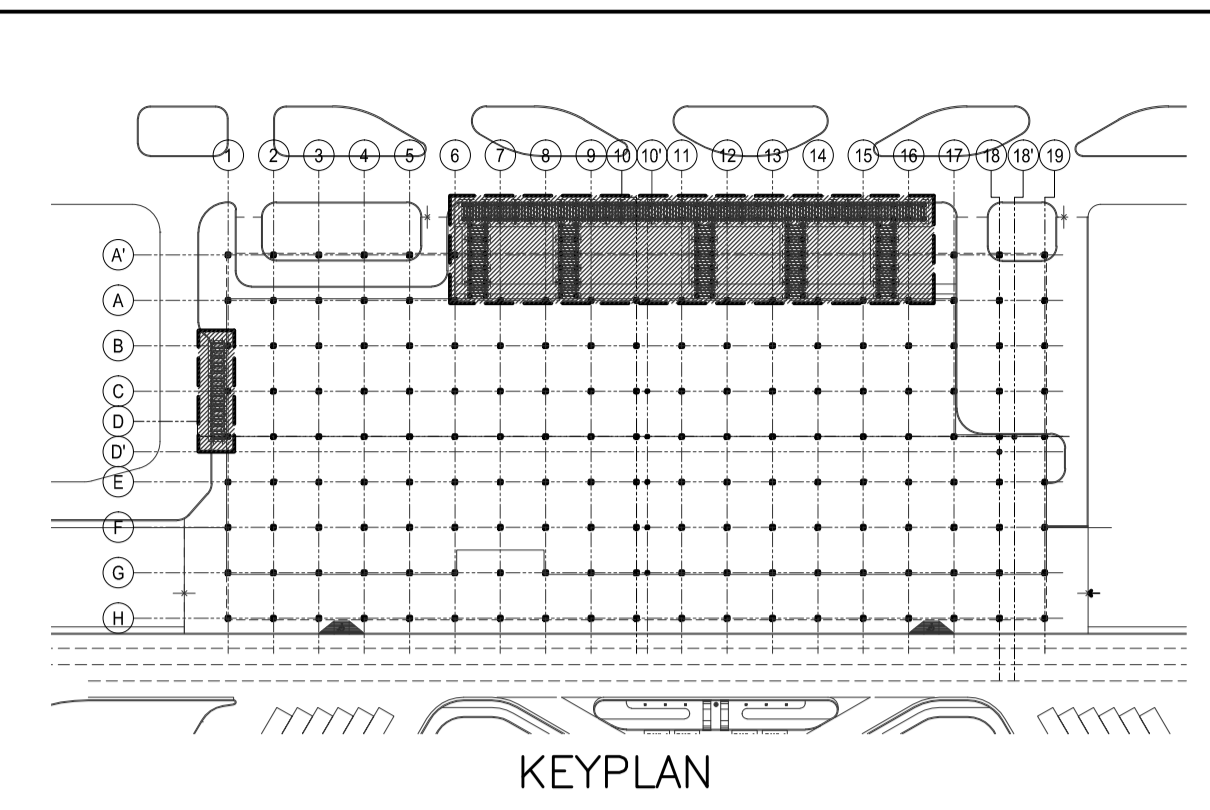


4 DETAIL SECTION 4
SCALE: 1:50 MTS.

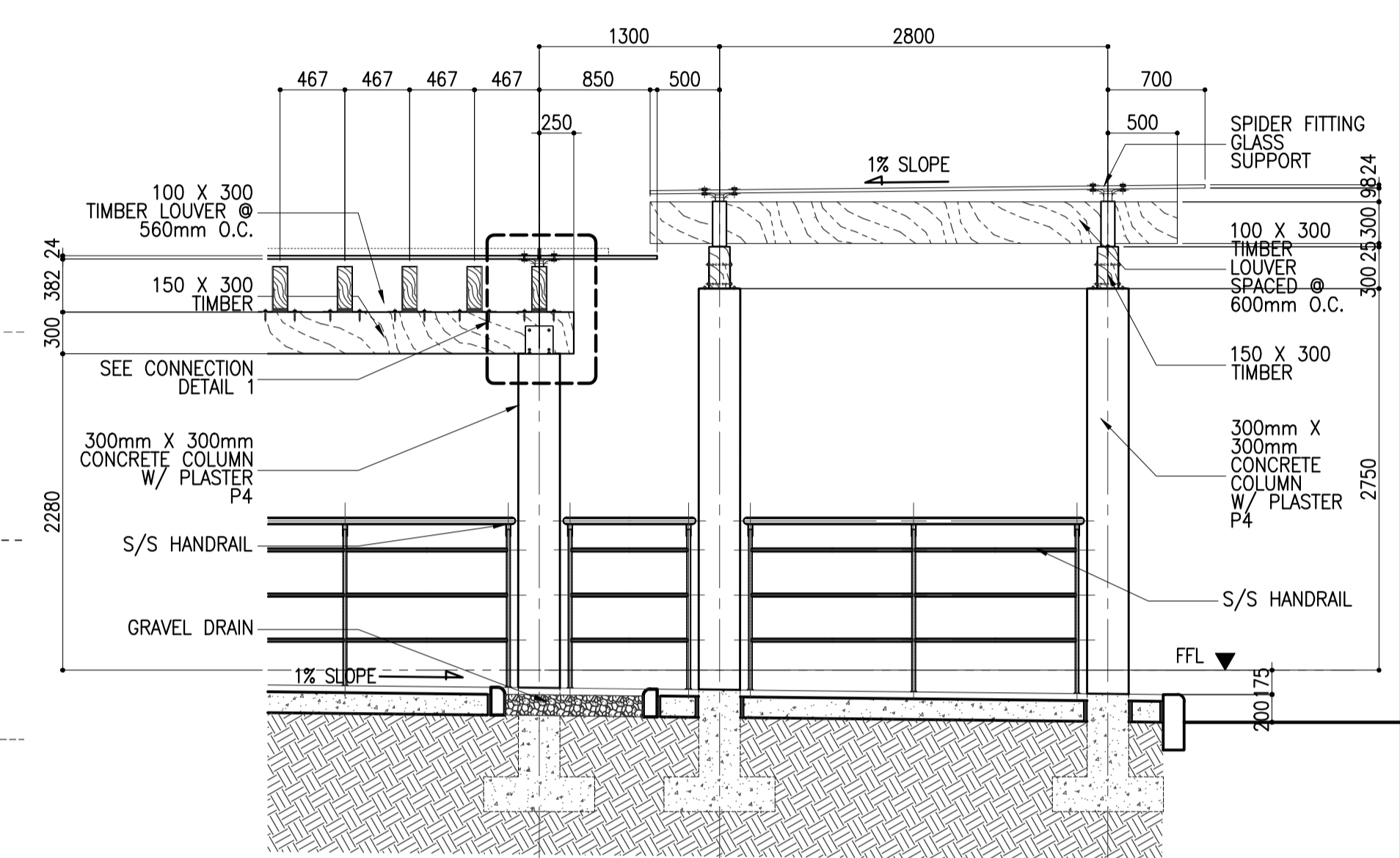


6 CONNECTION DETAIL 1
SCALE: 1:20 MTS.

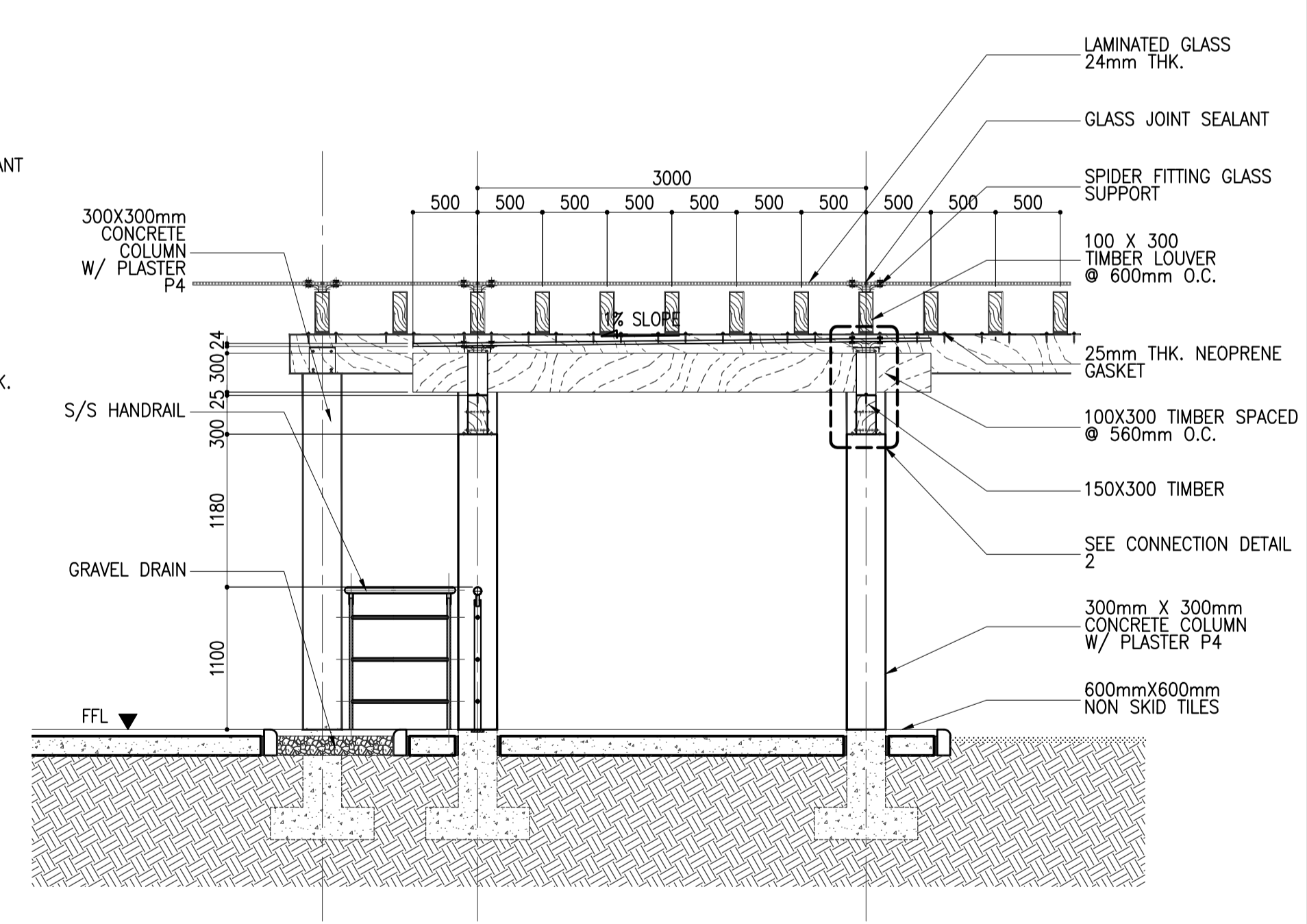
7 CONNECTION DETAIL 2
SCALE: 1:20 MTS.



KEYPLAN

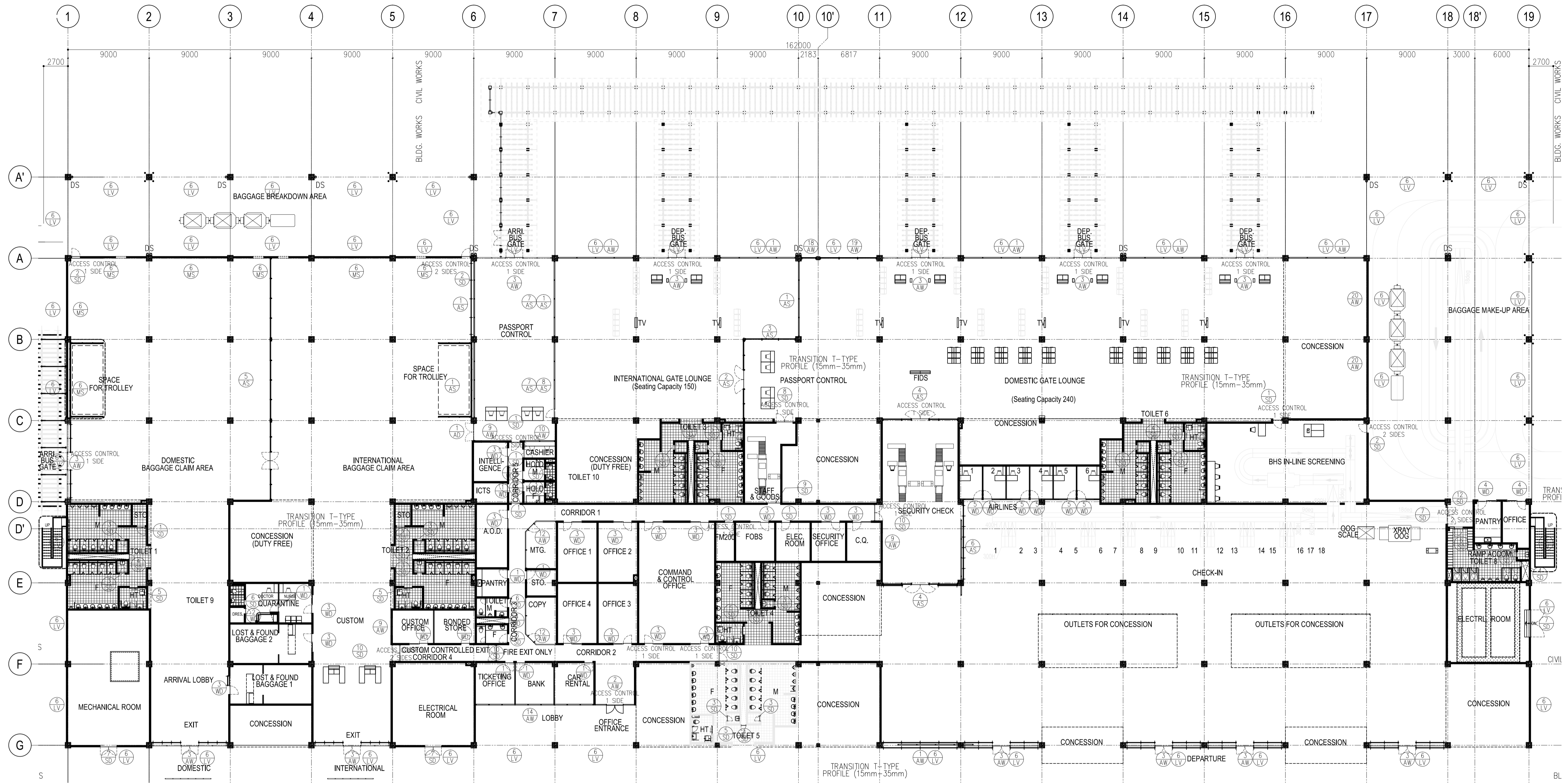


8 DETAIL SECTION 1
SCALE: 1:40 MTS.

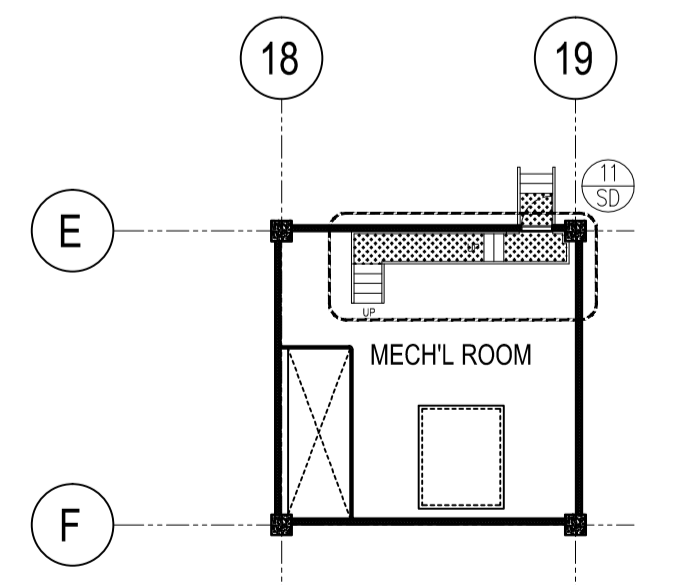


9 DETAIL SECTION 2
SCALE: 1:40 MTS.

	PREPARED BY: WILLIAM L. MALLONGA <small>Architect</small> <small>REG. NO.: 4623</small> <small>TIN: 150-564-196</small>	RECOMMENDING APPROVAL: ILDEFONSO T. PATDU, JR. <small>Assistant Secretary for Project Implementation, DOTC</small>	APPROVED: JULIANITO G. BUCAYAN, JR. <small>Undersecretary for Project Implementation, DOTC</small>	PROJECT TITLE: NEW BOHOL AIRPORT CONSTRUCTION AND SUSTAINABLE ENVIRONMENT PROTECTION PROJECT LOCATION: MUNICIPALITY OF PANGLAO, PROVINCE OF BOHOL, PHILIPPINES	SHEET CONTENTS: COMPONENT-4 BUILDING WORKS (B) SUBCOMPONENT -4-1 (B1) PASSENGER TERMINAL BUILDING ARCHITECTURAL FLOOR PLAN, ROOF PLAN OF WALKWAY DETAIL SECTIONS	SHEET NO.: B1-4300-64 DRAWING SCALE: AS SHOWN
	JICA DESIGN CONSULTANT JOINT VENTURE <small>Republic of the Philippines DEPARTMENT OF TRANSPORTATION AND COMMUNICATIONS</small> <small>JAPAN INTERNATIONAL COOPERATION AGENCY</small>	TADASHI AOI <small>Team Leader</small>	JUN 2013 DATE INDEX AMENDMENTS	WIM HC Prepared by Checked by Validated by	DATE INDEX AMENDMENTS	SHEET NO.: B1-4300-64 DRAWING SCALE: AS SHOWN



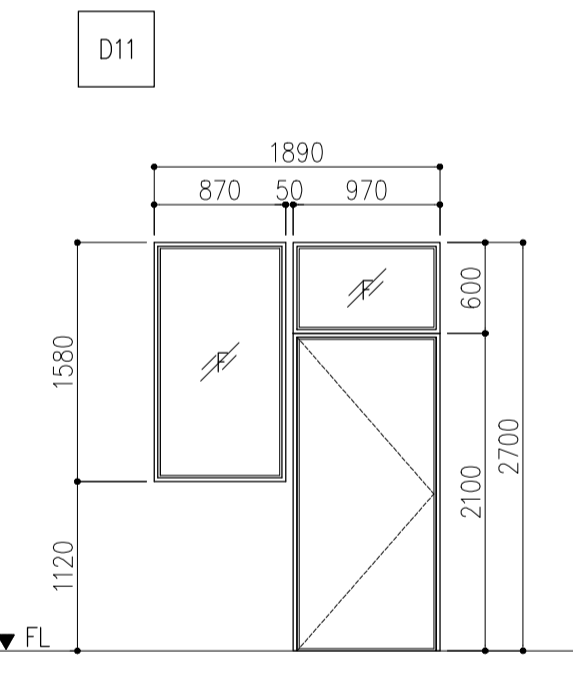
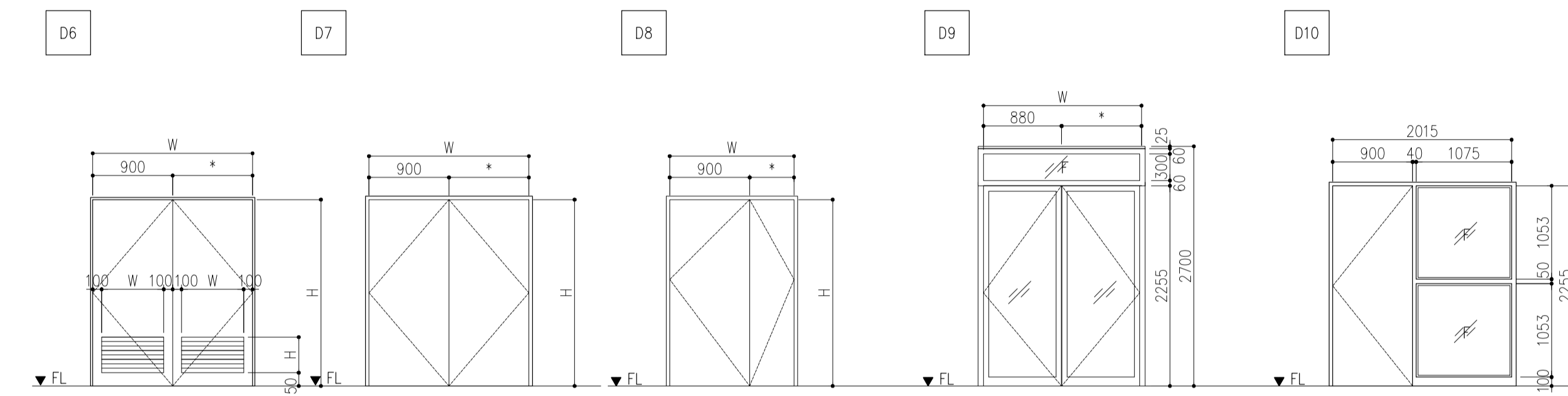
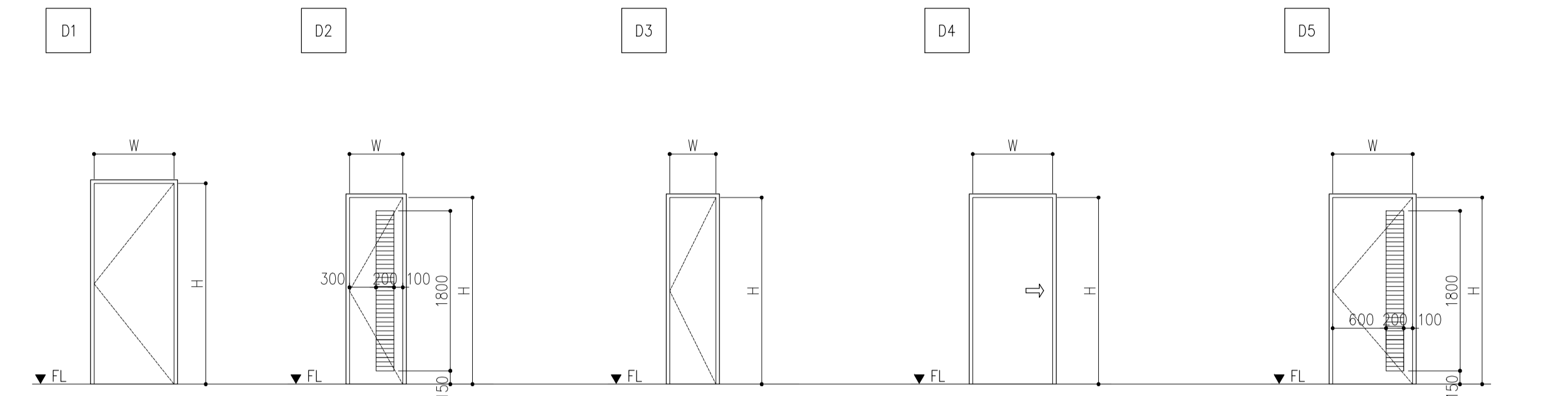
1 GROUND FLOOR SCHED. OF DOORS & WINDOWS
 B1-4300-65 PTB SCALE: NOT TO SCALE



 Republic of the Philippines DEPARTMENT OF TRANSPORTATION AND COMMUNICATIONS	 JAPAN INTERNATIONAL COOPERATION AGENCY	PREPARED BY: WILLIAM I. MALLONGA <small>PROF. Architect FPR 391137</small> <small>RES. NO.: 4623 DATE: MAY 9, 2013</small> <small>T.I.N. 150-564-196 PLACE: MAKATI CITY</small>	RECOMMENDING APPROVAL: ILDEFONSO T. PATDU, JR. <small>Assistant Secretary for Project Implementation, DOTC</small>	APPROVED: JULIANITO G. BUCAYAN, JR. <small>Undersecretary for Project Implementation, DOTC</small>	PROJECT TITLE: NEW BOHOL AIRPORT CONSTRUCTION AND SUSTAINABLE ENVIRONMENT PROTECTION PROJECT LOCATION: MUNICIPALITY OF PANGLAO, PROVINCE OF BOHOL, PHILIPPINES	SHEET CONTENTS: COMPONENT-4 BUILDING WORKS (B) SUBCOMPONENT-4-1 (B1) PASSENGER TERMINAL BUILDING ARCHITECTURAL GROUND FLR. SCHEDULE OF DOORS & WINDOWS	SHEET NO: B1-4300-65 DRAWING SCALE: NTS
		JICA DESIGN CONSULTANT JOINT VENTURE 		TADASHI AOI Team Leader	JULIANITO G. BUCAYAN, JR. Undersecretary for Project Implementation, DOTC	DATE: JUNE 2013 INDEX AMENDMENTS Prepared by: WIM Checked by: HC Validated by:	

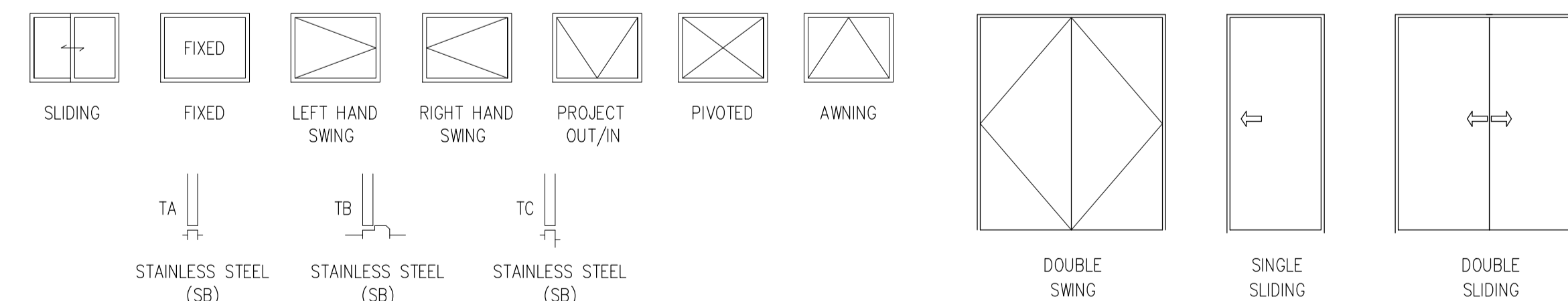
DOOR & WINDOW SCHEDULE

MARK	FIGURE	QUANTITY	DIMENSION		MATERIAL	FINISH	TYPE	THICKNESS	GLAZING	LOUVER	INSECT SCREEN	IRON MONGERY							OTHERS			REMARKS		
			W x H	FRAME								DOOR PANEL OR SASH	MATERIAL	FINISH	ALL FITTING FIXING & HARDWARE	HINGES	LOCK AND LATCH DOOR HANDLE	DOOR CLOSER	DOOR STOP	WEATHER MOULDING	SILL TRIM		DOOR THRESHOLD	DOOR NAME PLATE
1 SD	D1	9	900 x 2100	130	40	ST	P-3	-	-	-	-	SST	SB	X	BH	ML	X	X	-	-	TA	X	-	STEEL DOOR W/ PANIC BAR AND ACCESS CONTROL PANEL (1 SIDE OR 2 SIDES) AT DESIGNATED LOCATIONS
2 SD	D1	3	900 x 2100	130	40	ST	P-3	-	-	-	-	SST	SB	X	BH	ML	X	-	X	-	TA	-	-	WITH ACCESS CONTROL 2 SIDES
3 SD	D2	14	600 x 2100	130	40	ST	P-3	-	-	200x1800	-	SST	SB	X	BH	ML	-	-	-	-	TA	-	-	
4 SD	D3	8	520 x 2100	130	40	ST	P-3	-	-	-	-	SST	SB	X	BH	ML	-	-	-	-	TA	-	-	
5 SD	D4	6	900 x 2100	130	40	ST	P-3	-	-	-	-	SST	SB	X	BH	ML	-	-	-	-	TA	-	-	SLIDING STEEL DOOR
6 SD	D5	4	600 x 2100	130	40	ST	P-3	-	-	200x1800	-	SST	SB	X	BH	ML	-	-	-	-	TA	X	-	
7 SD	D6	4	1600 x 2100	130	40	ST	P-3	-	-	700x600	-	SST	SB	X	BH	ML	X	-	X	-	TC	X	-	STEEL DOOR W/ PANIC BAR AND ACCESS CONTROL PANEL (2 SIDES) AT DESIGNATED LOCATIONS
8 SD	D7	1	1600 x 2100	130	40	ST	P-3	-	-	-	-	SST	SB	X	BH	ML	-	-	-	-	TA	-	-	STEEL DOOR W/ PANIC BAR AND ACCESS CONTROL PANEL (1 SIDE) AT DESIGNATED LOCATIONS
9 SD	D8	1	1300 x 2255	130	40	ST	P-3	-	-	-	-	SST	SB	X	BH	ML	-	-	-	-	TA	-	-	
10 SD	D7	4	1600 x 2100	130	40	ST	P-3	-	-	-	-	SST	SB	X	BH	ML	-	-	-	-	TA	-	-	STEEL DOOR W/ PANIC BAR AND ACCESS CONTROL PANEL (2 SIDES) AT DESIGNATED LOCATIONS
11 SD	D1	1	900 x 1730	130	40	ST	P-3	-	-	-	-	SST	SB	X	BH	DL	-	-	X	-	TC	-	-	
12 SD	D1	1	625 x 1440	130	40	ST	P-3	-	-	-	-	SST	SB	X	BH	DL	-	-	X	-	TC	-	-	
1 AD	D9	1	1880 x 2700	-	-	AL	AN	CG	6mm	-	-	SST	SB	X	FH	DL	-	-	-	-	TA	-	-	
1 WD	D1	8	900 x 2100	130	40	WD	P-2	-	-	-	-	SST	SB	X	BH	ML	-	-	-	-	TA	X	-	
2 WD	D1	1	600 x 2100	130	40	WD	P-2	-	-	-	-	SST	SB	X	BH	ML	-	-	-	-	TA	-	-	
3 WD	D10	17	2015 x 2100	130	40	WD	P-2	CG	6mm	-	-	SST	SB	X	BH	ML	X	-	-	-	TA	X	-	STEEL DOOR W/ FIXED WINDOWS, PANIC BAR AND ACCESS CONTROL PANEL (1 SIDE) AT DESIGNATED LOCATIONS
4 WD	D10	3	2015 x 2100	130	40	WD	P-2	CG	6mm	-	-	SST	SB	X	BH	ML	-	-	X	-	TB	-	-	WITH FIXED WINDOWS
5 WD	D11	6	1890 x 2700	130	40	WD	P-2	CG	6mm	-	-	SST	SB	X	BH	ML	-	-	-	X	TA	-	-	WITH FIXED WINDOWS



DOOR & WINDOW AD - ALUMINIUM DOOR AW - ALUMINIUM WINDOW AL - ALUMINIUM LOUVER SD - STEEL DOOR FWD - FLUSH DOOR LWD - LOUVER DOOR RS - ROLLING SHUTTER DOOR RG - ROLLING GRILLE AS - ALUMINIUM SCREEN FP - FOLDING PARTITION WD - WOODEN DOOR	MATERIAL ST - STEEL SST - STAINLESS STEEL AL - ALUMINIUM TG - TEMPERED GLASS HC - HONEY COMB WD - WOOD	FINISH AN - ANODIZING WITH ELECTRO DEPOSITION ALUMINIUM SB - SCRATCH BRUSHED MR - MELANIN RESIN OVERLAD EPX - EPOXY-POLYESTER BAKED PAINT P-2 - SYNTHETIC RESIN MIXED PAINT (WOOD) P-3 - SYNTHETIC RESIN MIXED PAINT (STEEL) UE - URETHAN RESIN	GLAZING CG - CLEAR FLOAT GLASS CWG - CLEAR WIRED GLASS FG - FIGURED GLASS FWG - FIGURED WIRED GLASS HAG - HEAT ABSORBING GLASS HAWG - HEAT ABSORBING WIRED GLASS LG - LAMINATED GLASS TG - TEMPERED GLASS HTG - HEAT ABSORBING TEMPERED GLASS	HINGES BH - BUTT HINGE FH - FLOOR HINGE PH - PIVOT HINGE SH - SPRING HINGE	LOCK & LATCH/DOOR HANDLE DL - DEADBOLT MORTISE LOCK ML - MORTISE LOCK & LEVER HANDLE CL - CYLINDRICAL LOCK HC - HOOK LOCK EL - EMERGENCY LOCK & LEVER HANDLE	PL - PASSAGE LATCH LL - LAVATORY LATCH - WITH INDICATOR FB - FLUSH BOLT PP - PUSH-PULL PLATE OR BAR CS - CRESCENT SASH LOCK CLH - CAM LATCH HANDLE & ARM RT - ROLLER TIGHTENING HANDLE	OTHERS RW - ROCK WOOL IS - INSECT SCREEN AT - AIRTIGHTNESS BB - BLIND BOX FTG - FRAMELESS DOOR
--	---	--	---	---	--	---	--

SYMBOLS & CONVENTION OF DOOR & WINDOW



GENERAL NOTE:
 WHERE INDICATED ON B1-4300-89 DOORS TO BE EQUIPPED WITH ACCESS CONTROL AND/OR PANIC BARS, DOORS LINKED TO A.C. AND/OR FIRE ALARM ARE TO BE EQUIPPED WITH AUTOMATIC ELECTRONIC LOCK AND ELECTRONIC CONTROLLED HINGES.

	PREPARED BY: WILLIAM I. MALLONGA <small>PROF: Architect PIR: 3911137 REG. NO: 4623 DATE: MAY 9, 2013 TIN: 150-564-196 PLACE: MAKATI CITY</small>	RECOMMENDING APPROVAL: ILDEFONSO T. PATDU, JR. <small>Assistant Secretary for Project Implementation, DOTC</small>	APPROVED: JULIANITO G. BUCAYAN, JR. <small>Undersecretary for Project Implementation, DOTC</small>	PROJECT TITLE: NEW BOHOL AIRPORT CONSTRUCTION AND SUSTAINABLE ENVIRONMENT PROTECTION PROJECT LOCATION: MUNICIPALITY OF PANGLAO, PROVINCE OF BOHOL, PHILIPPINES	SHEET CONTENTS: COMPONENT-4 BUILDING WORKS (B) SUBCOMPONENT-4-1 (B1) PASSENGER TERMINAL BUILDING ARCHITECTURAL SCHEDULE OF DOORS	SHEET NO: B1-4300-66 DRAWING SCALE: 1:50 M.
	JICA DESIGN CONSULTANT JOINT VENTURE JAPAN AIRPORT CONSULTANTS, INC. NIPPON KOEI CO., LTD. NIS CONSULTANTS CO., LTD.	JUNE 2013 DATE INDEX AMENDMENTS Prepared by WIM Checked by HC Validated by				