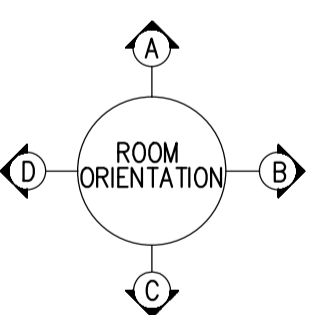
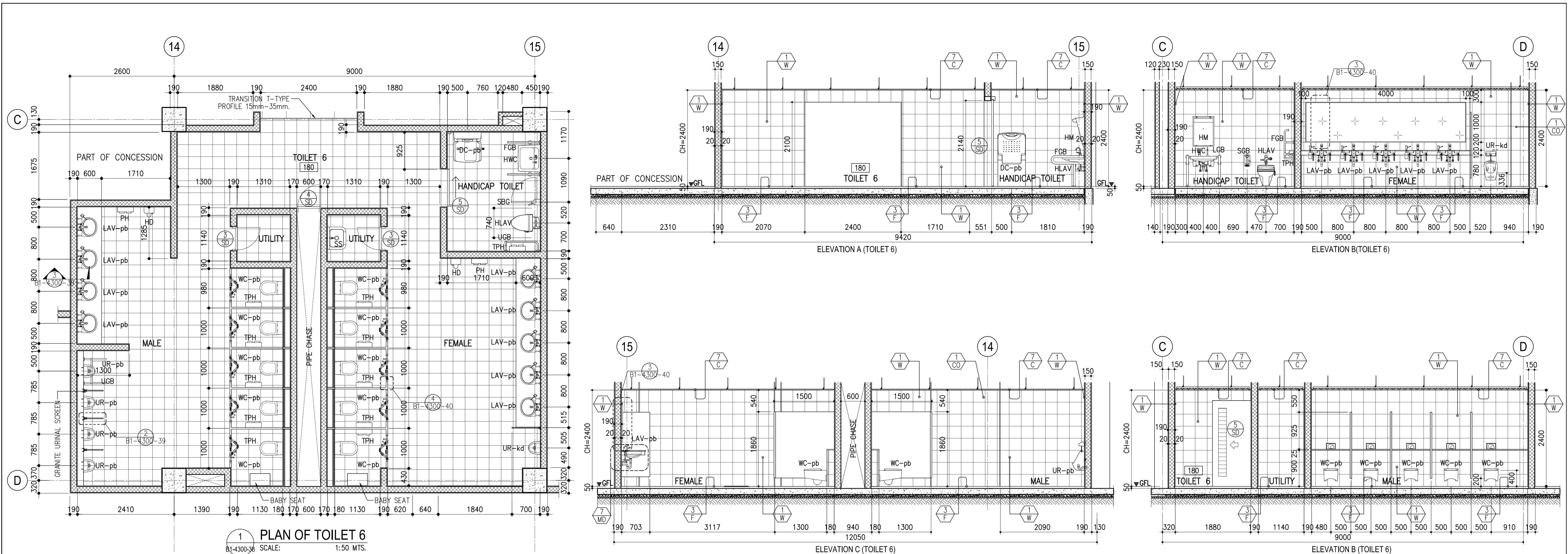


1 PLAN OF TOILET 5
 B1-4300-37 SCALE: 1:50 MTS.

- LEGEND**
- BS BABY SITTER
 - FGB FIXED GRAB BAR
 - HD HAND DRYER
 - HLAV HANDICAP LAVATORY
 - HM HANDICAP MIRROR
 - HWC HANDICAP WATERCLOSET
 - LAV-pb LAVATORY-public
 - LAV-pv LAVATORY-private
 - LGB LAVATORY GRAB BAR
 - PH PAPER HOLDER
 - SH SOAP HOLDER
 - SHW SHOWER FIXTURES
 - SHW/S SHOWER SHELF
 - SGB SWING GRAB BAR
 - SS SLOP SINK
 - TPH TOILET PAPER HOLDER
 - UGB URINAL GRAB BAR
 - UR-pb URINAL-public
 - UR-pv URINAL-private
 - UR-kd URINAL-kid
 - WC-pb WATER CLOSET-public
 - WC-pv WATER CLOSET-private
 - DC-pb DIAPER CHANGE-public

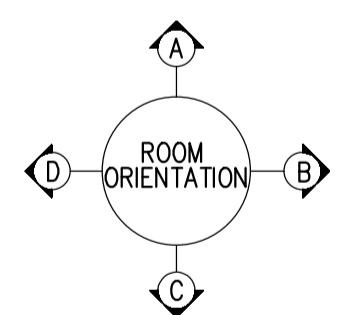


	PREPARED BY: WILLIAM I. MALLONGA <small>PRF: Architect PIR: 3911137 REC. NO.: 4623 DATE: MAY 9, 2013 T.I.N. 150-564-196 PLACE: MANILA CITY</small>	RECOMMENDING APPROVAL: ILDEFONSO T. PATDUI, JR. <small>Assistant Secretary for Project Implementation, DOTC</small>	APPROVED: JULIANITO G. BUCAYAN, JR. <small>Undersecretary for Project Implementation, DOTC</small>	PROJECT TITLE: NEW BOHOL AIRPORT CONSTRUCTION AND SUSTAINABLE ENVIRONMENT PROTECTION PROJECT LOCATION: MUNICIPALITY OF PANGLAO, PROVINCE OF BOHOL, PHILIPPINES	SHEET CONTENTS: COMPONENT-4 BUILDING WORKS (B) SUBCOMPONENT -4-1 (B1) PASSENGER TERMINAL BUILDING ARCHITECTURAL DETAIL OF TOILET 5	SHEET NO: B1-4300-37 DRAWING SCALE: 1:50 MTS.
	JICA DESIGN CONSULTANT JOINT VENTURE JAPAN AIRPORT CONSULTANTS, INC. NIPPON KOEI CO., LTD. NIS CONSULTANTS CO., LTD.	DATE: JUNE 2013 INDEX AMENDMENTS Prepared by: WIM Checked by: HC Validated by:				

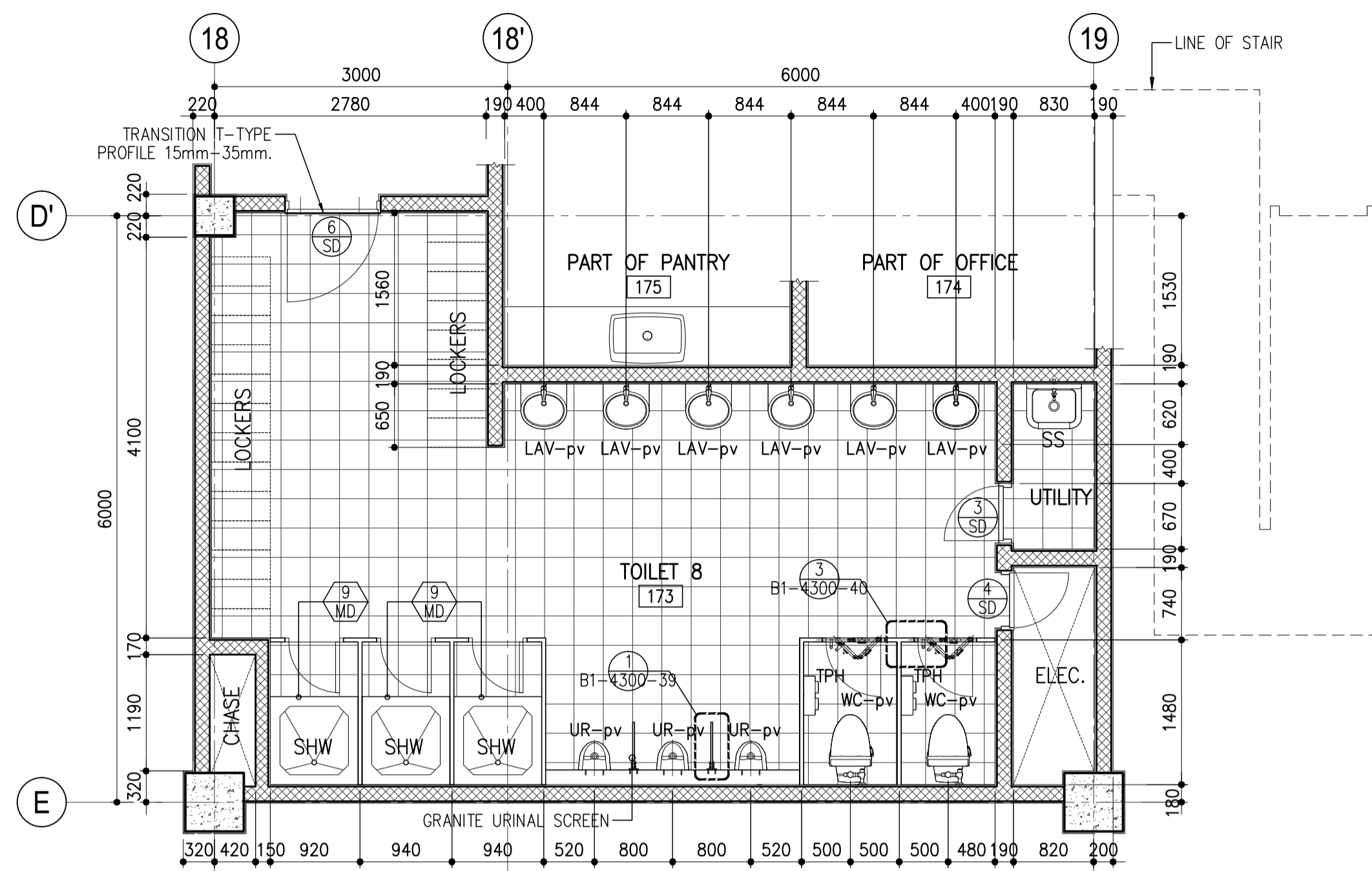


1 PLAN OF TOILET 6
 B1-4300-36 SCALE: 1:50 MTS.

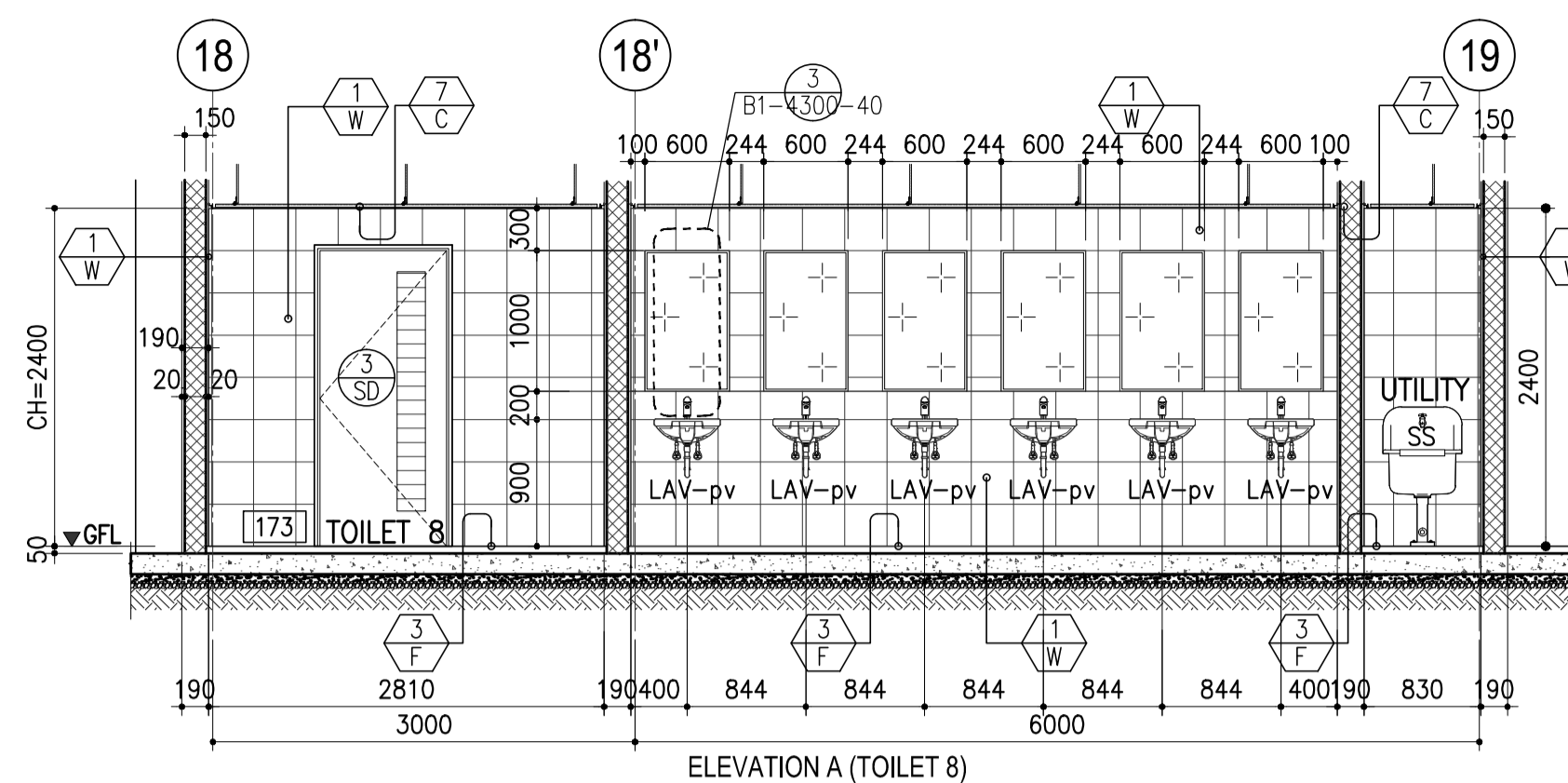
- LEGEND**
- BS BABY SITTER
 - FCB FIXED GRAB BAR
 - HD HAND DRYER
 - HLAV HANDICAP LAVATORY
 - HM HANDICAP MIRROR
 - HWC HANDICAP WATERCLOSET
 - LAV-pb LAVATORY-public
 - LAV-pv LAVATORY-private
 - LGB LAVATORY GRAB BAR
 - PH PAPER HOLDER
 - SH SOAP HOLDER
 - SHW SHOWER FIXTURES
 - SHW/S SHOWER SHELF
 - SGB SWING GRAB BAR
 - SS SLOP SINK
 - TPH TOILET PAPER HOLDER
 - UGB URINAL GRAB BAR
 - UR-pb URINAL-public
 - UR-pv URINAL-private
 - UR-kd URINAL-kid
 - WC-pb WATER CLOSET-public
 - WC-pv WATER CLOSET-private
 - DC-pb DIAPER CHANGE-public



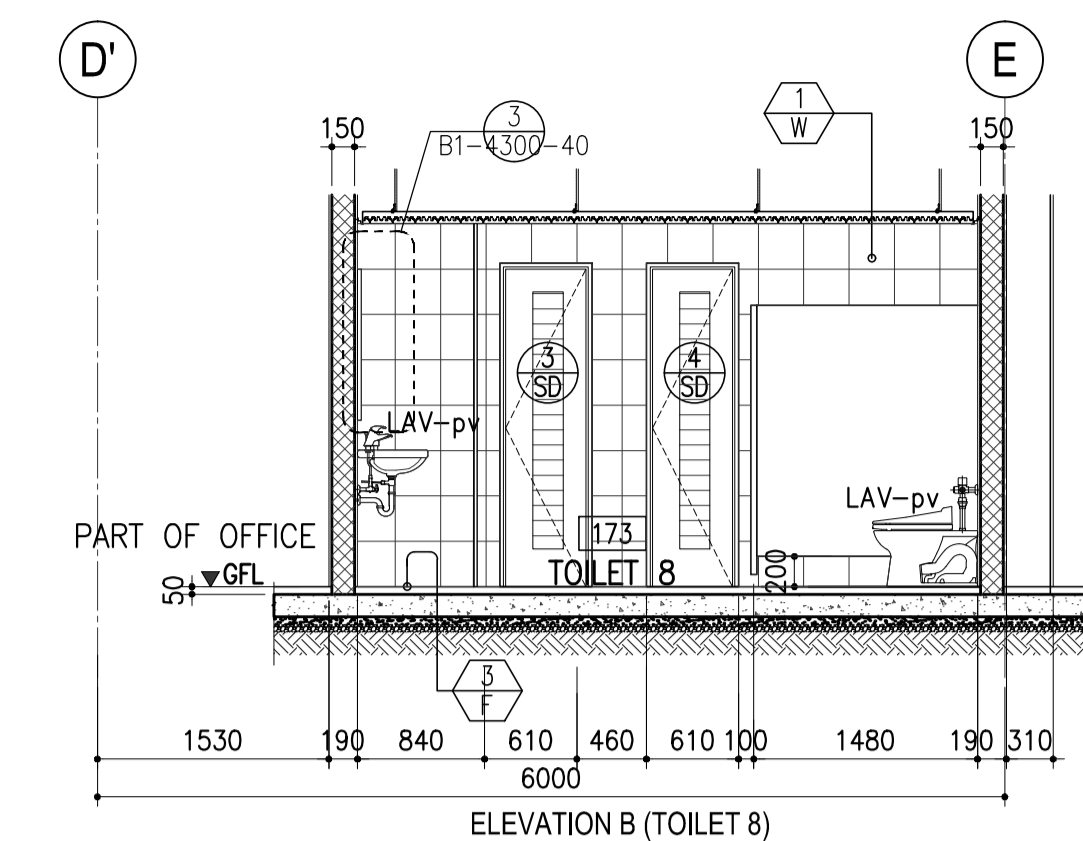
	PREPARED BY: WILLIAM I. MALLONGA <small>PROF: Architect PIR. 3911137 REG. NO.: 4623 DATE: MAY 9, 2013 TEL. 150-564-196 PLACE: MANILA CITY</small>	RECOMMENDING APPROVAL: ILDEFONSO T. PATDU, JR. <small>Assistant Secretary for Project Implementation, DOTC</small>	APPROVED: JULIANITO G. BUCAYAN, JR. <small>Undersecretary for Project Implementation, DOTC</small>	PROJECT TITLE: NEW BOHOL AIRPORT CONSTRUCTION AND SUSTAINABLE ENVIRONMENT PROTECTION PROJECT	LOCATION: MUNICIPALITY OF PANGLAO, PROVINCE OF BOHOL, PHILIPPINES	SHEET CONTENTS: COMPONENT-4 BUILDING WORKS (B) SUBCOMPONENT -4-1 (B1) PASSENGER TERMINAL BUILDING ARCHITECTURAL DETAIL OF TOILET 6	SHEET NO: B1-4300-38
	JICA DESIGN CONSULTANT JOINT VENTURE	TADASHI AOI Team Leader	JULIANITO G. BUCAYAN, JR. Undersecretary for Project Implementation, DOTC	DATE: JUNE 2013 INDEX	AMENDMENTS	Prepared by: WIM Checked by: HC Validated by:	DRAWING SCALE: 1:50 MTS.



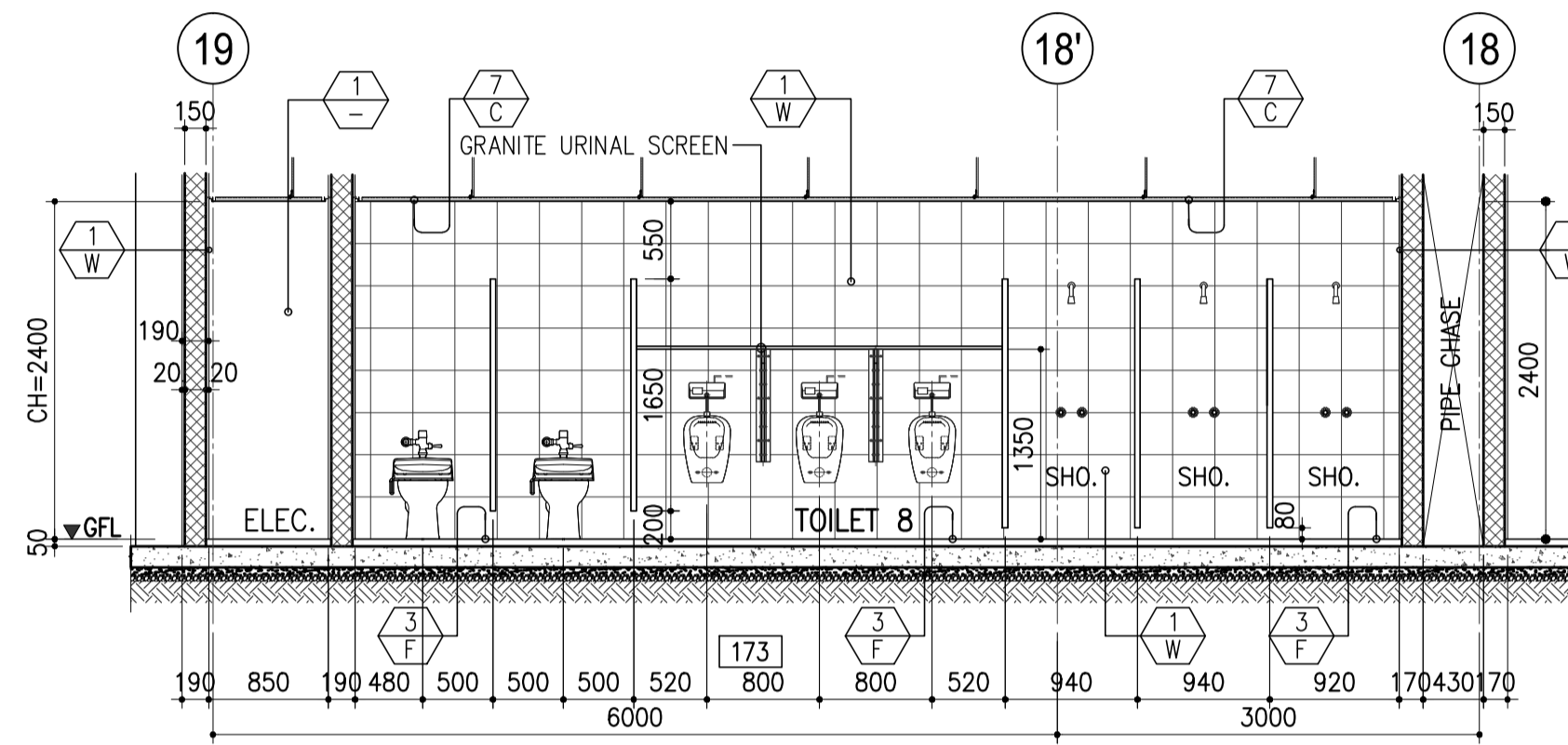
1 PLAN OF TOILET 8
B1-4300-39 SCALE: 1:50 MTS.



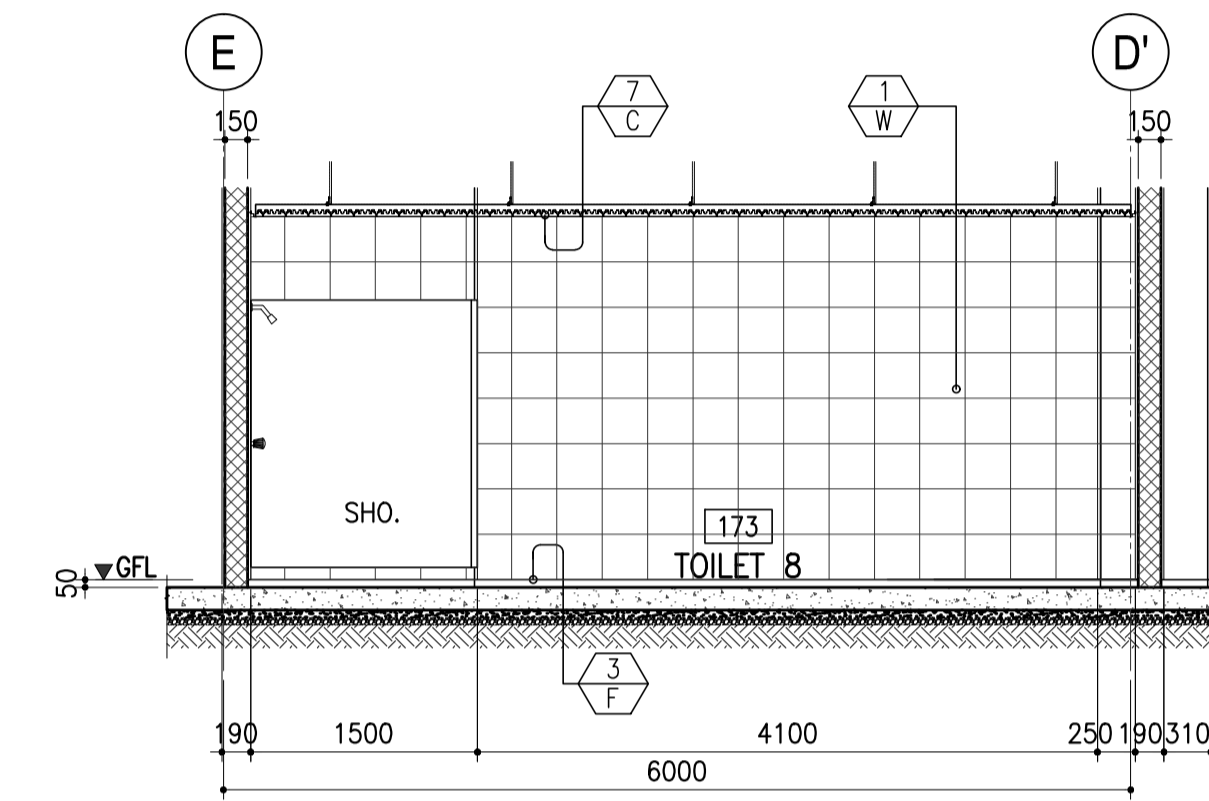
ELEVATION A (TOILET 8)



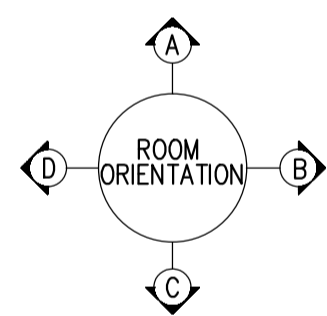
ELEVATION B (TOILET 8)



ELEVATION C (TOILET 8)

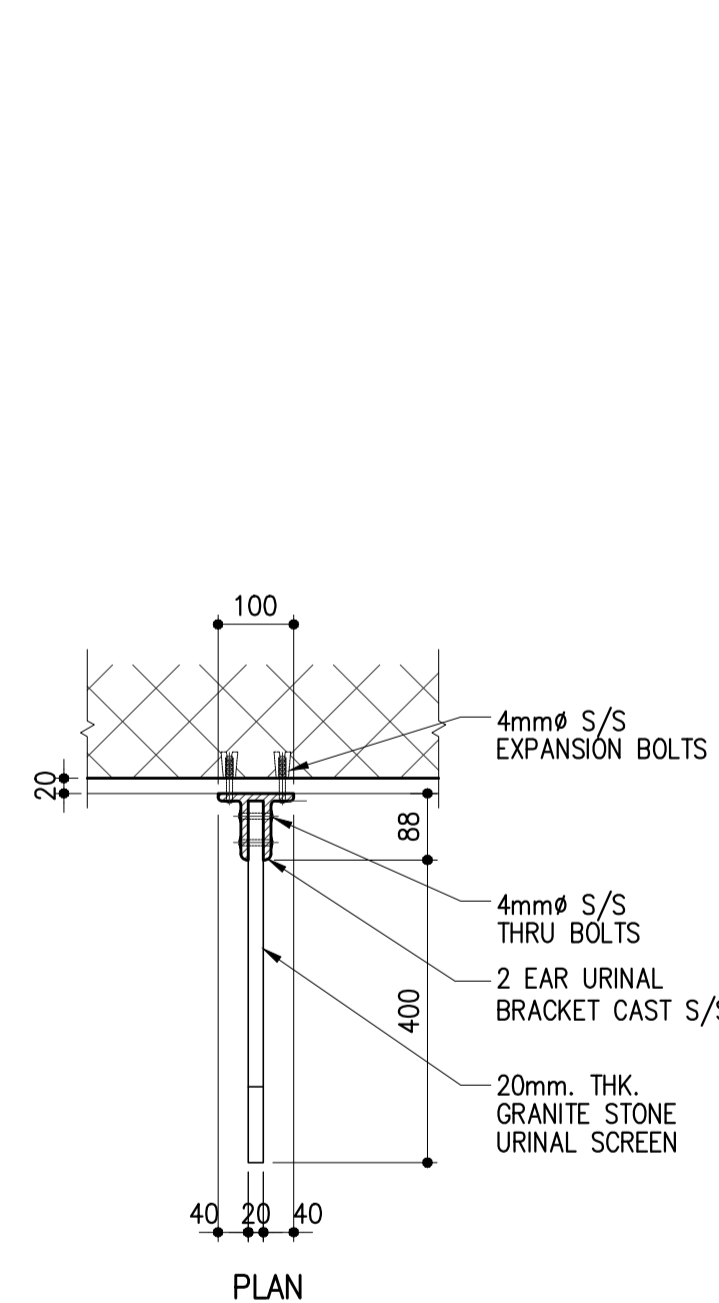


ELEVATION D (TOILET 8)

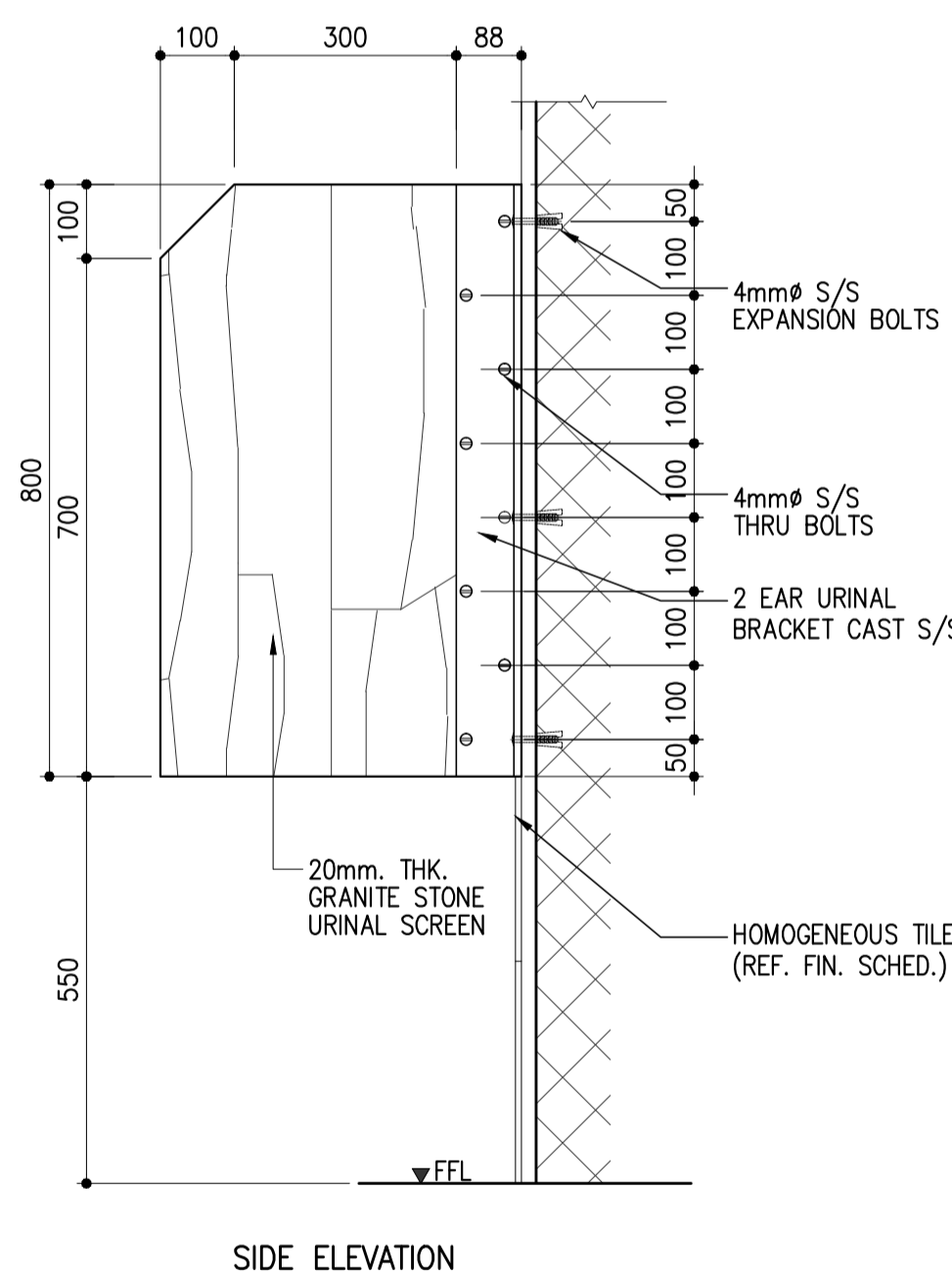


LEGEND

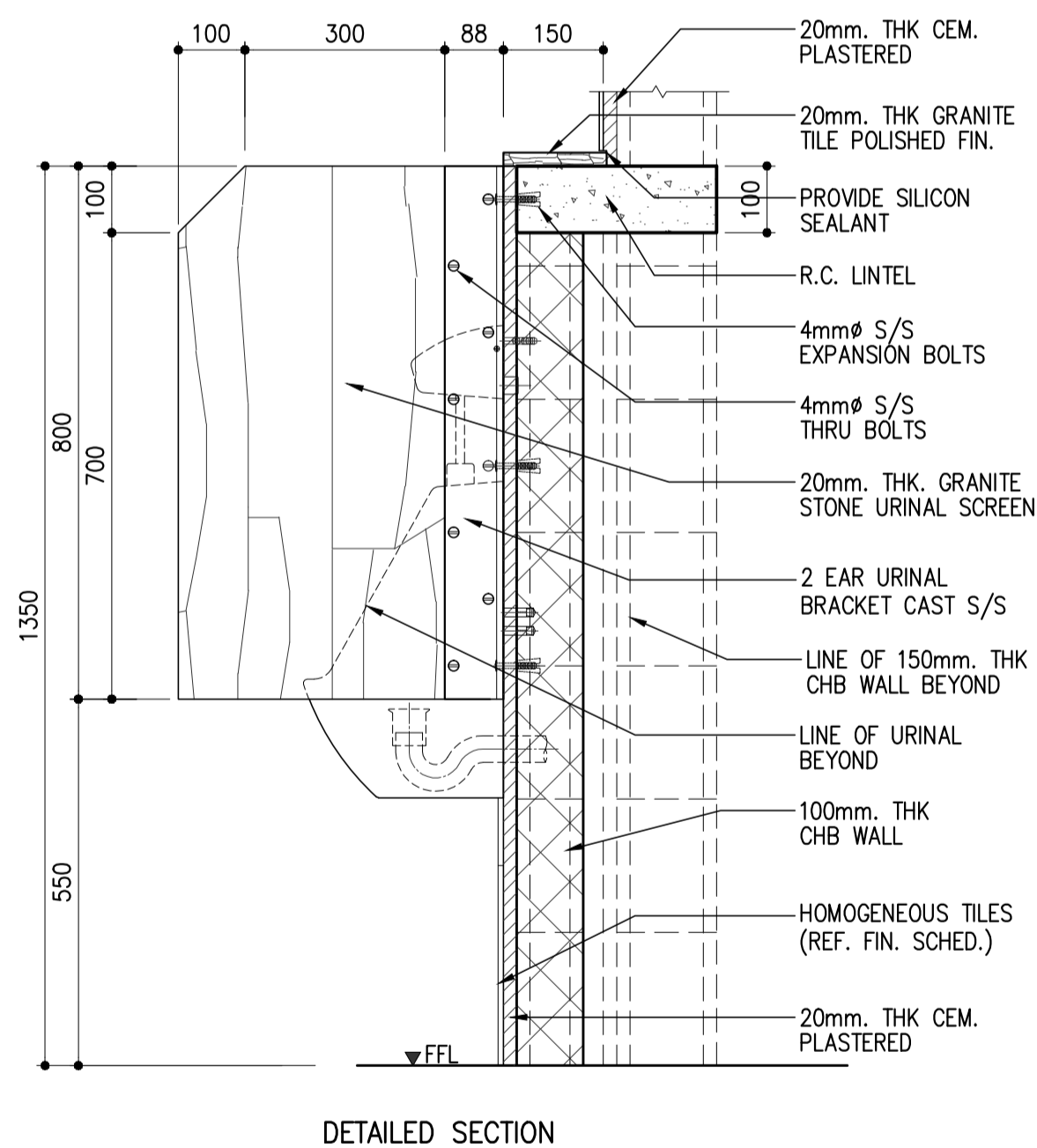
- BS BABY SITTER
- FCB FIXED GRAB BAR
- HD HAND DRYER
- H LAV HANDICAP LAVATORY
- HM HANDICAP MIRROR
- HWC HANDICAP WATERCLOSET
- LAV-pb LAVATORY-public
- LAV-pv LAVATORY-private
- LGB LAVATORY GRAB BAR
- PH PAPER HOLDER
- SH SOAP HOLDER
- SHW SHOWER FIXTURES
- SHW/S SHOWER SHELF
- SGB SWING GRAB BAR
- SS SLOP SINK
- TPH TOILET PAPER HOLDER
- UGB URINAL GRAB BAR
- UR-pb URINAL-public
- UR-pv URINAL-private
- UR-kd URINAL-kid
- WC-pb WATER CLOSET-public
- WC-pv WATER CLOSET-private
- DC-pb DIAPER CHANGE-public



PLAN

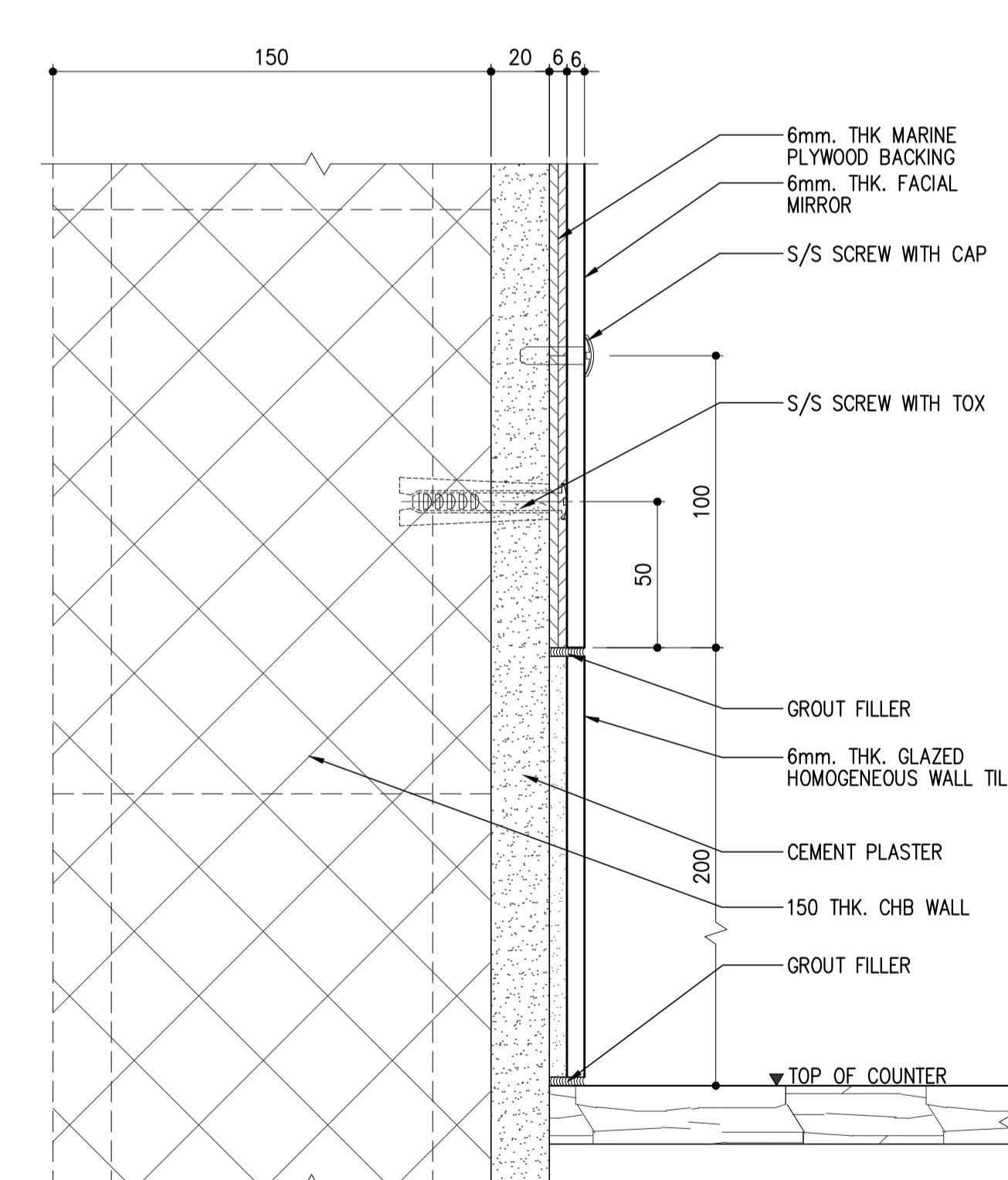


SIDE ELEVATION



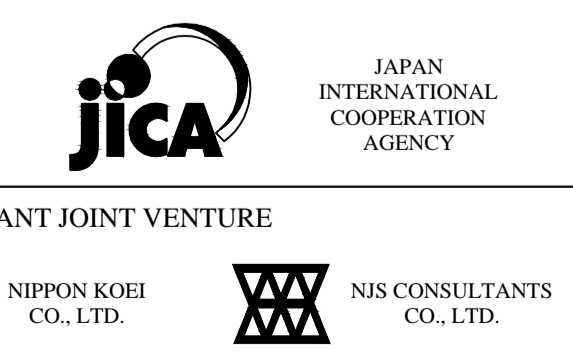
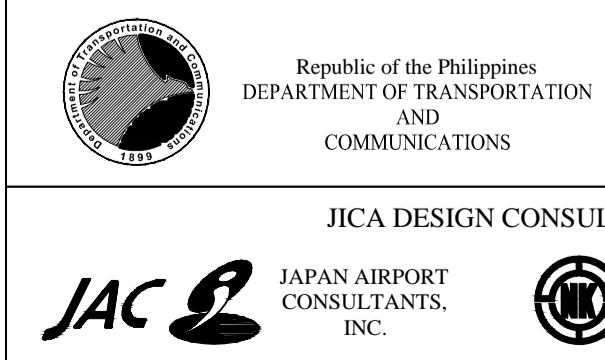
DETAILED SECTION

2 DETAIL OF URINAL SCREEN
B1-4300-39 SCALE: 1:10 MTS.



DETAILED SECTION
SCALE: 1:2M.

3 DETAIL OF FACIAL MIRROR MOUNTING
B1-4300-39 SCALE: AS SHOWN



PREPARED BY:
WILLIAM I. MALLONGA
PROF. Architect PIR. 3811137
RES. NO. 4623 DATE: MAY 9, 2013
TEL. 159-544-198 PLACE: MANILA CITY

TADASHI AOI
Team Leader

RECOMMENDING APPROVAL:
ILDEFONSO T. PATDU, JR.
Assistant Secretary
for Project Implementation, DOTC

APPROVED:
JULIANITO G. BUCAYAN, JR.
Undersecretary
for Project Implementation, DOTC

PROJECT TITLE:
NEW BOHOL AIRPORT CONSTRUCTION AND SUSTAINABLE ENVIRONMENT PROTECTION PROJECT

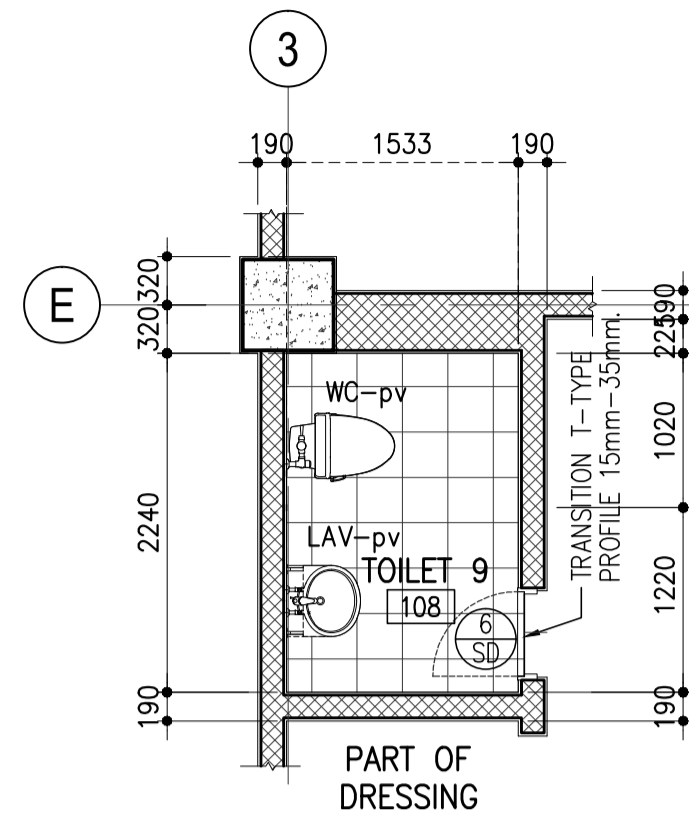
LOCATION: MUNICIPALITY OF PANGLOA, PROVINCE OF BOHOL, PHILIPPINES

DATE	INDEX	AMENDMENTS	Prepared by	Checked by	Validated by
JUNE 2013			WIM	HC	

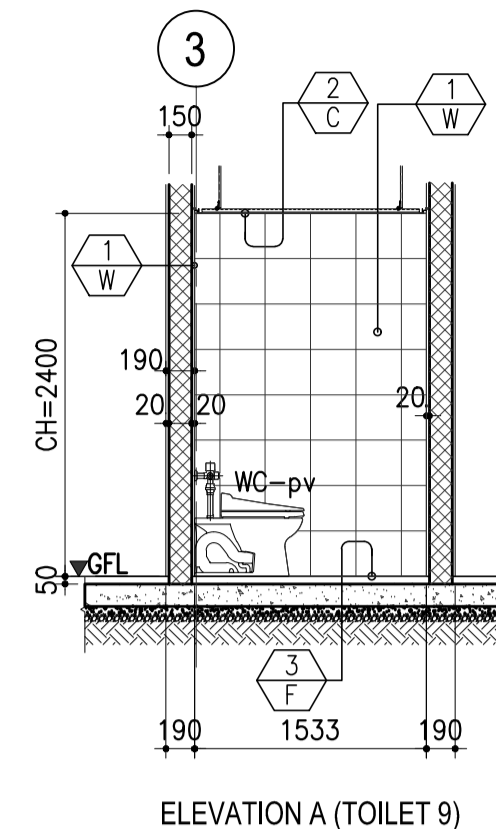
SHEET CONTENTS:
COMPONENT-4 BUILDING WORKS (B)
SUBCOMPONENT -4-1
(B1) PASSENGER TERMINAL BUILDING
ARCHITECTURAL
DETAIL OF TOILET 8
DETAIL OF URINAL SCREEN
DETAIL OF FACIAL MIRROR MOUNTING

SHEET NO:
B1-4300-39

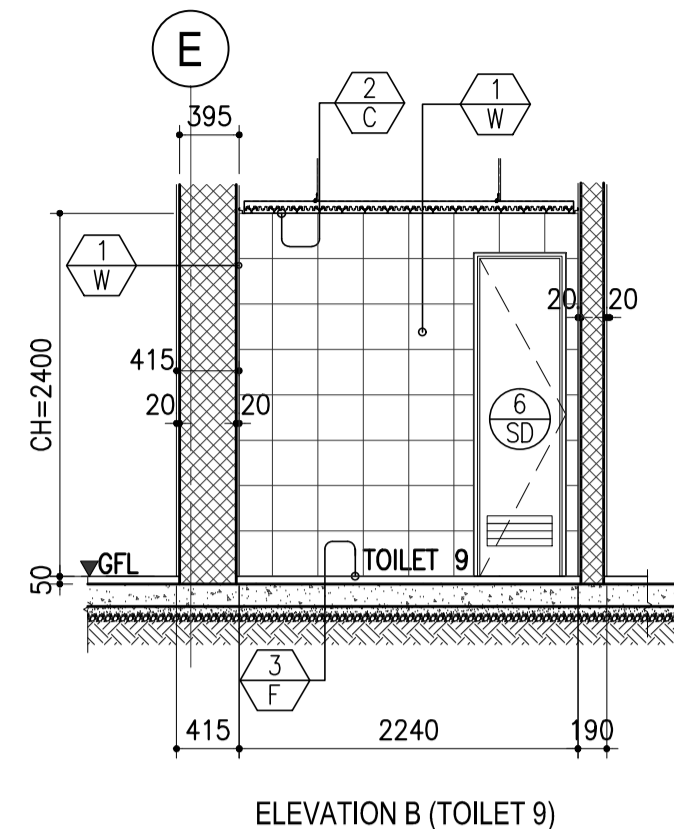
DRAWING SCALE:
AS SHOWN



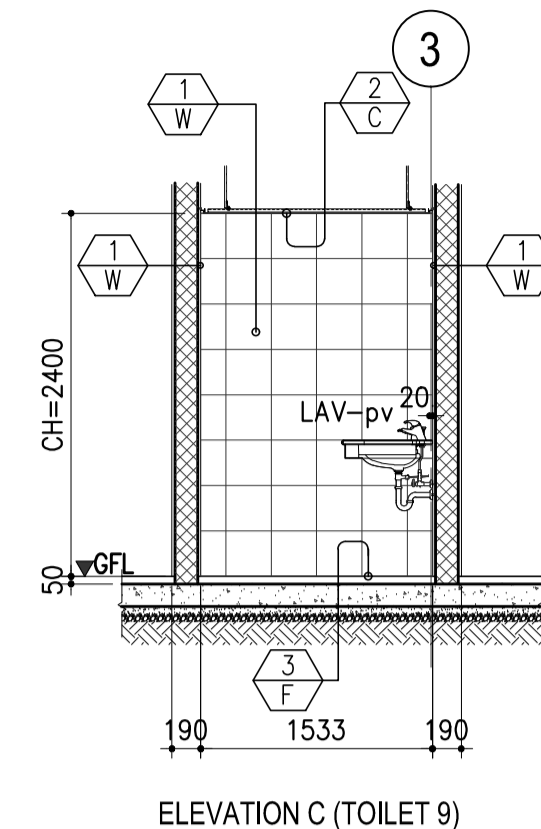
1 PLAN OF TOILET 9
B1-4300-40 SCALE: 1:50 MTS.



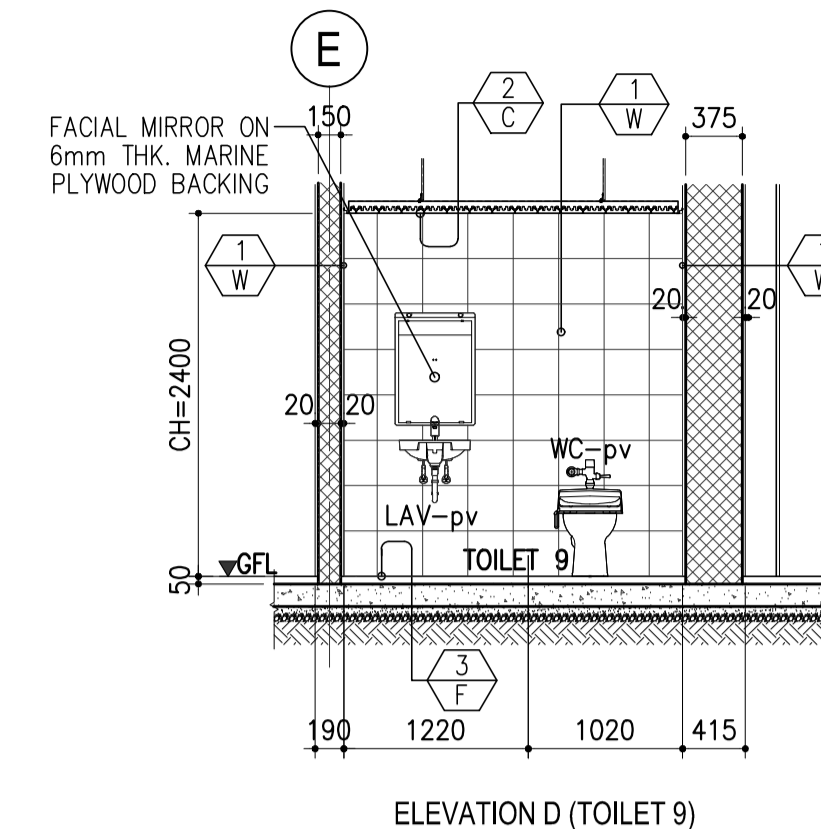
ELEVATION A (TOILET 9)



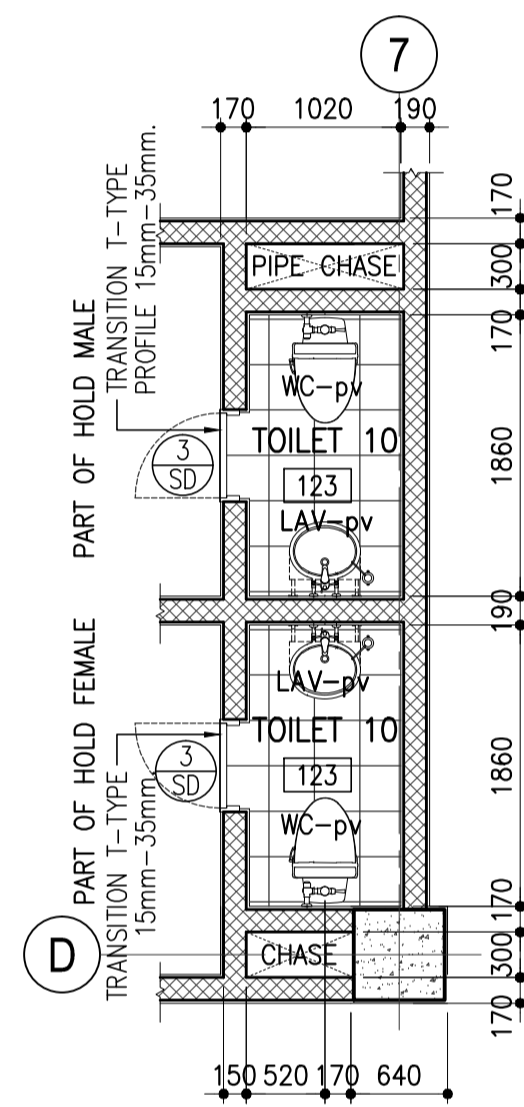
ELEVATION B (TOILET 9)



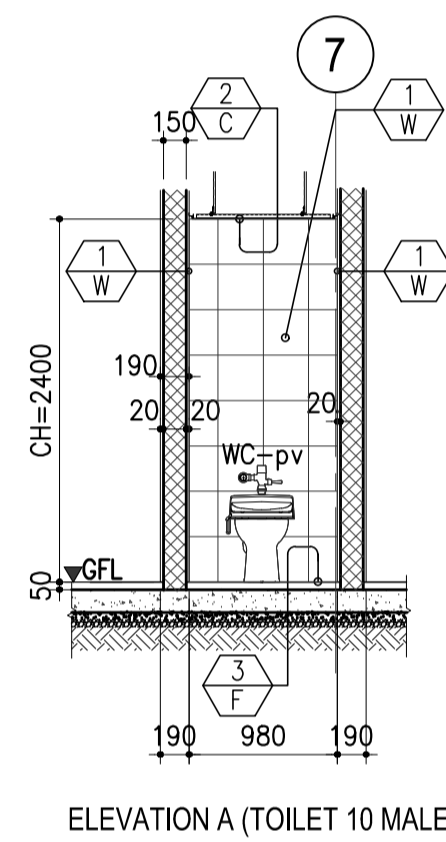
ELEVATION C (TOILET 9)



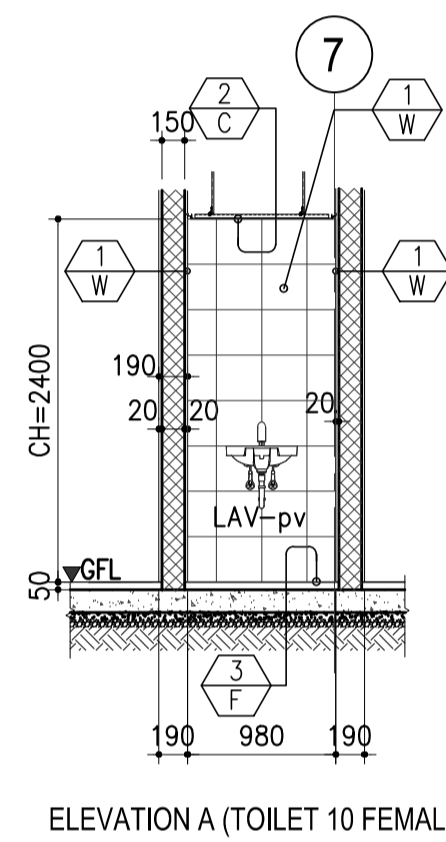
ELEVATION D (TOILET 9)



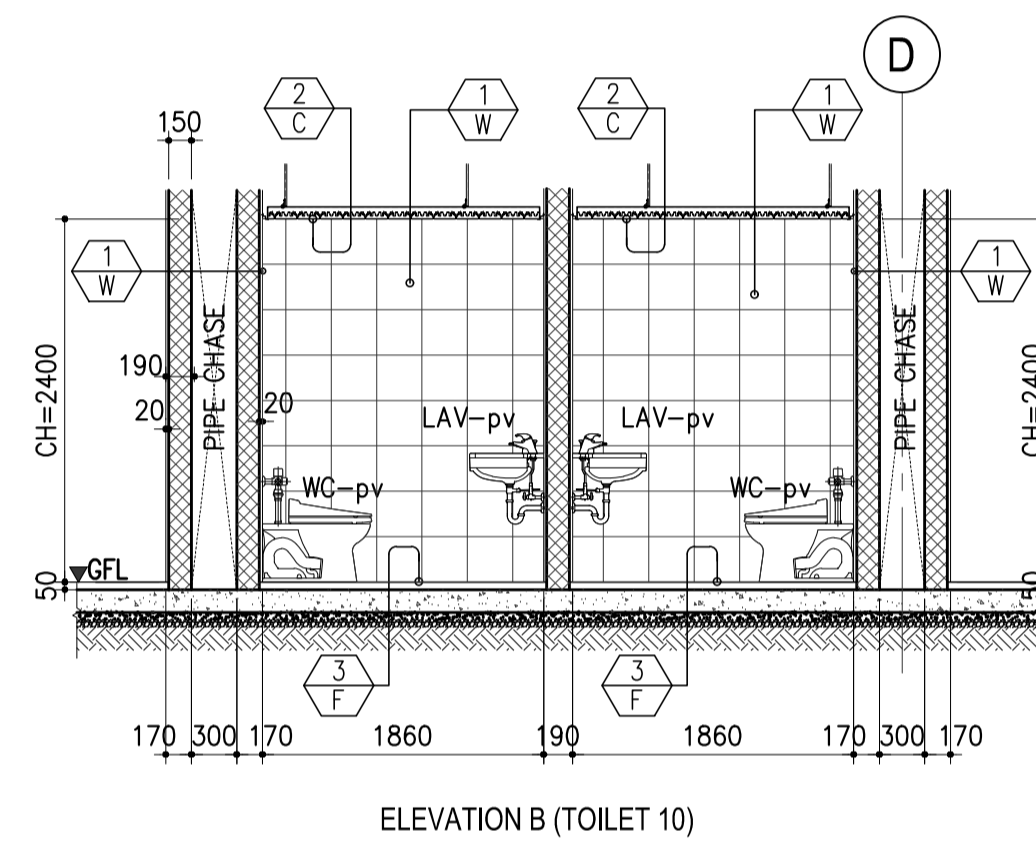
2 PLAN OF TOILET 10
B1-4300-40 SCALE: 1:50 MTS.



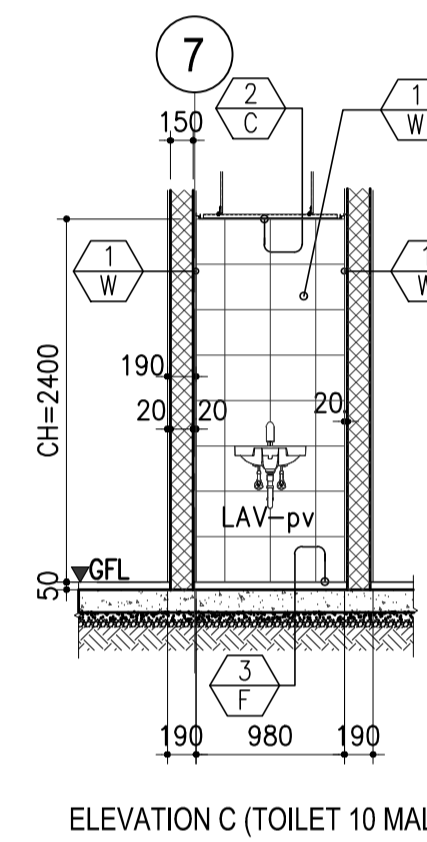
ELEVATION A (TOILET 10 MALE)



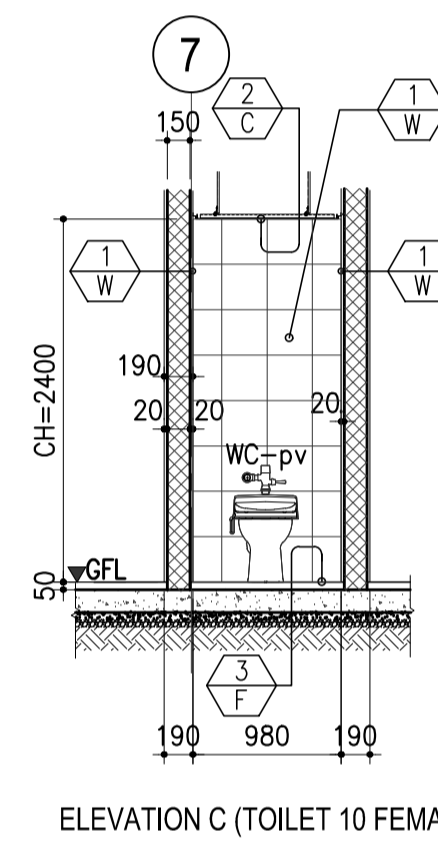
ELEVATION A (TOILET 10 FEMALE)



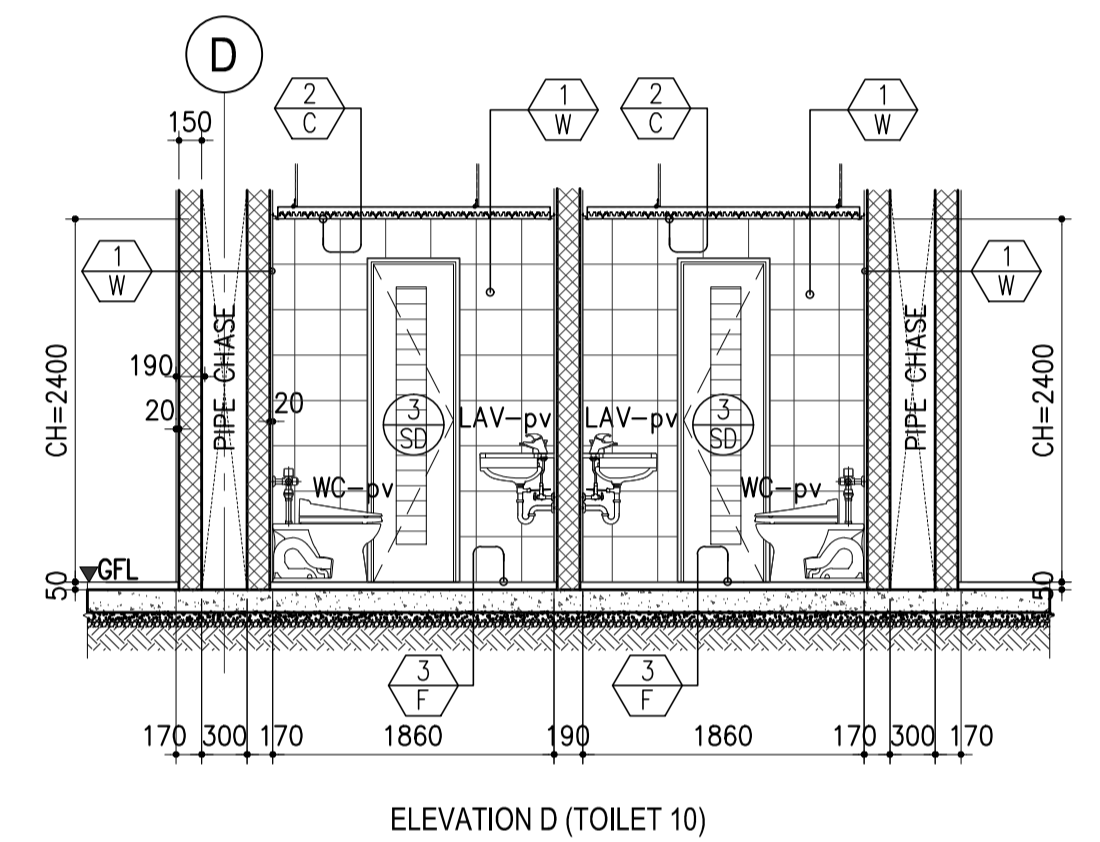
ELEVATION B (TOILET 10)



ELEVATION C (TOILET 10 MALE)



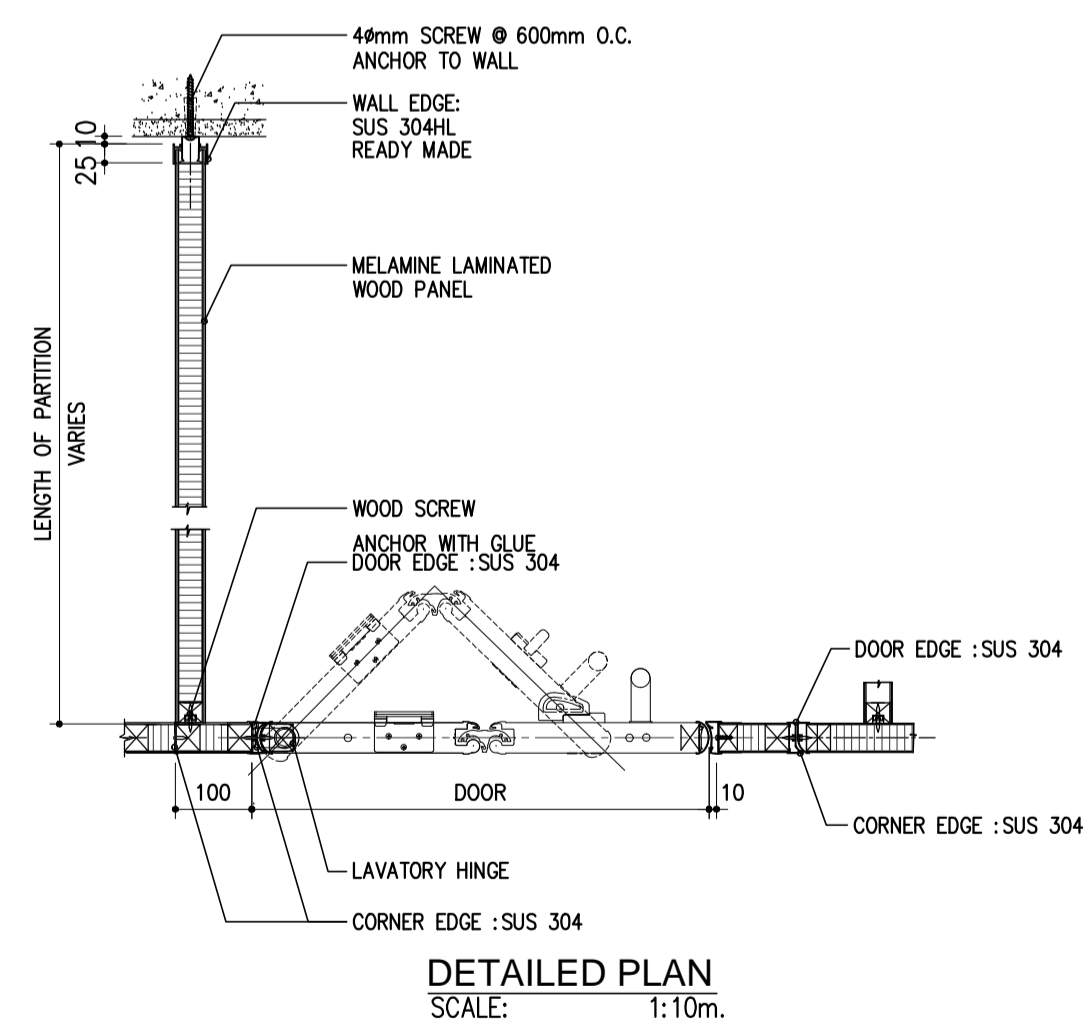
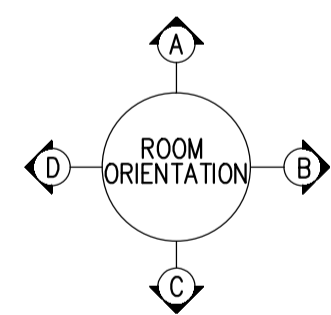
ELEVATION C (TOILET 10 FEMALE)



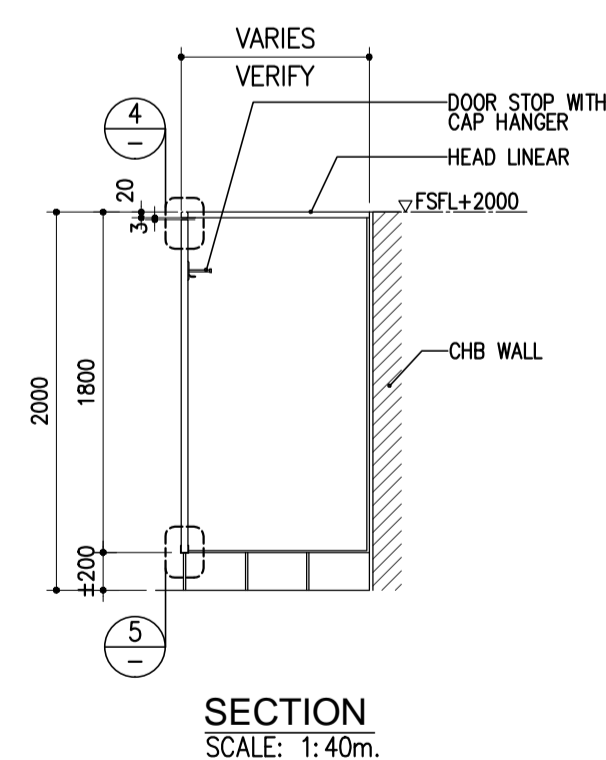
ELEVATION D (TOILET 10)

LEGEND

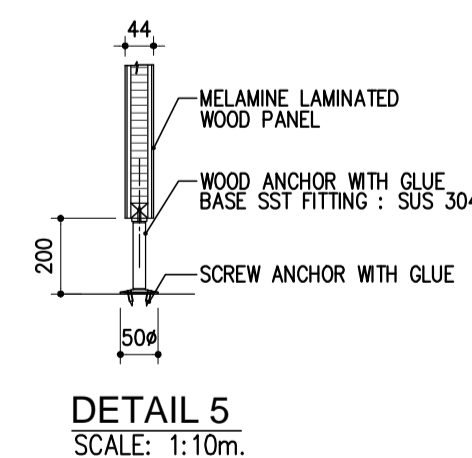
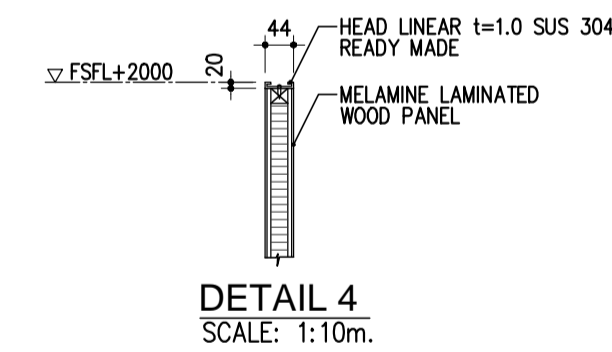
- BS BABY SITTER
- FCB FIXED GRAB BAR
- HD HAND DRYER
- HLAV HANDICAP LAVATORY
- HM HANDICAP MIRROR
- HWC HANDICAP WATERCLOSET
- LAV-pb LAVATORY-public
- LAV-pv LAVATORY-private
- LGB LAVATORY GRAB BAR
- PH PAPER HOLDER
- SH SOAP HOLDER
- SHW SHOWER FIXTURES
- SHW/S SHOWER SHELF
- SGB SWING GRAB BAR
- SS SLOP SINK
- TPH TOILET PAPER HOLDER
- UGB URINAL GRAB BAR
- UR-pb URINAL-public
- UR-pv URINAL-private
- UR-kd URINAL-kid
- WC-pb WATER CLOSET-public
- WC-pv WATER CLOSET-private
- DC-pb DIAPER CHANGE-public



DETAILED PLAN SCALE: 1:10m.



SECTION SCALE: 1:40m.



4 DETAIL OF TOILET PARTITION
B1-4300-40 SCALE: AS SHOWN



PREPARED BY:
WILLIAM I. MALLONGA
PROF: Architect PTR. 3911137
REG. NO.: 4623 DATE: MAY 9, 2013
T.I.N. 159-564-196 PLACE: MANILA CITY
TADASHI AOI
Team Leader

RECOMMENDING APPROVAL:
ILDEFONSO T. PATDU, JR.
Assistant Secretary
for Project Implementation, DOTC

APPROVED:
JULIANITO G. BUCAYAN, JR.
Undersecretary
for Project Implementation, DOTC

PROJECT TITLE:
NEW BOHOL AIRPORT CONSTRUCTION AND SUSTAINABLE ENVIRONMENT PROTECTION PROJECT

LOCATION: MUNICIPALITY OF PANGLAO, PROVINCE OF BOHOL, PHILIPPINES

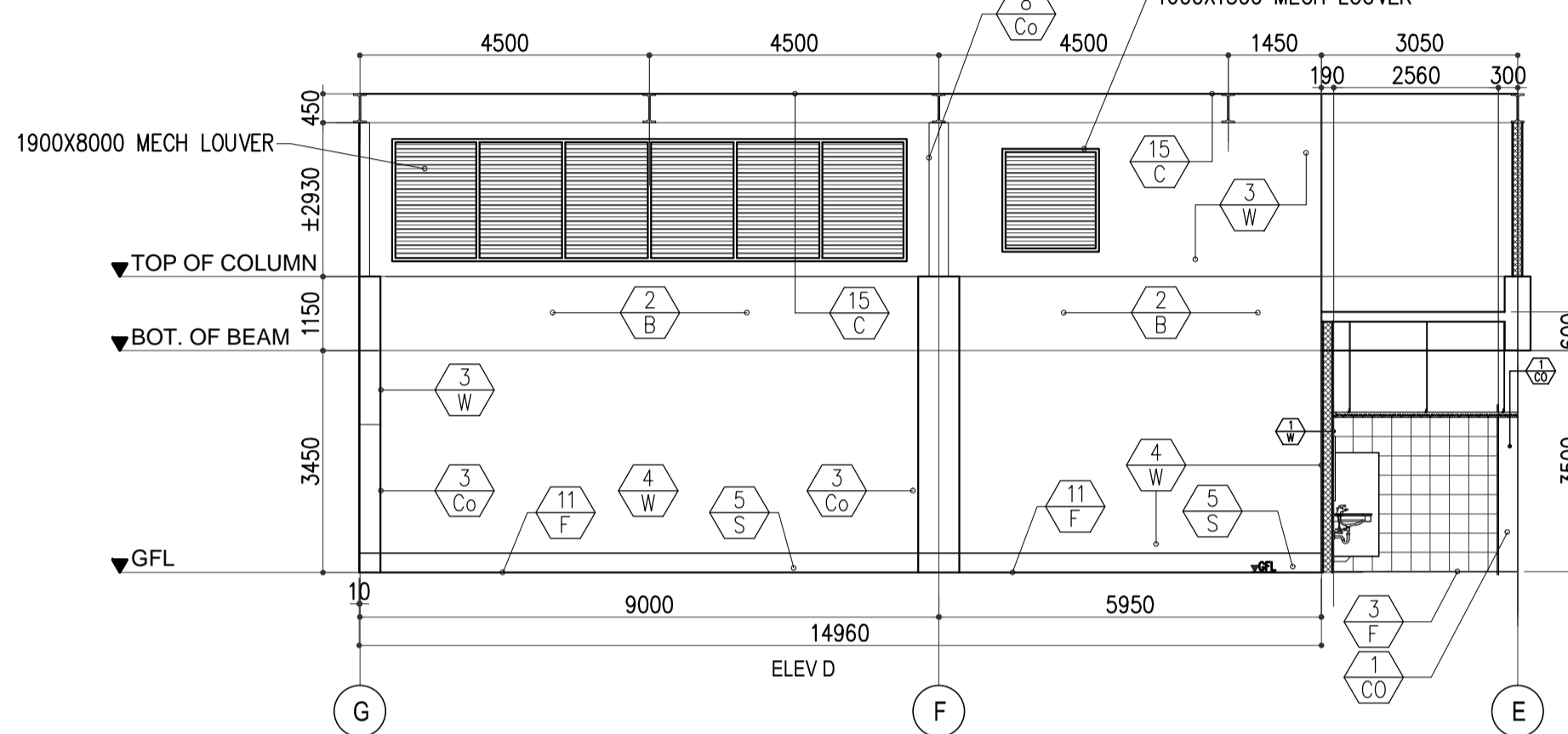
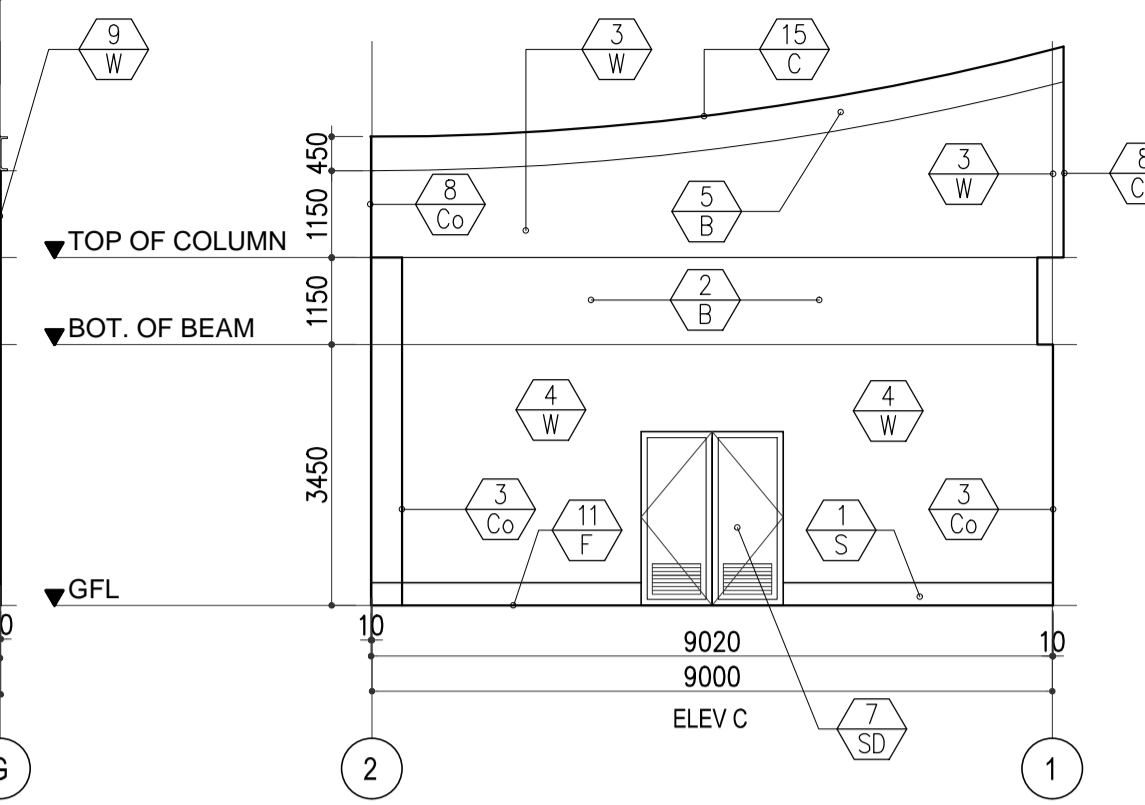
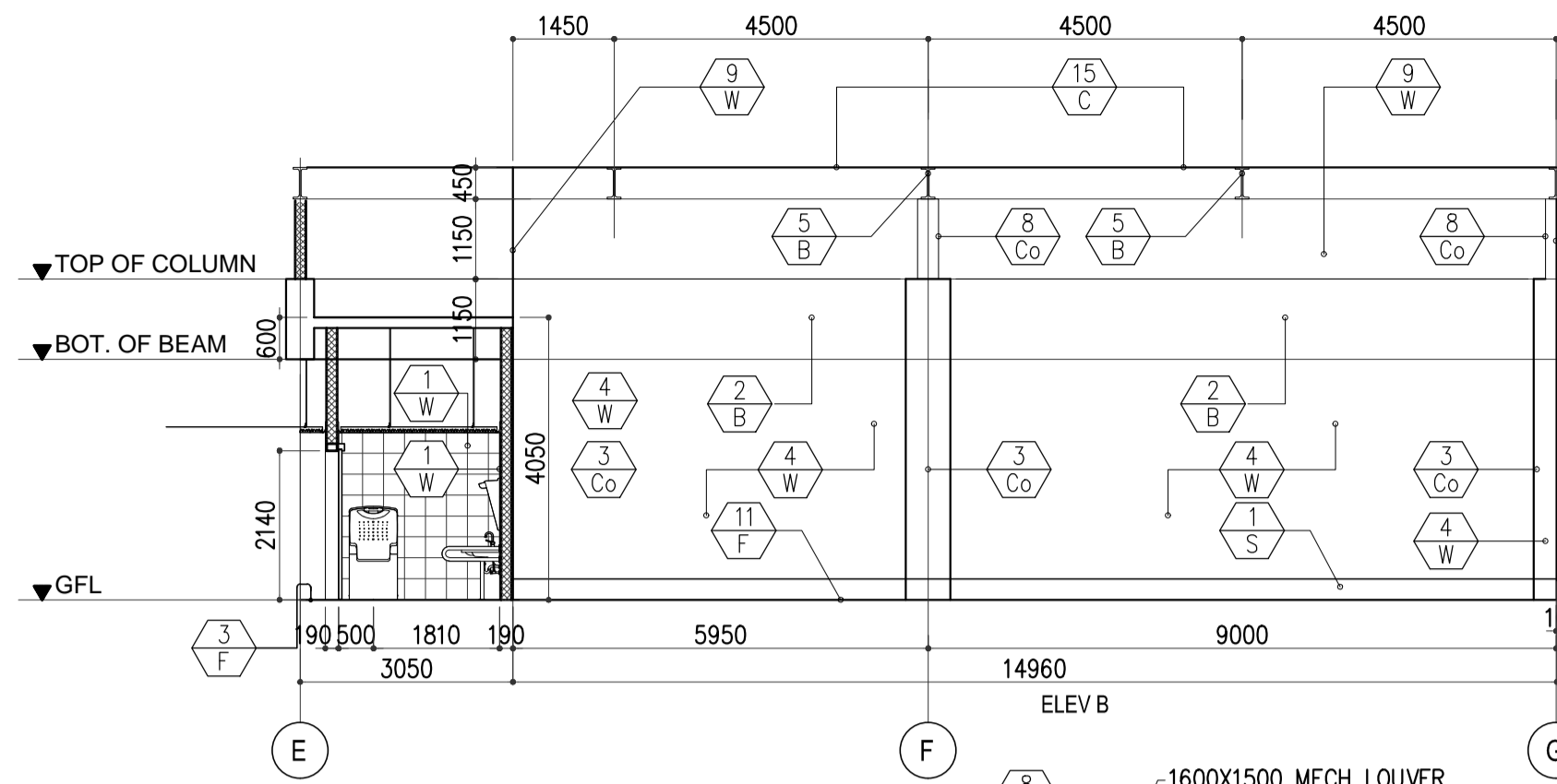
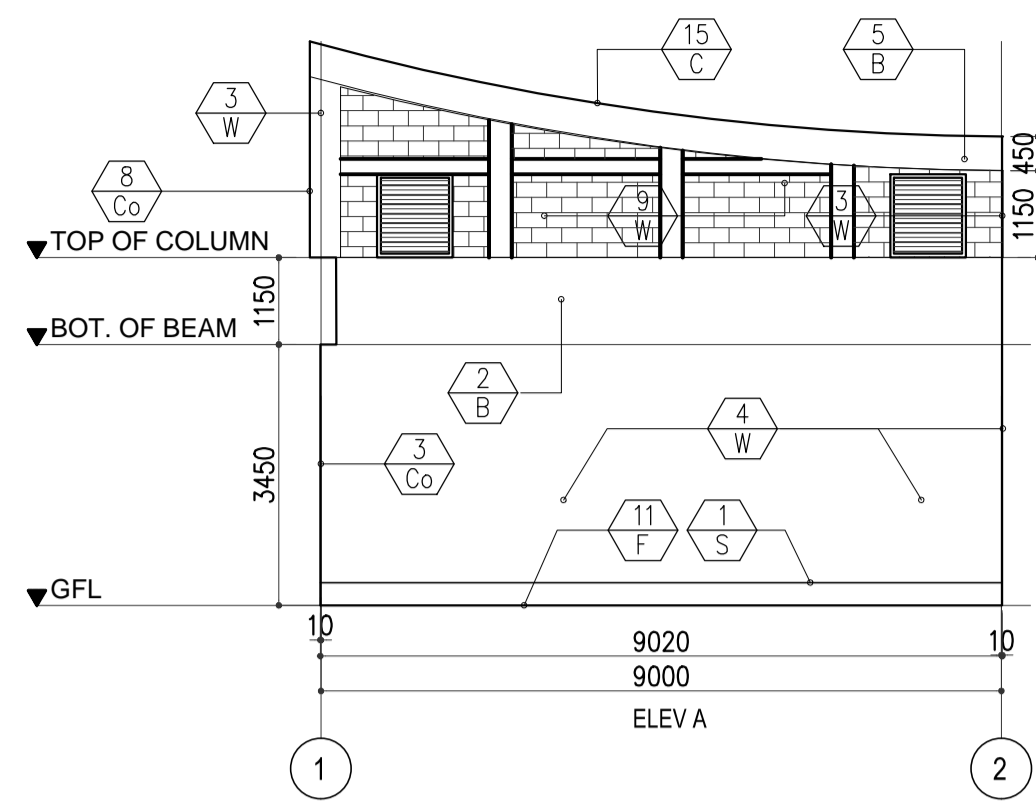
DATE	INDEX	AMENDMENTS	Prepared by	Checked by	Validated by
JUNE 2013			WIM	HC	

SHEET CONTENTS:
COMPONENT-4 BUILDING WORKS (B)
SUBCOMPONENT -4-1
(B1) PASSENGER TERMINAL BUILDING
ARCHITECTURAL
DETAIL OF TOILET 9 & 10
DETAIL OF TOILET PARTITION

SHEET NO:
B1-4300-40
DRAWING SCALE:
AS SHOWN

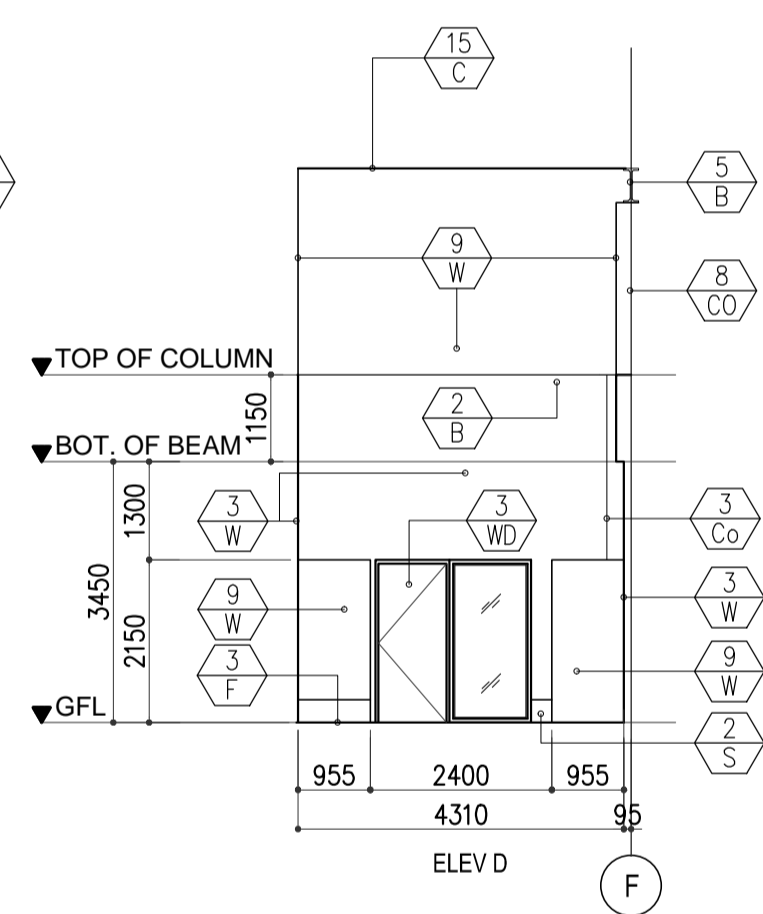
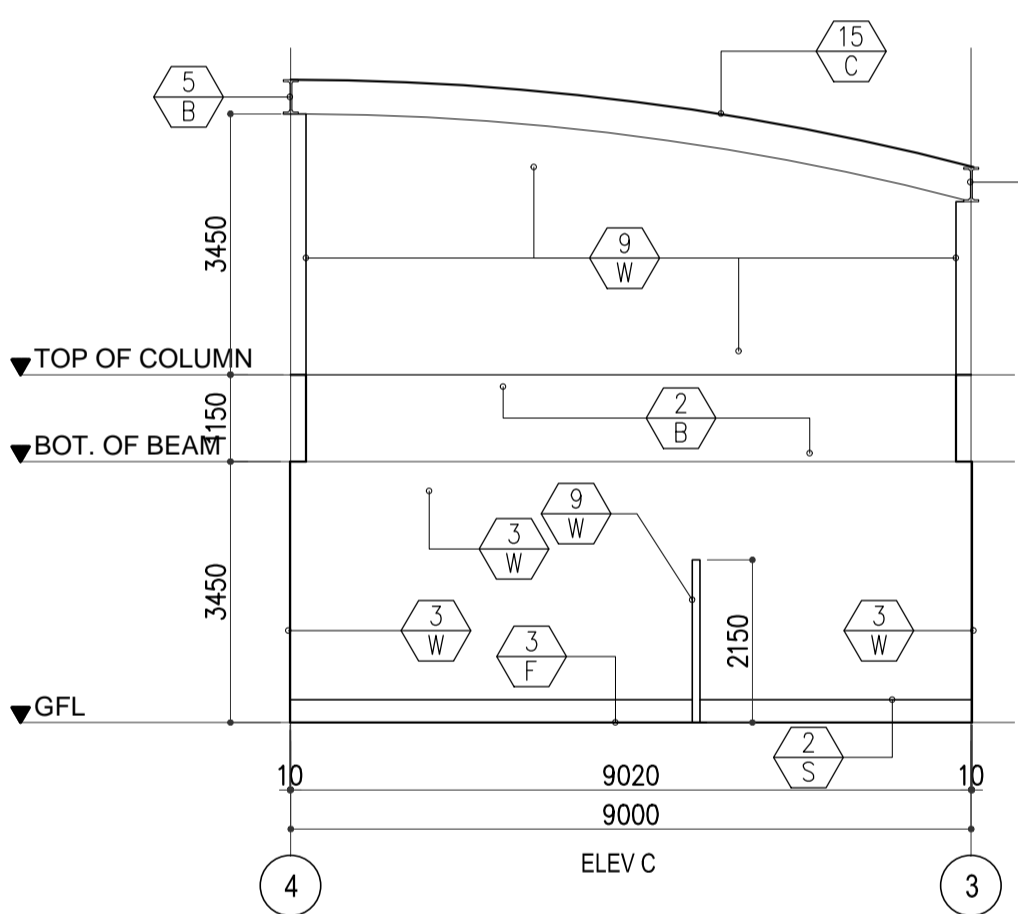
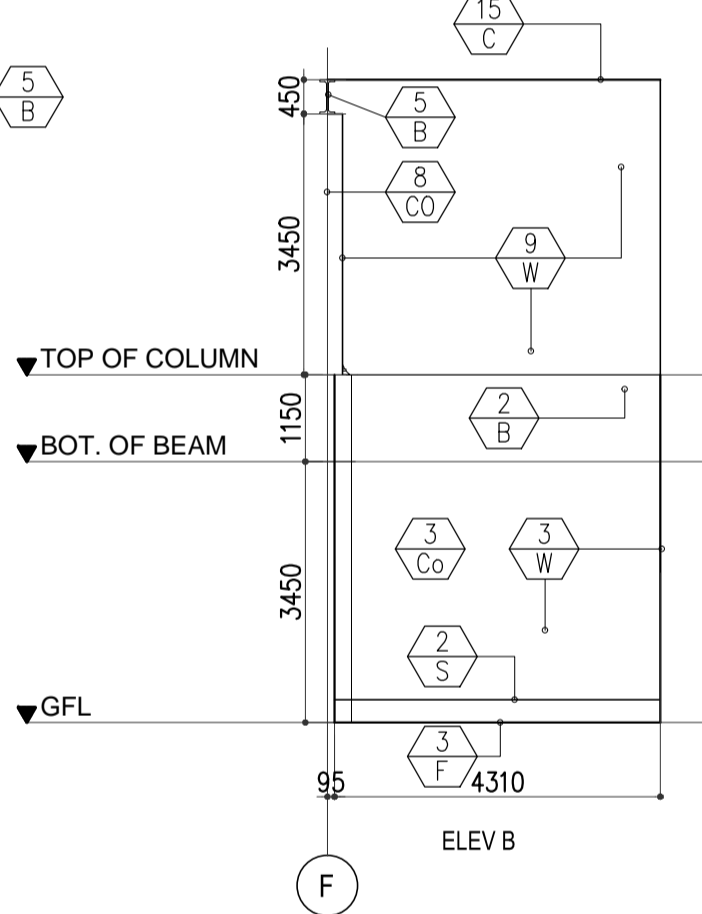
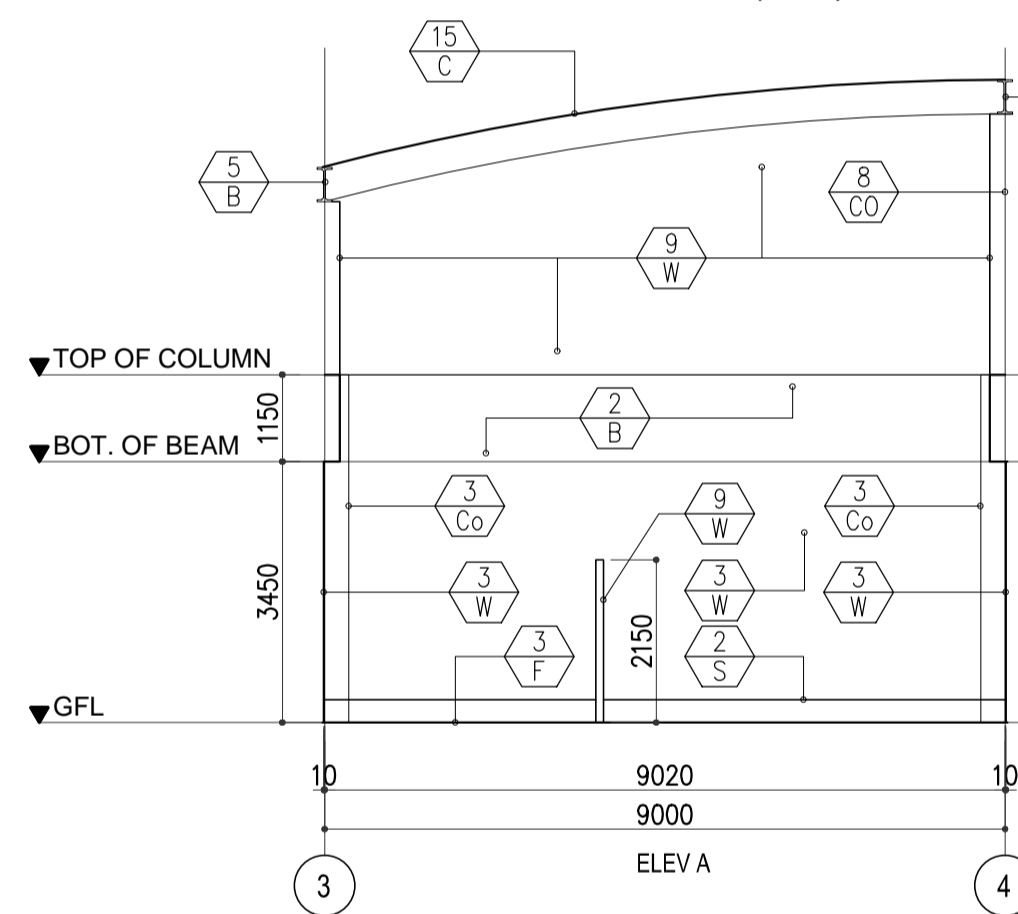


MECHANICAL ROOM (101)

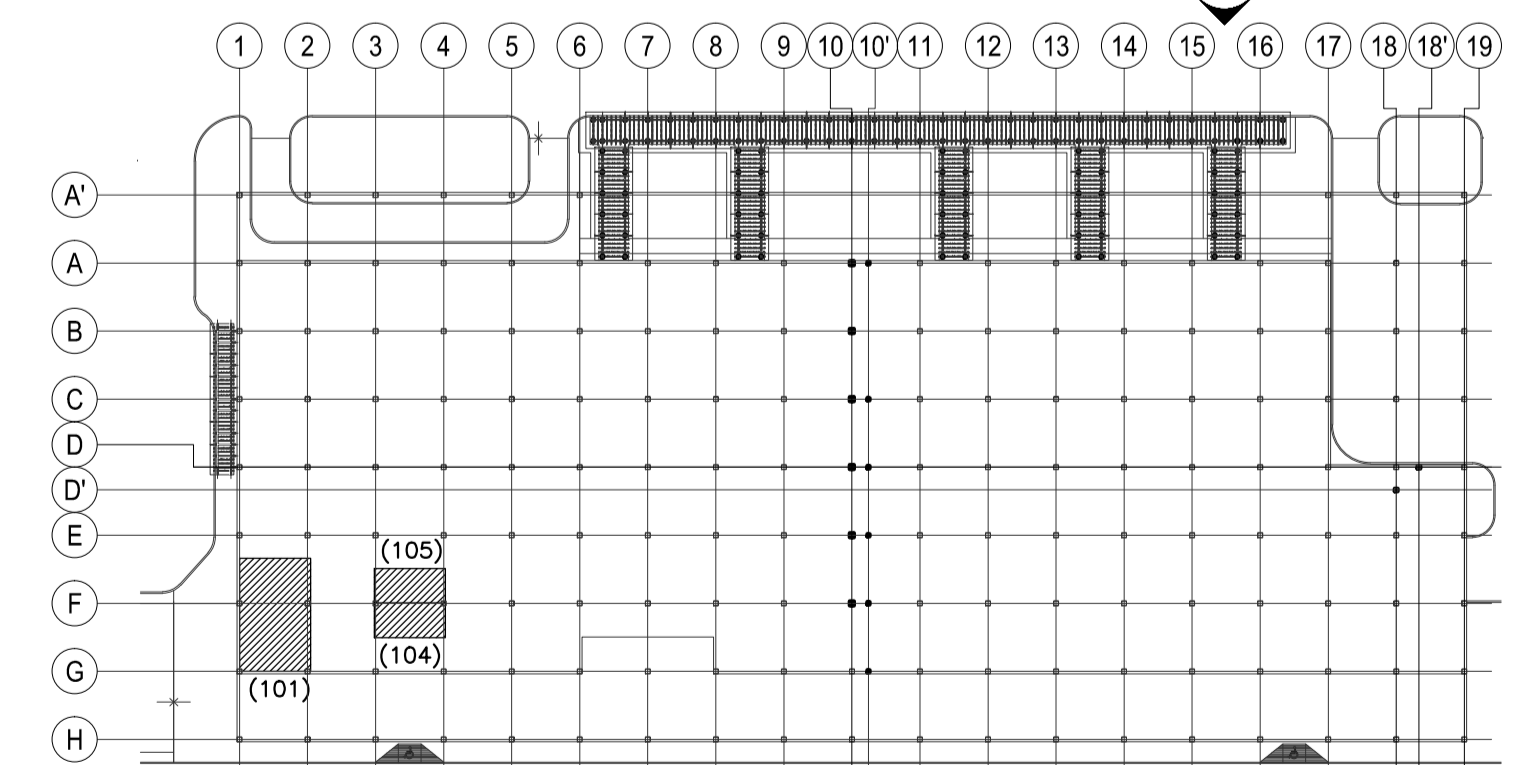
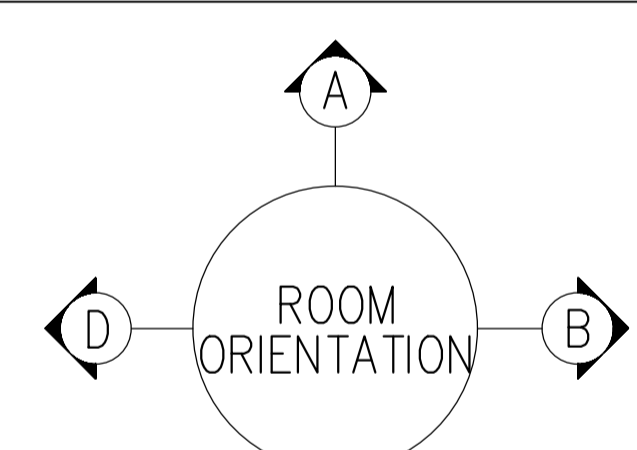
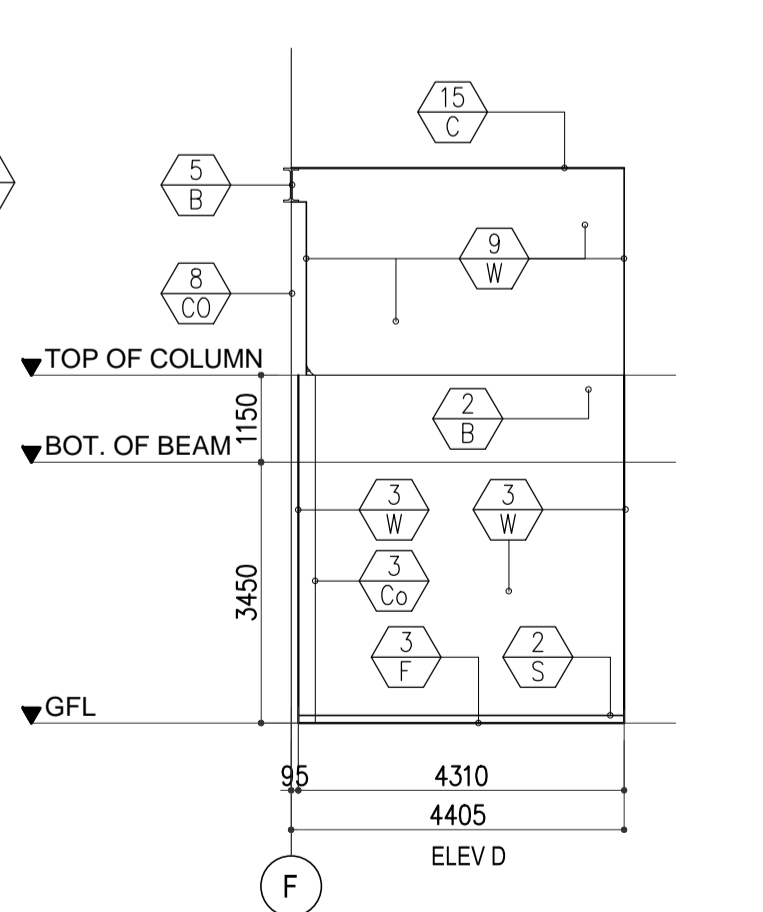
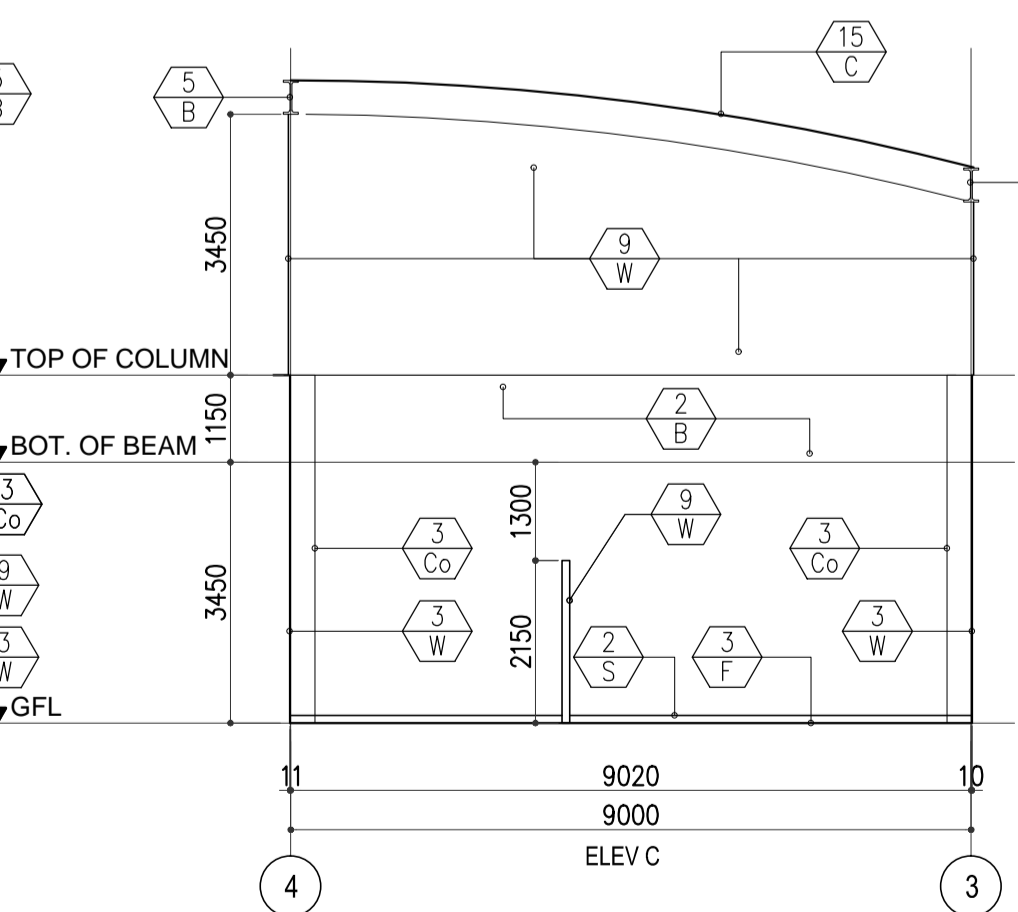
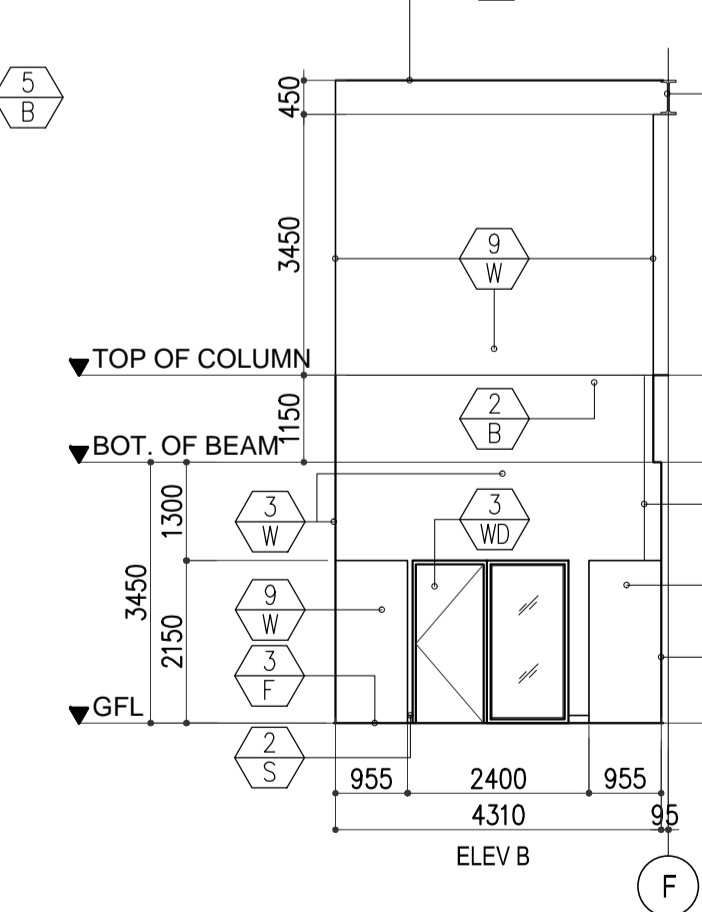
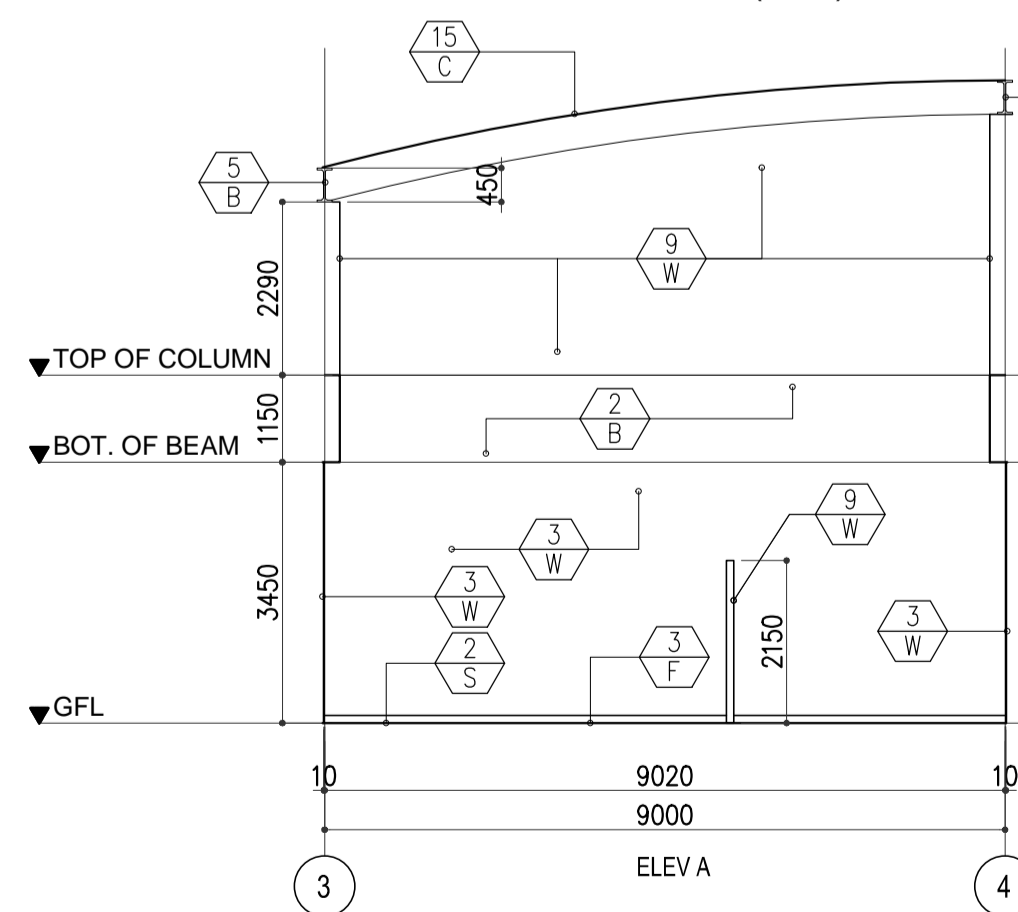


FINISHING LEGEND	
FLOOR	
F1	t=20, 600 x 600 FLAMED GRANITE W/ BURNER FINISHING
F2	t=20, 600 x 600 GRANITE TILE ON CEMENT SETTING BED
F3	t=8, 300 x 300 HOMOGENOUS FLOOR TILES ON CEMENT SETTING BED (PUBLIC)
F4	t=8, 300 x 300 HOMOGENOUS FLOOR TILES ON CEMENT SETTING BED (PRIVATE)
F5	t=3, 500 x 500 RUBBER TILE
F6	t=2, 300 x 300 VINYL TILES ON CEMENT RENDER FINISH
F7	t=8, BROOD LOOM CARPET ON CEMENT SETTING BED (VP/CP)
F8	DAMP-PROOF PAINT ON P-8 ON CEMENT RENDER FINISH
F9	t=7, 500 x 500 ANTI-STATIC CARPET TILE ON RAISED FLOOR
F10	t=2, 500 x 500 ANTI-STATIC VINYL TILES ON RAISED FLOOR
F11	FLOOR HARDENER W/ EPOXY RESIN
F12	t=2, 300 x 300 VINYL TILES ON CEMENT ON RAISED FLOOR
F13	t=8 MARBLE (VP/CP)
F14	t=8 600 x 600 HOMOGENOUS TILES ON CEMENT SETTING BED
F15	t=30 CEMENT MORTAR BROOM FINISH W/ DUSTPROOF PAINT
SKIRTING	
S1	t=8 HOMOGENOUS TILE h=300
S2	t=8 HOMOGENOUS TILE h=100
S3	t=25 TIMBER W/P-2 h=50
S4	t=2 POLYVINYL SOFT TILE h=100
S5	CEMENT RENDER FINISH W/P-1, h=100
WALL	
W1	t=8, 300 x 300 HOMOGENOUS WALL TILES (PUBLIC)
W2	t=8, 300 x 300 HOMOGENOUS WALL TILES (PRIVATE)
W3	CEMENT RENDER FINISH W/P-1
W4	CEMENT RENDER FINISH W/P-4
W5	PADDED FABRIC
W6	FORMED FACE CONCRETE
W7	t=12 & t=9 GYPSUM BOARD W/P-1 ON LIGHT GAUGE STEEL
W8	t=25 GLASSWOOL BOARD W/ GLASSWOOL CLOTH
W9	t=12 & t=9 GYPSUM BOARD W/P-4 ON LIGHT GAUGE STEEL
W10	t=20 CEMENT RENDER FINISH / ALUMINUM GROOVE
W11	TIMBER WALL CLADDING (DECORATIVE)
COLUMNS	
Co1	t=8, 300 x 300 CERAMIC WALL TILES (PUBLIC)
Co2	t=8, 300 x 300 CERAMIC WALL TILES (PRIVATE)
Co3	CEMENT RENDER FINISH W/P-1
Co4	CEMENT RENDER FINISH W/P-4
Co5	PADDED FABRIC
Co6	FORMED FACE CONCRETE
Co7	t=25 GLASSWOOL BOARD W/ GLASSWOOL CLOTH
Co8	STEEL STRUCTURE
Co9	TIMBER WALL CLADDING (DECORATIVE)
Co10	t=20 CEMENT RENDER FINISH / ALUMINUM GROOVE
BEAM	
B1	FORMED FACE CONCRETE
B2	FORMED FACE CONCRETE W/P-1
B3	FORMED FACE CONCRETE W/P-4
B4	STEEL TRUSS BEAM W/P-3
B5	STEEL BEAM WF W/P-3
CEILING	
C1	EXPOSED SUSPENSION CEILING SYSTEM : t=15 ACOUSTIC ROCKWOOL CEILING BOARD
C2	DOUBLE CEILING SYSTEM : t=12 COLORED ACOUSTIC ROCKWOOL CEILING BOARD ON t=9 GYPSUM BOARD
C3	SUSPENDED BOARD CEILING : t=8 CALCIUM SILICATEBOARD W/P-7
C4	FORMED FACE CONCRETE
C5	t=25 GLASSWOOL BOARD W/ GLASSWOOL CLOTH
C6	SUSPENDED BOARD CEILING t=12 + t=9 GYPSUM BOARD W/ GLASSWOOL CLOTH
C7	W=150mm ALUMINUM LINER CEILING 1
C8	W=300mm ALUMINUM LINER CEILING 2
C9	W=84mm ALUMINUM LINER CEILING 3
C10	t=12 GYPSUM BOARD
C11	HIGHER CEILING t=12 GYPSUM BOARD w/ PAINT
C12	t=25, W=200 WOOD BATTENS W/ FLAME RETARDANT W/ P-8
C13	W=13 ALUMINUM LINEAR CEILING
C14	W=13, H=162 ALUMINUM BAFFLE CEILING
C15	EXPOSED CONSTRUCTION

LOST & FOUND BAGGAGE ROOM 1 (104)

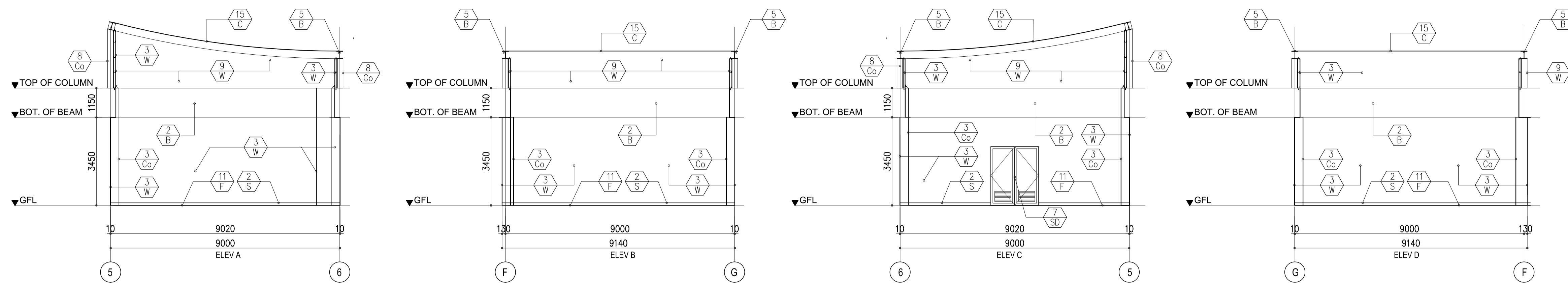


LOST & FOUND BAGGAGE ROOM 2 (105)

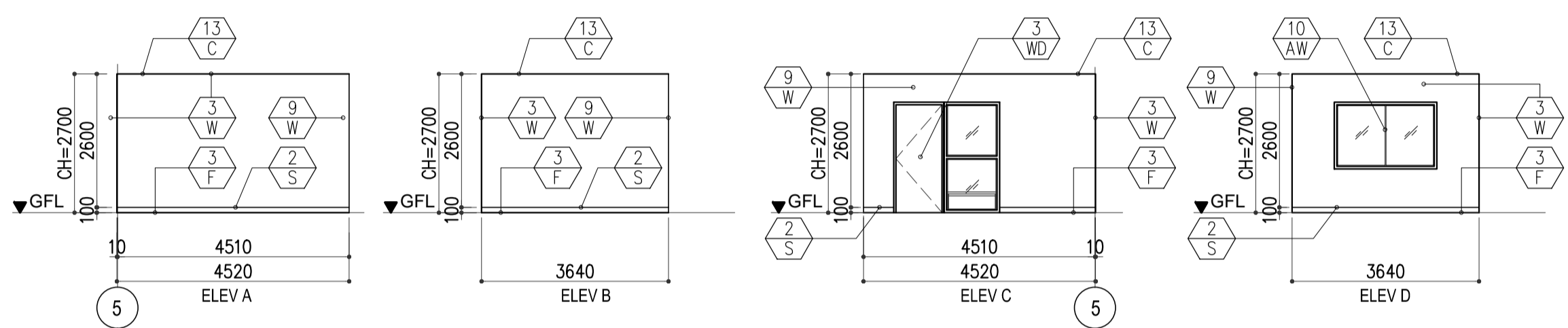


	PREPARED BY: WILLIAM L. MALLONGA <small>PRF: Architect PIR: 3911137 REC. NO.: 4623 DATE: MAY 9, 2013 TIN: 150-564-196 PLACE: MAKATI CITY</small>	RECOMMENDING APPROVAL: ILDEFONSO T. PATDU, JR. <small>Assistant Secretary for Project Implementation, DOTC</small>	APPROVED: JULIANITO G. BUCAYAN, JR. <small>Undersecretary for Project Implementation, DOTC</small>	PROJECT TITLE: NEW BOHOL AIRPORT CONSTRUCTION AND SUSTAINABLE ENVIRONMENT PROTECTION PROJECT LOCATION: MUNICIPALITY OF PANGLAO, PROVINCE OF BOHOL, PHILIPPINES	SHEET CONTENTS: COMPONENT-4 BUILDING WORKS (B) SUBCOMPONENT -4-1 (B1) PASSENGER TERMINAL BUILDING ARCHITECTURAL INTERNAL ELEVATION 1	SHEET NO: B1-4300-41 DRAWING SCALE: 1:100 MTS.
	JICA DESIGN CONSULTANT JOINT VENTURE JAPAN AIRPORT CONSULTANTS, INC. NIPPON KOEI CO., LTD. NIS CONSULTANTS CO., LTD.	DATE: JUNE 2013 INDEX: AMENDMENTS Prepared by: WIM Checked by: HC Validated by:				

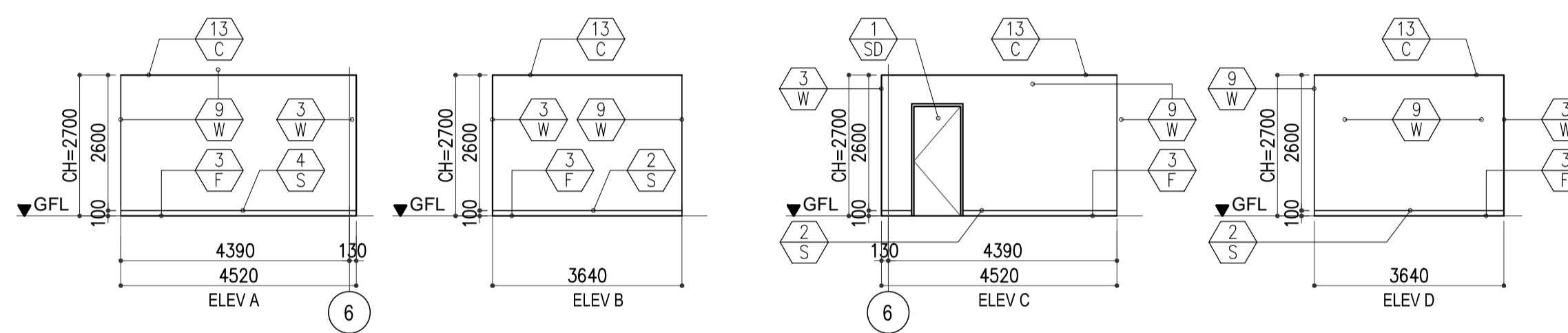
ELECTRICAL ROOM (143)



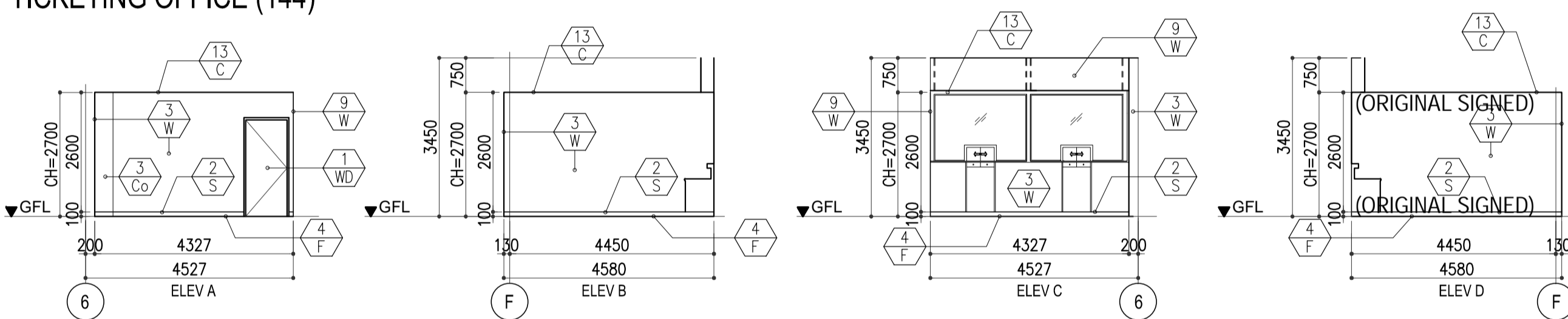
CUSTOM OFFICE (142)



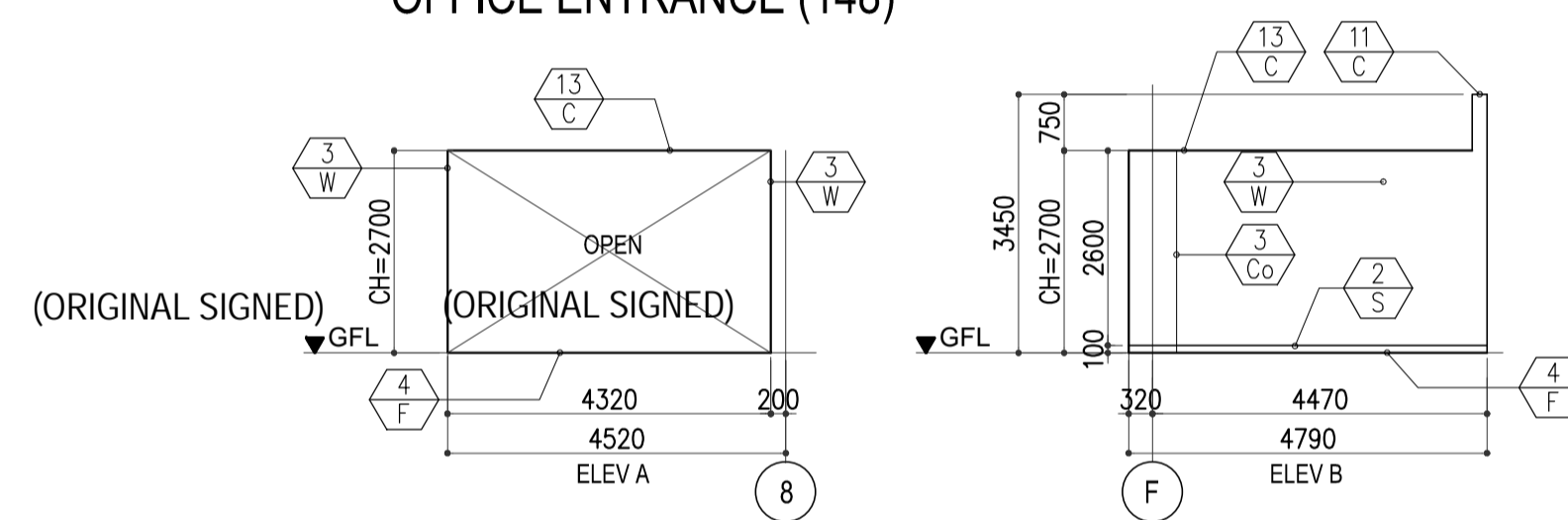
BONDED STORE (141)



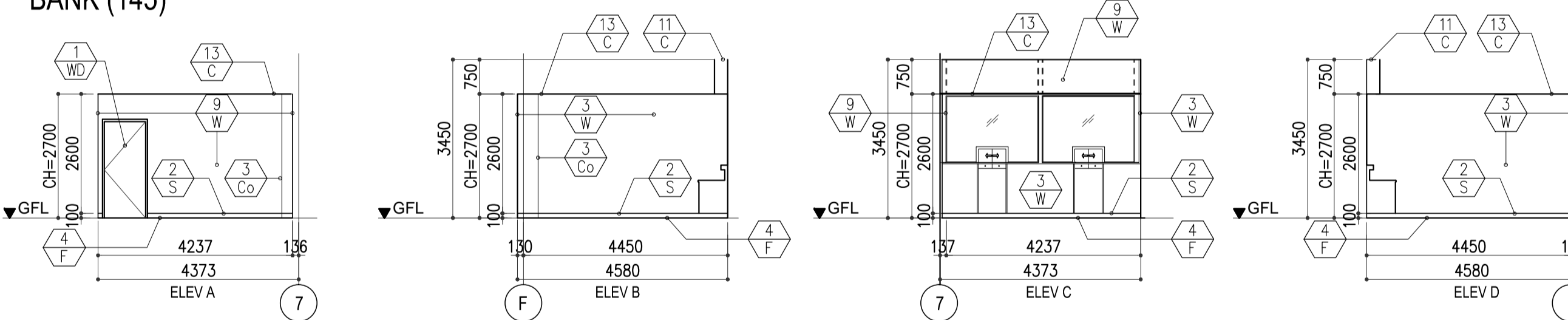
TICKETING OFFICE (144)



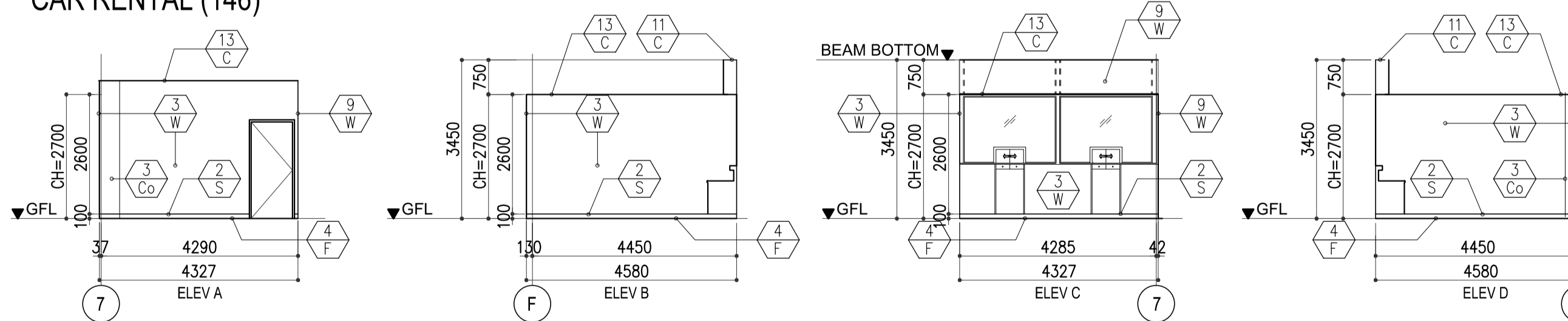
OFFICE ENTRANCE (148)



BANK (145)

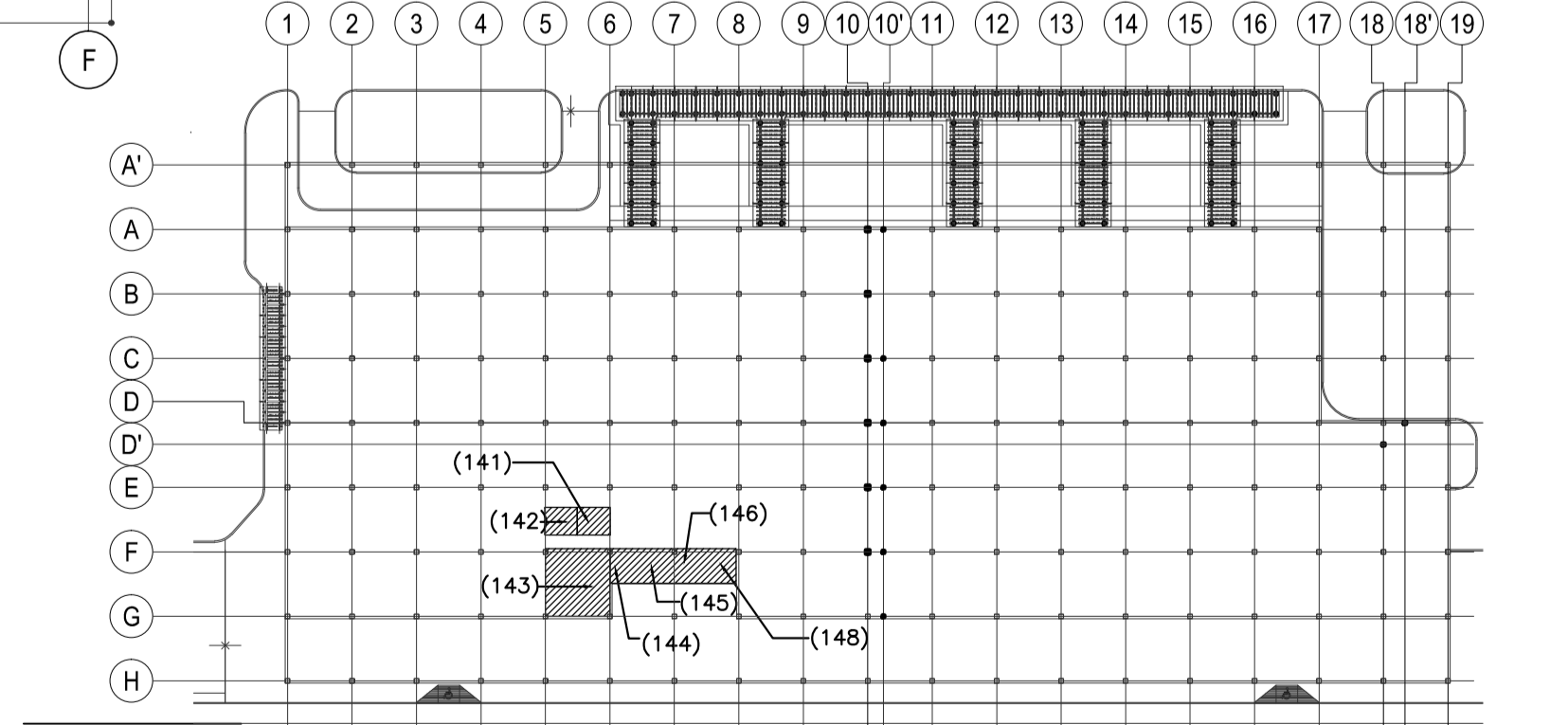
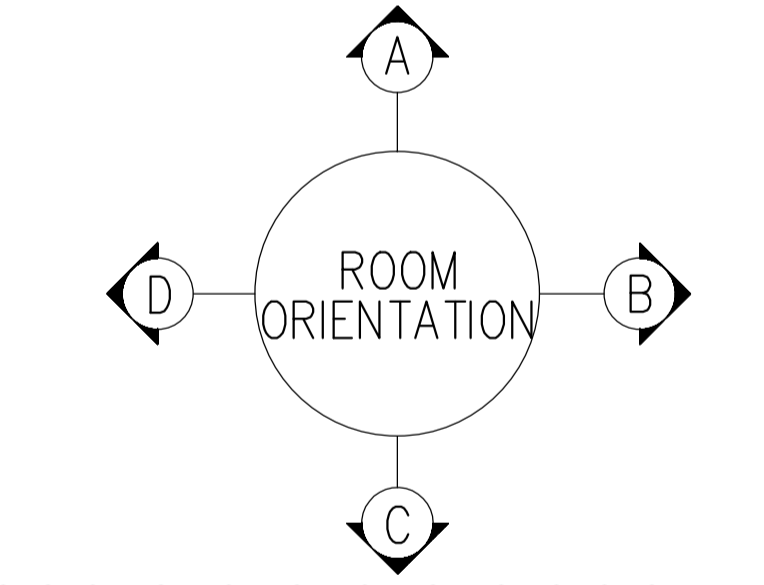


CAR RENTAL (146)



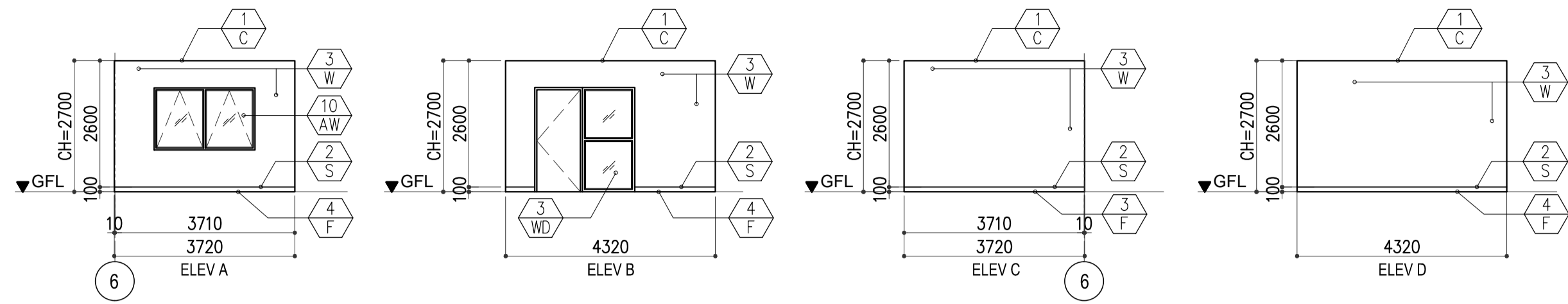
FINISHING LEGEND

FLOOR	
F1	t=20, 600 x 600 FLAMED GRANITE W/ BURNER FINISHING
F2	t=20, 600 x 600 GRANITE TILE ON CEMENT SETTING BED
F3	t=8, 300 x 300 HOMOGENOUS FLOOR TILES ON CEMENT SETTING BED (PUBLIC)
F4	t=8, 300 x 300 HOMOGENOUS FLOOR TILES ON CEMENT SETTING BED (PRIVATE)
F5	t=3, 500 x 500 RUBBER TILE
F6	t=2, 300 x 300 VINYL TILES ON CEMENT RENDER FINISH
F7	t=8, BROOD LOOM CARPET ON CEMENT SETTING BED (VP/OP)
F8	DAMPPOOF PAINT ON P-6 ON CEMENT RENDER FINISH
F9	t=7, 500 x 500 ANTI-STATIC CARPET TILE ON RAISED FLOOR
F10	t=2, 500 x 500 ANTI-STATIC VINYL TILES ON RAISED FLOOR
F11	FLOOR HARDENER W/ EPOXY RESIN
F12	t=2, 300 x 300 VINYL TILES ON CEMENT ON RAISED FLOOR
F13	t=8 MARBLE (VP/OP)
F14	t=8 600 x 600 HOMOGENOUS TILES ON CEMENT SETTING BED
F15	t=30 CEMENT MORTAR BROOM FINISH W/ DUSTPROOF PAINT
SKIRTING	
S1	t=8 HOMOENOUS TILE h=300
S2	t=8 HOMOENOUS TILE h=100
S3	t=25 TIMBER W/P-2 h=50
S4	t=2 POLYVINYL SOFT TILE h=100
S5	CEMENT RENDER FINISH W/P-1, h=100
WALL	
W1	t=8, 300 x 300 HOMOGENOUS WALL TILES (PUBLIC)
W2	t=8, 300 x 300 HOMOGENOUS WALL TILES (PRIVATE)
W3	CEMENT RENDER FINISH W/P-1
W4	CEMENT RENDER FINISH W/P-4
W5	PADDED FABRIC
W6	FORMED FACE CONCRETE
W7	t=12 & t=9 GYPSUM BOARD W/P-1 ON LIGHT GAUGE STEEL
W8	t=25 GLASSWOOL BOARD W/ GLASSWOOL CLOTH
W9	t=12 & t=9 GYPSUM BOARD W/P-4 ON LIGHT GAUGE STEEL
W10	t=20 CEMENT RENDER FINISH / ALUMINUM GROOVE
W11	TIMBER WALL CLADDING (DECORATIVE)
COLUMNS	
Co1	t=8, 300 x 300 CERAMIC WALL TILES (PUBLIC)
Co2	t=8, 300 x 300 CERAMIC WALL TILES (PRIVATE)
Co3	CEMENT RENDER FINISH W/P-1
Co4	CEMENT RENDER FINISH W/P-4
Co5	PADDED FABRIC
Co6	FORMED FACE CONCRETE
Co7	t=25 GLASSWOOL BOARD W/ GLASSWOOL CLOTH
Co8	STEEL STRUCTURE
Co9	TIMBER WALL CLADDING (DECORATIVE)
Co10	t=20 CEMENT RENDER FINISH / ALUMINUM GROOVE
BEAM	
B1	FORMED FACE CONCRETE
B2	FORMED FACE CONCRETE W/P-1
B3	FORMED FACE CONCRETE W/P-4
B4	STEEL TRUSS BEAM W/P-3
B5	STEEL BEAM WF W/P-3
CEILING	
C1	EXPOSED SUSPENSION CEILING SYSTEM : t=15 ACOUSTIC ROCKWOOL CEILING BOARD
C2	DOUBLE CEILING SYSTEM : t=12 COLORED ACOUSTIC ROCKWOOL CEILING BOARD ON t=9 GYPSUM BOARD
C3	SUSPENDED BOARD CEILING : t=8 CALCIUM SILICATEBOARD W/P-7
C4	FORMED FACE CONCRETE
C5	t=25 GLASSWOOL BOARD W/ GLASSWOOL CLOTH
C6	SUSPENDED BOARD CEILING t=12 + t=9 GYPSUM BOARD W/ GLASSWOOL CLOTH
C7	W=150mm ALUMINUM LINER CEILING 1
C8	W=300mm ALUMINUM LINER CEILING 2
C9	W=84mm ALUMINUM LINER CEILING 3
C10	t=12 GYPSUM BOARD
C11	HIGHER CEILING t=12 GYPSUM BOARD w/ PAINT
C12	t=25, W=200 WOOD BATTENS W/ FLAME RETARDANT W/ P-8
C13	W=13 ALUMINUM LINEAR CEILING
C14	W=13, H=162 ALUMINUM BAFFLE CEILING
C15	EXPOSED CONSTRUCTION

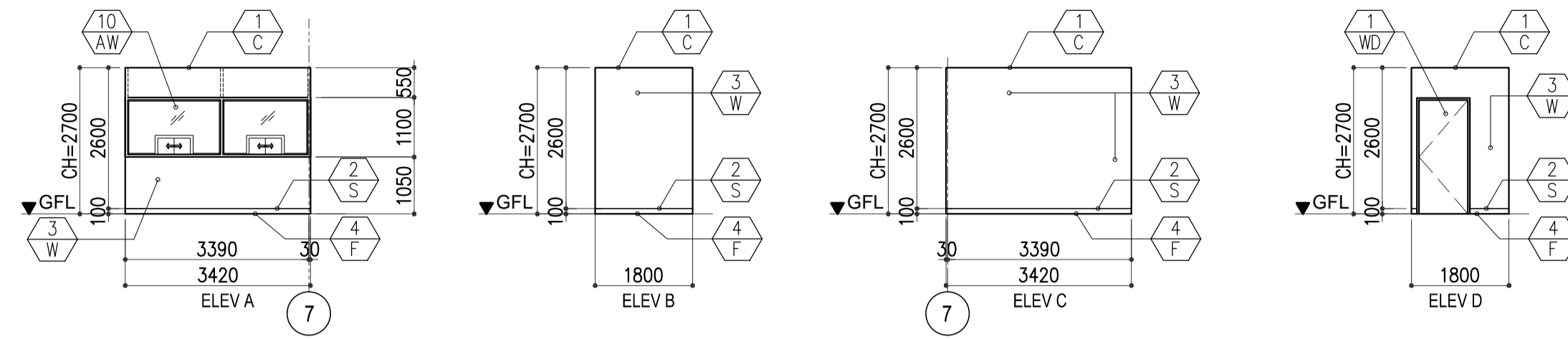


	PREPARED BY: WILLIAM L. MALLONGA <small>PRF: Architect PIR: 3911137 REC. NO.: 4623 DATE: MAY 9, 2013 TEL: 150-564-196 PLACE: MANILA CITY</small>	RECOMMENDING APPROVAL: ILDEFONSO T. PATDU, JR. <small>Assistant Secretary for Project Implementation, DOTC</small>	APPROVED: JULIANITO G. BUCAYAN, JR. <small>Undersecretary for Project Implementation, DOTC</small>	PROJECT TITLE: NEW BOHOL AIRPORT CONSTRUCTION AND SUSTAINABLE ENVIRONMENT PROTECTION PROJECT LOCATION: MUNICIPALITY OF PANGLAO, PROVINCE OF BOHOL, PHILIPPINES	SHEET CONTENTS: COMPONENT-4 BUILDING WORKS (B) SUBCOMPONENT -4-1 (B1) PASSENGER TERMINAL BUILDING ARCHITECTURAL INTERNAL ELEVATION 2	SHEET NO: B1-4300-42 DRAWING SCALE: 1:100 MTS.
	JICA DESIGN CONSULTANT JOINT VENTURE JAPAN AIRPORT CONSULTANTS, INC.	TADASHI AOI Team Leader	ILDEFONSO T. PATDU, JR. Assistant Secretary for Project Implementation, DOTC	JULIANITO G. BUCAYAN, JR. Undersecretary for Project Implementation, DOTC	DATE: JUNE 2013 INDEX: [] AMENDMENTS: [] Prepared by: WIM Checked by: HC Validated by: []	

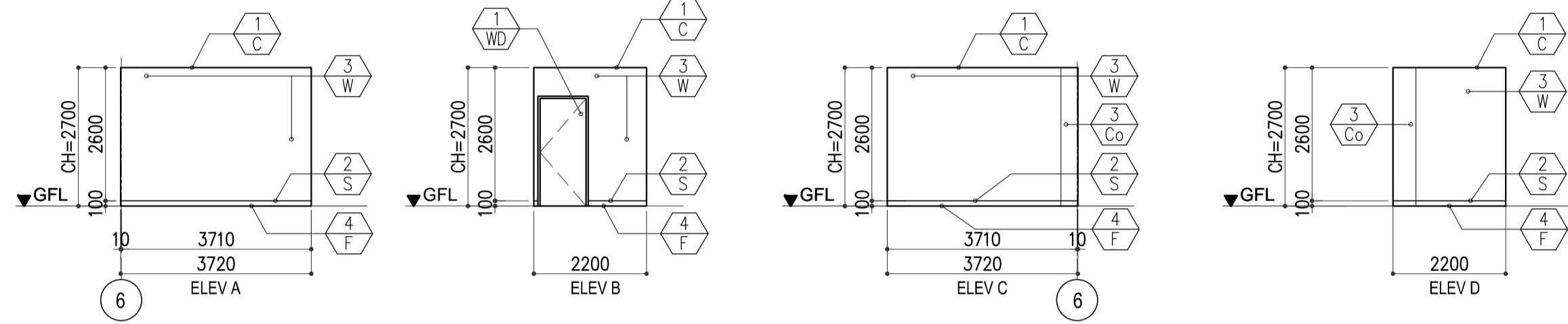
INTELLIGENCE ROOM (119)



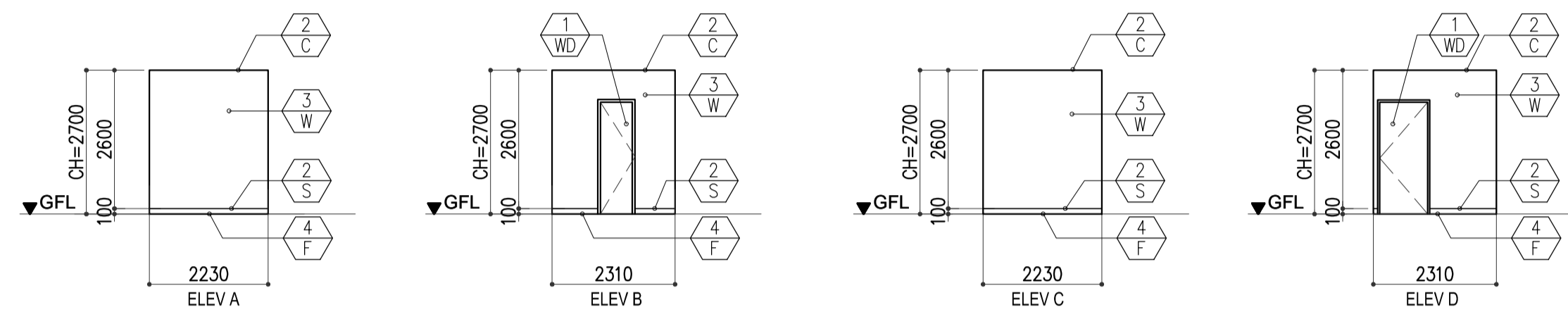
CASHIER (120)



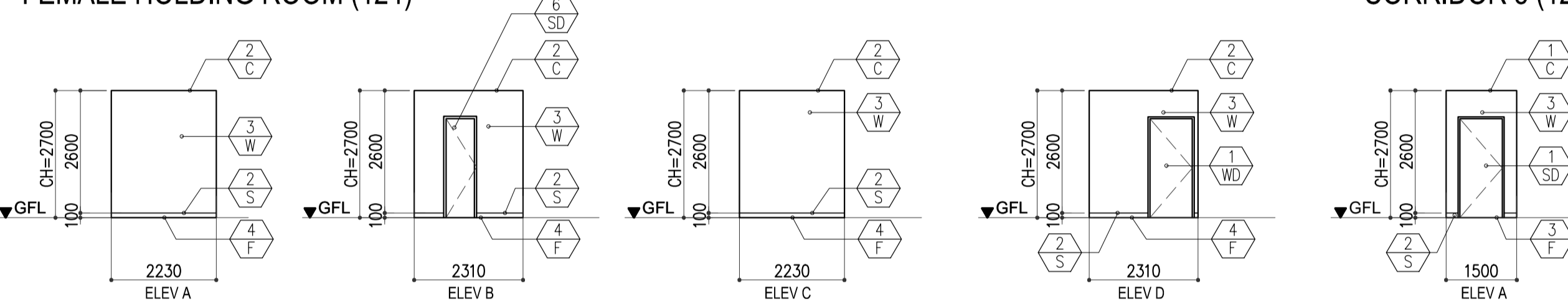
ICTS (121)



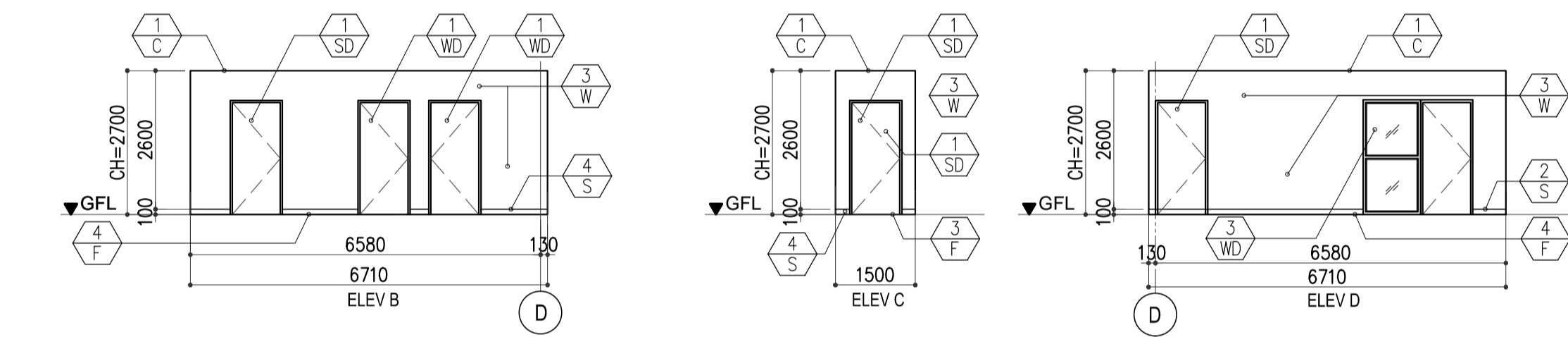
MALE HOLDING ROOM (123)



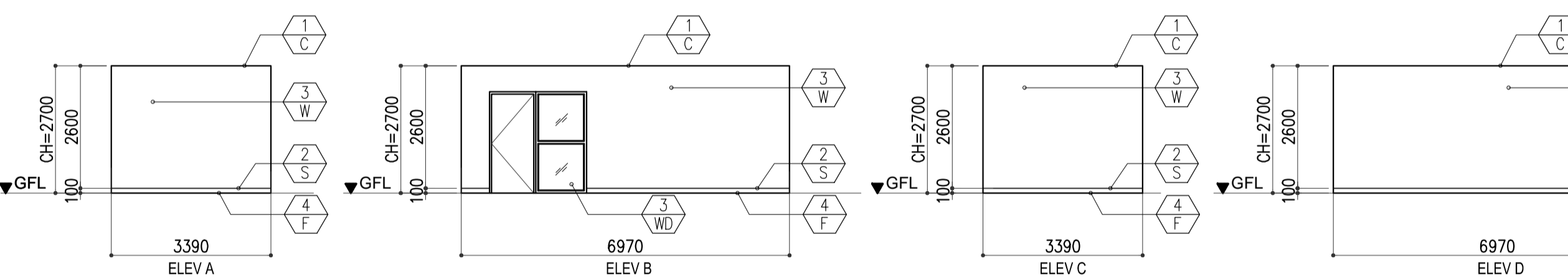
FEMALE HOLDING ROOM (124)



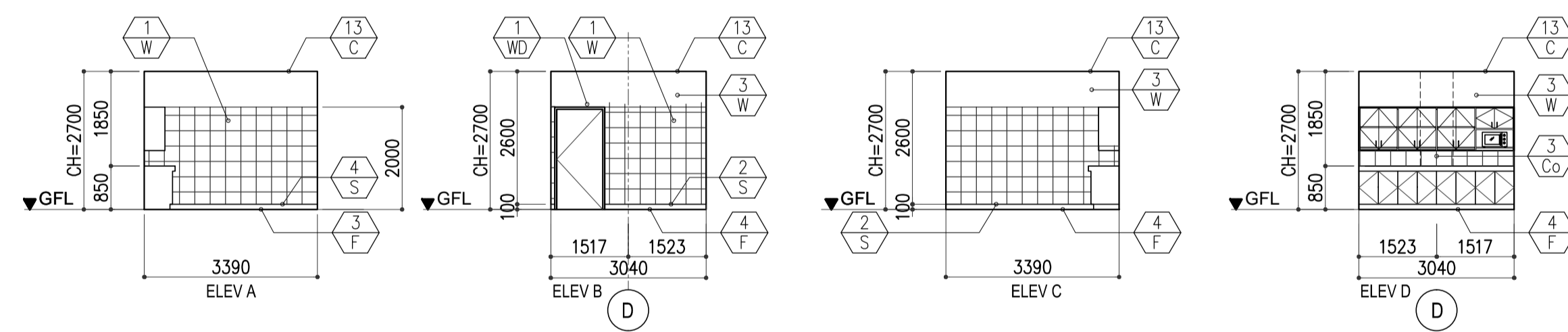
CORRIDOR 5 (125)



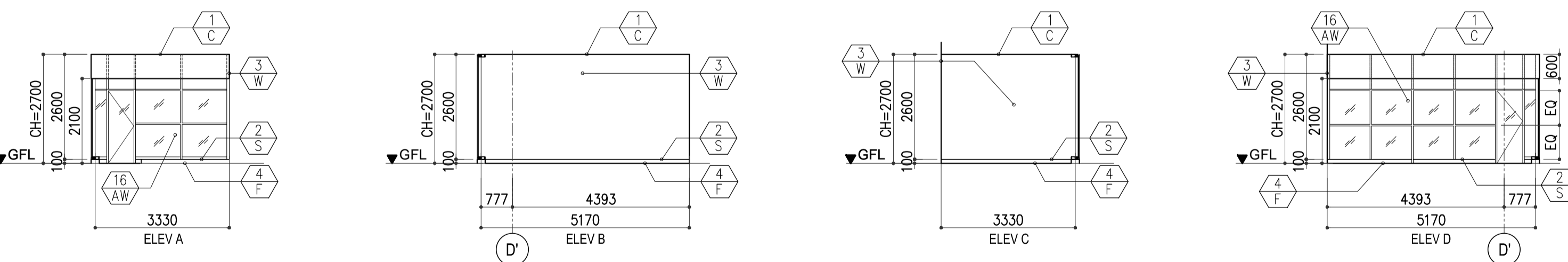
AOD (127)



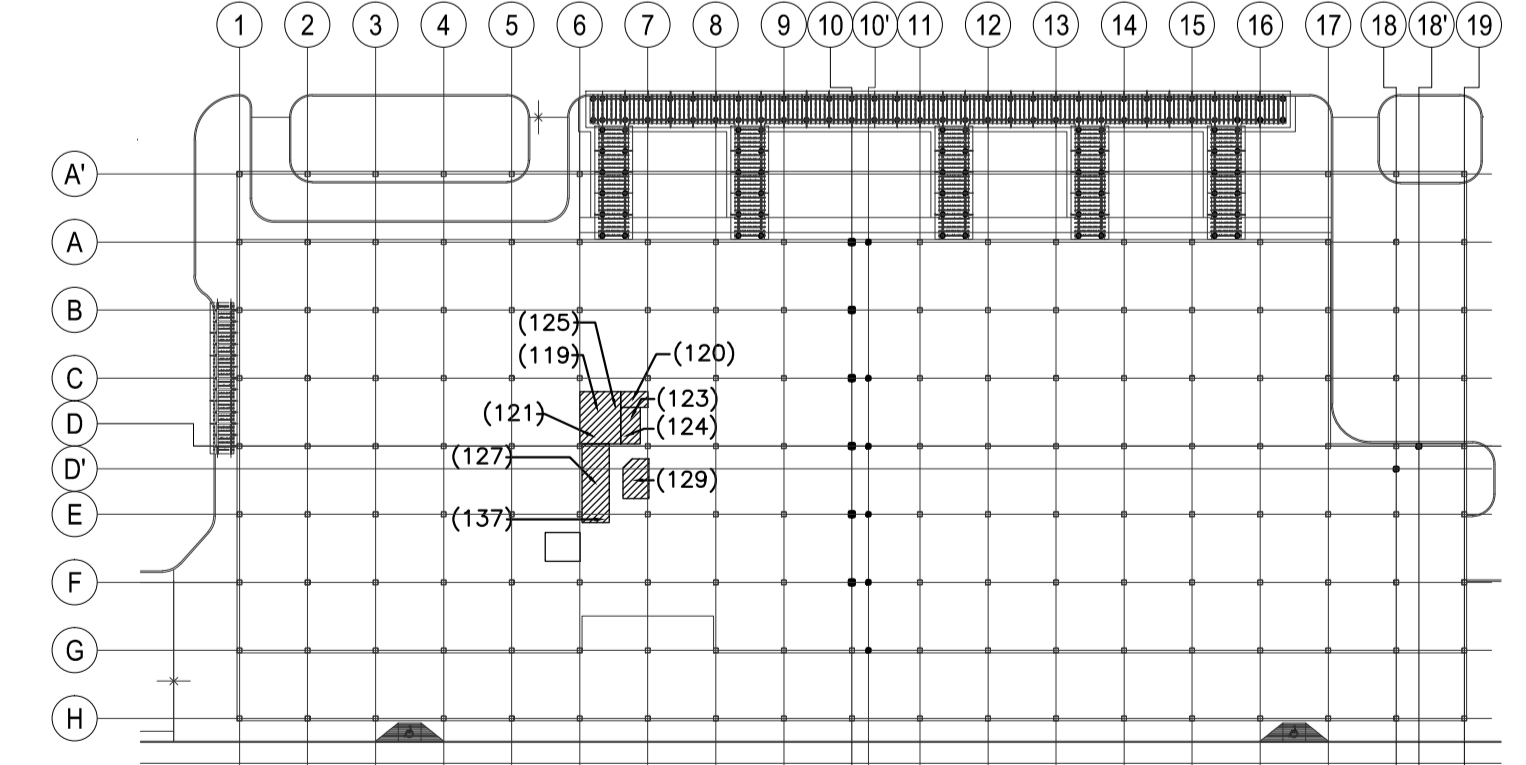
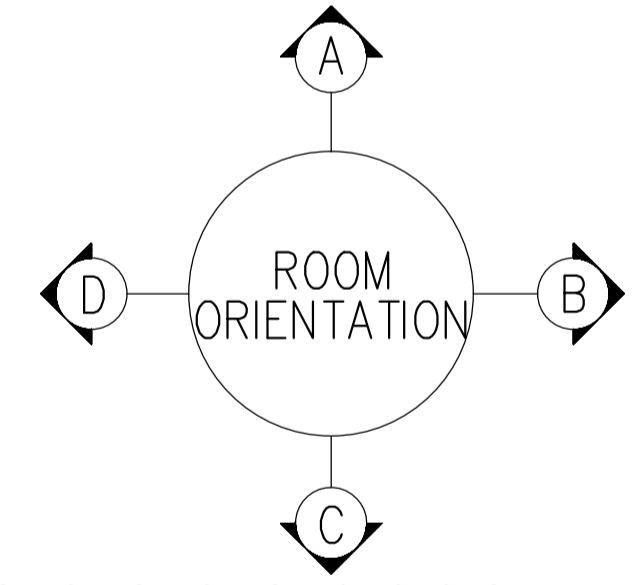
PANTRY (137)



MEETING ROOM (129)



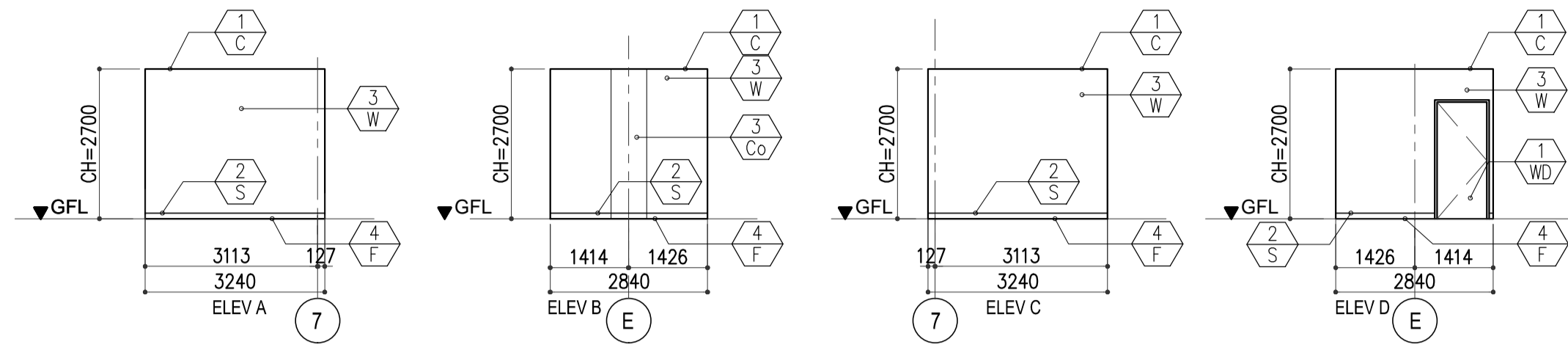
FINISHING LEGEND	
FLOOR	
F1	t=20, 600 x 600 FLAMED GRANITE W/ BURNER FINISHING
F2	t=20, 600 x 600 GRANITE TILE ON CEMENT SETTING BED
F3	t=8, 300 x 300 HOMOGENOUS FLOOR TILES ON CEMENT SETTING BED (PUBLIC)
F4	t=8, 300 x 300 HOMOGENOUS FLOOR TILES ON CEMENT SETTING BED (PRIVATE)
F5	t=3, 500 x 500 RUBBER TILE
F6	t=2, 300 x 300 VINYL TILES ON CEMENT RENDER FINISH
F7	t=8, BROOD LOOM CARPET ON CEMENT SETTING BED (VP/GIP)
F8	DAMP-PROOF PAINT ON P-6 ON CEMENT RENDER FINISH
F9	t=7, 500 x 500 ANTI-STATIC CARPET TILE ON RAISED FLOOR
F10	t=2, 500 x 500 ANTI-STATIC VINYL TILES ON RAISED FLOOR
F11	FLOOR HARDENER W/ EPOXY RESIN
F12	t=2, 300 x 300 VINYL TILES ON CEMENT ON RAISED FLOOR
F13	t=8 MARBLE (VP/GIP)
F14	t=8 600 x 600 HOMOGENOUS TILES ON CEMENT SETTING BED
F15	t=30 CEMENT MORTAR BROOM FINISH W/ DUSTPROOF PAINT
SKIRTING	
S1	t=8 HOMOGENOUS TILE h=300
S2	t=8 HOMOGENOUS TILE h=100
S3	t=25 TIMBER W/P-2 h=50
S4	t=2 POLYVINYL SOFT TILE h=100
SS	CEMENT RENDER FINISH W/P-1, h=100
WALL	
W1	t=8, 300 x 300 HOMOGENOUS WALL TILES (PUBLIC)
W2	t=8, 300 x 300 HOMOGENOUS WALL TILES (PRIVATE)
W3	CEMENT RENDER FINISH W/P-1
W4	CEMENT RENDER FINISH W/P-4
W5	PADDED FABRIC
W6	FORMED FACE CONCRETE
W7	t=12 & t=9 GYPSUM BOARD W/P-1 ON LIGHT GAUGE STEEL
W8	t=25 GLASSWOOL BOARD W/ GLASSWOOL CLOTH
W9	t=12 & t=9 GYPSUM BOARD W/P-4 ON LIGHT GAUGE STEEL
W10	t=20 CEMENT RENDER FINISH / ALUMINUM GROOVE
W11	TIMBER WALL CLADDING (DECORATIVE)
COLUMNS	
Co1	t=8, 300 x 300 CERAMIC WALL TILES (PUBLIC)
Co2	t=8, 300 x 300 CERAMIC WALL TILES (PRIVATE)
Co3	CEMENT RENDER FINISH W/P-1
Co4	CEMENT RENDER FINISH W/P-4
Co5	PADDED FABRIC
Co6	FORMED FACE CONCRETE
Co7	t=25 GLASSWOOL BOARD W/ GLASSWOOL CLOTH
Co8	STEEL STRUCTURE
Co9	TIMBER WALL CLADDING (DECORATIVE)
Co10	t=20 CEMENT RENDER FINISH / ALUMINUM GROOVE
BEAM	
B1	FORMED FACE CONCRETE
B2	FORMED FACE CONCRETE W/P-1
B3	FORMED FACE CONCRETE W/P-4
B4	STEEL TRUSS BEAM W/P-3
B5	STEEL BEAM W/P-3
CEILING	
C1	EXPOSED SUSPENSION CEILING SYSTEM : t=15 ACOUSTIC ROCKWOOL
CEILING BOARD	
C2	DOUBLE CEILING SYSTEM : t=12 COLORED ACOUSTIC ROCKWOOL
C3	SUSPENDED BOARD CEILING : t=9 GYPSUM BOARD
C4	FORMED FACE CONCRETE
C5	t=25 GLASSWOOL BOARD W/ GLASSWOOL CLOTH
C6	SUSPENDED BOARD CEILING (t=12 + t=9 GYPSUM BOARD W/ GLASSWOOL CLOTH)
C7	W=150mm ALUMINUM LINER CEILING 1
C8	W=300mm ALUMINUM LINER CEILING 2
C9	W=84mm ALUMINUM LINER CEILING 3
C10	t=12 GYPSUM BOARD
C11	HIGHER CEILING t=12 GYPSUM BOARD W/ PAINT
C12	t=25, W=200 WOOD BATTENS W/ FLAME RETARDANT W/ P-8
C13	W=13 ALUMINUM LINER CEILING
C14	W=13, H=162 ALUMINUM BAFFLE CEILING
C15	EXPOSED CONSTRUCTION



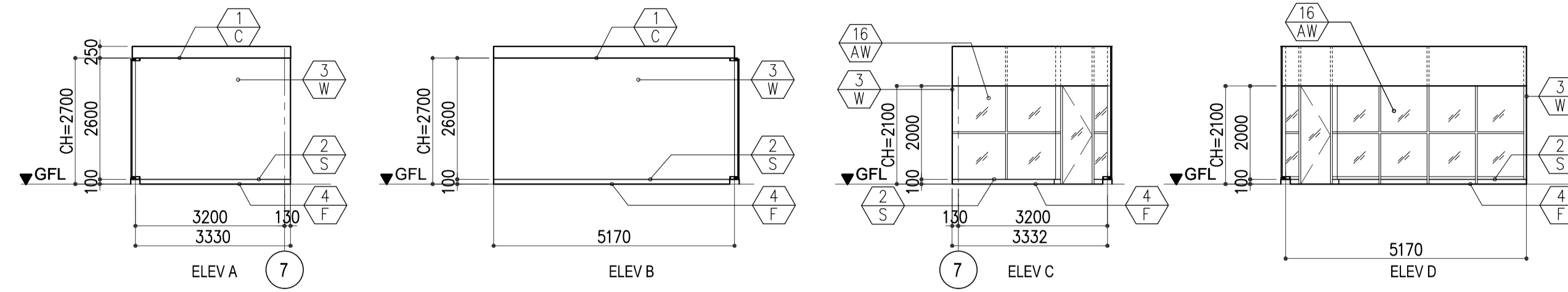
KEYPLAN

	PREPARED BY: WILLIAM L. MALLONGA <small>PRF: Architect PIR: 3911137 REC. NO.: 4623 DATE: MAY 9, 2013 TAN: 150-564-196 PLACE: MAKATI CITY</small>	RECOMMENDING APPROVAL: ILDEFONSO T. PATDUI, JR. <small>Assistant Secretary for Project Implementation, DOTC</small>	APPROVED: JULIANITO G. BUCAYAN, JR. <small>Undersecretary for Project Implementation, DOTC</small>	PROJECT TITLE: NEW BOHOL AIRPORT CONSTRUCTION AND SUSTAINABLE ENVIRONMENT PROTECTION PROJECT	SHEET CONTENTS: COMPONENT-4 BUILDING WORKS (B) SUBCOMPONENT -4-1 (B1) PASSENGER TERMINAL BUILDING ARCHITECTURAL INTERNAL ELEVATION 3	SHEET NO: B1-4300-43
	JICA DESIGN CONSULTANT JOINT VENTURE JAPAN AIRPORT CONSULTANTS, INC. NIPPON KOEI CO., LTD. NIS CONSULTANTS CO., LTD.	TADASHI AOI Team Leader	ILDEFONSO T. PATDUI, JR. Assistant Secretary for Project Implementation, DOTC	JULIANITO G. BUCAYAN, JR. Undersecretary for Project Implementation, DOTC	LOCATION: MUNICIPALITY OF PANGLAO, PROVINCE OF BOHOL, PHILIPPINES DATE: JUNE 2013	DRAWING SCALE: 1:100 MTS.

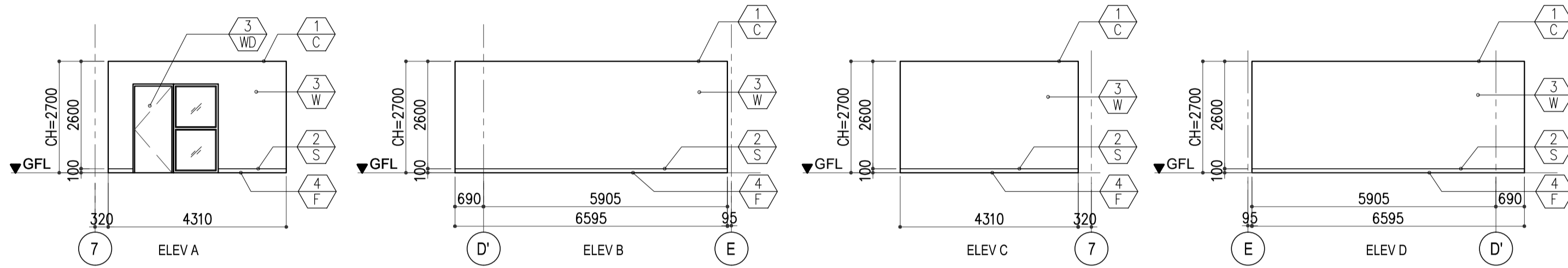
STORAGE (136)



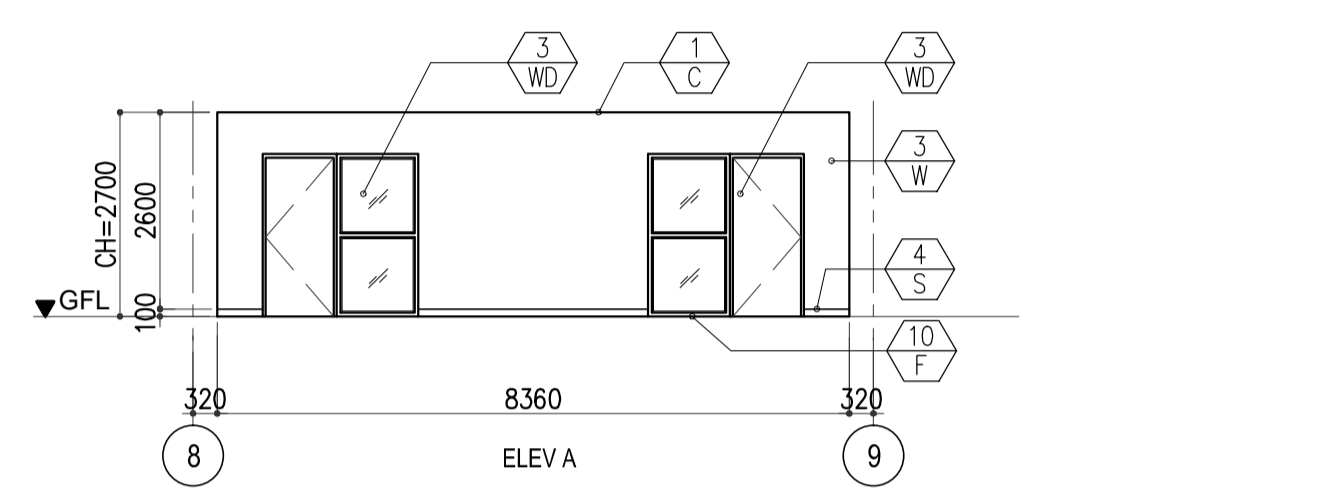
COPY MACHINE ROOM (135)



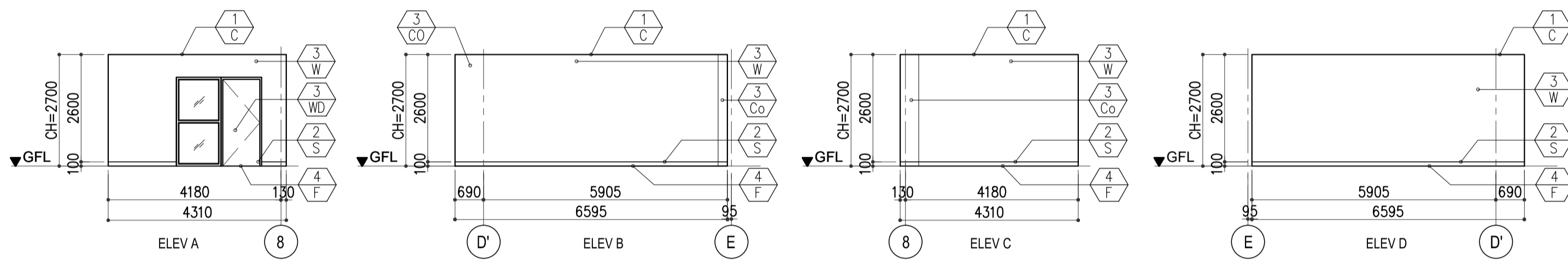
OFFICE 1 (130)



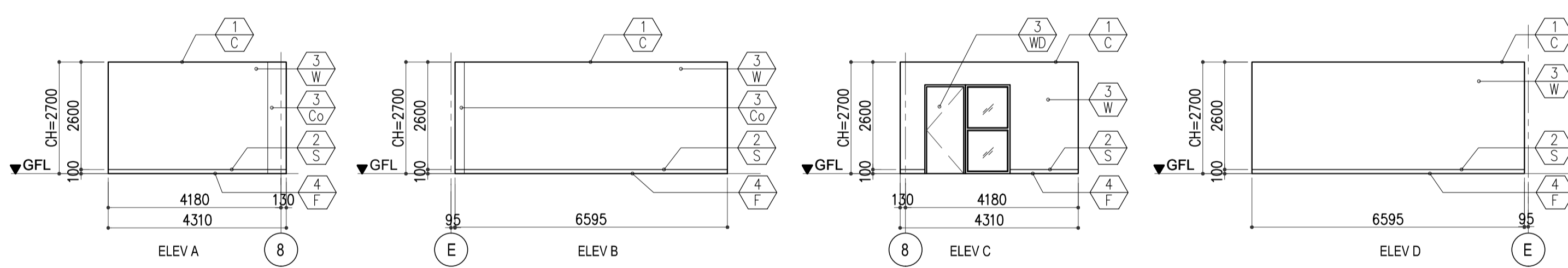
COMMAND & CONTROL OFFICE (132)



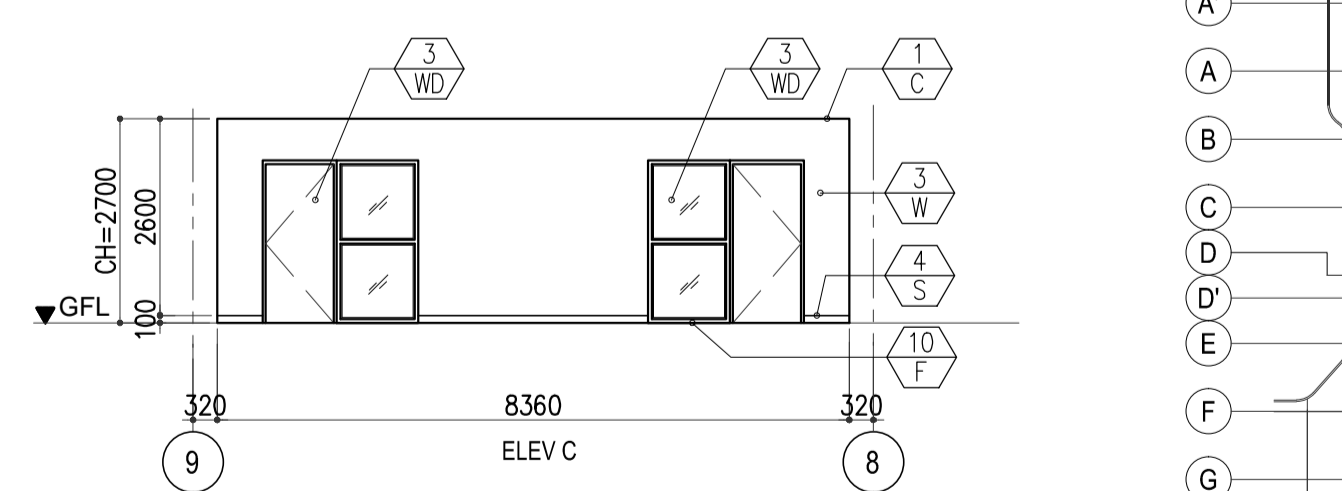
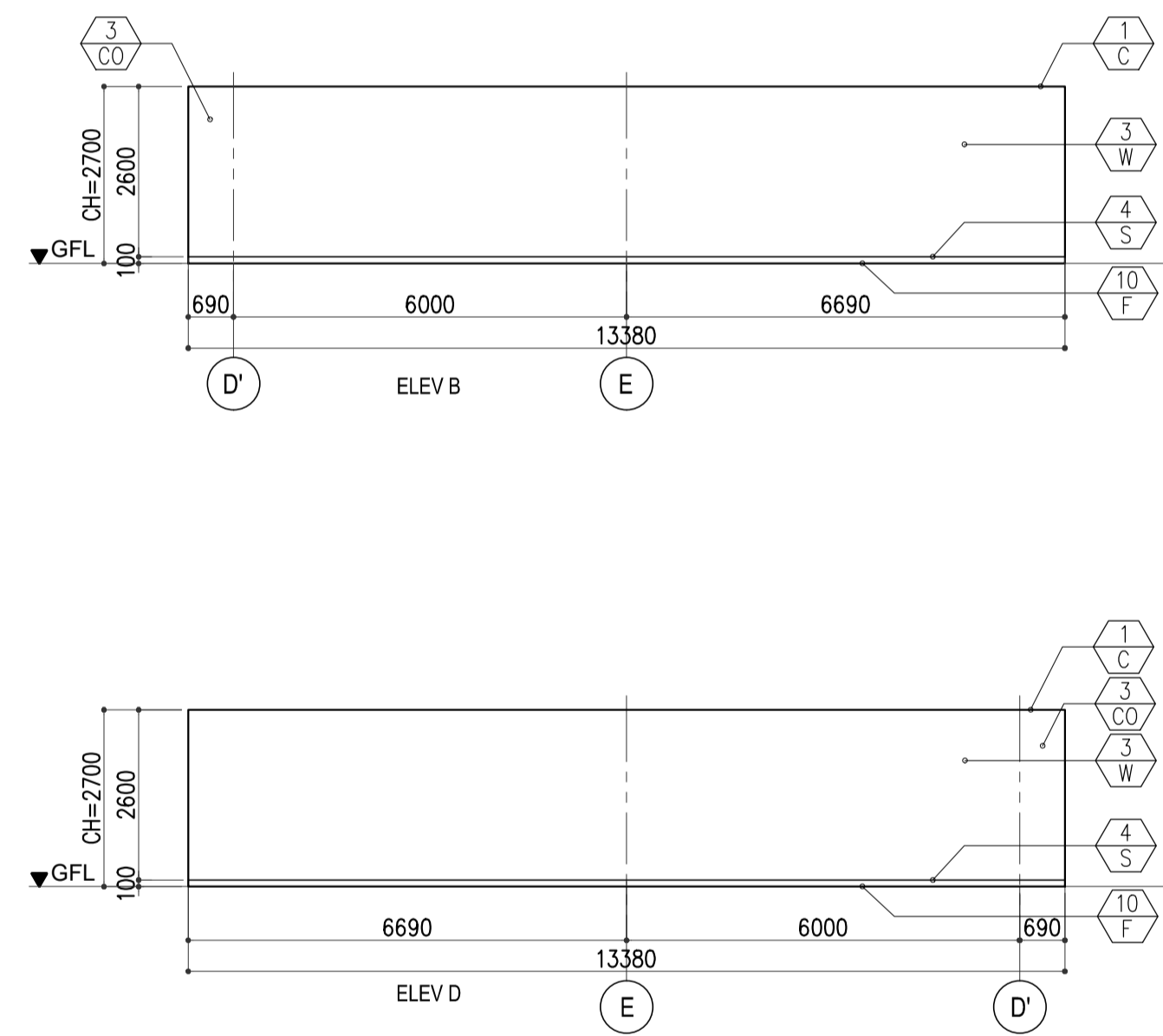
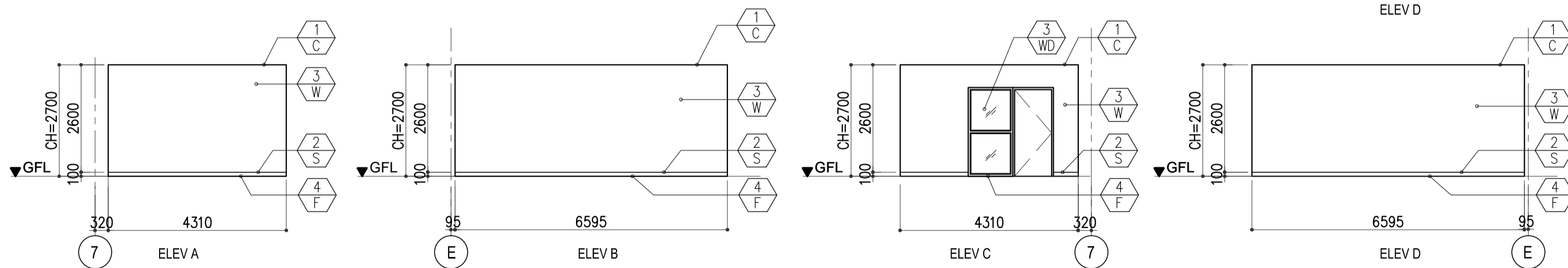
OFFICE 2 (131)



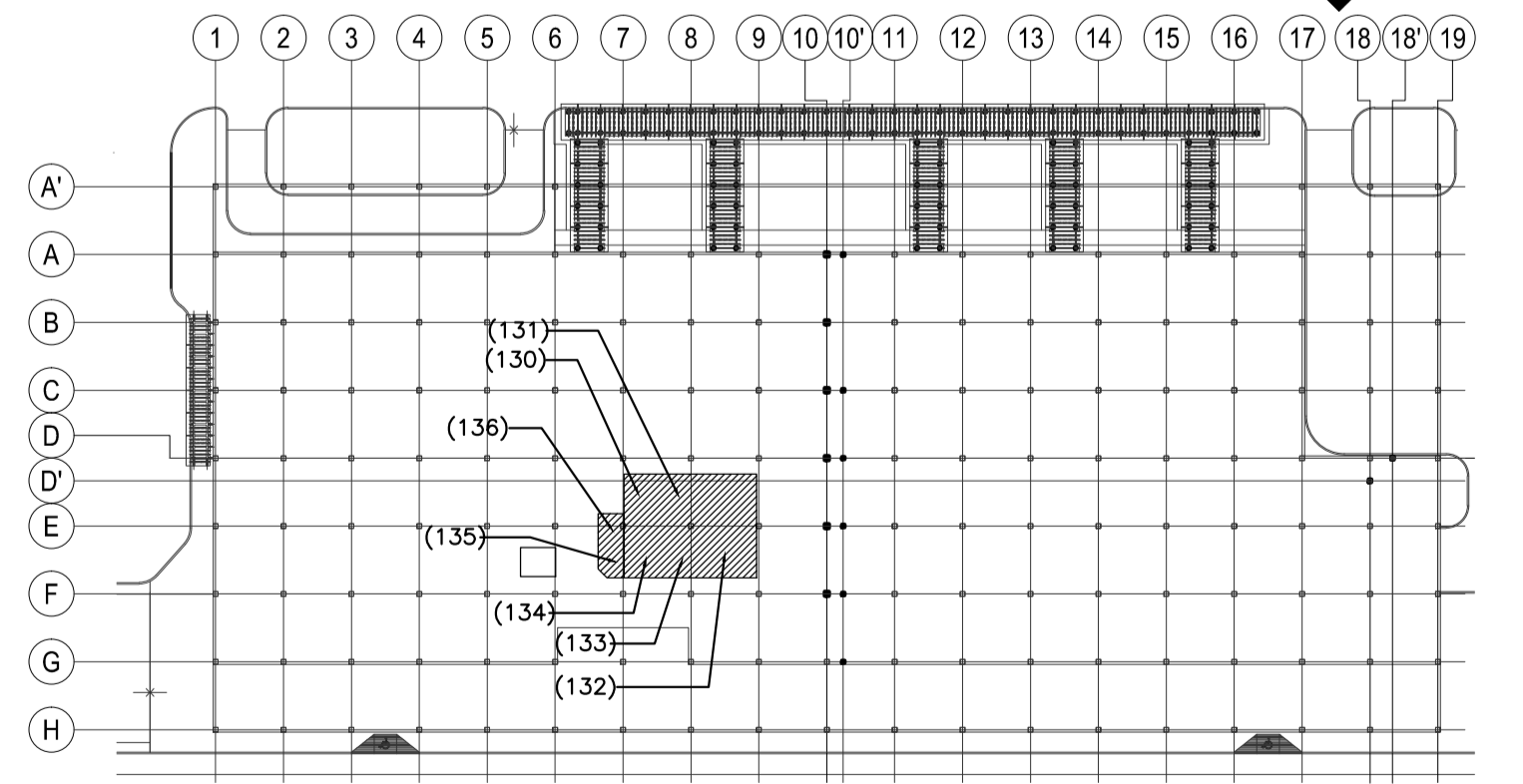
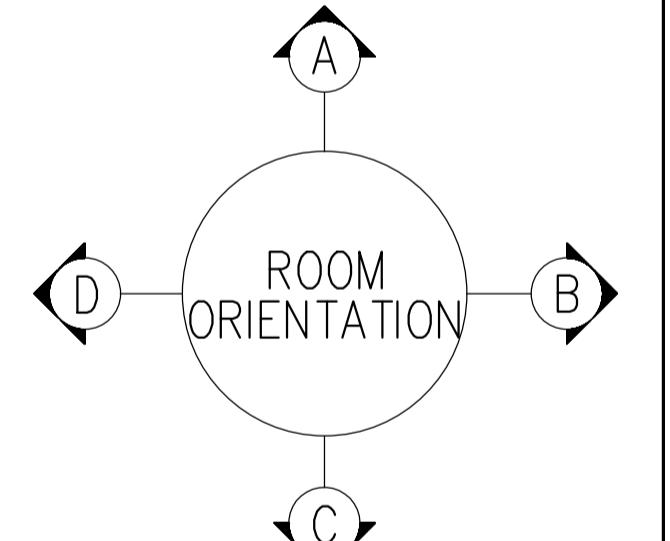
OFFICE 3 (133)



OFFICE 4 (134)



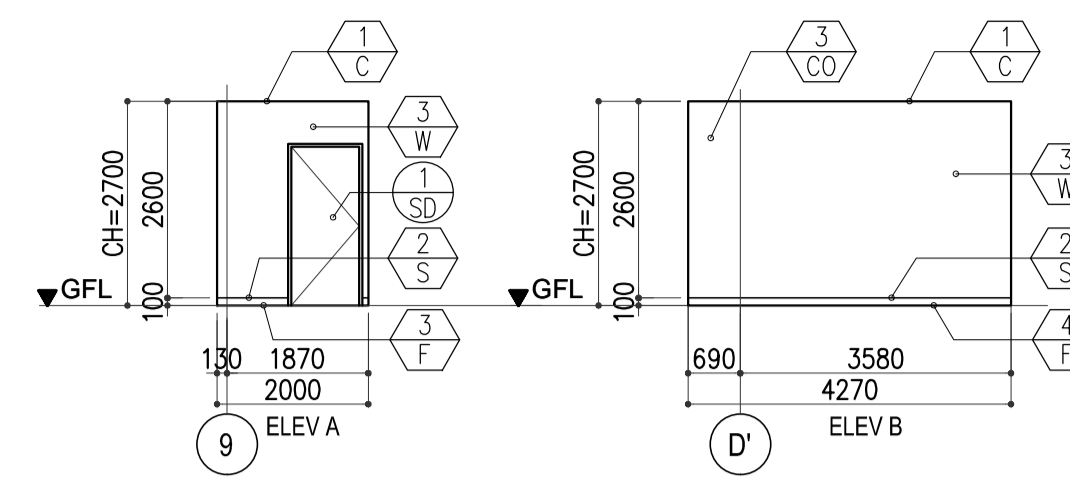
FINISHING LEGEND	
FLOOR	
F1	t=20, 600 x 600 FLAMED GRANITE W/ BURNER FINISHING
F2	t=20, 600 x 600 GRANITE TILE ON CEMENT SETTING BED
F3	t=8, 300 x 300 HOMOGENOUS FLOOR TILES ON CEMENT SETTING BED (PUBLIC)
F4	t=8, 300 x 300 HOMOGENOUS FLOOR TILES ON CEMENT SETTING BED (PRIVATE)
F5	t=3, 500 x 500 RUBBER TILE
F6	t=2, 300 x 300 VINYL TILES ON CEMENT RENDER FINISH
F7	t=8, BROOD LOOM CARPET ON CEMENT SETTING BED (VIP/CIP)
F8	DAIRPROOF PAINT ON P-5 ON CEMENT RENDER FINISH
F9	t=7, 500 x 500 ANTI-STATIC CARPET TILE ON RAISED FLOOR
F10	t=2, 500 x 500 ANTI-STATIC VINYL TILES ON RAISED FLOOR
F11	FLOOR HARDENER W/ EPOXY RESIN
F12	t=2, 300 x 300 VINYL TILES ON CEMENT ON RAISED FLOOR
F13	t=8 MARBLE (VIP/CIP)
F14	t=8 600 x 600 HOMOGENOUS TILES ON CEMENT SETTING BED
F15	t=30 CEMENT MORTAR BROOM FINISH W/ DUSTPROOF PAINT
SKIRTING	
S1	t=8 HOMOGENOUS TILE h=300
S2	t=8 HOMOGENOUS TILE h=100
S3	t=25 TIMBER W/P-2 h=50
S4	t=2 POLYVINYL SOFT TILE h=100
S5	CEMENT RENDER FINISH W/P-1, h=100
WALL	
W1	t=8, 300 x 300 HOMOGENOUS WALL TILES (PUBLIC)
W2	t=8, 300 x 300 HOMOGENOUS WALL TILES (PRIVATE)
W3	CEMENT RENDER FINISH W/P-1
W4	CEMENT RENDER FINISH W/P-4
W5	PADDED FABRIC
W6	FORMED FACE CONCRETE
W7	t=12 & t=9 GYPSUM BOARD W/P-1 ON LIGHT GAUGE STEEL
W8	t=25 GLASSWOOL BOARD W/ GLASSWOOL CLOTH
W9	t=12 & t=9 GYPSUM BOARD W/P-4 ON LIGHT GAUGE STEEL
W10	t=20 CEMENT RENDER FINISH / ALUMINUM GROOVE
W11	TIMBER WALL GLADDING (DECORATIVE)
COLUMNS	
Co1	t=8, 300 x 300 CERAMIC WALL TILES (PUBLIC)
Co2	t=8, 300 x 300 CERAMIC WALL TILES (PRIVATE)
Co3	CEMENT RENDER FINISH W/P-1
Co4	CEMENT RENDER FINISH W/P-4
Co5	PADDED FABRIC
Co6	FORMED FACE CONCRETE
Co7	t=25 GLASSWOOL BOARD W/ GLASSWOOL CLOTH
Co8	STEEL STRUCTURE
Co9	TIMBER WALL GLADDING (DECORATIVE)
Co10	t=20 CEMENT RENDER FINISH / ALUMINUM GROOVE
BEAM	
B1	FORMED FACE CONCRETE
B2	FORMED FACE CONCRETE W/P-1
B3	FORMED FACE CONCRETE W/P-4
B4	STEEL TRUSS BEAM W/P-3
B5	STEEL BEAM WF W/P-3
CEILING	
C1	EXPOSED SUSPENSION CEILING SYSTEM : t=15 ACOUSTIC ROCKWOOL CEILING BOARD
C2	DOUBLE CEILING SYSTEM : t=12 COLORED ACOUSTIC ROCKWOOL CEILING BOARD ON t=9 GYPSUM BOARD
C3	SUSPENDED BOARD CEILING : t=8 CALCIUM SILICATEBOARD W/P-7
C4	FORMED FACE CONCRETE
C5	t=25 GLASSWOOL BOARD W/ GLASSWOOL CLOTH
C6	SUSPENDED BOARD CEILING t=12 + t=9 GYPSUM BOARD W/ GLASSWOOL CLOTH
C7	W=150mm ALUMINUM LINER CEILING 1
C8	W=300mm ALUMINUM LINER CEILING 2
C9	W=84mm ALUMINUM LINER CEILING 3
C10	t=12 GYPSUM BOARD
C11	HIGHER CEILING t=12 GYPSUM BOARD w/ PAINT
C12	t=25, W=200 WOOD BATTENS W/ FLAME RETARDANT W/ P-8
C13	W=13 ALUMINUM LINER CEILING
C14	W=13, H=162 ALUMINUM BAFFLE CEILING
C15	EXPOSED CONSTRUCTION



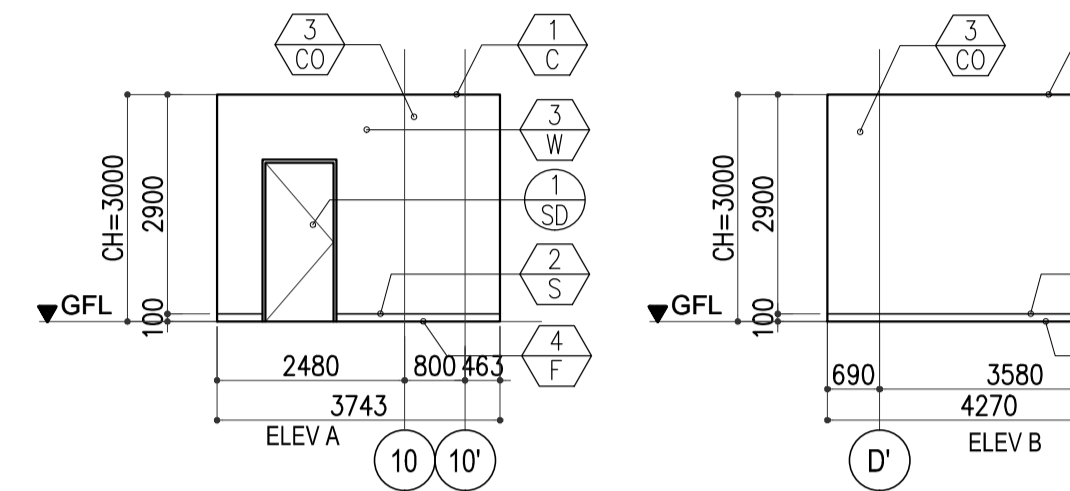
KEYPLAN

	PREPARED BY: WILLIAM I. MALLONGA <small>PROF: Architect PIR: 3811137 RES. NO.: 4623 DATE: MAY 9, 2013 TEL: 159-544-198 PLACE: MANILA CITY</small>	RECOMMENDING APPROVAL: ILDEFONSO T. PATDU, JR. <small>Assistant Secretary for Project Implementation, DOTC</small>	APPROVED: JULIANITO G. BUCAYAN, JR. <small>Undersecretary for Project Implementation, DOTC</small>	PROJECT TITLE: NEW BOHOL AIRPORT CONSTRUCTION AND SUSTAINABLE ENVIRONMENT PROTECTION PROJECT	SHEET CONTENTS: COMPONENT-4 BUILDING WORKS (B) SUBCOMPONENT -4-1 (B1) PASSENGER TERMINAL BUILDING ARCHITECTURAL INTERNAL ELEVATION 4	SHEET NO: B1-4300-44
	JICA DESIGN CONSULTANT JOINT VENTURE JAPAN AIRPORT CONSULTANTS, INC. NIPPON KOEI CO., LTD. NIS CONSULTANTS CO., LTD.	TADASHI AOI Team Leader	ILDEFONSO T. PATDU, JR. Assistant Secretary for Project Implementation, DOTC	JULIANITO G. BUCAYAN, JR. Undersecretary for Project Implementation, DOTC	LOCATION: MUNICIPALITY OF PANGLOA, PROVINCE OF BOHOL, PHILIPPINES DATE: JUNE 2013	DRAWING SCALE: B1-4300-03

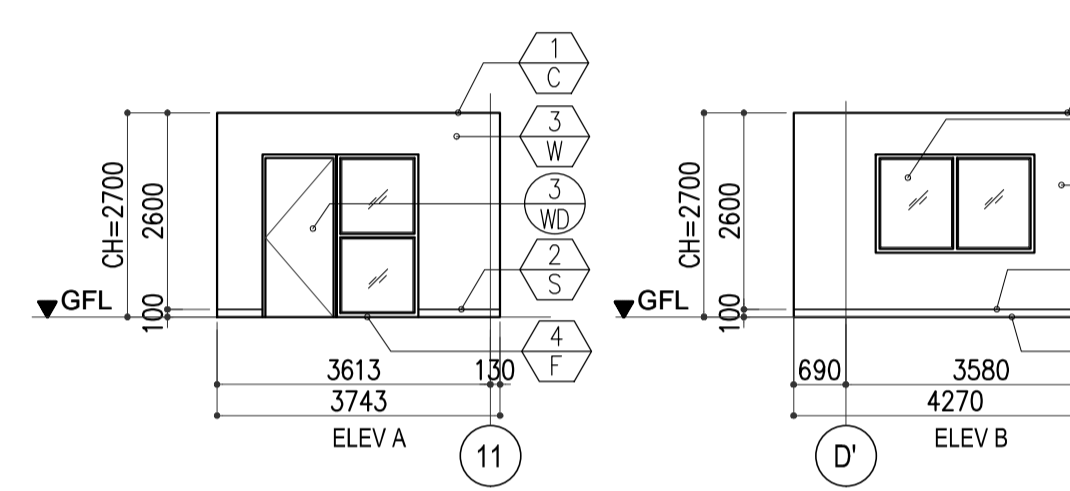
FM 200 (153)



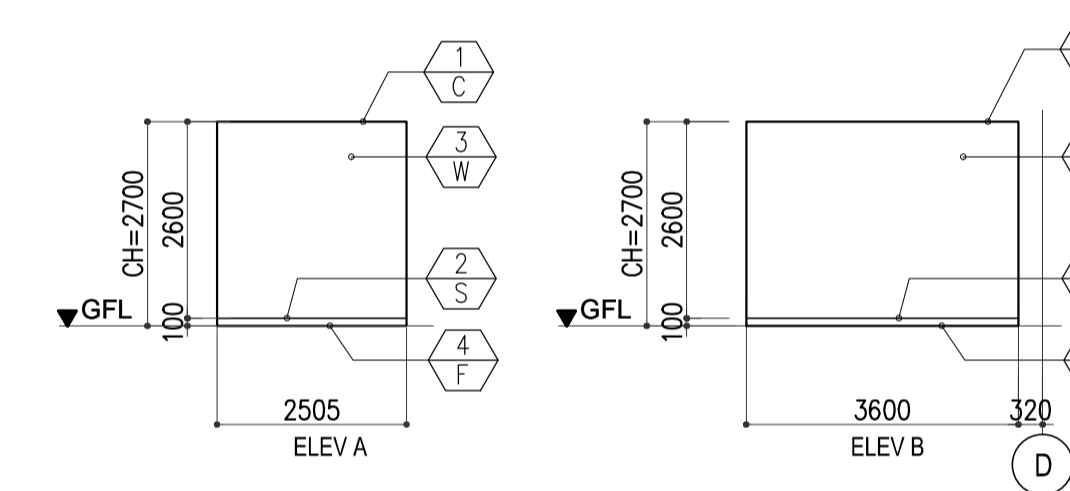
ELECTRICAL ROOM (155)



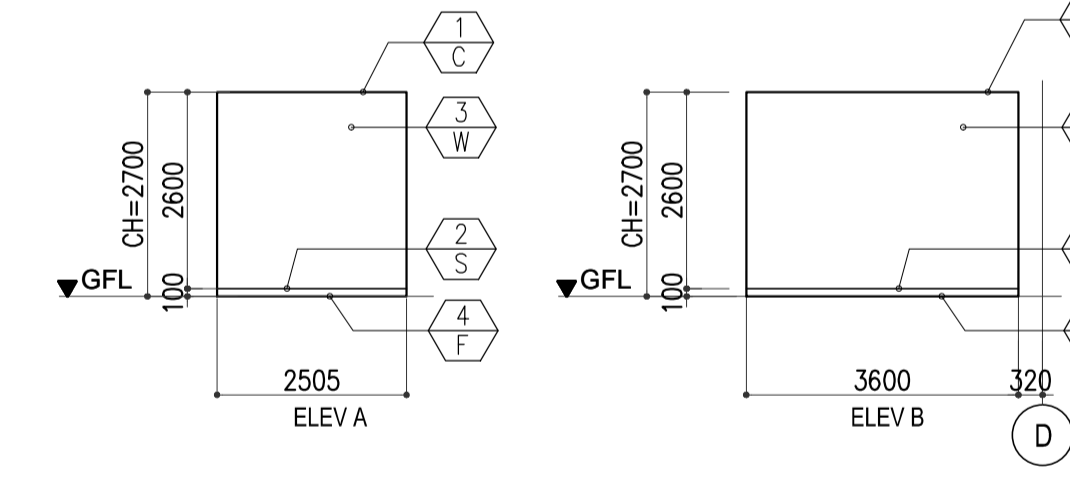
CUSTOM & QUARANTINE (157)



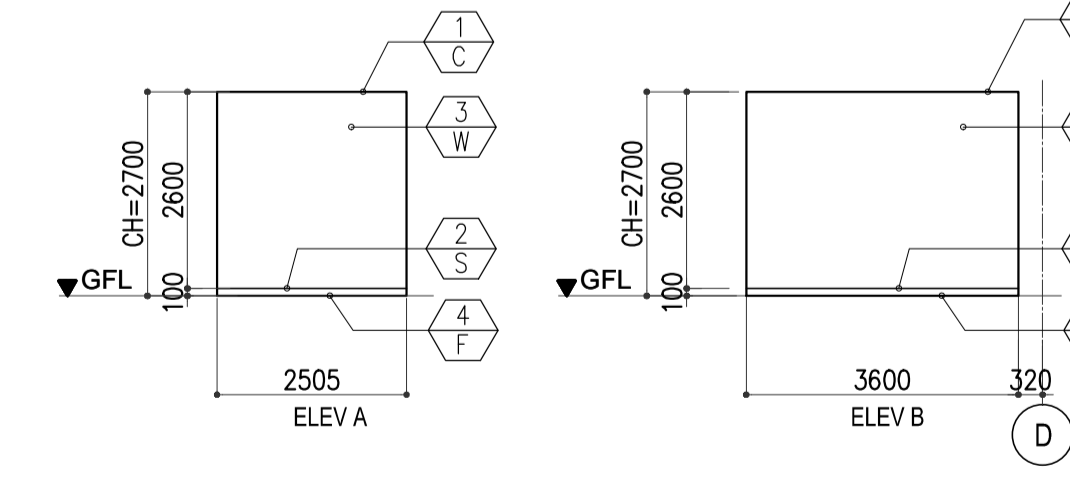
AIRLINE OFFICE 2 (182)



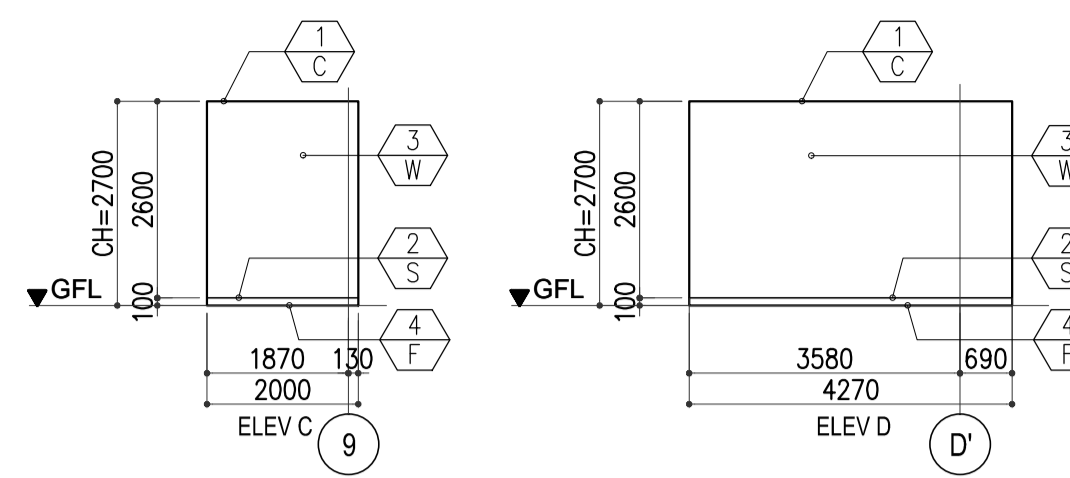
AIRLINE OFFICE 4 (185)



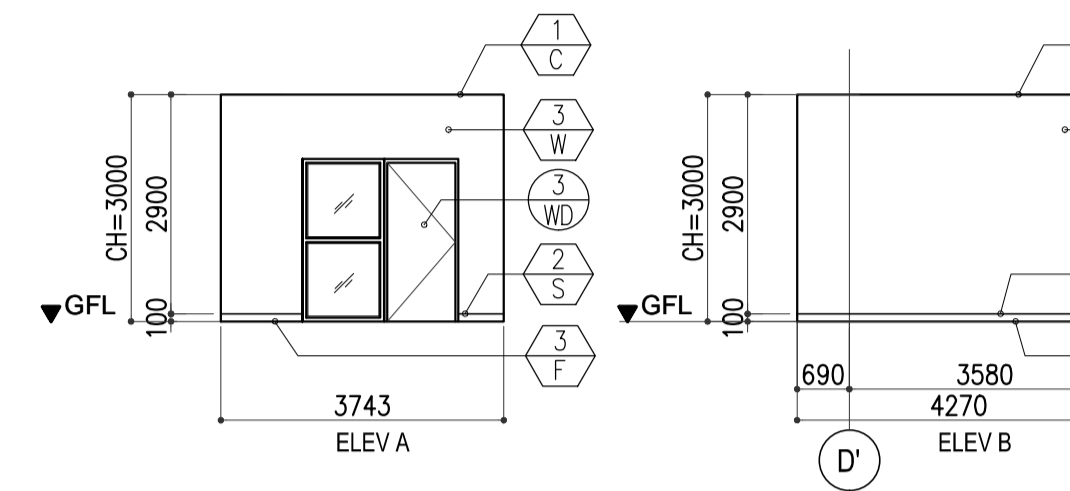
AIRLINE OFFICE 6 (185-A)



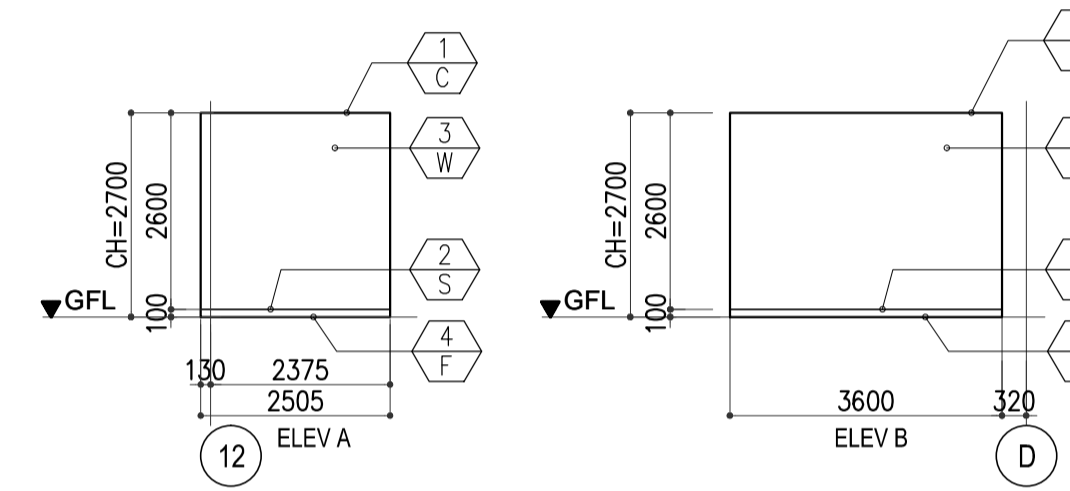
FOBS (154)



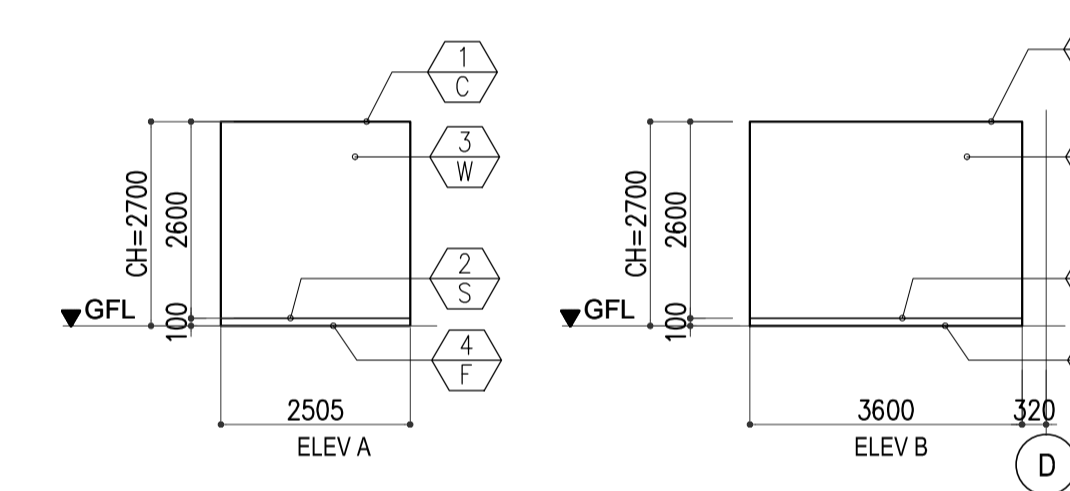
SECURITY OFFICE 1 (156)



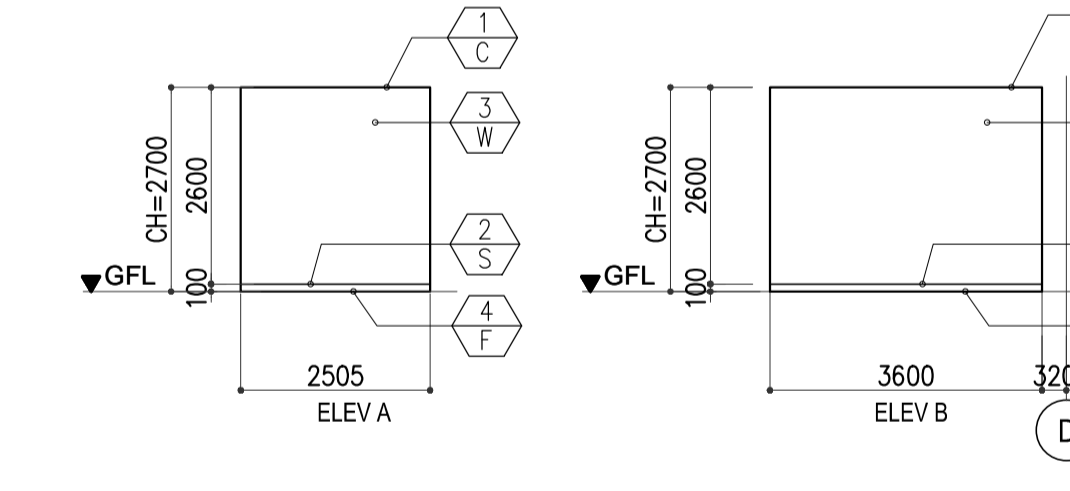
AIRLINE OFFICE 1 (181)



AIRLINE OFFICE 3 (183)

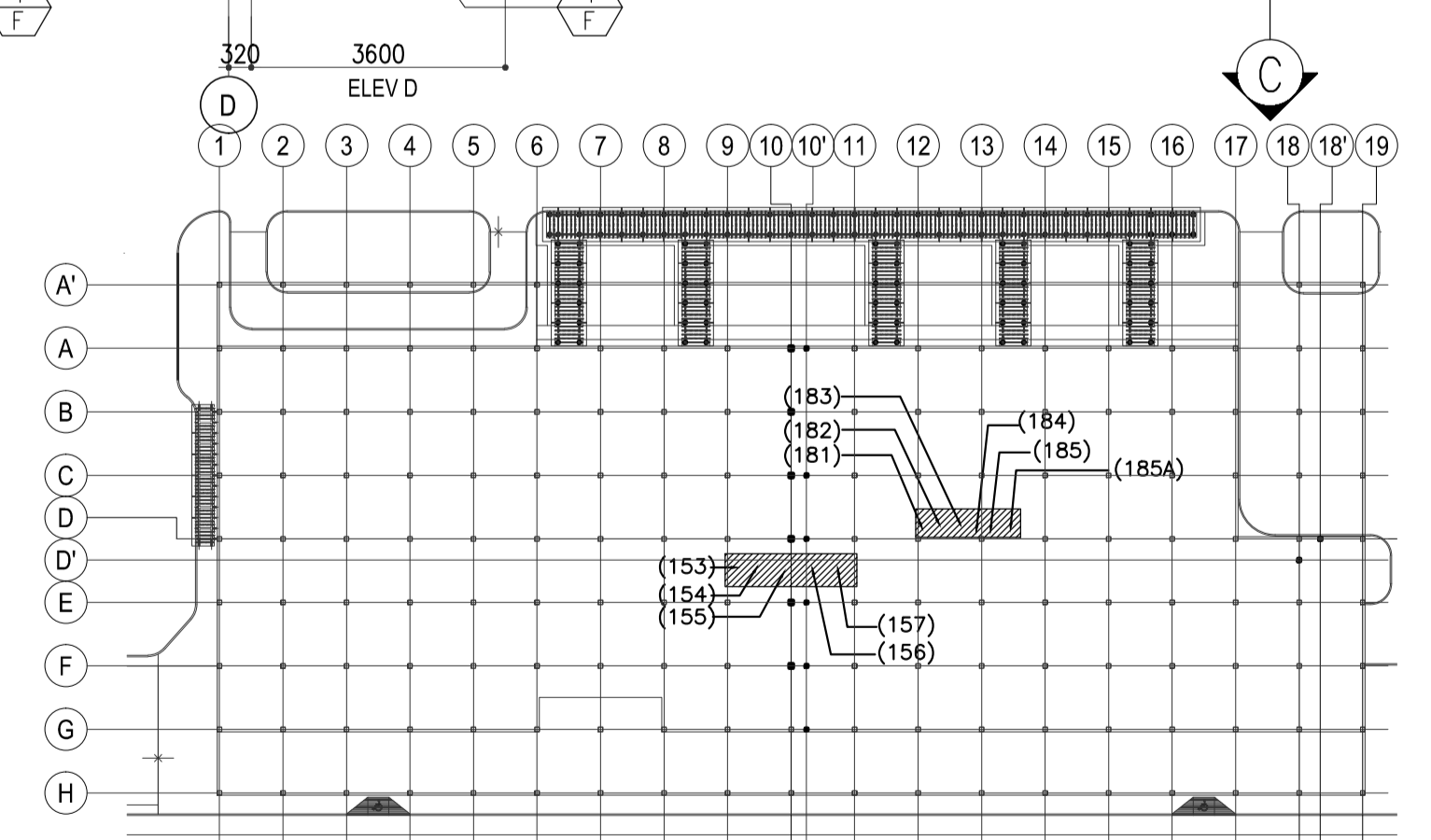
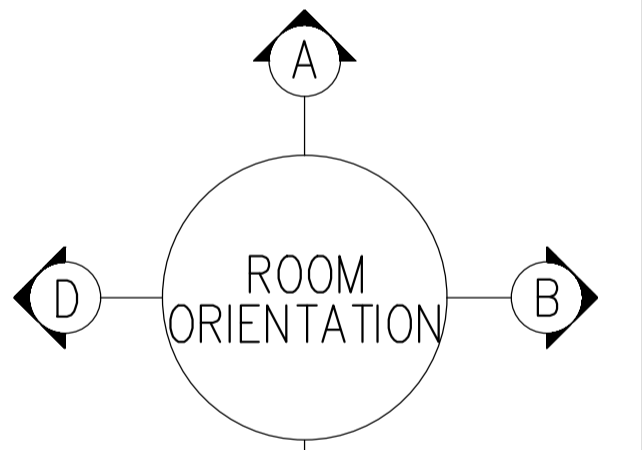


AIRLINE OFFICE 5 (186)



FINISHING LEGEND

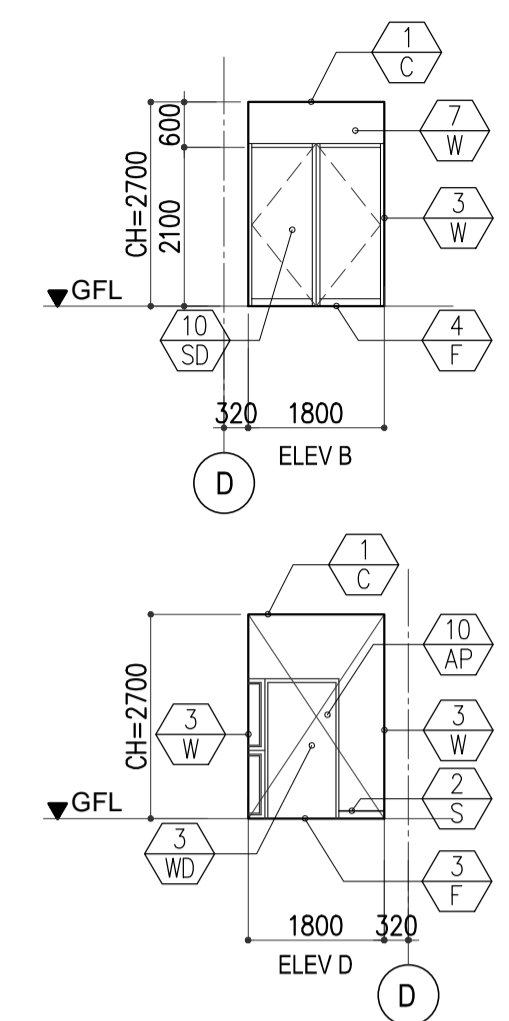
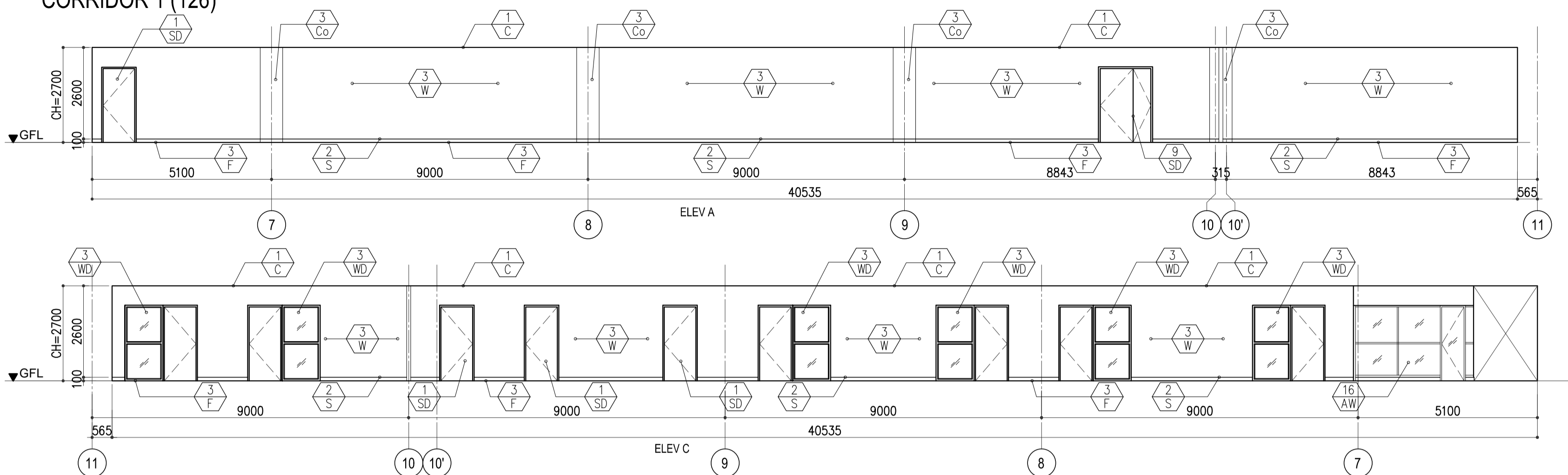
FLOOR	
F1	t=20, 600 x 600 FLAMED GRANITE W/ BURNER FINISHING
F2	t=20, 600 x 600 GRANITE TILE ON CEMENT SETTING BED
F3	t=8, 300 x 300 HOMOGENOUS FLOOR TILES ON CEMENT SETTING BED (PUBLIC)
F4	t=8, 300 x 300 HOMOGENOUS FLOOR TILES ON CEMENT SETTING BED (PRIVATE)
F5	t=3, 500 x 500 RUBBER TILE
F6	t=2, 300 x 300 VINYL TILES ON CEMENT RENDER FINISH
F7	t=8, BROOD LOOM CARPET ON CEMENT SETTING BED (VP/CIP)
F8	DAMP PROOF PAINT ON P-8 ON CEMENT RENDER FINISH
F9	t=7, 500 x 500 ANTI-STATIC CARPET TILE ON RAISED FLOOR
F10	t=2, 500 x 500 ANTI-STATIC VINYL TILES ON RAISED FLOOR
F11	FLOOR HARDENER W/ EPOXY RESIN
F12	t=2, 300 x 300 VINYL TILES ON CEMENT ON RAISED FLOOR
F13	t=8 MARBLE (VP/CIP)
F14	t=8 600 x 600 HOMOGENOUS TILES ON CEMENT SETTING BED
F15	t=30 CEMENT MORTAR BROOM FINISH W/ DUSTPROOF PAINT
SKIRTING	
S1	t=8 HOMOGENOUS TILE h=300
S2	t=8 HOMOGENOUS TILE h=100
S3	t=25 TIMBER W/P-2 h=50
S4	t=2 POLYVINYL SOFT TILE h=100
S5	CEMENT RENDER FINISH W/P-1, h=100
WALL	
W1	t=8, 300 x 300 HOMOGENOUS WALL TILES (PUBLIC)
W2	t=8, 300 x 300 HOMOGENOUS WALL TILES (PRIVATE)
W3	CEMENT RENDER FINISH W/P-1
W4	CEMENT RENDER FINISH W/P-4
W5	PADDED FABRIC
W6	FORMED FACE CONCRETE
W7	t=12 & t=9 GYPSUM BOARD W/P-1 ON LIGHT GAUGE STEEL
W8	t=25 GLASSWOOL BOARD W/ GLASSWOOL CLOTH
W9	t=12 & t=9 GYPSUM BOARD W/P-4 ON LIGHT GAUGE STEEL
W10	t=20 CEMENT RENDER FINISH / ALUMINUM GROOVE
W11	TIMBER WALL CLADDING (DECORATIVE)
COLUMNS	
Co1	t=8, 300 x 300 CERAMIC WALL TILES (PUBLIC)
Co2	t=8, 300 x 300 CERAMIC WALL TILES (PRIVATE)
Co3	CEMENT RENDER FINISH W/P-1
Co4	CEMENT RENDER FINISH W/P-4
Co5	PADDED FABRIC
Co6	FORMED FACE CONCRETE
Co7	t=25 GLASSWOOL BOARD W/ GLASSWOOL CLOTH
Co8	STEEL STRUCTURE
Co9	TIMBER WALL CLADDING (DECORATIVE)
Co10	t=20 CEMENT RENDER FINISH / ALUMINUM GROOVE
BEAM	
B1	FORMED FACE CONCRETE
B2	FORMED FACE CONCRETE W/P-1
B3	FORMED FACE CONCRETE W/P-4
B4	STEEL TRUSS BEAM W/P-3
B5	STEEL BEAM WF W/P-3
CEILING	
C1	EXPOSED SUSPENSION CEILING SYSTEM : t=15 ACOUSTIC ROCKWOOL
C2	DOUBLE CEILING SYSTEM : t=12 COLORED ACOUSTIC ROCKWOOL
C3	CEILING BOARD ON t=9 GYPSUM BOARD
C4	SUSPENDED BOARD CEILING : t=8 CALCIUM SILICATEBOARD W/P-7
C5	FORMED FACE CONCRETE
C6	t=25 GLASSWOOL BOARD W/ GLASSWOOL CLOTH
C7	SUSPENDED BOARD CEILING t=12 + t=9 GYPSUM BOARD W/ GLASSWOOL CLOTH
C8	W=150mm ALUMINUM LINER CEILING 1
C9	W=300mm ALUMINUM LINER CEILING 2
C10	W=94mm ALUMINUM LINER CEILING 3
C11	t=12 GYPSUM BOARD
C12	HIGHER CEILING t=12 GYPSUM BOARD w/ PAINT
C13	t=25, W=200 WOOD BATTENS W/ FLAME RETARDANT W/P-8
C14	W=13, H=162 ALUMINUM BAFFLE CEILING
C15	EXPOSED CONSTRUCTION



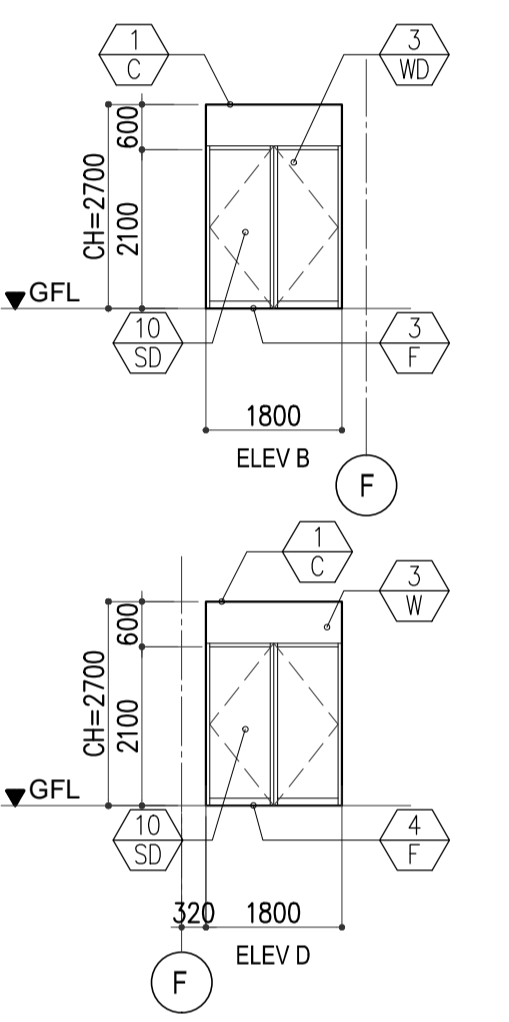
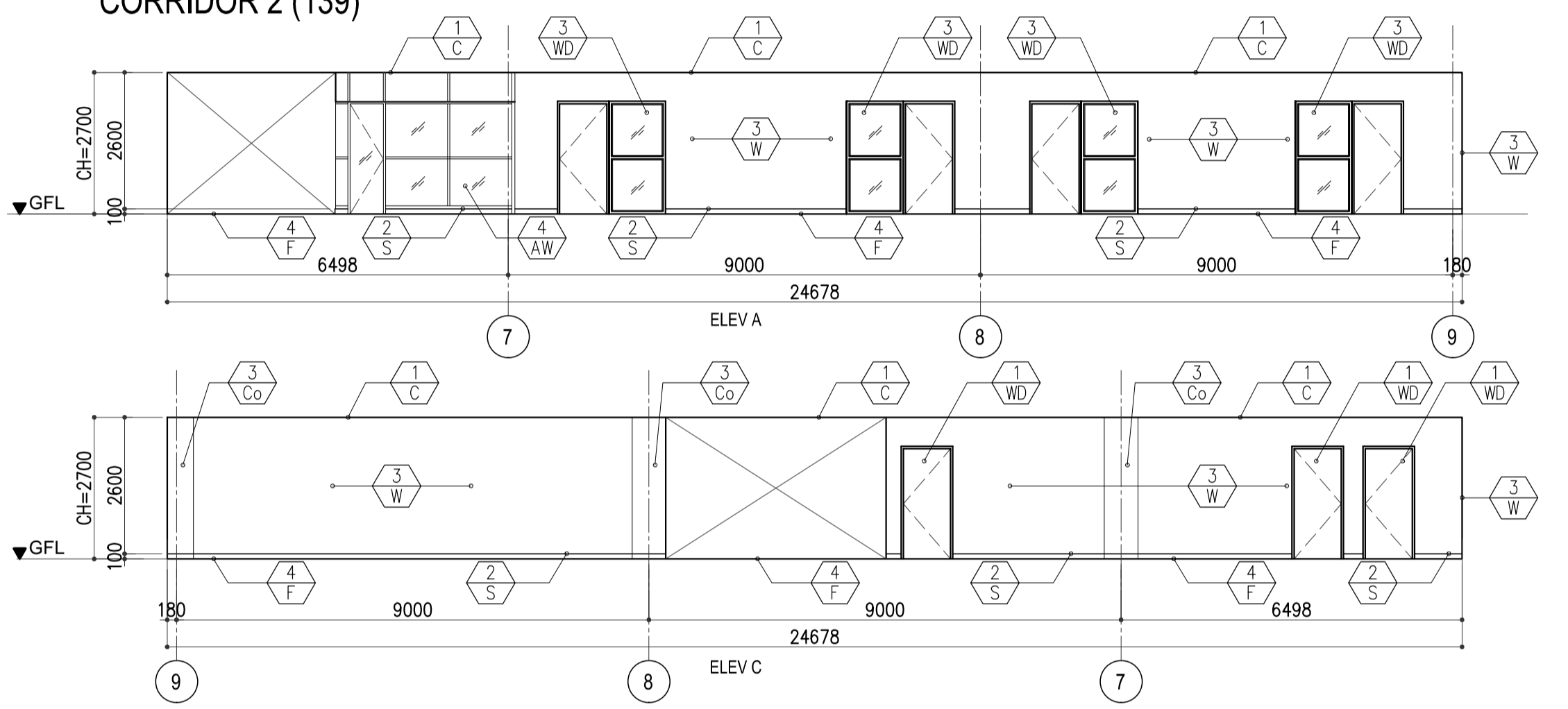
KEYPLAN

	PREPARED BY: WILLIAM L. MALLONGA <small>PROF: Architect PIR: 391137 REG. NO.: 4623 DATE: MAY 9, 2013 TIN: 150-564-196 PLACE: MAKATI CITY</small>	RECOMMENDING APPROVAL: ILDEFONSO T. PATDU, JR. <small>Assistant Secretary for Project Implementation, DOTC</small>	APPROVED: JULIANITO G. BUCAYAN, JR. <small>Undersecretary for Project Implementation, DOTC</small>	PROJECT TITLE: NEW BOHOL AIRPORT CONSTRUCTION AND SUSTAINABLE ENVIRONMENT PROTECTION PROJECT	LOCATION: MUNICIPALITY OF PANGLAO, PROVINCE OF BOHOL, PHILIPPINES	SHEET CONTENTS: COMPONENT-4 BUILDING WORKS (B) SUBCOMPONENT -4-1 (B1) PASSENGER TERMINAL BUILDING ARCHITECTURAL INTERNAL ELEVATION 5	SHEET NO.: B1-4300-45
	JICA DESIGN CONSULTANT JOINT VENTURE	TADASHI AOI <small>Team Leader</small>	JUN 2013	DATE INDEX AMENDMENTS	Prepared by: WIM Checked by: HC Validated by:	DRAWING SCALE: 1:100 MTS.	

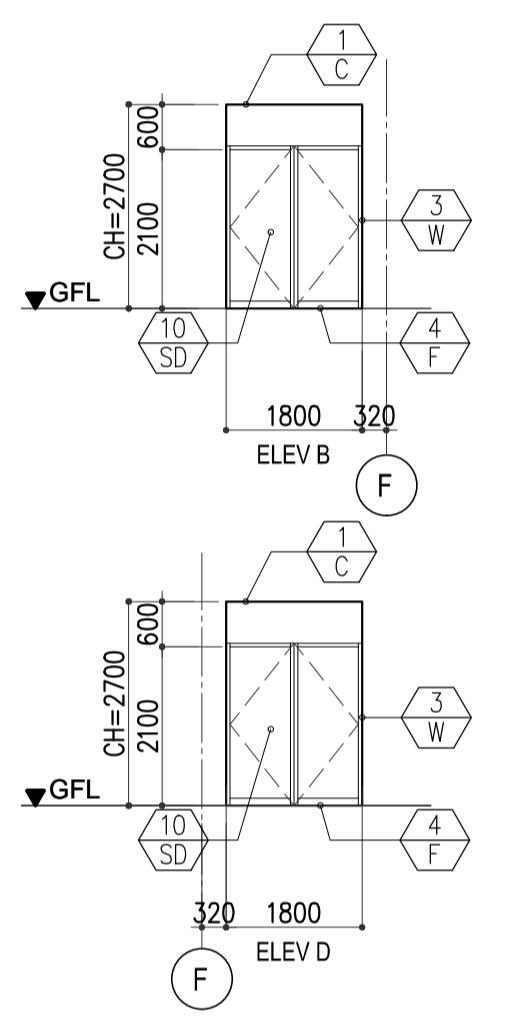
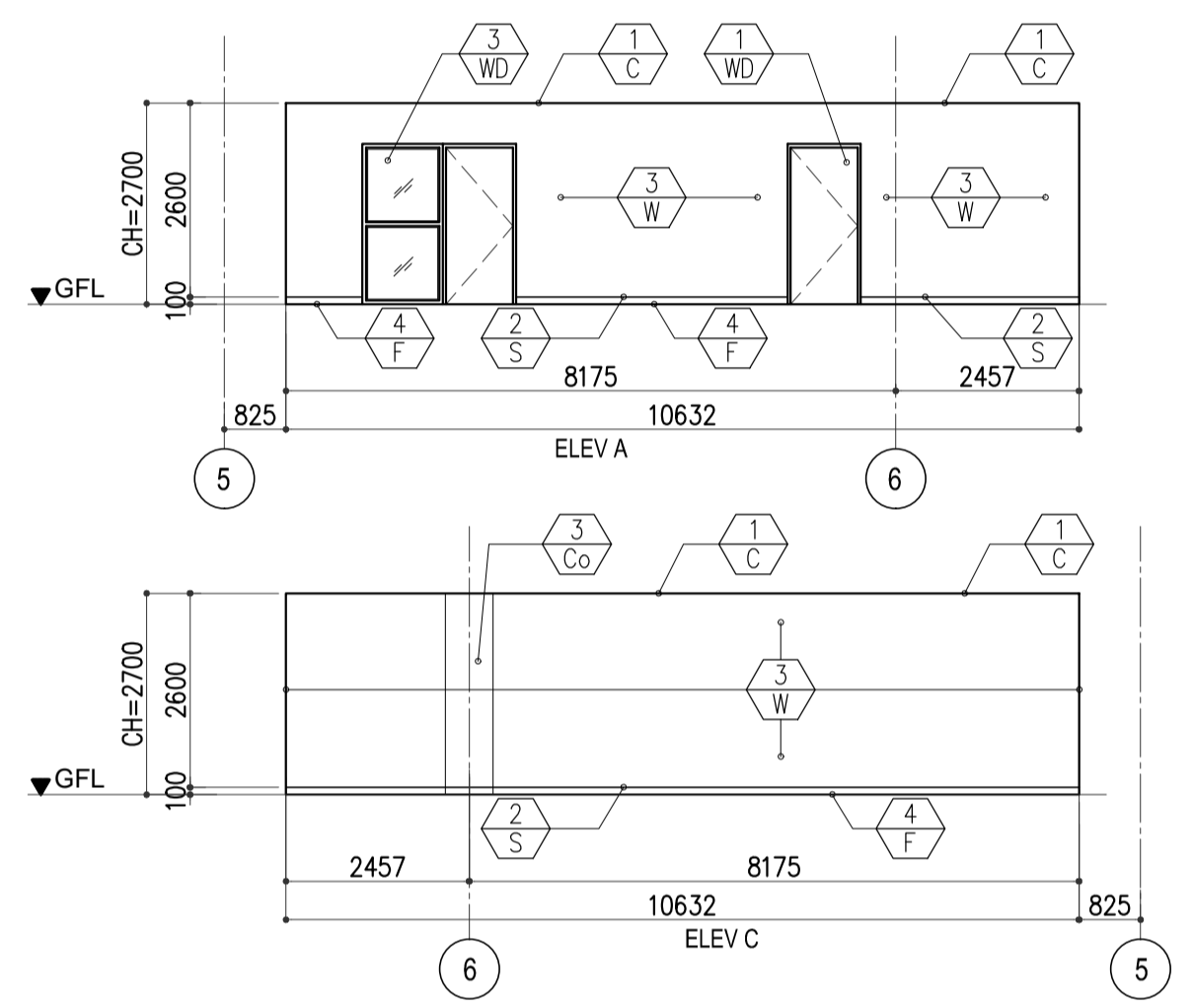
CORRIDOR 1 (126)



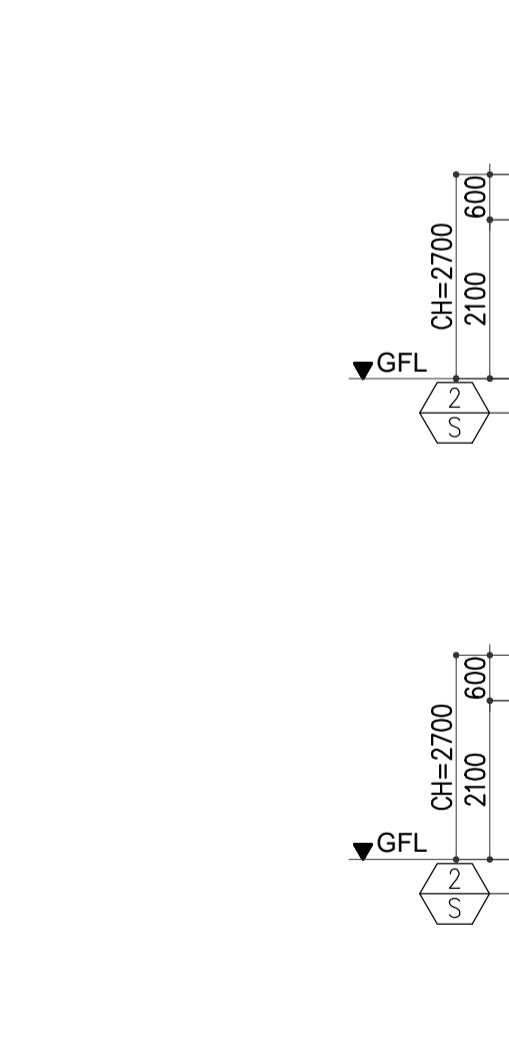
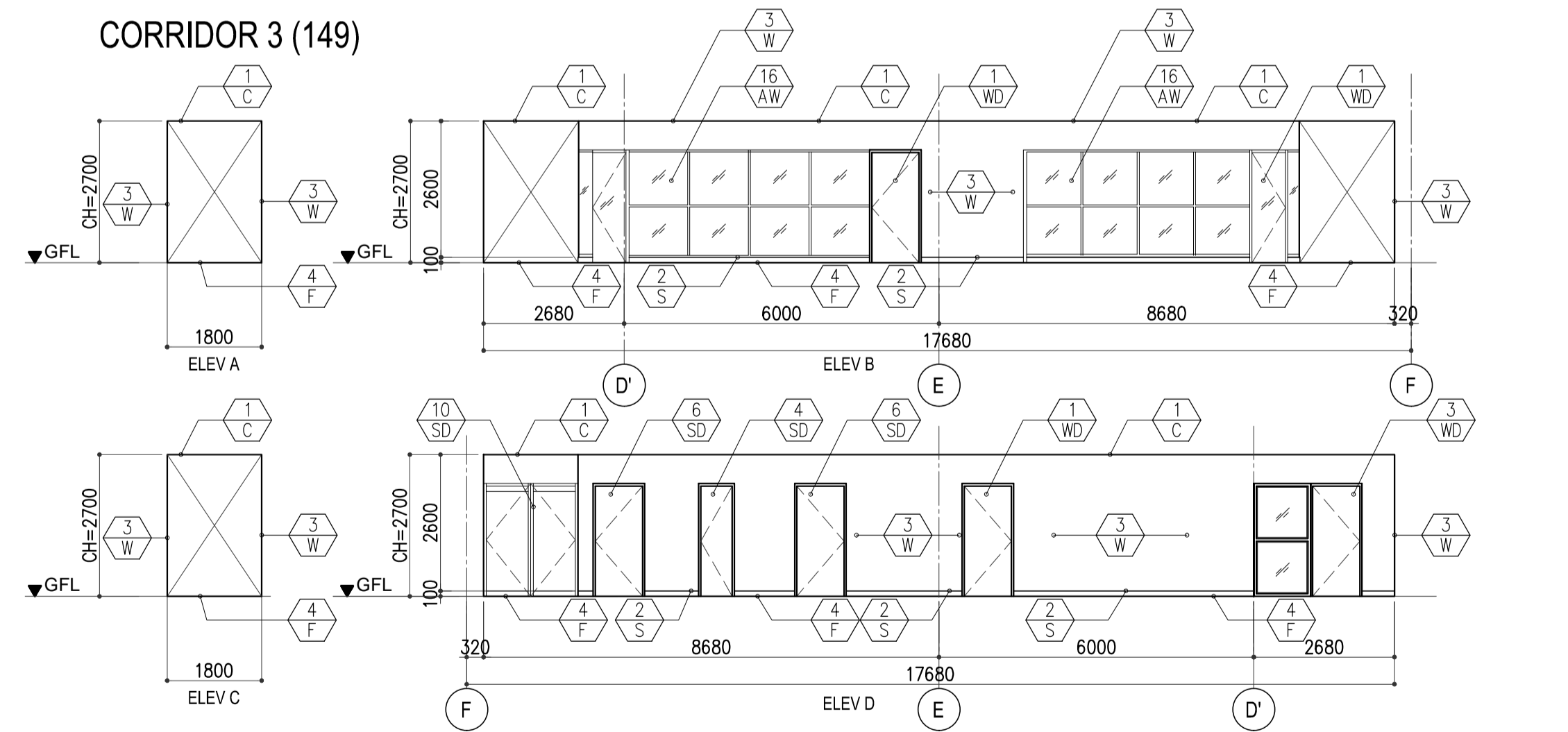
CORRIDOR 2 (139)



CORRIDOR 4 (140)

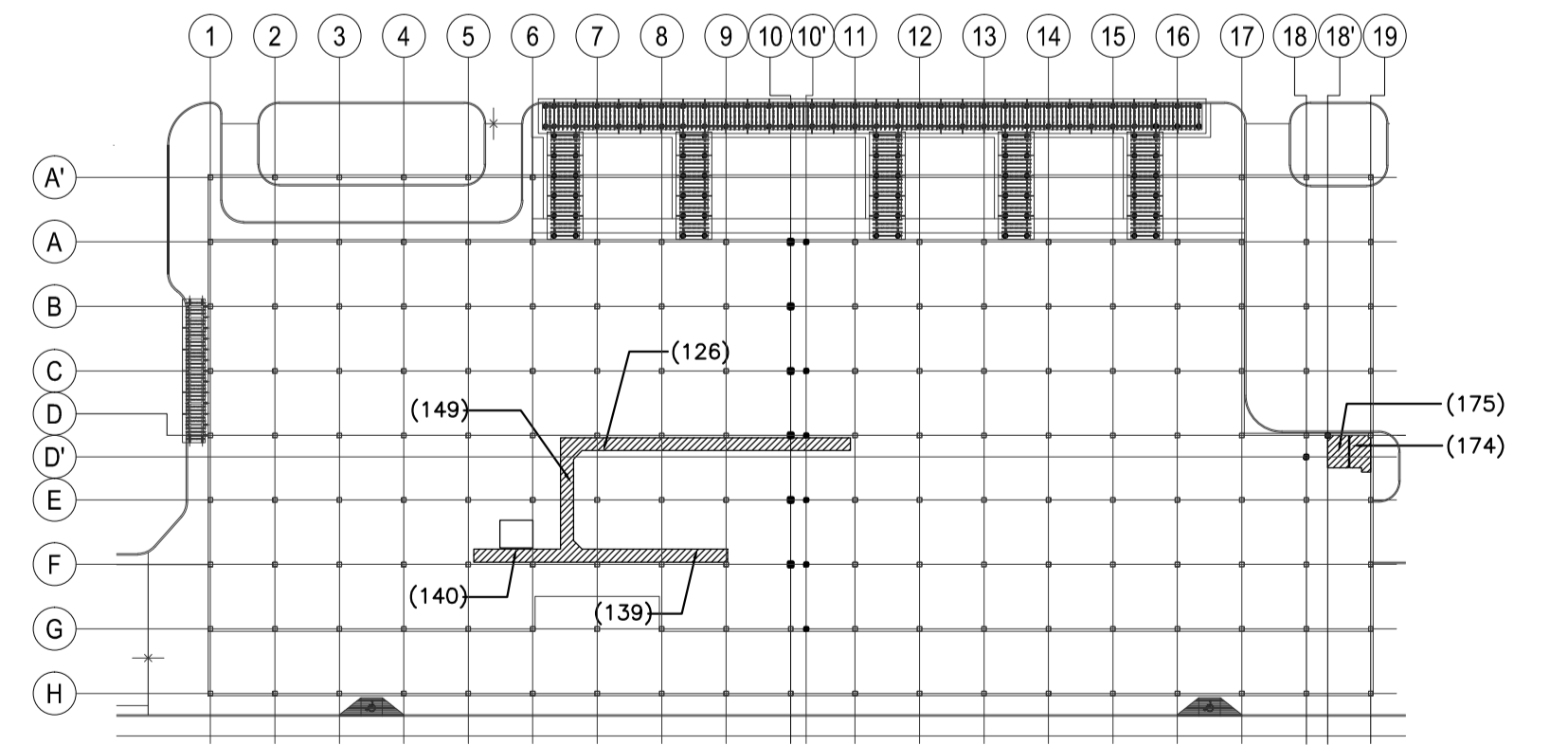
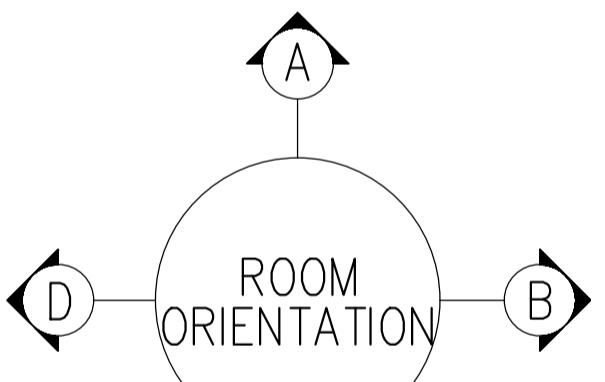


CORRIDOR 3 (149)



FINISHING LEGEND

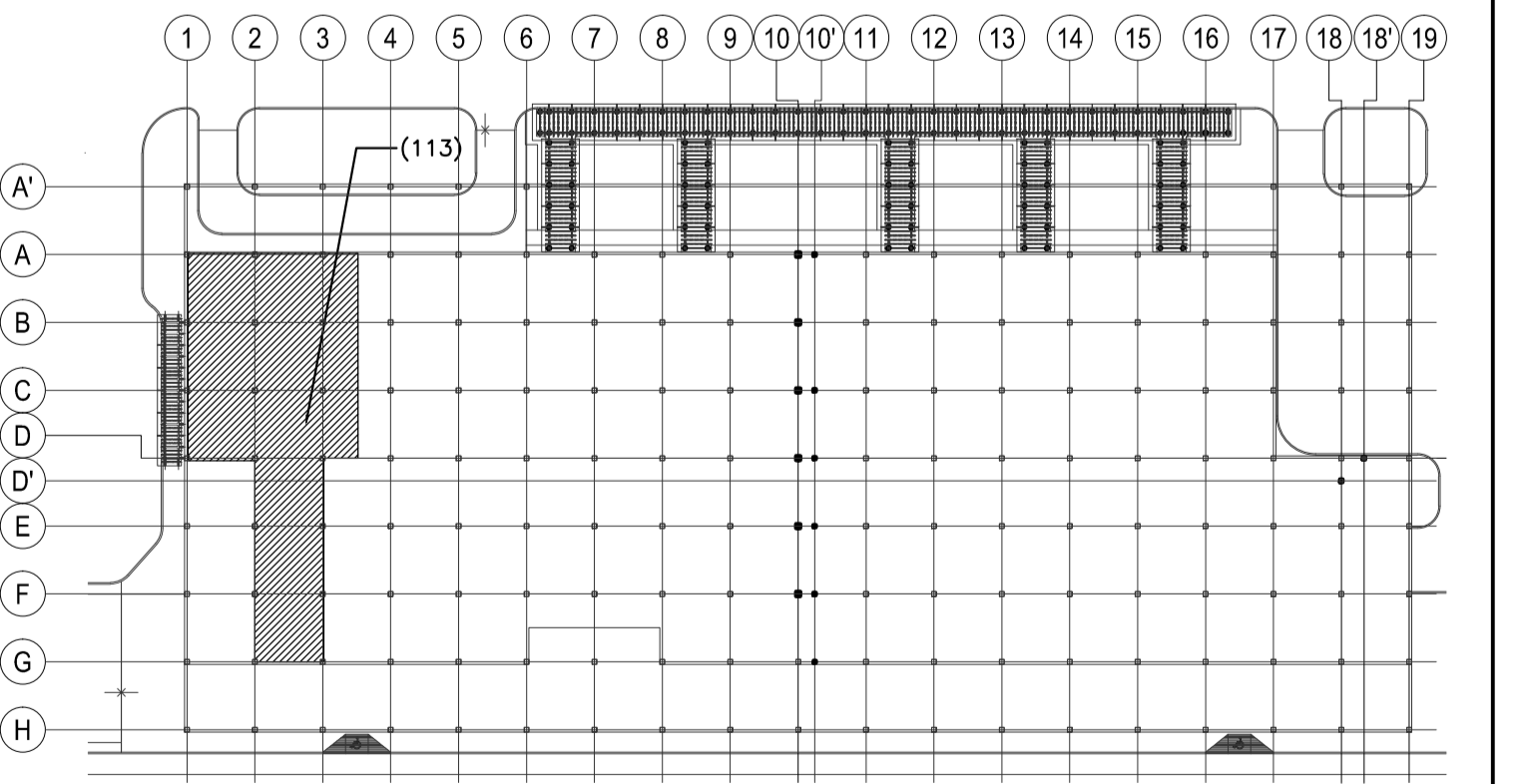
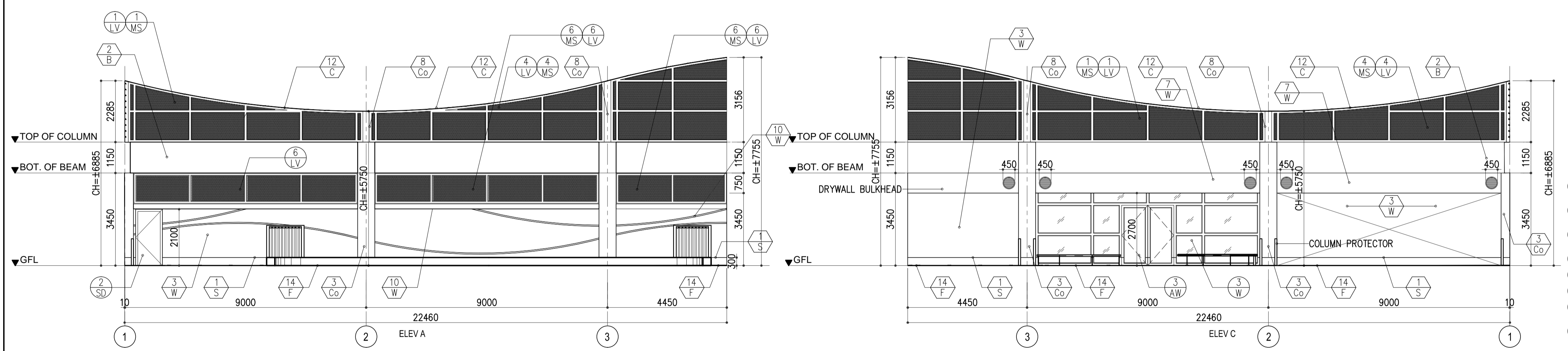
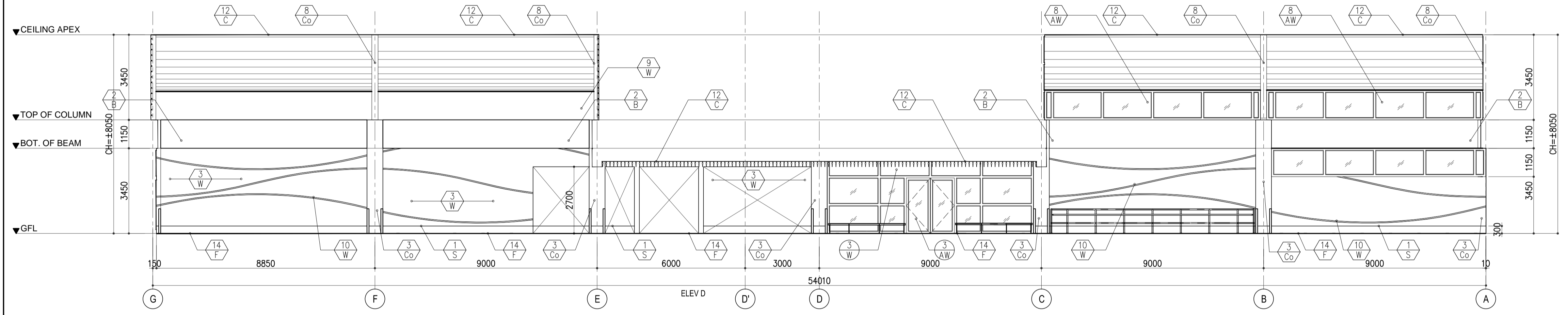
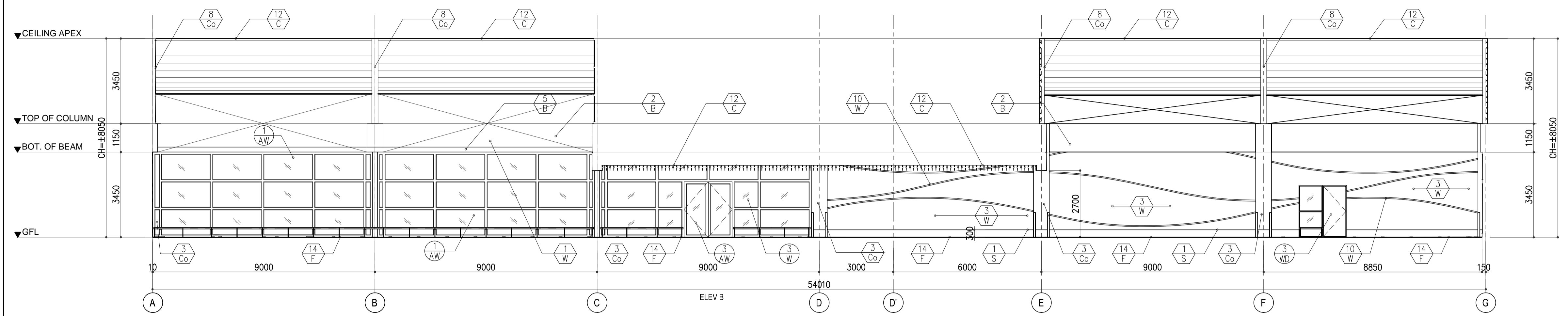
FLOOR	
F1	t=20, 600 x 600 FLAMED GRANITE W/ BURNER FINISHING
F2	t=20, 600 x 600 GRANITE TILE ON CEMENT SETTING BED
F3	t=8, 300 x 300 HOMOGENOUS FLOOR TILES ON CEMENT SETTING BED (PUBLIC)
F4	t=8, 300 x 300 HOMOGENOUS FLOOR TILES ON CEMENT SETTING BED (PRIVATE)
F5	t=3, 500 x 500 RUBBER TILE
F6	t=2, 300 x 300 VINYL TILES ON CEMENT RENDER FINISH
F7	t=8, BROOD LOOM CARPET ON CEMENT SETTING BED (VP/CP)
F8	DAMPPOOF PAINT ON P-6 ON CEMENT RENDER FINISH
F9	t=7, 500 x 500 ANTI-STATIC CARPET TILE ON RAISED FLOOR
F10	t=2, 500 x 500 ANTI-STATIC VINYL TILES ON RAISED FLOOR
F11	FLOOR HARDENER W/ EPOXY RESIN
F12	t=2, 300 x 300 VINYL TILES ON CEMENT ON RAISED FLOOR
F13	t=8 MARBLE (VP/CP)
F14	t=8 600 x 600 HOMOGENOUS TILES ON CEMENT SETTING BED
F15	t=30 CEMENT MORTAR BROOM FINISH W/ DUSTPROOF PAINT
SKIRTING	
S1	t=8 HOMOGENOUS TILE h=300
S2	t=8 HOMOGENOUS TILE h=100
S3	t=25 TIMBER W/P-2 h=50
S4	t=2 POLYVINYL SOFT TILE h=100
S5	CEMENT RENDER FINISH W/P-1, h=100
WALL	
W1	t=8, 300 x 300 HOMOGENOUS WALL TILES (PUBLIC)
W2	t=8, 300 x 300 HOMOGENOUS WALL TILES (PRIVATE)
W3	CEMENT RENDER FINISH W/P-1
W4	CEMENT RENDER FINISH W/P-4
W5	PADDED FABRIC
W6	FORMED FACE CONCRETE
W7	t=12 & t=9 GYPSUM BOARD W/P-1 ON LIGHT GAUGE STEEL
W8	t=25 GLASSWOOL BOARD W/ GLASSWOOL CLOTH
W9	t=12 & t=9 GYPSUM BOARD W/P-4 ON LIGHT GAUGE STEEL
W10	t=20 CEMENT RENDER FINISH / ALUMINIUM GROOVE
W11	TIMBER WALL CLADDING (DECORATIVE)
COLUMNS	
Co1	t=8, 300 x 300 CERAMIC WALL TILES (PUBLIC)
Co2	t=8, 300 x 300 CERAMIC WALL TILES (PRIVATE)
Co3	CEMENT RENDER FINISH W/P-1
Co4	CEMENT RENDER FINISH W/P-4
Co5	PADDED FABRIC
Co6	FORMED FACE CONCRETE
Co7	t=25 GLASSWOOL BOARD W/ GLASSWOOL CLOTH
Co8	STEEL STRUCTURE
Co9	TIMBER WALL CLADDING (DECORATIVE)
Co10	t=20 CEMENT RENDER FINISH / ALUMINIUM GROOVE
BEAM	
B1	FORMED FACE CONCRETE
B2	FORMED FACE CONCRETE W/P-1
B3	FORMED FACE CONCRETE W/P-4
B4	STEEL TRUSS BEAM W/P-3
B5	STEEL BEAM W/P-3
CEILING	
C1	EXPOSED SUSPENSION CEILING SYSTEM : t=15 ACOUSTIC ROCKWOOL CEILING BOARD
C2	DOUBLE CEILING SYSTEM : t=12 COLORED ACOUSTIC ROCKWOOL CEILING BOARD ON t=9 GYPSUM BOARD
C3	SUSPENDED BOARD CEILING : t=8 CALCIUM SILICATEBOARD W/P-7
C4	FORMED FACE CONCRETE
C5	t=25 GLASSWOOL BOARD W/ GLASSWOOL CLOTH
C6	SUSPENDED BOARD CEILING t=12 + t=9 GYPSUM BOARD W/ GLASSWOOL CLOTH
C7	W=150mm ALUMINIUM LINER CEILING 1
C8	W=300mm ALUMINIUM LINER CEILING 2
C9	W=84mm ALUMINIUM LINER CEILING 3
C10	t=12 GYPSUM BOARD
C11	HIGHER CEILING t=12 GYPSUM BOARD w/ PAINT
C12	t=25, W=200 WOOD BATTENS W/ FLAME RETARDANT W/ P-8
C13	W=13 ALUMINIUM LINEAR CEILING
C14	W=13, H=162 ALUMINIUM BAFFLE CEILING
C15	EXPOSED CONSTRUCTION



KEYPLAN

	PREPARED BY: WILLIAM L. MALLONGA <small>PROF: Architect PIR: 3911137 REG. NO.: 4623 DATE: MAY 9, 2013 TIN: 150-564-196 PLACE: MAKATI CITY</small>	RECOMMENDING APPROVAL: ILDEFONSO T. PATDU, JR. <small>Assistant Secretary for Project Implementation, DOTC</small>	APPROVED: JULIANITO G. BUCAYAN, JR. <small>Undersecretary for Project Implementation, DOTC</small>	PROJECT TITLE: NEW BOHOL AIRPORT CONSTRUCTION AND SUSTAINABLE ENVIRONMENT PROTECTION PROJECT	LOCATION: MUNICIPALITY OF PANGLAO, PROVINCE OF BOHOL, PHILIPPINES	SHEET CONTENTS: COMPONENT-4 BUILDING WORKS (B) SUBCOMPONENT -4-1 (B1) PASSENGER TERMINAL BUILDING ARCHITECTURAL INTERNAL ELEVATION 6	SHEET NO.: B1-4300-46
	JICA DESIGN CONSULTANT JOINT VENTURE	TADASHI AOI Team Leader	JUN 2013	DATE INDEX AMENDMENTS	Prepared by: WIM Checked by: HC Validated by:	DRAWING SCALE: 1:100 MTS.	

DOMESTIC BAGGAGE CLAIM AREA (113)

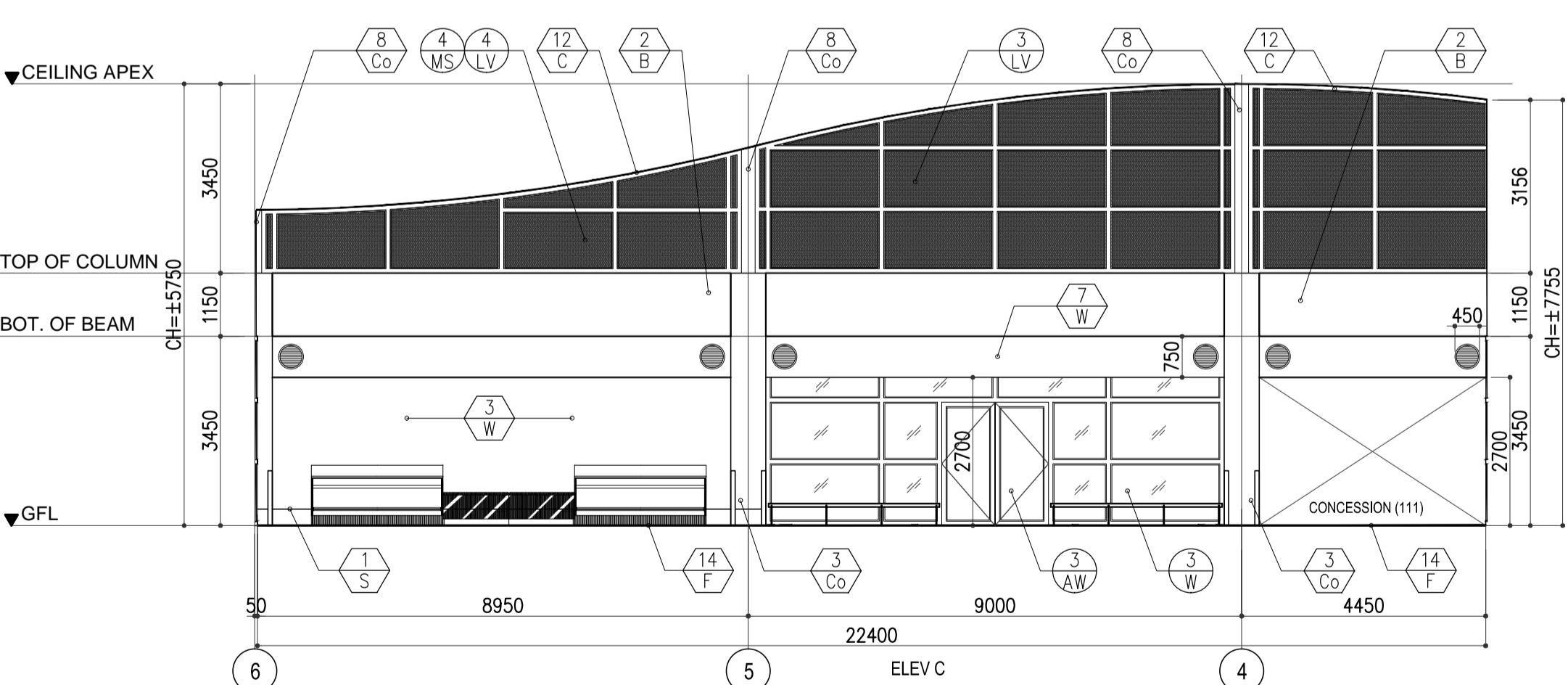
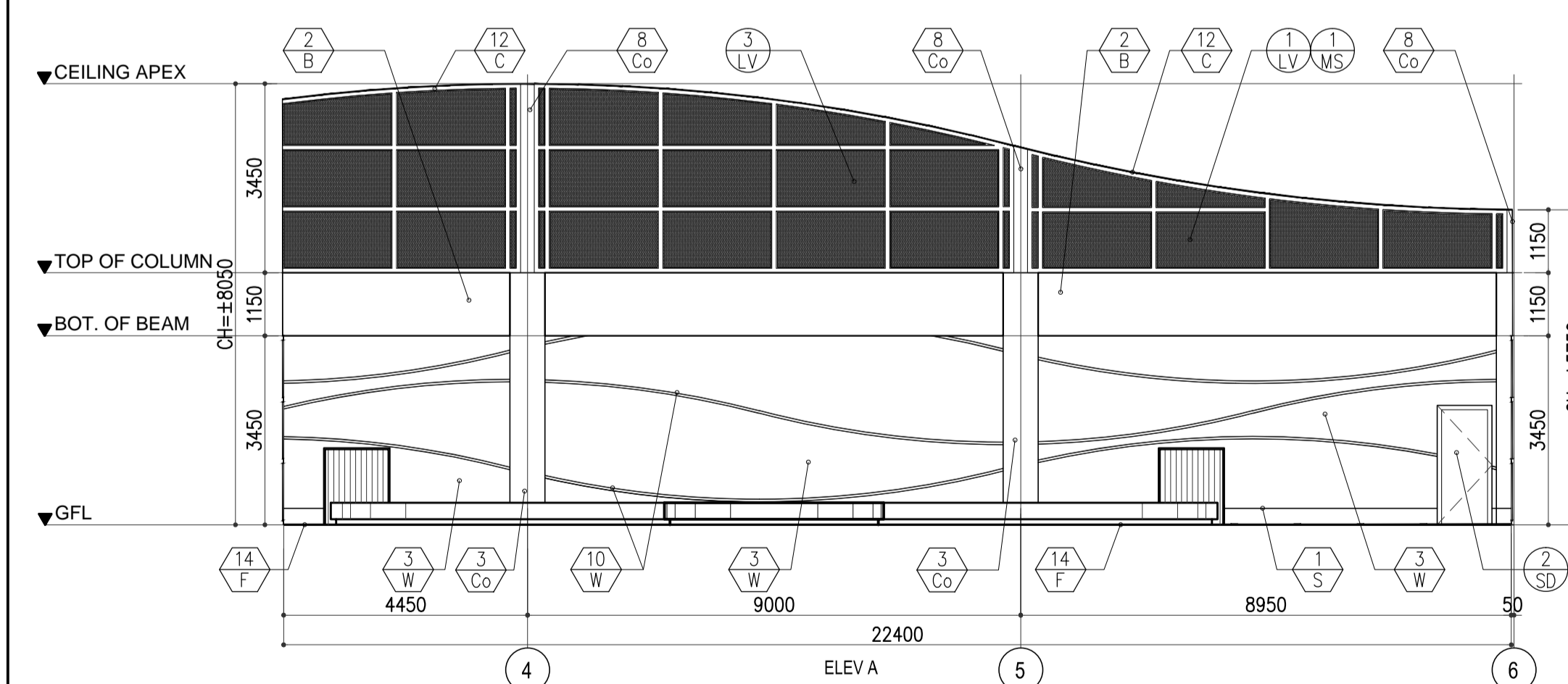
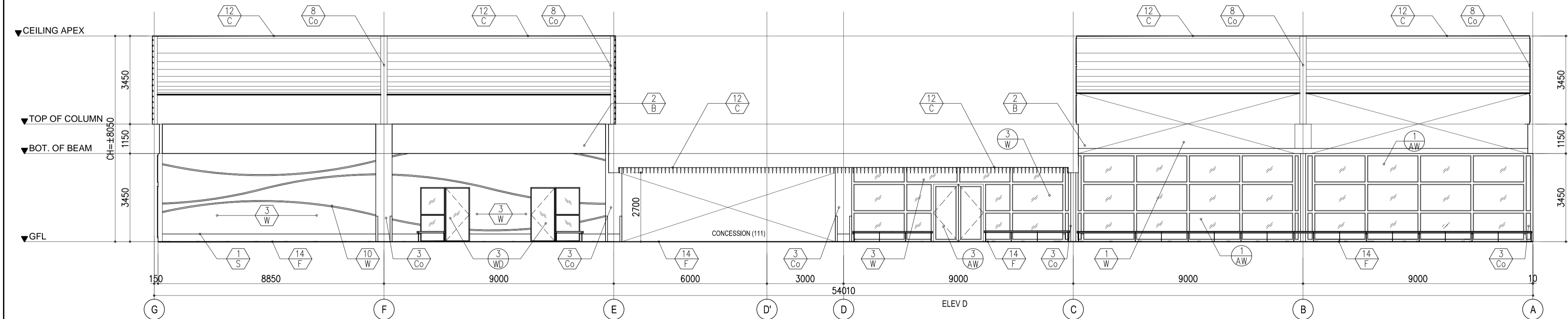
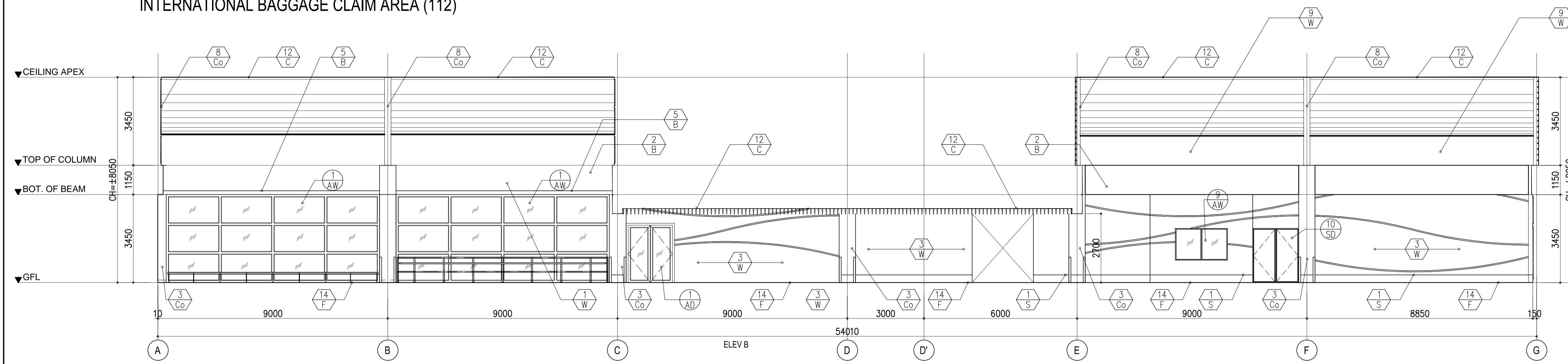


FINISHING LEGEND	
FLOOR	
F1	t=20, 600 x 600 FLAMED GRANITE W/ BURNER FINISHING
F2	t=20, 600 x 600 GRANITE TILE ON CEMENT SETTING BED
F3	t=8, 300 x 300 HOMOGENOUS FLOOR TILES ON CEMENT SETTING BED (PUBLIC)
F4	t=8, 300 x 300 HOMOGENOUS FLOOR TILES ON CEMENT SETTING BED (PRIVATE)
F5	t=3, 500 x 500 RUBBER TILE
F6	t=2, 300 x 300 VINYL TILES ON CEMENT RENDER FINISH
F7	t=8, BROOD LOOM CARPET ON CEMENT SETTING BED (VP/CIP)
F8	DAMPPOOF PAINT ON P-8 ON CEMENT RENDER FINISH
F9	t=7, 500 x 500 ANTI-STATIC CARPET TILE ON RAISED FLOOR
F10	t=2, 500 x 500 ANTI-STATIC VINYL TILES ON RAISED FLOOR
F11	FLOOR HARDENER W/ EPOXY RESIN
F12	t=2, 300 x 300 VINYL TILES ON CEMENT ON RAISED FLOOR
F13	t=8 MARBLE (VP/CIP)
F14	t=8 600 x 600 HOMOGENOUS TILES ON CEMENT SETTING BED
F15	t=30 CEMENT MORTAR BROOM FINISH W/ DUSTPROOF PAINT
SKIRTING	
S1	t=8 HOMOGENOUS TILE h=300
S2	t=8 HOMOGENOUS TILE h=100
S3	t=25 TIMBER W/P-2 h=50
S4	t=2 POLYVINYL SOFT TILE h=100
S5	CEMENT RENDER FINISH W/P-1, h=100
WALL	
W1	t=8, 300 x 300 HOMOGENOUS WALL TILES (PUBLIC)
W2	t=8, 300 x 300 HOMOGENOUS WALL TILES (PRIVATE)
W3	CEMENT RENDER FINISH W/P-1
W4	CEMENT RENDER FINISH W/P-4
W5	PADDED FABRIC
W6	FORMED FACE CONCRETE
W7	t=12 & t=9 GYPSUM BOARD W/P-1 ON LIGHT GAUGE STEEL
W8	t=25 GLASSWOOL BOARD W/ GLASSWOOL CLOTH
W9	t=12 & t=9 GYPSUM BOARD W/P-4 ON LIGHT GAUGE STEEL
W10	t=20 CEMENT RENDER FINISH / ALUMINUM GROOVE
W11	TIMBER WALL CLADDING (DECORATIVE)
COLUMNS	
Co1	t=8, 300 x 300 CERAMIC WALL TILES (PUBLIC)
Co2	t=8, 300 x 300 CERAMIC WALL TILES (PRIVATE)
Co3	CEMENT RENDER FINISH W/P-1
Co4	CEMENT RENDER FINISH W/P-4
Co5	PADDED FABRIC
Co6	FORMED FACE CONCRETE
Co7	t=25 GLASSWOOL BOARD W/ GLASSWOOL CLOTH
Co8	STEEL STRUCTURE
Co9	TIMBER WALL CLADDING (DECORATIVE)
Co10	t=20 CEMENT RENDER FINISH / ALUMINUM GROOVE
BEAM	
B1	FORMED FACE CONCRETE
B2	FORMED FACE CONCRETE W/P-1
B3	FORMED FACE CONCRETE W/P-4
B4	STEEL TRUSS BEAM W/P-3
B5	STEEL BEAM WF W/P-3
CEILING	
C1	EXPOSED SUSPENSION CEILING SYSTEM : t=15 ACOUSTIC ROCKWOOL
C2	DOUBLE CEILING SYSTEM : t=12 COLORED ACOUSTIC ROCKWOOL
C3	CEILING BOARD ON t=9 GYPSUM BOARD
C4	SUSPENDED BOARD CEILING : t=8 CALCIUM SILICATEBOARD W/P-7
C5	FORMED FACE CONCRETE
C6	t=25 GLASSWOOL BOARD W/ GLASSWOOL CLOTH
C7	SUSPENDED BOARD CEILING t=12 + t=9 GYPSUM BOARD W/ GLASSWOOL CLOTH
C8	W=150mm ALUMINUM LINER CEILING 1
C9	W=300mm ALUMINUM LINER CEILING 2
C10	W=84mm ALUMINUM LINER CEILING 3
C11	t=12 GYPSUM BOARD
C12	HIGHER CEILING t=12 GYPSUM BOARD w/ PAINT
C13	t=25, W=200 WOOD BATTENS W/ FLAME RETARDANT W/P-8
C14	W=13, H=182 ALUMINUM BAFFLE CEILING
C15	EXPOSED CONSTRUCTION

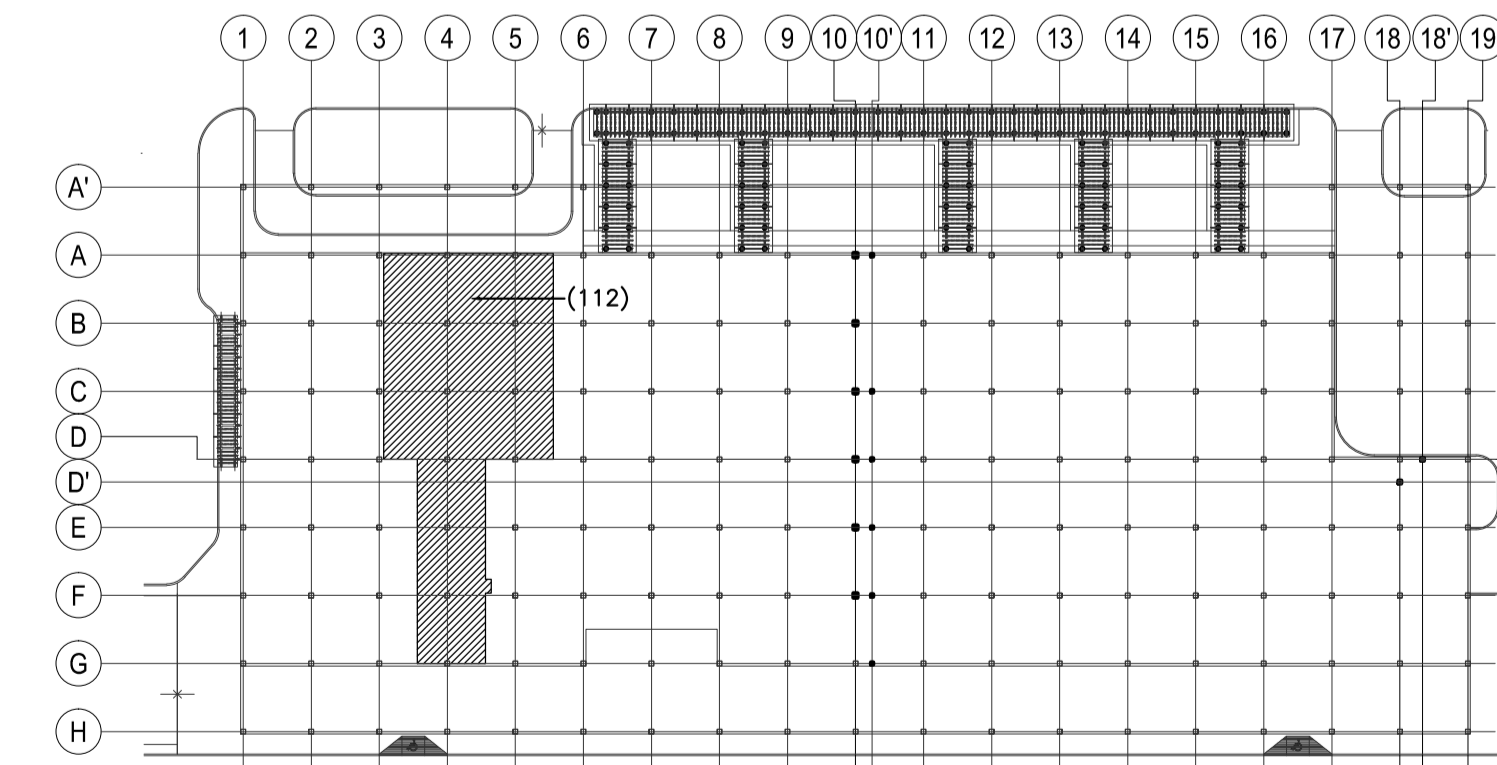
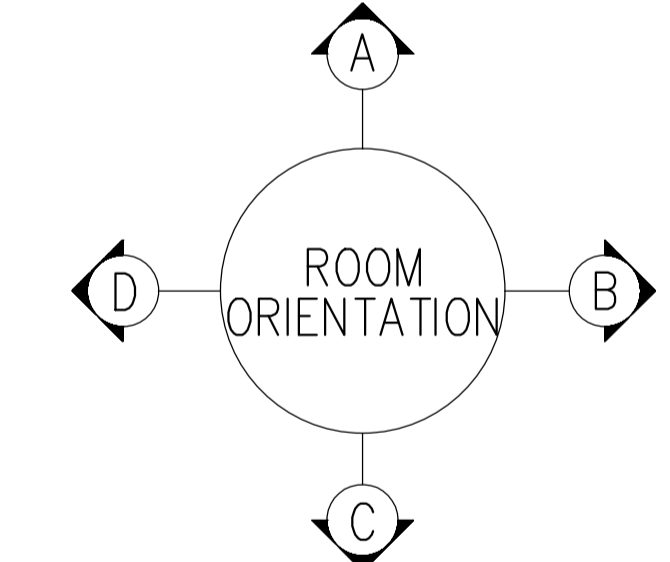
KEYPLAN

	PREPARED BY: WILLIAM I. MALLONGA <small>PRF: Architect PIR: 3911137 REG. NO.: 4623 DATE: MAY 9, 2013 TAN: 150-564-196 PLACE: MAKATI CITY</small>	RECOMMENDING APPROVAL: ILDEFONSO T. PATDU, JR. <small>Assistant Secretary for Project Implementation, DOTC</small>	APPROVED: JULIANITO G. BUCAYAN, JR. <small>Undersecretary for Project Implementation, DOTC</small>	PROJECT TITLE: NEW BOHOL AIRPORT CONSTRUCTION AND SUSTAINABLE ENVIRONMENT PROTECTION PROJECT	LOCATION: MUNICIPALITY OF PANGLAO, PROVINCE OF BOHOL, PHILIPPINES	SHEET CONTENTS: COMPONENT-4 BUILDING WORKS (B) SUBCOMPONENT -4-1 (B1) PASSENGER TERMINAL BUILDING ARCHITECTURAL INTERNAL ELEVATION 7	SHEET NO.: B1-4300-47
	JICA DESIGN CONSULTANT JOINT VENTURE	TADASHI AOI <small>Team Leader</small>	JULIANITO G. BUCAYAN, JR. <small>Undersecretary for Project Implementation, DOTC</small>	DATE: JUNE 2013	INDEX	AMENDMENTS	Prepared by: WIM Checked by: HC Validated by:

INTERNATIONAL BAGGAGE CLAIM AREA (112)



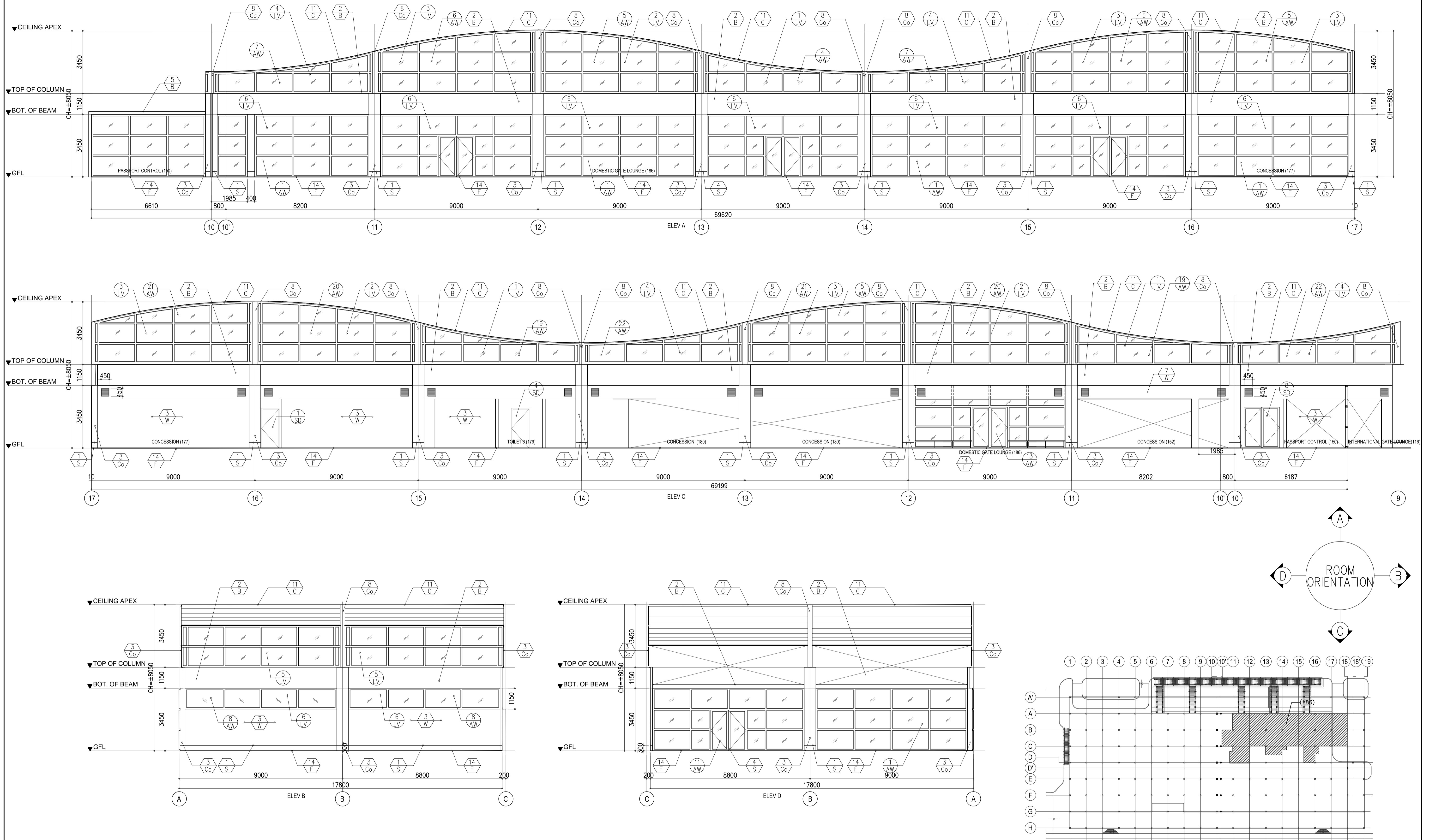
FINISHING LEGEND	
FLOOR	
F1	t=20, 600 x 600 FLAMED GRANITE W/ BURNER FINISHING
F2	t=20, 600 x 600 GRANITE TILE ON CEMENT SETTING BED
F3	t=8, 300 x 300 HOMOGENOUS FLOOR TILES ON CEMENT SETTING BED (PUBLIC)
F4	t=8, 300 x 300 HOMOGENOUS FLOOR TILES ON CEMENT SETTING BED (PRIVATE)
F5	t=3, 500 x 500 RUBBER TILE
F6	t=2, 300 x 300 VINYL TILES ON CEMENT RENDER FINISH
F7	t=8, BROOD LOOM CARPET ON CEMENT SETTING BED (VIP/CIP)
F8	DAMPPOOF PAINT ON P-6 ON CEMENT RENDER FINISH
F9	t=7, 500 x 500 ANTI-STATIC CARPET TILE ON RAISED FLOOR
F10	t=2, 500 x 500 ANTI-STATIC VINYL TILES ON CEMENT SETTING BED
F11	FLOOR HARDENER W/ EPOXY RESIN
F12	t=2, 300 x 300 VINYL TILES ON CEMENT ON RAISED FLOOR
F13	t=8 MARBLE (VIP/CIP)
F14	t=8 600 x 600 HOMOGENOUS TILES ON CEMENT SETTING BED
F15	t=30 CEMENT MORTAR BROOM FINISH W/ DUSTPROOF PAINT
SKIRTING	
S1	t=8 HOMOGENOUS TILE h=300
S2	t=8 HOMOGENOUS TILE h=100
S3	t=25 TIMBER W/P-2 h=50
S4	t=2 POLYVINYL SOFT TILE h=100
S5	CEMENT RENDER FINISH W/P-1, h=100
WALL	
W1	t=8, 300 x 300 HOMOGENOUS WALL TILES (PUBLIC)
W2	t=8, 300 x 300 HOMOGENOUS WALL TILES (PRIVATE)
W3	CEMENT RENDER FINISH W/P-1
W4	CEMENT RENDER FINISH W/P-4
W5	PADDED FABRIC
W6	FORMED FACE CONCRETE
W7	t=12 & t=9 GYPSUM BOARD W/P-1 ON LIGHT GAUGE STEEL
W8	t=25 GLASSWOOL BOARD W/ GLASSWOOL CLOTH
W9	t=12 & t=9 GYPSUM BOARD W/P-4 ON LIGHT GAUGE STEEL
W10	t=20 CEMENT RENDER FINISH / ALUMINIUM GROOVE
W11	TIMBER WALL CLADDING (DECORATIVE)
COLUMNS	
Co1	t=8, 300 x 300 CERAMIC WALL TILES (PUBLIC)
Co2	t=8, 300 x 300 CERAMIC WALL TILES (PRIVATE)
Co3	CEMENT RENDER FINISH W/P-1
Co4	CEMENT RENDER FINISH W/P-4
Co5	PADDED FABRIC
Co6	FORMED FACE CONCRETE
Co7	t=25 GLASSWOOL BOARD W/ GLASSWOOL CLOTH
Co8	STEEL STRUCTURE
Co9	TIMBER WALL CLADDING (DECORATIVE)
Co10	t=20 CEMENT RENDER FINISH / ALUMINIUM GROOVE
BEAM	
B1	FORMED FACE CONCRETE
B2	FORMED FACE CONCRETE W/P-1
B3	FORMED FACE CONCRETE W/P-4
B4	STEEL TRUSS BEAM W/P-4
B5	STEEL BEAM WF W/P-3
CEILING	
C1	EXPOSED SUSPENSION CEILING SYSTEM : t=15 ACOUSTIC ROCKWOOL CEILING BOARD
C2	DOUBLE CEILING SYSTEM : t=12 COLORED ACOUSTIC ROCKWOOL CEILING BOARD
C3	SUSPENDED BOARD CEILING : t=9 GYPSUM BOARD
C4	FORMED FACE CONCRETE
C5	t=25 GLASSWOOL BOARD W/ GLASSWOOL CLOTH
C6	SUSPENDED BOARD CEILING t=12 + t=9 GYPSUM BOARD W/ GLASSWOOL CLOTH
C7	W=150mm ALUMINUM LINER CEILING 1
C8	W=300mm ALUMINUM LINER CEILING 2
C9	W=84mm ALUMINUM LINER CEILING 3
C10	t=12 GYPSUM BOARD
C11	HIGHER CEILING t=12 GYPSUM BOARD w/ PAINT
C12	t=25, W=200 WOOD BATTENS W/ FLAME RETARDANT W/ P-8
C13	W=13 ALUMINIUM LINER CEILING
C14	W=13, H=162 ALUMINIUM BAFFLE CEILING
C15	EXPOSED CONSTRUCTION



KEYPLAN

	PREPARED BY: WILLIAM I. MALLONGA <small>PROF: Architect PIR: 391137 REC. NO.: 4623 DATE: MAY 9, 2013 T.N. 150-564-196 PLACE: MANILA CITY</small>	RECOMMENDING APPROVAL: ILDEFONSO T. PATDU, JR. <small>Assistant Secretary for Project Implementation, DOTC</small>	APPROVED: JULIANITO G. BUCAYAN, JR. <small>Undersecretary for Project Implementation, DOTC</small>	PROJECT TITLE: NEW BOHOL AIRPORT CONSTRUCTION AND SUSTAINABLE ENVIRONMENT PROTECTION PROJECT	LOCATION: MUNICIPALITY OF PANGLAO, PROVINCE OF BOHOL, PHILIPPINES	SHEET CONTENTS: COMPONENT-4 BUILDING WORKS (B) SUBCOMPONENT -4-1 (B1) PASSENGER TERMINAL BUILDING ARCHITECTURAL INTERNAL ELEVATION 8	SHEET NO: B1-4300-48
	JICA DESIGN CONSULTANT JOINT VENTURE	TADASHI AOI Team Leader	JUN 2013	DATE INDEX AMENDMENTS	Prepared by WIM Checked by HC Validated by	DRAWING SCALE: 1:100 MTS.	

DOMESTIC GATE LOUNGE (186)



Republic of the Philippines
DEPARTMENT OF TRANSPORTATION
AND
COMMUNICATIONS

JICA
JAPAN INTERNATIONAL
COOPERATION
AGENCY

JICA DESIGN CONSULTANT JOINT VENTURE

JAC JAPAN AIRPORT
CONSULTANTS,
INC.

NIPPON KOEI
CO., LTD.

NIS CONSULTANTS
CO., LTD.

PREPARED BY:
WILLIAM I. MALLONGA
Architect
P.R. 391137
REG. NO.: 4623 DATE: MAY 9, 2013
T.N. 150-564-196 PLACE: MAKATI CITY

TADASHI AOI
Team Leader

RECOMMENDING APPROVAL:
ILDEFONSO T. PATDU, JR.
Assistant Secretary
for Project Implementation, DOTC

APPROVED:
JULIANITO G. BUCAYAN, JR.
Undersecretary
for Project Implementation, DOTC

PROJECT TITLE:
**NEW BOHOL AIRPORT CONSTRUCTION AND
SUSTAINABLE ENVIRONMENT PROTECTION PROJECT**

LOCATION: MUNICIPALITY OF PANGLAO, PROVINCE OF BOHOL, PHILIPPINES

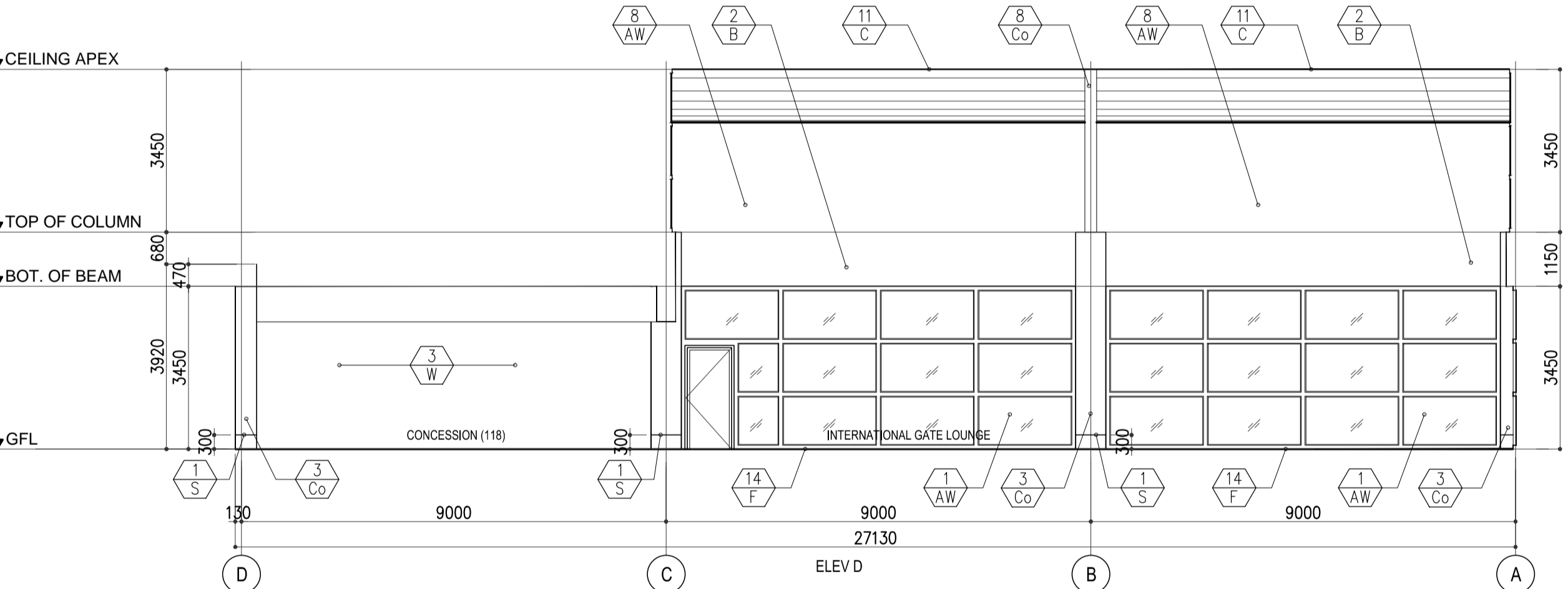
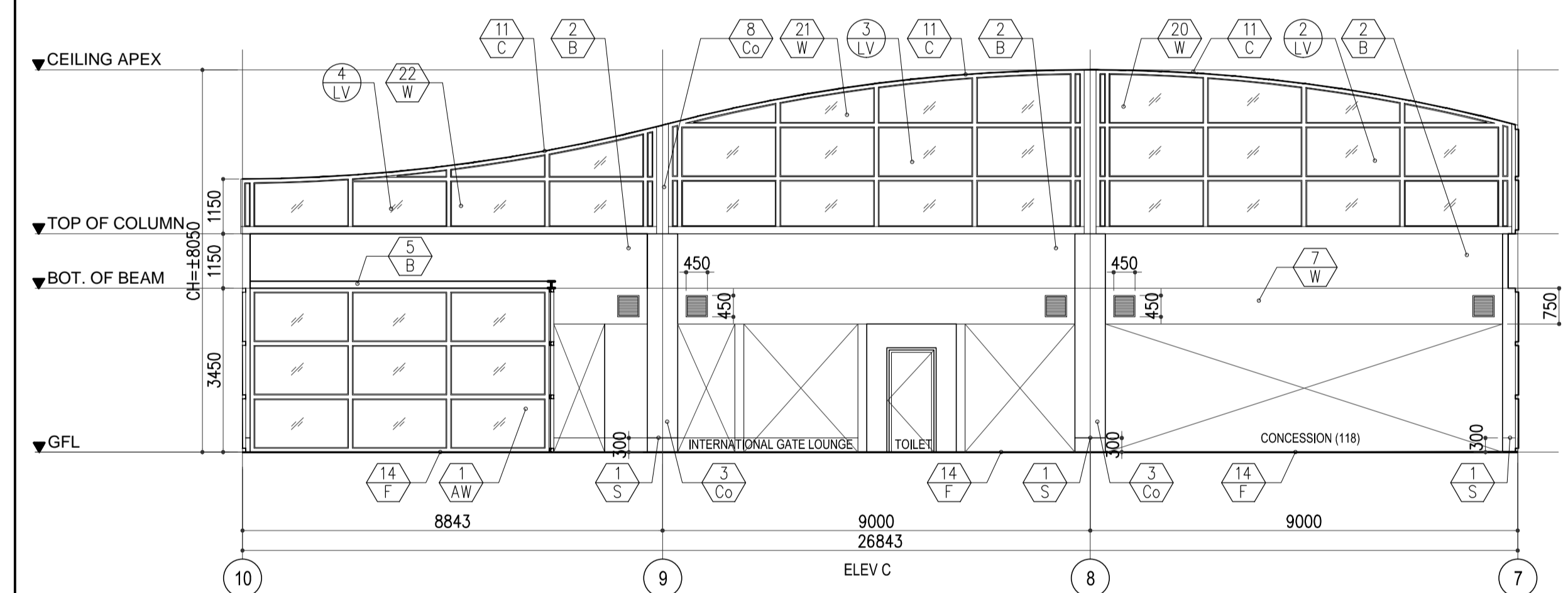
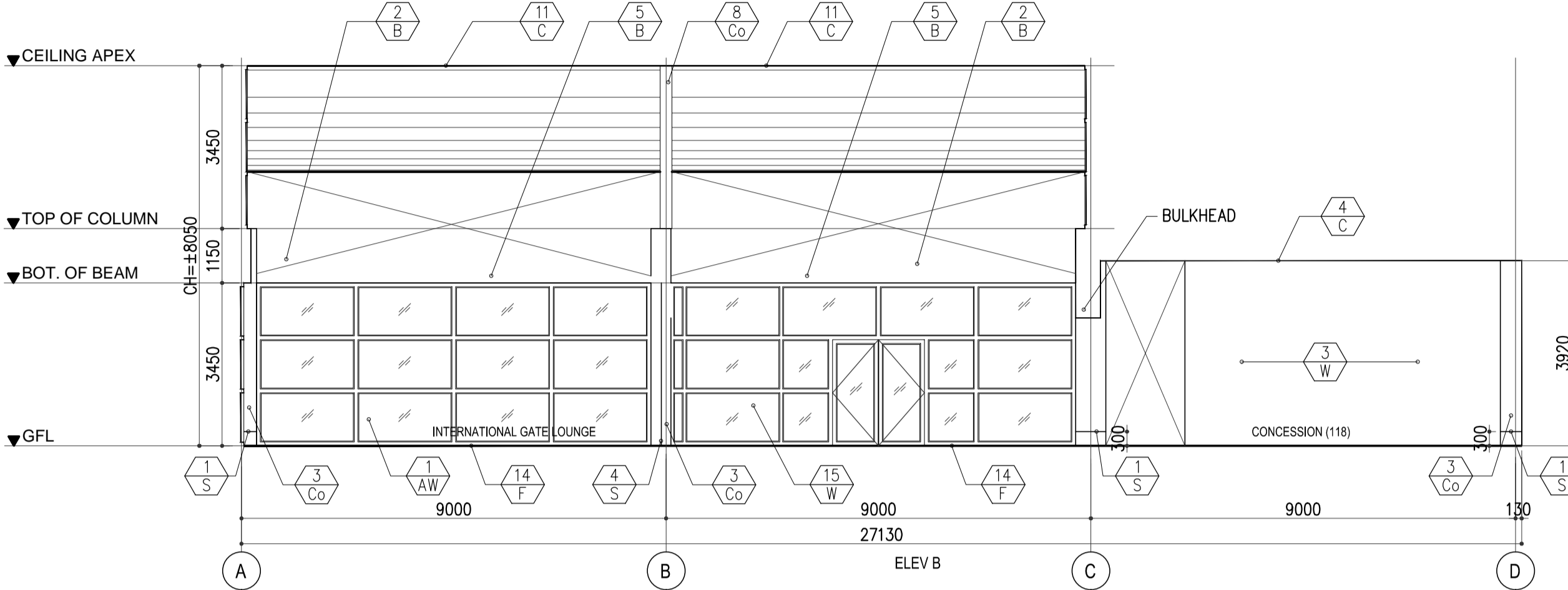
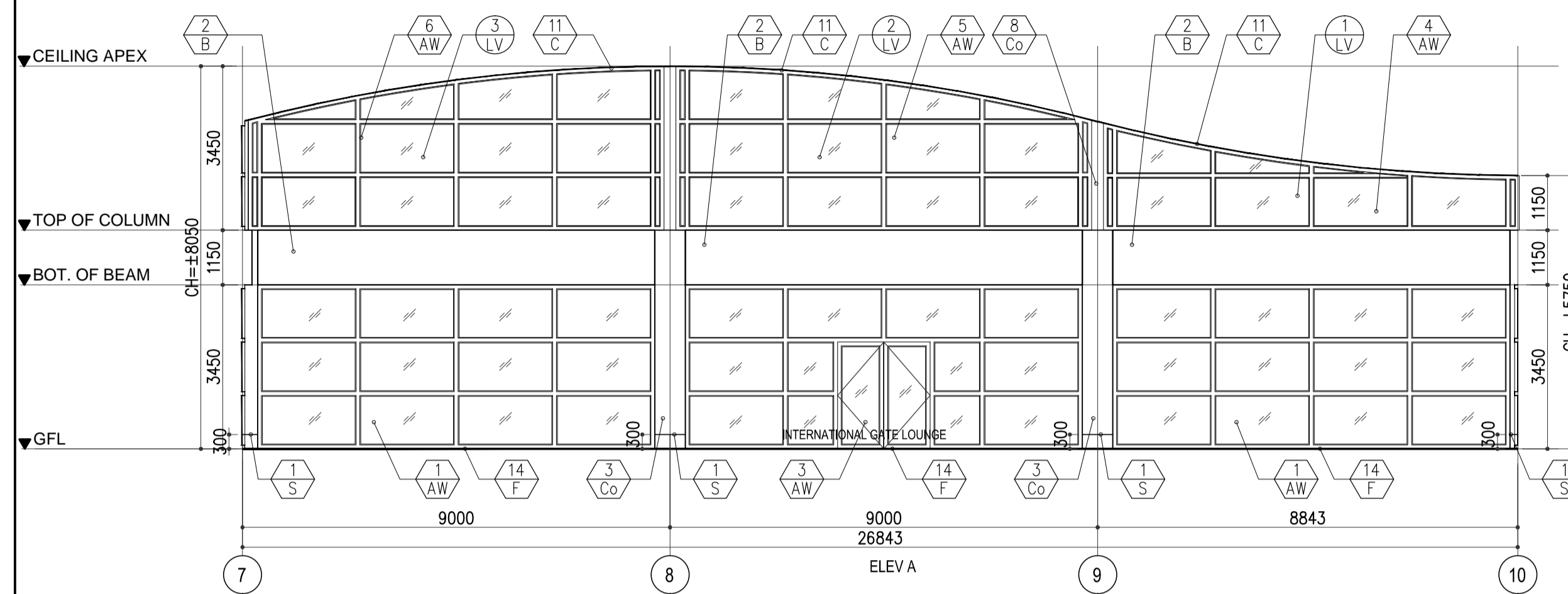
DATE	INDEX	AMENDMENTS	Prepared by	Checked by	Validated by
JUNE 2013			WIM	HC	

SHEET CONTENTS:
COMPONENT-4 BUILDING WORKS (B)
SUBCOMPONENT -4-1
(B1) PASSENGER TERMINAL BUILDING
ARCHITECTURAL
INTERNAL ELEVATION 9

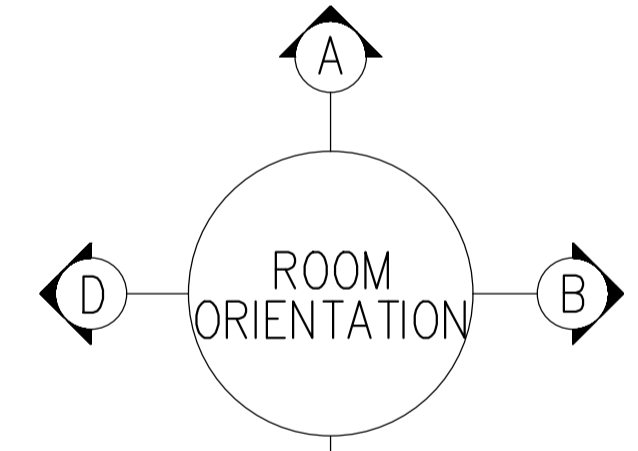
SHEET NO:
B1-4300-49

DRAWING SCALE:
1:100 mts.

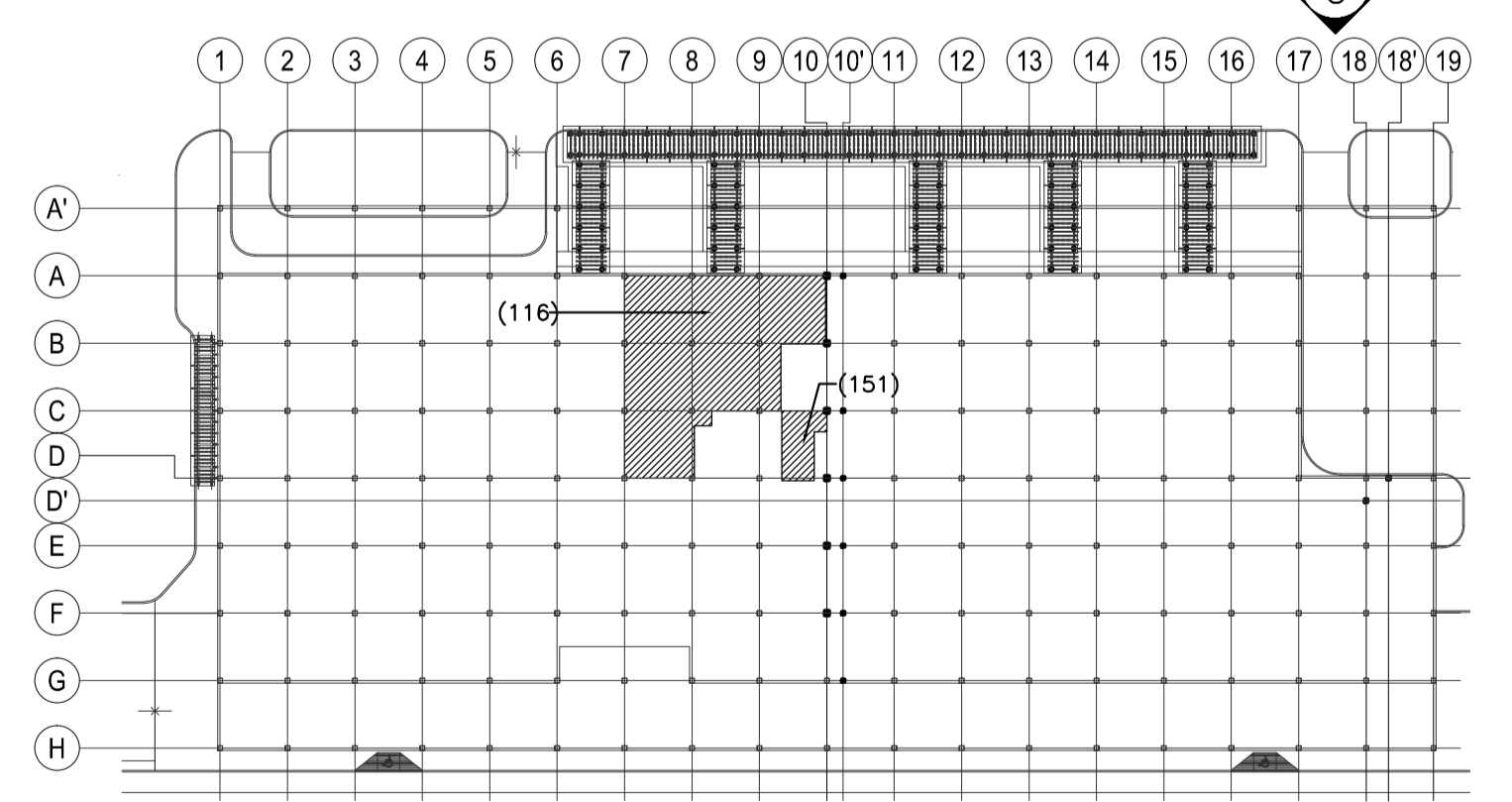
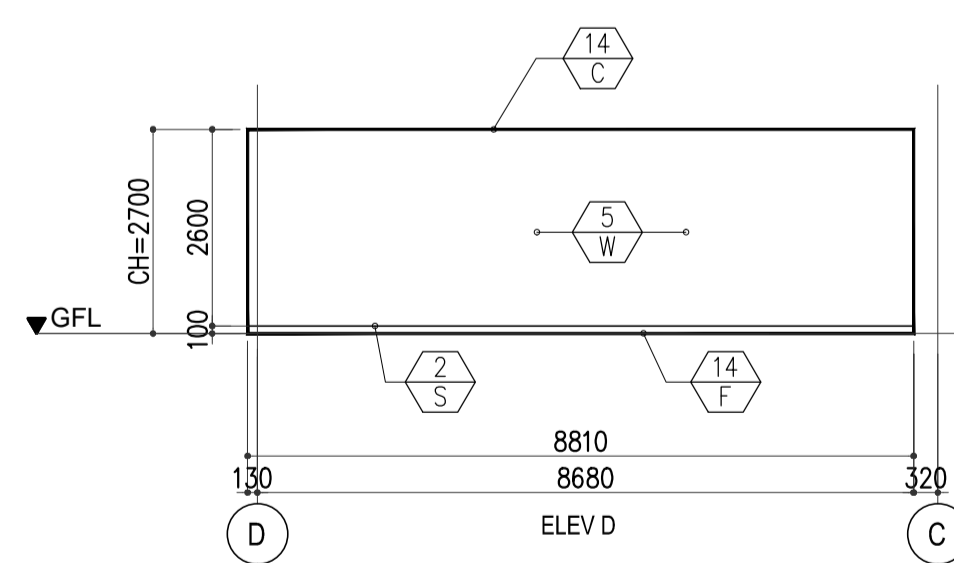
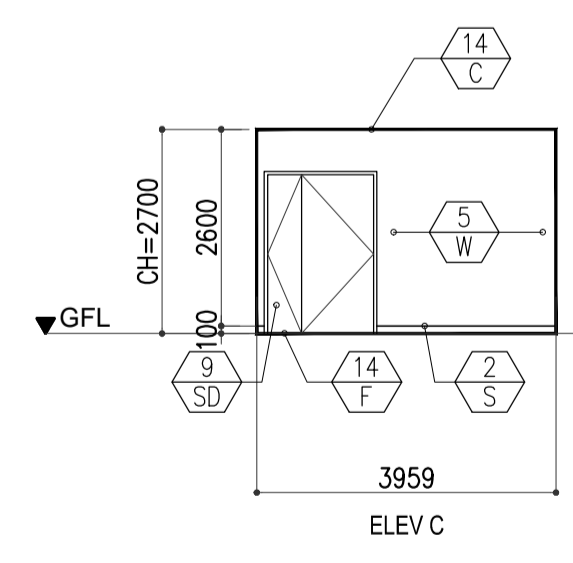
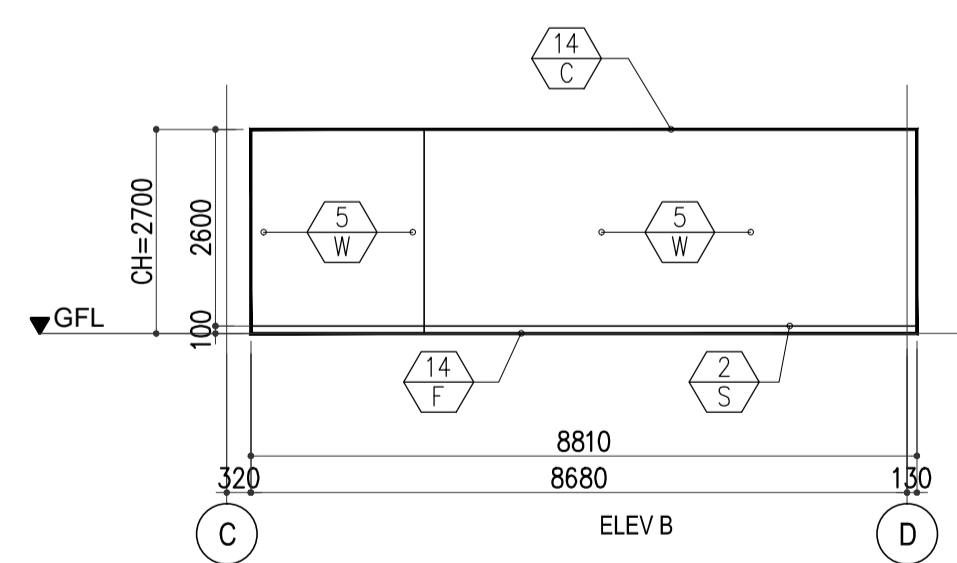
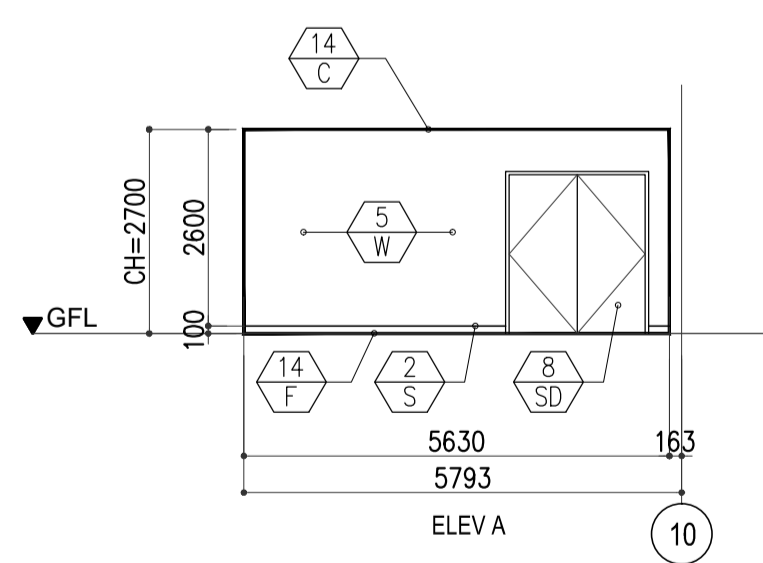
INTERNATIONAL GATE LOUNGE (116)



FINISHING LEGEND	
FLOOR	
F1	t=20, 600 x 600 FLAMED GRANITE W/ BURNER FINISHING
F2	t=20, 600 x 600 GRANITE TILE ON CEMENT SETTING BED
F3	t=8, 300 x 300 HOMOGENOUS FLOOR TILES ON CEMENT SETTING BED (PUBLIC)
F4	t=8, 300 x 300 HOMOGENOUS FLOOR TILES ON CEMENT SETTING BED (PRIVATE)
F5	t=3, 500 x 500 RUBBER TILE
F6	t=2, 300 x 300 VINYL TILES ON CEMENT RENDER FINISH
F7	t=8, BROOD LOOM CARPET ON CEMENT SETTING BED (VIP/CP)
F8	DAMP-PROOF PAINT ON P-6 ON CEMENT RENDER FINISH
F9	t=7, 500 x 500 ANTI-STATIC CARPET TILE ON RAISED FLOOR
F10	t=2, 500 x 500 ANTI-STATIC CARPET TILE ON RAISED FLOOR
F11	FLOOR HARDENER W/ EPOXY RESIN
F12	t=2, 300 x 300 VINYL TILES ON CEMENT ON RAISED FLOOR
F13	t=8 MARBLE (VIP/CP)
F14	t=8 600 x 600 HOMOGENOUS TILES ON CEMENT SETTING BED
F15	t=30 CEMENT MORTAR BROOM FINISH W/ DUST-PROOF PAINT
SKIRTING	
S1	t=8 HOMOENOUS TILE h=300
S2	t=8 HOMOENOUS TILE h=100
S3	t=25 TIMBER W/P-2 h=50
S4	t=2 POLYVINYL SOFT TILE h=100
S5	CEMENT RENDER FINISH W/P-1, h=100
WALL	
W1	t=8, 300 x 300 HOMOENOUS WALL TILES (PUBLIC)
W2	t=8, 300 x 300 HOMOENOUS WALL TILES (PRIVATE)
W3	CEMENT RENDER FINISH W/P-1
W4	CEMENT RENDER FINISH W/P-4
W5	PADDED FABRIC
W6	FORMED FACE CONCRETE
W7	t=12 & t=9 GYPSUM BOARD W/P-1 ON LIGHT GAUGE STEEL
W8	t=25 GLASSWOOL BOARD W/ GLASSWOOL CLOTH
W9	t=12 & t=9 GYPSUM BOARD W/P-4 ON LIGHT GAUGE STEEL
W10	t=20 CEMENT RENDER FINISH / ALUMINUM GROOVE
W11	TIMBER WALL CLADDING (DECORATIVE)
COLUMNS	
Co1	t=8, 300 x 300 CERAMIC WALL TILES (PUBLIC)
Co2	t=8, 300 x 300 CERAMIC WALL TILES (PRIVATE)
Co3	CEMENT RENDER FINISH W/P-1
Co4	CEMENT RENDER FINISH W/P-4
Co5	PADDED FABRIC
Co6	FORMED FACE CONCRETE
Co7	t=25 GLASSWOOL BOARD W/ GLASSWOOL CLOTH
Co8	STEEL STRUCTURE
Co9	TIMBER WALL CLADDING (DECORATIVE)
Co10	t=20 CEMENT RENDER FINISH / ALUMINUM GROOVE
BEAM	
B1	FORMED FACE CONCRETE
B2	FORMED FACE CONCRETE W/P-1
B3	FORMED FACE CONCRETE W/P-4
B4	STEEL TRUSS BEAM W/P-4
B5	STEEL BEAM WF W/P-3
CEILING	
C1	EXPOSED SUSPENSION CEILING SYSTEM : t=15 ACOUSTIC ROCKWOOL CEILING BOARD
C2	DOUBLE CEILING SYSTEM : t=12 COLORED ACOUSTIC ROCKWOOL CEILING BOARD ON t=9 GYPSUM BOARD
C3	SUSPENDED BOARD CEILING : t=8 CALCIUM SILICATEBOARD W/P-7
C4	FORMED FACE CONCRETE
C5	t=25 GLASSWOOL BOARD W/ GLASSWOOL CLOTH
C6	SUSPENDED BOARD CEILING t=12 + t=9 GYPSUM BOARD W/ GLASSWOOL CLOTH
C7	W=150mm ALUMINUM LINER CEILING 1
C8	W=300mm ALUMINUM LINER CEILING 2
C9	W=84mm ALUMINUM LINER CEILING 3
C10	t=12 GYPSUM BOARD
C11	HIGHER CEILING t=17 GYPSUM BOARD w/ PAINT
C12	t=25, W=200 WOOD BATTENS W/ FLAME RETARDANT W/ P-8
C13	W=13 ALUMINUM LINEAR CEILING
C14	W=13, H=182 ALUMINUM BAFFLE CEILING
C15	EXPOSED CONSTRUCTION

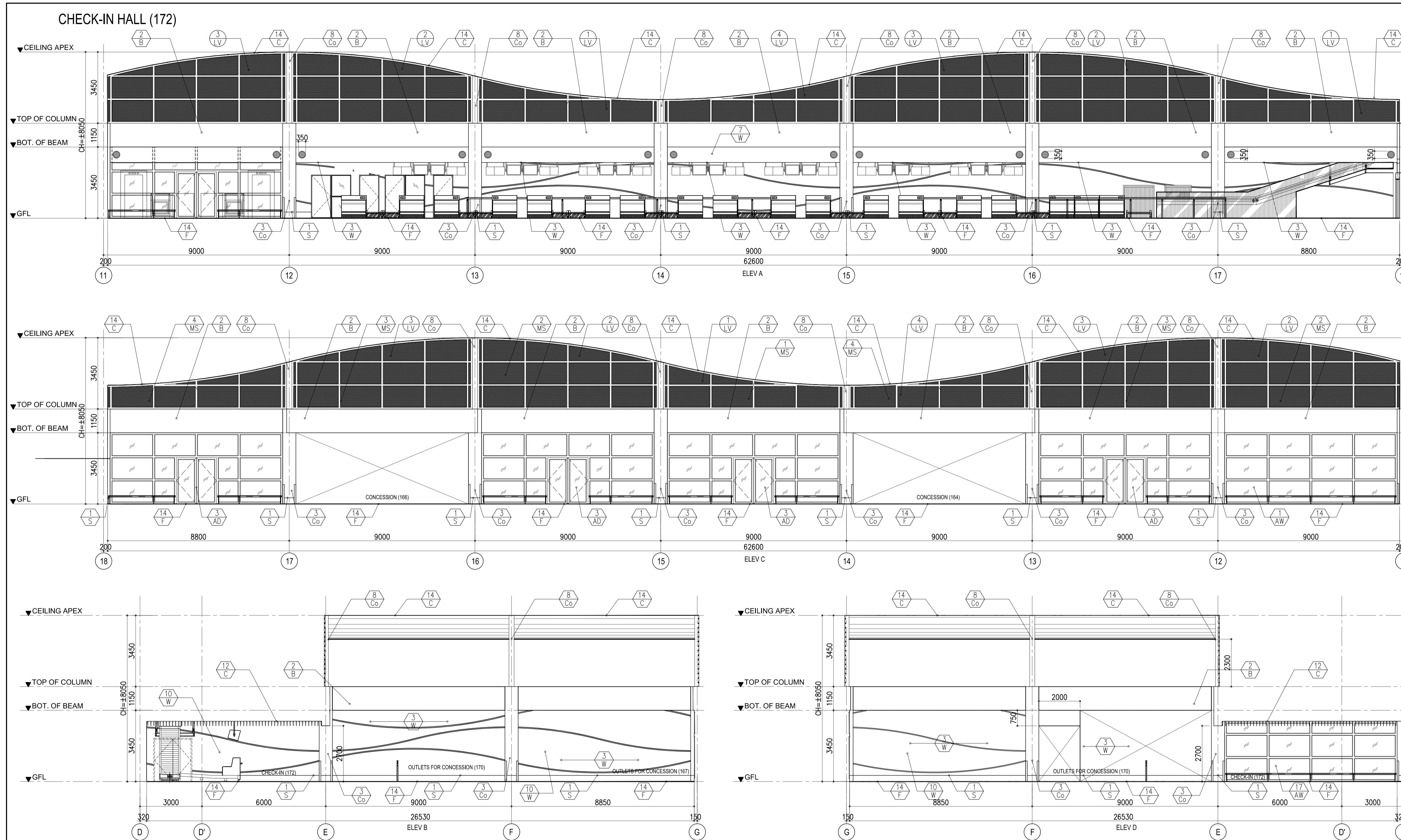


STAFF AND GOODS (151)

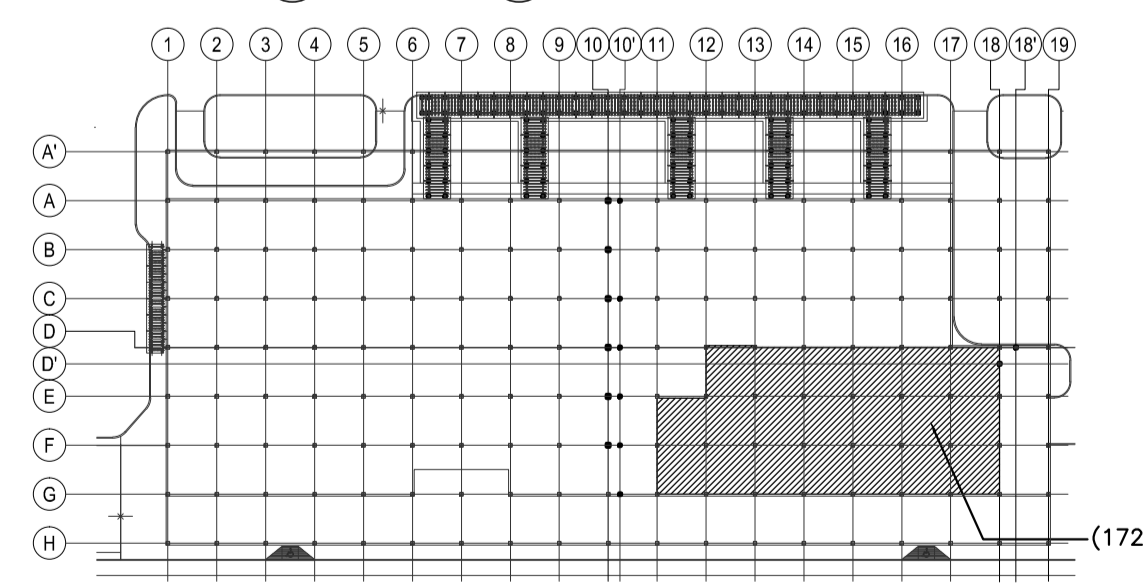
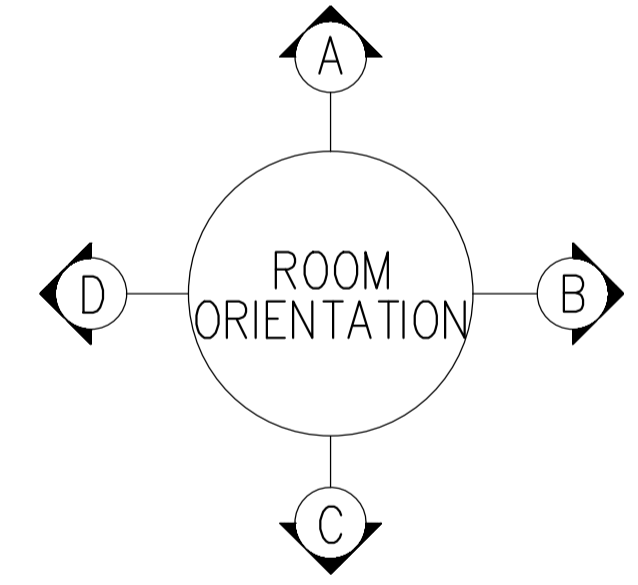


KEYPLAN

	PREPARED BY: WILLIAM L. MALLONGA <small>PROF: Architect PIR. 3911137 REG. NO.: 4623 DATE: MAY 9, 2013 TIN. 150-564-196 PLACE: MAKATI CITY</small>	RECOMMENDING APPROVAL: ILDEFONSO T. PATDU, JR. <small>Assistant Secretary for Project Implementation, DOTC</small>	APPROVED: JULIANITO G. BUCAYAN, JR. <small>Undersecretary for Project Implementation, DOTC</small>	PROJECT TITLE: NEW BOHOL AIRPORT CONSTRUCTION AND SUSTAINABLE ENVIRONMENT PROTECTION PROJECT	LOCATION: MUNICIPALITY OF PANGLAO, PROVINCE OF BOHOL, PHILIPPINES	SHEET CONTENTS: COMPONENT-4 BUILDING WORKS (B) SUBCOMPONENT -4-1 (B1) PASSENGER TERMINAL BUILDING ARCHITECTURAL INTERNAL ELEVATION 10	SHEET NO.: B1-4300-50	
	JICA DESIGN CONSULTANT JOINT VENTURE	TADASHI AOI Team Leader	ILDEFONSO T. PATDU, JR. Assistant Secretary for Project Implementation, DOTC	JULIANITO G. BUCAYAN, JR. Undersecretary for Project Implementation, DOTC	DATE: JUNE 2013	INDEX:	AMENDMENTS:	Prepared by: WIM Checked by: HC Validated by:



FINISHING LEGEND	
FLOOR	
F1	t=20, 600 x 600 FLAMED GRANITE W/ BURNER FINISHING
F2	t=20, 600 x 600 GRANITE TILE ON CEMENT SETTING BED
F3	t=8, 300 x 300 HOMOGENOUS FLOOR TILES ON CEMENT SETTING BED (PUBLIC)
F4	t=8, 300 x 300 HOMOGENOUS FLOOR TILES ON CEMENT SETTING BED (PRIVATE)
F5	t=3, 500 x 500 RUBBER TILE
F6	t=2, 300 x 300 VINYL TILES ON CEMENT RENDER FINISH
F7	t=8, BROOD LOOM CARPET ON CEMENT SETTING BED (VP/CIP)
F8	DAMP-PROOF PAINT ON P-6 ON CEMENT RENDER FINISH
F9	t=7, 500 x 500 ANTI-STATIC CARPET TILE ON RAISED FLOOR
F10	t=2, 500 x 500 ANTI-STATIC VINYL TILES ON RAISED FLOOR
F11	FLOOR HARDENER W/ EPOXY RESIN
F12	t=2, 300 x 300 VINYL TILES ON CEMENT ON RAISED FLOOR
F13	t=8 MARBLE (VP/CIP)
F14	t=8 600 x 600 HOMOGENOUS TILES ON CEMENT SETTING BED
F15	t=30 CEMENT MORTAR BROOM FINISH W/ DUST-PROOF PAINT
SKIRTING	
S1	t=8 HOMOGENOUS TILE h=300
S2	t=8 HOMOGENOUS TILE h=100
S3	t=25 TIMBER W/P-2 h=50
S4	t=2 POLYVINYL SOFT TILE h=100
S5	CEMENT RENDER FINISH W/P-1, h=100
WALL	
W1	t=8, 300 x 300 HOMOGENOUS WALL TILES (PUBLIC)
W2	t=8, 300 x 300 HOMOGENOUS WALL TILES (PRIVATE)
W3	CEMENT RENDER FINISH W/P-1
W4	CEMENT RENDER FINISH W/P-4
W5	PADDED FABRIC
W6	FORMED FACE CONCRETE
W7	t=12 & t=9 GYPSUM BOARD W/P-1 ON LIGHT GAUGE STEEL
W8	t=25 GLASSWOOL BOARD W/ GLASSWOOL CLOTH
W9	t=12 & t=9 GYPSUM BOARD W/P-4 ON LIGHT GAUGE STEEL
W10	t=20 CEMENT RENDER FINISH / ALUMINUM GROOVE
W11	TIMBER WALL CLADDING (DECORATIVE)
COLUMNS	
Co1	t=8, 300 x 300 CERAMIC WALL TILES (PUBLIC)
Co2	t=8, 300 x 300 CERAMIC WALL TILES (PRIVATE)
Co3	CEMENT RENDER FINISH W/P-1
Co4	CEMENT RENDER FINISH W/P-4
Co5	PADDED FABRIC
Co6	FORMED FACE CONCRETE
Co7	t=25 GLASSWOOL BOARD W/ GLASSWOOL CLOTH
Co8	STEEL STRUCTURE
Co9	TIMBER WALL CLADDING (DECORATIVE)
Co10	t=20 CEMENT RENDER FINISH / ALUMINUM GROOVE
BEAM	
B1	FORMED FACE CONCRETE
B2	FORMED FACE CONCRETE W/P-1
B3	FORMED FACE CONCRETE W/P-4
B4	STEEL TRUSS BEAM W/P-3
B5	STEEL BEAM W/P-3
CEILING	
C1	EXPOSED SUSPENSION CEILING SYSTEM : t=15 ACOUSTIC ROCKWOOL CEILING BOARD
Co1	DOUBLE CEILING SYSTEM : t=12 COLORED ACOUSTIC ROCKWOOL CEILING BOARD ON t=9 GYPSUM BOARD
C2	SUSPENDED BOARD CEILING : t=8 CALCIUM SILICATEBOARD W/P-7
C3	FORMED FACE CONCRETE
C4	t=25 GLASSWOOL BOARD W/ GLASSWOOL CLOTH
C6	SUSPENDED BOARD CEILING t=12 + t=9 GYPSUM BOARD W/ GLASSWOOL CLOTH
C7	W=150mm ALUMINUM LINER CEILING 1
C8	W=300mm ALUMINUM LINER CEILING 2
C9	W=84mm ALUMINUM LINER CEILING 3
C10	t=12 GYPSUM BOARD
C11	HIGHER CEILING t=12 GYPSUM BOARD W/ PAINT
C12	t=25, W=200 WOOD BATTENS W/ FLAME RETARDANT W/ P-8
C13	W=13 ALUMINUM LINEAR CEILING
C14	W=13, H=162 ALUMINUM BAFFLE CEILING
C15	EXPOSED CONSTRUCTION



KEYPLAN

	PREPARED BY: WILLIAM L. MALLONGA <small>Architect PIR 3911137</small> <small>REC. NO.: 4623 DATE: MAY 9, 2013</small> <small>T.I.N. 150-564-196 PLACE: MANILA CITY</small>	RECOMMENDING APPROVAL: ILDEFONSO T. PATDU, JR. <small>Assistant Secretary for Project Implementation, DOTC</small>	APPROVED: JULIANITO G. BUCAYAN, JR. <small>Undersecretary for Project Implementation, DOTC</small>	PROJECT TITLE: NEW BOHOL AIRPORT CONSTRUCTION AND SUSTAINABLE ENVIRONMENT PROTECTION PROJECT	LOCATION: MUNICIPALITY OF PANGLAO, PROVINCE OF BOHOL, PHILIPPINES	SHEET CONTENTS: COMPONENT-4 BUILDING WORKS (B) SUBCOMPONENT -4-1 (B1) PASSENGER TERMINAL BUILDING ARCHITECTURAL INTERNAL ELEVATION 11	SHEET NO.: B1-4300-51 DRAWING SCALE: 1:100 MTS.
	JICA DESIGN CONSULTANT JOINT VENTURE JAPAN AIRPORT CONSULTANTS, INC.	JAPAN INTERNATIONAL COOPERATION AGENCY NIPPON KOEI CO., LTD. NIS CONSULTANTS CO., LTD.	TADASHI AOI Team Leader	JUN 2013 DATE INDEX AMENDMENTS	Prepared by: WIM Checked by: HC Validated by:		