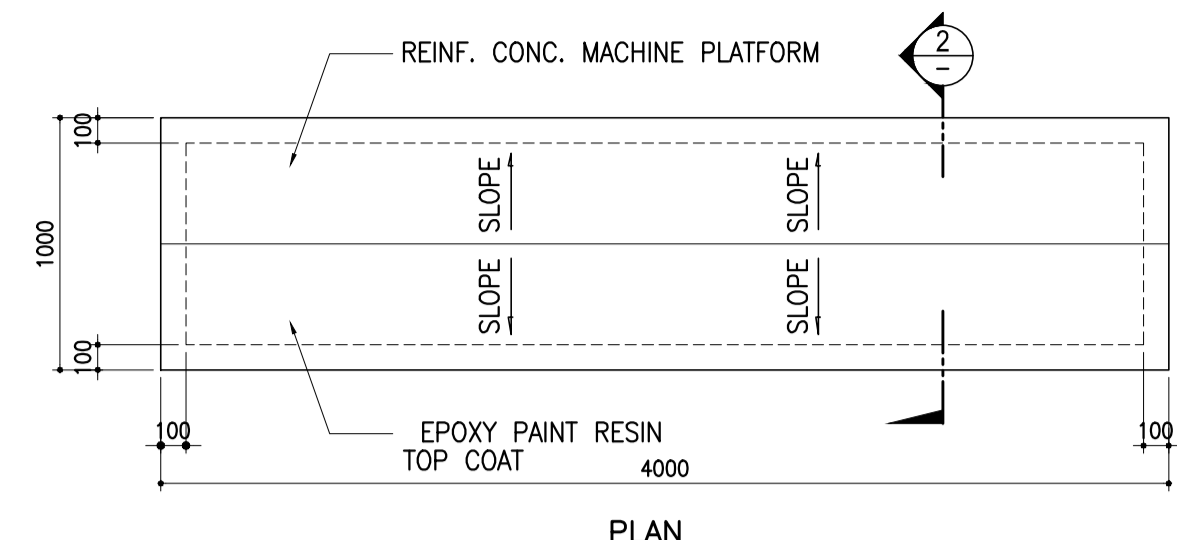
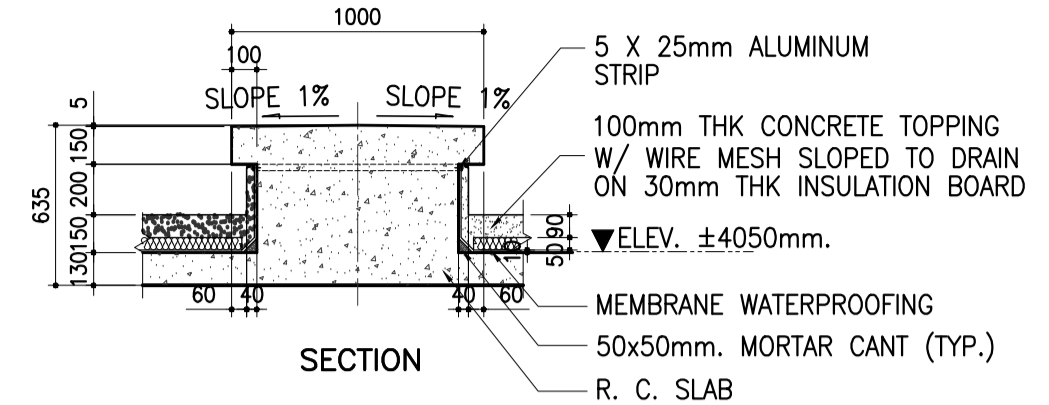


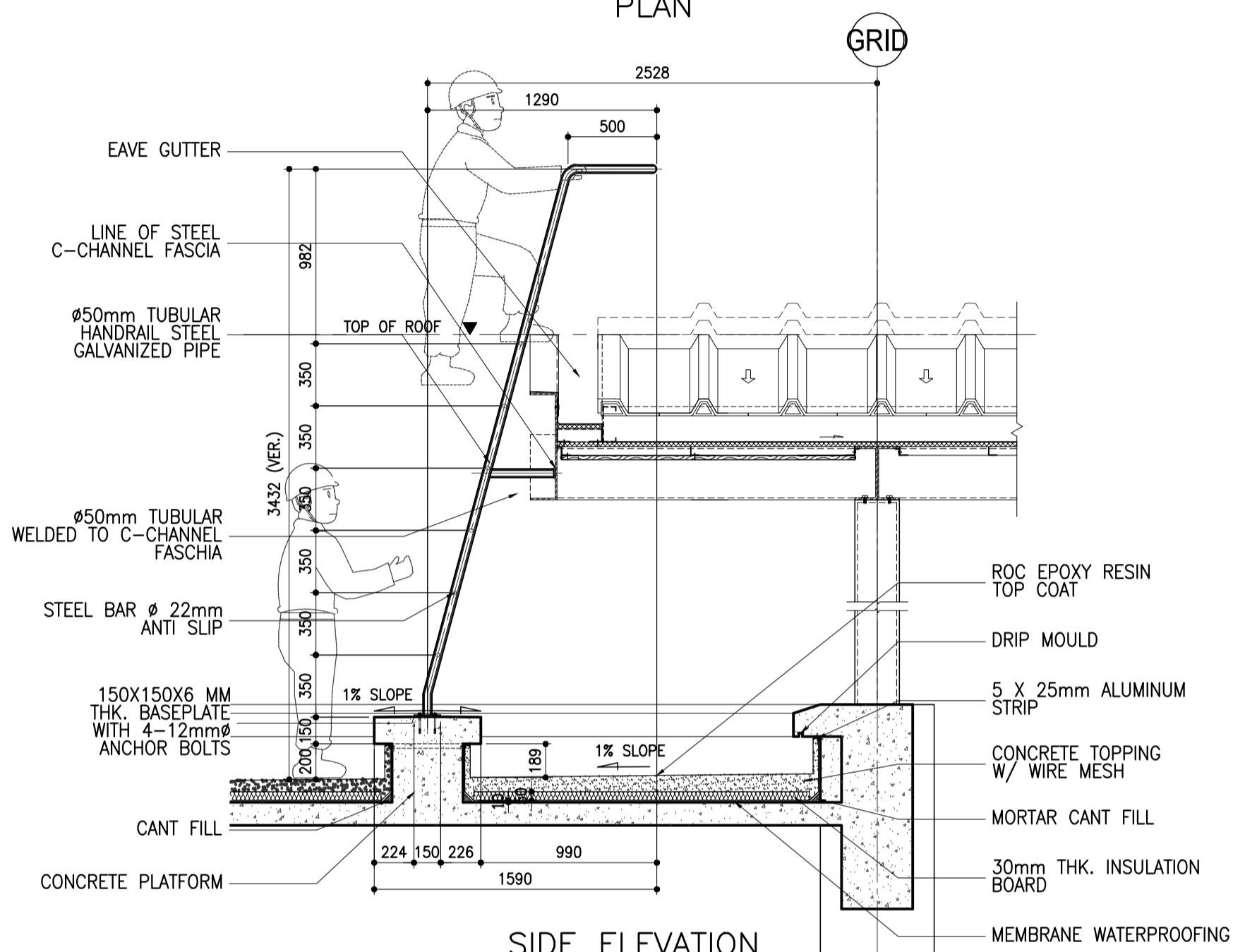
PLAN



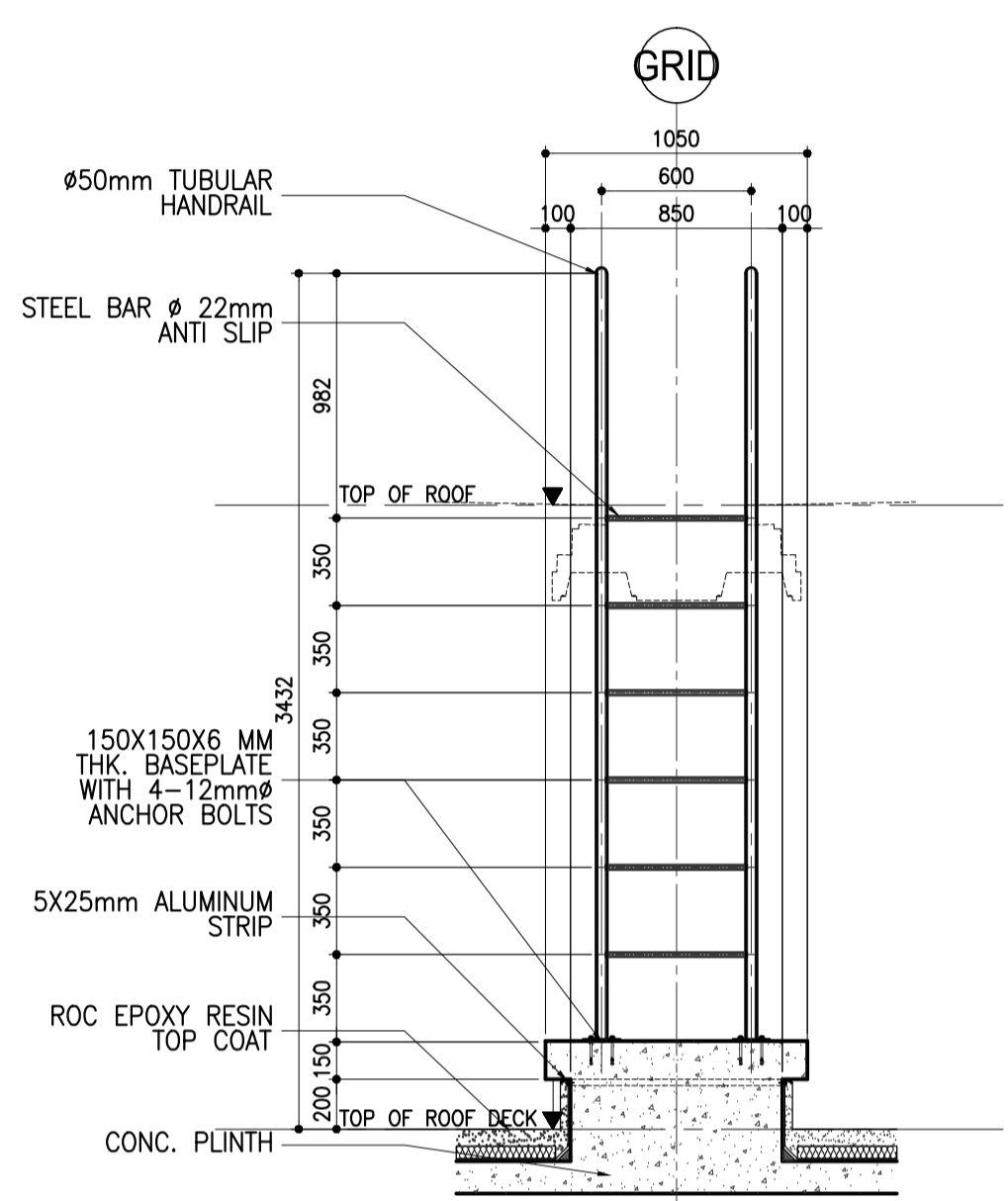
2 DETAIL OF MACHINE PLATFORM  
SCALE: 1:30 MTS.



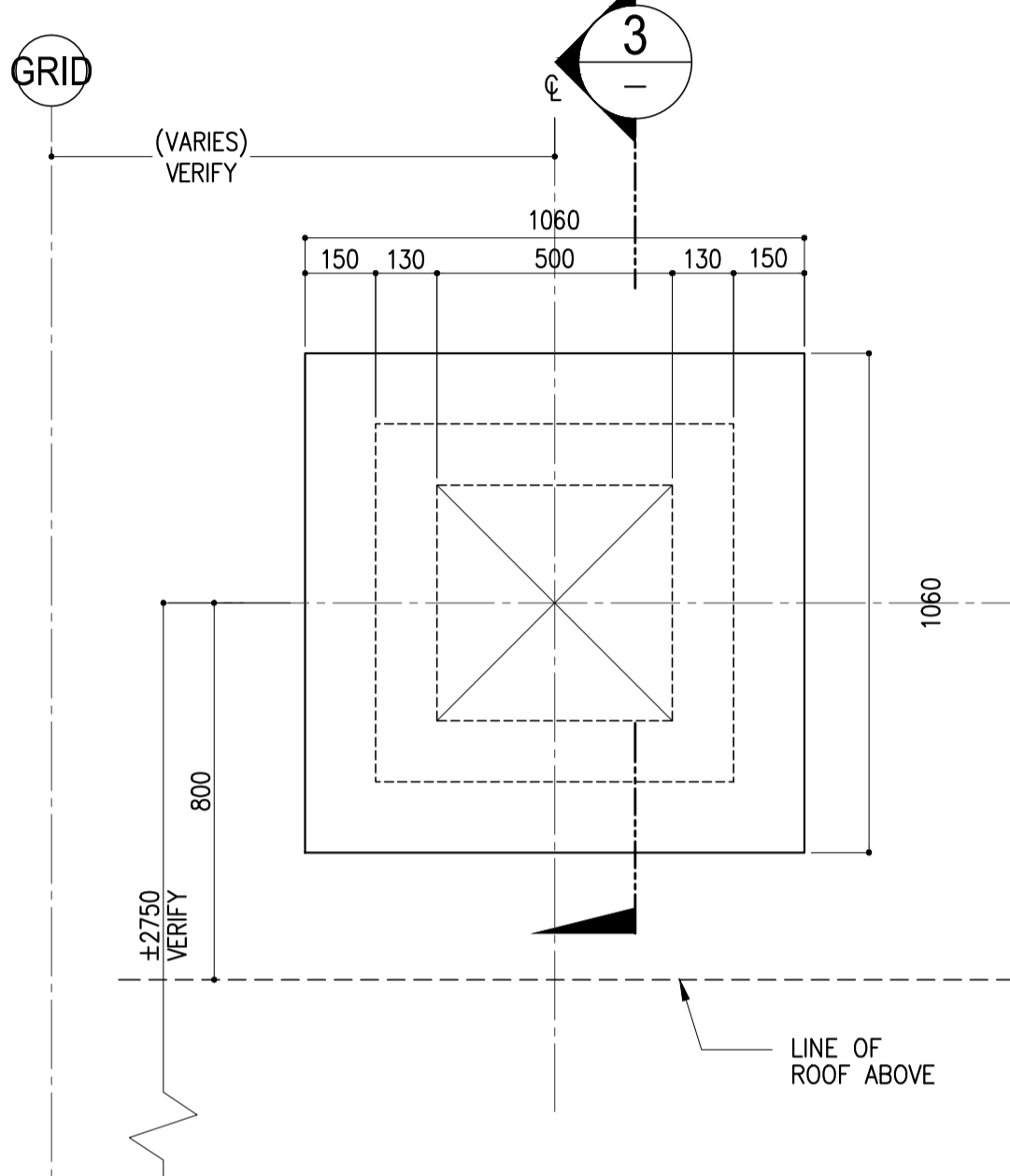
SECTION



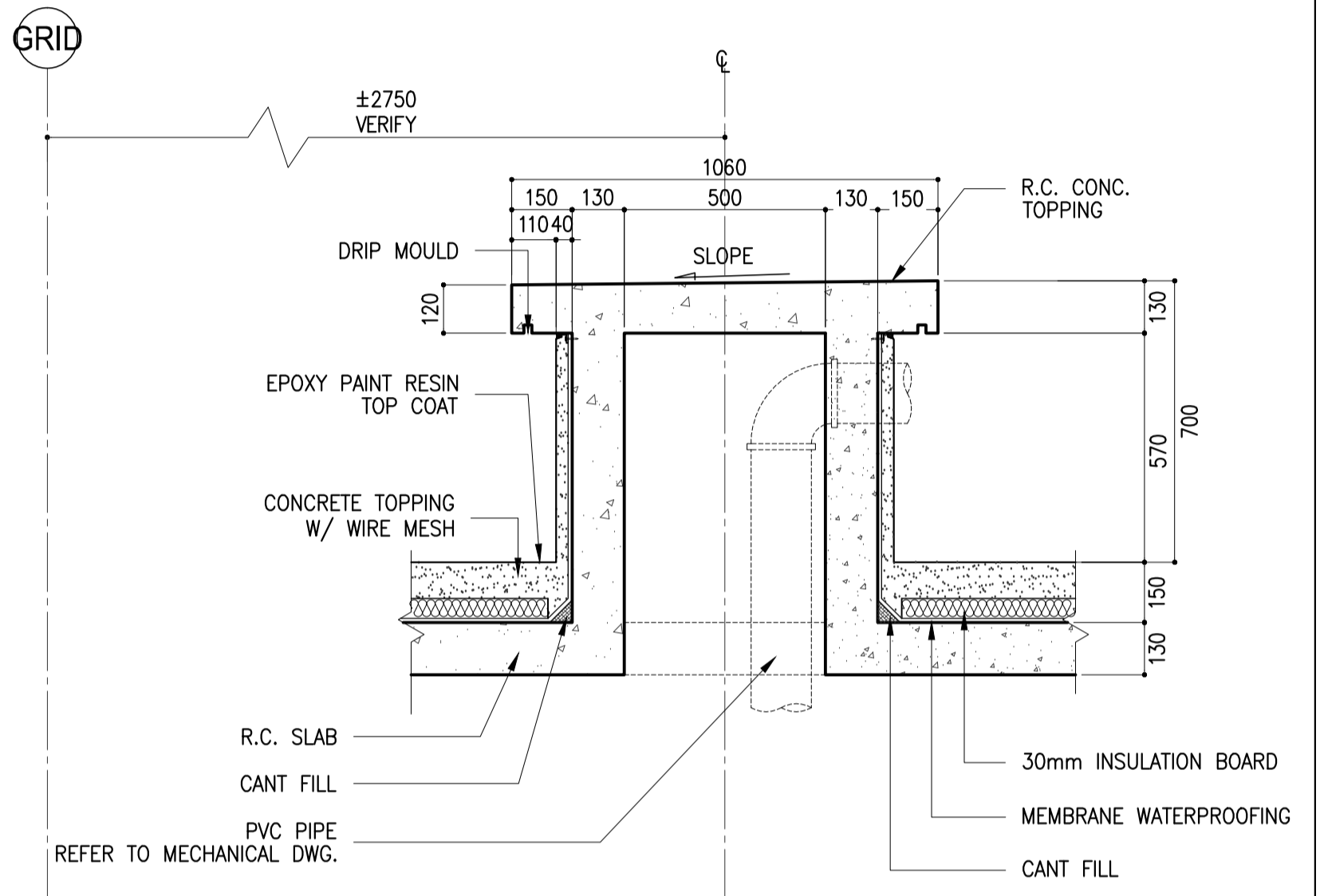
SIDE ELEVATION



FRONT ELEVATION

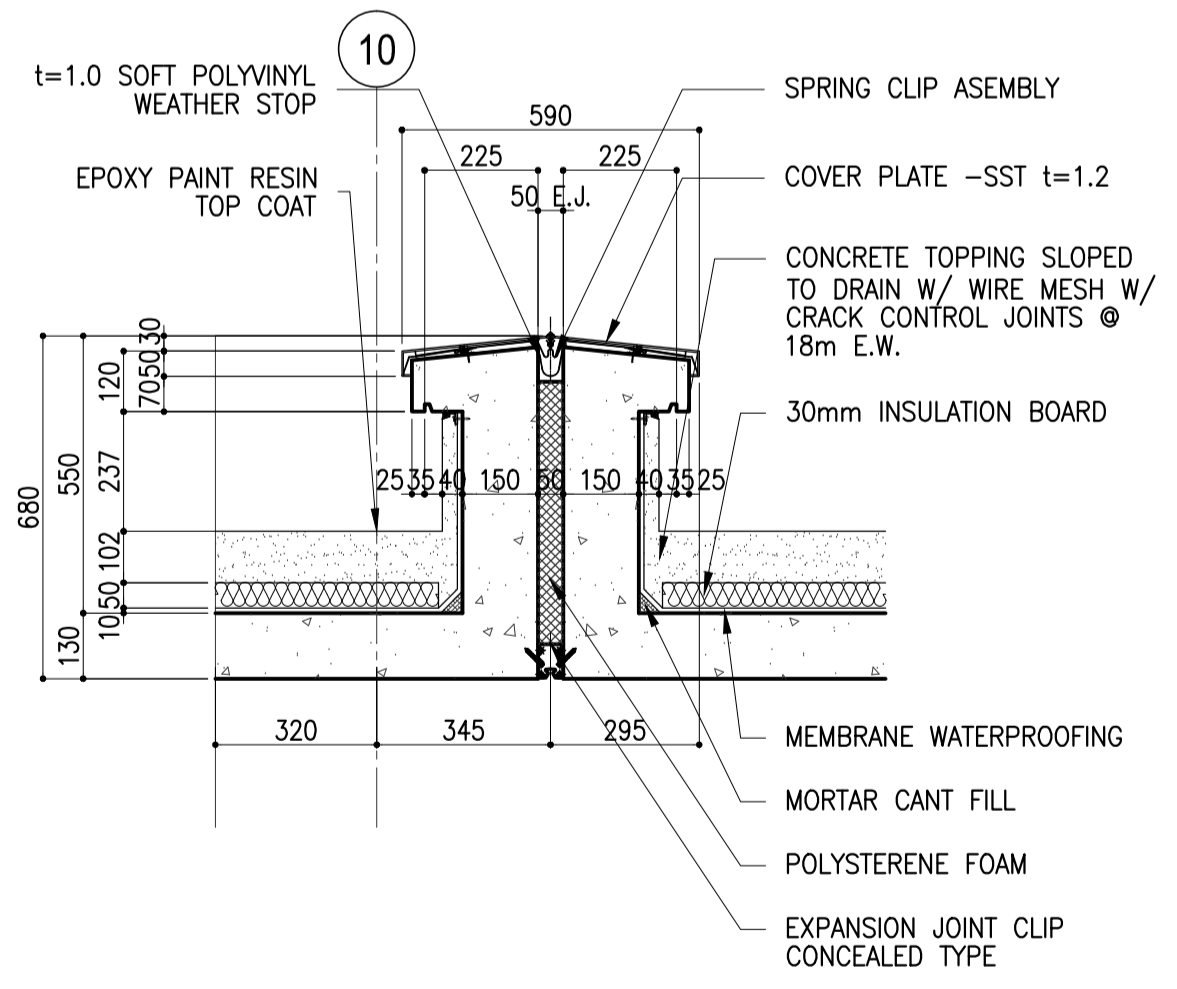


3 DETAIL OF CONCRETE CABLE INLET  
SCALE: 1:15 MTS.

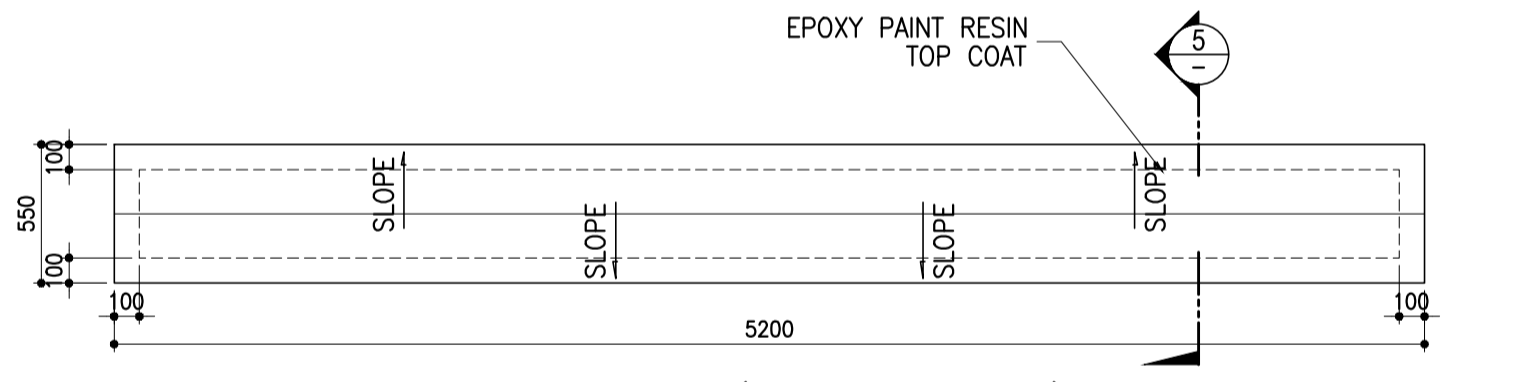


SECTION DETAIL

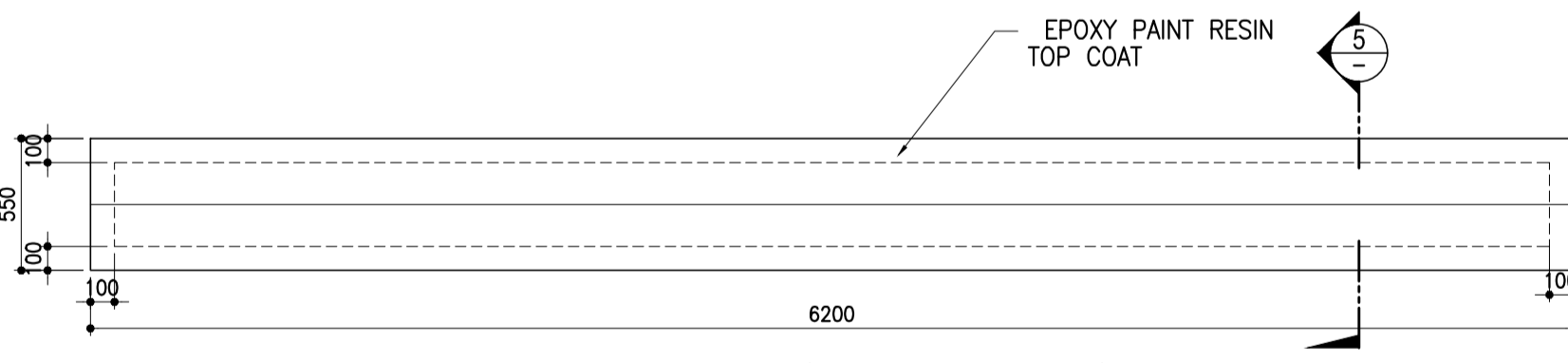
1 DETAIL OF MAINTENANCE LADDER  
SCALE: 1:30 MTS.



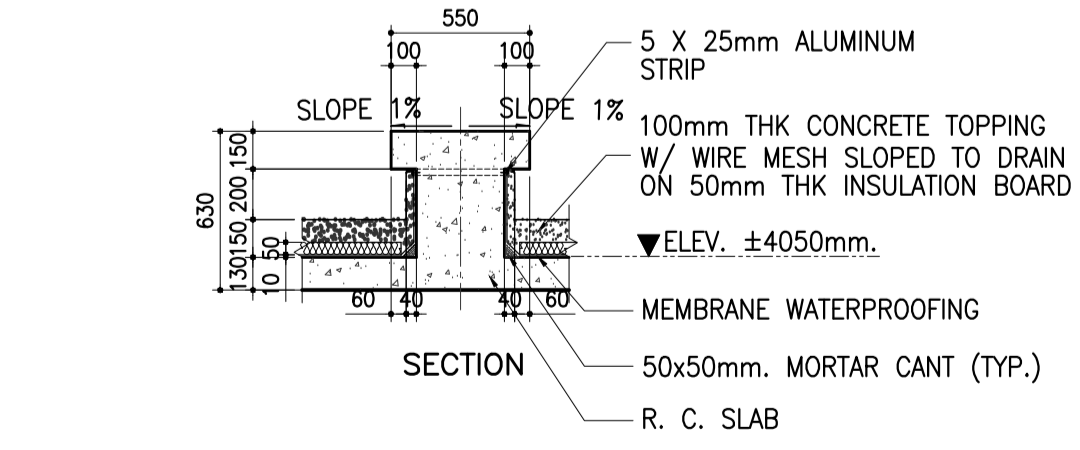
4 EXPANSION JOINT @ ROOF DECK  
SCALE: 1:15 MTS.



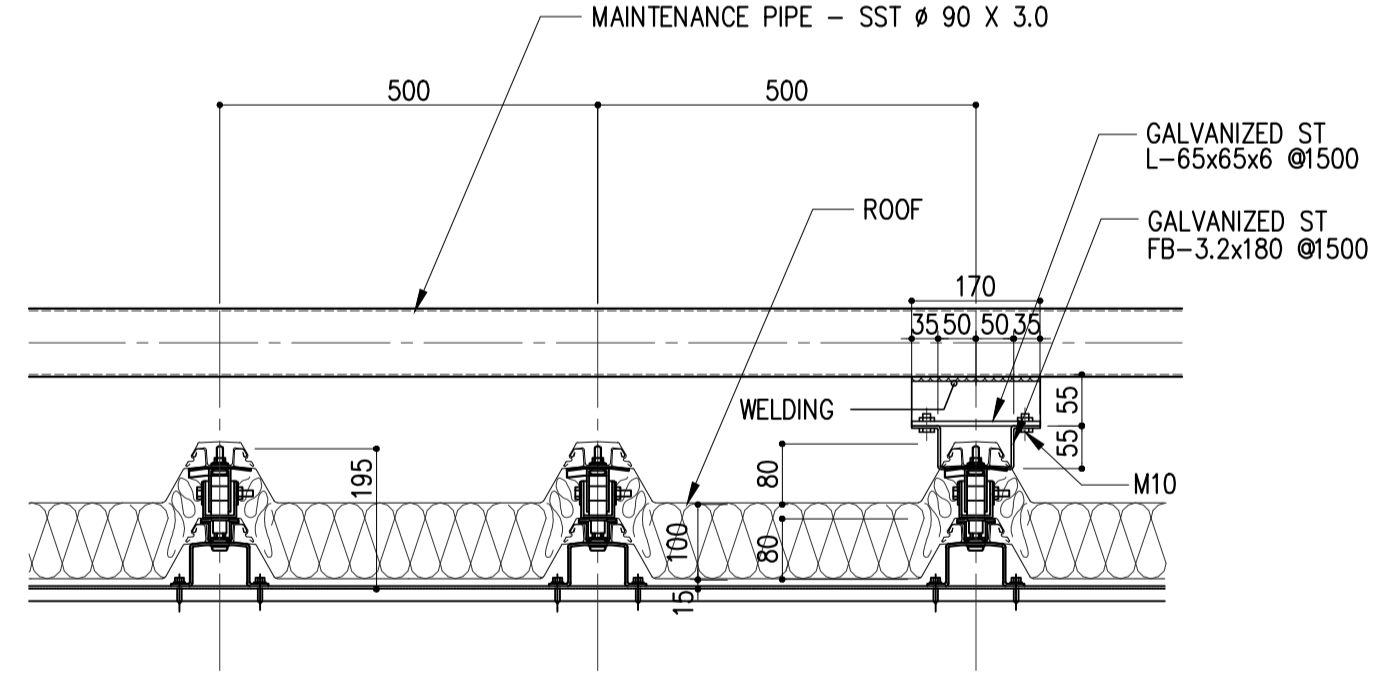
PLAN @ SOLAR PAD (CONC. PLATFORM 1)



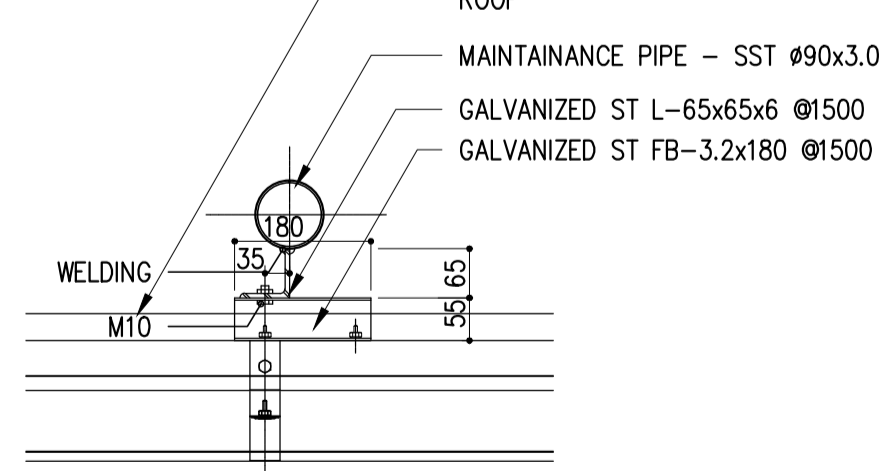
PLAN @ SOLAR PAD (CONC. PLATFORM 2)



5 DETAIL OF SOLAR PAD (CONC. PLATFORM)  
SCALE: 1:30 MTS.

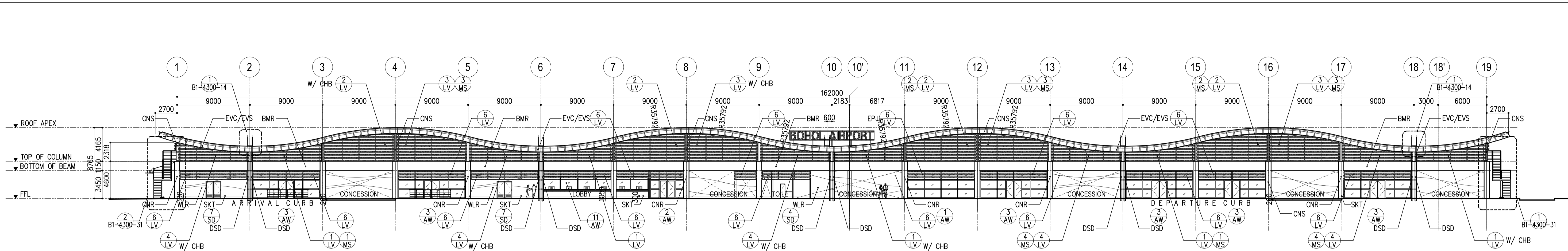


DETAIL SECTION 1

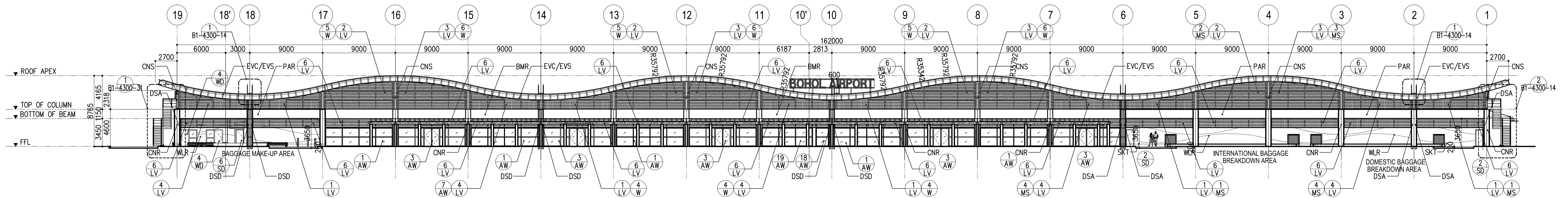


6 MAINTENANCE BAR FOR ROOF  
SCALE: 1:10 MTS.

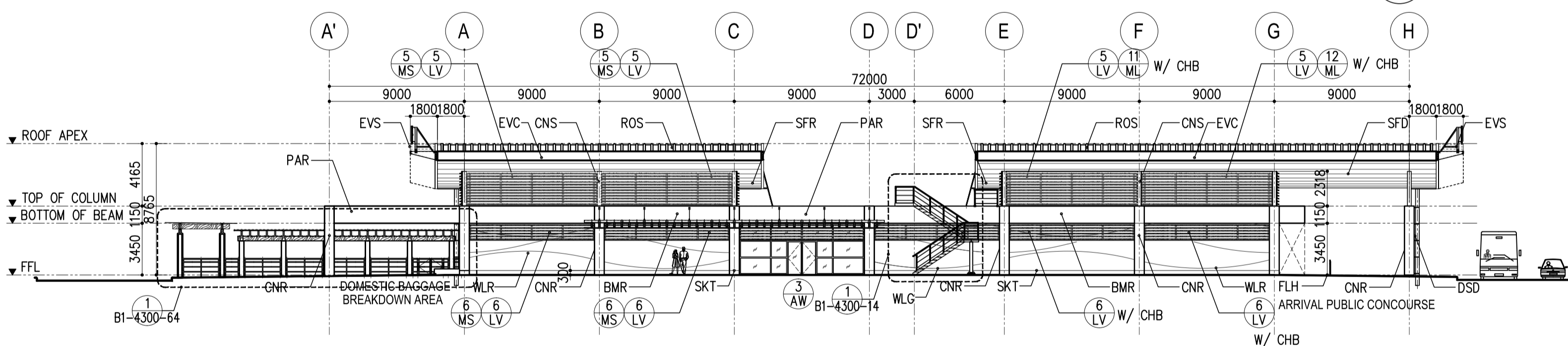
	PREPARED BY: <b>WILLIAM I. MALLONGA</b> <small>PROF: Architect PIR. 3911137 REG. NO.: 4623 DATE: MAY 9, 2013 TEL. 150-564-196 PLACE: MANILA CITY</small>	RECOMMENDING APPROVAL: <b>JILDEFONSO T. PATDU, JR.</b> <small>Assistant Secretary for Project Implementation, DOTC</small>	APPROVED: <b>JULIANITO G. BUCAYAN, JR.</b> <small>Undersecretary for Project Implementation, DOTC</small>	PROJECT TITLE: <b>NEW BOHOL AIRPORT CONSTRUCTION AND SUSTAINABLE ENVIRONMENT PROTECTION PROJECT</b>	LOCATION: MUNICIPALITY OF PANGLAO, PROVINCE OF BOHOL, PHILIPPINES	SHEET CONTENTS: COMPONENT-4 BUILDING WORKS (B) SUBCOMPONENT -4-1 (B1) PASSENGER TERMINAL BUILDING ARCHITECTURAL ROOF DECK DETAILS	SHEET NO: <b>B1-4300-14</b>
	JICA DESIGN CONSULTANT JOINT VENTURE <b>JAC</b> JAPAN AIRPORT CONSULTANTS, INC. <b>NIPON KOEI</b> CO., LTD. <b>NIS CONSULTANTS</b> CO., LTD.	TADASHI AOI Team Leader	JILDEFONSO T. PATDU, JR. Assistant Secretary for Project Implementation, DOTC	JULIANITO G. BUCAYAN, JR. Undersecretary for Project Implementation, DOTC	DATE: JUNE 2013 INDEX: AMENDMENTS: Prepared by: WIM, Checked by: HC, Validated by:	DRAWING SCALE: AS SHOWN	



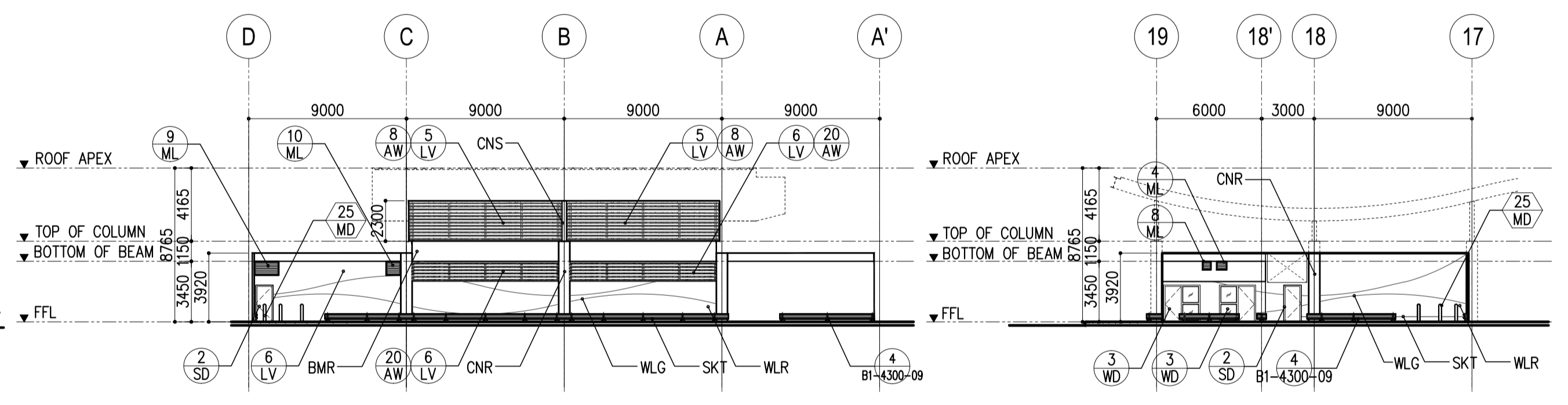
1 LANDSIDE ELEVATION  
SCALE: 1:250 MTS.



2 AIRSIDE ELEVATION  
SCALE: 1:250 MTS.

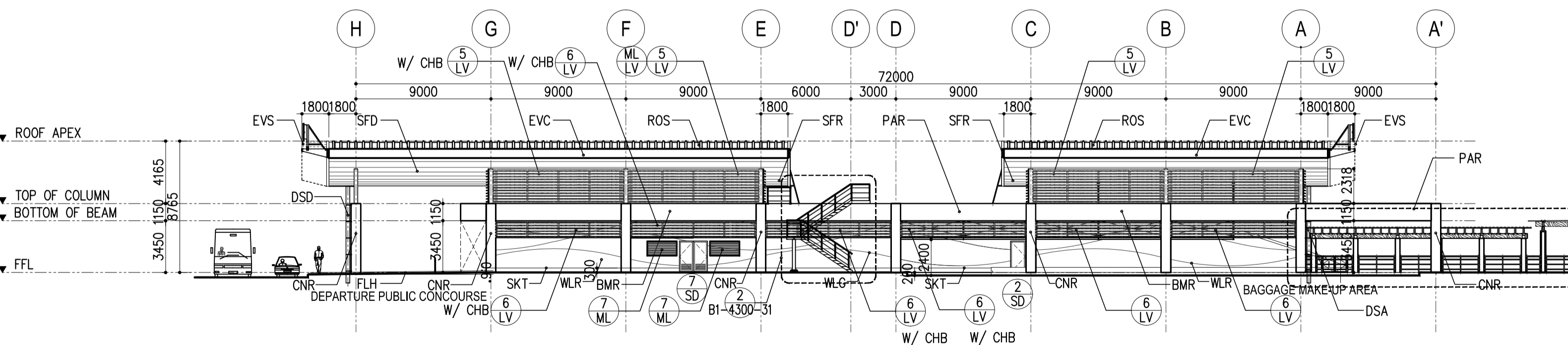


3 SOUTH ELEVATION  
SCALE: 1:250 MTS.

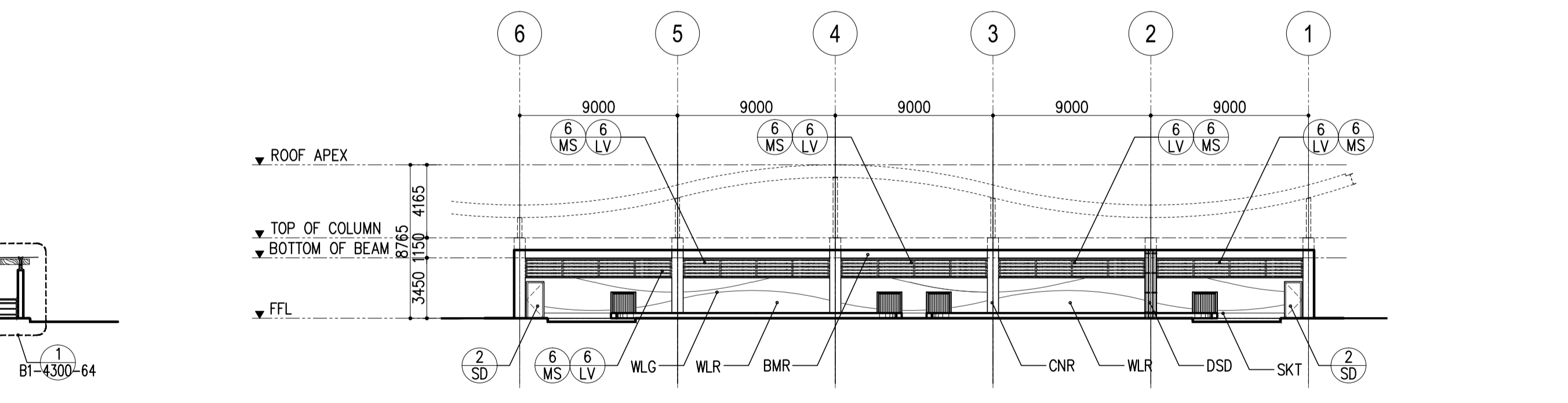


5 INTERNAL ELEVATION ALONG GRID -17  
SCALE: 1:250 MTS.

6 INTERNAL ELEVATION ALONG GRID -D  
SCALE: 1:250 MTS.



4 NORTH ELEVATION  
SCALE: 1:250 MTS.

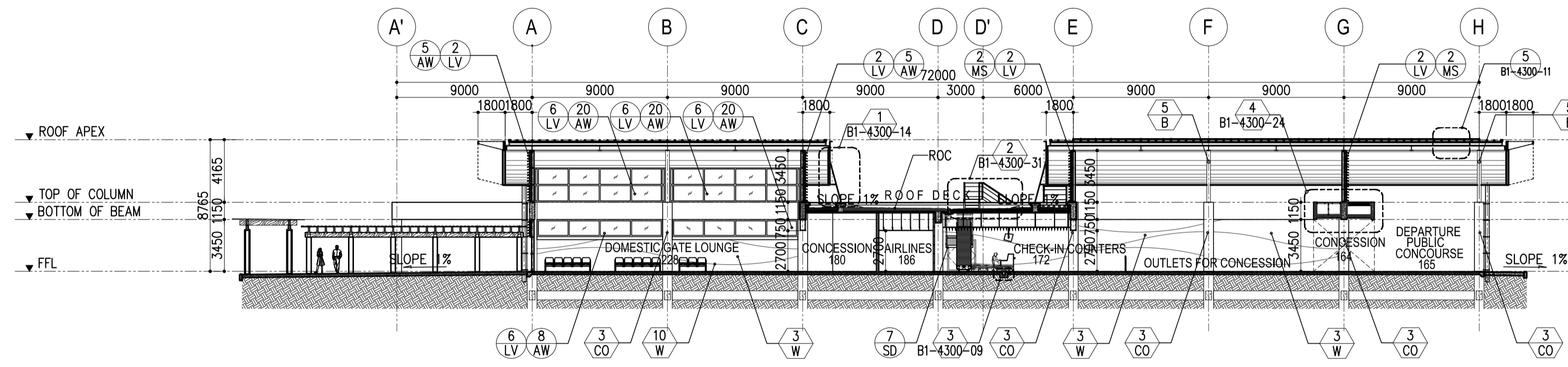


7 INTERNAL ELEVATION ALONG GRID -A  
SCALE: 1:250 MTS.

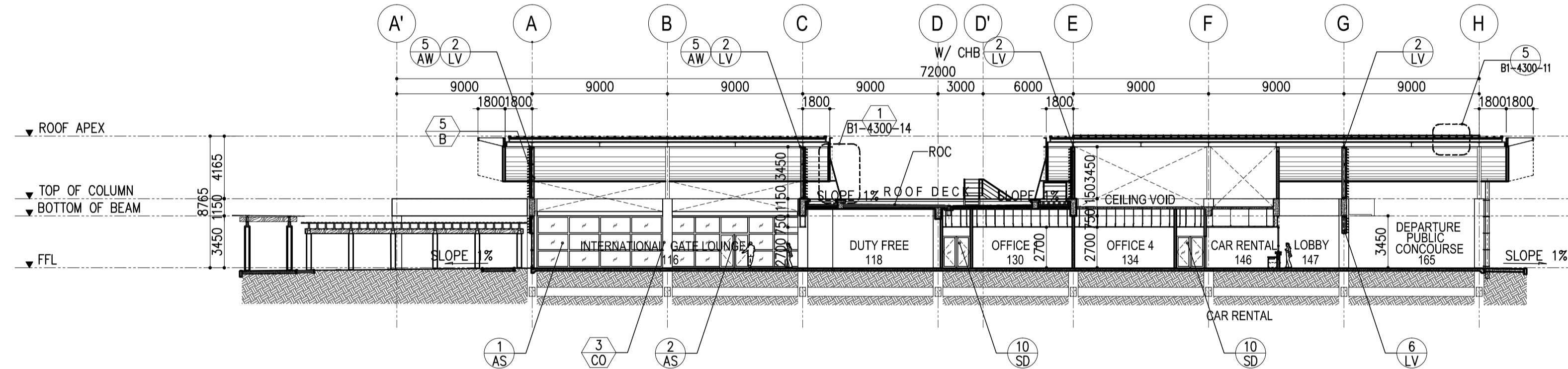
	PREPARED BY: <b>WILLIAM I. MALLONGA</b> <small>PROF. Architect PIR 3911137 REG. NO. 4623 DATE: MAY 9, 2013 TEL. 159-564-198 PLACE: MANILA CITY</small>	RECOMMENDING APPROVAL: <b>ILDEFONSO T. PATDU, JR.</b> <small>Assistant Secretary for Project Implementation, DOTC</small>	APPROVED: <b>JULIANITO G. BUCAYAN, JR.</b> <small>Undersecretary for Project Implementation, DOTC</small>	PROJECT TITLE: <b>NEW BOHOL AIRPORT CONSTRUCTION AND SUSTAINABLE ENVIRONMENT PROTECTION PROJECT</b>	SHEET CONTENTS: COMPONENT-4 BUILDING WORKS (B) SUBCOMPONENT -4-1 (B1) PASSENGER TERMINAL BUILDING ARCHITECTURAL EXTERIOR ELEVATIONS	SHEET NO: <b>B1-4300-15</b>
	JICA DESIGN CONSULTANT JOINT VENTURE 	TADASHI AOI <small>Team Leader</small>	ILDEFONSO T. PATDU, JR. <small>Assistant Secretary for Project Implementation, DOTC</small>	JULIANITO G. BUCAYAN, JR. <small>Undersecretary for Project Implementation, DOTC</small>	LOCATION: MUNICIPALITY OF PANGLAO, PROVINCE OF BOHOL, PHILIPPINES	DATE INDEX AMENDMENTS Prepared by Checked by Validated by



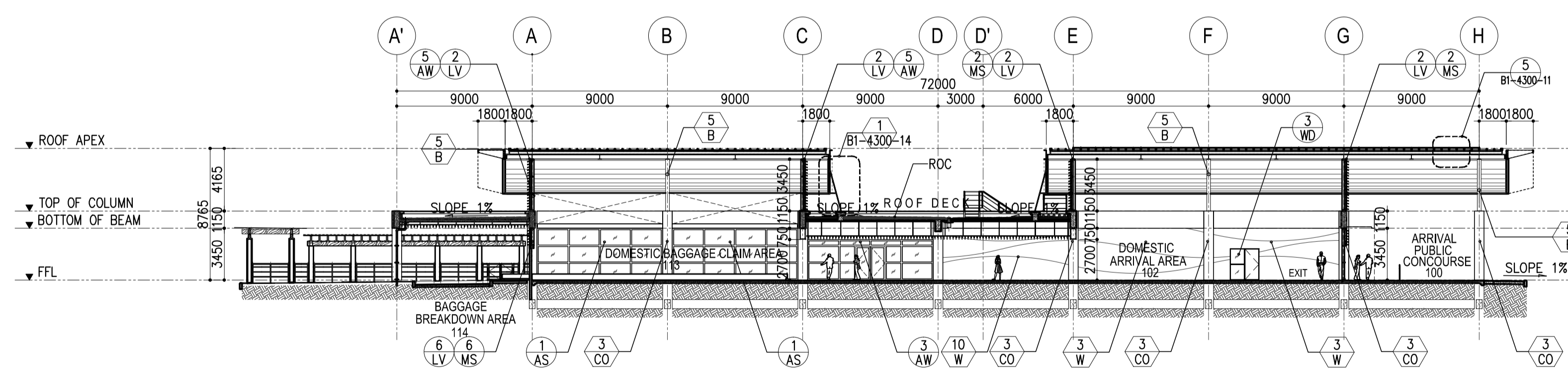




1 CROSS SECTION 4  
SCALE: 1:250 MTS.

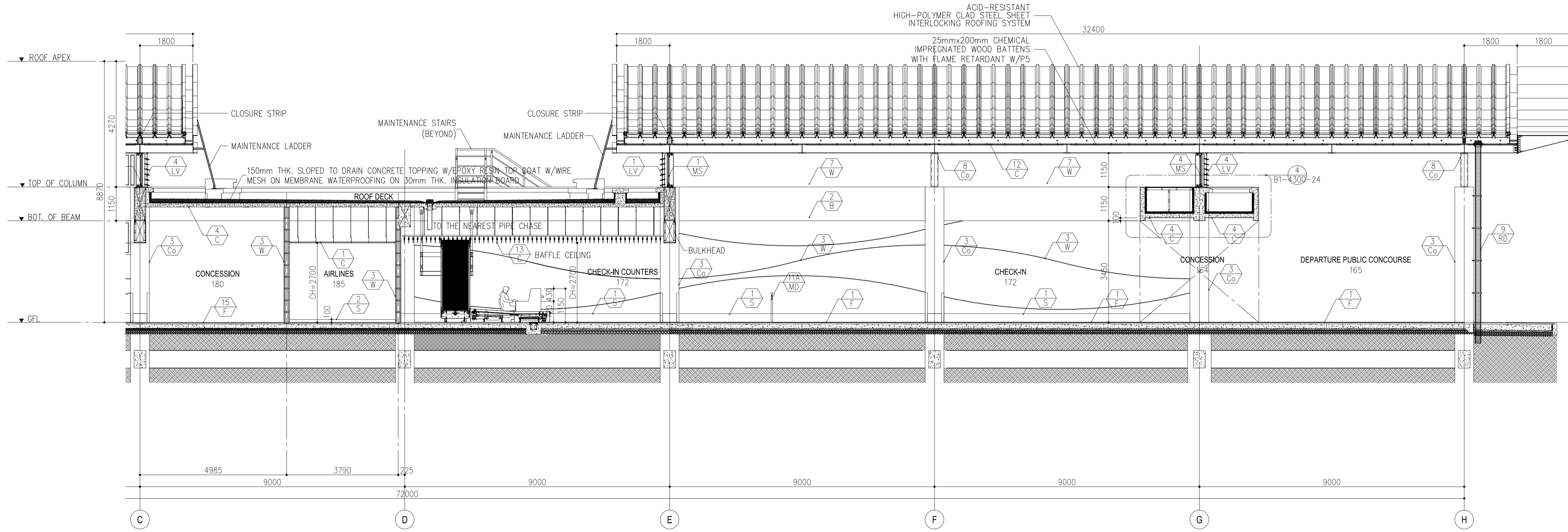
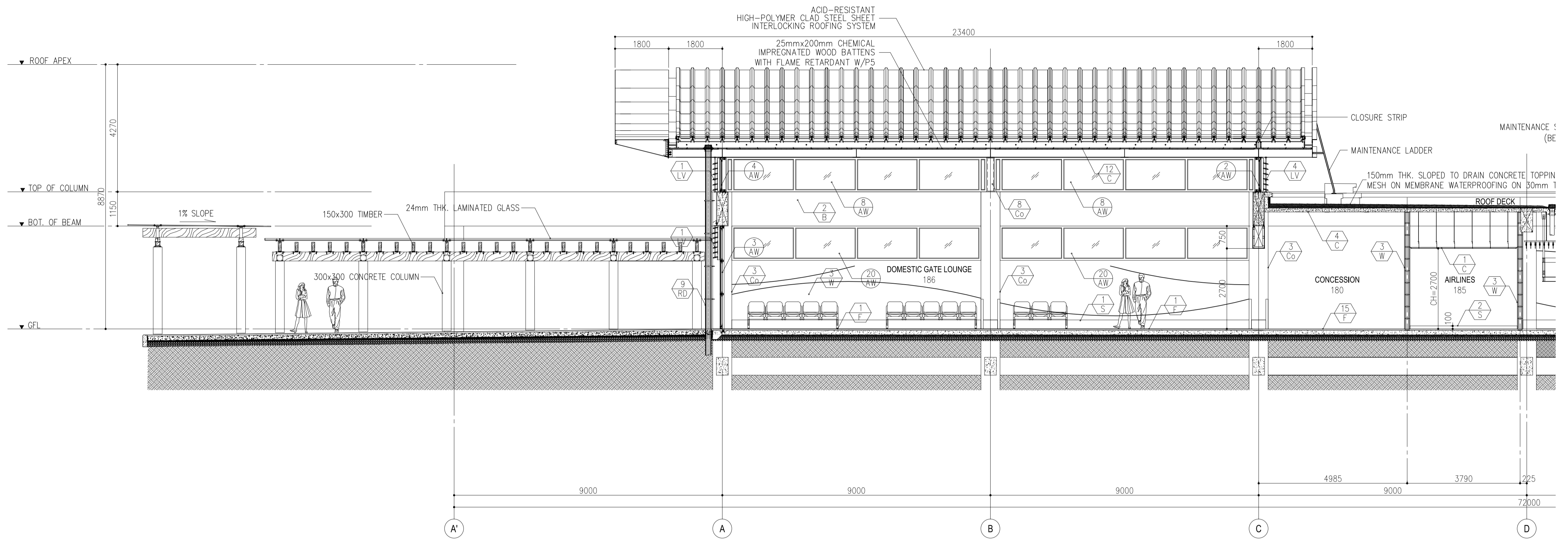


2 CROSS SECTION 5  
SCALE: 1:250 MTS.



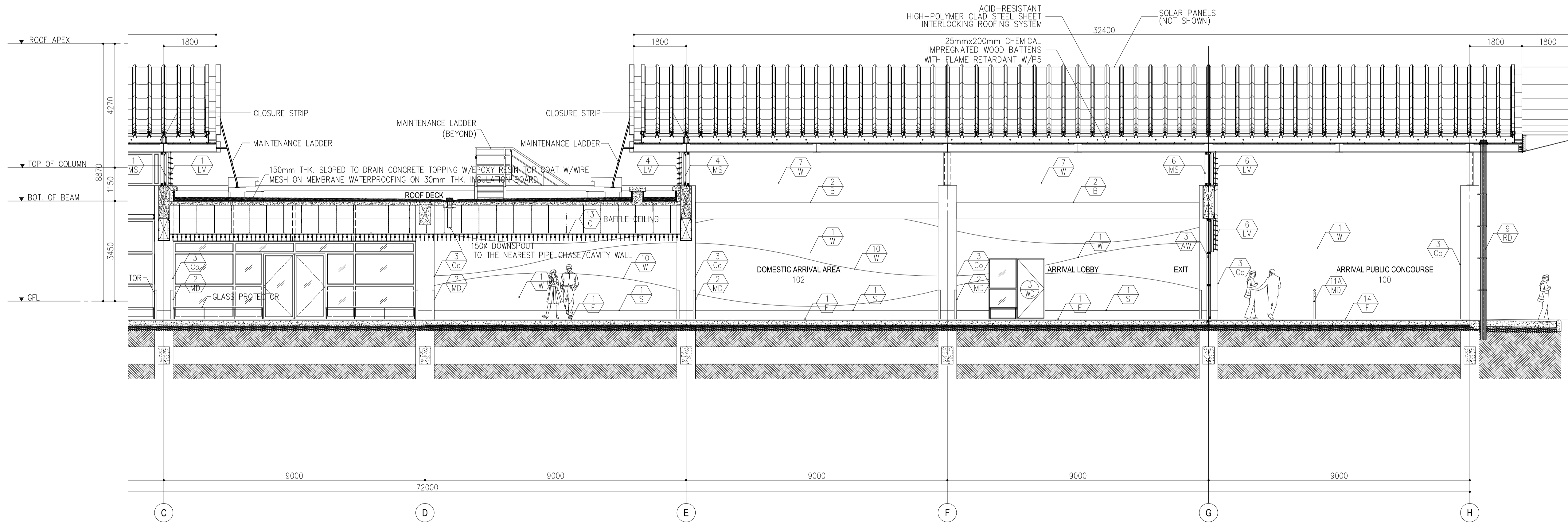
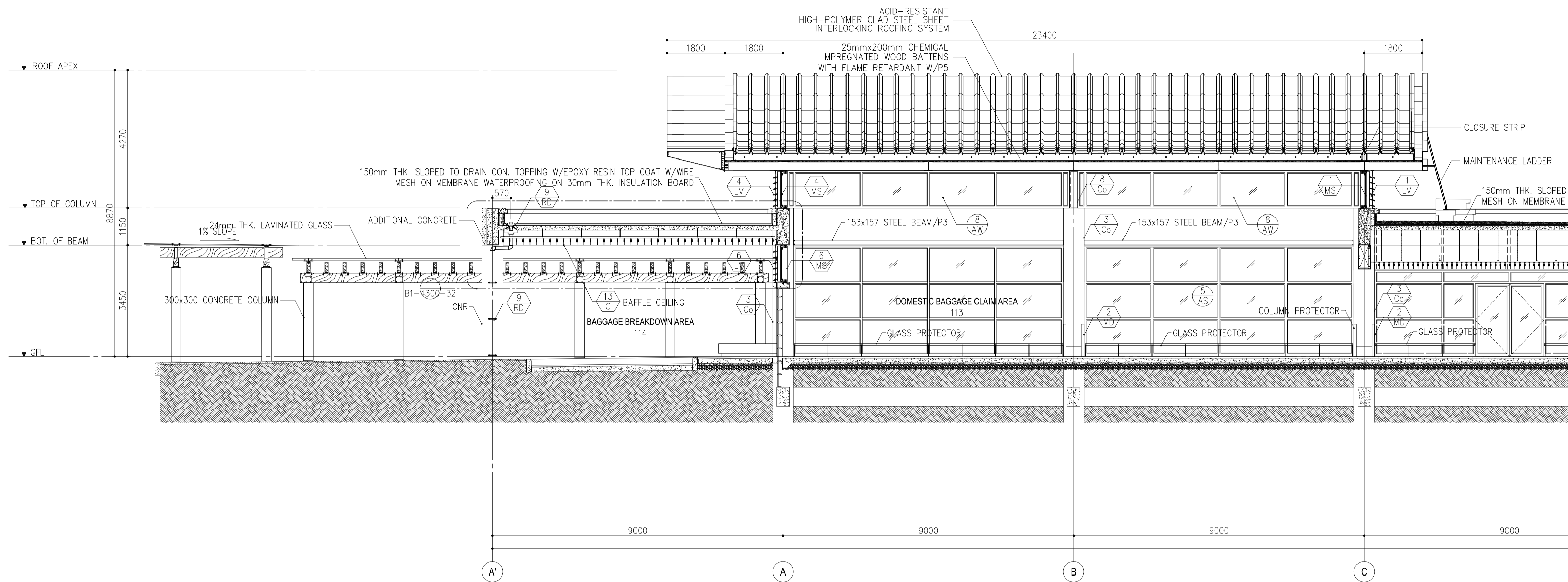
3 CROSS SECTION 6  
SCALE: 1:250 MTS.

	PREPARED BY: <b>WILLIAM I. MALLONGA</b> <small>PROF: Architect PTR: 3911137 REG. NO.: 4623 DATE: MAY 9, 2013 TEL: 159-564-196 PLACE: MANILA CITY</small>	RECOMMENDING APPROVAL: <b>JILDEFONSO T. PATDU, JR.</b> <small>Assistant Secretary for Project Implementation, DOTC</small>	APPROVED: <b>JULIANITO G. BUCAYAN, JR.</b> <small>Undersecretary for Project Implementation, DOTC</small>	PROJECT TITLE: <b>NEW BOHOL AIRPORT CONSTRUCTION AND SUSTAINABLE ENVIRONMENT PROTECTION PROJECT</b>	LOCATION: MUNICIPALITY OF PANGLAO, PROVINCE OF BOHOL, PHILIPPINES	SHEET CONTENTS: COMPONENT-4 BUILDING WORKS (B) SUBCOMPONENT -4-1 (B1) PASSENGER TERMINAL BUILDING ARCHITECTURAL OVERALL CROSS SECTIONS	SHEET NO: <b>B1-4300-18</b>
	JICA DESIGN CONSULTANT JOINT VENTURE	TADASHI AOI <small>Team Leader</small>	JILDEFONSO T. PATDU, JR. <small>Assistant Secretary for Project Implementation, DOTC</small>	JULIANITO G. BUCAYAN, JR. <small>Undersecretary for Project Implementation, DOTC</small>	DATE: JUNE 2013	INDEX:	AMENDMENTS:



1 DETAILED CROSS SECTION  
 B1-4300-19 P18 SCALE: 1:80 MTS.

	PREPARED BY: <b>WILLIAM I. MALLONGA</b> <small>PROF: Architect PIR: 3911137          REG. NO.: 4623 DATE: MAY 9, 2013          TIN: 150-564-196 PLACE: MAKATI CITY</small>	RECOMMENDING APPROVAL: <b>ILDEFONSO T. PATDU, JR.</b> <small>Assistant Secretary          for Project Implementation, DOTC</small>	APPROVED: <b>JULIANITO G. BUCAYAN, JR.</b> <small>Undersecretary          for Project Implementation, DOTC</small>	PROJECT TITLE: <b>NEW BOHOL AIRPORT CONSTRUCTION AND          SUSTAINABLE ENVIRONMENT PROTECTION PROJECT</b>	LOCATION: MUNICIPALITY OF PANGLAO, PROVINCE OF BOHOL, PHILIPPINES	SHEET CONTENTS: COMPONENT-4 BUILDING WORKS (B) SUBCOMPONENT-4-1 (B1) PASSENGER TERMINAL BUILDING ARCHITECTURAL DETAILED CROSS SECTION 1-2	SHEET NO: <b>B1-4300-19</b>
	JICA DESIGN CONSULTANT JOINT VENTURE <b>JAC</b> JAPAN AIRPORT CONSULTANTS, INC. <b>NIPON KOEI CO., LTD.</b> <b>NIS CONSULTANTS CO., LTD.</b>	TADASHI AOI <small>Team Leader</small>	ILDEFONSO T. PATDU, JR. <small>Assistant Secretary          for Project Implementation, DOTC</small>	JULIANITO G. BUCAYAN, JR. <small>Undersecretary          for Project Implementation, DOTC</small>	DATE: JUNE 2013 INDEX: [ ] AMENDMENTS: [ ] Prepared by: WIM Checked by: HC Validated by: [ ]	DRAWING SCALE: <b>1:80 M.</b>	



2 DETAILED CROSS SECTION  
 B1-4300-20 PTB SCALE: 1:80 MTS.

	PREPARED BY: <b>WILLIAM I. MALLONGA</b> <small>PROF: Architect PIR: 3911137          REG. NO.: 4623 DATE: MAY 9, 2013          T.IN: 150-564-196 PLACE: MAKATI CITY</small>	RECOMMENDING APPROVAL: <b>ILDEFONSO T. PATDU, JR.</b> <small>Assistant Secretary          for Project Implementation, DOTC</small>	APPROVED: <b>JULIANITO G. BUCAYAN, JR.</b> <small>Undersecretary          for Project Implementation, DOTC</small>	PROJECT TITLE: <b>NEW BOHOL AIRPORT CONSTRUCTION AND          SUSTAINABLE ENVIRONMENT PROTECTION PROJECT</b>	LOCATION: MUNICIPALITY OF PANGLAO, PROVINCE OF BOHOL, PHILIPPINES	SHEET CONTENTS: COMPONENT-4 BUILDING WORKS (B) SUBCOMPONENT-4-1 (B1) PASSENGER TERMINAL BUILDING ARCHITECTURAL DETAILED CROSS SECTION 2-2	SHEET NO: <b>B1-4300-20</b>
	JICA DESIGN CONSULTANT JOINT VENTURE <b>JAC</b> JAPAN AIRPORT CONSULTANTS, INC. <b>NIPON KOEI CO., LTD.</b> <b>NIS CONSULTANTS CO., LTD.</b>	TADASHI AOI <small>Team Leader</small>	ILDEFONSO T. PATDU, JR. <small>Assistant Secretary          for Project Implementation, DOTC</small>	JULIANITO G. BUCAYAN, JR. <small>Undersecretary          for Project Implementation, DOTC</small>	DATE: JUNE 2013 INDEX: [ ] AMENDMENTS: [ ]	Prepared by: WIM Checked by: HC Validated by:	DRAWING SCALE: <b>1:80 M.</b>