



Republic of the Philippines
DEPARTMENT OF TRANSPORTATION
AND
COMMUNICATIONS



JAPAN
INTERNATIONAL
COOPERATION
AGENCY

NEW BOHOL AIRPORT CONSTRUCTION AND SUSTAINABLE ENVIRONMENT PROTECTION PROJECT

DRAWINGS

COMPONENT-4 Building Works (B)

Subcomponent-4-1 Passenger Terminal Building (PTB)



August 2013

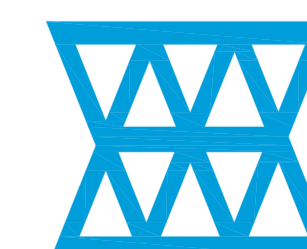
JICA DESIGN CONSULTANT JOINT VENTURE



JAPAN AIRPORT
CONSULTANTS,
INC.



NIPPON KOEI
CO., LTD.



NJS CONSULTANTS
CO., LTD.






DRAWING LIST

DOCUMENT IV: DRAWINGS

COMPONENT-4: BUILDING WORKS (B)

SUBCOMPONENT-4-1 (B1) PASSENGER TERMINAL BUILDING (PTB)

SHEET No.	SHEET CONTENTS	SHEET No.	SHEET CONTENTS
B1-4300	ARCHITECTURAL WORKS		
B1 - 4300 - 1	LOCATION PLAN	B1 - 4300 - 48	INTERNAL ELEVATION 8
B1 - 4300 - 2	LAYOUT PLAN AND FLOOR AREA SCHEDULE	B1 - 4300 - 49	INTERNAL ELEVATION 9
B1 - 4300 - 3	EXTERNAL FINISHING SCHEDULE	B1 - 4300 - 50	INTERNAL ELEVATION 10
B1 - 4300 - 4	INTERNAL FINISHING SCHEDULE (1)	B1 - 4300 - 51	INTERNAL ELEVATION 11
B1 - 4300 - 5	INTERNAL FINISHING SCHEDULE (2)	B1 - 4300 - 52	INTERNAL ELEVATION 12
B1 - 4300 - 6	INTERNAL FINISHING SCHEDULE (3)	B1 - 4300 - 53	INTERNAL ELEVATION 13
B1 - 4300 - 7	FLOOR PLAN (BASE PLAN)	B1 - 4300 - 54	REFLECTED REFLECTED CEILING BASE PLAN (LOWER LEVEL)
B1 - 4300 - 8	PARTIAL FLOOR PLAN DETAIL 1 - 2	B1 - 4300 - 55	PARTIAL REFLECTED CEILING BASE PLAN (LOWER LEVEL) 1 - 2
B1 - 4300 - 9	PARTIAL FLOOR PLAN DETAIL 2 - 2	B1 - 4300 - 56	PARTIAL REFLECTED CEILING BASE PLAN (LOWER LEVEL) 2 - 2
B1 - 4300 - 10	ROOF PLAN (BASE PLAN)	B1 - 4300 - 57	REFLECTED REFLECTED CEILING BASE PLAN (UPPER LEVEL)
B1 - 4300 - 11	PARTIAL ROOF PLAN DETAIL 1 - 2	B1 - 4300 - 58	CEILING DETAILS
B1 - 4300 - 12	PARTIAL ROOF PLAN DETAIL 2 - 2	B1 - 4300 - 59	DETAILED PLAN, ELEVATION OF PANTRY 1 AND 2, COUNTER DETAILS
B1 - 4300 - 13	ROOF DECK PLAN	B1 - 4300 - 60	DETAILED PLAN, ELEVATION OF TICKET BOOTHS, COUNTER DETAILS
B1 - 4300 - 14	ROOF DECK DETAILS	B1 - 4300 - 61	DETAILS, ELEVATION OF TROLLEY PROTECTORS, SPOT DETAIL
B1 - 4300 - 15	EXTERIOR ELEVATIONS	B1 - 4300 - 62	DETAIL PLAN, ELEVATION OF CASHIER, COUNTER DETAILS
B1 - 4300 - 16	ROOF DECK ELEVATIONS	B1 - 4300 - 63	DETAIL PLAN OF TROLLEY CORAL, COLUMN GUARD
B1 - 4300 - 17	OVERALL LONGITUDINAL SECTIONS	B1 - 4300 - 64	FLOOR PLAN, ROOF PLAN OF WALKWAY, DETAIL SECTIONS
B1 - 4300 - 18	OVERALL CROSS SECTIONS	B1 - 4300 - 65	GROUND FLOOR SCHEDULE OF DOORS AND WINDOWS
B1 - 4300 - 19	DETAILED CROSS SECTIONS 1 - 2	B1 - 4300 - 66	SCHEDULE OF DOORS
B1 - 4300 - 20	DETAILED CROSS SECTIONS 2 - 2	B1 - 4300 - 67	SCHEDULE OF DOORS AND WINDOWS 1 - 2
B1 - 4300 - 21	NOT USED	B1 - 4300 - 68	SCHEDULE OF DOORS AND WINDOWS 2 - 2
B1 - 4300 - 22	DETAIL SECTION 1 AND 2	B1 - 4300 - 69	UPPER FLOOR WINDOW SCHEDULE
B1 - 4300 - 23	DETAIL SECTION 3	B1 - 4300 - 70	SCHEDULE OF LOUVERS
B1 - 4300 - 24	DETAIL SECTION 4 AND 5	B1 - 4300 - 71	SCHEDULE OF MECHANICAL LOUVERS 1 - 3
B1 - 4300 - 25	DETAIL SECTION 6	B1 - 4300 - 72	SCHEDULE OF MECHANICAL LOUVERS 2 - 3
B1 - 4300 - 26	DETAIL SECTION 8 AND 9	B1 - 4300 - 73	SCHEDULE OF MECHANICAL LOUVERS 3 - 3
B1 - 4300 - 27	DETAIL SECTION 10	B1 - 4300 - 74	NOT USED
B1 - 4300 - 28	DETAIL SECTION 11 AND 12	B1 - 4300 - 75	SIGN LAYOUT
B1 - 4300 - 29	DETAIL SECTION 13	B1 - 4300 - 76	SIGN SCHEDULE PLAN 1-2
B1 - 4300 - 30	DETAIL SECTION 14	B1 - 4300 - 77	SIGN SCHEDULE PLAN 2 - 2
B1 - 4300 - 31	DETAIL PLANS AND SECTIONS OF STAIR 1, 2 , AND 3	B1 - 4300 - 78	NOT USED
B1 - 4300 - 32	PARAPET DETAILS	B1 - 4300 - 79	NOT USED
B1 - 4300 - 33	DETAIL OF TOILET 1	B1 - 4300 - 80	FURNITURE LAYOUT PLAN (FIXED)
B1 - 4300 - 34	DETAIL OF TOILET 2 AND 7	B1 - 4300 - 81	FURNITURE DETAILS 1 - 6
B1 - 4300 - 35	DETAIL OF TOILET 3	B1 - 4300 - 82	FURNITURE DETAILS 2 - 6
B1 - 4300 - 36	DETAIL OF TOILET 4	B1 - 4300 - 83	FURNITURE DETAILS 3 - 6
B1 - 4300 - 37	DETAIL OF TOILET 5	B1 - 4300 - 84	FURNITURE DETAILS 4 - 6
B1 - 4300 - 38	DETAIL OF TOILET 6	B1 - 4300 - 85	FURNITURE DETAILS 5 - 6
B1 - 4300 - 39	DETAIL OF TOILET 8	B1 - 4300 - 86	FURNITURE DETAILS 6 - 6
B1 - 4300 - 40	DETAIL OF TOILET 9 AND 10	B1 - 4300 - 87	FURNITURE LAYOUT PLAN (LOOSE)
B1 - 4300 - 41	INTERNAL ELEVATION 1	B1 - 4300 - 88	FURNITURE DETAILS
B1 - 4300 - 42	INTERNAL ELEVATION 2	B1 - 4300 - 89	FIRE EXIT AND ACCESS CONTROL
B1 - 4300 - 43	INTERNAL ELEVATION 3		
B1 - 4300 - 44	INTERNAL ELEVATION 4		
B1 - 4300 - 45	INTERNAL ELEVATION 5		
B1 - 4300 - 46	INTERNAL ELEVATION 6		
B1 - 4300 - 47	INTERNAL ELEVATION 7		
		B1-4200	STRUCTURAL WORKS
		B1 - 4200 - 01	FOUNDATION PLAN - 1
		B1 - 4200 - 02	FOUNDATION PLAN - 2
		B1 - 4200 - 03	2ND FLOOR FRAMING PLAN - 1

 Republic of the Philippines DEPARTMENT OF TRANSPORTATION AND COMMUNICATIONS	 JAPAN INTERNATIONAL COOPERATION AGENCY	PREPARED BY: WILLIAM I. MALLONGA <small>PROF: Architect PIR. 3911137 REG. NO.: 4623 DATE: MAY 9, 2013 T.I.N. 150-564-196 PLACE: MAKATI CITY</small>	RECOMMENDING APPROVAL: ILDEFONSO T. PATDU, JR. <small>Assistant Secretary for Project Implementation, DOTC</small>	APPROVED: JULIANITO G. BUCAYAN, JR. <small>Undersecretary for Project Implementation, DOTC</small>	PROJECT TITLE: NEW BOHOL AIRPORT CONSTRUCTION AND SUSTAINABLE ENVIRONMENT PROTECTION PROJECT LOCATION: MUNICIPALITY OF PANGLAO, PROVINCE OF BOHOL, PHILIPPINES	SHEET CONTENTS: COMPONENT-4 BUILDING WORKS (B) SUBCOMPONENT -4-1 (B1) PASSENGER TERMINAL BUILDING DRAWING LIST	SHEET NO: B1-LIST(1) DRAWING SCALE: 1:250 MTS.
JICA DESIGN CONSULTANT JOINT VENTURE   						DATE: JUNE 2013 INDEX: _____ AMENDMENTS: _____ Prepared by: _____ Checked by: _____ Validated by: _____	






DRAWING LIST

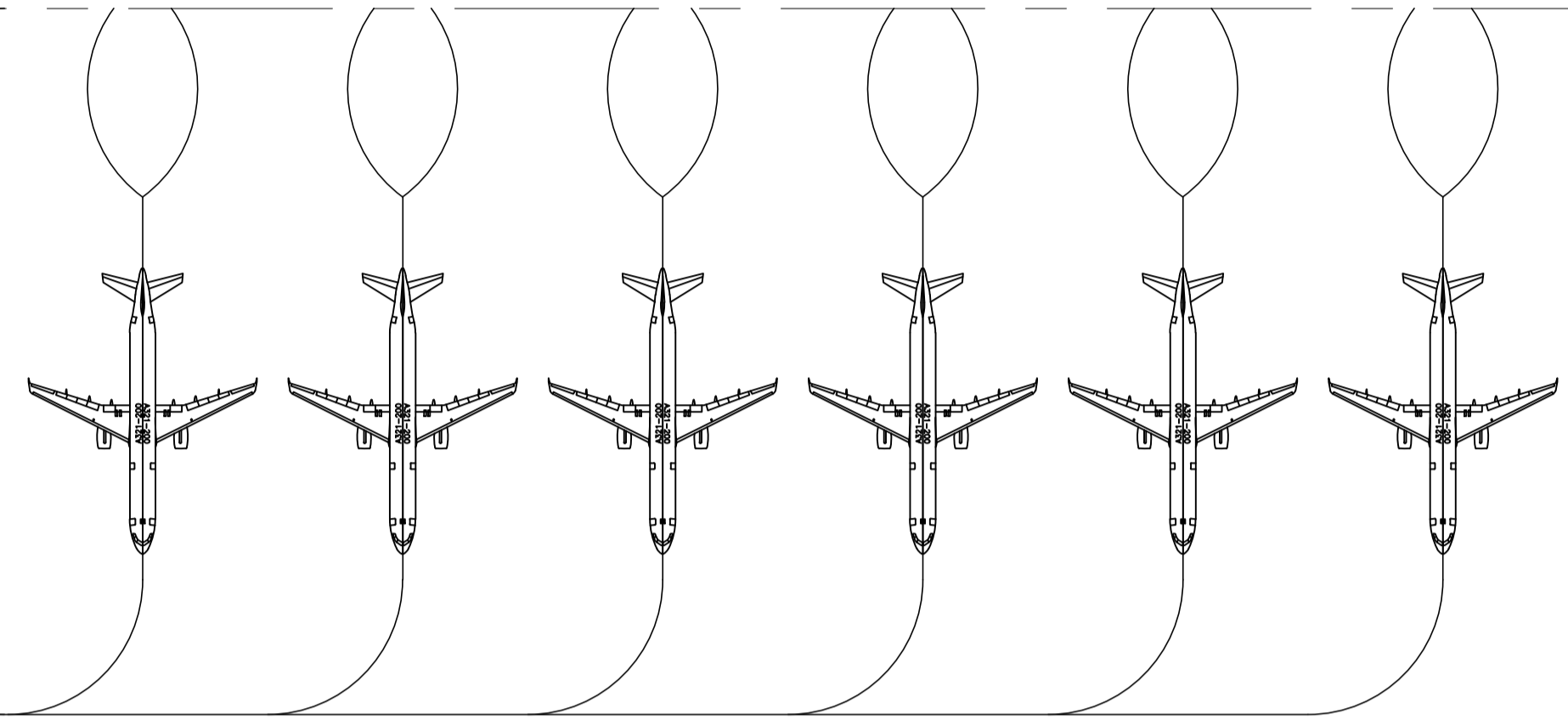
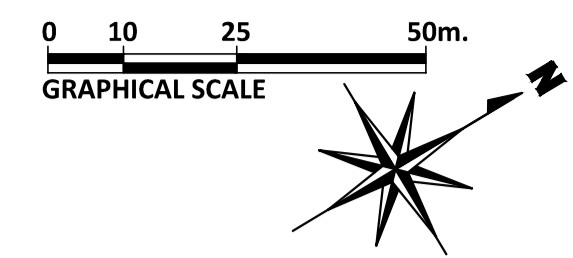
DOCUMENT IV: DRAWINGS

COMPONENT-4: BUILDING WORKS (B)

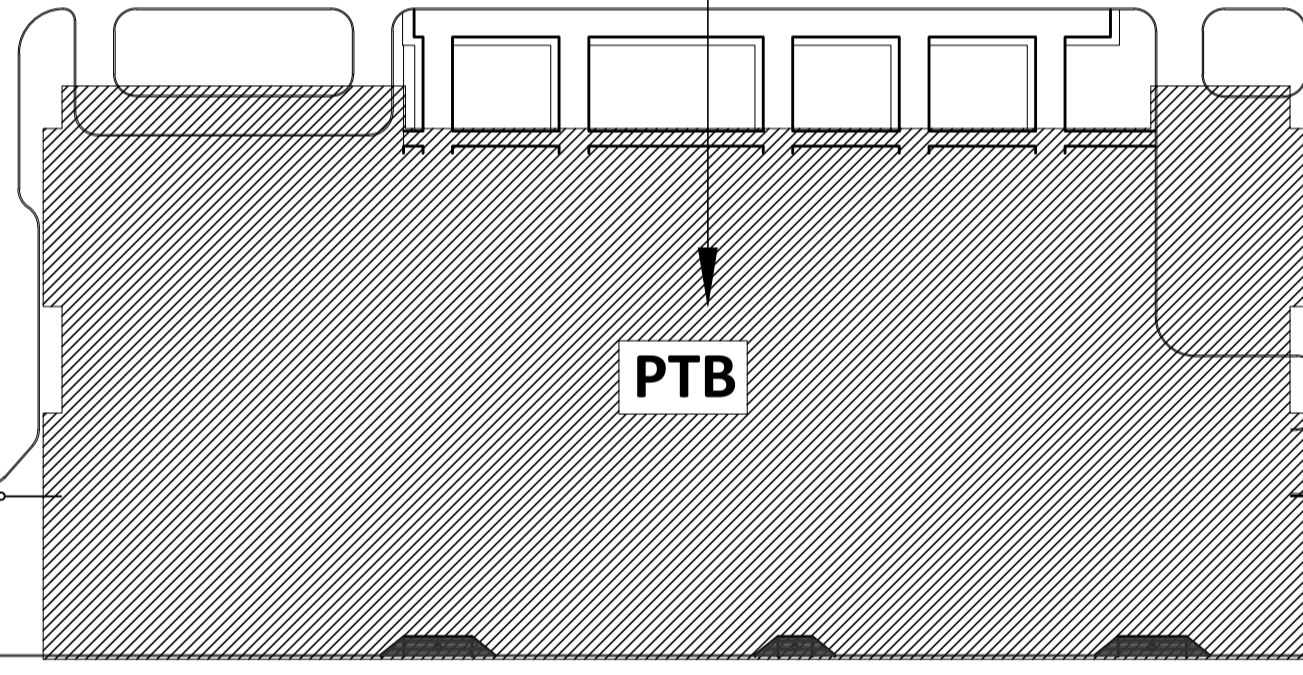
SUBCOMPONENT-4-1 (B1) PASSENGER TERMINAL BUILDING (PTB)

SHEET No.	SHEET CONTENTS	SHEET No.	SHEET CONTENTS
B1 - 4200 - 04	2ND FLOOR FRAMING PLAN - 2	B1-5200-06	AIR-CONDITIONING & MECHANICAL FRESH AIR VENTILATION (BLOW UP A)
B1 - 4200 - 05	STEEL COLUMN LAYOUT PLAN - 1	B1-5200-07	AIR-CONDITIONING & MECHANICAL FRESH AIR VENTILATION (BLOW UP B)
B1 - 4200 - 06	STEEL COLUMN LAYOUT PLAN - 2	B1-5200-08	AIR-CONDITIONING & MECHANICAL EXHAUST VENTILATION
B1 - 4200 - 07	ROOF FRAMING PLAN - 1	B1-5200-09	AIR-CONDITIONING & MECHANICAL EXHAUST VENTILATION (BLOW UP A)
B1 - 4200 - 08	ROOF FRAMING PLAN - 2	B1-5200-10	AIR-CONDITIONING & MECHANICAL EXHAUST VENTILATION (BLOW UP B)
B1 - 4200 - 09	FRAME ELEVATIONS (LONGITUDINAL)-1	B1-5200-11	AIR-CONDITIONING & MECHANICAL VENTILATION MECHANICAL ROOM (BLOW-UP)
B1 - 4200 - 10	FRAME ELEVATIONS (LONGITUDINAL)-2	B1-5200-12	ROOF DECK AIR-CONDITIONING OUTDOOR UNIT LAYOUT
B1 - 4200 - 11	FRAME ELEVATIONS (TRANSVERSE) -1	B1-5200-13	BLOW UP DETAIL OUTDOOR UNIT
B1 - 4200 - 12	FRAME ELEVATIONS (TRANSVERSE) -2	B1-5200-14	GROUND FLOOR REFRIGERANT PIPING LAYOUT
B1 - 4200 - 13	FRAME ELEVATIONS (TRANSVERSE) -3	B1-5200-15	GROUND FLOOR REFRIGERANT PIPING LAYOUT (PART A)
B1 - 4200 - 14	FRAME ELEVATIONS (TRANSVERSE) -4	B1-5200-16	GROUND FLOOR REFRIGERANT PIPING LAYOUT (PART B)
B1 - 4200 - 15	FOOTING , TIE BEAM, COLUMN, SLAB SCHEDULES	B1-5200-17	REFRIGERANT PIPING ISOMETRIC LAYOUT (PART 1)
B1 - 4200 - 16	COVERED WALKWAY & SLAB ON GRADE	B1-5200-18	REFRIGERANT PIPING ISOMETRIC LAYOUT (PART 2)
B1 - 4200 - 17	BEAM SCHEDULE	B1-5200-19	REFRIGERANT PIPING ISOMETRIC LAYOUT (PART 3)
B1 - 4200 - 18	DETAILED SECTIONS	B1-5200-20	REFRIGERANT PIPING SCHEMATIC DIAGRAM (PART 1)
B1 - 4200 - 19	STEEL CONNECTION DETAILS - 1	B1-5200-21	REFRIGERANT PIPING SCHEMATIC DIAGRAM (PART 2)
B1 - 4200 - 20	STEEL CONNECTION DETAILS - 2	B1-5200-22	FRESH AIR DUCT SCHEMATIC DIAGRAM
B1 - 4200 - 21	STEEL CONNECTION DETAILS - 3	B1-5200-23	EXHAUST AIR DUCT SCHEMATIC DIAGRAM
B1 - 4200 - 22	MECHANICAL & ELECTRICAL ROOM DETAILS	B1-5200-24	AUTOMATIC CONTROL SYSTEM (PART A)
B1 - 4200 - 23	STEEL STAIR DETAILS	B1-5200-25	AUTOMATIC CONTROL SYSTEM (PART B)
B1 - 4200 - 24	CANOPY DETAILS		
B1 - 4200 - 25	MISCELLANEOUS DETAILS		
B1-5100	SANITARY AND PLUMBING WORKS	B1-5300	FIRE PROTECTION
B1-5100-01	SOIL & VENT PIPING SYSTEM SCHEMATIC DIAGRAM	B1-5300-01	GROUND FLOOR FIRE PROTECTION SYSTEM LAYOUT
B1-5100-02	STORM DRAINAGE PIPING SYSTEM SCHEMATIC DIAGRAM	B1-5300-02	GROUND FLOOR FIRE PROTECTION SYSTEM LAYOUT (PART A)
B1-5100-03	COLD WATER SUPPLY SYSTEM SCHEMATIC DIAGRAM	B1-5300-03	GROUND FLOOR FIRE PROTECTION SYSTEM LAYOUT (PART B)
B1-5100-04	GROUND FLOOR PLUMBING PLAN	B1-5300-04	FM200 SPRINKLER AND ELECTRONIC LAYOUT AND BLOW UP
B1-5100-05	GROUND FLOOR PLUMBING PLAN BLOW UP (1)	B1-5300-05	FM200 SYSTEM DETAILED DESIGN
B1-5100-06	GROUND FLOOR PLUMBING PLAN BLOW UP (2), PLUMBING FIXTURE SCHEDULE	B1-5300-06	FIRE PROTECTION PIPING SCHEMATIC DIAGRAM
B1-5100-07	ROOF DECK PLUMBING PLAN	B1-5300-07	STANDHOSE PIPE AND FLOW CONTROL VALVE SECTION DETAIL, SCHEMATIC WIRING DIAGRAM OF SPRINKLER SUPERVISORY MONITORING PANEL
B1-5100-08	ROOF PLUMBING PLAN		
B1-5100-09	TOILET 1 BLOW-UP PLAN	B1-6000	ELECTRICAL WORKS
B1-5100-10	TOILET 2, TOILET 7 MALE & FEMALE, PANTRY BLOW-UP PLAN	B1-6100-01	CABLE TRENCH LAYOUT
B1-5100-11	QUARANTINE & HOLD TOILET BLOW-UP PLAN	B1-6100-02	ELECTRICAL ROOM & CCO EQUIPMENT LAYOUT
B1-5100-12	TOILET - 3 BLOW-UP PLAN	B1-6100-03	CABLE TRAY LAYOUT
B1-5100-13	TOILET - 4 BLOW-UP PLAN	B1-6100-04	POWER FEEDER LAYOUT1
B1-5100-14	TOILET - 5 BLOW-UP PLAN	B1-6100-05	POWER FEEDER LAYOUT2
B1-5100-15	TOILET - 6 BLOW-UP PLAN	B1-6100-06	POWER FEEDER LAYOUT3
B1-5100-16	RAMP ACCOM. TOILET BLOW-UP PLAN	B1-6200-01	RECEPTACLE LAYOUT
B1-5200	MECHANICAL WORKS	B1-6200-02	LIGHTING LAYOUT
B1-5200-01	EQUIPMENT SCHEDULE (PART 1)	B1-6200-03	PANEL SCHEDULE1
B1-5200-02	EQUIPMENT SCHEDULE (PART 2)	B1-6200-04	PANEL SCHEDULE2
B1-5200-03	EQUIPMENT SCHEDULE (PART 3)	B1-6200-05	PANEL SCHEDULE3
B1-5200-04	EQUIPMENT SCHEDULE (PART 4)	B1-6200-06	PANEL SCHEDULE4
B1-5200-05	AIR-CONDITIONING & MECHANICAL FRESH AIR VENTILATION		

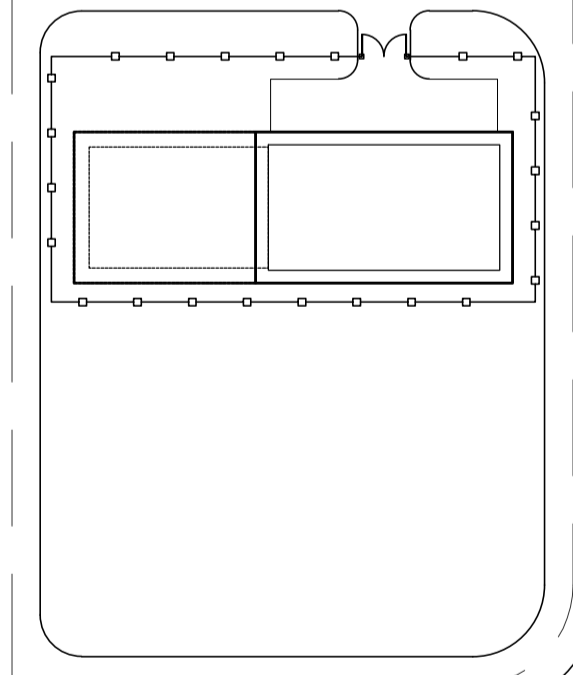
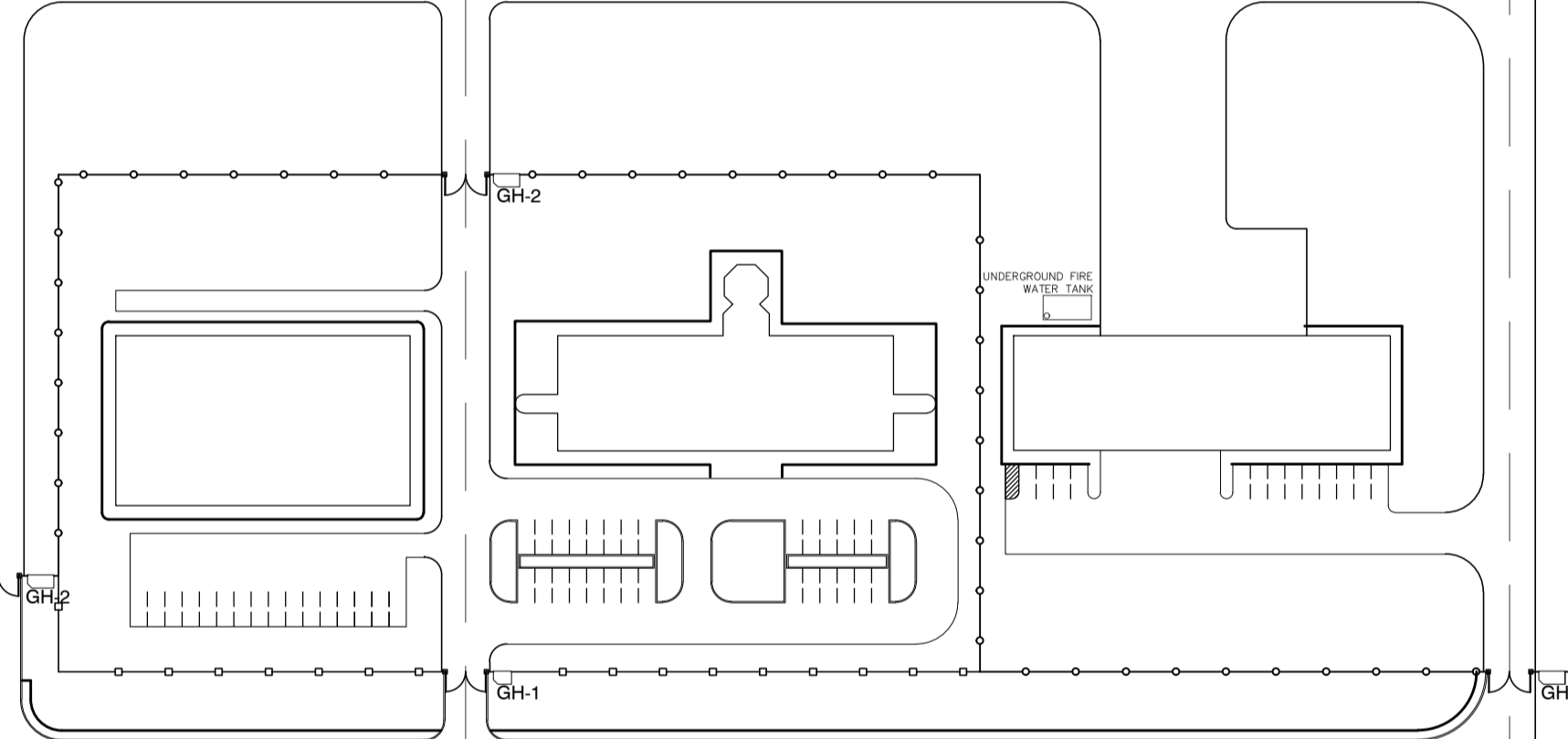
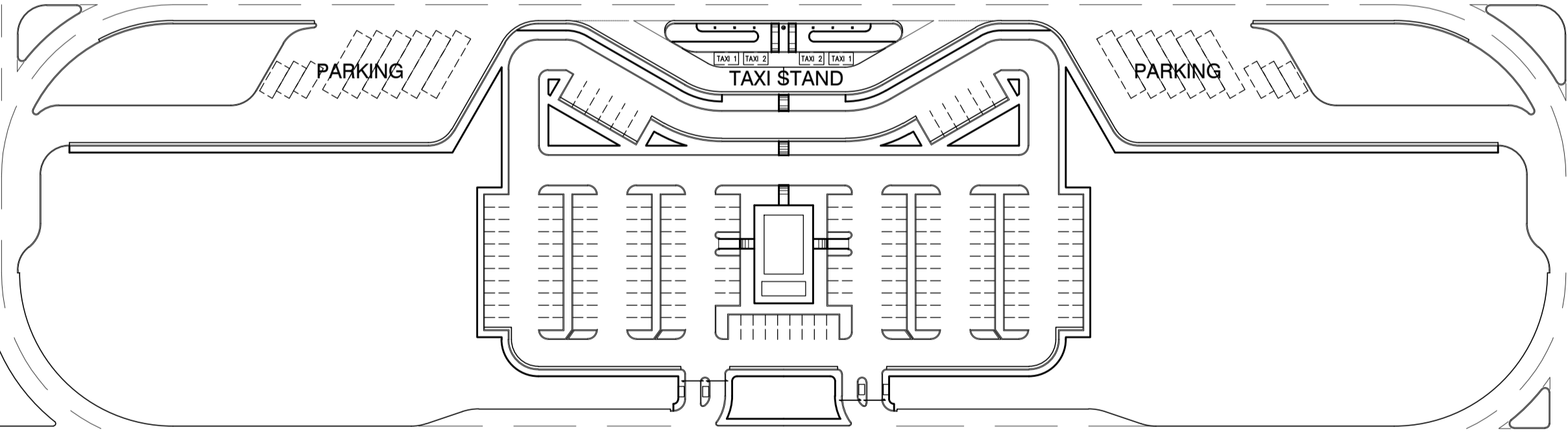
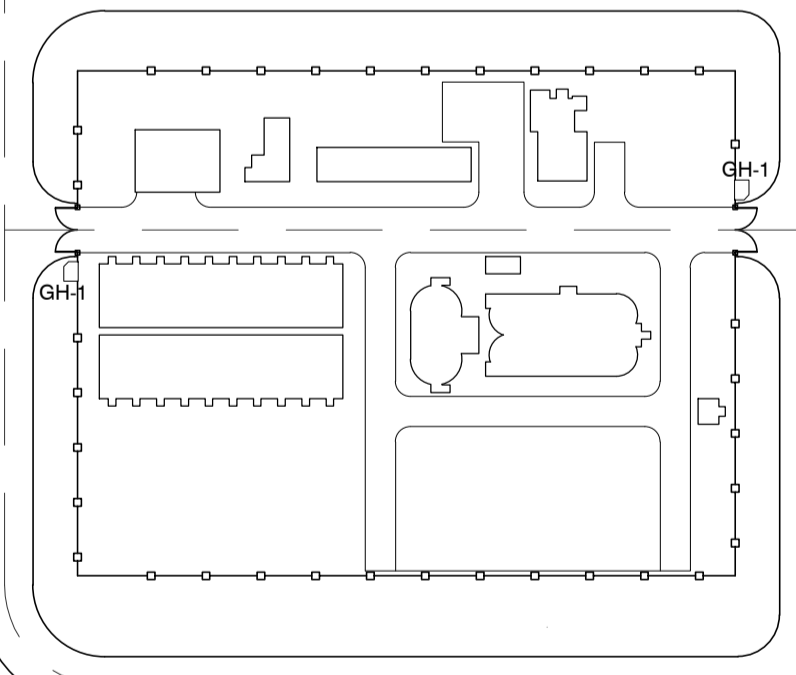
 <p>Republic of the Philippines DEPARTMENT OF TRANSPORTATION AND COMMUNICATIONS</p>	 <p>JICA JAPAN INTERNATIONAL COOPERATION AGENCY</p>	PREPARED BY: WILLIAM I. MALLONGA <small>PROF: Architect PIR. 3911137 REG. NO.: 4623 DATE: MAY 9, 2013 TIN. 150-564-196 PLACE: MAKATI CITY</small>	RECOMMENDING APPROVAL: ILDEFONSO T. PATDU, JR. <small>Assistant Secretary for Project Implementation, DOTC</small>	APPROVED: JULIANITO G. BUCAYAN, JR. <small>Undersecretary for Project Implementation, DOTC</small>	PROJECT TITLE: NEW BOHOL AIRPORT CONSTRUCTION AND SUSTAINABLE ENVIRONMENT PROTECTION PROJECT LOCATION: MUNICIPALITY OF PANGLAO, PROVINCE OF BOHOL, PHILIPPINES	SHEET CONTENTS: COMPONENT-4 BUILDING WORKS (B) SUBCOMPONENT -4-1 (B1) PASSENGER TERMINAL BUILDING DRAWING LIST	SHEET NO: B1-LIST(2) DRAWING SCALE: 1:250 MTS.
JICA DESIGN CONSULTANT JOINT VENTURE   						DATE: JUNE 2013 INDEX: _____ AMENDMENTS: _____ Prepared by: _____ Checked by: _____ Validated by: _____	



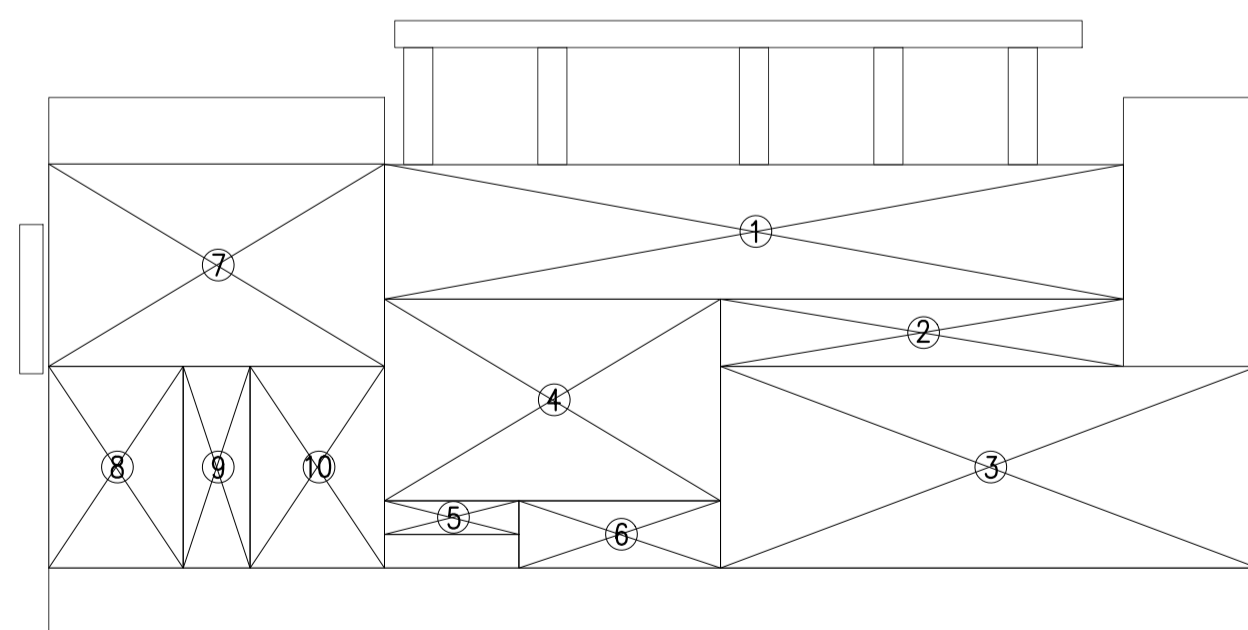
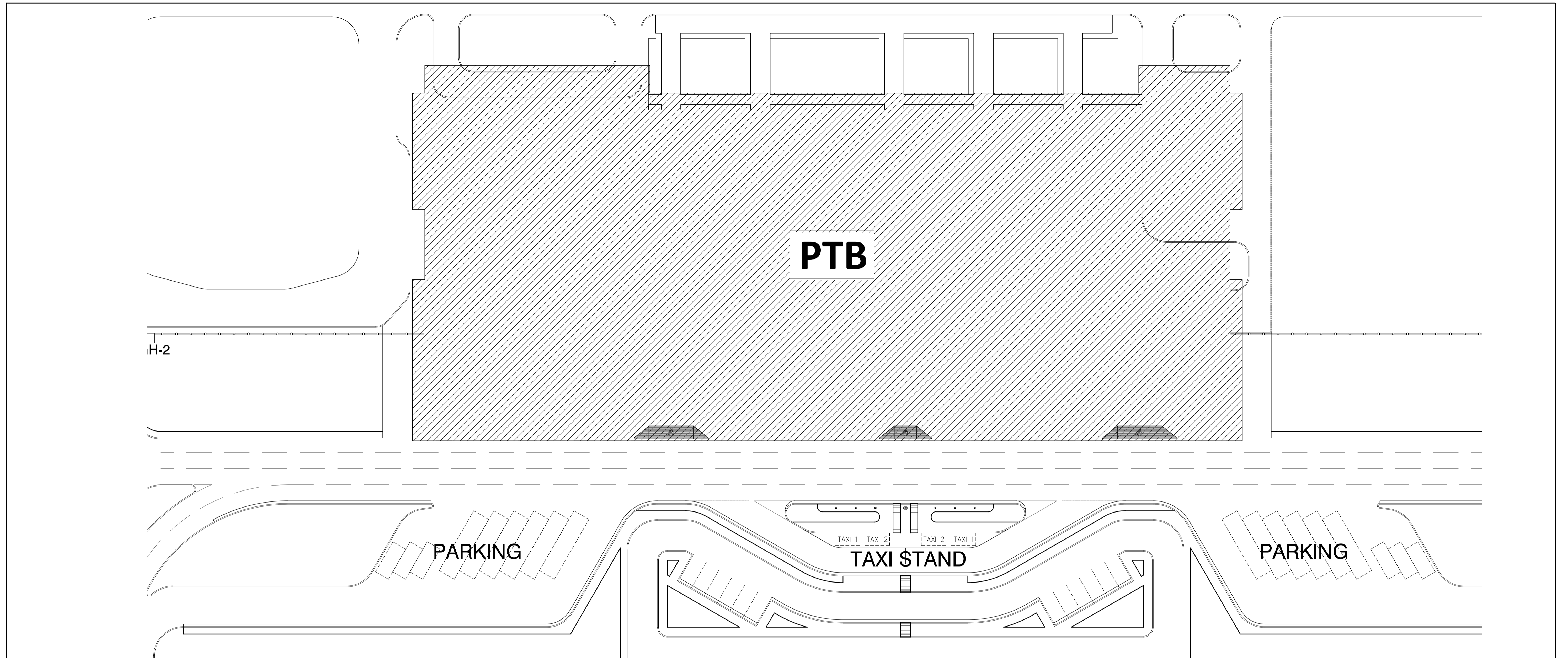
**BUILDING WORKS (B)
SUBCOMPONENT 4-1
(B1)PASSENGER TERMINAL BUILDING (PTB)**



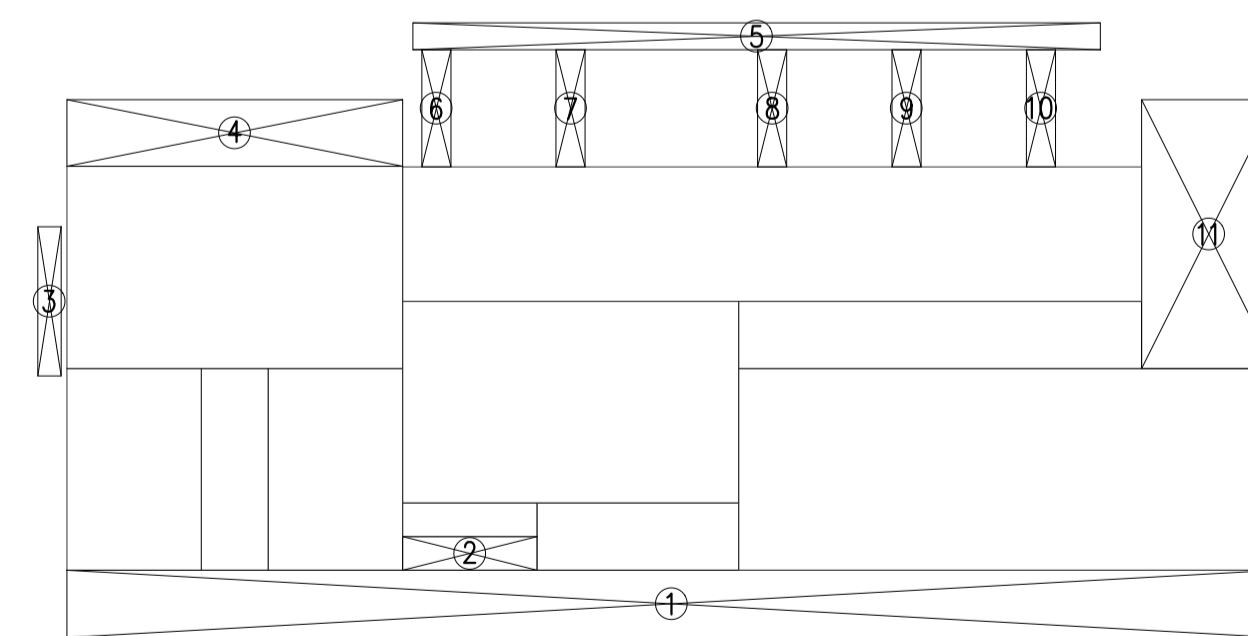
PTB



	PREPARED BY: WILLIAM L. MALLONGA <small>PROF: Architect PIR: 3911137 REG. NO.: 4623 DATE: MAY 9, 2013 T.A.N. 150-564-196 PLACE: MAKATI CITY</small>	RECOMMENDING APPROVAL: ILDEFONSO T. PATDU, JR. <small>Assistant Secretary for Project Implementation, DOTC</small>	APPROVED: JULIANITO G. BUCAYAN, JR. <small>Undersecretary for Project Implementation, DOTC</small>	PROJECT TITLE: NEW BOHOL AIRPORT CONSTRUCTION AND SUSTAINABLE ENVIRONMENT PROTECTION PROJECT	SHEET CONTENTS: COMPONENT-4 BUILDING WORKS (B) SUBCOMPONENT -4-1 (B1) PASSENGER TERMINAL BUILDING ARCHITECTURAL LOCATION PLAN	SHEET NO: B1-4300-01
	JICA DESIGN CONSULTANT JOINT VENTURE JAC JAPAN AIRPORT CONSULTANTS, INC.	DATE: JUNE 2013 INDEX AMENDMENTS Prepared by: WIM Checked by: IIC Validated by:	LOCATION: MUNICIPALITY OF PANGLAO, PROVINCE OF BOHOL, PHILIPPINES	DRAWING SCALE: N.T.S		



02
1:4000 SCALE
PASSENGER TERMINAL BUILDING-GROUND FLOOR AREAS
1:8000



02
1:4000 SCALE
PASSENGER TERMINAL BUILDING-GROUND FLOOR AREAS
1:8000

**PASSENGER TERMINAL BUILDING
FLOOR AREA SCHEDULE**

FL	Floor Area No.	Floor Area
ENCLOSED AREAS	1	1,882.00 m ²
	2	324.00 m ²
	3	1,944.00 m ²
	4	1,315.00 m ²
	5	81.00 m ²
	6	243.00 m ²
	7	1,219.12 m ²
	8	486.00 m ²
	9	301.14 m ²
	10	486.00 m ²
SUB TOTAL A		8,281.26 m²

COVERED AREAS	1	1,458.00 m ²
	2	81.00 m ²
	3	63.00 m ²
	4	416.00 m ²
	5	331.56 m ²
	6	99.33 m ²
	7	99.33 m ²
	8	99.33 m ²
	9	99.33 m ²
	10	99.33 m ²
	11	661.94 m ²
SUB TOTAL B		3,507.99 m²

PTB TOTAL FLOOR AREA 11,789.25 m²



PREPARED BY:
WILLIAM L. MALLONGA
PROF: Architect PIR: 3911137
REG. NO.: 4623 DATE: MAY 9, 2013
T.I.N: 150-564-196 PLACE: MANILA CITY

RECOMMENDING APPROVAL:
ILDEFONSO T. PATDU, JR.
Assistant Secretary
for Project Implementation, DOTC

APPROVED:
JULIANITO G. BUCAYAN, JR.
Undersecretary
for Project Implementation, DOTC

PROJECT TITLE:
**NEW BOHOL AIRPORT CONSTRUCTION AND
SUSTAINABLE ENVIRONMENT PROTECTION PROJECT**

LOCATION: MUNICIPALITY OF PANGLAO, PROVINCE OF BOHOL, PHILIPPINES

DATE	INDEX	AMENDMENTS	Prepared by	Checked by	Validated by
JUNE 2013				WIM	HC

SHEET CONTENTS:
COMPONENT-4 BUILDING WORKS (B)
SUBCOMPONENT -4-1
(B1) PASSENGER TERMINAL BUILDING
ARCHITECTURAL
LAYOUT PLAN & FLOOR AREA SCHEDULE

SHEET NO:
B1-4300-02
DRAWING SCALE:
AS SHOWN








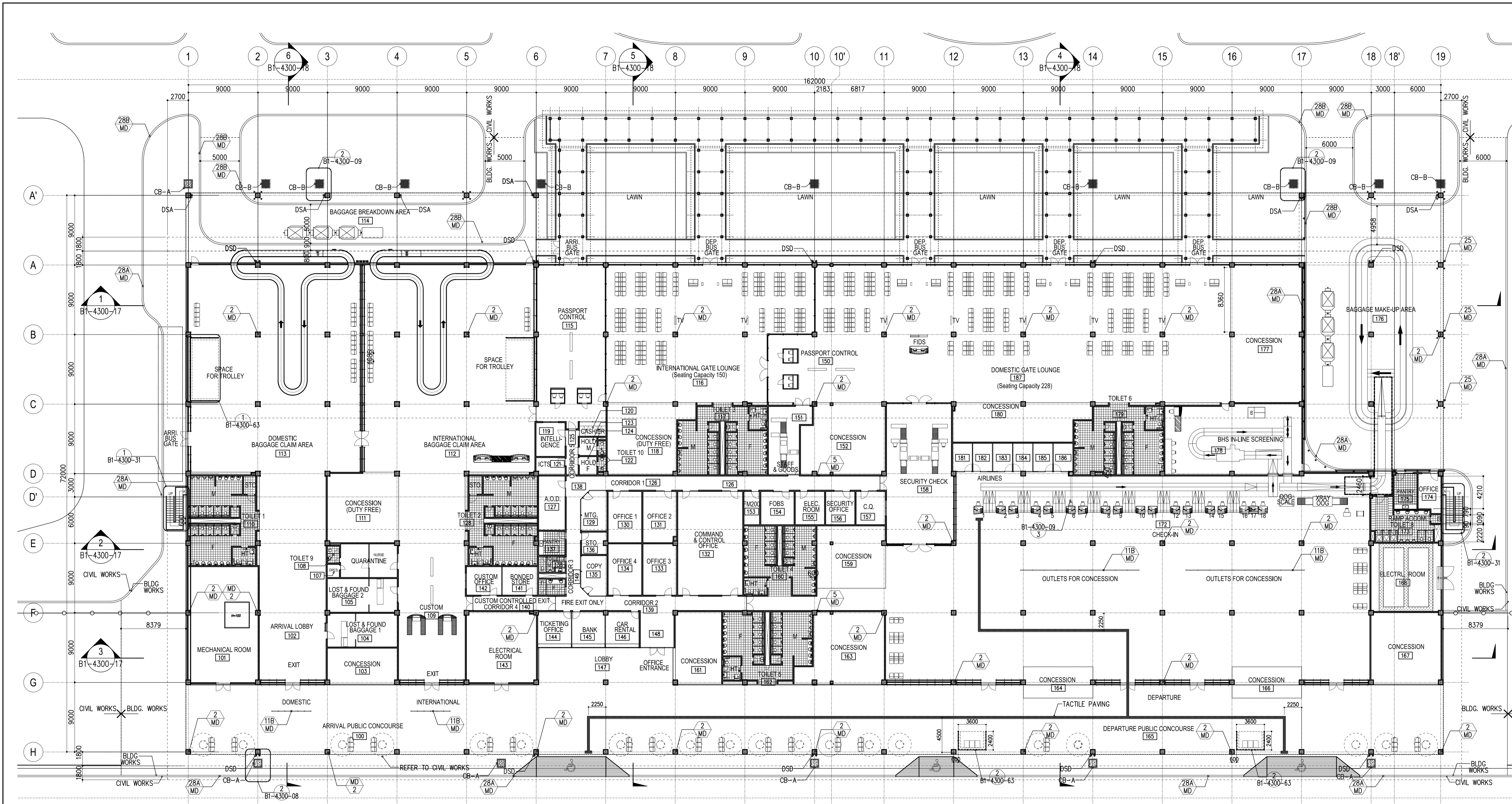
OUTLINE OF EXTERNAL FINISHING SCHEDULE

Portion	Appl.	Symbol	Finishing Material	Portion	Appl.	Symbol	Finishing Material
Floor		FLG	t=30 Granite tile with jet burner finish on cement setting bed	Walls	x	WLA	Aluminum Back-mullion Curtain wall Framing system
		FLS	Cement render finishing with metal troweled (t=30)		x	WLR	Cement render finish w/P-4
		FLC	Homogenous Ceramic tile 300 x 300 slip resistance finishing		WLC	Fair faced concrete w/P-4	
	x	FLH	600 x 600 Homogenous tiles on cement setting bed		WCS	Calcium silicate board w/P-7	
Roof		ROD	Single folded steel plate roof with insulation (Folded steel plate : t=0.8, h=80 Acid resistant high polymer clad steel sheet, Insulation : t=100 Glass wool wrapped in polyethylene film)		WLD	Aluminum Cladding: Anodizing with electro deposition Aluminum composite panel w/ polyethylene insulation t=40mm	
	x	ROS	Double skin roof, Cover skin--folded sheet F-80=t=1.0 fluoro resin, Coated aluminized steel insulation material H=100, Glass wool wrapped in polyethylene film, Inner Skin--Folded sheet F-80=t=.08 Galvanized Steel	x	WLG	Cement Render Finish with Aluminum Groove t=50	
	x	ROC	Protective concrete layer on insulation board and pre-formed waterproofing membrane WP-1, w/ epoxy resin top coat	x	AW	Anodizing with electro deposition aluminum window	
		ROPS	Vinyl Chloride resin sheet membrane on insulation board t=30 (not used)	x	LV	Wooden Louvers w/ P5 on aluminum curtain wall framing system	
		ROPR	Hot applied rubberized asphalt waterproofing system WP-2 (not used)	x	MS	Insect Screen on aluminum curtain wall framing system	
	x	ROG	t= 24 mm; 3 panels 8mm thk. laminated glass W/ Spider Fitting		SD	Steel door w/P3	
				x	AD	Anodizing with electro deposition aluminum door	
Roof Gutter	x	RGA	Metal sheet (t=2) w/ polyethylene foam W=1000	Column	x	CNR	Cement render finish w/P-4
		RGB	Stainless sheet (t=2) w/ polyethylene foam W=250 (not used)			CNC	Fair faced concrete w/P-4
		RGC	Stainless sheet (t=2) w/ polyethylene foam W=1200 (not used)			CNF	Fair faced concrete
Fascia		EVA	t=2.5 Aluminum panel (not used)		CNB	t=8 Calcium silicate board w/P-4	
	x	EVT	Aluminum decorative louver w/P-8 (not used)	x	CNS	Steel structure w/P-8	
	x	EVS	Steel Trellis w/ P-8				
	x	EVC	Steel Channel w/ P-8	Beam	x	BMR	Cement render finish w/P-4
Parapet	x	PAR	Cement render finish w/P4			BMC	Fair faced concrete w/P-4
		PAF	Fair faced concrete w/ P4		x	BMF	Fair faced concrete
Downspout	x	DSA	d=100 Galvanized SGP w/P-3		x	BMS	Steel structure w/P-8
	x	DSB	d=150 uPVC w/ P-7		x	BMT	150x300 Timber Wood w/ P5
		DSC	d=200 uPVC w/ P-7 (not used)	x	BMR	100x300 Timber Wood Rafter w/ P5	
	x	DSD	d=200 Galvanized SGP w/ P-3	x	BMST	150x150 Steel Structure w/ P8	
Soffit		SFA	t=8 Calcium silicate board w/P-7	Base		BSR	Cement render finish w/P4 h=300
		SFB	t=8 Calcium silicate board w/P-1			BSF	Fair faced concrete h=300
	x	SFC	Formed Face Concrete			SKG	t=25 Granite tile H=100 (not used)
	x	SFD	Wood Battens, t=25, W=200 w/ Flame Retardant W/ P5		x	SKT	t=8, Homogenous tiles h= 300
Parapet Coping	x	PCA	Anodizing with electro deposition Aluminum Coping (not used)	Roller Doors		RDST	Roller steel door w/P-3
		PCR	Cement render finish w/ P4			RDC	Roller steel grill w/P-3
Sky Light		SKL	Laminated glass with anodizing with electro deposition frame (not used)	Expansion Joint	x	EXJ	Pre-fabricated stainless steel expansion joint covers
Ladder		LDS	Stainless steel pipe (not used)				
	x	LDG	Galvanized Steel Ladder w/ P3				
Stairs	x	STG	Galvanized Steel Structure w/ P-3, GSP Handrails, Flat Bar railings w/ P-3				

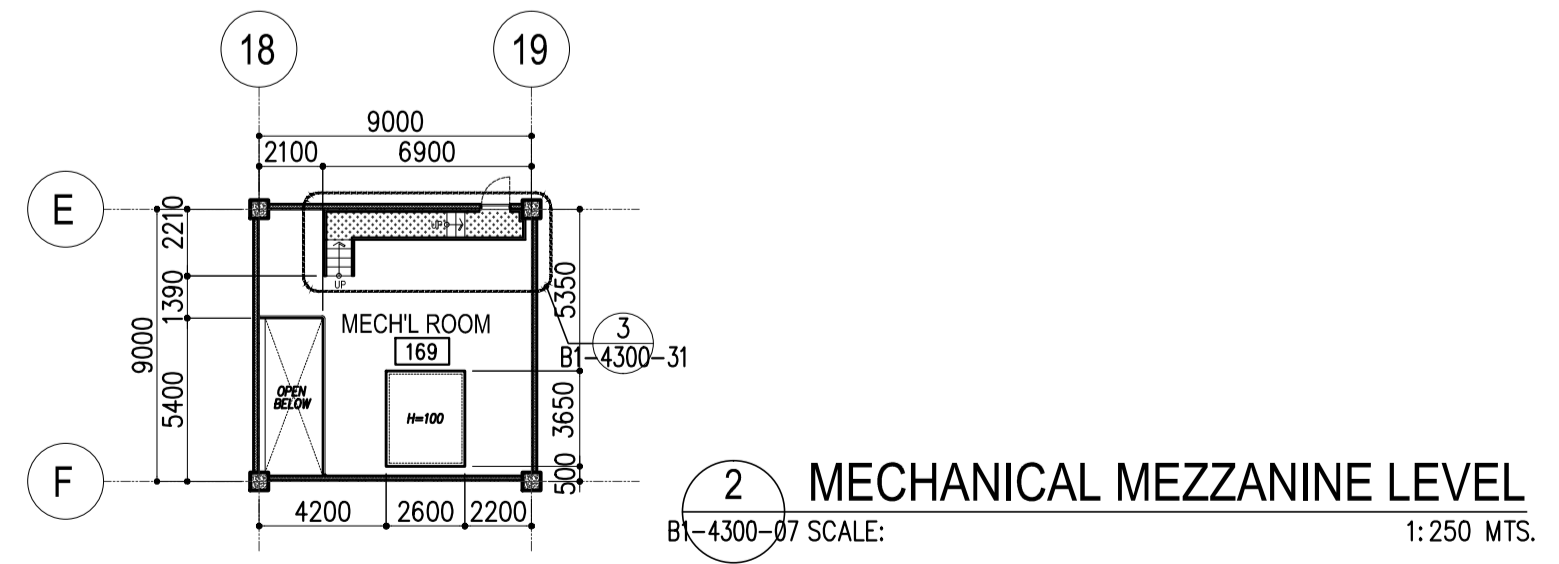
Legend for Paint Type

- P-1 Synthetic Resin Emulsion Paint
 - P-2 Synthetic Resin Mixed Paint type I (for wood)
 - P-3 Synthetic Resin Mixed Paint type II (for steel)
 - P-4 Synthetic Resin Emulsion Multi-Layer Coating
 - P-5 Clear Lacquer
 - P-6 Epoxy Resin Floor Paint
 - P-7 Acrylic Resin Enamel Paint
 - P-8 Fluorine-resin Enamel coating
- UE : Urethane Paint
 - wp-3: Water Proofing : Urethane Waterproofing Coating

 Republic of the Philippines DEPARTMENT OF TRANSPORTATION AND COMMUNICATIONS	 JAPAN INTERNATIONAL COOPERATION AGENCY	PREPARED BY:	RECOMMENDING APPROVAL:	APPROVED:	PROJECT TITLE:	SHEET CONTENTS:			SHEET NO:
		WILLIAM I. MALLONGA <small>PROF: Architect PIR: 3911137 REG. NO.: 4623 DATE: MAY 9, 2013 TEL: 159-564-196 PLACE: MANILA CITY</small>	ILDEFONSO T. PATDU, JR. Assistant Secretary for Project Implementation, DOTC	JULIANITO G. BUCAYAN, JR. Undersecretary for Project Implementation, DOTC	NEW BOHOL AIRPORT CONSTRUCTION AND SUSTAINABLE ENVIRONMENT PROTECTION PROJECT	COMPONENT-4 BUILDING WORKS (B) SUBCOMPONENT -4-1 (B1) PASSENGER TERMINAL BUILDING ARCHITECTURAL EXTERNAL FINISHING SCHEDULE	B1-4300-03		
JICA DESIGN CONSULTANT JOINT VENTURE  JAPAN AIRPORT CONSULTANTS, INC.		 NIPPON KOEI CO., LTD.	 NIS CONSULTANTS CO., LTD.	TADASHI AOI Team Leader	LOCATION: MUNICIPALITY OF PANGLAO, PROVINCE OF BOHOL, PHILIPPINES	DATE INDEX AMENDMENTS	Prepared by WIM Checked by HC Validated by	DRAWING SCALE: AS SHOWN	

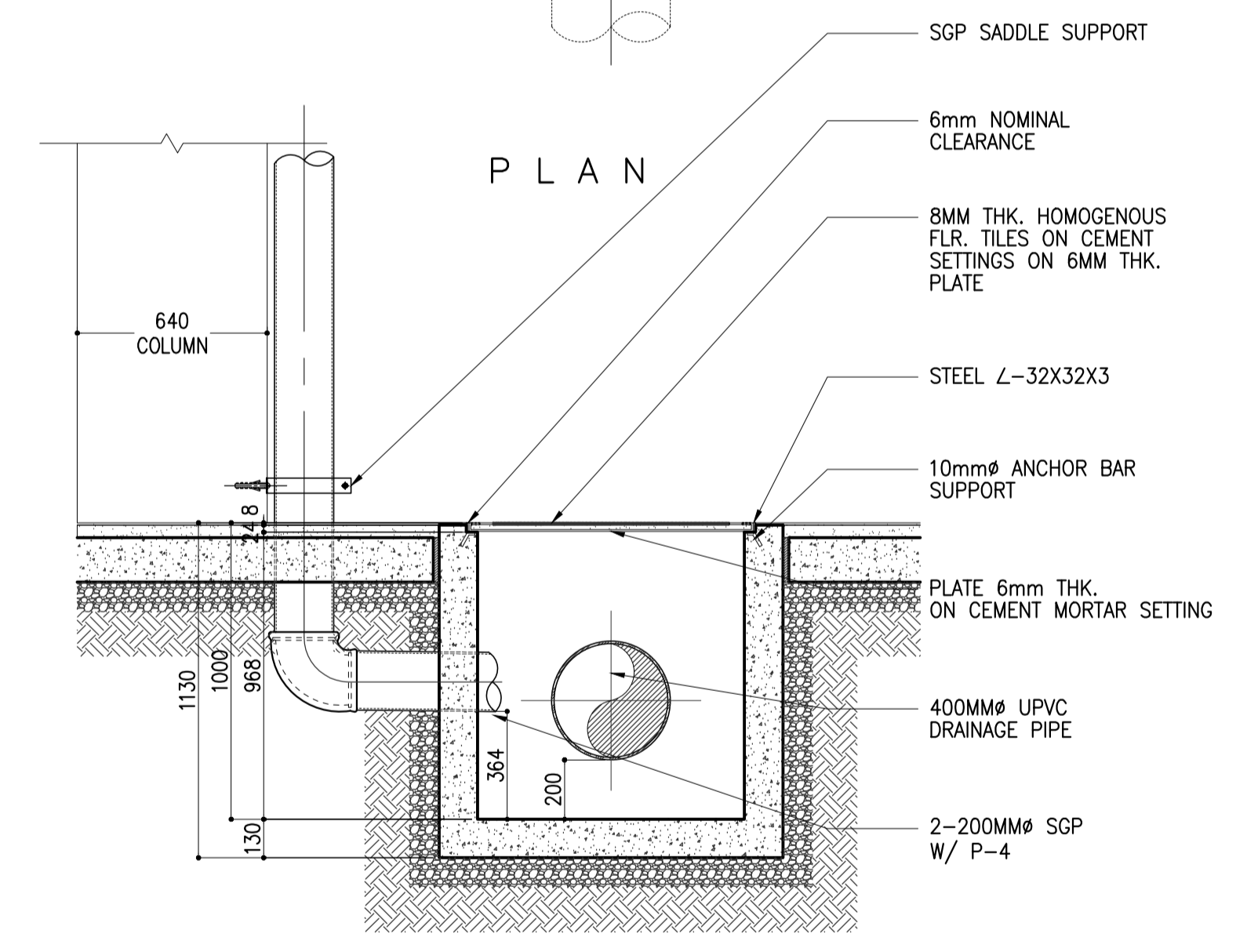
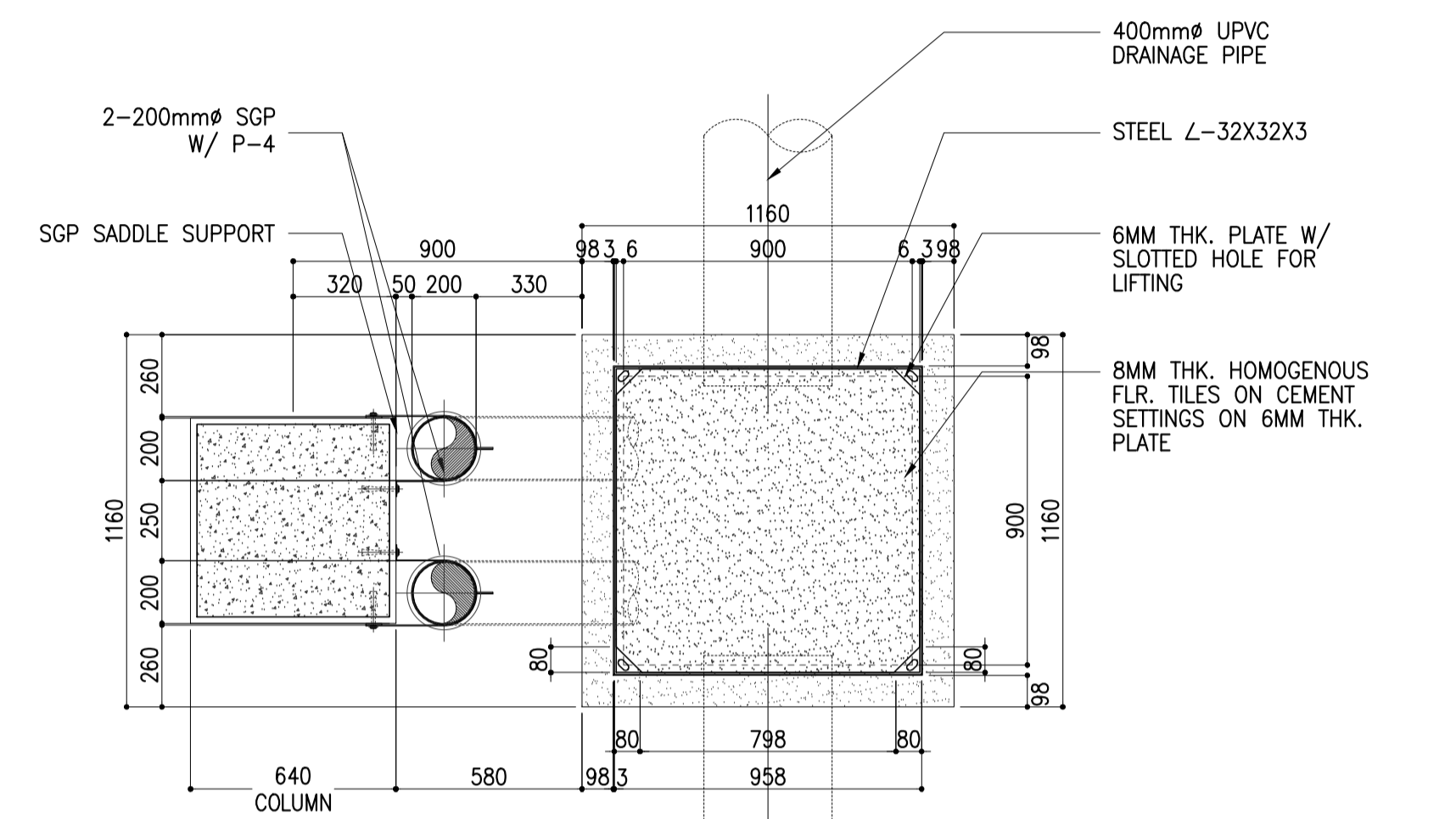
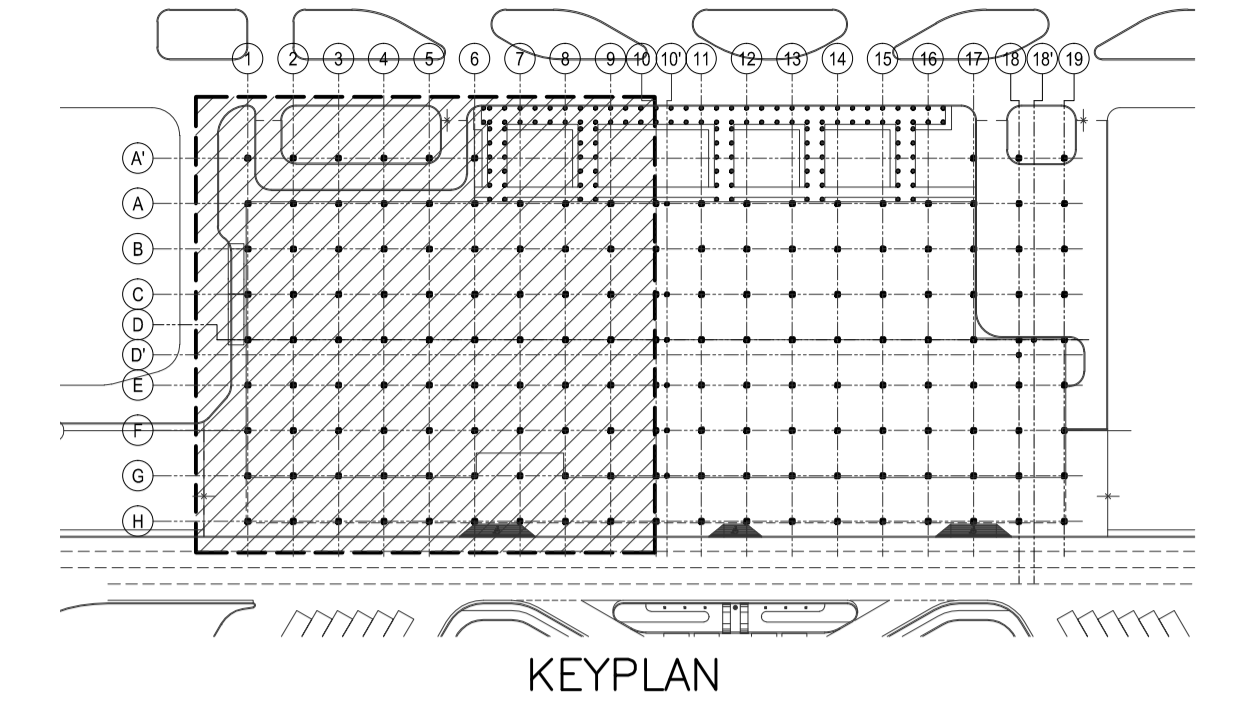
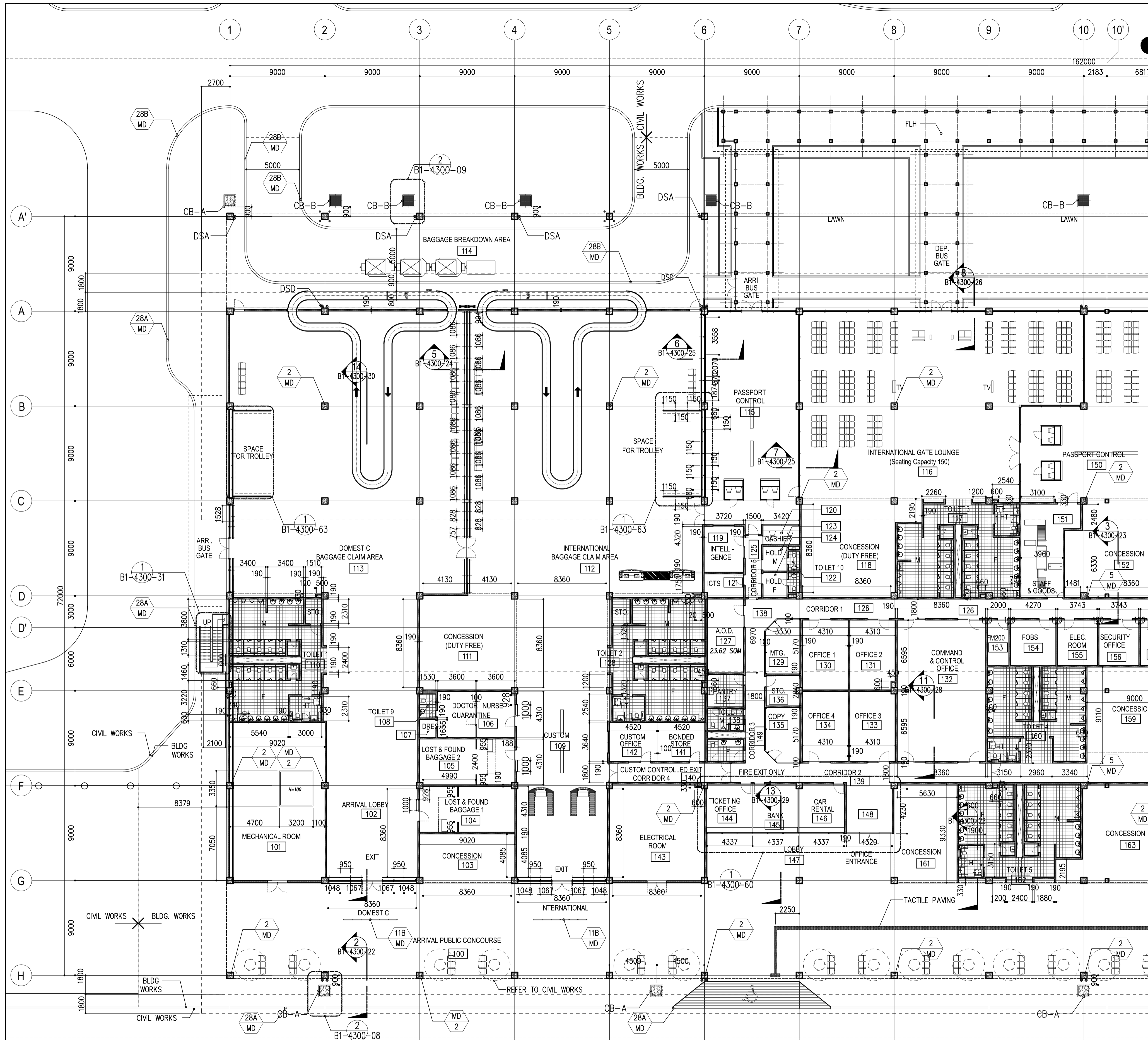


1 FLOOR PLAN
 B1-4300-07 SCALE: 1:250 MTS.



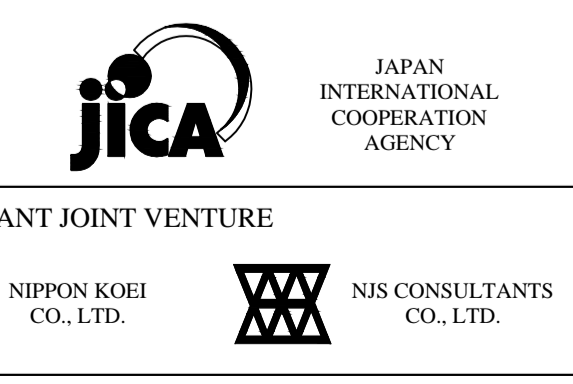
2 MECHANICAL MEZZANINE LEVEL
 B1-4300-07 SCALE: 1:250 MTS.

	PREPARED BY: WILLIAM I. MALLONGA <small>PRF: Architect PIR: 3911137 REC. NO.: 4623 DATE: MAY 9, 2013 T.A.N. 150-564-196 PLACE: MANILA CITY</small>	RECOMMENDING APPROVAL: ILDEFONSO T. PATDU, JR. <small>Assistant Secretary for Project Implementation, DOTC</small>	APPROVED: JULIANITO G. BUCAYAN, JR. <small>Undersecretary for Project Implementation, DOTC</small>	PROJECT TITLE: NEW BOHOL AIRPORT CONSTRUCTION AND SUSTAINABLE ENVIRONMENT PROTECTION PROJECT	LOCATION: MUNICIPALITY OF PANGLAO, PROVINCE OF BOHOL, PHILIPPINES	SHEET CONTENTS: COMPONENT-4 BUILDING WORKS (B) SUBCOMPONENT -4-1 (B1) PASSENGER TERMINAL BUILDING ARCHITECTURAL FLOOR PLAN (BASE PLAN)	SHEET NO: B1-4300-07
	JICA DESIGN CONSULTANT JOINT VENTURE JAC JAPAN AIRPORT CONSULTANTS, INC. NIPON KOEI CO., LTD. NIS CONSULTANTS CO., LTD.	TADASHI AOI <small>Team Leader</small>	ILDEFONSO T. PATDU, JR. <small>Assistant Secretary for Project Implementation, DOTC</small>	JULIANITO G. BUCAYAN, JR. <small>Undersecretary for Project Implementation, DOTC</small>	JUNE 2013	DATE INDEX AMENDMENTS Prepared by: WIM Checked by: HC Validated by:	DRAWING SCALE: 1:250 MTS



2 DET. OF CATCH BASIN TYPE A
SCALE: 1:20 MTS.

1 DET. PARTIAL GROUND FLOOR PLAN @ MATCHLINE "A-A"
SCALE: 1:200 MTS.



PREPARED BY:
WILLIAM I. MALLONGA
Architect
P.R. 3911137
REG. NO.: 4623 DATE: MAY 9, 2013
T.I.N. 159-564-196 PLACE: MANILA CITY

TADASHI AOI
Team Leader

RECOMMENDING APPROVAL:
ILDEFONSO T. PATDU, JR.
Assistant Secretary
for Project Implementation, DOTC

APPROVED:
JULIANITO G. BUCAYAN, JR.
Undersecretary
for Project Implementation, DOTC

PROJECT TITLE:
NEW BOHOL AIRPORT CONSTRUCTION AND SUSTAINABLE ENVIRONMENT PROTECTION PROJECT

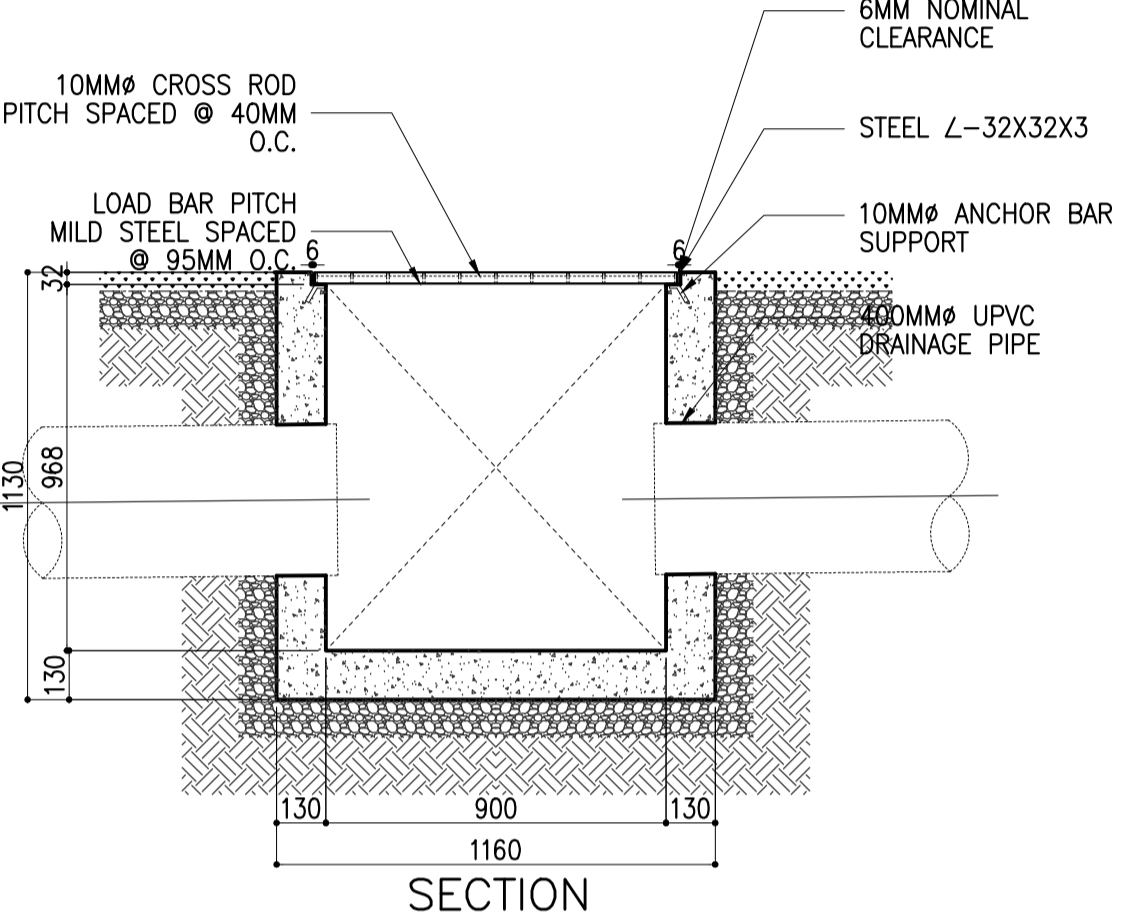
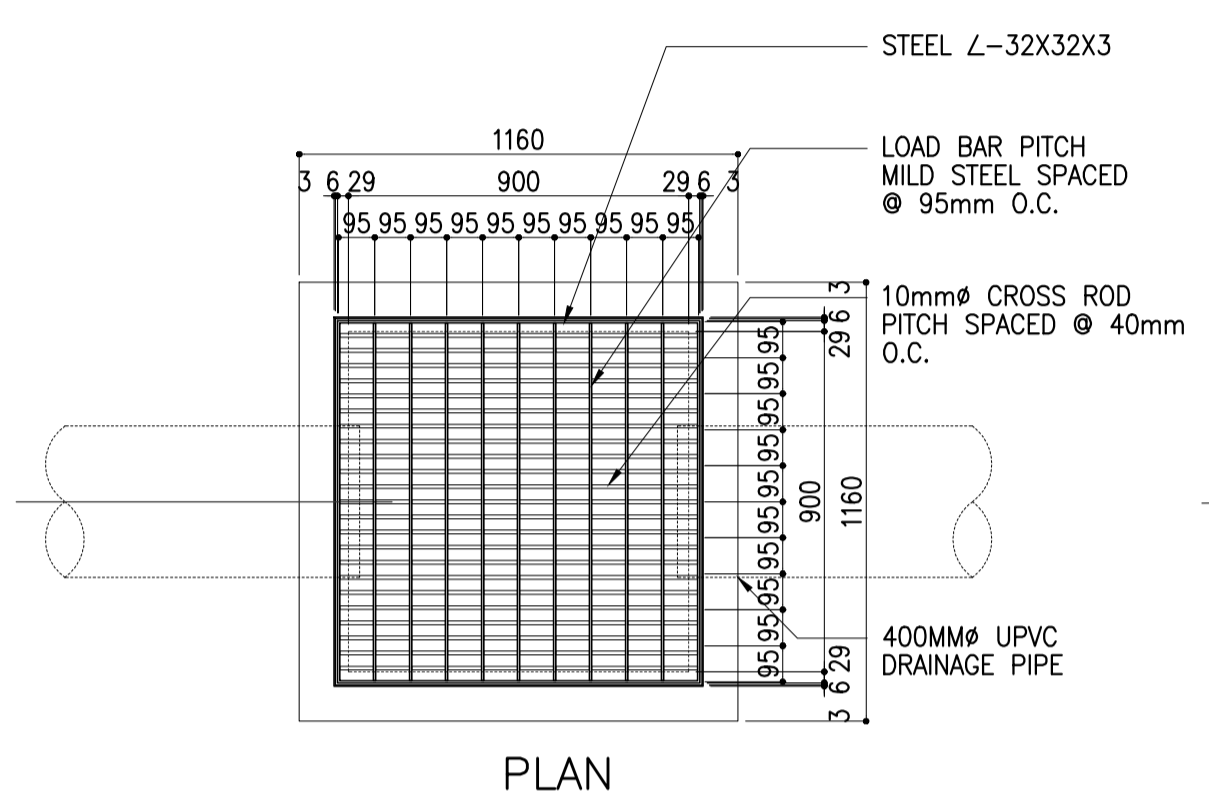
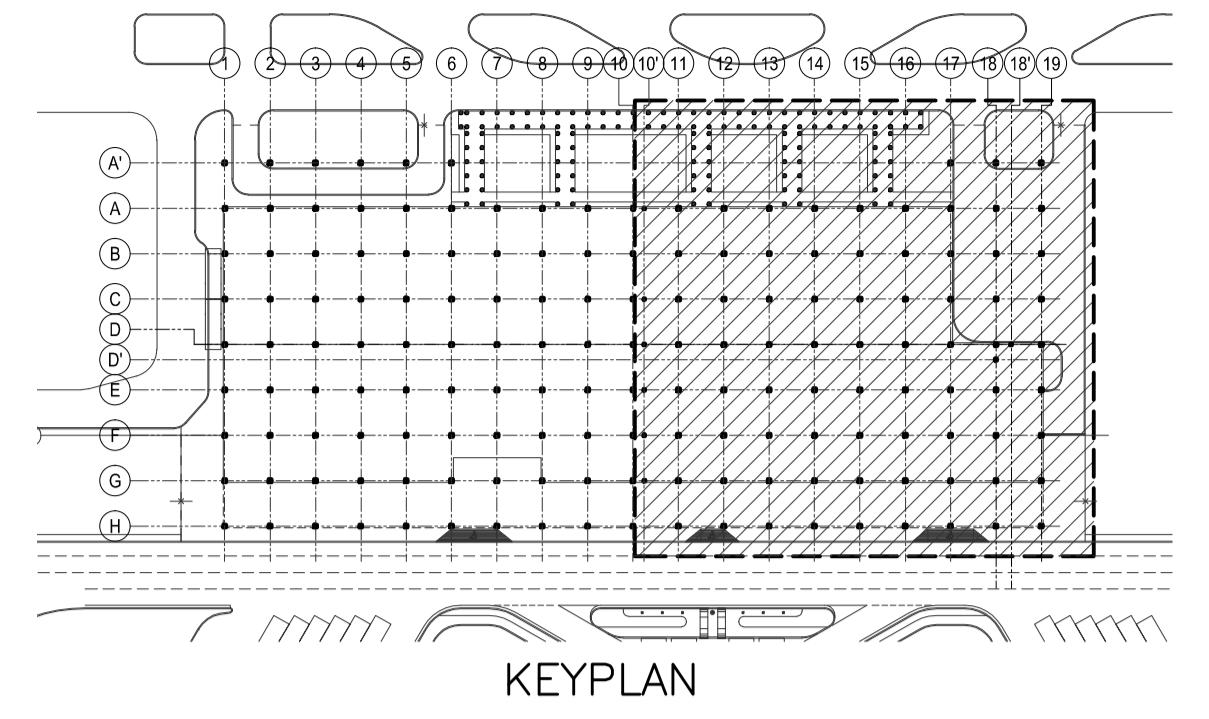
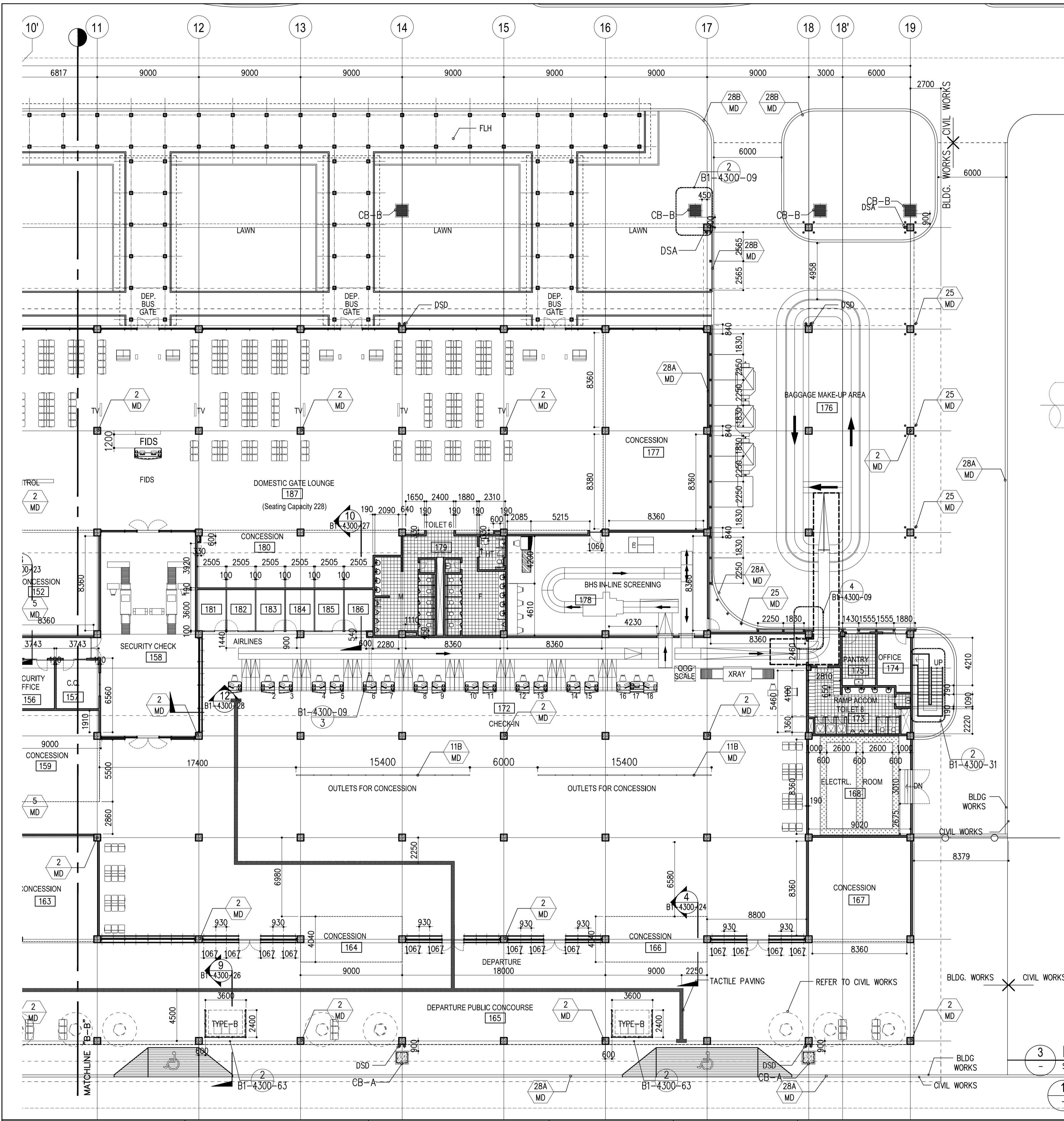
LOCATION: MUNICIPALITY OF PANGLAO, PROVINCE OF BOHOL, PHILIPPINES

DATE	INDEX	AMENDMENTS	Prepared by	Checked by	Validated by
JUNE 2013			WIM	HC	

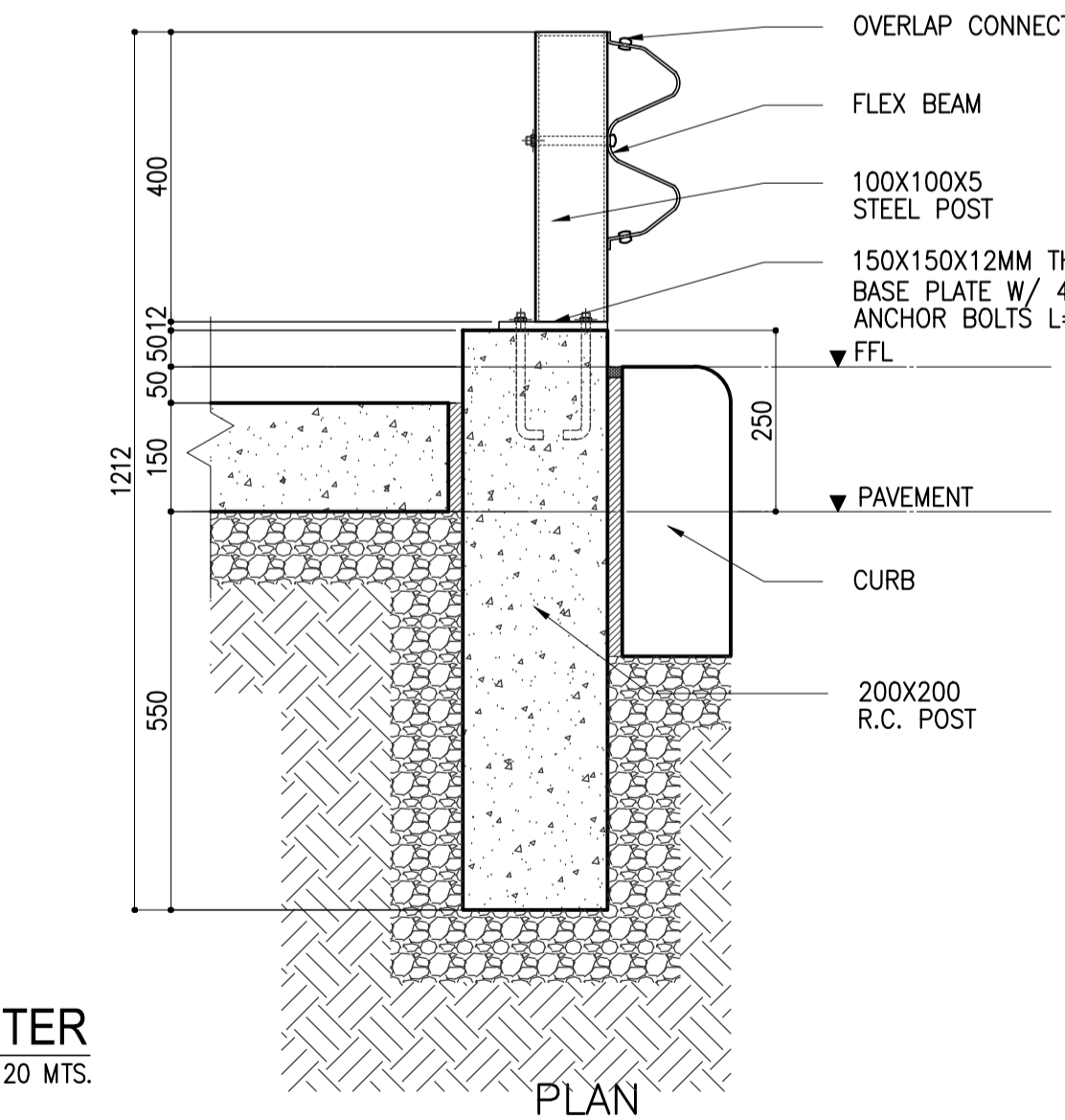
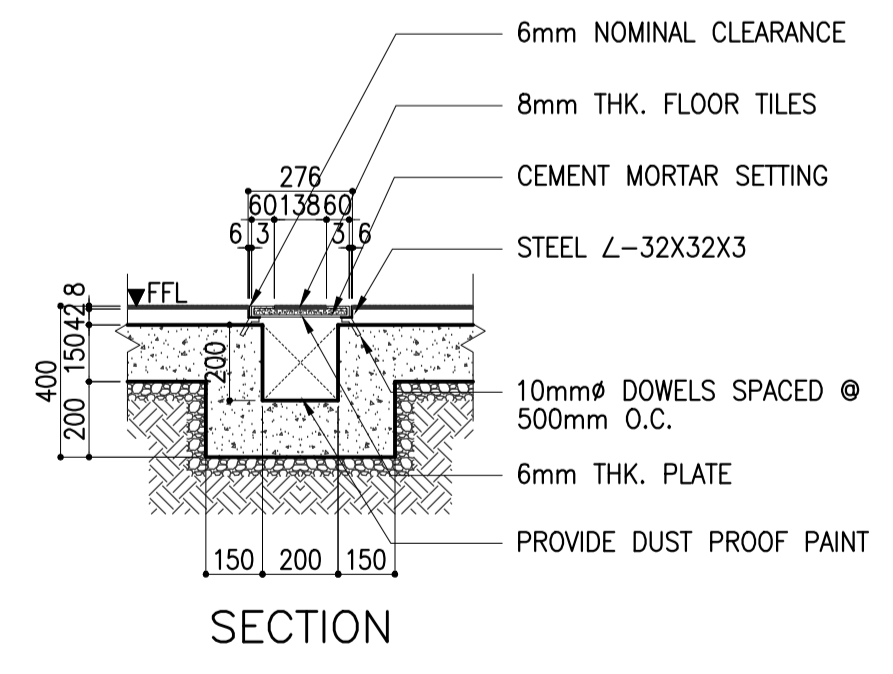
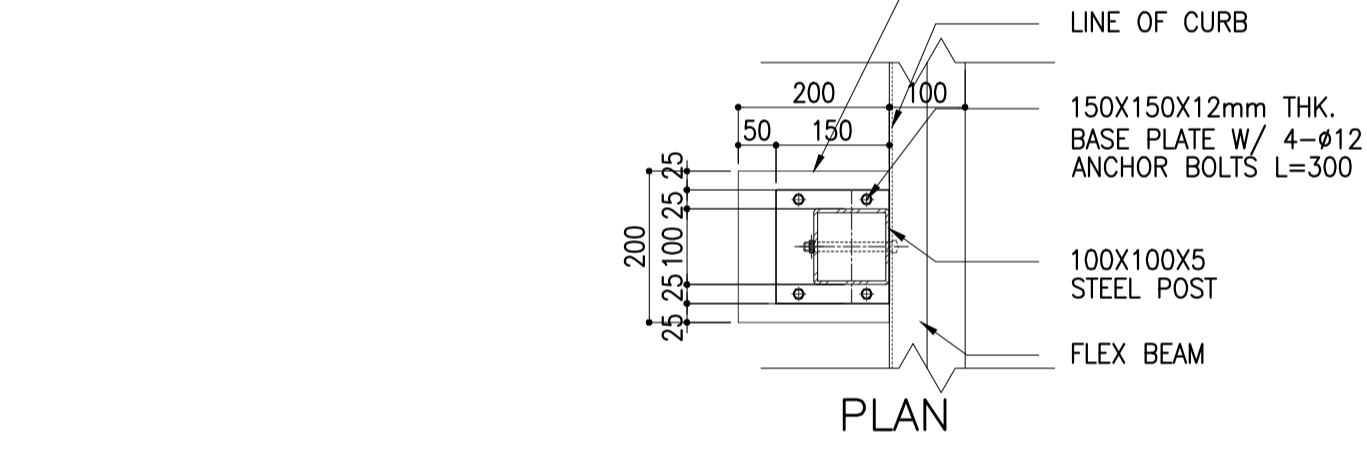
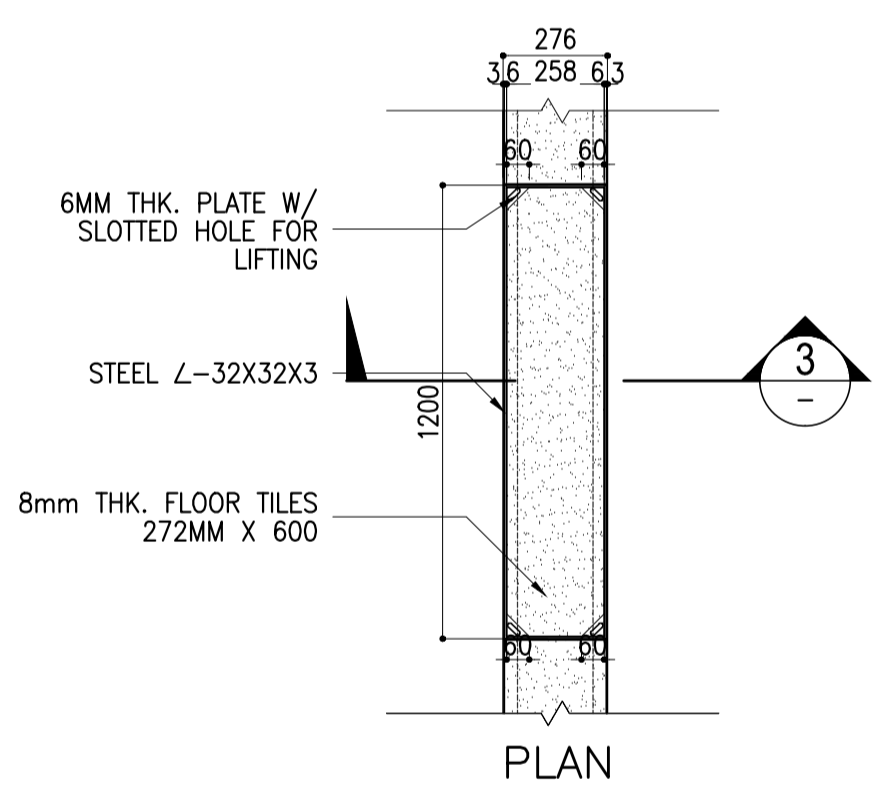
SHEET CONTENTS:
COMPONENT-4 BUILDING WORKS (B)
SUBCOMPONENT -4-1
(B1) PASSENGER TERMINAL BUILDING
ARCHITECTURAL
PARTIAL FLOOR PLAN DETAIL 1-2
DETAIL OF CATCH BASIN TYPE A

SHEET NO:
B1-4300-08

DRAWING SCALE:
B1-4300-03



2 DET. OF CATCH BASIN TYPE B
SCALE: 1:20 MTS.



3 DET. OF CABLE TRENCH COVER @ CHECK-IN COUNTER
SCALE: 1:20 MTS.

1 DET. PARTIAL GROUND FLOOR PLAN (@ MATCHLINE "B-B")
SCALE: 1:200 MTS.

4 FLEX BEAM DETAIL
SCALE: 1:10 MTS.

Republic of the Philippines
DEPARTMENT OF TRANSPORTATION
AND
COMMUNICATIONS

JICA DESIGN CONSULTANT JOINT VENTURE

JAPAN
INTERNATIONAL
COOPERATION
AGENCY

JAPAN AIRPORT
CONSULTANTS,
INC.

NIPPOON KOEI
CO., LTD.

NIS CONSULTANTS
CO., LTD.

PREPARED BY:
WILLIAM I. MALLONGA
PROF. Architect PIR. 3911137
REG. NO. 4623 DATE: MAY 9, 2013
TEL. 150-564-198 PLACE: MANILA CITY

TADASHI AOI
Team Leader

RECOMMENDING APPROVAL:
ILDEFONSO T. PATDU, JR.
Assistant Secretary
for Project Implementation, DOTC

APPROVED:
JULIANITO G. BUCAYAN, JR.
Undersecretary
for Project Implementation, DOTC

PROJECT TITLE:
**NEW BOHOL AIRPORT CONSTRUCTION AND
SUSTAINABLE ENVIRONMENT PROTECTION PROJECT**

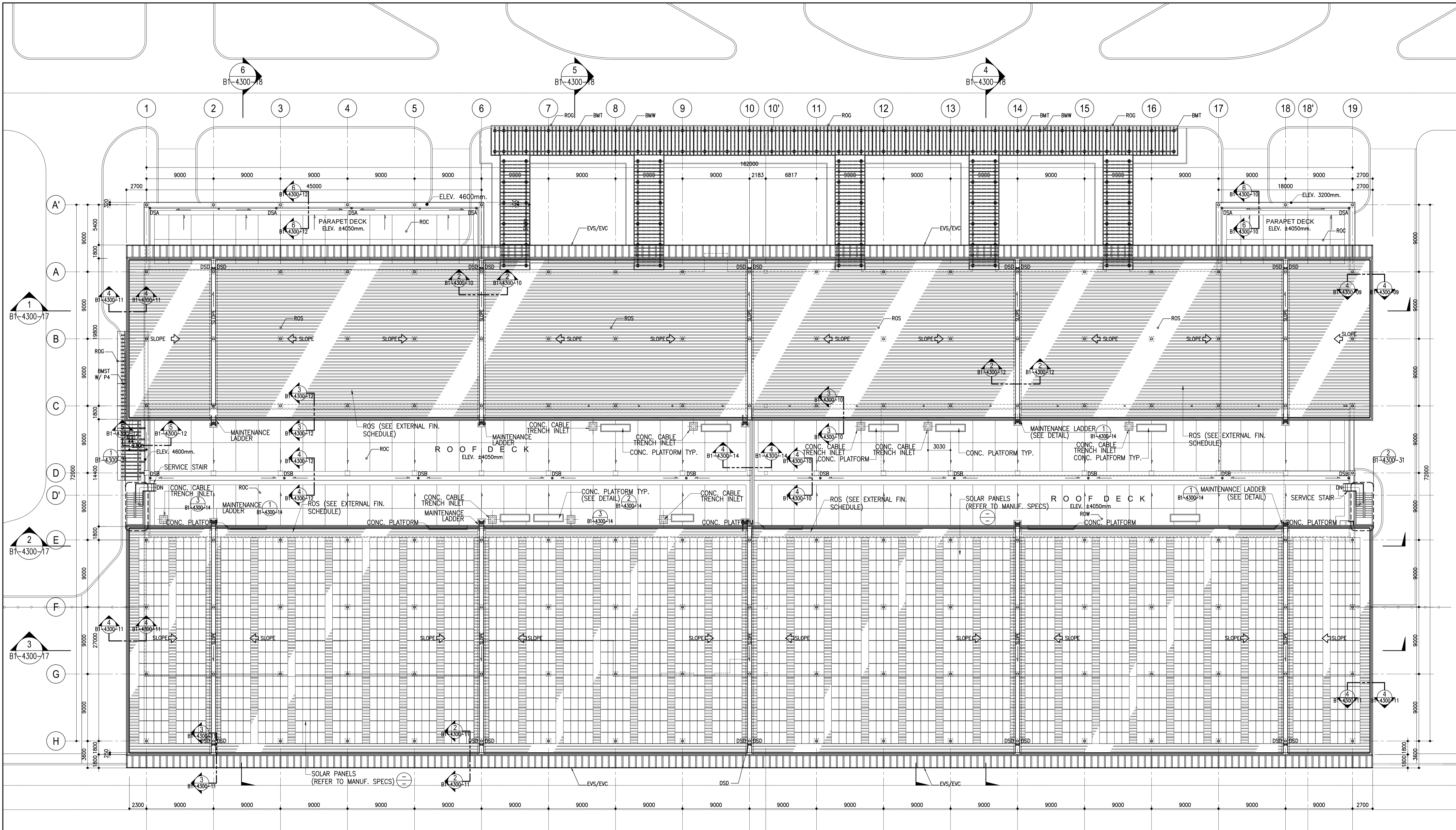
LOCATION: MUNICIPALITY OF PANGLAO, PROVINCE OF BOHOL, PHILIPPINES

DATE	INDEX	AMENDMENTS	Prepared by	Checked by	Validated by
JUNE 2013			WIM	HC	

SHEET CONTENTS:
COMPONENT-4 BUILDING WORKS (B)
SUBCOMPONENT -4-1
(B1) PASSENGER TERMINAL BUILDING
ARCHITECTURAL
PARTIAL FLOOR PLAN DETAIL 2-2
DET. OF TRENCH COVER
DETAIL OF FLEX BEAM

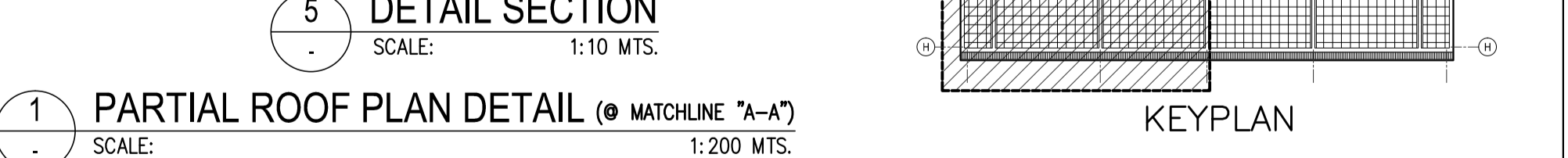
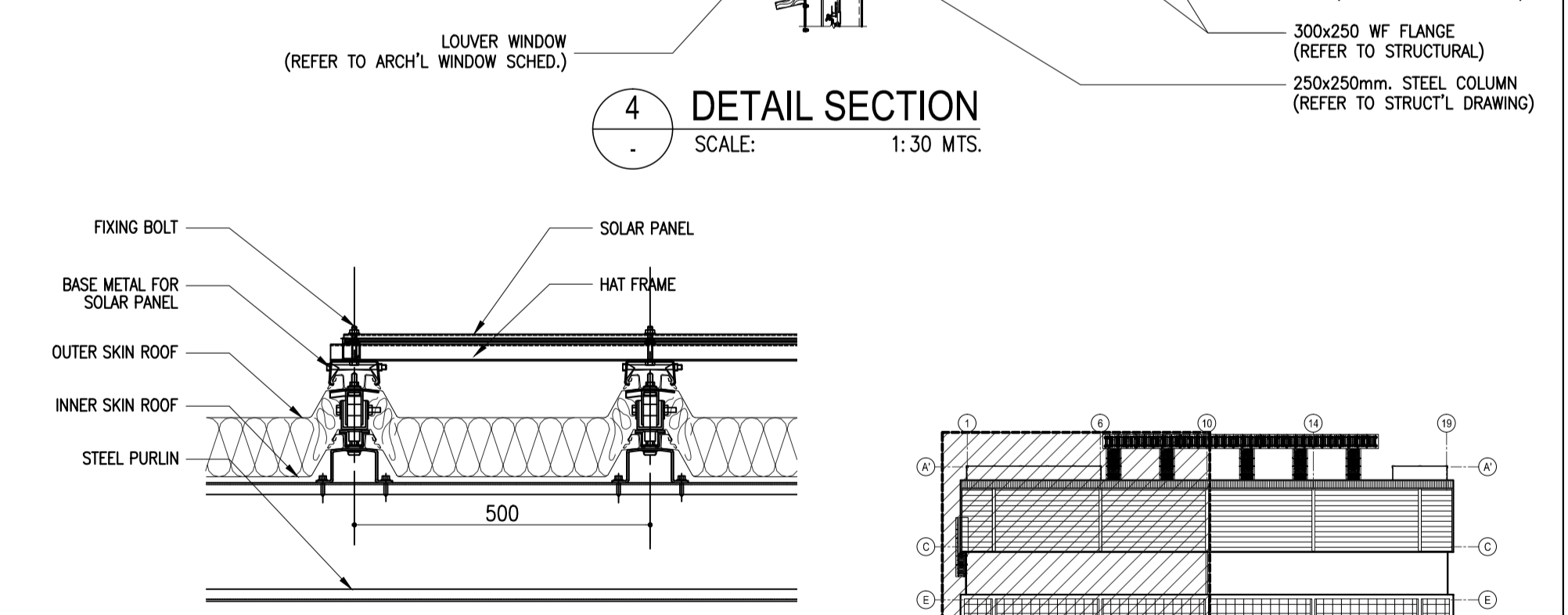
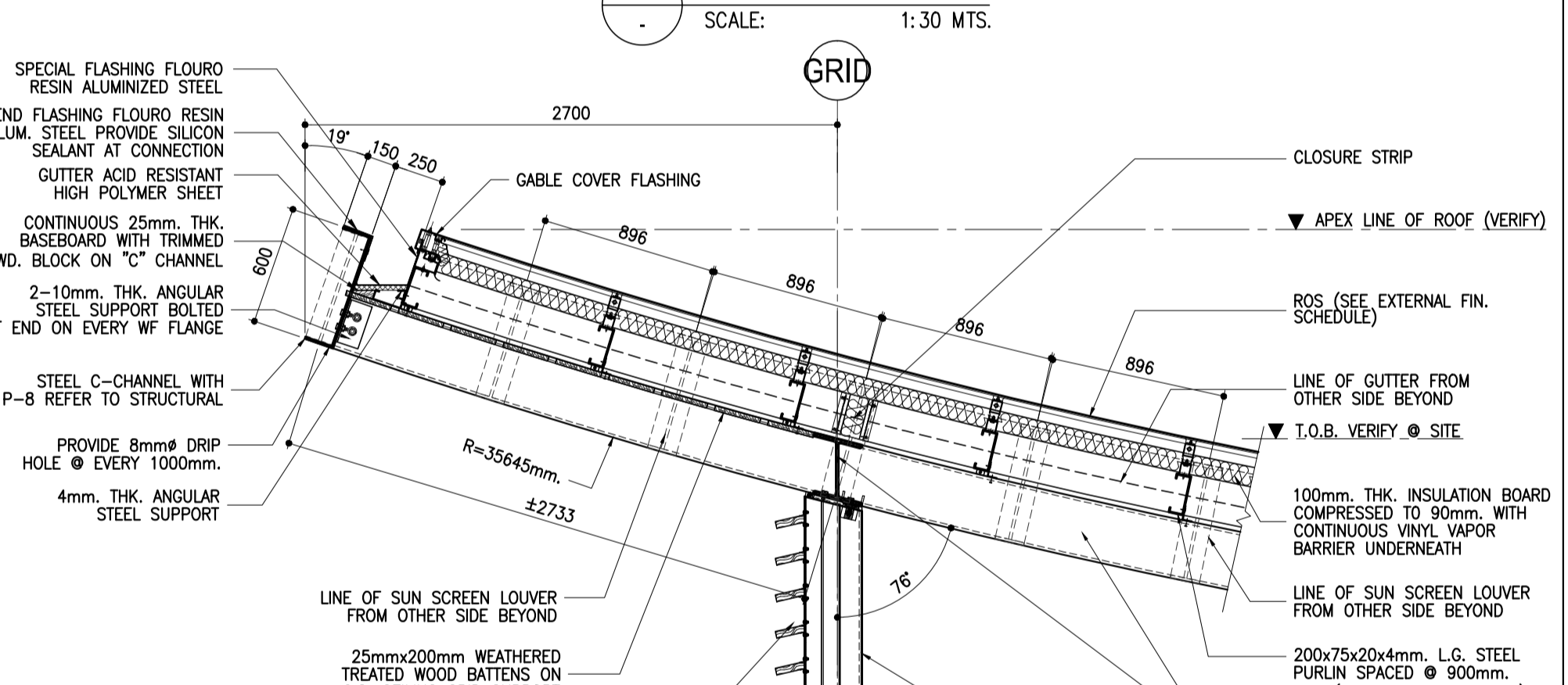
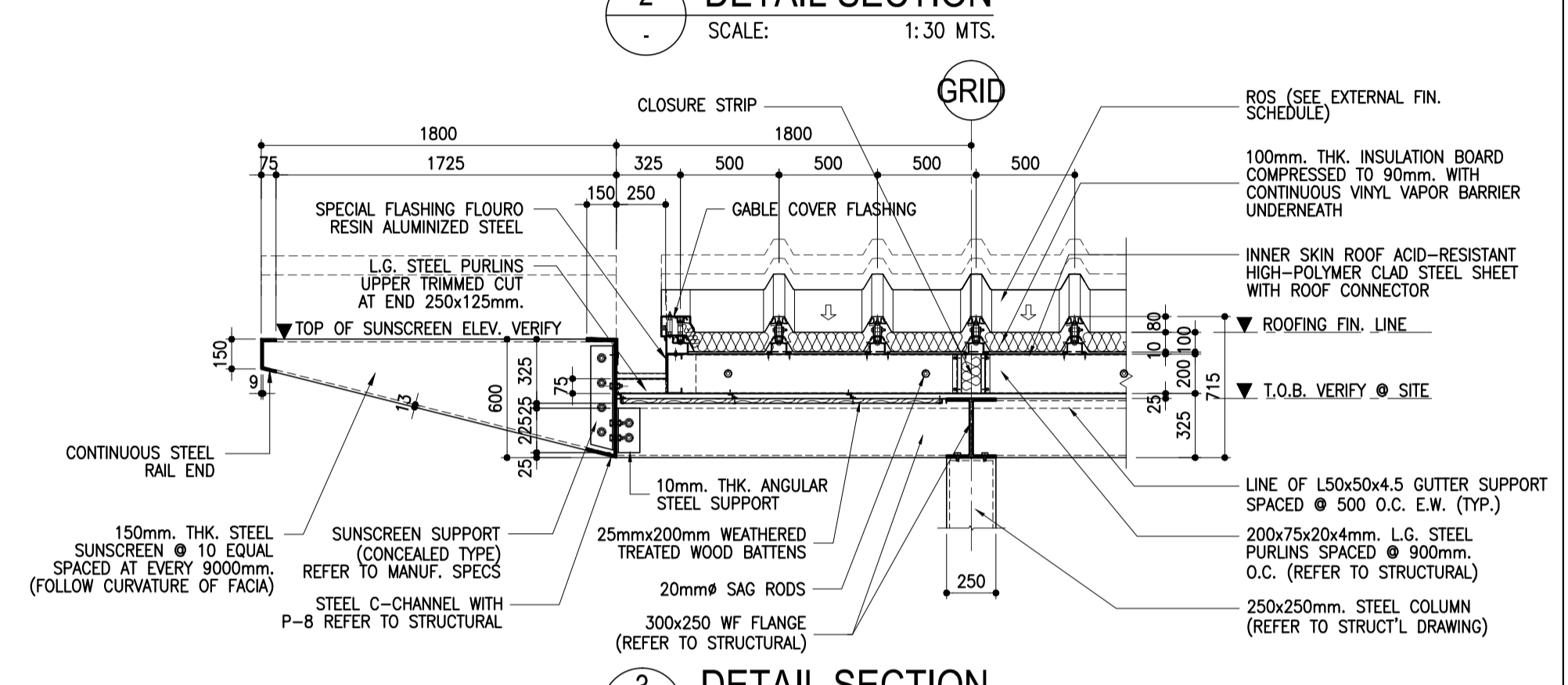
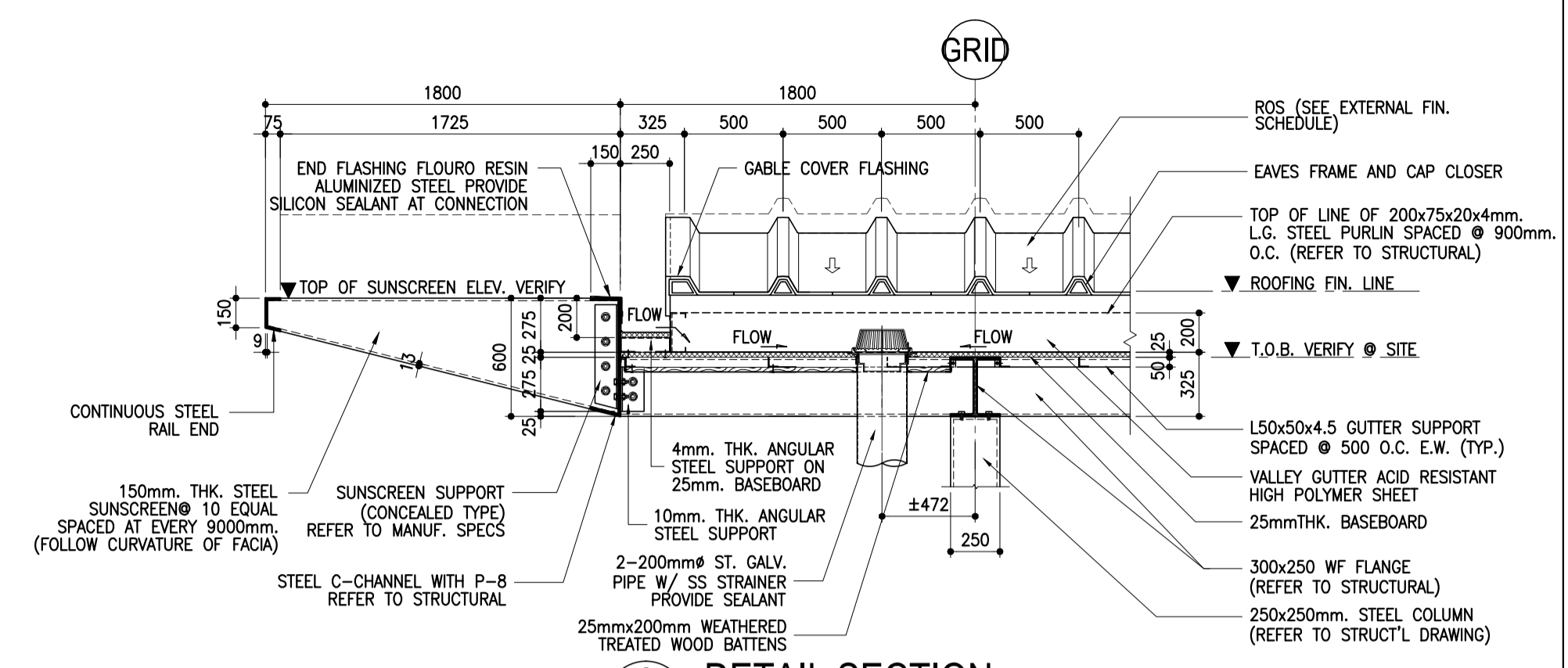
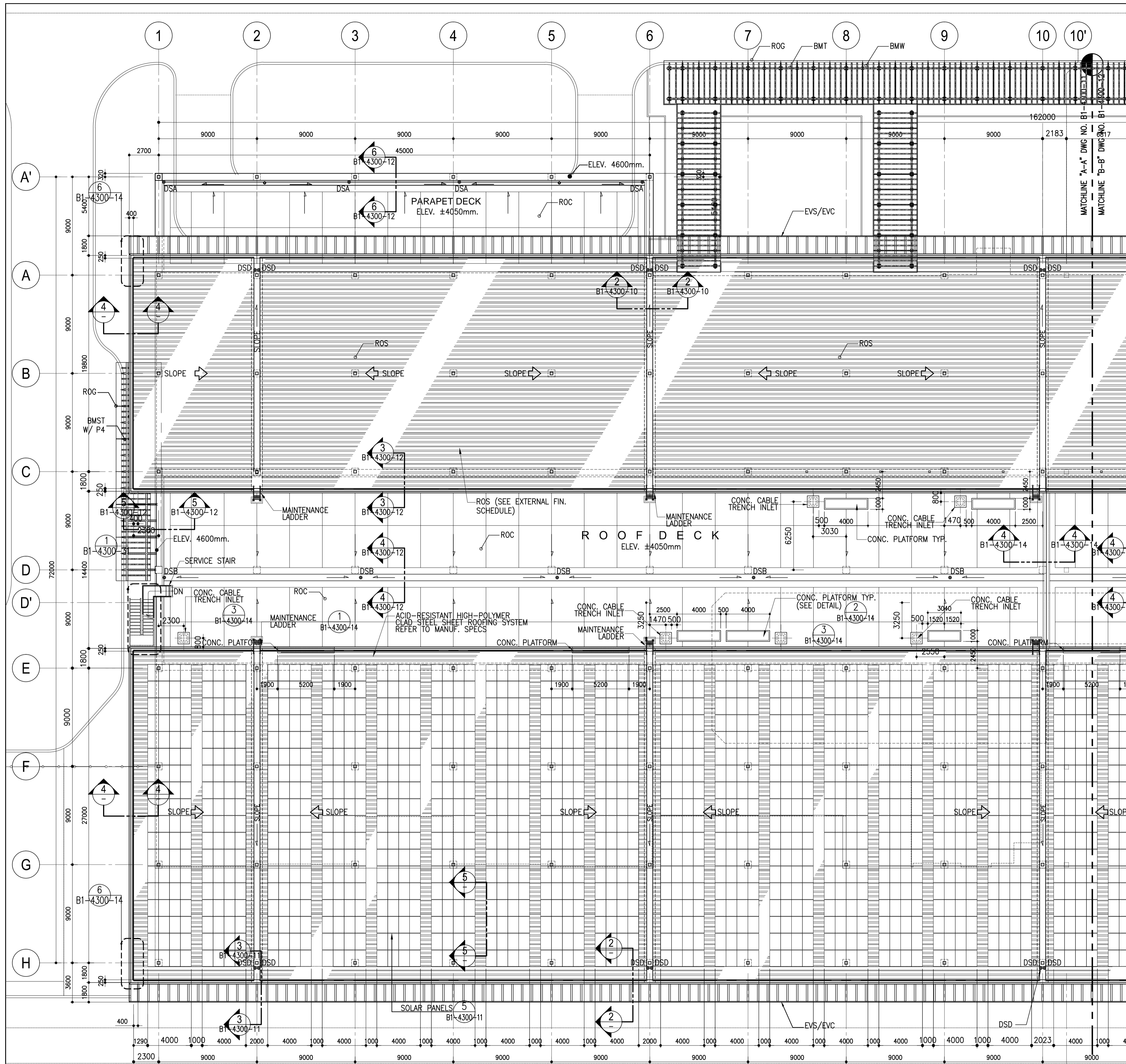
SHEET NO:
B1-4300-09

DRAWING SCALE:
AS SHOWN

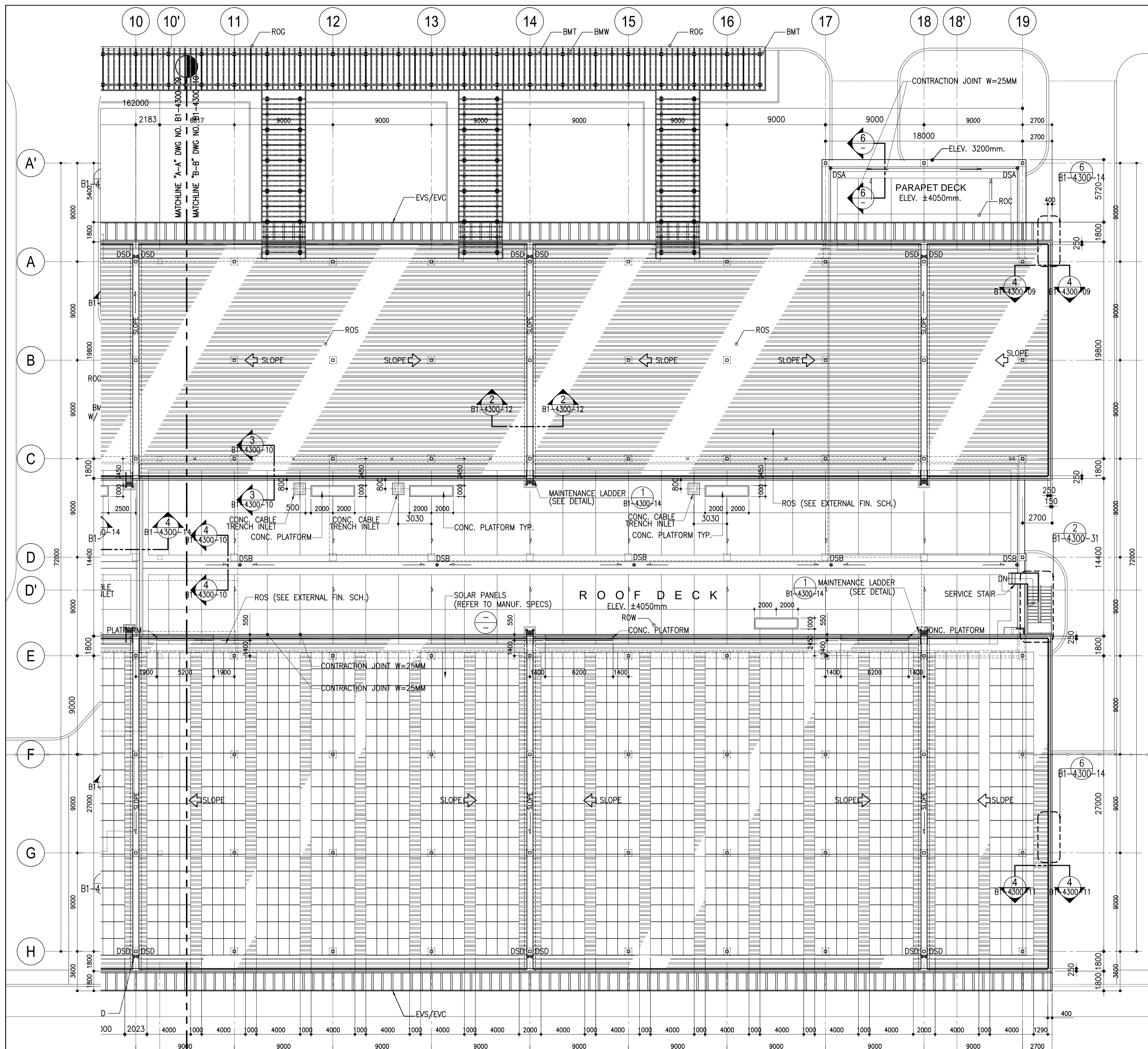


1 ROOF PLAN
SCALE: 1:250 MTS.

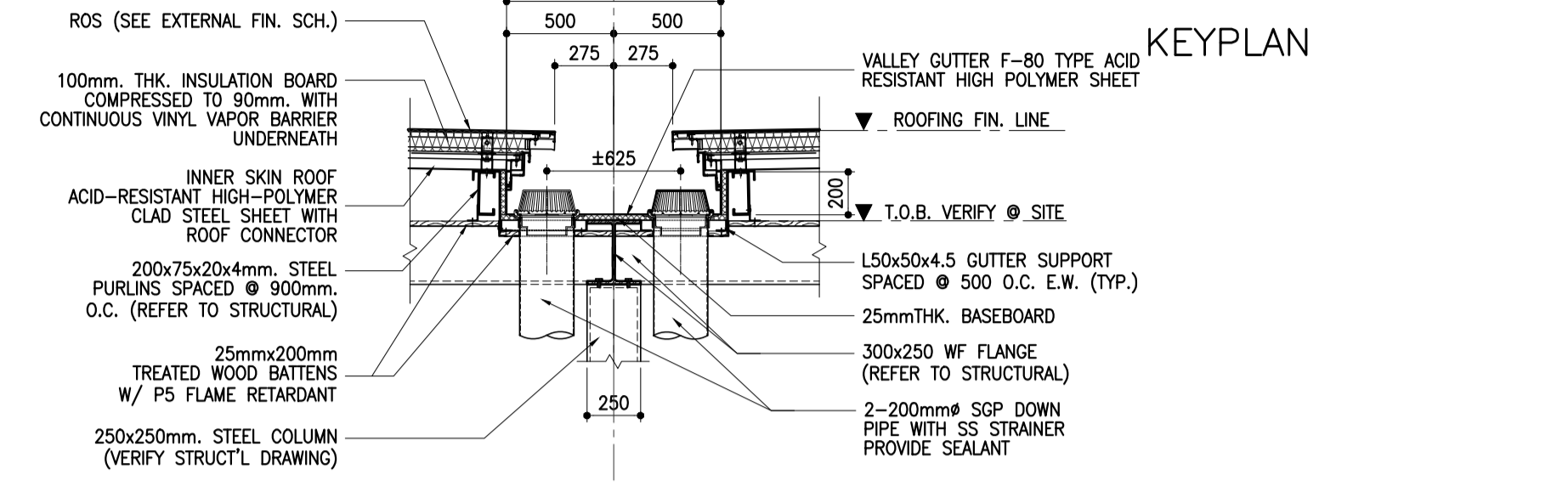
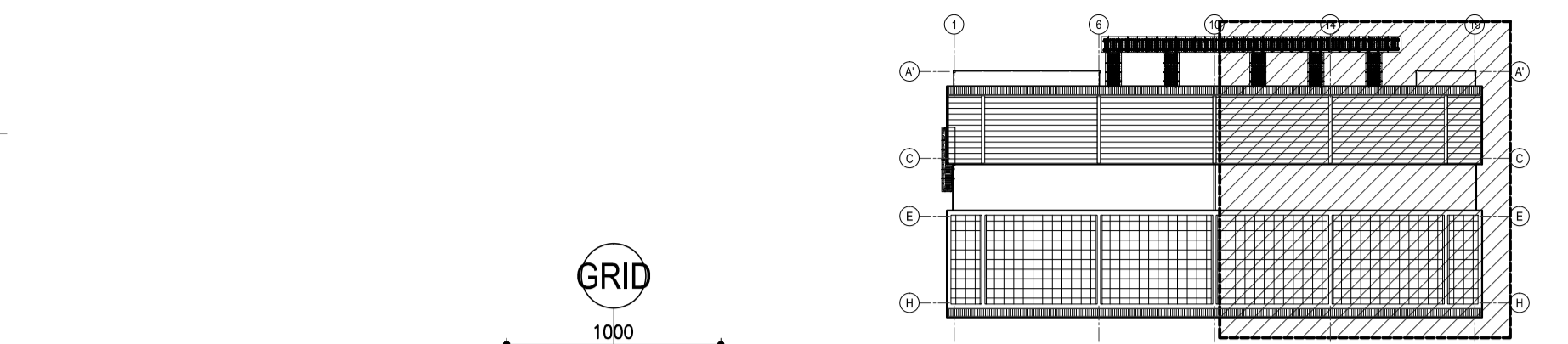
	PREPARED BY: WILLIAM I. MALLONGA <small>PRF: Architect PIR: 3911137 REG. NO.: 4623 DATE: MAY 9, 2013 TAN: 150-564-196 PLACE: MAKATI CITY</small>	RECOMMENDING APPROVAL: ILDEFONSO T. PATDU, JR. <small>Assistant Secretary for Project Implementation, DOTC</small>	APPROVED: JULIANITO G. BUCAYAN, JR. <small>Undersecretary for Project Implementation, DOTC</small>	PROJECT TITLE: NEW BOHOL AIRPORT CONSTRUCTION AND SUSTAINABLE ENVIRONMENT PROTECTION PROJECT	LOCATION: MUNICIPALITY OF PANGLAO, PROVINCE OF BOHOL, PHILIPPINES	SHEET CONTENTS: COMPONENT-4 BUILDING WORKS (B) SUBCOMPONENT -4-1 (B1) PASSENGER TERMINAL BUILDING ARCHITECTURAL ROOF PLAN (BASE PLAN)	SHEET NO: B1-4300-10
	JICA DESIGN CONSULTANT JOINT VENTURE JAC JAPAN AIRPORT CONSULTANTS, INC.	TADASHI AOI <small>Team Leader</small>	ILDEFONSO T. PATDU, JR. <small>Assistant Secretary for Project Implementation, DOTC</small>	JULIANITO G. BUCAYAN, JR. <small>Undersecretary for Project Implementation, DOTC</small>	DATE: JUNE 2013 INDEX:	AMENDMENTS:	SHEET SCALE: 1:250 MTS.



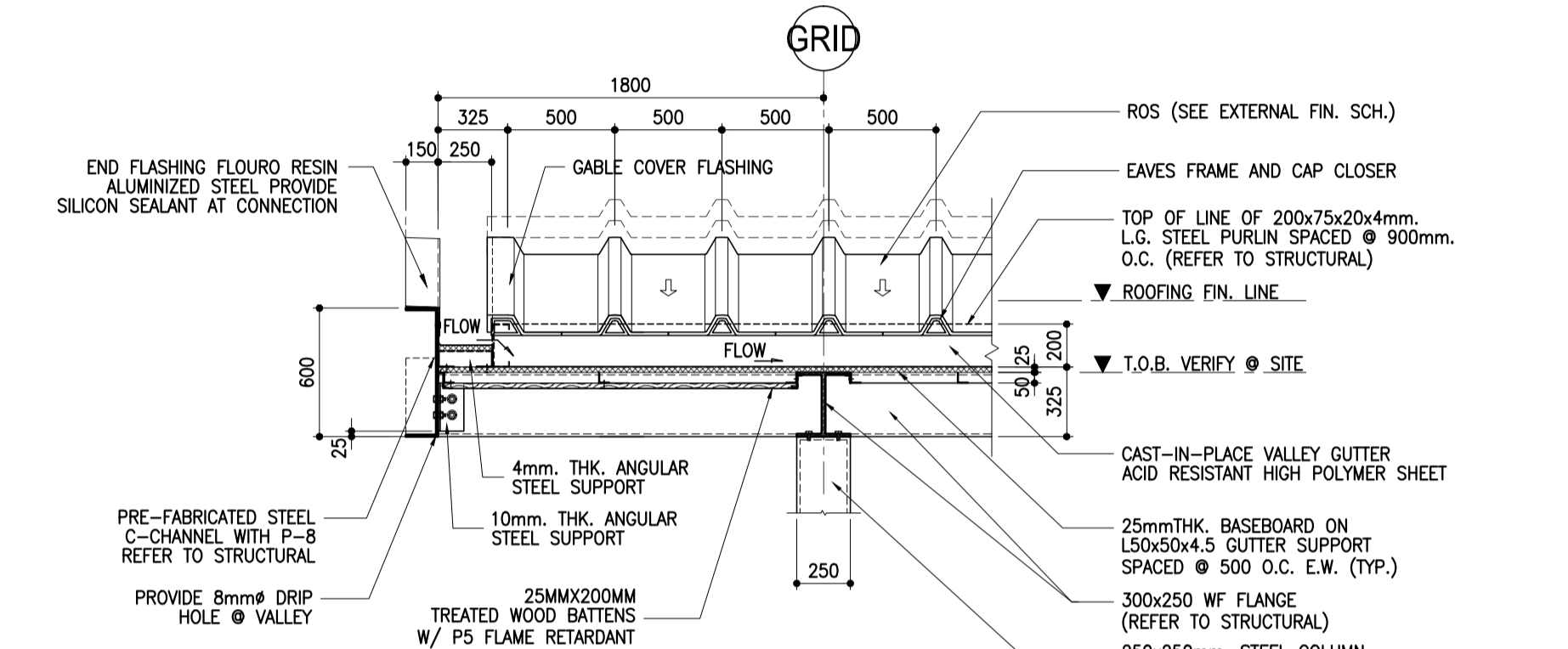
	PREPARED BY: WILLIAM I. MALLONGA <small>Architect PIR 3911137</small> <small>REG. NO. 4623 DATE: MAY 9, 2013</small> <small>TIN: 150-564-196 PLACE: MANILA CITY</small>	RECOMMENDING APPROVAL: ILDEFONSO T. PATDU, JR. <small>Assistant Secretary for Project Implementation, DOTC</small>	APPROVED: JULIANITO G. BUCAYAN, JR. <small>Undersecretary for Project Implementation, DOTC</small>	PROJECT TITLE: NEW BOHOL AIRPORT CONSTRUCTION AND SUSTAINABLE ENVIRONMENT PROTECTION PROJECT LOCATION: MUNICIPALITY OF PANGLAO, PROVINCE OF BOHOL, PHILIPPINES	SHEET CONTENTS: COMPONENT-4 BUILDING WORKS (B) SUBCOMPONENT -4-1 (B1) PASSENGER TERMINAL BUILDING ARCHITECTURAL PARTIAL ROOF PLAN DETAIL 1-2 ROOF DETAIL SECTIONS	SHEET NO: B1-4300-11 DRAWING SCALE: AS SHOWN
	JICA DESIGN CONSULTANT JOINT VENTURE JAC JAPAN AIRPORT CONSULTANTS, INC. NIPPON KOEI CO., LTD. NIS CONSULTANTS CO., LTD.	JAPAN INTERNATIONAL COOPERATION AGENCY	TADASHI AOI Team Leader	JUN 2013	DATE INDEX AMENDMENTS Prepared by: WIM Checked by: HC Validated by:	



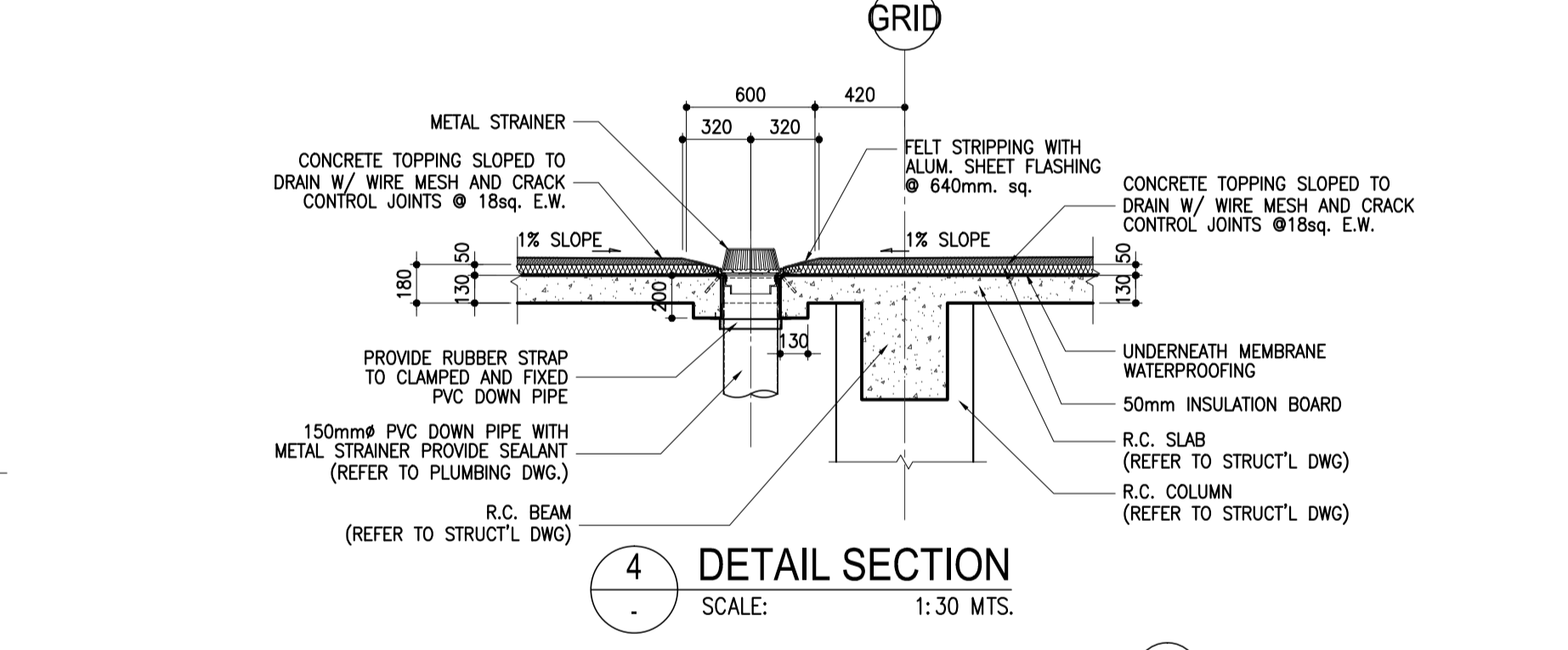
1 PARTIAL ROOF PLAN DETAIL (MATCHLINE "B-B")
SCALE: 1:200 MTS.



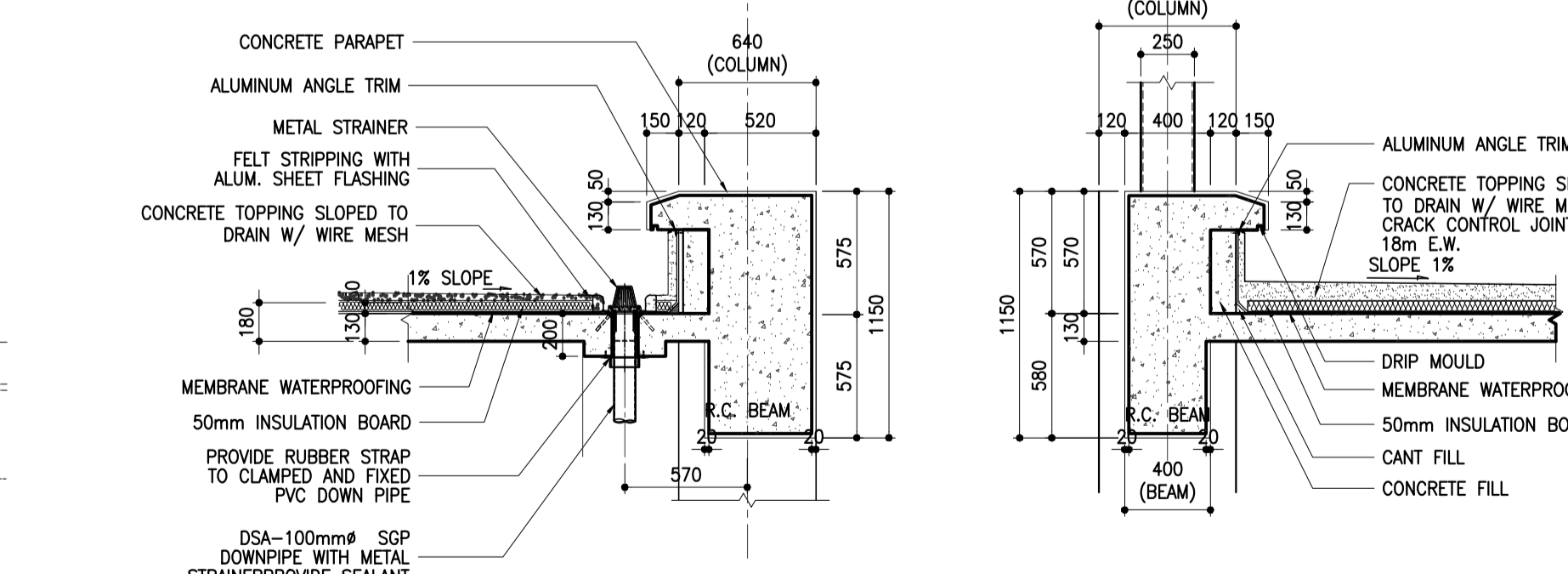
2 DETAIL SECTION
SCALE: 1:30 MTS.



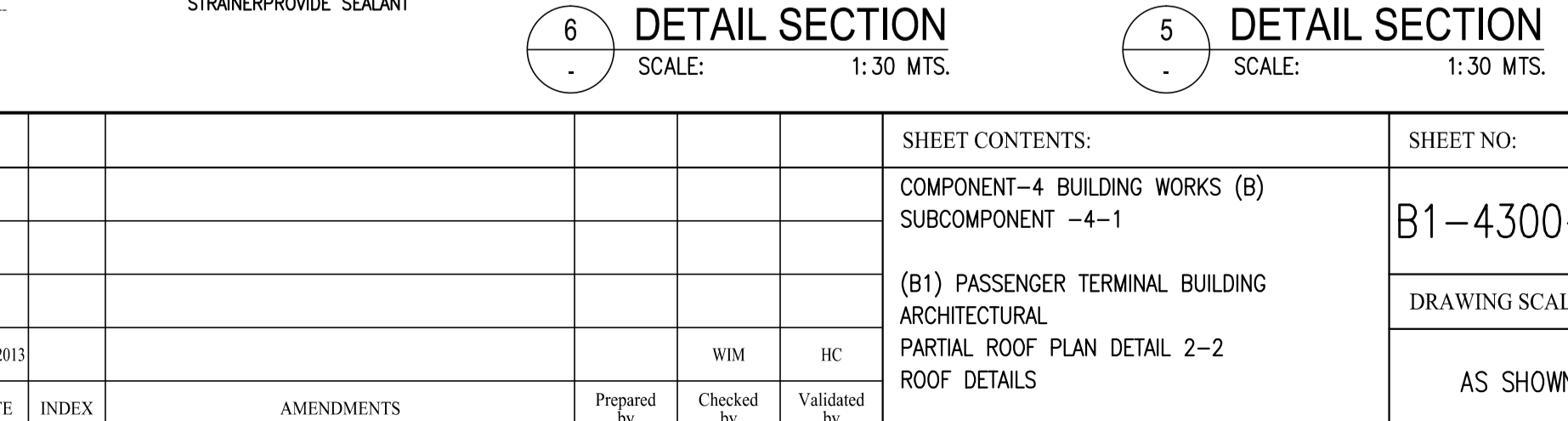
3 DETAIL SECTION
SCALE: 1:30 MTS.



4 DETAIL SECTION
SCALE: 1:30 MTS.



5 DETAIL SECTION
SCALE: 1:30 MTS.



6 DETAIL SECTION
SCALE: 1:30 MTS.

Republic of the Philippines
DEPARTMENT OF TRANSPORTATION
AND
COMMUNICATIONS

JICA
JAPAN
INTERNATIONAL
COOPERATION
AGENCY

JICA DESIGN CONSULTANT JOINT VENTURE

JAC JAPAN AIRPORT
CONSULTANTS,
INC.

NIPPO NIPPON KOEI
CO., LTD.

NIS NIS CONSULTANTS
CO., LTD.

PREPARED BY:
WILLIAM I. MALLONGA
Architect
PTR. 391137
REG. NO.: 4623 DATE: MAY 9, 2013
TIN: 159-564-196 PLACE: MANILA CITY

RECOMMENDING APPROVAL:
ILDEFONSO T. PATDU, JR.
Assistant Secretary
for Project Implementation, DOTC

APPROVED:
JULIANITO G. BUCAYAN, JR.
Undersecretary
for Project Implementation, DOTC

TADASHI AOI
Team Leader

PROJECT TITLE:
**NEW BOHOL AIRPORT CONSTRUCTION AND
SUSTAINABLE ENVIRONMENT PROTECTION PROJECT**

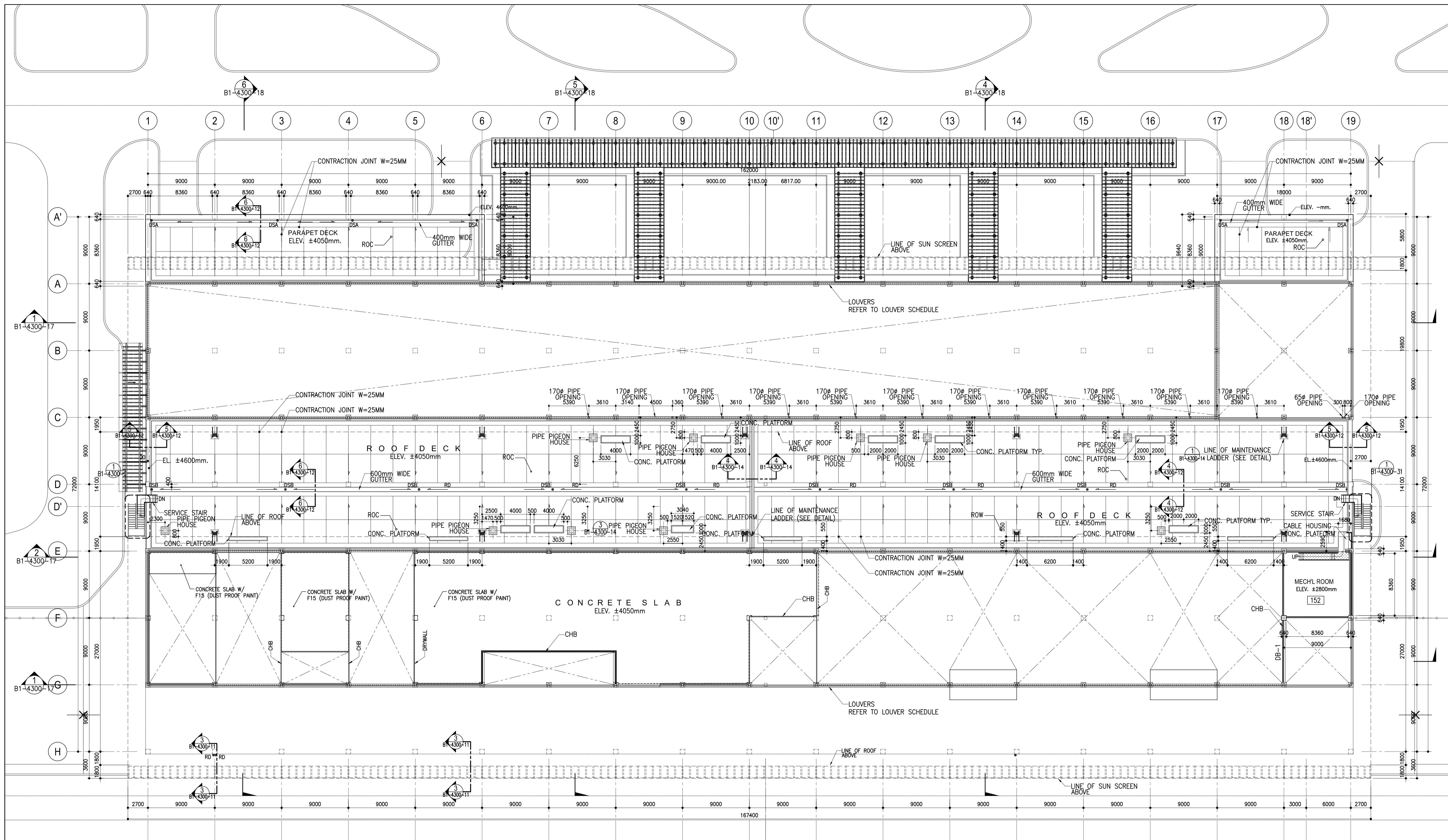
LOCATION: MUNICIPALITY OF PANGLAO, PROVINCE OF BOHOL, PHILIPPINES

DATE	INDEX	AMENDMENTS	Prepared by	Checked by	Validated by
JUNE 2013			WIM	HC	

SHEET CONTENTS:
COMPONENT-4 BUILDING WORKS (B)
SUBCOMPONENT -4-1
(B1) PASSENGER TERMINAL BUILDING
ARCHITECTURAL
PARTIAL ROOF PLAN DETAIL 2-2
ROOF DETAILS

SHEET NO:
B1-4300-12

DRAWING SCALE:
AS SHOWN



1 ROOF DECK PLAN
SCALE: 1:250 MTS.

	PREPARED BY: WILLIAM I. MALLONGA <small>PROF. Architect PIR. 3911137 REG. NO.: 4623 DATE: MAY 9, 2013 TIAK. 159-564-196 PLACE: MANILA CITY</small>	RECOMMENDING APPROVAL: ILDEFONSO T. PATDU, JR. <small>Assistant Secretary for Project Implementation, DOTC</small>	APPROVED: JULIANITO G. BUCAYAN, JR. <small>Undersecretary for Project Implementation, DOTC</small>	PROJECT TITLE: NEW BOHOL AIRPORT CONSTRUCTION AND SUSTAINABLE ENVIRONMENT PROTECTION PROJECT	LOCATION: MUNICIPALITY OF PANGLAO, PROVINCE OF BOHOL, PHILIPPINES	SHEET CONTENTS: COMPONENT-4 BUILDING WORKS (B) SUBCOMPONENT -4-1 (B1) PASSENGER TERMINAL BUILDING ARCHITECTURAL ROOF DECK PLAN	SHEET NO: B1-4300-13	
	JICA DESIGN CONSULTANT JOINT VENTURE	TADASHI AOI <small>Team Leader</small>	ILDEFONSO T. PATDU, JR. <small>Assistant Secretary for Project Implementation, DOTC</small>	JULIANITO G. BUCAYAN, JR. <small>Undersecretary for Project Implementation, DOTC</small>	DATE: JUNE 2013	INDEX:	AMENDMENTS:	Prepared by: WIM Checked by: HC Validated by: