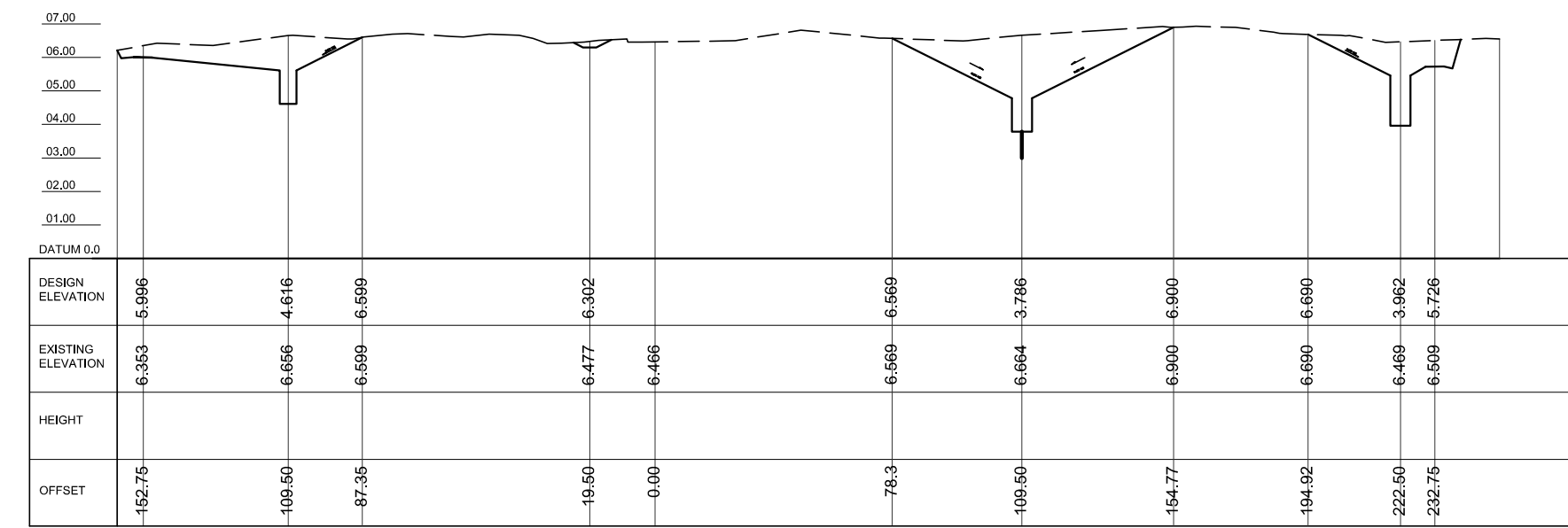
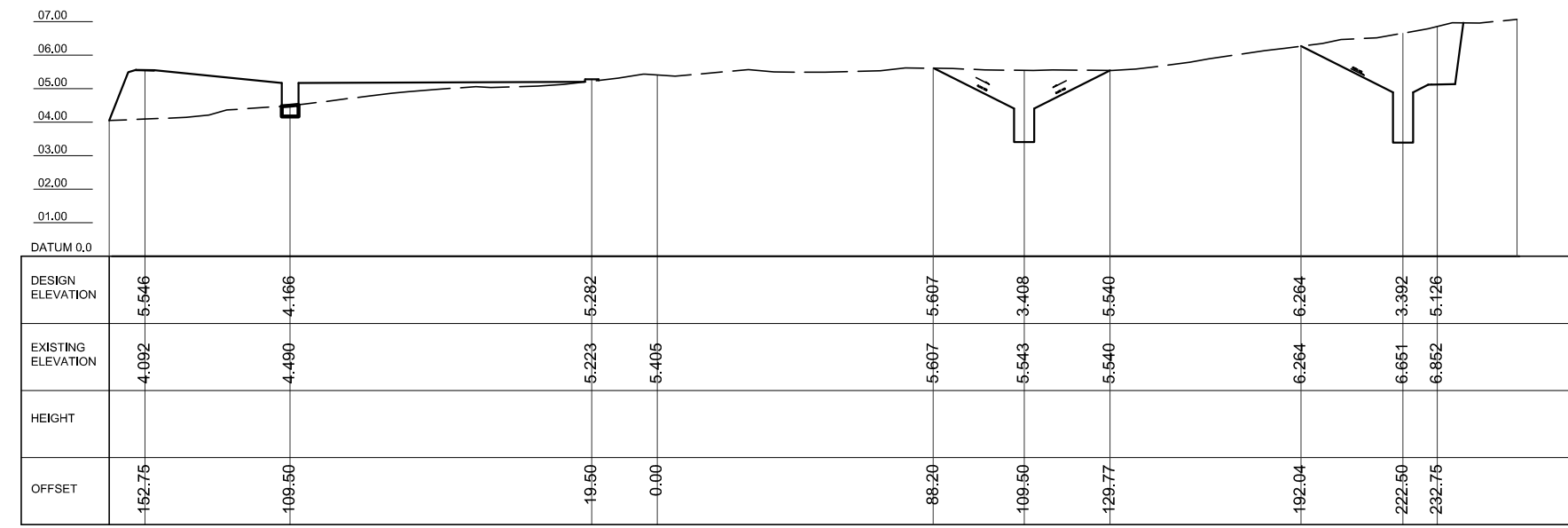


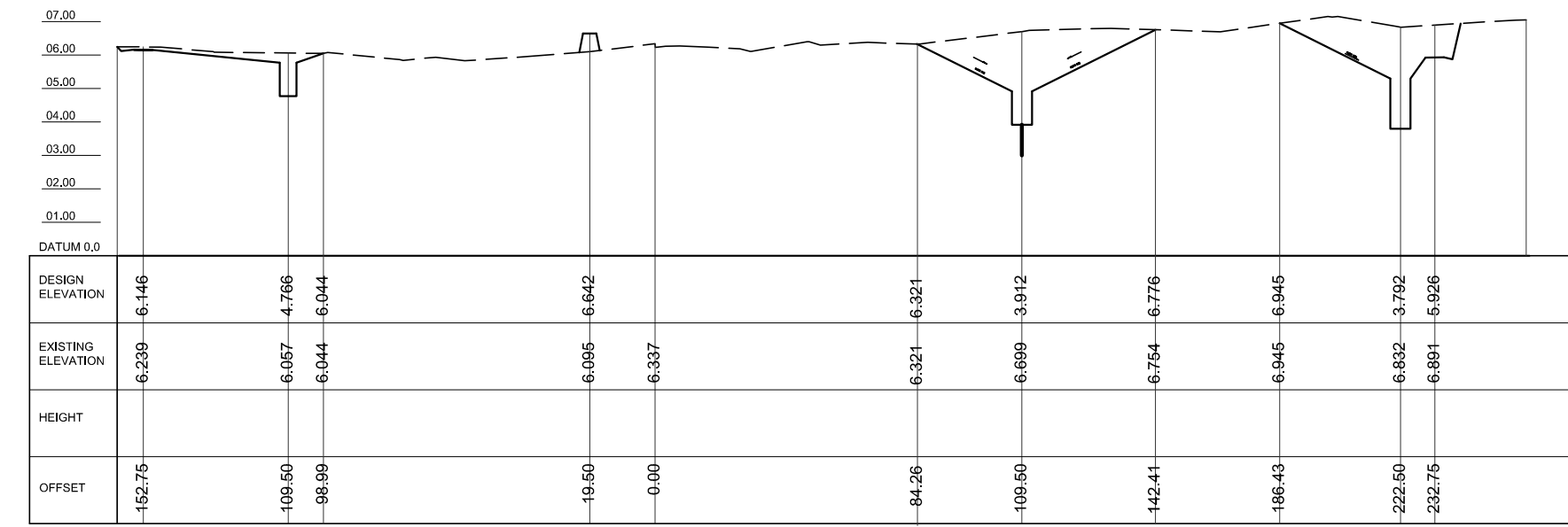
STA. 0-200 9



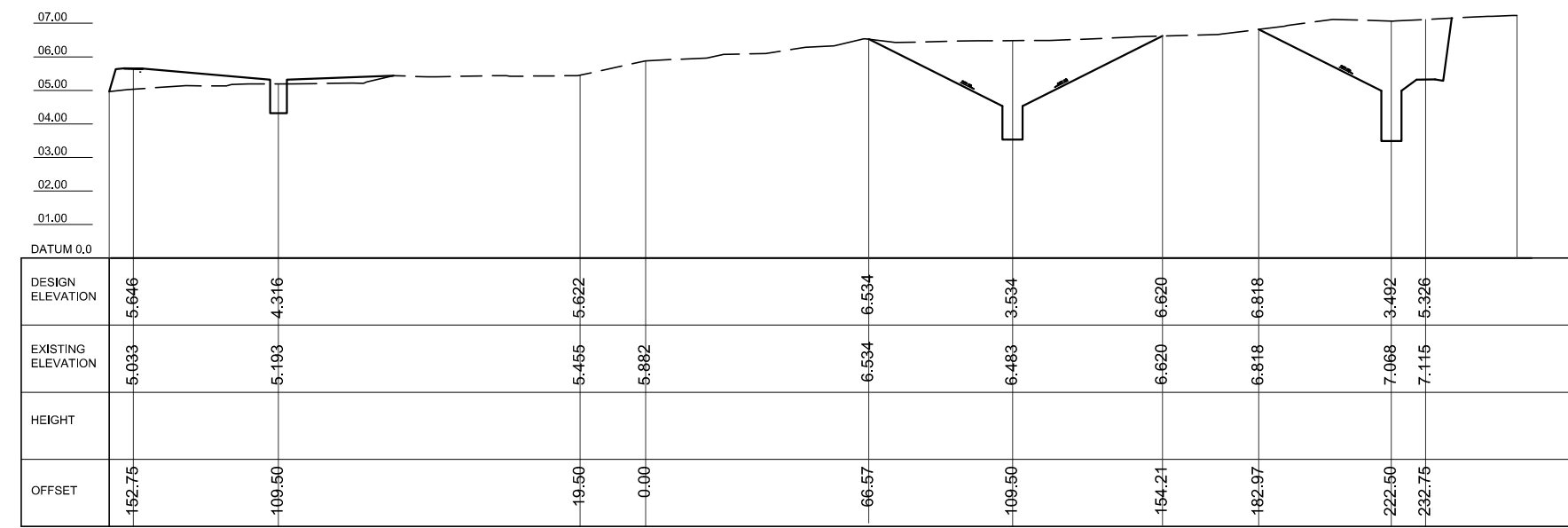
STA. 0+200 13



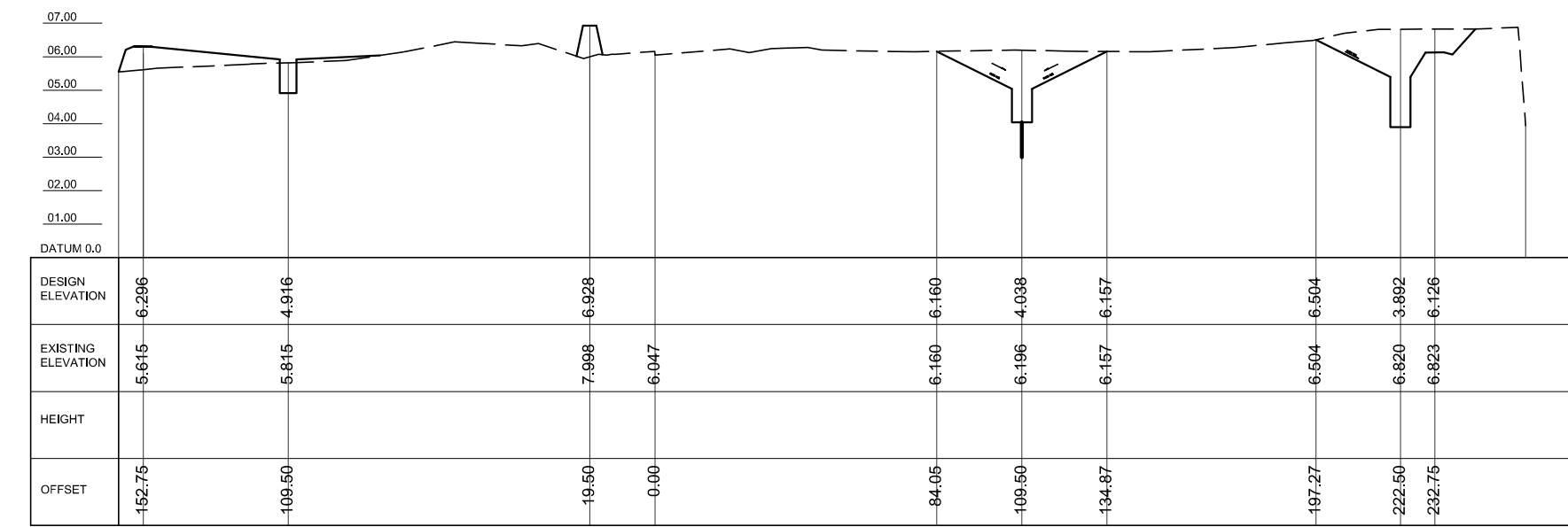
STA. 0-100 10



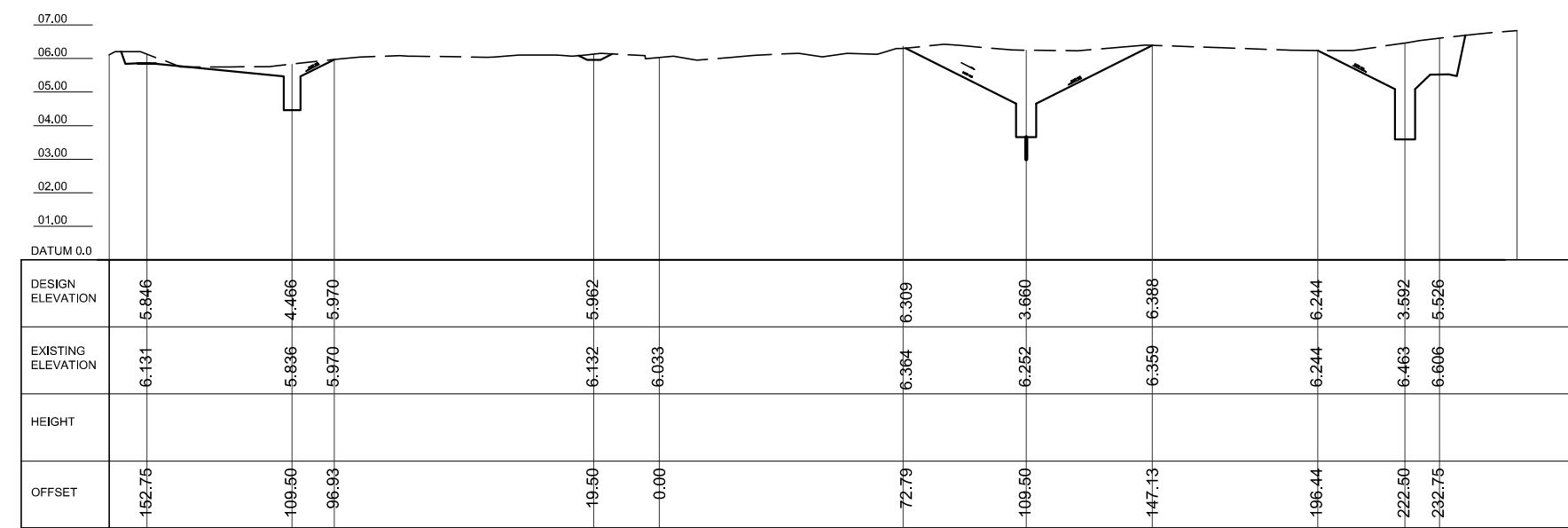
STA. 0+300 14



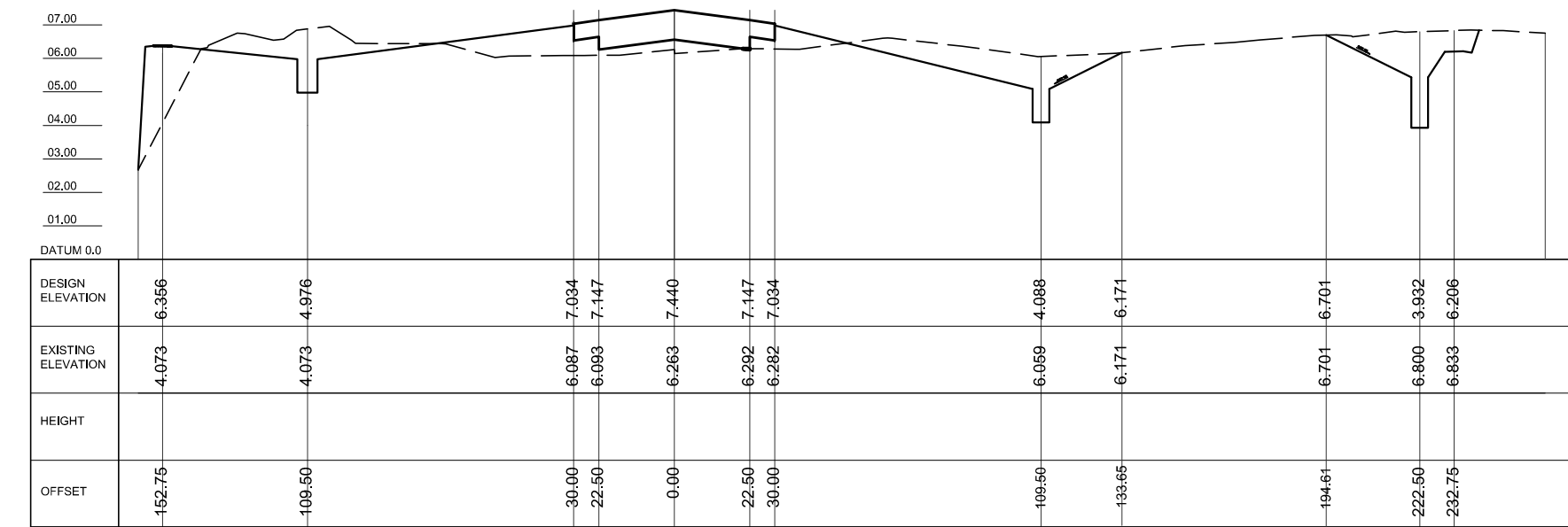
STA. 0+000 11



STA. 0+400 15



STA. 0+100 12

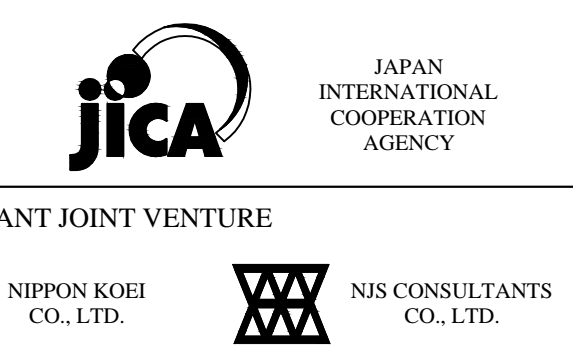
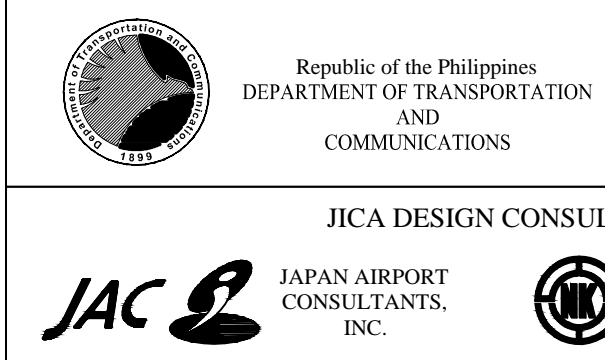


STA. 0+440 16

TYPICAL AIRSIDE CROSS SECTION (2)
SCALE: 1:1000

LEGEND:

 - - - - -



PREPARED BY:
ERACIO T. PATDU
 CIVIL ENGINEER
 TADASHI AOI
 Team Leader

RECOMMENDING APPROVAL:
ILDEFONSO T. PATDU, JR.
 Assistant Secretary
 for Project Implementation, DOTC

APPROVED:
JULIANITO G. BUCAYAN, JR.
 Undersecretary
 for Project Implementation, DOTC

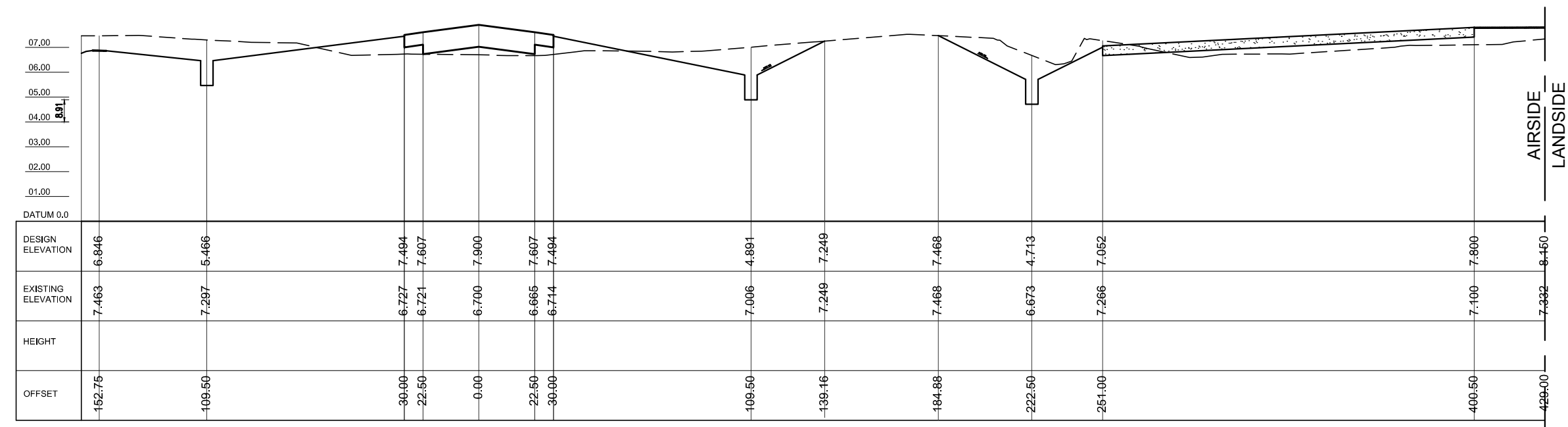
PROJECT TITLE:
NEW BOHOL AIRPORT CONSTRUCTION AND SUSTAINABLE ENVIRONMENT PROTECTION PROJECT
 LOCATION: MUNICIPALITY OF PANGLAO, PROVINCE OF BOHOL, PHILIPPINES

DATE	INDEX	AMENDMENTS	Prepared by	Checked by	Validated by
JUNE 2013					

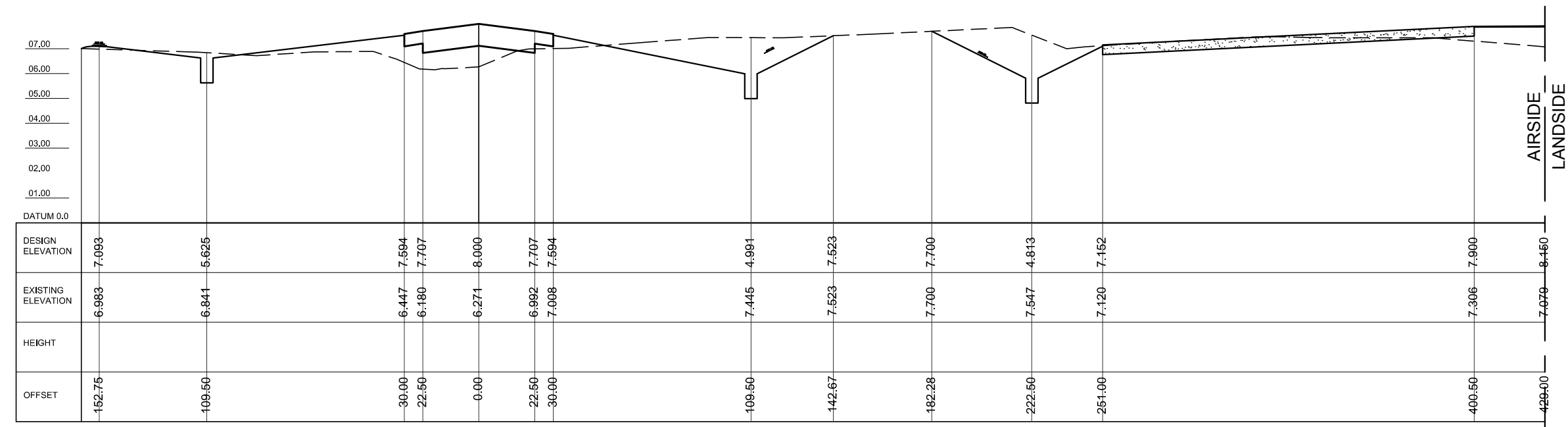
SHEET CONTENTS:
 COMPONENT-2 CIVIL WORKS (C)
 SUBCOMPONENT-2-2 AIRPORT INFRASTRUCTURE EARTH WORKS
 TYPICAL AIRSIDE CROSS SECTION (2)

SHEET NO:
C2-2100-15

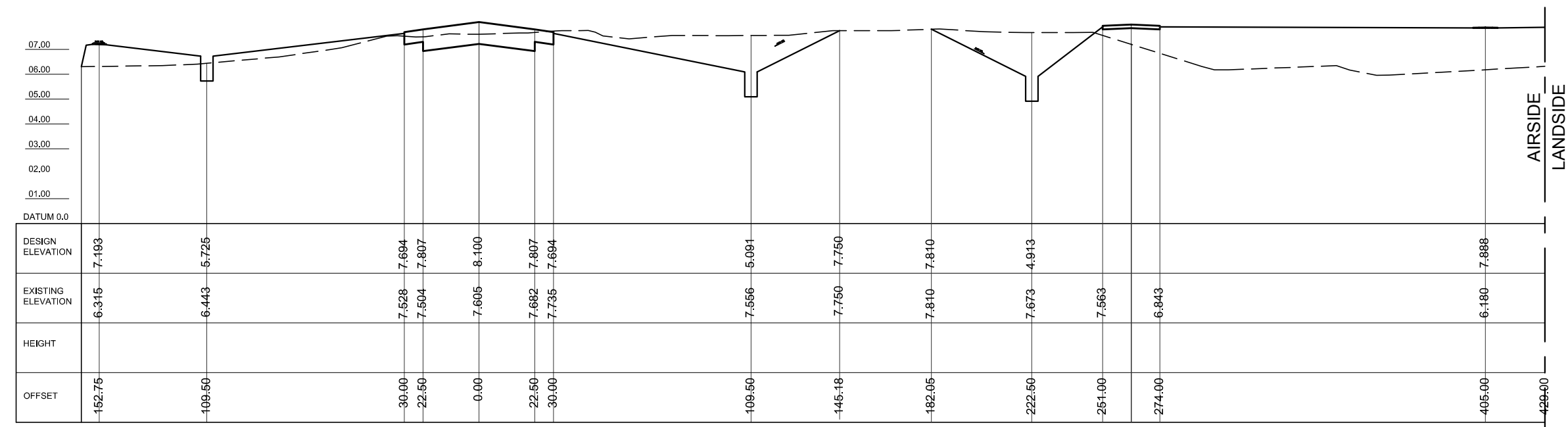
DRAWING SCALE:
 AS SHOWN



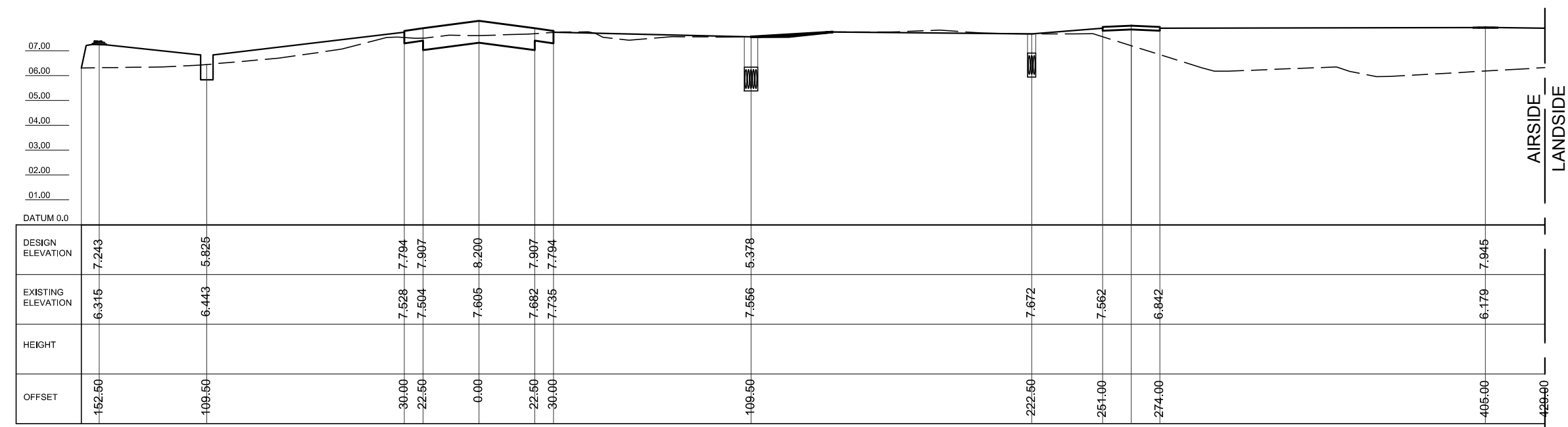
STA. 0+900 21



STA. 1+000 22



STA. 1+100 23



STA. 1+200 24

1 **TYPICAL AIRSIDE CROSS SECTION (4)** SCALE MTS

LEGEND:

—————

Republic of the Philippines
DEPARTMENT OF TRANSPORTATION
AND
COMMUNICATIONS

JICA
JAPAN
INTERNATIONAL
COOPERATION
AGENCY

JICA DESIGN CONSULTANT JOINT VENTURE

JAC JAPAN AIRPORT
CONSULTANTS,
INC.

NK NIPPON KOEI
CO., LTD.

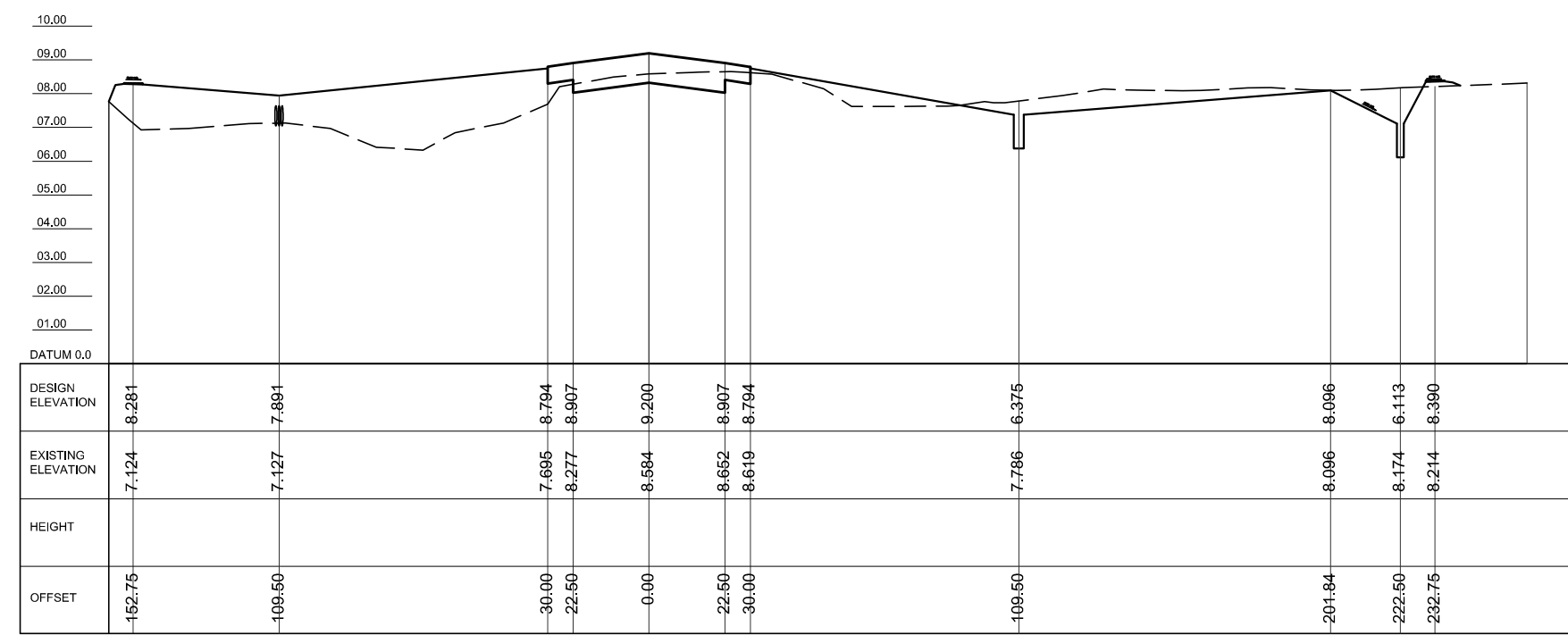
NIS NIS CONSULTANTS
CO., LTD.

PREPARED BY: ERACIO T. PATDU	RECOMMENDING APPROVAL: ILDEFONSO T. PATDU, JR. Assistant Secretary for Project Implementation, DOTC	APPROVED: JULIANITO G. BUCAYAN, JR. Undersecretary for Project Implementation, DOTC
PROF: CIVIL ENGINEER PIR. 3158241 RES. NO.: 34252 DATE: JULY 18, 2013 TEAM: 199-699-561 PLACE: CAGAYAN DE ORO CITY		
TADASHI AOI Team Leader		

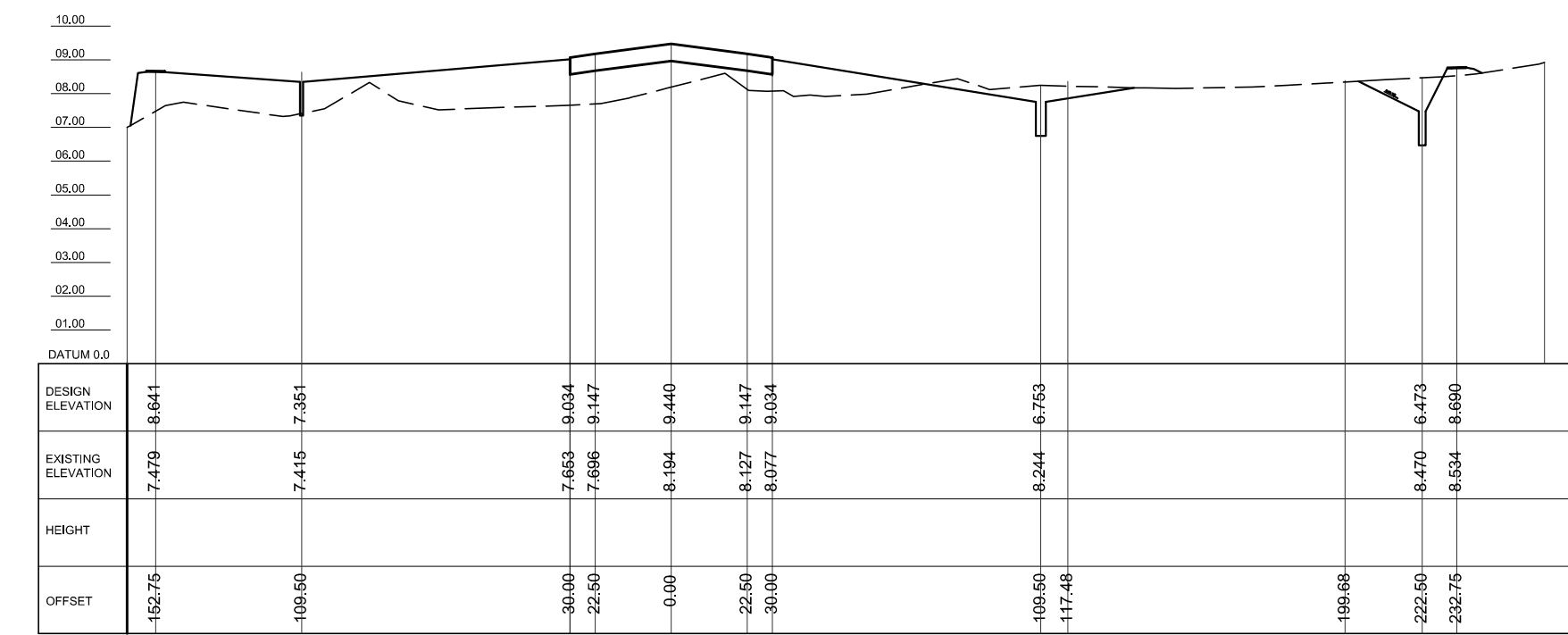
PROJECT TITLE: NEW BOHOL AIRPORT CONSTRUCTION AND SUSTAINABLE ENVIRONMENT PROTECTION PROJECT	LOCATION: MUNICIPALITY OF PANGLAO, PROVINCE OF BOHOL, PHILIPPINES
--	---

DATE	INDEX	AMENDMENTS	Prepared by	Checked by	Validated by

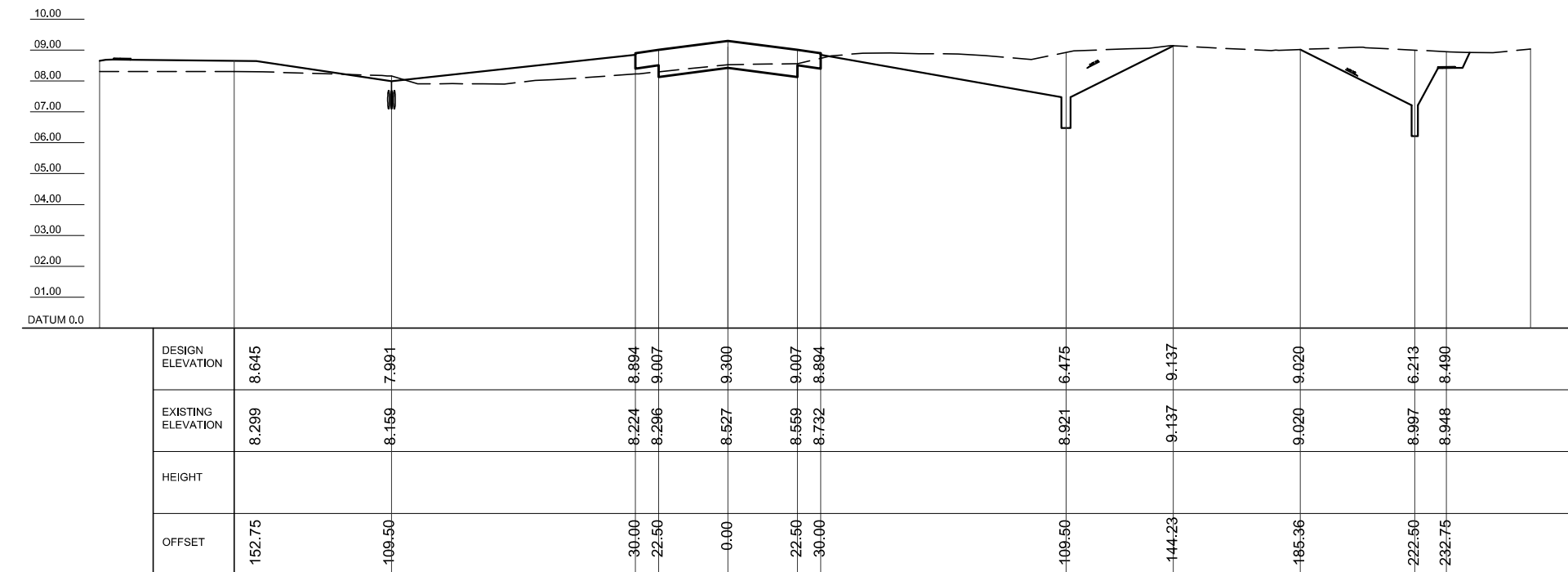
SHEET CONTENTS: COMPONENT-2 CIVIL WORKS (C) SUBCOMPONENT-2-2 AIRPORT INFRASTRUCTURE EARTH WORKS	SHEET NO: C2-2100-17
TYPICAL AIRSIDE CROSS SECTION (4)	DRAWING SCALE: AS SHOWN



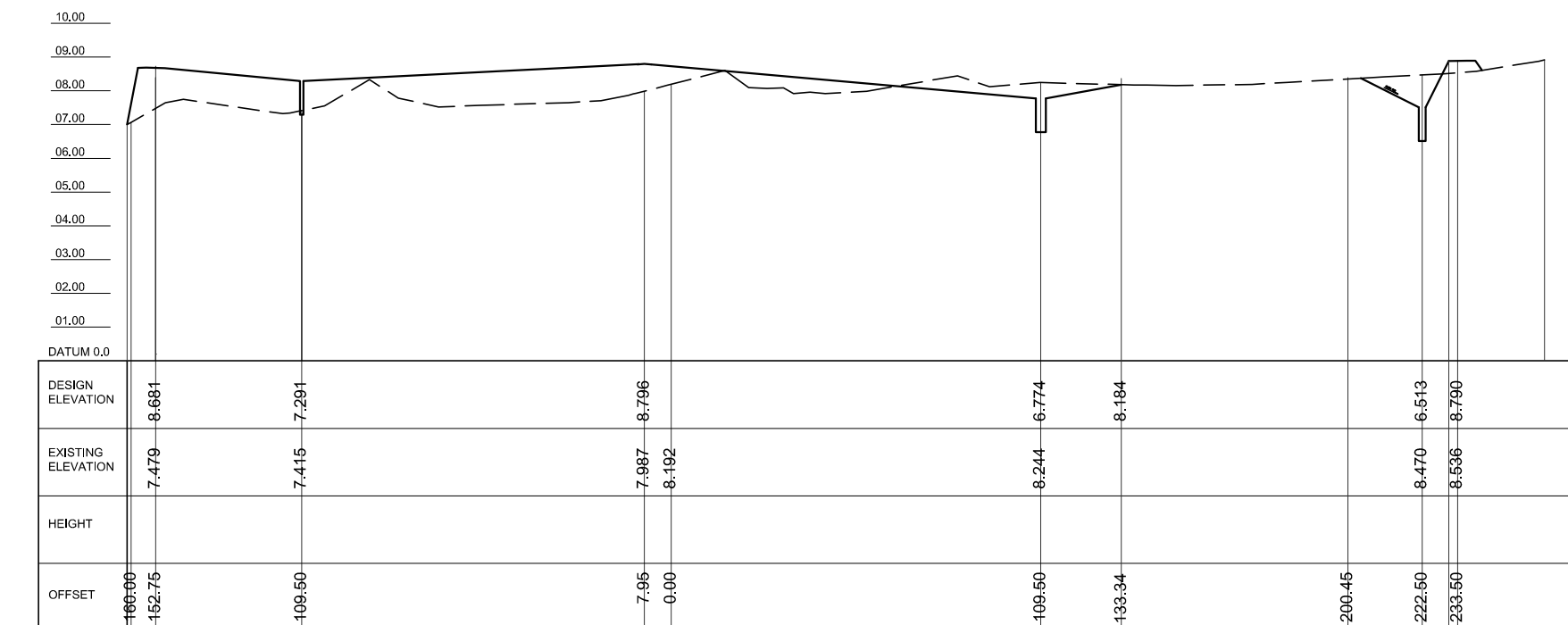
STA. 2+200 34



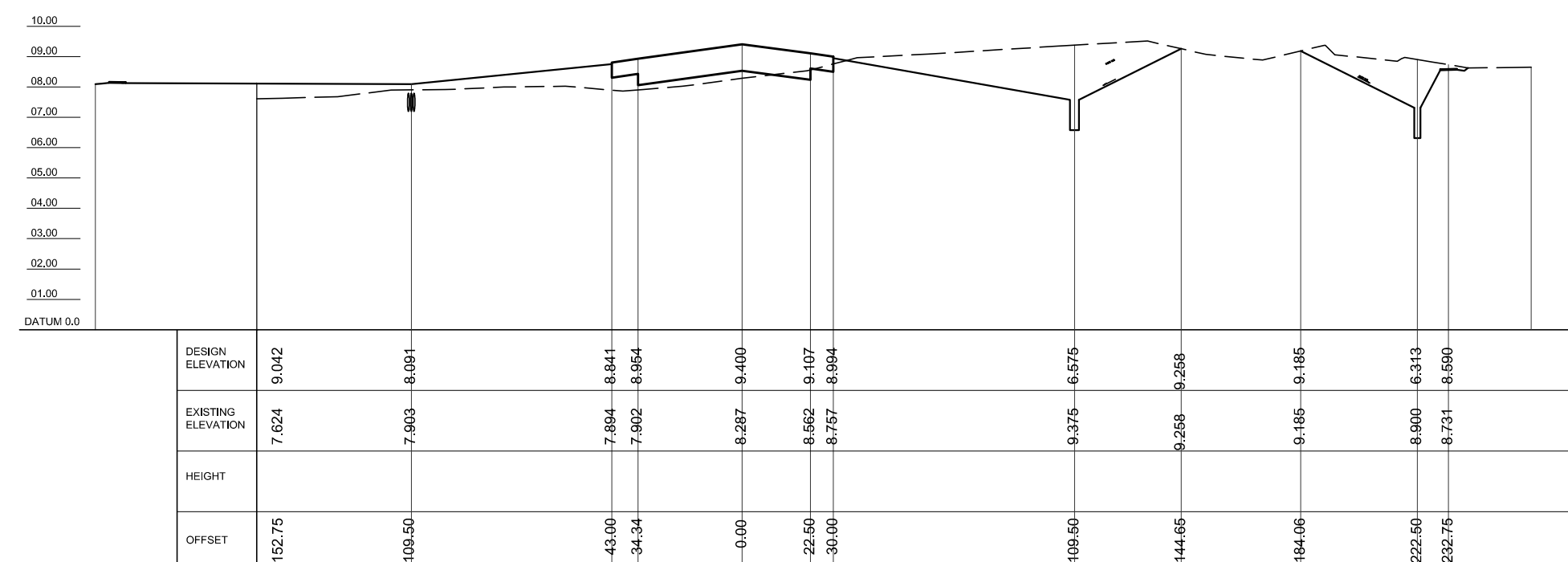
STA. 2+560 38



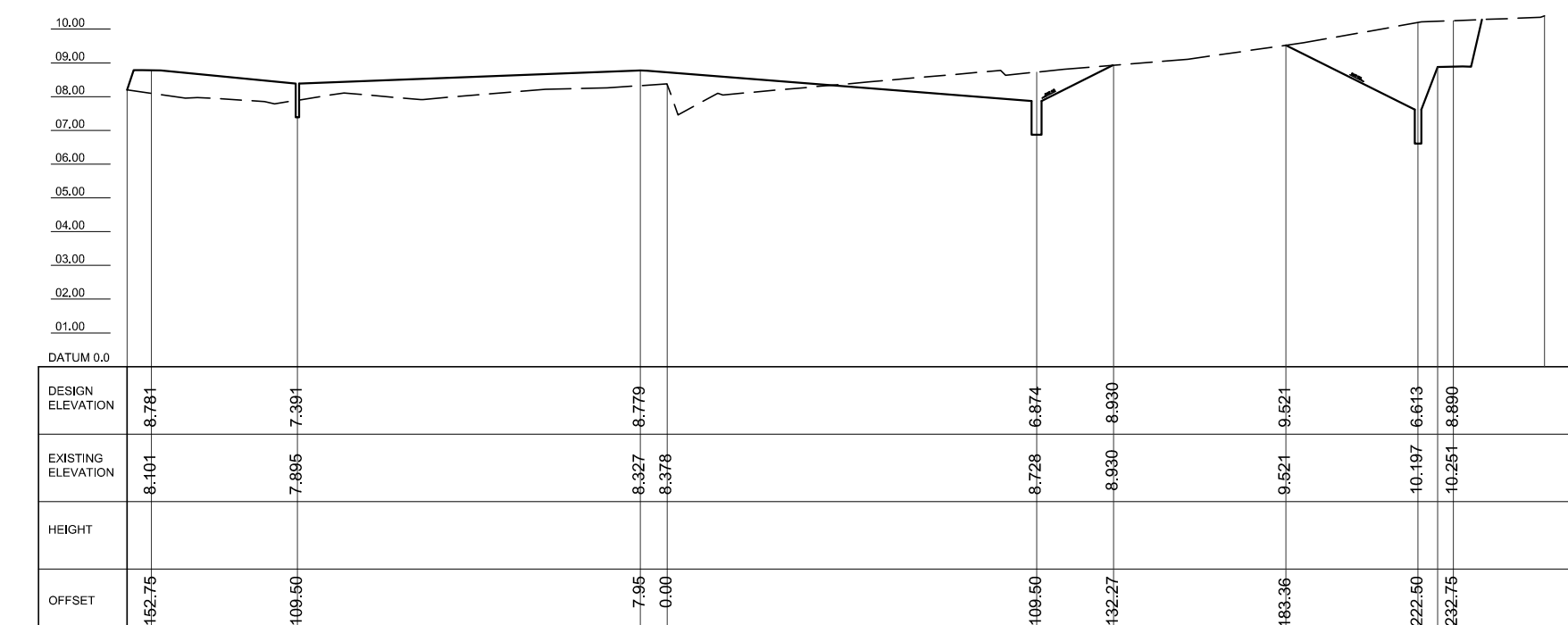
STA. 2+300 35



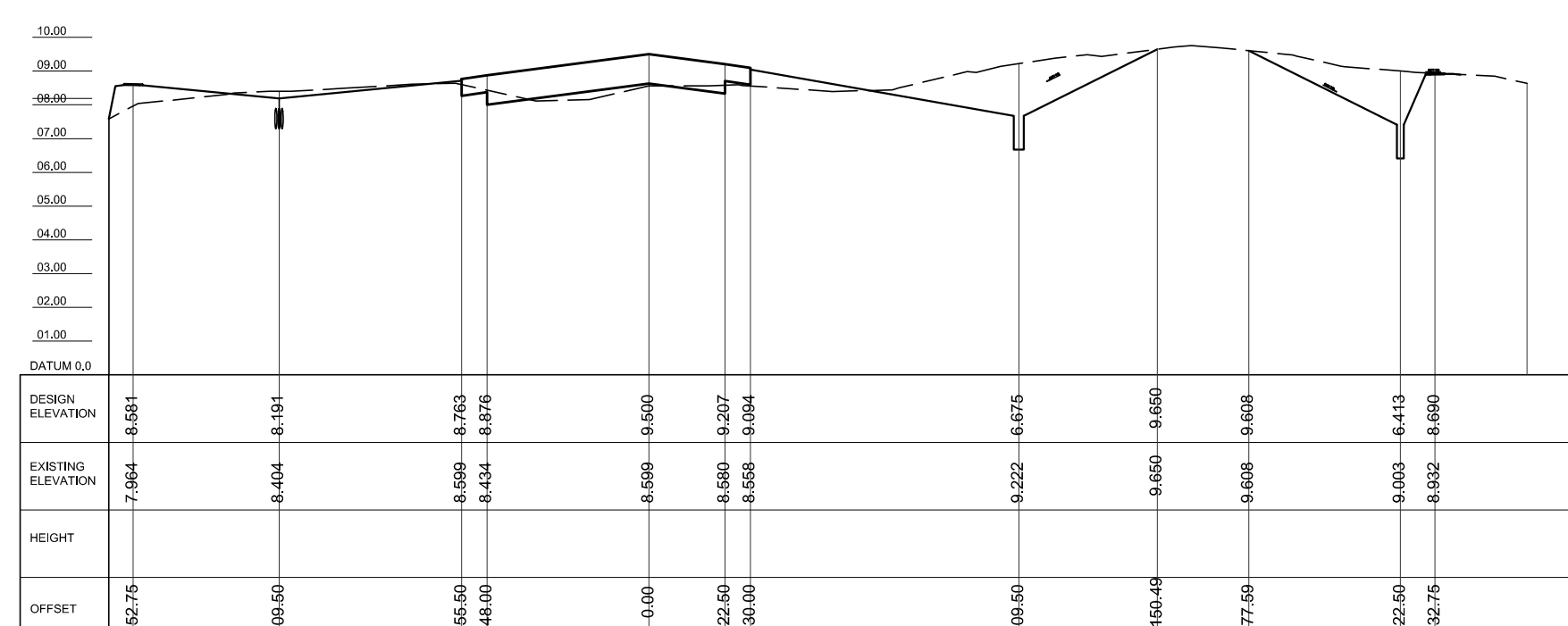
STA. 2+600 39



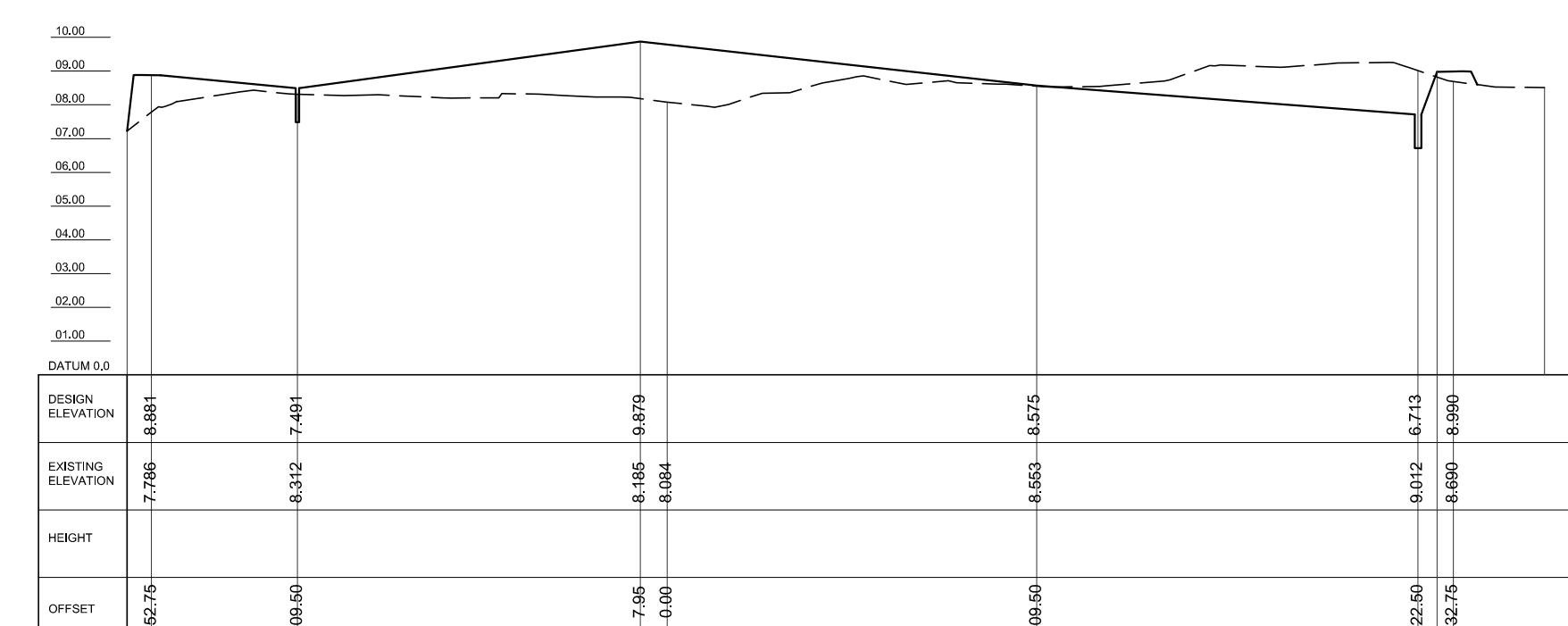
STA. 2+400 36



STA. 2+700 40



STA. 2+500 37



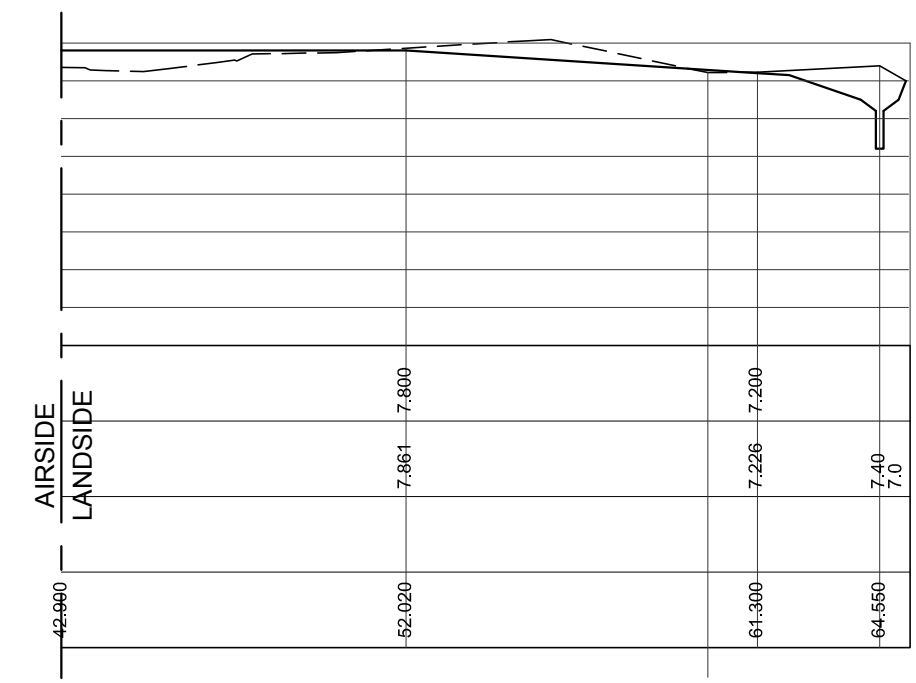
STA. 2+800 41

1 TYPICAL AIRSIDE CROSS SECTION (6) SCALE MTS

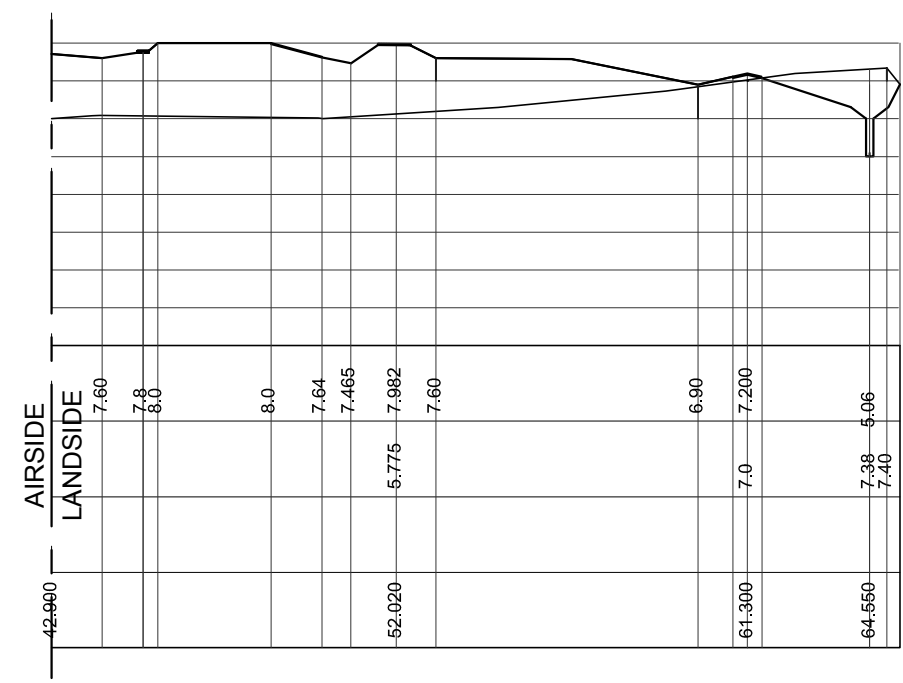
LEGEND:

 - - - - -

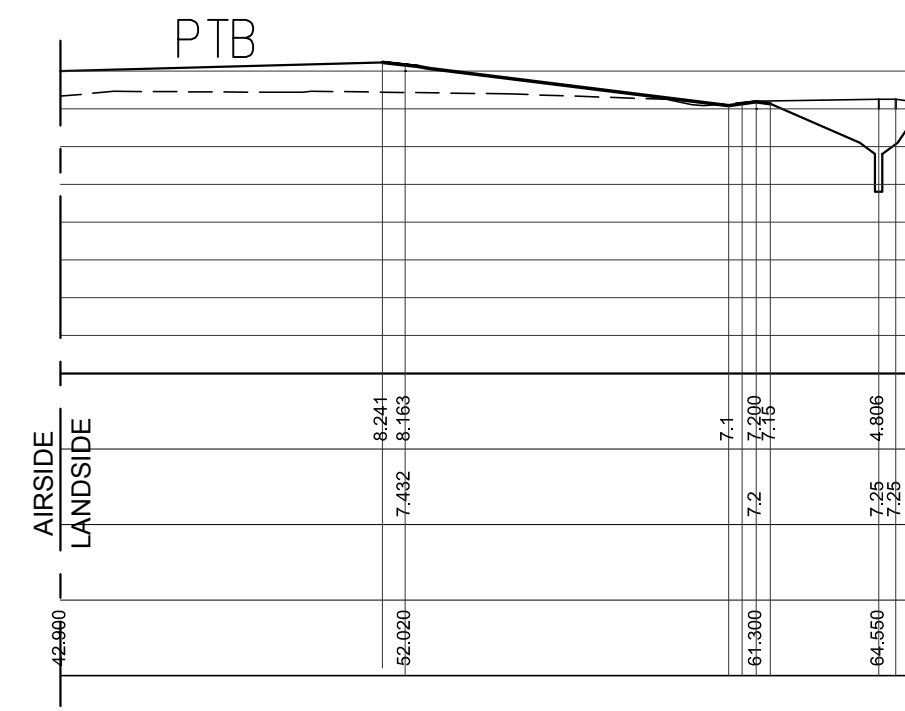
	PREPARED BY: ERACIO T. PATDU <small>PROF. CIVIL ENGINEER PIR. 3158241 REG. NO.: 34252 DATE: JULY 18, 2013 TEL. 199-699-561 PLACE: CAGAYAN DE ORO CITY</small>	RECOMMENDING APPROVAL: ILDEFONSO T. PATDU, JR. <small>Assistant Secretary for Project Implementation, DOTC</small>	APPROVED: JULIANITO G. BUCAYAN, JR. <small>Undersecretary for Project Implementation, DOTC</small>	PROJECT TITLE: NEW BOHOL AIRPORT CONSTRUCTION AND SUSTAINABLE ENVIRONMENT PROTECTION PROJECT	LOCATION: MUNICIPALITY OF PANGLAO, PROVINCE OF BOHOL, PHILIPPINES	SHEET CONTENTS: COMPONENT-2 CIVIL WORKS (C) SUBCOMPONENT-2-2 AIRPORT INFRASTRUCTURE EARTH WORKS TYPICAL AIRSIDE CROSS SECTION (6)	SHEET NO: C2-2100-19
	JICA DESIGN CONSULTANT JOINT VENTURE	TADASHI AOI <small>Team Leader</small>	ILDEFONSO T. PATDU, JR. <small>Assistant Secretary for Project Implementation, DOTC</small>	JULIANITO G. BUCAYAN, JR. <small>Undersecretary for Project Implementation, DOTC</small>	DATE: JUNE 2013 INDEX: _____ AMENDMENTS: _____ Prepared by: _____ Checked by: _____ Validated by: _____	WIM HC	DRAWING SCALE: AS SHOWN



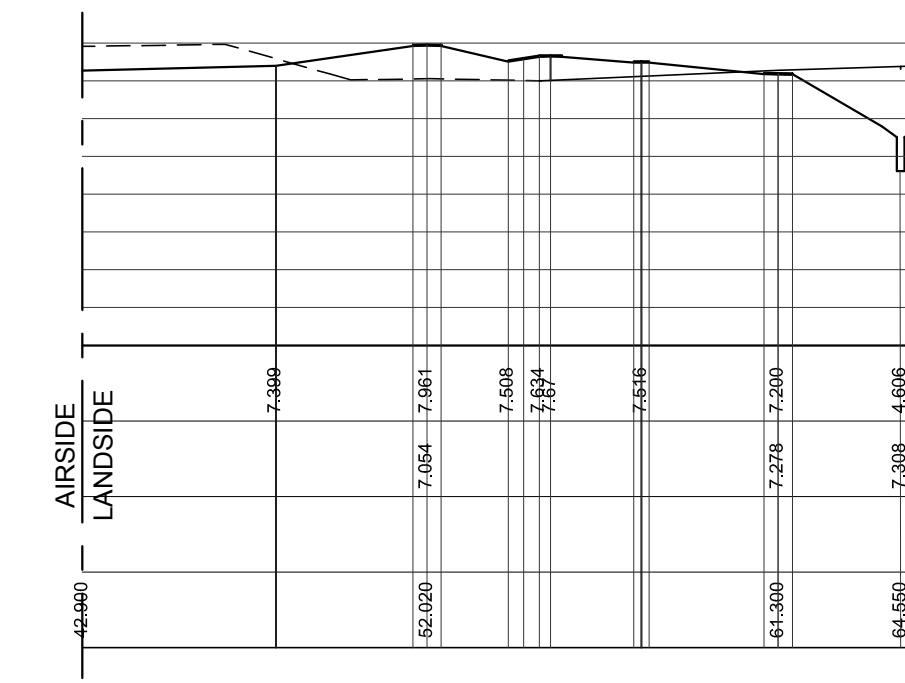
STA. 1+300 25



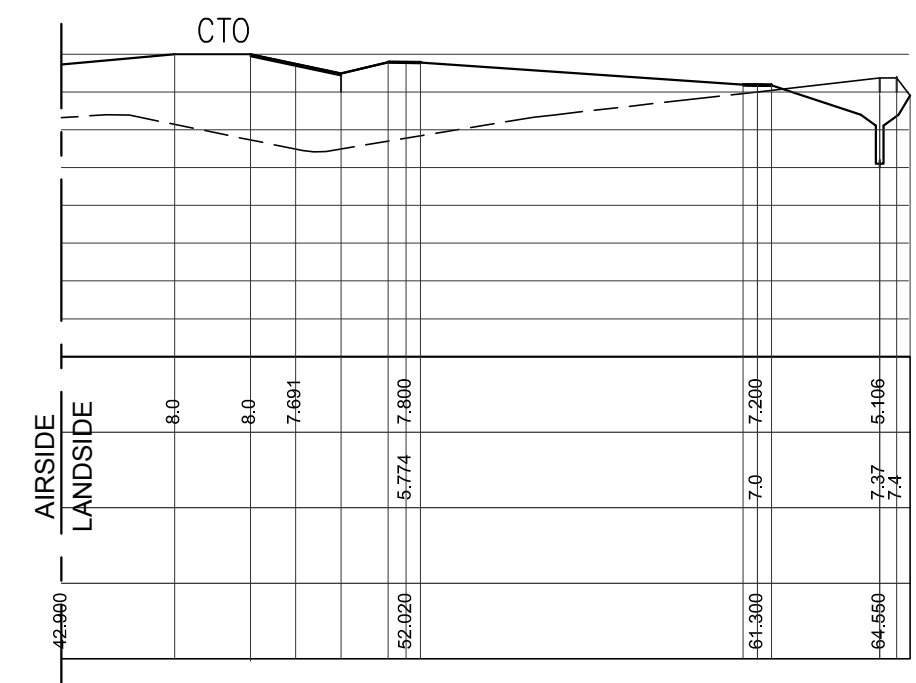
STA. 1+100 23



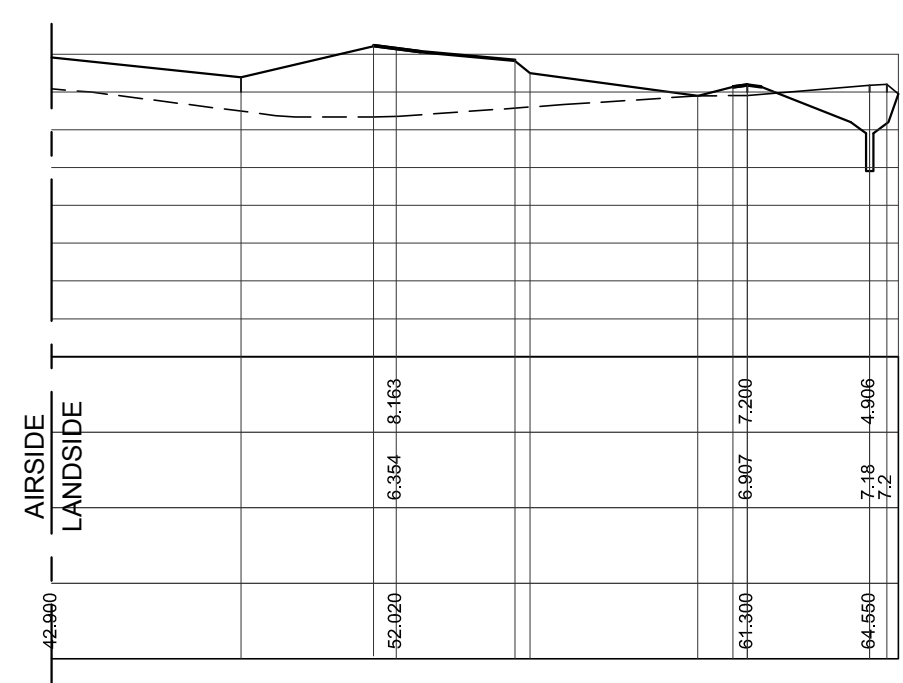
STA. 0+900 21



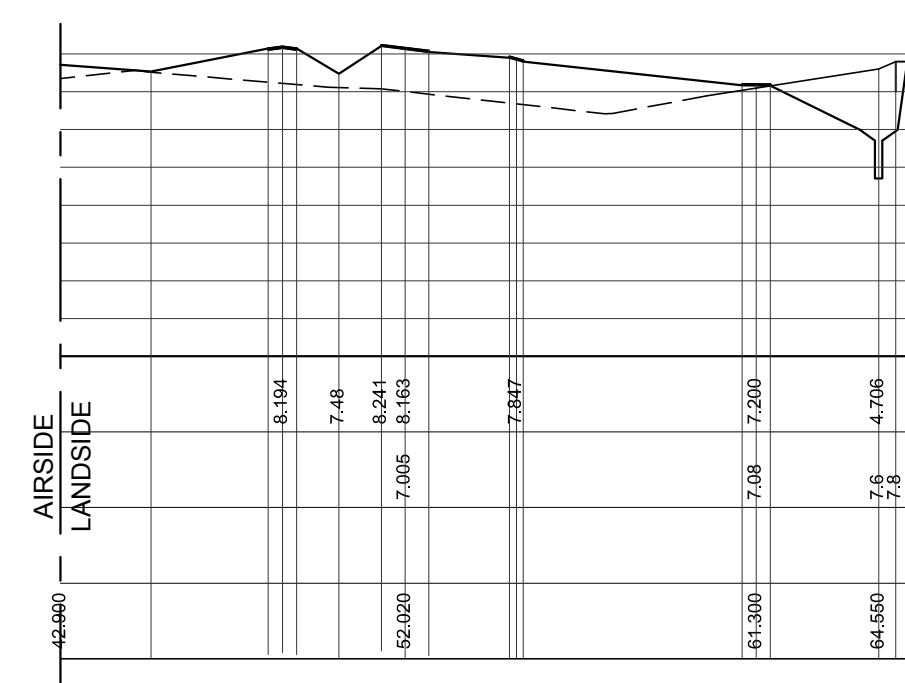
STA. 0+700 19



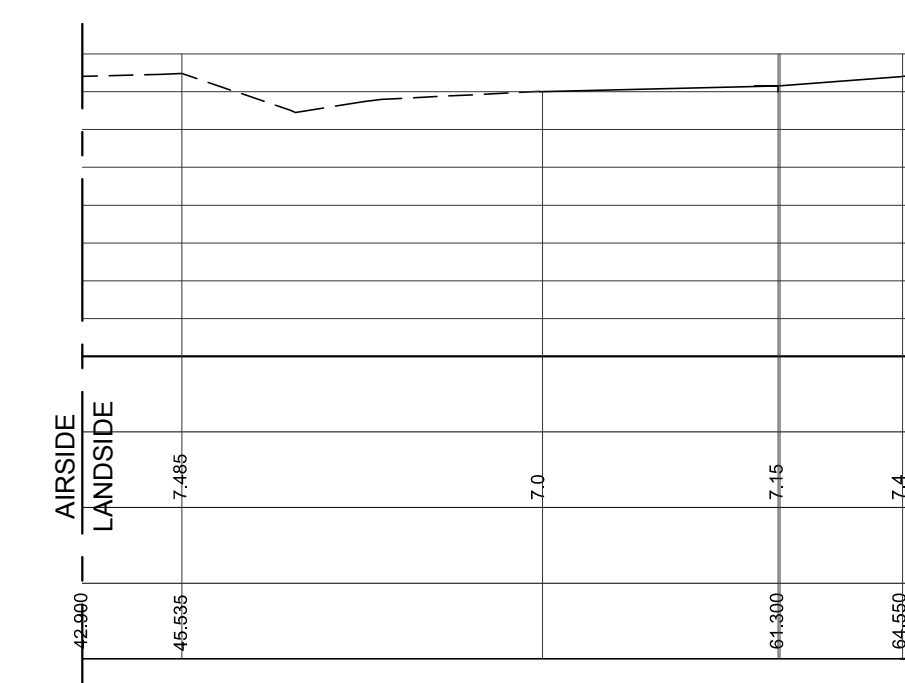
STA. 1+200 24



STA. 1+000 22



STA. 0+800 20

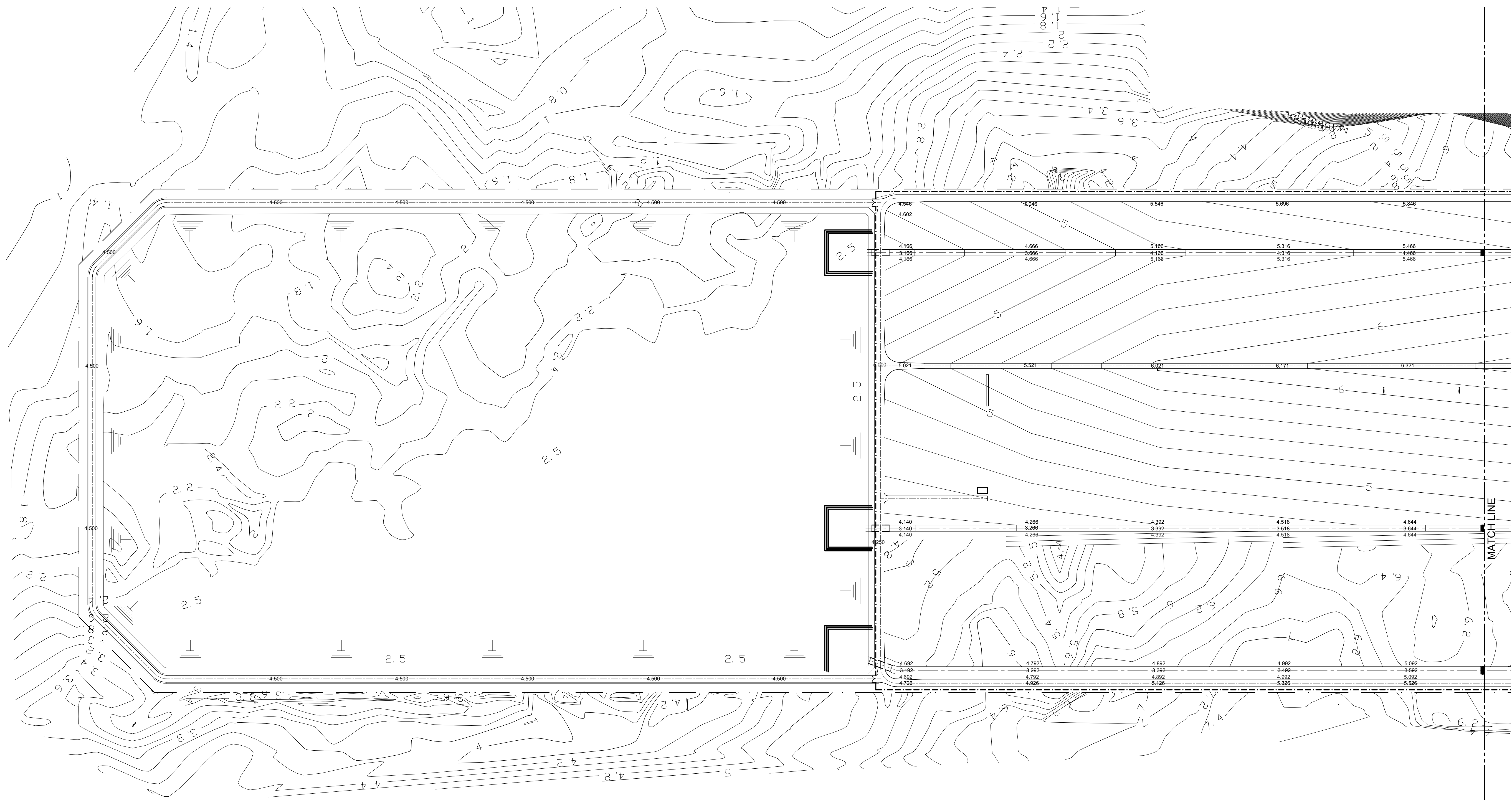


STA. 0+600 18

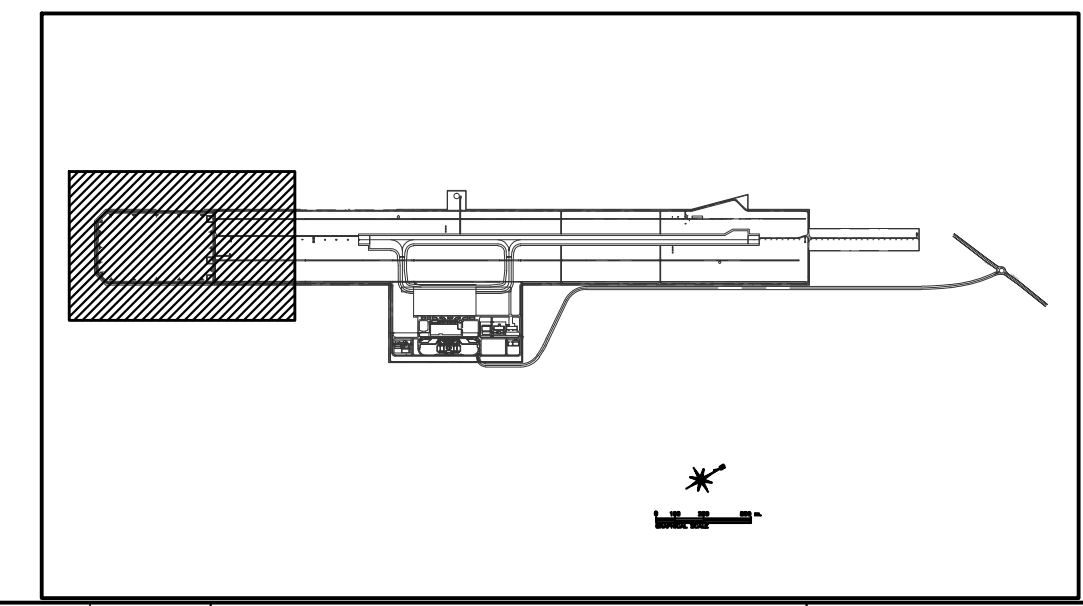
1 TYPICAL LANDSIDE CROSS SECTIONS
SCALE MTS

LEGEND:
———
- - - - -

	PREPARED BY: ERACIO T. PATDU <small>PROF. CIVIL ENGINEER PIR. 3158241</small> <small>RES. NO.: 34252 DATE: JULY 18, 2013</small> <small>T.E.N. 199-699-561 PLACE: CAGAYAN DE ORO CITY</small>	RECOMMENDING APPROVAL: ILDEFONSO T. PATDU, JR. <small>Assistant Secretary for Project Implementation, DOTC</small>	APPROVED: JULIANITO G. BUCAYAN, JR. <small>Undersecretary for Project Implementation, DOTC</small>	PROJECT TITLE: NEW BOHOL AIRPORT CONSTRUCTION AND SUSTAINABLE ENVIRONMENT PROTECTION PROJECT LOCATION: MUNICIPALITY OF PANGLAO, PROVINCE OF BOHOL, PHILIPPINES	SHEET CONTENTS: COMPONENT-2 CIVIL WORKS (C) SUBCOMPONENT-2-2 AIRPORT INFRASTRUCTURE EARTH WORKS CROSS SECTIONS (7)	SHEET NO: C2-2100-20 DRAWING SCALE: AS SHOWN
	JICA DESIGN CONSULTANT JOINT VENTURE <small>Republic of the Philippines DEPARTMENT OF TRANSPORTATION AND COMMUNICATIONS</small> <small>JAPAN INTERNATIONAL COOPERATION AGENCY</small>	TADASHI AOI <small>Team Leader</small>	JUN 2013 DATE INDEX AMENDMENTS Prepared by WIM Checked by HC Validated by			

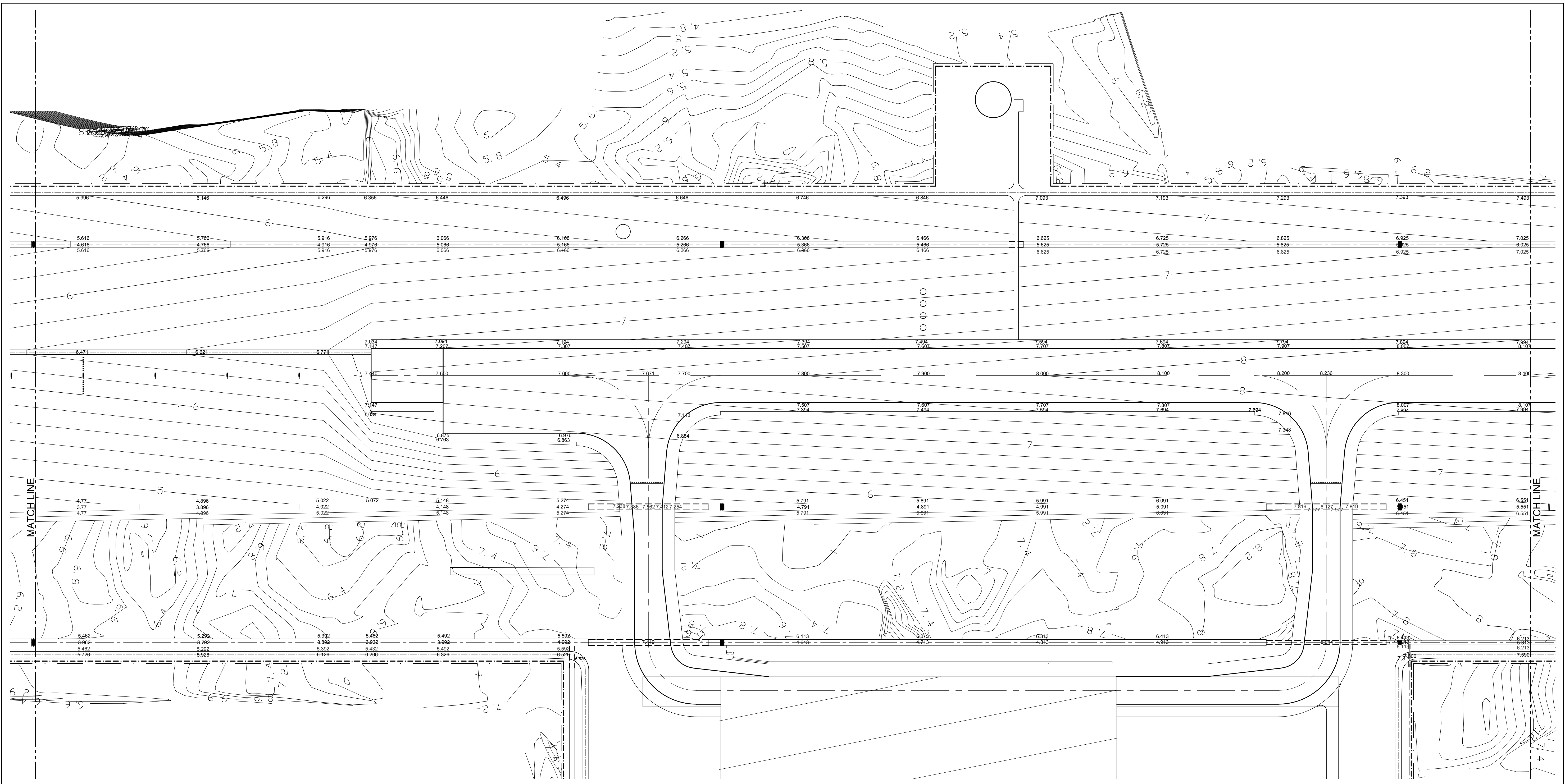


KEY PLAN

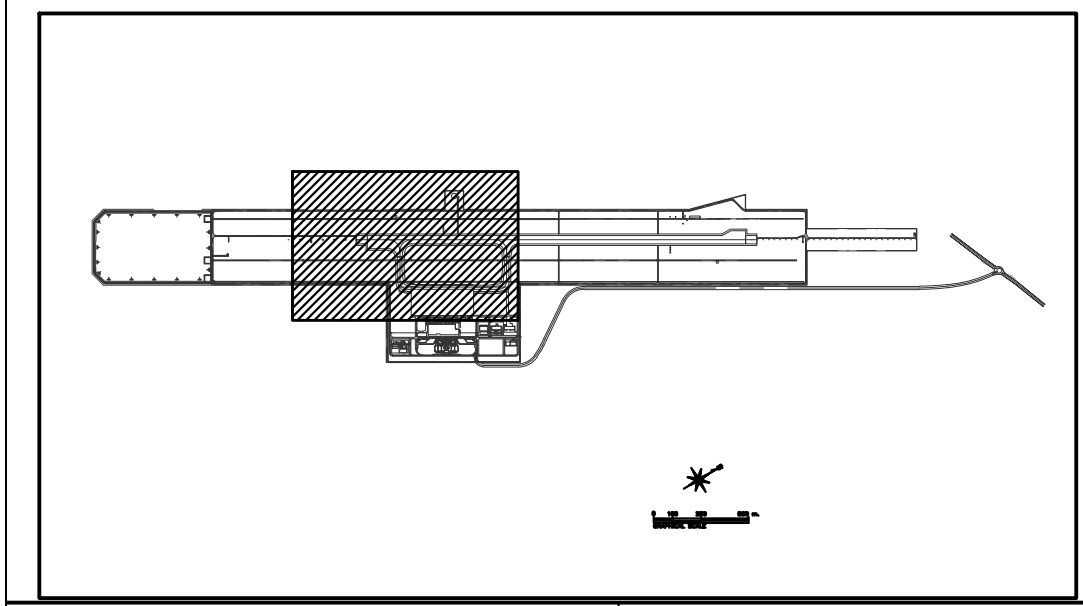


1 AIRSIDE GRADING PLAN (1)
 SCALE 1 : 1500 m.

	PREPARED BY: ERACIO T. PATDU <small>PROF. CIVIL ENGINEER PIR. 3158241</small> <small>RES. NO.: 34252 DATE: JULY 18, 2013</small> <small>T.E.N. 199-699-561 PLACE: CAGAYAN DE ORO CITY</small>	RECOMMENDING APPROVAL: JILDEFONSO T. PATDU, JR. <small>Assistant Secretary for Project Implementation, DOTC</small>	APPROVED: JULIANITO G. BUCAYAN, JR. <small>Undersecretary for Project Implementation, DOTC</small>	PROJECT TITLE: NEW BOHOL AIRPORT CONSTRUCTION AND SUSTAINABLE ENVIRONMENT PROTECTION PROJECT	LOCATION: MUNICIPALITY OF PANGLAO, PROVINCE OF BOHOL, PHILIPPINES	SHEET CONTENTS: COMPONENT-2 CIVIL WORKS (C) SUBCOMPONENT-2-2 AIRPORT INFRASTRUCTURE EARTH WORKS AIRSIDE GRADING PLAN (1)	SHEET NO: C2-2100-21
	JICA DESIGN CONSULTANT JOINT VENTURE	TADASHI AOI <small>Team Leader</small>	JILDEFONSO T. PATDU, JR. <small>Assistant Secretary for Project Implementation, DOTC</small>	JULIANITO G. BUCAYAN, JR. <small>Undersecretary for Project Implementation, DOTC</small>	DATE: JUNE 2013 INDEX: _____ AMENDMENTS: _____ Prepared by: WIM Checked by: HC Validated by: _____	DRAWING SCALE: AS SHOWN	

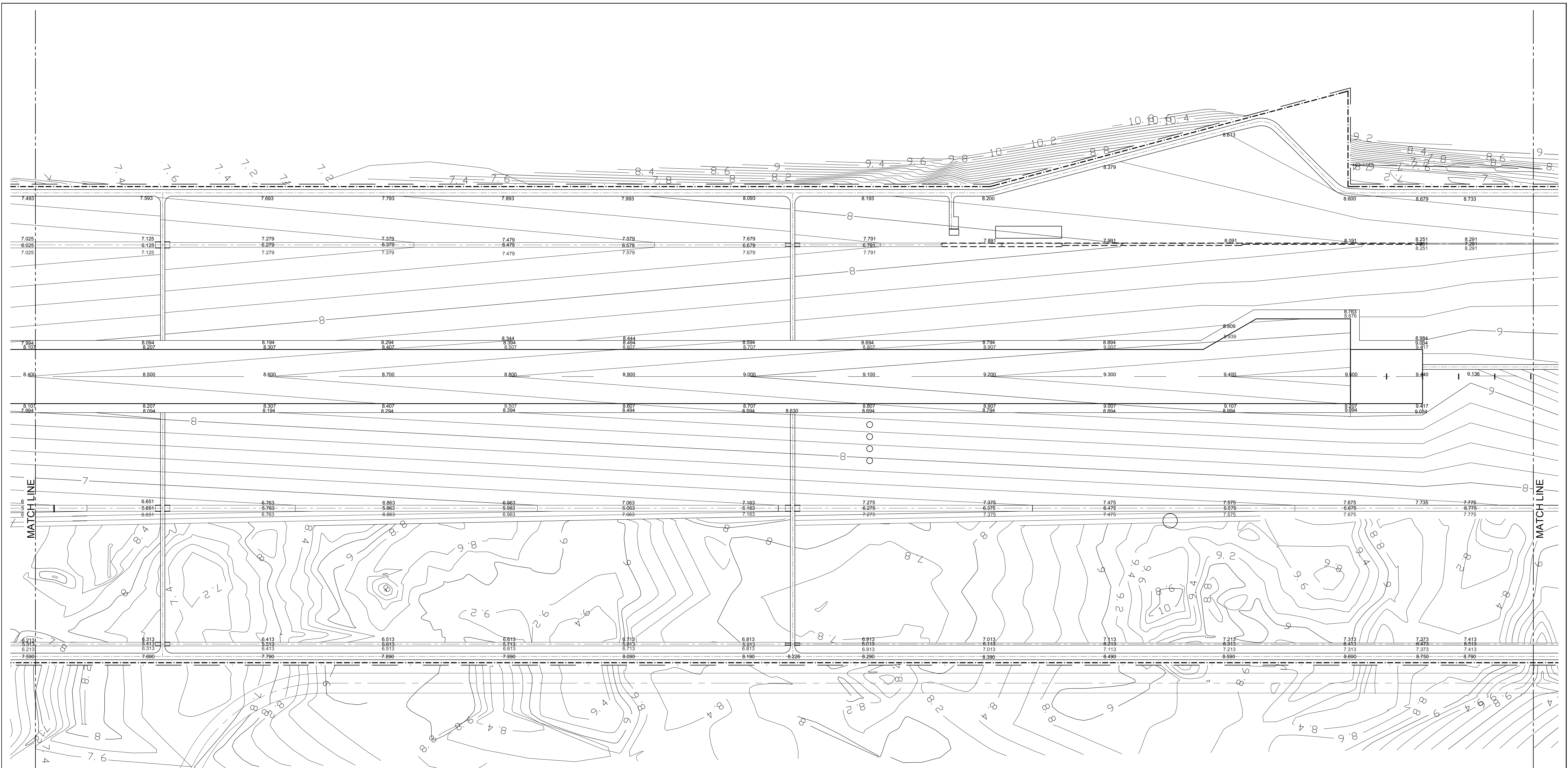


KEY PLAN

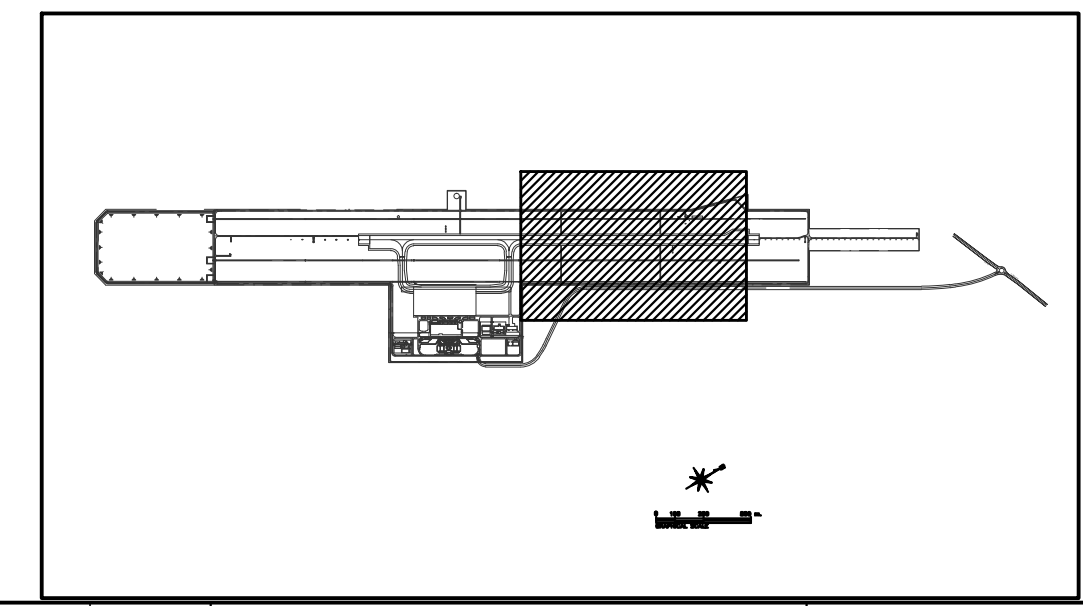


1 AIRSIDE GRADING PLAN (2)
SCALE 1:1500 m.

	PREPARED BY: ERACIO T. PATDU <small>PROF. CIVIL ENGINEER PIR. 3158241</small> <small>RES. NO. 34252 DATE: JULY 18, 2013</small> <small>T.I.N. 199-699-561 PLACE: CAGAYAN DE ORO CITY</small>	RECOMMENDING APPROVAL: ILDEFONSO T. PATDU, JR. <small>Assistant Secretary for Project Implementation, DOTC</small>	APPROVED: JULIANITO G. BUCAYAN, JR. <small>Undersecretary for Project Implementation, DOTC</small>	PROJECT TITLE: NEW BOHOL AIRPORT CONSTRUCTION AND SUSTAINABLE ENVIRONMENT PROTECTION PROJECT	LOCATION: MUNICIPALITY OF PANGLAO, PROVINCE OF BOHOL, PHILIPPINES	SHEET CONTENTS: COMPONENT-2 CIVIL WORKS (C) SUBCOMPONENT-2-2 AIRPORT INFRASTRUCTURE EARTH WORKS AIRSIDE GRADING PLAN (2)	SHEET NO: C2-2100-22
	JICA DESIGN CONSULTANT JOINT VENTURE	TADASHI AOI <small>Team Leader</small>	JULIANITO G. BUCAYAN, JR. <small>Undersecretary for Project Implementation, DOTC</small>	DATE: JUNE 2013 INDEX: [] AMENDMENTS: []	Prepared by: WIM Checked by: HC Validated by:	DRAWING SCALE: AS SHOWN	

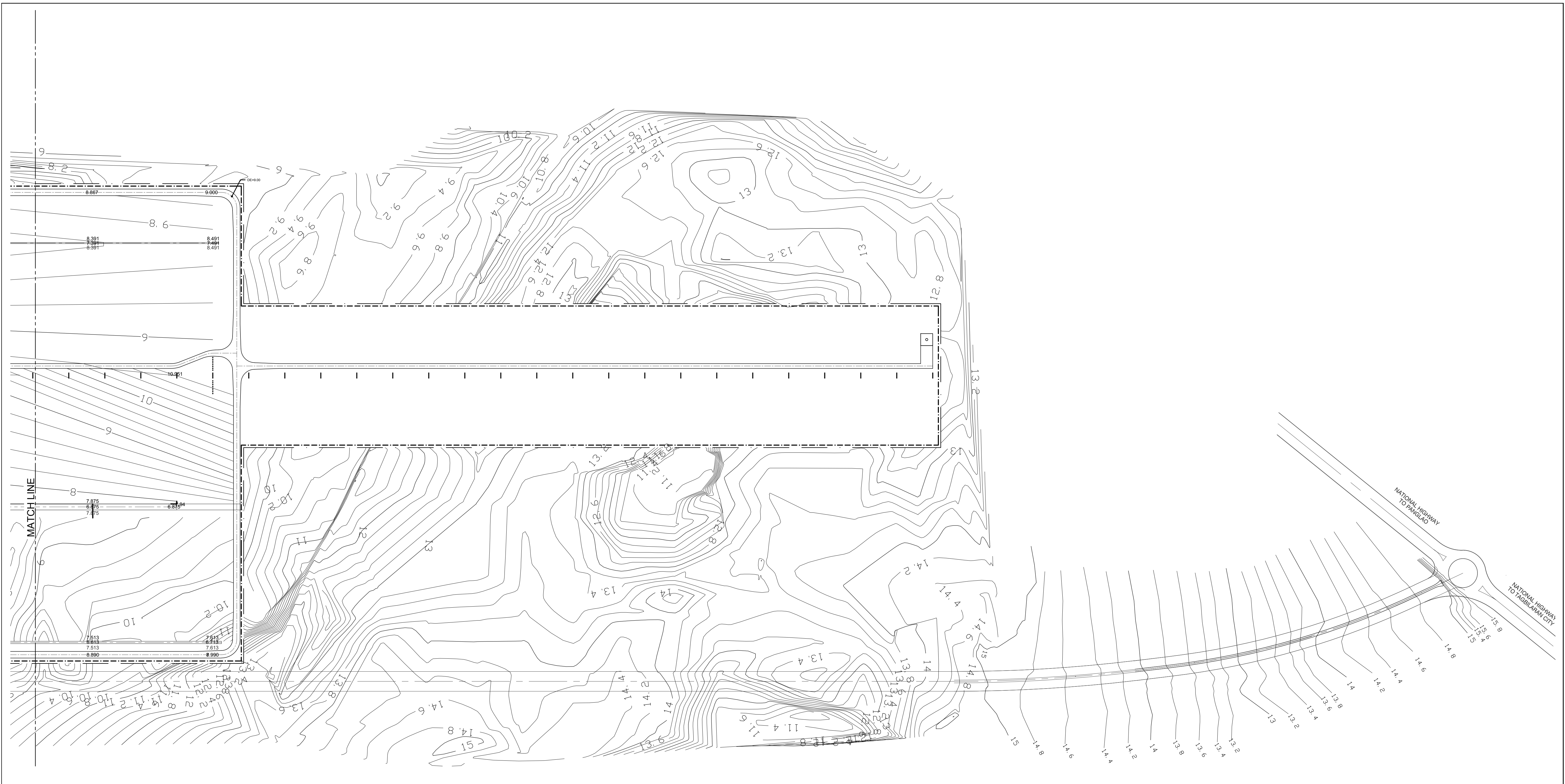


KEY PLAN

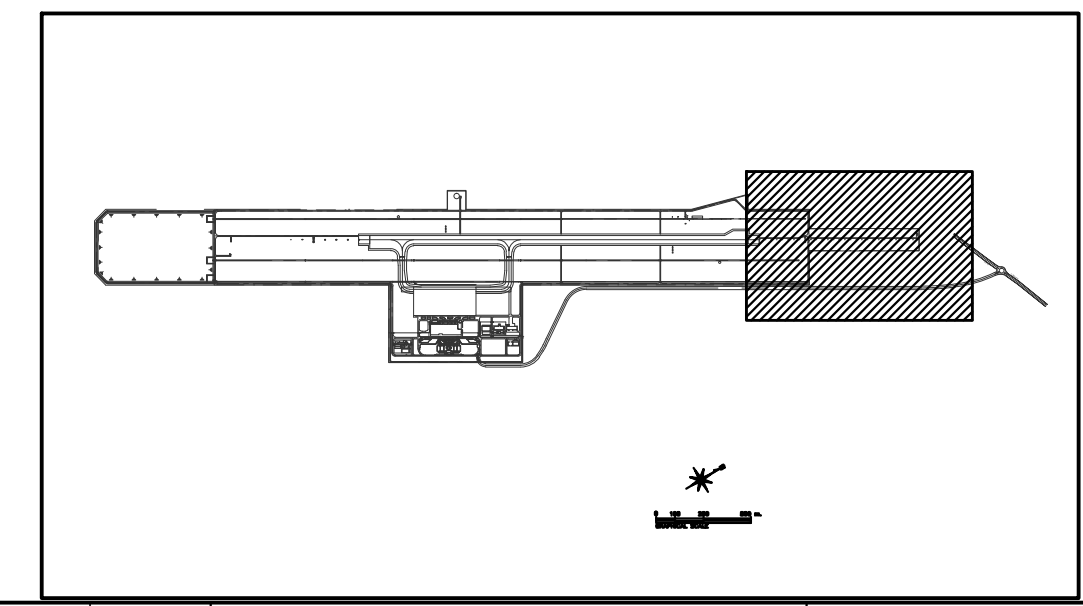


1 AIRSIDE GRADING PLAN (3)
 C2-2100-23 SCALE 1 : 1500 m.

	PREPARED BY: ERACIO T. PATDU <small>PROF. CIVIL ENGINEER PIR. 3158241 RES. NO.: 34252 DATE: JULY 18, 2013 TEL. 199-699-5611 PLACE: CAGAYAN DE ORO CITY</small>	RECOMMENDING APPROVAL: JILDEFONSO T. PATDU, JR. <small>Assistant Secretary for Project Implementation, DOTC</small>	APPROVED: JULIANITO G. BUCAYAN, JR. <small>Undersecretary for Project Implementation, DOTC</small>	PROJECT TITLE: NEW BOHOL AIRPORT CONSTRUCTION AND SUSTAINABLE ENVIRONMENT PROTECTION PROJECT	LOCATION: MUNICIPALITY OF PANGLAO, PROVINCE OF BOHOL, PHILIPPINES	SHEET CONTENTS: COMPONENT-2 CIVIL WORKS (C) SUBCOMPONENT-2-2 AIRPORT INFRASTRUCTURE EARTH WORKS AIRSIDE GRADING PLAN (3)	SHEET NO: C2-2100-23
	JICA DESIGN CONSULTANT JOINT VENTURE	TADASHI AOI <small>Team Leader</small>	JILDEFONSO T. PATDU, JR. <small>Assistant Secretary for Project Implementation, DOTC</small>	JULIANITO G. BUCAYAN, JR. <small>Undersecretary for Project Implementation, DOTC</small>	DATE INDEX AMENDMENTS	Prepared by WIM Checked by HC Validated by	DRAWING SCALE: AS SHOWN

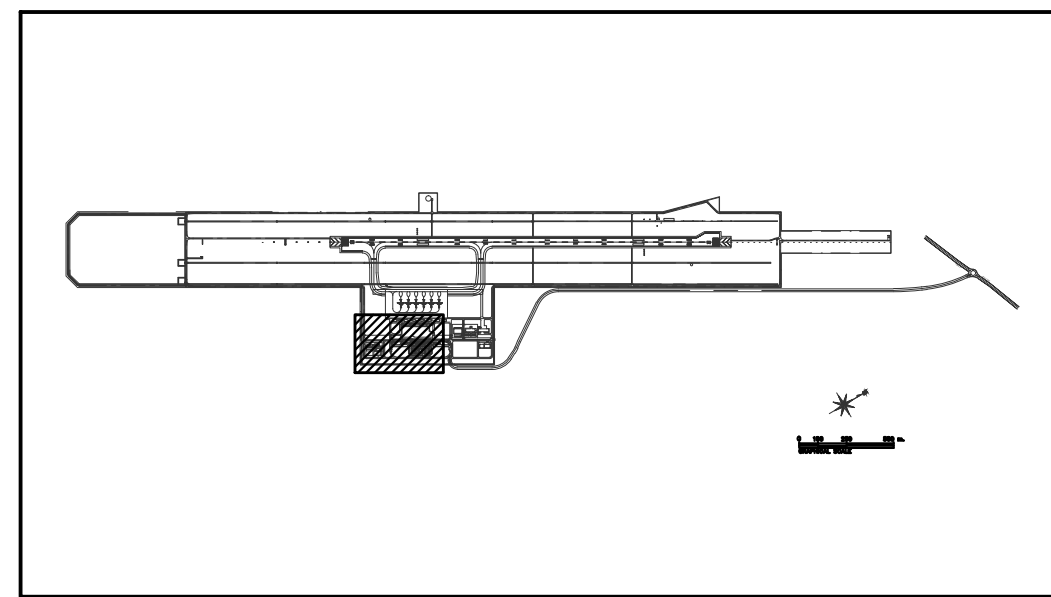


KEY PLAN

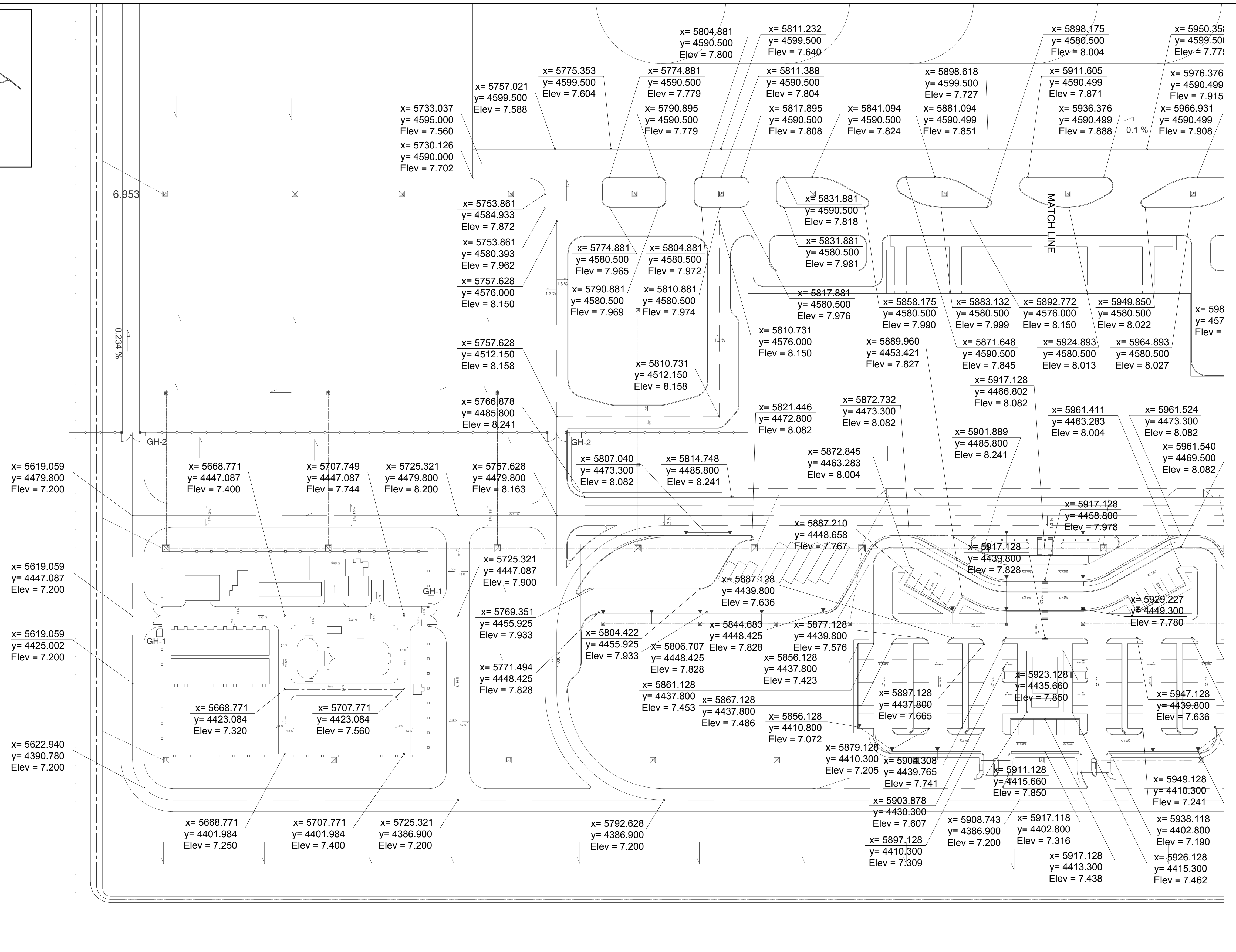


1 AIRSIDE GRADING PLAN (4)
 SCALE 1: 1500 m.

	PREPARED BY: ERACIO T. PATDU <small>PROF. CIVIL ENGINEER PIR. 3158241 REG. NO.: 34252 DATE: JULY 18, 2013 TEL. 199-699-561 PLACE: CAGAYAN DE ORO CITY</small>	RECOMMENDING APPROVAL: JILDEFONSO T. PATDU, JR. <small>Assistant Secretary for Project Implementation, DOTC</small>	APPROVED: JULIANITO G. BUCAYAN, JR. <small>Undersecretary for Project Implementation, DOTC</small>	PROJECT TITLE: NEW BOHOL AIRPORT CONSTRUCTION AND SUSTAINABLE ENVIRONMENT PROTECTION PROJECT	LOCATION: MUNICIPALITY OF PANGLAO, PROVINCE OF BOHOL, PHILIPPINES	SHEET CONTENTS: COMPONENT-2 CIVIL WORKS (C) SUBCOMPONENT-2-2 AIRPORT INFRASTRUCTURE EARTH WORKS AIRSIDE GRADING PLAN (4)	SHEET NO: C2-2100-24
	JICA DESIGN CONSULTANT JOINT VENTURE	TADASHI AOI <small>Team Leader</small>	JILDEFONSO T. PATDU, JR. <small>Assistant Secretary for Project Implementation, DOTC</small>	JULIANITO G. BUCAYAN, JR. <small>Undersecretary for Project Implementation, DOTC</small>	DATE: JUNE 2013 INDEX:	AMENDMENTS:	Prepared by: WIM Checked by: HC Validated by:

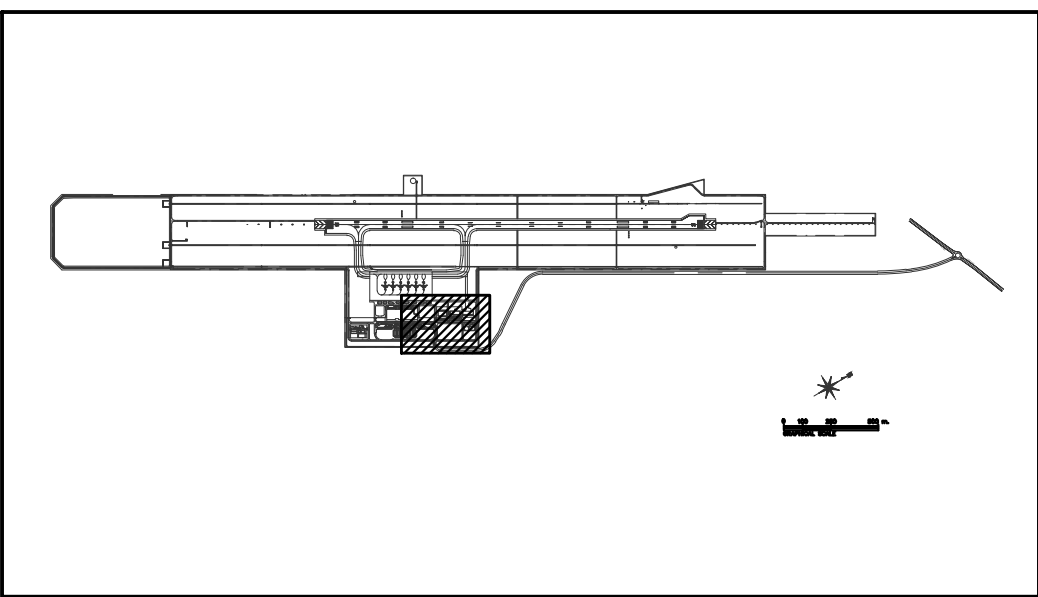
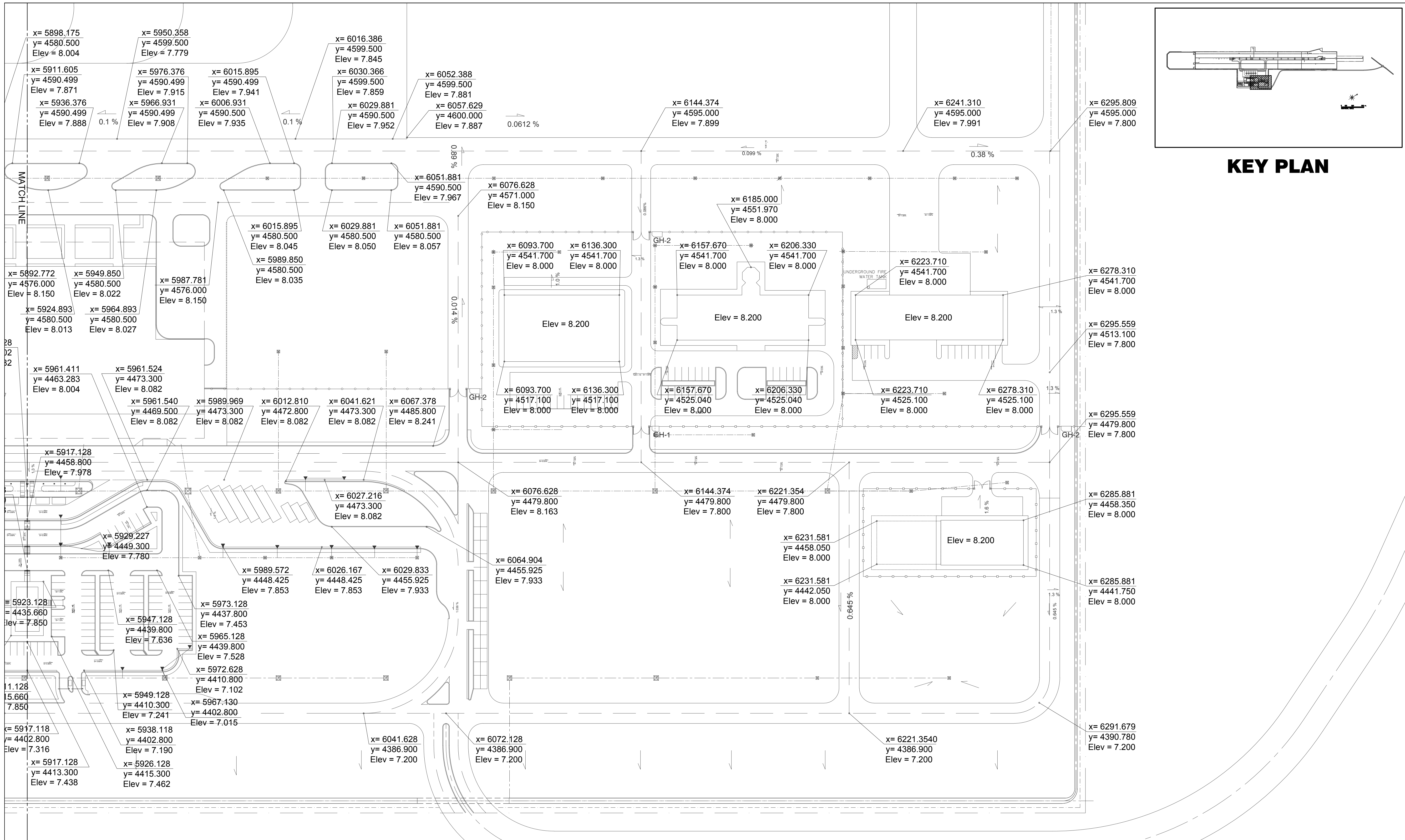


KEY PLAN



1 TERMINAL AREAS GRADING PLAN (1)
 C2-2100-25 SCALE 1:1000m.

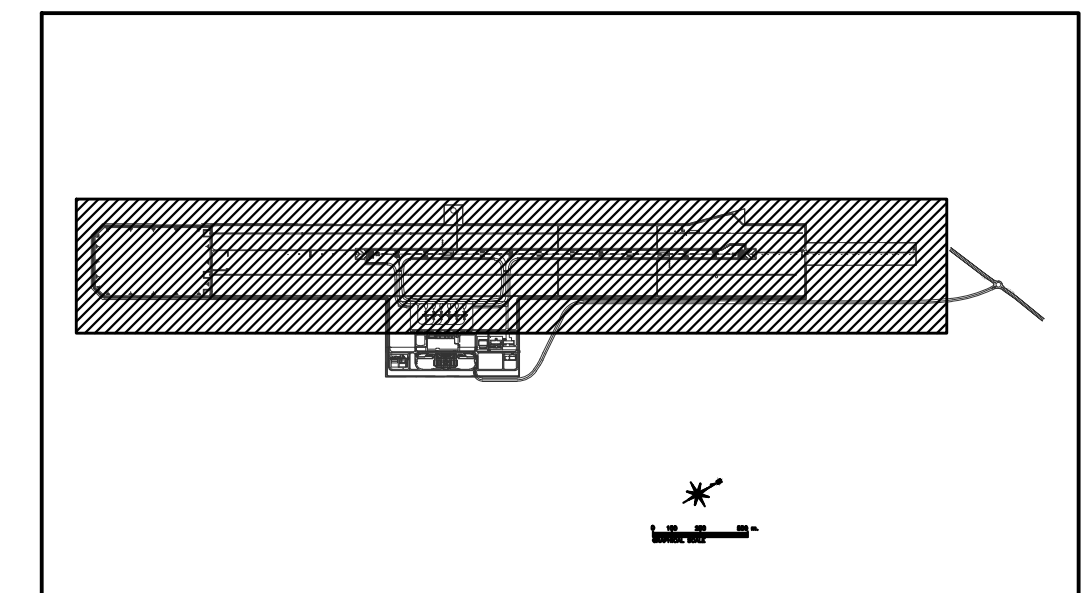
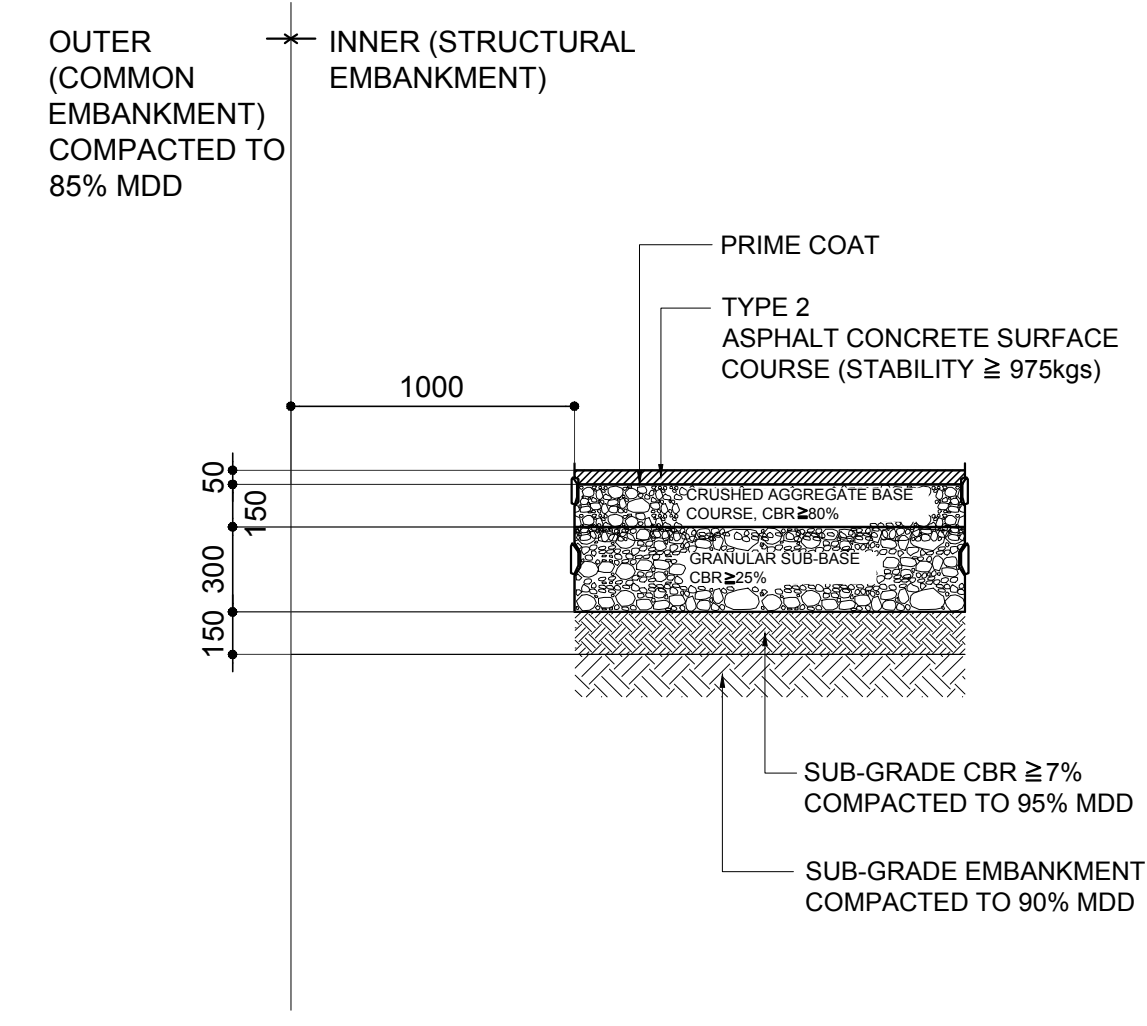
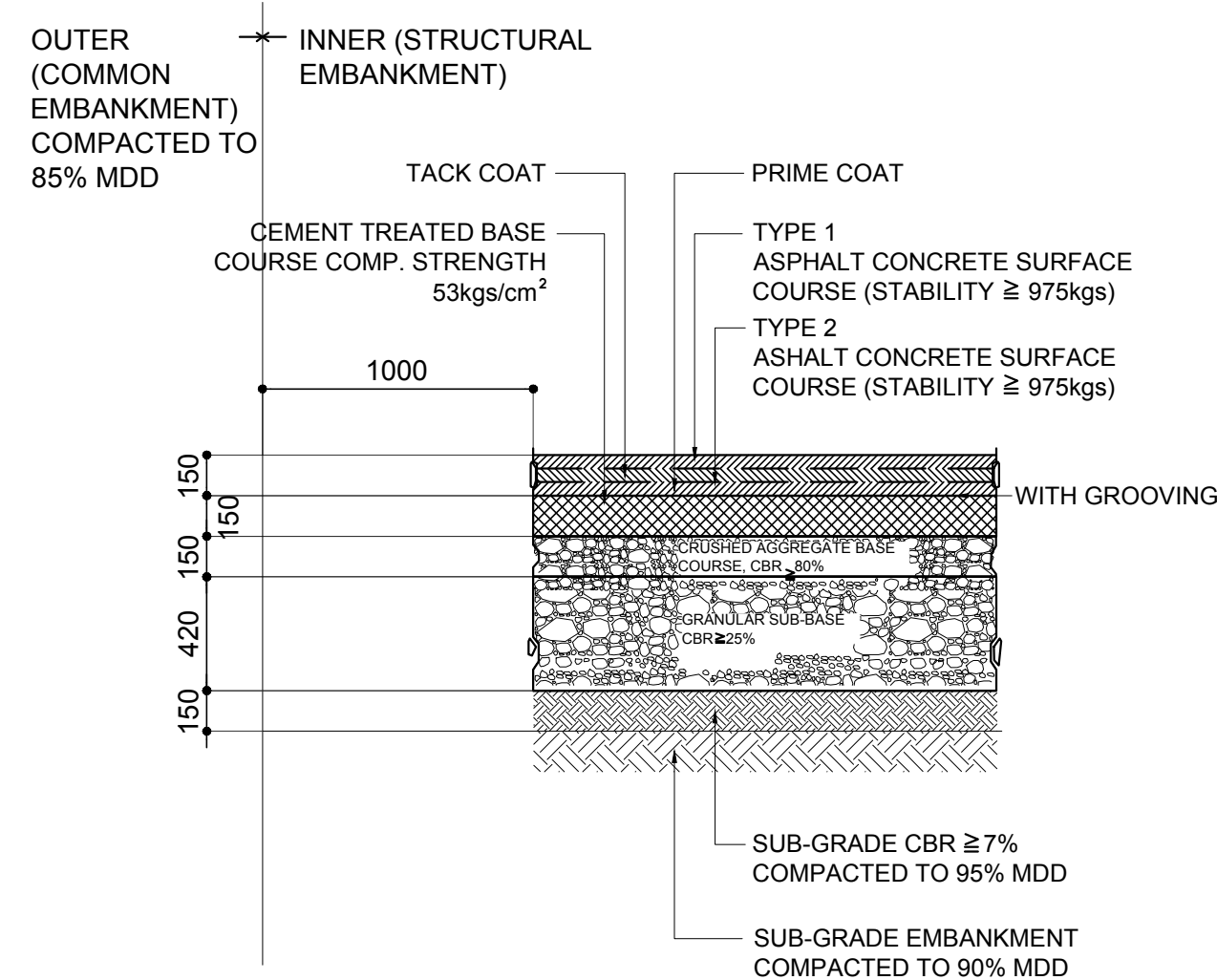
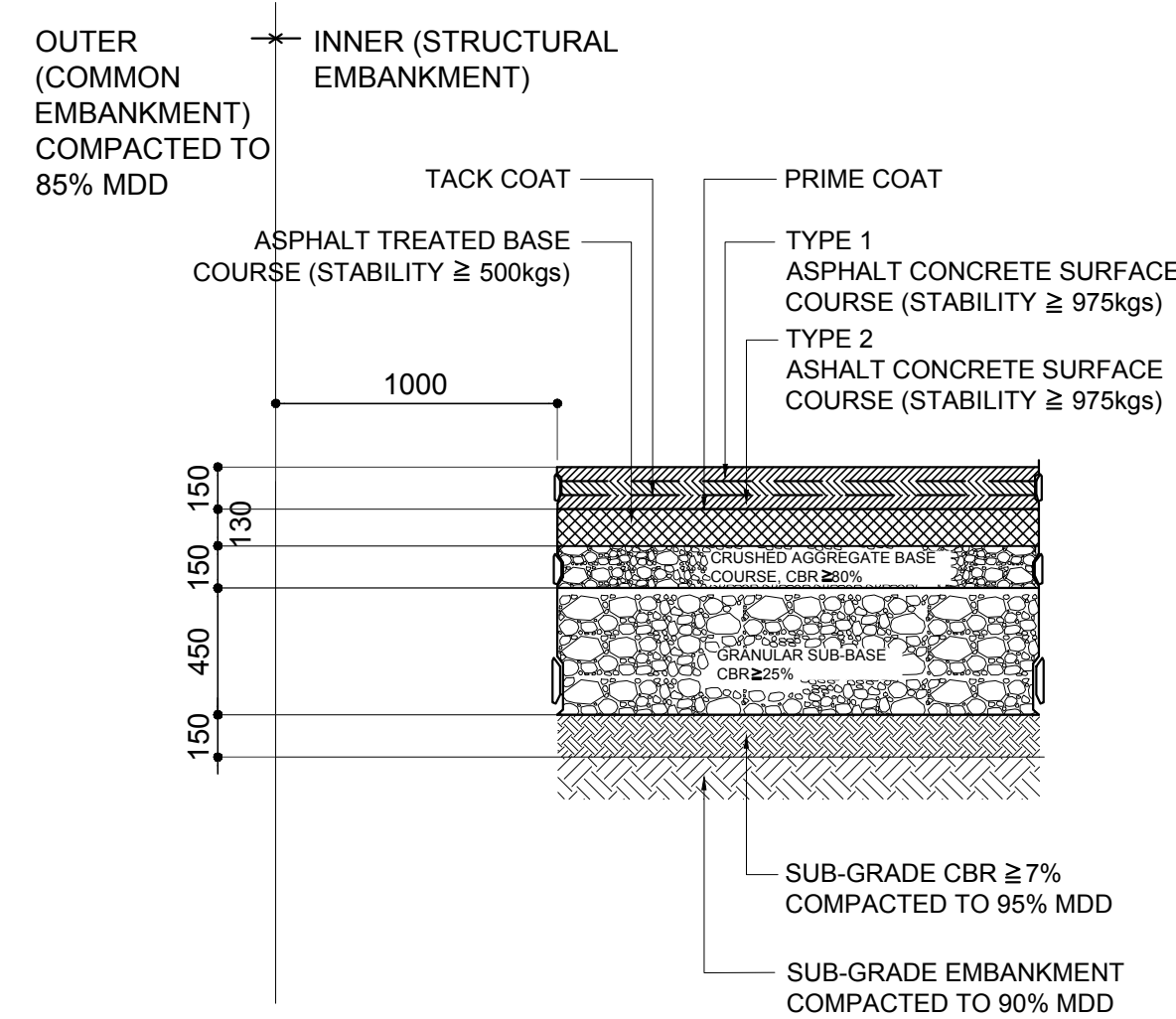
	PREPARED BY: ERACIO T. PATDU	RECOMMENDING APPROVAL: ILDEFONSO T. PATDU, JR. Assistant Secretary for Project Implementation, DOTC	APPROVED: JULIANITO G. BUCAYAN, JR. Undersecretary for Project Implementation, DOTC	PROJECT TITLE: NEW BOHOL AIRPORT CONSTRUCTION AND SUSTAINABLE ENVIRONMENT PROTECTION PROJECT	SHEET CONTENTS: COMPONENT-2 CIVIL WORKS (C) SUBCOMPONENT-2-2 AIRPORT INFRASTRUCTURE EARTH WORKS TERMINAL AREAS GRADING PLAN (1)	SHEET NO: C2-2100-25
	JICA DESIGN CONSULTANT JOINT VENTURE JAC JAPAN AIRPORT CONSULTANTS, INC. NIPPOON KOEI CO., LTD. NIS CONSULTANTS CO., LTD.	PROF: CIVIL ENGINEER PIR. 3158241 REG. NO.: 34252 DATE: JULY 18, 2013 TEL. 199-699-5611 PLACE: CAGAYAN DE ORO CITY	TADASHI AOI Team Leader	LOCATION: MUNICIPALITY OF PANGLOA, PROVINCE OF BOHOL, PHILIPPINES	DATE: JUNE 2013 INDEX: WIM, HC AMENDMENTS: Prepared by, Checked by, Validated by	DRAWING SCALE: AS SHOWN



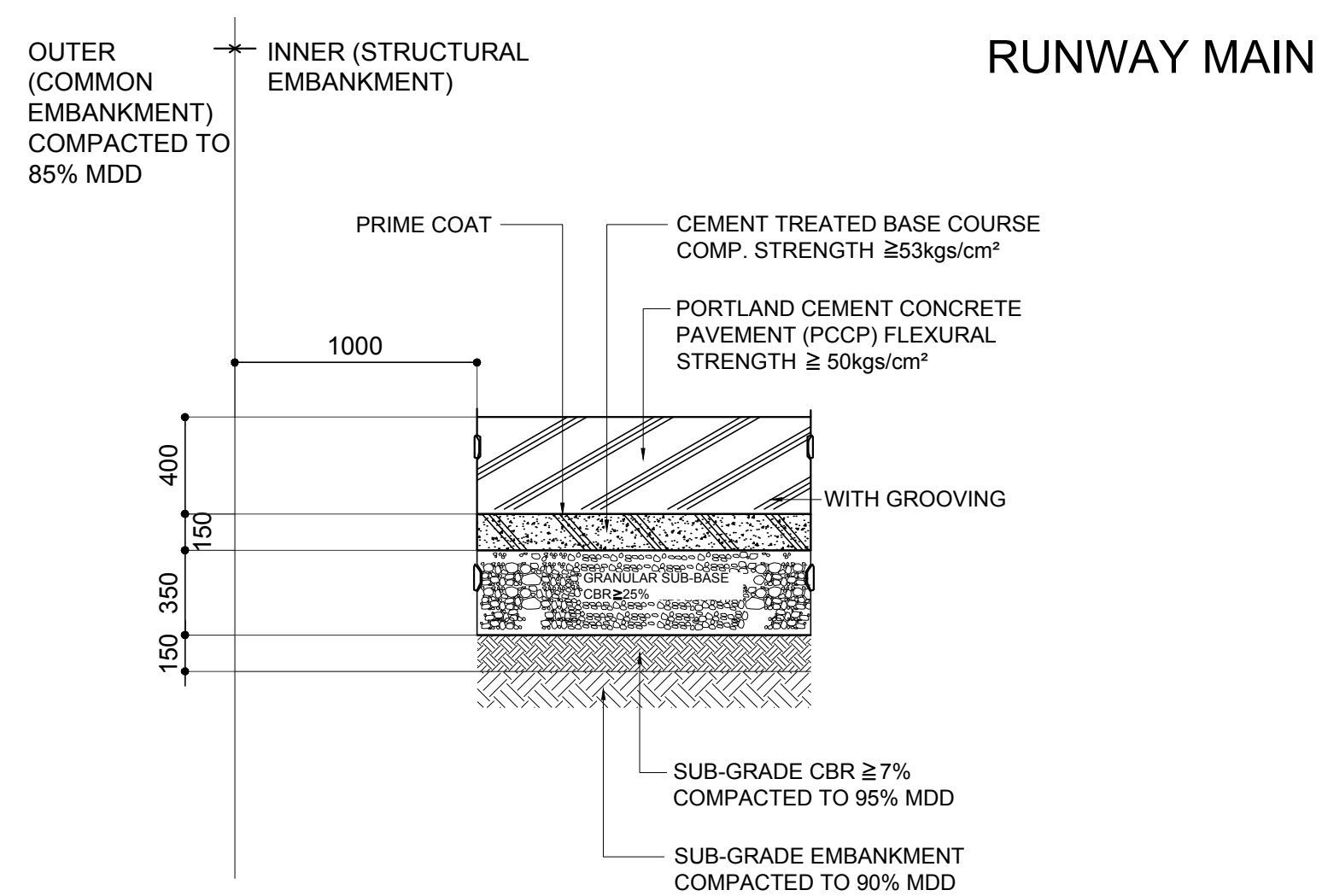
KEY PLAN

1 **TERMINAL AREAS GRADING PLAN (2)**
C2-2100-26 SCALE 1:1000m.

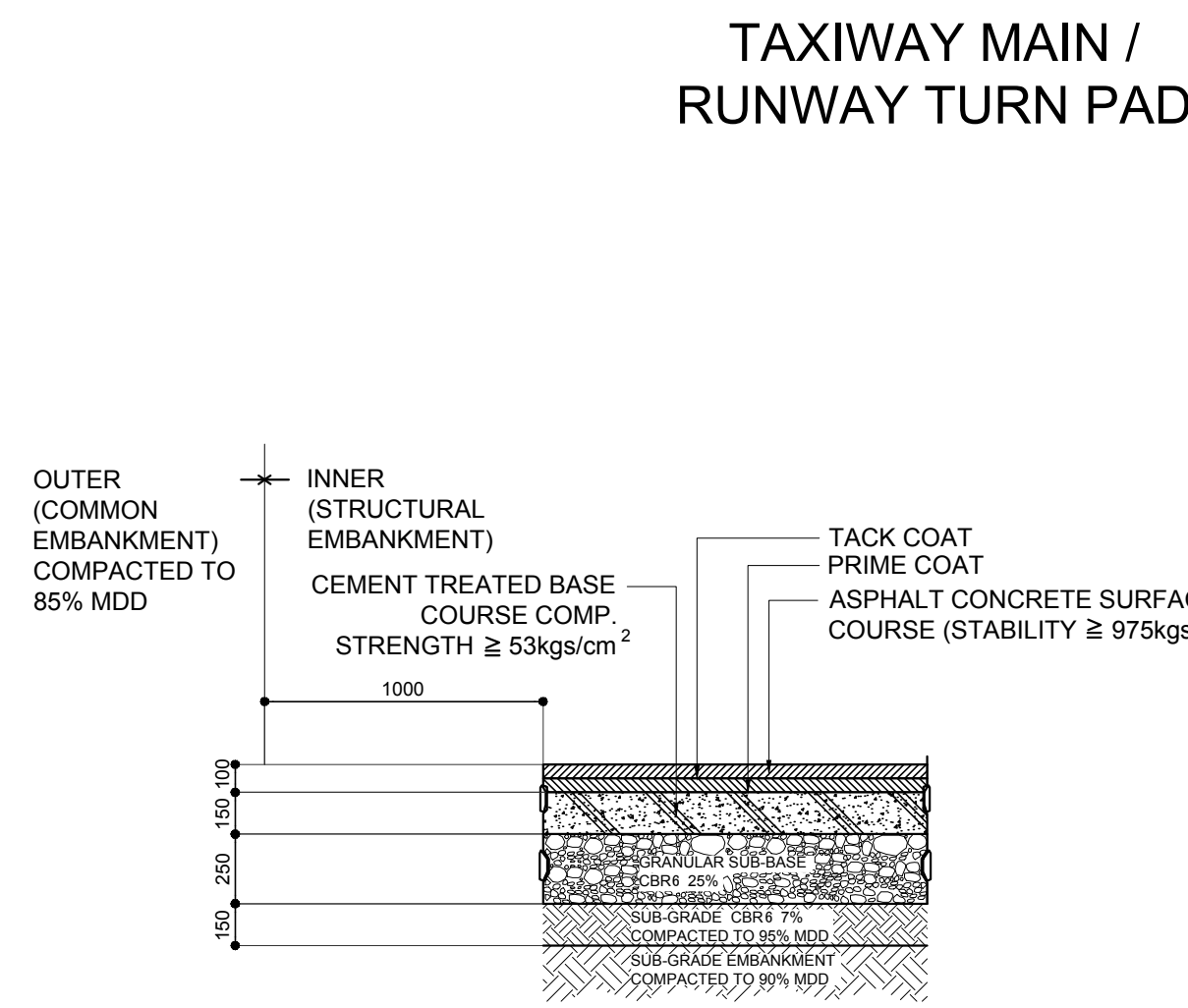
	PREPARED BY: ERACIO T. PATDU <small>PROF. CIVIL ENGINEER PIR. 3158241 REG. NO.: 34252 DATE: JULY 18, 2013 TEL. 199-699-561 PLACE: CAGAYAN DE ORO CITY</small>	RECOMMENDING APPROVAL: JILDEFONSO T. PATDU, JR. <small>Assistant Secretary for Project Implementation, DOTC</small>	APPROVED: JULIANITO G. BUCAYAN, JR. <small>Undersecretary for Project Implementation, DOTC</small>	PROJECT TITLE: NEW BOHOL AIRPORT CONSTRUCTION AND SUSTAINABLE ENVIRONMENT PROTECTION PROJECT	LOCATION: MUNICIPALITY OF PANGLAO, PROVINCE OF BOHOL, PHILIPPINES	SHEET CONTENTS: COMPONENT-2 CIVIL WORKS (C) SUBCOMPONENT-2-2 AIRPORT INFRASTRUCTURE EARTH WORKS TERMINAL AREAS GRADING PLAN (2)	SHEET NO: C2-2100-26
	JICA DESIGN CONSULTANT JOINT VENTURE 	TADASHI AOI <small>Team Leader</small>	JULIANITO G. BUCAYAN, JR. <small>Undersecretary for Project Implementation, DOTC</small>	DATE: JUNE 2013 INDEX: [] AMENDMENTS: [] Prepared by: [] Checked by: [] Validated by: []	WIM HC	AS SHOWN	



KEY PLAN

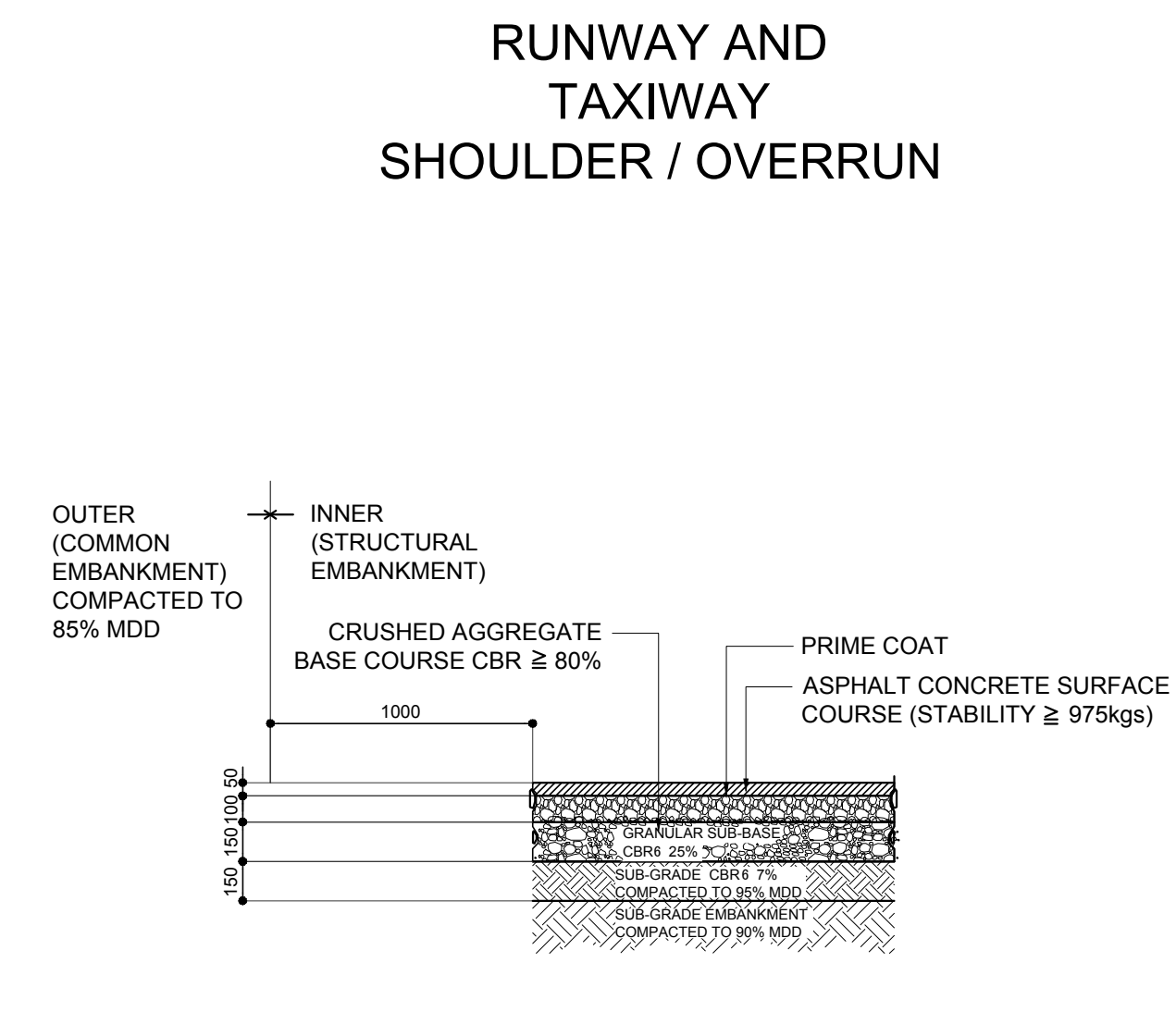


RUNWAY MAIN



**TAXIWAY MAIN /
RUNWAY TURN PAD**

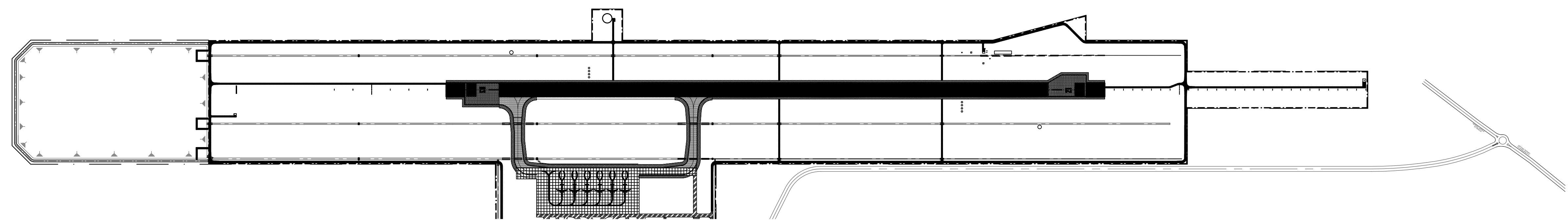
GSE ROAD



**RUNWAY AND
TAXIWAY
SHOULDER / OVERRUN**

**PERIMETER ROAD /
MAINTENANCE ROAD**

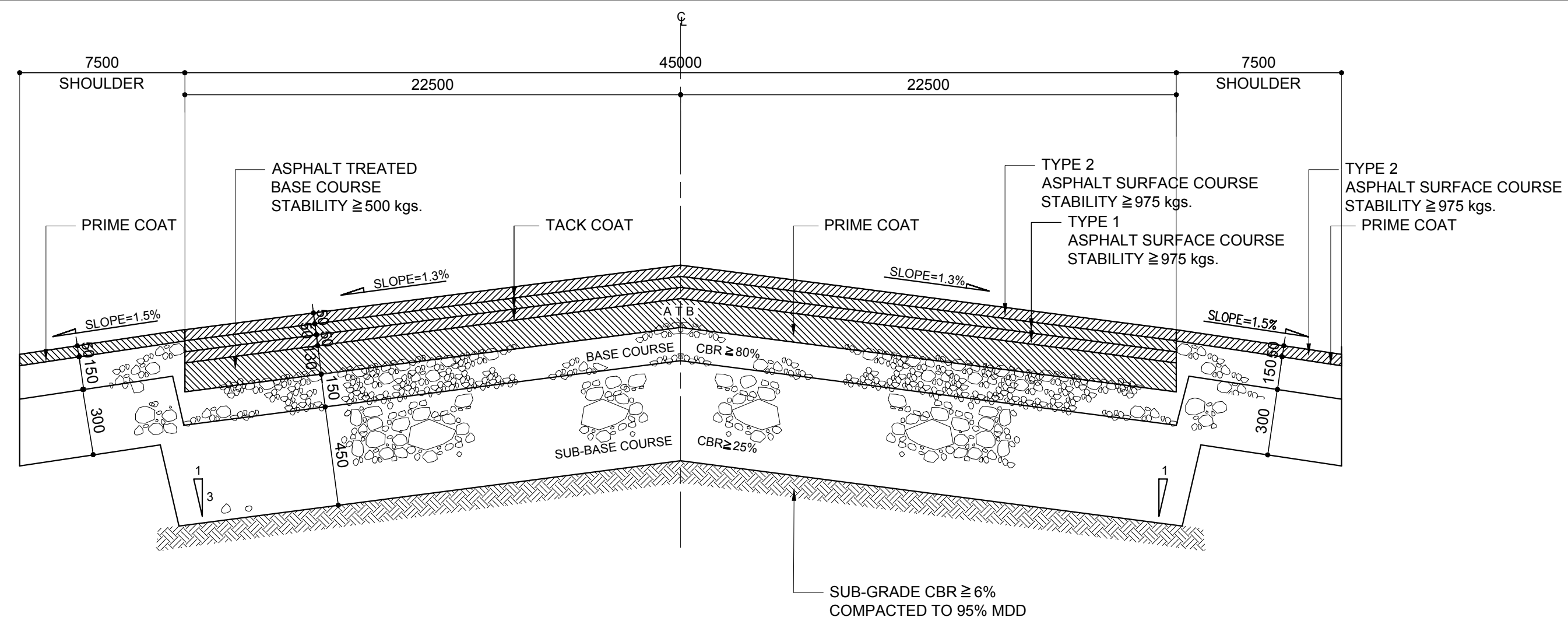
1 AERONAUTICAL AREAS PAVEMENT SCHEDULE
SCALE: NTS



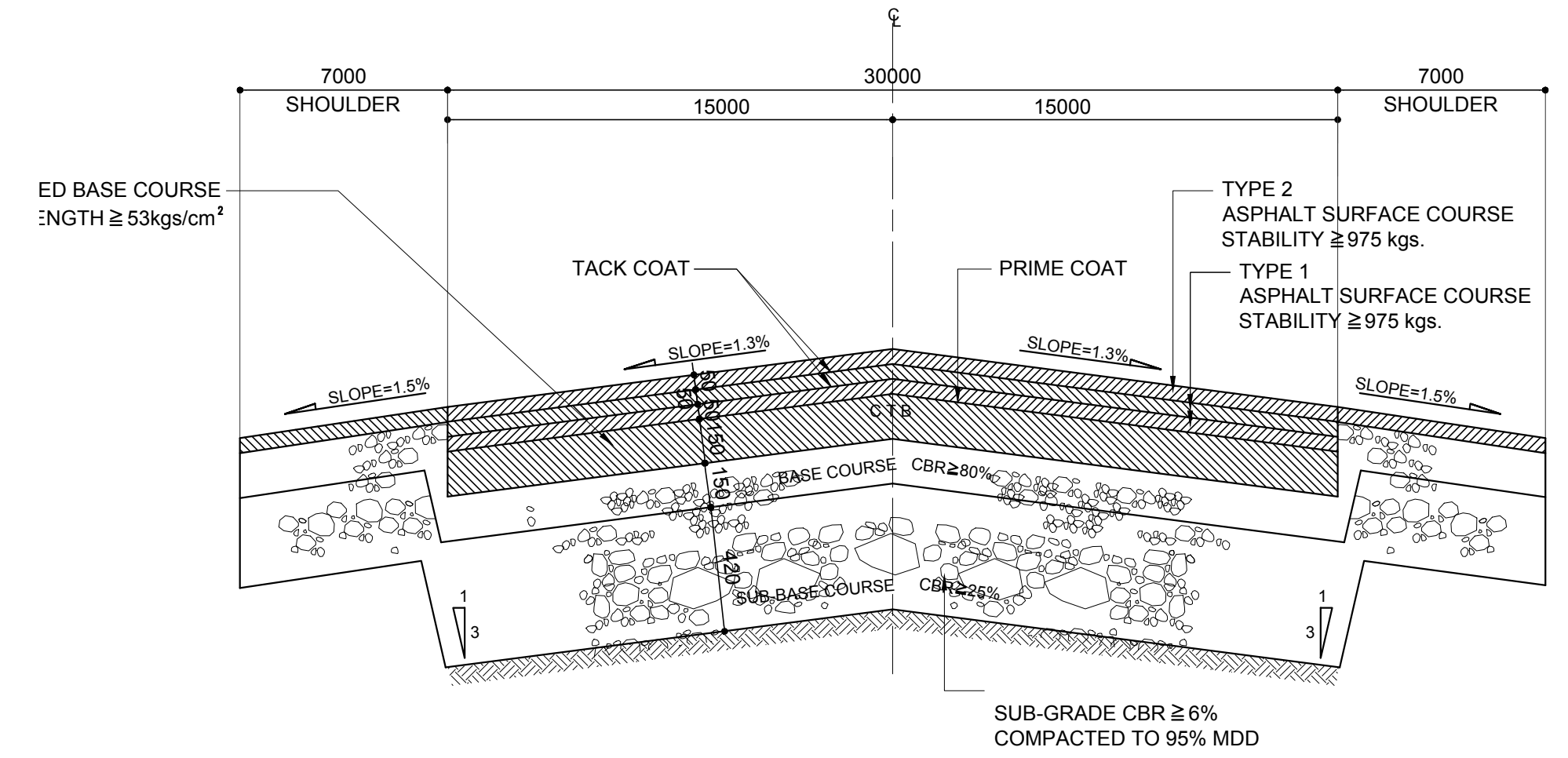
2 AERONAUTICAL AREAS PAVEMENT CLASSIFICATION LAYOUT
SCALE: NTS

- LEGEND:**
- RUNWAY
 - TAXIWAY
 - RUNWAY/TAXIWAY SHOULDER
 - TURN PAD
 - GSE ROAD
 - APRON
 - PERIMETER AND MAINTENANCE ROAD

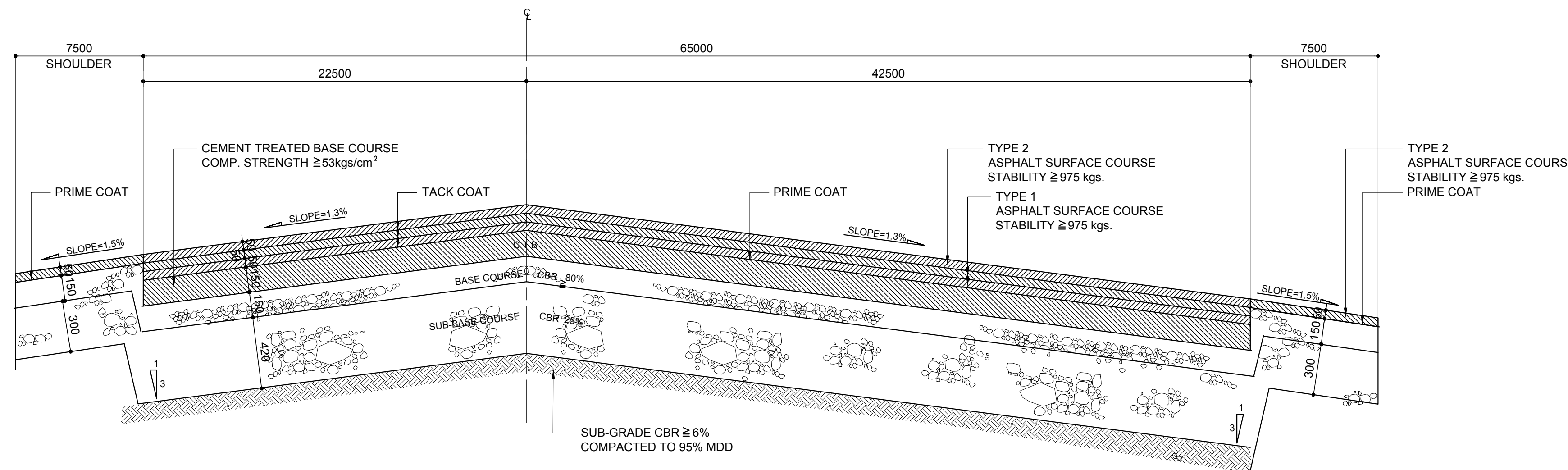
	PREPARED BY: ERACIO T. PATDU <small>PROF. CIVIL ENGINEER PTR. 3158241 REG. NO.: 34252 DATE: JULY 18, 2013 TEL. 199-699-5611 PLACE: CAGAYAN DE ORO CITY</small>	RECOMMENDING APPROVAL: ILDEFONSO T. PATDU, JR. <small>Assistant Secretary for Project Implementation, DOTC</small>	APPROVED: JULIANITO G. BUCAYAN, JR. <small>Undersecretary for Project Implementation, DOTC</small>	PROJECT TITLE: NEW BOHOL AIRPORT CONSTRUCTION AND SUSTAINABLE ENVIRONMENT PROTECTION PROJECT	LOCATION: MUNICIPALITY OF PANGLAO, PROVINCE OF BOHOL, PHILIPPINES	SHEET CONTENTS: COMPONENT-2 CIVIL WORKS (C) SUBCOMPONENT-2-2 AIRPORT INFRASTRUCTURE PAVEMENT WORKS	SHEET NO: C2-2200-01	
	JICA DESIGN CONSULTANT JOINT VENTURE				DATE: JUNE 2013	INDEX:	AMENDMENTS:	Prepared by: WIM Checked by: HC Validated by:



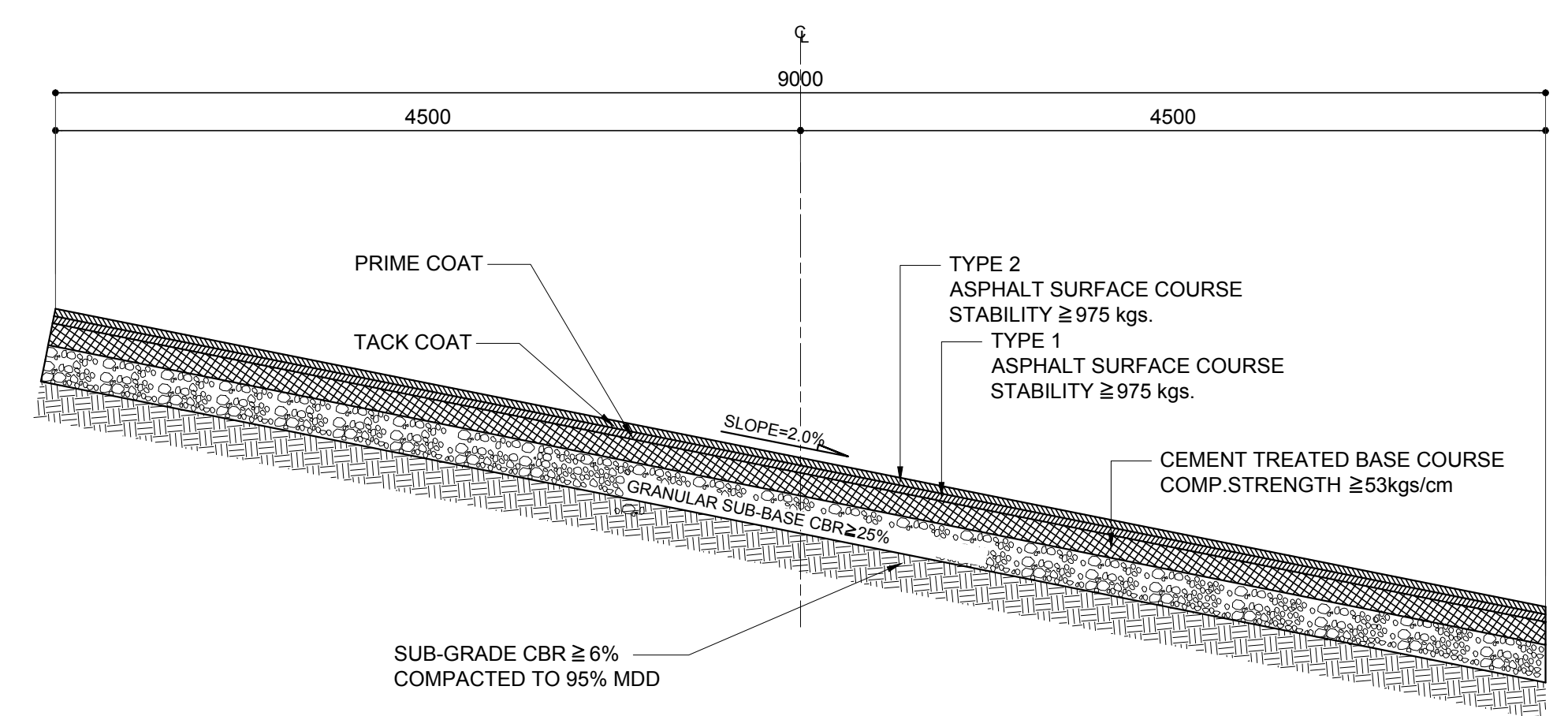
SECTION
RUNWAY



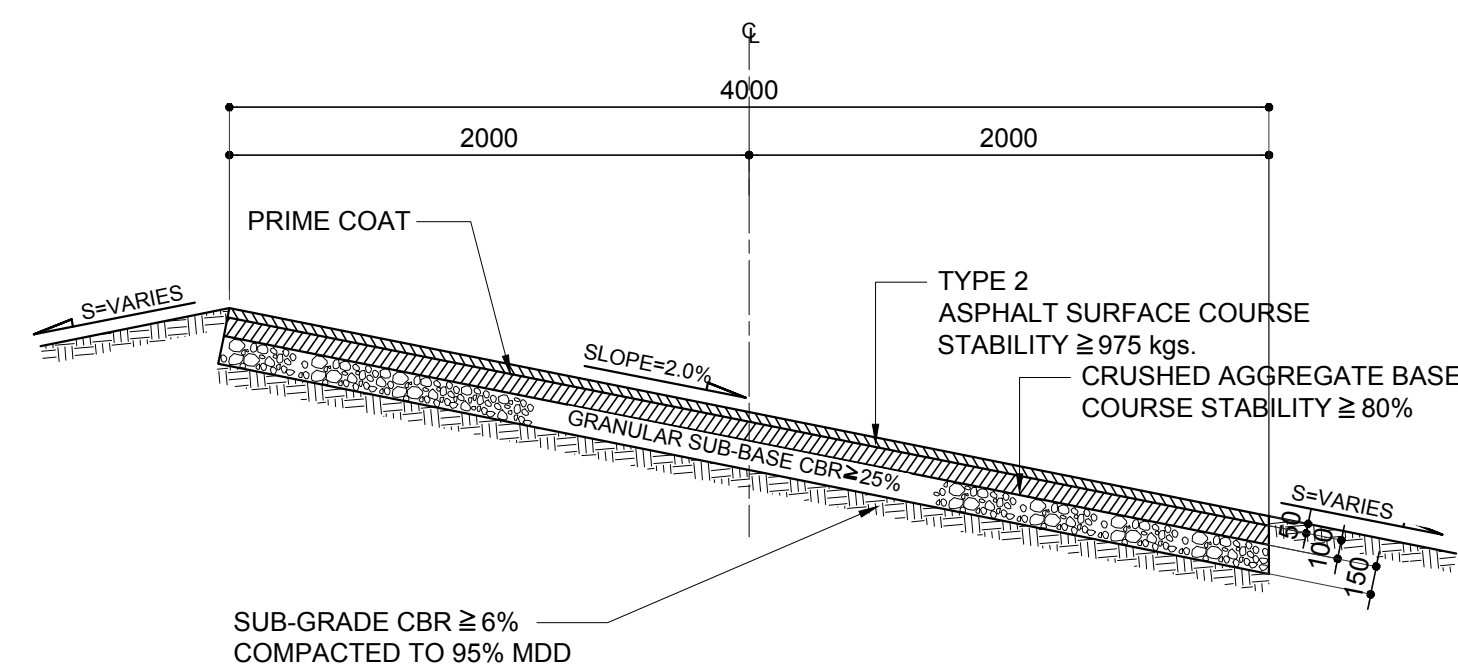
SECTION
TAXIWAY



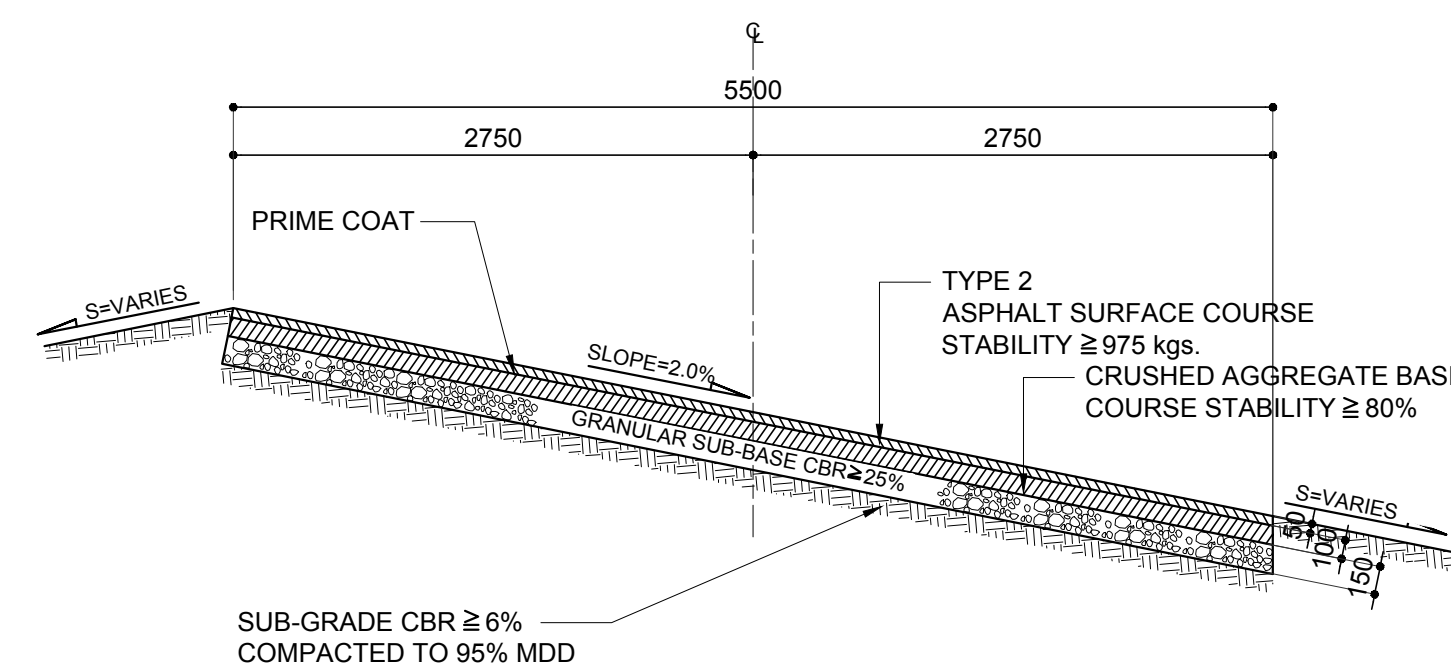
SECTION
RUNWAY TURN PAD



SECTION
GSE ROAD



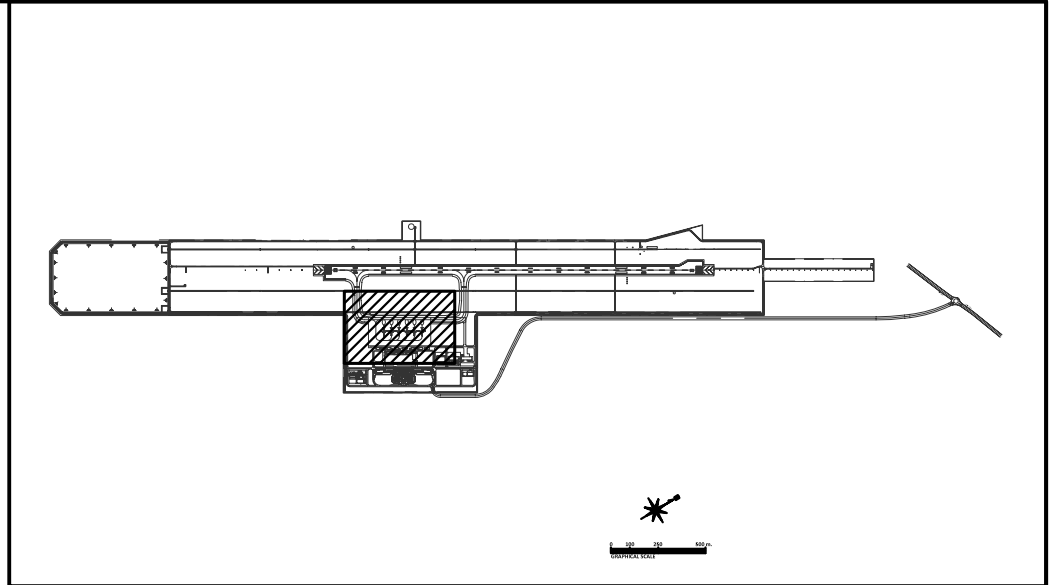
SECTION
MAINTENANCE ROAD



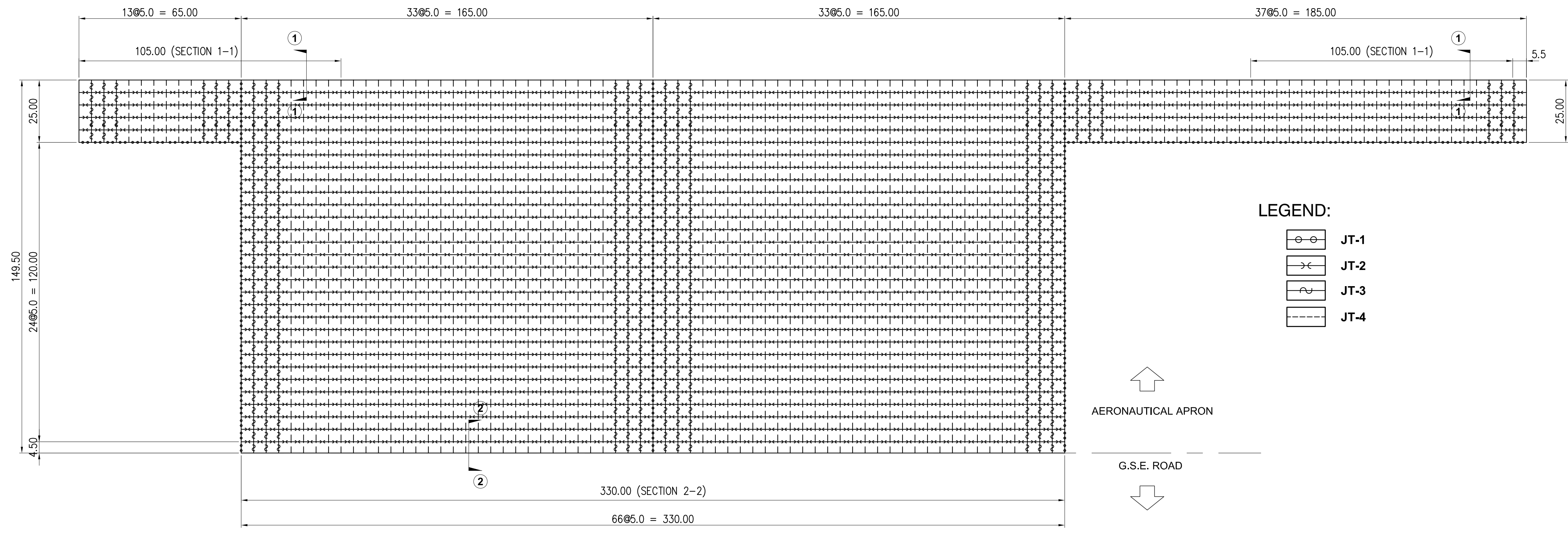
SECTION
PERIMETER ROAD

1
C2-2200-02 SCALE NTS
TYPICAL PAVEMENT SECTION (AERONAUTICAL AREAS)

	PREPARED BY: ERACIO T. PATDU <small>PROF. CIVIL ENGINEER PIR. 3158241 REG. NO.: 34252 DATE: JULY 18, 2013 TEL. 199-699-561 PLACE: CAGAYAN DE ORO CITY</small>	RECOMMENDING APPROVAL: ILDEFONSO T. PATDU, JR. <small>Assistant Secretary for Project Implementation, DOTC</small>	APPROVED: JULIANITO G. BUCAYAN, JR. <small>Undersecretary for Project Implementation, DOTC</small>	PROJECT TITLE: NEW BOHOL AIRPORT CONSTRUCTION AND SUSTAINABLE ENVIRONMENT PROTECTION PROJECT	SHEET CONTENTS: COMPONENT-2 CIVIL WORKS (C) SUBCOMPONENT-2-2 AIRPORT INFRASTRUCTURE PAVEMENT WORKS TYPICAL PAVEMENT SECTION (AERONAUTICAL AREAS)	SHEET NO: C2-2200-02
	JICA DESIGN CONSULTANT JOINT VENTURE JAC JAPAN AIRPORT CONSULTANTS, INC.	DATE: JUNE 2013 INDEX: [] AMENDMENTS: [] Prepared by: [] Checked by: [] Validated by: []	DRAWING SCALE: AS SHOWN			



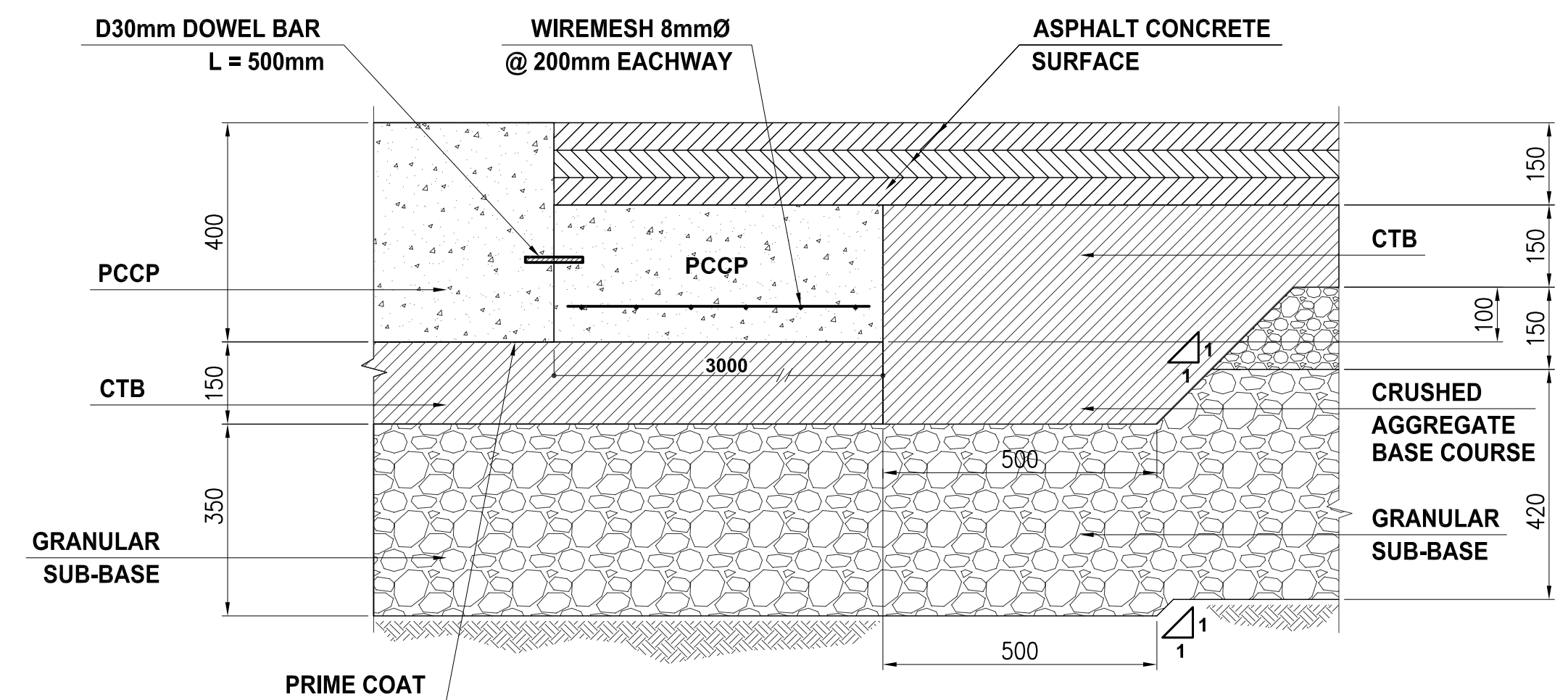
KEY PLAN



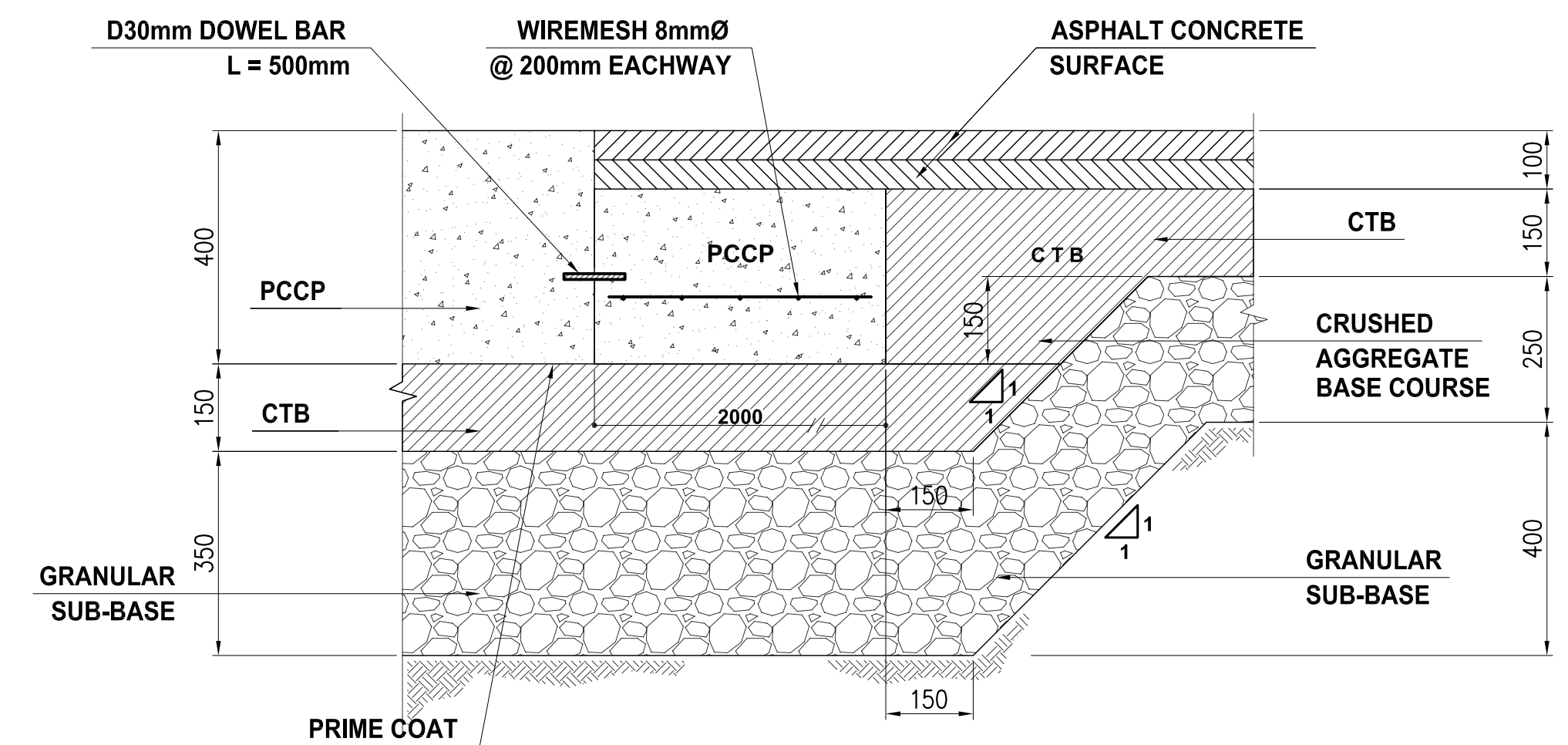
LEGEND:

- JT-1
- JT-2
- JT-3
- JT-4

1 APRON JOINT LAYOUT PLAN
SCALE: 1:1000 MTS.

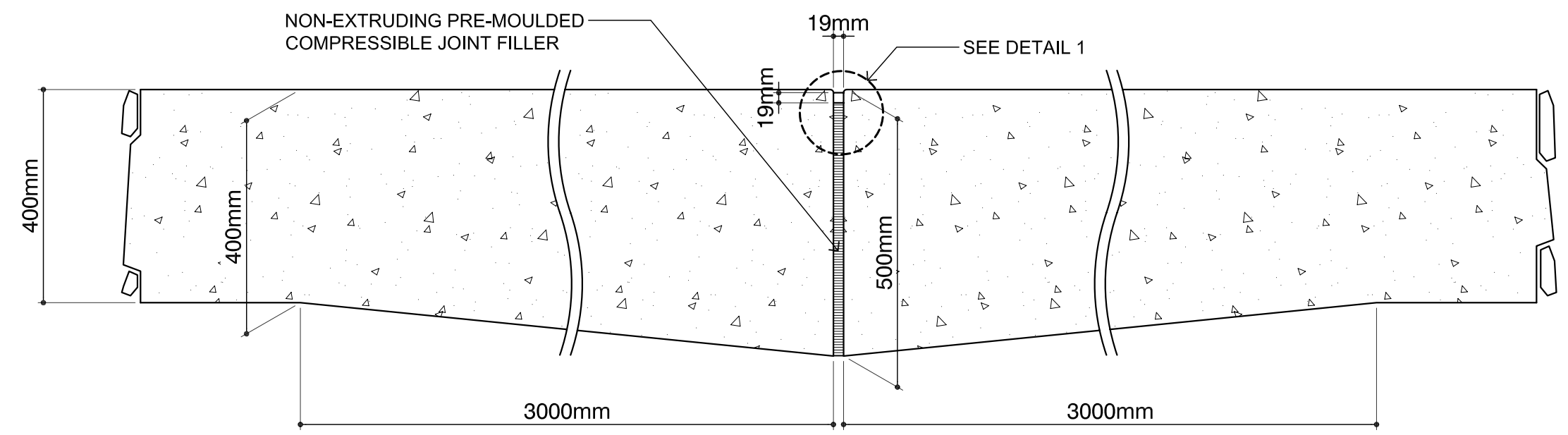


2 SECTION 1-1
SCALE: 1:10 MTS.

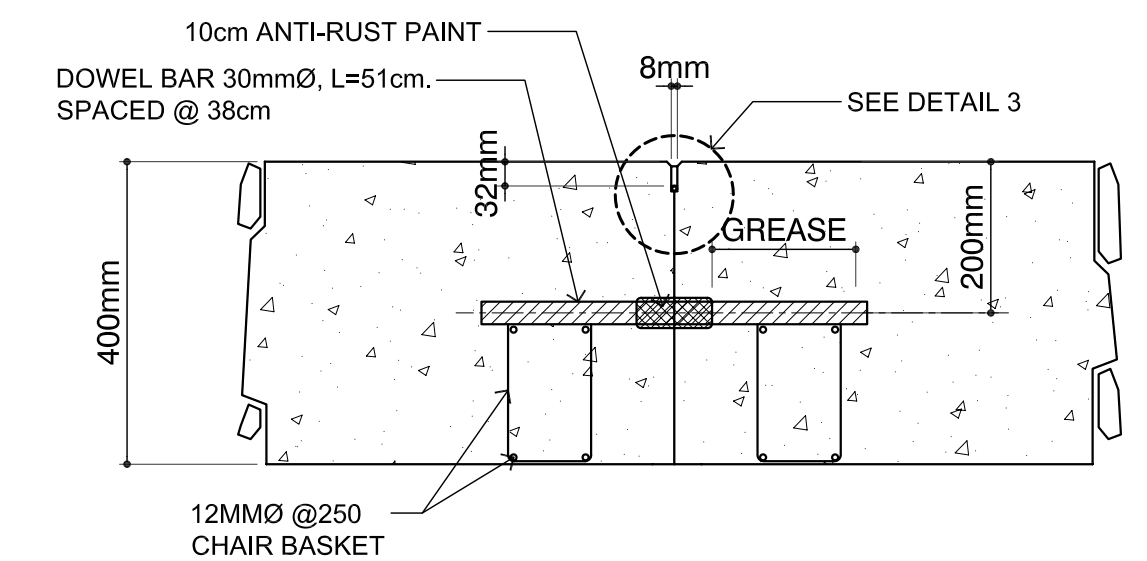


3 SECTION 2-2
SCALE: 1:10 MTS.

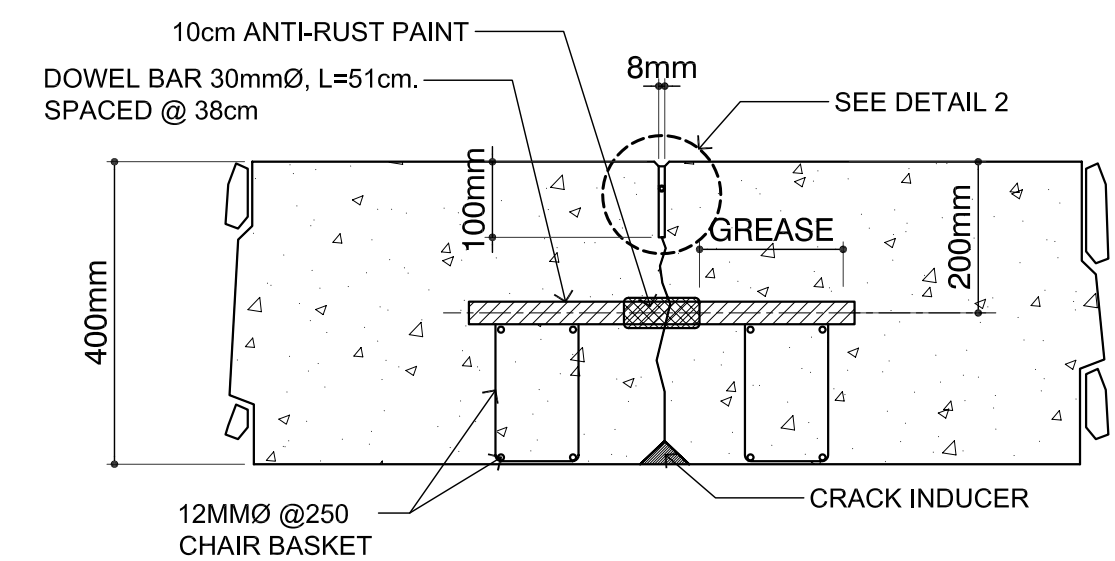
	PREPARED BY: ERACIO T. PATDU <small>PROF. CIVIL ENGINEER PIR. 3158241 REG. NO.: 34252 DATE: JULY 16, 2013 T.I.N. 199-899-561 PLACE: CAGAYAN DE ORO CITY</small>	RECOMMENDING APPROVAL: ILDEFONSO T. PATDU, JR. <small>Assistant Secretary for Project Implementation, DOTC</small>	APPROVED: JULIANITO G. BUCAYAN, JR. <small>Undersecretary for Project Implementation, DOTC</small>	PROJECT TITLE: NEW BOHOL AIRPORT CONSTRUCTION AND SUSTAINABLE ENVIRONMENT PROTECTION PROJECT	LOCATION: MUNICIPALITY OF PANGLAO, PROVINCE OF BOHOL, PHILIPPINES	SHEET CONTENTS: COMPONENT-2 CIVIL WORKS (C) SUBCOMPONENT-2-2 AIRPORT INFRASTRUCTURE PAVEMENT WORKS APRON JOINT LAYOUT PLAN AND SECTIONS	SHEET NO: C2-2200-03	
	JICA DESIGN CONSULTANT JOINT VENTURE	TADASHI AOI <small>Team Leader</small>	ILDEFONSO T. PATDU, JR. <small>Assistant Secretary for Project Implementation, DOTC</small>	JULIANITO G. BUCAYAN, JR. <small>Undersecretary for Project Implementation, DOTC</small>	DATE: JUNE 2013	INDEX:	AMENDMENTS:	Prepared by: WIM Checked by: HC Validated by:



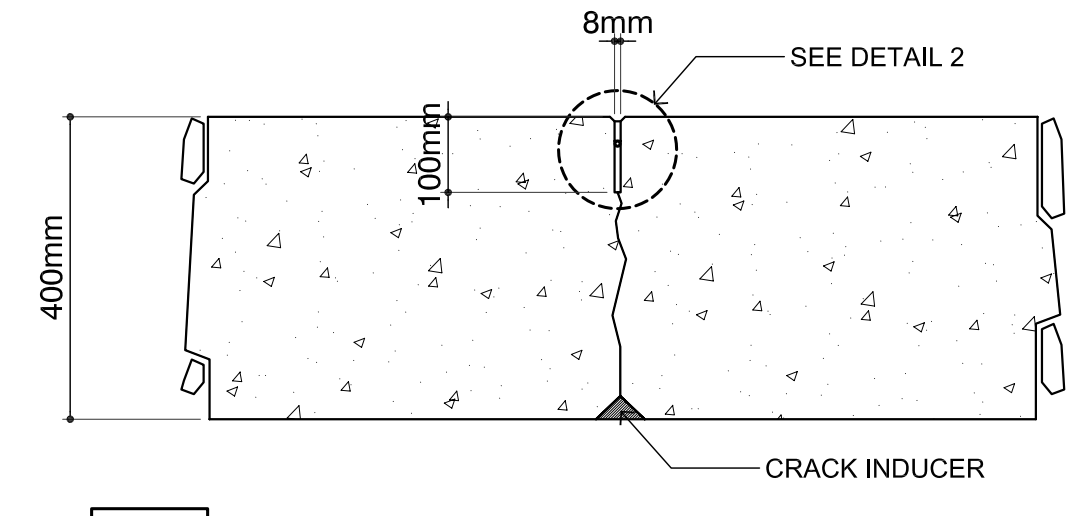
○ ○ JT - 1 (ISOLATION JOINT)



⇄ JT - 2 (CONSTRUCTION JOINT)

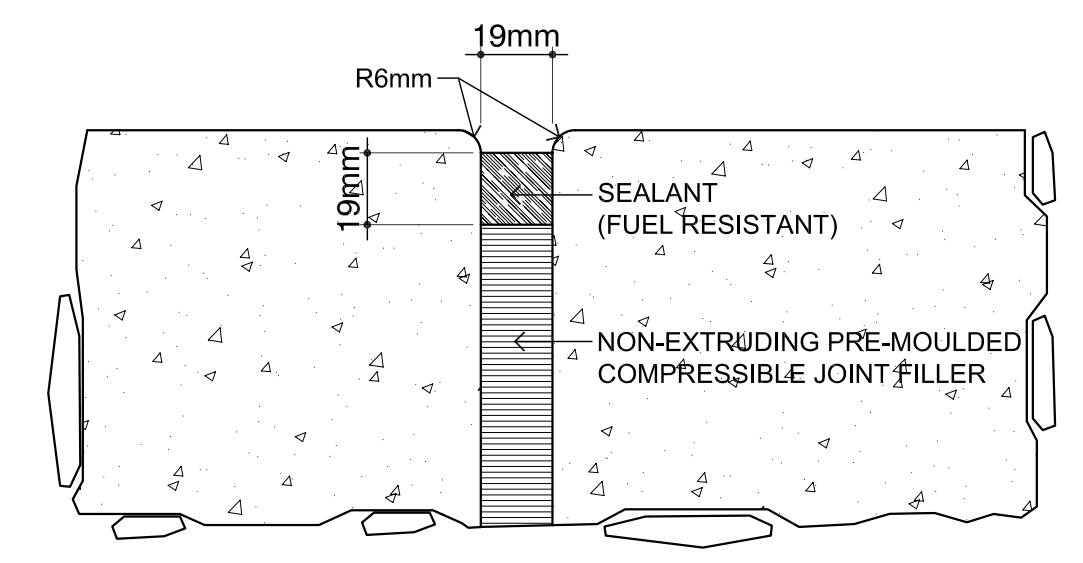


⌋ JT - 3 (CONTRACTION JOINT)

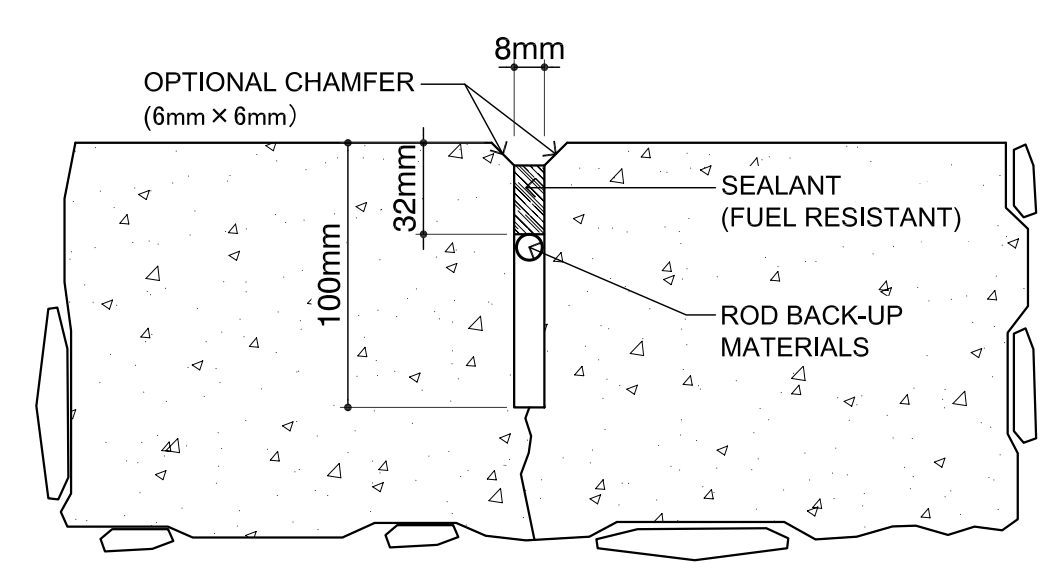


⌋ JT - 4 (CONTRACTION JOINT)

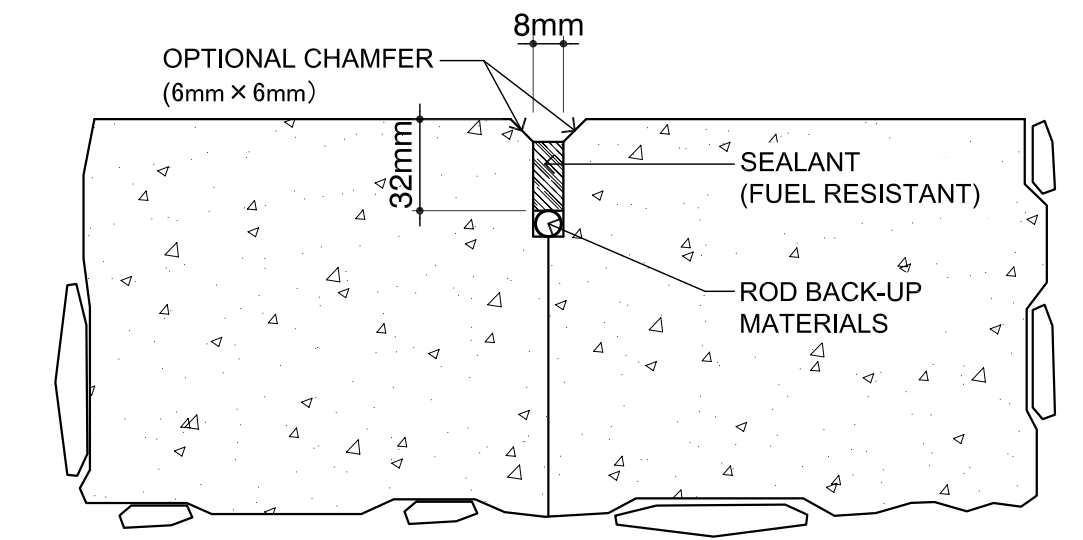
1 SCHEDULE OF JOINTS
SCALE 1:10 m.



DETAIL 1 (ISOLATION JOINT)



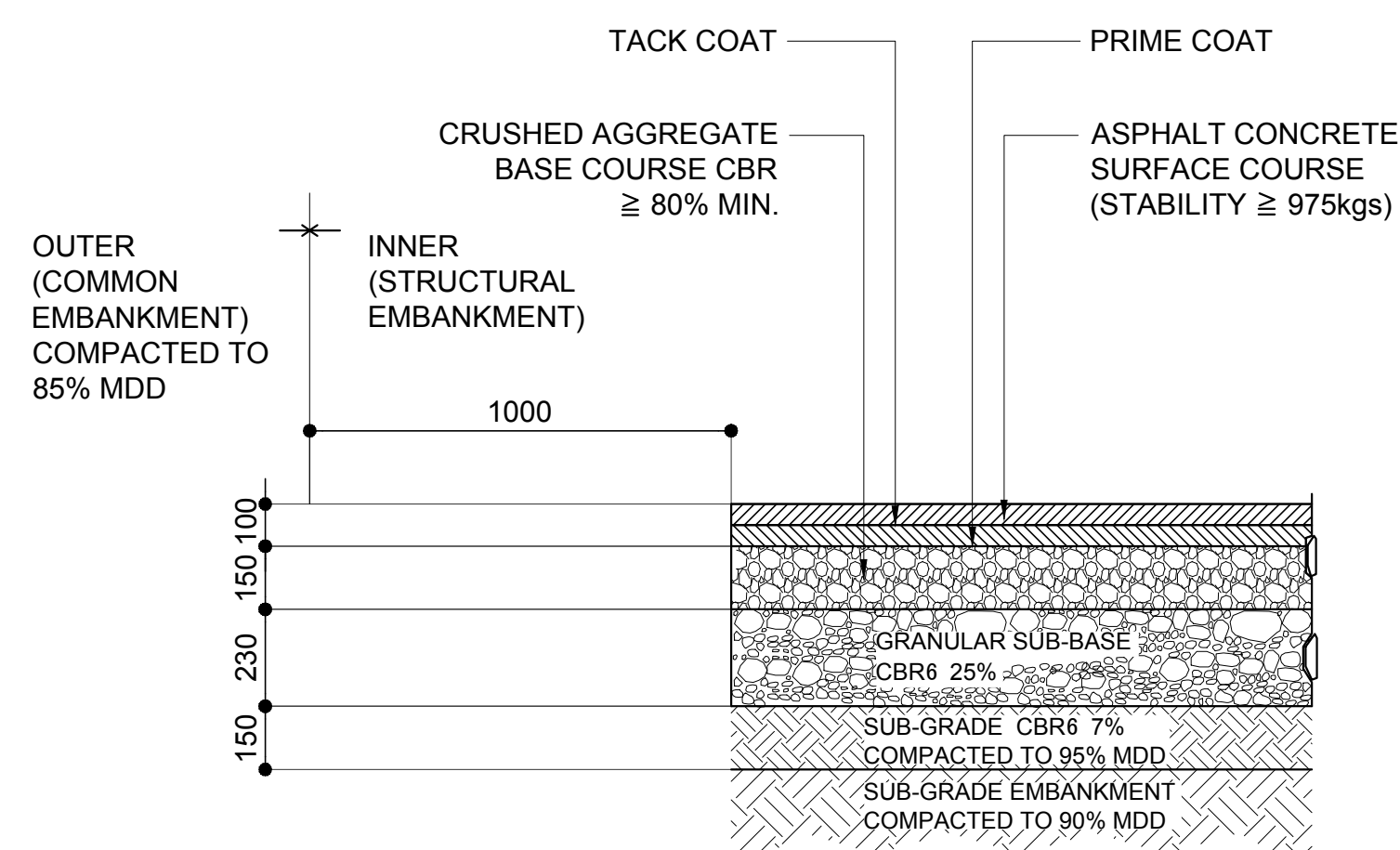
DETAIL 2 (CONTRACTION JOINT)



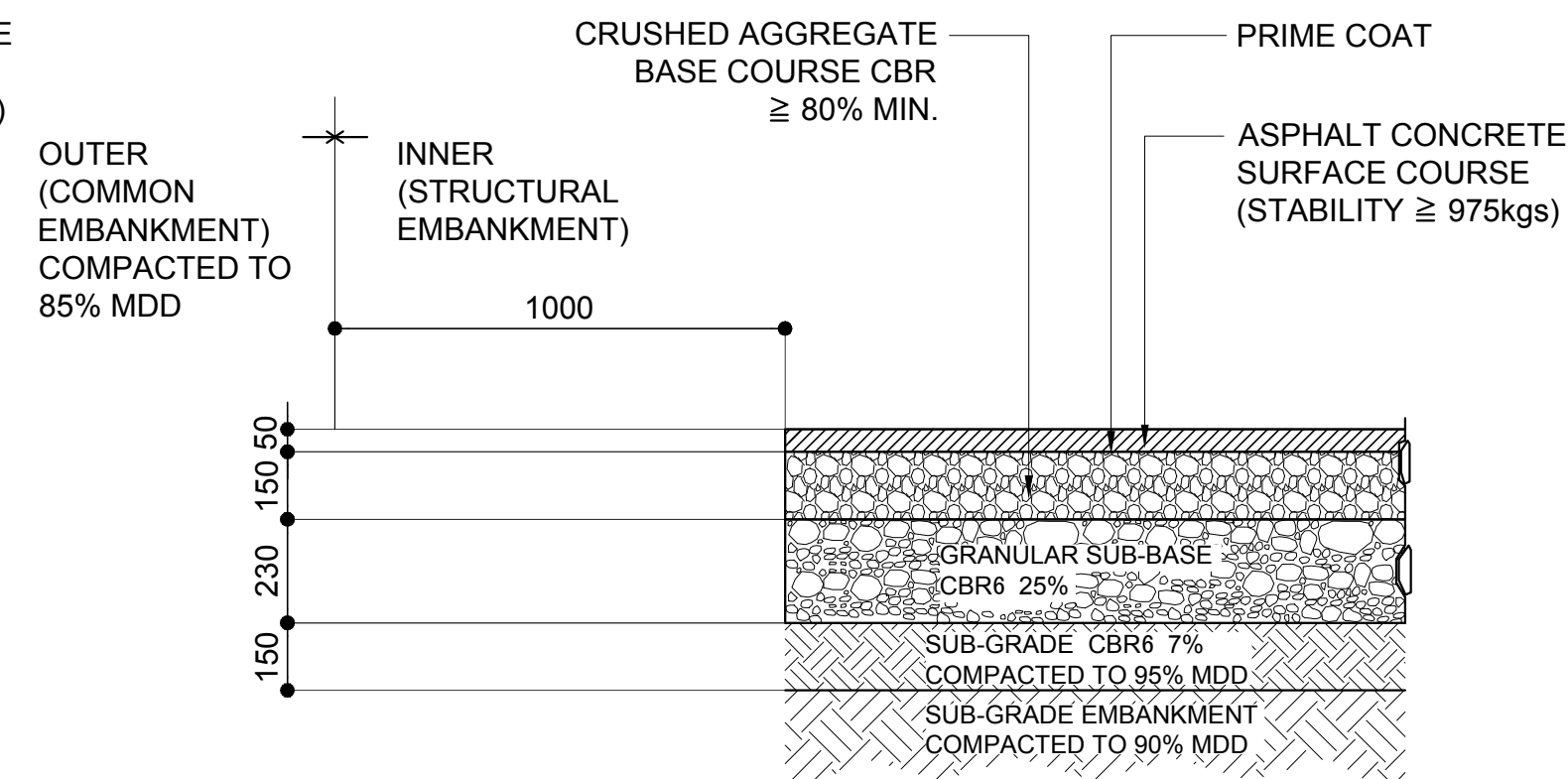
DETAIL 3 (CONSTRUCTION JOINT)

2 CONCRETE PAVEMENT JOINT DETAIL
SCALE 1:2 m.

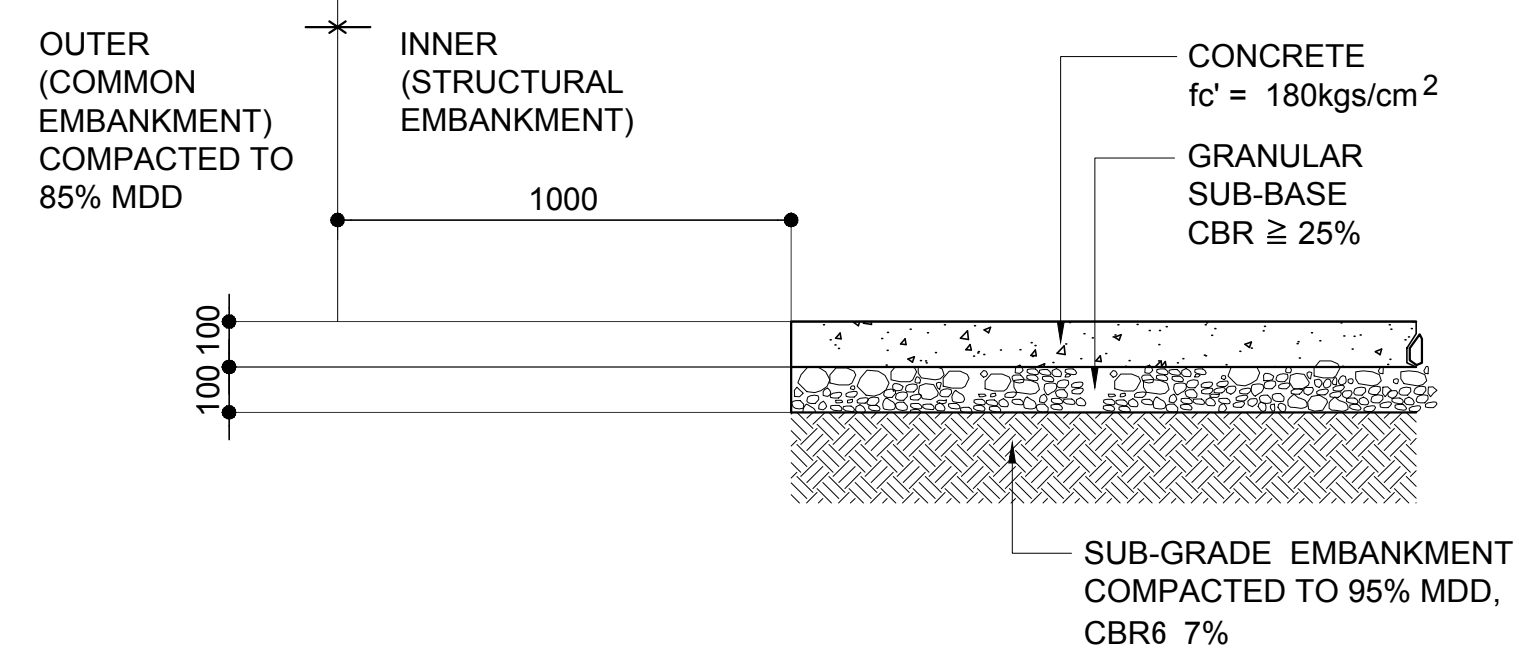
	PREPARED BY: ERACIO T. PATDU <small>PROF. CIVIL ENGINEER PIR. 3158241 REG. NO.: 34252 DATE: JULY 16, 2013 T.I.N. 199-899-561 PLACE: CAGARI DE ORO CITY</small>	RECOMMENDING APPROVAL: ILDEFONSO T. PATDU, JR. <small>Assistant Secretary for Project Implementation, DOTC</small>	APPROVED: JULIANITO G. BUCAYAN, JR. <small>Undersecretary for Project Implementation, DOTC</small>	PROJECT TITLE: NEW BOHOL AIRPORT CONSTRUCTION AND SUSTAINABLE ENVIRONMENT PROTECTION PROJECT	LOCATION: MUNICIPALITY OF PANGLAO, PROVINCE OF BOHOL, PHILIPPINES	SHEET CONTENTS: COMPONENT-2 CIVIL WORKS (C) SUBCOMPONENT-2-2 AIRPORT INFRASTRUCTURE PAVEMENT WORKS SCHEDULE OF JOINTS & CONCRETE PAVEMENT JOINT DETAIL	SHEET NO: C2-2200-04
	JICA DESIGN CONSULTANT JOINT VENTURE JAC JAPAN AIRPORT CONSULTANTS, INC. NIPON KOEI CO., LTD. NJS CONSULTANTS CO., LTD.	TADASHI AOI <small>Team Leader</small>	ILDEFONSO T. PATDU, JR. <small>Assistant Secretary for Project Implementation, DOTC</small>	JULIANITO G. BUCAYAN, JR. <small>Undersecretary for Project Implementation, DOTC</small>	DATE: JUNE 2013 INDEX: AMENDMENTS Prepared by: WIM Checked by: HC Validated by:	DRAWING SCALE: AS SHOWN	



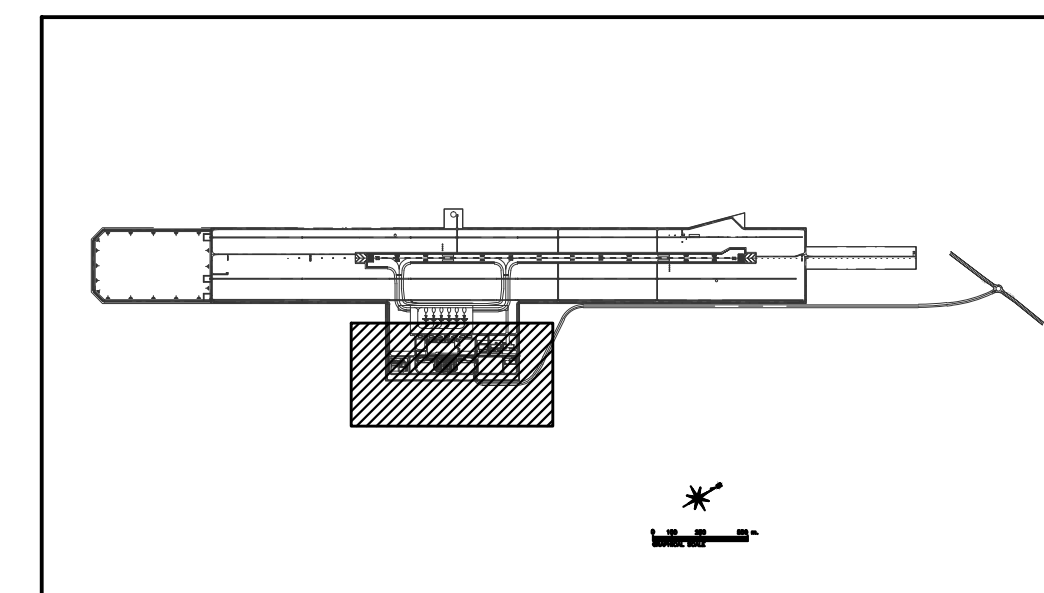
CIRCULATION ROAD / ACCESS ROAD



PARKING AREA



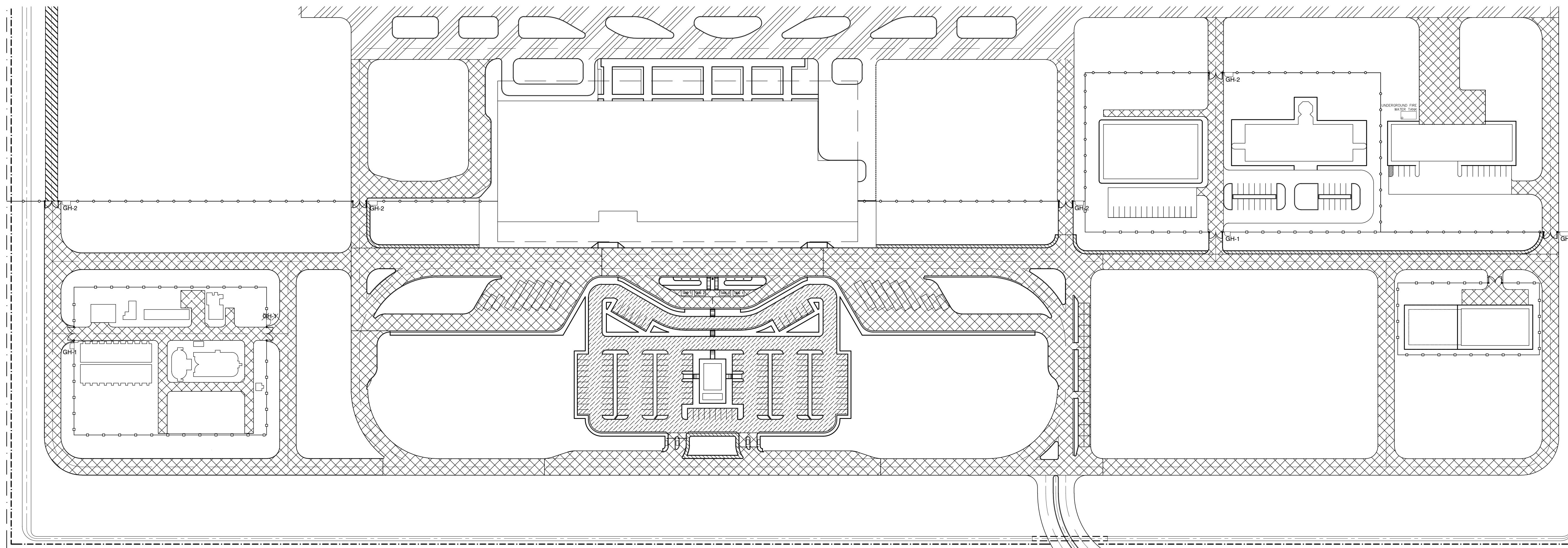
SIDEWALK



KEY PLAN

1 C2-2200-05 SCALE NTS

LANDSIDE PAVEMENT SCHEDULE



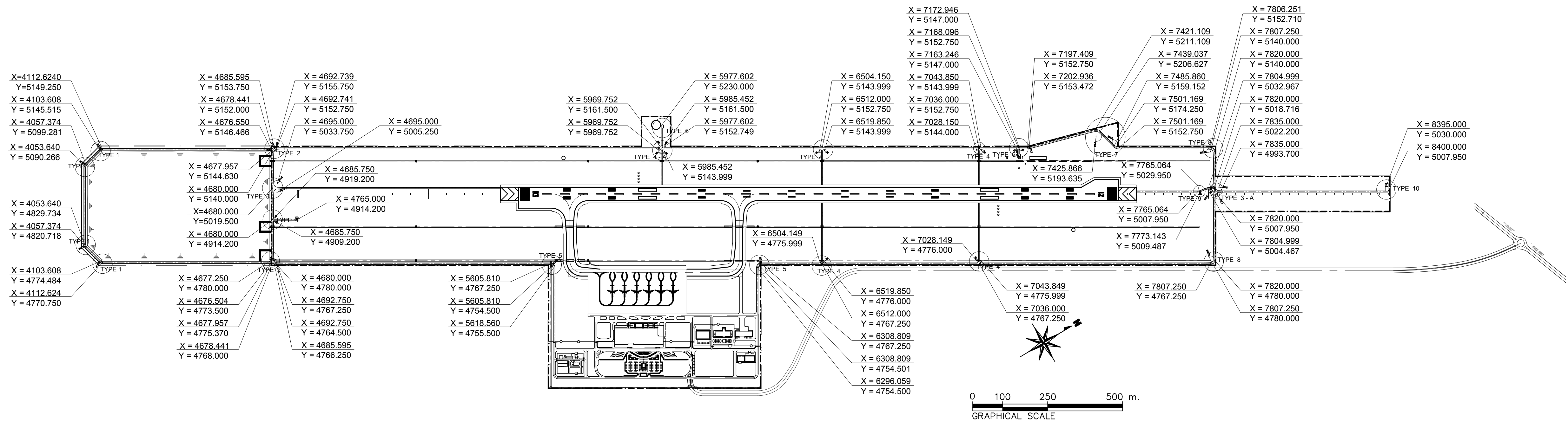
LEGEND:

- CIRCULATION ROAD
- PARKING AREA
- SIDEWALK

1 C2-2200-05 SCALE 1:10000 m.

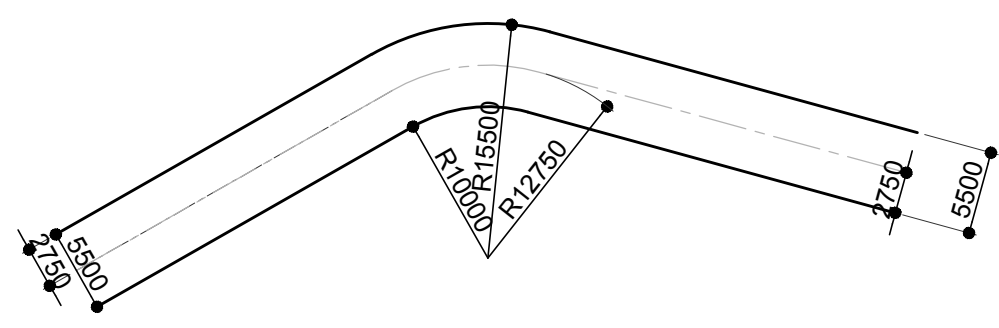
LANDSIDE PAVEMENT CLASSIFICATION LAYOUT

	PREPARED BY: ERACIO T. PATDU <small>PROF. CIVIL ENGINEER PTR. 3158241 REG. NO.: 34252 DATE: JULY 18, 2013 TEL. 199-699-5611 PLACE: CAGAYAN DE ORO CITY</small>	RECOMMENDING APPROVAL: ILDEFONSO T. PATDU, JR. <small>Assistant Secretary for Project Implementation, DOTC</small>	APPROVED: JULIANITO G. BUCAYAN, JR. <small>Undersecretary for Project Implementation, DOTC</small>	PROJECT TITLE: NEW BOHOL AIRPORT CONSTRUCTION AND SUSTAINABLE ENVIRONMENT PROTECTION PROJECT	LOCATION: MUNICIPALITY OF PANGLAO, PROVINCE OF BOHOL, PHILIPPINES	SHEET CONTENTS: COMPONENT-2 CIVIL WORKS (C) SUBCOMPONENT-2-2 AIRPORT INFRASTRUCTURE PAVEMENT WORKS LANDSIDE PAVEMENT CLASSIFICATION LAYOUT AND SCHEDULE	SHEET NO: C2-2200-05	
	JICA DESIGN CONSULTANT JOINT VENTURE JAC JAPAN AIRPORT CONSULTANTS, INC.	TADASHI AOI <small>Team Leader</small>	ILDEFONSO T. PATDU, JR. <small>Assistant Secretary for Project Implementation, DOTC</small>	JULIANITO G. BUCAYAN, JR. <small>Undersecretary for Project Implementation, DOTC</small>	DATE: JUNE 2013	INDEX:	AMENDMENTS:	Prepared by: WIM Checked by: IC Validated by:

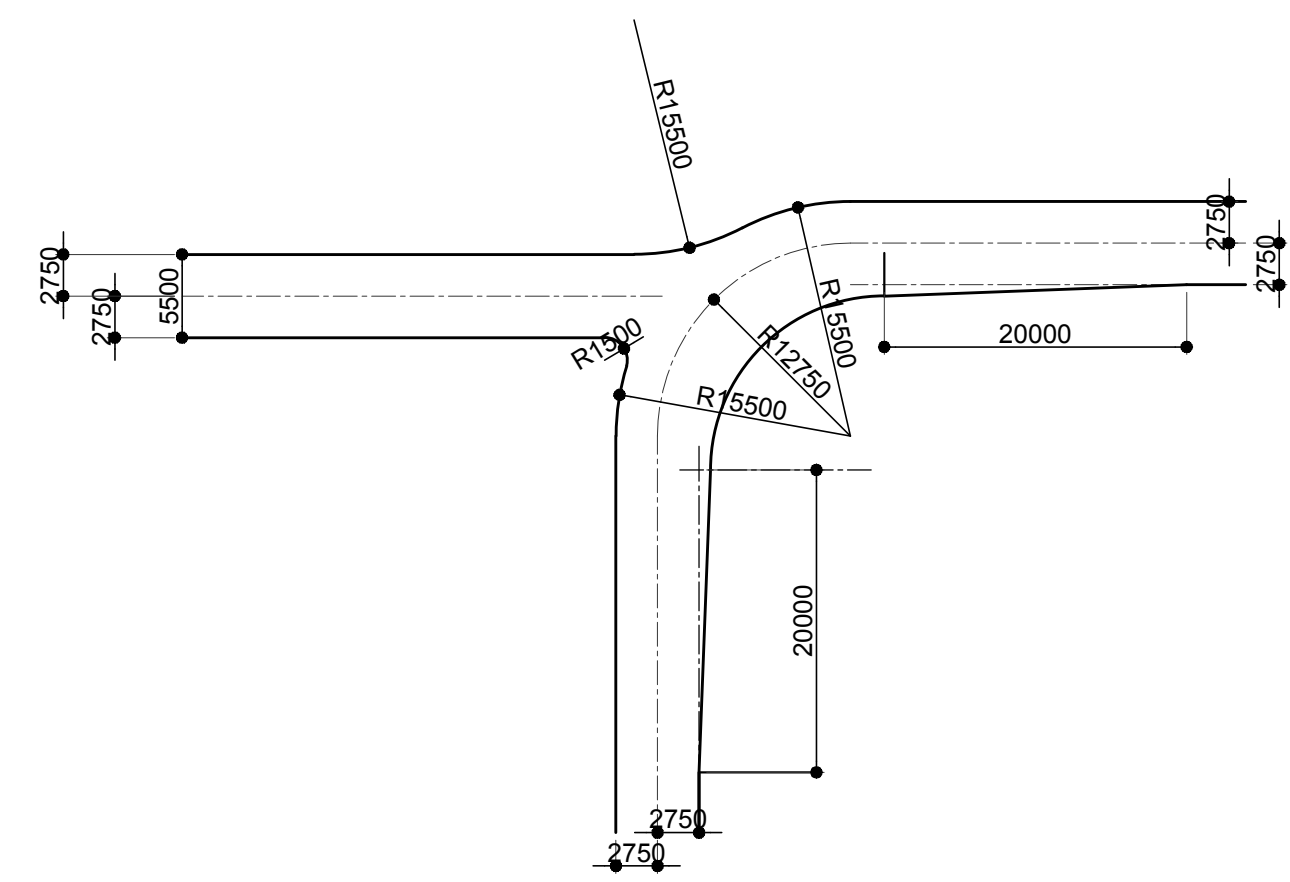


1 ROAD LAYOUT PLAN-(AERONAUTICAL AREAS)
 SCALE 1 : 800 mm.

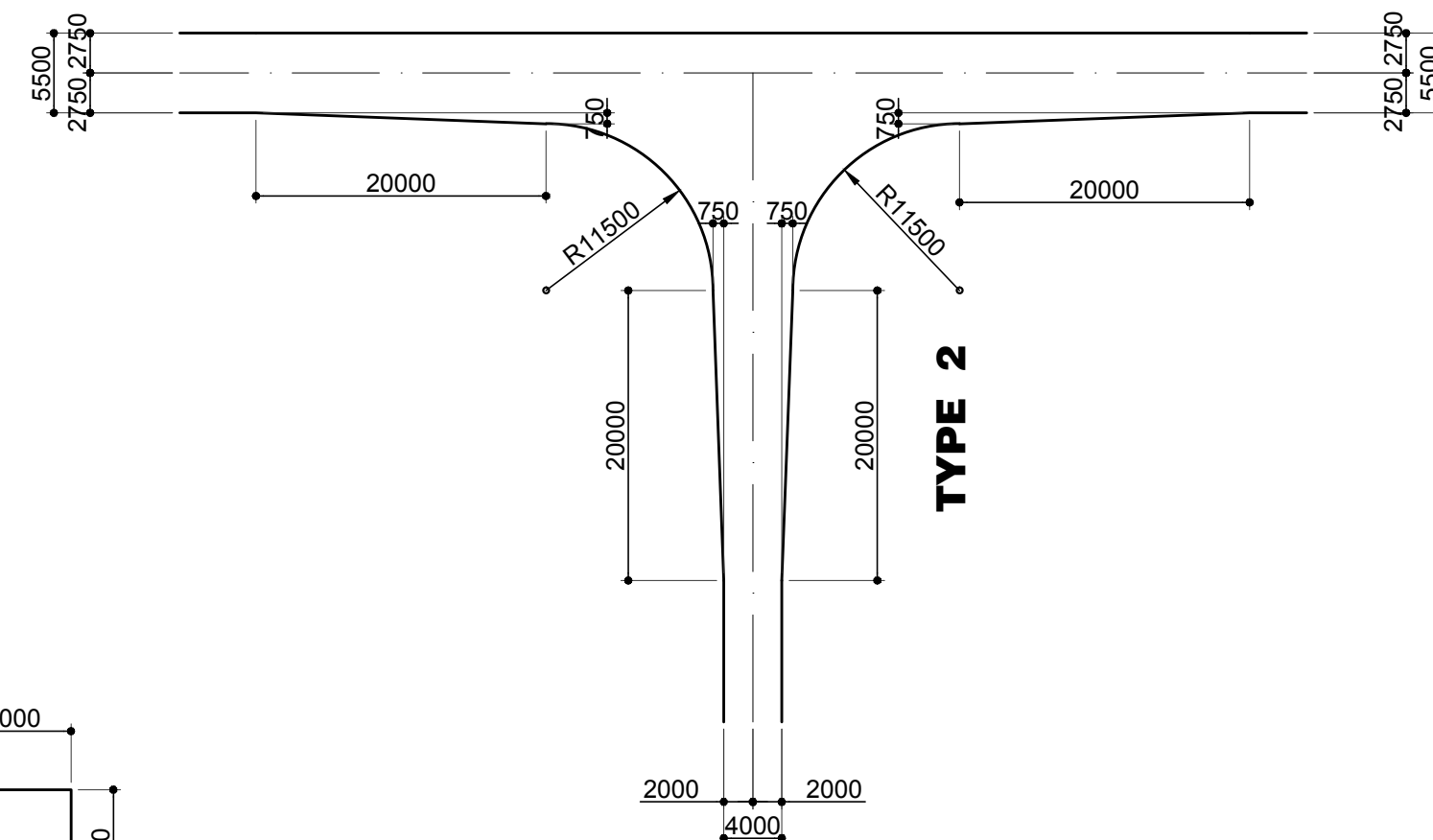
	PREPARED BY: ERACIO T. PATDU <small>PROF. CIVIL ENGINEER PIR. 3158241 REG. NO.: 34252 DATE: JULY 18, 2013 TEL. 199-699-561 PLACE: CAGAYAN DE ORO CITY</small>	RECOMMENDING APPROVAL: JILDEFONSO T. PATDU, JR. <small>Assistant Secretary for Project Implementation, DOTC</small>	APPROVED: JULIANITO G. BUCAYAN, JR. <small>Undersecretary for Project Implementation, DOTC</small>	PROJECT TITLE: NEW BOHOL AIRPORT CONSTRUCTION AND SUSTAINABLE ENVIRONMENT PROTECTION PROJECT LOCATION: MUNICIPALITY OF PANGLAO, PROVINCE OF BOHOL, PHILIPPINES	SHEET CONTENTS: COMPONENT-2 CIVIL WORKS (C) SUBCOMPONENT-2-2 AIRPORT INFRASTRUCTURE PAVEMENT WORKS LAYOUT PLAN-(AERONAUTICAL AREAS)	SHEET NO: C2-2200-06 DRAWING SCALE: 1 : 8000 M
	JICA DESIGN CONSULTANT JOINT VENTURE <small>JAC JAPAN AIRPORT CONSULTANTS, INC. NIPPON KOEI CO., LTD. NIS CONSULTANTS CO., LTD.</small>	TADASHI AOI <small>Team Leader</small>	JILDEFONSO T. PATDU, JR. <small>Assistant Secretary for Project Implementation, DOTC</small>	JULIANITO G. BUCAYAN, JR. <small>Undersecretary for Project Implementation, DOTC</small>	DATE INDEX AMENDMENTS JUNE 2013	Prepared by WIM Checked by HC Validated by



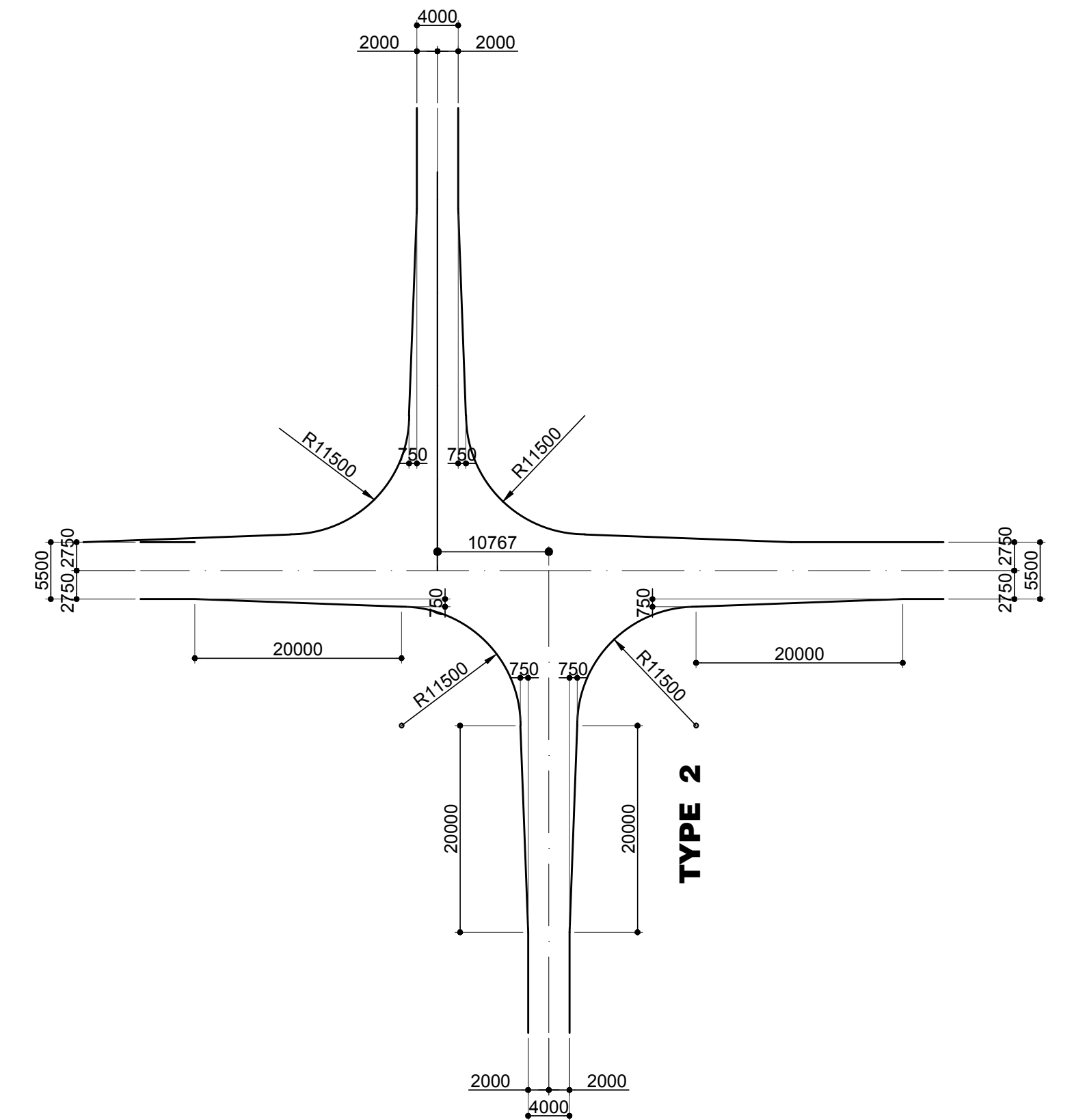
TYPE 1



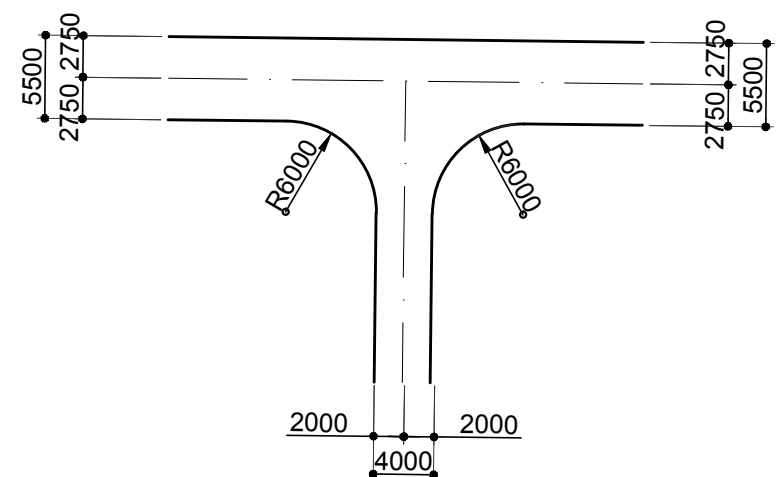
TYPE 2



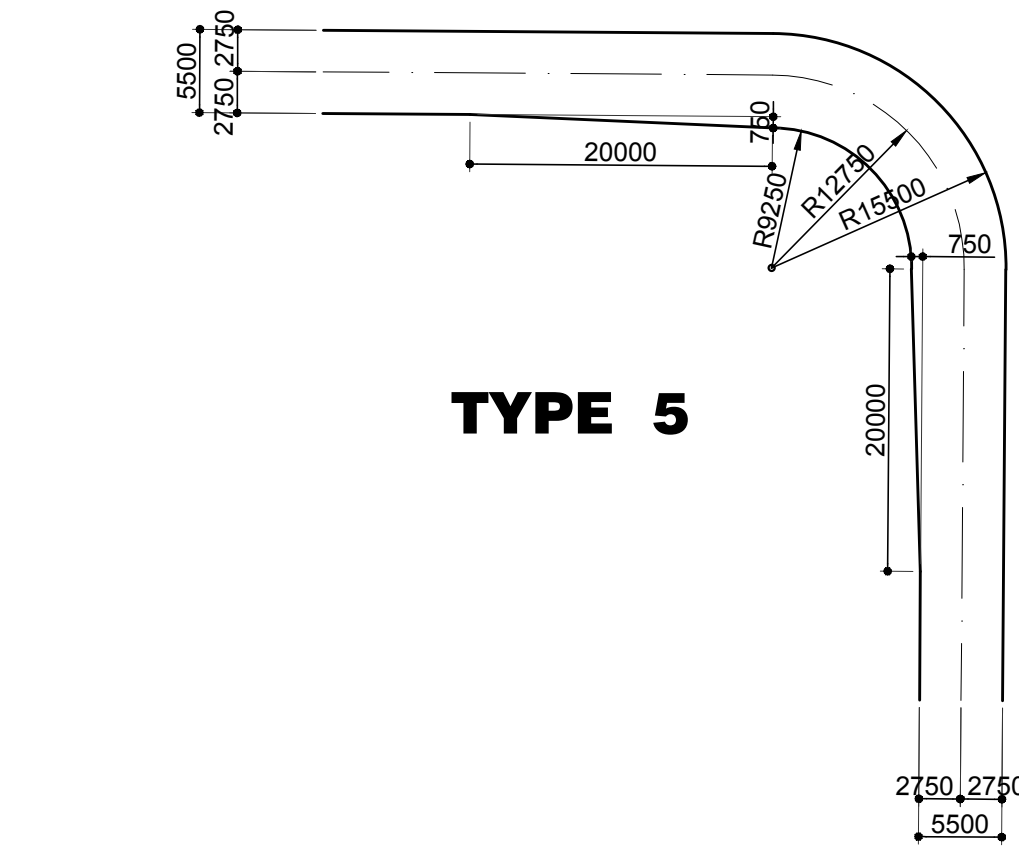
TYPE 3



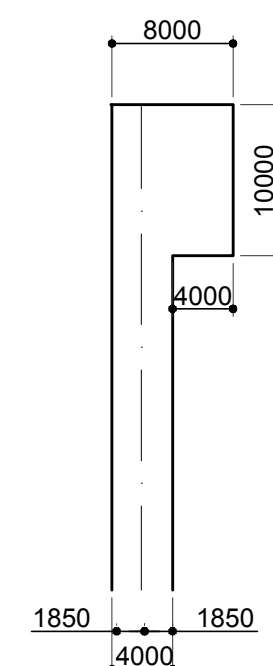
TYPE 3-A



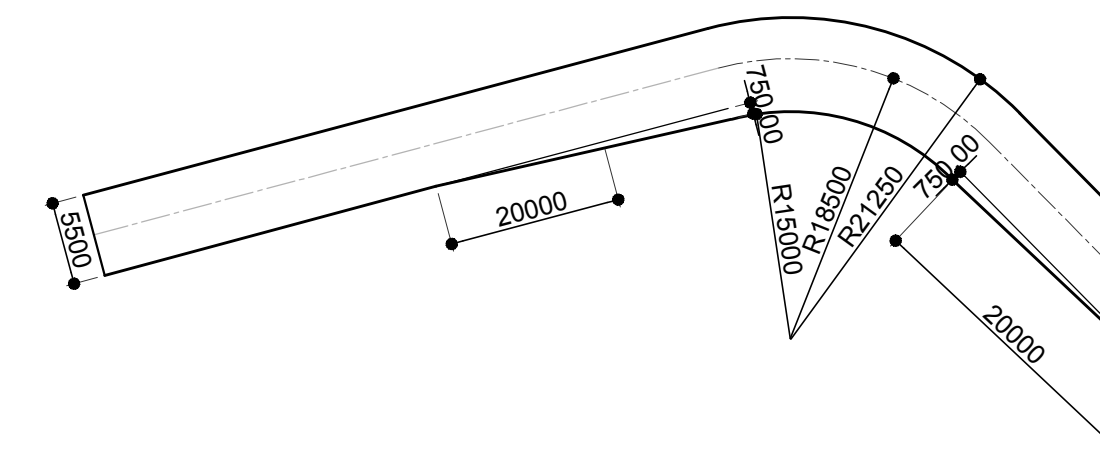
TYPE 4



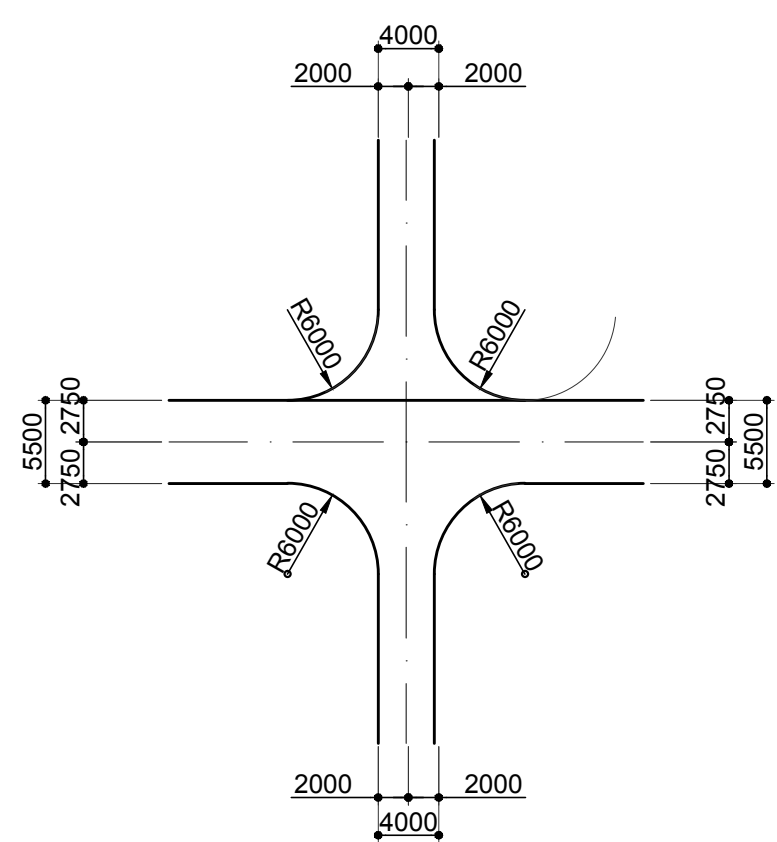
TYPE 5



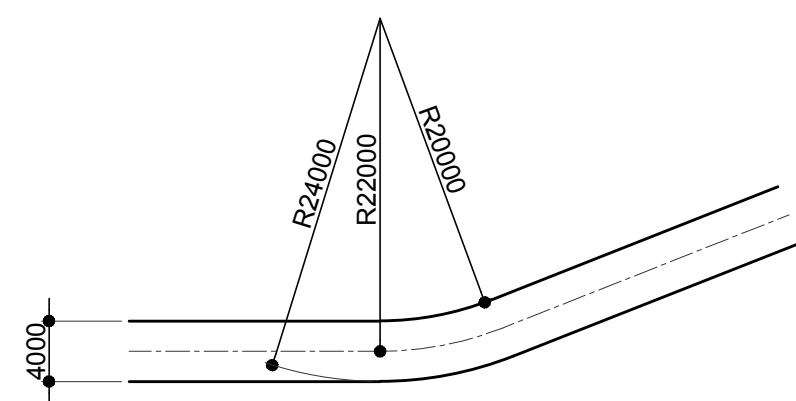
TYPE 6



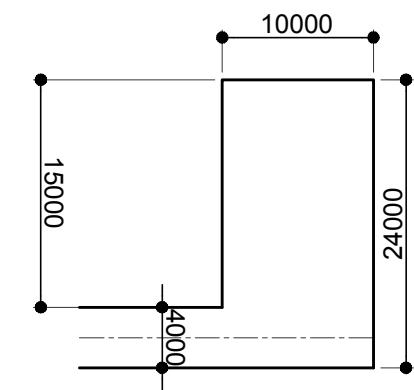
TYPE 7



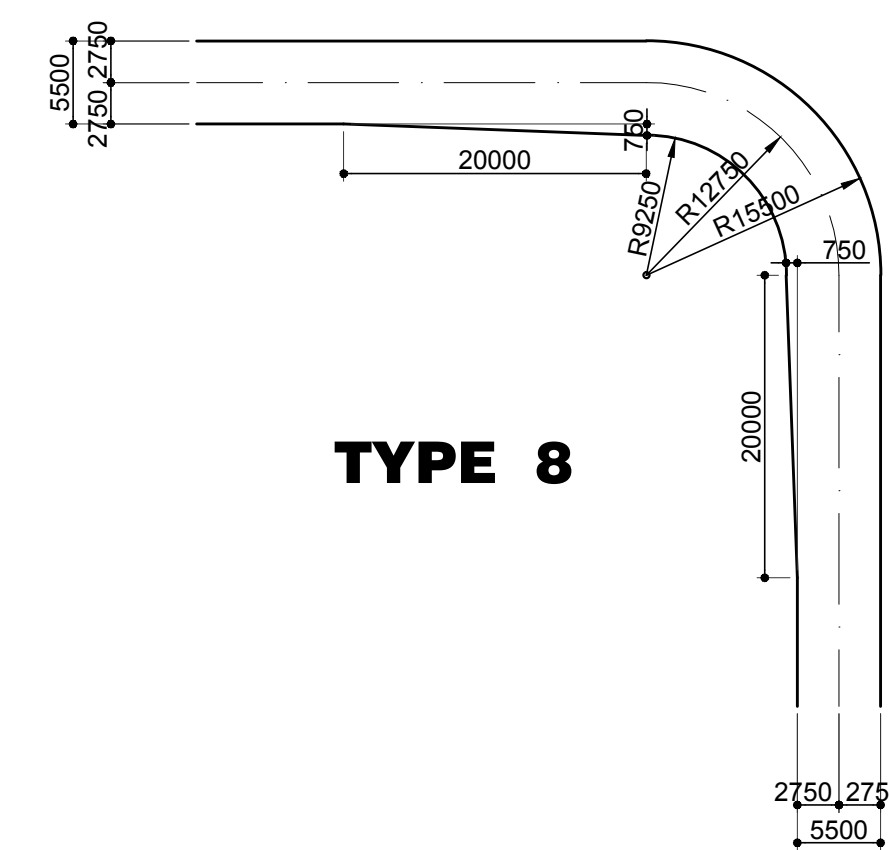
TYPE 4 - A



TYPE 9



TYPE 10



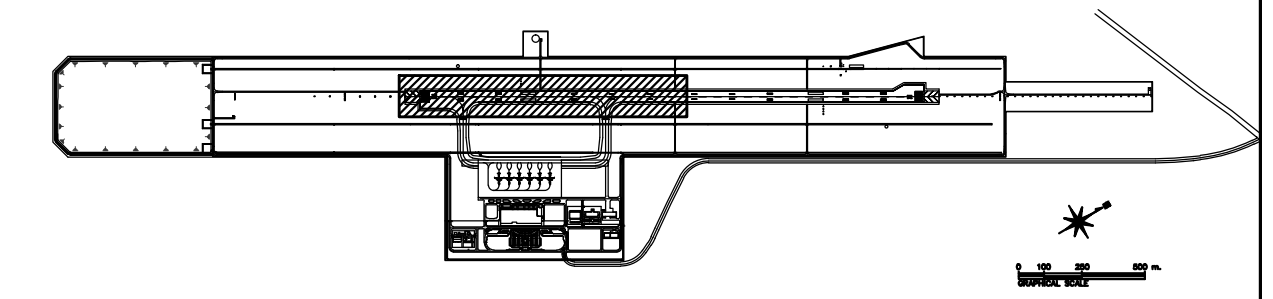
TYPE 8

1 **DETAIL OF ROAD INTERSECTIONS AND CURVES - AERONAUTICAL AREAS)**

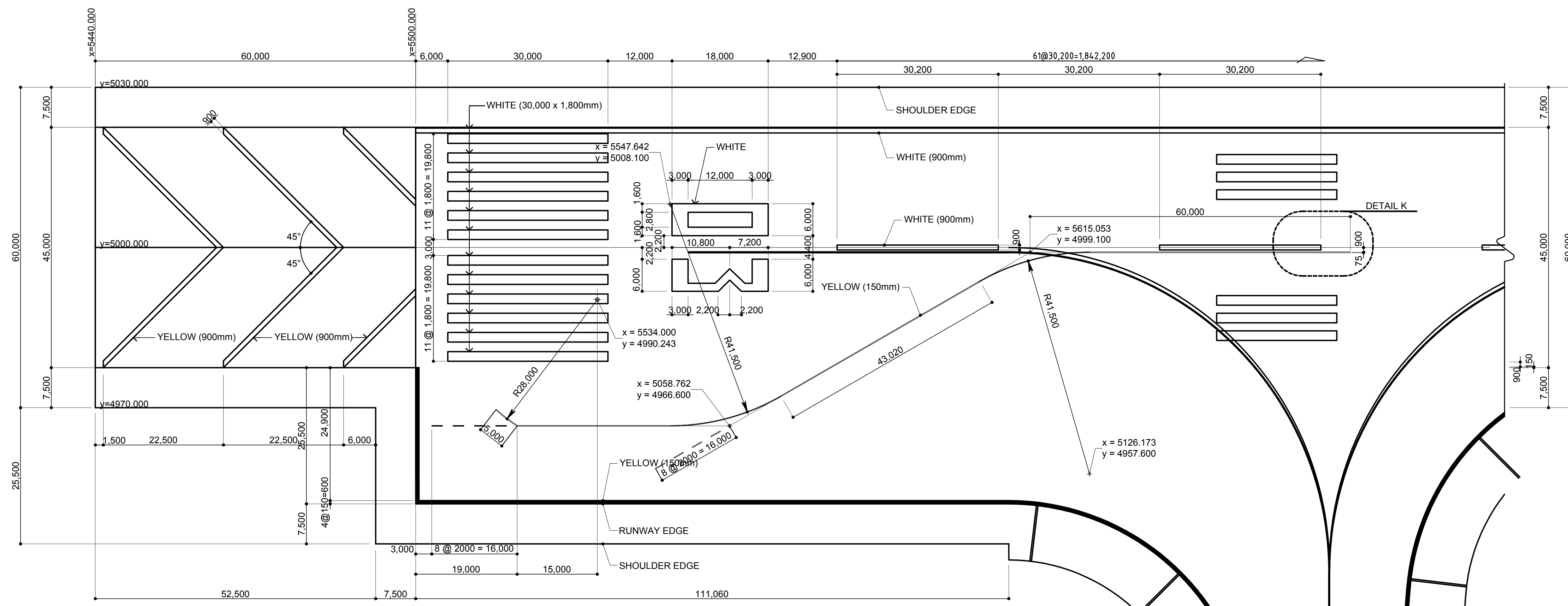
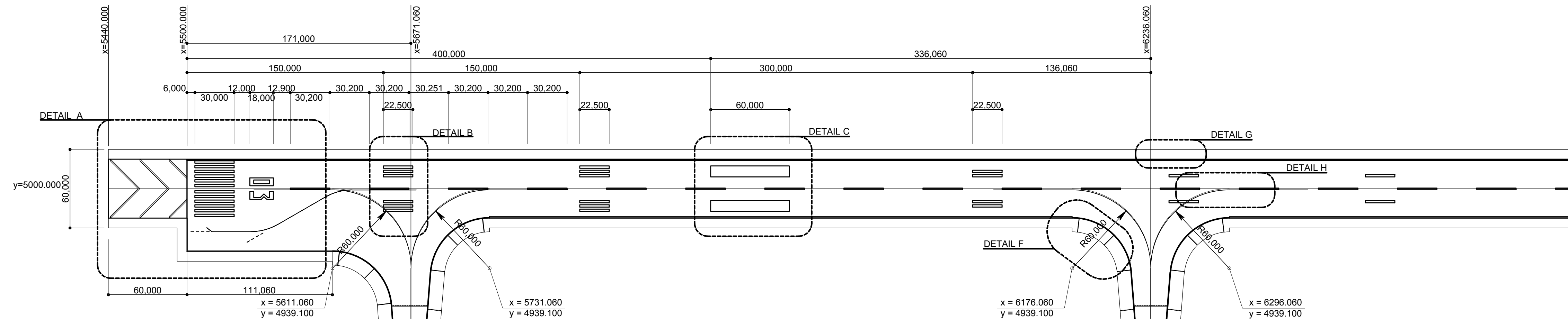
SCALE

1 : 500 mm.

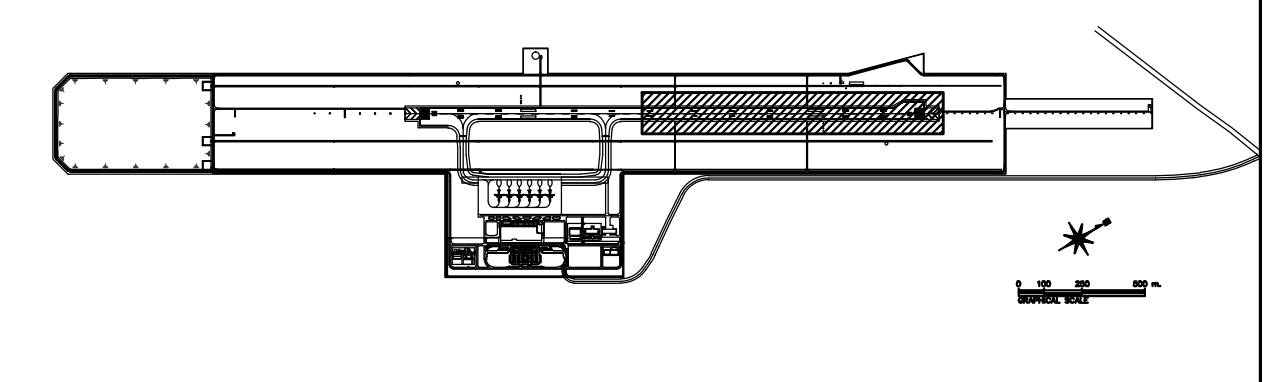
	PREPARED BY: ERACIO T. PATDU <small>PROF. CIVIL ENGINEER PTR. 3158241 REG. NO.: 34252 DATE: JULY 18, 2013 TEL. 199-699-5611 PLACE: CAGAYAN DE ORO CITY</small>	RECOMMENDING APPROVAL: JILDEFONSO T. PATDU, JR. <small>Assistant Secretary for Project Implementation, DOTC</small>	APPROVED: JULIANITO G. BUCAYAN, JR. <small>Undersecretary for Project Implementation, DOTC</small>	PROJECT TITLE: NEW BOHOL AIRPORT CONSTRUCTION AND SUSTAINABLE ENVIRONMENT PROTECTION PROJECT	LOCATION: MUNICIPALITY OF PANGLAO, PROVINCE OF BOHOL, PHILIPPINES	SHEET CONTENTS: COMPONENT-2 CIVIL WORKS (C) SUBCOMPONENT-2-2 AIRPORT INFRASTRUCTURE PAVEMENT WORKS DETAIL OF ROAD INTERSECTIONS AND CURVES - AERONAUTICAL AREAS)	SHEET NO: C2-2200-07	
	JICA DESIGN CONSULTANT JOINT VENTURE	TADASHI AOI <small>Team Leader</small>	JILDEFONSO T. PATDU, JR. <small>Assistant Secretary for Project Implementation, DOTC</small>	JULIANITO G. BUCAYAN, JR. <small>Undersecretary for Project Implementation, DOTC</small>	DATE: JUNE 2013	INDEX:	AMENDMENTS:	Prepared by: WIM Checked by: HC Validated by:



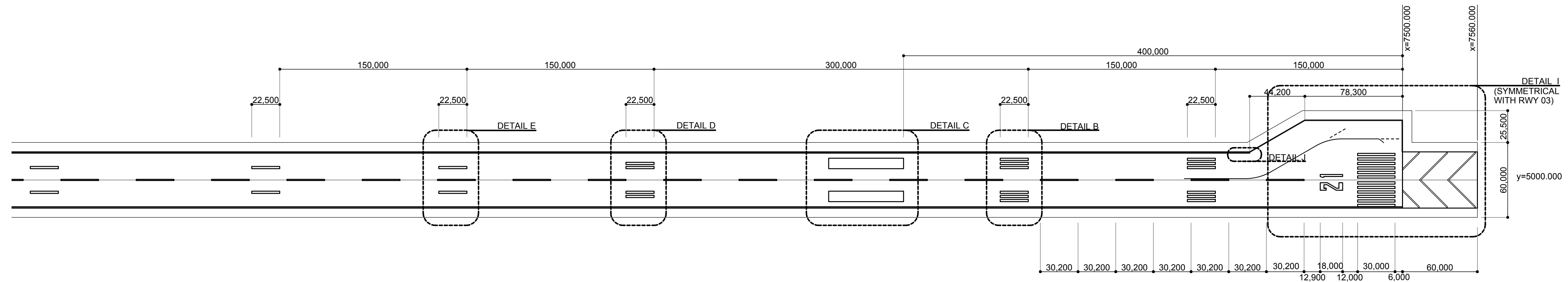
KEY PLAN



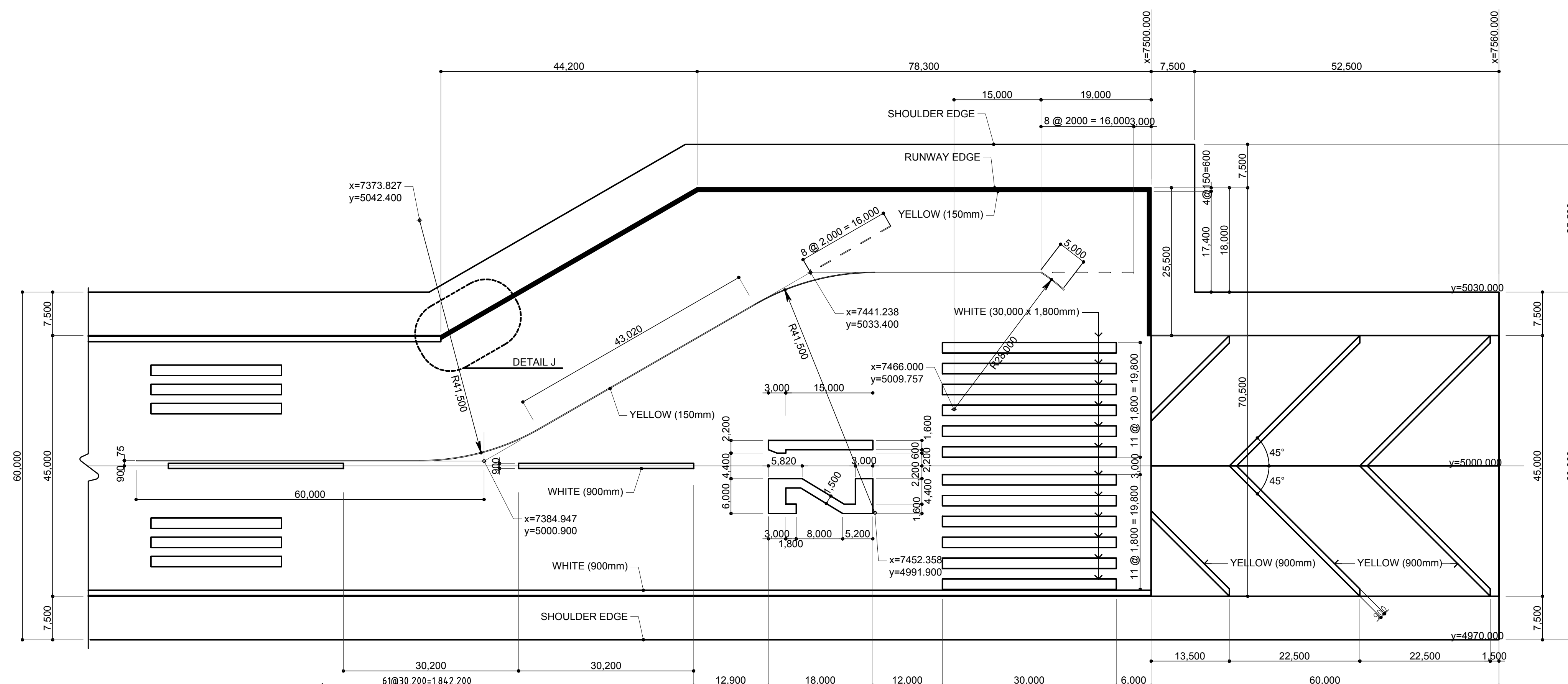
	PREPARED BY: ERACIO T. PATDU <small>PROF. CIVIL ENGINEER PIR. 3158241 REG. NO.: 34252 DATE: JULY 18, 2013 TEL. 199-699-561 PLACE: CAGAYAN DE ORO CITY</small>	RECOMMENDING APPROVAL: ILDEFONSO T. PATDU, JR. <small>Assistant Secretary for Project Implementation, DOTC</small>	APPROVED: JULIANITO G. BUCAYAN, JR. <small>Undersecretary for Project Implementation, DOTC</small>	PROJECT TITLE: NEW BOHOL AIRPORT CONSTRUCTION AND SUSTAINABLE ENVIRONMENT PROTECTION PROJECT	LOCATION: MUNICIPALITY OF PANGLAO, PROVINCE OF BOHOL, PHILIPPINES	SHEET CONTENTS: COMPONENT-2 CIVIL WORKS (C) SUBCOMPONENT-2-2 AIRPORT INFRASTRUCTURE PAVEMENT WORKS RUNWAY PAVEMENT MARKING LAYOUT PLAN & DETAIL (1)	SHEET NO: C2-2200-08
	JICA DESIGN CONSULTANT JOINT VENTURE JAC JAPAN AIRPORT CONSULTANTS, INC. NIPPON KOEI CO., LTD. NIS CONSULTANTS CO., LTD.	TADASHI AOI <small>Team Leader</small>	ILDEFONSO T. PATDU, JR. <small>Assistant Secretary for Project Implementation, DOTC</small>	JULIANITO G. BUCAYAN, JR. <small>Undersecretary for Project Implementation, DOTC</small>	DATE: JUNE 2013 INDEX: _____ AMENDMENTS: _____	Prepared by: _____ Checked by: _____ Validated by: _____	DRAWING SCALE: AS SHOWN



KEY PLAN

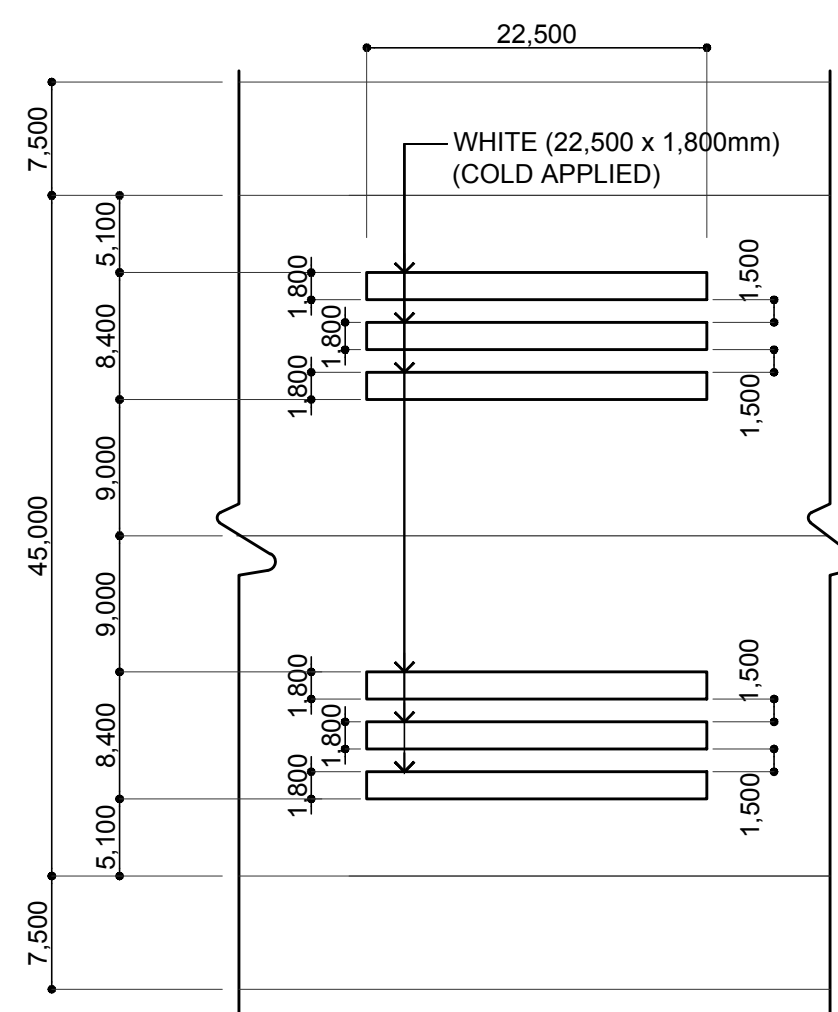


1 AIRFIELD MARKING LAYOUT PLAN (2)
C2-2200-09 SCALE 1:2000 m.

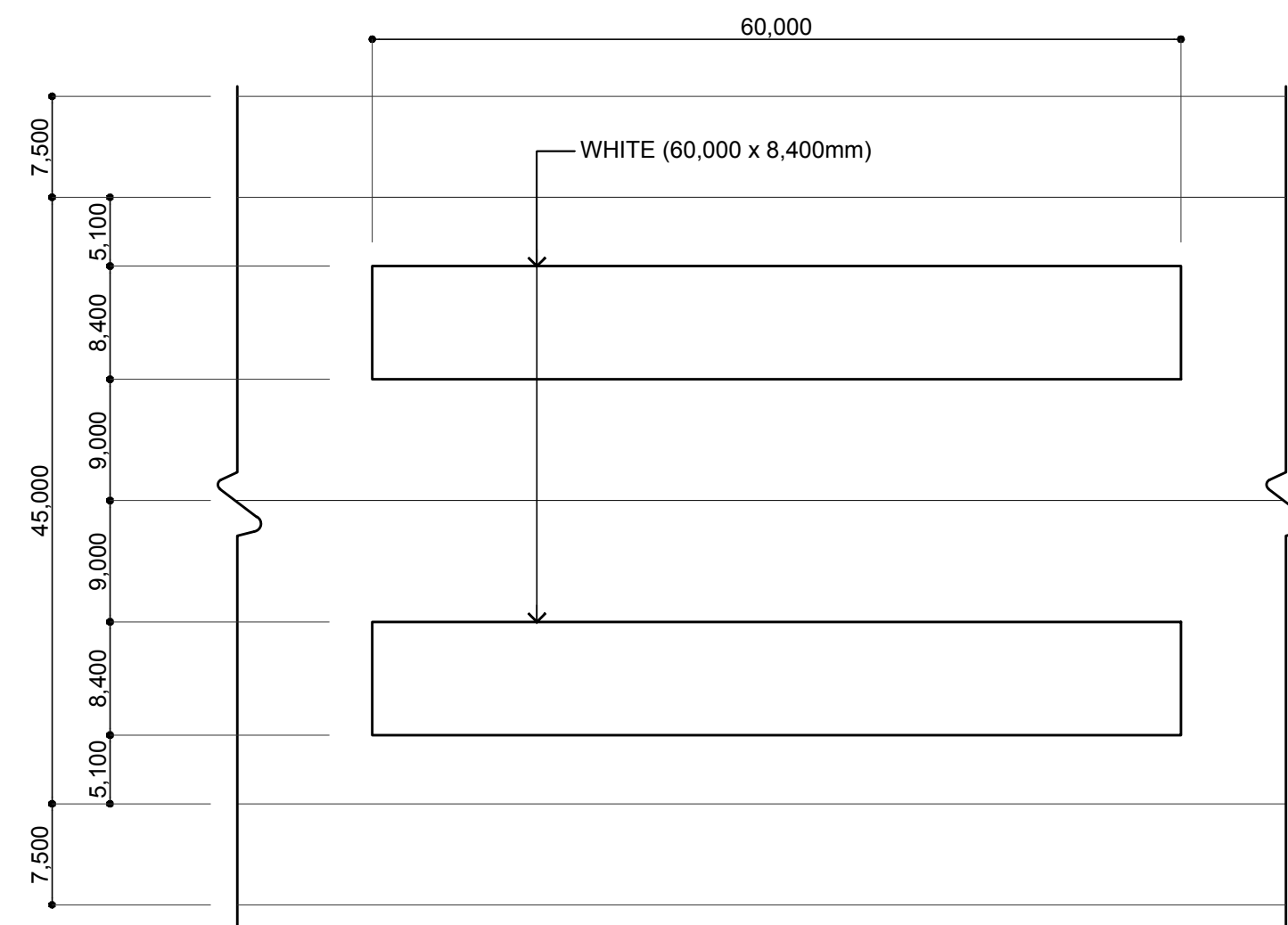


DETAIL I
C2-2200-09 SCALE 1:500M.

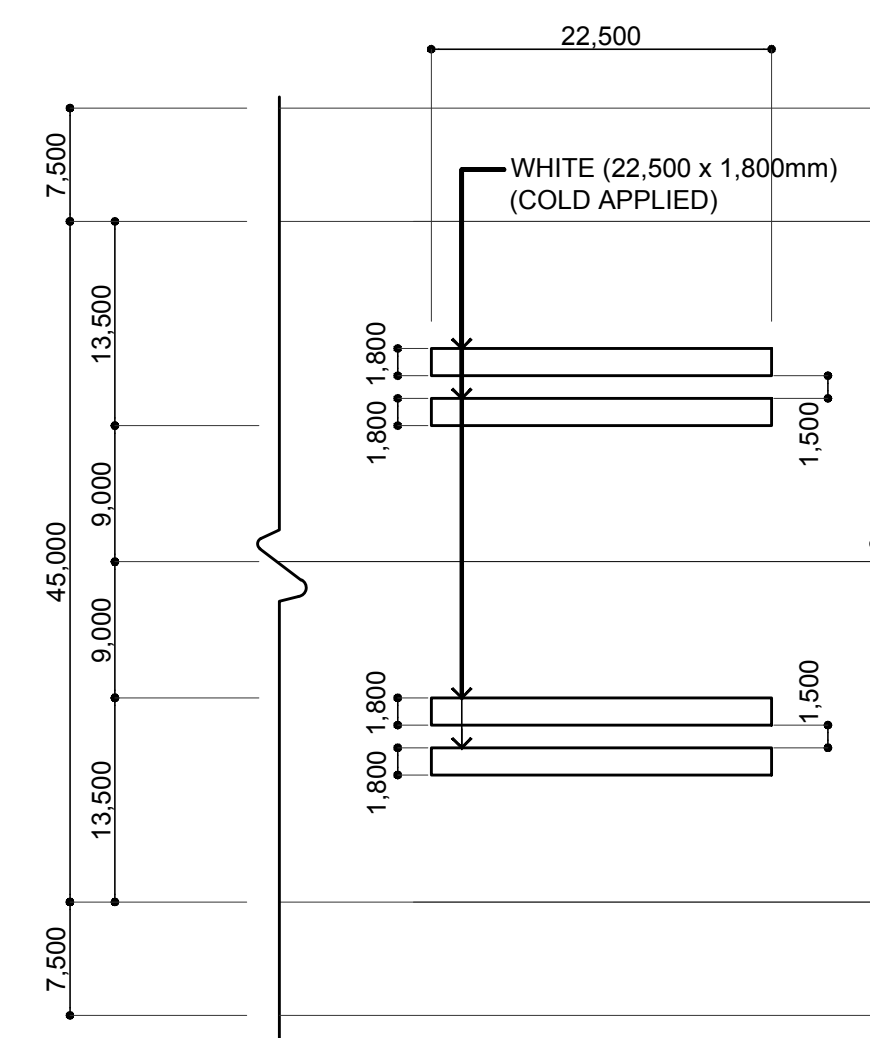
	PREPARED BY: ERACIO T. PATDU <small>PROF. CIVIL ENGINEER PIR. 3158241 REG. NO.: 34252 DATE: JULY 18, 2013 T.E.N. 199-699-561 PLACE: CAGAYAN DE ORO CITY</small>	RECOMMENDING APPROVAL: JILDEFONSO T. PATDU, JR. <small>Assistant Secretary for Project Implementation, DOTC</small>	APPROVED: JULIANITO G. BUCAYAN, JR. <small>Undersecretary for Project Implementation, DOTC</small>	PROJECT TITLE: NEW BOHOL AIRPORT CONSTRUCTION AND SUSTAINABLE ENVIRONMENT PROTECTION PROJECT LOCATION: MUNICIPALITY OF PANGLAO, PROVINCE OF BOHOL, PHILIPPINES	SHEET CONTENTS: COMPONENT-2 CIVIL WORKS (C) SUBCOMPONENT-2-2 AIRPORT INFRASTRUCTURE PAVEMENT WORKS RUNWAY PAVEMENT MARKING LAYOUT PLAN & DETAIL (2)	SHEET NO: C2-2200-09 DRAWING SCALE: AS SHOWN
	JICA DESIGN CONSULTANT JOINT VENTURE JAC JAPAN AIRPORT CONSULTANTS, INC. NK NIPPON KOEI CO., LTD. NIS NIS CONSULTANTS CO., LTD.	TADASHI AOI <small>Team Leader</small>	JILDEFONSO T. PATDU, JR. <small>Assistant Secretary for Project Implementation, DOTC</small>	JULIANITO G. BUCAYAN, JR. <small>Undersecretary for Project Implementation, DOTC</small>	DATE: JUNE 2013 INDEX: _____ AMENDMENTS: _____ Prepared by: WIM Checked by: HC Validated by: _____	



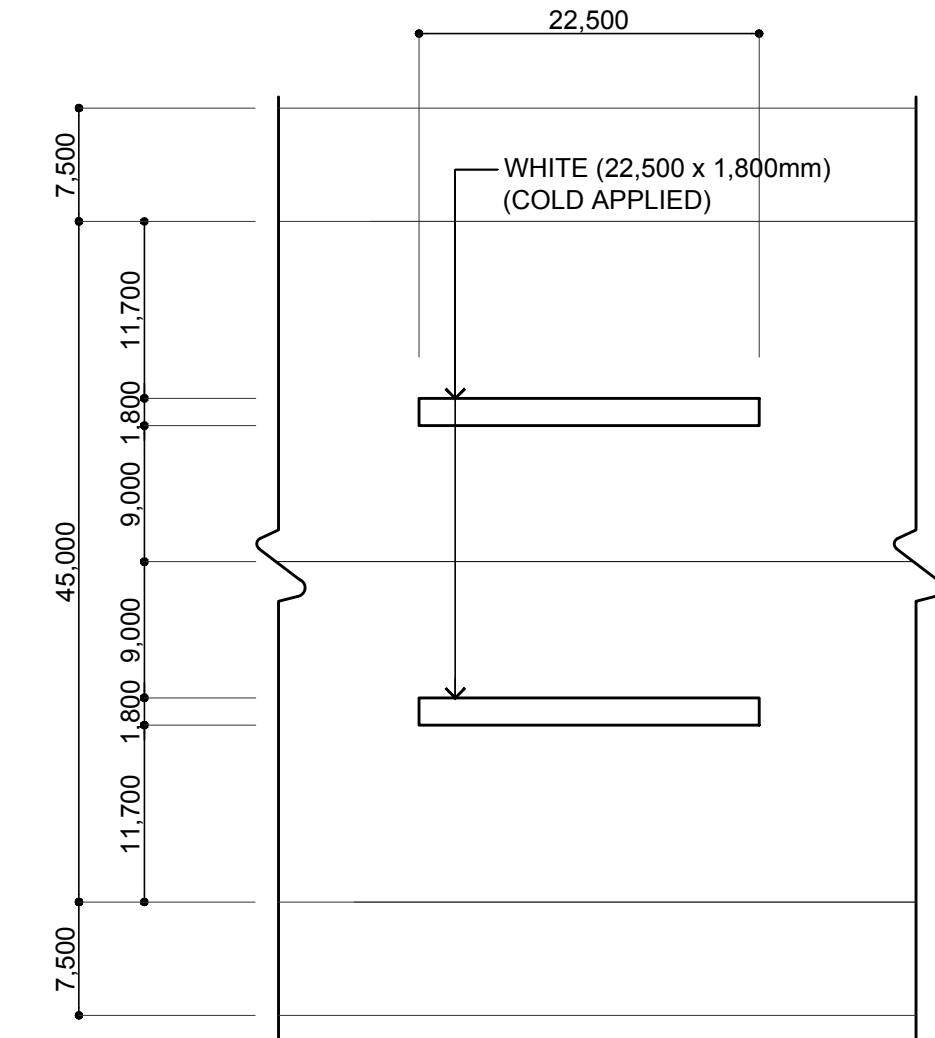
DETAIL B
SCALE 1:500M



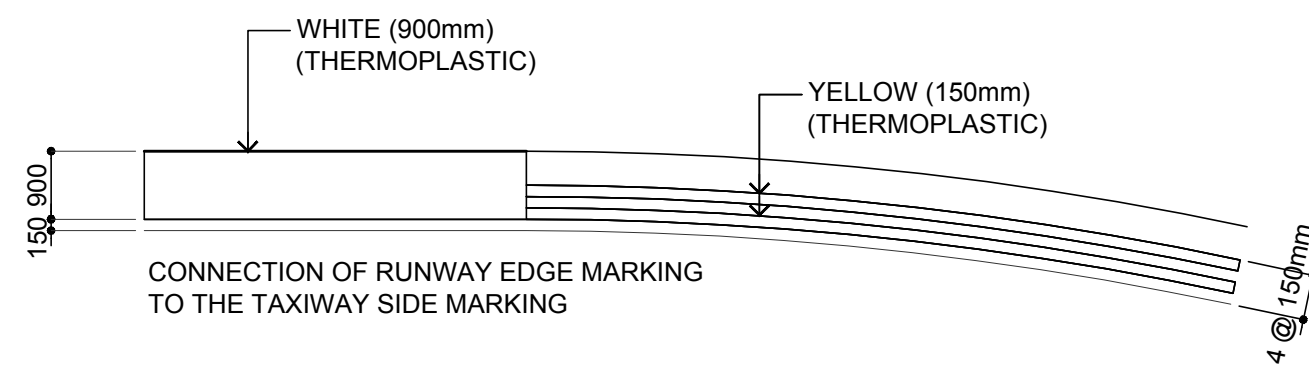
DETAIL C
SCALE 1:500M



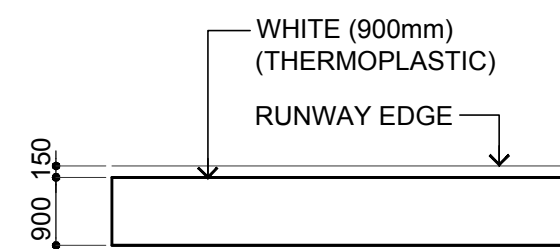
DETAIL D
SCALE 1:500M



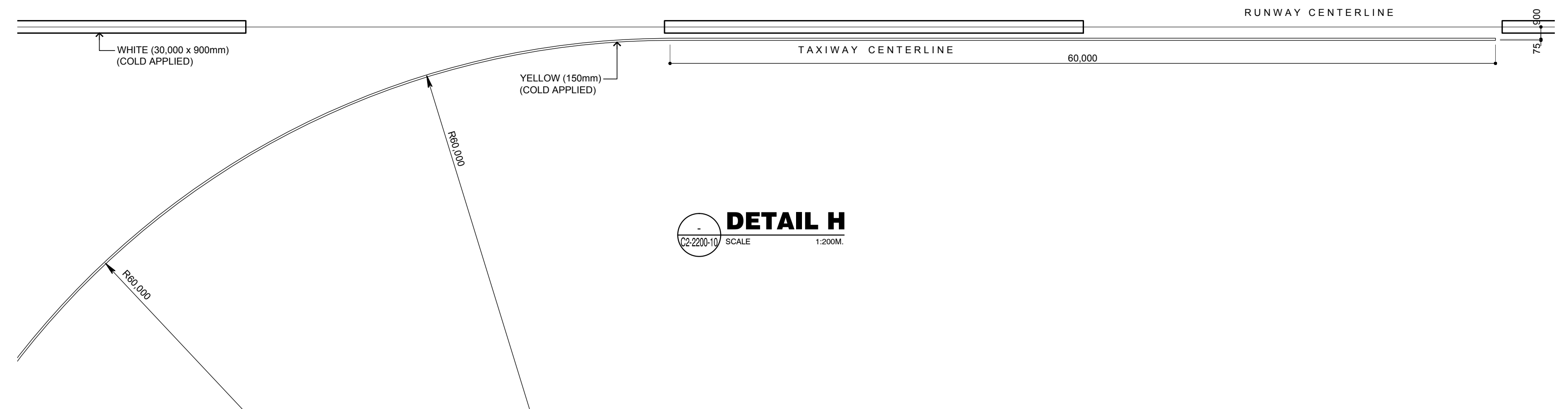
DETAIL E
SCALE 1:500M



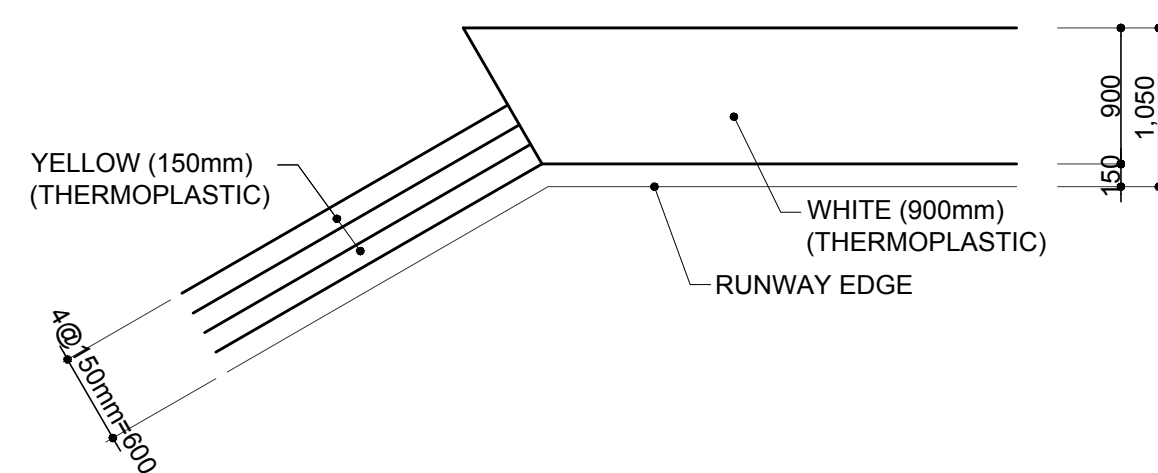
DETAIL F
SCALE 1:500M



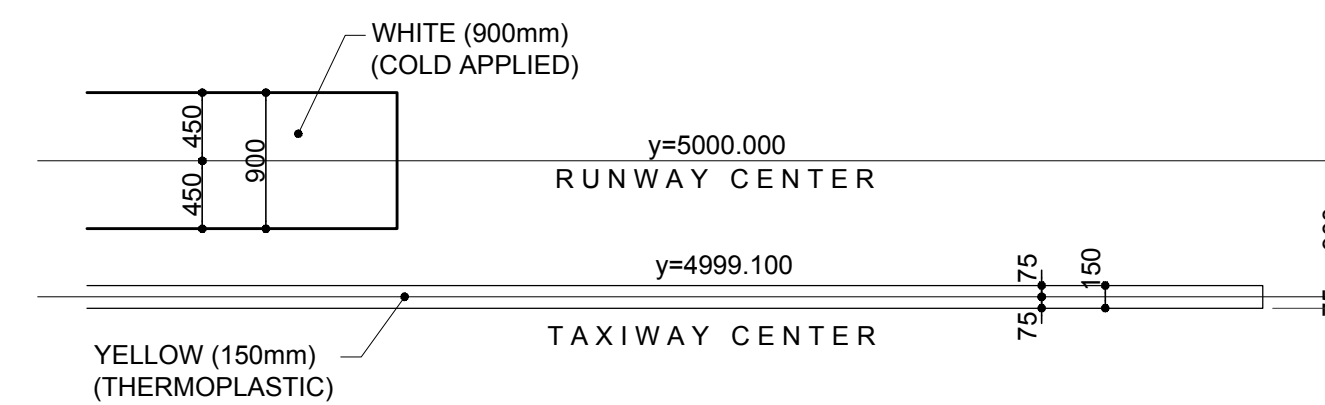
DETAIL G
SCALE 1:100M



DETAIL H
SCALE 1:200M

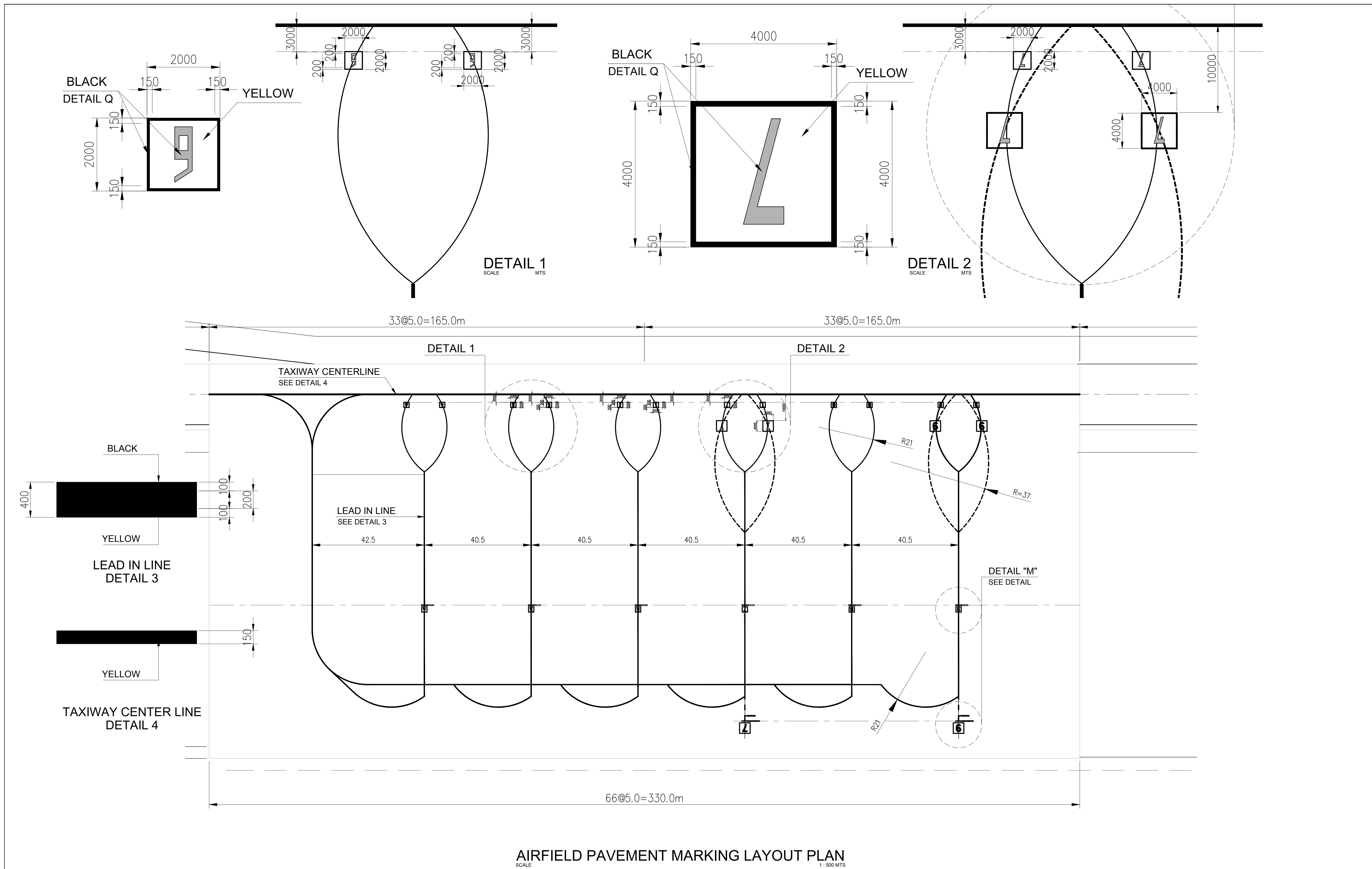


DETAIL J
SCALE 1:500M

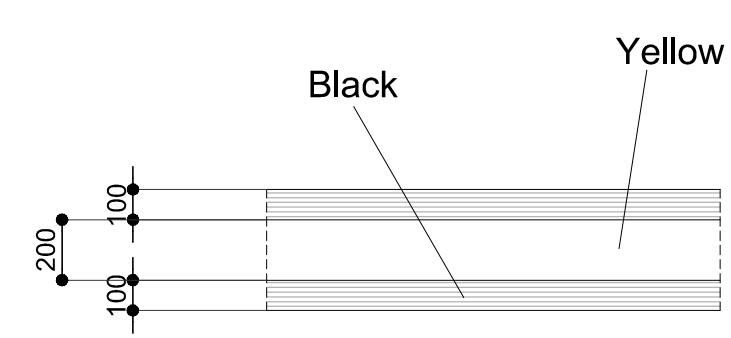


DETAIL K
SCALE 1:500M

	PREPARED BY: ERACIO T. PATDU <small>PROF. CIVIL ENGINEER PIR. 3158241 REG. NO.: 34252 DATE: JULY 18, 2013 TEL. 199-699-5611 PLACE: CAGAYAN DE ORO CITY</small>	RECOMMENDING APPROVAL: ILDEFONSO T. PATDU, JR. <small>Assistant Secretary for Project Implementation, DOTC</small>	APPROVED: JULIANITO G. BUCAYAN, JR. <small>Undersecretary for Project Implementation, DOTC</small>	PROJECT TITLE: NEW BOHOL AIRPORT CONSTRUCTION AND SUSTAINABLE ENVIRONMENT PROTECTION PROJECT	SHEET CONTENTS: COMPONENT-2 CIVIL WORKS (C) SUBCOMPONENT-2-2 AIRPORT INFRASTRUCTURE PAVEMENT WORKS RUNWAY PAVEMENT MARKING LAYOUT PLAN AND DETAIL	SHEET NO: C2-2200-10
	JICA DESIGN CONSULTANT JOINT VENTURE	TADASHI AOI <small>Team Leader</small>	ILDEFONSO T. PATDU, JR. <small>Assistant Secretary for Project Implementation, DOTC</small>	JULIANITO G. BUCAYAN, JR. <small>Undersecretary for Project Implementation, DOTC</small>	LOCATION: MUNICIPALITY OF PANGLAO, PROVINCE OF BOHOL, PHILIPPINES	DRAWING SCALE: AS SHOWN



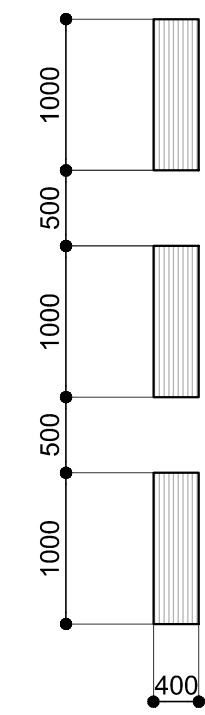
	PREPARED BY: ERACIO T. PATDU <small>PROF. CIVIL ENGINEER PTR. 3158241 REG. NO.: 34252 DATE: JULY 18, 2013 TEAM: 199-699-561 PLACE: CAGAYAN DE ORO CITY</small>	RECOMMENDING APPROVAL: ILDEFONSO T. PATDU, JR. <small>Assistant Secretary for Project Implementation, DOTC</small>	APPROVED: JULIANITO G. BUCAYAN, JR. <small>Undersecretary for Project Implementation, DOTC</small>	PROJECT TITLE: NEW BOHOL AIRPORT CONSTRUCTION AND SUSTAINABLE ENVIRONMENT PROTECTION PROJECT	SHEET CONTENTS: COMPONENT-2 CIVIL WORKS (C) SUBCOMPONENT-2-2 AIRPORT INFRASTRUCTURE PAVEMENT WORKS APRON PAVEMENT MARKING LAYOUT PLAN	SHEET NO: C2-2200-11
	JICA DESIGN CONSULTANT JOINT VENTURE JAC JAPAN AIRPORT CONSULTANTS, INC.	DATE: JUNE 2013 INDEX:	AMENDMENTS:	Prepared by: WIM Checked by: HC Validated by:	LOCATION: MUNICIPALITY OF PANGLAO, PROVINCE OF BOHOL, PHILIPPINES	DRAWING SCALE: AS SHOWN



Stop Line Detail

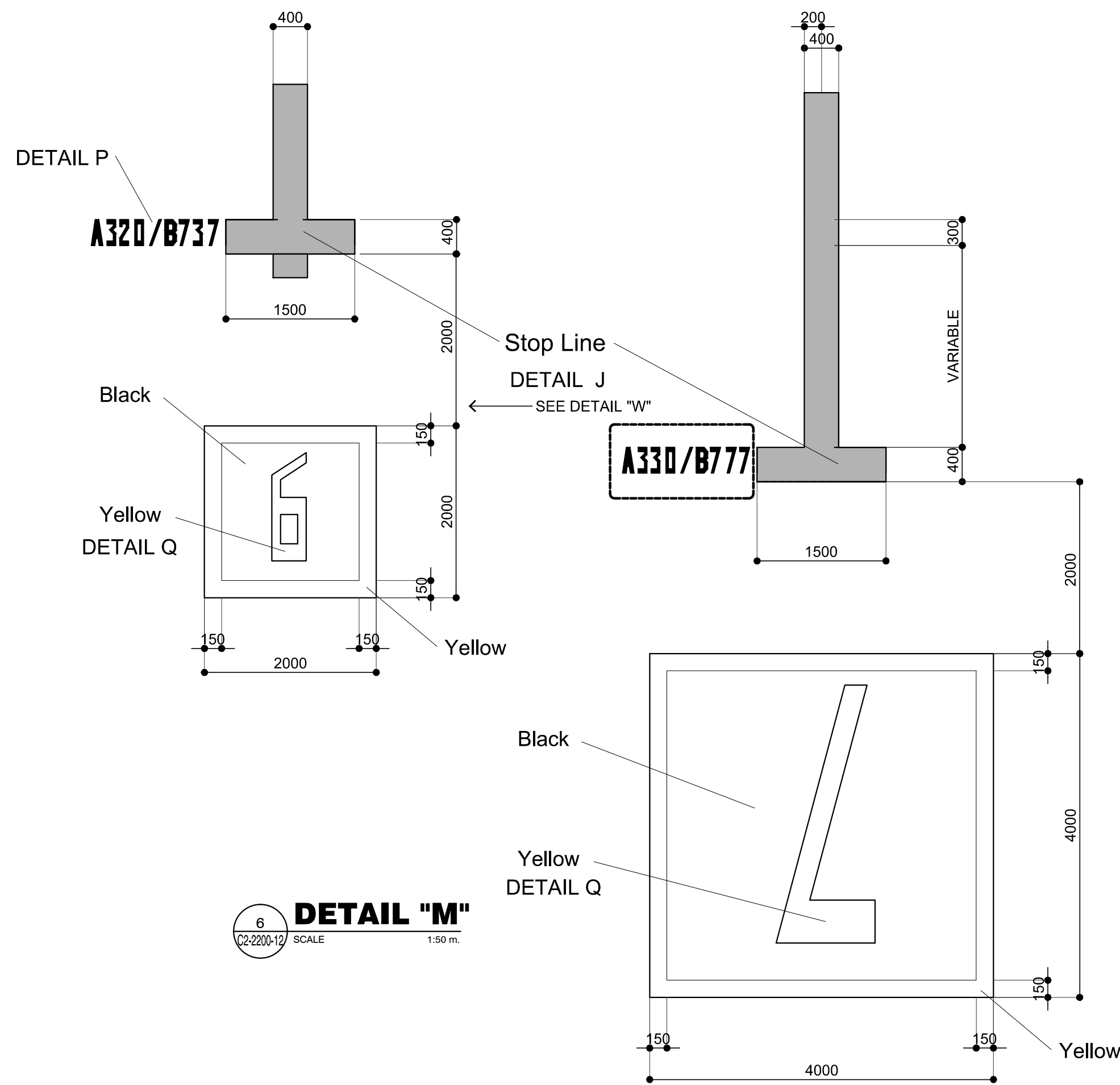
1 **DETAIL "J"**
C2-2200-12 SCALE 1:50 m.

RED (OUTER) AIRCRAFT SIDE —••— WHITE INNER

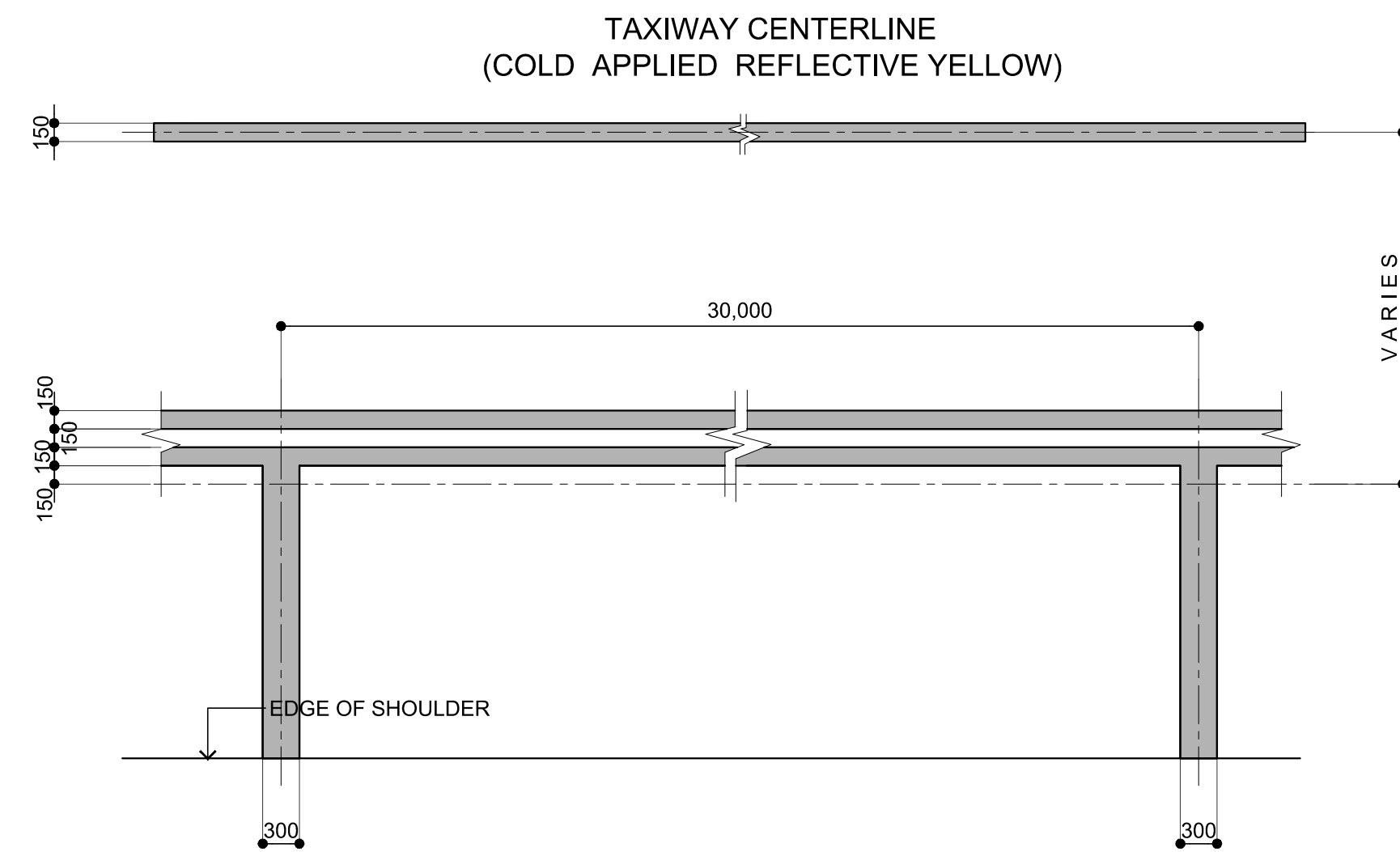


NOSE WHEEL GUIDE
(COLD APPLIED REFLECTIVE YELLOW)
(LEAD IN LINE)

2 **DETAIL "J1"**
C2-2200-12 SCALE 1:50 m.

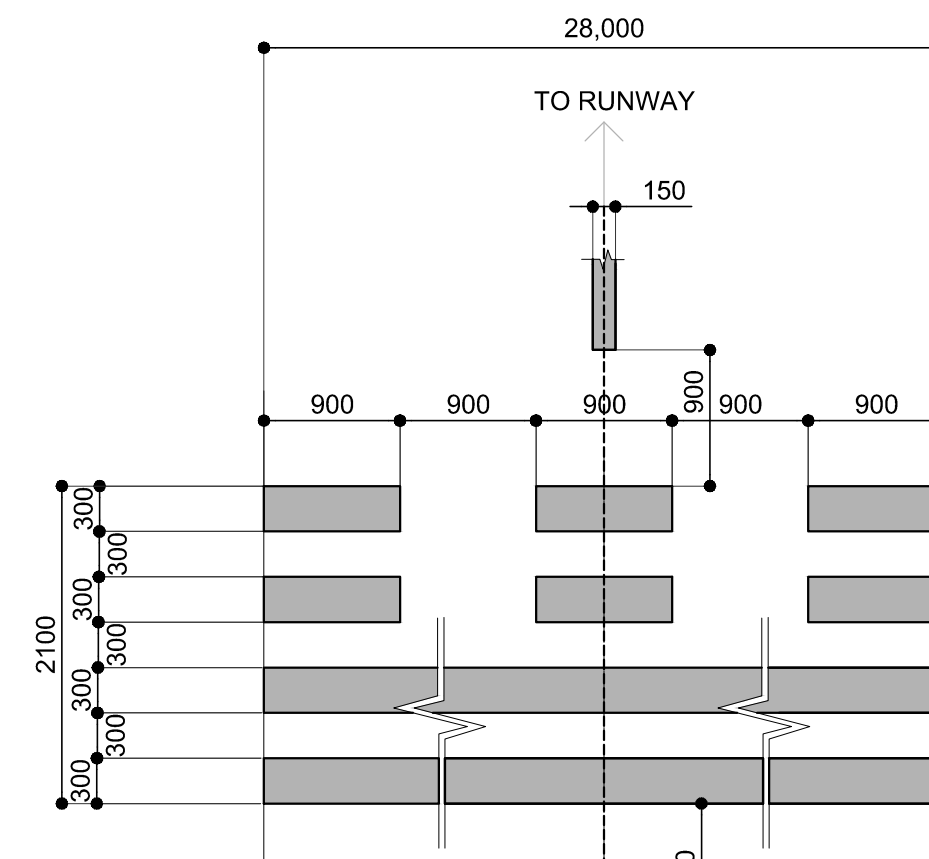


6 **DETAIL "M"**
C2-2200-12 SCALE 1:50 m.



TAXIWAY EDGE LINE & NON-LOAD PAVEMENT MARKING
(THERMOPLASTIC REFLECTIVE YELLOW)

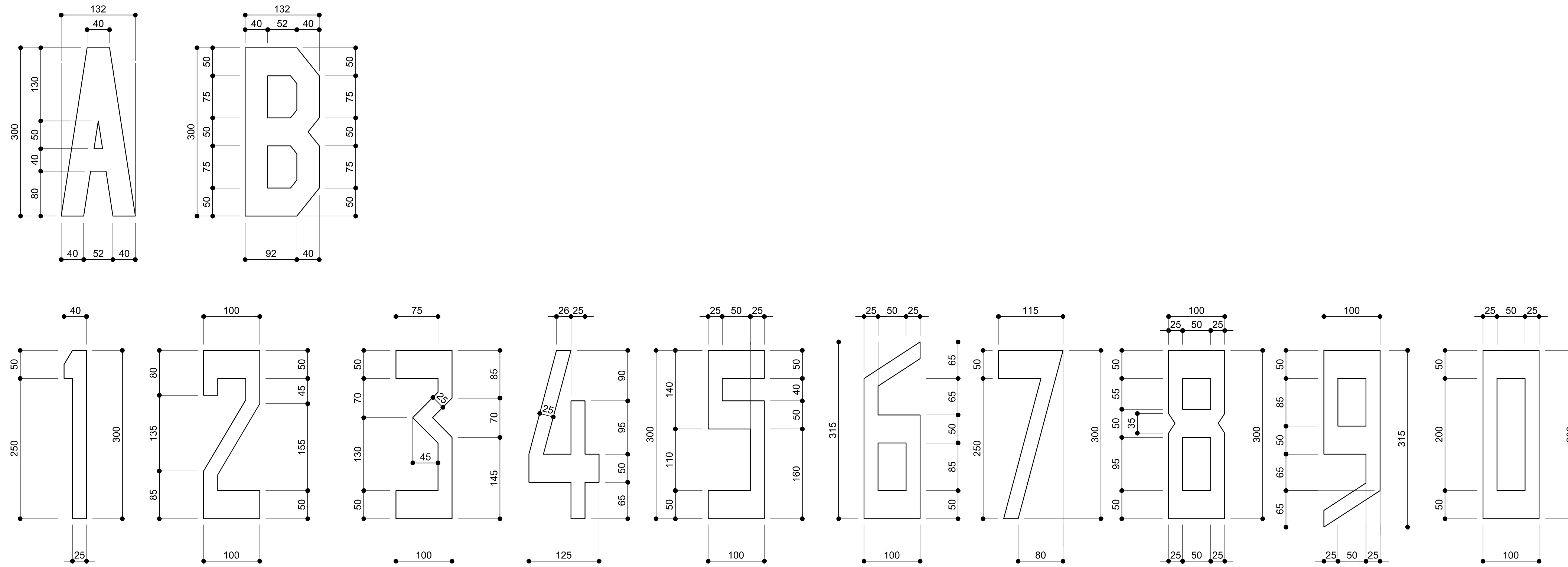
7 **DETAIL "N"**
C2-2200-12 SCALE NTS



Q OF TAXIWAY
TAXIWAY HOLDING AREA BAR SIGN
(COLD APPLIED REFLECTIVE YELLOW)

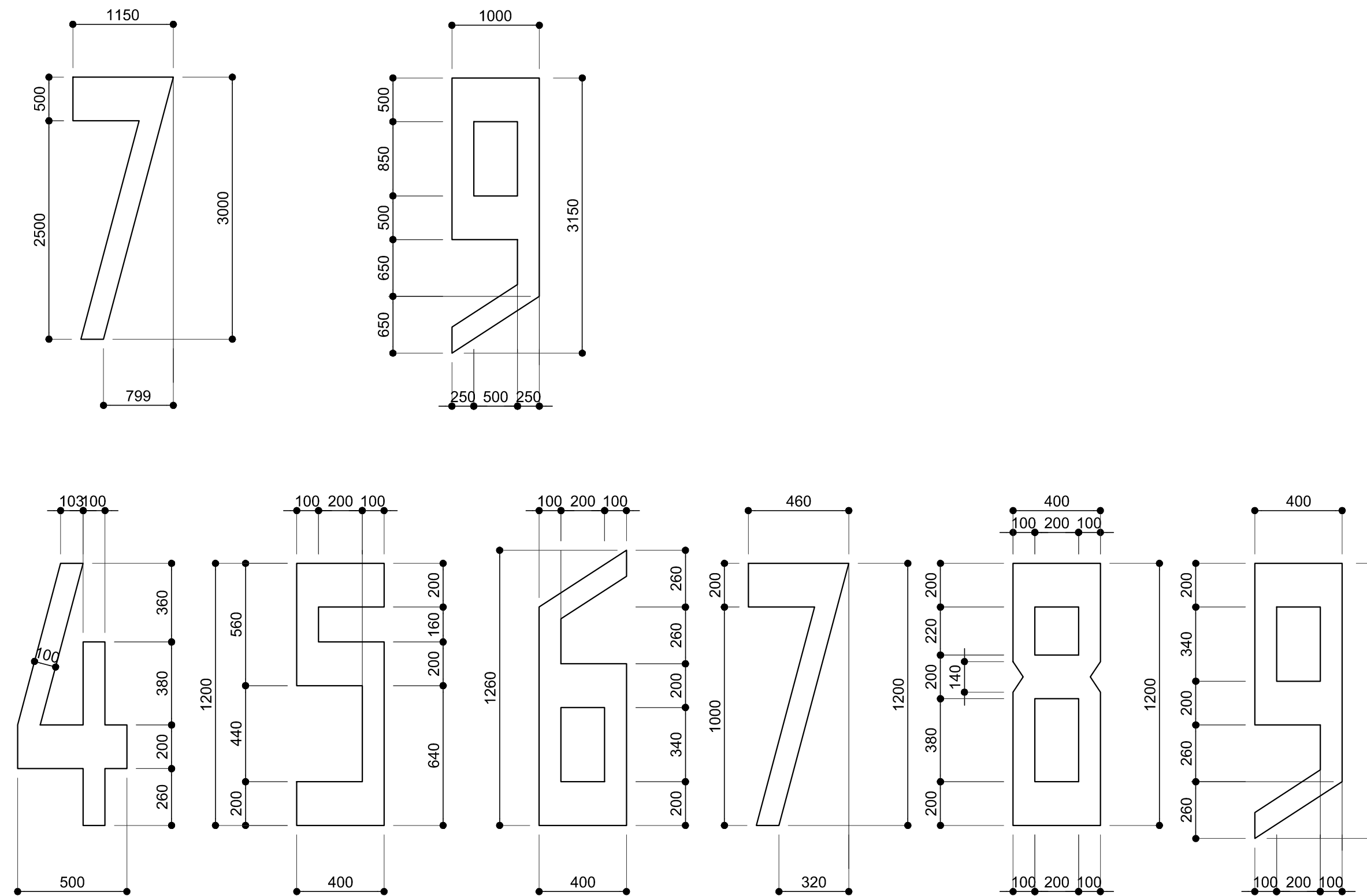
8 **DETAIL "O"**
C2-2200-12 SCALE 1:50 m.

	PREPARED BY: ERACIO T. PATDU <small>PROF. CIVIL ENGINEER PTR. 3158241 REG. NO.: 34252 DATE: JULY 18, 2013 TEL. 199-699-5611 PLACE: CAGAYAN DE ORO CITY</small>	RECOMMENDING APPROVAL: ILDEFONSO T. PATDU, JR. <small>Assistant Secretary for Project Implementation, DOTC</small>	APPROVED: JULIANITO G. BUCAYAN, JR. <small>Undersecretary for Project Implementation, DOTC</small>	PROJECT TITLE: NEW BOHOL AIRPORT CONSTRUCTION AND SUSTAINABLE ENVIRONMENT PROTECTION PROJECT	LOCATION: MUNICIPALITY OF PANGLAO, PROVINCE OF BOHOL, PHILIPPINES	SHEET CONTENTS: COMPONENT-2 CIVIL WORKS (C) SUBCOMPONENT-2-2 AIRPORT INFRASTRUCTURE PAVEMENT WORKS AIRFIELD PAVEMENT MARKING DETAIL (1)	SHEET NO: C2-2200-12
	JICA DESIGN CONSULTANT JOINT VENTURE	TADASHI AOI <small>Team Leader</small>	JULIANITO G. BUCAYAN, JR. <small>Undersecretary for Project Implementation, DOTC</small>	DATE: JUNE 2013	INDEX:	AMENDMENTS:	Prepared by: WIM Checked by: HC Validated by:



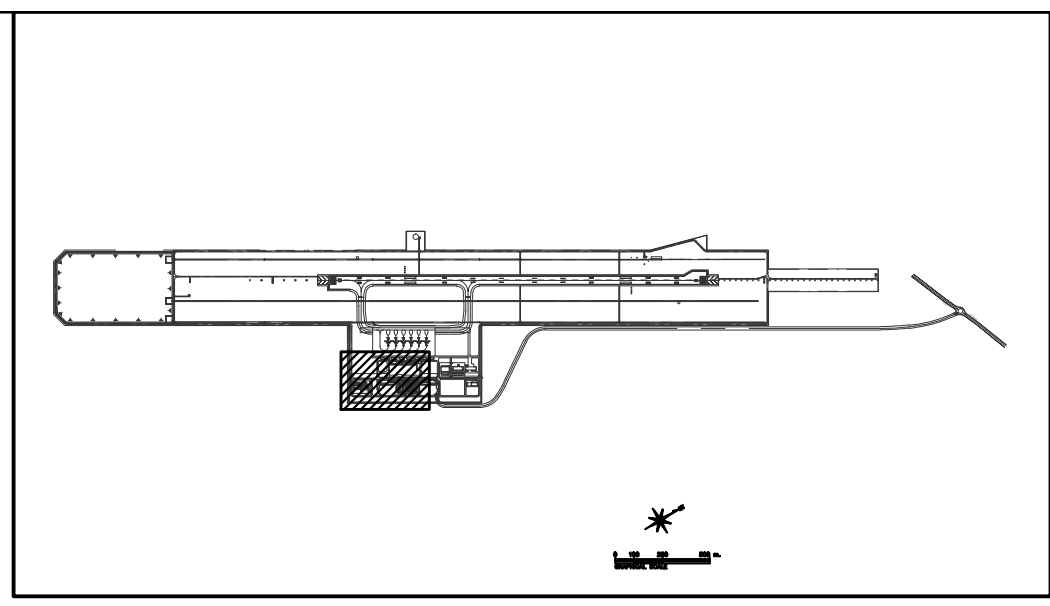
NOSE WHEEL GUIDE SPOT NUMBER
(THERMOPLASTIC REFLECTIVE YELLOW)

1
C2-2200-13 SCALE 1:5 m.

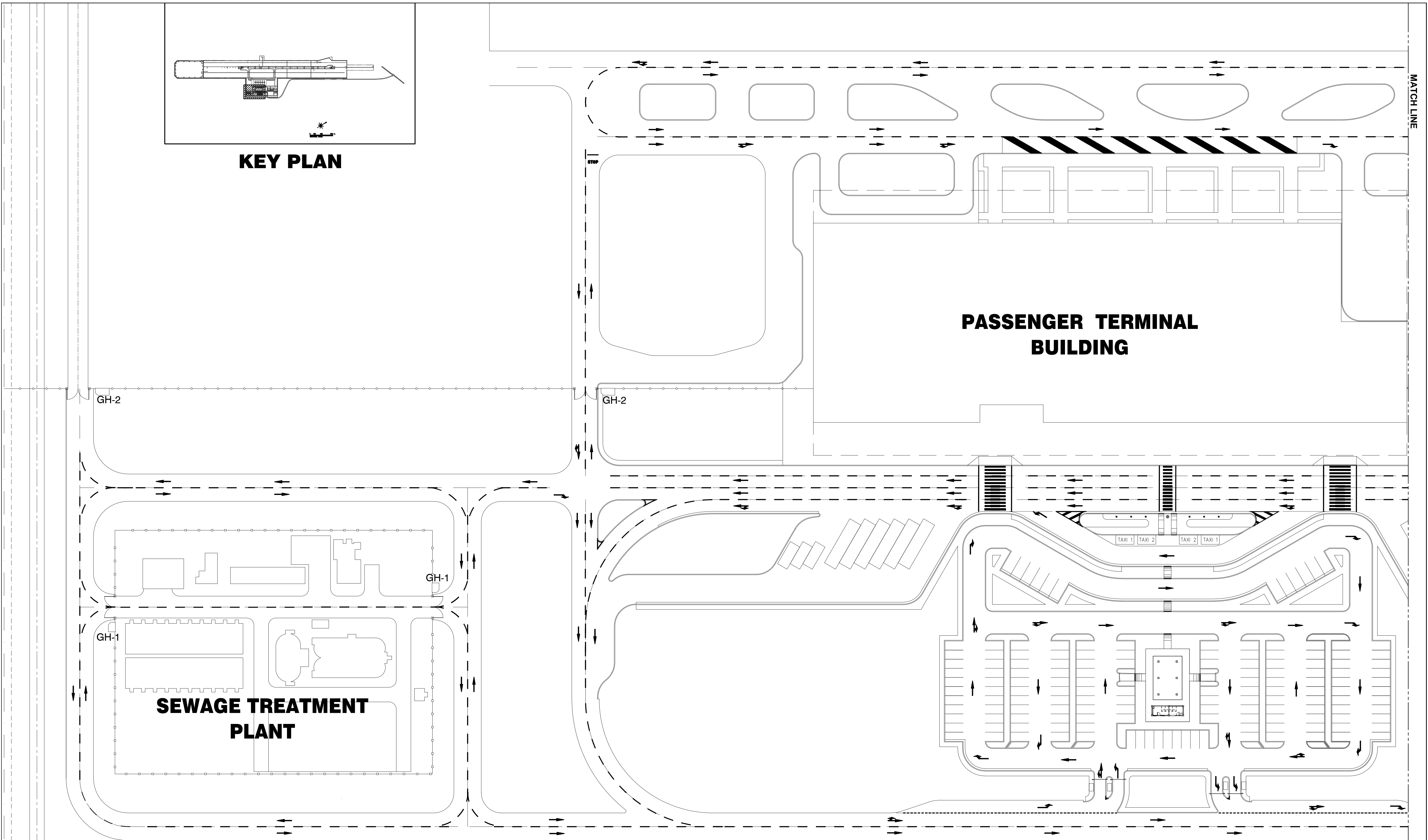


2
C2-2200-13 SCALE 1:10 m.

	PREPARED BY: ERACIO T. PATDU <small>PROF. CIVIL ENGINEER PIR. 3158241 REG. NO.: 34252 DATE: JULY 18, 2013 TEL. 199-699-561 PLACE: CAGAYAN DE ORO CITY</small>	RECOMMENDING APPROVAL: ILDEFONSO T. PATDU, JR. <small>Assistant Secretary for Project Implementation, DOTC</small>	APPROVED: JULIANITO G. BUCAYAN, JR. <small>Undersecretary for Project Implementation, DOTC</small>	PROJECT TITLE: NEW BOHOL AIRPORT CONSTRUCTION AND SUSTAINABLE ENVIRONMENT PROTECTION PROJECT LOCATION: MUNICIPALITY OF PANGLAO, PROVINCE OF BOHOL, PHILIPPINES	SHEET CONTENTS: COMPONENT-2 CIVIL WORKS (C) SUBCOMPONENT-2-2 AIRPORT INFRASTRUCTURE PAVEMENT WORKS AIRFIELD PAVEMENT MARKING DETAIL (2)	SHEET NO: C2-2200-13 DRAWING SCALE: AS SHOWN
	JICA DESIGN CONSULTANT JOINT VENTURE <small>TADASHI AOI Team Leader</small>	JICA <small>JAPAN INTERNATIONAL COOPERATION AGENCY</small>	JAC <small>JAPAN AIRPORT CONSULTANTS, INC.</small>	NIPPON KOEI CO., LTD. NIS CONSULTANTS CO., LTD.	DATE: JUNE 2013 INDEX: [] AMENDMENTS: [] Prepared by: [] Checked by: [] Validated by: []	WIM HC



KEY PLAN



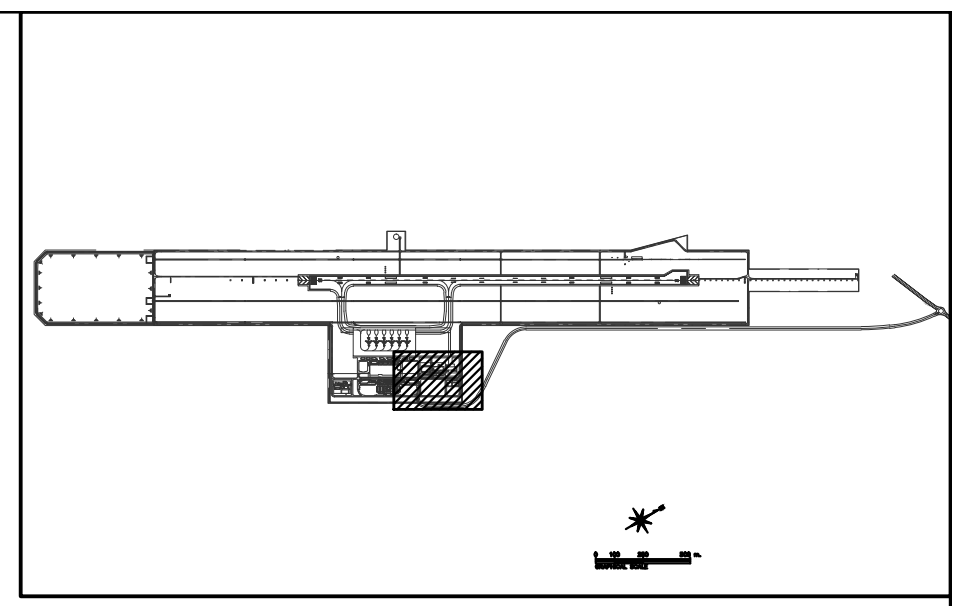
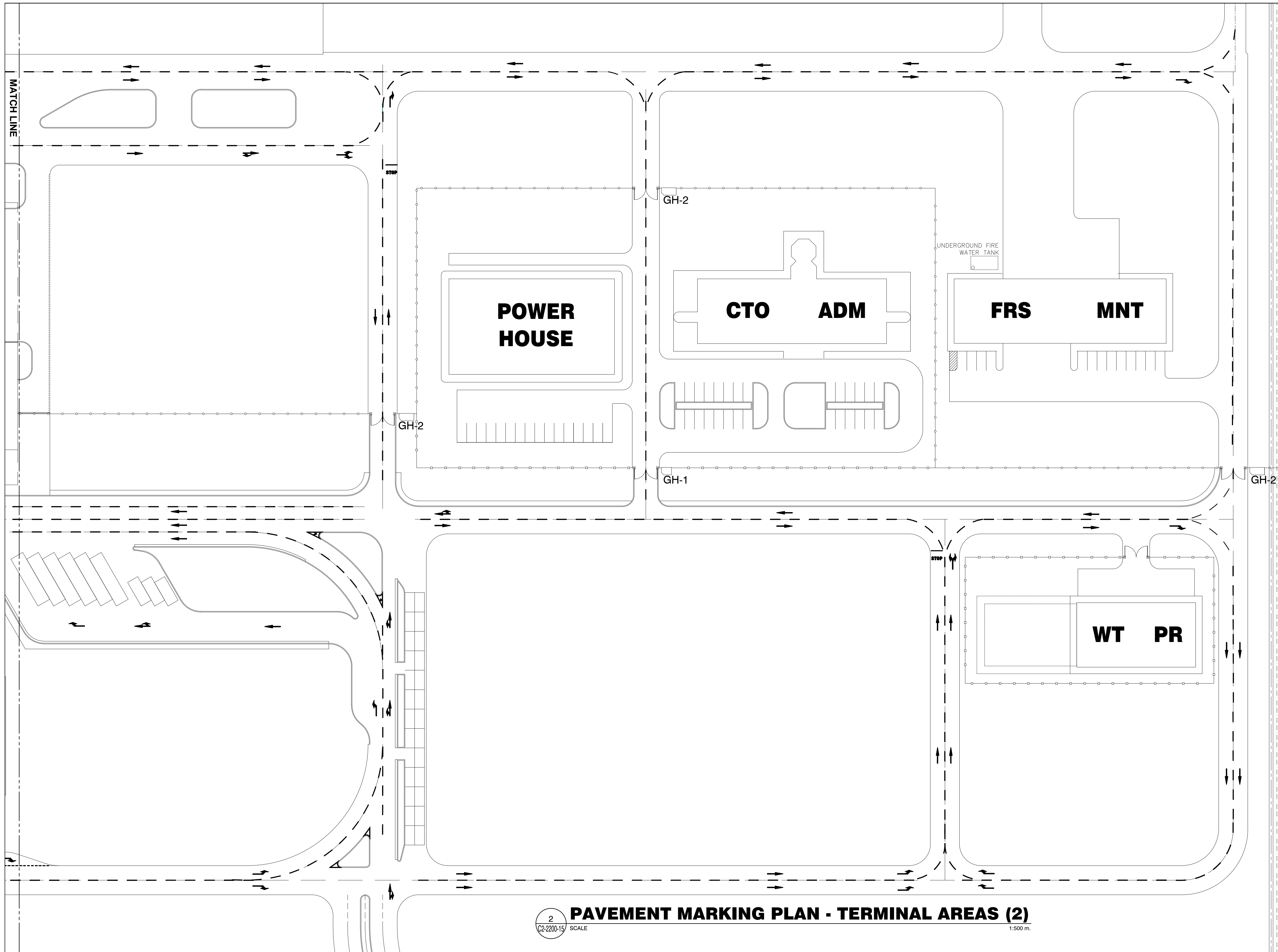
MATCH LINE

PASSENGER TERMINAL BUILDING

SEWAGE TREATMENT PLANT

2 PAVEMENT MARKING PLAN - TERMINAL AREAS (1)
 C2-2200-14 SCALE 1:500 m.

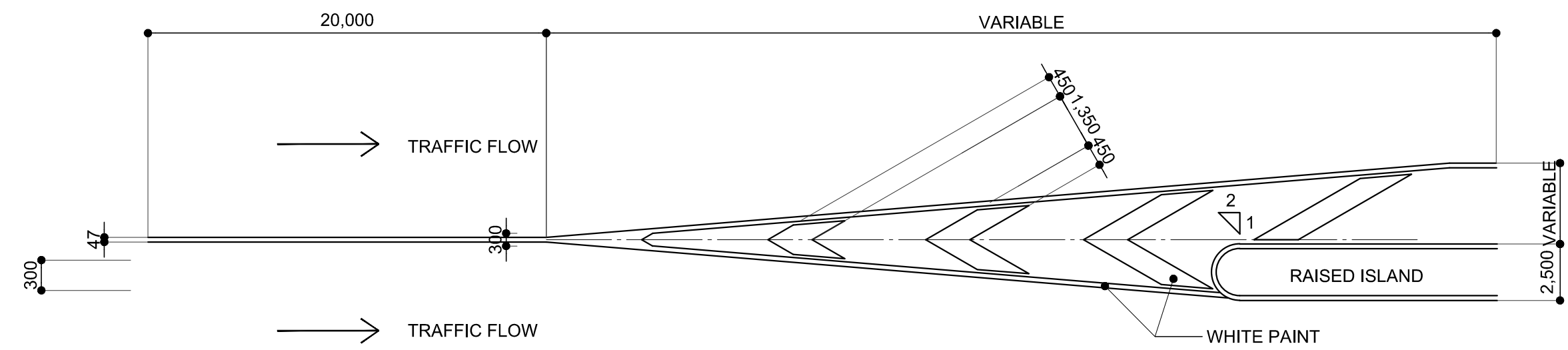
	PREPARED BY: ERACIO T. PATDU <small>PROF: CIVIL ENGINEER PIR: 3158241 REG. NO.: 34252 DATE: JULY 18, 2013 T.E.N. 199-699-561 PLACE: CAGAYAN DE ORO CITY</small>	RECOMMENDING APPROVAL: ILDEFONSO T. PATDU, JR. <small>Assistant Secretary for Project Implementation, DOTC</small>	APPROVED: JULIANITO G. BUCAYAN, JR. <small>Undersecretary for Project Implementation, DOTC</small>	PROJECT TITLE: NEW BOHOL AIRPORT CONSTRUCTION AND SUSTAINABLE ENVIRONMENT PROTECTION PROJECT	LOCATION: MUNICIPALITY OF PANGLAO, PROVINCE OF BOHOL, PHILIPPINES	SHEET CONTENTS: COMPONENT-2 CIVIL WORKS (C) SUBCOMPONENT-2-2 AIRPORT INFRASTRUCTURE PAVEMENT WORKS PAVEMENT MARKING PLAN-TERMINAL AREAS (1)	SHEET NO: C2-2200-14
	JICA DESIGN CONSULTANT JOINT VENTURE	TADASHI AOI <small>Team Leader</small>	JULIANITO G. BUCAYAN, JR. <small>Undersecretary for Project Implementation, DOTC</small>	DATE: JUNE 2013	INDEX:	AMENDMENTS:	Prepared by: WIM Checked by: HC Validated by:



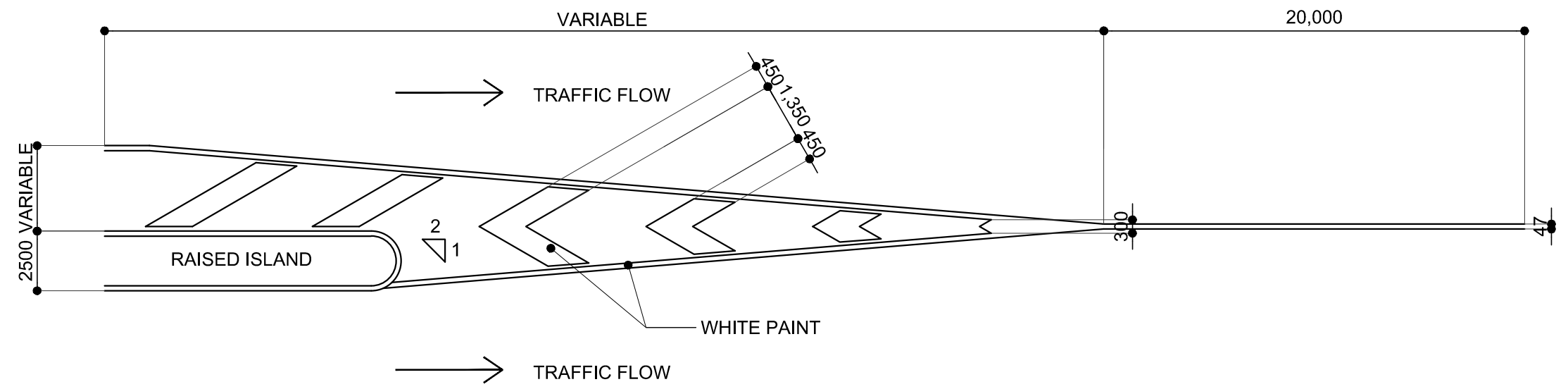
KEY PLAN

2 PAVEMENT MARKING PLAN - TERMINAL AREAS (2)
 C2-2200-15 SCALE 1:500 m.

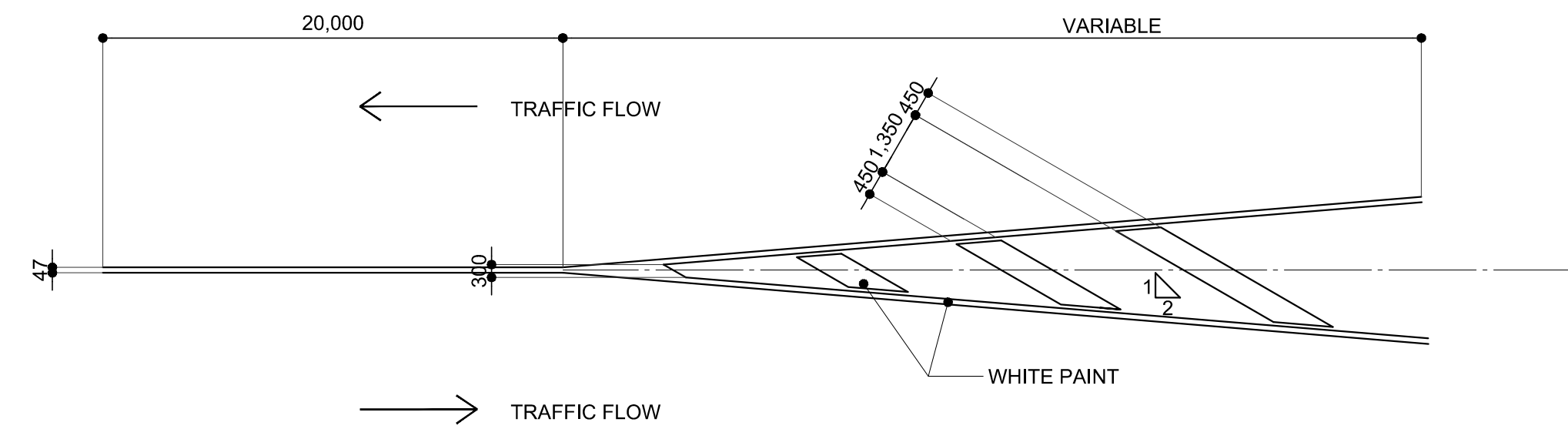
	PREPARED BY: ERACIO T. PATDU <small>PROF: CIVIL ENGINEER PTR: 3158241 REG. NO.: 34252 DATE: JULY 18, 2013 TEL: 199-699-561 PLACE: CAGAYAN DE ORO CITY</small>	RECOMMENDING APPROVAL: ILDEFONSO T. PATDU, JR. <small>Assistant Secretary for Project Implementation, DOTC</small>	APPROVED: JULIANITO G. BUCAYAN, JR. <small>Undersecretary for Project Implementation, DOTC</small>	PROJECT TITLE: <input type="checkbox"/> NEW BOHOL AIRPORT CONSTRUCTION AND SUSTAINABLE ENVIRONMENT PROTECTION PROJECT LOCATION: MUNICIPALITY OF PANGLAO, PROVINCE OF BOHOL, PHILIPPINES	SHEET CONTENTS: COMPONENT-2 CIVIL WORKS (C) SUBCOMPONENT-2-2 AIRPORT INFRASTRUCTURE PAVEMENT WORKS PAVEMENT MARKING PLAN-TERMINAL AREAS (2)	SHEET NO: C2-2200-15 DRAWING SCALE: AS SHOWN
	JICA DESIGN CONSULTANT JOINT VENTURE <small>JAC JAPAN AIRPORT CONSULTANTS, INC. NIPON KOEI CO., LTD. NIS CONSULTANTS CO., LTD.</small>	DATE: JUNE 2013 INDEX AMENDMENTS Prepared by: WIM Checked by: HC Validated by:				



TYPICAL PAVEMENT MARKING APPROACHING RAISED MEDIAN (TYPE 1)
(THERMOPLASTIC REFLECTIVE WHITE)

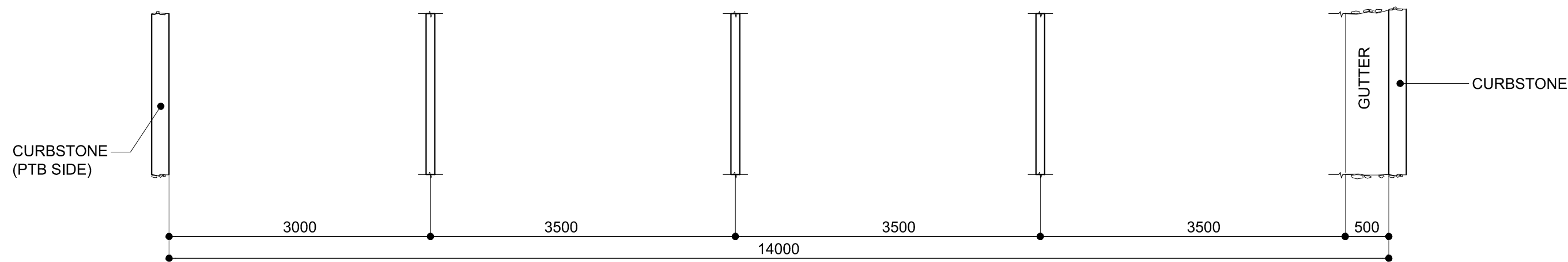


TYPICAL PAVEMENT MARKING LEAVING RAISED MEDIAN (TYPE 2)
(THERMOPLASTIC REFLECTIVE WHITE)



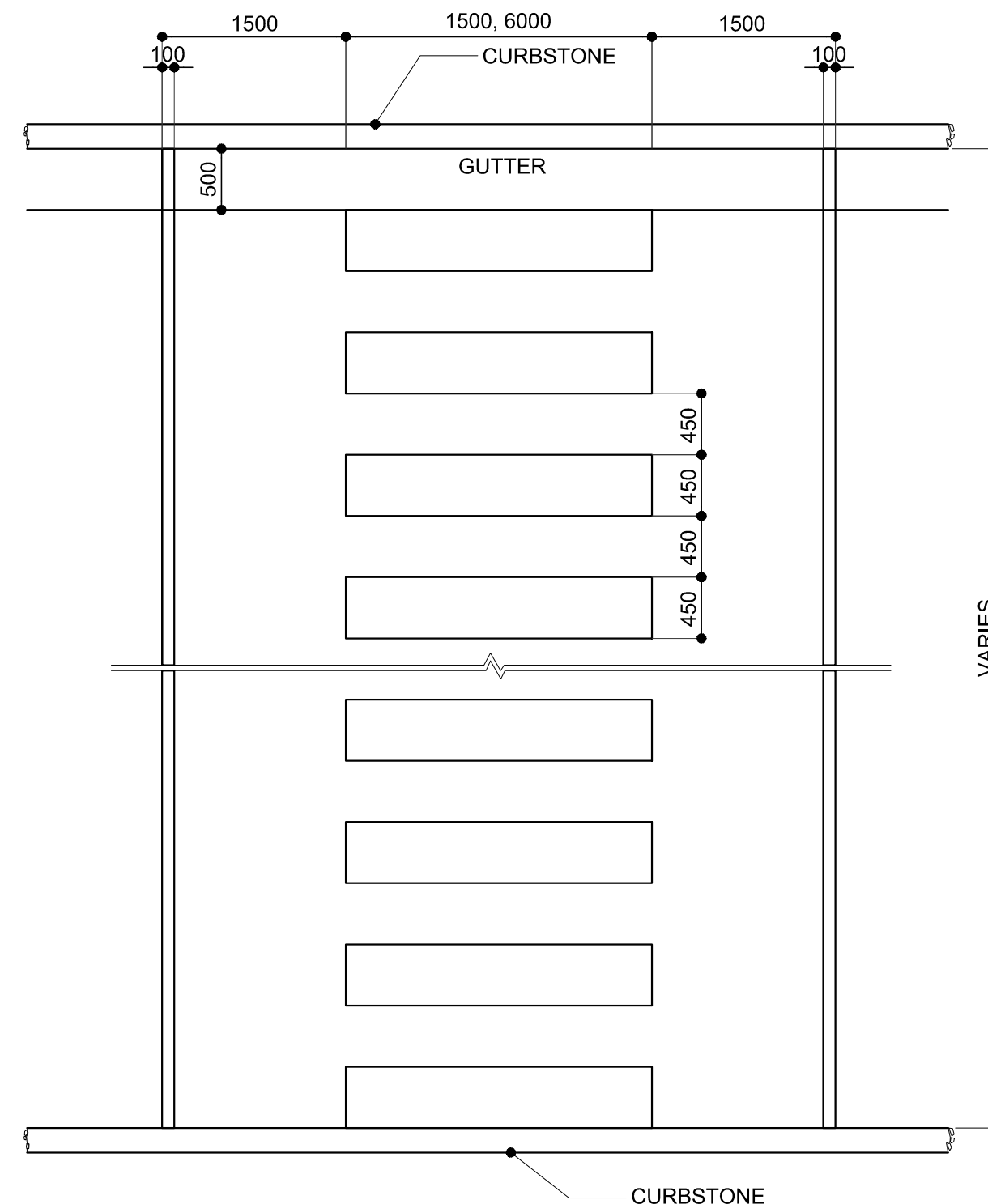
TYPICAL PAVEMENT MARKING APPROACHING RAISED MEDIAN (TYPE 2)
(THERMOPLASTIC REFLECTIVE WHITE)

1 DETAIL "Z"
SCALE: 1:50 m



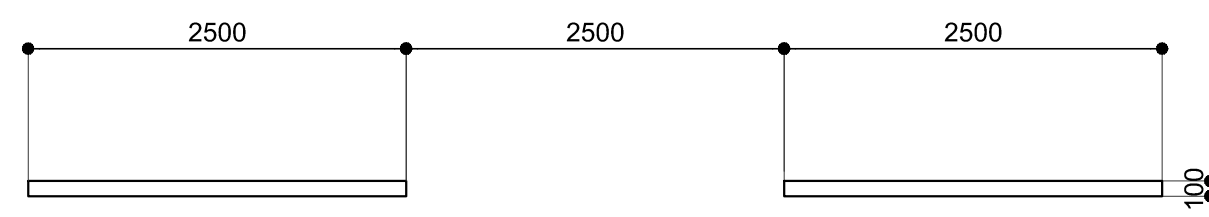
DETAIL OF PTB ROAD MARKING
(THERMOPLASTIC REFLECTIVE WHITE)

2 DETAIL "S"
SCALE: 1:50 m



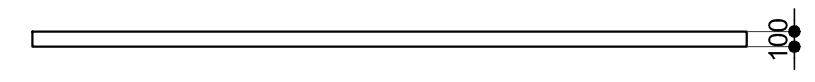
PLAN - PEDESTRIAN LANE
(THERMOPLASTIC REFLECTIVE WHITE)

3 DETAIL "T"
SCALE: 1:50 m



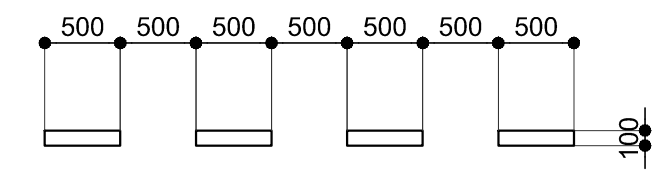
DETAIL OF DASHED CENTERLINE / SEPARATION LINE
(THERMOPLASTIC REFLECTIVE WHITE)

4 DETAIL "U"
SCALE: 1:50 m



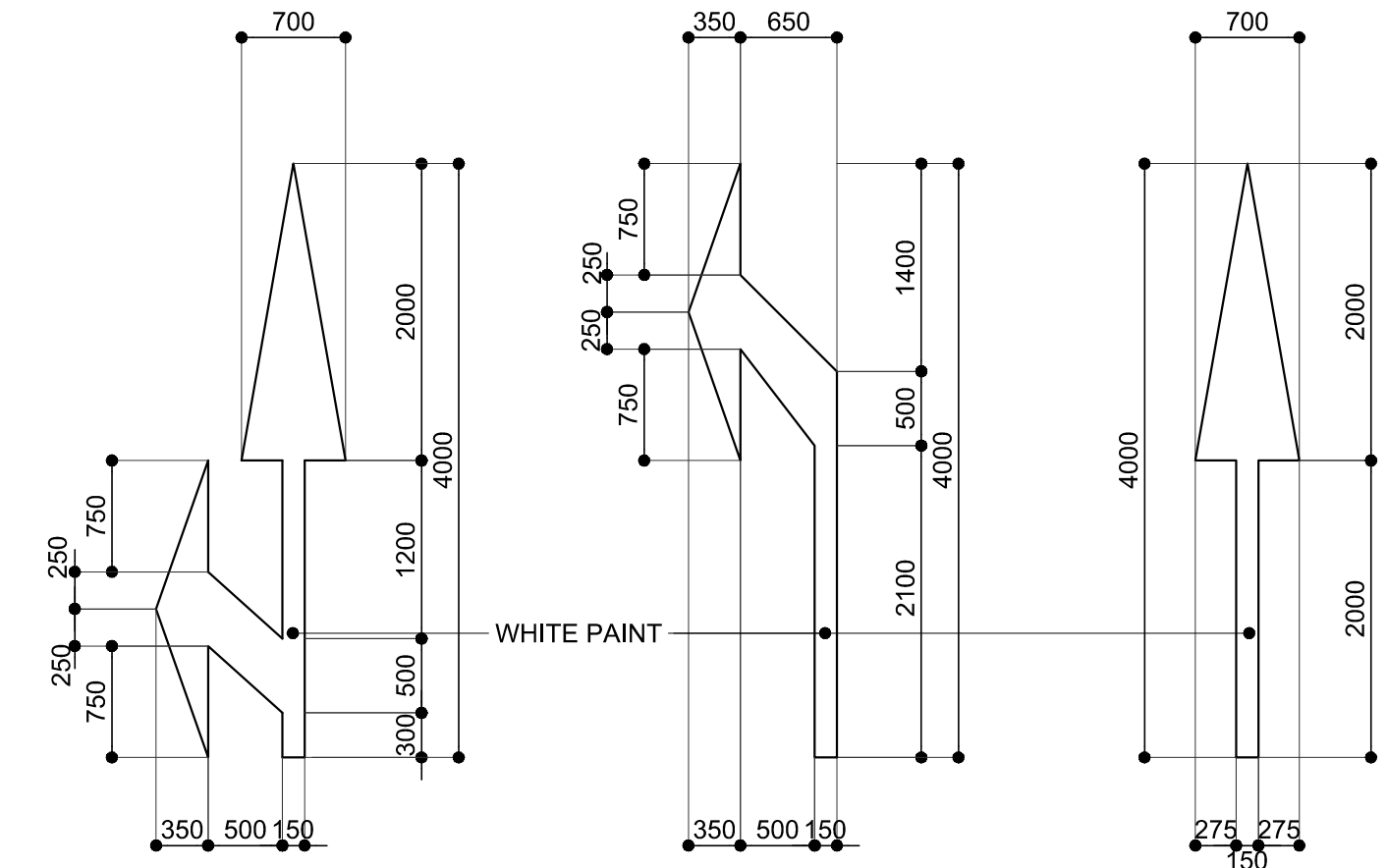
DETAIL OF CONTINUOUS TRAFFIC LINE
AND CARPARK MARKING
(THERMOPLASTIC REFLECTIVE WHITE)

5 DETAIL "V"
SCALE: 1:50 m



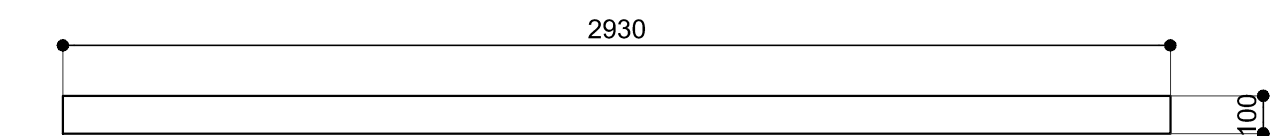
DETAIL OF DASHED TRAFFIC GUIDELINE
(THERMOPLASTIC REFLECTIVE WHITE)

6 DETAIL "W"
SCALE: 1:50 m



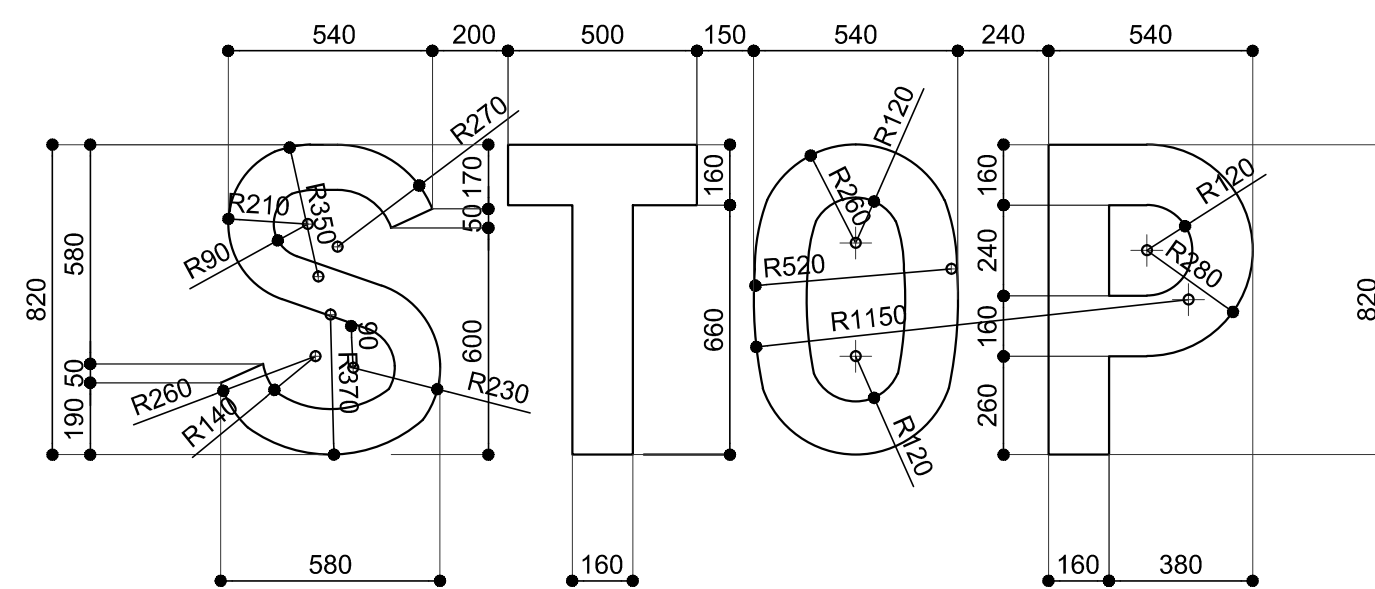
TYPICAL OF DIRECTIONAL ARROWS DETAIL
(THERMOPLASTIC REFLECTIVE WHITE)

7 DETAIL "X"
SCALE: 1:50 m



DETAIL OF STOP MARKING
(THERMOPLASTIC REFLECTIVE WHITE)

8 DETAIL "Y"
SCALE: 1:20 m



	<p>PREPARED BY:</p> <p>ERACIO T. PATDU</p> <p>PROF. CIVIL ENGINEER PTR. 3158241</p> <p>REG. NO.: 34252 DATE: JULY 18, 2013</p> <p>T.E.M. 199-699-561 PLACE: CAGAYAN DE ORO CITY</p>	<p>RECOMMENDING APPROVAL:</p> <p>JILDEFONSO T. PATDU, JR.</p> <p>Assistant Secretary</p> <p>for Project Implementation, DOTC</p>	<p>APPROVED:</p> <p>JULIANITO G. BUCAYAN, JR.</p> <p>Undersecretary</p> <p>for Project Implementation, DOTC</p>	<p>PROJECT TITLE:</p> <p>NEW BOHOL AIRPORT CONSTRUCTION AND SUSTAINABLE ENVIRONMENT PROTECTION PROJECT</p>	<p>JUNE 2013</p>	<p>DATE</p>	<p>INDEX</p>	<p>AMENDMENTS</p>	<p>Prepared by: WIM</p> <p>Checked by: HC</p> <p>Validated by:</p>	<p>SHEET CONTENTS:</p> <p>COMPONENT-2 CIVIL WORKS (C) SUBCOMPONENT-2-2 AIRPORT INFRASTRUCTURE PAVEMENT WORKS</p>	<p>SHEET NO.:</p> <p>C2-2200-16</p>
	<p>JICA DESIGN CONSULTANT JOINT VENTURE</p>	<p>LOCATION: MUNICIPALITY OF PANGLAO, PROVINCE OF BOHOL, PHILIPPINES</p>	<p>PAVEMENT MARKING DETAILS TERMINAL AREAS</p>	<p>DRAWING SCALE:</p> <p>AS SHOWN</p>							