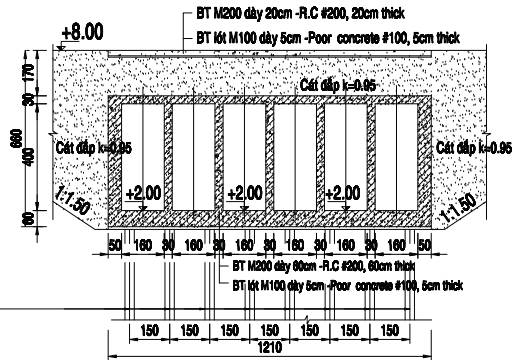
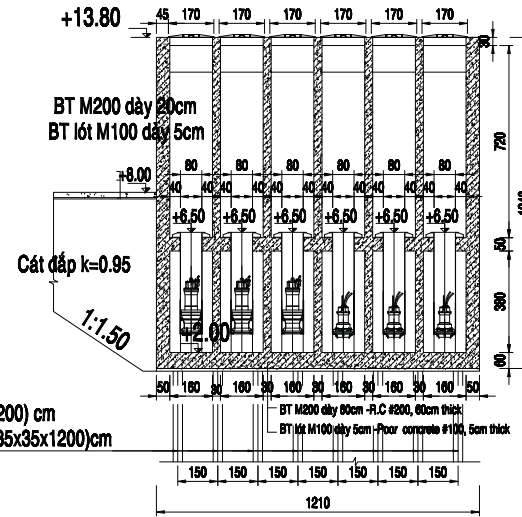


## CẮT C - C (1/200) SECTION C - C(1/200)



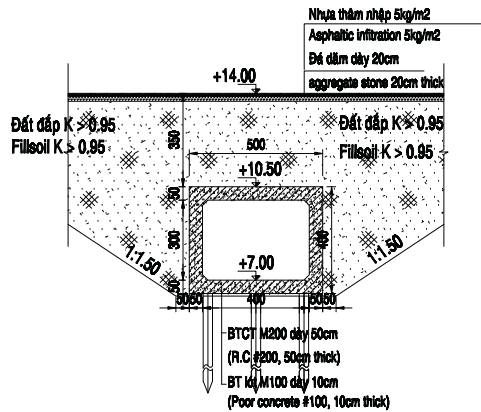
Cọc BTCT M300 (35x35x1200) cm  
Rein.concrete piles M300 (35x35x1200)cm

## CẮT D - D (1/200) SECTION D - D (1/200)

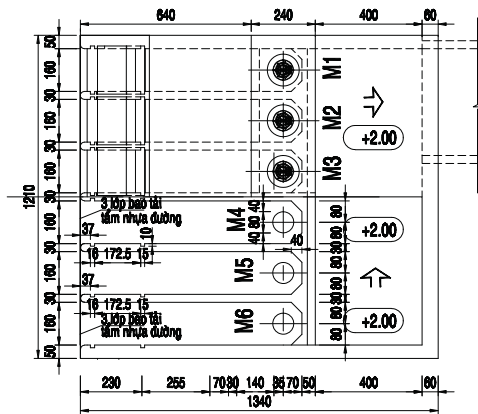


Cọc BTCT M300 (35x35x1200) cm  
Rein.concrete piles M300 (35x35x1200)cm

## CẮT E - E (1/200) SECTION E - E(1/200)

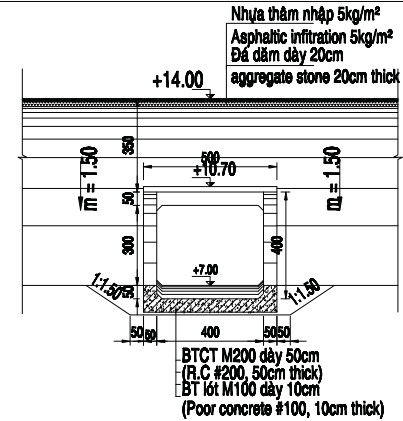


TITLE : SECTION OF PUMPING STATION AND SLUICE (2)		
PHU QUOC Water Supply and Sewerage System Development Preparatory Survey	Scale : 1:200	No : R-15



## CHÍNH DIỆN HẠ LƯU F-F (TL: 1/200)

### DOWNSTREAM FRONT OF PUMP F-F (SCALE: 1/200)



### CẮT G - G (1/200)

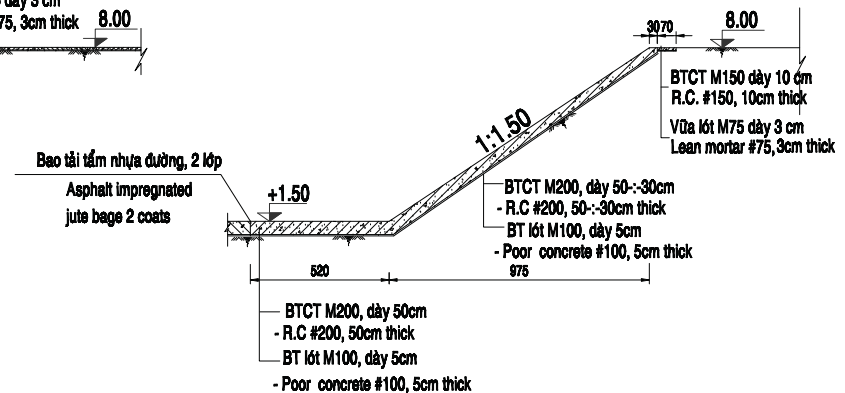
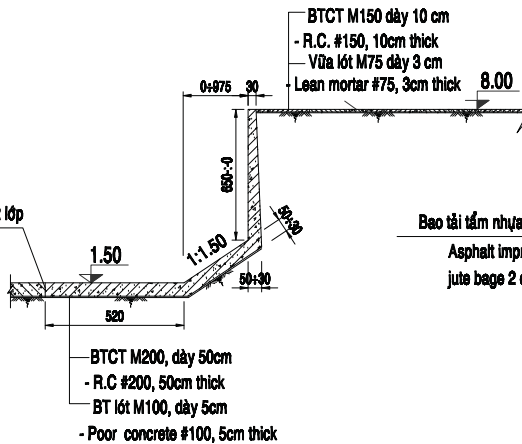
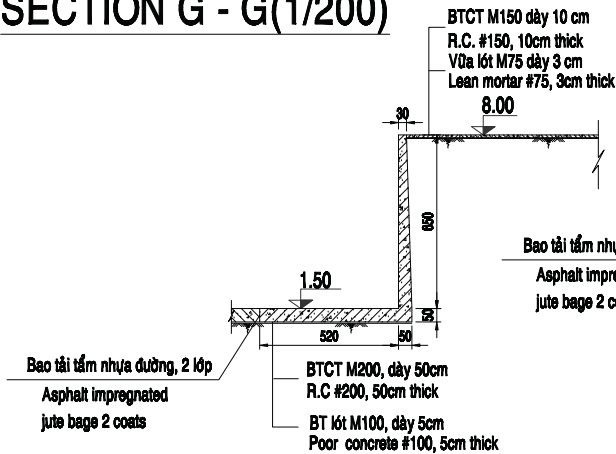
#### SECTION G - G (1/200)

### CẮT H - H (1/200)

#### SECTION H - H (1/200)

### CẮT I - I (1/200)

#### SECTION I - I (1/200)



TITLE :  
DETAIL OF PUMPING STATION AND SLUICE

PHU QUOC  
Water Supply and Sewerage System Development  
Preparatory Survey

Scale :  
1:100  
1:200

No :  
R-16