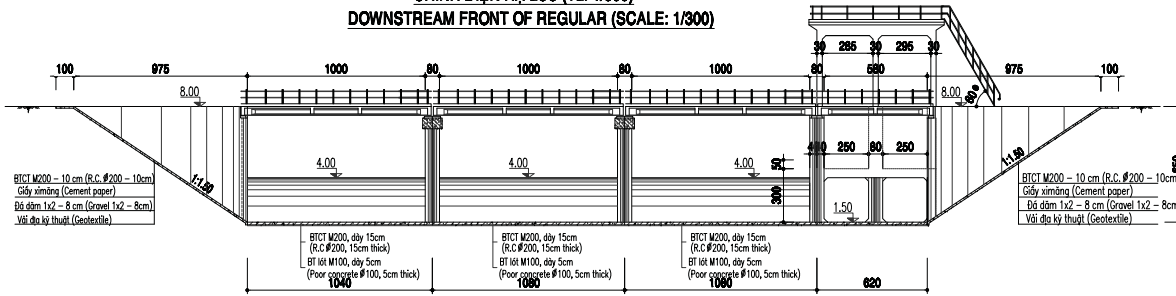
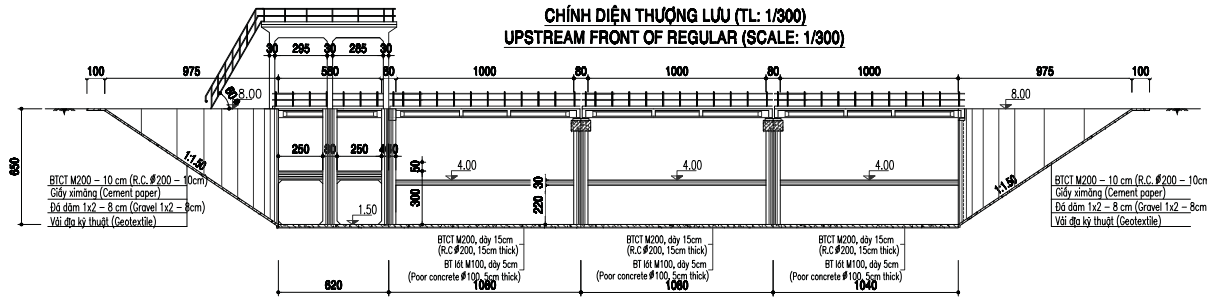


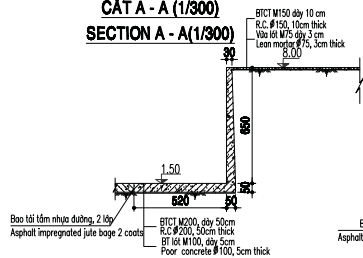
CHÍNH DIỆN HẠ LƯU (TL: 1/300)
DOWNSTREAM FRONT OF REGULAR (SCALE: 1/300)



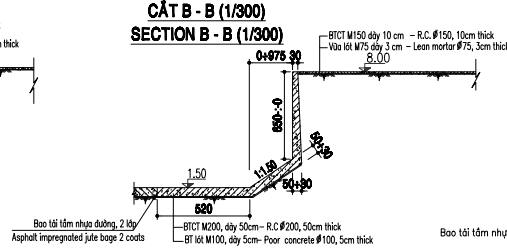
CHÍNH DIỆN THƯỢNG LƯU (TL: 1/300)
UPSTREAM FRONT OF REGULAR (SCALE: 1/300)



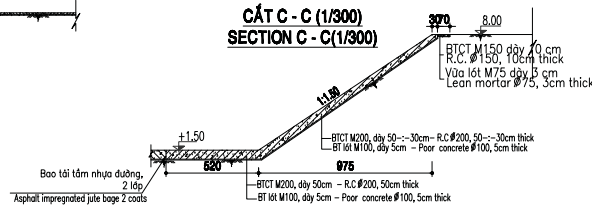
CẮT A - A (1/300)
SECTION A - A (1/300)



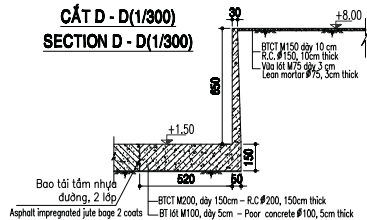
CẮT B - B (1/300)
SECTION B - B (1/300)



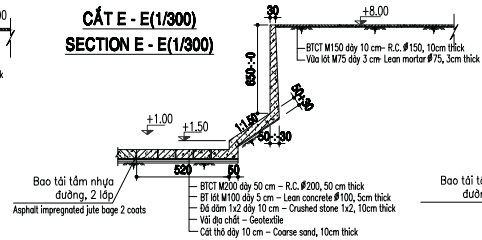
CẮT C - C (1/300)
SECTION C - C (1/300)



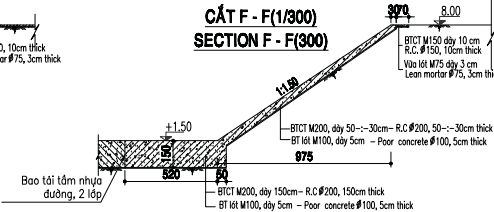
CẮT D - D (1/300)
SECTION D - D (1/300)



CẮT E - E (1/300)
SECTION E - E (1/300)



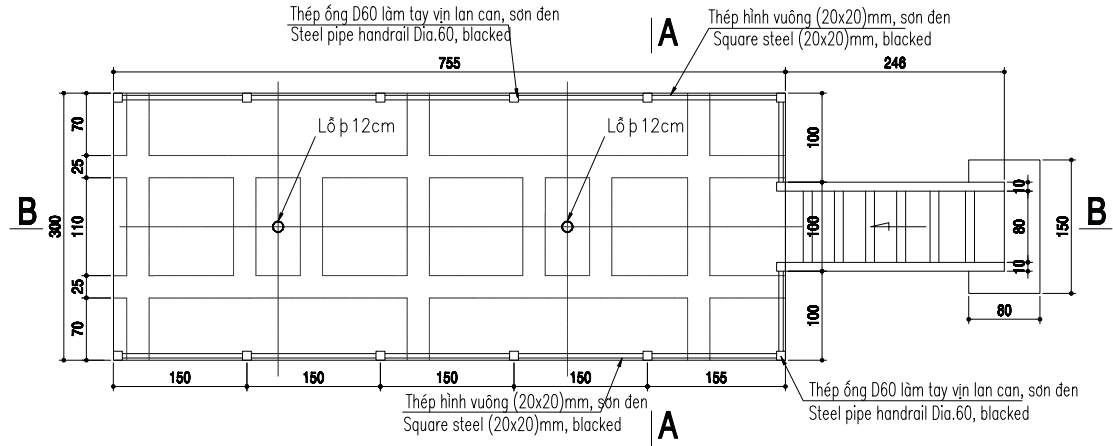
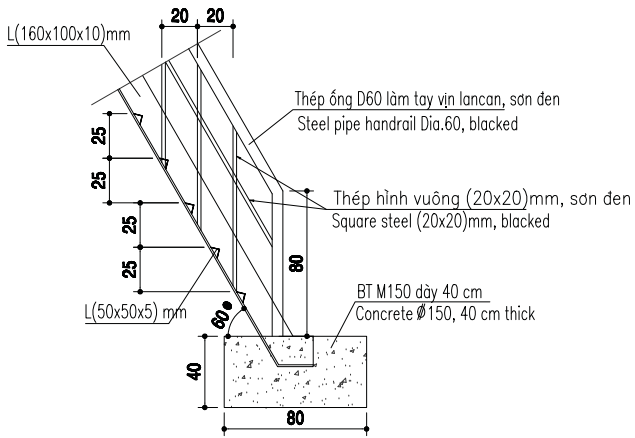
CẮT F - F (1/300)
SECTION F - F (1/300)



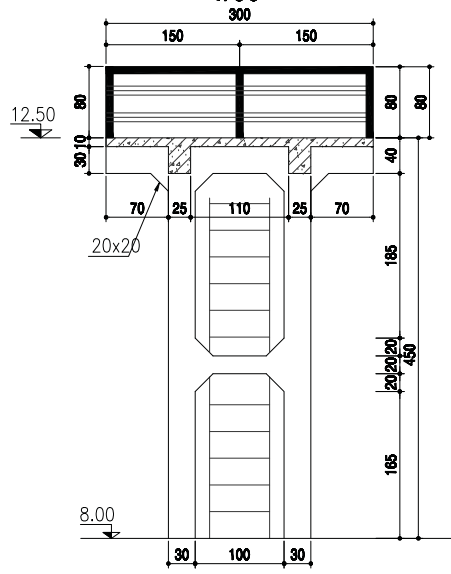
TITLE :		
RESERVOIR REGULAR AND SECTION OF SLUICE		
PHU QUOC Water Supply and Sewerage System Development Preparatory Survey	Scale : 1:300	No : R-11

MẶT BẰNG SÀN CÔNG TÁC (1/60) PLAN OF WORKING PLAT FORM (1/60)

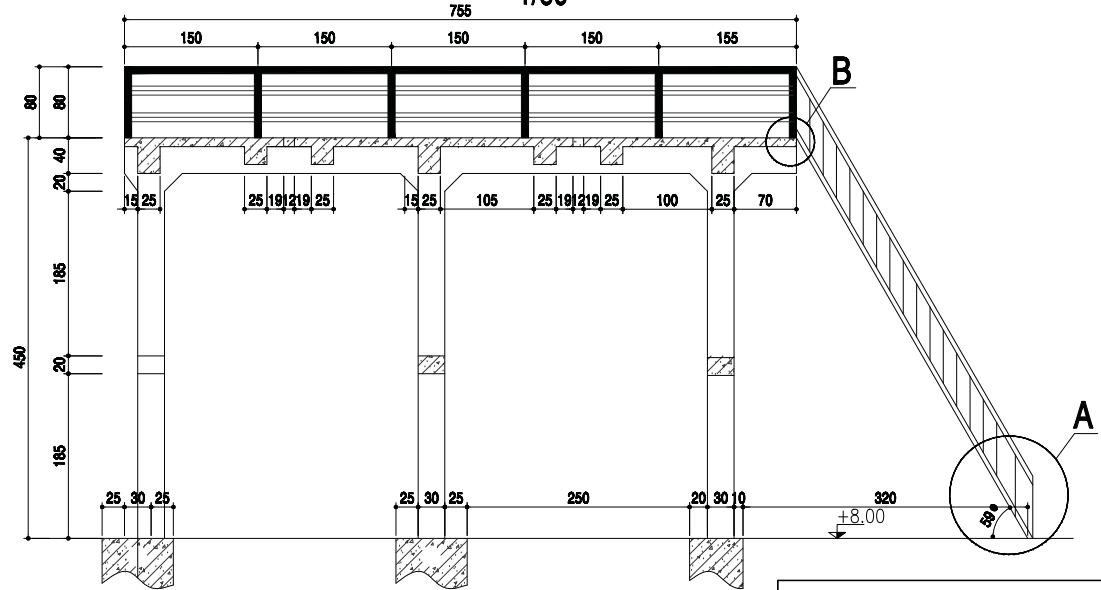
CHI TIẾT A (1/30) DETAIL A (1/30)



A - A 1/60



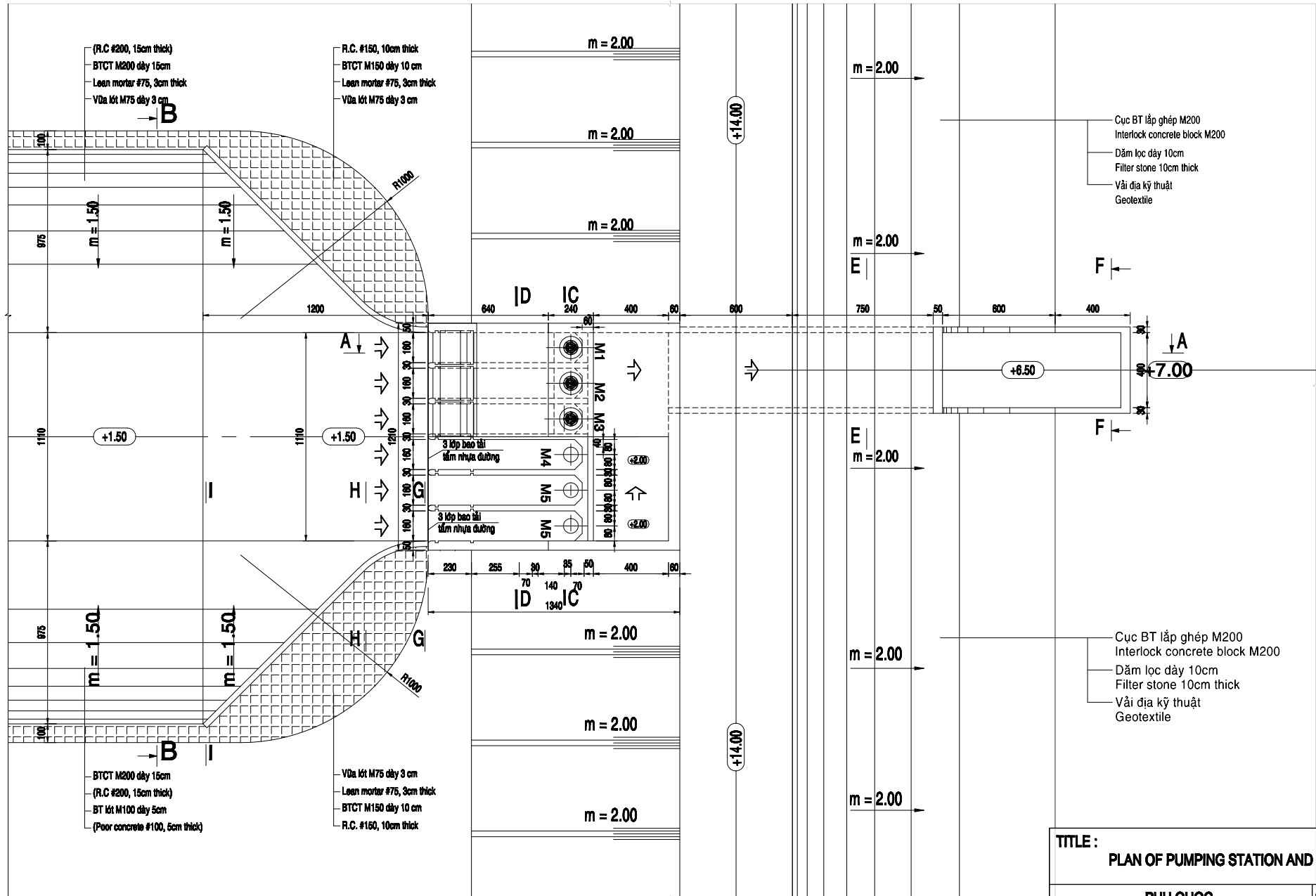
B - B 1/60



TITLE :		
DETAIL OF STEP AND WALKING PLAT FORM		
PHU QUOC Water Supply and Sewerage System Development Preparatory Survey	Scale : 1:30 1:60	No : R-12

MẶT BẰNG CỐNG - TL: 1/200

PLAN OF SLUICE - SCALE: 1/200



App 1 - 86

TITLE :		
PLAN OF PUMPING STATION AND SLUICE		
PHU QUOC Water Supply and Sewerage System Development Preparatory Survey	Scale : 1:200	No : R-13