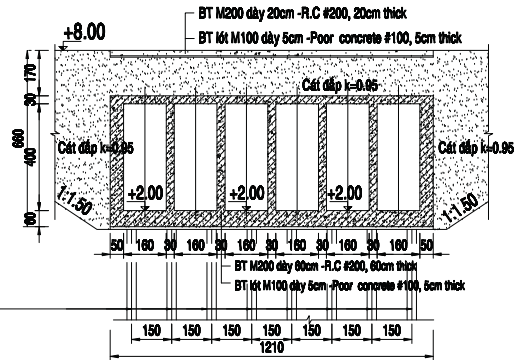
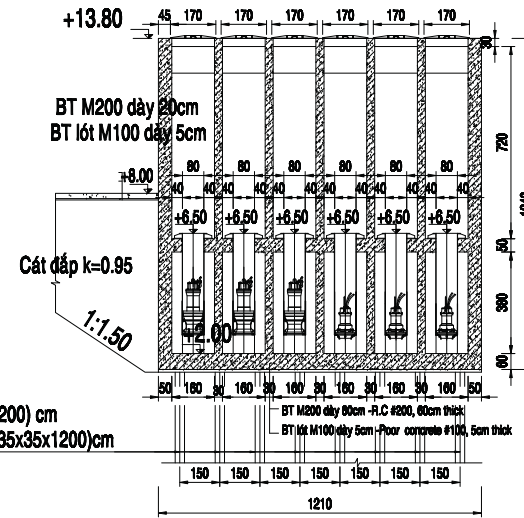


CẮT C - C (1/200) SECTION C - C(1/200)



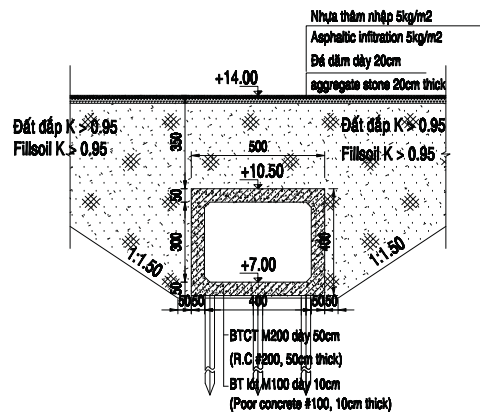
Cọc BTCT M300 (35x35x1200) cm
Rein.concrete piles M300 (35x35x1200)cm

CẮT D - D (1/200) SECTION D - D (1/200)



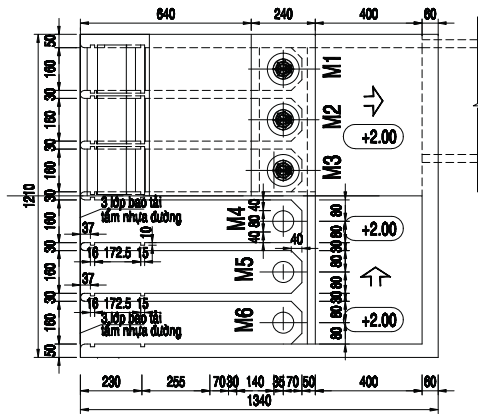
Cọc BTCT M300 (35x35x1200) cm
Rein.concrete piles M300 (35x35x1200)cm

CẮT E - E (1/200) SECTION E - E(1/200)



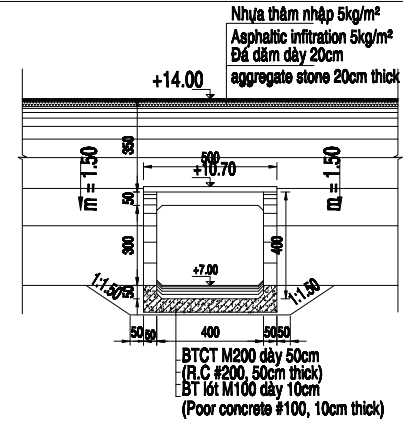
App 6 - 88

TITLE : SECTION OF PUMPING STATION AND SLUICE (2)		
PHU QUOC Water Supply and Sewerage System Development Preparatory Survey	Scale : 1:200	No : R-15



CHÍNH DIỆN HẠ LƯU F-F (TL: 1/200)

DOWNSTREAM FRONT OF PUMP F-F (SCALE: 1/200)



CẮT G - G (1/200)

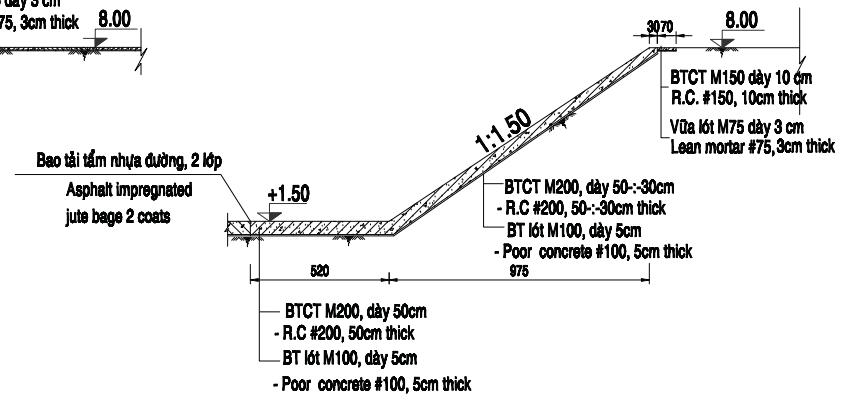
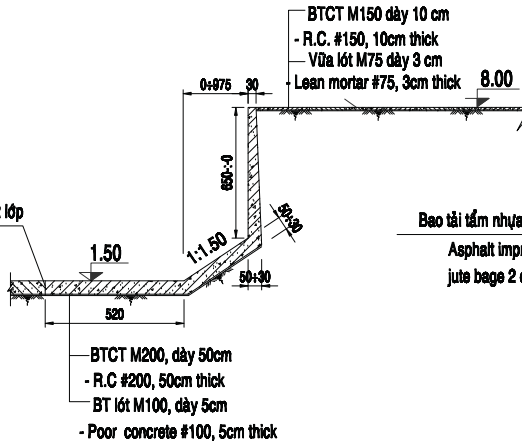
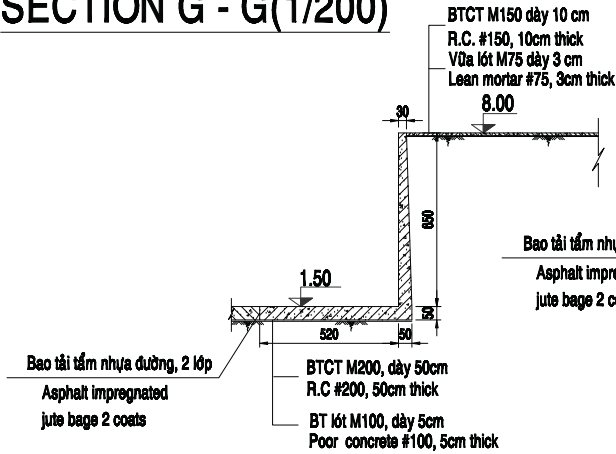
SECTION G - G (1/200)

CẮT H - H (1/200)

SECTION H - H (1/200)

CẮT I - I (1/200)

SECTION I - I (1/200)



TITLE :		
DETAIL OF PUMPING STATION AND SLUICE		
PHU QUOC	Scale :	No :
Water Supply and Sewerage System Development Preparatory Survey	1:100 1:200	R-16