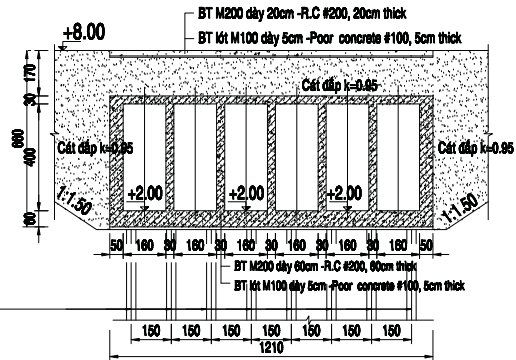
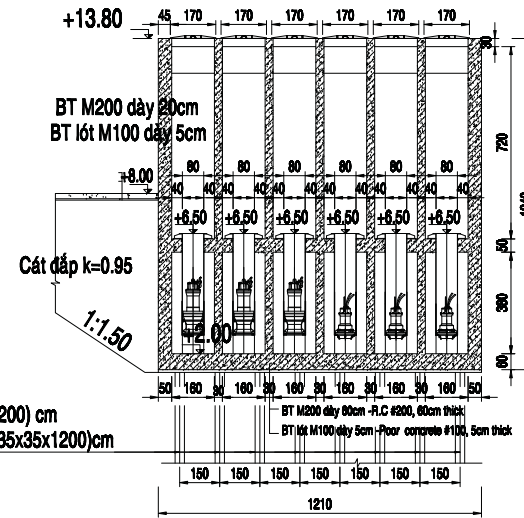


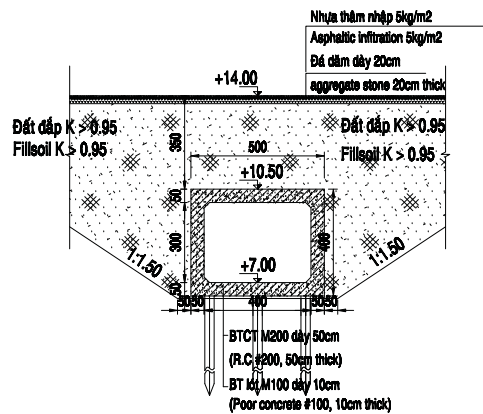
### CẮT C - C (1/200) SECTION C - C(1/200)



### CẮT D - D (1/200) SECTION D - D (1/200)



### CẮT E - E (1/200) SECTION E - E(1/200)



TITLE : SECTION OF PUMPING STATION AND SLUICE (2)		
PHU QUOC Water Supply and Sewerage System Development Preparatory Survey	Scale : 1:200	No : R-15