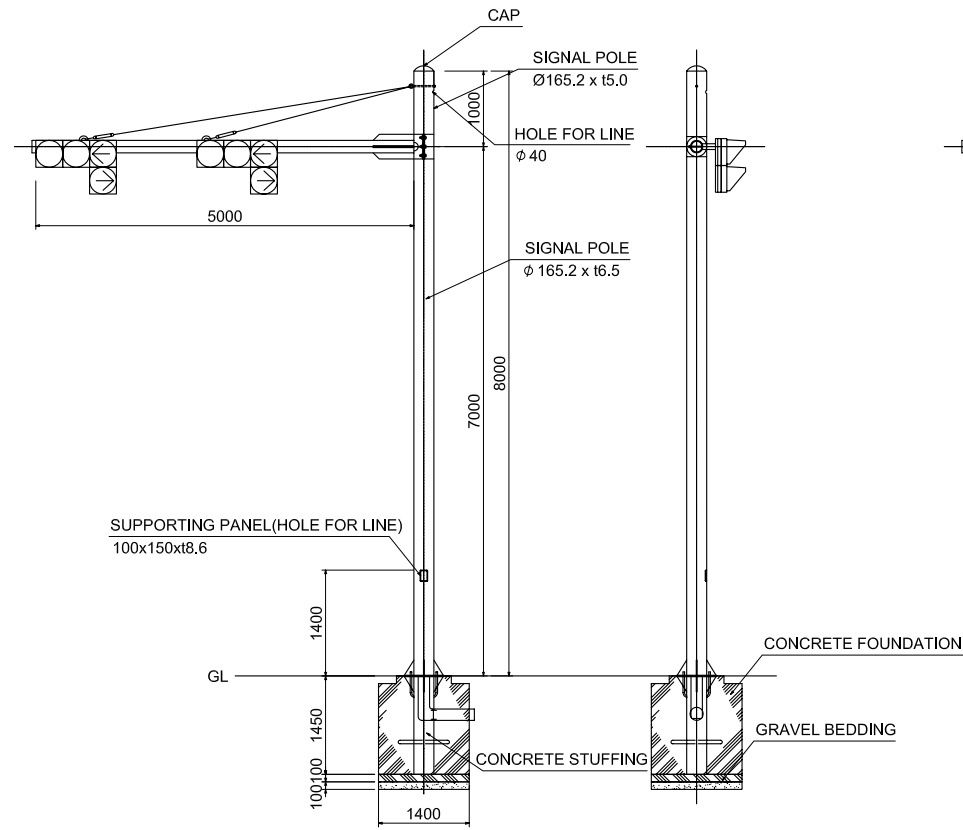
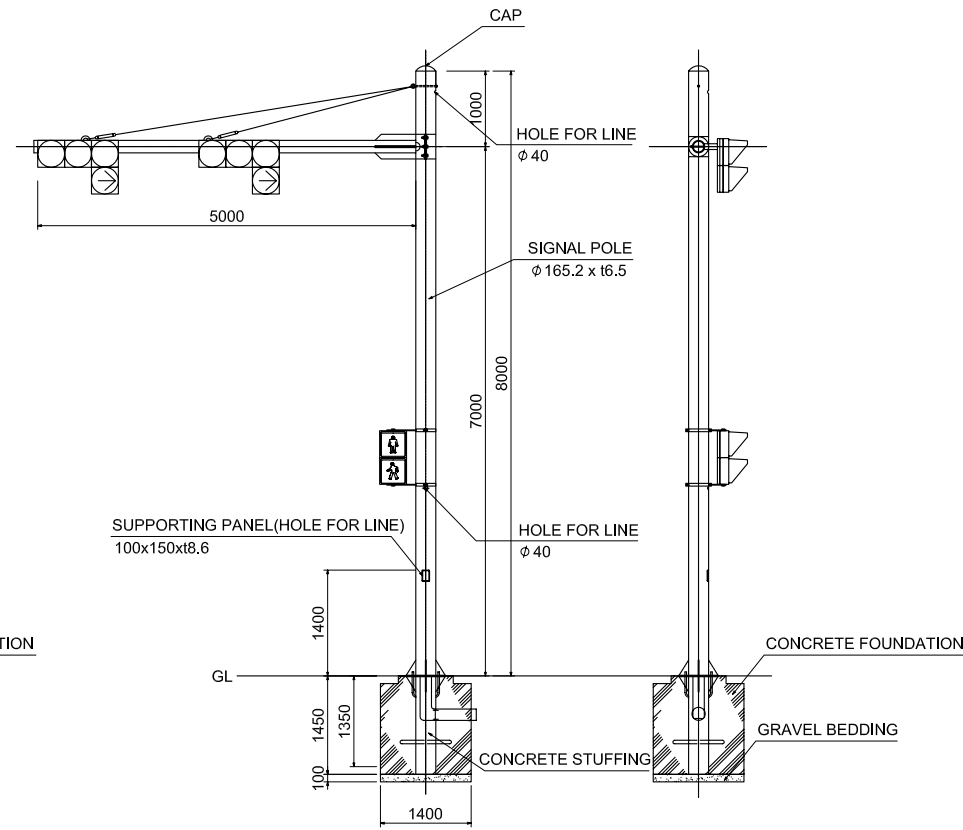


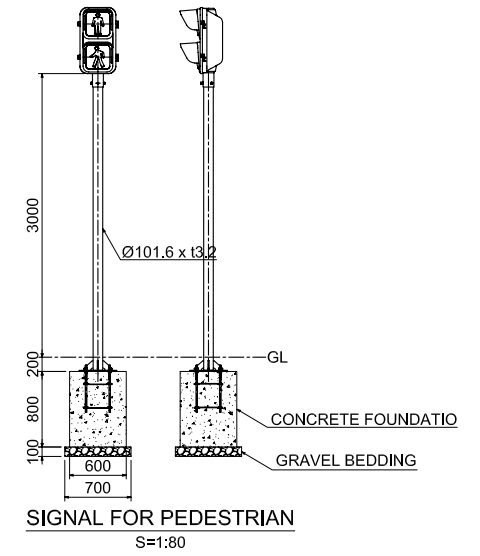
# TRAFFIC SIGNAL



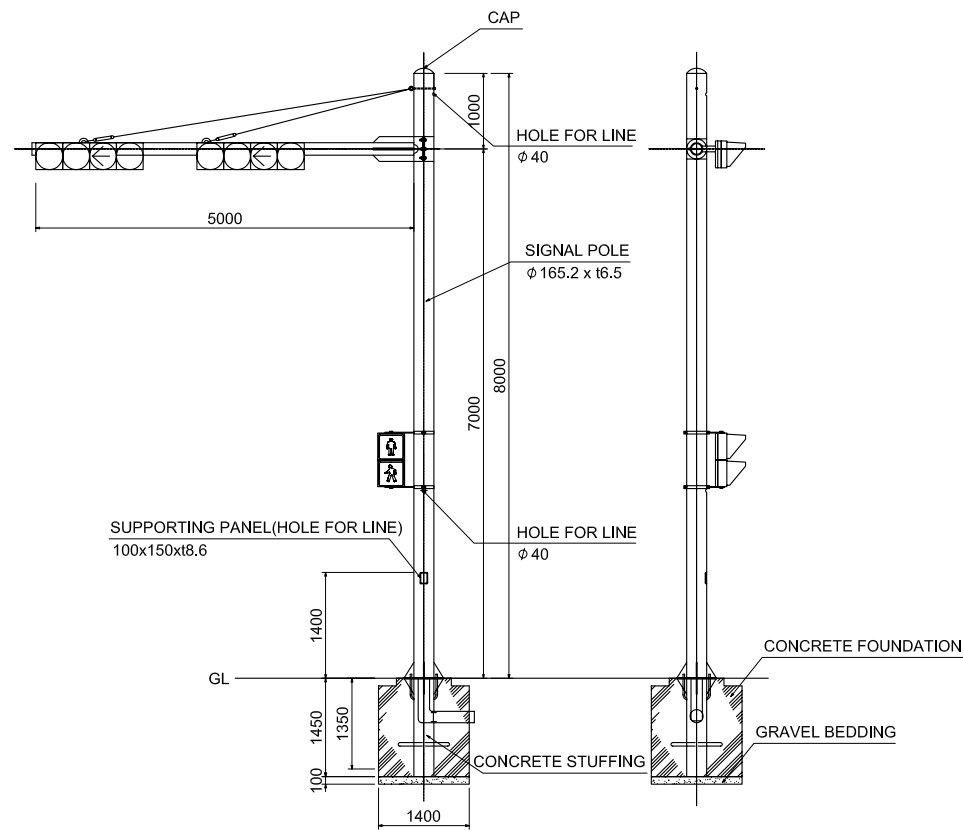
SIGNAL FOR VEHICLE (TYPE-1)  
S=1:100



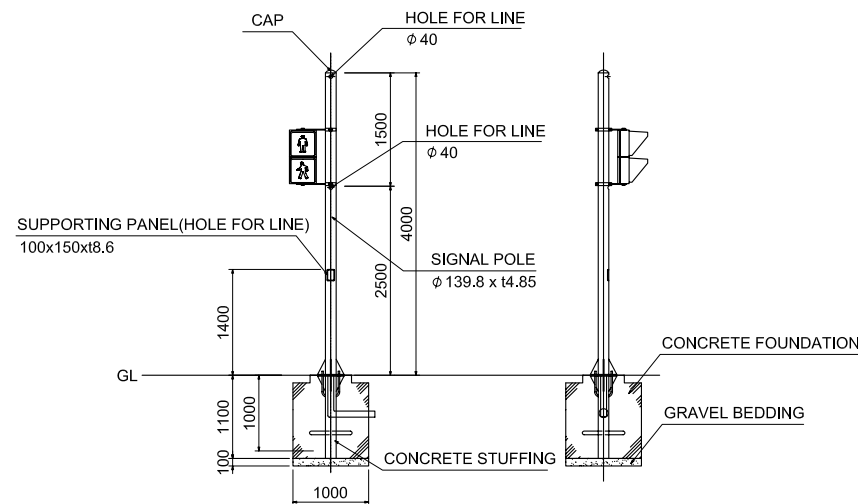
SIGNAL FOR VEHICLE (TYPE-2)  
S=1:100



SIGNAL FOR PEDESTRIAN  
S=1:80



SIGNAL FOR VEHICLE (TYPE-3)  
S=1:100



SIGNAL FOR PEDESTRIAN  
S=1:100

PROJECT TITLE :  
THE PROJECT FOR CONSTRUCTION OF  
AJILCHIN FLY-OVER IN ULAANBAATAR CITY

DESIGNED BY :  
CTI Engineering International Co., Ltd.  
Chodai Co., Ltd.  
International Development Institute

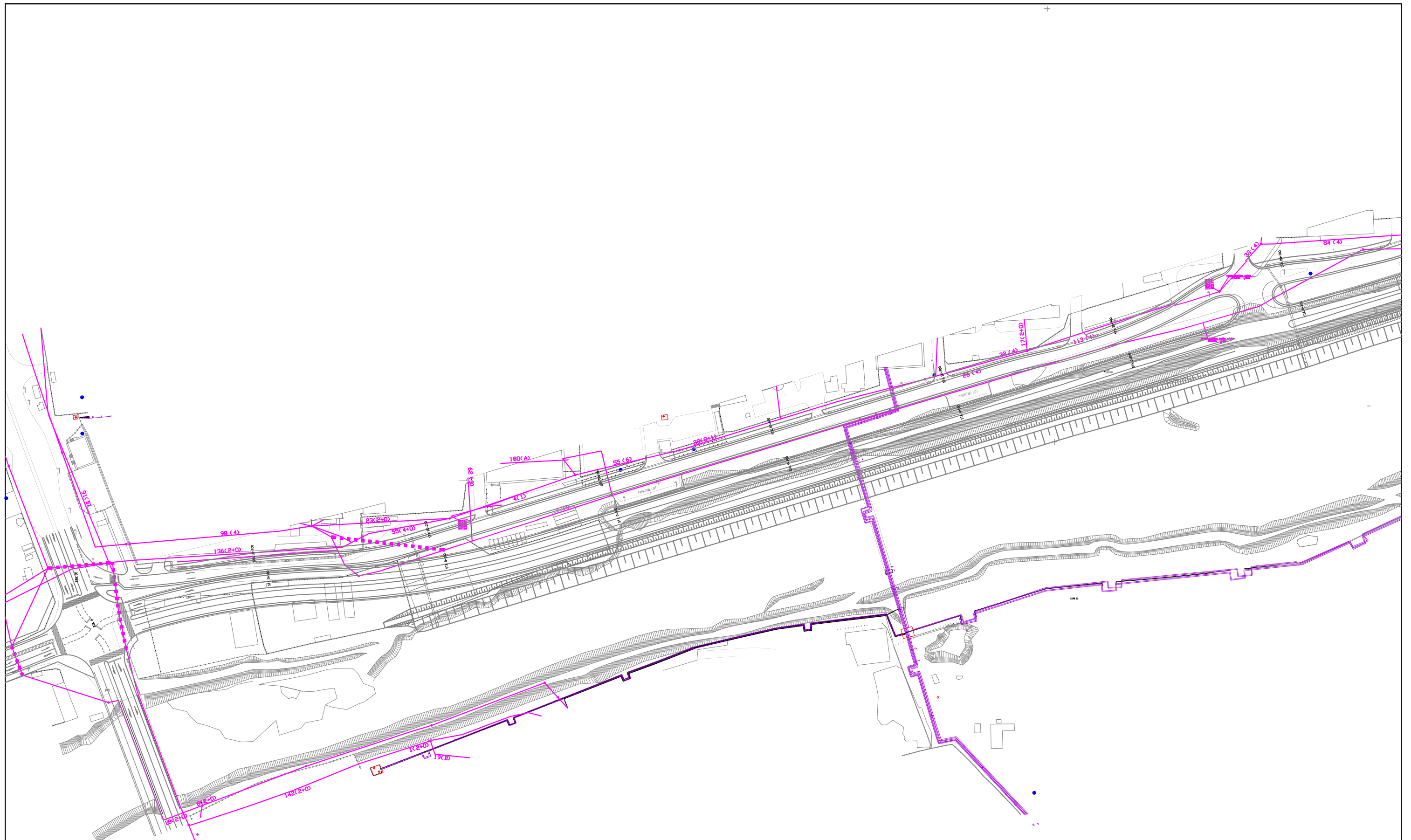
APPROVED BY :

DRAWING TITLE :  
TRAFFIC SIGNAL

SCALE:

DRAWING No.  
128

HIGHWAY



**LEGEND**  
 ——— COMMUNICATION CABLE (Underground)  
 - - - RELOCATION PLAN FOR COMMUNICATION CABLE

PROJECT TITLE ;  
 THE PROJECT FOR CONSTRUCTION OF  
 AJILCHIN FLY-OVER IN ULAANBAATAR CITY

DESIGNED BY ;  
 CTI Engineering International Co., Ltd.  
 Chodai Co., Ltd.  
 International Development Institute

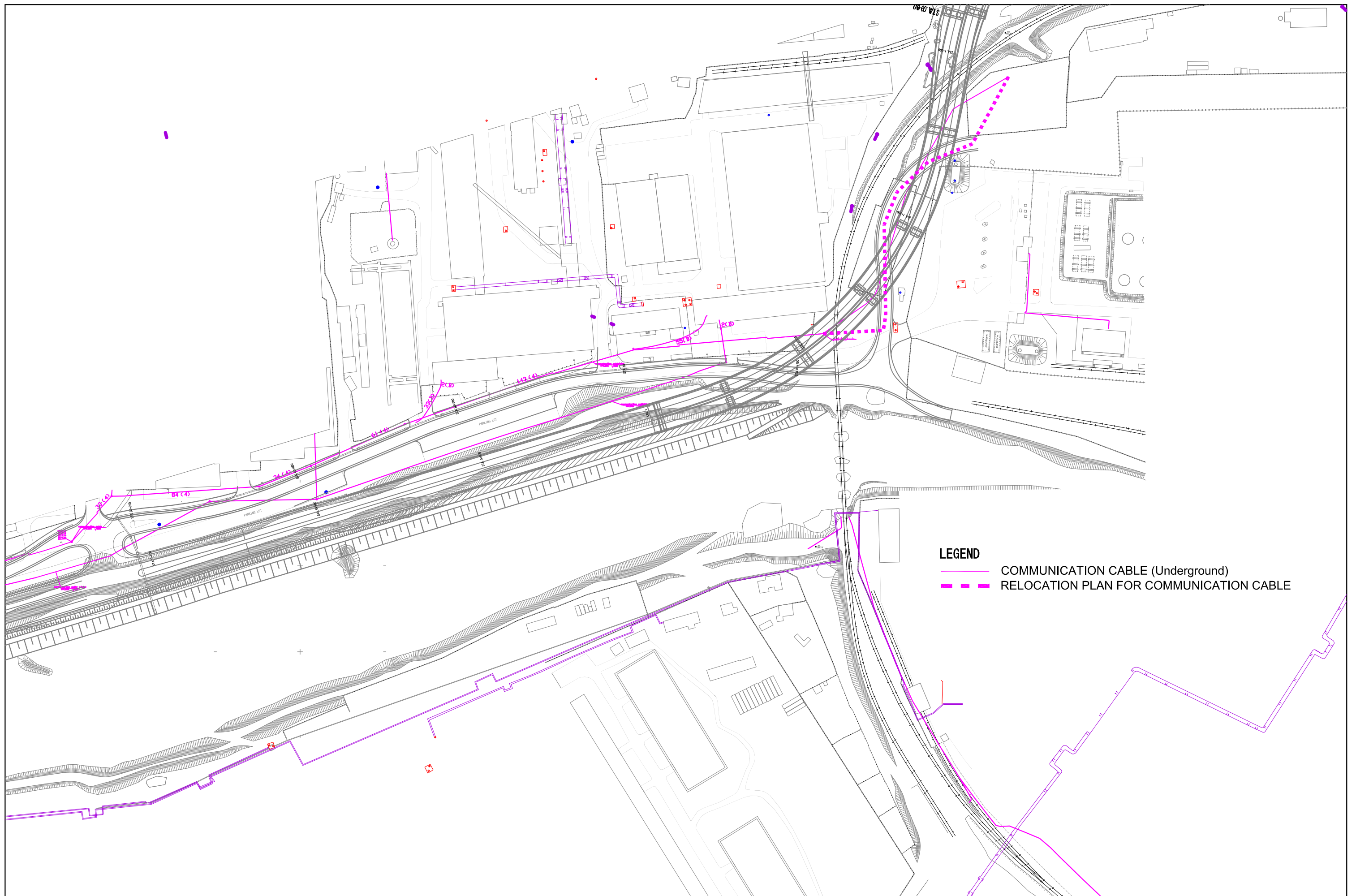
APPROVED BY ;

DRAWING TITLE ;  
 COMMUNICATION CABLE (1)

SCALE  
 S=1:2000

DRAWING No.  
 129

UTILITY



PROJECT TITLE ;  
 THE PROJECT FOR CONSTRUCTION OF  
 AJILCHIN FLY-OVER IN ULAANBAATAR CITY

DESIGNED BY ;  
 CTI Engineering International Co., Ltd.  
 Chodai Co., Ltd.  
 International Development Institute

APPROVED BY ;

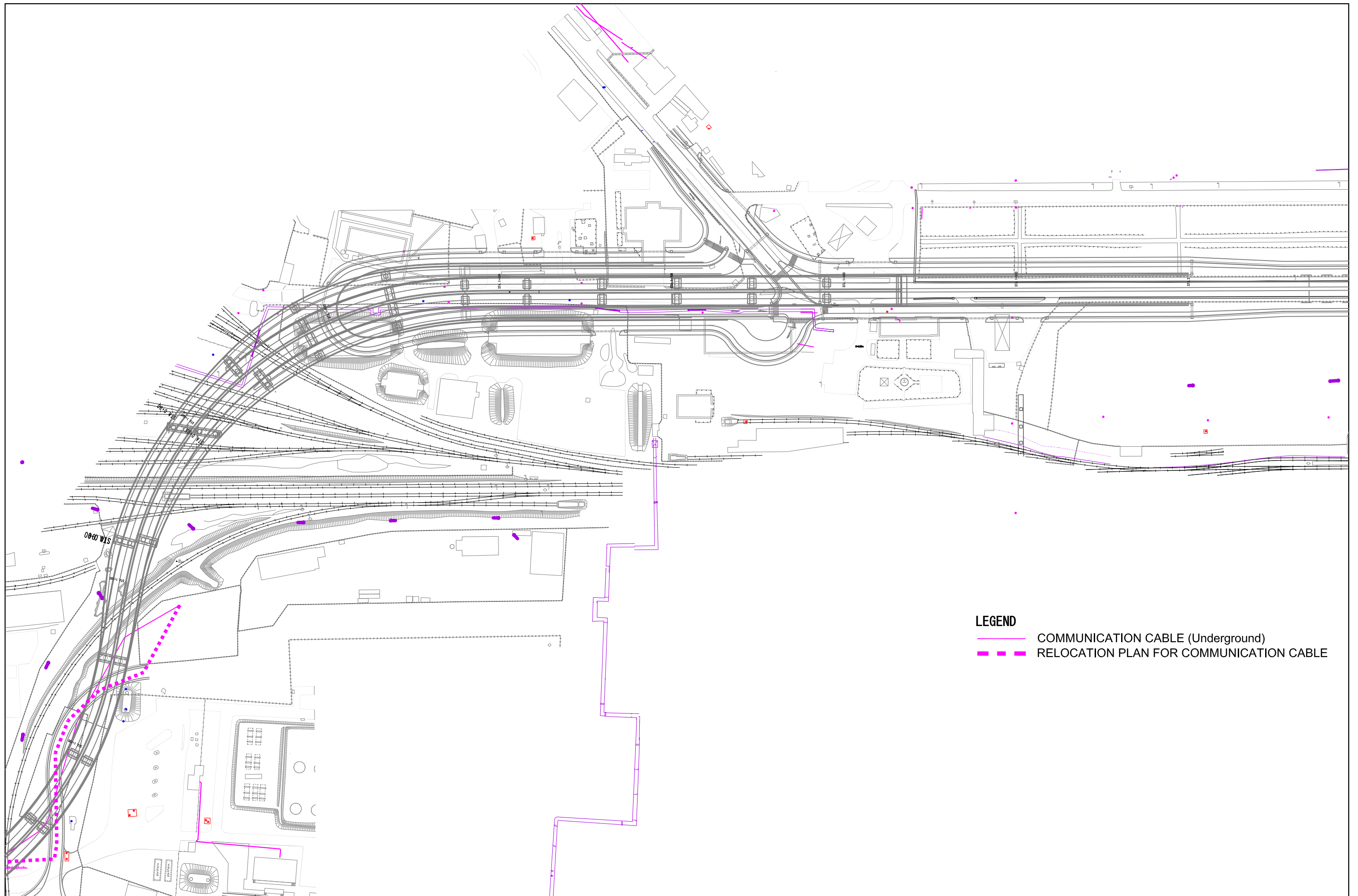
DRAWING TITLE ;  
 COMMUNICATION CABLE (2)

SCALE  
 S=1:2000

DRAWING No.  
 130

UTILITY





**LEGEND**

- COMMUNICATION CABLE (Underground)
- - - RELOCATION PLAN FOR COMMUNICATION CABLE

PROJECT TITLE ;  
 THE PROJECT FOR CONSTRUCTION OF  
 AJILCHIN FLY-OVER IN ULAANBAATAR CITY

DESIGNED BY ;  
 CTI Engineering International Co., Ltd.  
 Chodai Co., Ltd.  
 International Development Institute

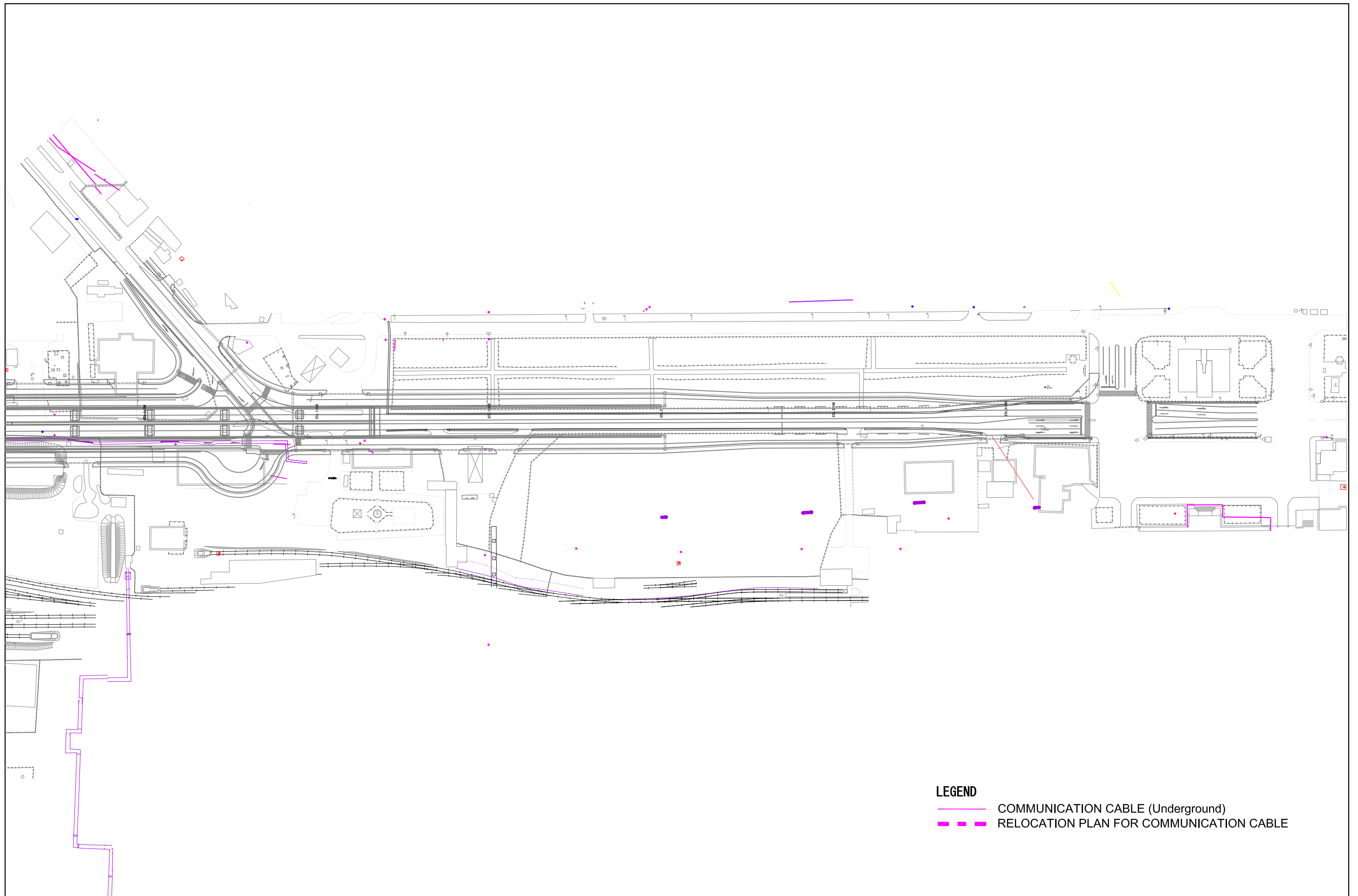
APPROVED BY ;

DRAWING TITLE ;  
 COMMUNICATION CABLE (3)

SCALE  
 S=1:2000

DRAWING No.  
 131

UTILITY



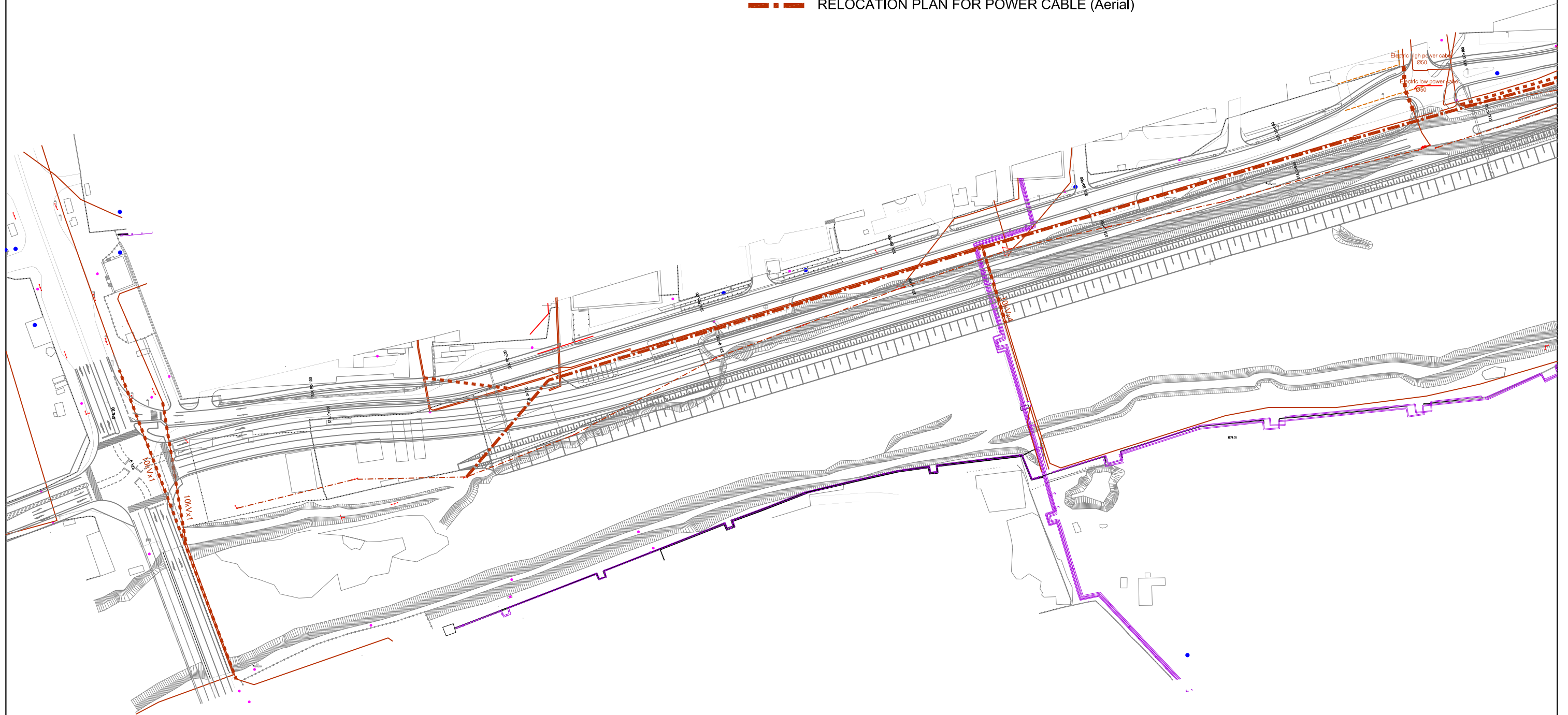
**LEGEND**

- COMMUNICATION CABLE (Underground)
- RELOCATION PLAN FOR COMMUNICATION CABLE

PROJECT TITLE ; <b>THE PROJECT FOR CONSTRUCTION OF          AJILCHIN FLY-OVER IN ULAANBAATAR CITY</b>	DESIGNED BY ; <b>CTI Engineering International Co., Ltd.          Chodai Co., Ltd.          International Development Institute</b>	APPROVED BY ;	DRAWING TITLE ; <b>COMMUNICATION CABLE (4)</b>	SCALE <b>S=1:2000</b>	DRAWING No. <b>132</b>	UTILITY
--	--	---------------	---	--------------------------	---------------------------	---------

**LEGEND**

- HIGH VOLTAGE POWER CABLE (New Plan)
- HIGH VOLTAGE POWER CABLE (Underground)
- - - LOW VOLTAGE POWER CABLE (Underground)
- - - POWER CABLE (Aerial)
- - - - RELOCATION PLAN FOR HIGH VOLTAGE POWER CABLE (Underground)
- - - - RELOCATION PLAN FOR POWER CABLE (Aerial)



PROJECT TITLE ;  
 THE PROJECT FOR CONSTRUCTION OF  
 AJILCHIN FLY-OVER IN ULAANBAATAR CITY

DESIGNED BY ;  
 CTI Engineering International Co., Ltd.  
 Chodai Co., Ltd.  
 International Development Institute

APPROVED BY ;

DRAWING TITLE ;  
 ELECTRIC POWER CABLE (1)

SCALE  
 S=1:2000

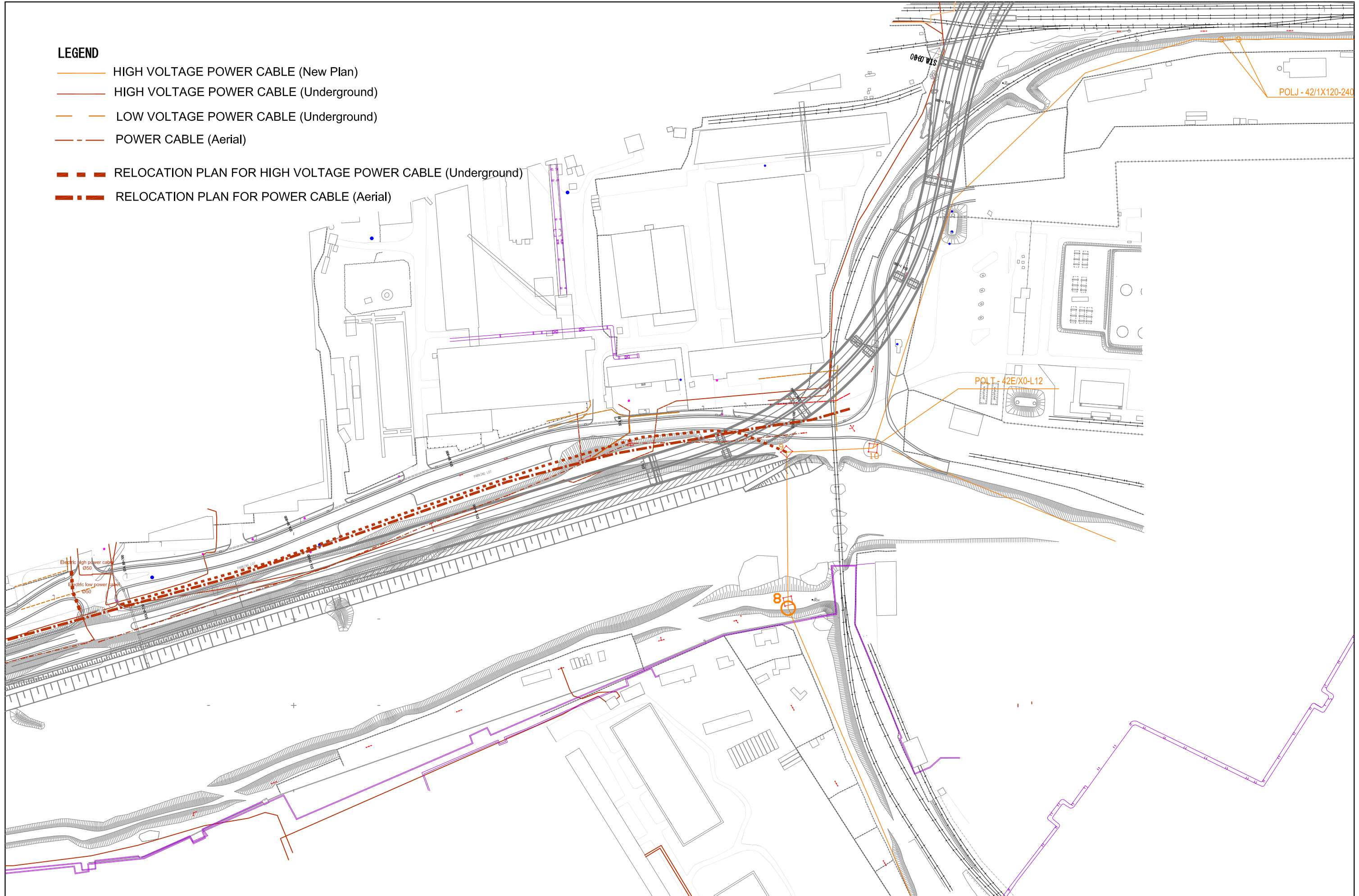
DRAWING No.  
 133

UTILITY



**LEGEND**

- HIGH VOLTAGE POWER CABLE (New Plan)
- HIGH VOLTAGE POWER CABLE (Underground)
- LOW VOLTAGE POWER CABLE (Underground)
- - - POWER CABLE (Aerial)
- - - RELOCATION PLAN FOR HIGH VOLTAGE POWER CABLE (Underground)
- - - RELOCATION PLAN FOR POWER CABLE (Aerial)



PROJECT TITLE ;  
 THE PROJECT FOR CONSTRUCTION OF  
 AJILCHIN FLY-OVER IN ULAANBAATAR CITY

DESIGNED BY ;  
 CTI Engineering International Co., Ltd.  
 Chodai Co., Ltd.  
 International Development Institute

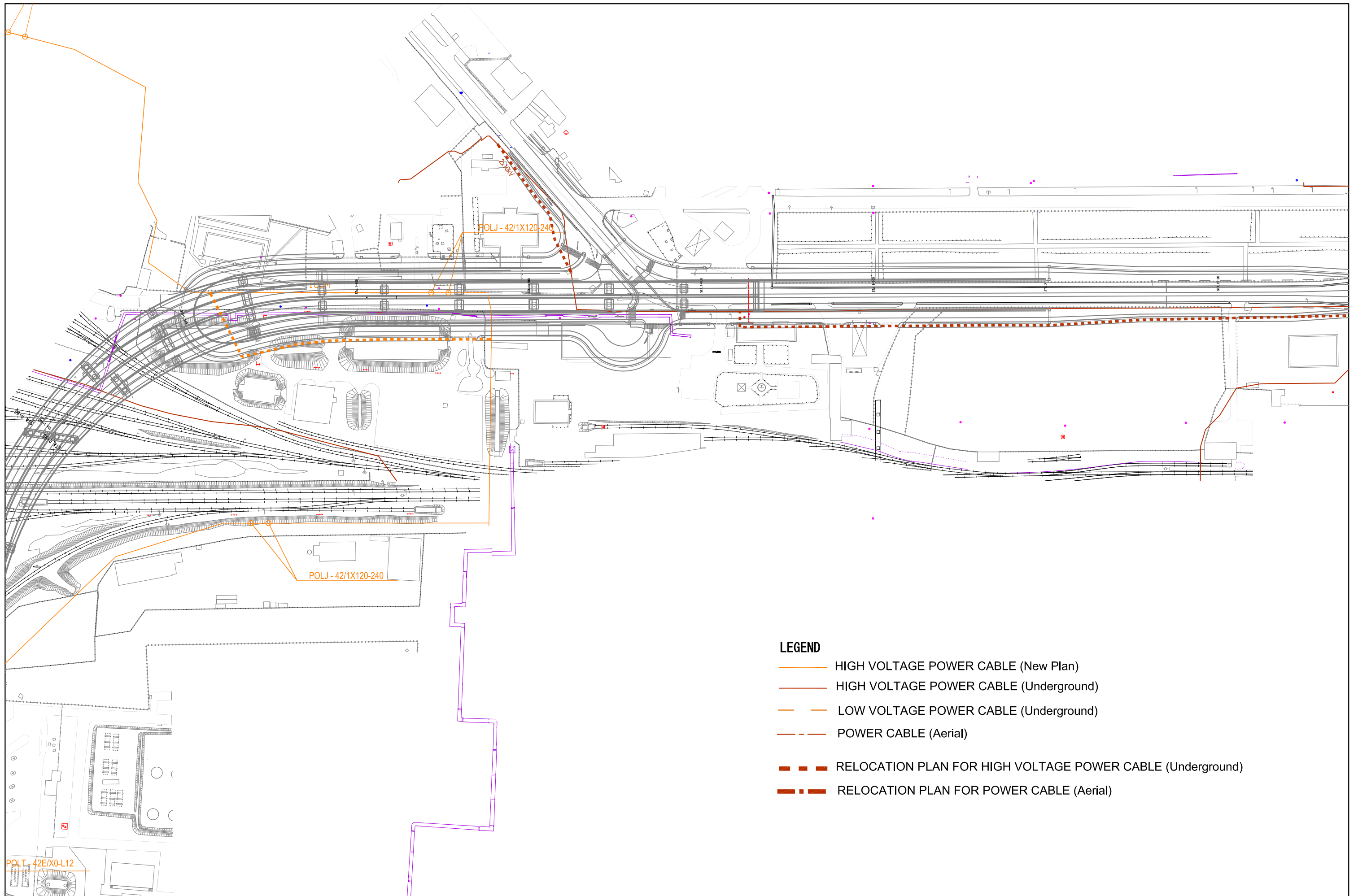
APPROVED BY ;

DRAWING TITLE ;  
 ELECTRIC POWER CABLE (2)

SCALE  
 S=1:2000

DRAWING No.  
 134

UTILITY

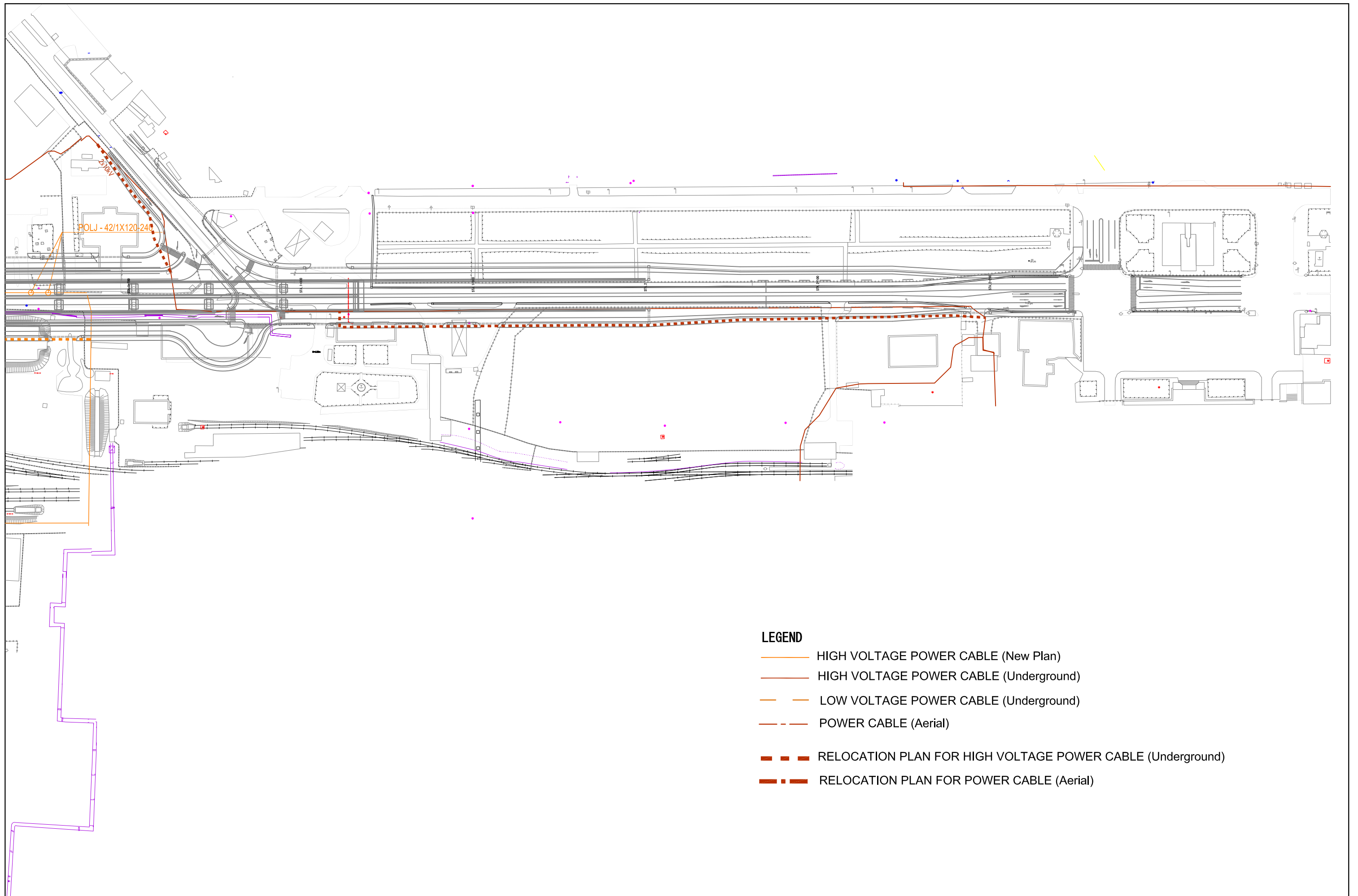


**LEGEND**

- HIGH VOLTAGE POWER CABLE (New Plan)
- HIGH VOLTAGE POWER CABLE (Underground)
- LOW VOLTAGE POWER CABLE (Underground)
- - - POWER CABLE (Aerial)
- - - RELOCATION PLAN FOR HIGH VOLTAGE POWER CABLE (Underground)
- - - RELOCATION PLAN FOR POWER CABLE (Aerial)

PROJECT TITLE ; <b>THE PROJECT FOR CONSTRUCTION OF          AJILCHIN FLY-OVER IN ULAANBAATAR CITY</b>	DESIGNED BY ; <b>CTI Engineering International Co., Ltd.          Chodai Co., Ltd.          International Development Institute</b>	APPROVED BY ;	DRAWING TITLE ; <b>ELECTRIC POWER CABLE (3)</b>	SCALE <b>S=1:2000</b>	DRAWING No. <b>135</b>	UTILITY
--	--	---------------	--	--------------------------	---------------------------	---------





**LEGEND**

- HIGH VOLTAGE POWER CABLE (New Plan)
- HIGH VOLTAGE POWER CABLE (Underground)
- LOW VOLTAGE POWER CABLE (Underground)
- - - POWER CABLE (Aerial)
- - - RELOCATION PLAN FOR HIGH VOLTAGE POWER CABLE (Underground)
- - - RELOCATION PLAN FOR POWER CABLE (Aerial)

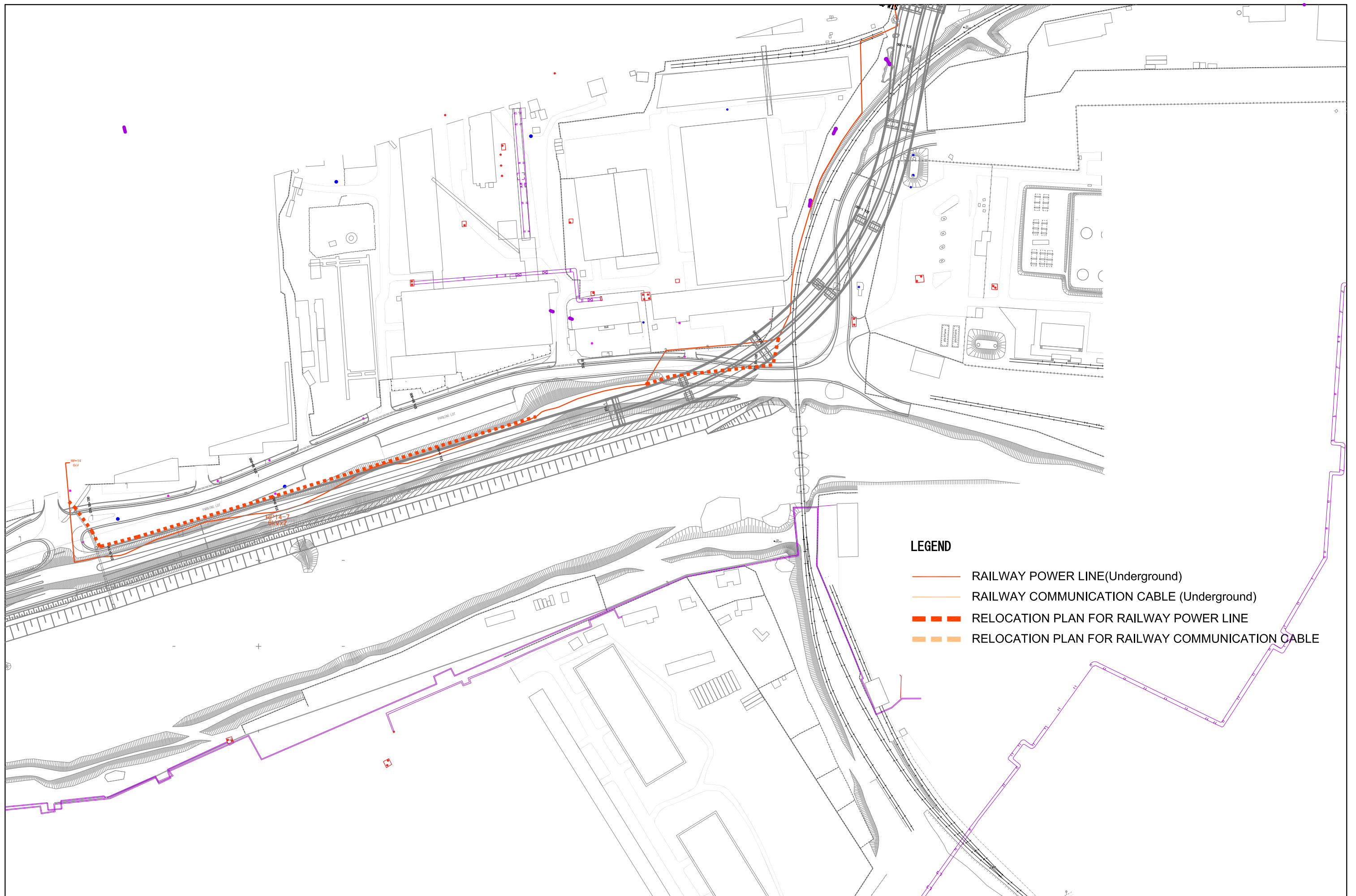
PROJECT TITLE ; THE PROJECT FOR CONSTRUCTION OF AJILCHIN FLY-OVER IN ULAANBAATAR CITY	DESIGNED BY ; CTI Engineering International Co., Ltd. Chodai Co., Ltd. International Development Institute	APPROVED BY ;	DRAWING TITLE ; ELECTRIC POWER CABLE (4)	SCALE S=1:2000	DRAWING No. 136	UTILITY
---	---	---------------	---	-------------------	--------------------	---------



**LEGEND**

- RAILWAY POWER LINE(Underground)
- RAILWAY COMMUNICATION CABLE (Underground)
- - - RELOCATION PLAN FOR RAILWAY POWER LINE
- - - RELOCATION PLAN FOR RAILWAY COMMUNICATION CABLE

PROJECT TITLE ; THE PROJECT FOR CONSTRUCTION OF AJILCHIN FLY-OVER IN ULAANBAATAR CITY	DESIGNED BY ; CTI Engineering International Co., Ltd. Chodai Co., Ltd. International Development Institute	APPROVED BY ;	DRAWING TITLE ; RAILWAY FACILITIES (1)	SCALE S=1:2000	DRAWING No. 137	UTILITY
---	---	---------------	---	-------------------	--------------------	---------



PROJECT TITLE ;  
 THE PROJECT FOR CONSTRUCTION OF  
 AJILCHIN FLY-OVER IN ULAANBAATAR CITY

DESIGNED BY ;  
 CTI Engineering International Co., Ltd.  
 Chodai Co., Ltd.  
 International Development Institute

APPROVED BY ;

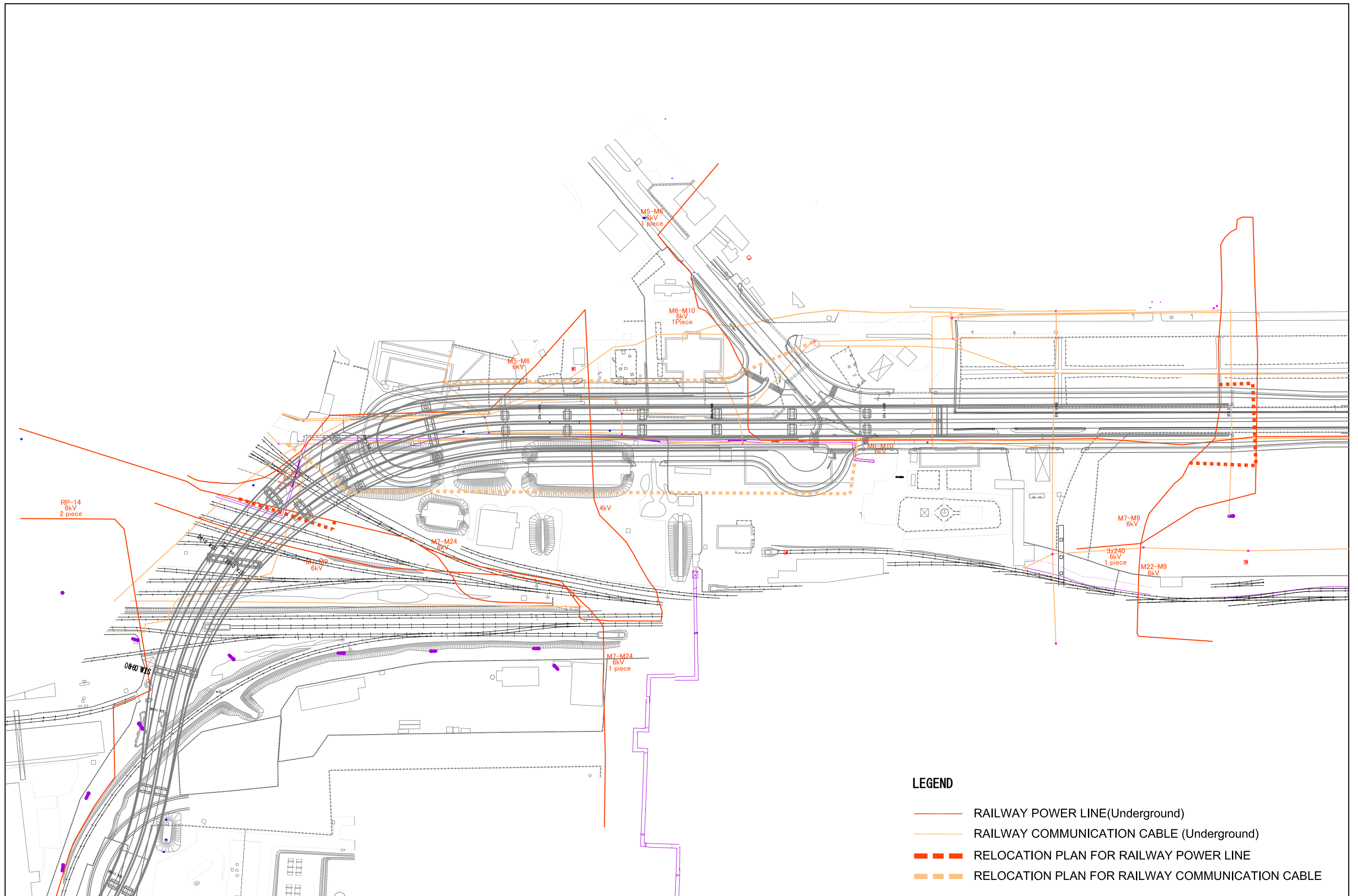
DRAWING TITLE ;  
 RAILWAY FACILITIES (2)

SCALE  
 S=1:2000

DRAWING No.  
 138

UTILITY

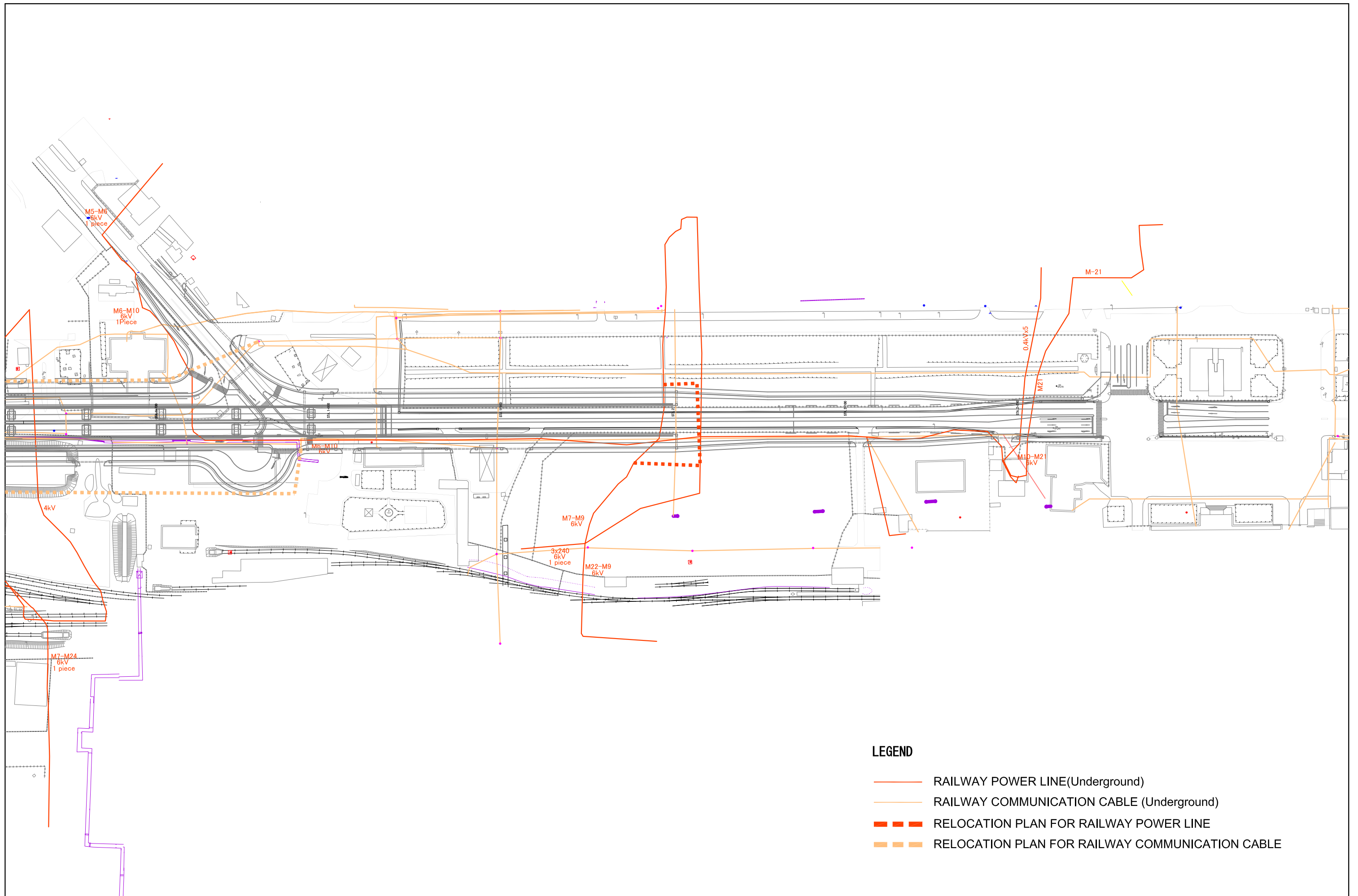




**LEGEND**

- RAILWAY POWER LINE(Underground)
- RAILWAY COMMUNICATION CABLE (Underground)
- - - RELOCATION PLAN FOR RAILWAY POWER LINE
- - - RELOCATION PLAN FOR RAILWAY COMMUNICATION CABLE

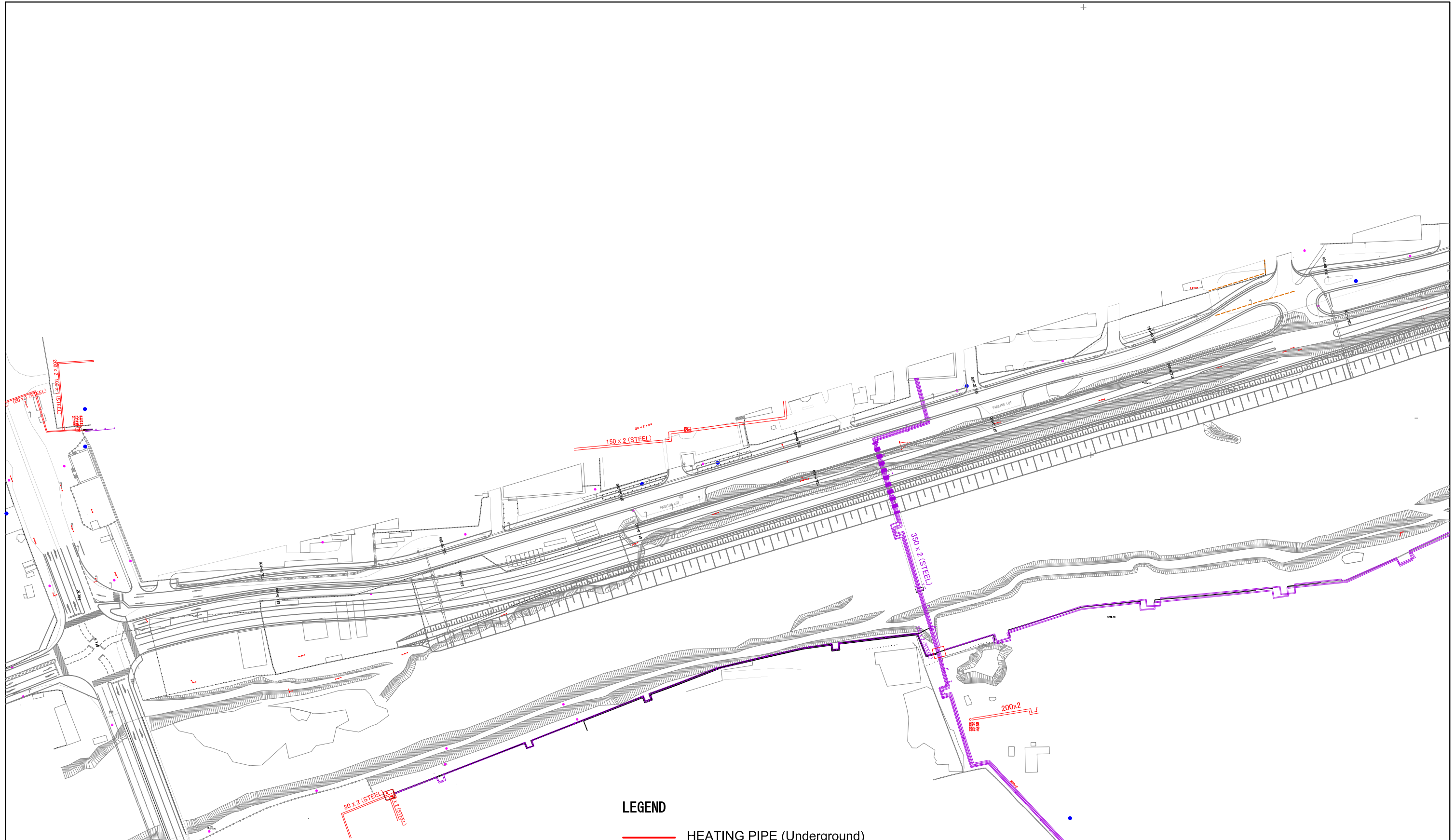
<p>PROJECT TITLE ;  <b>THE PROJECT FOR CONSTRUCTION OF AJILCHIN FLY-OVER IN ULAANBAATAR CITY</b></p>	<p>DESIGNED BY ;  <b>CTI Engineering International Co., Ltd.          Chodai Co., Ltd.          International Development Institute</b></p>	<p>APPROVED BY ;</p>	<p>DRAWING TITLE ;  <b>RAILWAY FACILITIES (3)</b></p>	<p>SCALE  <b>S=1:2000</b></p>	<p>DRAWING No.  <b>139</b></p>	<p>UTILITY</p>
--	---	----------------------	---	-----------------------------------	------------------------------------	----------------



**LEGEND**

- RAILWAY POWER LINE(Underground)
- RAILWAY COMMUNICATION CABLE (Underground)
- - - RELOCATION PLAN FOR RAILWAY POWER LINE
- - - RELOCATION PLAN FOR RAILWAY COMMUNICATION CABLE

<p>PROJECT TITLE ; THE PROJECT FOR CONSTRUCTION OF AJILCHIN FLY-OVER IN ULAANBAATAR CITY</p>	<p>DESIGNED BY ; CTI Engineering International Co., Ltd. Chodai Co., Ltd. International Development Institute</p>	<p>APPROVED BY ;</p>	<p>DRAWING TITLE ; RAILWAY FACILITIES (4)</p>	<p>SCALE S=1:2000</p>	<p>DRAWING No. 140</p>	<p>UTILITY</p>
--	---	----------------------	---	---------------------------	----------------------------	----------------



**LEGEND**

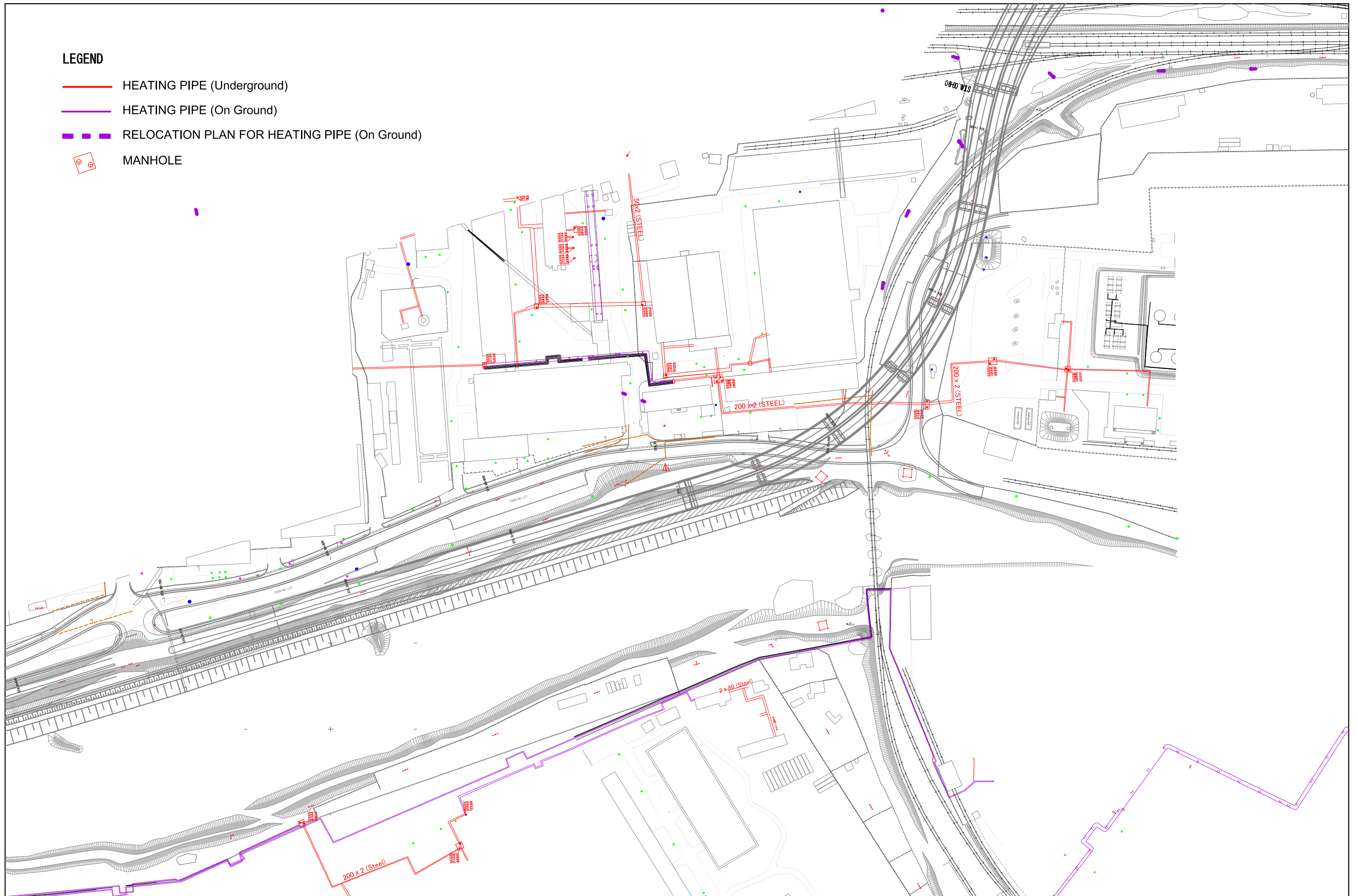
- HEATING PIPE (Underground)
- HEATING PIPE (On Ground)
- - - RELOCATION PLAN FOR HEATING PIPE (On Ground)
- ⊕ MANHOLE

PROJECT TITLE ; THE PROJECT FOR CONSTRUCTION OF AJILCHIN FLY-OVER IN ULAANBAATAR CITY	DESIGNED BY ; CTI Engineering International Co., Ltd. Chodai Co., Ltd. International Development Institute	APPROVED BY ;	DRAWING TITLE ; HEATING PIPE (1)	SCALE S=1:2000	DRAWING No. 141	UTILITY
---	---	---------------	-------------------------------------	-------------------	--------------------	---------



**LEGEND**

- HEATING PIPE (Underground)
- HEATING PIPE (On Ground)
- - - RELOCATION PLAN FOR HEATING PIPE (On Ground)
- ⊕ MANHOLE



PROJECT TITLE ;  
 THE PROJECT FOR CONSTRUCTION OF  
 AJILCHIN FLY-OVER IN ULAANBAATAR CITY

DESIGNED BY ;  
 CTI Engineering International Co., Ltd.  
 Chodai Co., Ltd.  
 International Development Institute

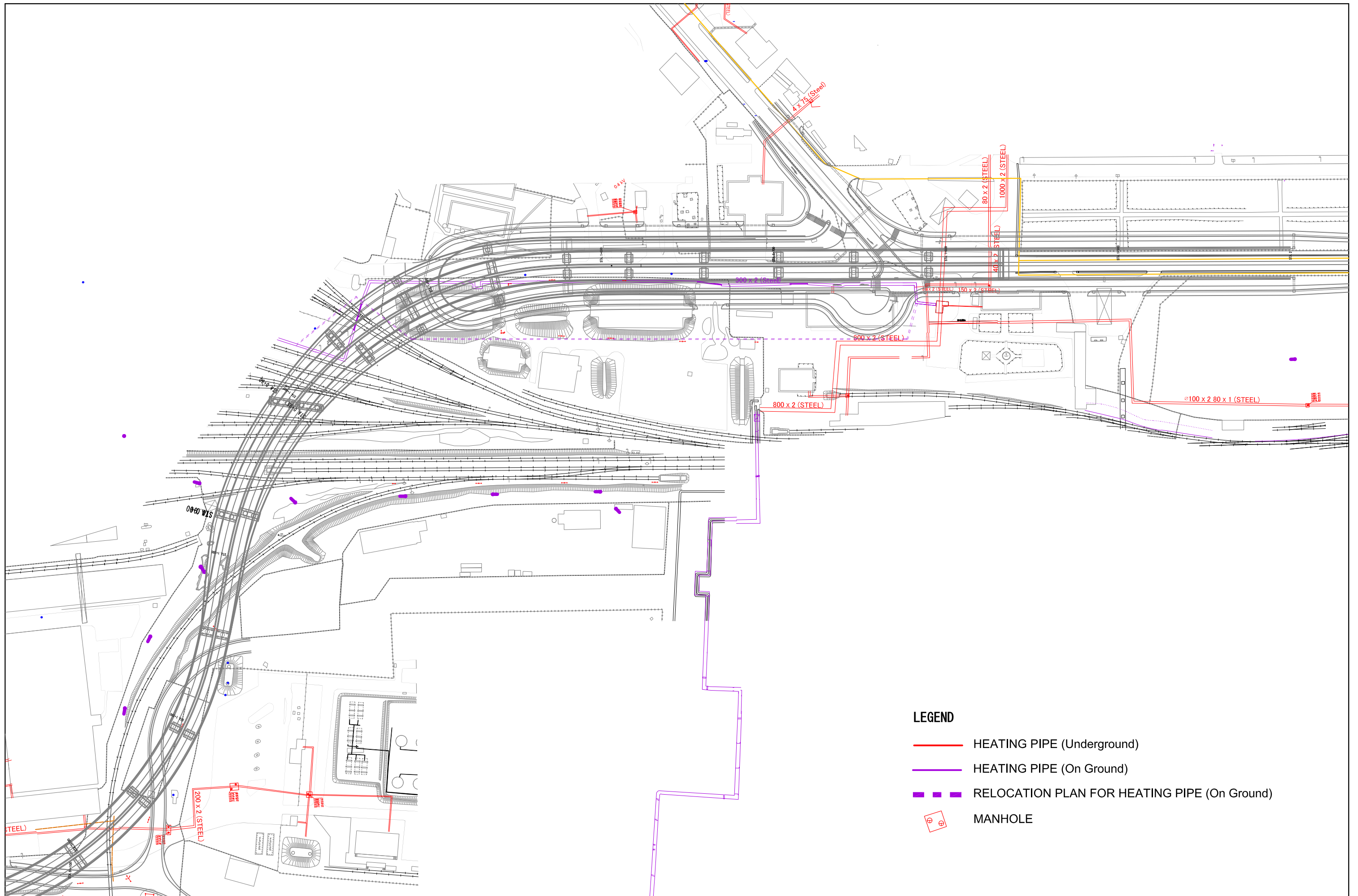
APPROVED BY ;

DRAWING TITLE ;  
 HEATING PIPE (2)

SCALE  
 S=1:2000

DRAWING No.  
 142

UTILITY



PROJECT TITLE ;  
 THE PROJECT FOR CONSTRUCTION OF  
 AJILCHIN FLY-OVER IN ULAANBAATAR CITY

DESIGNED BY ;  
 CTI Engineering International Co., Ltd.  
 Chodai Co., Ltd.  
 International Development Institute

APPROVED BY ;

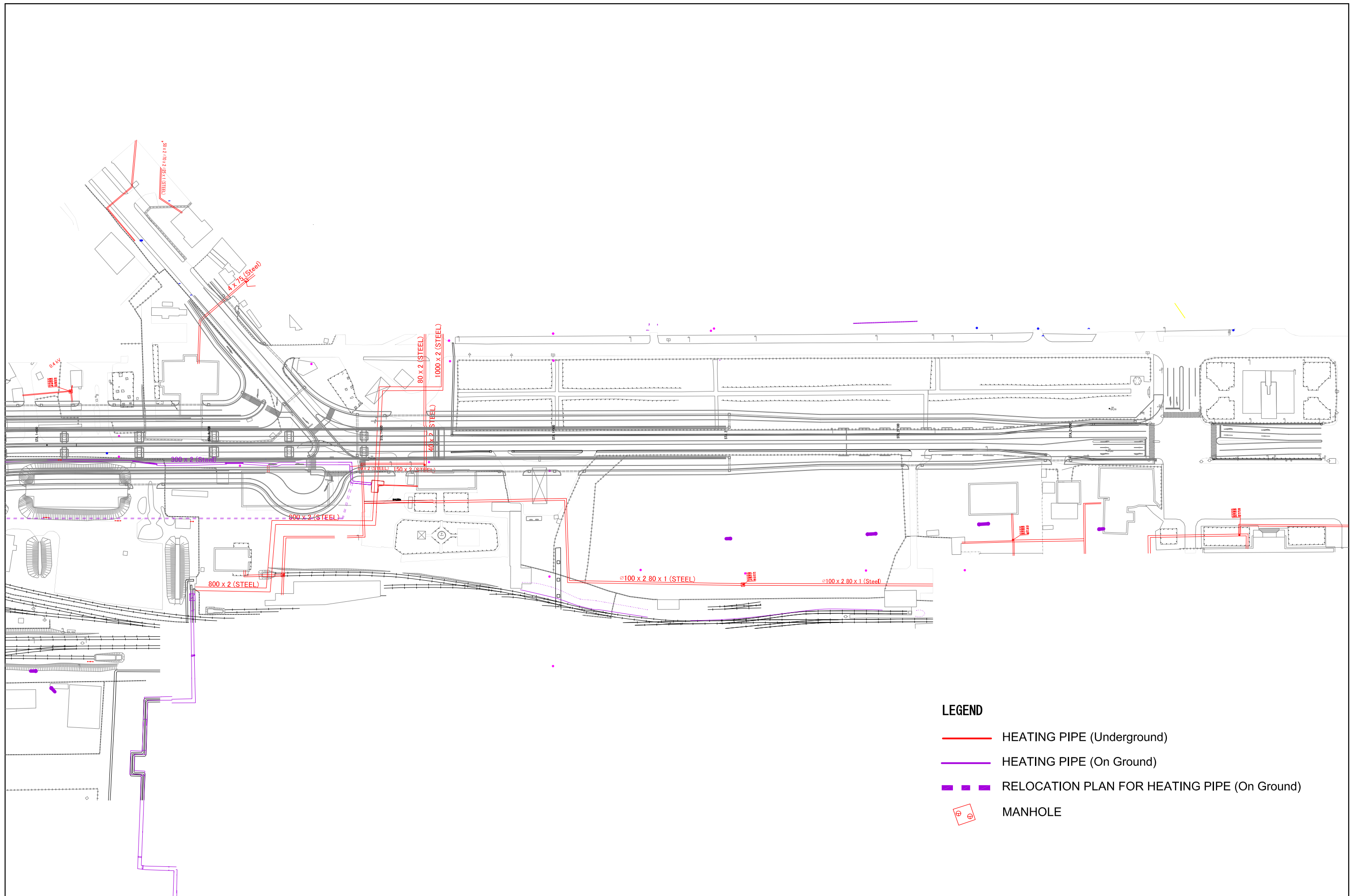
DRAWING TITLE ;  
 HEATING PIPE (3)

SCALE  
 S=1:2000

DRAWING No.  
 143

UTILITY



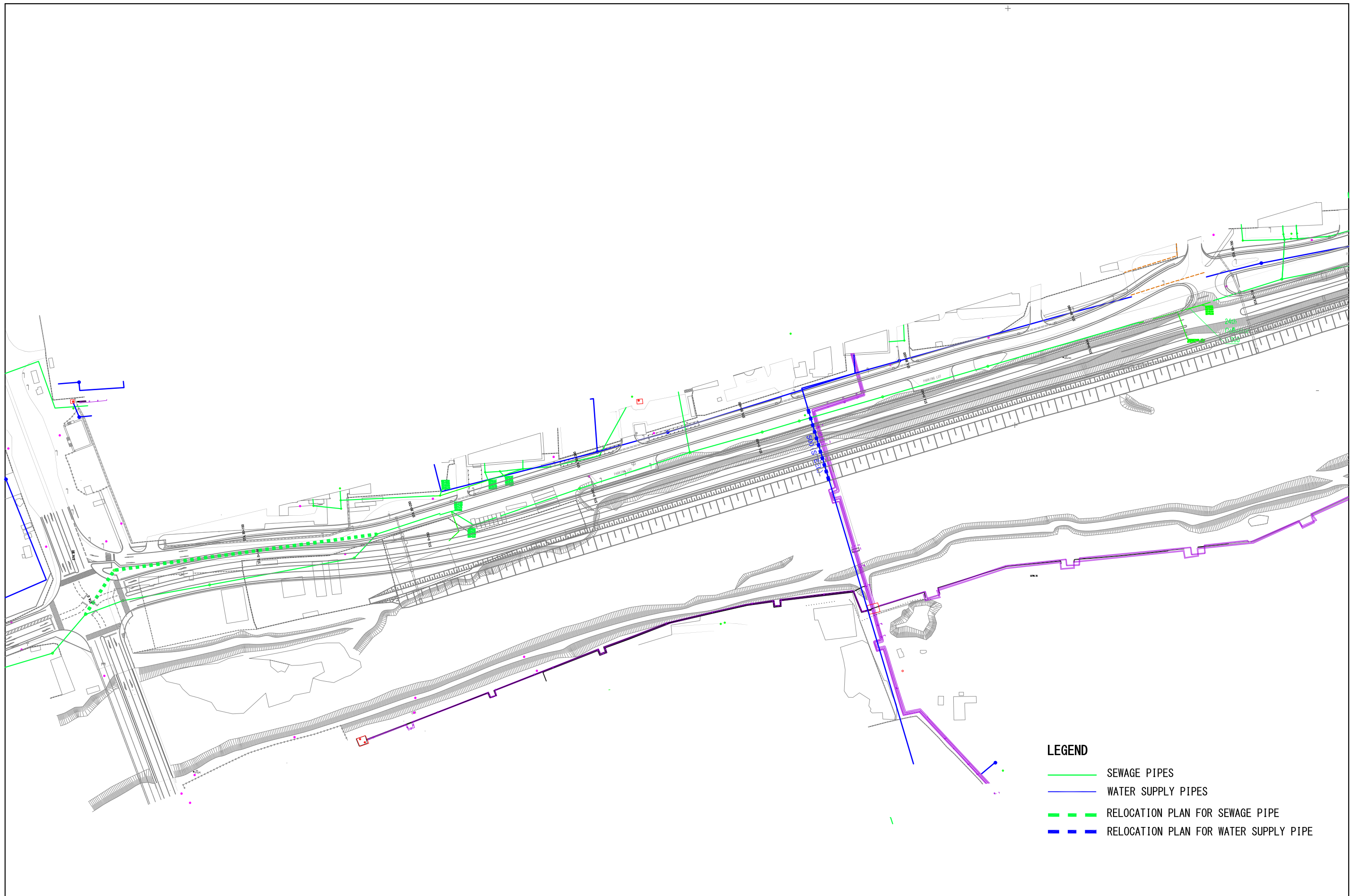


**LEGEND**

- HEATING PIPE (Underground)
- HEATING PIPE (On Ground)
- - - RELOCATION PLAN FOR HEATING PIPE (On Ground)
- 4 MANHOLE

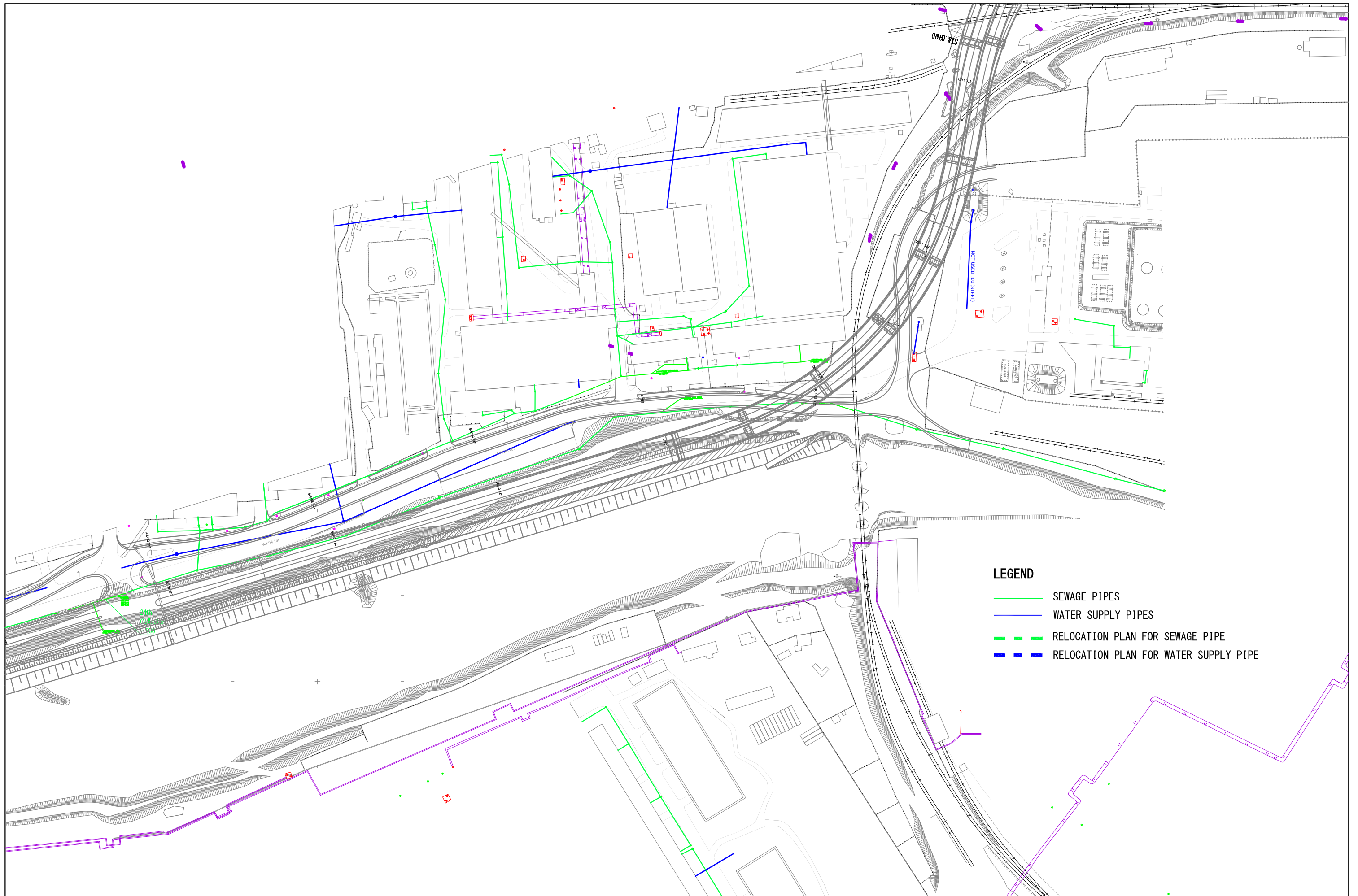
PROJECT TITLE ; THE PROJECT FOR CONSTRUCTION OF AJILCHIN FLY-OVER IN ULAANBAATAR CITY	DESIGNED BY ; CTI Engineering International Co., Ltd. Chodai Co., Ltd. International Development Institute	APPROVED BY ;	DRAWING TITLE ; HEATING PIPE (4)	SCALE S=1:2000	DRAWING No. 144	UTILITY
---	---	---------------	-------------------------------------	-------------------	--------------------	---------





- LEGEND**
- SEWAGE PIPES
  - WATER SUPPLY PIPES
  - - - RELOCATION PLAN FOR SEWAGE PIPE
  - - - RELOCATION PLAN FOR WATER SUPPLY PIPE

PROJECT TITLE ; THE PROJECT FOR CONSTRUCTION OF AJILCHIN FLY-OVER IN ULAANBAATAR CITY	DESIGNED BY ; CTI Engineering International Co., Ltd. Chodai Co., Ltd. International Development Institute	APPROVED BY ;	DRAWING TITLE ; SEWAGE AND WATER SUPPLY (1)	SCALE S=1:2000	DRAWING No. 145	UTILITY
---	---	---------------	--	-------------------	--------------------	---------



**LEGEND**

- SEWAGE PIPES
- WATER SUPPLY PIPES
- - - RELOCATION PLAN FOR SEWAGE PIPE
- - - RELOCATION PLAN FOR WATER SUPPLY PIPE

PROJECT TITLE ;  
 THE PROJECT FOR CONSTRUCTION OF  
 AJILCHIN FLY-OVER IN ULAANBAATAR CITY

DESIGNED BY ;  
 CTI Engineering International Co., Ltd.  
 Chodai Co., Ltd.  
 International Development Institute

APPROVED BY ;

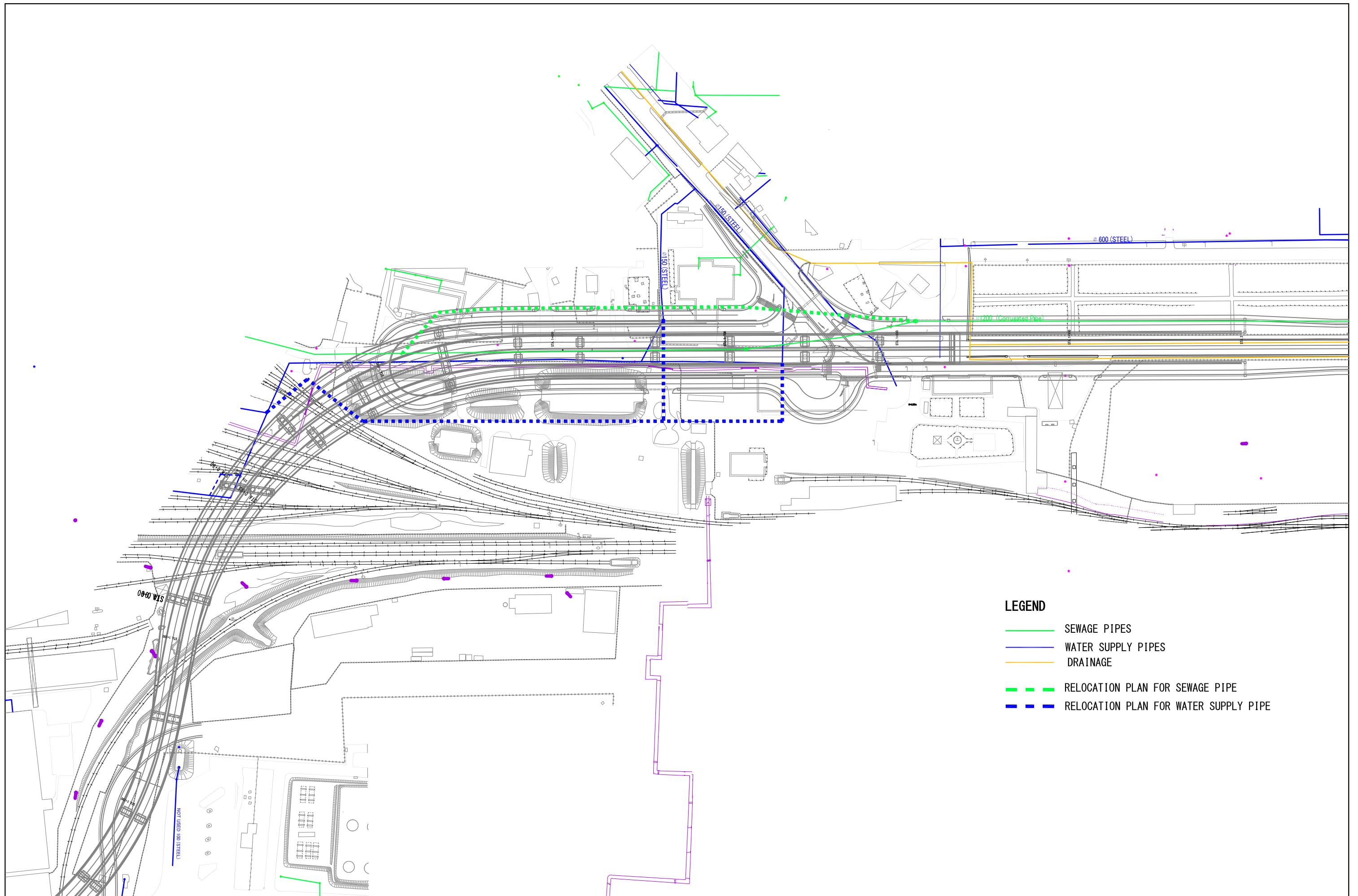
DRAWING TITLE ;  
 SEWAGE AND WATER SUPPLY (2)

SCALE  
 S=1:2000

DRAWING No.  
 146

UTILITY





**LEGEND**

- SEWAGE PIPES
- WATER SUPPLY PIPES
- DRAINAGE
- - - RELOCATION PLAN FOR SEWAGE PIPE
- - - RELOCATION PLAN FOR WATER SUPPLY PIPE

PROJECT TITLE ;  
 THE PROJECT FOR CONSTRUCTION OF  
 AJILCHIN FLY-OVER IN ULAANBAATAR CITY

DESIGNED BY ;  
 CTI Engineering International Co., Ltd.  
 Chodai Co., Ltd.  
 International Development Institute

APPROVED BY ;

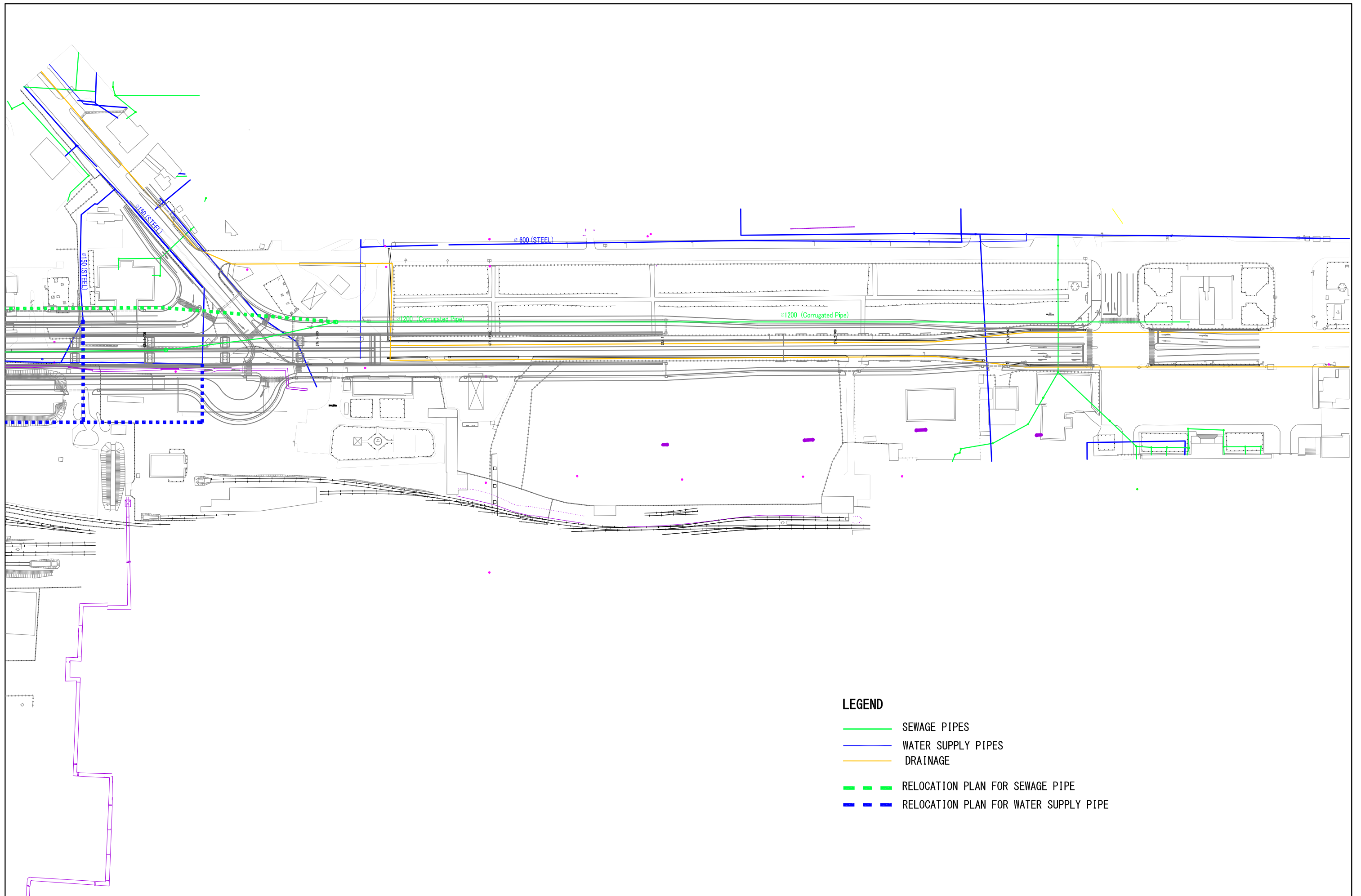
DRAWING TITLE ;  
 SEWAGE AND WATER SUPPLY (3)

SCALE  
 S=1:2000

DRAWING No.  
 147

UTILITY





**LEGEND**

- SEWAGE PIPES
- WATER SUPPLY PIPES
- DRAINAGE
- - - RELOCATION PLAN FOR SEWAGE PIPE
- - - RELOCATION PLAN FOR WATER SUPPLY PIPE

PROJECT TITLE ; <b>THE PROJECT FOR CONSTRUCTION OF          AJILCHIN FLY-OVER IN ULAANBAATAR CITY</b>	DESIGNED BY ; <b>CTI Engineering International Co., Ltd.          Chodai Co., Ltd.          International Development Institute</b>	APPROVED BY ;	DRAWING TITLE ; <b>SEWAGE AND WATER SUPPLY (4)</b>	SCALE <b>S=1:2000</b>	DRAWING No. <b>148</b>	UTILITY
--	--	---------------	---	--------------------------	---------------------------	---------