

PROJECT TITLE :
 THE PROJECT FOR CONSTRUCTION OF
 AJILCHIN FLY-OVER IN ULAANBAATAR CITY

DESIGNED BY ;
 CTI Engineering International Co., Ltd.
 Chodai Co., Ltd.
 International Development Institute

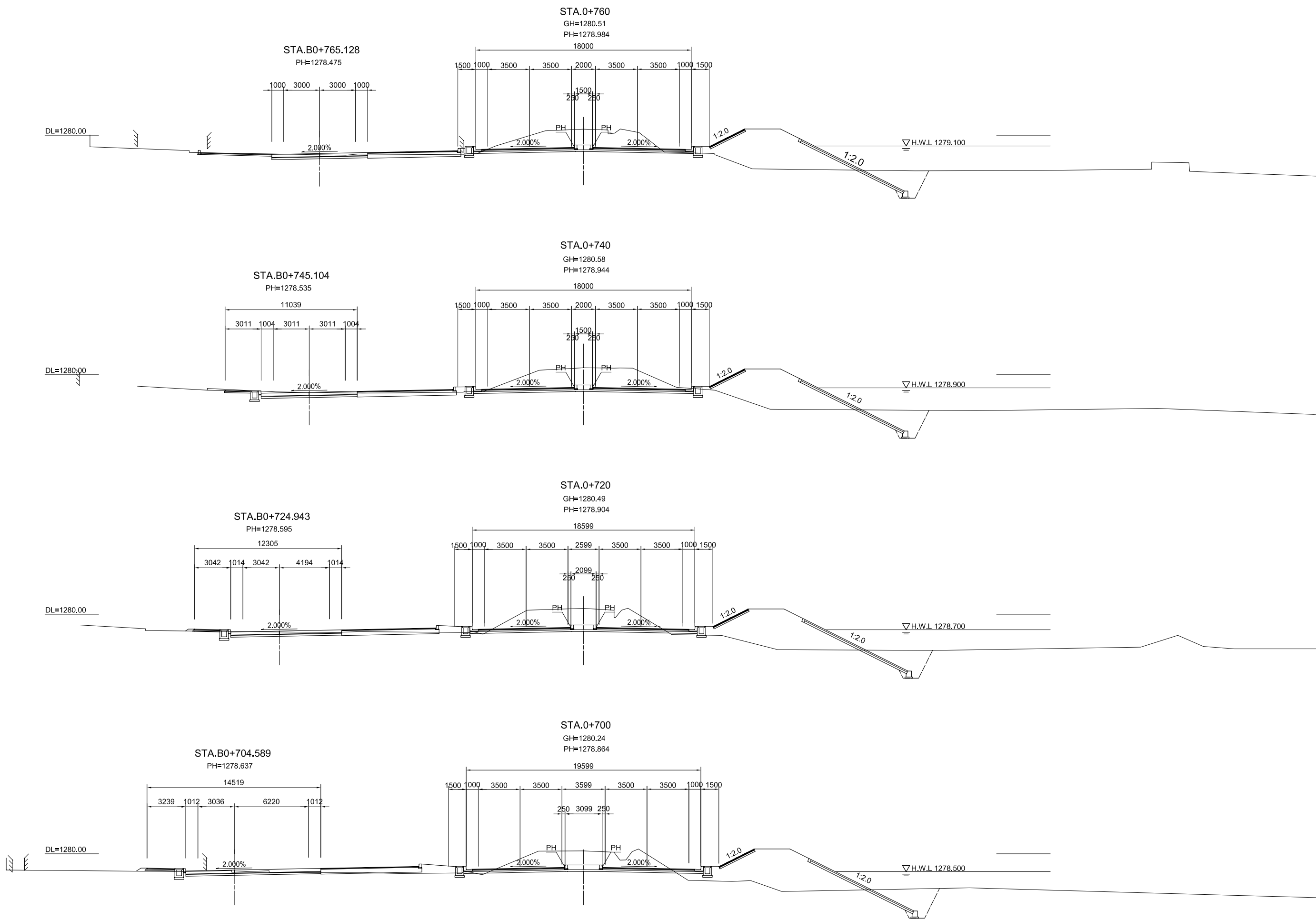
APPROVED BY :

DRAWING TITLE :
 CROSS SECTION 9/35

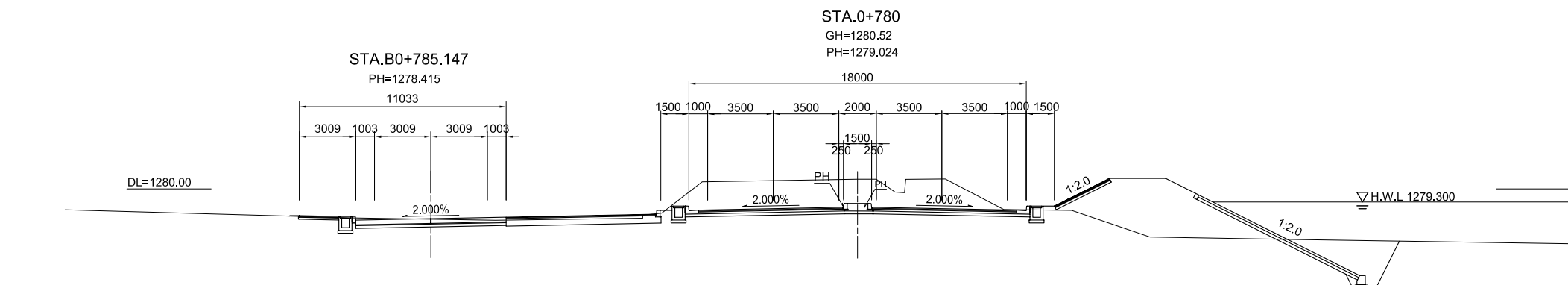
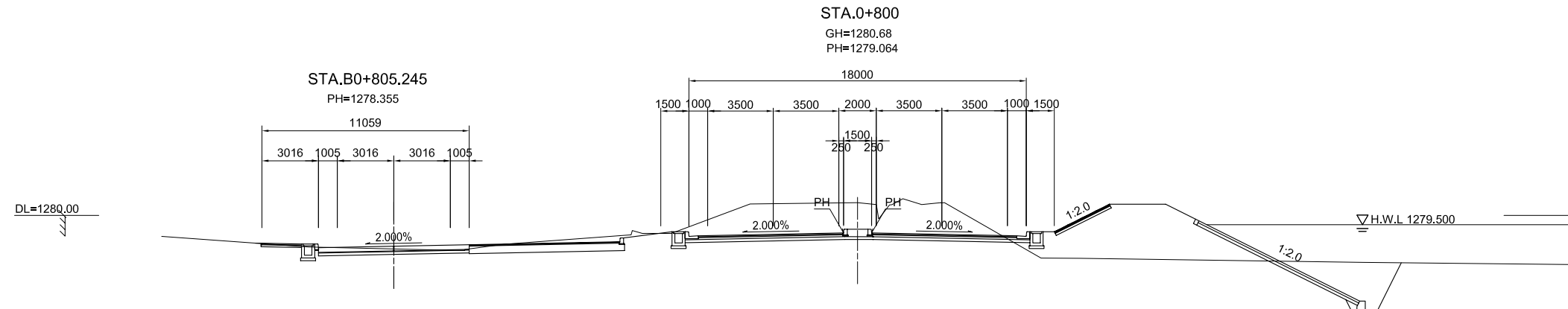
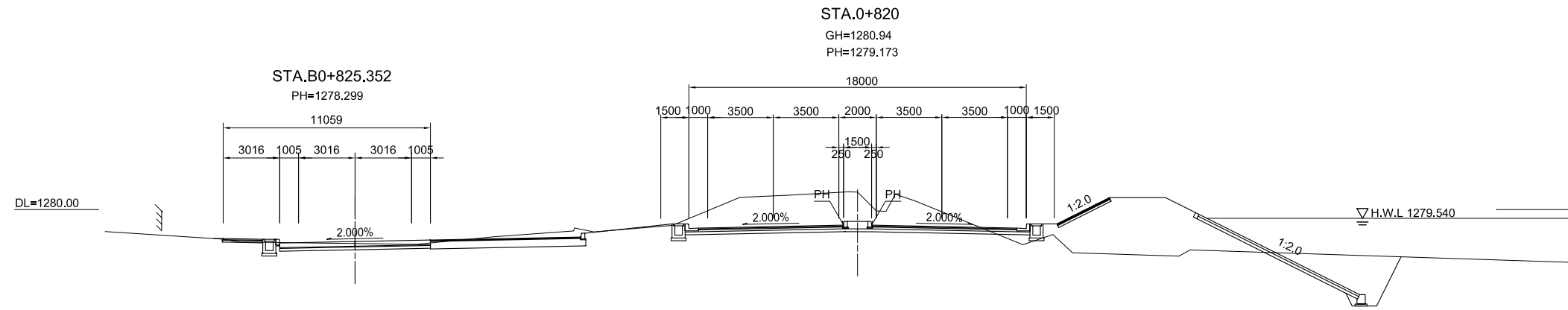
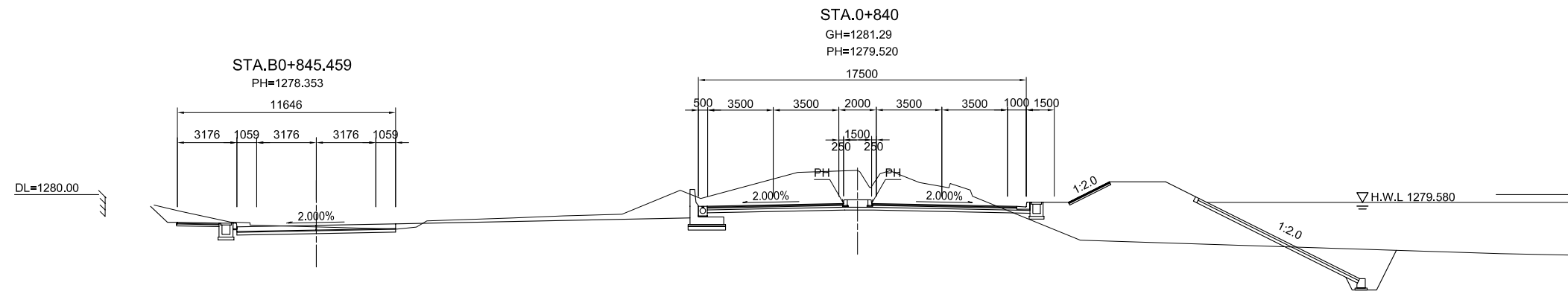
SCALE:
 1:300

DRAWING No.
 089

HIGHWAY



PROJECT TITLE : THE PROJECT FOR CONSTRUCTION OF AJILCHIN FLY-OVER IN ULAANBAATAR CITY	DESIGNED BY ; CTI Engineering International Co., Ltd. Chodai Co., Ltd. International Development Institute	APPROVED BY :	DRAWING TITLE : CROSS SECTION 10/35	SCALE: 1:300	DRAWING No. 090	HIGHWAY
---	---	---------------	--	-----------------	--------------------	---------



PROJECT TITLE :
THE PROJECT FOR CONSTRUCTION OF
AJILCHIN FLY-OVER IN ULAANBAATAR CITY

DESIGNED BY ;
CTI Engineering International Co., Ltd.
Chodai Co., Ltd.
International Development Institute

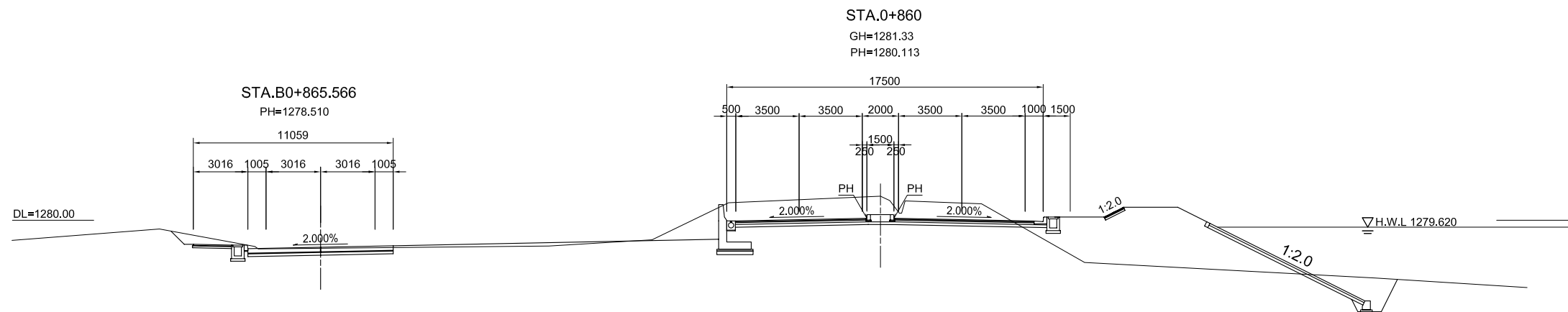
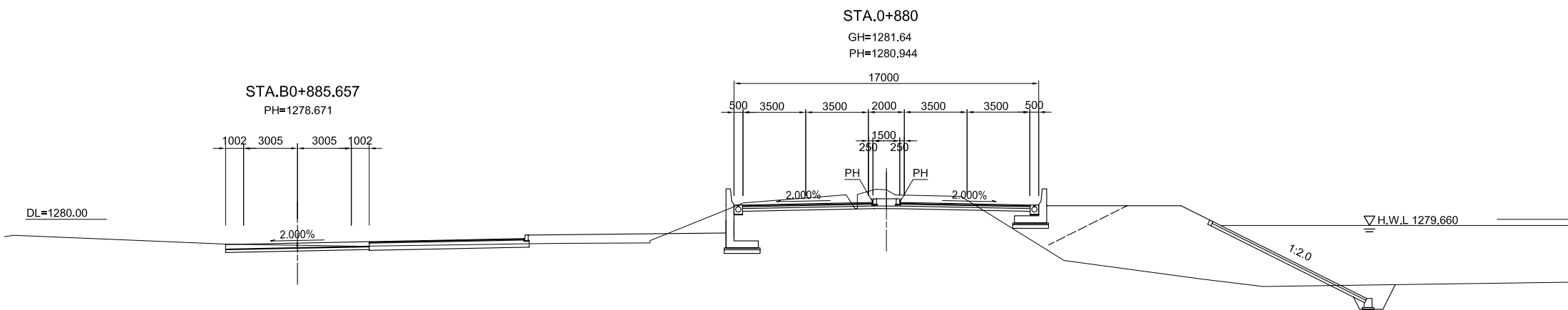
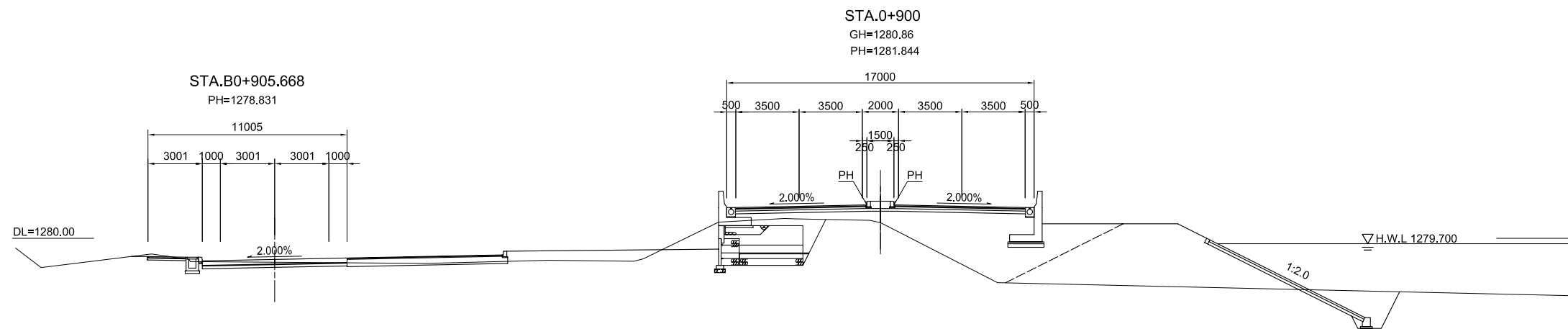
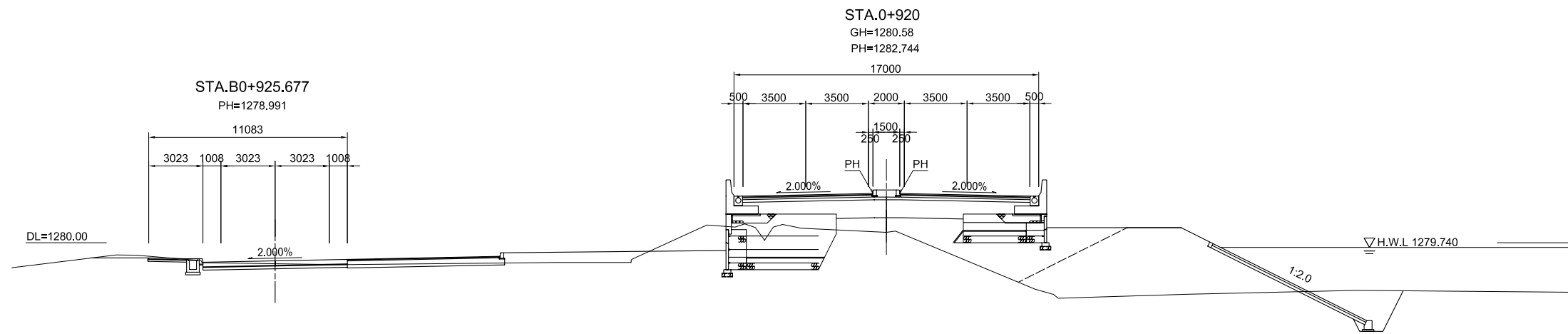
APPROVED BY :

DRAWING TITLE :
CROSS SECTION 11/35

SCALE:
1:300

DRAWING No.
091

HIGHWAY



PROJECT TITLE :
THE PROJECT FOR CONSTRUCTION OF
AJILCHIN FLY-OVER IN ULAANBAATAR CITY

DESIGNED BY ;
CTI Engineering International Co., Ltd.
Chodai Co., Ltd.
International Development Institute

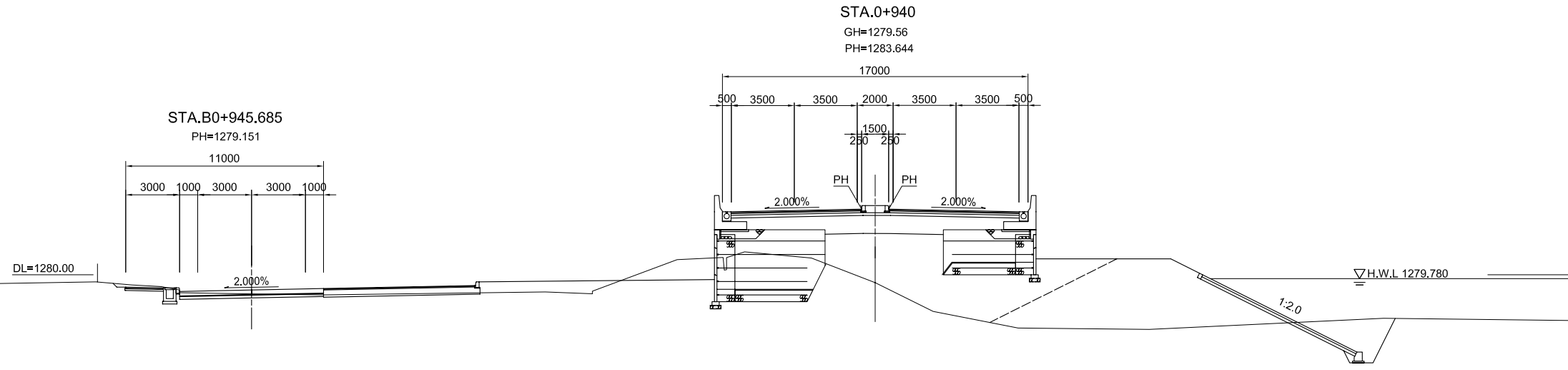
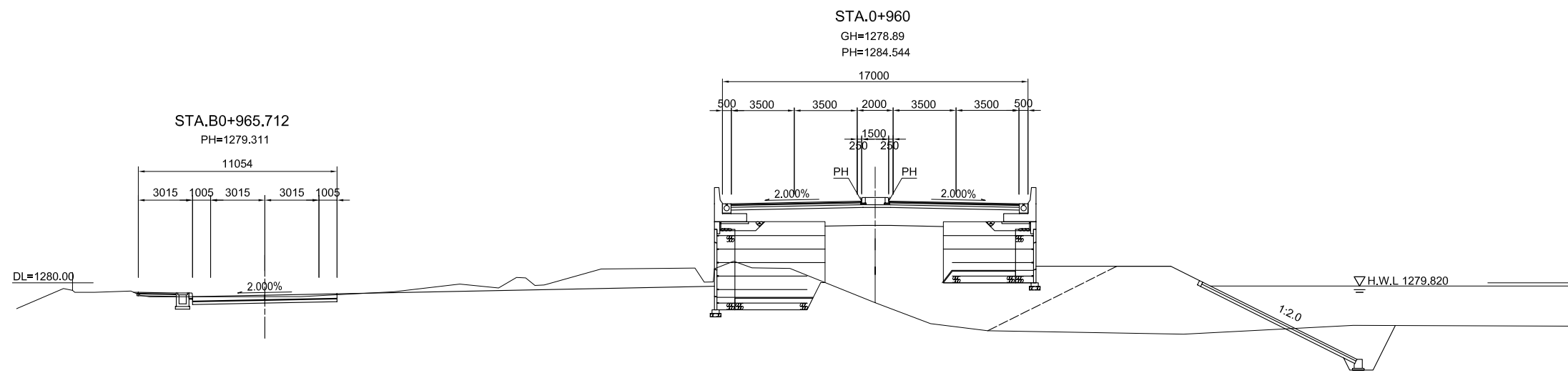
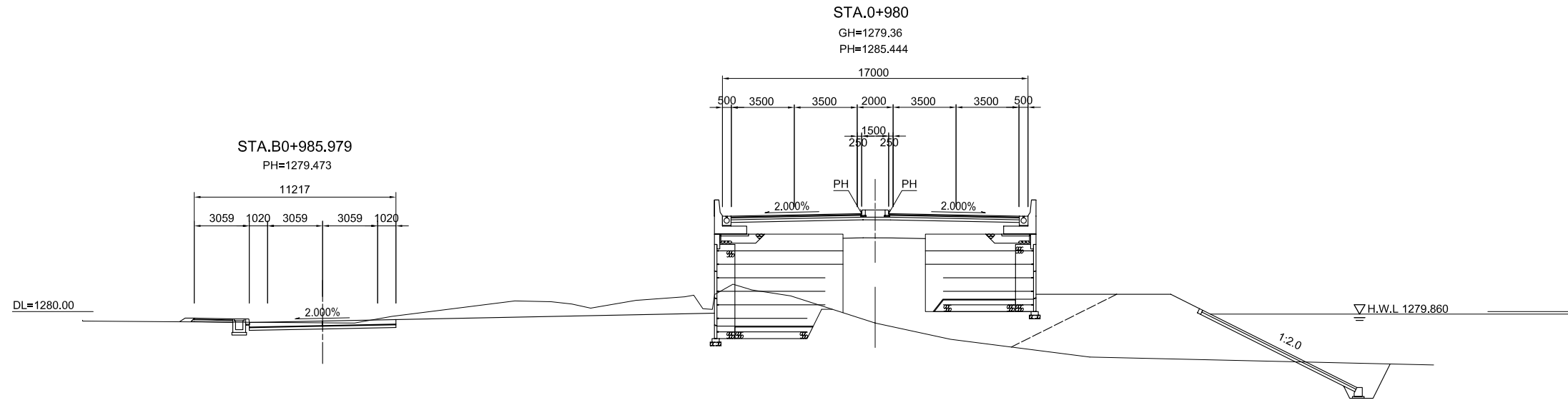
APPROVED BY :

DRAWING TITLE :
CROSS SECTION 12/35

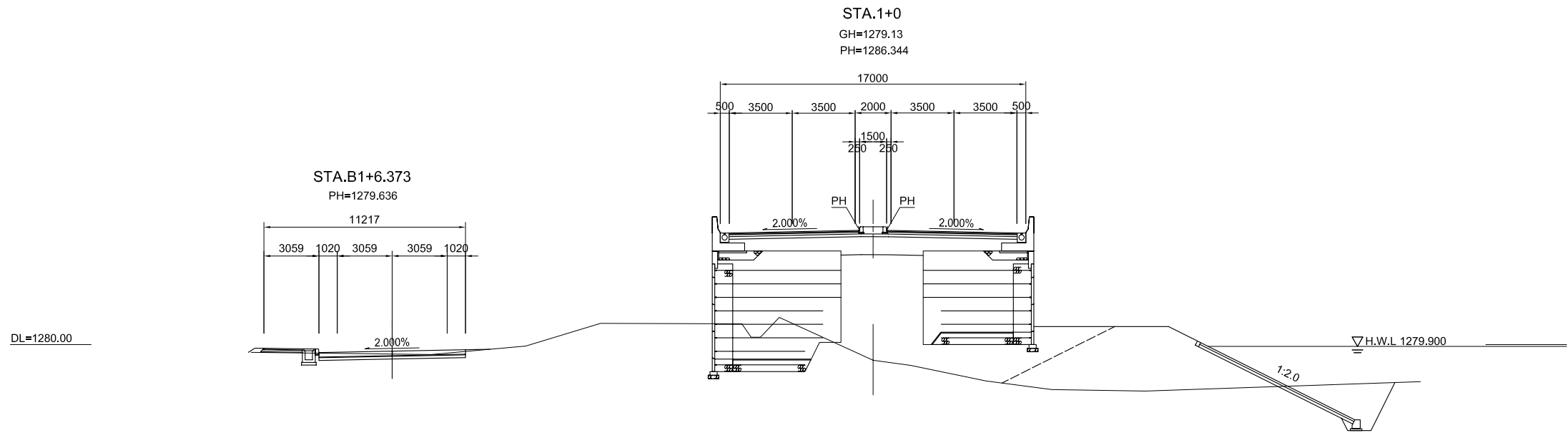
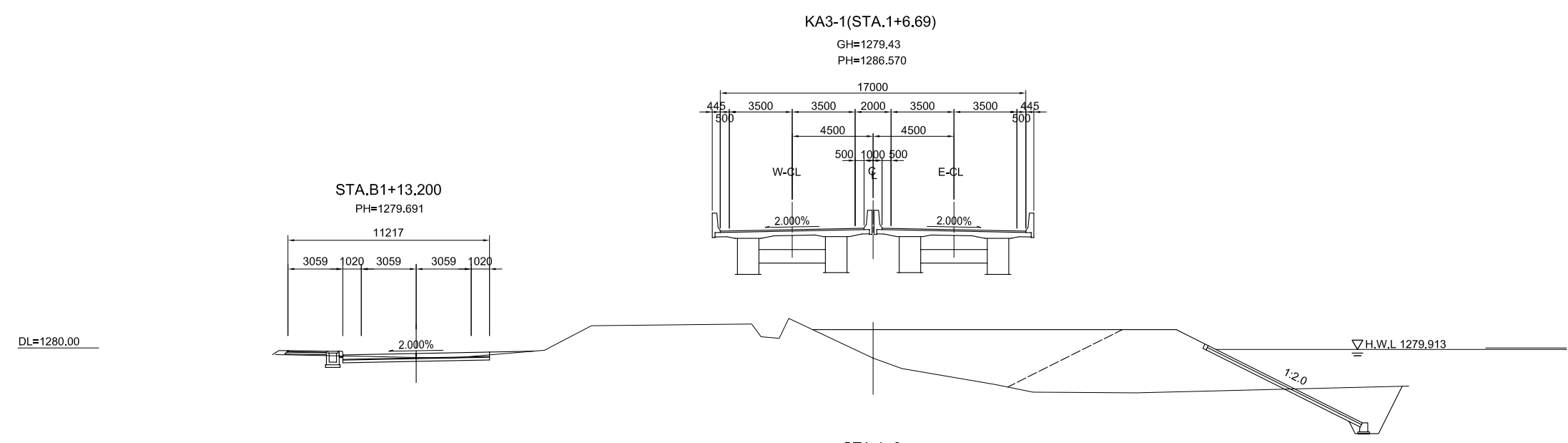
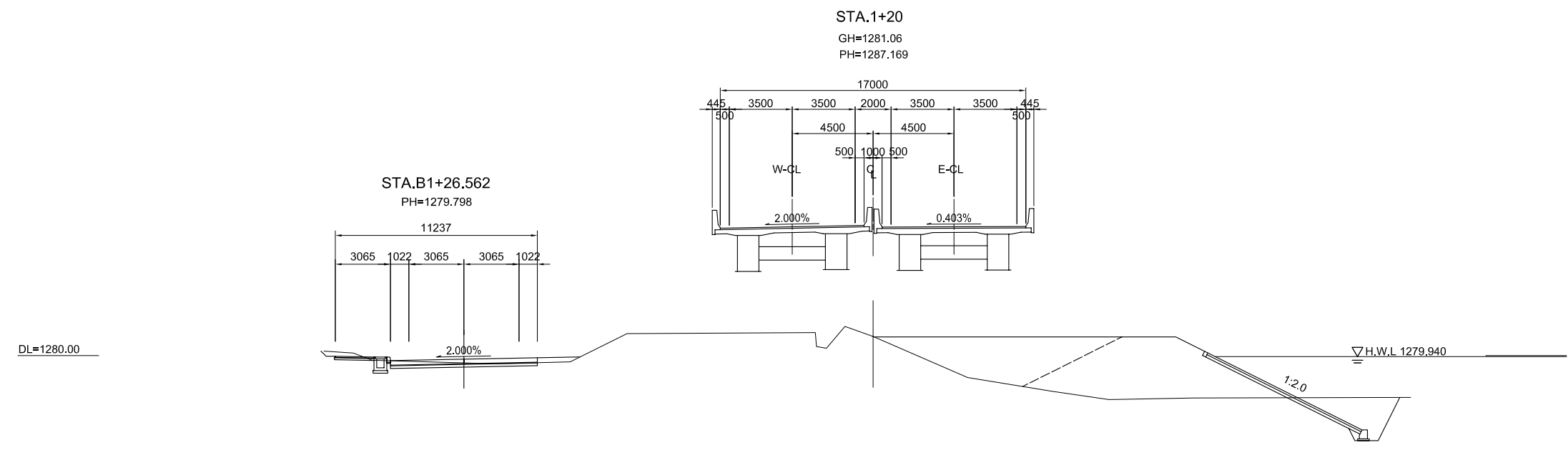
SCALE:
1:300

DRAWING No.
092

HIGHWAY



PROJECT TITLE : THE PROJECT FOR CONSTRUCTION OF AJILCHIN FLY-OVER IN ULAANBAATAR CITY	DESIGNED BY ; CTI Engineering International Co., Ltd. Chodai Co., Ltd. International Development Institute	APPROVED BY :	DRAWING TITLE : CROSS SECTION 13/35	SCALE: 1:300	DRAWING No. 093	HIGHWAY
---	---	---------------	--	-----------------	--------------------	---------



PROJECT TITLE :
THE PROJECT FOR CONSTRUCTION OF
AJILCHIN FLY-OVER IN ULAANBAATAR CITY

DESIGNED BY ;
CTI Engineering International Co., Ltd.
Chodai Co., Ltd.
International Development Institute

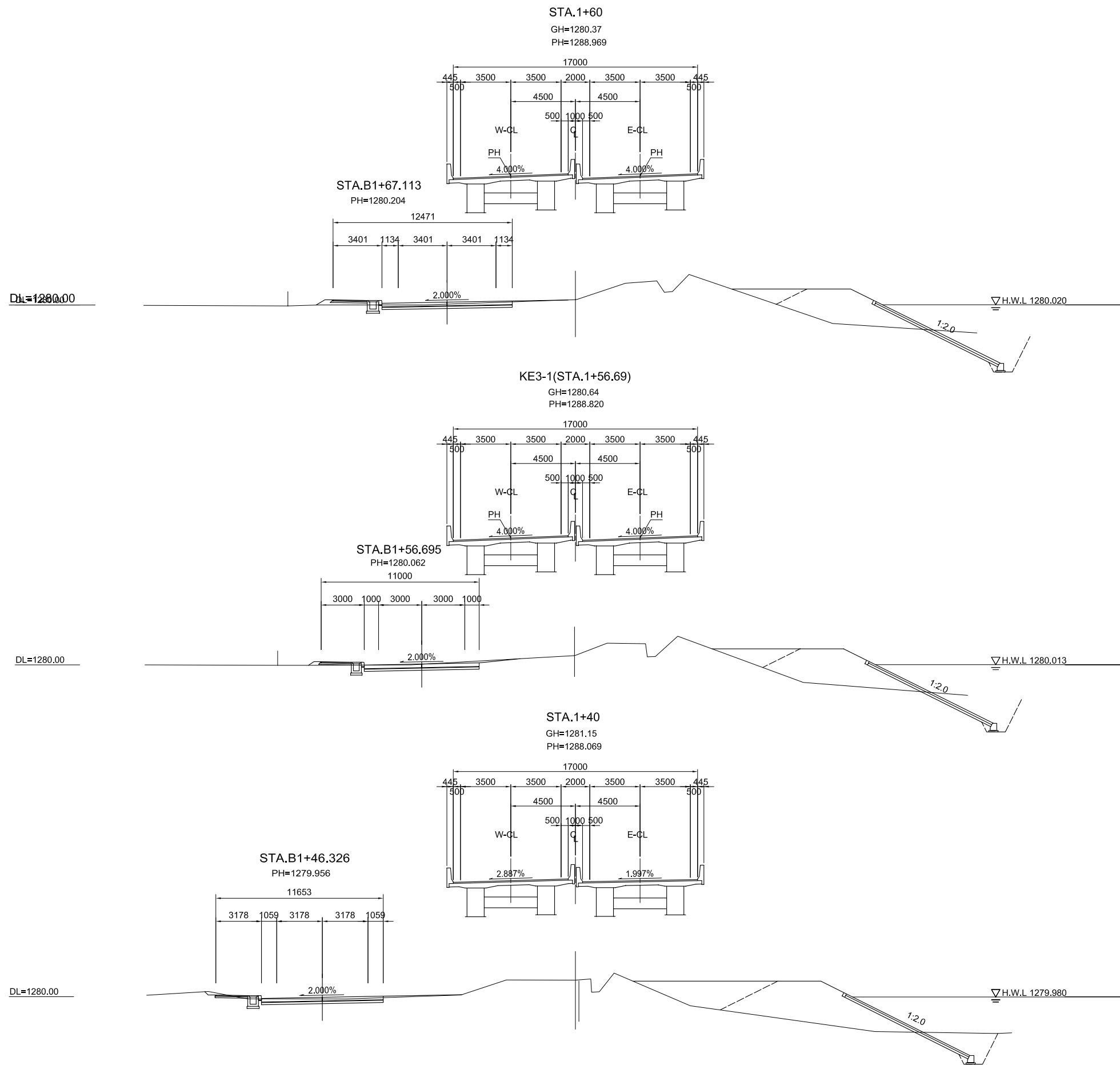
APPROVED BY :

DRAWING TITLE :
CROSS SECTION 14/35

SCALE:
1:300

DRAWING No.
094

HIGHWAY



PROJECT TITLE :
 THE PROJECT FOR CONSTRUCTION OF
 AJILCHIN FLY-OVER IN ULAANBAATAR CITY

DESIGNED BY ;
 CTI Engineering International Co., Ltd.
 Chodai Co., Ltd.
 International Development Institute

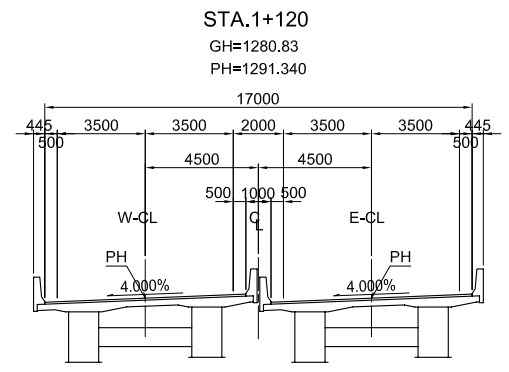
APPROVED BY :

DRAWING TITLE :
 CROSS SECTION 15/35

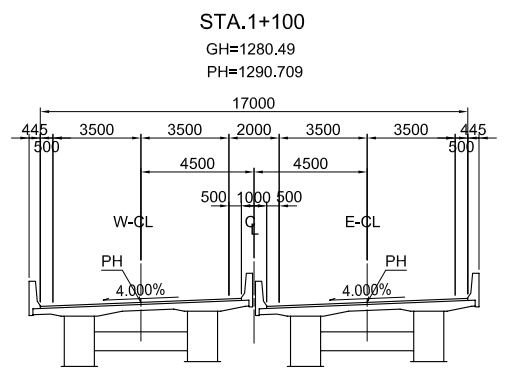
SCALE:
 1:300

DRAWING No.
 095

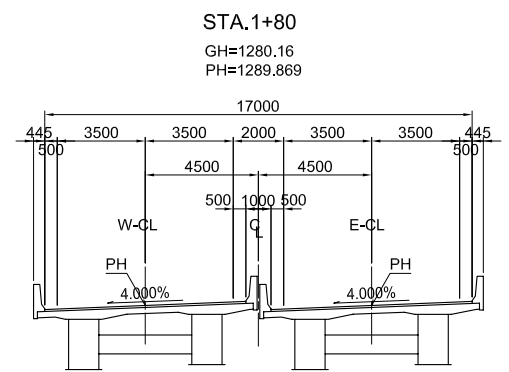
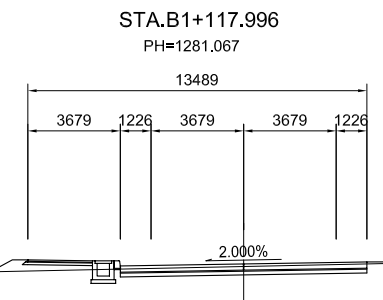
HIGHWAY



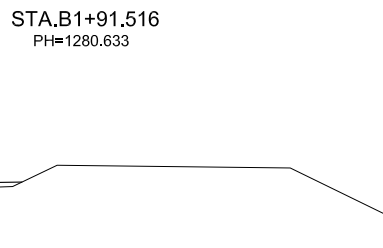
DL=1280.00



DL=1280.00



DL=1280.00



PROJECT TITLE :
THE PROJECT FOR CONSTRUCTION OF
AJILCHIN FLY-OVER IN ULAANBAATAR CITY

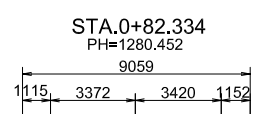
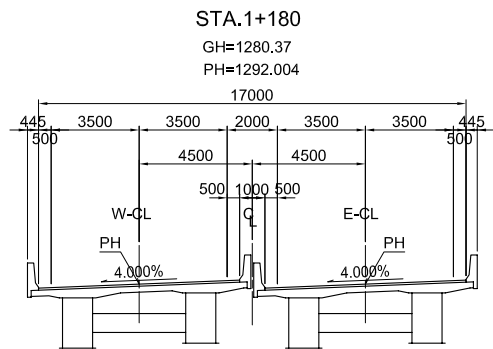
DESIGNED BY ;
CTI Engineering International Co., Ltd.
Chodai Co., Ltd.
International Development Institute

APPROVED BY :

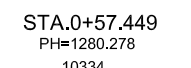
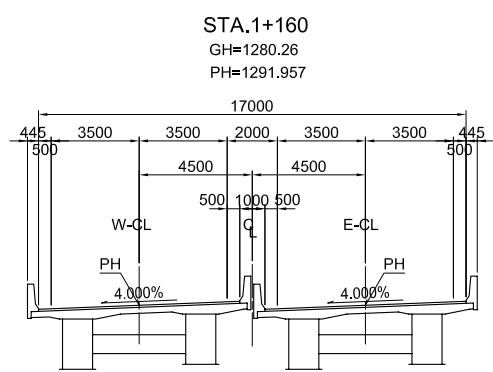
DRAWING TITLE :
CROSS SECTION 16/35

SCALE:
1:300

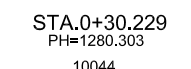
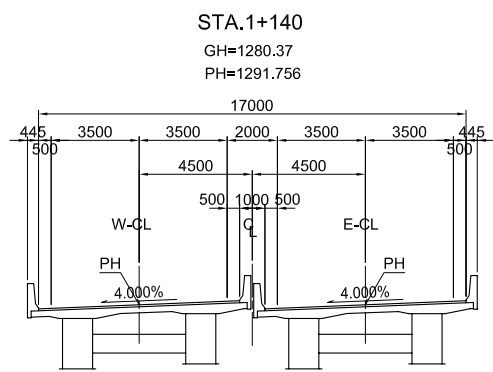
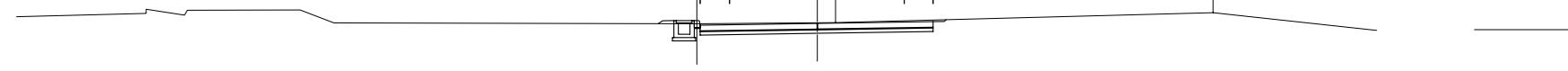
DRAWING No. 096	HIGHWAY
--------------------	---------



DL=1280.00



DL=1280.00



DL=1280.00



PROJECT TITLE :
THE PROJECT FOR CONSTRUCTION OF
AJILCHIN FLY-OVER IN ULAANBAATAR CITY

DESIGNED BY ;
CTI Engineering International Co., Ltd.
Chodai Co., Ltd.
International Development Institute

APPROVED BY :

DRAWING TITLE :
CROSS SECTION 17/35

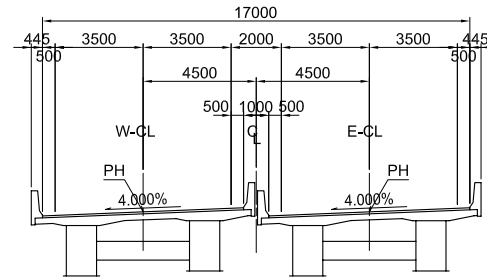
SCALE:
1:300

DRAWING No.
097

HIGHWAY

KE3-2(STA.1+227.45)

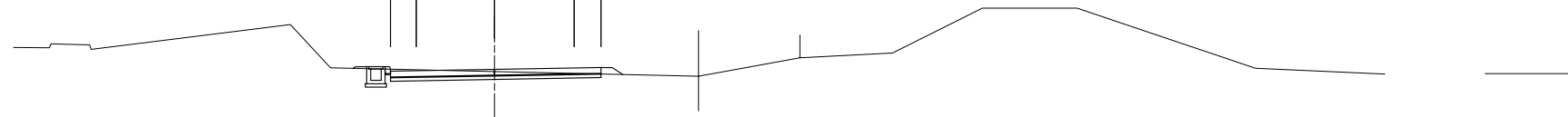
GH=1279.88
PH=1292.099



STA.0+128.607
PH=1280.182

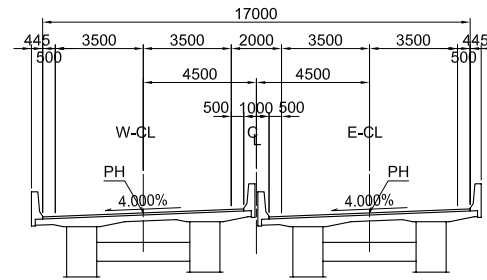
9237
1134 3433 3491 1179

DL=1280.00



STA.1+220

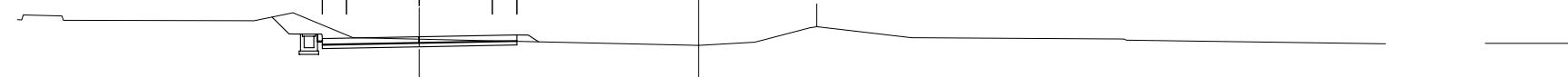
GH=1279.91
PH=1292.084



STA.0+120.809
PH=1280.289

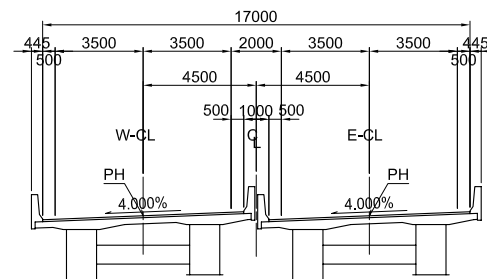
8533
1059 3189 3210 1076

DL=1280.00



STA.1+200

GH=1280.04
PH=1292.044



STA.0+101.900
PH=1280.490

8015
1002 3005 3006 1002

DL=1280.00



PROJECT TITLE :
THE PROJECT FOR CONSTRUCTION OF
AJILCHIN FLY-OVER IN ULAANBAATAR CITY

DESIGNED BY ;
CTI Engineering International Co., Ltd.
Chodai Co., Ltd.
International Development Institute

APPROVED BY :

DRAWING TITLE :
CROSS SECTION 18/35

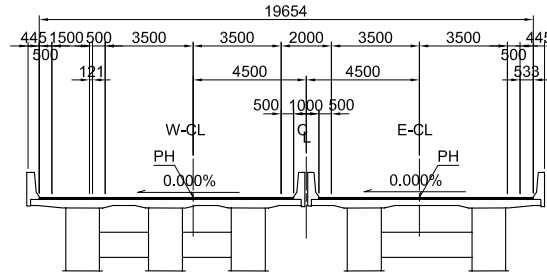
SCALE:
1:300

DRAWING No.
098

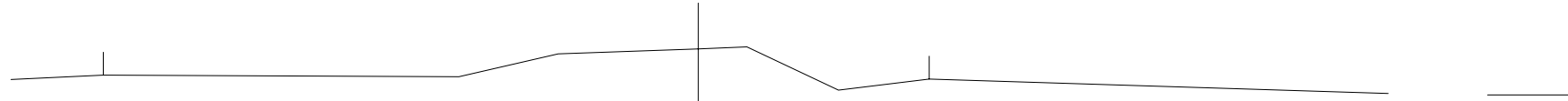
HIGHWAY

KA3-2(STA.1+277.45)

GH=1282.01
PH=1292.199

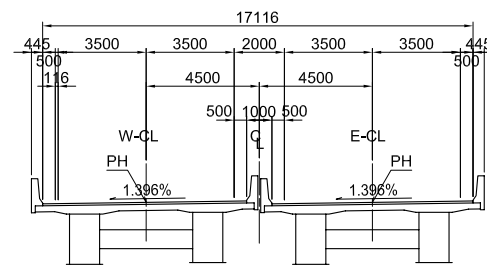


DL=1280.00



STA.1+260

GH=1280.01
PH=1292.164

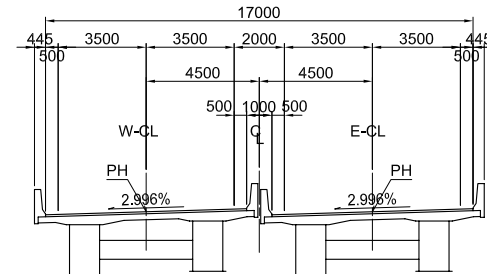


DL=1280.00



STA.1+240

GH=1279.74
PH=1292.124

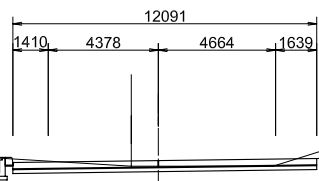


DL=1280.00



STA. 0+144.534

PH=1279.962



PROJECT TITLE :
THE PROJECT FOR CONSTRUCTION OF
AJILCHIN FLY-OVER IN ULAANBAATAR CITY

DESIGNED BY ;
CTI Engineering International Co., Ltd.
Chodai Co., Ltd.
International Development Institute

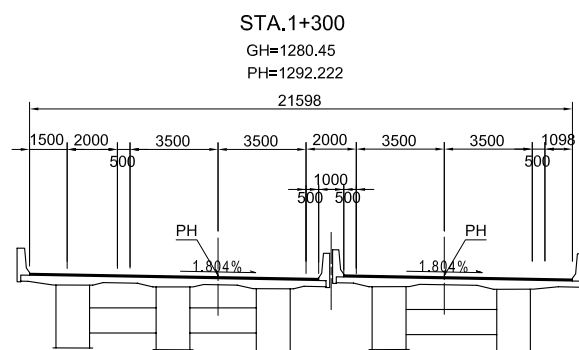
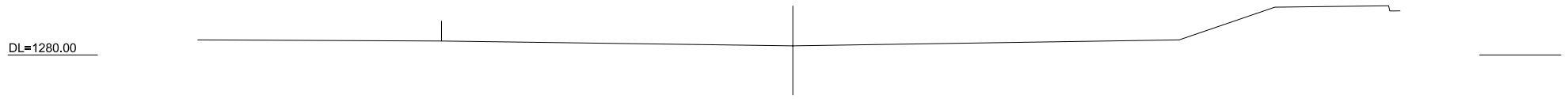
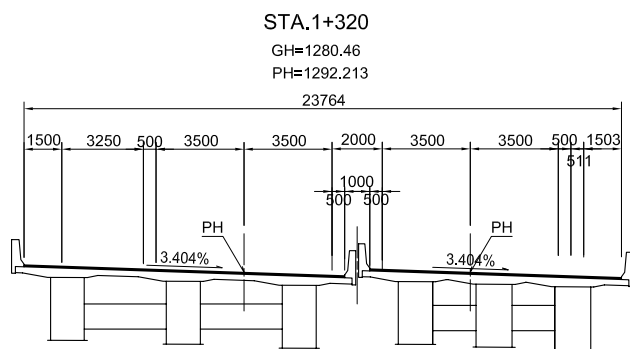
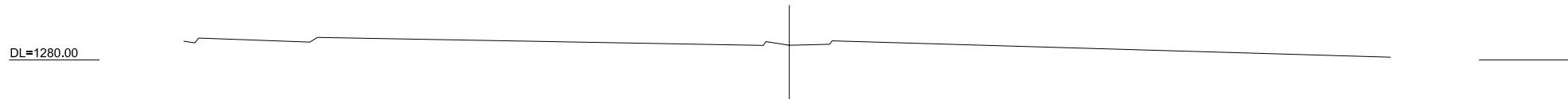
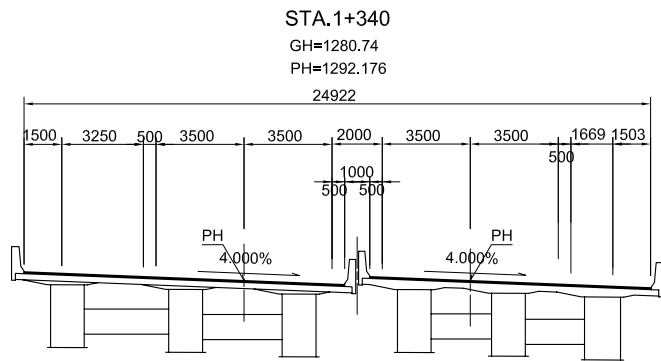
APPROVED BY :

DRAWING TITLE :
CROSS SECTION 19/35

SCALE:
1:300

DRAWING No.
099

HIGHWAY



PROJECT TITLE :
THE PROJECT FOR CONSTRUCTION OF
AJILCHIN FLY-OVER IN ULAANBAATAR CITY

DESIGNED BY ;
CTI Engineering International Co., Ltd.
Chodai Co., Ltd.
International Development Institute

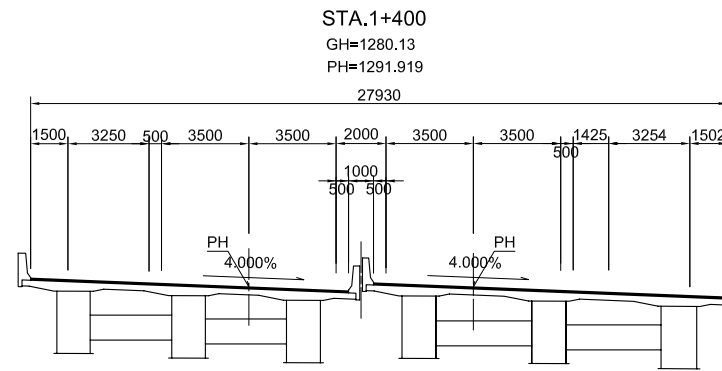
APPROVED BY :

DRAWING TITLE :
CROSS SECTION 20/35

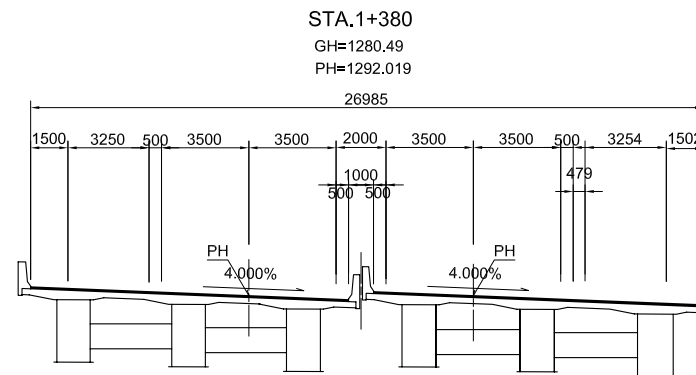
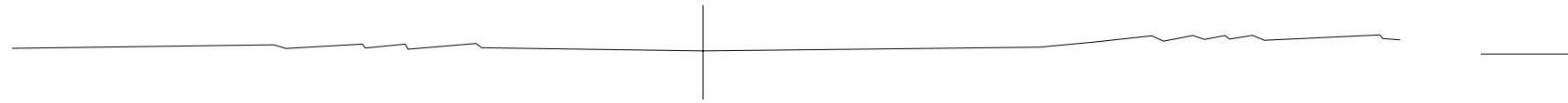
SCALE:
1:300

DRAWING No.
100

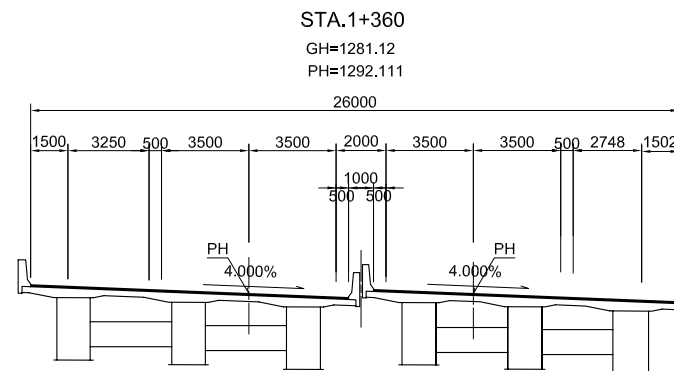
HIGHWAY



DL=1280.00



DL=1280.00



DL=1280.00



PROJECT TITLE :
THE PROJECT FOR CONSTRUCTION OF
AJILCHIN FLY-OVER IN ULAANBAATAR CITY

DESIGNED BY ;
CTI Engineering International Co., Ltd.
Chodai Co., Ltd.
International Development Institute

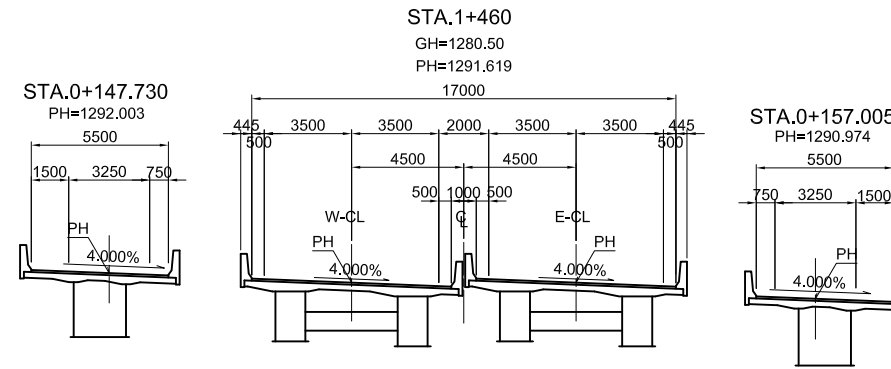
APPROVED BY :

DRAWING TITLE :
CROSS SECTION 21/35

SCALE:
1:300

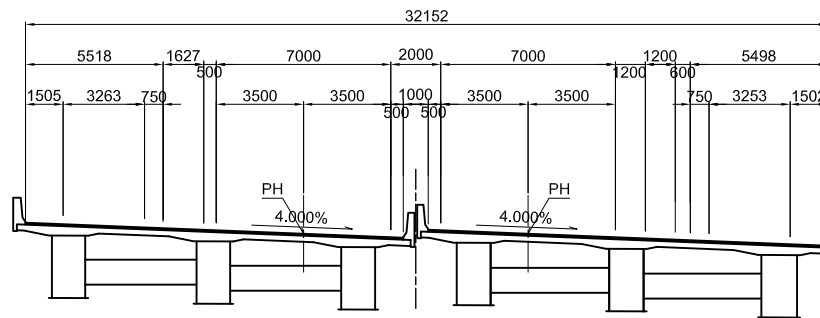
DRAWING No.
101

HIGHWAY

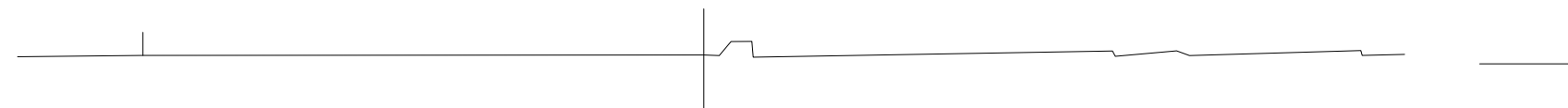


STA.1+440

GH=1280.39
PH=1291.719

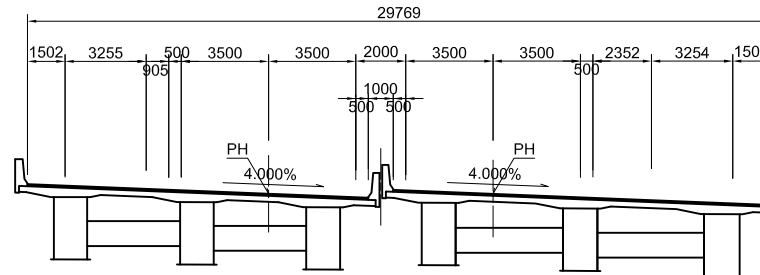


DL=1280.00



STA.1+420

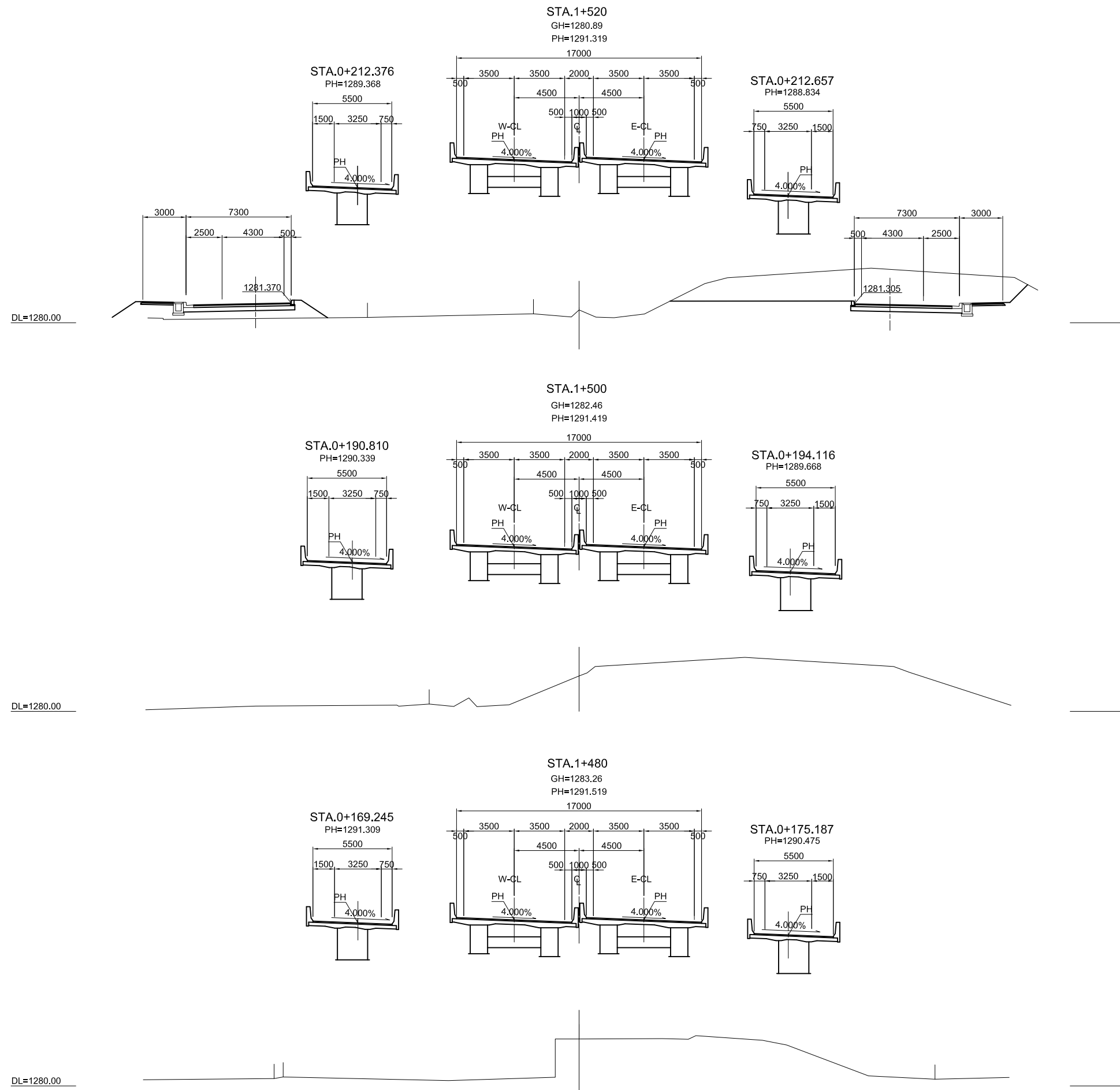
GH=1280.32
PH=1291.819



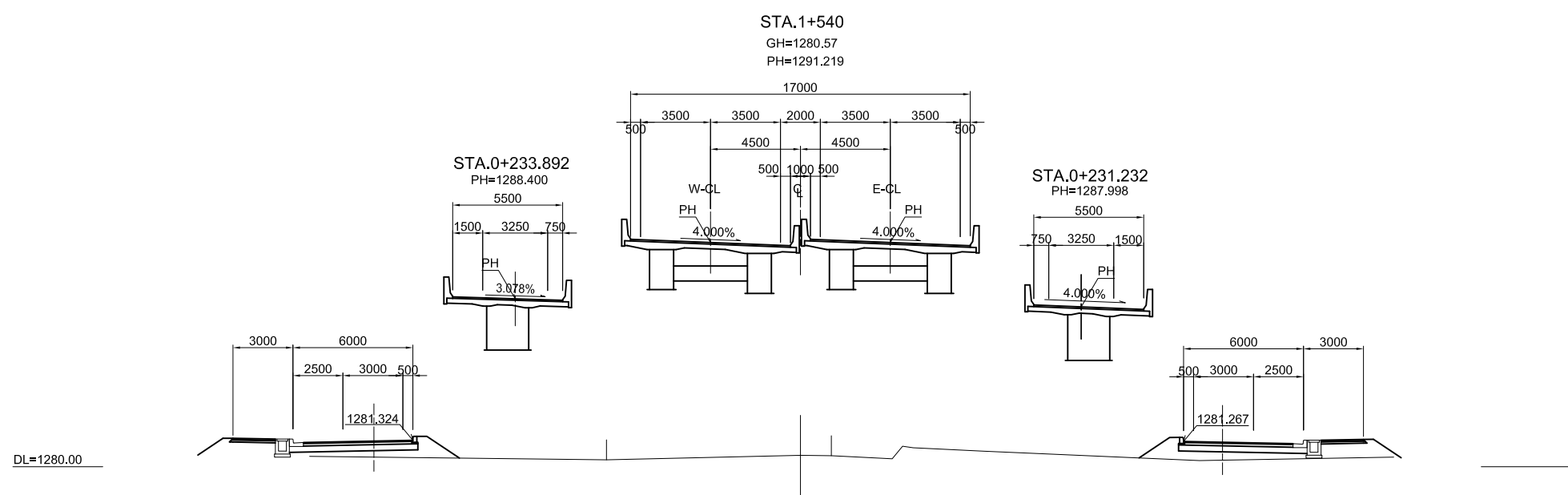
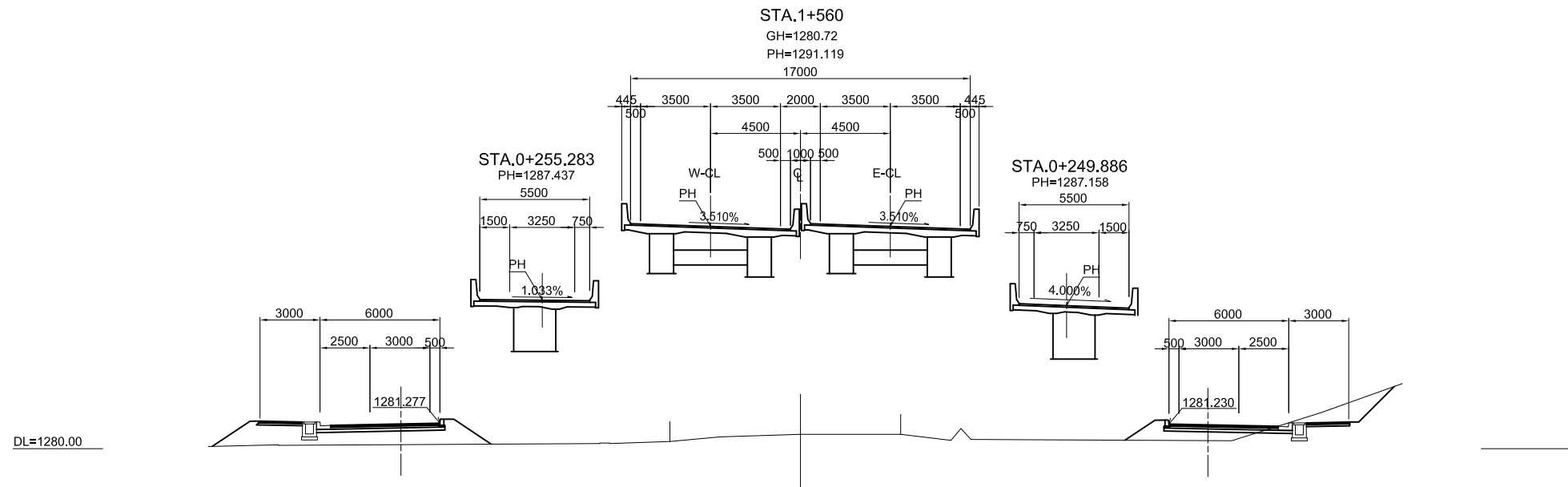
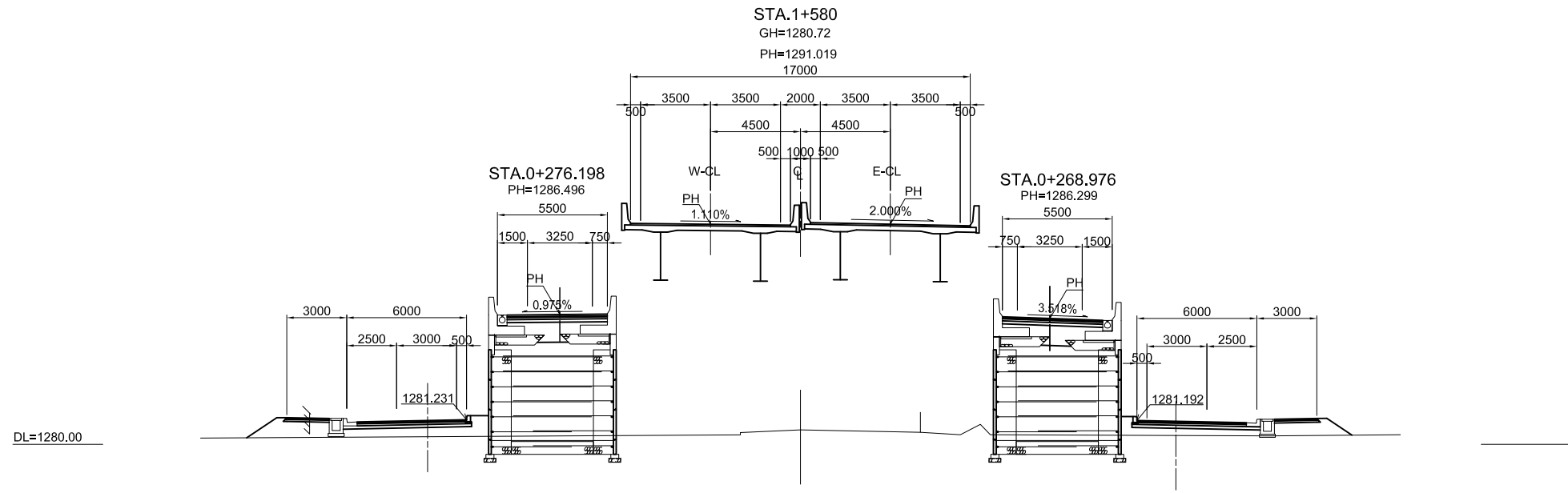
DL=1280.00



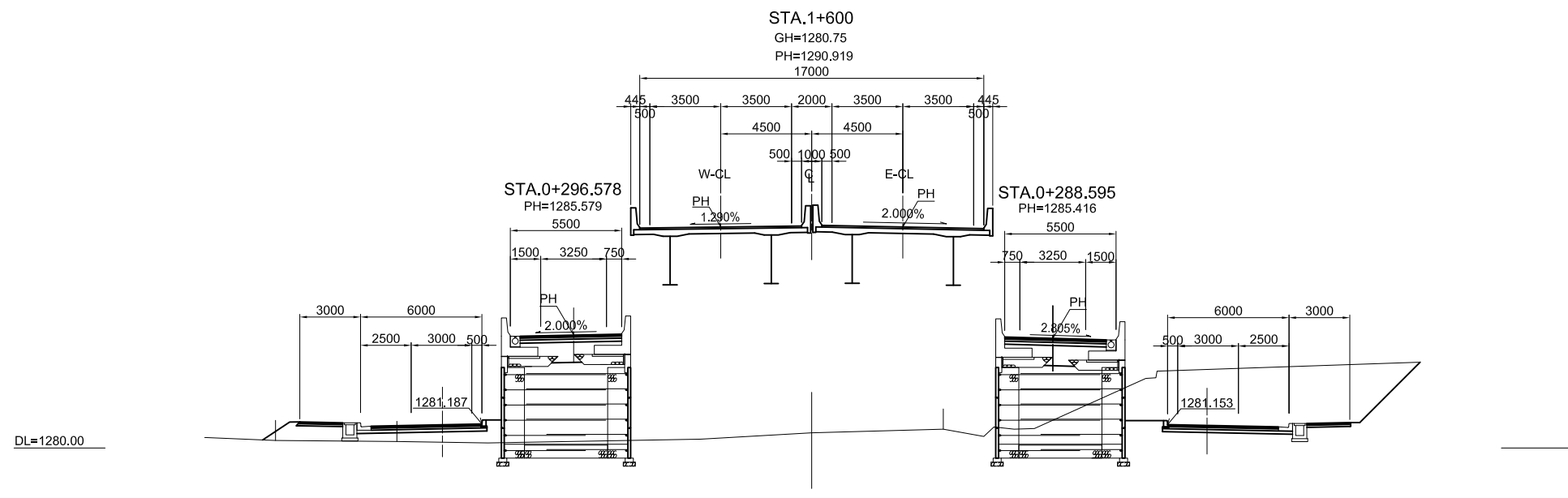
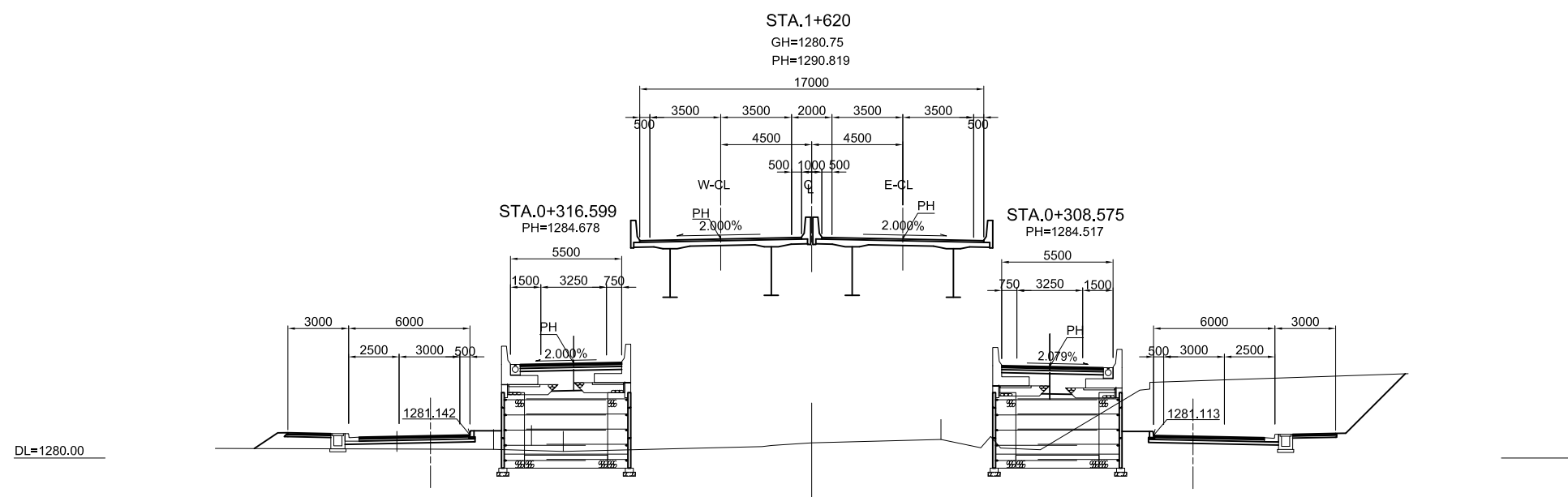
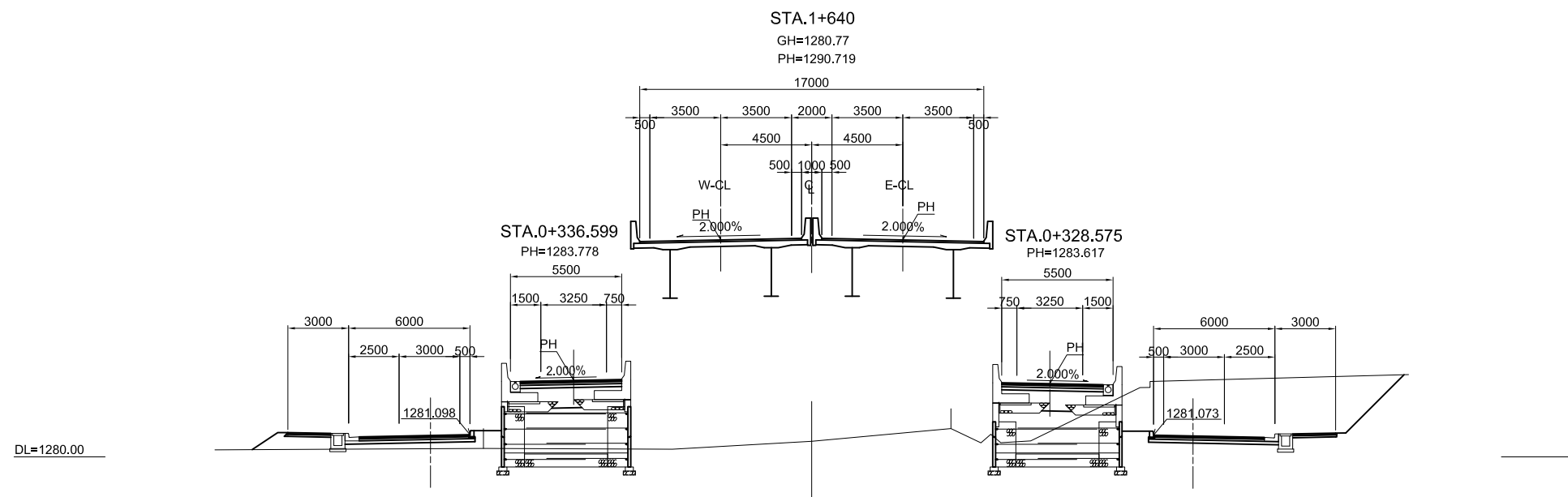
<p>PROJECT TITLE : THE PROJECT FOR CONSTRUCTION OF AJILCHIN FLY-OVER IN ULAANBAATAR CITY</p>	<p>DESIGNED BY : CTI Engineering International Co., Ltd. Chodai Co., Ltd. International Development Institute</p>	<p>APPROVED BY :</p>	<p>DRAWING TITLE : CROSS SECTION 22/35</p>	<p>SCALE: 1:300</p>	<p>DRAWING No. 102</p>	<p>HIGHWAY</p>
--	---	----------------------	--	-------------------------	----------------------------	----------------



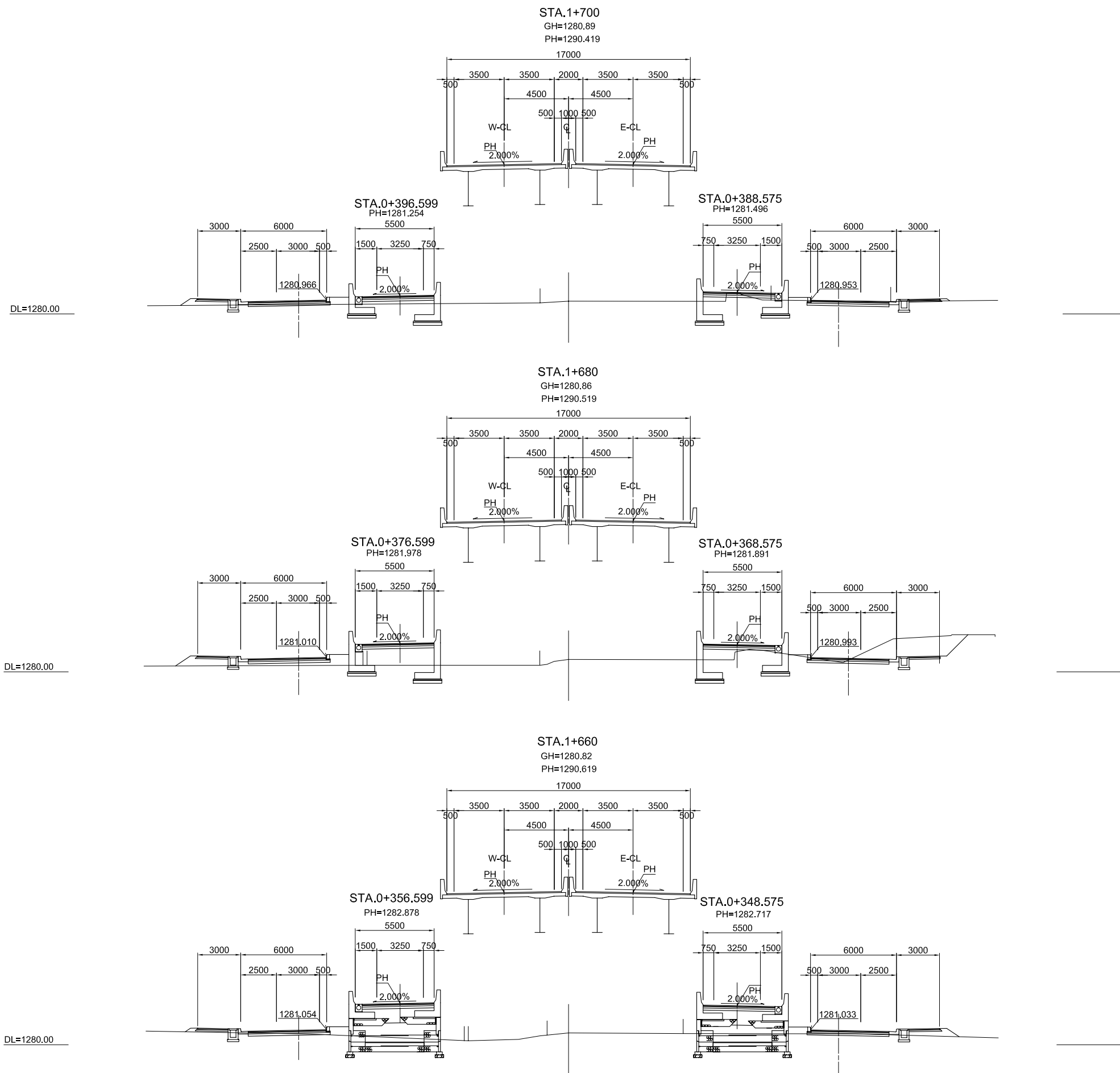
PROJECT TITLE : THE PROJECT FOR CONSTRUCTION OF AJILCHIN FLY-OVER IN ULAANBAATAR CITY	DESIGNED BY : CTI Engineering International Co., Ltd. Chodai Co., Ltd. International Development Institute	APPROVED BY :	DRAWING TITLE : CROSS SECTION 23/35	SCALE: 1:300	DRAWING No. 103	HIGHWAY
---	---	---------------	--	-----------------	--------------------	---------



PROJECT TITLE : THE PROJECT FOR CONSTRUCTION OF AJILCHIN FLY-OVER IN ULAANBAATAR CITY	DESIGNED BY : CTI Engineering International Co., Ltd. Chodai Co., Ltd. International Development Institute	APPROVED BY :	DRAWING TITLE : CROSS SECTION 24/35	SCALE: 1:300	DRAWING No. 104	HIGHWAY
---	---	---------------	--	-----------------	--------------------	---------



<p>PROJECT TITLE : THE PROJECT FOR CONSTRUCTION OF AJILCHIN FLY-OVER IN ULAANBAATAR CITY</p>	<p>DESIGNED BY : CTI Engineering International Co., Ltd. Chodai Co., Ltd. International Development Institute</p>	<p>APPROVED BY :</p>	<p>DRAWING TITLE : CROSS SECTION 25/35</p>	<p>SCALE: 1:300</p>	<p>DRAWING No. 105</p>	<p>HIGHWAY</p>
--	---	----------------------	--	-------------------------	----------------------------	----------------



PROJECT TITLE :
 THE PROJECT FOR CONSTRUCTION OF
 AJILCHIN FLY-OVER IN ULAANBAATAR CITY

DESIGNED BY ;
 CTI Engineering International Co., Ltd.
 Chodai Co., Ltd.
 International Development Institute

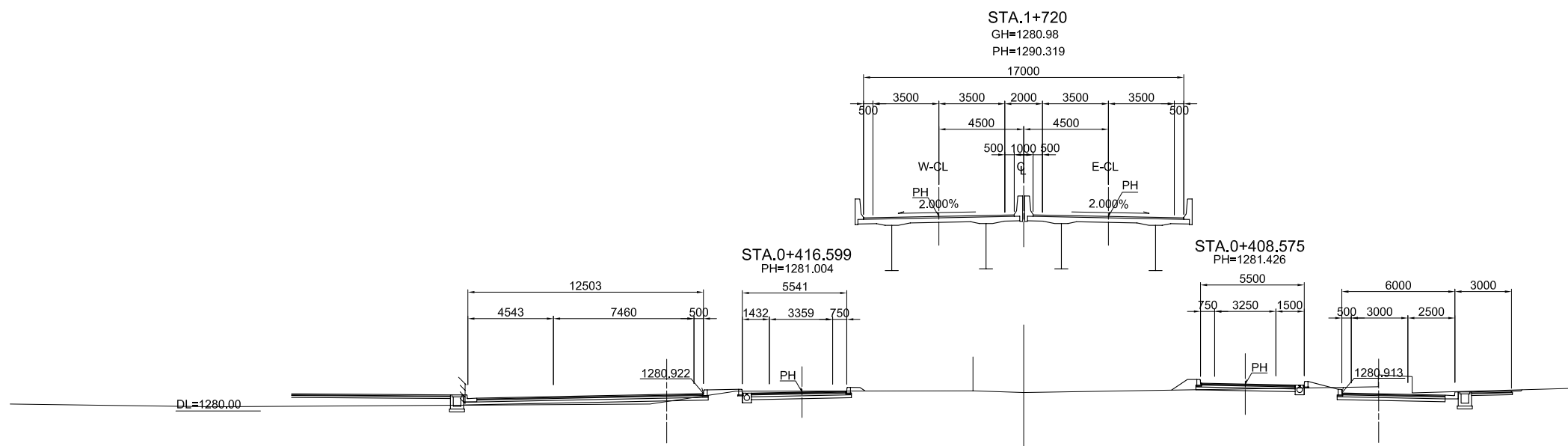
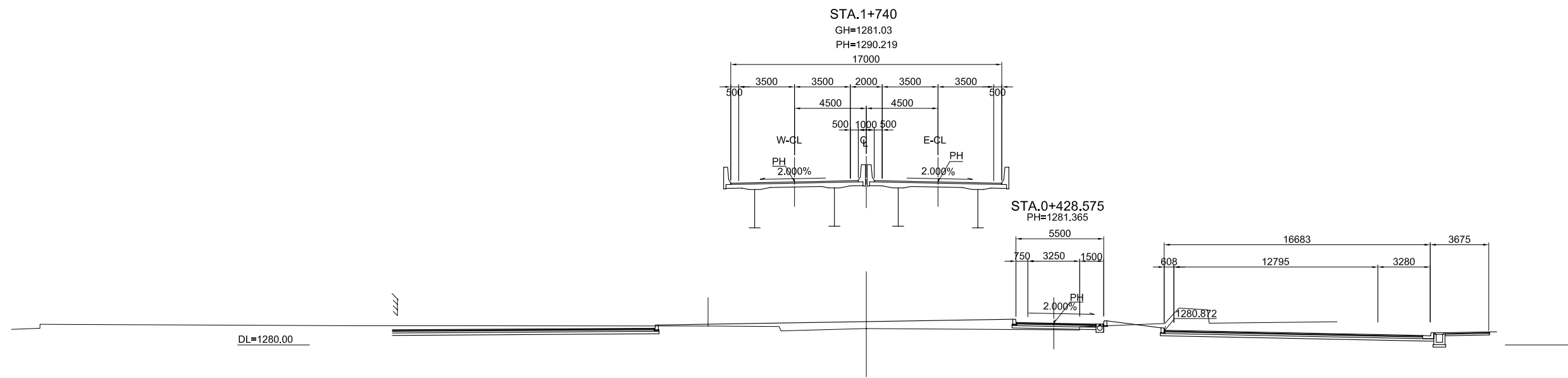
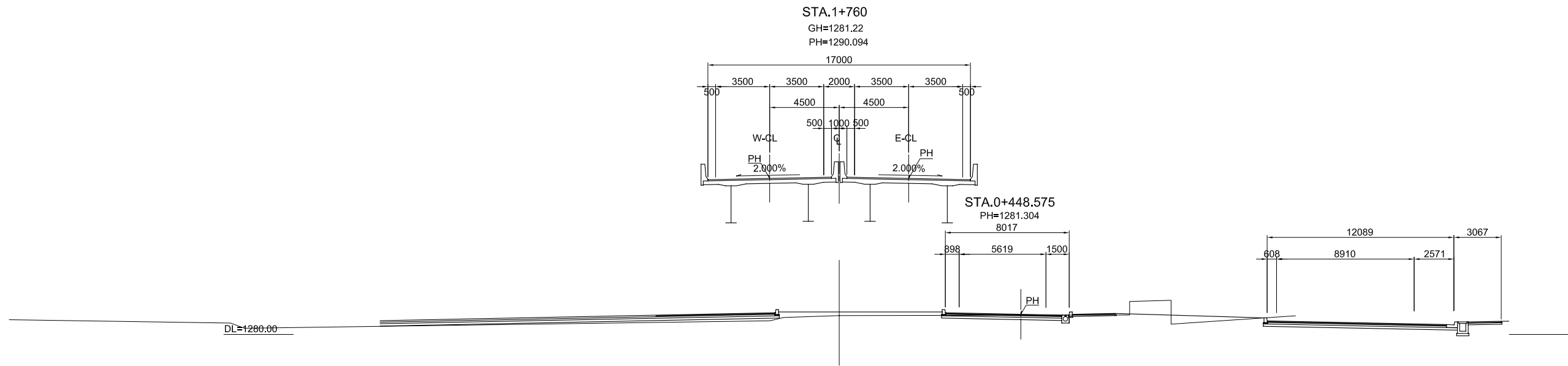
APPROVED BY :

DRAWING TITLE :
 CROSS SECTION 26/35

SCALE:
 1:300

DRAWING No.
 106

HIGHWAY



PROJECT TITLE :
THE PROJECT FOR CONSTRUCTION OF
AJILCHIN FLY-OVER IN ULAANBAATAR CITY

DESIGNED BY ;
CTI Engineering International Co., Ltd.
Chodai Co., Ltd.
International Development Institute

APPROVED BY :

DRAWING TITLE :
CROSS SECTION 27/35

SCALE:
1:300

DRAWING No.
107

HIGHWAY