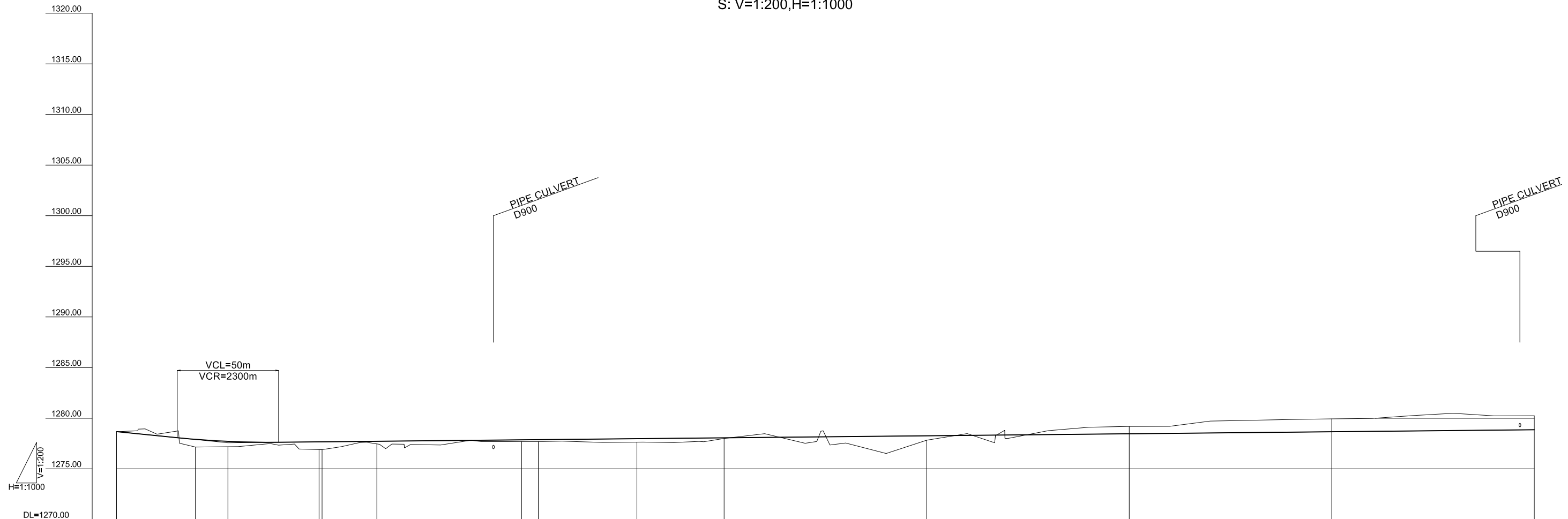


PROFILE OF MAIN LINE (1/4)

S: V=1:200, H=1:1000



VERTICAL GRADIENT		
PROPOSED HEIGHT	1278.674	1277.574
GROUND HEIGHT	1278.67	1277.15
FILLING HIGHT	0.00	0.76
CUTTING HEIGHT		0.53
DISTANCE	0.000	38.963
ACCUMULATED DISTANCE	0.000	38.963
STATION NUMBER	STA.0+0	0+38.963
CURVE BAND		
SUPER ELEVATION		

PROJECT TITLE ;
THE PROJECT FOR CONSTRUCTION OF AJILCHIN FLY-OVER IN ULAANBAATAR CITY

DESIGNED BY ;
**CTI Engineering International Co., Ltd.
 Chodai Co., Ltd.
 International Development Institute**

APPROVED BY ;

DRAWING TITLE ;
PROFILE OF MAIN LINE (1/4)

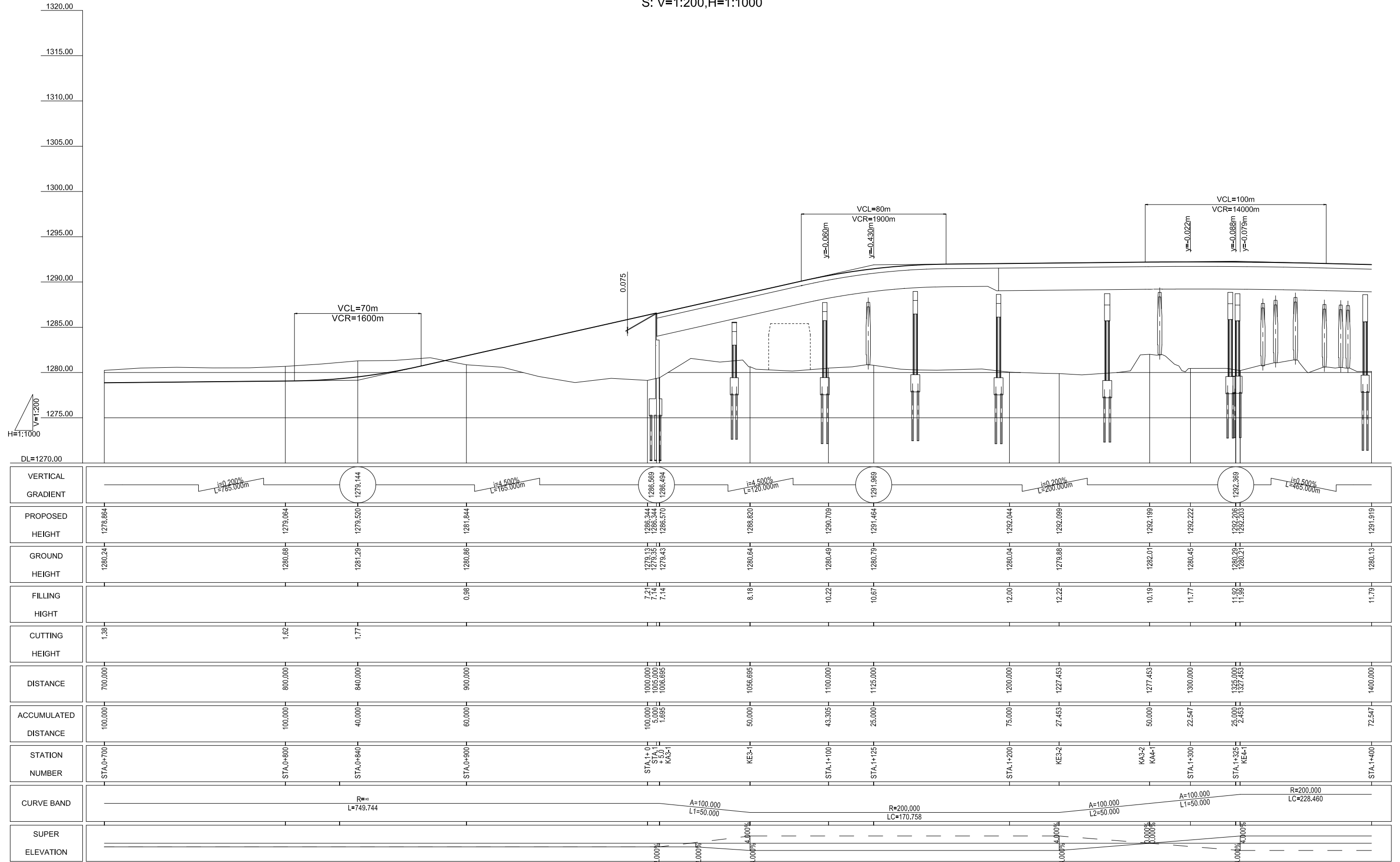
SCALE
**V=1:200
 H=1:1000**

DRAWING No.
071

HIGHWAY

PROFILE OF MAIN LINE (2 / 4)

S: V=1:200,H=1:1000



PROJECT TITLE ;
THE PROJECT FOR CONSTRUCTION OF
AJILCHIN FLY-OVER IN ULAANBAATAR CITY

DESIGNED BY ;
CTI Engineering International Co., Ltd.
Chodai Co., Ltd.
International Development Institute

APPROVED BY ;

DRAWING TITLE ;
PROFILE OF MAIN LINE (2/4)

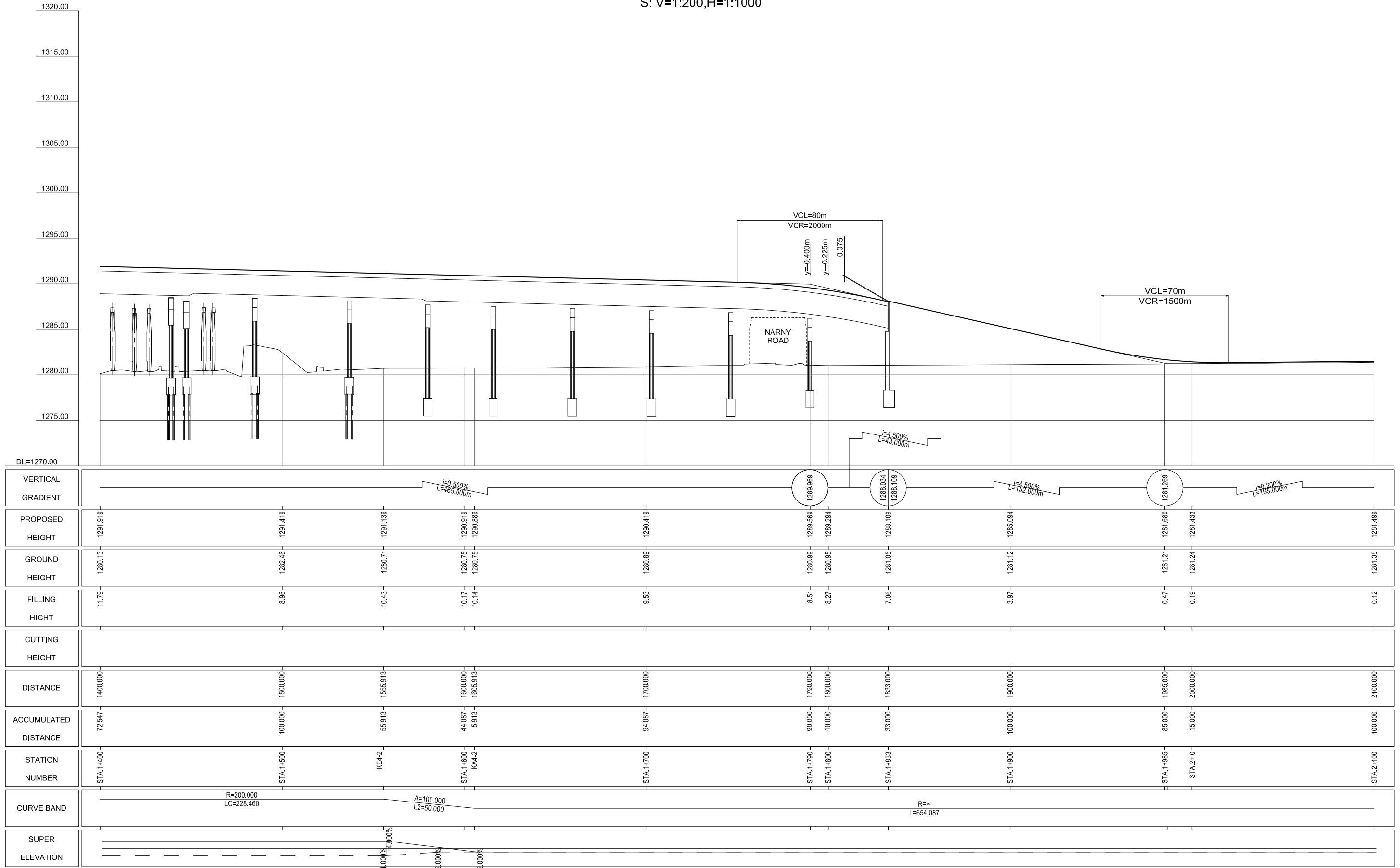
SCALE
V=1:200
H=1:1000

DRAWING No.
072

HIGHWAY

PROFILE OF MAIN LINE (3/4)

S: V=1:200, H=1:1000



PROJECT TITLE ;
THE PROJECT FOR CONSTRUCTION OF
AJILCHIN FLY-OVER IN ULAANBAATAR CITY

DESIGNED BY ;
CTI Engineering International Co., Ltd.
Chodai Co., Ltd.
International Development Institute

APPROVED BY ;

DRAWING TITLE ;
PROFILE OF MAIN LINE (3/4)

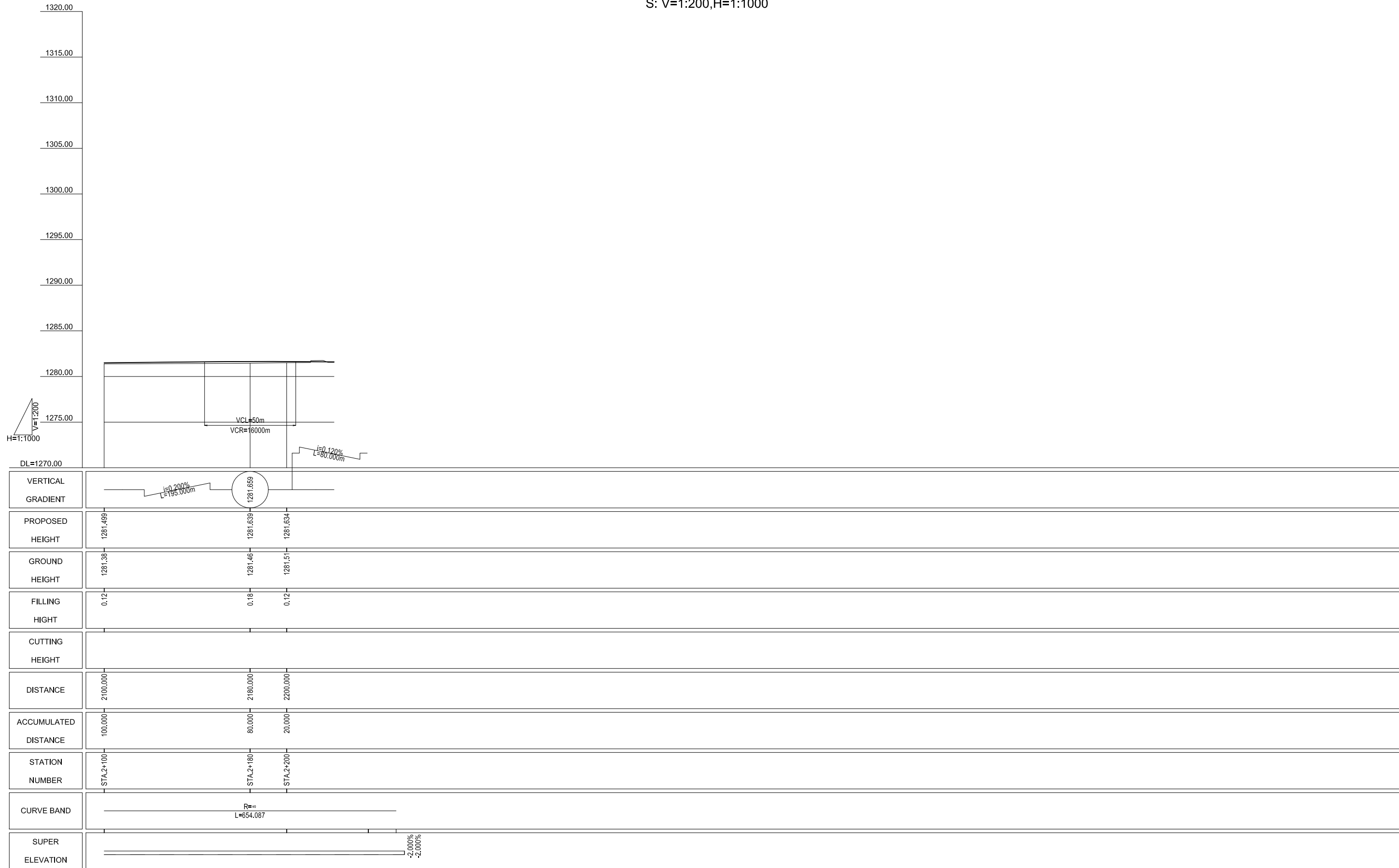
SCALE
V=1:200
H=1:1000

DRAWING No.
073

HIGHWAY

PROFILE OF MAIN LINE (4/4)

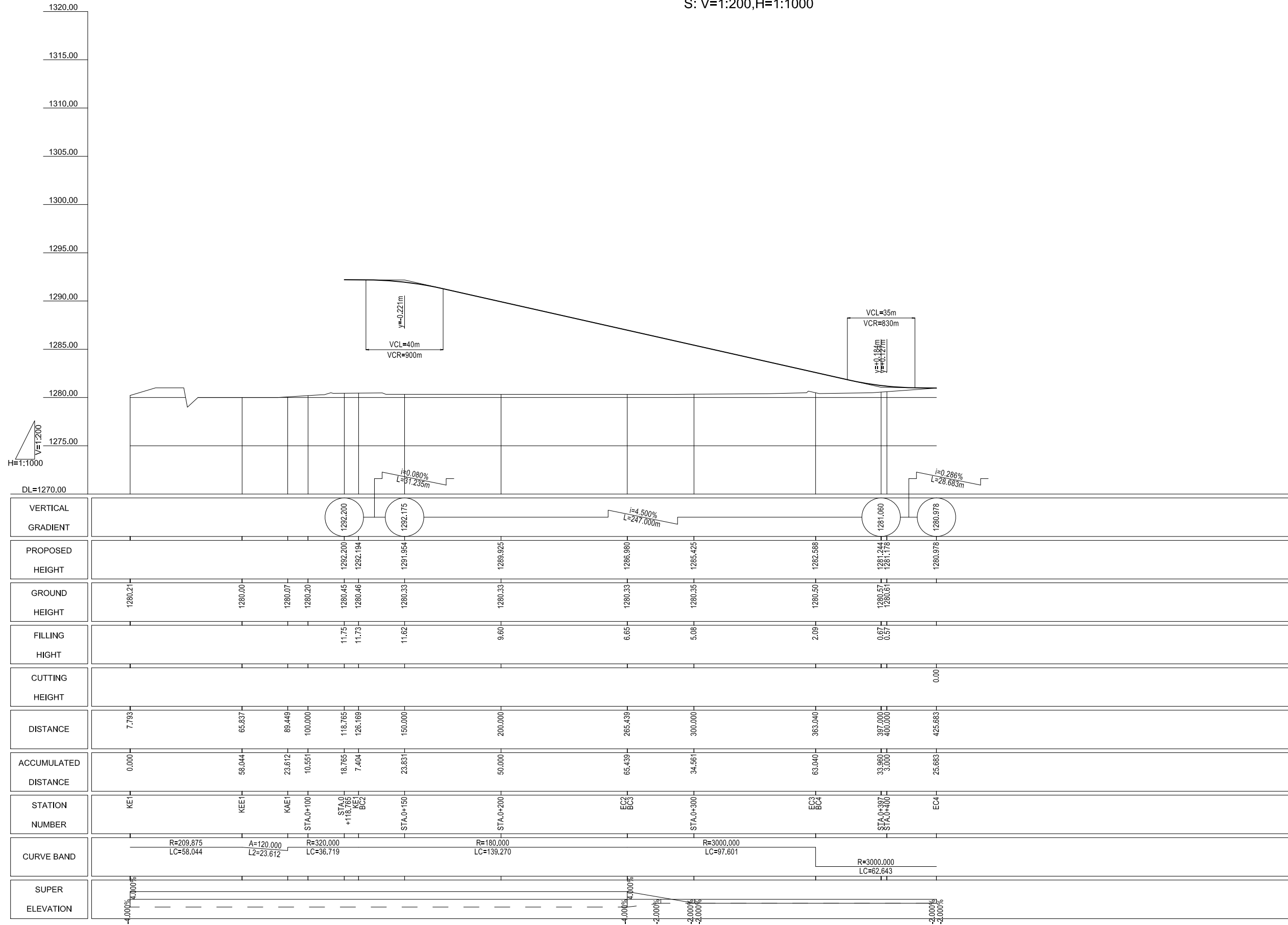
S: V=1:200,H=1:1000



PROJECT TITLE ;	DESIGNED BY ;	APPROVED BY ;	DRAWING TITLE ;	SCALE	DRAWING No.	HIGHWAY
THE PROJECT FOR CONSTRUCTION OF AJILCHIN FLY-OVER IN ULAANBAATAR CITY	CTI Engineering International Co., Ltd. Chodai Co., Ltd. International Development Institute		PROFILE OF MAIN LINE (4/4)	V=1:200 H=1:1000	074	

PROFILE OF ON-RAMP

S: V=1:200,H=1:1000

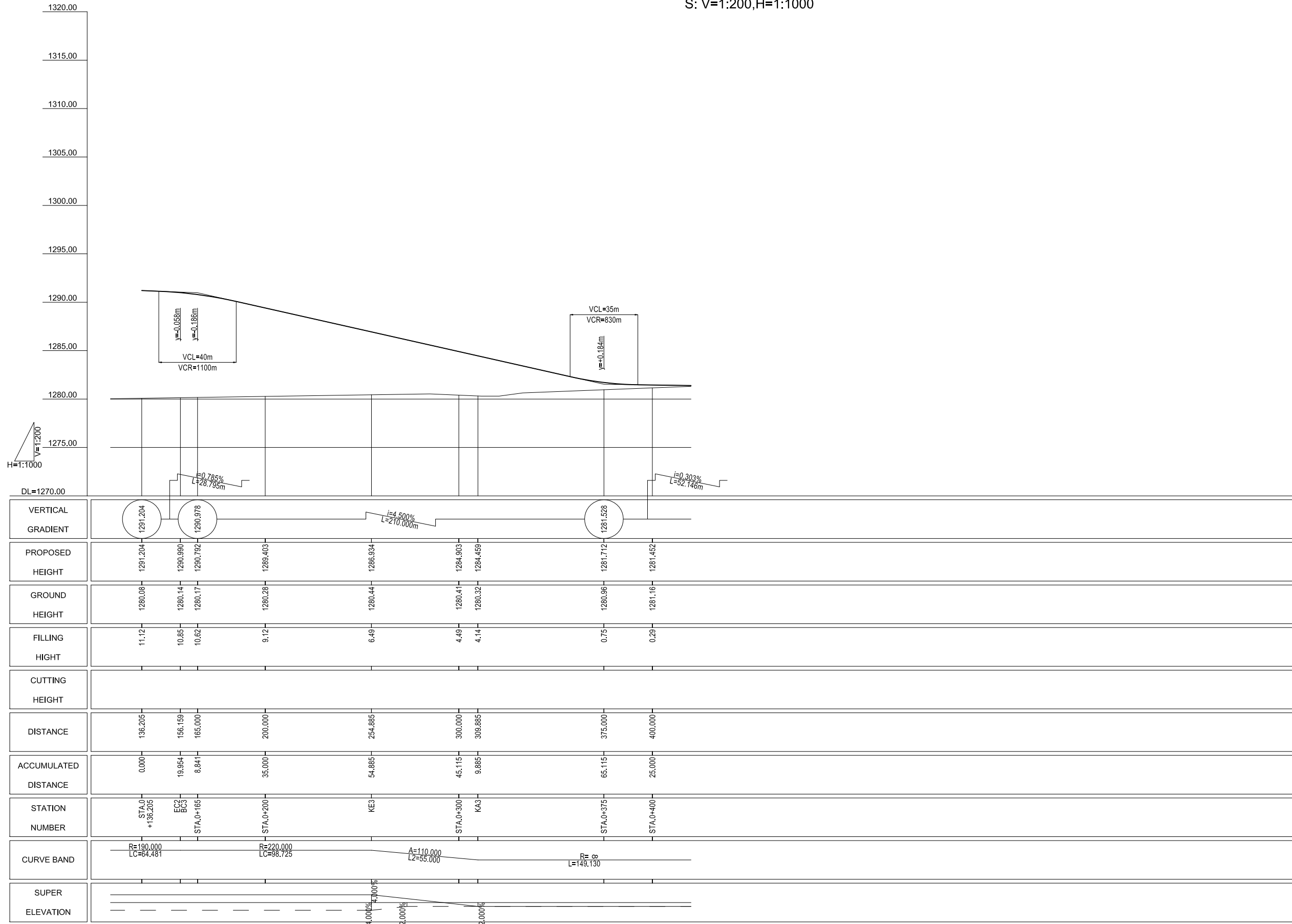


VERTICAL GRADIENT											
PROPOSED HEIGHT											
GROUND HEIGHT	1280.21	1280.00	1280.07	1280.20	1280.45	1280.46	1280.33	1280.33	1280.35	1280.50	1280.57
FILLING HIGHT					11.75	11.73	11.62	9.60	6.65	5.08	2.09
CUTTING HEIGHT											0.00
DISTANCE	7.793	65.837	89.449	100.000	118.765	126.169	150.000	200.000	265.439	300.000	363.040
ACCUMULATED DISTANCE	0.000	58.044	23.612	10.551	18.765	7.404	23.831	50.000	65.439	34.561	63.040
STATION NUMBER	KE1	KEE1	KAE1	STA0+100	STA0+118.765	STA0+126.169	STA0+150	STA0+200	STA0+300	EC3	EC4
CURVE BAND	R=209.875 LC=58.044		A=120.000 L2=23.612		R=320.000 LC=36.719		R=180.000 LC=139.270		R=3000.000 LC=97.601		R=3000.000 LC=62.643
SUPER ELEVATION	-4.000% -1.000% -1.000% -4.000% -2.000% -2.000% -2.000%										

PROJECT TITLE ; THE PROJECT FOR CONSTRUCTION OF AJILCHIN FLY-OVER IN ULAANBAATAR CITY	DESIGNED BY ; CTI Engineering International Co., Ltd. Chodai Co., Ltd. International Development Institute	APPROVED BY ;	DRAWING TITLE ; PROFILE OF ON RAMP	SCALE V=1:200 H=1:1000	DRAWING No. 075	HIGHWAY
---	---	---------------	---------------------------------------	------------------------------	--------------------	---------

PROFILE OF OFF-RAMP

S: V=1:200,H=1:1000



PROJECT TITLE ;
THE PROJECT FOR CONSTRUCTION OF
AJILCHIN FLY-OVER IN ULAANBAATAR CITY

DESIGNED BY ;
CTI Engineering International Co., Ltd.
Chodai Co., Ltd.
International Development Institute

APPROVED BY ;

DRAWING TITLE ;
PROFILE OF OFF RAMP

SCALE
V=1:200
H=1:1000

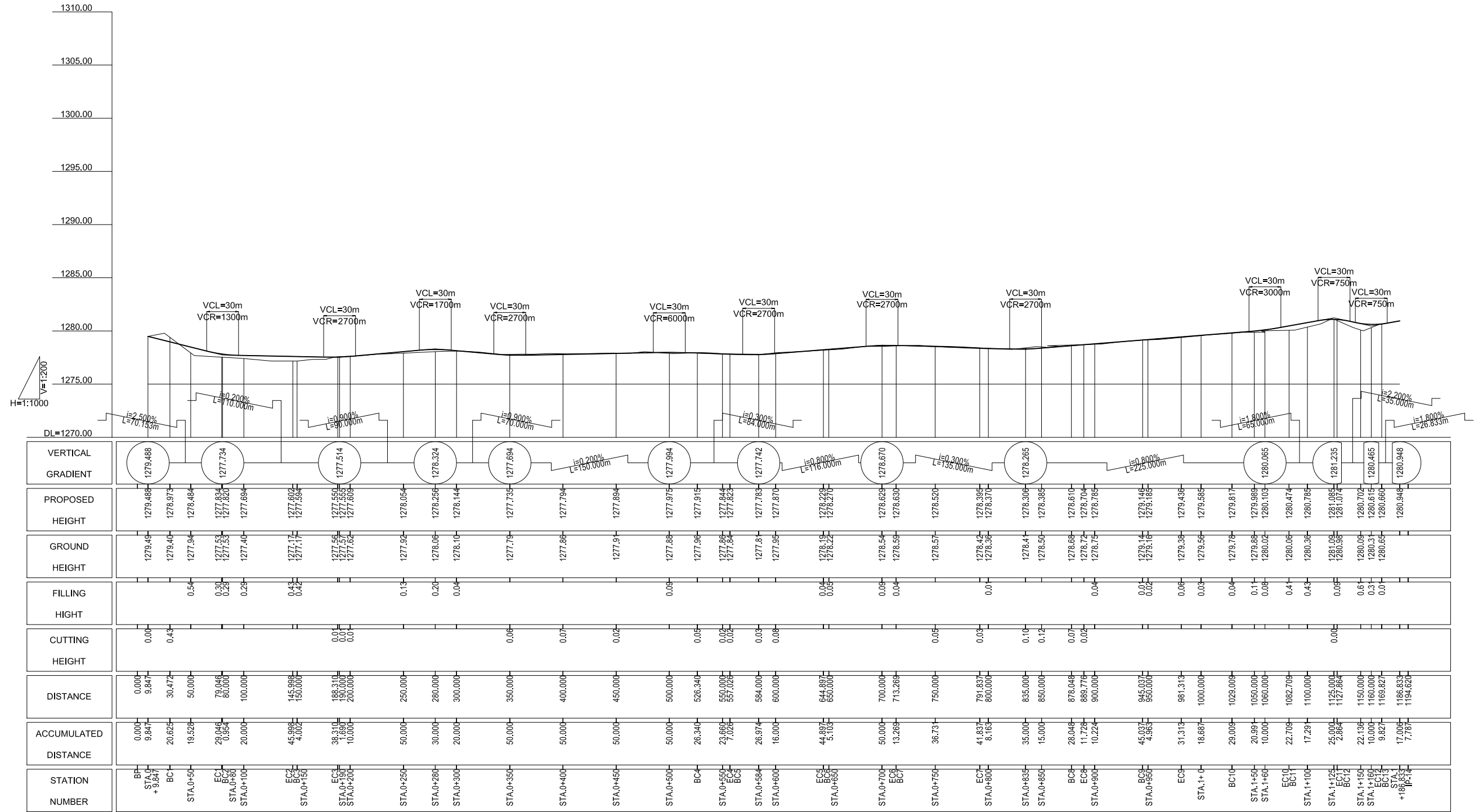
DRAWING No.
076

HIGHWAY

PROFILE OF FRONTAGE ROAD (1/2)

S: V=1:200, H=1:2000

WEST INDUSTRIAL ROAD



PROJECT TITLE ;
THE PROJECT FOR CONSTRUCTION OF
AJILCHIN FLY-OVER IN ULAANBAATAR CITY

DESIGNED BY ;
CTI Engineering International Co., Ltd.
Chodai Co., Ltd.
International Development Institute

APPROVED BY ;

DRAWING TITLE ;
PROFILE OF FRONTAGE ROAD(1/2)

SCALE
V=1:200
H=1:2000

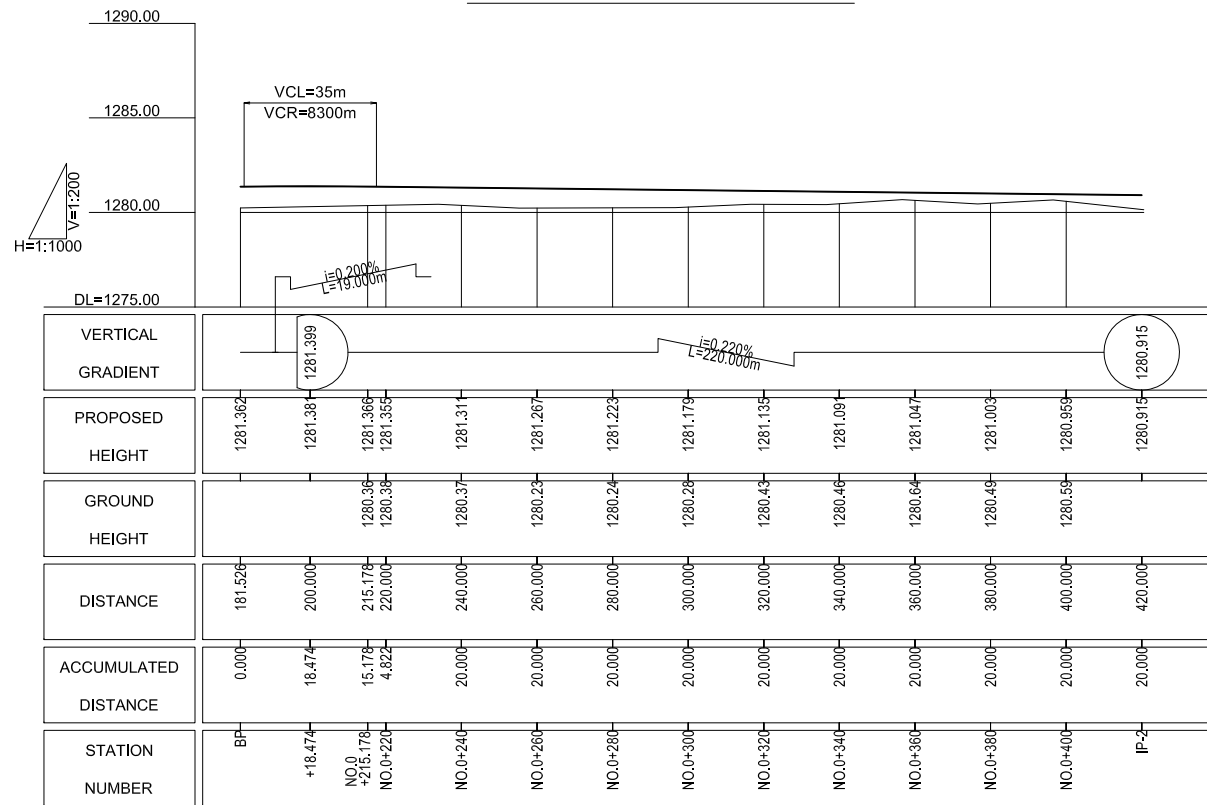
DRAWING No.
077

HIGHWAY

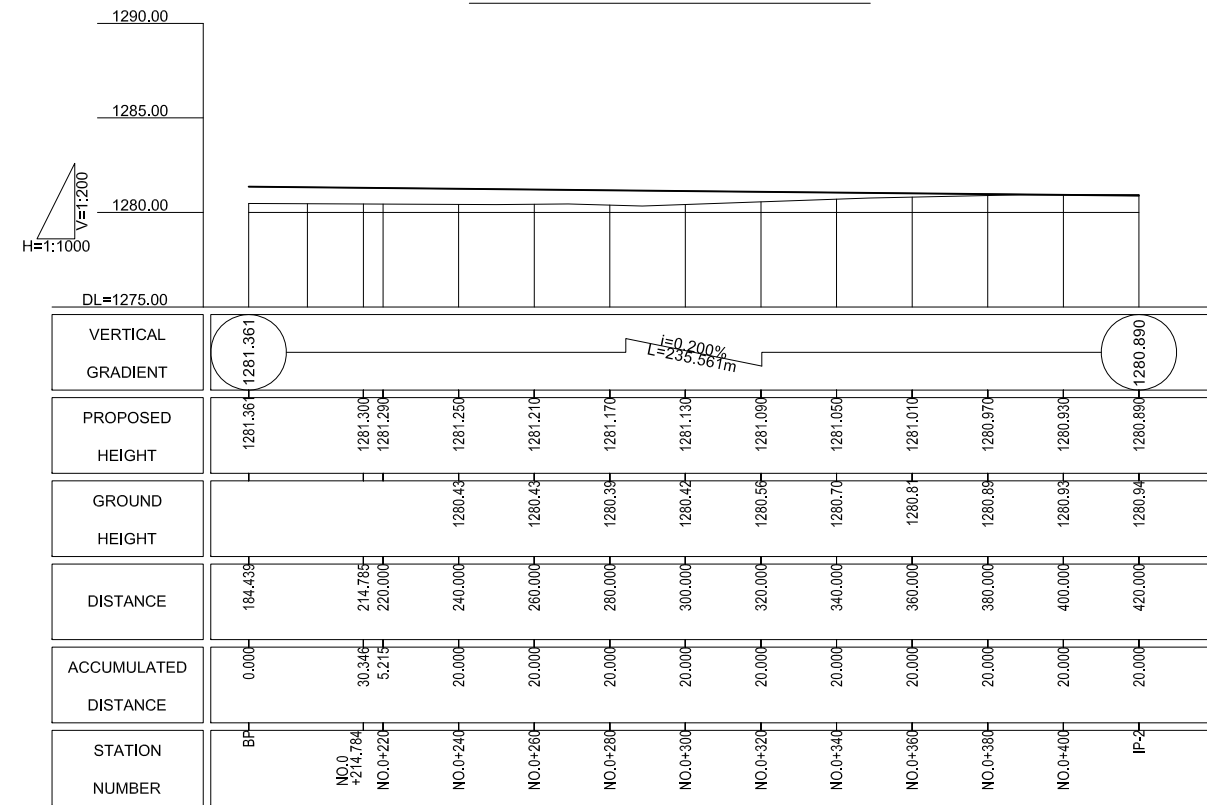
PROFILE OF FRONTAGE ROAD (2/2)

S: V=1:200, H=1:2000

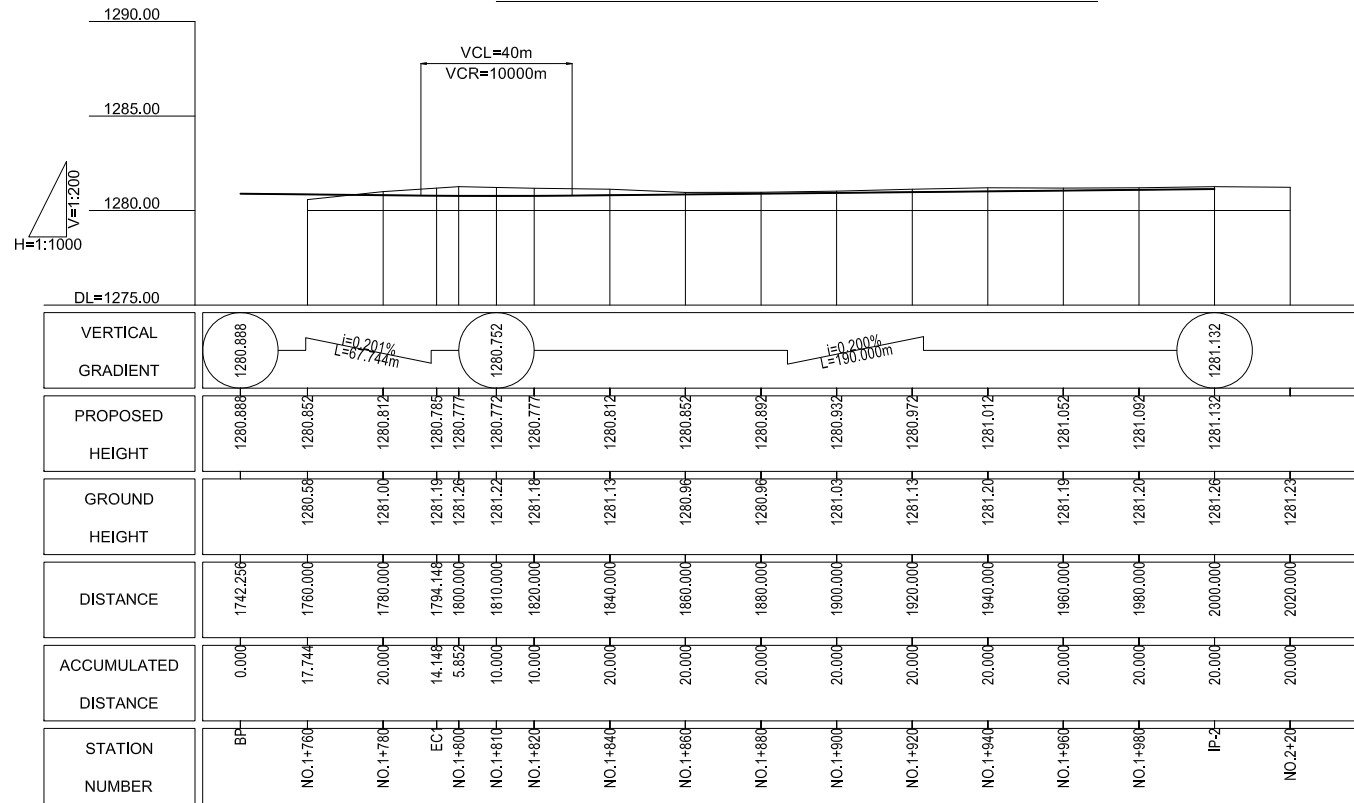
FRONTAGE ROAD OF ON RAMP SIDE



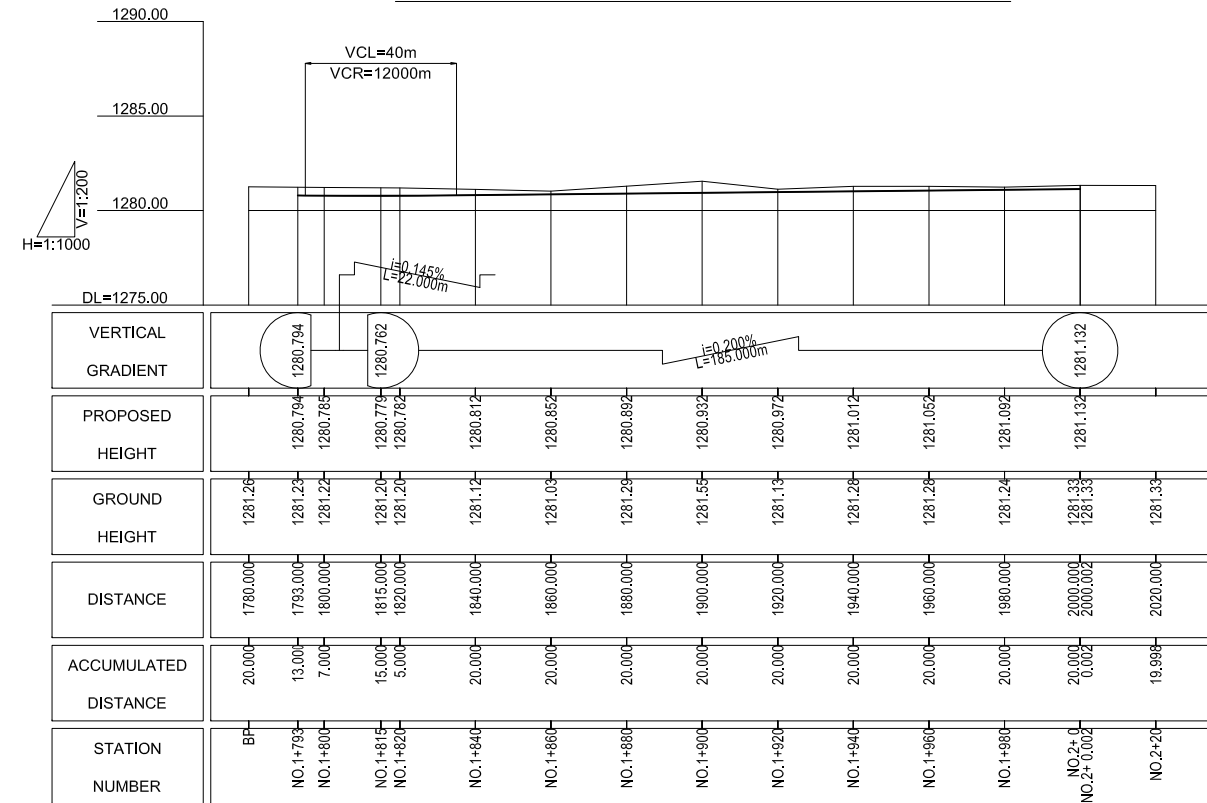
FRONTAGE ROAD OF OFF RAMP SIDE



CONNECTION FRONTAGE ROAD OF MAIN LINE LEFT SIDE



CONNECTION FRONTAGE ROAD OF MAIN LINE RIGHT SIDE



PROJECT TITLE ;
THE PROJECT FOR CONSTRUCTION OF
AJILCHIN FLY-OVER IN ULAANBAATAR CITY

DESIGNED BY ;
CTI Engineering International Co., Ltd.
Chodai Co., Ltd.
International Development Institute

APPROVED BY ;

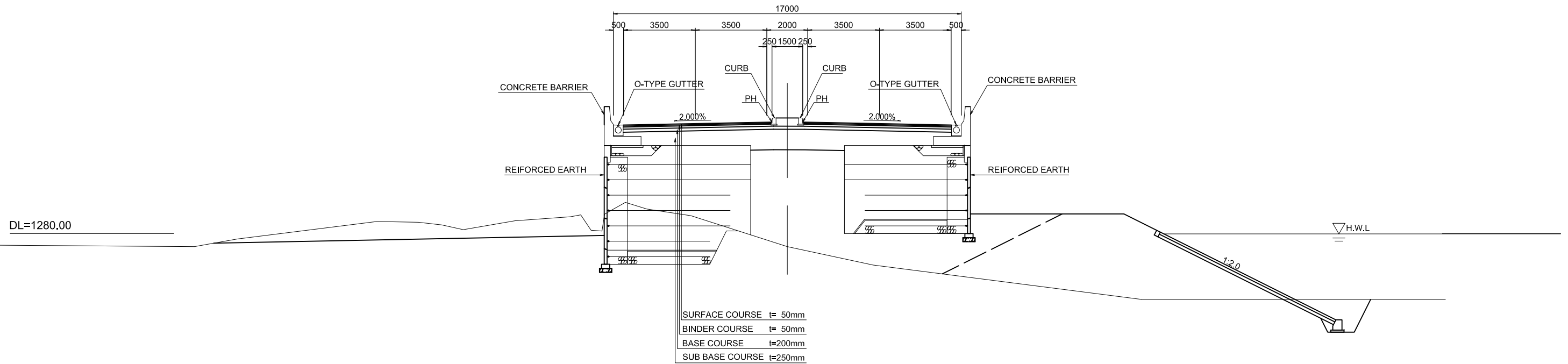
DRAWING TITLE ;
PROFILE OF FRONTAGE ROAD(2/2)

SCALE
V=1:200
H=1:1000

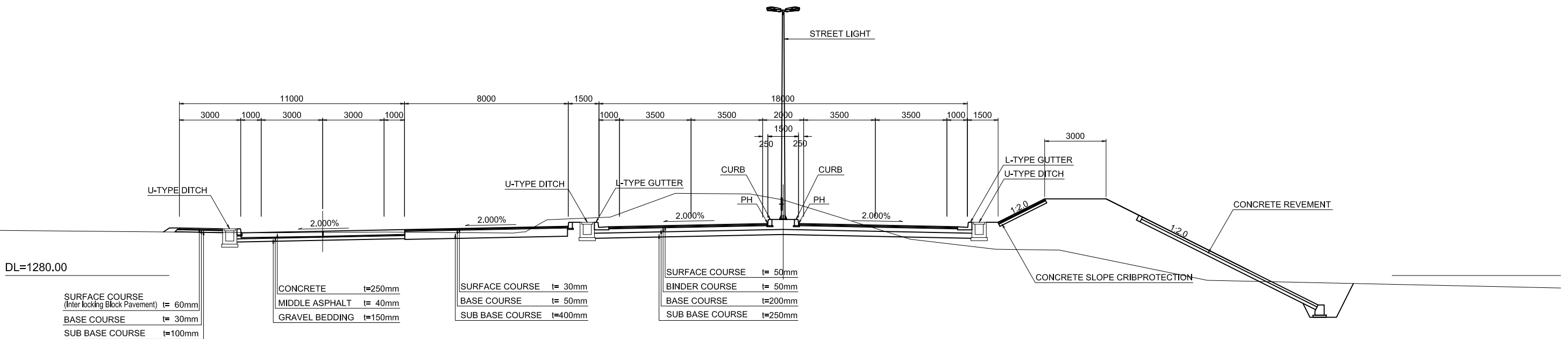
DRAWING No.
078

HIGHWAY

WEST APPROACH
WEST APPROACH

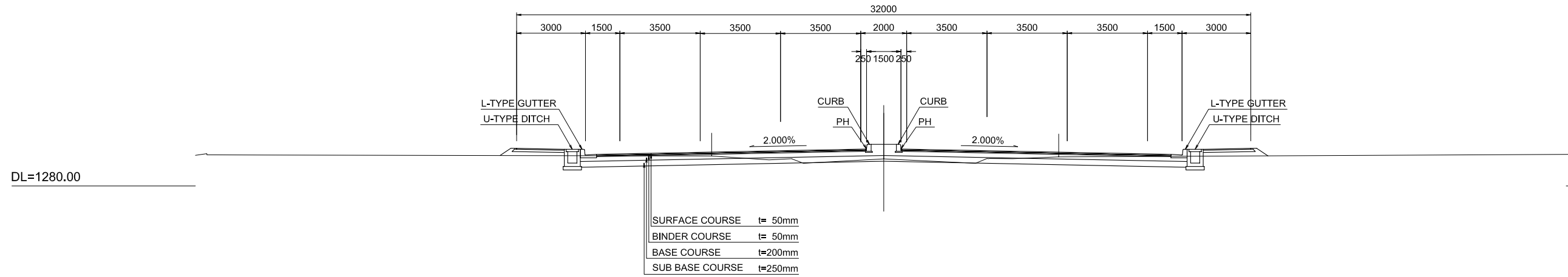


WEST SIDE
INDUSTRIAL ROAD SIDE



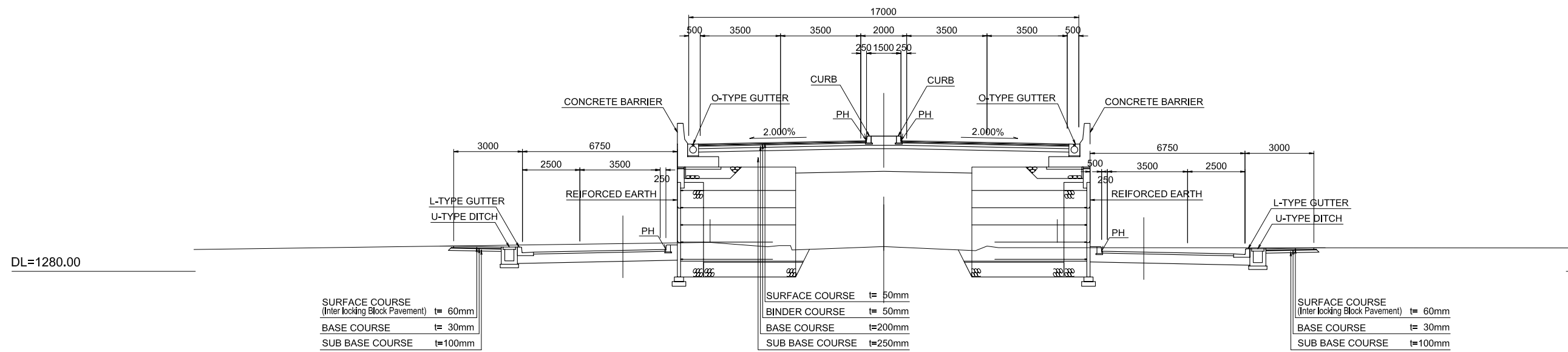
<p>PROJECT TITLE ; THE PROJECT FOR CONSTRUCTION OF AJILCHIN FLY-OVER IN ULAANBAATAR CITY</p>	<p>DESIGNED BY ; CTI Engineering International Co., Ltd. Chodai Co., Ltd. International Development Institute</p>	<p>APPROVED BY ;</p>	<p>DRAWING TITLE ; TYPICAL CROSS SECTION(1)</p>	<p>SCALE S=1:100</p>	<p>DRAWING No. 079</p>	<p>HIGHWAY</p>
--	---	----------------------	---	--------------------------	----------------------------	----------------

NARNY ROAD

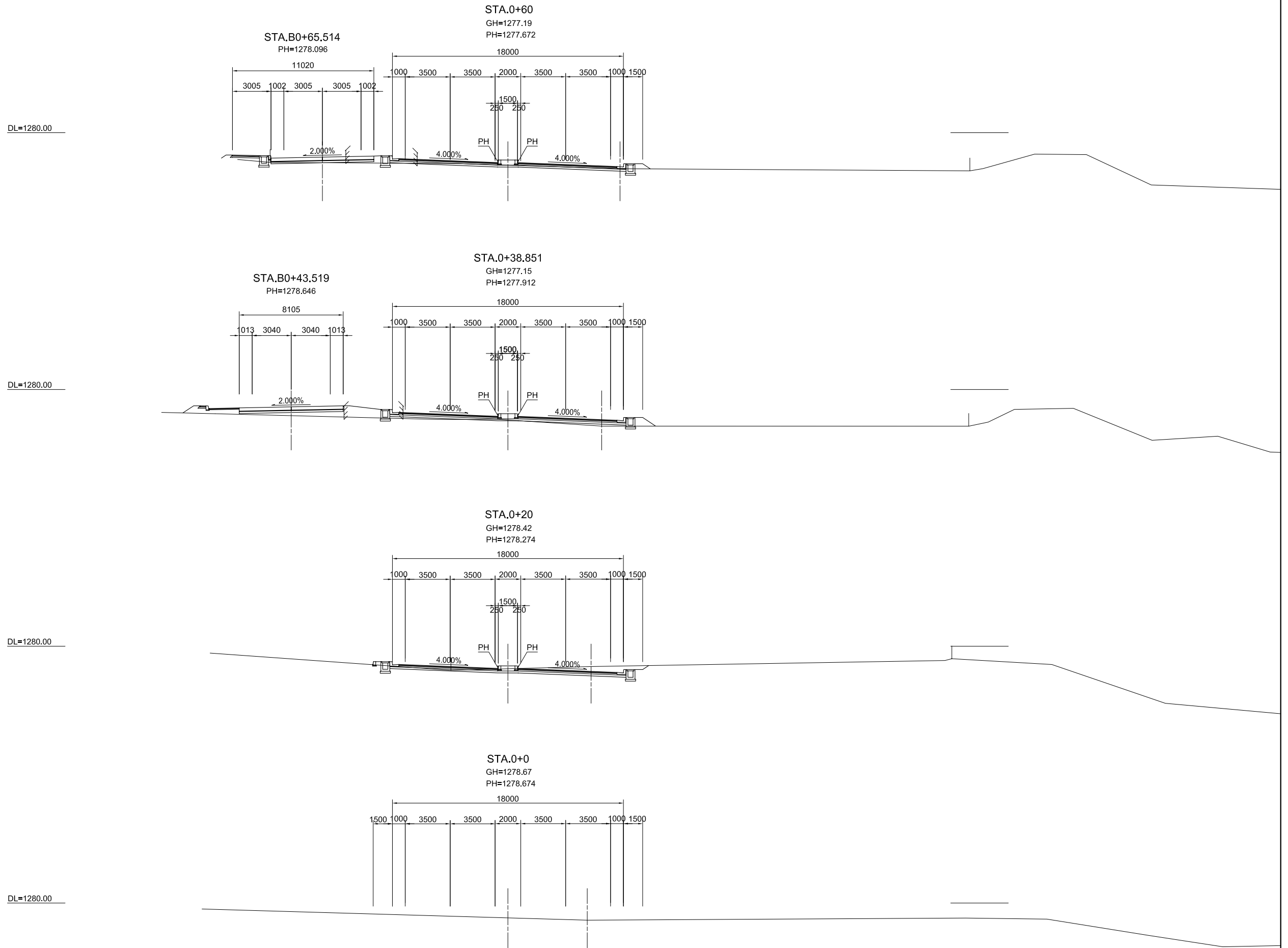


EAST APPROACH

EAST APPROACH



PROJECT TITLE ; THE PROJECT FOR CONSTRUCTION OF AJILCHIN FLY-OVER IN ULAANBAATAR CITY	DESIGNED BY ; CTI Engineering International Co., Ltd. Chodai Co., Ltd. International Development Institute	APPROVED BY ;	DRAWING TITLE ; TYPICAL CROSS SECTION(2)	SCALE S=1:100	DRAWING No. 080	HIGHWAY
---	---	---------------	---	------------------	--------------------	---------



PROJECT TITLE :
THE PROJECT FOR CONSTRUCTION OF
AJILCHIN FLY-OVER IN ULAANBAATAR CITY

DESIGNED BY ;
CTI Engineering International Co., Ltd.
Chodai Co., Ltd.
International Development Institute

APPROVED BY :

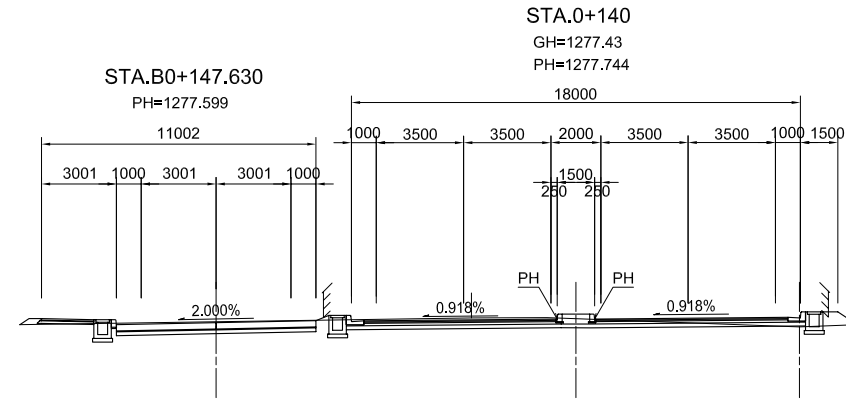
DRAWING TITLE :
CROSS SECTION 1/35

SCALE:
1:300

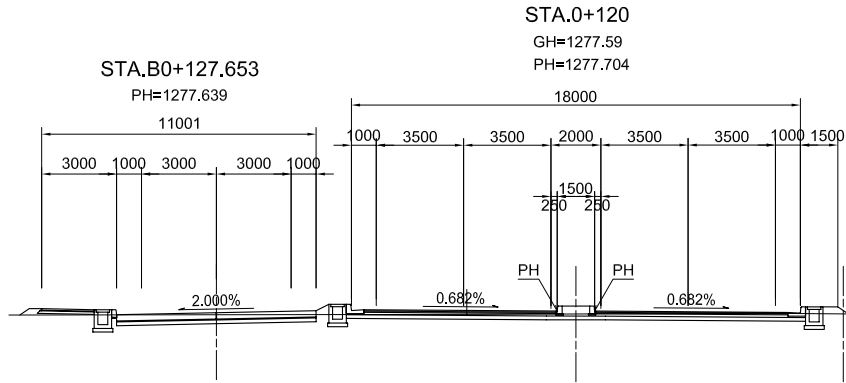
DRAWING No.
081

HIGHWAY

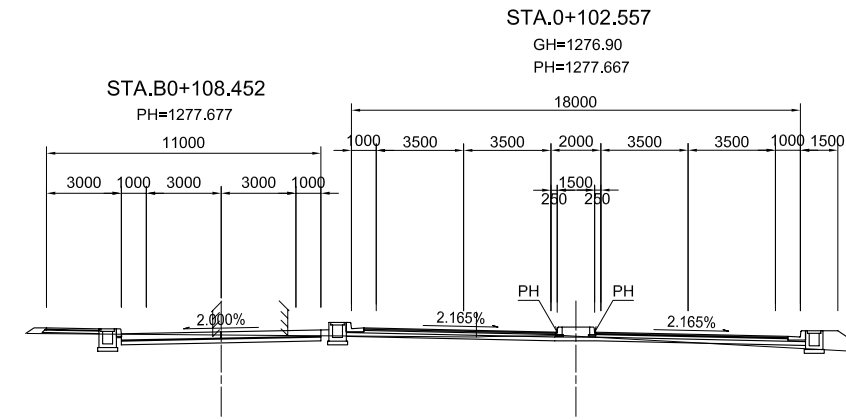
DL=1280.00



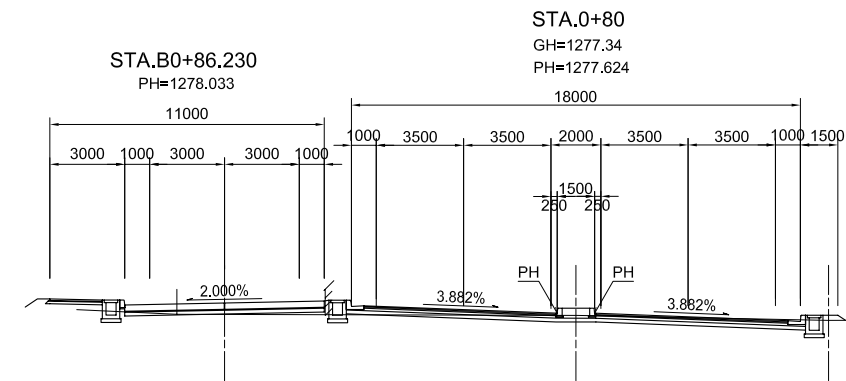
DL=1280.00



DL=1280.00



DL=1280.00



PROJECT TITLE :
THE PROJECT FOR CONSTRUCTION OF
AJILCHIN FLY-OVER IN ULAANBAATAR CITY

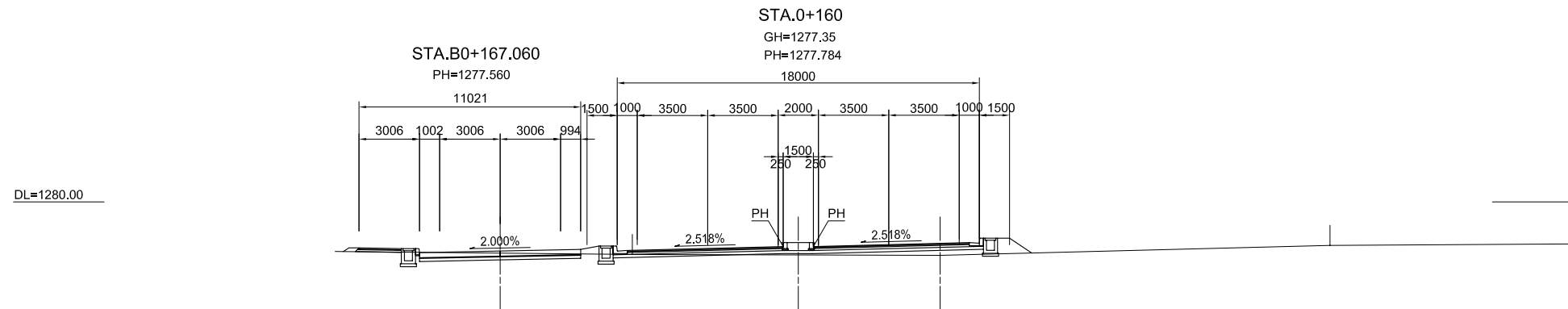
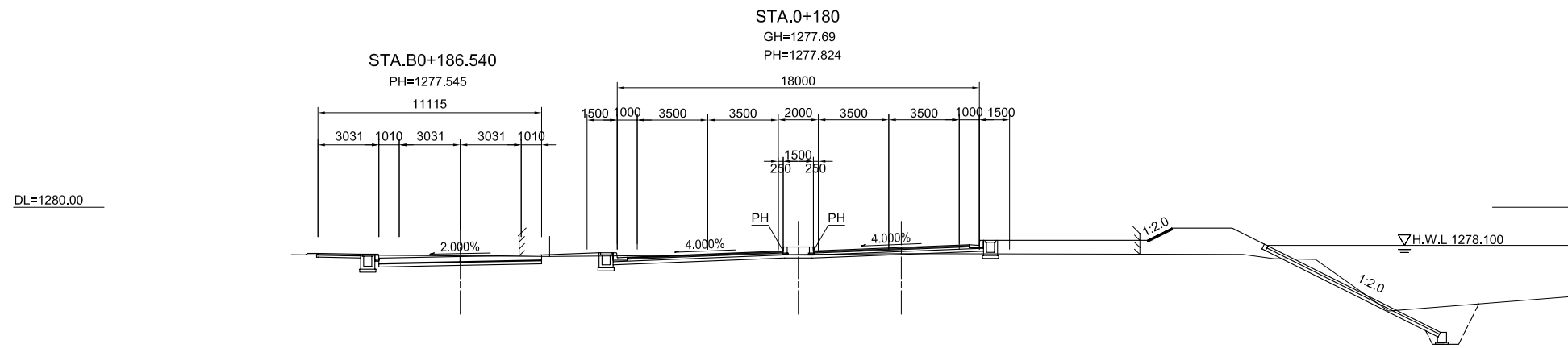
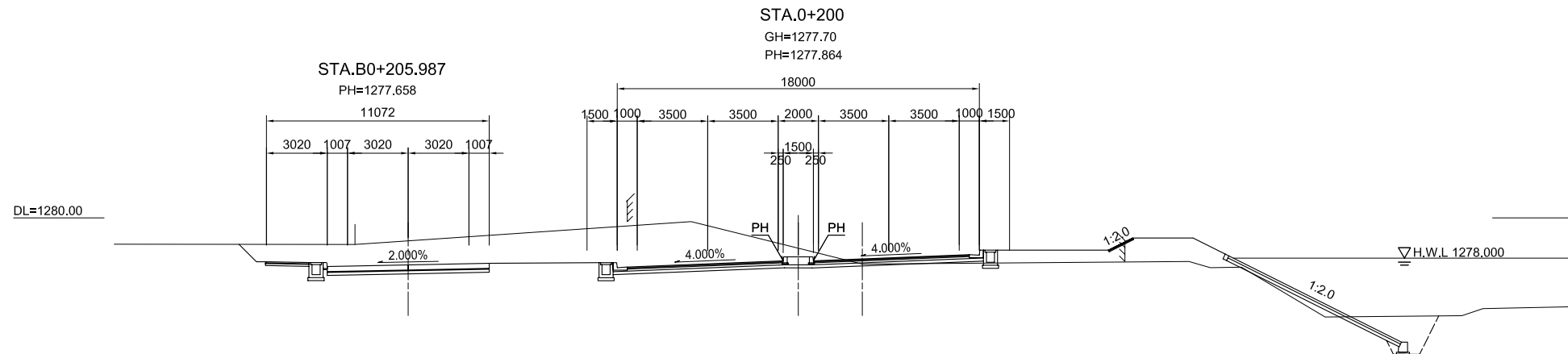
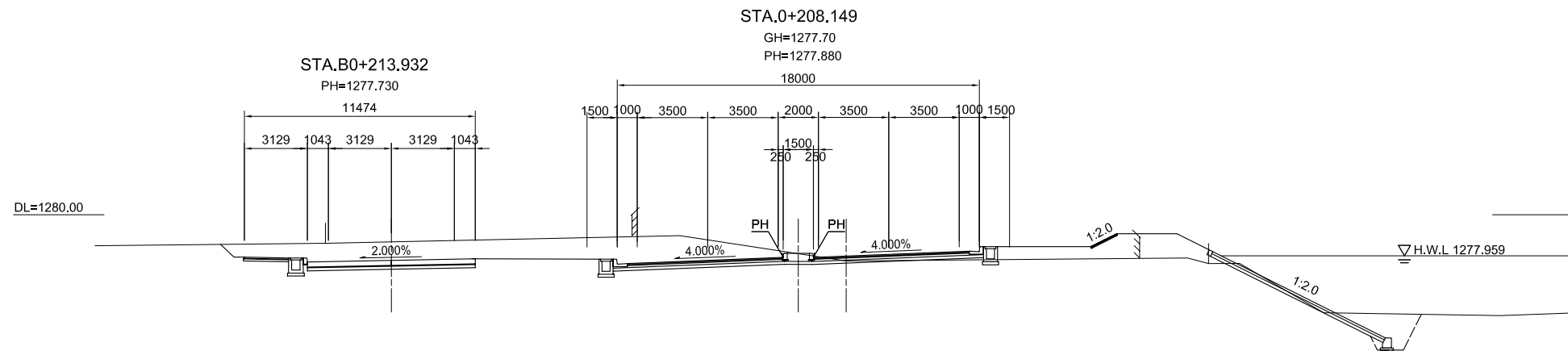
DESIGNED BY :
CTI Engineering International Co., Ltd.
Chodai Co., Ltd.
International Development Institute

APPROVED BY :

DRAWING TITLE :
CROSS SECTION 2/35

SCALE:
1:300

DRAWING No.
082
HIGHWAY



PROJECT TITLE :
THE PROJECT FOR CONSTRUCTION OF
AJILCHIN FLY-OVER IN ULAANBAATAR CITY

DESIGNED BY ;
CTI Engineering International Co., Ltd.
Chodai Co., Ltd.
International Development Institute

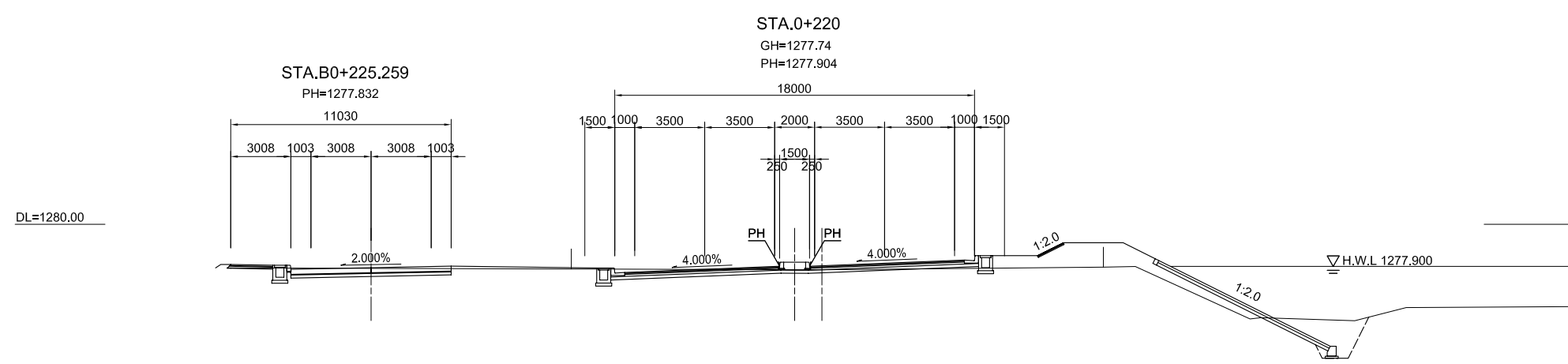
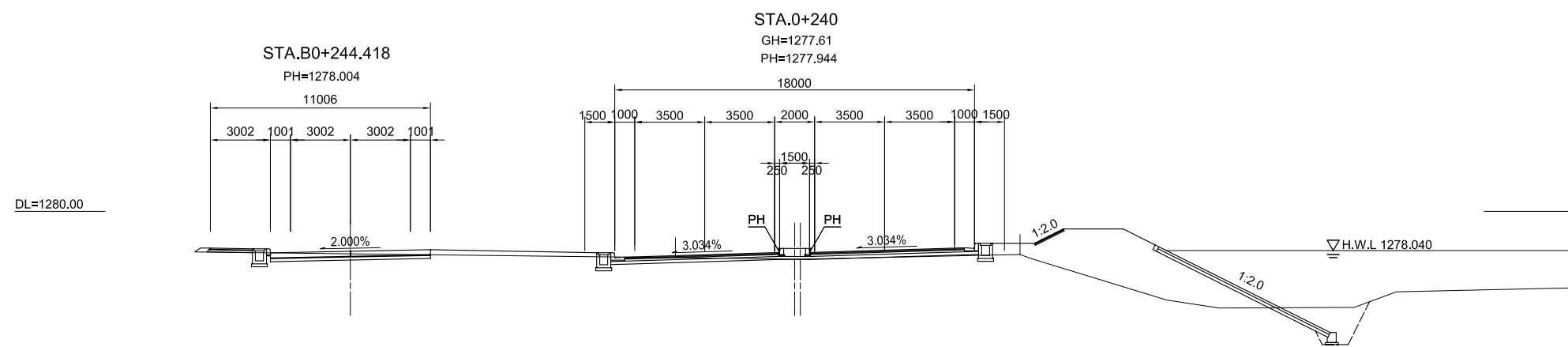
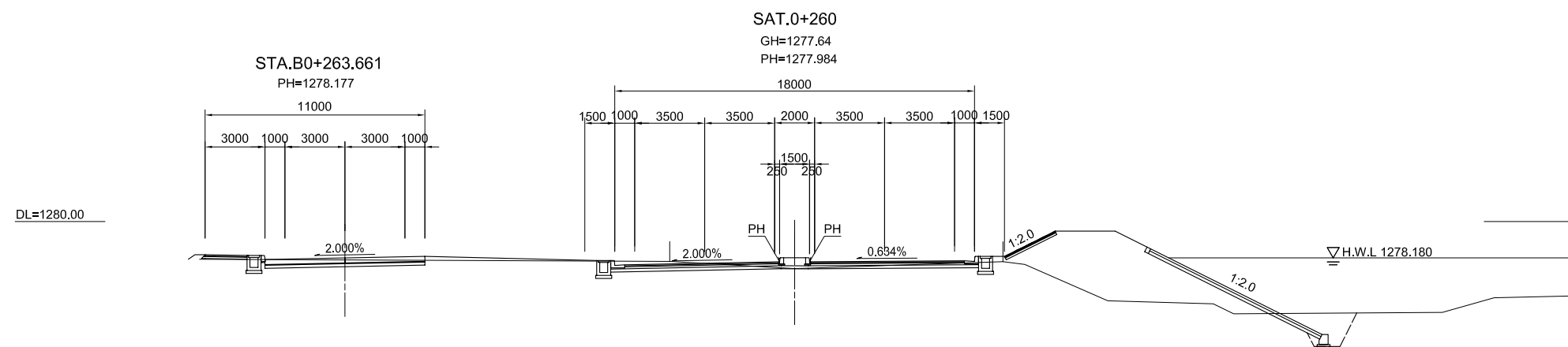
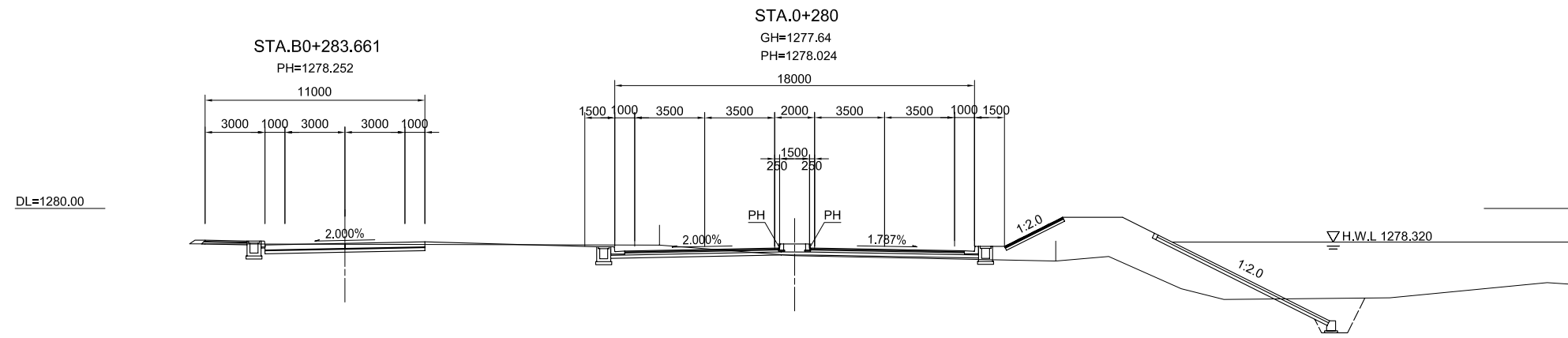
APPROVED BY :

DRAWING TITLE :
CROSS SECTION 3/35

SCALE:
1:300

DRAWING No.
083

HIGHWAY



PROJECT TITLE :
THE PROJECT FOR CONSTRUCTION OF
AJILCHIN FLY-OVER IN ULAANBAATAR CITY

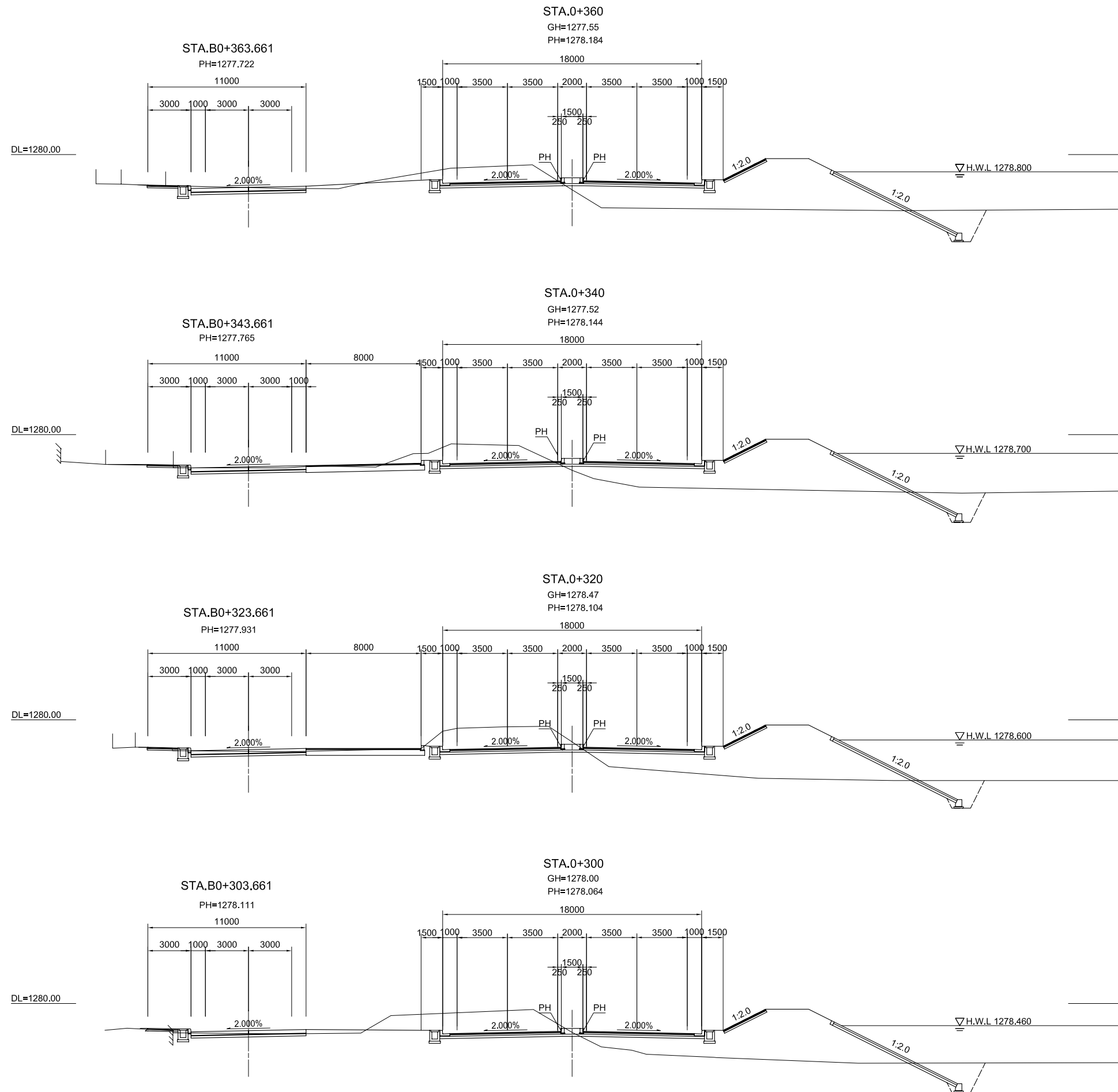
DESIGNED BY :
CTI Engineering International Co., Ltd.
Chodai Co., Ltd.
International Development Institute

APPROVED BY :

DRAWING TITLE :
CROSS SECTION 4/35

SCALE:
1:300

DRAWING No.
084
HIGHWAY



PROJECT TITLE :
THE PROJECT FOR CONSTRUCTION OF
AJILCHIN FLY-OVER IN ULAANBAATAR CITY

DESIGNED BY :
CTI Engineering International Co., Ltd.
Chodai Co., Ltd.
International Development Institute

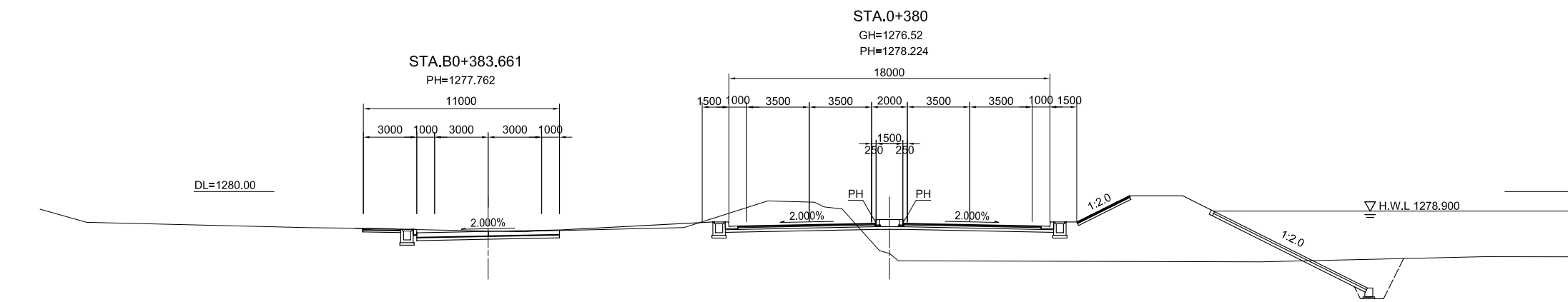
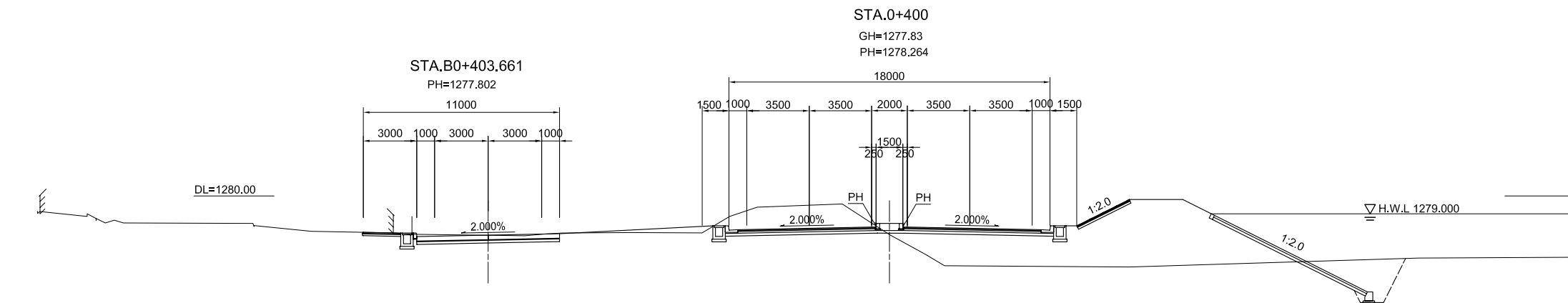
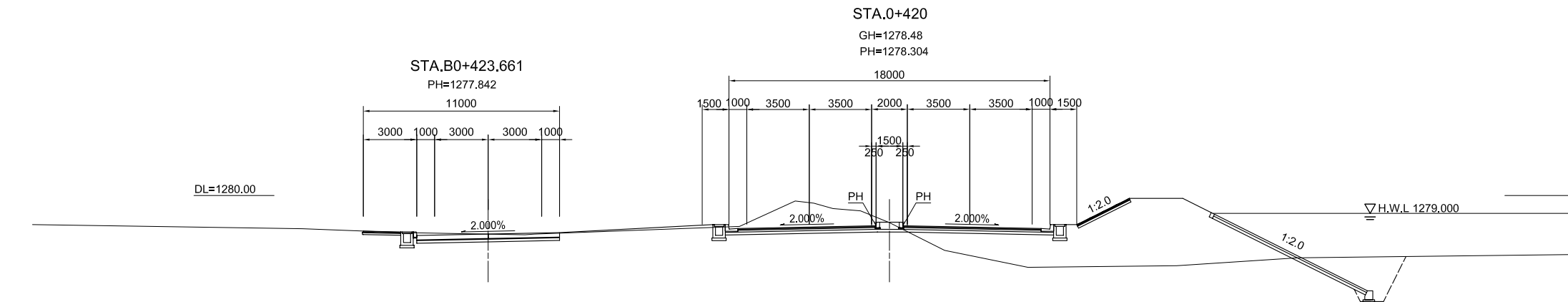
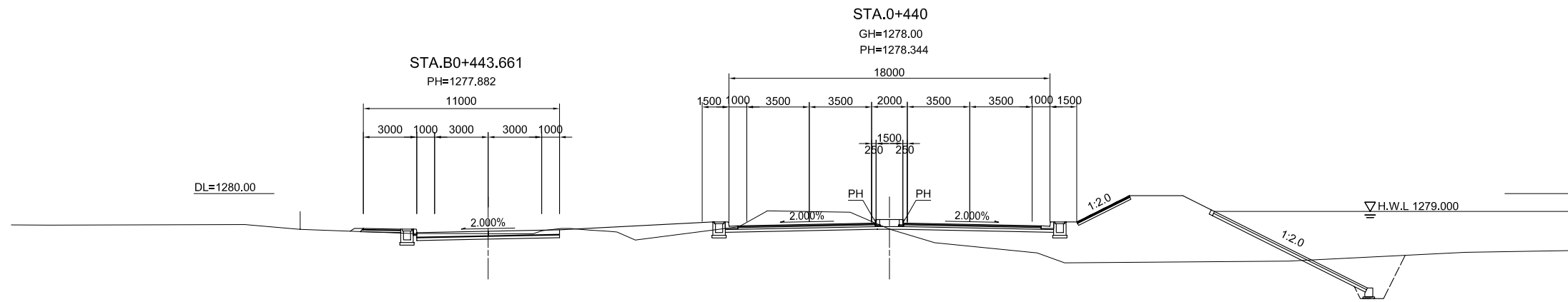
APPROVED BY :

DRAWING TITLE :
CROSS SECTION 5/35

SCALE:
1:300

DRAWING No.
085

HIGHWAY



PROJECT TITLE :
THE PROJECT FOR CONSTRUCTION OF
AJILCHIN FLY-OVER IN ULAANBAATAR CITY

DESIGNED BY ;
CTI Engineering International Co., Ltd.
Chodai Co., Ltd.
International Development Institute

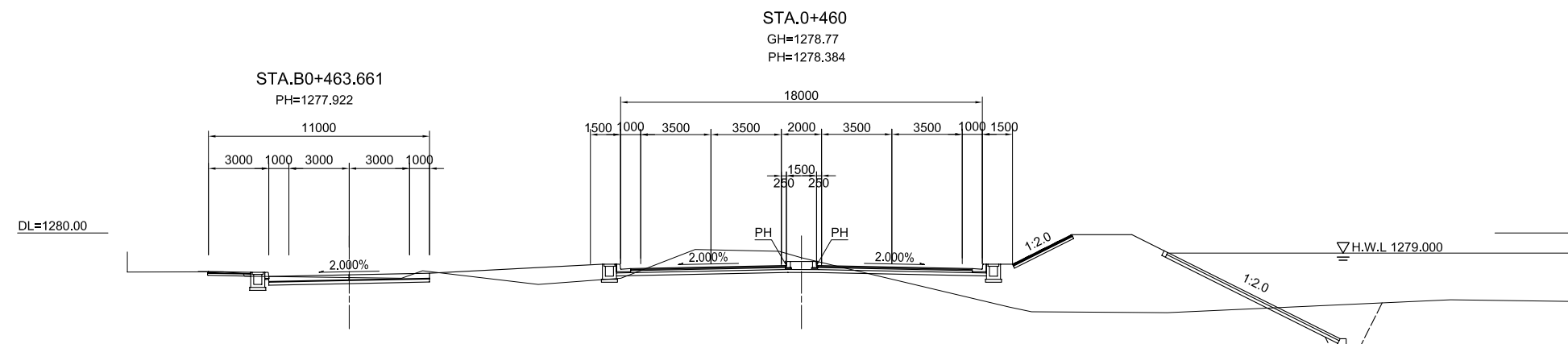
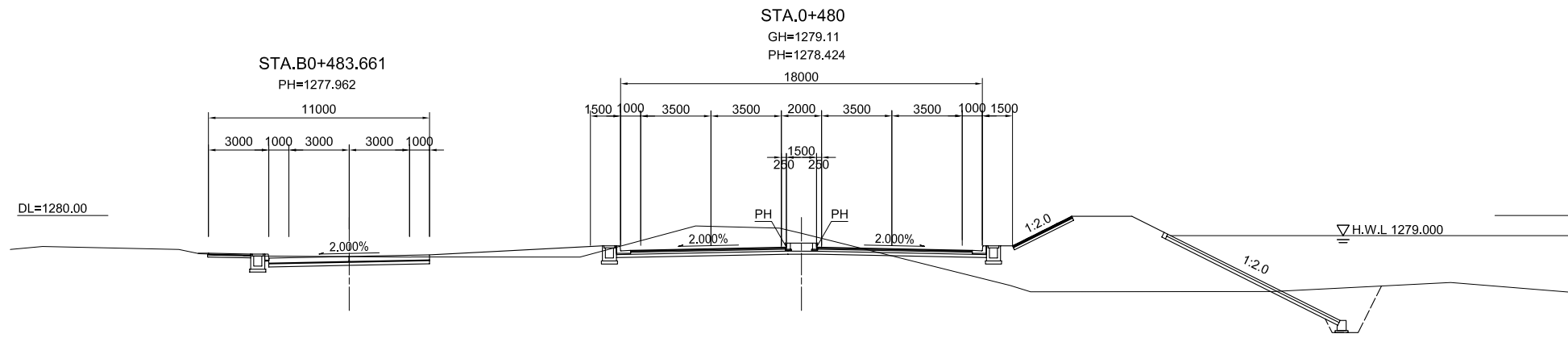
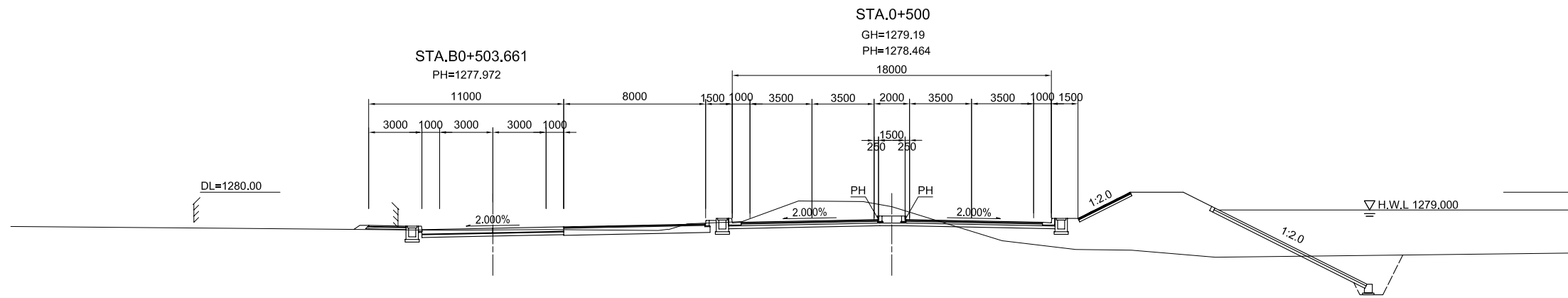
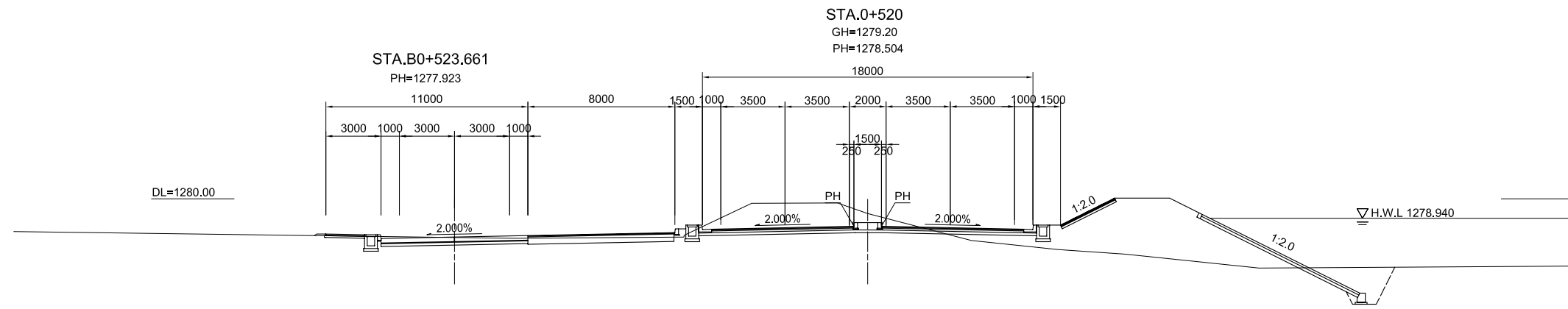
APPROVED BY :

DRAWING TITLE :
CROSS SECTION 6/35

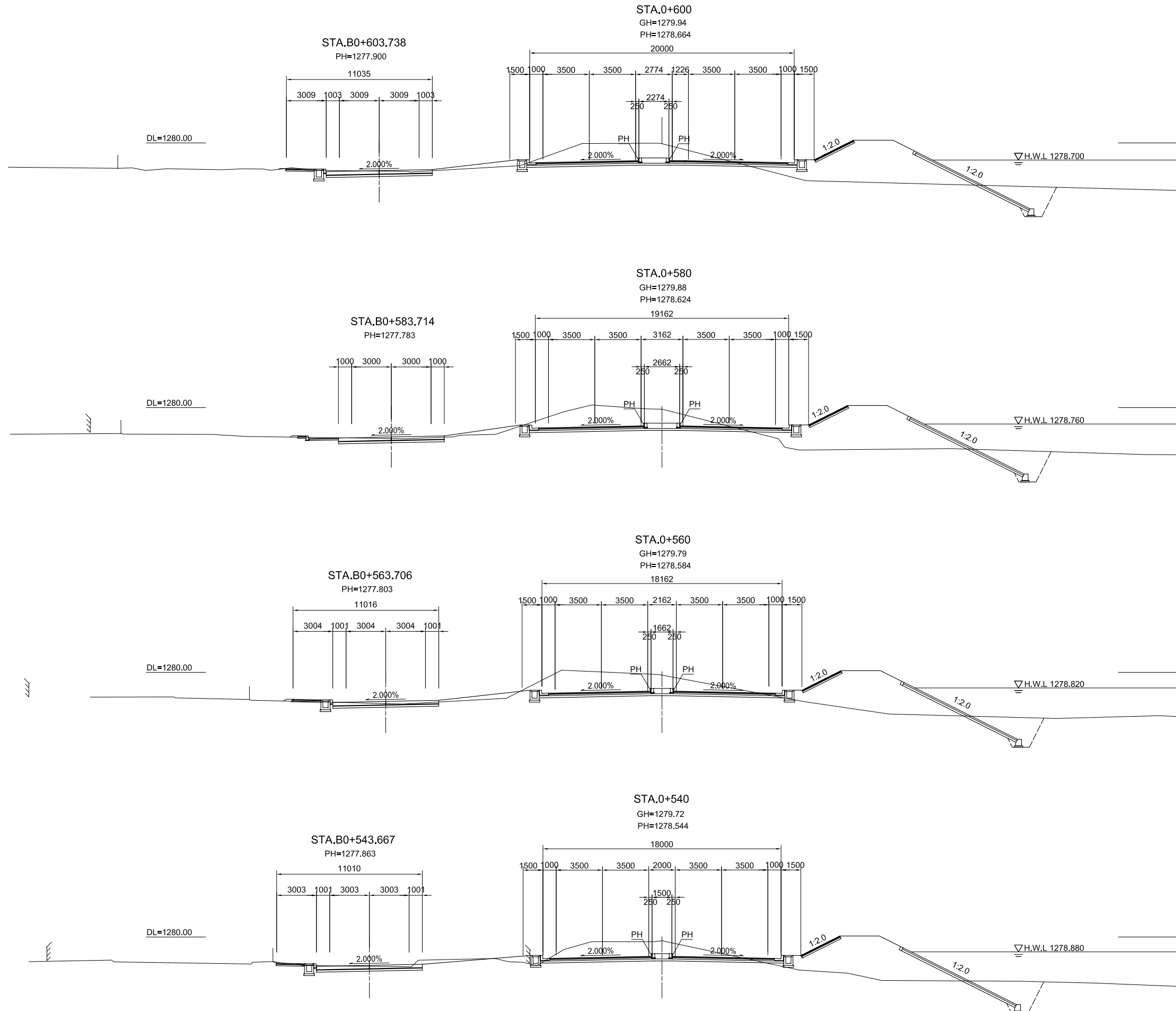
SCALE:
1:300

DRAWING No.
086

HIGHWAY



PROJECT TITLE : THE PROJECT FOR CONSTRUCTION OF AJILCHIN FLY-OVER IN ULAANBAATAR CITY	DESIGNED BY : CTI Engineering International Co., Ltd. Chodai Co., Ltd. International Development Institute	APPROVED BY :	DRAWING TITLE : CROSS SECTION 7/35	SCALE: 1:300	DRAWING No. 087	HIGHWAY
---	---	---------------	---------------------------------------	-----------------	--------------------	---------



PROJECT TITLE : THE PROJECT FOR CONSTRUCTION OF AJILCHIN FLY-OVER IN ULAANBAATAR CITY	DESIGNED BY : CTI Engineering International Co., Ltd. Chodai Co., Ltd. International Development Institute	APPROVED BY :	DRAWING TITLE : CROSS SECTION 8/35	SCALE: 1:300	DRAWING No. 088	HIGHWAY
---	---	---------------	---------------------------------------	-----------------	--------------------	---------