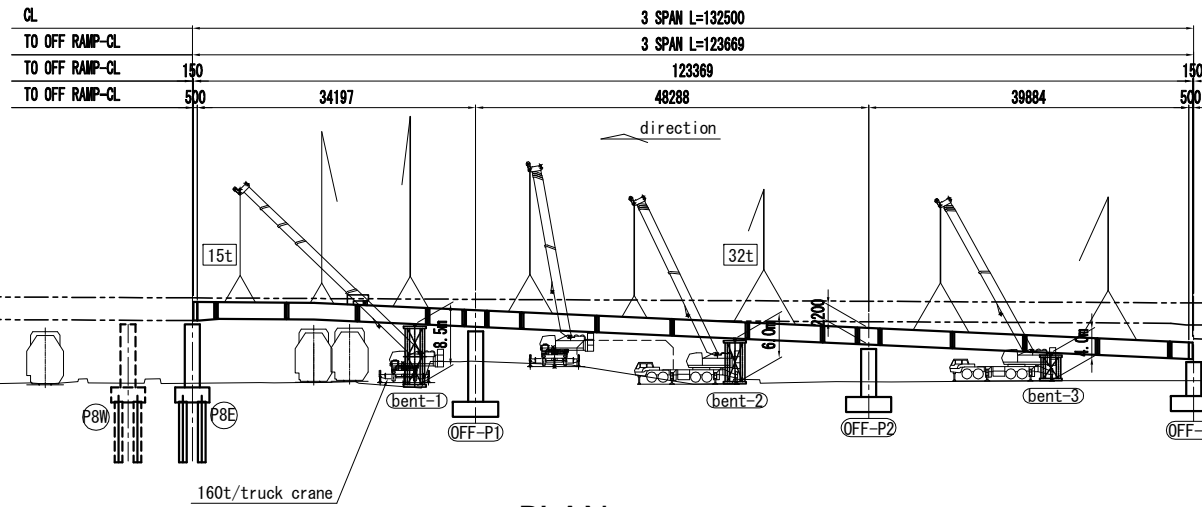
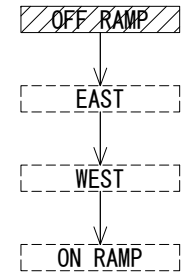


truck crane bent method

# ERECTION PLANNING OF SUPER STRUCTURE (OFF RAMP TO EAST)

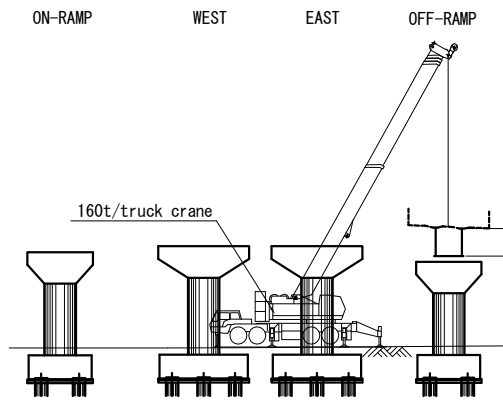
PROFILE S=1:500

## ERECTION STEP



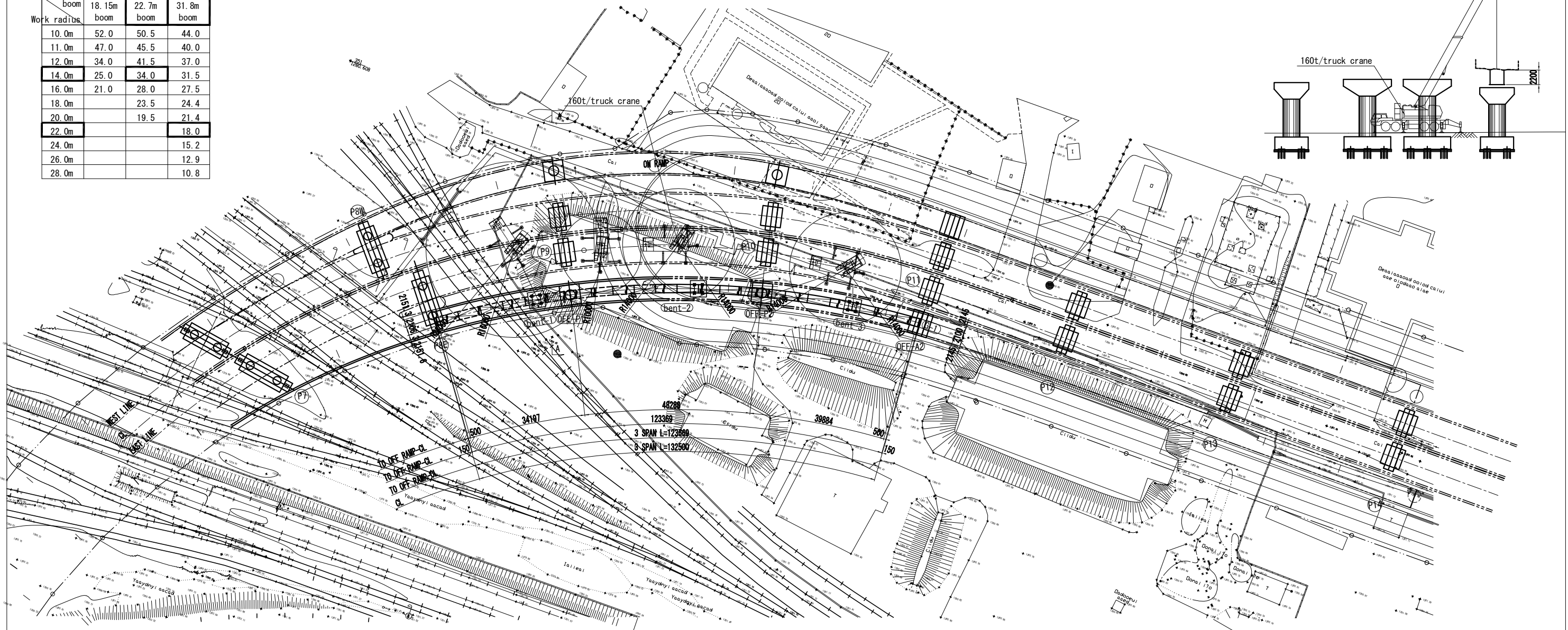
PLAN S=1:500

## A - A



160t/truck crane Ability list (t)

Work radius	18.15m boom	22.7m boom	31.8m boom
10.0m	52.0	50.5	44.0
11.0m	47.0	45.5	40.0
12.0m	34.0	41.5	37.0
14.0m	25.0	34.0	31.5
16.0m	21.0	28.0	27.5
18.0m		23.5	24.4
20.0m		19.5	21.4
22.0m			18.0
24.0m			15.2
26.0m			12.9
28.0m			10.8



PROJECT TITLE ;  
THE PROJECT FOR CONSTRUCTION OF  
AJILCHIN FLY-OVER IN ULAANBAATAR CITY

DESIGNED BY ;  
CTI Engineering International Co., Ltd.  
Chodai Co., Ltd.  
International Development Institute

APPROVED BY ;

DRAWING TITLE ;  
ERECTION PLANNING OF SUPER STRUCTURE  
(OFF RAMP EAST)

SCALE  
S=1:500

DRAWING No.  
034

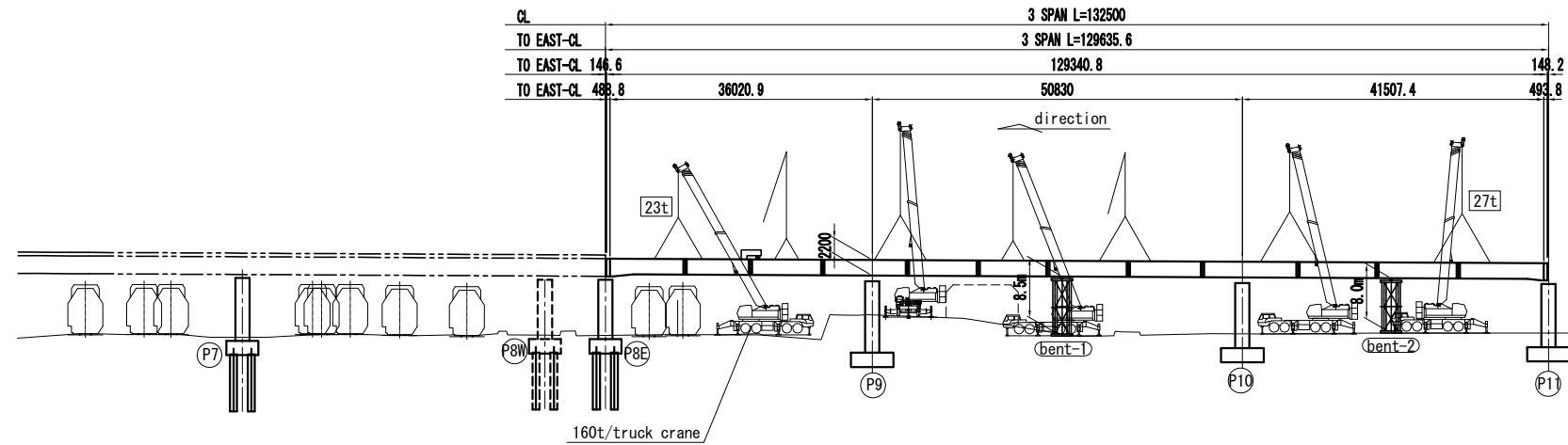
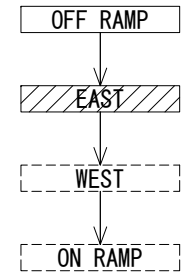
SUPER  
STRUCTURE

truck crane bent method

# ERECTION PLANNING OF SUPER STRUCTURE (P8-P11 EAST)

PROFILE S=1:500

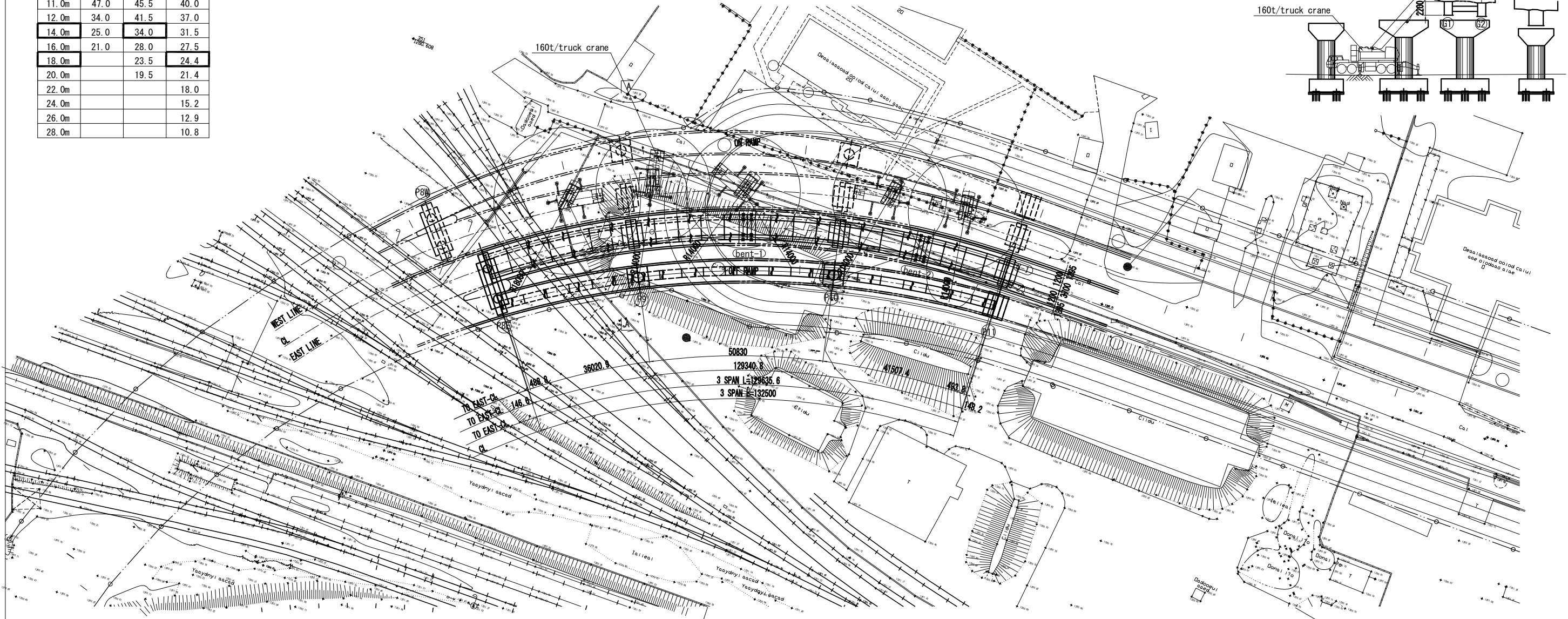
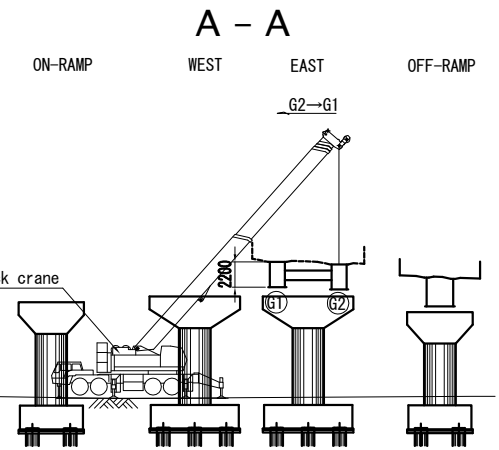
## ERECTION STEP



## PLAN S=1:500

160t/truck crane Ability list (t)

Work radius	18.15m boom	22.7m boom	31.8m boom
10.0m	52.0	50.5	44.0
11.0m	47.0	45.5	40.0
12.0m	34.0	41.5	37.0
14.0m	25.0	34.0	31.5
16.0m	21.0	28.0	27.5
18.0m		23.5	24.4
20.0m		19.5	21.4
22.0m			18.0
24.0m			15.2
26.0m			12.9
28.0m			10.8



PROJECT TITLE ;  
THE PROJECT FOR CONSTRUCTION OF  
AJILCHIN FLY-OVER IN ULAANBAATAR CITY

DESIGNED BY ;  
CTI Engineering International Co., Ltd.  
Chodai Co., Ltd.  
International Development Institute

APPROVED BY ;

DRAWING TITLE ;  
ERECTION PLANNING OF SUPER STRUCTURE  
(P8-P11 EAST)

SCALE  
S=1:500

DRAWING No.  
035

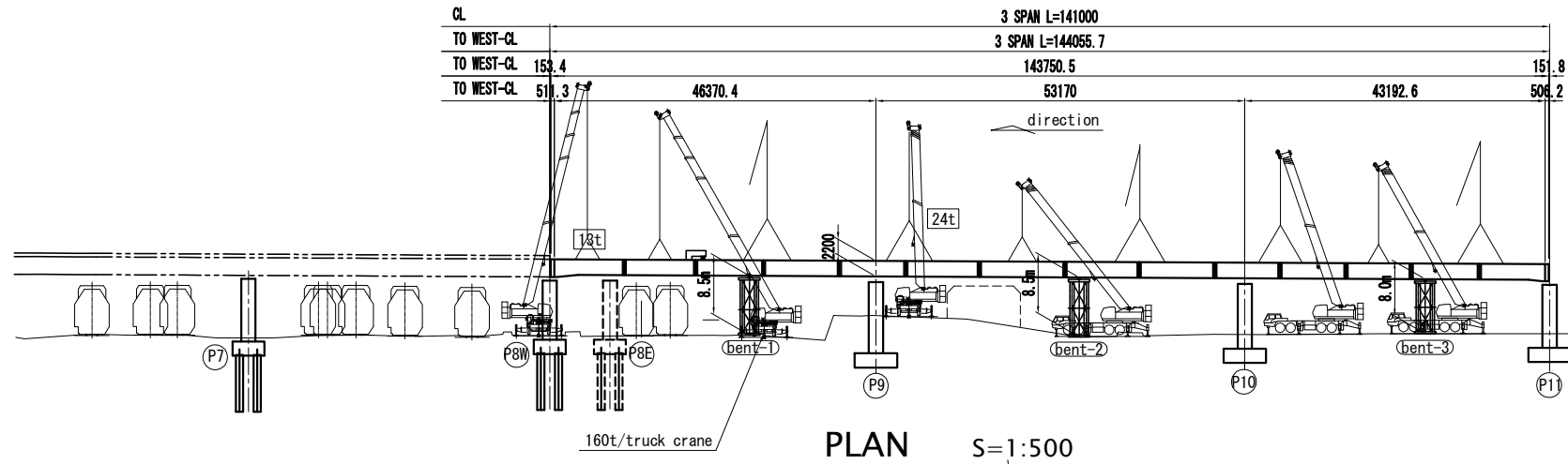
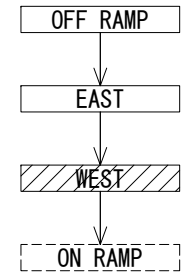
SUPER  
STRUCTURE

truck crane bent method

# ERECTION PLANNING OF SUPER STRUCTURE (P8-P11 WEST)

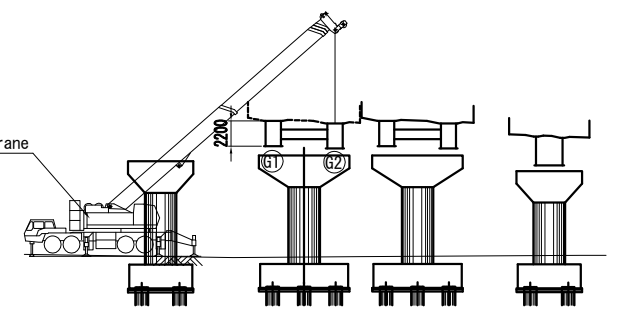
PROFILE S=1:500

ERECTION STEP



A - A

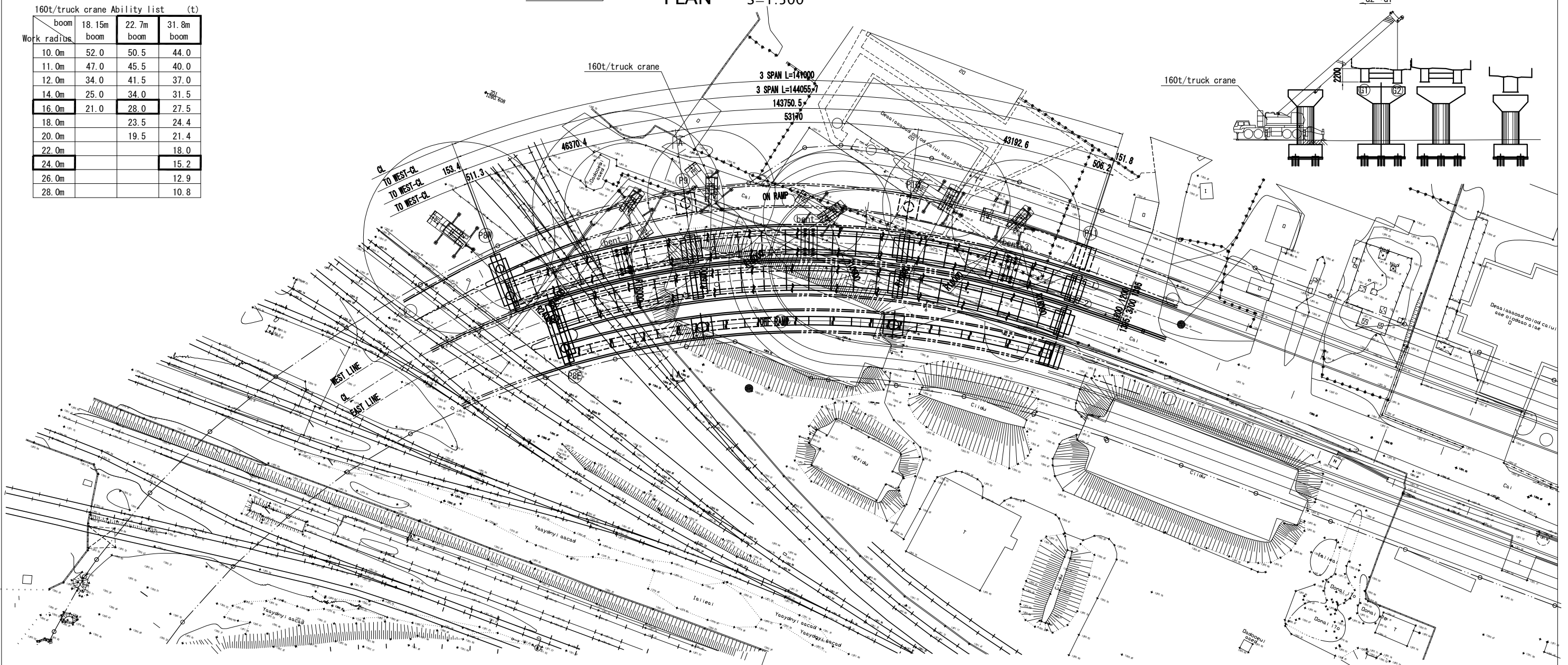
ON-RAMP WEST EAST OFF-RAMP



PLAN S=1:500

160t/truck crane Ability list (t)

Work radius	boom 18.15m	boom 22.7m	boom 31.8m
10.0m	52.0	50.5	44.0
11.0m	47.0	45.5	40.0
12.0m	34.0	41.5	37.0
14.0m	25.0	34.0	31.5
16.0m	21.0	28.0	27.5
18.0m		23.5	24.4
20.0m		19.5	21.4
22.0m			18.0
24.0m			15.2
26.0m			12.9
28.0m			10.8



PROJECT TITLE ;  
THE PROJECT FOR CONSTRUCTION OF  
AJILCHIN FLY-OVER IN ULAANBAATAR CITY

DESIGNED BY ;  
CTI Engineering International Co., Ltd.  
Chodai Co., Ltd.  
International Development Institute

APPROVED BY ;

DRAWING TITLE ;  
ERECTION PLANNING OF SUPER STRUCTURE  
(P8-P11 WEST)

SCALE  
S=1:500

DRAWING No.  
036

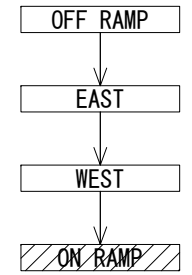
SUPER  
STRUCTURE

truck crane bent method

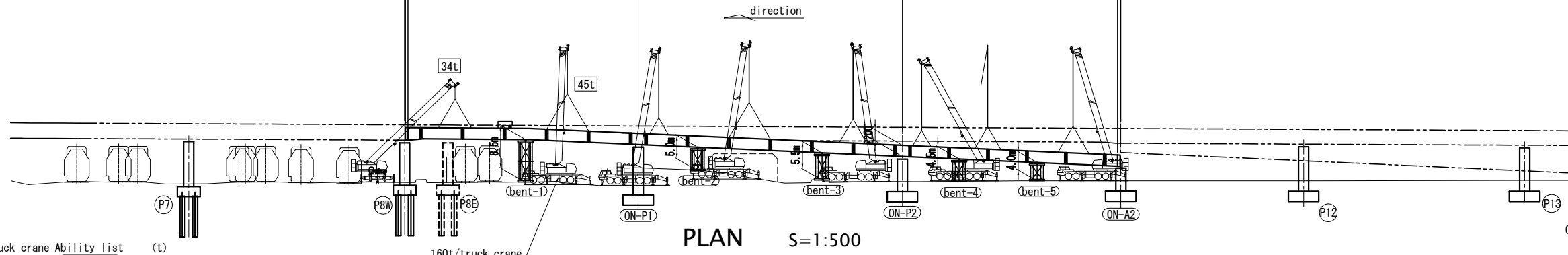
# ERECTION PLANNING OF SUPER STRUCTURE (ON RAMP TO WEST)

PROFILE S=1:500

ERECTION STEP



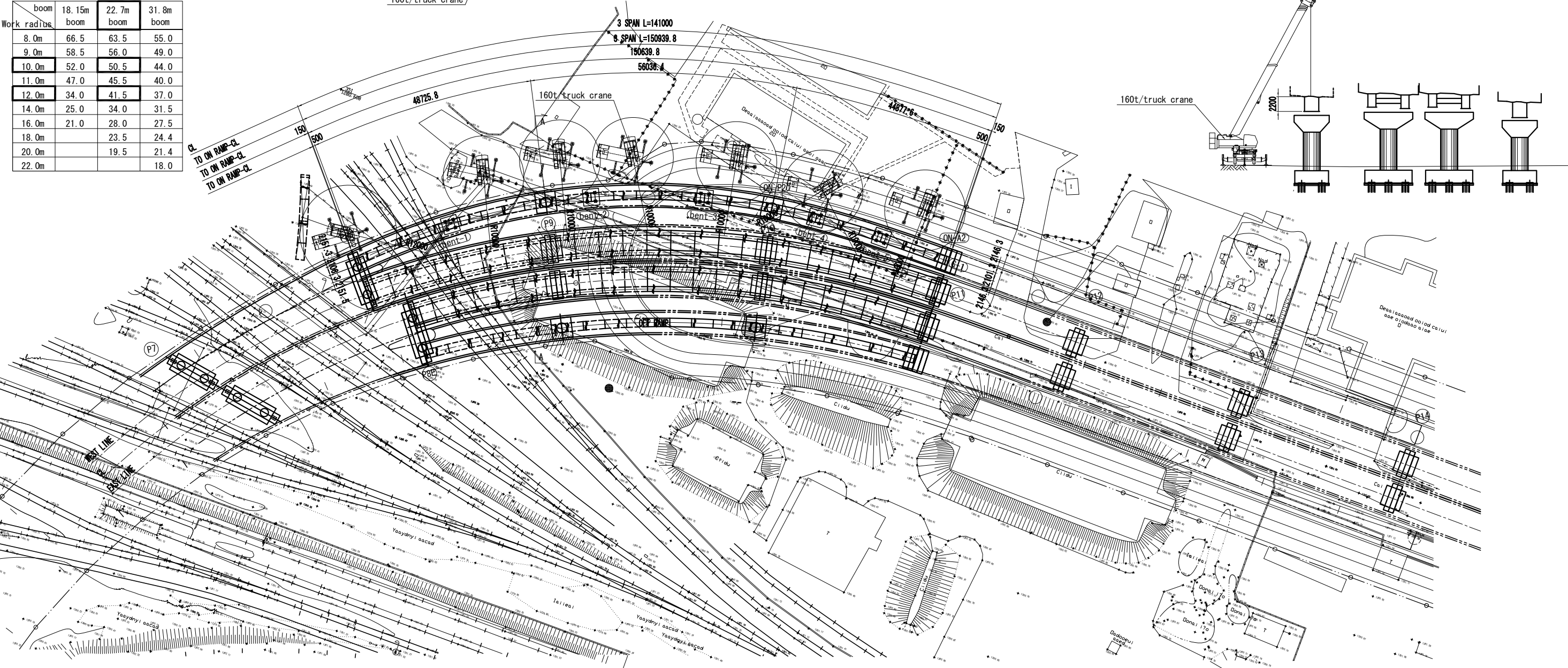
CL		3 SPAN L=141000
TO ON RAMP-CL		3 SPAN L=150939.8
TO ON RAMP-CL	150	150639.8
TO ON RAMP-CL	500	56036.4
	48725.8	44877.6



160t/truck crane Ability list (t)

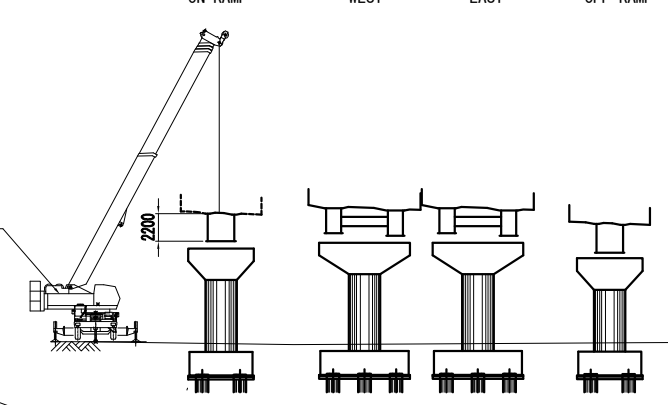
Work radius	18.15m boom	22.7m boom	31.8m boom
8.0m	66.5	63.5	55.0
9.0m	58.5	56.0	49.0
10.0m	52.0	50.5	44.0
11.0m	47.0	45.5	40.0
12.0m	34.0	41.5	37.0
14.0m	25.0	34.0	31.5
16.0m	21.0	28.0	27.5
18.0m		23.5	24.4
20.0m		19.5	21.4
22.0m			18.0

PLAN S=1:500



A - A

WEST EAST OFF-RAMP



PROJECT TITLE ;  
THE PROJECT FOR CONSTRUCTION OF  
AJILCHIN FLY-OVER IN ULAANBAATAR CITY

DESIGNED BY ;  
CTI Engineering International Co., Ltd.  
Chodai Co., Ltd.  
International Development Institute

APPROVED BY ;

DRAWING TITLE ;  
ERECTION PLANNING OF SUPER STRUCTURE  
(ON RAMP WEST)

SCALE  
S=1:500

DRAWING No.  
037

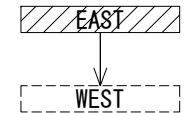
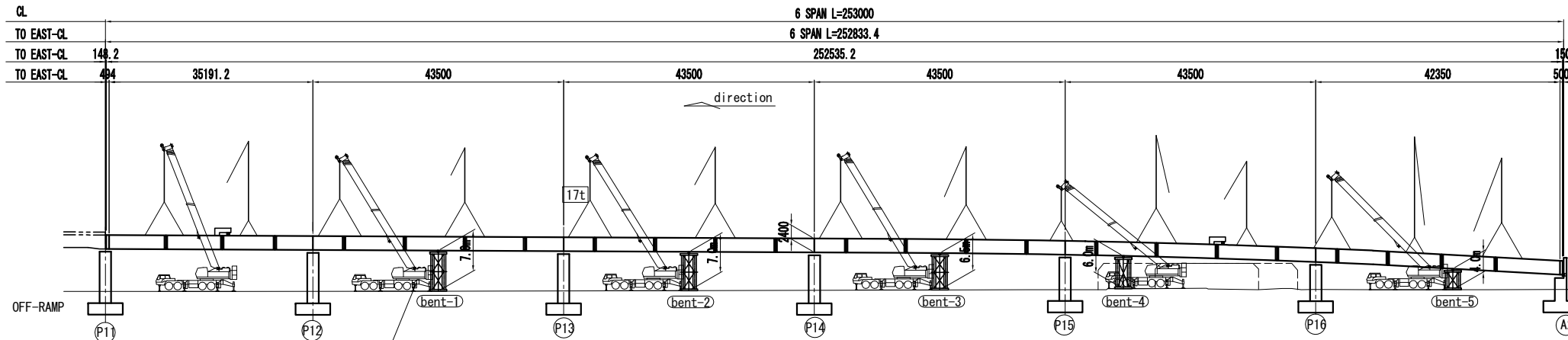
SUPER  
STRUCTURE

truck crane bent method

# ERECTION PLANNING OF SUPER STRUCTURE (P11-A2 EAST)

PROFILE S=1:500

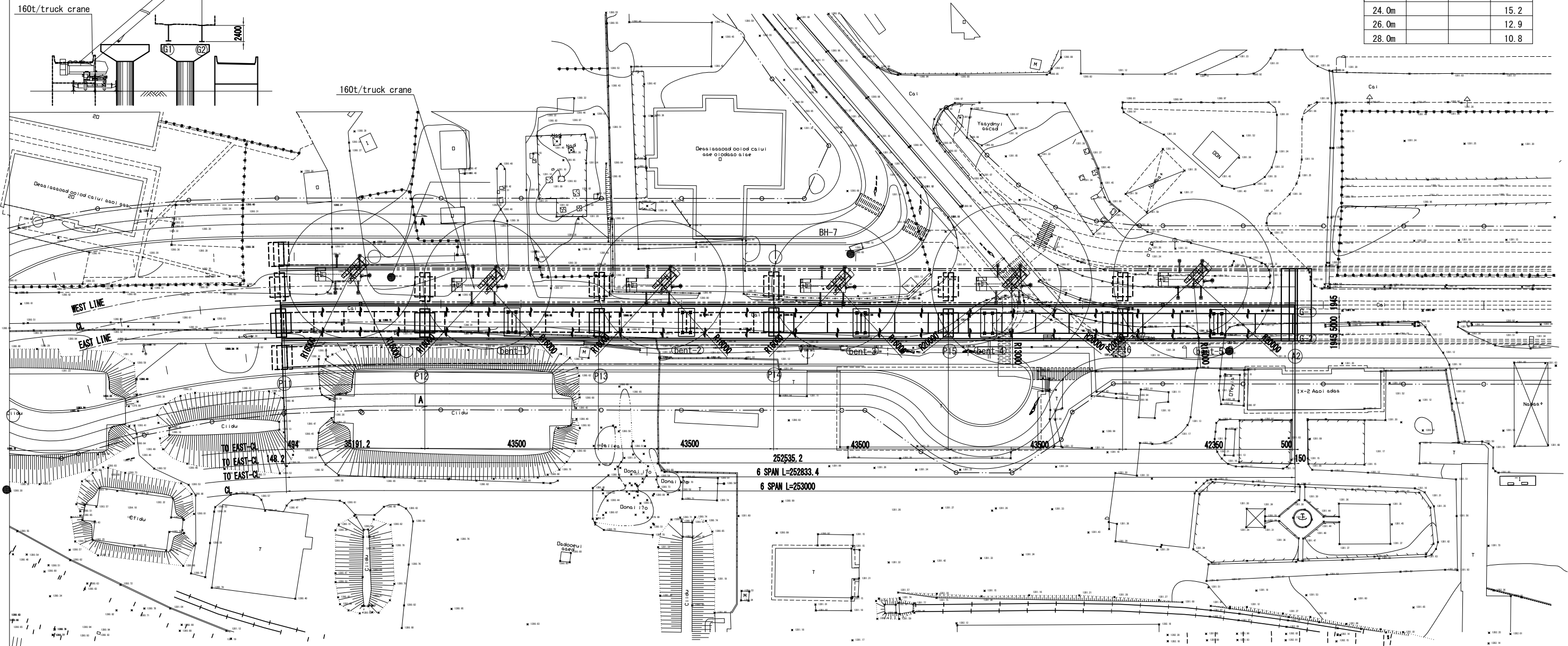
ERECTION STEP



160t/truck crane Ability list (t)

Work radius	boom		
	18.15m boom	22.7m boom	31.8m boom
6.0m	89.5	84.0	65.0
7.0m	76.5	72.5	60.0
8.0m	66.5	63.5	55.0
9.0m	58.5	56.0	49.0
10.0m	52.0	50.5	44.0
11.0m	47.0	45.5	40.0
12.0m	34.0	41.5	37.0
14.0m	25.0	34.0	31.5
16.0m	21.0	28.0	27.5
18.0m		23.5	24.4
20.0m		19.5	21.4
22.0m			18.0
24.0m			15.2
26.0m			12.9
28.0m			10.8

PLAN S=1:500



PROJECT TITLE ;  
THE PROJECT FOR CONSTRUCTION OF  
AJILCHIN FLY-OVER IN ULAANBAATAR CITY

DESIGNED BY ;  
CTI Engineering International Co., Ltd.  
Chodai Co., Ltd.  
International Development Institute

APPROVED BY ;

DRAWING TITLE ;  
ERECTION PLANNING OF SUPER STRUCTURE  
(P11-A2 EAST)

SCALE  
S=1:500

DRAWING No.  
038

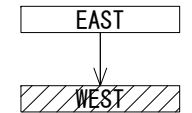
SUPER  
STRUCTURE

truck crane bent method

# ERECTION PLANNING OF SUPER STRUCTURE (P11-A2 WEST)

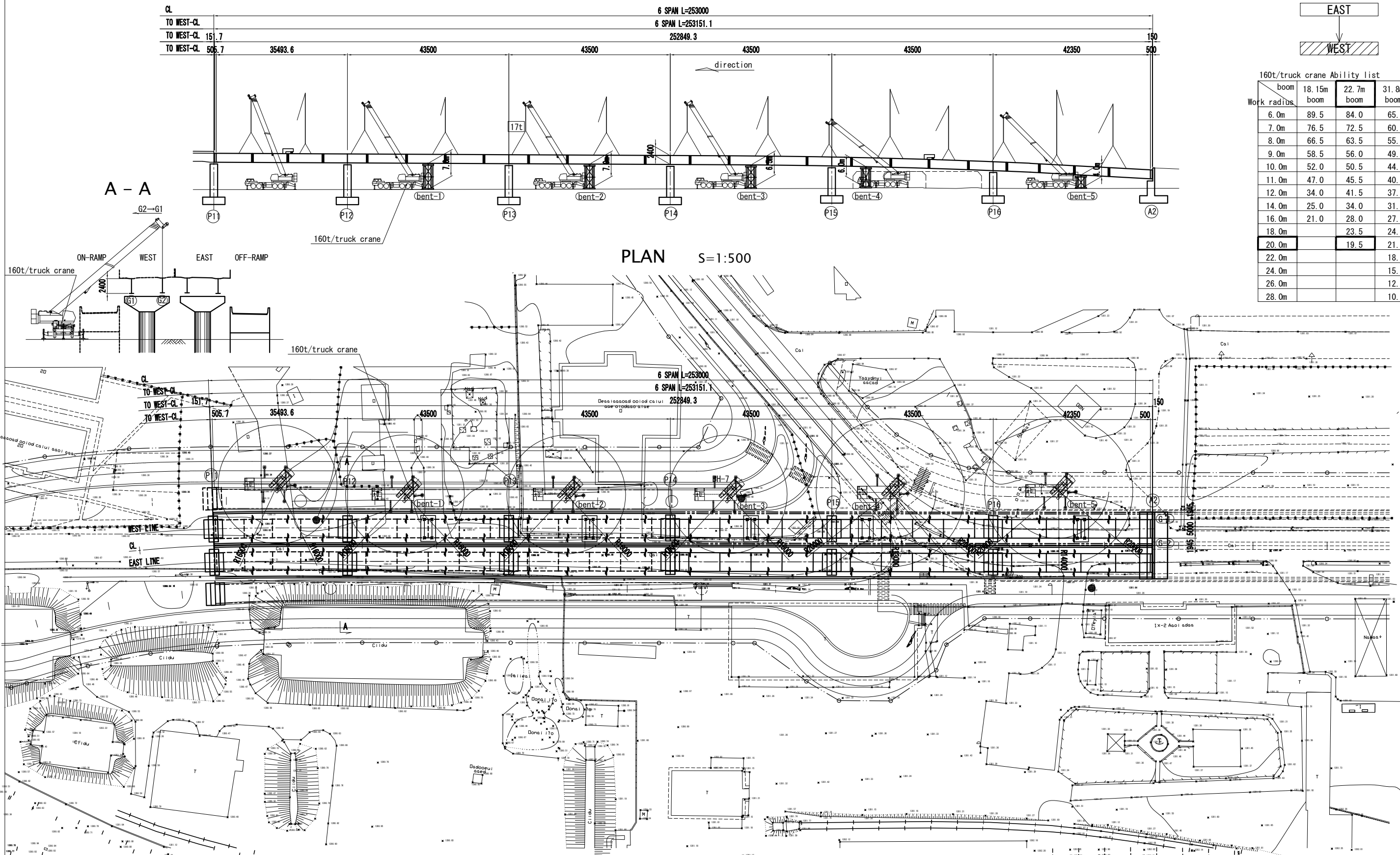
PROFILE S=1:500

## ERECTION STEP



160t/truck crane Ability list (t)

Work radius	18.15m boom	22.7m boom	31.8m boom
6.0m	89.5	84.0	65.0
7.0m	76.5	72.5	60.0
8.0m	66.5	63.5	55.0
9.0m	58.5	56.0	49.0
10.0m	52.0	50.5	44.0
11.0m	47.0	45.5	40.0
12.0m	34.0	41.5	37.0
14.0m	25.0	34.0	31.5
16.0m	21.0	28.0	27.5
18.0m		23.5	24.4
20.0m		19.5	21.4
22.0m			18.0
24.0m			15.2
26.0m			12.9
28.0m			10.8



PROJECT TITLE ;  
THE PROJECT FOR CONSTRUCTION OF  
AJILCHIN FLY-OVER IN ULAANBAATAR CITY

DESIGNED BY ;  
CTI Engineering International Co., Ltd.  
Chodai Co., Ltd.  
International Development Institute

APPROVED BY ;

DRAWING TITLE ;  
ERECTION PLANNING OF SUPER STRUCTURE  
(P11-A2 WEST)

SCALE  
S=1:500

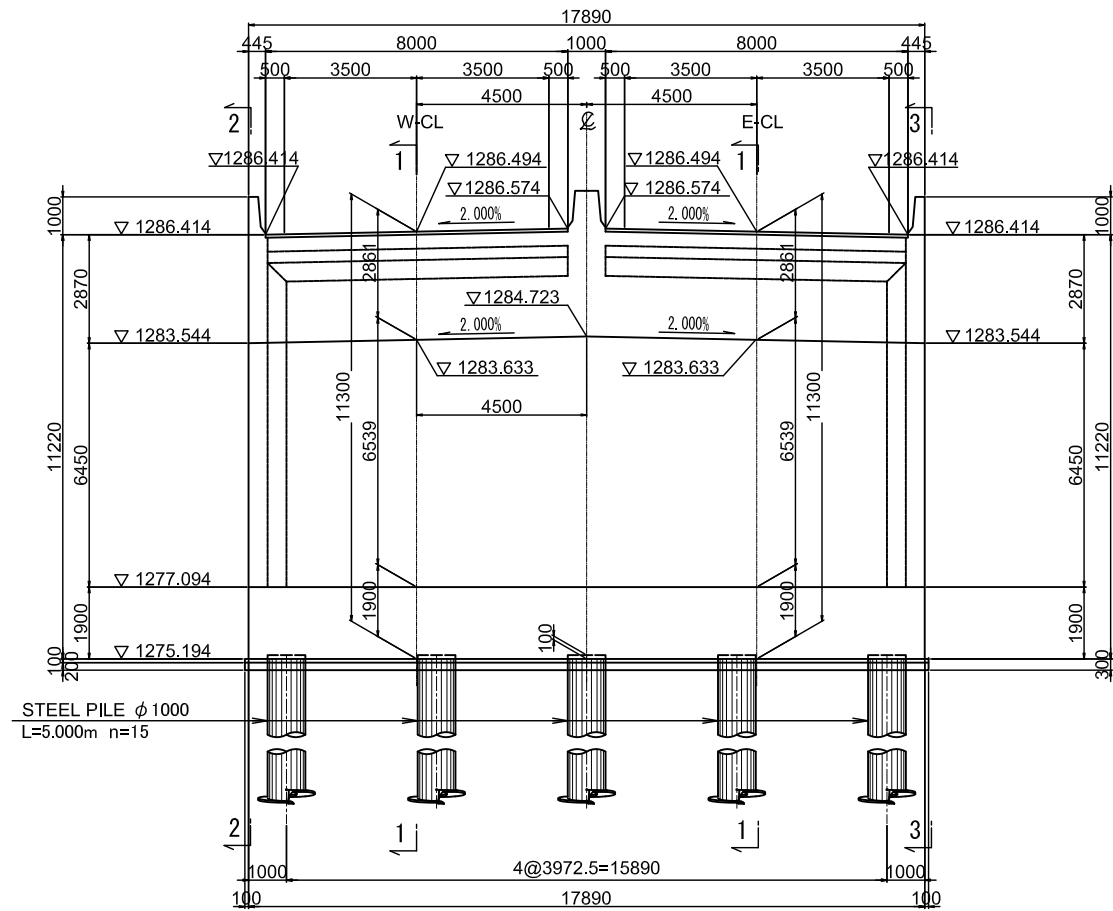
DRAWING No.  
039

SUPER  
STRUCTURE

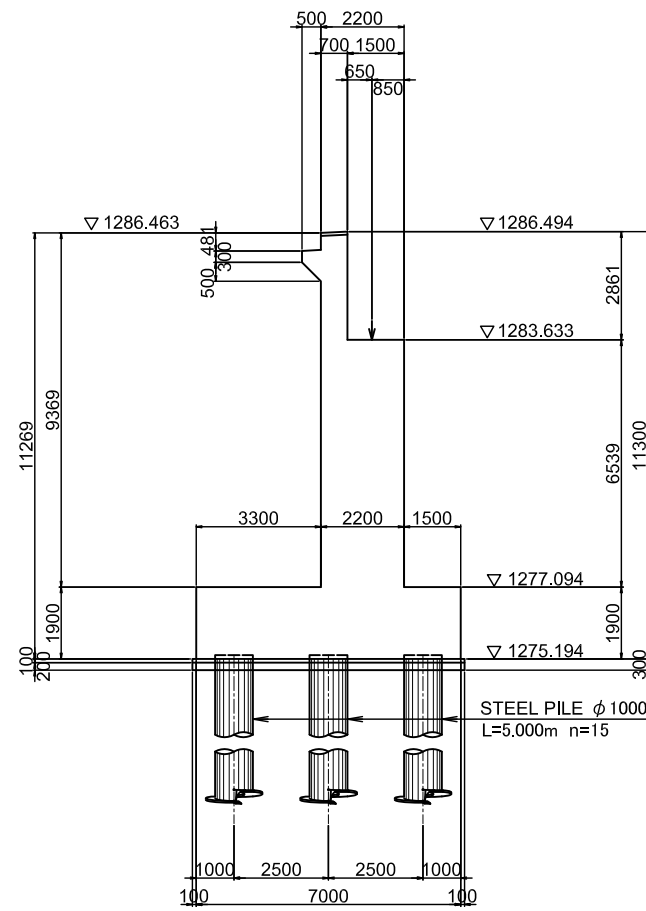
DETAIL OF A1 S=1:200

FRONT VIEW

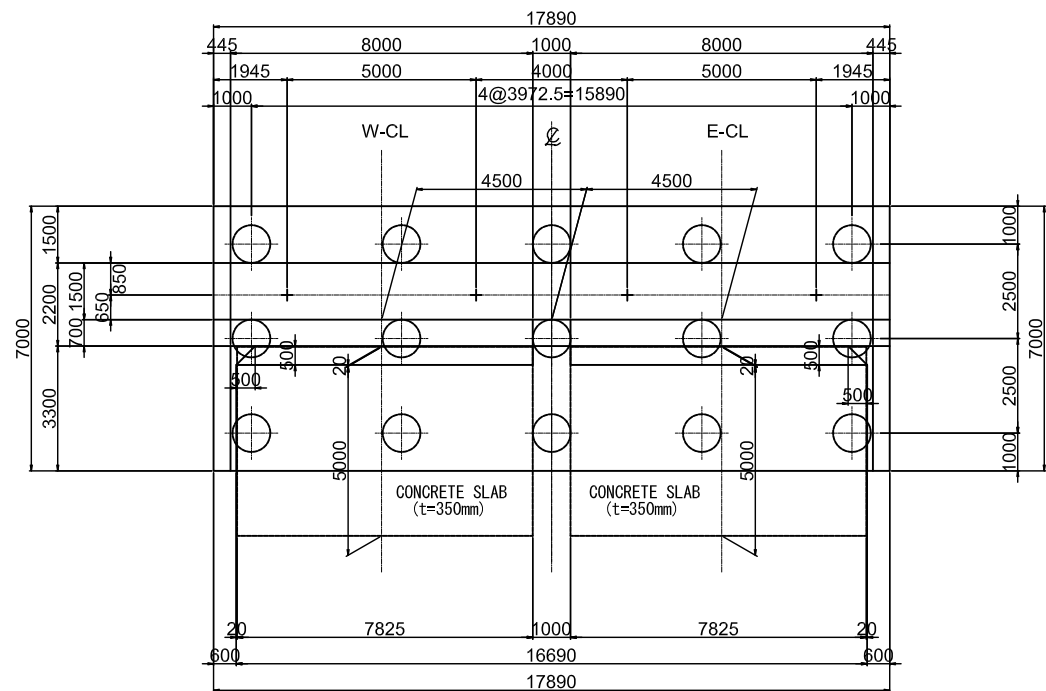
TO-WEST TO-EAST



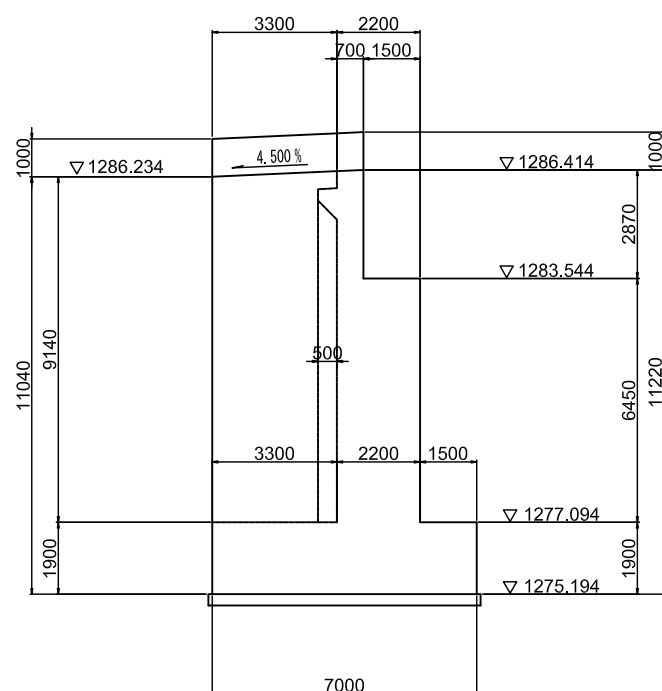
SIDE VIEW 1-1



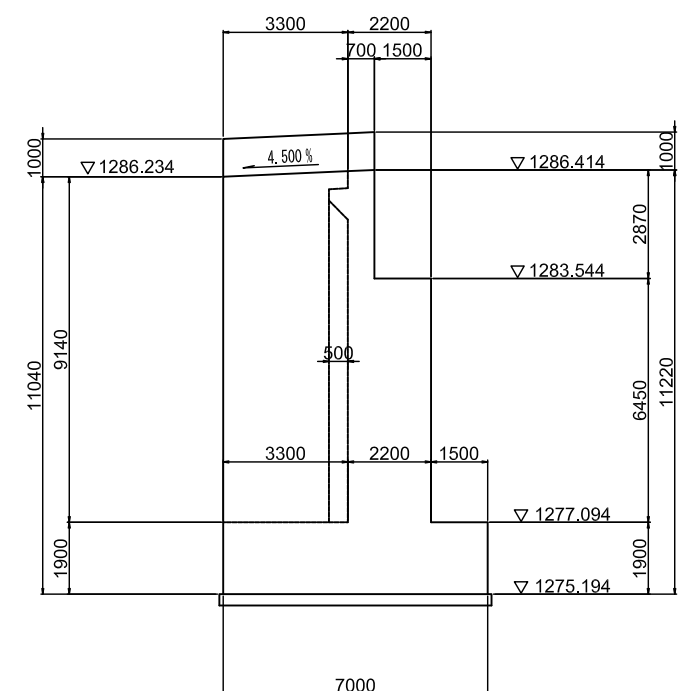
PLAN



SIDE VIEW 2-2



SIDE VIEW 3-3



PROJECT TITLE ;  
THE PROJECT FOR CONSTRUCTION OF  
AJILCHIN FLY-OVER IN ULAANBAATAR CITY

DESIGNED BY ;  
CTI Engineering International Co., Ltd.  
Chodai Co., Ltd.  
International Development Institute

APPROVED BY ;

DRAWING TITLE ;  
DETAIL OF A1

SCALE  
S=1:200

DRAWING No.  
040

SUB  
STRUCTURE

DETAIL OF P1

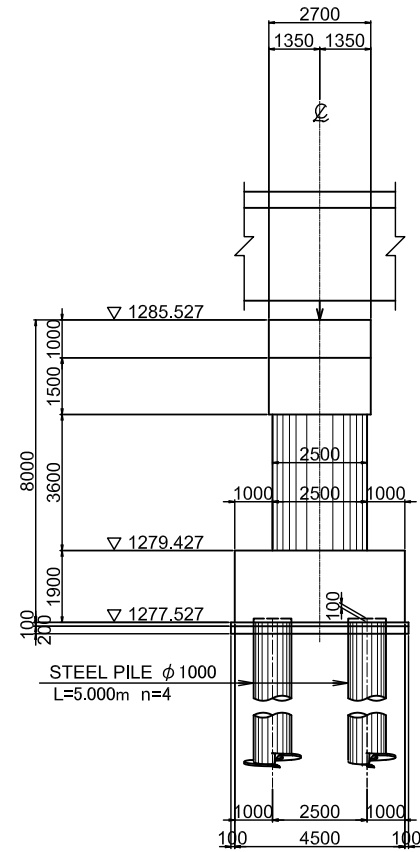
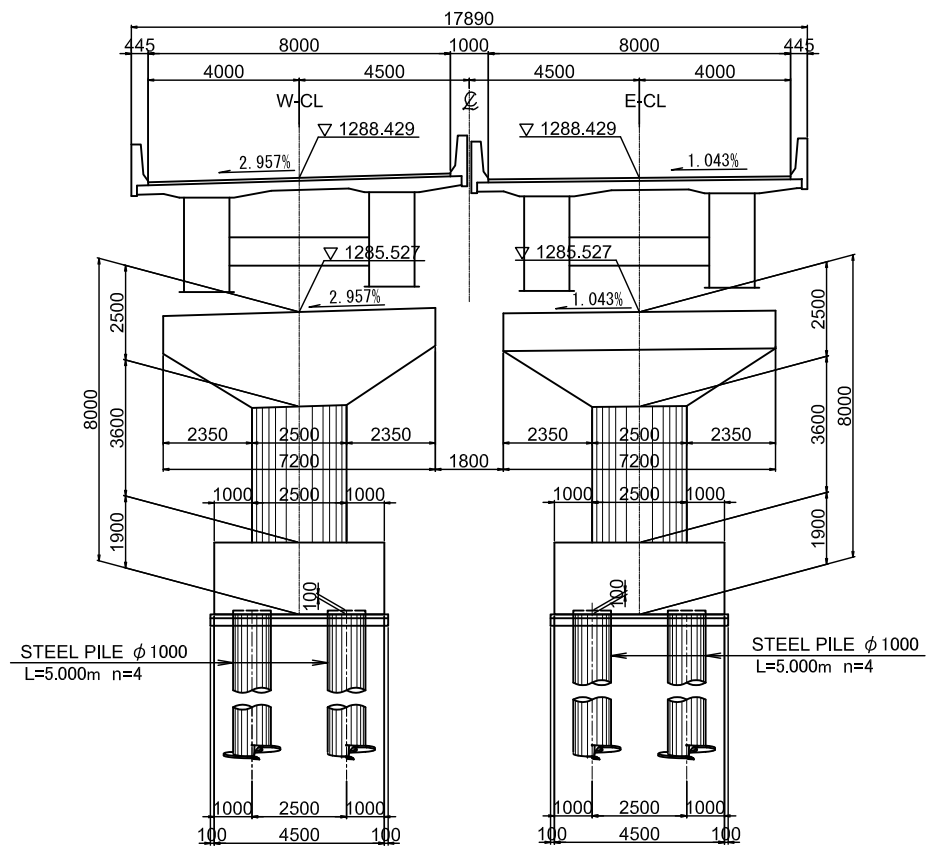
S=1:200

FRONT VIEW

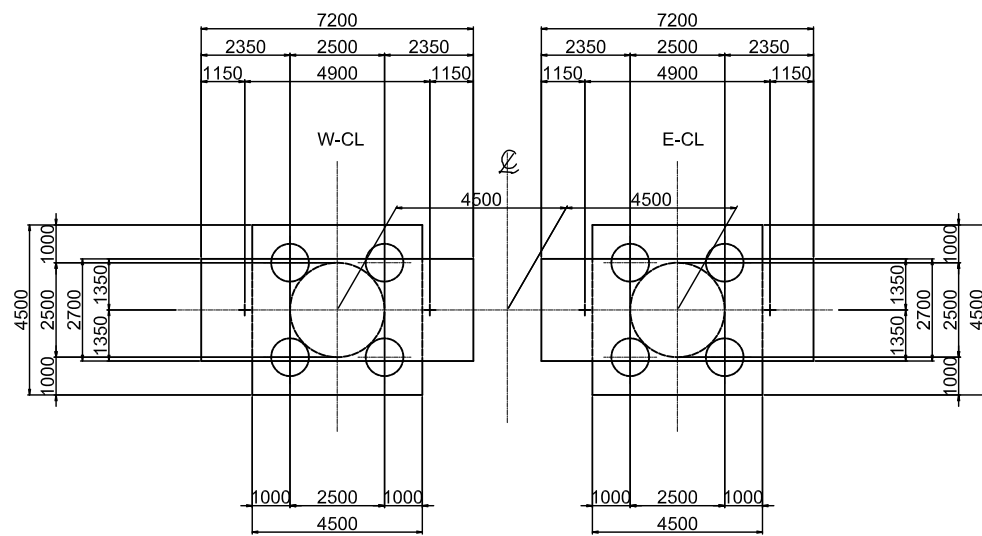
SIDE VIEW

TO-WEST

TO-EAST



PLAN



PROJECT TITLE ;  
THE PROJECT FOR CONSTRUCTION OF  
AJILCHIN FLY-OVER IN ULAANBAATAR CITY

DESIGNED BY ;  
CTI Engineering International Co., Ltd.  
Chodai Co., Ltd.  
International Development Institute

APPROVED BY ;

DRAWING TITLE ;  
DETAIL OF P1

SCALE  
S=1:200

DRAWING No.  
041  
SUB  
STRUCTURE



DETAIL OF P2~P3

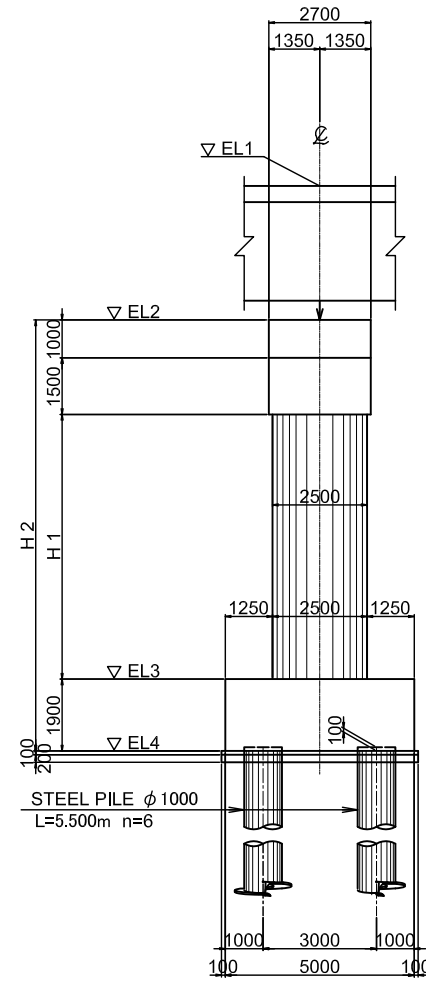
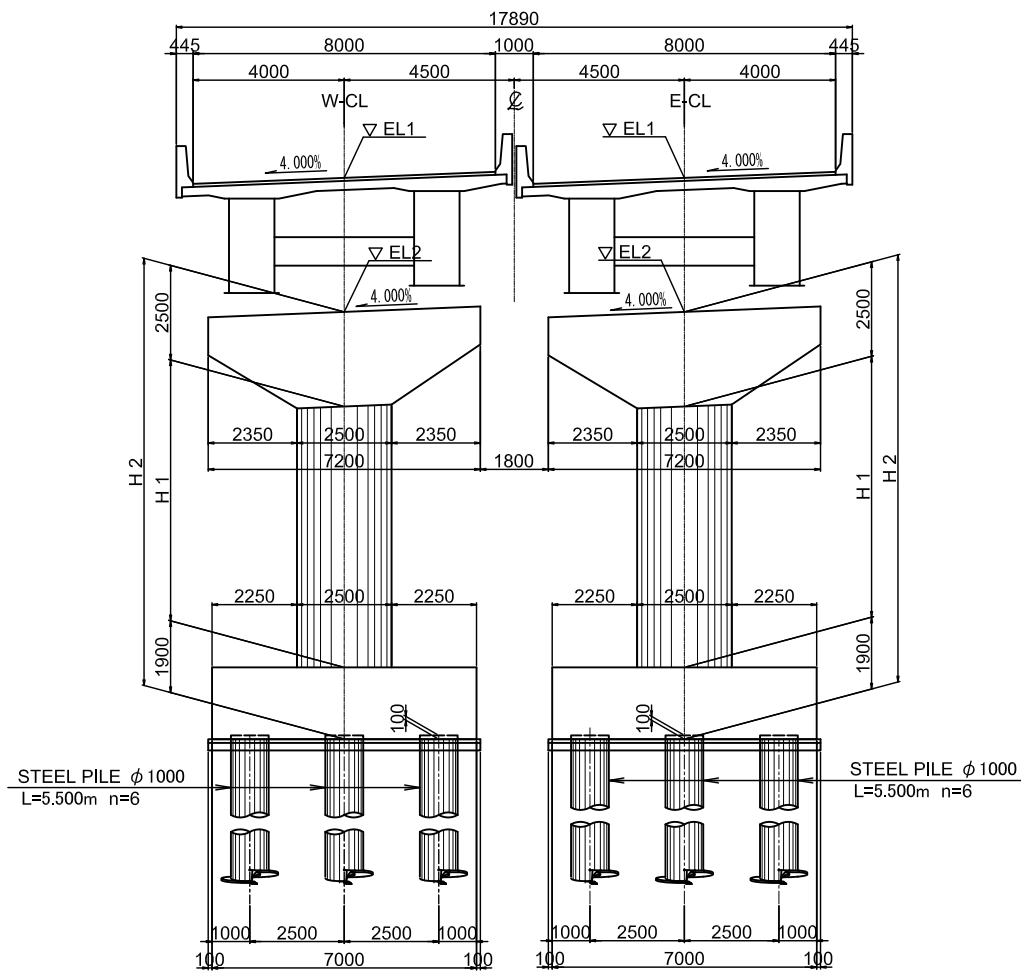
S=1:200

FRONT VIEW

SIDE VIEW

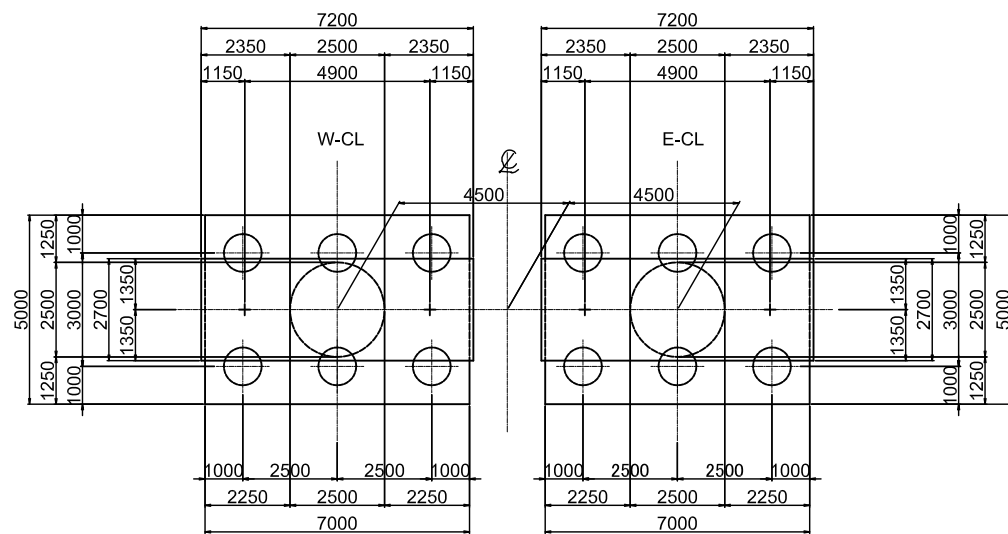
TO-WEST

TO-EAST



PLAN

DIMENSIONAL DATA



	TO-WEST		TO-EAST		
	P 2	P 3	P 2	P 3	
TOP OF STRUCTURE	EL 1	1291.634	1291.862	1291.634	1291.862
	EL 2	1287.734	1288.960	1287.734	1288.960
	EL 3	1283.434	1279.760	1283.434	1279.760
	EL 4	1281.534	1277.860	1281.434	1277.860
HEIGHT OF PILLAR	H 1	5800	6700	5800	6700
HEIGHT OF PIER	H 2	10200	11100	10200	11100

PROJECT TITLE ;  
THE PROJECT FOR CONSTRUCTION OF  
AJILCHIN FLY-OVER IN ULAANBAATAR CITY

DESIGNED BY ;  
CTI Engineering International Co., Ltd.  
Chodai Co., Ltd.  
International Development Institute

APPROVED BY ;

DRAWING TITLE ;  
DETAIL OF P2~P3

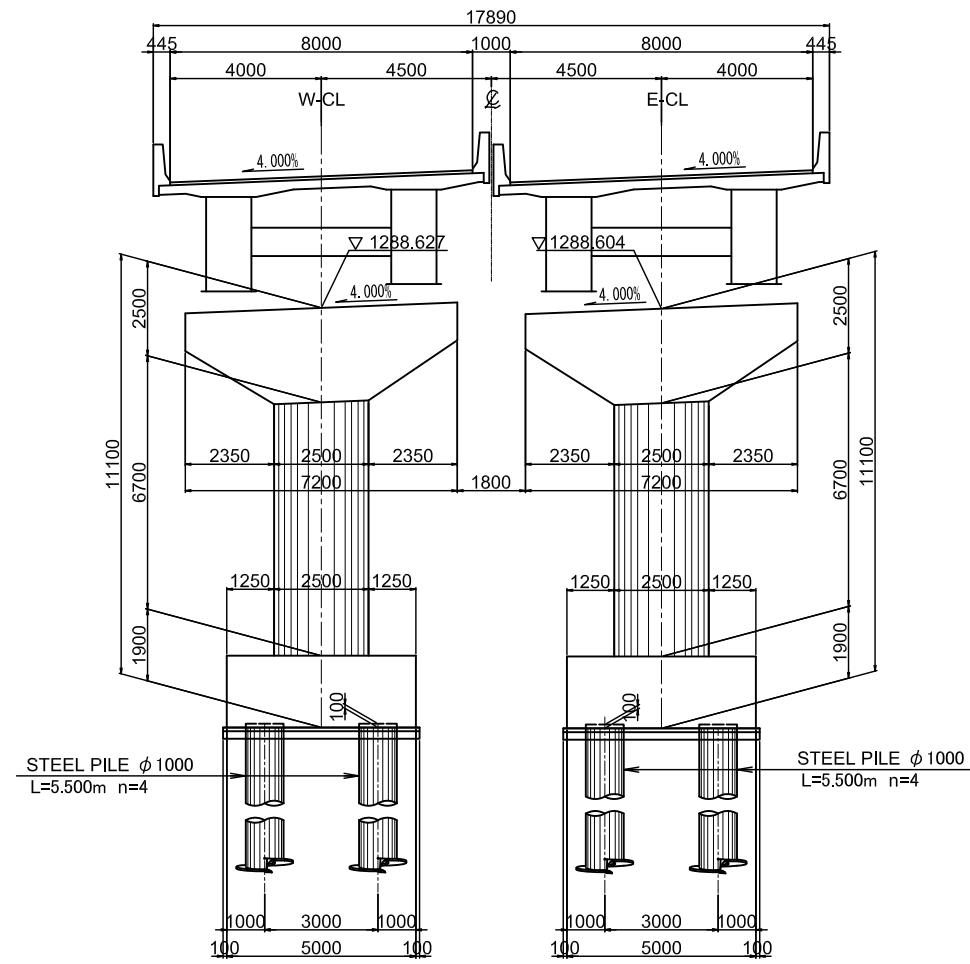
SCALE  
S=1:200

DRAWING No.  
042  
SUB  
STRUCTURE

FRONT VIEW

TO-WEST

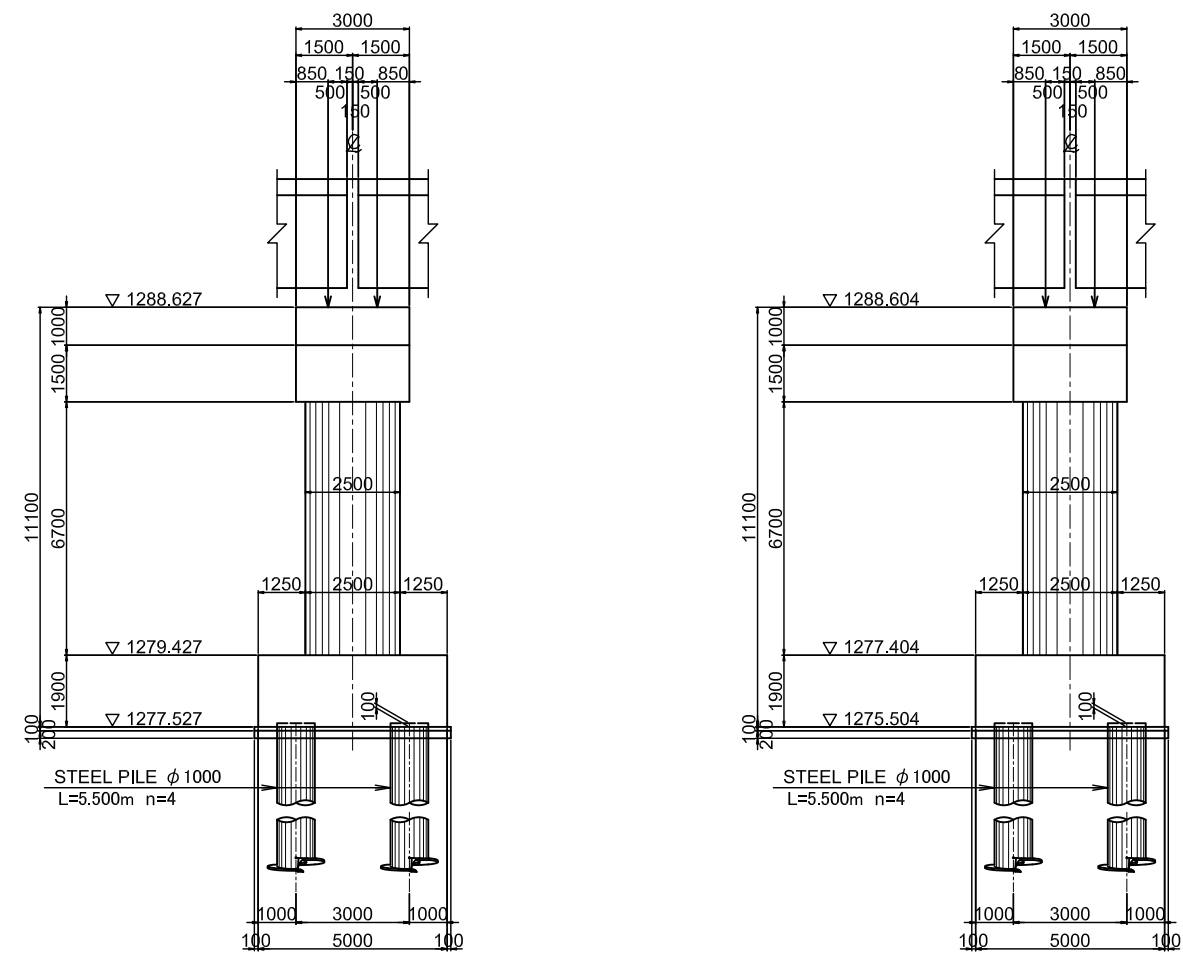
TO-EAST



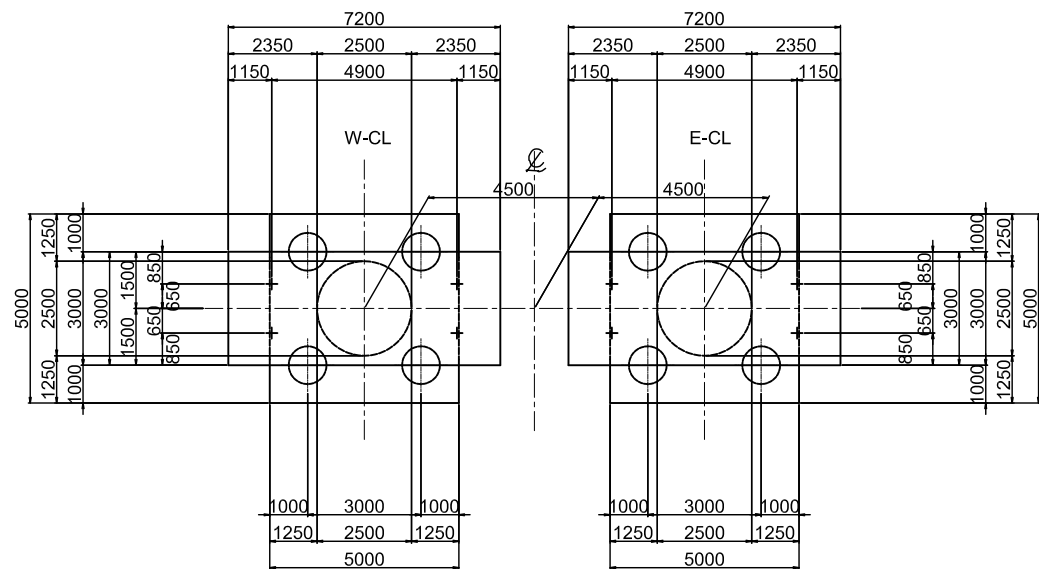
SIDE VIEW

TO-WEST

TO-EAST



PLAN



PROJECT TITLE ;  
THE PROJECT FOR CONSTRUCTION OF  
AJILCHIN FLY-OVER IN ULAANBAATAR CITY

DESIGNED BY ;  
CTI Engineering International Co., Ltd.  
Chodai Co., Ltd.  
International Development Institute

APPROVED BY ;

DRAWING TITLE ;  
DETAIL OF P4

SCALE  
S=1:200

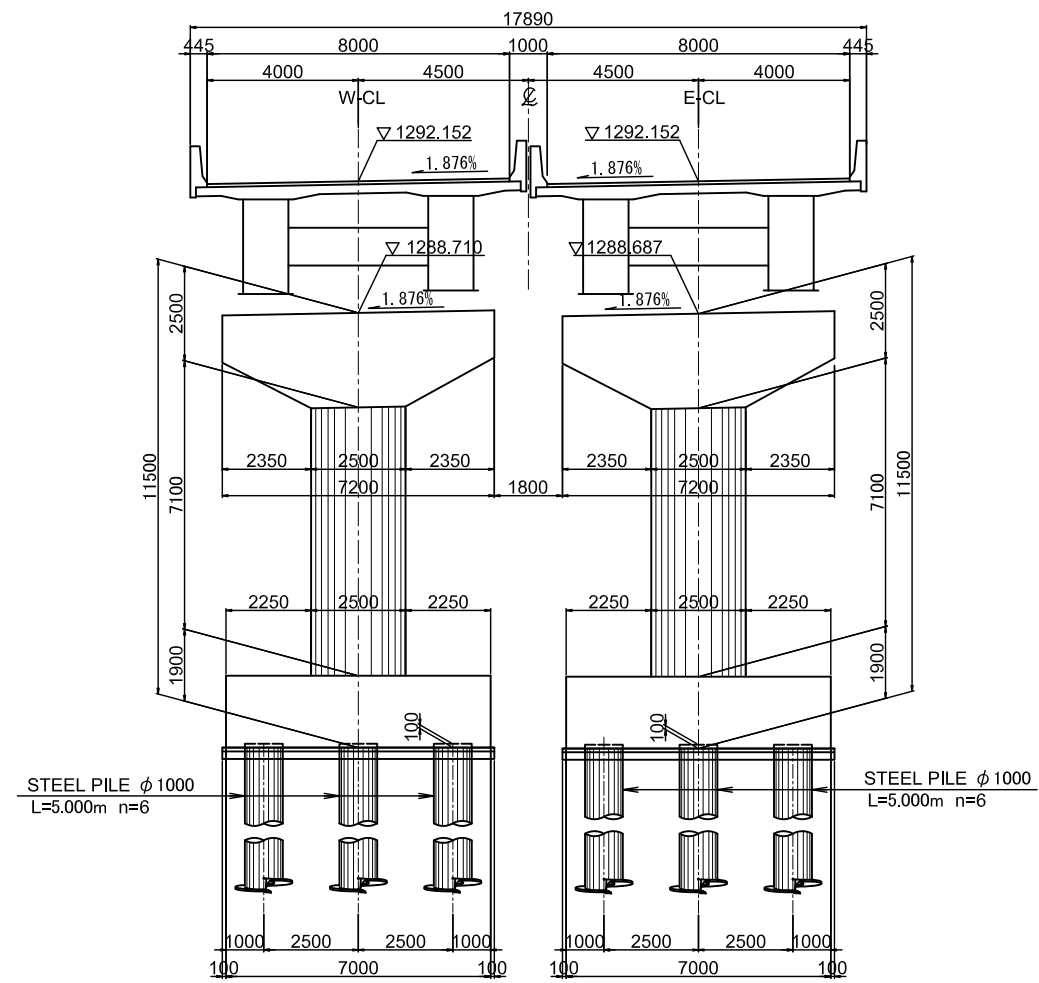
DRAWING No.  
043  
SUB  
STRUCTURE

DETAIL OF P5 S=1:200

FRONT VIEW

TO-WEST

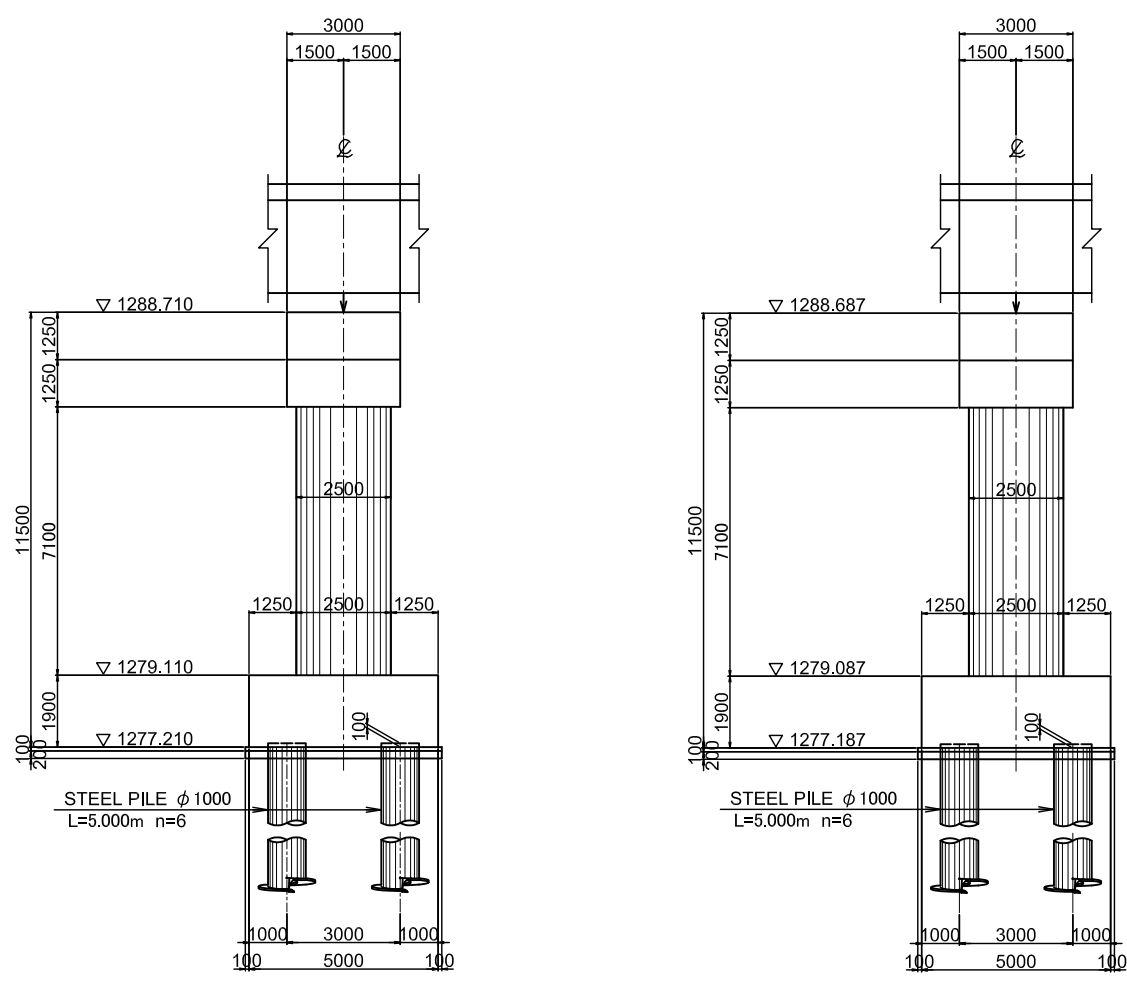
TO-EAST



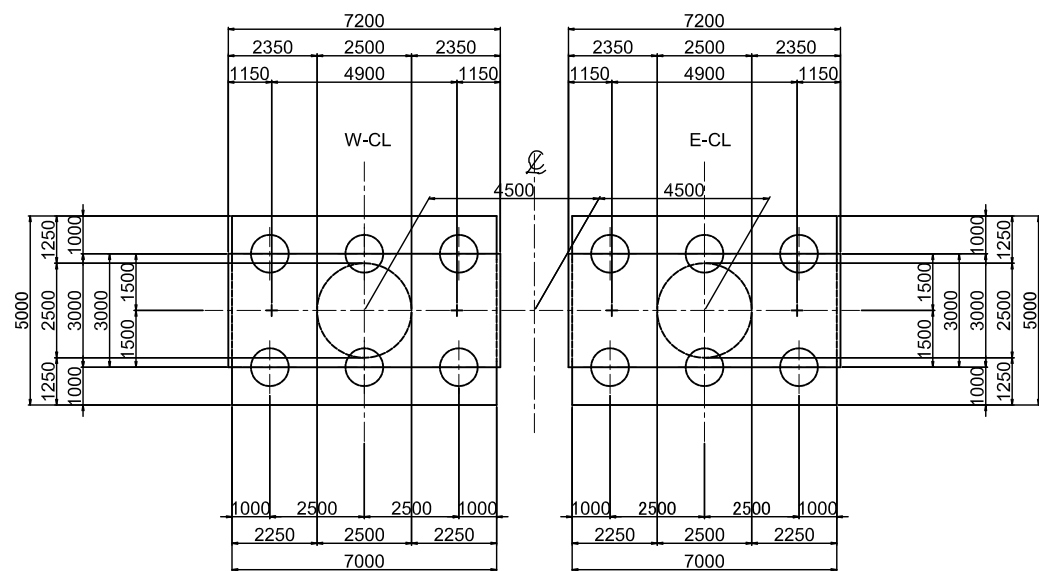
SIDE VIEW

TO-WEST

TO-EAST



PLAN



PROJECT TITLE ;  
THE PROJECT FOR CONSTRUCTION OF  
AJILCHIN FLY-OVER IN ULAANBAATAR CITY

DESIGNED BY ;  
CTI Engineering International Co., Ltd.  
Chodai Co., Ltd.  
International Development Institute

APPROVED BY ;

DRAWING TITLE ;  
DETAIL OF P5

SCALE  
S=1:200

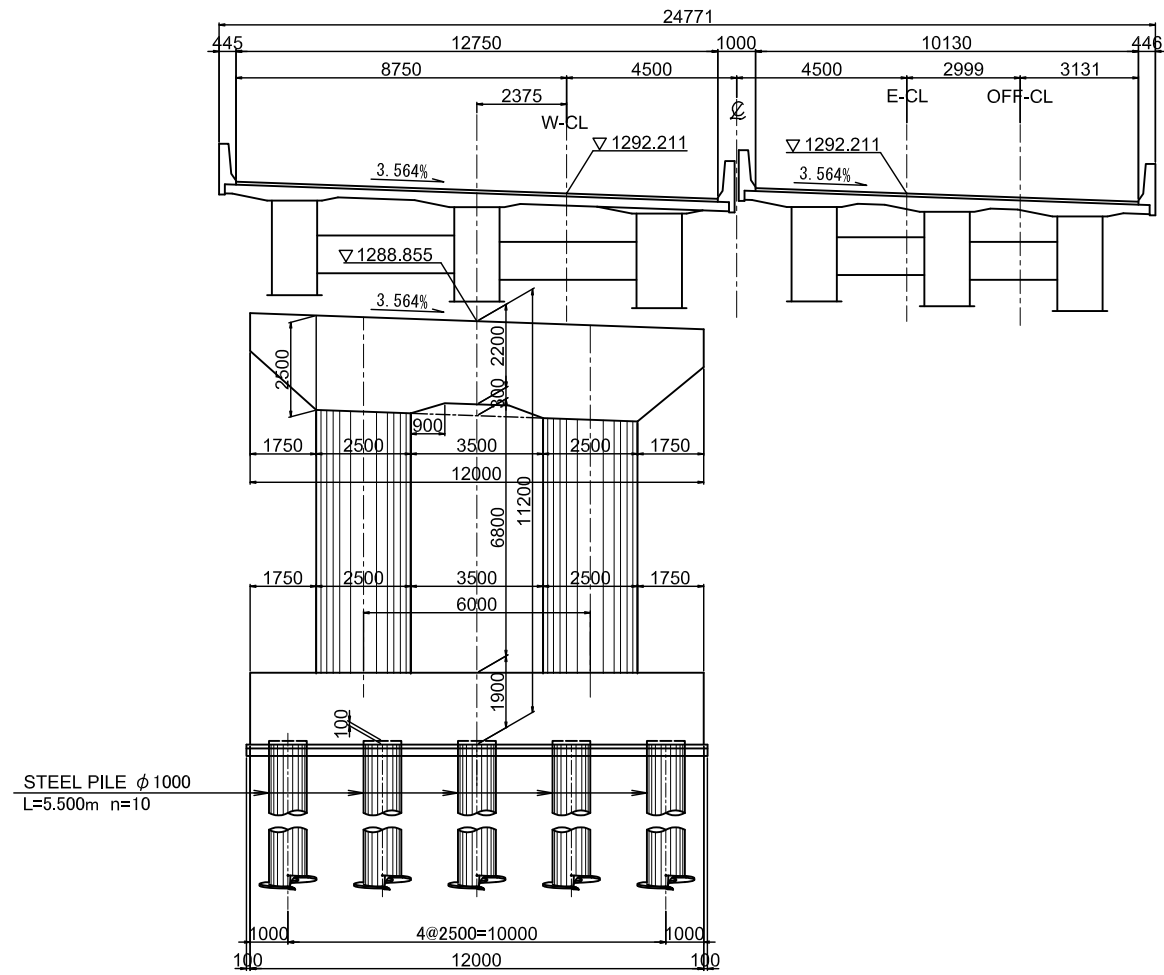
DRAWING No.  
044  
SUB  
STRUCTURE

DETAIL OF WEST P6 S=1:200

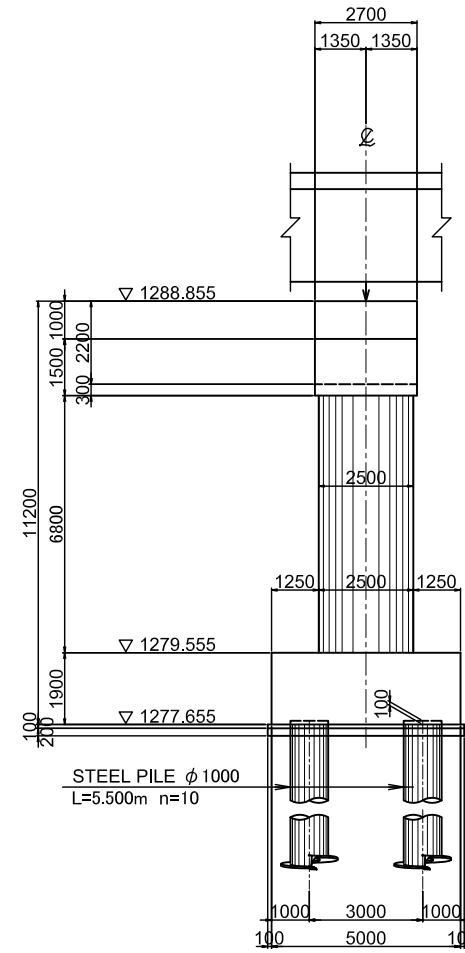
FRONT VIEW

TO-WEST

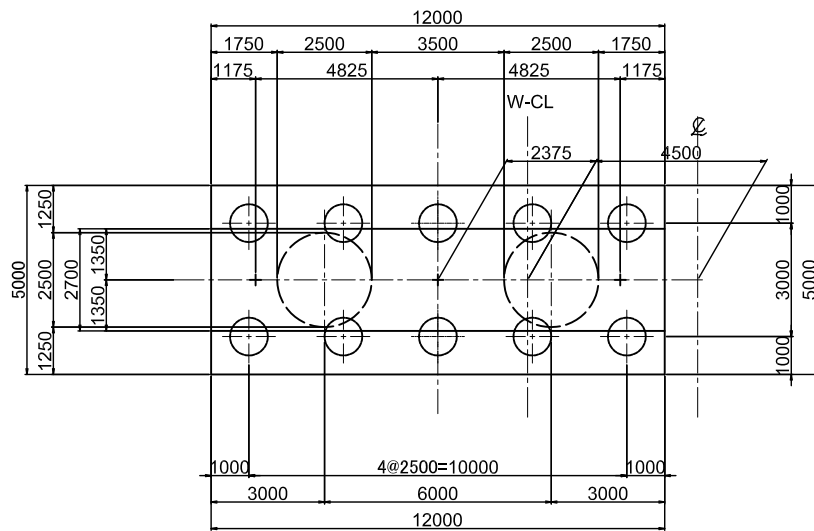
TO-EAST OFF-RAMP



SIDE VIEW



PLAN



PROJECT TITLE ;  
THE PROJECT FOR CONSTRUCTION OF  
AJILCHIN FLY-OVER IN ULAANBAATAR CITY

DESIGNED BY ;  
CTI Engineering International Co., Ltd.  
Chodai Co., Ltd.  
International Development Institute

APPROVED BY ;

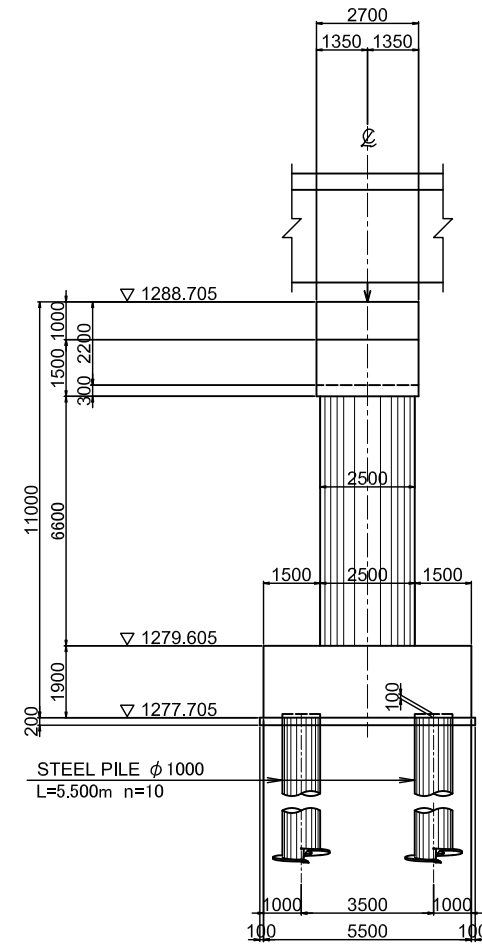
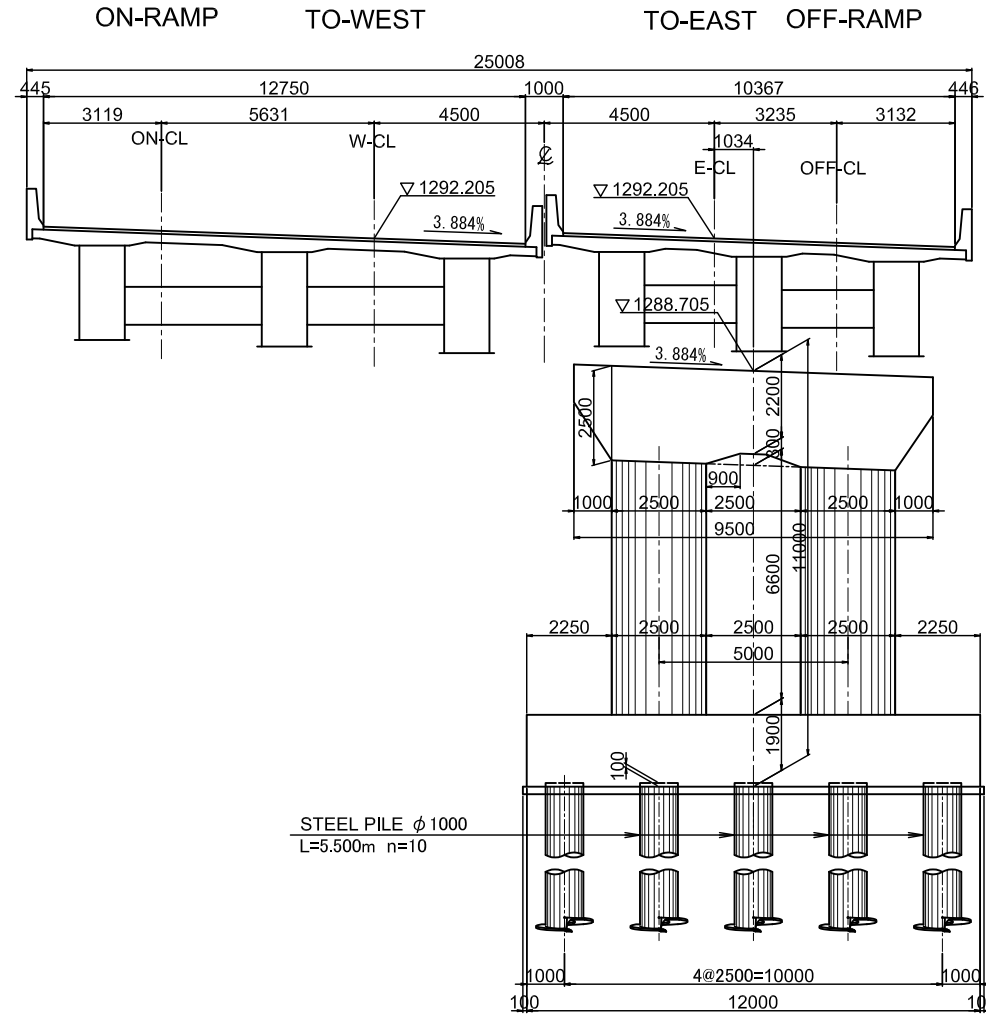
DRAWING TITLE ;  
DETAIL OF WEST P6

SCALE  
S=1:200

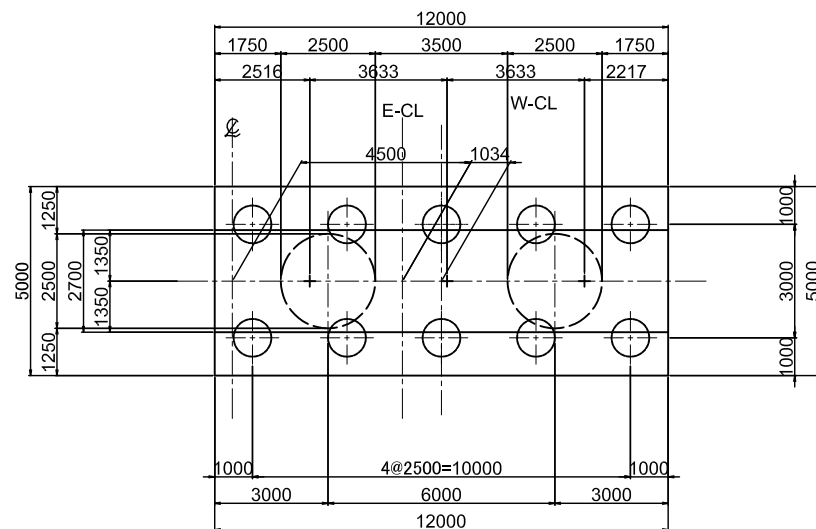
DRAWING No.  
045  
SUB  
STRUCTURE

FRONT VIEW

SIDE VIEW



PLAN



PROJECT TITLE ;  
THE PROJECT FOR CONSTRUCTION OF  
AJILCHIN FLY-OVER IN ULAANBAATAR CITY

DESIGNED BY ;  
CTI Engineering International Co., Ltd.  
Chodai Co., Ltd.  
International Development Institute

APPROVED BY ;

DRAWING TITLE ;  
DETAIL OF EAST P6

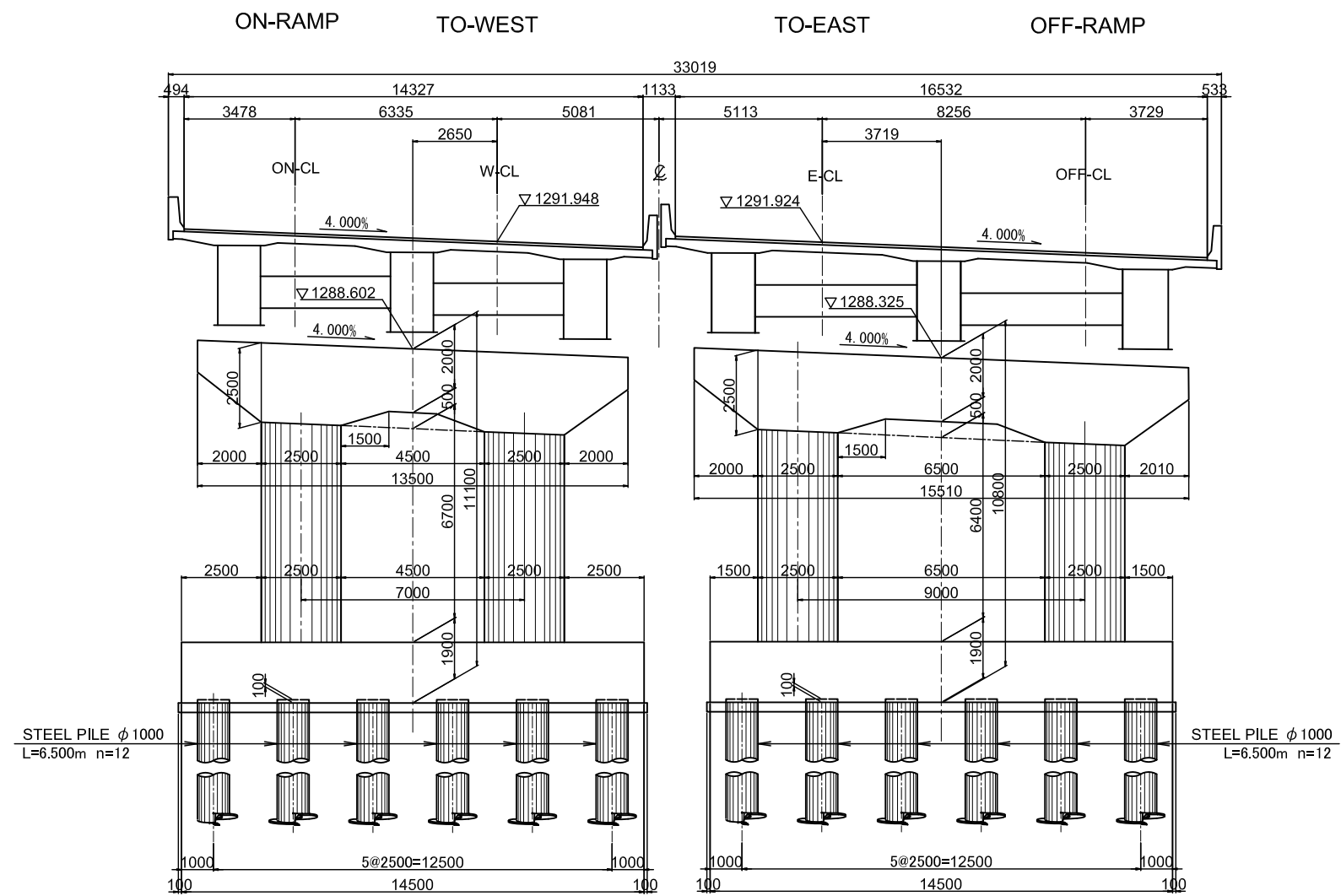
SCALE  
S=1:200

DRAWING No.  
046

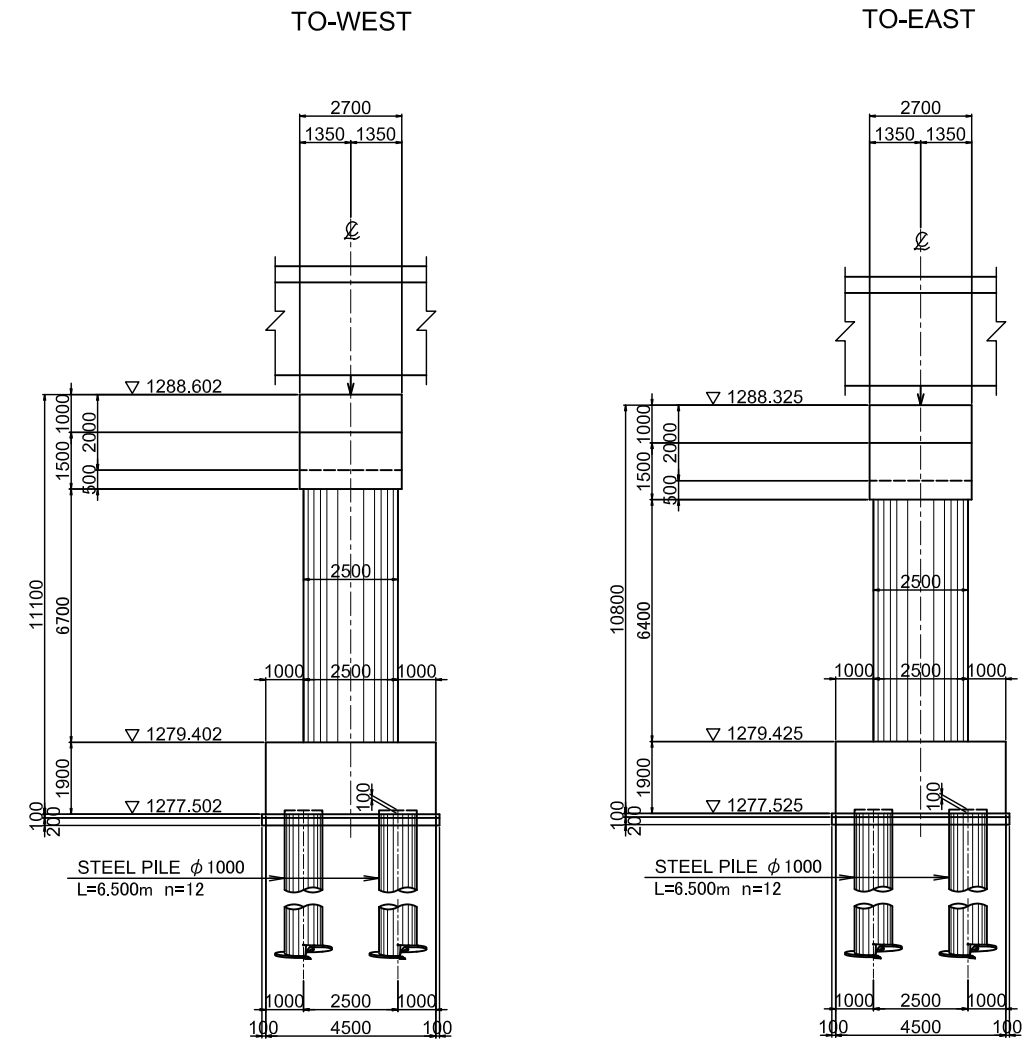
SUB  
STRUCTURE

DETAIL OF P7 S=1:200

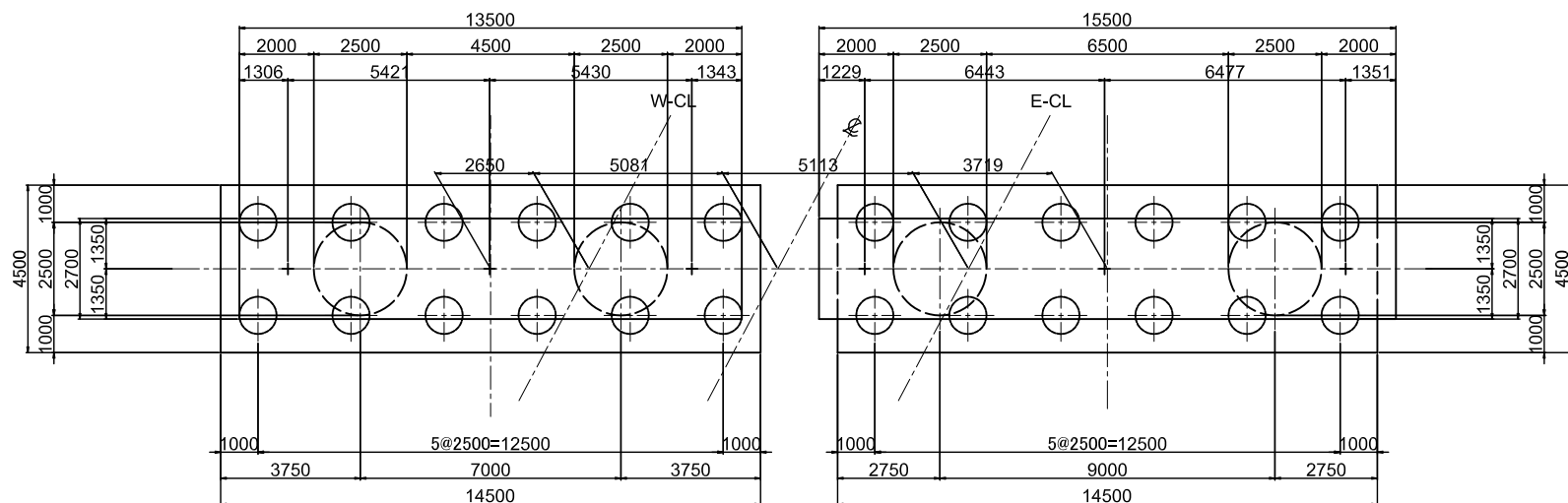
FRONT VIEW



SIDE VIEW



PLAN



PROJECT TITLE ;  
THE PROJECT FOR CONSTRUCTION OF  
AJILCHIN FLY-OVER IN ULAANBAATAR CITY

DESIGNED BY ;  
CTI Engineering International Co., Ltd.  
Chodai Co., Ltd.  
International Development Institute

APPROVED BY ;

DRAWING TITLE ;  
DETAIL OF P7

SCALE  
S=1:200

DRAWING No.  
047

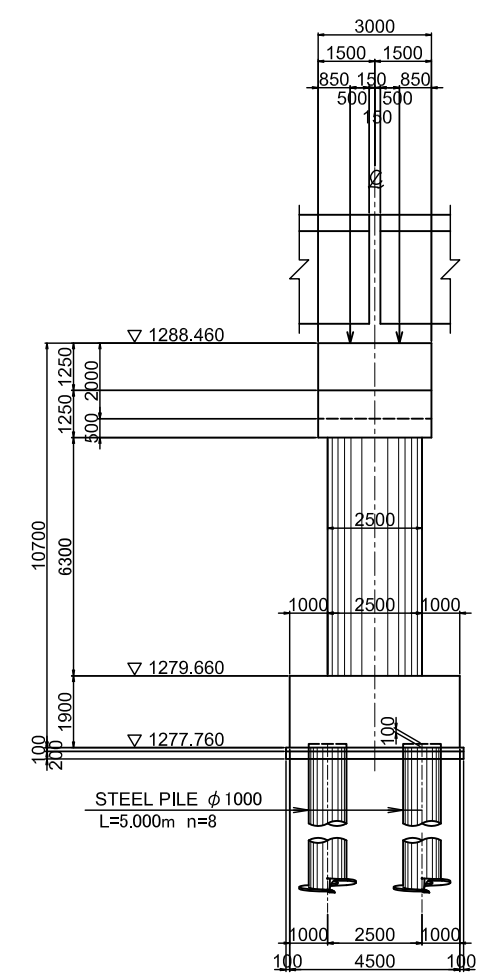
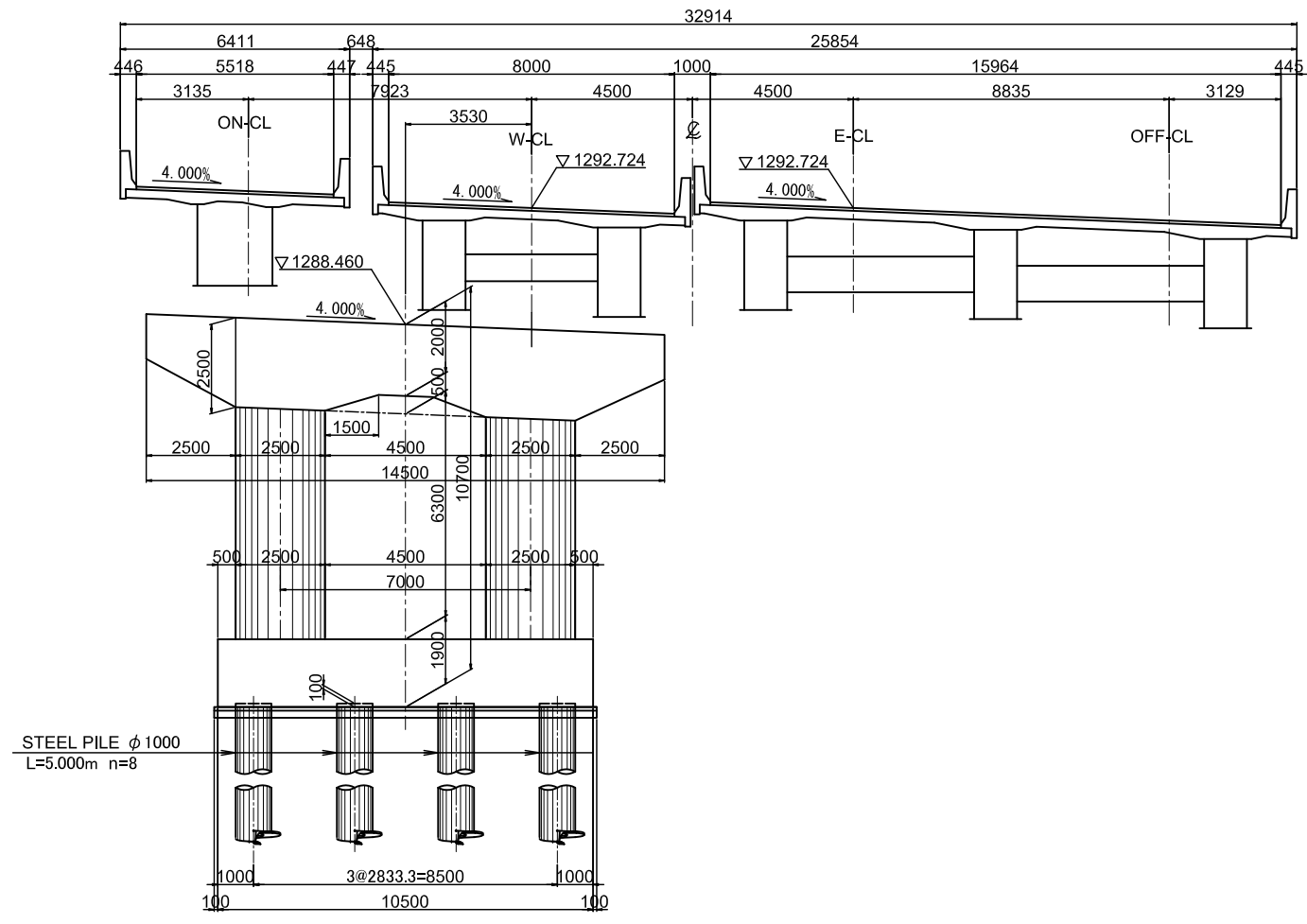
SUB  
STRUCTURE

DETAIL OF WEST P8 S=1:200

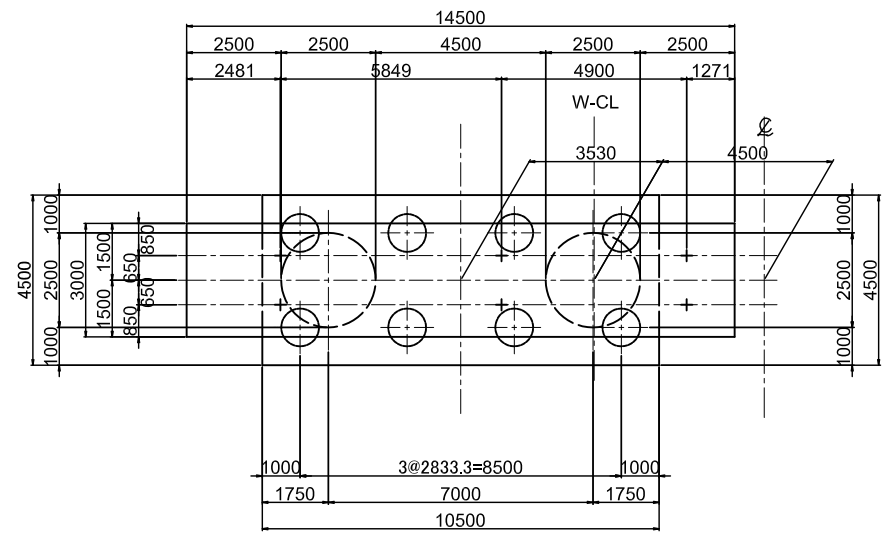
FRONT VIEW

ON-RAMP TO-WEST TO-EAST OFF-RAMP

SIDE VIEW



PLAN



PROJECT TITLE ;  
THE PROJECT FOR CONSTRUCTION OF  
AJILCHIN FLY-OVER IN ULAANBAATAR CITY

DESIGNED BY ;  
CTI Engineering International Co., Ltd.  
Chodai Co., Ltd.  
International Development Institute

APPROVED BY ;

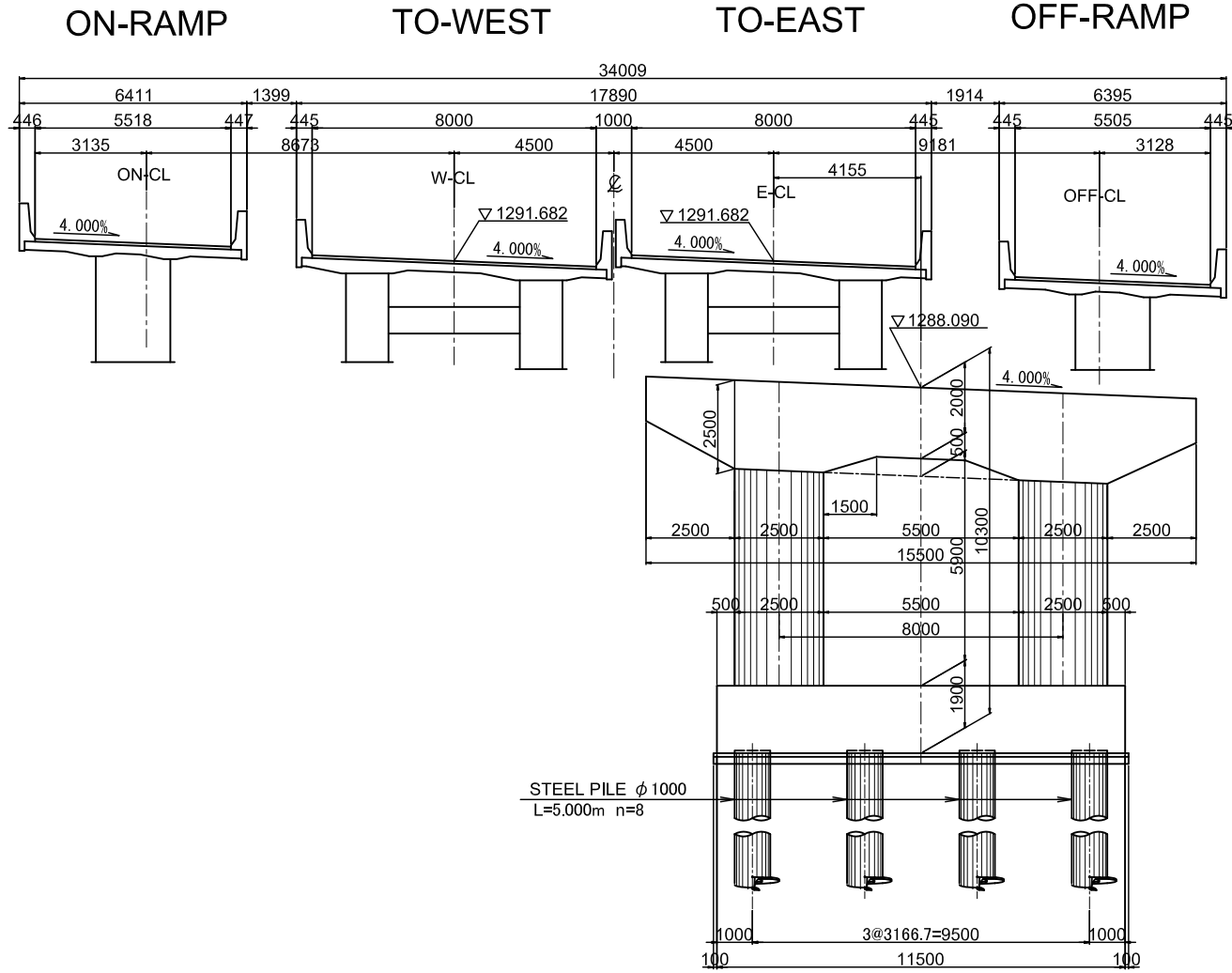
DRAWING TITLE ;  
DETAIL OF WEST P8

SCALE  
S=1:200

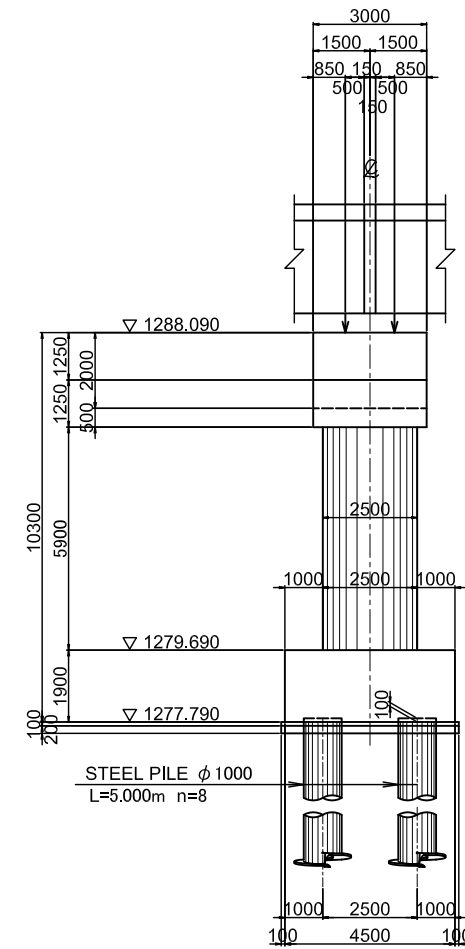
DRAWING No.  
048  
SUB  
STRUCTURE

DETAIL OF EAST P8 S=1:200

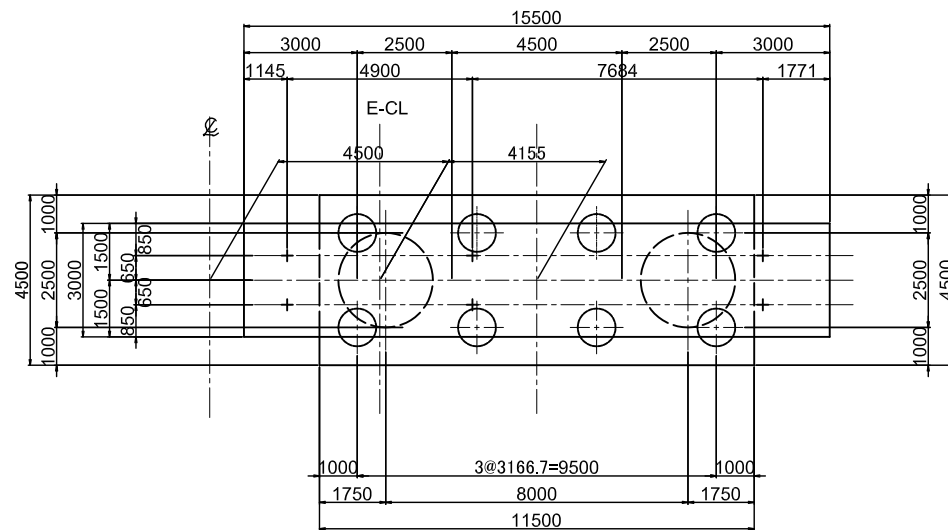
FRONT VIEW



SIDE VIEW



PLAN



PROJECT TITLE ;  
THE PROJECT FOR CONSTRUCTION OF  
AJILCHIN FLY-OVER IN ULAANBAATAR CITY

DESIGNED BY ;  
CTI Engineering International Co., Ltd.  
Chodai Co., Ltd.  
International Development Institute

APPROVED BY ;

DRAWING TITLE ;  
DETAIL OF EAST P8

SCALE  
S=1:200

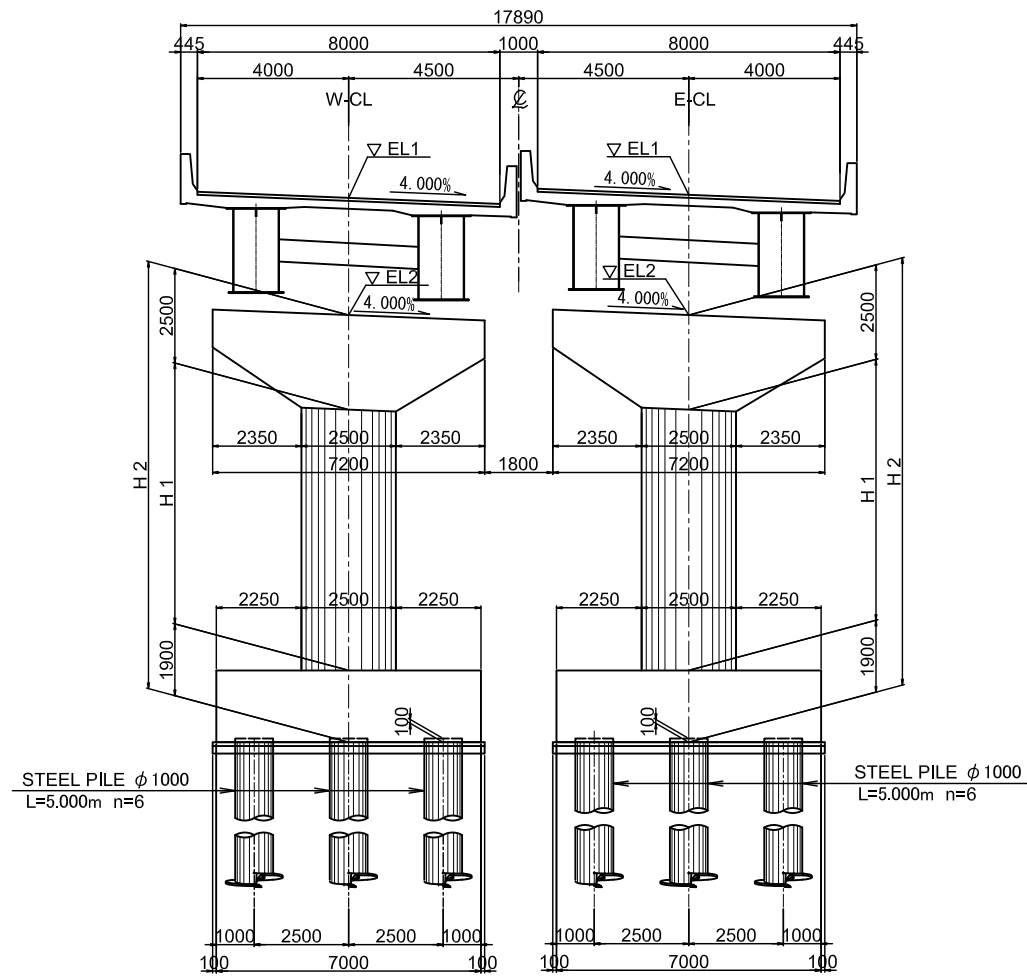
DRAWING No.  
049  
SUB  
STRUCTURE



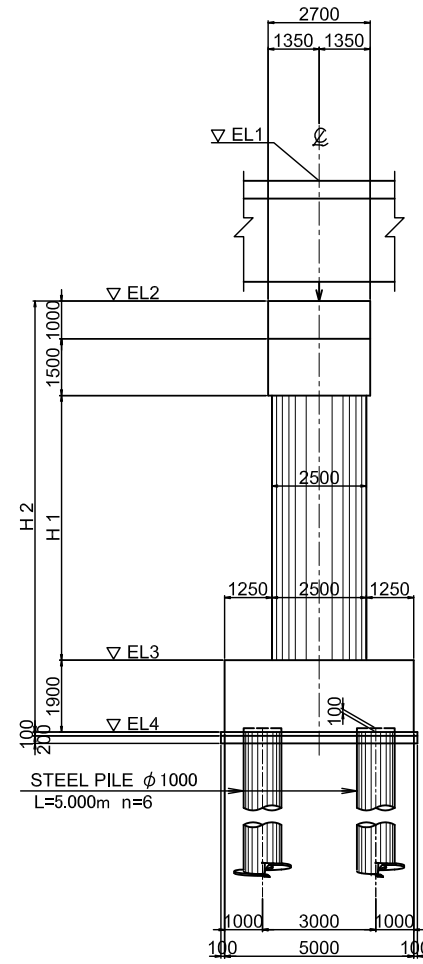
DETAIL OF P9~P10 S=1:200

FRONT VIEW

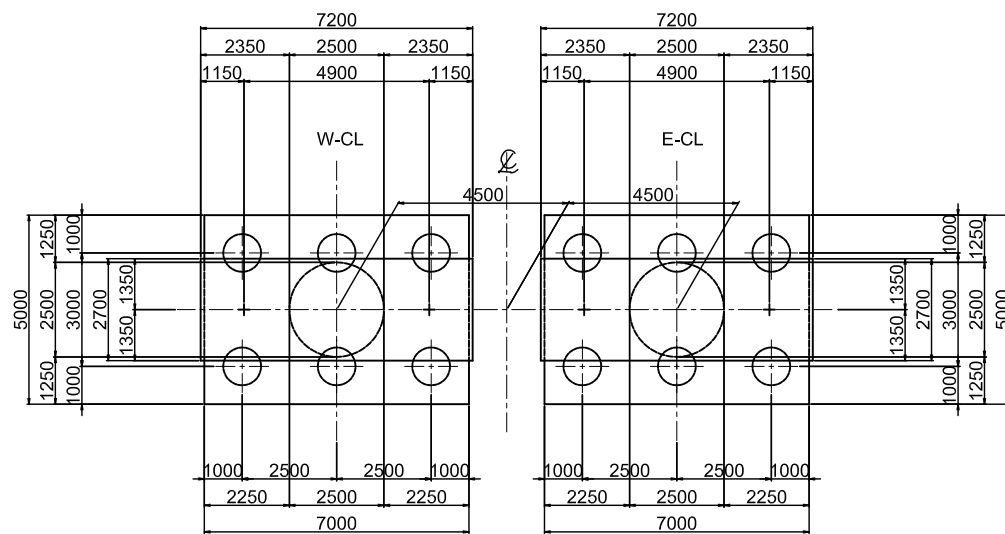
TO-WEST TO-EAST



SIDE VIEW



PLAN



DIMENSIONAL DATA

		TO-WEST		TO-EAST	
		P 9	P 10	P 9	P 10
TOP OF STRUCTURE	EL1	1291.494	1291.234	1291.494	1291.234
	EL2	1288.394	1288.136	1288.394	1288.136
	EL3	1279.794	1279.736	1279.794	1279.736
	EL4	1277.894	1277.836	1277.894	1277.836
HEIGHT OF PILLAR	H 1	6100	5900	6100	5900
HEIGHT OF PIER	H 2	10500	10300	10500	10300

PROJECT TITLE ;  
THE PROJECT FOR CONSTRUCTION OF  
AJILCHIN FLY-OVER IN ULAANBAATAR CITY

DESIGNED BY ;  
CTI Engineering International Co., Ltd.  
Chodai Co., Ltd.  
International Development Institute

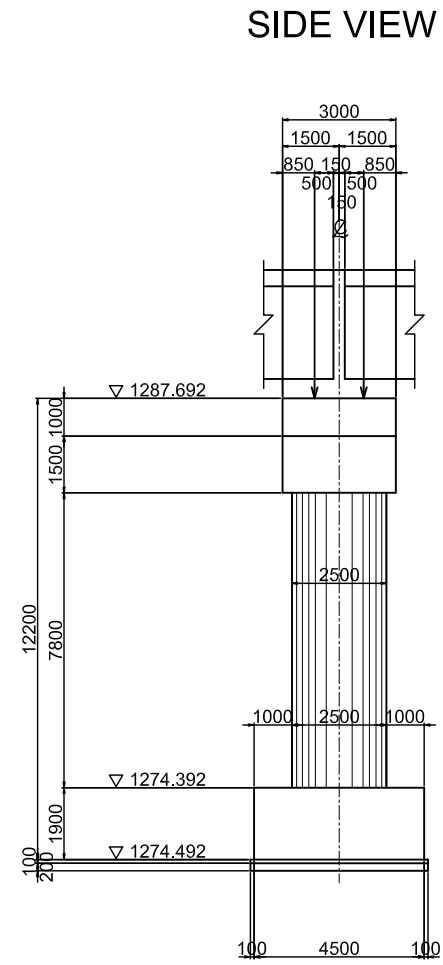
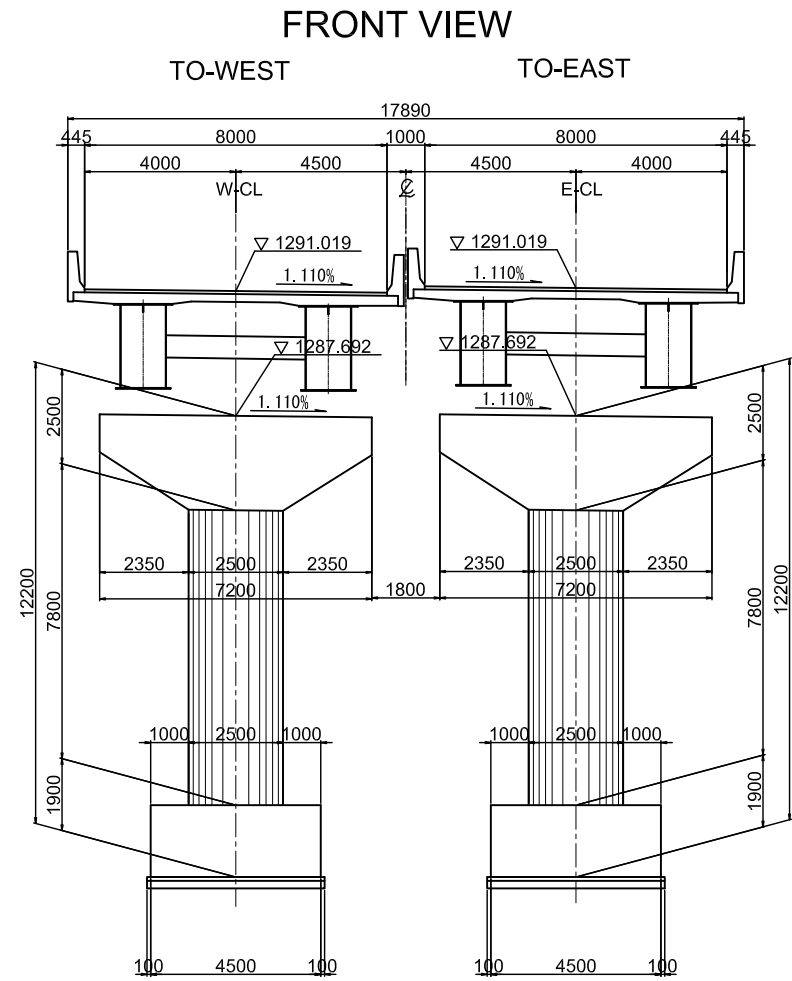
APPROVED BY ;

DRAWING TITLE ;  
DETAIL OF P9~P10

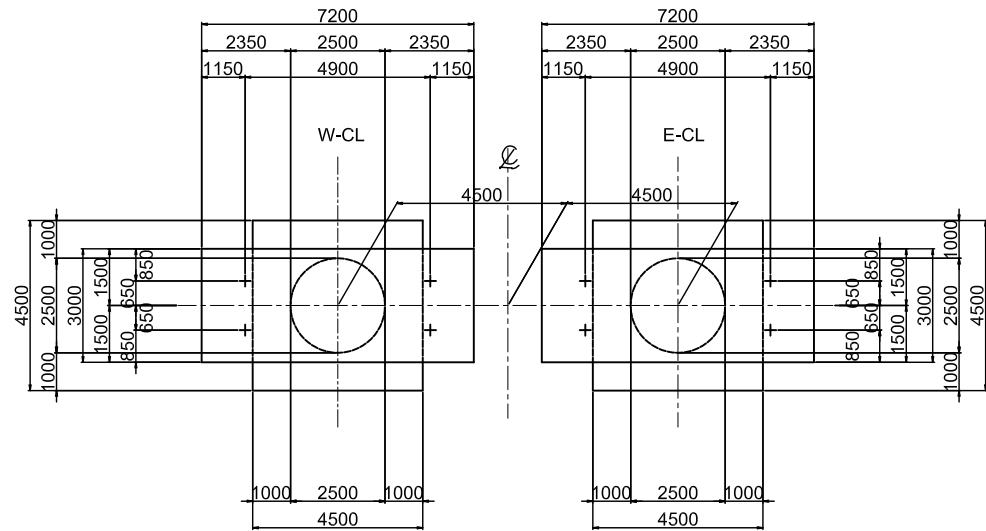
SCALE  
S=1:200

DRAWING No.  
050  
SUB  
STRUCTURE

DETAIL OF P 1 1 S=1:200



**PLAN**



PROJECT TITLE ;  
THE PROJECT FOR CONSTRUCTION OF  
AJILCHIN FLY-OVER IN ULAANBAATAR CITY

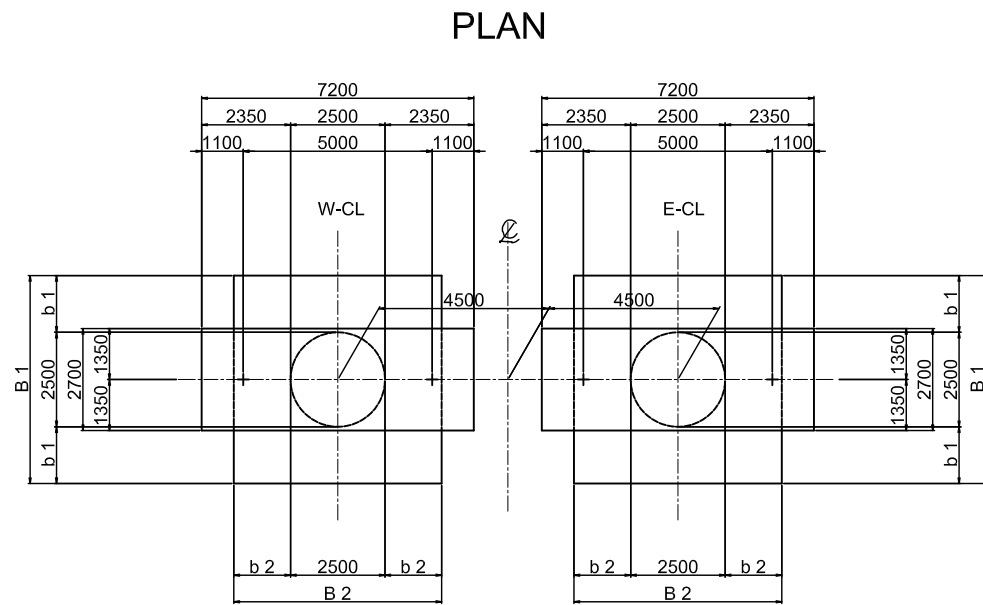
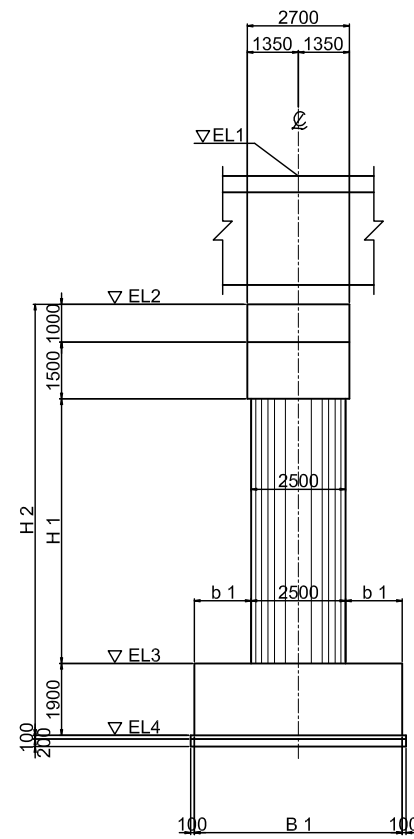
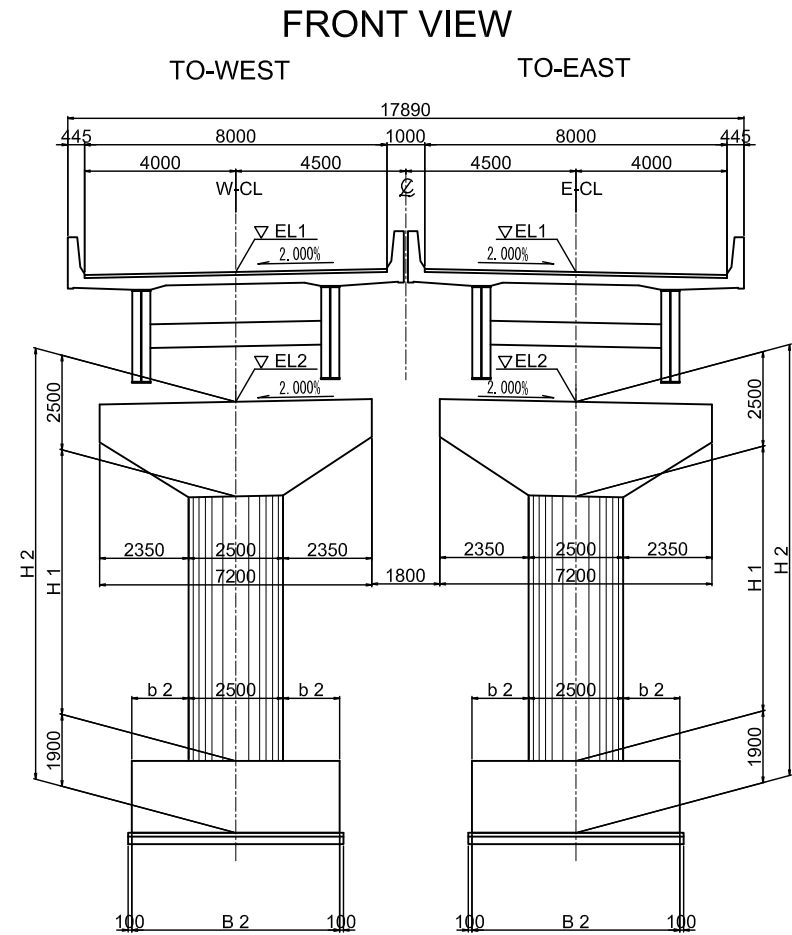
DESIGNED BY ;  
CTI Engineering International Co., Ltd.  
Chodai Co., Ltd.  
International Development Institute

APPROVED BY ;

DRAWING TITLE ;  
DETAIL OF P11

SCALE  
S=1:200

DRAWING No.	SUB STRUCTURE
051	



DIMENSIONAL DATA

		TO-WEST				
		P12	P13	P14	P15	P16
TOP OF STRUCTURE	EL1	1290.839	1290.622	1290.404	1290.187	1289.569
	EL2	1287.491	1287.274	1287.054	1286.841	1286.212
	EL3	1277.391	1277.774	1277.554	1277.341	1276.112
	EL4	1275.491	1275.874	1275.654	1275.441	1274.212
HEIGHT OF PILLAR	H 1	7600	7400	7200	7000	5400
HEIGHT OF PIER	H 2	12000	11800	11600	11400	9800
WIDTH OF FOOTING	b 1	1000	1250	1250	1250	1000
	b 2	1000	1500	1500	1500	1000
	B 1	4500	5000	5000	5000	4500
	B 2	4500	5500	5500	5500	4500
		TO-EAST				
		P12	P13	P14	P15	P16
TOP OF STRUCTURE	EL1	1290.839	1290.622	1290.404	1290.187	1289.569
	EL2	1287.491	1287.274	1287.054	1286.841	1286.212
	EL3	1277.391	1277.774	1277.554	1277.341	1276.112
	EL4	1275.491	1275.874	1275.654	1275.441	1274.212
HEIGHT OF PILLAR	H 1	7600	7400	7200	7000	5400
HEIGHT OF PIER	H 2	12000	11800	11600	11400	9800
WIDTH OF FOOTING	b 1	1000	1250	1250	1250	1000
	b 2	1000	1500	1500	1500	1000
	B 1	4500	5000	5000	5000	4500
	B 2	4500	5500	5500	5500	4500

PROJECT TITLE ;  
THE PROJECT FOR CONSTRUCTION OF  
AJILCHIN FLY-OVER IN ULAANBAATAR CITY

DESIGNED BY ;  
CTI Engineering International Co., Ltd.  
Chodai Co., Ltd.  
International Development Institute

APPROVED BY ;

DRAWING TITLE ;  
DETAIL OF P12~P16

SCALE  
S=1:200

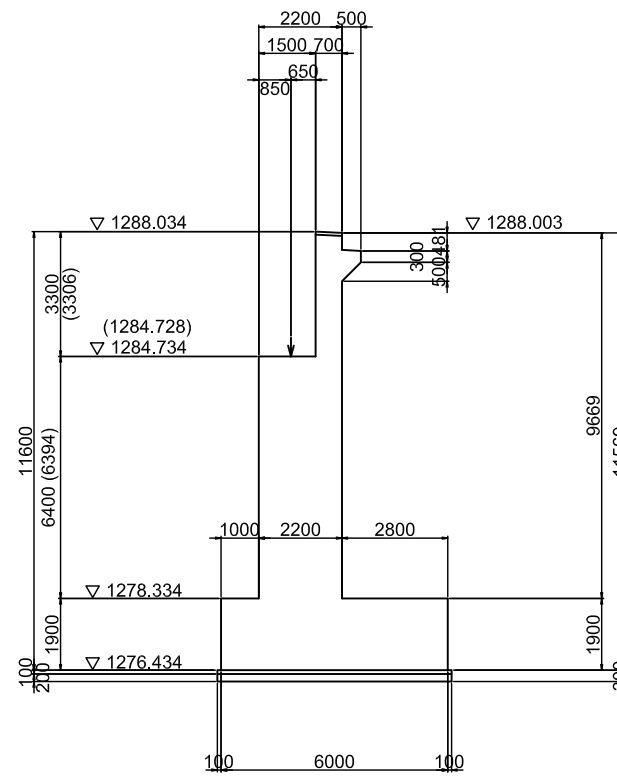
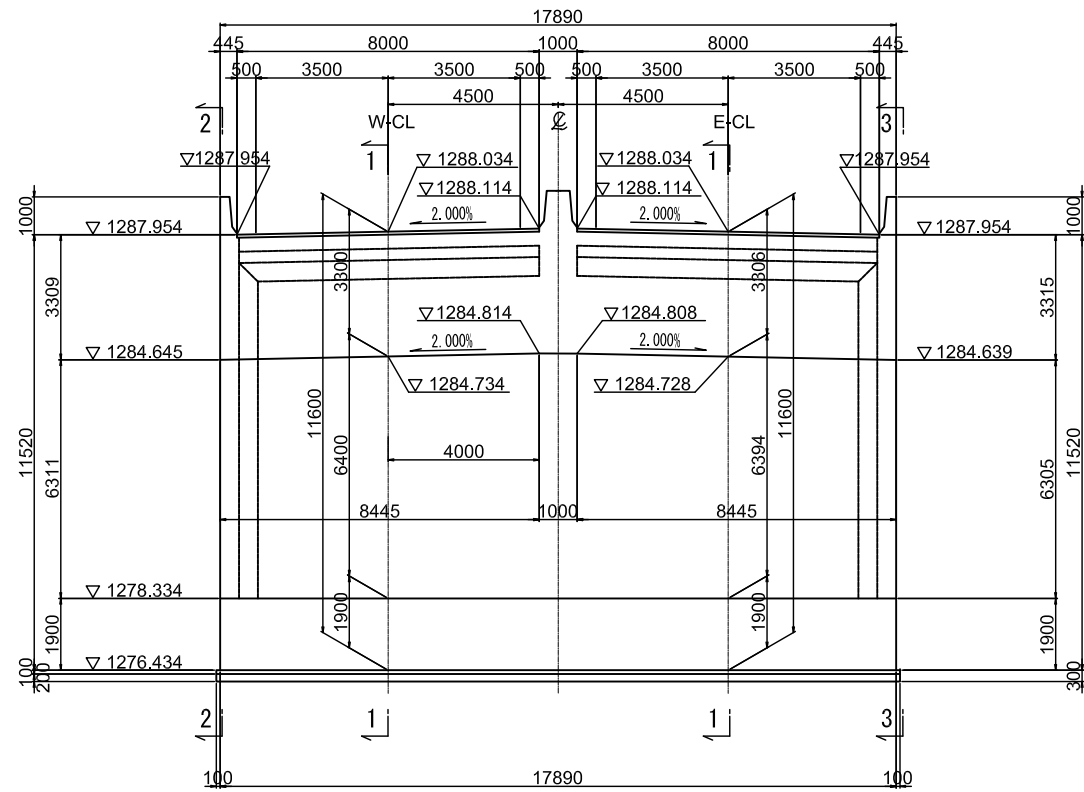
DRAWING No.  
052  
SUB  
STRUCTURE

DETAIL OF A2 S=1:200

SIDE VIEW 1-1

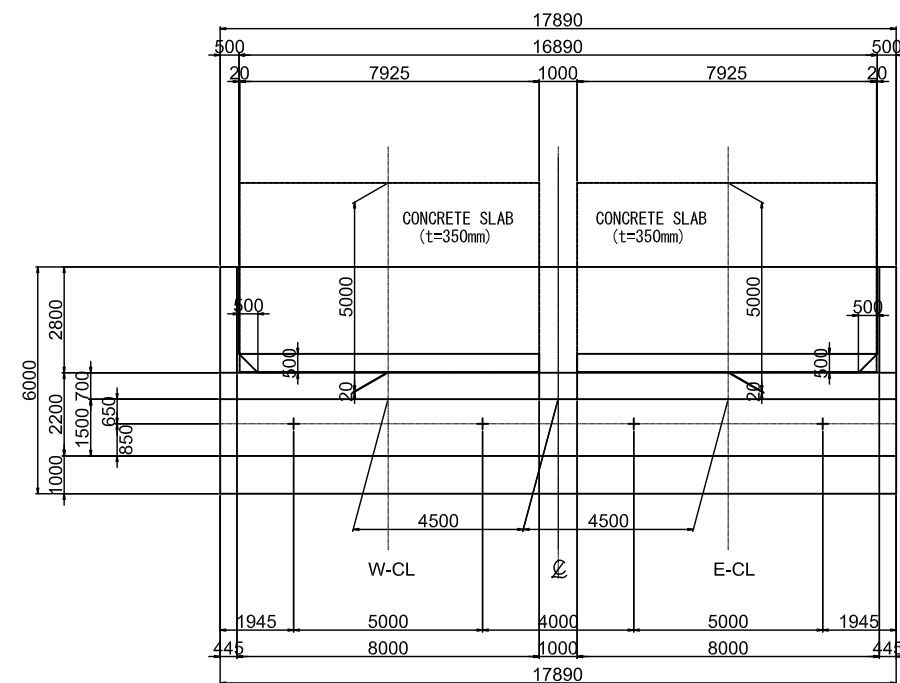
FRONT VIEW

TO-WEST TO-EAST

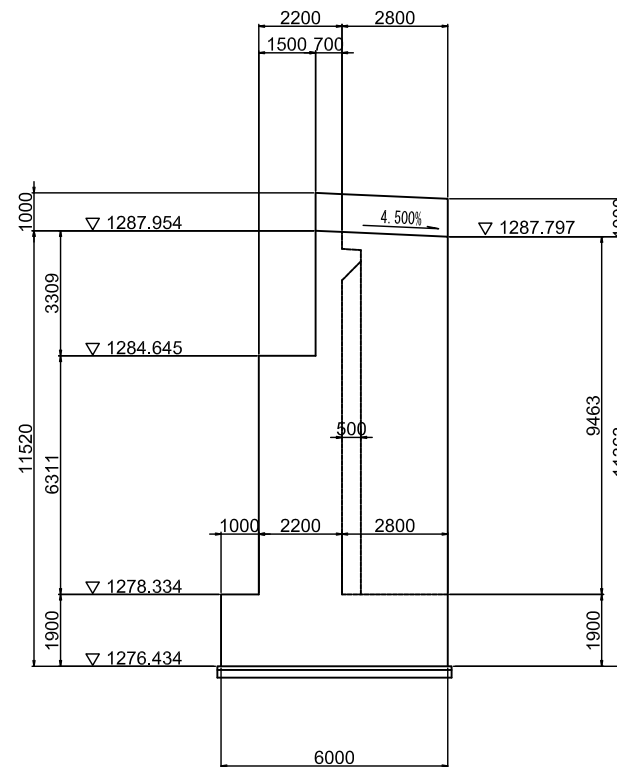


\* O TO-EAST

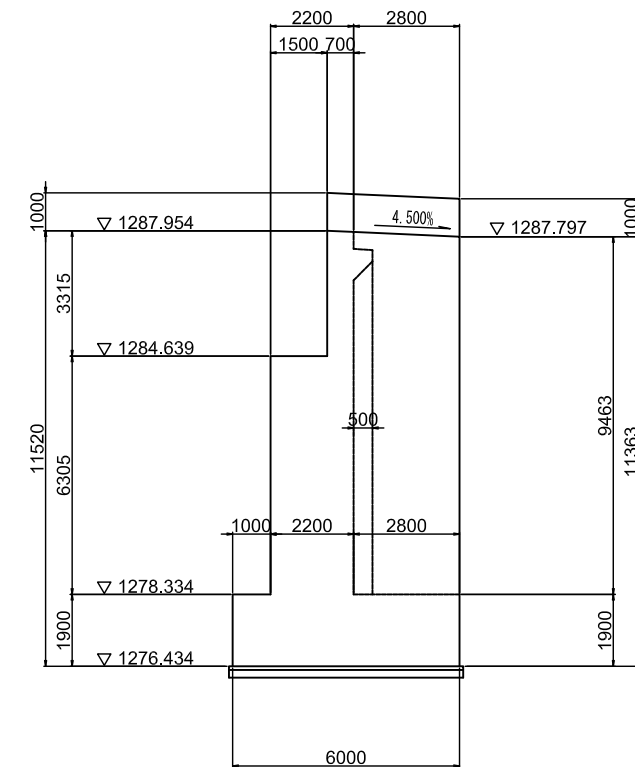
PLAN



SIDE VIEW 2-2



SIDE VIEW 3-3



PROJECT TITLE ;  
THE PROJECT FOR CONSTRUCTION OF  
AJILCHIN FLY-OVER IN ULAANBAATAR CITY

DESIGNED BY ;  
CTI Engineering International Co., Ltd.  
Chodai Co., Ltd.  
International Development Institute

APPROVED BY ;

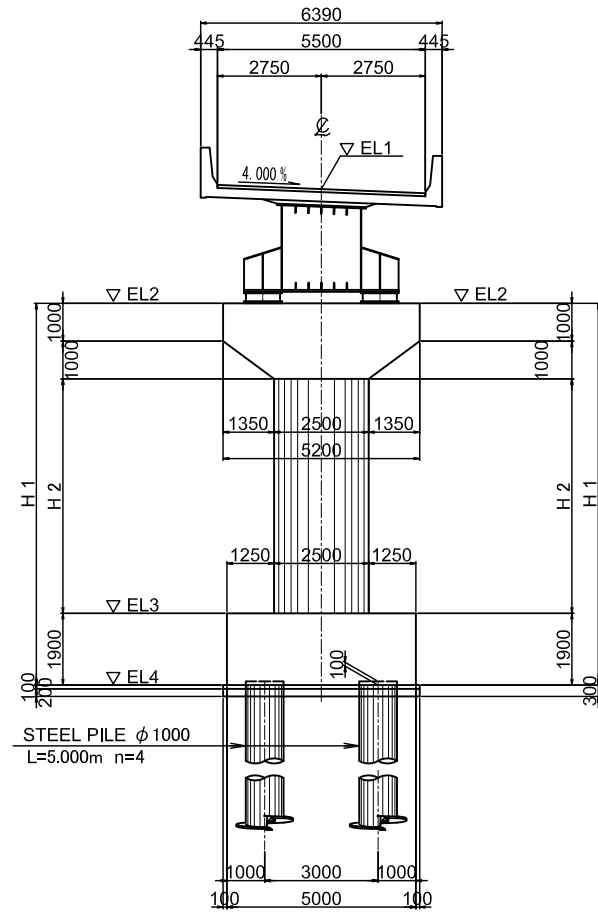
DRAWING TITLE ;  
DETAIL OF A2

SCALE  
S=1:200

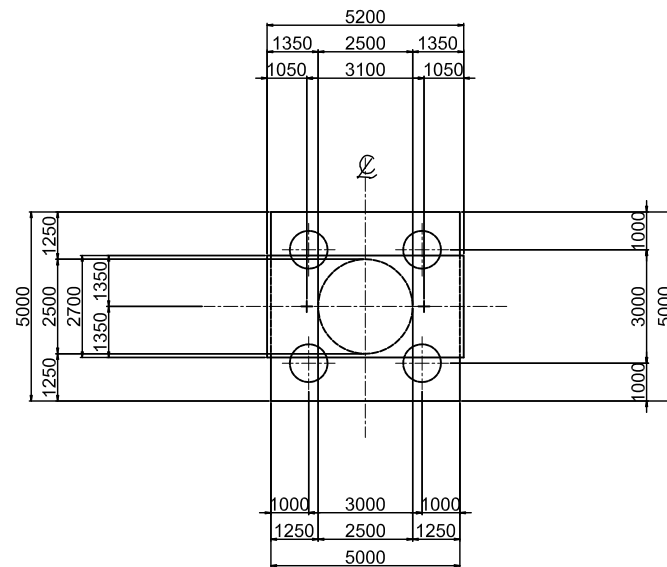
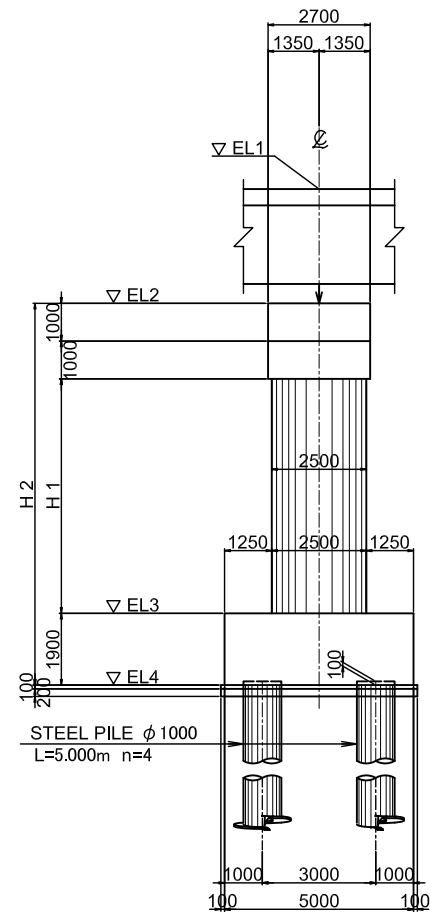
DRAWING No.  
053  
SUB  
STRUCTURE

DETAIL OF ON-OFF RAMP P1~P2 S=1:200

FRONT VIEW



SIDE VIEW



DIMENSIONAL DATA

		ON RAMP		OFF RAMP	
		P 1	P 2	P 1	P 2
TOP OF STRUCTURE	EL1	1291.067	1288.545	1290.283	1288.123
	EL2	1287.934	1285.415	1287.162	1284.998
	EL3	1279.734	1279.715	1279.762	1279.798
	EL4	1277.834	1277.815	1277.862	1277.898
HEIGHT OF PILLAR	H 1	6200	3700	5400	3200
HEIGHT OF PIER	H 2	10100	7600	9300	7100

PROJECT TITLE ;  
THE PROJECT FOR CONSTRUCTION OF  
AJILCHIN FLY-OVER IN ULAANBAATAR CITY

DESIGNED BY ;  
CTI Engineering International Co., Ltd.  
Chodai Co., Ltd.  
International Development Institute

APPROVED BY ;

DRAWING TITLE ;  
DETAIL OF ON-OFF RAMP P1~P2

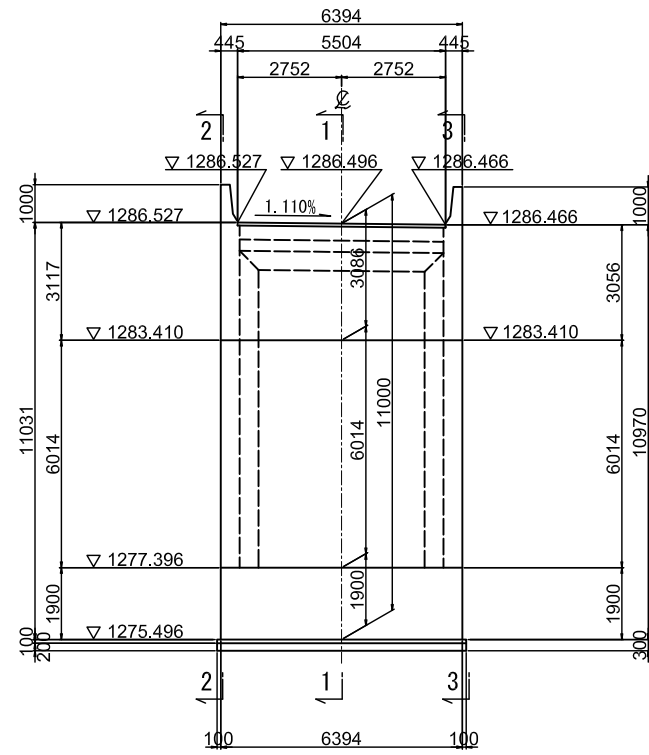
SCALE  
S=1:200

DRAWING No.  
054

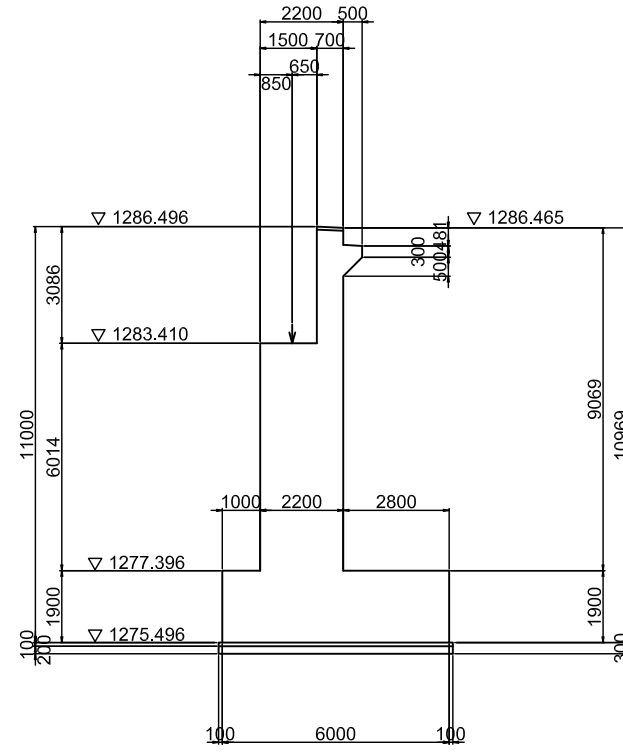
SUB  
STRUCTURE

DETAIL OF ON RAMP A2 S=1:200

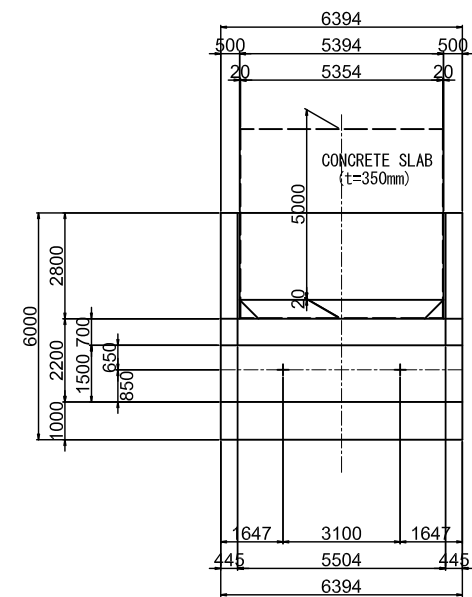
FRONT VIEW



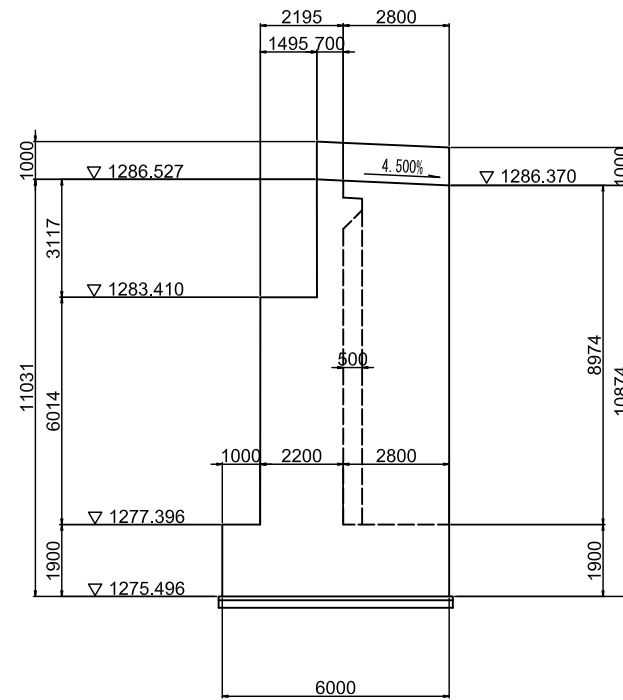
SIDE VIEW 1-1



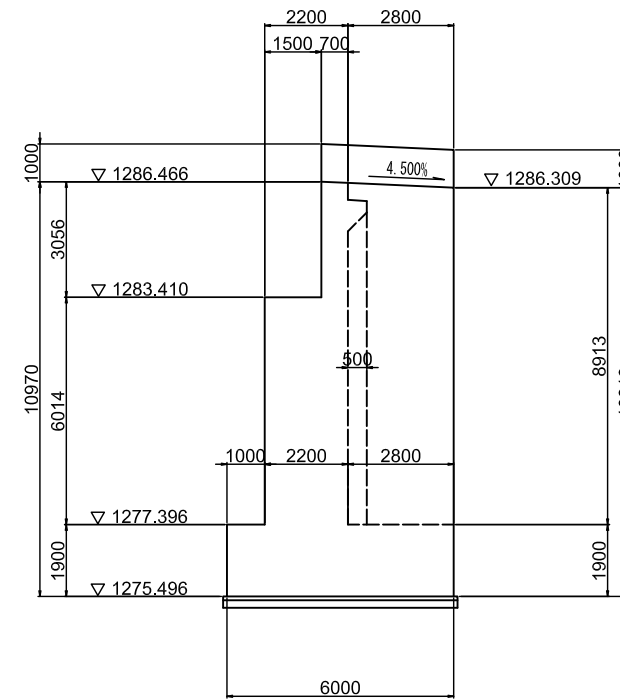
PLAN



SIDE VIEW 2-2



SIDE VIEW 3-3



PROJECT TITLE ;  
THE PROJECT FOR CONSTRUCTION OF  
AJILCHIN FLY-OVER IN ULAANBAATAR CITY

DESIGNED BY ;  
CTI Engineering International Co., Ltd.  
Chodai Co., Ltd.  
International Development Institute

APPROVED BY ;

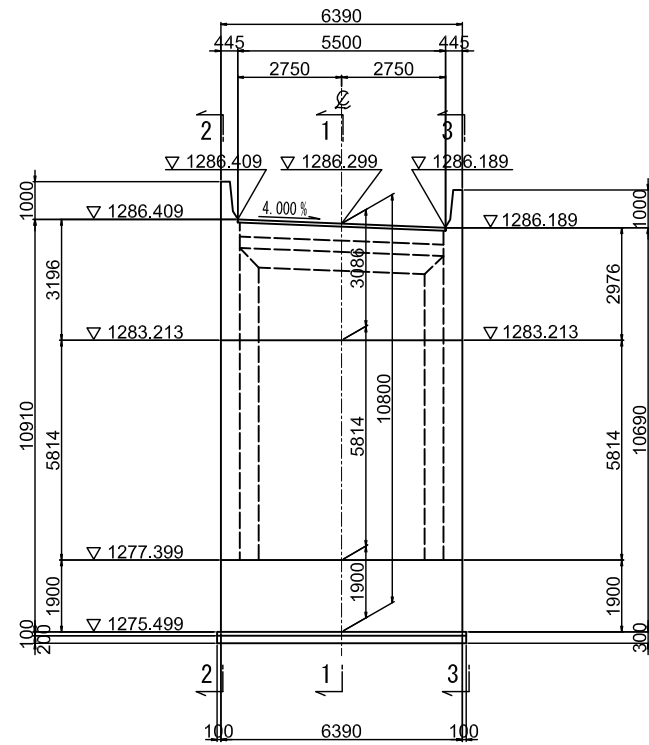
DRAWING TITLE ;  
DETAIL OF ON RAMP A2

SCALE  
S=1:200

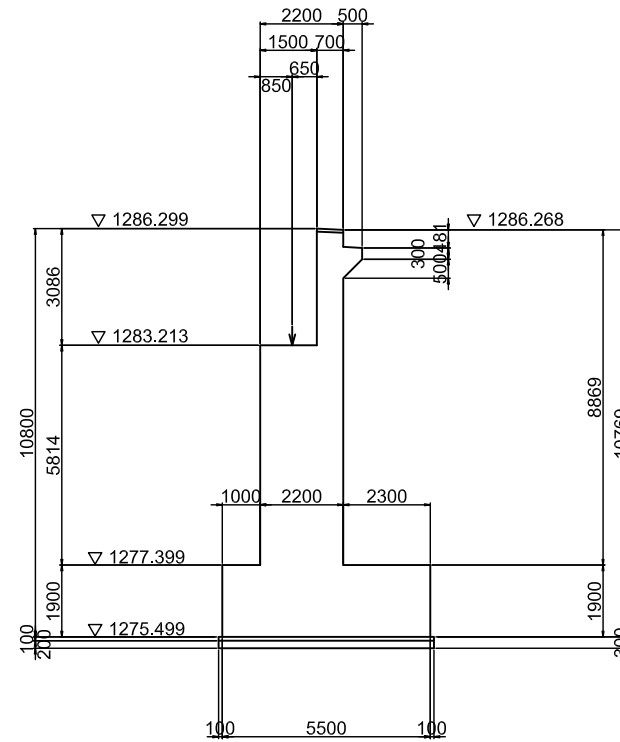
DRAWING No.  
055  
SUB  
STRUCTURE

DETAIL OF OFF RAMP A2 S=1:200

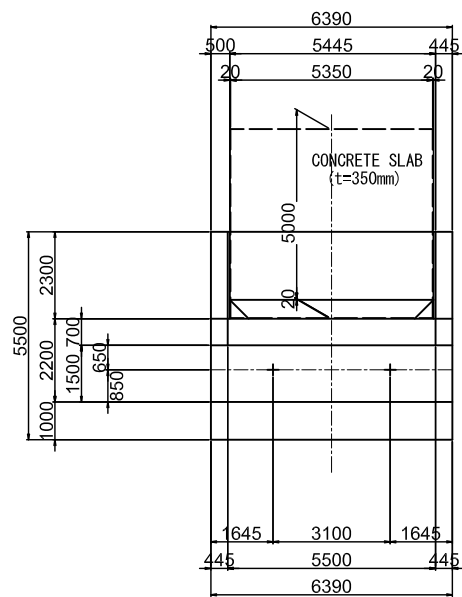
FRONT VIEW



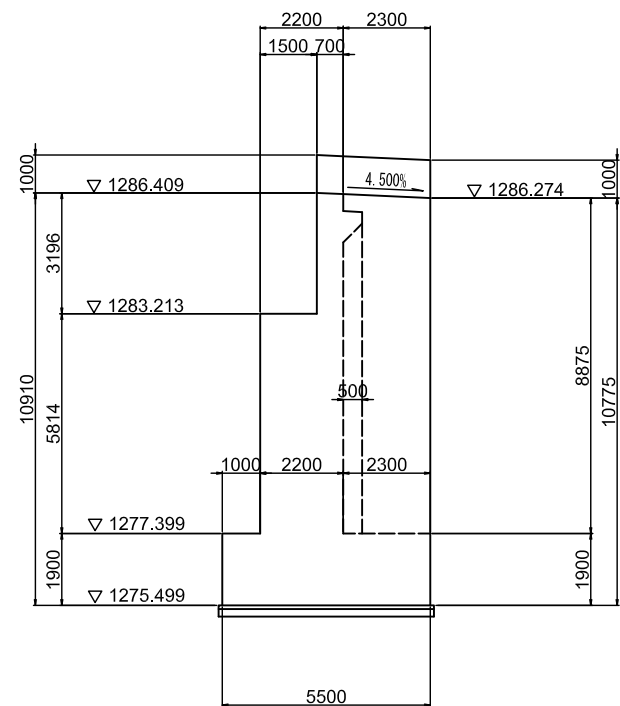
SIDE VIEW 1-1



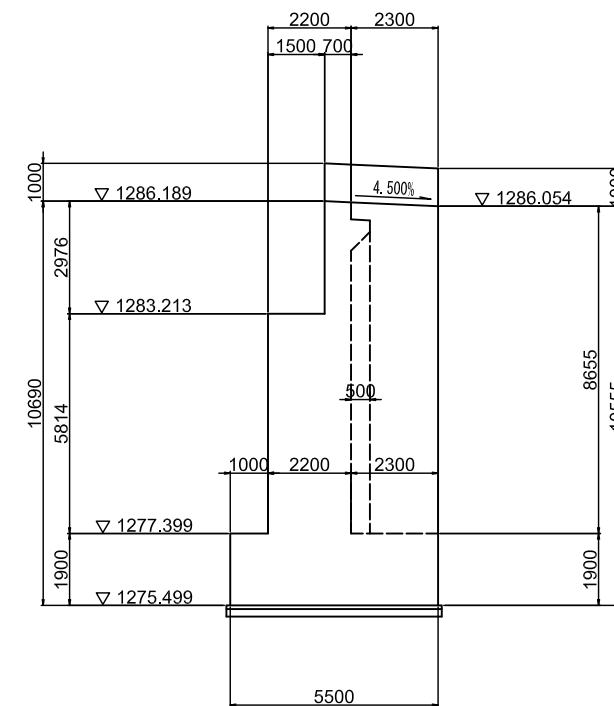
PLAN



SIDE VIEW 2-2



SIDE VIEW 3-3



PROJECT TITLE ;  
THE PROJECT FOR CONSTRUCTION OF  
AJILCHIN FLY-OVER IN ULAANBAATAR CITY

DESIGNED BY ;  
CTI Engineering International Co., Ltd.  
Chodai Co., Ltd.  
International Development Institute

APPROVED BY ;

DRAWING TITLE ;  
DETAIL OF OFF RAMP A2

SCALE  
S=1:200

DRAWING No.  
056  
SUB  
STRUCTURE