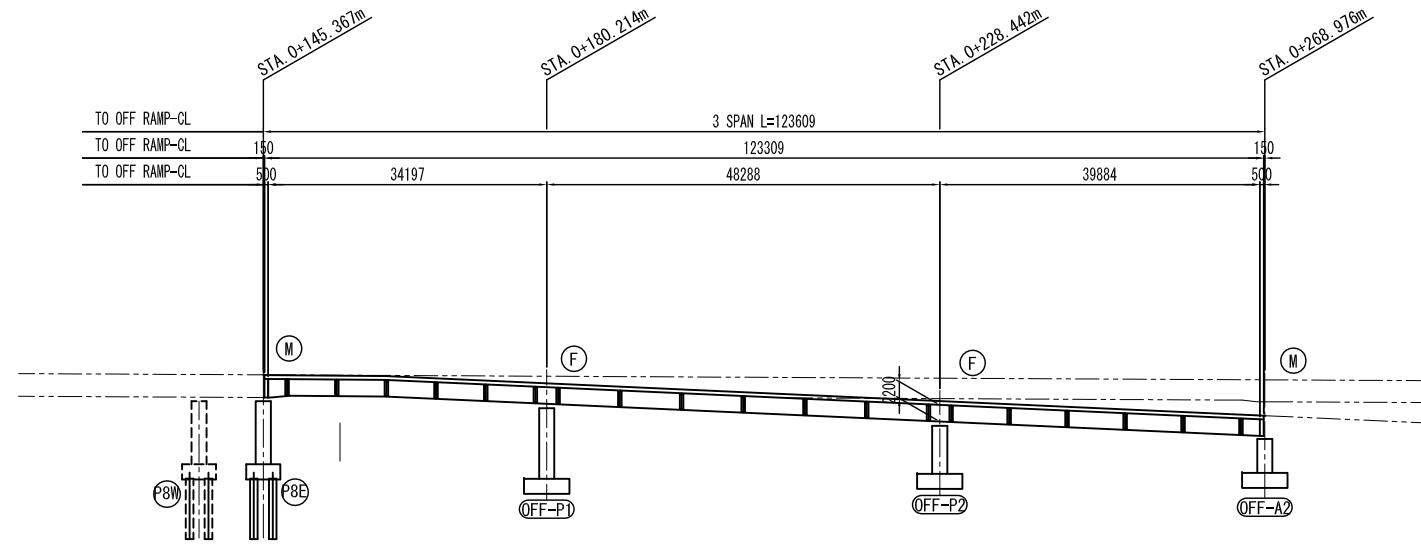
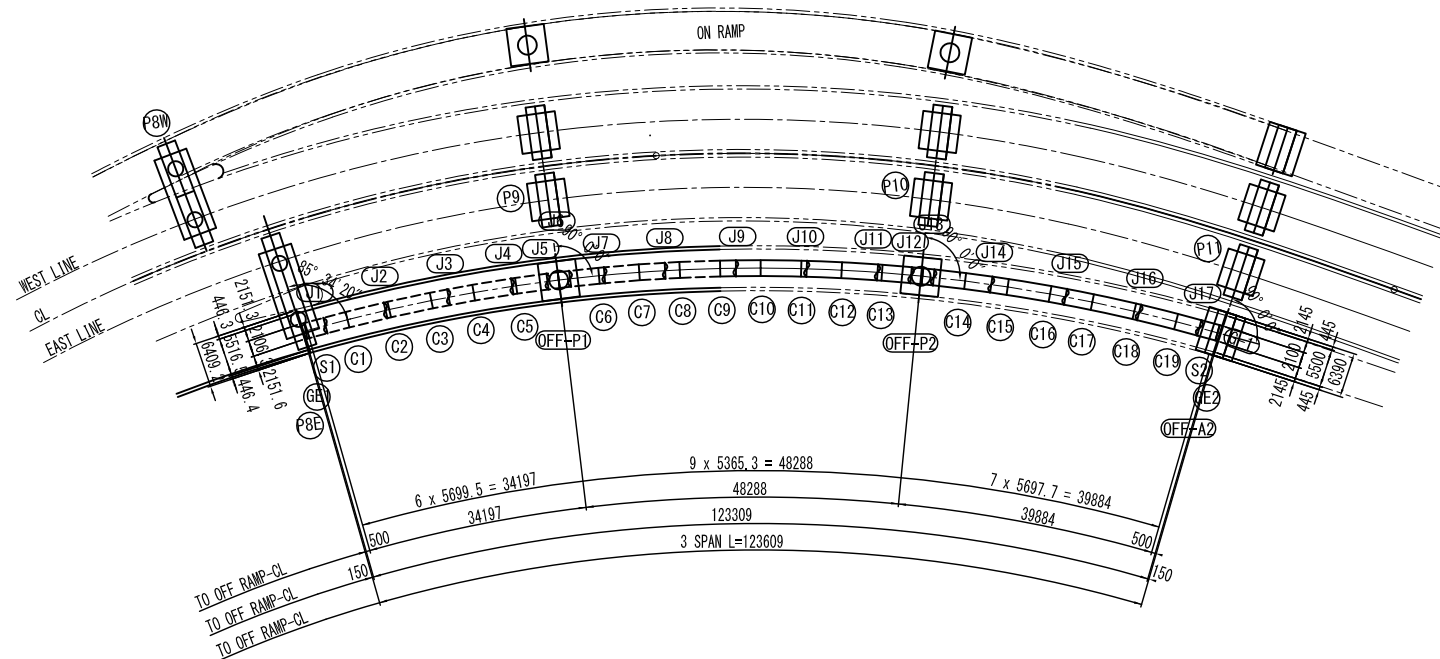


DETAIL OF SUPER STRUCTURE (OFF RAMP TO EAST)

PROFILE S=1:500

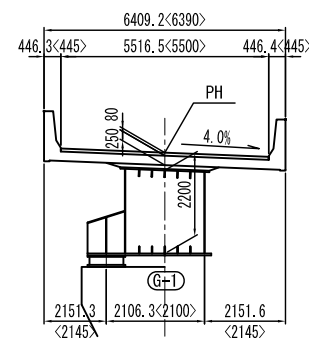


PLAN S=1:500



CROSS SECTION OF GIRDER S=1:100

P8 ~ <P11>



DESIGN CONDITION	
BRIDGE TYPE	STEEL IBOX GIRDER
BRIDGE LENGTH	123.609m (OFF-CL)
SPAN ARRANGEMENT	34.197m + 48.288m + 39.884m
WIDTH	0.445m+5.500m+0.445m
HORIZONTAL ALIGNMENT	R=220.000m ~ A=110.000m
ANGLE OF SKEW	P8:85-34-20 , P9-P11:90-00-00
LONGITUDINAL SLOPE	0.785%→VCL=40→4.5%
CROSS SLOPE	4.0% (SUPERELEVATION)
PAVEMENT	ASPHALT PAVEMENT 80mm
DECK SLAB	COMPOSITE SLAB 250mm
STEEL MEMBERS	PLATE AND SHEET : SM490Y, SM400, SS400 REINFORCING BAR : SD345 OR EQUIVALENT
DESIGN CRITERIA	SPECIFICATIONS FOR HIGHWAY BRIDGES PART I-V (JRA)

PROJECT TITLE ;
THE PROJECT FOR CONSTRUCTION OF
AJILCHIN FLY-OVER IN ULAANBAATAR CITY

DESIGNED BY ;
CTI Engineering International Co., Ltd.
Chodai Co., Ltd.
International Development Institute

DRAWING TITLE ;
DETAIL OF SUPER STRUCTURE
(OFF RAMP EAST)

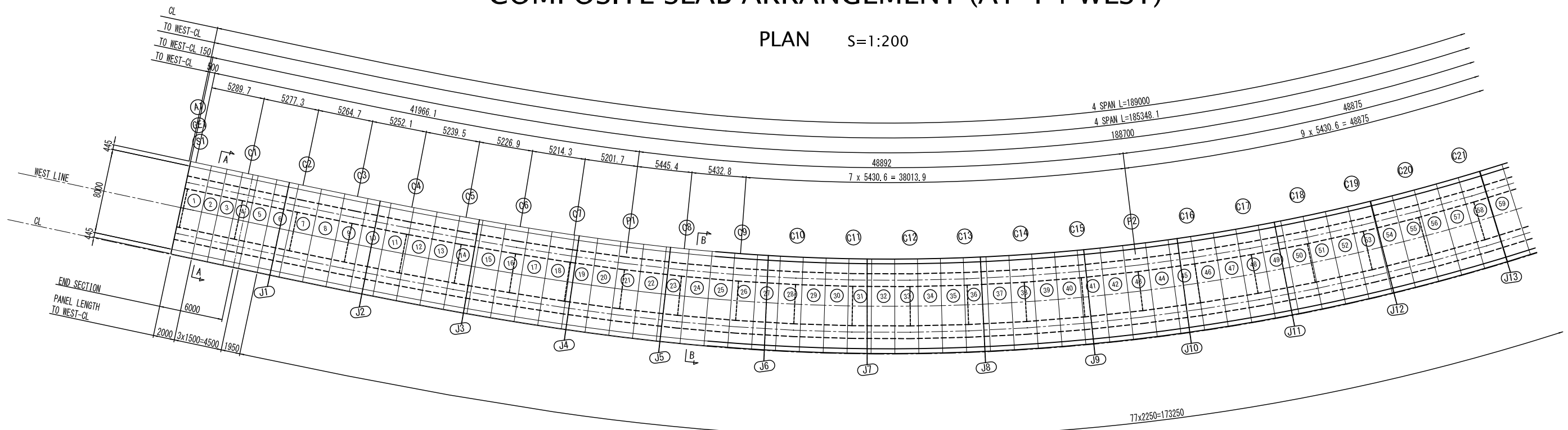
SCALE
S=1:500

DRAWING No.
014

SUPER
STRUCTURE

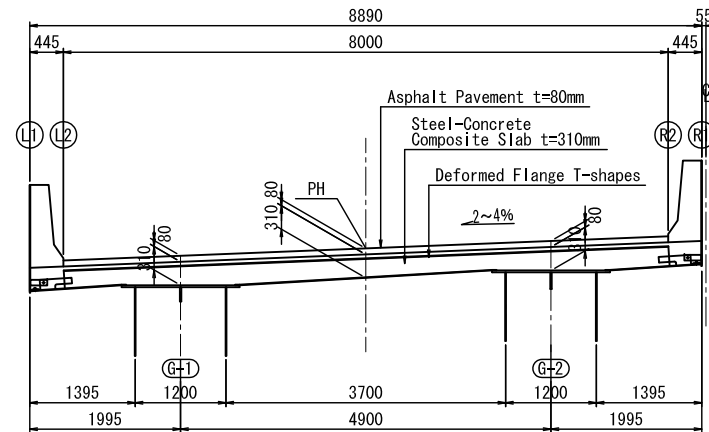
COMPOSITE SLAB ARRANGEMENT (A1-P4 WEST)

PLAN S=1:200

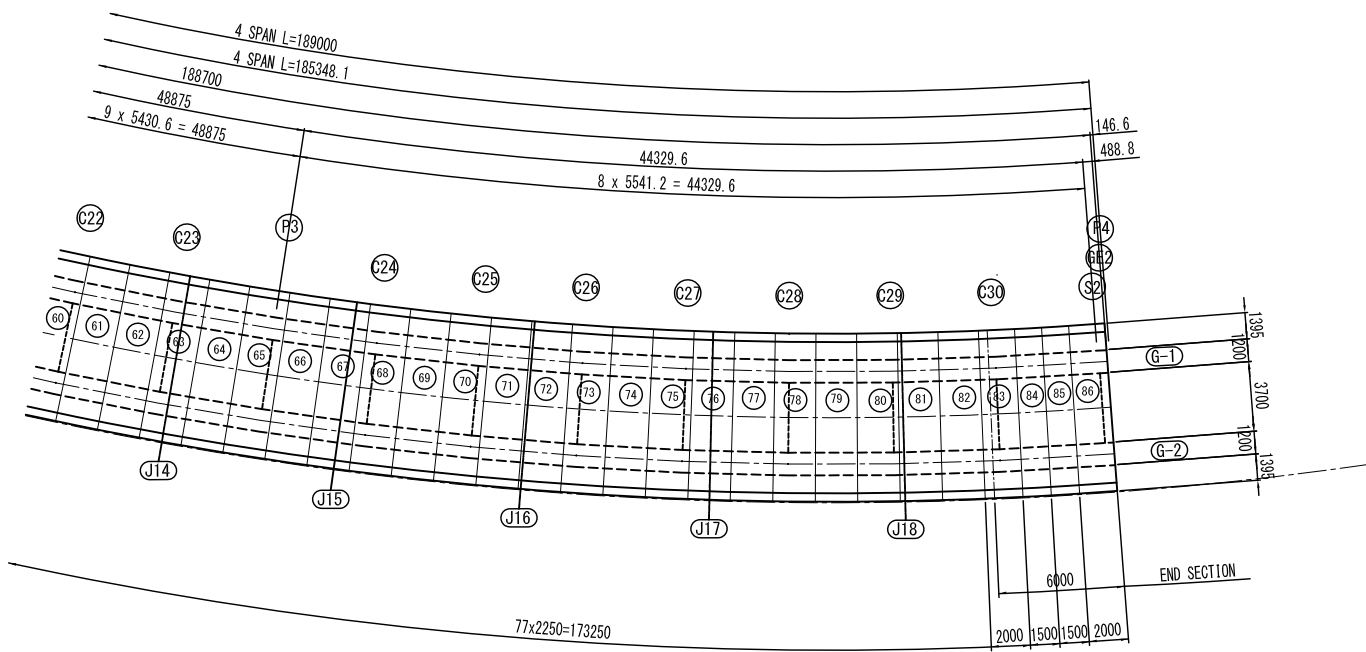
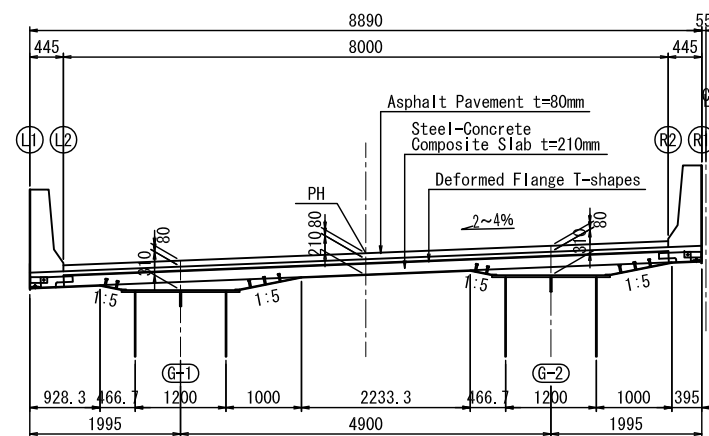


CROSS SECTION S=1:50

END (A-A)



CENTER (B-B)



PROJECT TITLE ;
THE PROJECT FOR CONSTRUCTION OF
AJILCHIN FLY-OVER IN ULAANBAATAR CITY

DESIGNED BY ;
CTI Engineering International Co., Ltd.
Chodai Co., Ltd.
International Development Institute

DRAWING TITLE ;
COMPOSITE SLAB ARRANGEMENT
(A1 -P4 WEST)

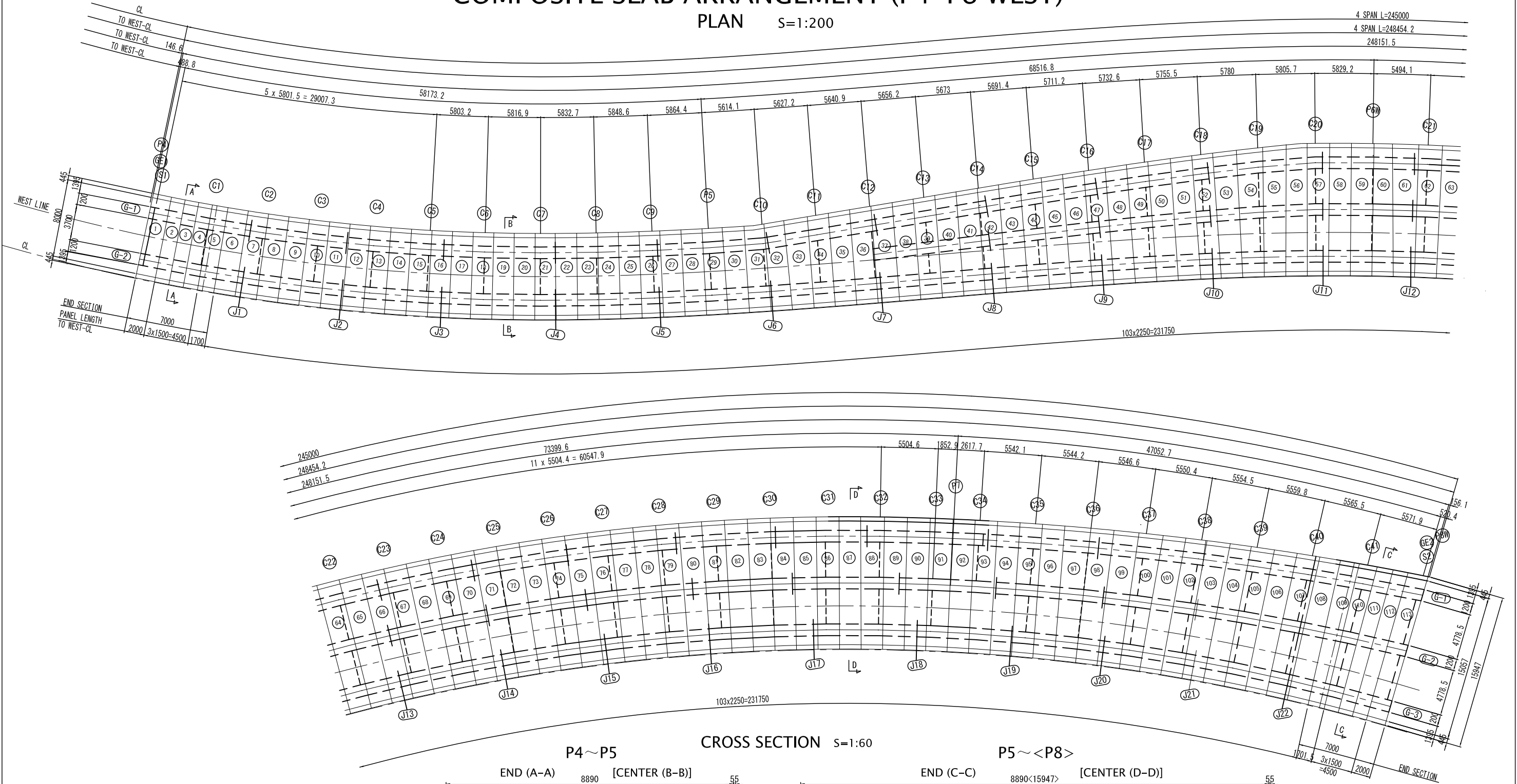
SCALE
S=1:200

DRAWING No.
015

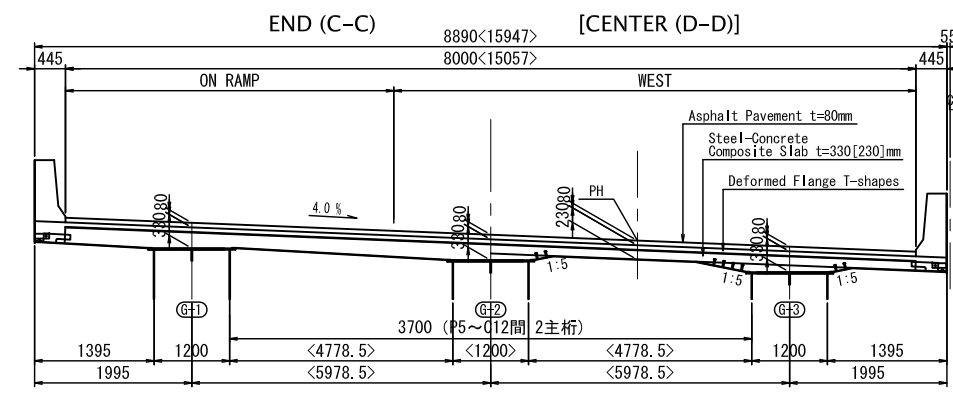
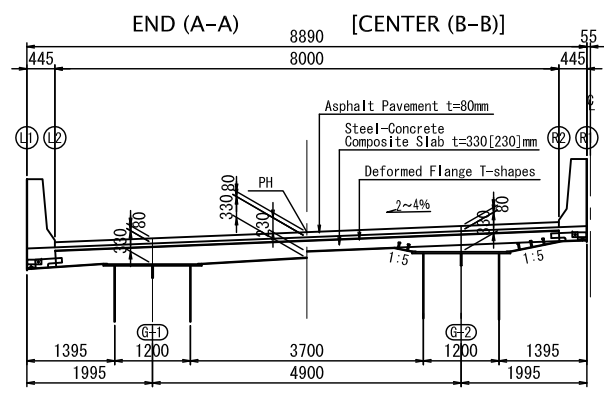
SUPER
STRUCTURE

COMPOSITE SLAB ARRANGEMENT (P4-P8 WEST)

PLAN S=1:200



CROSS SECTION S=1:60



PROJECT TITLE ;
THE PROJECT FOR CONSTRUCTION OF
AJILCHIN FLY-OVER IN ULAANBAATAR CITY

DESIGNED BY ;
CTI Engineering International Co., Ltd.
Chodai Co., Ltd.
International Development Institute

DRAWING TITLE ;
COMPOSITE SLAB ARRANGEMENT
(P4-P8 WEST)

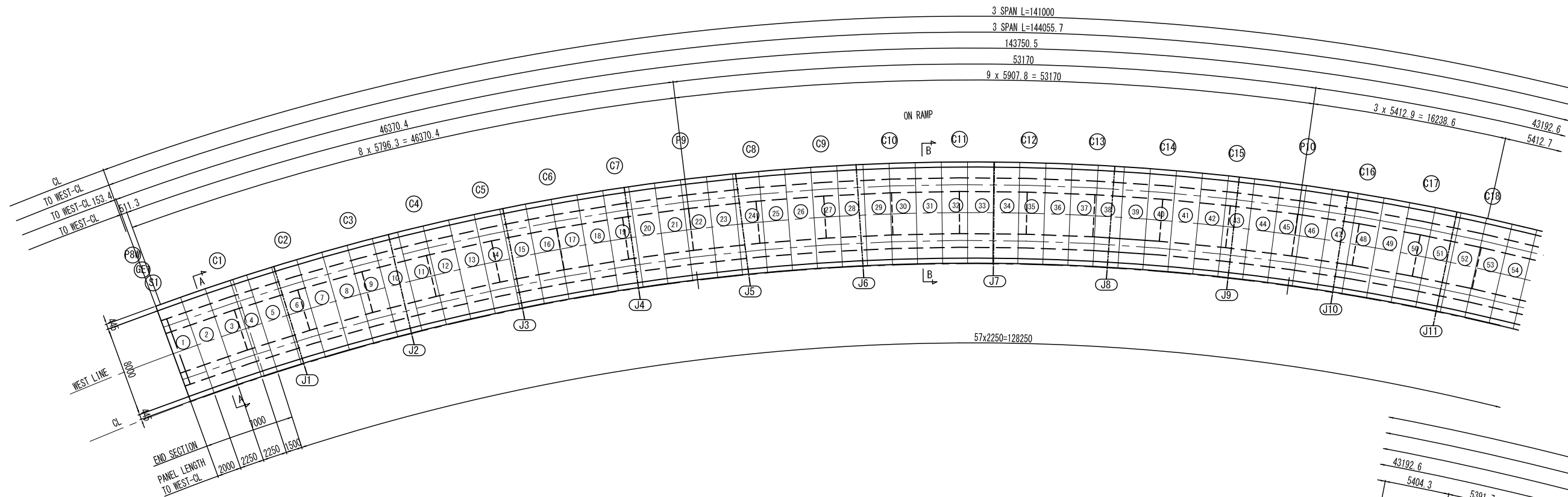
SCALE
S=1:200

DRAWING No.
016

SUPER
STRUCTURE

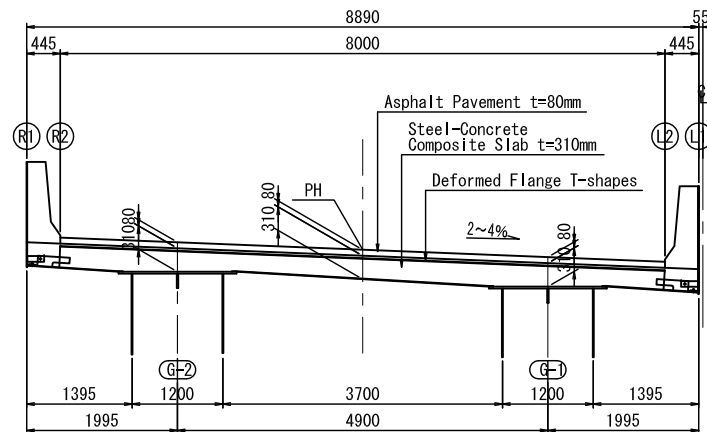
COMPOSITE SLAB ARRANGEMENT (P8-P11 WEST)

PLAN S=1:200

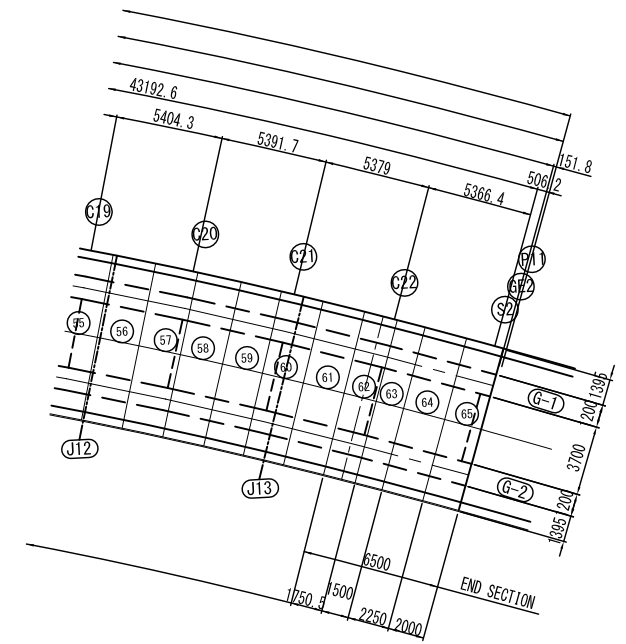
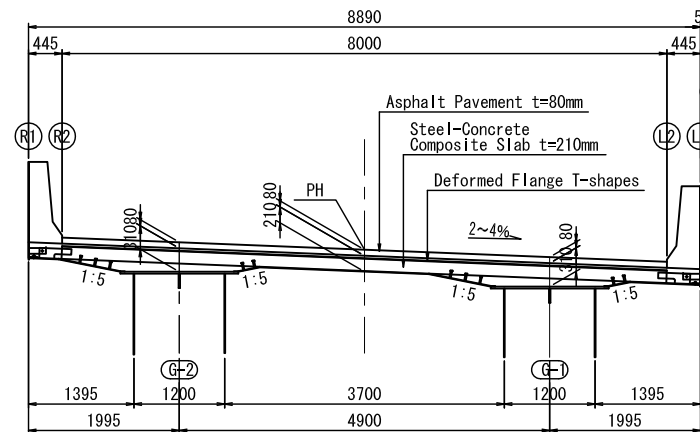


CROSS SECTION S=1:50

END (A-A)



CENTER (B-B)



PROJECT TITLE ;
THE PROJECT FOR CONSTRUCTION OF
AJILCHIN FLY-OVER IN ULAANBAATAR CITY

DESIGNED BY ;
CTI Engineering International Co., Ltd.
Chodai Co., Ltd.
International Development Institute

DRAWING TITLE ;
COMPOSITE SLAB ARRANGEMENT
(P8-P11 WEST)

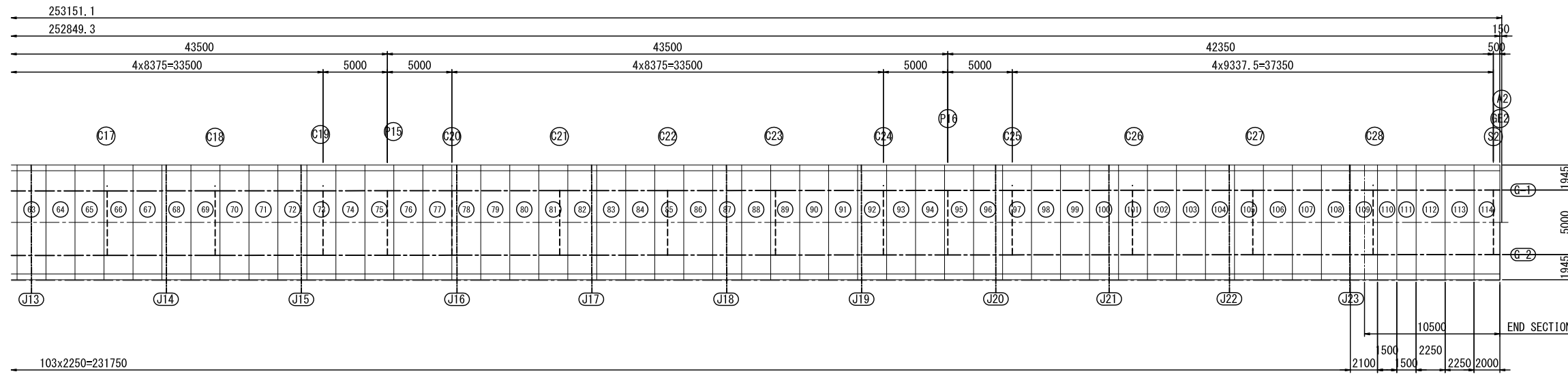
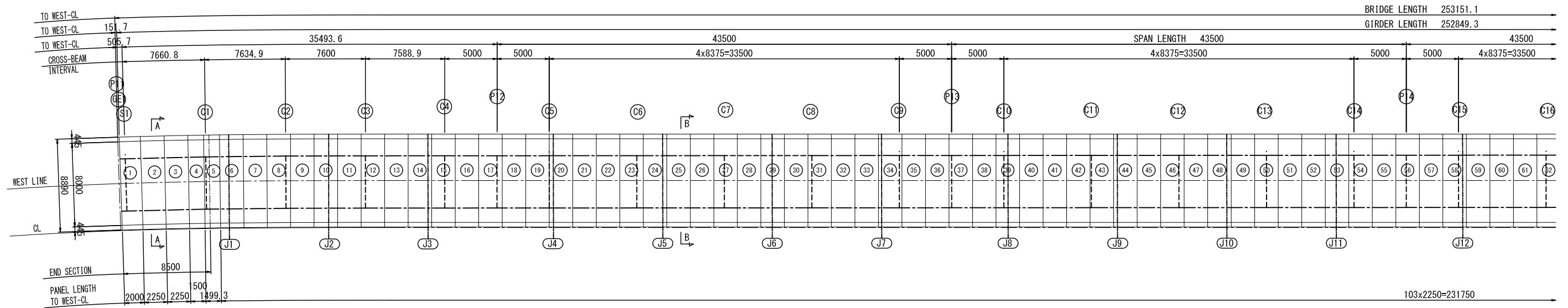
SCALE
S=1:200

DRAWING No.
017

SUPER
STRUCTURE

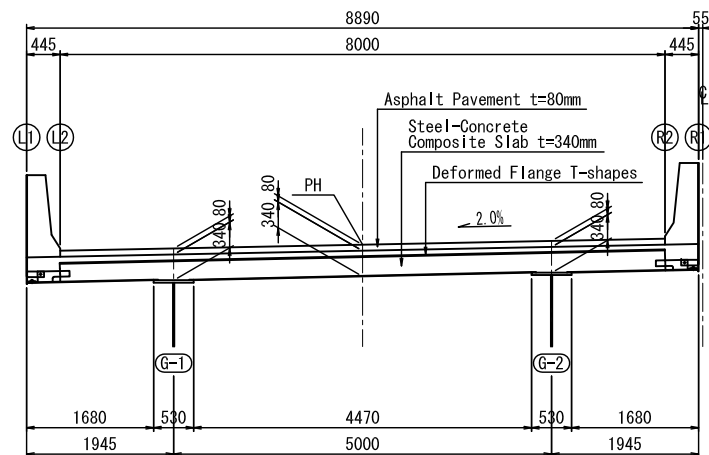
COMPOSITE SLAB ARRANGEMENT (P11-A2 WEST)

PLAN S=1:200

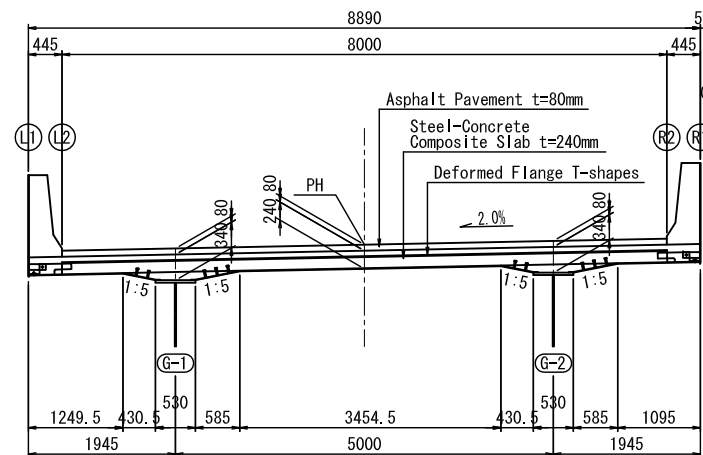


CROSS SECTION S=1:50

END (A-A)



CENTER (B-B)



PROJECT TITLE ;
THE PROJECT FOR CONSTRUCTION OF
AJILCHIN FLY-OVER IN ULAANBAATAR CITY

DESIGNED BY ;
CTI Engineering International Co., Ltd.
Chodai Co., Ltd.
International Development Institute

DRAWING TITLE ;
COMPOSITE SLAB ARRANGEMENT
(P11-A2 WEST)

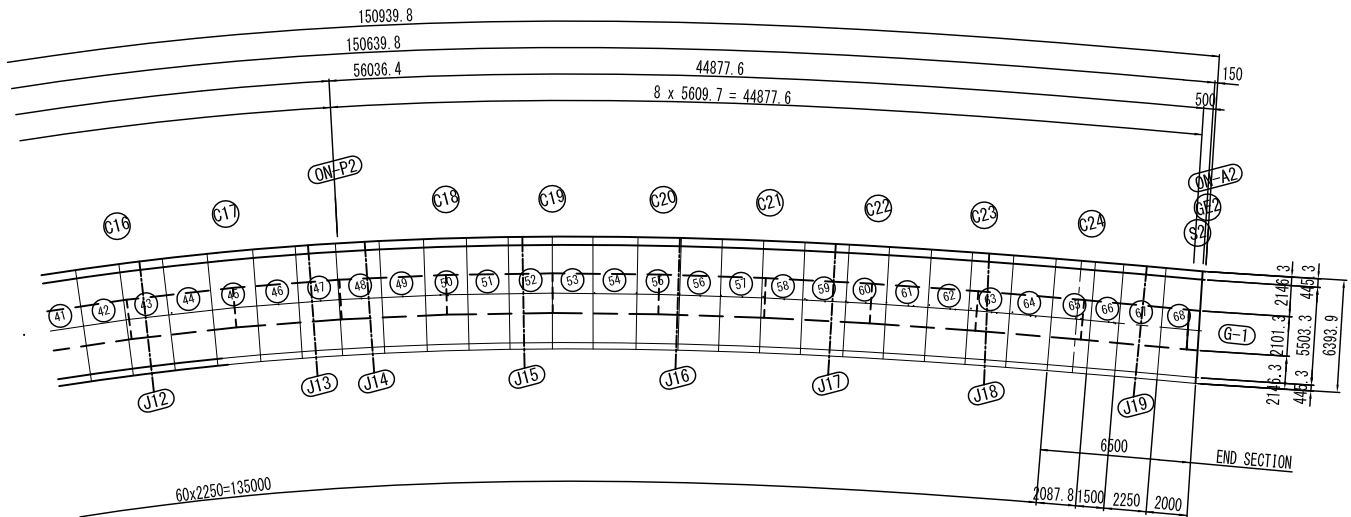
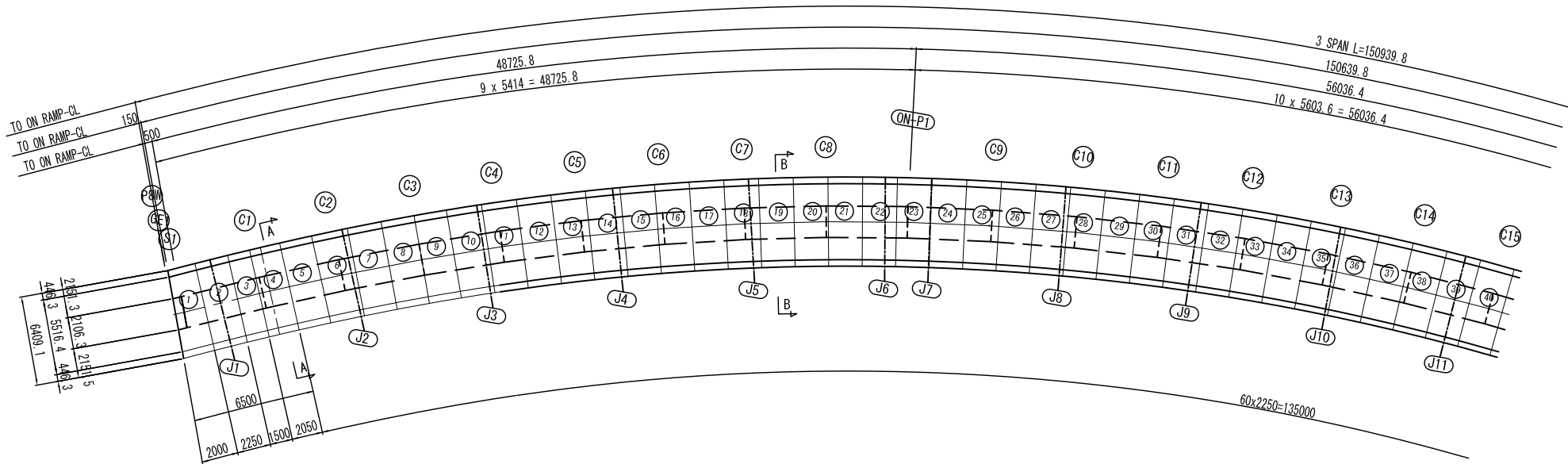
SCALE
S=1:200

DRAWING No.
018

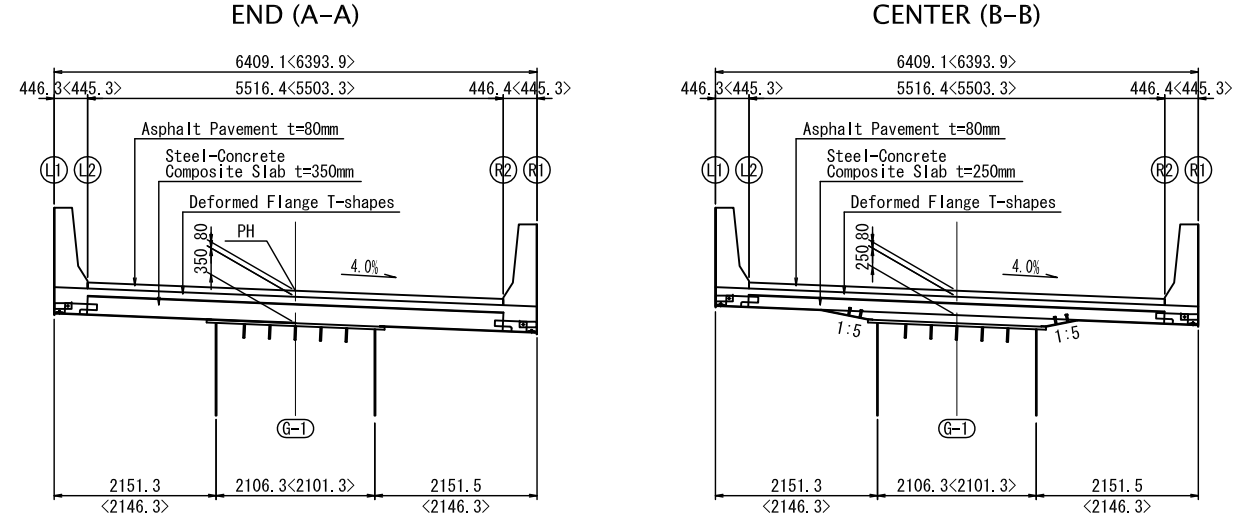
SUPER
STRUCTURE

COMPOSITE SLAB ARRANGEMENT (ON RAMP TO WEST)

PLAN S=1:200



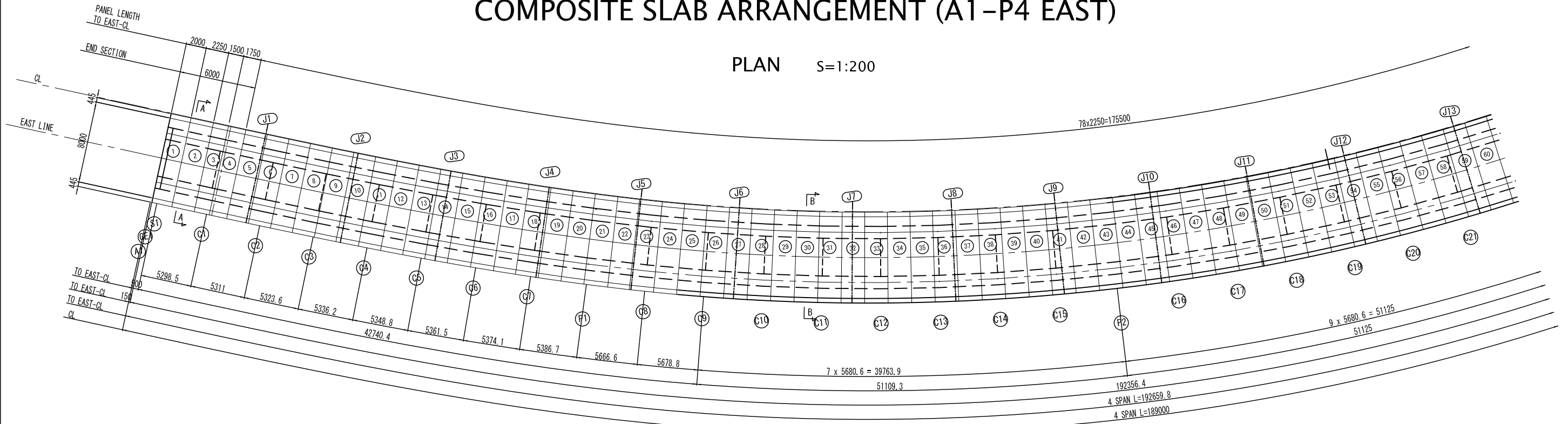
CROSS SECTION S=1:50



<p>PROJECT TITLE ; THE PROJECT FOR CONSTRUCTION OF AJILCHIN FLY-OVER IN ULAANBAATAR CITY</p>	<p>DESIGNED BY ; CTI Engineering International Co., Ltd. Chodai Co., Ltd. International Development Institute</p>	<p>DRAWING TITLE ; COMPOSITE SLAB ARRANGEMENT (ON RAMP TO WEST)</p>	<p>SCALE S=1:200</p>	<p>DRAWING No. 019</p>	<p>SUPER STRUCTURE</p>
--	---	---	--------------------------	----------------------------	----------------------------

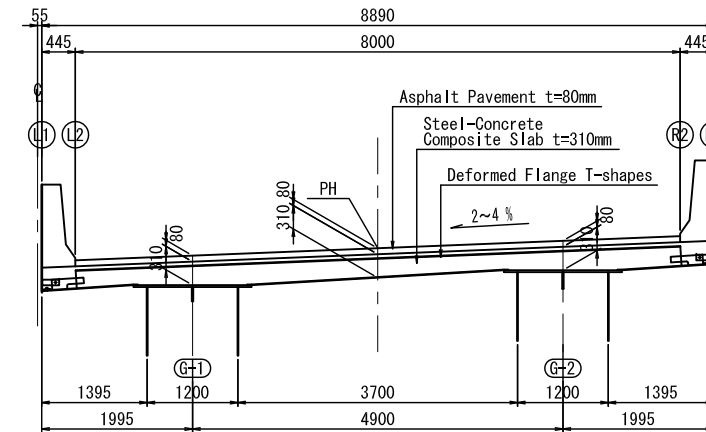
COMPOSITE SLAB ARRANGEMENT (A1-P4 EAST)

PLAN S=1:200

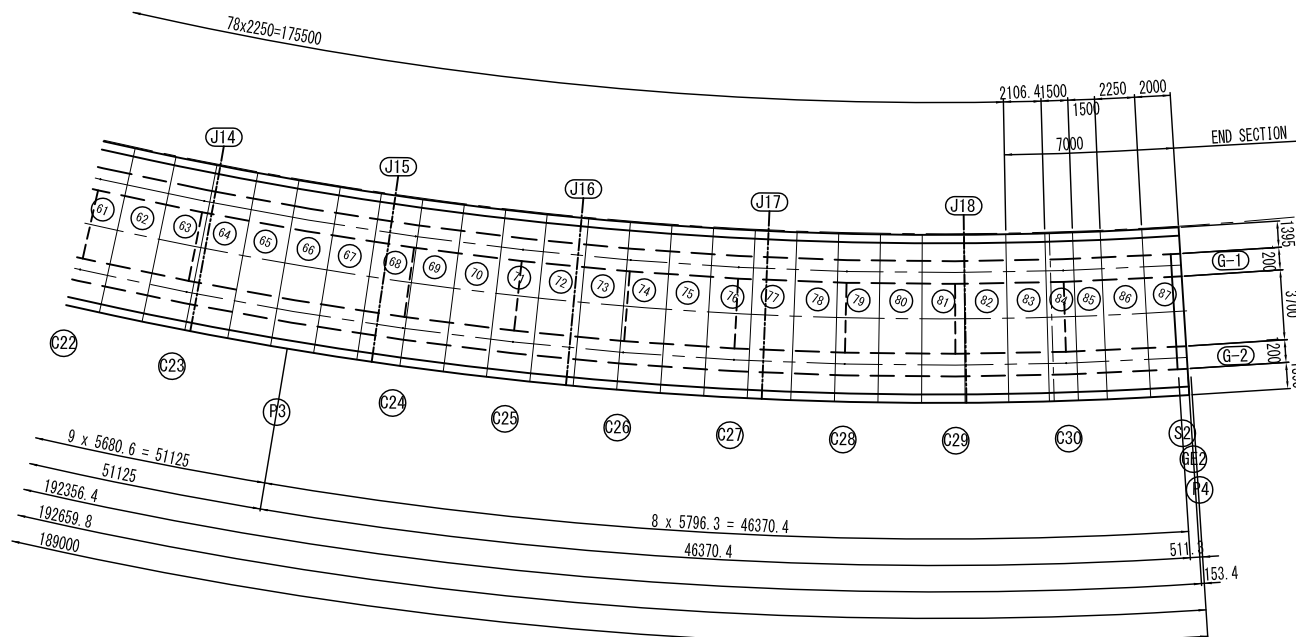
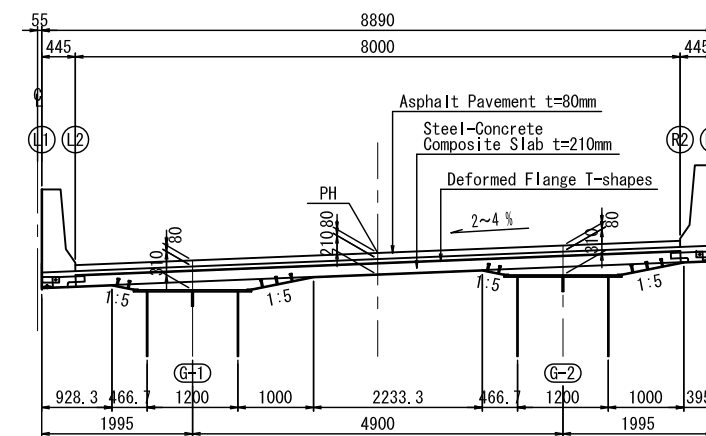


CROSS SECTION S=1:50

END (A-A)



CENTER (B-B)



PROJECT TITLE ;
THE PROJECT FOR CONSTRUCTION OF
AJILCHIN FLY-OVER IN ULAANBAATAR CITY

DESIGNED BY ;
CTI Engineering International Co., Ltd.
Chodai Co., Ltd.
International Development Institute

DRAWING TITLE ;
COMPOSITE SLAB ARRANGEMENT
(A1-P4 EAST)

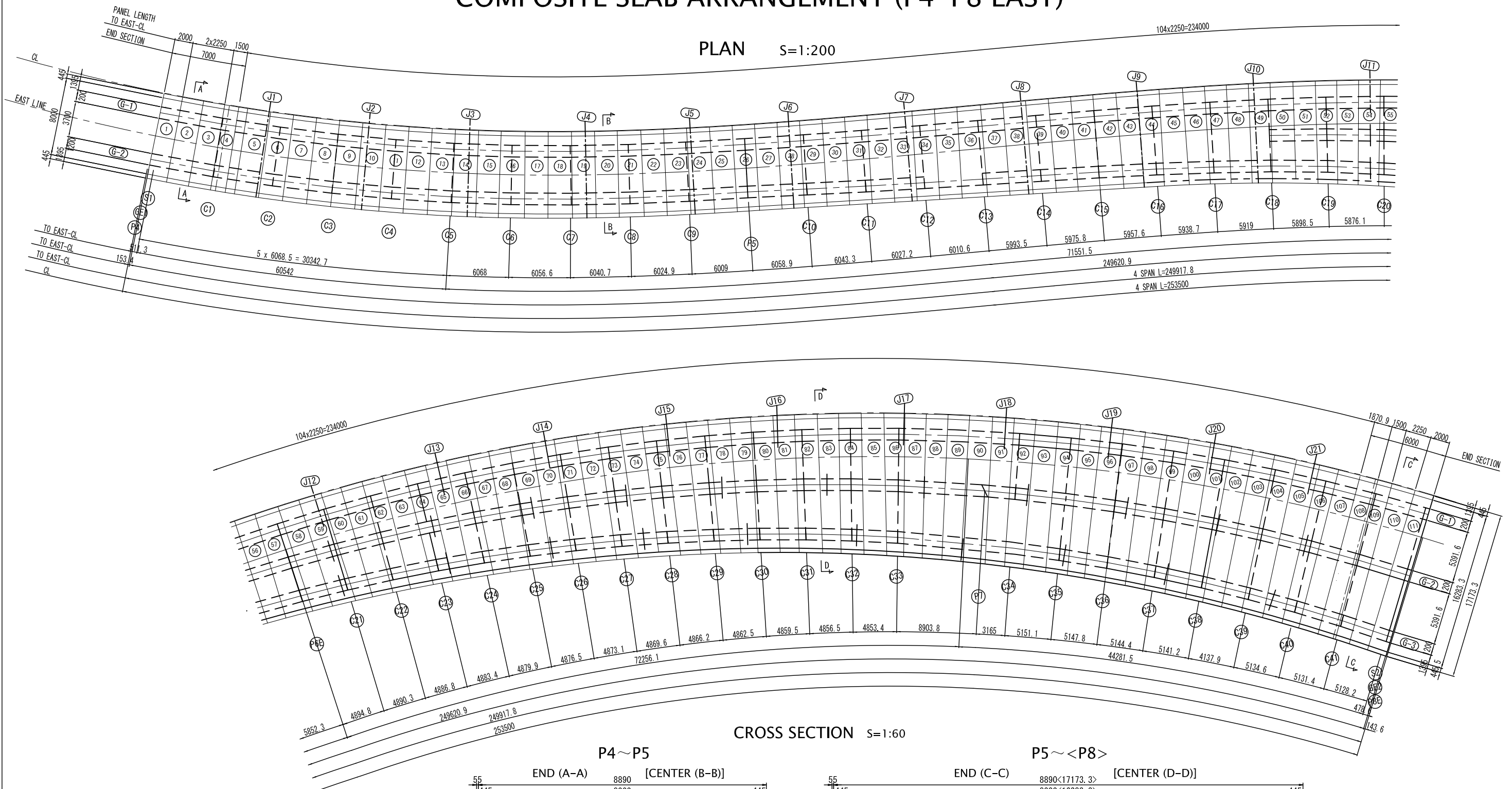
SCALE
S=1:200

DRAWING No.
020

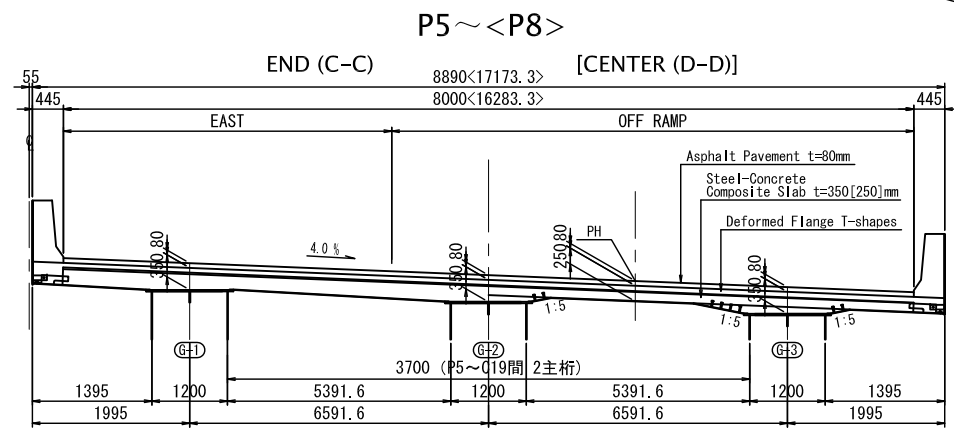
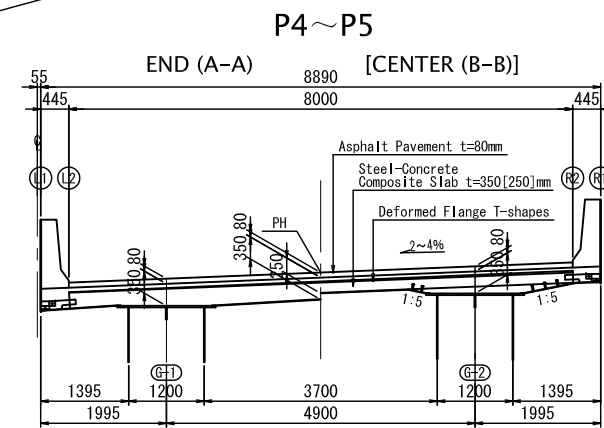
SUPER
STRUCTURE

COMPOSITE SLAB ARRANGEMENT (P4-P8 EAST)

PLAN S=1:200



CROSS SECTION S=1:60



PROJECT TITLE ;
THE PROJECT FOR CONSTRUCTION OF
AJILCHIN FLY-OVER IN ULAANBAATAR CITY

DESIGNED BY ;
CTI Engineering International Co., Ltd.
Chodai Co., Ltd.
International Development Institute

DRAWING TITLE ;
COMPOSITE SLAB ARRANGEMENT
(P4-P8 EAST)

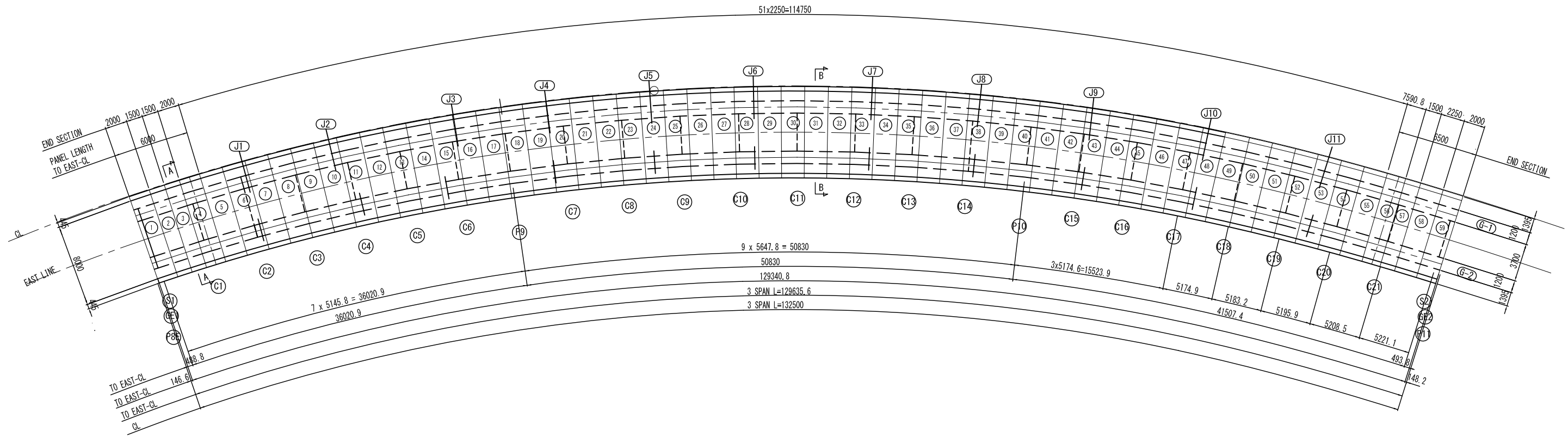
SCALE
S=1:200

DRAWING No.
021

SUPER
STRUCTURE

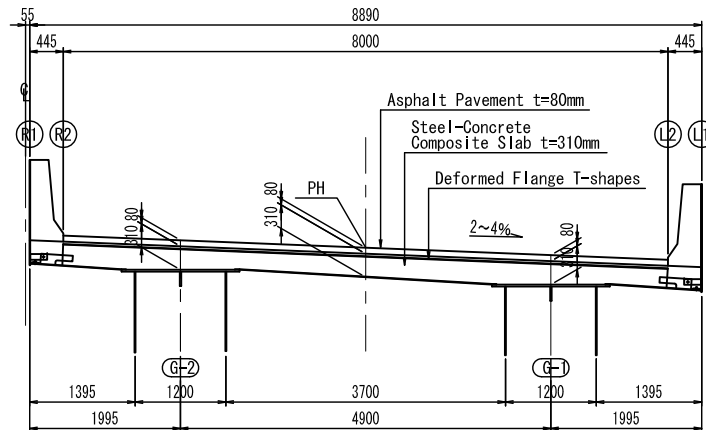
COMPOSITE SLAB ARRANGEMENT (P8-P11 EAST)

PLAN S=1:200

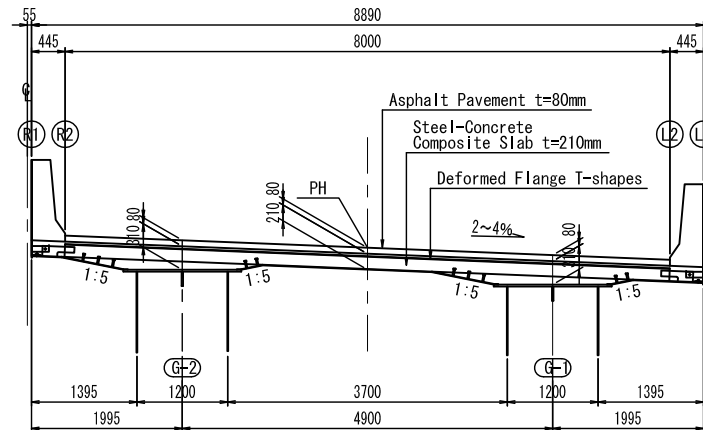


CROSS SECTION S=1:50

END (A-A)



CENTER (B-B)



PROJECT TITLE ;
THE PROJECT FOR CONSTRUCTION OF
AJILCHIN FLY-OVER IN ULAANBAATAR CITY

DESIGNED BY ;
CTI Engineering International Co., Ltd.
Chodai Co., Ltd.
International Development Institute

DRAWING TITLE ;
COMPOSITE SLAB ARRANGEMENT
(P8-P11 EAST)

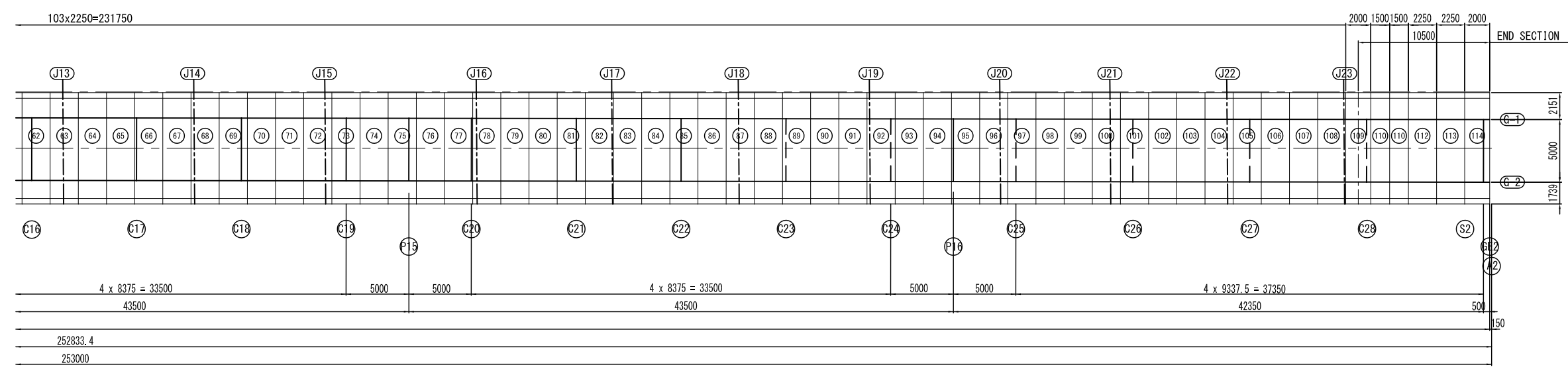
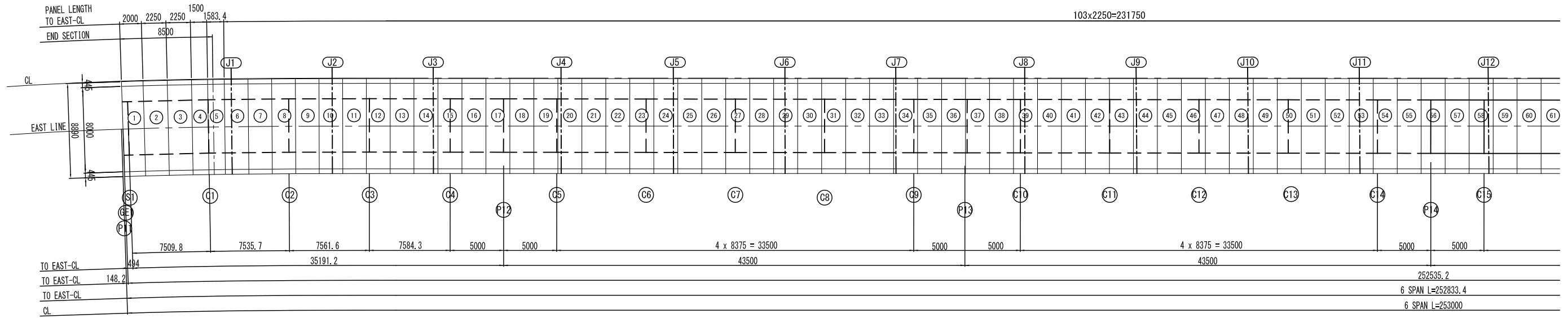
SCALE
S=1:200

DRAWING No.
022

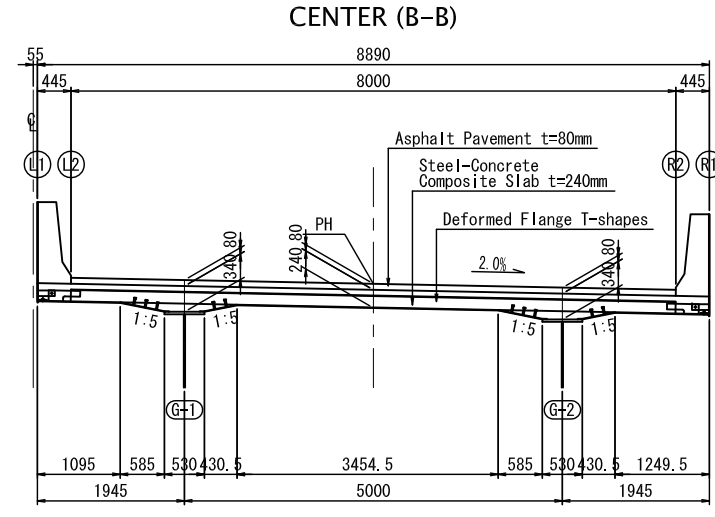
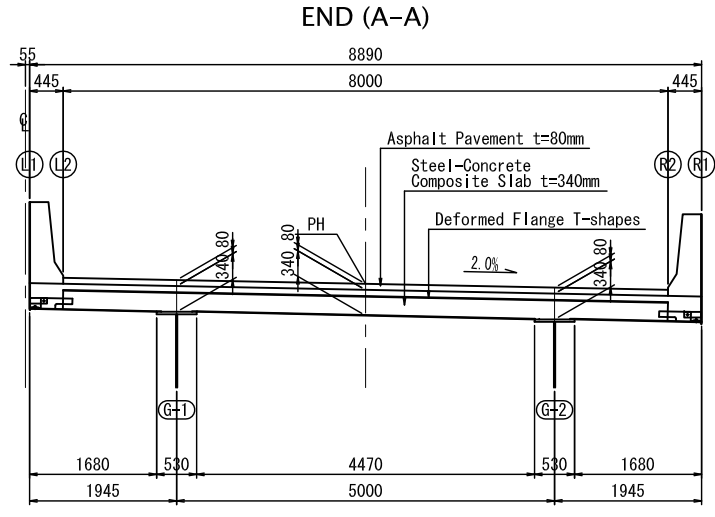
SUPER
STRUCTURE

COMPOSITE SLAB ARRANGEMENT (P11-A2 EAST)

PLAN S=1:200



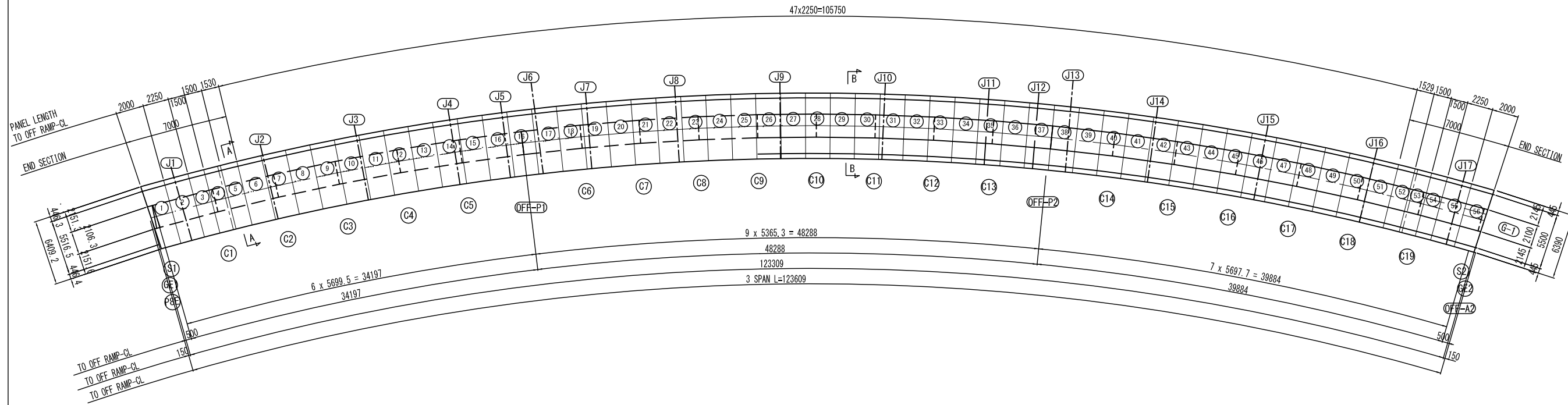
CROSS SECTION S=1:50



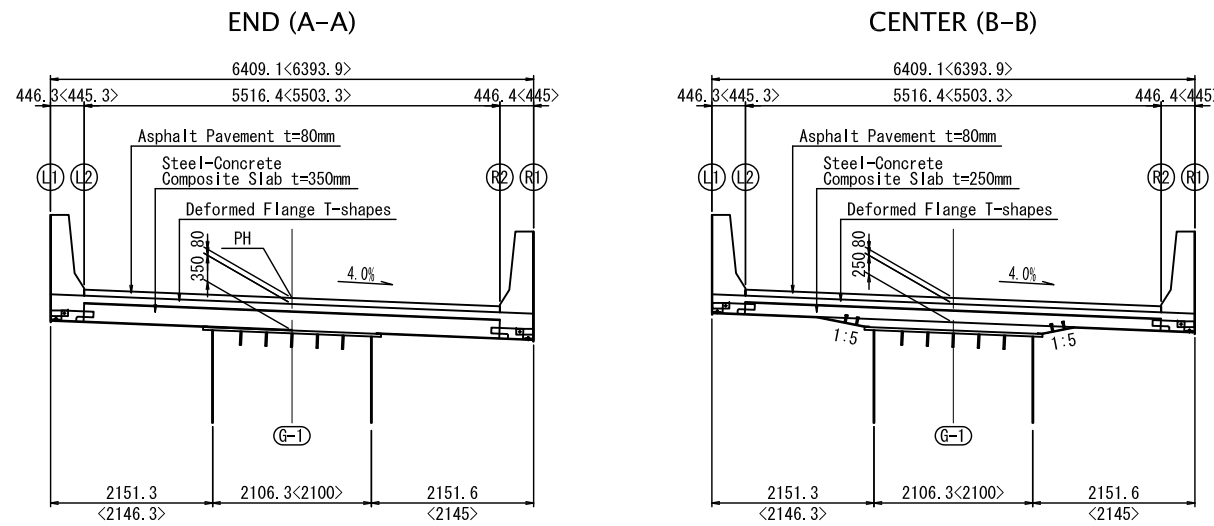
<p>PROJECT TITLE ; THE PROJECT FOR CONSTRUCTION OF AJILCHIN FLY-OVER IN ULAANBAATAR CITY</p>	<p>DESIGNED BY ; CTI Engineering International Co., Ltd. Chodai Co., Ltd. International Development Institute</p>	<p>DRAWING TITLE ; COMPOSITE SLAB ARRANGEMENT (P11-A2 EAST)</p>	<p>SCALE S=1:200</p>	<p>DRAWING No. 023</p>	<p>SUPER STRUCTURE</p>
--	---	---	--------------------------	----------------------------	----------------------------

COMPOSITE SLAB ARRANGEMENT (OFF RAMP TO EAST)

PLAN S=1:200



CROSS SECTION S=1:50



PROJECT TITLE ;
THE PROJECT FOR CONSTRUCTION OF
AJILCHIN FLY-OVER IN ULAANBAATAR CITY

DESIGNED BY ;
CTI Engineering International Co., Ltd.
Chodai Co., Ltd.
International Development Institute

DRAWING TITLE ;
COMPOSITE SLAB ARRANGEMENT
(OFF RAMP TO EAST)

SCALE
S=1:200

DRAWING No.
024

SUPER
STRUCTURE

truck crane bent method

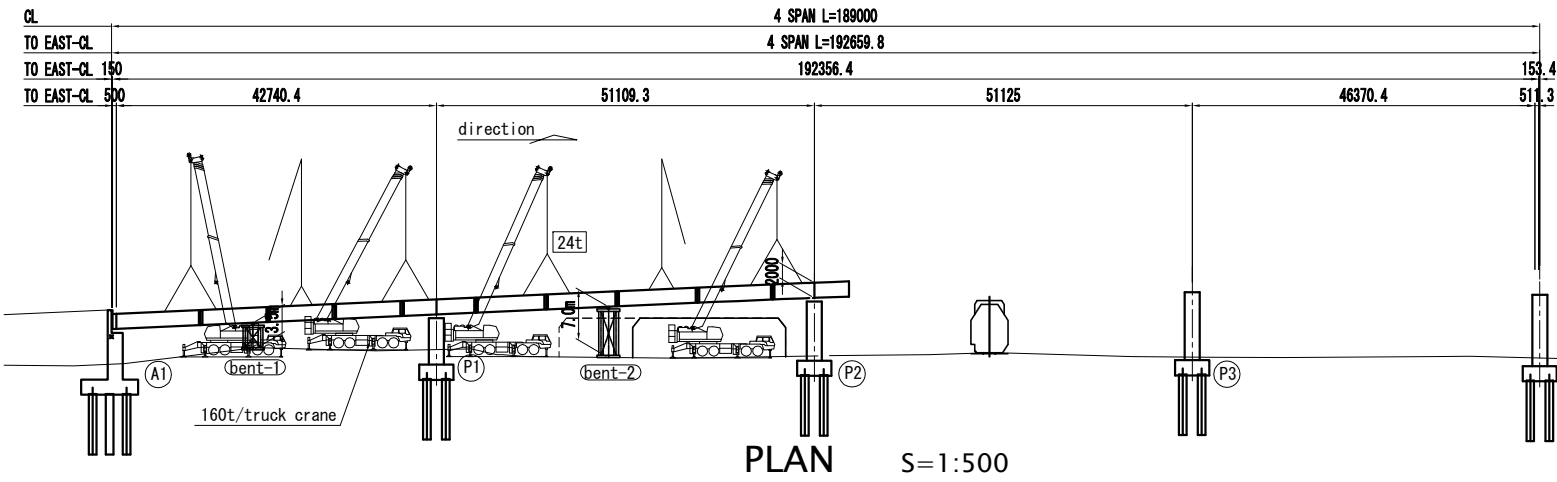
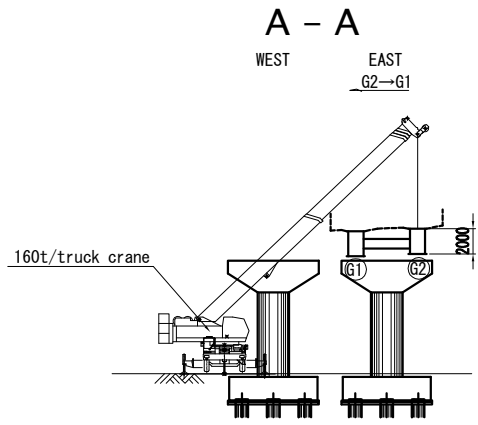
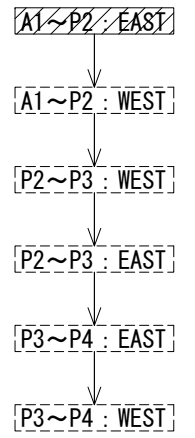
ERECTION PLANNING OF SUPER STRUCTURE (A1-P2 EAST)

PROFILE S=1:500

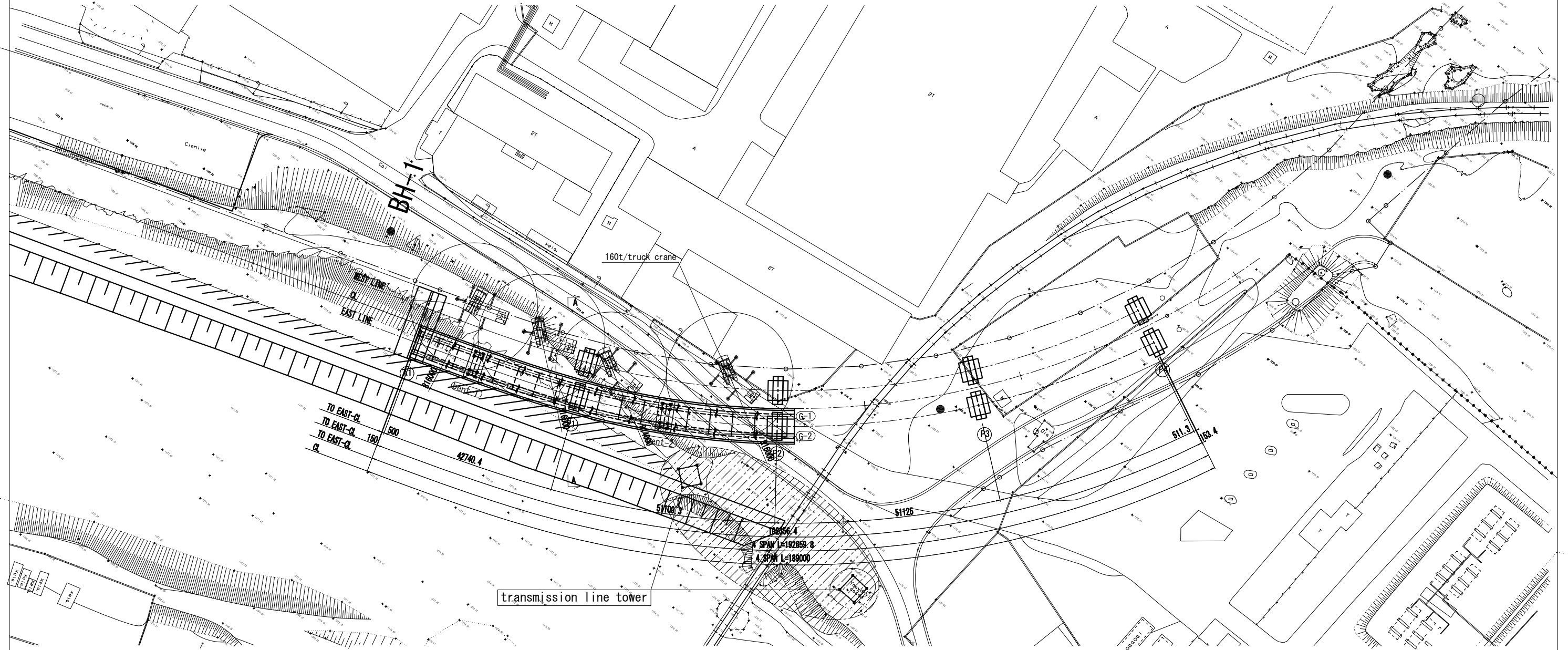
160t/truck crane Ability list (t)

Work radius	18.15m boom	22.7m boom	31.8m boom
10.0m	52.0	50.5	44.0
11.0m	47.0	45.5	40.0
12.0m	34.0	41.5	37.0
14.0m	25.0	34.0	31.5
16.0m	21.0	28.0	27.5
18.0m		23.5	24.4
20.0m		19.5	21.4
22.0m			18.0
24.0m			15.2
26.0m			12.9
28.0m			10.8

ERECTION STEP



PLAN S=1:500



PROJECT TITLE ;
THE PROJECT FOR CONSTRUCTION OF
AJILCHIN FLY-OVER IN ULAANBAATAR CITY

DESIGNED BY ;
CTI Engineering International Co., Ltd.
Chodai Co., Ltd.
International Development Institute

APPROVED BY ;

DRAWING TITLE ;
ERECTION PLANNING OF SUPER STRUCTURE
(A1 - P2 EAST)

SCALE
S=1:500

DRAWING No.
025

SUPER
STRUCTURE

truck crane bent method

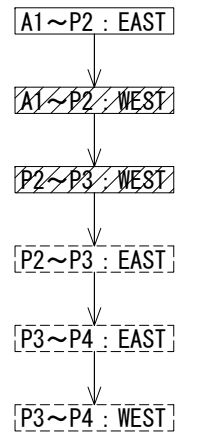
ERECTION PLANNING OF SUPER STRUCTURE (A1-P3 WEST)

PROFILE S=1:500

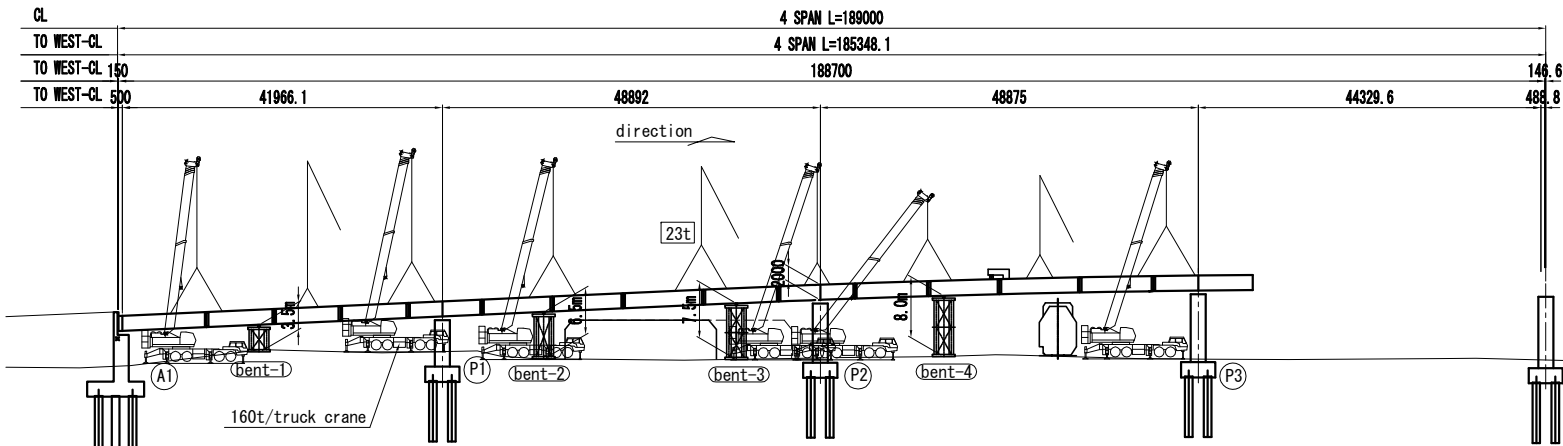
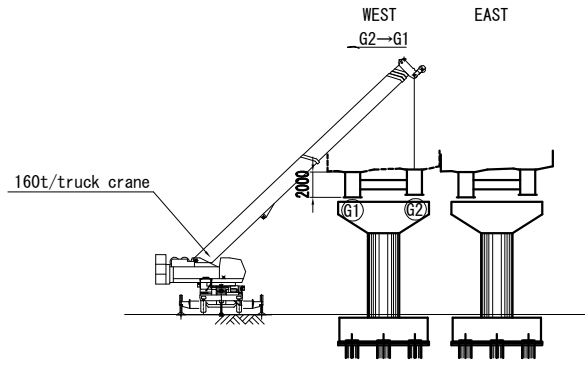
160t/truck crane Ability list (t)

Work radius	18.15m boom	22.7m boom	31.8m boom
10.0m	52.0	50.5	44.0
11.0m	47.0	45.5	40.0
12.0m	34.0	41.5	37.0
14.0m	25.0	34.0	31.5
16.0m	21.0	28.0	27.5
18.0m		23.5	24.4
20.0m		19.5	21.4
22.0m			18.0
24.0m			15.2
26.0m			12.9
28.0m			10.8

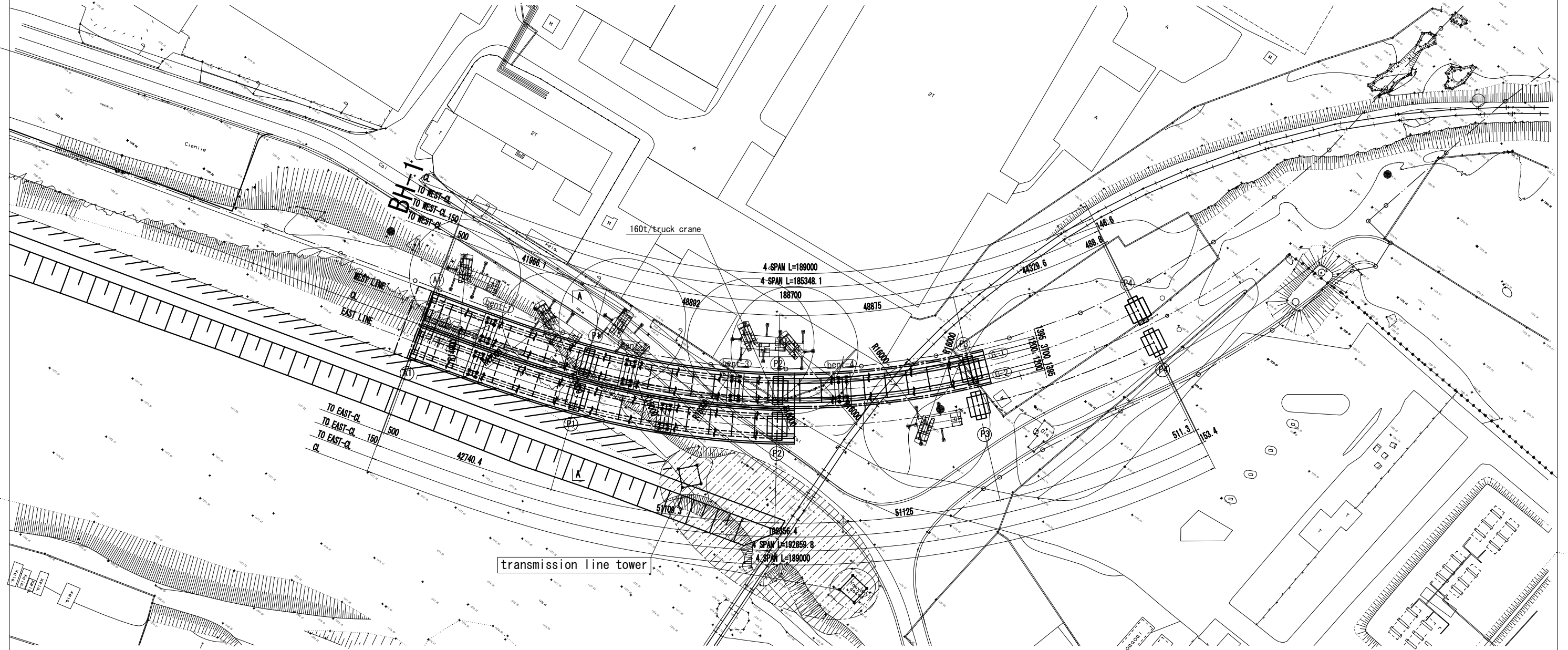
ERECTION STEP



A - A



PLAN S=1:500



PROJECT TITLE ;
THE PROJECT FOR CONSTRUCTION OF
AJILCHIN FLY-OVER IN ULAANBAATAR CITY

DESIGNED BY ;
CTI Engineering International Co., Ltd.
Chodai Co., Ltd.
International Development Institute

APPROVED BY ;

DRAWING TITLE ;
ERECTION PLANNING OF SUPER STRUCTURE
(A1-P3 WEST)

SCALE
S=1:500

DRAWING No.
026
SUPER
STRUCTURE

truck crane bent method

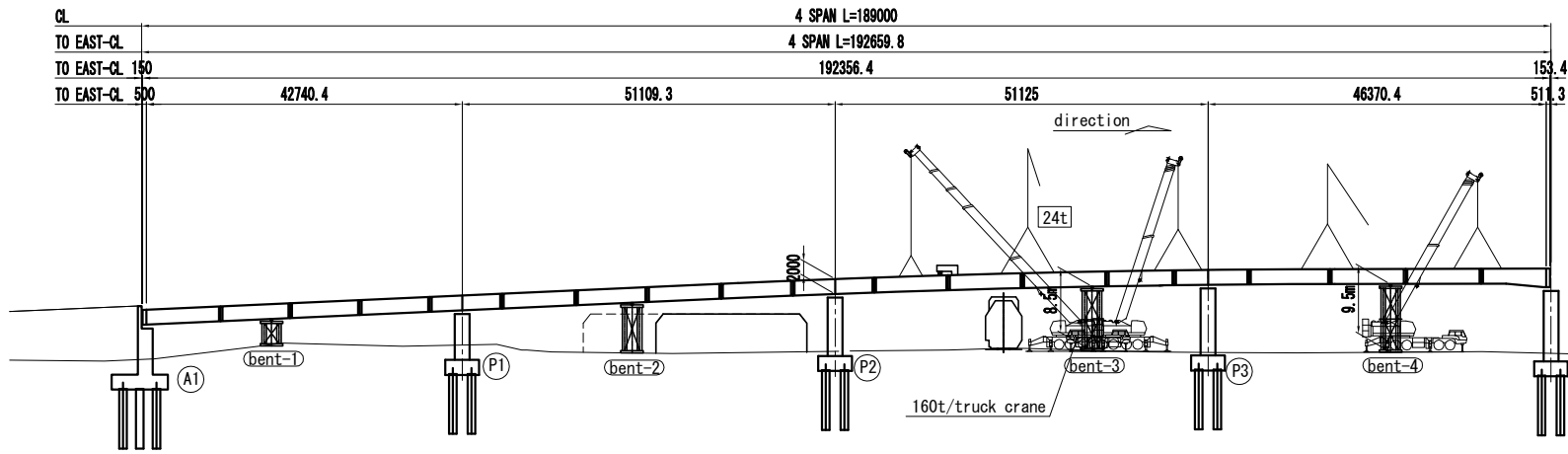
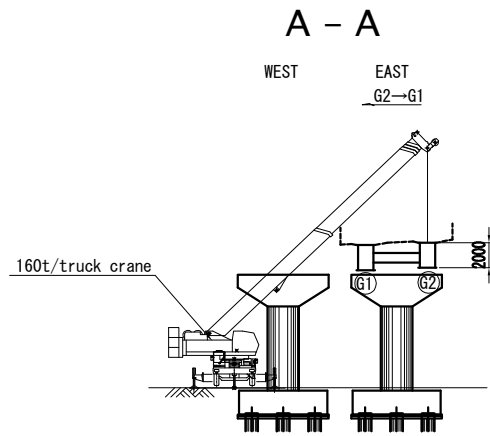
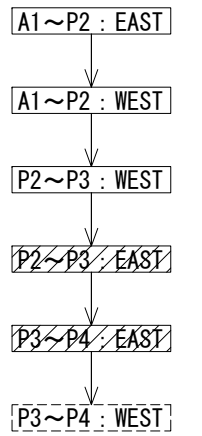
ERECTION PLANNING OF SUPER STRUCTURE (P2-P4 EAST)

PROFILE S=1:500

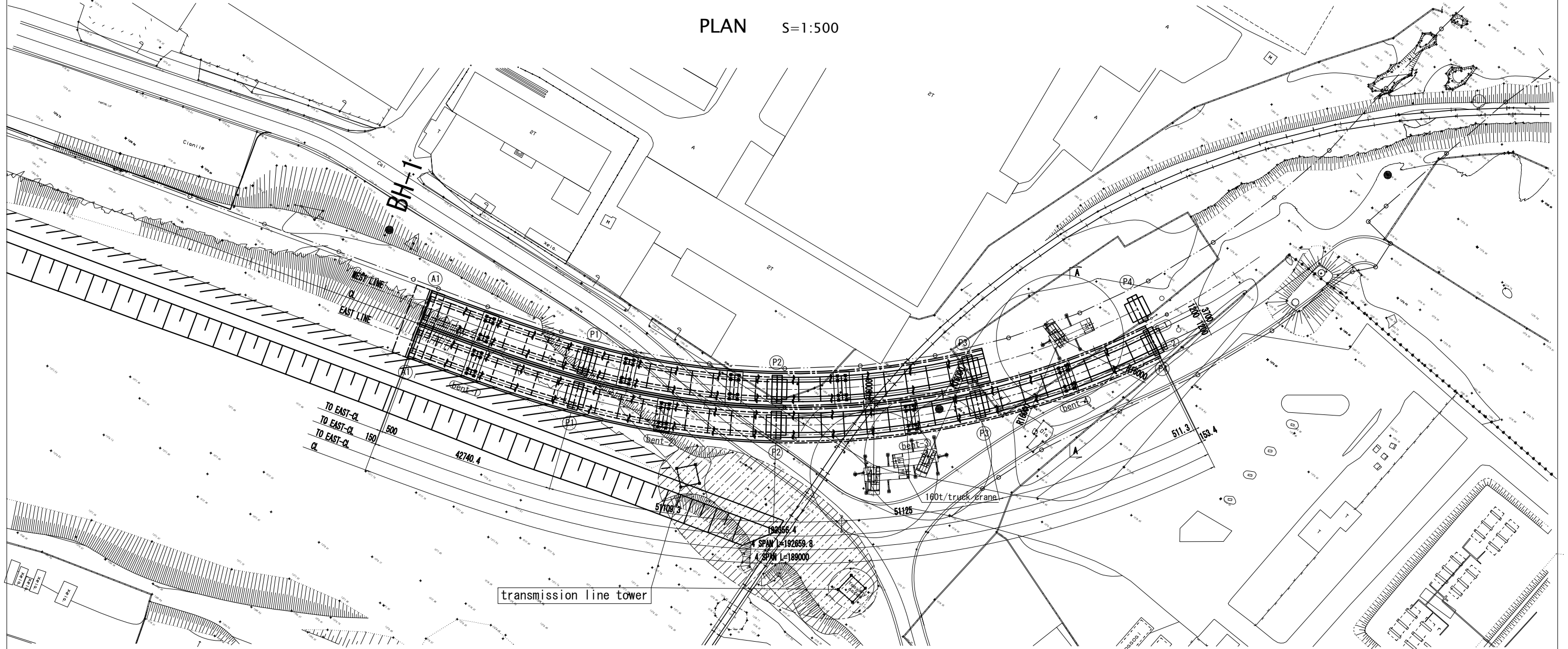
160t/truck crane Ability list (t)

Work radius	18.15m boom	22.7m boom	31.8m boom
10.0m	52.0	50.5	44.0
11.0m	47.0	45.5	40.0
12.0m	34.0	41.5	37.0
14.0m	25.0	34.0	31.5
16.0m	21.0	28.0	27.5
18.0m		23.5	24.4
20.0m		19.5	21.4
22.0m			18.0
24.0m			15.2
26.0m			12.9
28.0m			10.8

ERECTION STEP



PLAN S=1:500



PROJECT TITLE ;
THE PROJECT FOR CONSTRUCTION OF
AJILCHIN FLY-OVER IN ULAANBAATAR CITY

DESIGNED BY ;
CTI Engineering International Co., Ltd.
Chodai Co., Ltd.
International Development Institute

APPROVED BY ;

DRAWING TITLE ;
ERECTION PLANNING OF SUPER STRUCTURE
(P2-P4 EAST)

SCALE
S=1:500

DRAWING No.
027
SUPER
STRUCTURE

truck crane bent method

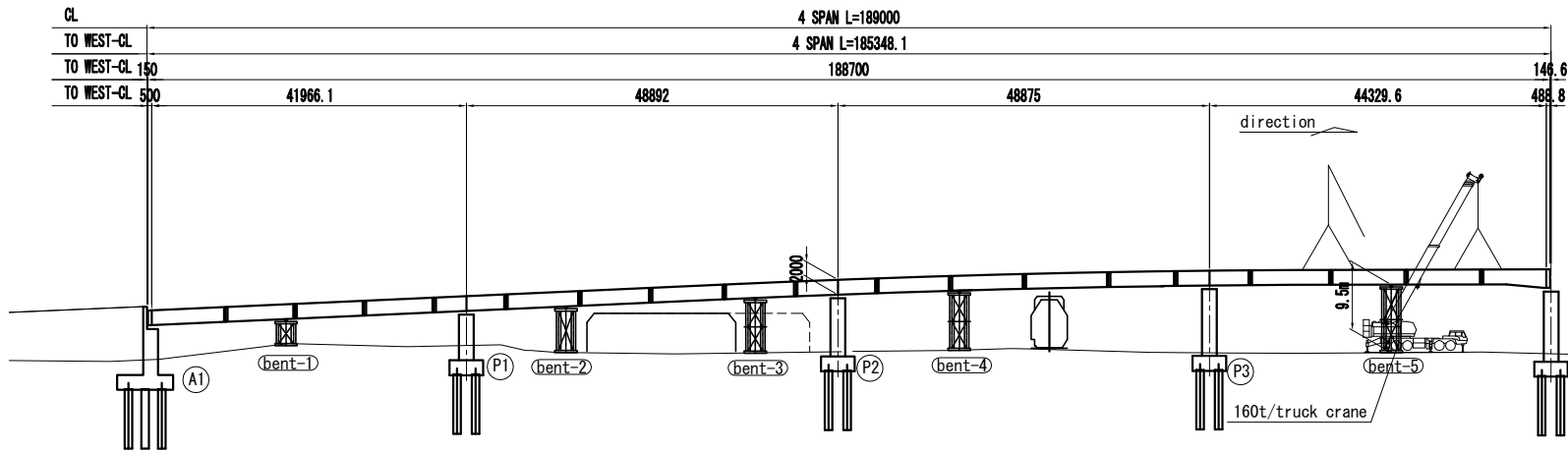
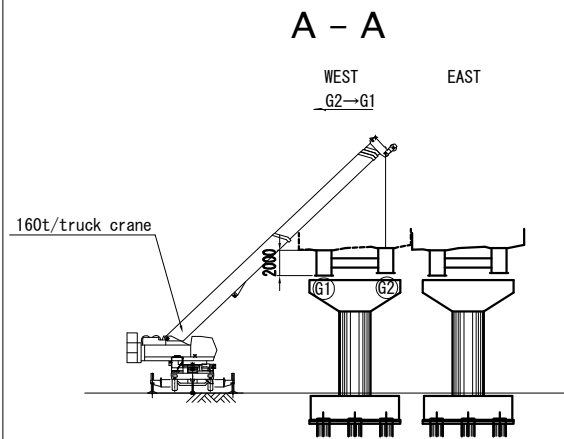
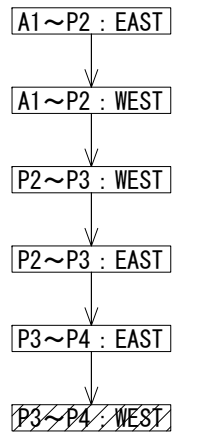
ERECTION PLANNING OF SUPER STRUCTURE (P3-P4 WEST)

PROFILE S=1:500

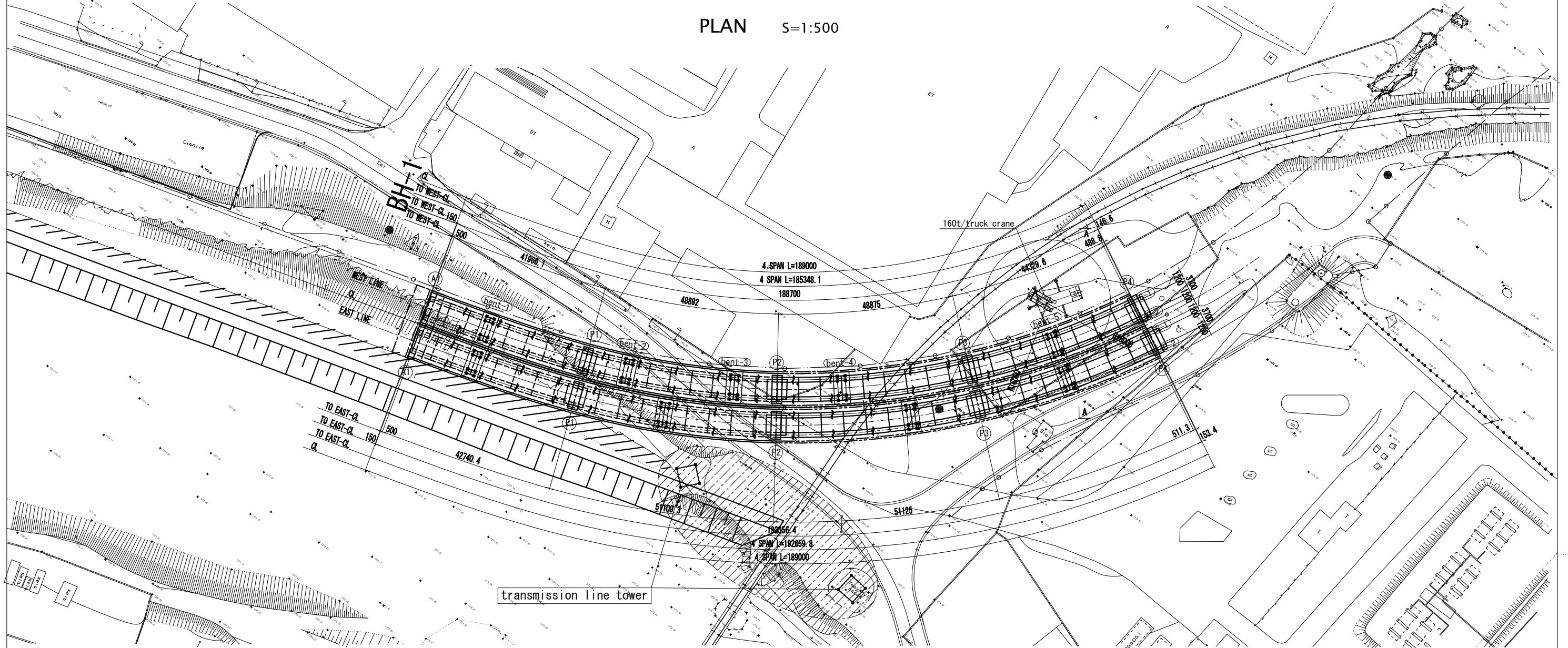
160t/truck crane Ability list (t)

Work radius	18.15m boom	22.7m boom	31.8m boom
10.0m	52.0	50.5	44.0
11.0m	47.0	45.5	40.0
12.0m	34.0	41.5	37.0
14.0m	25.0	34.0	31.5
16.0m	21.0	28.0	27.5
18.0m		23.5	24.4
20.0m		19.5	21.4
22.0m			18.0
24.0m			15.2
26.0m			12.9
28.0m			10.8

ERECTION STEP



PLAN S=1:500



PROJECT TITLE ;
THE PROJECT FOR CONSTRUCTION OF
AJILCHIN FLY-OVER IN ULAANBAATAR CITY

DESIGNED BY ;
CTI Engineering International Co., Ltd.
Chodai Co., Ltd.
International Development Institute

APPROVED BY ;

DRAWING TITLE ;
ERECTION PLANNING OF SUPER STRUCTURE
(P3-P4 WEST)

SCALE
S=1:500

DRAWING No.
028

SUPER
STRUCTURE

P4~P6:truck crane bent method

P6~P8:lauching method,push-out method

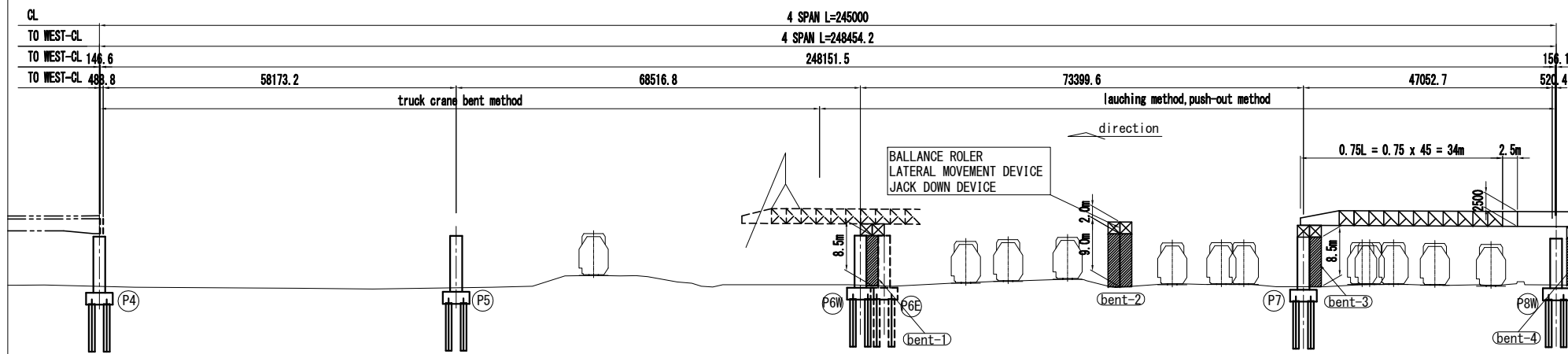
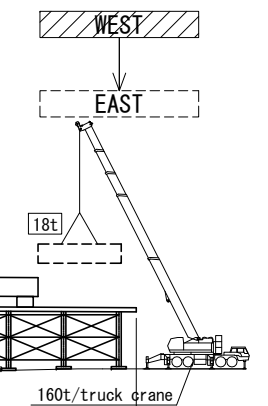
ERECTION PLANNING OF SUPER STRUCTURE (P6-P8 WEST-1)

PROFILE S=1:500

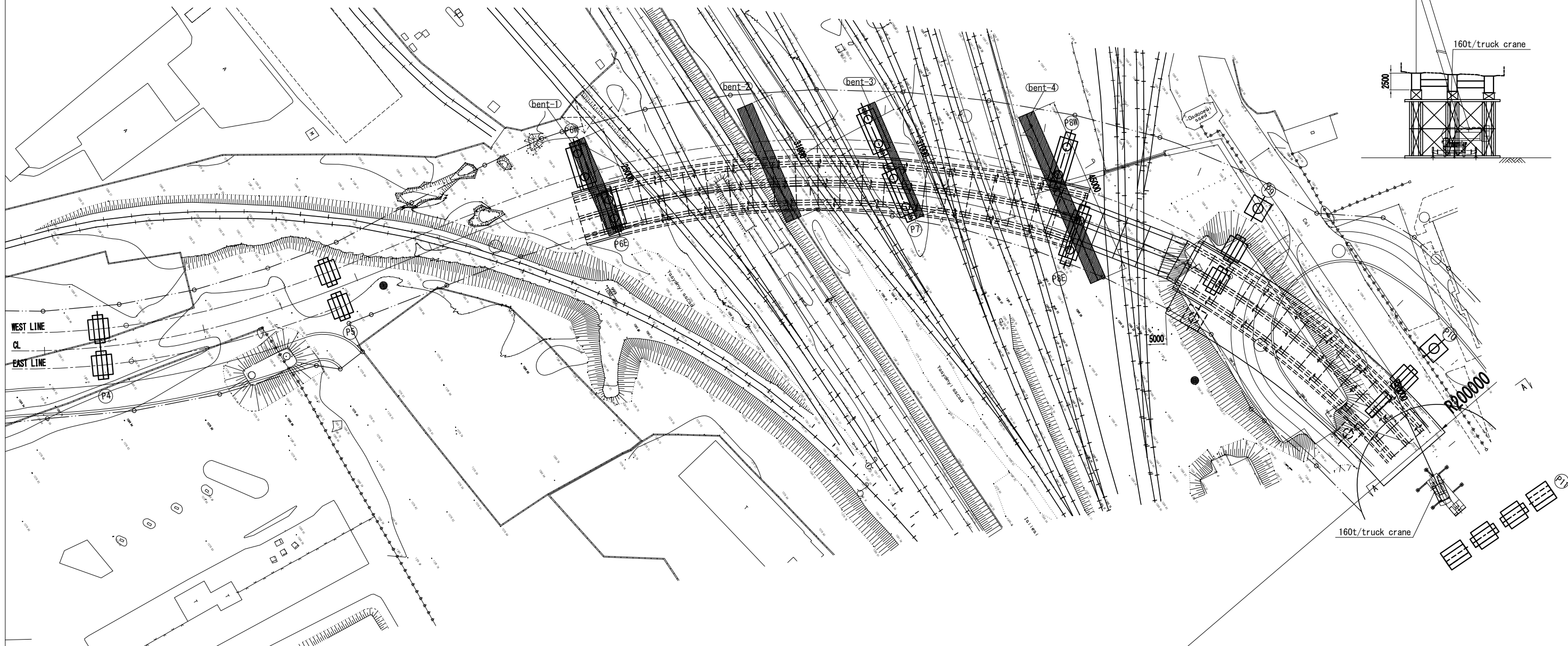
160t/truck crane Ability list (t)

Work radius	boom 18.15m	boom 22.7m	boom 31.8m
10.0m	52.0	50.5	44.0
11.0m	47.0	45.5	40.0
12.0m	34.0	41.5	37.0
14.0m	25.0	34.0	31.5
16.0m	21.0	28.0	27.5
18.0m		23.5	24.4
20.0m		19.5	21.4
22.0m			18.0
24.0m			15.2

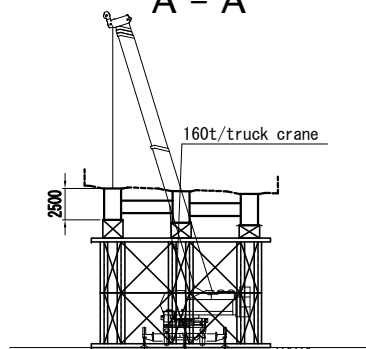
ERECTION STEP



PLAN S=1:500



A - A



PROJECT TITLE ;
THE PROJECT FOR CONSTRUCTION OF
AJILCHIN FLY-OVER IN ULAANBAATAR CITY

DESIGNED BY ;
CTI Engineering International Co., Ltd.
Chodai Co., Ltd.
International Development Institute

APPROVED BY ;

DRAWING TITLE ;
ERECTION PLANNING OF SUPER STRUCTURE
(P6-P8 WEST-1)

SCALE
S=1:500

DRAWING No.
029

SUPER
STRUCTURE

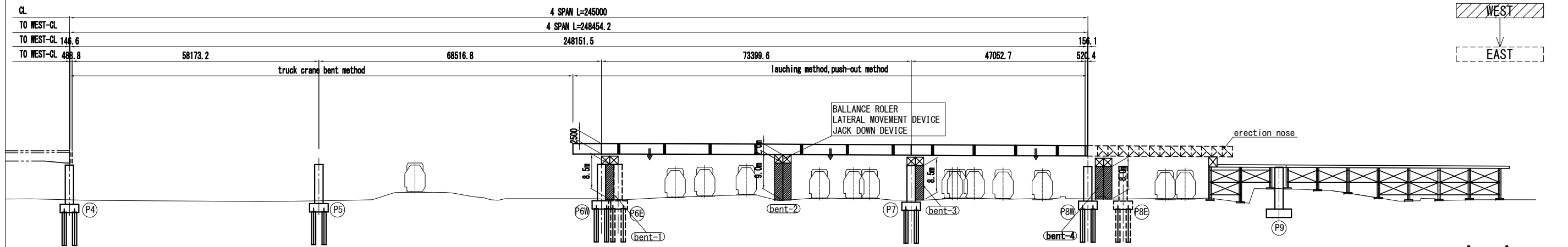
P4~P6: truck crane bent method

P6~P8: launching method, push-out method

ERECTION PLANNING OF SUPER STRUCTURE (P6-P8 WEST-2)

PROFILE S=1:500

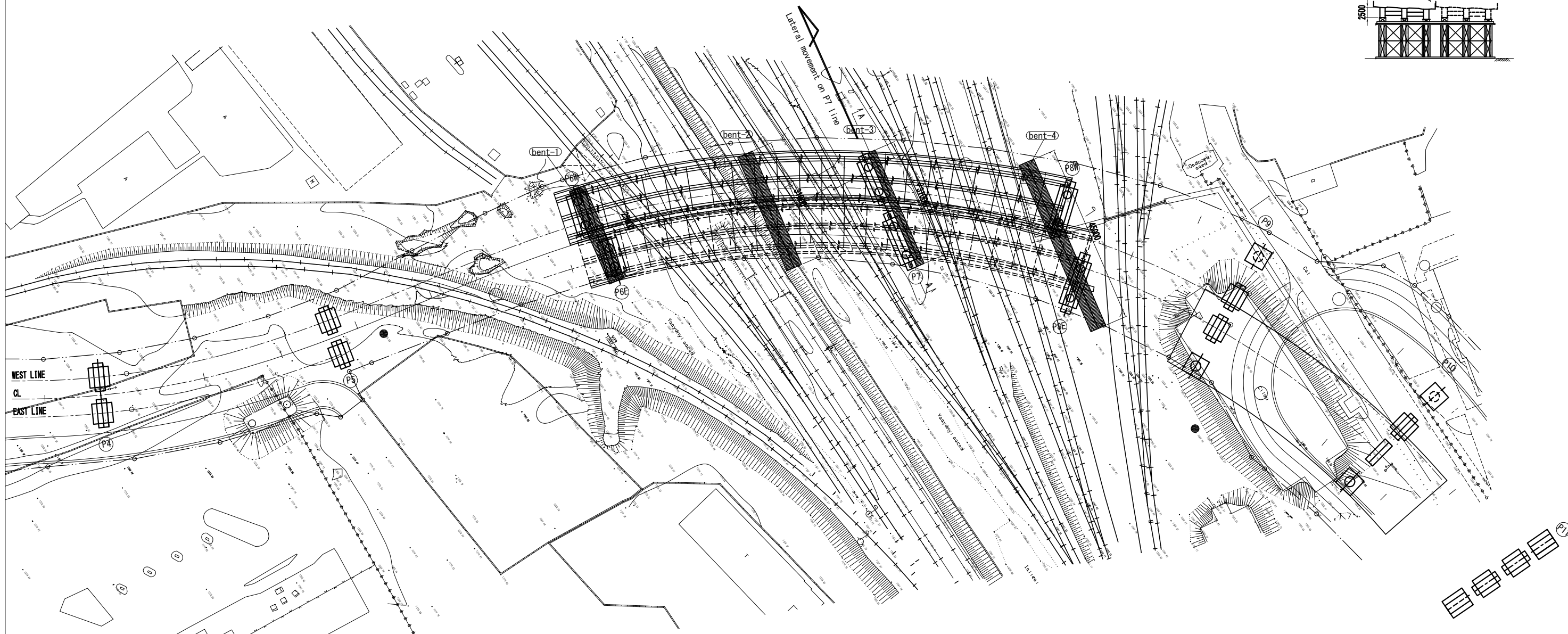
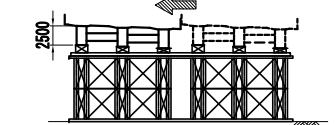
ERECTION STEP



PLAN S=1:500

A - A

WEST



PROJECT TITLE ;
 THE PROJECT FOR CONSTRUCTION OF
 AJILCHIN FLY-OVER IN ULAANBAATAR CITY

DESIGNED BY ;
 CTI Engineering International Co., Ltd.
 Chodai Co., Ltd.
 International Development Institute

APPROVED BY ;

DRAWING TITLE ;
 ERECTION PLANNING OF SUPER STRUCTURE
 (P6-P8 WEST-2)

SCALE
 S=1:500

DRAWING No.
 030

SUPER
 STRUCTURE

ERECTION PLANNING OF SUPER STRUCTURE (P6-P8 EAST)

PROFILE S=1:500

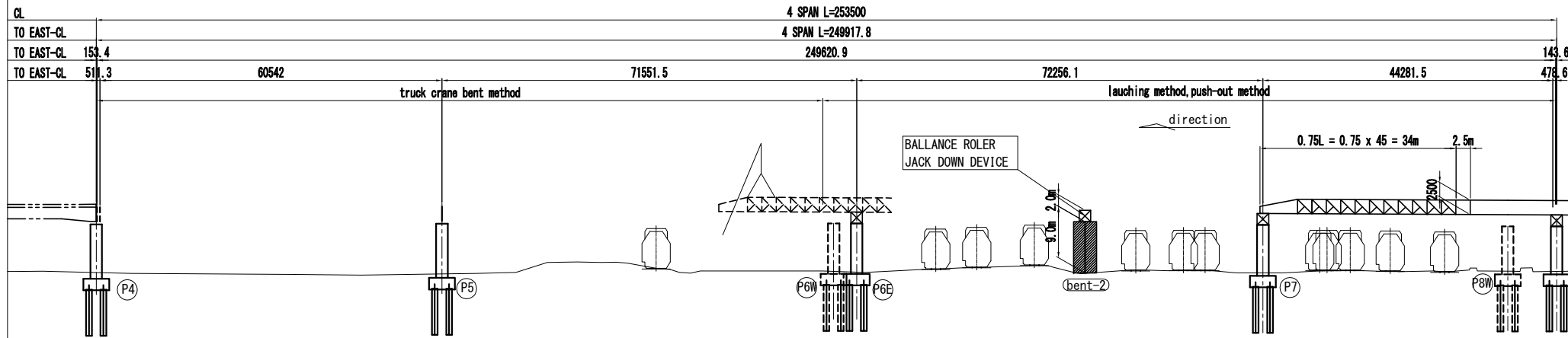
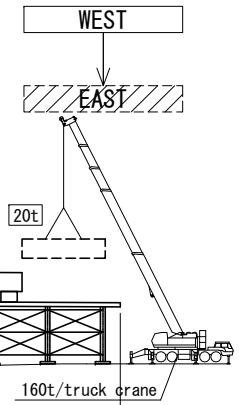
P4~P6: truck crane bent method

P6~P8: launching method, push-out method

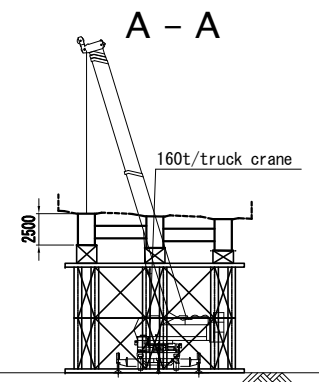
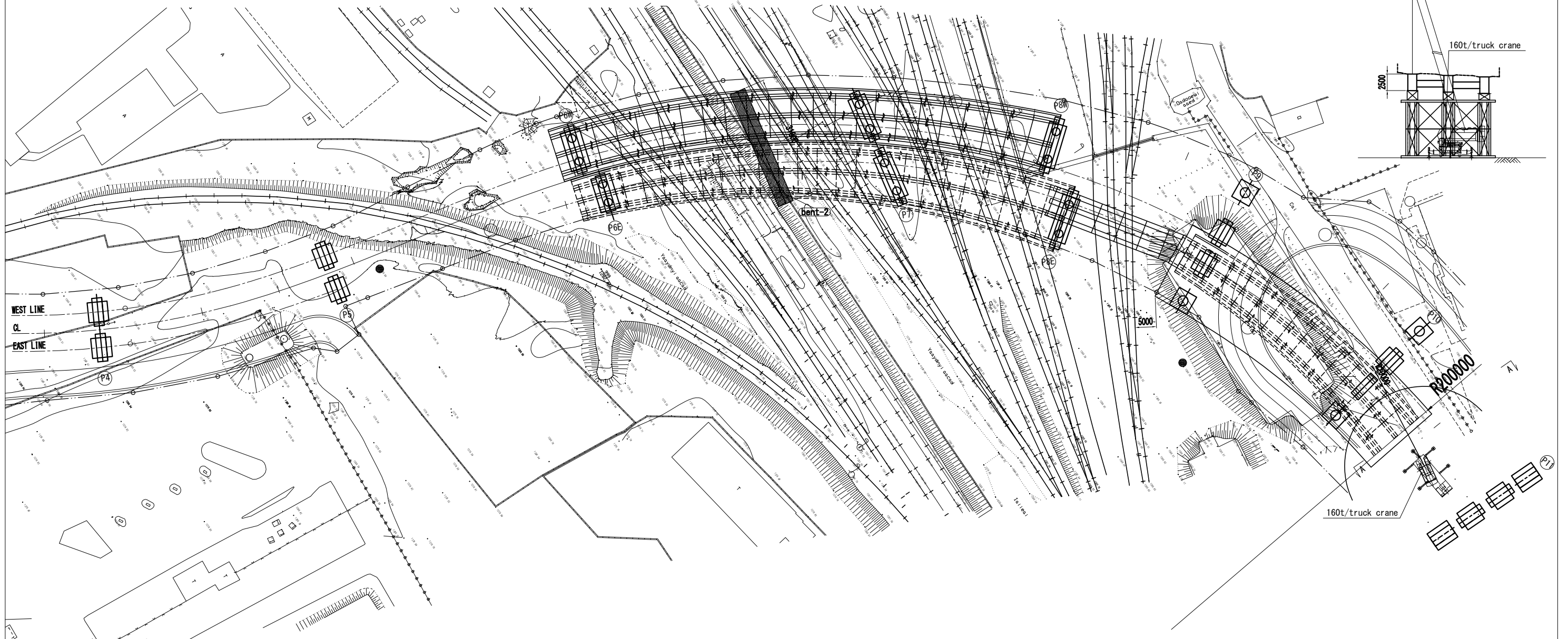
160t/truck crane Ability list (t)

Work radius	18.15m boom	22.7m boom	31.8m boom
10.0m	52.0	50.5	44.0
11.0m	47.0	45.5	40.0
12.0m	34.0	41.5	37.0
14.0m	25.0	34.0	31.5
16.0m	21.0	28.0	27.5
18.0m		23.5	24.4
20.0m		19.5	21.4
22.0m			18.0
24.0m			15.2

ERECTION STEP



PLAN S=1:500



PROJECT TITLE ;
THE PROJECT FOR CONSTRUCTION OF
AJILCHIN FLY-OVER IN ULAANBAATAR CITY

DESIGNED BY ;
CTI Engineering International Co., Ltd.
Chodai Co., Ltd.
International Development Institute

APPROVED BY ;

DRAWING TITLE ;
ERECTION PLANNING OF SUPER STRUCTURE
(P6-P8 EAST)

SCALE S=1:500
DRAWING No. 031
SUPER STRUCTURE

P4~P6: truck crane bent method

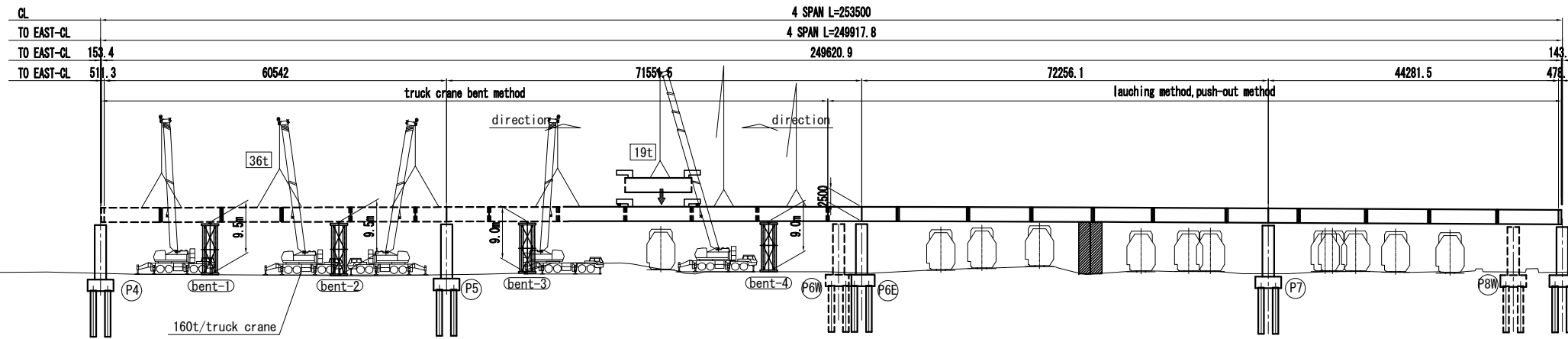
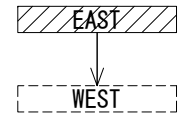
P6~P8: launching method, push-out method

ERECTION PLANNING OF SUPER STRUCTURE (P4-P6 EAST)

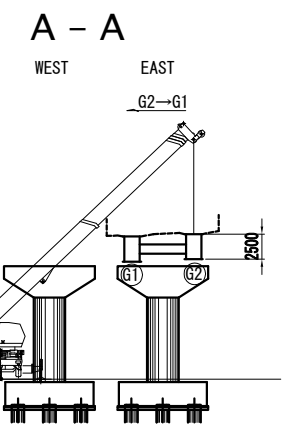
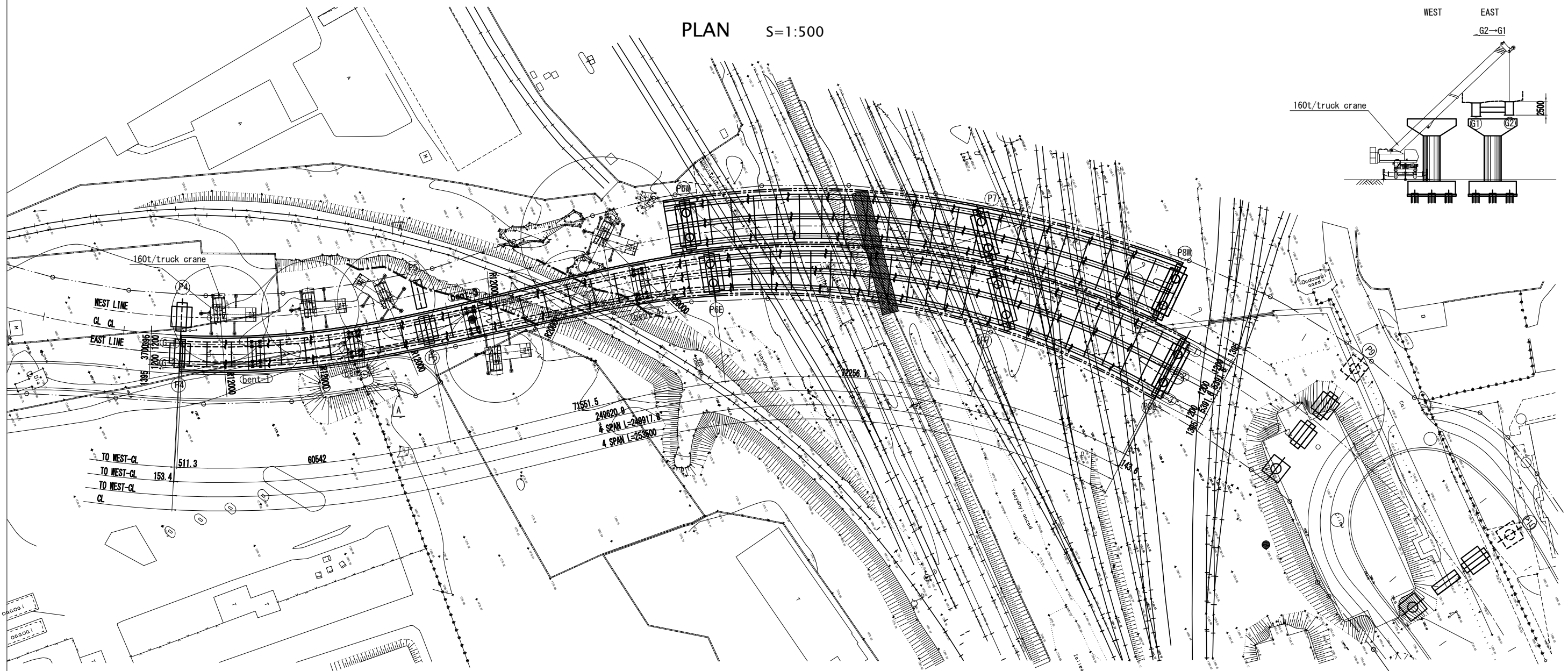
PROFILE S=1:500

Work radius	boom 18.15m	boom 22.7m	boom 31.8m
10.0m	52.0	50.5	44.0
11.0m	47.0	45.5	40.0
12.0m	34.0	41.5	37.0
14.0m	25.0	34.0	31.5
16.0m	21.0	28.0	27.5
18.0m		23.5	24.4
20.0m		19.5	21.4
22.0m			18.0
24.0m			15.2
26.0m			12.9
28.0m			10.8

ERECTION STEP



PLAN S=1:500



PROJECT TITLE ;
THE PROJECT FOR CONSTRUCTION OF
AJILCHIN FLY-OVER IN ULAANBAATAR CITY

DESIGNED BY ;
CTI Engineering International Co., Ltd.
Chodai Co., Ltd.
International Development Institute

APPROVED BY ;

DRAWING TITLE ;
ERECTION PLANNING OF SUPER STRUCTURE
(P4-P6 EAST)

SCALE
S=1:500

DRAWING No.
032

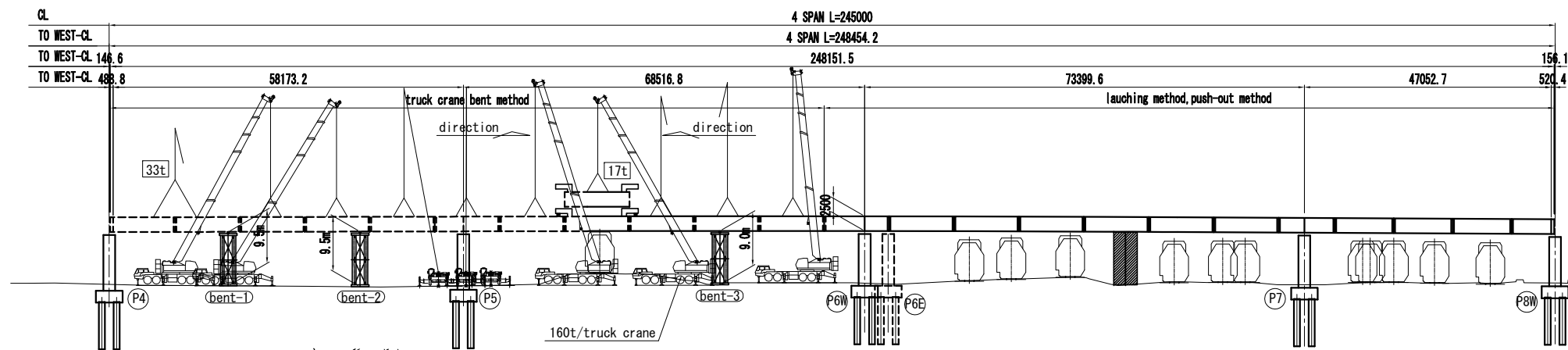
SUPER
STRUCTURE

P4~P6: truck crane bent method

P6~P8: launching method, push-out method

ERECTION PLANNING OF SUPER STRUCTURE (P4-P6 WEST)

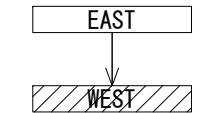
PROFILE S=1:500



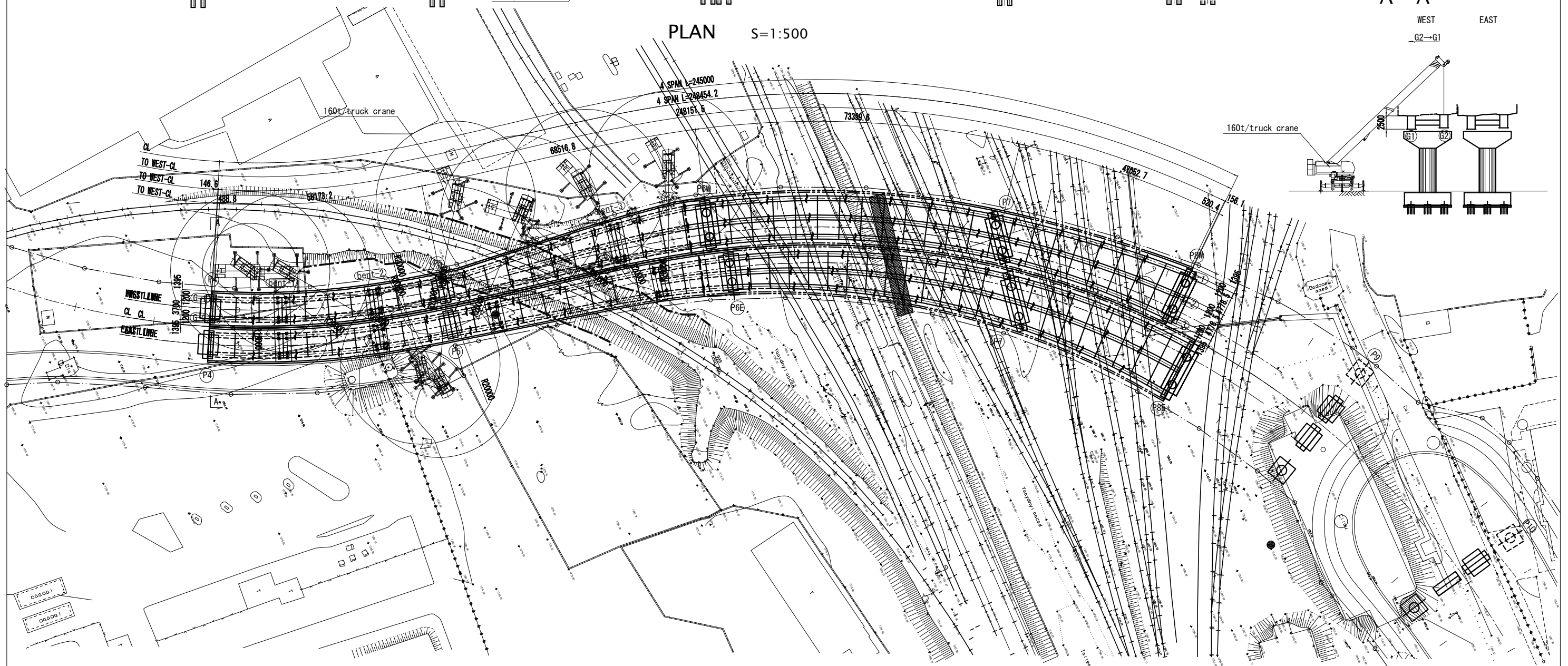
160t/truck crane Ability list (t)

Work radius	boom 18.15m	boom 22.7m	boom 31.8m
10.0m	52.0	50.5	44.0
11.0m	47.0	45.5	40.0
12.0m	34.0	41.5	37.0
14.0m	25.0	34.0	31.5
16.0m	21.0	28.0	27.5
18.0m		23.5	24.4
20.0m		19.5	21.4
22.0m			18.0
24.0m			15.2
26.0m			12.9
28.0m			10.8

ERECTION STEP

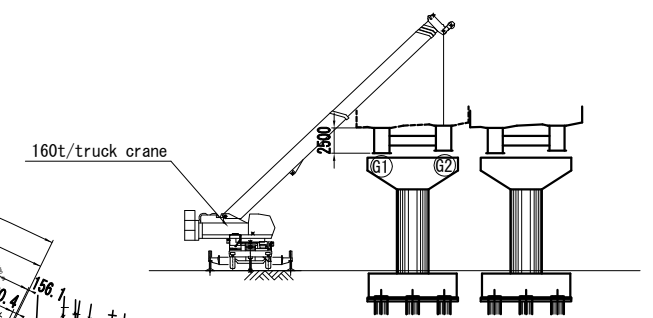


PLAN S=1:500



A-A

WEST EAST
G2→G1



PROJECT TITLE ;
THE PROJECT FOR CONSTRUCTION OF
AJILCHIN FLY-OVER IN ULAANBAATAR CITY

DESIGNED BY ;
CTI Engineering International Co., Ltd.
Chodai Co., Ltd.
International Development Institute

APPROVED BY ;

DRAWING TITLE ;
ERECTION PLANNING OF SUPER STRUCTURE
(P4-P6 WEST)

SCALE
S=1:500

DRAWING No.
033

SUPER
STRUCTURE