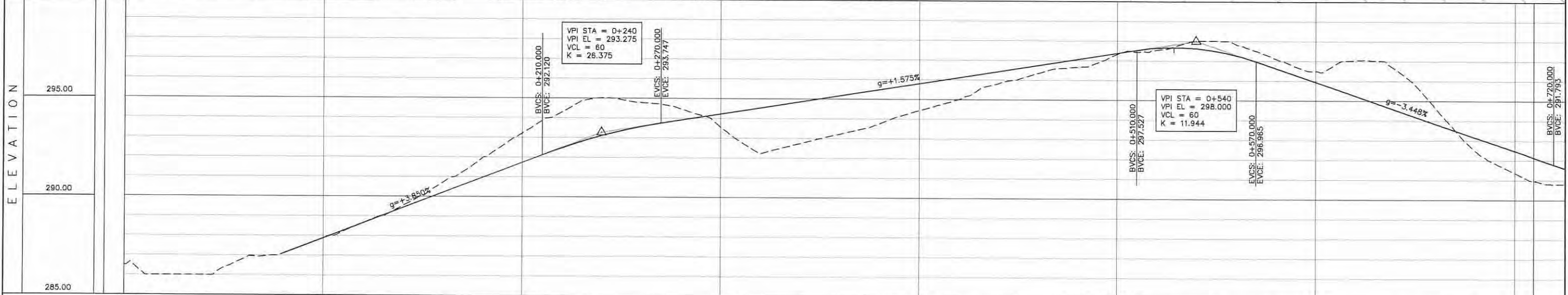
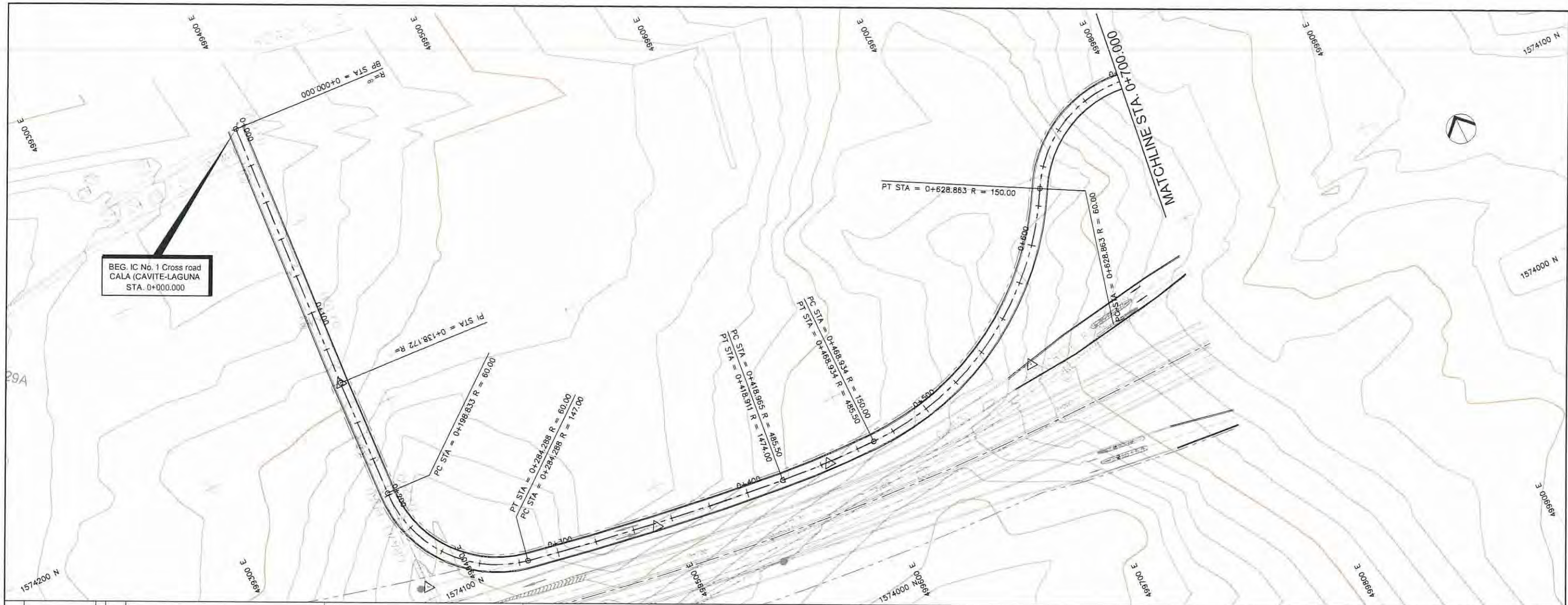
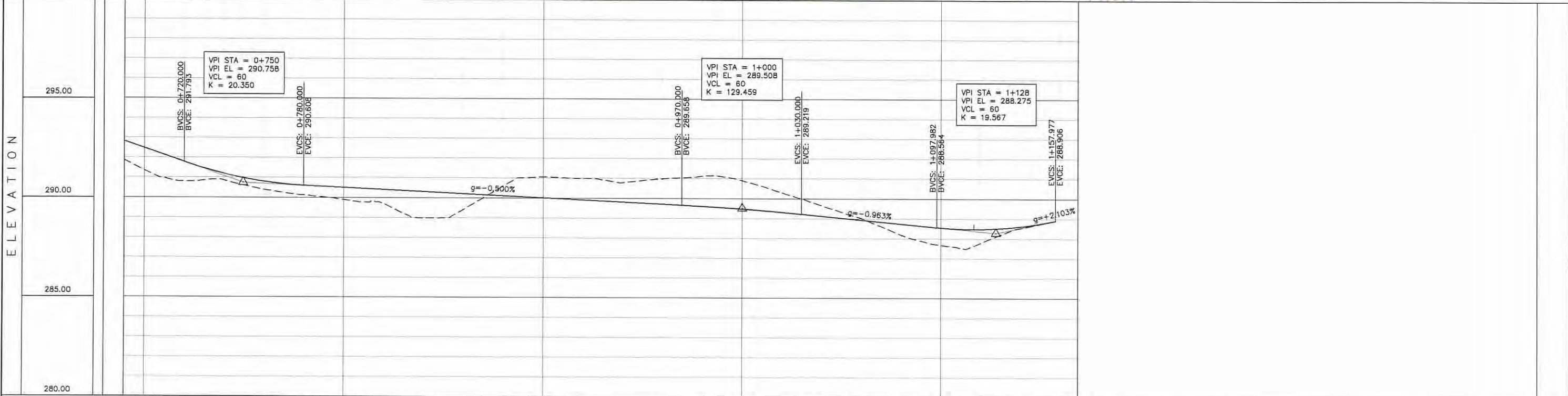
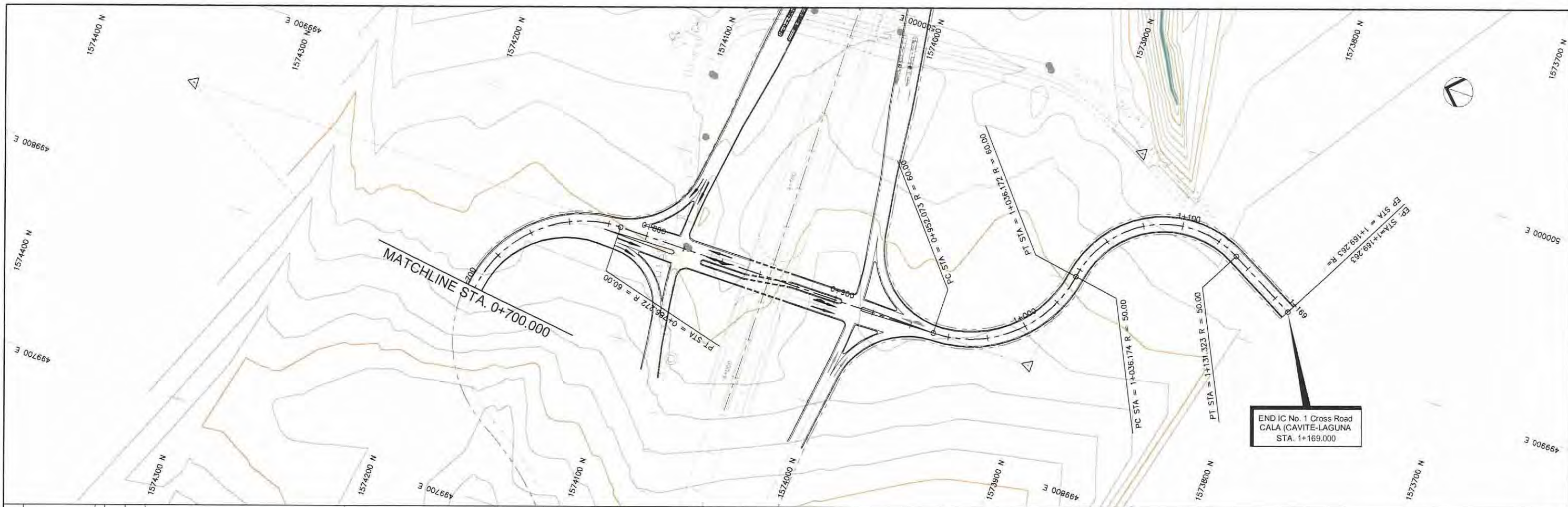


F. INTERCHANGES



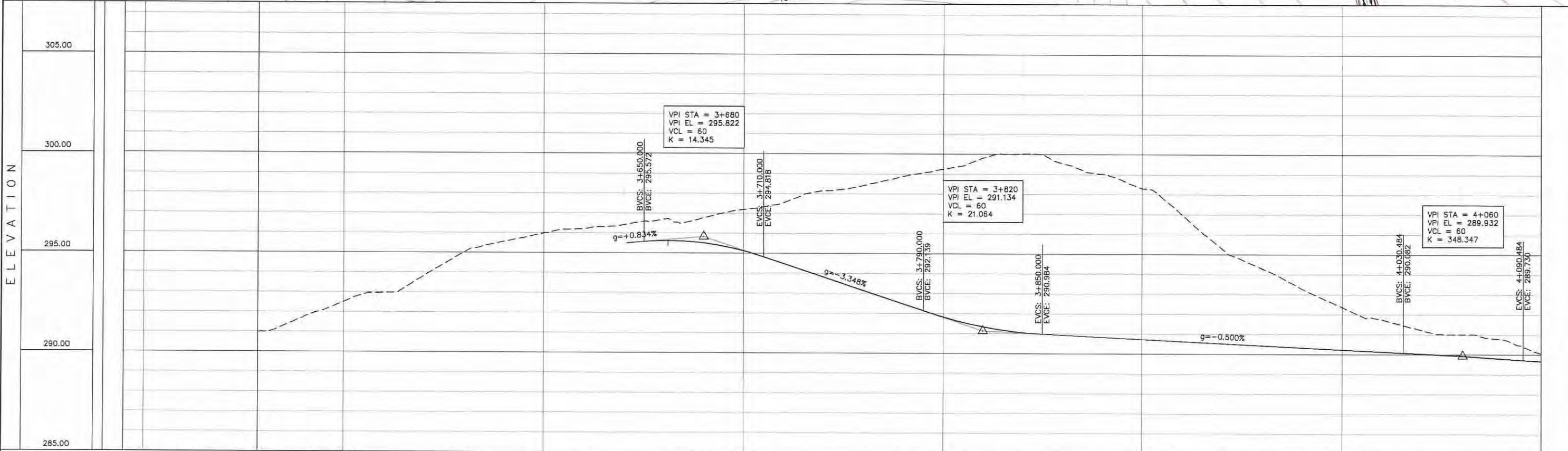
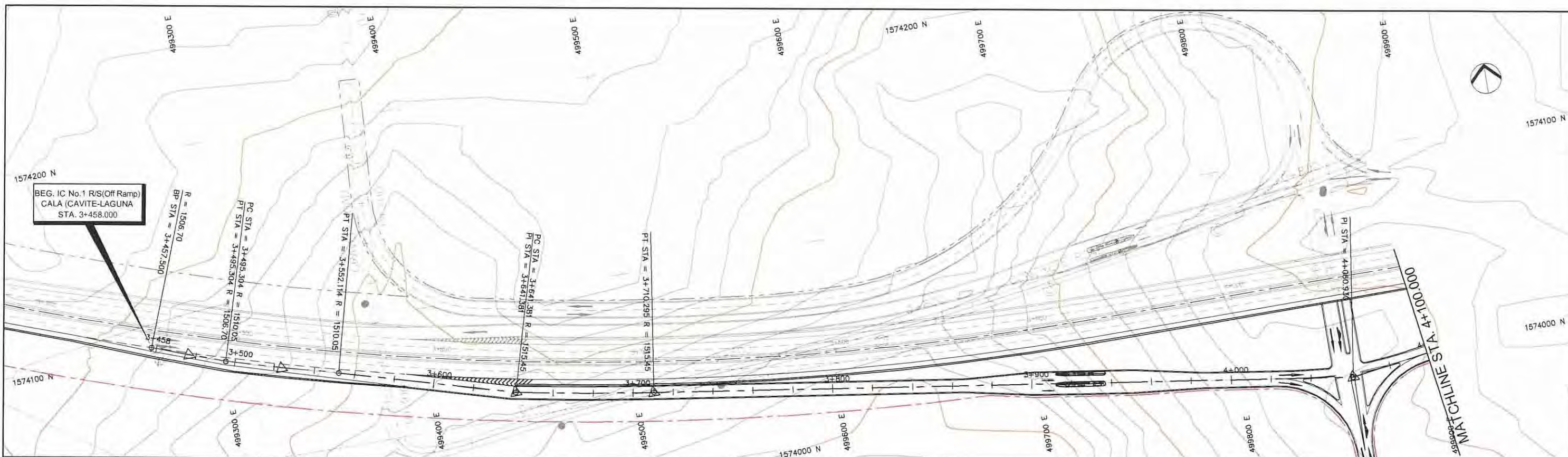
STATION	0+100										0+200										0+300										0+400										0+500										0+600										0+700									
FINISHED GRADE ELEVATION	[Grid of finished grade elevations from 286.514 to 290.805]																																																																					
EXISTING GROUND ELEVATION	[Grid of existing ground elevations from 286.000 to 290.805]																																																																					
VERTICAL CURVATURE	[Grid of vertical curvature data including R and L values]																																																																					
HORIZONTAL CURVATURE	[Grid of horizontal curvature data]																																																																					

<p>PROJECT TITLE</p> <p>Preparatory survey for expressway project in Mega Manila Region</p> <p>CALA (CAVITE - LAGUNA)</p>	<p>SCALE</p> <p>V = 200 H = 2000</p>	<p>SHEET CONTENT</p> <p>IC No. 1 CROSS ROAD</p> <p>PLAN AND PROFILE</p> <p>STA. 0+000.000 - STA. 7+000.000</p>	DRAWING NO.
			F - 01
			SHEET NO.
			1 OF 2



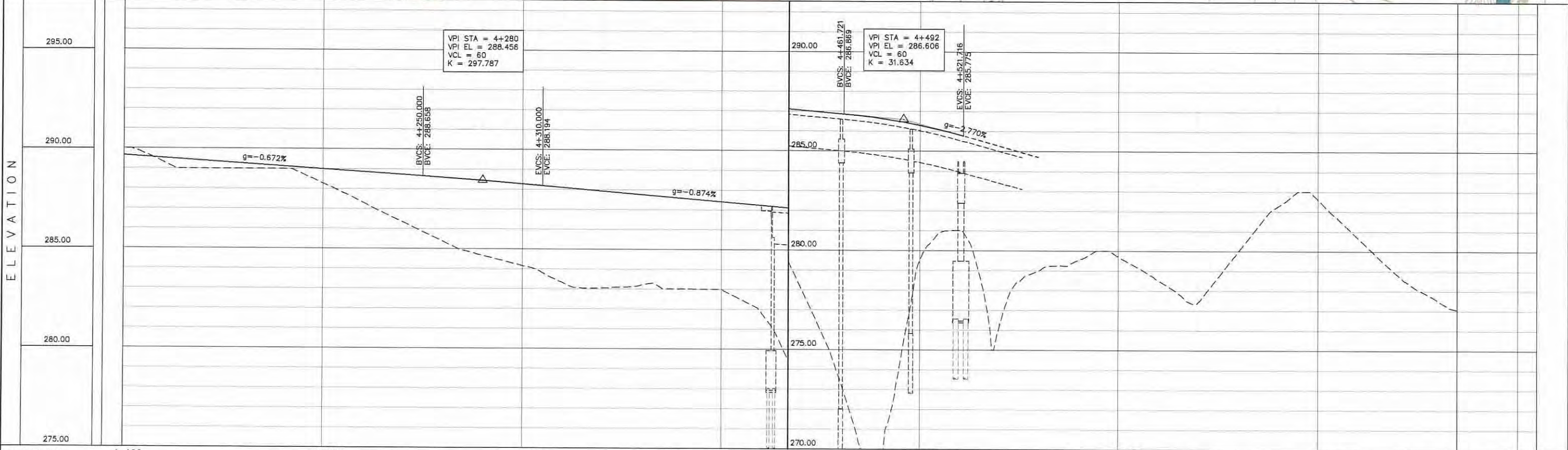
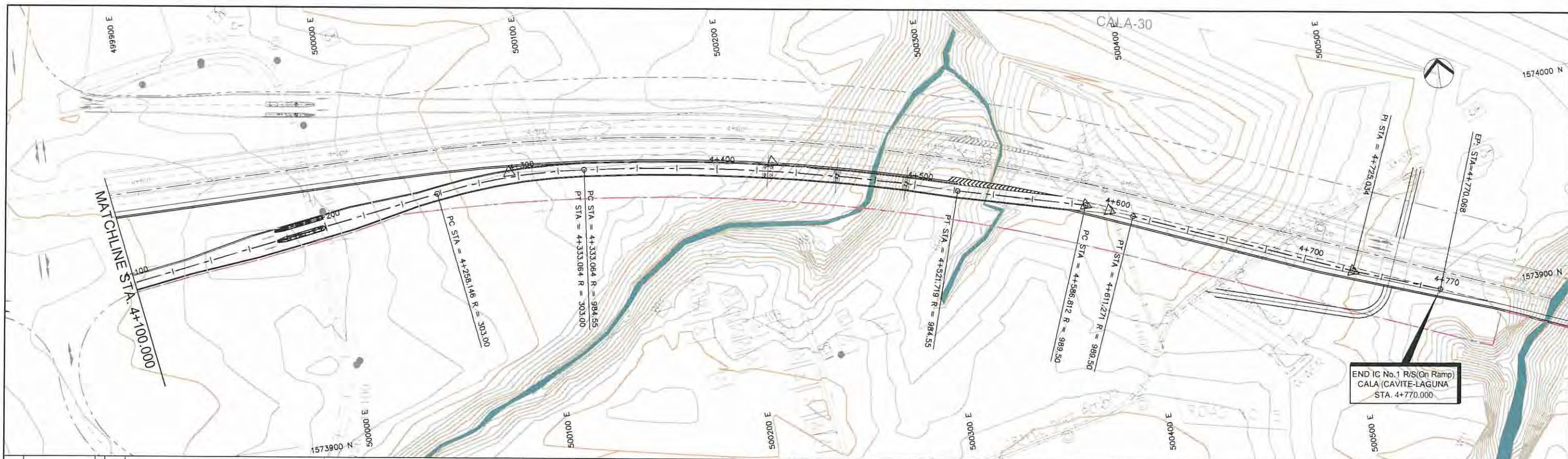
STATION	0+700	0+800	0+900	1+000	1+100	1+169
FINISHED GRADE ELEVATION	291.367 290.805 291.793	291.202 290.873 291.202	290.807 290.405 290.807	290.121 290.608 290.121 290.608	289.592 290.508 289.700 290.408	288.979 290.308 289.395 290.208
EXISTING GROUND ELEVATION	291.367 290.805 291.793	290.873 291.202 290.405 290.807	290.121 290.608 290.121 290.608	289.592 290.508 289.700 290.408	288.979 290.308 289.395 290.208	290.571 290.108 291.064 290.008
VERTICAL CURVATURE				0+952.073 R=60.000 L=84.099	1+036.172 R=49.999 L=95.149	1+131.323
HORIZONTAL CURVATURE						

PROJECT TITLE	SCALE	SHEET CONTENT	DRAWING NO.
Preparatory survey for expressway project in Mega Manila Region CALA (CAVITE - LAGUNA)	V = 200 H = 2000	IC No. 1 CROSS ROAD PLAN AND PROFILE STA. 0+700.000 - STA. 1+169.000	F - 02
			SHEET NO.
			2 OF 2



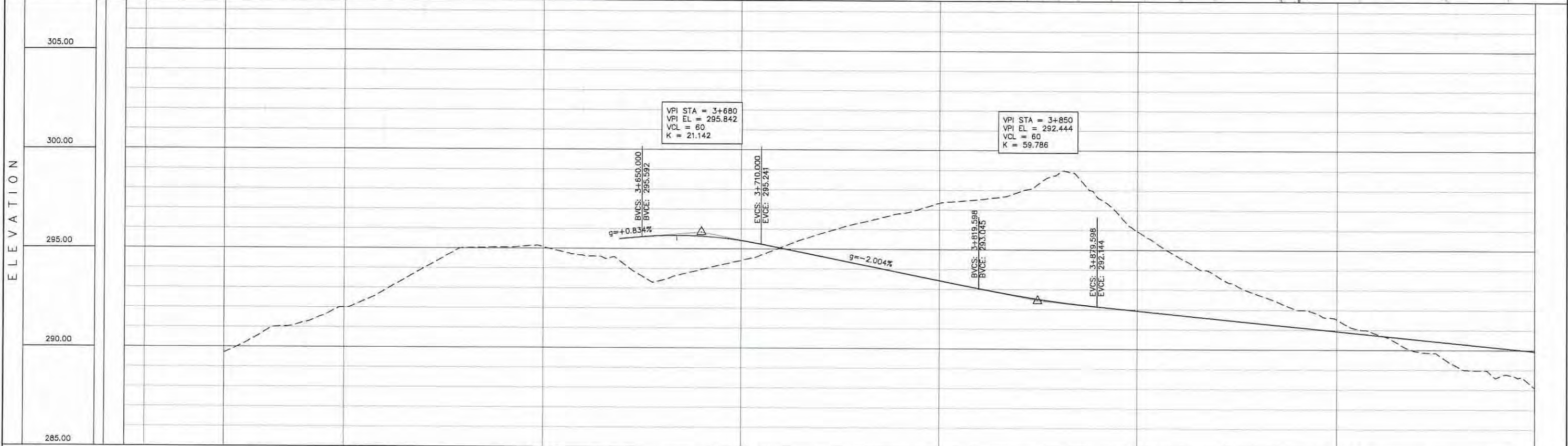
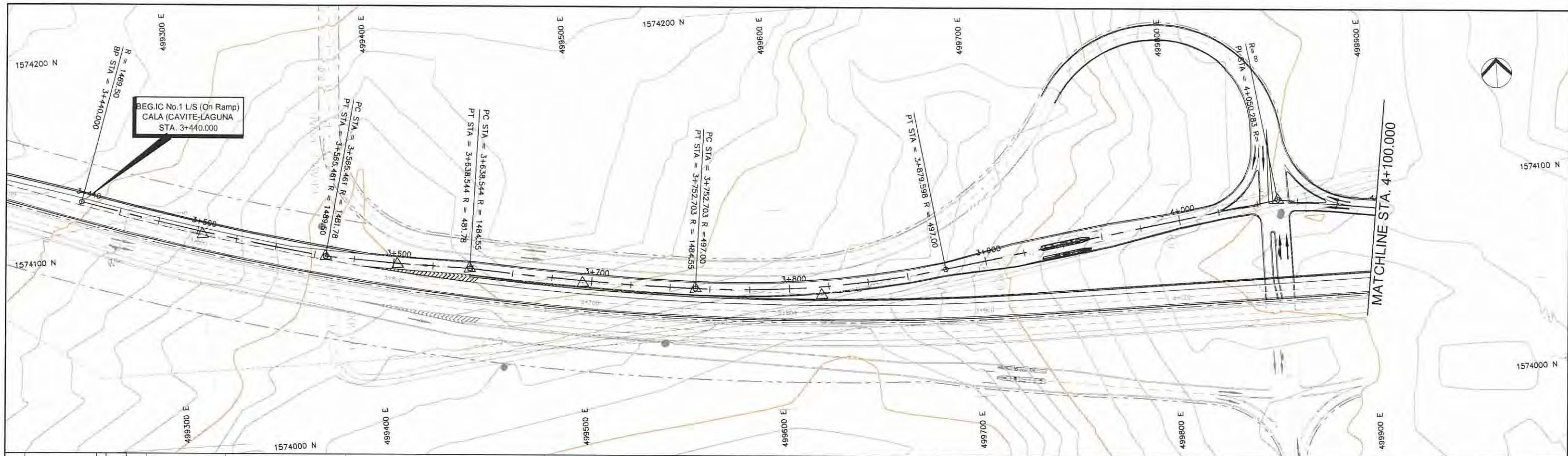
STATION	3+500	3+600	3+700	3+800	3+900	4+000	4+100
FINISHED GRADE ELEVATION							
EXISTING GROUND ELEVATION	290.991	290.993	291.734	292.504	292.967	293.818	294.909
VERTICAL CURVATURE	R=1506.705 L=37.804		R=1510.050 L=56.801		R=1515.449 L=68.914		
HORIZONTAL CURVATURE	3+457.500 3+495.304 3+495.313		3+641.381		3+710.295		

PROJECT TITLE	SCALE	SHEET CONTENT	DRAWING NO.
Preparatory survey for expressway project in Mega Manila Region CALA (CAVITE - LAGUNA)	V = 200 H = 2000	IC No. 1 RIGHT SIDE (OFF RAMP) PLAN AND PROFILE STA. 3+457.500 - STA. 4+100.000	F - 03
			SHEET NO.
			1 OF 2



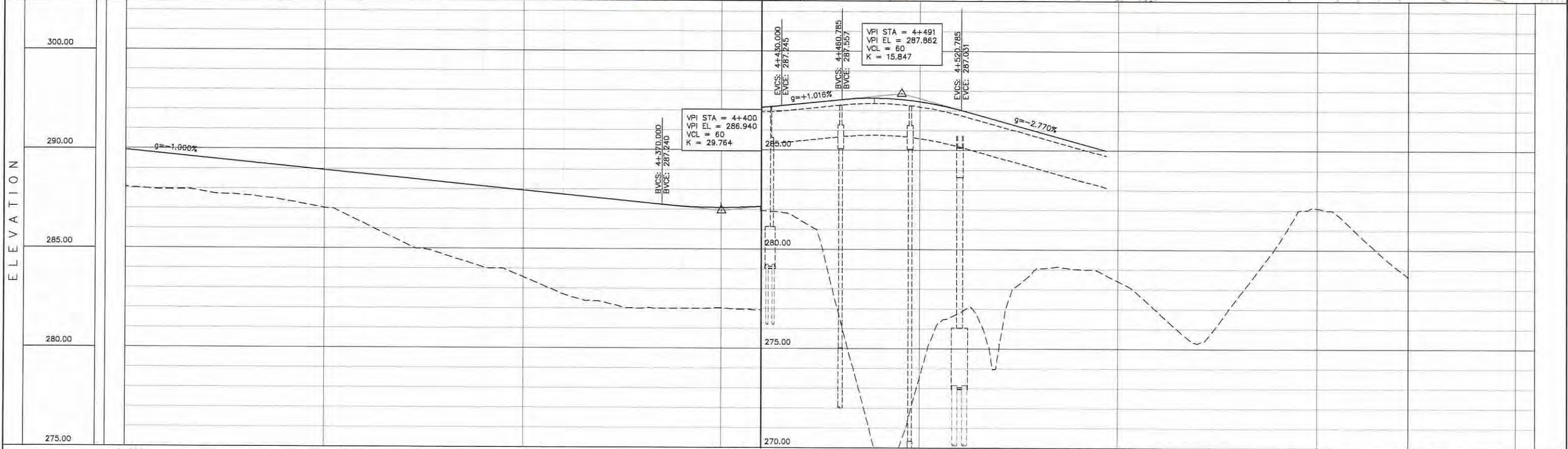
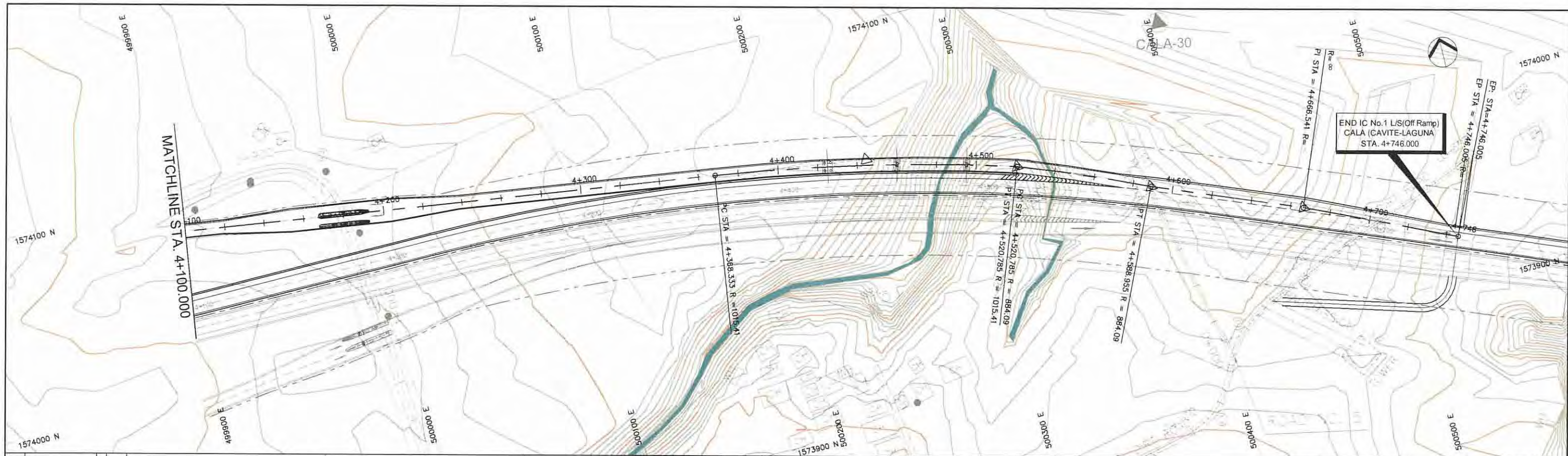
STATION	4+100	4+200	4+300	4+400	4+500	4+600	4+700	4+770
FINISHED GRADE ELEVATION	289.666	289.532	289.397	289.263	289.129	288.994	288.860	288.725
EXISTING GROUND ELEVATION	290.034	289.306	289.000	288.778	288.512	288.303	288.007	278.161
VERTICAL CURVATURE			4+258.146 R=303.000 L=74.918	4+333.064 R=303.064 L=188.655	4+521.719 R=989.500 L=24.459	4+611.271 R=989.500 L=24.459		
HORIZONTAL CURVATURE								

Preparatory survey for expressway project in Mega Manila Region CALA (CAVITE - LAGUNA)	SCALE V = 200 H = 2000	SHEET CONTENT IC No 1 RIGTH SIDE (ON RAMP) PLAN AND PROFILE STA. 4+100.000 - STA. 4+770.000	DRAWING NO. F - 04
			SHEET NO. 2 OF 2



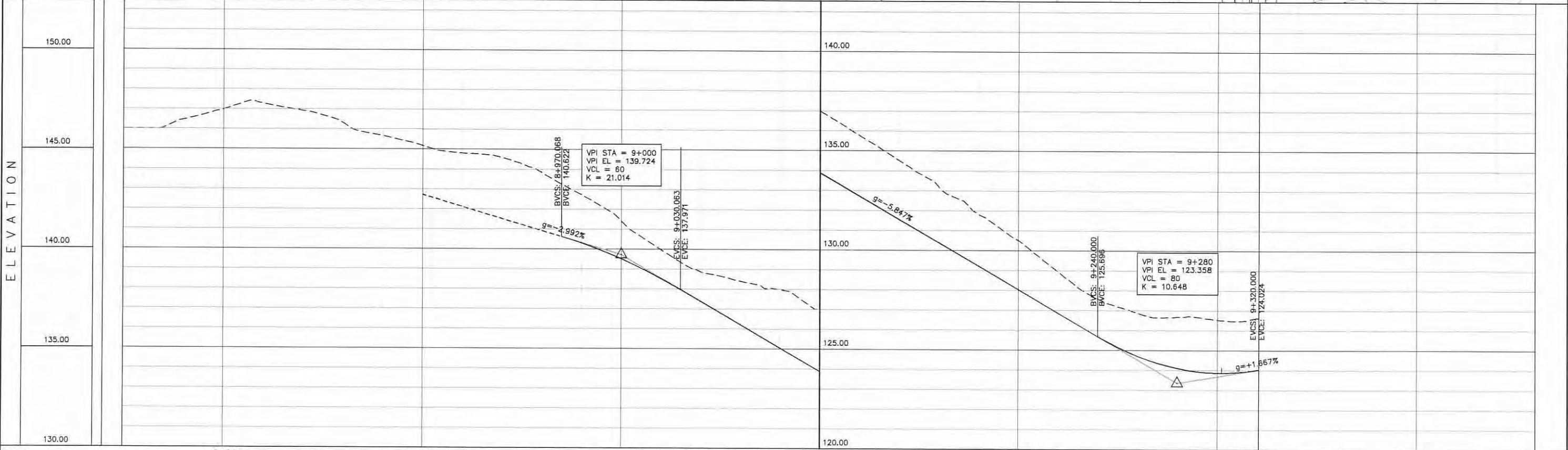
STATION	3+500	3+600	3+700	3+800	3+900	4+000	4+100
FINISHED GRADE ELEVATION							
EXISTING GROUND ELEVATION	289.723	290.761	291.257	291.996	292.831	293.970	295.006
VERTICAL CURVATURE	R=1489.495 L=125.461	3+565.461, 3+565.461	R=1481.779 L=73.083	3+638.544, 3+638.544	R=1484.549 L=114.158	3+752.703, 3+752.703	R=496.999 L=126.895
HORIZONTAL CURVATURE							

PROJECT TITLE	SCALE	SHEET CONTENT	DRAWING NO.
Preparatory survey for expressway project in Mega Manila Region CALA (CAVITE - LAGUNA)	V = 200 H = 2000	IC No. 1 LEFT SIDE (On Ramp) PLAN AND PROFILE STA. 3+440.000 - STA. 4+100.000	F - 05
			SHEET NO.
			1 OF 2



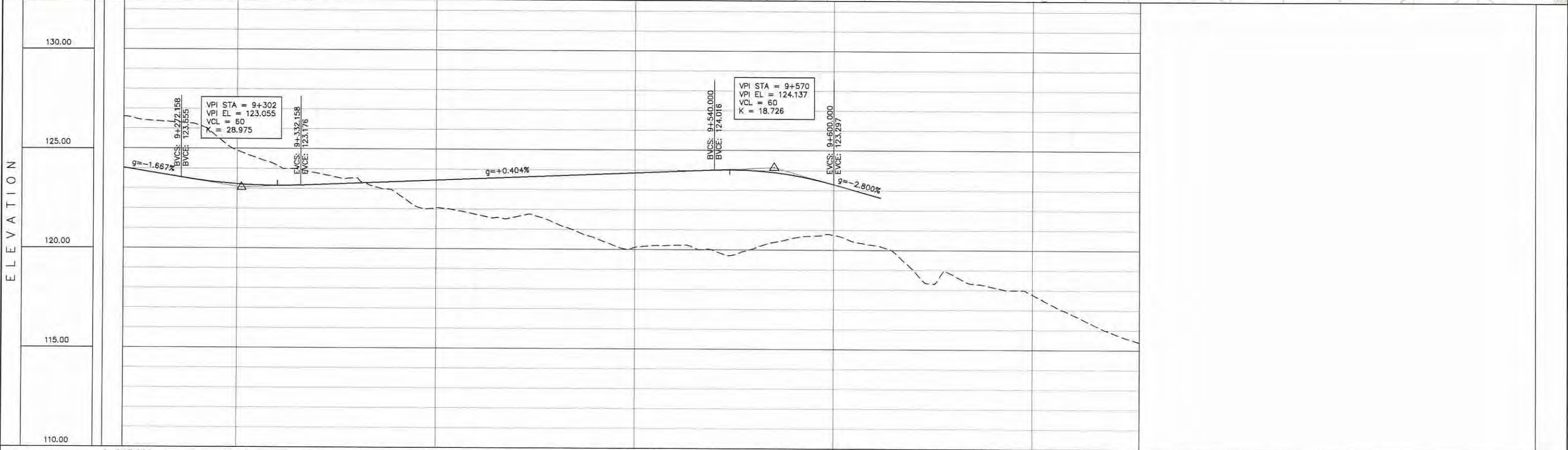
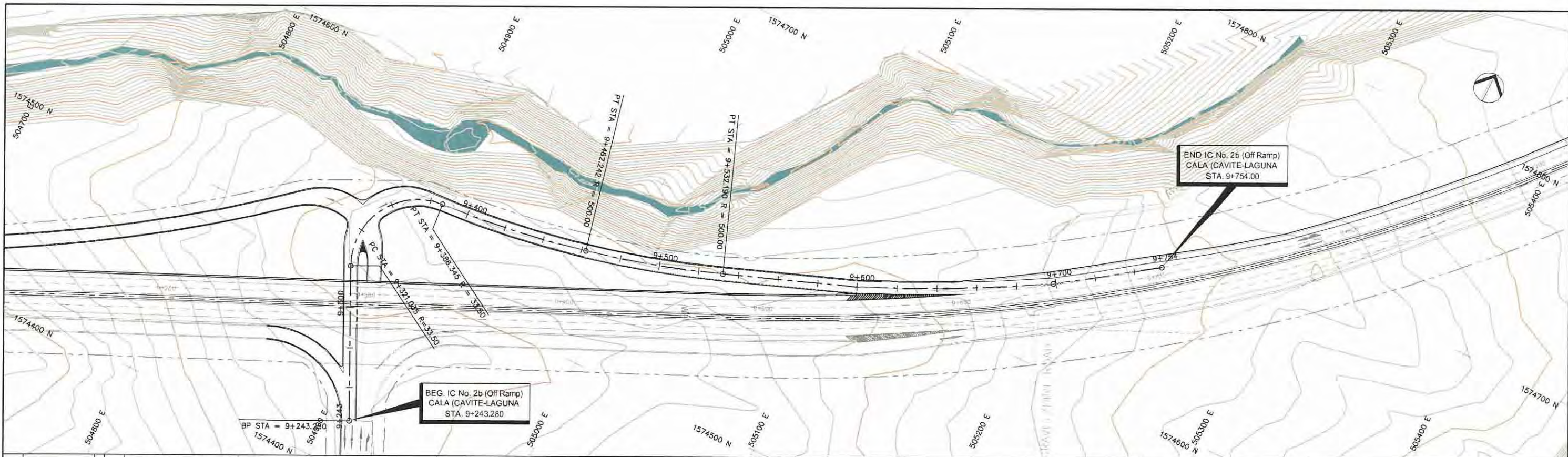
STATION	4+100	4+200	4+300	4+400	4+500	4+600	4+700	4+746
FINISHED GRADE ELEVATION	289.940	289.740	289.540	289.340	289.140	288.940	288.740	288.540
EXISTING GROUND ELEVATION	288.085	287.946	287.821	287.540	287.340	287.140	286.940	286.740
VERTICAL CURVATURE	R=4368.333				R=884.090		R=884.090	
HORIZONTAL CURVATURE	L=152.452				L=68.170		L=68.170	

PROJECT TITLE Preparatory survey for expressway project in Mega Manila Region CALA (CAVITE - LAGUNA)	SCALE V = 200 H = 2000	SHEET CONTENT IC NO. 1 LEFT SIDE (OFF RAMP) PLAN AND PROFILE STA. 4+100.000 - STA. 4+746.000	DRAWING NO. F - 06
			SHEET NO. 2 OF 2



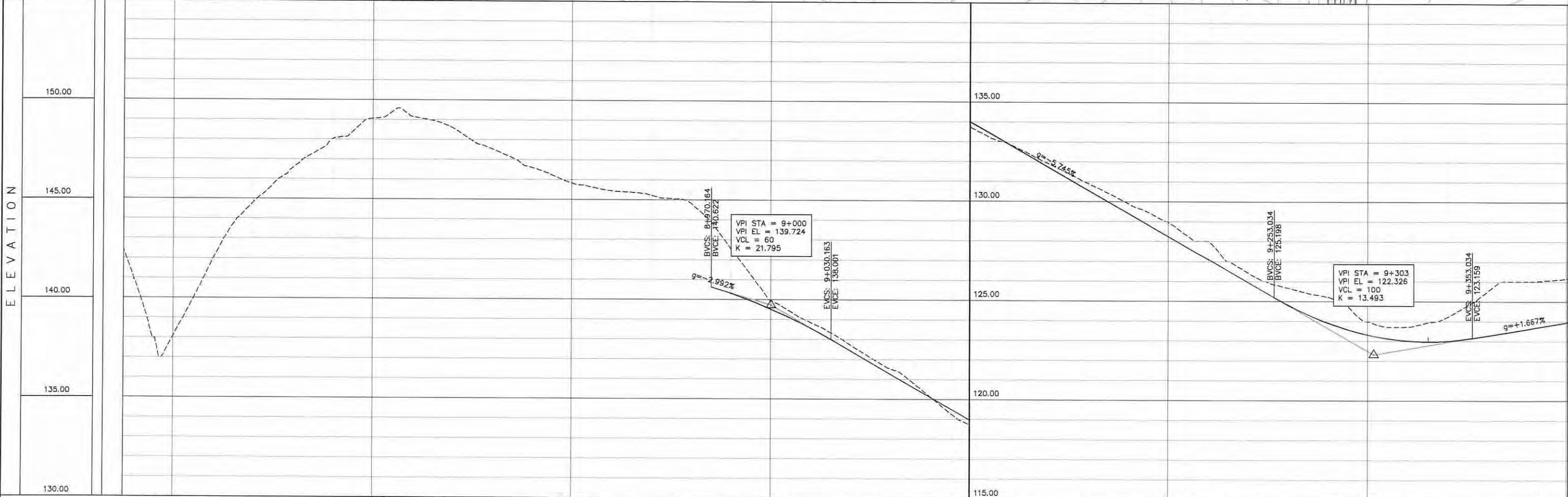
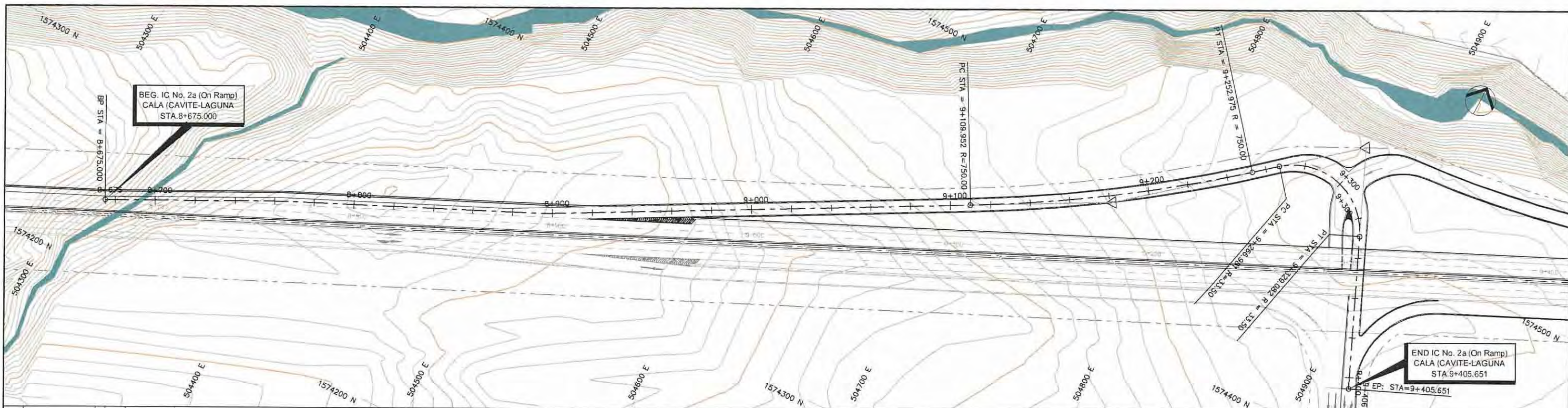
STATION	8+800	8+900	9+000	9+100	9+200	9+300	9+321
FINISHED GRADE ELEVATION							
EXISTING GROUND ELEVATION	145.998	145.999	146.471	146.987	147.288	146.932	146.325
VERTICAL CURVATURE	R=∞		R=∞		R=∞		R=∞
HORIZONTAL CURVATURE							

PROJECT TITLE Preparatory survey for expressway project in Mega Manila Region CALA (CAVITE - LAGUNA)	SCALE V = 200 H = 2000	SHEET CONTENT IC No. 2c (OFF RAMP) PLAN AND PROFILE STA. 8+750.000 - STA. 9+321.000	DRAWING NO. F - 07
			SHEET NO. 1 OF 1



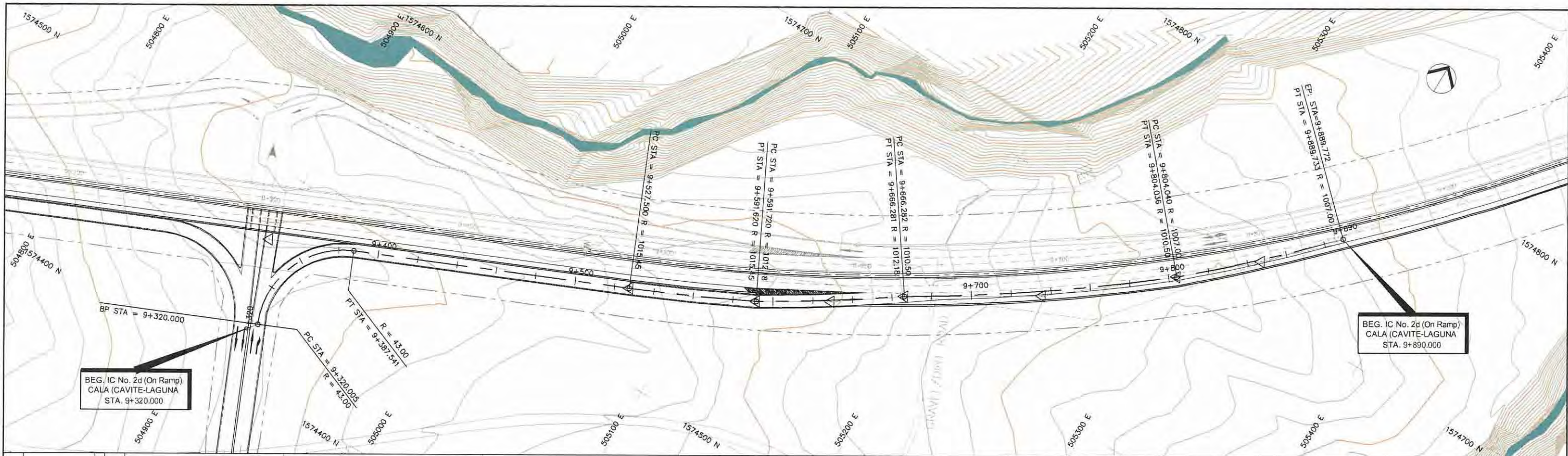
STATION	9+243.280	9+300	9+400	9+500	9+600	9+700	9+754
FINISHED GRADE ELEVATION	124.036	123.757	123.435	123.224	123.152	123.208	123.288
EXISTING GROUND ELEVATION	126.610	126.389	126.202	124.907	124.164	123.787	123.288
VERTICAL CURVATURE	R=∞		R=33.500 L=65.311	R=∞	R=∞	R=815.773 L=98.991	R=990.700 L=44.721
HORIZONTAL CURVATURE							

PROJECT TITLE	SCALE	SHEET CONTENT	DRAWING NO.
Preparatory survey for expressway project in Mega Manila Region CALA (CAVITE - LAGUNA)	V = 200 H = 2000	IC No 2b (OFF RAMP) PLAN AND PROFILE STA. 9+243.280 - STA. 9+754.00	F - 08
			SHEET NO.
			1 OF 1

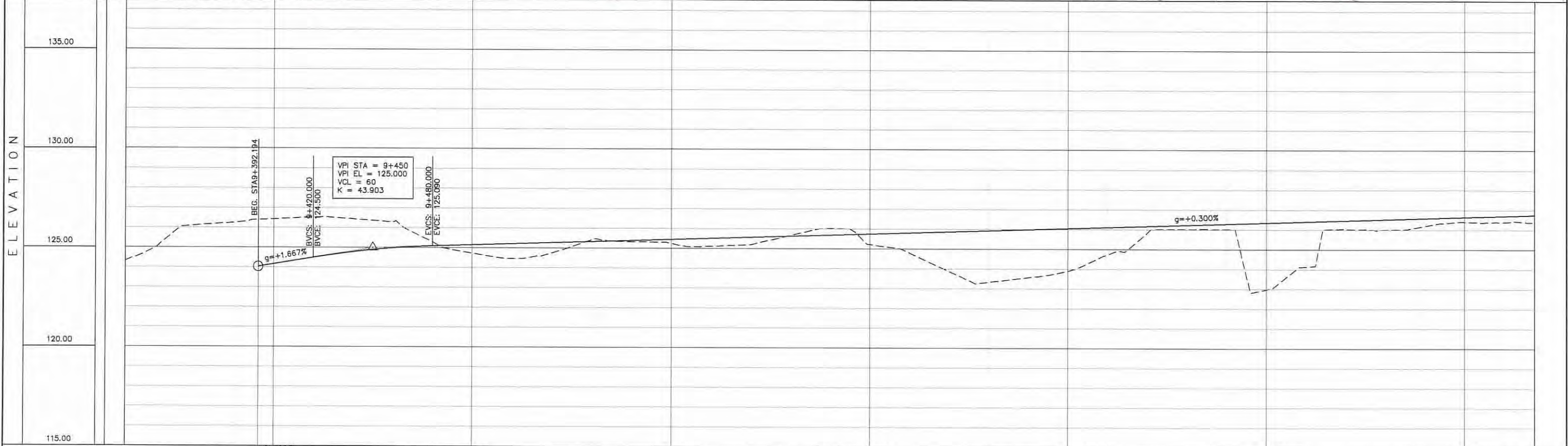
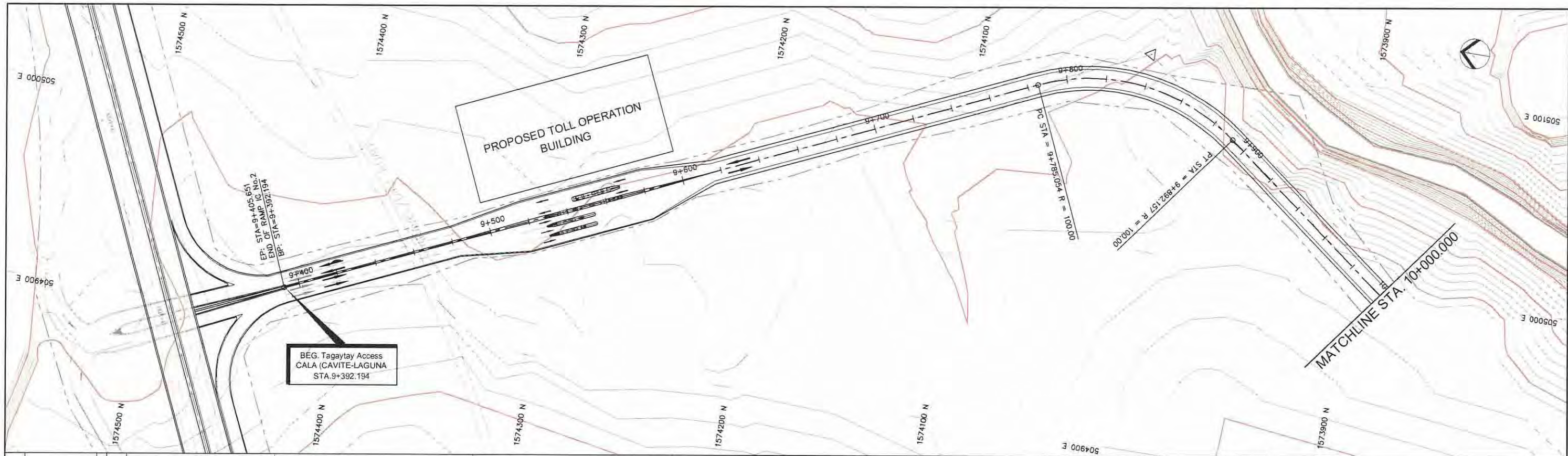


STATION	8+700	8+800	8+900	9+000	9+100	9+200	9+300	9+400
FINISHED GRADE ELEVATION								
EXISTING GROUND ELEVATION	142.455 141.054	138.090 142.019 144.832 146.593 148.032 149.059 149.155 148.605 147.539 146.511 145.838 145.457 145.238 144.830 142.552 140.306	139.948 139.525 138.852 138.561 137.727 137.436 136.535 136.287 135.161 135.138 133.738 133.989 132.860 132.840 131.886 131.691 130.889 130.542 129.886 129.394 128.955 128.745 127.981 127.096 126.422 125.947 125.675 124.816 125.218 123.918 123.980 123.317 123.722 123.013 124.198 123.005 125.488 123.275 126.014 123.508 126.148 123.942					
VERTICAL CURVATURE	R=∞		R=∞		R=∞		R=∞	
HORIZONTAL CURVATURE					R=750.000 L=143.024		R=33.500 L=62.101	

PROJECT TITLE Preparatory survey for expressway project in Mega Manila Region CALA (CAVITE - LAGUNA)	SCALE V = 200 H = 2000	SHEET CONTENT IC NO. 2a (ON RAMP) PLAN AND PROFILE STA. 8+675.000 - STA. 9+405.651	DRAWING NO. F - 09
			SHEET NO. 1 OF 1

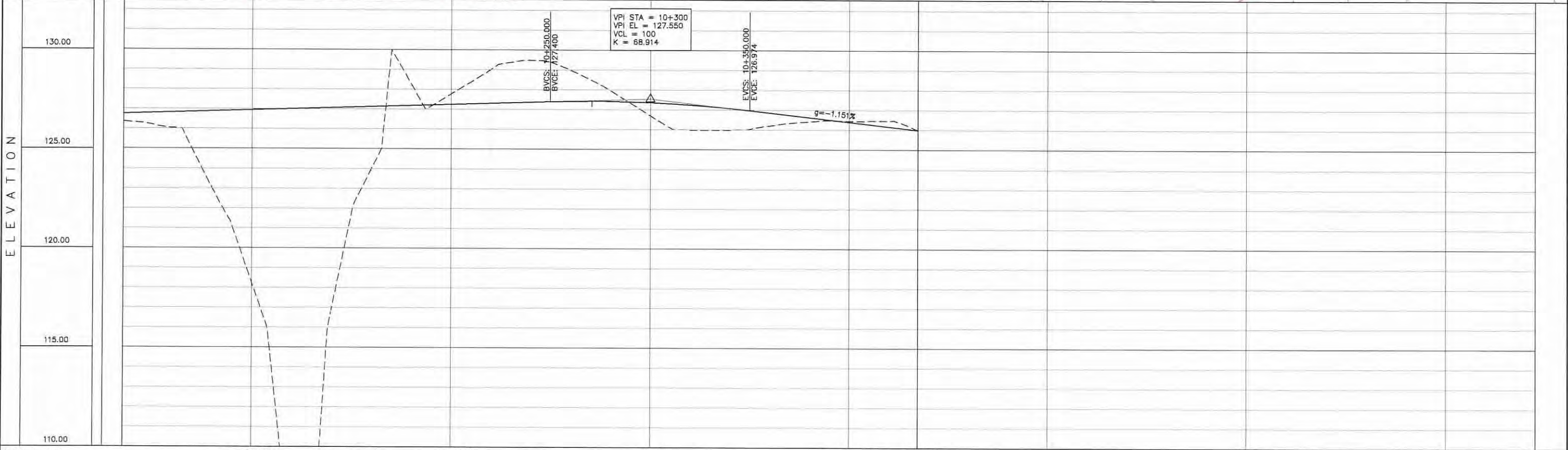
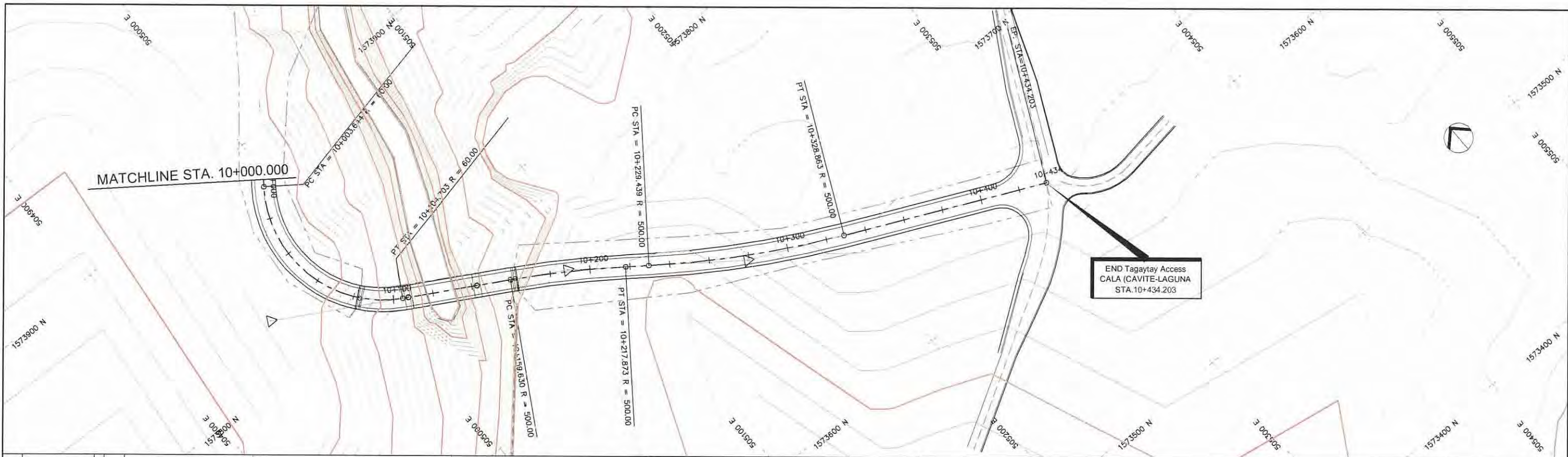


PROJECT TITLE	SCALE	SHEET CONTENT	DRAWING NO.
Preparatory survey for expressway project in Mega Manila Region CALA (CAVITE - LAGUNA)	V = 200 H = 2000	IC No. 2d (ON RAMP) PLAN AND PROFILE STA. 9+320.000 - STA. 9+890.000	F - 10 SHEET NO. 1 OF 1



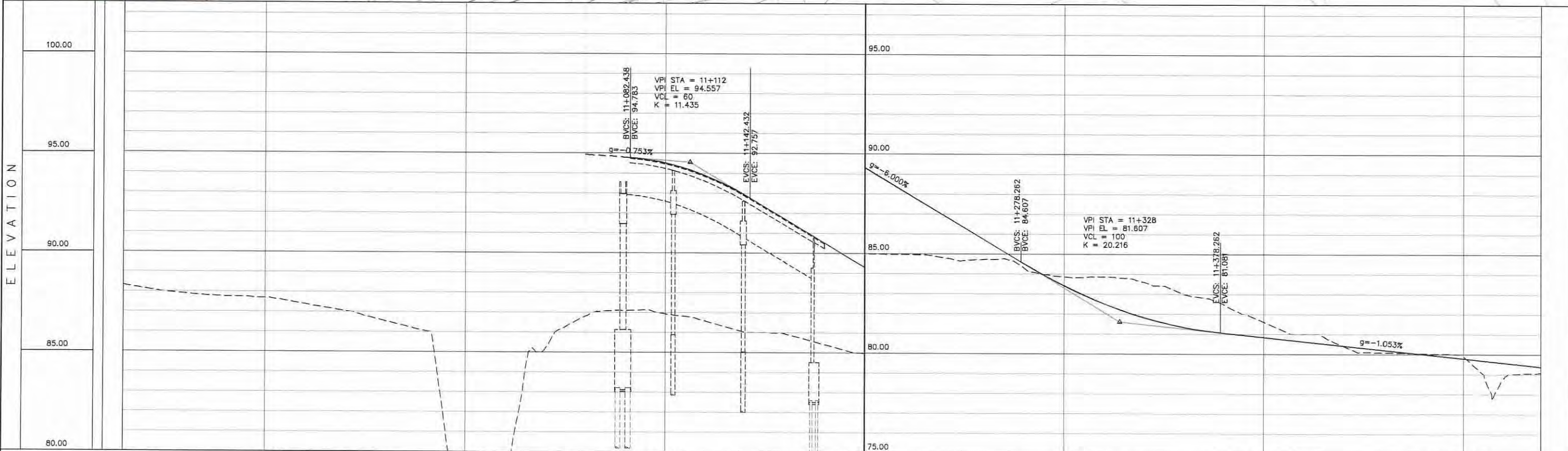
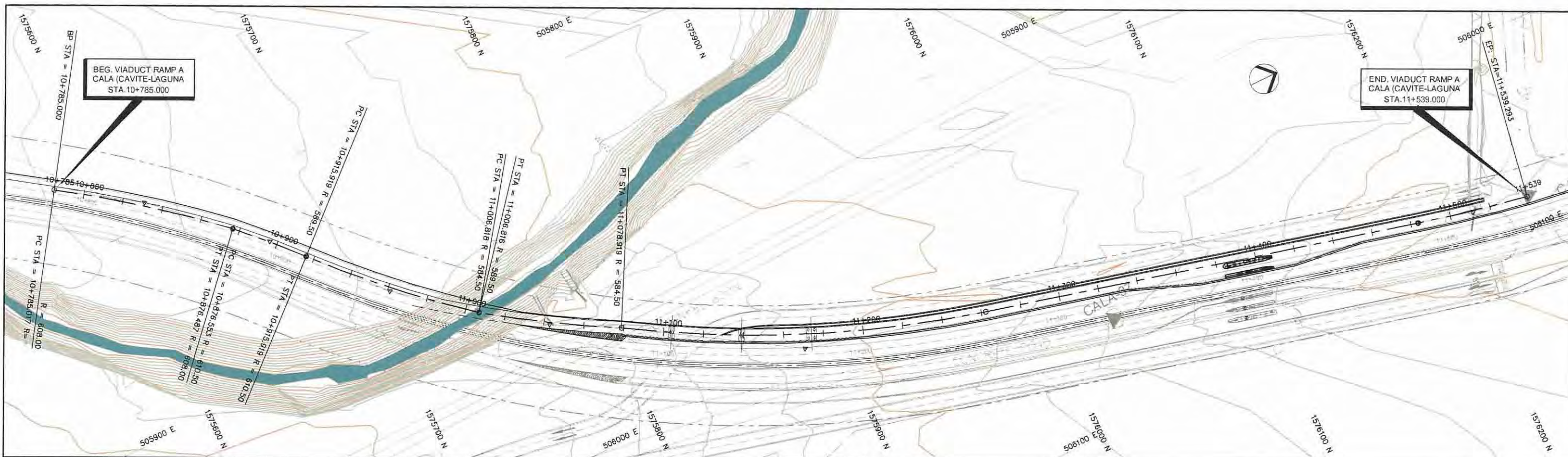
STATION	9+400	9+450	9+500	9+550	9+600	9+650	9+700	9+750	9+800	9+850	9+900	9+950	10+000
FINISHED GRADE ELEVATION	124.035	124.167	124.500	124.788	125.090	125.150	125.210	125.270	125.330	125.390	125.450	125.510	125.570
EXISTING GROUND ELEVATION	124.313	124.953	126.095	126.246	126.433	126.167	126.522	124.500	126.435	124.788	126.304	124.984	125.284
VERTICAL CURVATURE	R=∞												
HORIZONTAL CURVATURE	R=∞												

PROJECT TITLE	SCALE	SHEET CONTENT	DRAWING NO.
Preparatory survey for expressway project in Mega Manila Region CALA (CAVITE - LAGUNA)	V = 200 H = 2000	TAGAYTAY ACCESS PLAN AND PROFILE STA. 9+325.640. 10+000.00	F - 11
			SHEET NO.
			1 OF 2



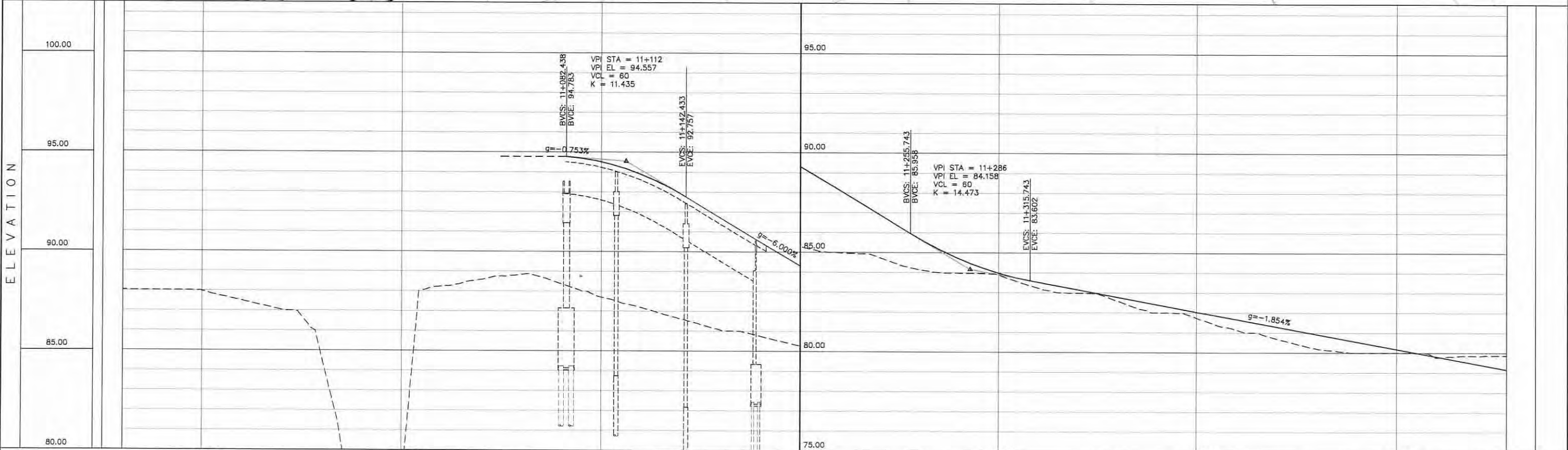
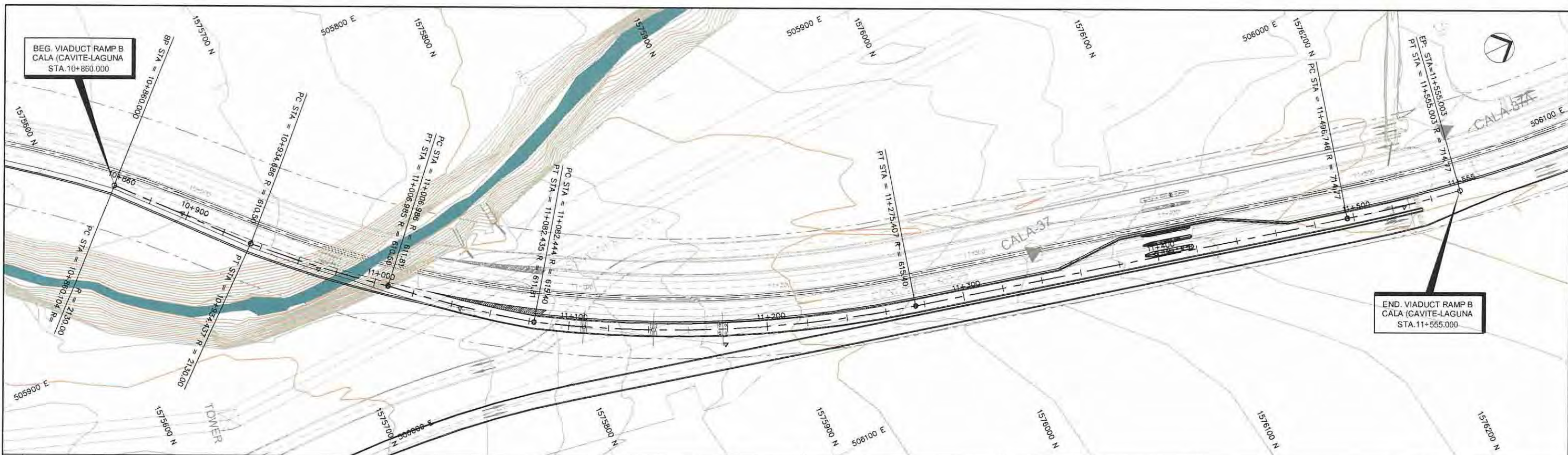
STATION	10+100	10+200	10+300	10+400	10+435
FINISHED GRADE ELEVATION	126.770	126.830	127.190	126.599	126.000
EXISTING GROUND ELEVATION	126.332	126.043	127.190	126.469	126.016
VERTICAL CURVATURE	R=60.000 L=101.059		R=500.000 L=99.424		
HORIZONTAL CURVATURE					

PROJECT TITLE Preparatory survey for expressway project in Mega Manila Region CALA (CAVITE - LAGUNA)	SCALE V = 200 H = 2000	SHEET CONTENT TAGAYTAY ACCESS PLAN AND PROFILE STA. 10+000.000 - STA. 10+434.203	DRAWING NO. F - 12
			SHEET NO. 2 OF 2



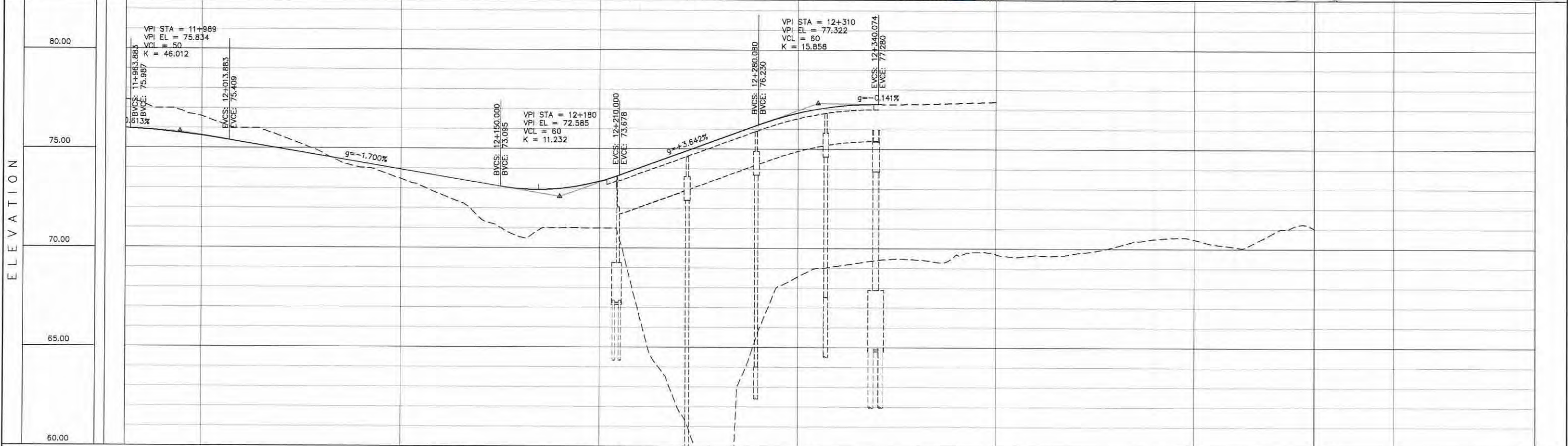
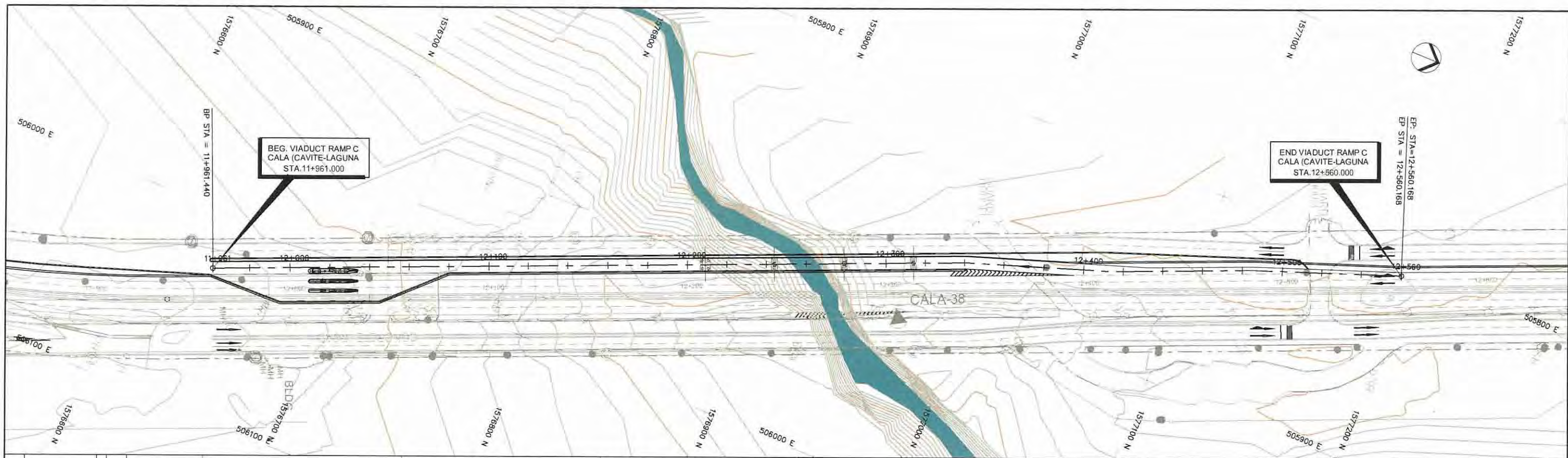
STATION	10+900	11+000	11+100	11+200	11+300	11+400	11+500	11+539
FINISHED GRADE ELEVATION								
EXISTING GROUND ELEVATION	88.148	87.903	87.762	87.689	87.390	87.041	86.546	86.051
VERTICAL CURVATURE	R=608.000 L=91.469	10+876.487 R=610.495 L=39.365	10+876.553 R=589.495 L=90.897	10+915.919 R=610.495 L=72.100	11+006.816 R=584.495 L=72.100	11+078.919	11+483.510	R=684.546 L=55.783
HORIZONTAL CURVATURE								

PROJECT TITLE	SCALE	SHEET CONTENT	DRAWING NO.
Preparatory survey for expressway project in Mega Manila Region CALA (CAVITE - LAGUNA)	V = 200 H = 2000	VIADUCT RAMP A PLAN AND PROFILE STA. 10+785.000 - STA. 11+539.000	F - 13
			SHEET NO.
			1 OF 1



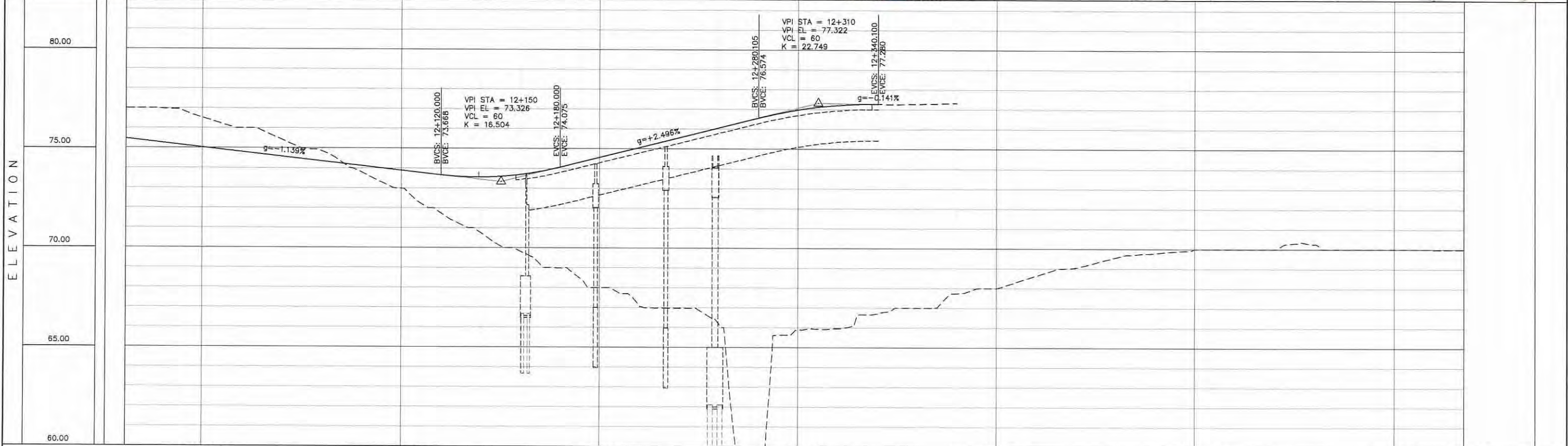
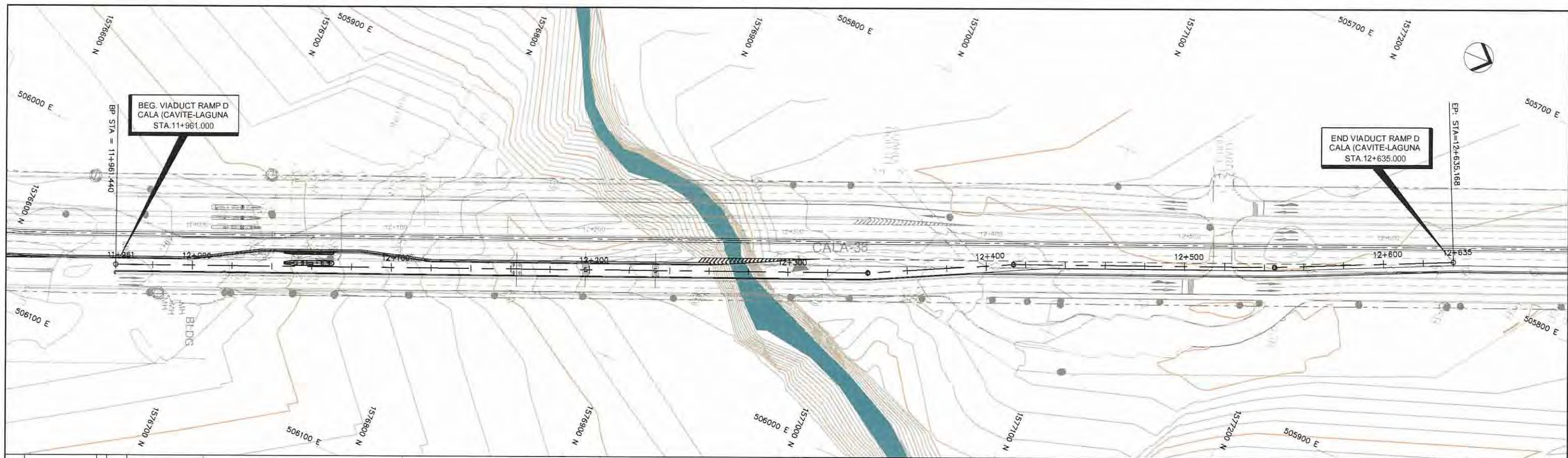
STATION	10+900	11+000	11+100	11+200	11+300	11+400	11+500	11+555																																																			
FINISHED GRADE ELEVATION																																																											
EXISTING GROUND ELEVATION	88.029	88.017	87.980	87.483	87.033	84.584	74.130	70.743	88.245	88.579	88.837	88.374	87.693	94.516	87.179	93.883	86.611	92.901	86.062	91.703	85.780	90.503	85.276	89.303	88.103	84.748	86.303	84.148	85.709	83.973	84.706	83.876	83.980	83.219	83.523	82.981	83.152	82.588	82.782	82.000	82.411	81.746	82.040	81.132	81.669	80.700	81.298	80.204	80.927	80.000	80.556	79.996	80.185	79.773	79.815	79.848	79.444	79.863	79.185
VERTICAL CURVATURE	10+860.104 R=2130.000 L=74.333		10+934.437 R=610.495 L=72.298		10+934.686 R=611.810 L=75.449		11+006.985 R=611.810 L=75.449		11+006.986 R=611.810 L=75.449		11+082.435 R=611.810 L=75.449		11+082.444 R=611.810 L=75.449		R=615.400 L=192.963		11+275.407		11+496.746 R=714.770 L=58.257		11+555.003																																						
HORIZONTAL CURVATURE																																																											

PROJECT TITLE Preparatory survey for expressway project in Mega Manila Region CALA (CAVITE - LAGUNA)	SCALE V = 200 H = 2000	SHEET CONTENT VIADUCT RAMP B PLAN AND PROFILE STA. 10+860.000 - STA. 11+555.000	DRAWING NO. F - 14
			SHEET NO. 1 OF 1



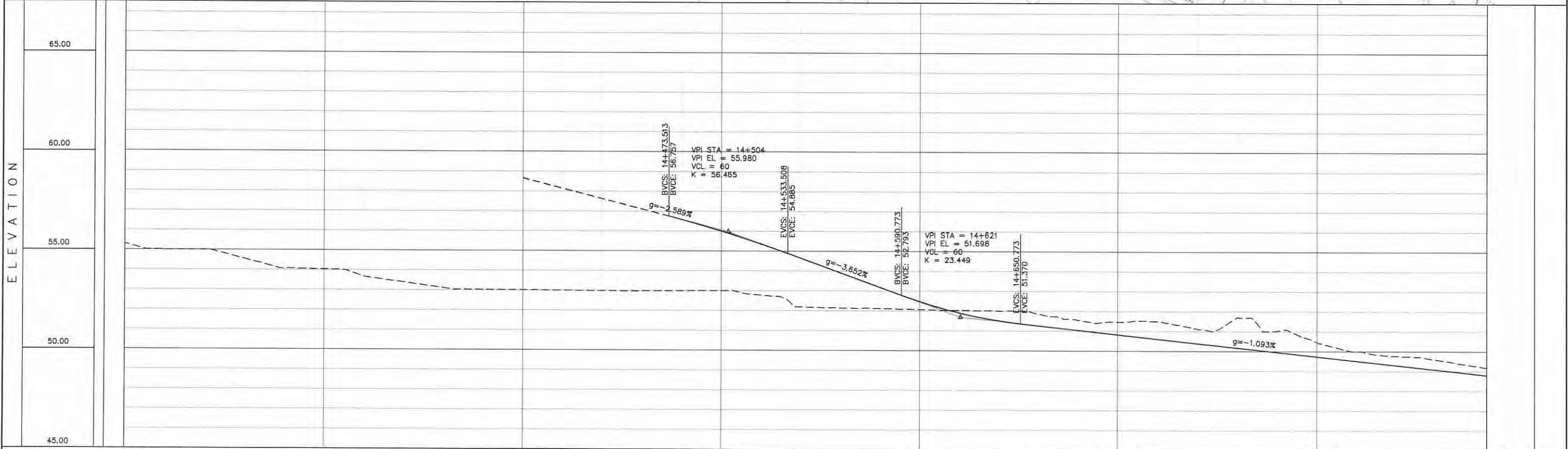
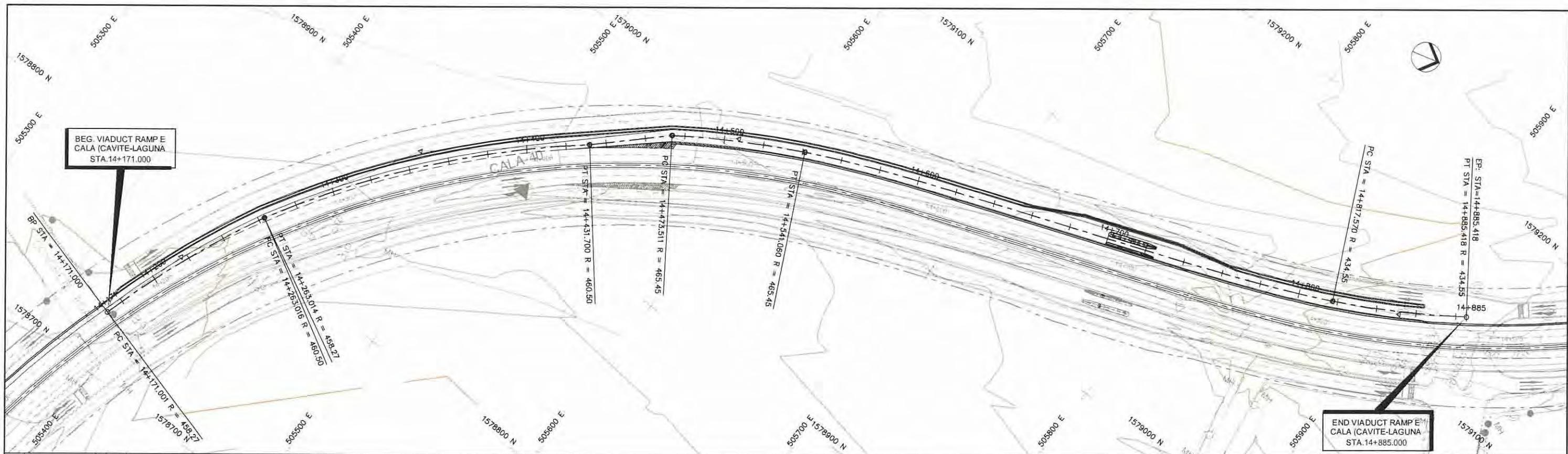
STATION	12+000	12+100	12+200	12+300	12+400	12+500	12+560
FINISHED GRADE ELEVATION	76.002	75.860	75.624	75.305	74.965	74.625	74.285
EXISTING GROUND ELEVATION	77.441	77.013	76.598	76.002	75.586	74.983	74.285
VERTICAL CURVATURE							
HORIZONTAL CURVATURE							

PROJECT TITLE	SCALE	SHEET CONTENT	DRAWING NO.
Preparatory survey for expressway project in Mega Manila Region CALA (CAVITE - LAGUNA)	V = 200 H = 2000	VIADUCT RAMP C PLAN AND PROFILE STA. 11+961.000 - STA. 12+560.000	F - 15
			SHEET NO.
			1 OF 1



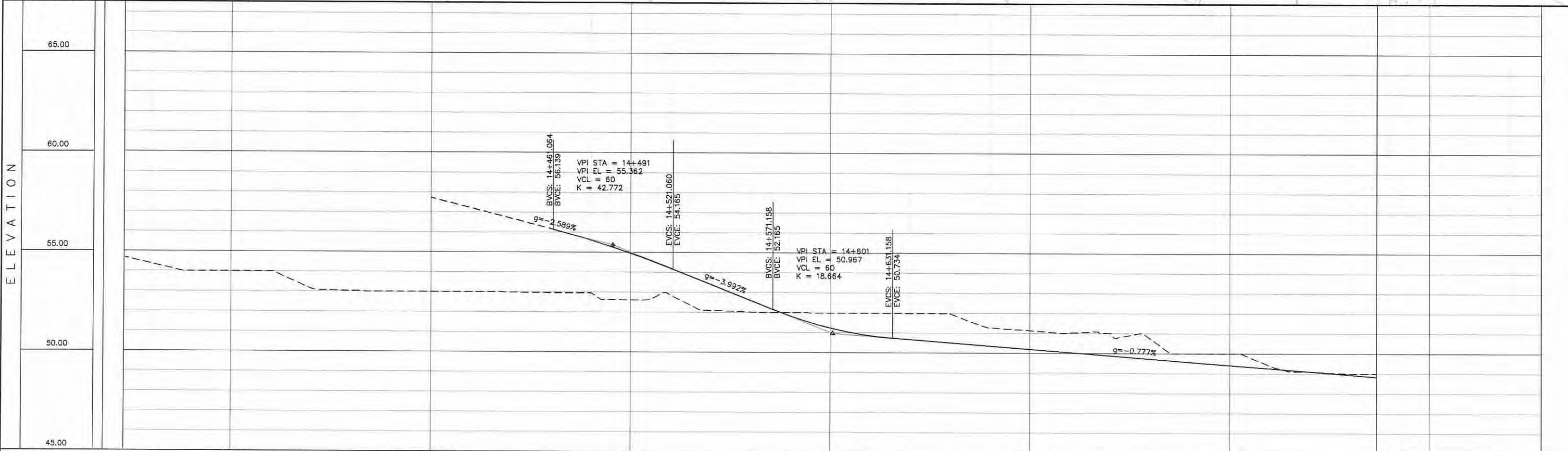
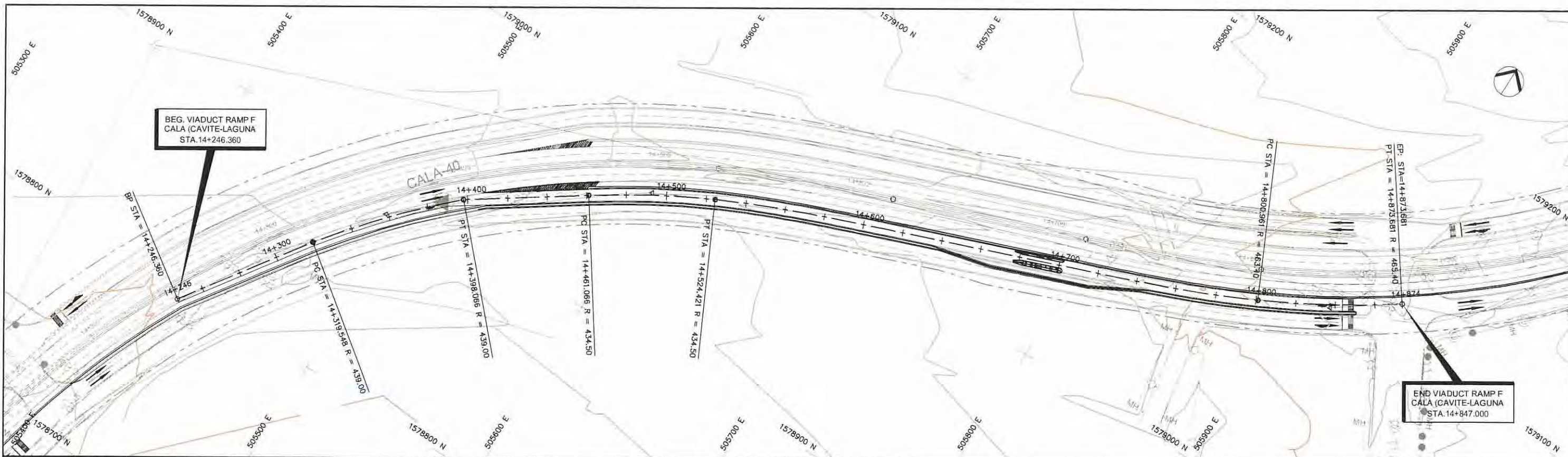
STATION	12+000	12+100	12+200	12+300	12+400	12+500	12+600	12+635
FINISHED GRADE ELEVATION	75.475	75.263	75.035	74.807	74.580	74.352	74.124	73.896
EXISTING GROUND ELEVATION	77.001	76.984	76.530	76.000	75.422	74.853	74.281	73.709
VERTICAL CURVATURE								
HORIZONTAL CURVATURE								

PROJECT TITLE	SCALE	SHEET CONTENT	DRAWING NO.
Preparatory survey for expressway project in Mega Manila Region CALA (CAVITE - LAGUNA)	V = 200 H = 2000	VIADUCT RAMP D PLAN AND PROFILE STA. 11+961.000 - STA. 12+635.000	F - 16
			SHEET NO.
			1 OF 1



STATION	14+200	14+300	14+400	14+500	14+600	14+700	14+800	14+885																																																		
FINISHED GRADE ELEVATION																																																										
EXISTING GROUND ELEVATION	55.308	55.004	54.999	54.596	54.070	54.034	53.688	53.393	53.107	53.025	53.017	52.995	52.978	52.974	52.987	56.565	52.999	56.009	55.362	52.776	52.188	54.848	52.141	53.917	52.111	53.187	52.070	52.475	52.031	51.908	52.011	51.513	51.855	51.269	51.556	51.051	51.461	50.832	51.493	50.613	51.132	50.395	51.707	50.176	51.038	49.957	50.466	49.739	50.000	49.520	49.766	49.302	49.569	49.083	49.272	48.864	49.157	48.805
VERTICAL CURVATURE	R=458.270 L=92.013		14+263.014 14+263.016		R=460.495 L=168.684		14+431.700		14+473.511		R=465.446 L=67.549		14+541.060		14+817.570		R=434.546 L=67.849		14+885.418																																							
HORIZONTAL CURVATURE																																																										

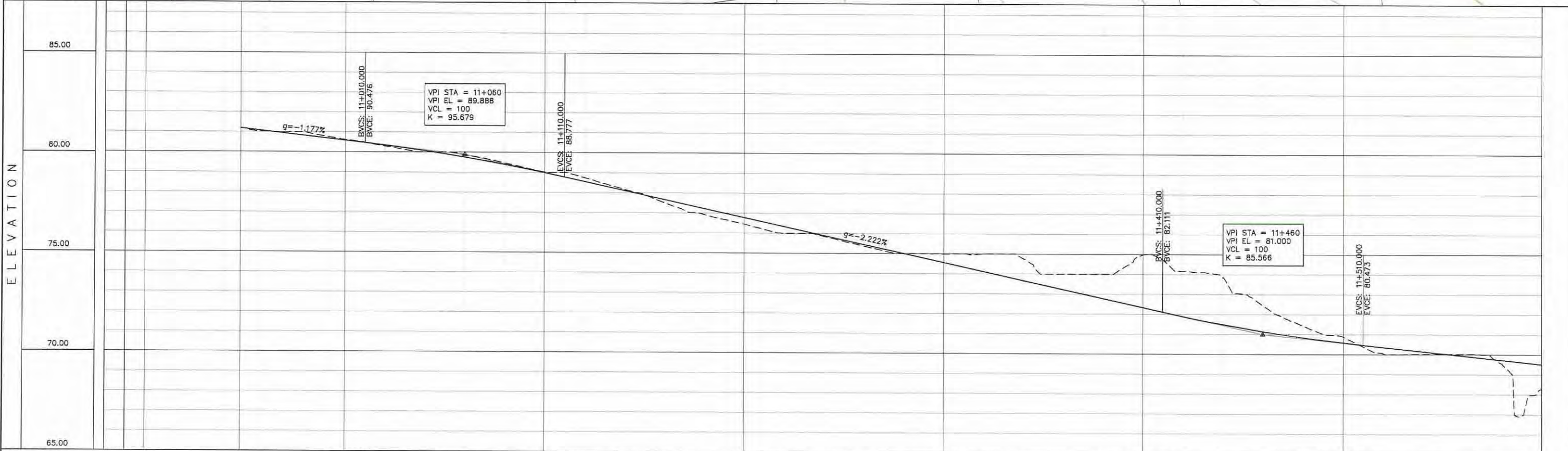
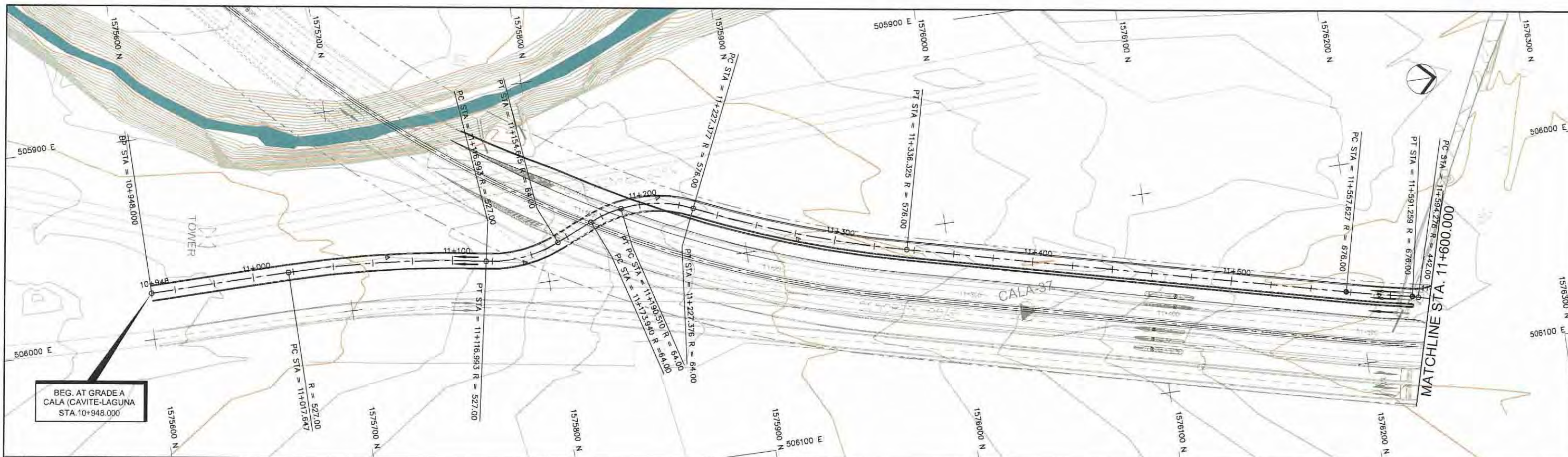
PROJECT TITLE	Preparatory survey for expressway project in Mega Manila Region CALA (CAVITE - LAGUNA)	SCALE	V = 200 H = 2000	SHEET CONTENT	VIADUCT RAMP E PLAN AND PROFILE STA. 14+171.000 - STA. 14+885.000	DRAWING NO.
						F - 17
						SHEET NO.
						1 OF 1



STATION	14+300	14+400	14+500	14+600	14+700	14+800	14+874
FINISHED GRADE ELEVATION							
EXISTING GROUND ELEVATION	54.091	54.377	54.001	54.001	54.000	53.130	53.032
VERTICAL CURVATURE		14+319.548	R=439.000 L=78.518	14+398.066	14+461.066	R=434.500 L=63.354	14+524.421
HORIZONTAL CURVATURE						14+800.961	R=465.400 L=72.719

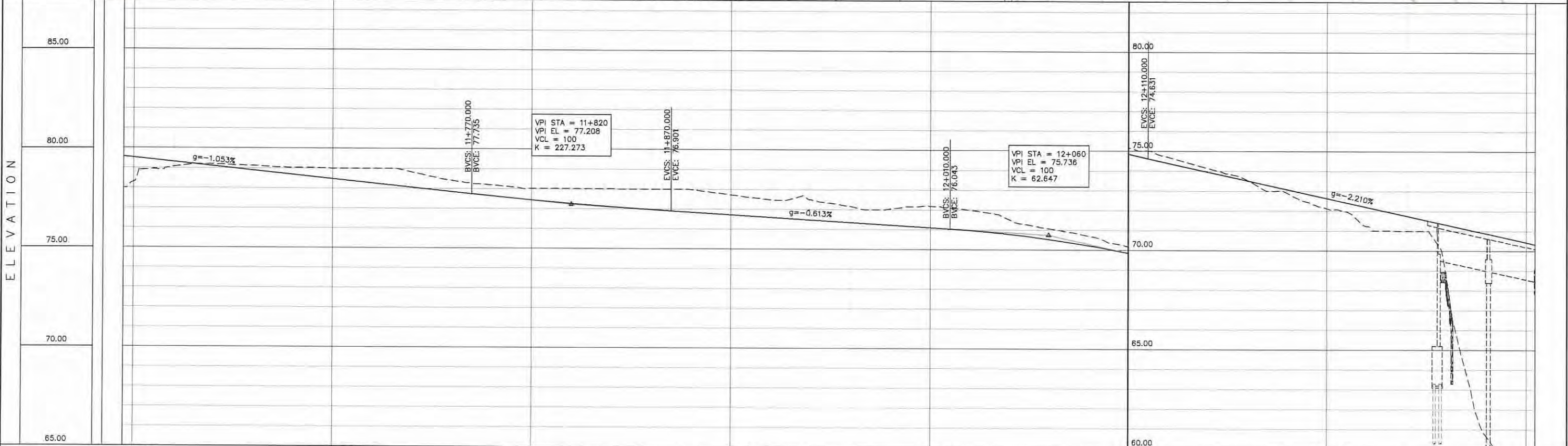
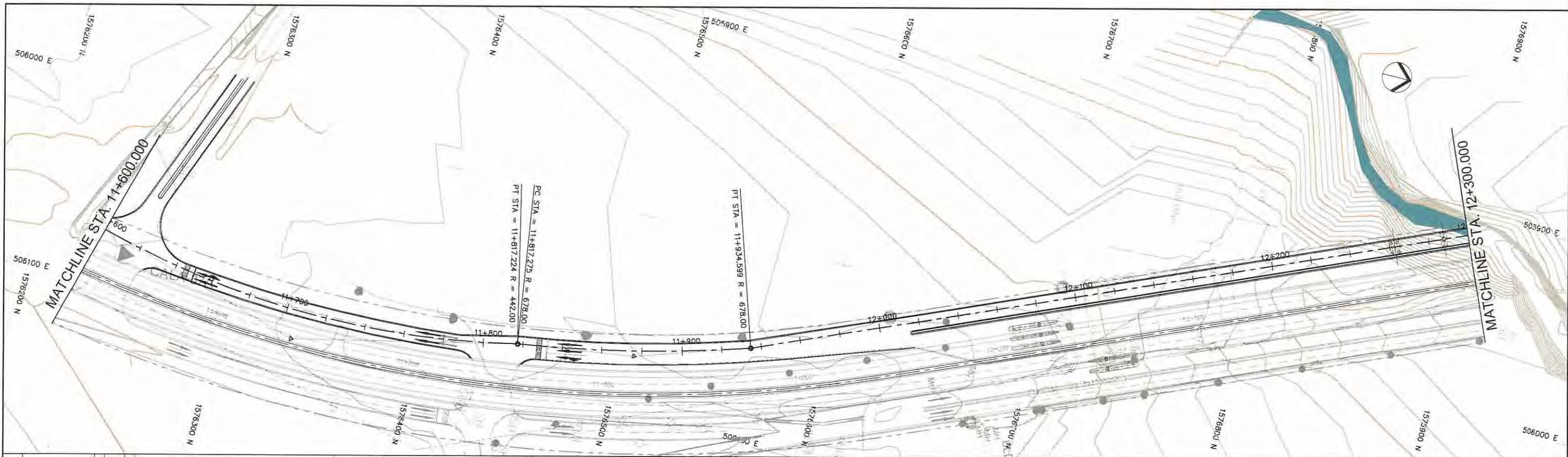
PROJECT TITLE Preparatory survey for expressway project in Mega Manila Region CALA (CAVITE - LAGUNA)	SCALE V = 200 H = 2000	SHEET CONTENT VIADUCT RAMP F PLAN AND PROFILE STA. 14+246.360 - STA. 14+874.00	DRAWING NO. F - 18
			SHEET NO. 1 OF 1

G. SERVICE ROAD



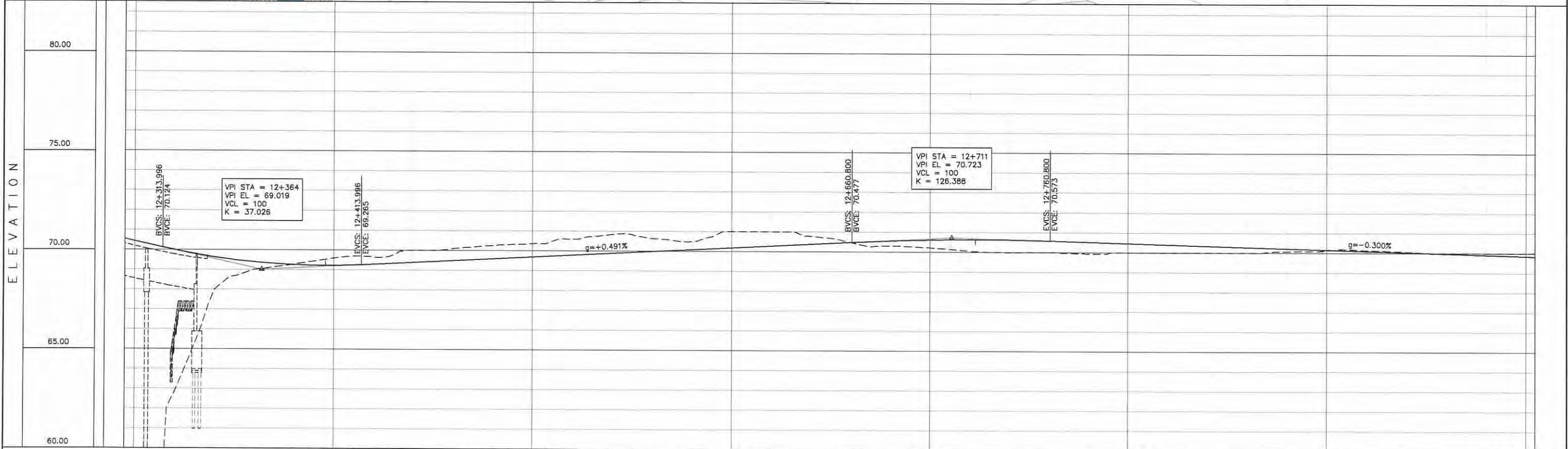
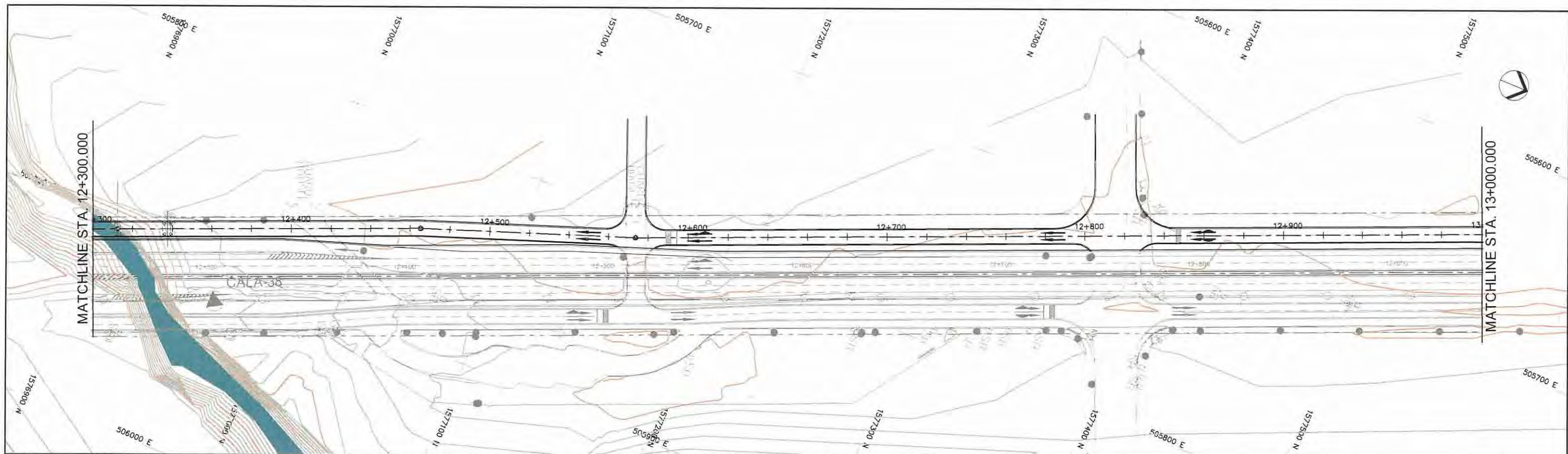
STATION	11+000	11+100	11+200	11+300	11+400	11+500	11+600	
FINISHED GRADE ELEVATION	91.206	91.065	90.830	90.594	90.354	90.076	89.757	
EXISTING GROUND ELEVATION	91.206	91.016	90.990	90.623	90.303	90.001	89.888	
VERTICAL CURVATURE	11+017.647		R=527.000 L=99.346		11+118.993		11+198.518 R=64.000 L=16.569	
HORIZONTAL CURVATURE			11+227.377		R=575.995 L=108.949		11+336.325	

PROJECT TITLE Preparatory survey for expressway project in Mega Manila Region CALA (CAVITE - LAGUNA)	SCALE V = 200 H = 2000	SHEET CONTENT AT GRADE A PLAN AND PROFILE STA. 10+948.000 - STA. 11+600.000	DRAWING NO. G - 01
			SHEET NO. 1 OF 9



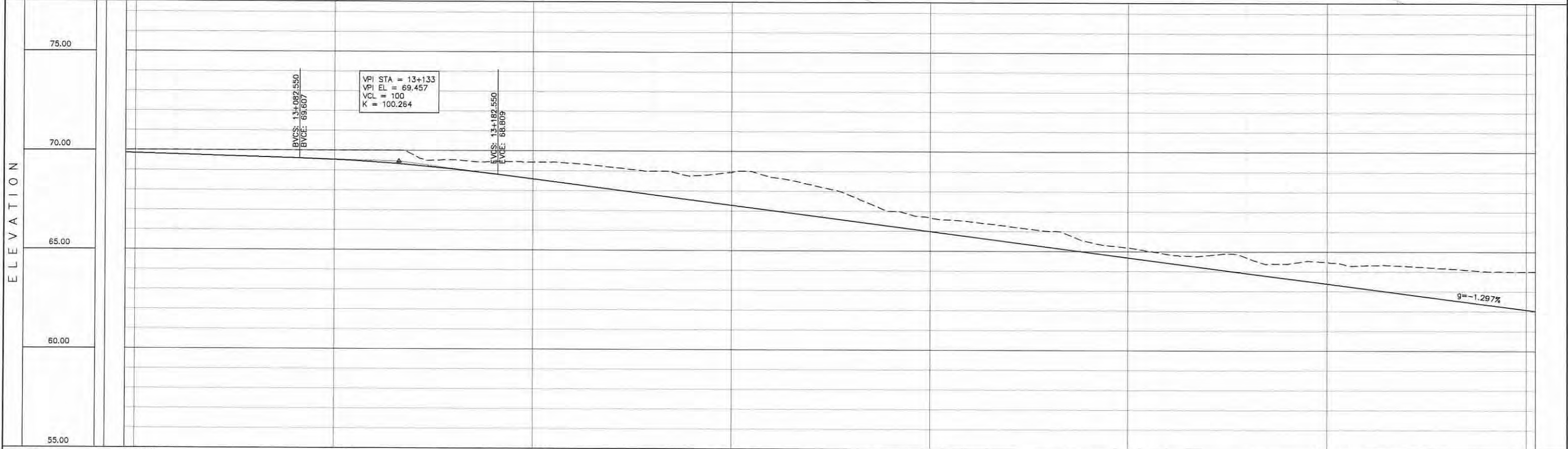
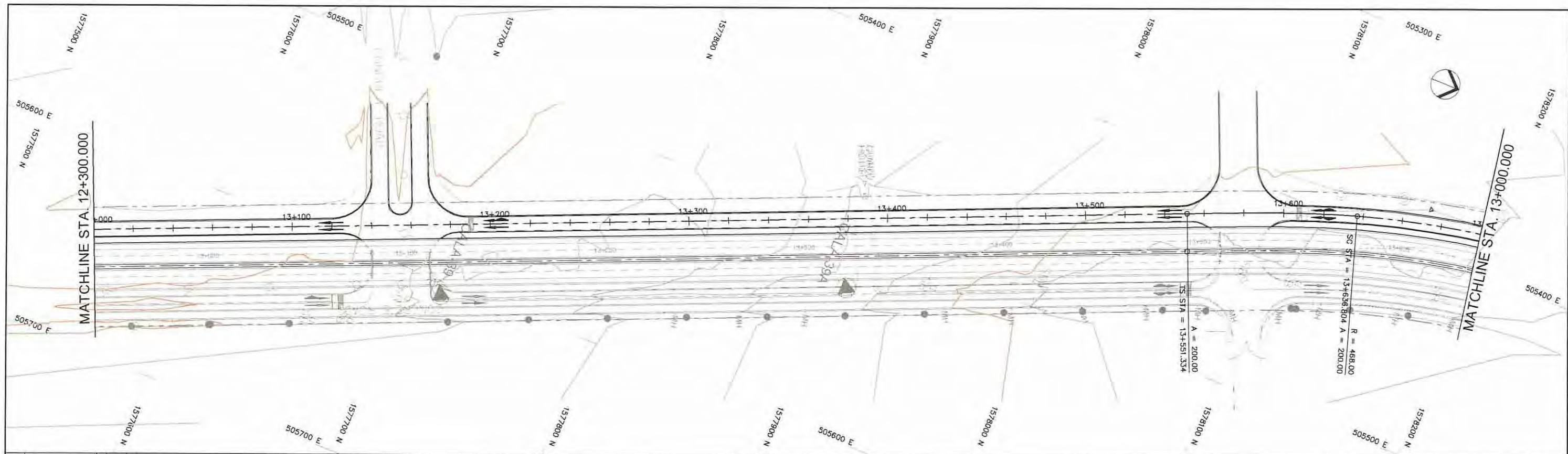
STATION	11+600	11+700	11+800	11+900	12+000	12+100	12+200	12+300	
FINISHED GRADE ELEVATION	79.525	79.315	78.472	77.263	76.472	74.844	72.201	70.433	
EXISTING GROUND ELEVATION	78.304	79.060	78.999	78.016	77.469	75.165	72.125	70.875	
VERTICAL CURVATURE	11+594.276 11+591.259		R=442.000 L=222.948		11+817.224 11+817.275		R=678.000 L=117.325		
HORIZONTAL CURVATURE									

PROJECT TITLE Preparatory survey for expressway project in Mega Manila Region CALA (CAVITE - LAGUNA)	SCALE V = 200 H = 2000	SHEET CONTENT AT GRADE A PLAN AND PROFILE STA. 11+600.000 - STA. 12+300.000	DRAWING NO. G - 02
			SHEET NO. 2 OF 9



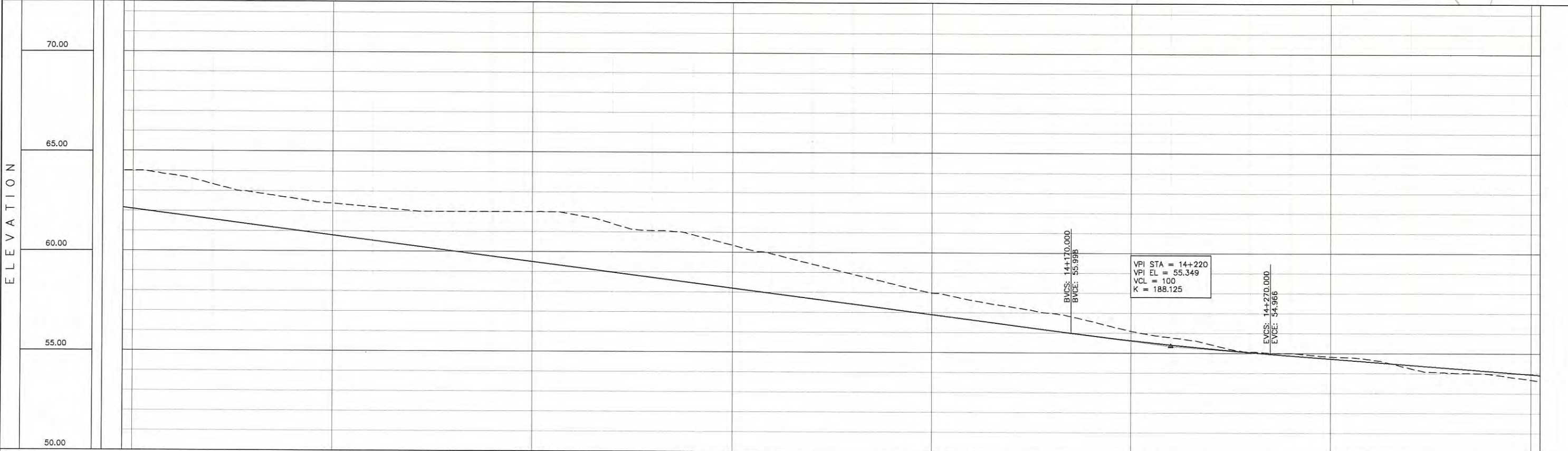
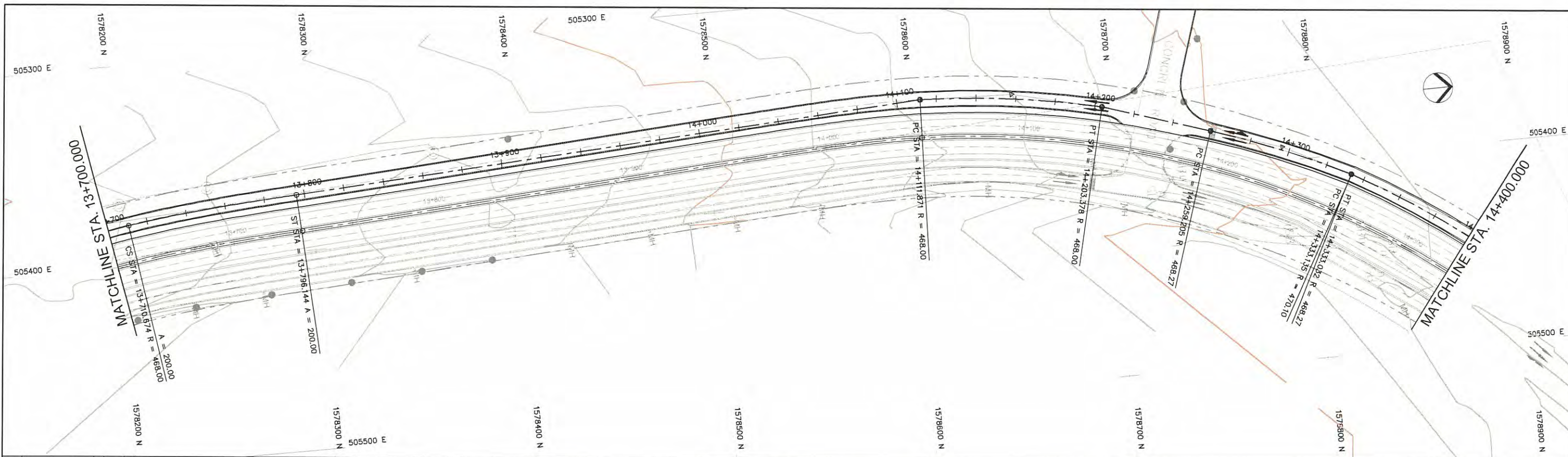
STATION	12+300	12+400	12+500	12+600	12+700	12+800	12+900	13+000																																				
FINISHED GRADE ELEVATION	70.433	69.996	69.640	69.393	69.254	69.222	69.294	69.392	70.082	69.491	69.569	69.687	69.785	69.884	69.982	70.080	70.178	70.276	70.375	70.473	70.557	70.609	70.629	69.984	70.618	69.995	70.575	69.935	70.515	70.455	69.998	70.395	70.335	70.275	70.215	70.155	70.095	70.035	69.975	69.915	69.855			
EXISTING GROUND ELEVATION	57.596	62.824	67.943	69.002	69.286	69.585	69.655	70.000	70.082	70.255	70.352	70.585	70.825	70.642	70.484	70.998	70.991	70.777	70.472	70.301	70.211	70.057	69.984	69.995	69.935	70.000	69.998	70.000	70.000	70.069	70.121	70.142	70.064	70.000	70.000	70.000	70.000	70.000	70.000	70.000				
VERTICAL CURVATURE																																												
HORIZONTAL CURVATURE																																												

PROJECT TITLE	SCALE	SHEET CONTENT	DRAWING NO.
Preparatory survey for expressway project in Mega Manila Region CALA (CAVITE - LAGUNA)	V = 200 H = 2000	AT GRADE A PLAN AND PROFILE STA. 12+300.000 - STA. 13+000.000	G - 03
			SHEET NO.
			3 OF 9



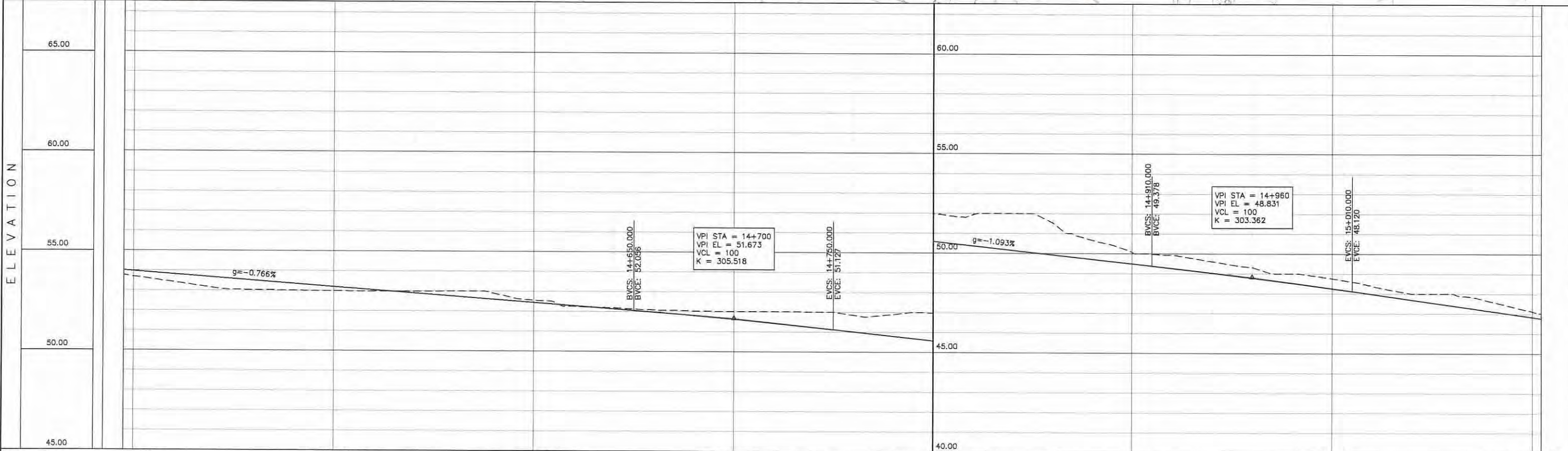
STATION	13+000	13+100	13+200	13+300	13+400	13+500	13+600	13+700
FINISHED GRADE ELEVATION	69.855	69.795	69.735	69.675	69.615	69.540	69.425	69.285
EXISTING GROUND ELEVATION	70.000	70.000	69.735	69.675	69.615	69.540	69.425	69.285
VERTICAL CURVATURE	$\begin{matrix} \text{SC} & \text{SC} & \text{SC} \\ A=200 & L=85.470\text{m} & R=468.000 \\ & & L=73.870 \end{matrix}$							
HORIZONTAL CURVATURE								

PROJECT TITLE Preparatory survey for expressway project in Mega Manila Region CALA (CAVITE - LAGUNA)	SCALE V = 200 H = 2000	SHEET CONTENT AT GRADE A PLAN AND PROFILE STA. 13+000.000 - STA. 13+700.000	DRAWING NO. G - 04
			SHEET NO. 4 OF 9



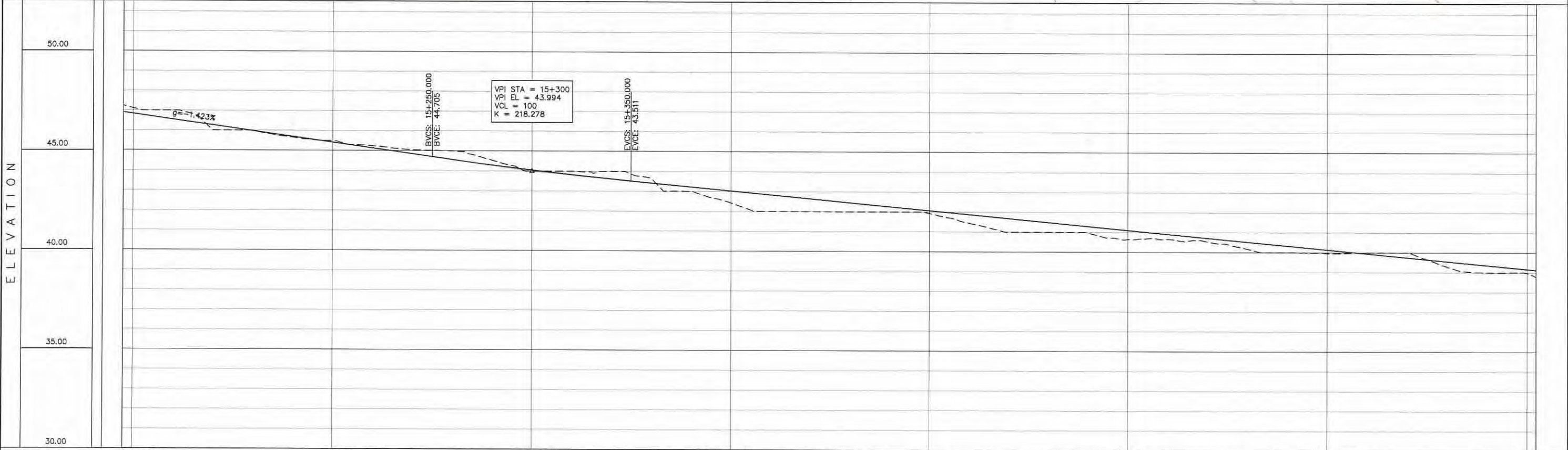
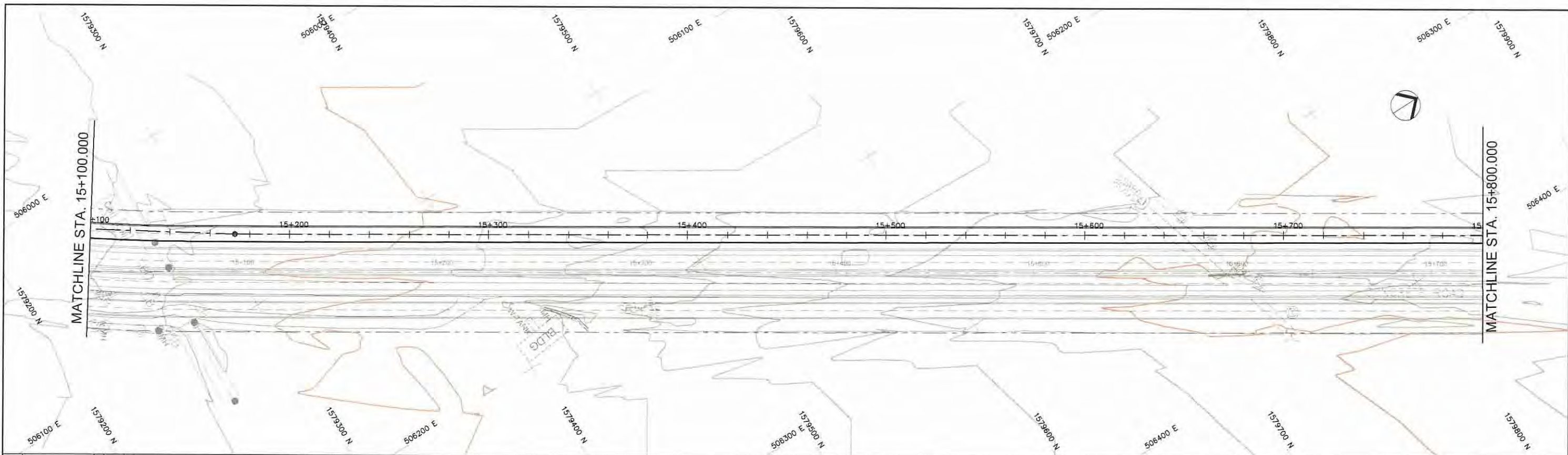
STATION	13+700	13+800	13+900	14+000	14+100	14+200	14+300	14+400
FINISHED GRADE ELEVATION	62.095	61.836	61.576	61.317	61.057	60.798	60.538	60.279
EXISTING GROUND ELEVATION	64.003	63.788	63.573	63.358	63.143	62.928	62.713	62.498
VERTICAL CURVATURE	CS 13+710.674		A=200		L=85.470m		SC	
HORIZONTAL CURVATURE					R=468.000 L=91.507		14+259.205 R=468.270 L=73.827	
					14+203.378		14+333.032 L=14+333.135	

PROJECT TITLE Preparatory survey for expressway project in Mega Manila Region CALA (CAVITE - LAGUNA)	SCALE V = 200 H = 2000	SHEET CONTENT AT GRADE A PLAN AND PROFILE STA. 13+700.000 - STA. 14+400.000	DRAWING NO. G - 05
			SHEET NO. 5 OF 9



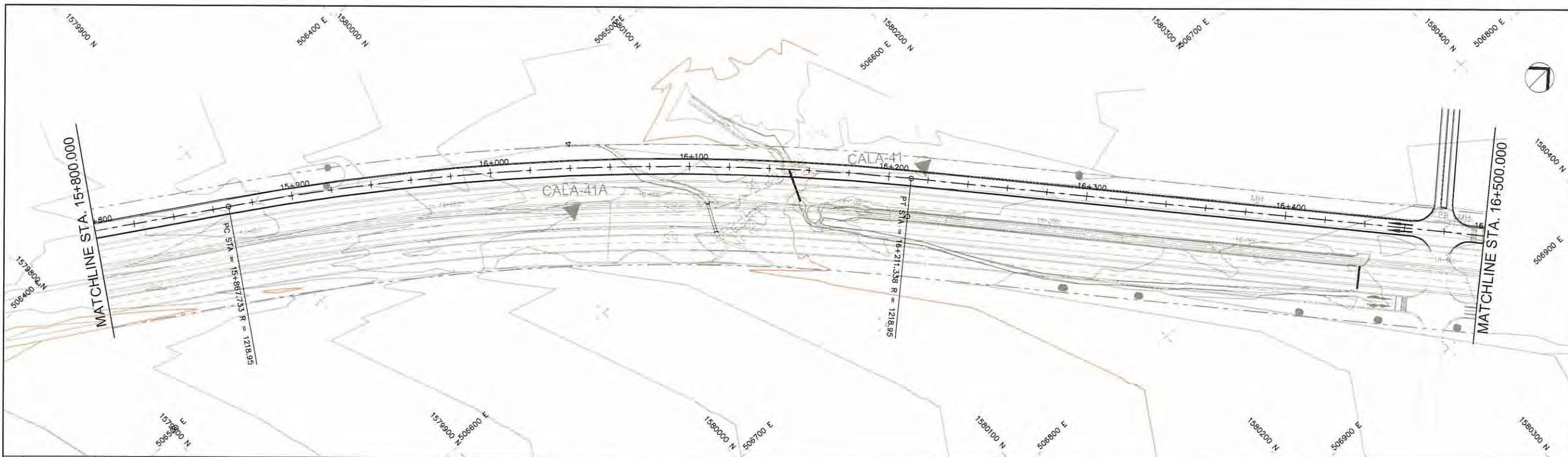
STATION	14+400	14+500	14+600	14+700	14+800	14+900	15+000	15+100
FINISHED GRADE ELEVATION	53.971	53.817	53.664	53.511	53.358	53.205	53.052	52.899
EXISTING GROUND ELEVATION	53.097	53.418	53.132	53.034	53.511	53.013	53.358	52.986
VERTICAL CURVATURE	R=470.100 L=157.269		R=474.000 L=68.242		R=426.000 L=55.053		R=431.000 L=103.574	
HORIZONTAL CURVATURE	14+490.404		14+548.899		14+893.618		14+981.897	

PROJECT TITLE Preparatory survey for expressway project in Mega Manila Region CALA (CAVITE - LAGUNA)	SCALE V = 200 H = 2000	SHEET CONTENT AT GRADE A PLAN AND PROFILE STA. 14+400.000 - STA. 15+100.000	DRAWING NO. G - 06
			SHEET NO. 6 OF 9



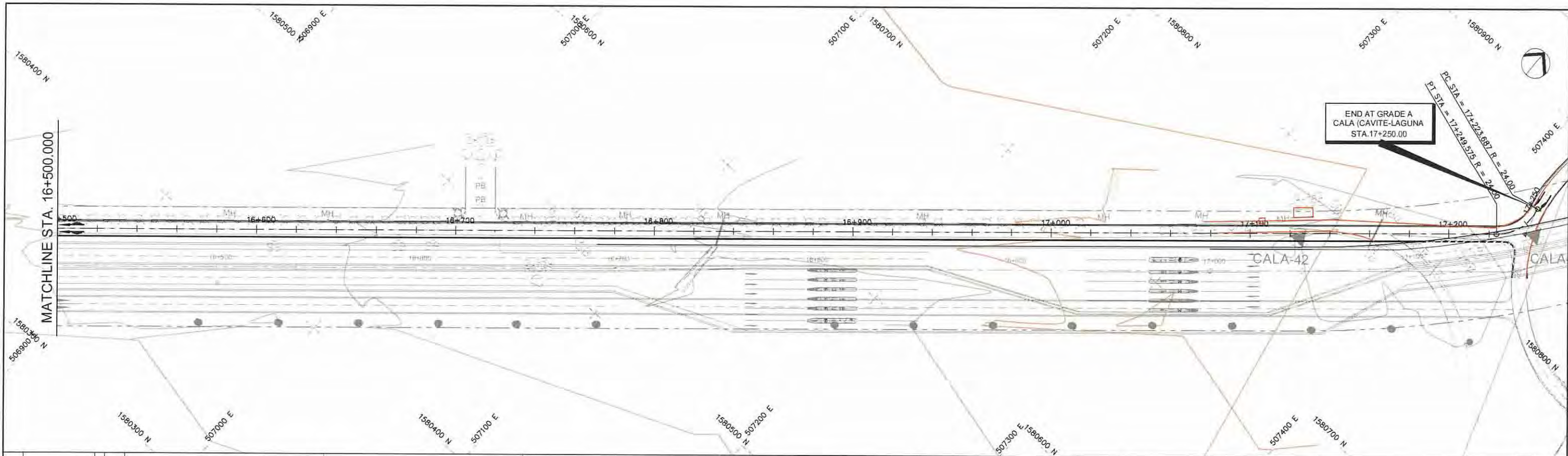
STATION	15+100	15+200	15+300	15+400	15+500	15+600	15+700	15+800
FINISHED GRADE ELEVATION	46.839	46.555	45.701	44.299	43.029	41.871	40.714	39.170
EXISTING GROUND ELEVATION	47.122	46.270	45.985	44.847	43.610	42.564	41.486	40.363
VERTICAL CURVATURE	47.000	46.555	45.985	45.246	44.505	43.821	43.186	42.651
HORIZONTAL CURVATURE	45.988	45.701	45.416	45.132	44.847	44.565	44.283	44.000

PROJECT TITLE Preparatory survey for expressway project in Mega Manila Region CALA (CAVITE - LAGUNA)	SCALE V = 200 H = 2000	SHEET CONTENT AT GRADE A PLAN AND PROFILE STA. 15+100.000 - STA. 15+800.000	DRAWING NO. G - 07
			SHEET NO. 7 OF 9



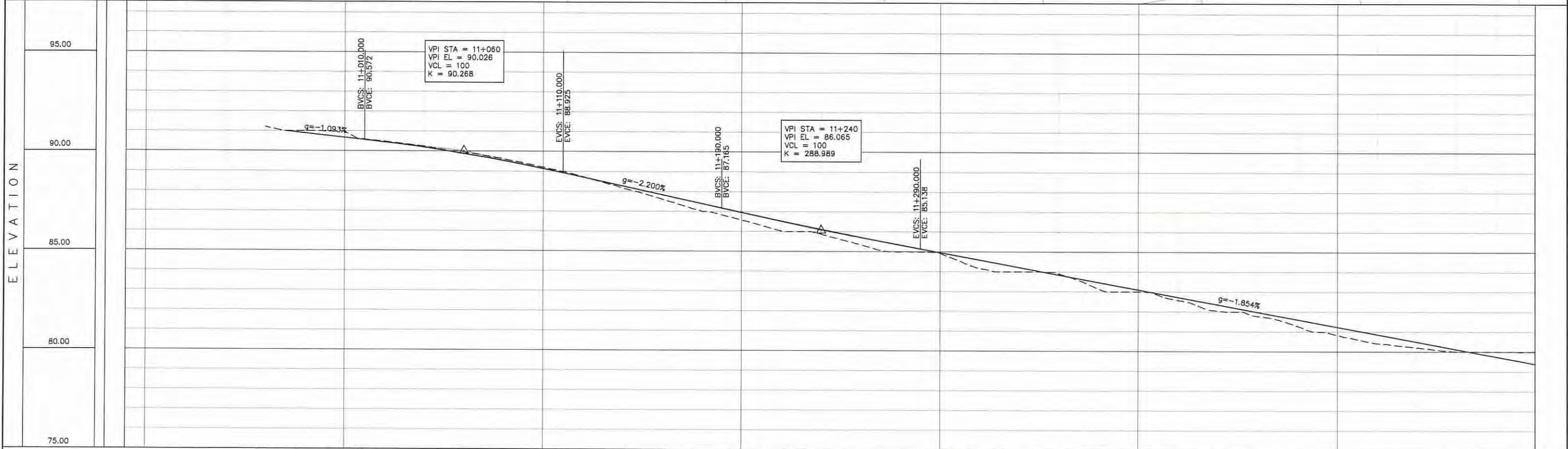
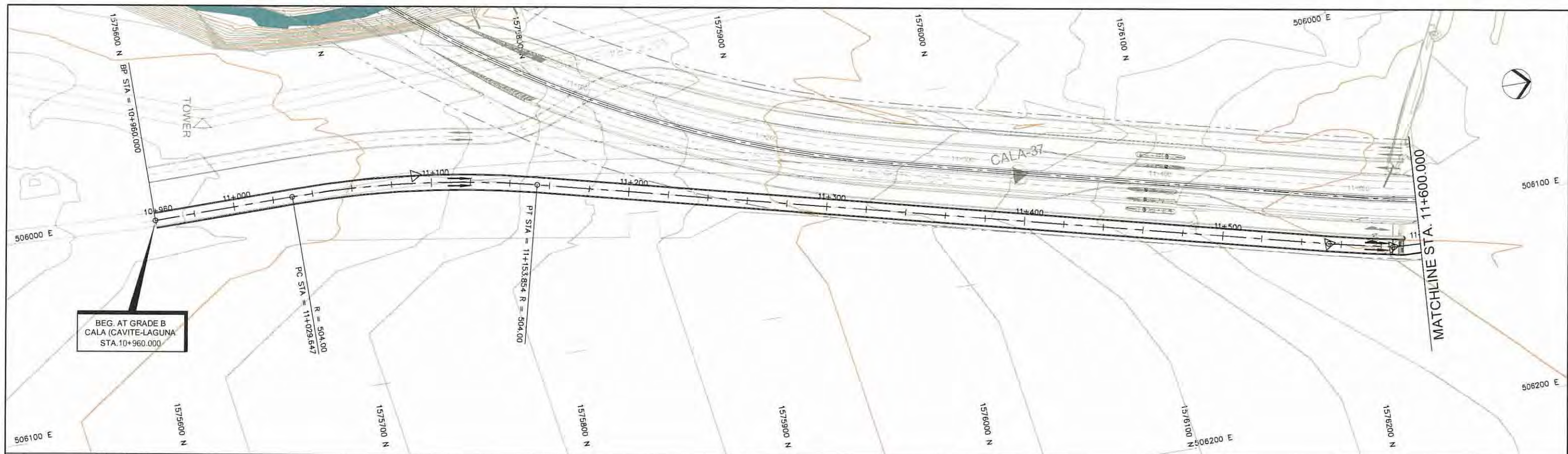
STATION	15+800	15+900	16+000	16+100	16+200	16+300	16+400	16+500
FINISHED GRADE ELEVATION	39.170	38.978	38.785	38.592	38.399	38.206	38.013	37.820
EXISTING GROUND ELEVATION	38.982	38.152	38.000	38.785	38.000	38.592	38.000	38.599
VERTICAL CURVATURE	15+867.733		R=1218.950 L=343.804		16+211.338			
HORIZONTAL CURVATURE								

PROJECT TITLE Preparatory survey for expressway project in Mega Manila Region CALA (CAVITE - LAGUNA)	SCALE V = 200 H = 2000	SHEET CONTENT AT GRADE A PLAN AND PROFILE STA. 15+800.000 - STA. 16+500.000	DRAWING NO. G - 08
			SHEET NO. 8 OF 9



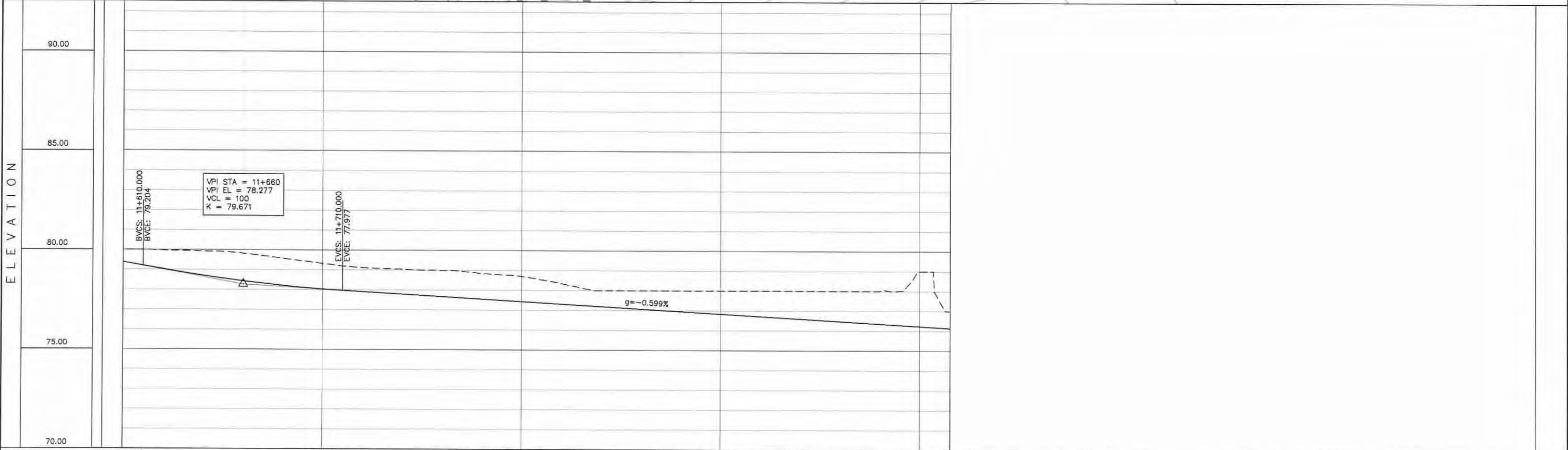
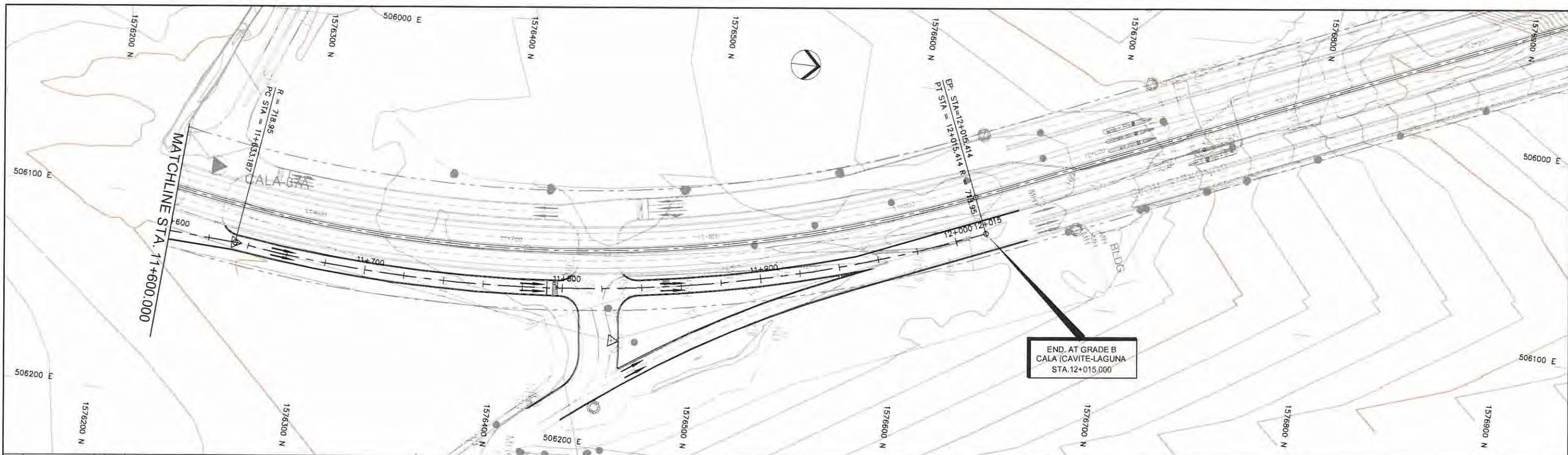
STATION	16+500					16+600					16+700					16+800					16+900					17+000					17+100					17+200				
FINISHED GRADE ELEVATION	32.534	32.416	32.316	32.217	32.119	32.020	31.922	31.823	31.725	31.626	31.528	31.429	31.331	31.232	31.134	31.035	30.937	30.838	30.740	30.641	30.543	30.444	30.346	30.247	30.149	30.050	29.952	29.853	29.755	29.656	29.558	29.459	29.361	29.262	29.164	29.065				
EXISTING GROUND ELEVATION	32.984	32.880	32.788	32.696	32.605	32.487	32.326	32.000	31.999	31.937	31.777	31.625	31.474	31.324	31.173	31.022	31.000	30.998	30.978	30.958	30.933	30.532	30.174	30.070	30.008	30.000	29.986	29.934	29.817	29.451	29.126	29.000	29.000	29.000	29.000	29.000				
VERTICAL CURVATURE																																								
HORIZONTAL CURVATURE																																								

PROJECT TITLE Preparatory survey for expressway project in Mega Manila Region CALA (CAVITE - LAGUNA)	SCALE V = 200 H = 2000	SHEET CONTENT AT GRADE A PLAN AND PROFILE STA. 16+500.000 - STA. 17+250.000	DRAWING NO.
			G - 09
			SHEET NO.
			9 OF 9



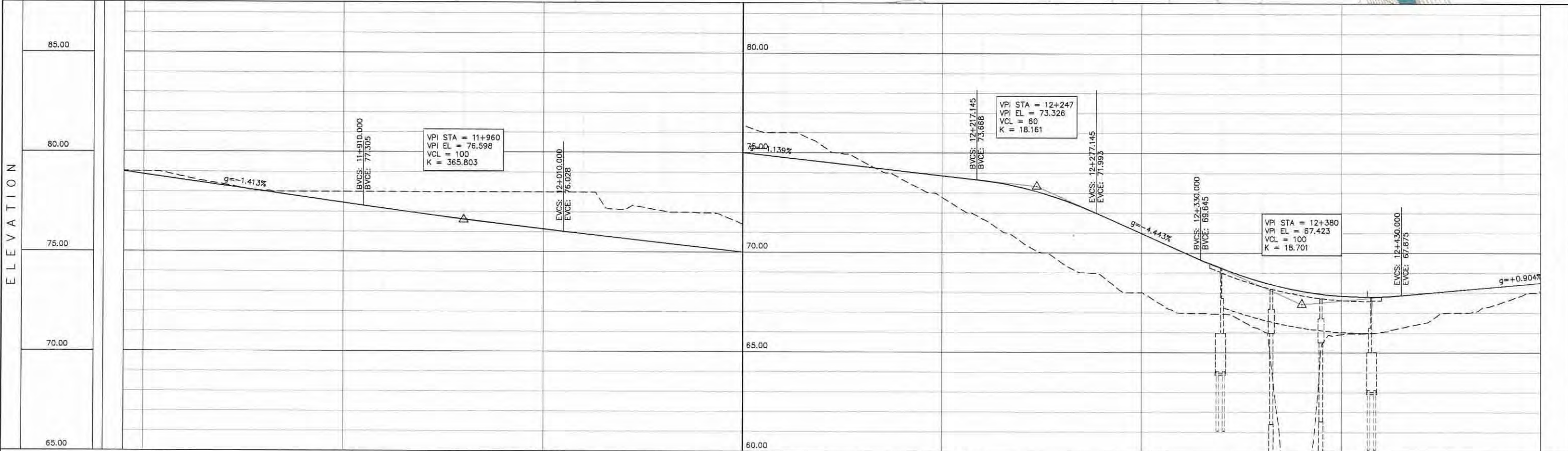
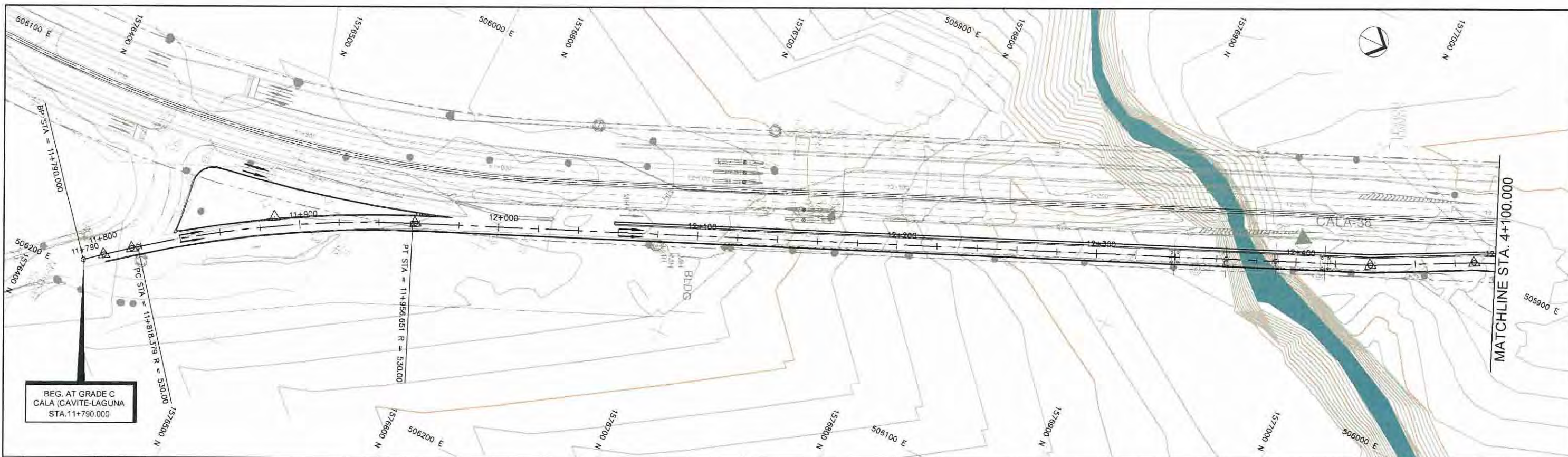
STATION	10+960	11+000	11+100	11+200	11+300	11+400	11+500	11+600																								
FINISHED GRADE ELEVATION		90.900	90.681	90.457	90.194	89.887	89.556	89.140	88.705	88.265	87.825	87.385	86.947	86.521	86.085	85.648	85.211	84.774	84.337	83.900	83.463	83.026	82.589	82.152	81.715	81.278	80.841	80.404	79.967	79.530		
EXISTING GROUND ELEVATION	91.219	90.989	90.966	90.489	90.244	89.973	89.622	89.208	88.726	88.174	87.610	87.004	86.571	86.025	85.869	85.335	84.983	84.908	84.165	83.995	83.911	83.139	82.991	82.576	82.048	81.779	81.278	80.833	80.427	80.006	79.989	79.995
VERTICAL CURVATURE		11+029.647		R=504.000 L=124.208		11+153.854																										
HORIZONTAL CURVATURE																																

PROJECT TITLE Preparatory survey for expressway project in Mega Manila Region CALA (CAVITE - LAGUNA)	SCALE V = 200 H = 2000	SHEET CONTENT AT GRADE B PLAN AND PROFILE STA. 10+960.000 - STA. 11+600.000	DRAWING NO. G - 10
			SHEET NO. 1 OF 2



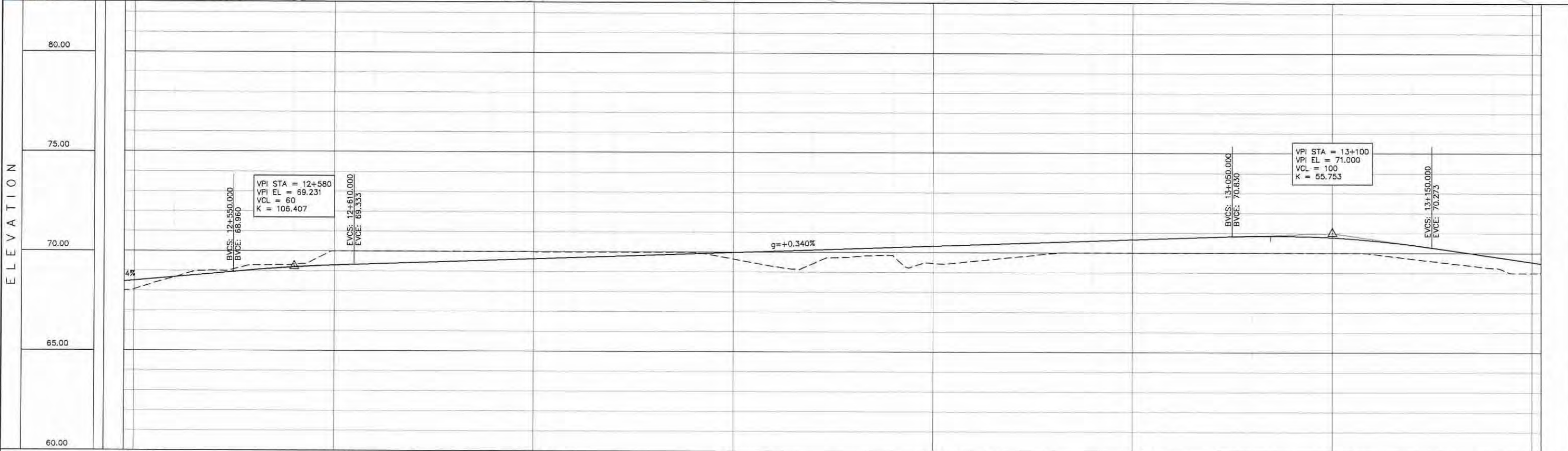
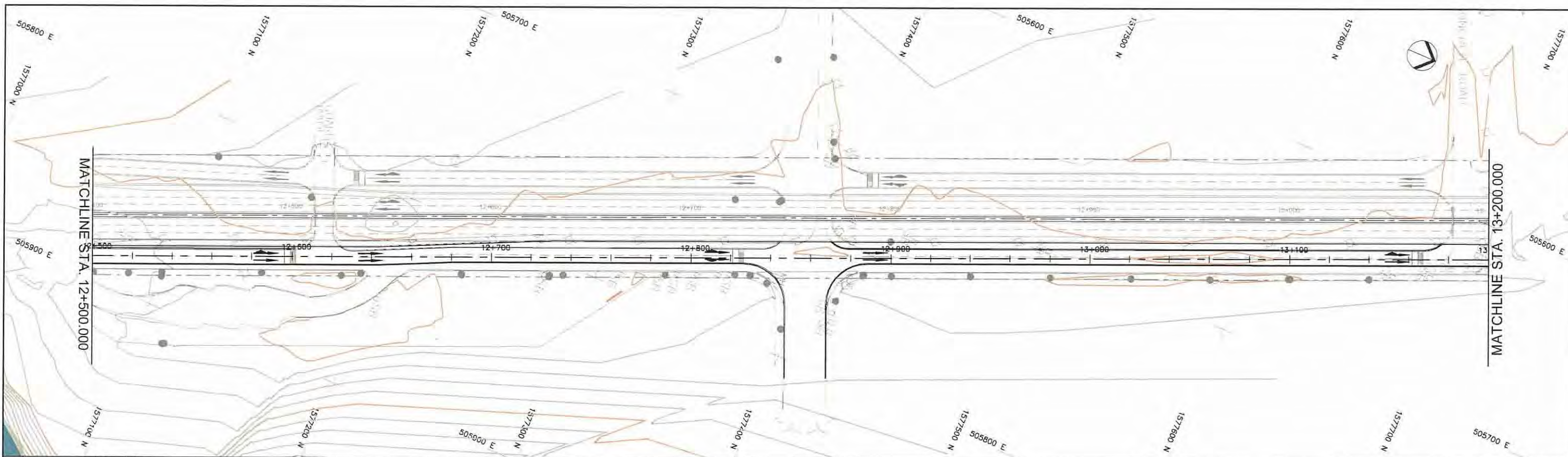
STATION	11+600	11+700					11+800					11+900					12+000		12+015				
FINISHED GRADE ELEVATION	79.389	79.025	78.704	78.433	78.213	78.043	77.917	77.797	77.677	77.558	77.438	77.318	77.198	77.078	76.958	76.839	76.719	76.599	76.479	76.359	76.239	76.147	
EXISTING GROUND ELEVATION	79.995	79.973	79.929	79.820	79.577	79.327	79.116	79.038	78.986	78.842	78.700	78.553	78.400	78.250	78.100	77.950	77.800	77.650	77.500	77.350	77.200	77.000	76.800
VERTICAL CURVATURE	11+633.187					R=718.949 L=382.227					12+015.414												
HORIZONTAL CURVATURE																							

Preparatory survey for expressway project in Mega Manila Region CALA (CAVITE - LAGUNA)	SCALE	SHEET CONTENT	DRAWING NO.
	V = 200 H = 2000	AT GRADE B PLAN AND PROFILE STA. 11+600.000 - STA. 12+015.000	G - 11
			SHEET NO. 2 OF 2



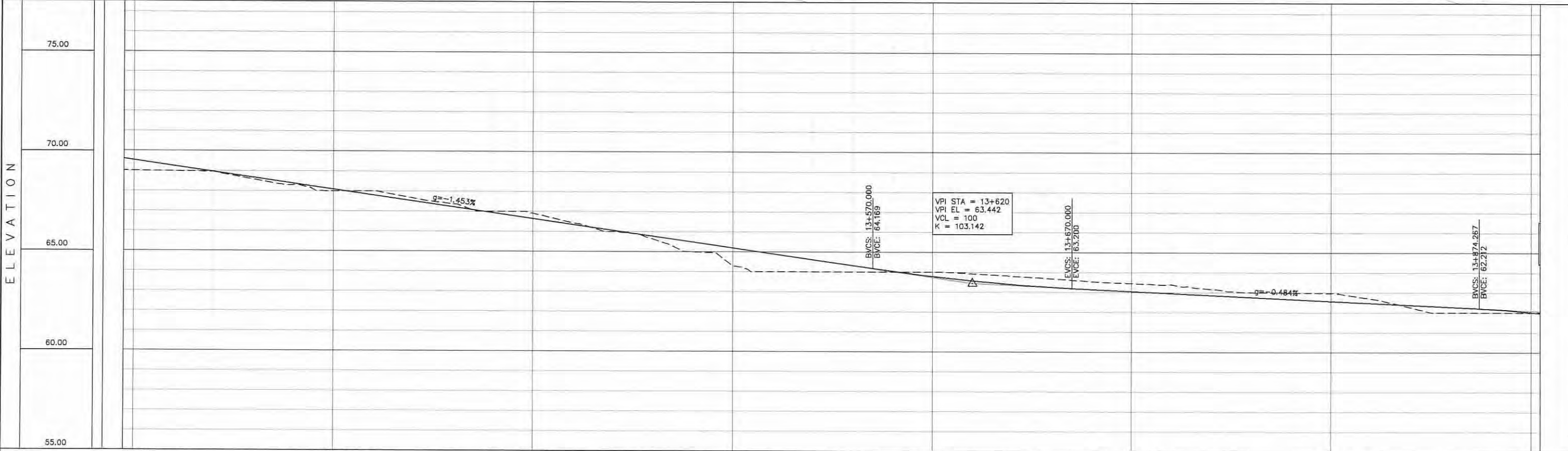
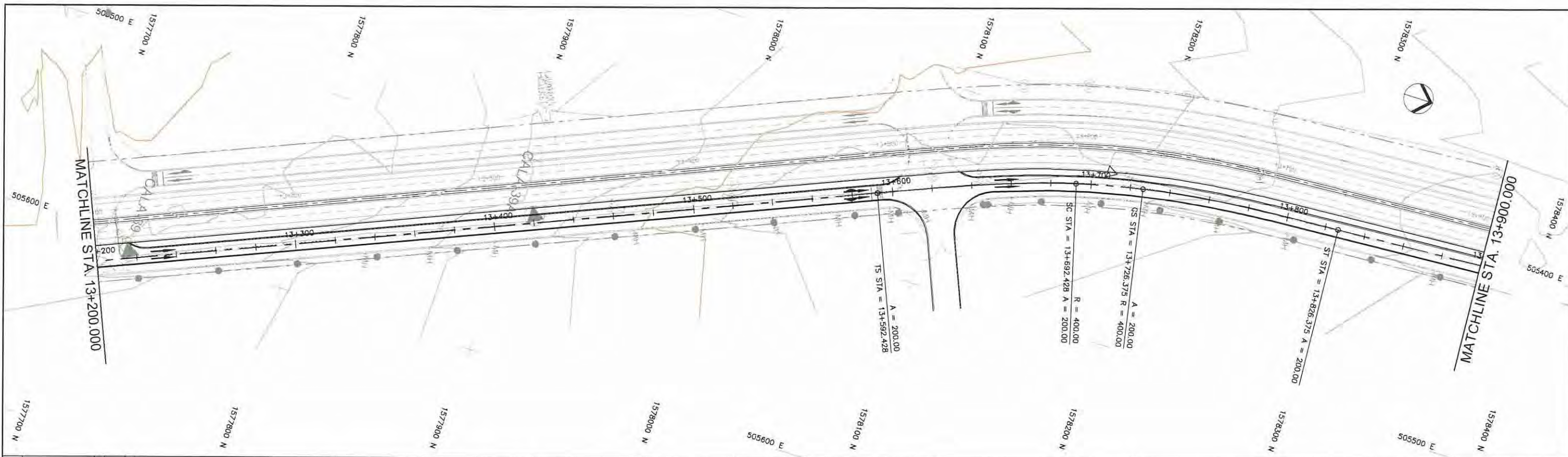
STATION	11+800	11+900	12+000	12+100	12+200	12+300	12+400	12+500
FINISHED GRADE ELEVATION	79.000	78.959	78.576	78.294	77.728	77.446	77.165	76.893
EXISTING GROUND ELEVATION	79.000	78.743	78.362	78.038	77.011	76.000	75.000	74.000
VERTICAL CURVATURE	11+818.379		R=530.000 L=138.272		11+956.851			
HORIZONTAL CURVATURE								

PROJECT TITLE Preparatory survey for expressway project in Mega Manila Region CALA (CAVITE - LAGUNA)	SCALE V = 200 H = 2000	SHEET CONTENT AT GRADE C PLAN AND PROFILE STA. 11+790.000 - STA. 12+500.000	DRAWING NO. G-12
			SHEET NO. 1 OF 8



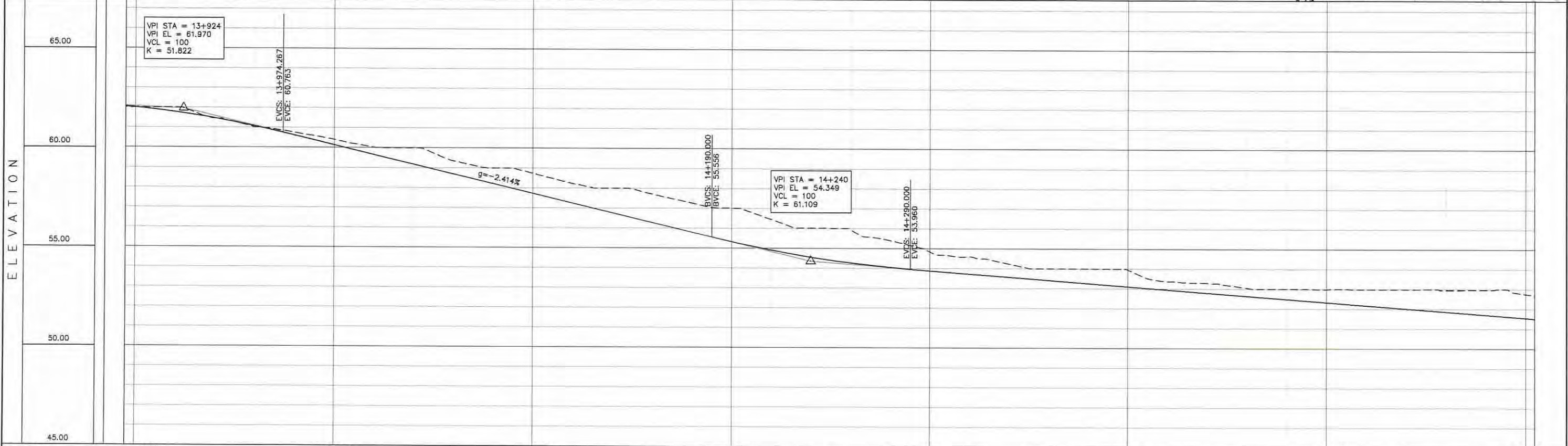
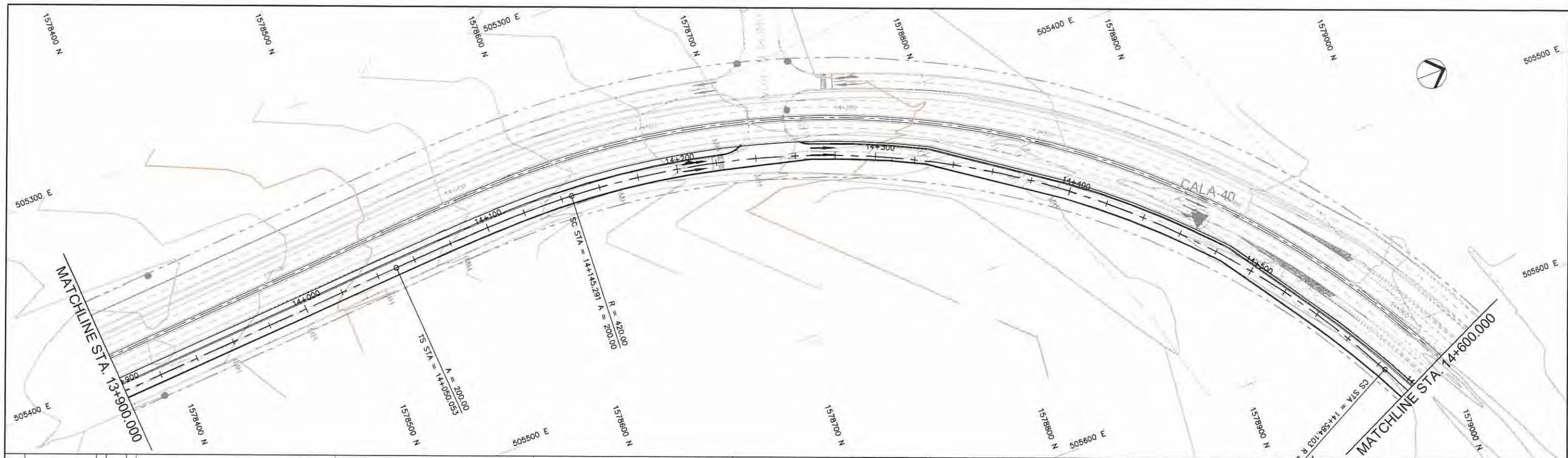
STATION	12+500					12+600					12+700					12+800					12+900					13+000					13+100					13+200				
FINISHED GRADE ELEVATION	68.508	68.689	68.870	69.046	69.189	69.295	69.367	69.435	69.503	69.571	69.639	69.707	69.775	69.843	69.912	69.980	70.048	70.116	70.184	70.252	70.320	70.388	70.456	70.524	70.592	70.660	70.728	70.796	70.865	70.931	70.996	71.062	71.128	71.194	71.260	71.326	71.392	71.458	71.524	71.590
EXISTING GROUND ELEVATION	68.072	68.671	69.008	69.279	69.330	70.000	69.999	69.998	69.998	69.995	69.988	69.980	69.973	69.973	69.971	69.964	69.959	69.954	69.948	69.942	69.936	69.930	69.924	69.918	69.912	69.906	69.900	69.894	69.888	69.882	69.876	69.870	69.864	69.858	69.852	69.846	69.840	69.834	69.828	69.822
VERTICAL CURVATURE																																								
HORIZONTAL CURVATURE																																								

Preparatory survey for expressway project in Mega Manila Region CALA (CAVITE - LAGUNA)	SCALE	SHEET CONTENT	DRAWING NO.
	V = 200 H = 2000	AT GRADE C PLAN AND PROFILE STA. 12+500.000 - STA. 13+200.000	G - 13
			SHEET NO. 2 OF 8



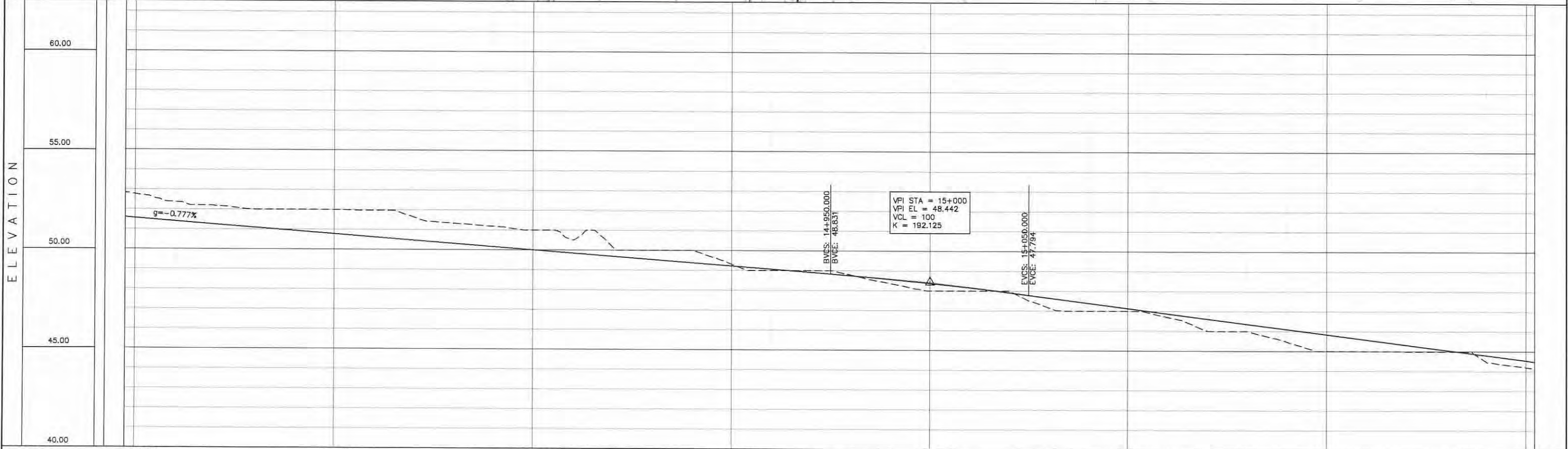
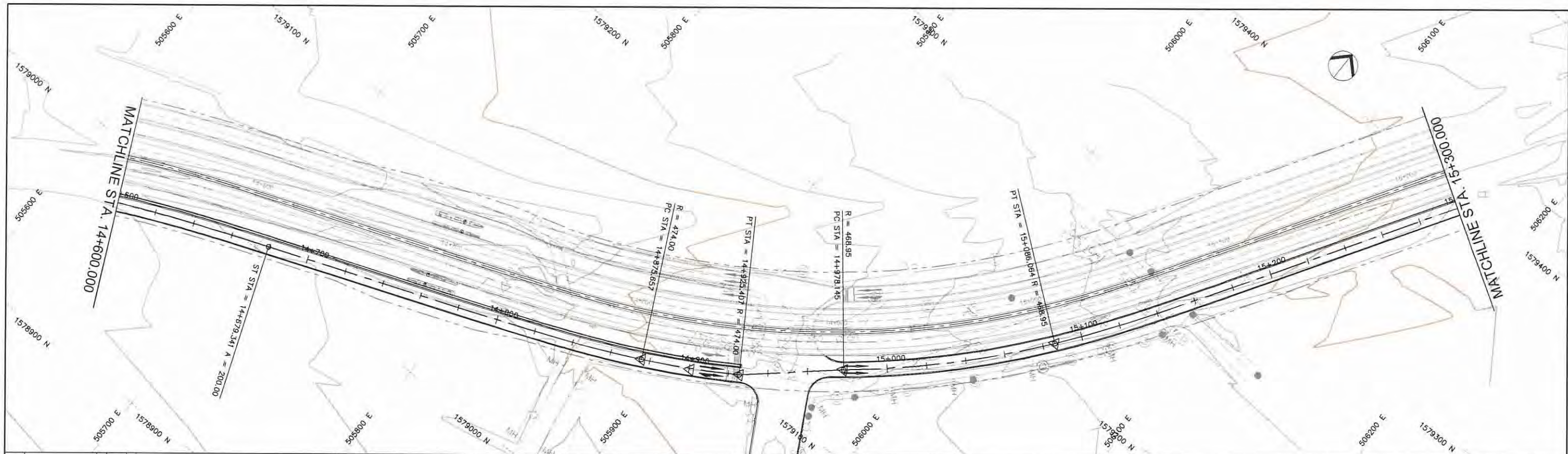
STATION	13+200	13+300	13+400	13+500	13+600	13+700	13+800	13+900																																																																																		
FINISHED GRADE ELEVATION	69.547	69.256	68.665	68.674	68.384	67.999	67.512	67.221	66.930	66.640	66.349	65.996	65.658	65.264	64.985	64.712	64.486	64.205	63.999	64.314	63.999	64.028	63.999	63.776	63.563	63.399	63.807	63.662	63.253	63.543	63.152	63.452	63.055	62.974	62.968	62.958	62.861	62.765	62.987	62.668	62.974	62.571	62.700	62.474	62.377	62.247	62.000	62.281	62.000	62.181	62.000	62.023																																						
EXISTING GROUND ELEVATION	69.002	68.595	68.256	68.955	68.965	68.580	68.313	68.384	67.999	68.093	67.983	67.802	67.659	67.512	67.388	67.221	66.930	66.640	66.349	65.996	65.658	65.264	64.985	64.712	64.486	64.205	63.999	63.776	63.563	63.399	63.807	63.662	63.253	63.543	63.152	63.452	63.055	62.974	62.968	62.958	62.861	62.765	62.987	62.668	62.974	62.571	62.700	62.474	62.377	62.247	62.000	62.281	62.000	62.181	62.000	62.023																																		
VERTICAL CURVATURE											SS A=200 L=100.000m										SC A=200 L=100.000m										ST A=200 L=100.000m																																																											
HORIZONTAL CURVATURE																																																																																										

PROJECT TITLE Preparatory survey for expressway project in Mega Manila Region CALA (CAVITE - LAGUNA)	SCALE V = 200 H = 2000	SHEET CONTENT AT GRADE C PLAN AND PROFILE STA. 13+200.000 - STA. 13+900.000	DRAWING NO. G - 14
			SHEET NO. 3 OF 8



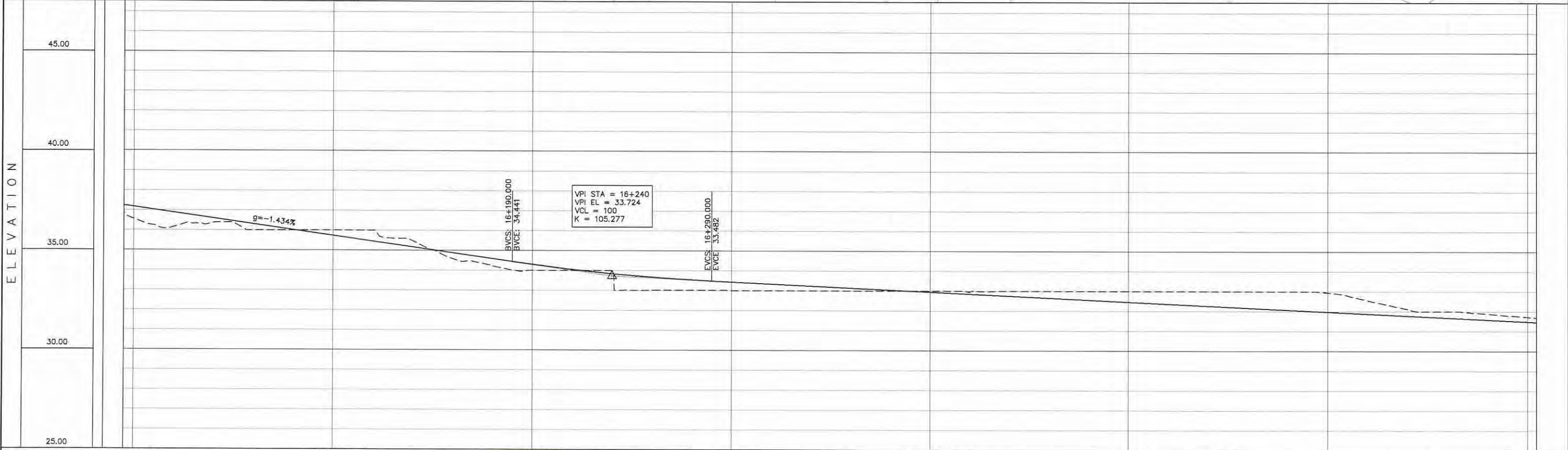
STATION	13+900	14+000	14+100	14+200	14+300	14+400	14+500	14+600
FINISHED GRADE ELEVATION	62.023	61.788	61.477	61.087	60.624	60.142	59.659	59.176
EXISTING GROUND ELEVATION	62.000	61.860	61.023	60.759	60.408	60.024	59.591	59.350
VERTICAL CURVATURE	$g = -2.414\%$ A=200 L=95.238m S6+145.291 R=420.000 L=438.812 14+584.105							
HORIZONTAL CURVATURE								

PROJECT TITLE Preparatory survey for expressway project in Mega Manila Region CALA (CAVITE - LAGUNA)	SCALE V = 200 H = 2000	SHEET CONTENT AT GRADE C PLAN AND PROFILE STA. 13+900.000 - STA. 14+600.000	DRAWING NO.
			G - 15
			SHEET NO.
			4 OF 8



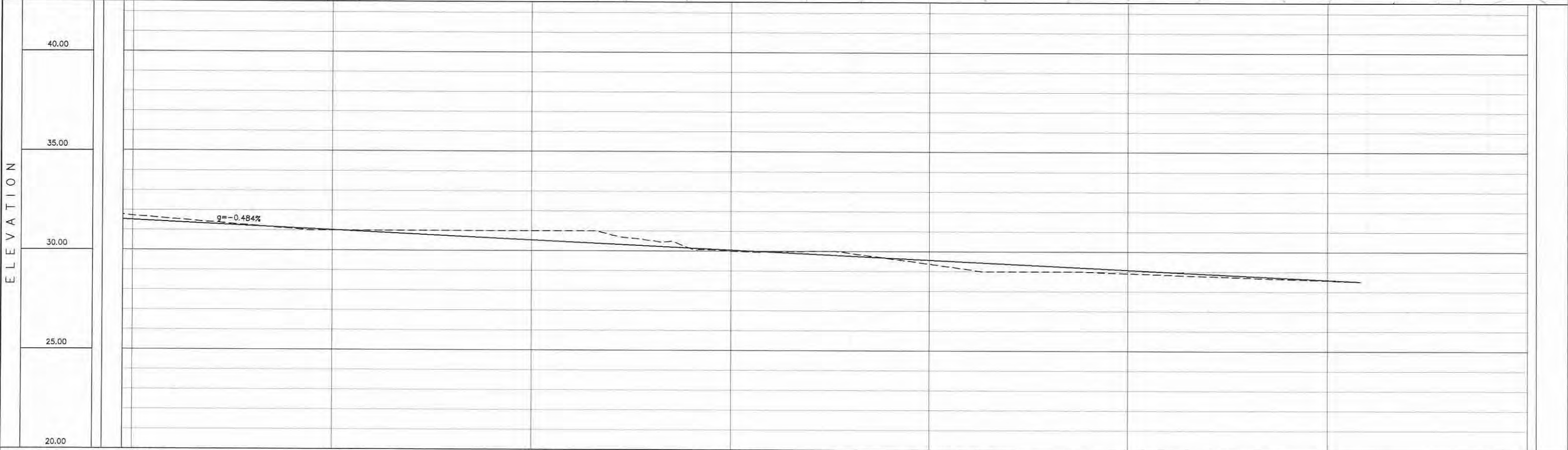
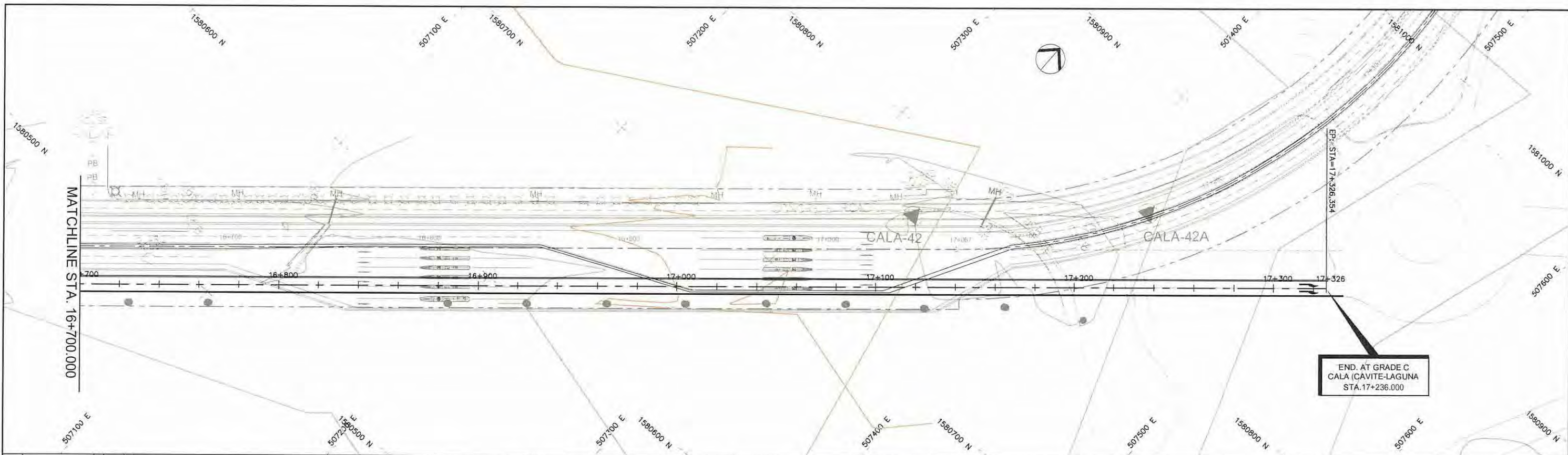
STATION	14+600	14+700	14+800	14+900	15+000	15+100	15+200	15+300
FINISHED GRADE ELEVATION	51.551	51.396	51.240	51.085	50.929	50.774	50.619	50.463
EXISTING GROUND ELEVATION	52.759	52.370	52.180	52.002	51.987	51.992	51.956	51.838
VERTICAL CURVATURE	A=200 L=95.238m		g = -0.777%		R=473.996 L=49.749		R=468.950 L=107.919	
HORIZONTAL CURVATURE								

PROJECT TITLE Preparatory survey for expressway project in Mega Manila Region CALA (CAVITE - LAGUNA)	SCALE V = 200 H = 2000	SHEET CONTENT AT GRADE C PLAN AND PROFILE STA. 14+600.000 - STA. 15+300.000	DRAWING NO. G - 16
			SHEET NO. 5 OF 8



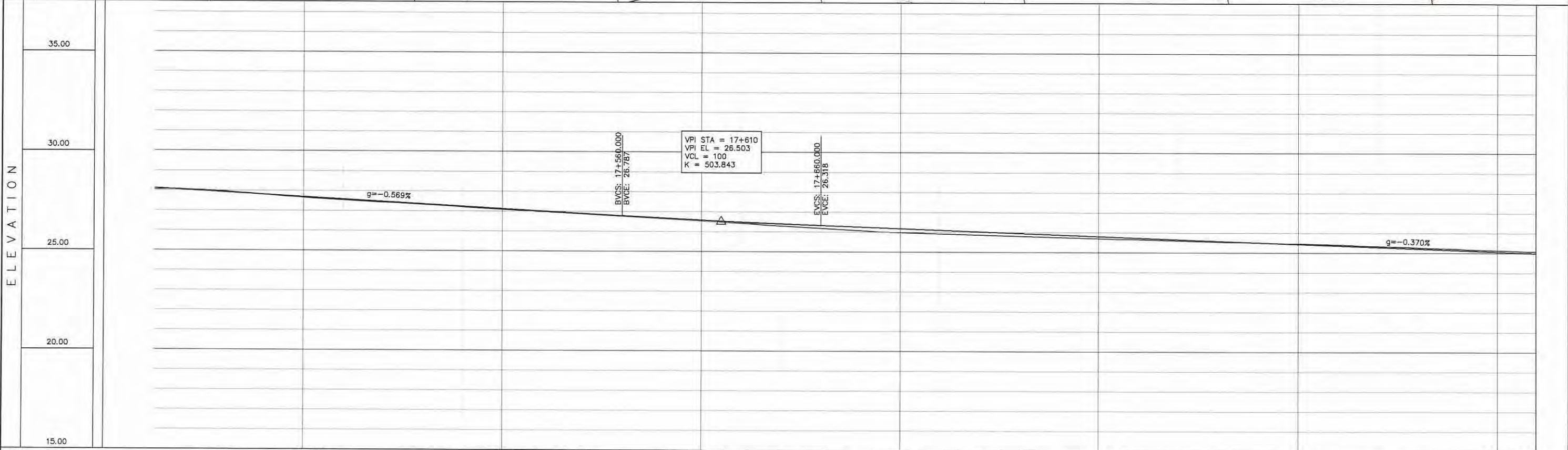
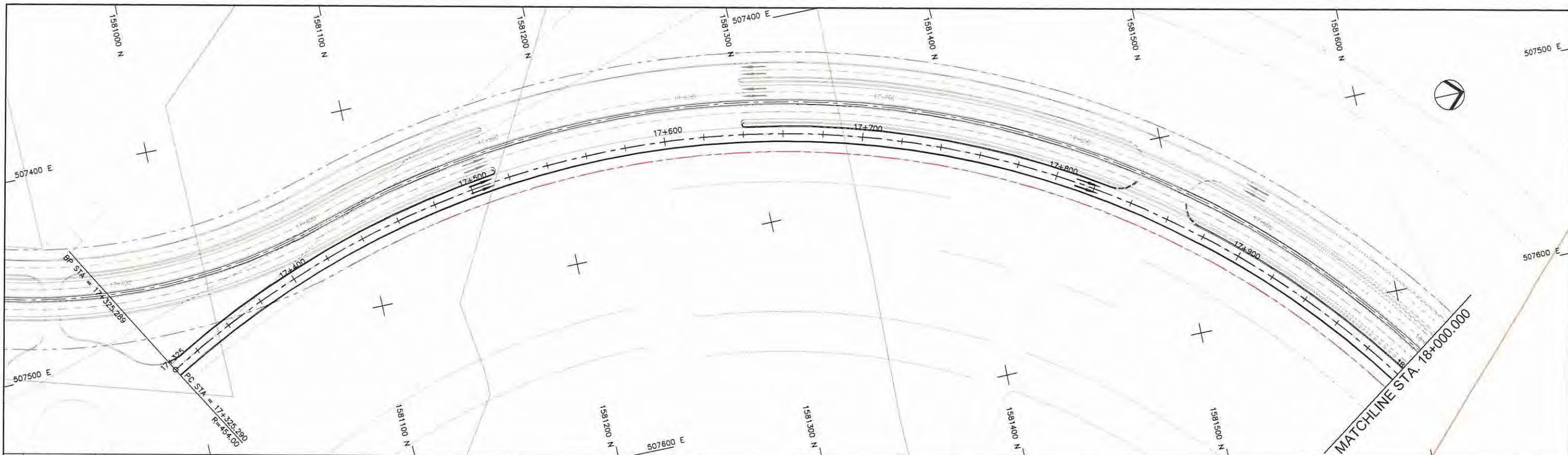
STATION	16+000	16+100	16+200	16+300	16+400	16+500	16+600	16+700
FINISHED GRADE ELEVATION	37.186	36.879	36.305	34.854	33.143	32.166	31.982	31.488
EXISTING GROUND ELEVATION	36.550	36.273	36.000	34.000	33.000	32.998	32.550	31.725
VERTICAL CURVATURE	R=1186.000 L=332.625		16+204.800					
HORIZONTAL CURVATURE								

Preparatory survey for expressway project in Mega Manila Region CALA (CAVITE - LAGUNA)	SCALE	SHEET CONTENT	DRAWING NO.
	V = 200 H = 2000	AT GRADE C PLAN AND PROFILE STA. 16+000.000 - STA. 16+700.000	G - 18
			SHEET NO. 7 OF 8



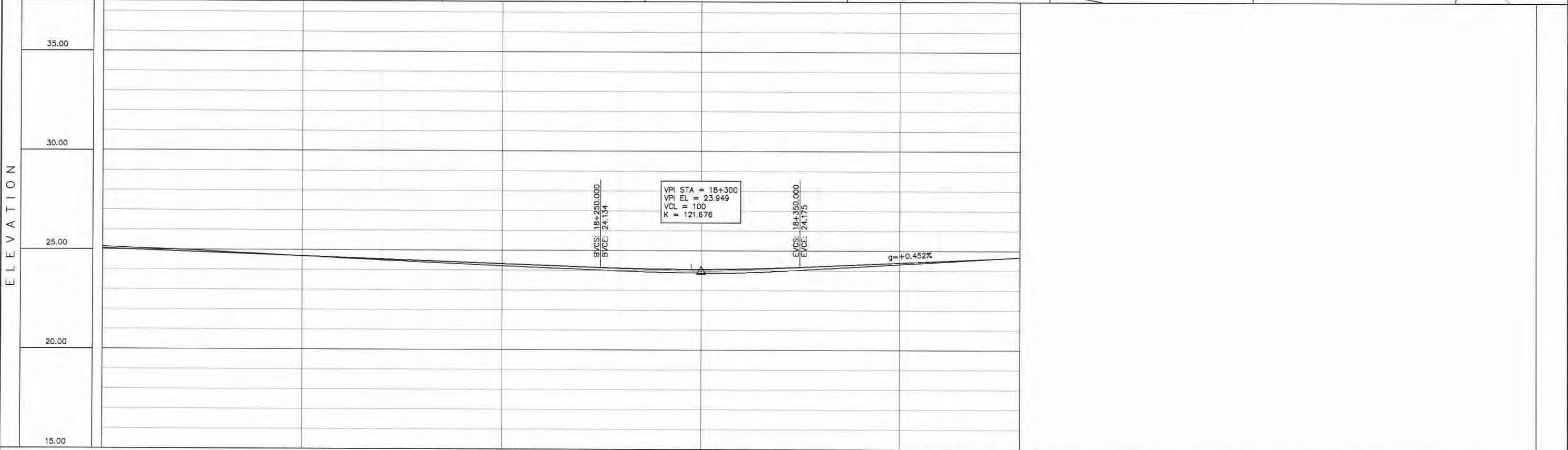
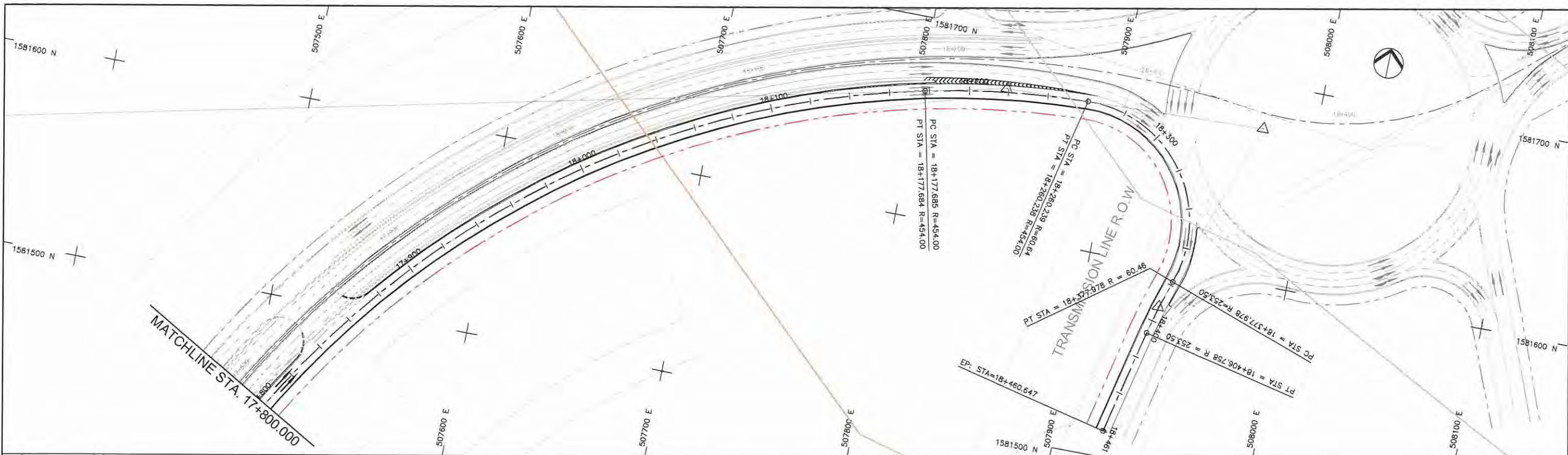
STATION	16+700					16+800					16+900					17+000					17+100					17+200						
FINISHED GRADE ELEVATION	31.498	31.401	31.304	31.207	31.110	31.014	30.917	30.820	30.723	30.626	30.530	30.433	30.336	30.239	30.142	30.046	29.949	29.852	29.755	29.658	29.562	29.465	29.368	29.271	29.174	29.077	28.981	28.884	28.787	28.690	28.593	28.514
EXISTING GROUND ELEVATION	31.725	31.582	31.400	31.238	31.076	31.000	31.000	31.000	31.000	31.000	31.000	31.000	30.787	30.523	30.116	29.998	29.985	29.983	29.903	29.639	29.375	29.090	29.000	29.000	29.000	29.000	28.845	28.776	28.708	28.639	28.570	28.514
VERTICAL CURVATURE																																
HORIZONTAL CURVATURE																																

Preparatory survey for expressway project in Mega Manila Region CALA (CAVITE - LAGUNA)	PROJECT TITLE	SCALE	SHEET CONTENT	DRAWING NO.
	V = 200 H = 2000	AT GRADE C PLAN AND PROFILE STA. 16+700.000 - STA. 17+236.000	G - 19	
				SHEET NO. 6 OF 8



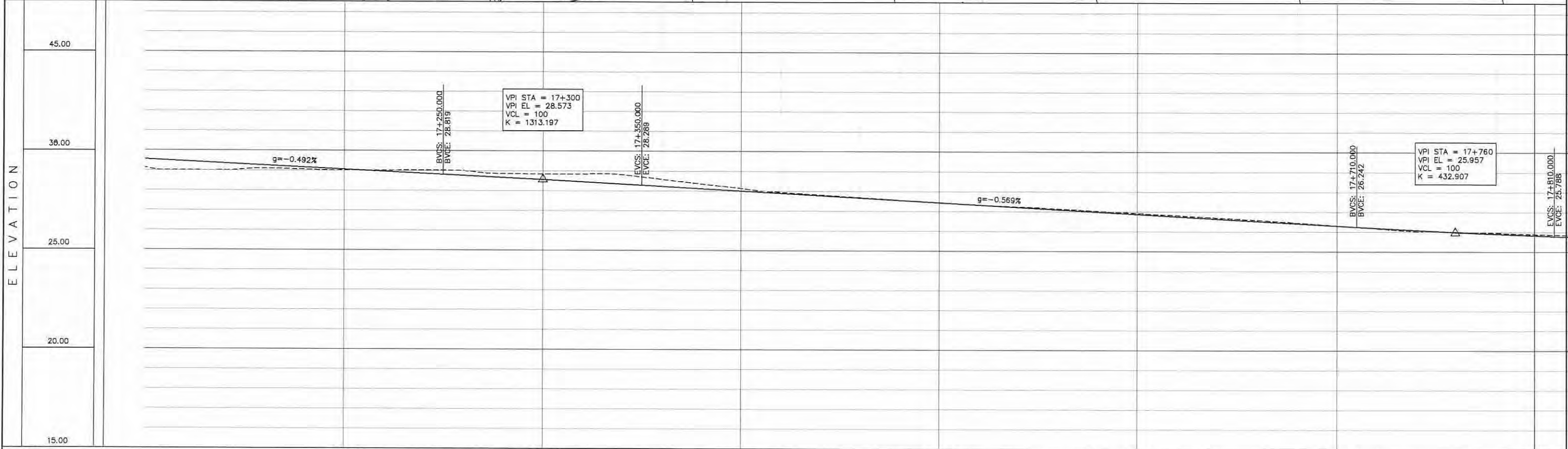
STATION	17+400	17+500	17+600	17+700	17+800	17+900	18+000
FINISHED GRADE ELEVATION	28.122	28.036	27.925	27.811	27.697	27.583	27.470
EXISTING GROUND ELEVATION	28.040	28.044	27.951	27.800	27.646	27.527	27.421
VERTICAL CURVATURE	17+325.290						
HORIZONTAL CURVATURE	R=453.999 L=852.394						

PROJECT TITLE Preparatory survey for expressway project in Mega Manila Region CALA (CAVITE - LAGUNA)	SCALE V = 200 H = 2000	SHEET CONTENT AT GRADE D PLAN AND PROFILE STA. 17+325.289 - STA. 18+000.000	DRAWING NO. G - 20
			SHEET NO. 1 OF 2



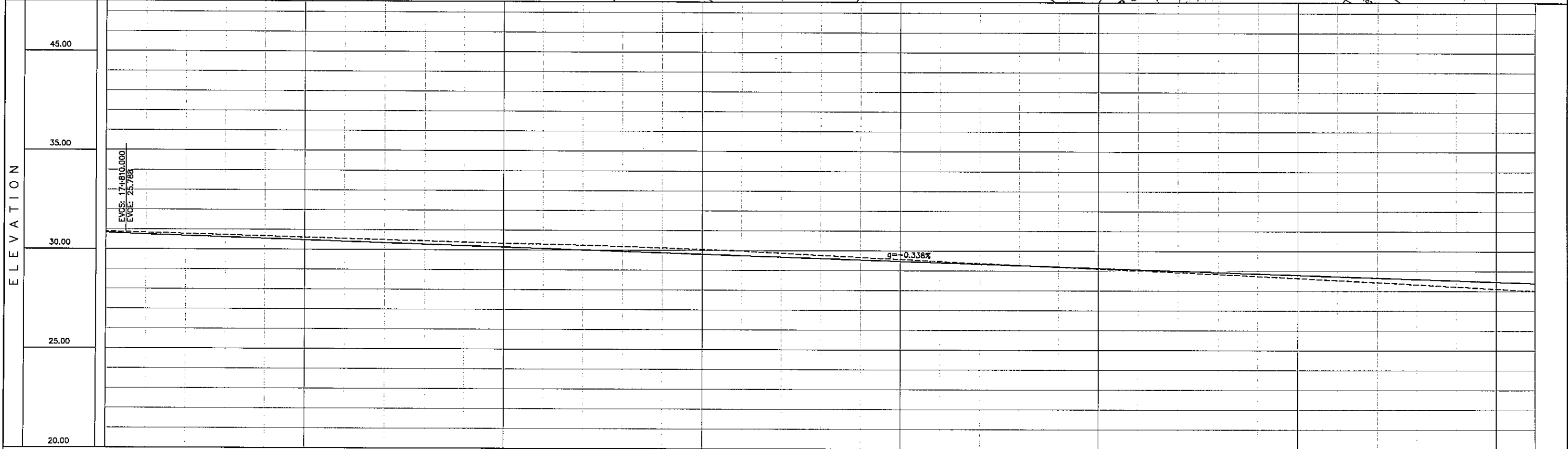
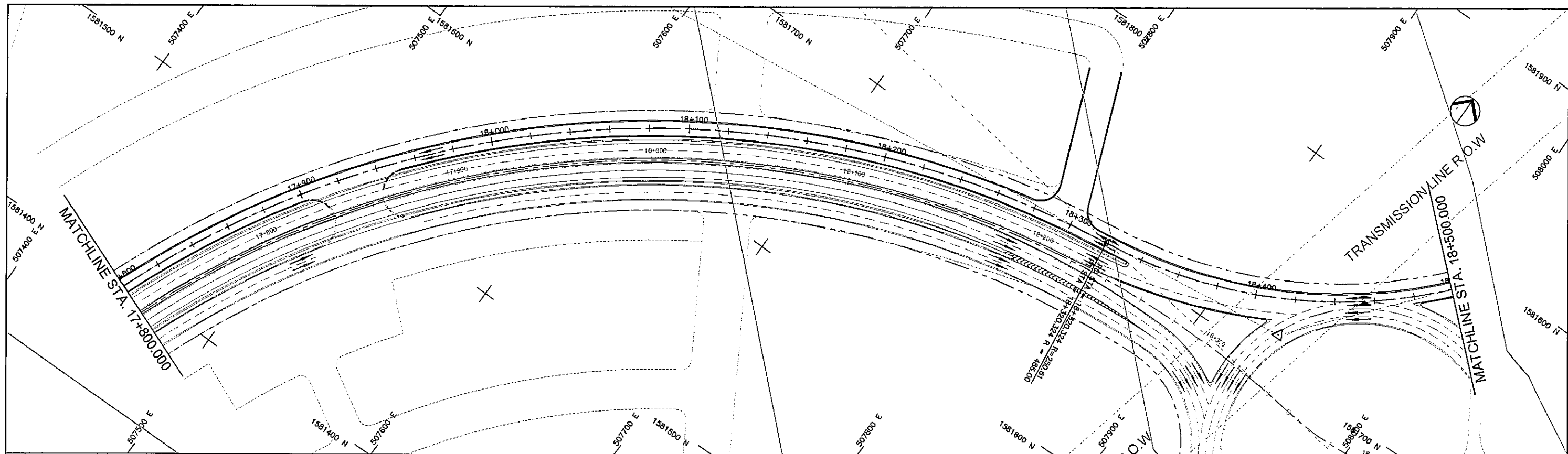
STATION	18+000	18+100	18+200	18+300	18+400	18+461
FINISHED GRADE ELEVATION	24.985	24.911	24.837	24.763	24.689	24.615
EXISTING GROUND ELEVATION	25.057	24.986	24.911	24.837	24.763	24.689
VERTICAL CURVATURE	18+177.684 18+177.685 R=454.000 L=82.553 18+260.238 R=454.000 L=82.553 18+260.239 R=80.457 L=117.739 18+377.978 R=253.500 L=28.780 18+406.758					
HORIZONTAL CURVATURE						

PROJECT TITLE Preparatory survey for expressway project in Mega Manila Region CALA (CAVITE - LAGUNA)	SCALE V = 200 H = 2000	SHEET CONTENT AT GRADE D PLAN AND PROFILE STA. 17+800.000 - STA. 18+460.647	DRAWING NO. G - 21
			SHEET NO. 1 OF 2



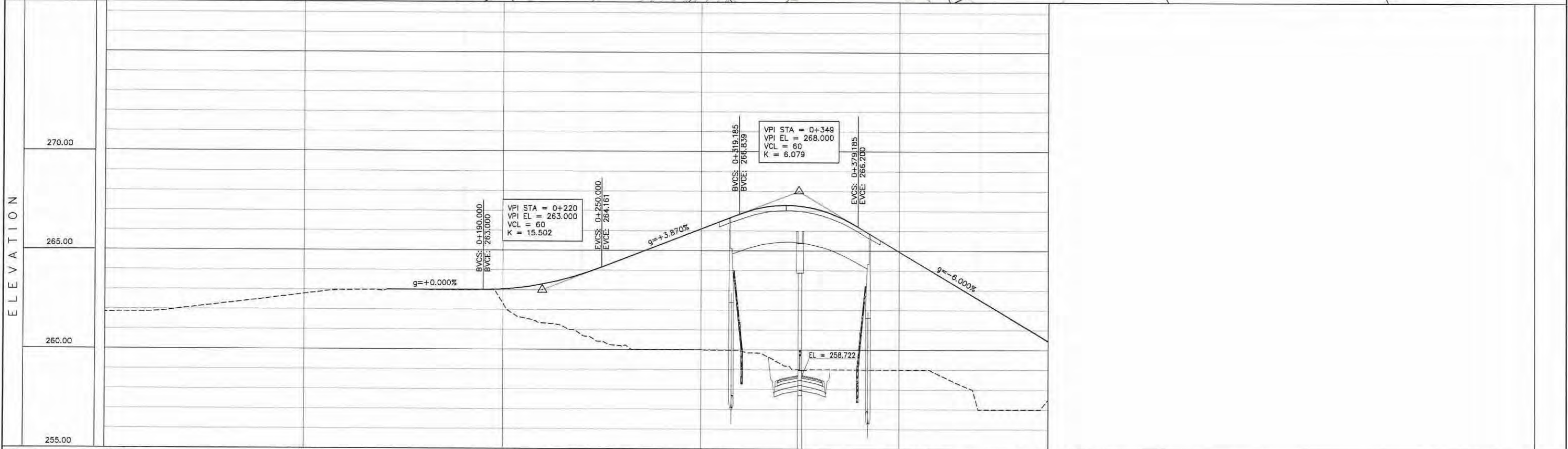
STATION	17+200	17+300	17+400	17+500	17+600	17+700	17+800
FINISHED GRADE ELEVATION	29.558	29.460	29.361	29.263	29.164	29.066	28.967
EXISTING GROUND ELEVATION	29.126	29.000	28.868	28.732	28.592	28.448	28.300
VERTICAL CURVATURE	17+153.956		R=275.000 L=314.980		17+468.937-17+471.501		
HORIZONTAL CURVATURE							

PROJECT TITLE Preparatory survey for expressway project in Mega Manila Region CALA (CAVITE - LAGUNA)	SCALE V = 200 H = 2000	SHEET CONTENT AT GRADE E PLAN AND PROFILE STA. 17+100.000 - STA. 17+800.000	DRAWING NO. G - 22
			SHEET NO. 1 OF 2



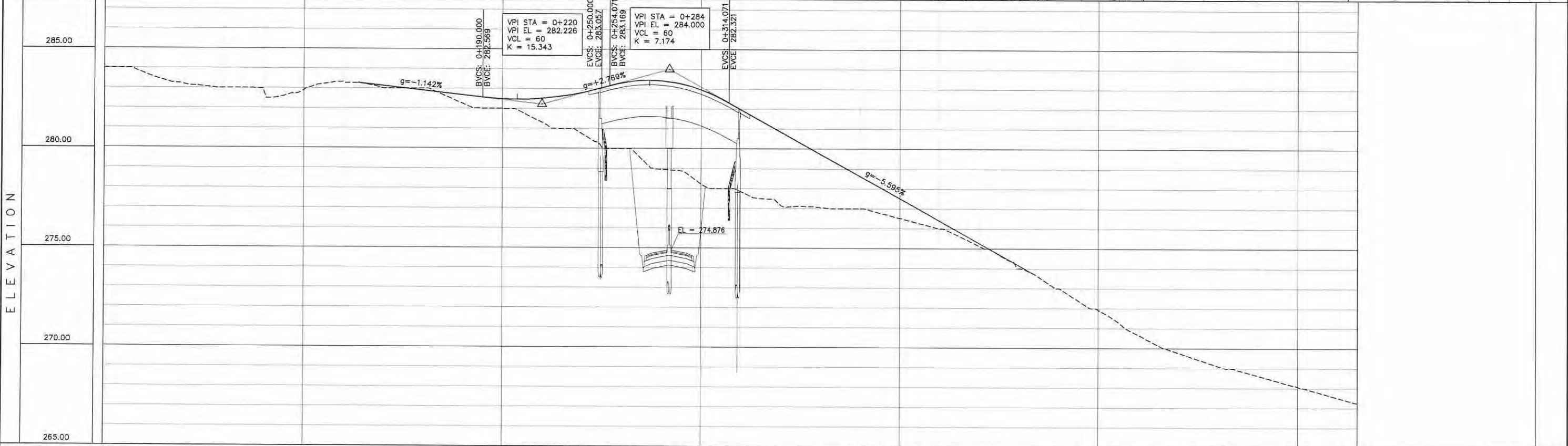
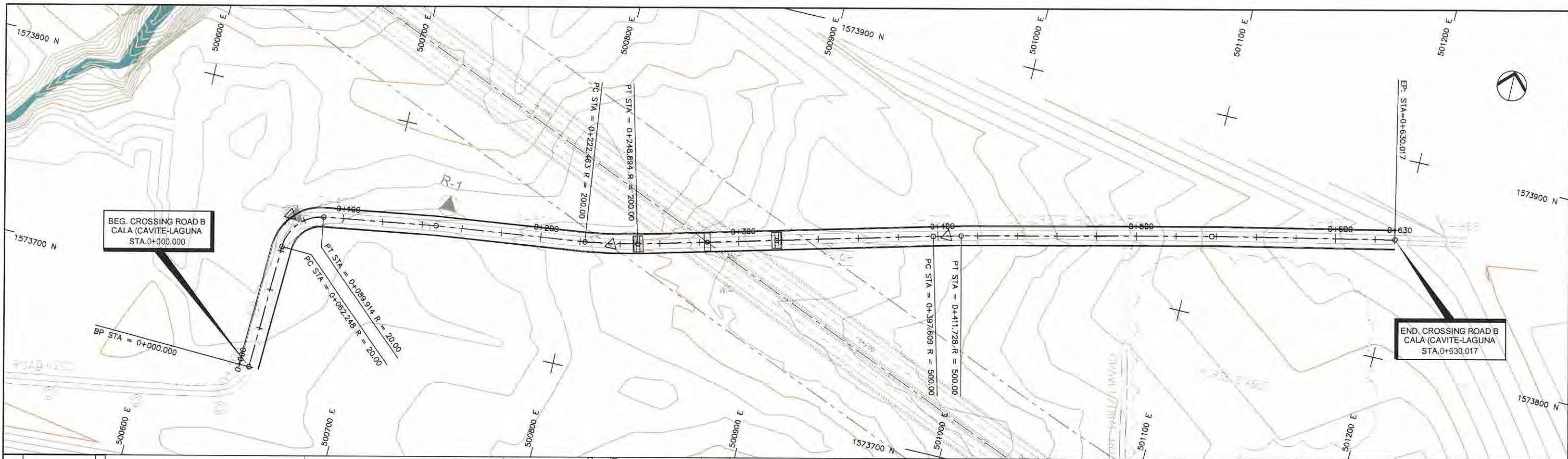
STATION	17+800	17+900	18+000	18+100	18+200	18+300	18+400	18+500
FINISHED GRADE ELEVATION	25.755	25.687	25.620	25.552	25.485	25.417	25.349	25.282
EXISTING GROUND ELEVATION	25.834	25.778	25.722	25.666	25.610	25.554	25.498	25.443
VERTICAL CURVATURE	K=486.000 L=648.823				18+320.324 18+320.324		R=250.809 L=186.588	
HORIZONTAL CURVATURE								

PROJECT TITLE	SCALE	SHEET CONTENT	DRAWING NO.
Preparatory survey for expressway project in Mega Manila Region CALA (CAVITE - LAGUNA)	V = 200 H = 2000	AT GRADE E PLAN AND PROFILE STA. 17+800.000 - STA. 18+500.000	G - 23 SHEET NO. 1 OF 2



STATION	-000	0+100	0+200	0+300	0+400	0+475	
FINISHED GRADE ELEVATION							
EXISTING GROUND ELEVATION	261.871	262.046	262.286	262.532	262.782	262.965	
VERTICAL CURVATURE	R=∞ 0+053.642		R=200.000 L=38.869	0+092.311	R=∞	R=300.000 L=29.785	0+313.786
HORIZONTAL CURVATURE	R=∞		R=200.000 L=38.869	0+092.311	R=∞	R=300.000 L=29.785	0+313.786

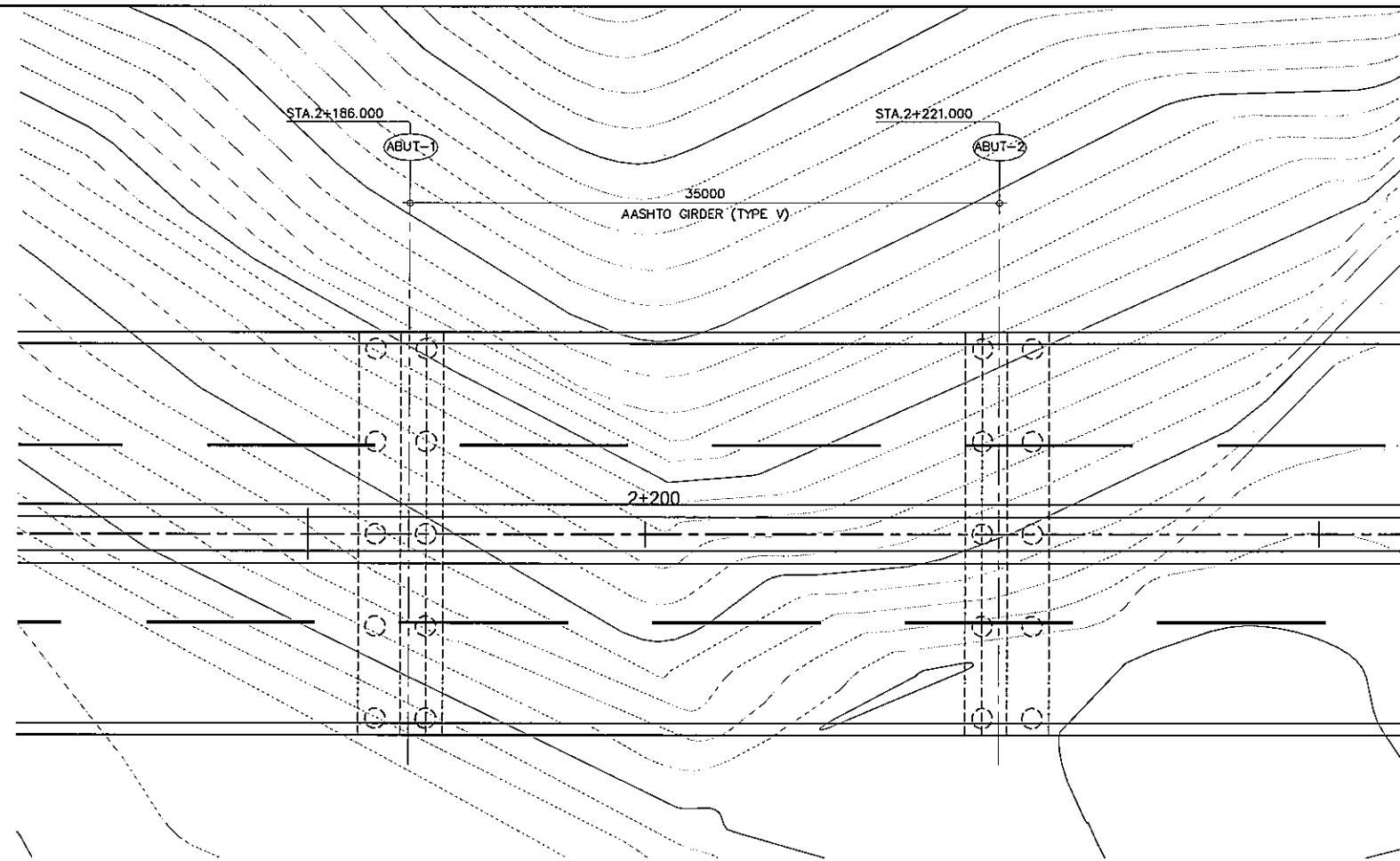
PROJECT TITLE Preparatory survey for expressway project in Mega Manila Region CALA (CAVITE - LAGUNA)	SCALE V = 200 H = 2000	SHEET CONTENT ROAD CROSSING STA. 1+323.000 PLAN AND PROFILE STA. 0+000.000 - STA. 0+474.952	DRAWING NO. G - 24
			SHEET NO. 1 OF 1



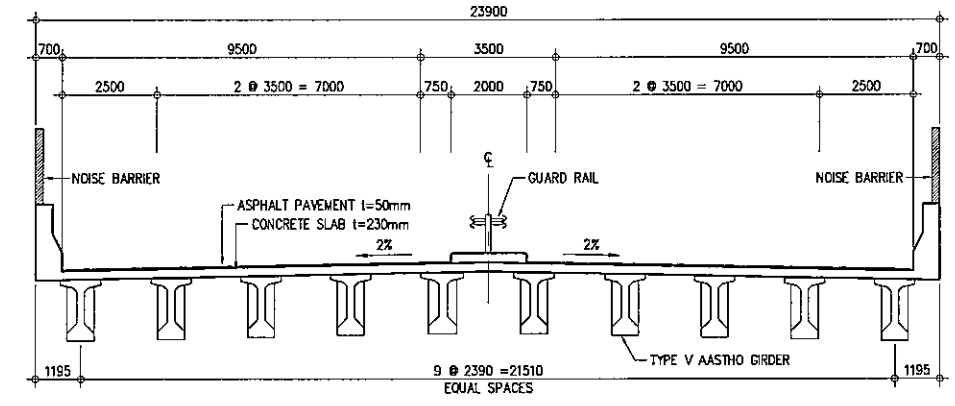
STATION	0	0+100	0+200	0+300	0+400	0+500	0+600	0+630
FINISHED GRADE ELEVATION								
EXISTING GROUND ELEVATION	283.740	283.204	283.000	282.963	282.913	283.309	283.013	283.140
VERTICAL CURVATURE	R=∞		R=20.000 L=27.666		R=200.000 L=26.431		R=∞	
HORIZONTAL CURVATURE	R=∞		R=200.000 L=26.431		R=∞		R=∞	

PROJECT TITLE Preparatory survey for expressway project in Mega Manila Region CALA (CAVITE - LAGUNA)	SCALE V = 200 H = 2000	SHEET CONTENT ROAD CROSSING STA. 5+107.000 PLAN AND PROFILE STA. 0+000.000 - STA. 0+630.017	DRAWING NO. G - 25
			SHEET NO. 1 OF 1

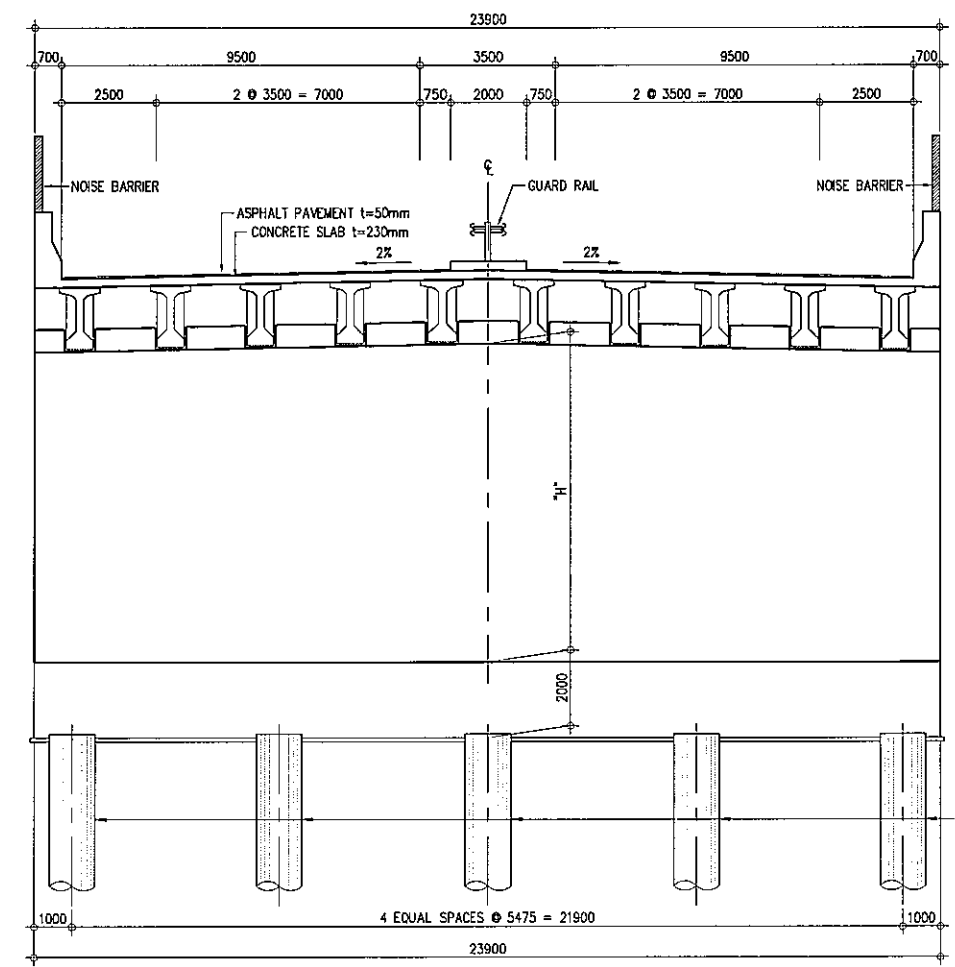
H. GENERAL PLAN AND
ELEVATION OF BRIDGE



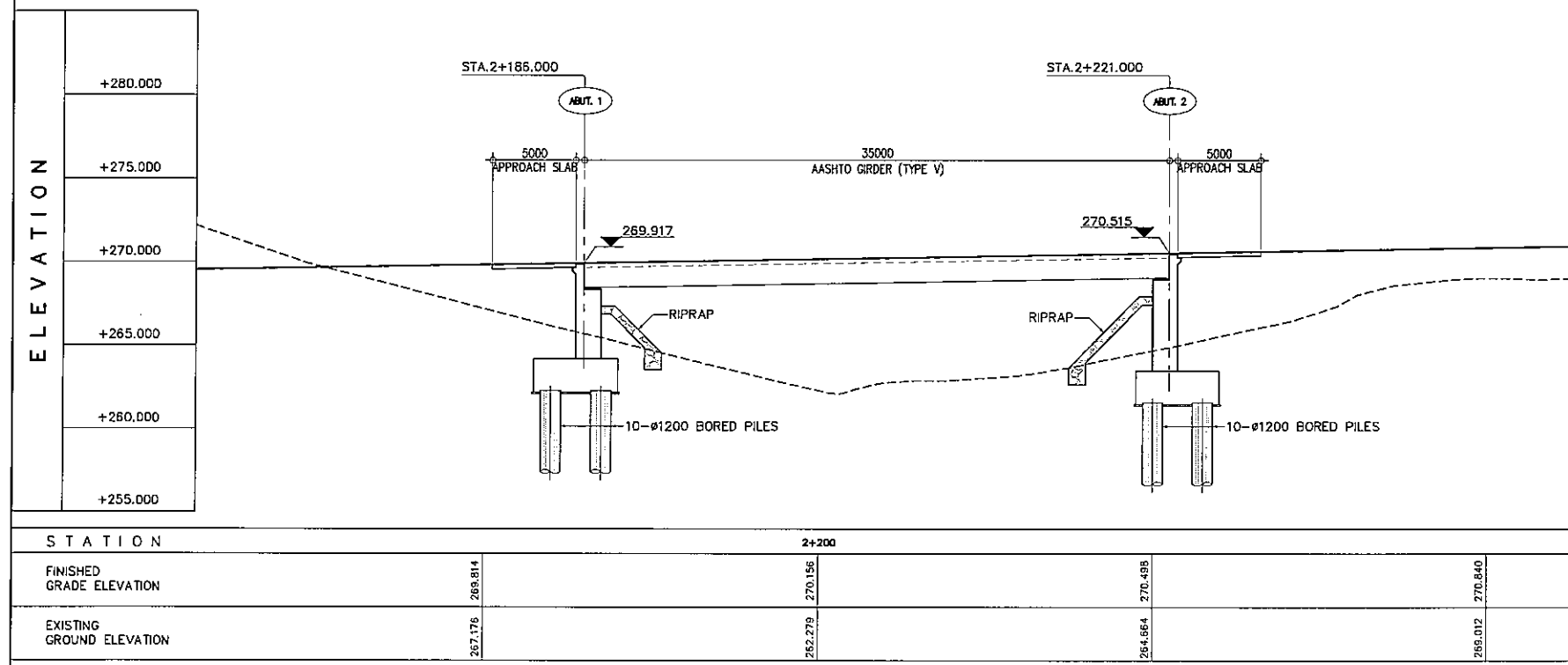
A GENERAL PLAN
SCALE 1:400



C SUPER STRUCTURE
SCALE 1:200



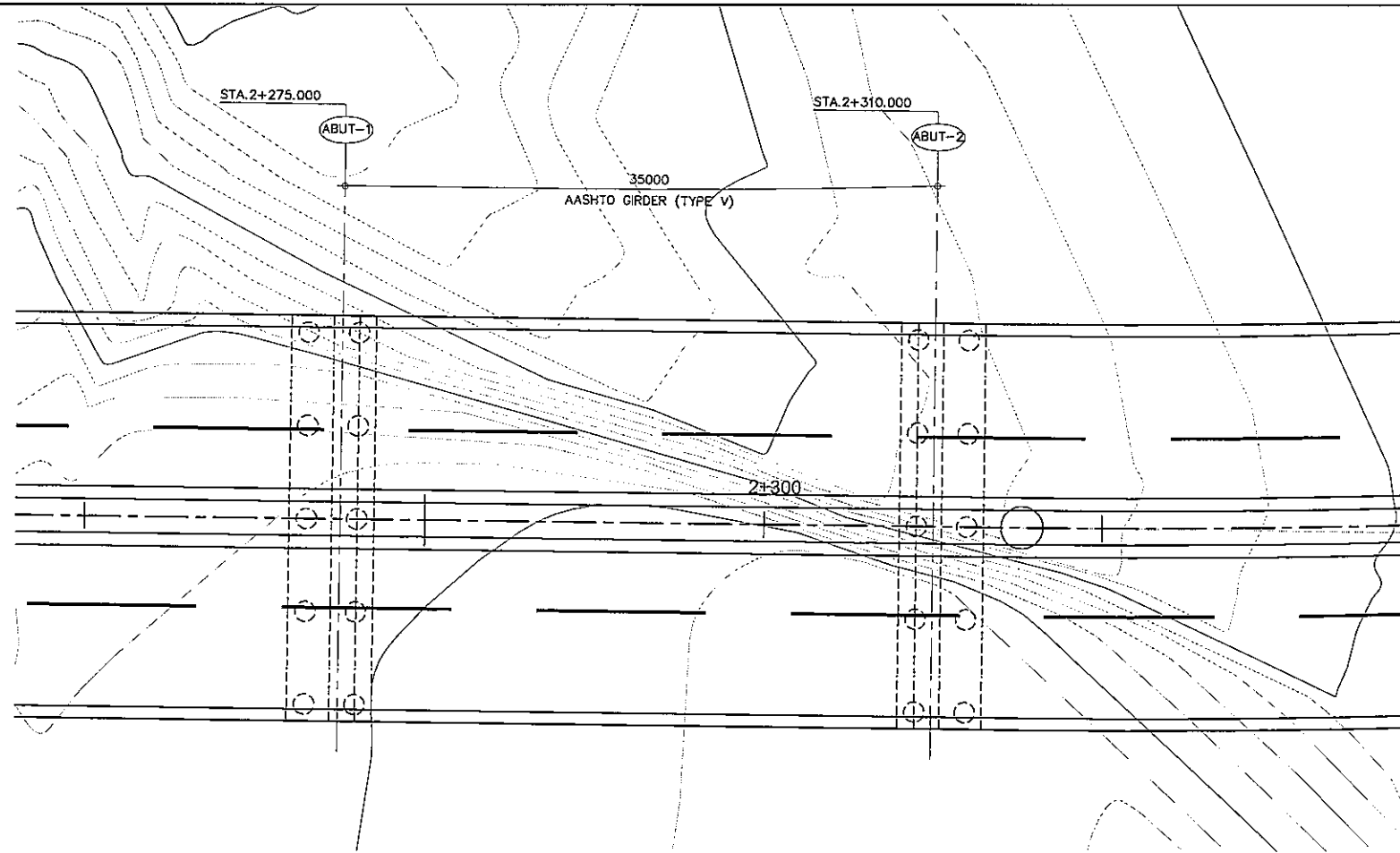
D CROSS SECTION - ABUTMENT
SCALE 1:200



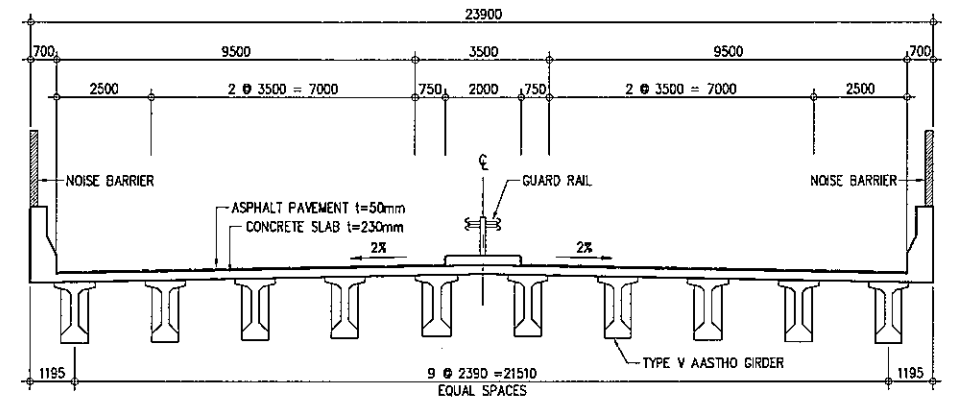
B GENERAL ELEVATION
SCALE 1:400

STATION	2+200			
FINISHED GRADE ELEVATION	267.176	269.814	270.156	270.840
EXISTING GROUND ELEVATION	267.176	265.279	264.664	269.012

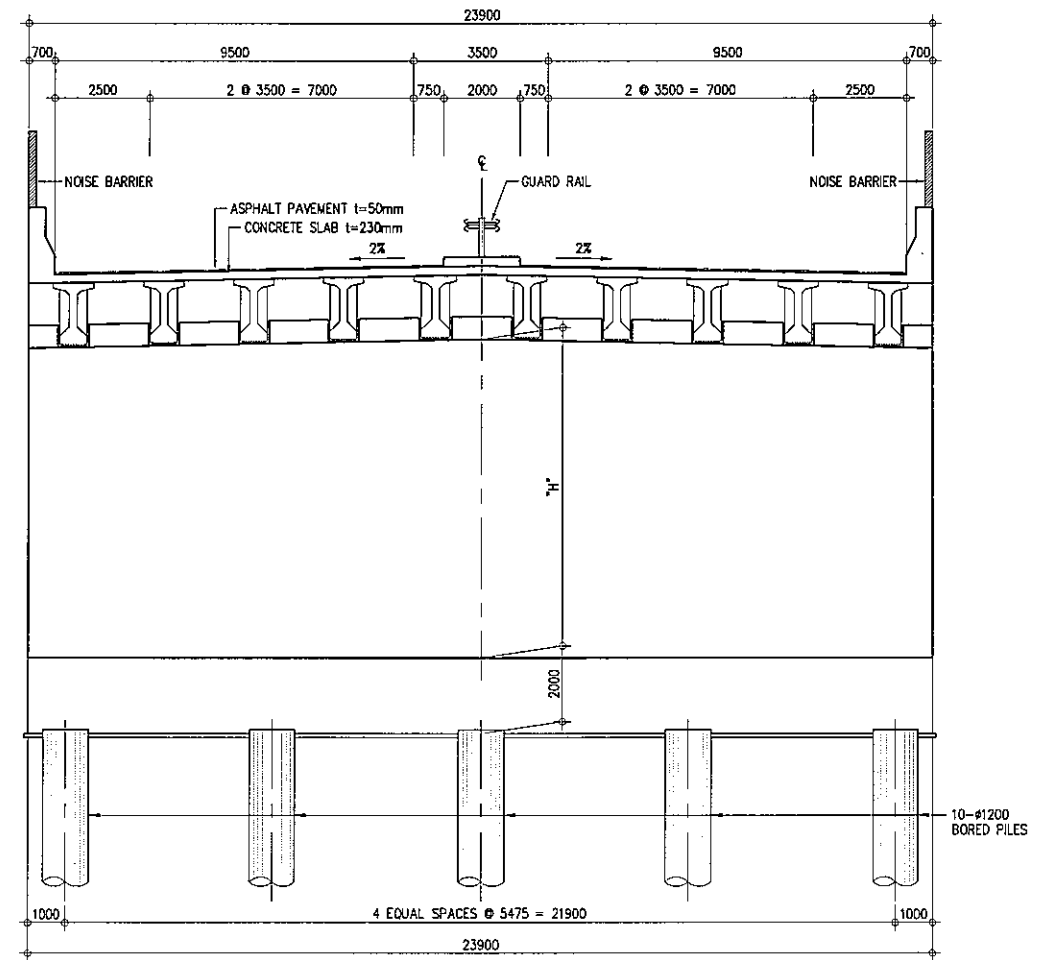
PROJECT TITLE	SCALE	SHEET CONTENT	DRAWING NO.
Preparatory survey for expressway project in Mega Manila Region CALA (CAVITE - LAGUNA)	AS SHOWN	BRIDGE No.1 GENERAL VIEW STA.2+186.000 - STA.2+221.000	H-01
			SHEET NO.
			1 OF 1



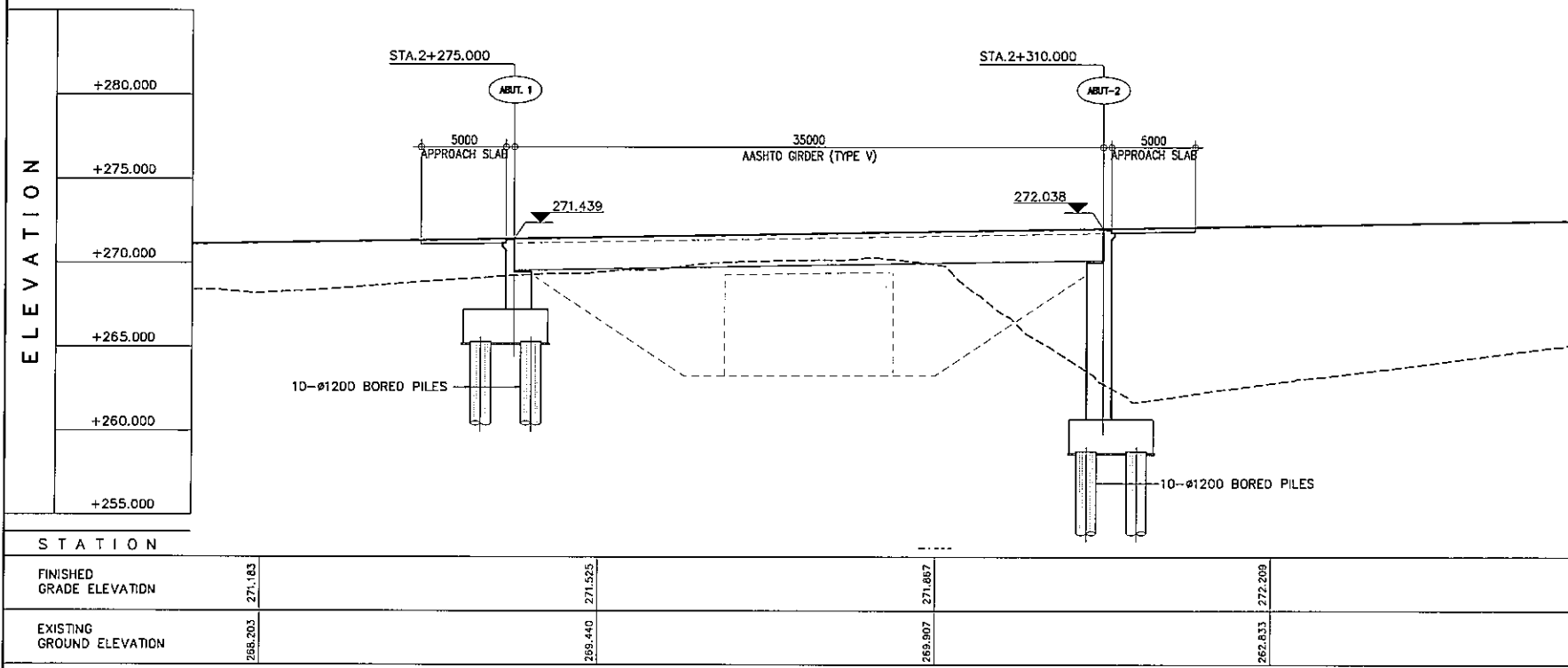
A GENERAL PLAN
SCALE 1:400



C SUPER STRUCTURE
SCALE 1:200



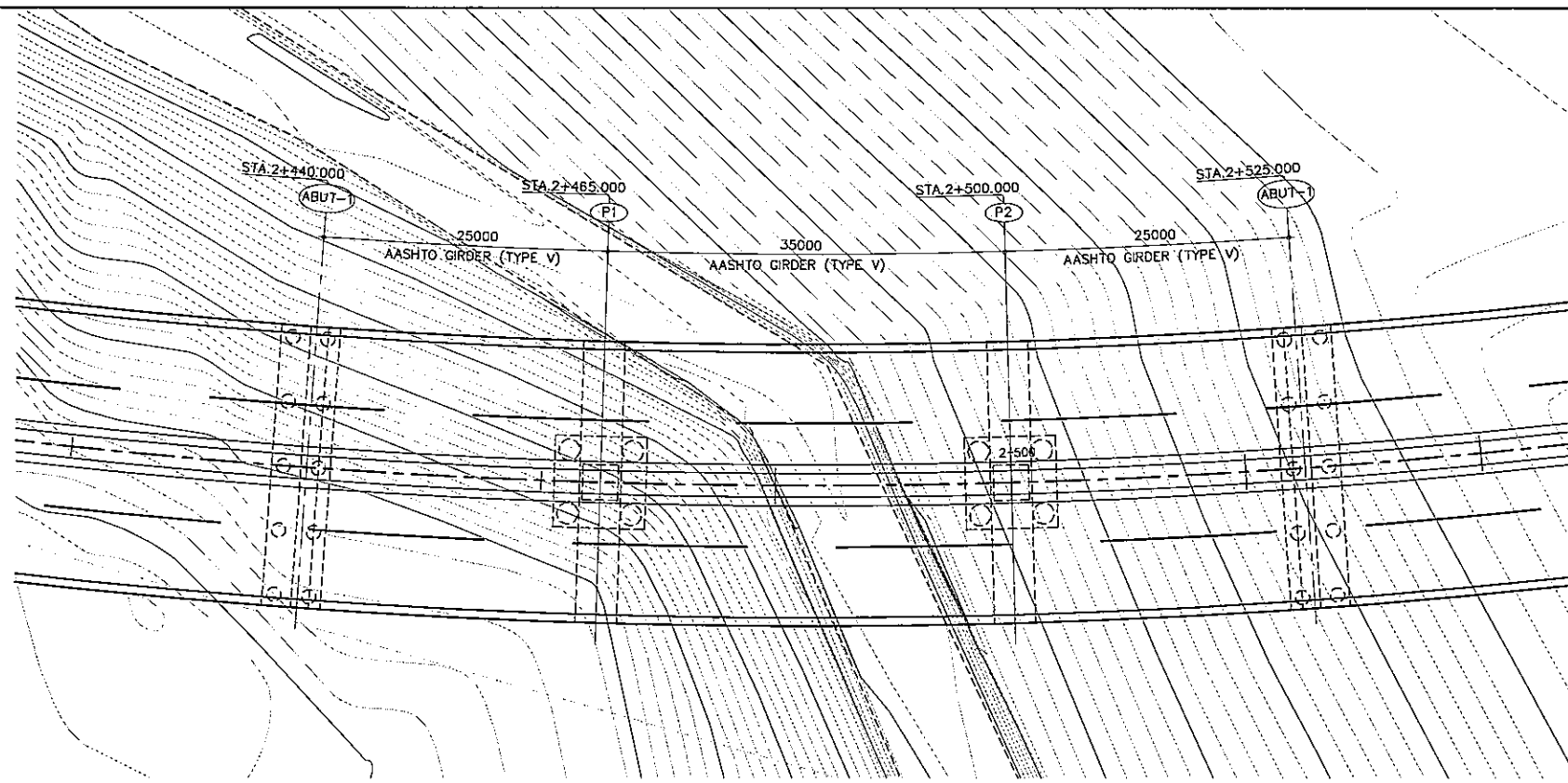
D CROSS SECTION - ABUTMENT
SCALE 1:200



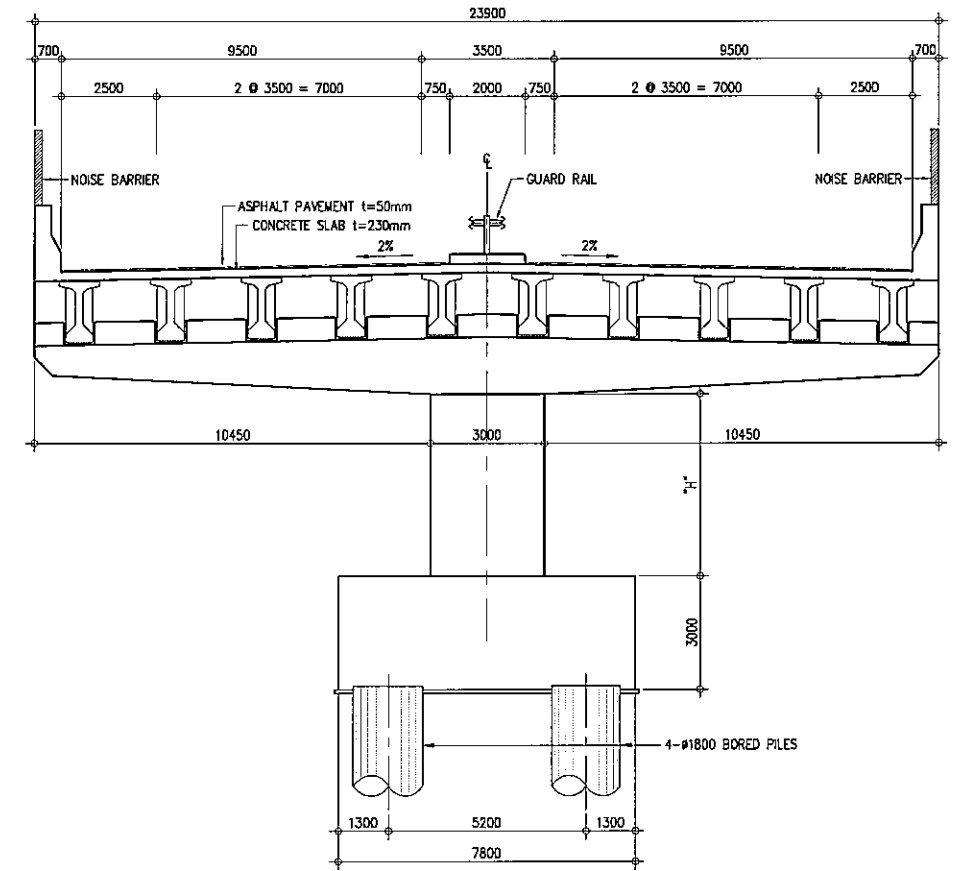
B GENERAL ELEVATION
SCALE 1:400

STATION	FINISHED GRADE ELEVATION	EXISTING GROUND ELEVATION
STA. 2+275.000	271.083	266.203
STA. 2+310.000	271.525	269.440

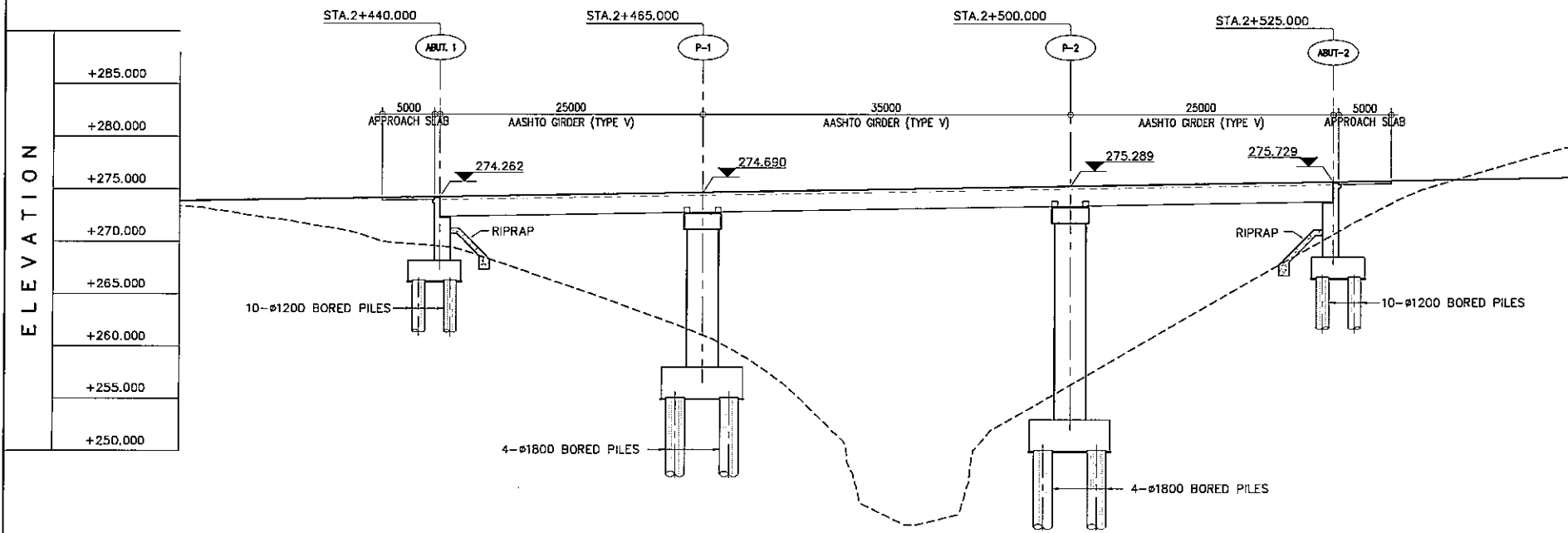
PROJECT TITLE	SCALE	SHEET CONTENT	DRAWING NO.
Preparatory survey for expressway project in Mega Manila Region CALA (CAVITE - LAGUNA)	AS SHOWN	BRIDGE No.2 GENERAL VIEW STA. 2+275.000 - STA. 2+310.000	H-02
			SHEET NO.
			1 OF 1



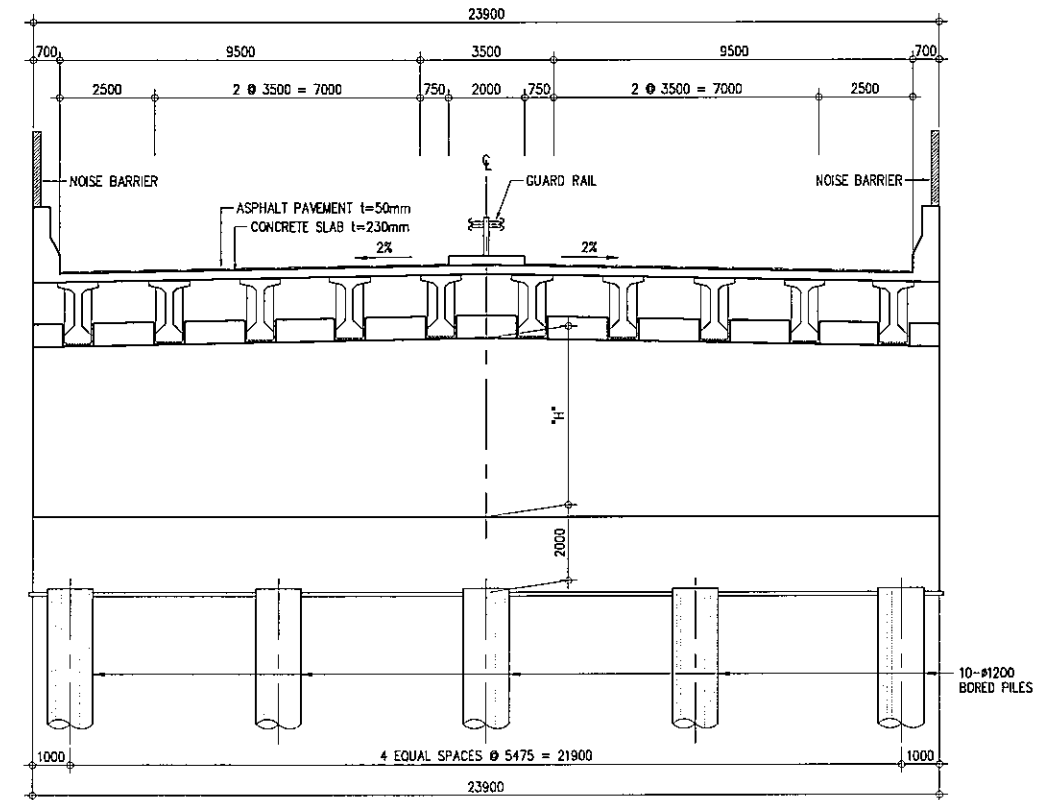
A GENERAL PLAN
SCALE 1:600



C CROSS SECTION - PIER
SCALE 1:200



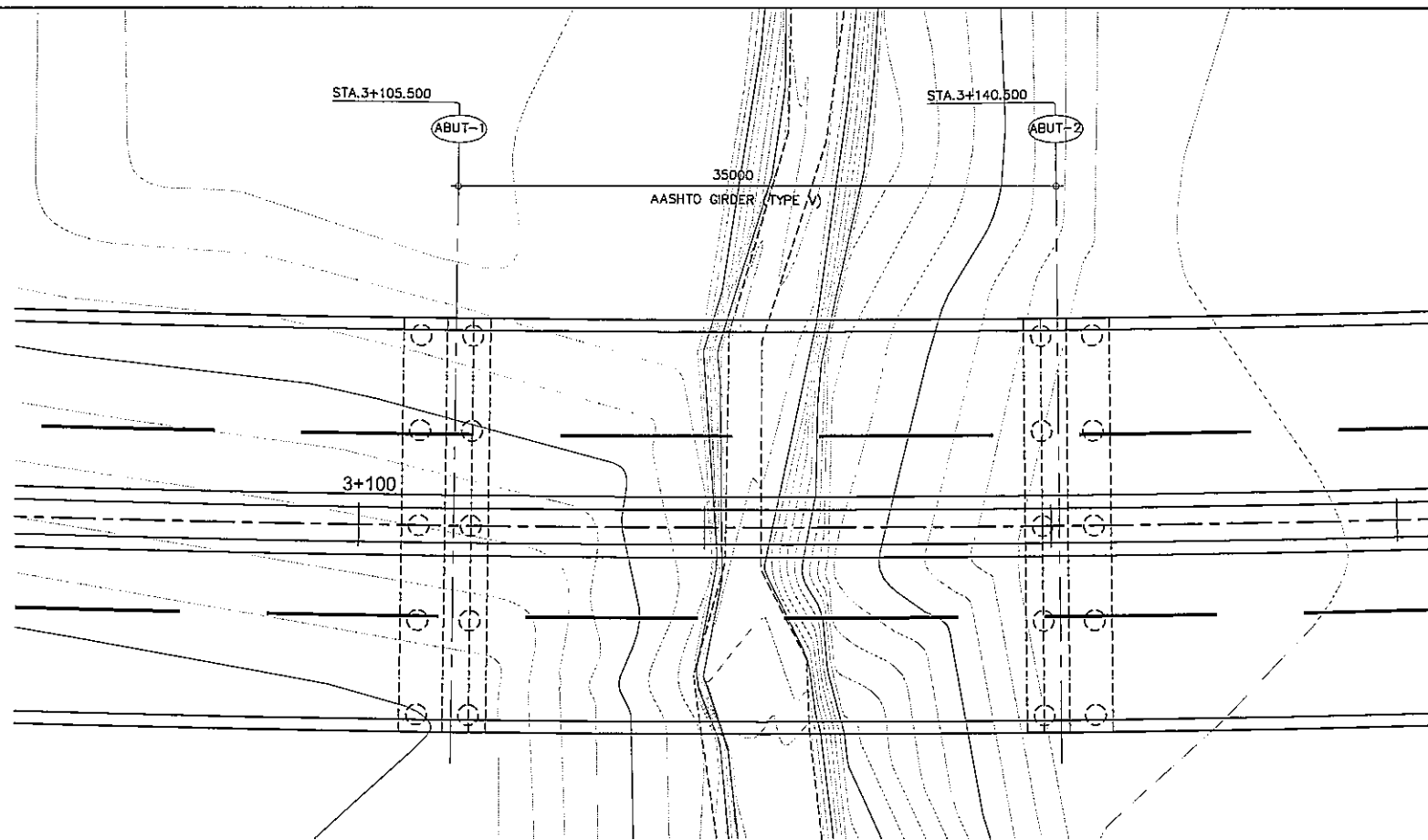
B GENERAL ELEVATION
SCALE 1:600



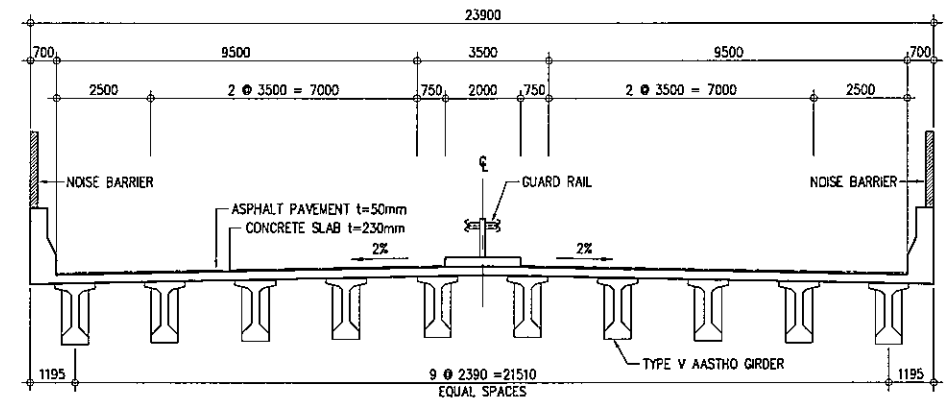
D CROSS SECTION - ABUTMENT
SCALE 1:200

STATION		2+500	
FINISHED GRADE ELEVATION	273.970	274.695	276.005
EXISTING GROUND ELEVATION	272.822	269.557	276.923

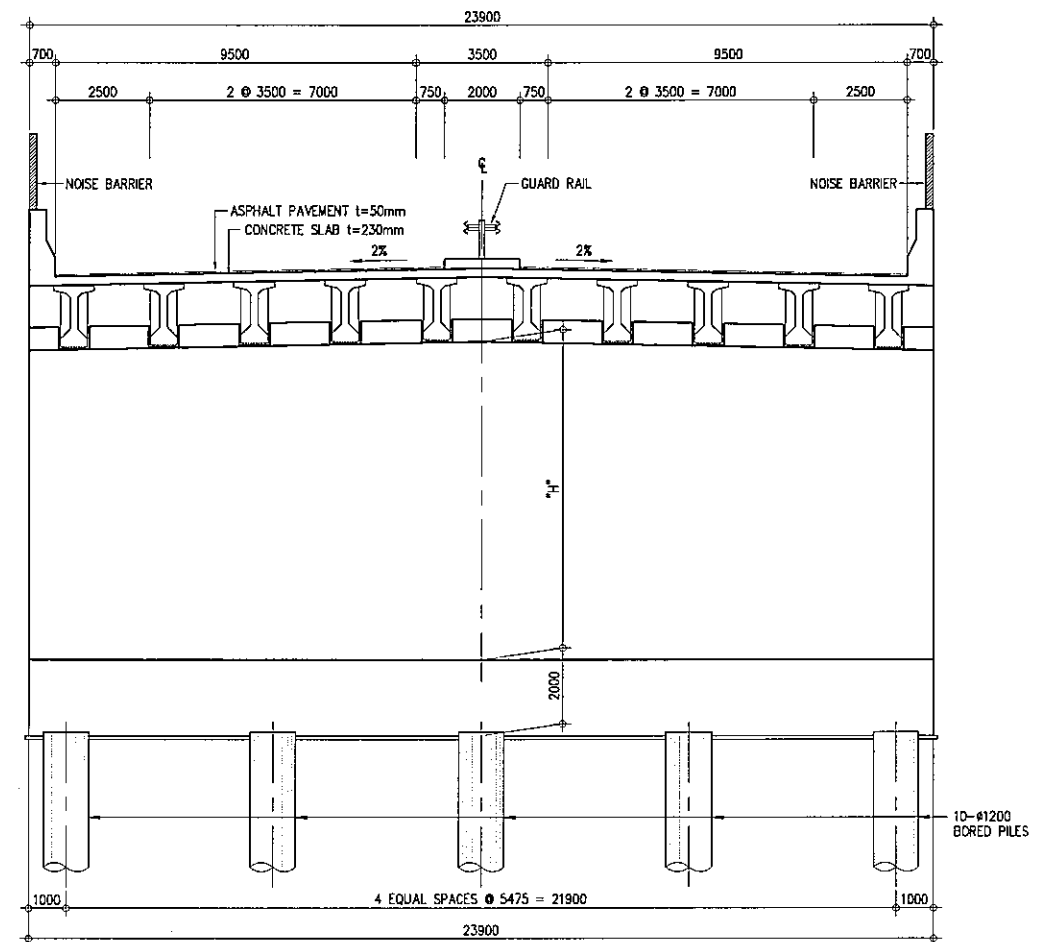
PROJECT TITLE	SCALE	SHEET CONTENT	DRAWING NO.
Preparatory survey for expressway project in Mega Manila Region CALA (CAVITE - LAGUNA)	AS SHOWN	BRIDGE No.3 GENERAL VIEW STA.2+440.000 - STA.2+525.000	H-03
			SHEET NO.
			1 OF 1



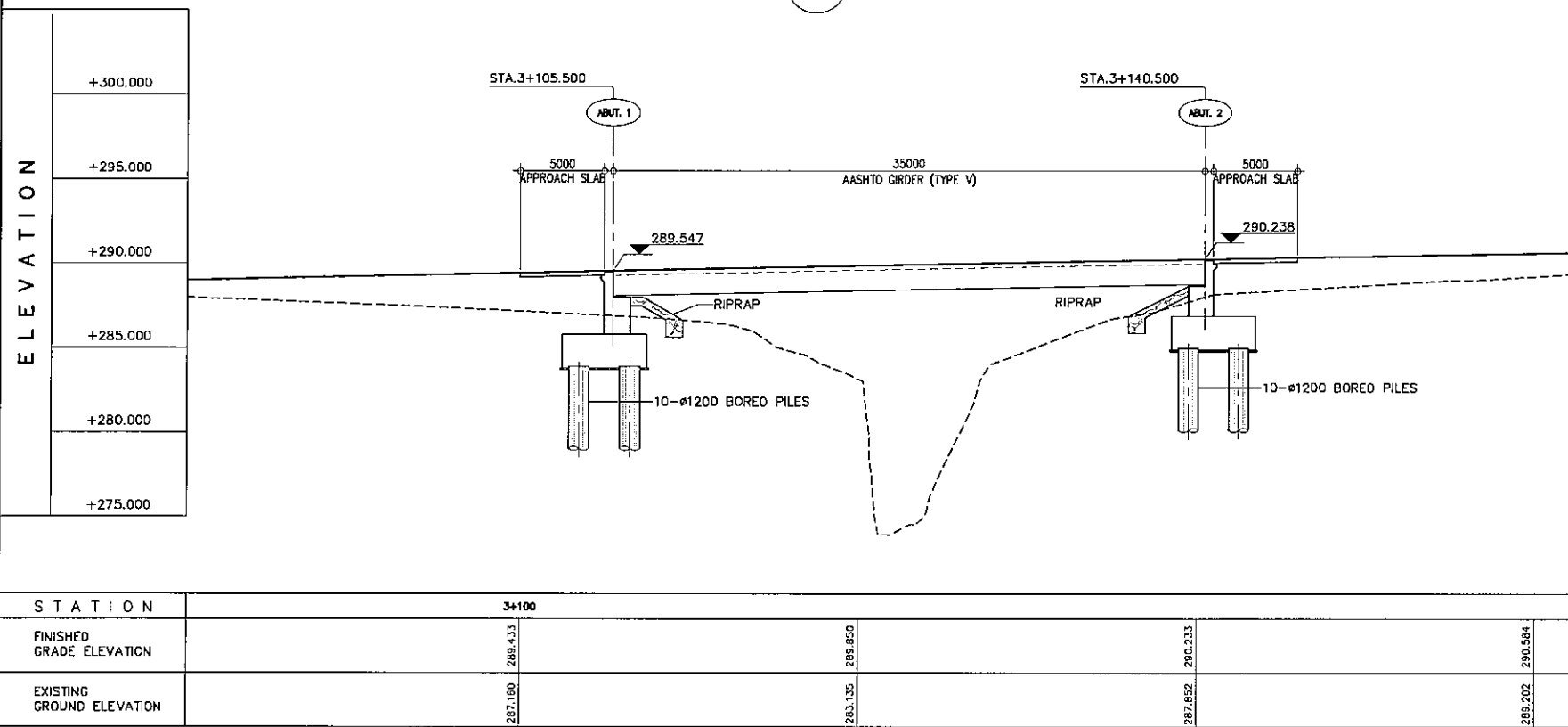
A GENERAL PLAN
SCALE 1:400



C SUPER STRUCTURE
SCALE 1:200

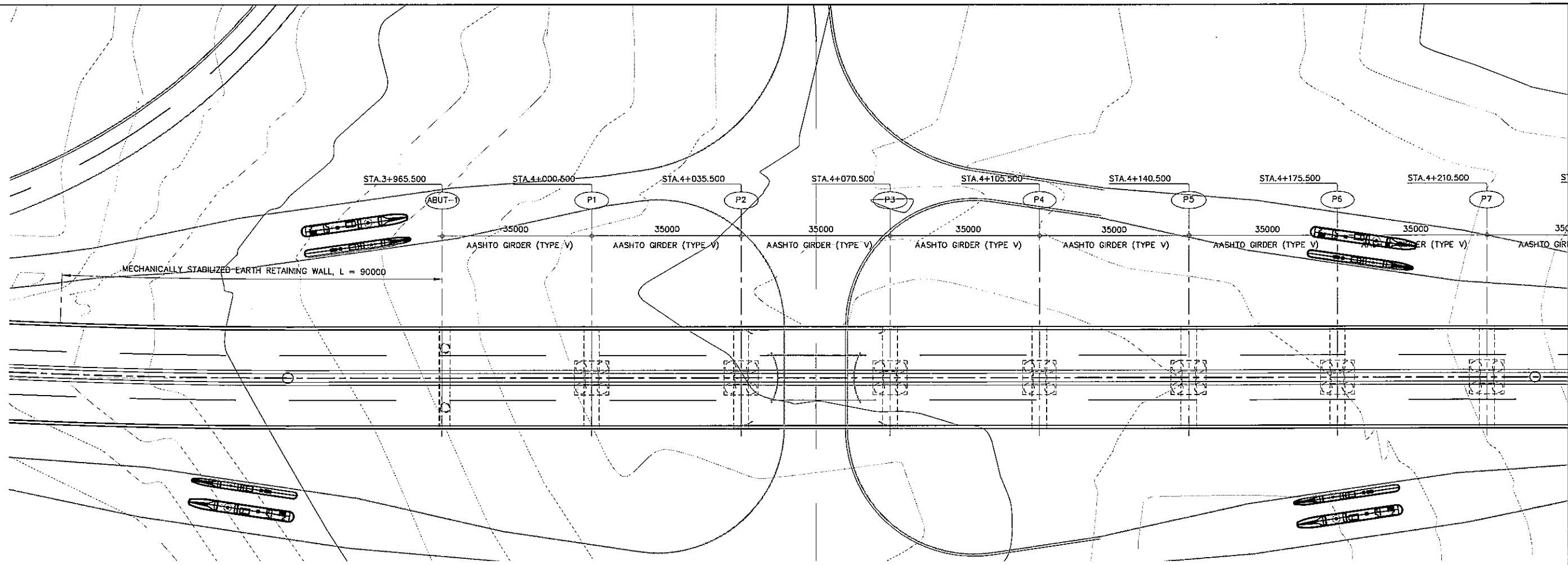


D CROSS SECTION - ABUTMENT
SCALE 1:200



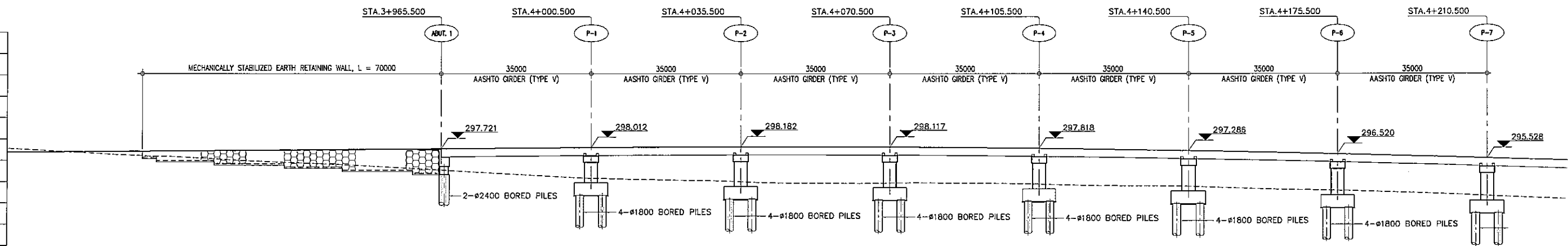
B GENERAL ELEVATION
SCALE 1:400

PROJECT TITLE	SCALE	SHEET CONTENT	DRAWING NO.
Preparatory survey for expressway project in Mega Manila Region CALA (CAVITE - LAGUNA)	AS SHOWN	BRIGDE No.4 GENERAL VIEW STA.3+105.500 - STA.3+140.500	H-04
			SHEET NO.
			1 OF 1



A GENERAL PLAN
SCALE 1:1000

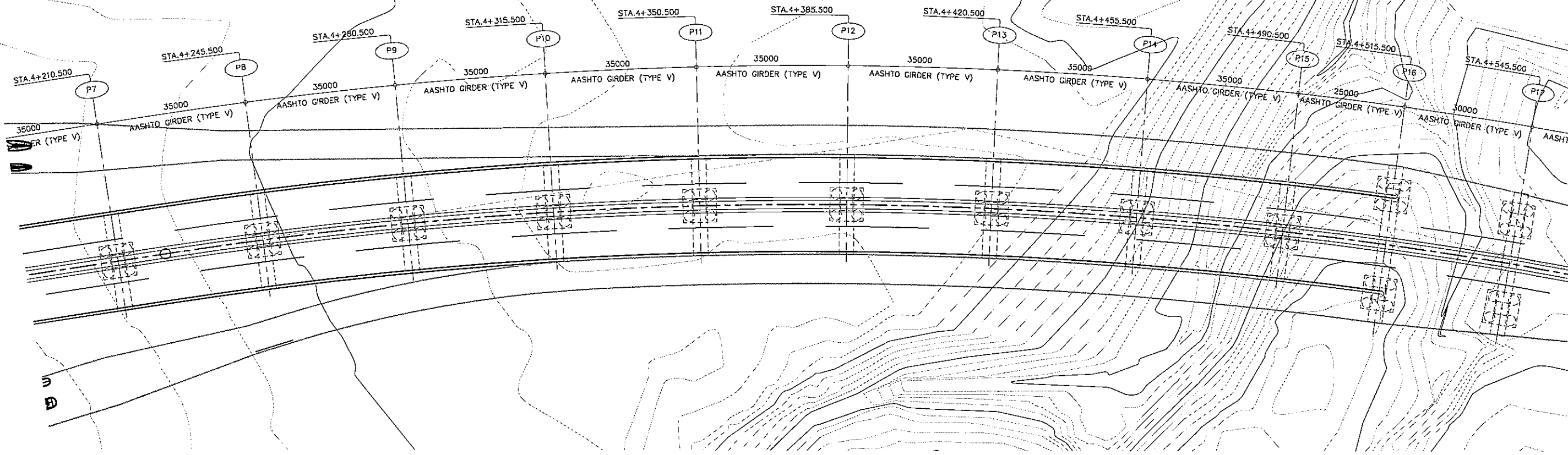
ELEVATION	+320.000
	+315.000
	+310.000
	+305.000
	+300.000
	+295.000
	+290.000
	+285.000
	+280.000
	+275.000



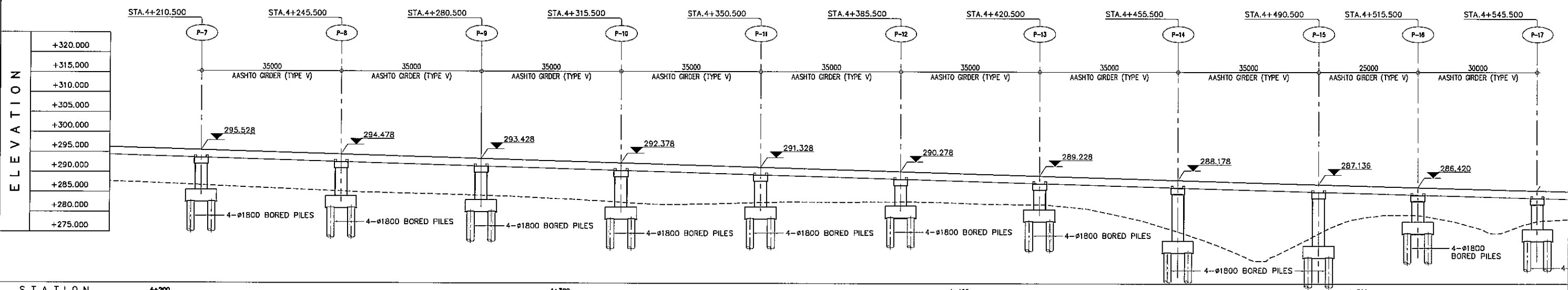
B GENERAL ELEVATION
SCALE 1:1000

STATION	3+800				4+000				4+100				4+200				
FINISHED GRADE ELEVATION	297.007	297.174	297.341	297.508	297.675	297.842	298.008	298.137	298.184	298.062	297.884	297.523	297.298	296.889	296.404	295.943	295.243
EXISTING GROUND ELEVATION	286.920	285.860	284.925	284.112	283.092	281.897	280.868	280.419	280.634	280.721	280.562	280.094	280.945	280.794	287.855	287.189	286.324

PROJECT TITLE	SCALE	SHEET CONTENT	DRAWING NO.
Preparatory survey for expressway project in Mega Manila Region CALA (CAVITE - LAGUNA)	AS SHOWN	BRIDGE No.5 GENERAL VIEW STA.3+965.500 - STA.4+210.500	H-05 SHEET NO. 1 OF 4



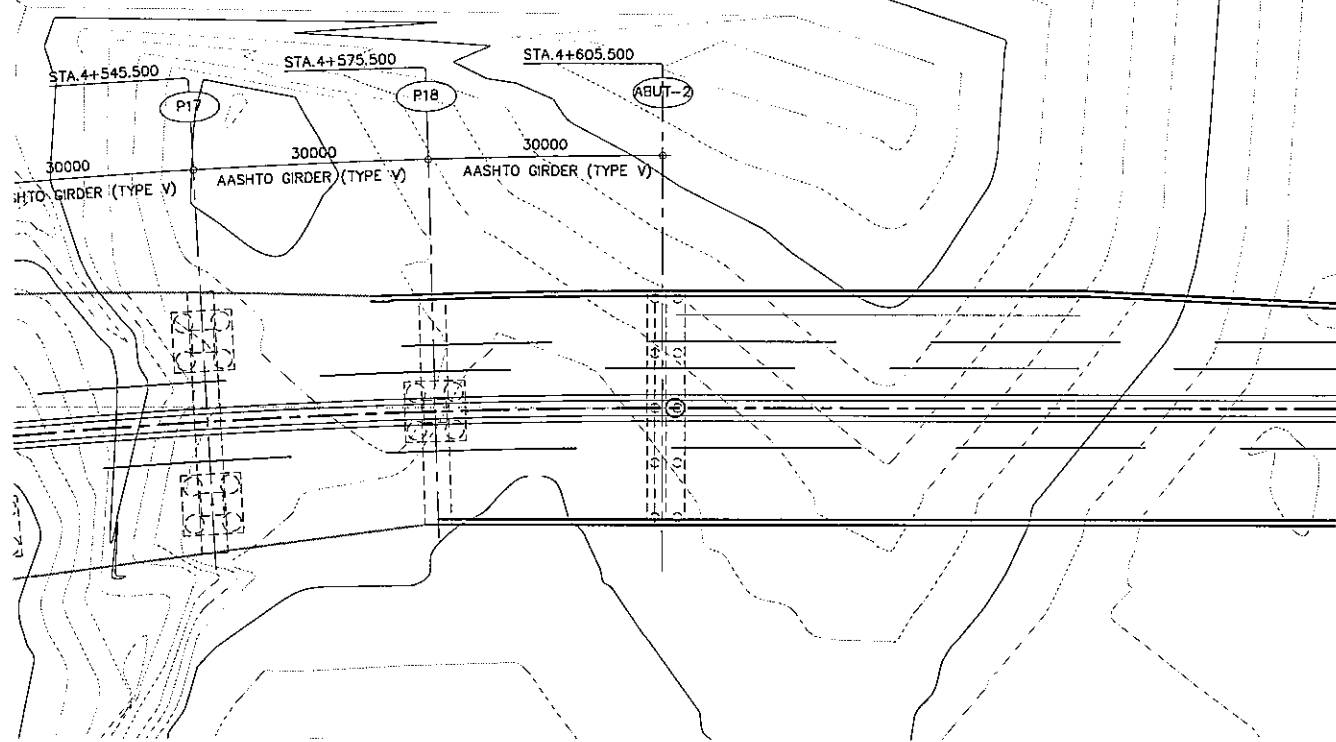
A GENERAL PLAN
SCALE 1:1000



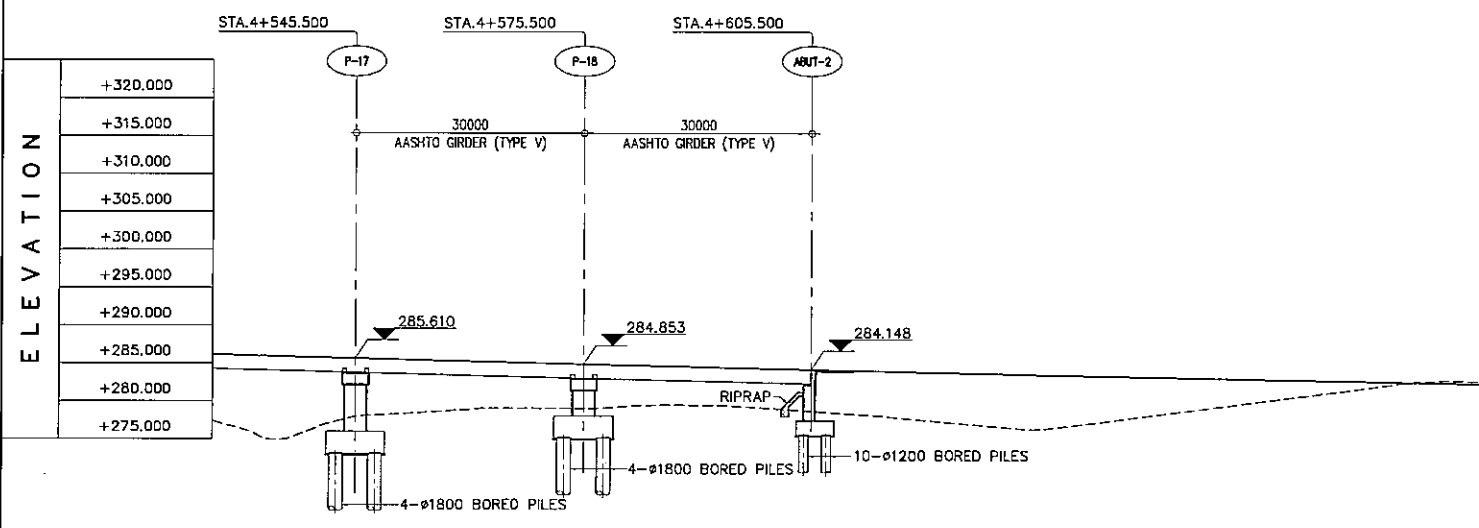
B GENERAL ELEVATION
SCALE 1:1000

STATION	++200						++300									++400									++500				
FINISHED GRADE ELEVATION	295.843	295.243	294.643	294.043	293.443	292.843	292.243	291.643	291.043	290.443	290.243	289.643	289.043	288.443	287.843	287.243	286.643	286.043	285.443	284.843	284.243	283.643	283.043	282.443	281.843	281.243	280.643	280.043	
EXISTING GROUND ELEVATION	287.189	286.324	285.461	284.719	284.210	283.403	282.265	282.210	282.644	282.660	282.436	282.023	279.436	273.846	269.534	276.531	278.712	276.531	276.531	276.531	276.531	276.531	276.531	276.531	276.531	276.531	276.531	276.531	276.531

PROJECT TITLE	SCALE	SHEET CONTENT	DRAWING NO.
Preparatory survey for expressway project in Mega Manila Region CALA (CAVITE - LAGUNA)	AS SHOWN	BRIDGE No.5 GENERAL VIEW STA.4+210.500 - STA.4+545.500	H-06
			SHEET NO.
			2 OF 4



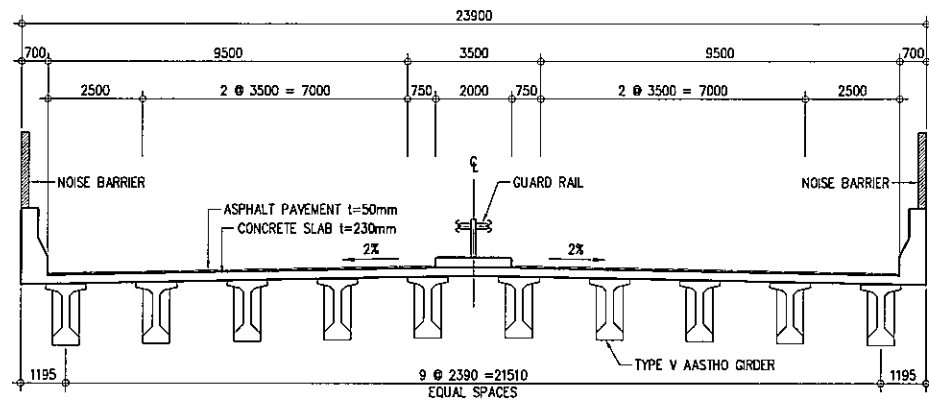
A GENERAL PLAN
SCALE 1:1000



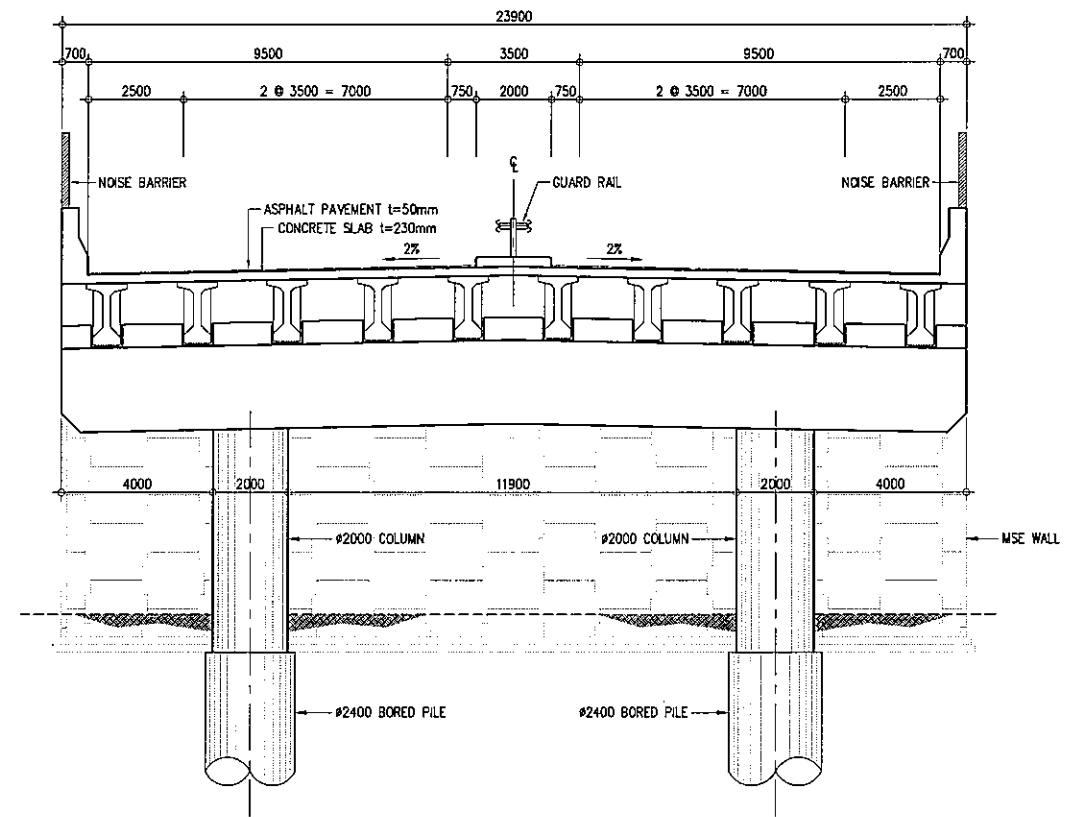
STATION		4+600														
FINISHED GRADE ELEVATION		285.750		285.234		284.741		284.272		283.827		283.405		283.009		282.536
EXISTING GROUND ELEVATION		276.366		278.887		279.213		279.038		277.518		276.795		279.386		281.357

B GENERAL ELEVATION
SCALE 1:1000

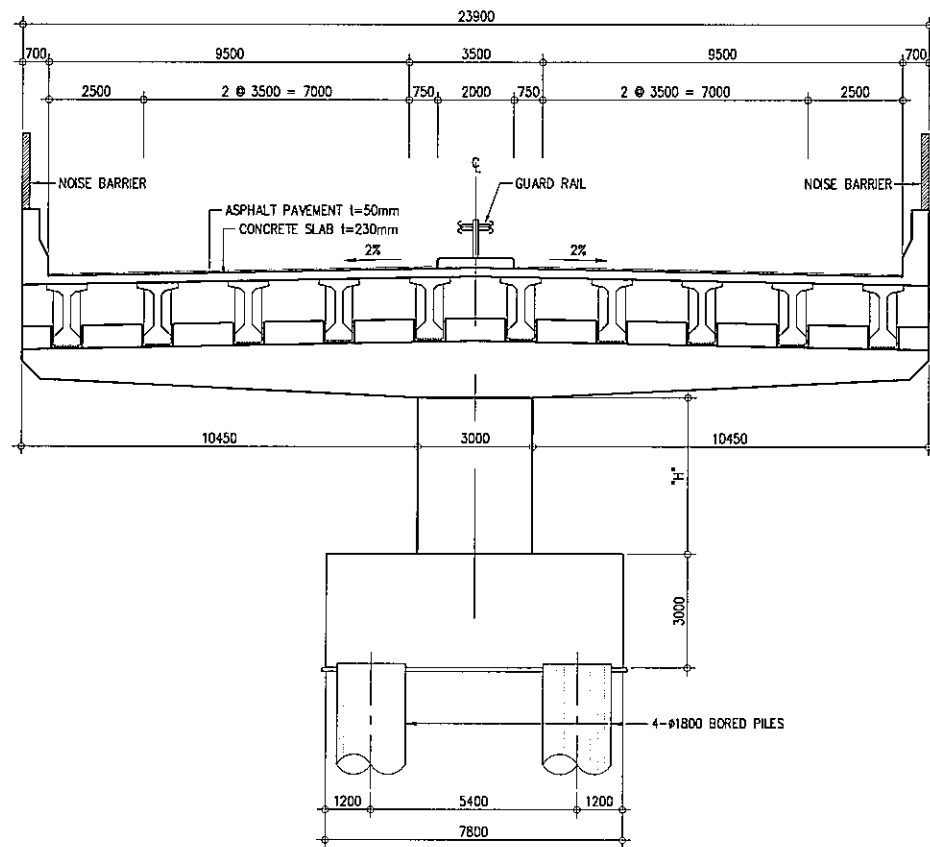
PROJECT TITLE	SCALE	SHEET CONTENT	DRAWING NO.
Preparatory survey for expressway project in Mega Manila Region CALA (CAVITE - LAGUNA)	AS SHOWN	BRIDGE No.5 GENERAL VIEW STA.4+545.500 - STA.4+605.500	H-07
			SHEET NO.
			3 OF 4



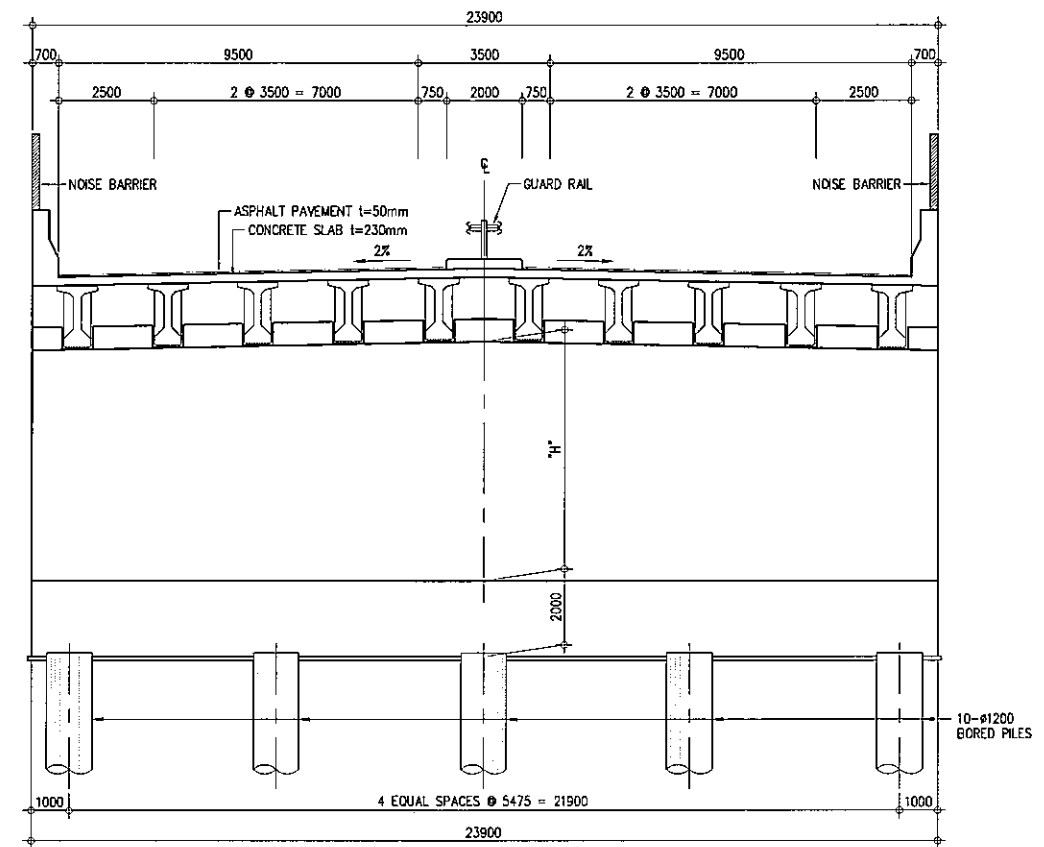
A SUPER STRUCTURE
SCALE 1:200



C CROSS SECTION - ABUTMENT 1
SCALE 1:200

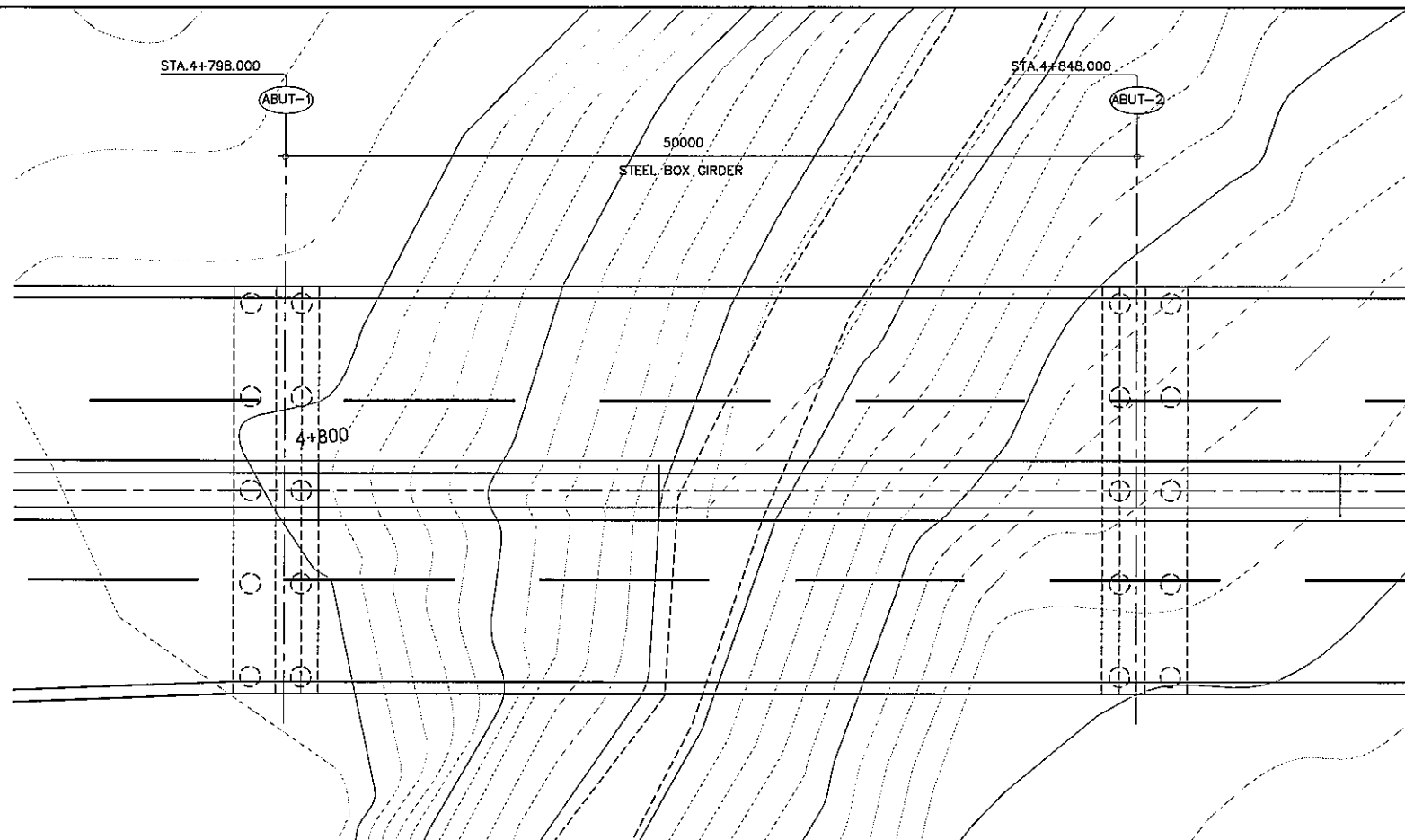


B CROSS SECTION - PIER
SCALE 1:200

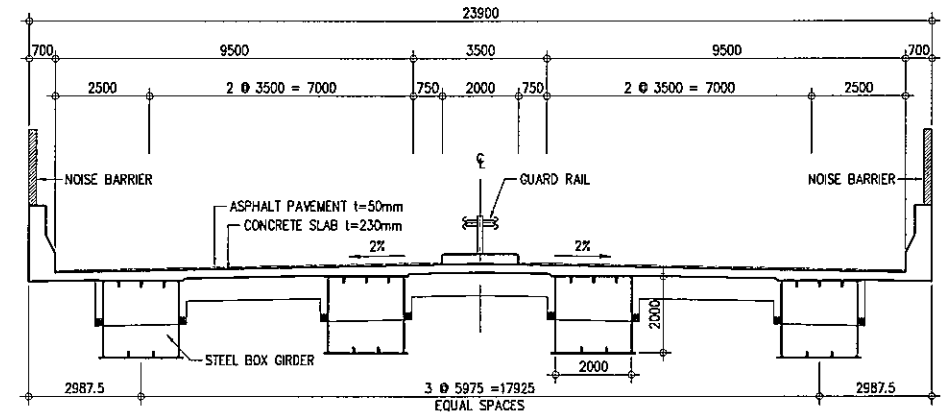


D CROSS SECTION - ABUTMENT 2
SCALE 1:200

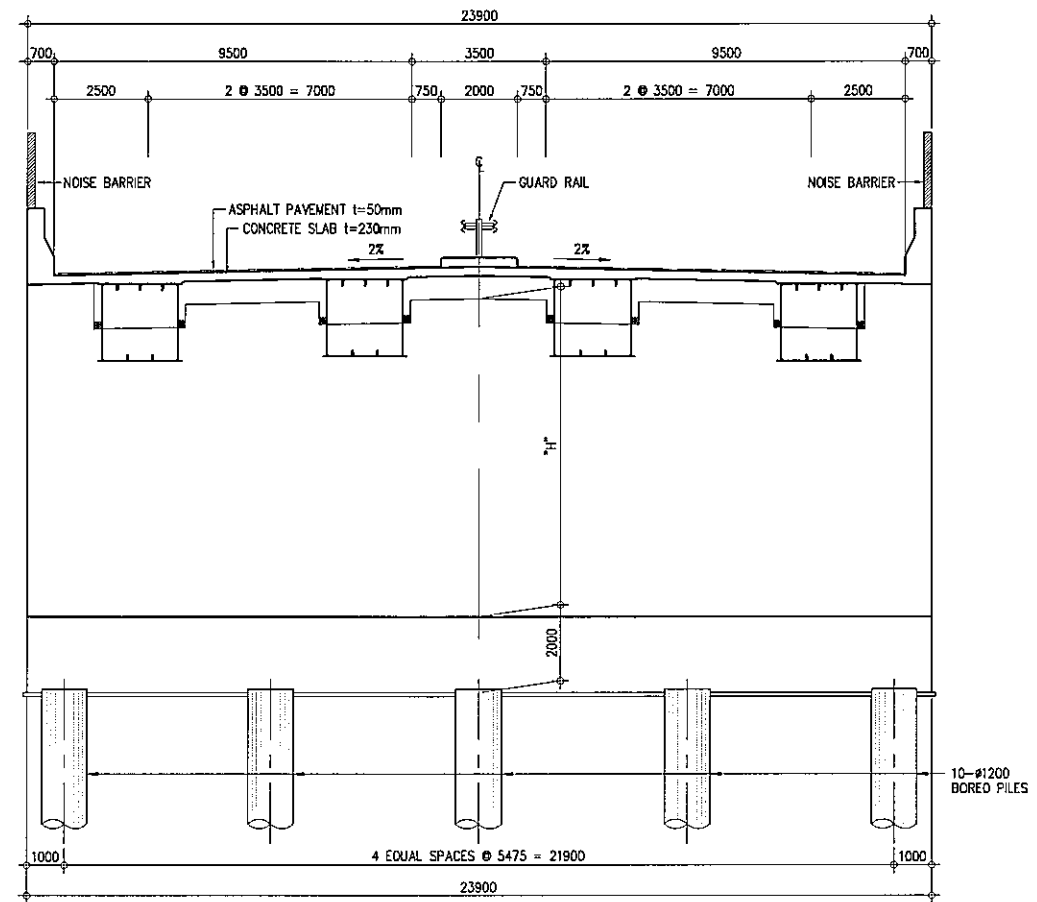
PROJECT TITLE	SCALE	SHEET CONTENT	DRAWING NO.
Preparatory survey for expressway project in Mega Manila Region CALA (CAVITE - LAGUNA)	AS SHOWN	BRIDGE No.5 STRUCTURE CROSS SECTION	H-08
			SHEET NO.
			4 OF 4



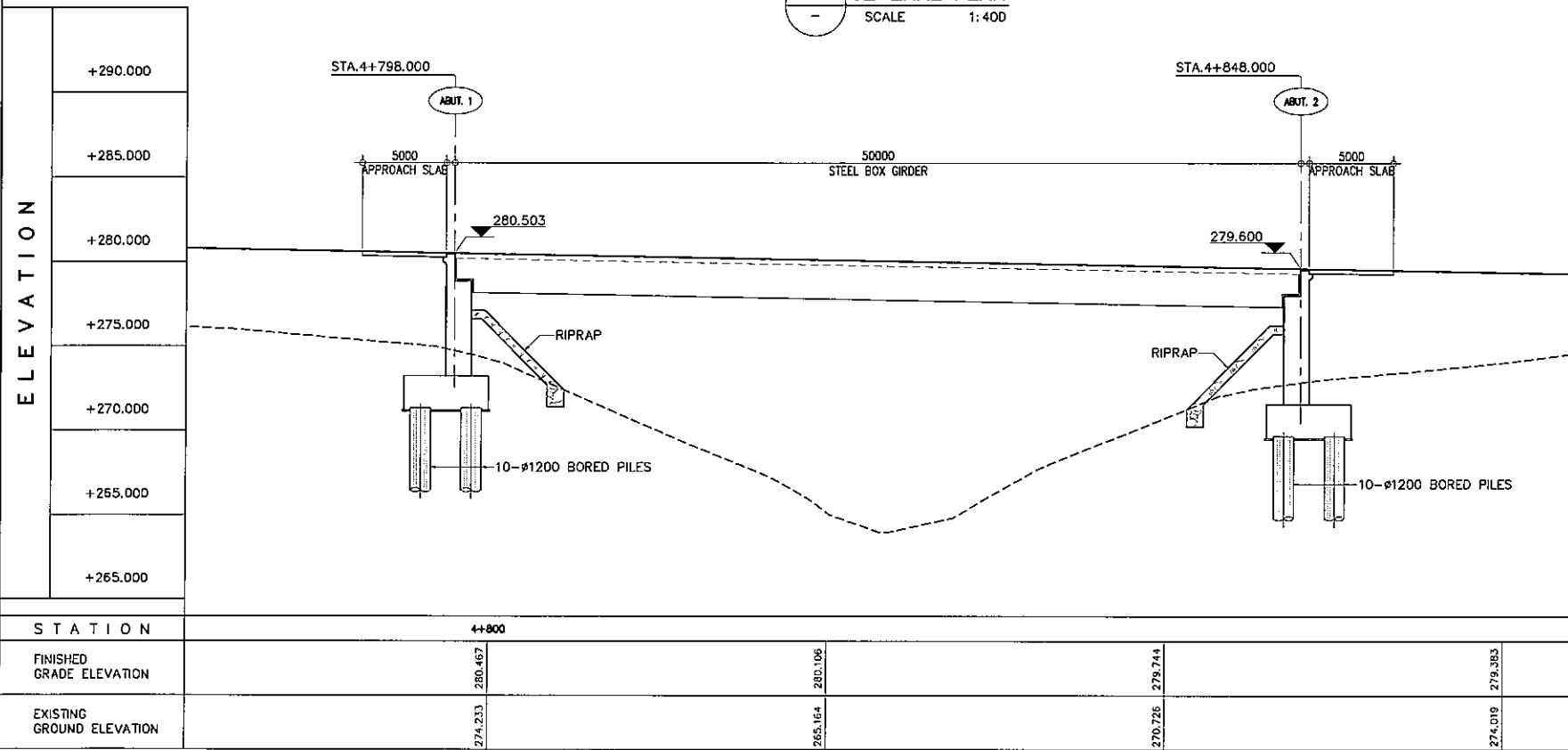
A GENERAL PLAN
SCALE 1:400



C SUPER STRUCTURE
SCALE 1:200



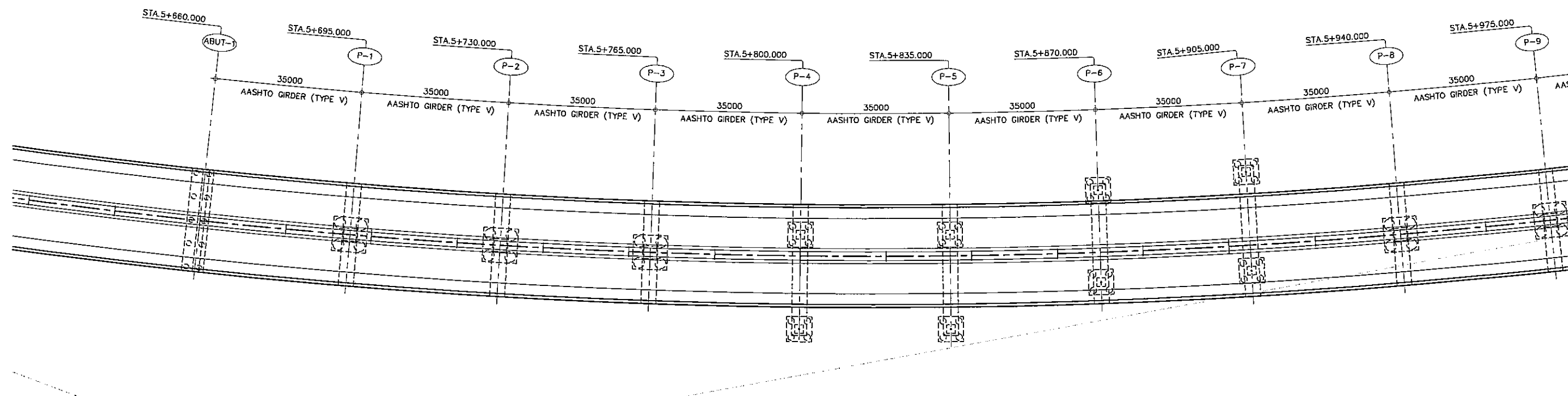
D CROSS SECTION - ABUTMENT
SCALE 1:200



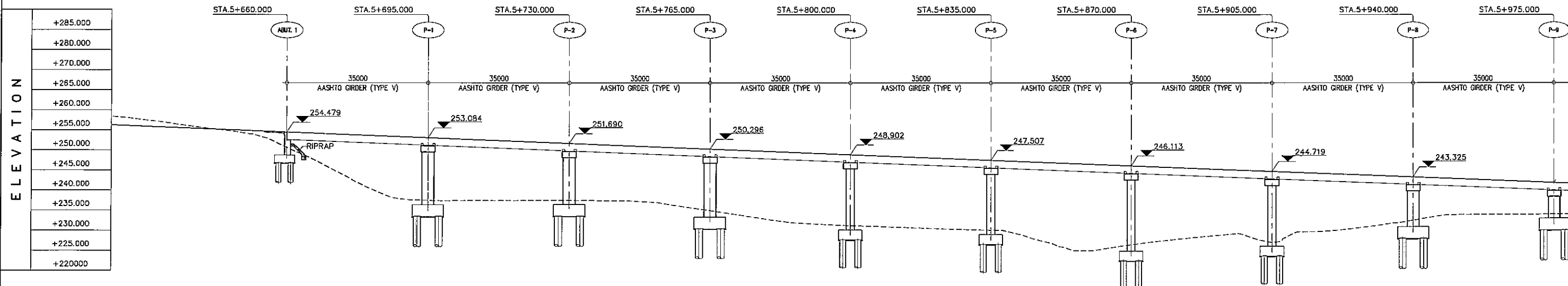
B GENERAL ELEVATION
SCALE 1:400

ELEVATION	STATION	FINISHED GRADE ELEVATION	EXISTING GROUND ELEVATION
+290.000			
+285.000			
+280.000			
+275.000			
+270.000			
+265.000			
	4+800		
		280.467	274.233
		280.106	265.164
		279.744	270.726
		279.383	274.019

PROJECT TITLE	SCALE	SHEET CONTENT	DRAWING NO.
Preparatory survey for expressway project in Mega Manila Region CALA (CAVITE - LAGUNA)	AS SHOWN	BRIGDE No.6 GENERAL VIEW STA.4+798.000 - STA.4+848.000	H-09
			SHEET NO.
			1 OF 1



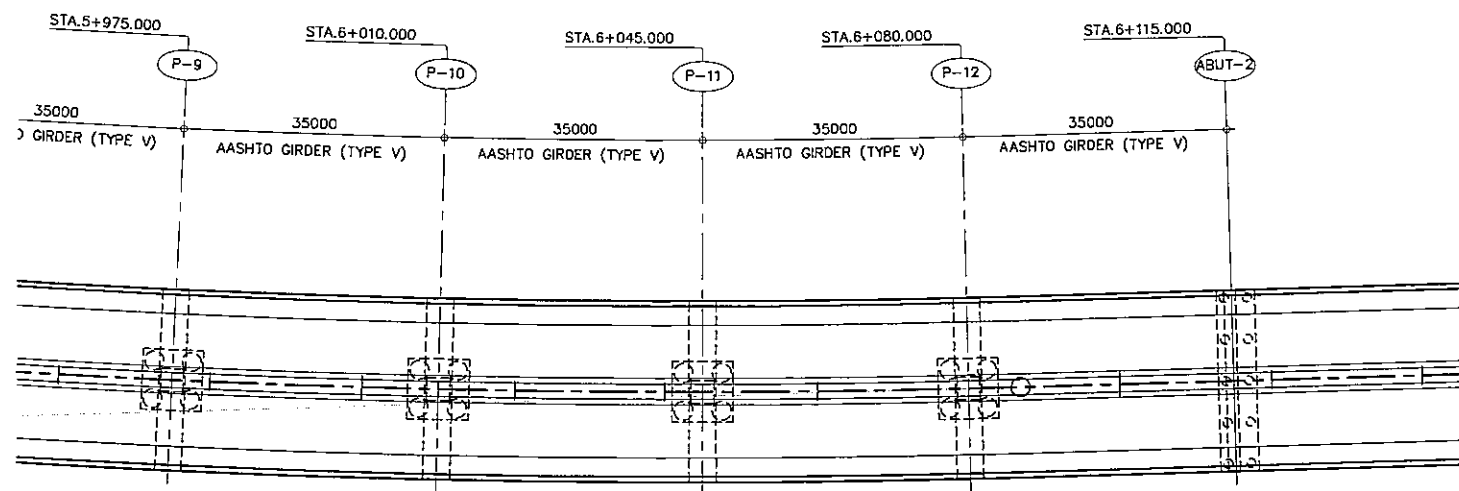
A GENERAL PLAN
SCALE 1:1000



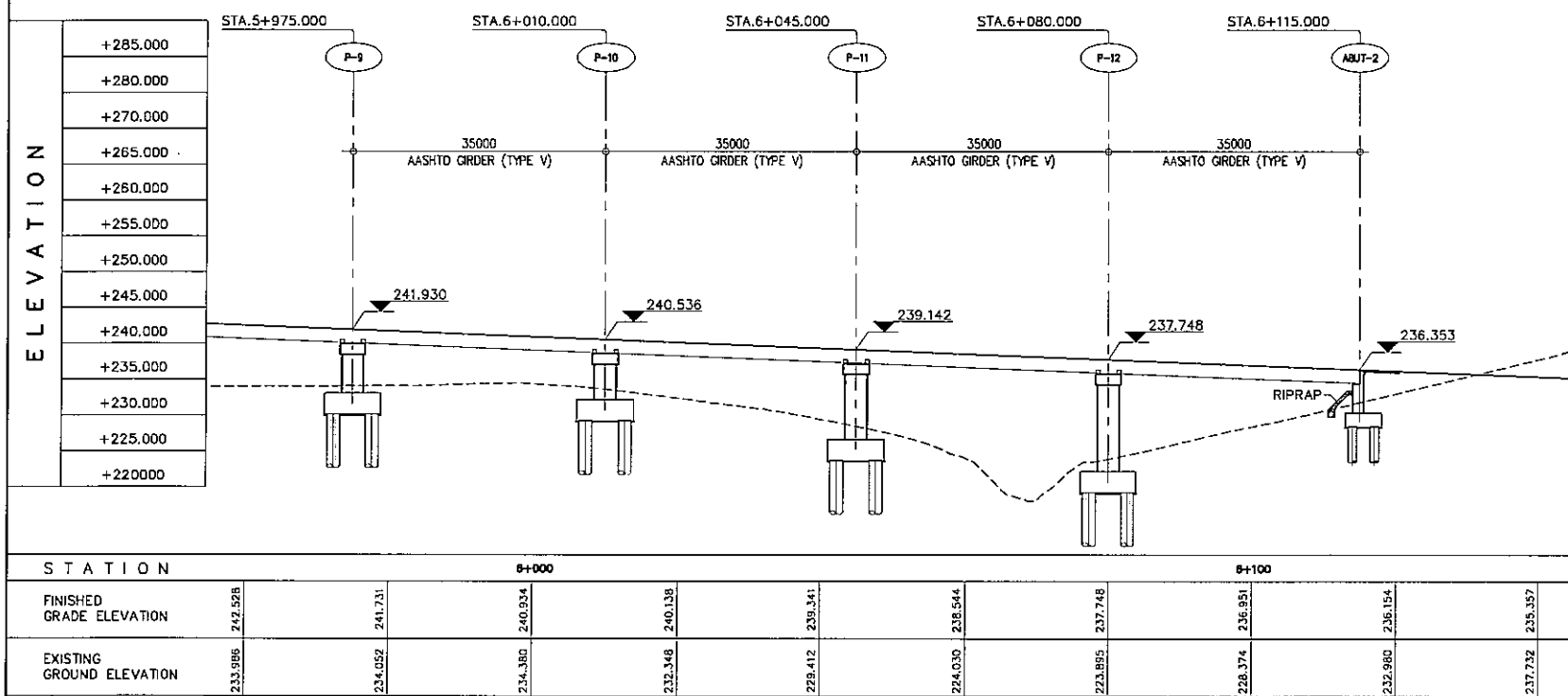
B GENERAL ELEVATION
SCALE 1:1000

STATION	5+700					5+800					5+900								
FINISHED GRADE ELEVATION	256.072	255.275	254.478	253.682	252.885	252.089	251.292	250.495	249.698	248.902	248.105	247.308	246.511	245.715	244.918	244.121	243.325	242.528	241.731
EXISTING GROUND ELEVATION	256.090	255.480	250.657	240.710	237.399	237.483	237.402	235.710	232.668	231.240	230.547	229.602	224.995	222.672	228.240	229.970	232.556	233.985	234.052

PROJECT TITLE	SCALE	SHEET CONTENT	DRAWING NO.
Preparatory survey for expressway project in Mega Manila Region CALA (CAVITE - LAGUNA)	AS SHOWN	BRIDGE No.7 GENERAL VIEW STA.5+660.000 - STA.5+975.000	H-10 SHEET NO. 1 OF 5

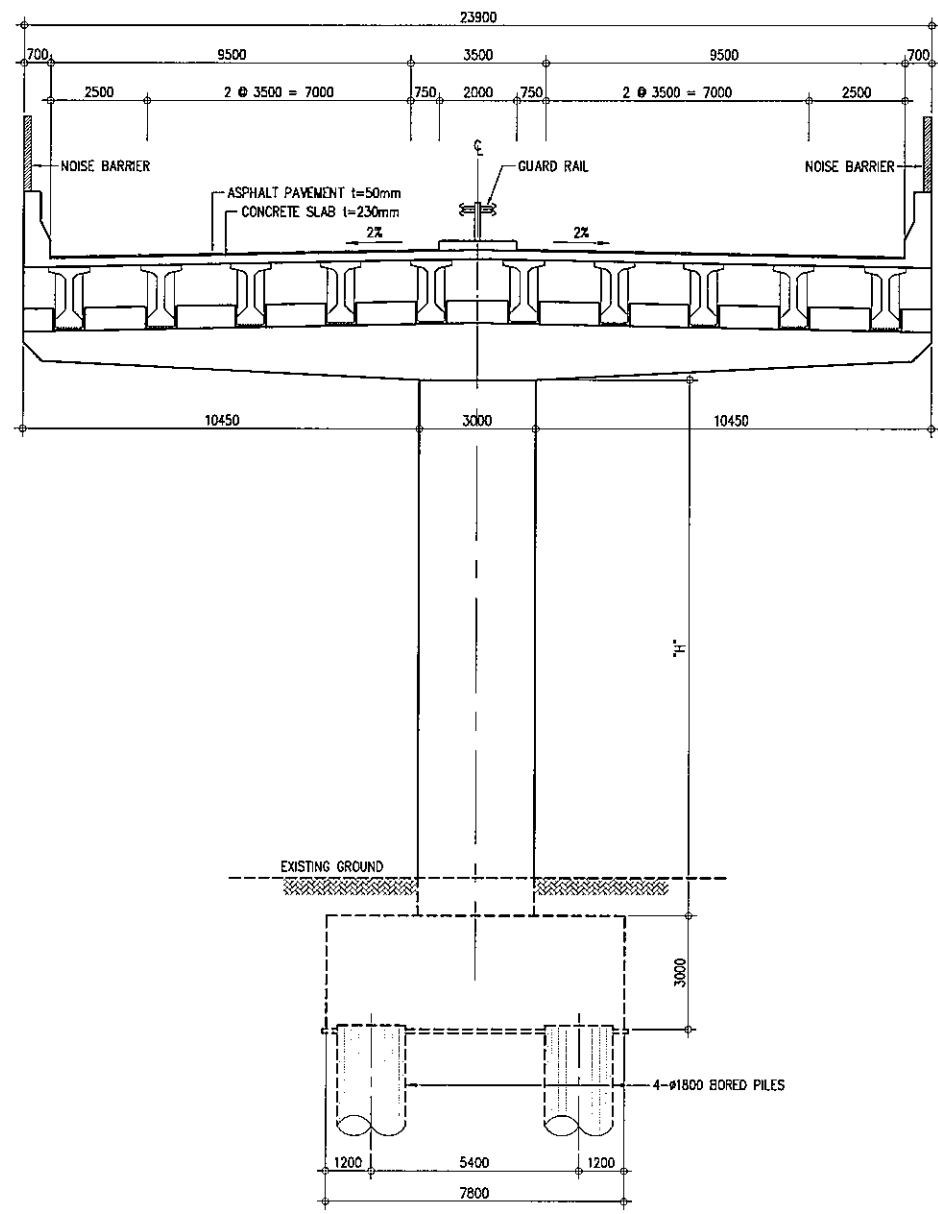


A GENERAL PLAN
SCALE 1:1000

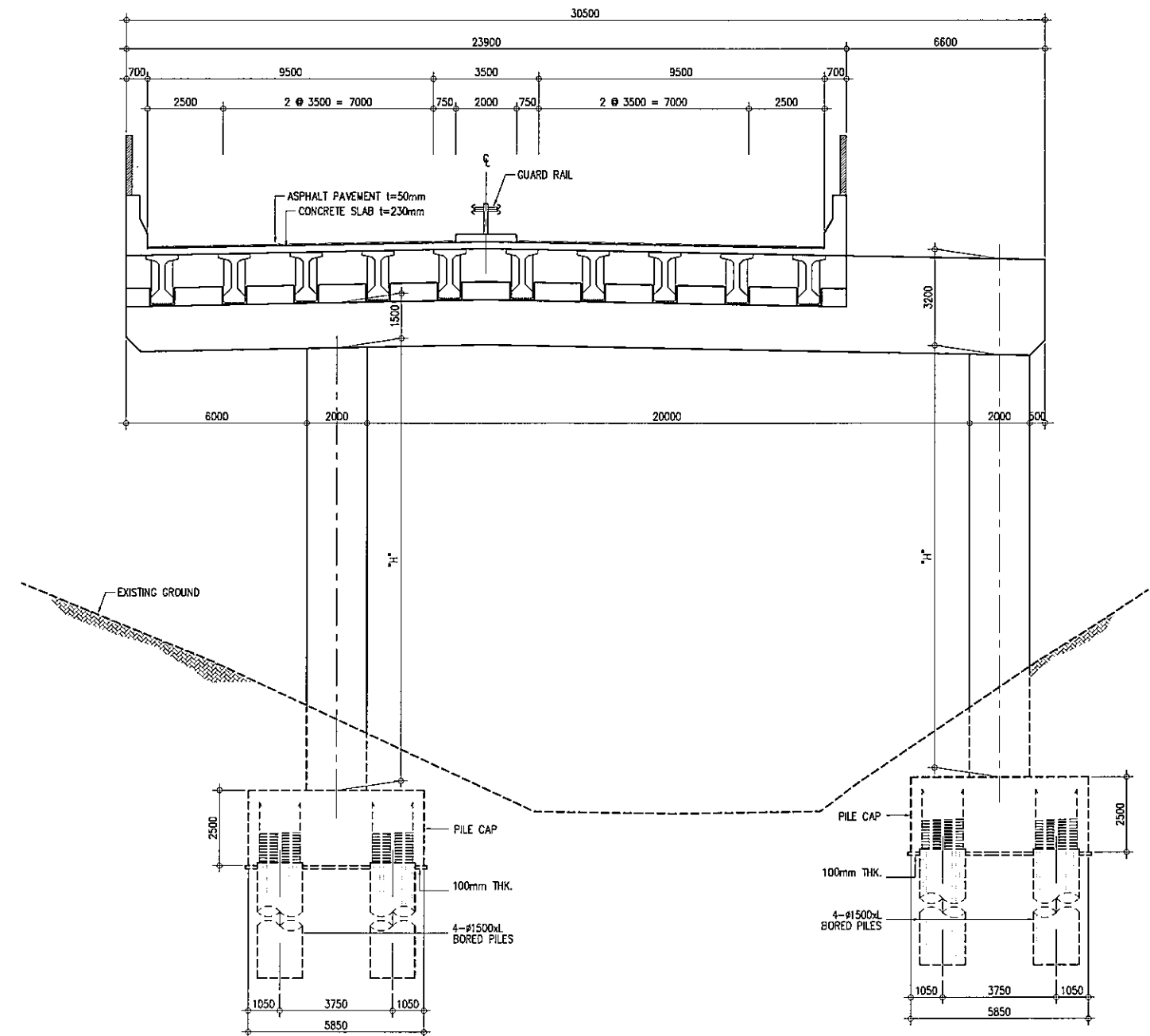


B GENERAL ELEVATION
SCALE 1:1000

PROJECT TITLE	SCALE	SHEET CONTENT	DRAWING NO.
Preparatory survey for expressway project in Mega Manila Region CALA (CAVITE - LAGUNA)	AS SHOWN	BRIDGE No.7 GENERAL VIEW STA.5+975.000 - STA.6+115.000	H-11
			SHEET NO.
			2 OF 5

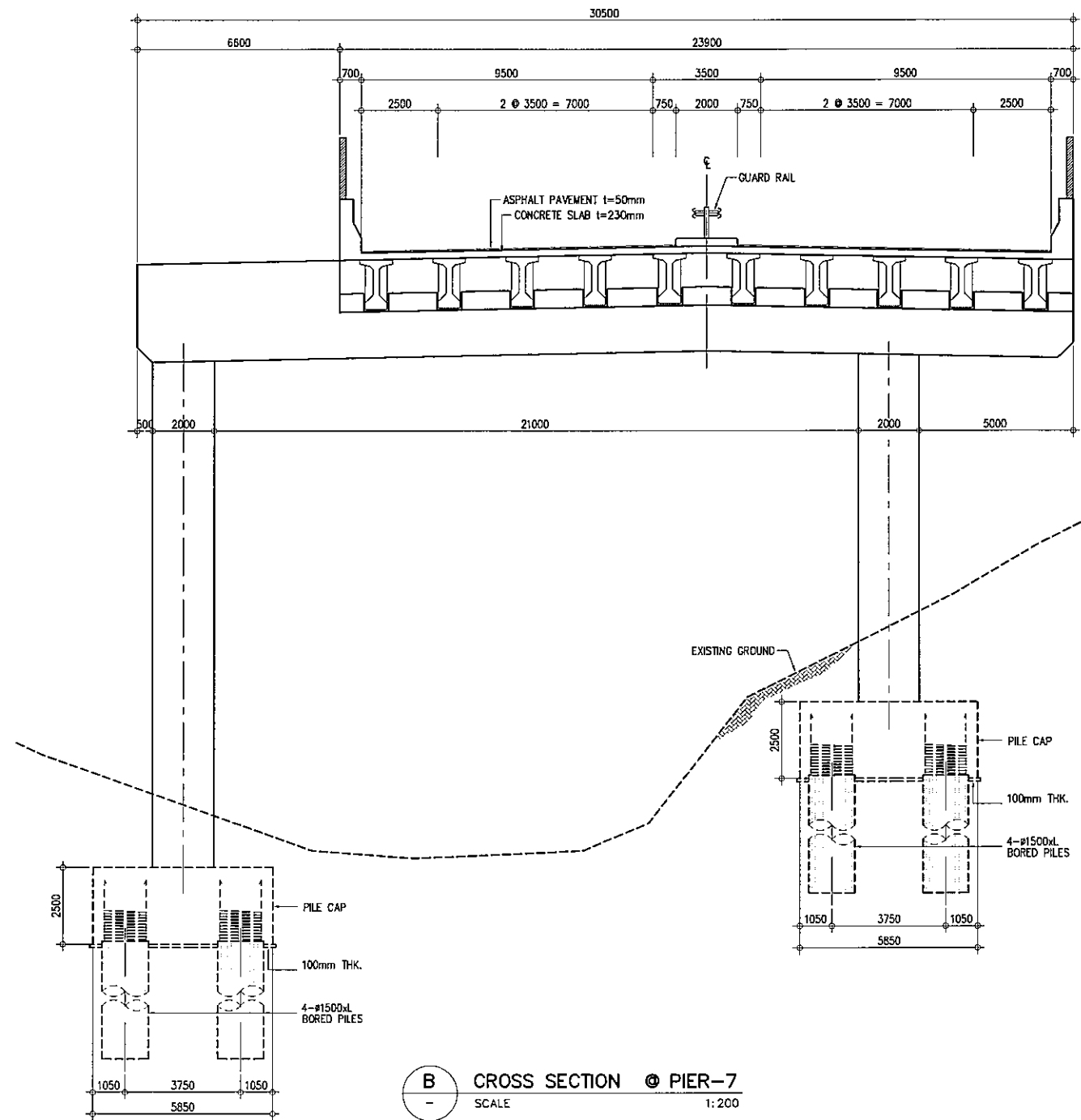
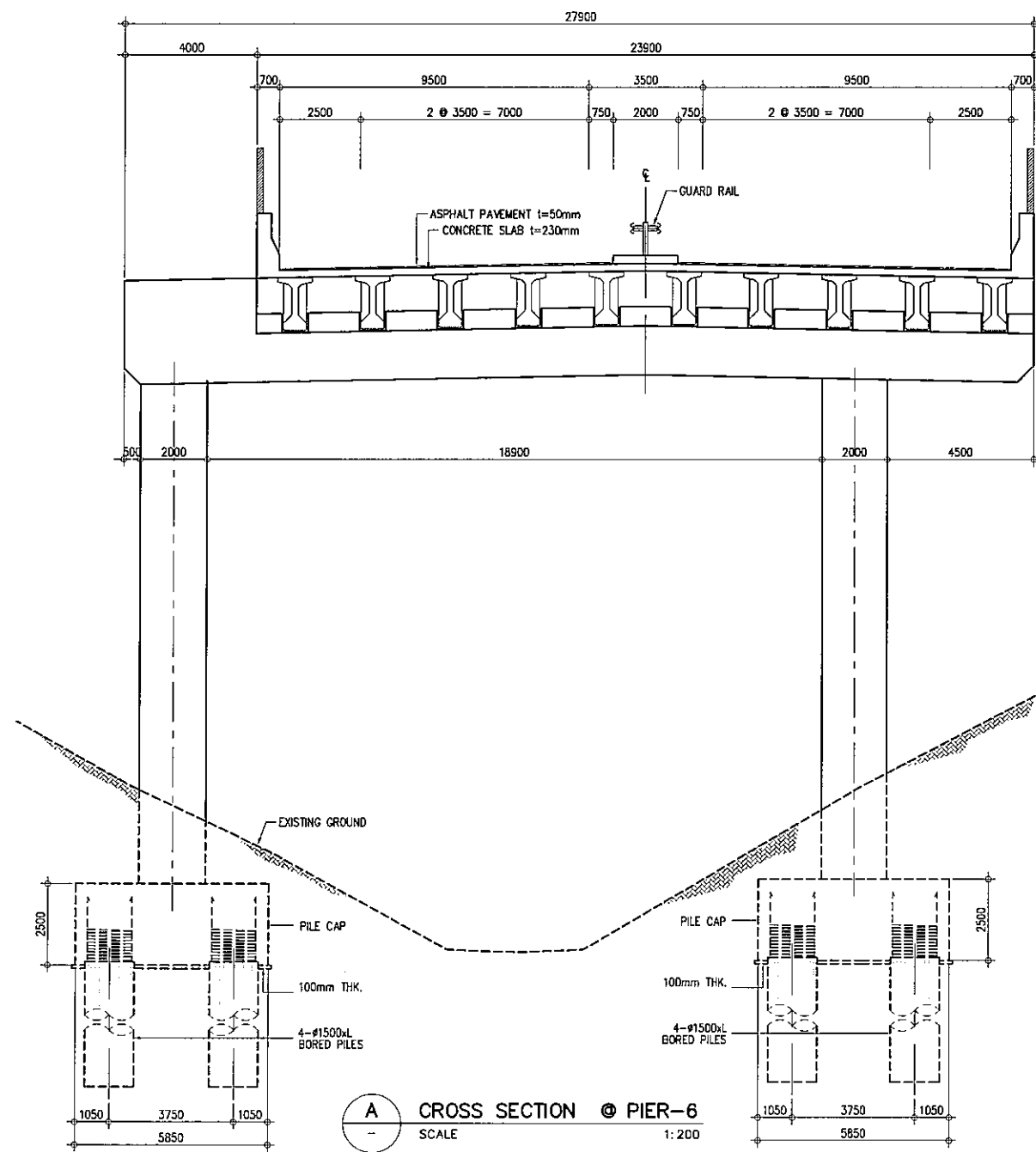


A CROSS SECTION @ PIER 1 TO 3 & PIER 8 TO 12
SCALE 1:200

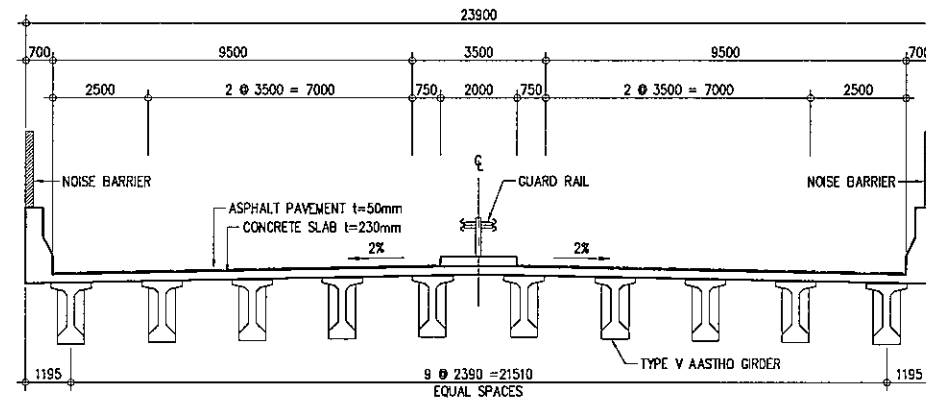


B CROSS SECTION @ PIER 4 & 5
SCALE 1:200

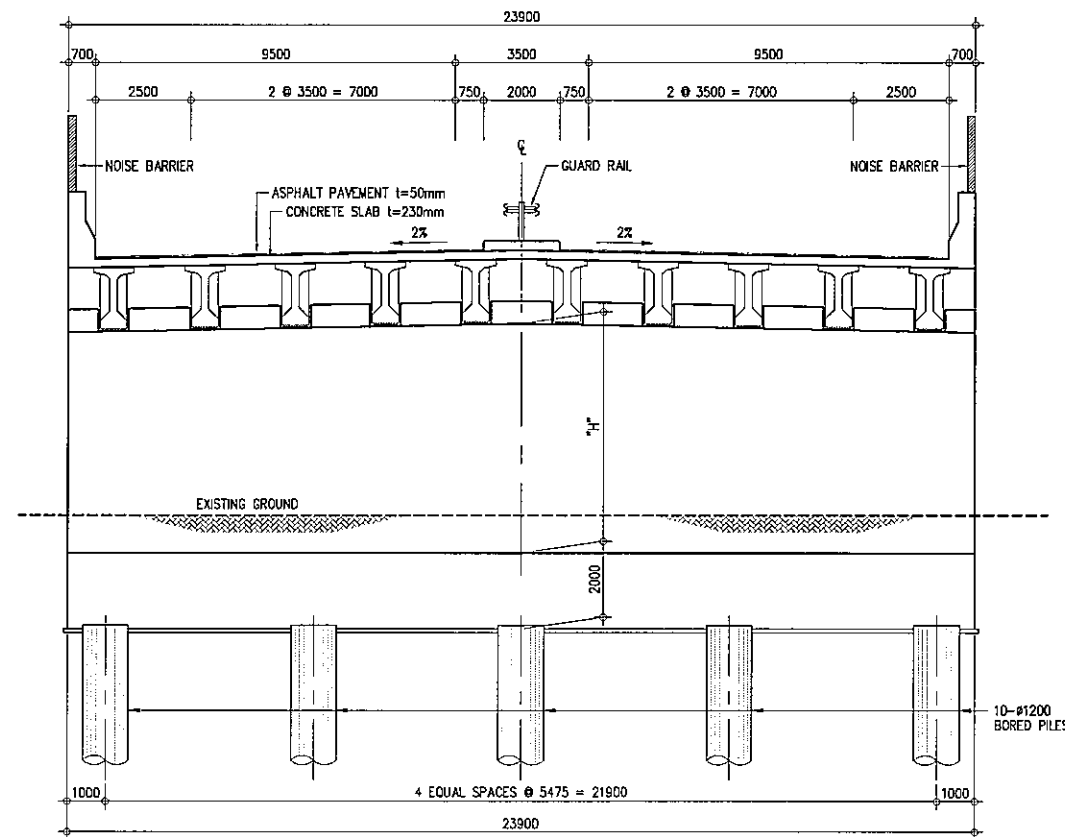
PROJECT TITLE	SCALE	SHEET CONTENT	DRAWING NO.
Preparatory survey for expressway project in Mega Manila Region CALA (CAVITE - LAGUNA)	AS SHOWN	BRIDGE No.7 STRUCTURE CROSS SECTION	H-12
			SHEET NO.
			3 OF 5



PROJECT TITLE	SCALE	SHEET CONTENT	DRAWING NO.
Preparatory survey for expressway project in Mega Manila Region CALA (CAVITE - LAGUNA)	AS SHOWN	BRIDGE No.7 STRUCTURE CROSS SECTION	H-13
			SHEET NO.
			4 OF 5

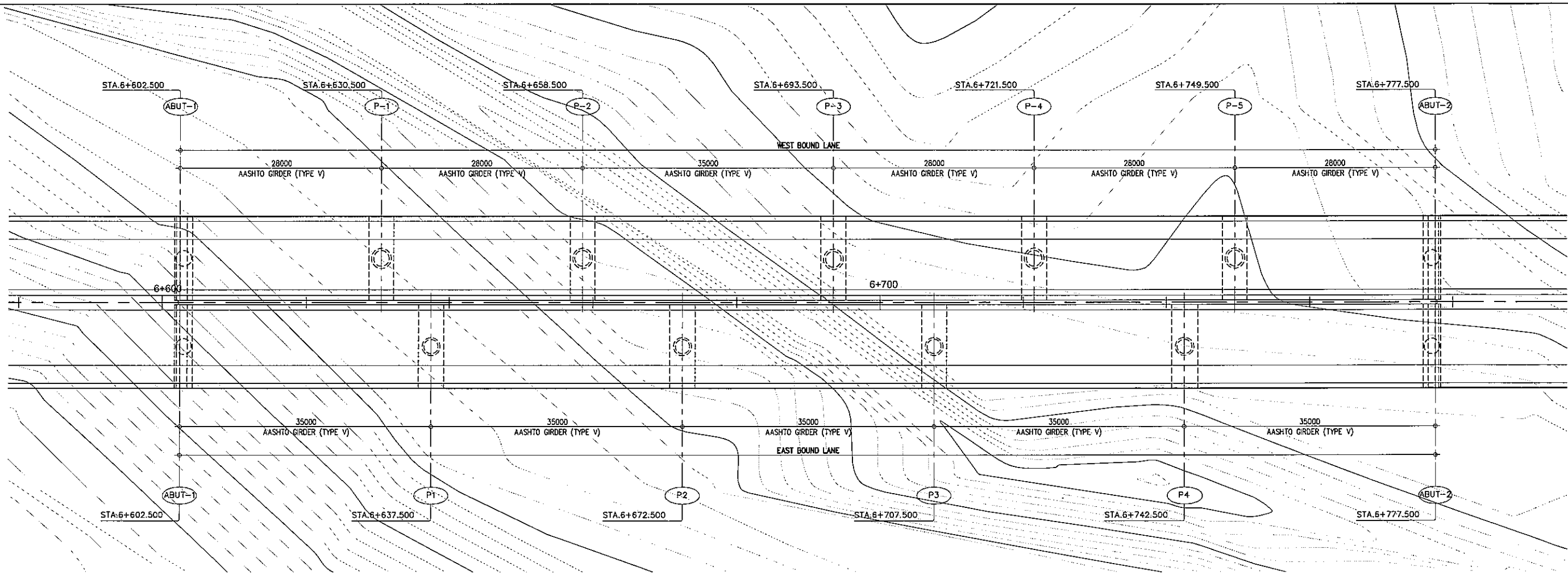


A SUPER STRUCTURE
SCALE 1:200

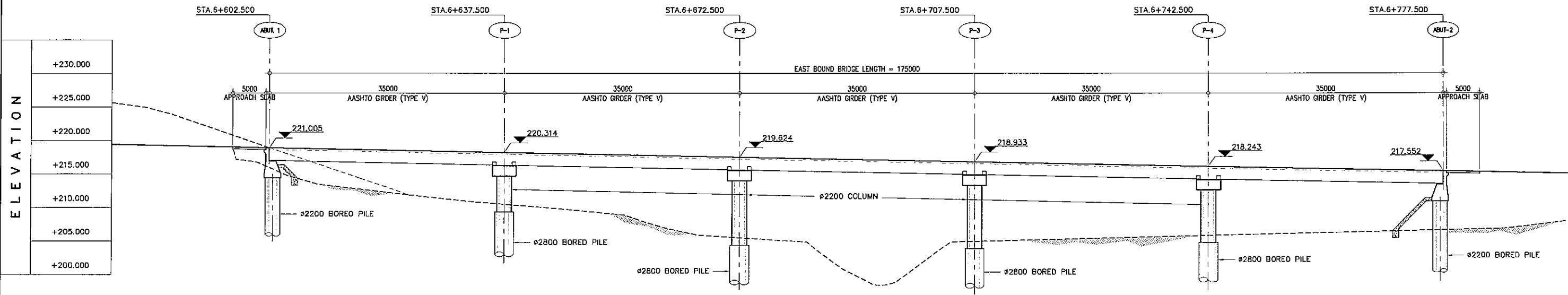


B CROSS SECTION -- ABUTMENT
SCALE 1:200

PROJECT TITLE	SCALE	SHEET CONTENT	DRAWING NO.
Preparatory survey for expressway project in Mega Manila Region CALA (CAVITE - LAGUNA)	AS SHOWN	BRIDGE No.7 STRUCTURE CROSS SECTION	H-14
			SHEET NO.
			5 OF 5



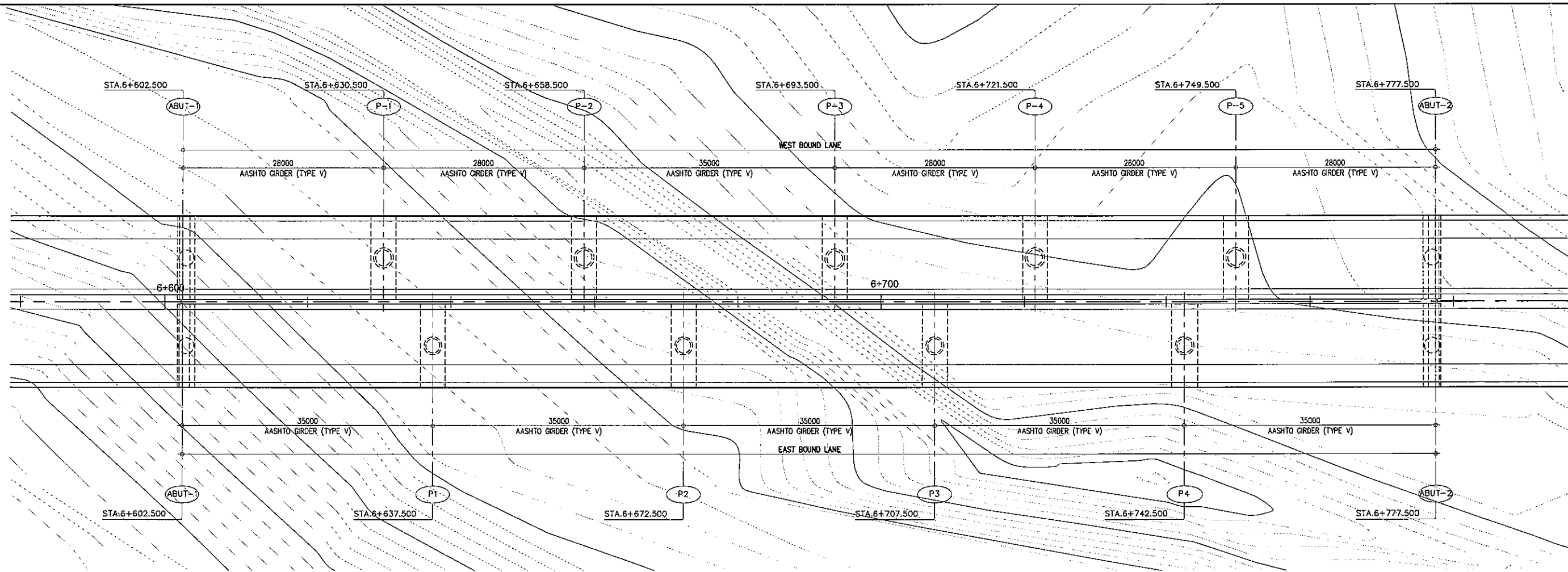
A GENERAL PLAN
SCALE 1:500



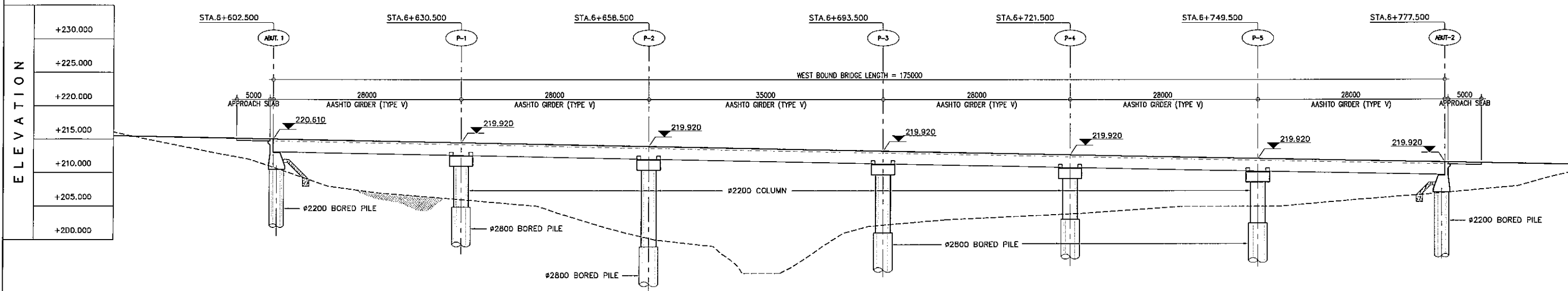
B GENERAL ELEVATION (EAST BOUND LANE)
SCALE 1:500

STATION	6+600					6+700					
FINISHED GRADE ELEVATION	221.449	221.054	220.659	220.265	219.870	219.476	219.081	218.686	218.292	217.897	217.503
EXISTING GROUND ELEVATION	227.568	221.856	215.198	212.404	209.495	207.160	204.135	207.408	207.918	208.395	208.844

PROJECT TITLE	SCALE	SHEET CONTENT	DRAWING NO.
Preparatory survey for expressway project in Mega Manila Region CALA (CAVITE - LAGUNA)	AS SHOWN	BRIDGE No.8 GENERAL VIEW STA.6+602.500 - STA.6+777.500 (EAST BOUND)	H-15
			SHEET NO.
			1 OF 3



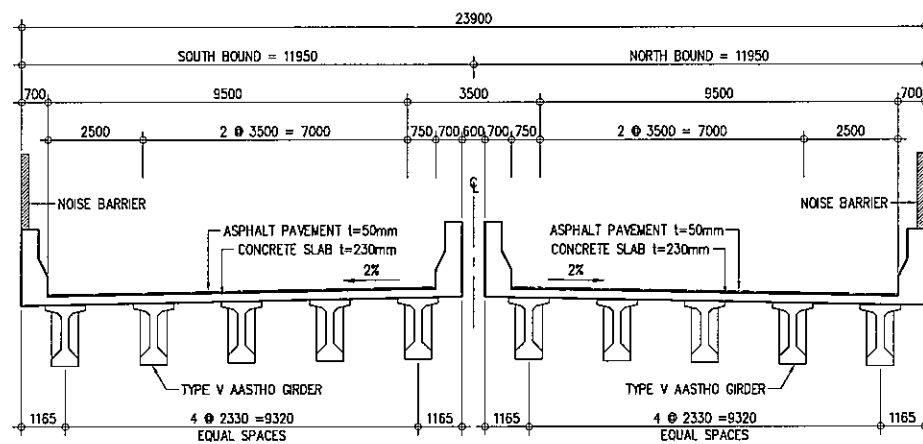
A GENERAL PLAN
SCALE 1:600



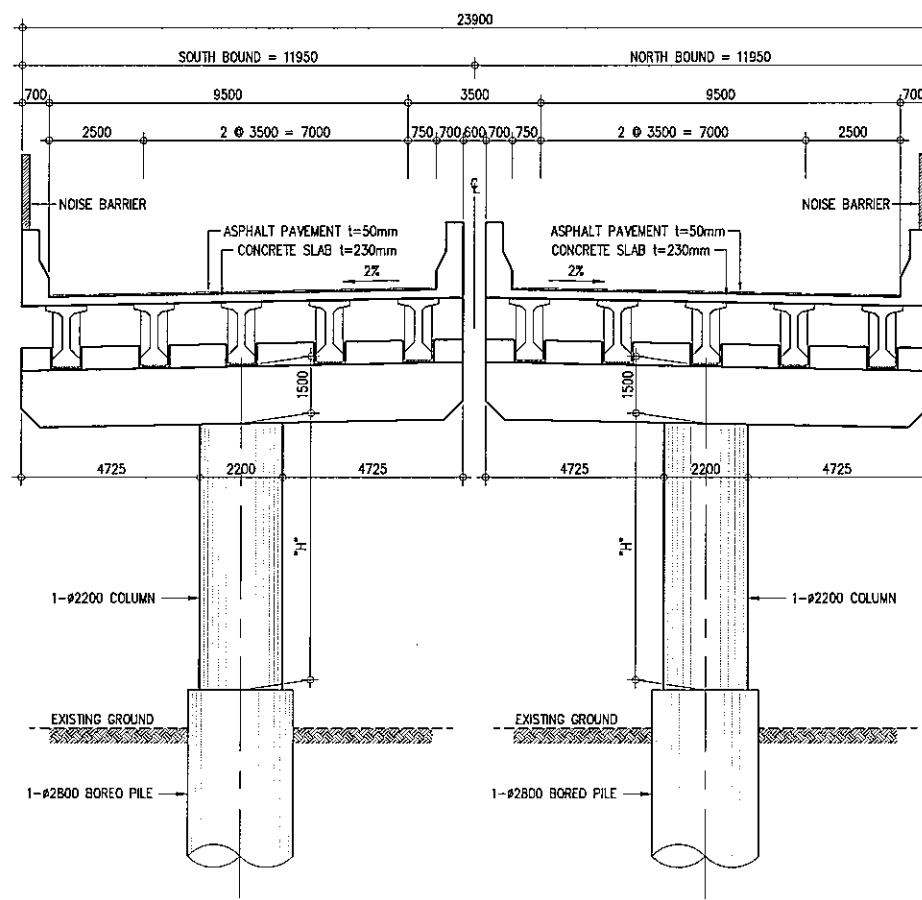
B GENERAL ELEVATION (WEST BOUND LANE)
SCALE 1:600

STATION	6+600				6+700			
FINISHED GRADE ELEVATION	221.449	221.054	220.659	220.265	219.870	219.476	219.081	218.686
EXISTING GROUND ELEVATION	221.874	217.472	212.791	211.127	205.872	202.332	208.788	209.827

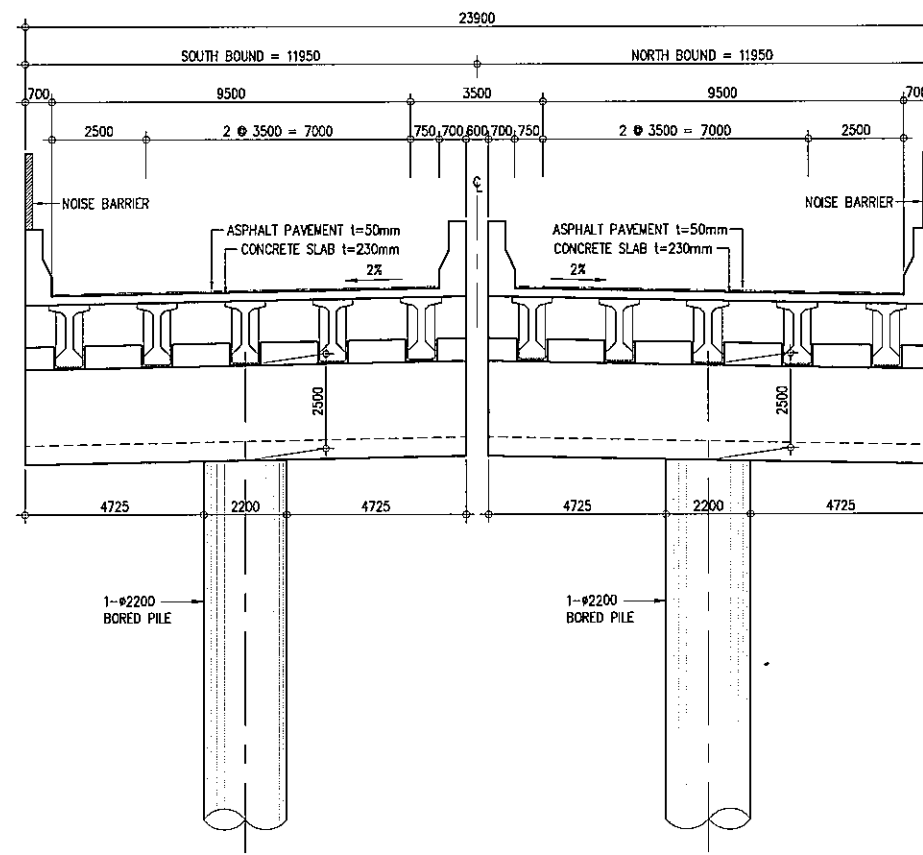
PROJECT TITLE	SCALE	SHEET CONTENT	DRAWING NO.
Preparatory survey for expressway project in Mega Manila Region CALA (CAVITE - LAGUNA)	AS SHOWN	BRIDGE No.8 GENERAL VIEW STA.6+602.500 - STA.6+777.500 (WEST BOUND)	H-16 SHEET NO. 2 OF 3



A SUPER STRUCTURE
SCALE 1:200

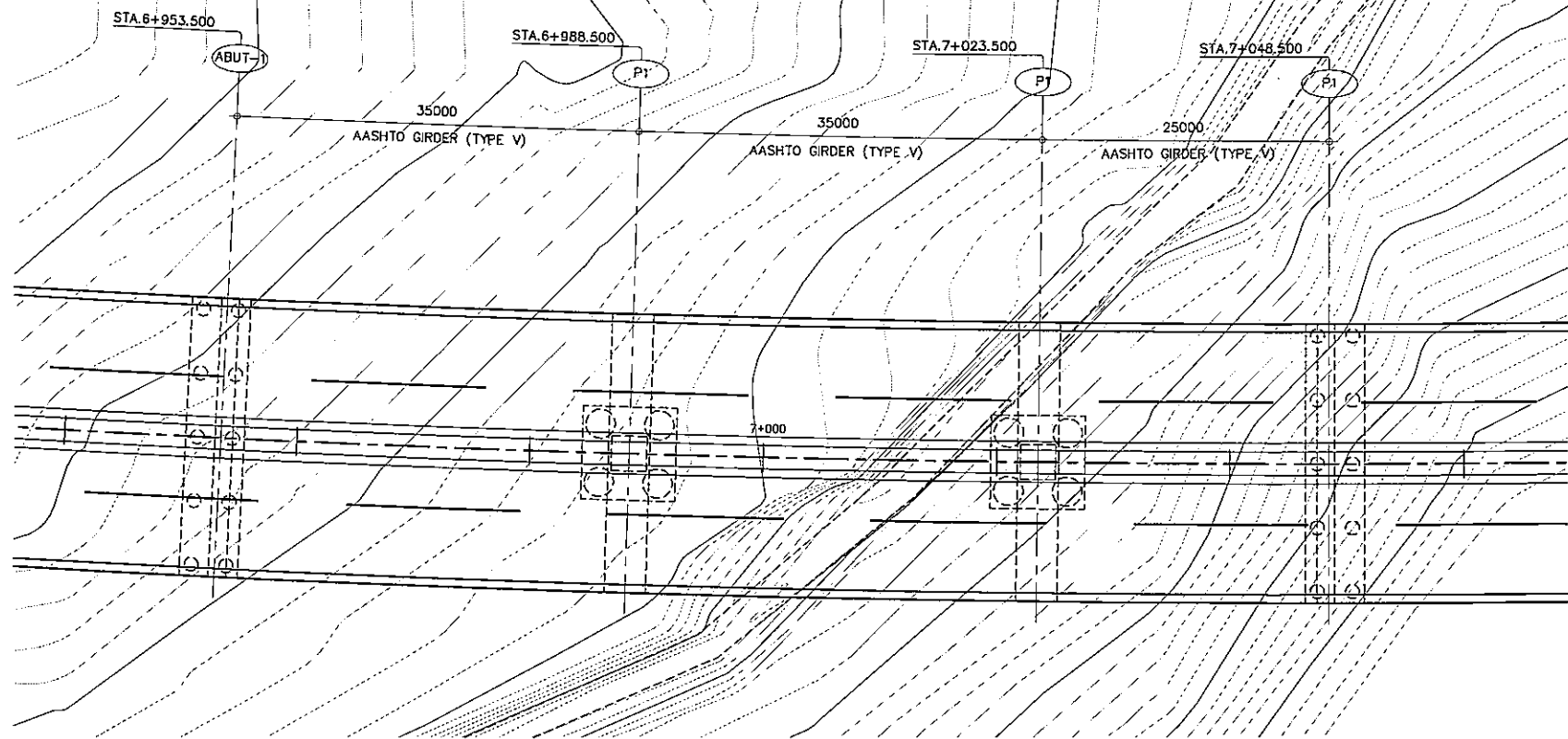


B CROSS SECTION - PIER
SCALE 1:200

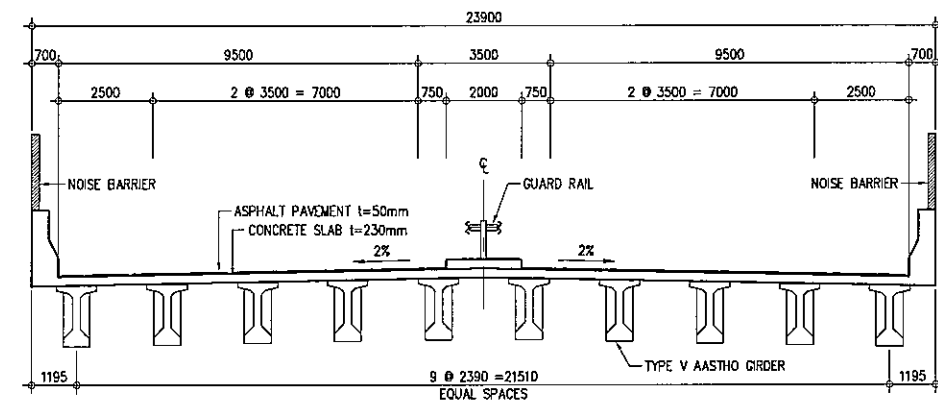


C CROSS SECTION - ABUTMENT
SCALE 1:200

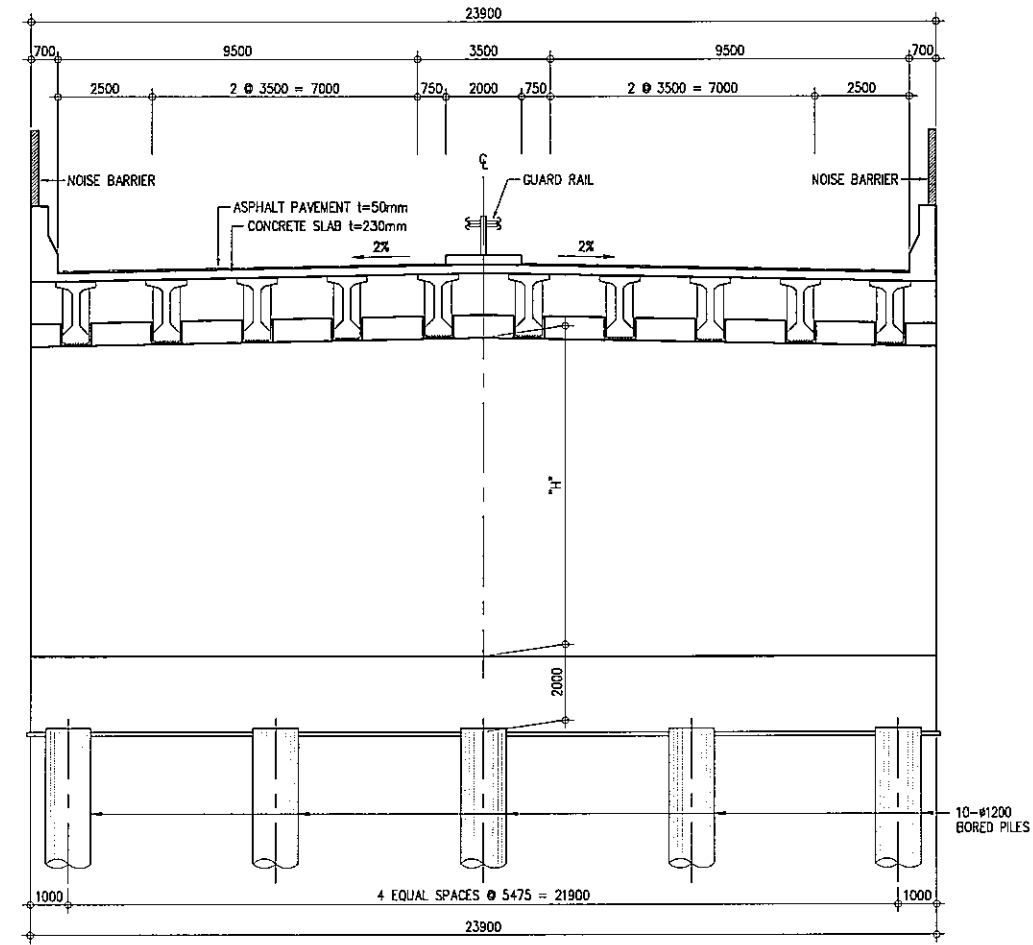
PROJECT TITLE	SCALE	SHEET CONTENT	DRAWING NO.
Preparatory survey for expressway project in Mega Manila Region CALA (CAVITE - LAGUNA)	AS SHOWN	BRIDGE No.8 STRUCTURE CROSS SECTION	H-17
			SHEET NO.
			3 OF 3



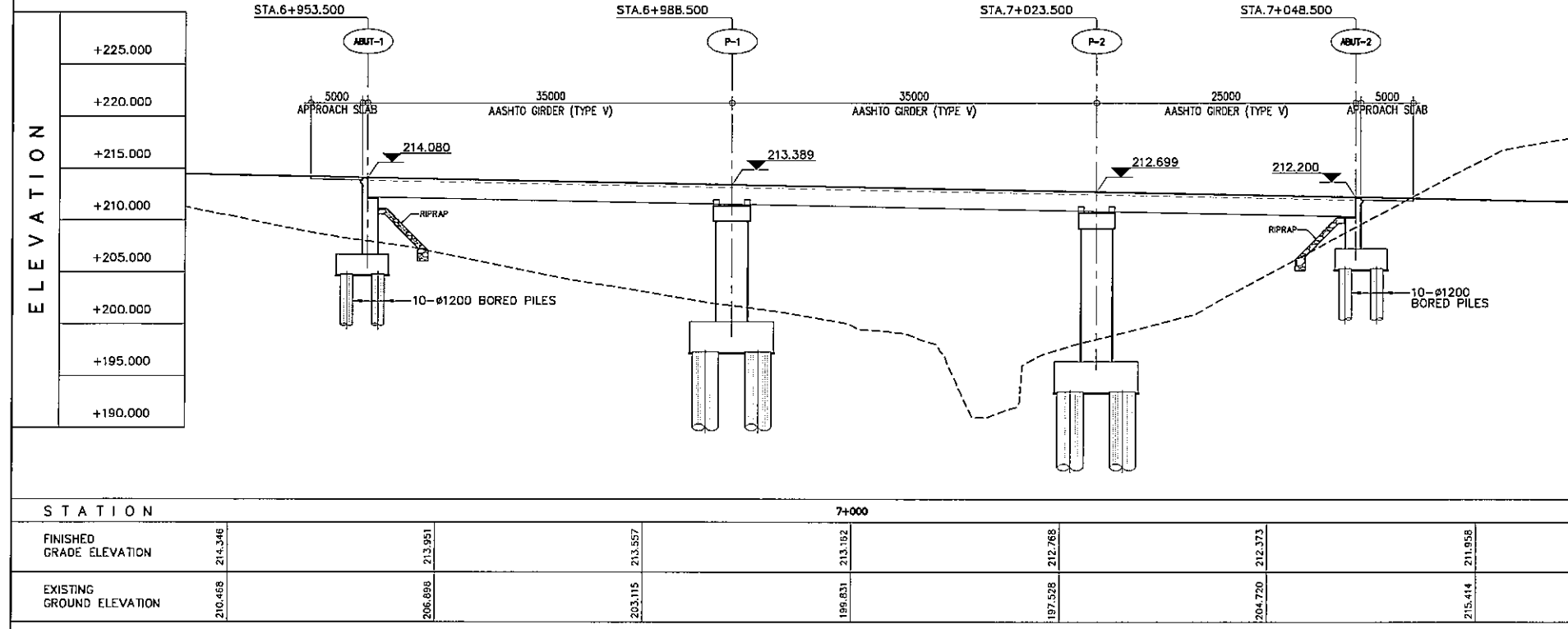
A GENERAL PLAN
SCALE 1:600



C SUPER STRUCTURE
SCALE 1:200



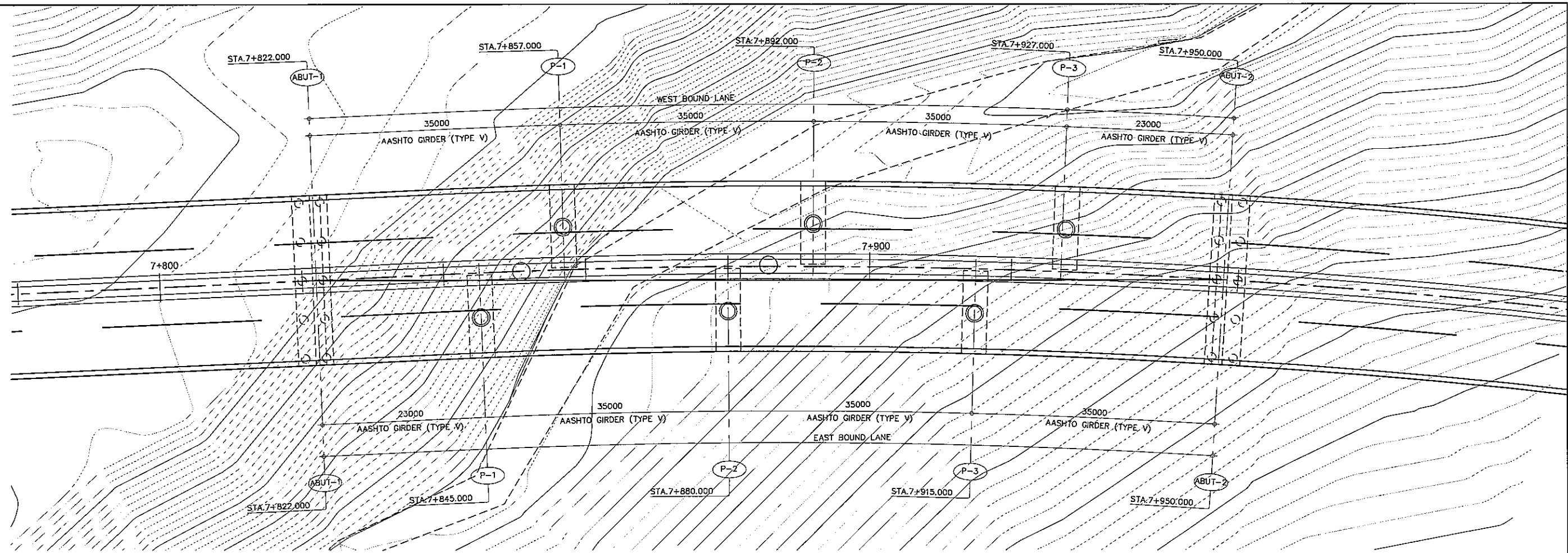
D CROSS SECTION - ABUTMENT
SCALE 1:200



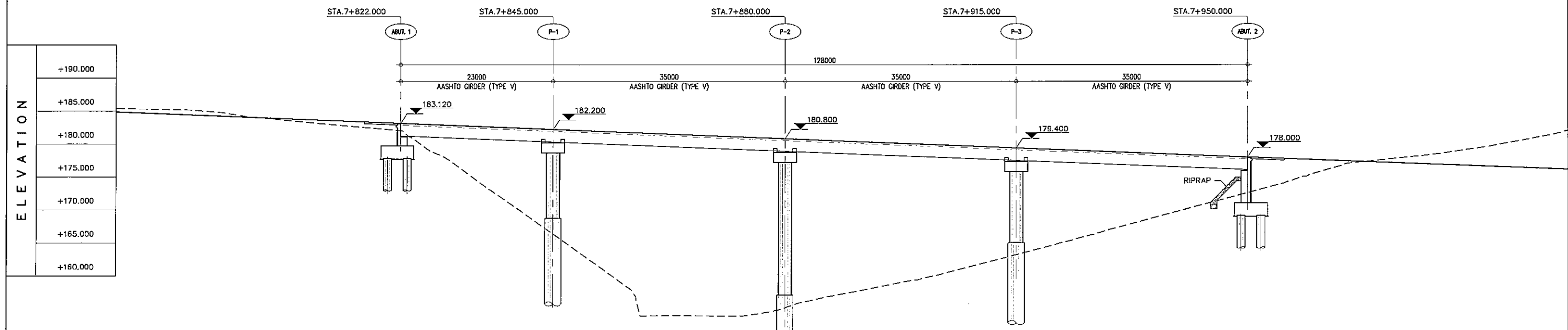
B GENERAL ELEVATION
SCALE 1:600

STATION	7+000		7+000		7+000	
FINISHED GRADE ELEVATION	214.346	213.951	213.152	212.768	212.373	211.955
EXISTING GROUND ELEVATION	210.468	206.890	203.115	199.631	197.528	204.720

PROJECT TITLE	SCALE	SHEET CONTENT	DRAWING NO.
Preparatory survey for expressway project in Mega Manila Region CALA (CAVITE - LAGUNA)	AS SHOWN	BRIDGE No.9 GENERAL VIEW STA.6+953.500 - STA.7+048.500	H-18
			SHEET NO.
			1 OF 1



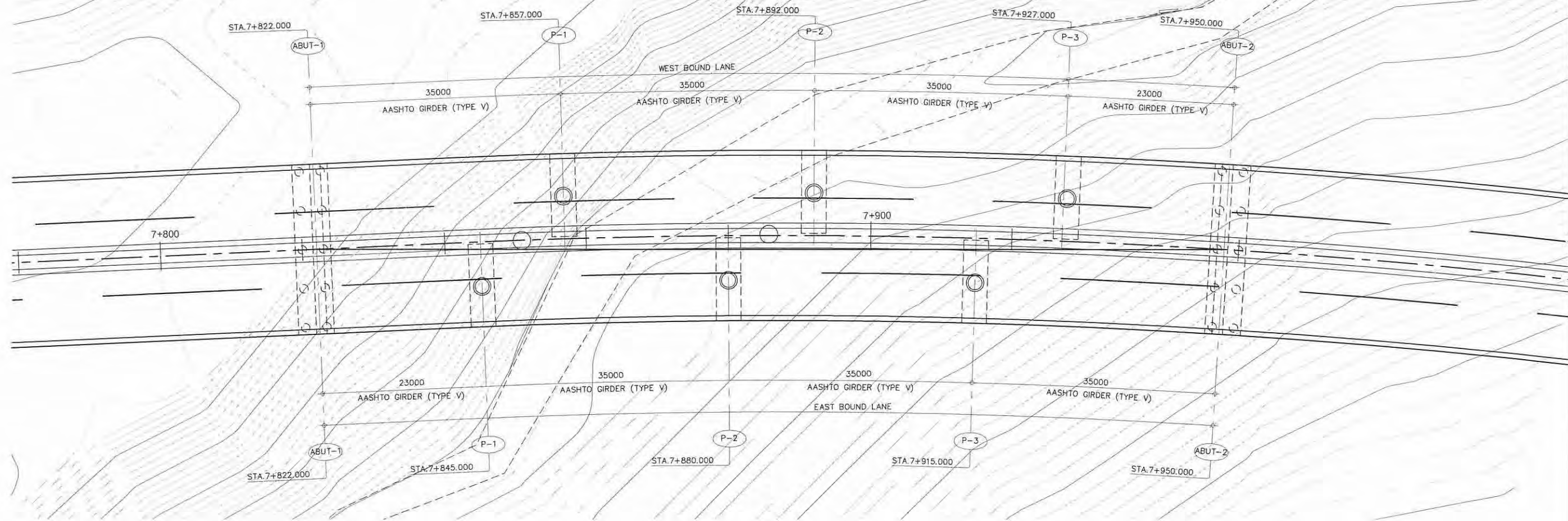
A GENERAL PLAN
SCALE 1:600



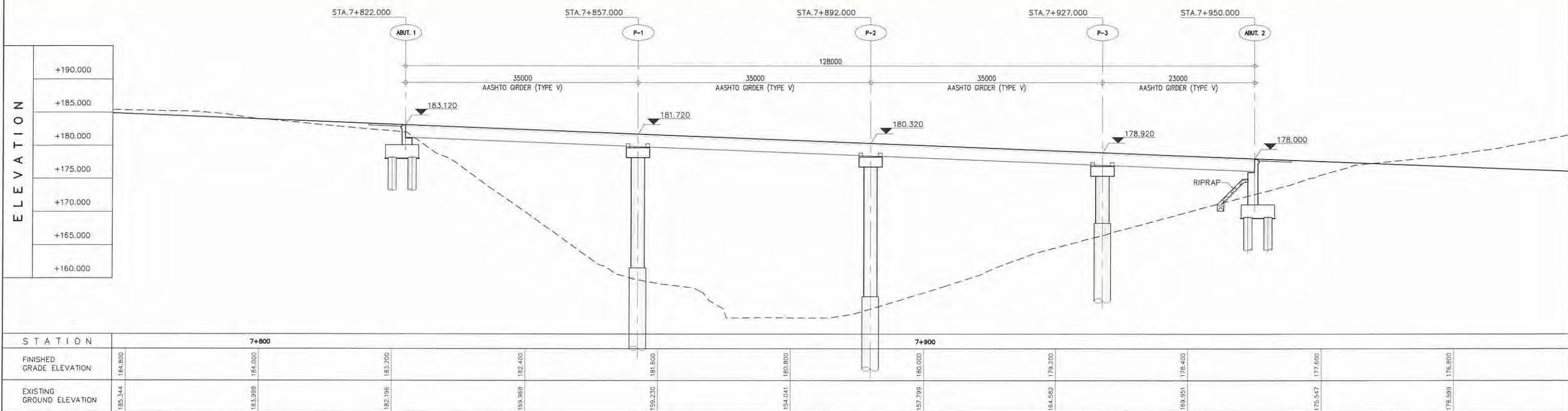
B GENERAL ELEVATION (EAST BOUND LANE)
SCALE 1:600

STATION	7+900										
FINISHED GRADE ELEVATION	183.120	184.000	183.200	187.400	181.600	180.800	180.000	179.200	178.400	177.600	176.800
EXISTING GROUND ELEVATION	183.988	183.988	182.186	180.988	154.035	155.280	159.433	164.582	168.951	175.547	175.599

PROJECT TITLE	SCALE	SHEET CONTENT	DRAWING NO.
Preparatory survey for expressway project in Mega Manila Region CALA (CAVITE - LAGUNA)	AS SHOWN	BRIDGE No.10 GENERAL VIEW STA.7+822.000 - STA.7+950.000 (EAST BOUND)	H-19
			SHEET NO.
			1 OF 3

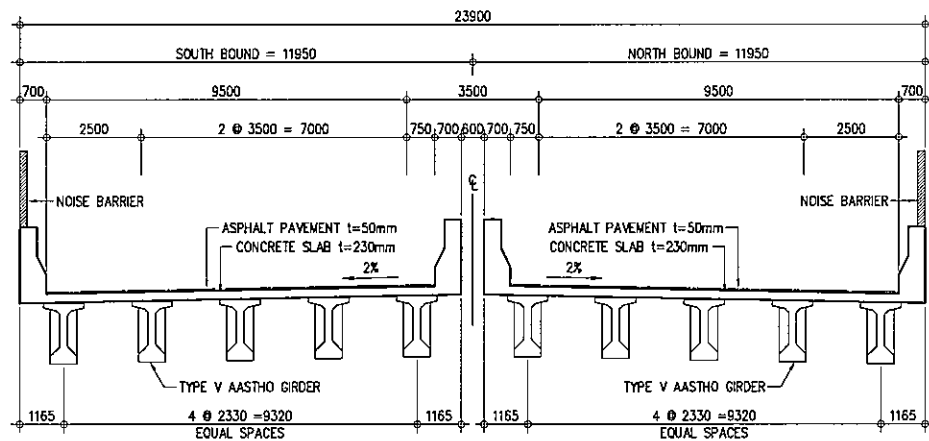


A GENERAL PLAN
SCALE 1:600

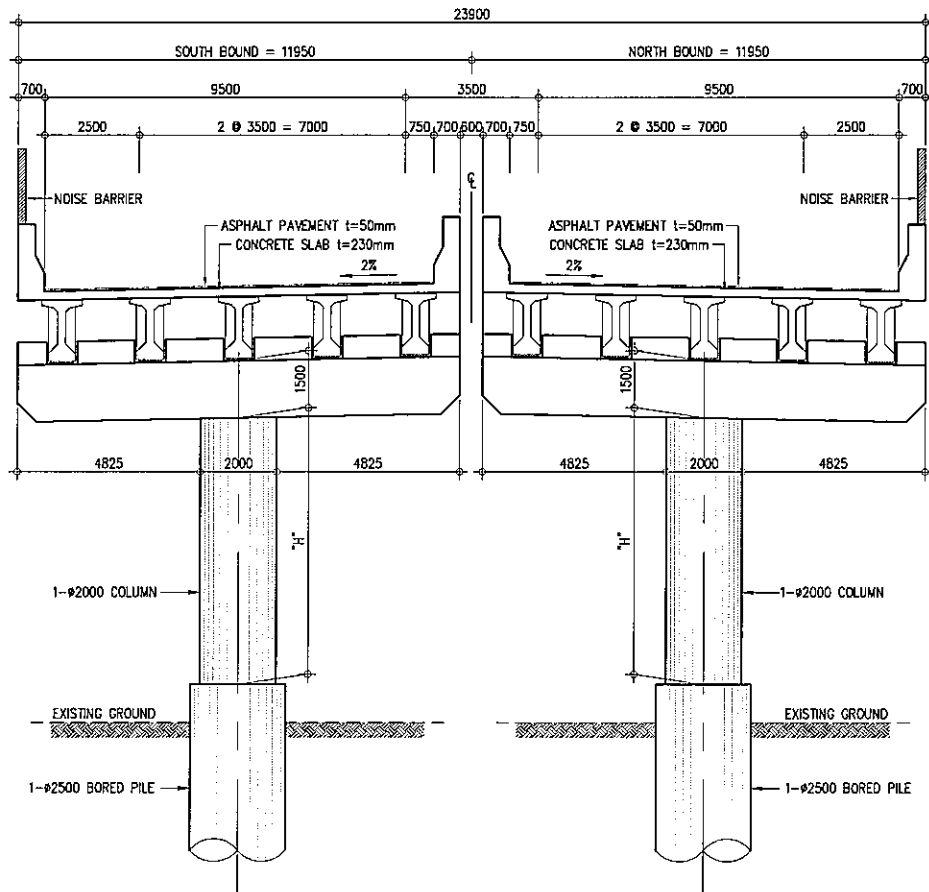


B GENERAL ELEVATION (SOUTH BOUND LANE)
SCALE 1:600

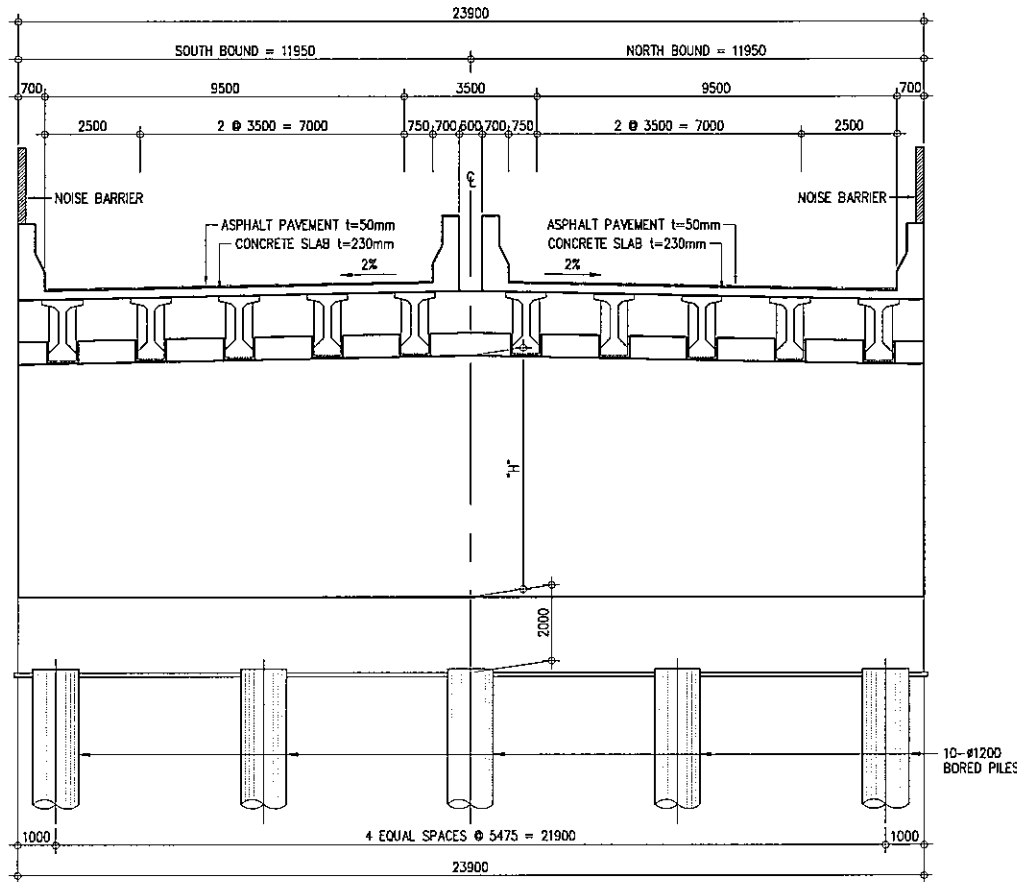
PROJECT TITLE	SCALE	SHEET CONTENT	DRAWING NO.
Preparatory survey for expressway project in Mega Manila Region CALA (CAVITE - LAGUNA)	AS SHOWN	BRIDGE No.10 GENERAL VIEW STA. 7+822.000 - STA. 7+950.000 (WEST BOUND)	H-20 SHEET NO. 2 OF 3



A SUPER STRUCTURE
 SCALE 1:200

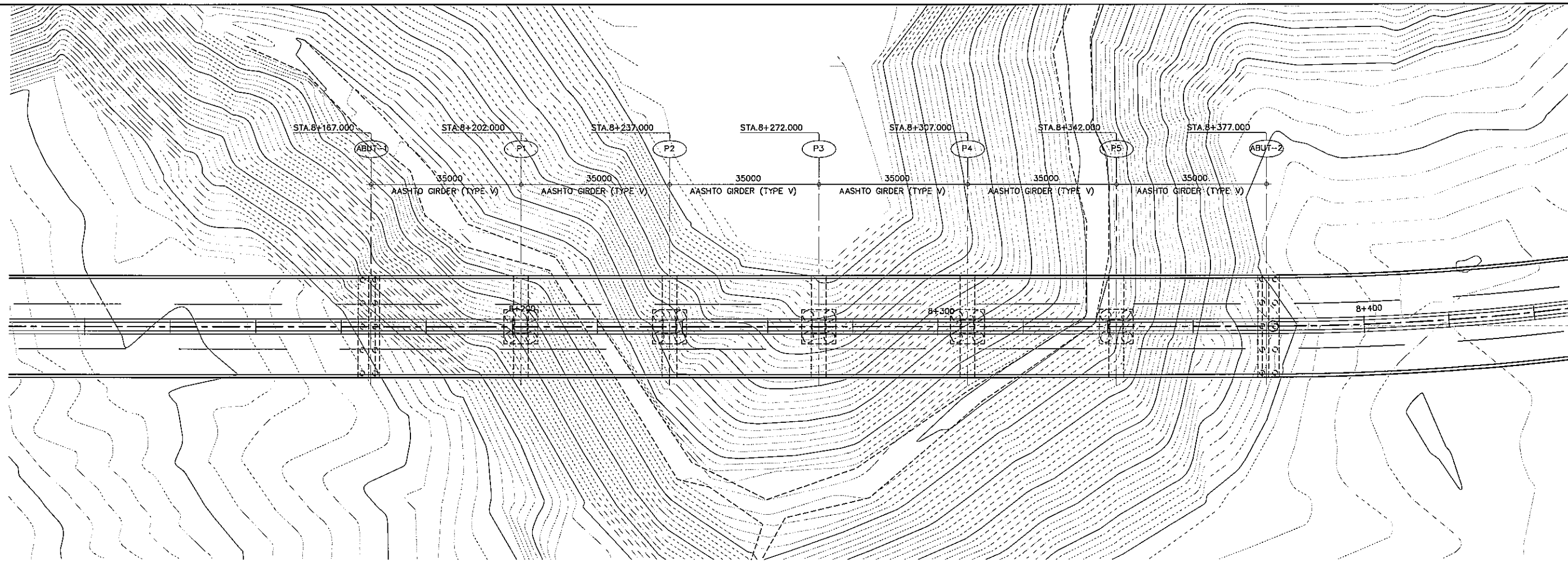


B CROSS SECTION - PIER
 SCALE 1:200

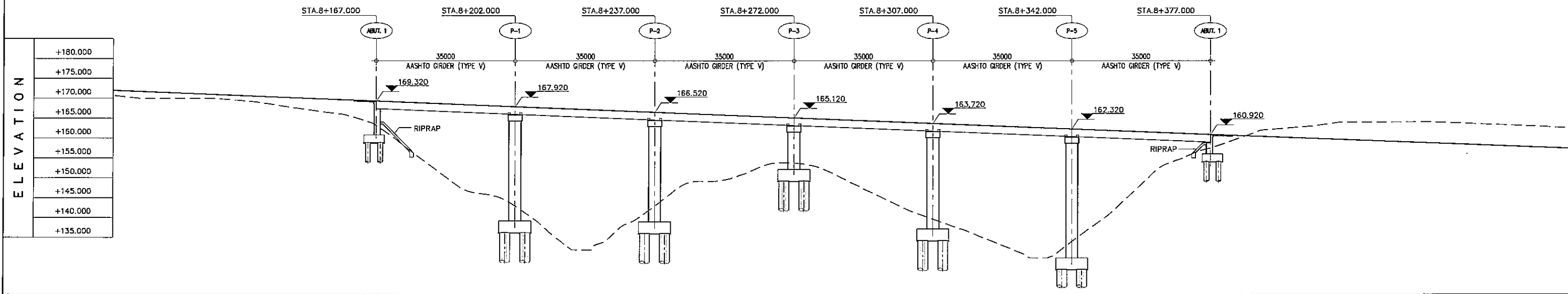


C CROSS SECTION - ABUTMENT
 SCALE 1:200

PROJECT TITLE	SCALE	SHEET CONTENT	DRAWING NO.
Preparatory survey for expressway project in Mega Manila Region CALA (CAVITE - LAGUNA)	AS SHOWN	BRIDGE No.10 STRUCTURE CROSS SECTION	H-21
			SHEET NO.
			3 OF 3



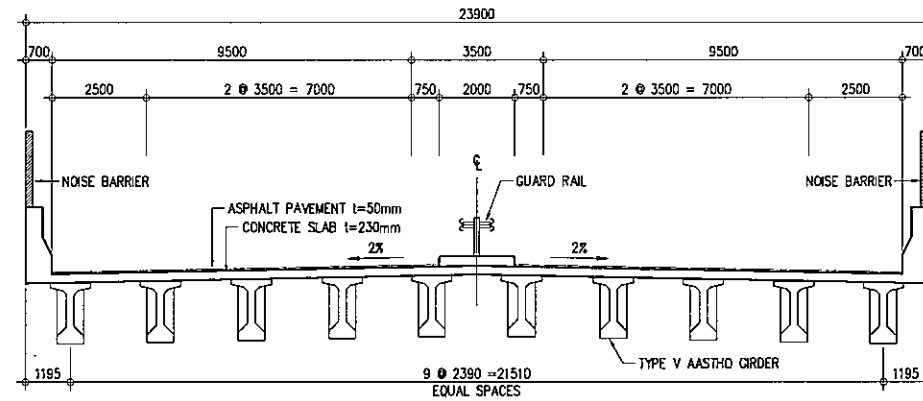
A GENERAL PLAN
SCALE 1:1000



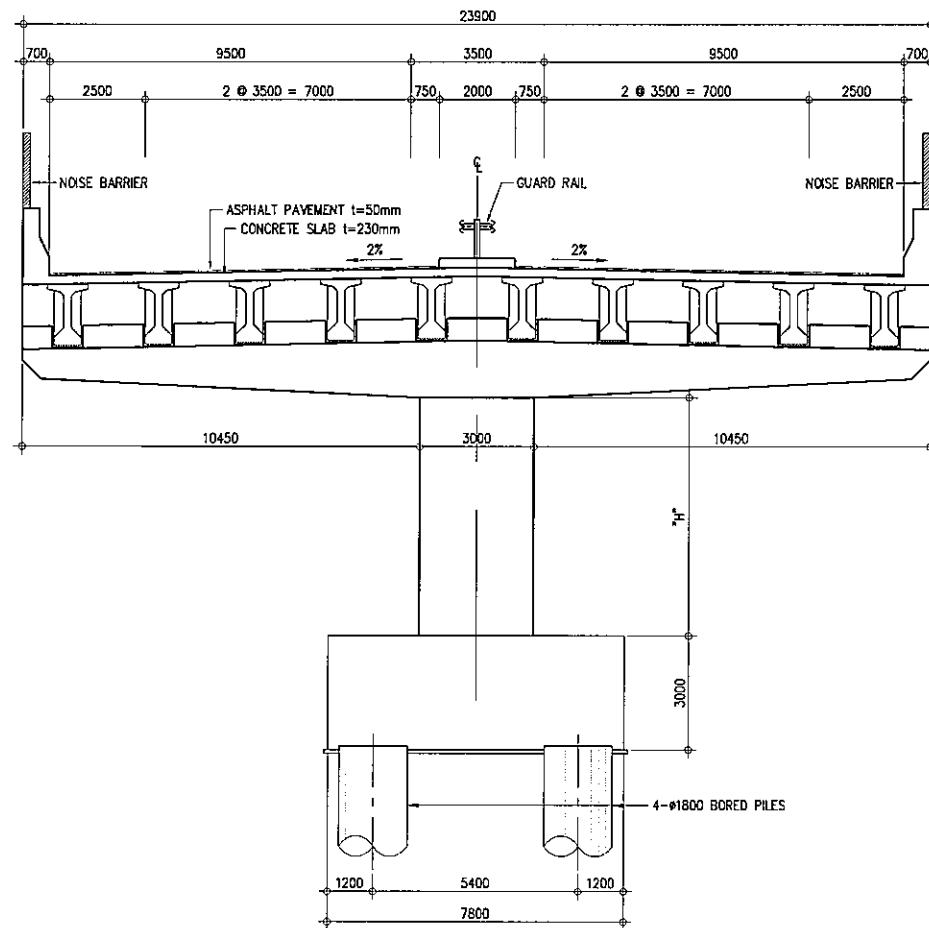
STATION	+	00	+	200	+	300	+	400										
FINISHED GRADE ELEVATION	171.200	170.400	169.600	168.800	168.000	167.200	166.400	165.600	164.800	164.000	163.200	162.400	161.600	160.800	160.000	159.200	158.400	157.600
EXISTING GROUND ELEVATION	170.004	168.680	165.695	153.640	144.267	131.965	145.284	151.259	151.989	142.315	134.931	132.581	149.789	156.530	162.835	163.999	163.703	162.883

B GENERAL ELEVATION
SCALE 1:1000

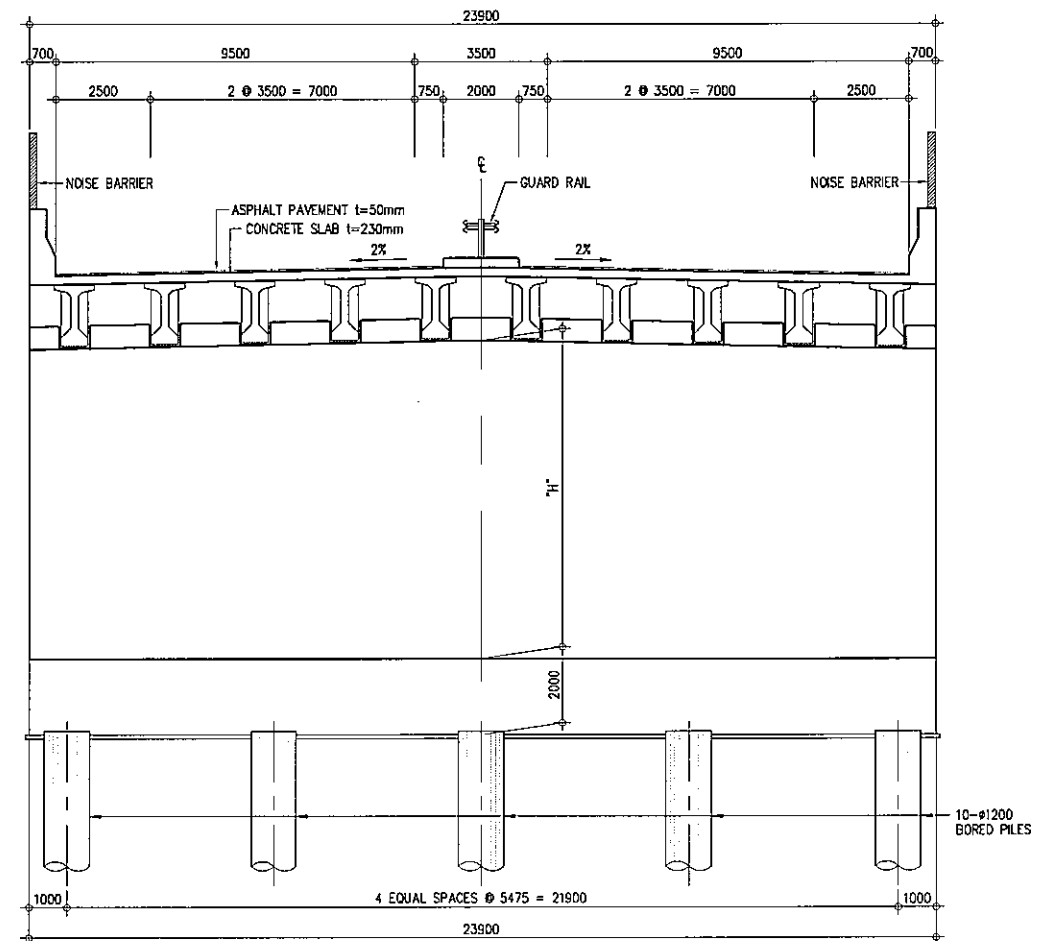
PROJECT TITLE	SCALE	SHEET CONTENT	DRAWING NO.
Preparatory survey for expressway project in Mega Manila Region CALA (CAVITE - LAGUNA)	AS SHOWN	BRIDGE No. 11 GENERAL VIEW STA. 8+167.000 - STA. 8+377.000	H-22 SHEET NO. 1 OF 2



A SUPER STRUCTURE
SCALE 1:200

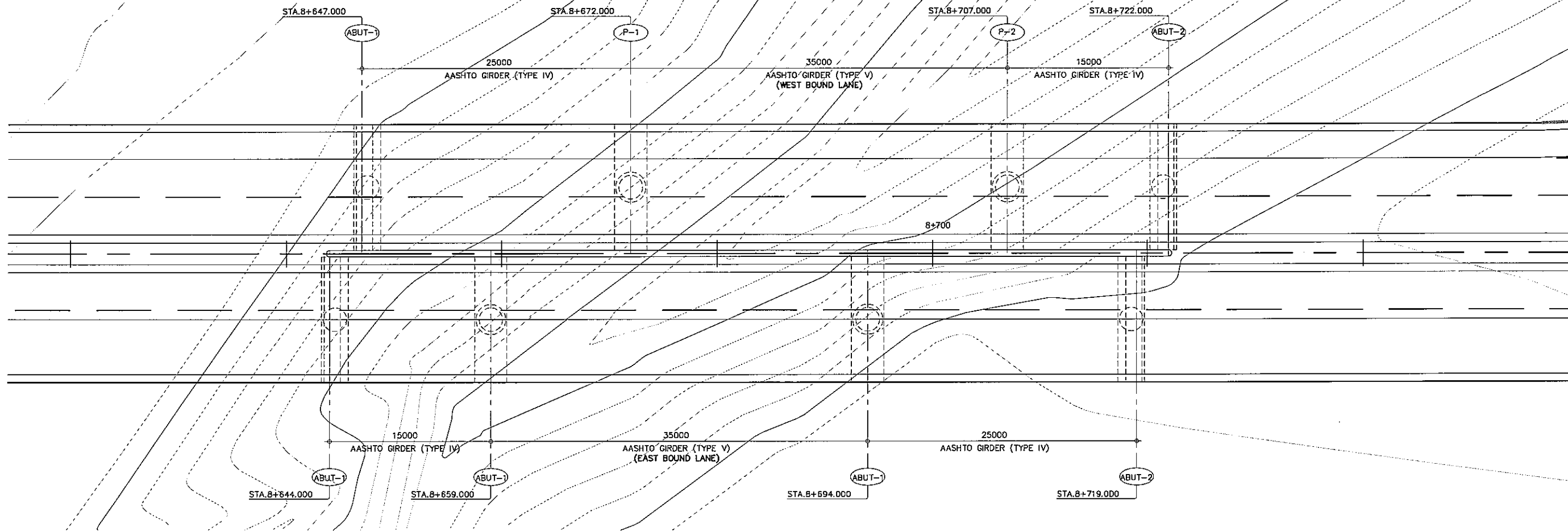


B CROSS SECTION - PIER
SCALE 1:200

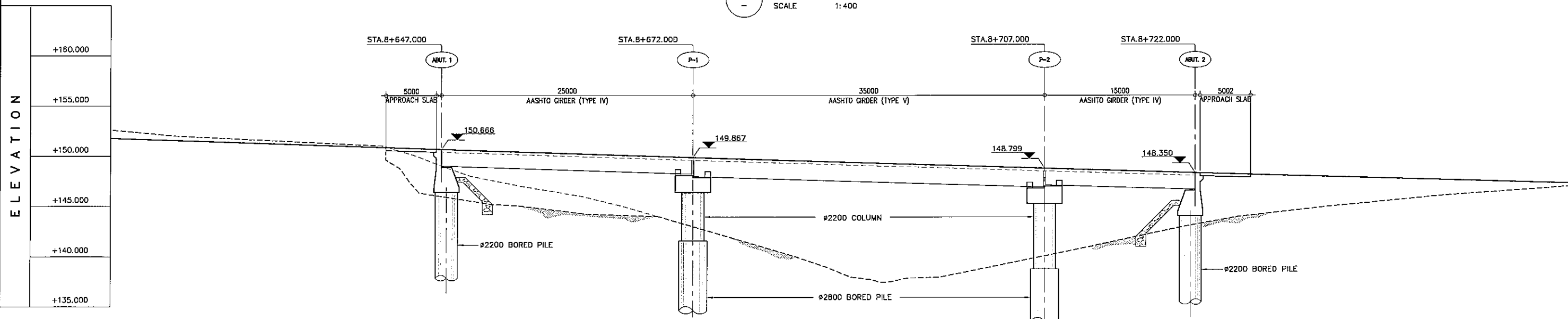


C CROSS SECTION - ABUTMENT
SCALE 1:200

PROJECT TITLE	SCALE	SHEET CONTENT	DRAWING NO.
Preparatory survey for expressway project in Mega Manila Region CALA (CAVITE - LAGUNA)	AS SHOWN	BRIDGE No.11 STRUCTURE CROSS SECTION	H-23
			SHEET NO.
			2 OF 2



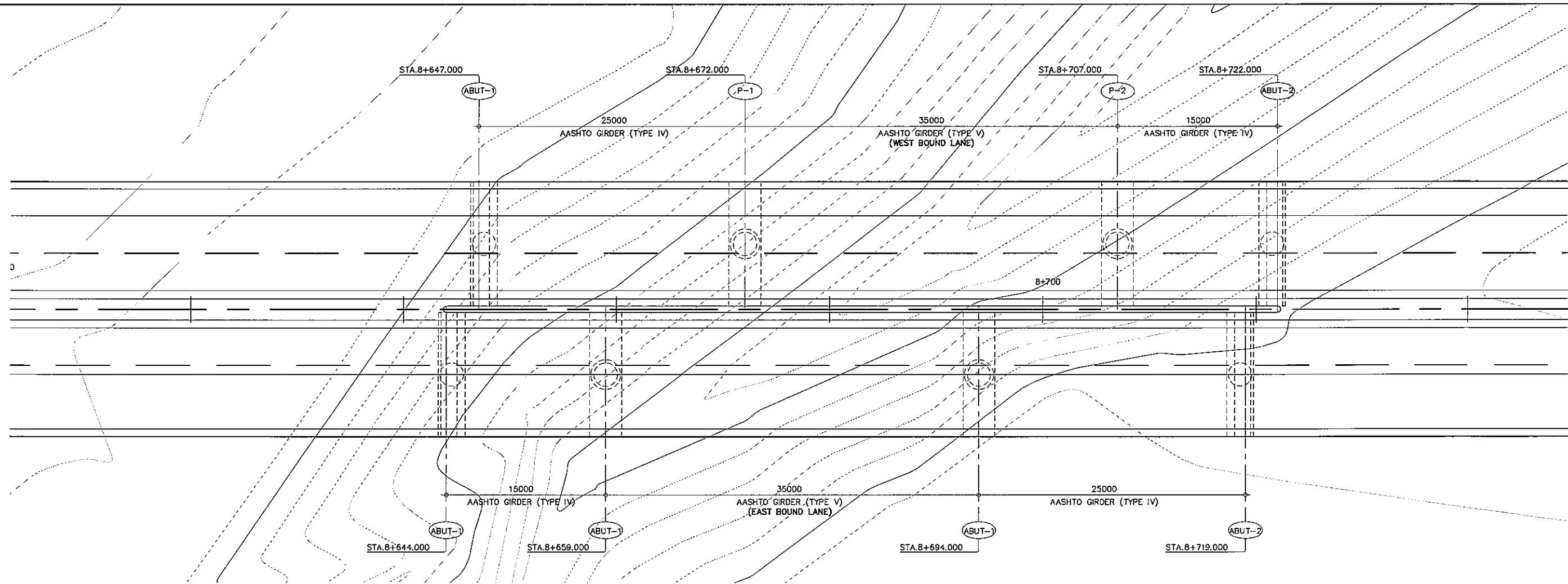
A GENERAL PLAN
SCALE 1:400



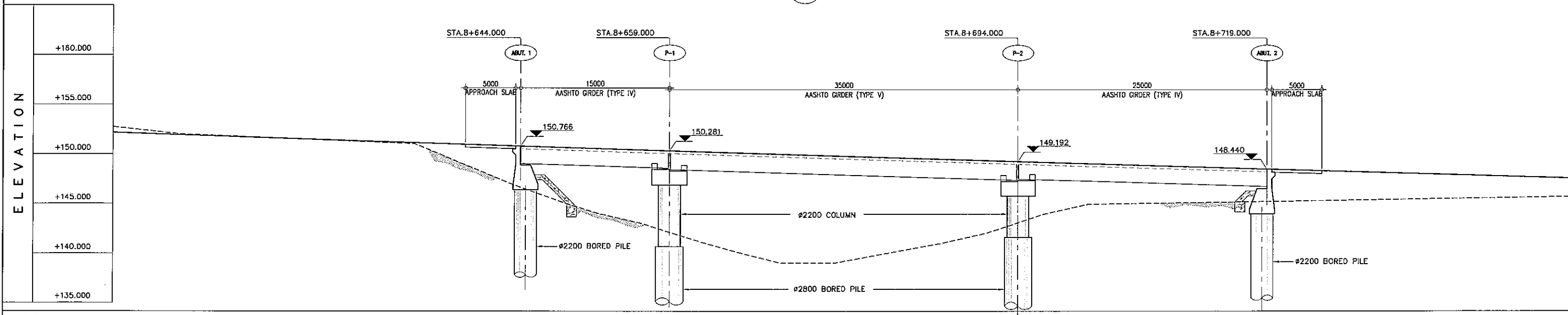
B GENERAL ELEVATION (WEST BOUND LANE)
SCALE 1:400

STATION	8+647.000	8+672.000	8+707.000	8+722.000
FINISHED GRADE ELEVATION	151.506	150.898	148.240	147.812
EXISTING GROUND ELEVATION	132.056	151.060	146.164	145.462

PROJECT TITLE	SCALE	SHEET CONTENT	DRAWING NO.
Preparatory survey for expressway project in Mega Manila Region CALA (CAVITE - LAGUNA)	AS SHOWN	BRIDGE No. 12 GENERAL VIEW STA. 8+647.000S - TA. 8+722.000 (WEST BOUND)	H-24 SHEET NO. 1 OF 3



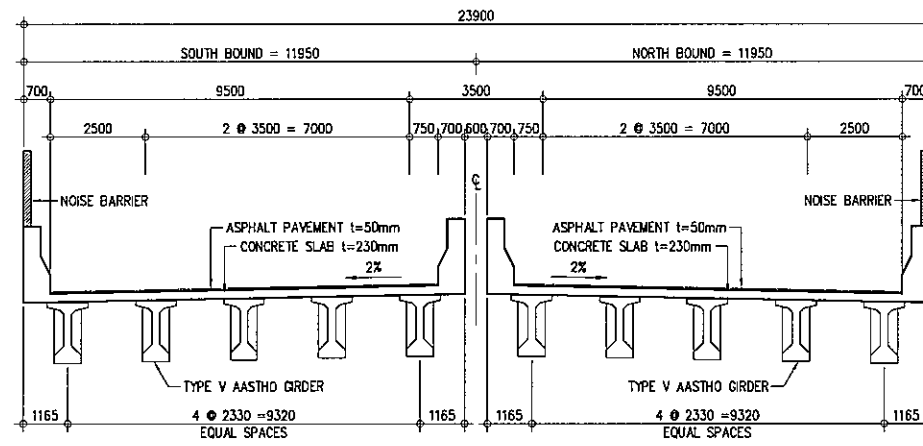
A GENERAL PLAN
SCALE 1:400



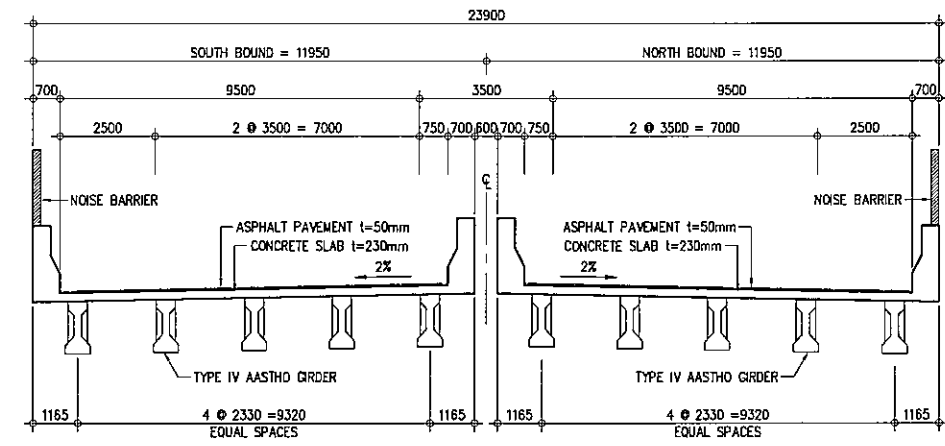
B GENERAL ELEVATION (EAST BOUND LANE)
SCALE 1:400

STATION	FINISHED GRADE ELEVATION	EXISTING GROUND ELEVATION
STA.8+644.000	151.966	151.568
STA.8+659.000	150.281	148.251
STA.8+694.000	149.192	139.814
STA.8+719.000	148.440	144.657

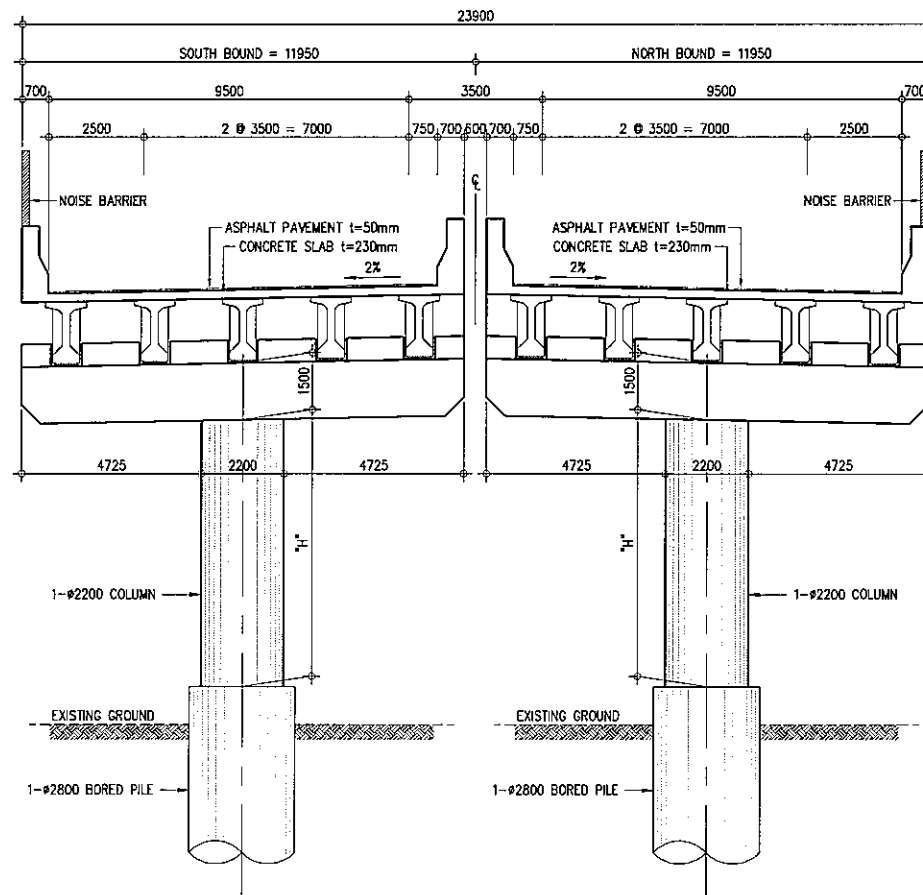
PROJECT TITLE	SCALE	SHEET CONTENT	DRAWING NO.
Preparatory survey for expressway project in Mega Manila Region CALA (CAVITE - LAGUNA)	AS SHOWN	BRIDGE No.12 GENERAL VIEW STA.8+644.000 - STA.8+719.000 (EAST BOUND)	H-25 SHEET NO. 2 OF 3



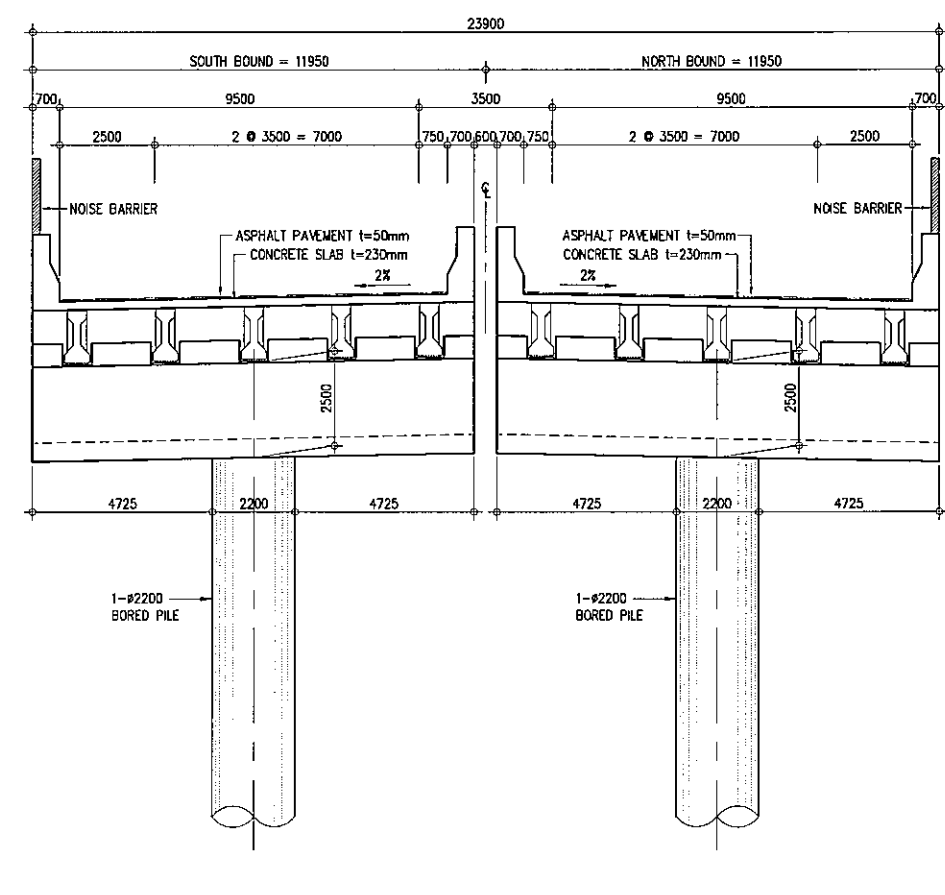
A SUPER STRUCTURE (TYPE V AASTHO GIRDER)
SCALE 1:200



B SUPER STRUCTURE (TYPE IV AASTHO GIRDER)
SCALE 1:200

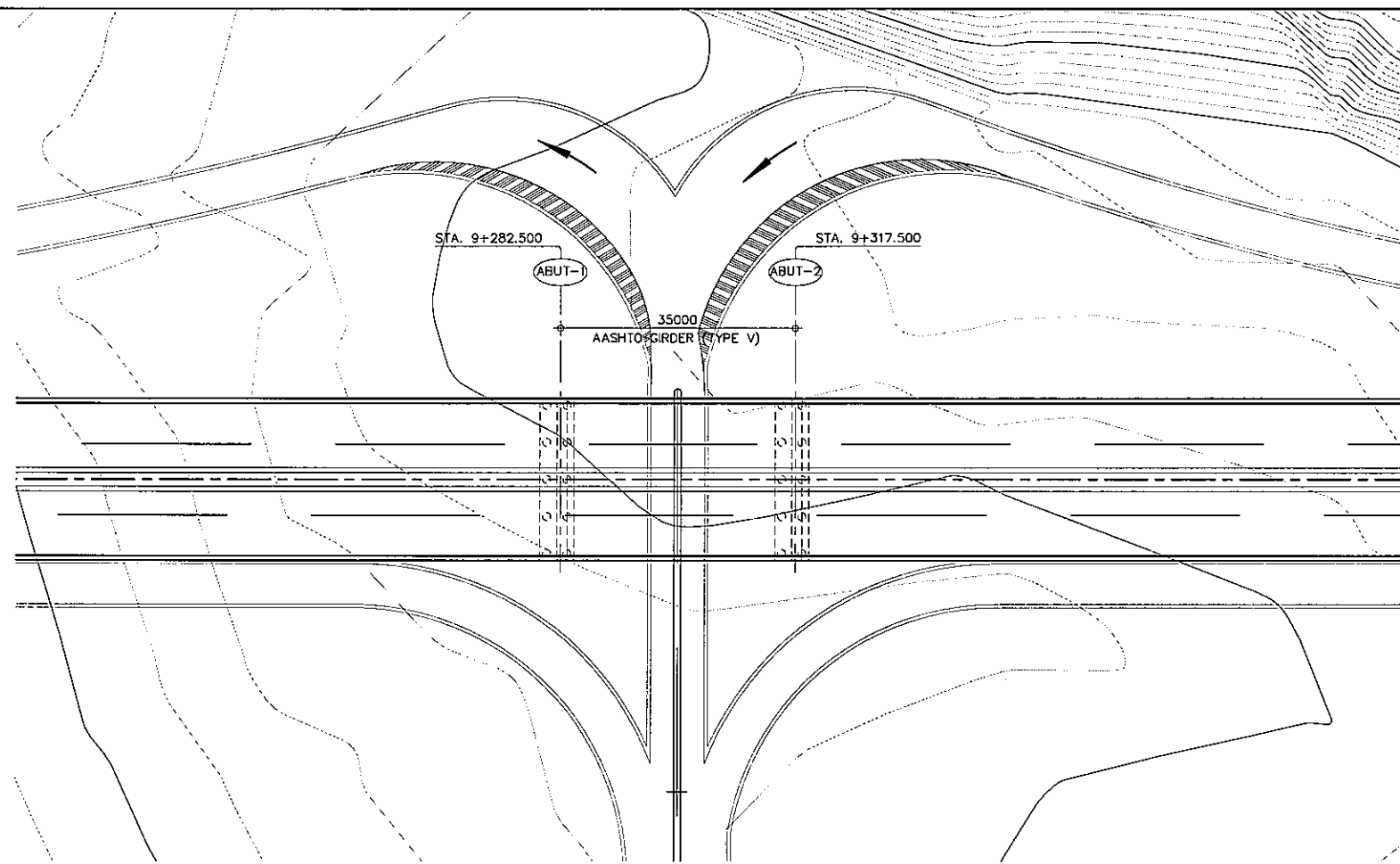


C CROSS SECTION - PIER
SCALE 1:200

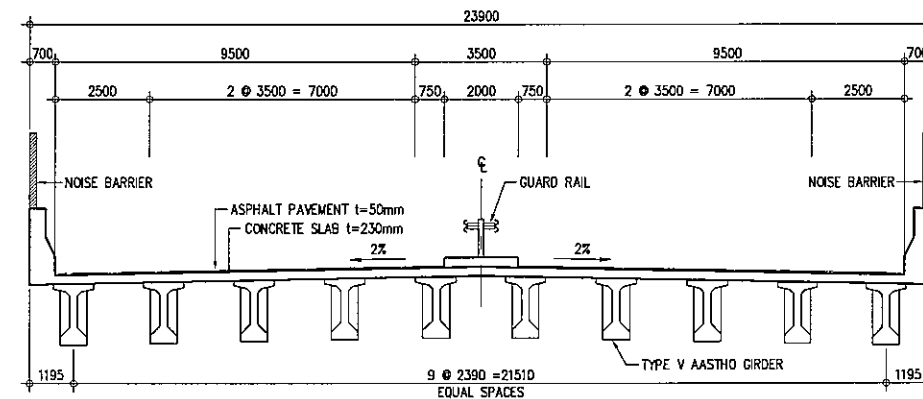


D CROSS SECTION - ABUTMENT
SCALE 1:200

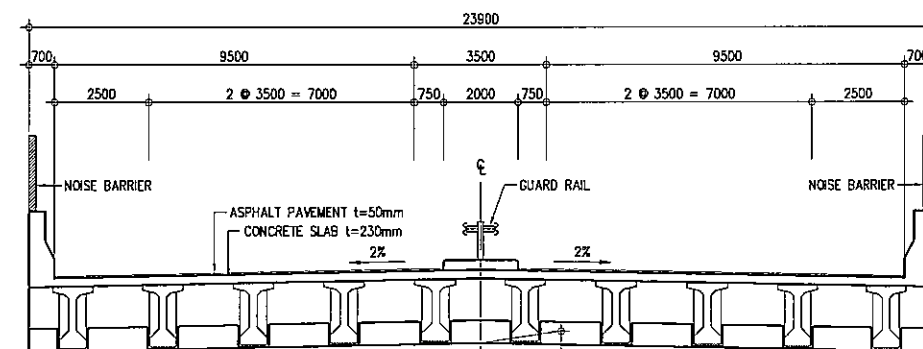
PROJECT TITLE	SCALE	SHEET CONTENT	DRAWING NO.
Preparatory survey for expressway project in Mega Manila Region CALA (CAVITE - LAGUNA)	AS SHOWN	BRIDGE No.12 STRUCTURE CROSS SECTION	H-26
			SHEET NO.
			3 OF 3



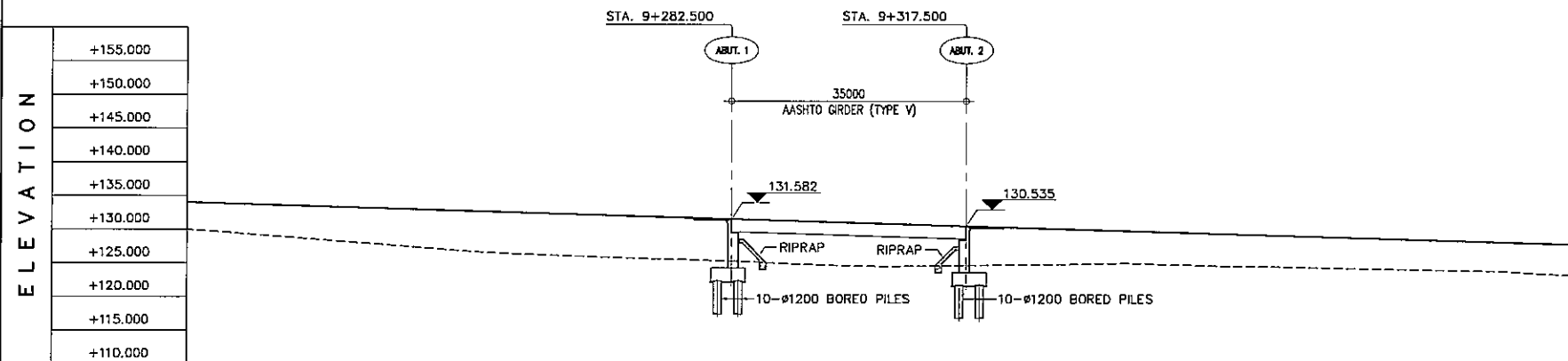
A GENERAL PLAN
SCALE 1:1000



C SUPER STRUCTURE
SCALE 1:200



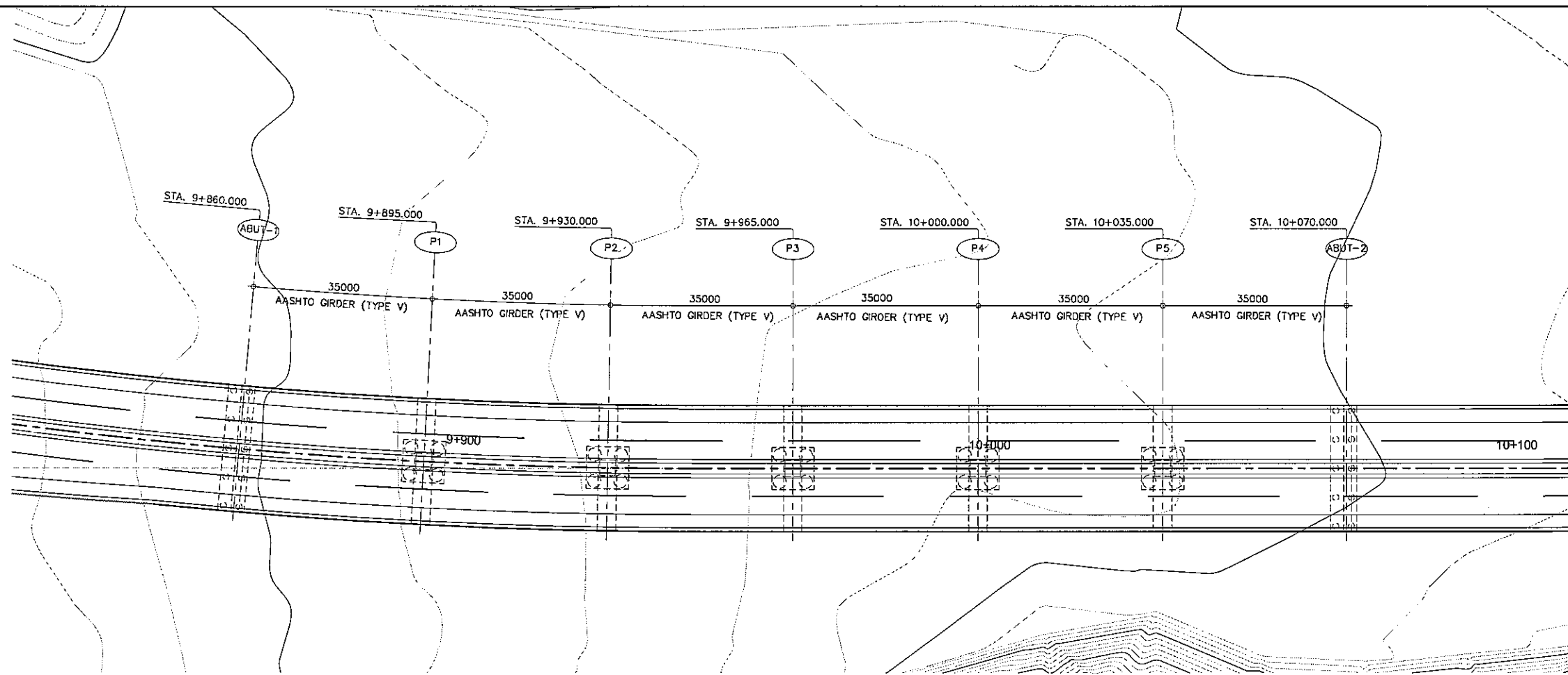
D CROSS SECTION - ABUTMENT
SCALE 1:200



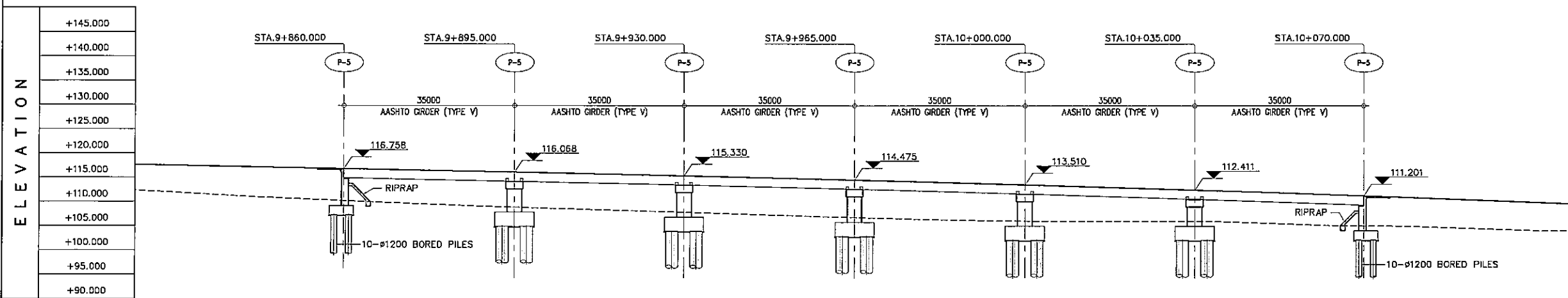
B GENERAL ELEVATION
SCALE 1:1000

ELEVATION	STA. 9+282.500					STA. 9+317.500				
	131.150	130.081	128.993	127.802	126.658	124.461	124.753	125.035	124.583	
FINISHED GRADE ELEVATION	134.648	134.050	133.452	132.853	132.255	131.657	131.058	129.862	128.263	
EXISTING GROUND ELEVATION	131.150	130.081	128.993	127.802	126.658	124.461	124.753	125.035	124.583	

PROJECT TITLE	SCALE	SHEET CONTENT	DRAWING NO.
Preparatory survey for expressway project in Mega Manila Region CALA (CAVITE - LAGUNA)	AS SHOWN	BRIDGE No.13 GENERAL VIEW STA. 9+282.500 - 9+317.500	H-27
			SHEET NO.
			1 OF 1



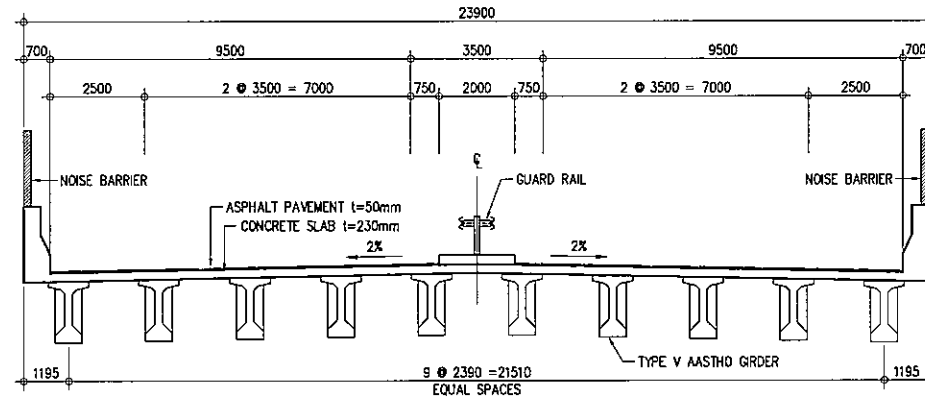
A GENERAL PLAN
SCALE 1:1000



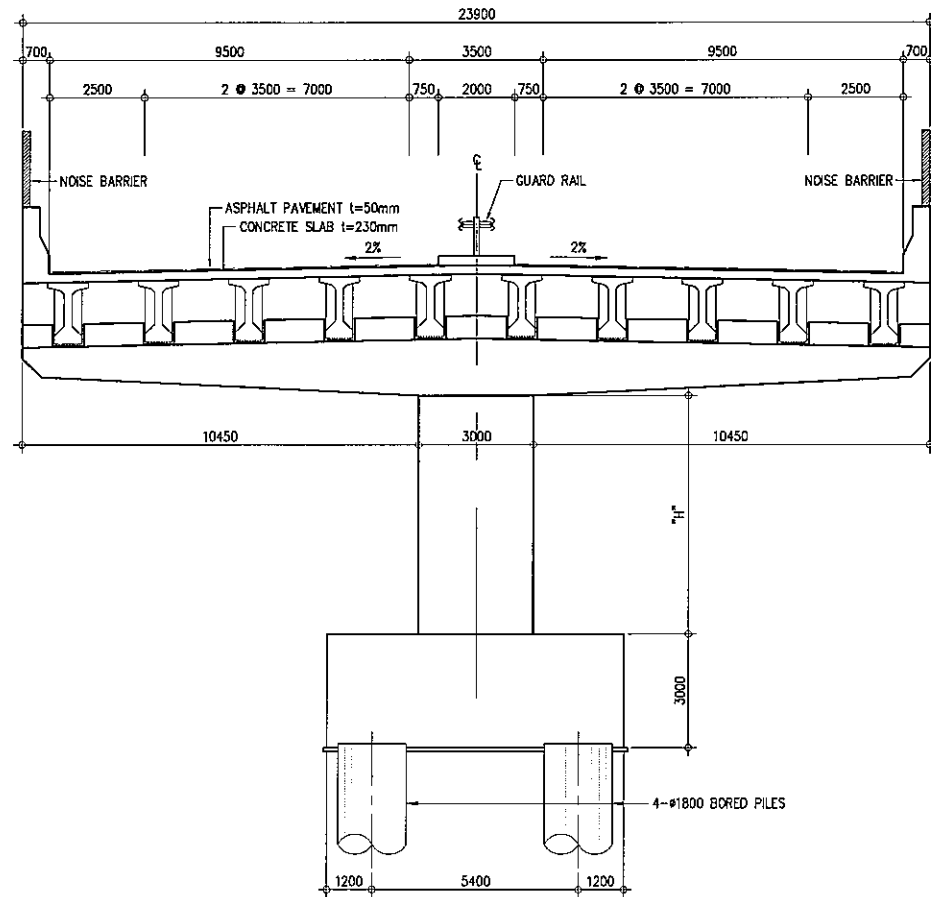
B GENERAL ELEVATION
SCALE 1:1000

STATION	9+900					10+000					10+100				
FINISHED GRADE ELEVATION	117.545	117.192	116.758	116.354	115.970	115.556	115.003	114.612	114.091	113.510	112.901	112.252	111.565	110.838	110.071
EXISTING GROUND ELEVATION	112.192	111.057	110.192	109.391	108.712	108.133	107.519	106.915	106.379	105.832	105.009	104.530	104.232	104.915	104.232

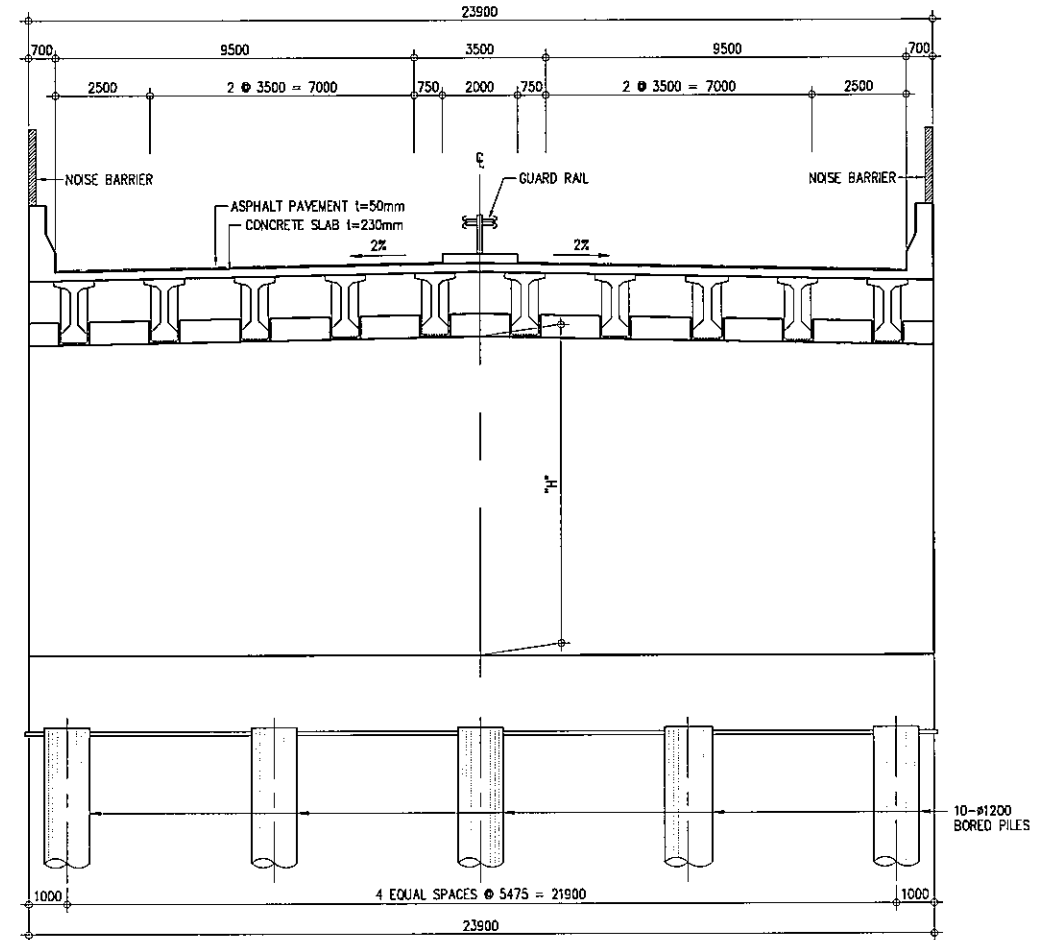
PROJECT TITLE	SCALE	SHEET CONTENT	DRAWING NO.
Preparatory survey for expressway project in Mega Manila Region CALA (CAVITE - LAGUNA)	AS SHOWN	BRIDGE No. 14 GENERAL VIEW STA. 9+860.000 - 10+070.000	H-28
			SHEET NO.
			1 OF 2



A SUPER STRUCTURE
SCALE 1:200

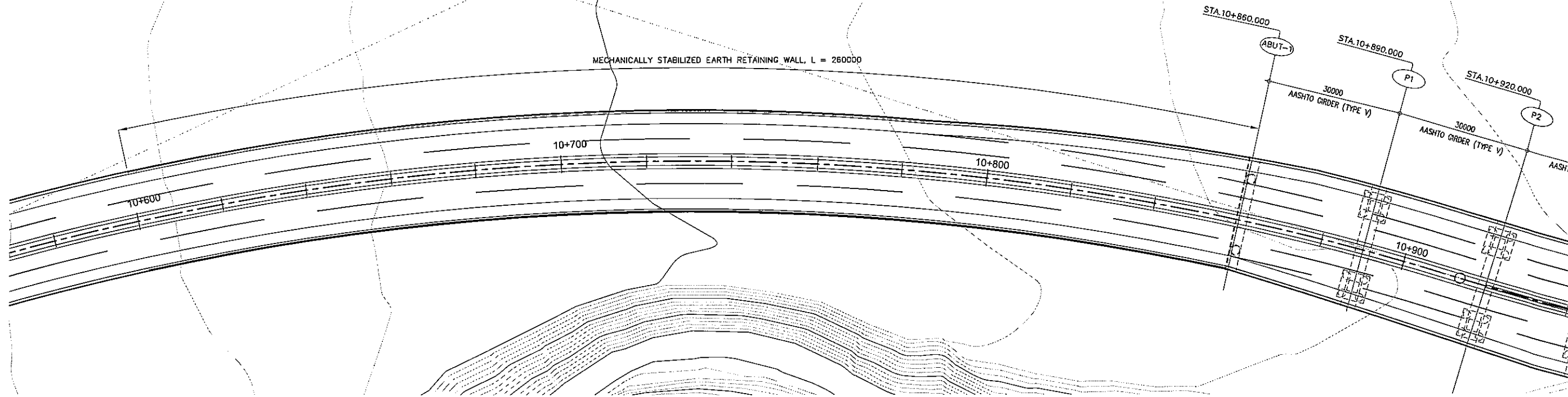


B CROSS SECTION - PIER
SCALE 1:200



C CROSS SECTION - ABUTMENT
SCALE 1:200

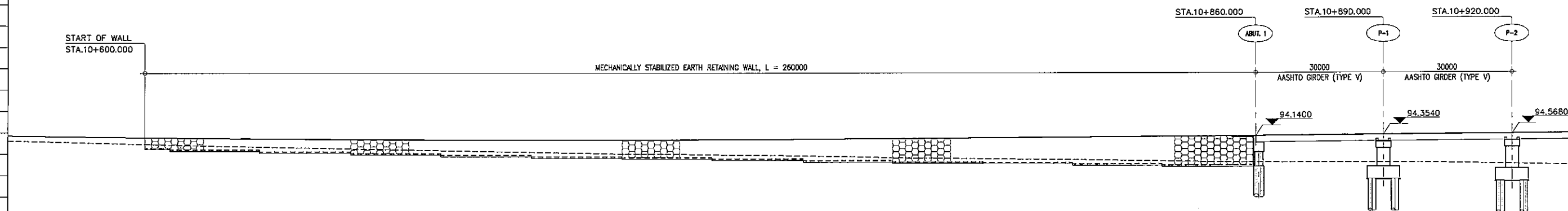
PROJECT TITLE	SCALE	SHEET CONTENT	DRAWING NO.
Preparatory survey for expressway project in Mega Manila Region CALA (CAVITE - LAGUNA)	AS SHOWN	BRIDGE No.14 STRUCTURE CROSS SECTION	H-29
			SHEET NO.
			2 OF 2



A GENERAL PLAN
SCALE 1:1000

ELEVATION	+130.000
	+125.000
	+120.000
	+115.000
	+110.000
	+105.000
	+100.000
	+95.000
	+90.000
	+85.000
	+80.000
	+75.000
	+70.000

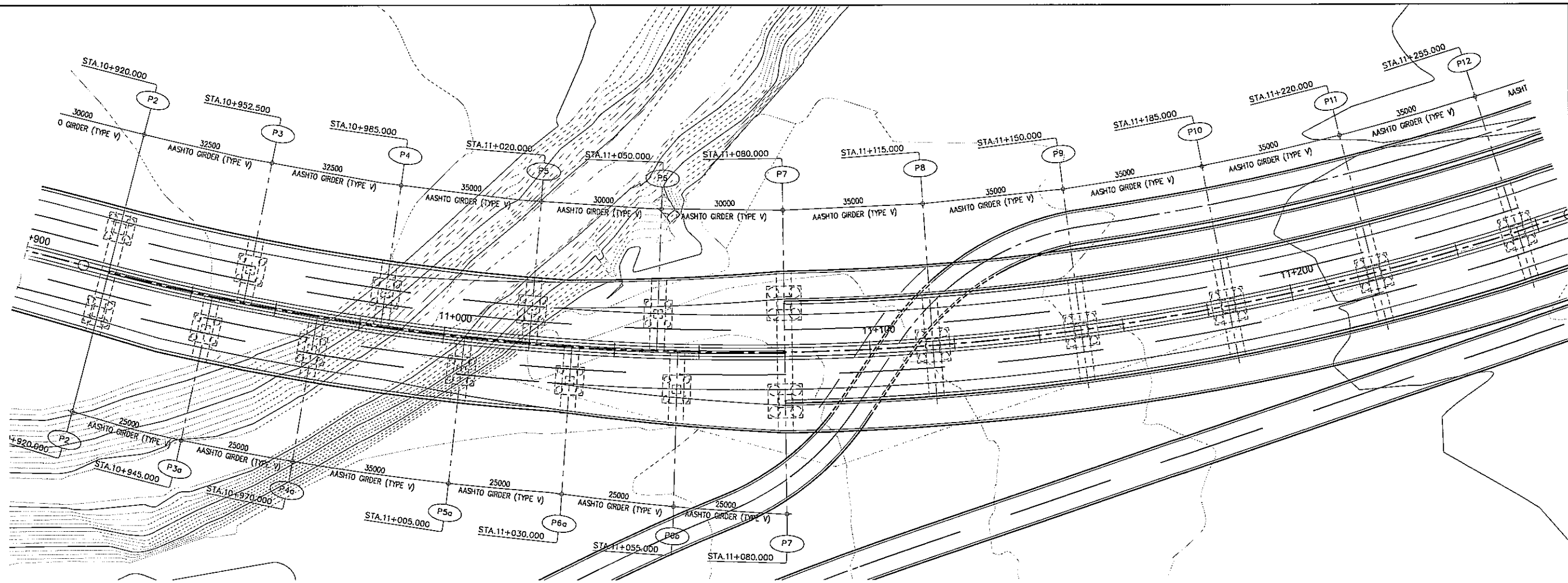
START OF WALL
STA.10+600.000



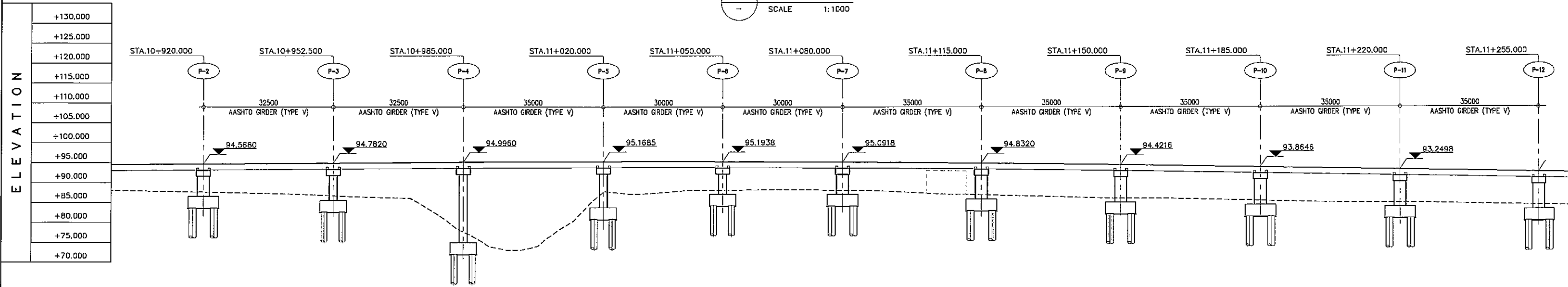
B GENERAL ELEVATION
SCALE 1:1000

STATION	10+600							10+700							10+800							10+900														
FINISHED GRADE ELEVATION	94.023	93.771	93.565	93.406	93.284	93.227	93.208	93.234	93.307	93.427	93.589	93.712	93.855	93.967	94.140	94.263	94.425	94.568	92.739	92.221	91.747	91.355	90.982	90.590	90.195	89.979	89.667	89.400	89.024	88.784	88.563	88.267	87.991	87.695	87.913	87.540
EXISTING GROUND ELEVATION																																				

PROJECT TITLE	SCALE	SHEET CONTENT	DRAWING NO.
Preparatory survey for expressway project in Mega Manila Region CALA (CAVITE - LAGUNA)	AS SHOWN	BRIDGE No.15 GENERAL VIEW STA.10+860.000 - STA.10+920.000	H-30
			SHEET NO.
			1 OF 12



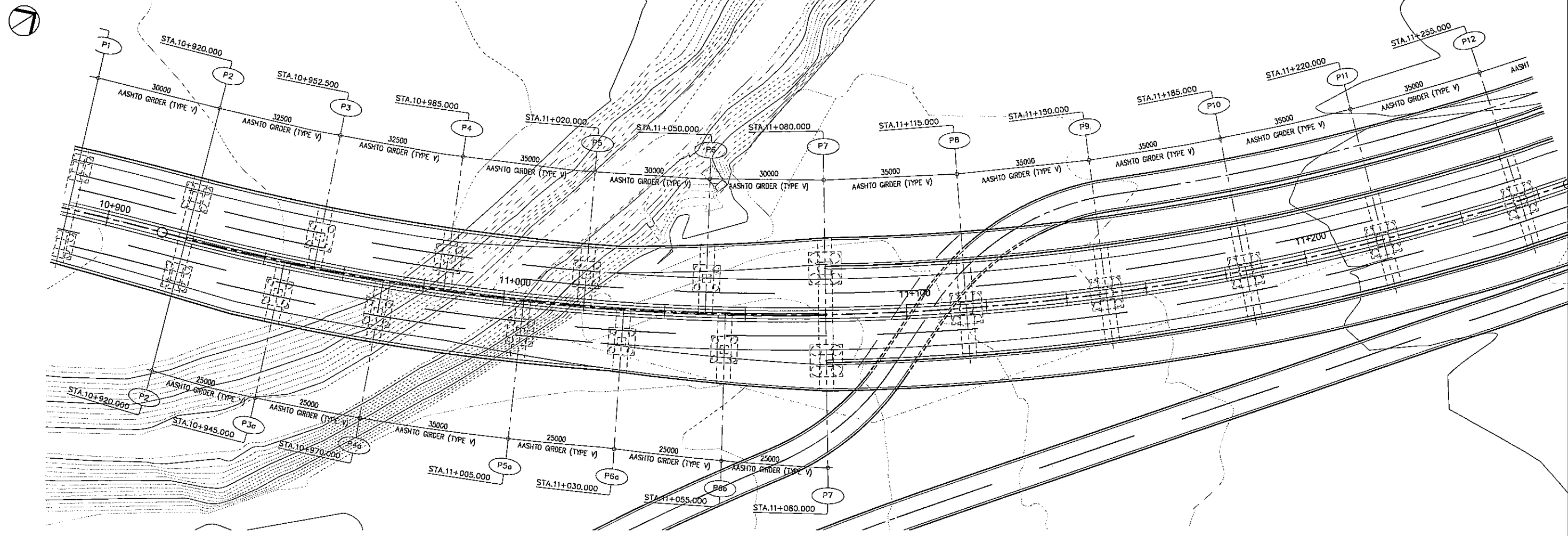
A GENERAL PLAN
SCALE 1:1000



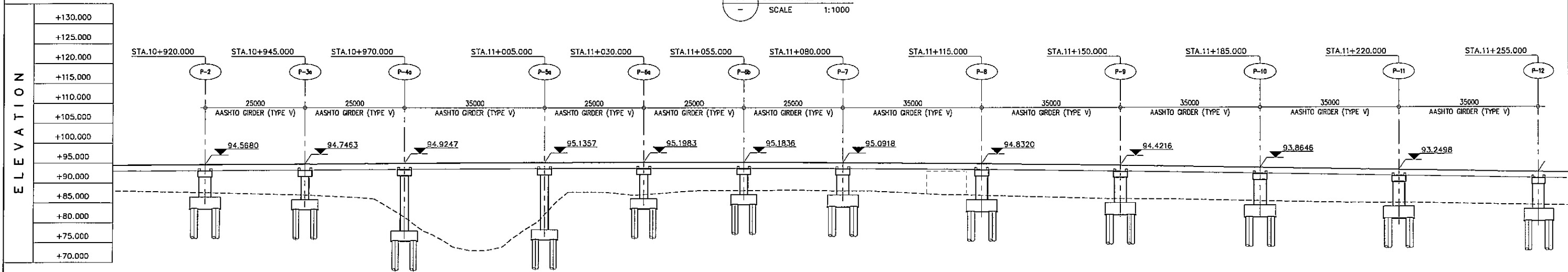
B GENERAL ELEVATION
SCALE 1:1000

STATION	10+000				11+000				11+100				11+200						
FINISHED GRADE ELEVATION	94.425	94.588	94.711	94.853	94.896	95.114	95.183	95.202	95.171	95.092	94.963	94.784	94.556	94.279	93.601	93.250	92.895	92.547	
EXISTING GROUND ELEVATION	87.913	87.340	87.099	86.314	80.951	73.124	87.522	87.899	88.141	88.001	87.348	86.780	86.239	85.898	85.572	85.115	84.987	84.529	84.275

PROJECT TITLE	SCALE	SHEET CONTENT	DRAWING NO.
Preparatory survey for expressway project in Mega Manila Region CALA (CAVITE - LAGUNA)	AS SHOWN	BRIDGE No. 15 GENERAL VIEW STA. 10+920.000 - STA. 11+256.000	H-31
			SHEET NO.
			2 OF 12



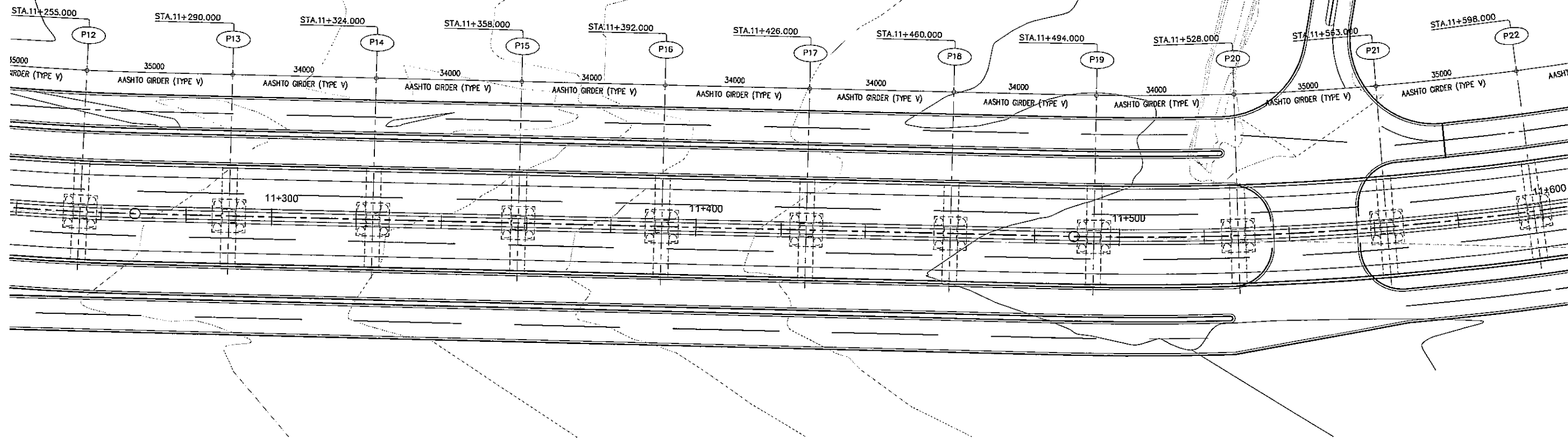
A GENERAL PLAN
SCALE 1:1000



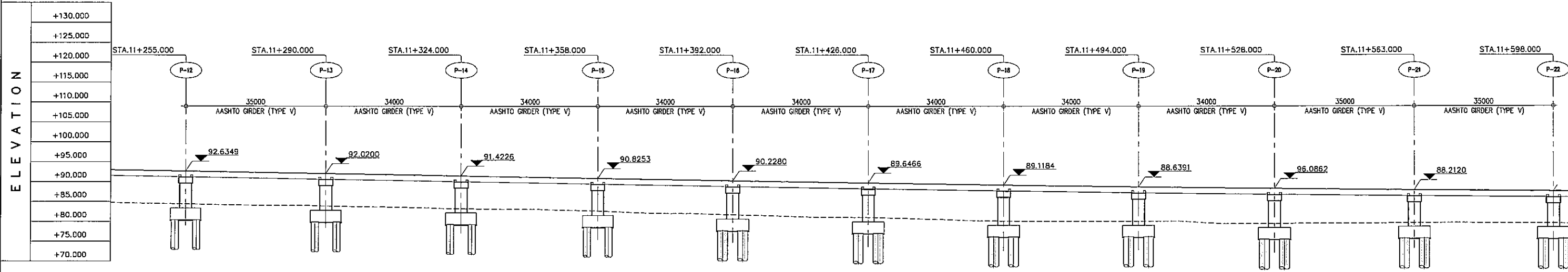
B GENERAL ELEVATION
SCALE 1:1000

STATION	10+900			11+000			11+100			11+200									
FINISHED GRADE ELEVATION	94.425	94.588	94.711	94.853	94.996	95.114	95.183	95.202	95.171	95.092	94.953	94.784	94.555	94.279	93.952	93.601	93.250	92.898	92.547
EXISTING GROUND ELEVATION	87.913	87.540	87.099	86.314	80.951	73.124	87.522	87.899	88.141	88.001	87.348	85.760	86.239	85.998	85.572	85.115	84.987	84.629	84.275

PROJECT TITLE	SCALE	SHEET CONTENT	DRAWING NO.
Preparatory survey for expressway project in Mega Manila Region CALA (CAVITE - LAGUNA)	AS SHOWN	BRIDGE No. 15 GENERAL VIEW STA. 10+920.000 - STA. 11+256.000	H-32
			SHEET NO.
			3 OF 12



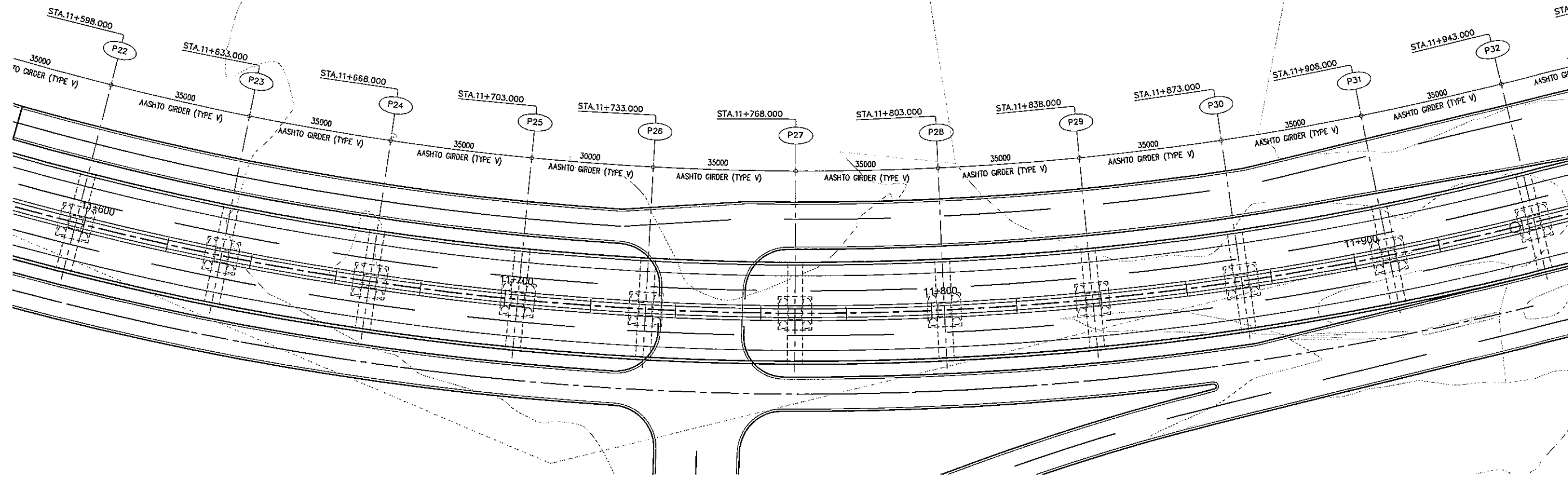
A GENERAL PLAN
SCALE 1:1000



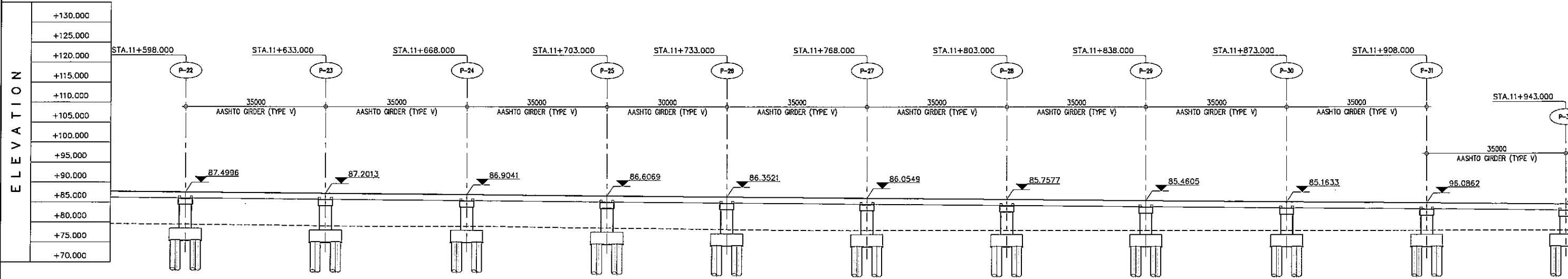
B GENERAL ELEVATION
SCALE 1:1000

STATION	11+300			11+400			11+500			11+600									
FINISHED GRADE ELEVATION	92.895	92.547	92.195	91.844	91.493	91.142	90.790	90.439	90.087	89.745	89.421	89.115	88.827	88.556	88.305	88.073	87.857	87.650	87.481
EXISTING GROUND ELEVATION	84.629	84.275	83.985	83.650	83.213	82.995	82.555	81.989	81.491	80.988	80.577	80.056	79.999	79.493	79.379	79.166	79.563	79.551	79.430

PROJECT TITLE	SCALE	SHEET CONTENT	DRAWING NO.
Preparatory survey for expressway project in Mega Manila Region CALA (CAVITE - LAGUNA)	AS SHOWN	BRIDGE No.15 GENERAL VIEW STA.11+256.000 - STA.11+598.000	H-33 SHEET NO. 4 OF 12



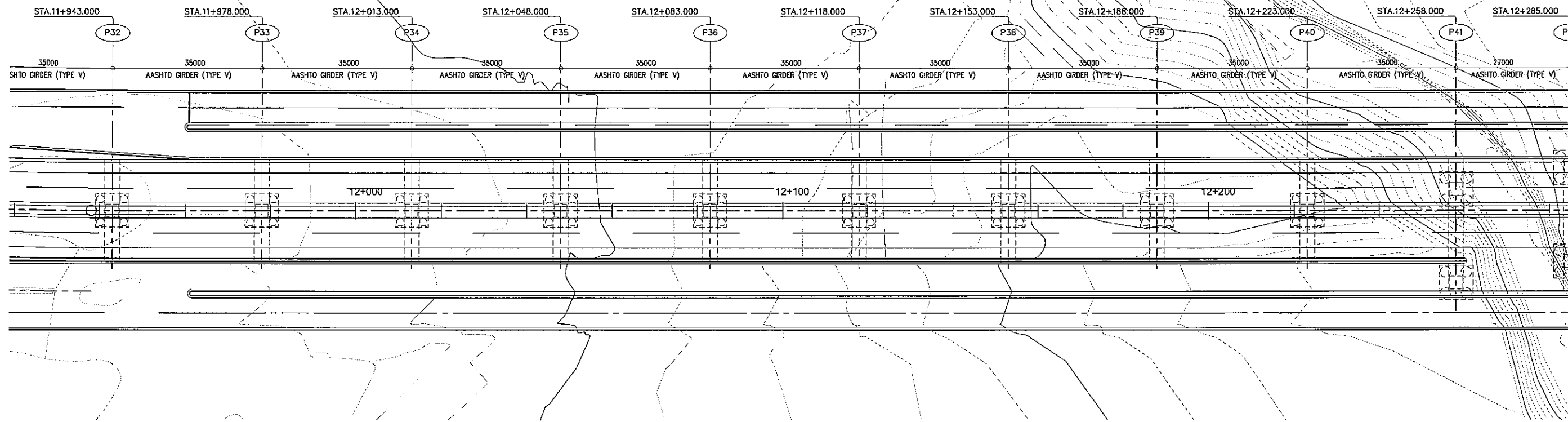
A GENERAL PLAN
SCALE 1:1000



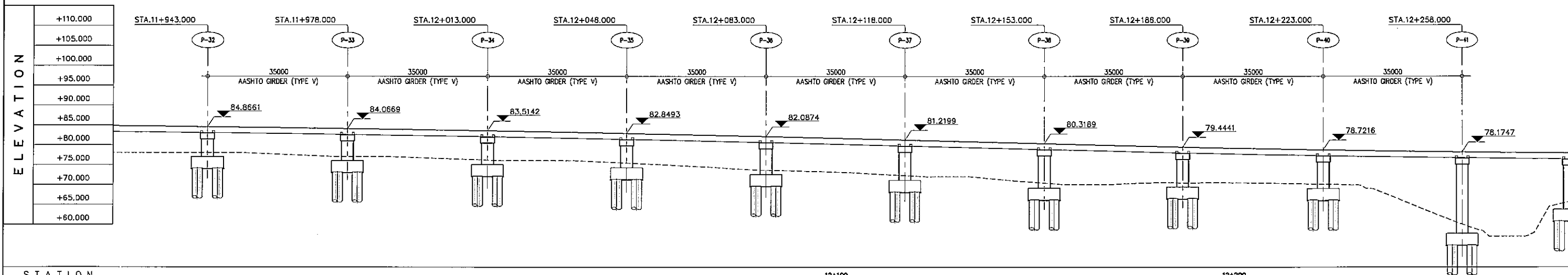
B GENERAL ELEVATION
SCALE 1:1000

STATION	11+800				11+700				11+800				11+900						
FINISHED GRADE ELEVATION		87.491	87.312	87.142	86.972	86.802	86.632	86.463	86.293	86.123	85.953	85.783	85.613	85.444	85.274	85.104	84.934	84.760	84.586
EXISTING GROUND ELEVATION	79.430	79.248	78.995	78.820	78.653	78.483	78.313	78.144	77.973	77.803	77.633	77.463	77.293	77.123	76.953	76.783	76.613	76.443	76.273

PROJECT TITLE	SCALE	SHEET CONTENT	DRAWING NO.
Preparatory survey for expressway project in Mega Manila Region CALA (CAVITE - LAGUNA)	AS SHOWN	BRIDGE No. 15 GENERAL VIEW STA. 11+598.000 - STA. 11+943.000	H-34
			SHEET NO.
			5 OF 12



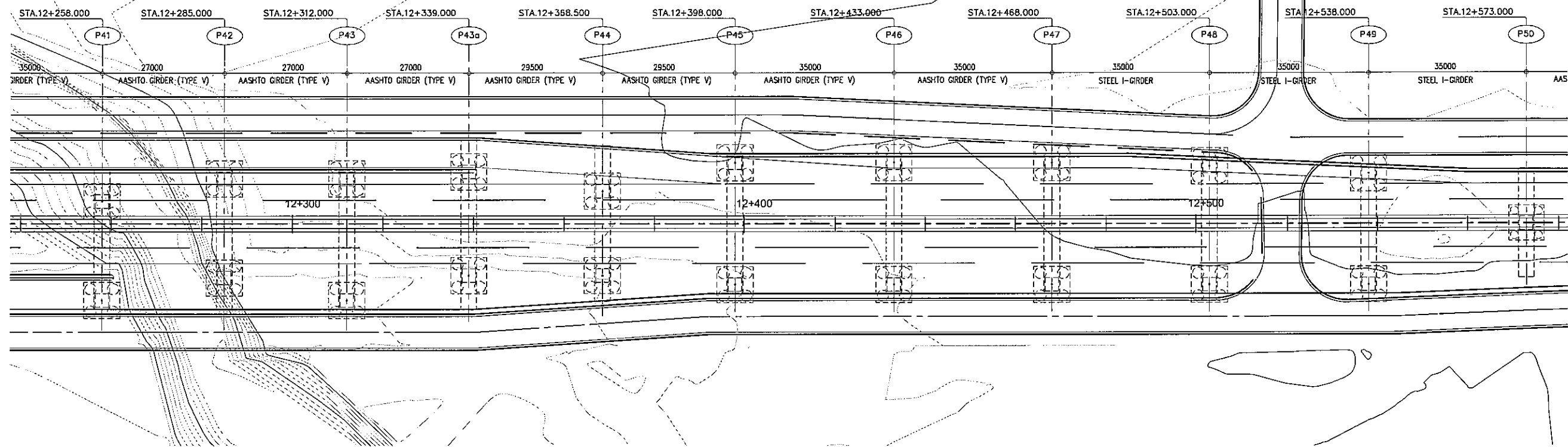
A GENERAL PLAN
SCALE 1:1000



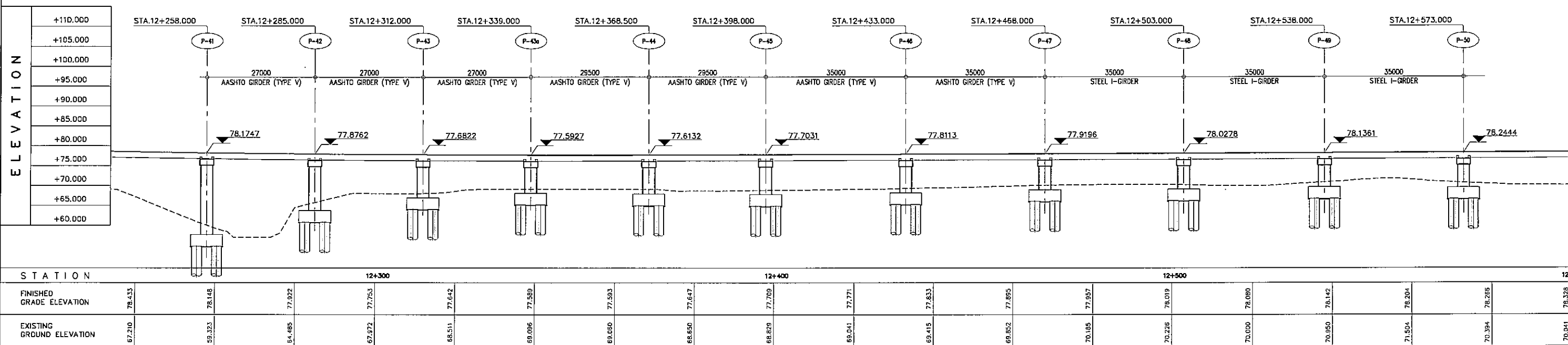
B GENERAL ELEVATION
SCALE 1:1000

STATION	12+100	12+200
FINISHED GRADE ELEVATION	84.556, 84.317, 84.043, 83.735, 83.393, 83.016, 82.605, 82.159, 81.679, 81.168, 80.654, 80.139, 79.631, 79.174, 78.774, 78.433, 78.148, 77.922	
EXISTING GROUND ELEVATION	76.000, 77.945, 77.023, 76.620, 76.004, 75.776, 74.837, 73.735, 73.169, 72.200, 71.481, 69.996, 70.444, 70.457, 70.129, 67.210, 59.323, 84.485	

PROJECT TITLE	SCALE	SHEET CONTENT	DRAWING NO.
Preparatory survey for expressway project in Mega Manila Region CALA (CAVITE - LAGUNA)	AS SHOWN	BRIDGE No.15 GENERAL VIEW STA.11+943.000 - STA.12+258.000	H-35 SHEET NO. 6 OF 12

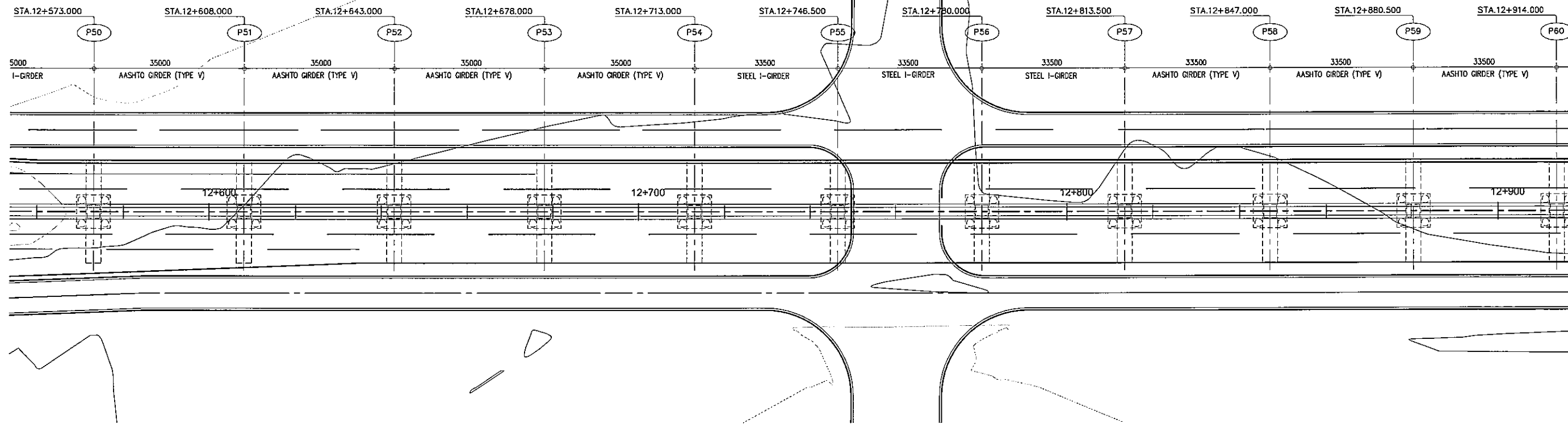


A GENERAL PLAN
SCALE 1:1000

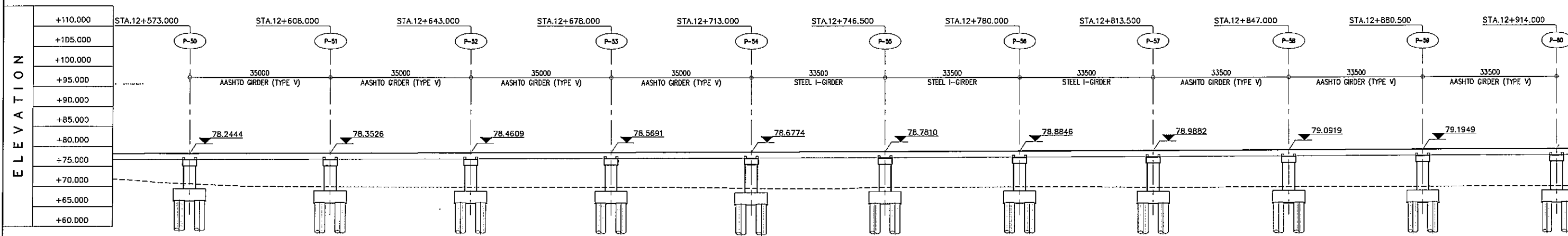


B GENERAL ELEVATION
SCALE 1:1000

PROJECT TITLE	SCALE	SHEET CONTENT	DRAWING NO.
Preparatory survey for expressway project in Mega Manila Region CALA (CAVITE - LAGUNA)	AS SHOWN	BRIDGE No. 15 GENERAL VIEW STA.12+258.000 - STA.12+573.000	H-36
			SHEET NO.
			7 OF 12



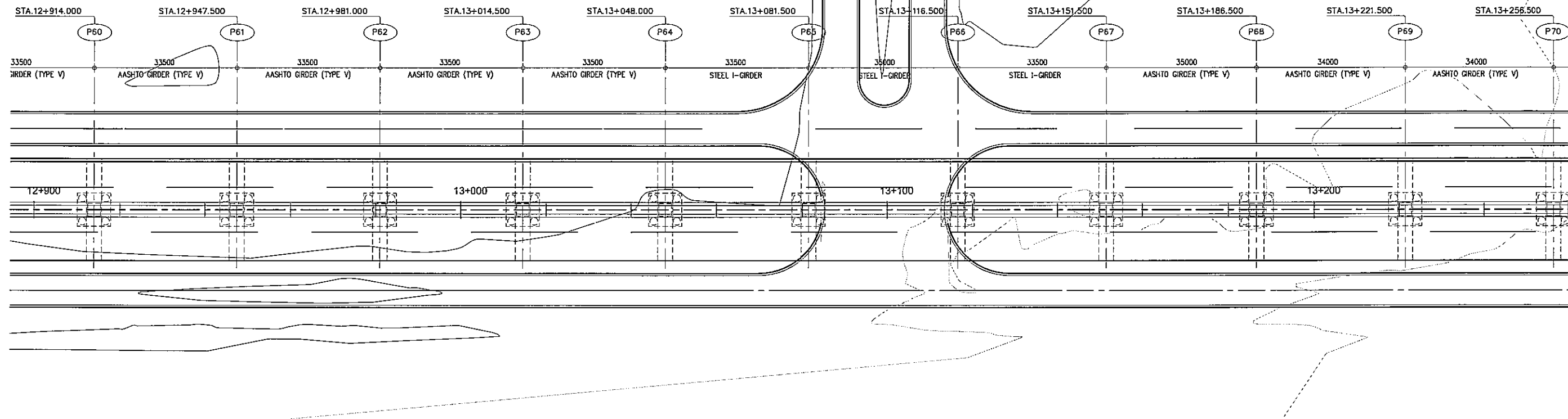
A GENERAL PLAN
SCALE 1:1000



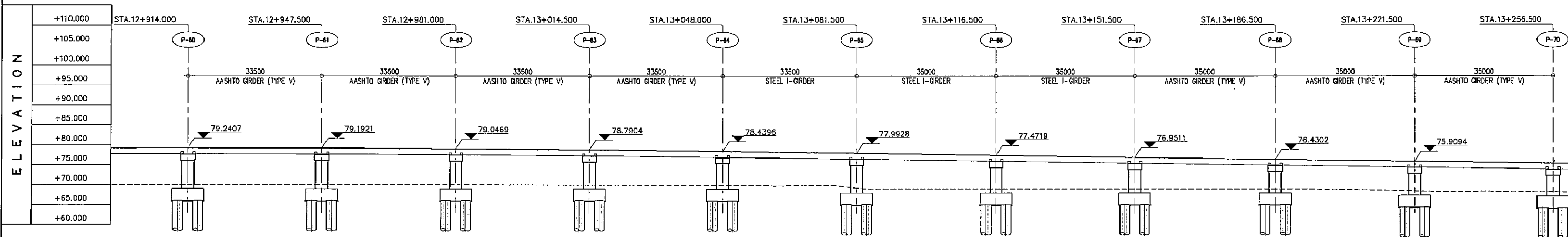
B GENERAL ELEVATION
SCALE 1:1000

STATION	12+800				12+700				12+800				12+900							
FINISHED GRADE ELEVATION	76.204	76.265	76.326	76.387	76.448	76.509	76.570	76.631	76.692	76.753	76.814	76.875	76.936	76.997	77.058	77.119	77.180	77.241	77.302	
EXISTING GROUND ELEVATION	71.504	70.384	70.041	69.988	69.985	69.985	69.943	69.886	69.591	69.783	69.998	70.000	69.959	69.812	69.995	69.999	70.000	70.000	70.000	70.000

PROJECT TITLE	SCALE	SHEET CONTENT	DRAWING NO.
Preparatory survey for expressway project in Mega Manila Region CALA (CAVITE - LAGUNA)	AS SHOWN	BRIDGE No.15 GENERAL VIEW STA.12+573.000 - STA.12+914.000	H-37
			SHEET NO.
			8 OF 12



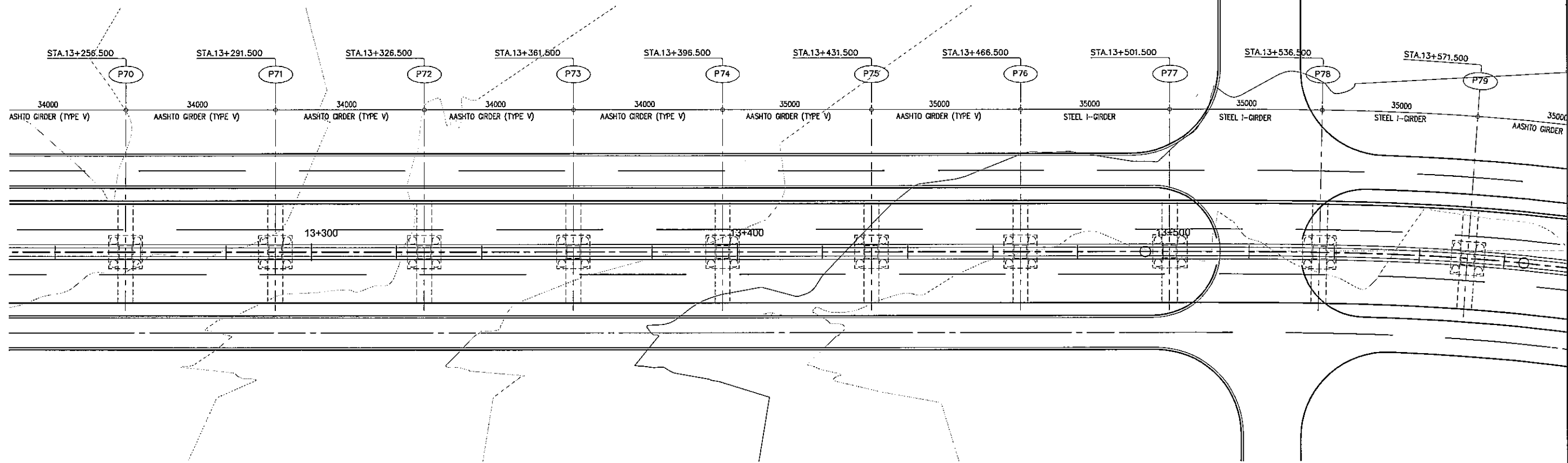
A GENERAL PLAN
SCALE 1:1000



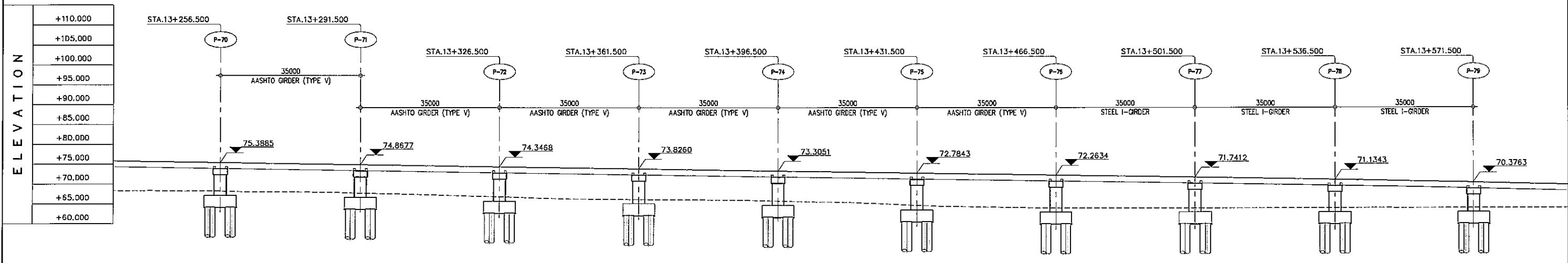
B GENERAL ELEVATION
SCALE 1:1000

STATION	12+900				13+000				13+100				13+200						
FINISHED GRADE ELEVATION	79.236	79.248	79.218	79.154	79.054	78.918	78.745	78.538	78.295	78.015	77.717	77.420	77.122	76.825	76.527	76.229	75.932	75.634	75.336
EXISTING GROUND ELEVATION	70.000	70.000	70.000	70.000	70.000	70.000	70.000	70.000	69.836	69.447	69.012	69.022	69.028	69.049	69.019	68.853	68.508	68.328	68.132

PROJECT TITLE	SCALE	SHEET CONTENT	DRAWING NO.
Preparatory survey for expressway project in Mega Manila Region CALA (CAVITE - LAGUNA)	AS SHOWN	BRIDGE No. 15 GENERAL VIEW STA. 12+914.000 - STA. 13+256.500	H-38
			SHEET NO.
			9 OF 12



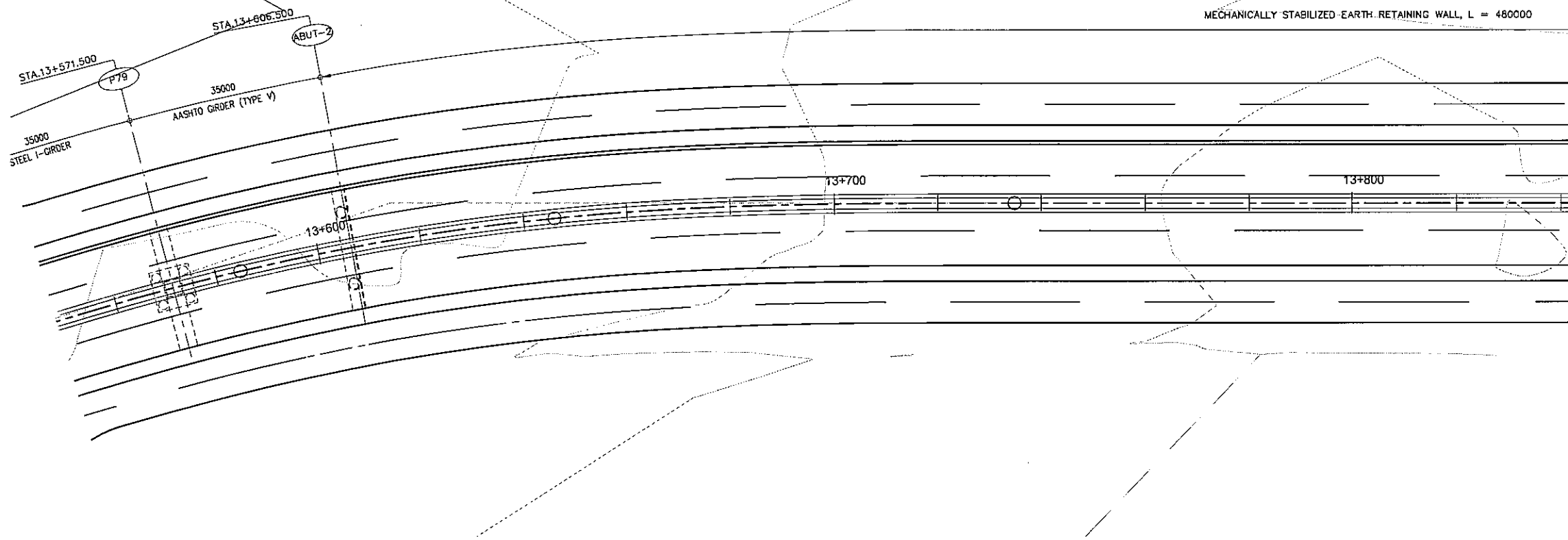
A GENERAL PLAN
SCALE 1:1000



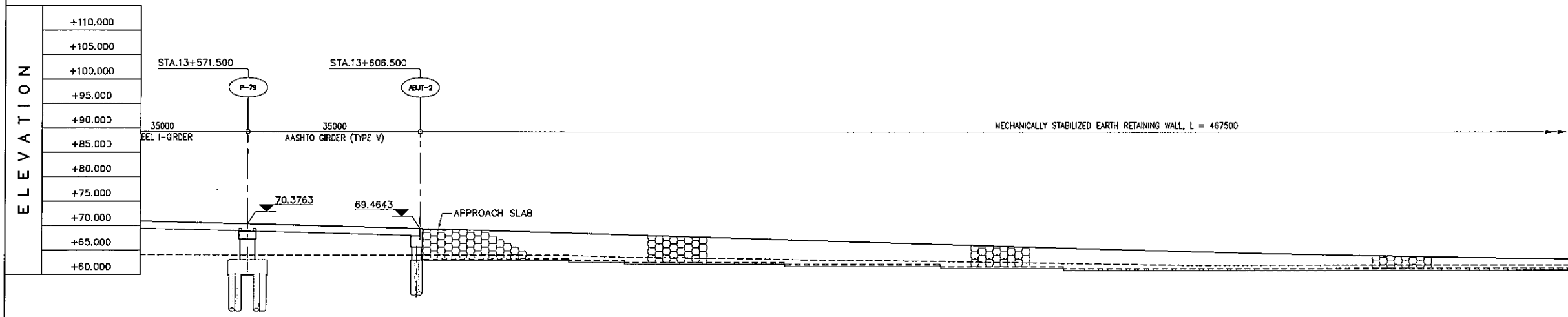
B GENERAL ELEVATION
SCALE 1:1000

STATION	13+300					13+400					13+500								
FINISHED GRADE ELEVATION	75.634	75.336	75.039	74.741	74.444	74.146	73.848	73.551	73.253	72.955	72.658	72.360	72.063	71.765	71.467	71.169	70.871	70.573	70.275
EXISTING GROUND ELEVATION	68.328	68.132	67.965	67.543	67.011	66.407	66.150	66.031	65.689	55.202	64.440	64.083	64.000	64.002	64.000	64.015	63.999	63.998	63.998

PROJECT TITLE	SCALE	SHEET CONTENT	DRAWING NO.
Preparatory survey for expressway project in Mega Manila Region CALA (CAVITE - LAGUNA)	AS SHOWN	BRIDGE No.15 GENERAL VIEW STA.13+256.500 - STA.13+571.500	H-39 SHEET NO. 10 OF 12



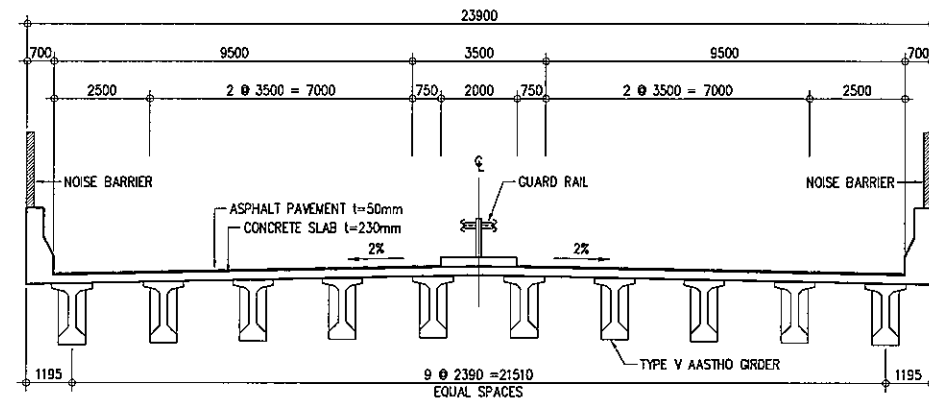
A GENERAL PLAN
SCALE 1:1000



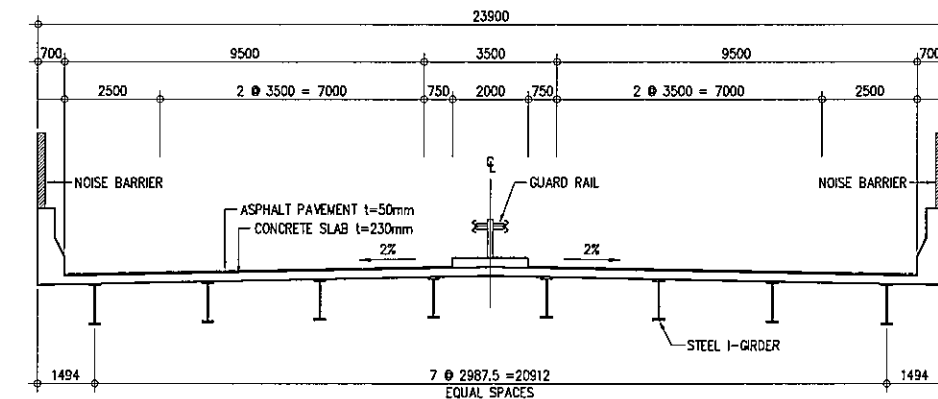
B GENERAL ELEVATION
SCALE 1:1000

STATION	13+600				13+700				13+800						
FINISHED GRADE ELEVATION	70.645	70.171	69.647	69.072	68.472	67.872	67.272	66.672	66.072	65.472	64.905	64.405	63.979	63.517	63.124
EXISTING GROUND ELEVATION	63.999	63.998	64.001	64.001	63.979	63.920	63.228	62.992	62.689	62.371	62.054	62.000	61.999	62.000	61.997

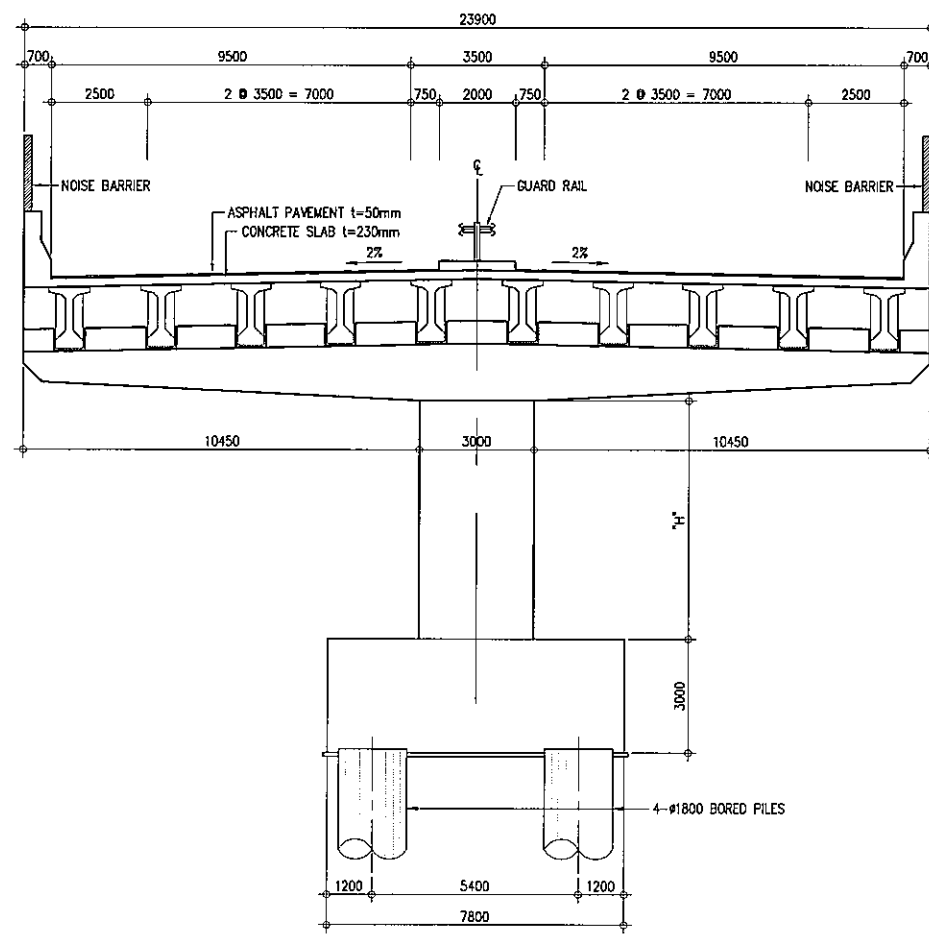
PROJECT TITLE	SCALE	SHEET CONTENT	DRAWING NO.
Preparatory survey for expressway project in Mega Manila Region CALA (CAVITE - LAGUNA)	AS SHOWN	BRIDGE No.15 GENERAL VIEW STA.13+571.500 - STA.13+606.500	H-40
			SHEET NO.
			11 OF 12



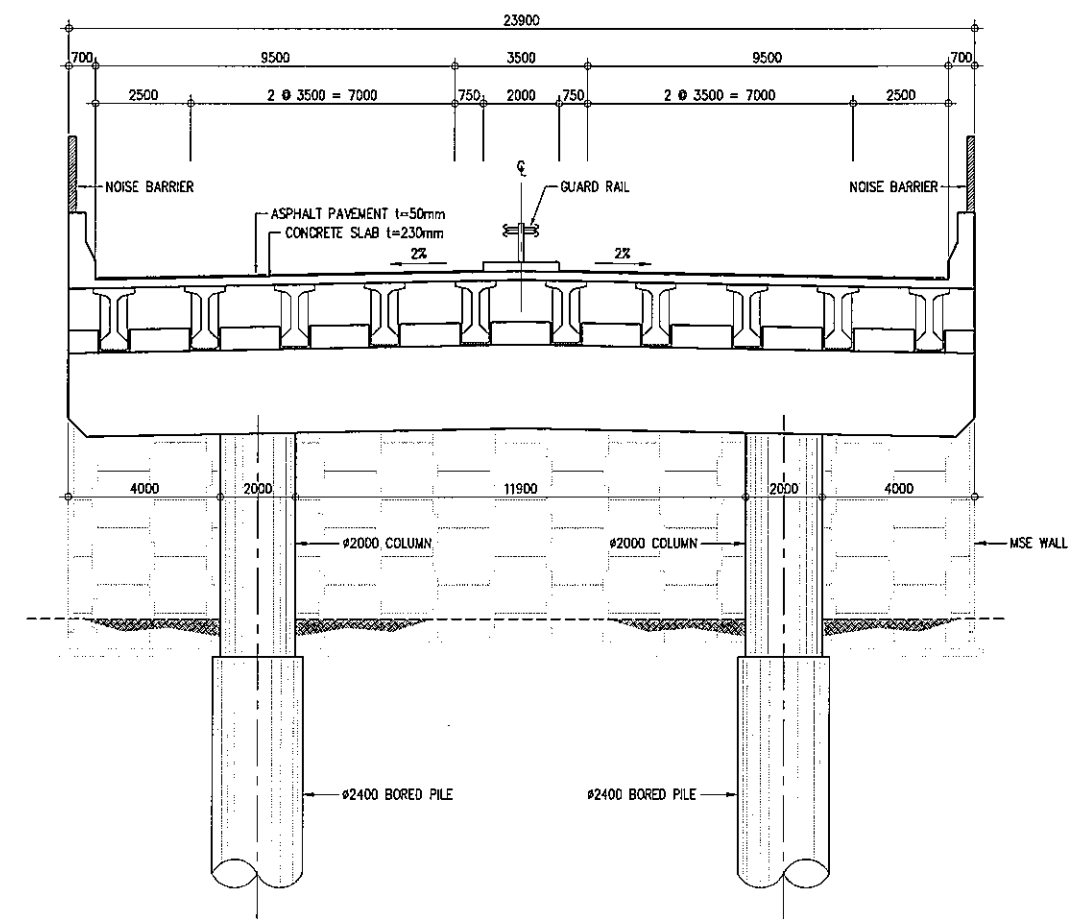
A SUPER STRUCTURE (AASHTO GIRDER)
SCALE 1:200



B SUPER STRUCTURE (STEEL I-GIRDER)
SCALE 1:200

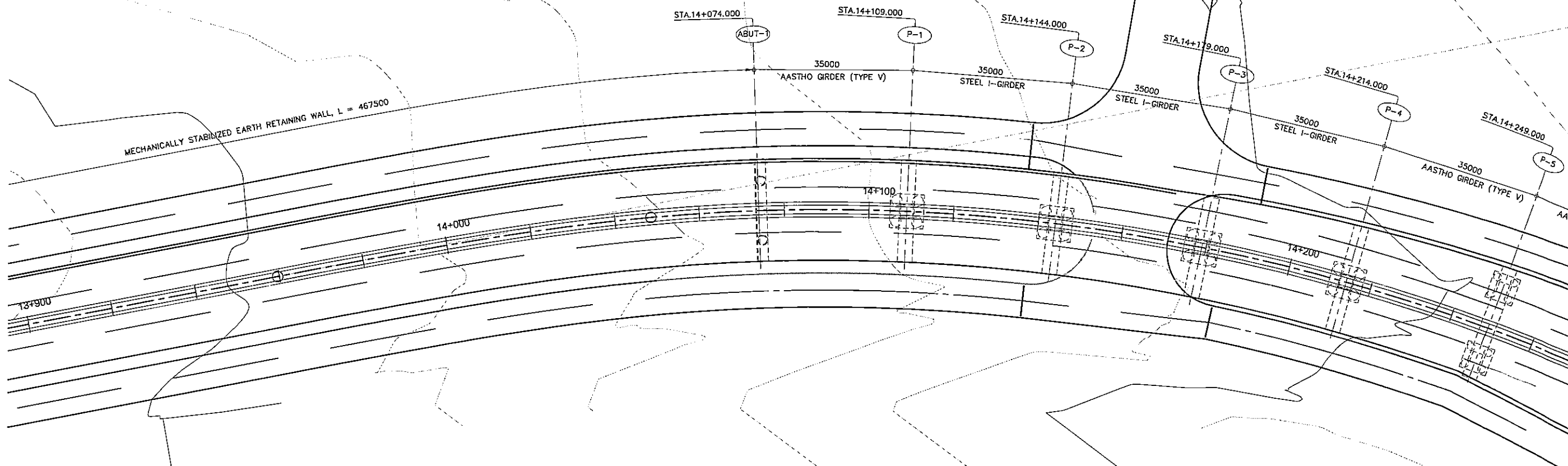


C CROSS SECTION - PIER
SCALE 1:200

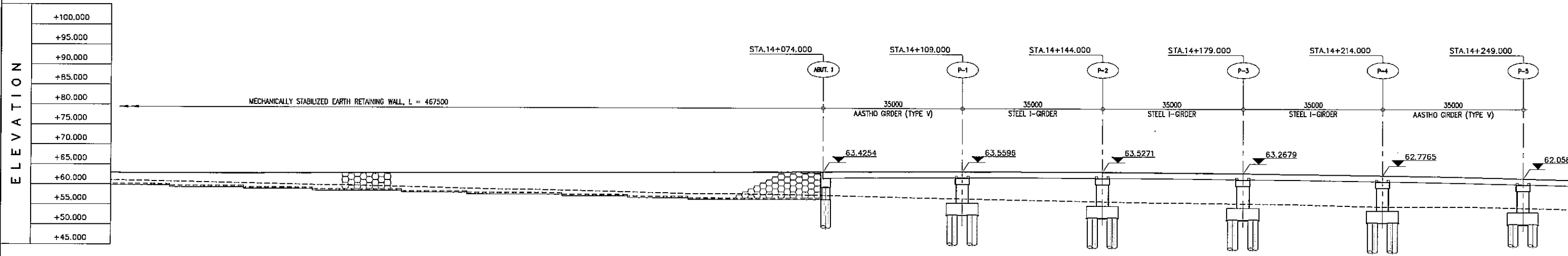


D CROSS SECTION - ABUTMENT
SCALE 1:200

PROJECT TITLE	SCALE	SHEET CONTENT	DRAWING NO.
Preparatory survey for expressway project in Mega Manila Region CALA (CAVITE - LAGUNA)	AS SHOWN	BRIDGE No.15 STRUCTURE CROSS SECTION	H-41
			SHEET NO.
			12 OF 12



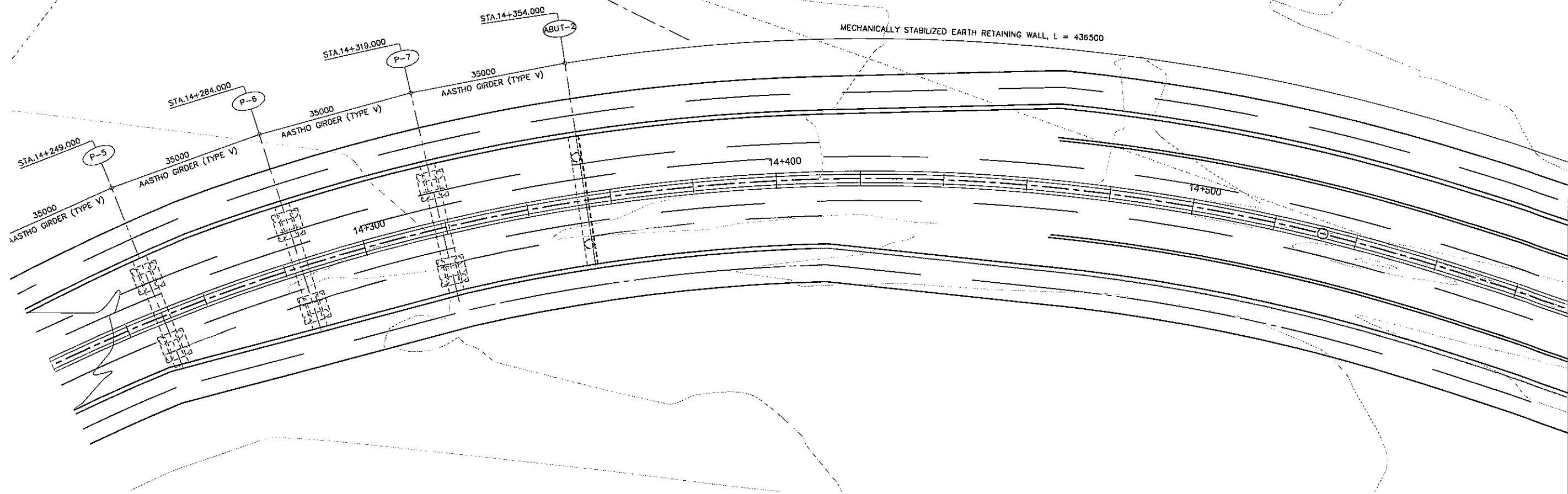
A GENERAL PLAN
SCALE 1:1000



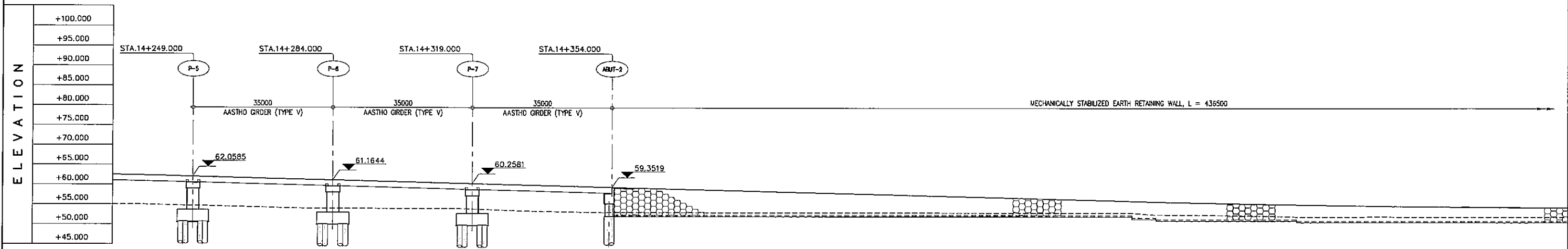
B GENERAL ELEVATION
SCALE 1:1000

STATION	13+900					14+000					14+100					14+200				
FINISHED GRADE ELEVATION	62.853	62.832		62.879	63.042	63.124	63.205	63.287	63.368	63.450	63.531	63.575	63.545	63.439	63.256	63.002	62.672	62.266	61.786	
EXISTING GROUND ELEVATION	60.980	60.617		60.155	59.817	59.377	58.982	58.539	58.009	57.484	56.966	56.624	56.303	55.986	55.700	55.355	55.008	54.917	54.579	

PROJECT TITLE	SCALE	SHEET CONTENT	DRAWING NO.
Preparatory survey for expressway project in Mega Manila Region CALA (CAVITE - LAGUNA)	AS SHOWN	BRIDGE NO.16 GENERAL VIEW STA.14+074.000 - STA.14+249.000	H-42
			SHEET NO.
			1 OF 3



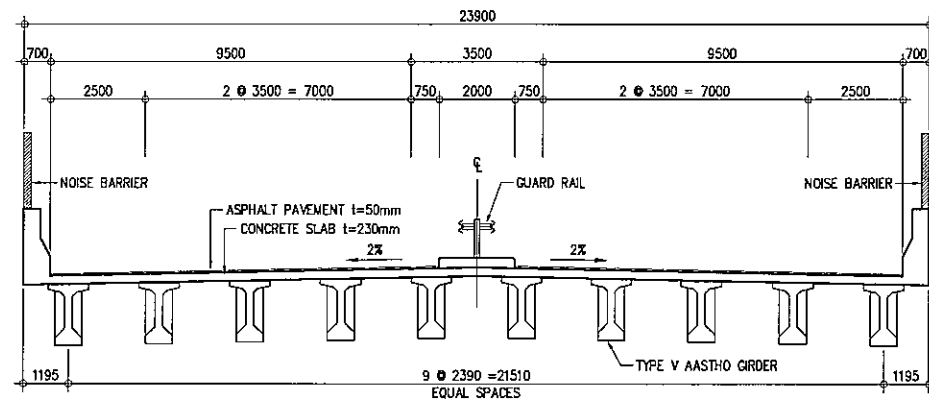
A GENERAL PLAN
SCALE 1:1000



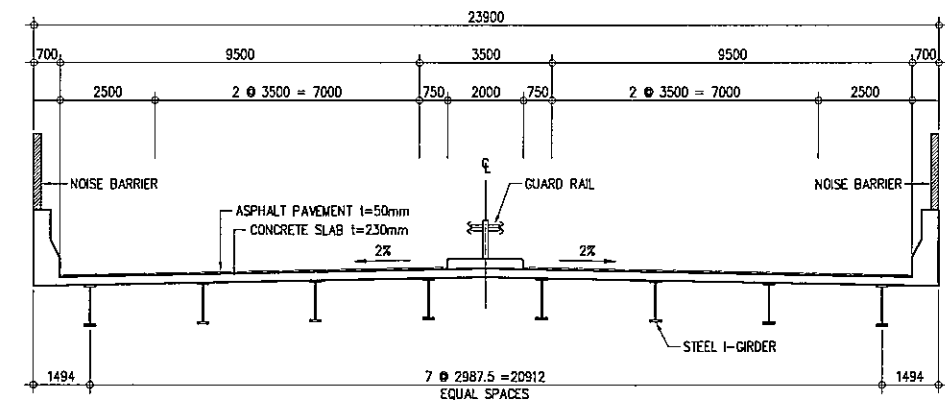
B GENERAL ELEVATION
SCALE 1:1000

STATION	14+300						14+400						14+500					
FINISHED GRADE ELEVATION	62.266	61.786	61.268	60.750	60.232	59.714	59.197	58.679	58.161	57.643	57.125	56.607	56.089	55.569	55.050	54.535	54.013	
EXISTING GROUND ELEVATION	54.917	54.479	54.015	54.003	53.822	53.198	53.014	53.001	53.003	52.992	52.980	52.967	52.933	52.484	52.214	51.997	51.998	

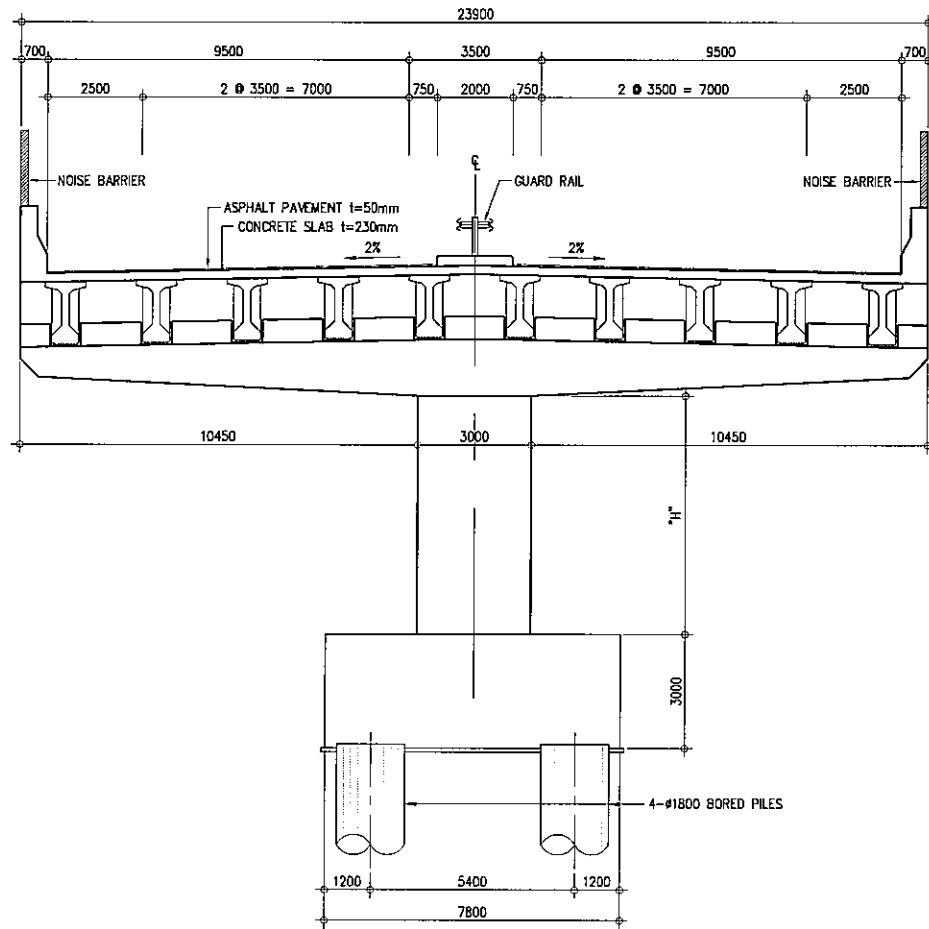
PROJECT TITLE	SCALE	SHEET CONTENT	DRAWING NO.
Preparatory survey for expressway project in Mega Manila Region CALA (CAVITE - LAGUNA)	AS SHOWN	BRIDGE NO.16 GENERAL VIEW STA.14+249.000 - STA.14+354.000	H-43
			SHEET NO.
			2 OF 3



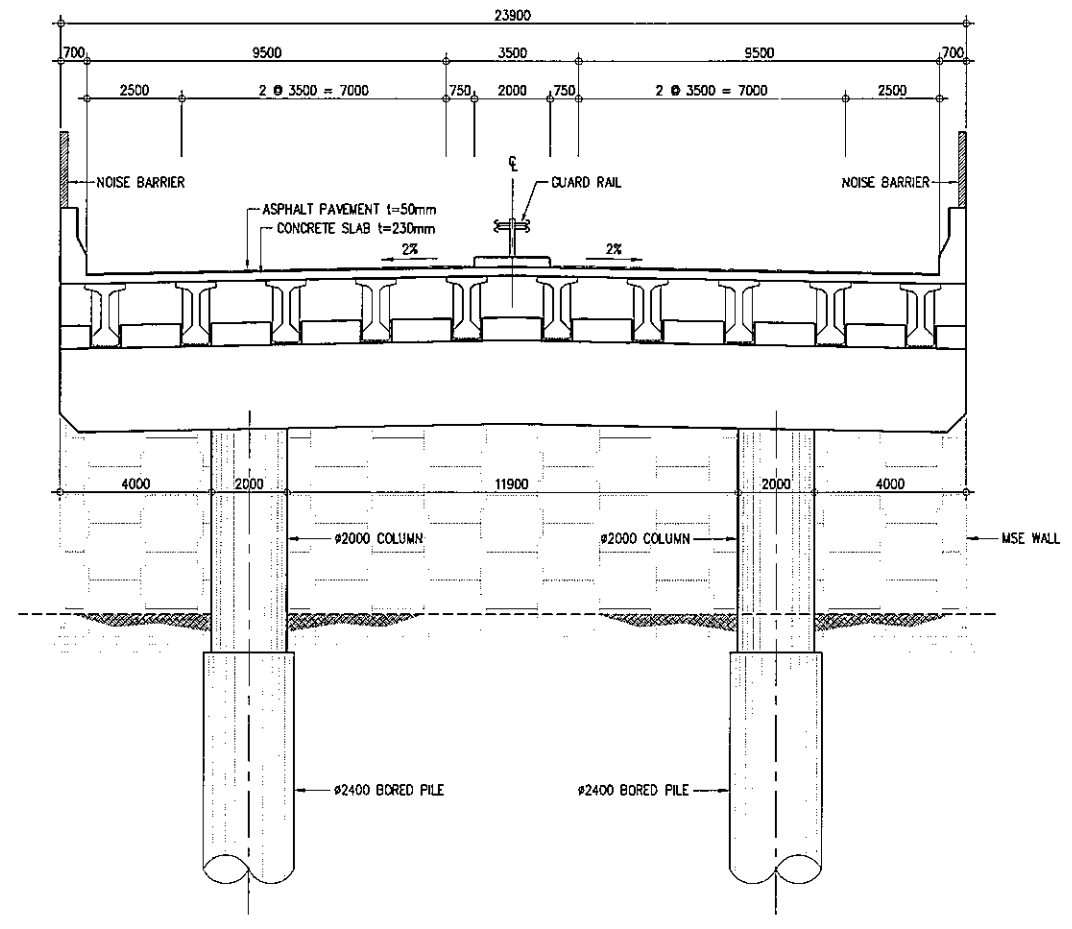
A SUPER STRUCTURE (AASHTO GIRDER)
SCALE 1:200



B SUPER STRUCTURE (STEEL I-GIRDER)
SCALE 1:200



C CROSS SECTION - PIER
SCALE 1:200

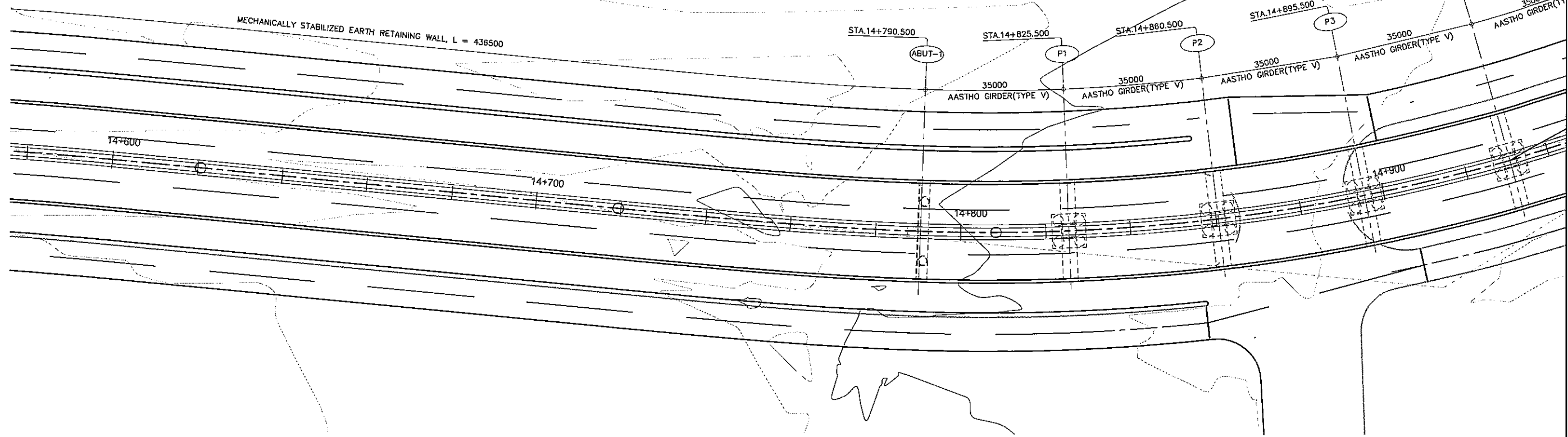


D CROSS SECTION - ABUTMENT
SCALE 1:200

PROJECT TITLE	SCALE	SHEET CONTENT	DRAWING NO.
Preparatory survey for expressway project in Mega Manila Region CALA (CAVITE - LAGUNA)	AS SHOWN	BRIDGE NO.16 STRUCTURE CROSS SECTION	H-44
			SHEET NO.
			3 OF 3

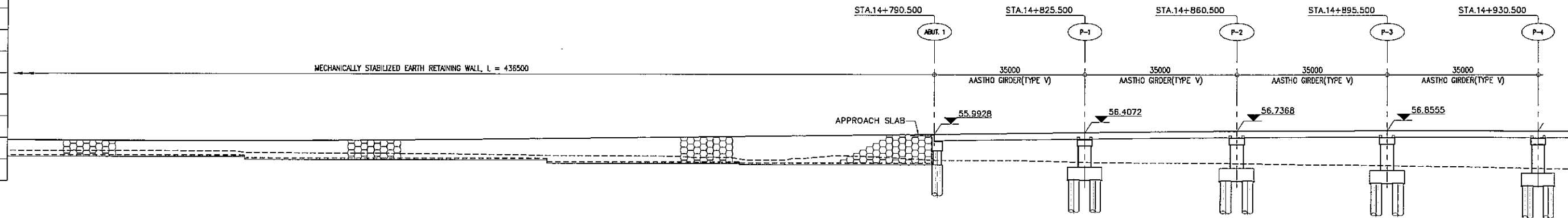


MECHANICALLY STABILIZED EARTH RETAINING WALL, L = 436500



A GENERAL PLAN
SCALE 1:1000

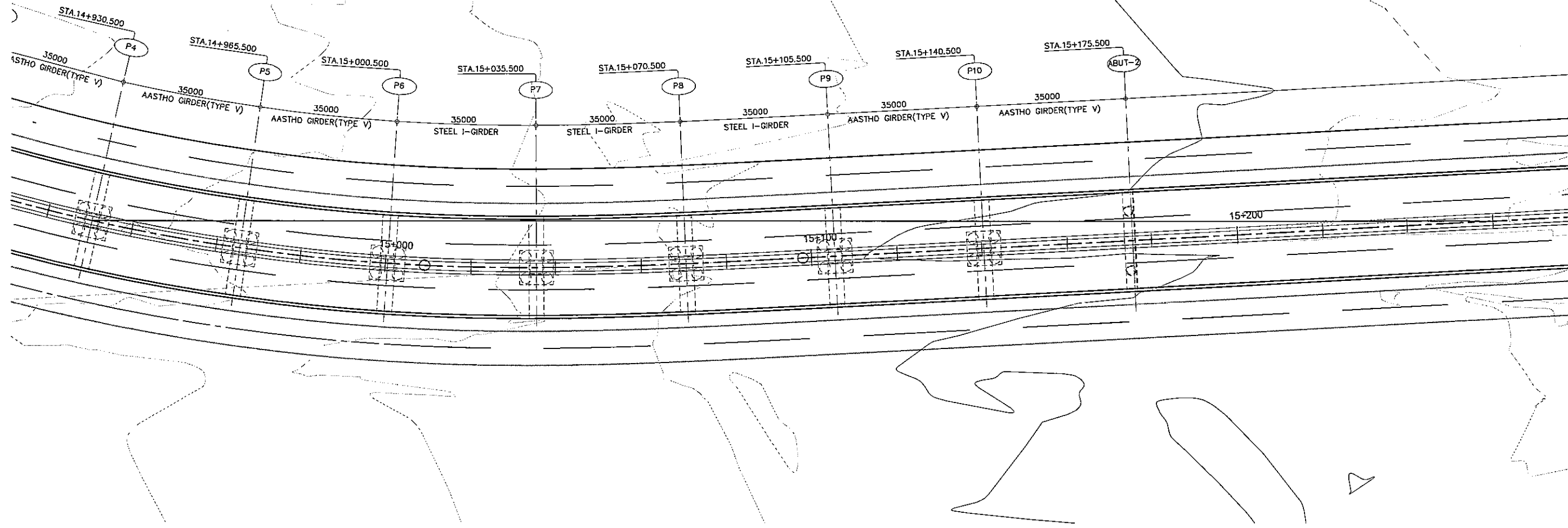
ELEVATION	+100.000
	+95.000
	+90.000
	+85.000
	+80.000
	+75.000
	+70.000
	+65.000
	+60.000
	+55.000
	+50.000
	+45.000



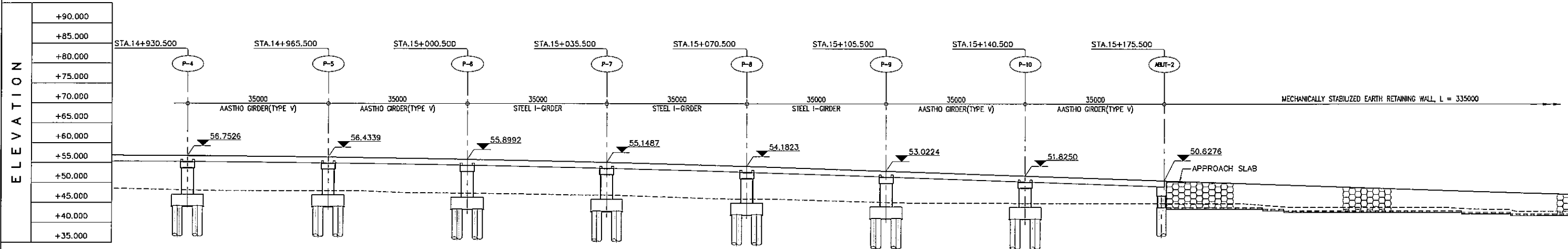
STATION	14+800				14+700				14+600				14+500						
FINISHED GRADE ELEVATION	54.443	54.341	54.313	54.361	54.485	54.684	54.921	55.156	55.385	55.632	55.868	56.105	56.342	56.570	56.798	56.831	56.856	56.809	56.692
EXISTING GROUND ELEVATION	51.998	51.992	51.981	51.557	51.481	51.320	51.013	50.756	50.638	50.357	50.500	50.001	49.692	49.425	49.273	49.001	48.701	48.381	48.000

B GENERAL ELEVATION
SCALE 1:1000

PROJECT TITLE	SCALE	SHEET CONTENT	DRAWING NO.
Preparatory survey for expressway project in Mega Manila Region CALA (CAVITE - LAGUNA)	AS SHOWN	BRIDGE No. 17 GENERAL VIEW STA. 14+790.500 - STA. 14+930.500	H-45
			SHEET NO.
			1 OF 3



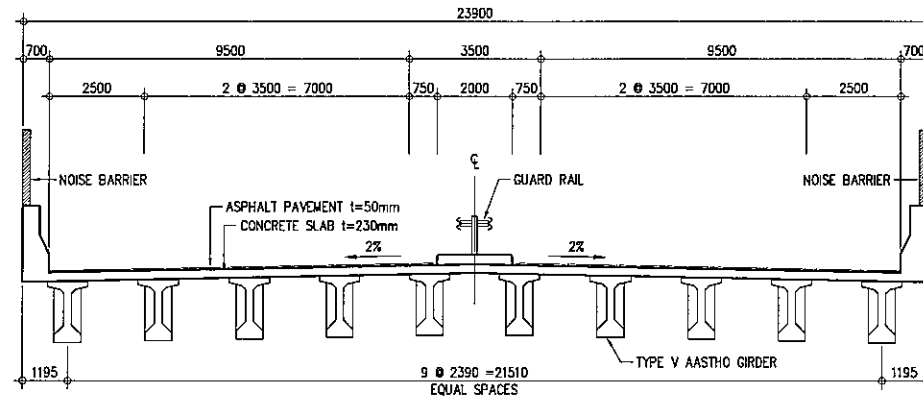
A GENERAL PLAN
SCALE 1:1000



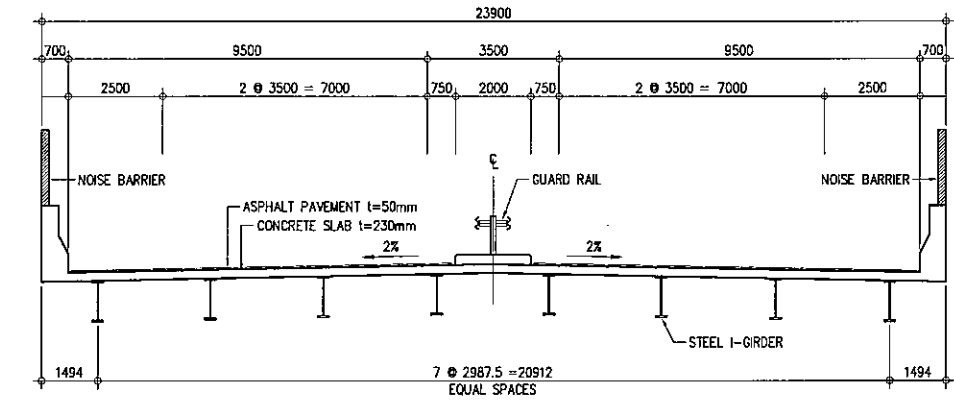
B GENERAL ELEVATION
SCALE 1:1000

STATION	15+000					15+100					15+200							
FINISHED GRADE ELEVATION	56.829	56.682	56.503	56.244	55.914	55.513	55.042	54.499	53.886	53.211	52.526	51.842	51.158	50.474	49.789	49.105	48.421	47.780
EXISTING GROUND ELEVATION	48.381	48.000	47.999	47.739	47.418	47.140	46.842	45.74	45.025	45.345	44.990	44.869	44.957	44.947	44.558	43.995	43.988	43.598

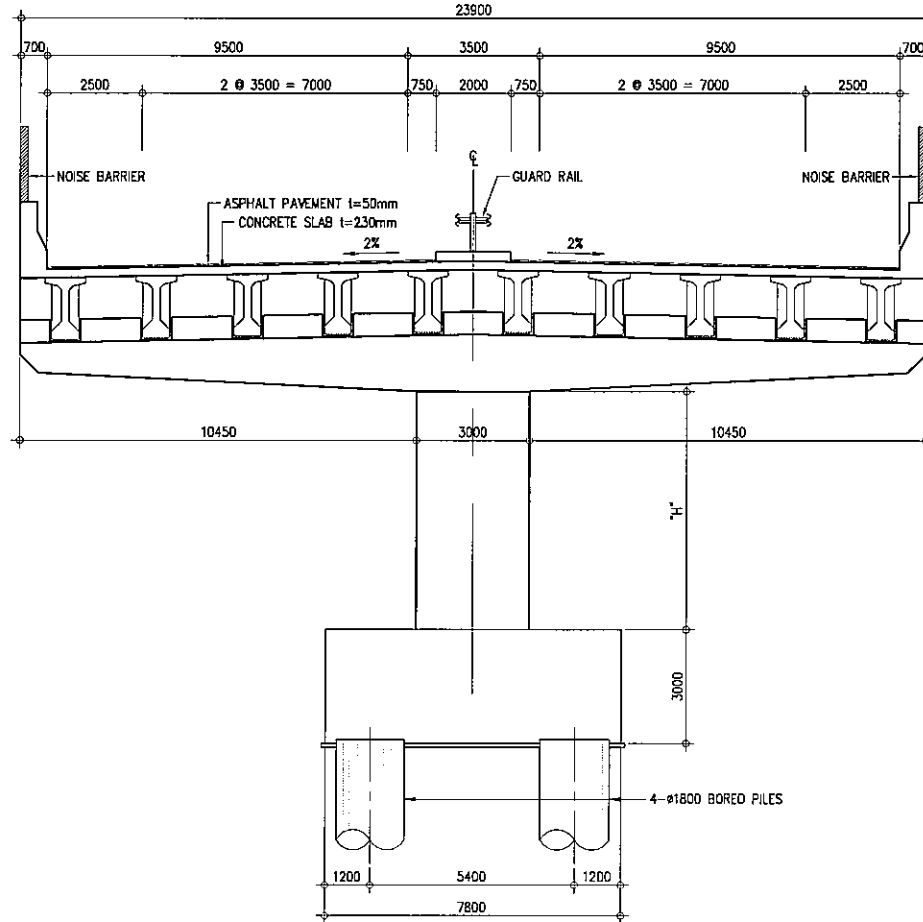
PROJECT TITLE	SCALE	SHEET CONTENT	DRAWING NO.
Preparatory survey for expressway project in Mega Manila Region CALA (CAVITE - LAGUNA)	AS SHOWN	BRIDGE No. 17 GENERAL VIEW STA.14+930.500 - STA.15+175.500	H-46
			SHEET NO.
			2 OF 3



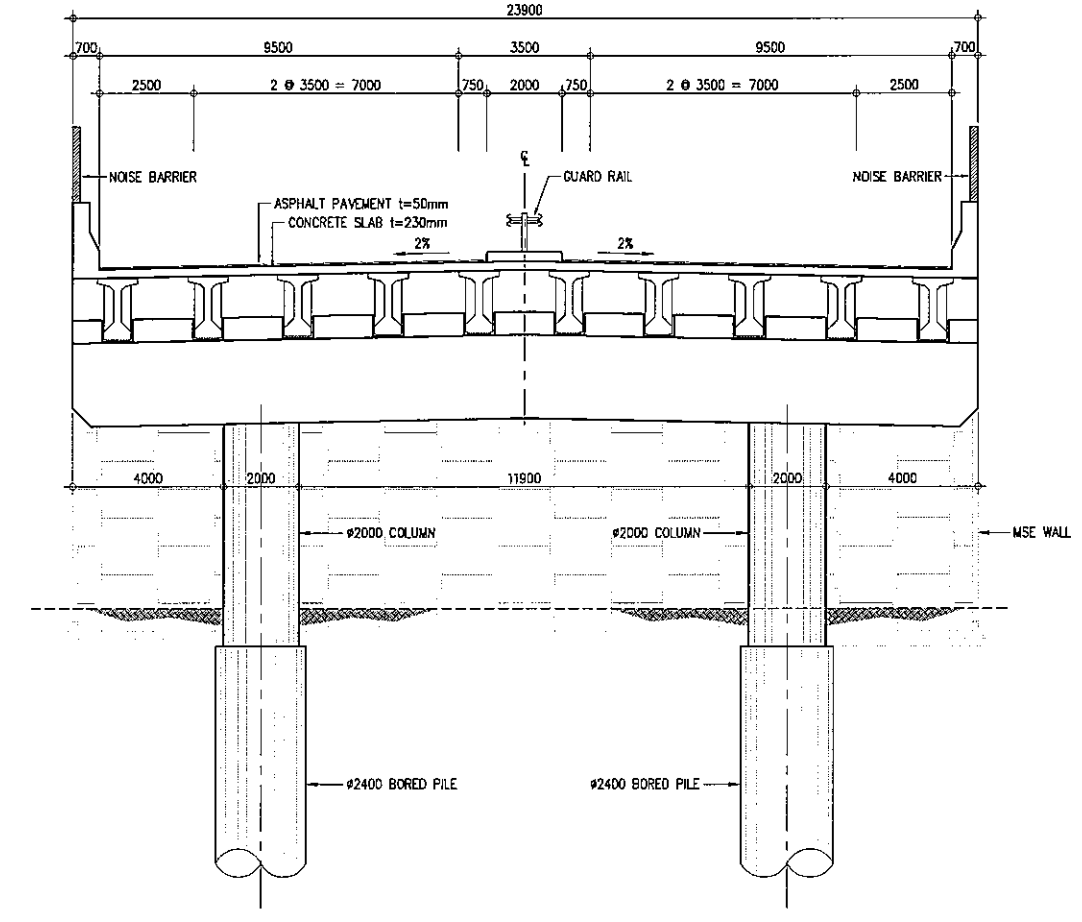
A SUPER STRUCTURE (AASHTO GIRDER)
SCALE 1:200



B SUPER STRUCTURE (STEEL I-GIRDER)
SCALE 1:200

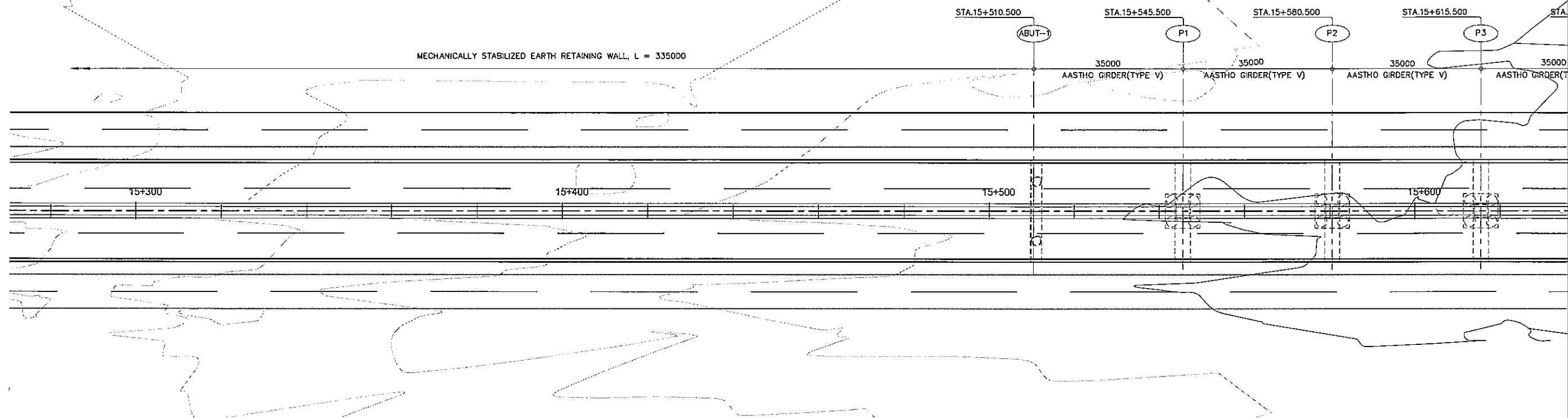


C CROSS SECTION - PIER
SCALE 1:200



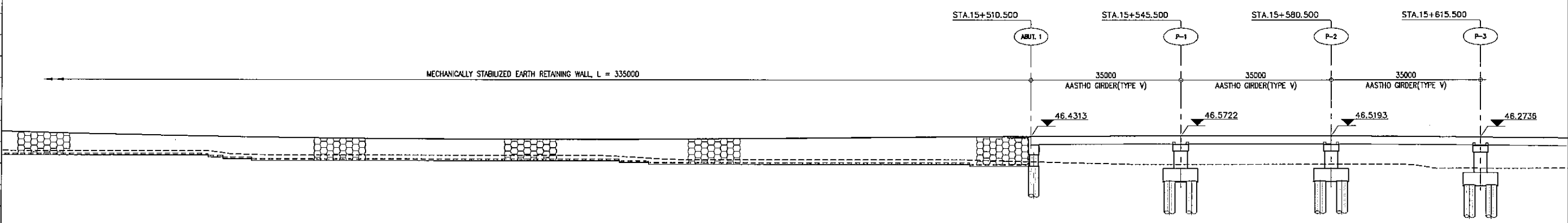
D CROSS SECTION - ABUTMENT
SCALE 1:200

PROJECT TITLE	SCALE	SHEET CONTENT	DRAWING NO.
Preparatory survey for expressway project in Mega Manila Region CALA (CAVITE - LAGUNA)	AS SHOWN	BRIDGE No. 17 STRUCTURE CROSS SECTION	H-47
			SHEET NO.
			3 OF 3



A GENERAL PLAN
SCALE 1:1000

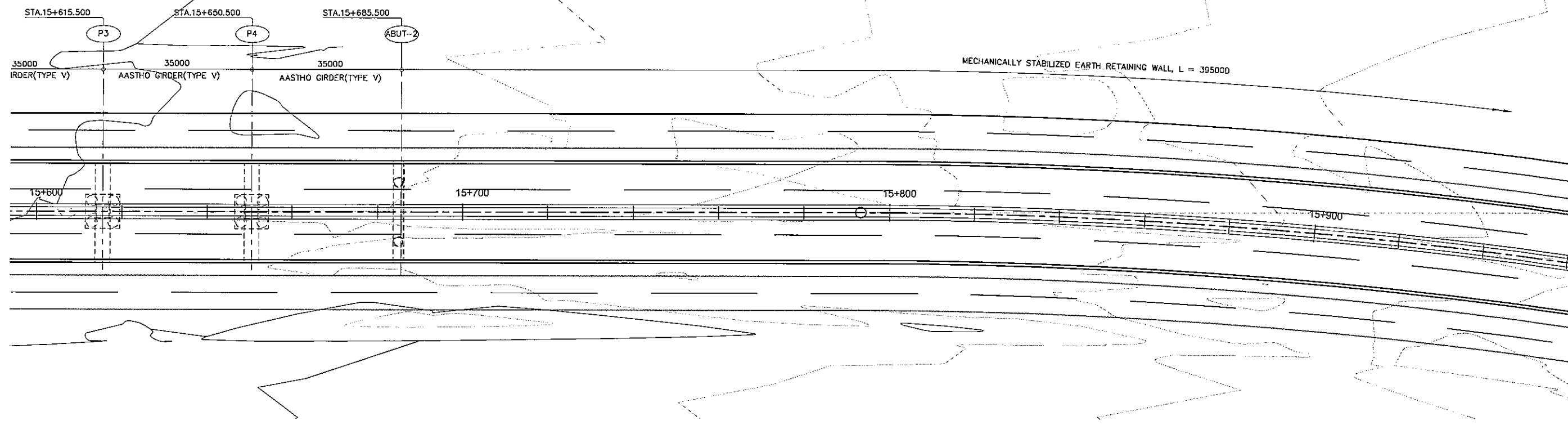
ELEVATION	+80.000
	+75.000
	+70.000
	+65.000
	+60.000
	+55.000
	+50.000
	+45.000
	+40.000
	+35.000
	+30.000
	+25.000



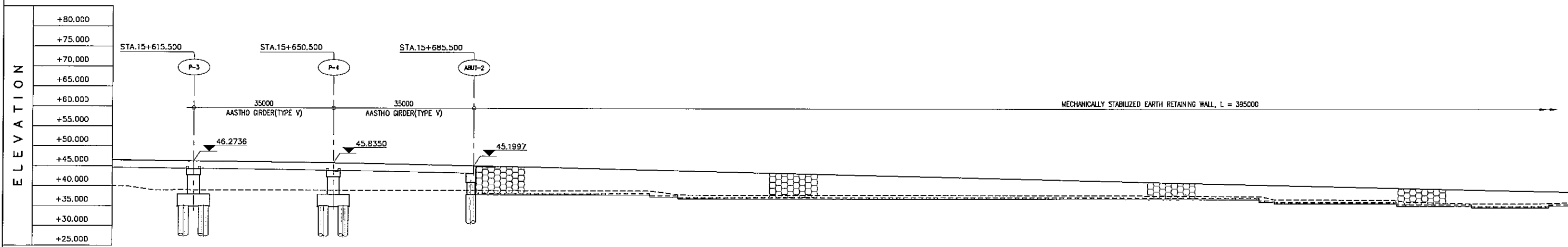
B GENERAL ELEVATION
SCALE 1:1000

STATION	15+300				15+400				15+500				15+800			
FINISHED GRADE ELEVATION	47.223	46.752	46.387	46.067	45.852	45.723	45.678	45.720	45.846	46.075	46.185	46.354	46.491	46.565	46.577	46.524
EXISTING GROUND ELEVATION	42.989	42.995	42.786	42.000	42.000	42.000	42.000	41.418	41.000	41.000	41.000	40.850	40.327	39.939	39.992	39.880

PROJECT TITLE	SCALE	SHEET CONTENT	DRAWING NO.
Preparatory survey for expressway project in Mega Manila Region CALA (CAVITE - LAGUNA)	AS SHOWN	BRIDGE No.18 GENERAL VIEW STA.15.+510.500 - 15+615.500	H-48
			SHEET NO.
			1 OF 3



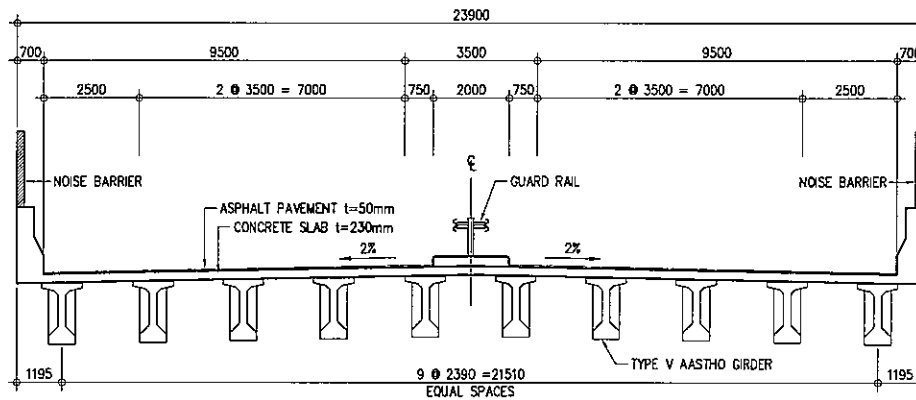
A GENERAL PLAN
SCALE 1:1000



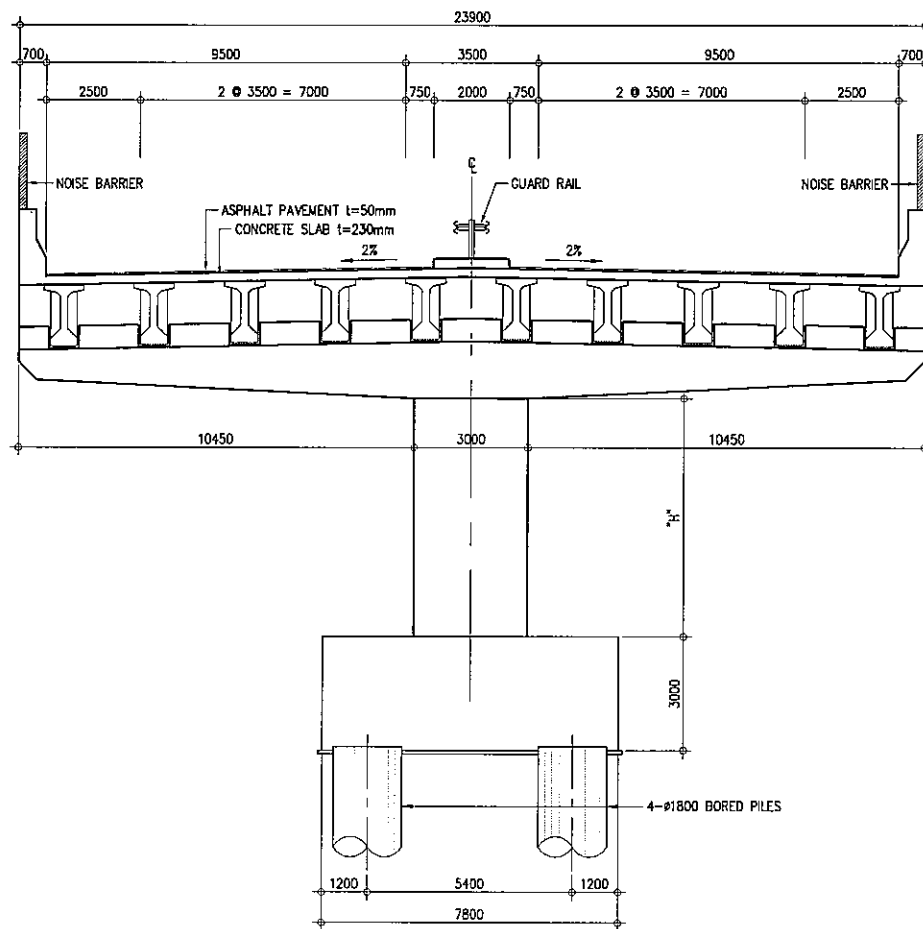
B GENERAL ELEVATION
SCALE 1:1000

STATION	15+600			15+700						15+800			15+900						
FINISHED GRADE ELEVATION	46.409	46.230	45.988	45.863	45.314	44.882	44.418	43.955	43.491	43.027	42.564	42.100	41.636	41.173	40.709	40.245	39.782	39.318	38.854
EXISTING GROUND ELEVATION	38.794	39.000	39.015	39.000	39.000	38.999	38.998	38.998	38.998	38.998	38.998	38.998	38.998	38.998	38.998	38.998	38.998	38.998	38.998

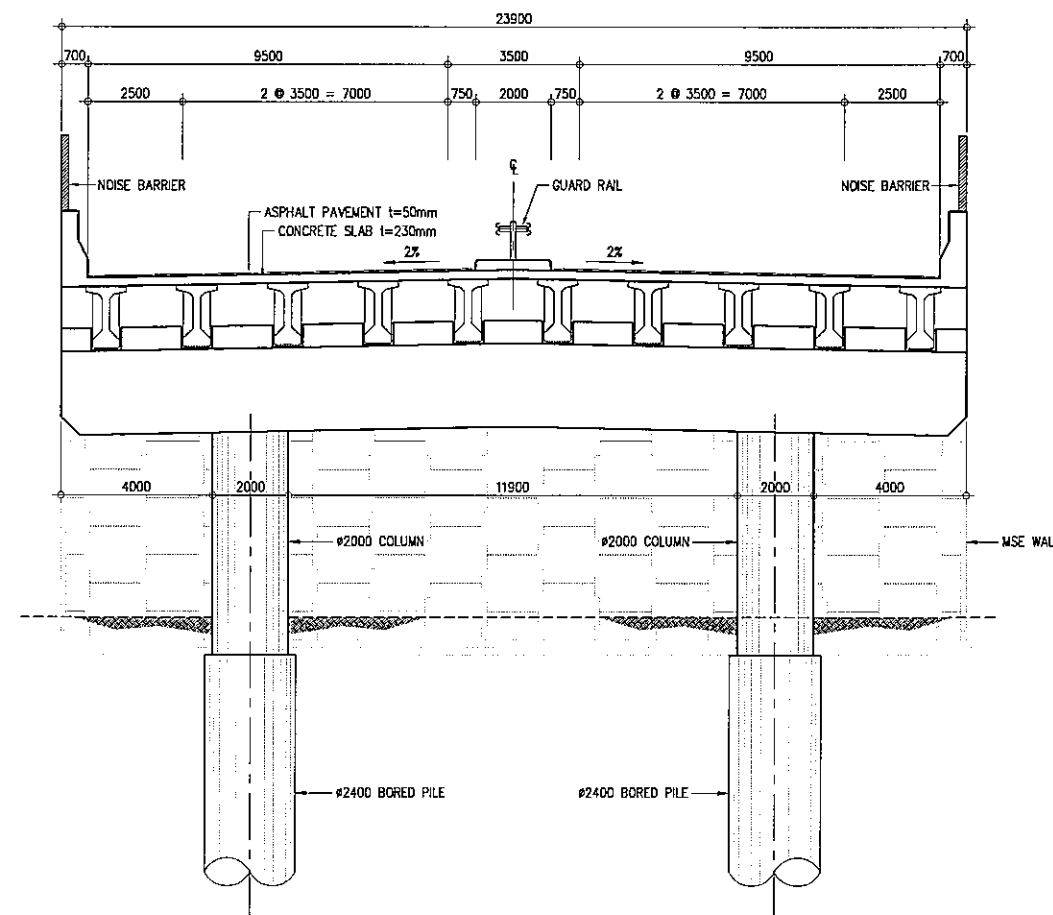
PROJECT TITLE	SCALE	SHEET CONTENT	DRAWING NO.
Preparatory survey for expressway project in Mega Manila Region CALA (CAVITE - LAGUNA)	AS SHOWN	BRIDGE No. 18 GENERAL VIEW STA.15+615.500 - STA.15+685.500	H-49
			SHEET NO.
			2 OF 3



A SUPER STRUCTURE
SCALE 1:200

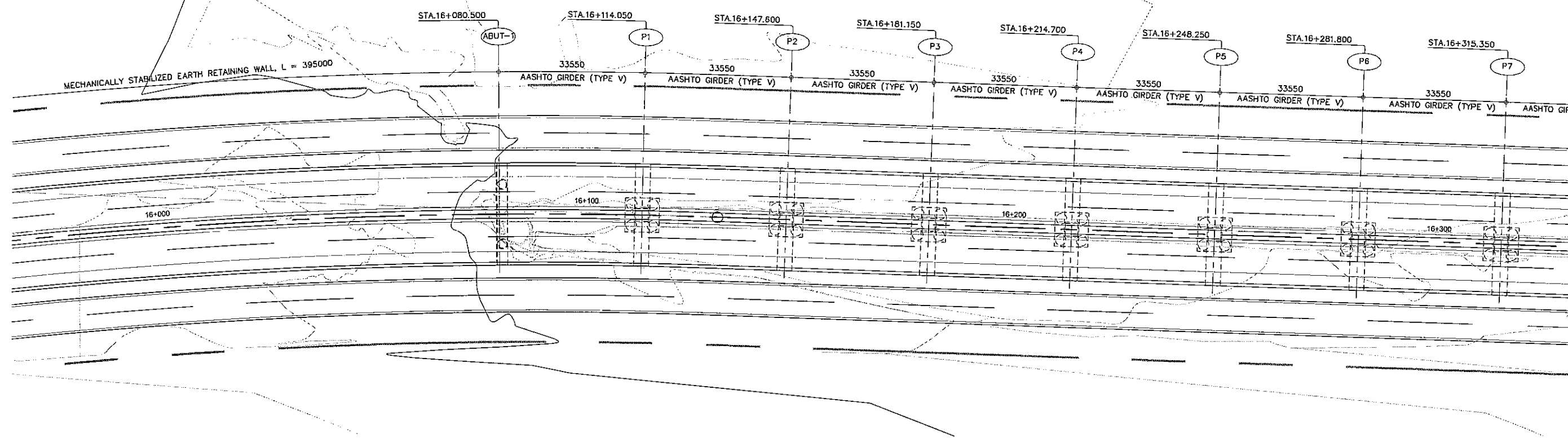


B CROSS SECTION - PIER
SCALE 1:200



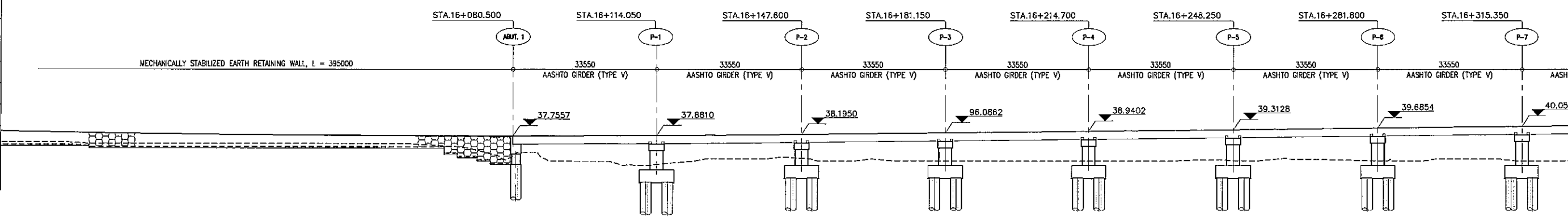
C CROSS SECTION - ABUTMENT
SCALE 1:200

PROJECT TITLE	SCALE	SHEET CONTENT	DRAWING NO.
Preparatory survey for expressway project in Mega Manila Region CALA (CAVITE - LAGUNA)	AS SHOWN	BRIDGE No. 18 STRUCTURE CROSS SECTION	H-50
			SHEET NO.
			3 OF 3



A GENERAL PLAN
SCALE 1:1000

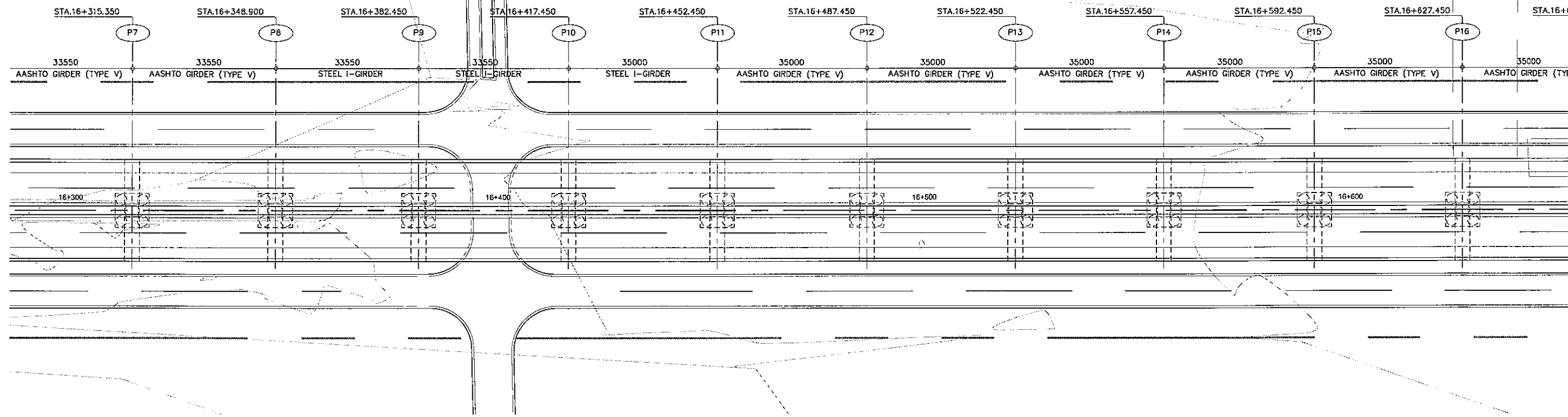
ELEVATION	+70.000
	+65.000
	+60.000
	+55.000
	+50.000
	+45.000
	+40.000
	+35.000
	+30.000
	+25.000



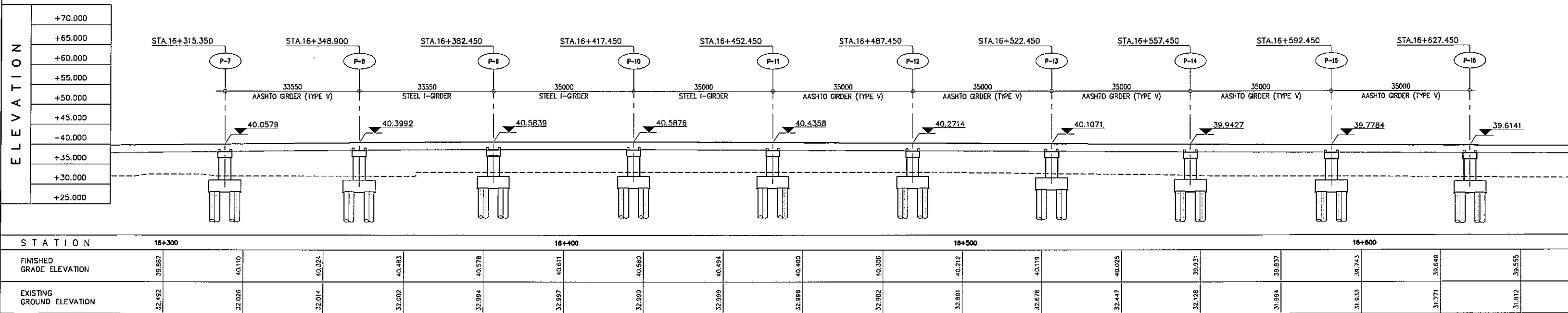
B GENERAL ELEVATION
SCALE 1:1000

STATION	16+000					16+100					16+200					16+300				
FINISHED GRADE ELEVATION	38.528	38.218	38.012	37.857	37.771	37.753	37.603	37.823	38.111	38.333	38.555	38.777	38.989	39.221	39.443	39.665	39.887	40.110		
EXISTING GROUND ELEVATION	36.129	36.000	35.699	35.000	35.734	32.679	31.908	31.745	32.598	32.006	32.052	32.036	32.019	32.294	32.618	32.076	32.492	32.026		

PROJECT TITLE	SCALE	SHEET CONTENT	DRAWING NO.
Preparatory survey for expressway project in Mega Manila Region CALA (CAVITE - LAGUNA)	AS SHOWN	BRIDGE No.19 GENERAL VIEW STA.16+080.500 - STA.16+315.350	H-51
			SHEET NO.
			1 OF 6

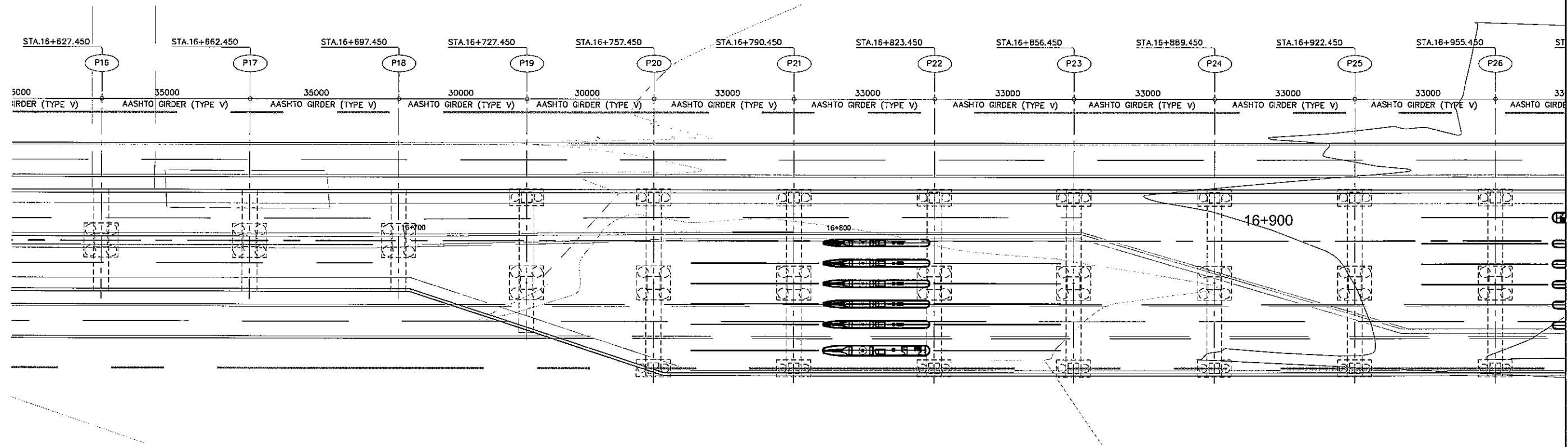


A GENERAL PLAN
SCALE 1:1000

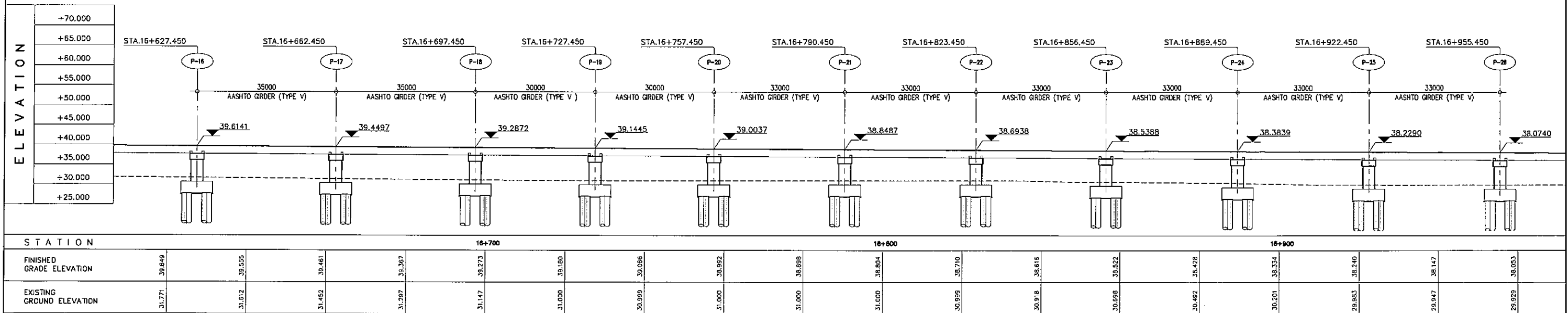


B GENERAL ELEVATION
SCALE 1:1000

PROJECT TITLE	SCALE	SHEET CONTENT	DRAWING NO.
Preparatory survey for expressway project in Mega Manila Region CALA (CAVITE - LAGUNA)	AS SHOWN	BRIDGE No.19 GENERAL VIEW STA.16+315.350 - STA.16+627.450	H-52
			SHEET NO.
			2 OF 6

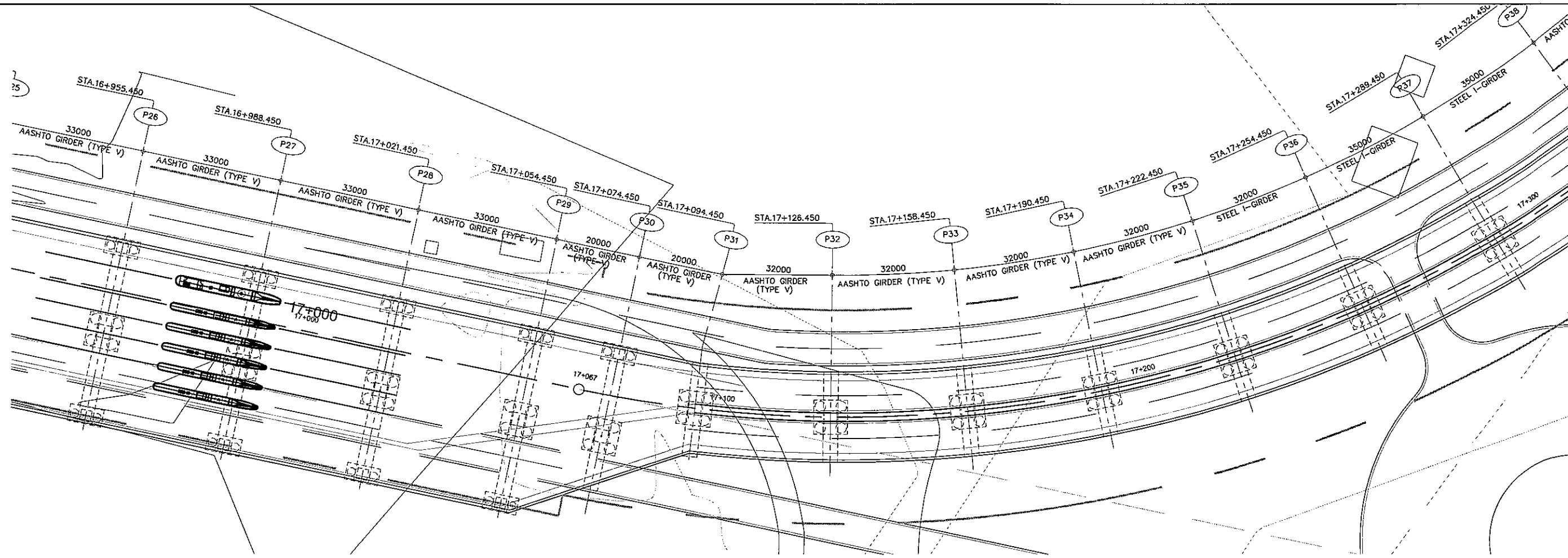


A GENERAL PLAN
SCALE 1:1000

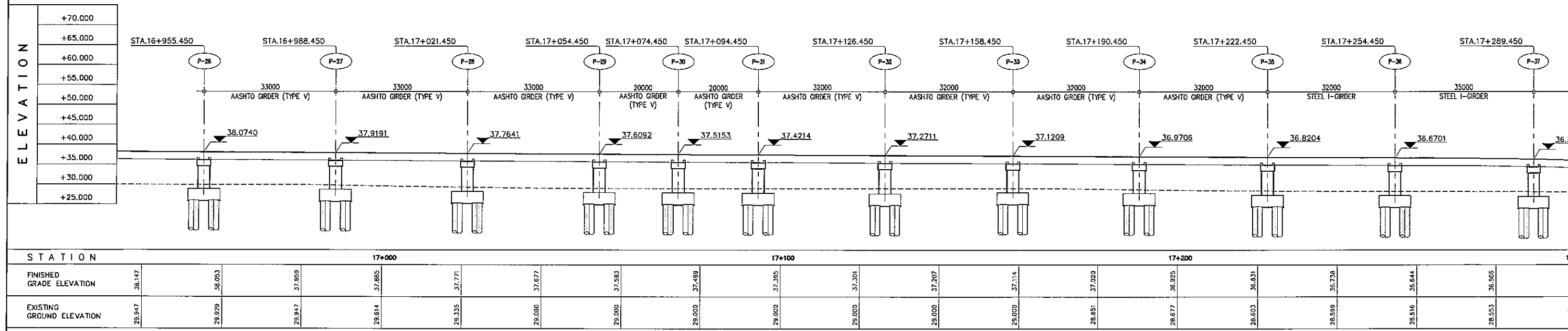


B GENERAL ELEVATION
SCALE 1:1000

PROJECT TITLE	SCALE	SHEET CONTENT	DRAWING NO.
Preparatory survey for expressway project in Mega Manila Region CALA (CAVITE - LAGUNA)	AS SHOWN	BRIDGE No.19 GENERAL VIEW STA.16+627.450 - STA.16+955.450	H-53
			SHEET NO.
			3 OF 6



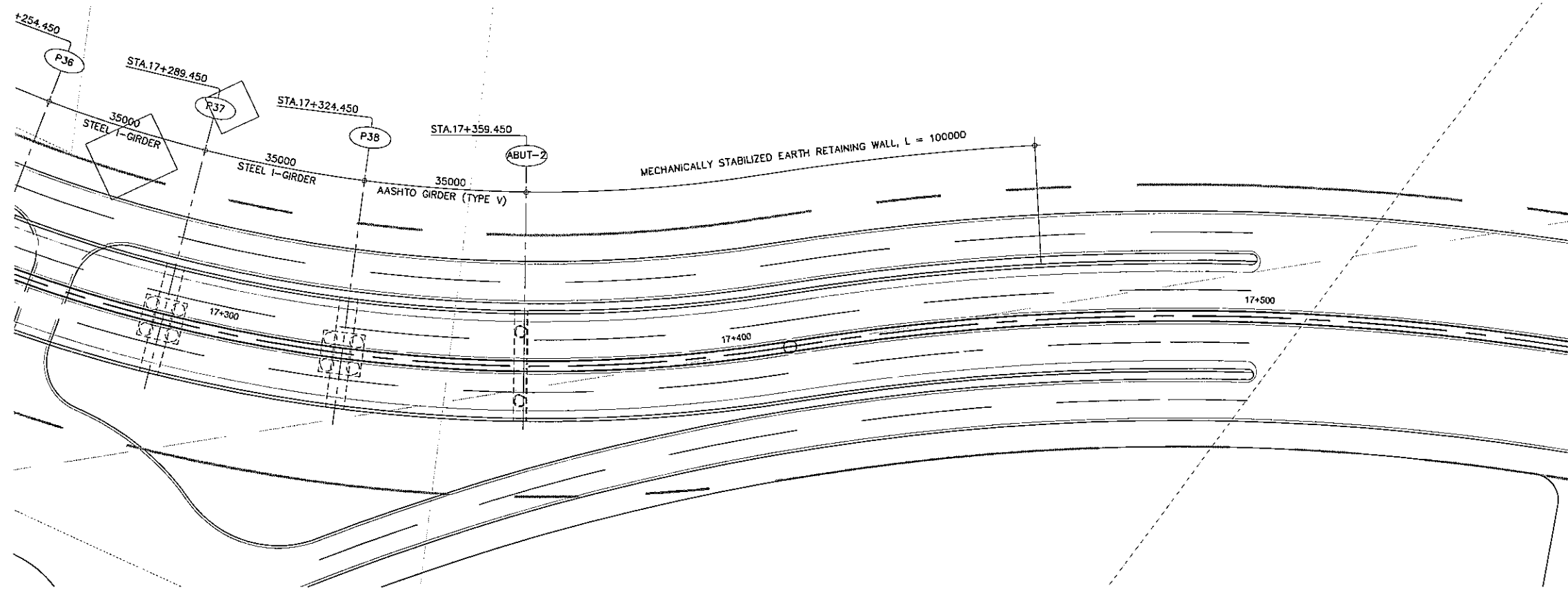
A GENERAL PLAN
SCALE 1:1000



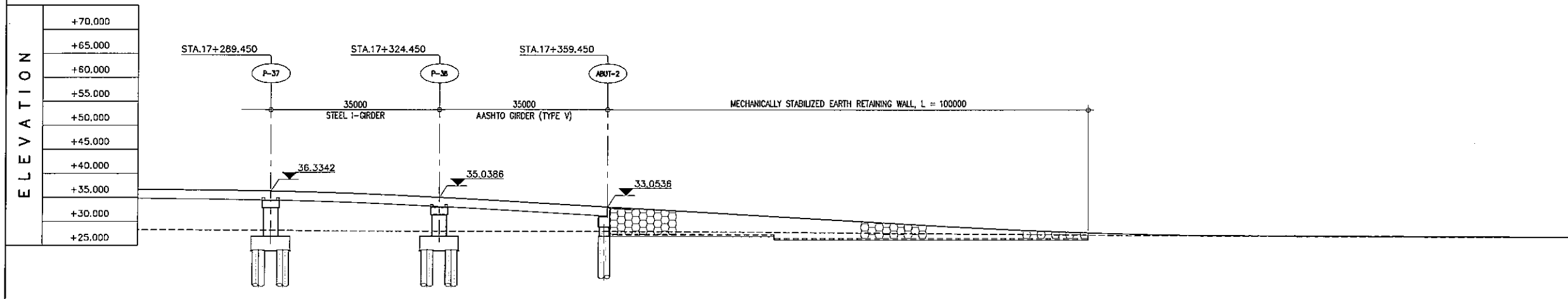
B GENERAL ELEVATION
SCALE 1:1000

STATION	17+000			17+100			17+200			17									
FINISHED GRADE ELEVATION	38.147	38.053	37.959	37.865	37.771	37.677	37.583	37.489	37.395	37.301	37.207	37.114	37.020	36.925	36.831	36.738	36.644	36.550	36.456
EXISTING GROUND ELEVATION	29.947	29.979	29.947	29.814	29.735	29.680	29.600	29.500	29.400	29.300	29.200	29.100	28.951	28.877	28.803	28.699	28.616	28.533	28.450

PROJECT TITLE	SCALE	SHEET CONTENT	DRAWING NO.
Preparatory survey for expressway project in Mega Manila Region CALA (CAVITE - LAGUNA)	AS SHOWN	BRIDGE No.19 GENERAL VIEW STA.16+955.450 - STA.17+289.450	H-54
			SHEET NO.
			4 OF 6



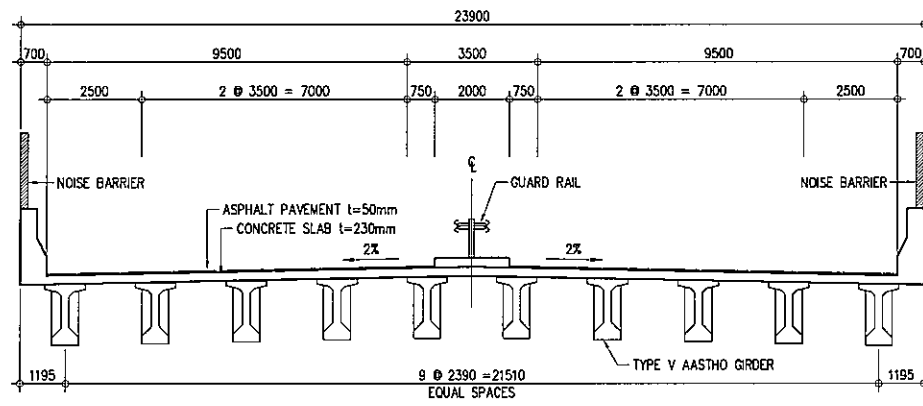
A GENERAL PLAN
SCALE 1:1000



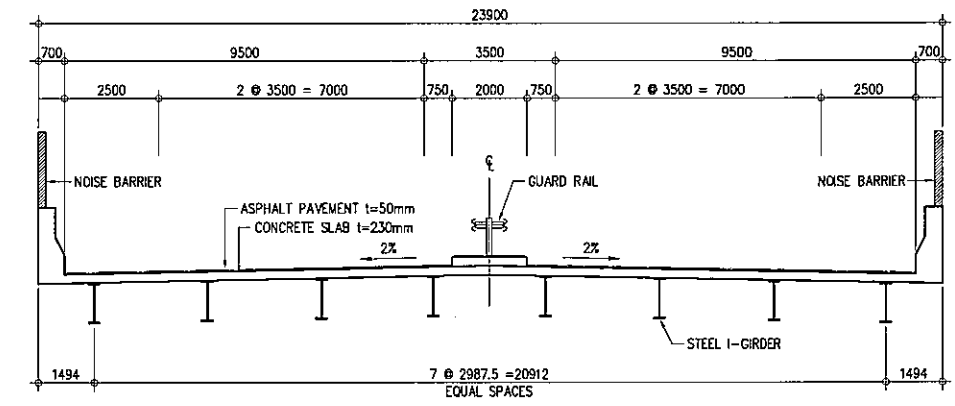
B GENERAL ELEVATION
SCALE 1:1000

STATION	17+300				17+400				17+500					
FINISHED GRADE ELEVATION	36.500	36.062	35.267	34.186	33.022	31.877	30.732	29.588	28.486	27.685	27.227	26.957	26.843	26.730
EXISTING GROUND ELEVATION	28.553	28.378	28.153	28.018	27.875	27.744	27.632	27.525	27.403	27.277	27.150	27.055	26.947	26.839

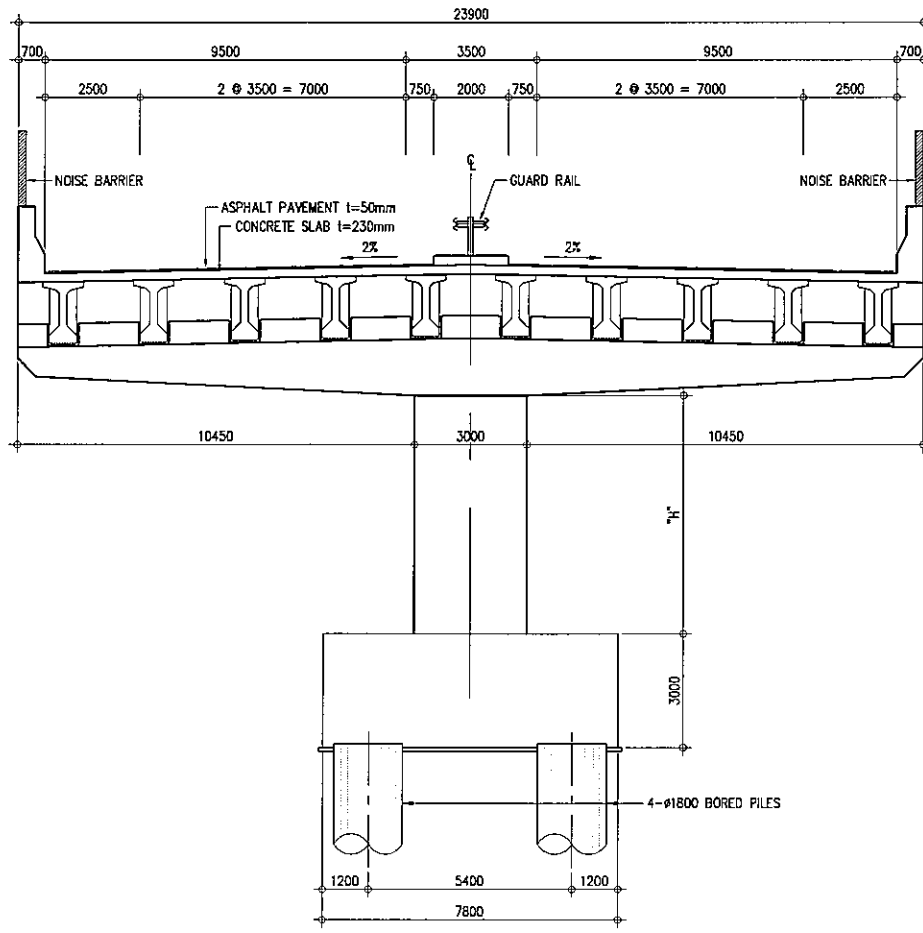
PROJECT TITLE	SCALE	SHEET CONTENT	DRAWING NO.
Preparatory survey for expressway project in Mega Manila Region CALA (CAVITE - LAGUNA)	AS SHOWN	BRIDGE No.19 GENERAL VIEW STA.17+289.450 - STA.17+359.450	H-55
			SHEET NO.
			5 OF 6



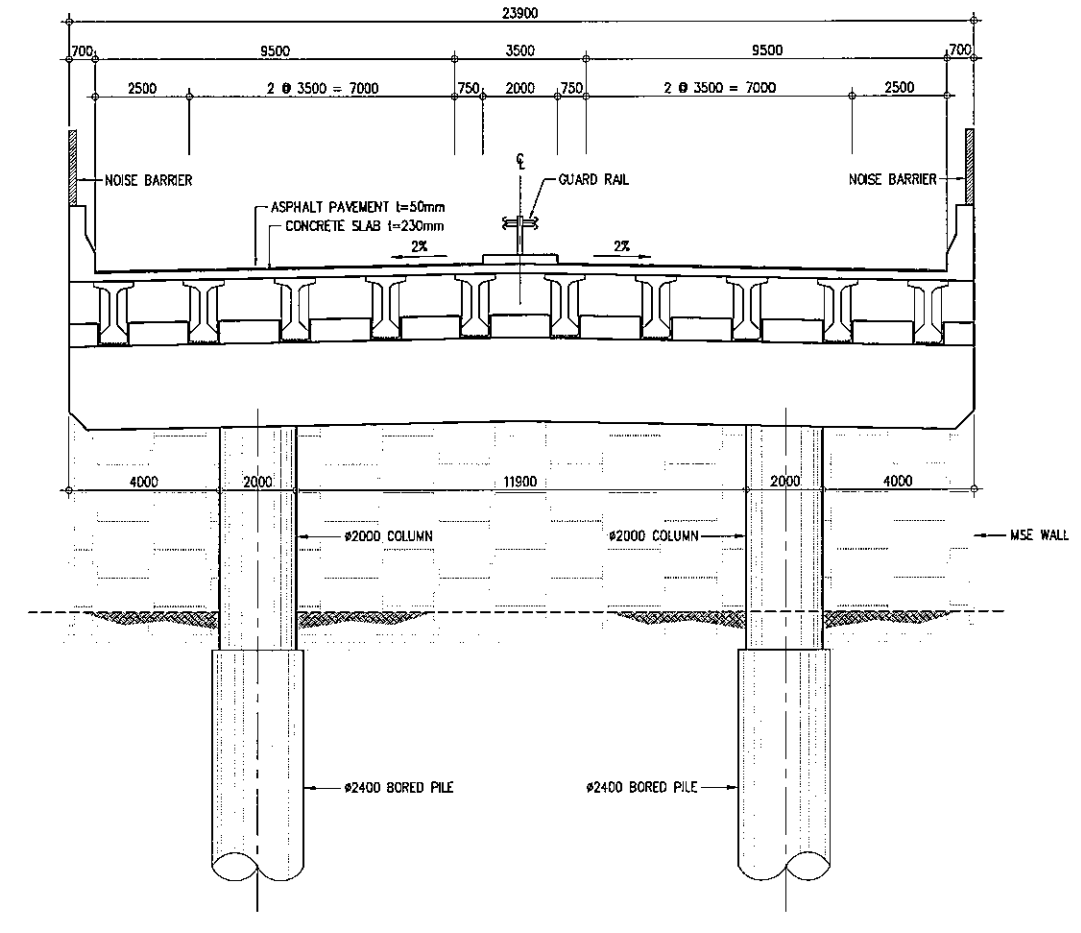
A SUPER STRUCTURE (AASHTO GIRDER)
SCALE 1:200



B SUPER STRUCTURE (STEEL I-GIRDER)
SCALE 1:200

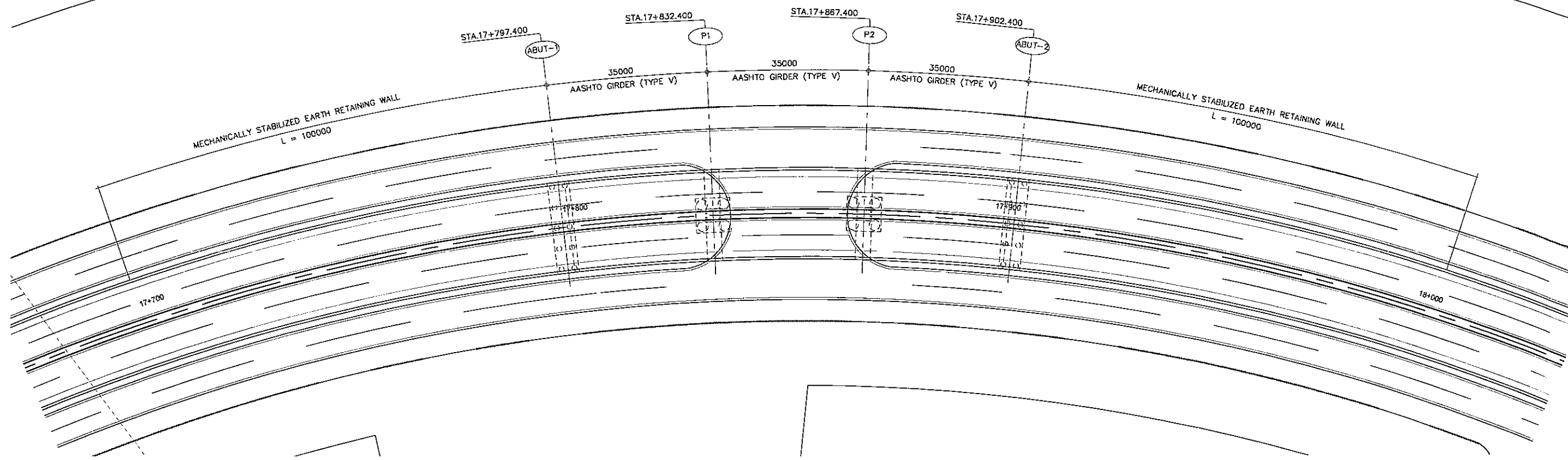


C CROSS SECTION - PIER
SCALE 1:200



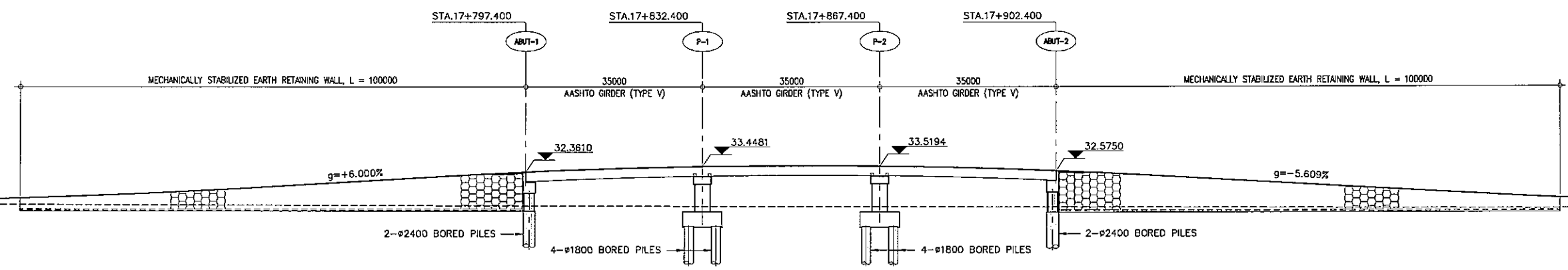
D CROSS SECTION - ABUTMENT
SCALE 1:200

PROJECT TITLE	SCALE	SHEET CONTENT	DRAWING NO.
Preparatory survey for expressway project in Mega Manila Region CALA (CAVITE - LAGUNA)	AS SHOWN	BRIGDE No.19 STRUCTURE CROSS SECTION	H-56
			SHEET NO.
			6 OF 6



A GENERAL PLAN
SCALE 1:1000

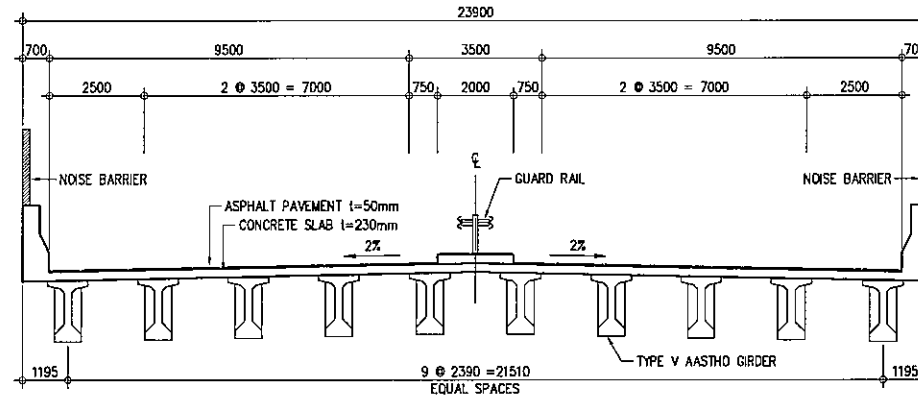
ELEVATION	+65.000
	+60.000
	+55.000
	+50.000
	+45.000
	+40.000
	+35.000
	+30.000
	+25.000
	+20.000



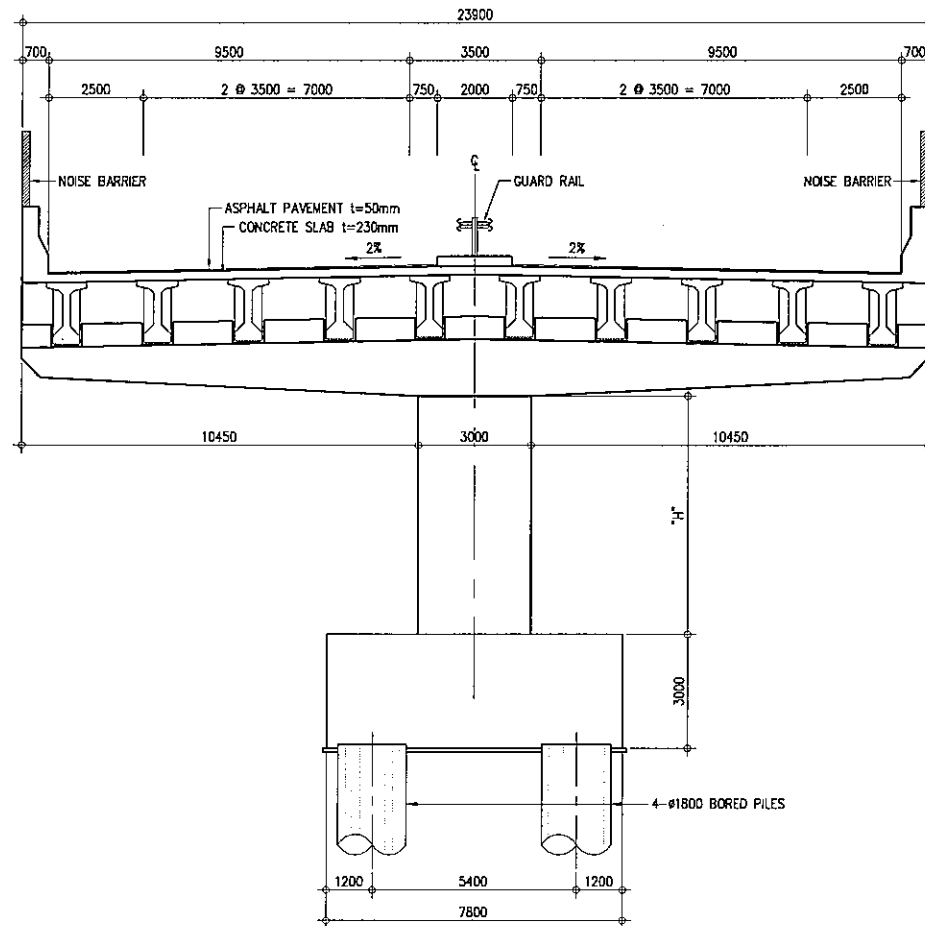
B GENERAL ELEVATION
SCALE 1:1000

STATION	17+700								17+800								17+900								18+000											
FINISHED GRADE ELEVATION	26.753	27.305	28.076	29.065	30.242	31.442	32.476	33.179	33.550	33.589	33.296	32.672	31.716	30.594	29.472	28.351	27.216	26.455	25.999	25.999	25.904	25.849	25.794	25.738	25.682	25.626	25.570	25.514	25.461	25.416	25.372	25.329	25.281	25.193	25.125	25.057
EXISTING GROUND ELEVATION	25.999	25.999	25.904	25.849	25.794	25.738	25.682	25.626	25.570	25.514	25.461	25.416	25.372	25.329	25.281	25.193	25.125	25.057	25.999	25.999	25.904	25.849	25.794	25.738	25.682	25.626	25.570	25.514	25.461	25.416	25.372	25.329	25.281	25.193	25.125	25.057

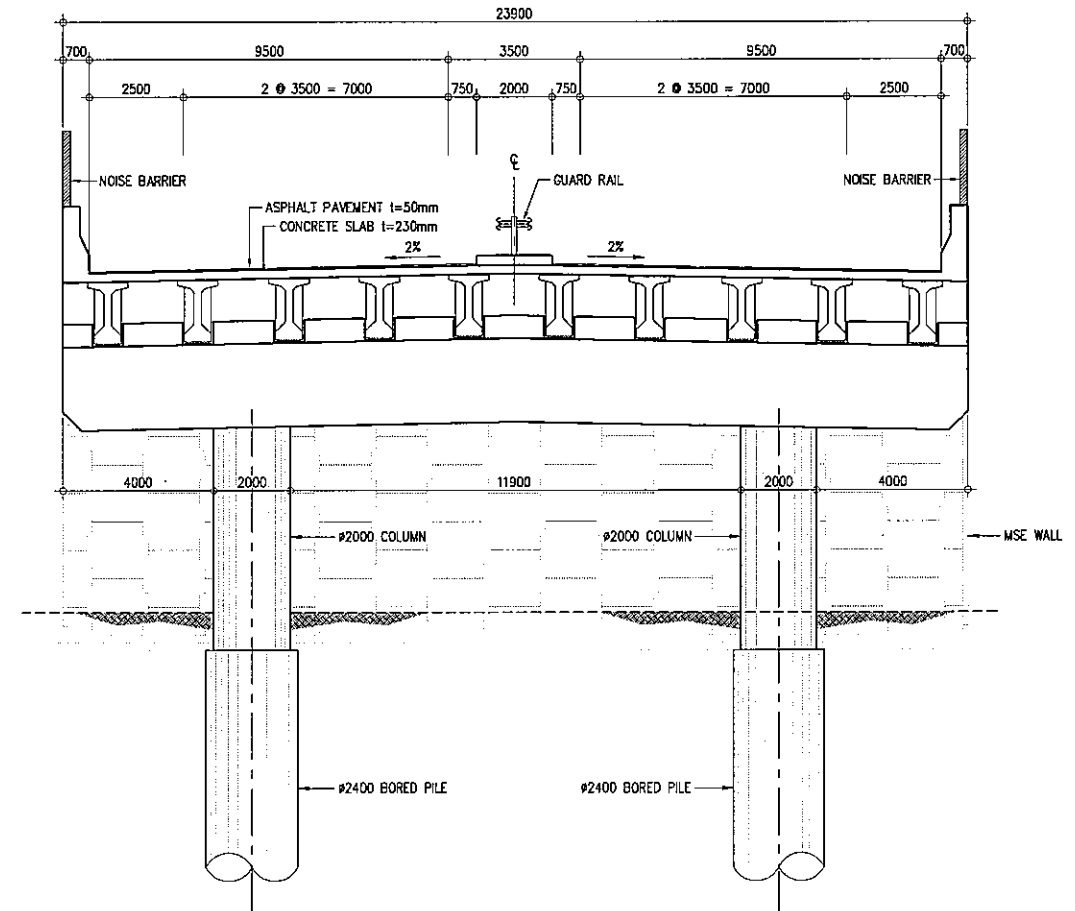
PROJECT TITLE	SCALE	SHEET CONTENT	DRAWING NO.
Preparatory survey for expressway project in Mega Manila Region CALA (CAVITE - LAGUNA)	AS SHOWN	BRIDGE No.20 GENERAL VIEW STA.17+797.400 - STA.17+902.400	H-57
			SHEET NO.
			1 OF 2



A SUPER STRUCTURE (AASHTO GIRDER)
SCALE 1:200

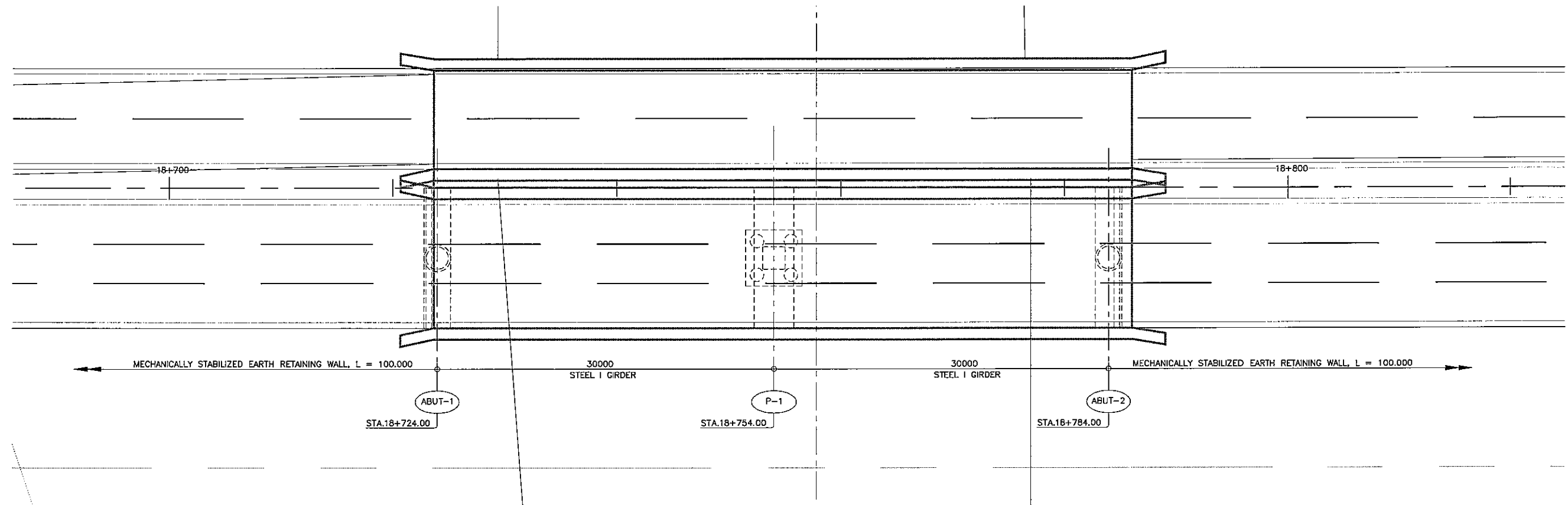


B CROSS SECTION - PIER
SCALE 1:200

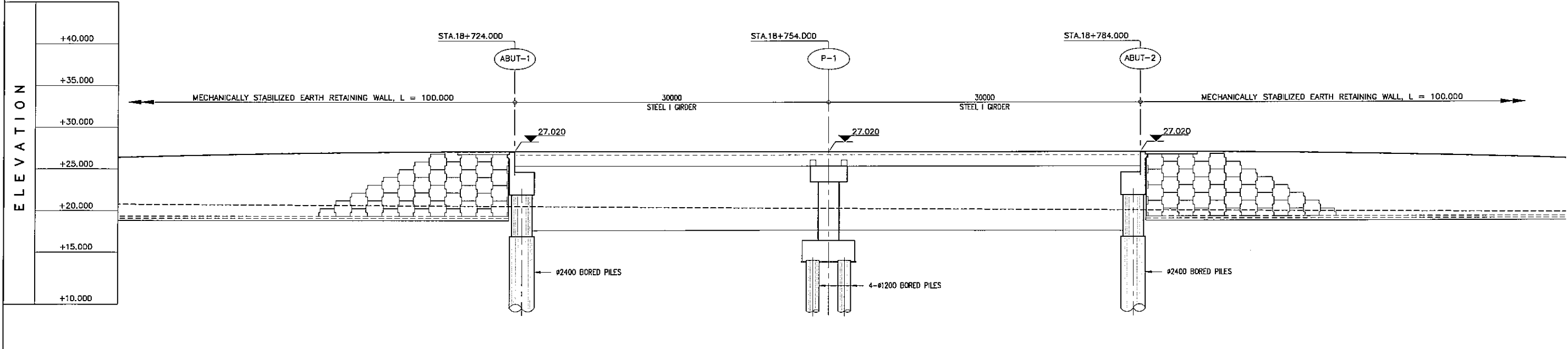


C CROSS SECTION - ABUTMENT
SCALE 1:200

PROJECT TITLE	SCALE	SHEET CONTENT	DRAWING NO.
Preparatory survey for expressway project in Mega Manila Region CALA (CAVITE - LAGUNA)	AS SHOWN	BRIDGE No.20 STRUCTURE CROSS SECTION	H-58
			SHEET NO.
			2 OF 2



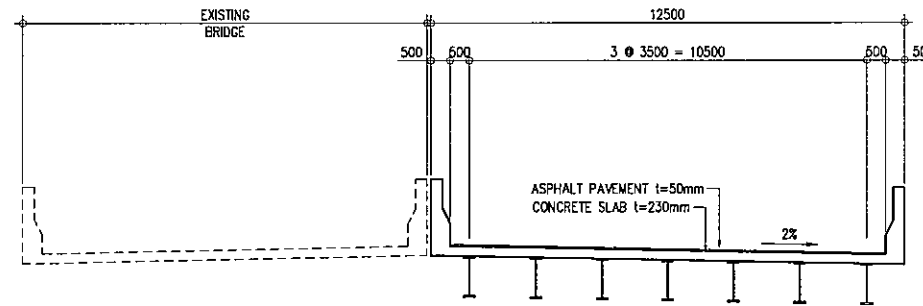
A GENERAL PLAN
SCALE 1:400



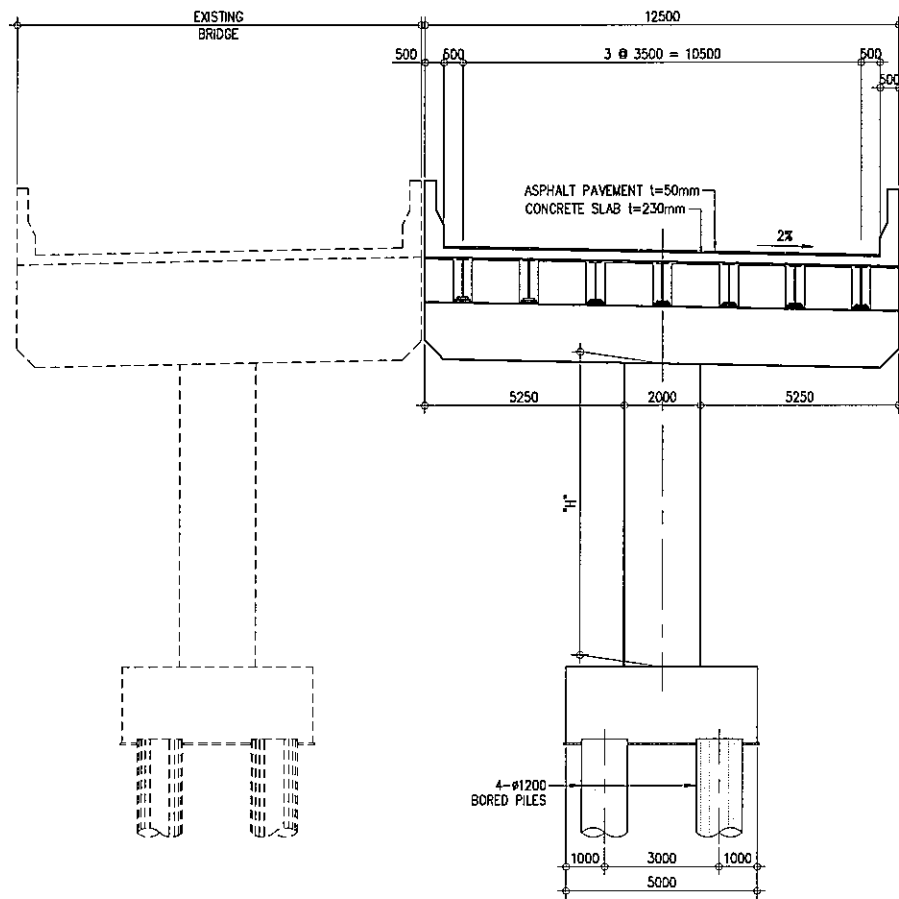
B GENERAL ELEVATION
SCALE 1:400

STATION	18+700						18+800					
FINISHED GRADE ELEVATION	26.253	26.504	27.014	27.020	27.020	27.020	27.020	27.020	27.020	27.020	26.518	
EXISTING GROUND ELEVATION	22.013	21.899	21.785	21.673	21.560	21.447	21.335					

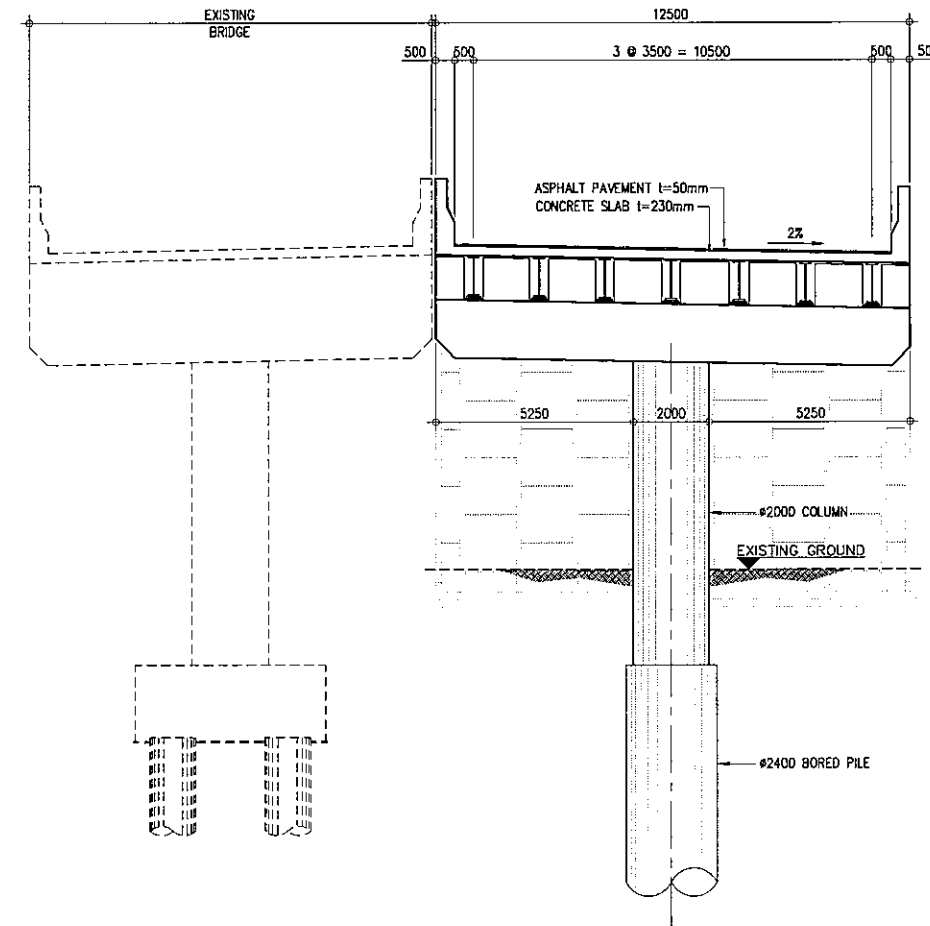
PROJECT TITLE	SCALE	SHEET CONTENT	DRAWING NO.
Preparatory survey for expressway project in Mega Manila Region CALA (CAVITE - LAGUNA)	AS SHOWN	BRIGDE No.21 GENERAL VIEW STA.18+724.000 - STA.18+784.000	H-59
			SHEET NO.
			1 OF 2



A SUPER STRUCTURE (STEEL I-GIRDER)
SCALE 1:200

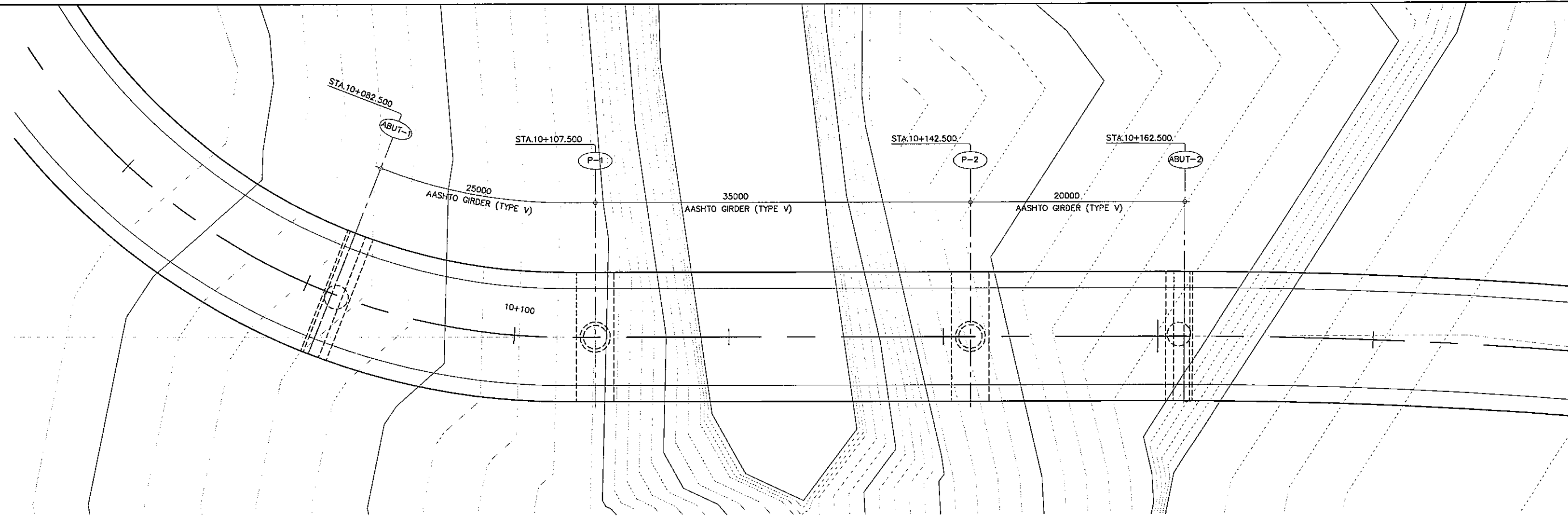


B CROSS SECTION - PIER
SCALE 1:200

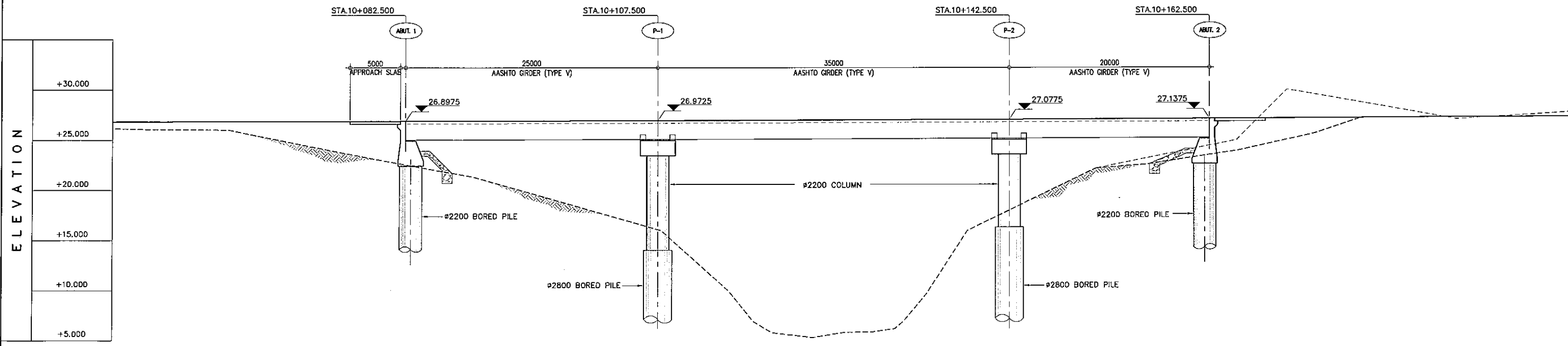


C CROSS SECTION - ABUTMENT
SCALE 1:200

PROJECT TITLE	SCALE	SHEET CONTENT	DRAWING NO.
Preparatory survey for expressway project in Mega Manila Region CALA (CAVITE - LAGUNA)	AS SHOWN	BRIDGE No.21 STRUCTURE CROSS SECTION	H-60
			SHEET NO.
			2 OF 2



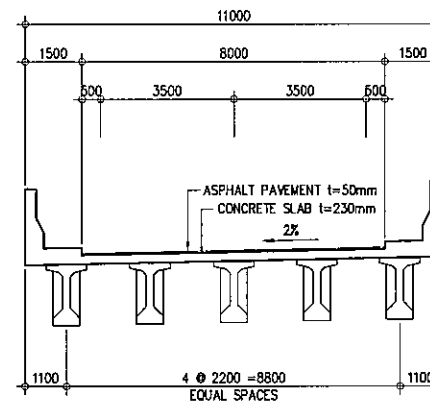
A GENERAL PLAN
SCALE 1:400



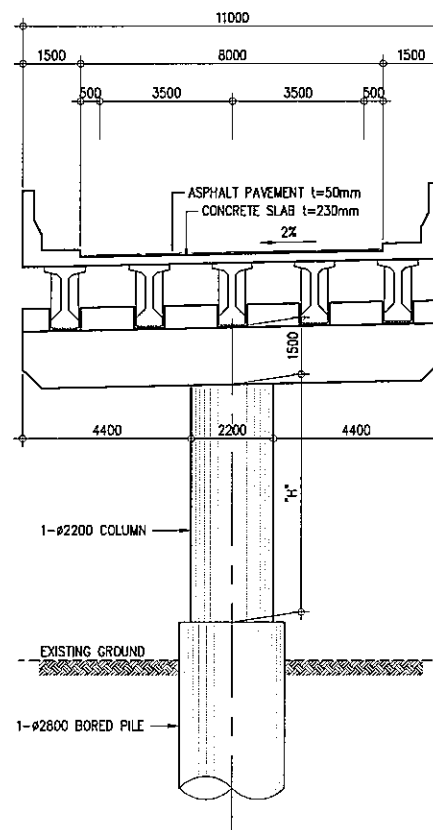
B GENERAL ELEVATION
SCALE 1:400

STATION	10+100									
FINISHED GRADE ELEVATION	126.630	126.890	126.950	127.010	127.070	127.130	127.190	127.250	127.310	127.370
EXISTING GROUND ELEVATION	126.043	123.014	118.264	108.992	116.818	123.970	128.255	127.775	127.290	127.250

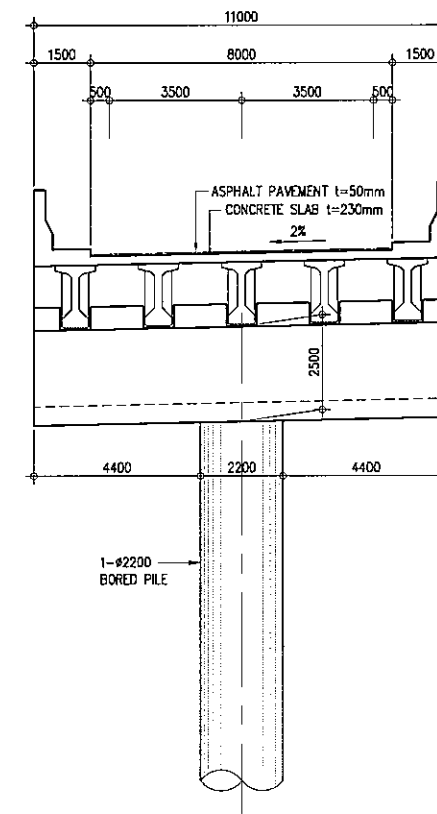
PROJECT TITLE	SCALE	SHEET CONTENT	DRAWING NO.
Preparatory survey for expressway project in Mega Manila Region CALA (CAVITE - LAGUNA)	AS SHOWN	TAGAYTAY ACCESS GENERAL VIEW STA.10+082.500 - STA.10+162.500 (RIVER CROSSING BRIDGE)	H-61
			SHEET NO. 1 OF 2



A SUPER STRUCTURE
SCALE 1:200

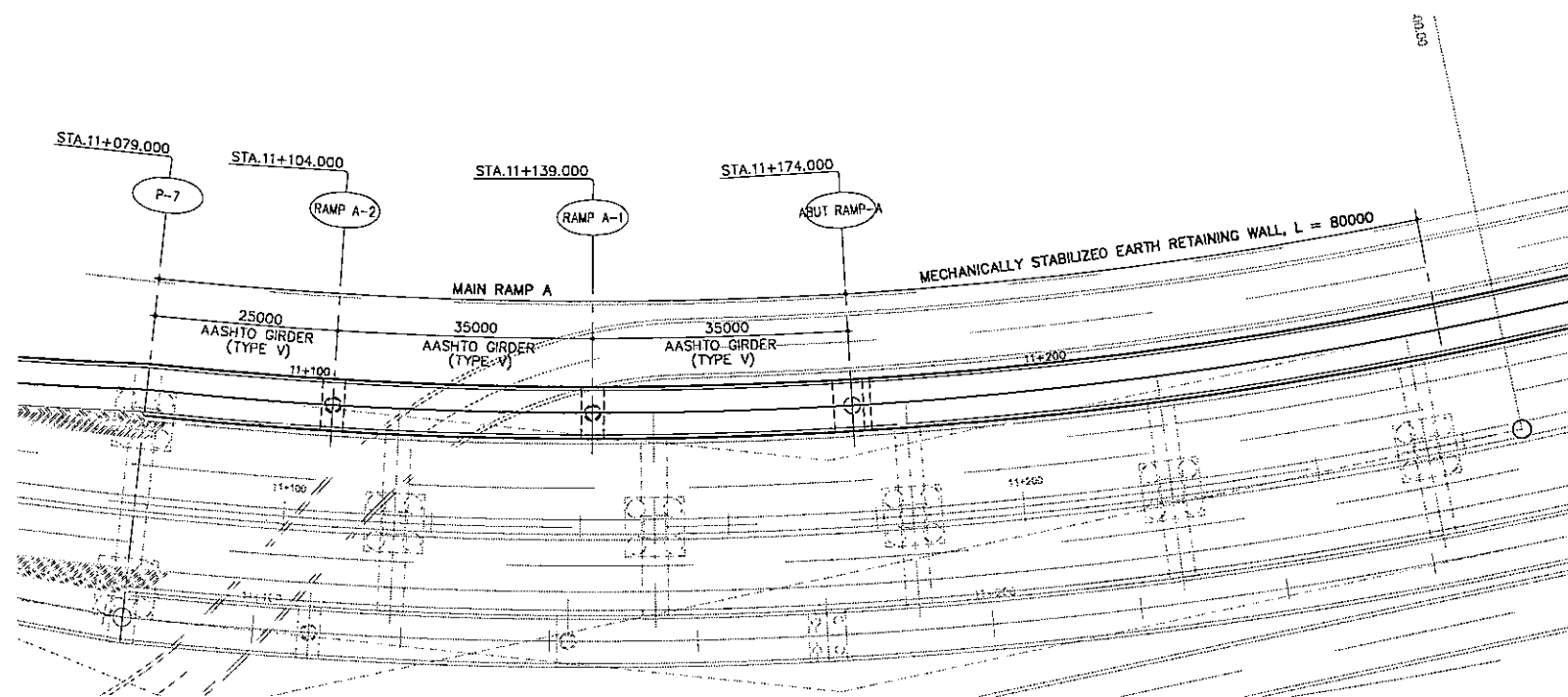


B CROSS SECTION - PIER
SCALE 1:200

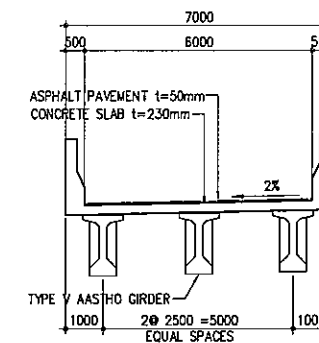


C CROSS SECTION - ABUTMENT
SCALE 1:200

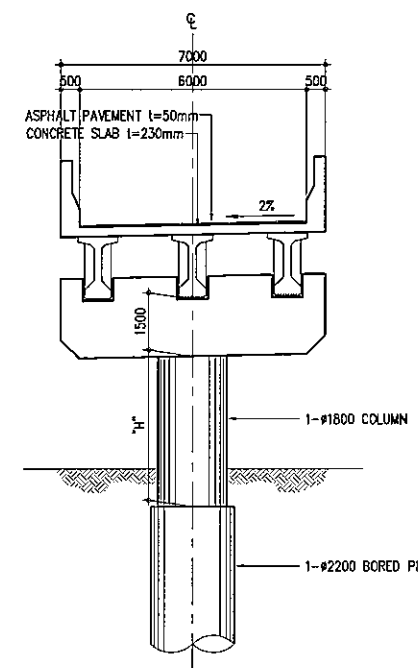
PROJECT TITLE	SCALE	SHEET CONTENT	DRAWING NO.
Preparatory survey for expressway project in Mega Manila Region CALA (CAVITE - LAGUNA)	AS SHOWN	TAGAYTAY ACCESS STRUCTURE CROSS SECTION	H-62
			SHEET NO.
			2 OF 2



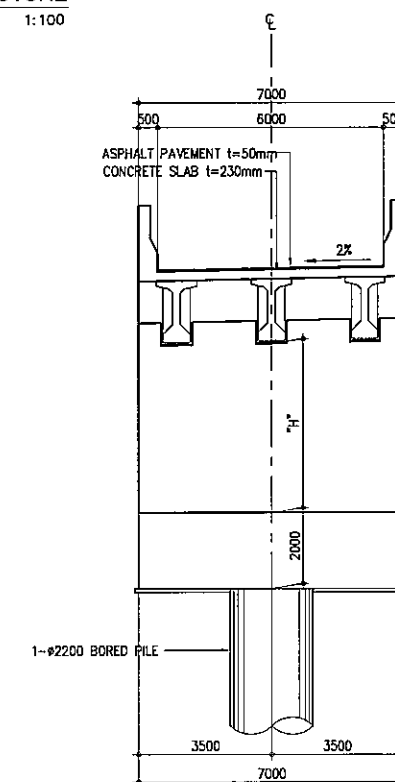
A GENERAL PLAN
SCALE 1:500



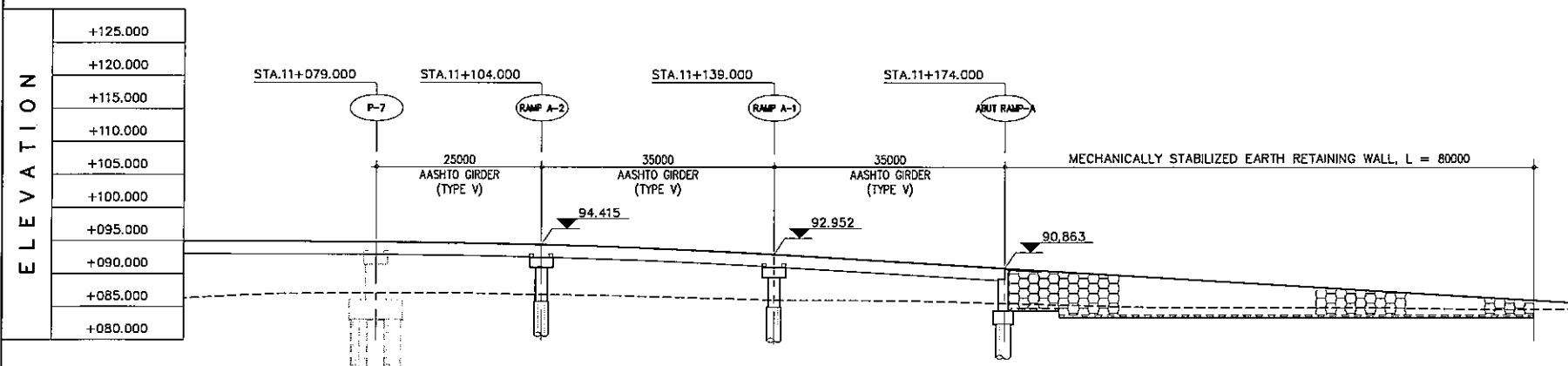
A SUPER STRUCTURE
SCALE 1:100



B CROSS SECTION - PIER
SCALE 1:100



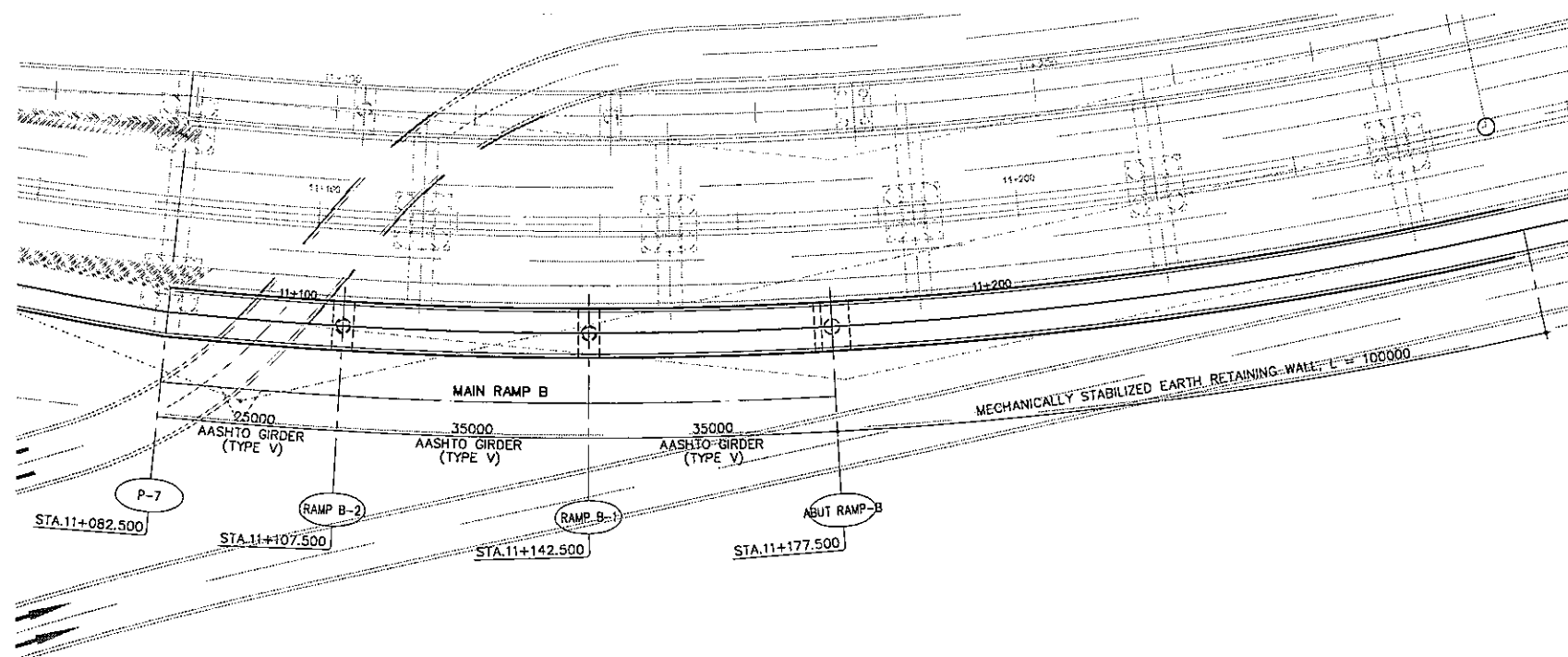
C CROSS SECTION - ABUTMENT
SCALE 1:100



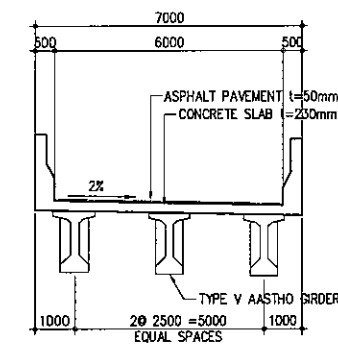
B GENERAL ELEVATION
SCALE 1:500

STATION	11+100					11+200					
FINISHED GRADE ELEVATION	94.878	94.801	94.510	93.883	92.901	91.703	90.503	89.303	88.103	86.903	85.703
EXISTING GROUND ELEVATION	86.806	87.096	86.942	86.583	86.015	85.948	85.407	84.993	84.963	84.800	84.734

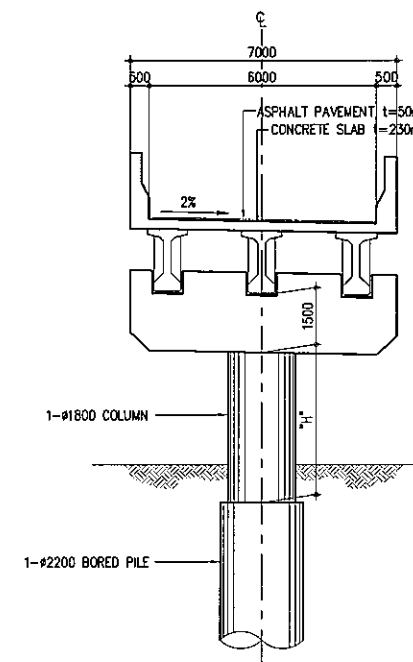
PROJECT TITLE	SCALE	SHEET CONTENT	DRAWING NO.
Preparatory survey for expressway project in Mega Manila Region CALA (CAVITE - LAGUNA)	AS SHOWN	MAIN RAMP A GENERAL VIEW STA.11+080.000 - STA.11+174.000	H-63
			SHEET NO.
			1 OF 1



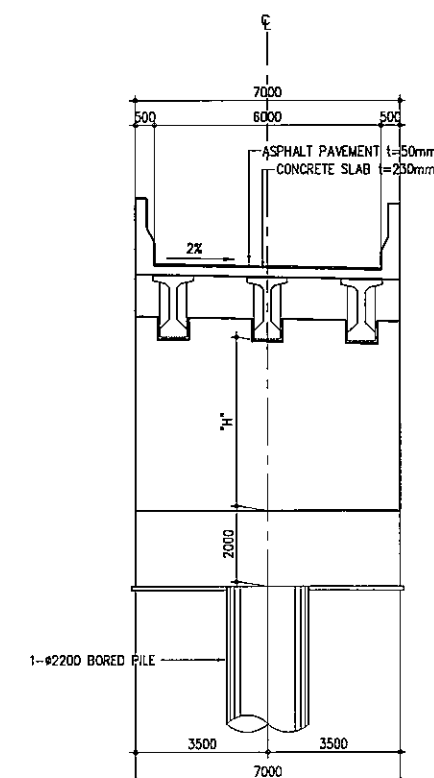
A GENERAL PLAN
SCALE 1:500



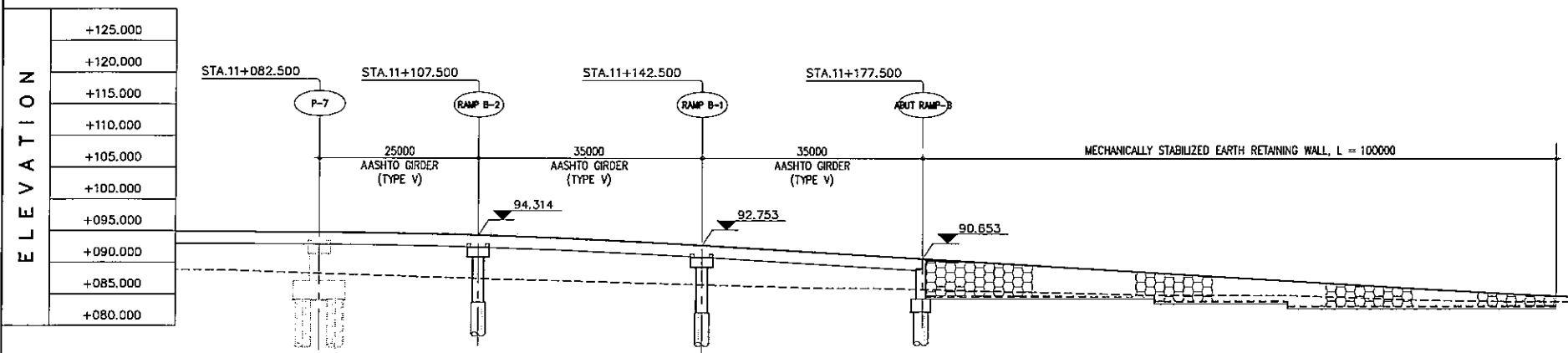
A SUPER STRUCTURE
SCALE 1:100



B CROSS SECTION - PIER
SCALE 1:100



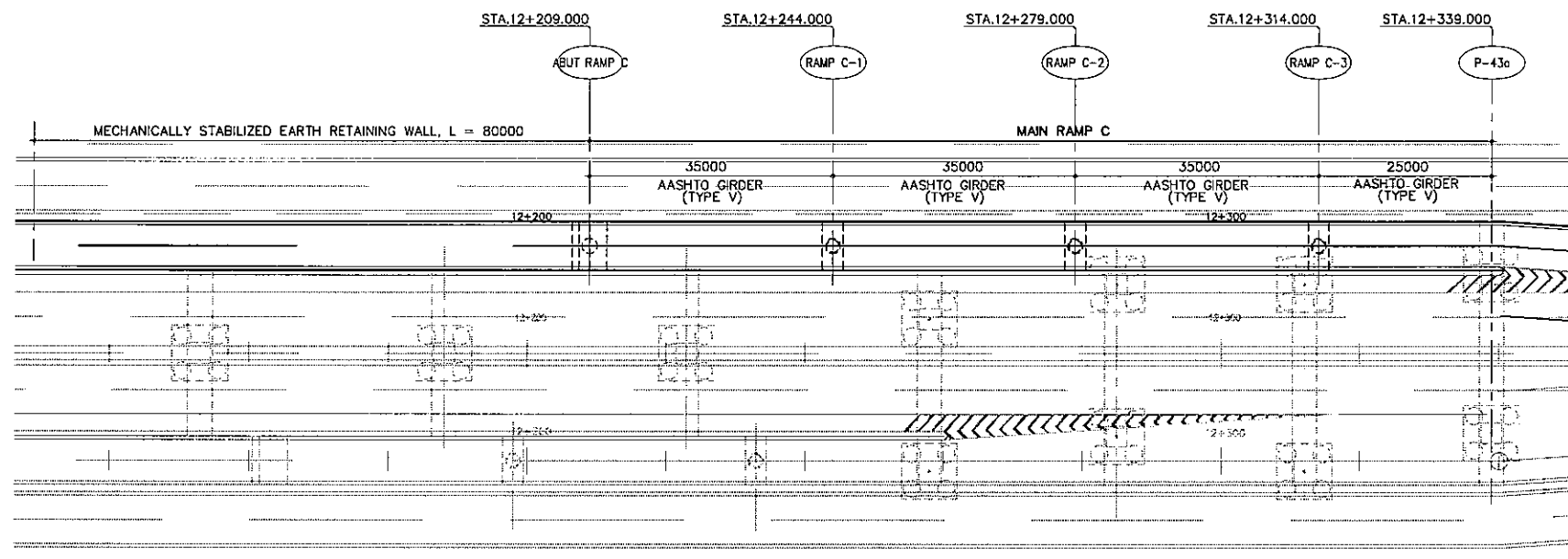
C CROSS SECTION - ABUTMENT
SCALE 1:100



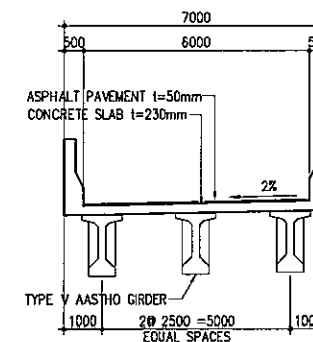
B GENERAL ELEVATION
SCALE 1:500

STATION	11+100				11+200						
FINISHED GRADE ELEVATION	84.793	84.510	83.883	82.895	81.703	80.503	89.303	88.103	86.903	85.709	84.706
EXISTING GROUND ELEVATION	88.374	87.893	87.179	86.611	86.062	85.780	85.276	84.978	84.748	84.148	83.973

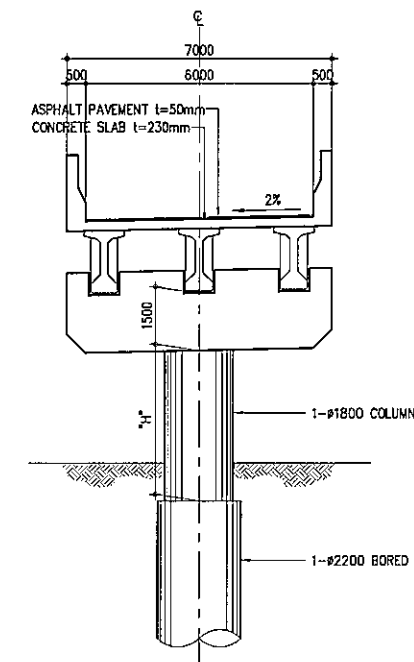
PROJECT TITLE	SCALE	SHEET CONTENT	DRAWING NO.
Preparatory survey for expressway project in Mega Manila Region CALA (CAVITE - LAGUNA)	AS SHOWN	MAIN RAMP B GENERAL VIEW STA.11+082.500 - STA.11+177.500	H-64
			SHEET NO.
			1 OF 1



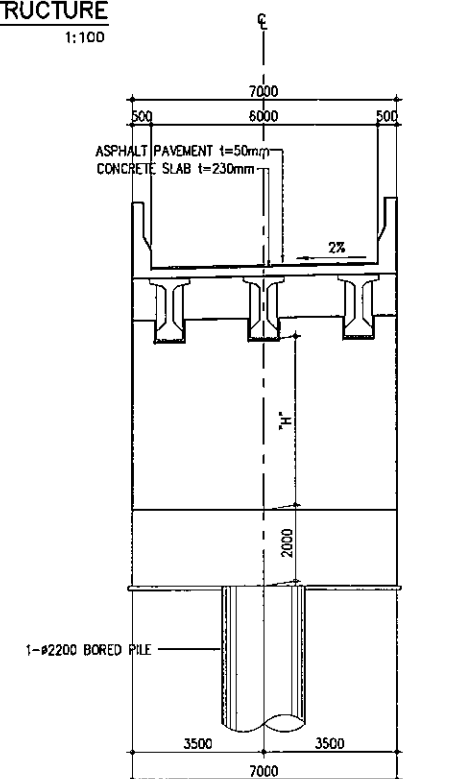
A GENERAL PLAN
SCALE 1:500



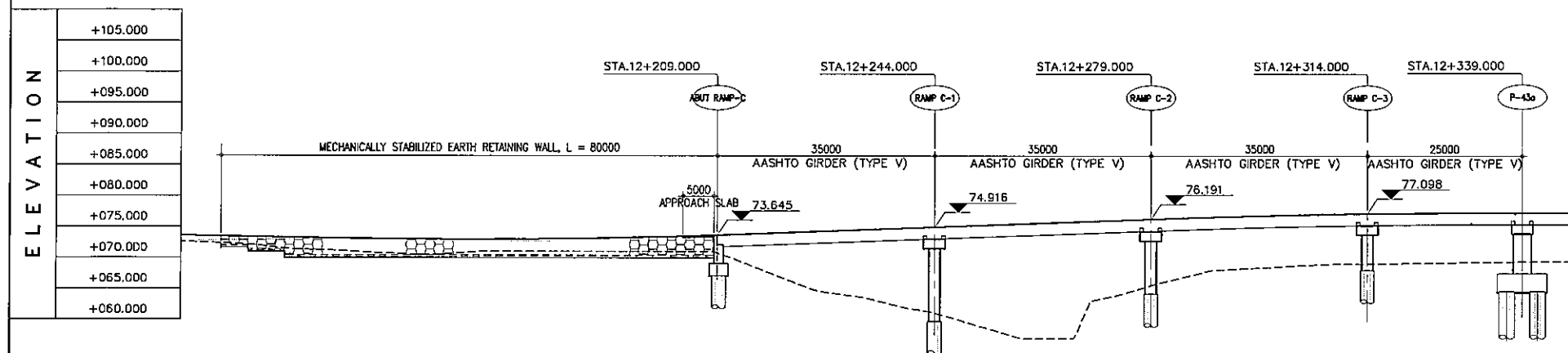
A SUPER STRUCTURE
SCALE 1:100



B CROSS SECTION - PIER
SCALE 1:100



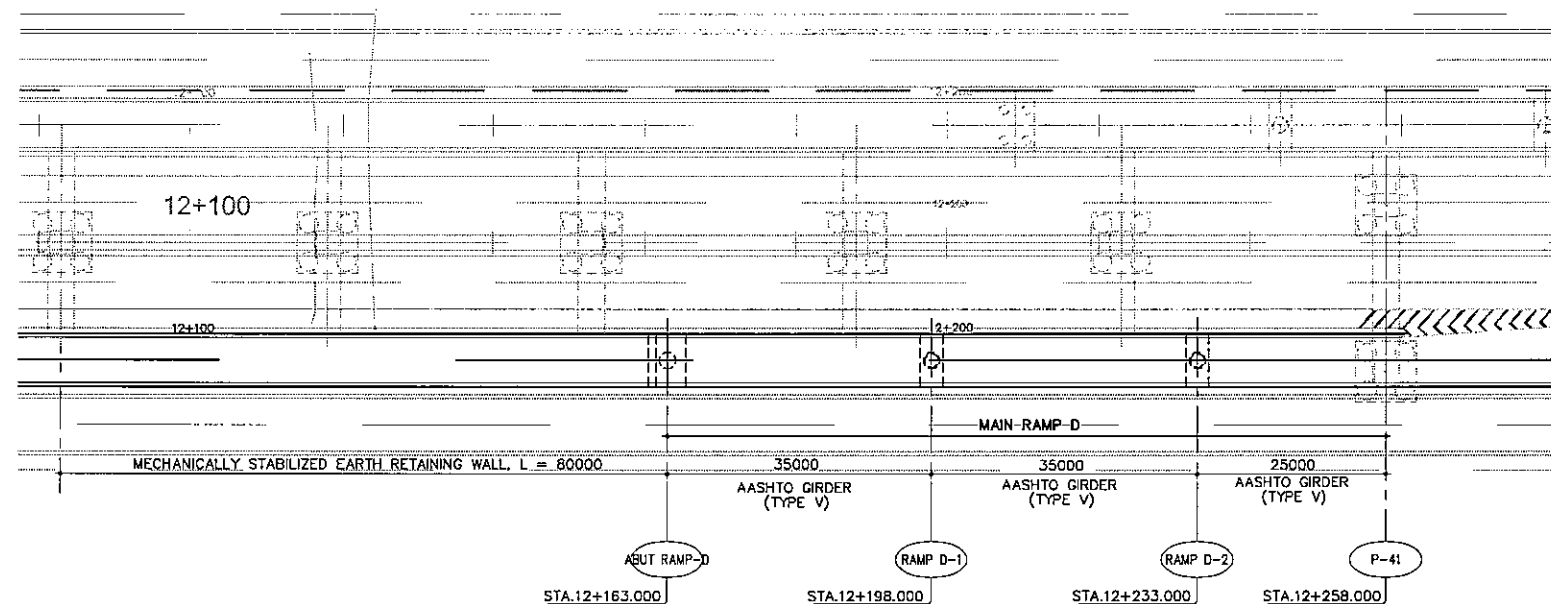
C CROSS SECTION - ABUTMENT
SCALE 1:100



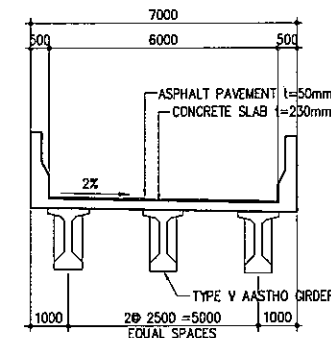
B GENERAL ELEVATION
SCALE 1:500

STATION	12+200				12+300						
	FINISHED GRADE ELEVATION	73.265	72.970	72.986	73.363	74.042	74.770	75.499	76.227	76.830	77.181
EXISTING GROUND ELEVATION	71.446	70.544	71.004	71.002	66.553	61.800	57.000	55.818	59.562	59.118	59.409

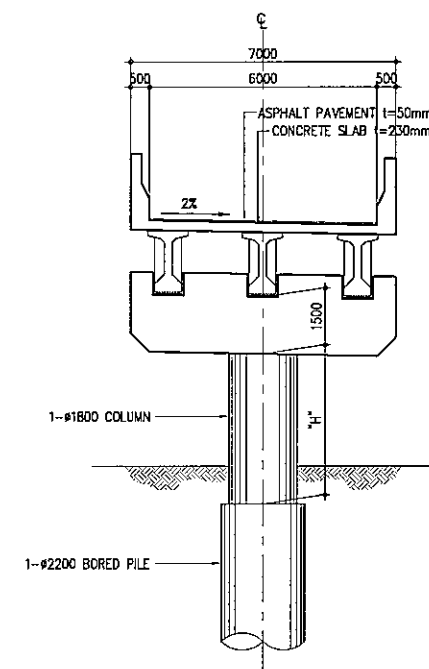
PROJECT TITLE	SCALE	SHEET CONTENT	DRAWING NO.
Preparatory survey for expressway project in Mega Manila Region CALA (CAVITE - LAGUNA)	AS SHOWN	MAIN RAMP C GENERAL VIEW STA.12+209.000 - STA.12+339.000	H-65
			SHEET NO.
			1 OF 1



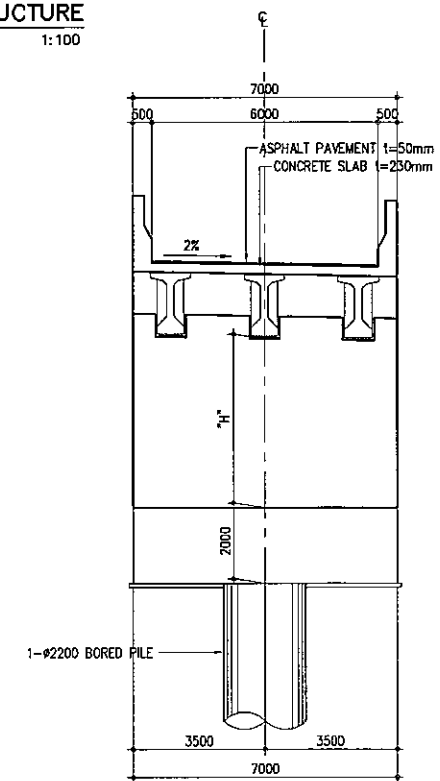
A GENERAL PLAN
SCALE 1:500



A SUPER STRUCTURE
SCALE 1:100

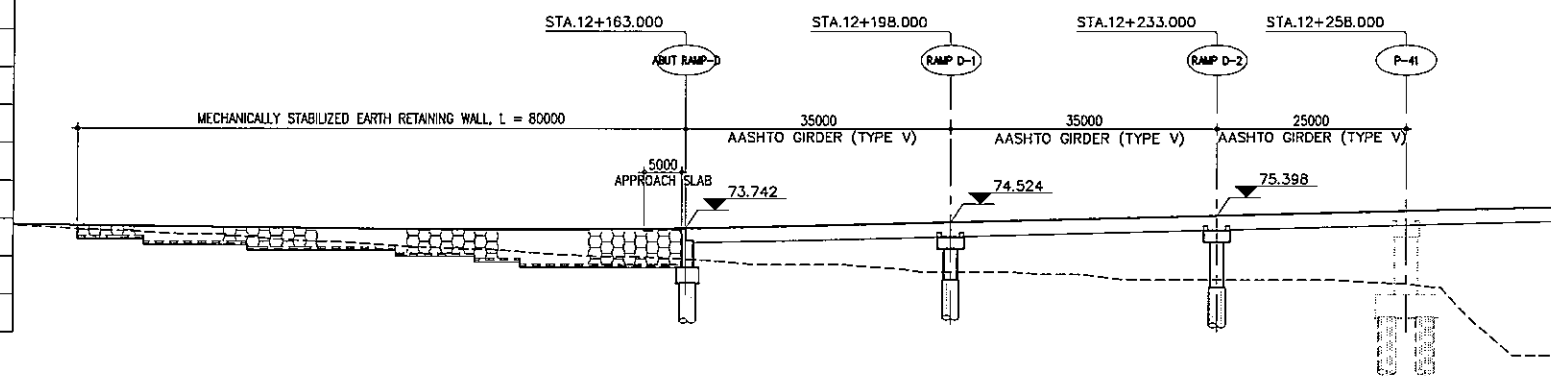


B CROSS SECTION - PIER
SCALE 1:100



C CROSS SECTION - ABUTMENT
SCALE 1:100

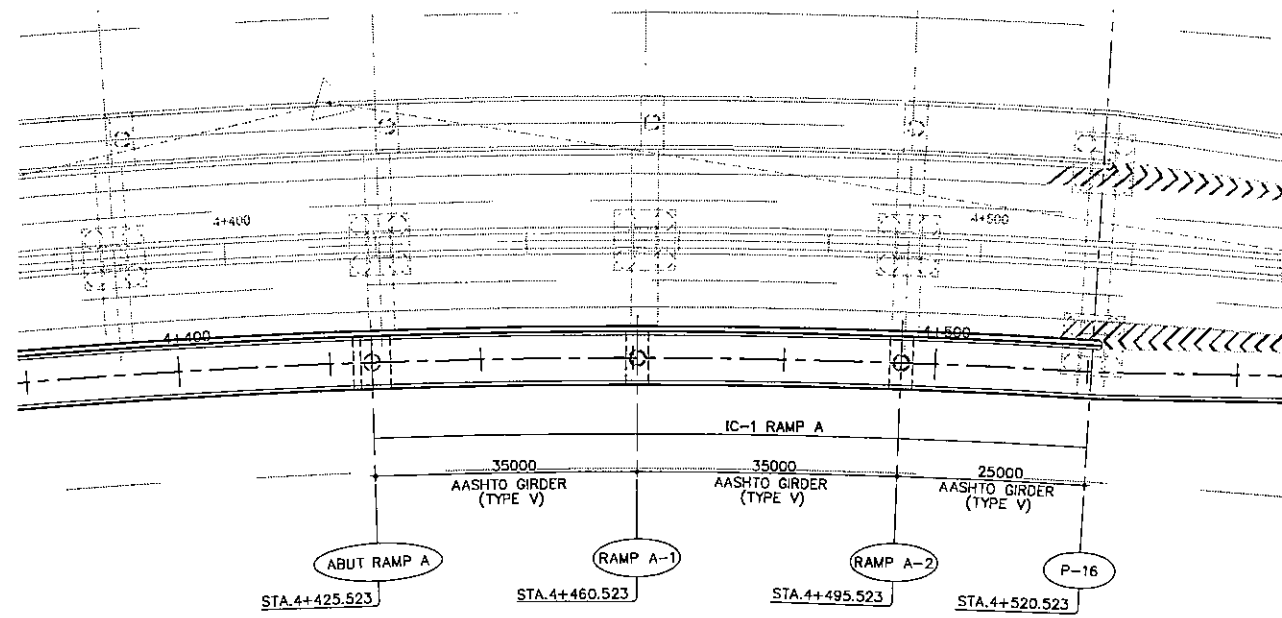
ELEVATION	+105.000
	+100.000
	+095.000
	+090.000
	+085.000
	+080.000
	+075.000
	+070.000
	+065.000
	+060.000



B GENERAL ELEVATION
SCALE 1:500

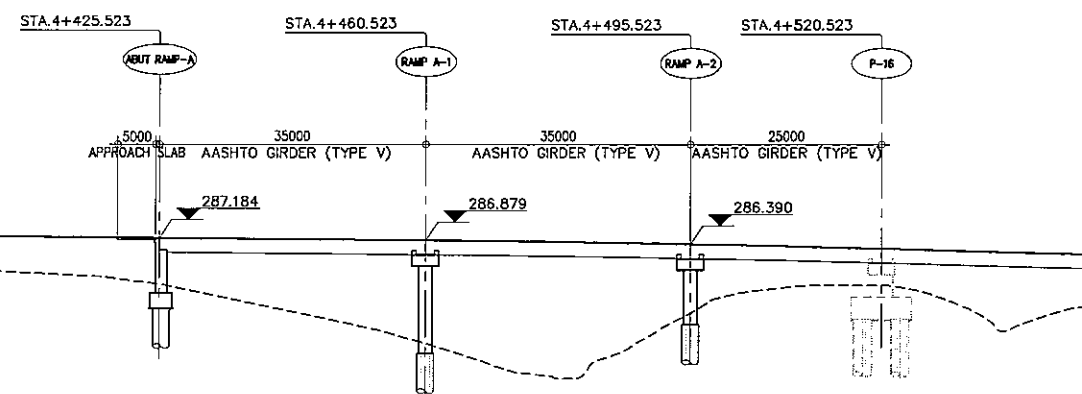
STATION	12+100						12+200					
FINISHED GRADE ELEVATION	74.124	73.895	73.658	73.561	73.897	74.075	74.574	75.073	75.573	76.072		
EXISTING GROUND ELEVATION	73.781	72.983	71.738	70.740	68.816	68.987	67.994	67.085	66.962	66.161		

PROJECT TITLE	SCALE	SHEET CONTENT	DRAWING NO.
Preparatory survey for expressway project in Mega Manila Region CALA (CAVITE - LAGUNA)	AS SHOWN	MAIN RAMP D GENERAL VIEW STA.12+163.000 - STA.12+258.000	H-66
			SHEET NO.
			1 OF 1



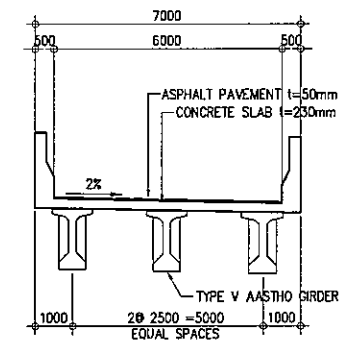
A GENERAL PLAN
SCALE 1:500

ELEVATION	+320.000
	+315.000
	+310.000
	+305.000
	+300.000
	+295.000
	+290.000
	+285.000
	+280.000
	+275.000

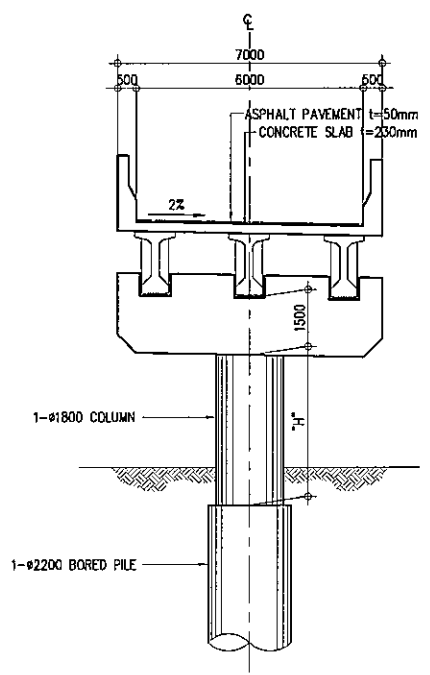


B GENERAL ELEVATION
SCALE 1:500

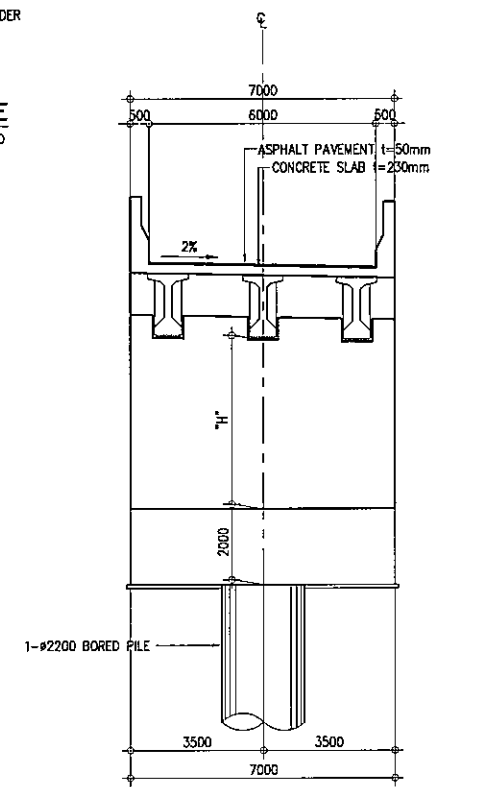
STATION	4+400				4+500											
FINISHED GRADE ELEVATION	282.987	287.408	281.823	287.233	278.147	287.058	273.466	286.884	298.727	286.656	279.512	286.303	281.007	285.873	276.161	285.274
EXISTING GROUND ELEVATION	282.987	287.408	281.823	287.233	278.147	287.058	273.466	286.884	298.727	286.656	279.512	286.303	281.007	285.873	276.161	285.274



A SUPER STRUCTURE
SCALE 1:100

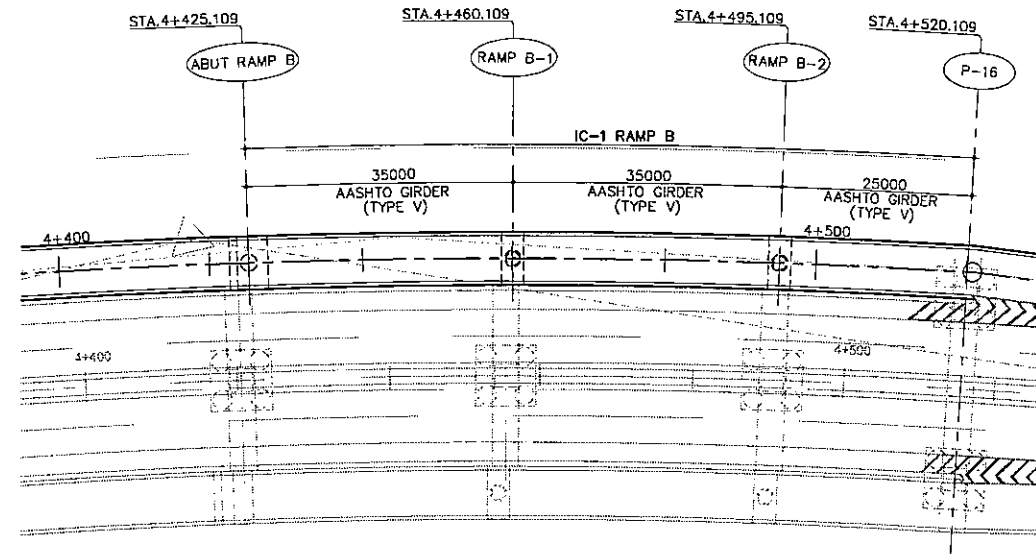


B CROSS SECTION - PIER
SCALE 1:100

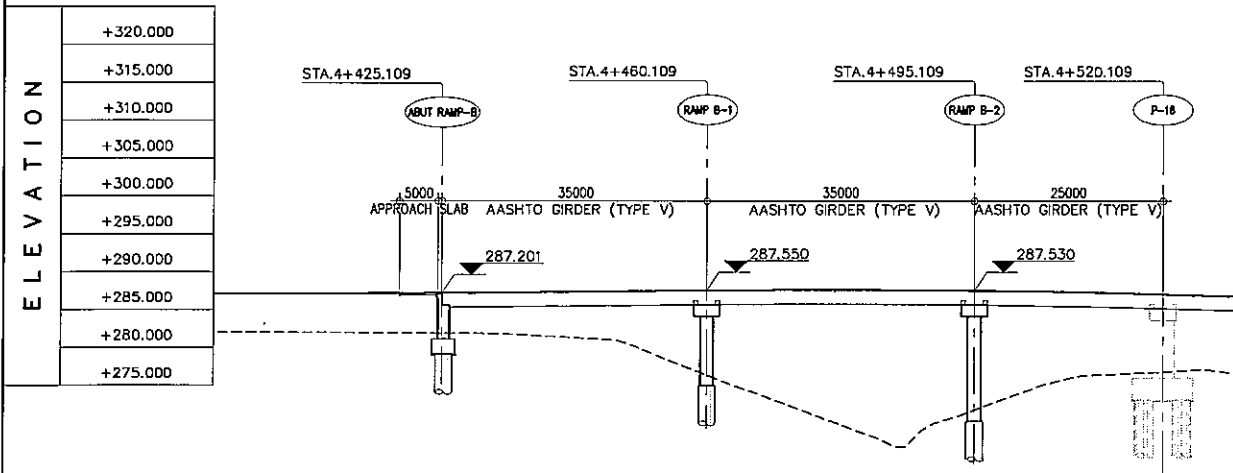


C CROSS SECTION - ABUTMENT
SCALE 1:100

PROJECT TITLE	SCALE	SHEET CONTENT	DRAWING NO.
Preparatory survey for expressway project in Mega Manila Region CALA (CAVITE - LAGUNA)	AS SHOWN	IC-1 RAMP A GENERAL VIEW STA.4+425.523 - STA.4+452.523	H-67
			SHEET NO.
			1 OF 1

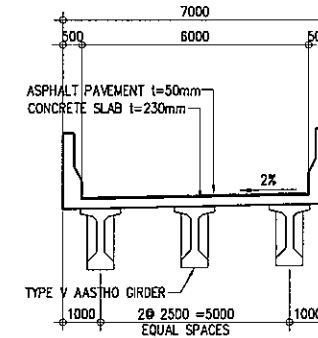


A GENERAL PLAN
SCALE 1:500

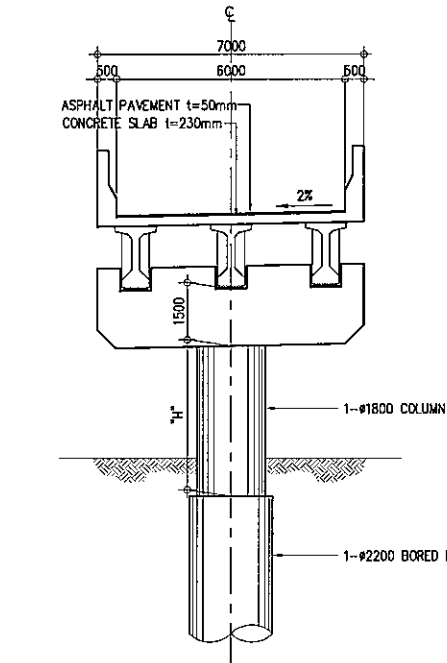


B GENERAL ELEVATION
SCALE 1:500

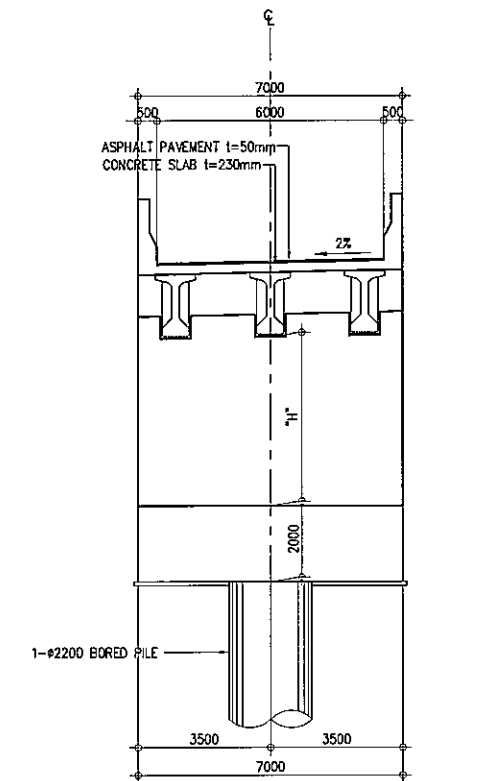
STATION	4+400						4+500	
FINISHED GRADE ELEVATION	287.091	287.162	287.346	287.549	287.632	287.467	287.051	
EXISTING GROUND ELEVATION	282.032	281.926	281.455	276.431	268.937	273.567	276.805	



A SUPER STRUCTURE
SCALE 1:100

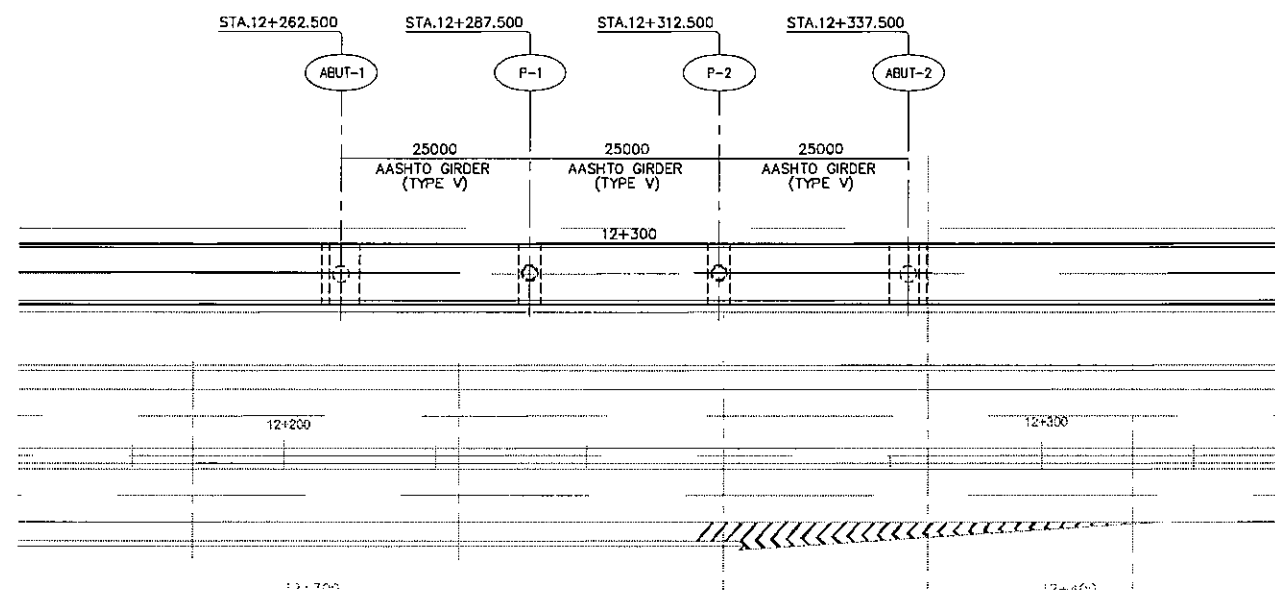


B CROSS SECTION - PIER
SCALE 1:100

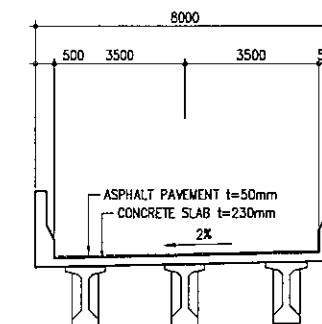


C CROSS SECTION - ABUTMENT
SCALE 1:100

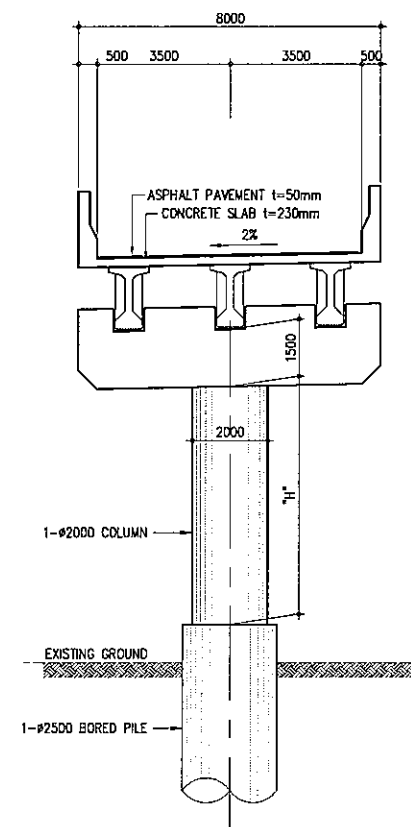
PROJECT TITLE	SCALE	SHEET CONTENT	DRAWING NO.
Preparatory survey for expressway project in Mega Manila Region CALA (CAVITE - LAGUNA)	AS SHOWN	IC-1 RAMP B GENERAL VIEW STA. 4+425.109 - STA. 4+520.109	H-68
			SHEET NO.
			1 OF 1



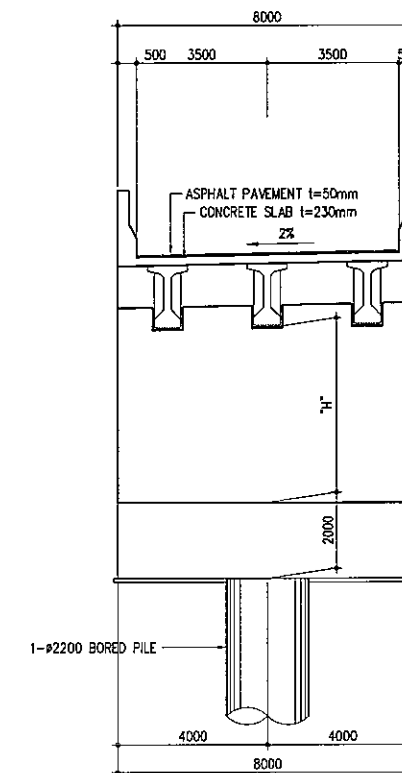
A GENERAL PLAN
SCALE 1:500



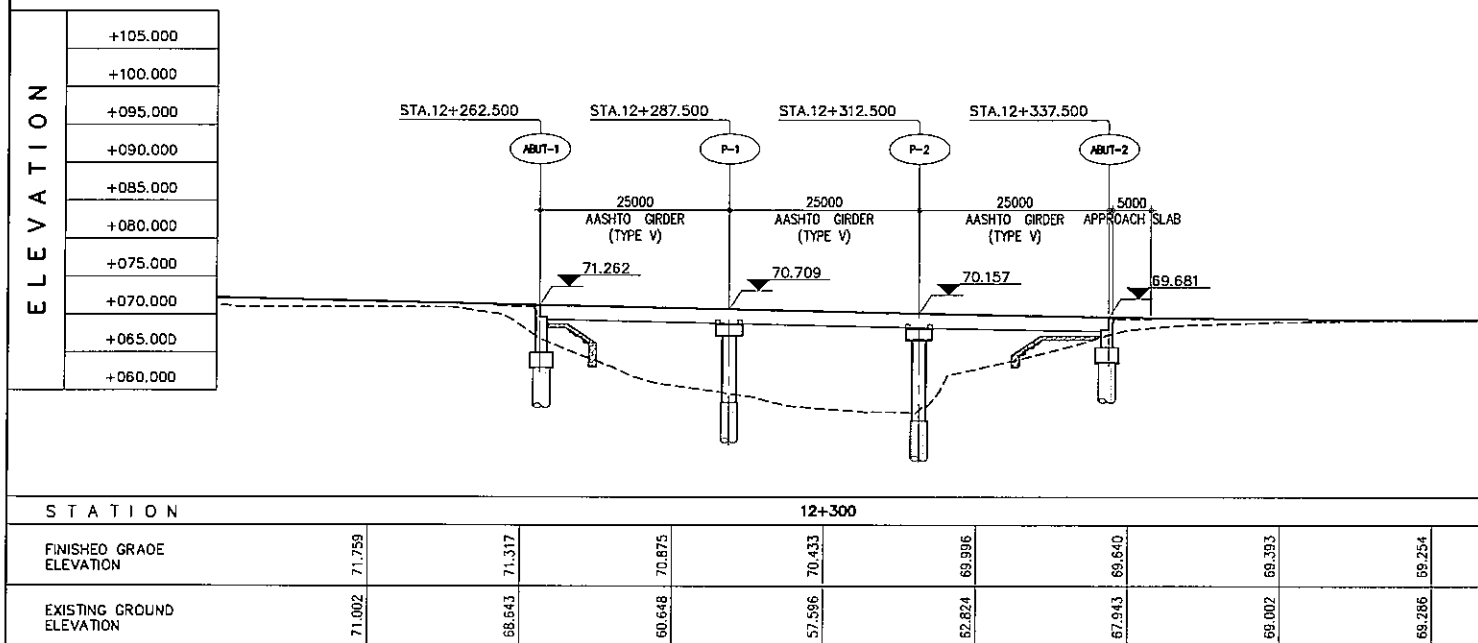
A SUPER STRUCTURE
SCALE 1:100



B CROSS SECTION - PIER
SCALE 1:100

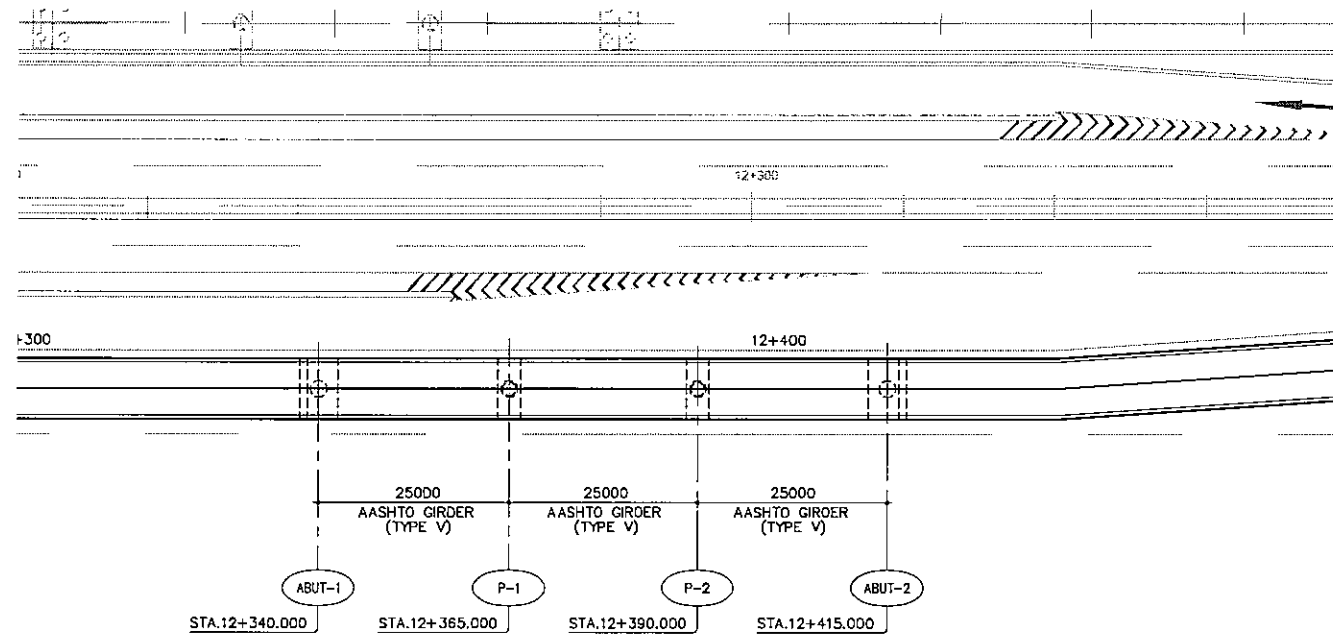


C CROSS SECTION - ABUTMENT
SCALE 1:100

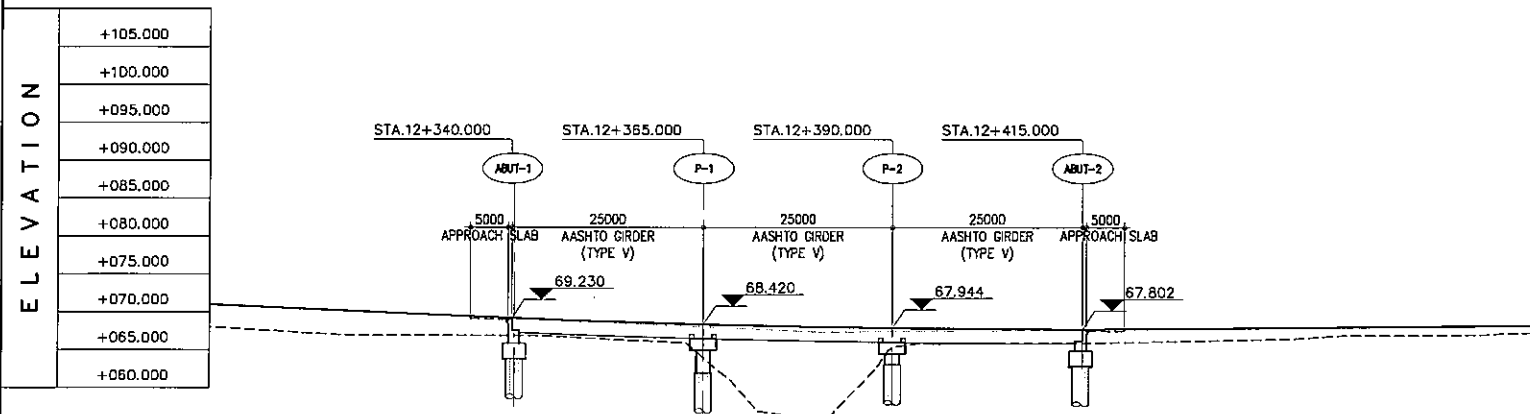


B GENERAL ELEVATION
SCALE 1:500

PROJECT TITLE	SCALE	SHEET CONTENT	DRAWING NO.
Preparatory survey for expressway project in Mega Manila Region CALA (CAVITE - LAGUNA)	AS SHOWN	AT GRADE A GENERAL VIEW STA.12+262.500 - STA.12+337.500	H-69
			SHEET NO.
			1 OF 1

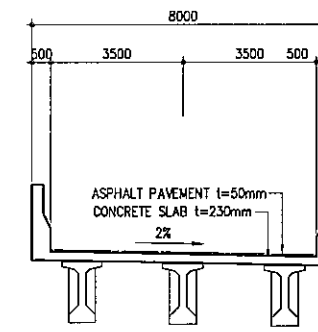


A GENERAL PLAN
SCALE 1:500

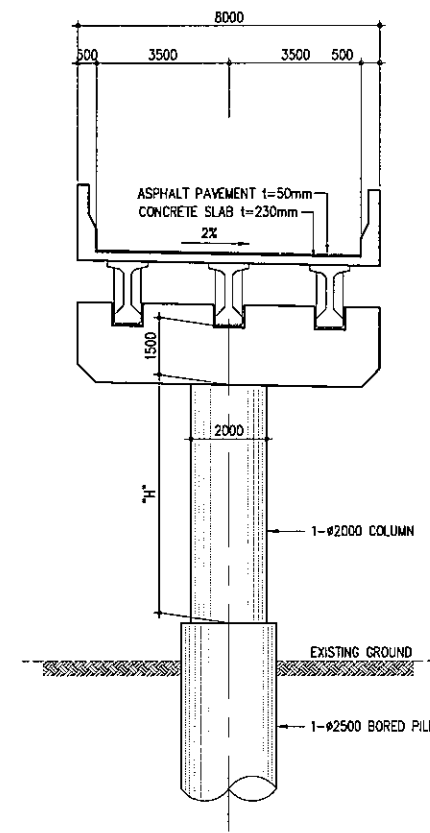


B GENERAL ELEVATION
SCALE 1:500

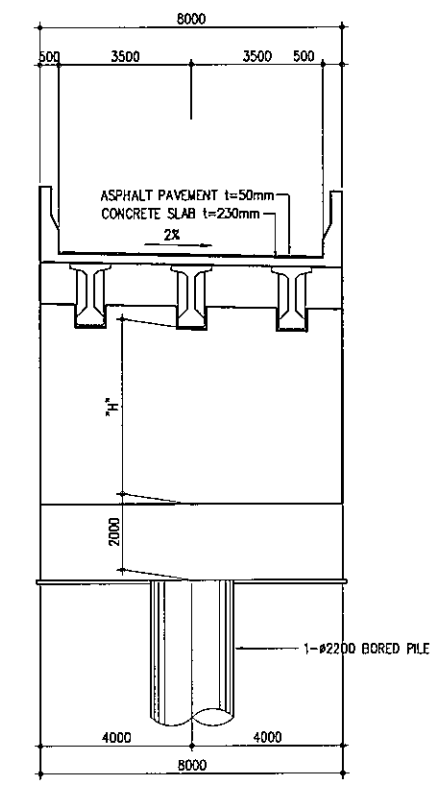
STATION	-300	12+400							
FINISHED GRADE ELEVATION	70.089	69.227	68.552	68.092	67.845	67.811	67.965	68.145	
EXISTING GROUND ELEVATION	66.989	66.935	66.119	56.310	65.923	66.042	65.456	66.996	



A SUPER STRUCTURE
SCALE 1:100

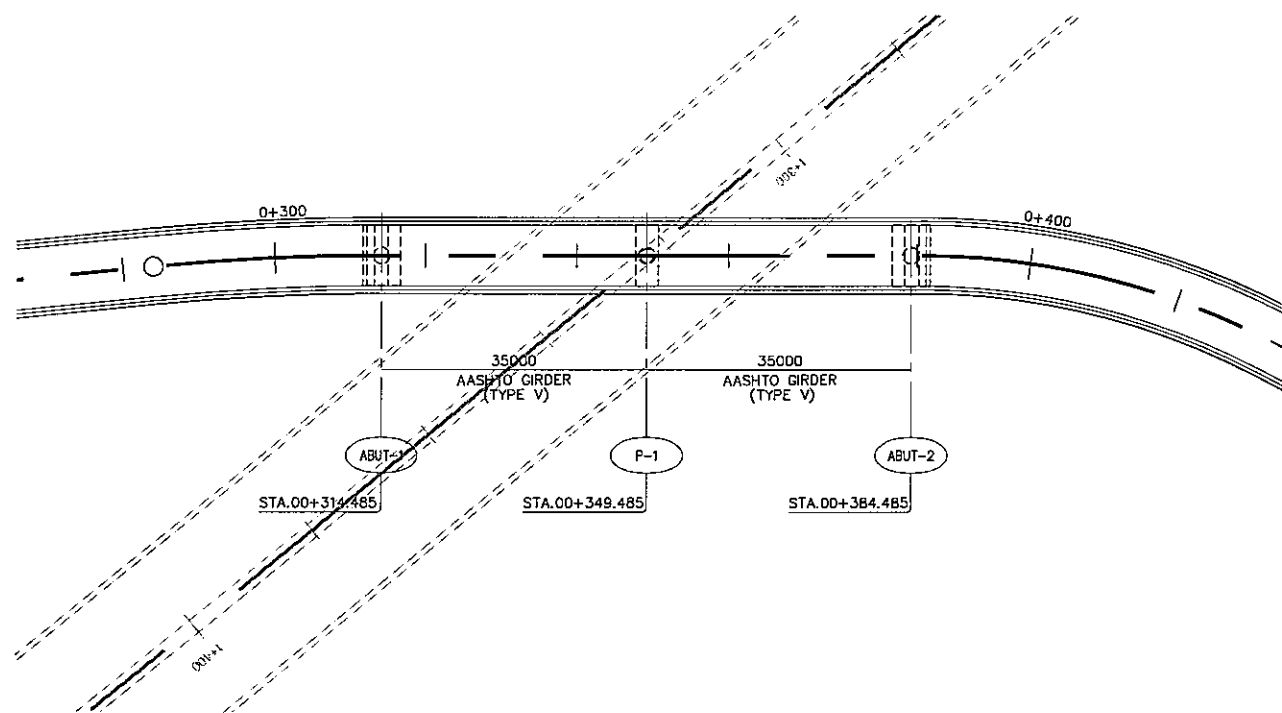


B CROSS SECTION - PIER
SCALE 1:100

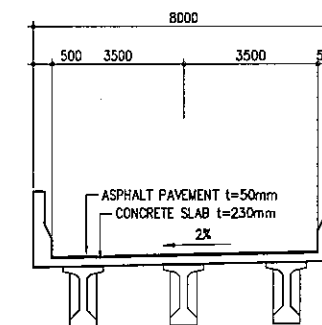


C CROSS SECTION - ABUTMENT
SCALE 1:100

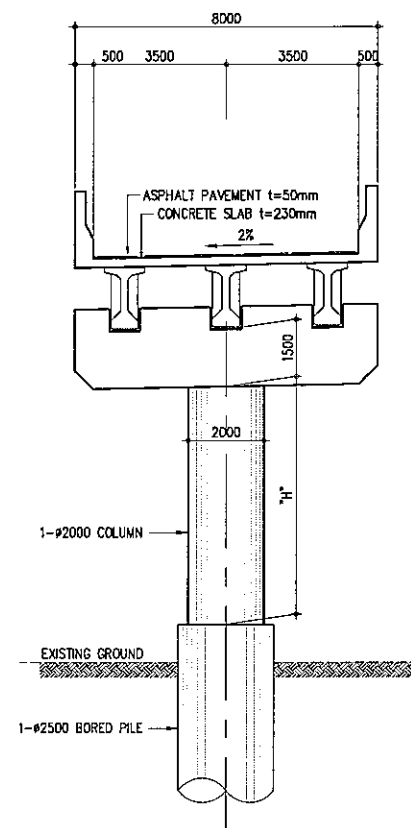
PROJECT TITLE	SCALE	SHEET CONTENT	DRAWING NO.
Preparatory survey for expressway project in Mega Manila Region CALA (CAVITE - LAGUNA)	AS SHOWN	AT GRADE C GENERAL VIEW STA.12+340.000 - STA.12+415.000	H-70
			SHEET NO.
			1 OF 1



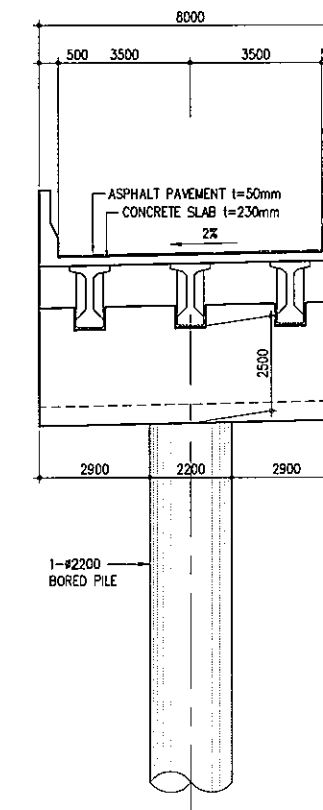
A GENERAL PLAN
SCALE 1:500



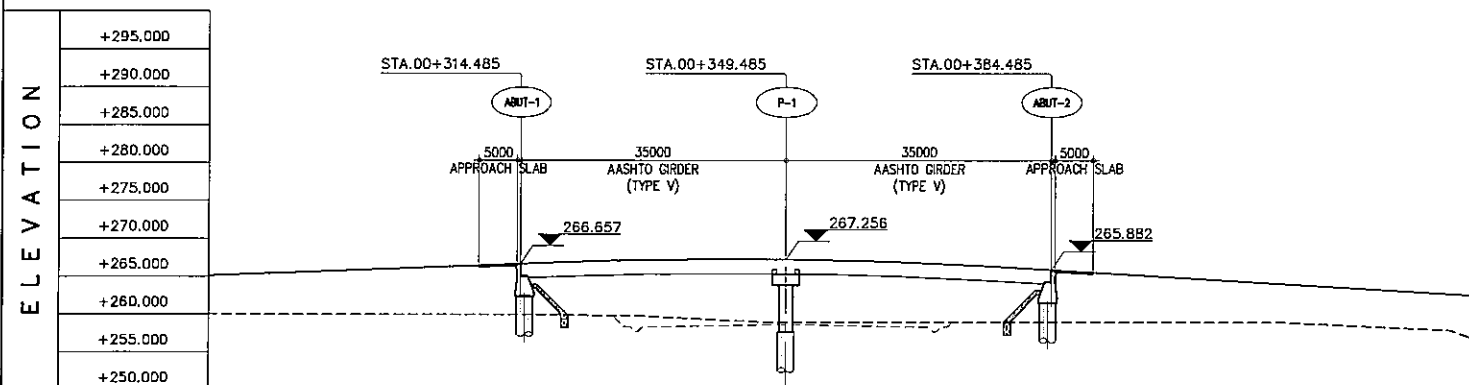
A SUPER STRUCTURE
SCALE 1:100



B CROSS SECTION - PIER
SCALE 1:100



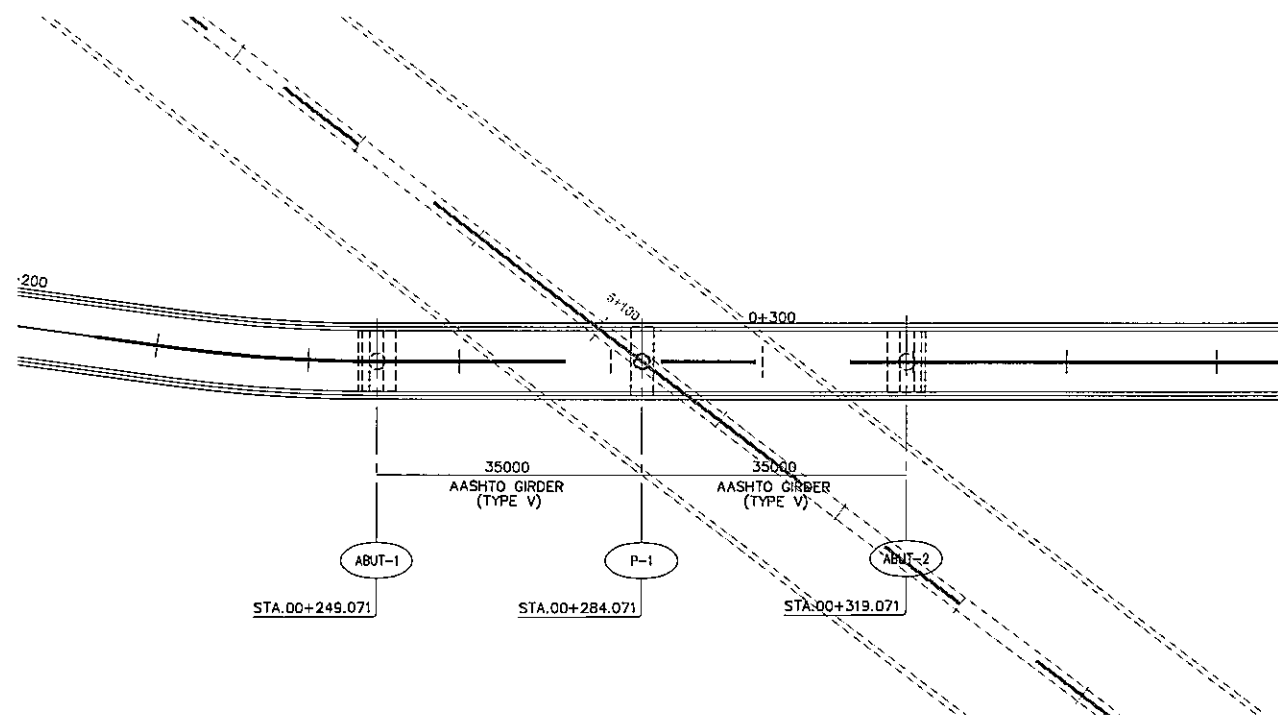
C CROSS SECTION - ABUTMENT
SCALE 1:100



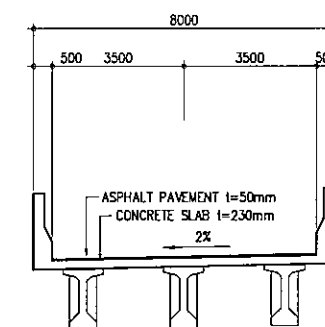
B GENERAL ELEVATION
SCALE 1:500

ELEVATION	00+300			00+400		
	FINISHED GRADE ELEVATION	EXISTING GROUND ELEVATION		FINISHED GRADE ELEVATION	EXISTING GROUND ELEVATION	
+295.000						
+290.000						
+285.000						
+280.000						
+275.000						
+270.000						
+265.000						
+260.000						
+255.000						
+250.000						

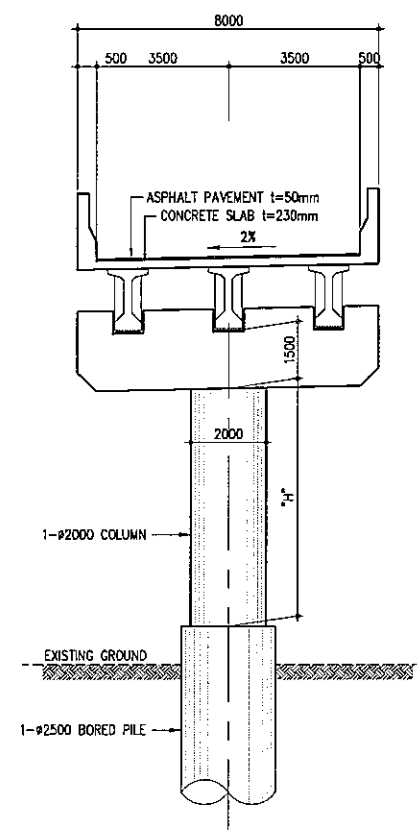
PROJECT TITLE	SCALE	SHEET CONTENT	DRAWING NO.
Preparatory survey for expressway project in Mega Manila Region CALA (CAVITE - LAGUNA)	AS SHOWN	ROAD CROSSING AT STA. 1+322.850 GENERAL VIEW	H-71
			SHEET NO.
			1 OF 1



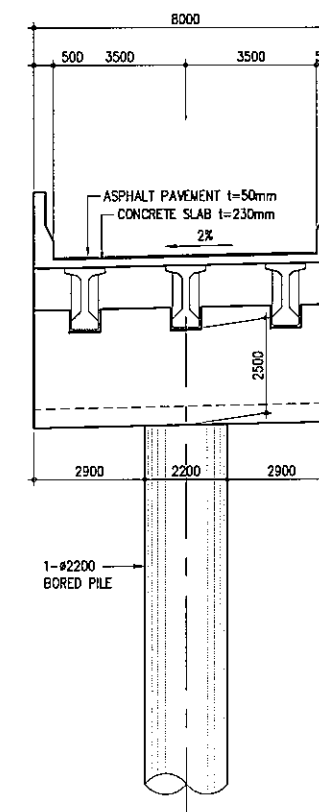
A GENERAL PLAN
SCALE 1:500



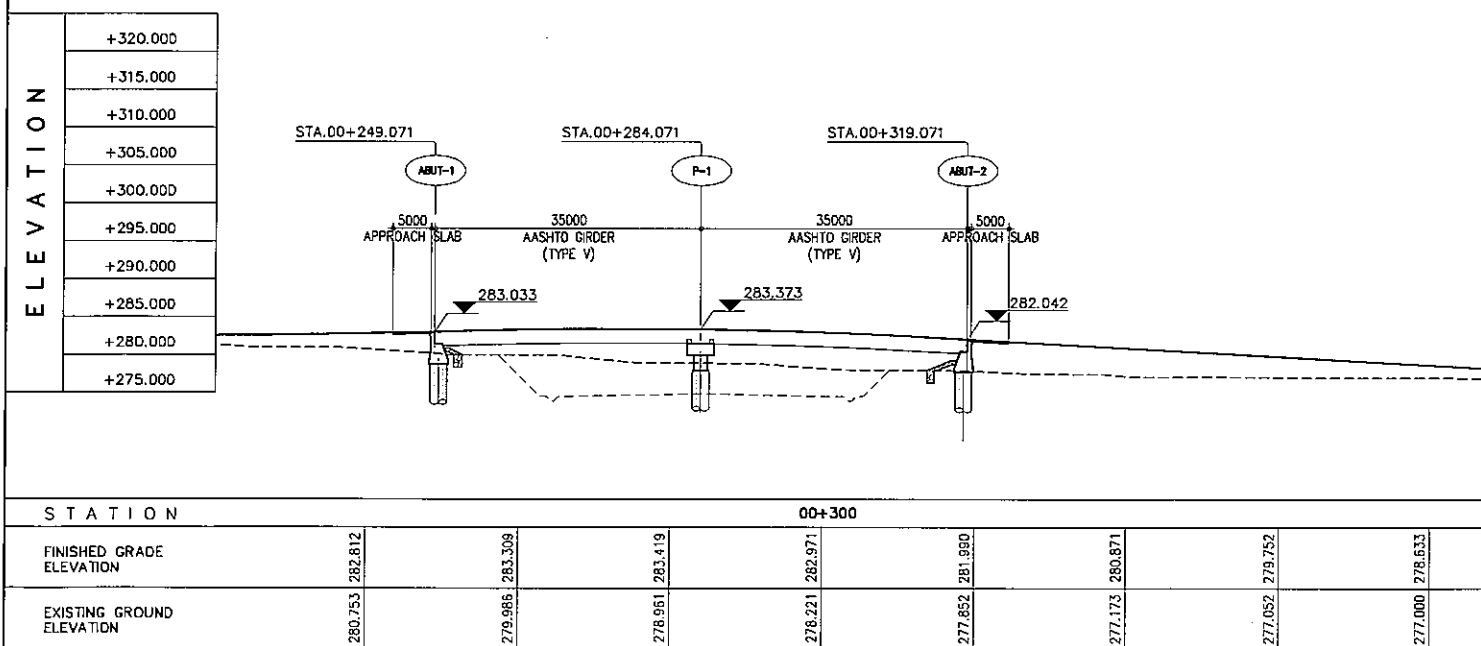
A SUPER STRUCTURE
SCALE 1:100



B CROSS SECTION - PIER
SCALE 1:100



C CROSS SECTION - ABUTMENT
SCALE 1:100



B GENERAL ELEVATION
SCALE 1:500

PROJECT TITLE	SCALE	SHEET CONTENT	DRAWING NO.
Preparatory survey for expressway project in Mega Manila Region CALA (CAVITE - LAGUNA)	AS SHOWN	ROAD CROSSING AT STA 5+107.106 GENERAL VIEW	H-72
			SHEET NO.
			1 OF 1