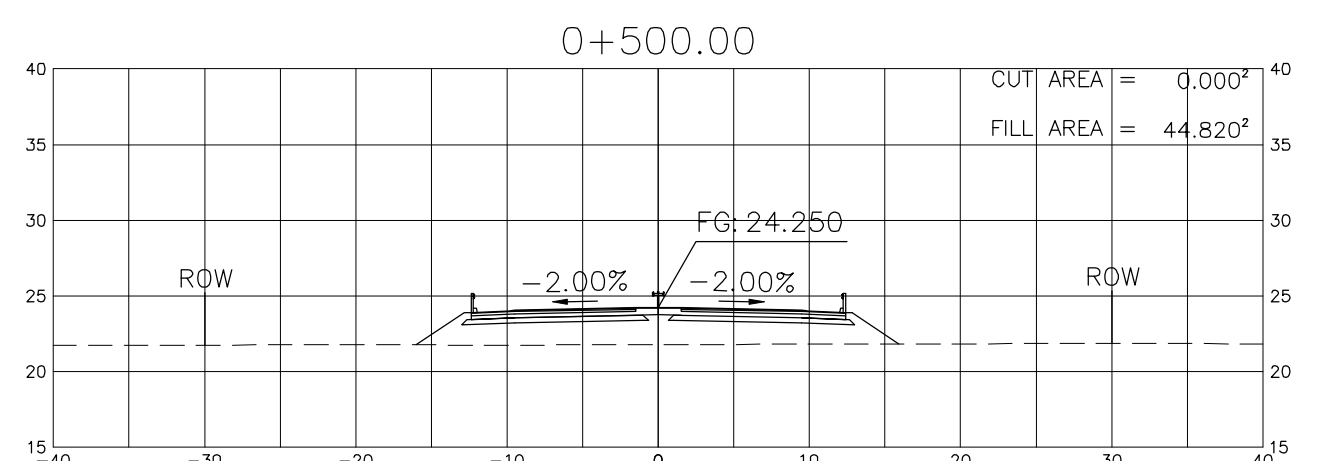
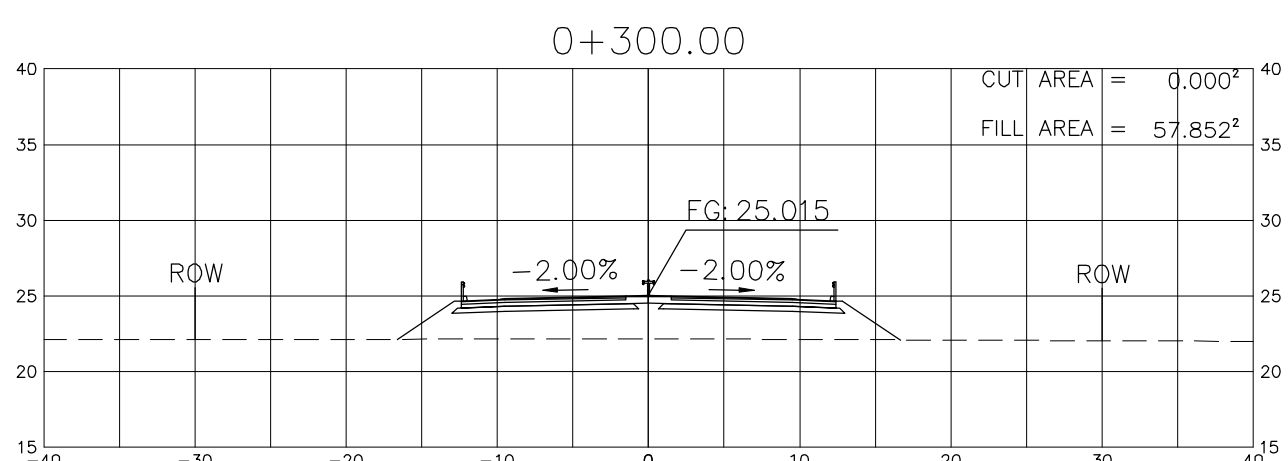
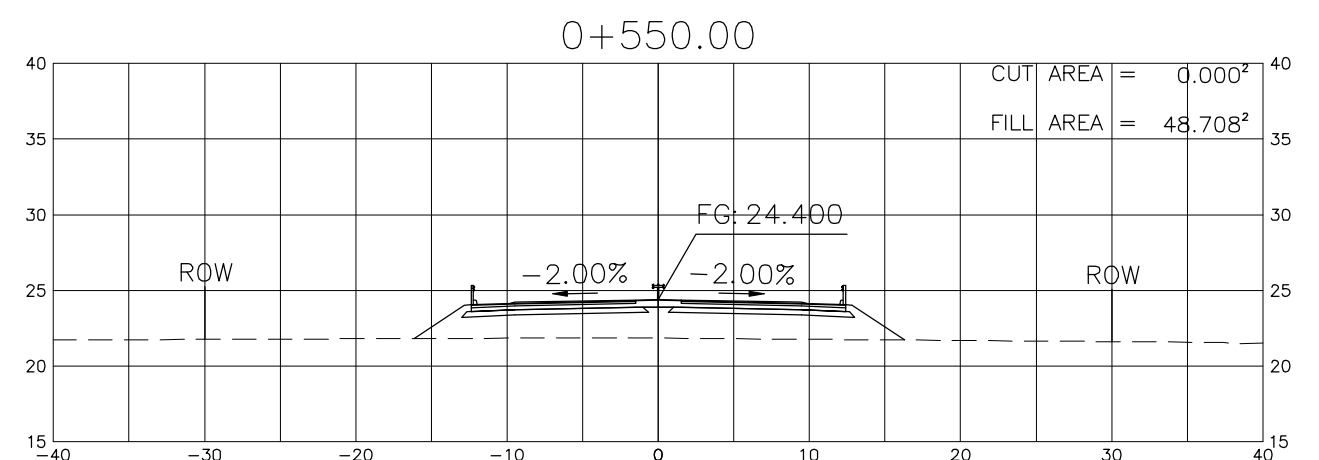
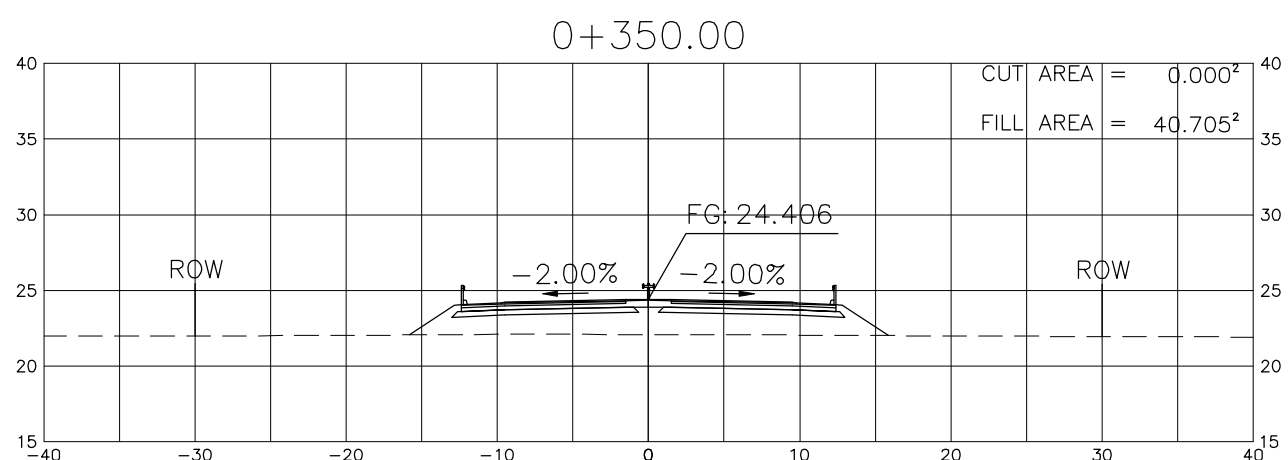
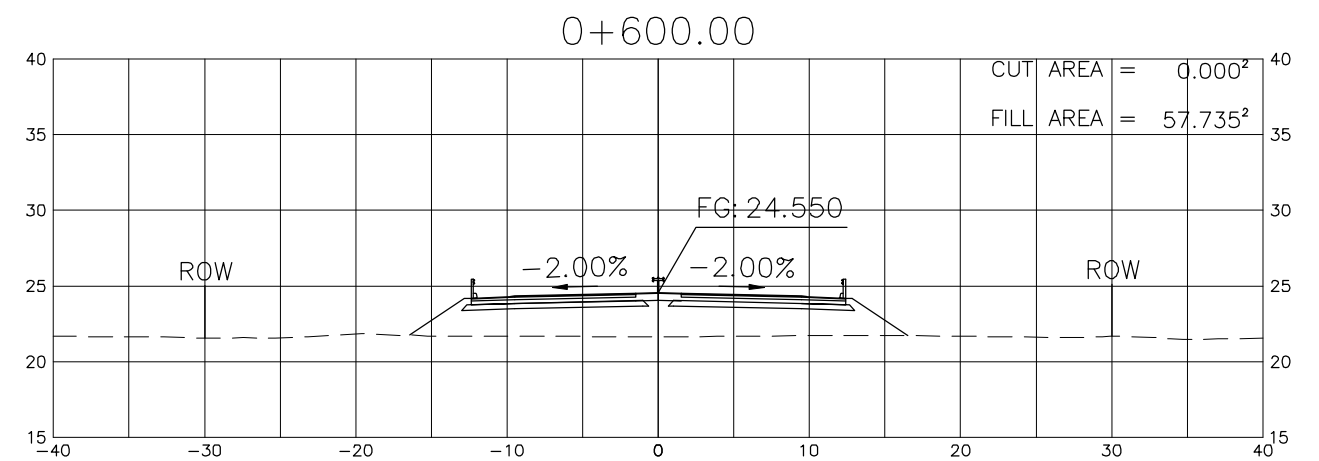
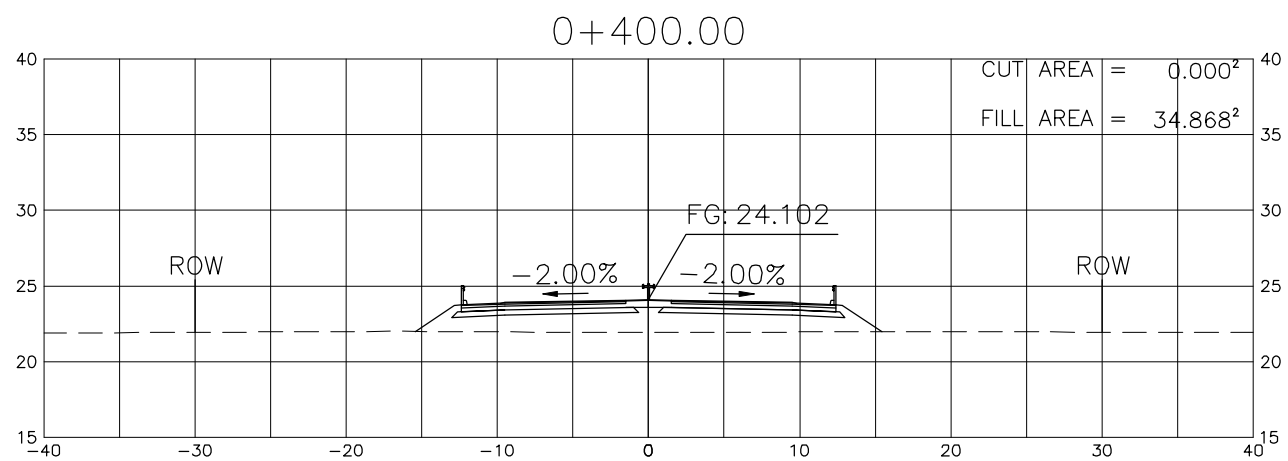
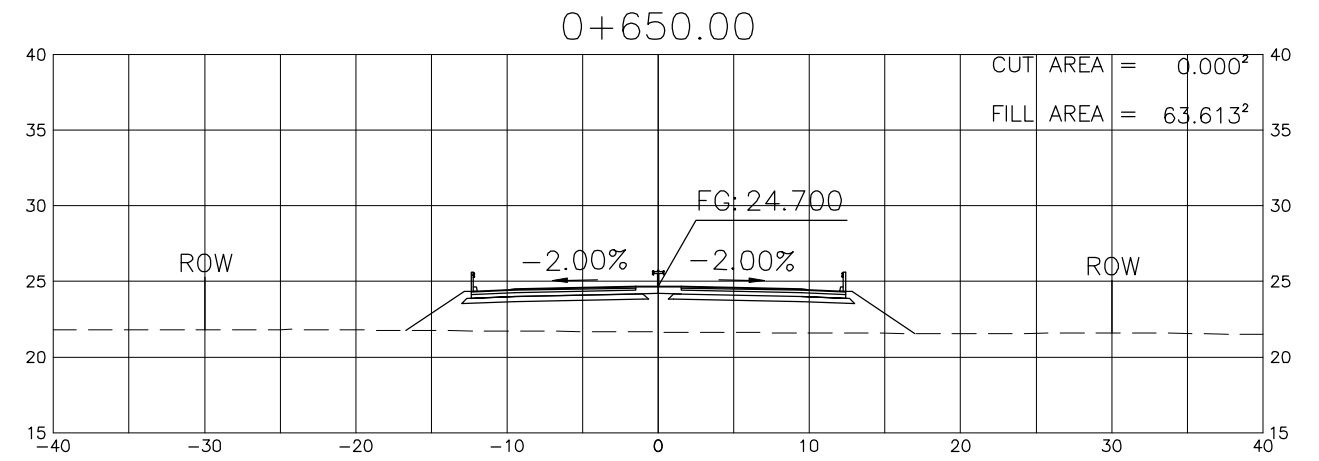
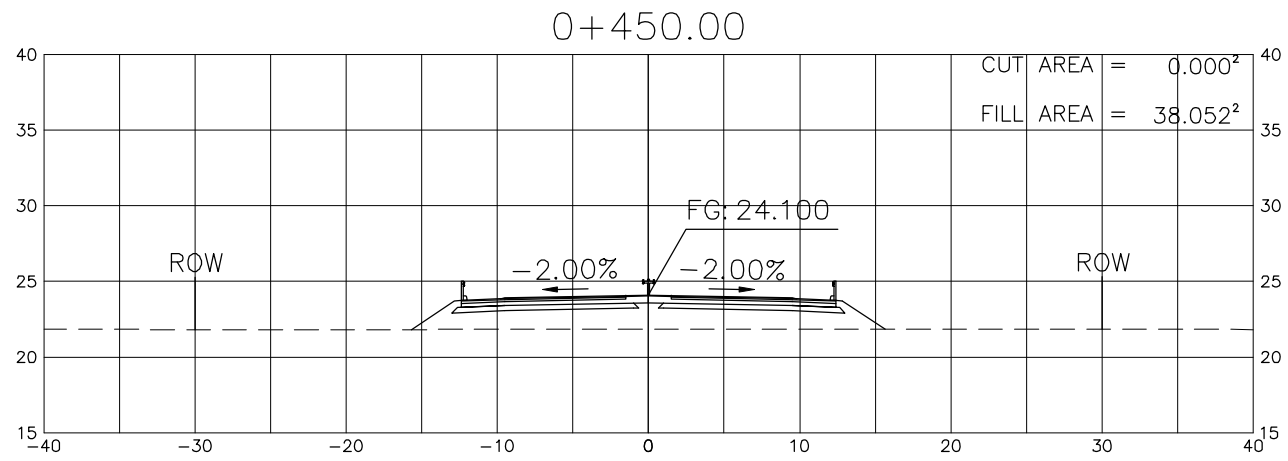
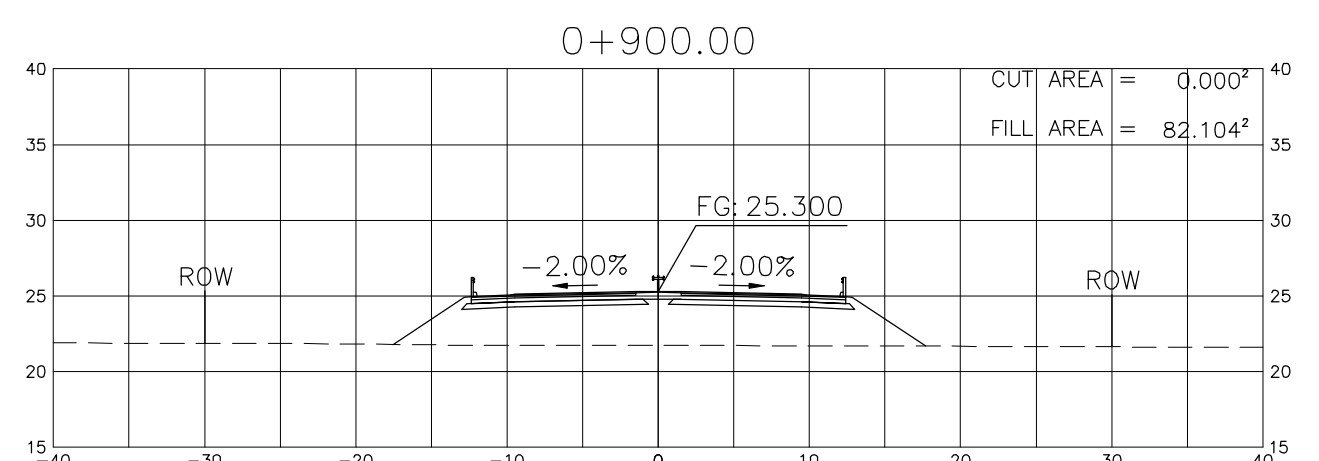
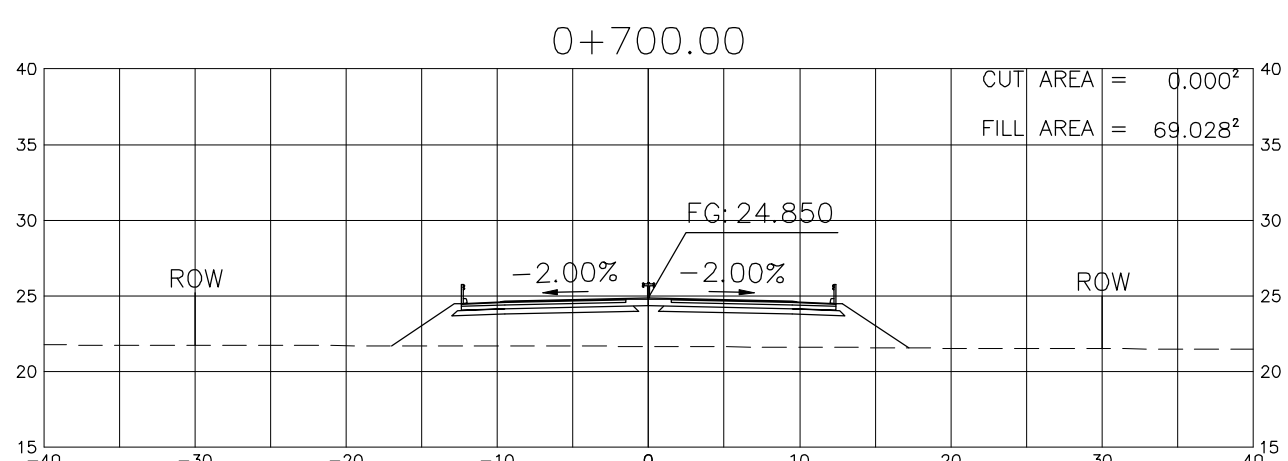
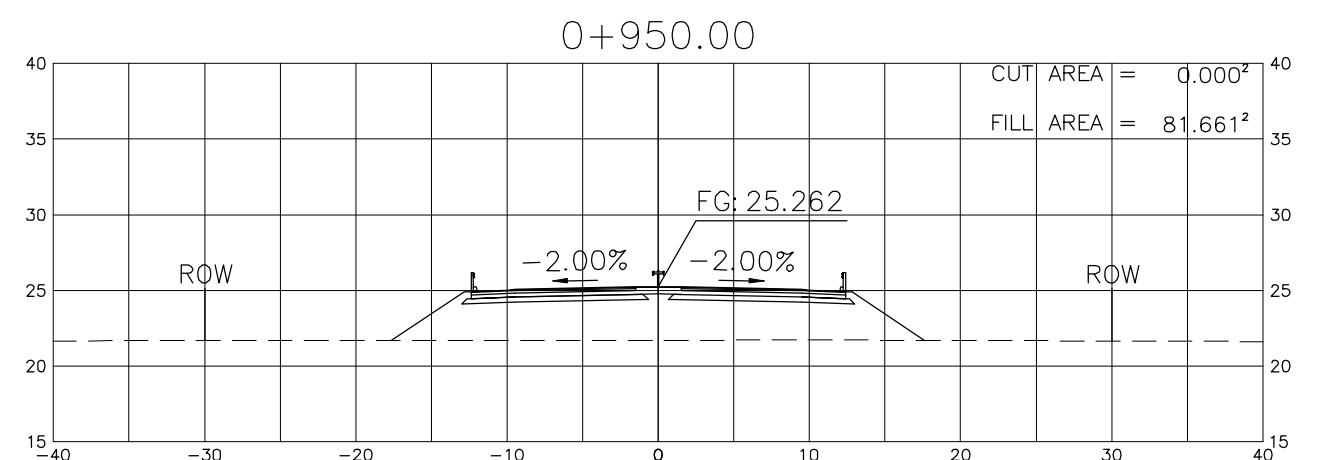
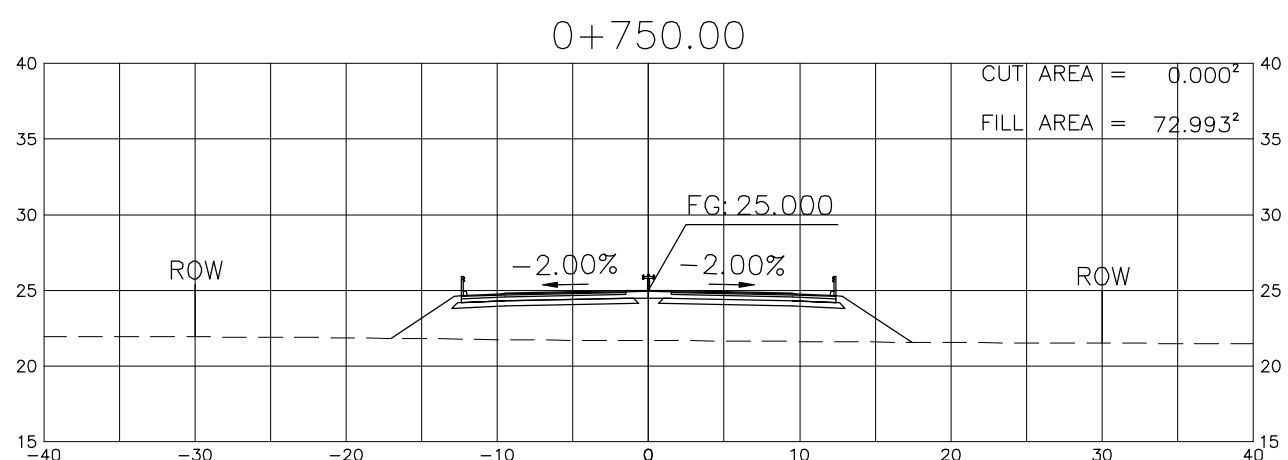
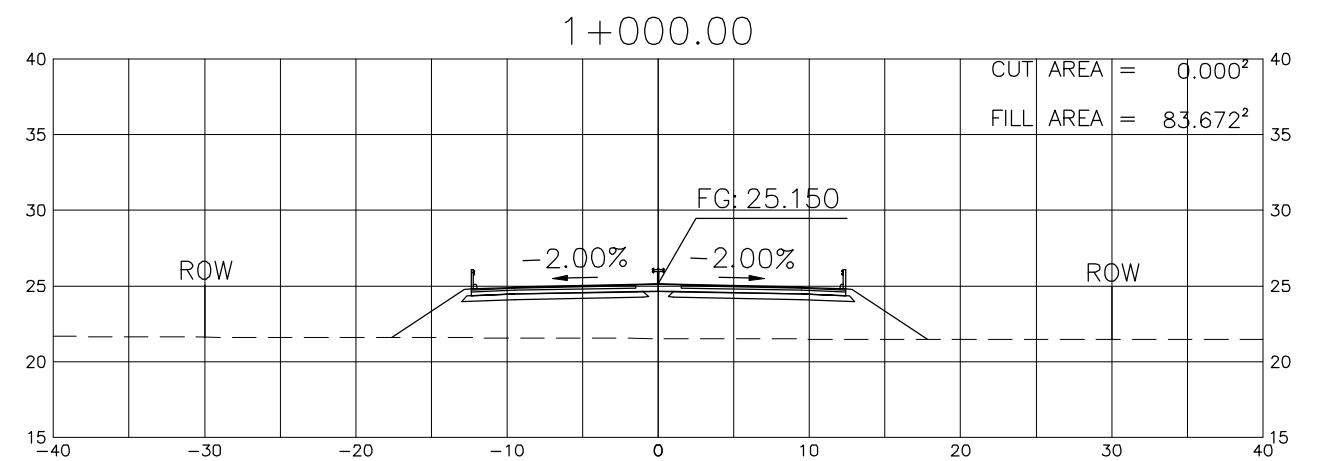
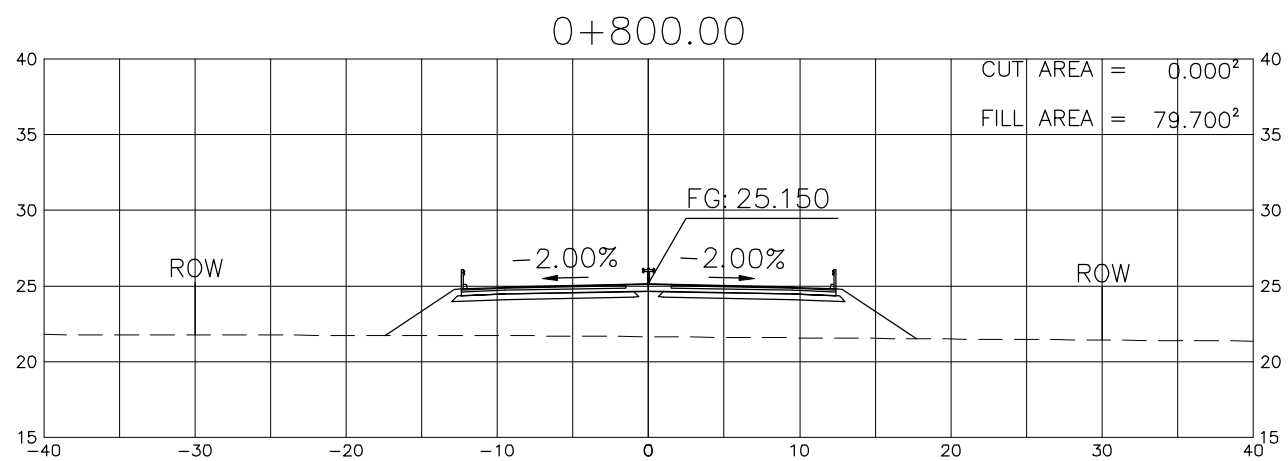
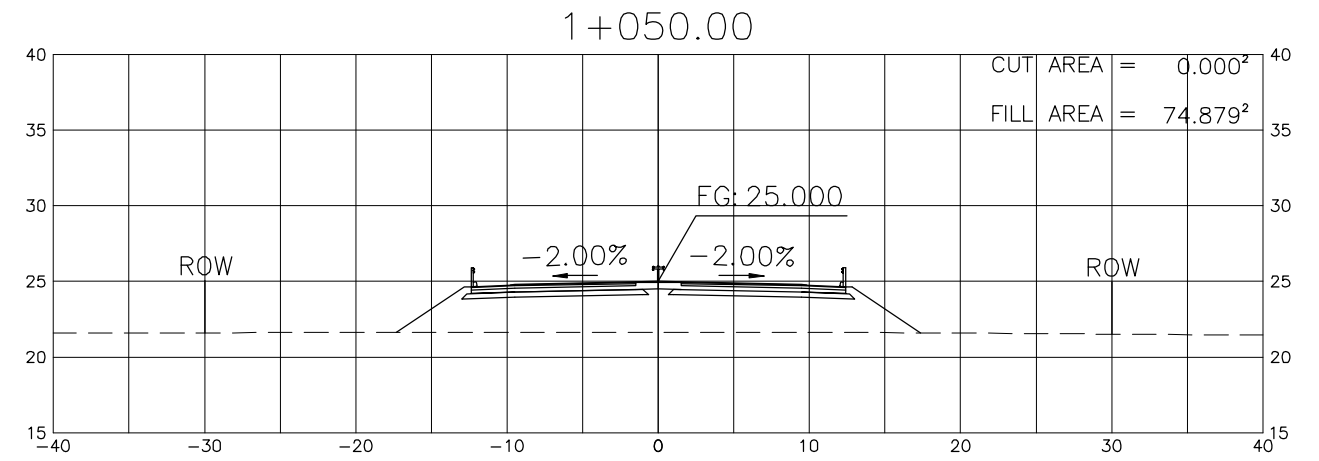
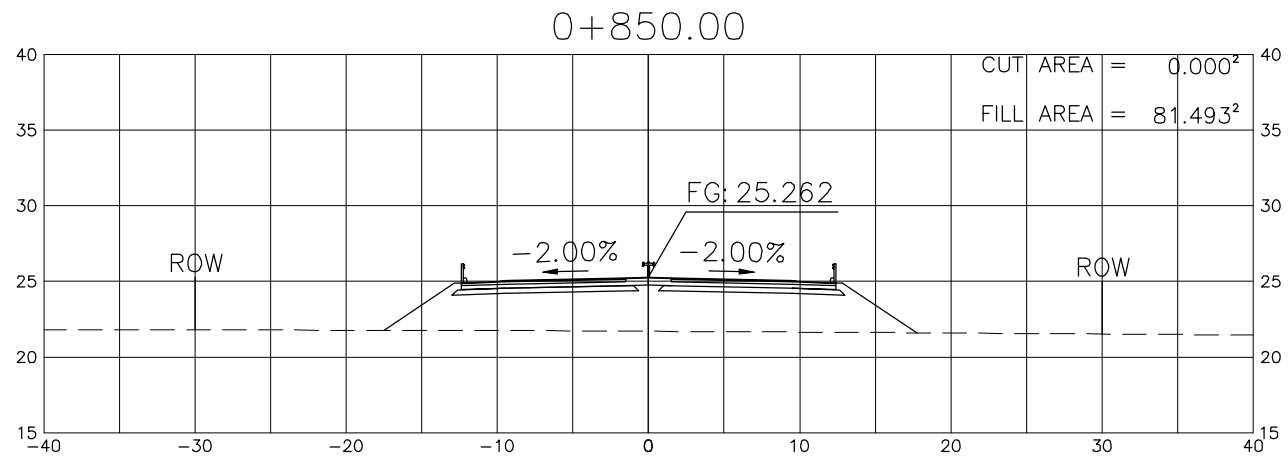


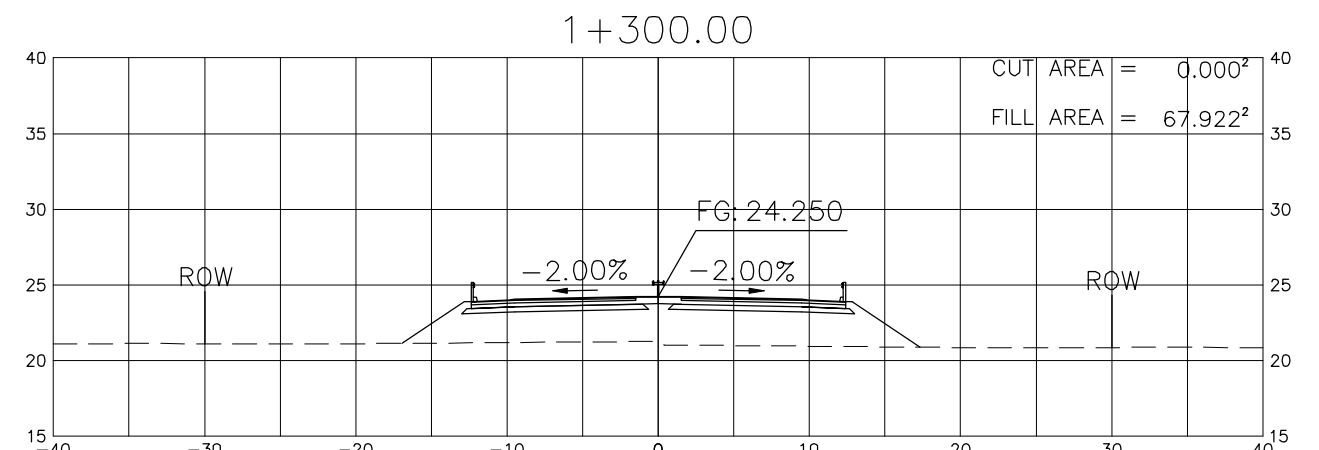
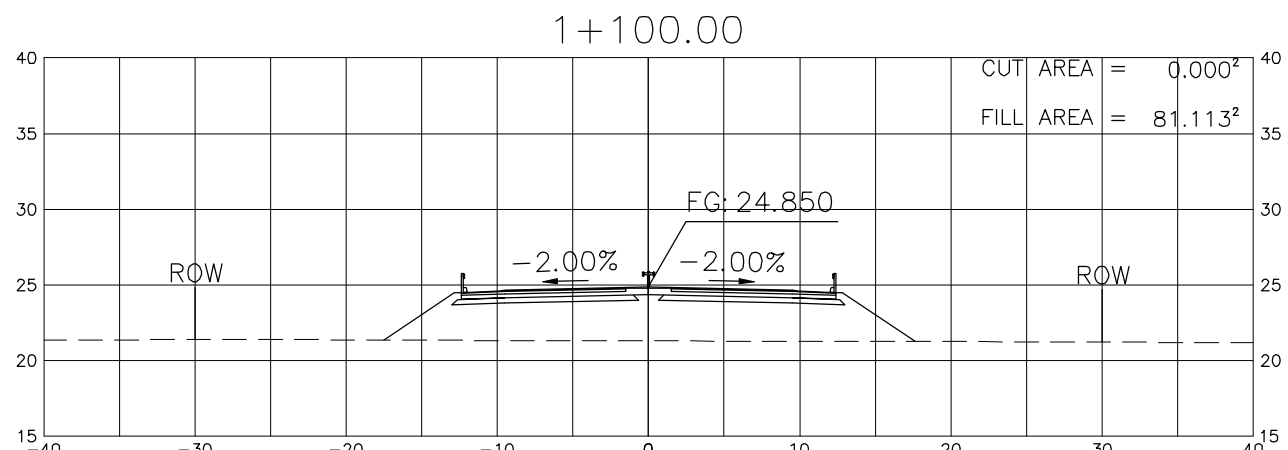
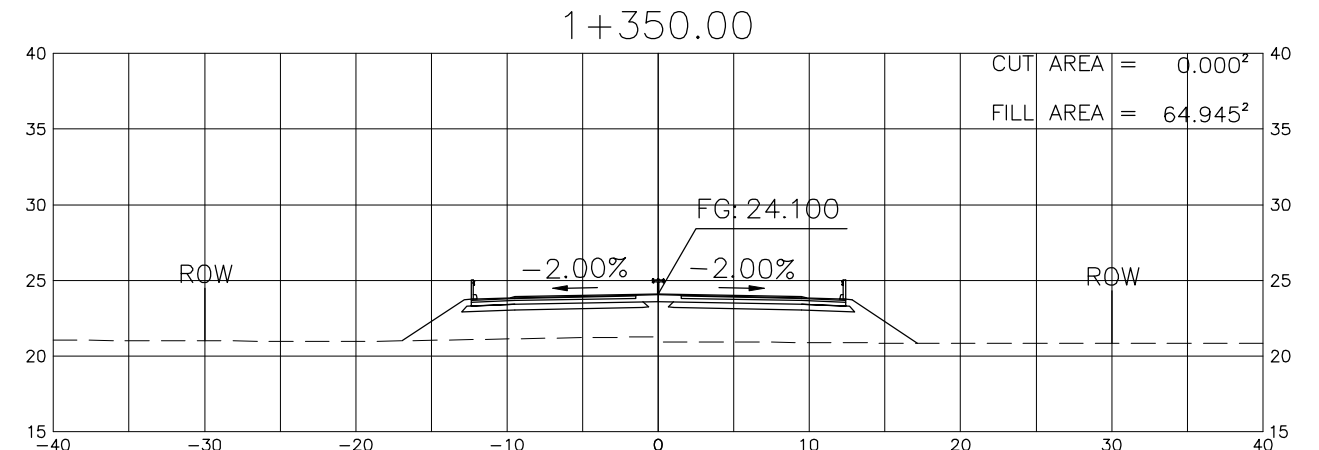
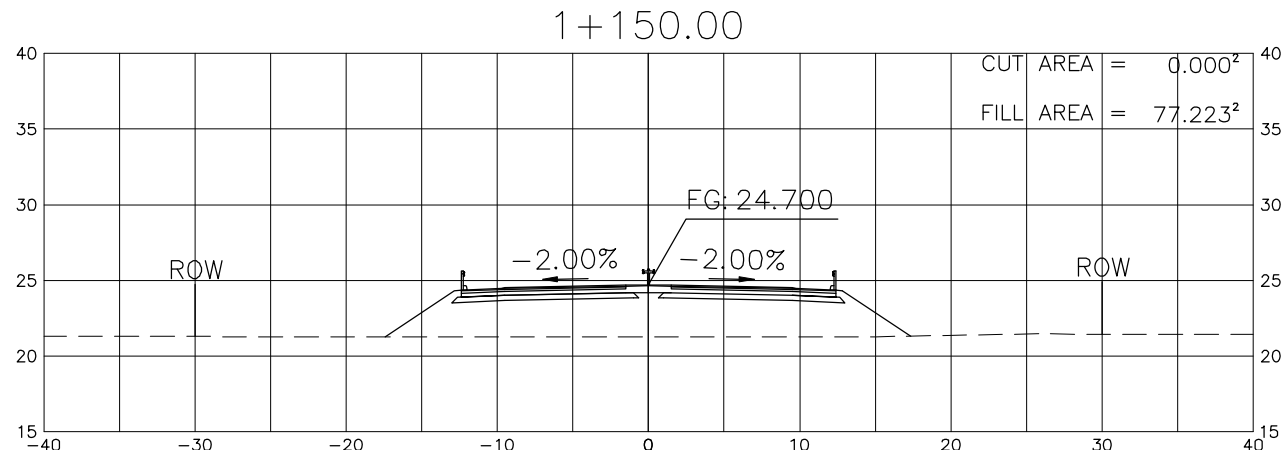
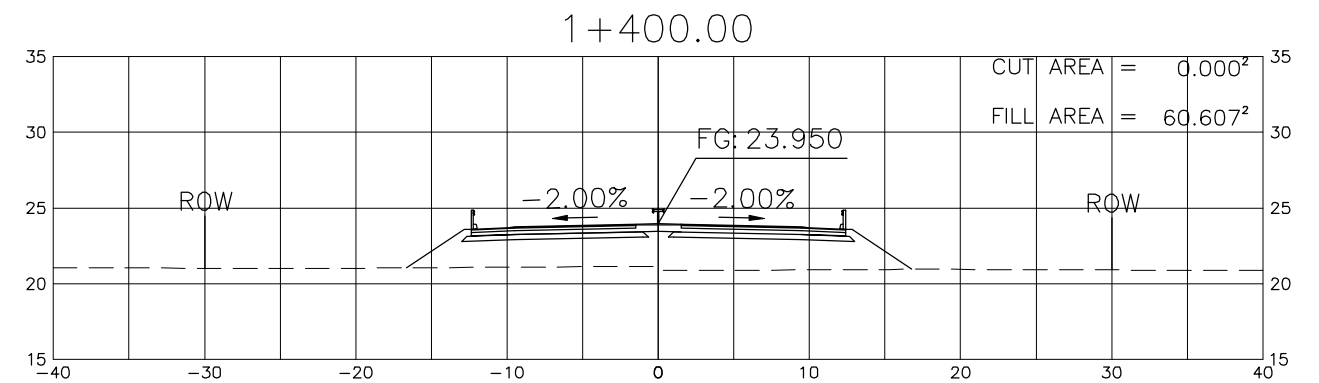
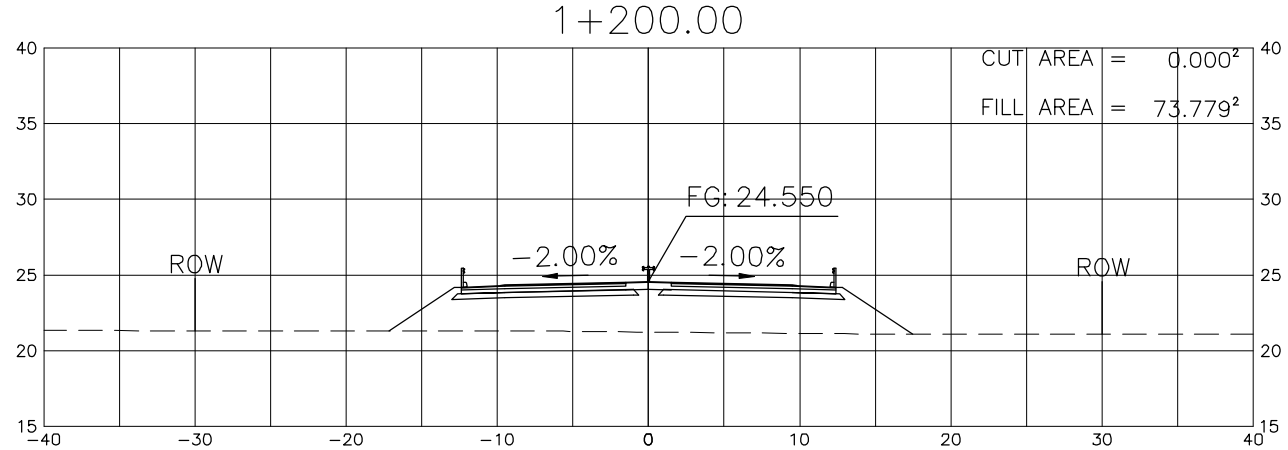
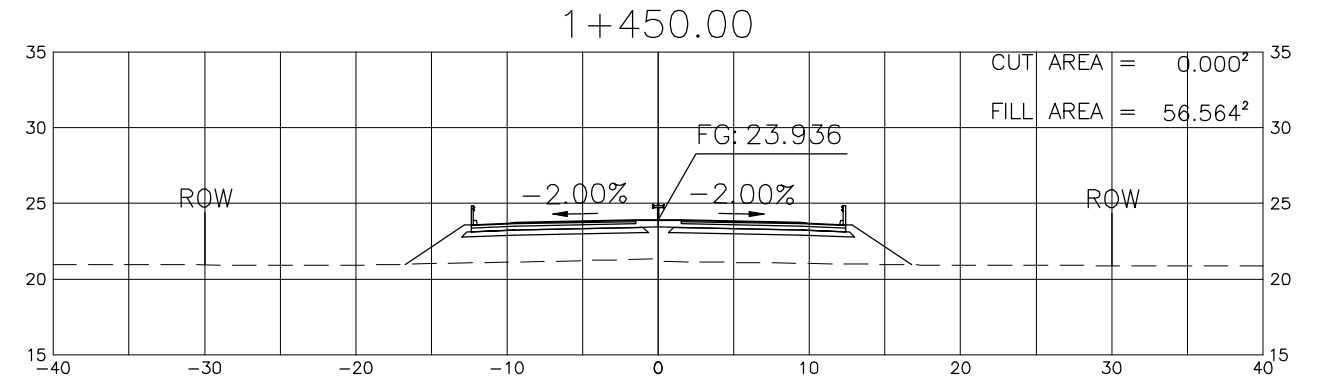
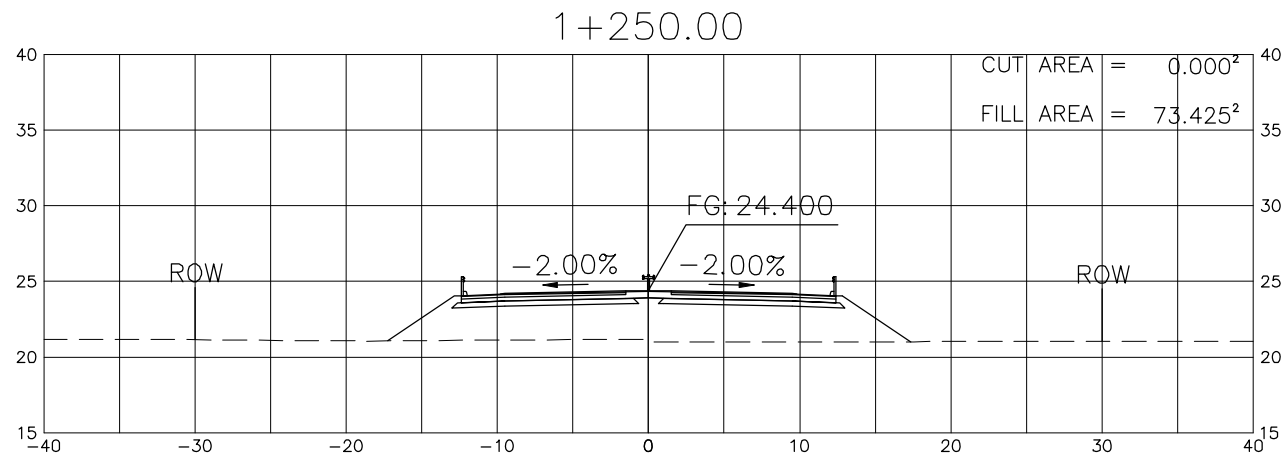
PROJECT TITLE	SCALE	SHEET CONTENT	DRAWING NO.
<b>Preparatory survey for expressway project in Mega Manila Region CLLEX ( TARLAC - CABANATUAN )</b>	A1 = 1:250 A3 = 1:500	<b>CROSS SECTION (ULTIMATE 4 LANE)</b> STA 0+035 TO STA 0+250	K-01
			SHEET NO.
			1 OF 90



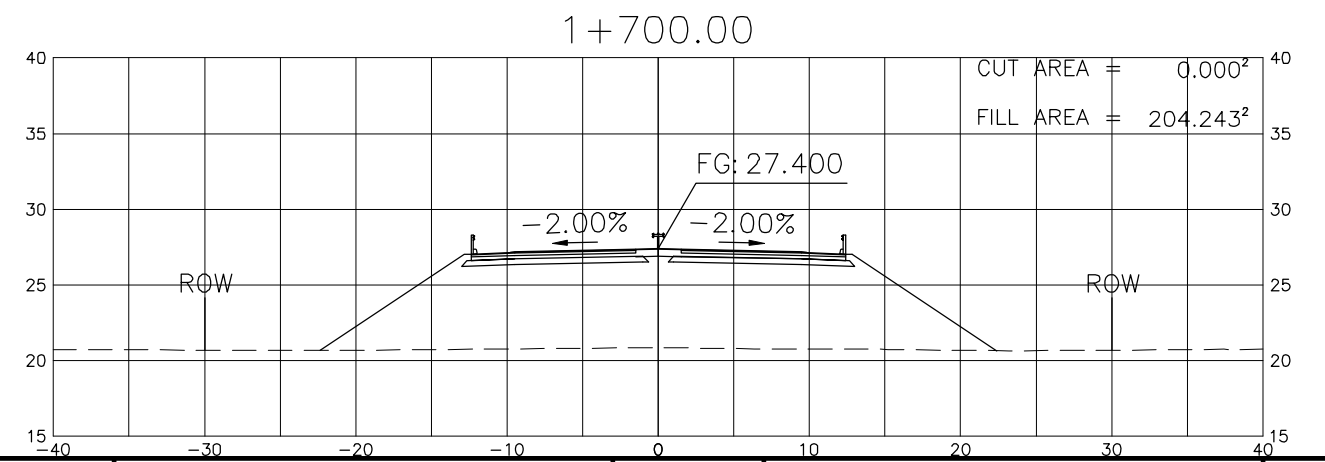
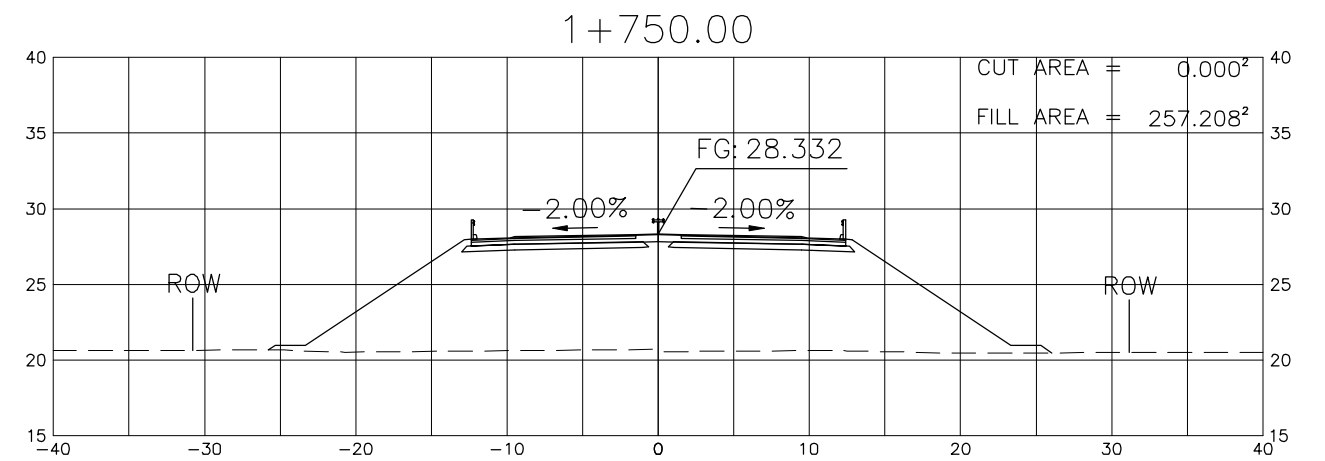
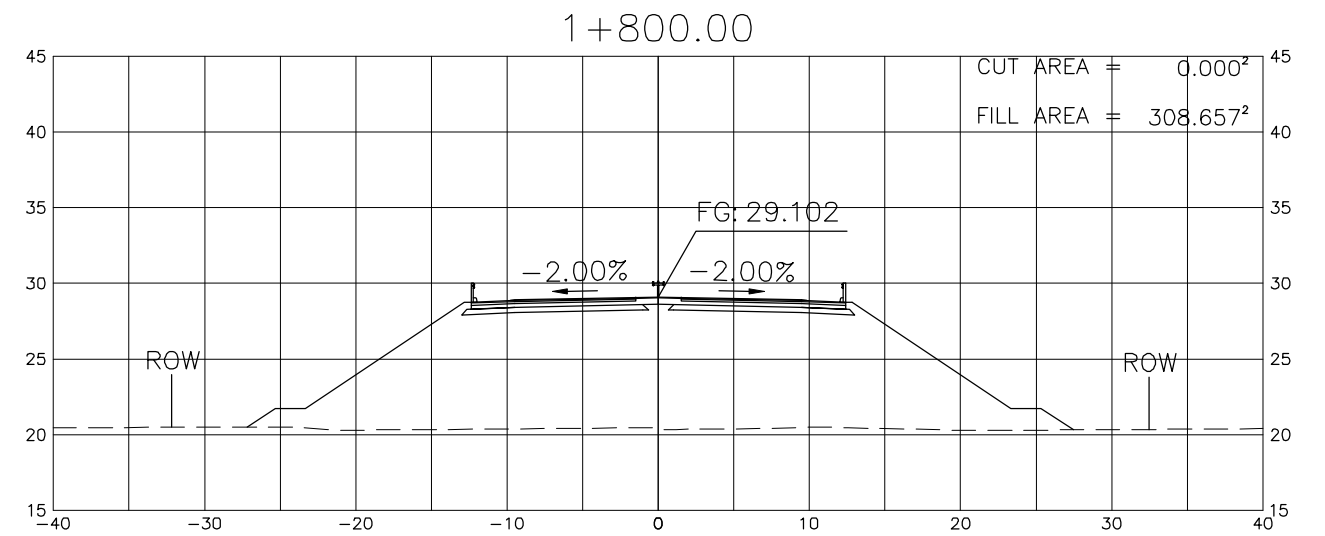
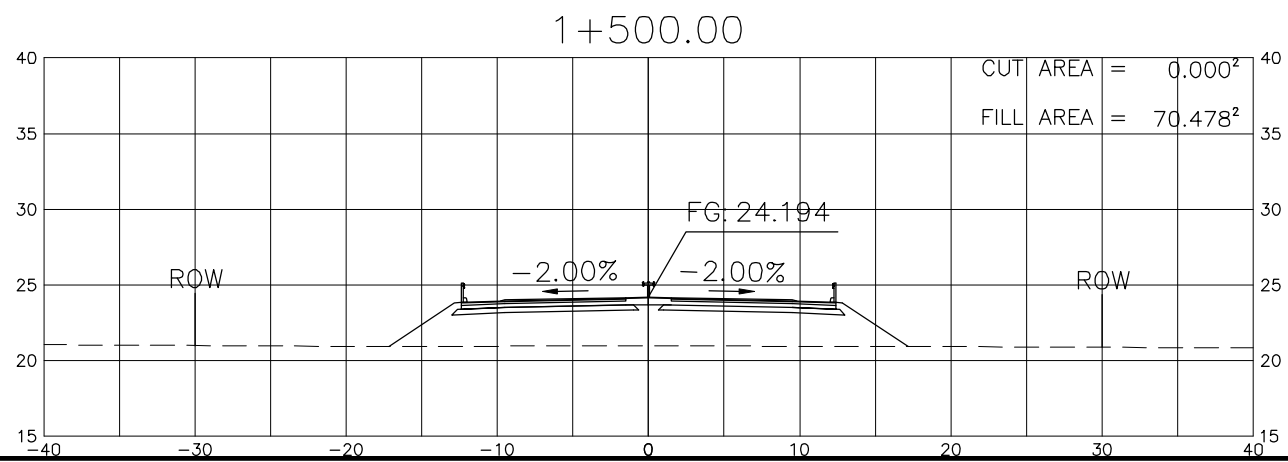
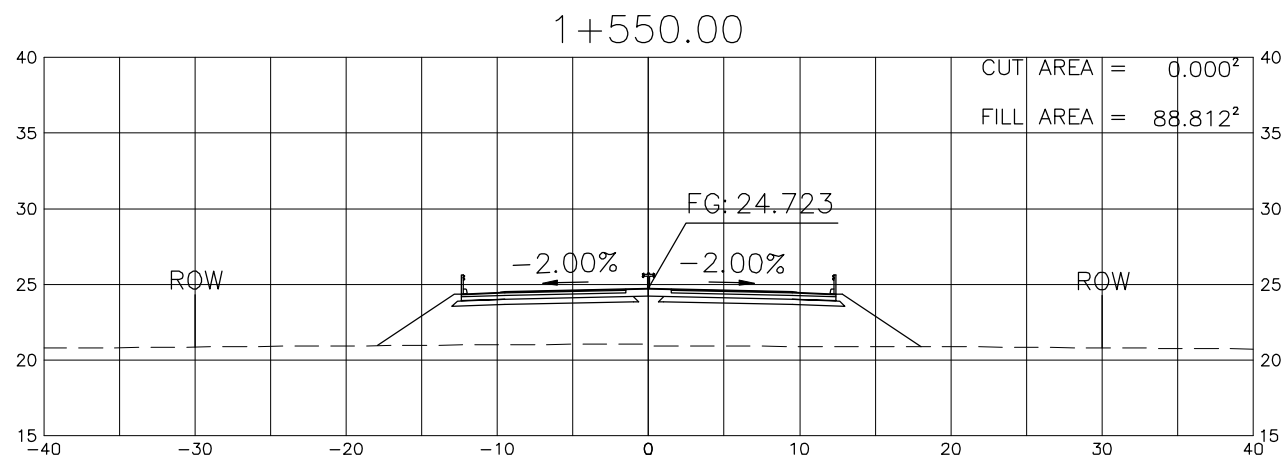
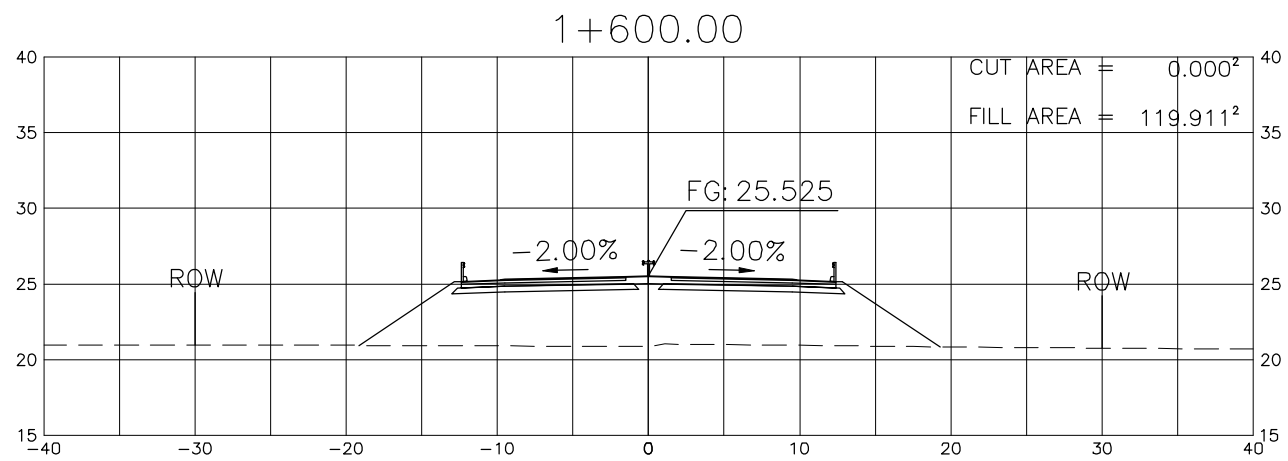
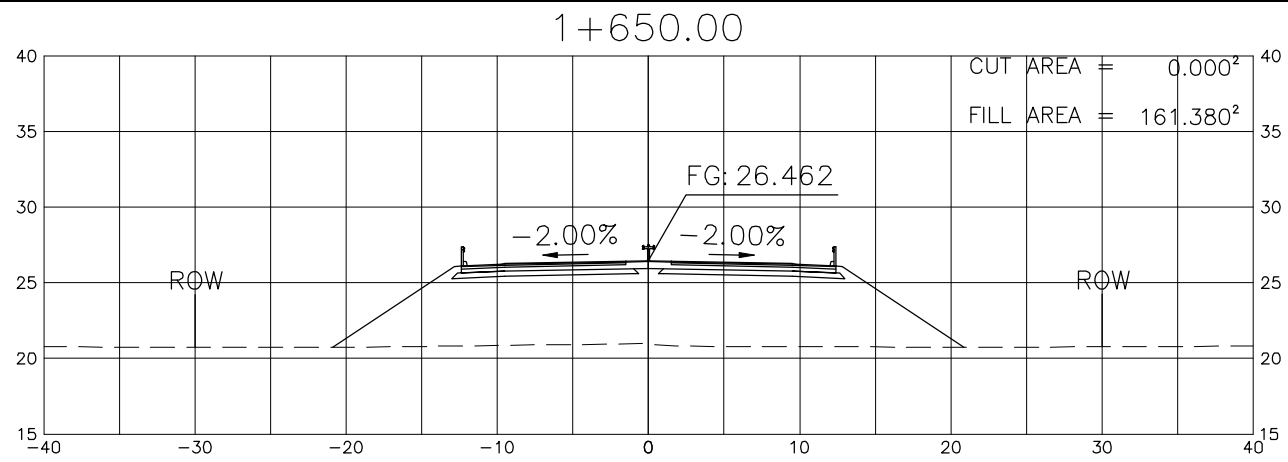
PROJECT TITLE	SCALE	SHEET CONTENT	DRAWING NO.
Preparatory survey for expressway project in Mega Manila Region CLLEX ( TARLAC - CABANATUAN )	A1 = 1:250 A3 = 1:500	CROSS SECTION ( ULTIMATE 4 LANE ) STA 0+300 TO STA 0+650	K-02
			SHEET NO.
			2 OF 90



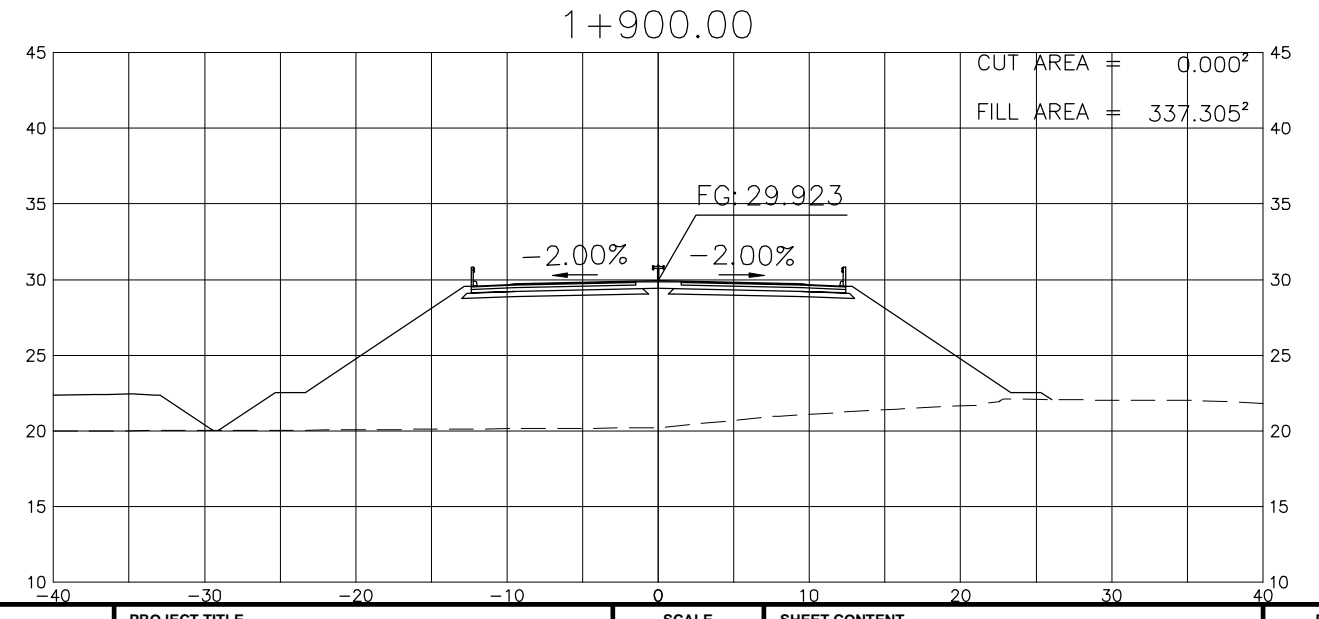
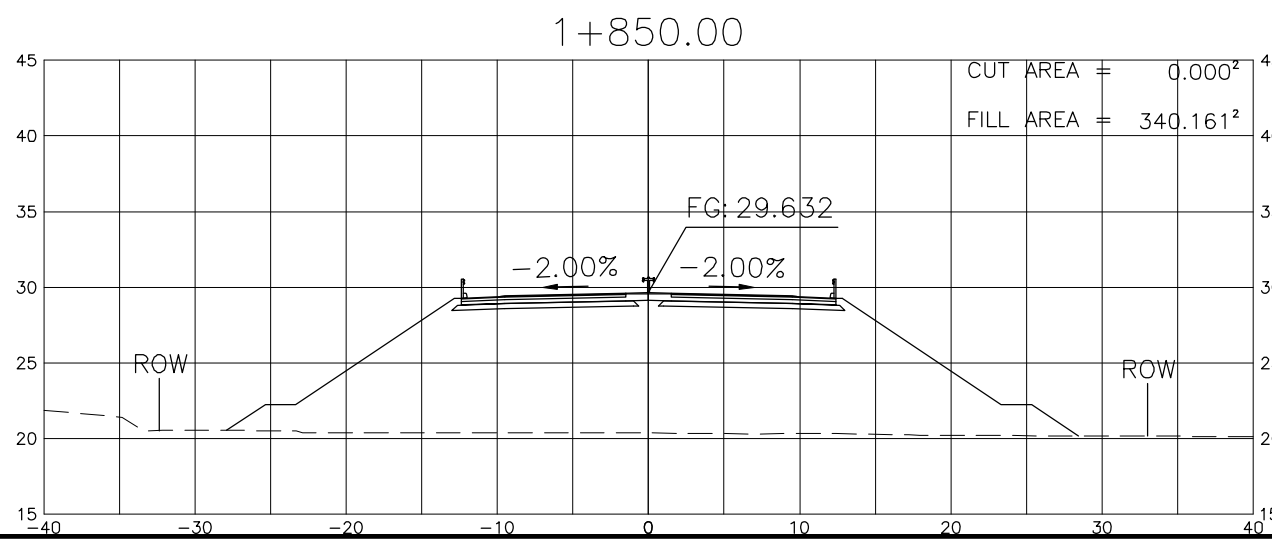
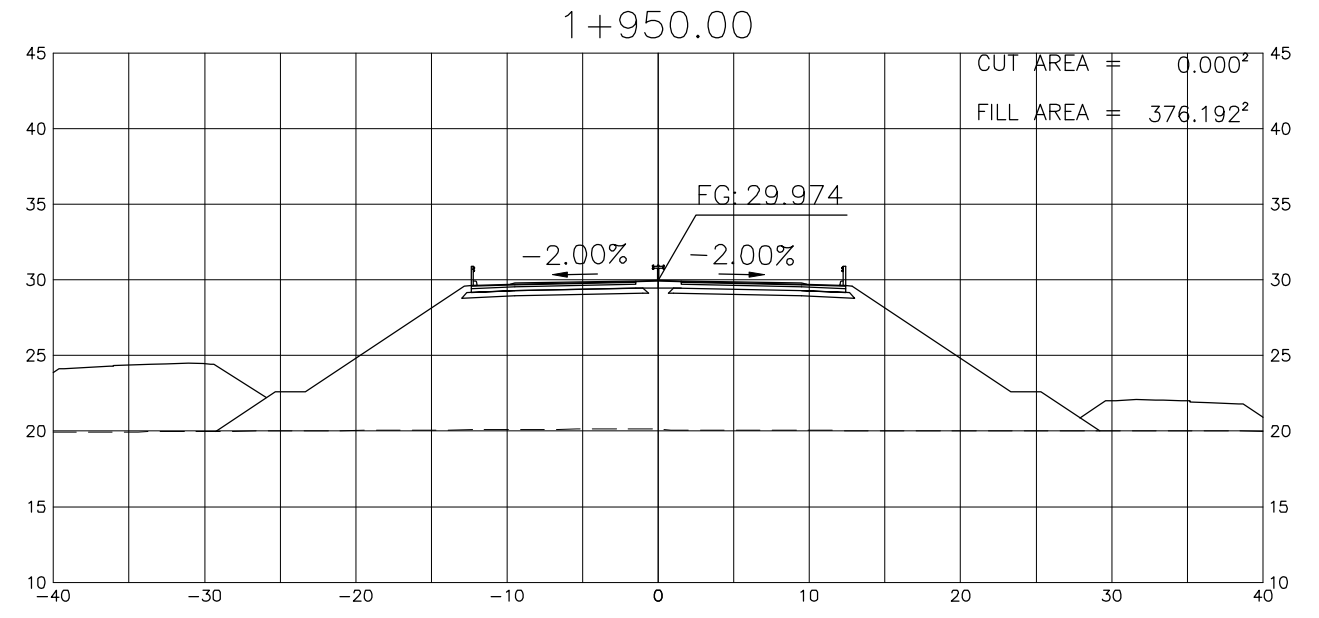
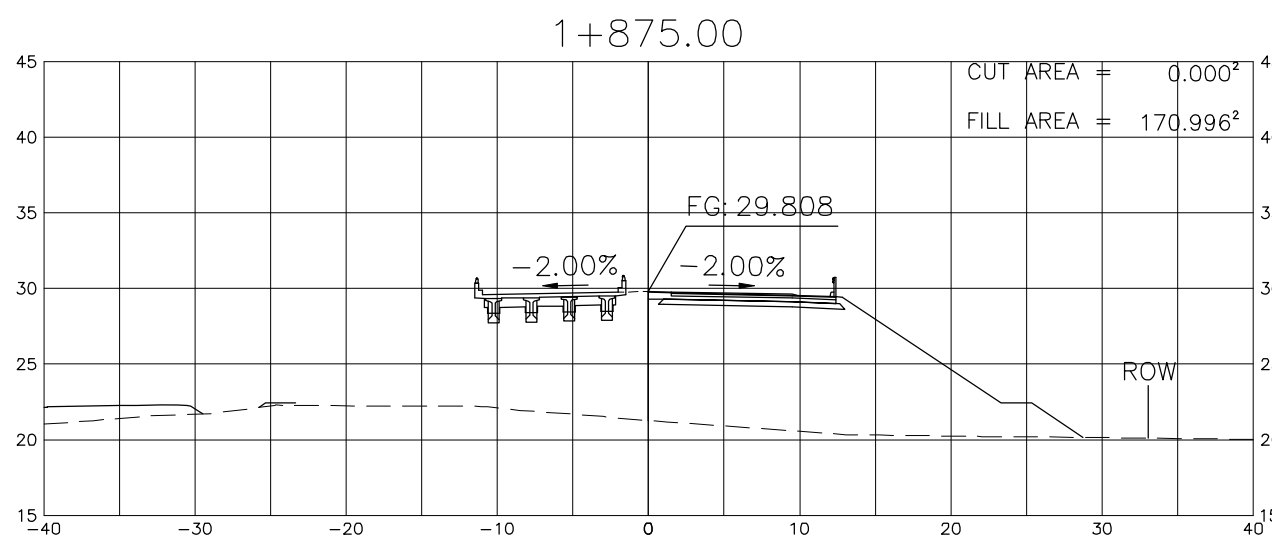
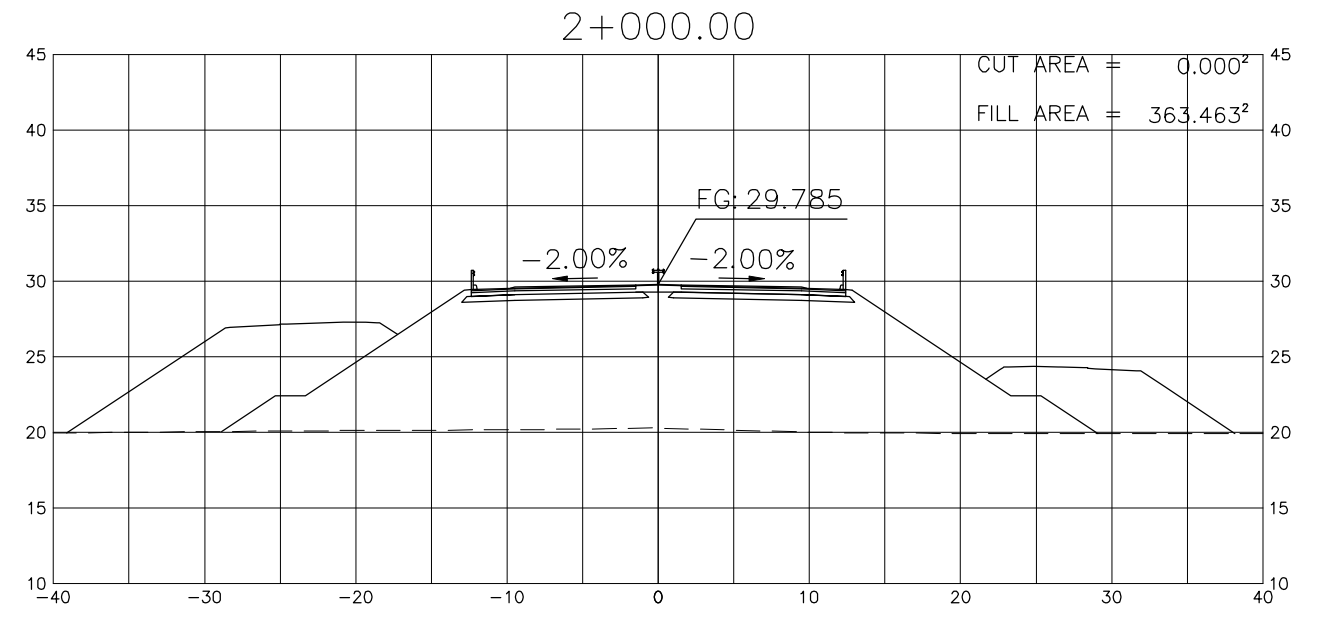
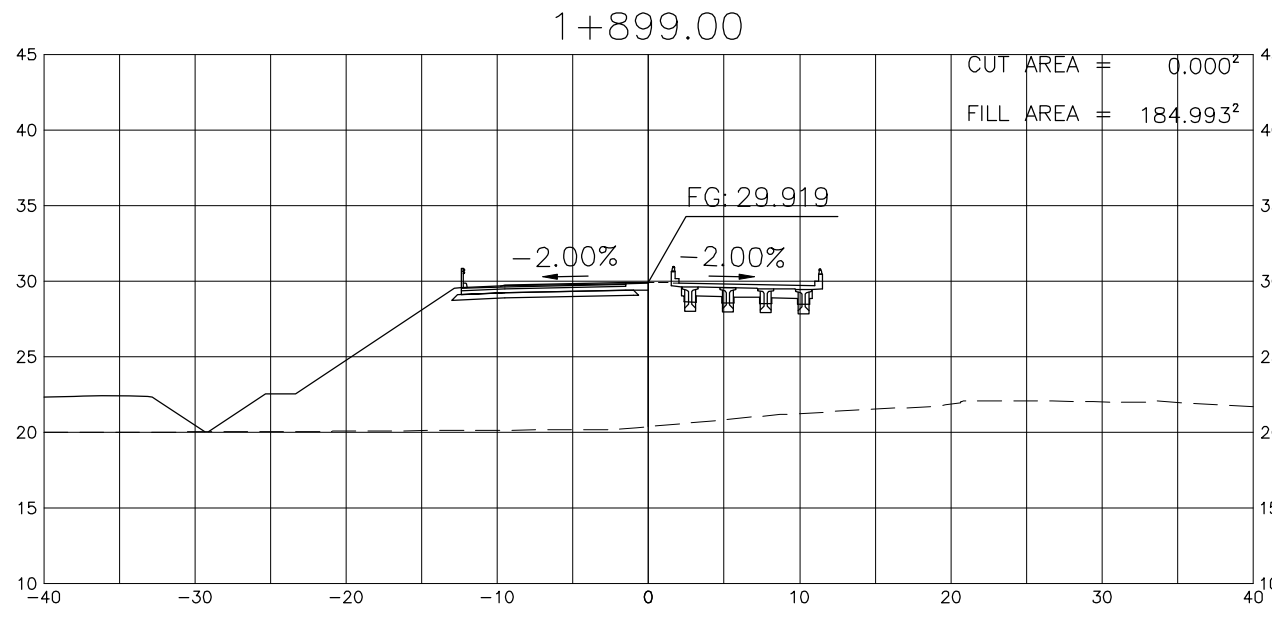
PROJECT TITLE	SCALE	SHEET CONTENT	DRAWING NO.
Preparatory survey for expressway project in Mega Manila Region CLLEX ( TARLAC - CABANATUAN )	A1 = 1:250 A3 = 1:500	CROSS SECTION ( ULTIMATE 4 LANE ) STA 0+700 TO STA 1+050	K-03
			SHEET NO.
			3 OF 90



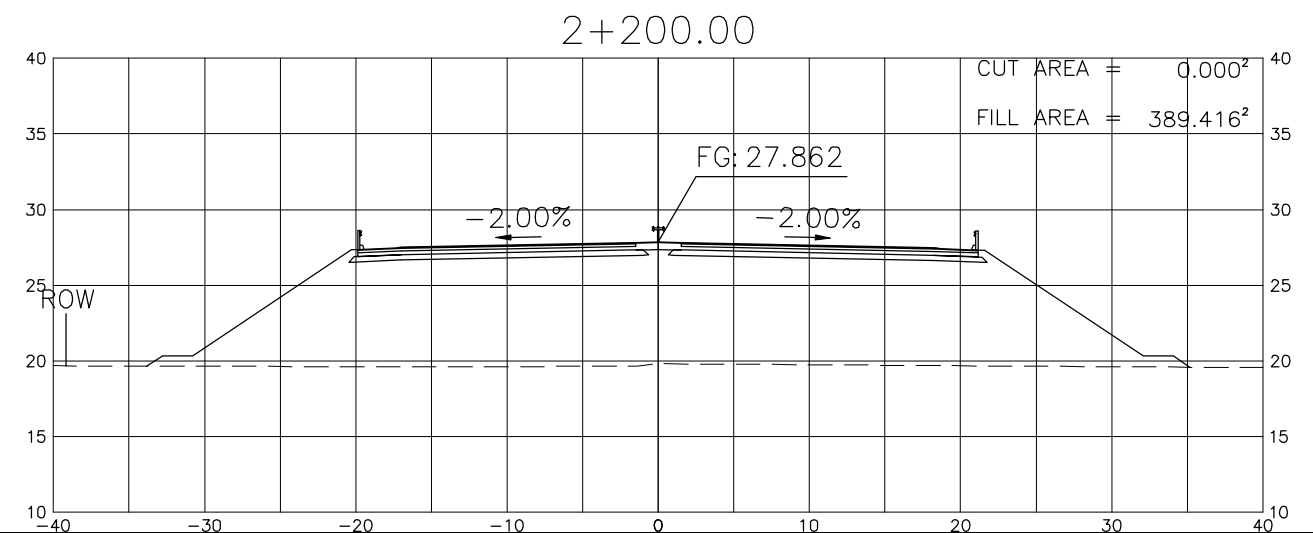
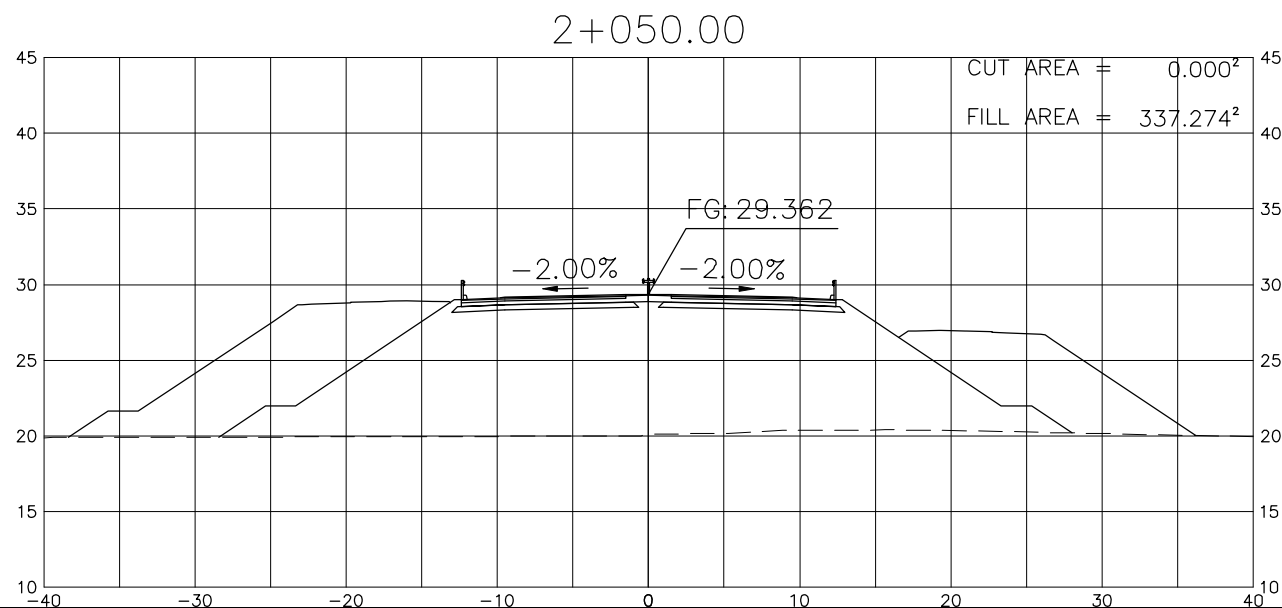
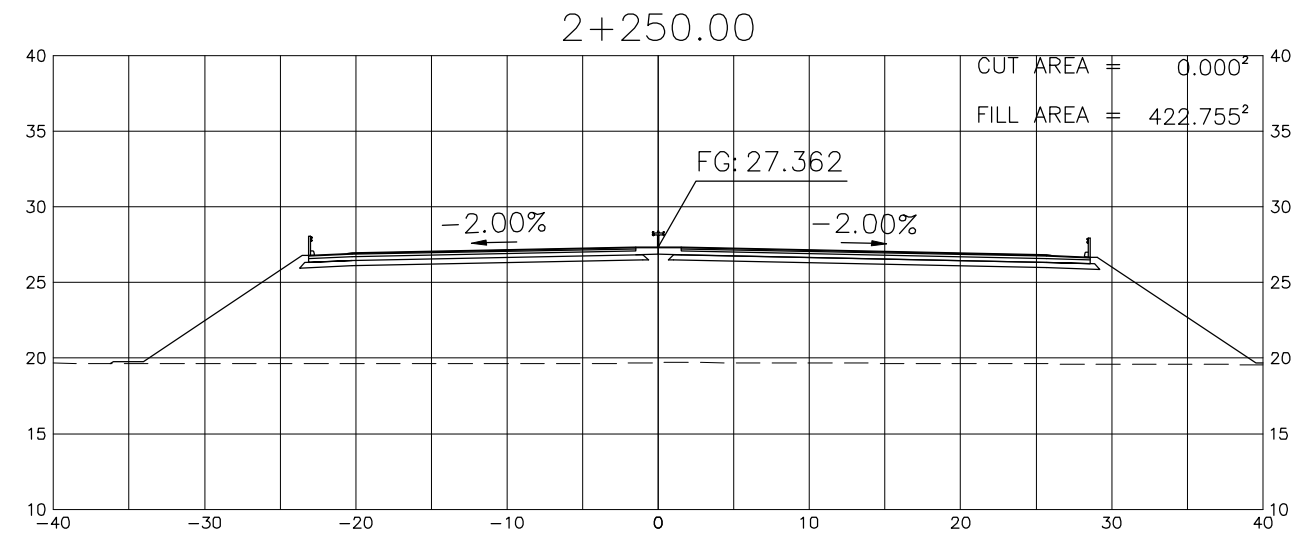
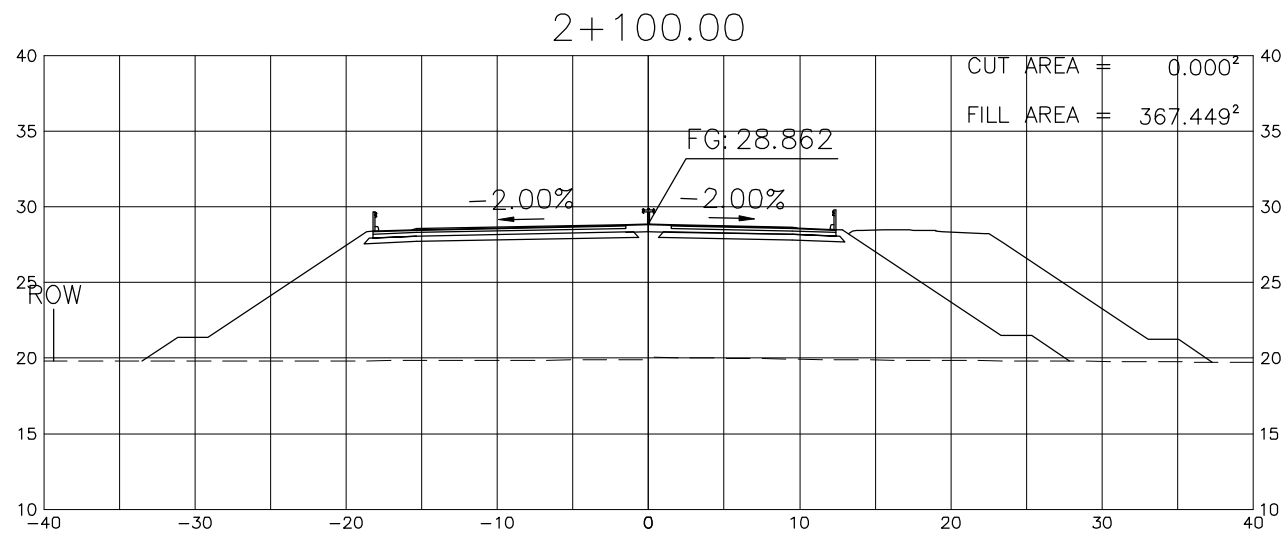
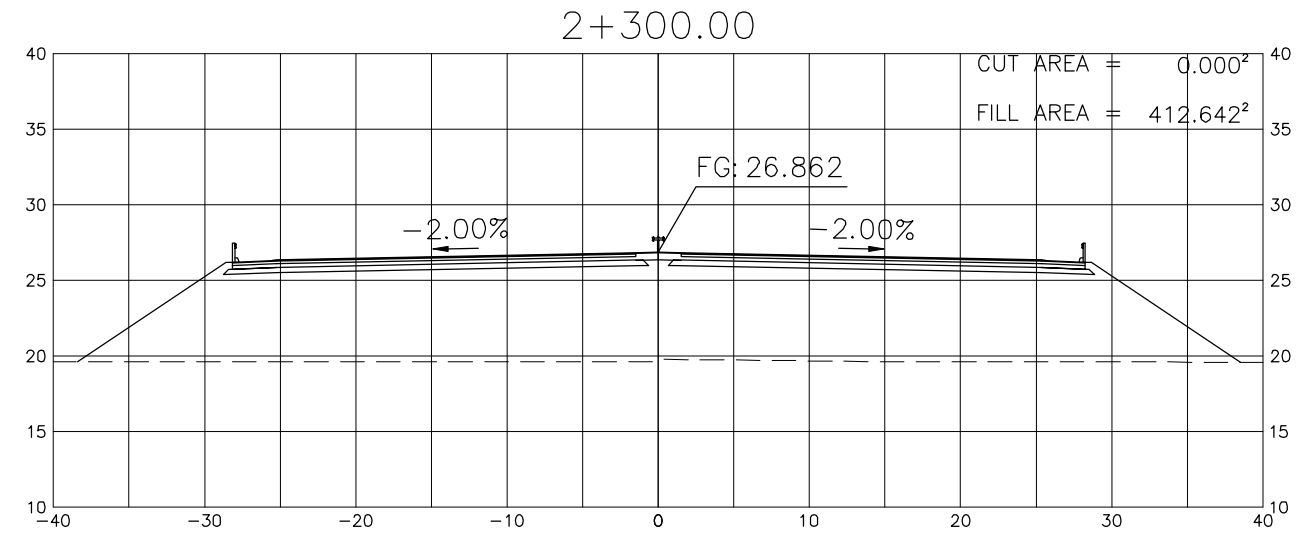
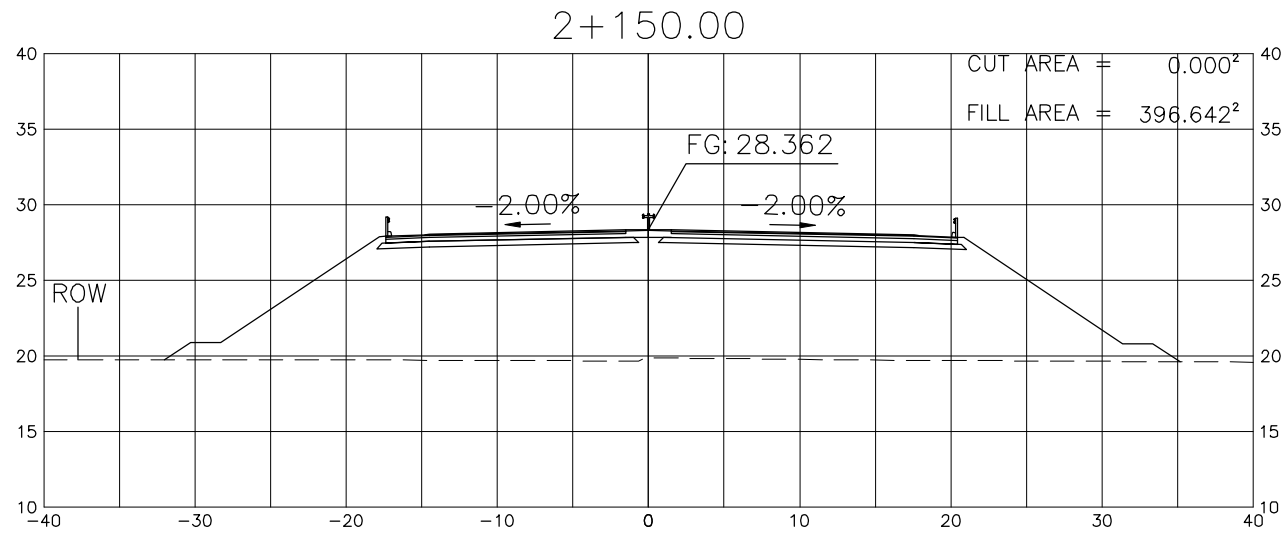
PROJECT TITLE	SCALE	SHEET CONTENT	DRAWING NO.
Preparatory survey for expressway project in Mega Manila Region CLLEX ( TARLAC - CABANATUAN )	A1 = 1:250 A3 = 1:500	CROSS SECTION ( ULTIMATE 4 LANE ) STA 1+100 TO STA 1+450	K-04
			SHEET NO.
			4 OF 90



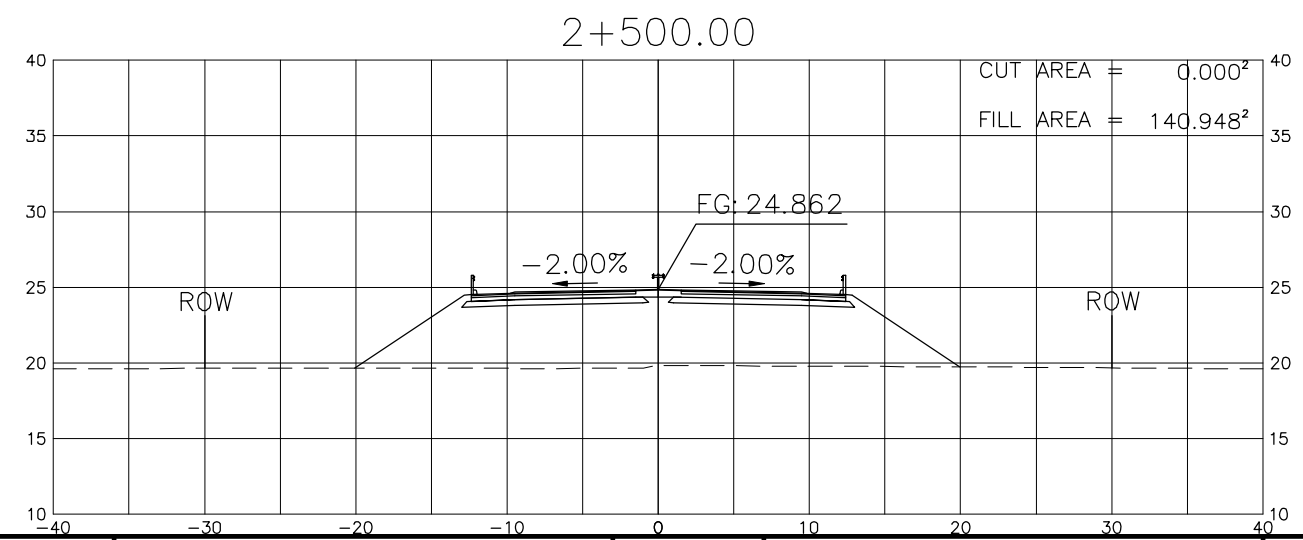
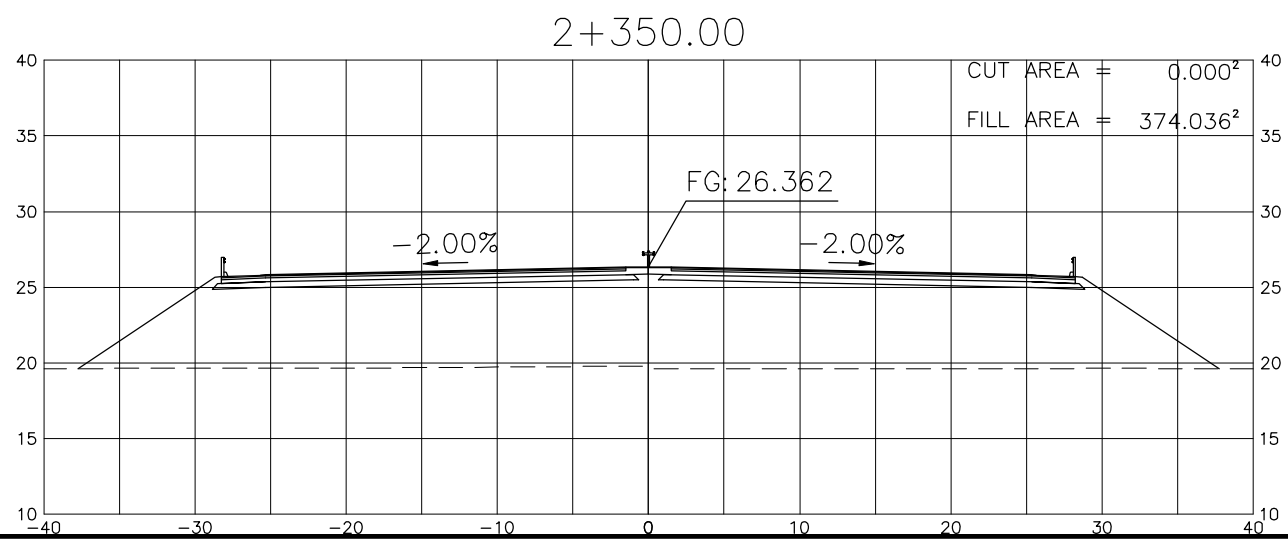
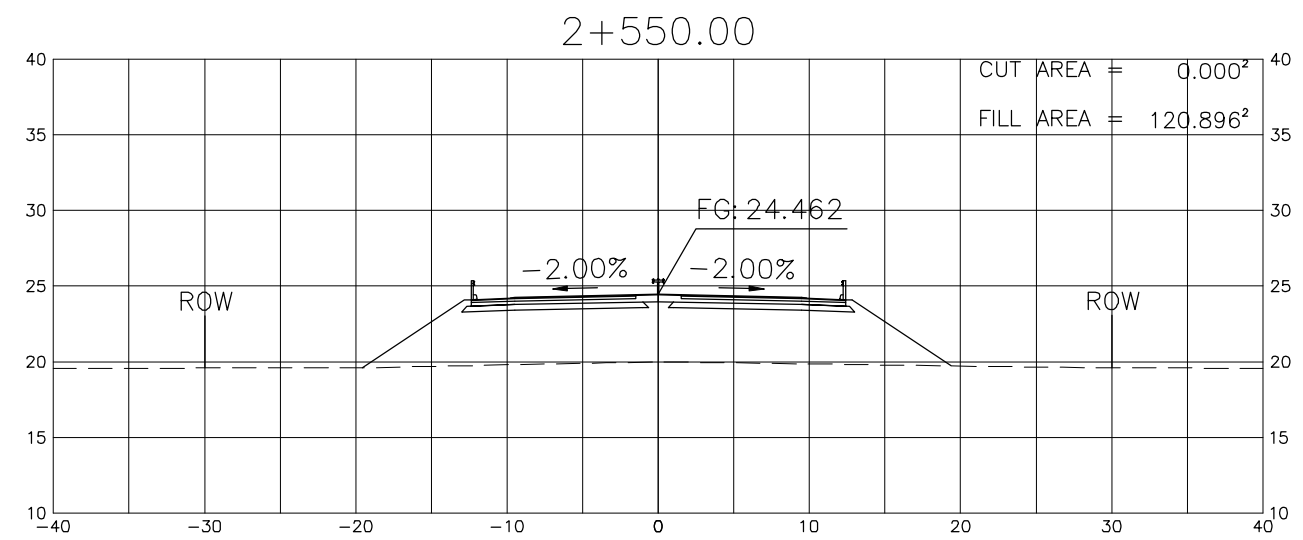
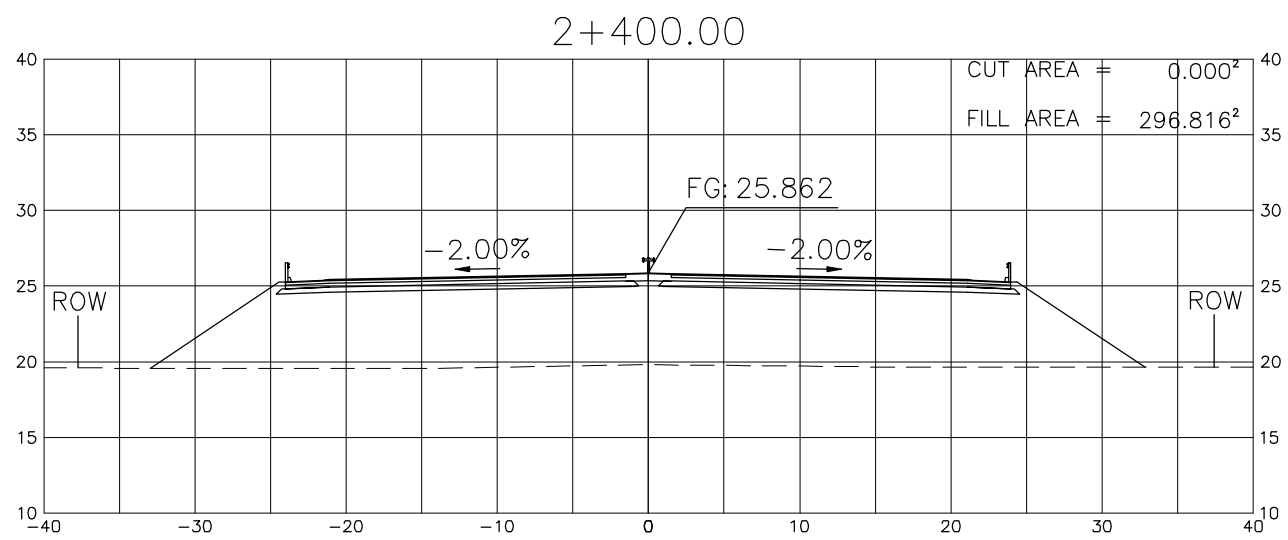
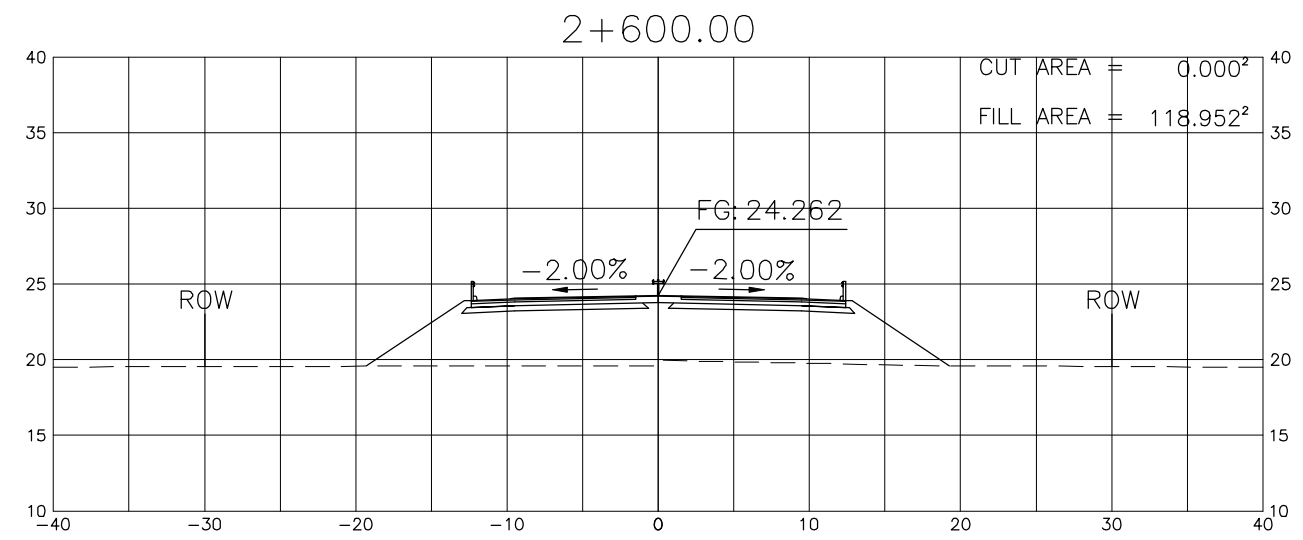
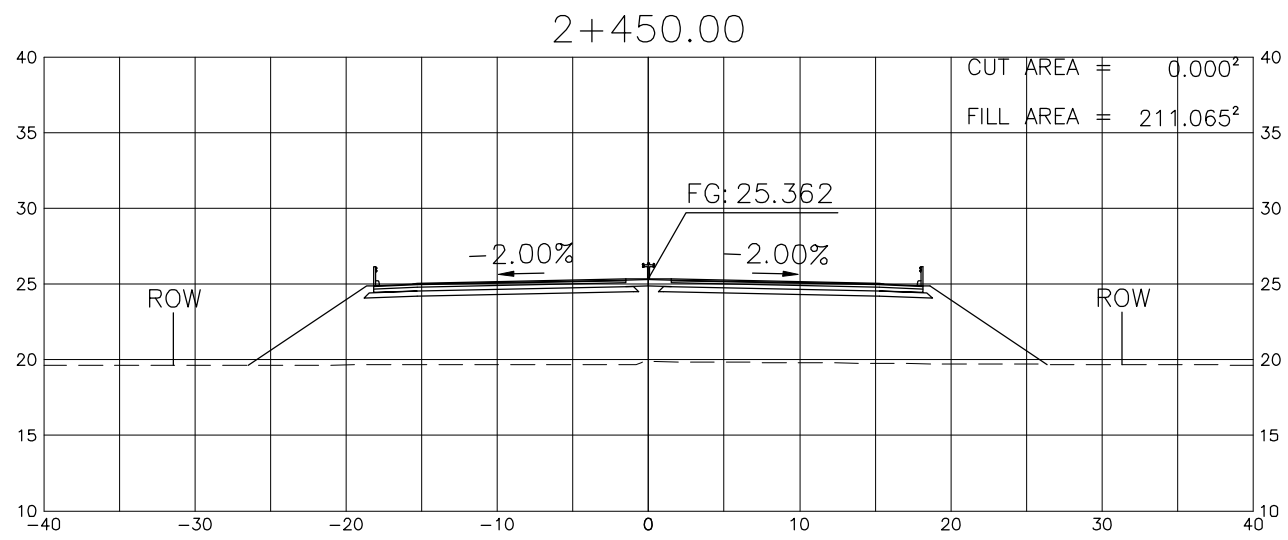
PROJECT TITLE	SCALE	SHEET CONTENT	DRAWING NO.
Preparatory survey for expressway project in Mega Manila Region CLLEX ( TARLAC - CABANATUAN )	A1 = 1:250 A3 = 1:500	CROSS SECTION (ULTIMATE 4 LANE) STA 1+500 TO STA 1+800	K-05
			SHEET NO.
			5 OF 90



PROJECT TITLE	SCALE	SHEET CONTENT	DRAWING NO.
Preparatory survey for expressway project in Mega Manila Region CLLEX ( TARLAC - CABANATUAN )	A1 = 1:250 A3 = 1:500	CROSS SECTION ( ULTIMATE 4 LANE ) STA 1+850 TO STA 2+000	K-06
			SHEET NO.
			6 OF 90

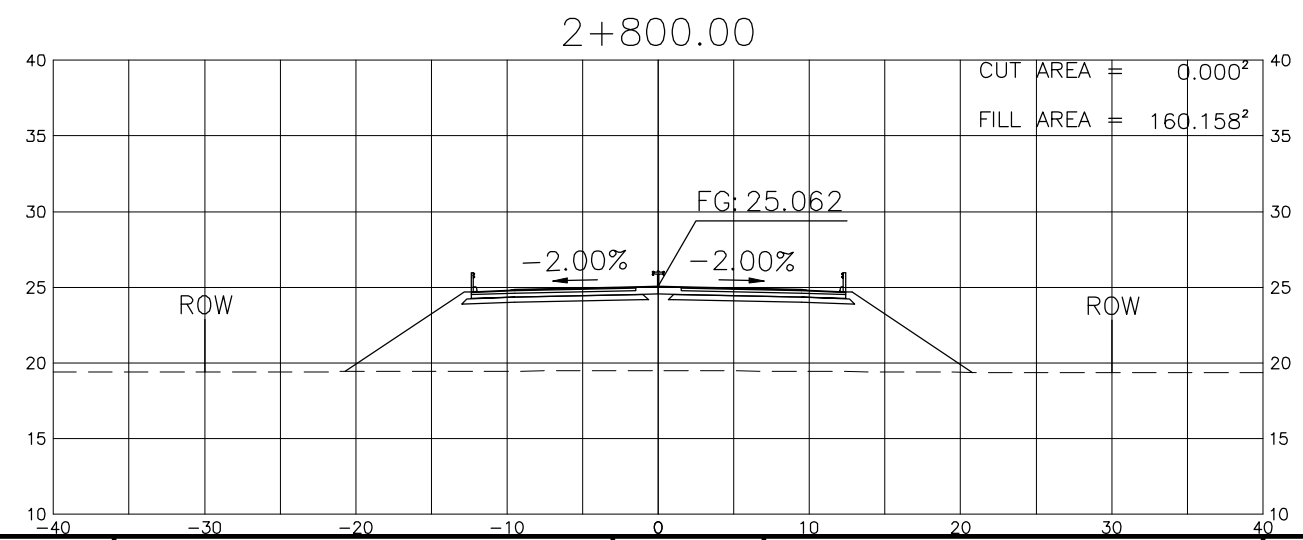
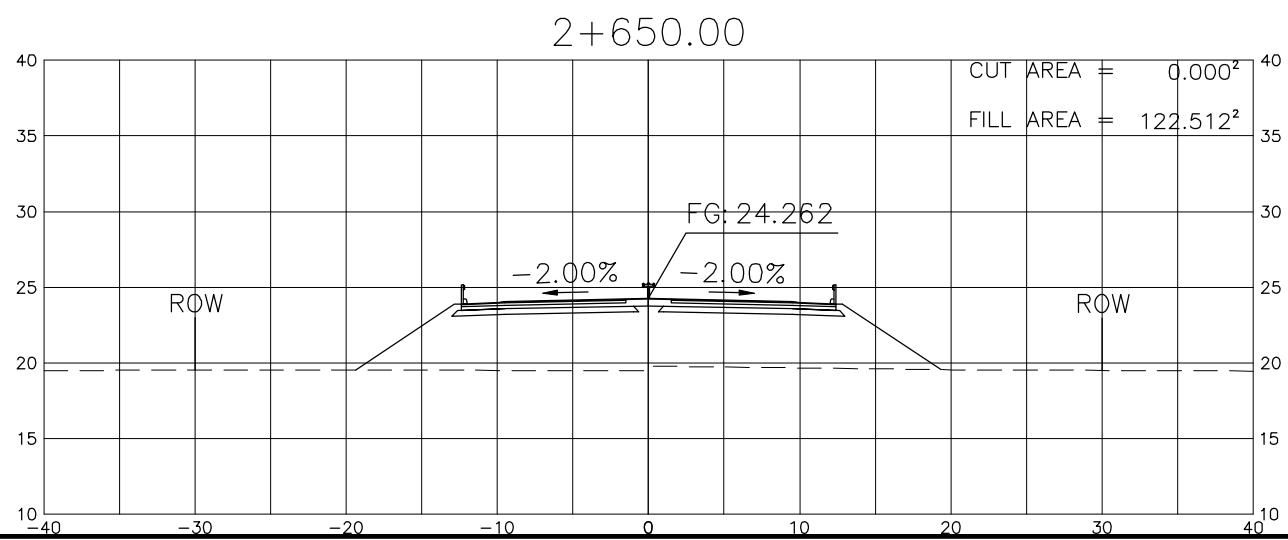
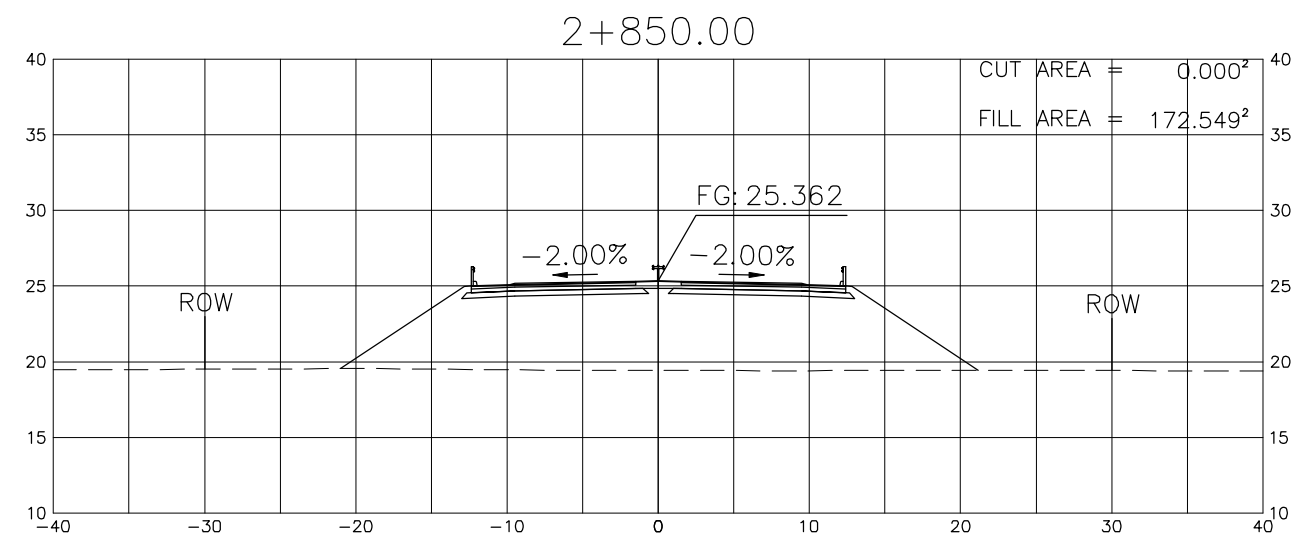
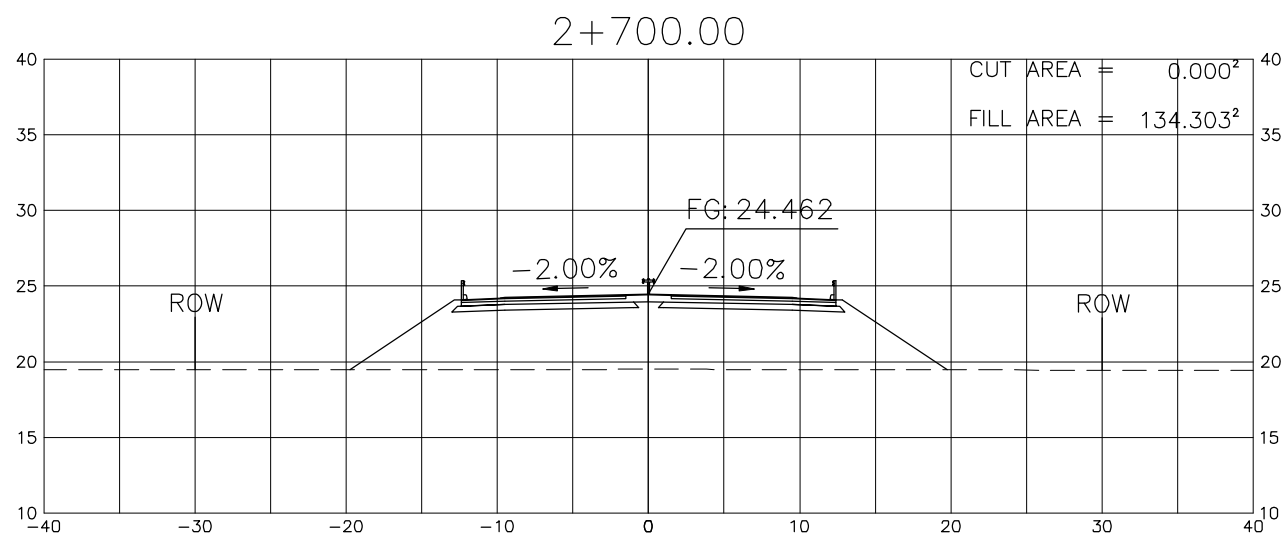
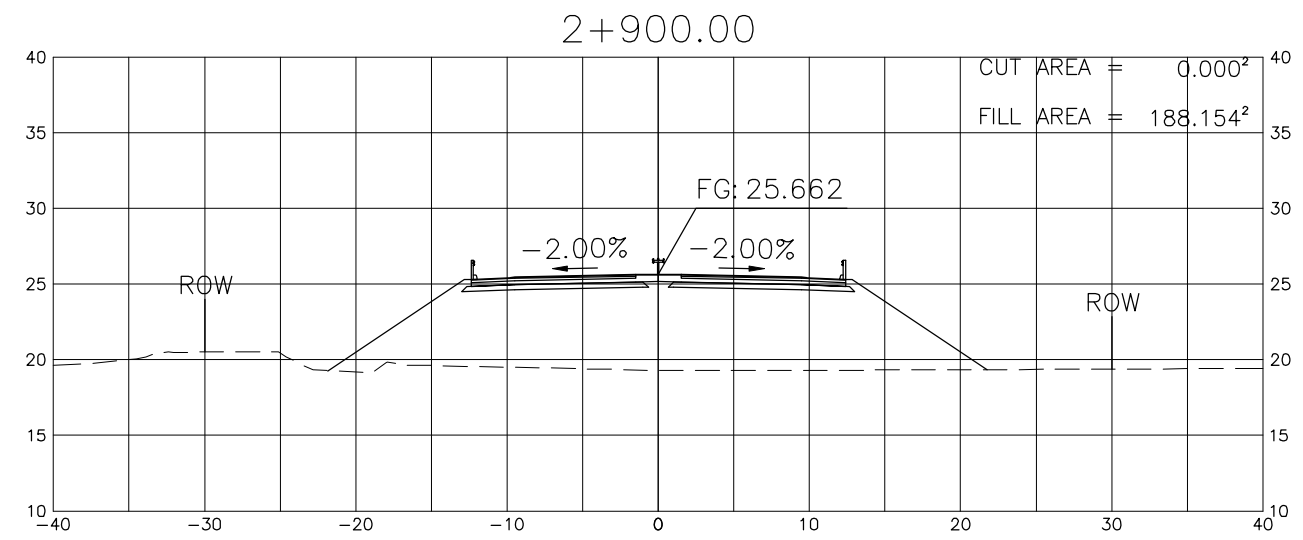
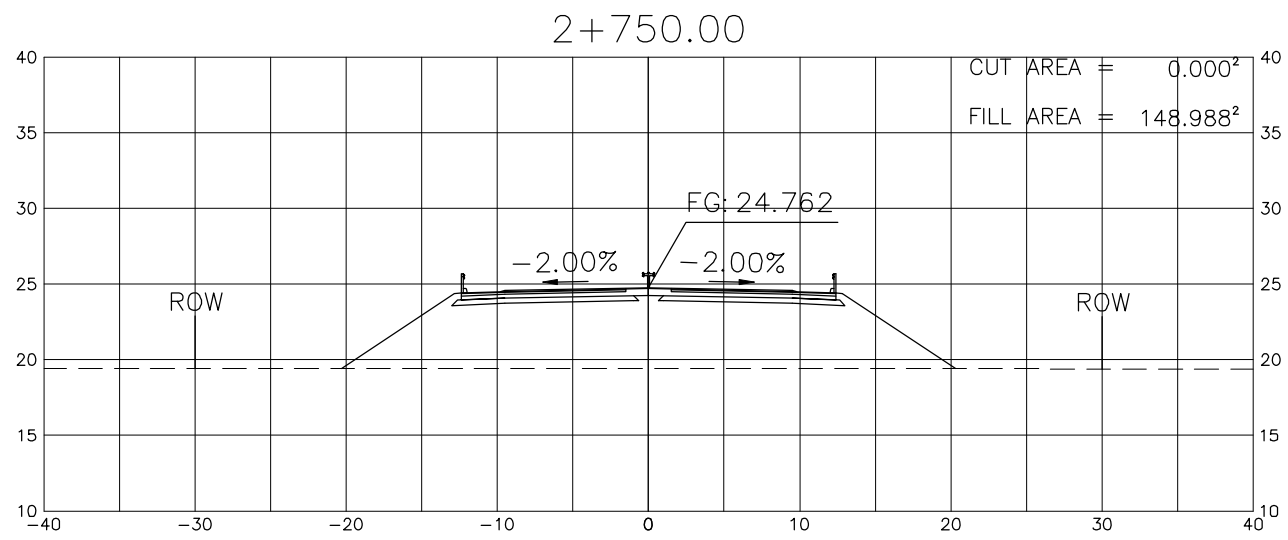


PROJECT TITLE	SCALE	SHEET CONTENT	DRAWING NO.
Preparatory survey for expressway project in Mega Manila Region CLLEX ( TARLAC - CABANATUAN )	A1 = 1:250 A3 = 1:500	CROSS SECTION ( ULTIMATE 4 LANE ) STA 2+0505 TO STA 2+300	K-07
			SHEET NO.
			7 OF 90

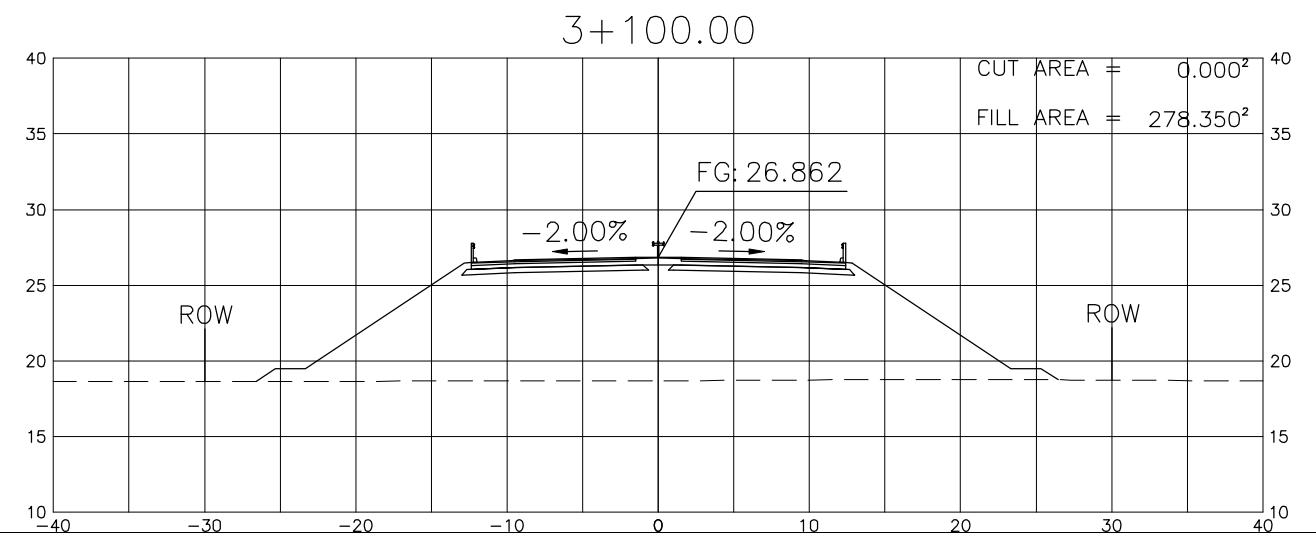
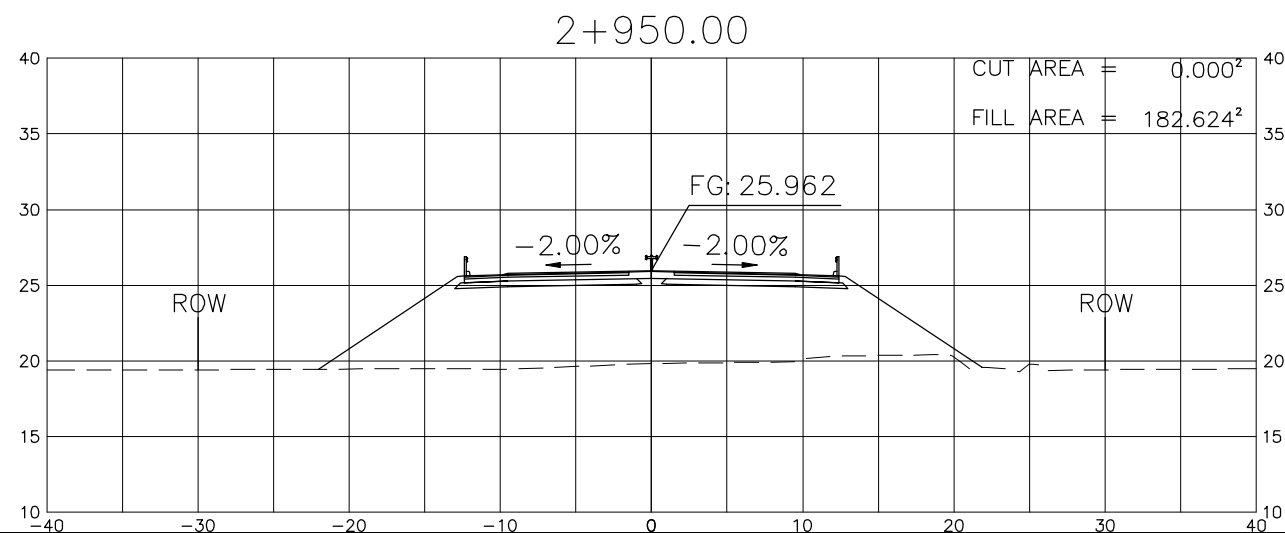
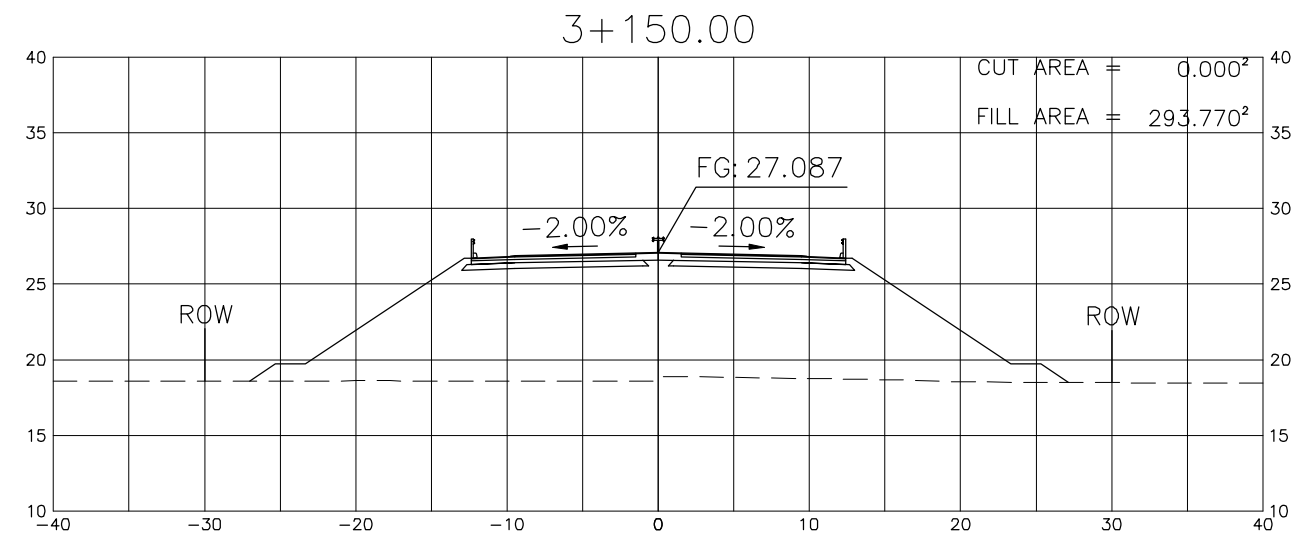
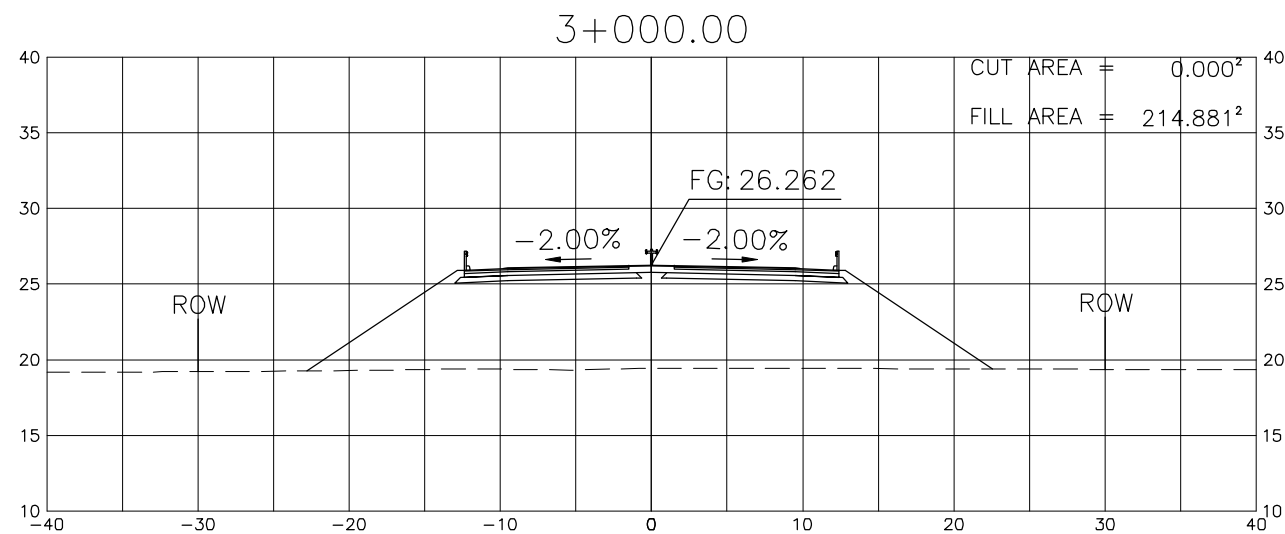
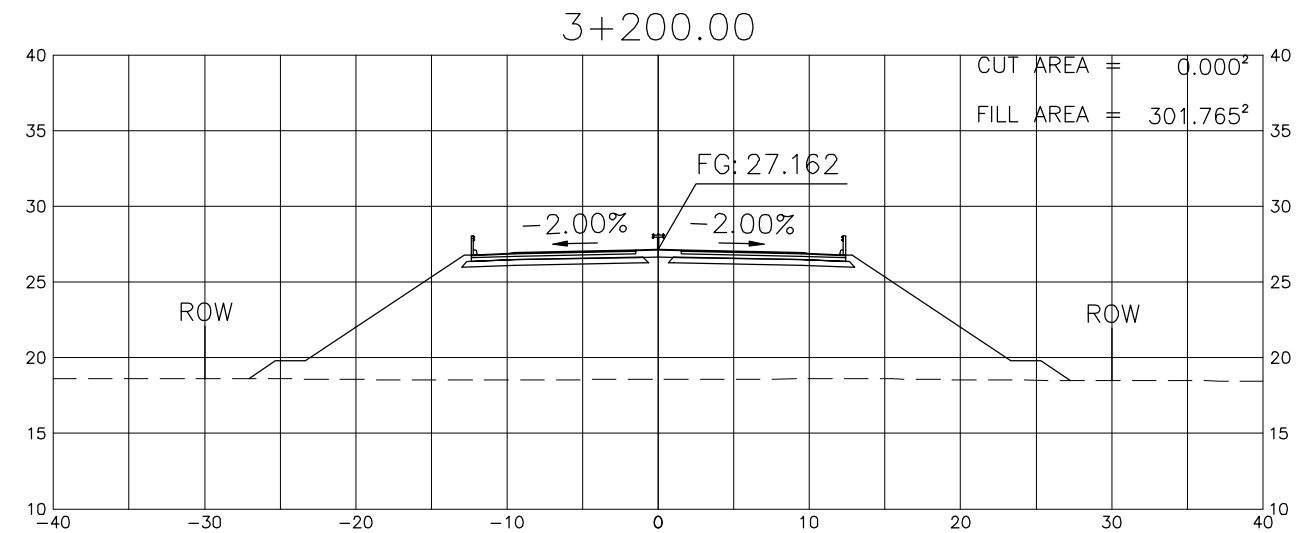
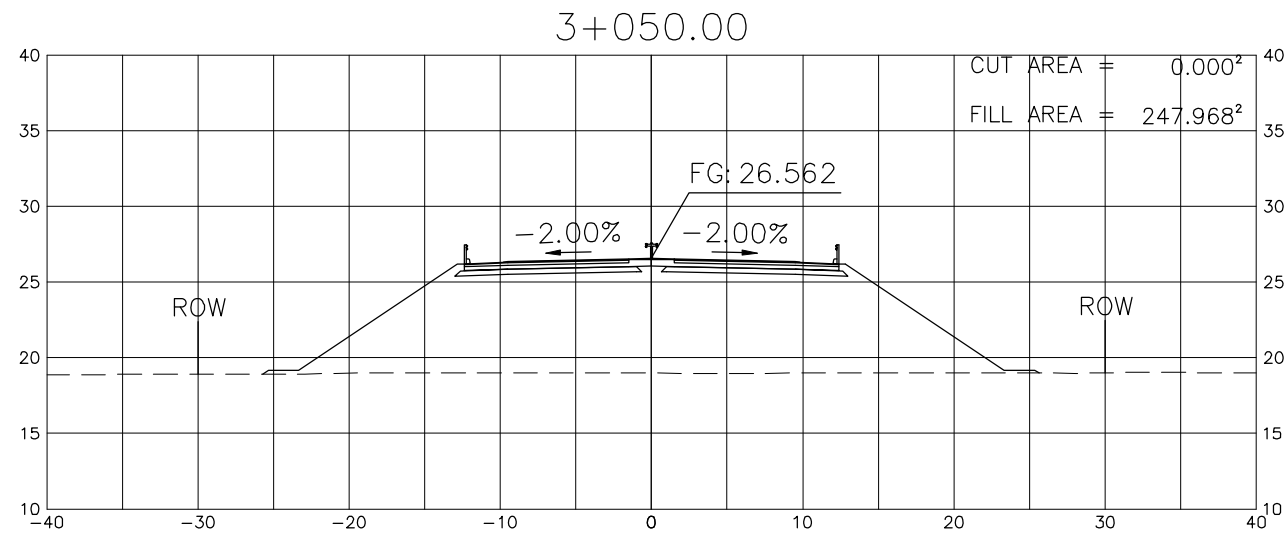


PROJECT TITLE	SCALE	SHEET CONTENT	DRAWING NO.
Preparatory survey for expressway project in Mega Manila Region CLLEX ( TARLAC - CABANATUAN )	A1 = 1:250 A3 = 1:500	CROSS SECTION ( ULTIMATE 4 LANE ) STA 2+350 TO STA 2+600	K-08
			SHEET NO.
			8 OF 90

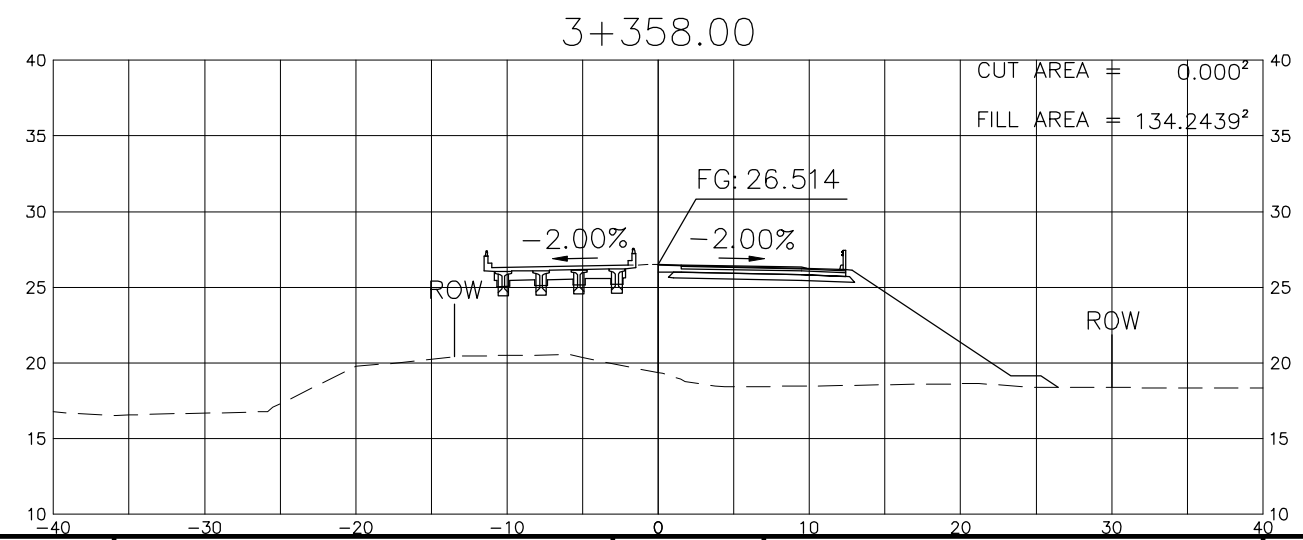
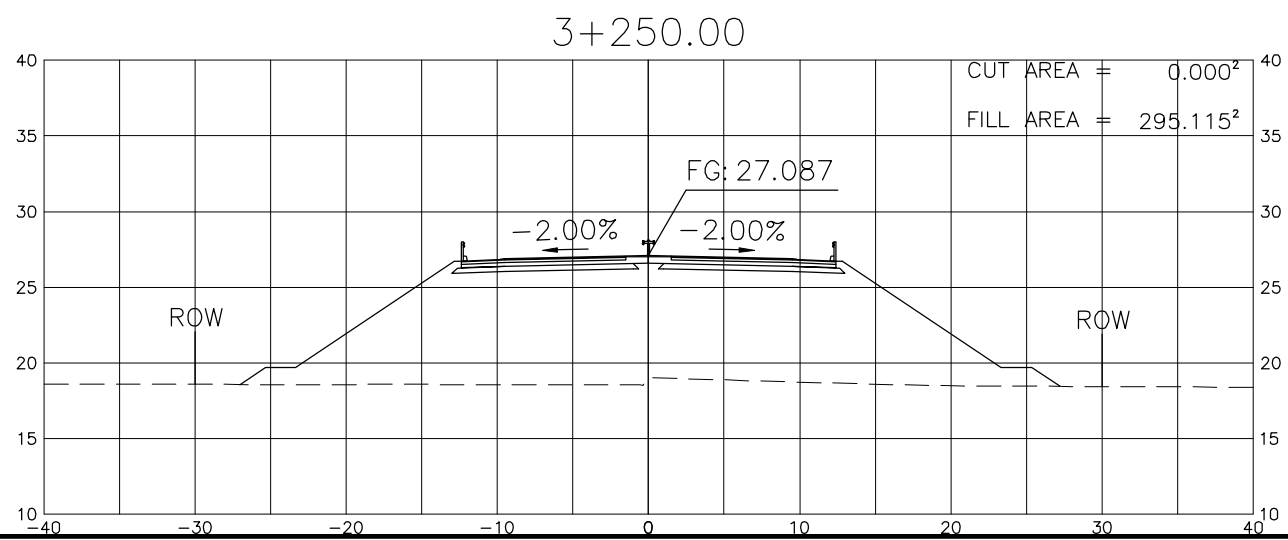
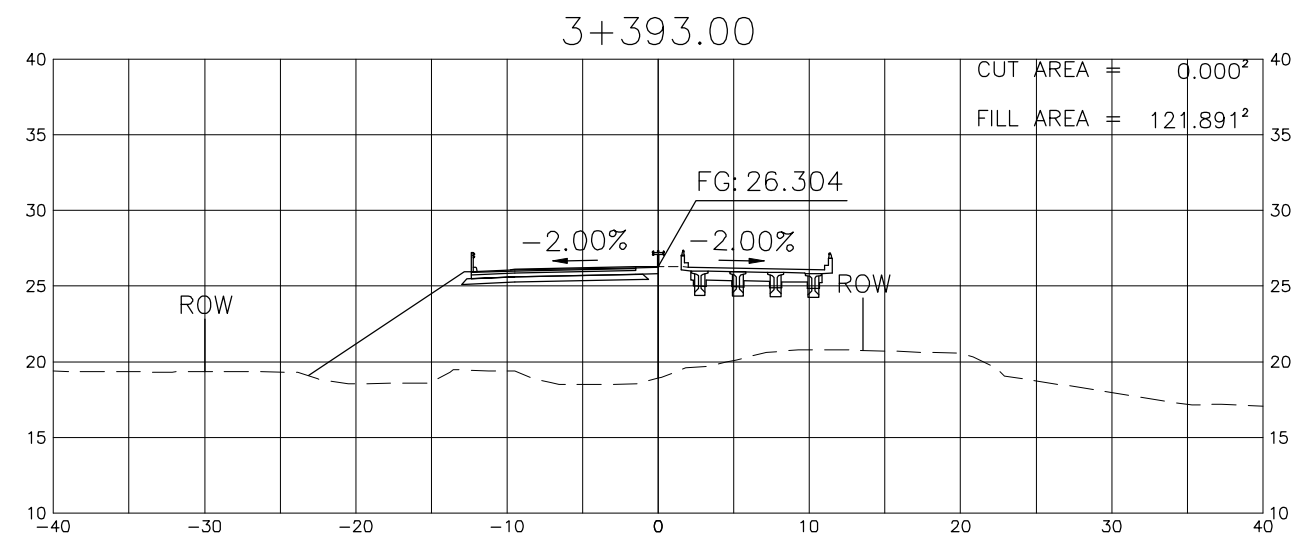
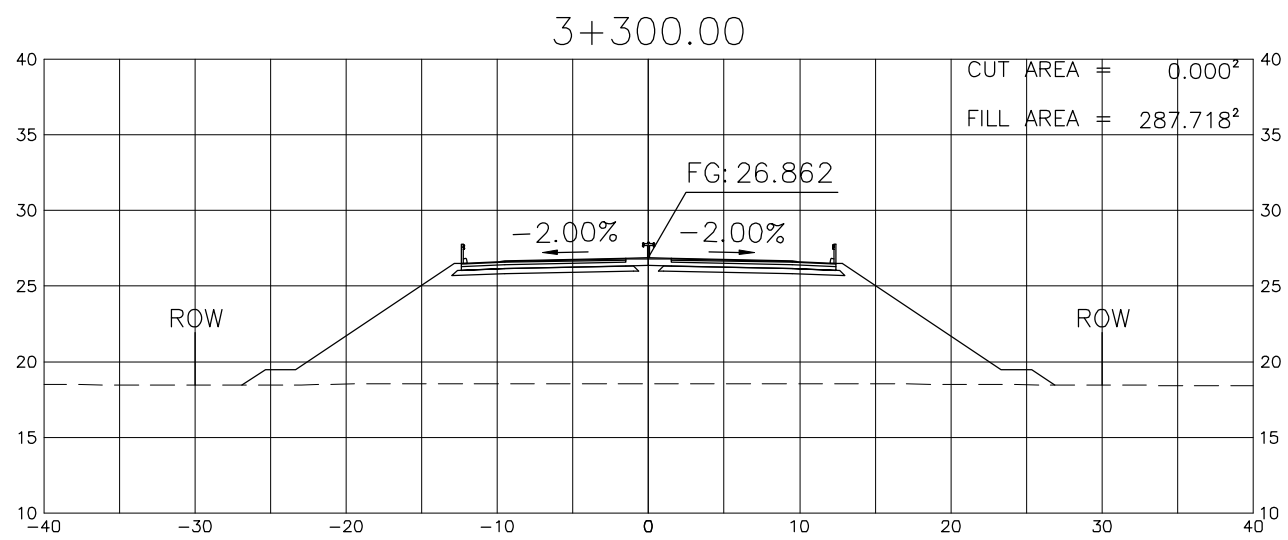
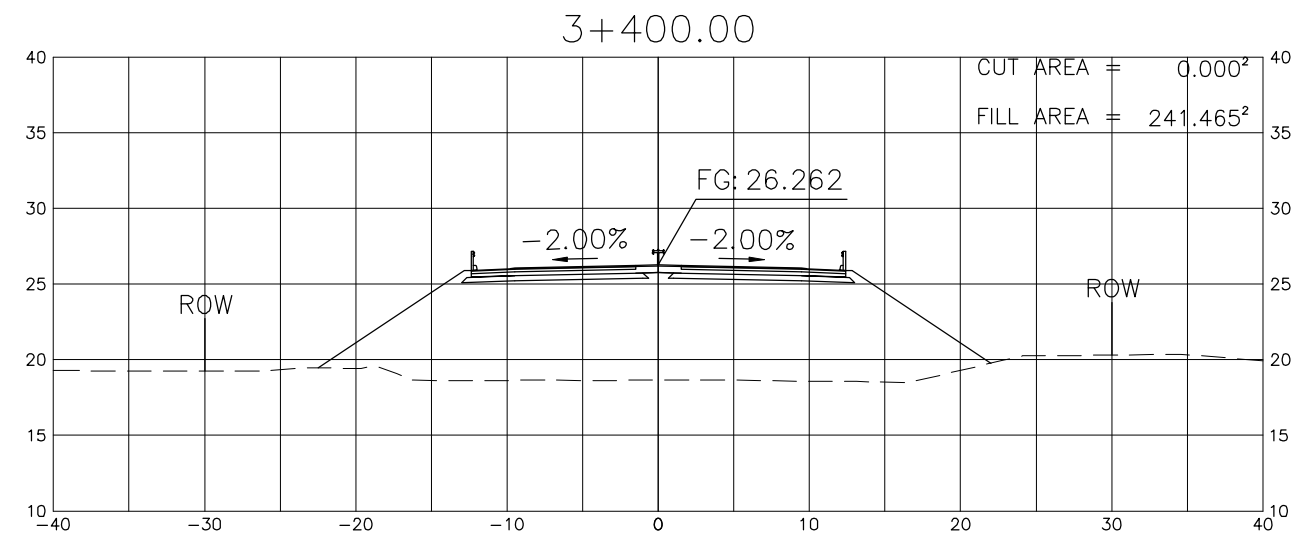
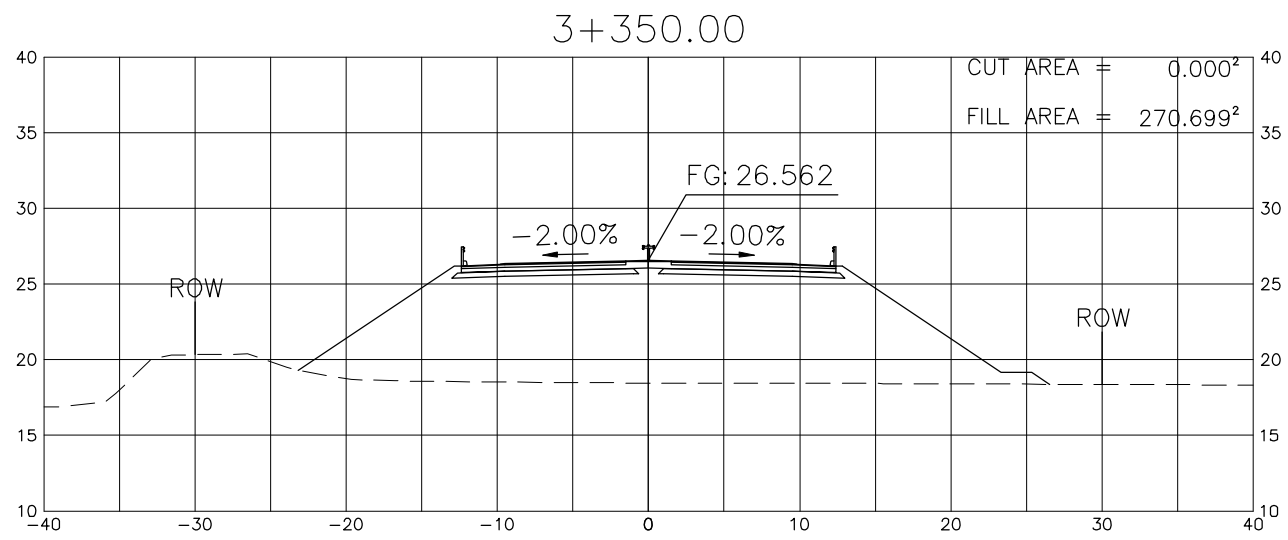




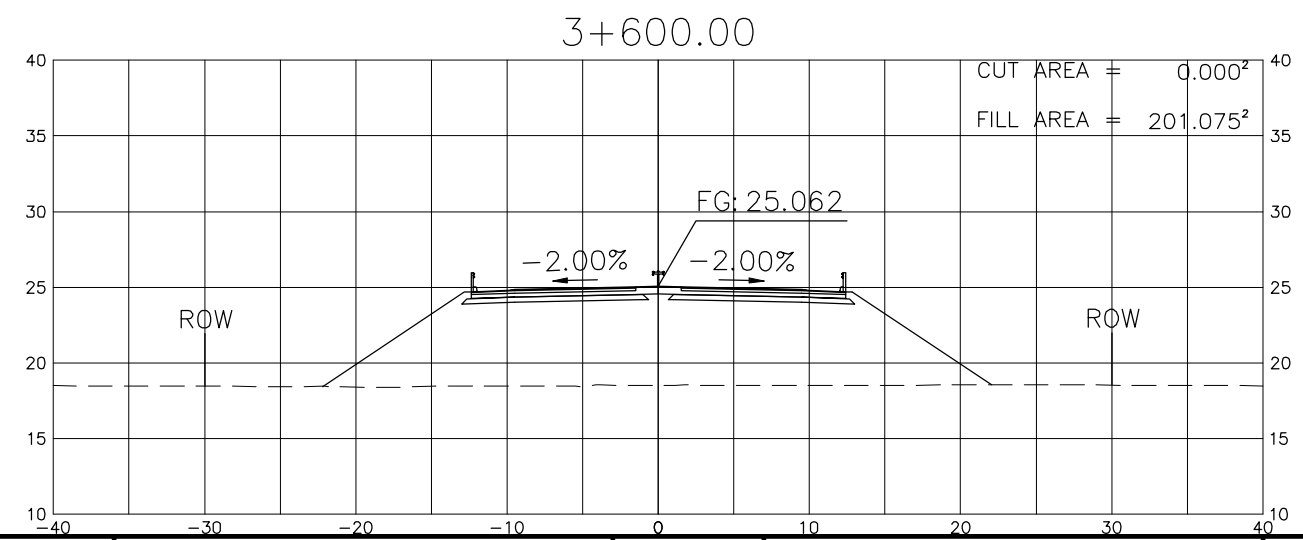
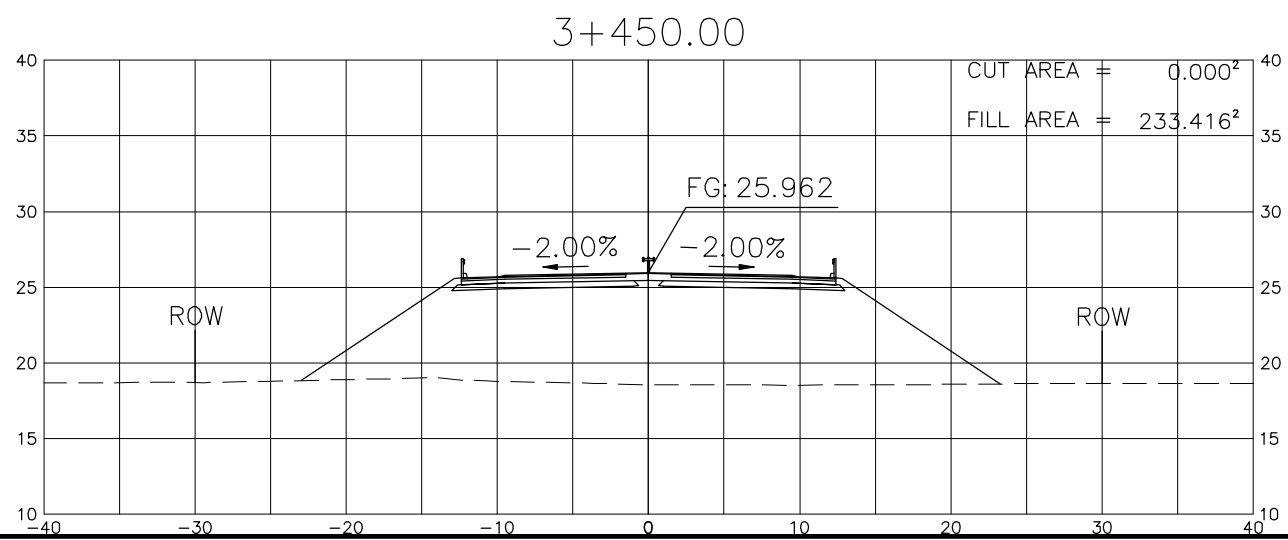
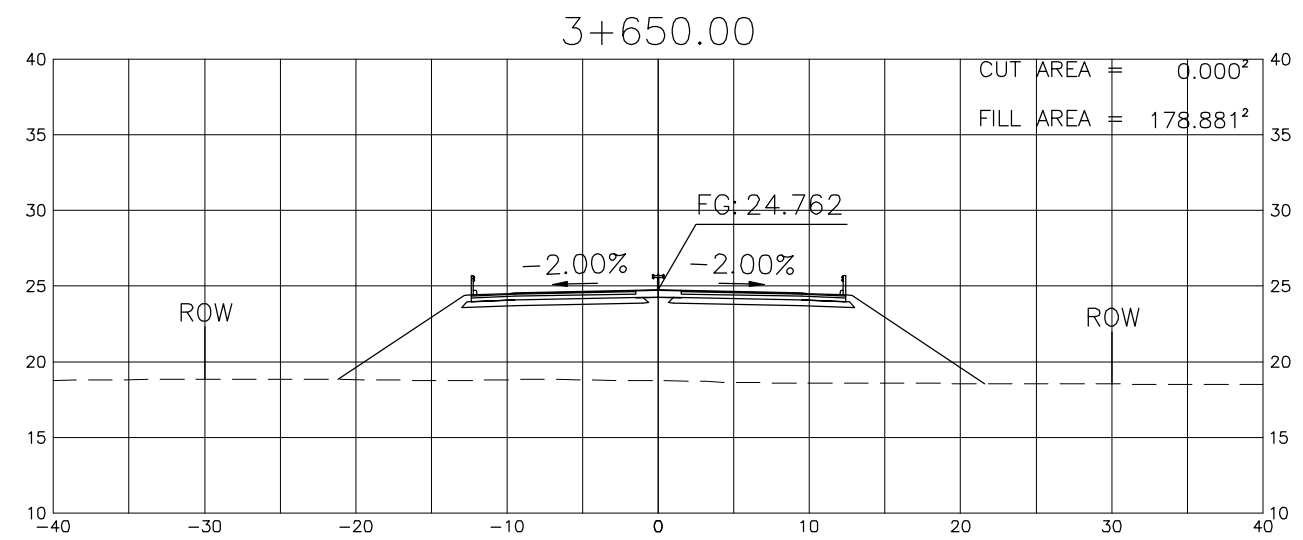
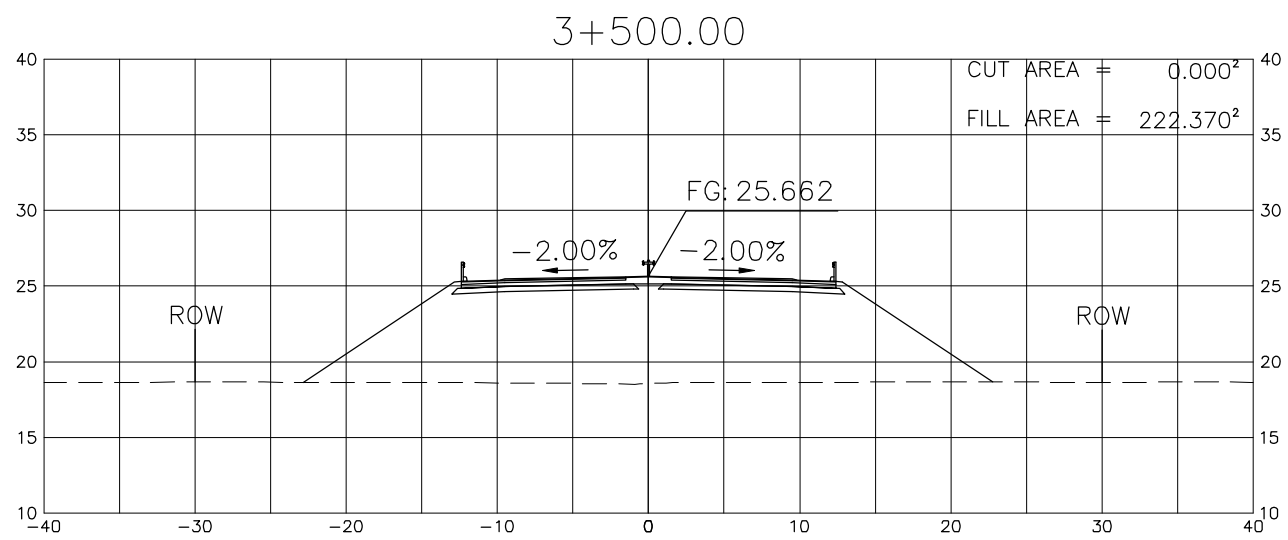
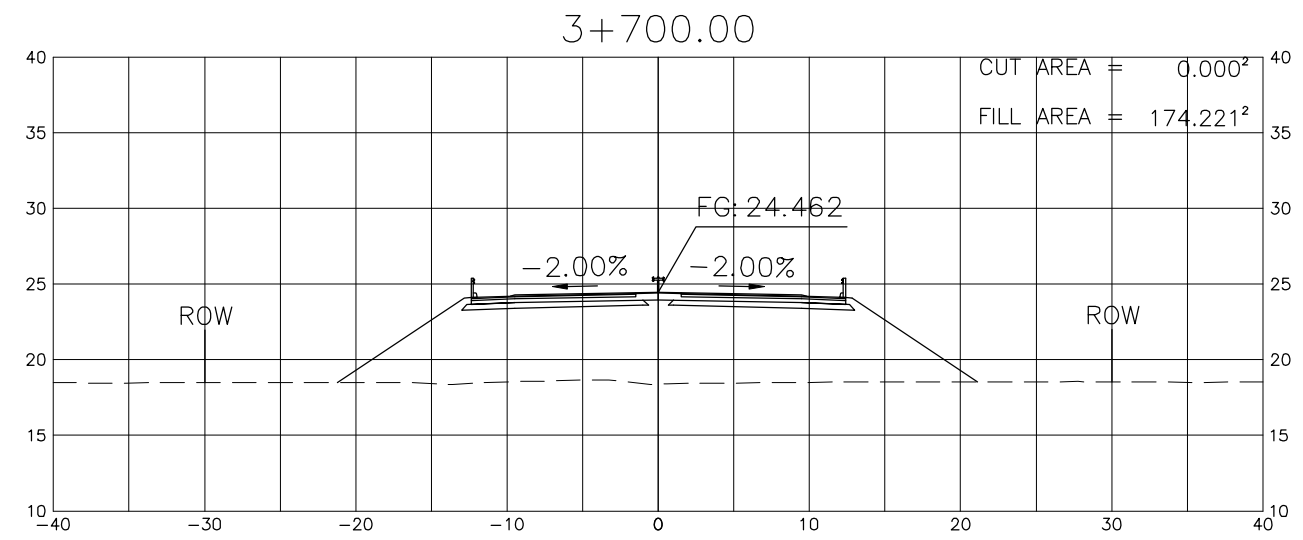
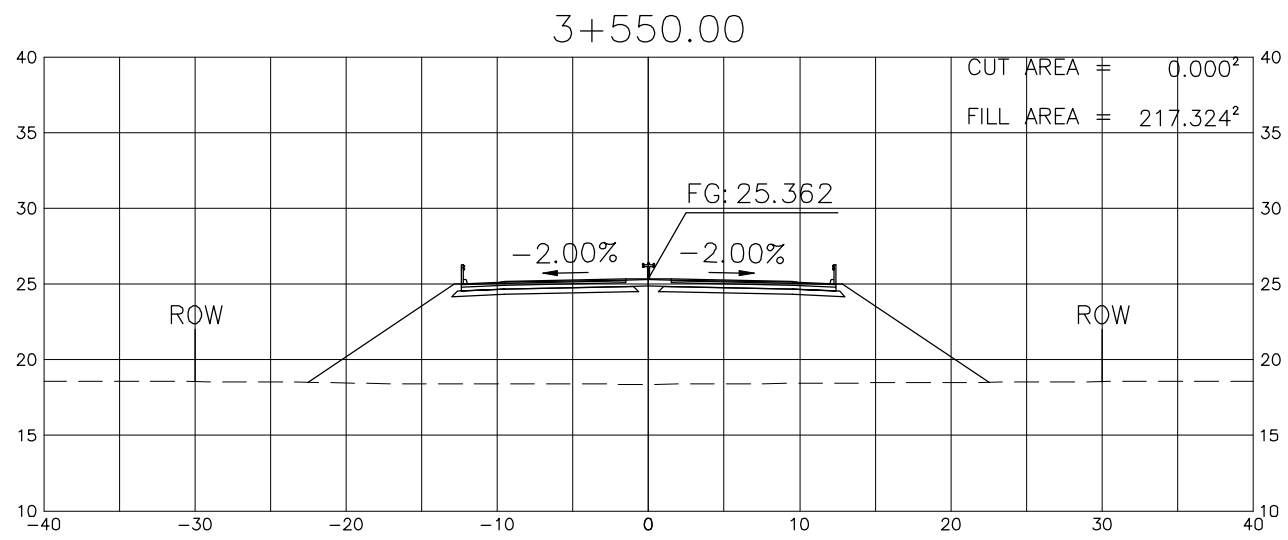
PROJECT TITLE	SCALE	SHEET CONTENT	DRAWING NO.
Preparatory survey for expressway project in Mega Manila Region CLLEX ( TARLAC - CABANATUAN )	A1 = 1:250 A3 = 1:500	CROSS SECTION ( ULTIMATE 4 LANE ) STA 2+650 TO STA 2+900	K-09
			SHEET NO.
			9 OF 90



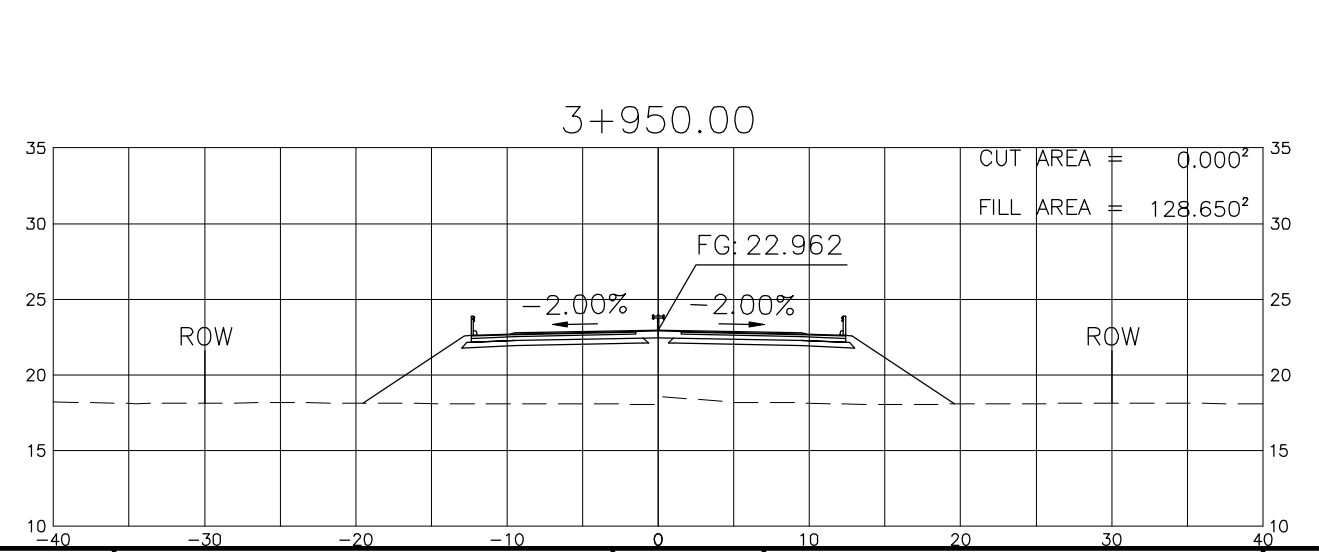
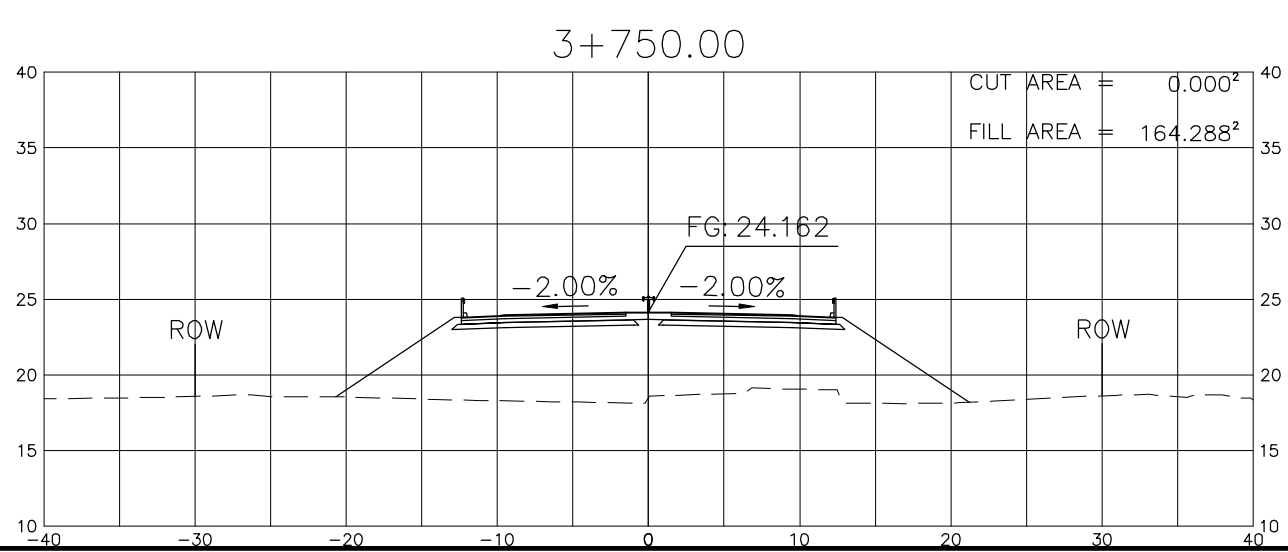
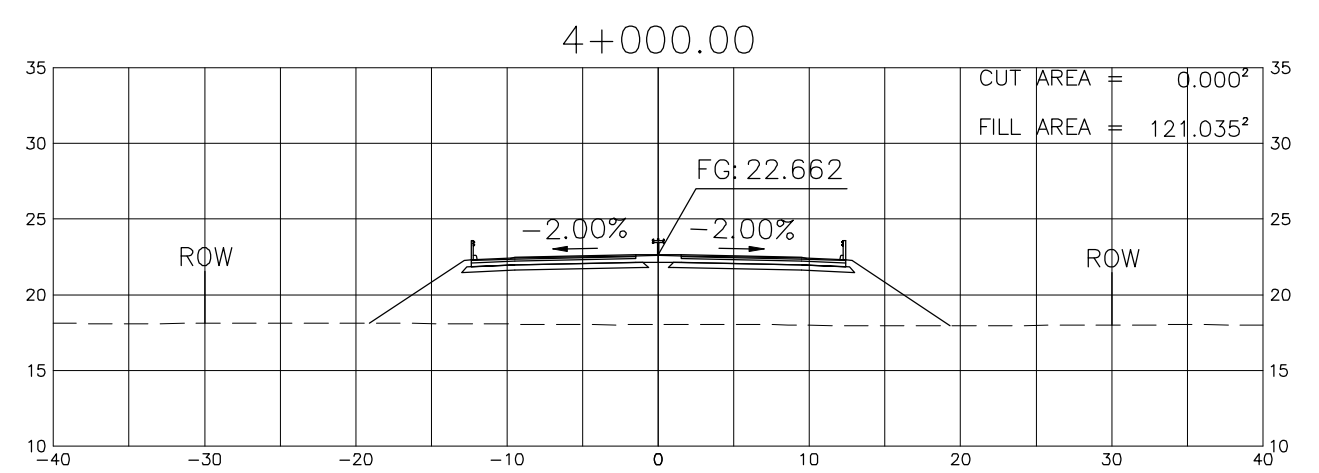
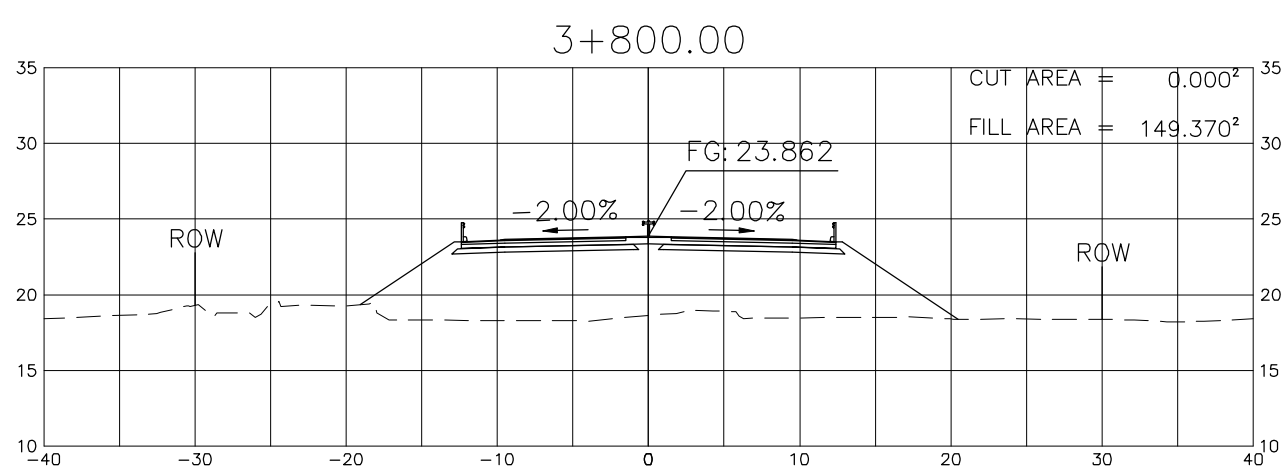
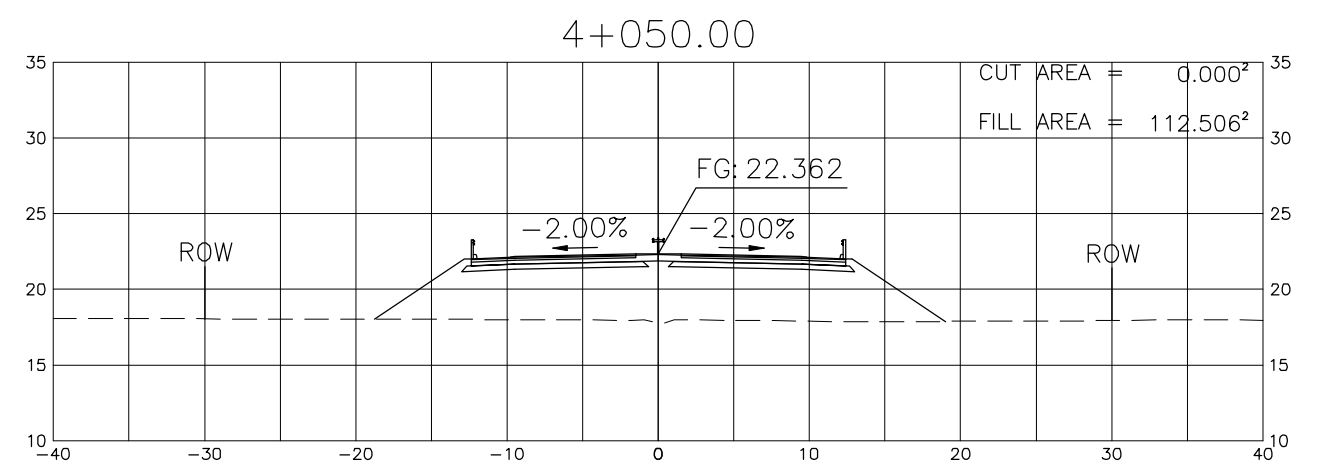
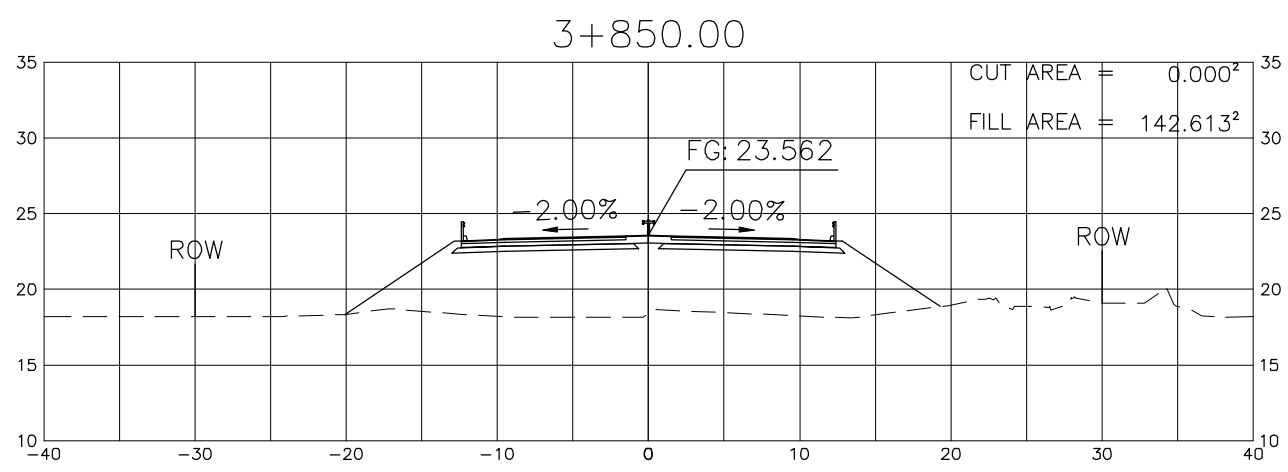
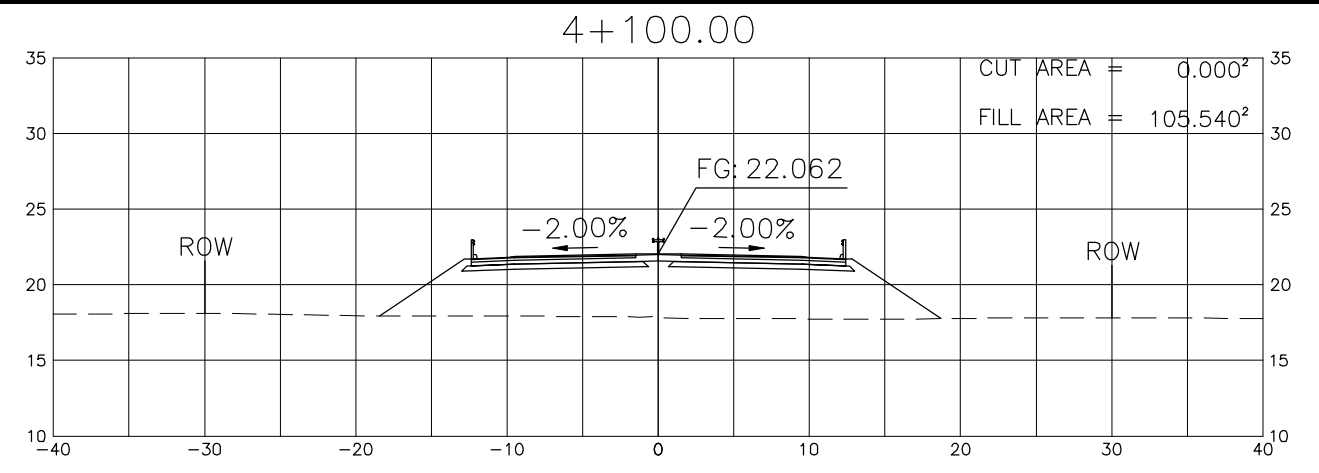
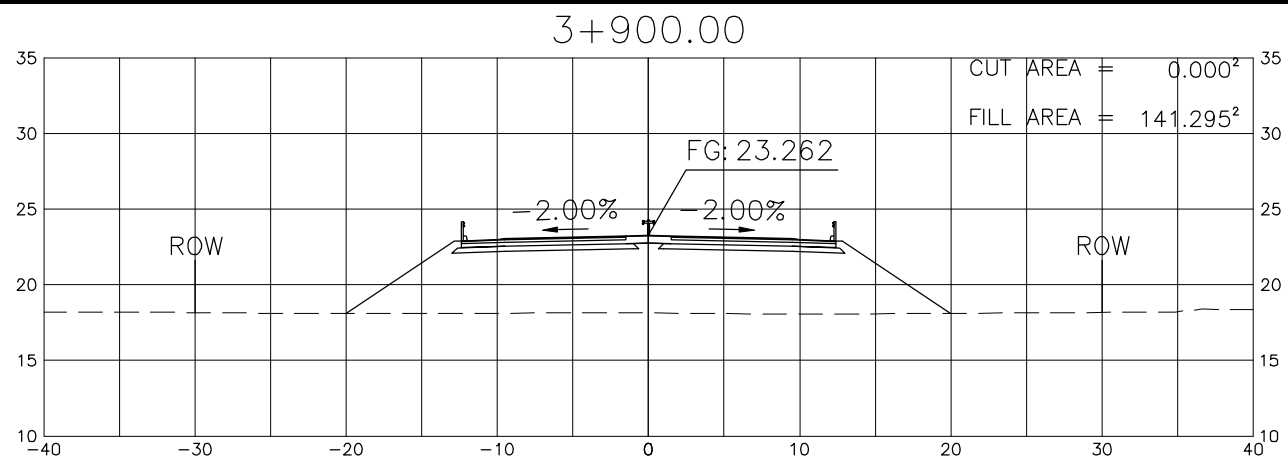
PROJECT TITLE	SCALE	SHEET CONTENT	DRAWING NO.
Preparatory survey for expressway project in Mega Manila Region CLLEX ( TARLAC - CABANATUAN )	A1 = 1:250 A3 = 1:500	CROSS SECTION ( ULTIMATE 4 LANE ) STA 2+950 TO STA 3+200	K-10
			SHEET NO.
			10 OF 90



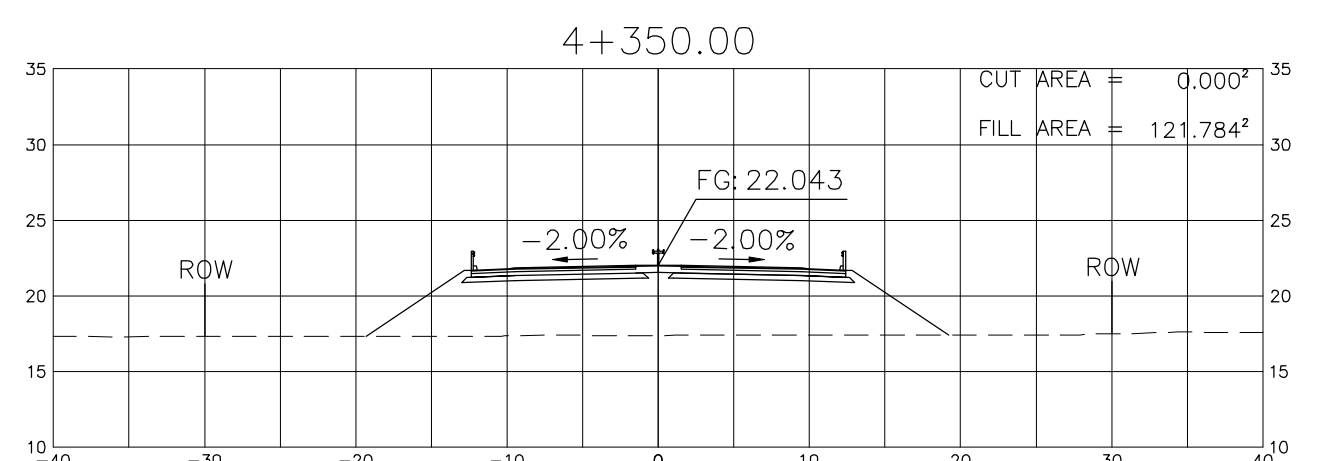
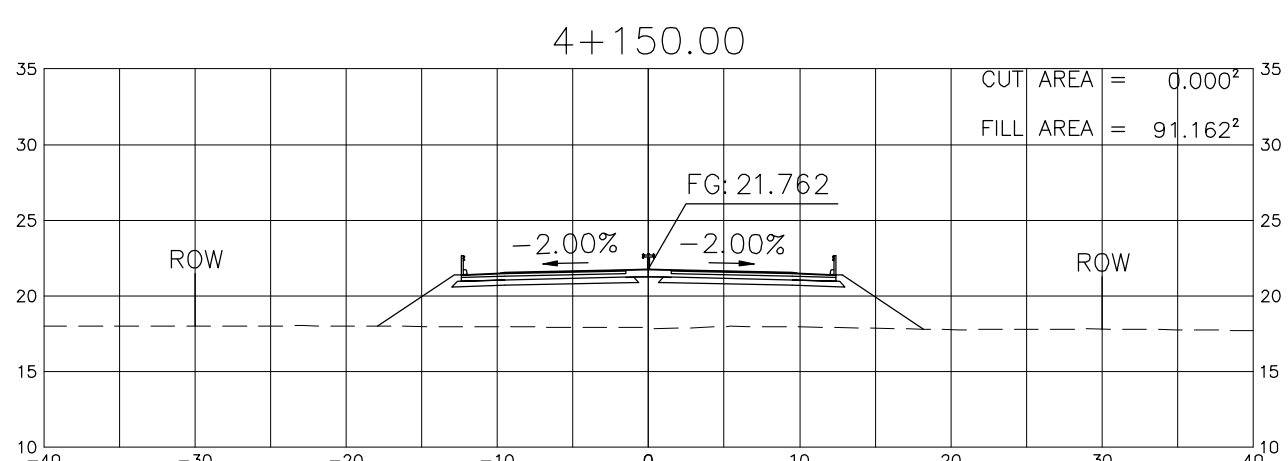
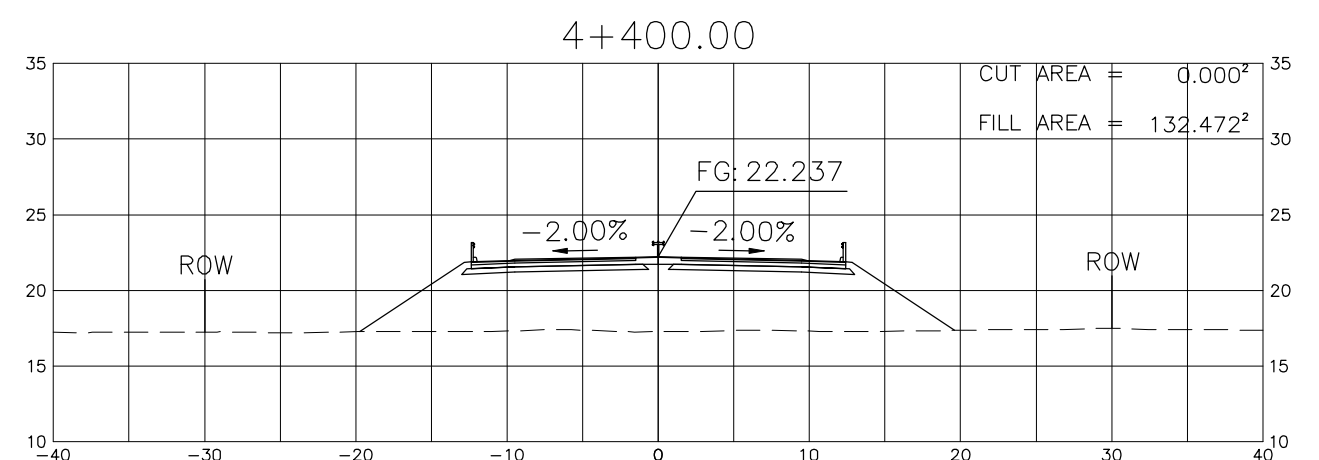
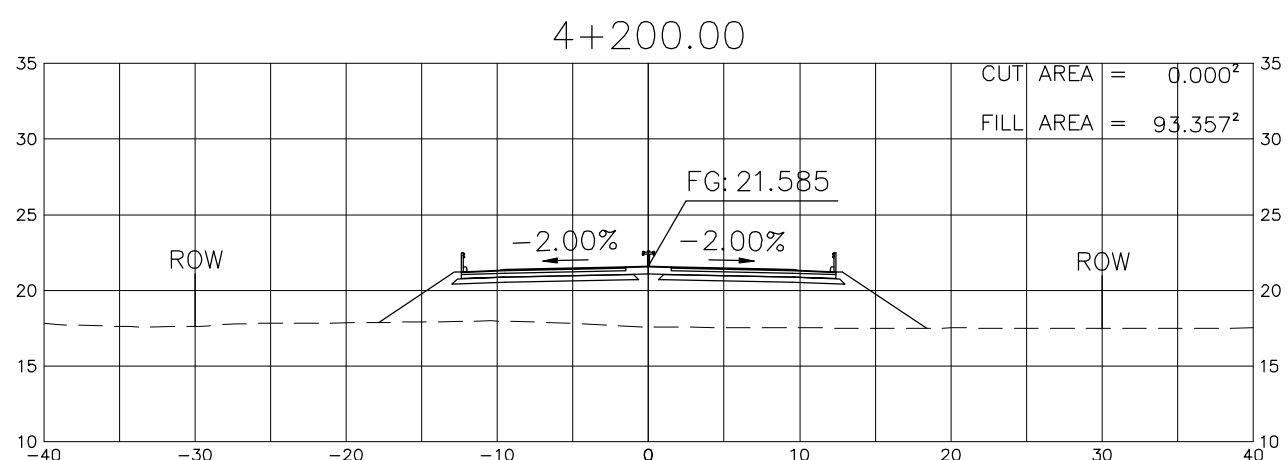
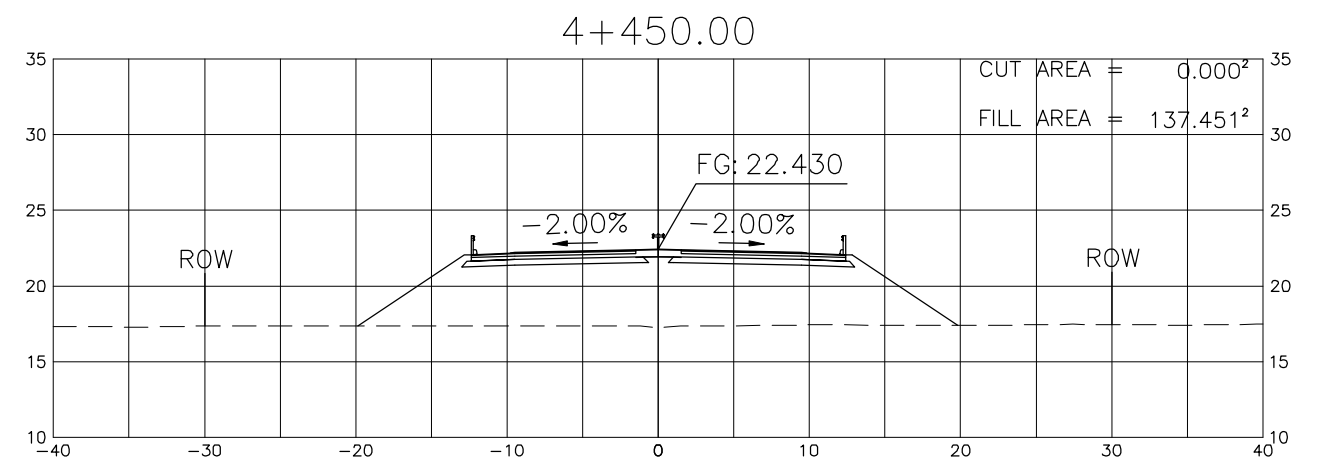
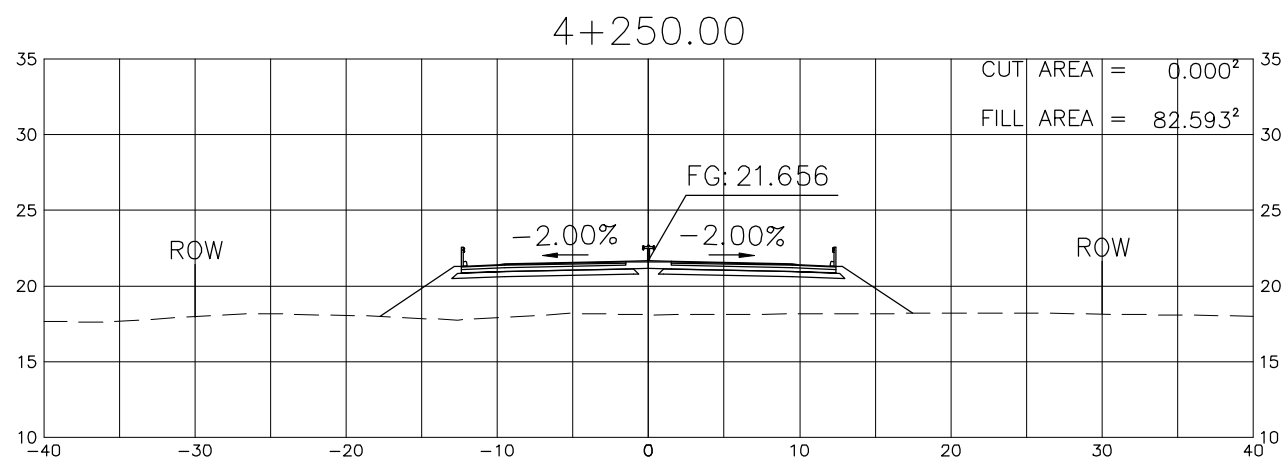
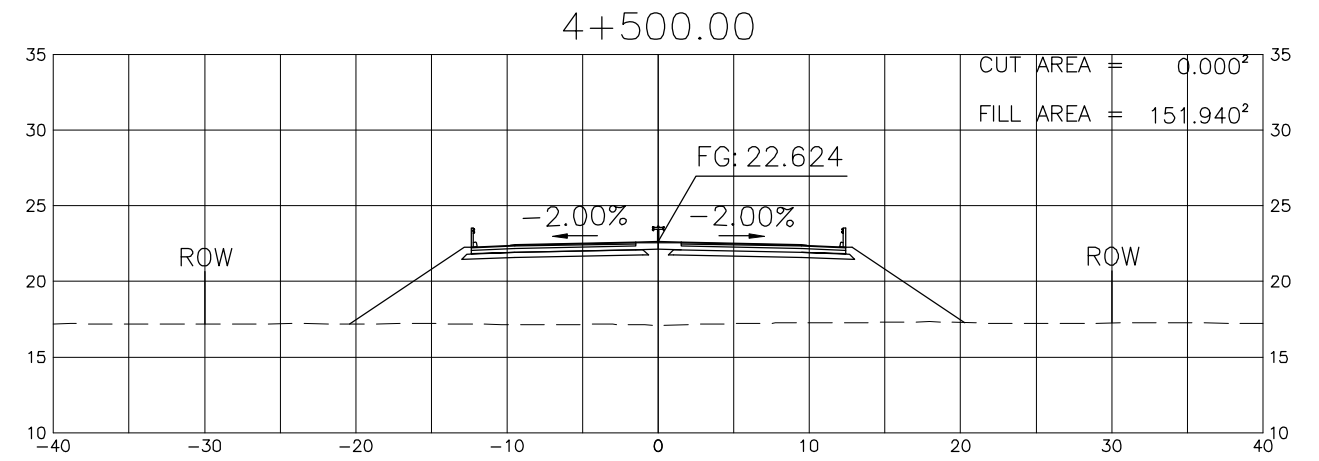
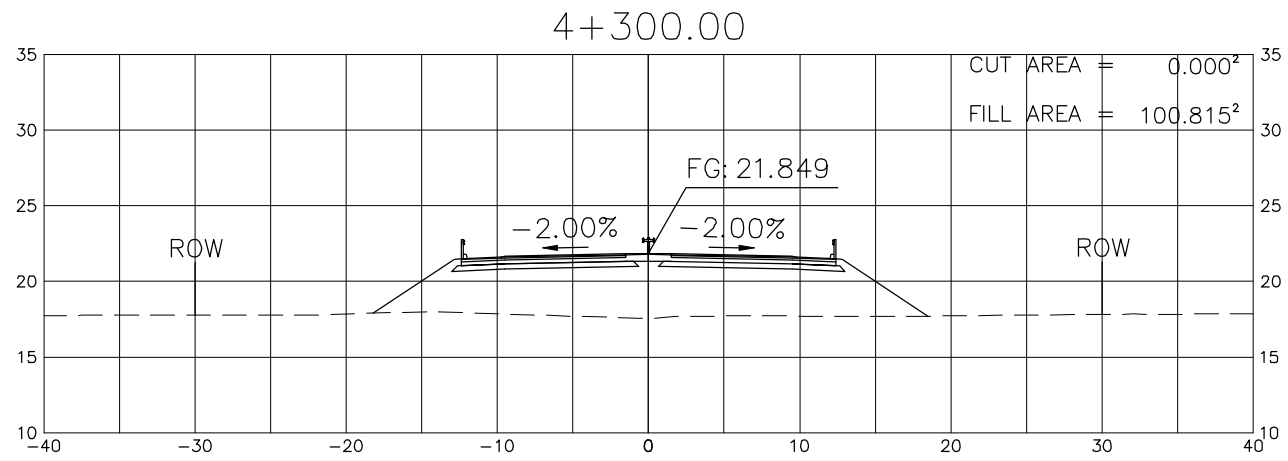
PROJECT TITLE	SCALE	SHEET CONTENT	DRAWING NO.
Preparatory survey for expressway project in Mega Manila Region CLLEX ( TARLAC - CABANATUAN )	A1 = 1:250 A3 = 1:500	CROSS SECTION ( ULTIMATE 4 LANE ) STA 3+250 TO STA 3+400	K-11
			SHEET NO.
			11 OF 90



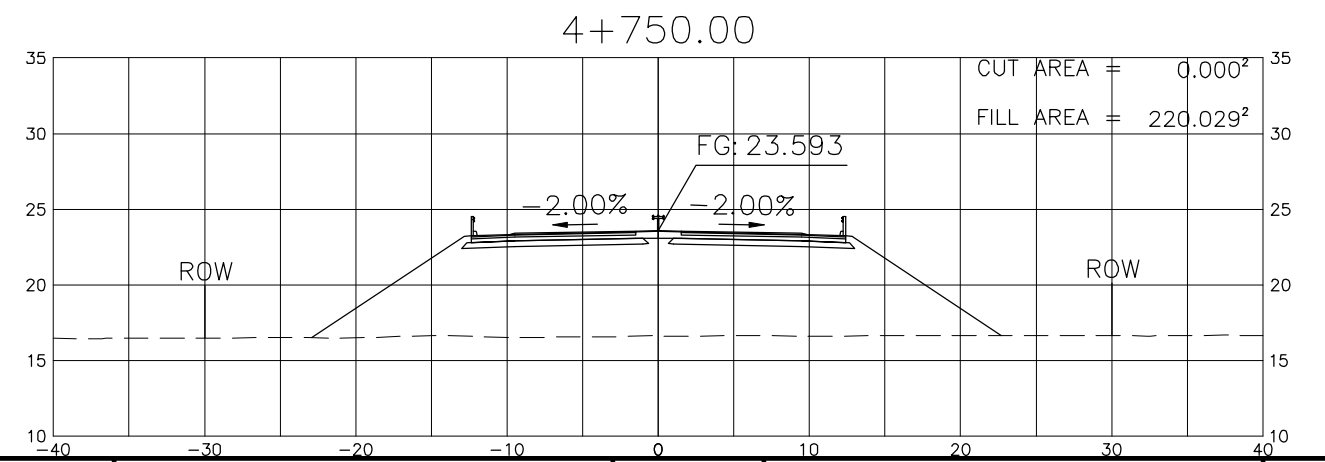
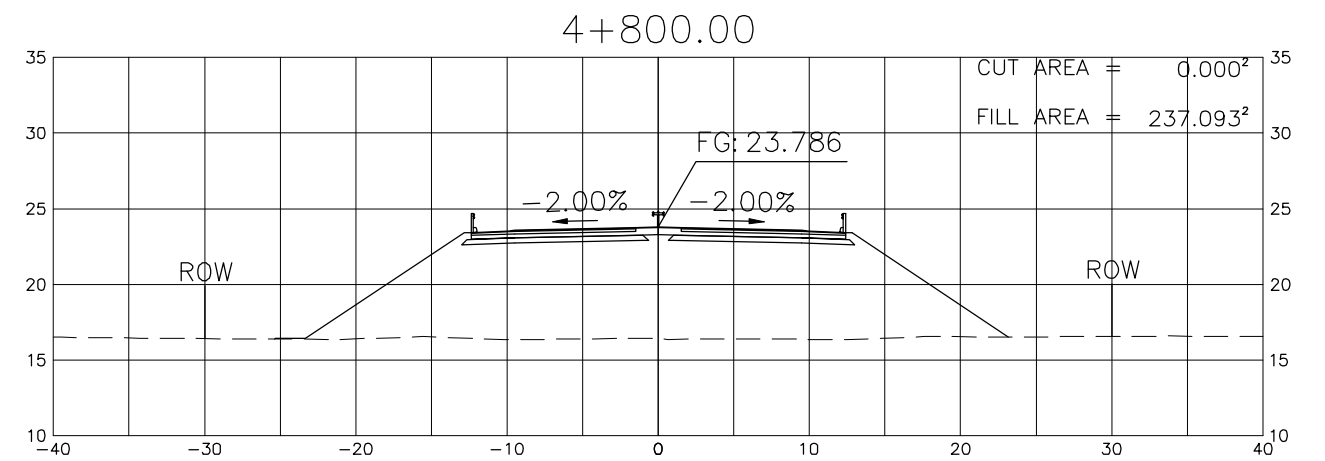
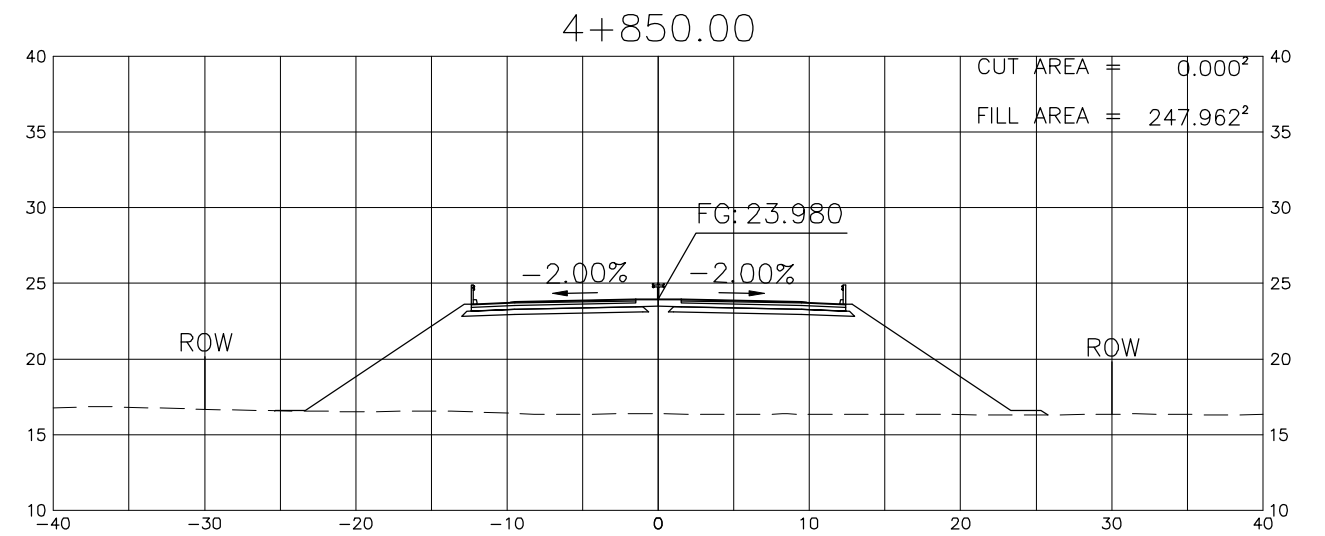
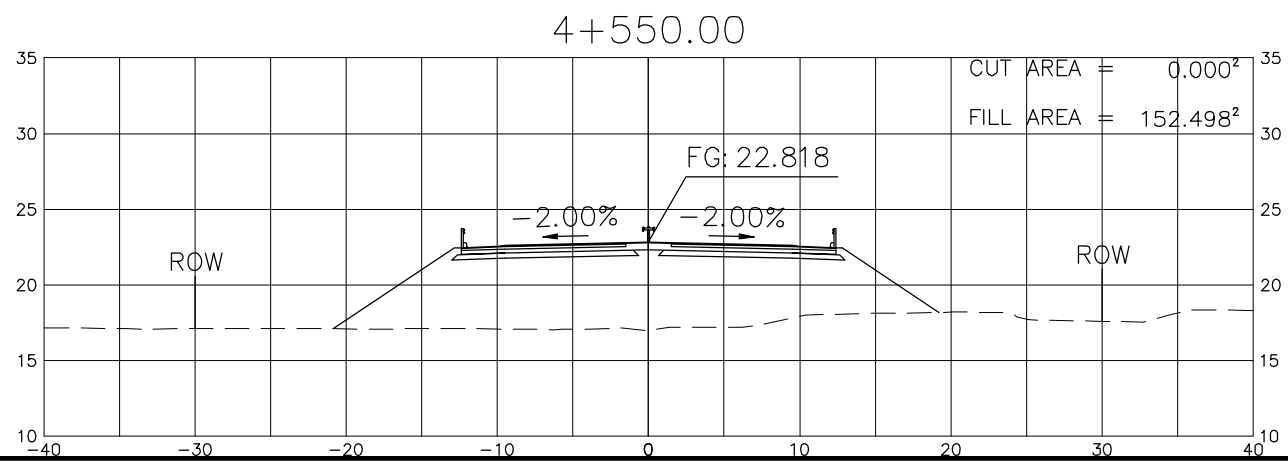
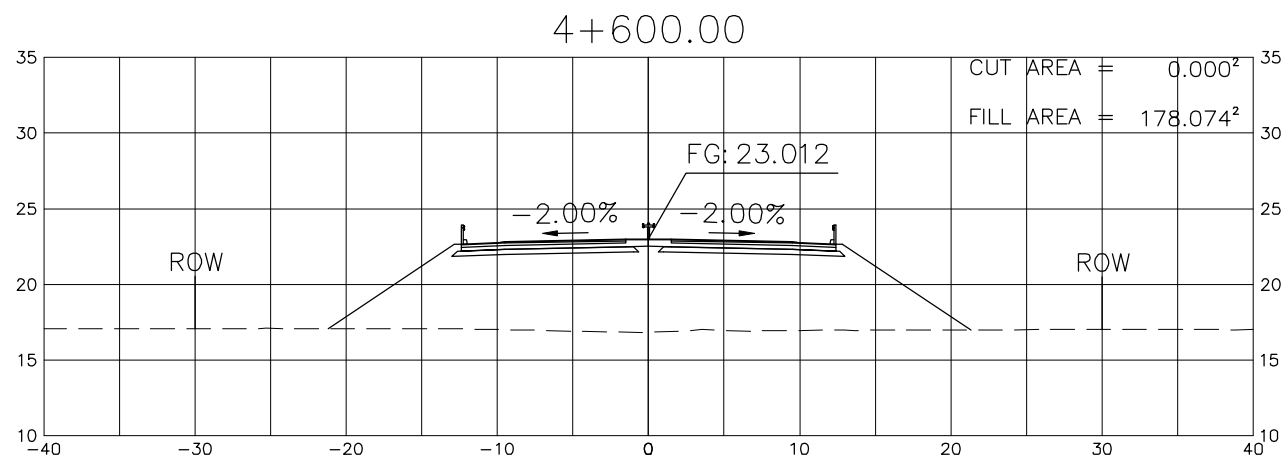
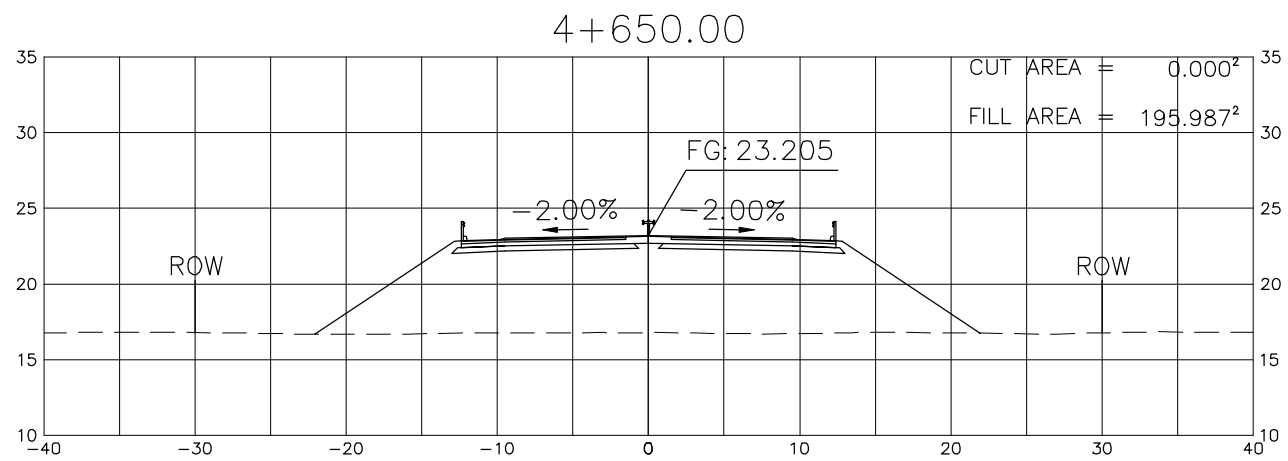
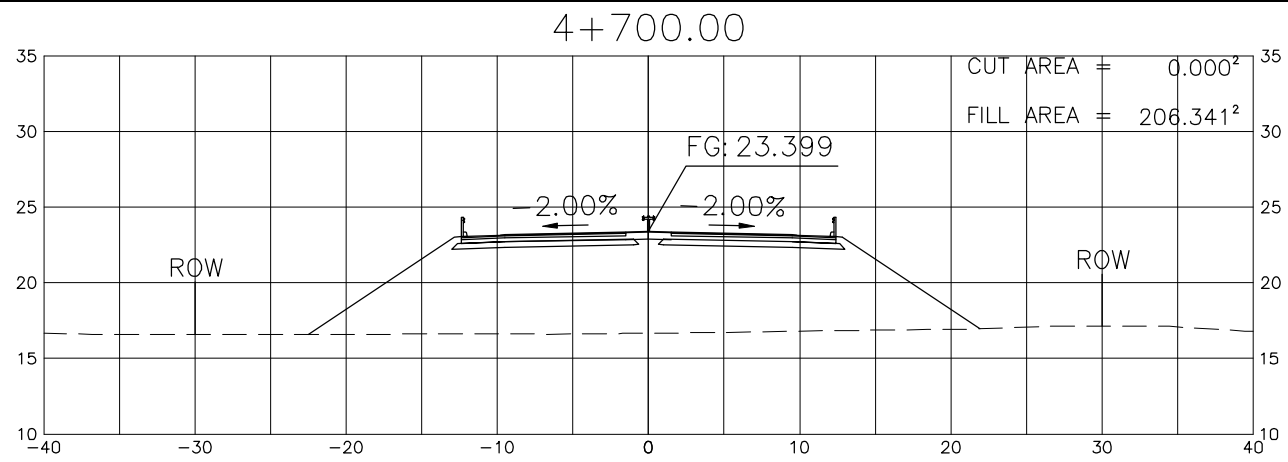
PROJECT TITLE	SCALE	SHEET CONTENT	DRAWING NO.
<b>Preparatory survey for expressway project in Mega Manila Region CLLEX ( TARLAC - CABANATUAN )</b>	A1 = 1:250 A3 = 1:500	<b>CROSS SECTION (ULTIMATE 4 LANE)</b> STA 3+450 TO STA 3+700	K-12
			SHEET NO.
			12 OF 90



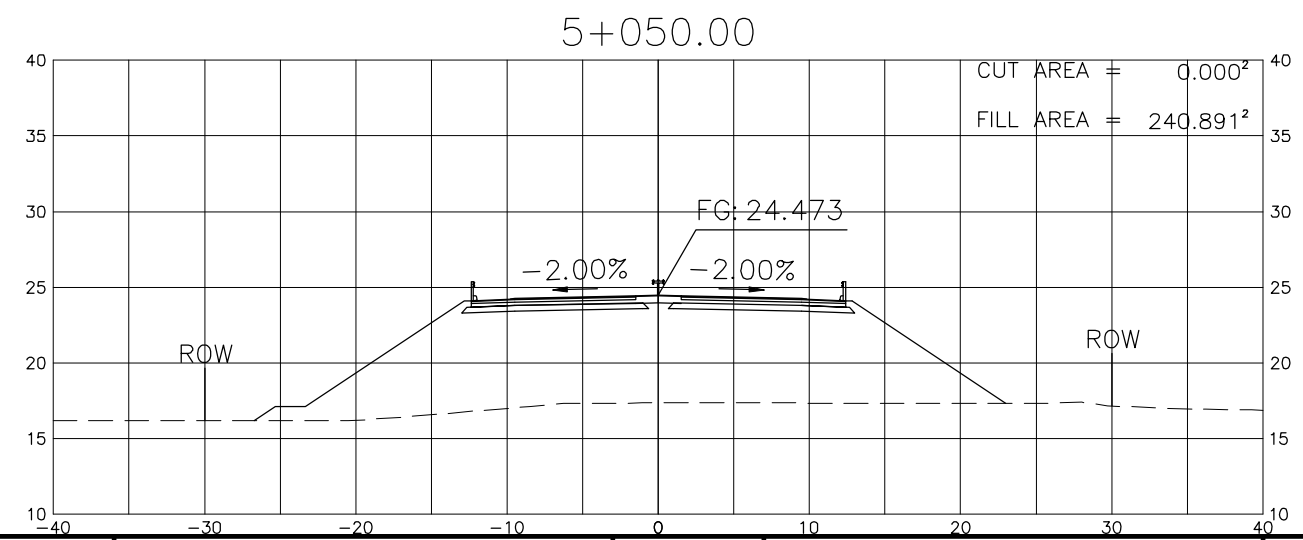
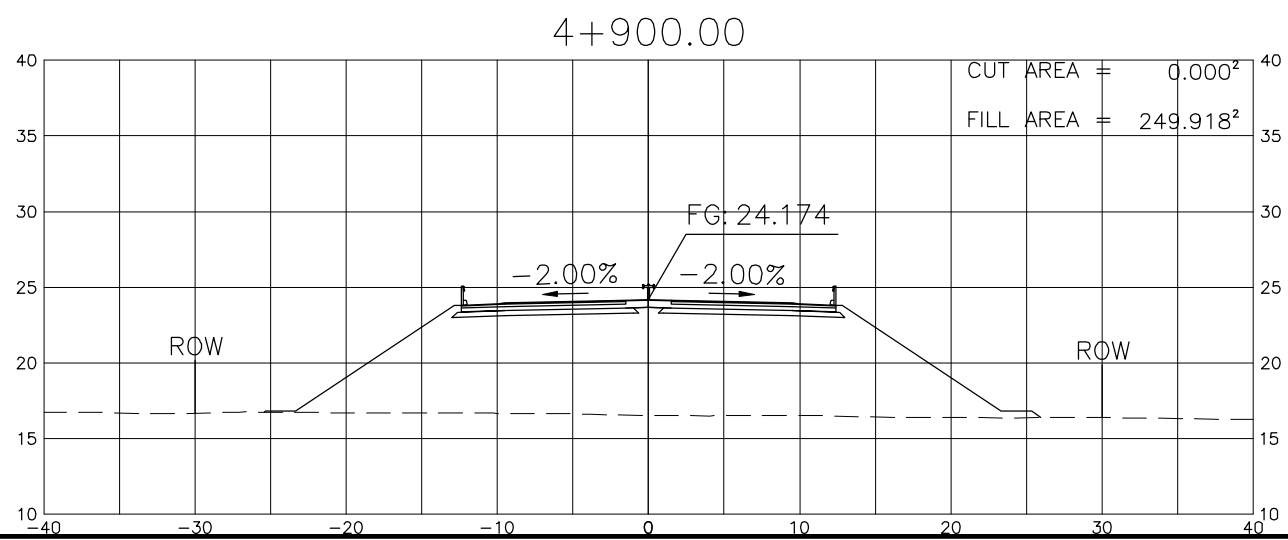
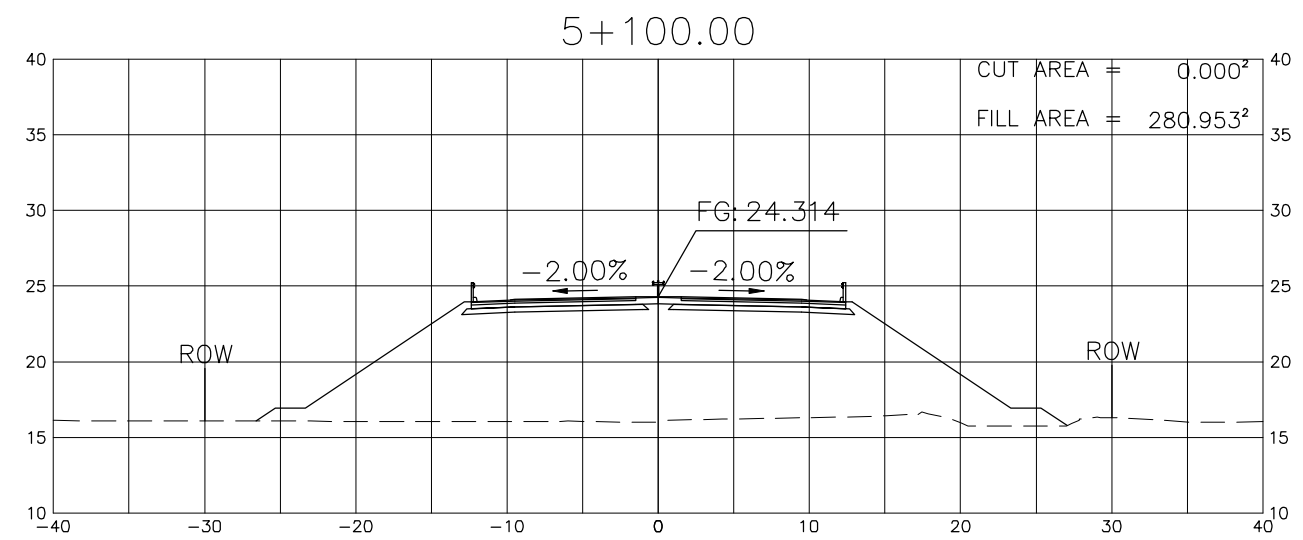
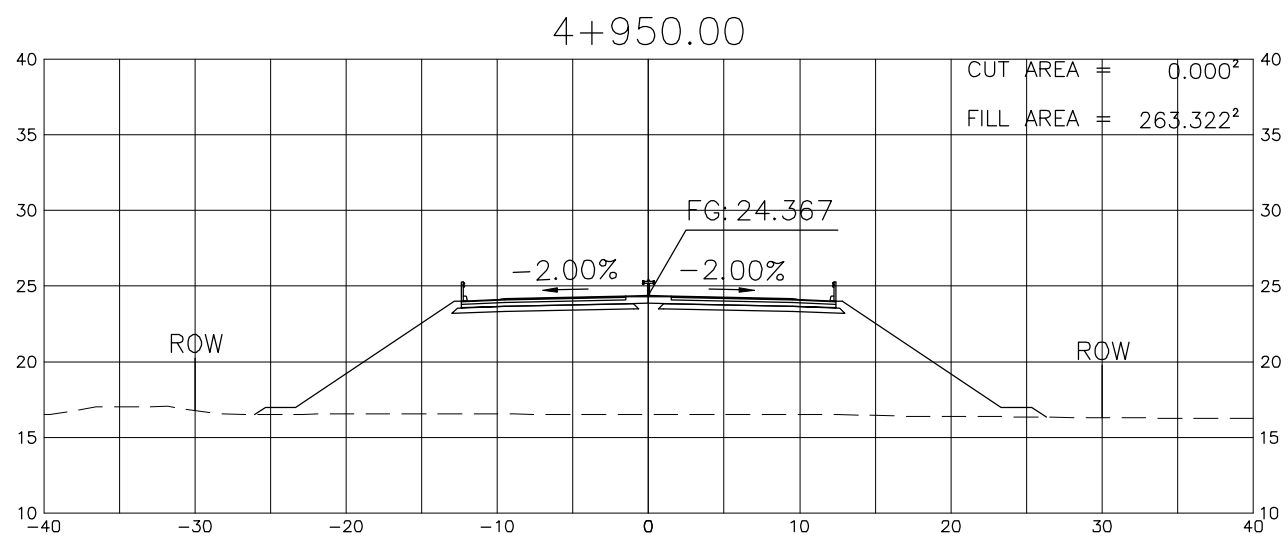
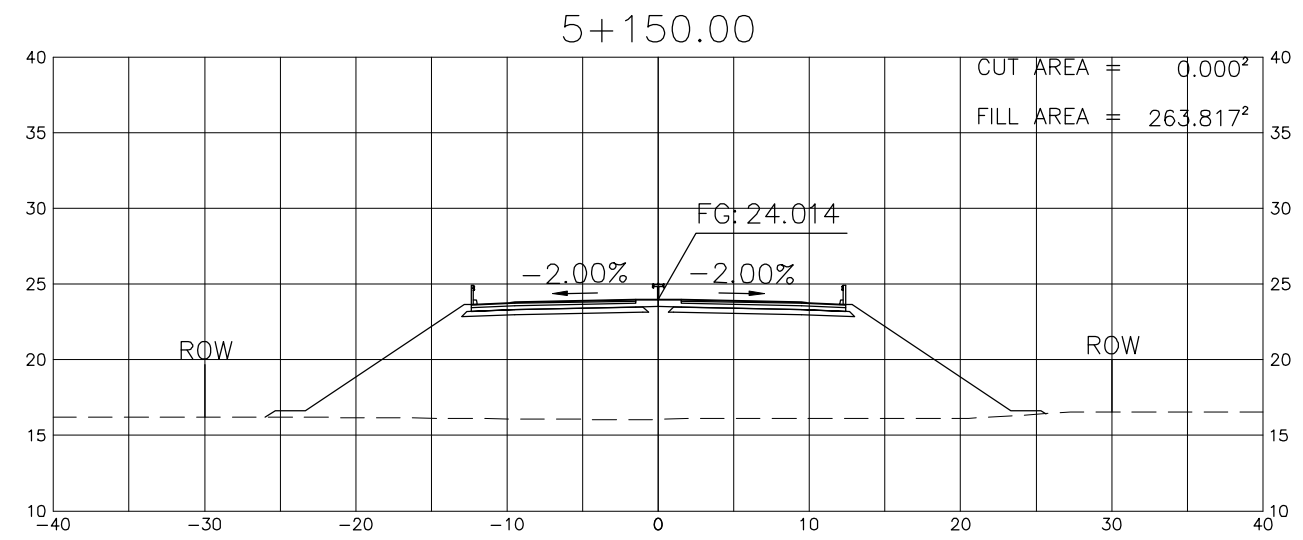
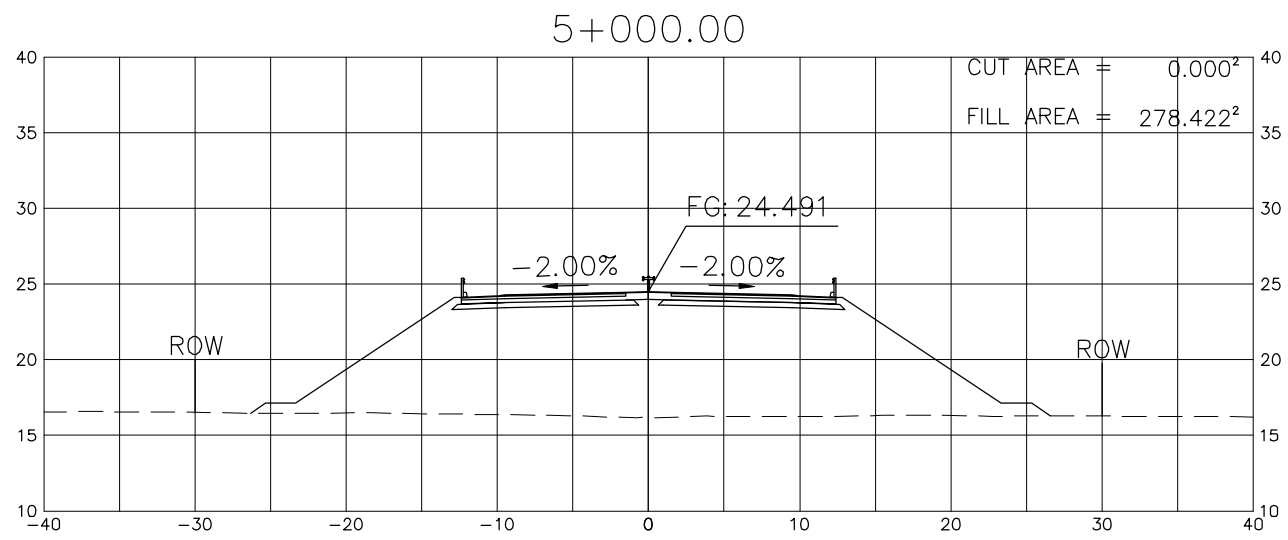
PROJECT TITLE	SCALE	SHEET CONTENT	DRAWING NO.
Preparatory survey for expressway project in Mega Manila Region CLLEX ( TARLAC - CABANATUAN )	A1 = 1:250 A3 = 1:500	CROSS SECTION ( ULTIMATE 4 LANE ) STA 3+750 TO STA 4+100	K-13
			SHEET NO.
			13 OF 90



PROJECT TITLE	SCALE	SHEET CONTENT	DRAWING NO.
Preparatory survey for expressway project in Mega Manila Region CLLEX ( TARLAC - CABANATUAN )	A1 = 1:250 A3 = 1:500	CROSS SECTION (ULTIMATE 4 LANE) STA 4+150 TO STA 4+500	K-14
			SHEET NO.
			14 OF 90

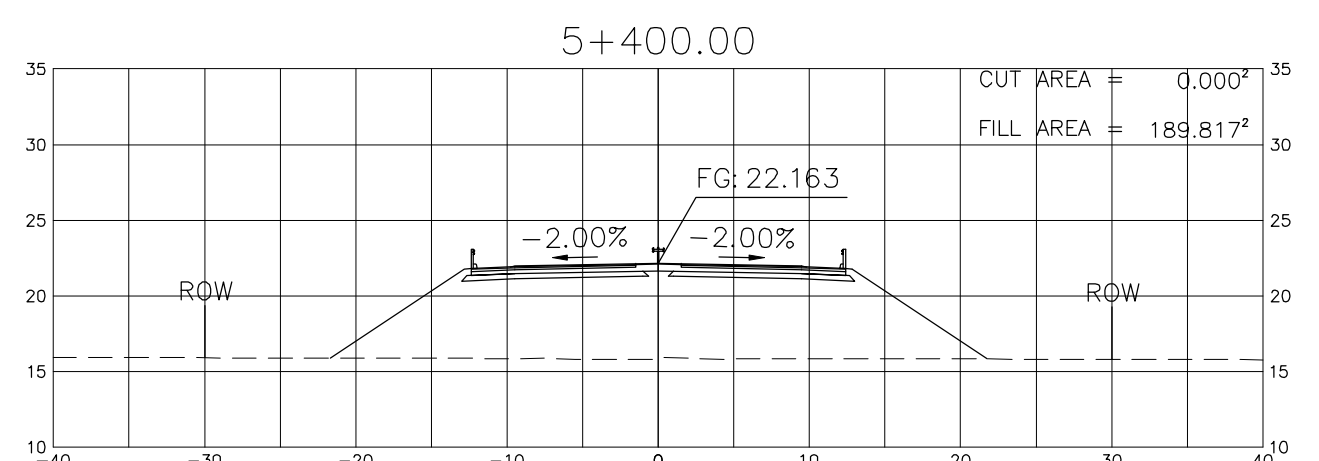
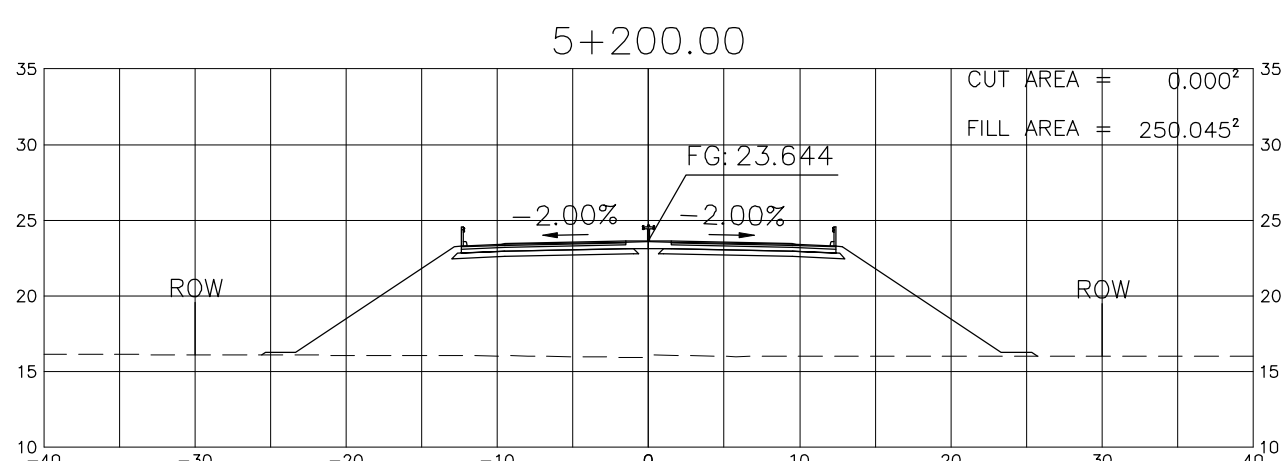
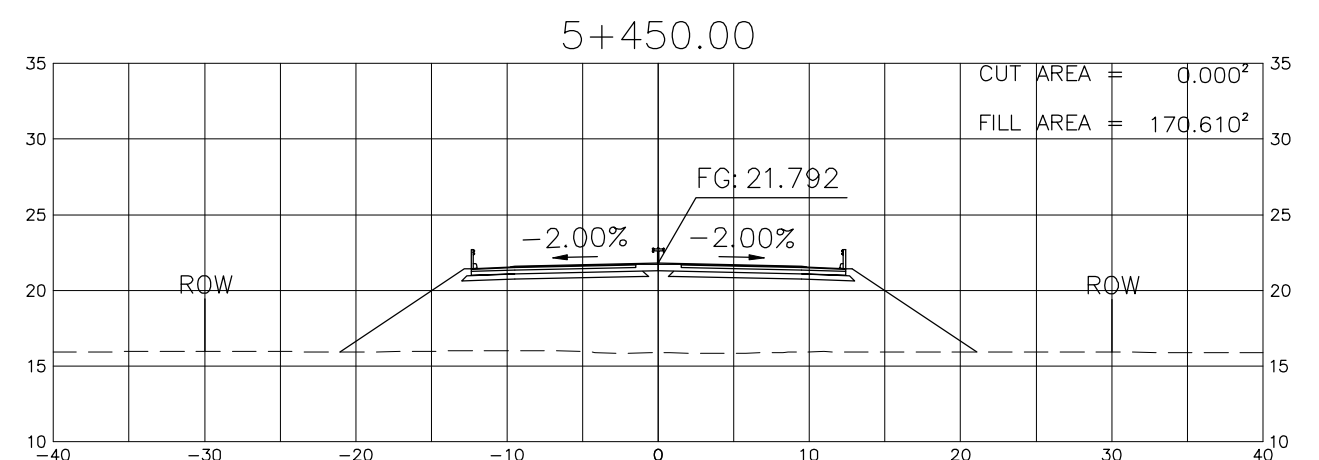
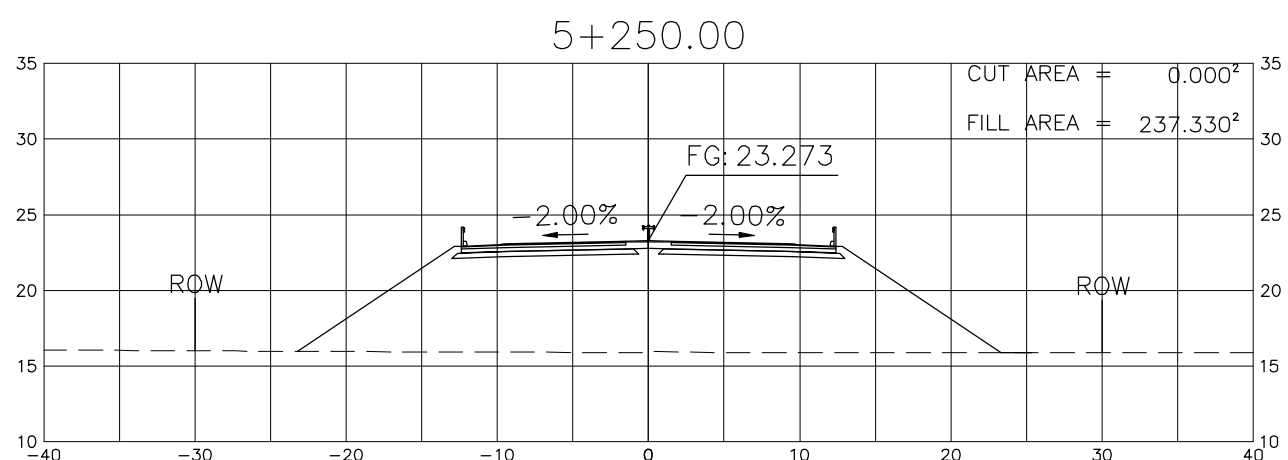
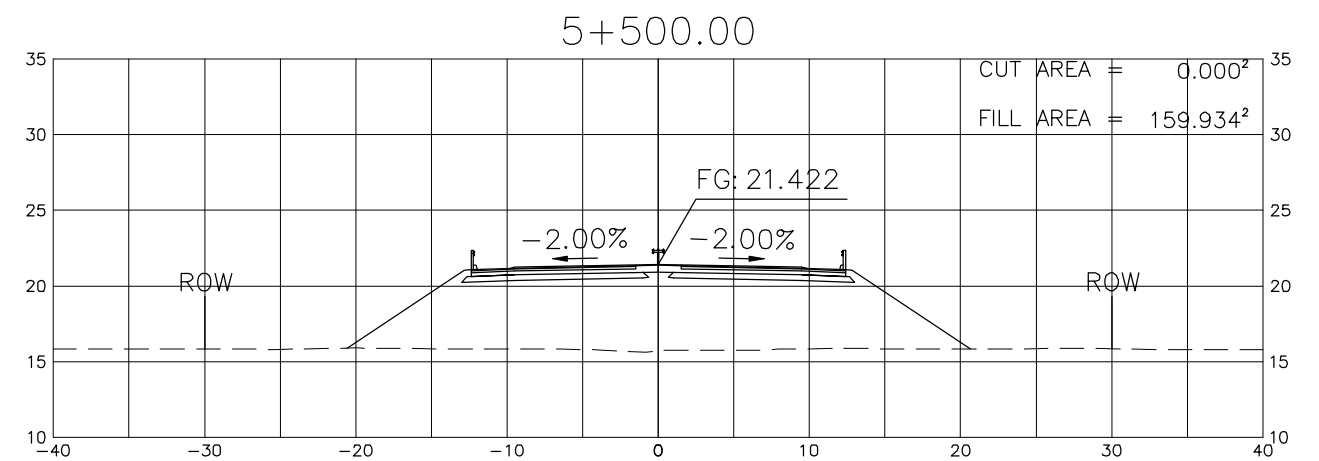
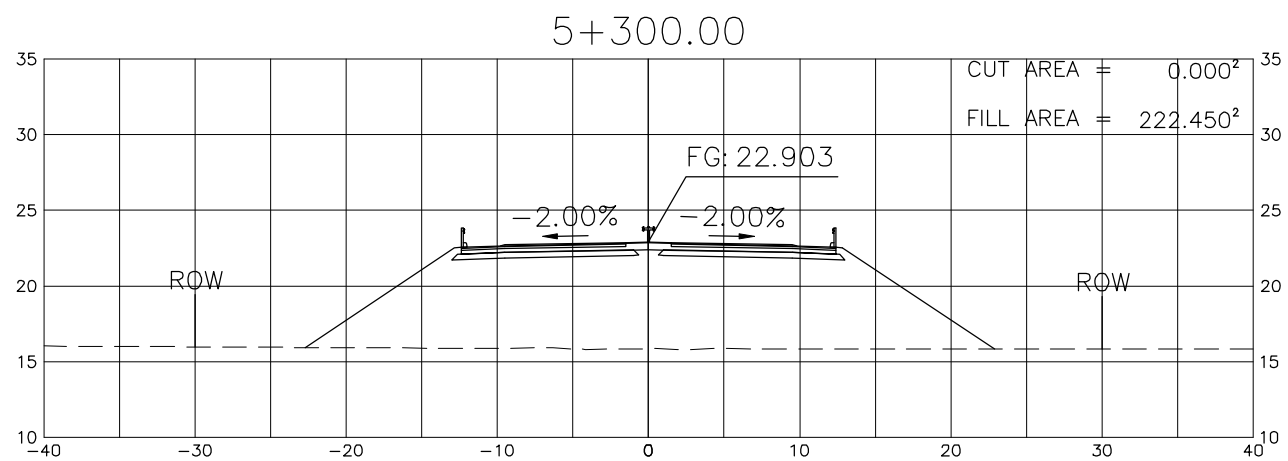
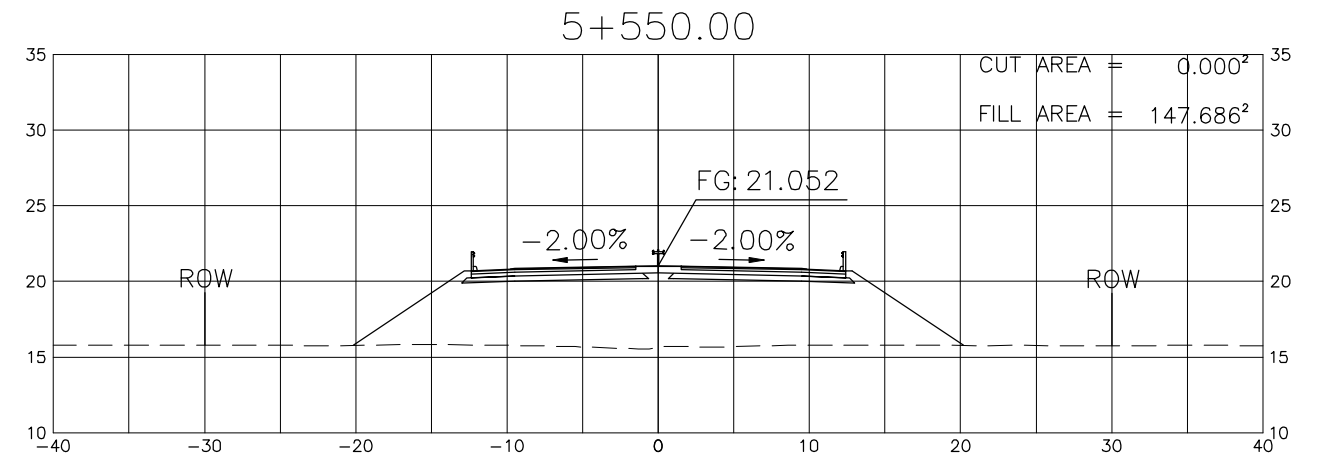
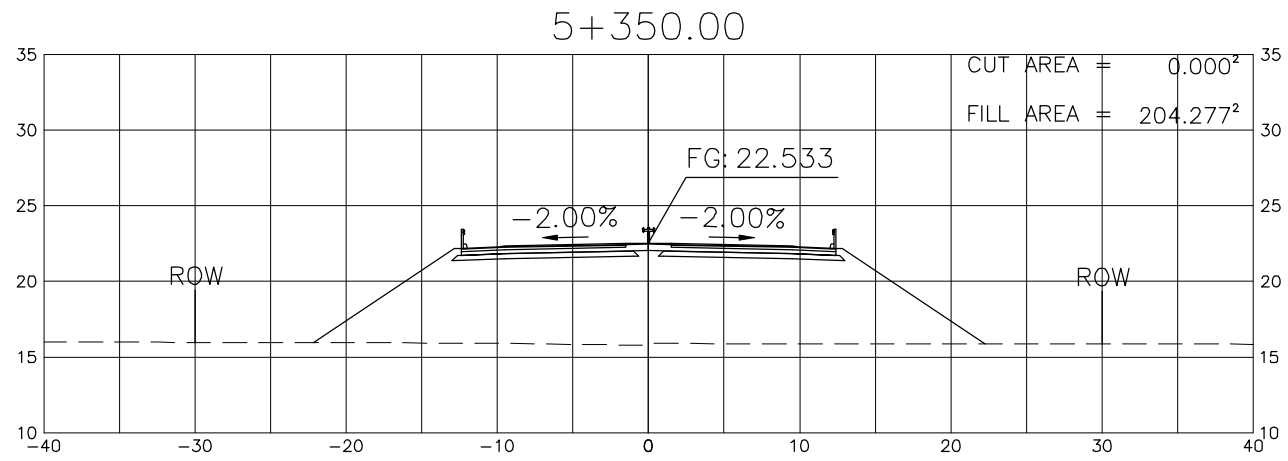


PROJECT TITLE	SCALE	SHEET CONTENT	DRAWING NO.
Preparatory survey for expressway project in Mega Manila Region CLLEX ( TARLAC - CABANATUAN )	A1 = 1:250 A3 = 1:500	CROSS SECTION (ULTIMATE 4 LANE) STA 4+550 TO STA 4+850	K-15
			SHEET NO.
			15 OF 90

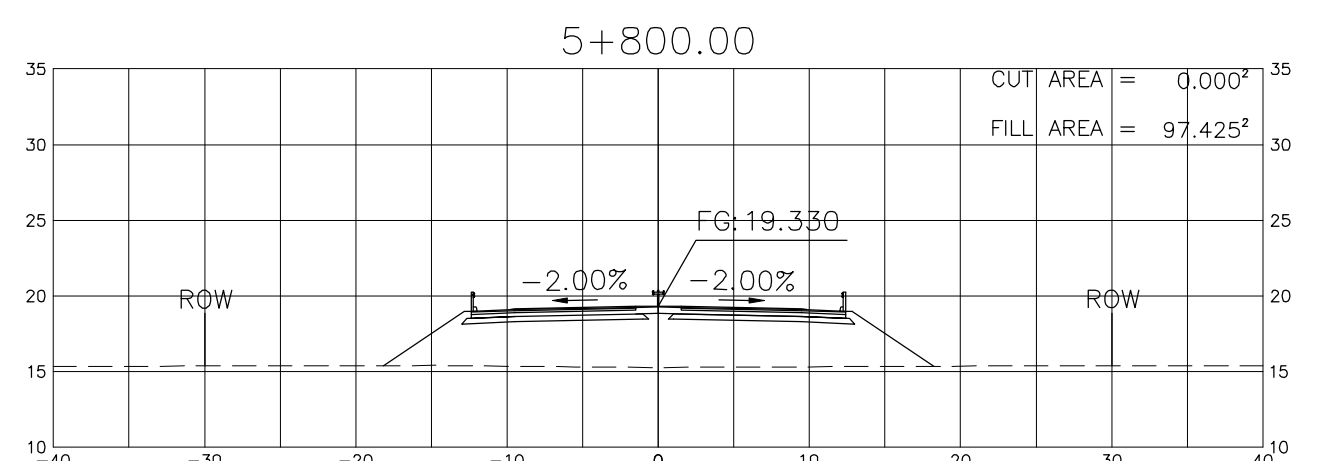
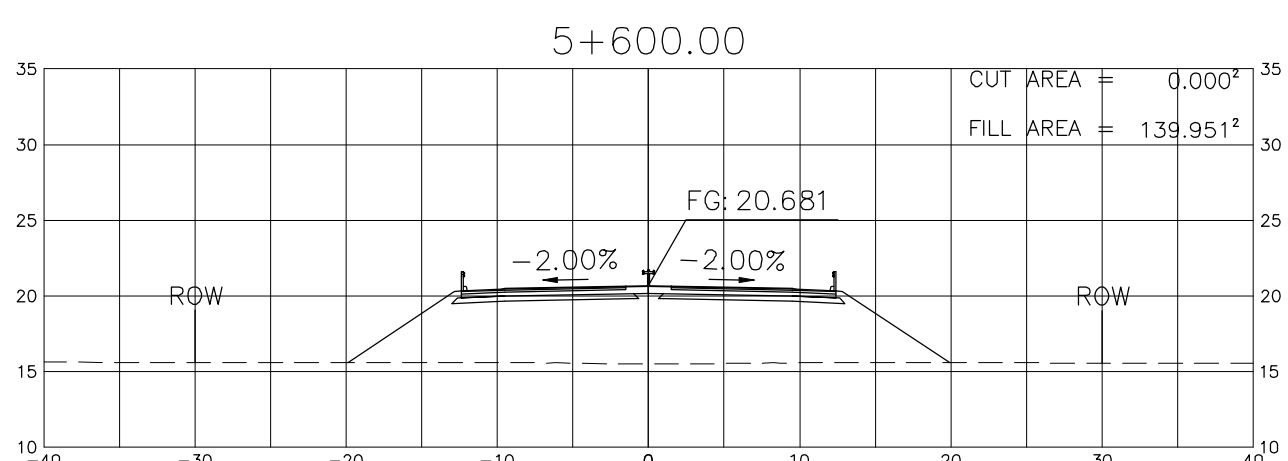
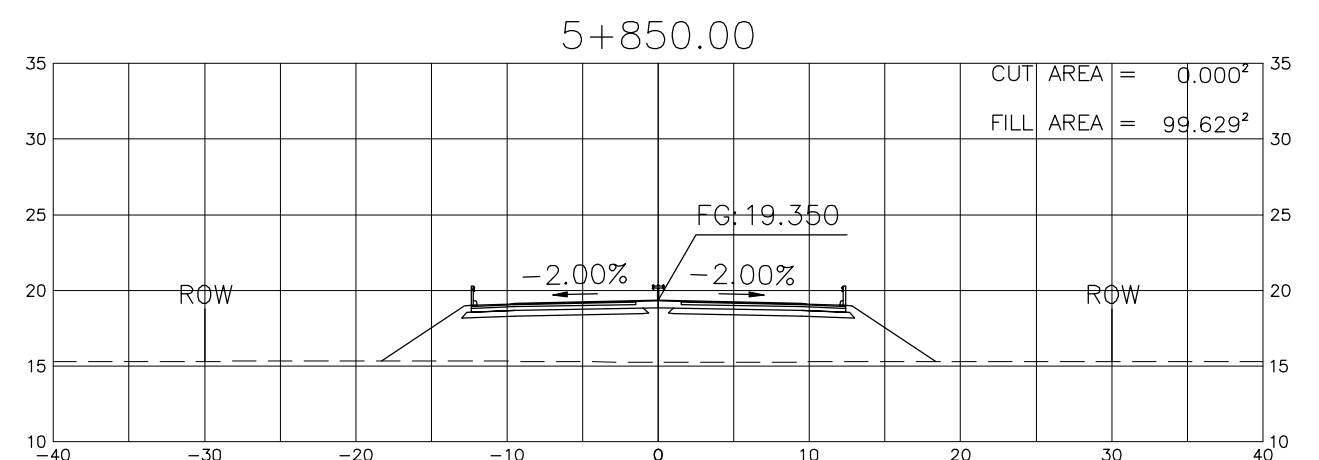
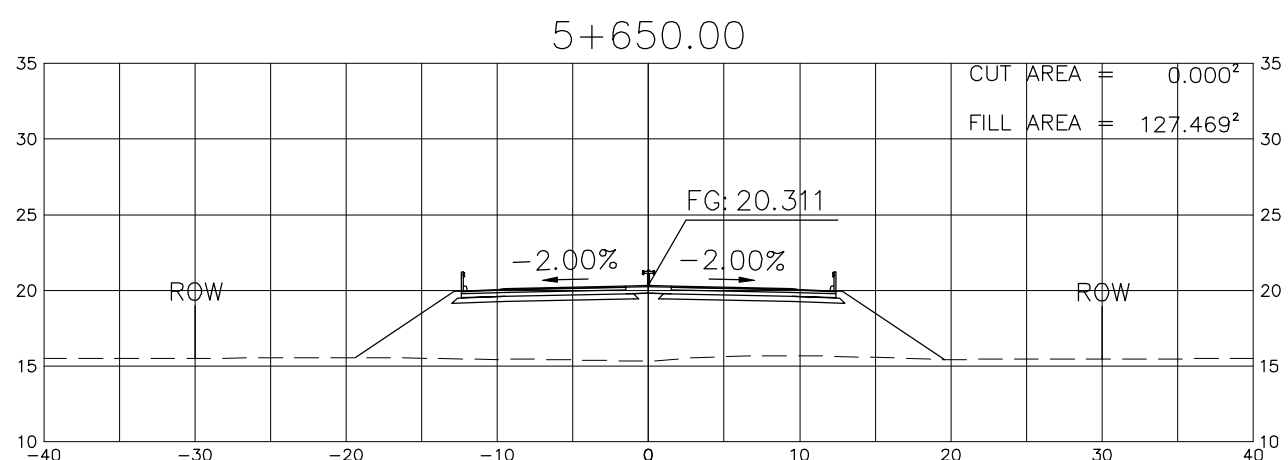
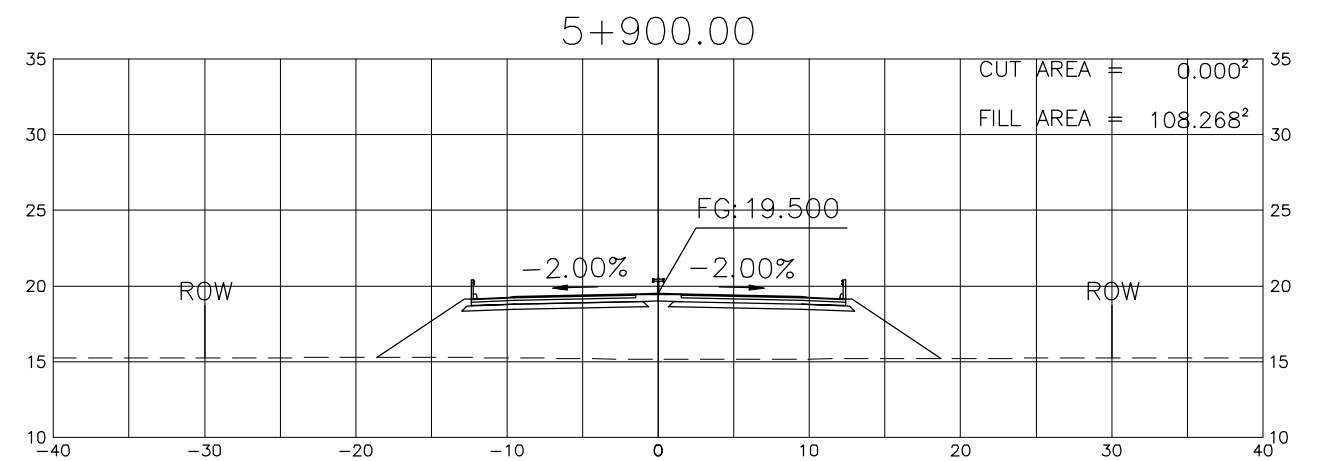
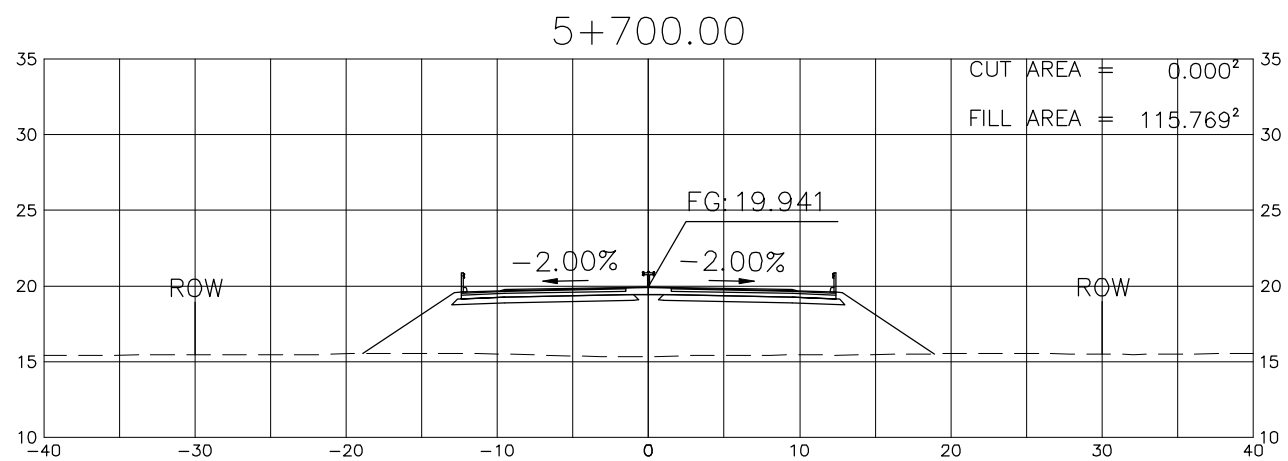
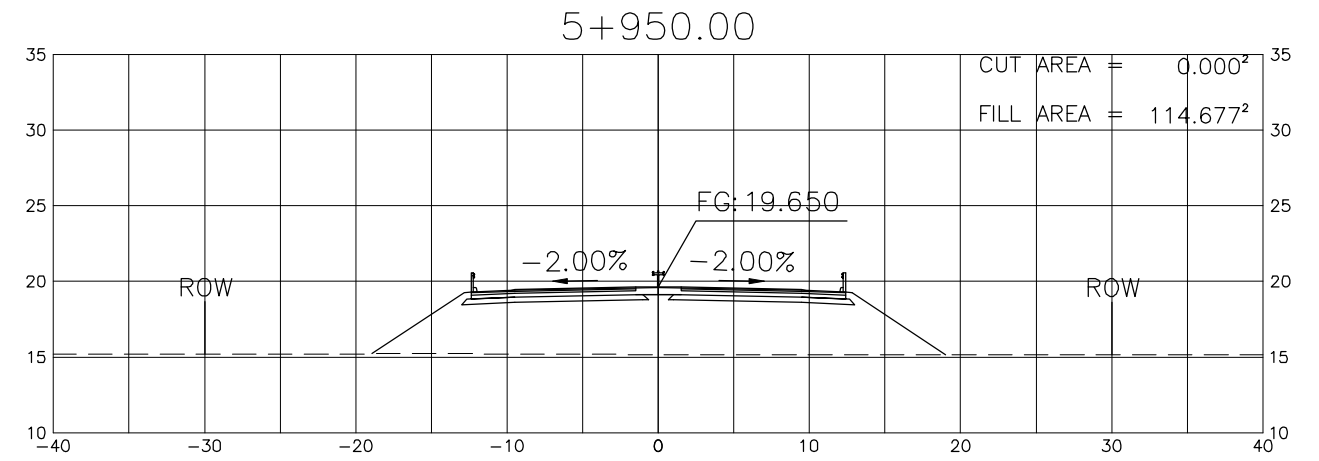
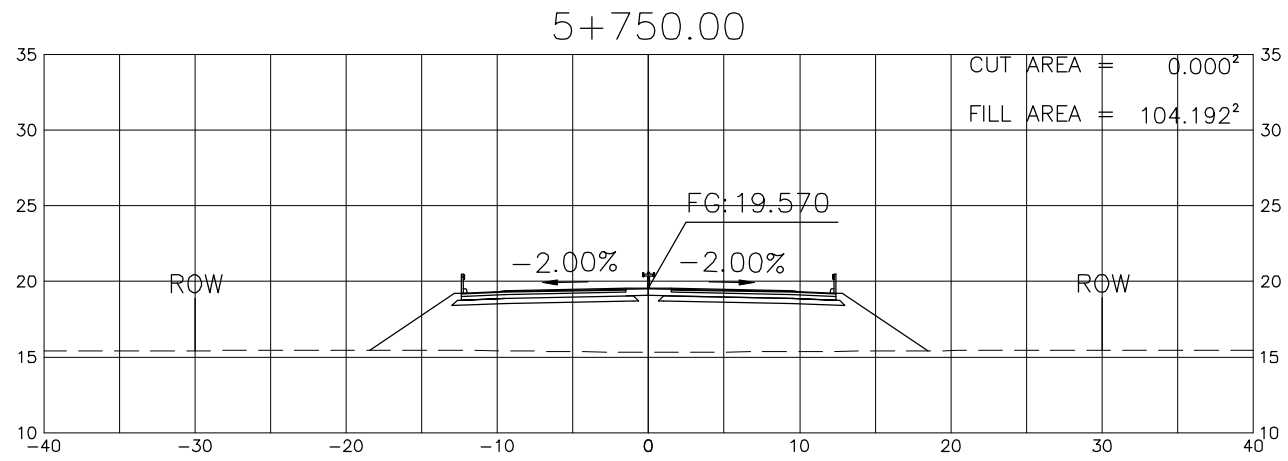


PROJECT TITLE	SCALE	SHEET CONTENT	DRAWING NO.
Preparatory survey for expressway project in Mega Manila Region CLLEX ( TARLAC - CABANATUAN )	A1 = 1:250 A3 = 1:500	CROSS SECTION ( ULTIMATE 4 LANE ) STA 4+900 TO STA 5+150	K-16
			SHEET NO. 16 OF 90

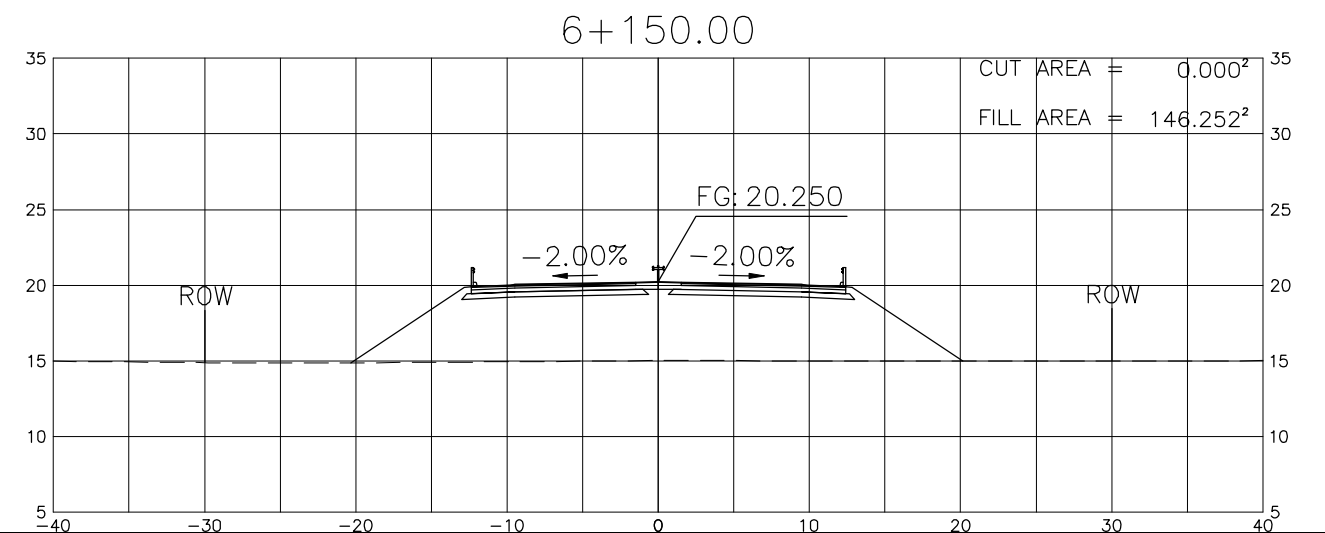
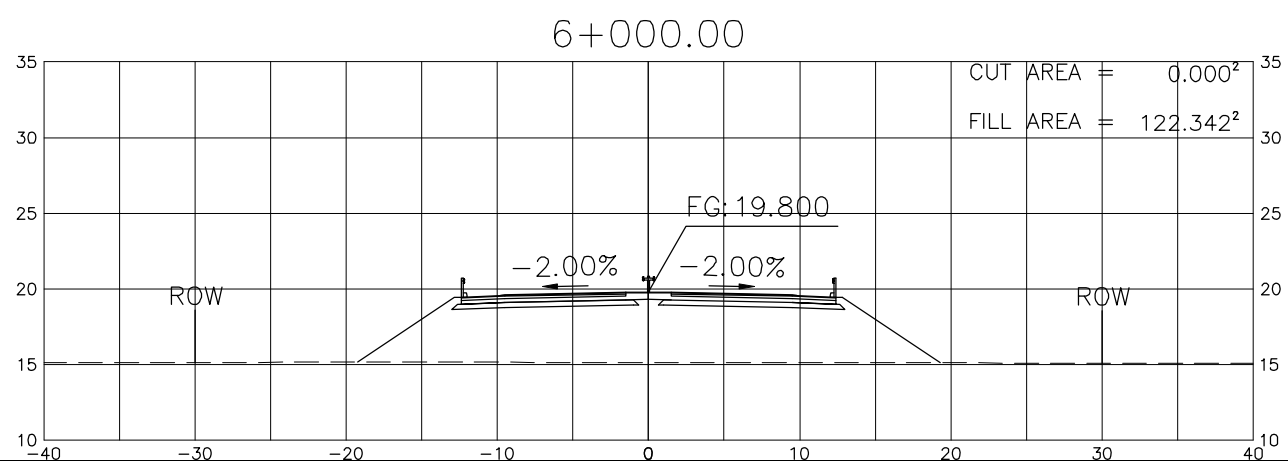
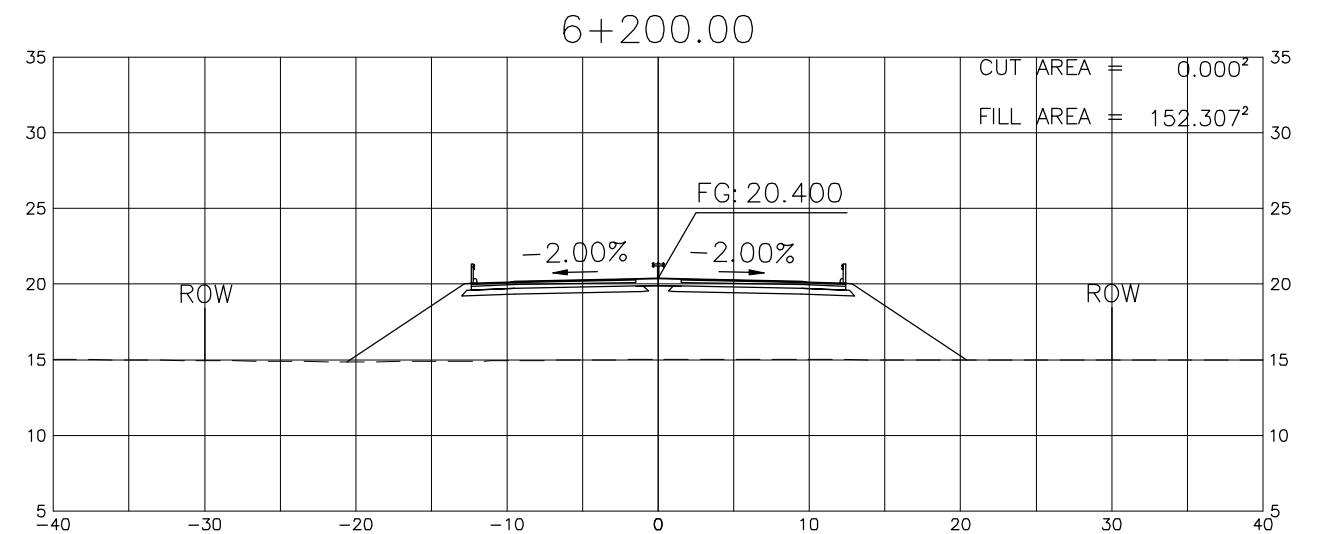
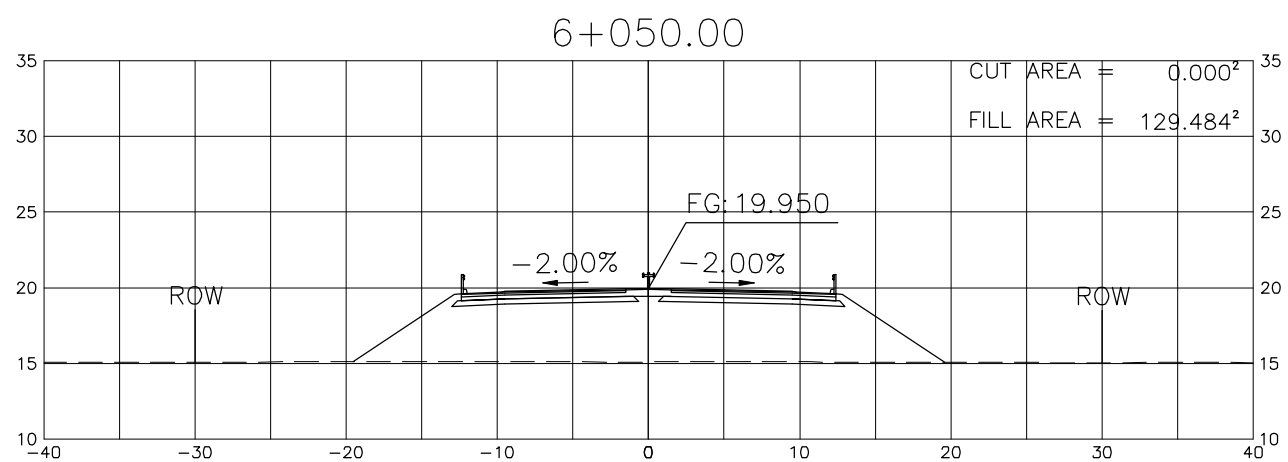
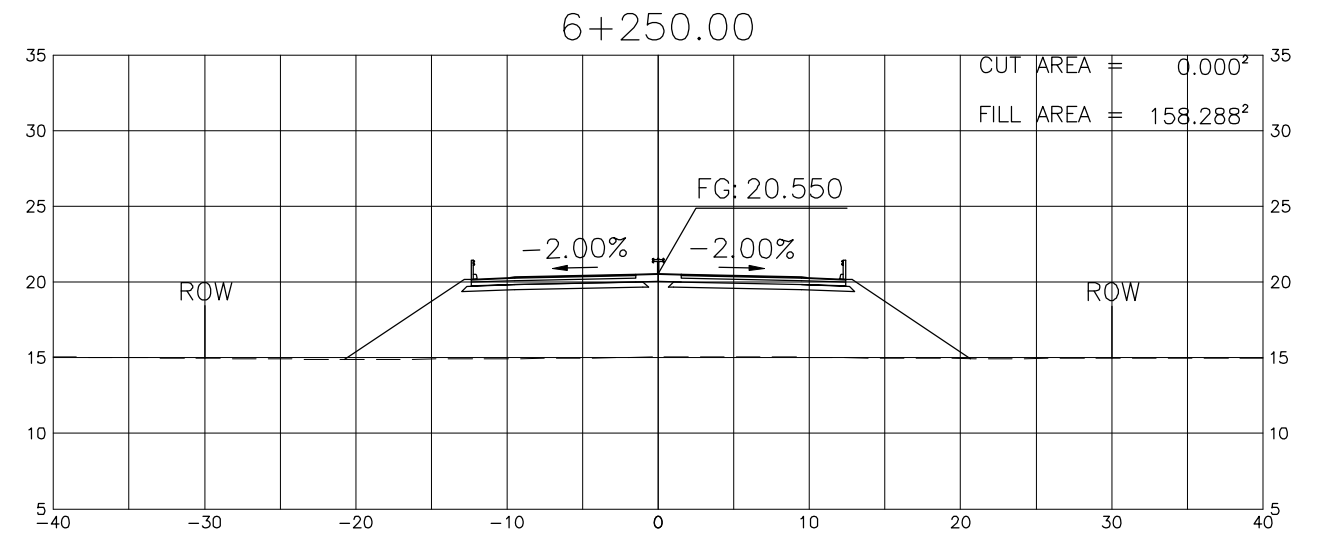
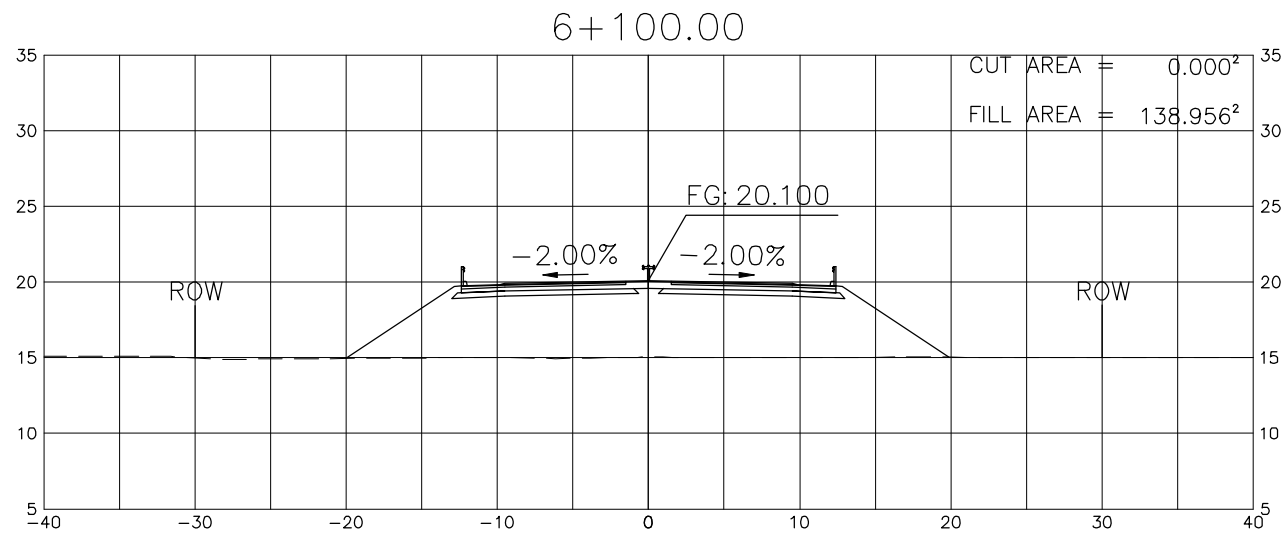




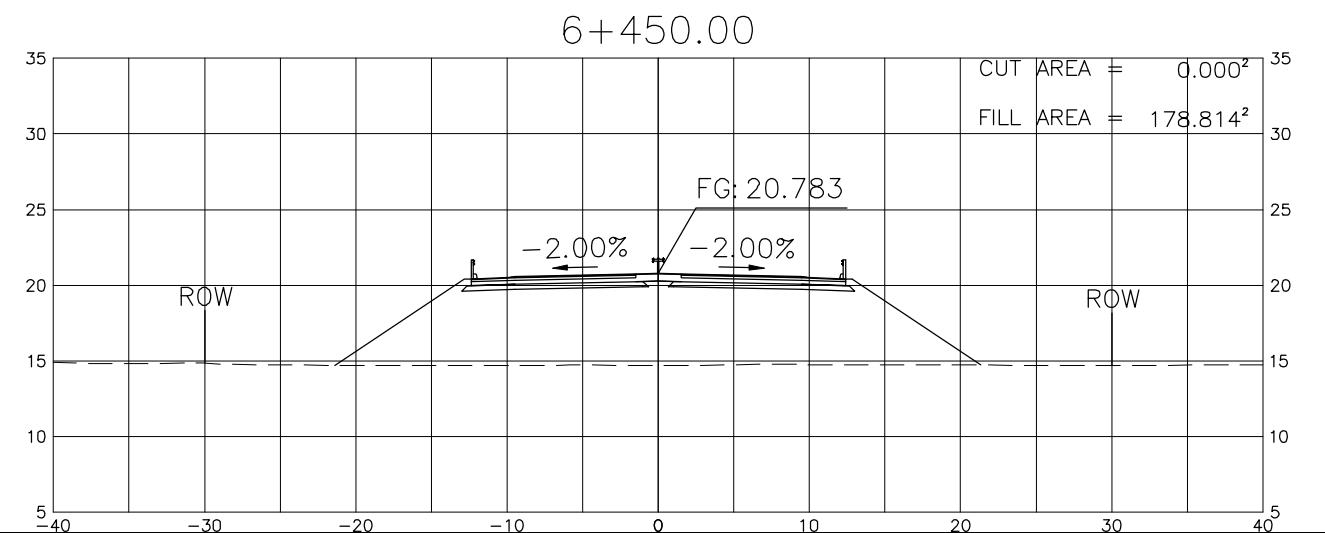
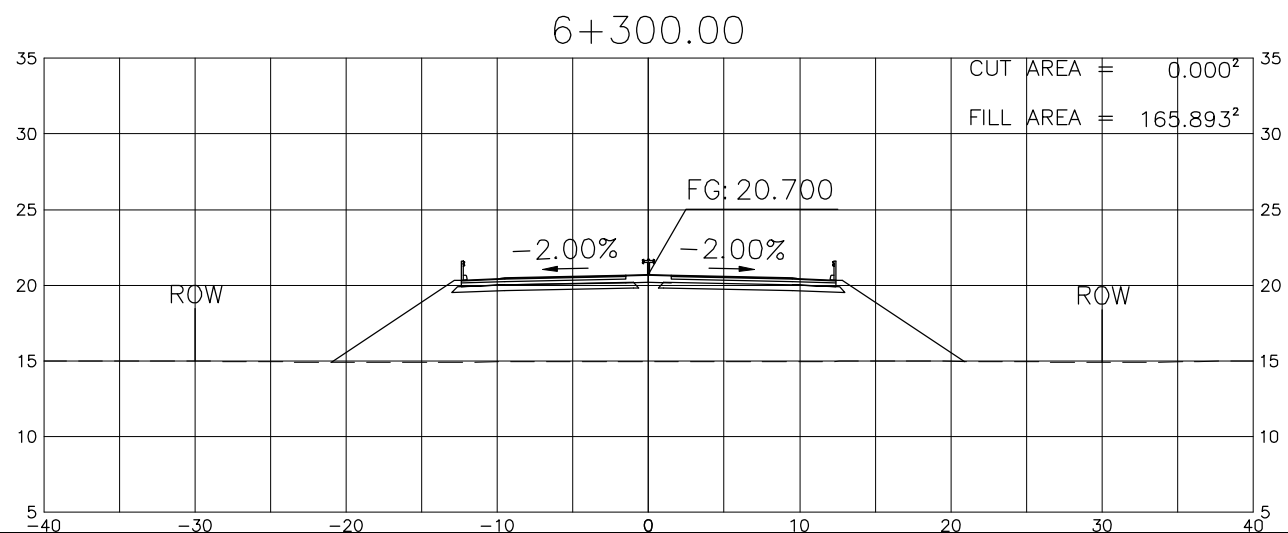
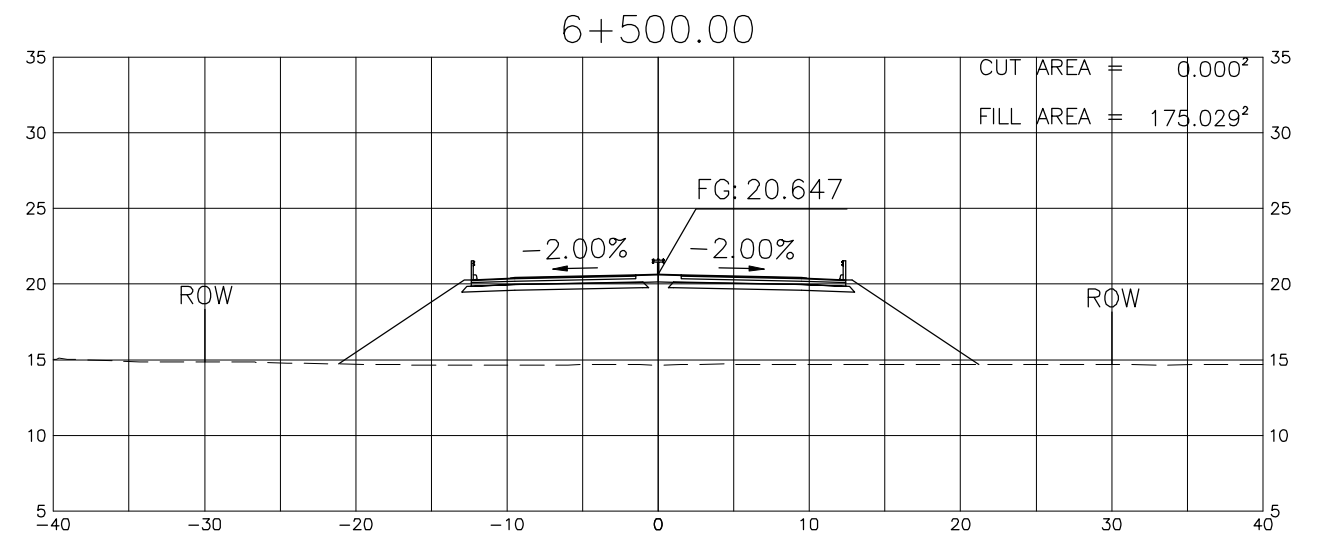
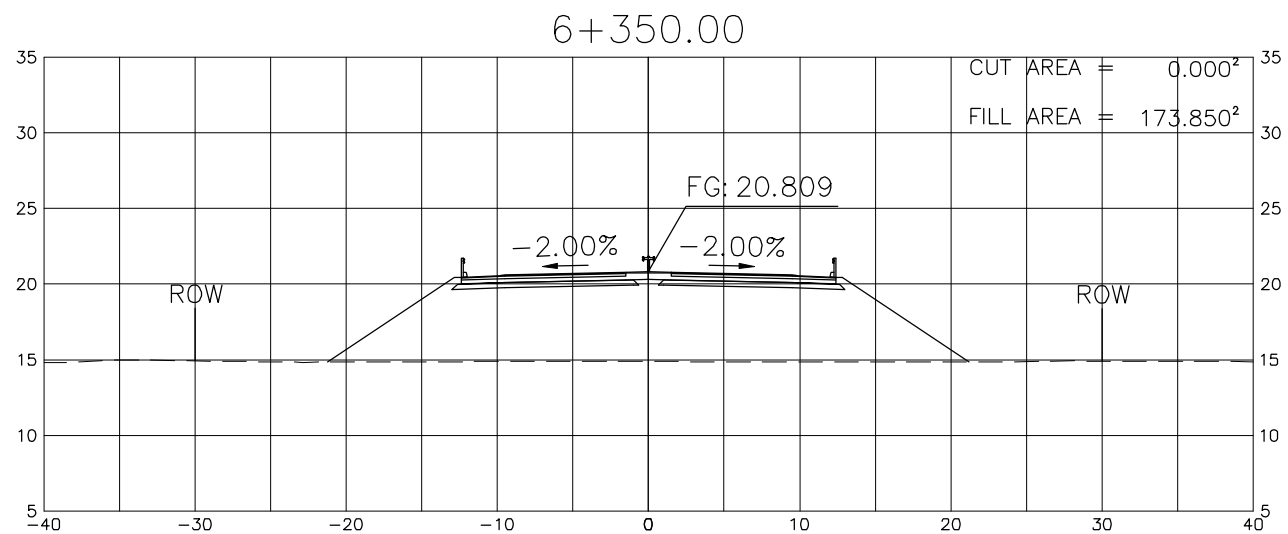
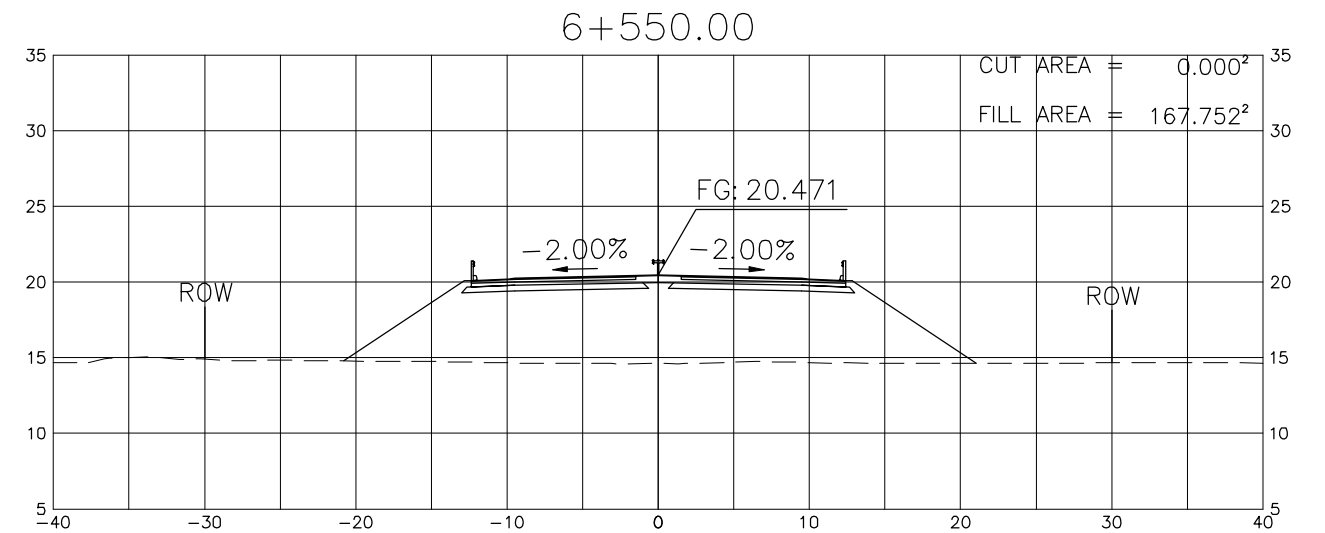
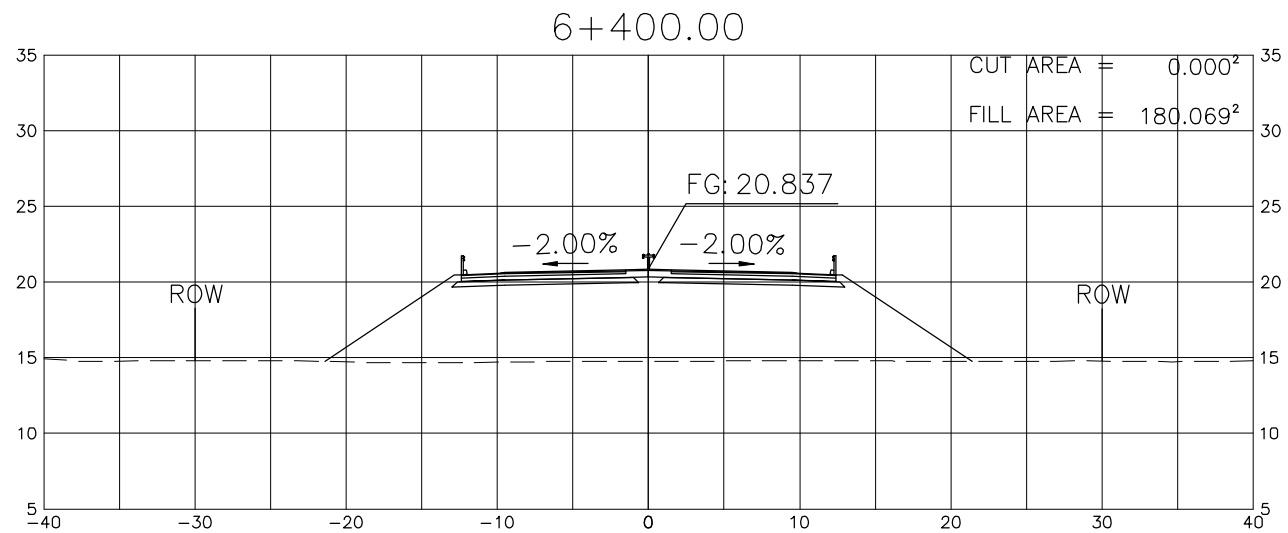
PROJECT TITLE	SCALE	SHEET CONTENT	DRAWING NO.
Preparatory survey for expressway project in Mega Manila Region CLLEX ( TARLAC - CABANATUAN )	A1 = 1:250 A3 = 1:500	CROSS SECTION ( ULTIMATE 4 LANE ) STA 5+200 TO STA 5+550	K-17
			SHEET NO.
			17 OF 90



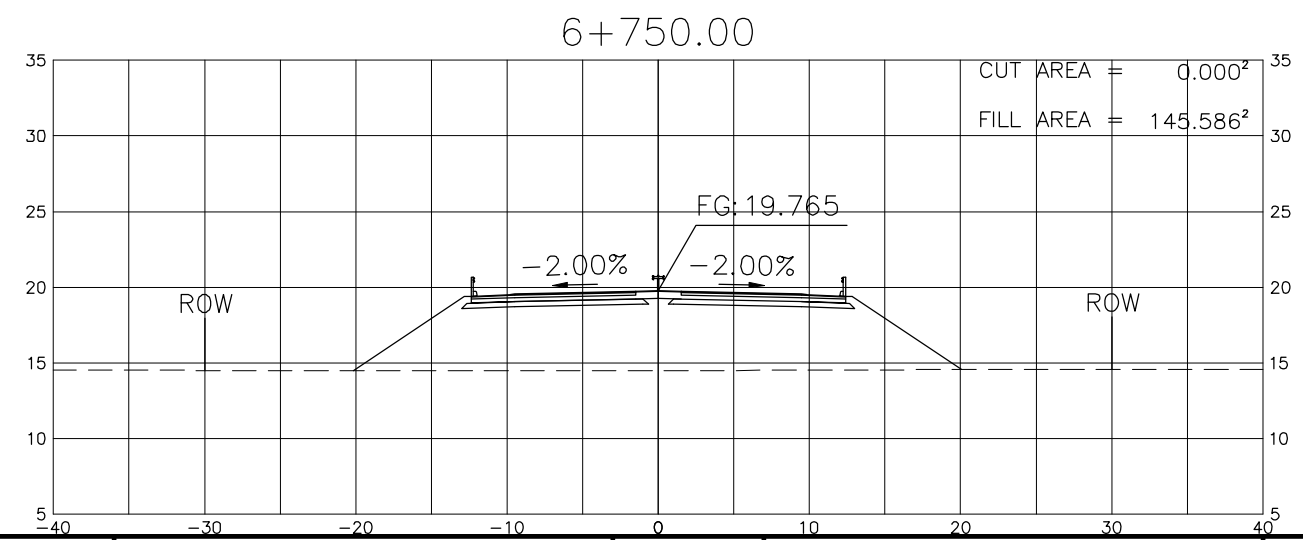
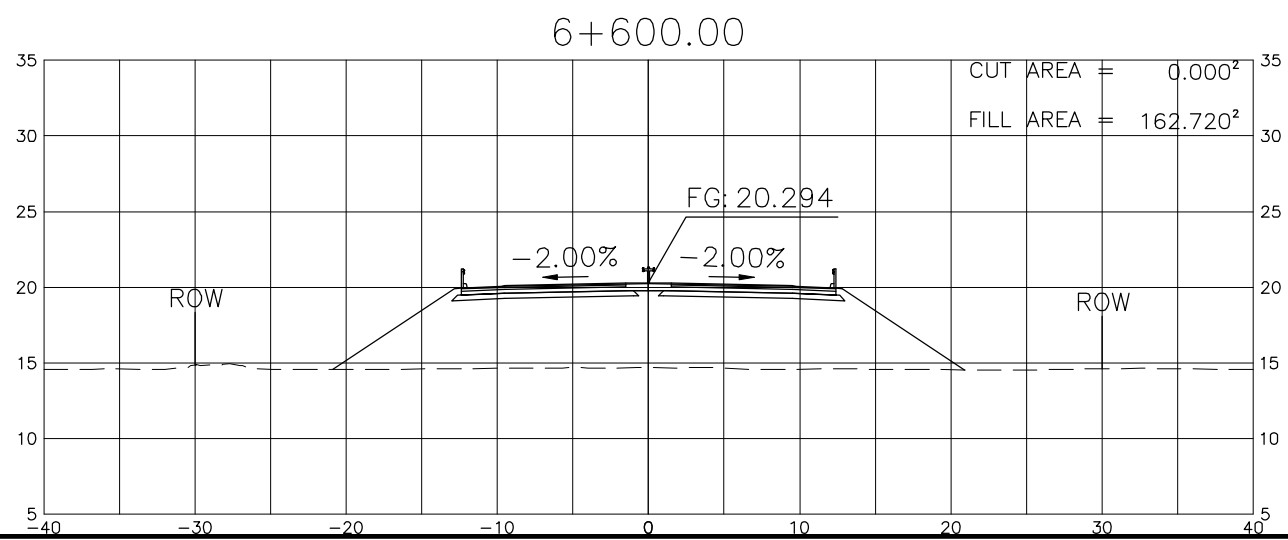
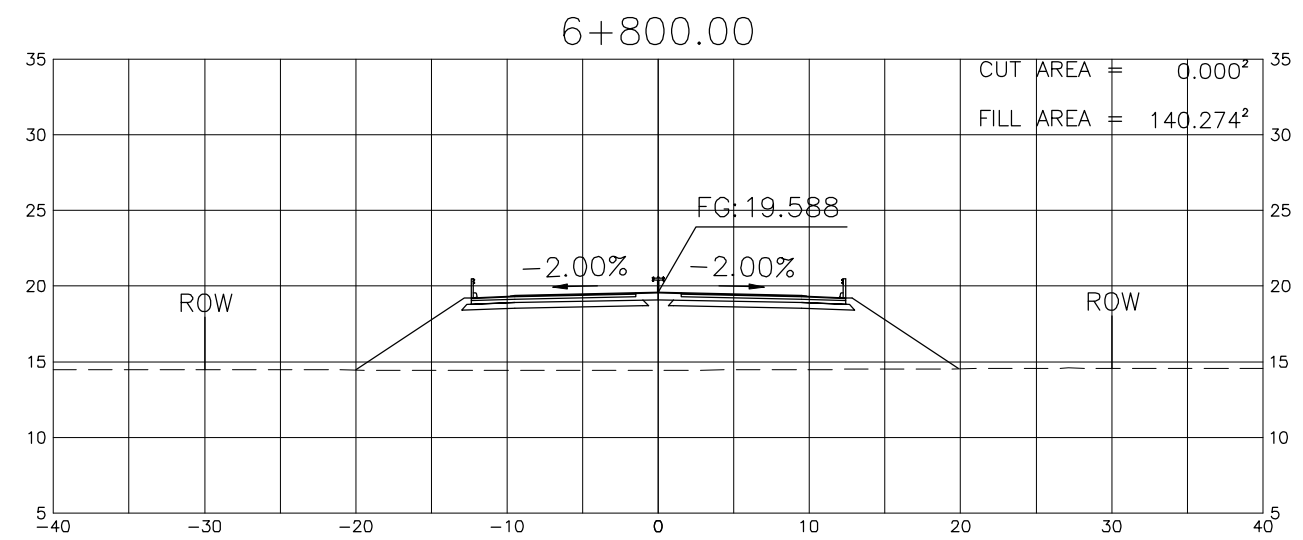
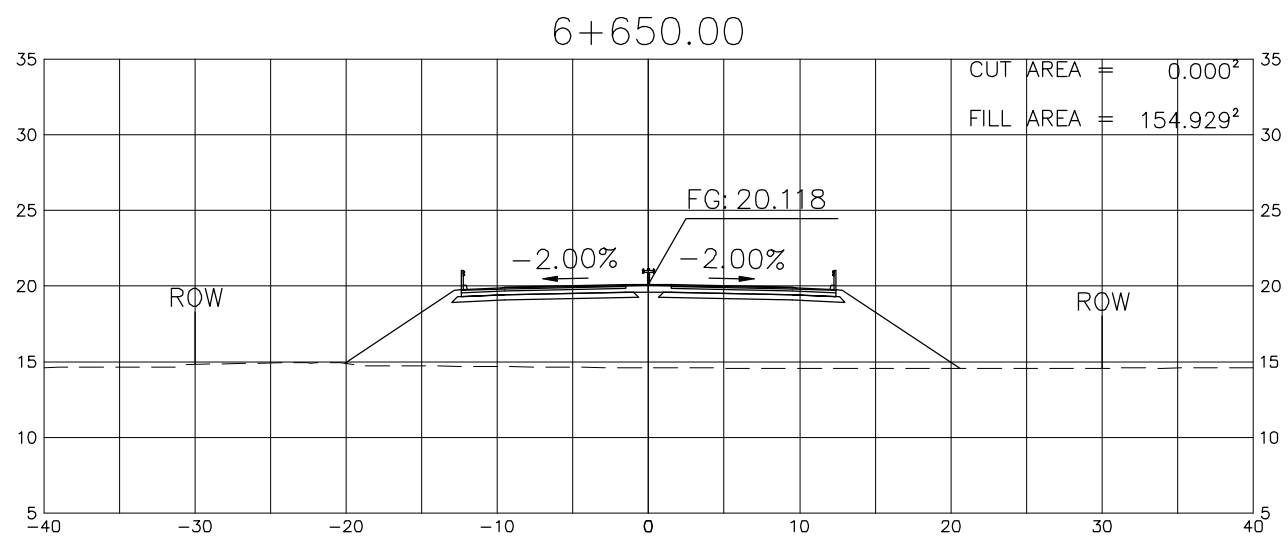
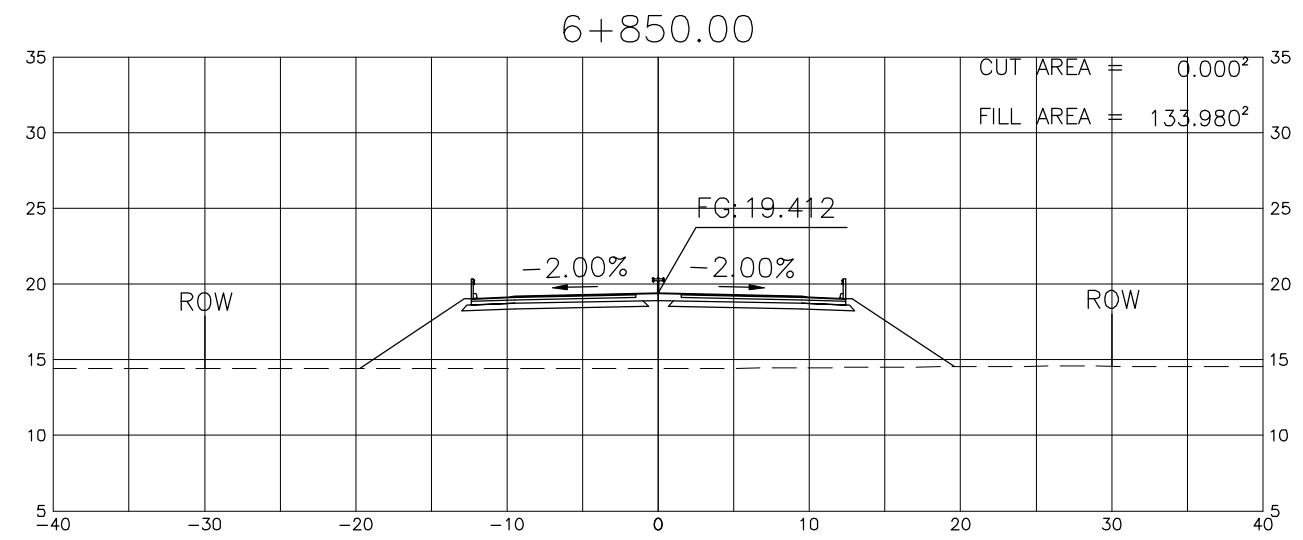
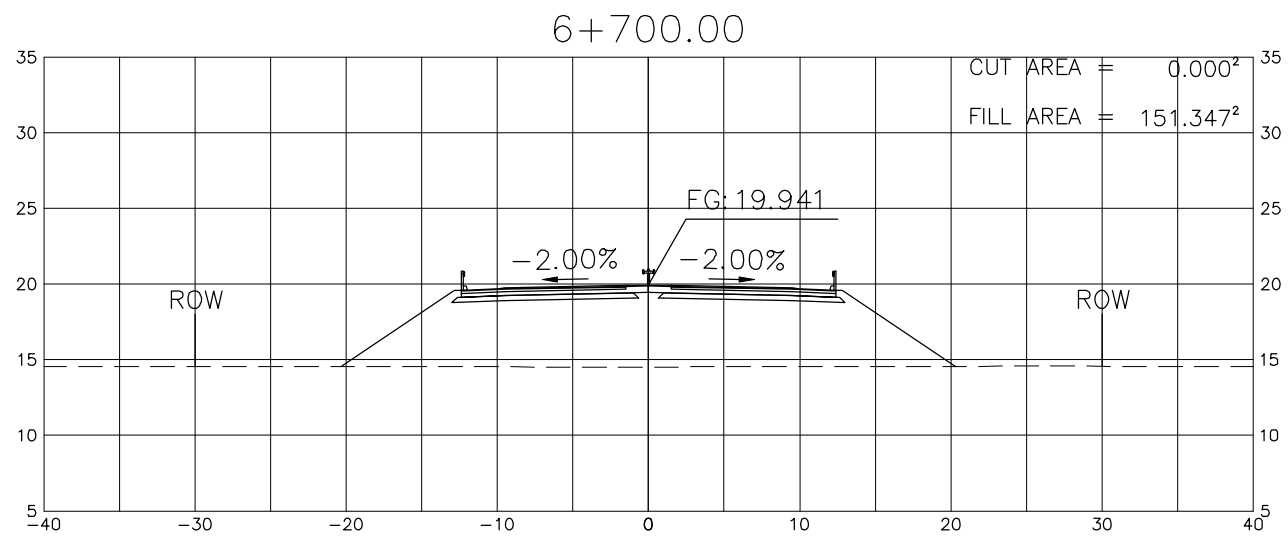
PROJECT TITLE	SCALE	SHEET CONTENT	DRAWING NO.
Preparatory survey for expressway project in Mega Manila Region CLLEX ( TARLAC - CABANATUAN )	A1 = 1:250 A3 = 1:500	CROSS SECTION (ULTIMATE 4 LANE) STA 5+600 TO STA 5+950	K-18
			SHEET NO.
			18 OF 90



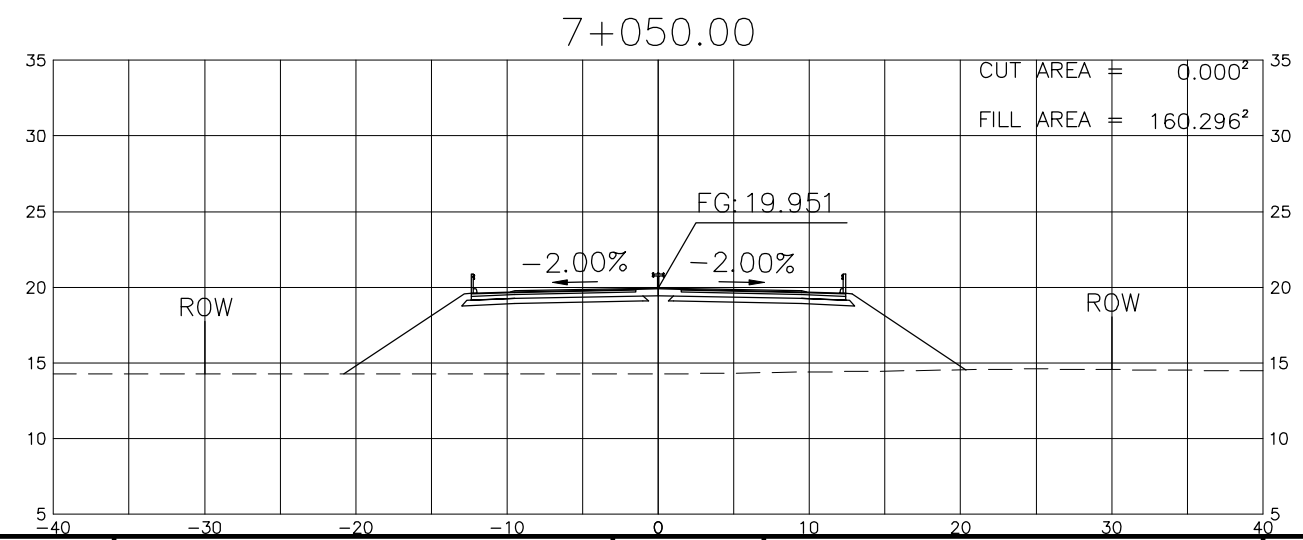
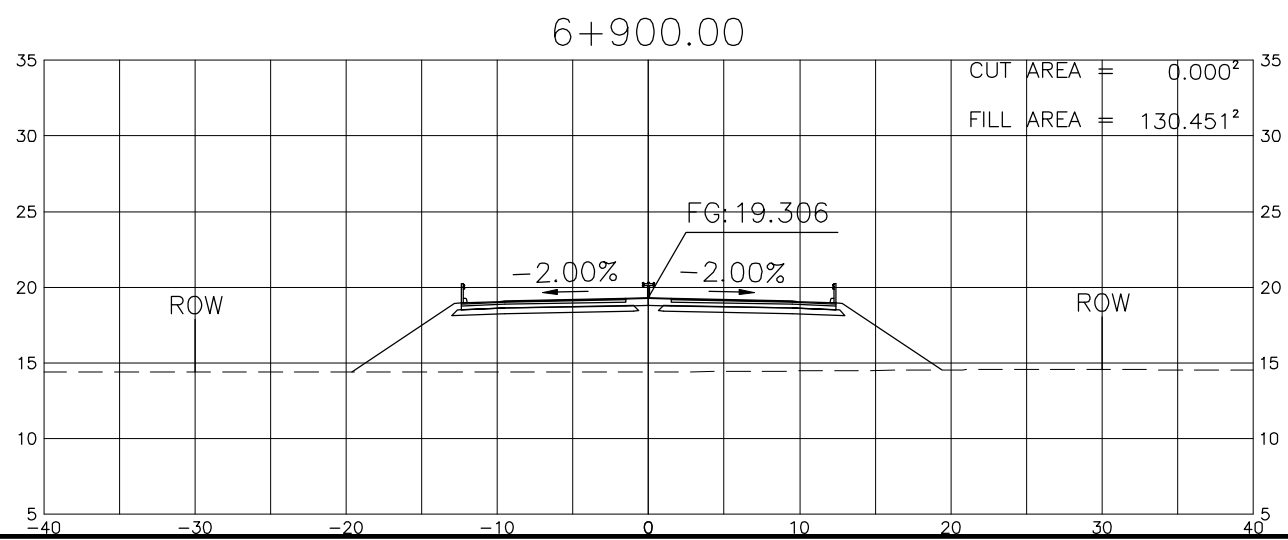
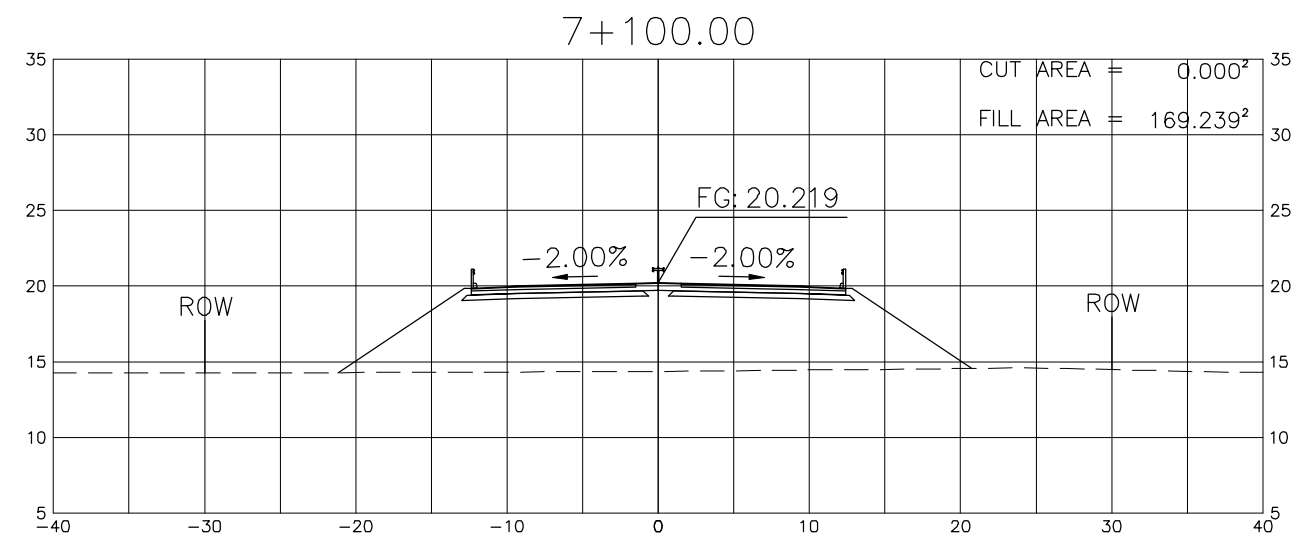
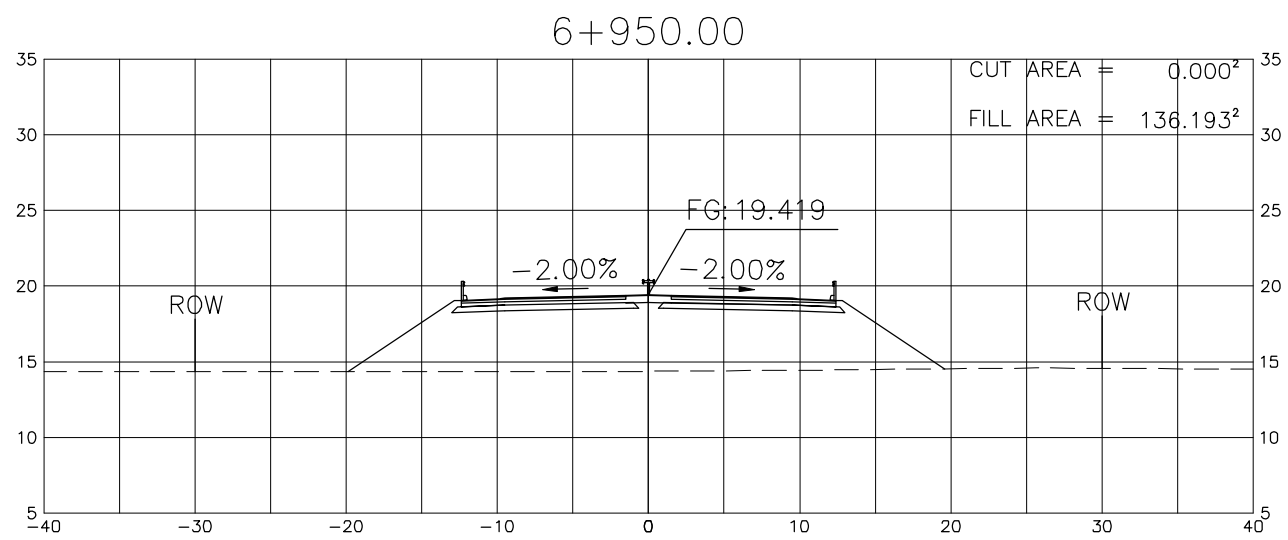
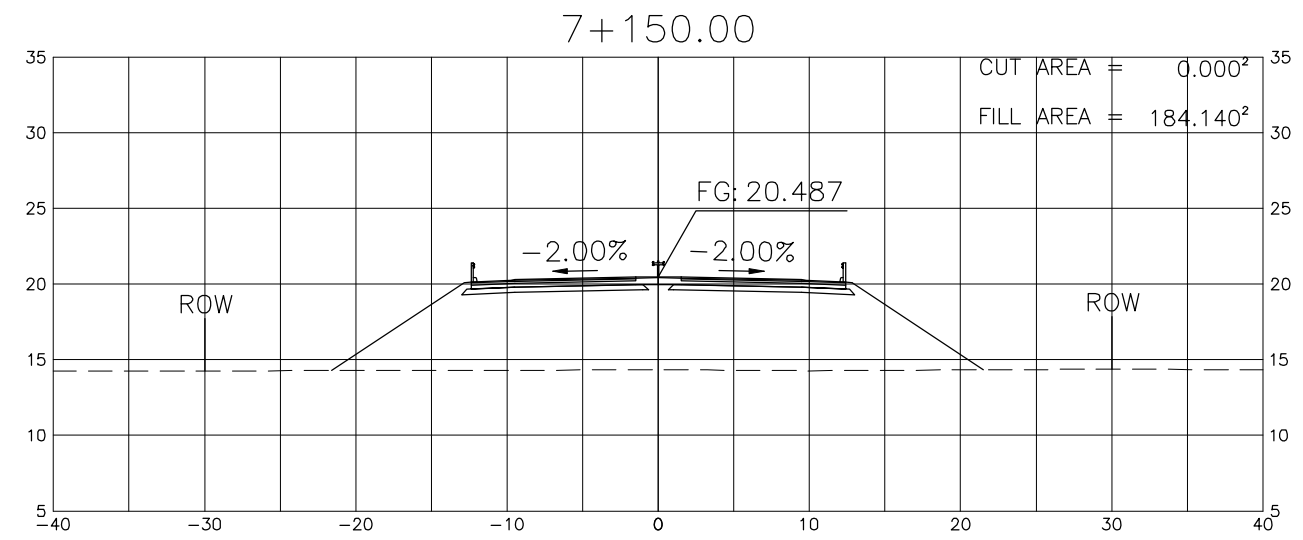
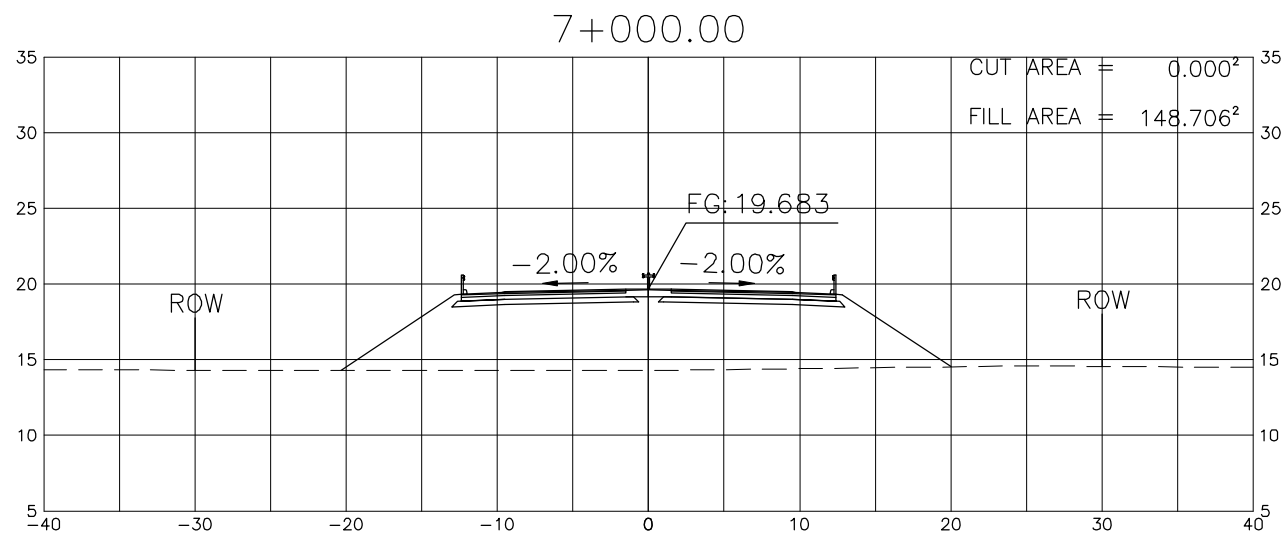
PROJECT TITLE	SCALE	SHEET CONTENT	DRAWING NO.
Preparatory survey for expressway project in Mega Manila Region CLLEX ( TARLAC - CABANATUAN )	A1 = 1:250 A3 = 1:500	CROSS SECTION ( ULTIMATE 4 LANE ) STA 6+000 TO STA 6+250	K-19
			SHEET NO. 19 OF 90



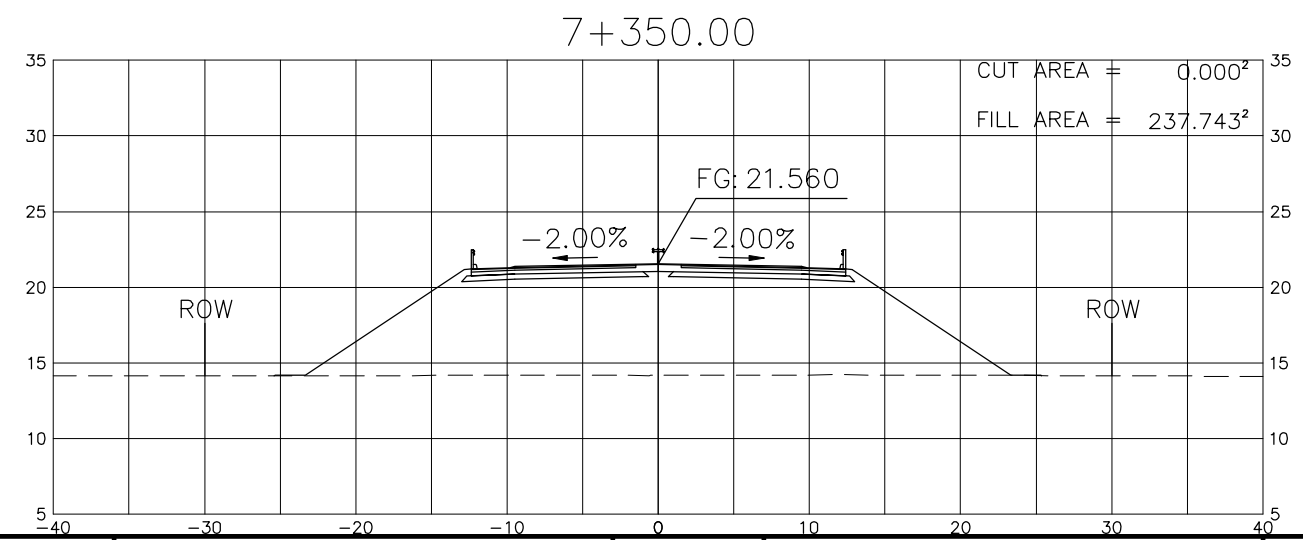
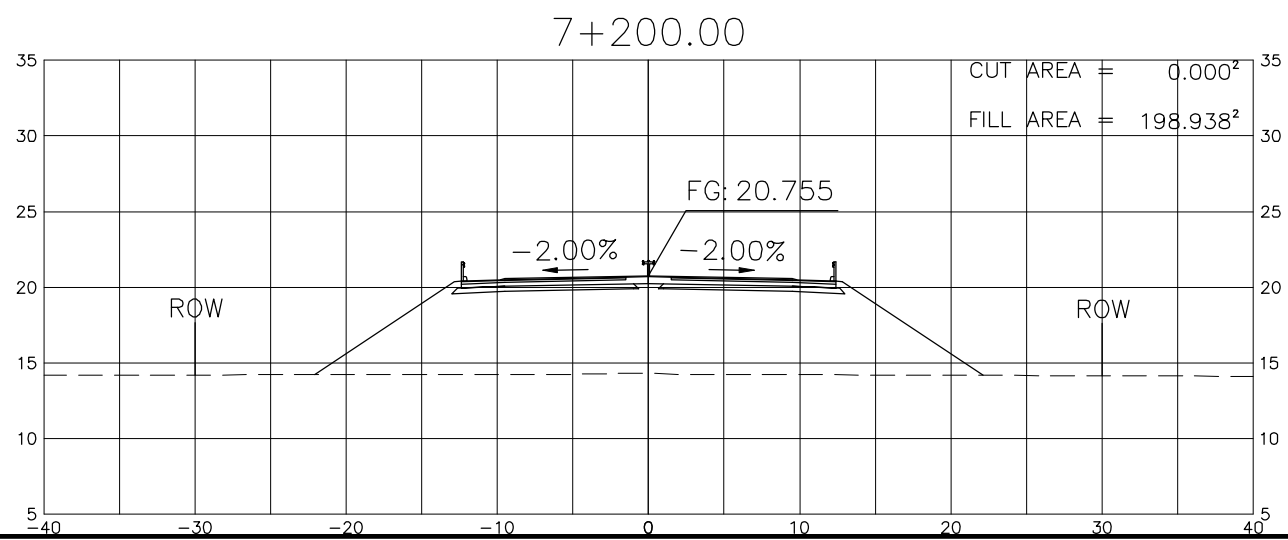
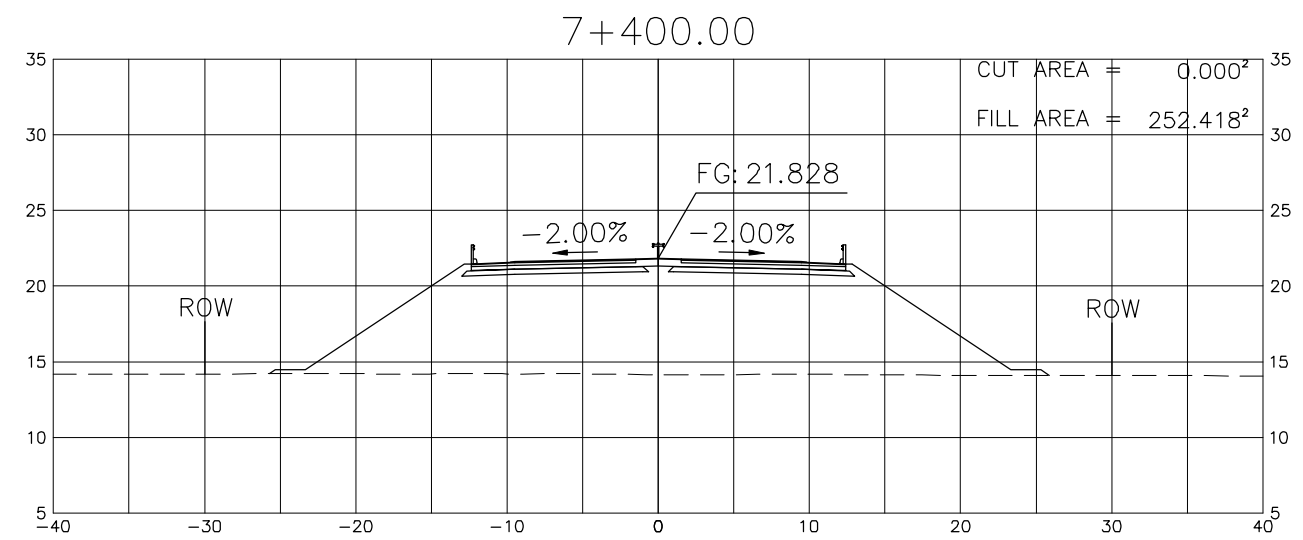
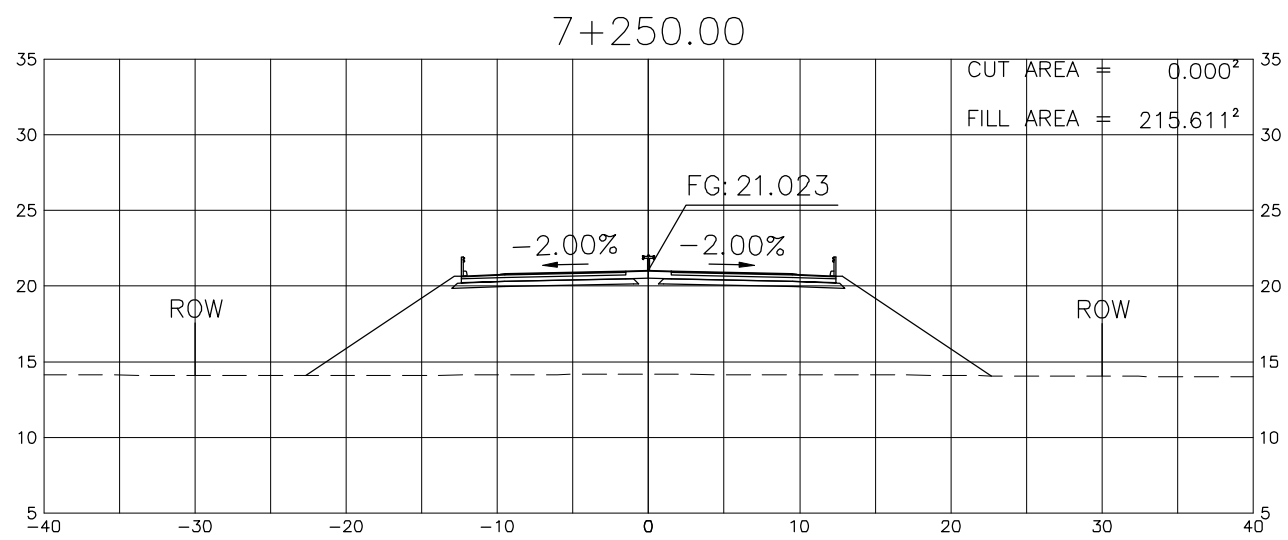
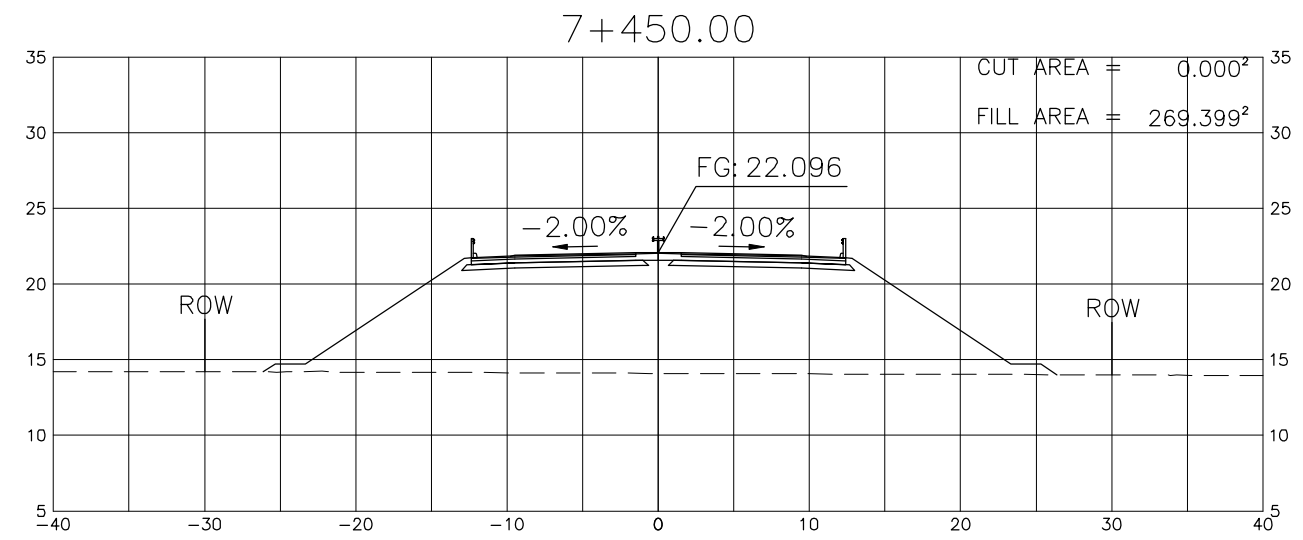
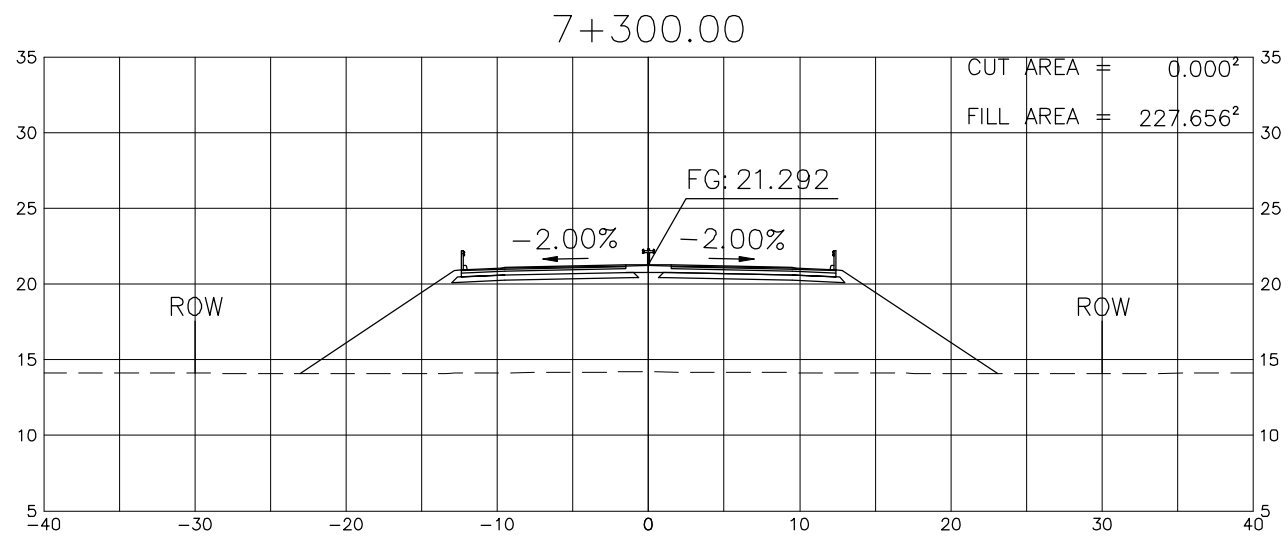
PROJECT TITLE	SCALE	SHEET CONTENT	DRAWING NO.
Preparatory survey for expressway project in Mega Manila Region CLLEX ( TARLAC - CABANATUAN )	A1 = 1:250 A3 = 1:500	CROSS SECTION ( ULTIMATE 4 LANE ) STA 6+300 TO STA 6+550	K-20
			SHEET NO.
			20 OF 90



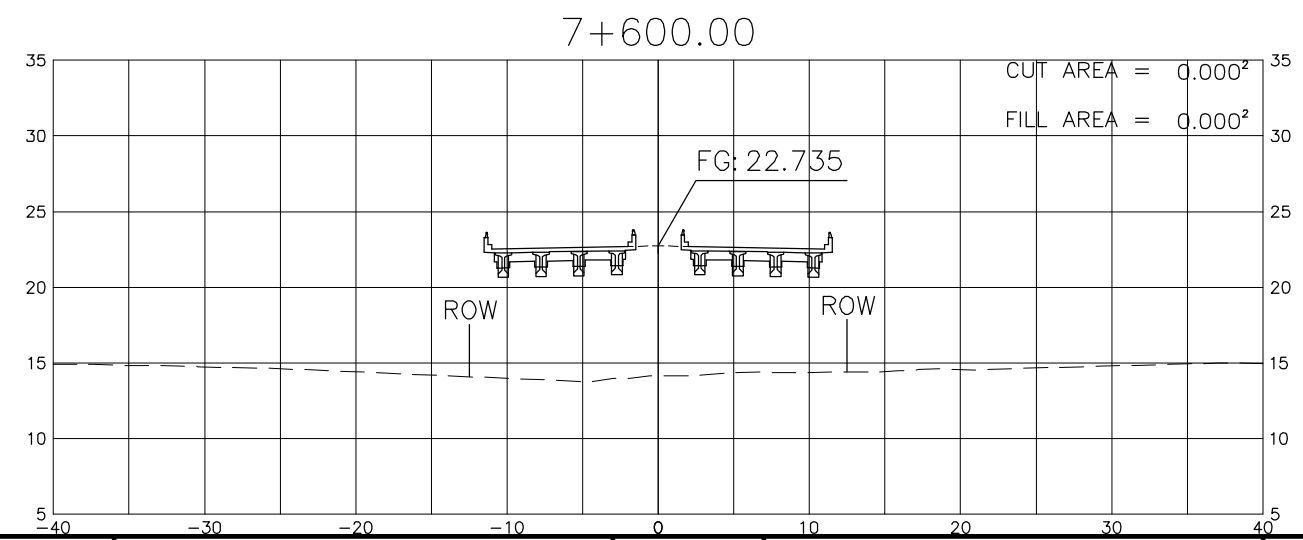
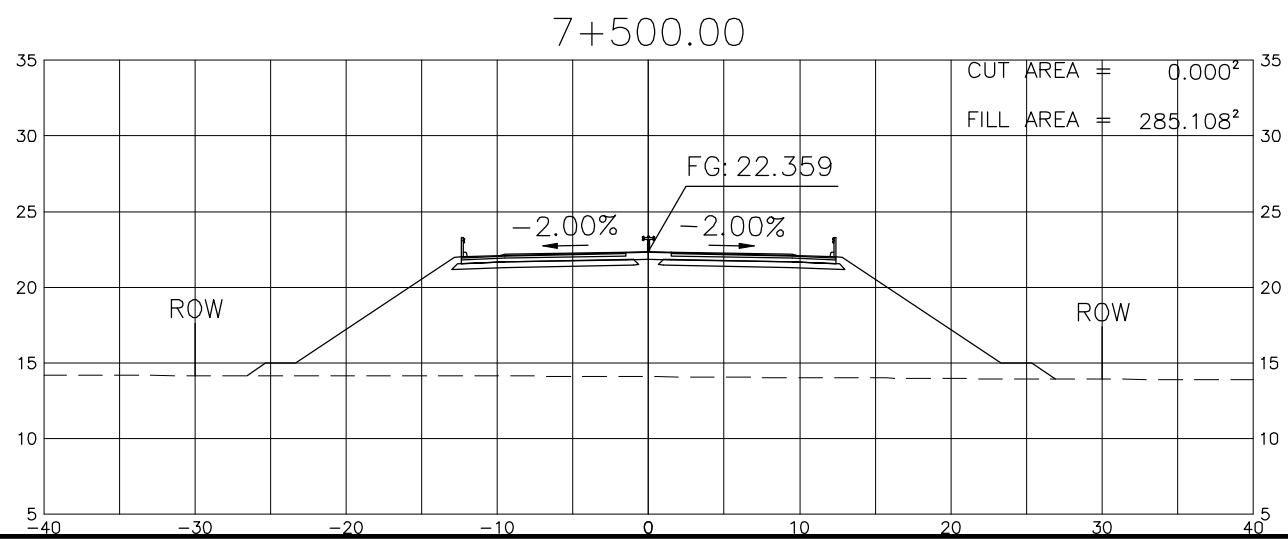
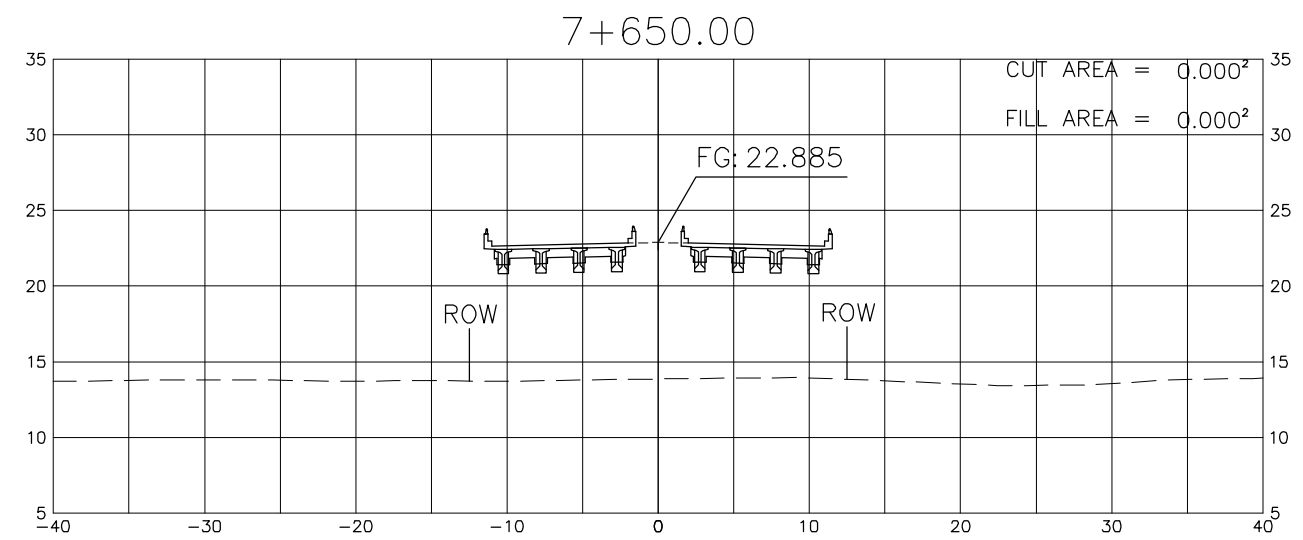
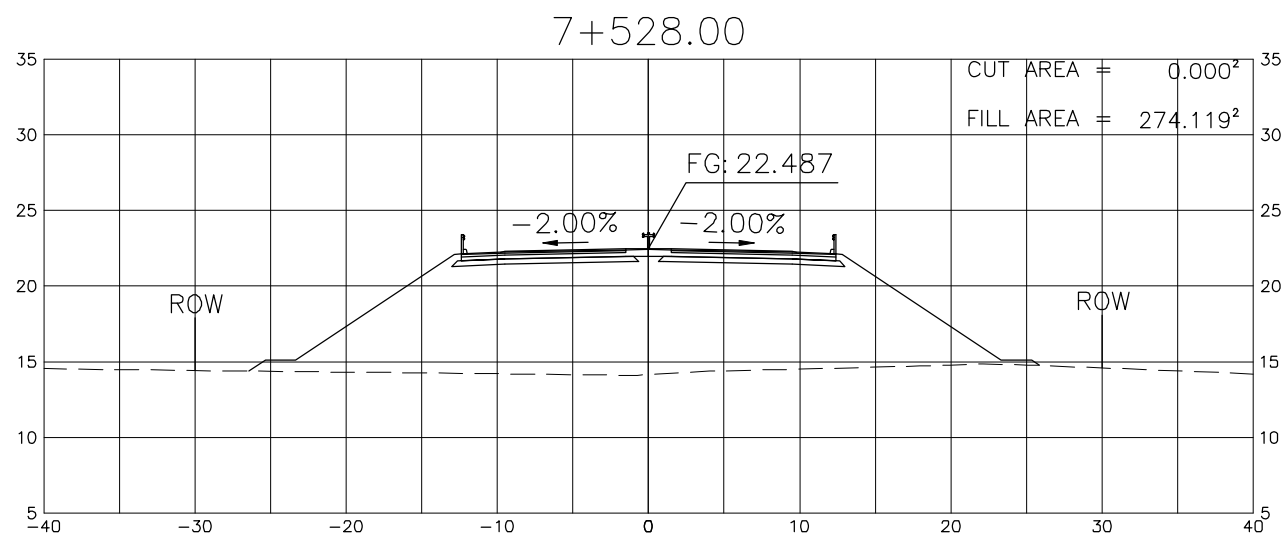
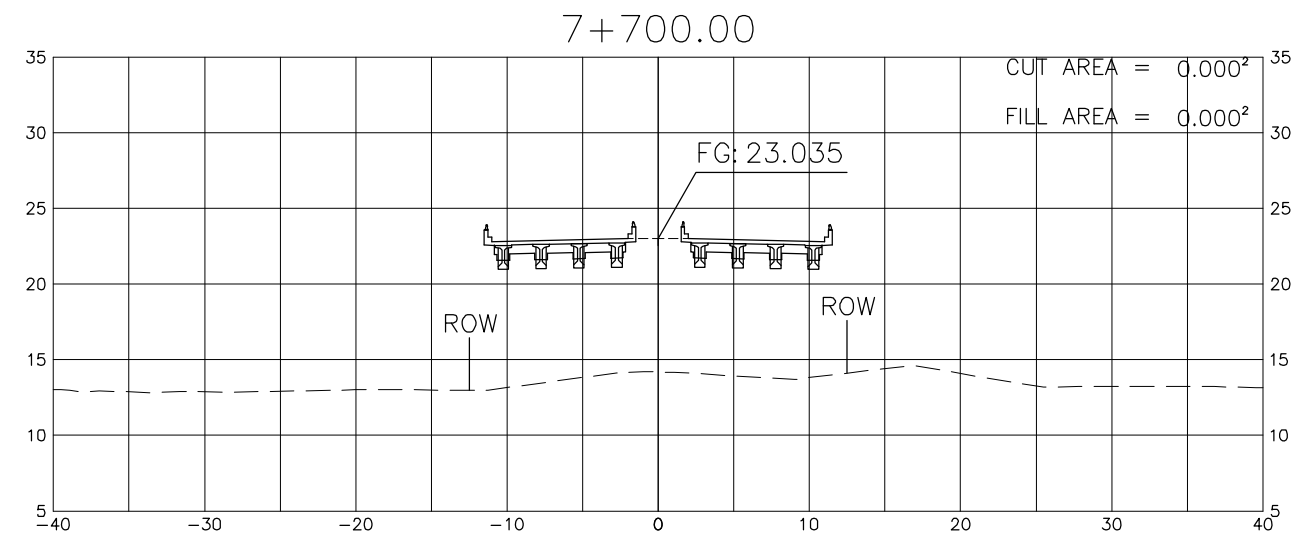
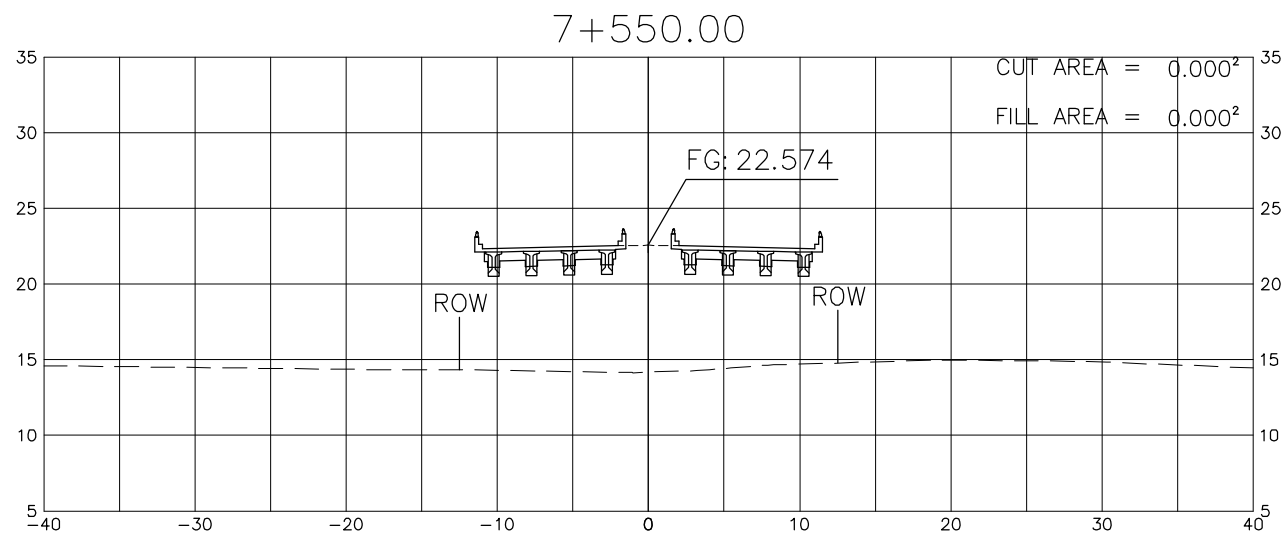
PROJECT TITLE	SCALE	SHEET CONTENT	DRAWING NO.
Preparatory survey for expressway project in Mega Manila Region CLLEX ( TARLAC - CABANATUAN )	A1 = 1:250 A3 = 1:500	CROSS SECTION ( ULTIMATE 4 LANE ) STA 6+600 TO STA 6+850	K-21
			SHEET NO.
			21 OF 90



PROJECT TITLE	SCALE	SHEET CONTENT	DRAWING NO.
Preparatory survey for expressway project in Mega Manila Region CLLEX ( TARLAC - CABANATUAN )	A1 = 1:250 A3 = 1:500	CROSS SECTION ( ULTIMATE 4 LANE ) STA 6+900 TO STA 7+150	K-22
			SHEET NO.
			22 OF 90

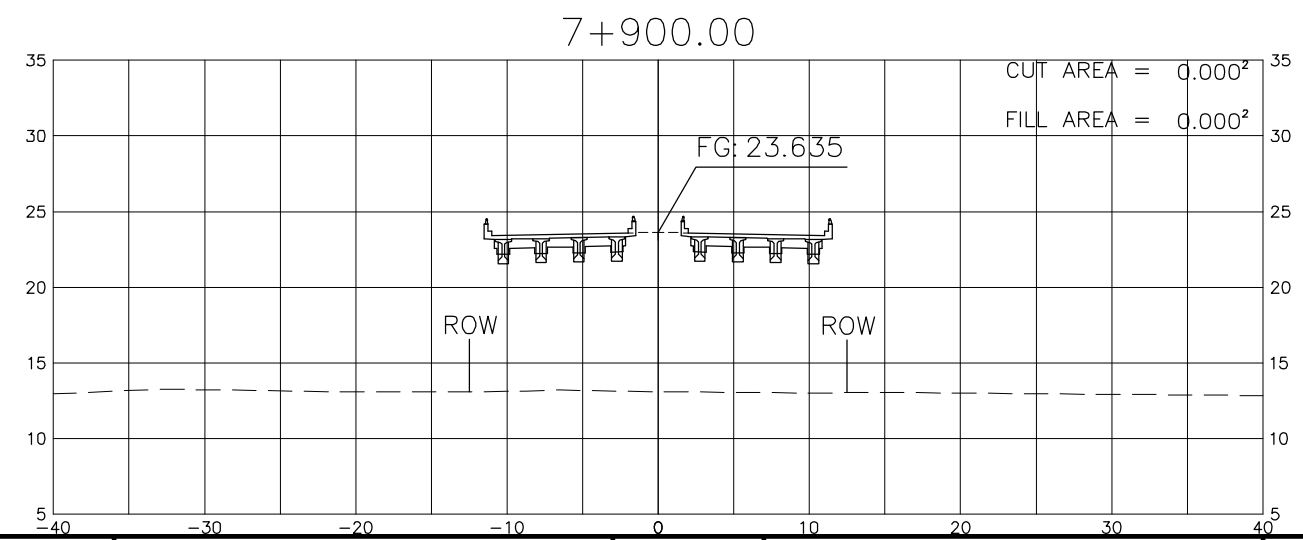
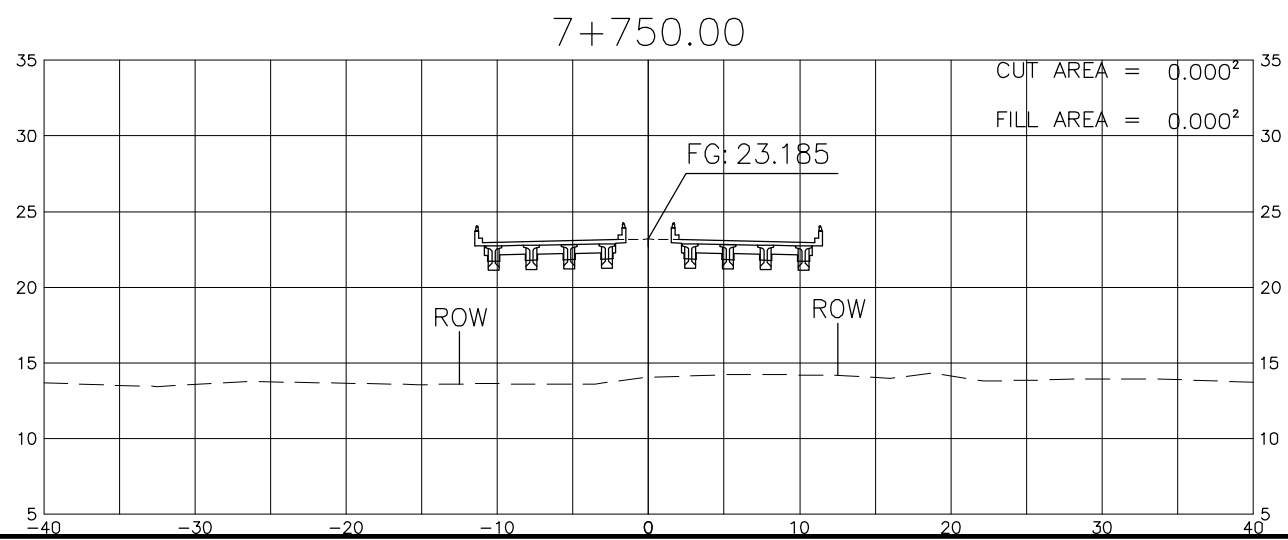
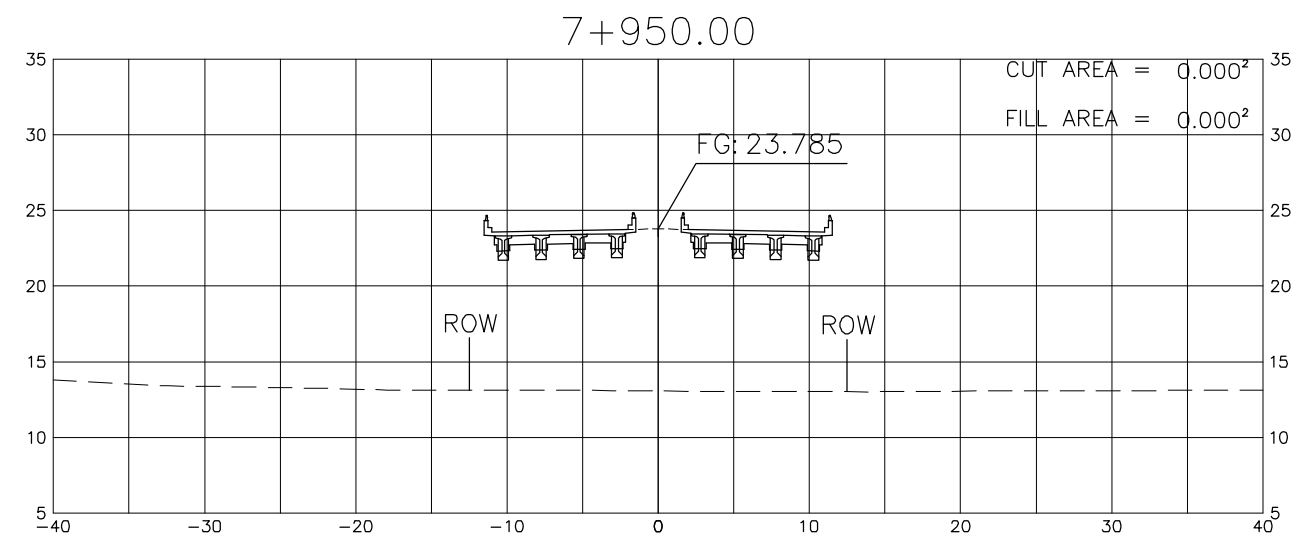
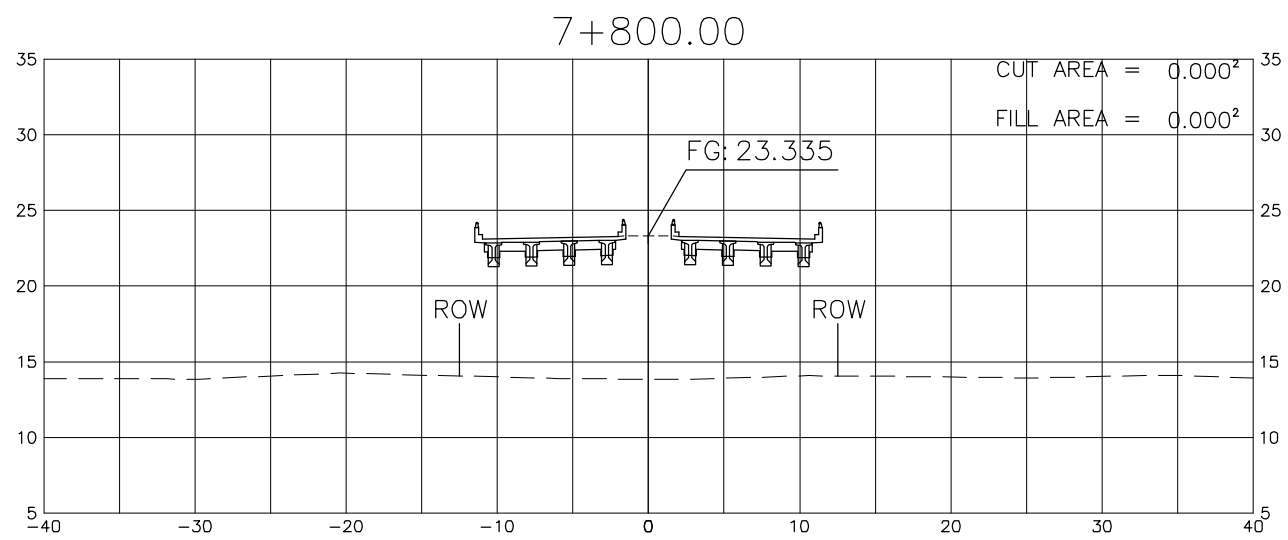
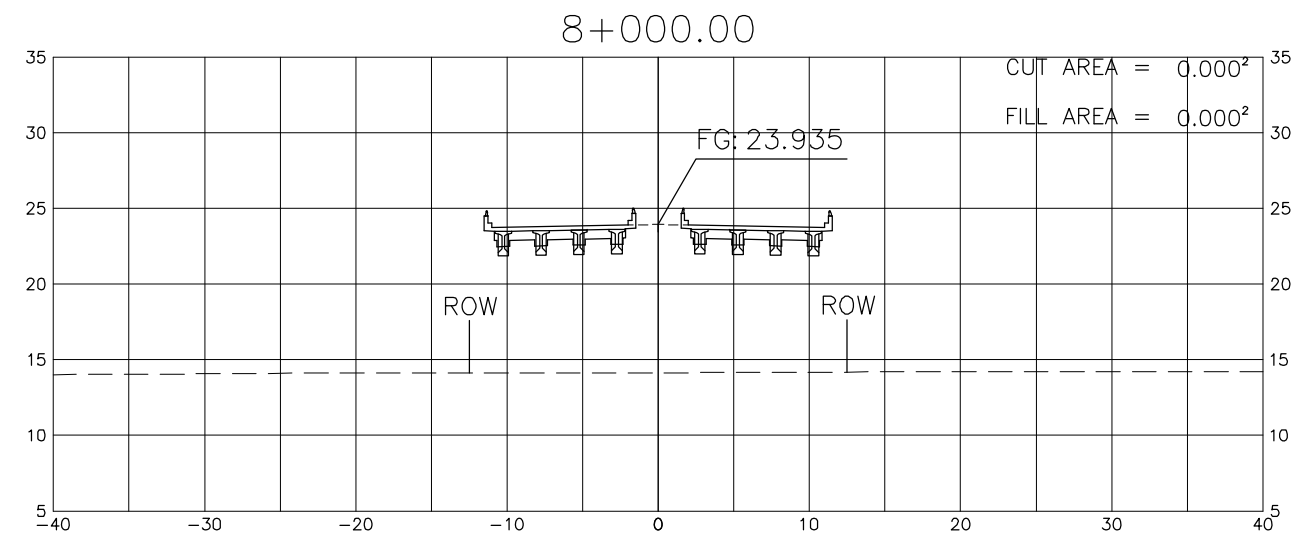
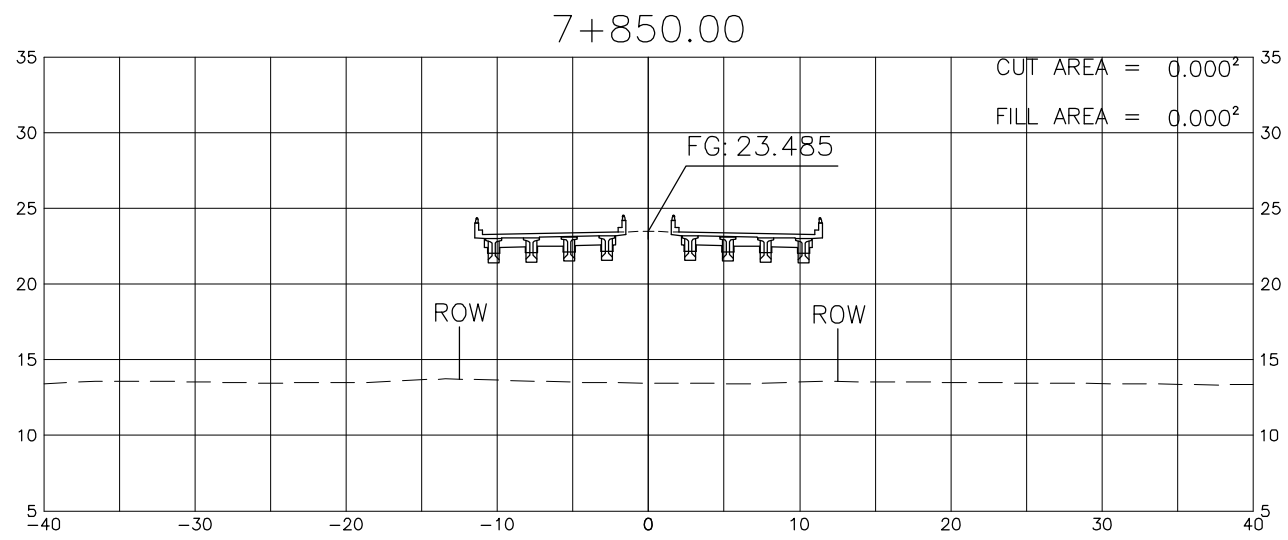


PROJECT TITLE	SCALE	SHEET CONTENT	DRAWING NO.
Preparatory survey for expressway project in Mega Manila Region CLLEX ( TARLAC - CABANATUAN )	A1 = 1:250 A3 = 1:500	CROSS SECTION ( ULTIMATE 4 LANE ) STA 7+200 TO STA 7+450	K-23
			SHEET NO.
			23 OF 90

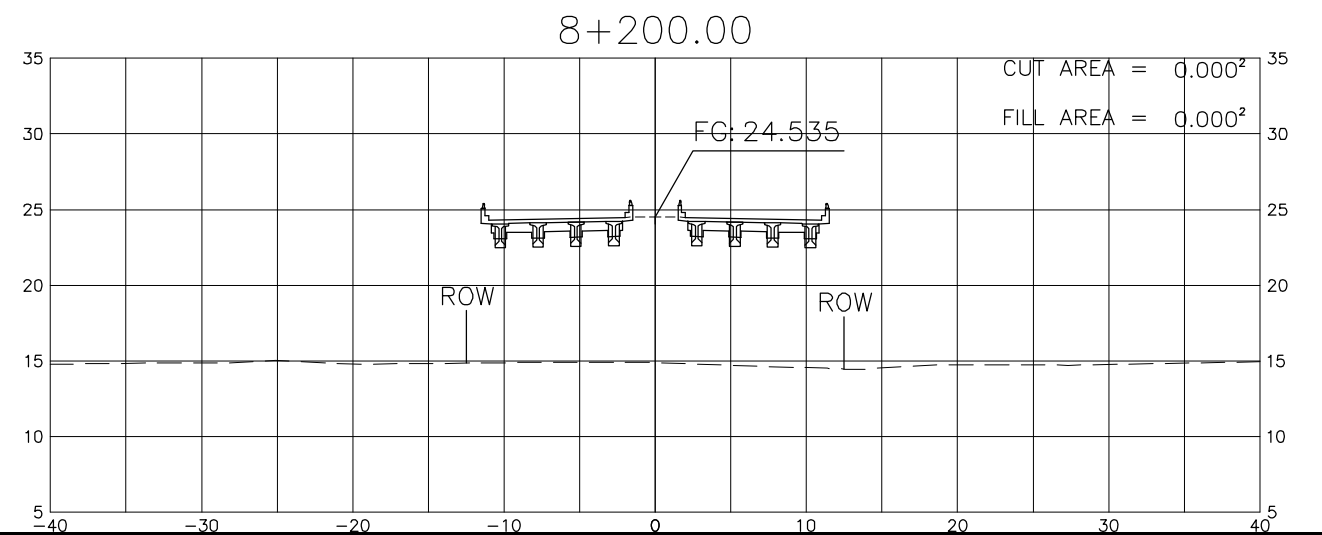
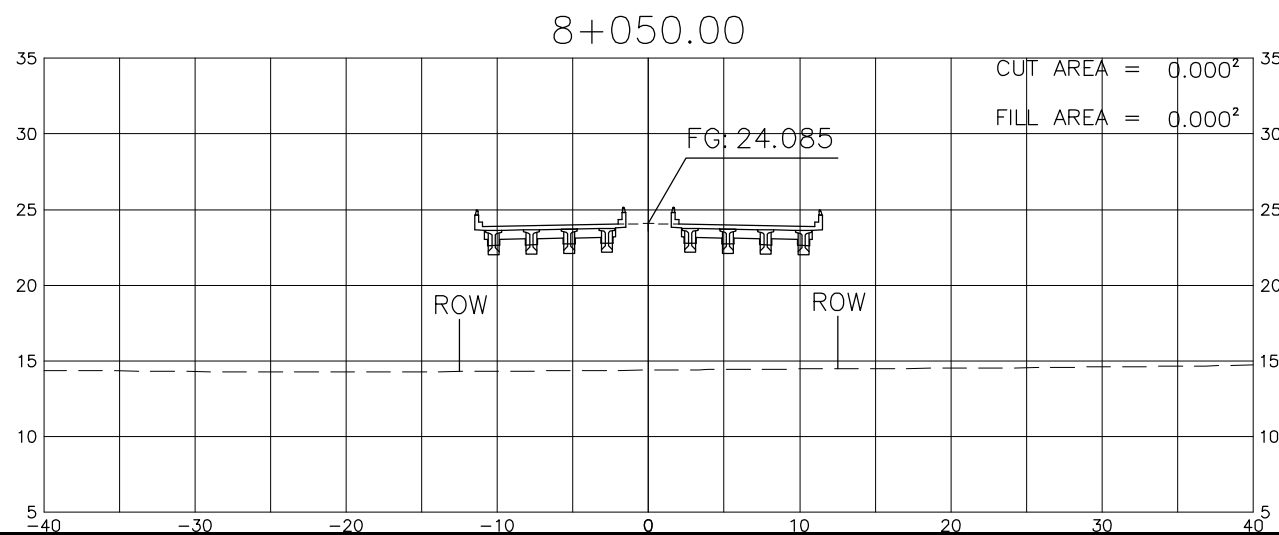
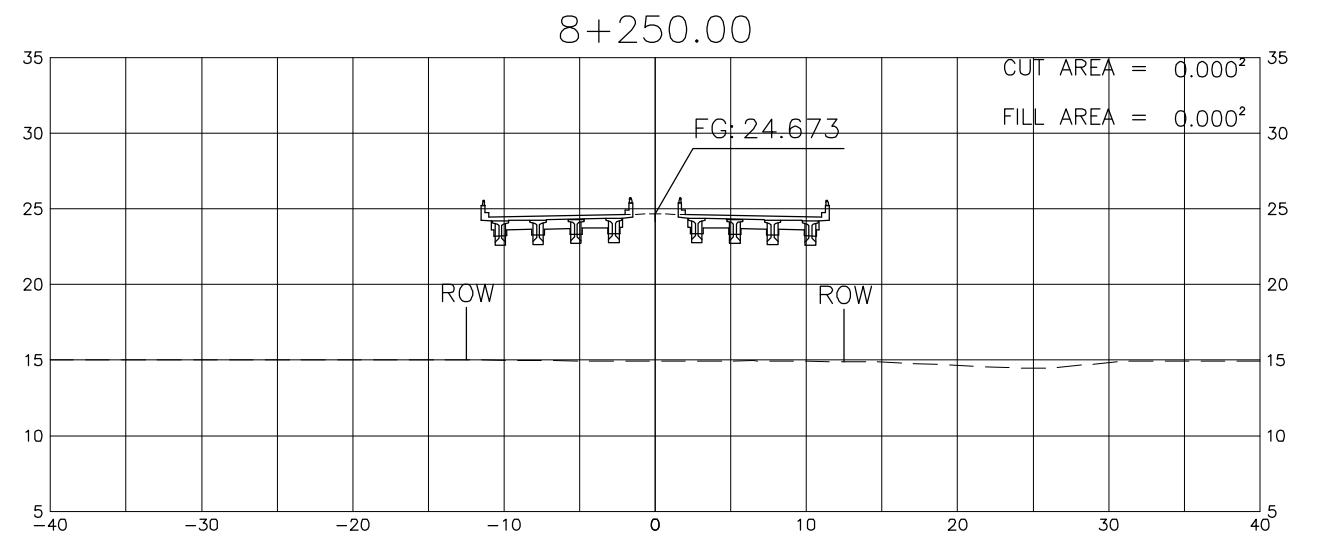
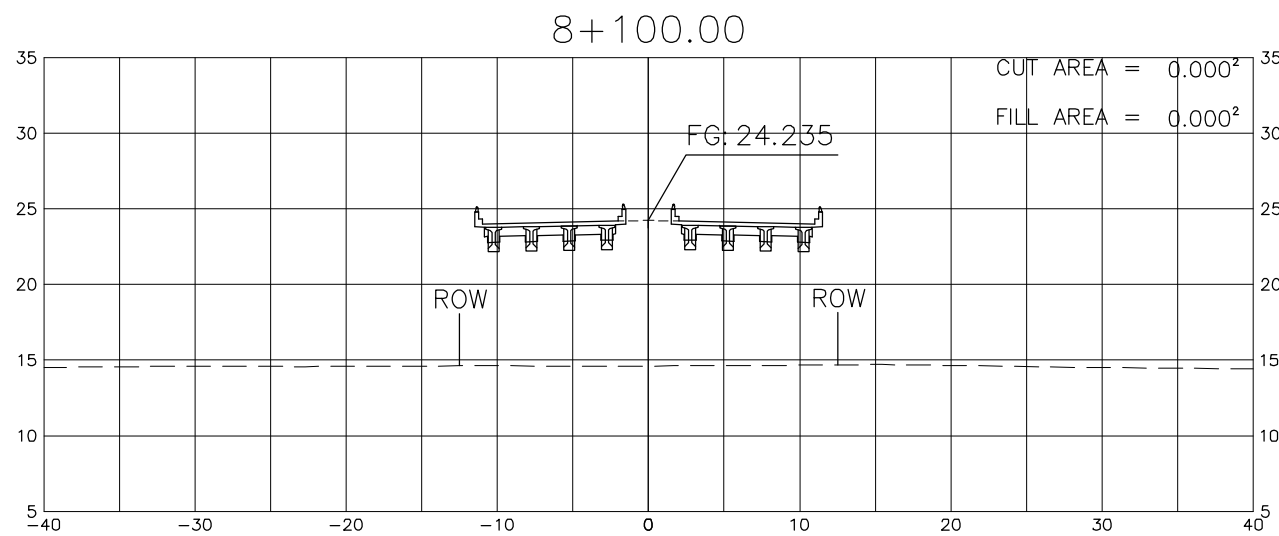
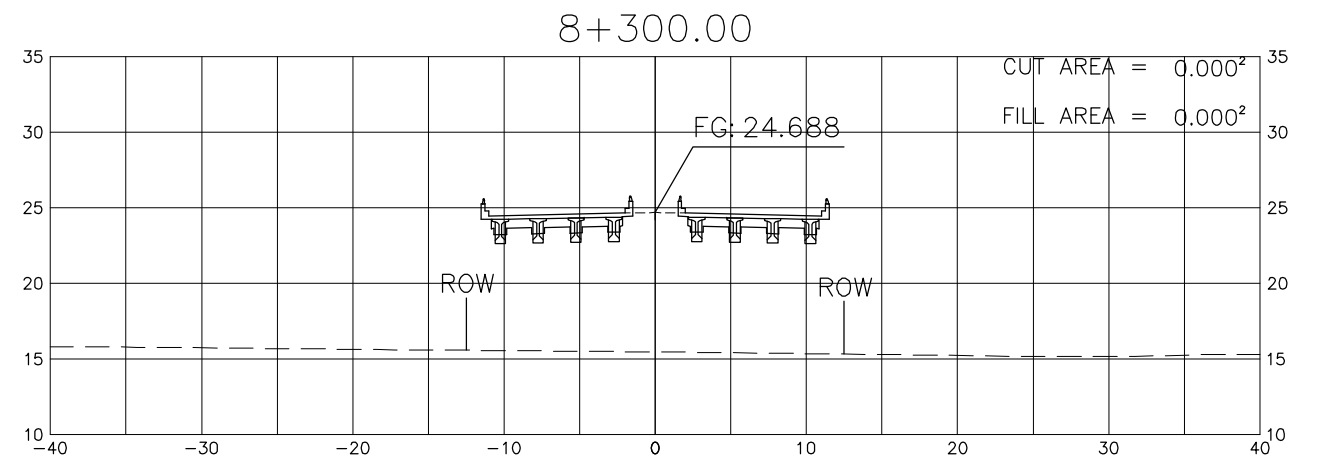
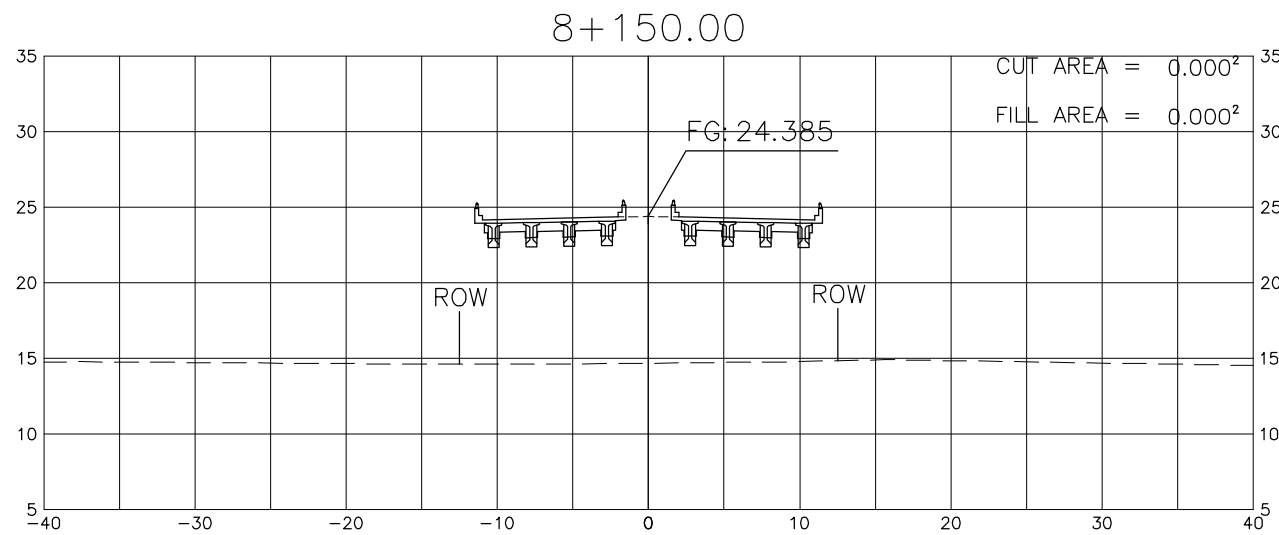


PROJECT TITLE	SCALE	SHEET CONTENT	DRAWING NO.
Preparatory survey for expressway project in Mega Manila Region CLLEX ( TARLAC - CABANATUAN )	A1 = 1:250 A3 = 1:500	CROSS SECTION ( ULTIMATE 4 LANE ) STA 7+500 TO STA 70+700	K-24
			SHEET NO.
			24 OF 90

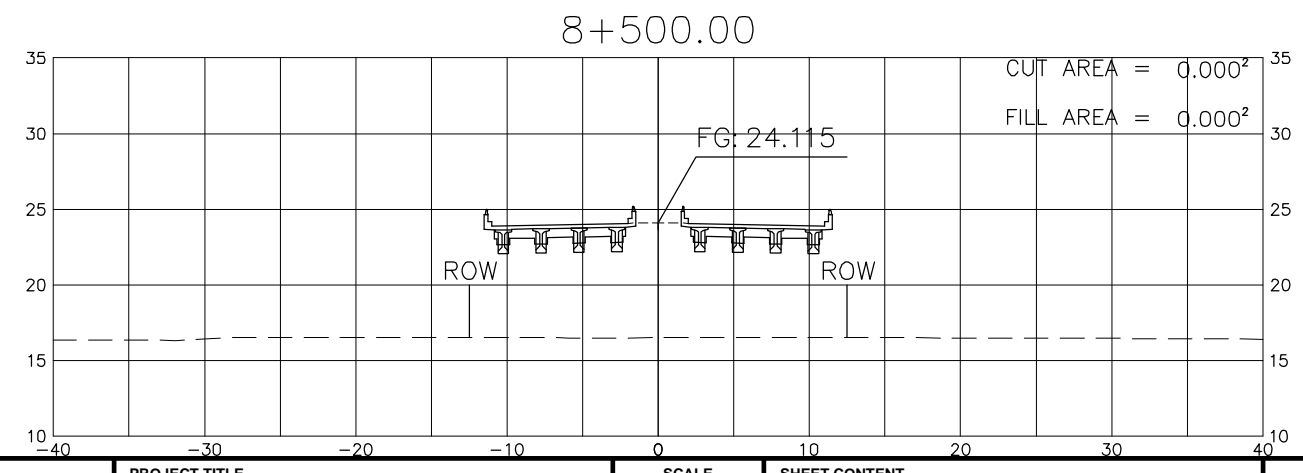
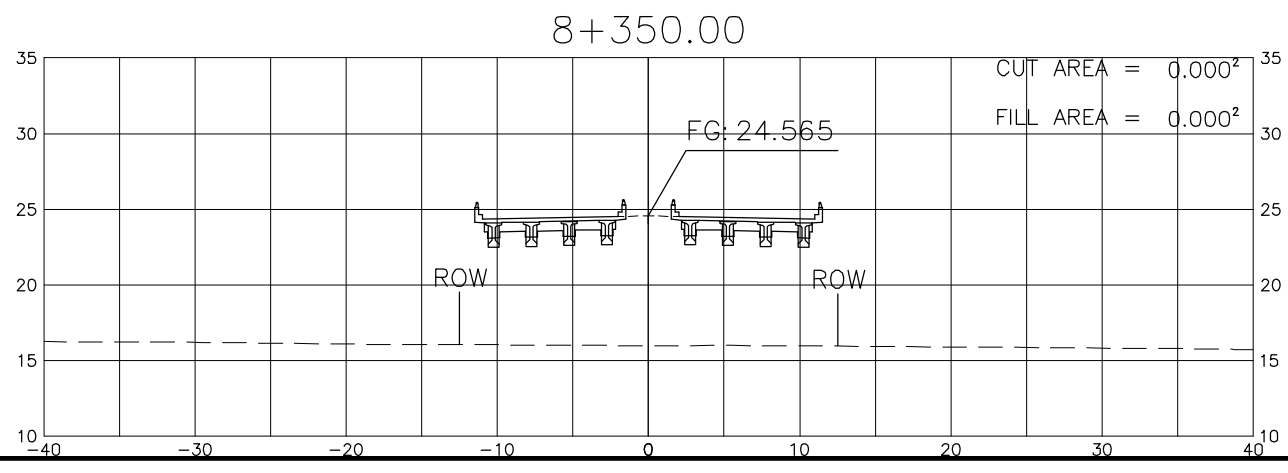
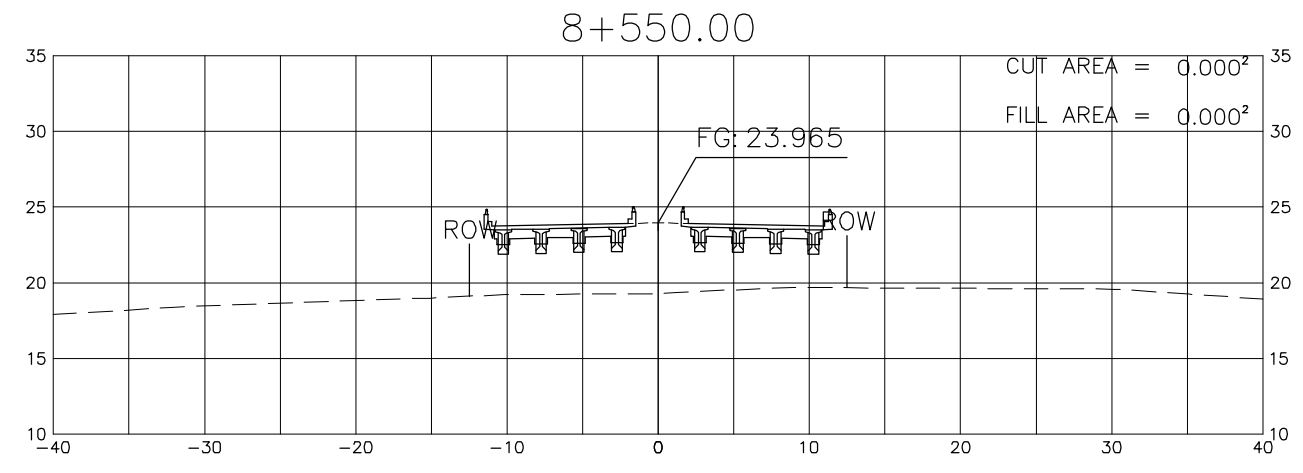
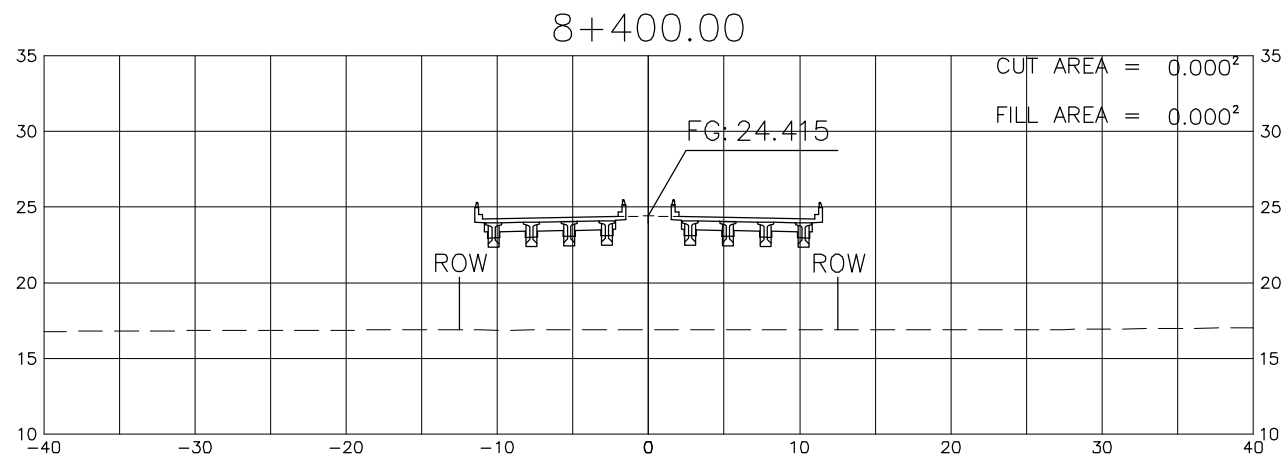
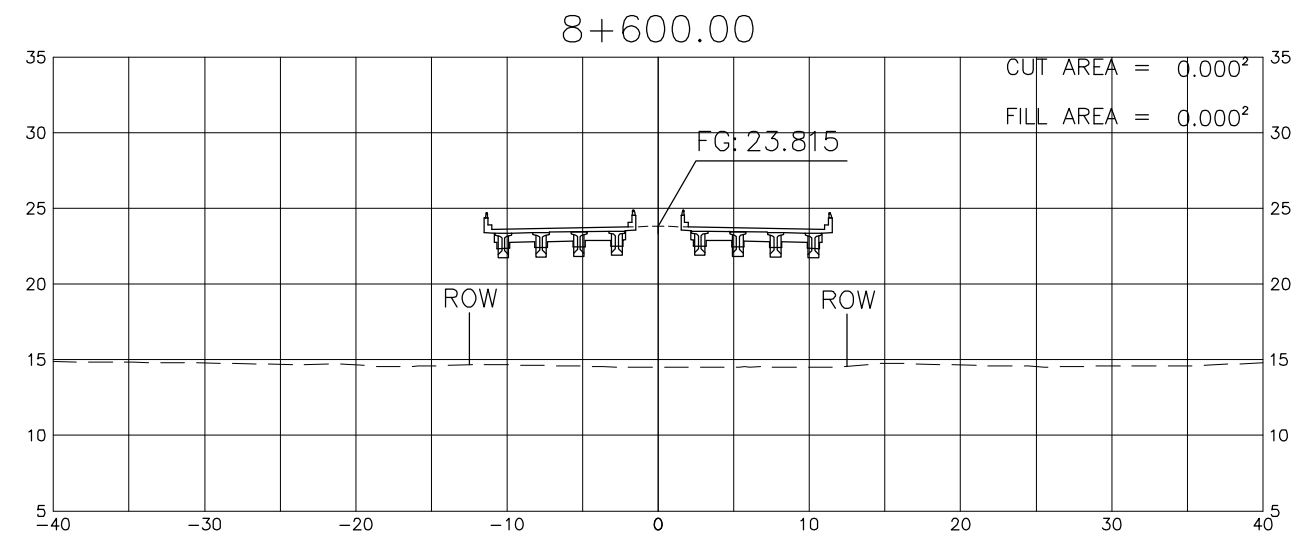
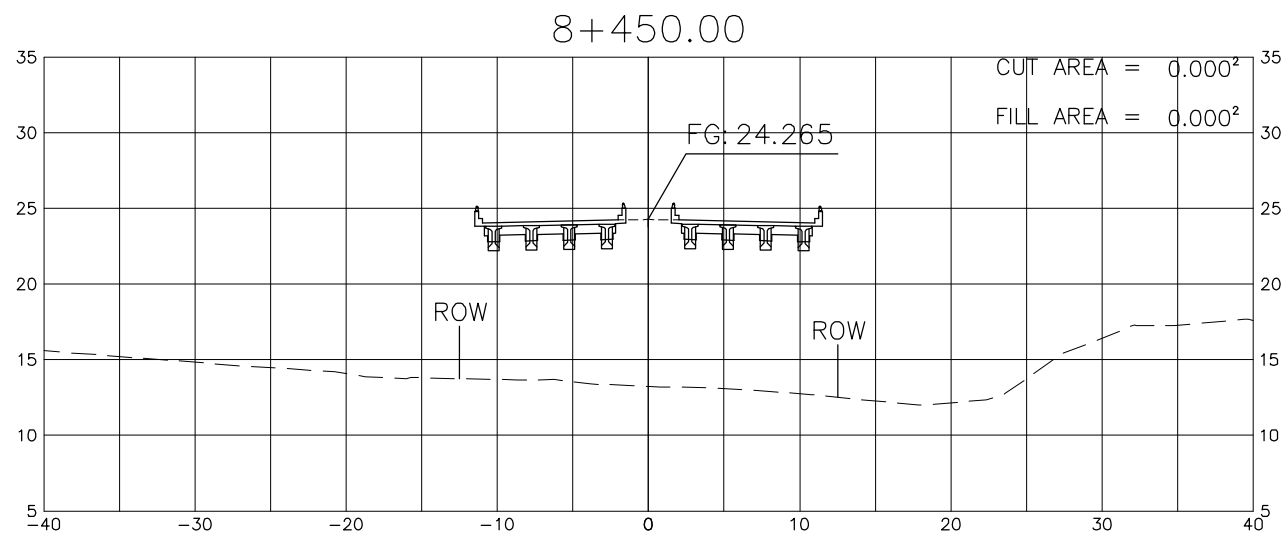




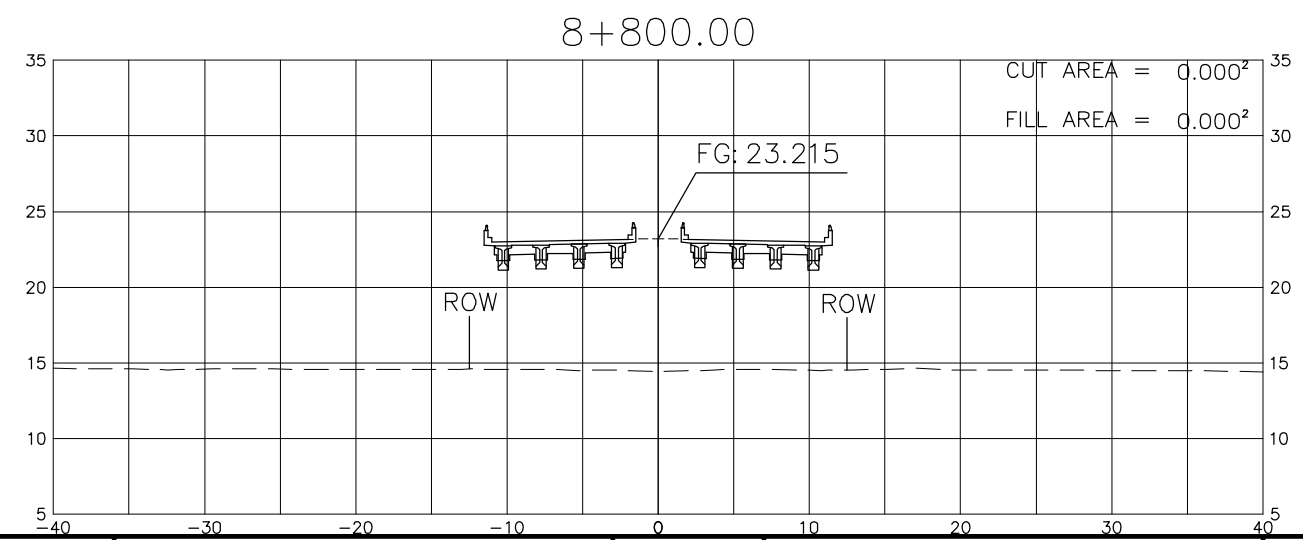
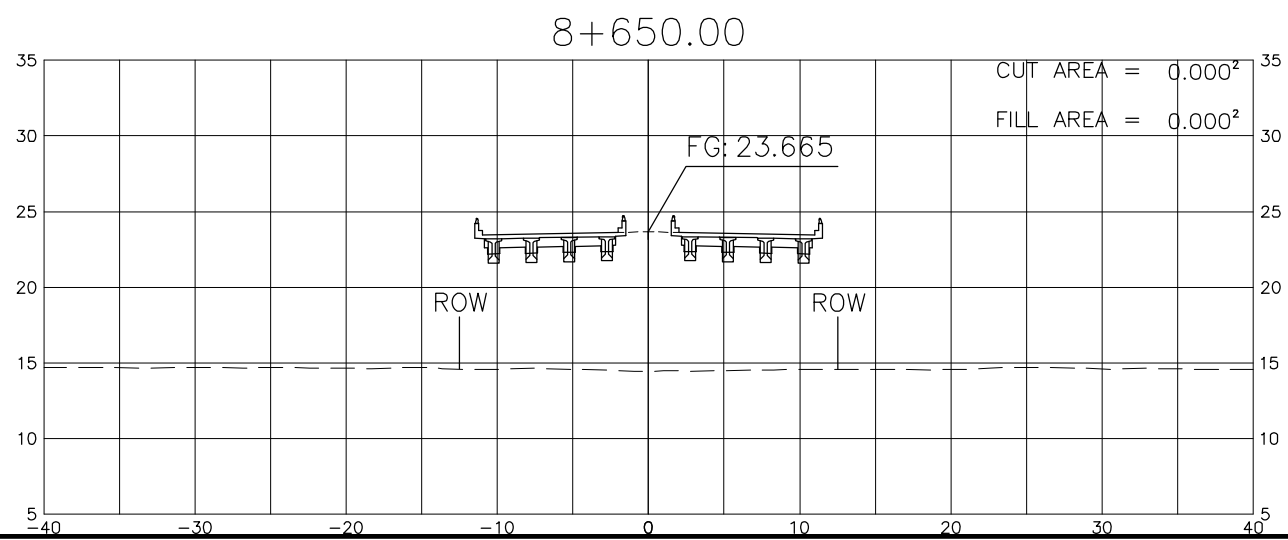
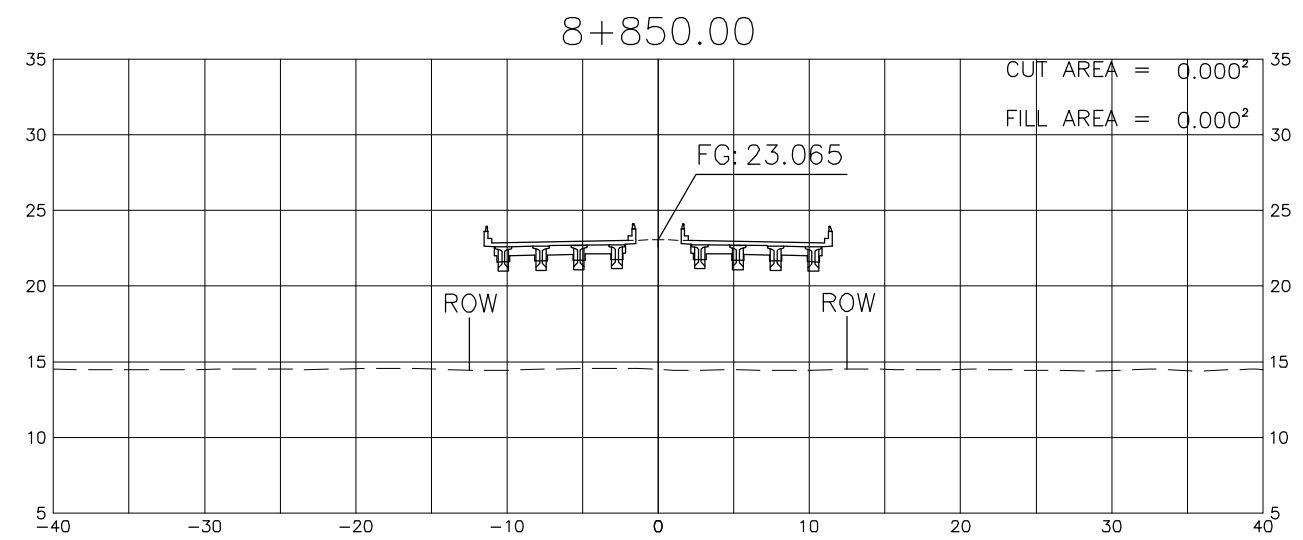
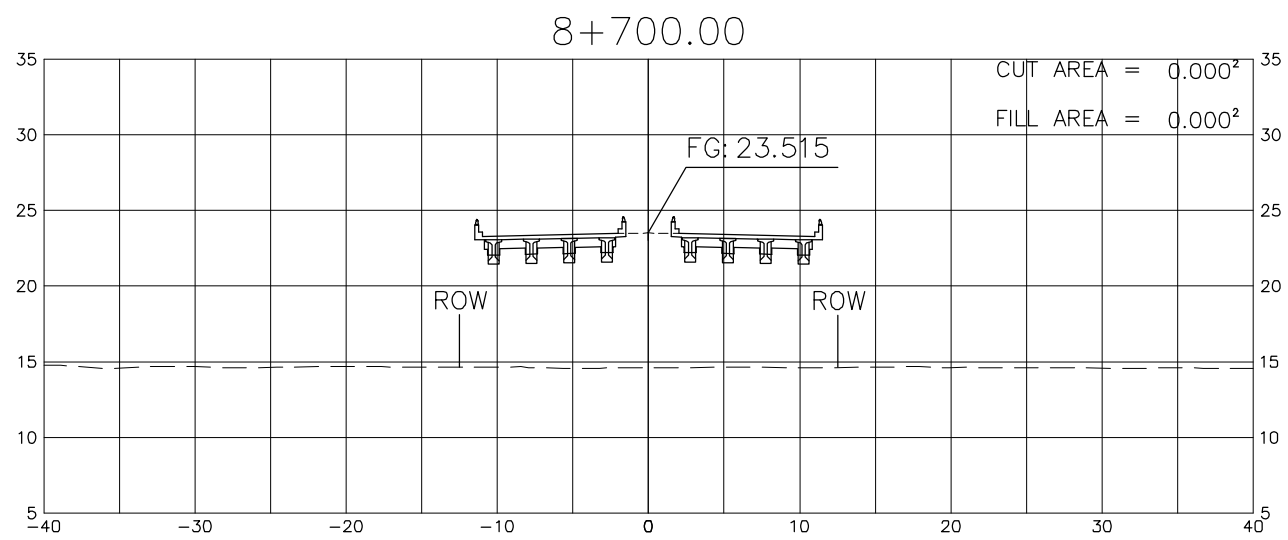
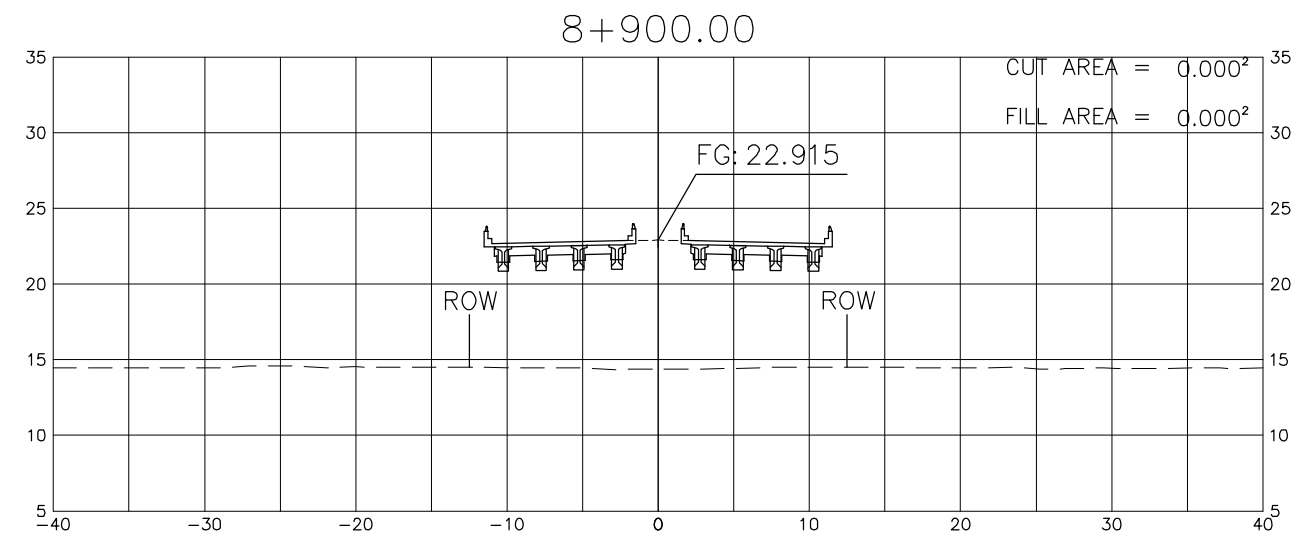
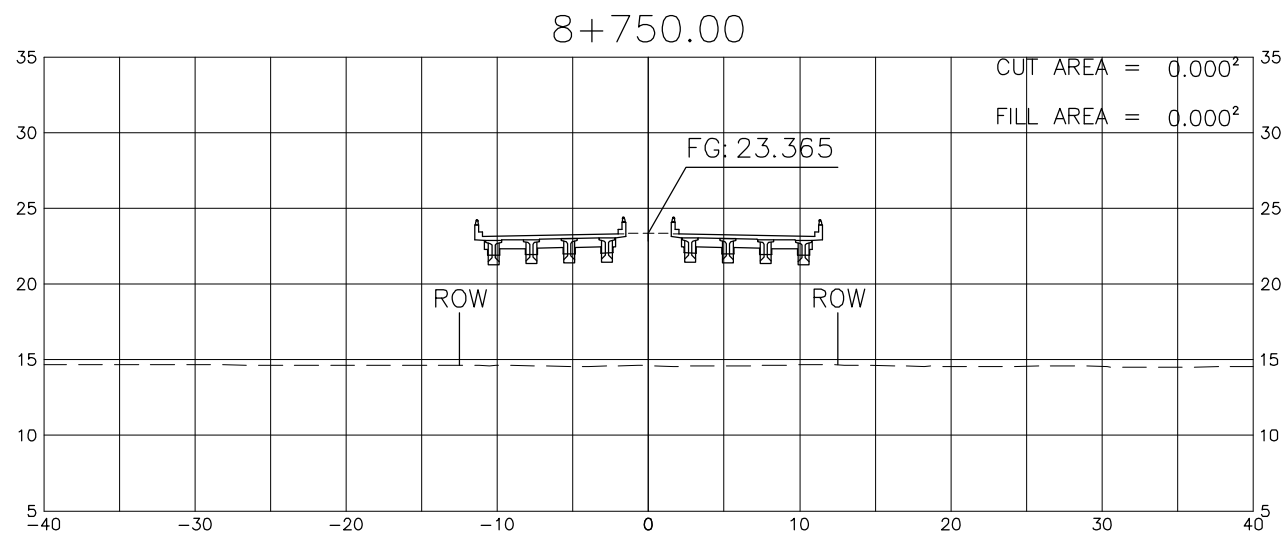
PROJECT TITLE	SCALE	SHEET CONTENT	DRAWING NO.
Preparatory survey for expressway project in Mega Manila Region CLLEX ( TARLAC - CABANATUAN )	A1 = 1:250 A3 = 1:500	CROSS SECTION ( ULTIMATE 4 LANE ) STA 7+750 TO STA 8+800	K-25
			SHEET NO.
			25 OF 90



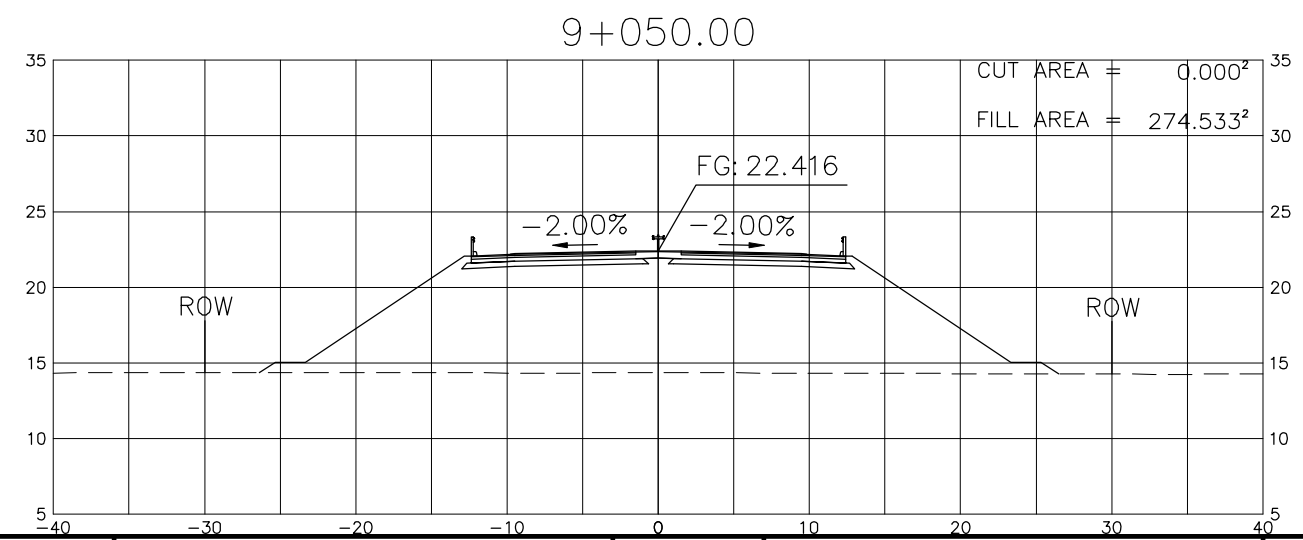
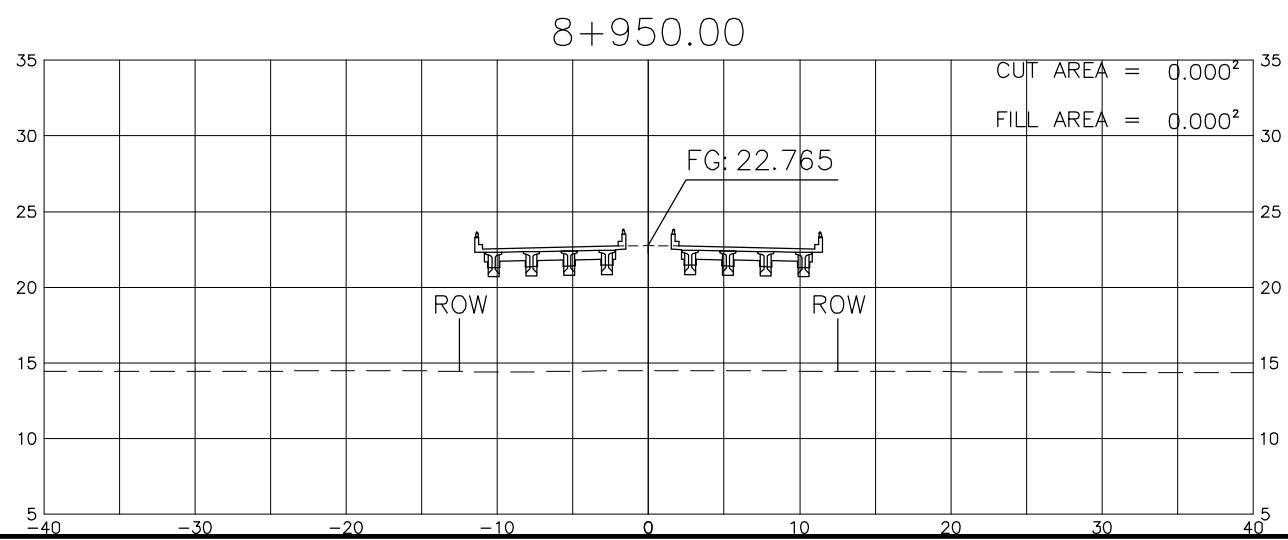
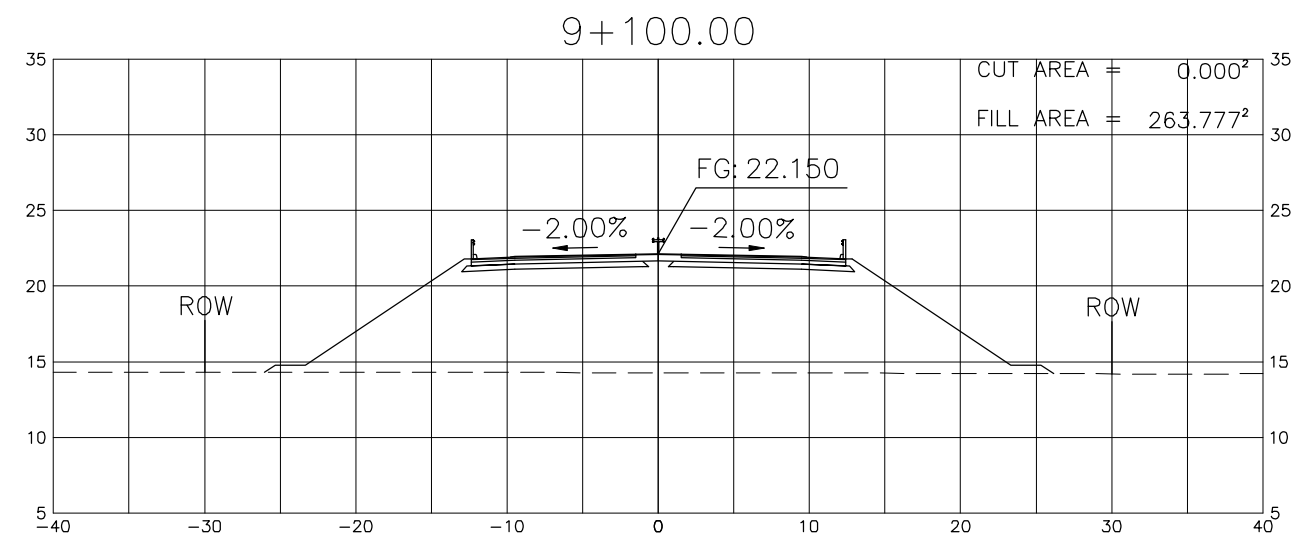
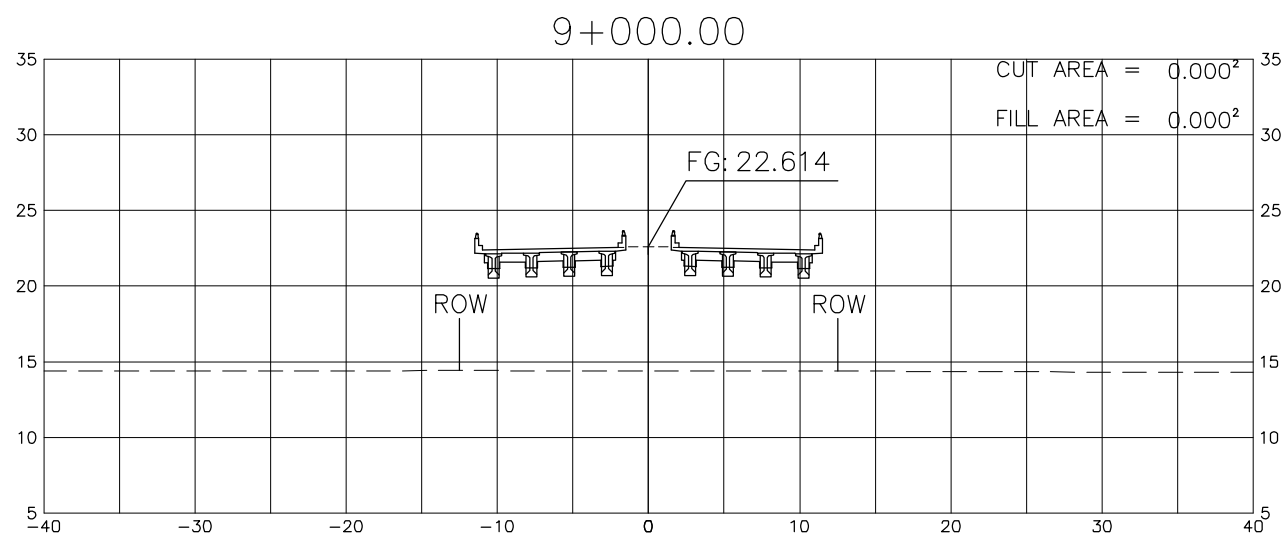
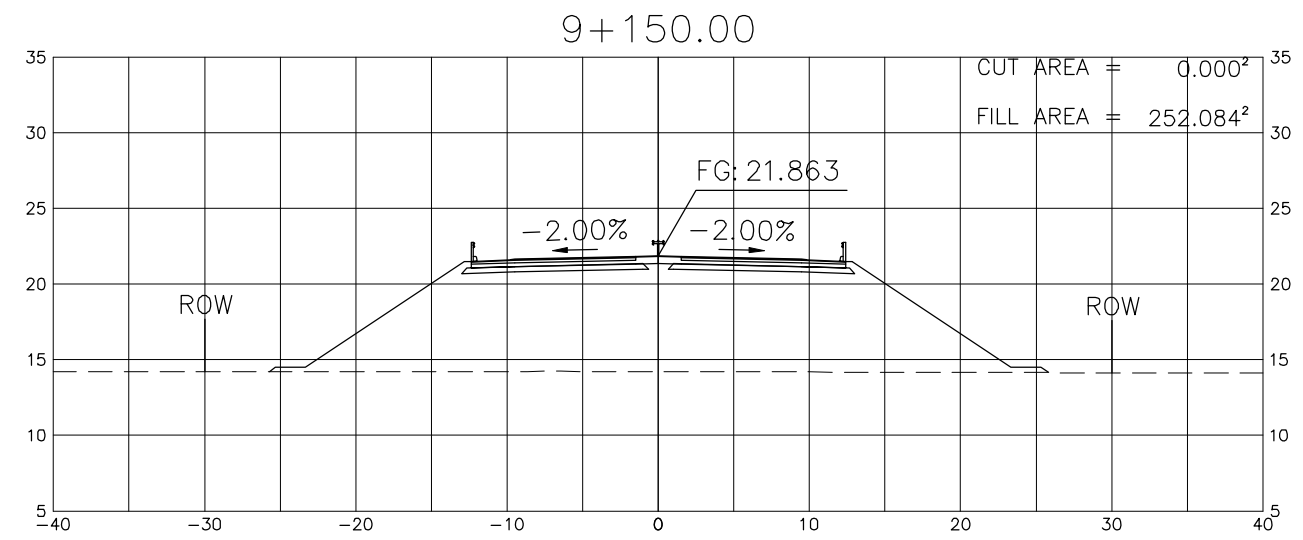
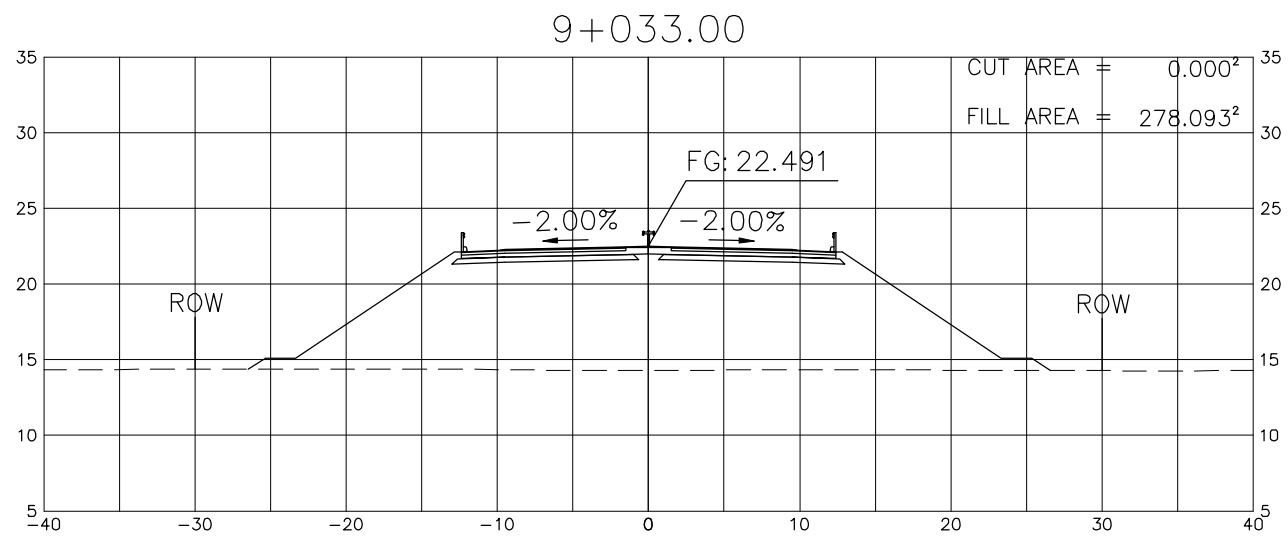
PROJECT TITLE	SCALE	SHEET CONTENT	DRAWING NO.
Preparatory survey for expressway project in Mega Manila Region CLLEX ( TARLAC - CABANATUAN )	A1 = 1:250 A3 = 1:500	CROSS SECTION ( ULTIMATE 4 LANE ) STA 8+050 TO STA 8+300	K-26
			SHEET NO.
			26 OF 90



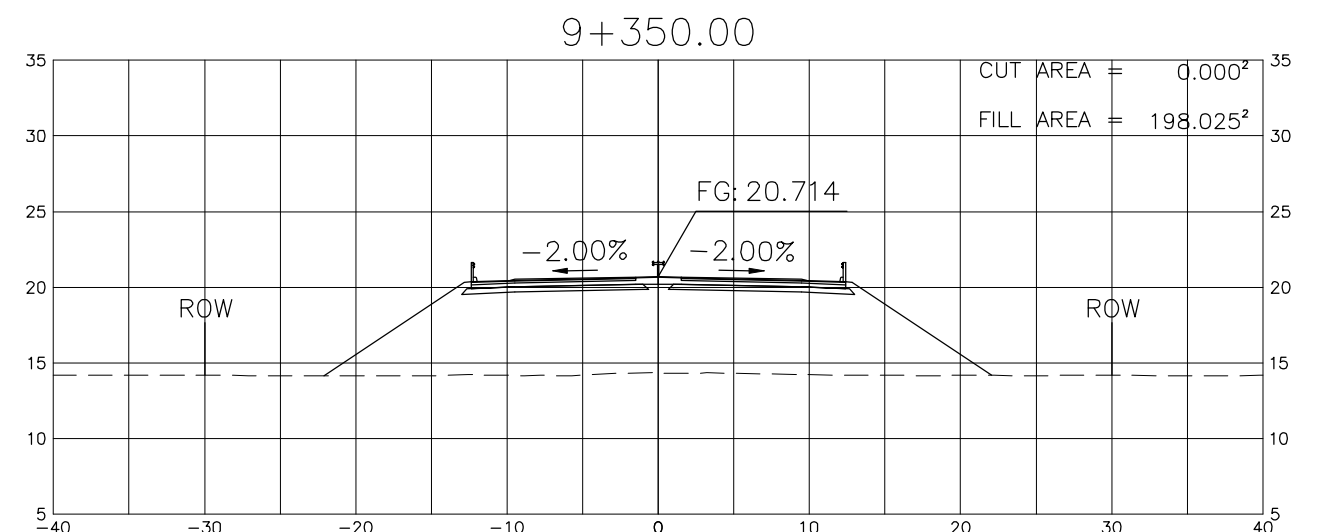
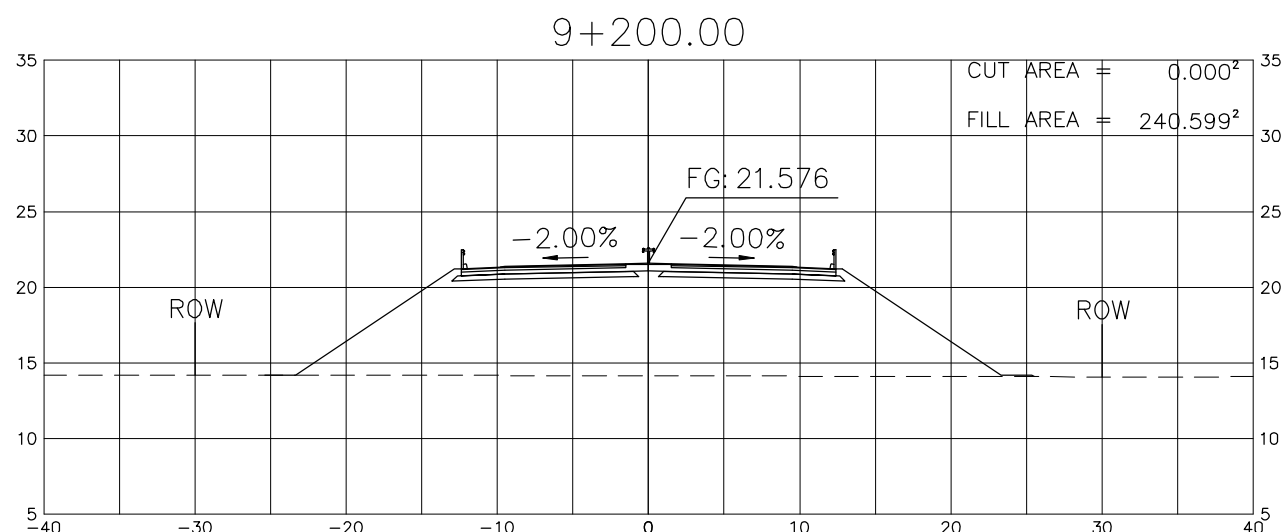
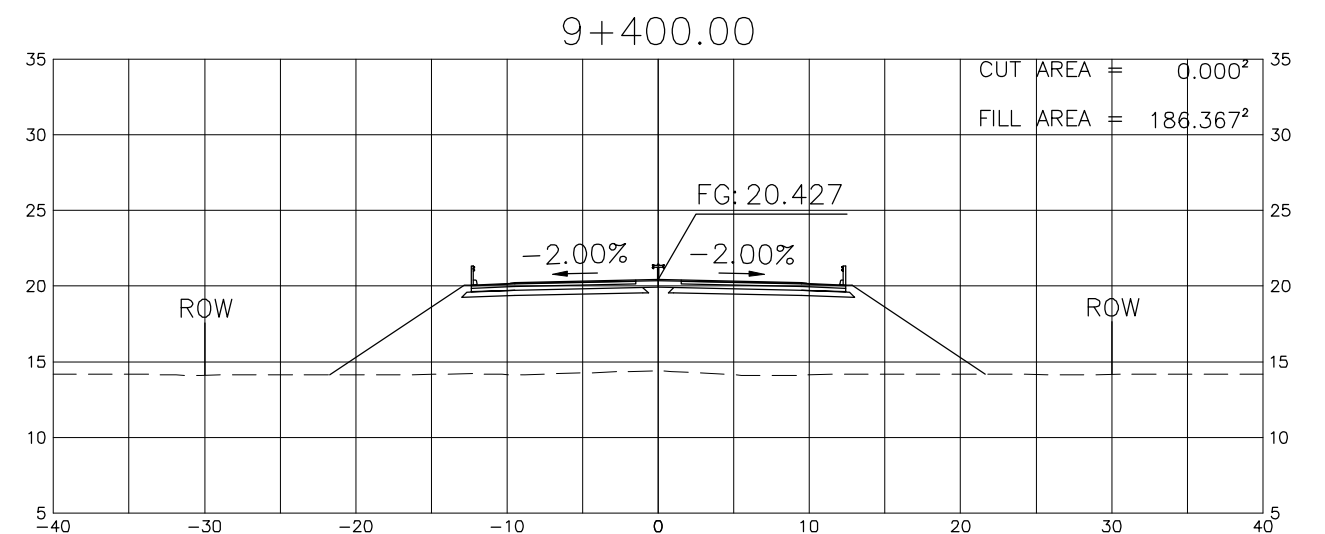
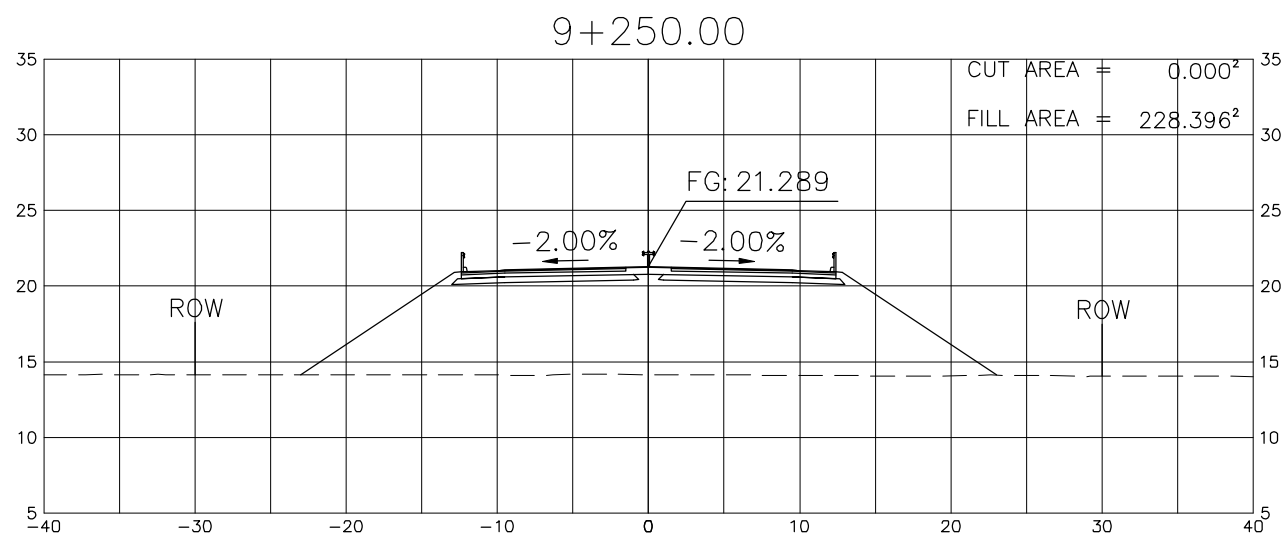
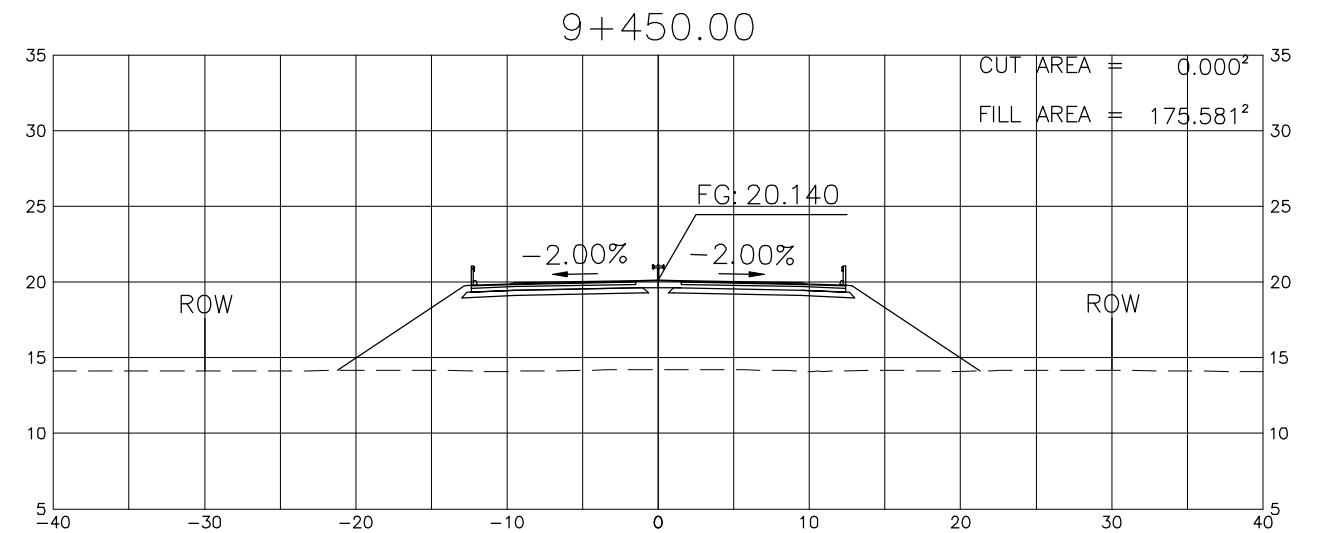
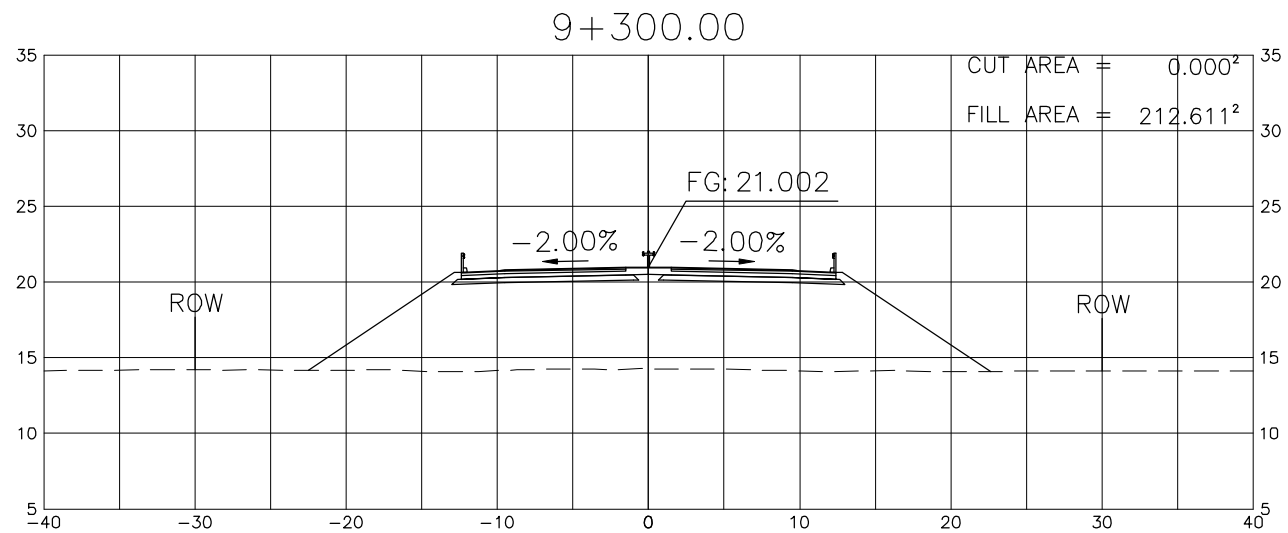
PROJECT TITLE	SCALE	SHEET CONTENT	DRAWING NO.
Preparatory survey for expressway project in Mega Manila Region CLLEX ( TARLAC - CABANATUAN )	A1 = 1:250 A3 = 1:500	CROSS SECTION ( ULTIMATE 4 LANE ) STA 8+350 TO STA 8+600	K-27
			SHEET NO.
			27 OF 90



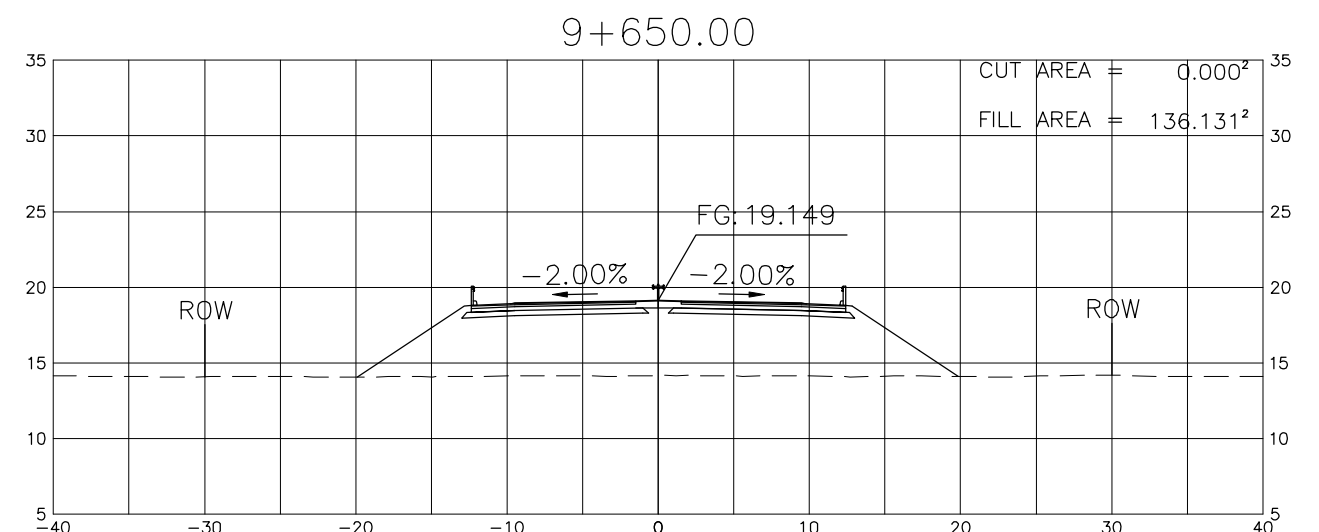
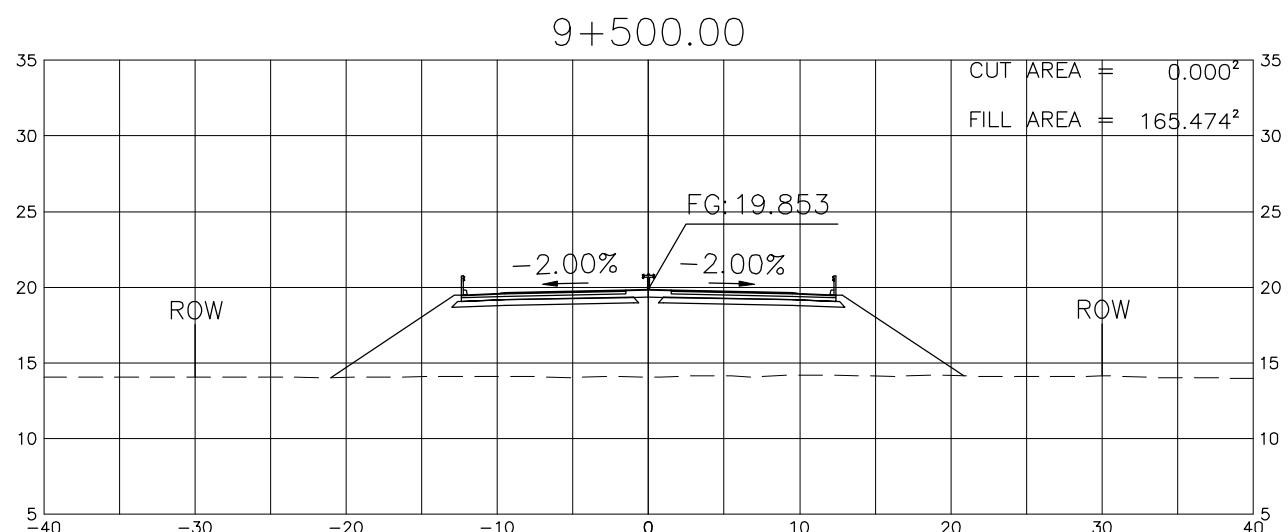
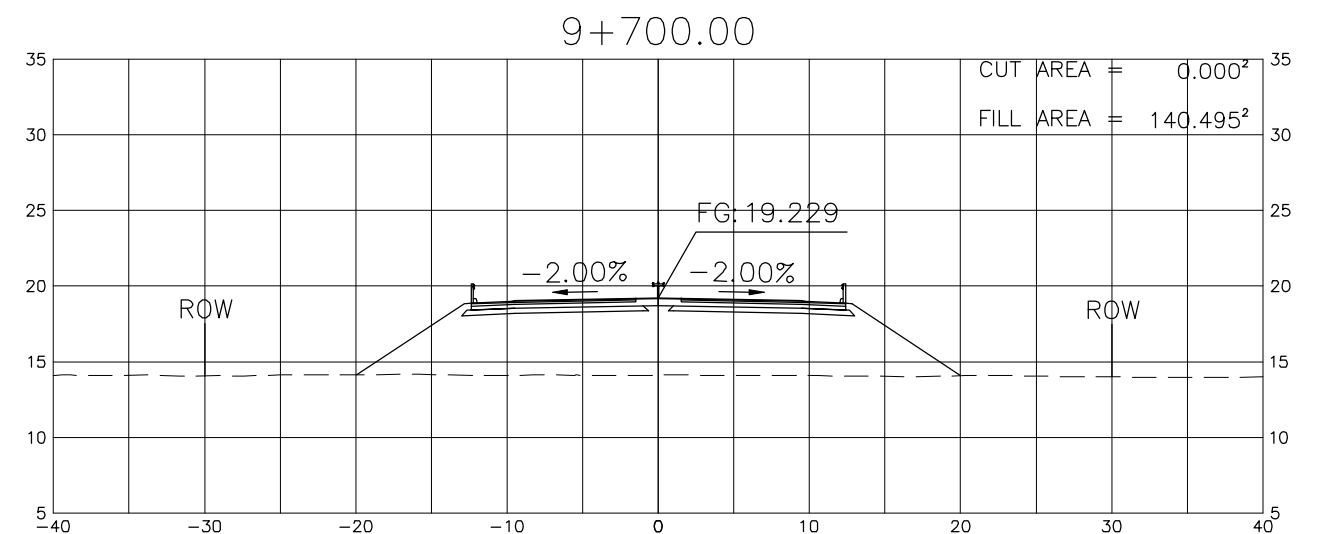
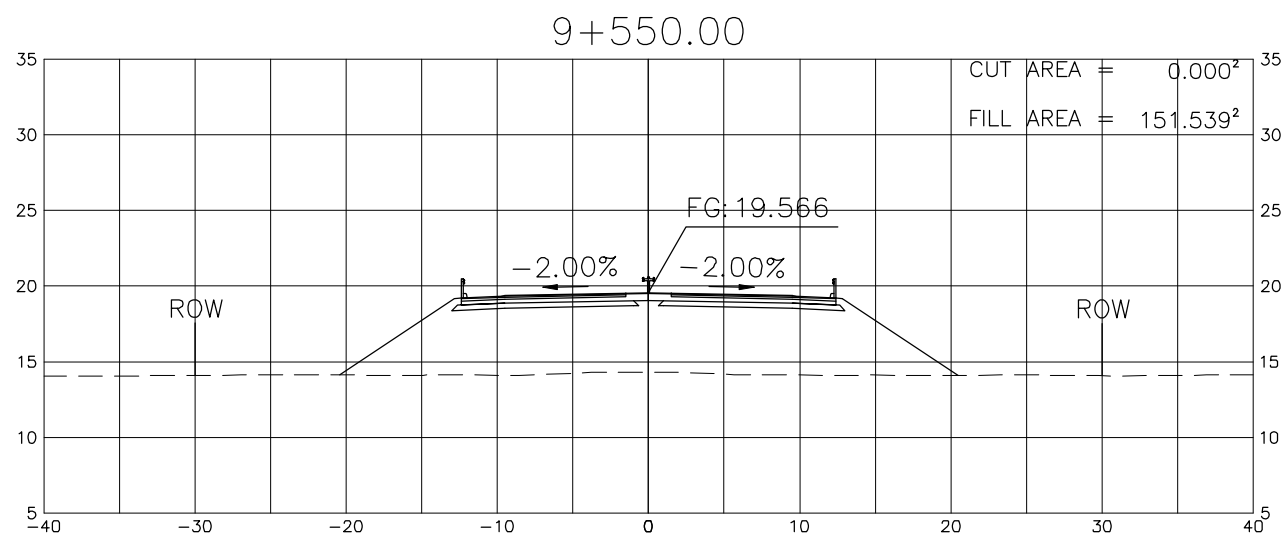
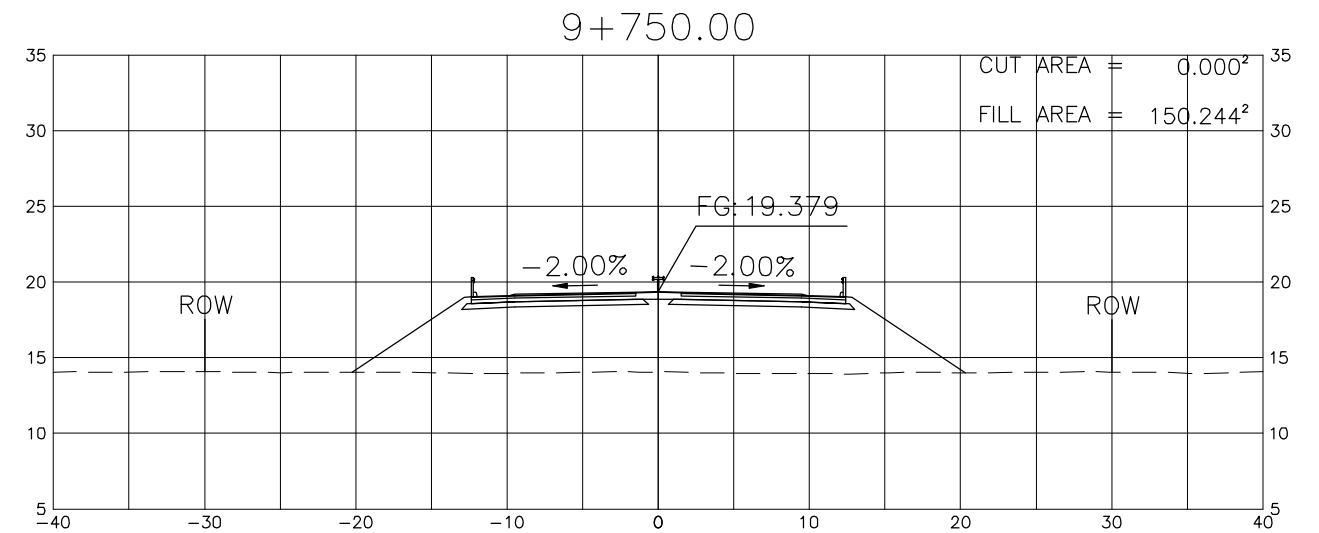
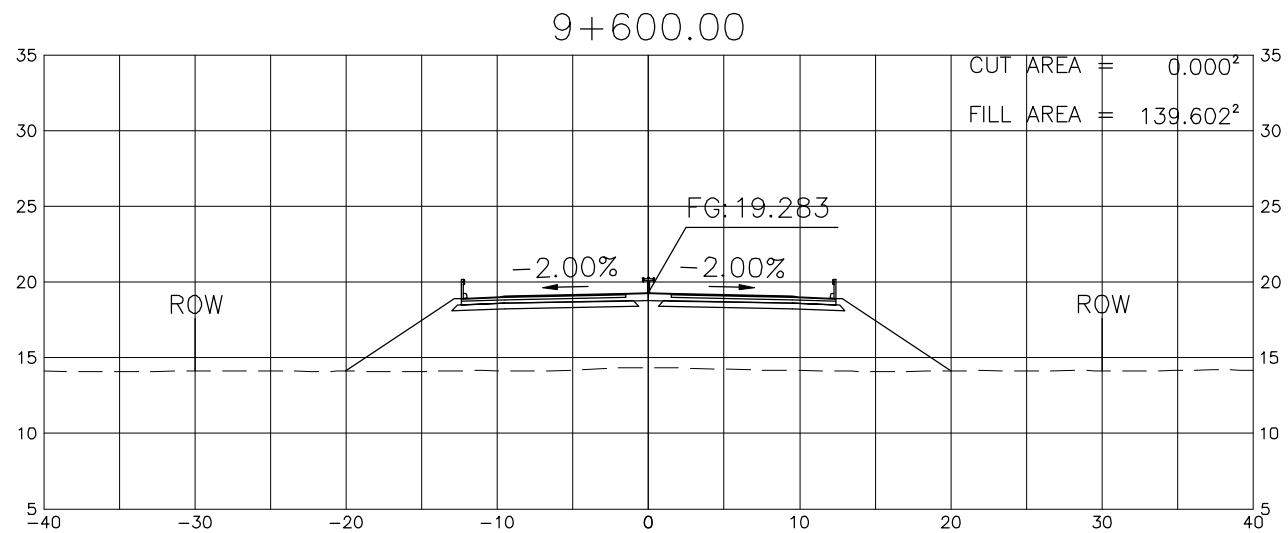
PROJECT TITLE	SCALE	SHEET CONTENT	DRAWING NO.
Preparatory survey for expressway project in Mega Manila Region CLLEX ( TARLAC - CABANATUAN )	A1 = 1:250 A3 = 1:500	CROSS SECTION ( ULTIMATE 4 LANE ) STA 8+650 TO STA 8+900	K-28
			SHEET NO.
			28 OF 90



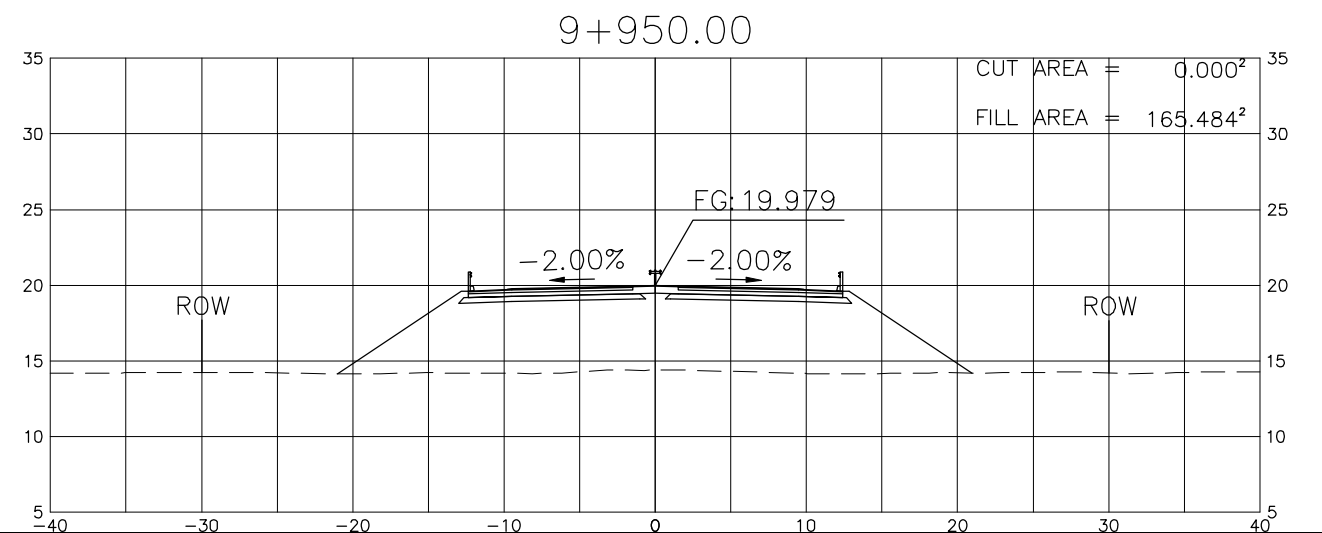
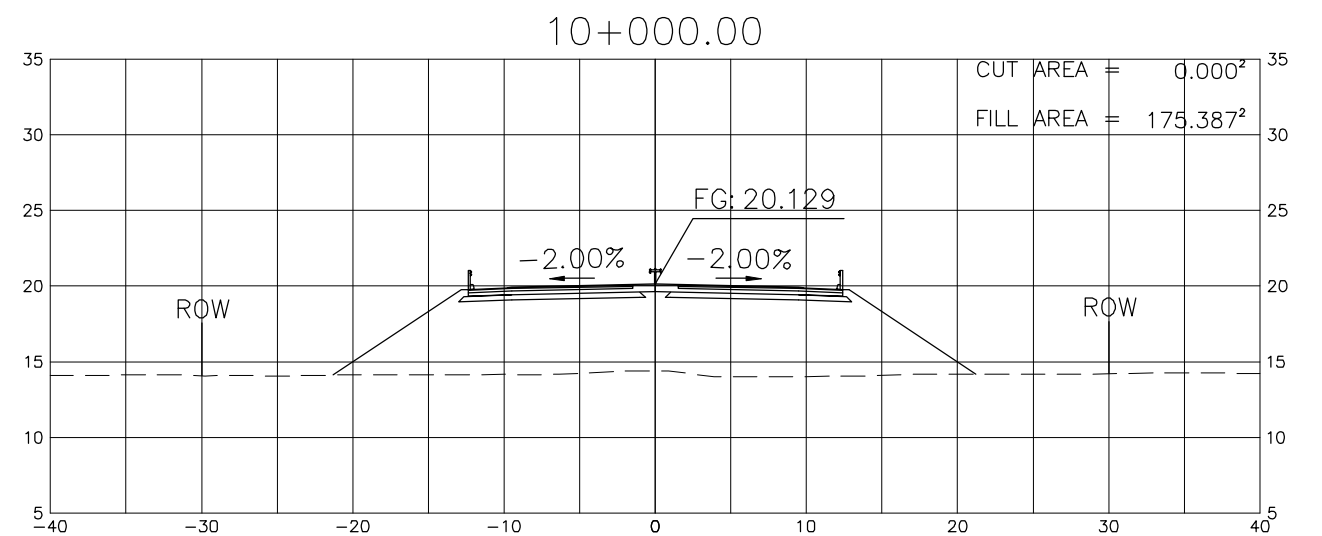
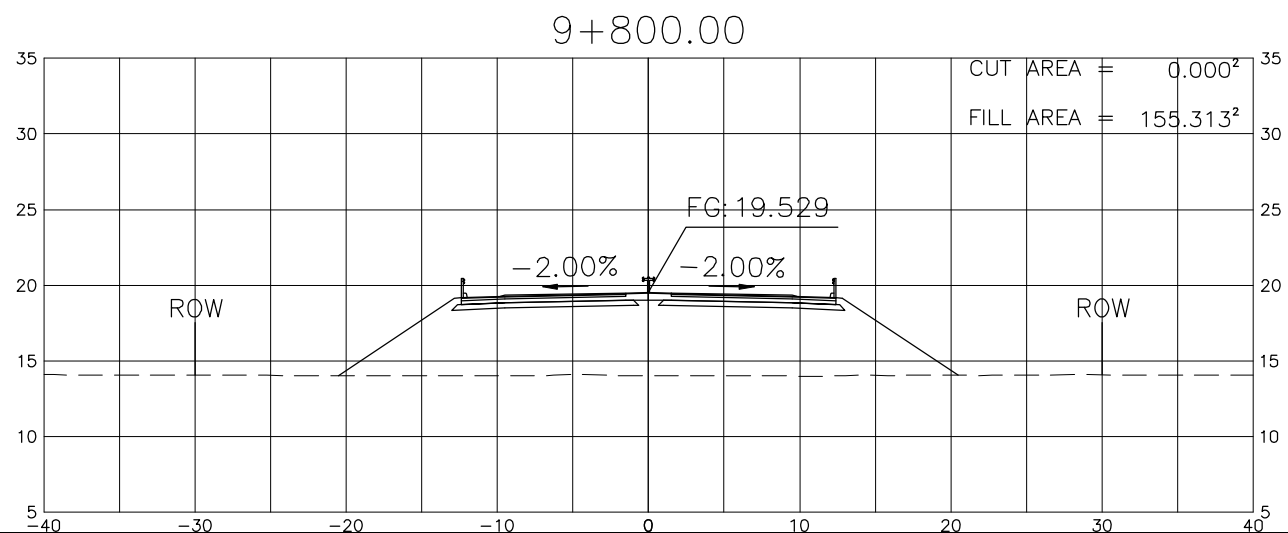
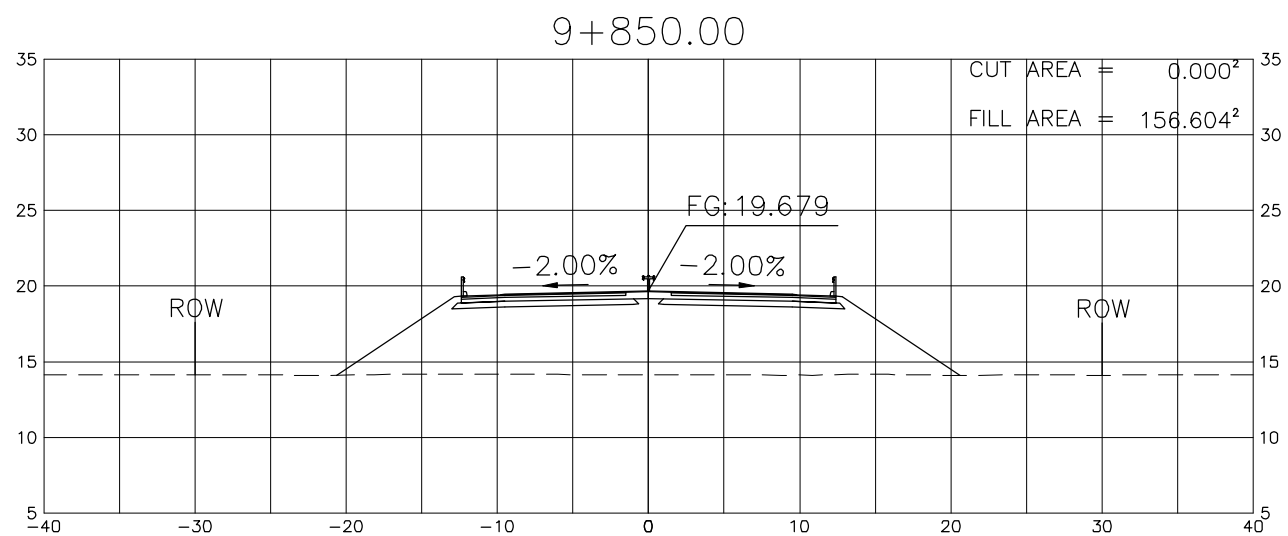
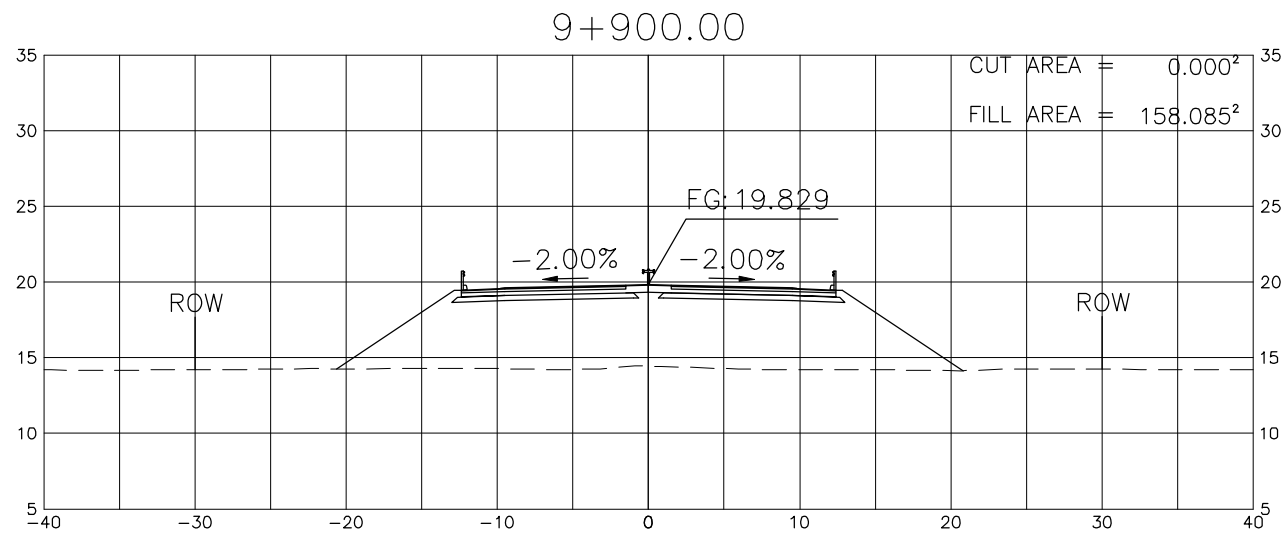
PROJECT TITLE	SCALE	SHEET CONTENT	DRAWING NO.
Preparatory survey for expressway project in Mega Manila Region CLLEX ( TARLAC - CABANATUAN )	A1 = 1:250 A3 = 1:500	CROSS SECTION (ULTIMATE 4 LANE) STA 8+950 TO STA 9+150	K-29
			SHEET NO.
			29 OF 90



PROJECT TITLE	SCALE	SHEET CONTENT	DRAWING NO.
Preparatory survey for expressway project in Mega Manila Region CLLEX ( TARLAC - CABANATUAN )	A1 = 1:250 A3 = 1:500	CROSS SECTION (ULTIMATE 4 LANE) STA 9+200 TO STA 9+450	K-30
			SHEET NO.
			30 OF 90

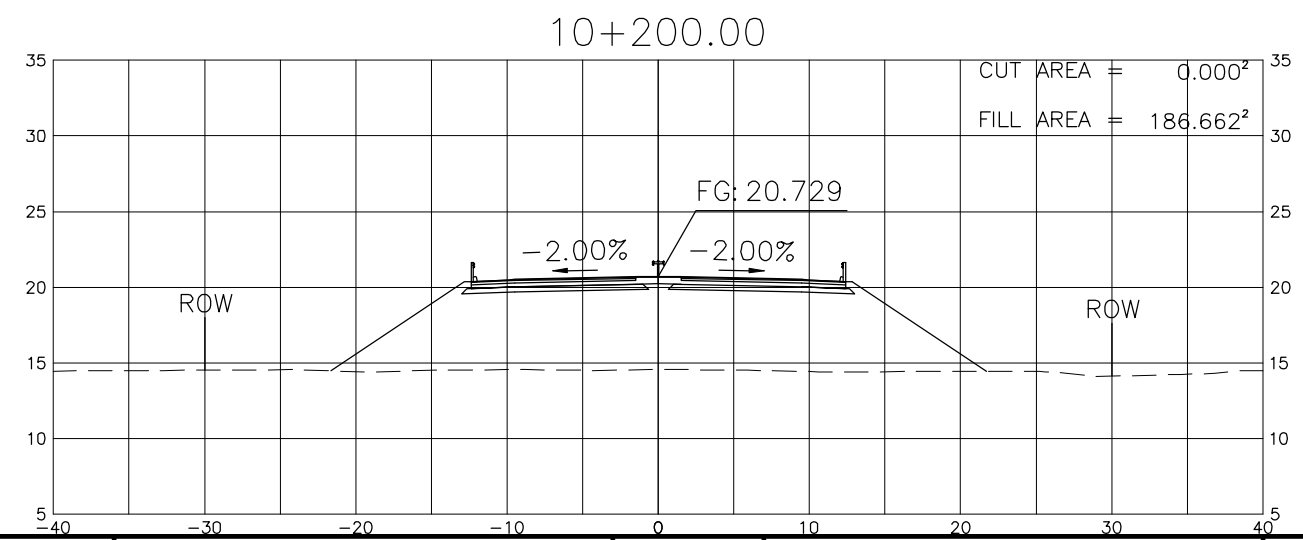
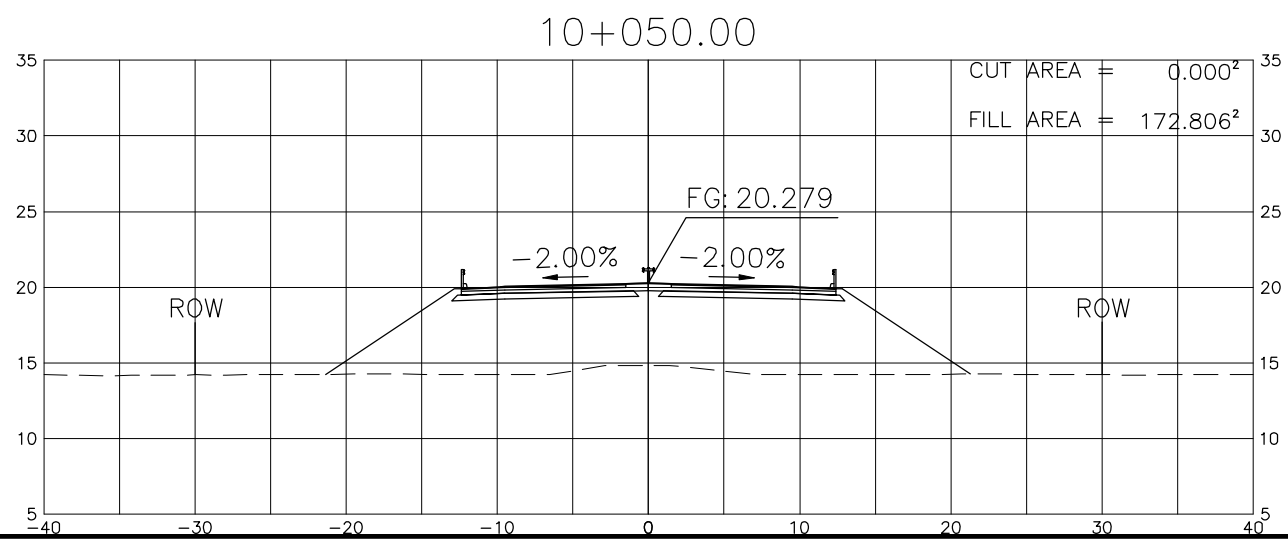
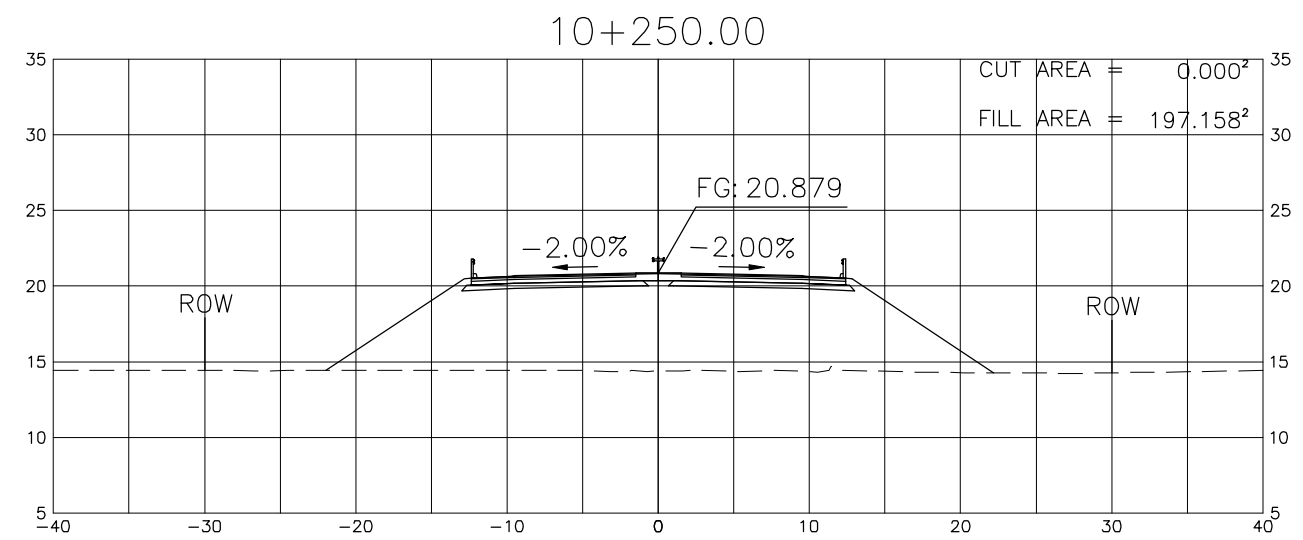
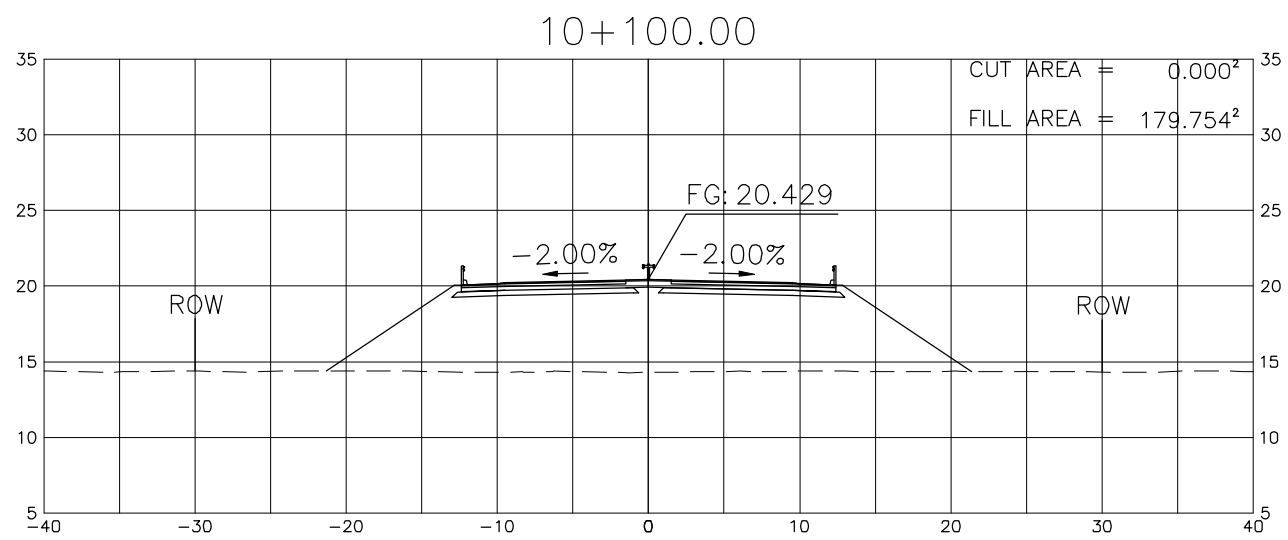
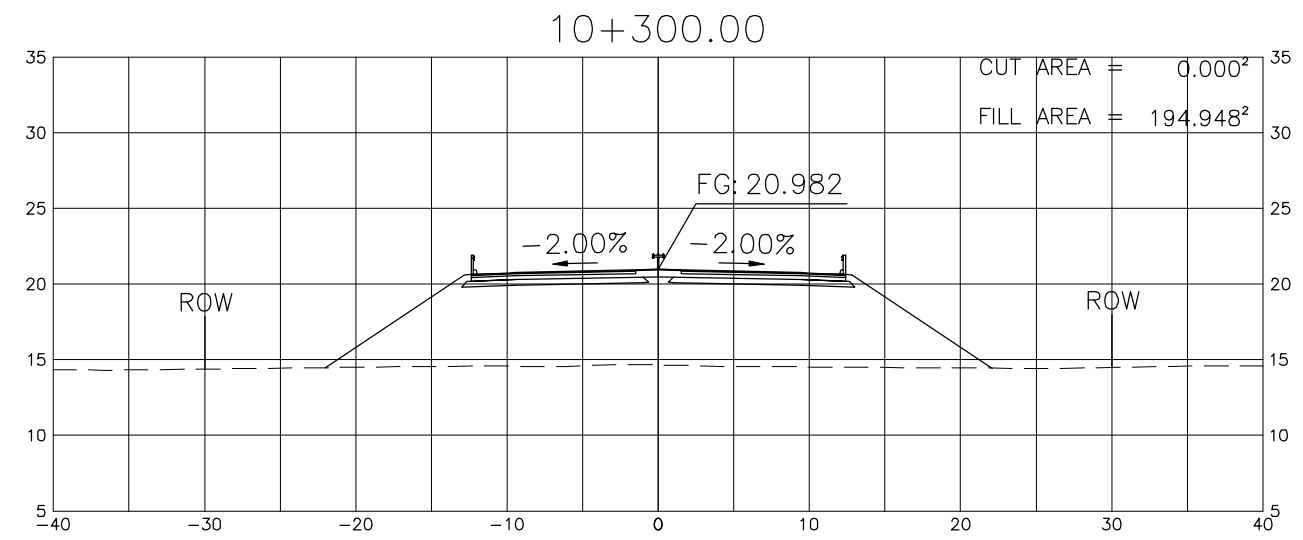
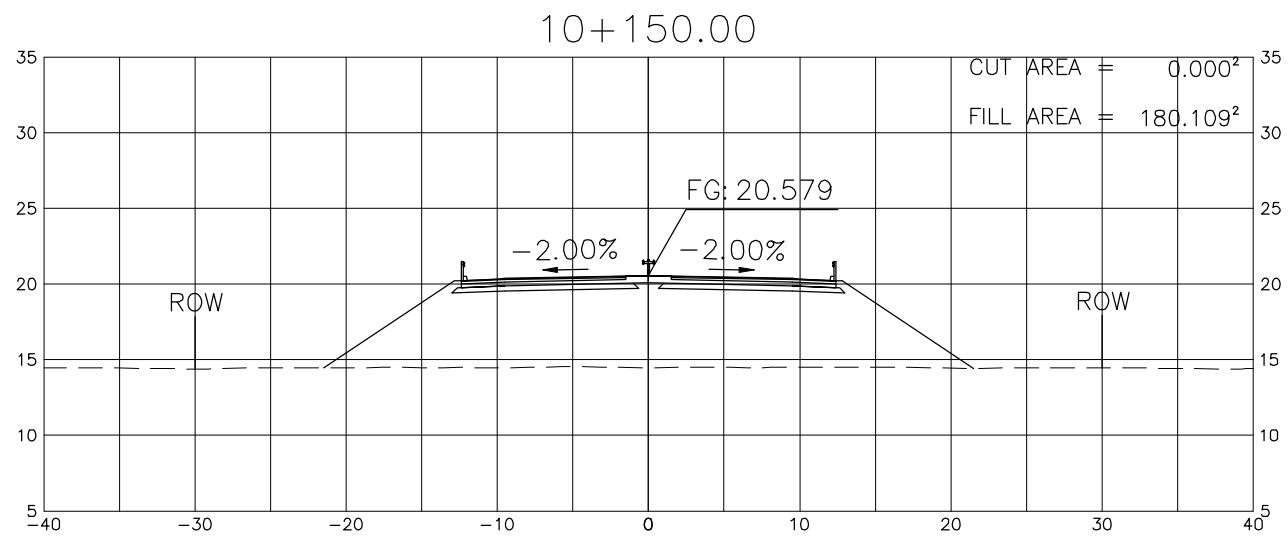


PROJECT TITLE	SCALE	SHEET CONTENT	DRAWING NO.
Preparatory survey for expressway project in Mega Manila Region CLLEX ( TARLAC - CABANATUAN )	A1 = 1:250 A3 = 1:500	CROSS SECTION ( ULTIMATE 4 LANE ) STA 9+500 TO STA 9+750	K-31
			SHEET NO.
			31 OF 90

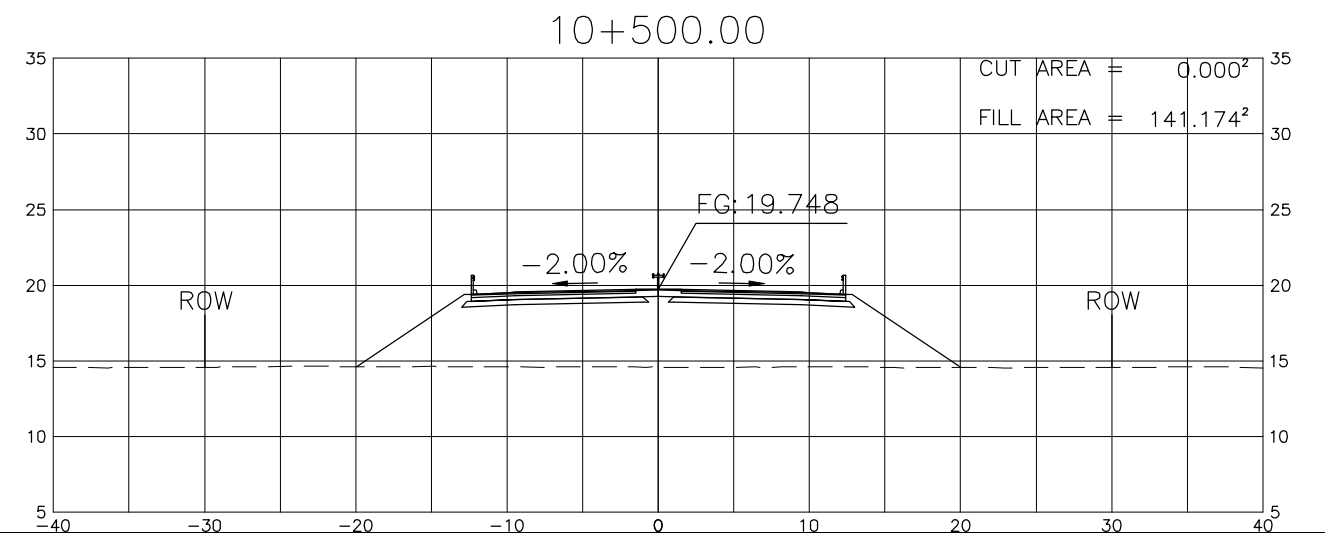
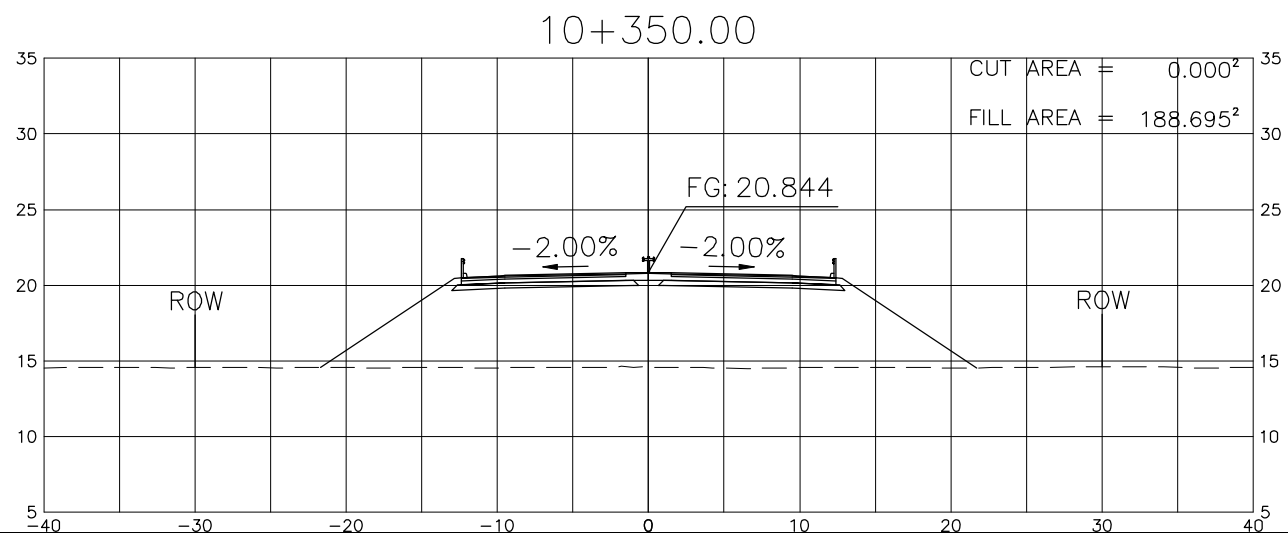
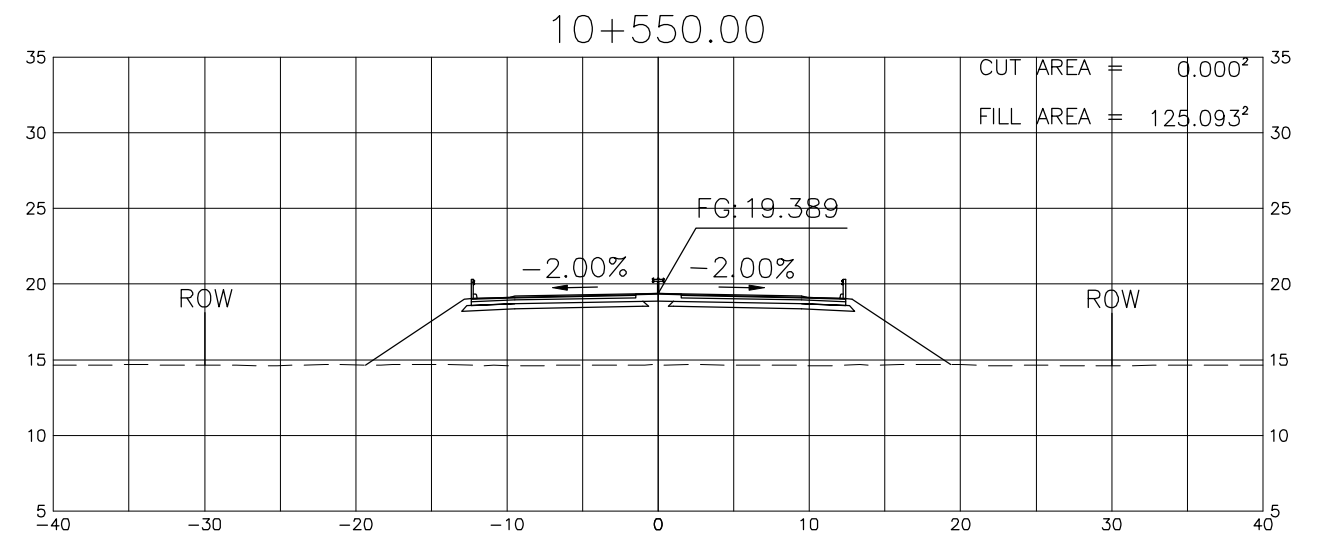
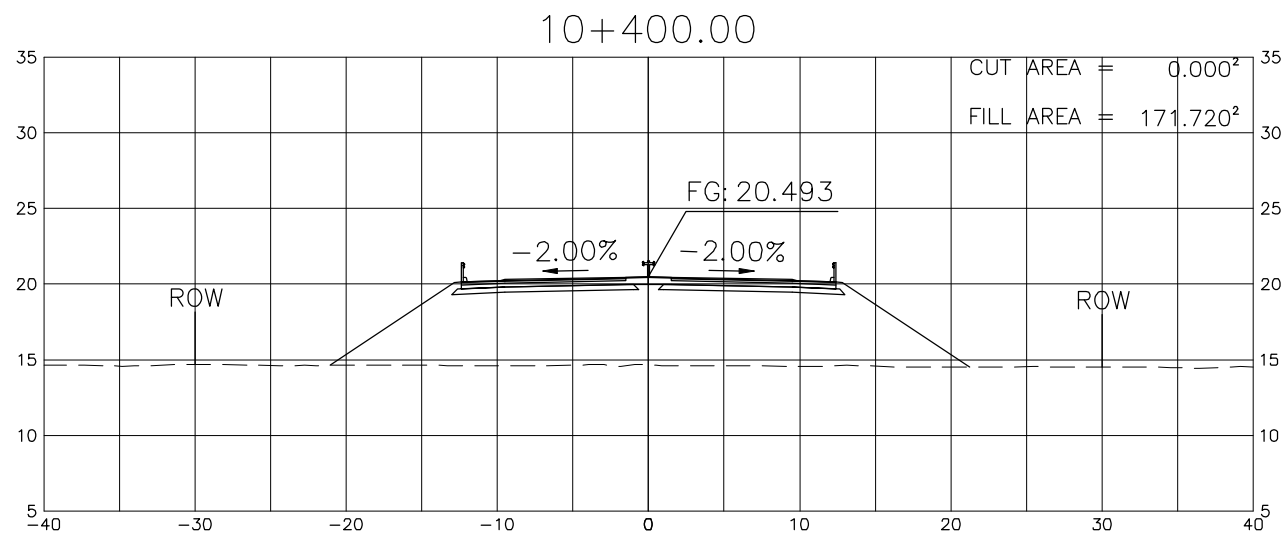
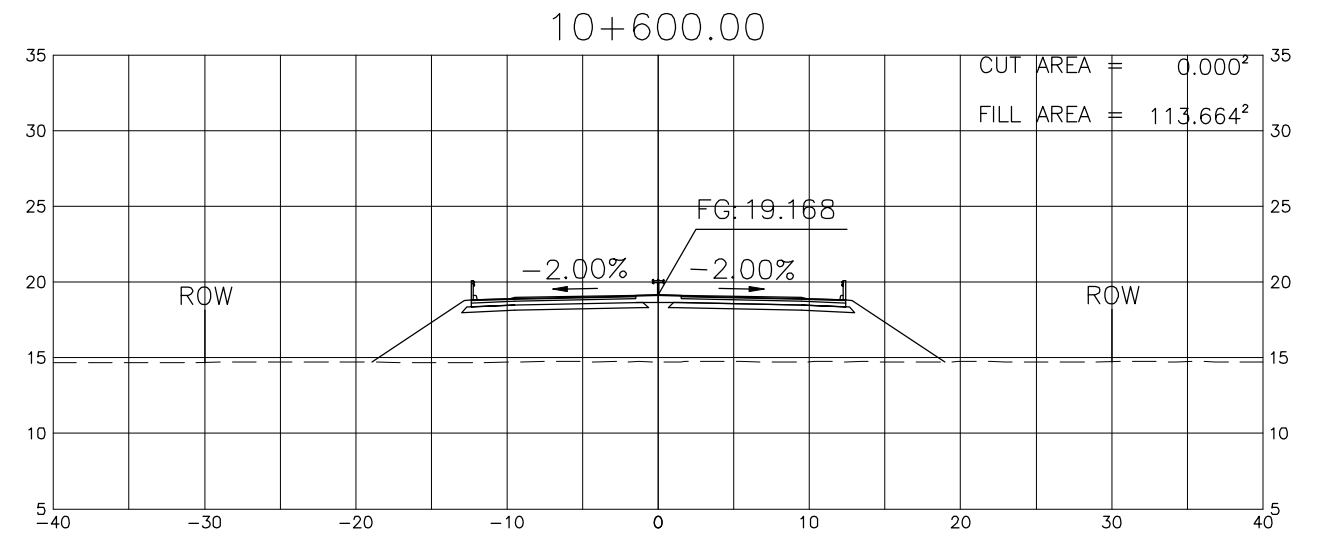
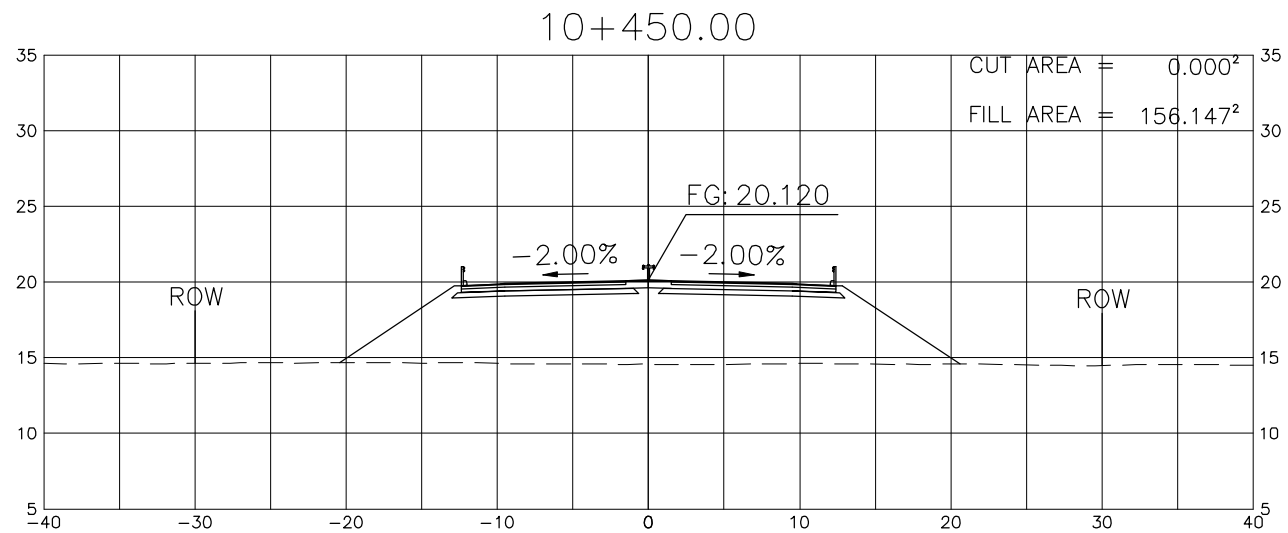


PROJECT TITLE	SCALE	SHEET CONTENT	DRAWING NO.
<b>Preparatory survey for expressway project in Mega Manila Region CLLEX ( TARLAC - CABANATUAN )</b>	A1 = 1:250 A3 = 1:500	<b>CROSS SECTION (ULTIMATE 4 LANE)</b> STA 9+800 TO STA 10+000	K-32
			SHEET NO.
			32 OF 90

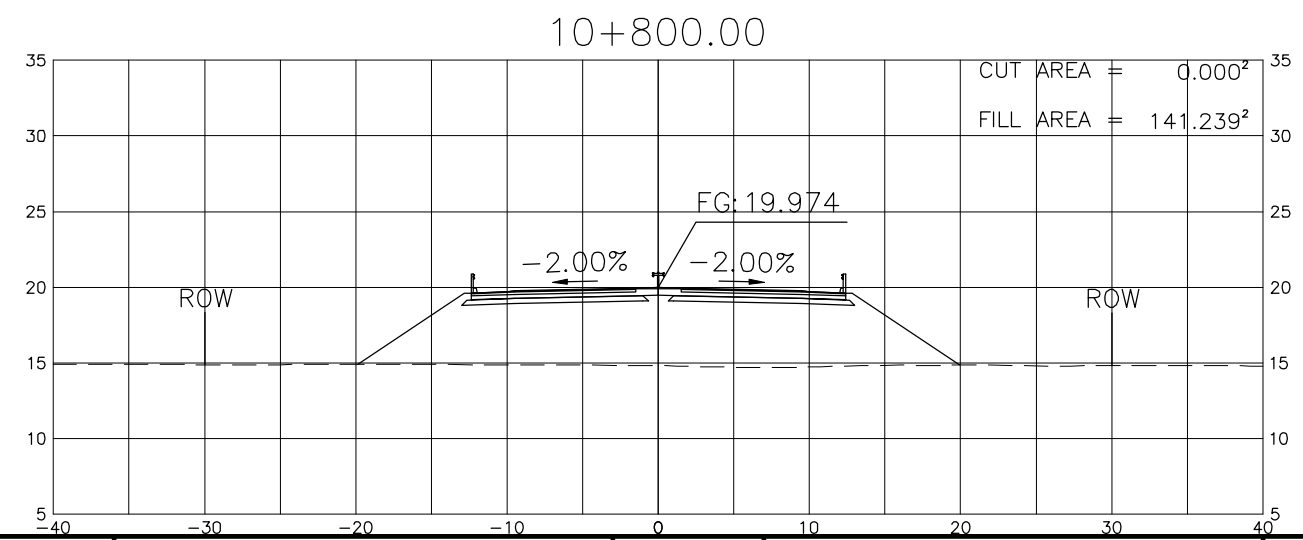
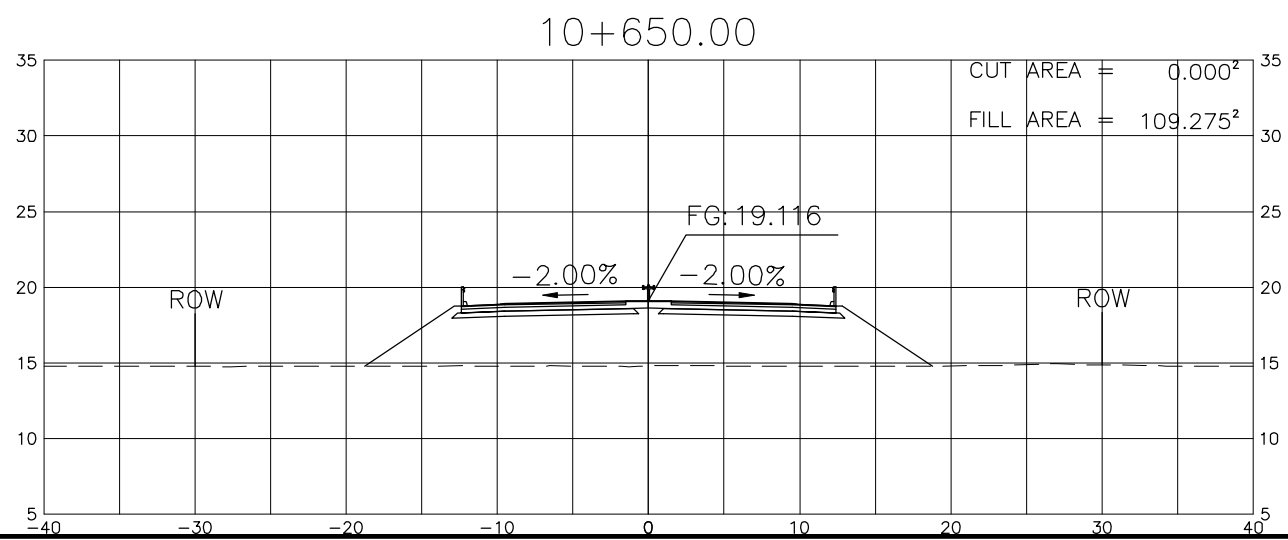
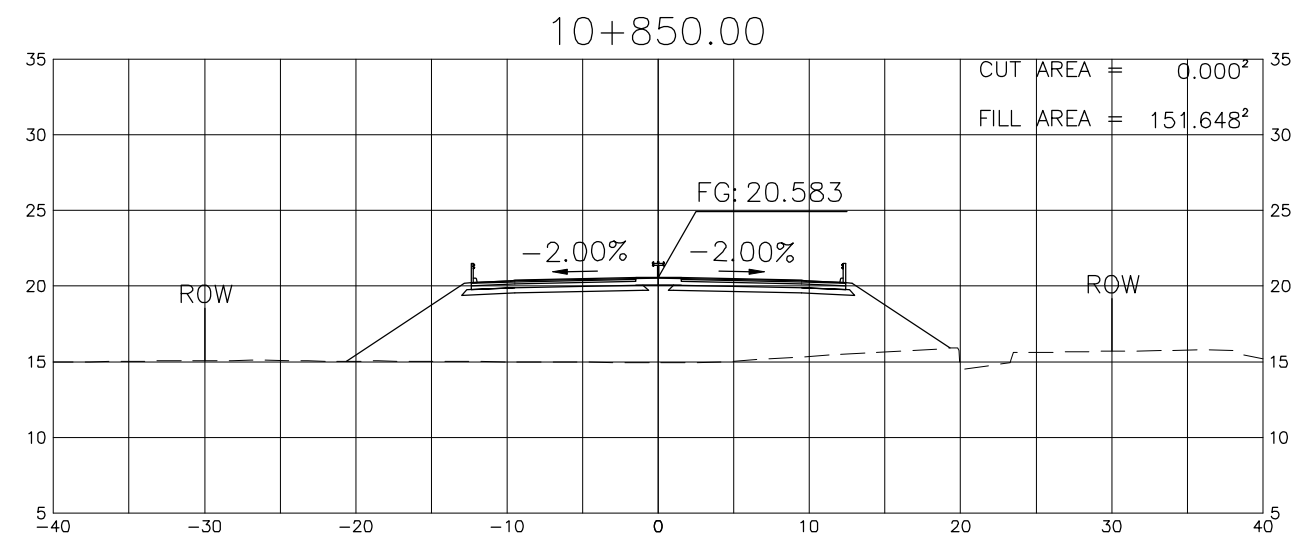
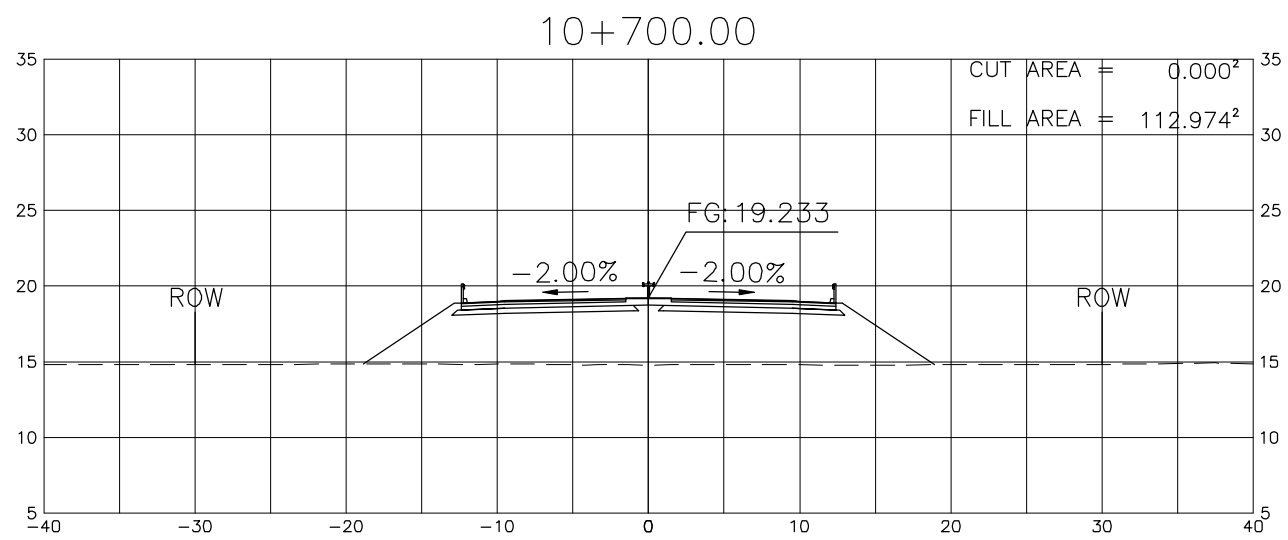
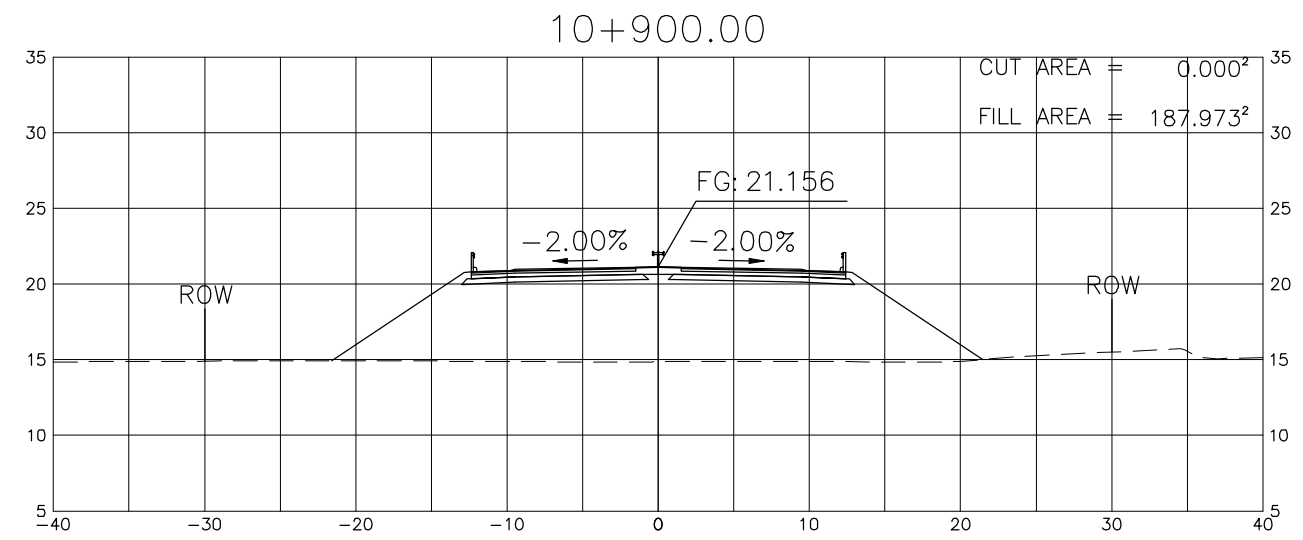
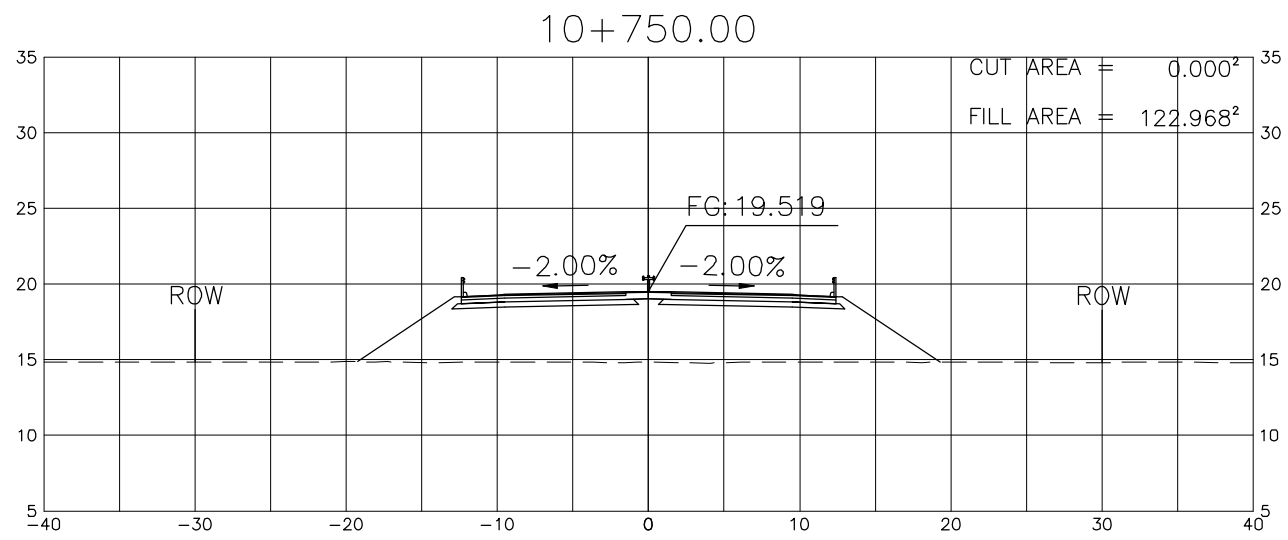




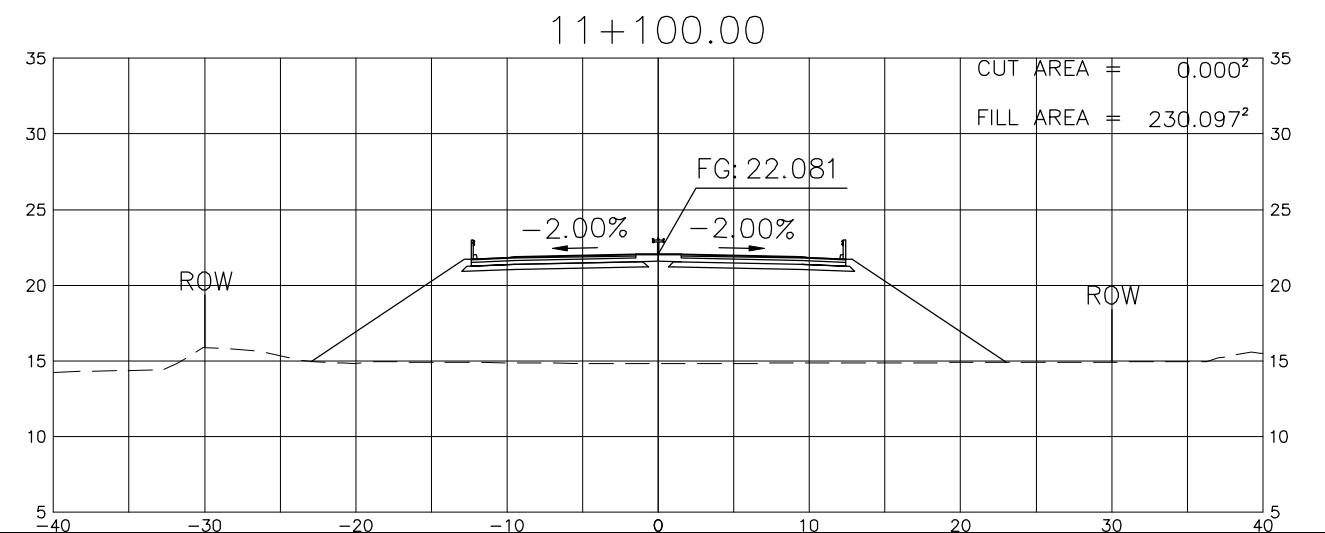
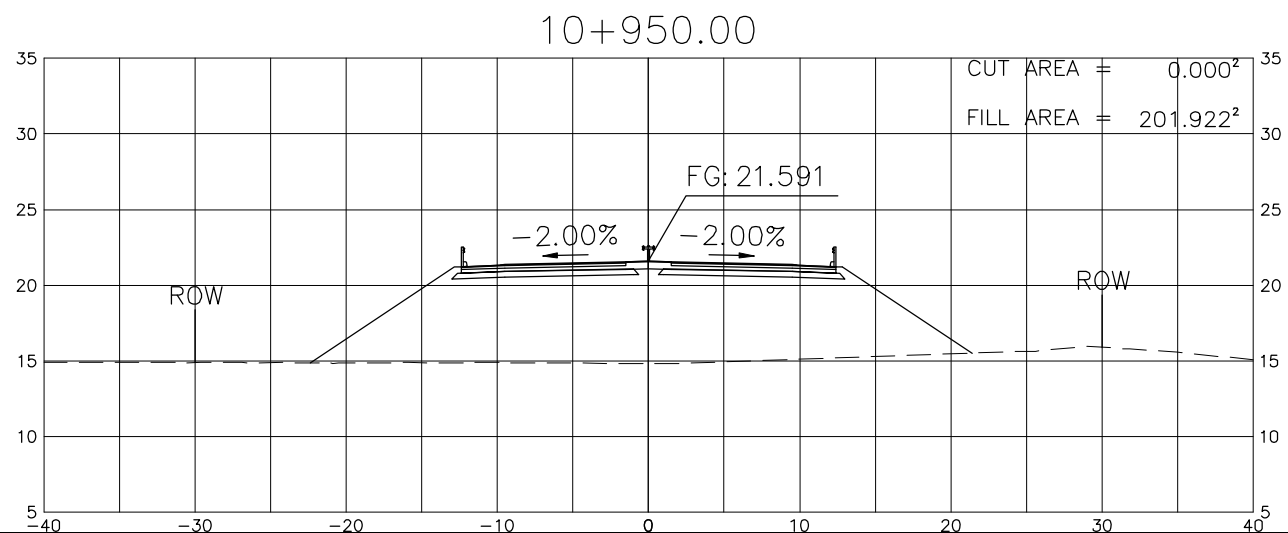
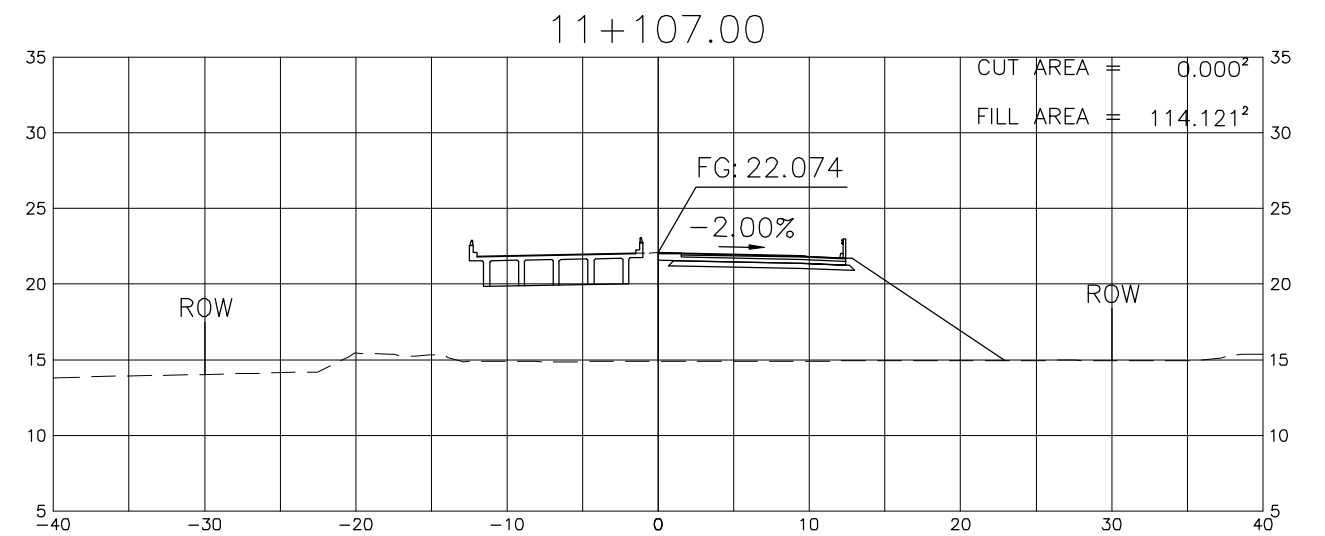
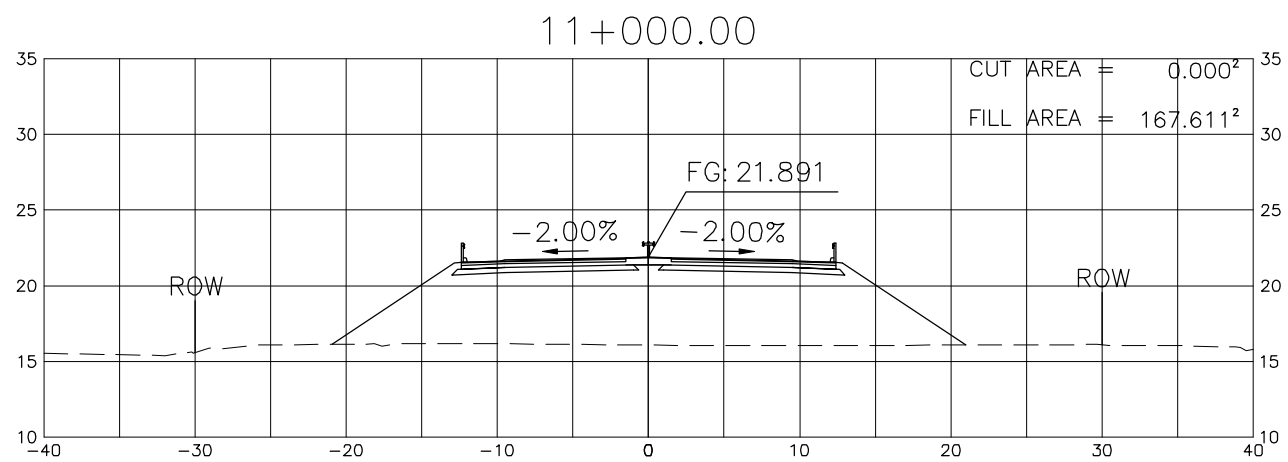
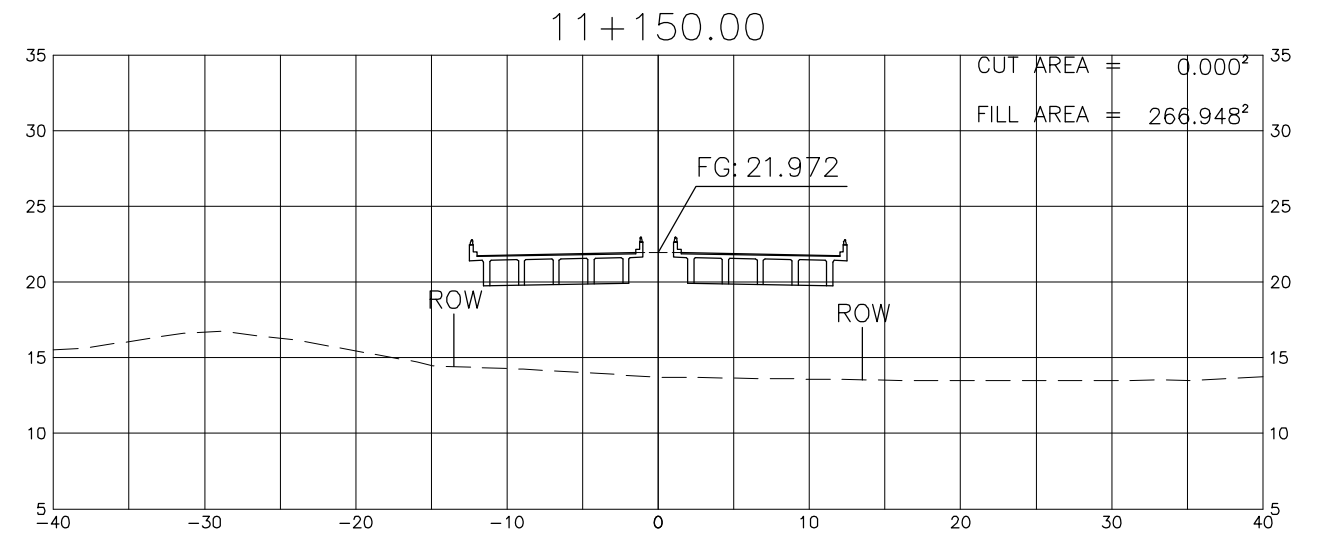
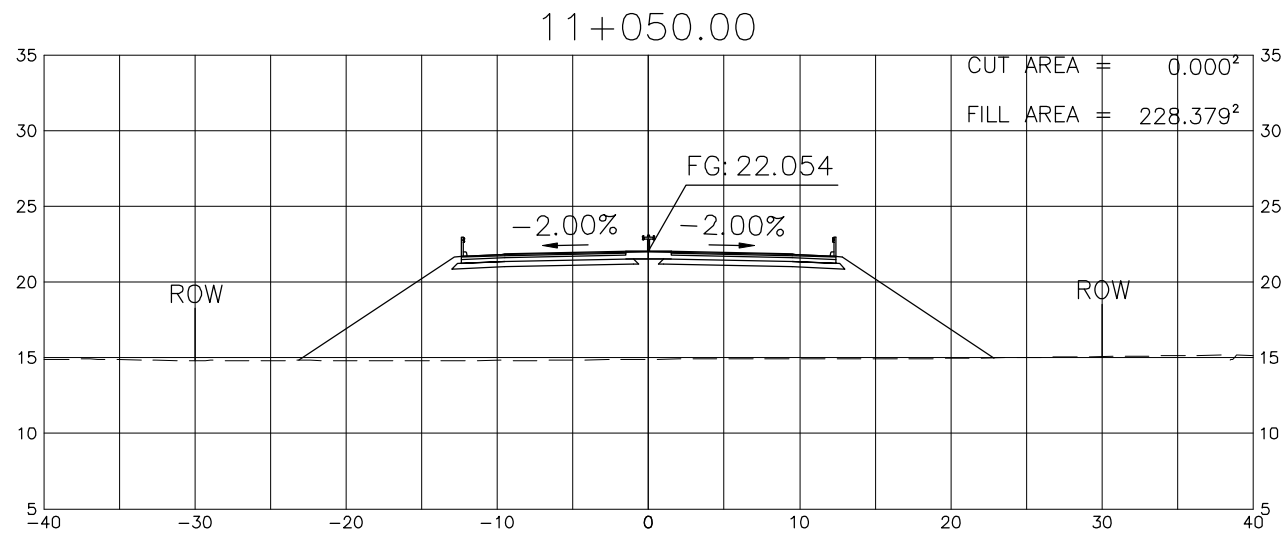
PROJECT TITLE	SCALE	SHEET CONTENT	DRAWING NO.
Preparatory survey for expressway project in Mega Manila Region CLLEX ( TARLAC - CABANATUAN )	A1 = 1:250 A3 = 1:500	CROSS SECTION ( ULTIMATE 4 LANE ) STA 10+050 TO STA 10+300	K-33
			SHEET NO.
			33 OF 90



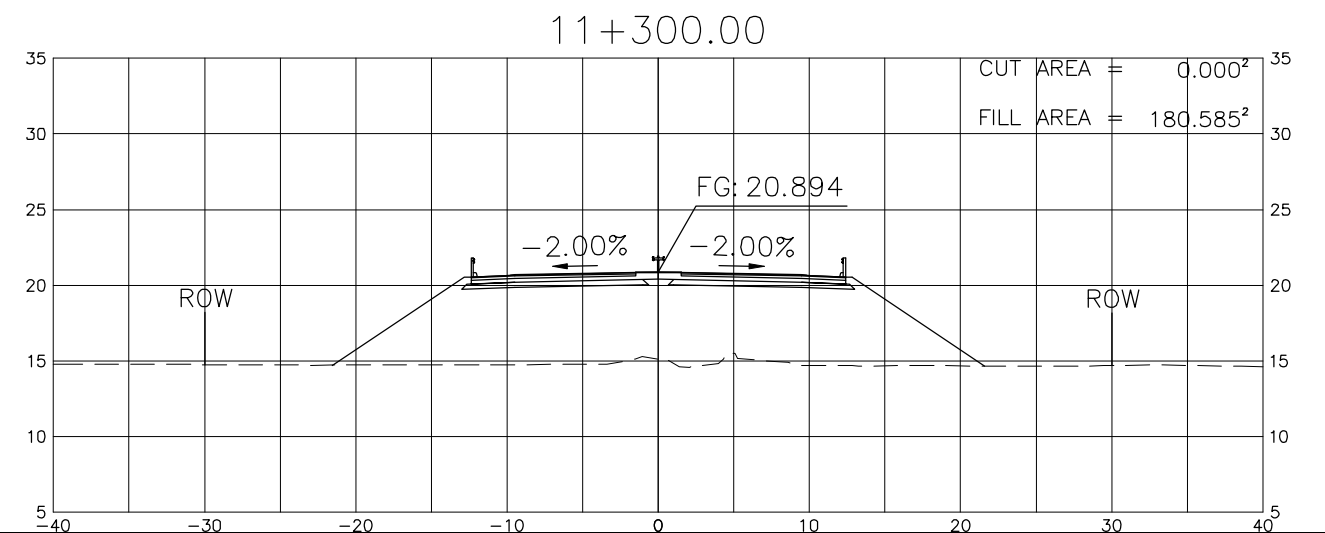
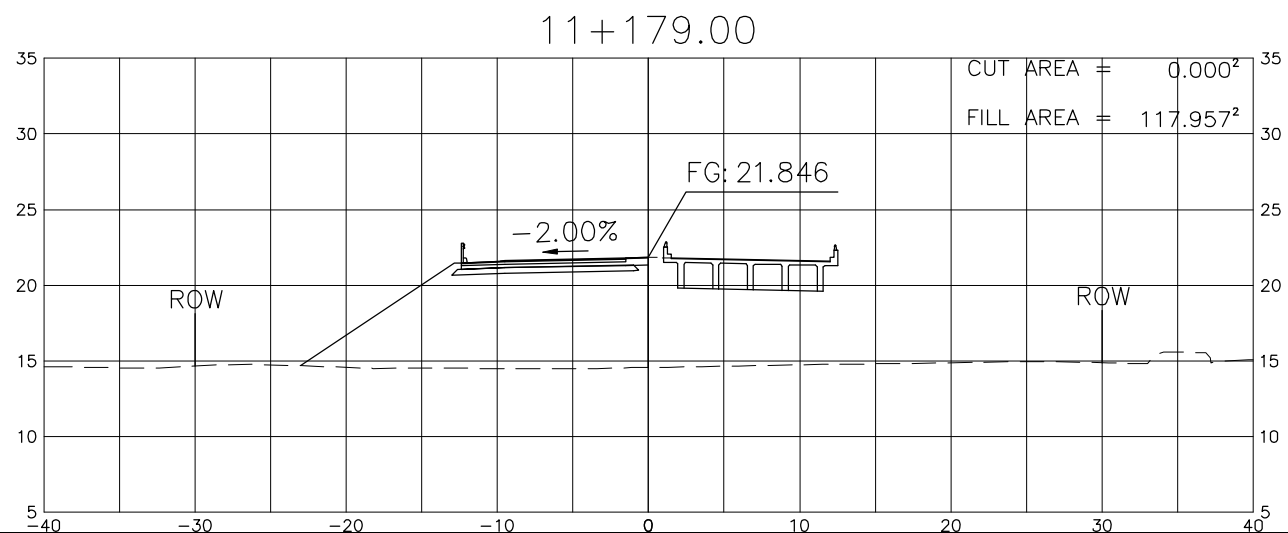
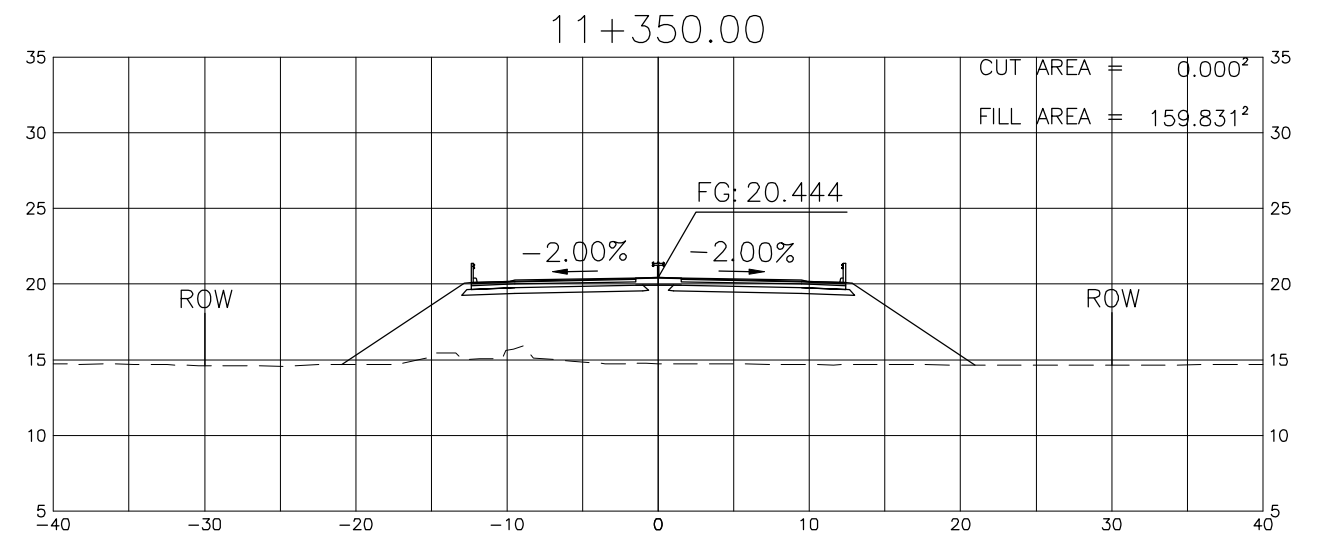
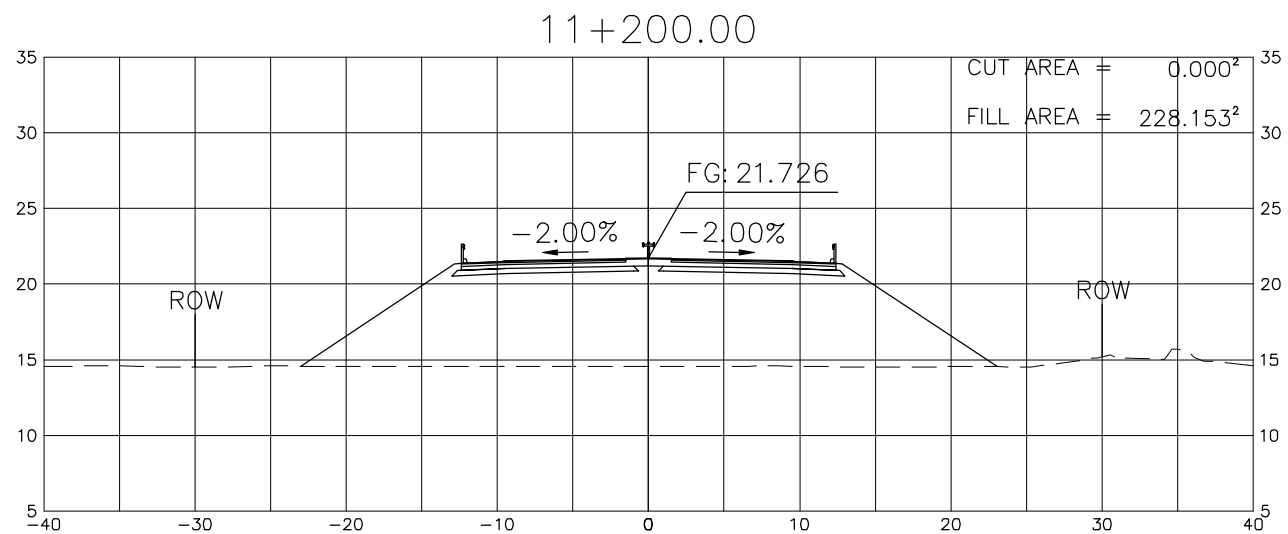
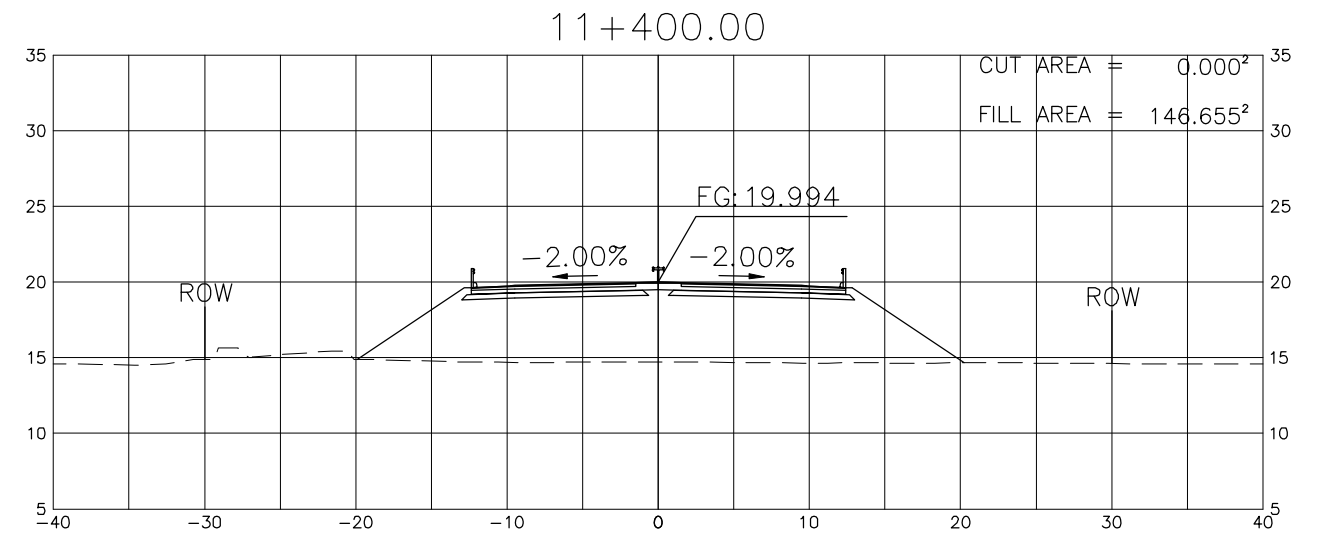
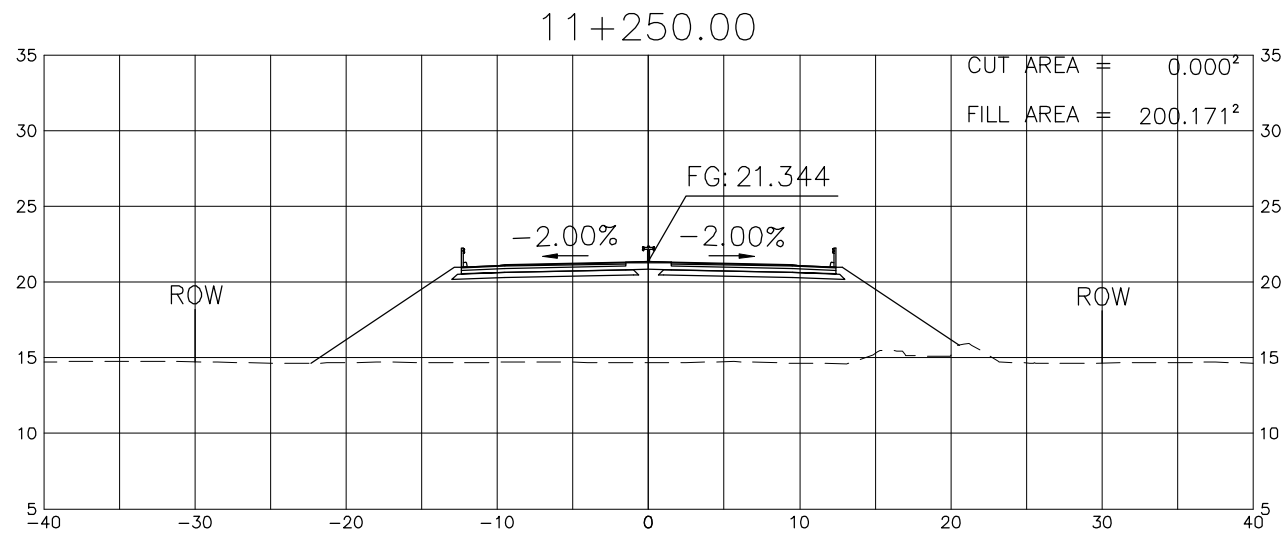
PROJECT TITLE	SCALE	SHEET CONTENT	DRAWING NO.
Preparatory survey for expressway project in Mega Manila Region CLLEX ( TARLAC - CABANATUAN )	A1 = 1:250 A3 = 1:500	CROSS SECTION ( ULTIMATE 4 LANE ) STA 10+350 TO STA 10+600	K-34
			SHEET NO.
			34 OF 90



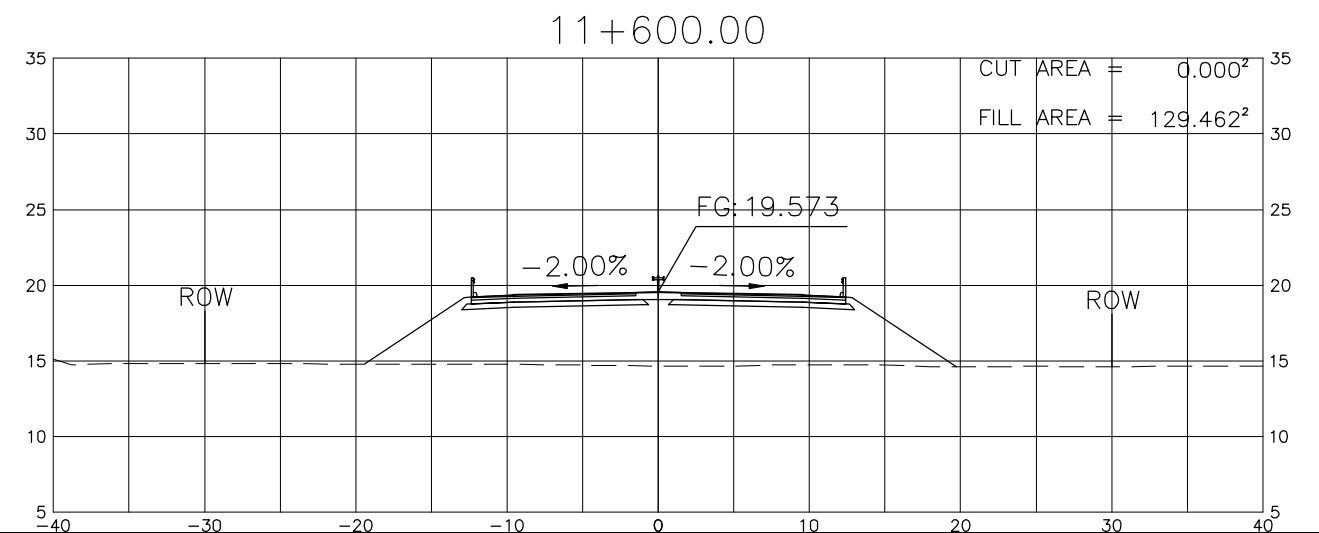
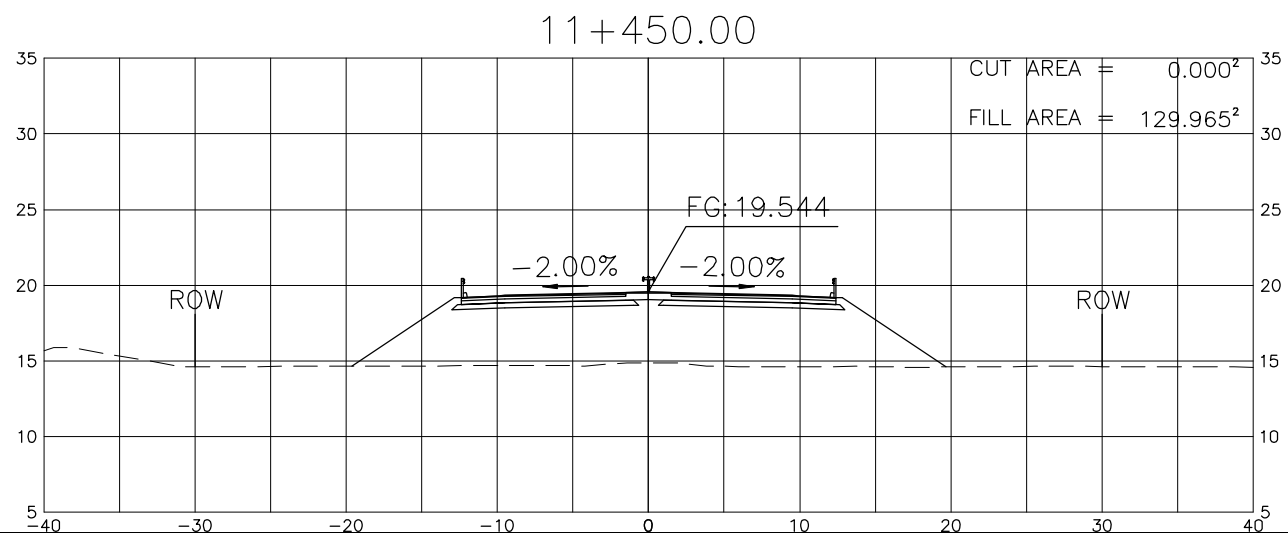
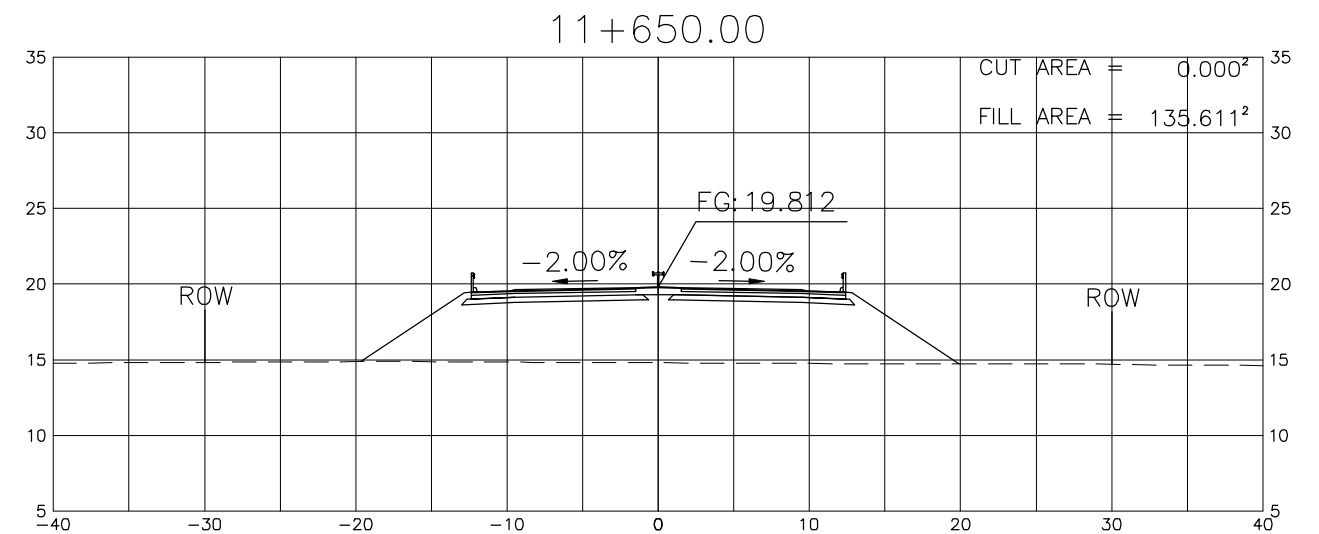
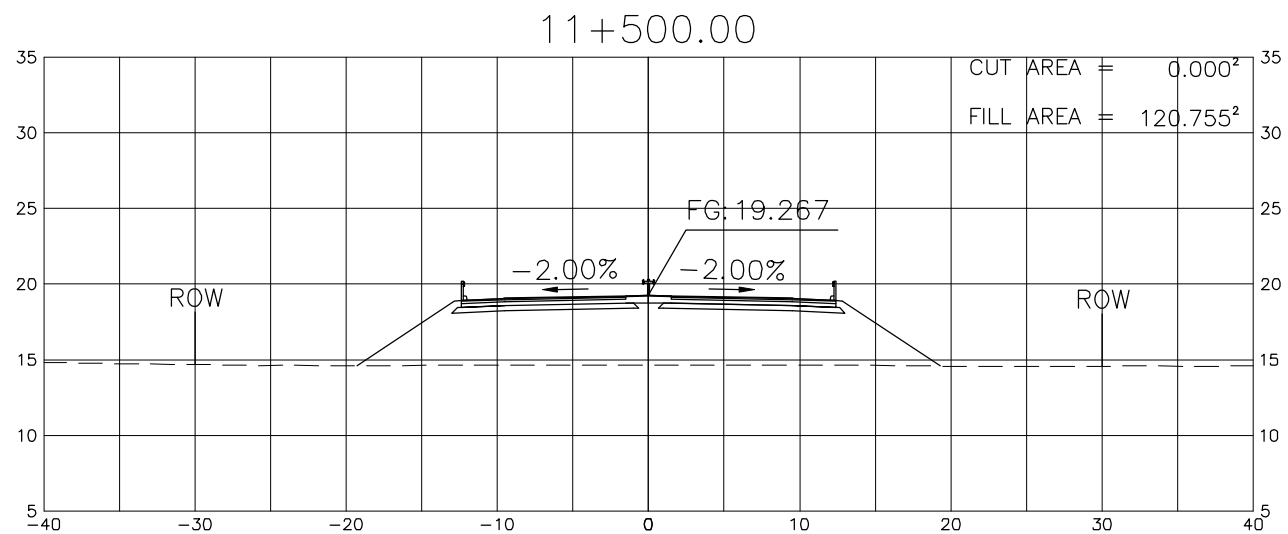
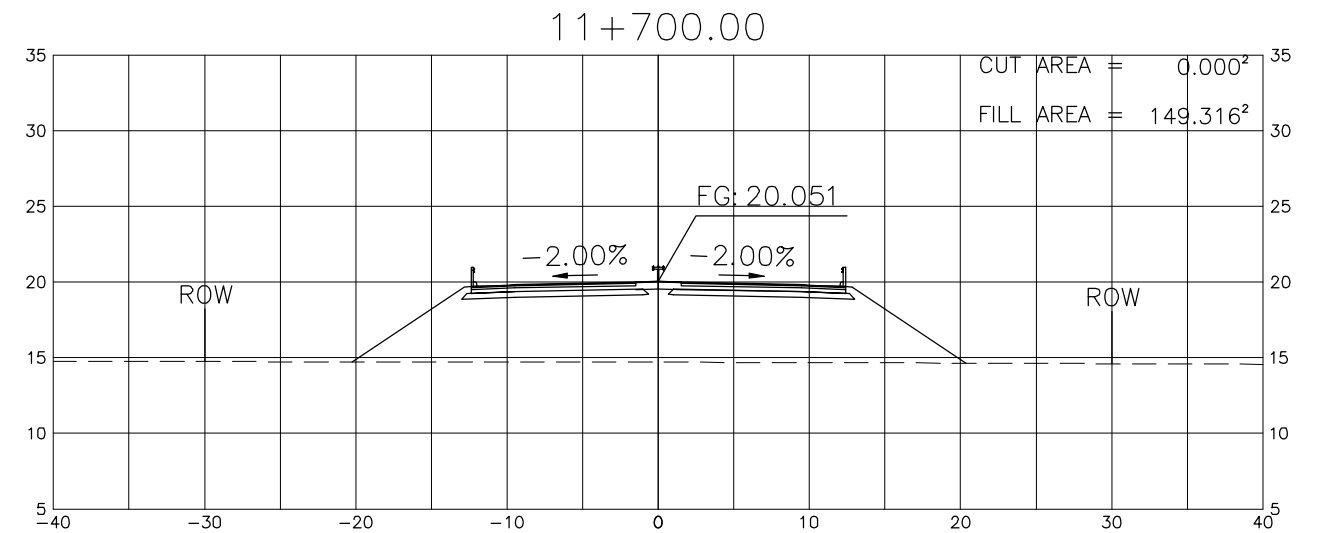
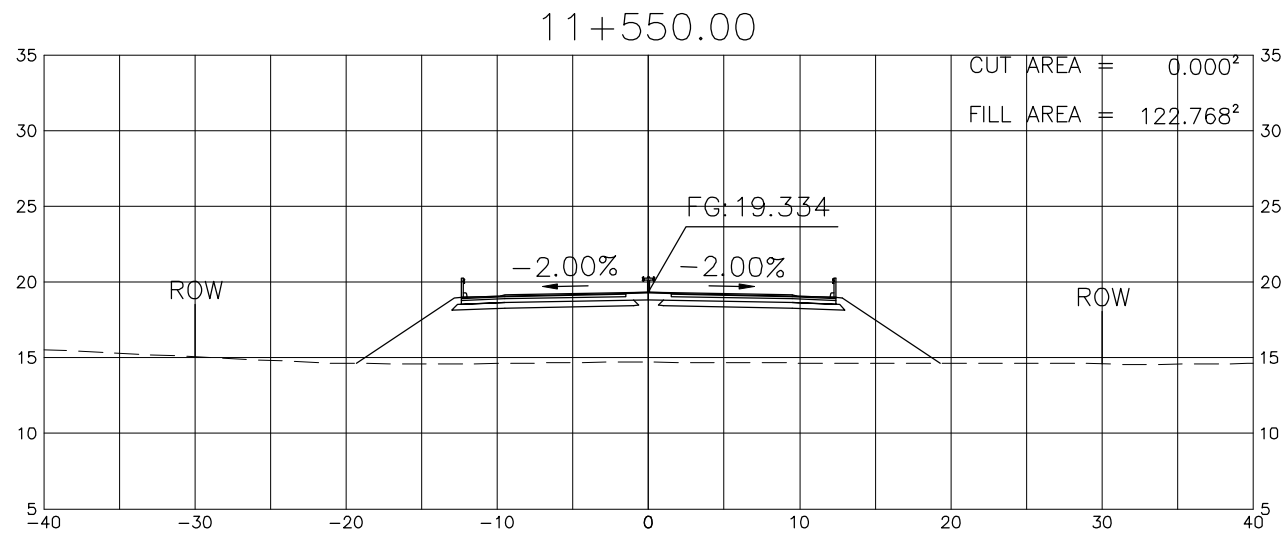
PROJECT TITLE	SCALE	SHEET CONTENT	DRAWING NO.
Preparatory survey for expressway project in Mega Manila Region CLLEX ( TARLAC - CABANATUAN )	A1 = 1:250 A3 = 1:500	CROSS SECTION ( ULTIMATE 4 LANE ) STA 10+650 TO STA 10+900	K-35
			SHEET NO.
			35 OF 90



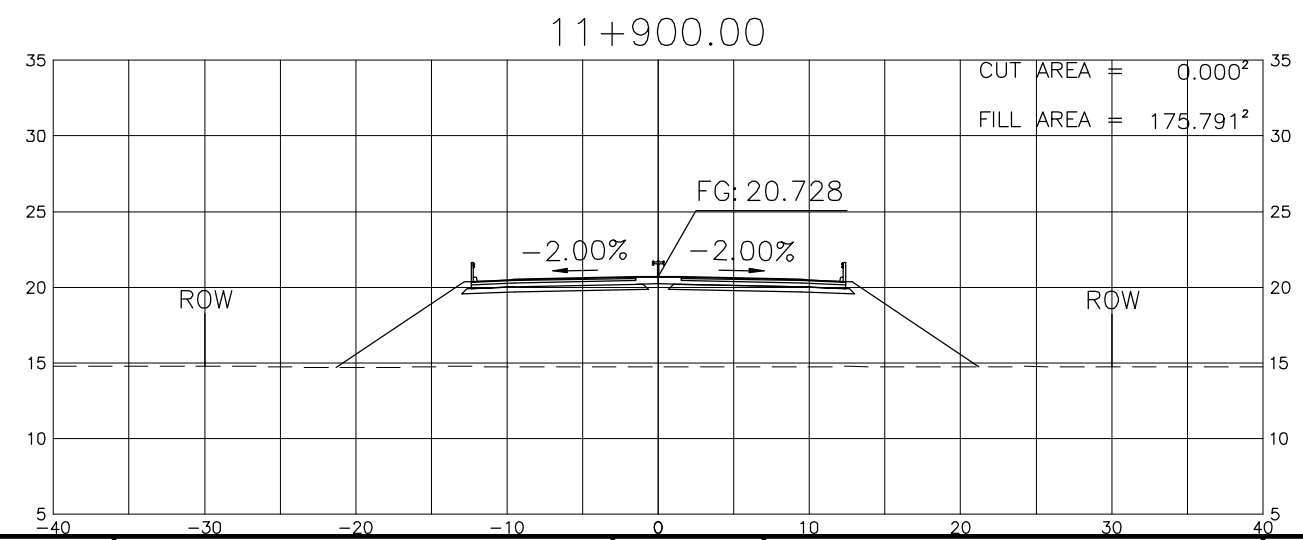
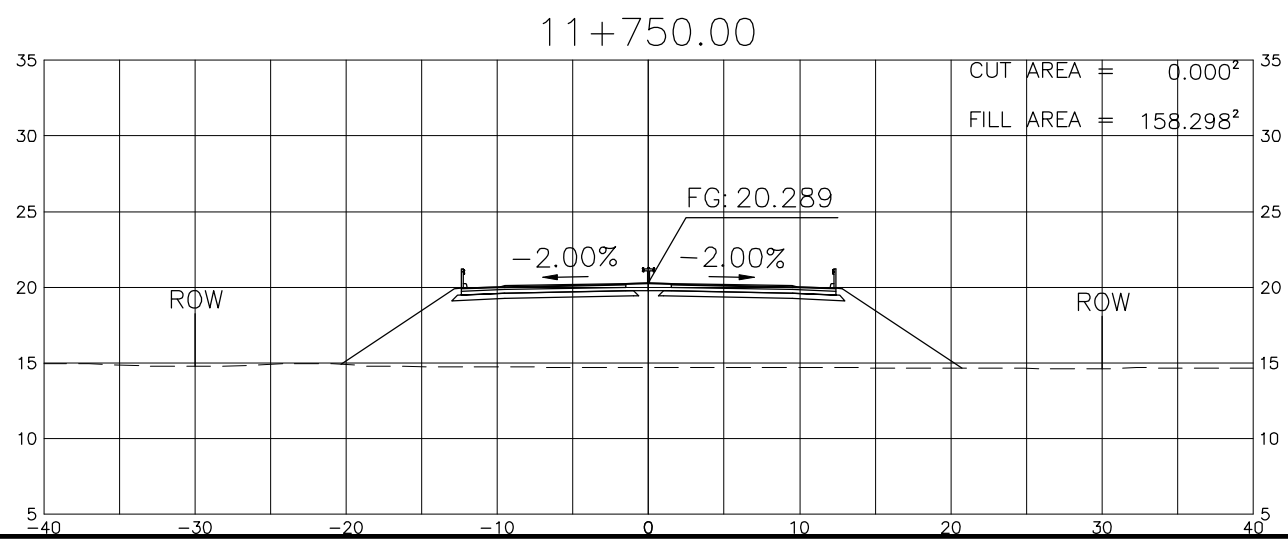
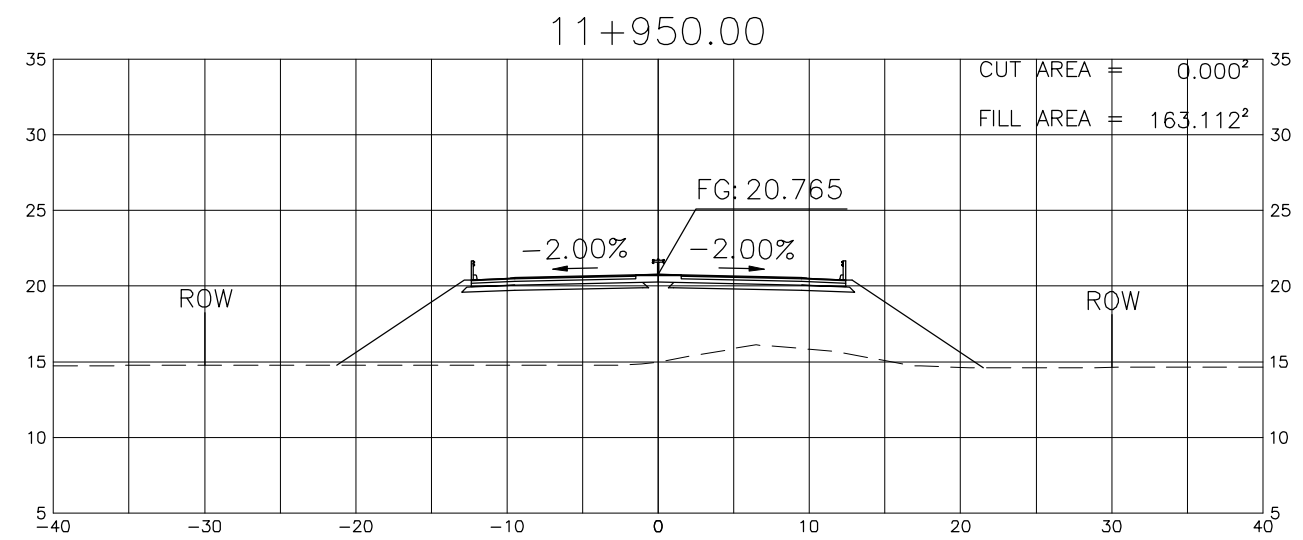
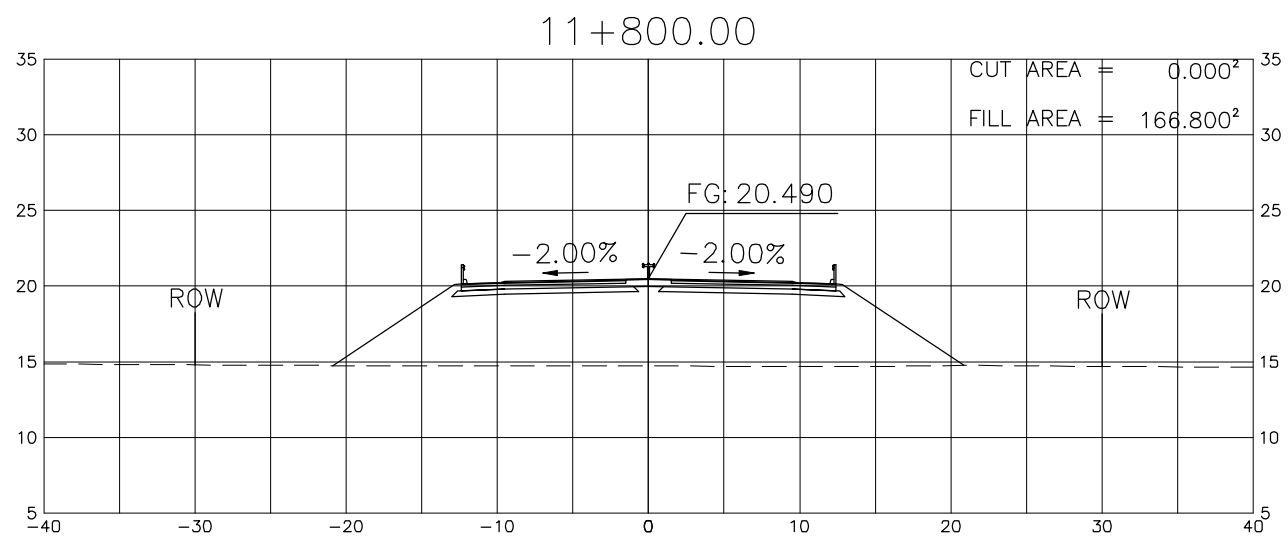
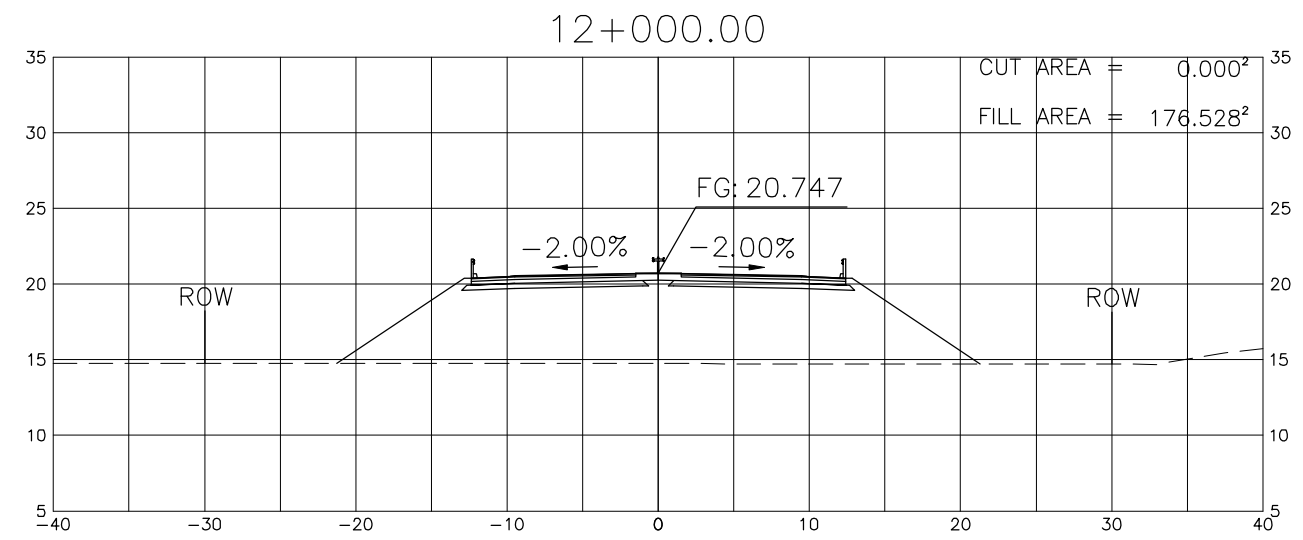
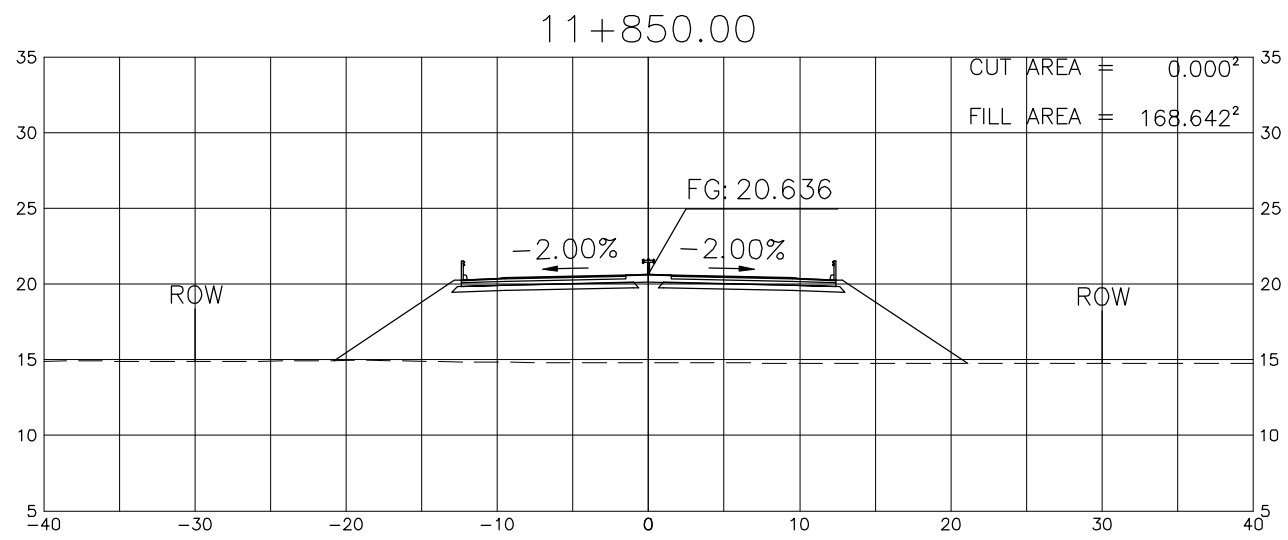
PROJECT TITLE	SCALE	SHEET CONTENT	DRAWING NO.
Preparatory survey for expressway project in Mega Manila Region CLLEX ( TARLAC - CABANATUAN )	A1 = 1:250 A3 = 1:500	CROSS SECTION ( ULTIMATE 4 LANE ) STA 10+950 TO STA 11+150	K-36
			SHEET NO.
			36 OF 90



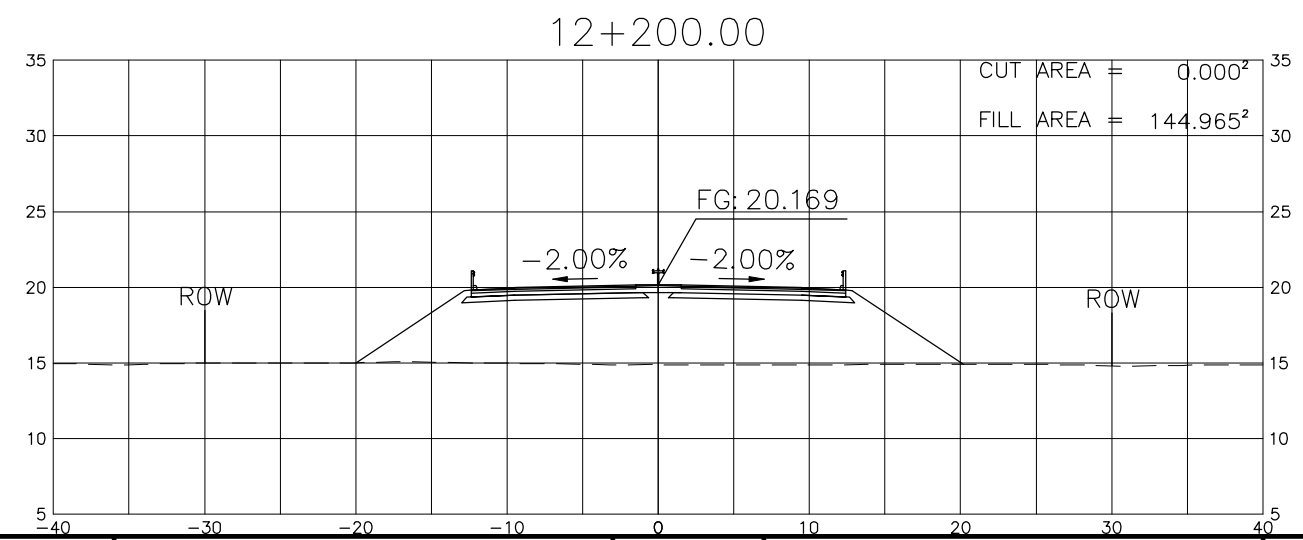
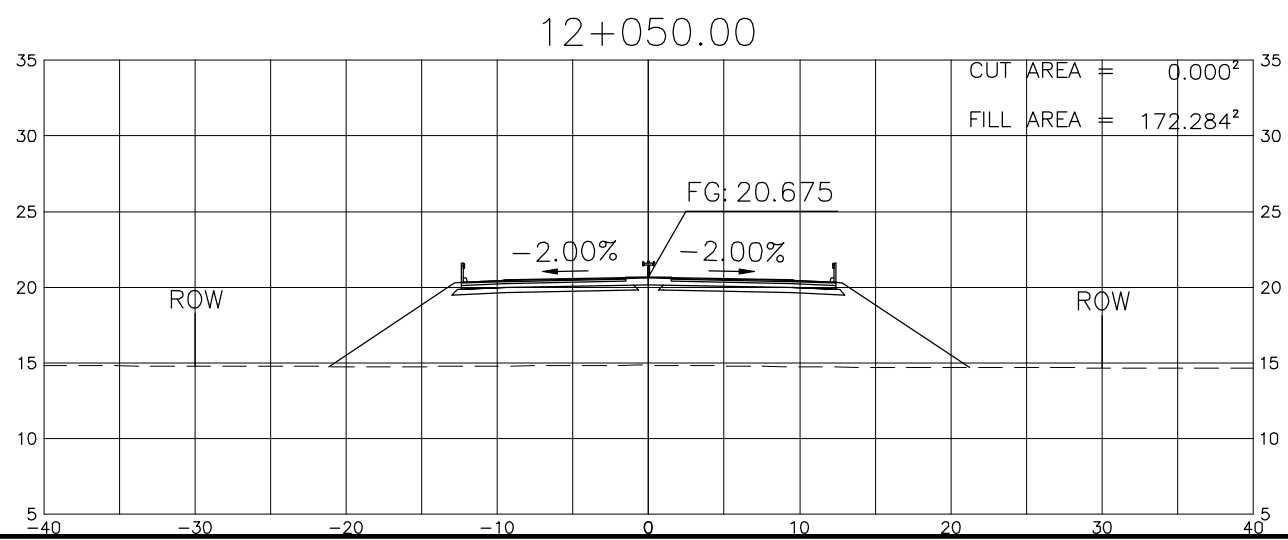
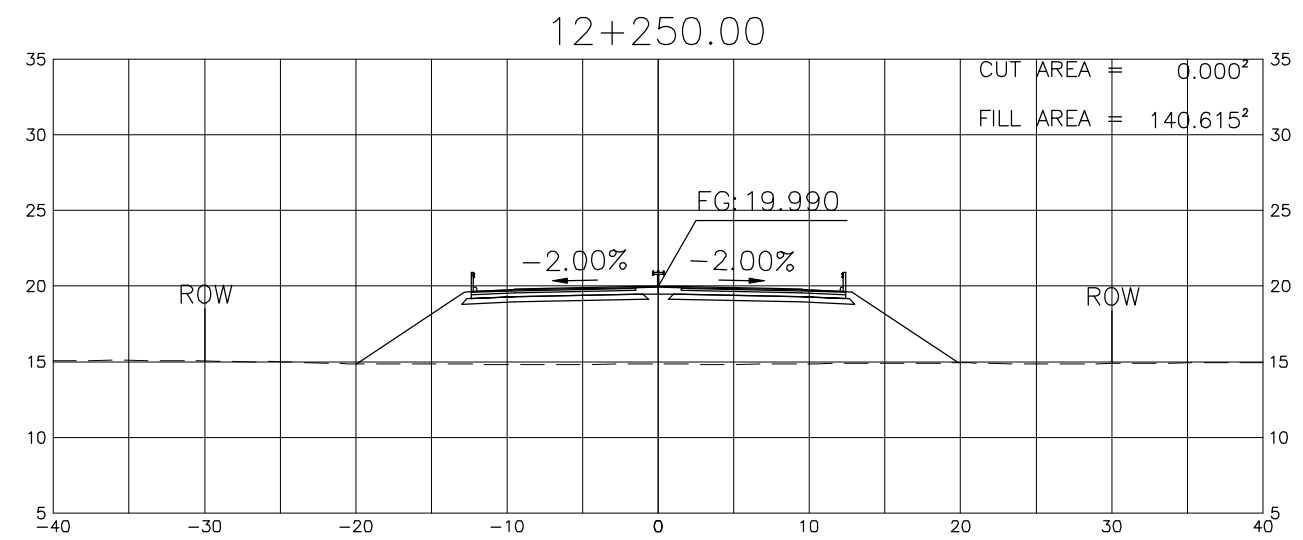
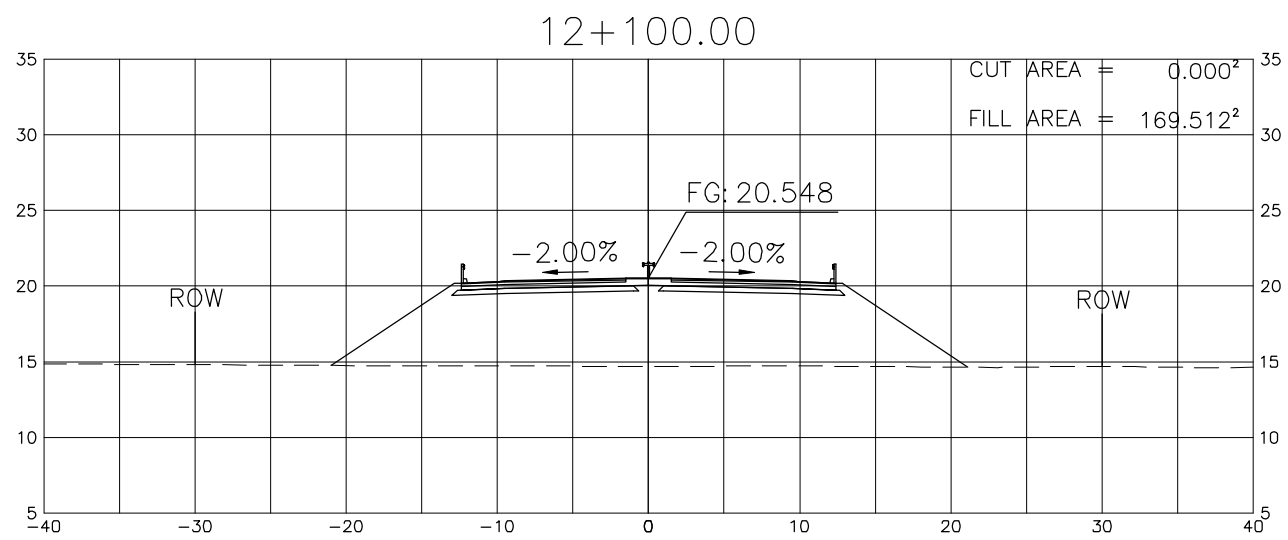
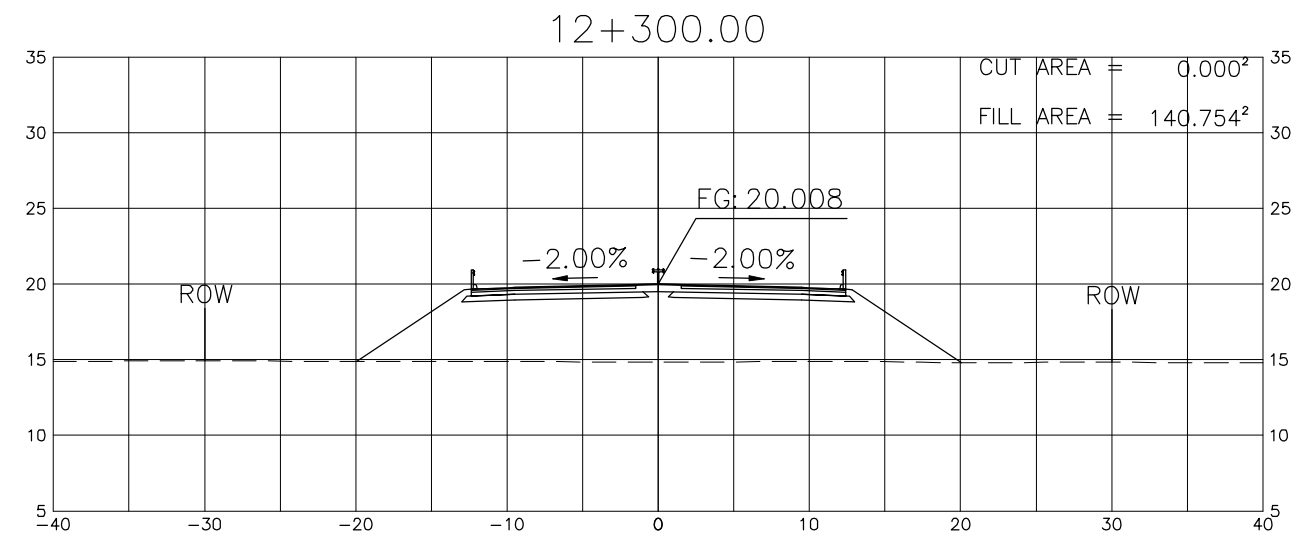
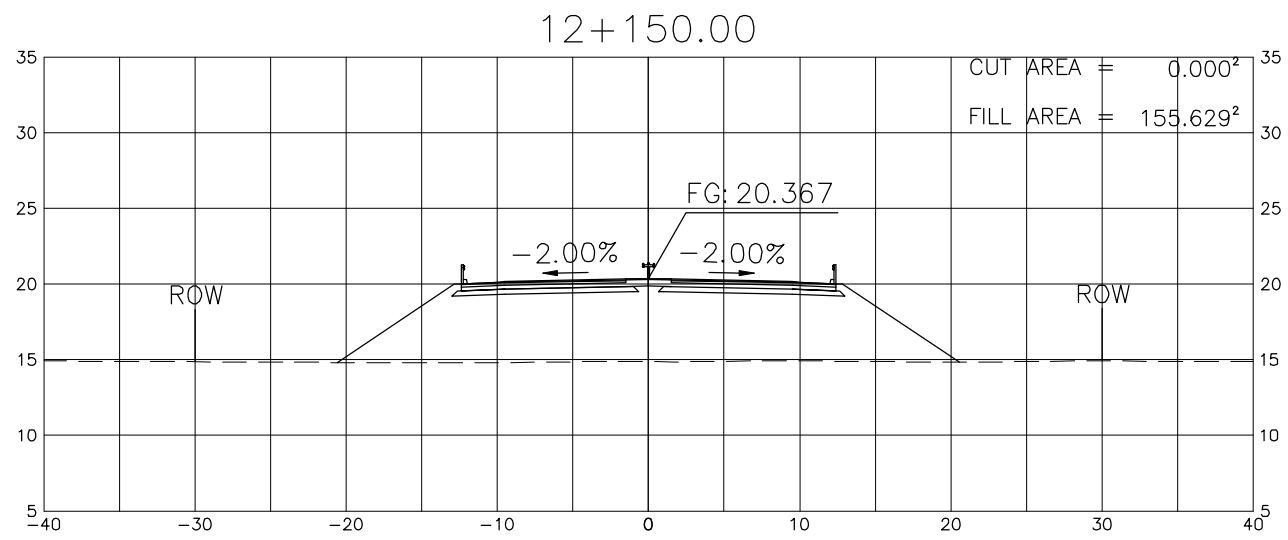
PROJECT TITLE	SCALE	SHEET CONTENT	DRAWING NO.
Preparatory survey for expressway project in Mega Manila Region CLLEX ( TARLAC - CABANATUAN )	A1 = 1:250 A3 = 1:500	CROSS SECTION ( ULTIMATE 4 LANE ) STA 11+179 TO STA 11+400	K-37
			SHEET NO.
			37 OF 90



PROJECT TITLE	SCALE	SHEET CONTENT	DRAWING NO.
<b>Preparatory survey for expressway project in Mega Manila Region CLLEX ( TARLAC - CABANATUAN )</b>	A1 = 1:250 A3 = 1:500	<b>CROSS SECTION (ULTIMATE 4 LANE)</b> STA 11+450 TO STA 11+700	K-38
			SHEET NO.
			38 OF 90

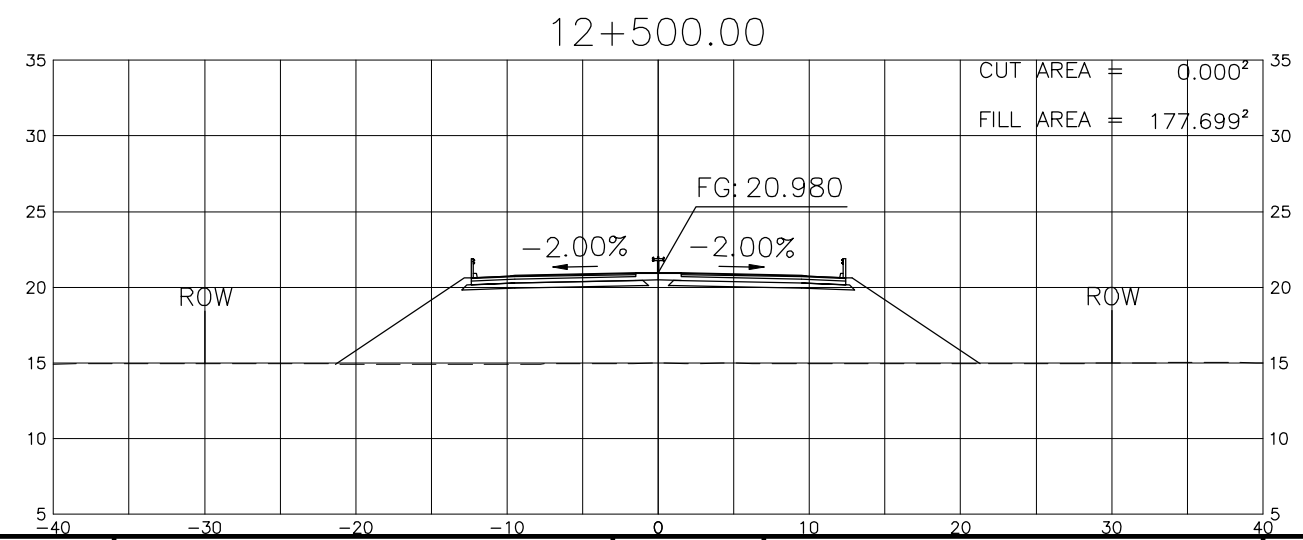
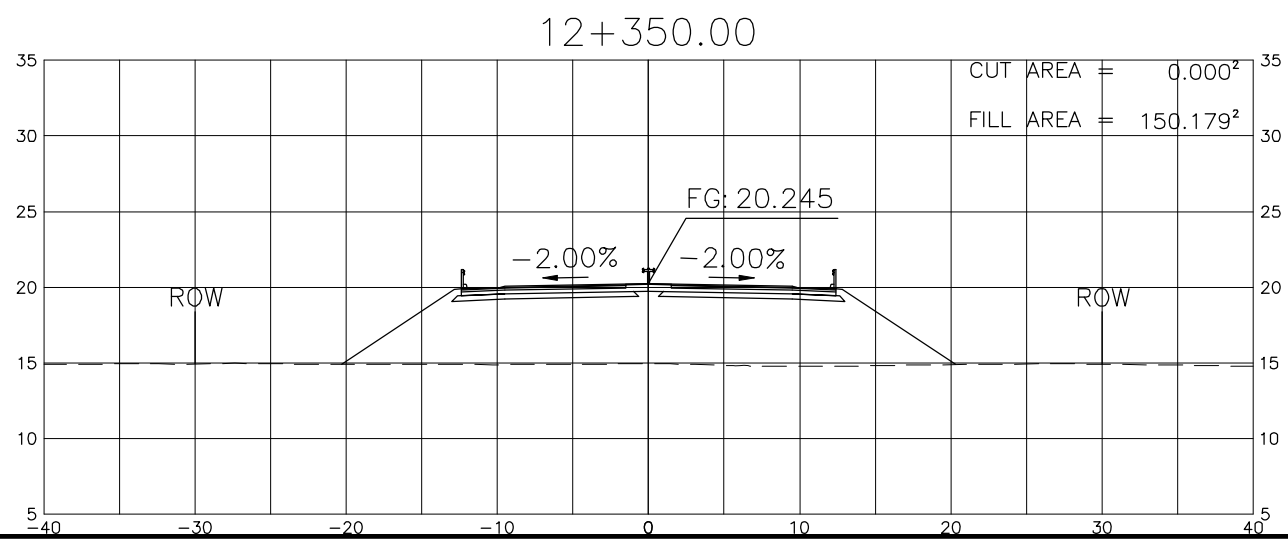
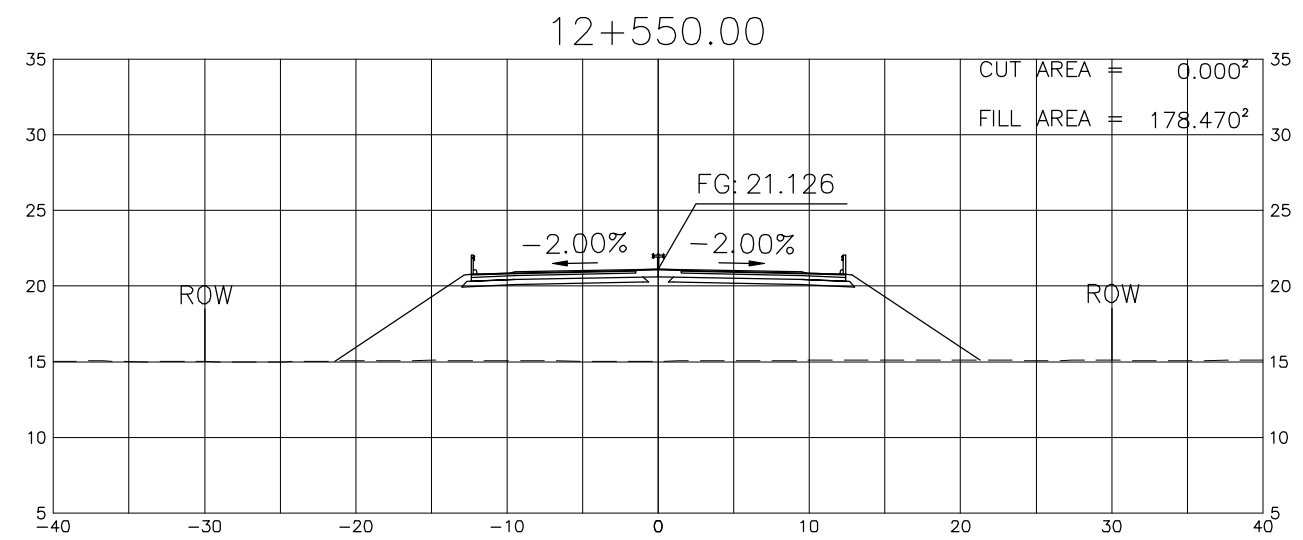
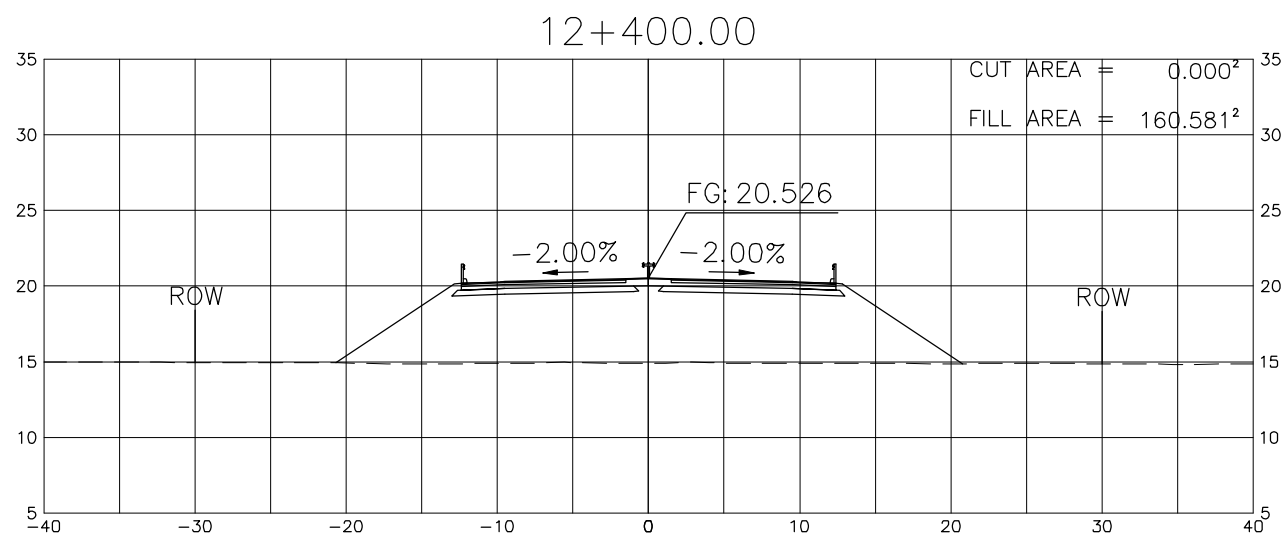
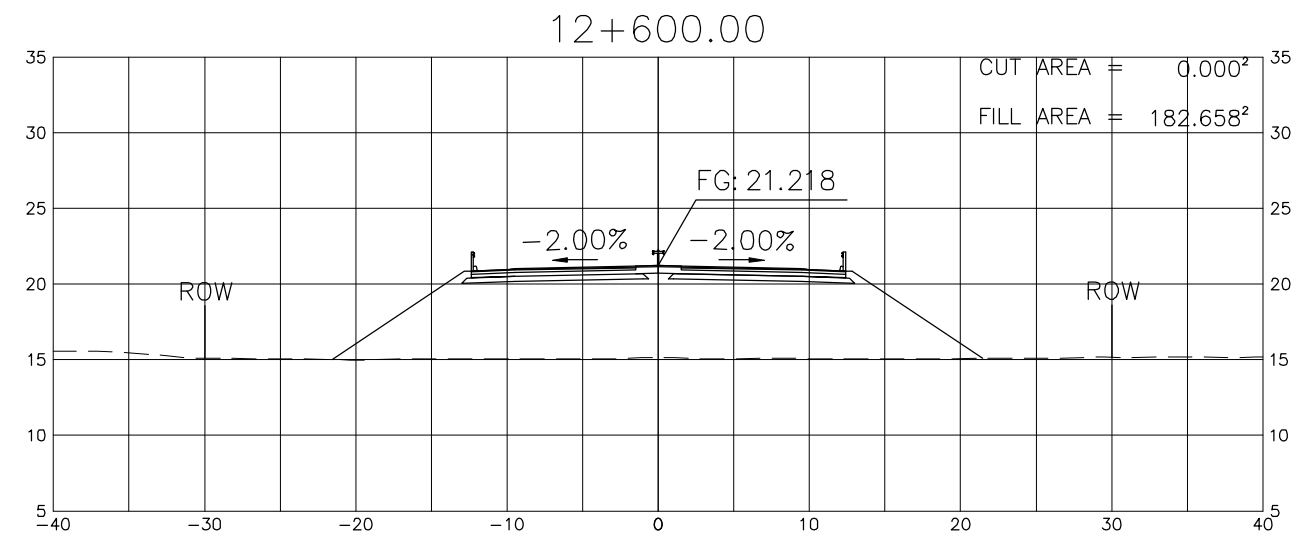
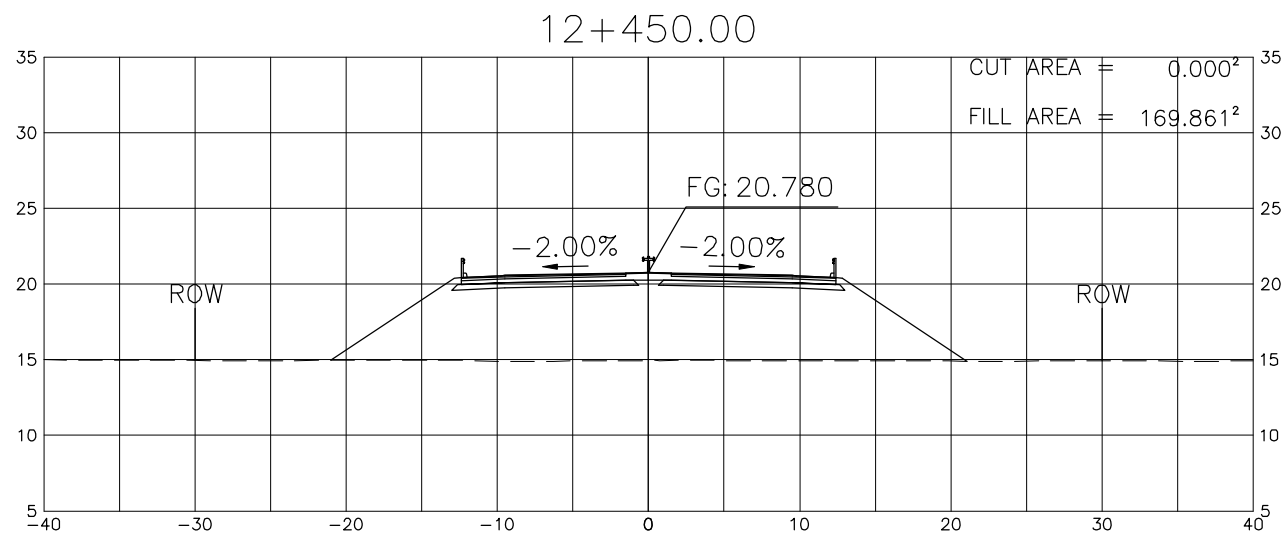


PROJECT TITLE	SCALE	SHEET CONTENT	DRAWING NO.
Preparatory survey for expressway project in Mega Manila Region CLLEX ( TARLAC - CABANATUAN )	A1 = 1:250 A3 = 1:500	CROSS SECTION ( ULTIMATE 4 LANE ) STA 11+750 TO STA 12+000	K-39
			SHEET NO.
			39 OF 90

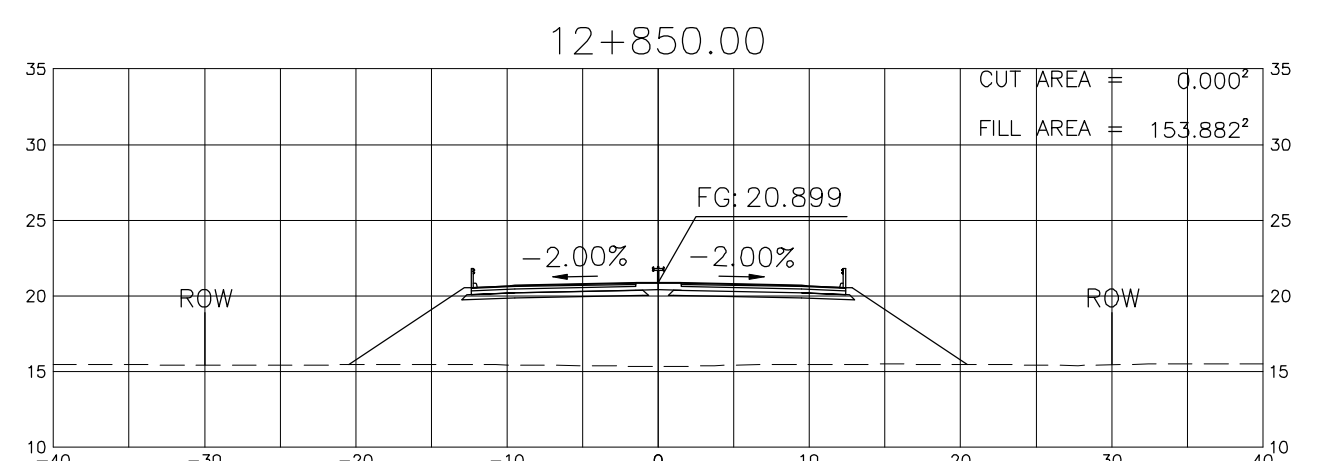
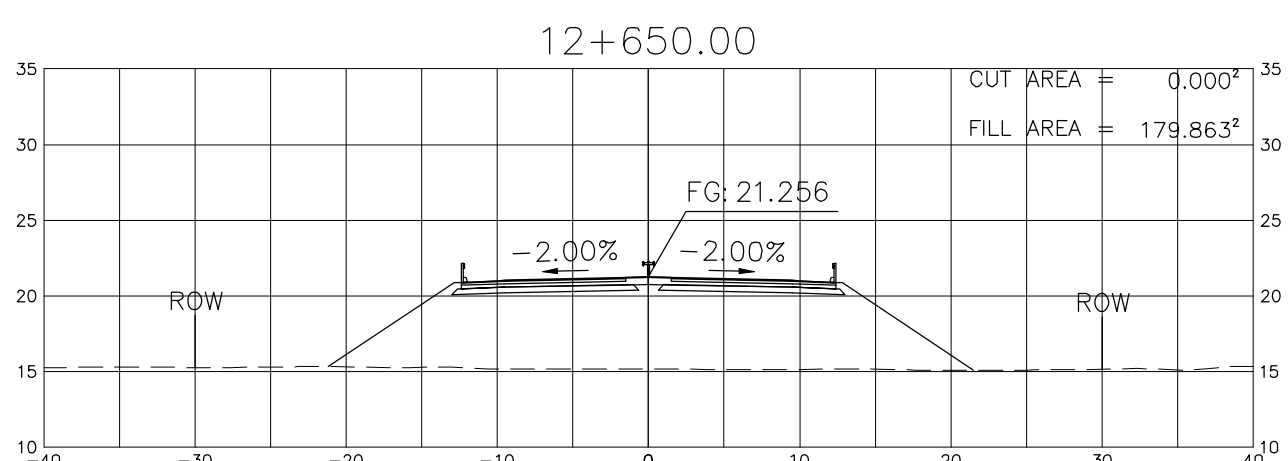
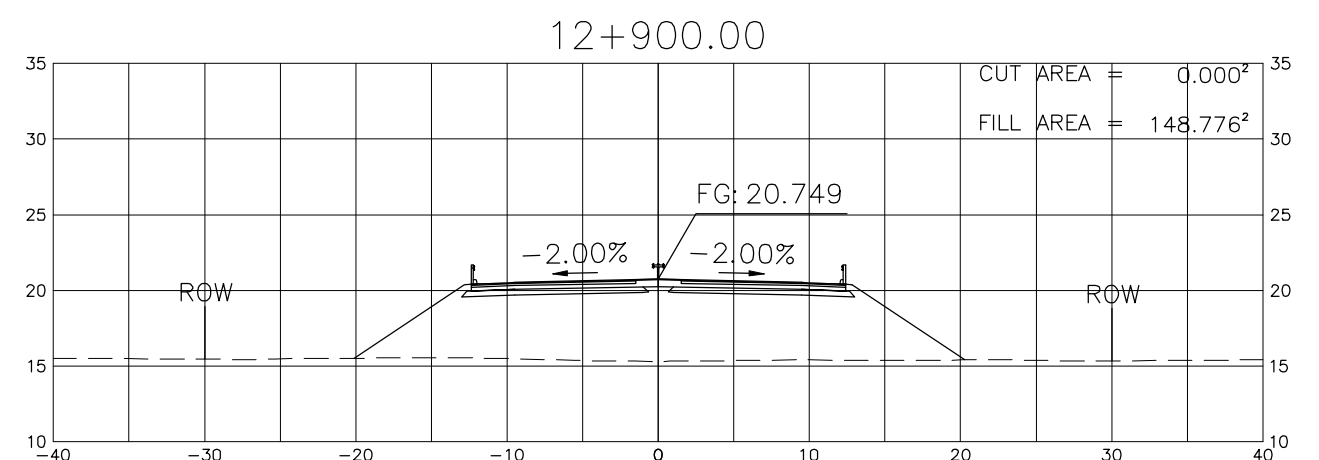
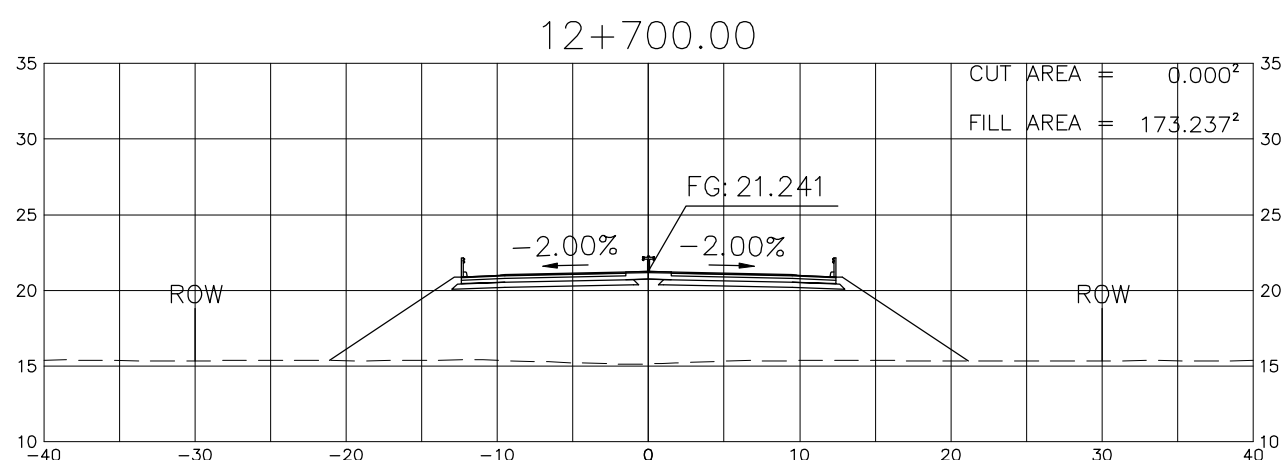
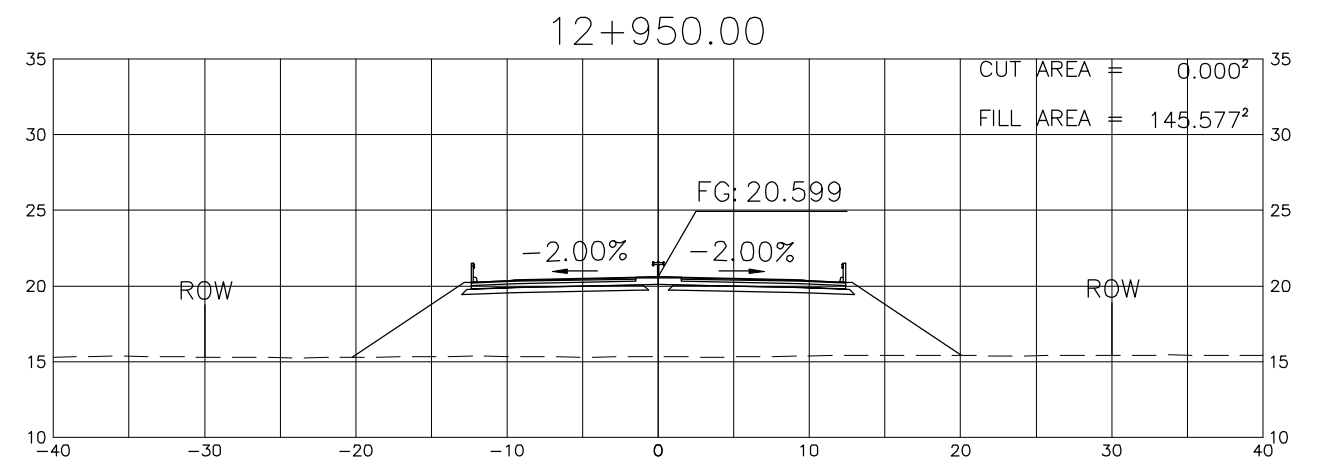
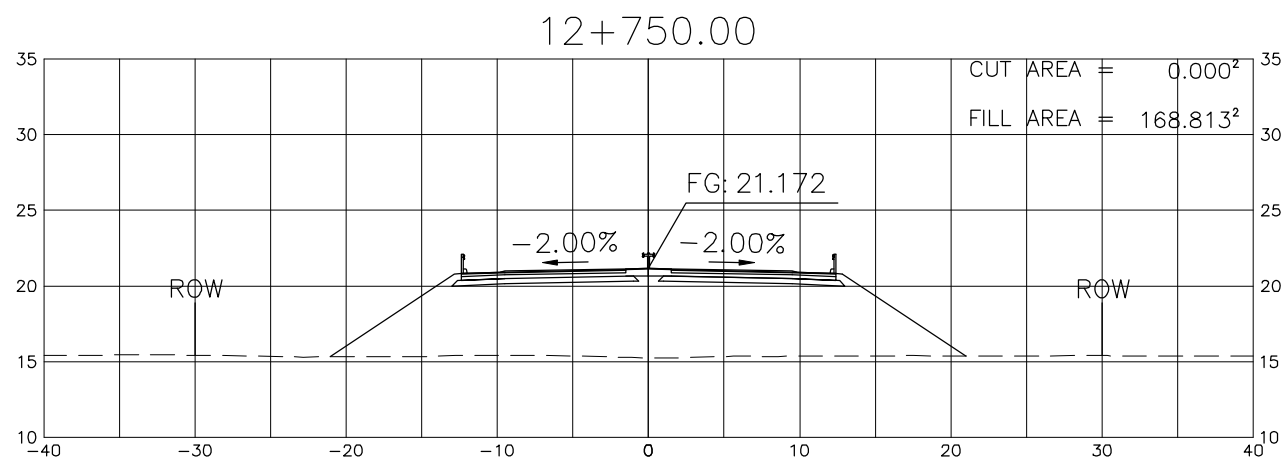
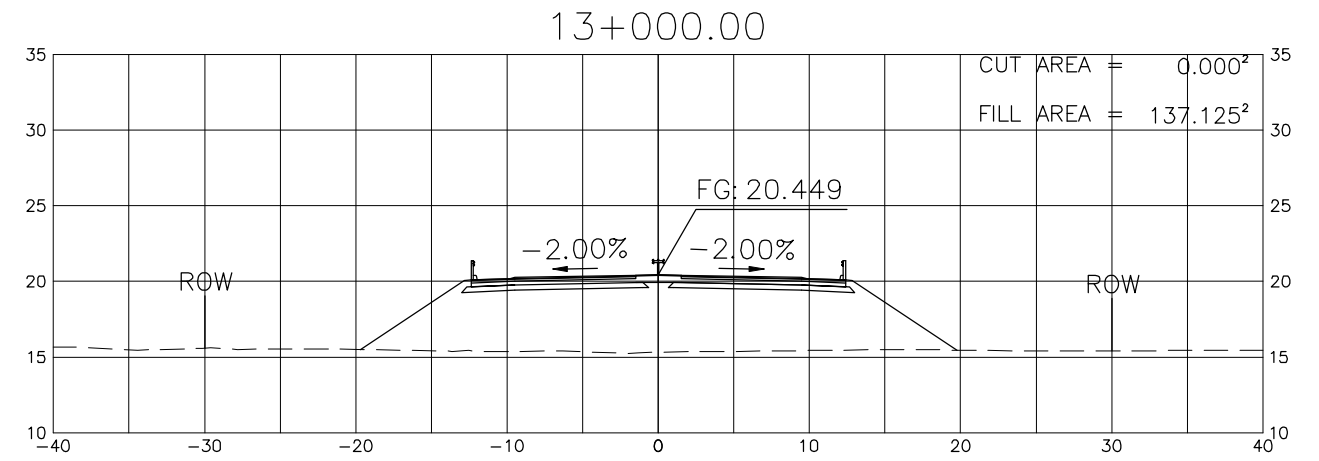
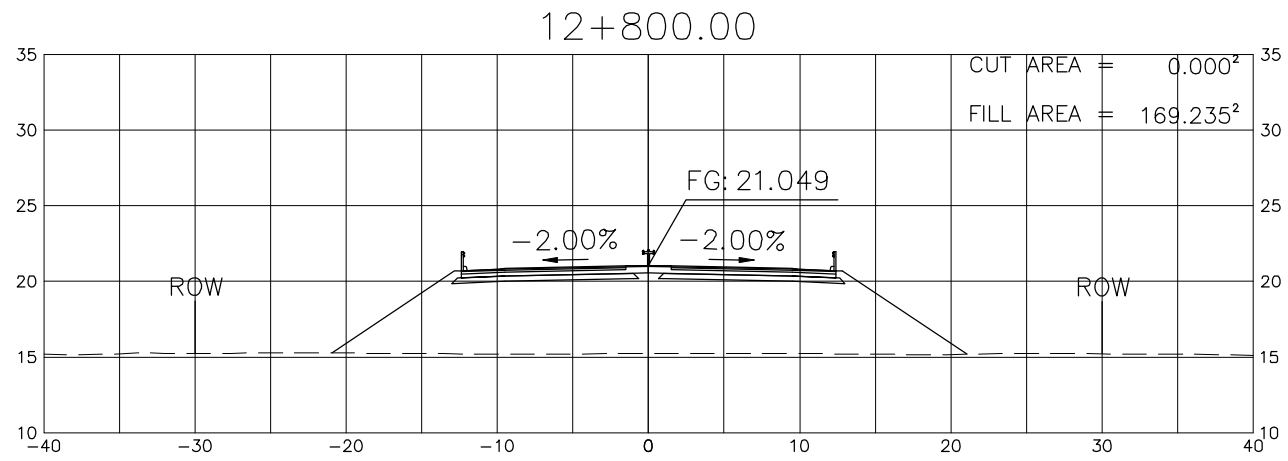


PROJECT TITLE	SCALE	SHEET CONTENT	DRAWING NO.
Preparatory survey for expressway project in Mega Manila Region CLLEX ( TARLAC - CABANATUAN )	A1 = 1:250 A3 = 1:500	CROSS SECTION ( ULTIMATE 4 LANE ) STA 12+050 TO STA 12+300	K-40
			SHEET NO.
			40 OF 90

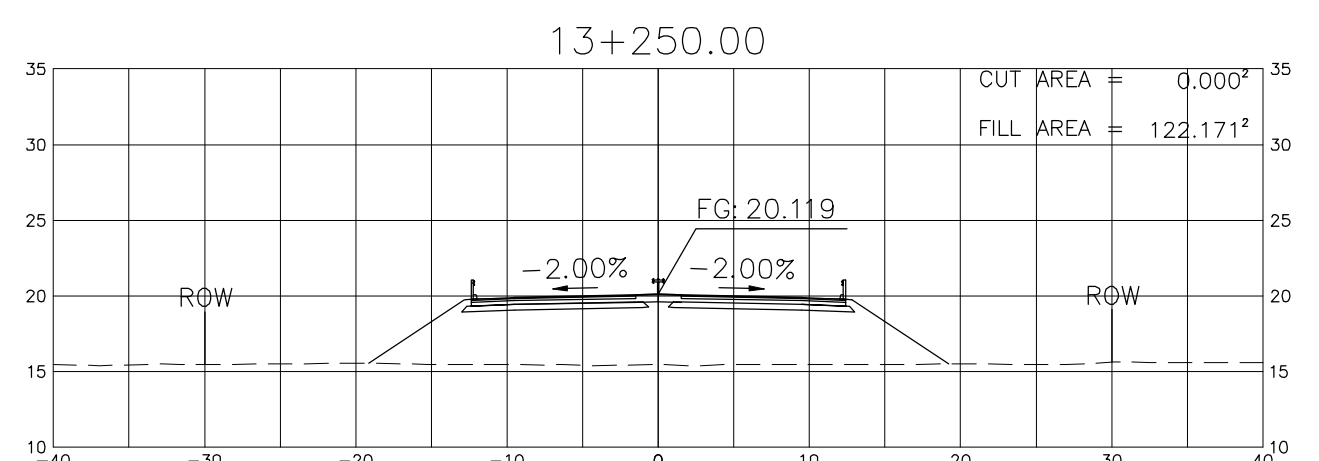
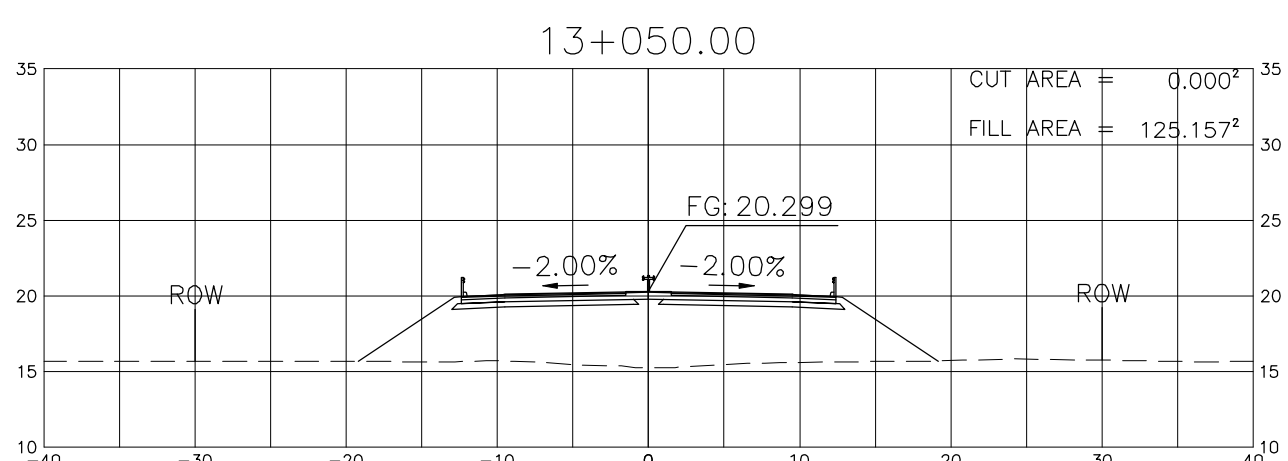
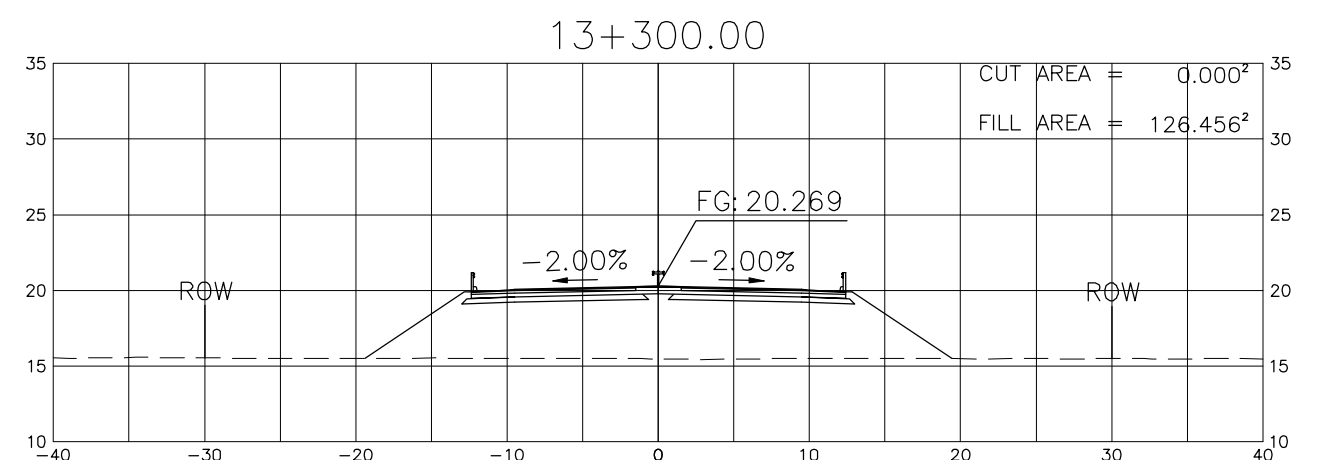
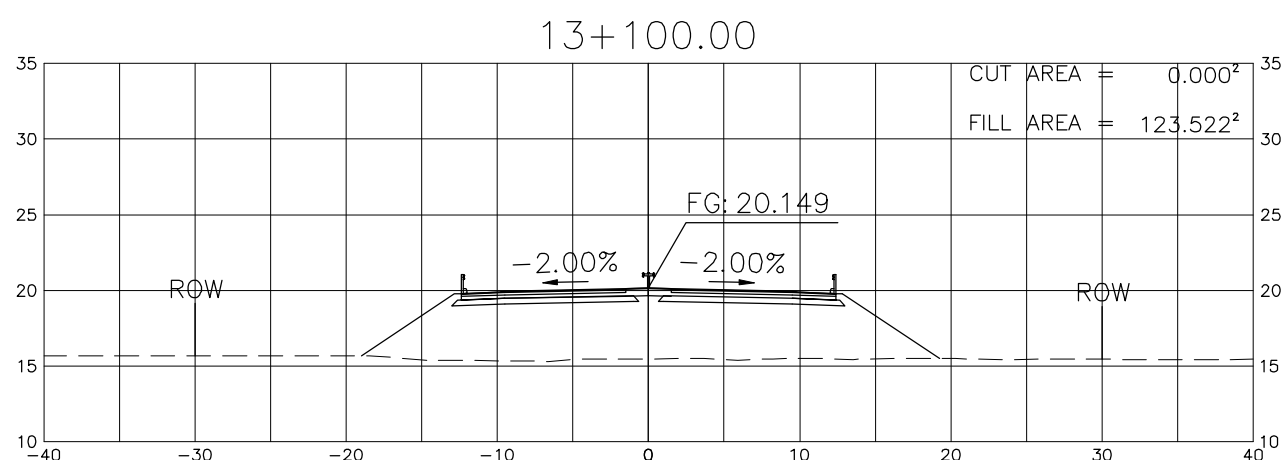
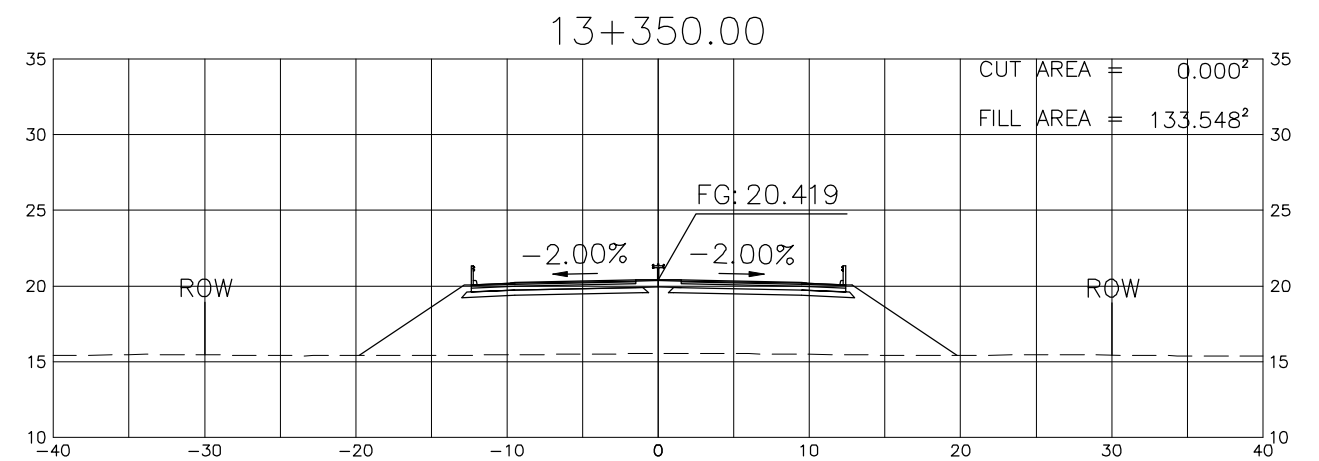
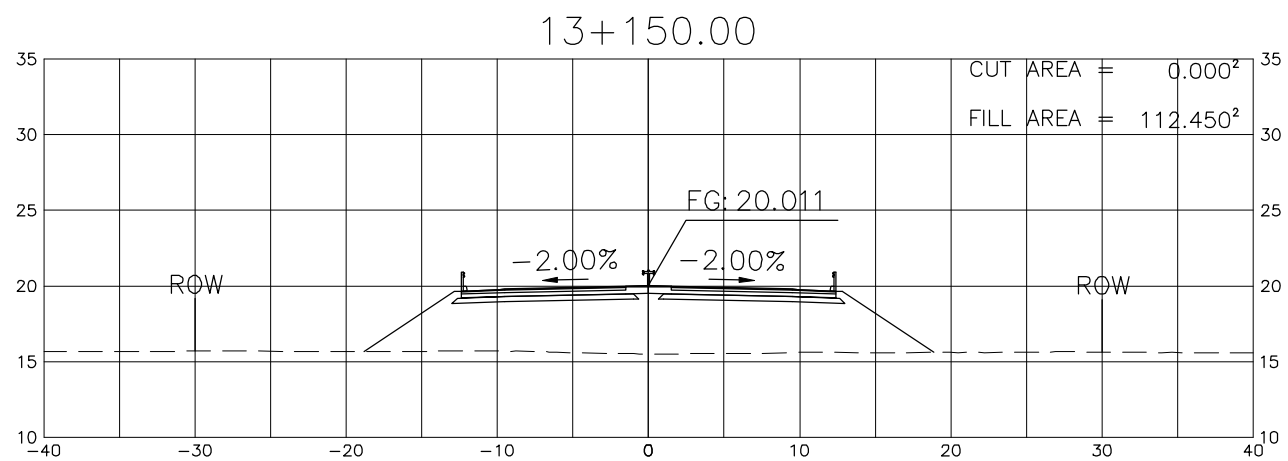
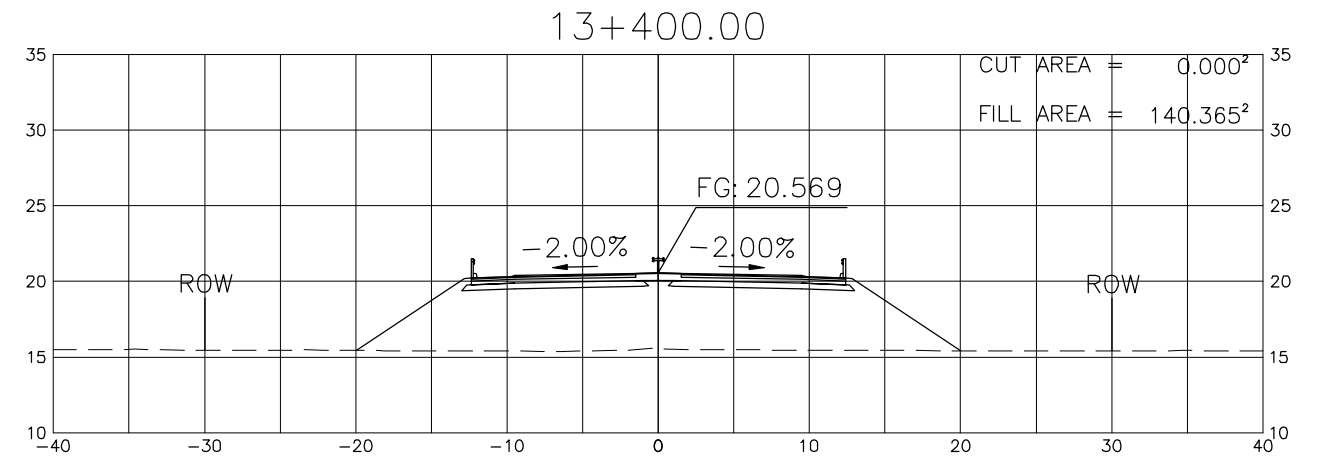
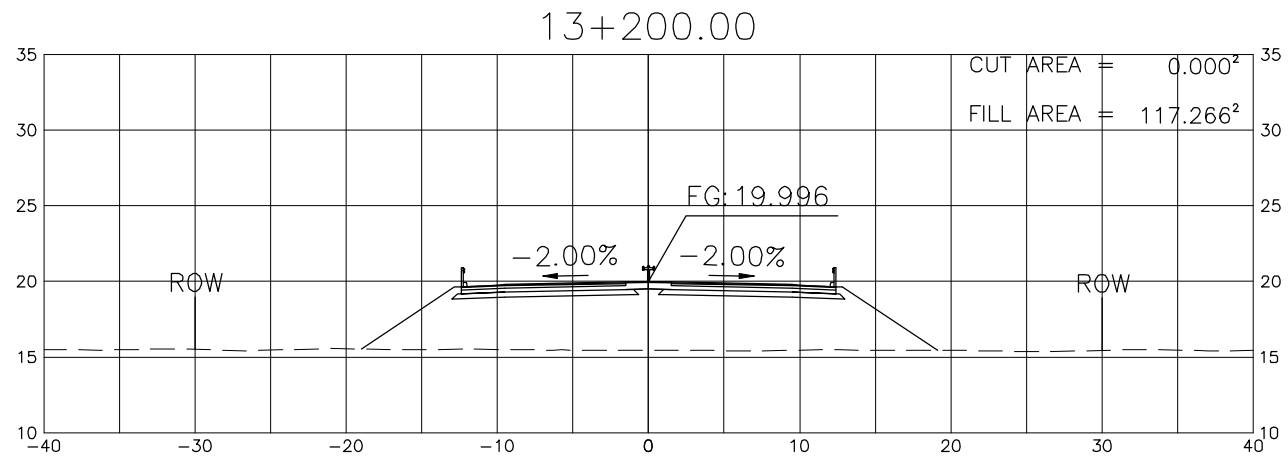




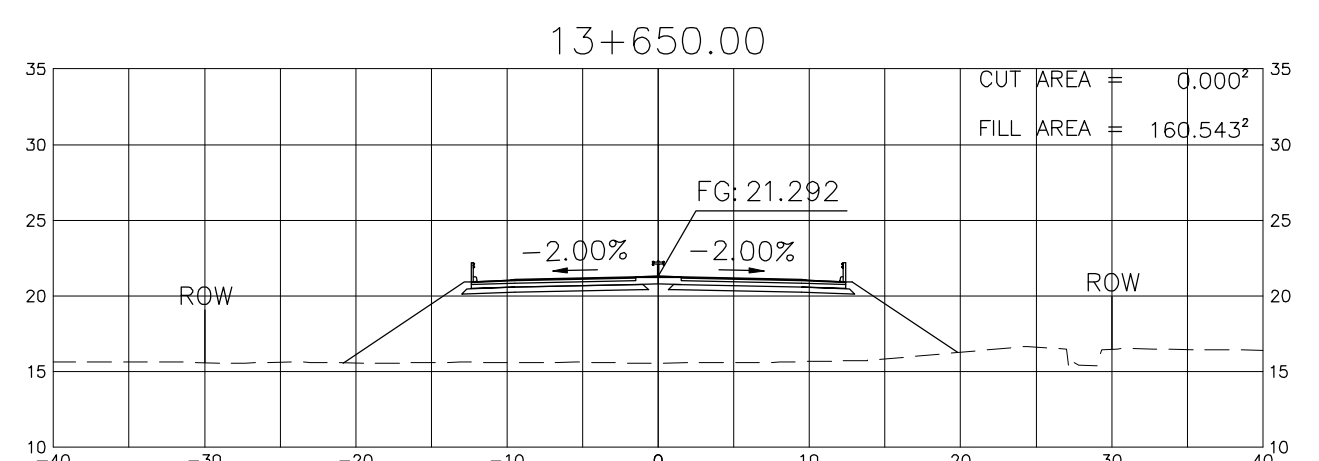
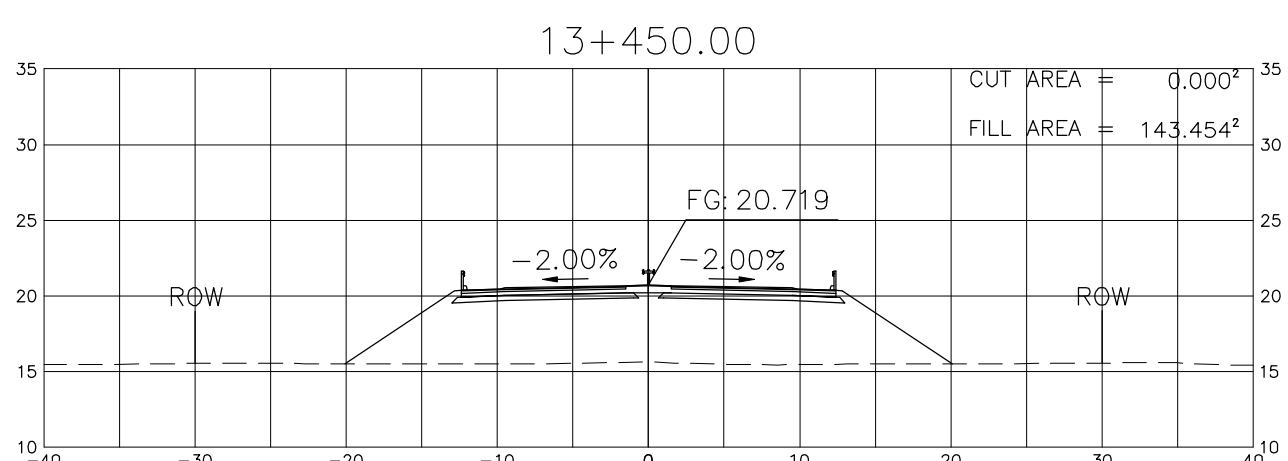
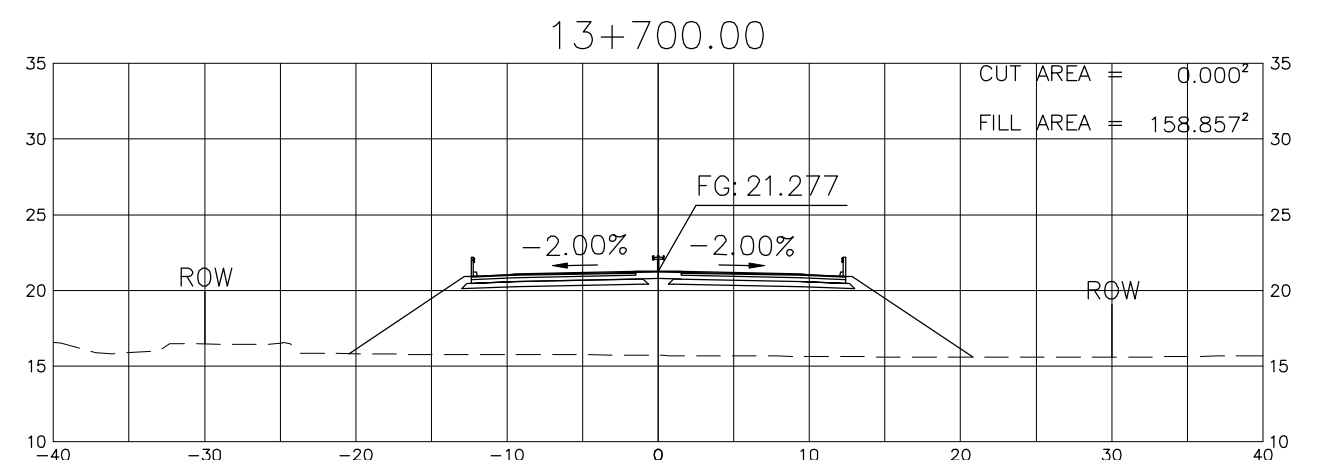
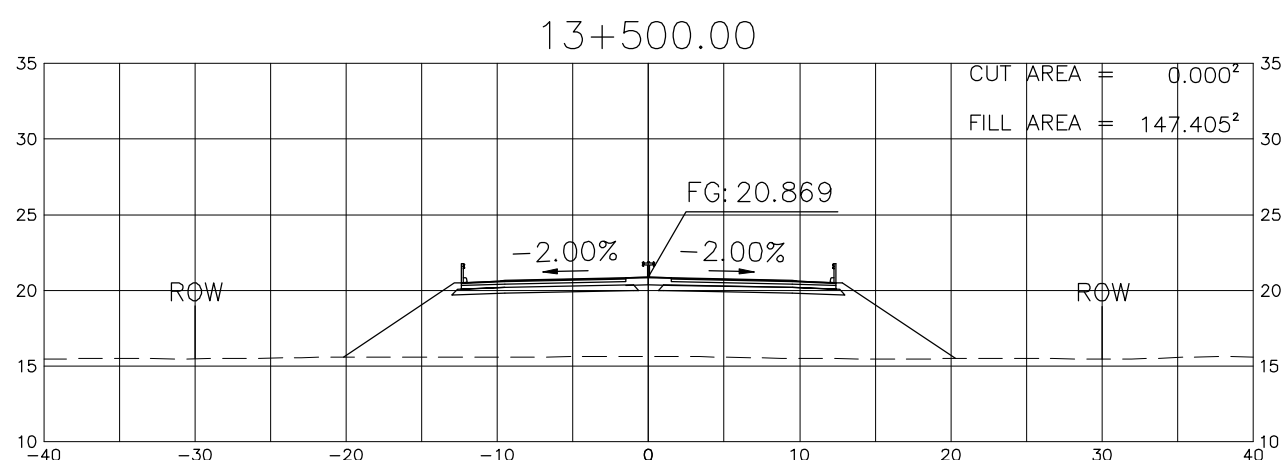
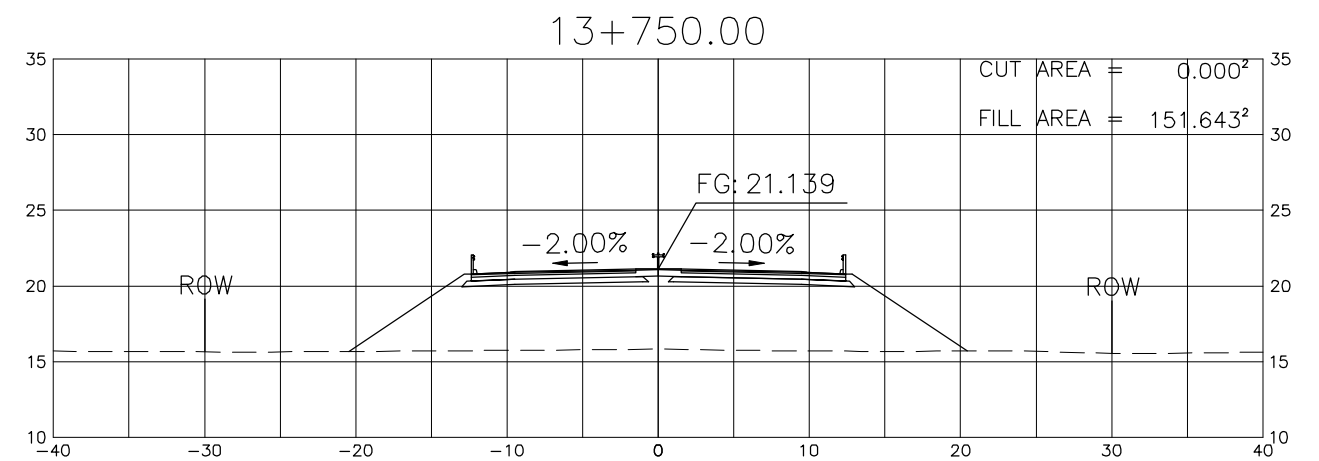
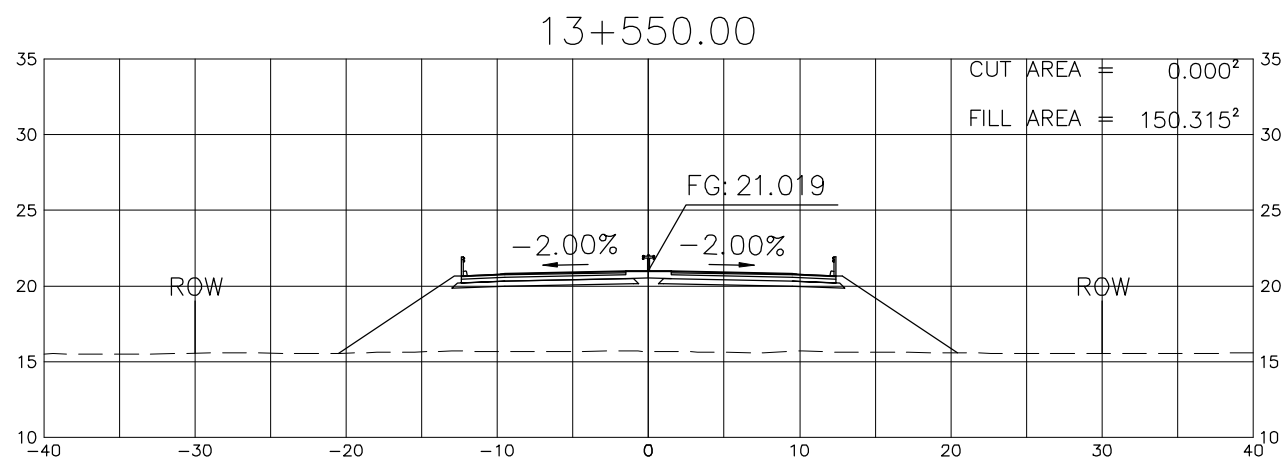
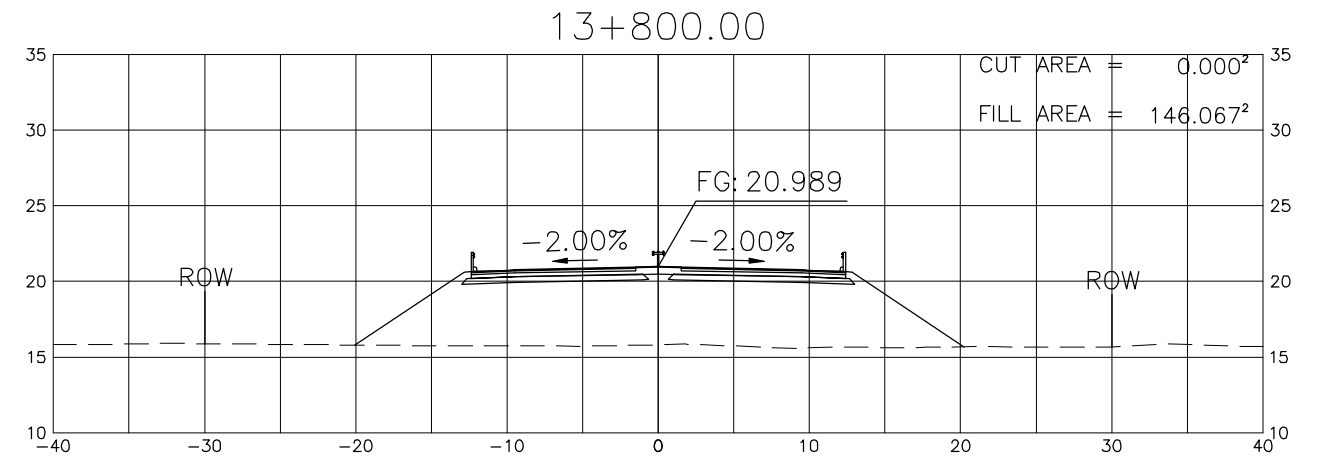
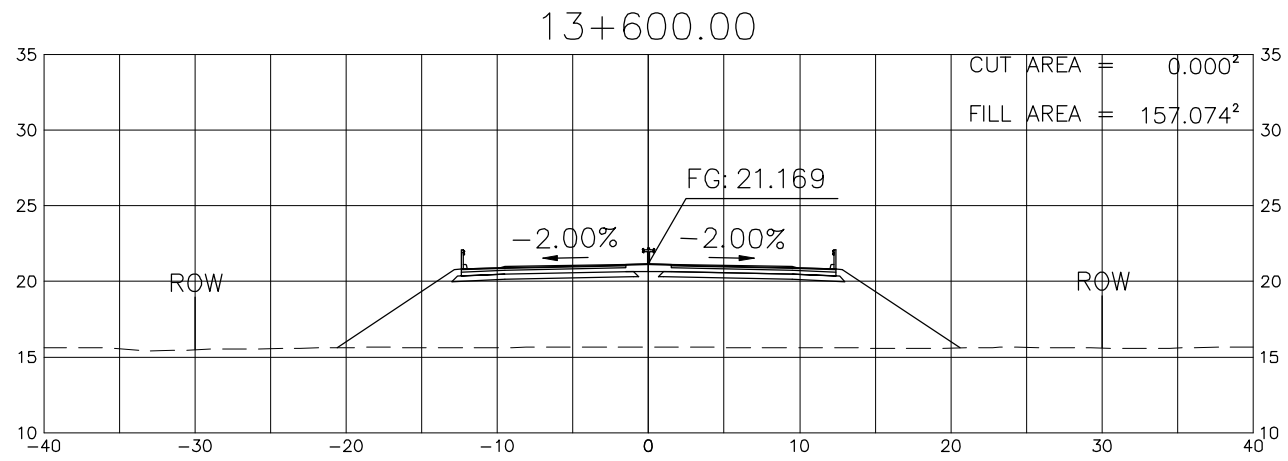
PROJECT TITLE	SCALE	SHEET CONTENT	DRAWING NO.
Preparatory survey for expressway project in Mega Manila Region CLLEX ( TARLAC - CABANATUAN )	A1 = 1:250 A3 = 1:500	CROSS SECTION ( ULTIMATE 4 LANE ) STA 12+350 TO STA 12+600	K-41
			SHEET NO.
			41 OF 90



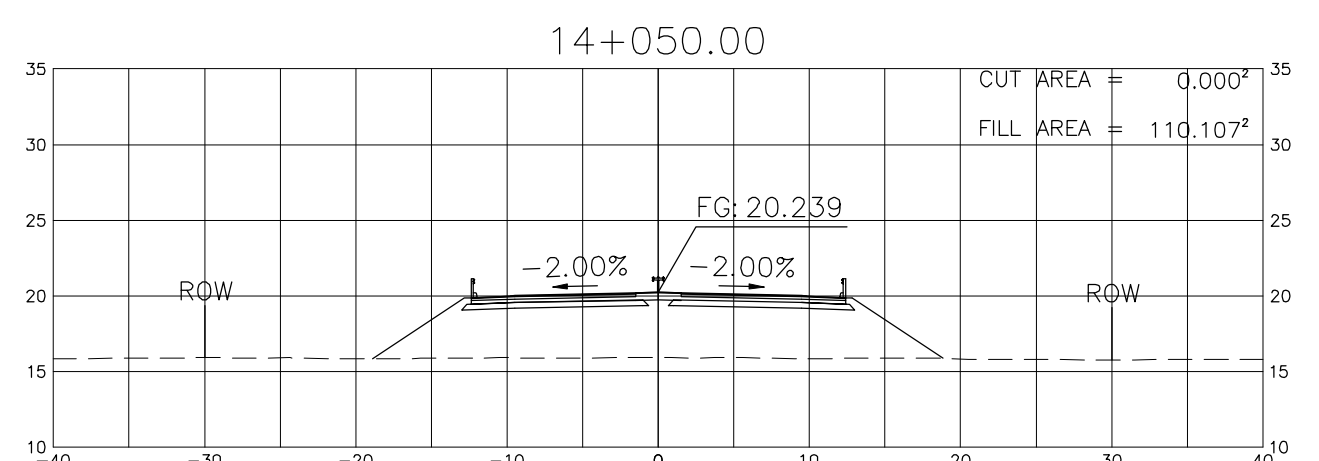
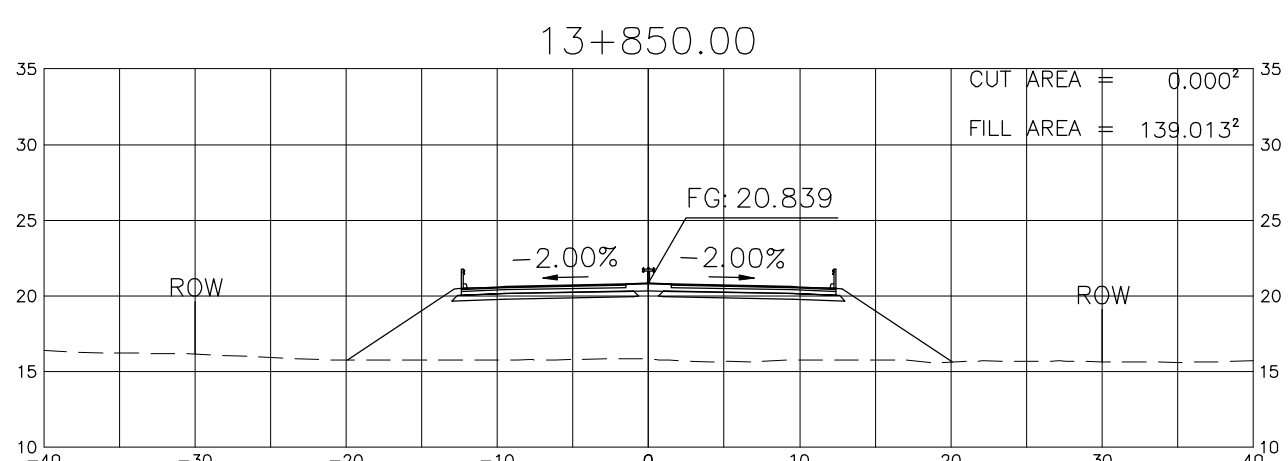
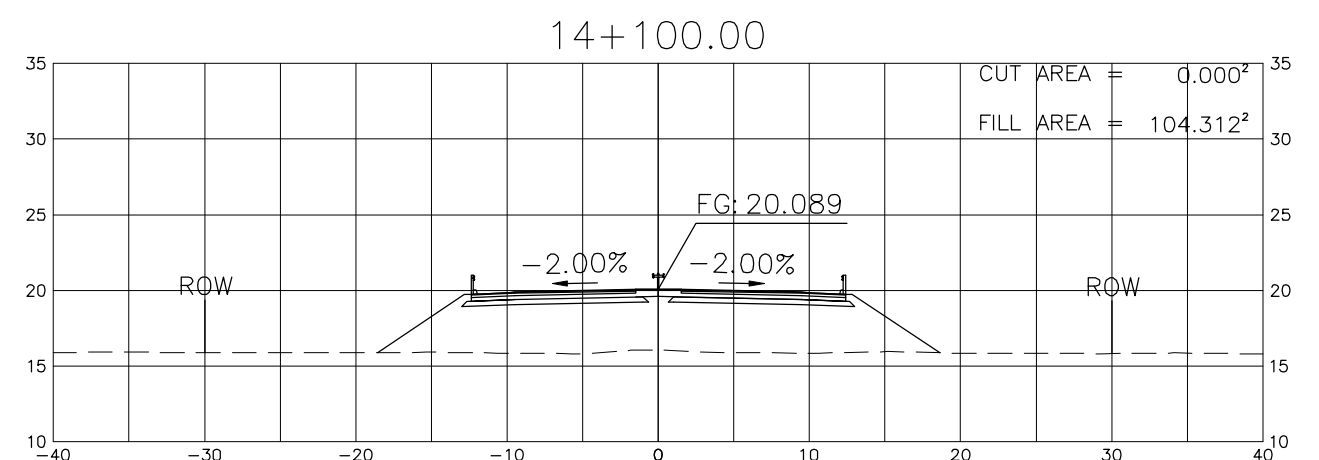
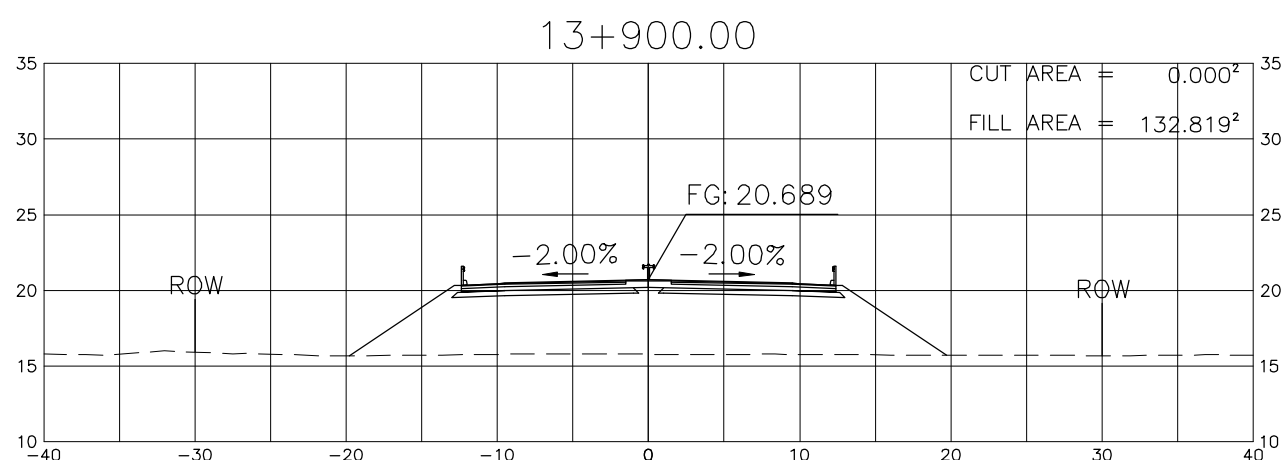
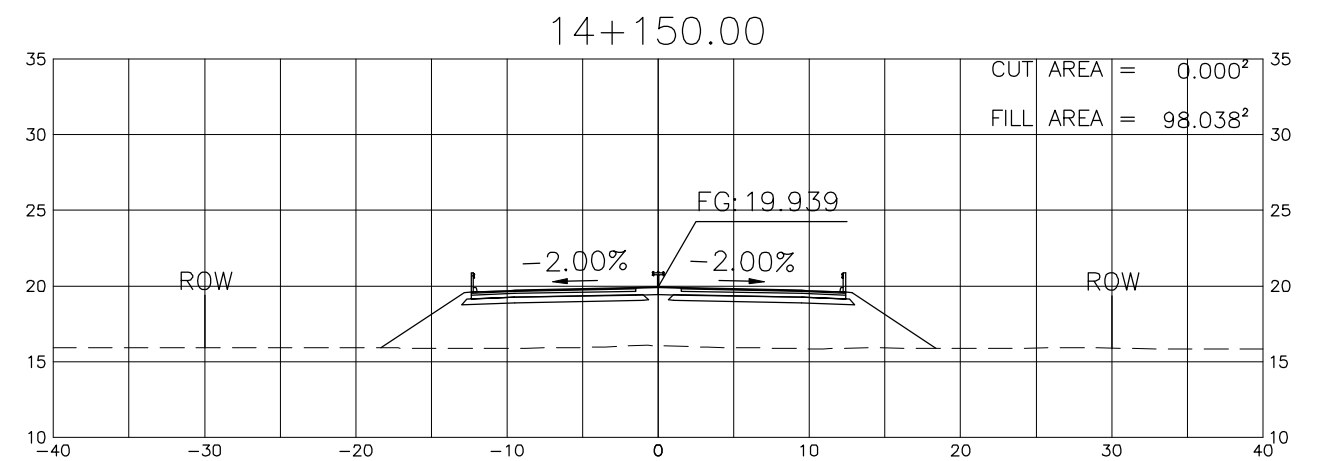
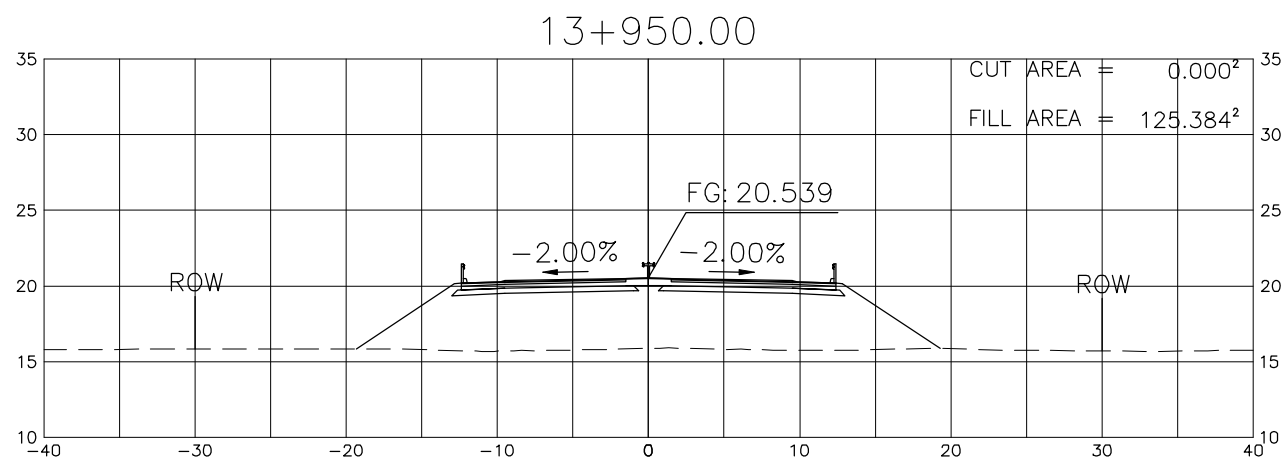
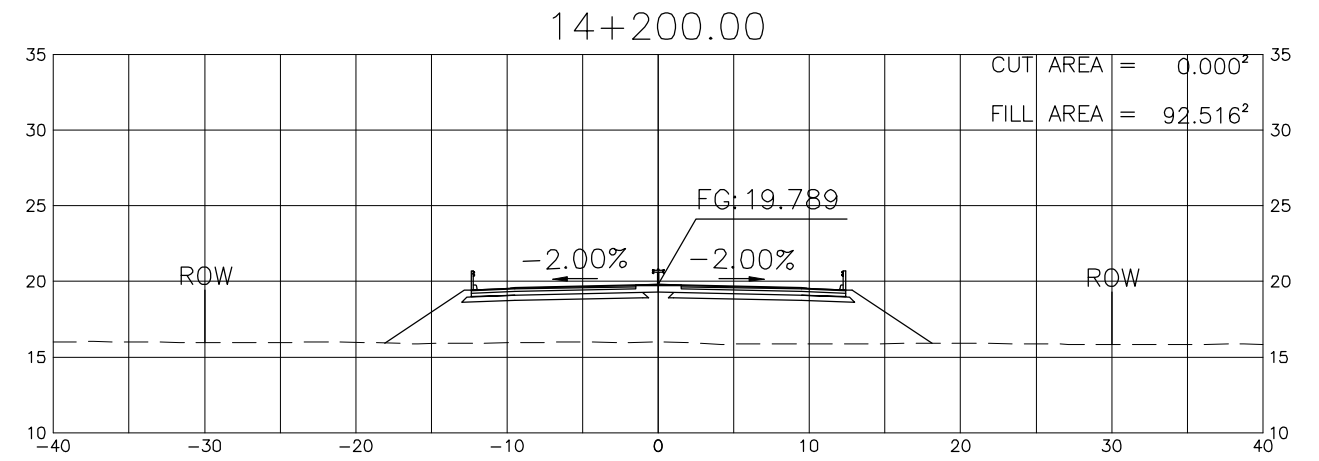
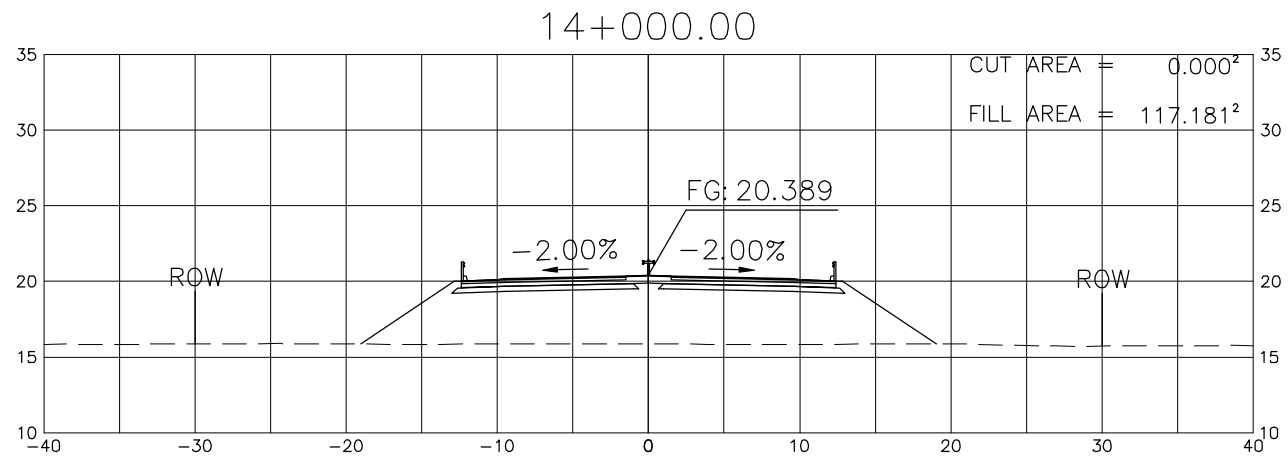
PROJECT TITLE	SCALE	SHEET CONTENT	DRAWING NO.
Preparatory survey for expressway project in Mega Manila Region CLLEX ( TARLAC - CABANATUAN )	A1 = 1:250 A3 = 1:500	CROSS SECTION (ULTIMATE 4 LANE) STA 12+650 TO STA 13+0300	K-42
			SHEET NO. 42 OF 90



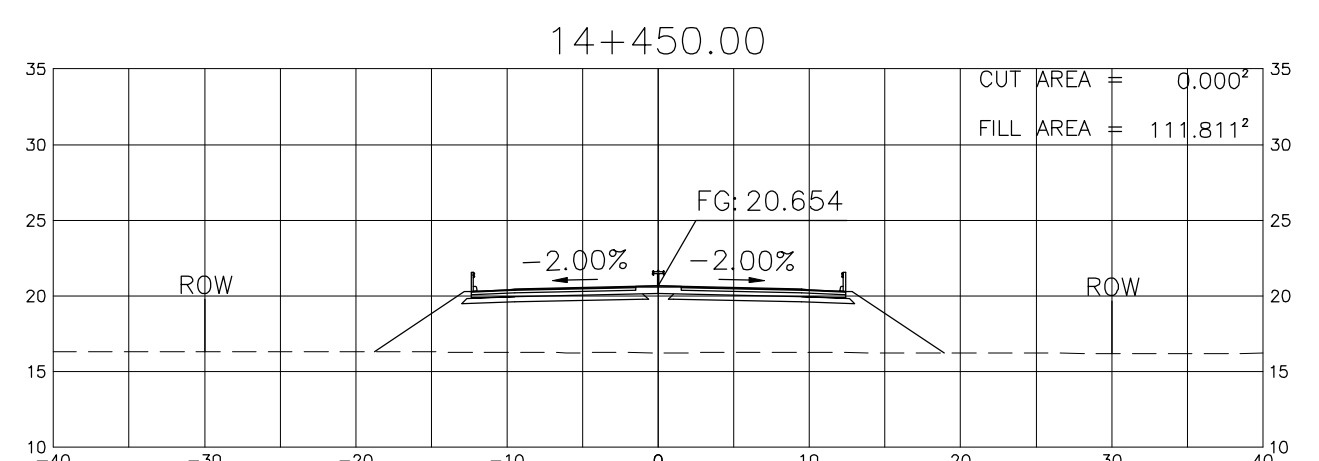
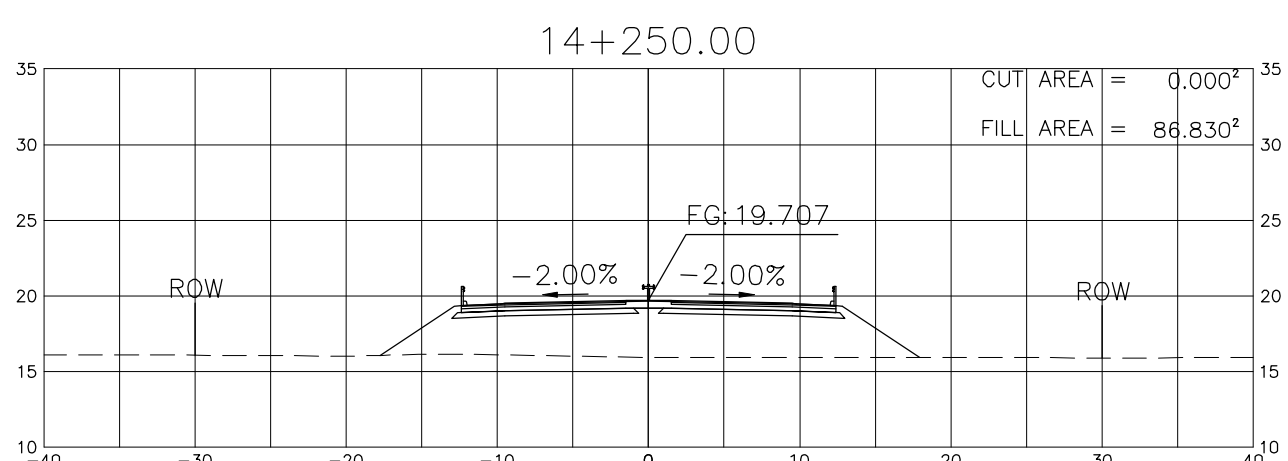
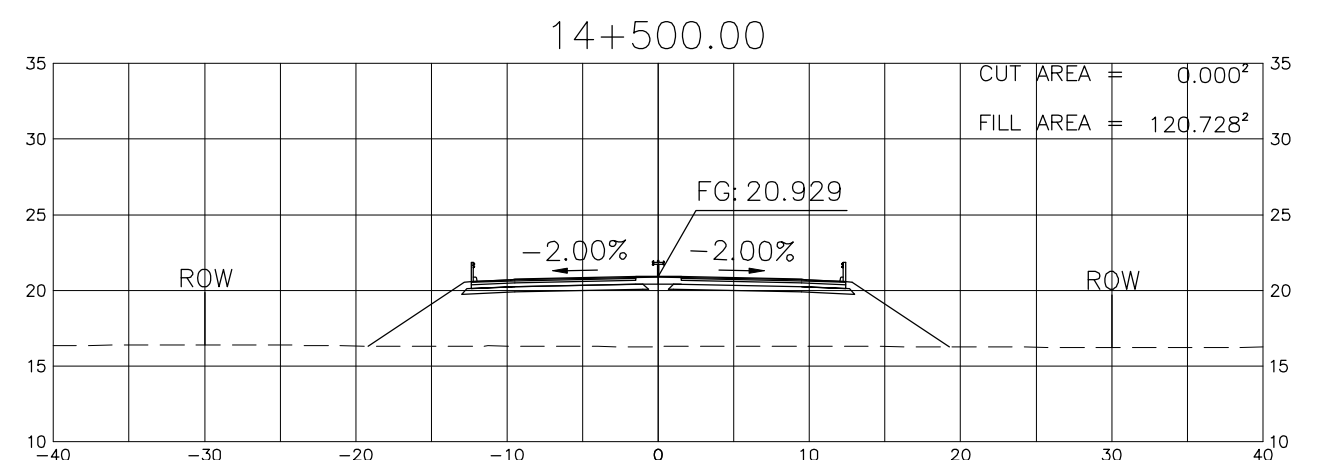
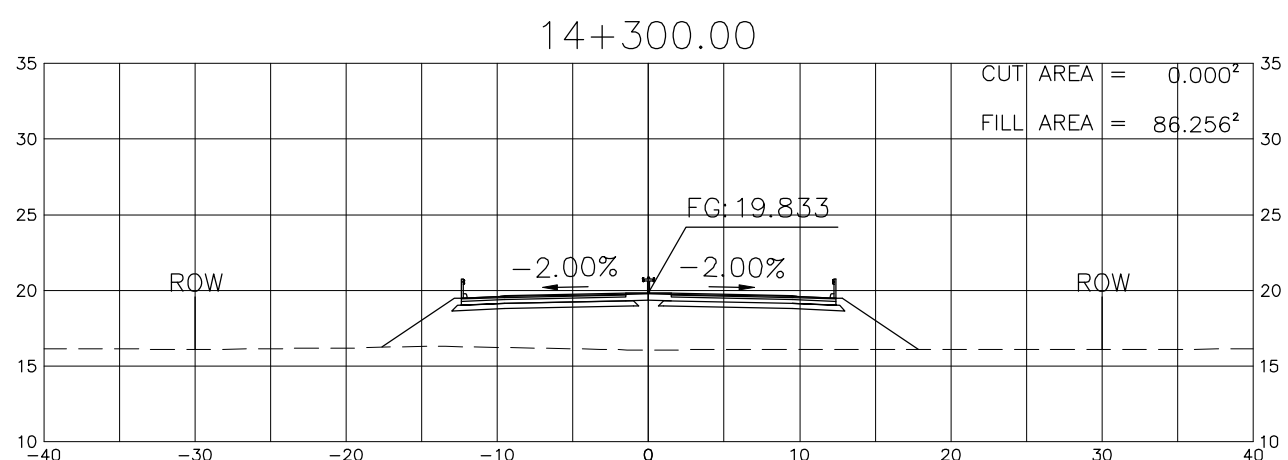
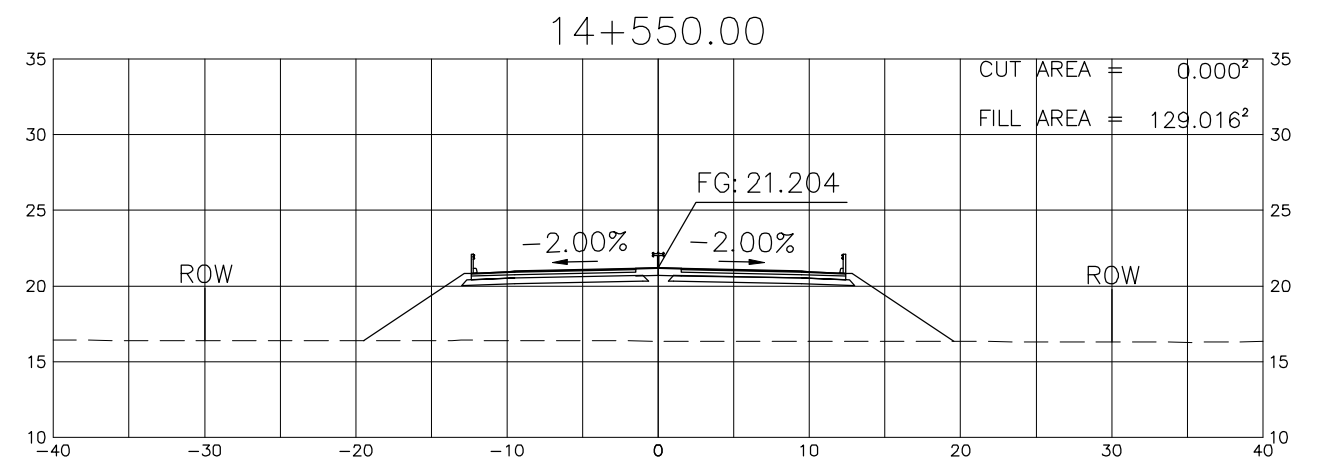
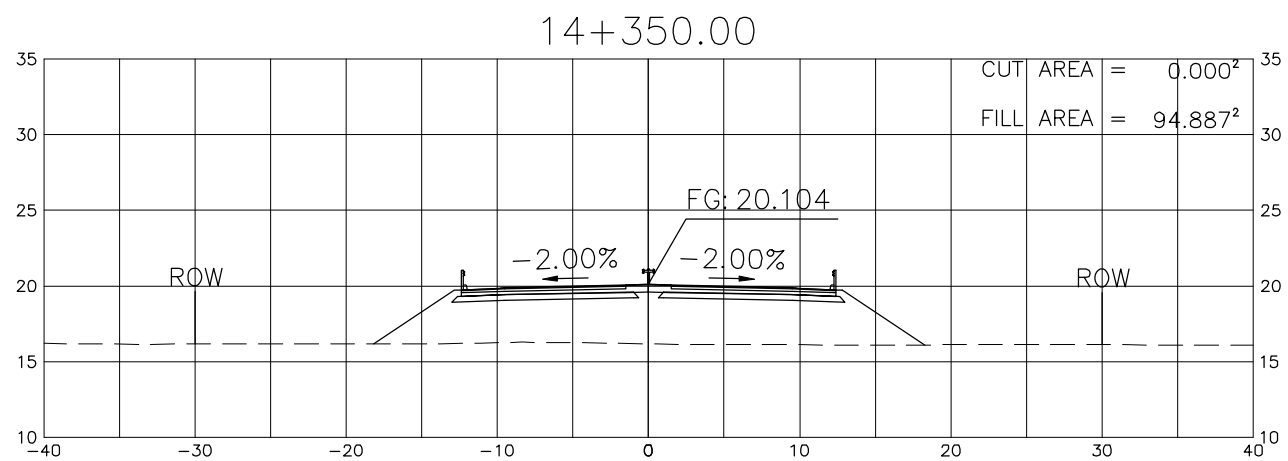
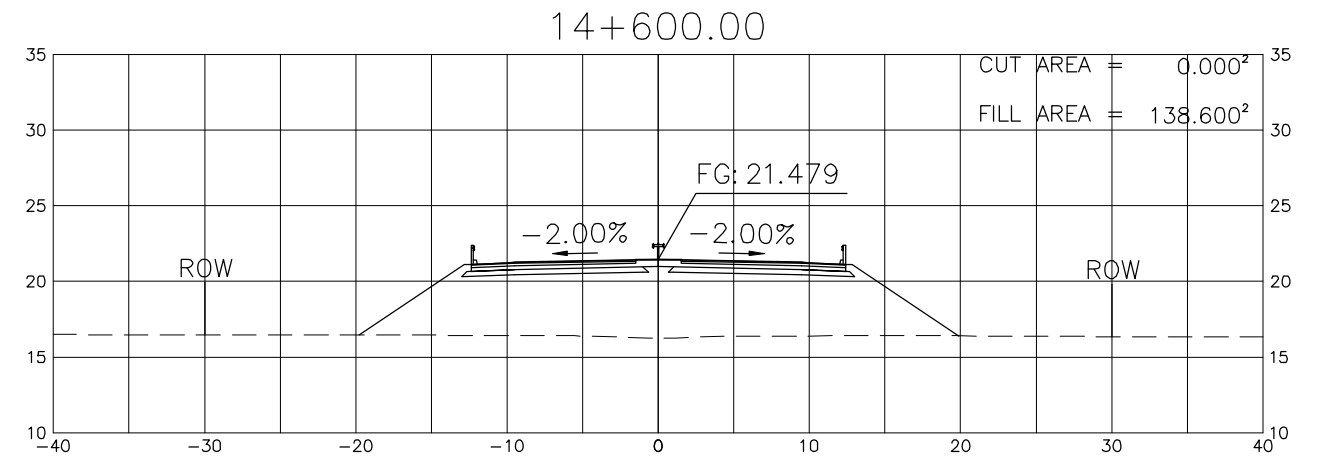
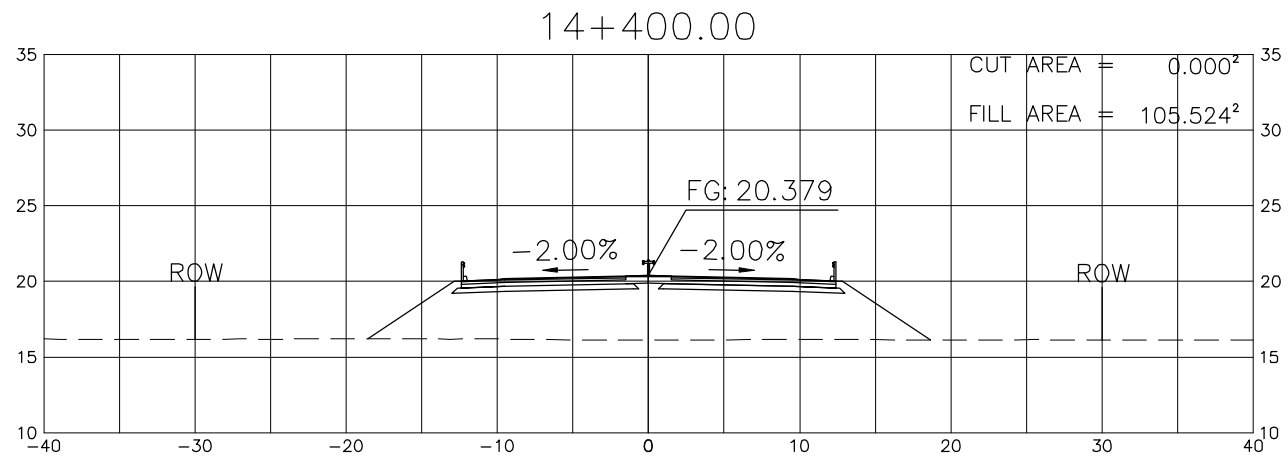
PROJECT TITLE	SCALE	SHEET CONTENT	DRAWING NO.
Preparatory survey for expressway project in Mega Manila Region CLLEX ( TARLAC - CABANATUAN )	A1 = 1:250 A3 = 1:500	CROSS SECTION ( ULTIMATE 4 LANE ) STA 13+050 TO STA 13+400	K-43
			SHEET NO.
			43 OF 90



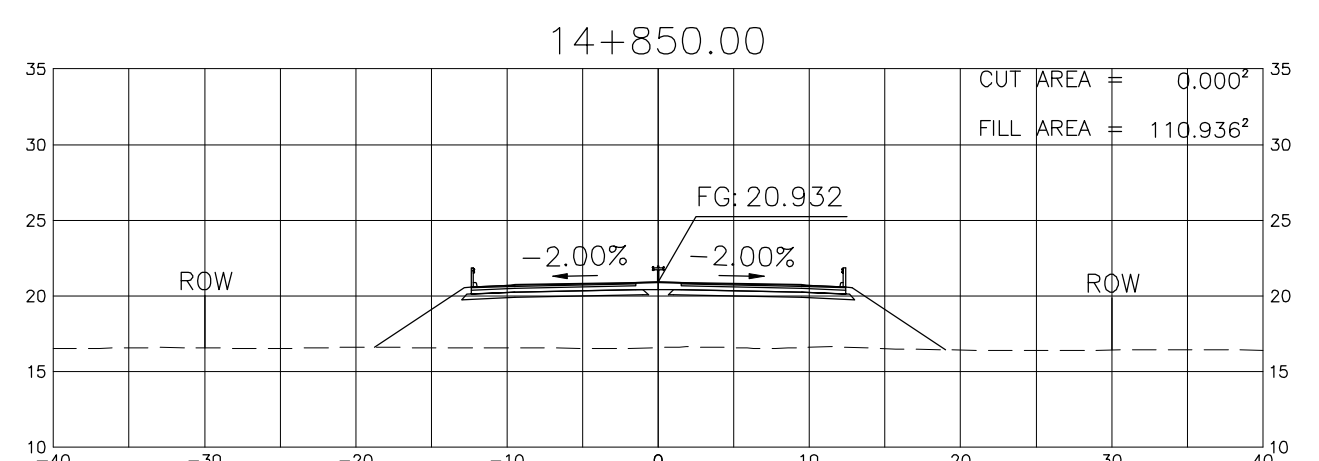
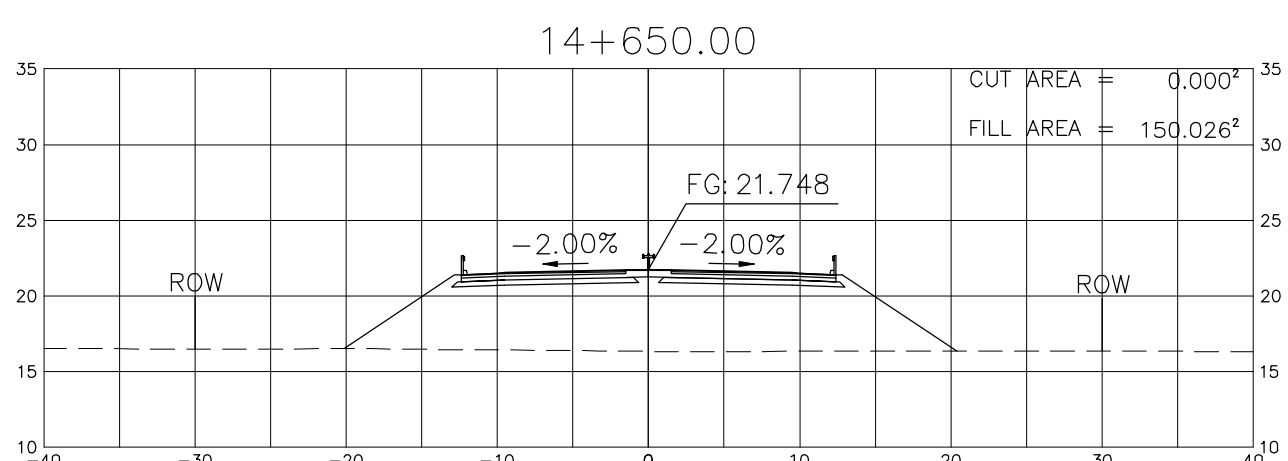
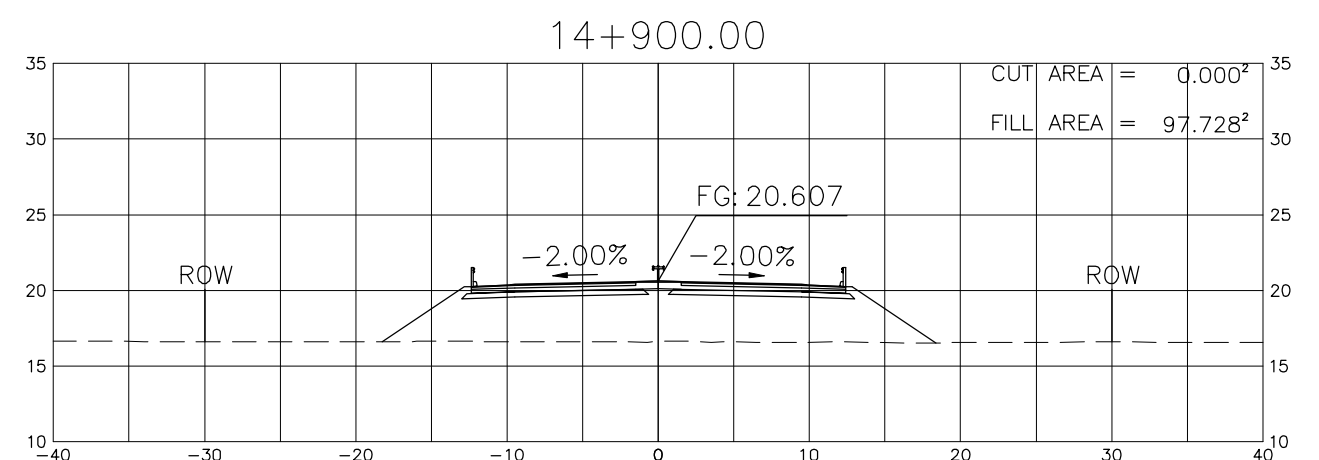
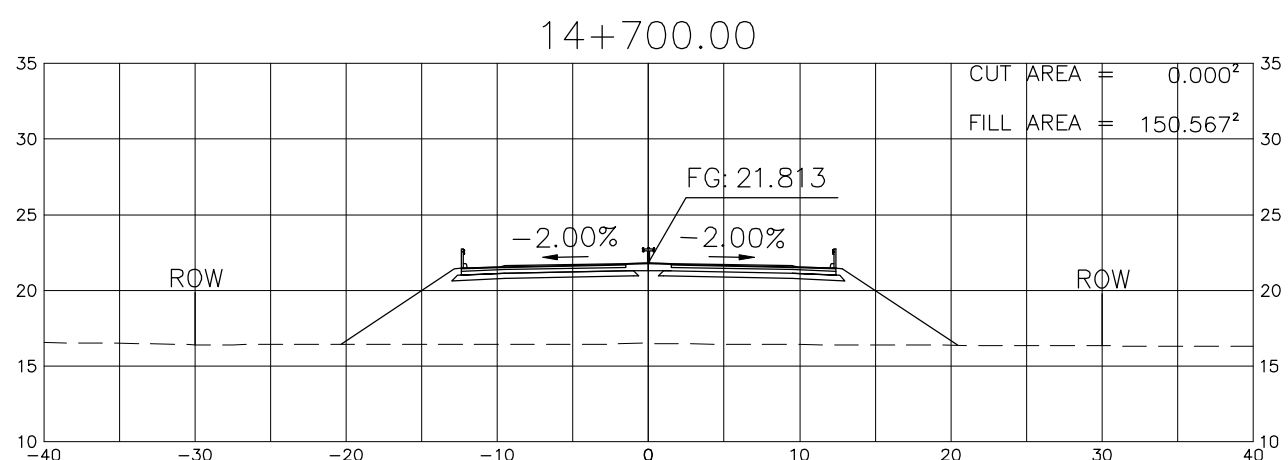
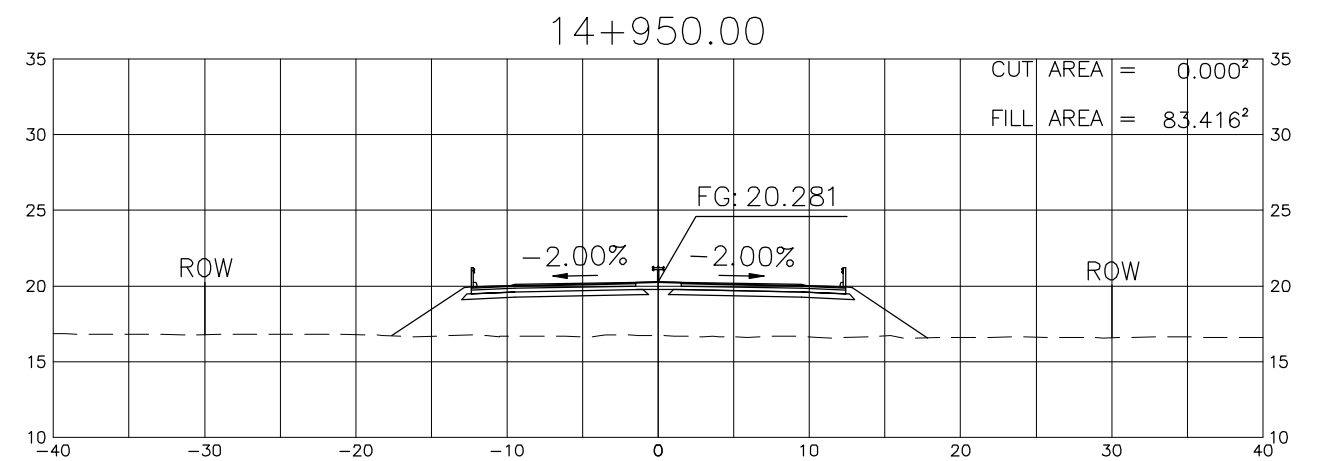
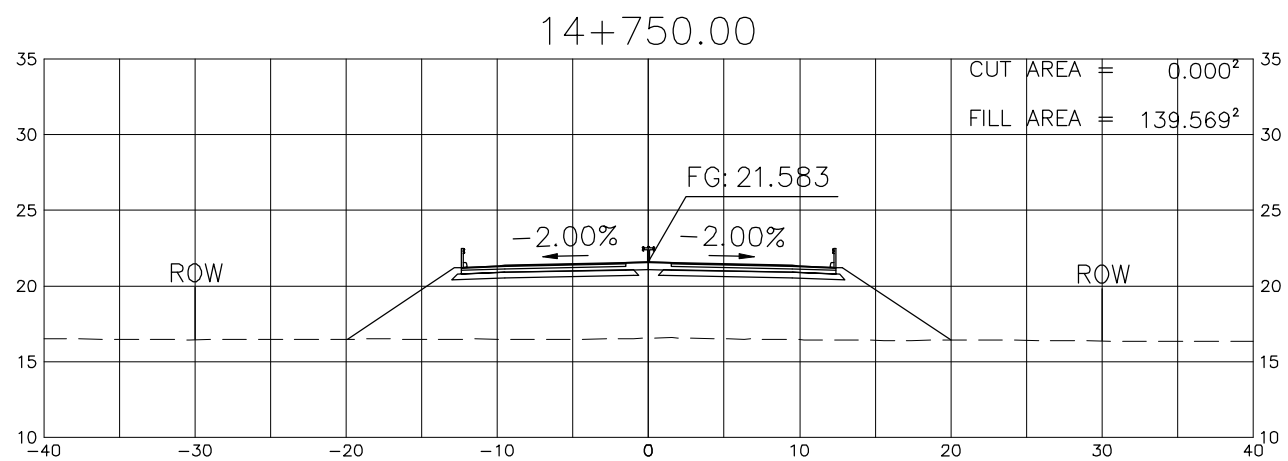
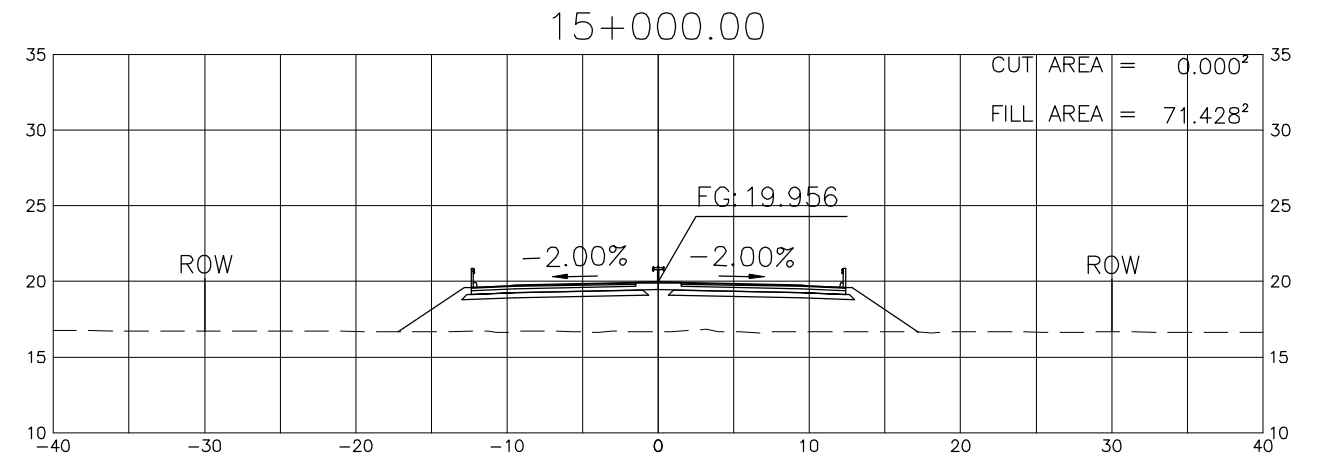
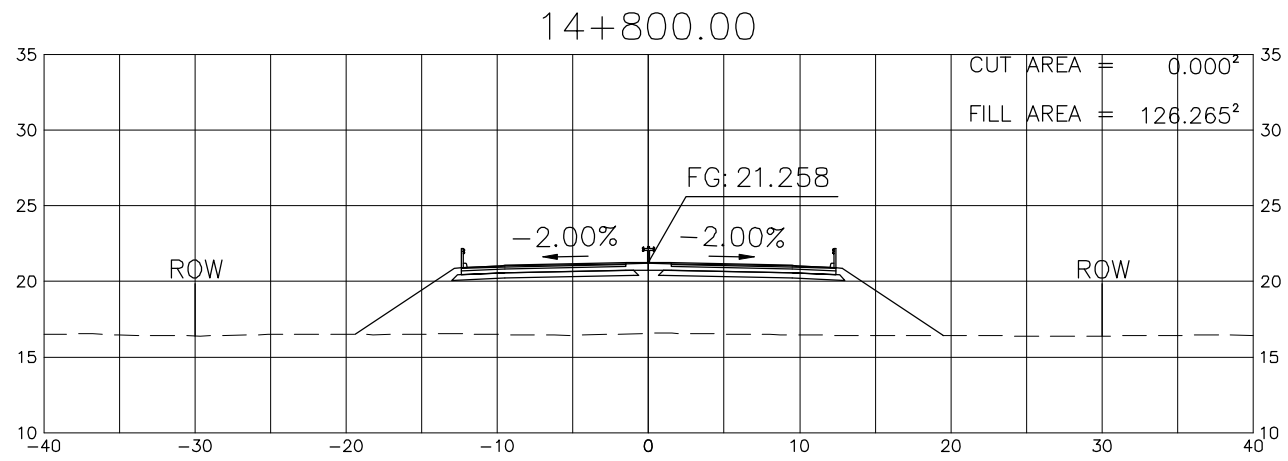
PROJECT TITLE	SCALE	SHEET CONTENT	DRAWING NO.
Preparatory survey for expressway project in Mega Manila Region CLLEX ( TARLAC - CABANATUAN )	A1 = 1:250 A3 = 1:500	CROSS SECTION ( ULTIMATE 4 LANE ) STA 13+450 TO STA 13+800	K-44
			SHEET NO. 44 OF 90



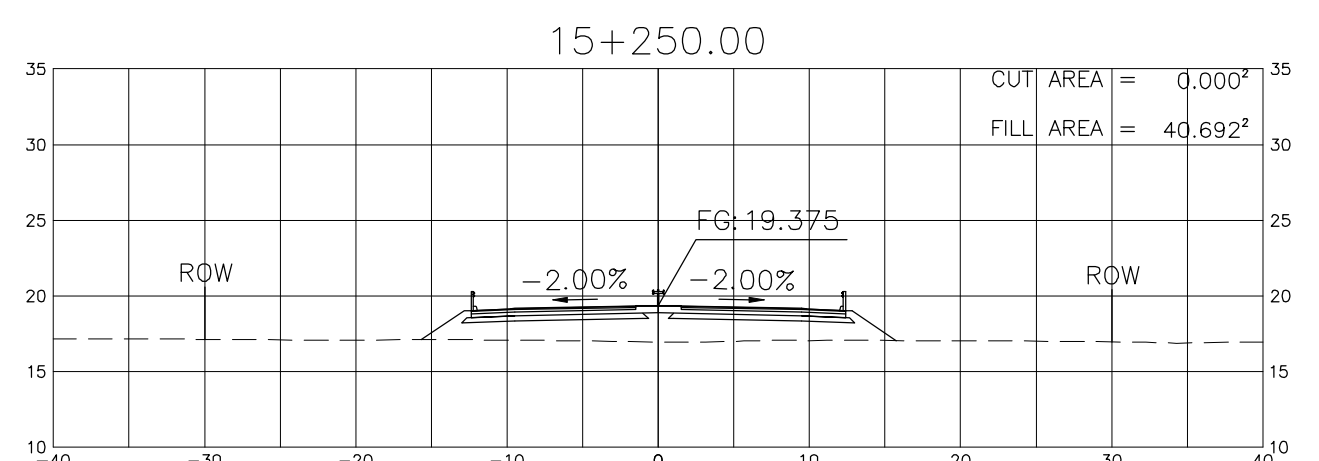
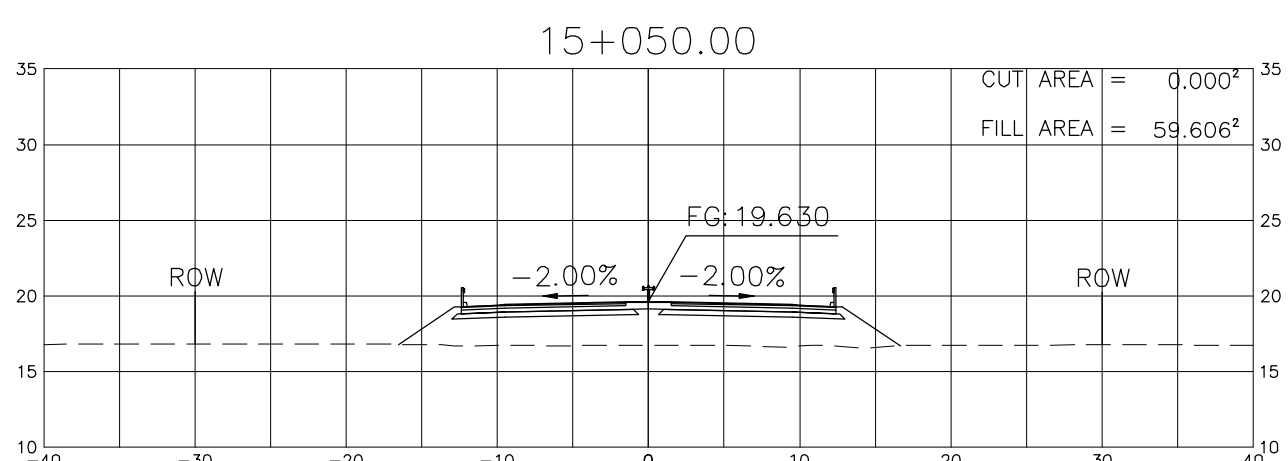
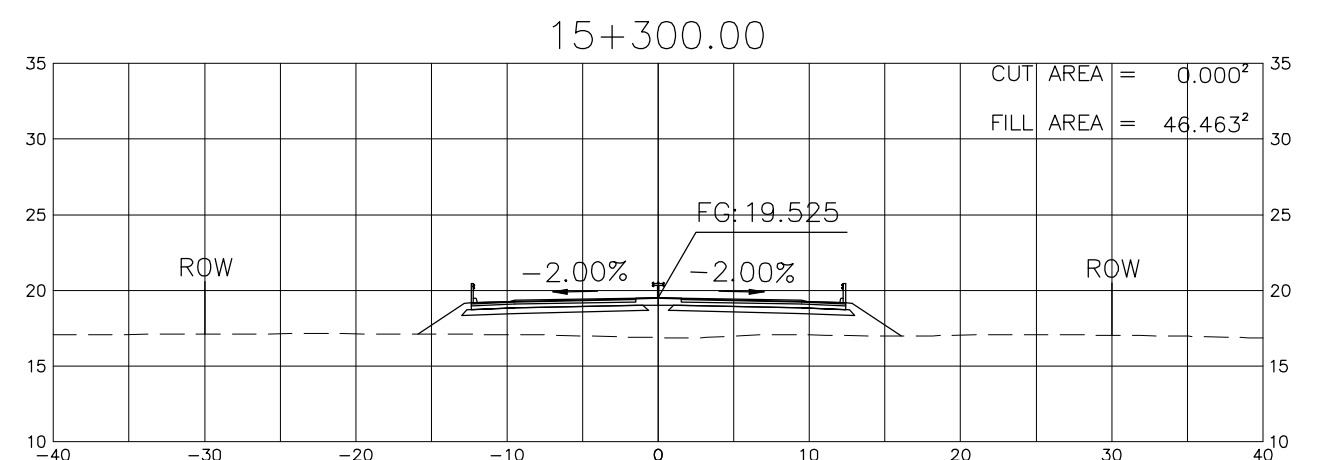
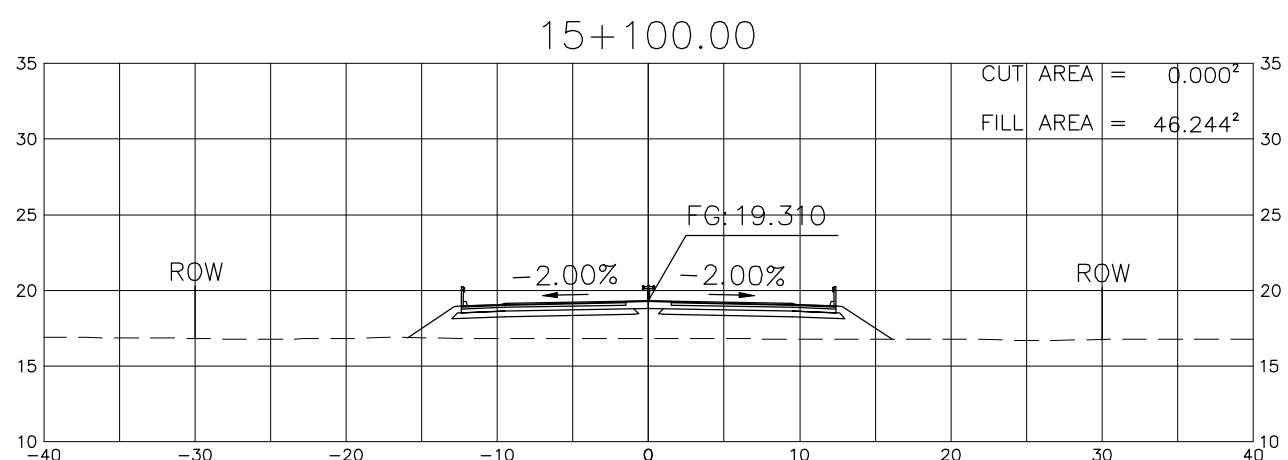
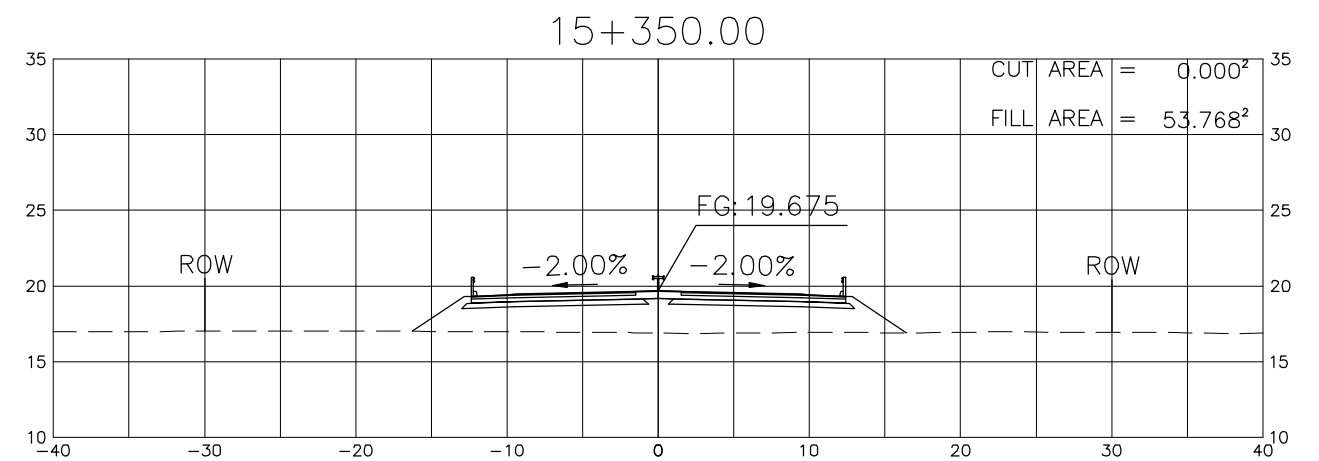
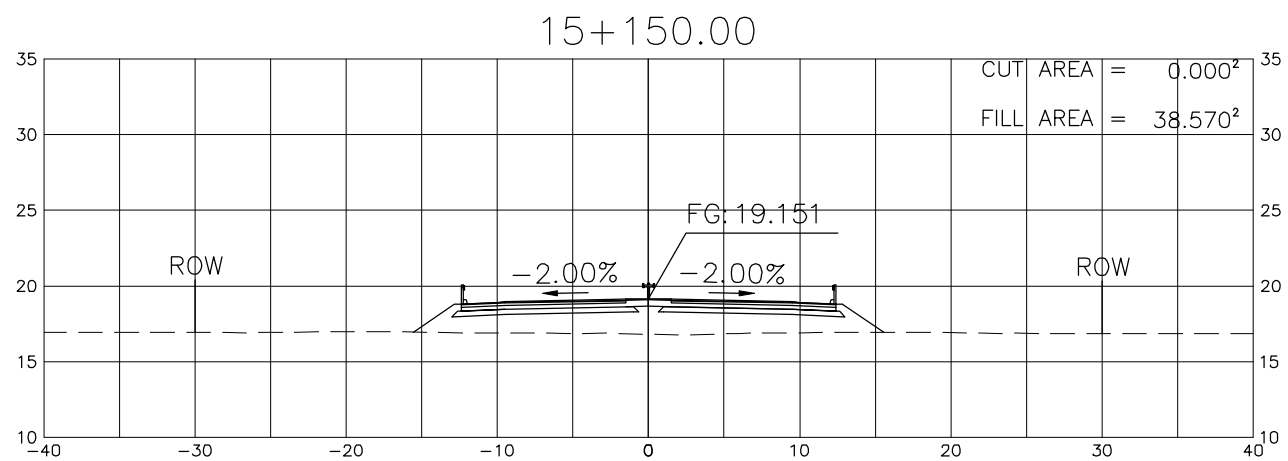
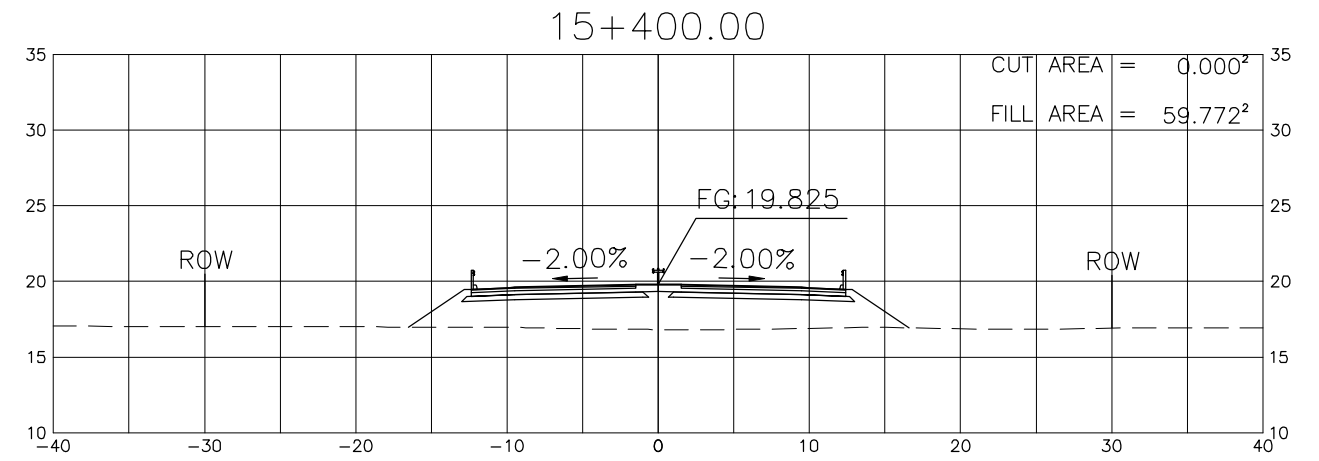
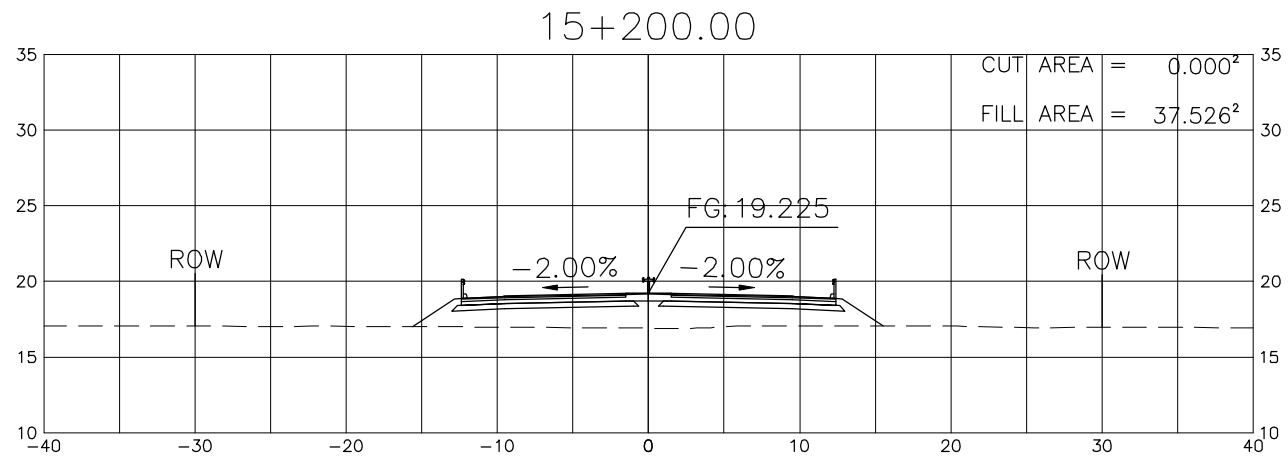
PROJECT TITLE	SCALE	SHEET CONTENT	DRAWING NO.
Preparatory survey for expressway project in Mega Manila Region CLLEX ( TARLAC - CABANATUAN )	A1 = 1:250 A3 = 1:500	CROSS SECTION ( ULTIMATE 4 LANE ) STA 13+850 TO STA 14+200	K-45
			SHEET NO.
			45 OF 90



PROJECT TITLE	SCALE	SHEET CONTENT	DRAWING NO.
Preparatory survey for expressway project in Mega Manila Region CLLEX ( TARLAC - CABANATUAN )	A1 = 1:250 A3 = 1:500	CROSS SECTION ( ULTIMATE 4 LANE ) STA 14+250 TO STA 14+600	K-46
			SHEET NO.
			46 OF 90

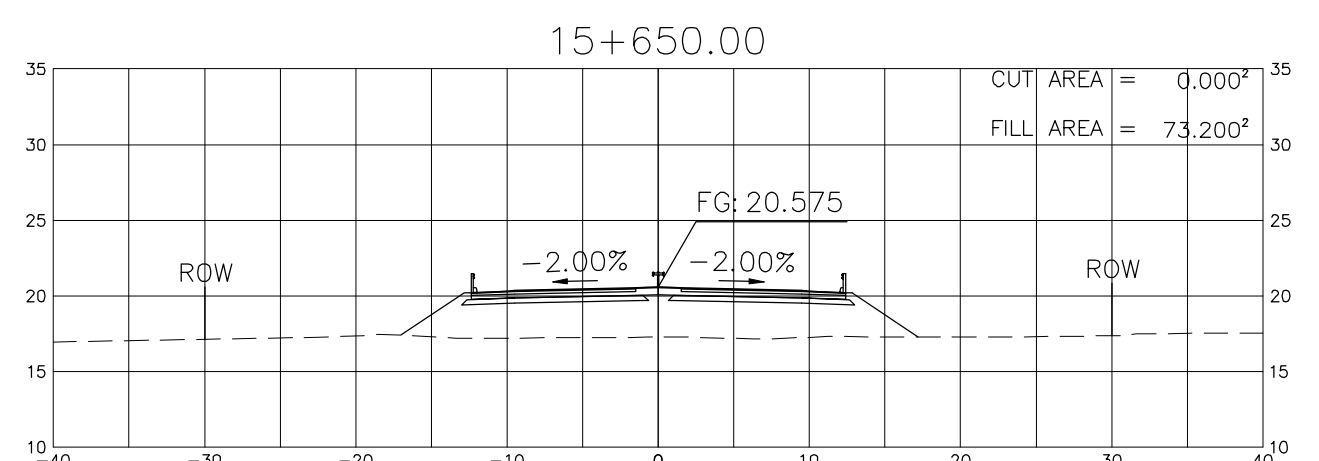
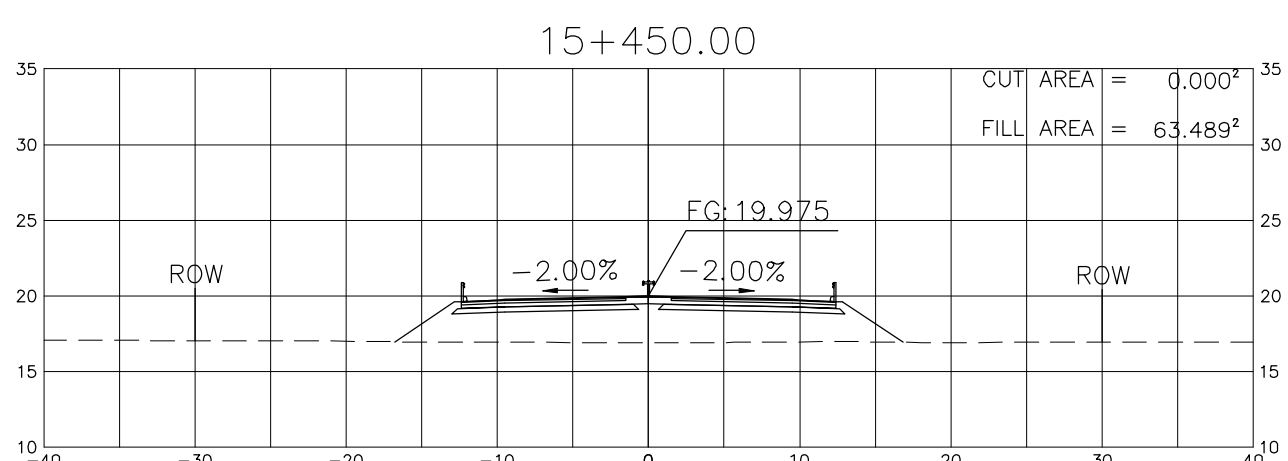
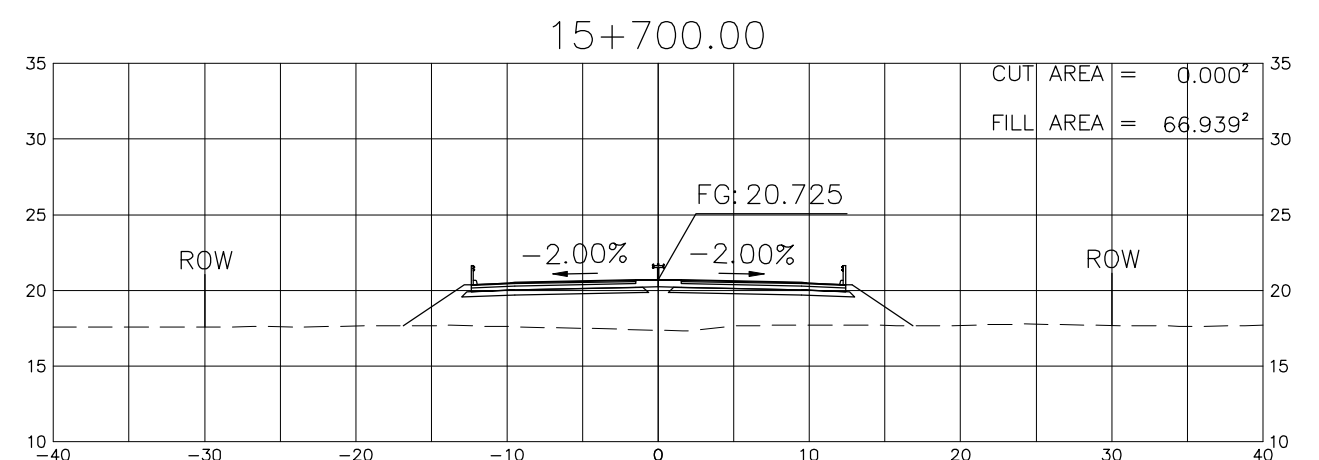
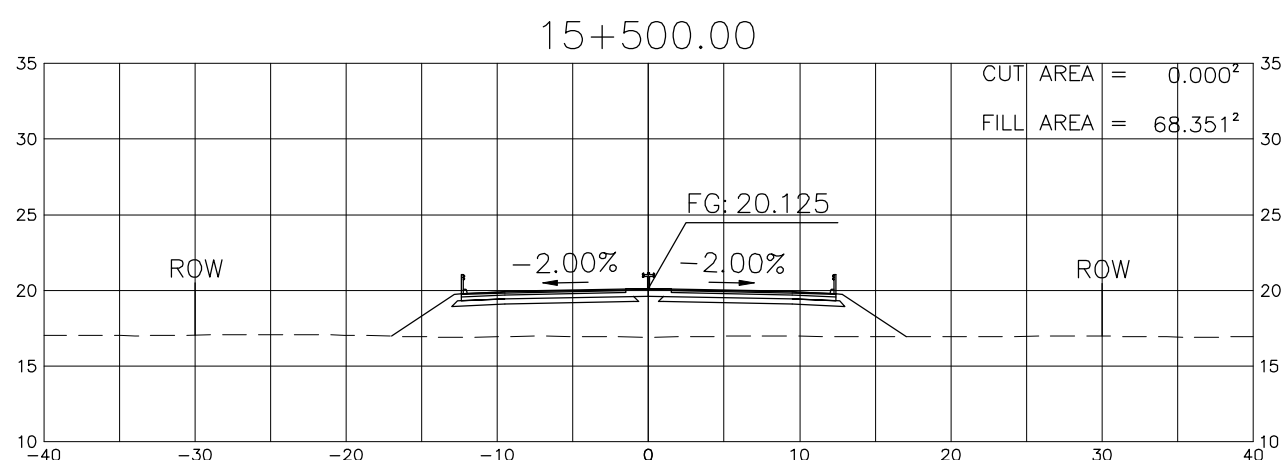
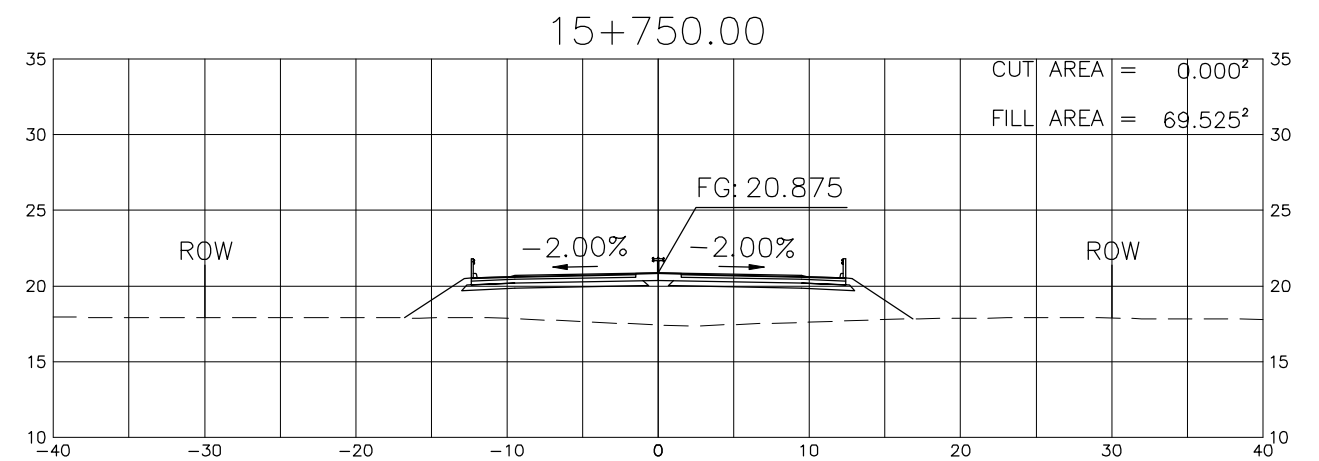
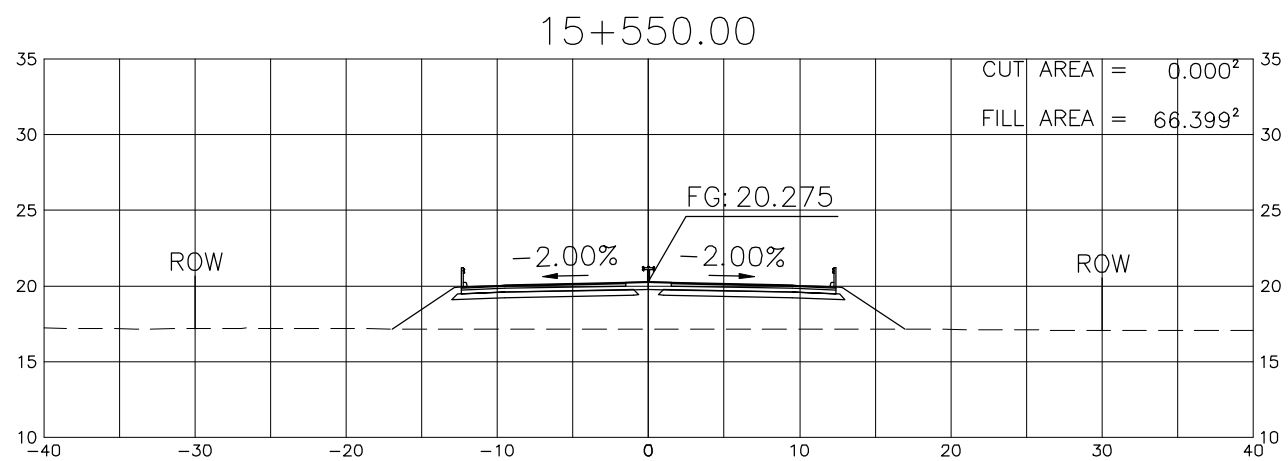
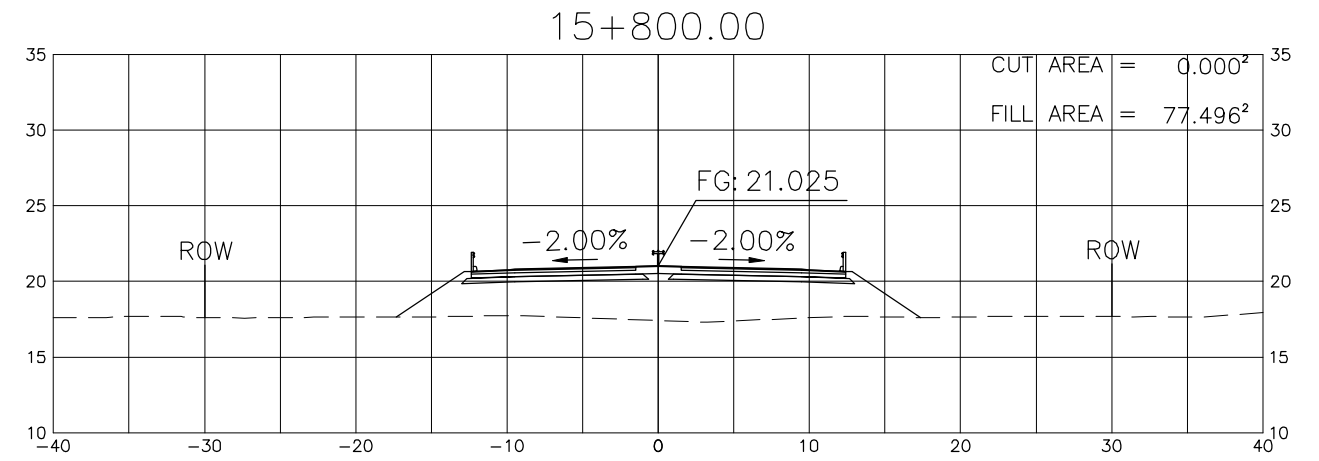
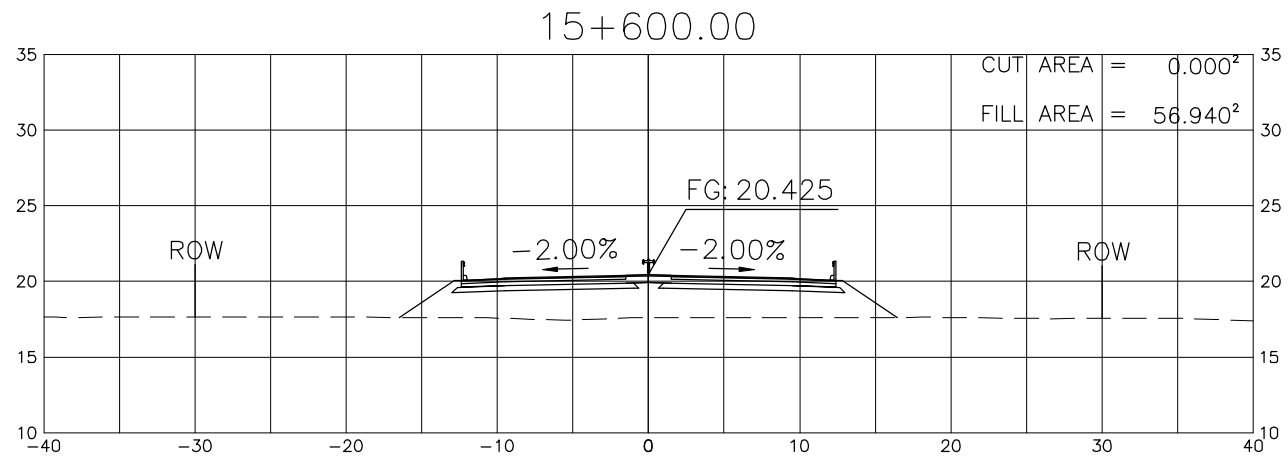


PROJECT TITLE	SCALE	SHEET CONTENT	DRAWING NO.
Preparatory survey for expressway project in Mega Manila Region CLLEX ( TARLAC - CABANATUAN )	A1 = 1:250 A3 = 1:500	CROSS SECTION ( ULTIMATE 4 LANE ) STA 14+650 TO STA 15+000	K-47
			SHEET NO.
			47 OF 90

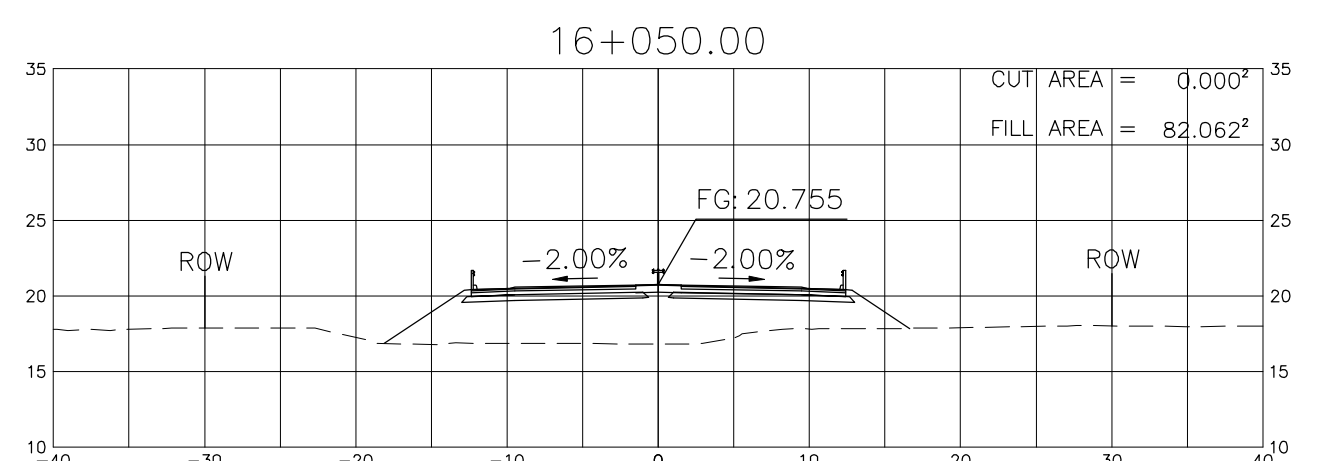
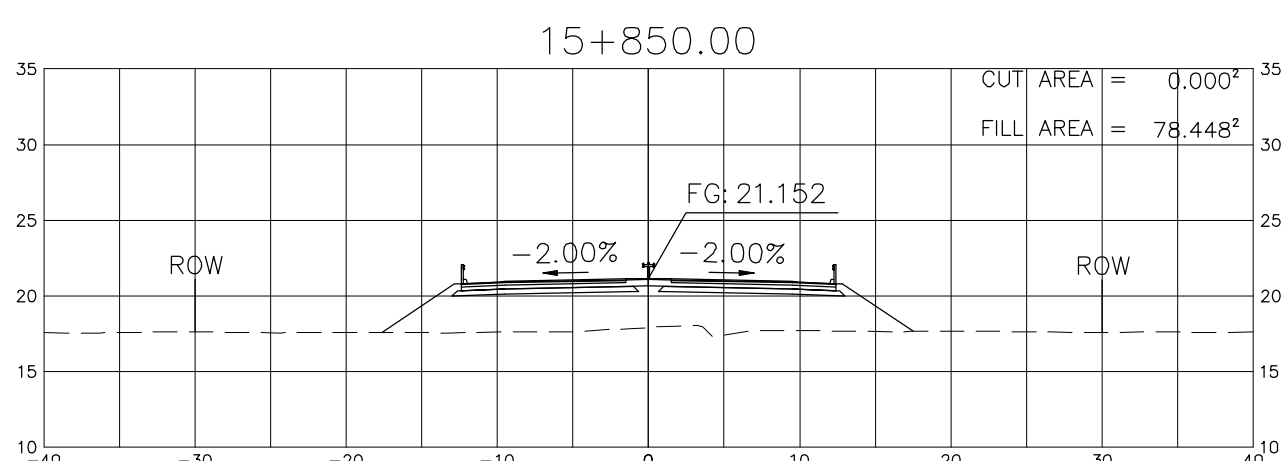
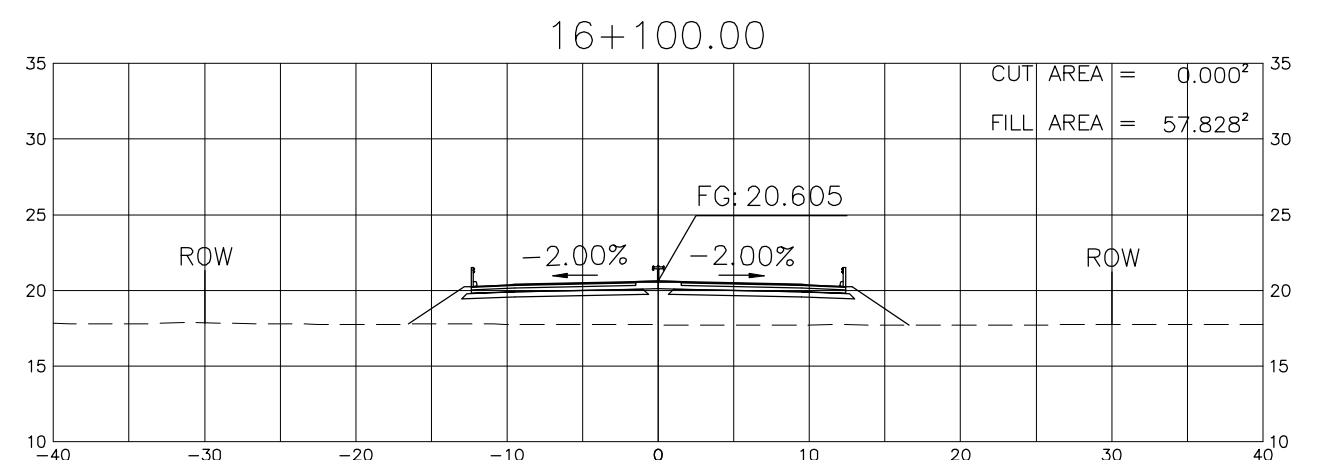
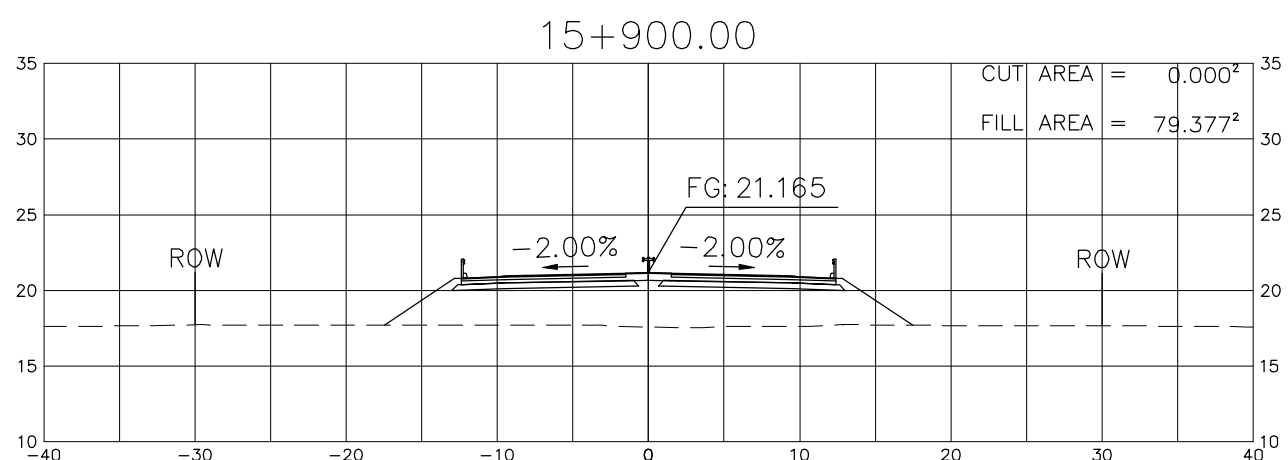
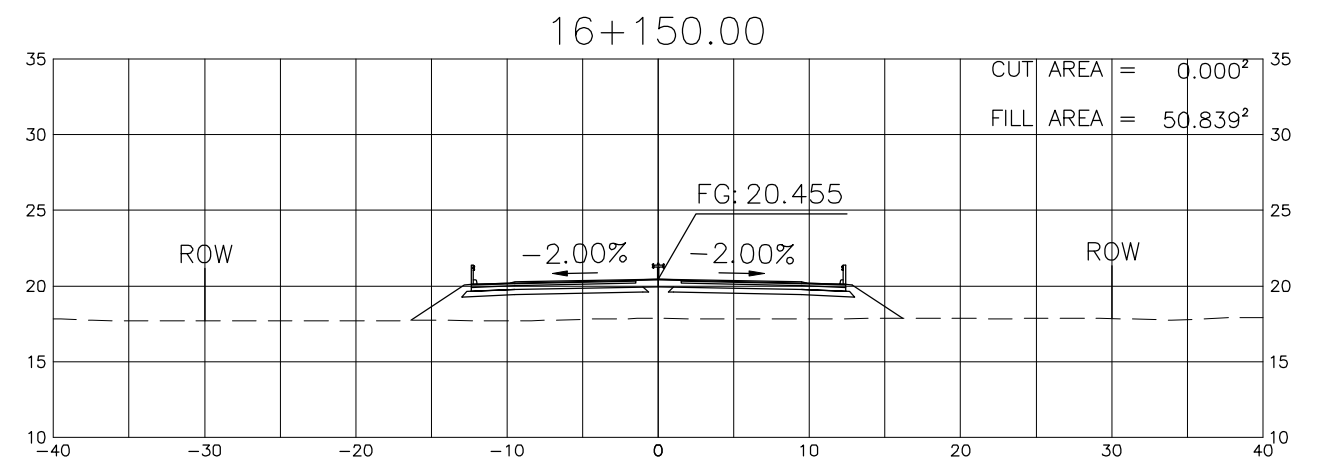
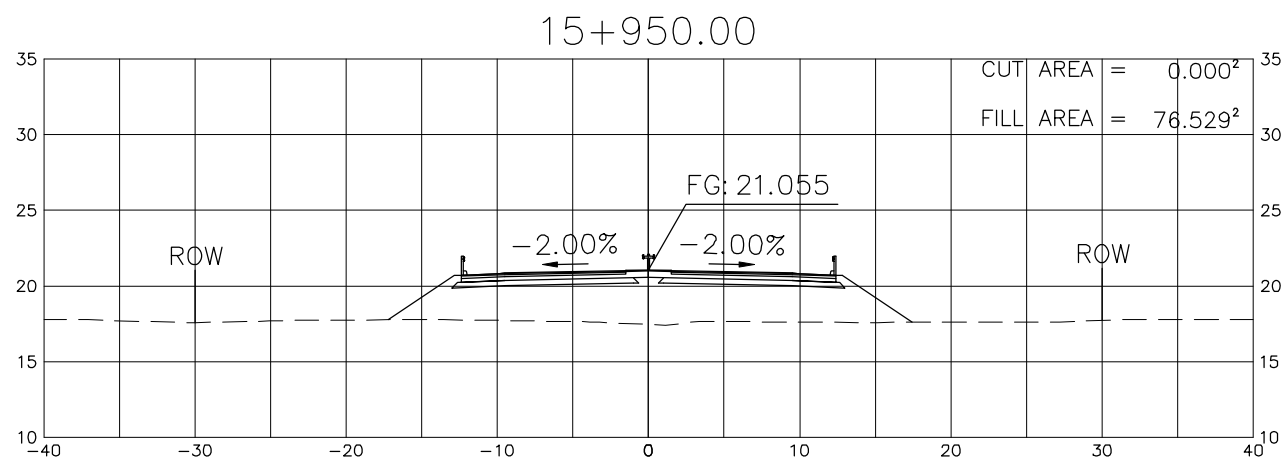
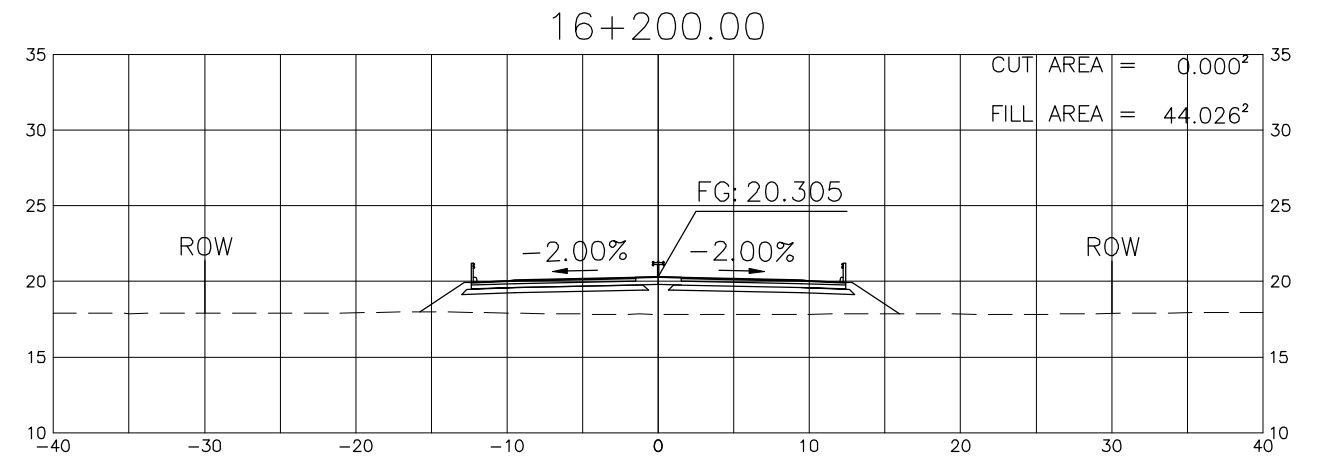
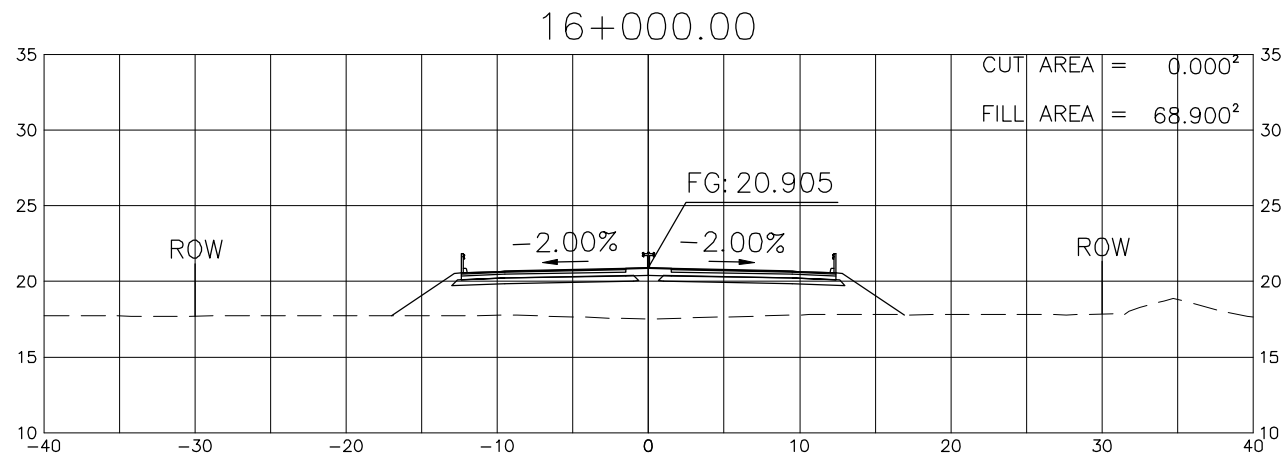


PROJECT TITLE	SCALE	SHEET CONTENT	DRAWING NO.
Preparatory survey for expressway project in Mega Manila Region CLLEX ( TARLAC - CABANATUAN )	A1 = 1:250 A3 = 1:500	CROSS SECTION ( ULTIMATE 4 LANE ) STA 15+050 TO STA 15+400	K-48
			SHEET NO. 48 OF 90

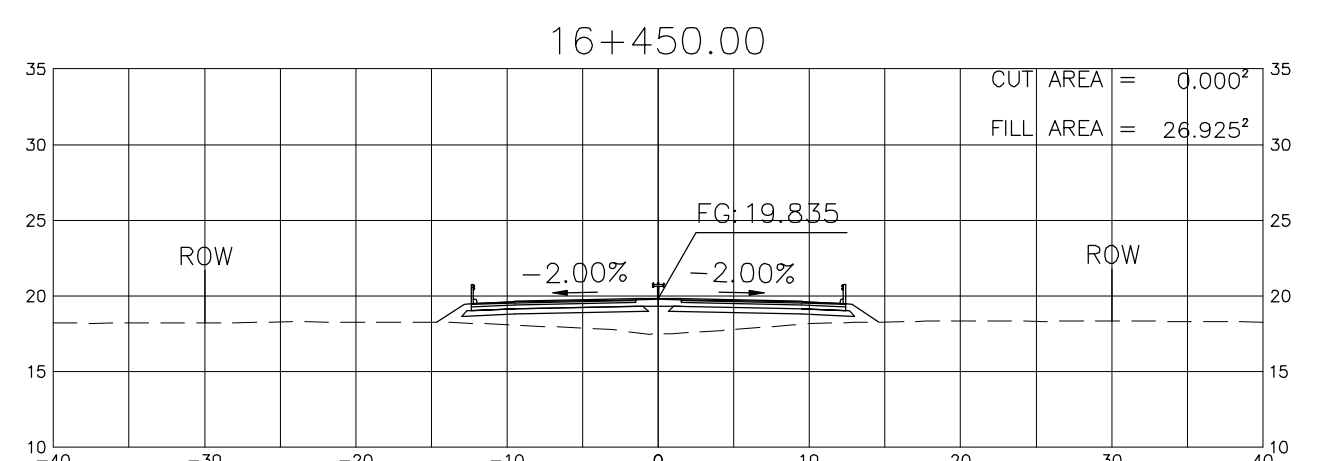
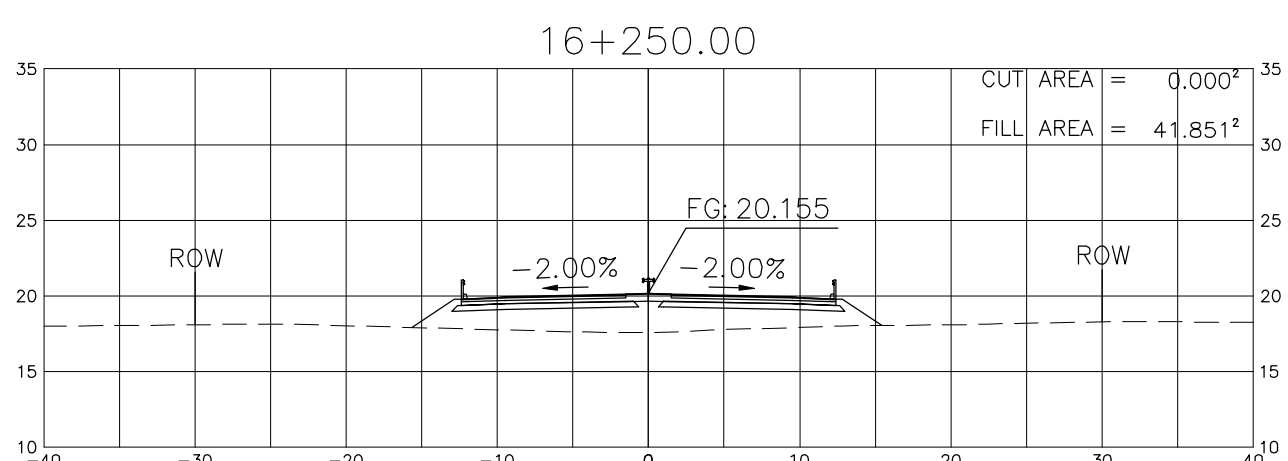
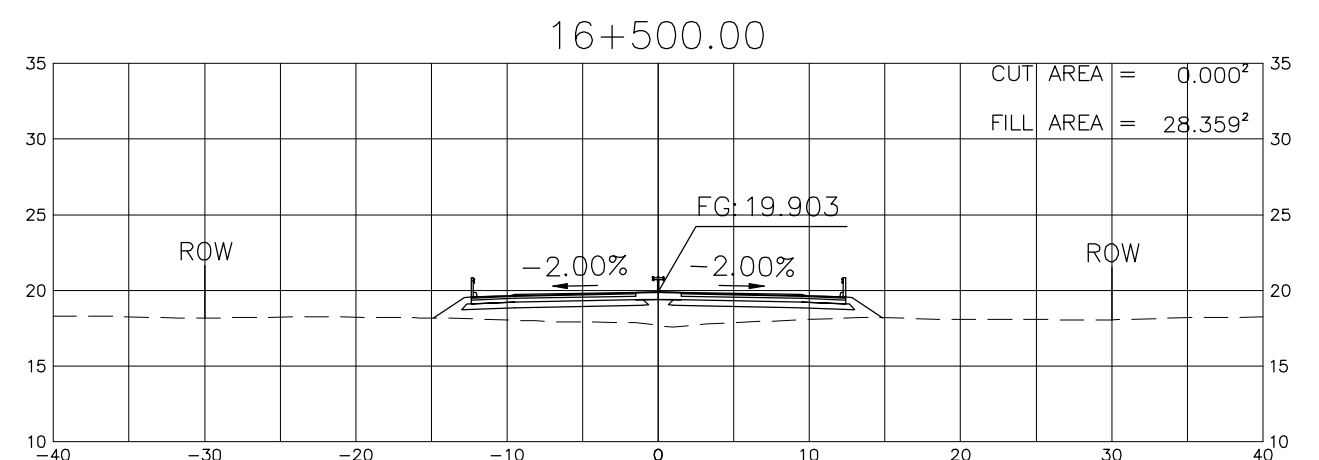
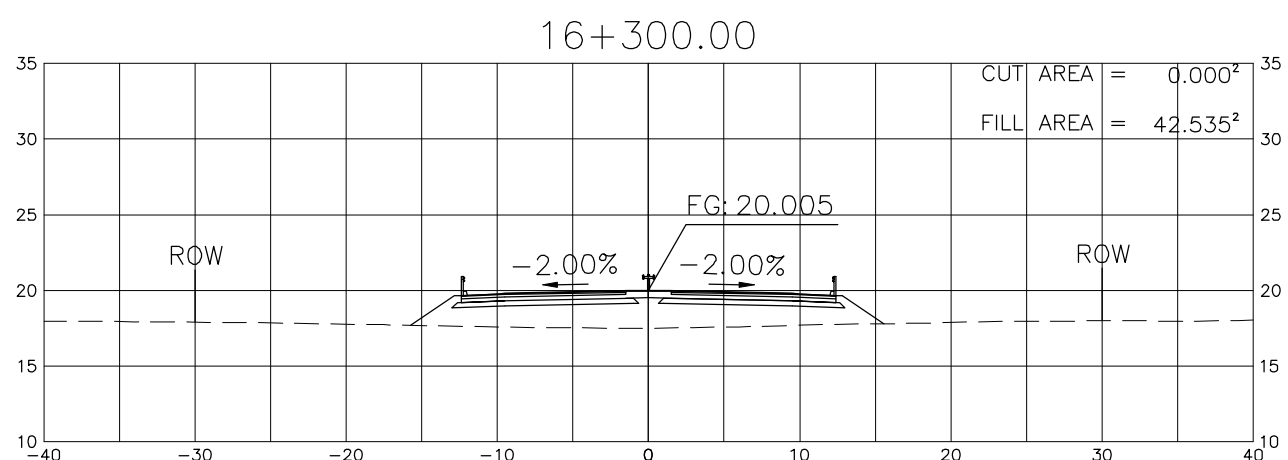
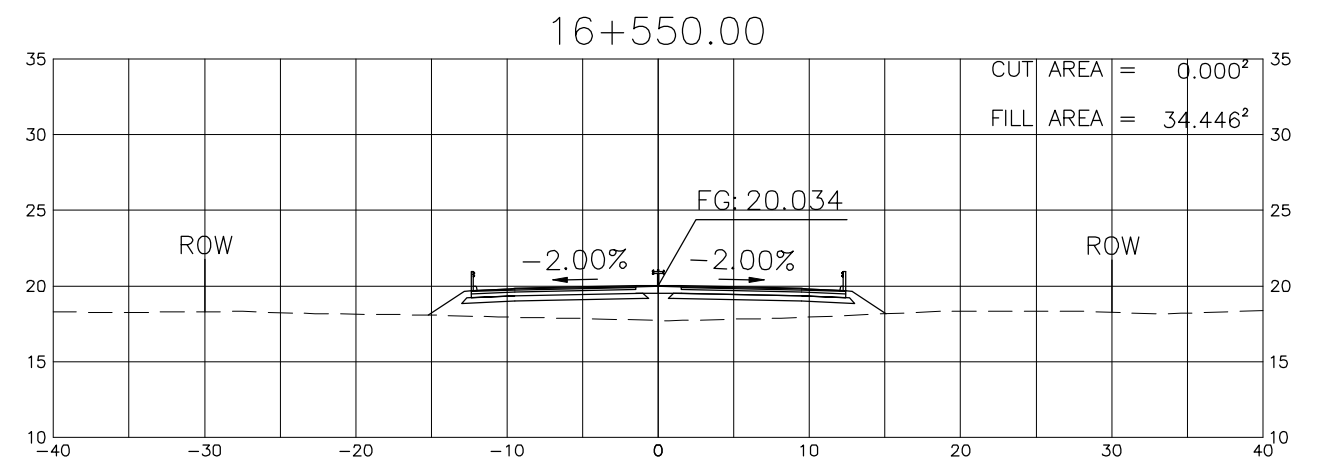
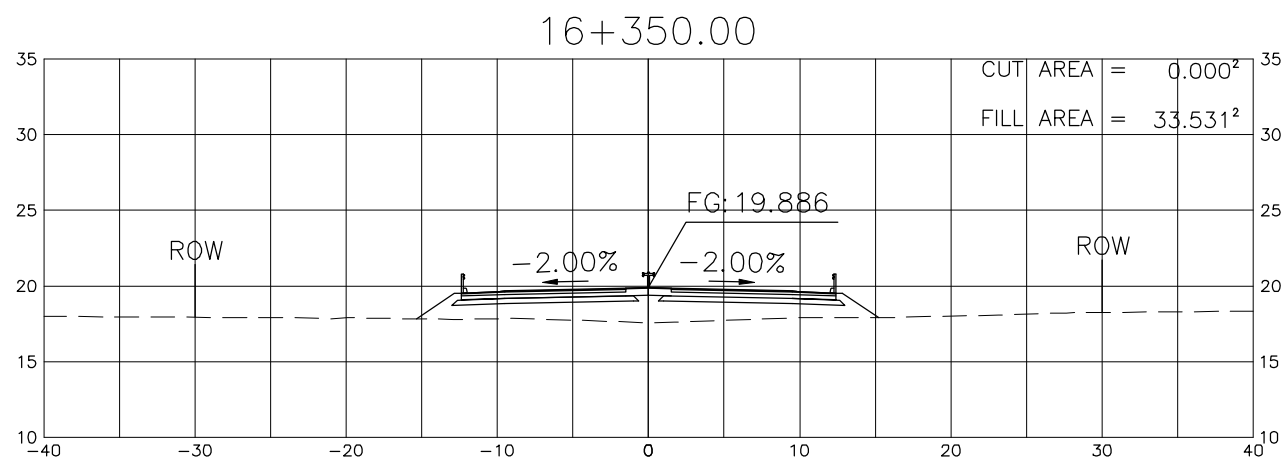
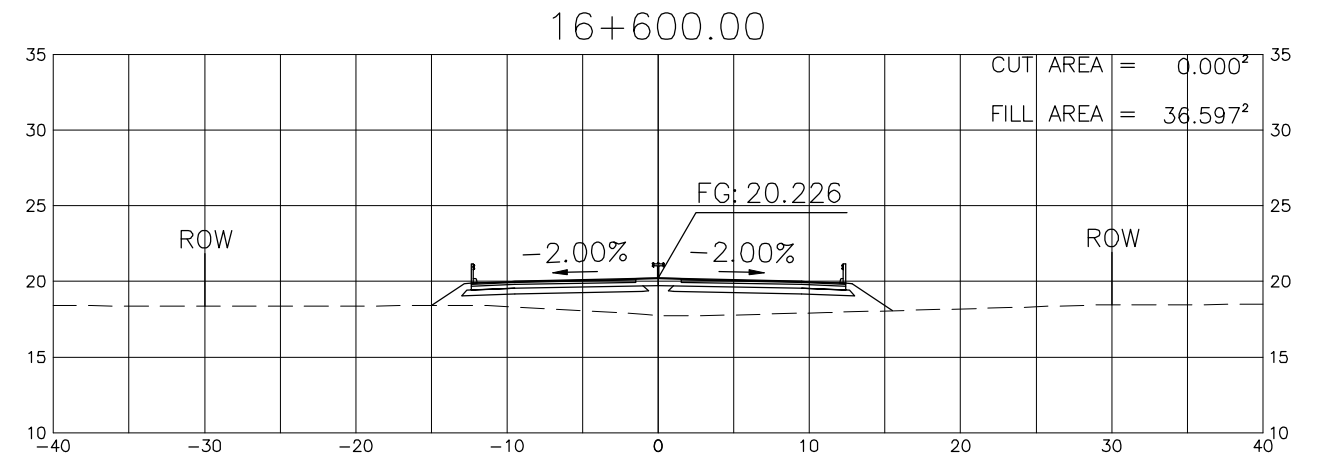
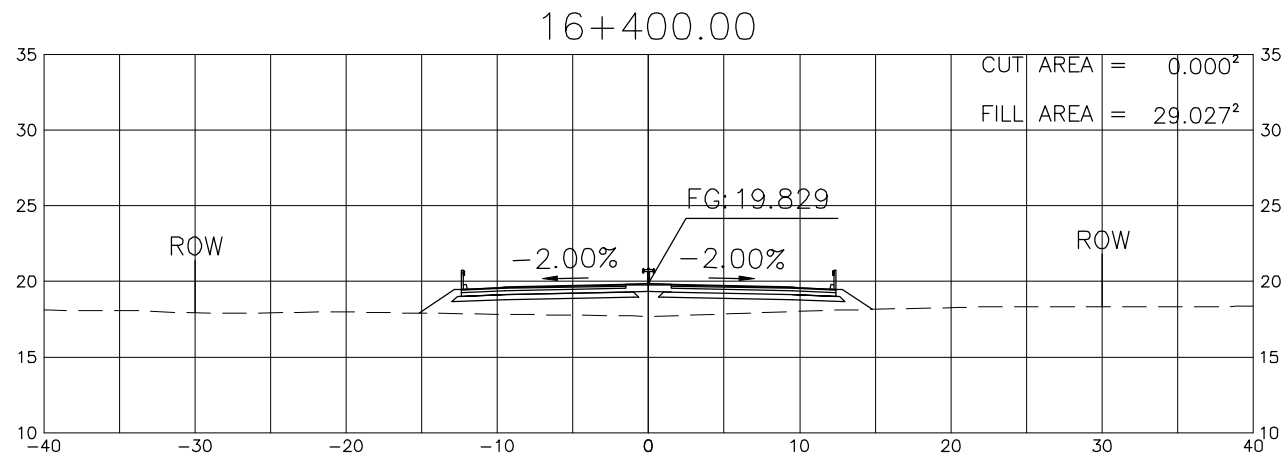




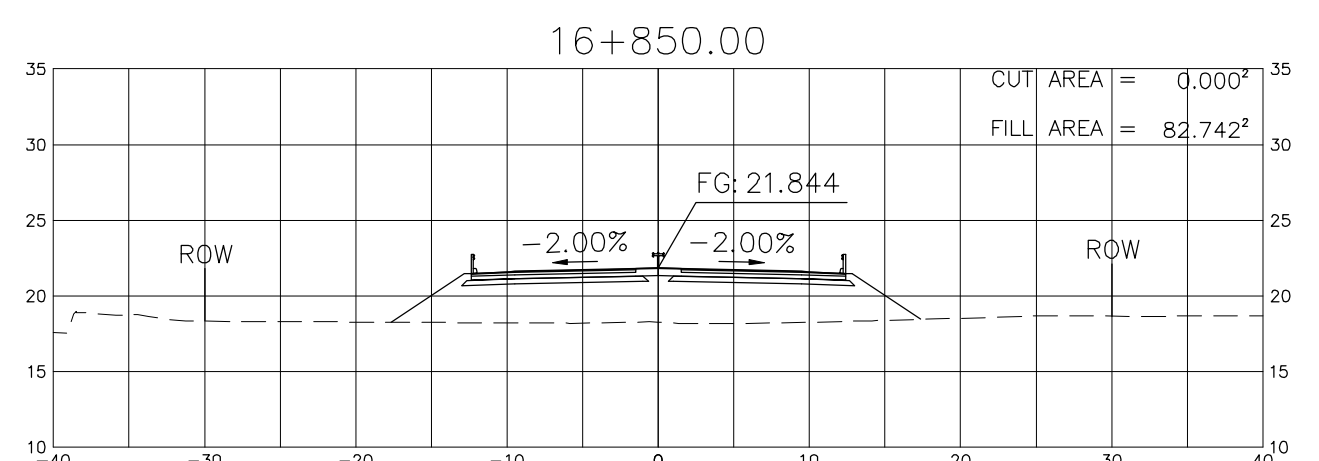
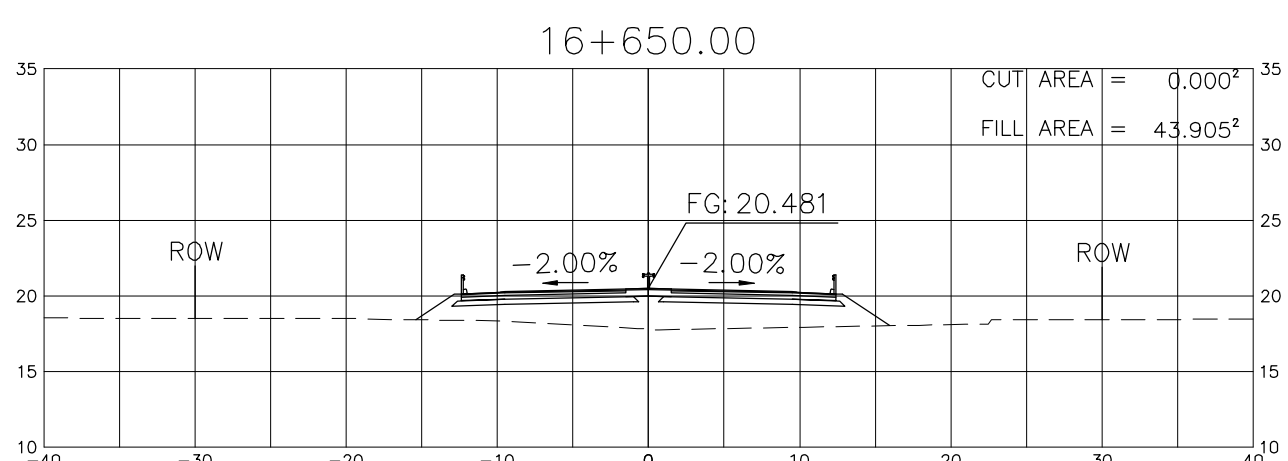
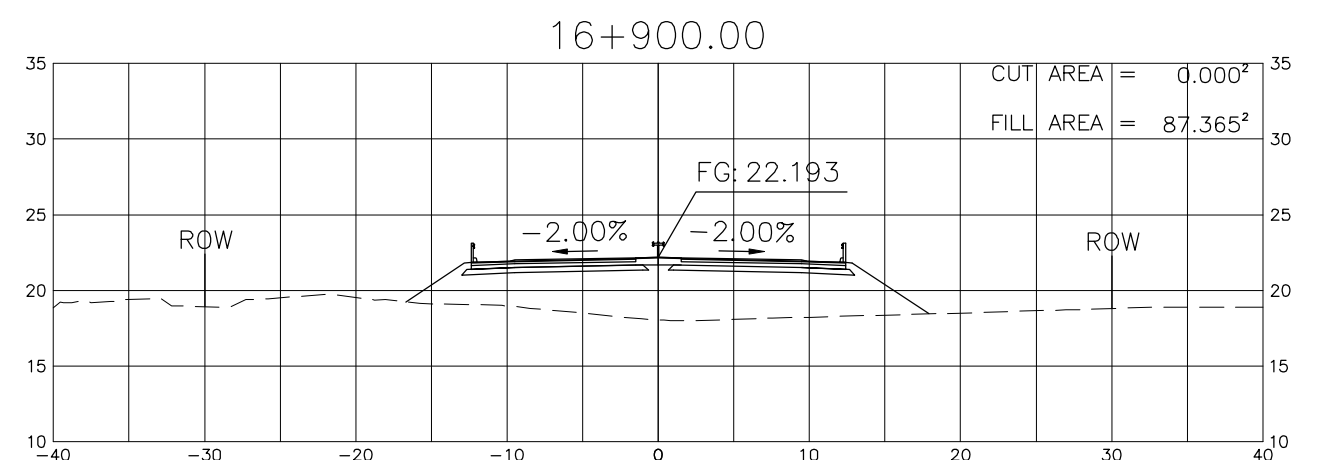
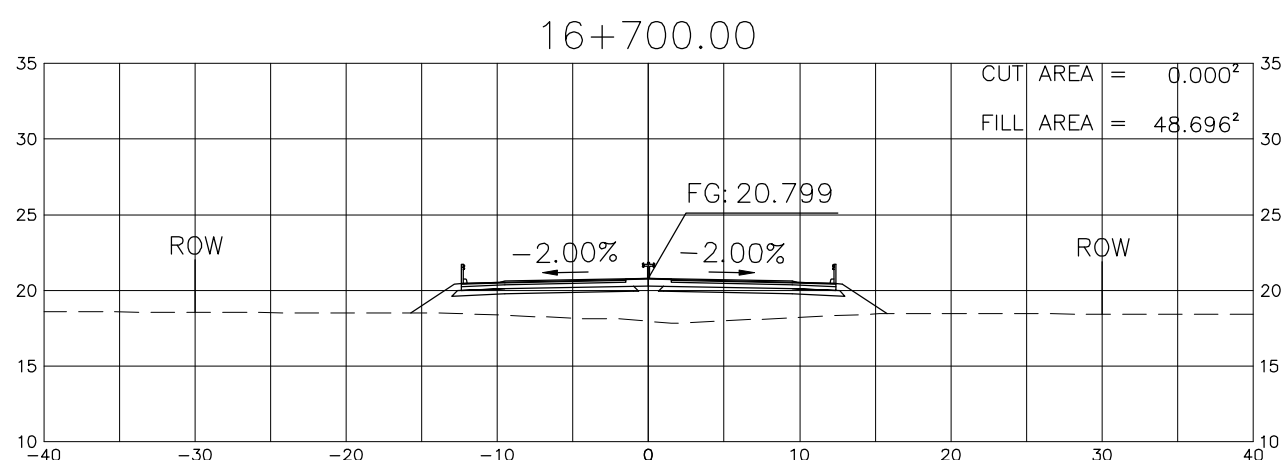
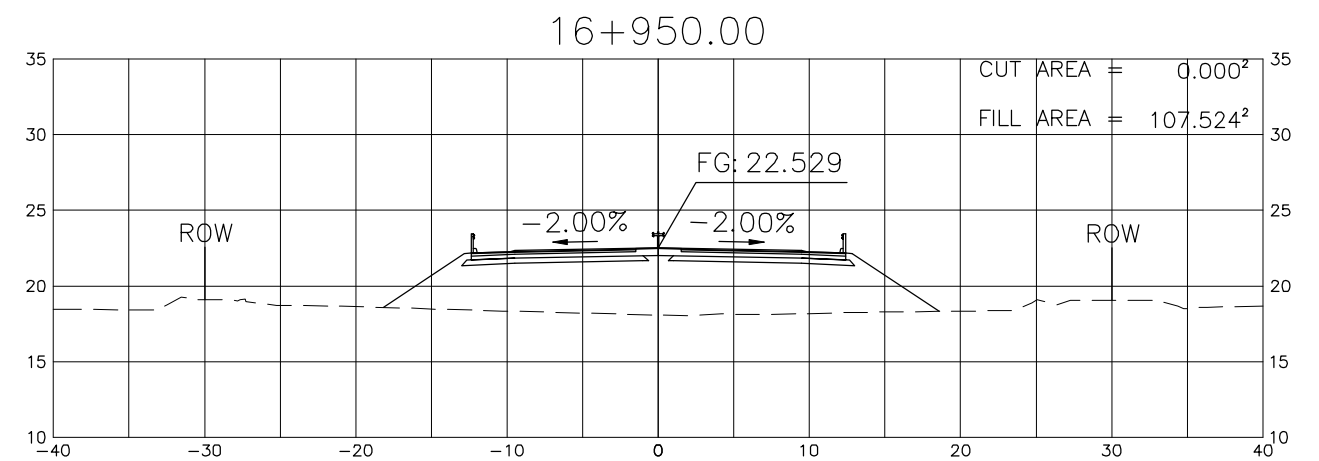
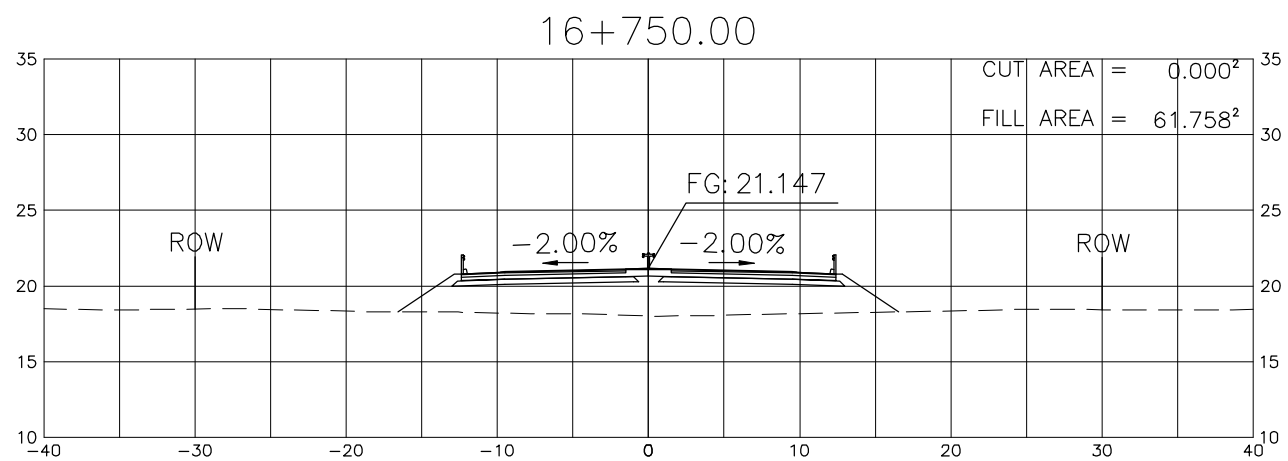
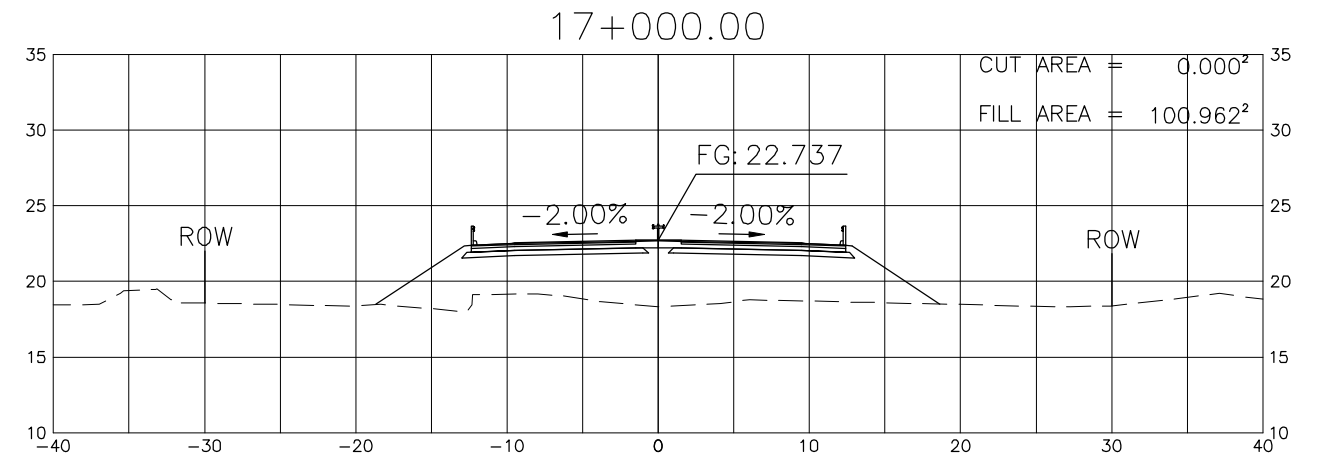
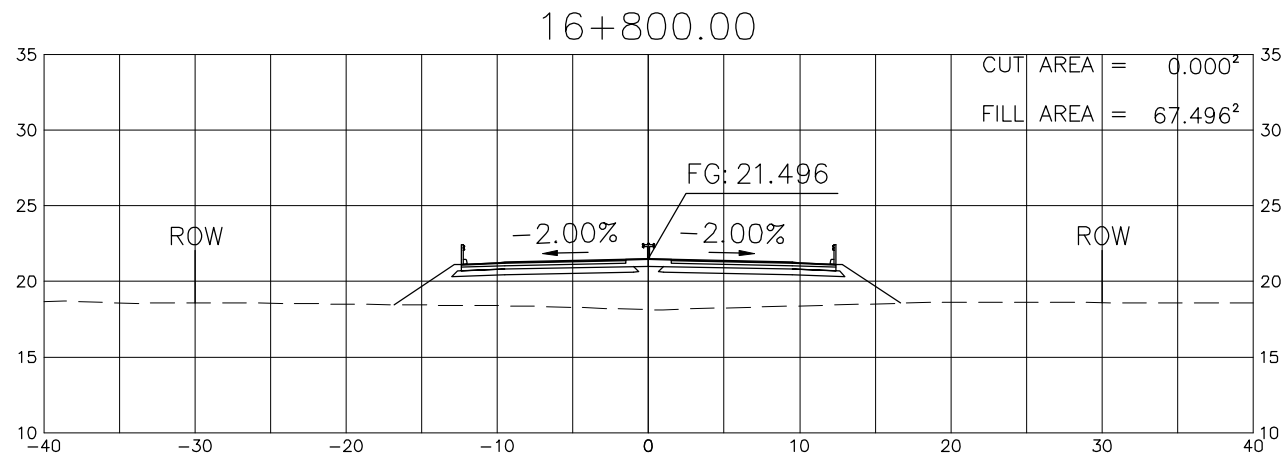
PROJECT TITLE	SCALE	SHEET CONTENT	DRAWING NO.
Preparatory survey for expressway project in Mega Manila Region CLLEX ( TARLAC - CABANATUAN )	A1 = 1:250 A3 = 1:500	CROSS SECTION ( ULTIMATE 4 LANE ) STA 15+450 TO STA 15+800	K-49
			SHEET NO.
			49 OF 90



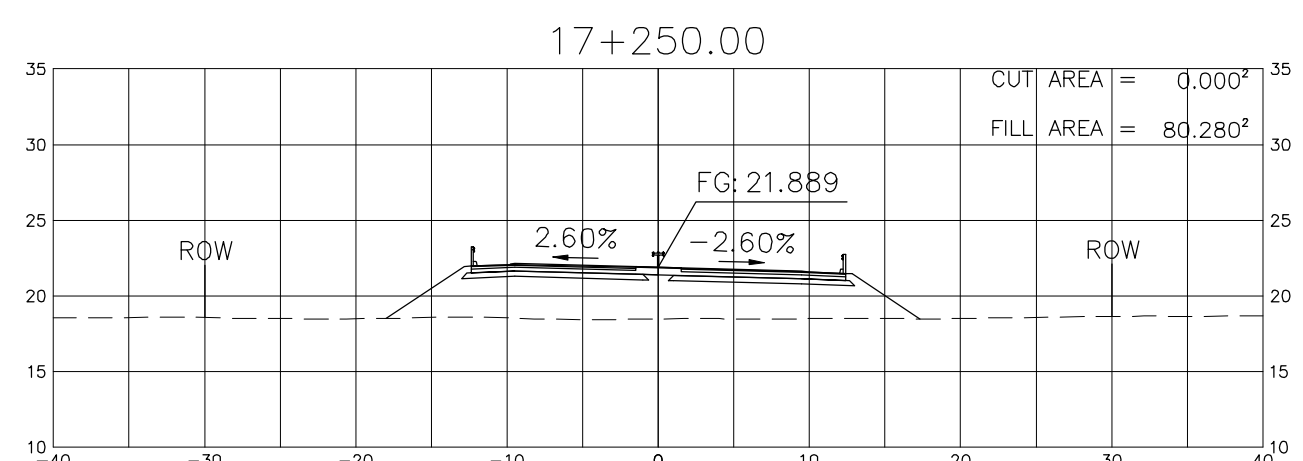
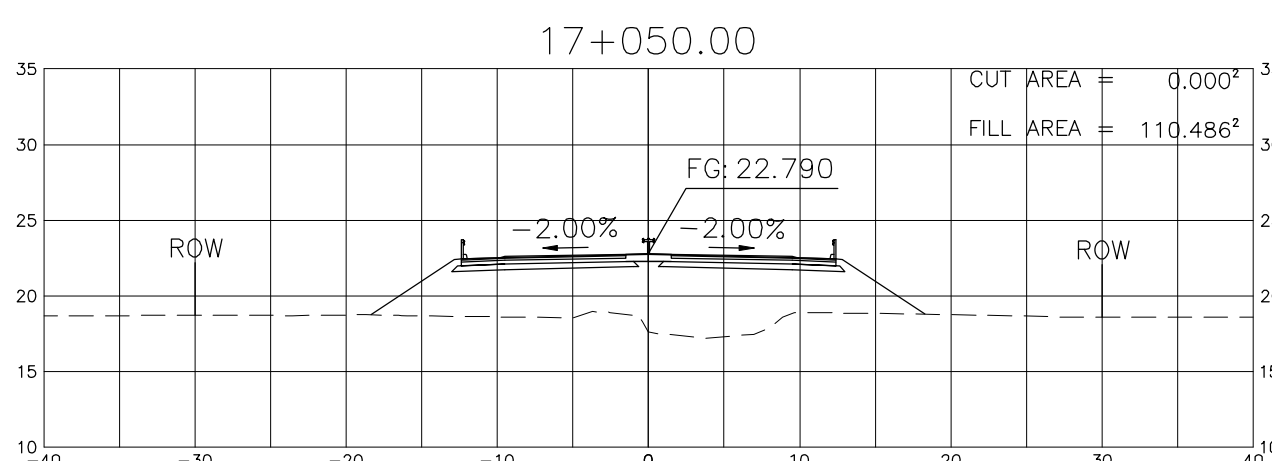
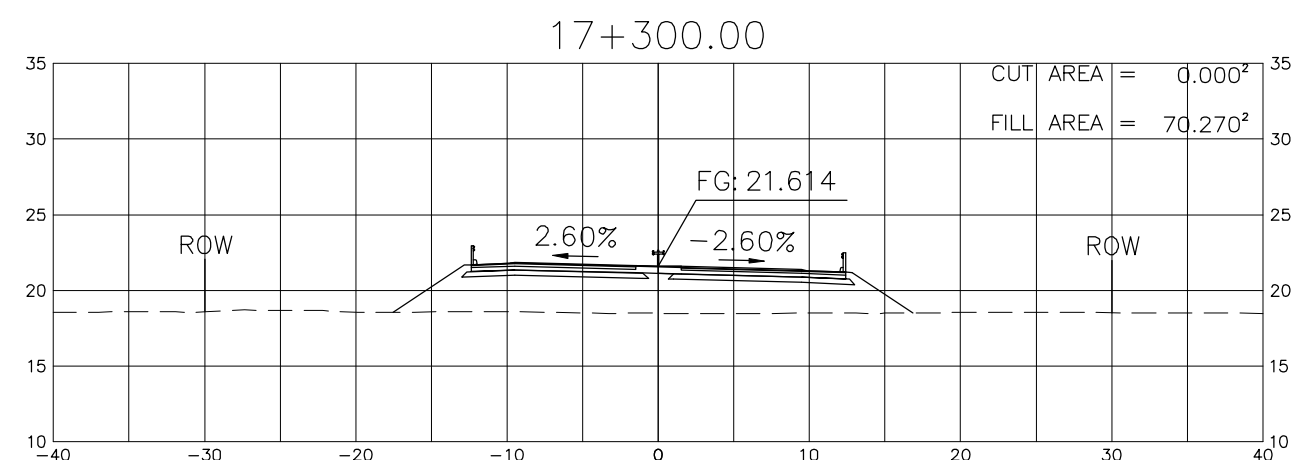
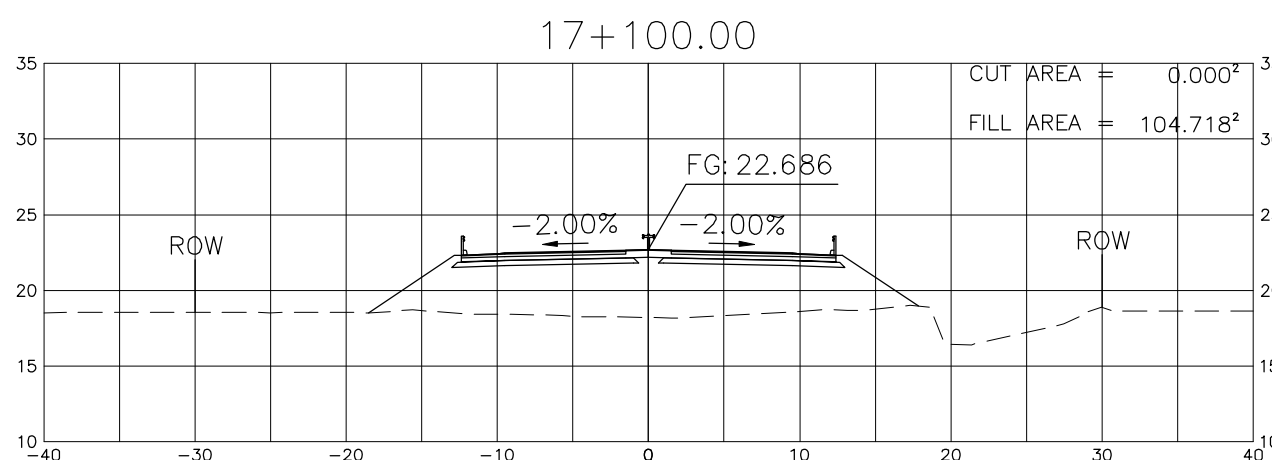
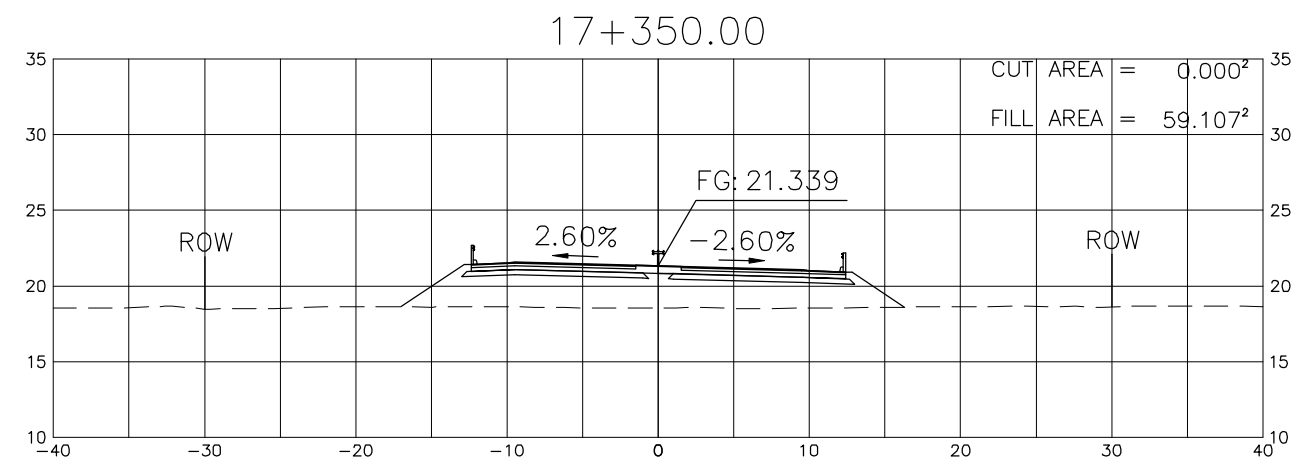
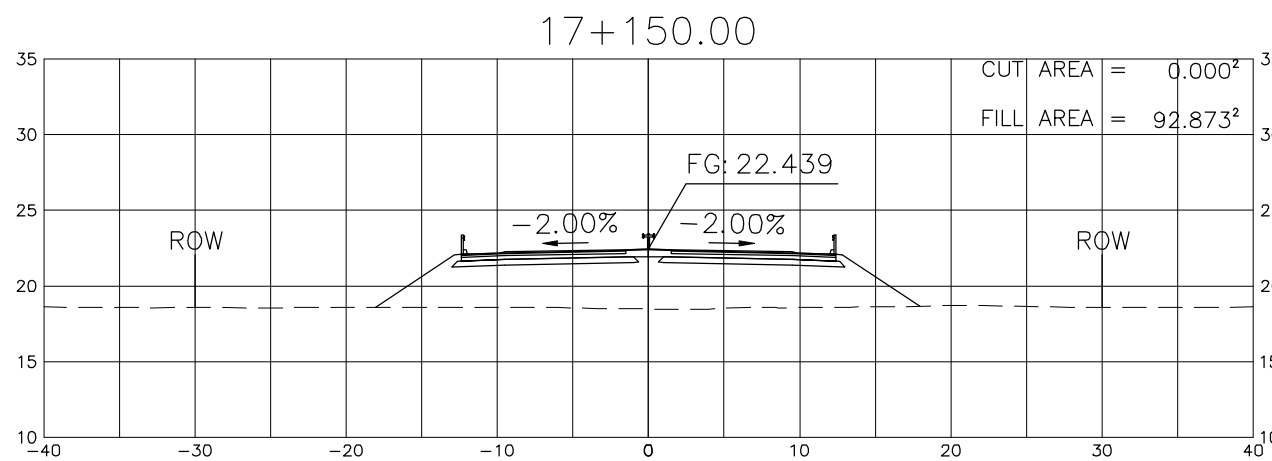
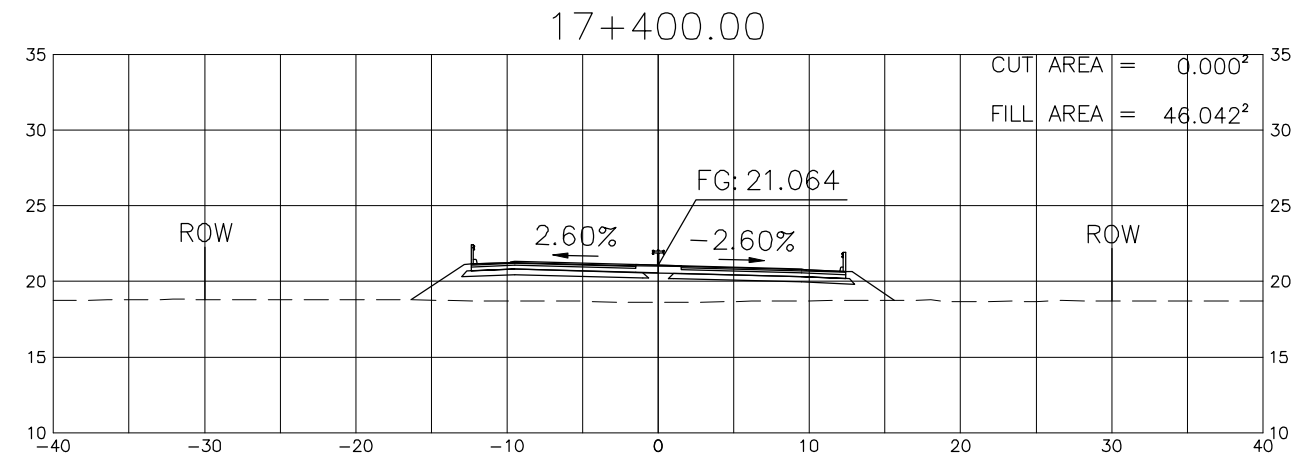
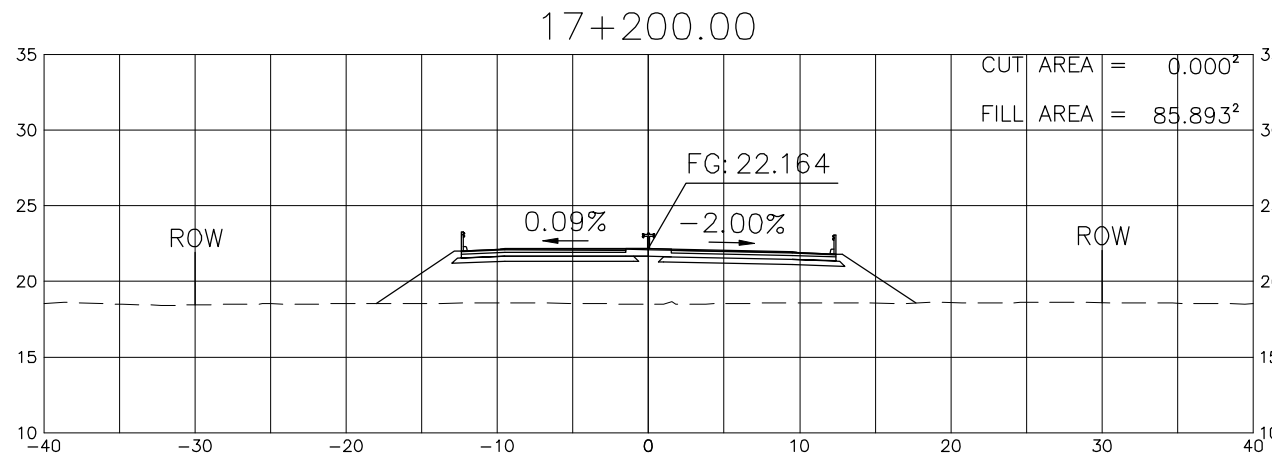
PROJECT TITLE	SCALE	SHEET CONTENT	DRAWING NO.
Preparatory survey for expressway project in Mega Manila Region CLLEX ( TARLAC - CABANATUAN )	A1 = 1:250 A3 = 1:500	CROSS SECTION ( ULTIMATE 4 LANE ) STA 15+850 TO STA 16+200	K-50
			SHEET NO.
			50 OF 90



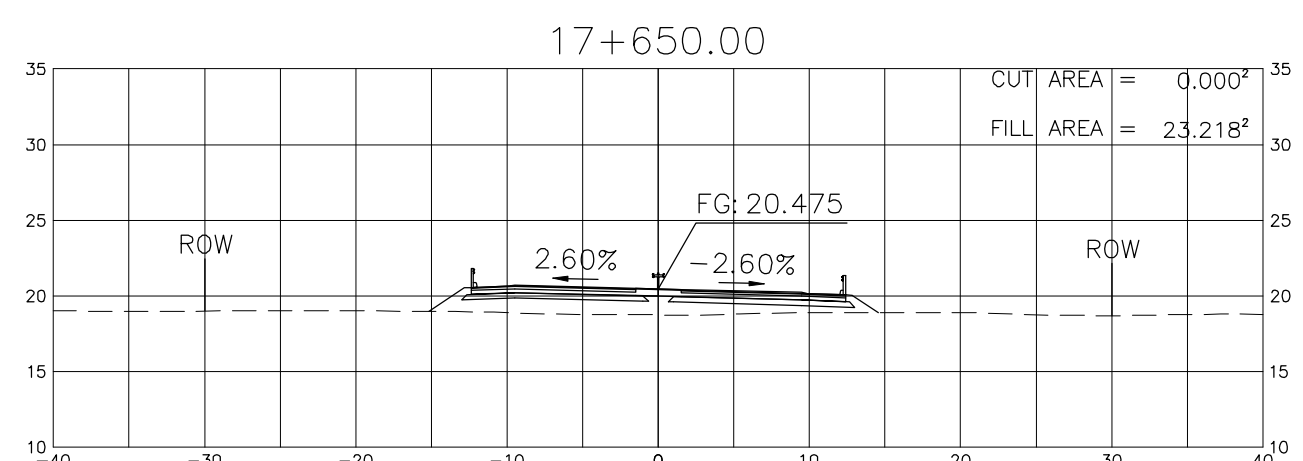
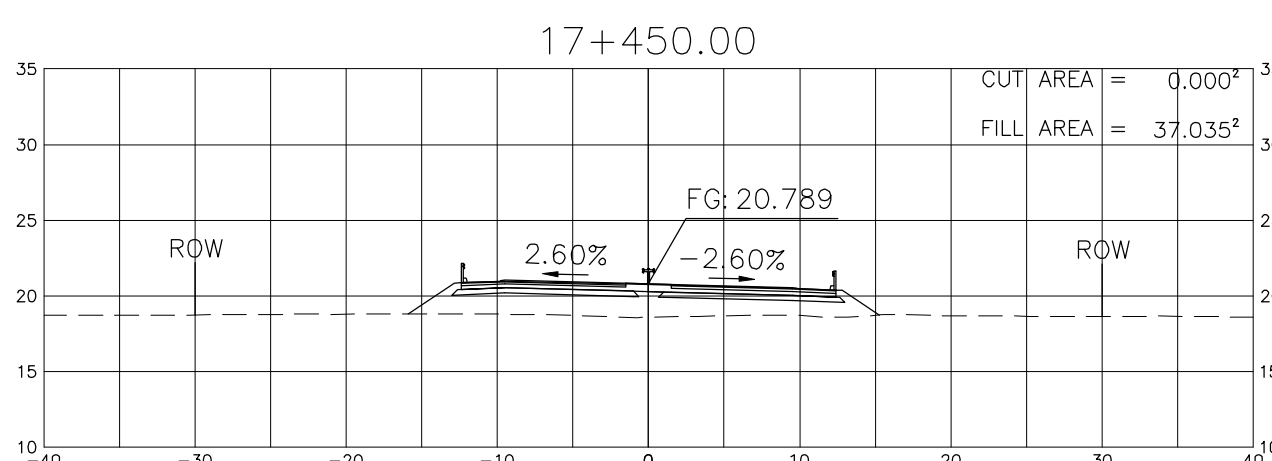
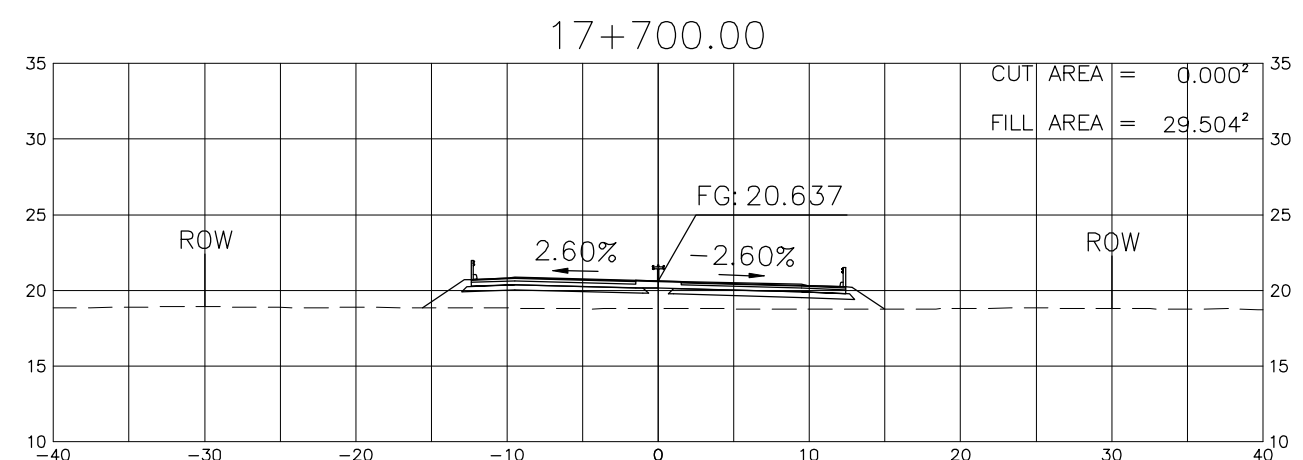
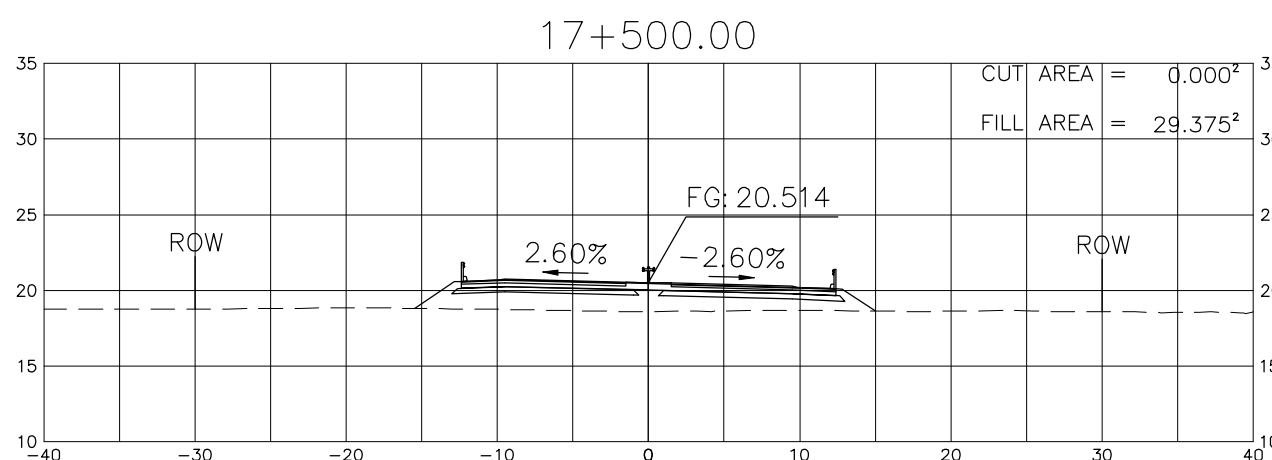
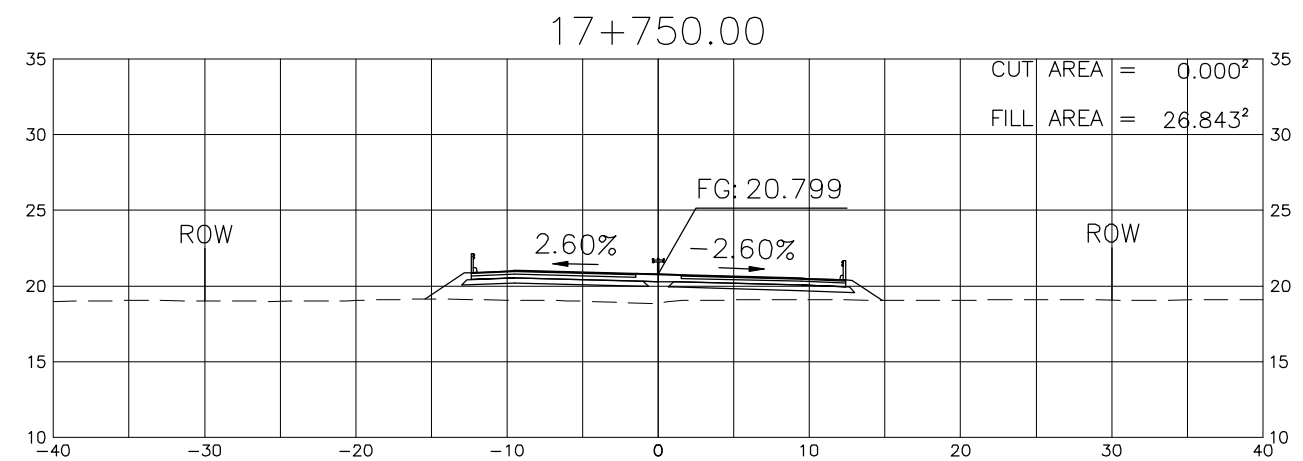
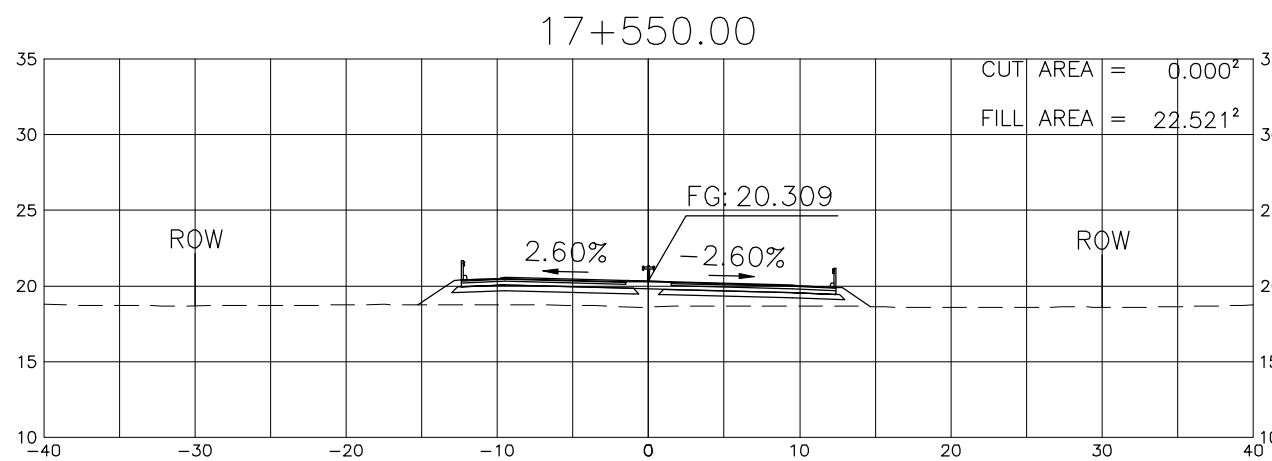
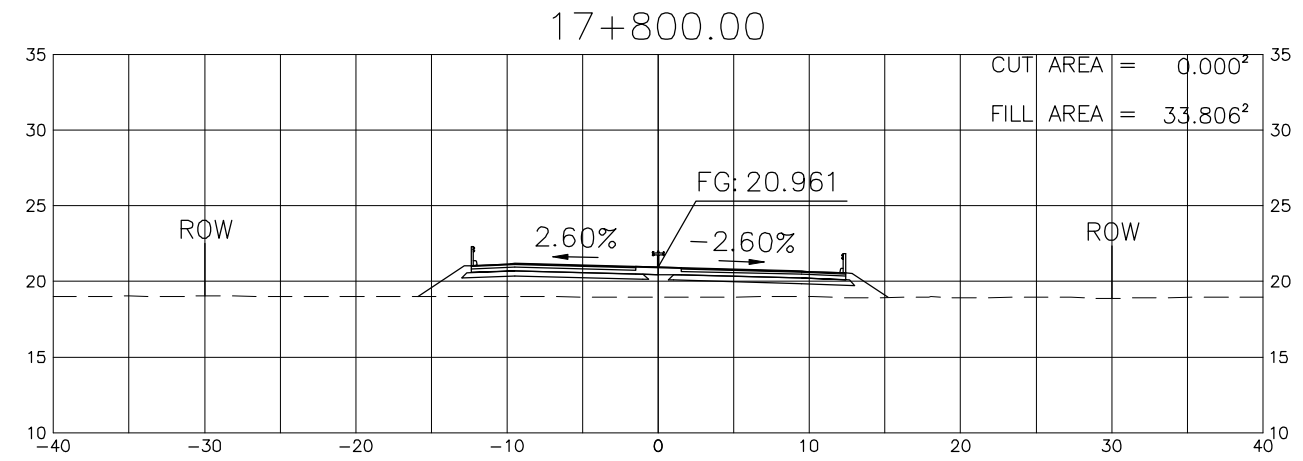
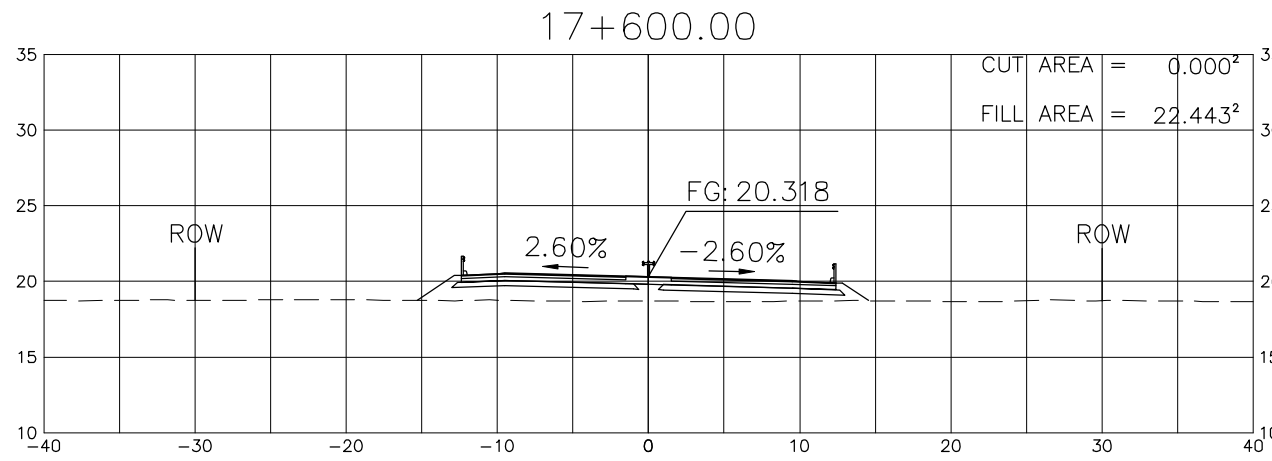
PROJECT TITLE	SCALE	SHEET CONTENT	DRAWING NO.
Preparatory survey for expressway project in Mega Manila Region CLLEX ( TARLAC - CABANATUAN )	A1 = 1:250 A3 = 1:500	CROSS SECTION ( ULTIMATE 4 LANE ) STA 16+250 TO STA 16+600	K-51
			SHEET NO.
			51 OF 90



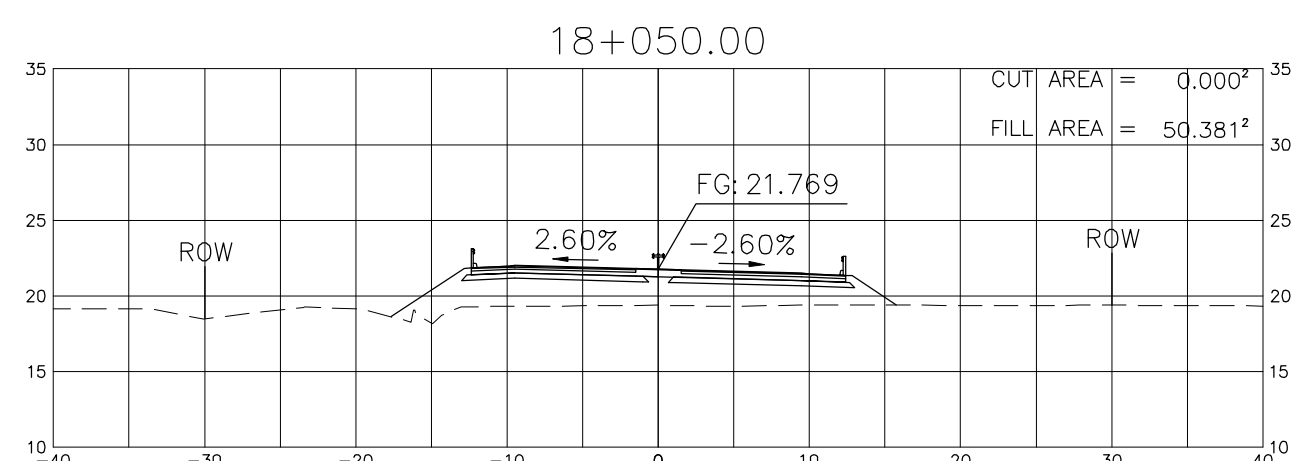
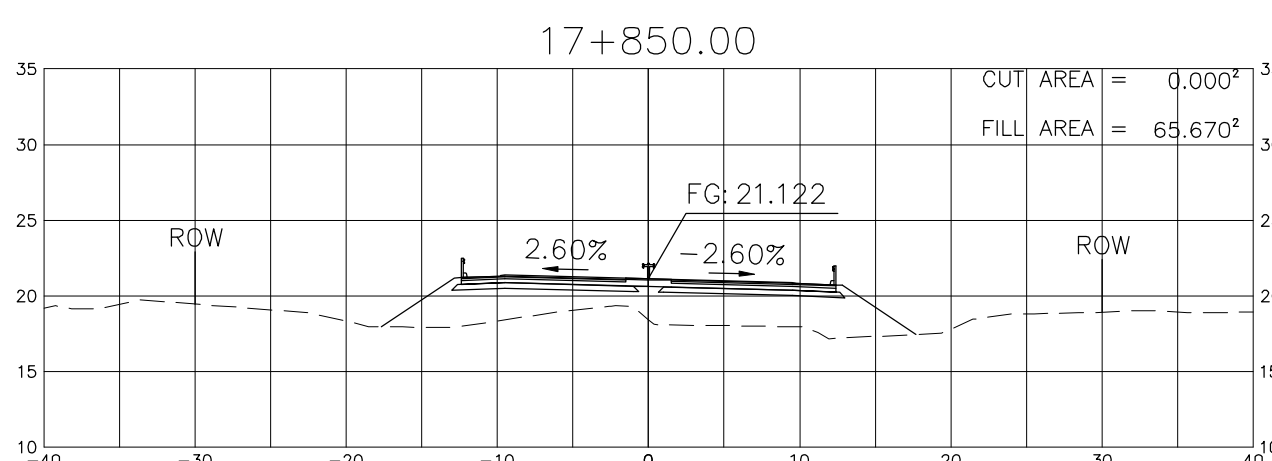
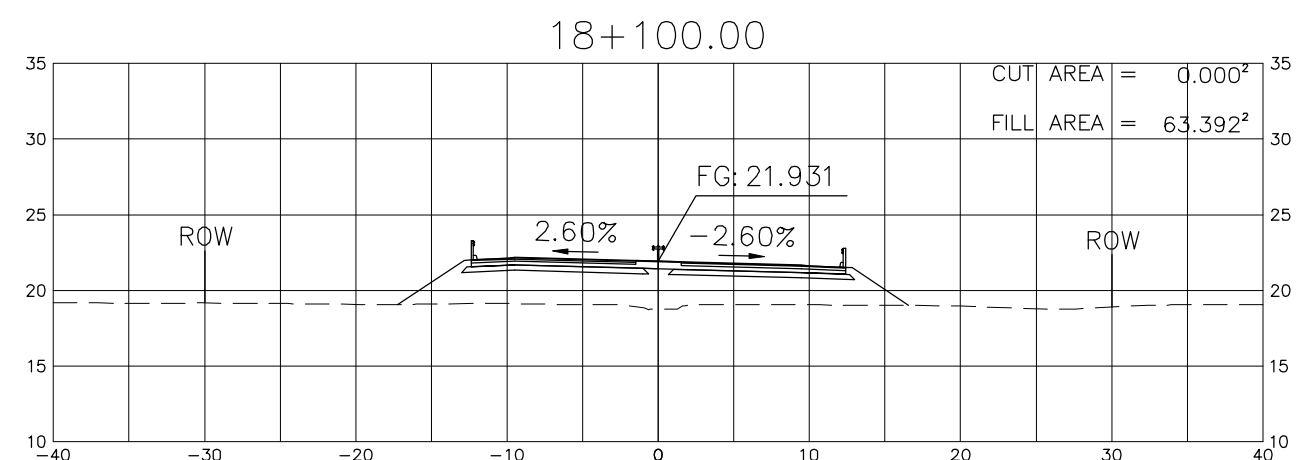
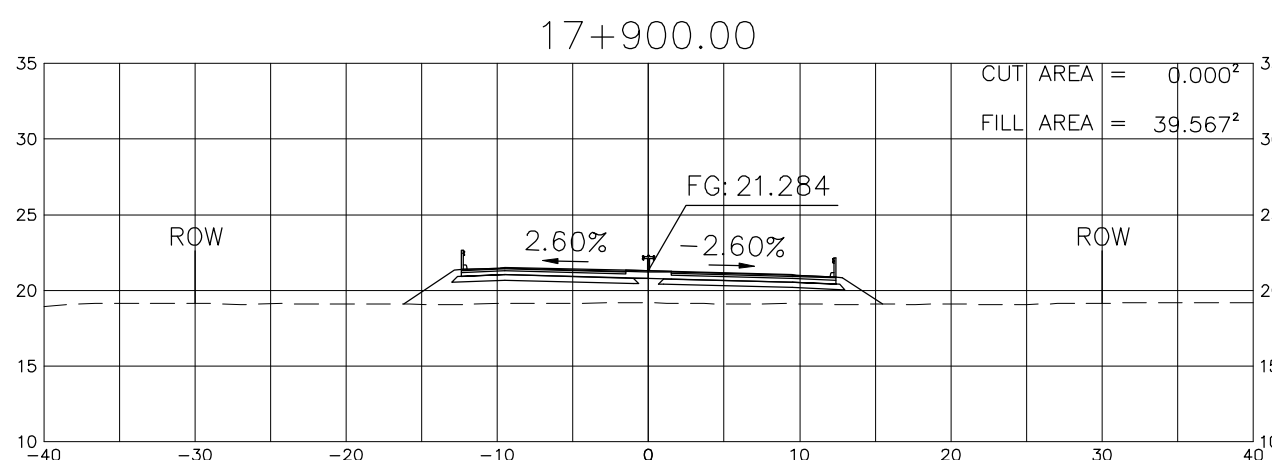
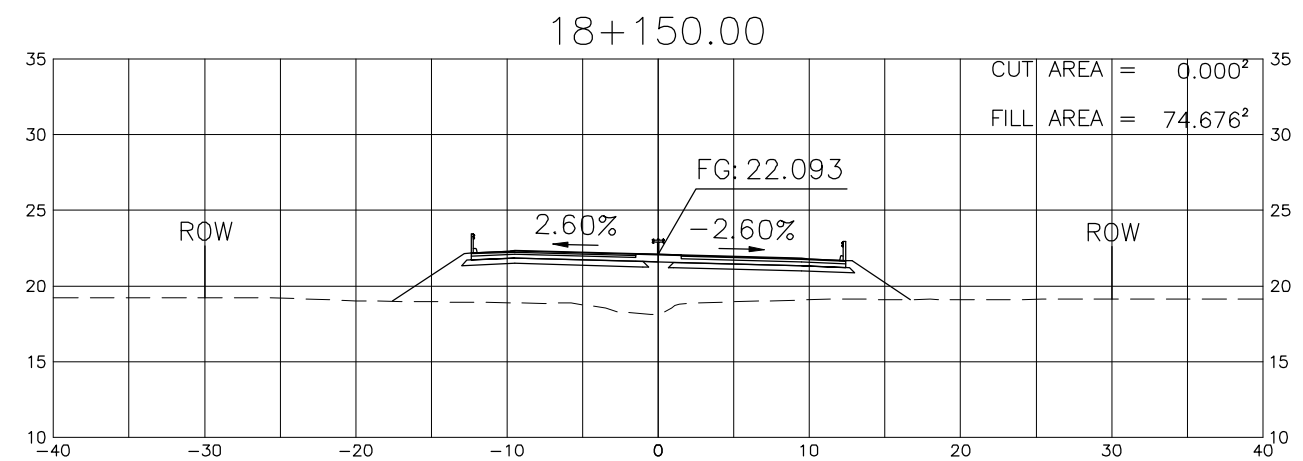
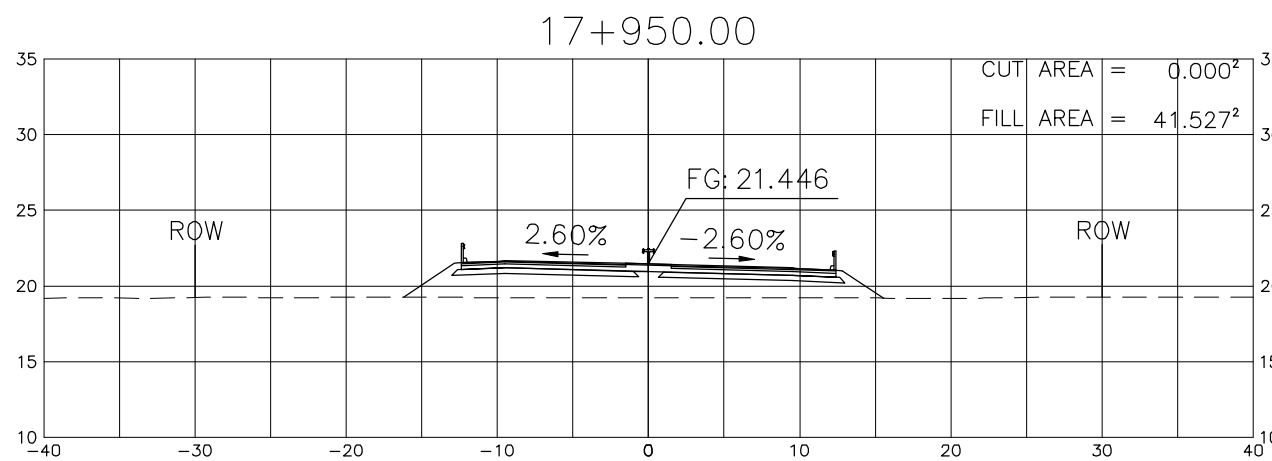
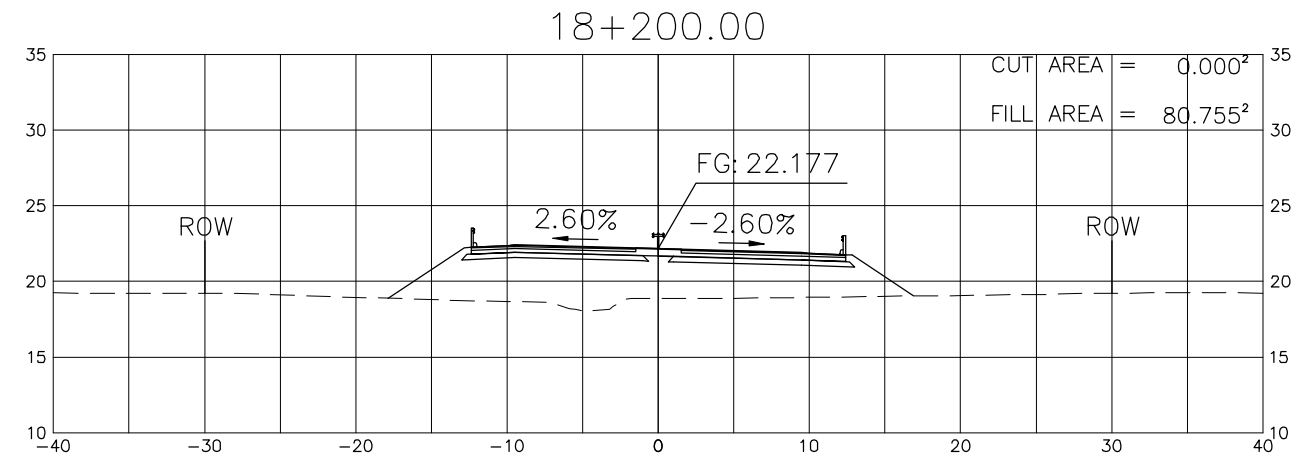
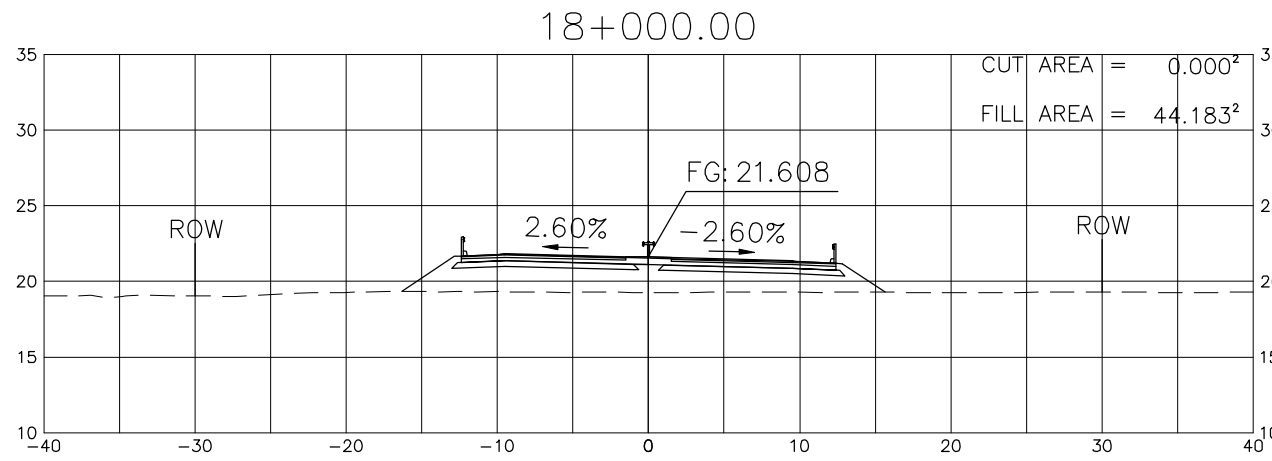
PROJECT TITLE	SCALE	SHEET CONTENT	DRAWING NO.
Preparatory survey for expressway project in Mega Manila Region CLLEX ( TARLAC - CABANATUAN )	A1 = 1:250 A3 = 1:500	CROSS SECTION ( ULTIMATE 4 LANE ) STA 16+650 TO STA 17+000	K-52
			SHEET NO.
			52 OF 90



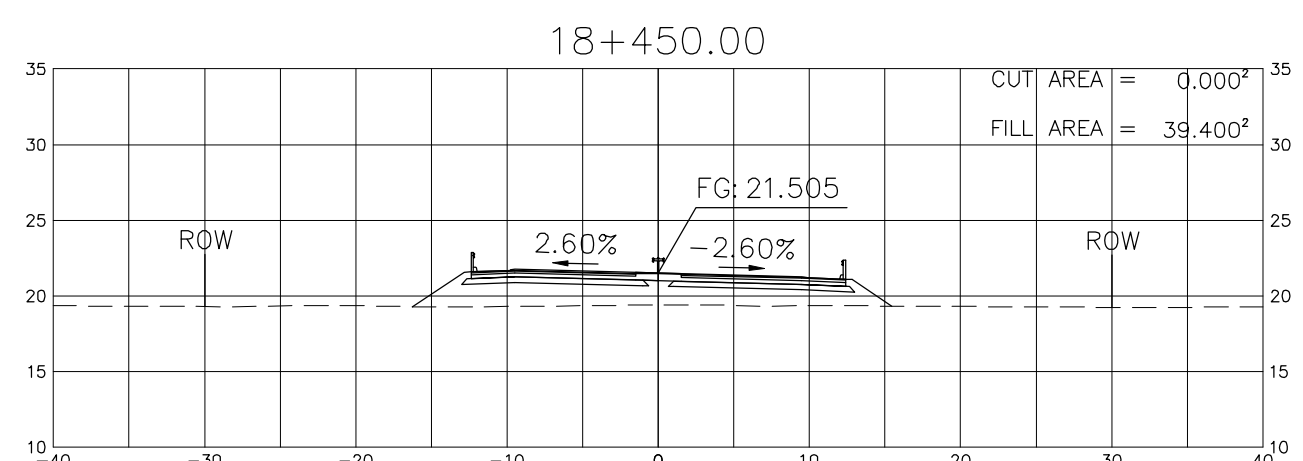
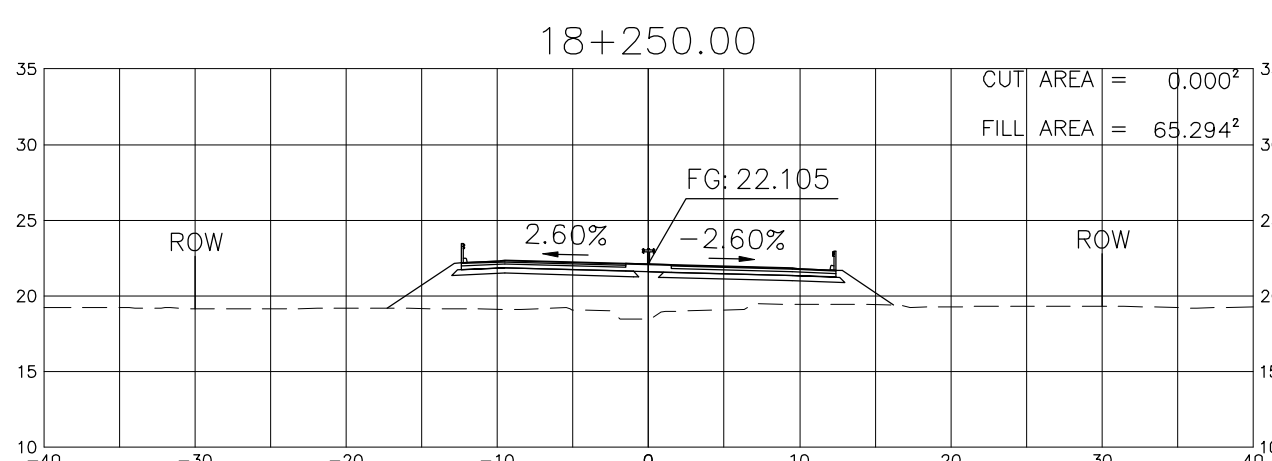
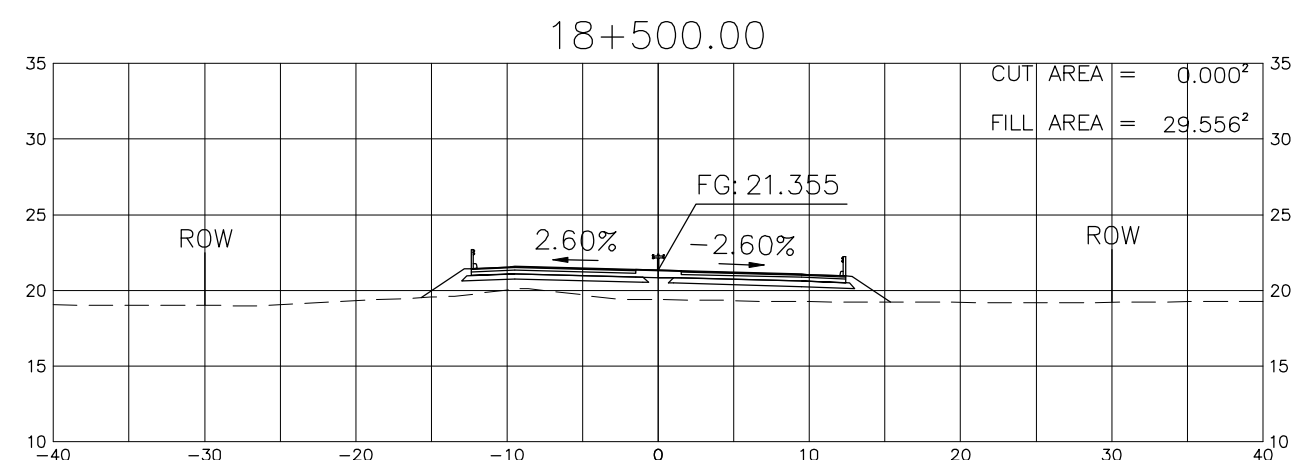
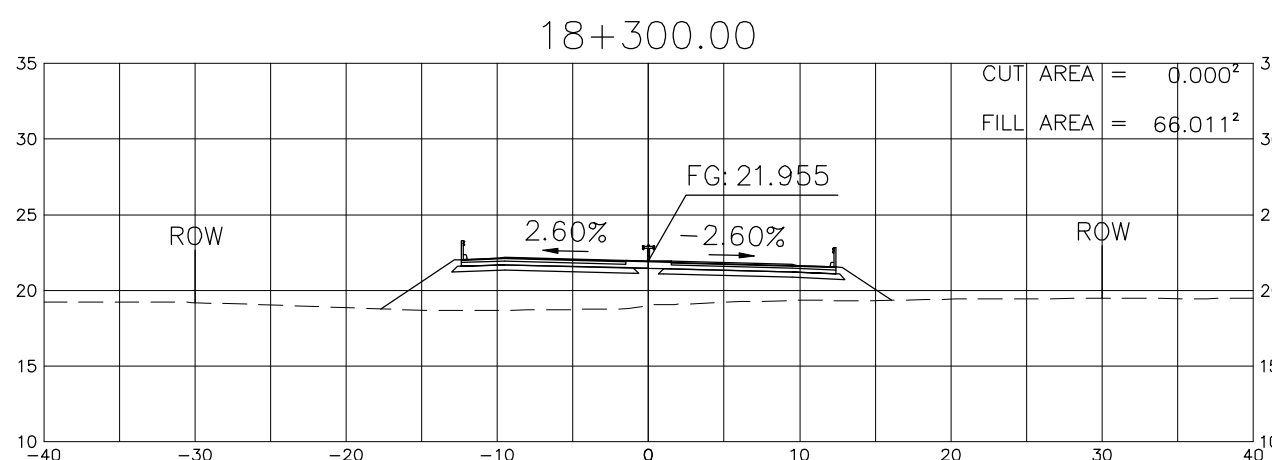
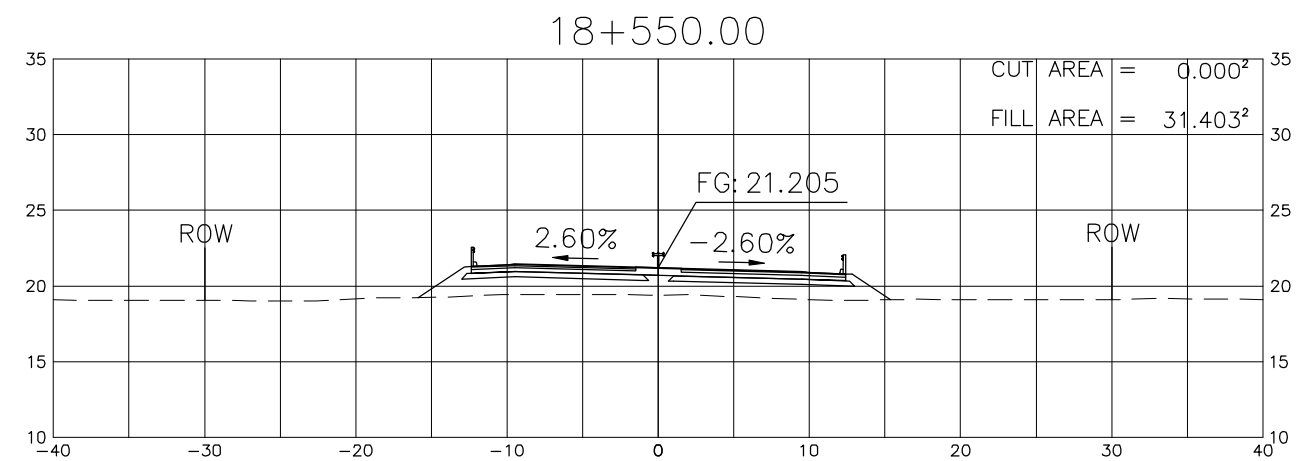
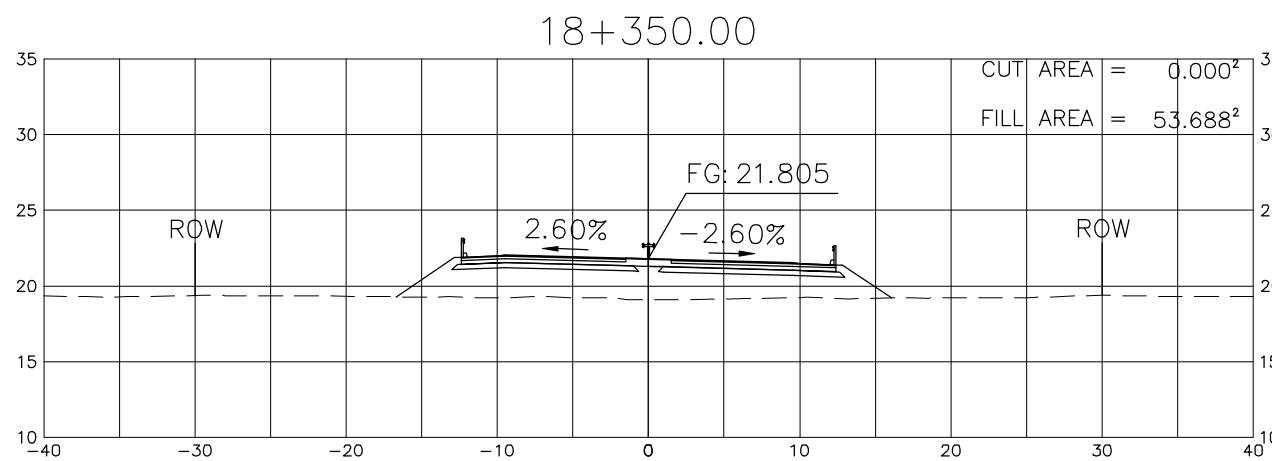
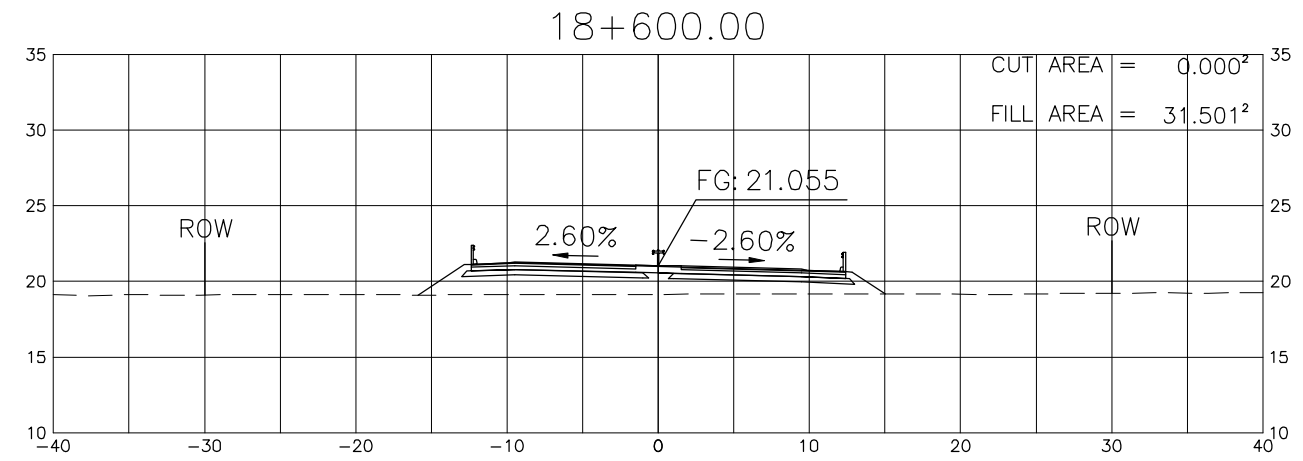
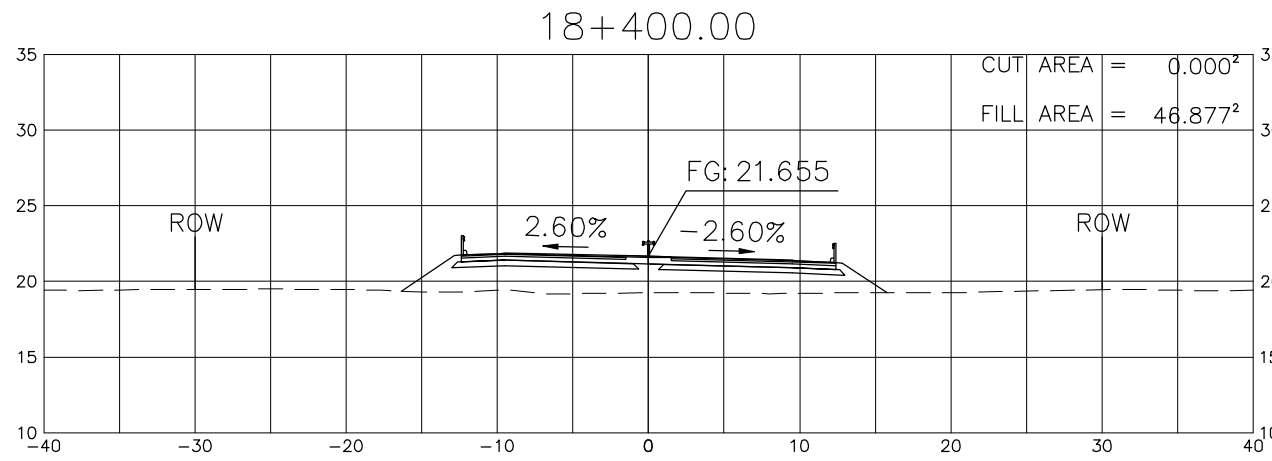
PROJECT TITLE	SCALE	SHEET CONTENT	DRAWING NO.
Preparatory survey for expressway project in Mega Manila Region CLLEX ( TARLAC - CABANATUAN )	A1 = 1:250 A3 = 1:500	CROSS SECTION ( ULTIMATE 4 LANE ) STA 17+050 TO STA 17+400	K-53
			SHEET NO.
			53 OF 90



PROJECT TITLE	SCALE	SHEET CONTENT	DRAWING NO.
Preparatory survey for expressway project in Mega Manila Region CLLEX ( TARLAC - CABANATUAN )	A1 = 1:250 A3 = 1:500	CROSS SECTION ( ULTIMATE 4 LANE ) STA 17+450 TO STA 17+800	K-54
			SHEET NO.
			54 OF 90

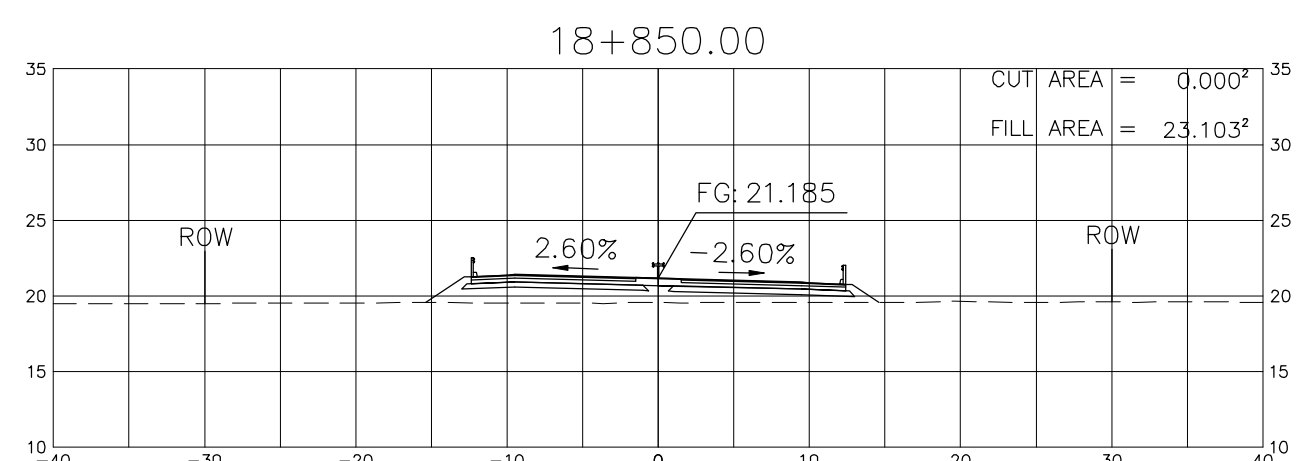
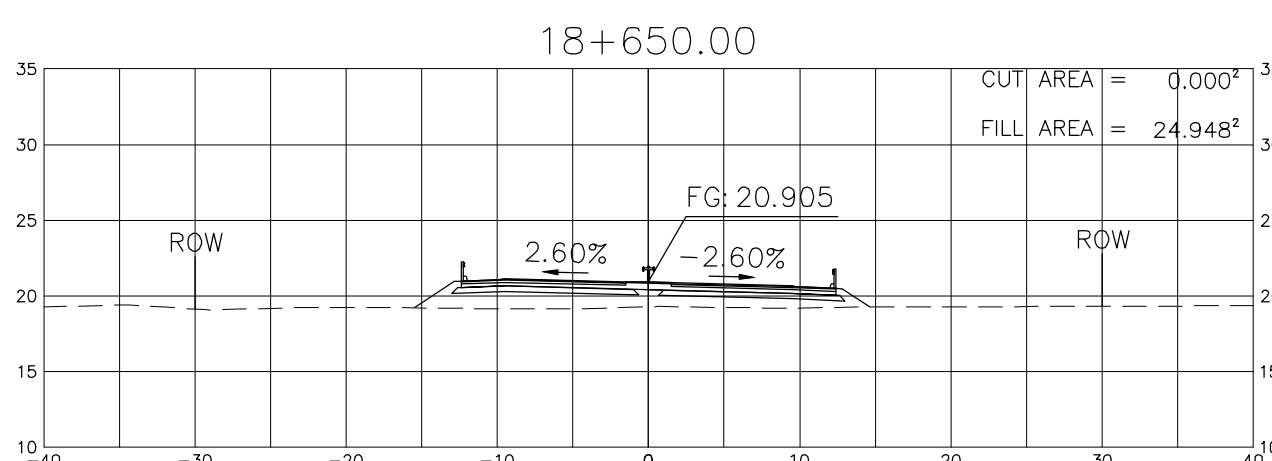
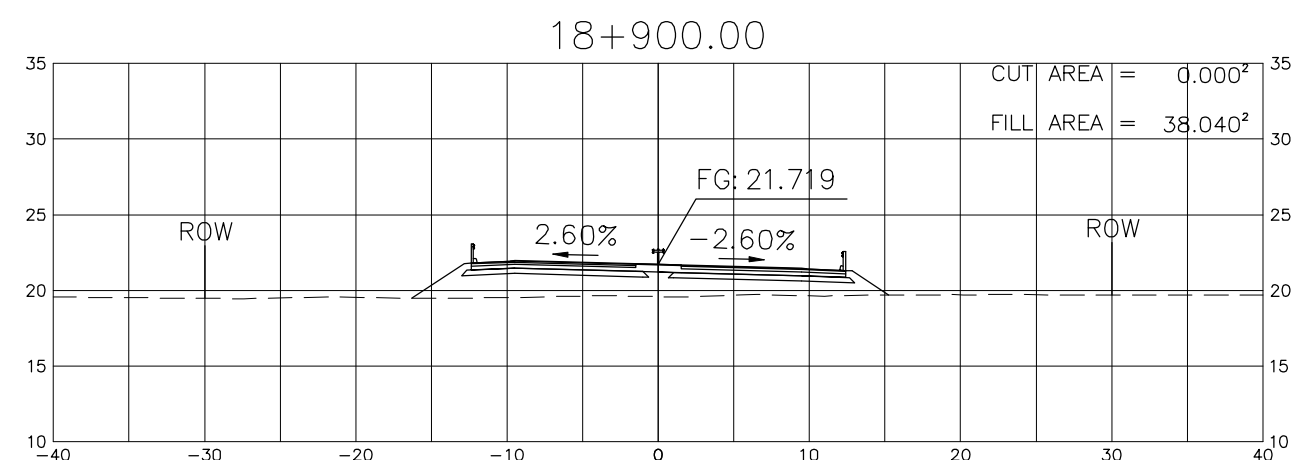
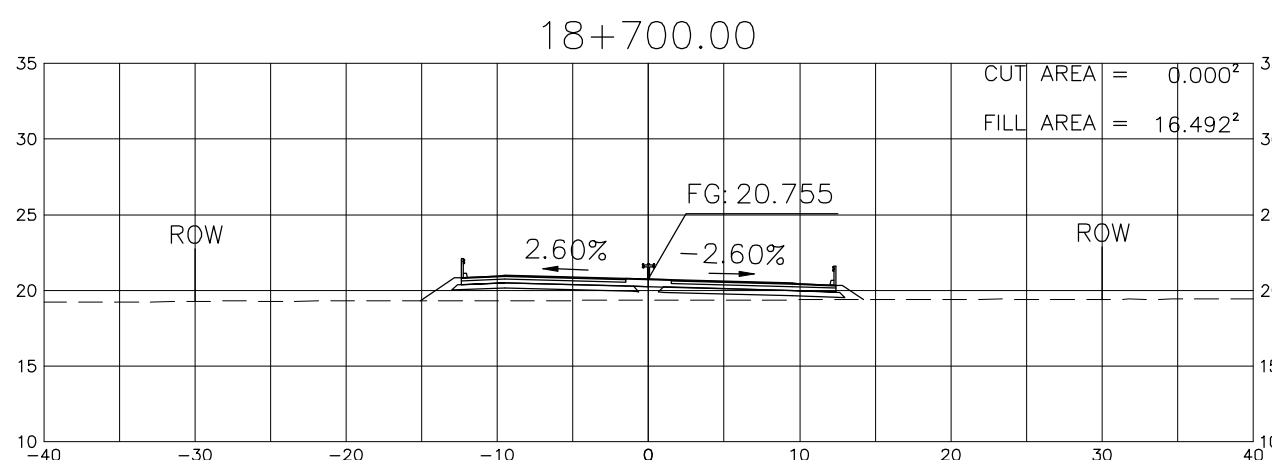
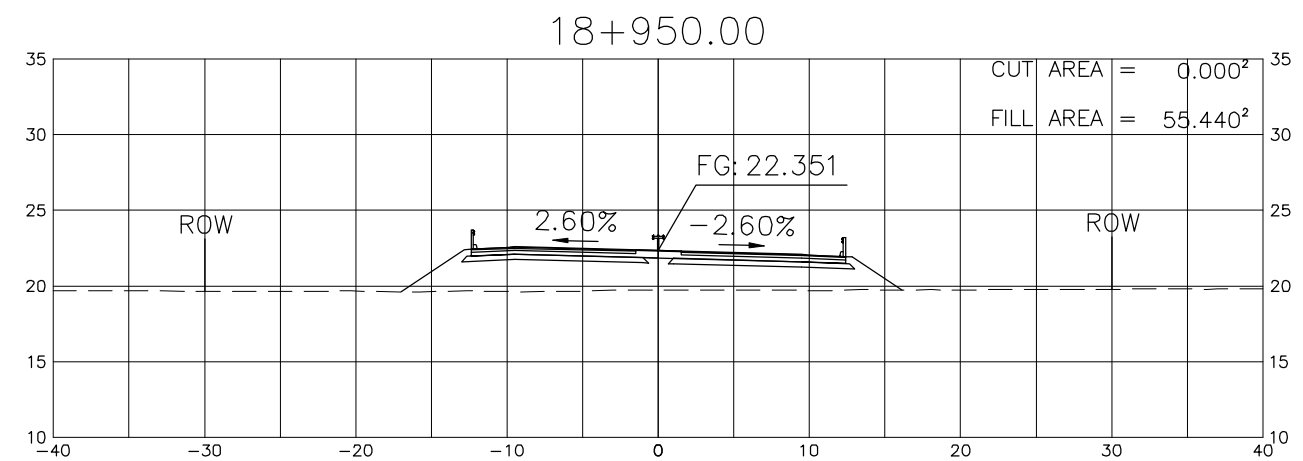
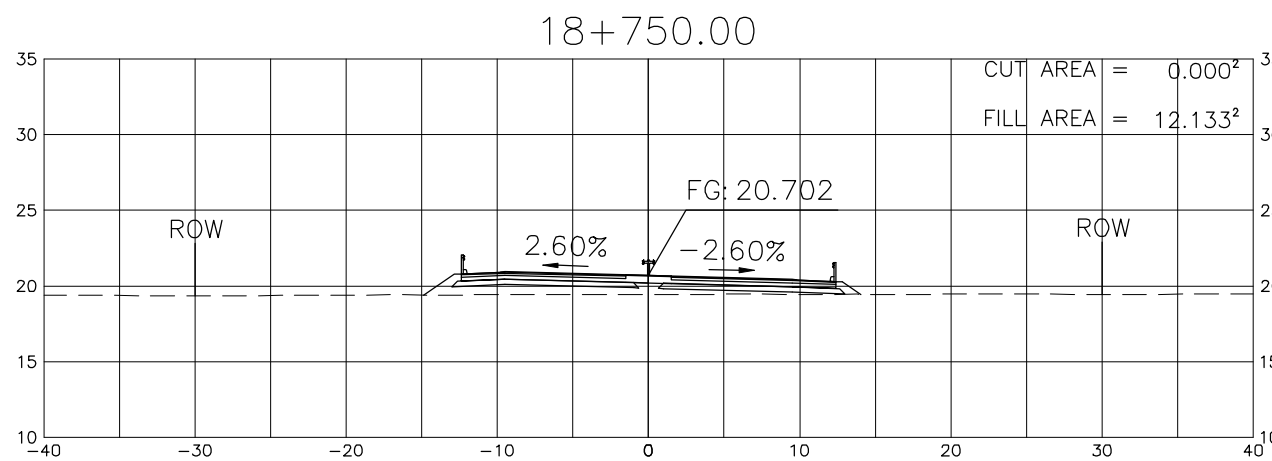
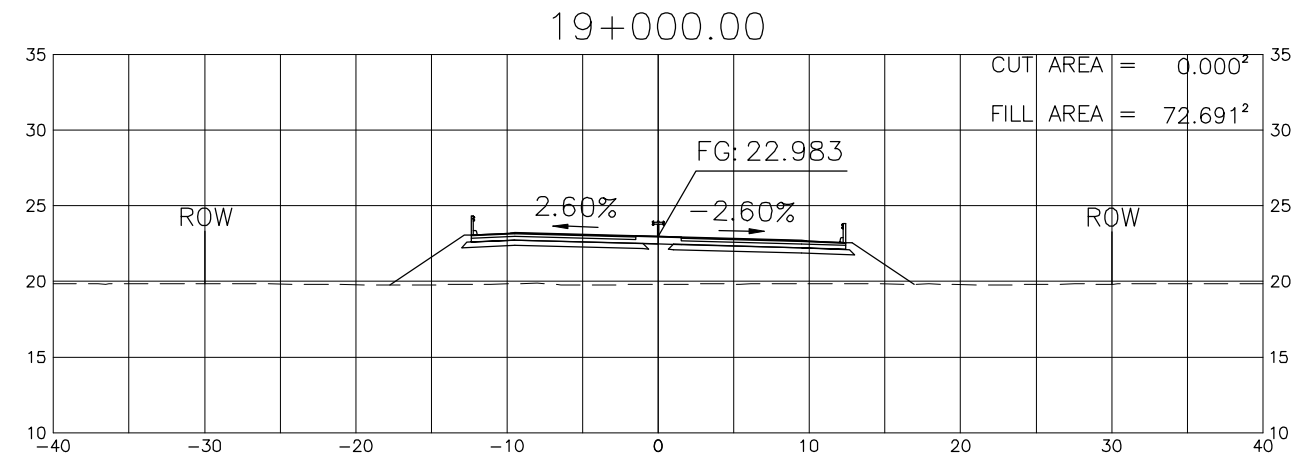
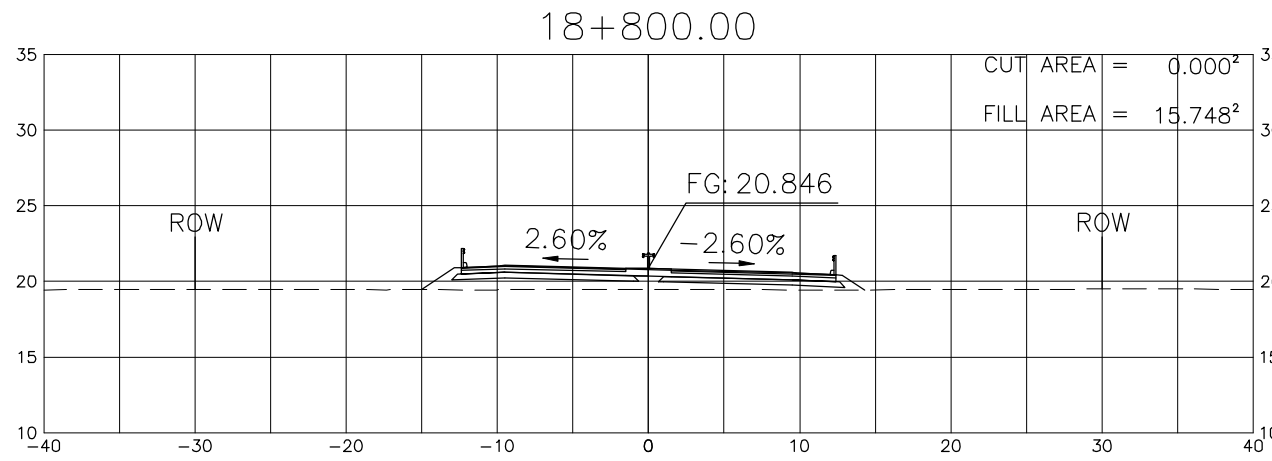


PROJECT TITLE	SCALE	SHEET CONTENT	DRAWING NO.
Preparatory survey for expressway project in Mega Manila Region CLLEX ( TARLAC - CABANATUAN )	A1 = 1:250 A3 = 1:500	CROSS SECTION ( ULTIMATE 4 LANE ) STA 17+850 TO STA 18+200	K-55
			SHEET NO.
			55 OF 90

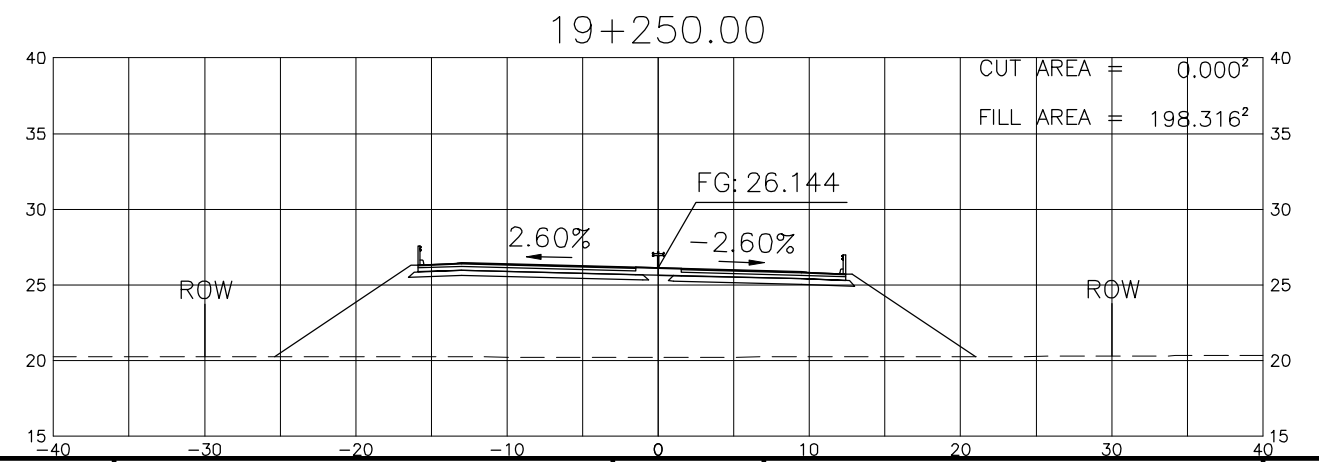
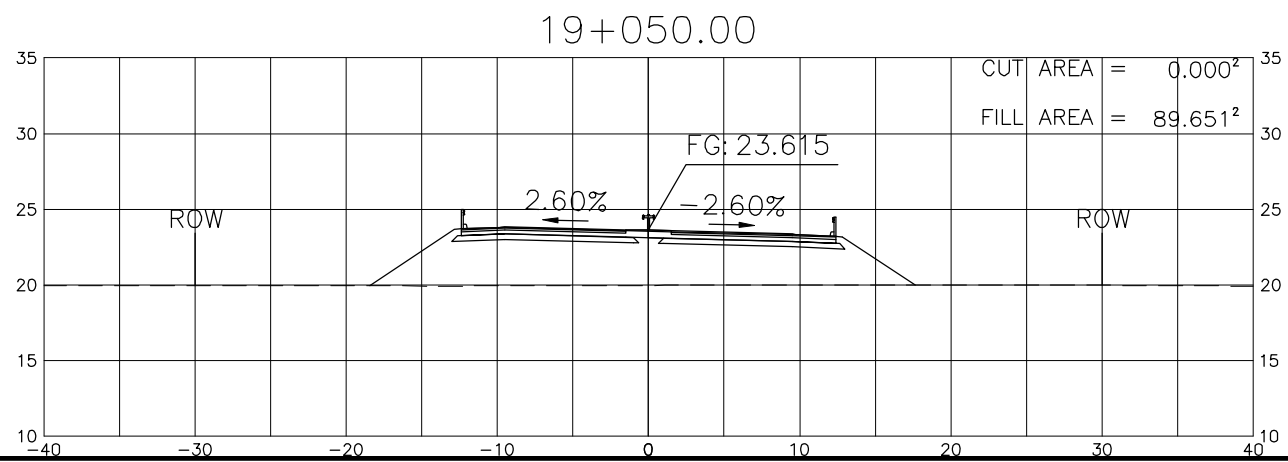
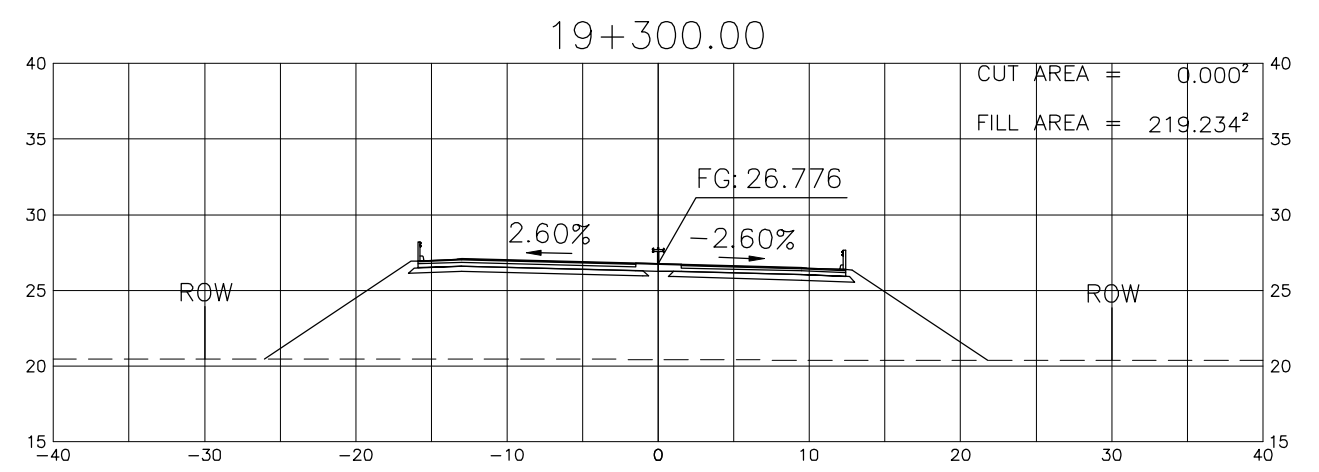
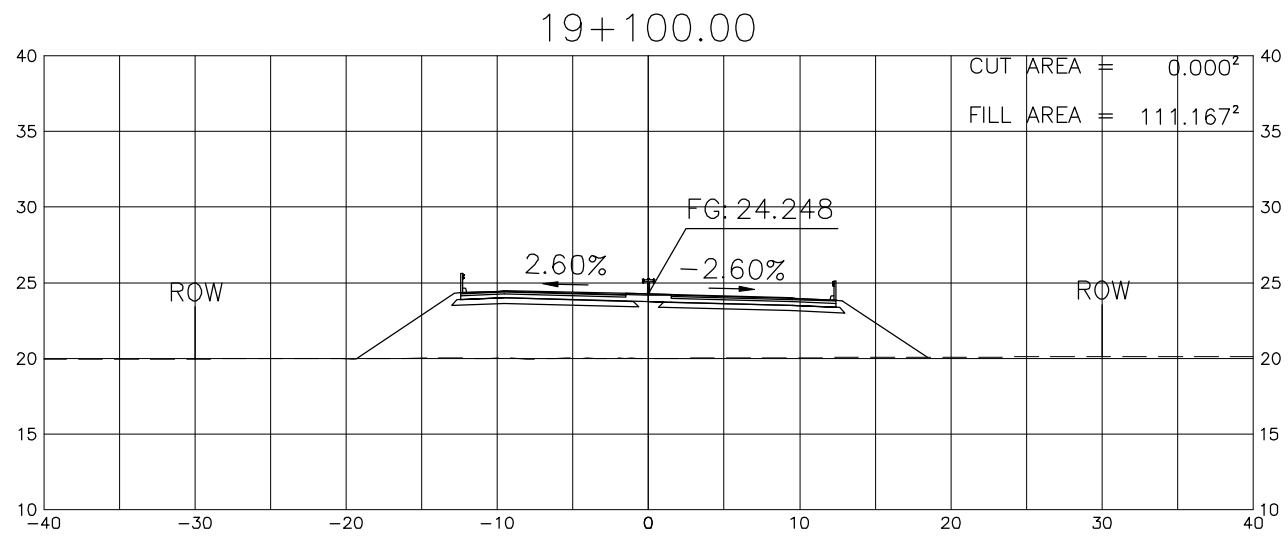
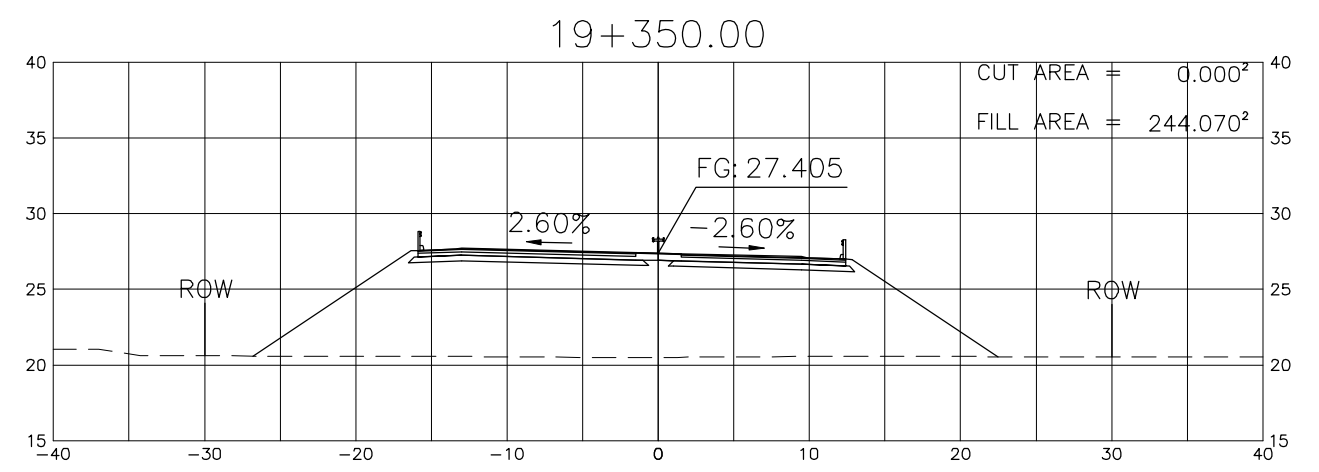
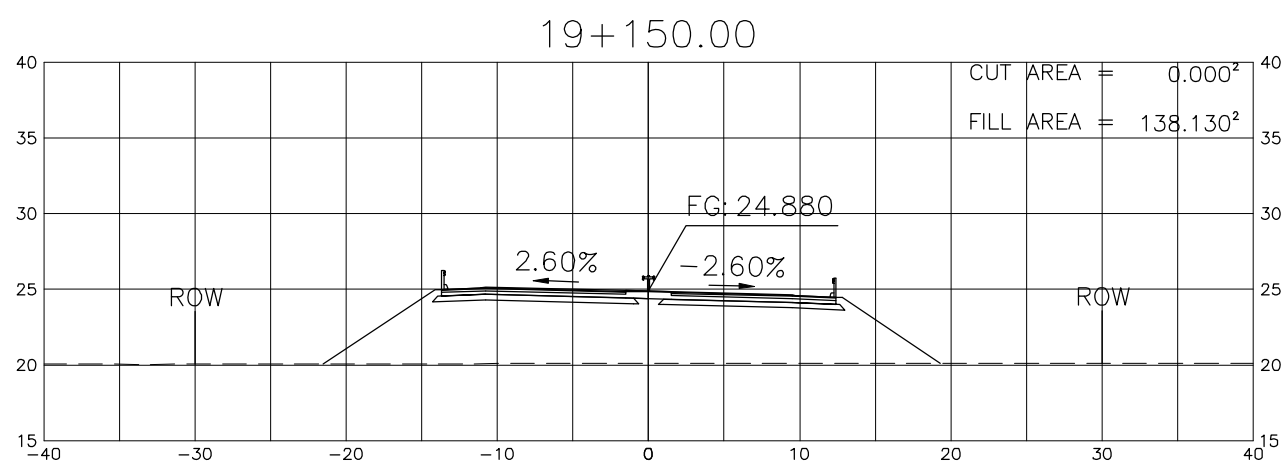
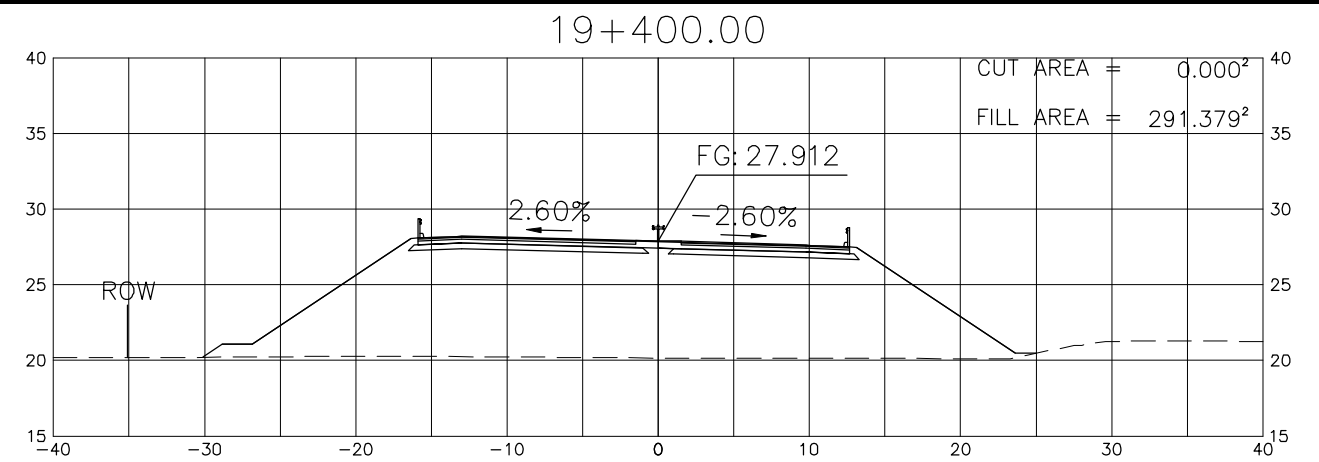
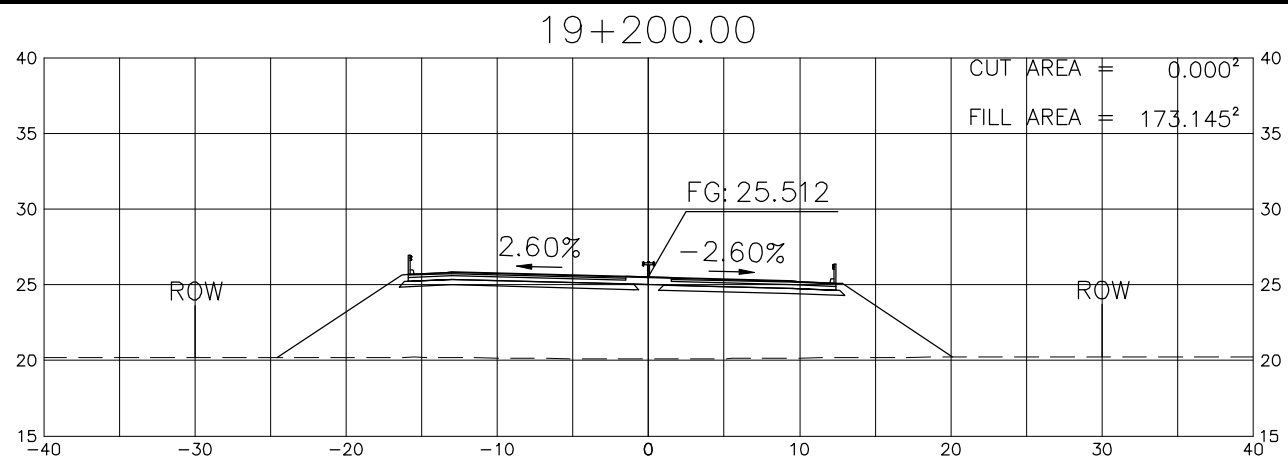


PROJECT TITLE	SCALE	SHEET CONTENT	DRAWING NO.
Preparatory survey for expressway project in Mega Manila Region CLLEX ( TARLAC - CABANATUAN )	A1 = 1:250 A3 = 1:500	CROSS SECTION (ULTIMATE 4 LANE) STA 18+250 TO STA 18+600	K-56
			SHEET NO. 66 OF 90

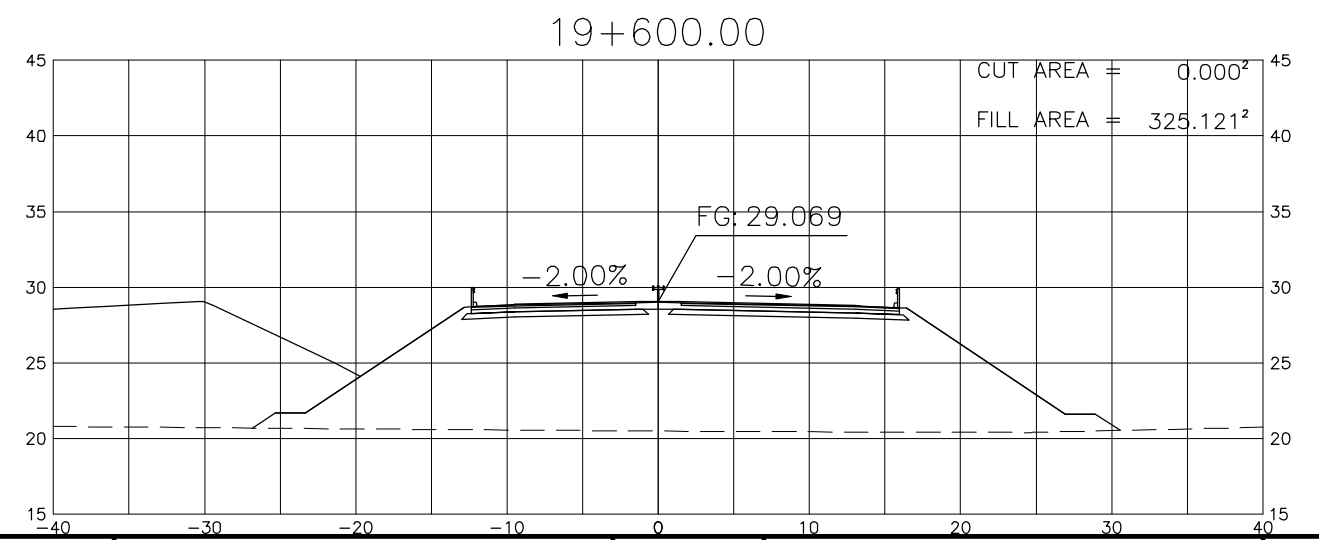
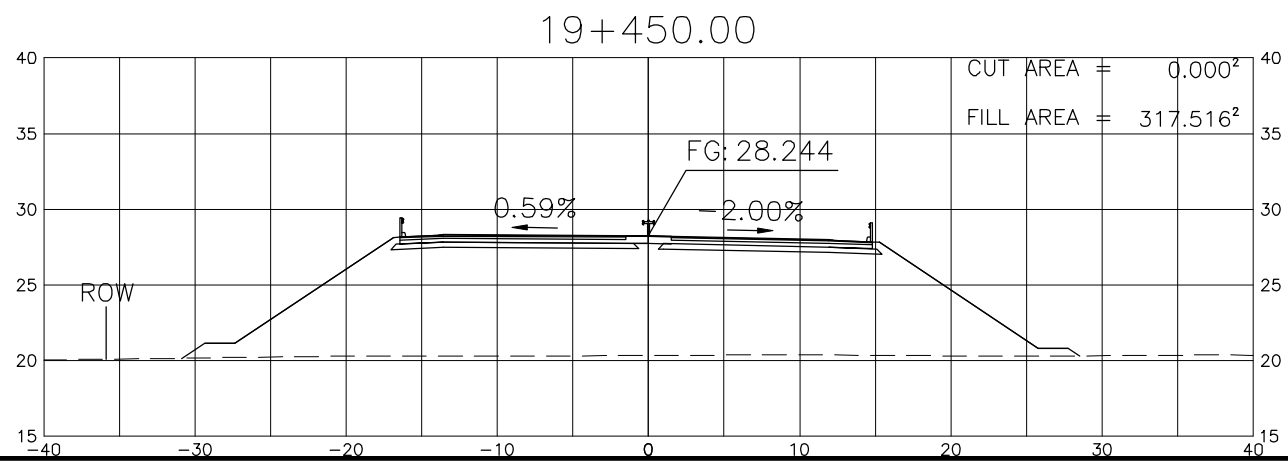
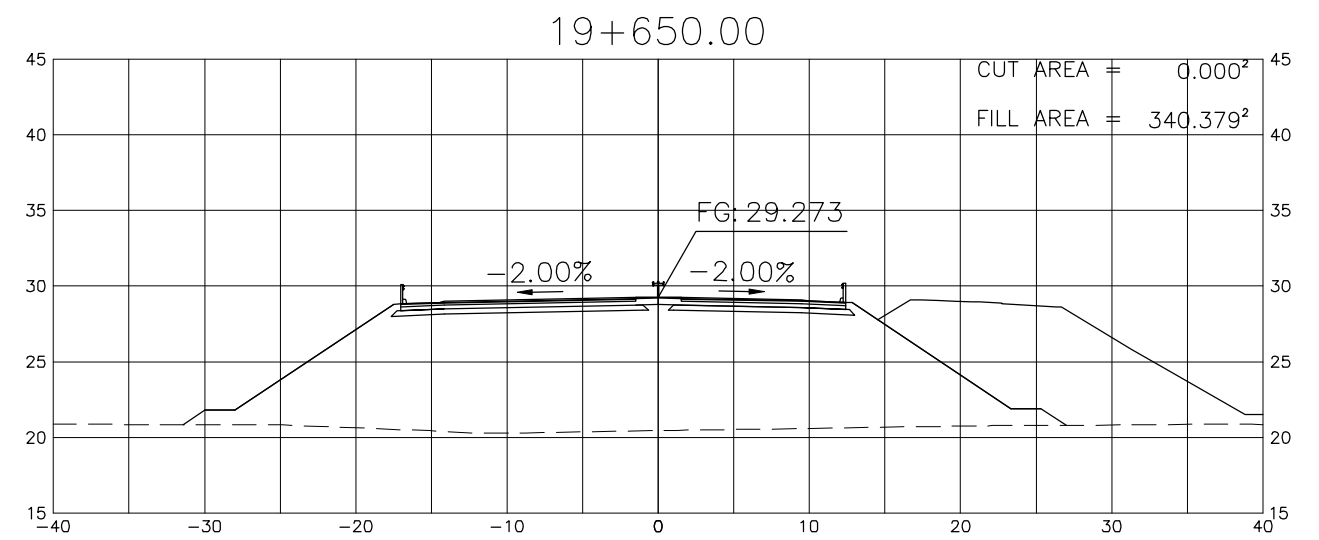
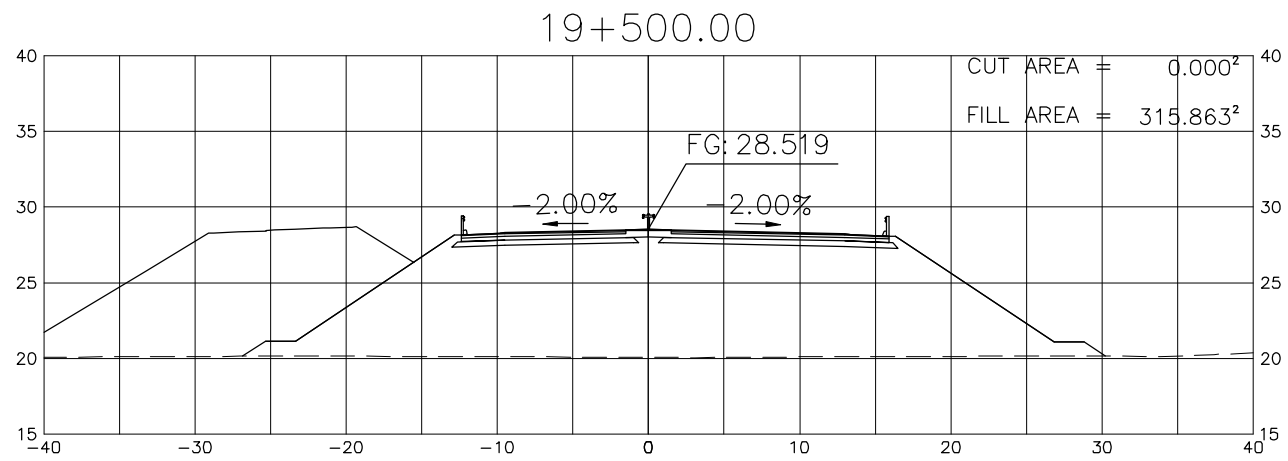
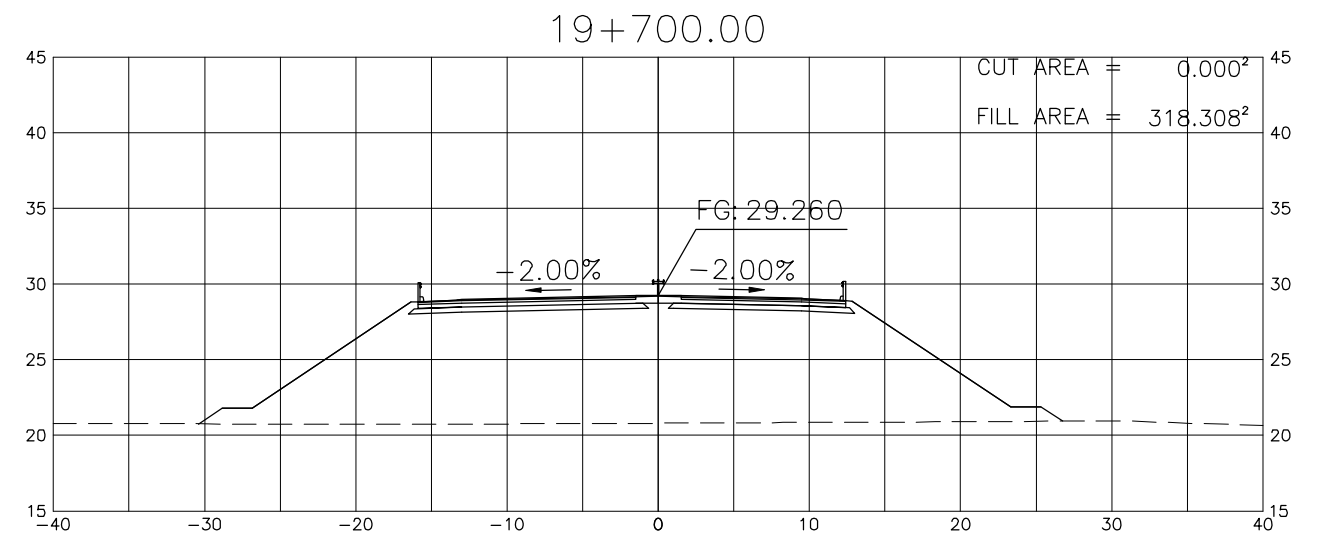
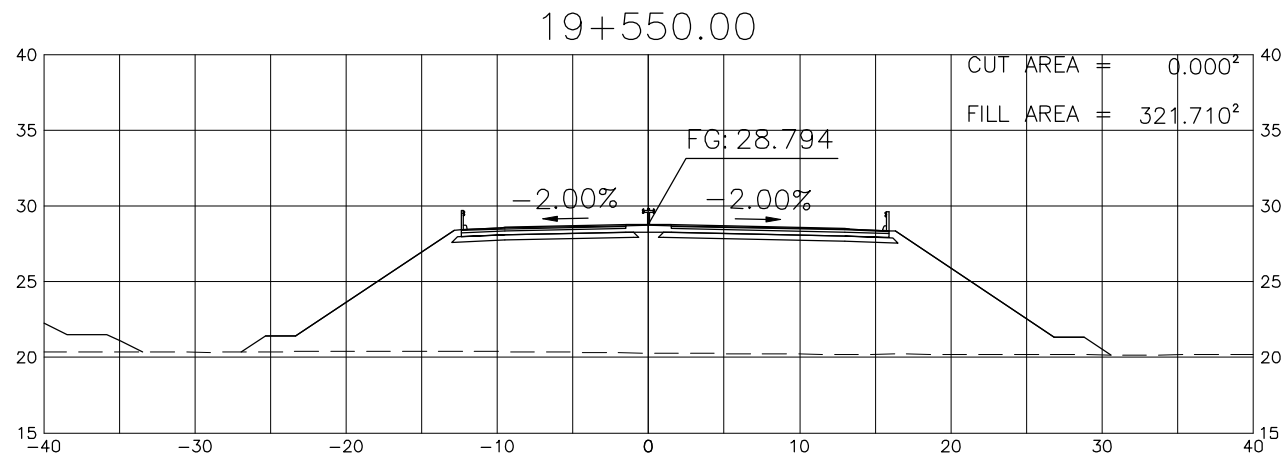




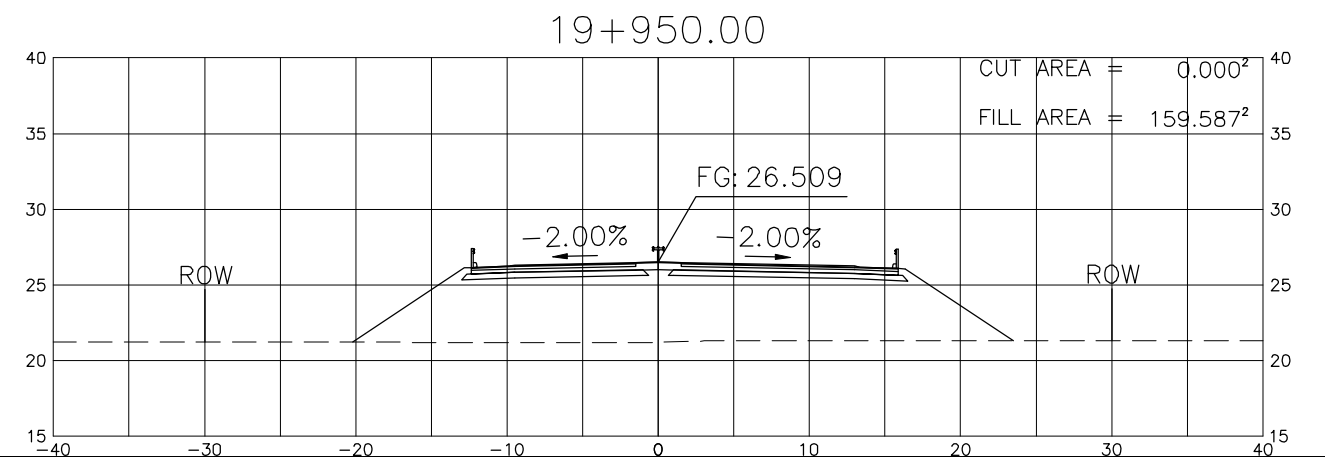
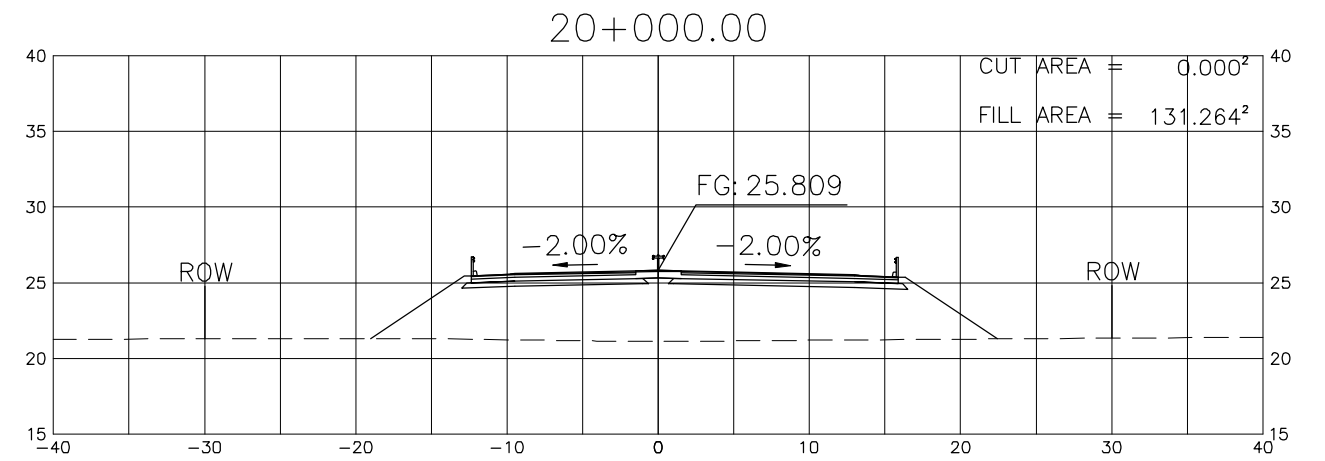
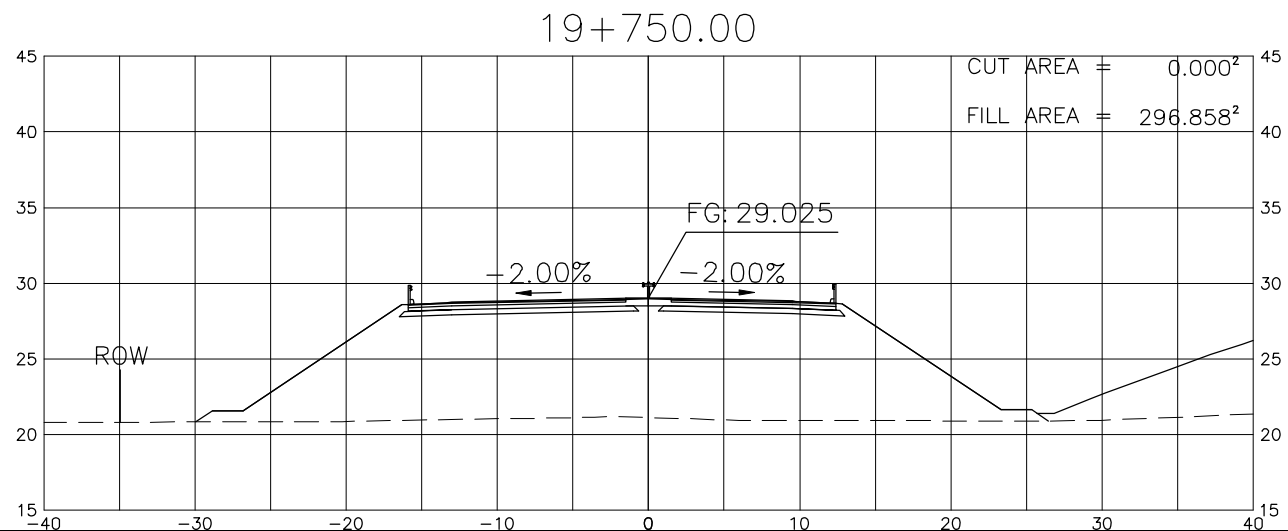
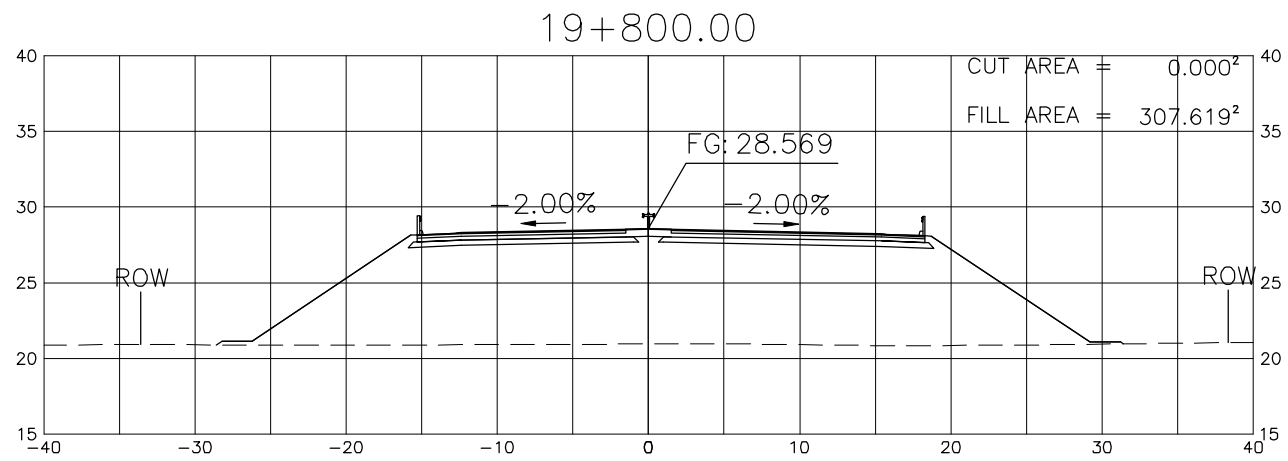
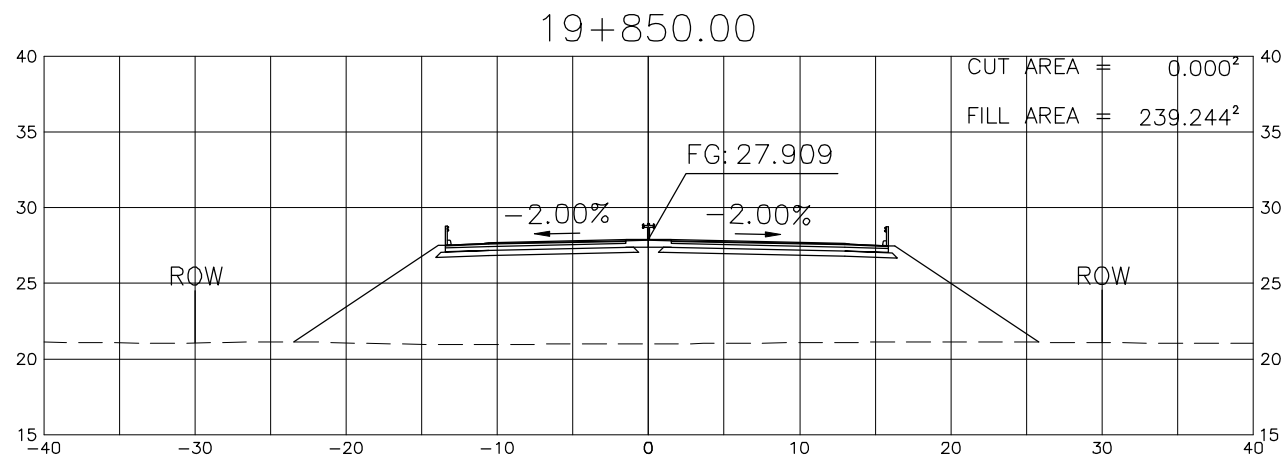
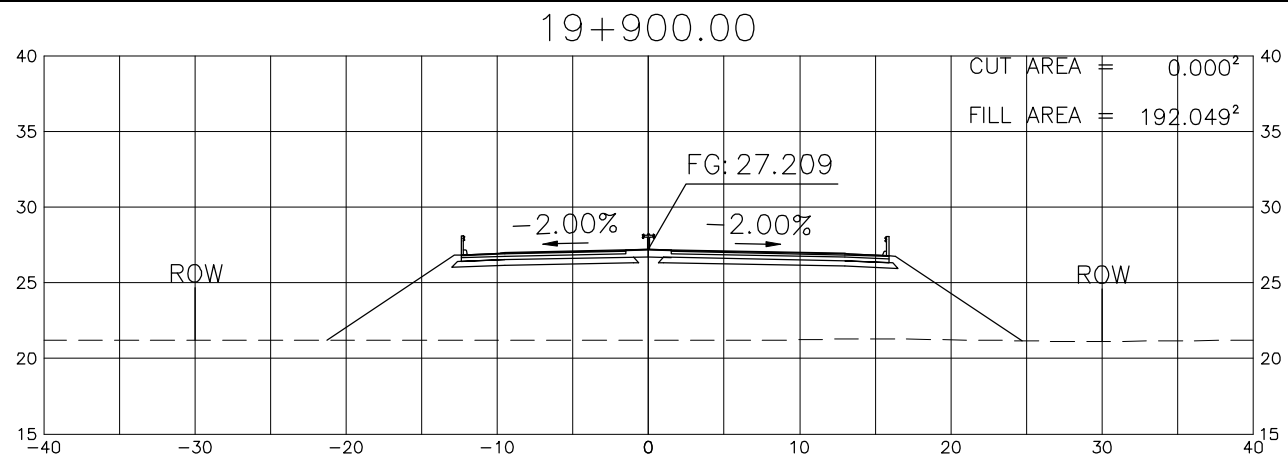
PROJECT TITLE	SCALE	SHEET CONTENT	DRAWING NO.
Preparatory survey for expressway project in Mega Manila Region CLLEX ( TARLAC - CABANATUAN )	A1 = 1:250 A3 = 1:500	CROSS SECTION ( ULTIMATE 4 LANE ) STA 18+650 TO STA 19+000	K-57
			SHEET NO. 57 OF 90



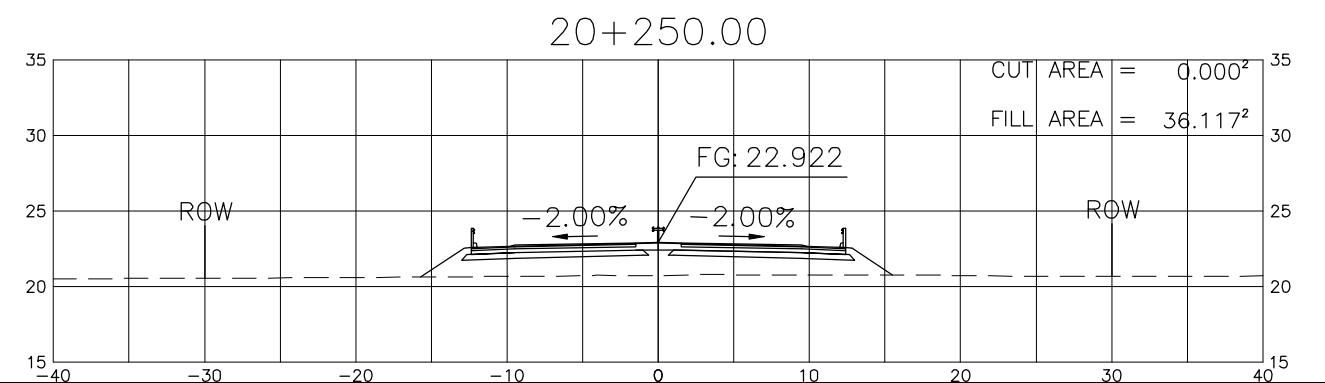
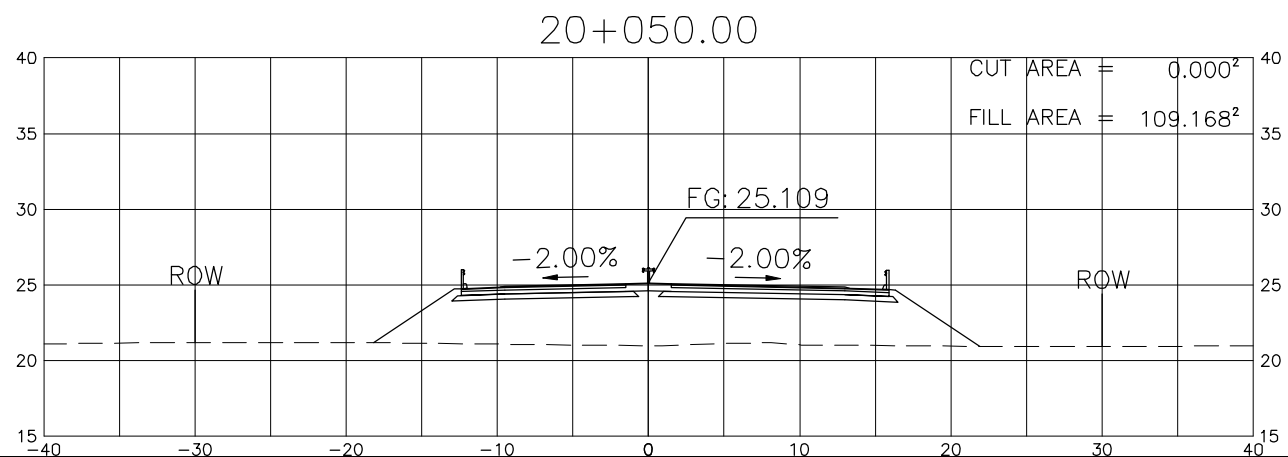
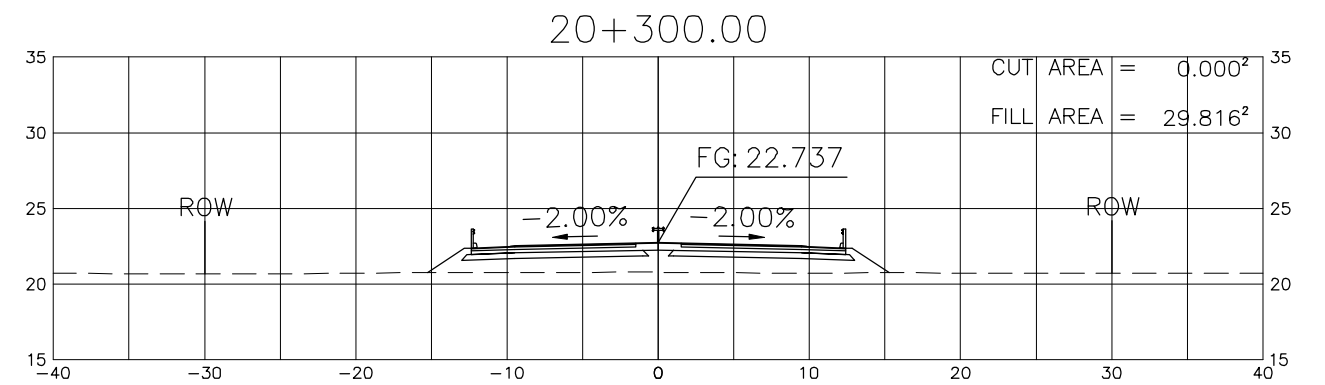
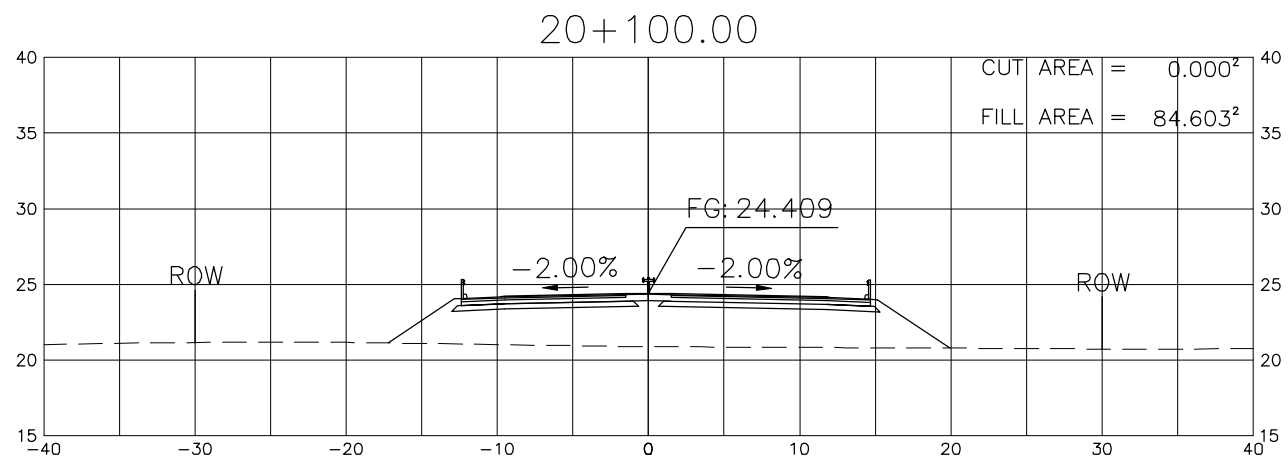
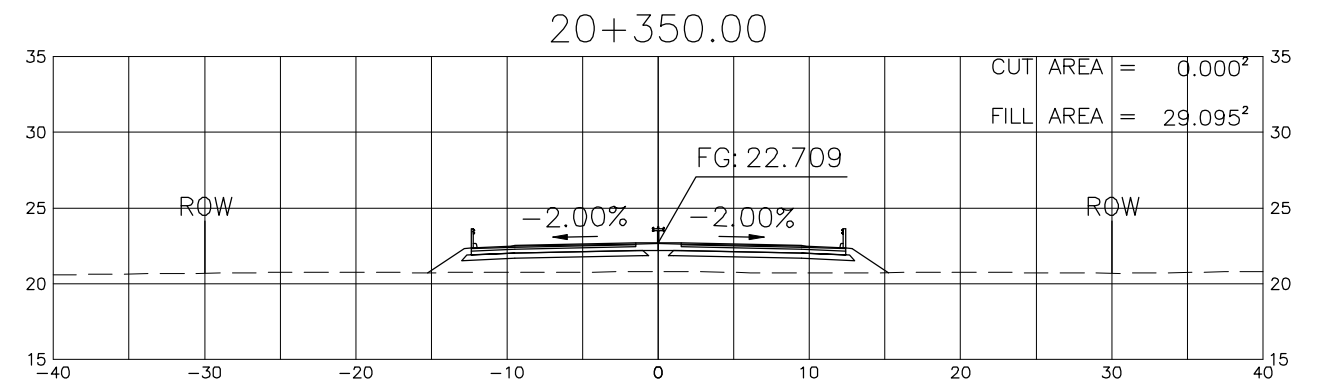
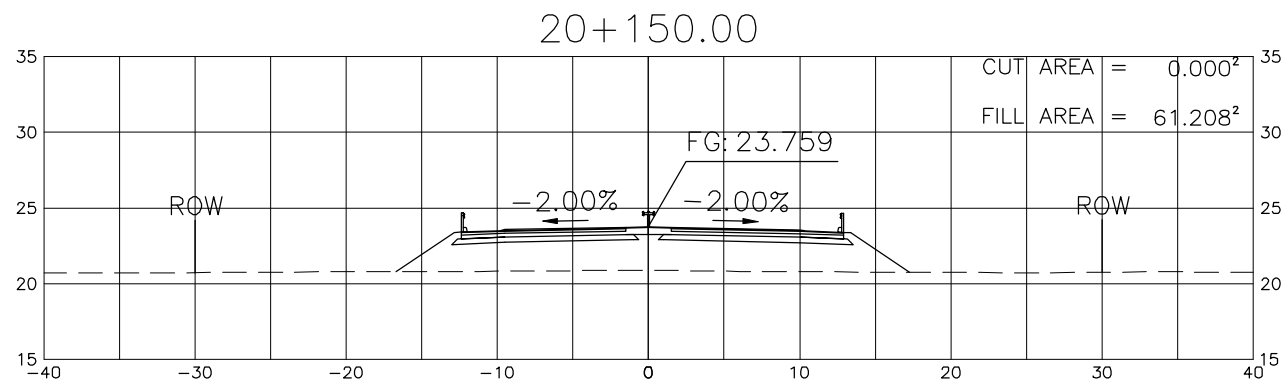
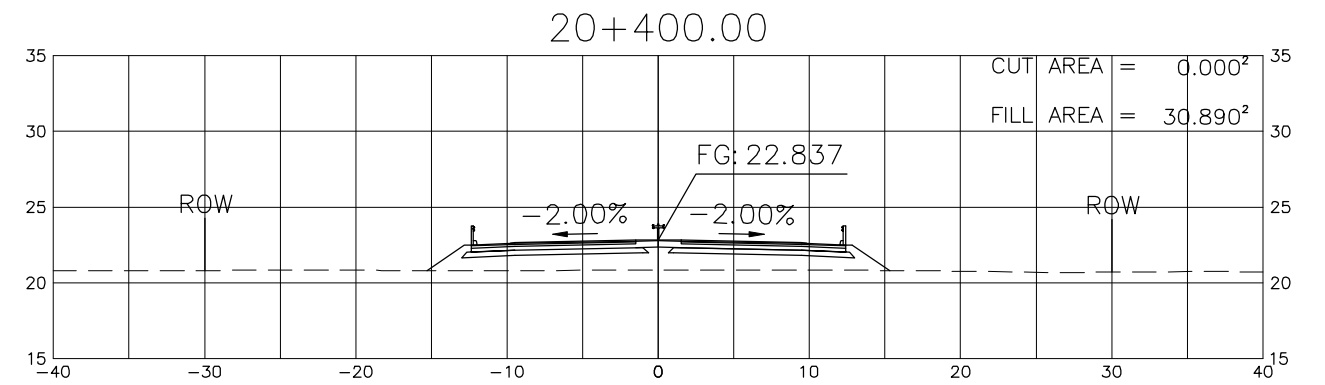
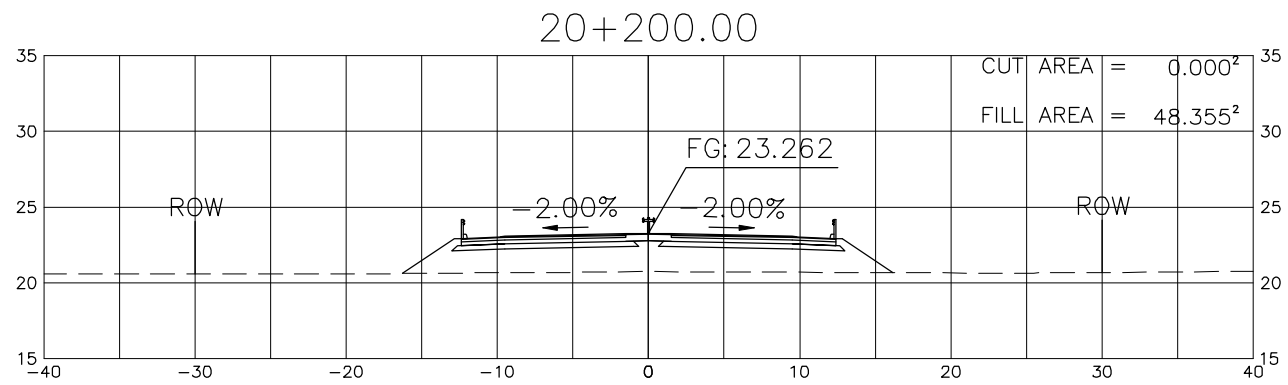
PROJECT TITLE	SCALE	SHEET CONTENT	DRAWING NO.
Preparatory survey for expressway project in Mega Manila Region CLLEX ( TARLAC - CABANATUAN )	A1 = 1:250 A3 = 1:500	CROSS SECTION (ULTIMATE 4 LANE) STA 19+050 TO STA 19+400	K-58
			SHEET NO.
			58 OF 90



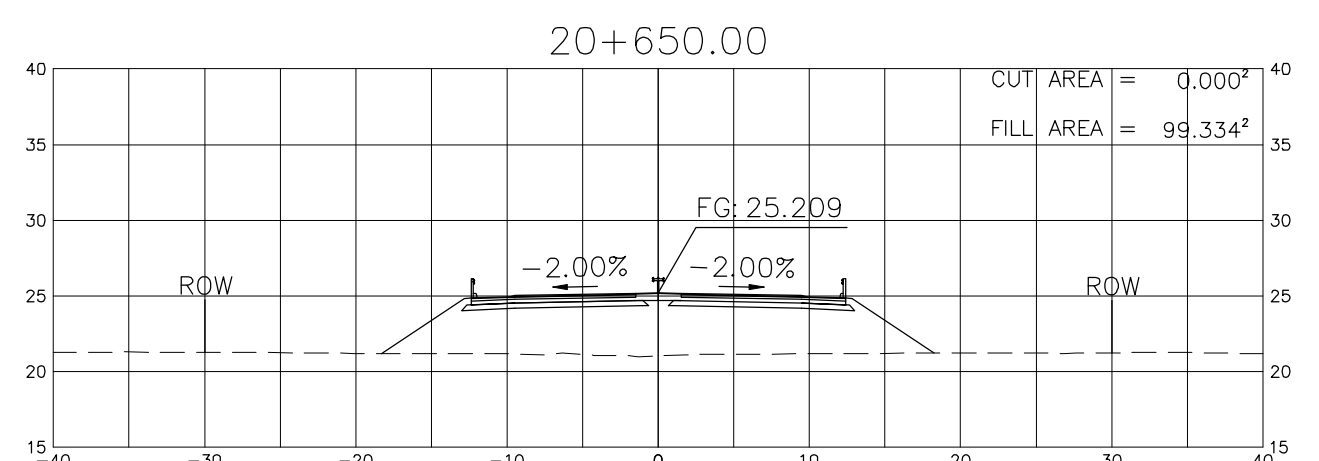
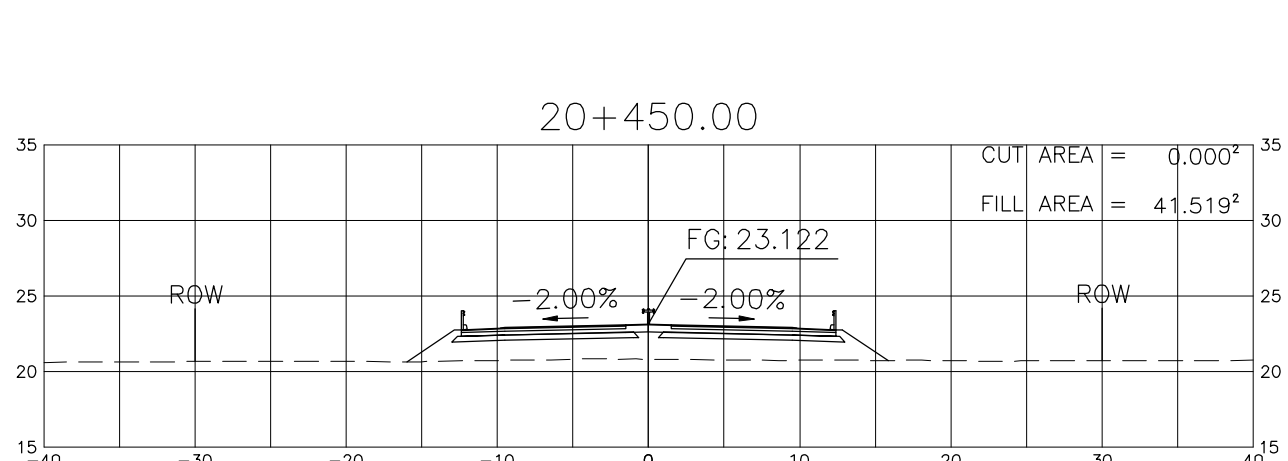
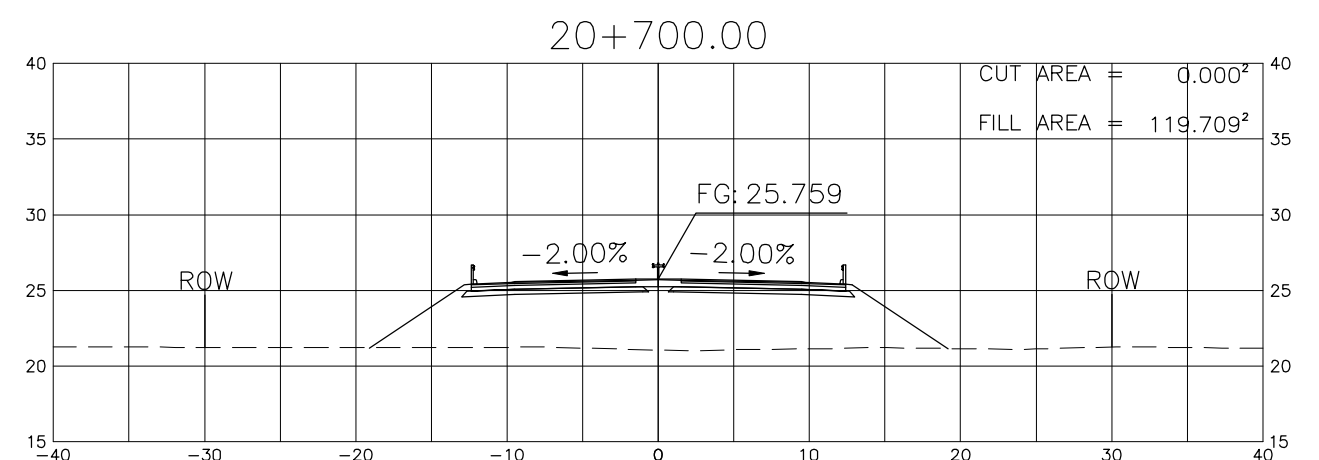
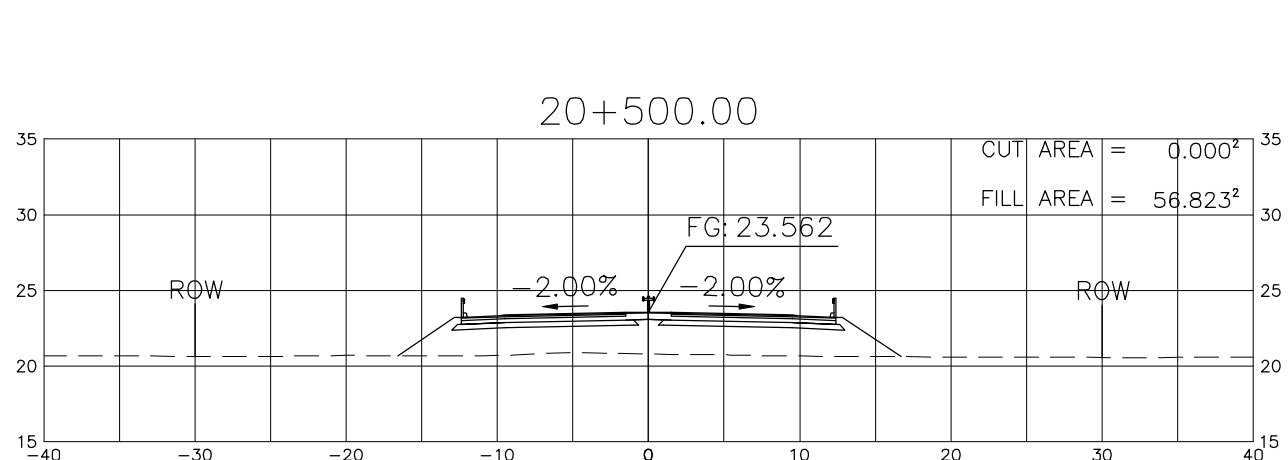
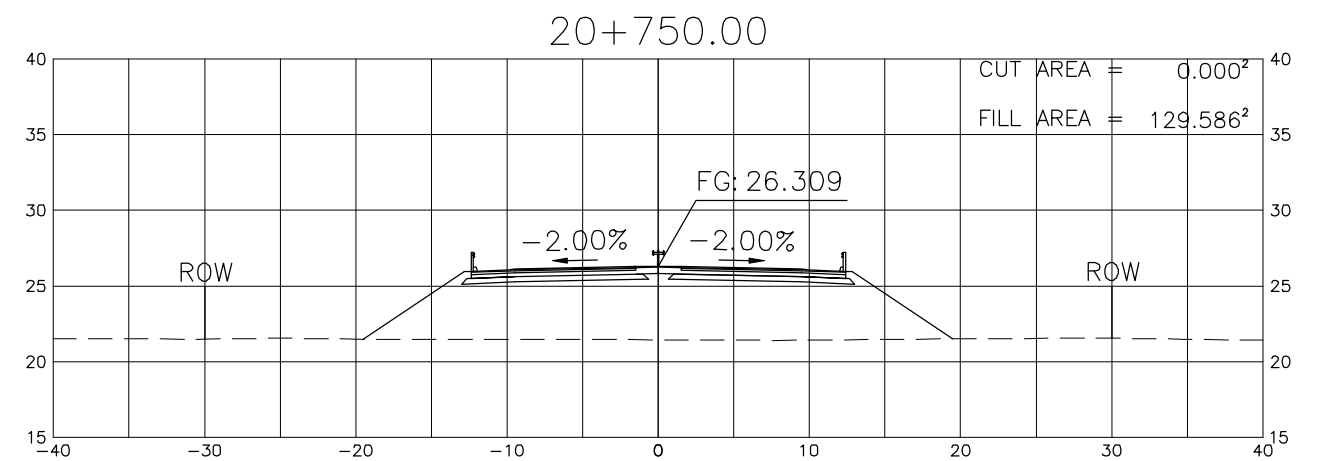
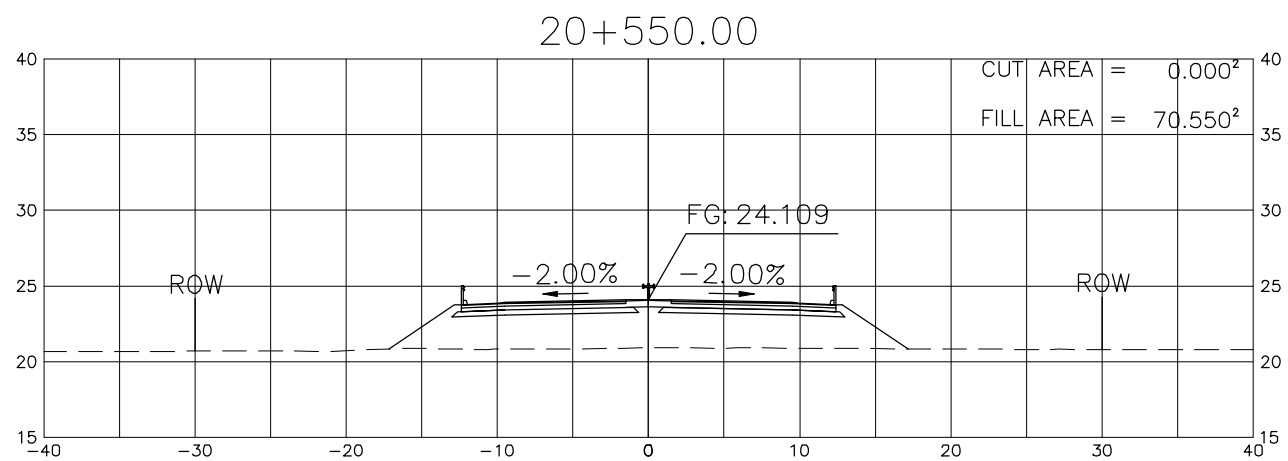
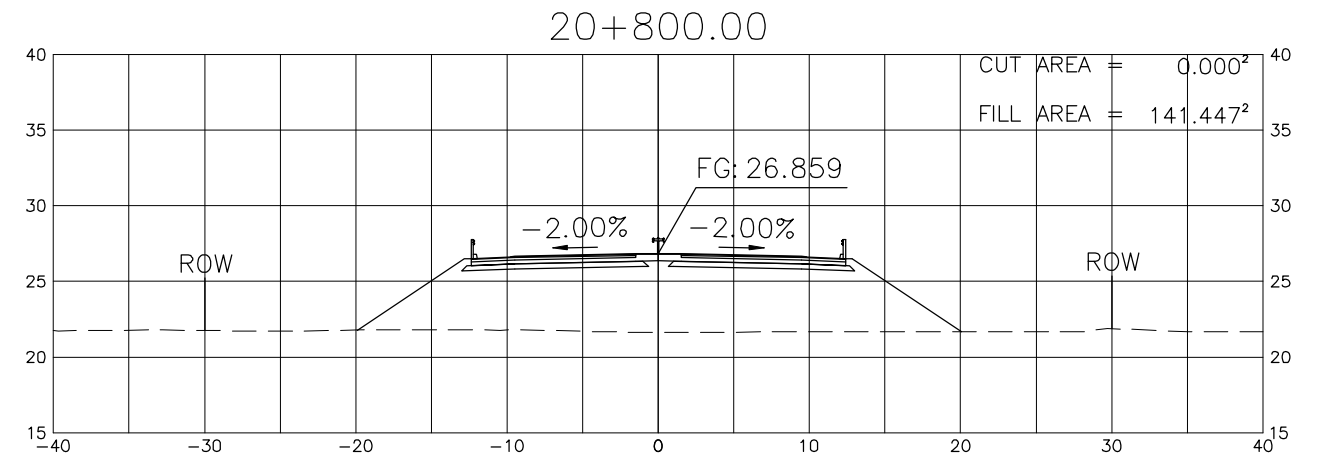
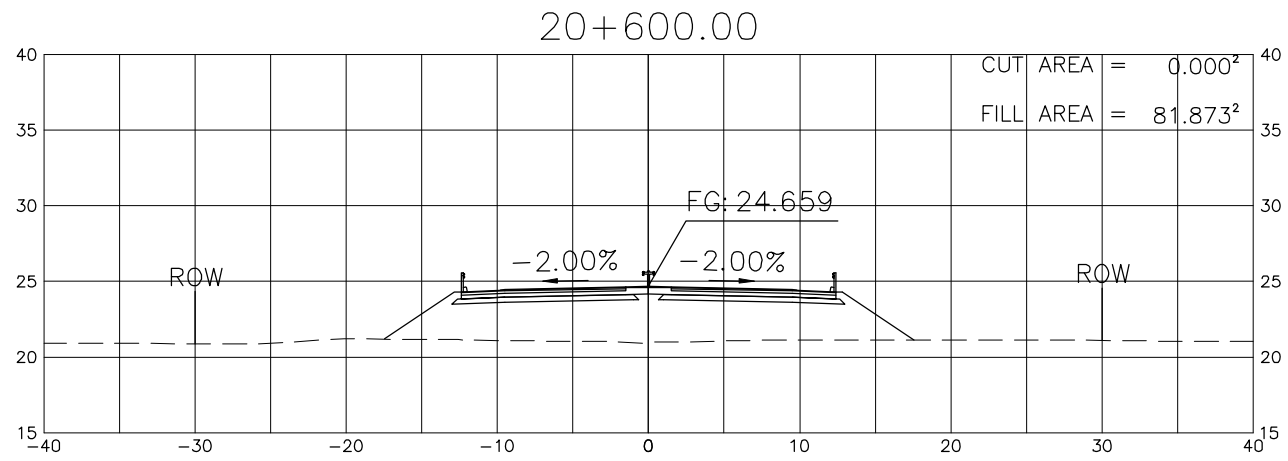
PROJECT TITLE	SCALE	SHEET CONTENT	DRAWING NO.
Preparatory survey for expressway project in Mega Manila Region CLLEX ( TARLAC - CABANATUAN )	A1 = 1:250 A3 = 1:500	CROSS SECTION ( ULTIMATE 4 LANE ) STA 19+450 TO STA 19+700	K-59
			SHEET NO. 59 OF 90



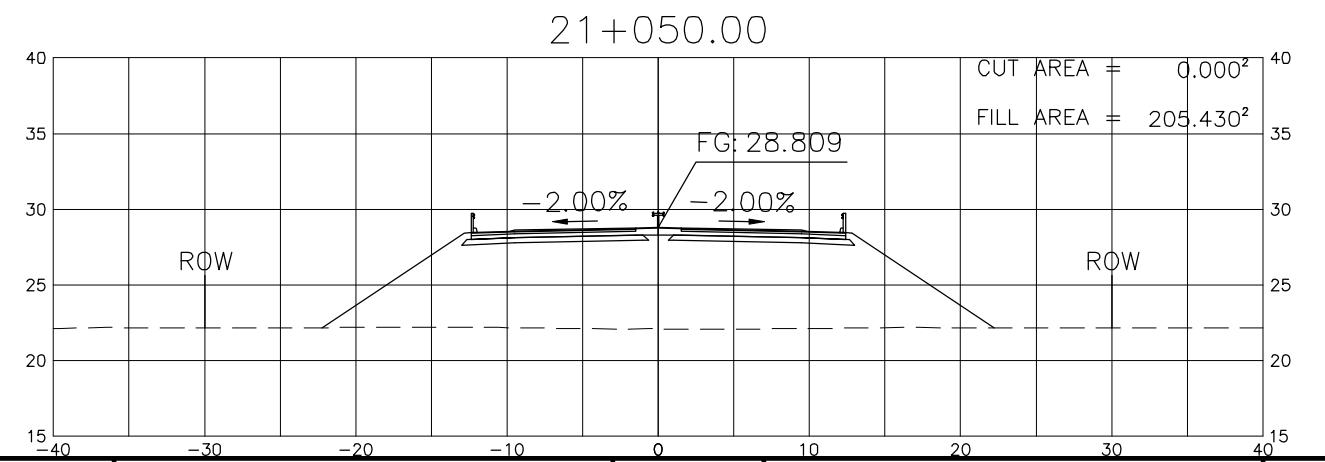
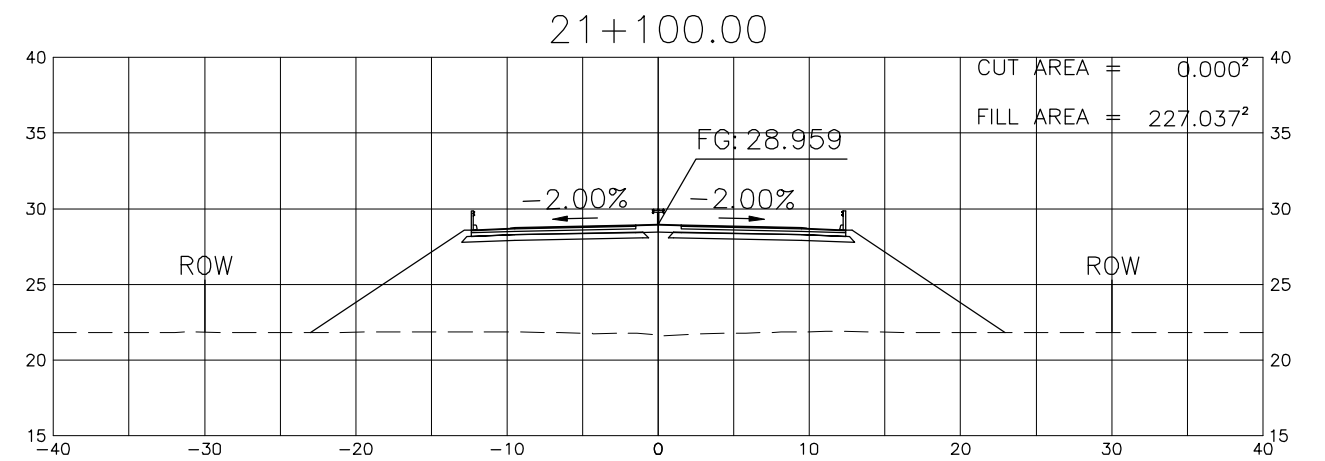
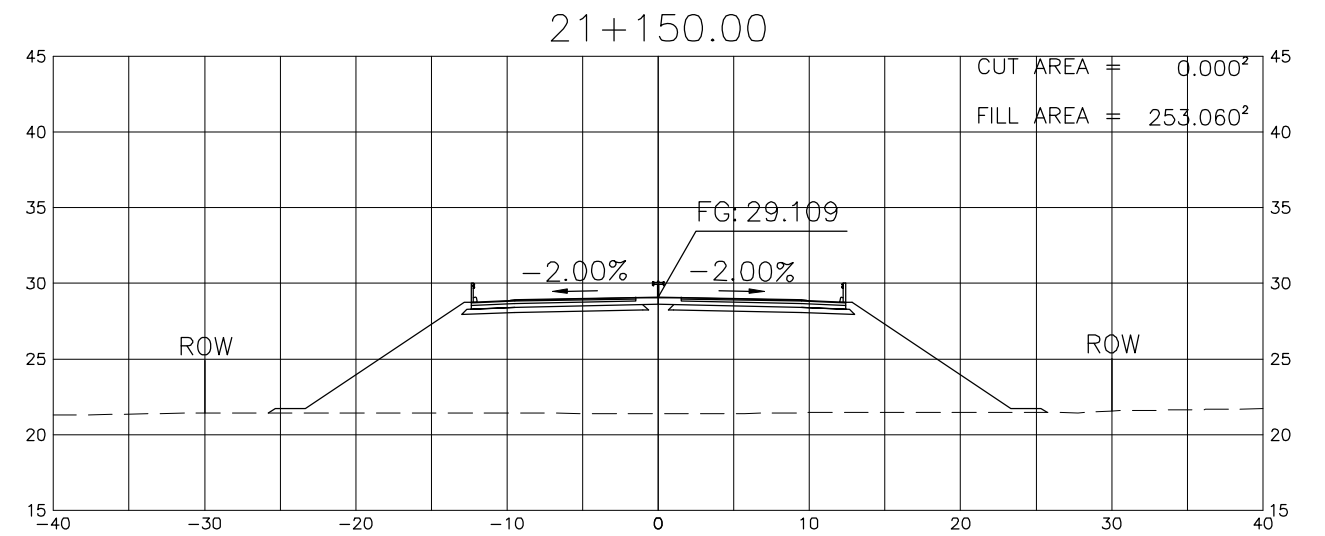
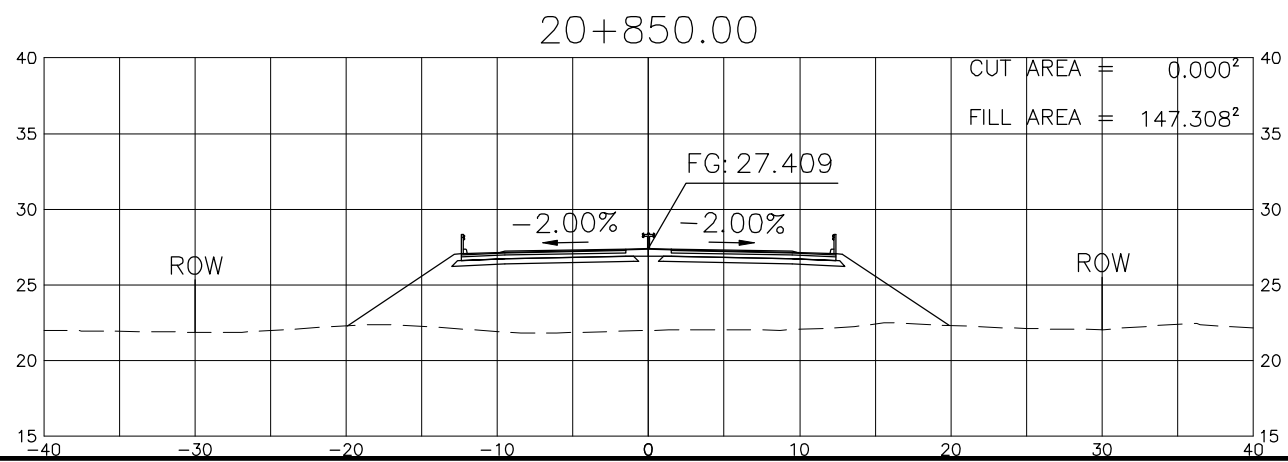
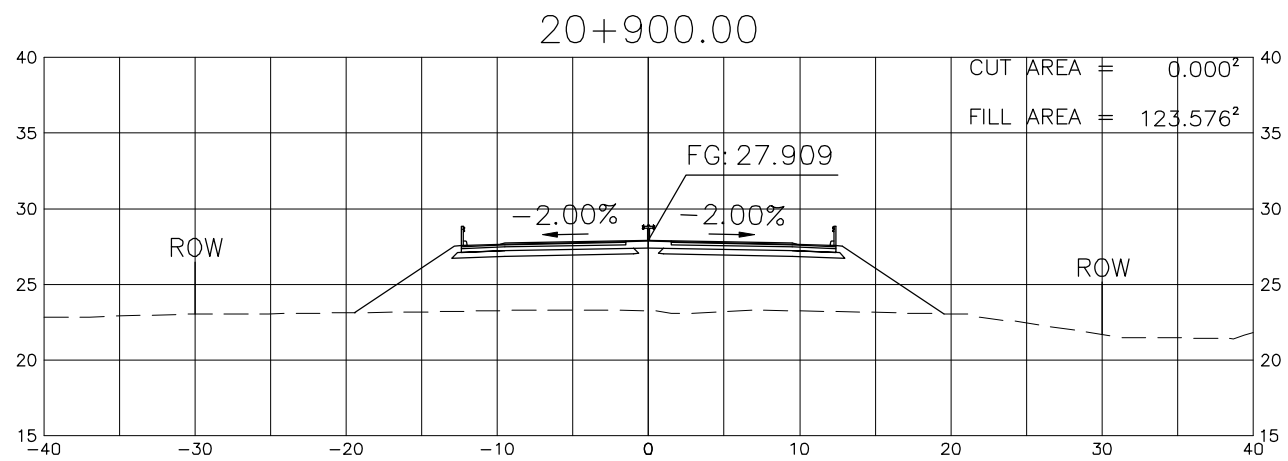
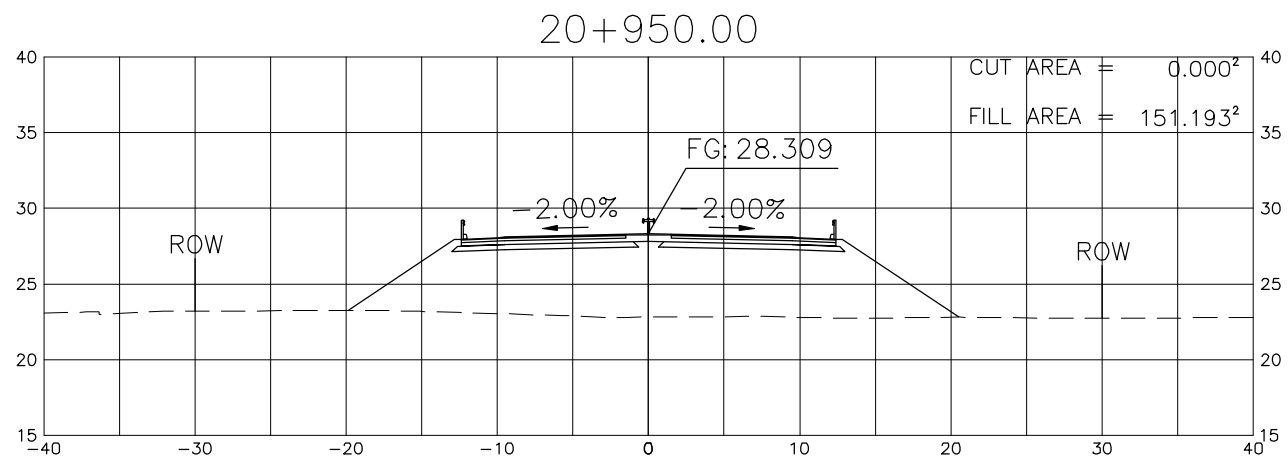
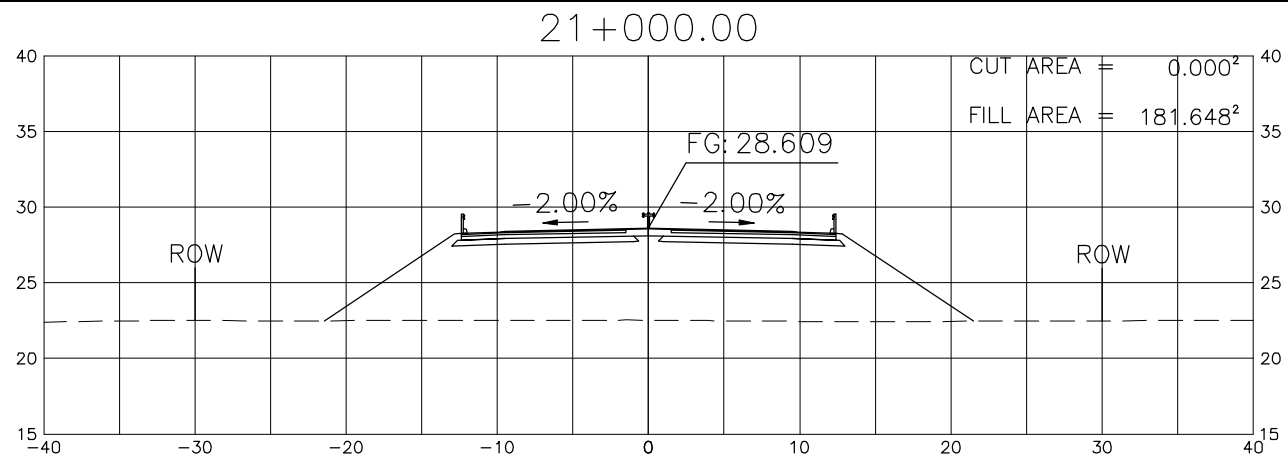
PROJECT TITLE	SCALE	SHEET CONTENT	DRAWING NO.
Preparatory survey for expressway project in Mega Manila Region CLLEX ( TARLAC - CABANATUAN )	A1 = 1:250 A3 = 1:500	CROSS SECTION ( ULTIMATE 4 LANE ) STA 19+750 TO STA 20+000	K-60
			SHEET NO.
			60 OF 90



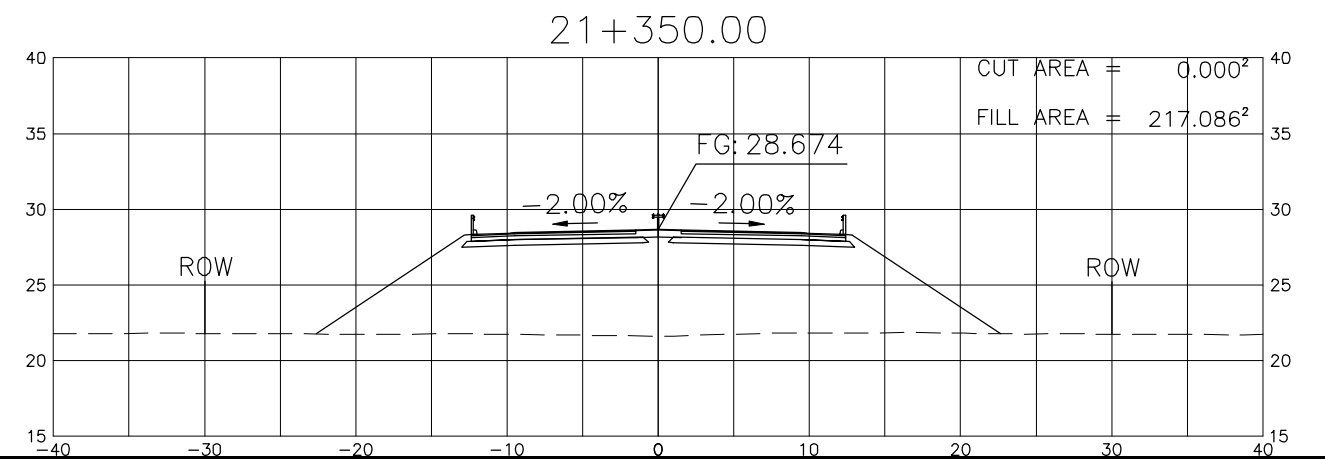
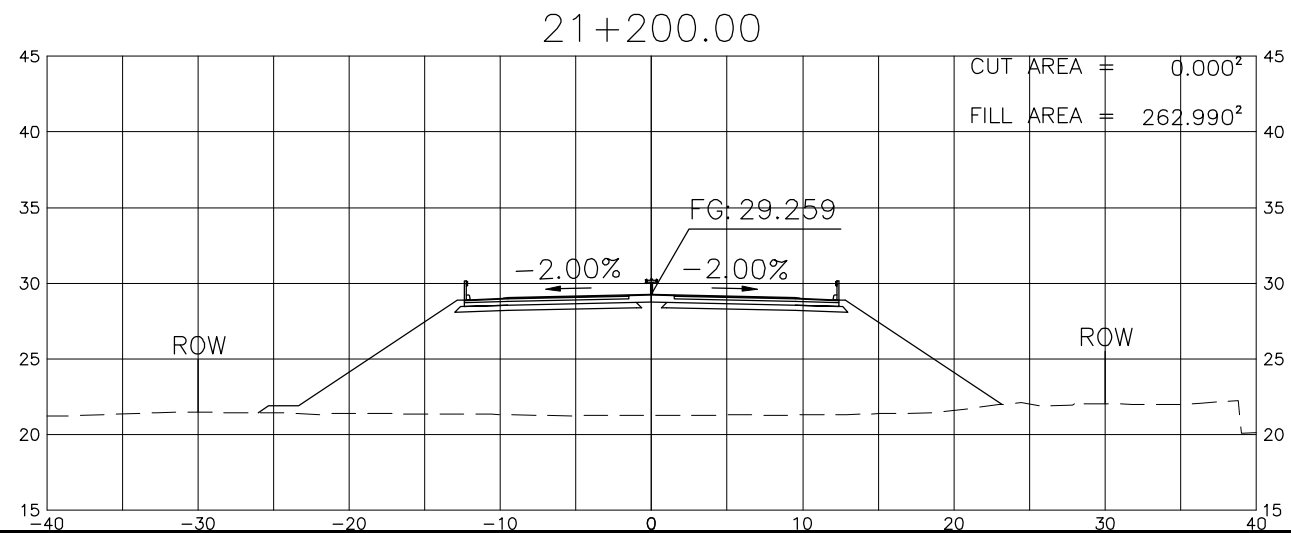
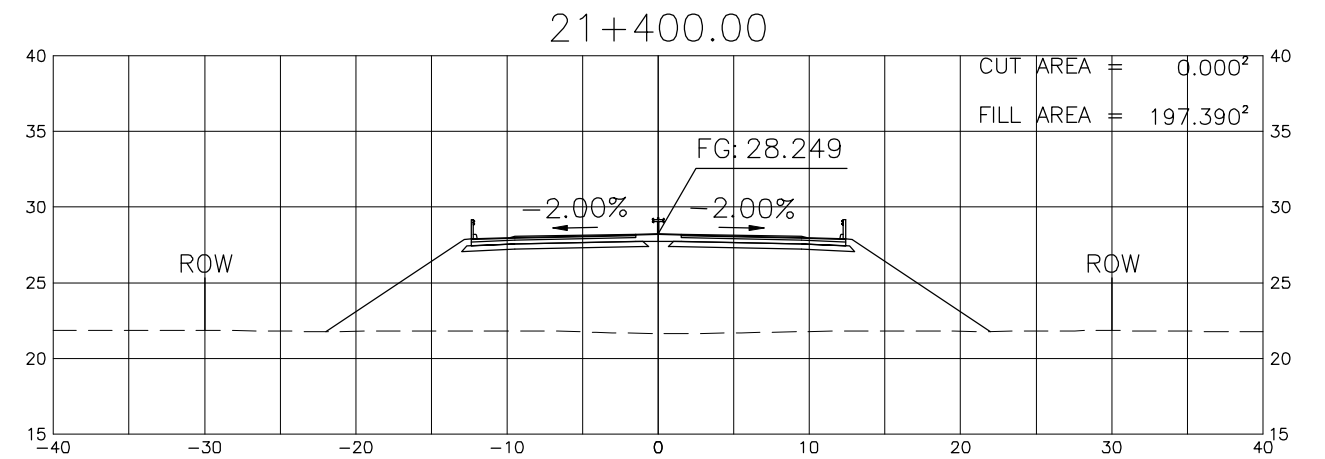
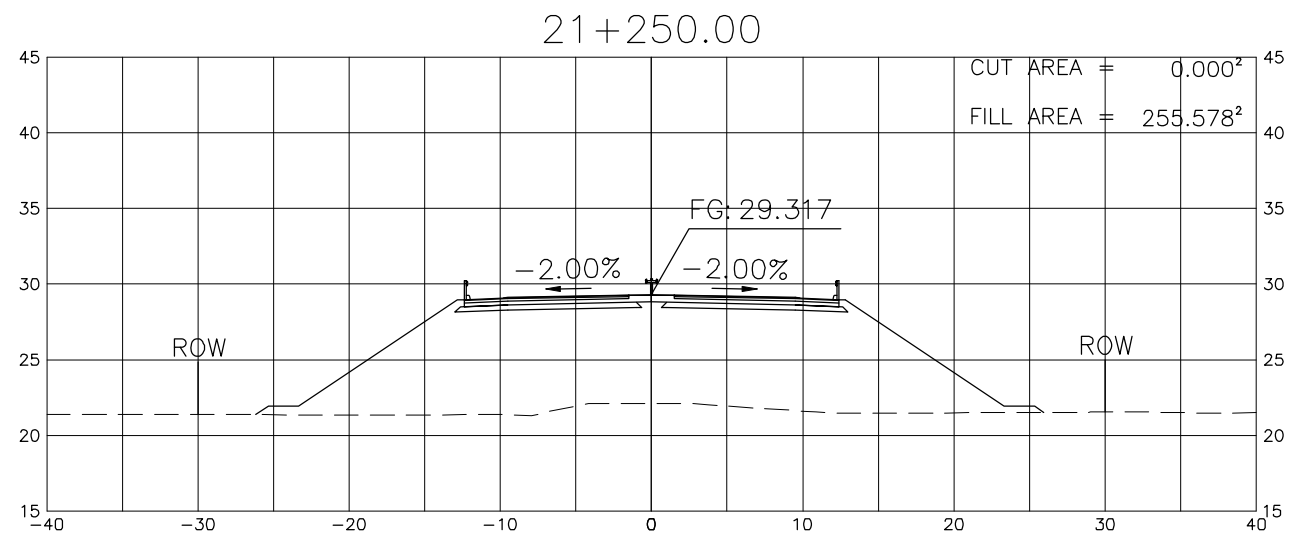
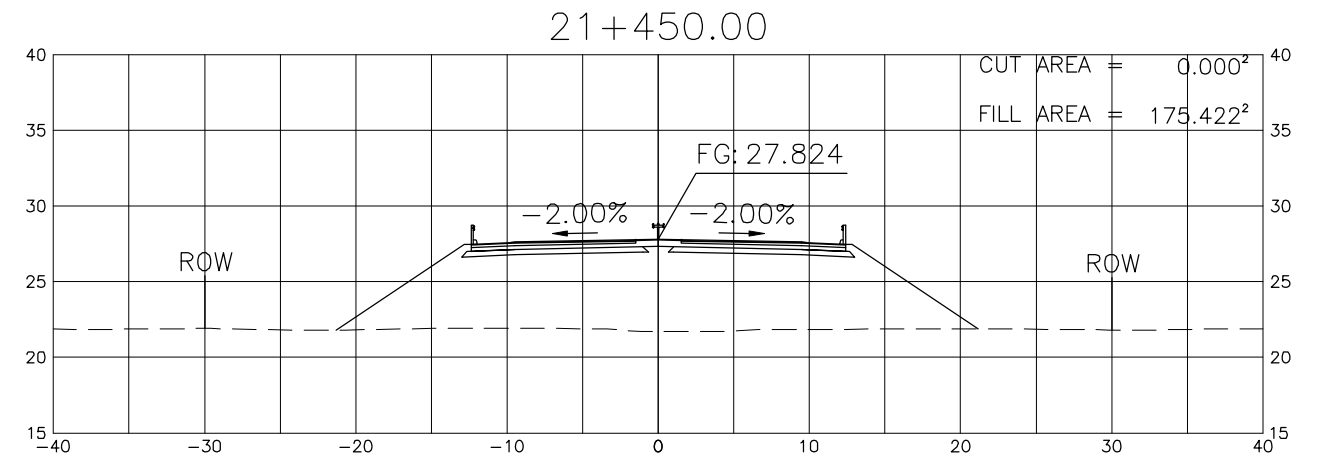
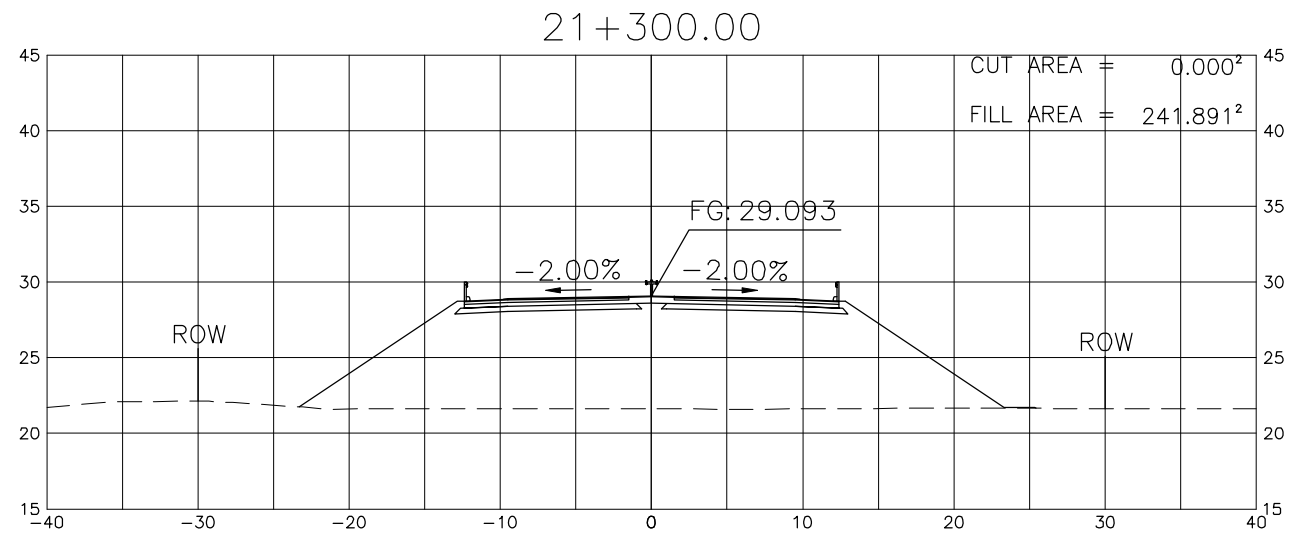
PROJECT TITLE	SCALE	SHEET CONTENT	DRAWING NO.
Preparatory survey for expressway project in Mega Manila Region CLLEX ( TARLAC - CABANATUAN )	A1 = 1:250 A3 = 1:500	CROSS SECTION (ULTIMATE 4 LANE) STA 20+050 TO STA 20+400	K-61
			SHEET NO.
			61 OF 90



PROJECT TITLE	SCALE	SHEET CONTENT	DRAWING NO.
Preparatory survey for expressway project in Mega Manila Region CLLEX ( TARLAC - CABANATUAN )	A1 = 1:250 A3 = 1:500	CROSS SECTION (ULTIMATE 4 LANE) STA 20+450 TO STA 20+800	K-62
			SHEET NO.
			62 OF 90

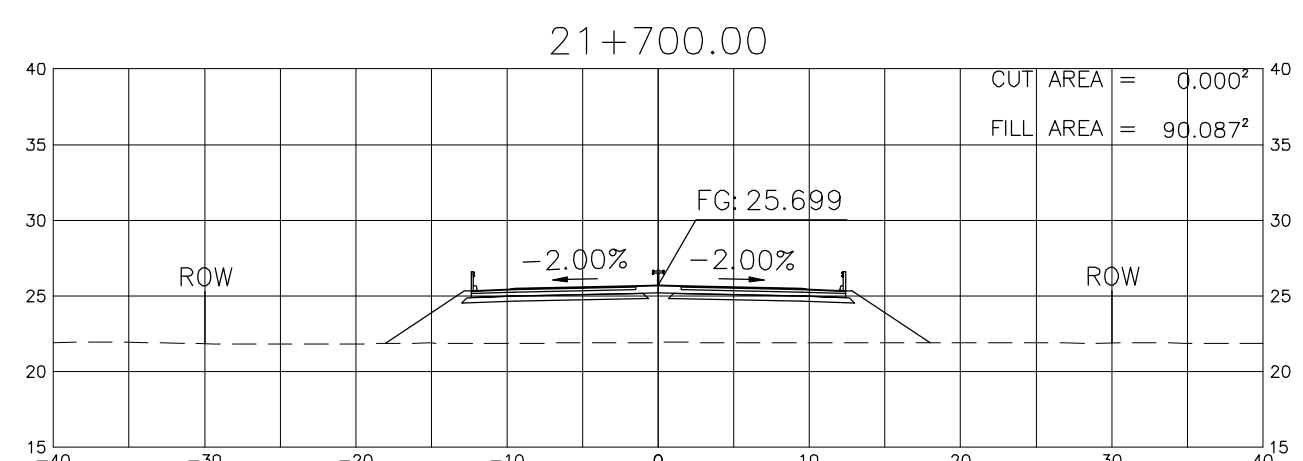
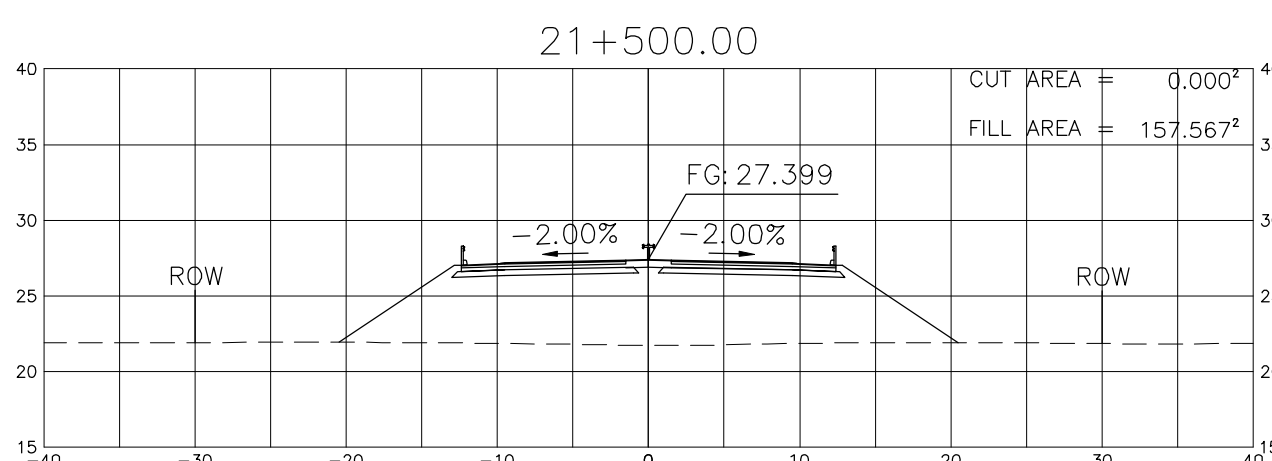
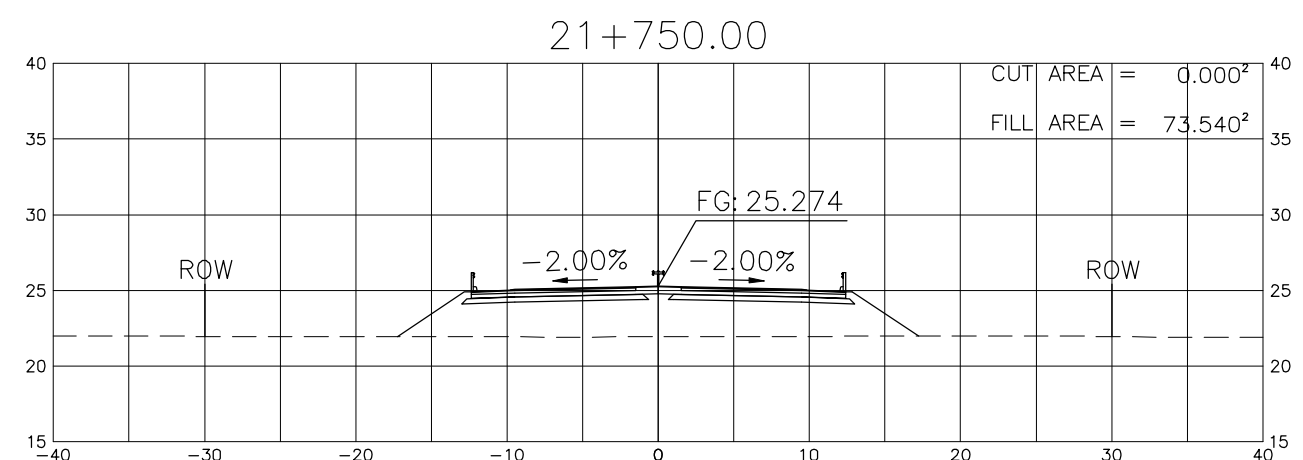
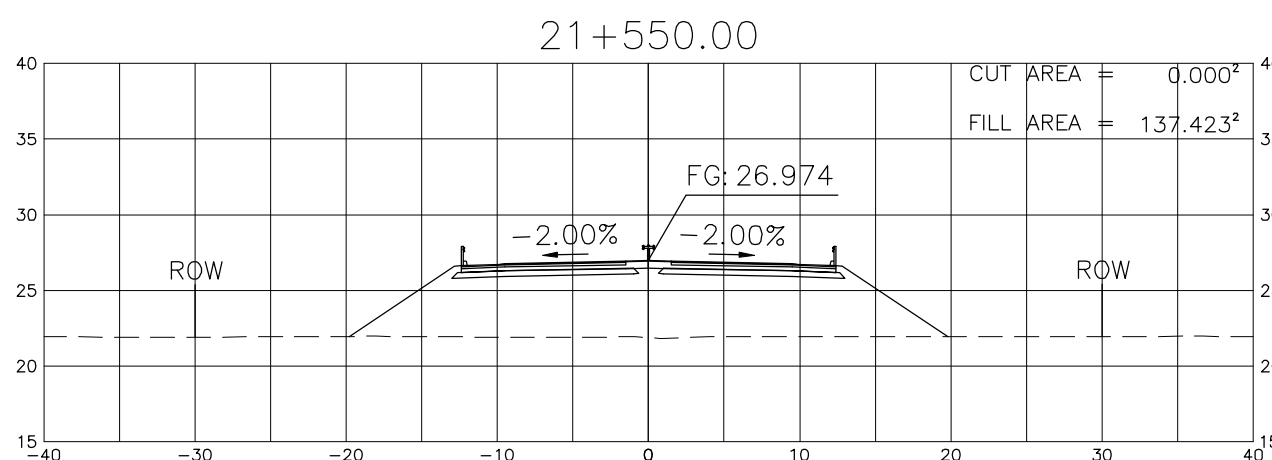
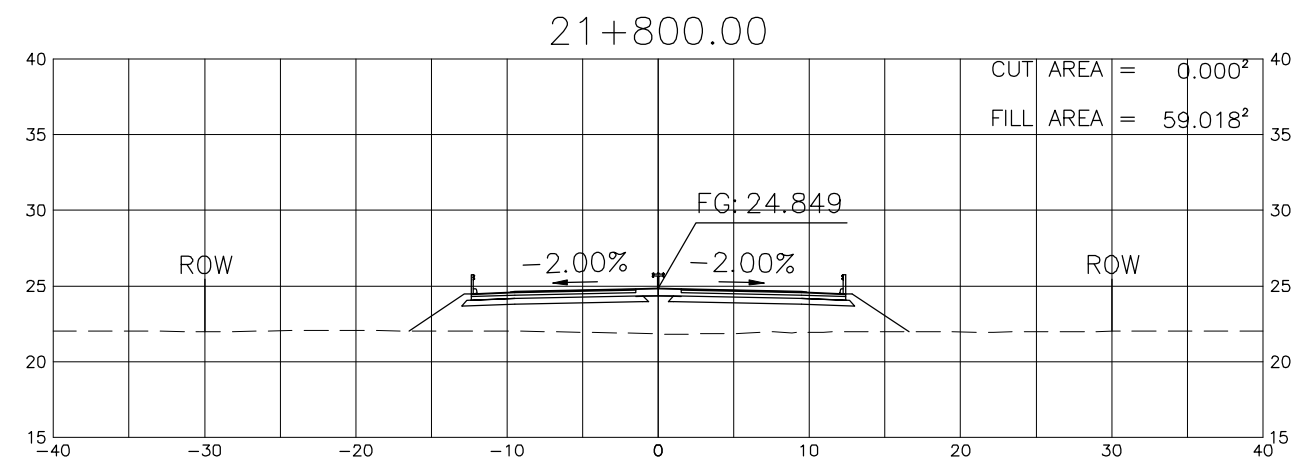
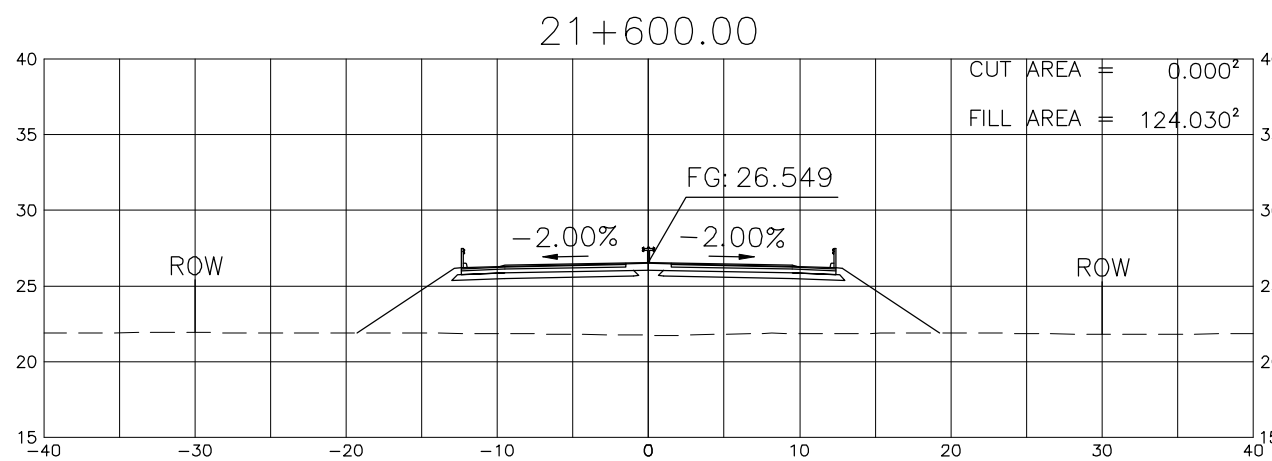
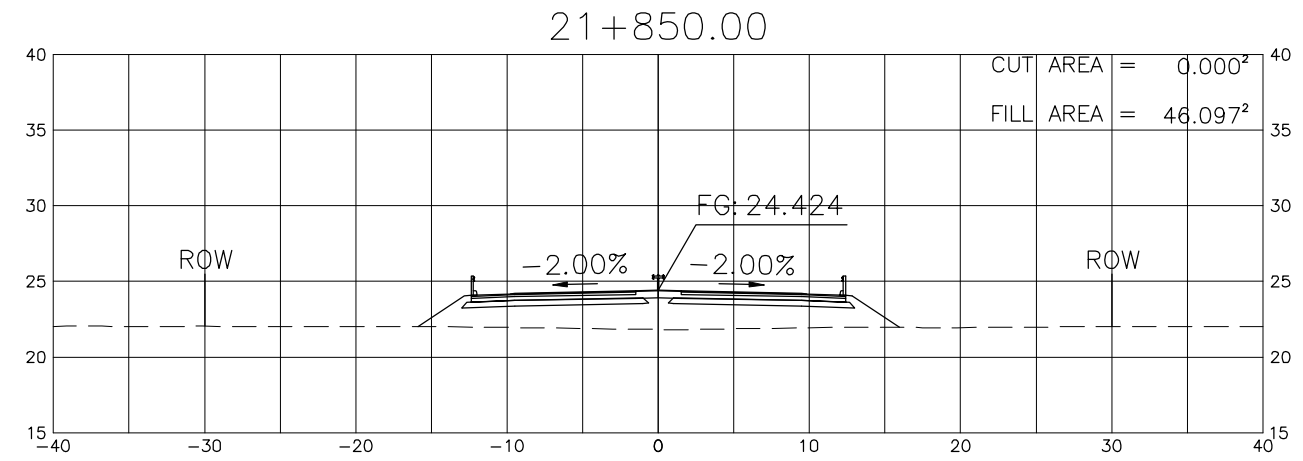
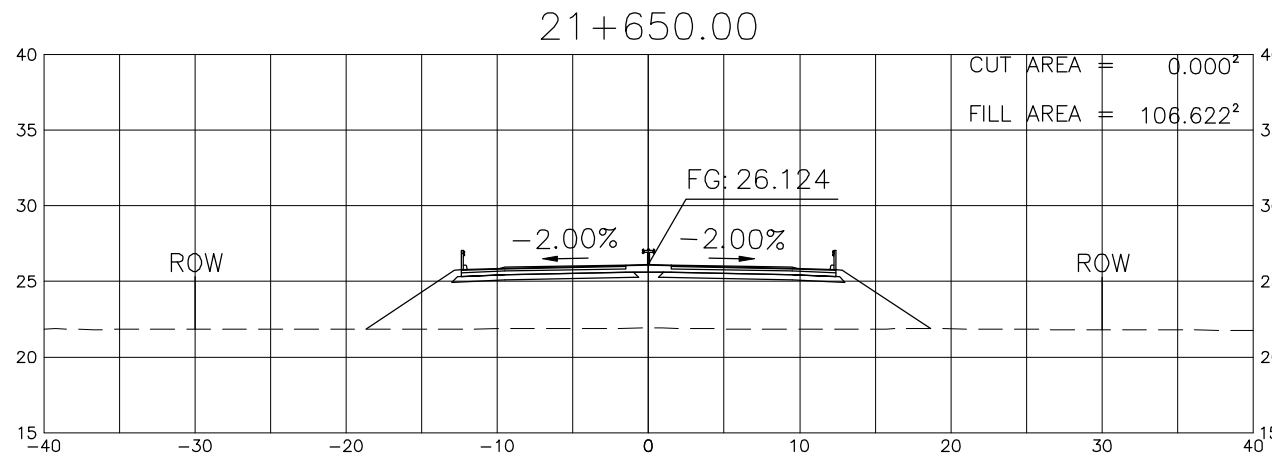


PROJECT TITLE	SCALE	SHEET CONTENT	DRAWING NO.
Preparatory survey for expressway project in Mega Manila Region CLLEX ( TARLAC - CABANATUAN )	A1 = 1:250 A3 = 1:500	CROSS SECTION ( ULTIMATE 4 LANE ) STA 20+850 TO STA 21+150	K-63
			SHEET NO.
			63 OF 90

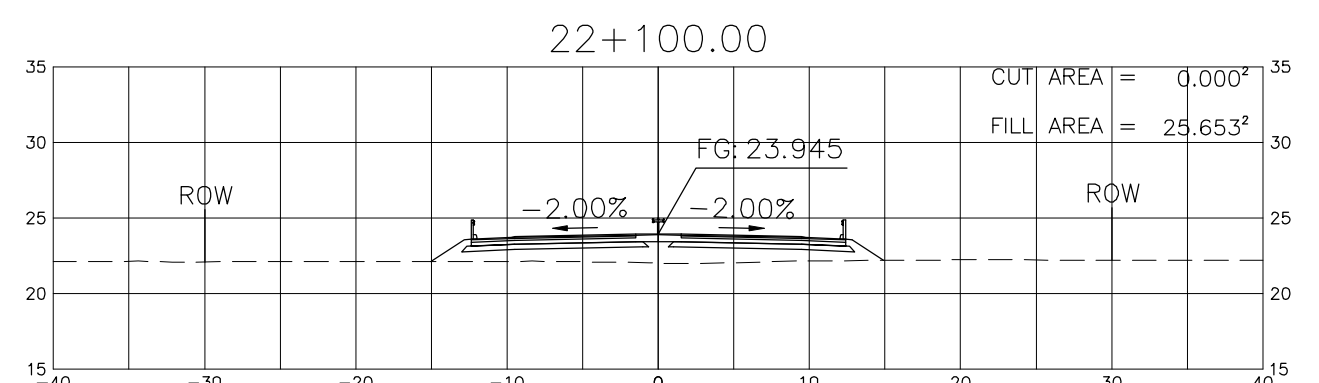
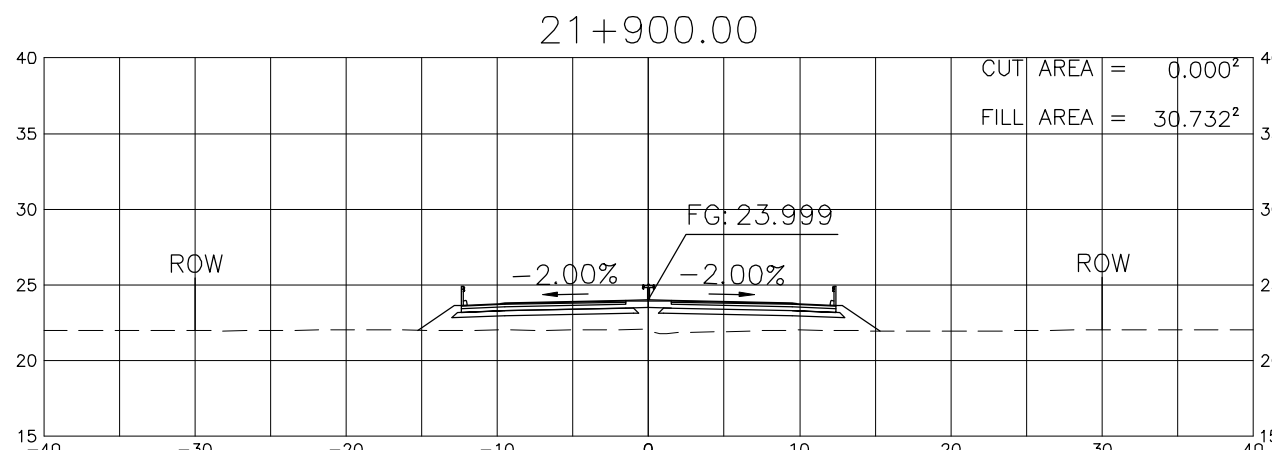
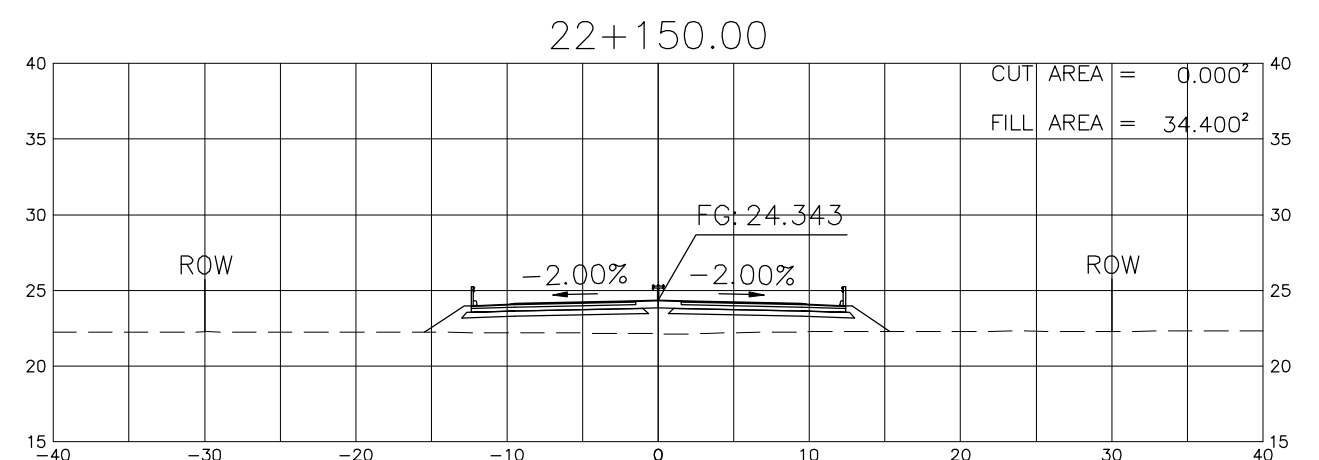
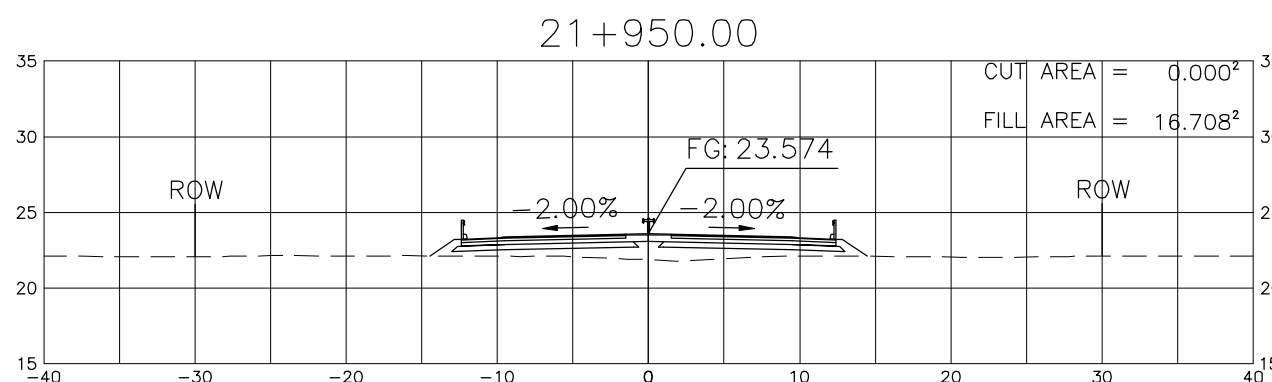
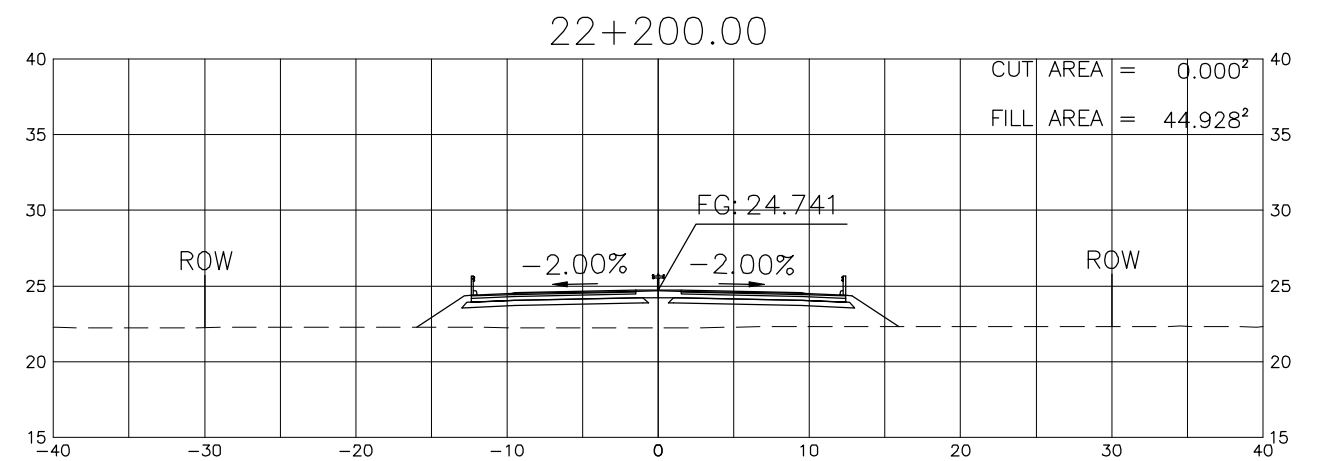
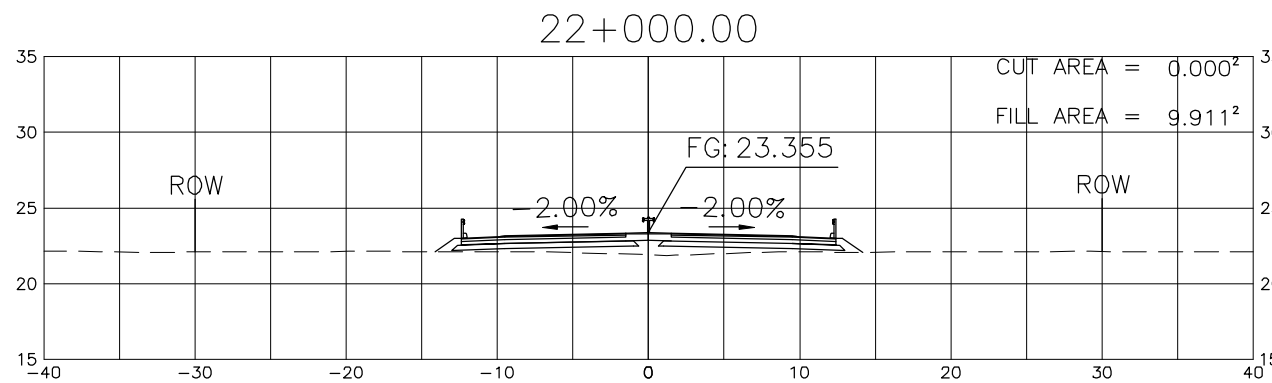
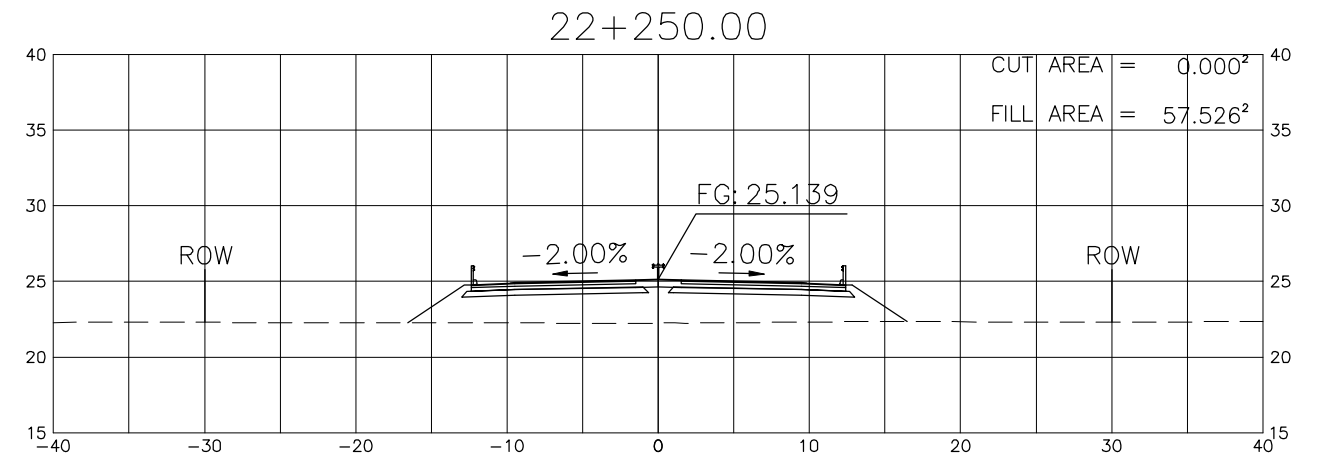
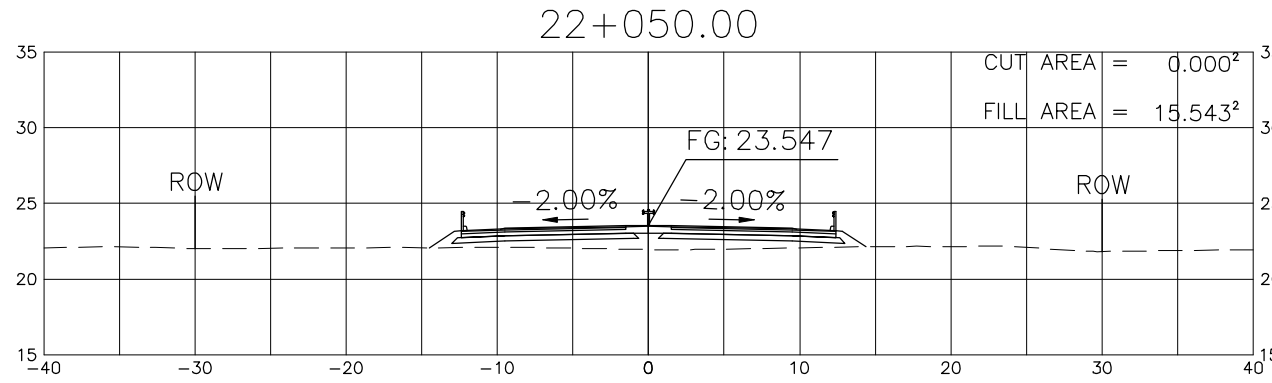


PROJECT TITLE	SCALE	SHEET CONTENT	DRAWING NO.
Preparatory survey for expressway project in Mega Manila Region CLLEX ( TARLAC - CABANATUAN )	A1 = 1:250 A3 = 1:500	CROSS SECTION ( ULTIMATE 4 LANE ) STA 21+200 TO STA 21+450	K-64
			SHEET NO.
			64 OF 90

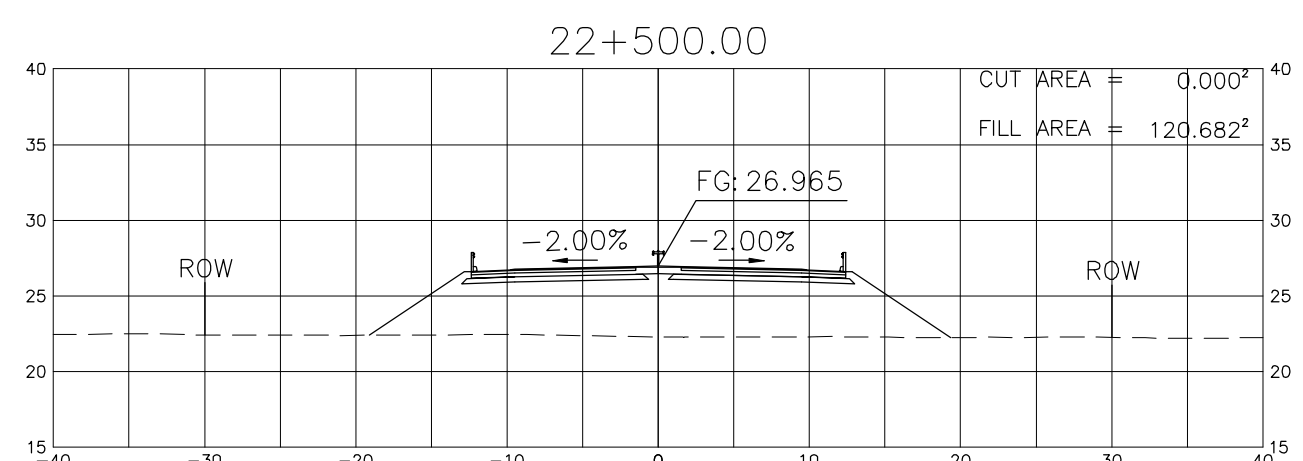
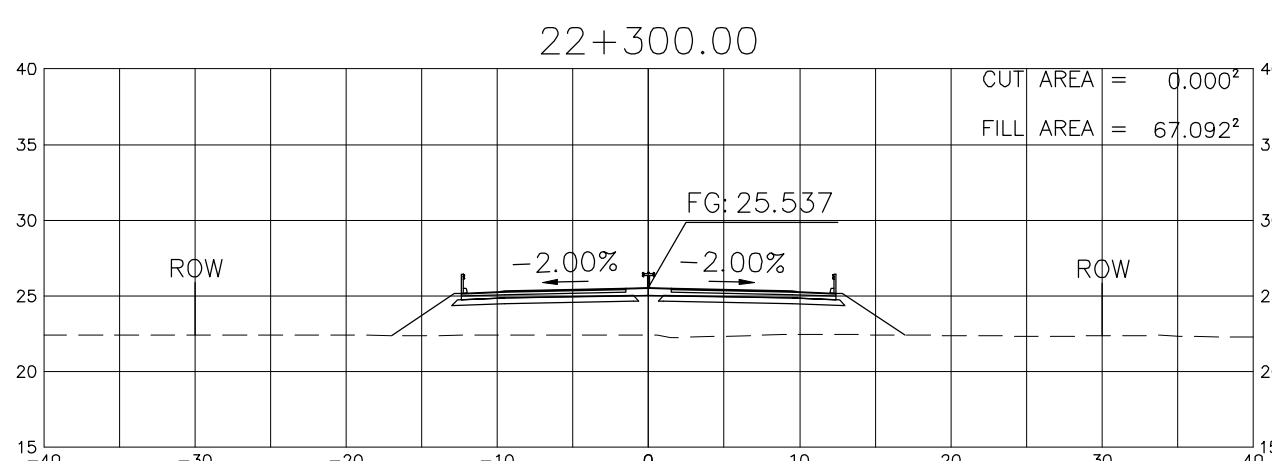
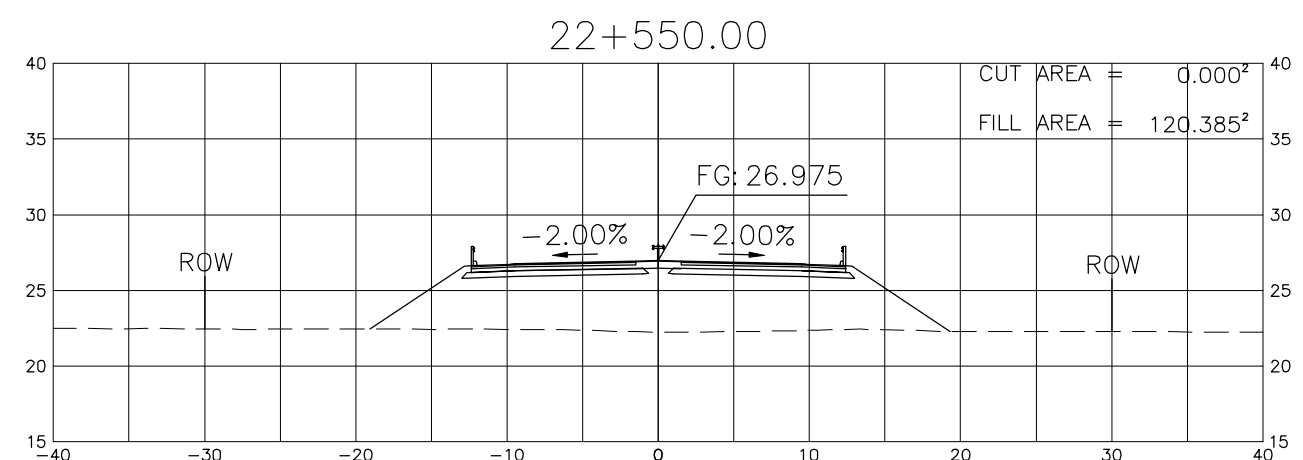
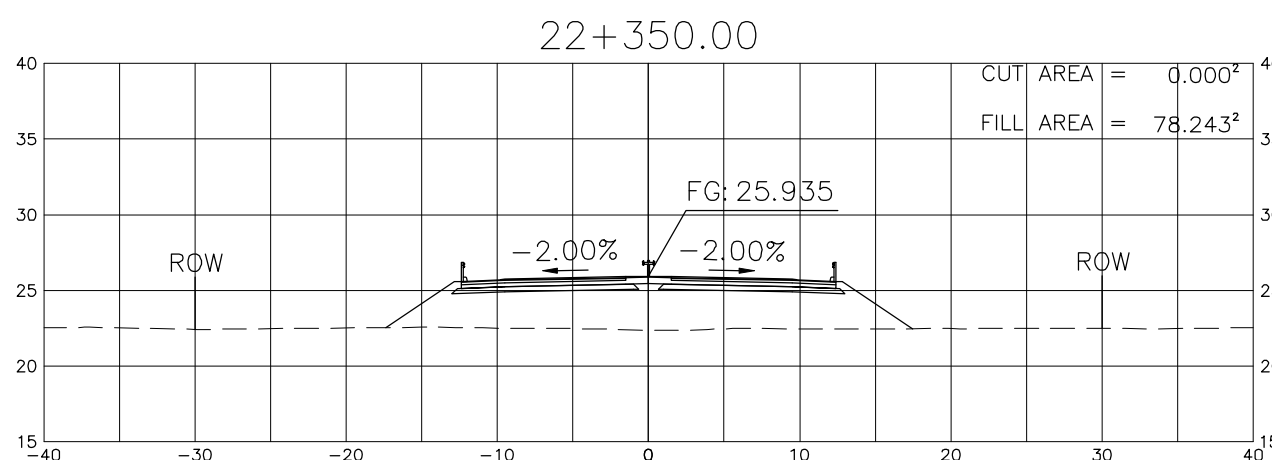
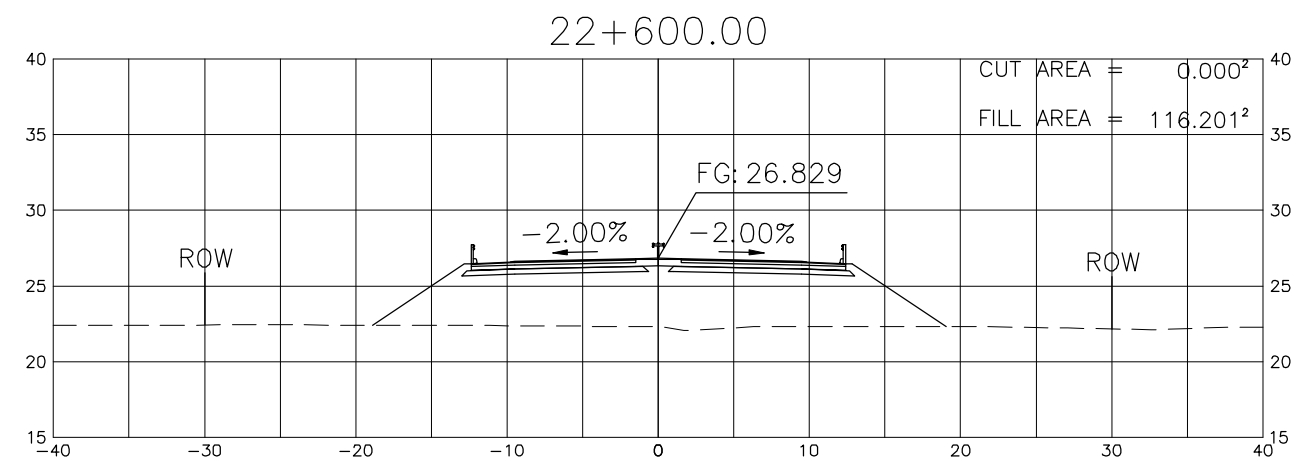
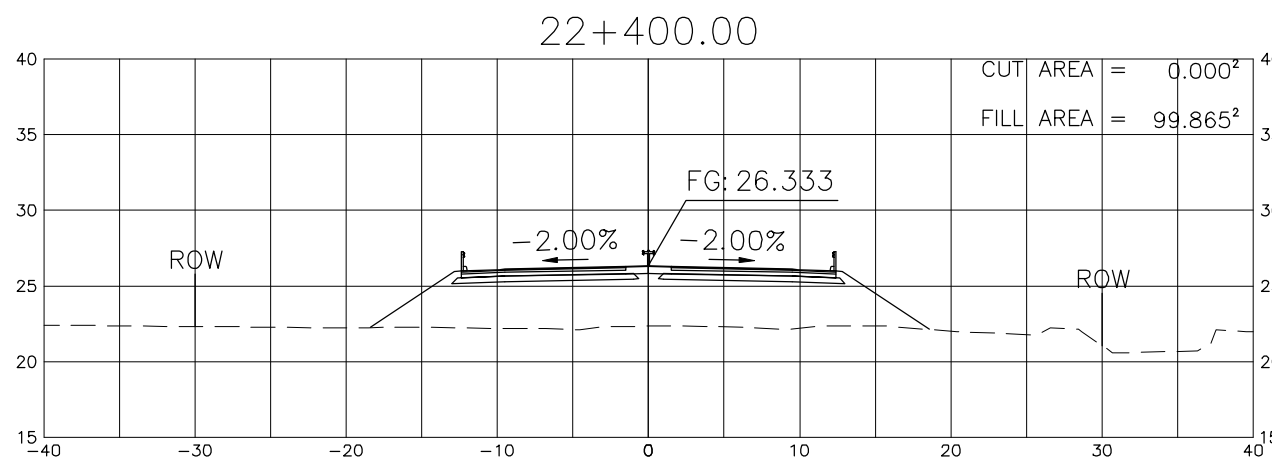
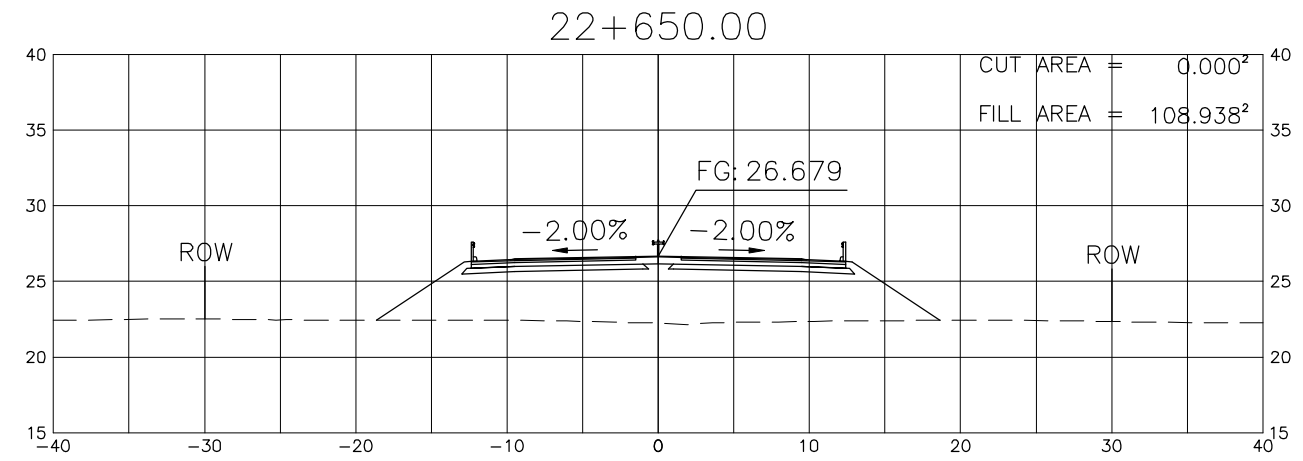
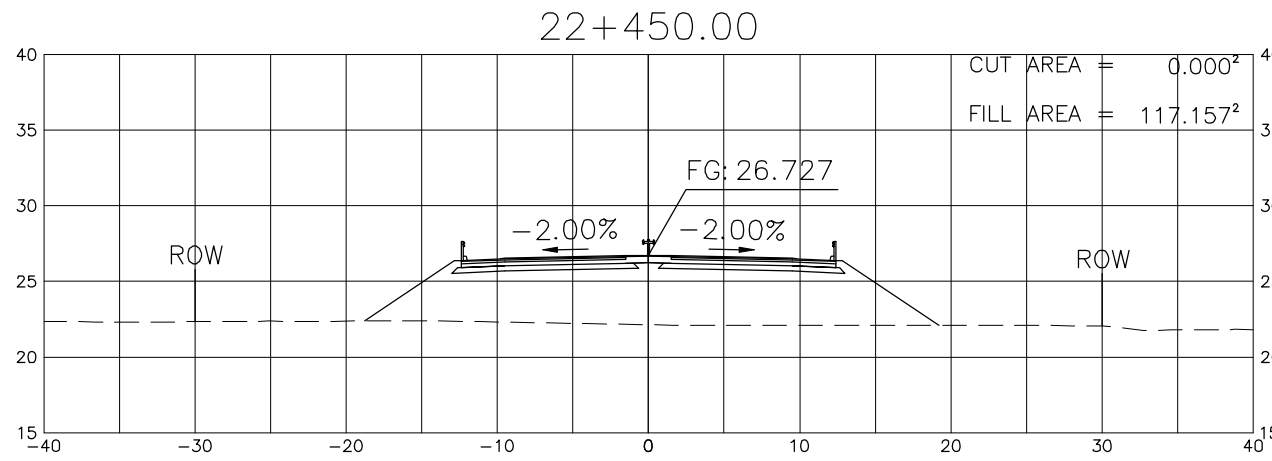




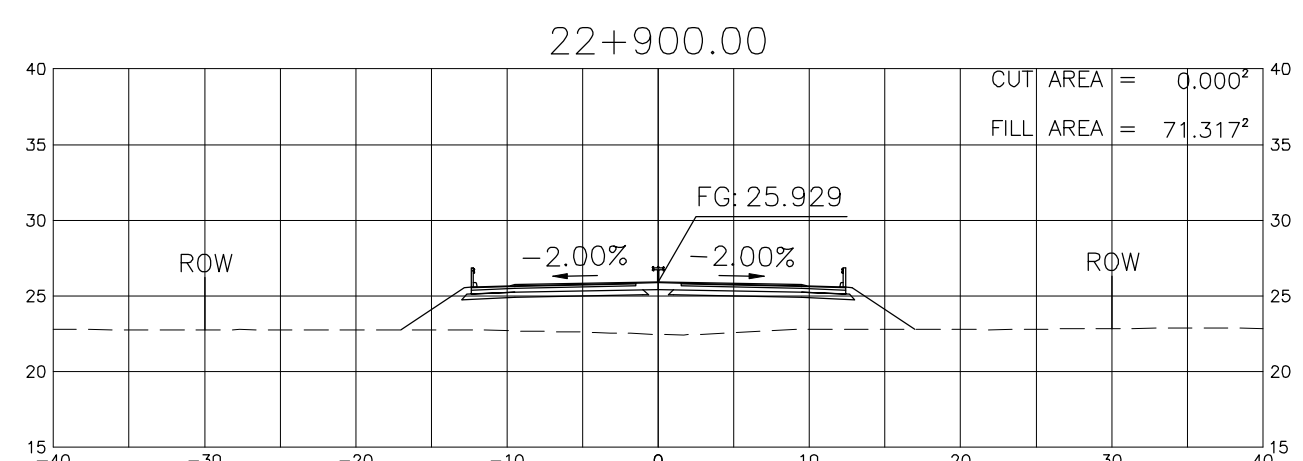
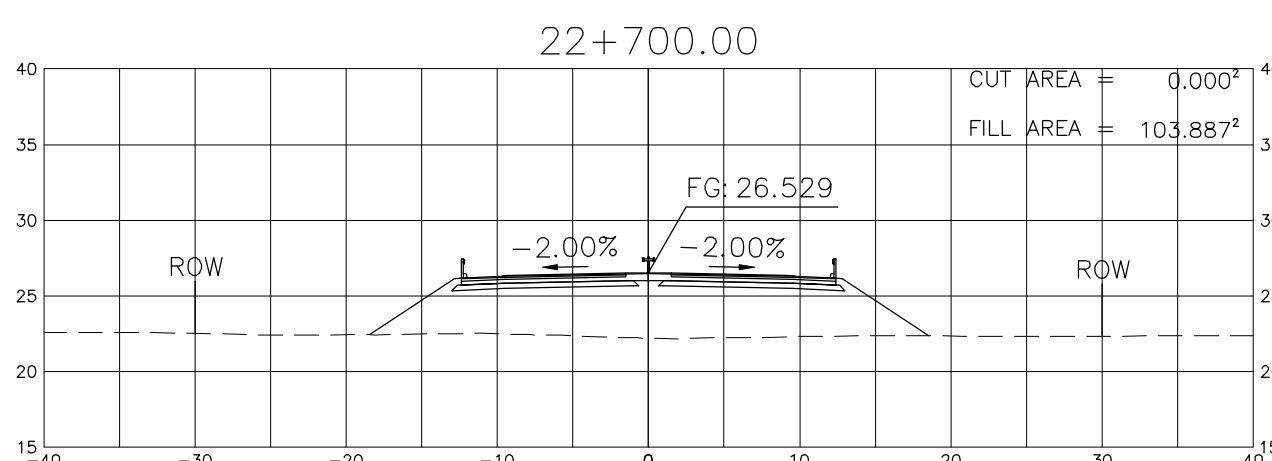
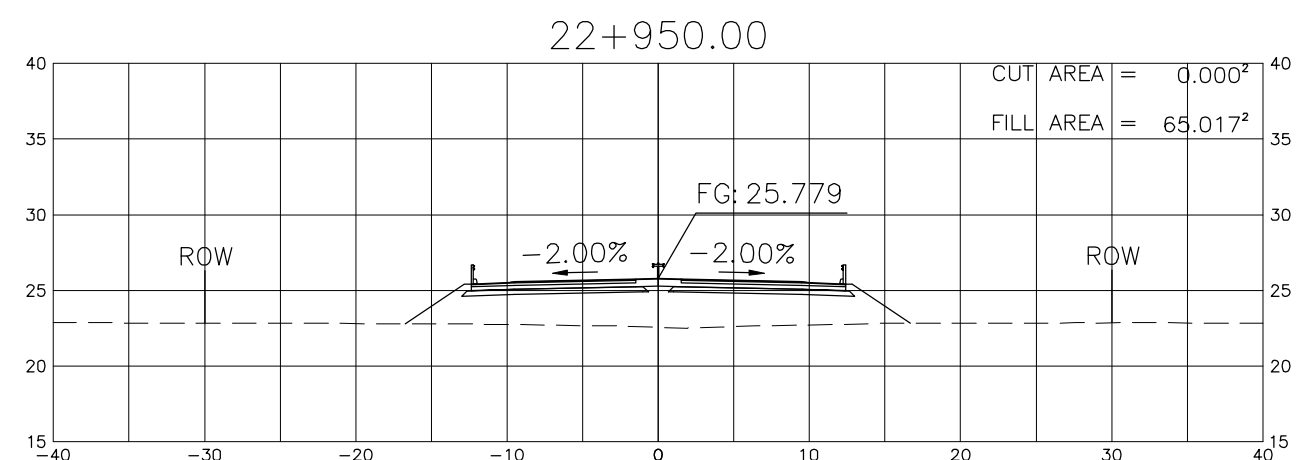
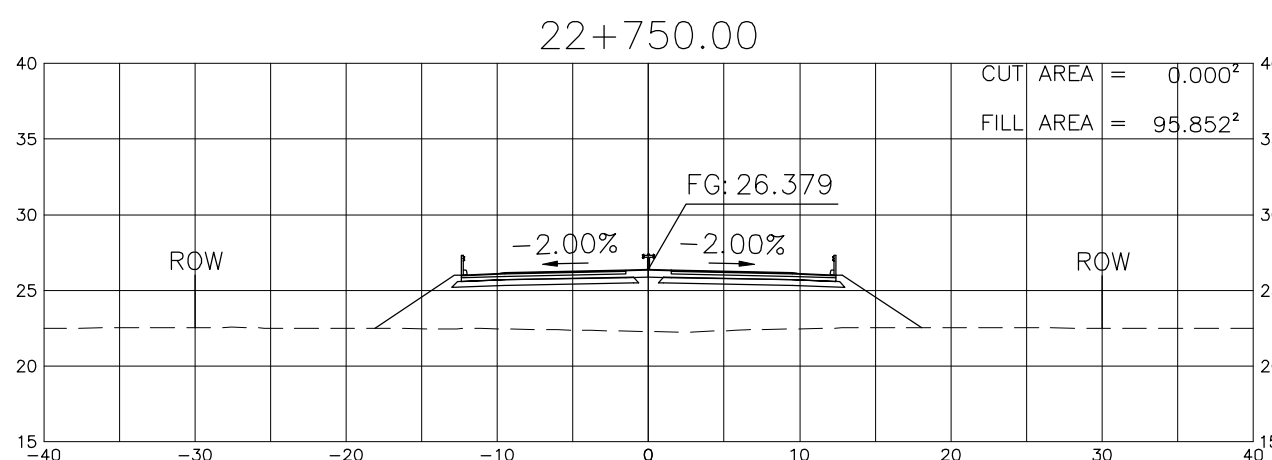
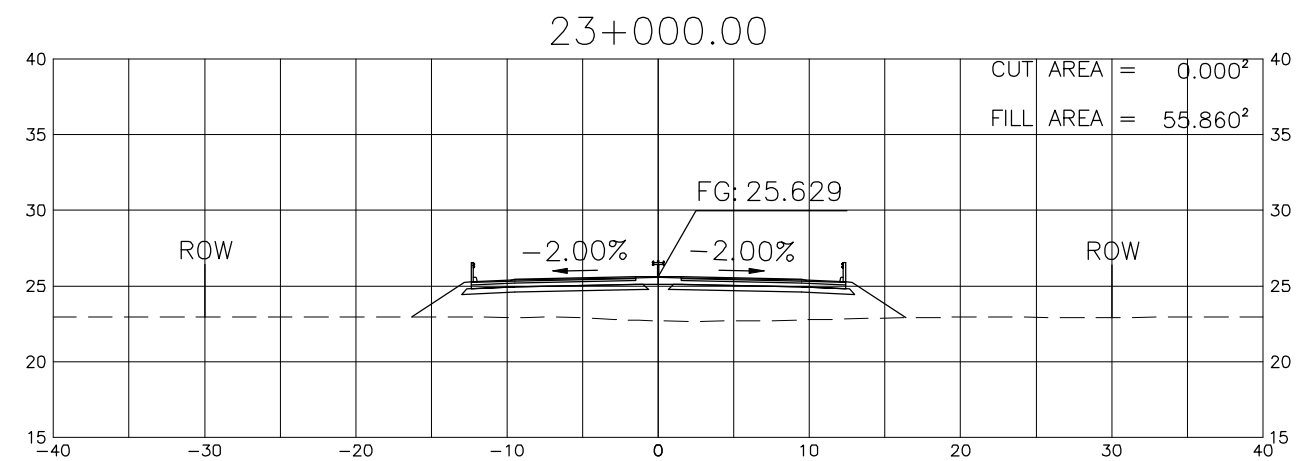
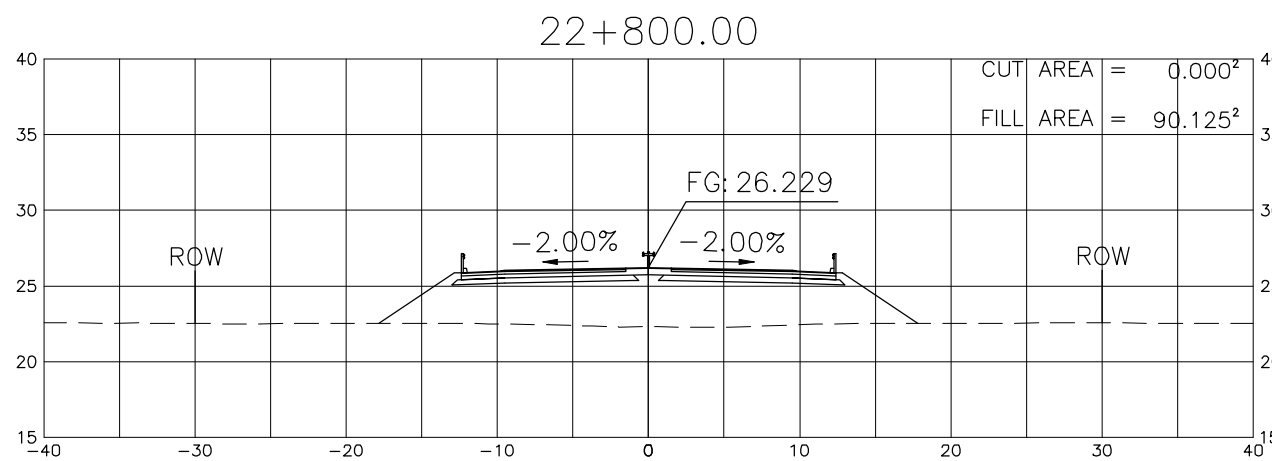
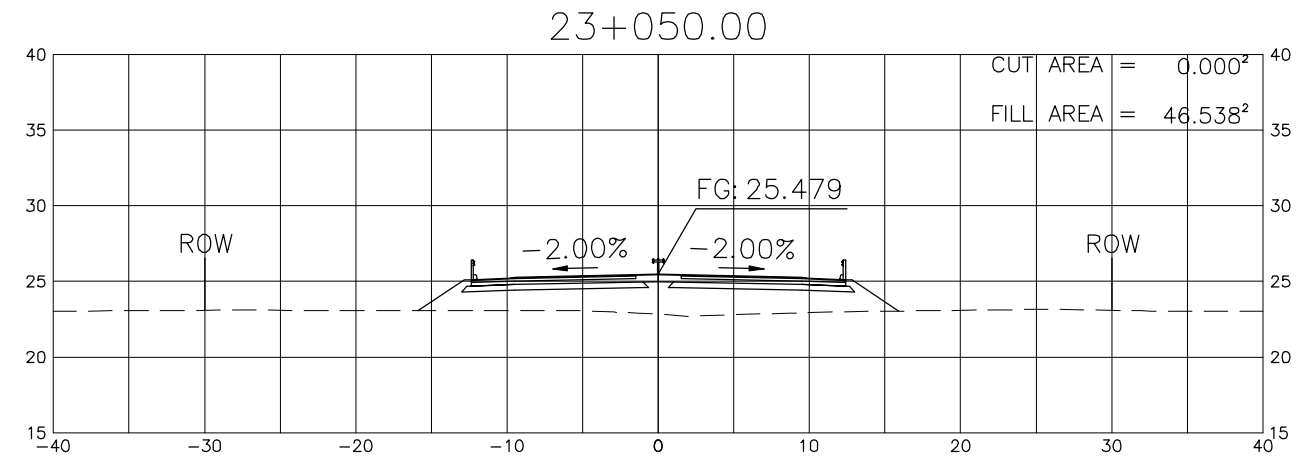
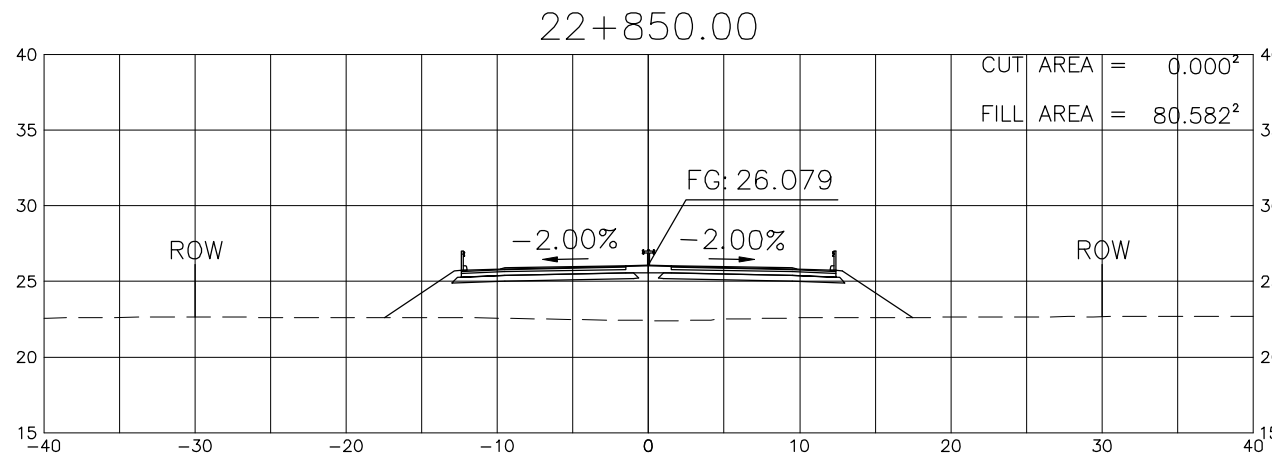
PROJECT TITLE	SCALE	SHEET CONTENT	DRAWING NO.
Preparatory survey for expressway project in Mega Manila Region CLLEX ( TARLAC - CABANATUAN )	A1 = 1:250 A3 = 1:500	CROSS SECTION (ULTIMATE 4 LANE) STA 21+500 TO STA 21+850	K-65
			SHEET NO.
			65 OF 90



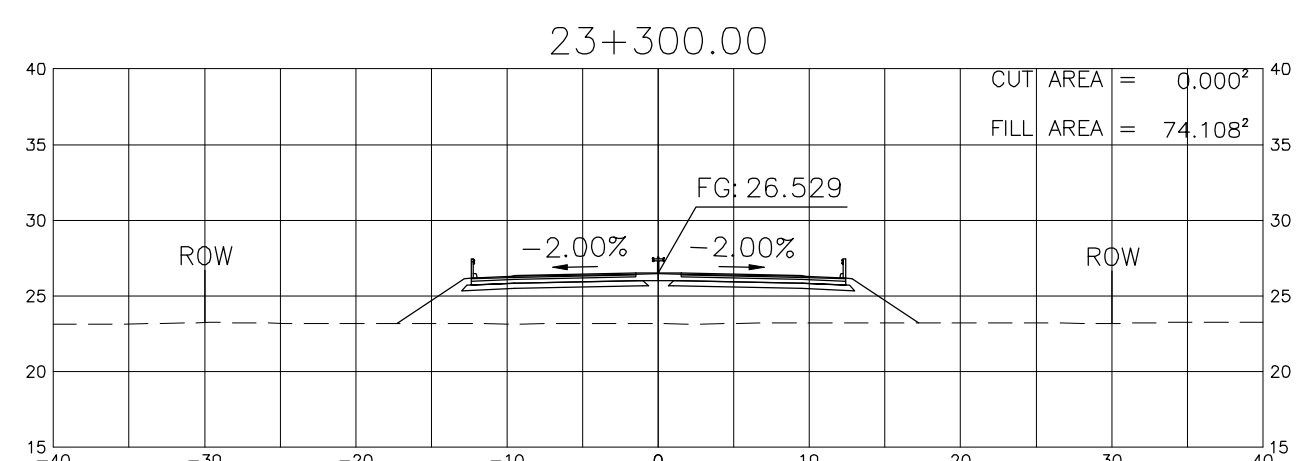
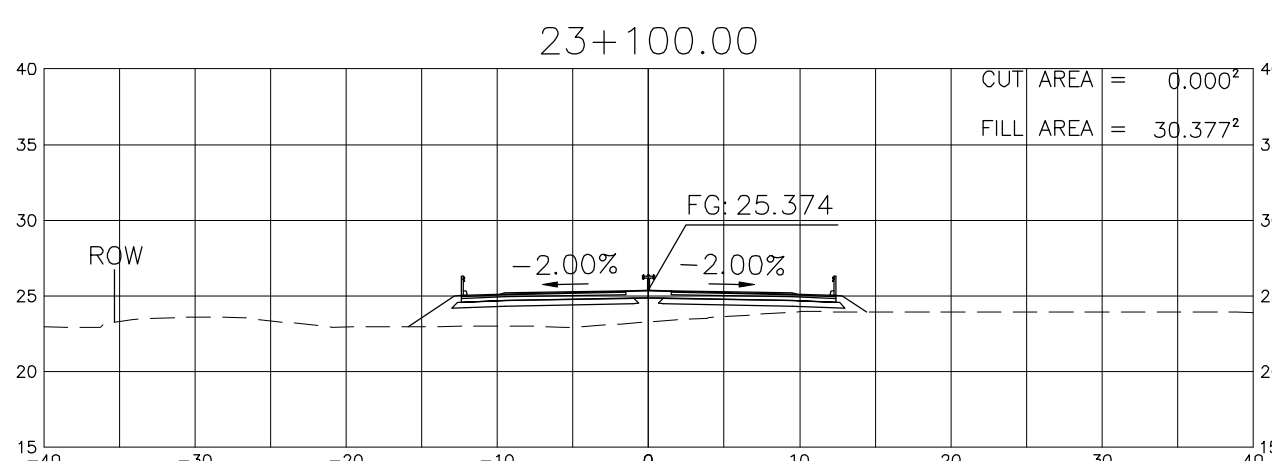
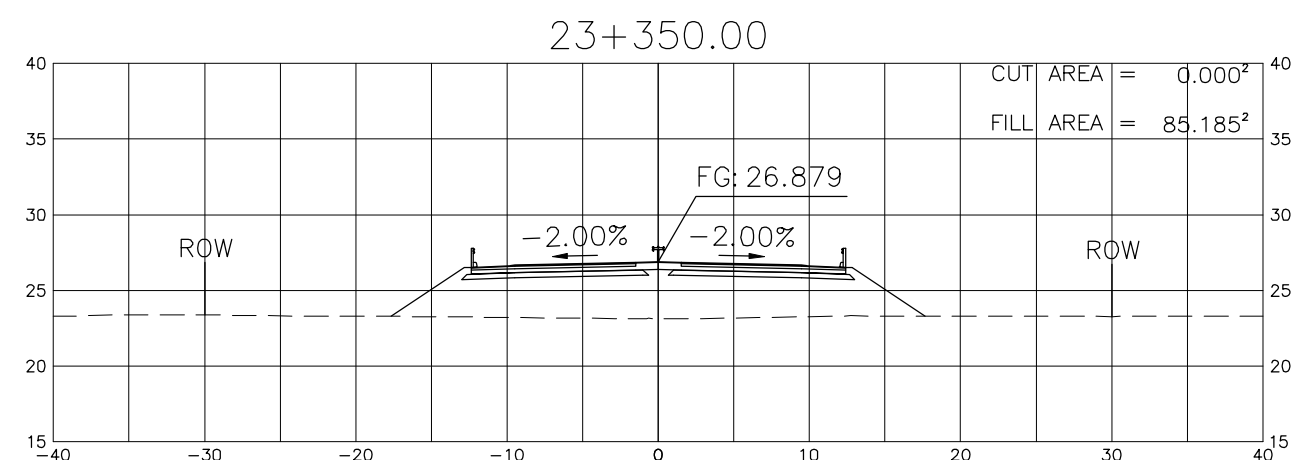
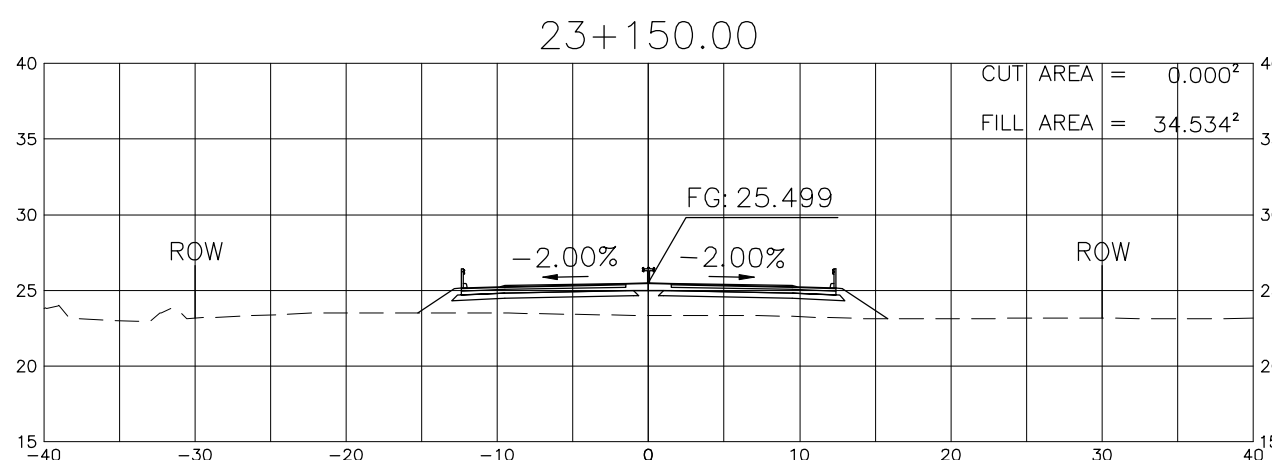
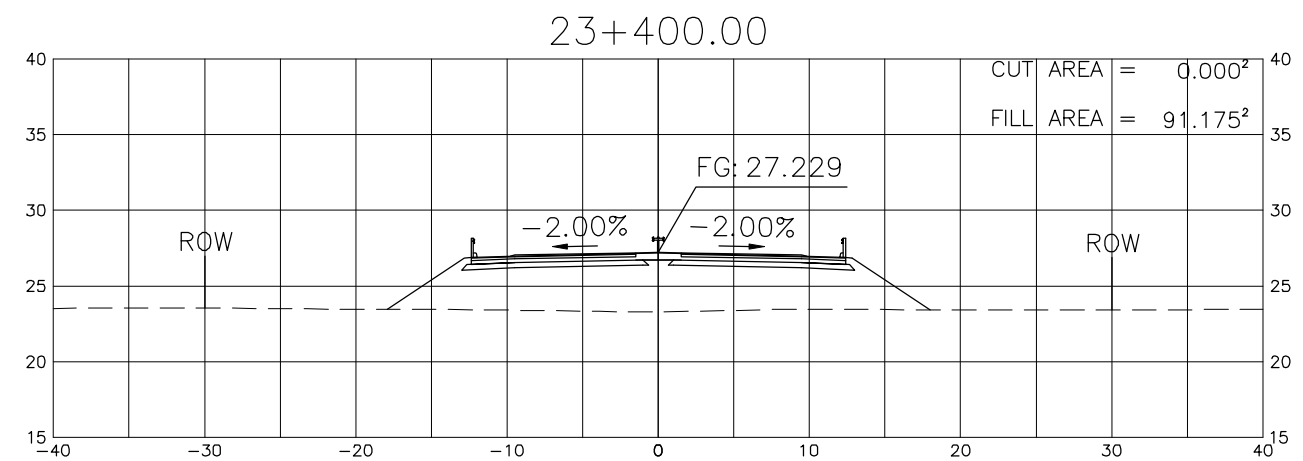
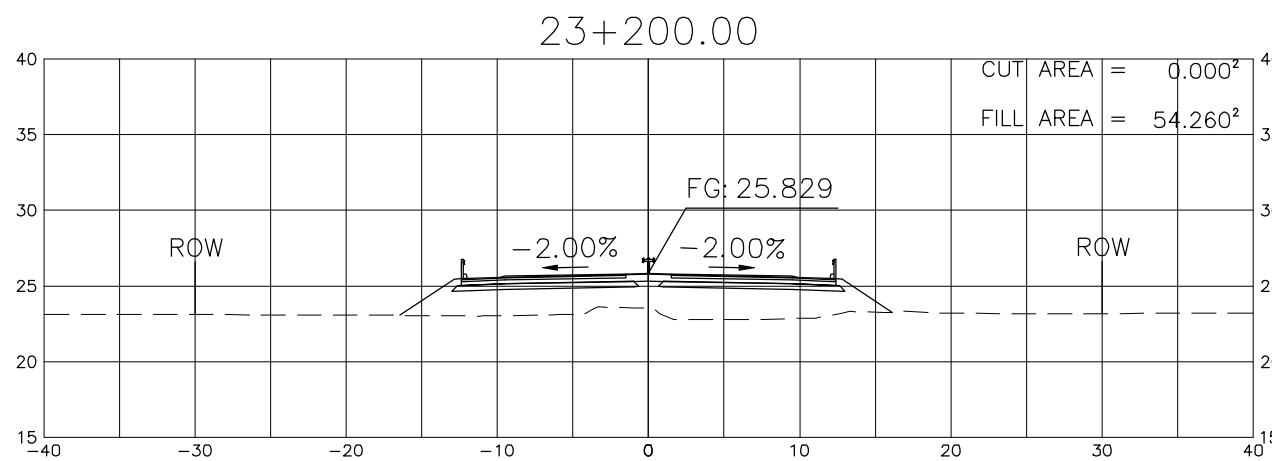
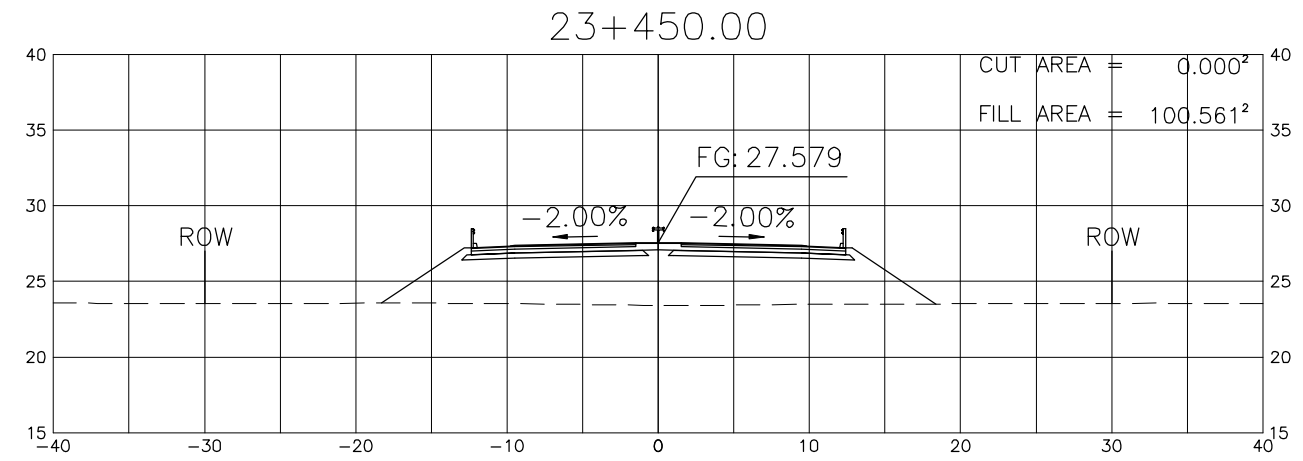
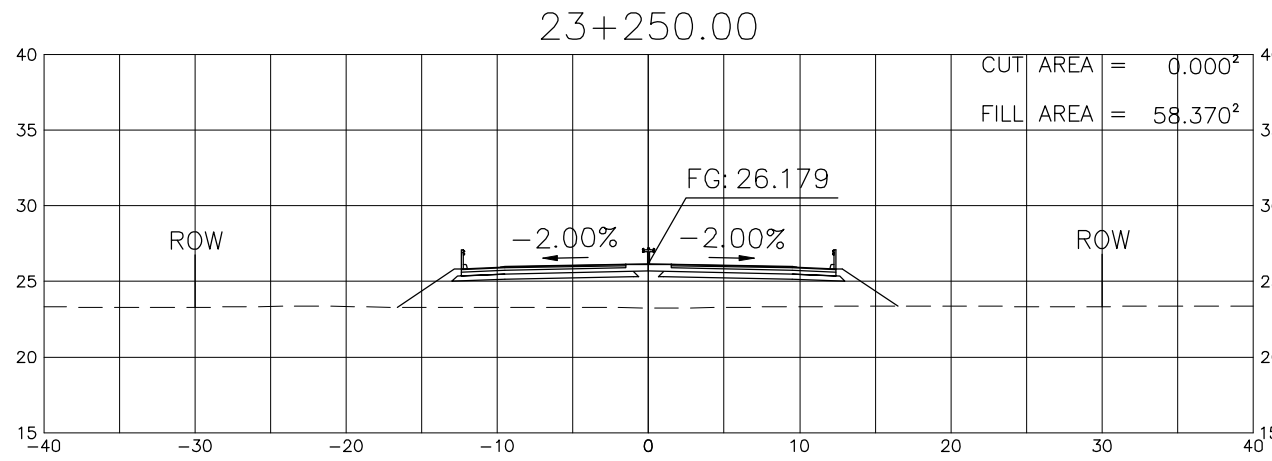
PROJECT TITLE	SCALE	SHEET CONTENT	DRAWING NO.
Preparatory survey for expressway project in Mega Manila Region CLLEX ( TARLAC - CABANATUAN )	A1 = 1:250 A3 = 1:500	CROSS SECTION ( ULTIMATE 4 LANE ) STA 21+900 TO STA 22+250	K-66
			SHEET NO.
			66 OF 90



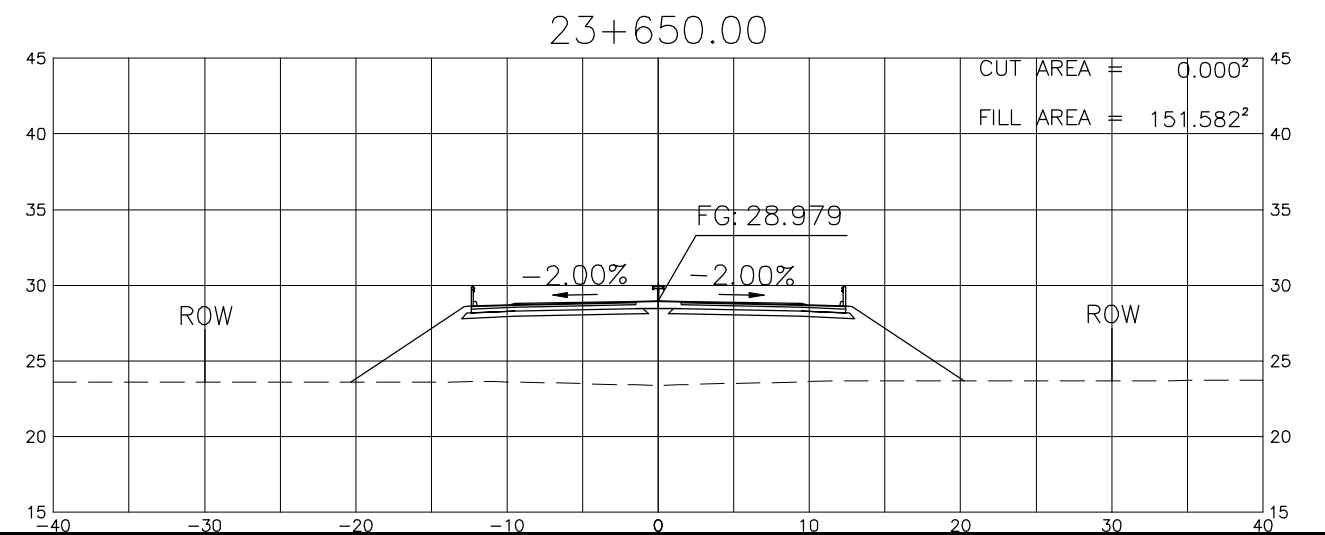
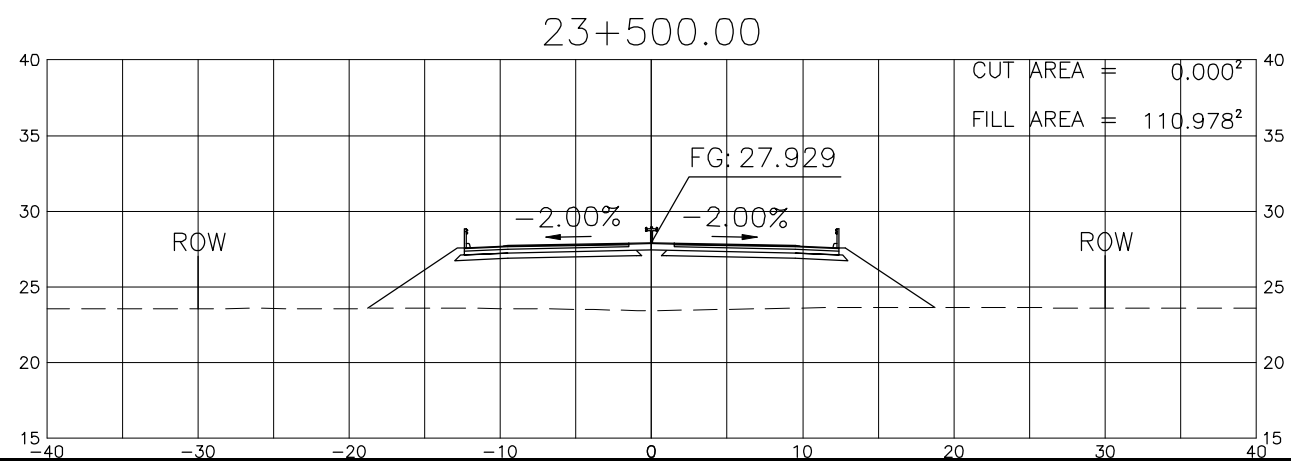
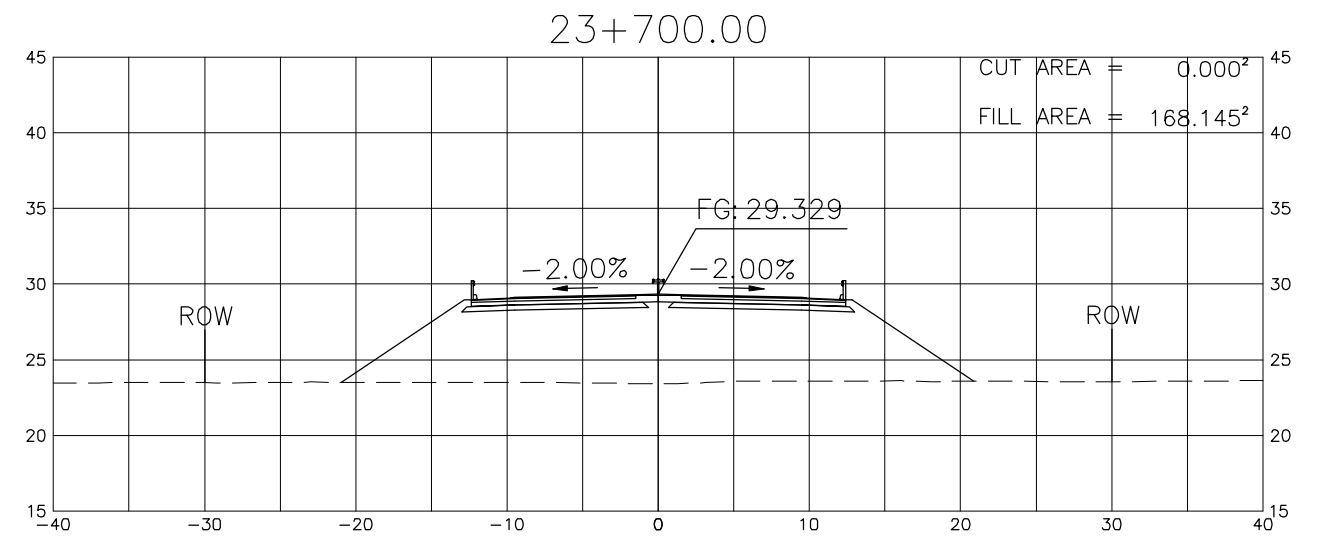
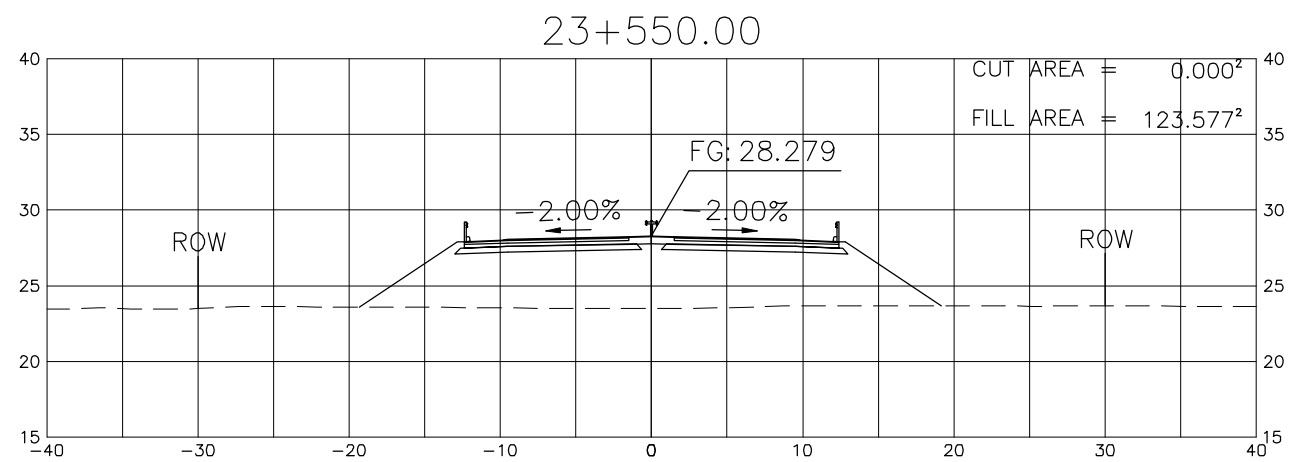
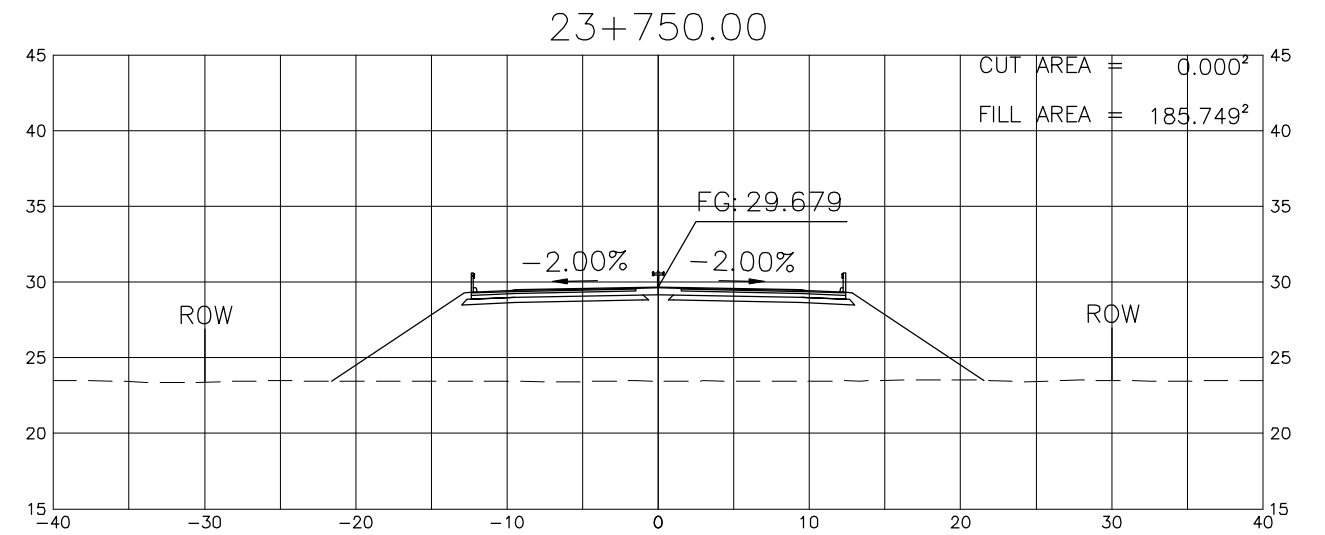
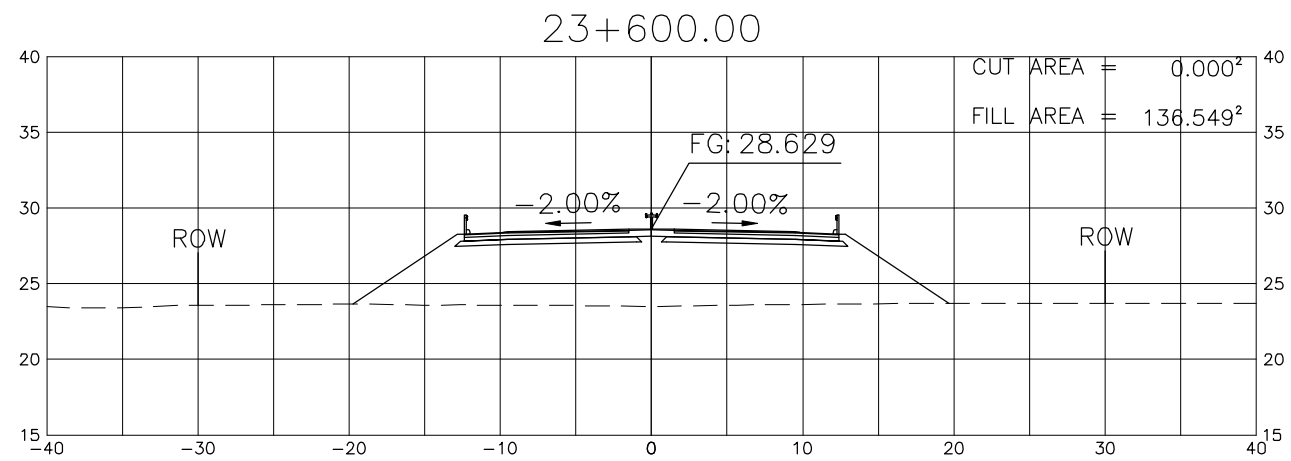
PROJECT TITLE	SCALE	SHEET CONTENT	DRAWING NO.
Preparatory survey for expressway project in Mega Manila Region CLLEX ( TARLAC - CABANATUAN )	A1 = 1:250 A3 = 1:500	CROSS SECTION ( ULTIMATE 4 LANE ) STA 22+300 TO STA 22+650	K-67
			SHEET NO.
			67 OF 90



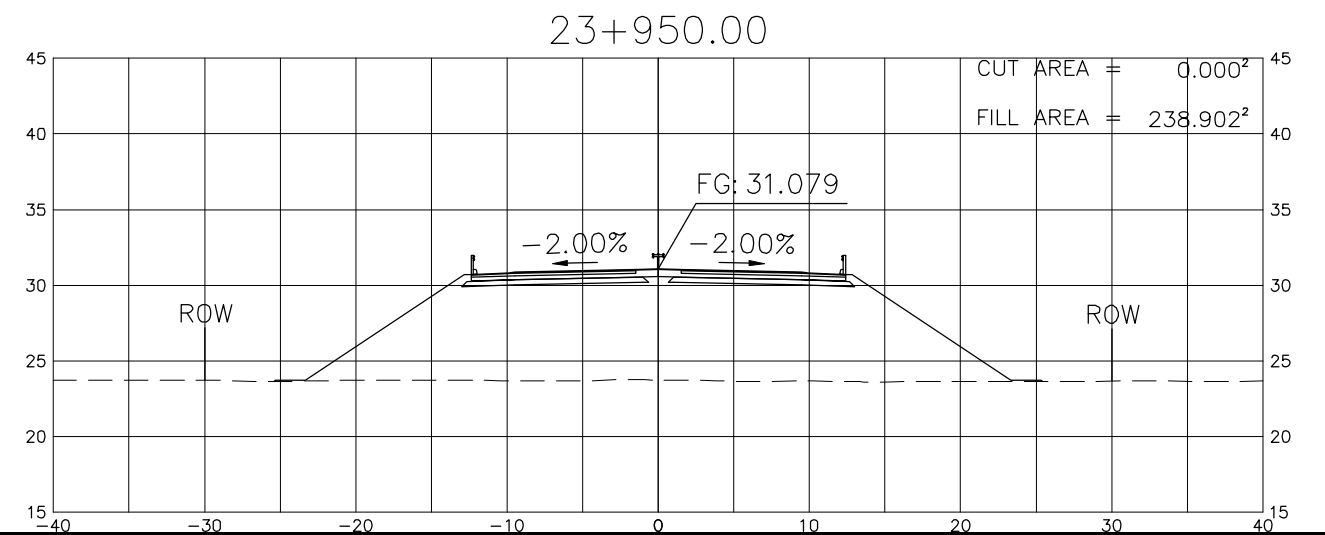
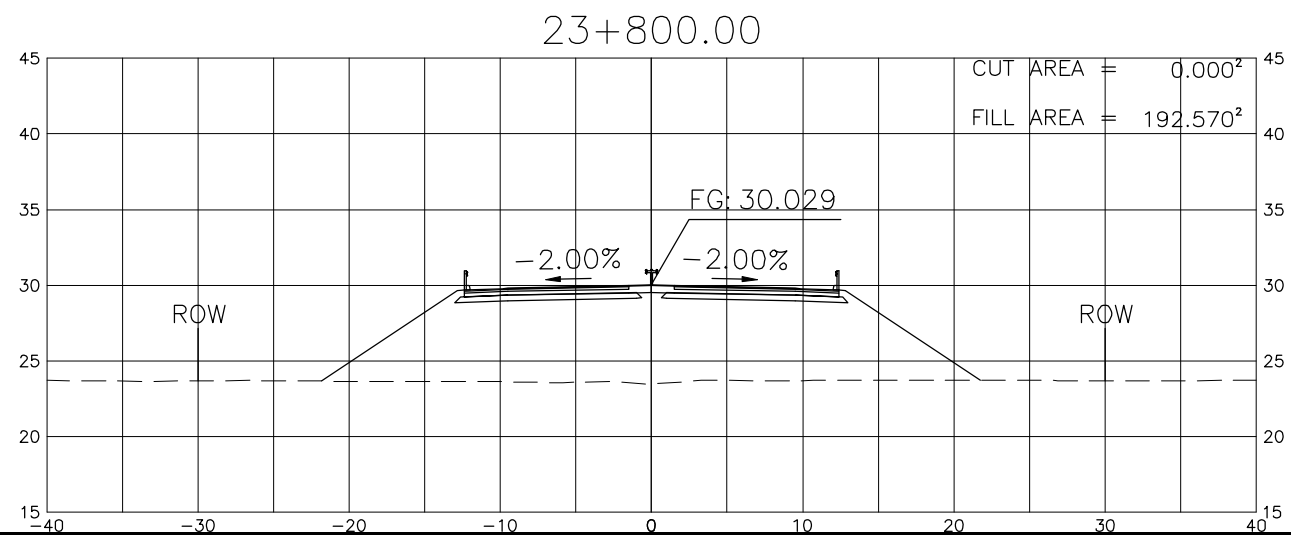
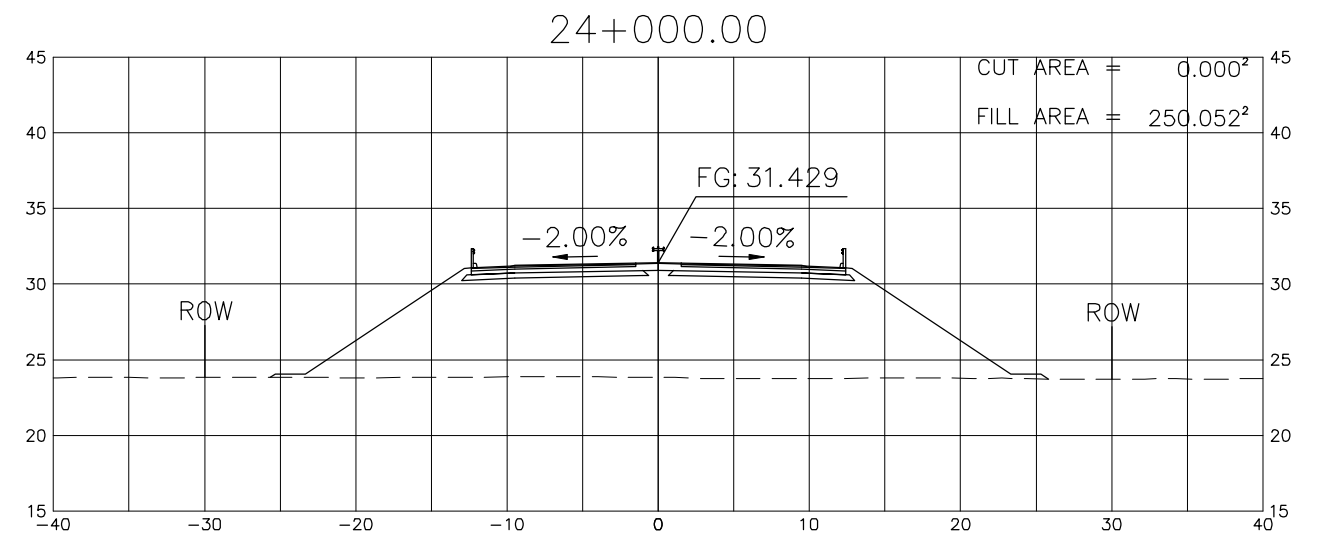
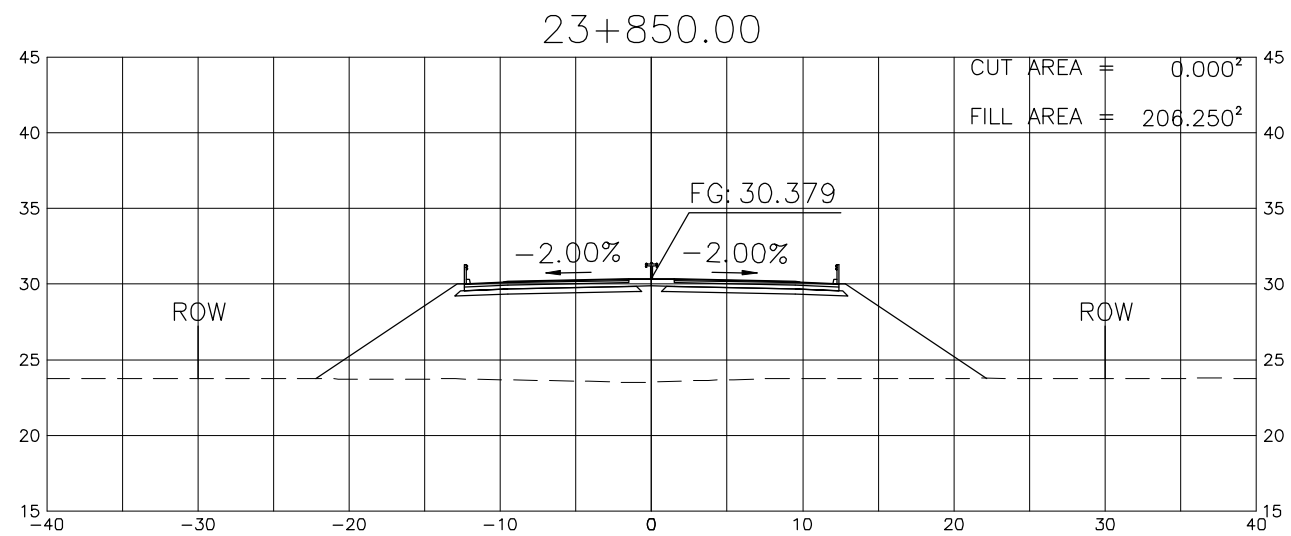
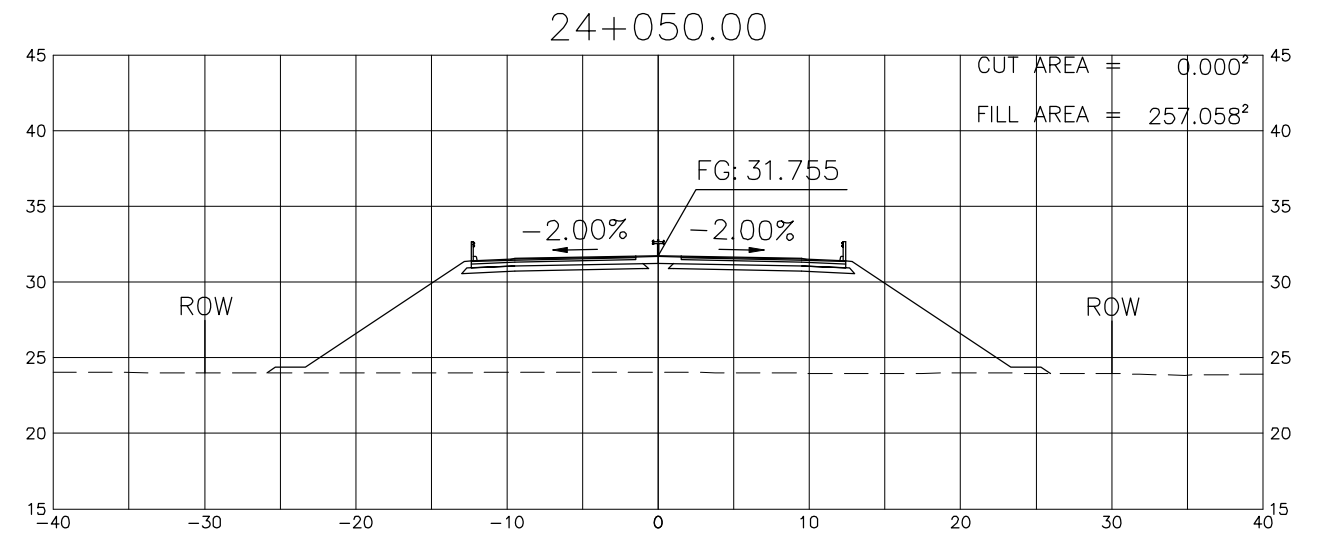
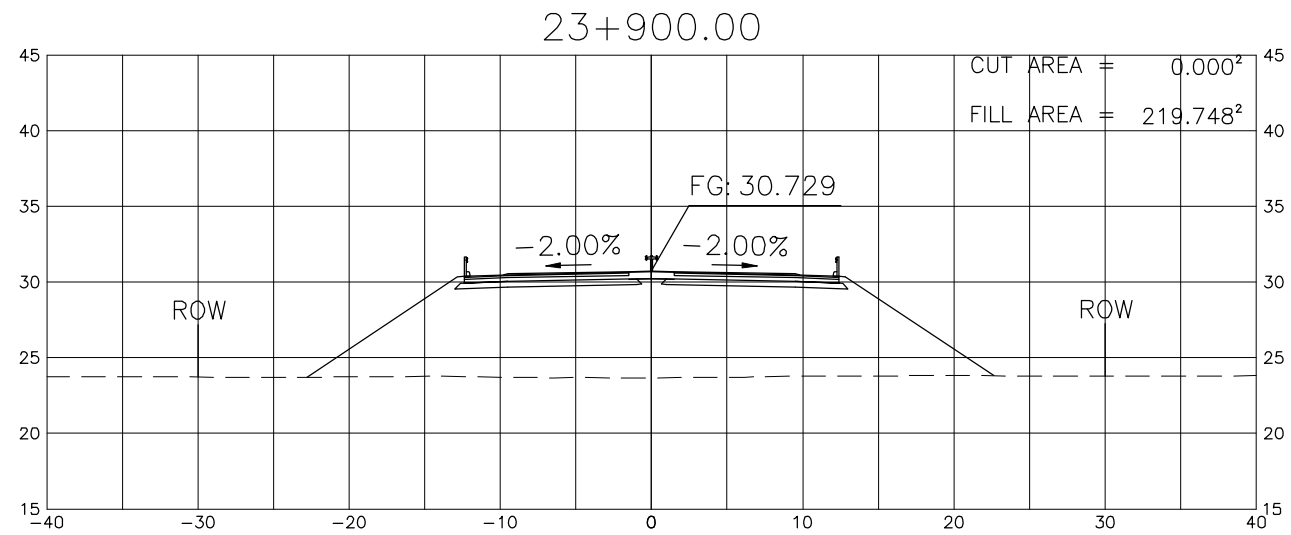
PROJECT TITLE	SCALE	SHEET CONTENT	DRAWING NO.
Preparatory survey for expressway project in Mega Manila Region CLLEX ( TARLAC - CABANATUAN )	A1 = 1:250 A3 = 1:500	CROSS SECTION ( ULTIMATE 4 LANE ) STA 22+700 TO STA 23+050	K-68
			SHEET NO.
			68 OF 90



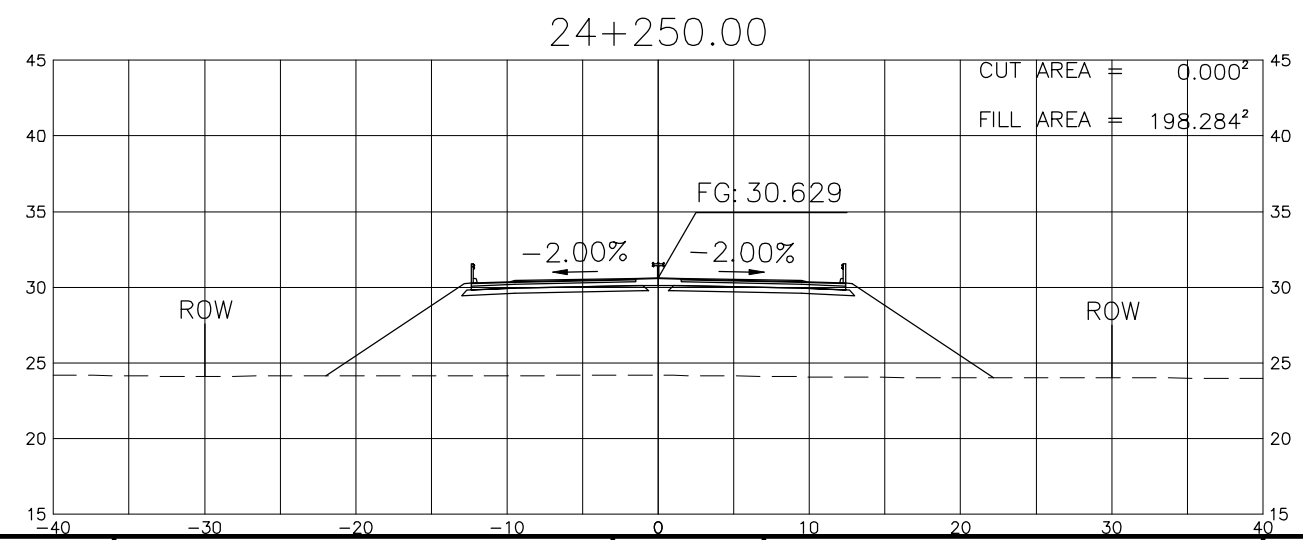
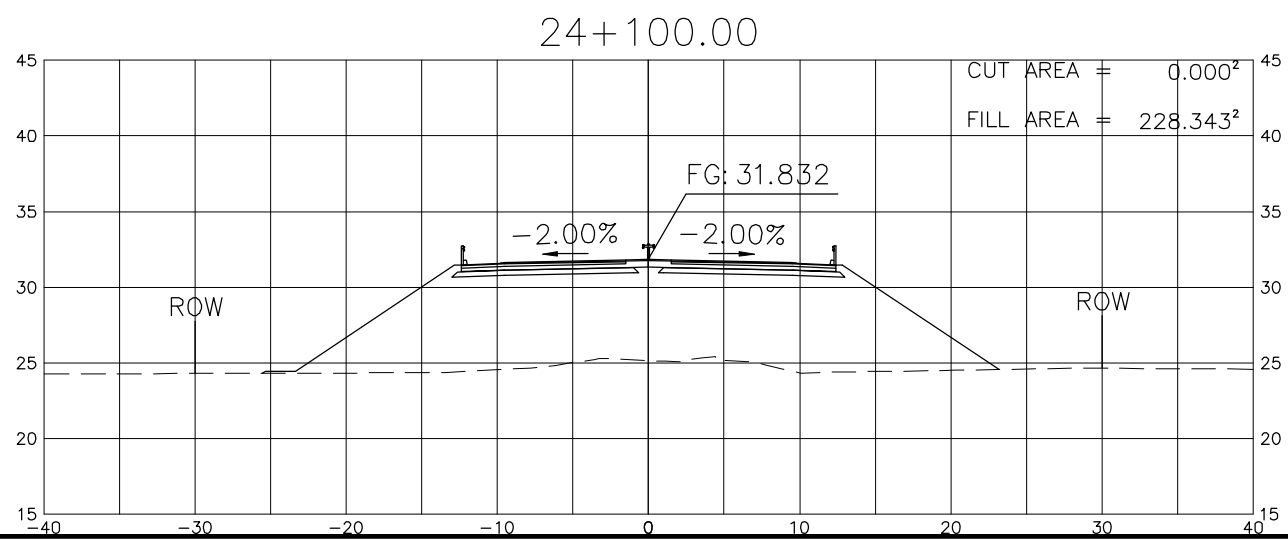
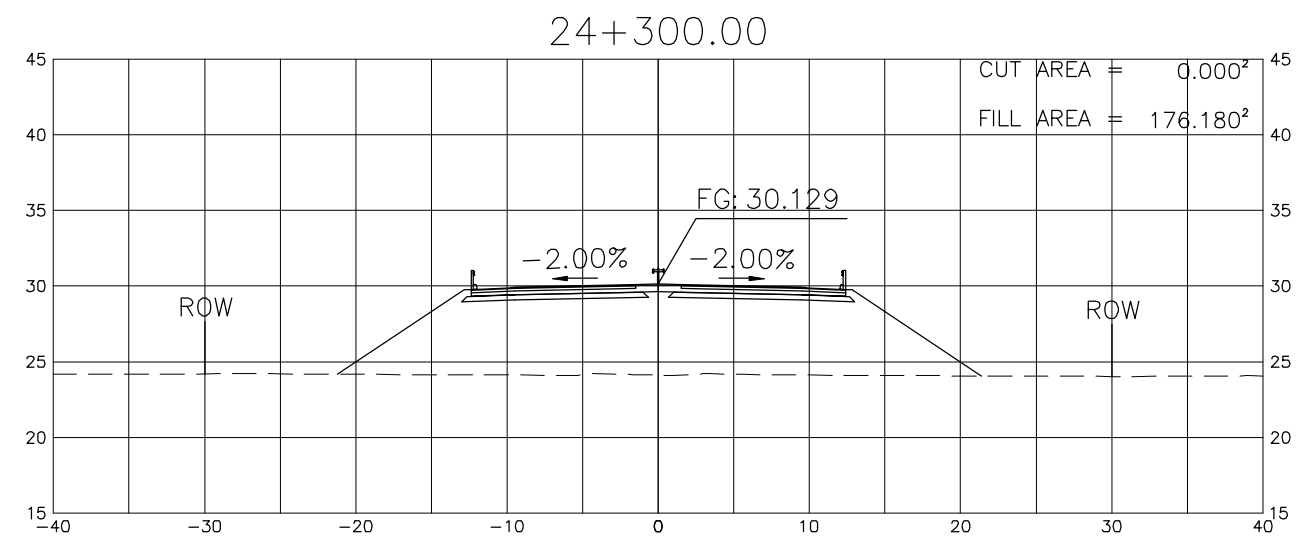
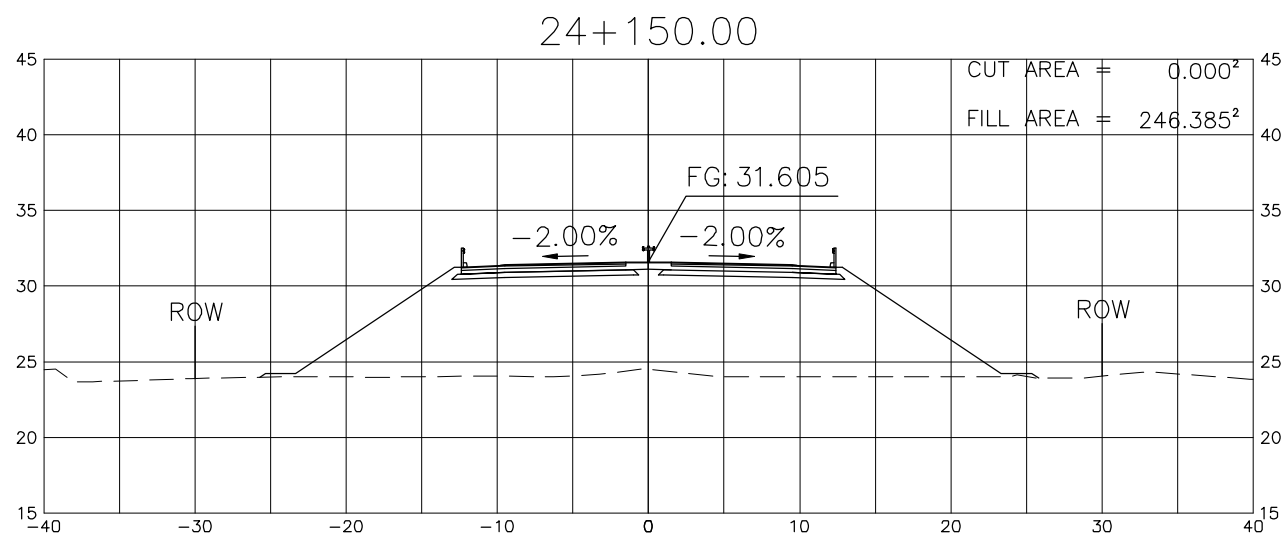
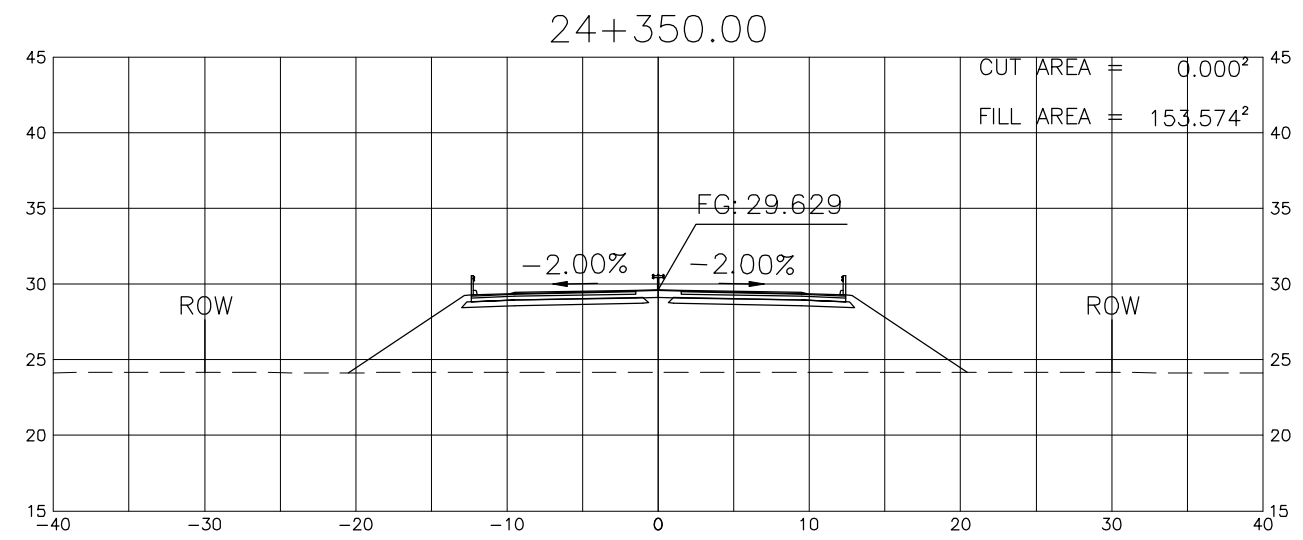
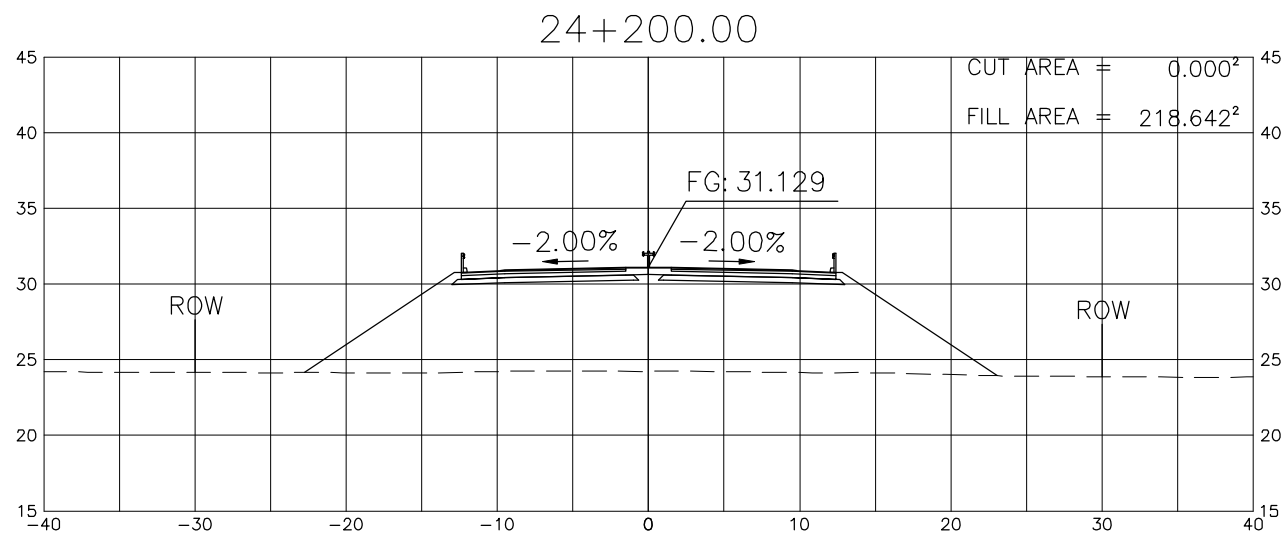
PROJECT TITLE	SCALE	SHEET CONTENT	DRAWING NO.
Preparatory survey for expressway project in Mega Manila Region CLLEX ( TARLAC - CABANATUAN )	A1 = 1:250 A3 = 1:500	CROSS SECTION ( ULTIMATE 4 LANE ) STA 23+100 TO STA 23+450	K-69
			SHEET NO. 69 OF 90



PROJECT TITLE	SCALE	SHEET CONTENT	DRAWING NO.
Preparatory survey for expressway project in Mega Manila Region CLLEX ( TARLAC - CABANATUAN )	A1 = 1:250 A3 = 1:500	CROSS SECTION ( ULTIMATE 4 LANE ) STA 23+500 TO STA 23+750	K-70
			SHEET NO.
			70 OF 90

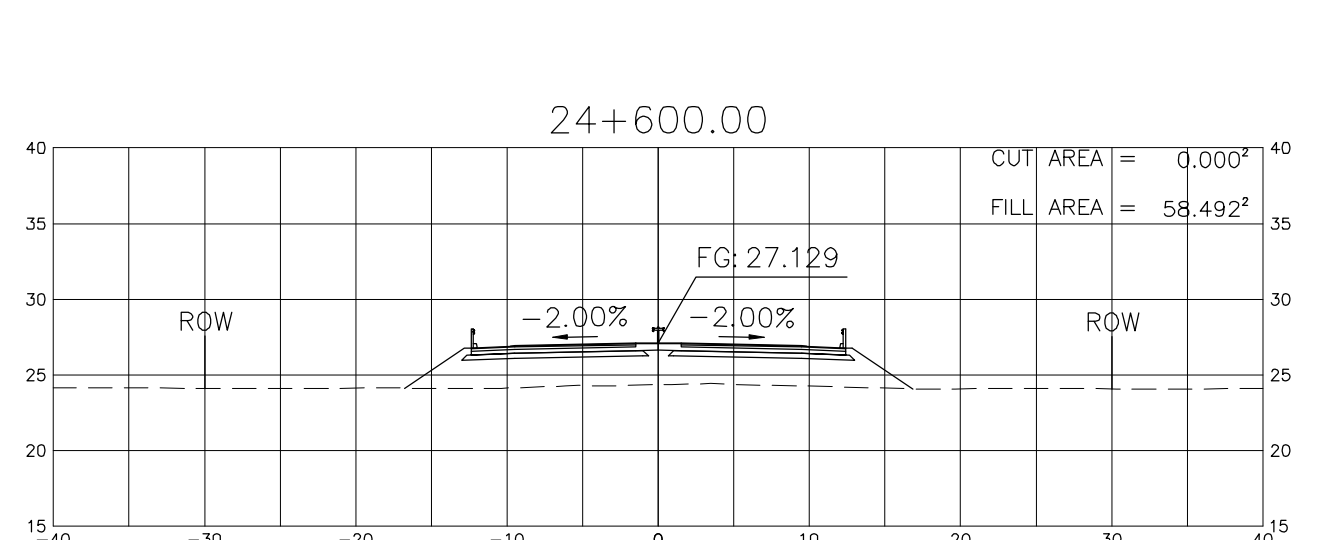
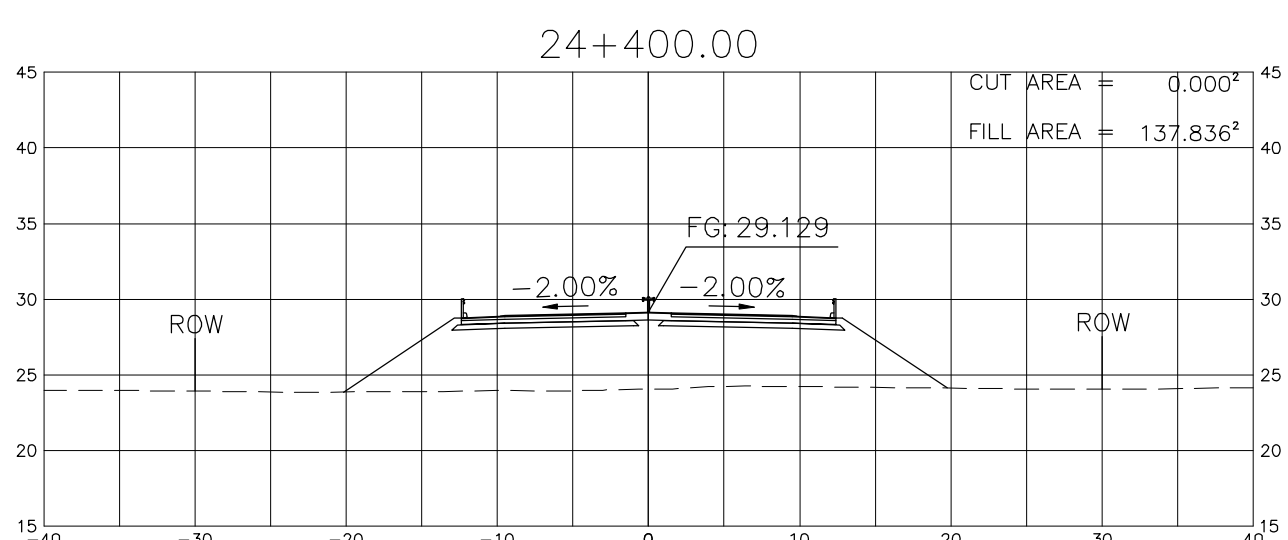
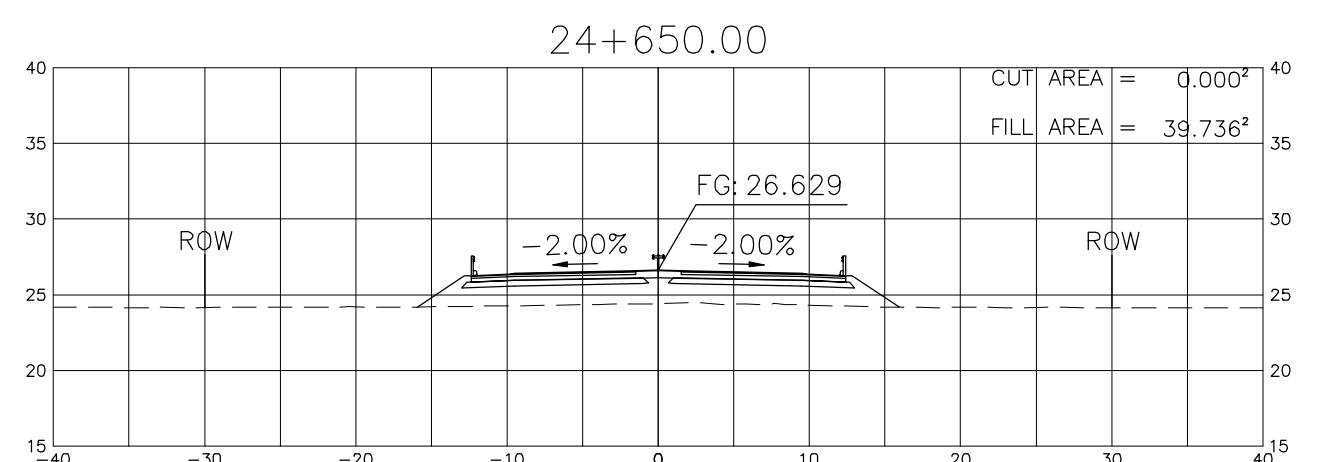
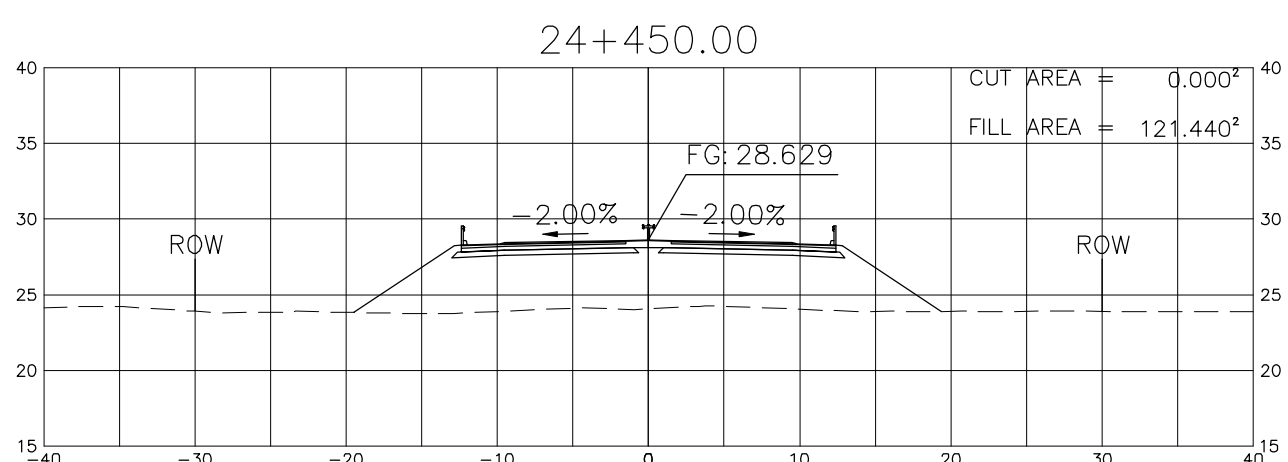
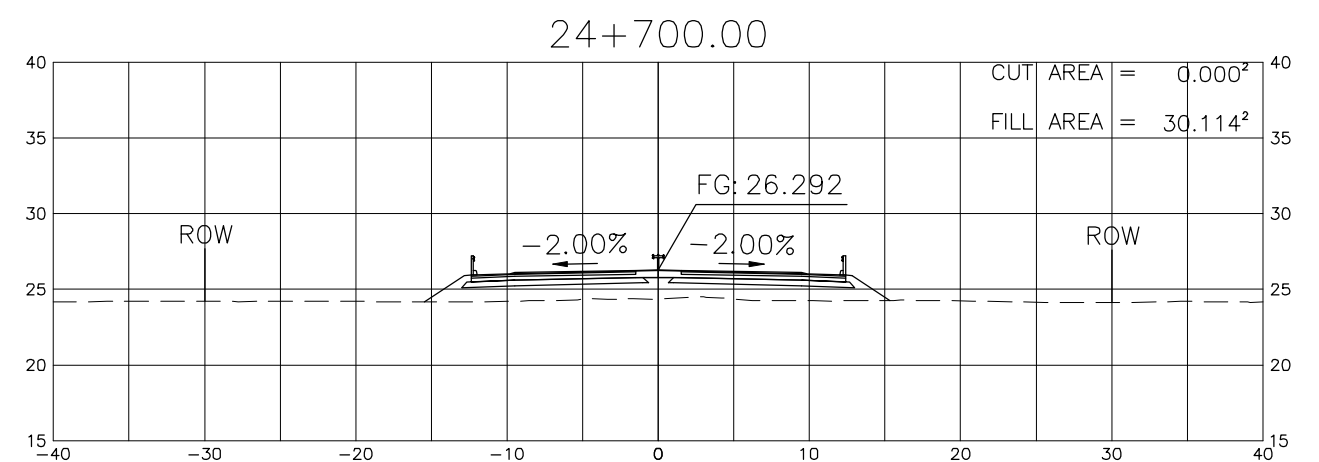
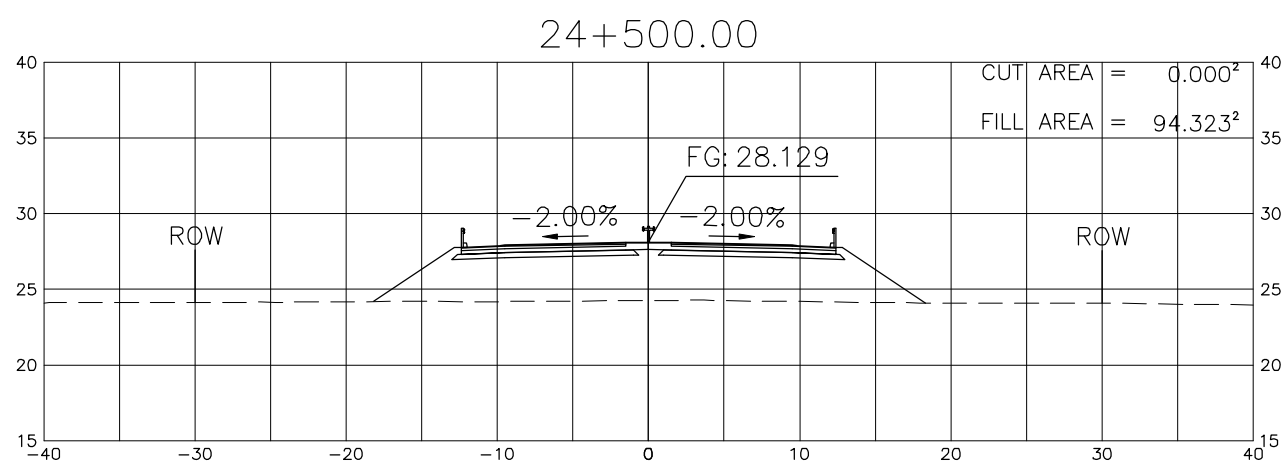
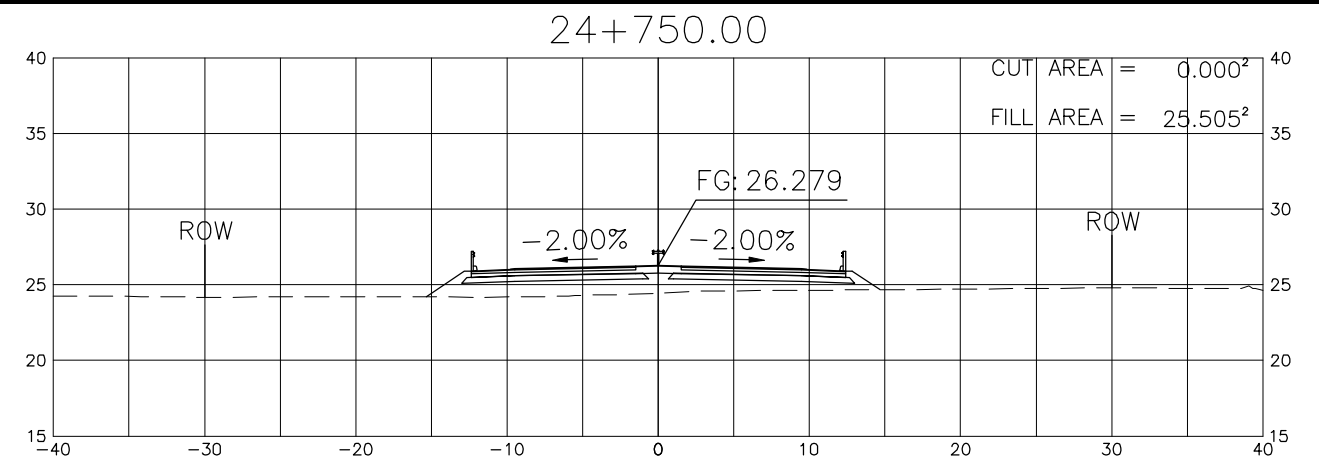
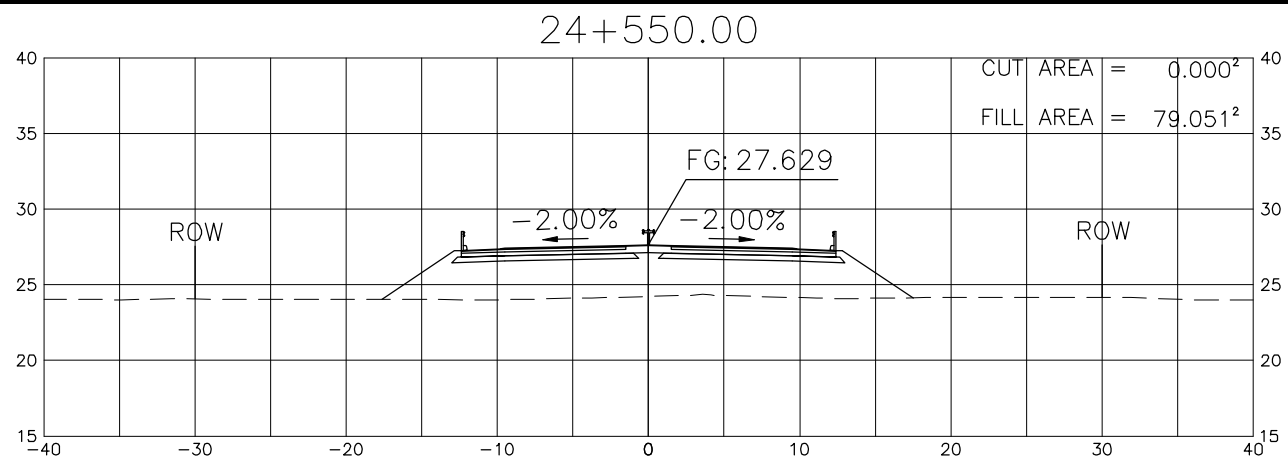


PROJECT TITLE	SCALE	SHEET CONTENT	DRAWING NO.
Preparatory survey for expressway project in Mega Manila Region CLLEX ( TARLAC - CABANATUAN )	A1 = 1:250 A3 = 1:500	CROSS SECTION ( ULTIMATE 4 LANE ) STA 23+800 TO STA 24+050	K-71
			SHEET NO.
			71 OF 90

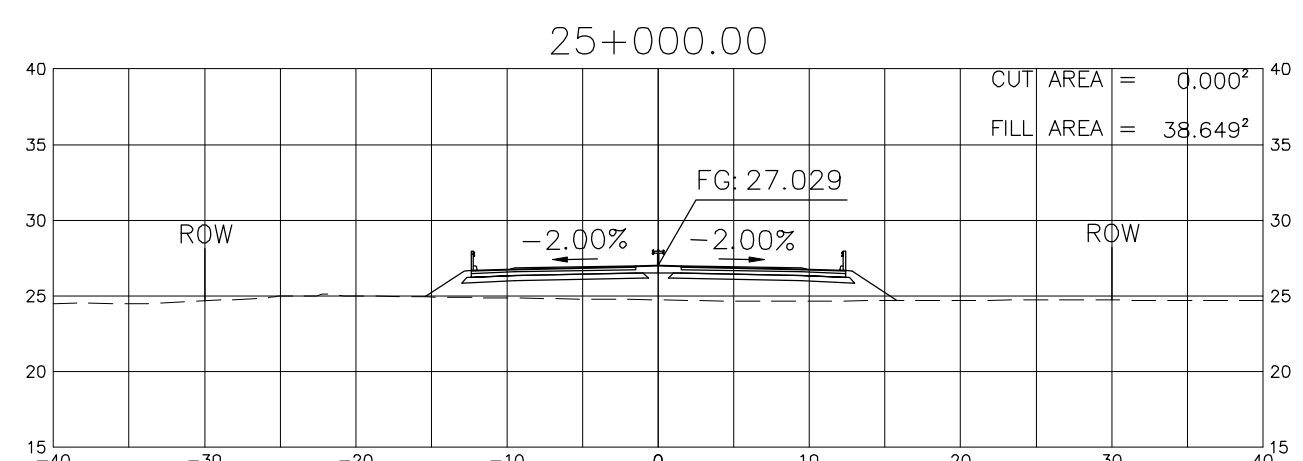
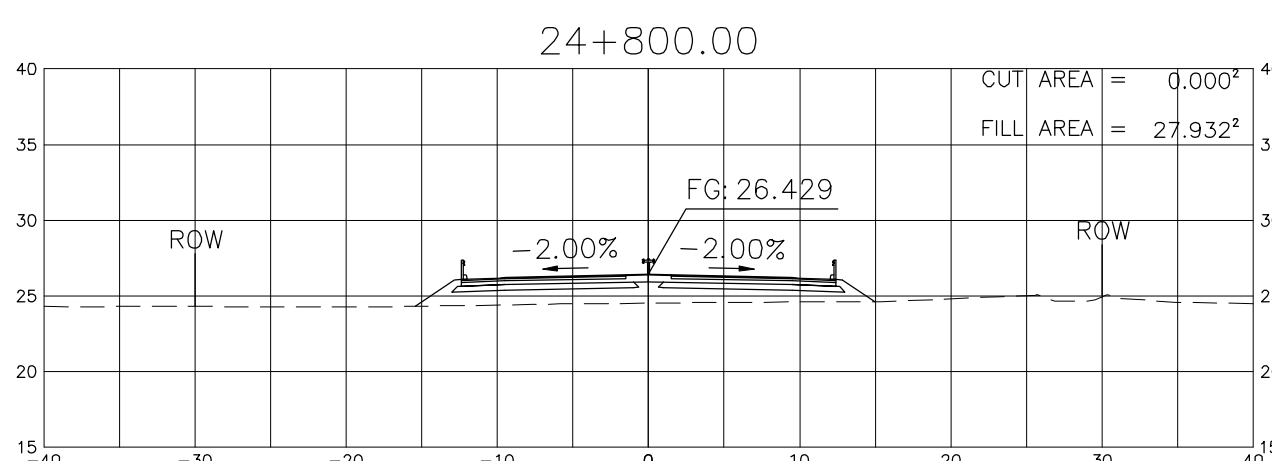
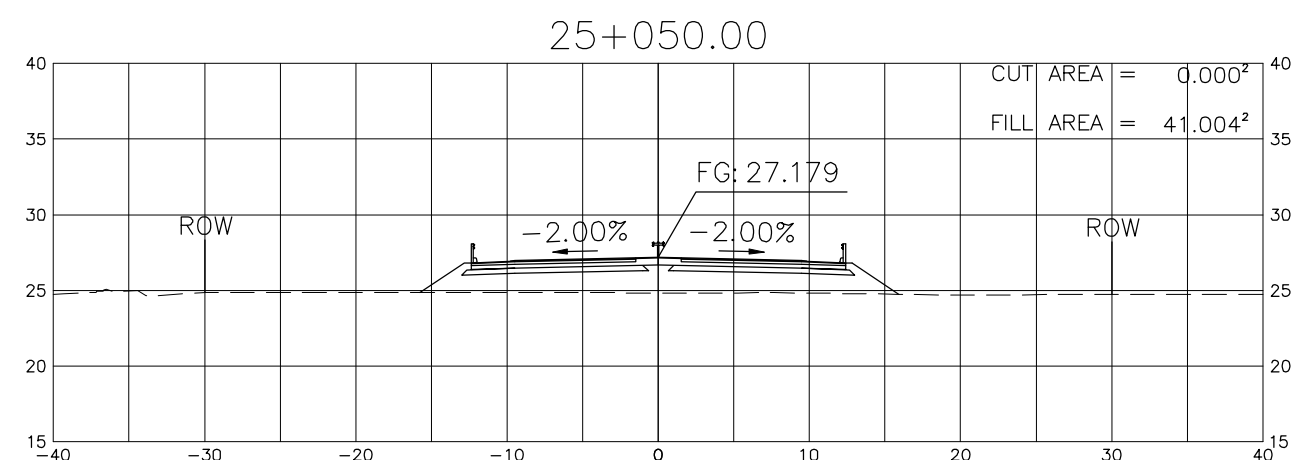
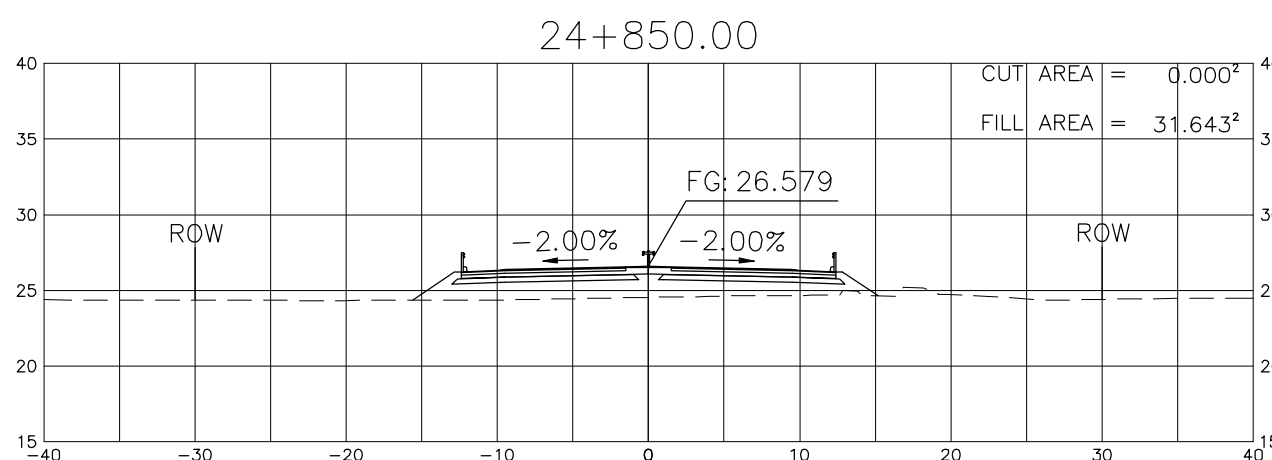
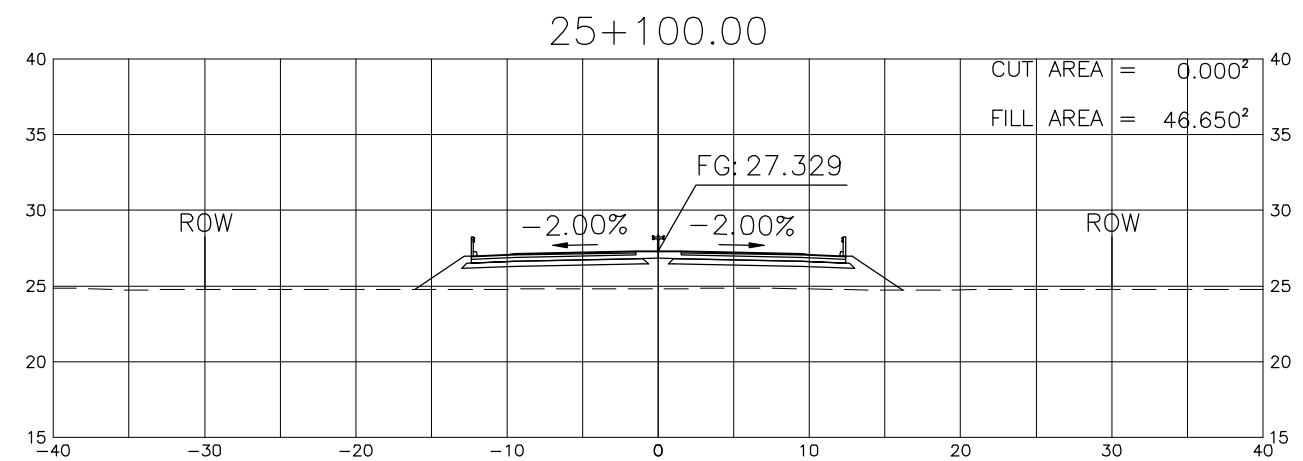
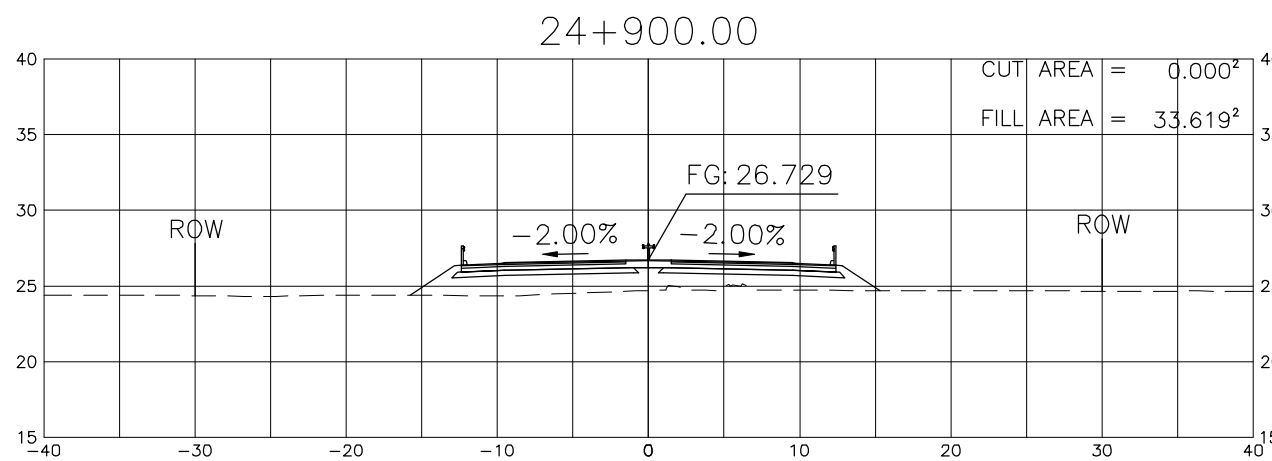
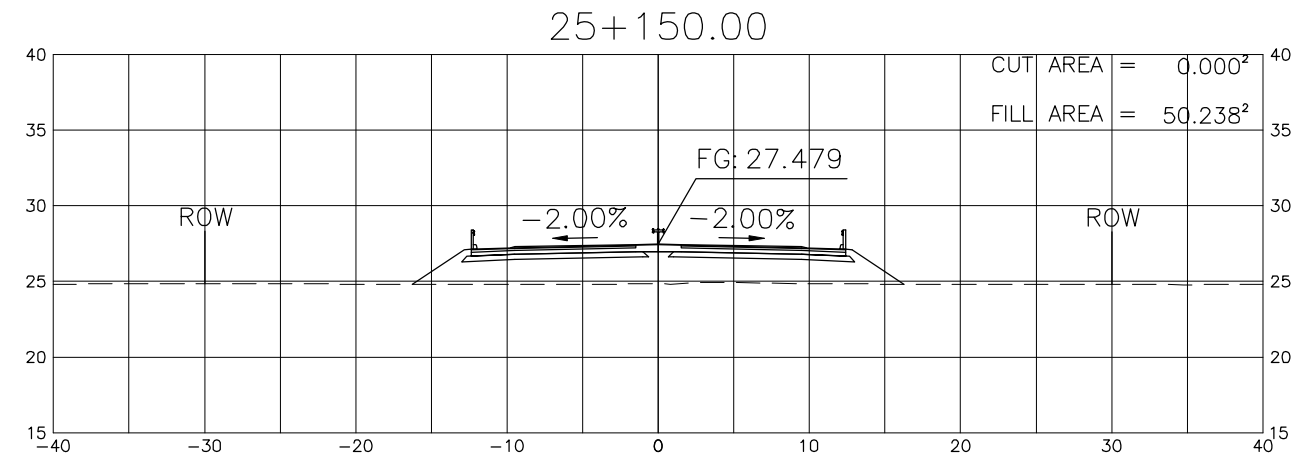
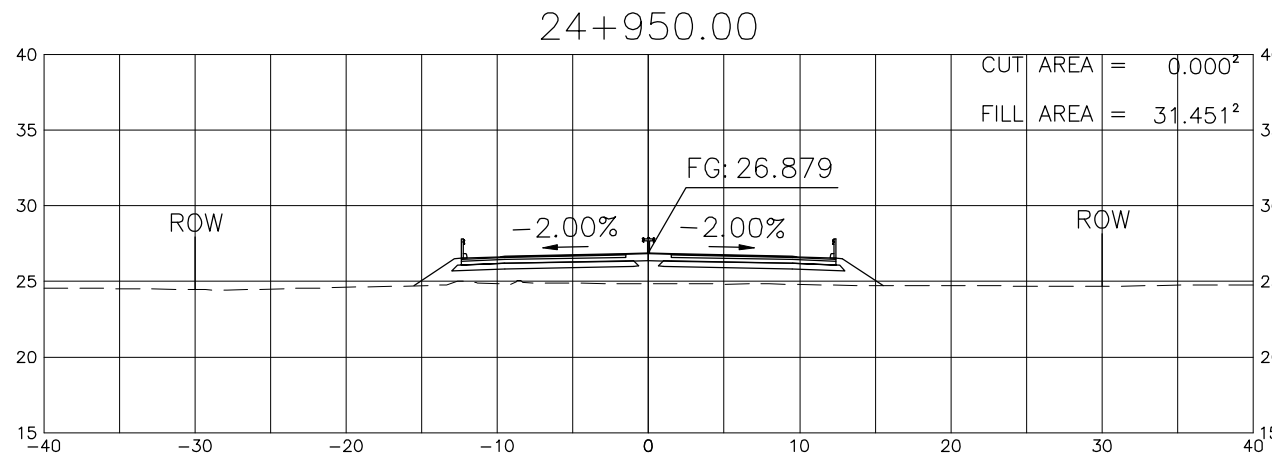


PROJECT TITLE	SCALE	SHEET CONTENT	DRAWING NO.
Preparatory survey for expressway project in Mega Manila Region CLLEX ( TARLAC - CABANATUAN )	A1 = 1:250 A3 = 1:500	CROSS SECTION ( ULTIMATE 4 LANE ) STA 24+100 TO STA 24+350	K-72
			SHEET NO.
			72 OF 90

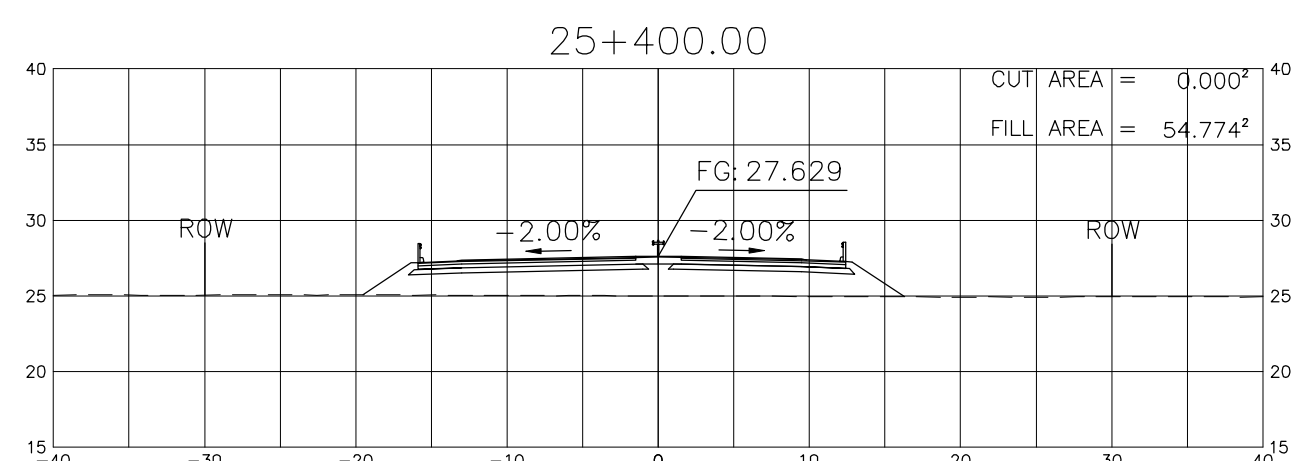
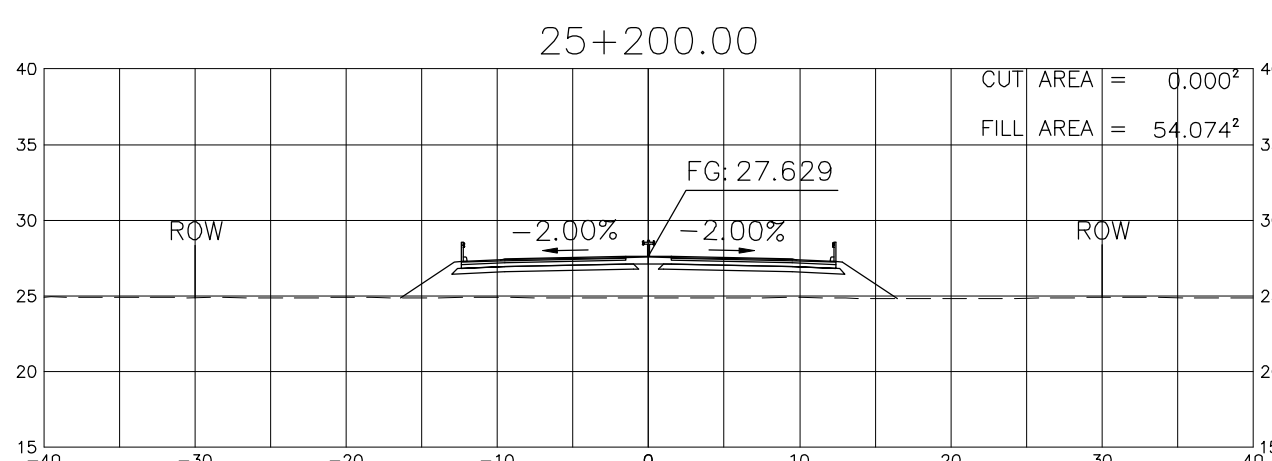
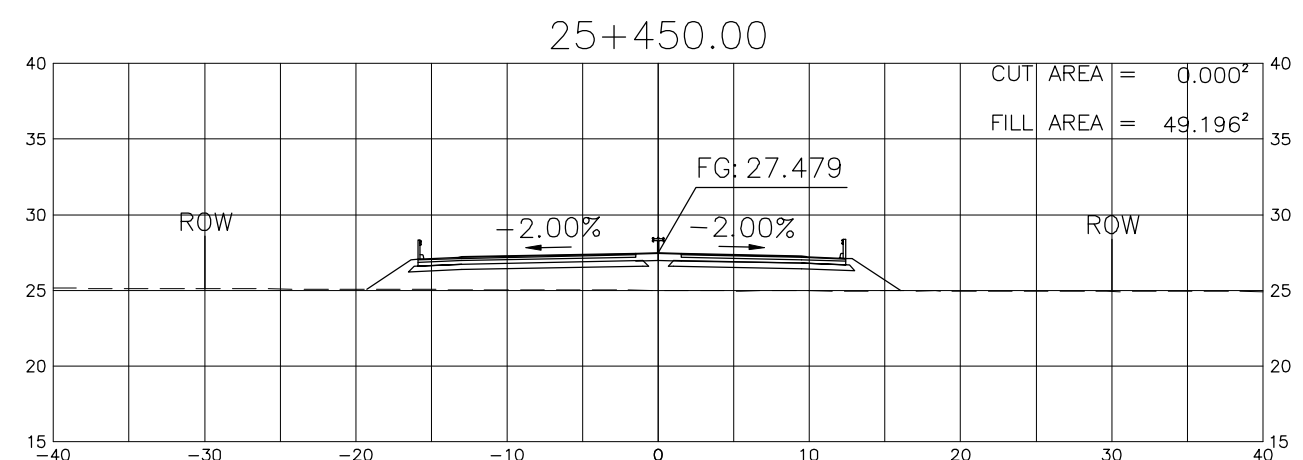
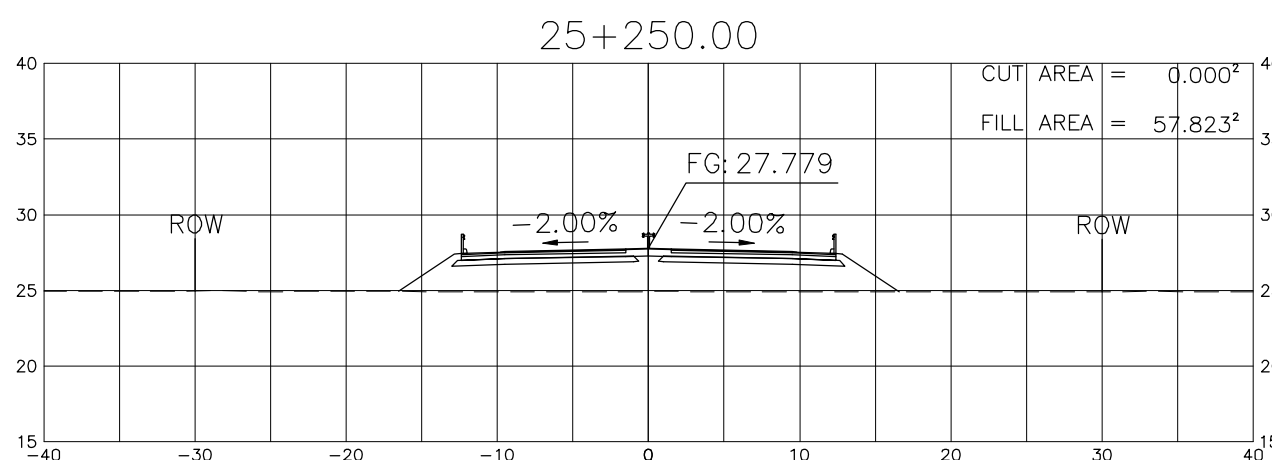
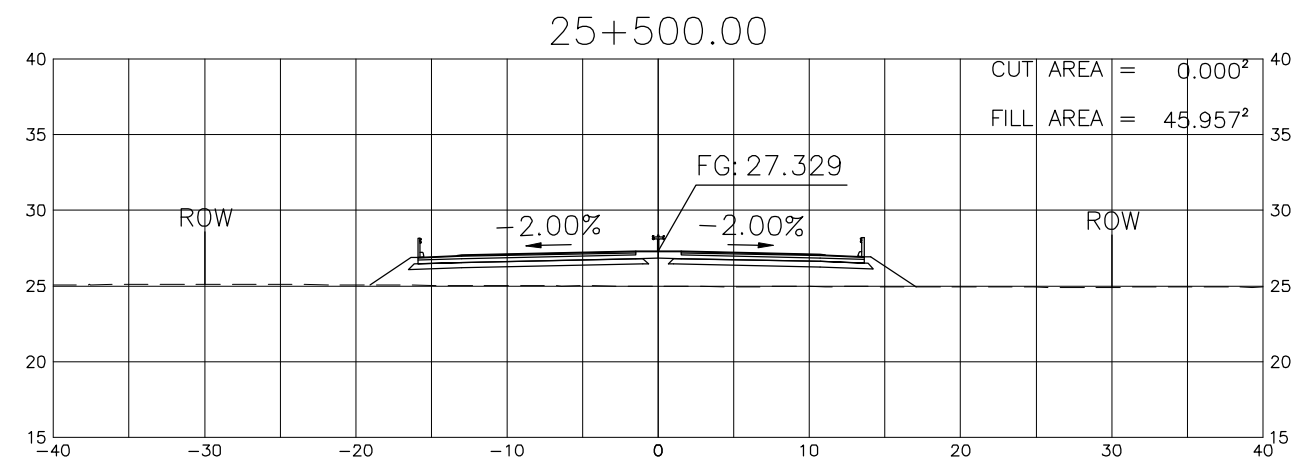
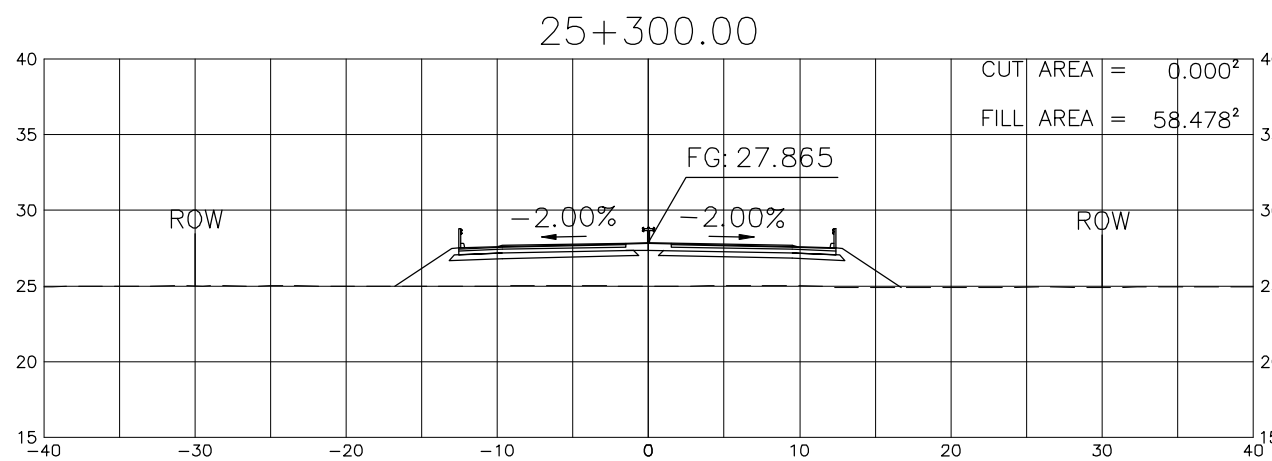
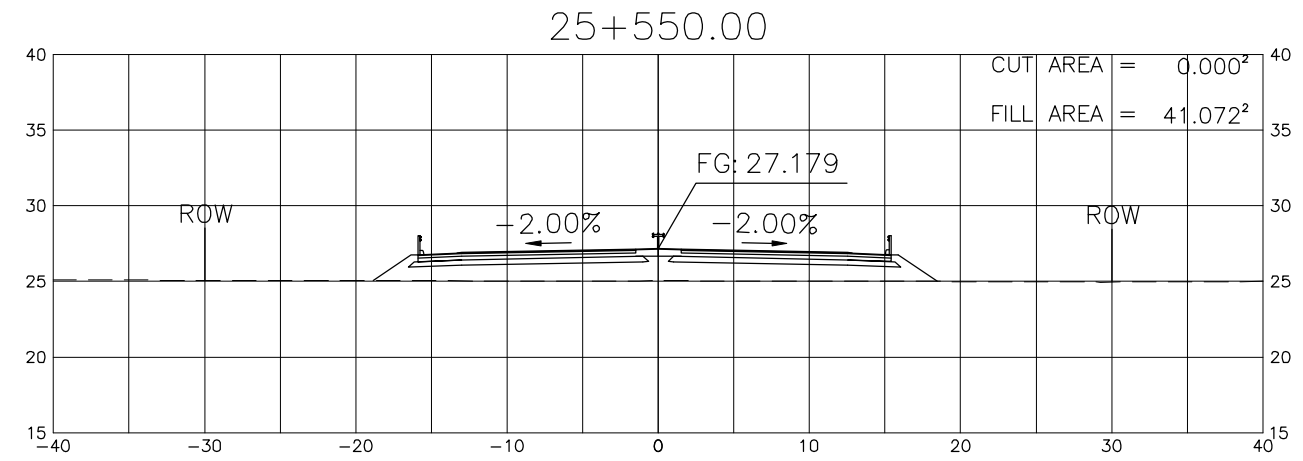
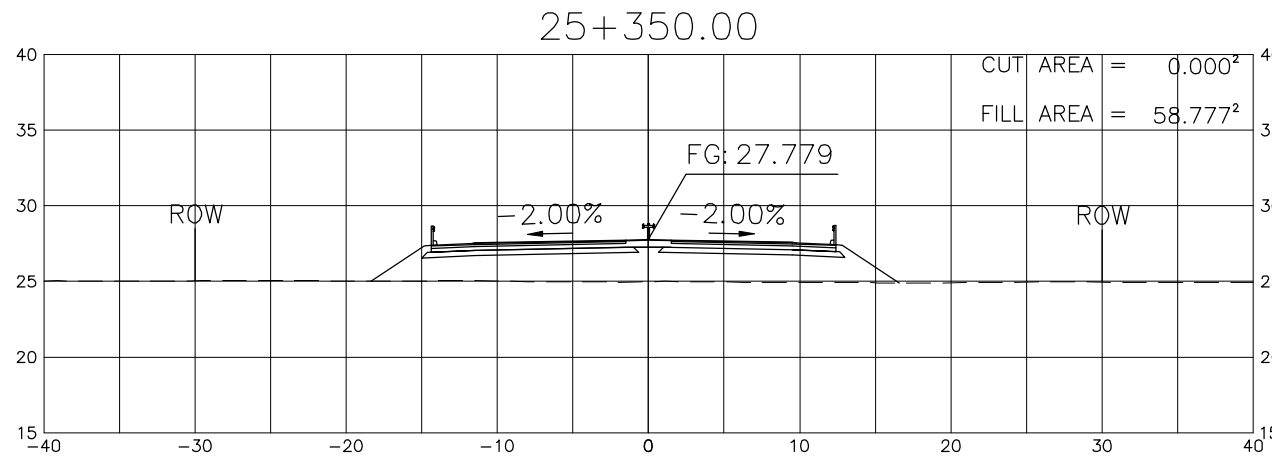




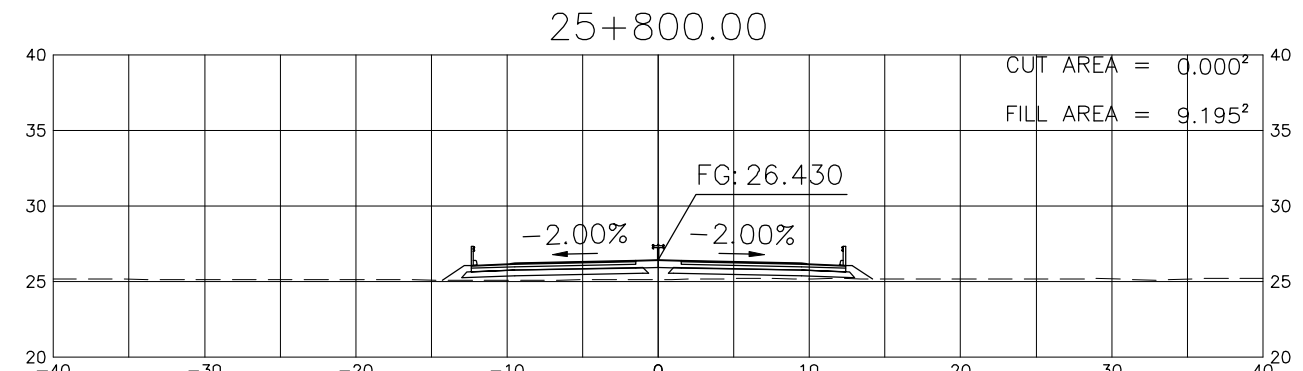
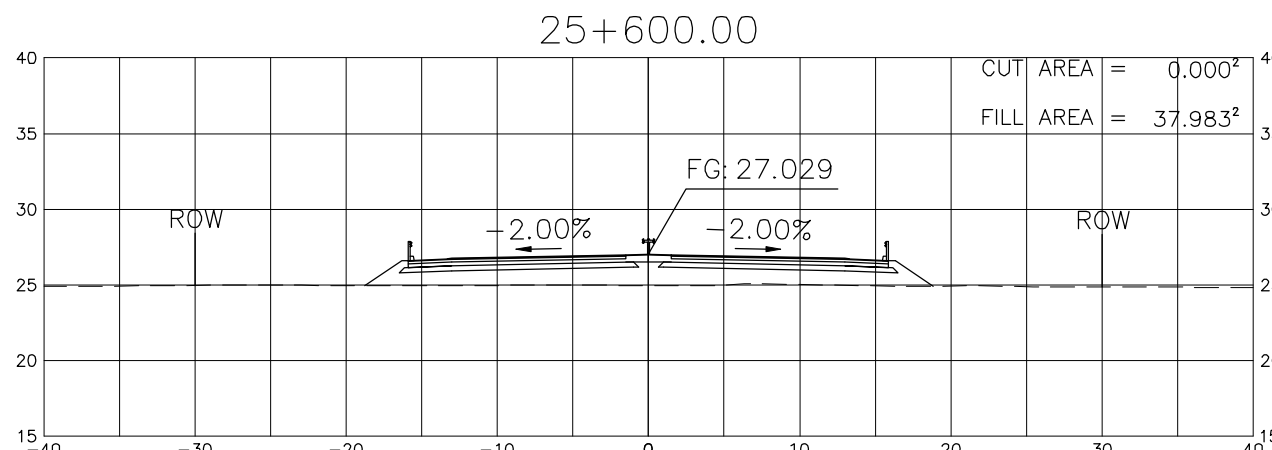
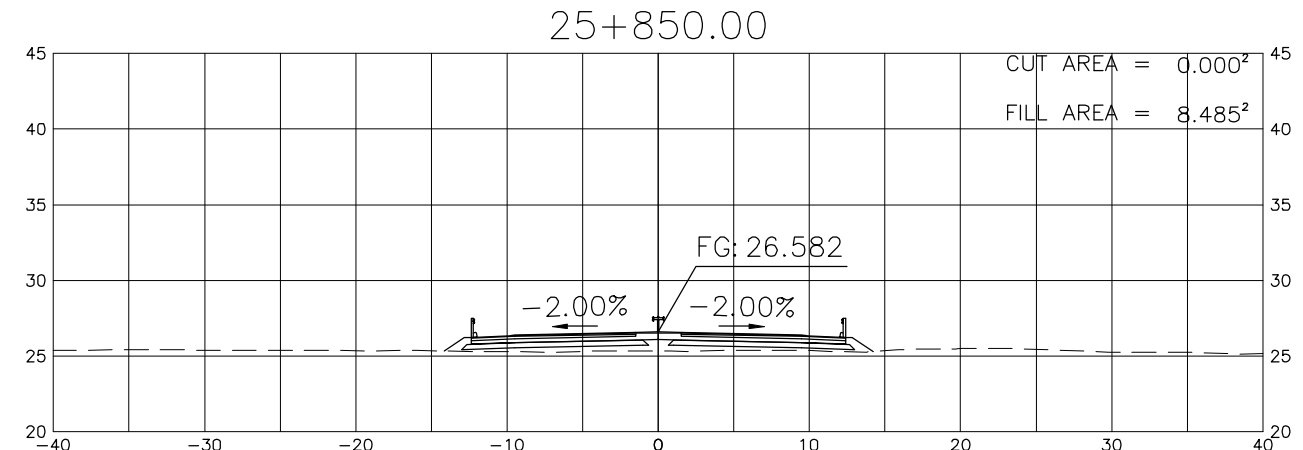
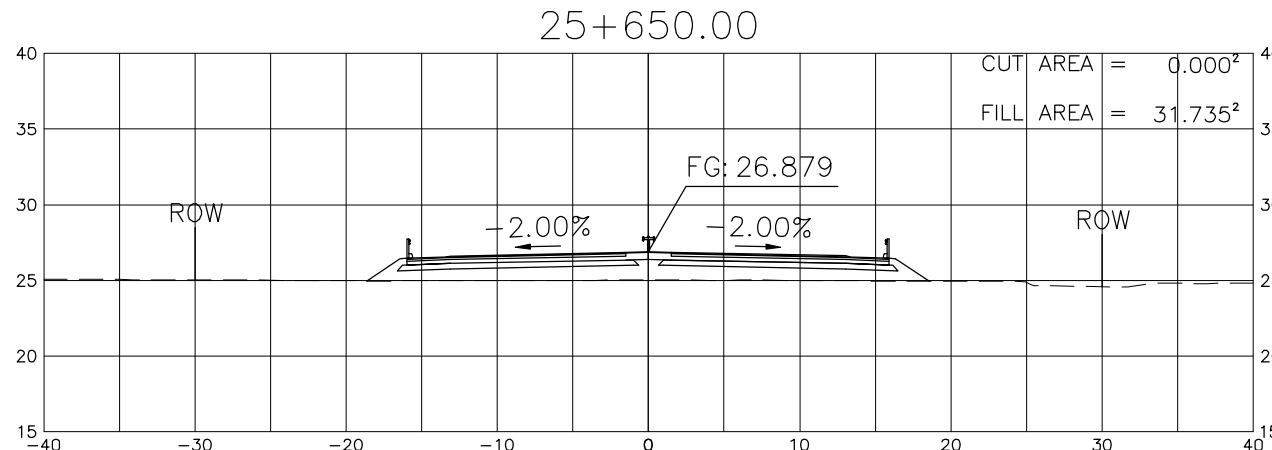
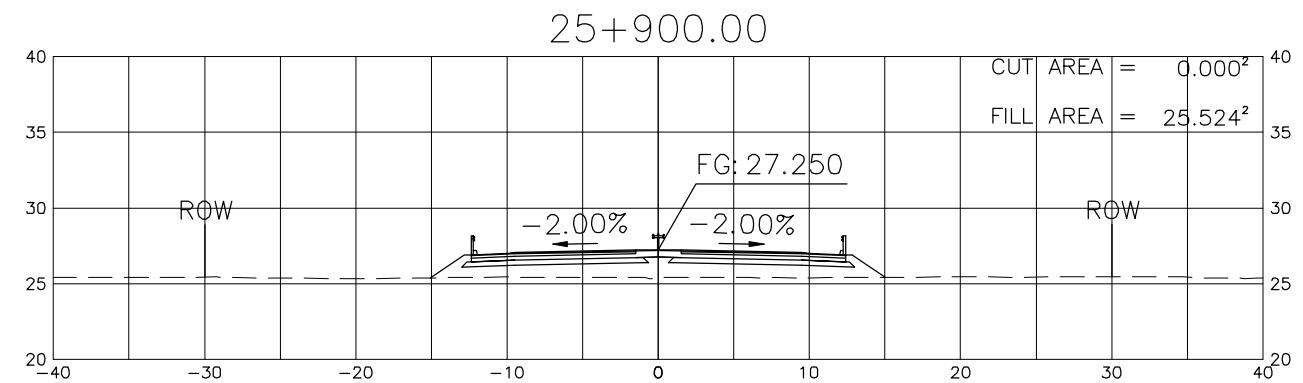
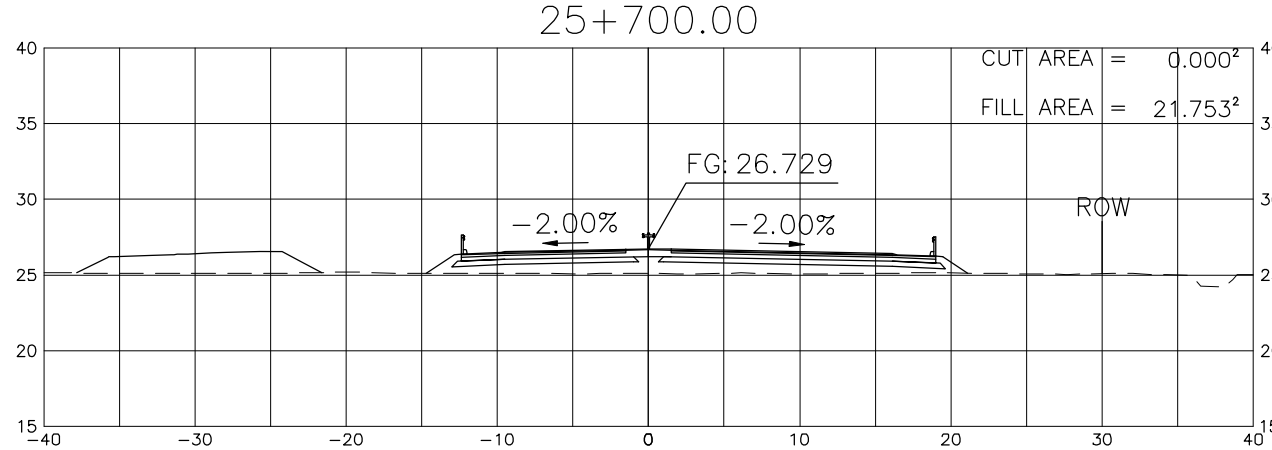
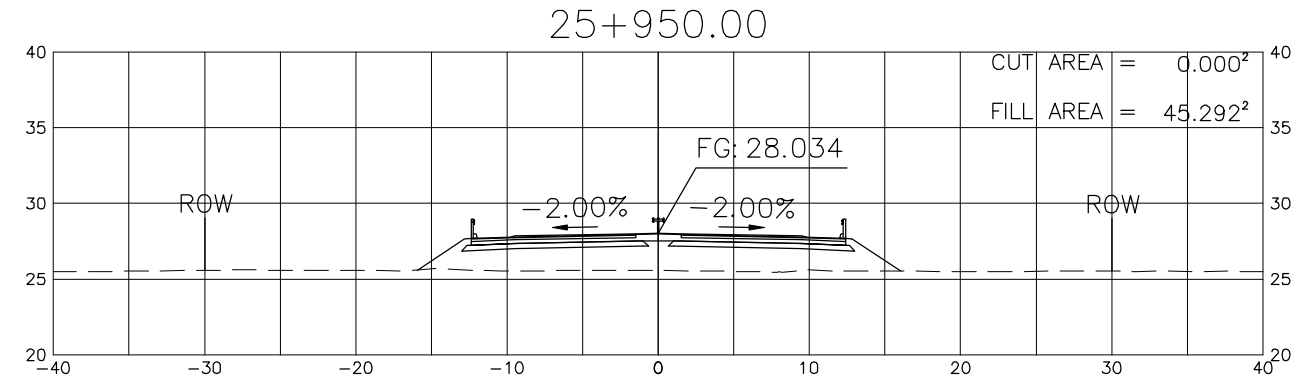
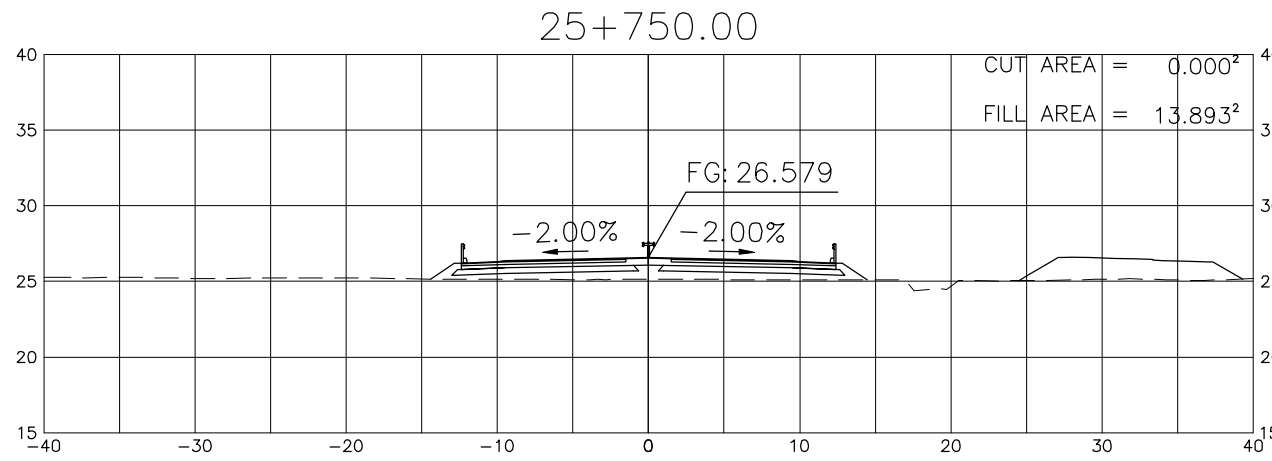
PROJECT TITLE	SCALE	SHEET CONTENT	DRAWING NO.
Preparatory survey for expressway project in Mega Manila Region CLLEX ( TARLAC - CABANATUAN )	A1 = 1:250 A3 = 1:500	CROSS SECTION (ULTIMATE 4 LANE) STA 24+400 TO STA 24+750	K-73
			SHEET NO.
			73 OF 90



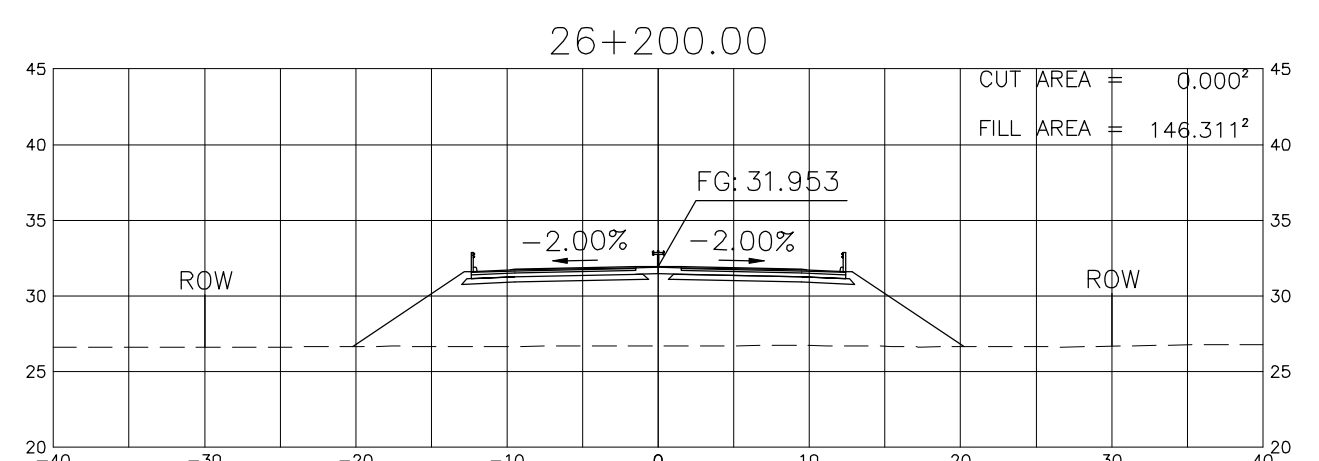
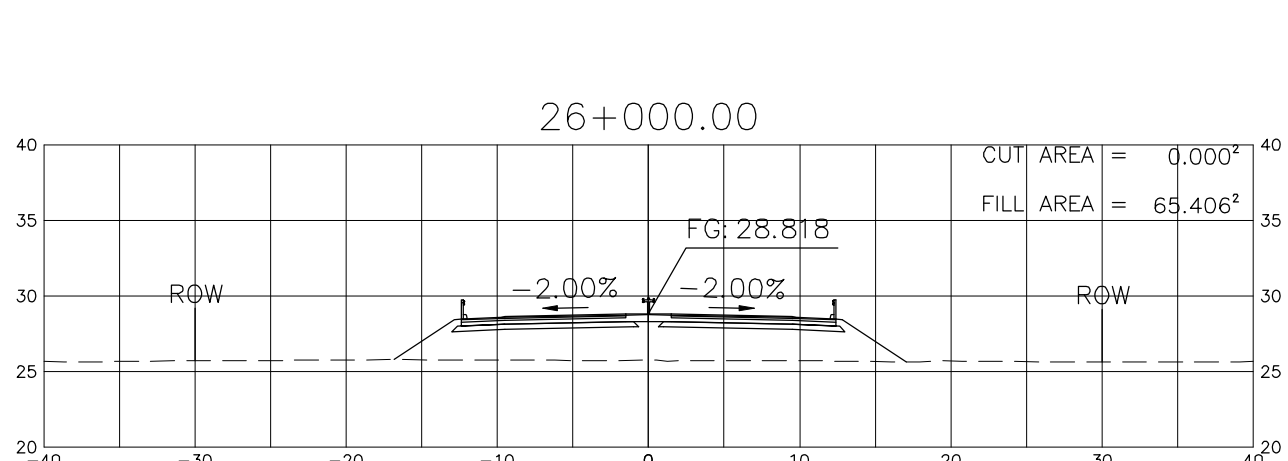
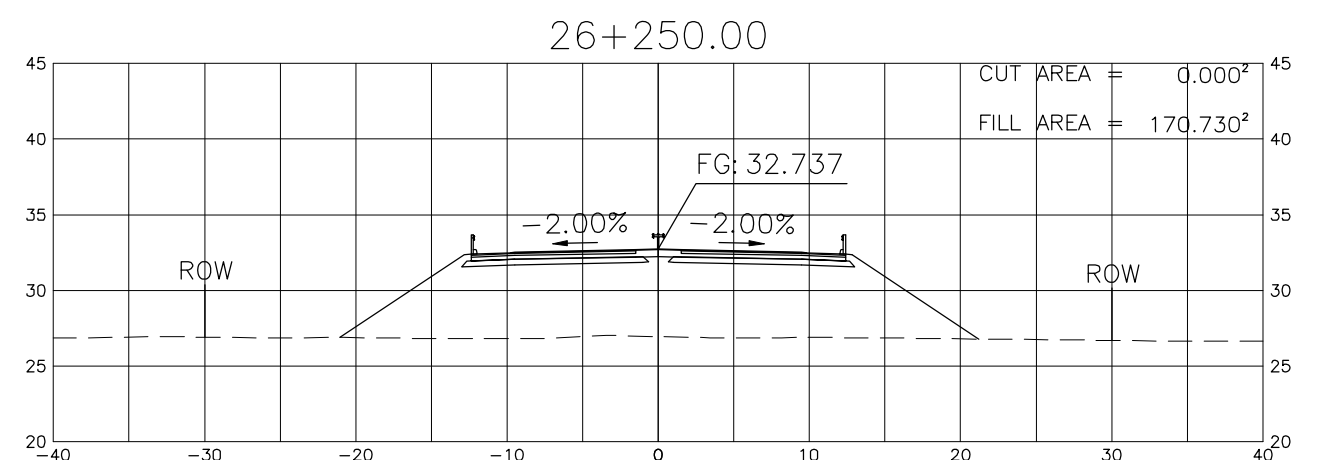
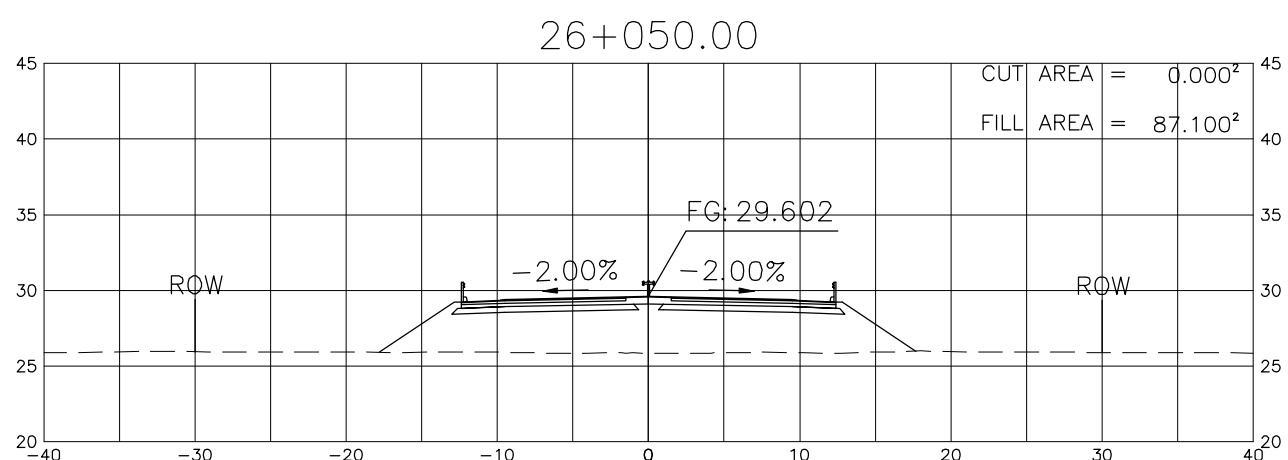
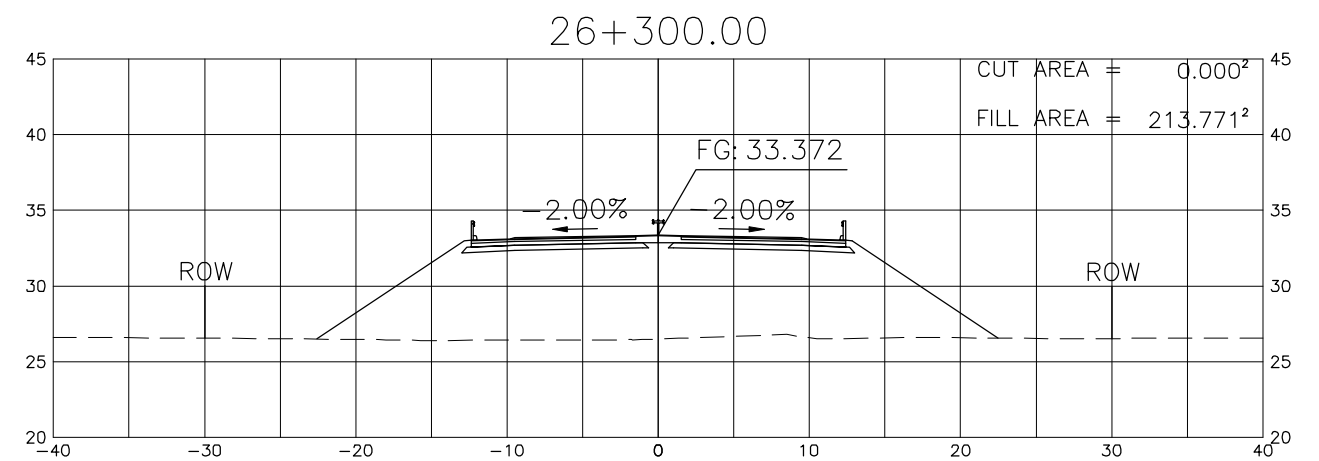
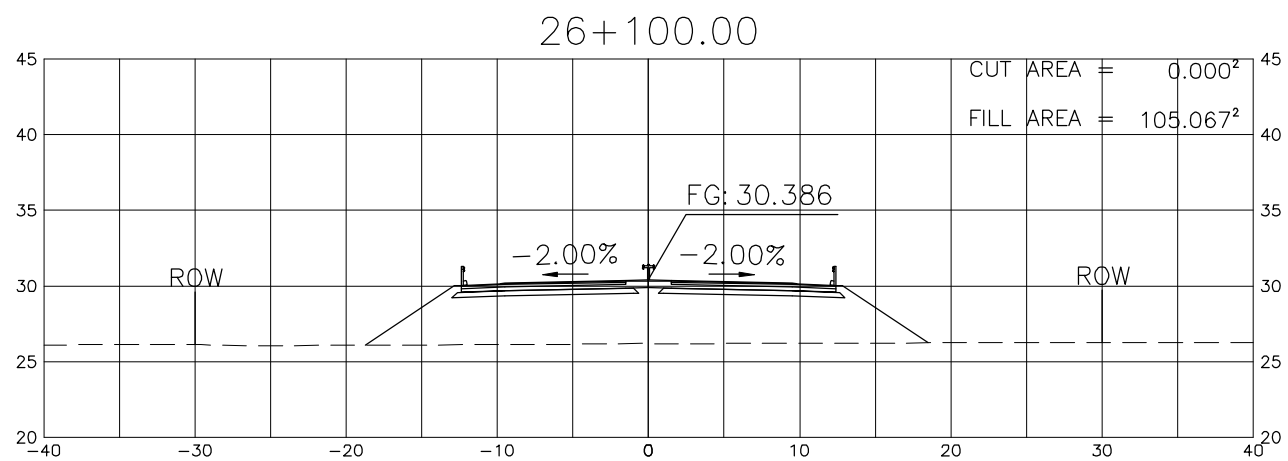
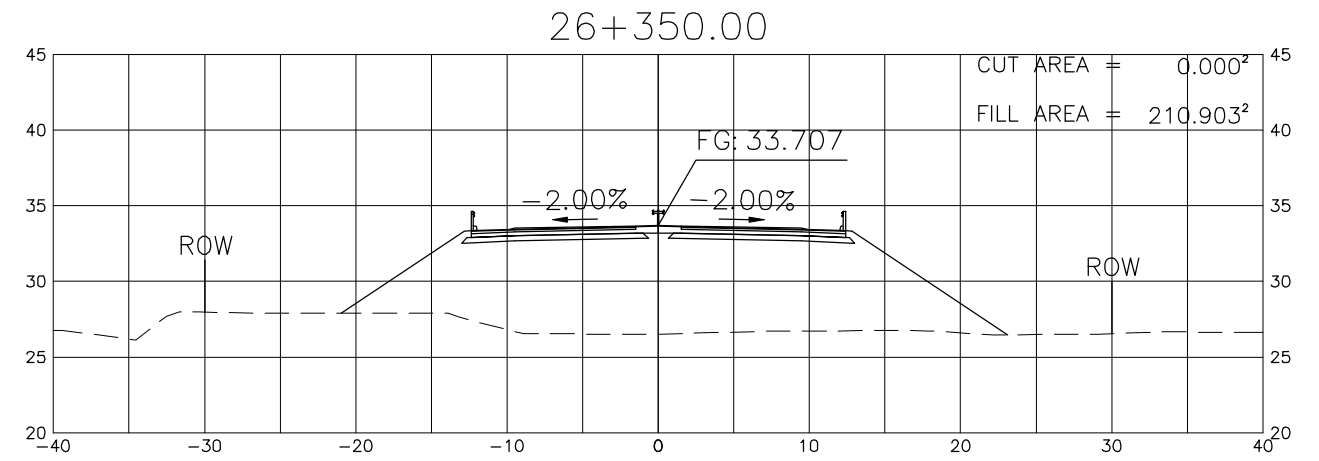
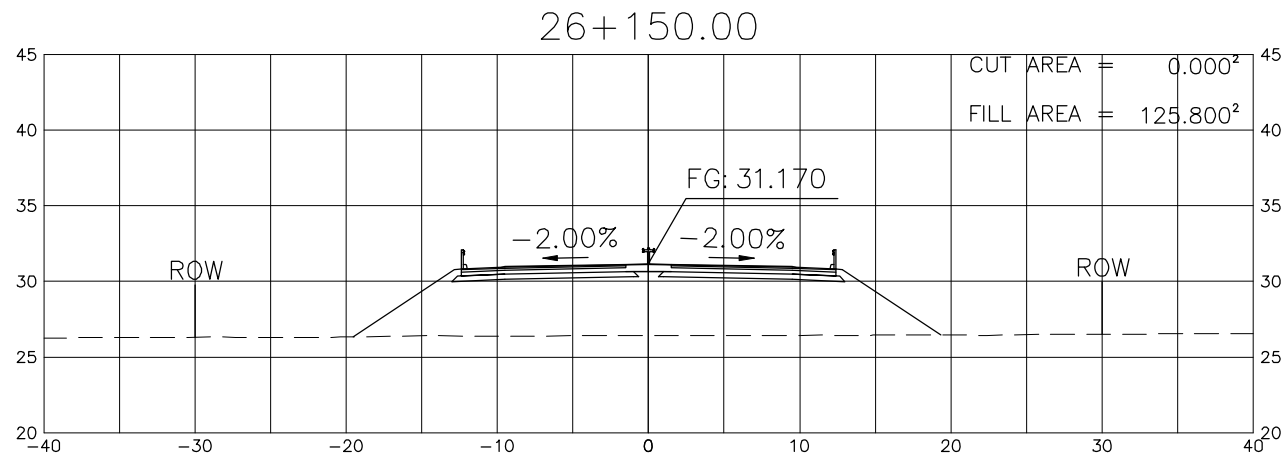
PROJECT TITLE	SCALE	SHEET CONTENT	DRAWING NO.
Preparatory survey for expressway project in Mega Manila Region CLLEX ( TARLAC - CABANATUAN )	A1 = 1:250 A3 = 1:500	CROSS SECTION ( ULTIMATE 4 LANE ) STA 24+800 TO STA 25+150	K-74
			SHEET NO. 74 OF 90



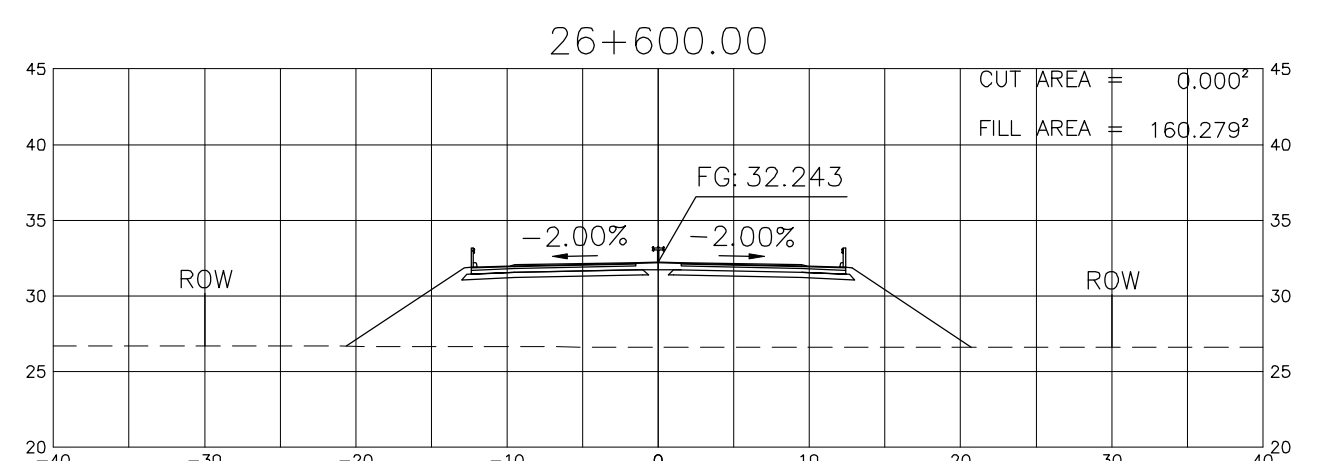
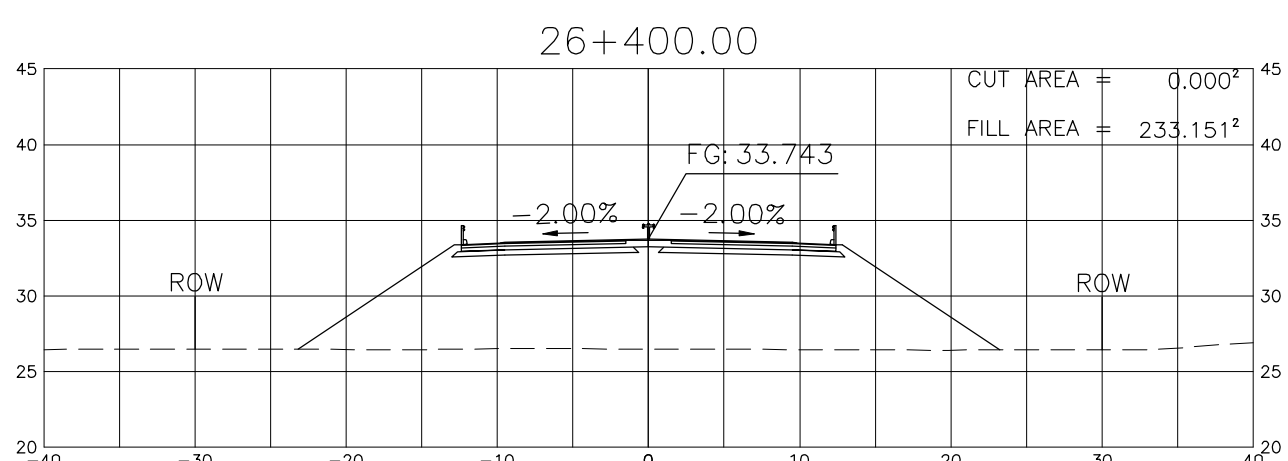
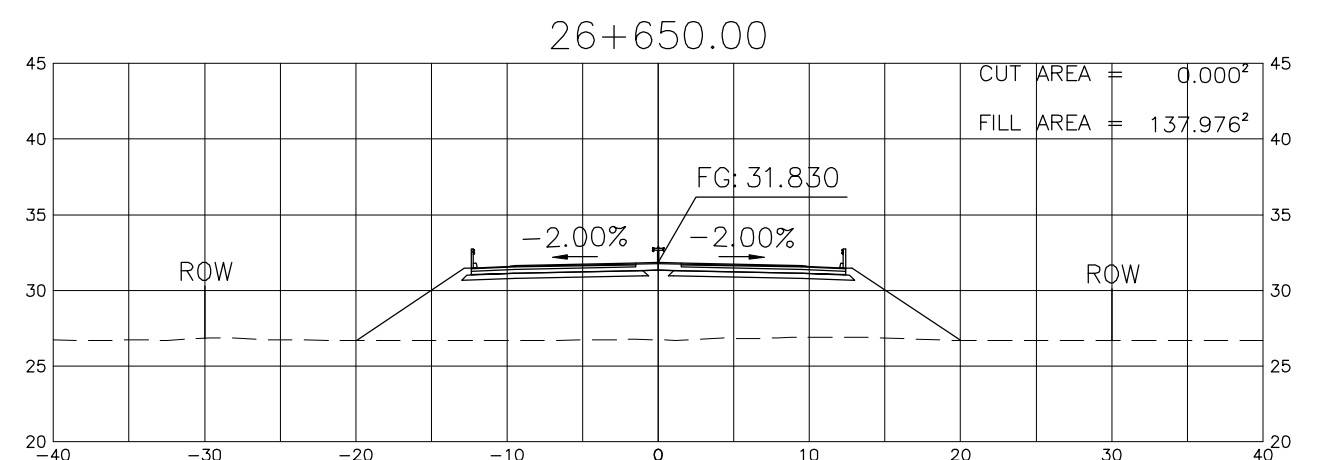
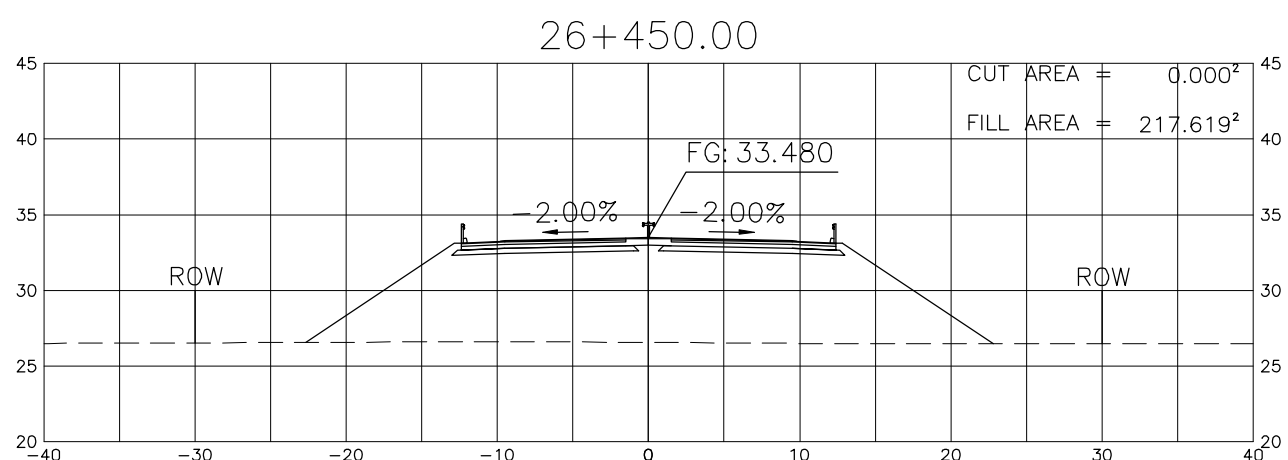
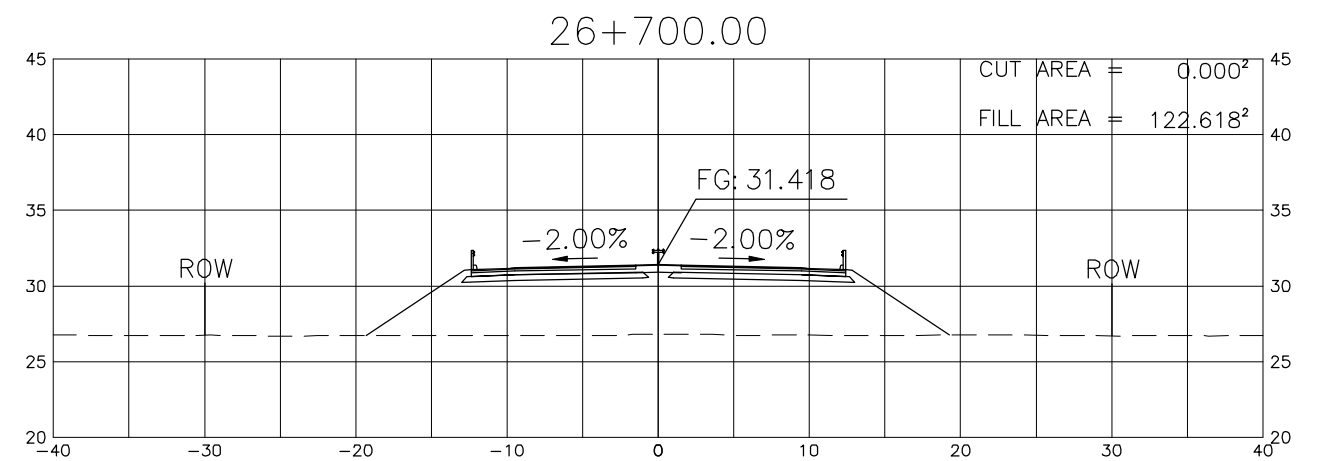
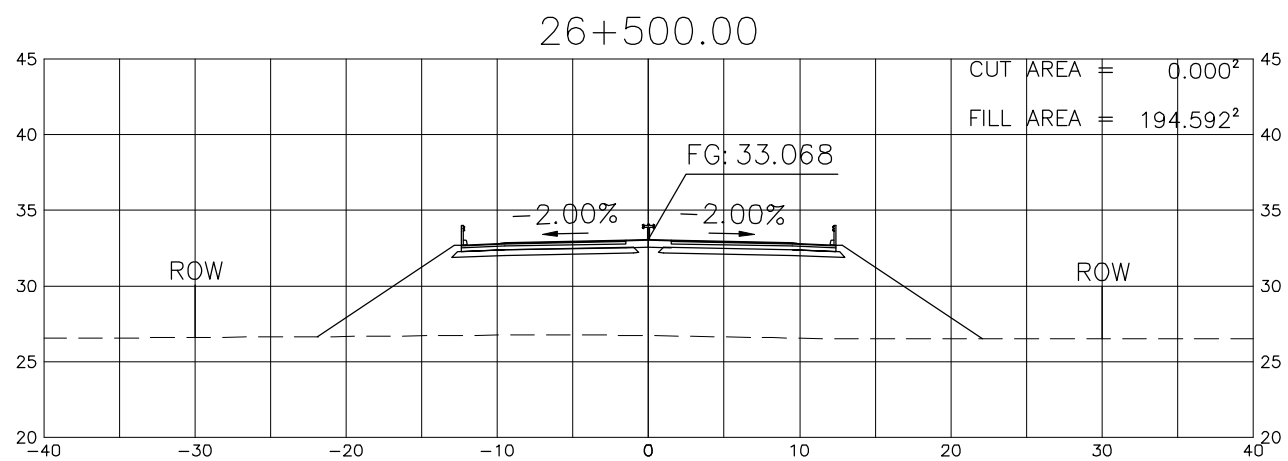
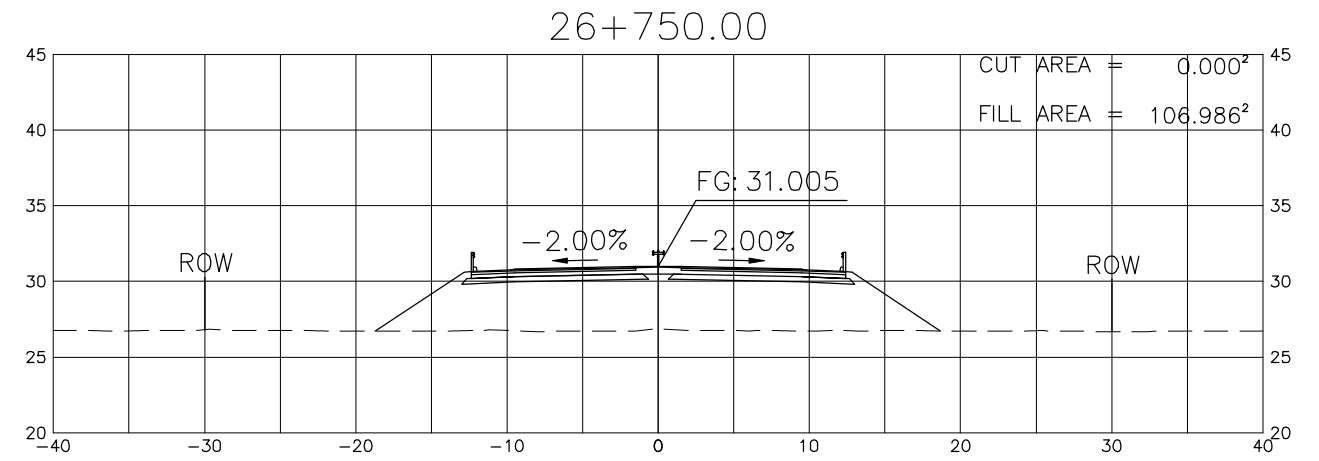
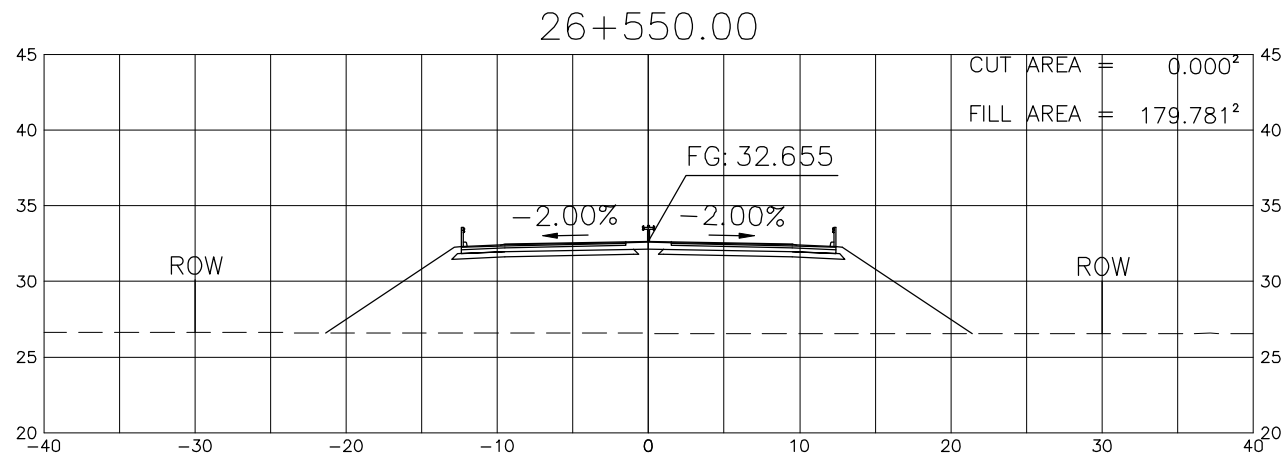
PROJECT TITLE	SCALE	SHEET CONTENT	DRAWING NO.
Preparatory survey for expressway project in Mega Manila Region CLLEX ( TARLAC - CABANATUAN )	A1 = 1:250 A3 = 1:500	CROSS SECTION ( ULTIMATE 4 LANE ) STA 25+200 TO STA 25+550	K-75
			SHEET NO.
			75 OF 90



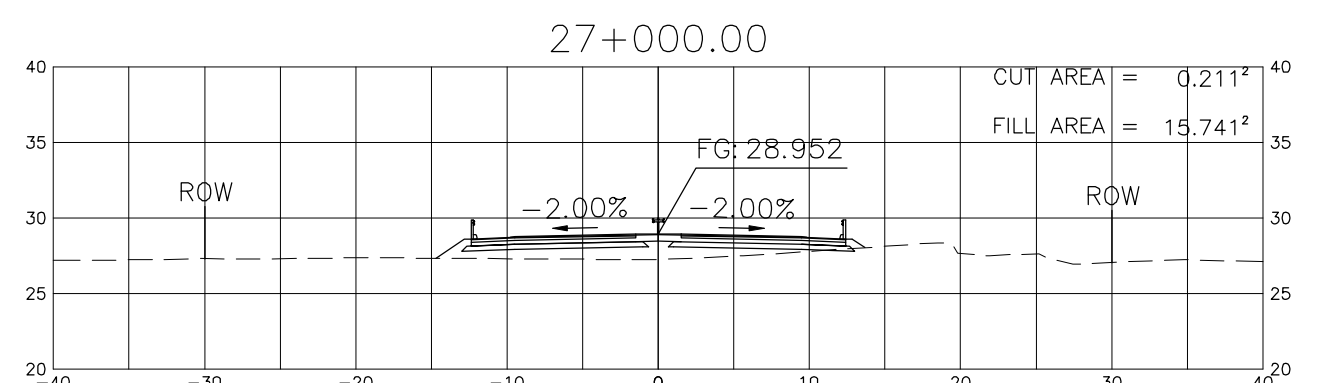
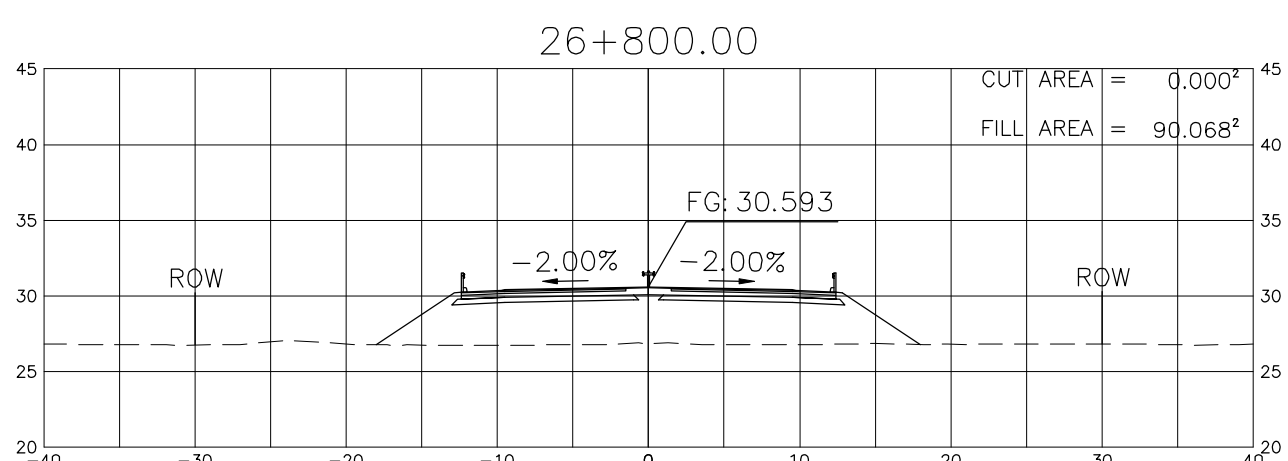
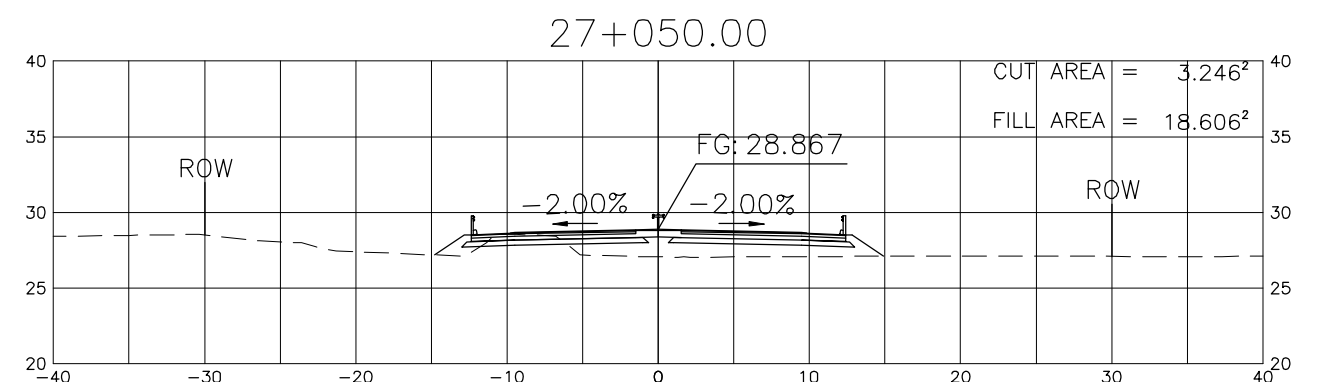
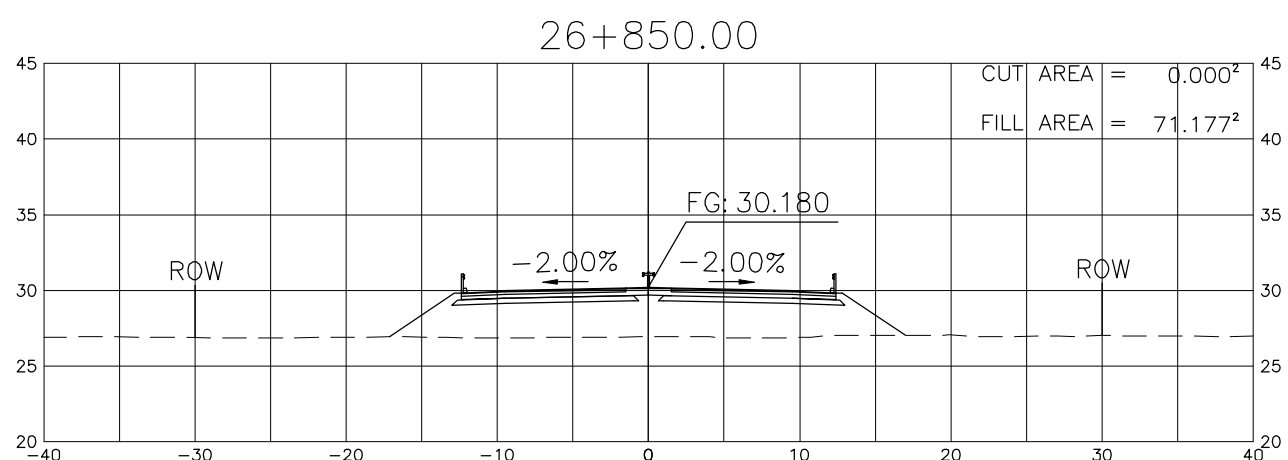
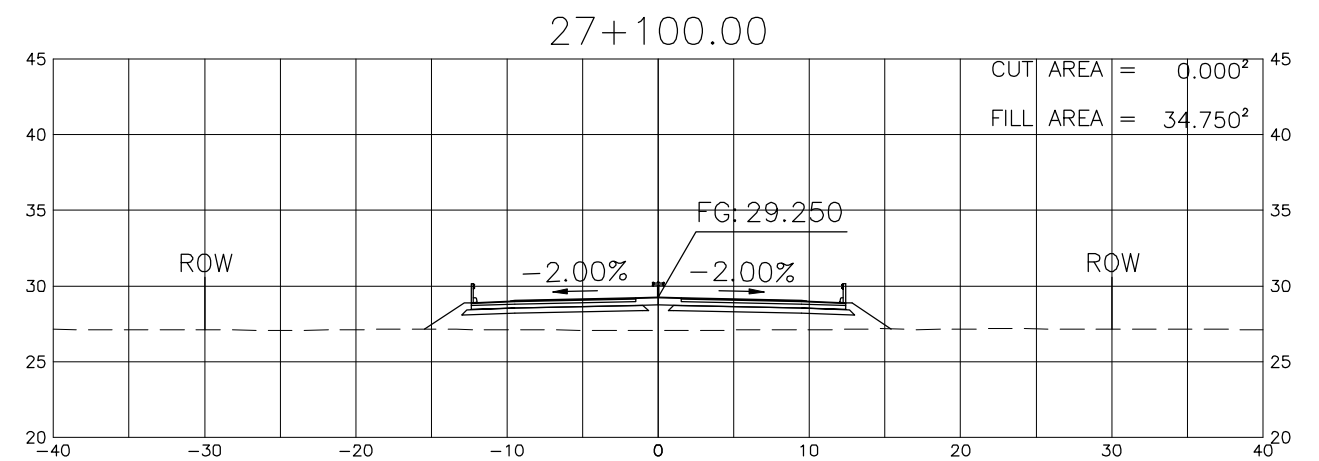
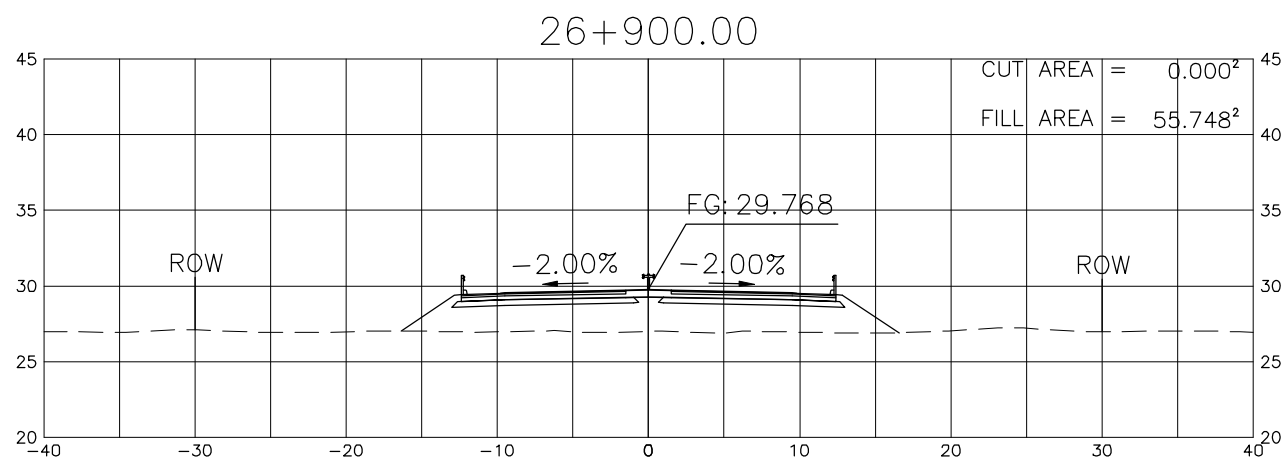
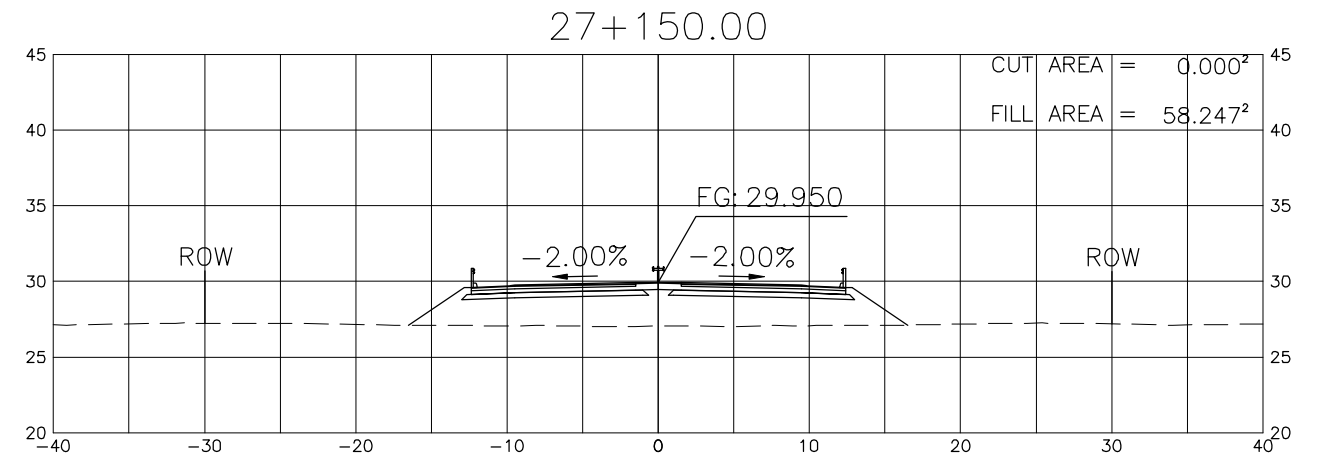
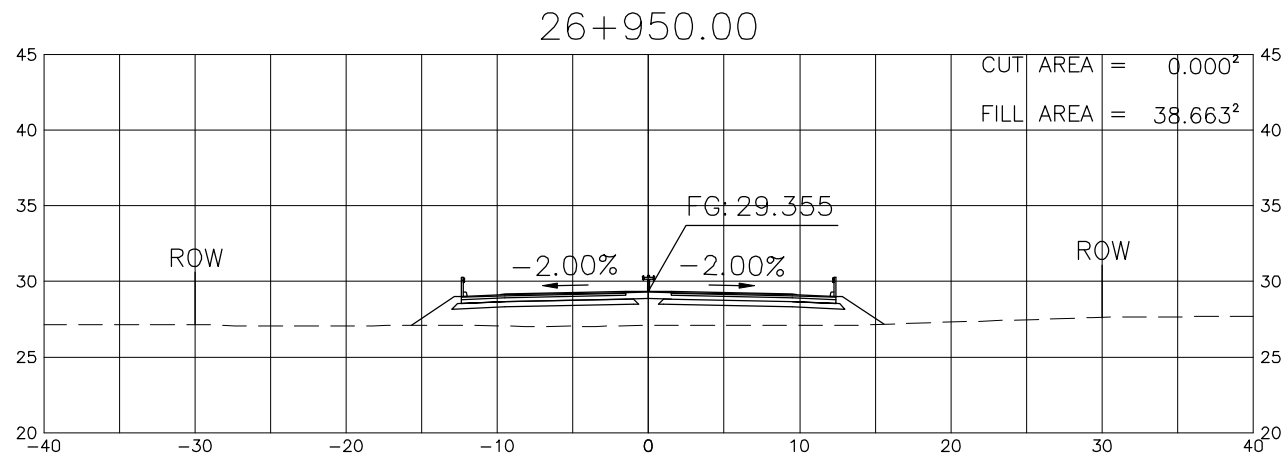
PROJECT TITLE	SCALE	SHEET CONTENT	DRAWING NO.
Preparatory survey for expressway project in Mega Manila Region CLLEX ( TARLAC - CABANATUAN )	A1 = 1:250 A3 = 1:500	CROSS SECTION ( ULTIMATE 4 LANE ) STA 25+600 TO STA 25+950	K-76
			SHEET NO.
			76 OF 90



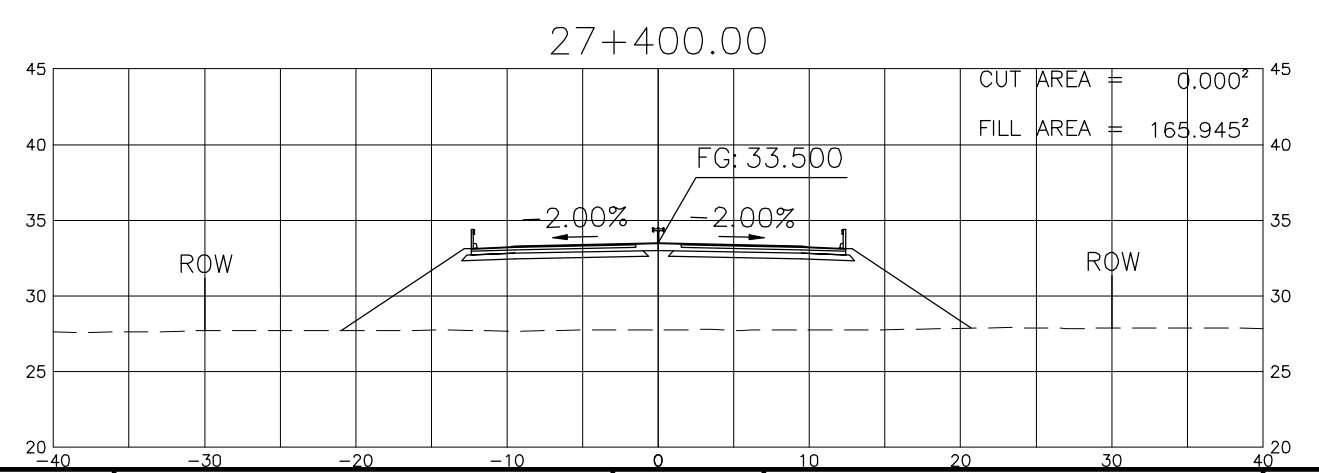
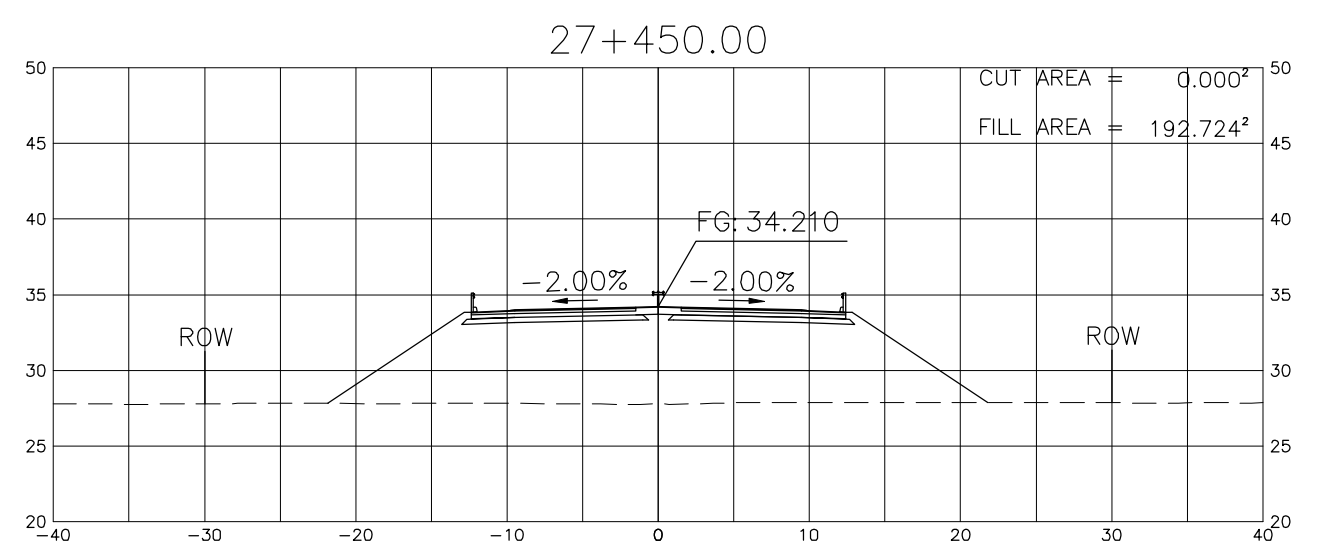
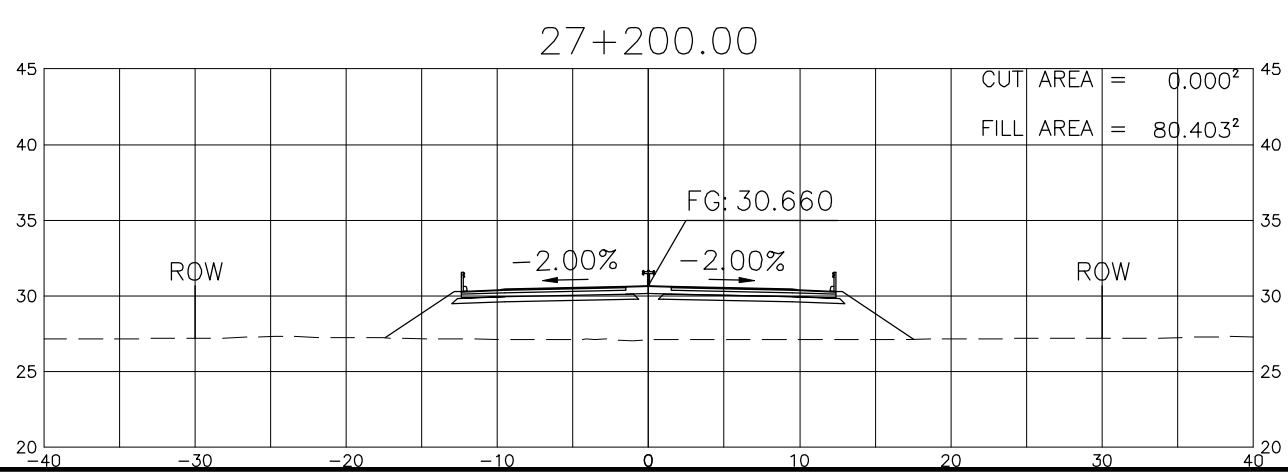
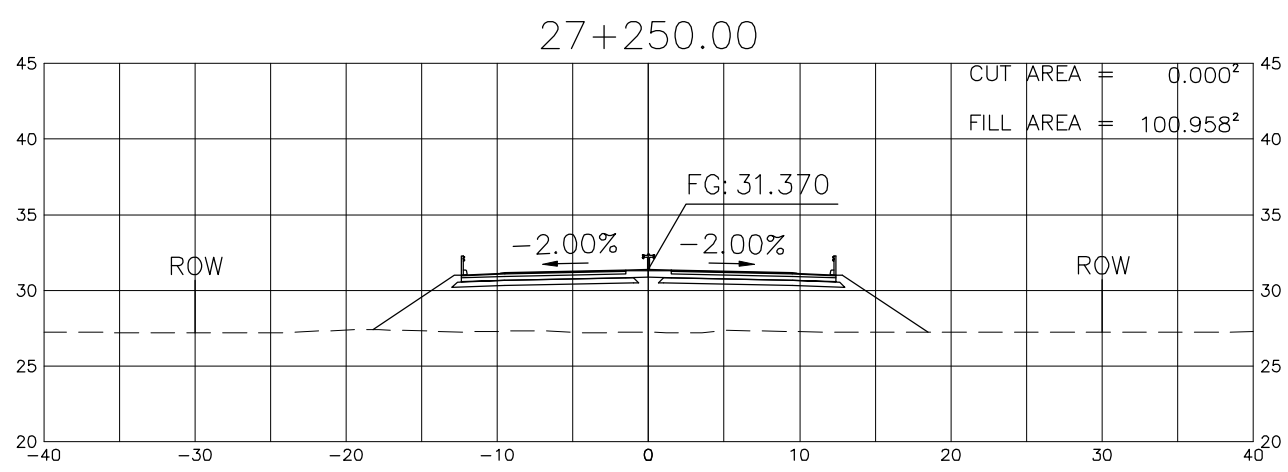
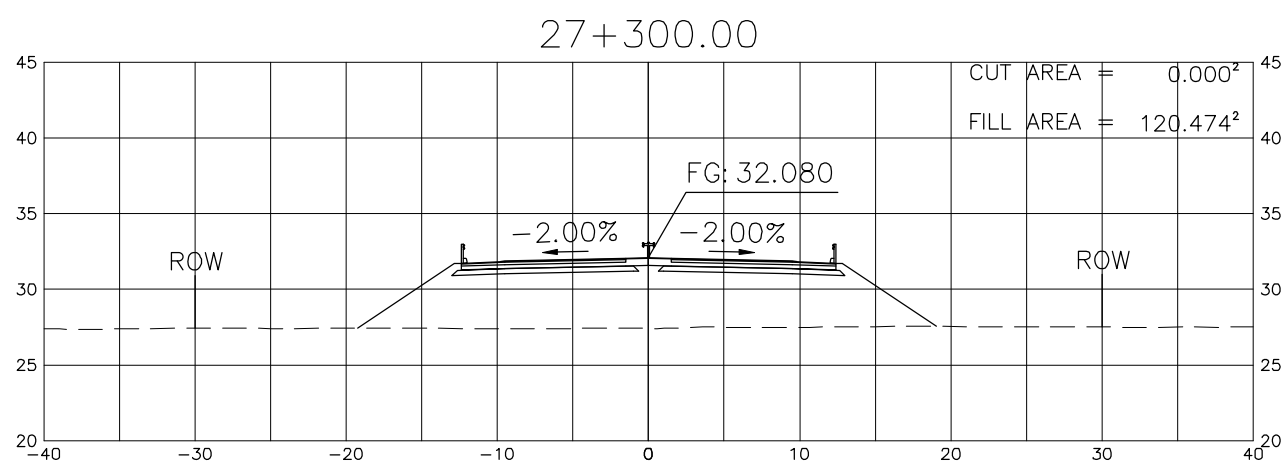
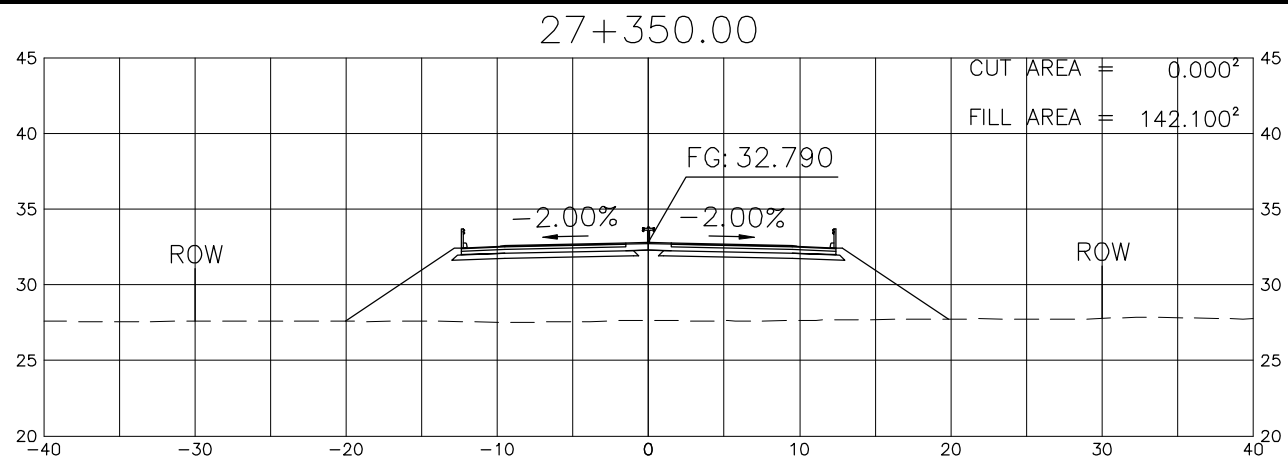
PROJECT TITLE	SCALE	SHEET CONTENT	DRAWING NO.
Preparatory survey for expressway project in Mega Manila Region CLLEX ( TARLAC - CABANATUAN )	A1 = 1:250 A3 = 1:500	CROSS SECTION ( ULTIMATE 4 LANE ) STA 26+000 TO STA 26+350	K-77
			SHEET NO. 77 OF 90



PROJECT TITLE	SCALE	SHEET CONTENT	DRAWING NO.
Preparatory survey for expressway project in Mega Manila Region CLLEX ( TARLAC - CABANATUAN )	A1 = 1:250 A3 = 1:500	CROSS SECTION (ULTIMATE 4 LANE) STA 26+400 TO STA 26+750	K-78
			SHEET NO.
			78 OF 90

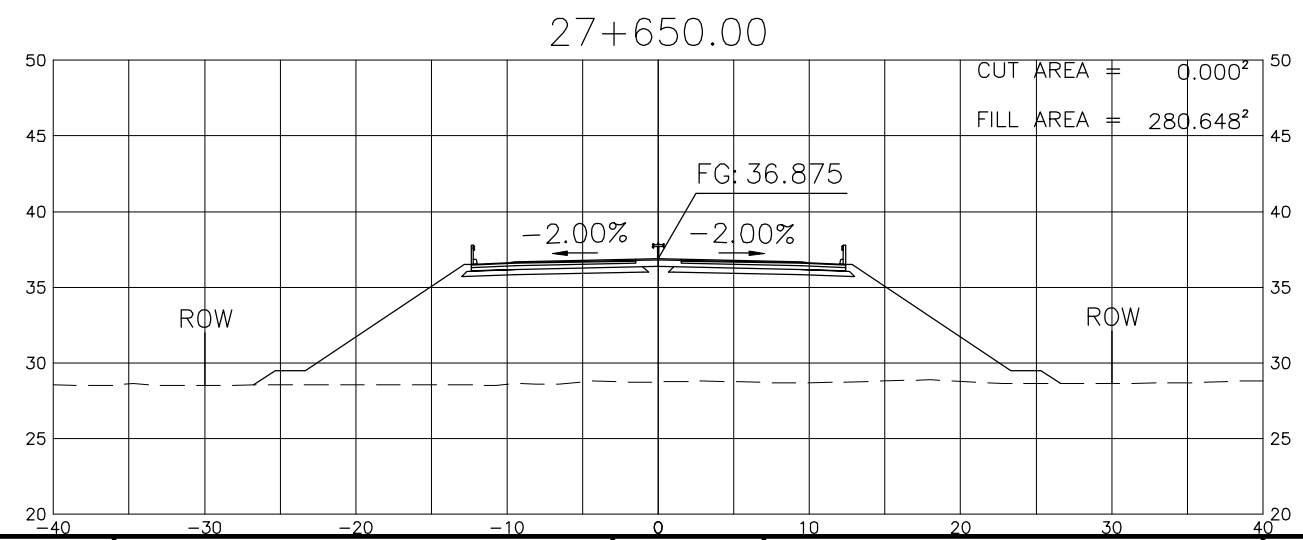
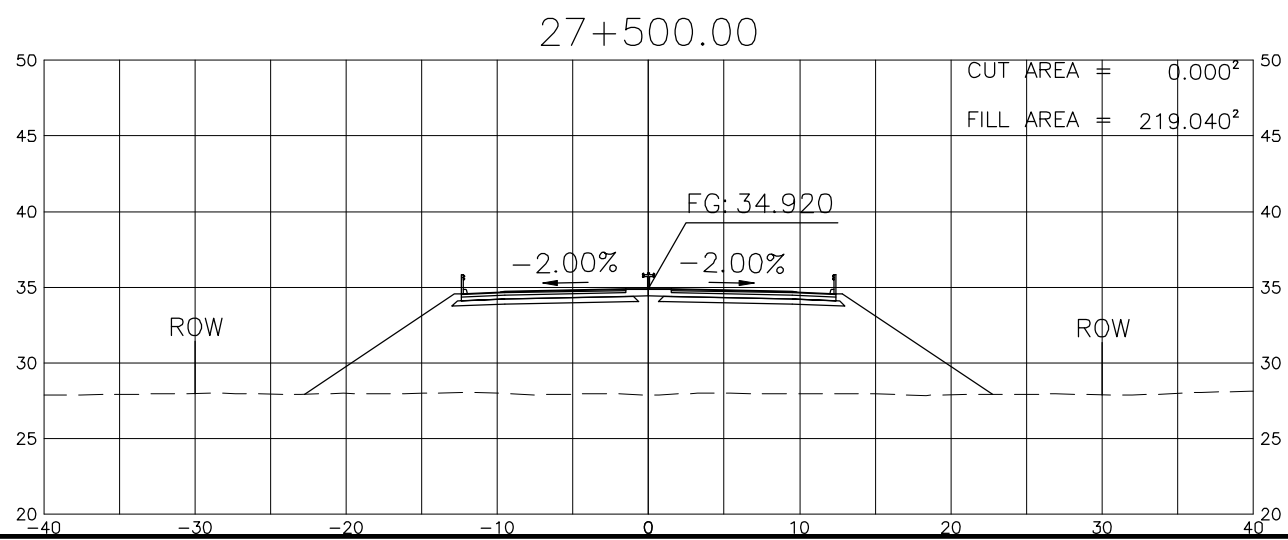
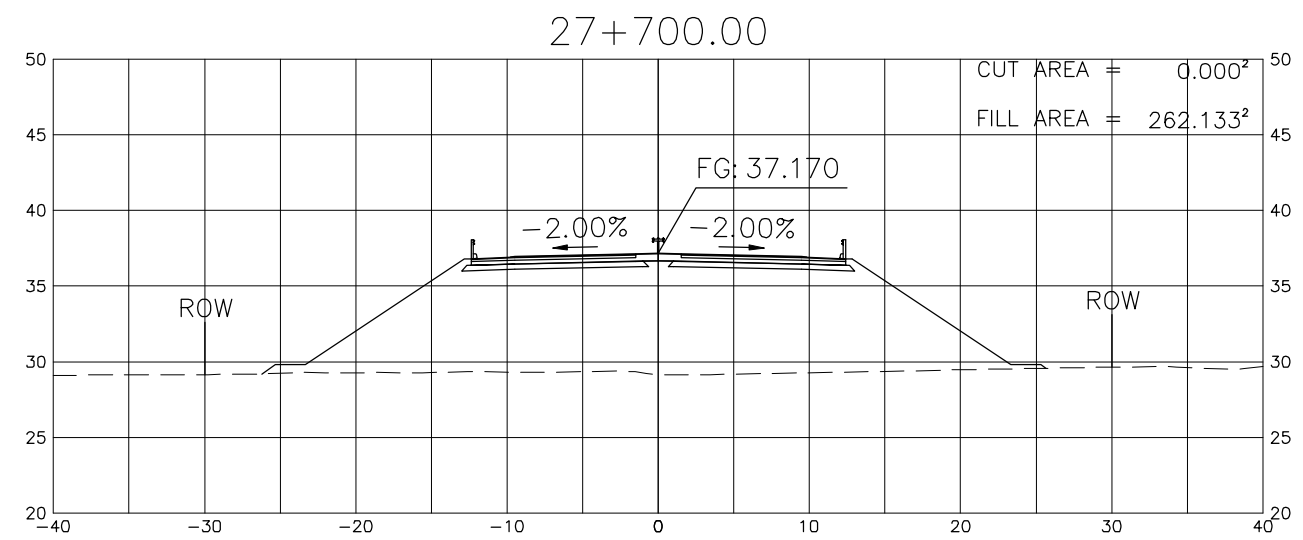
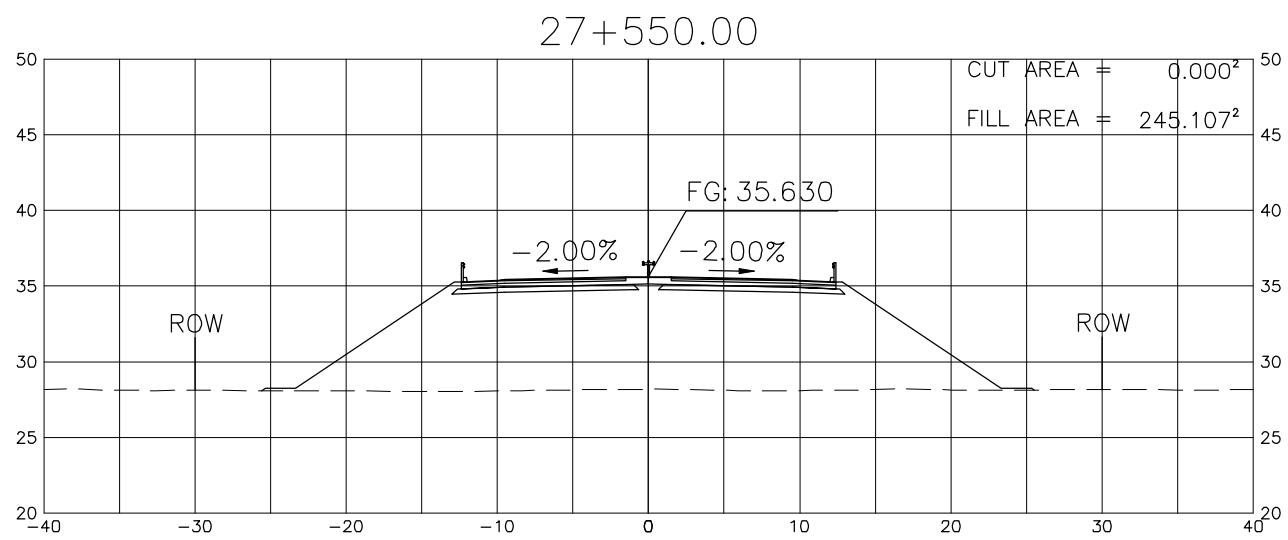
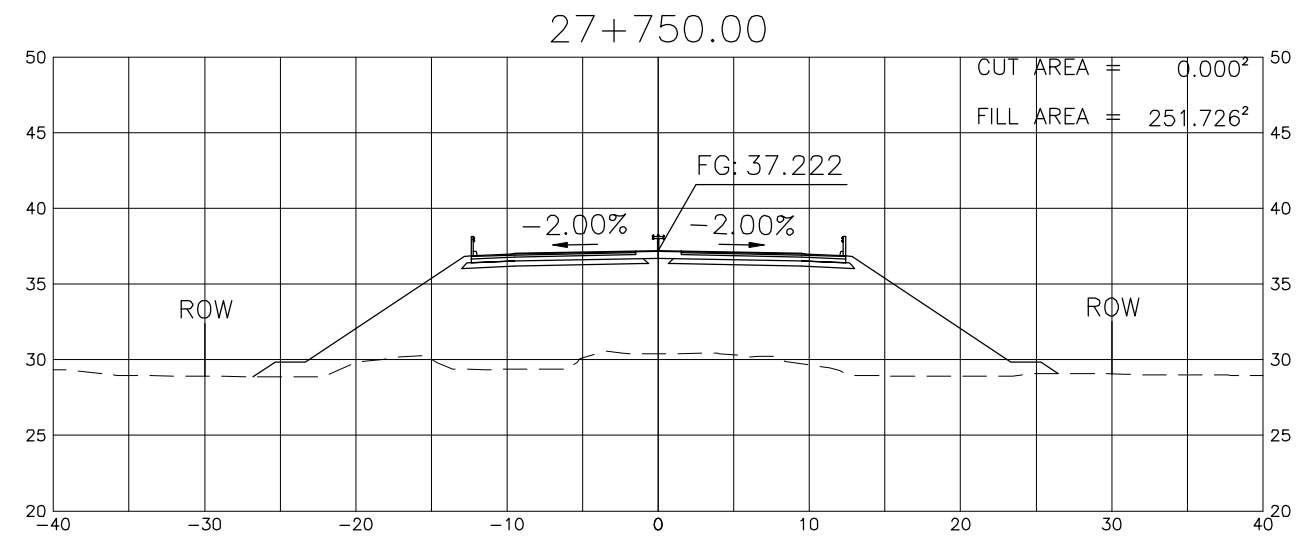
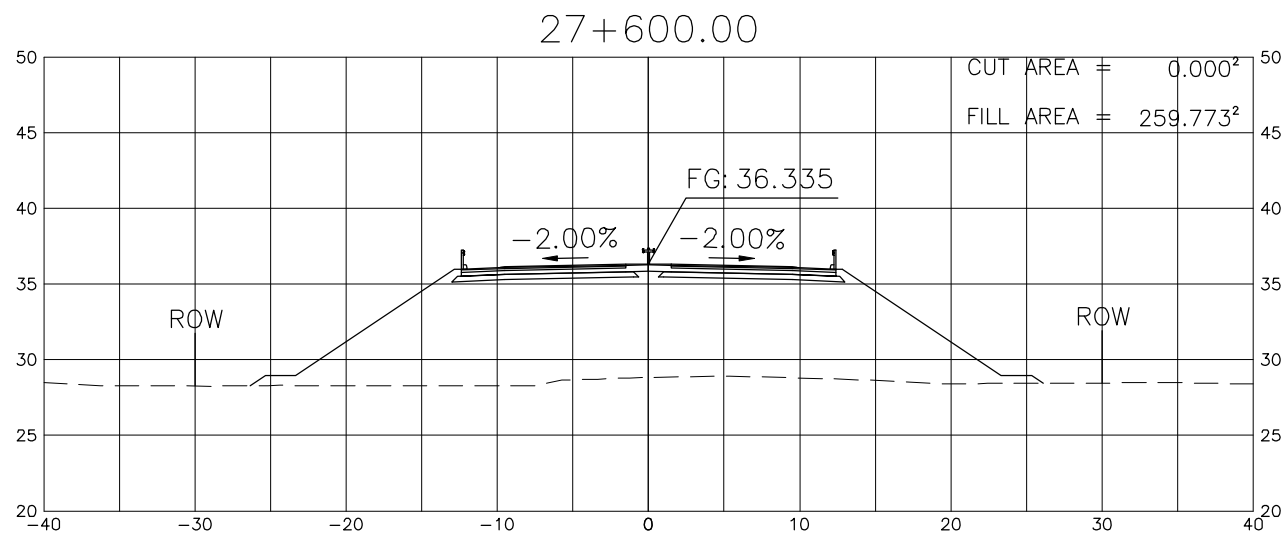


PROJECT TITLE	SCALE	SHEET CONTENT	DRAWING NO.
Preparatory survey for expressway project in Mega Manila Region CLLEX ( TARLAC - CABANATUAN )	A1 = 1:250 A3 = 1:500	CROSS SECTION ( ULTIMATE 4 LANE ) STA 26+800 TO STA 27+150	K-79
			SHEET NO.
			79 OF 90

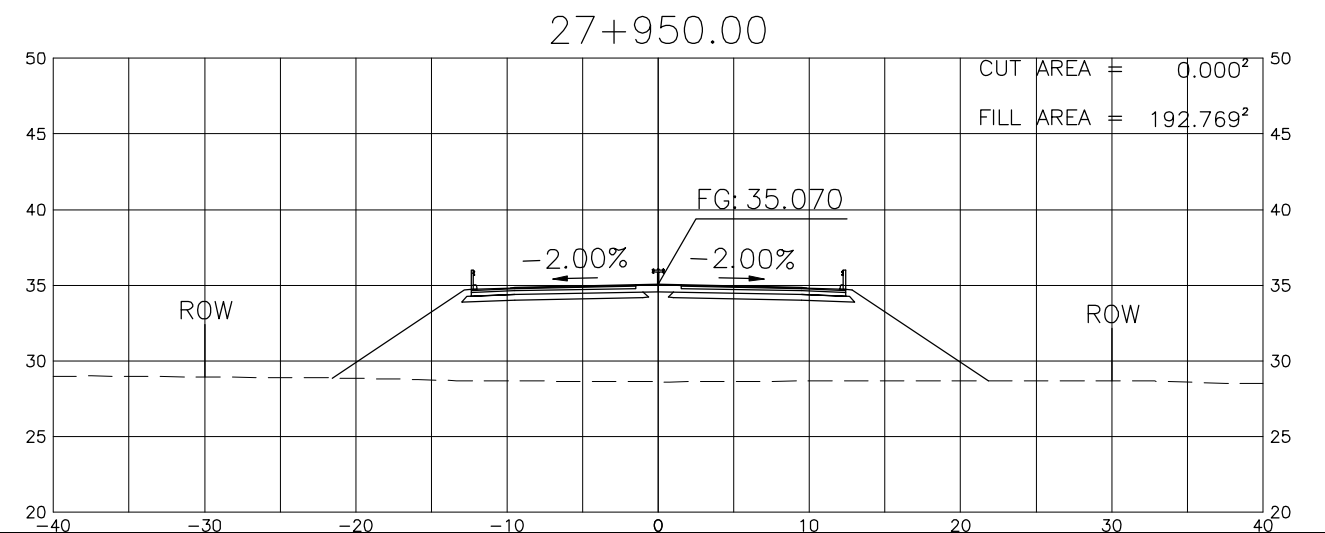
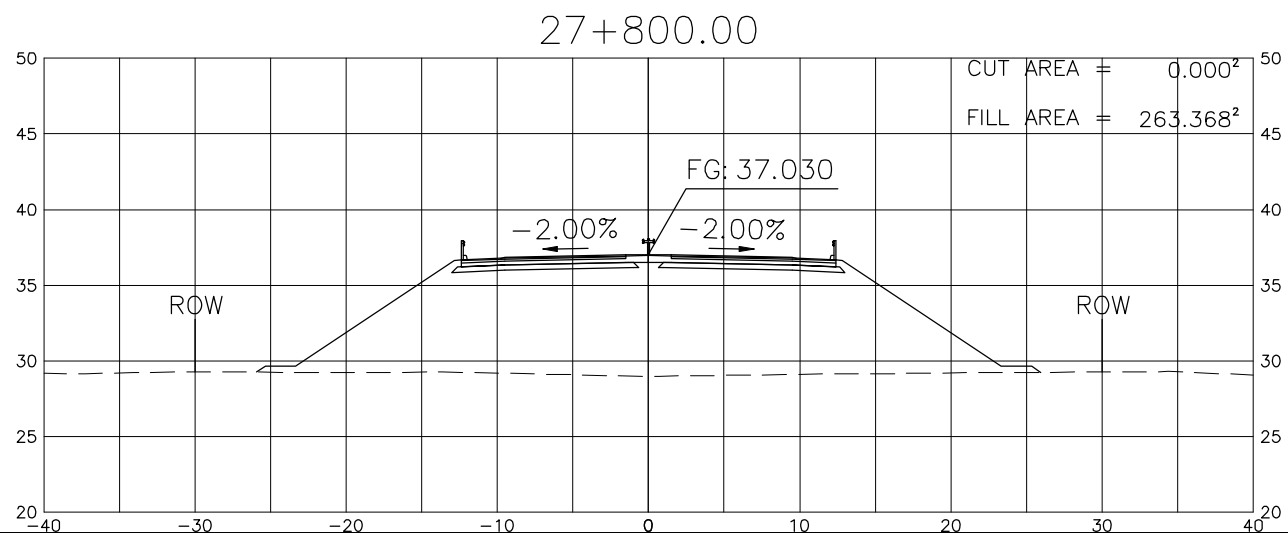
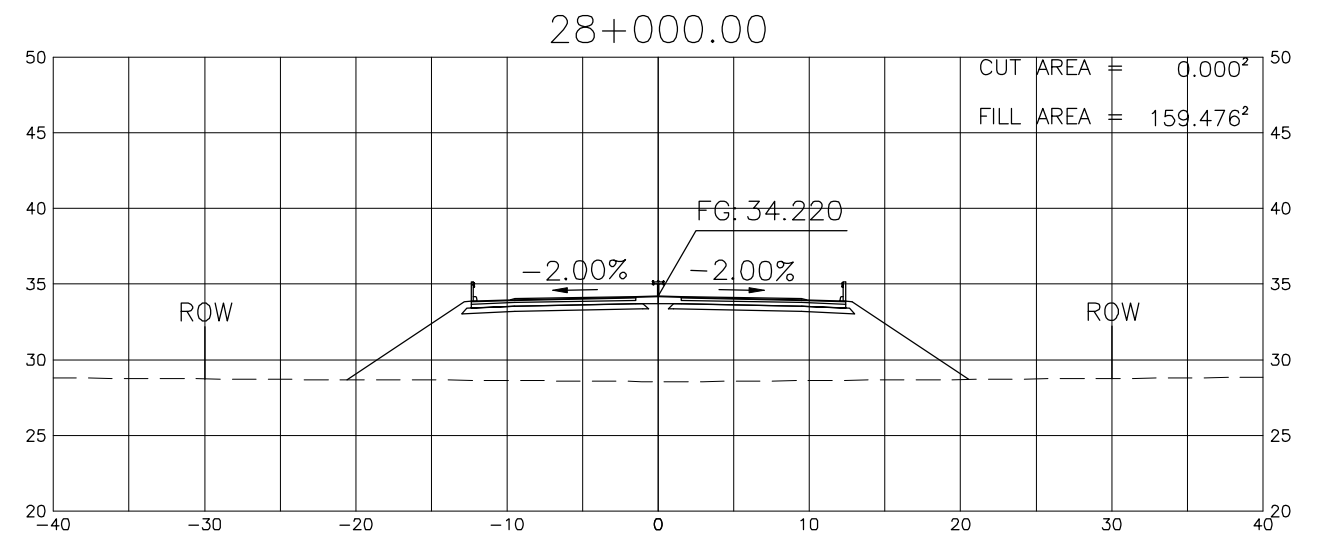
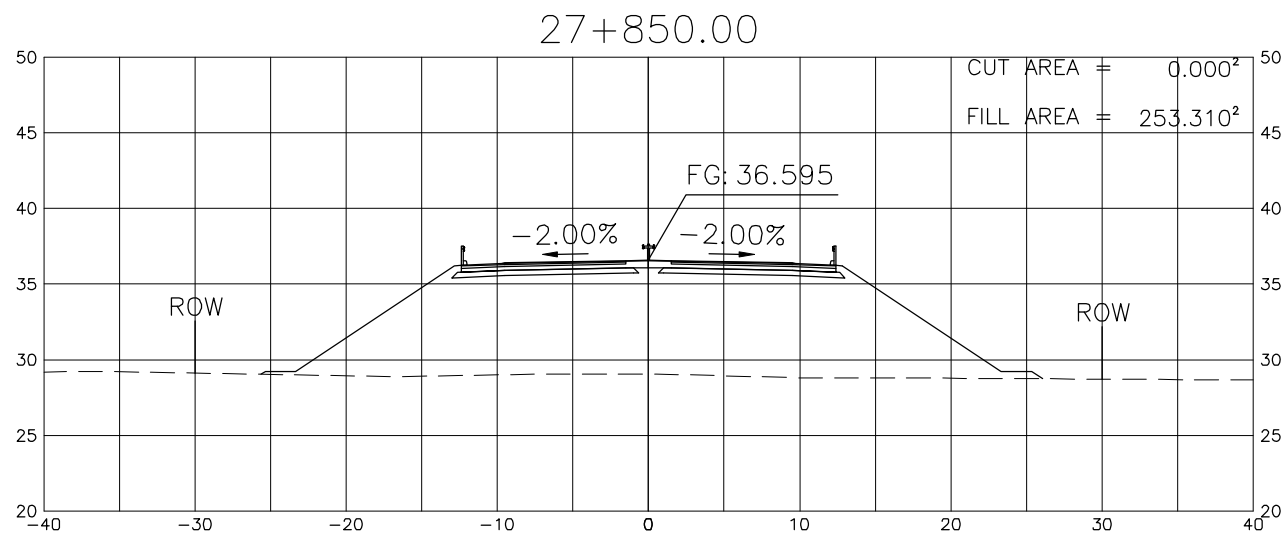
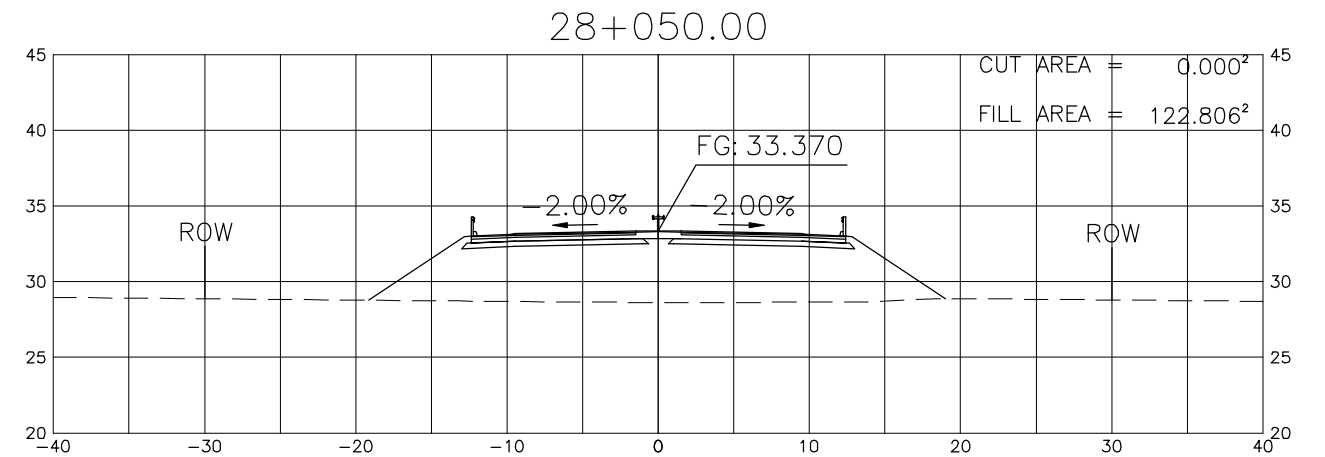
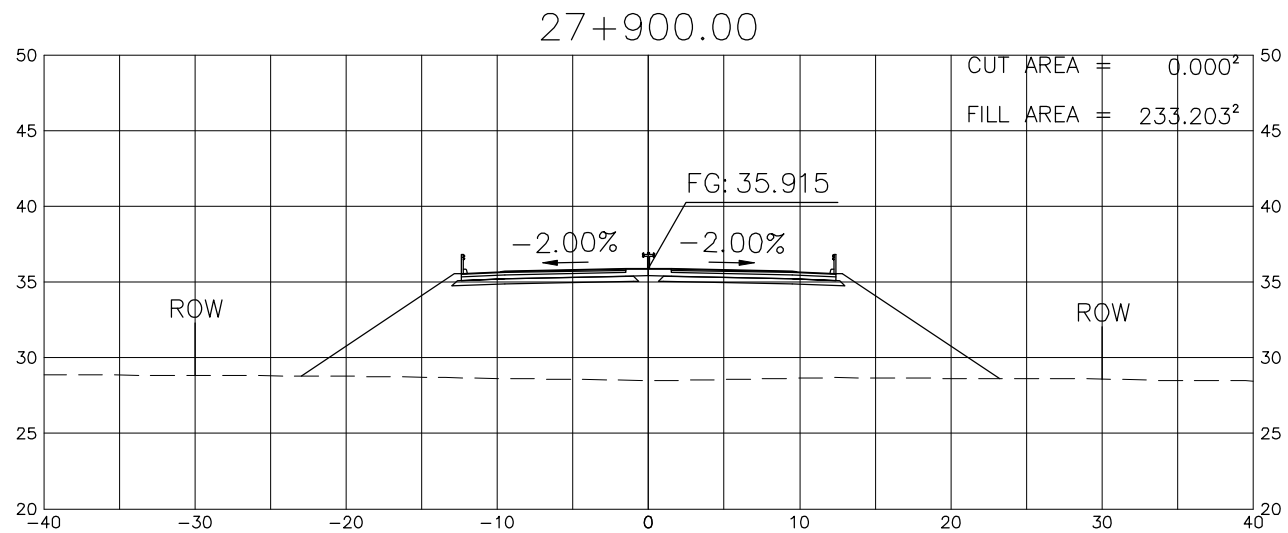


PROJECT TITLE	SCALE	SHEET CONTENT	DRAWING NO.
Preparatory survey for expressway project in Mega Manila Region CLLEX ( TARLAC - CABANATUAN )	A1 = 1:250 A3 = 1:500	CROSS SECTION (ULTIMATE 4 LANE) STA 27+200 TO STA 27+450	K-80
			SHEET NO.
			80 OF 90

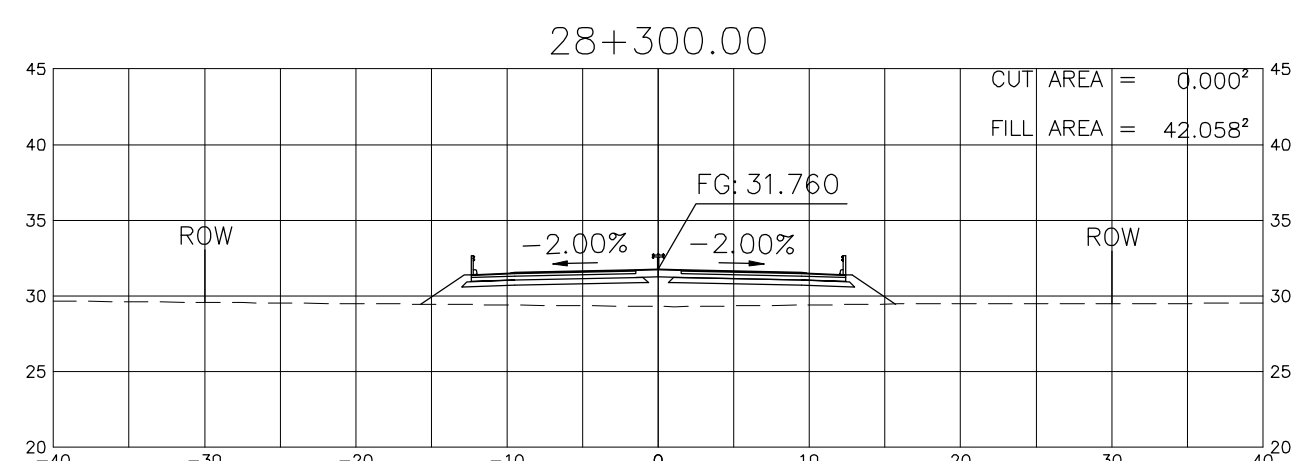
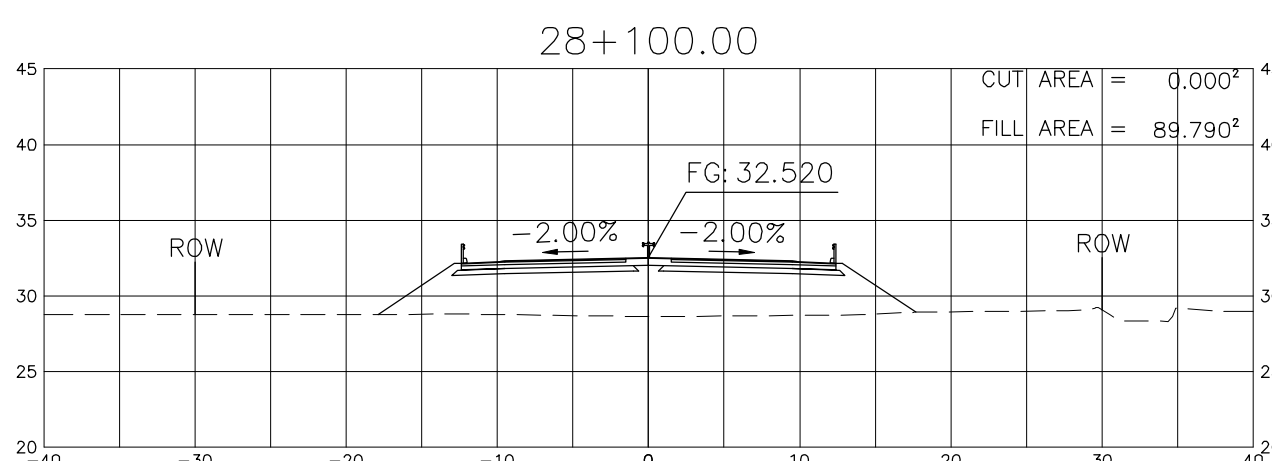
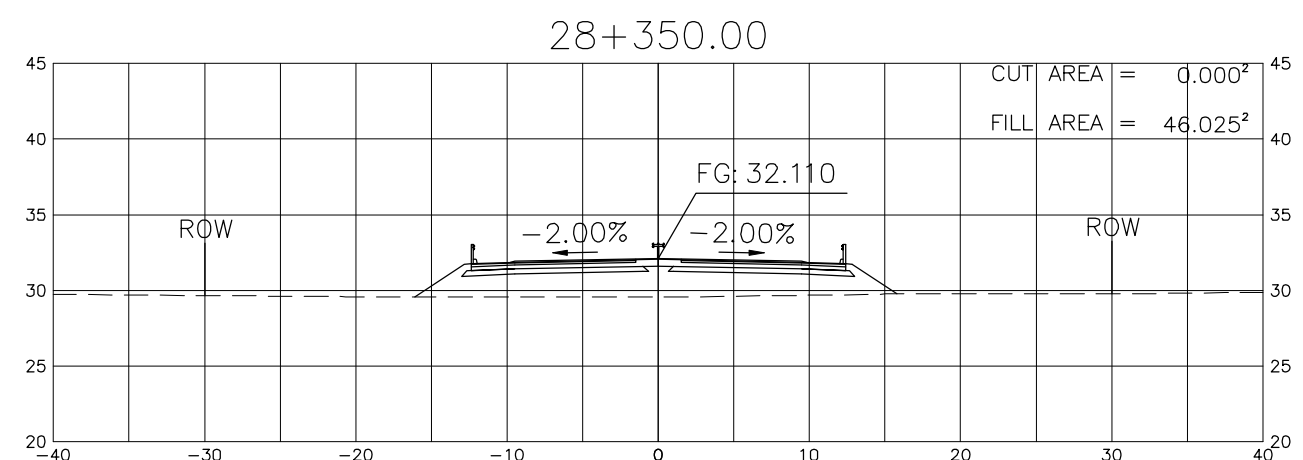
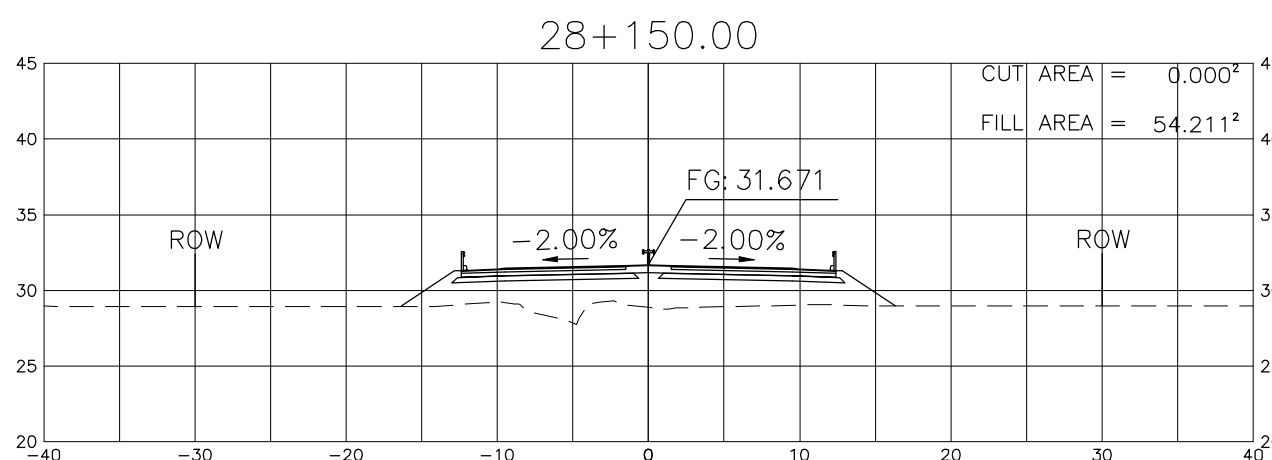
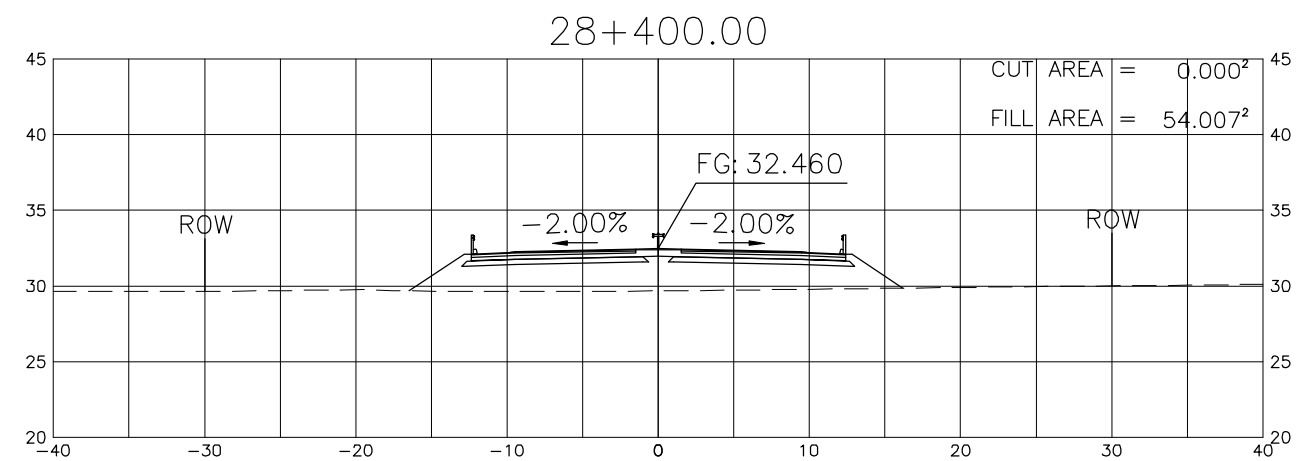
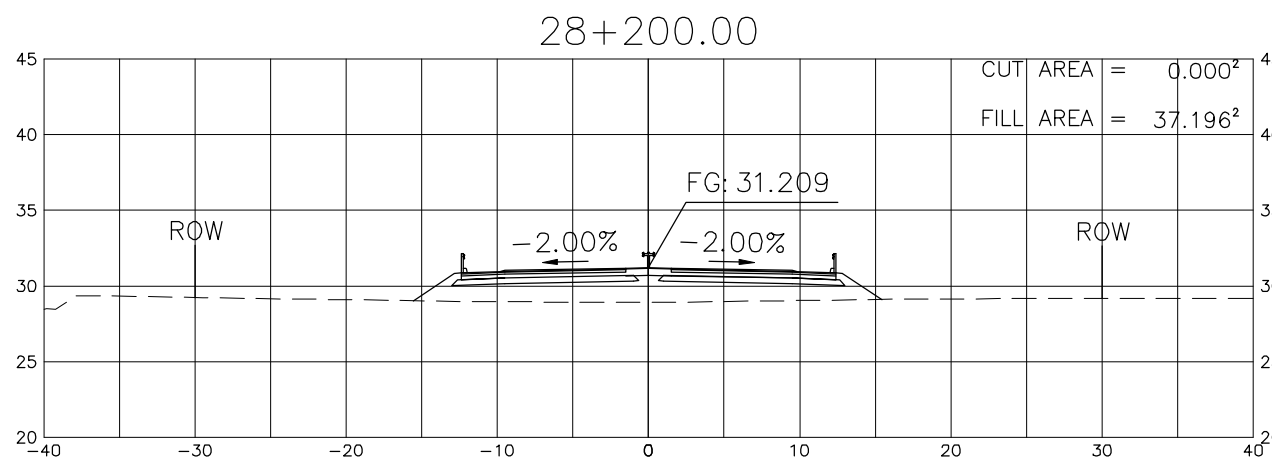
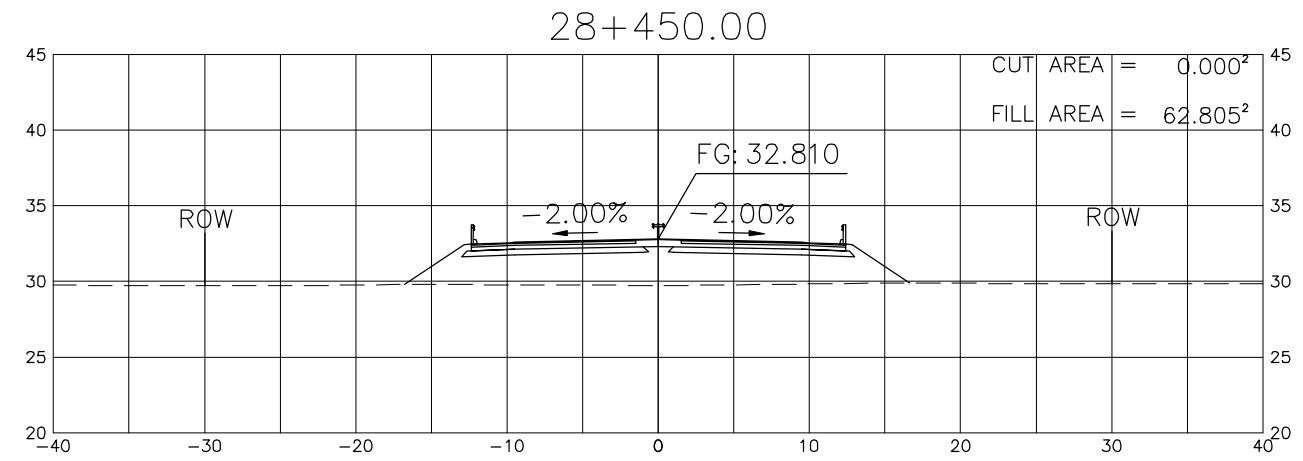
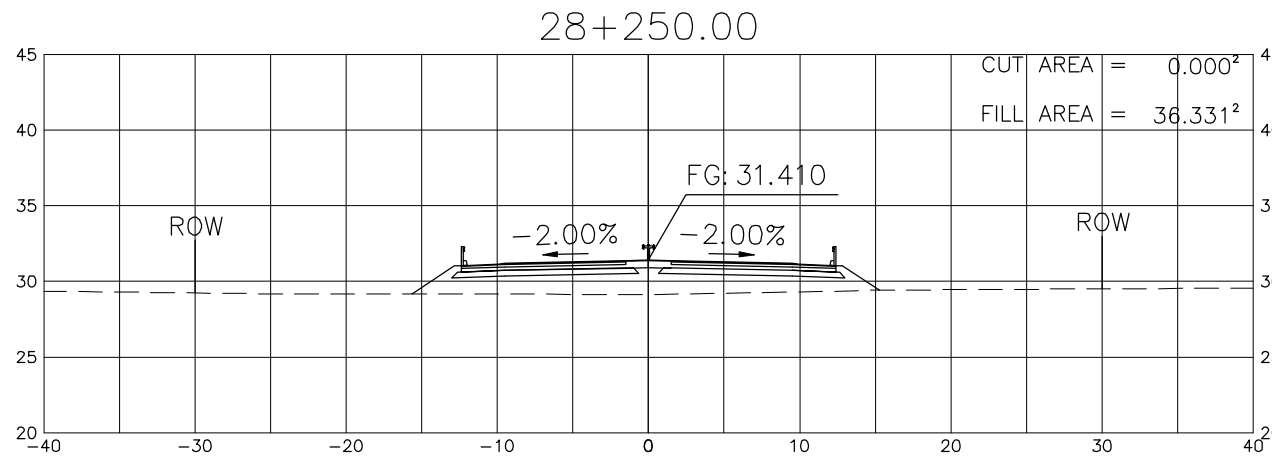




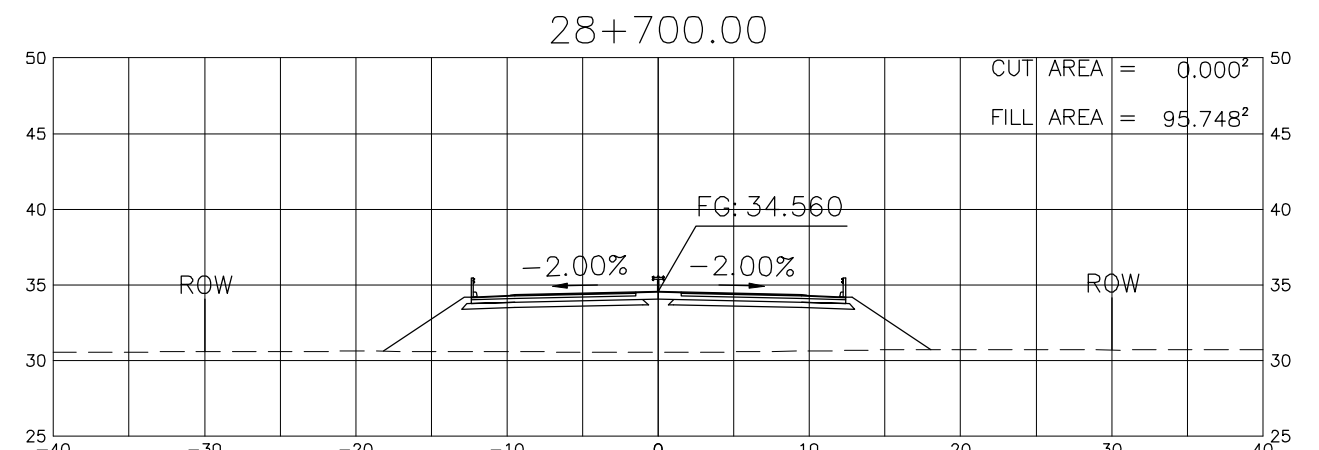
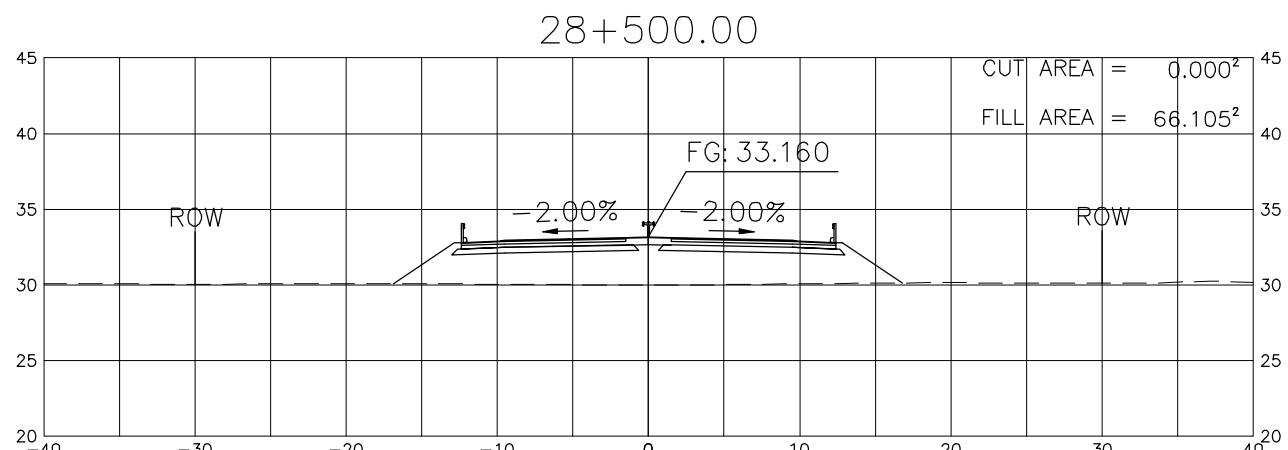
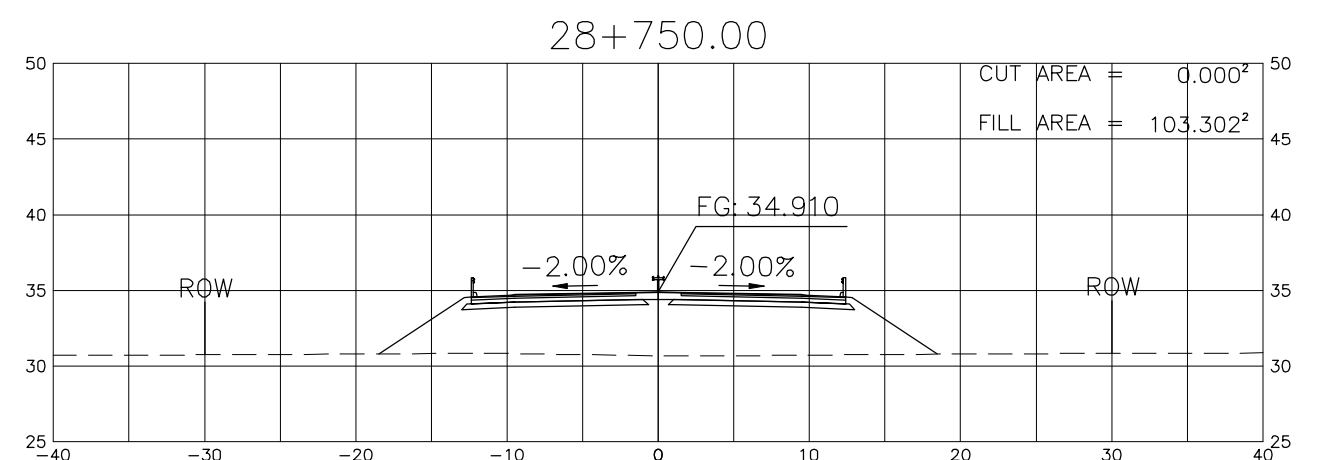
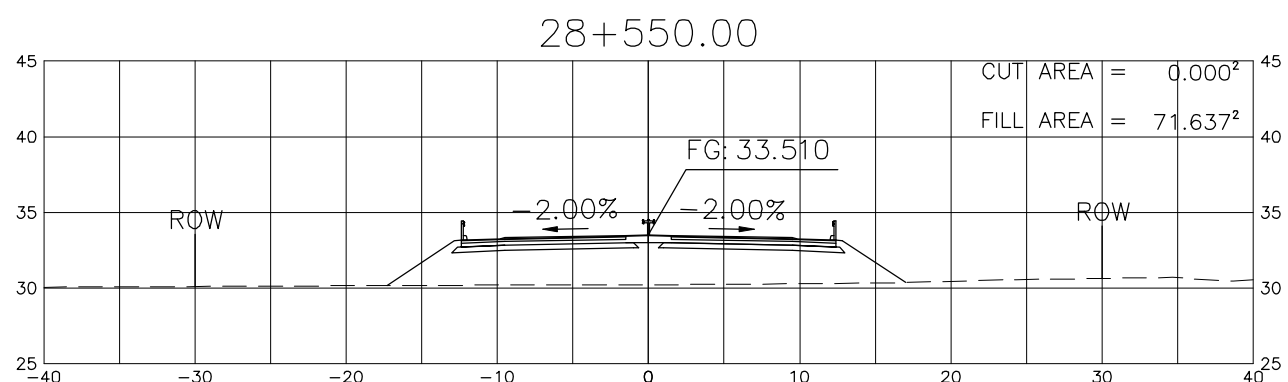
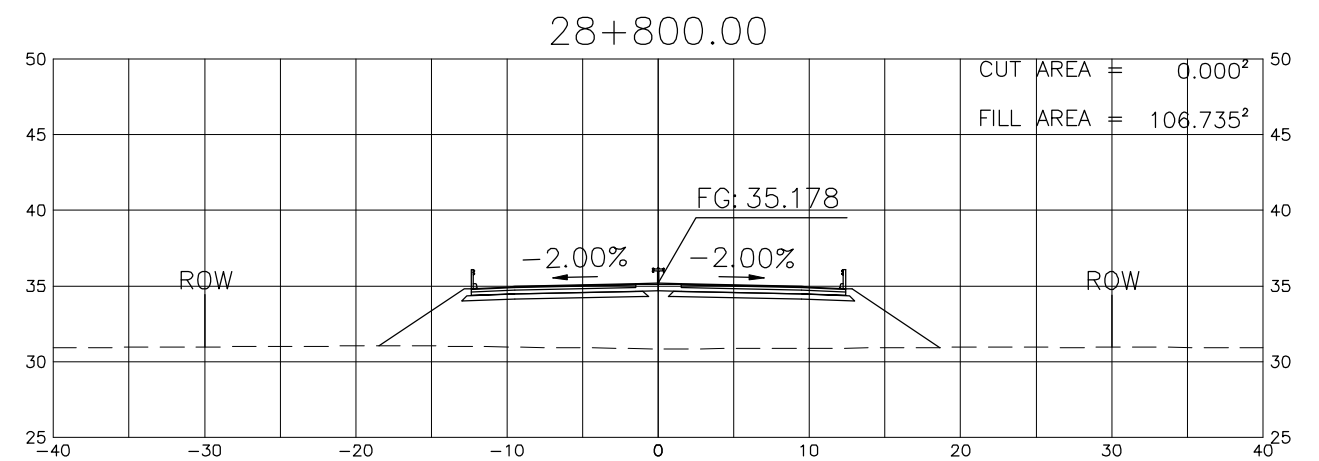
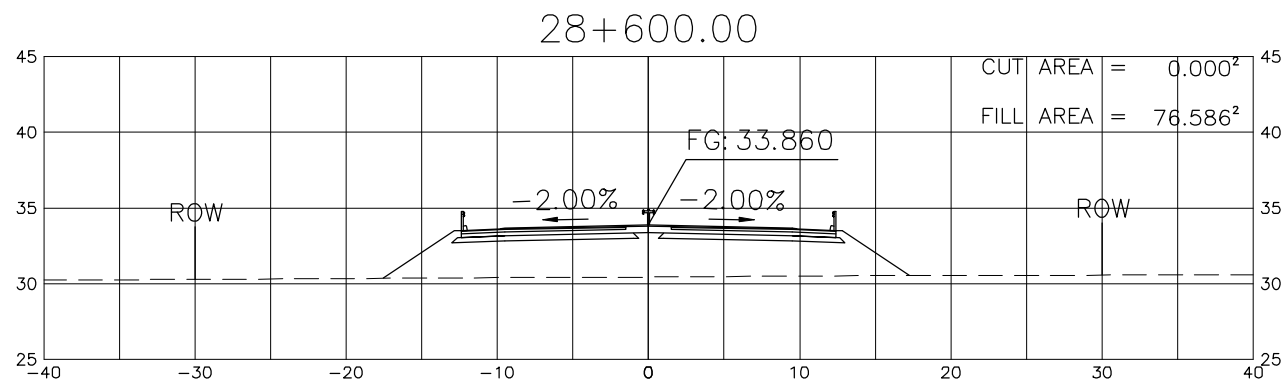
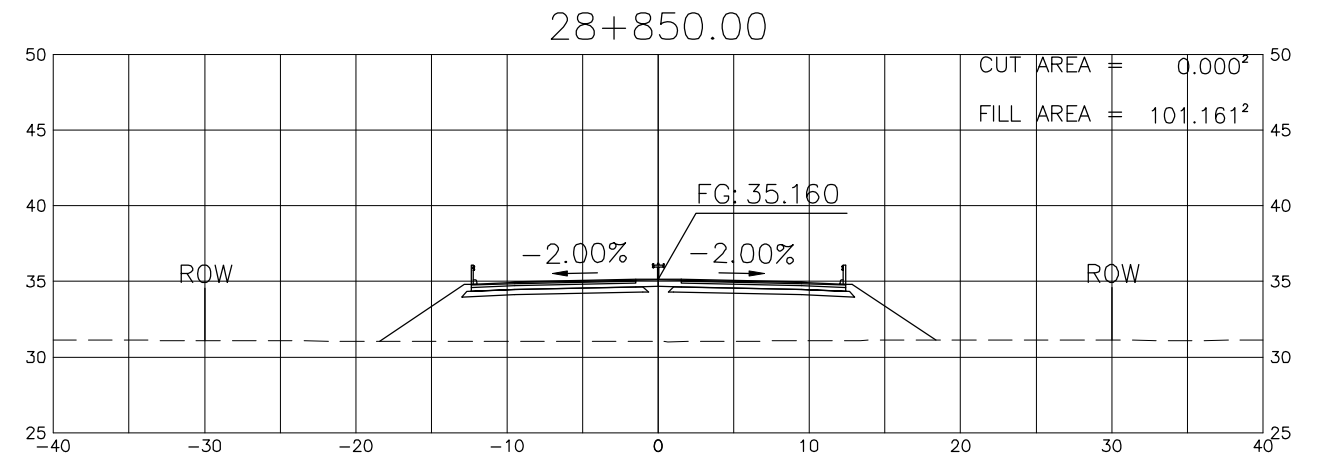
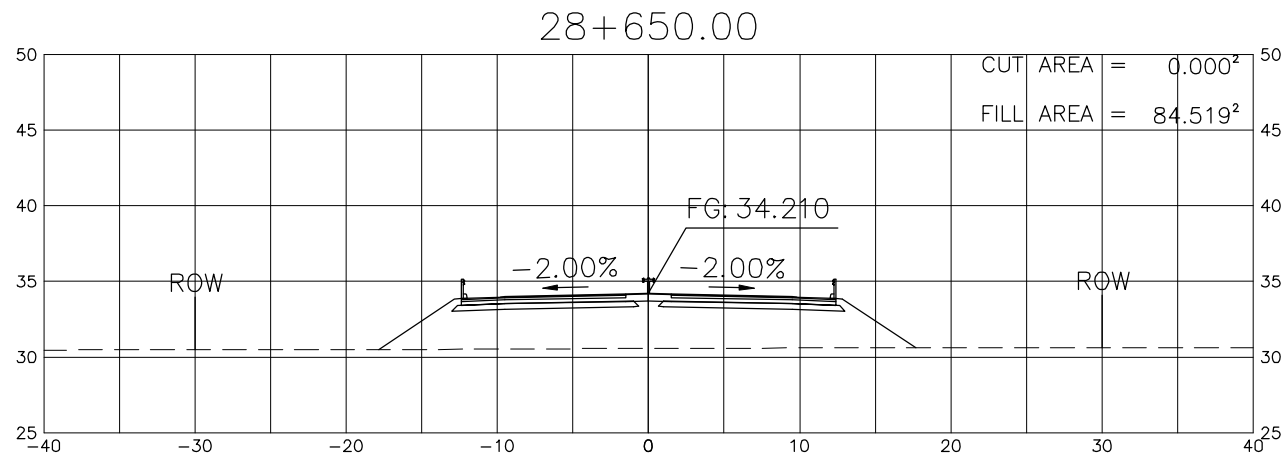
PROJECT TITLE	SCALE	SHEET CONTENT	DRAWING NO.
Preparatory survey for expressway project in Mega Manila Region CLLEX ( TARLAC - CABANATUAN )	A1 = 1:250 A3 = 1:500	CROSS SECTION ( ULTIMATE 4 LANE ) STA 27+500 TO STA 27+750	K-81
			SHEET NO.
			81 OF 90



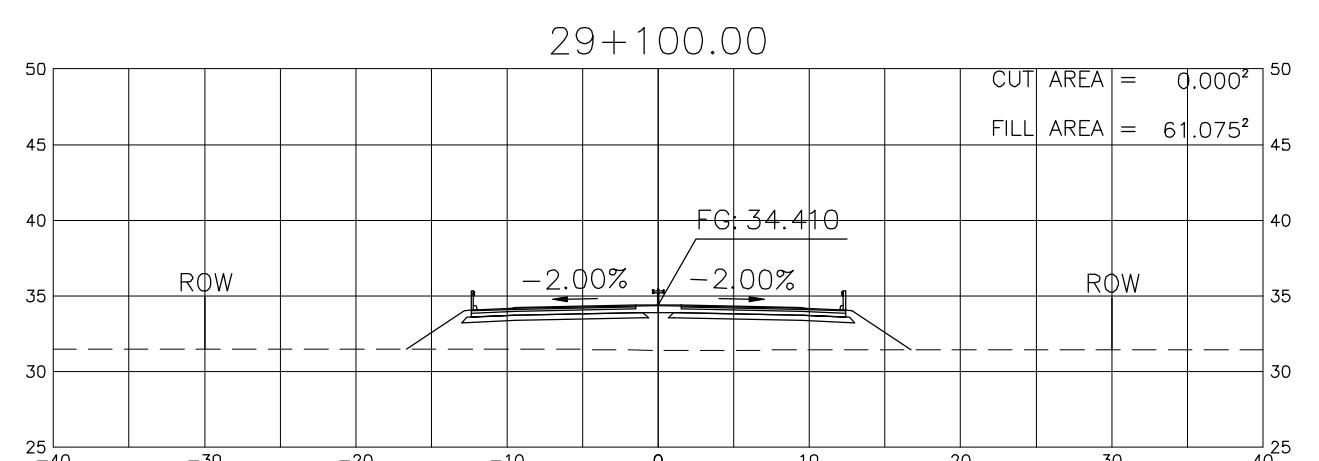
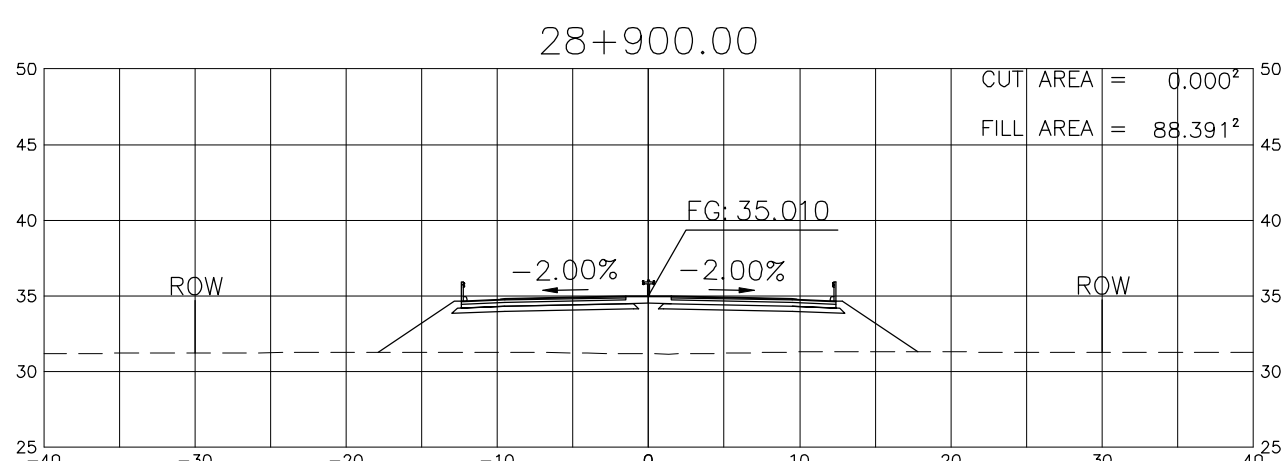
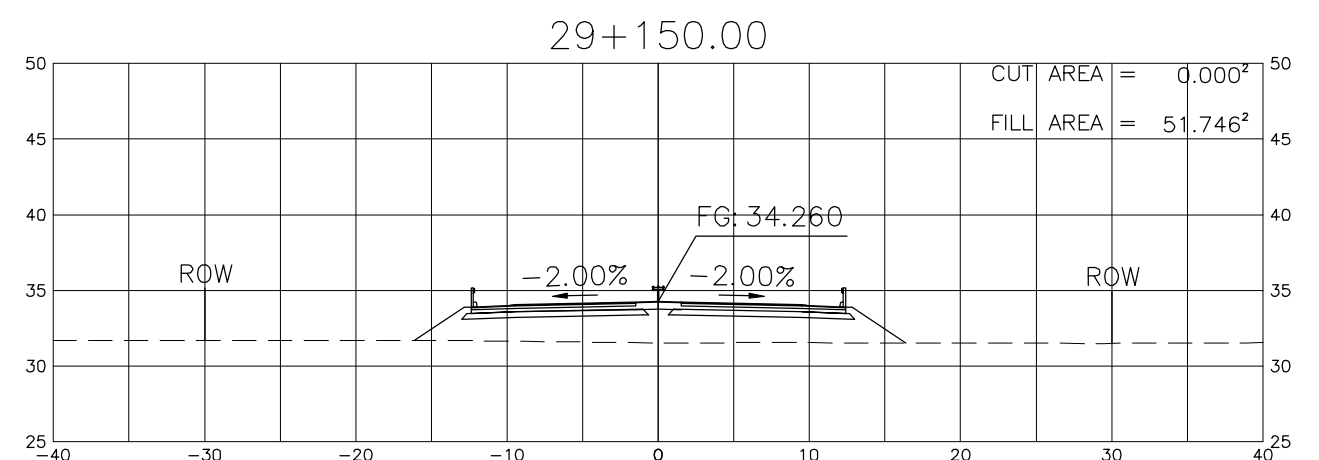
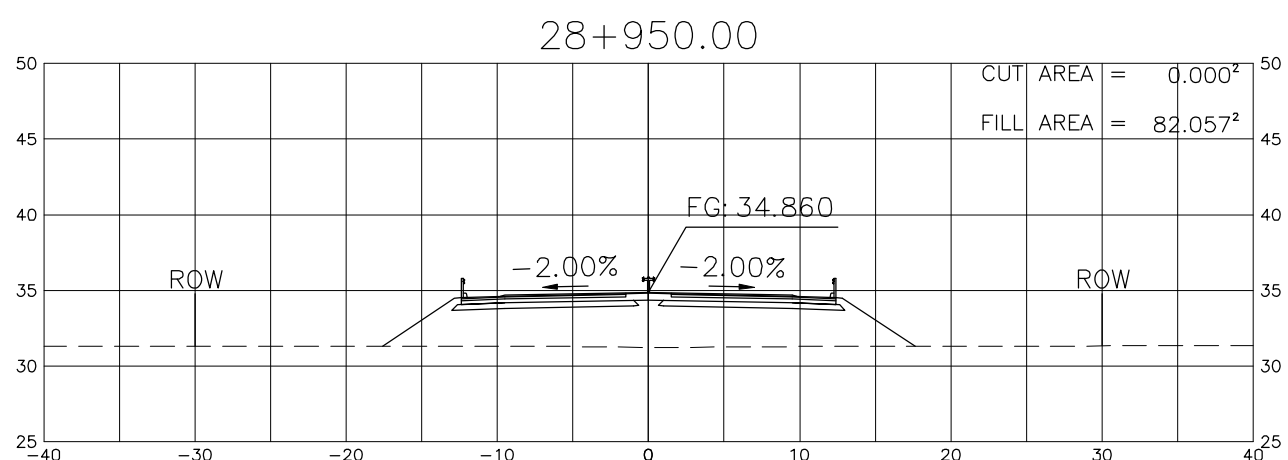
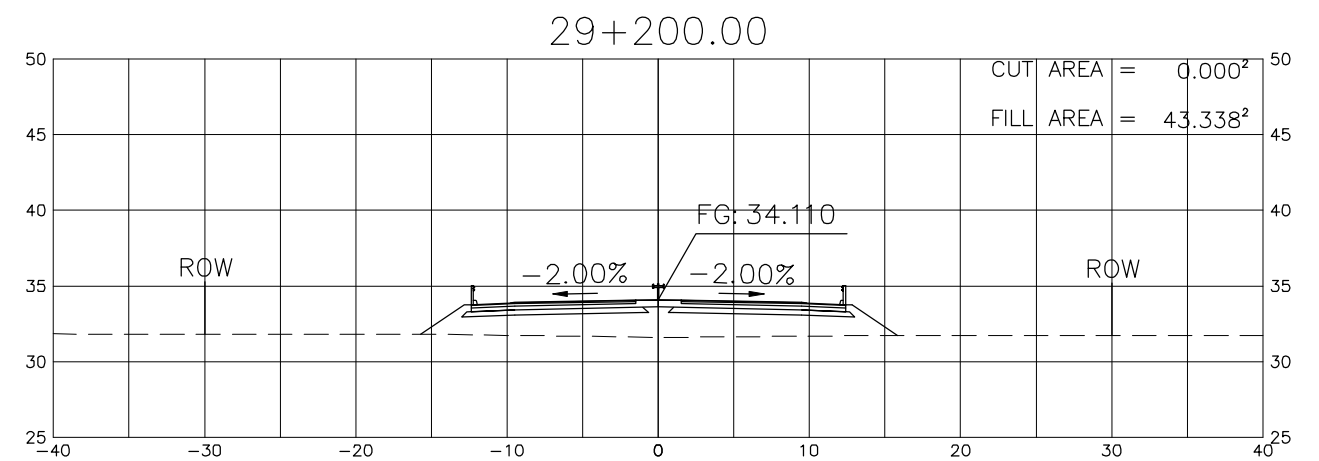
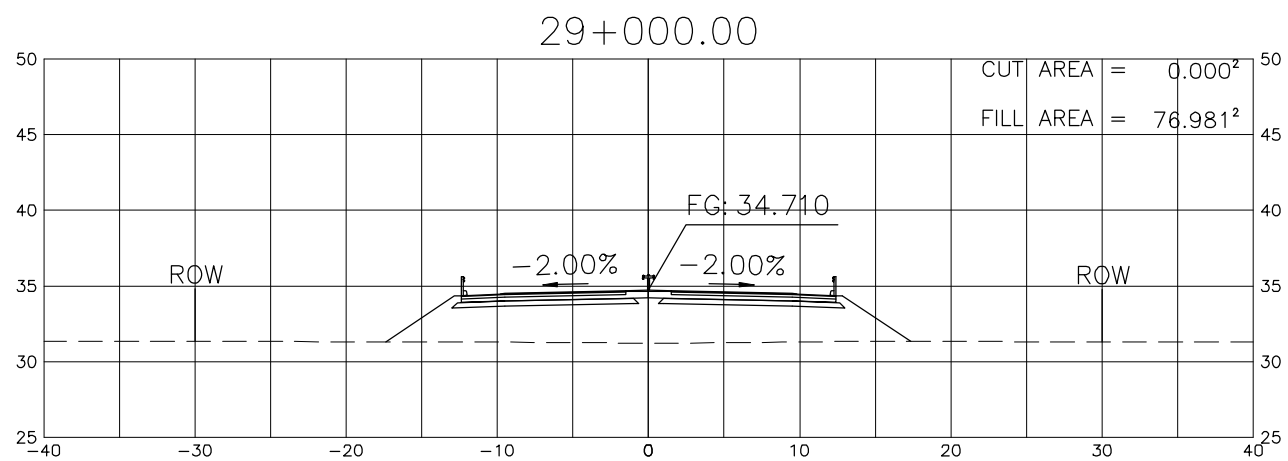
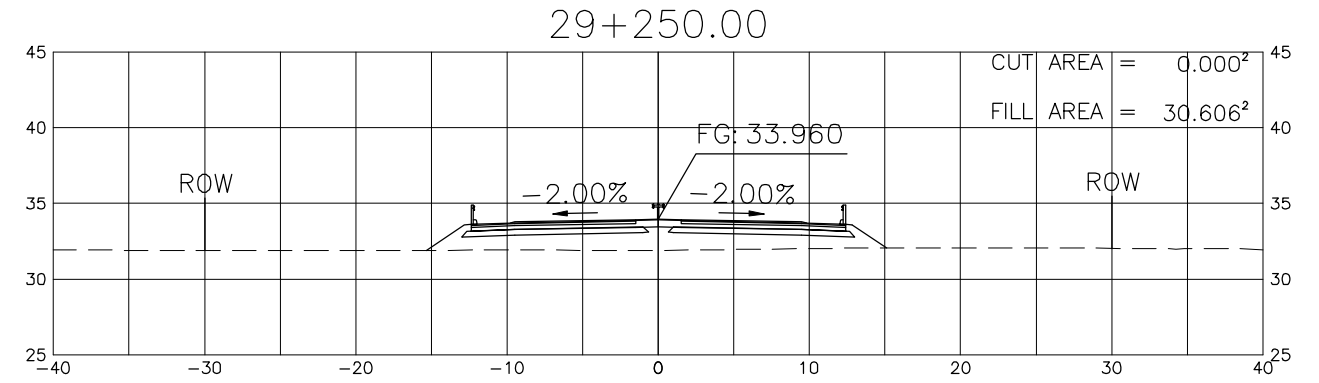
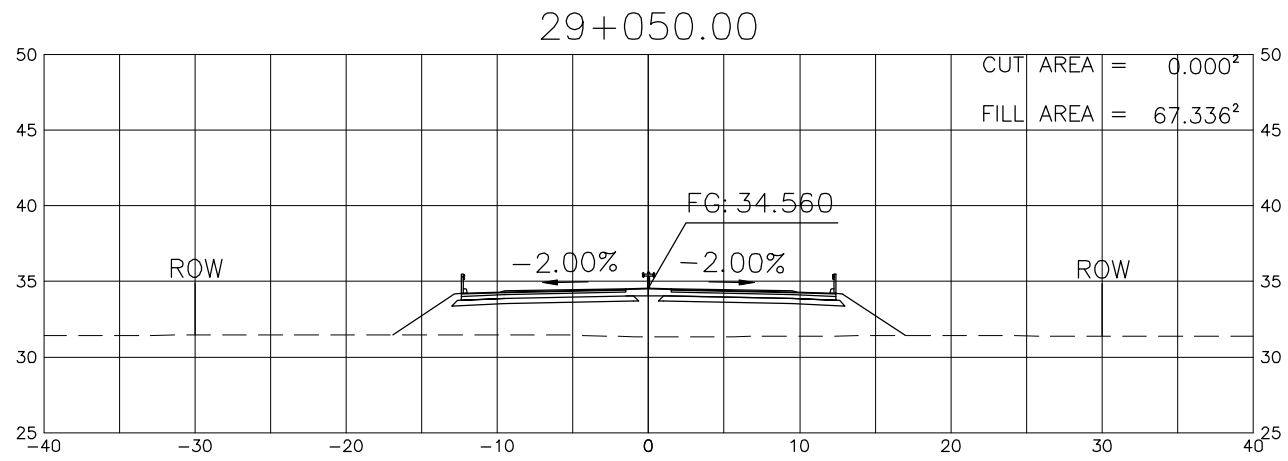
PROJECT TITLE	SCALE	SHEET CONTENT	DRAWING NO.
Preparatory survey for expressway project in Mega Manila Region CLLEX ( TARLAC - CABANATUAN )	A1 = 1:250 A3 = 1:500	CROSS SECTION ( ULTIMATE 4 LANE ) STA 27+800 TO STA 28+050	K-82
			SHEET NO.
			82 OF 90



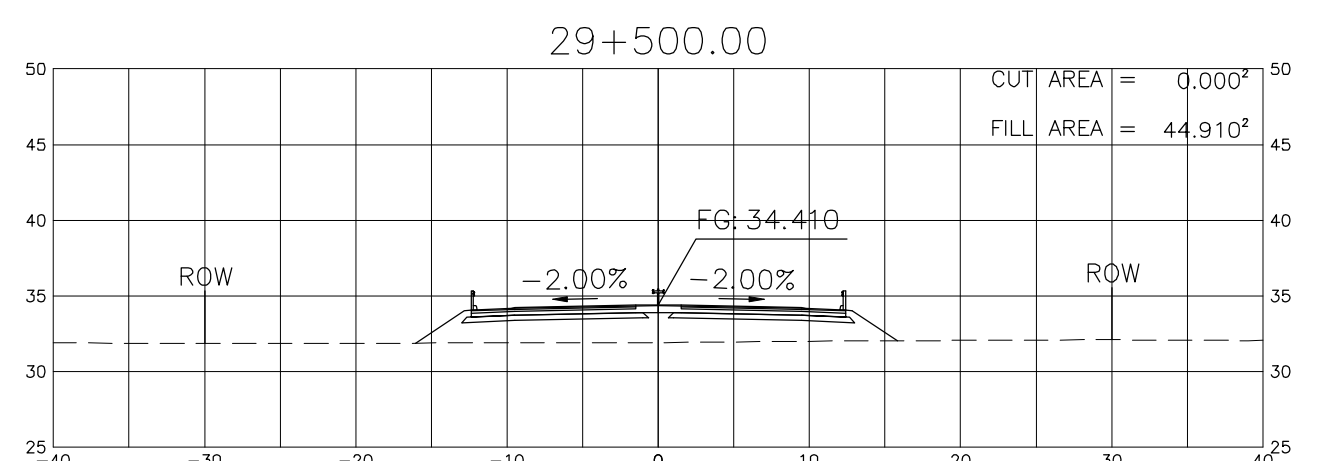
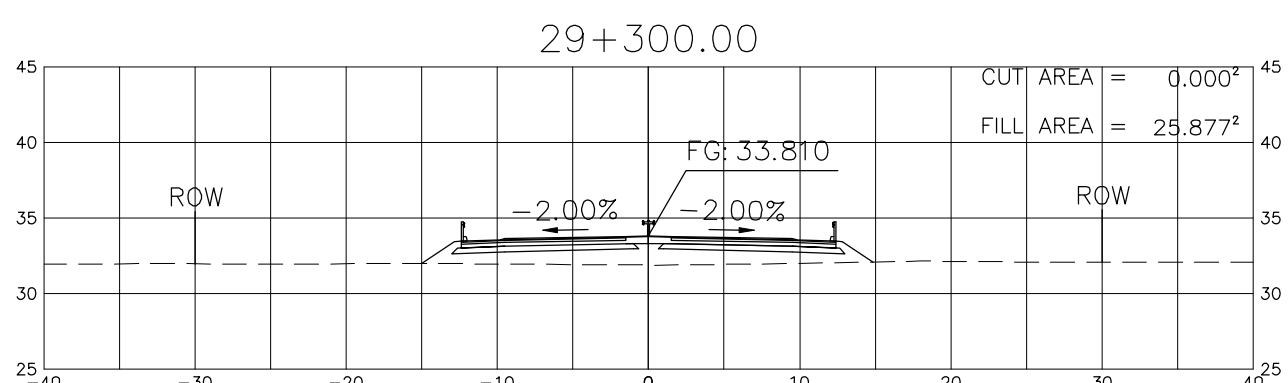
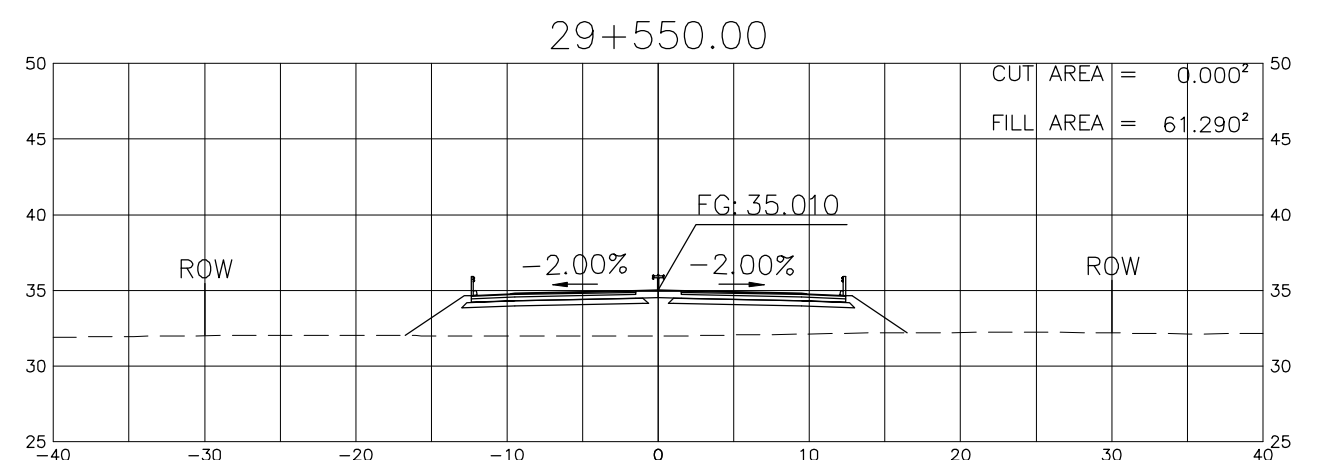
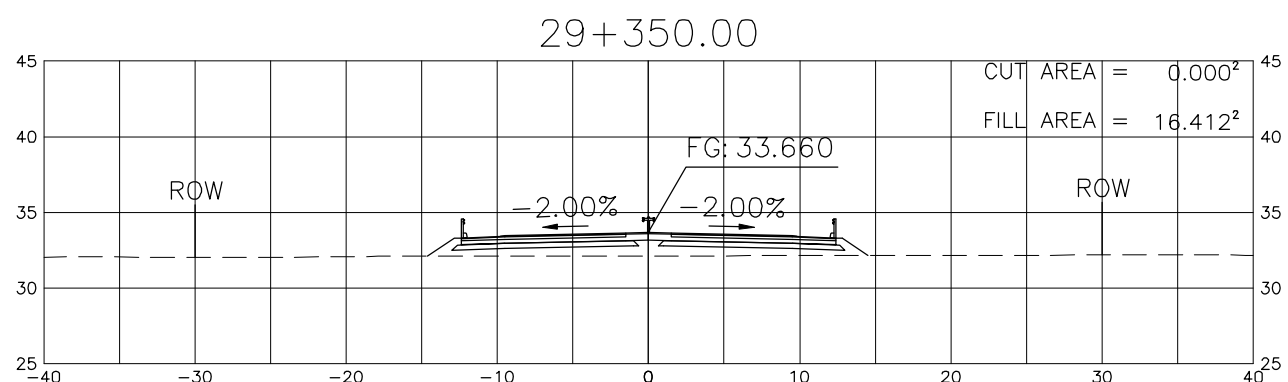
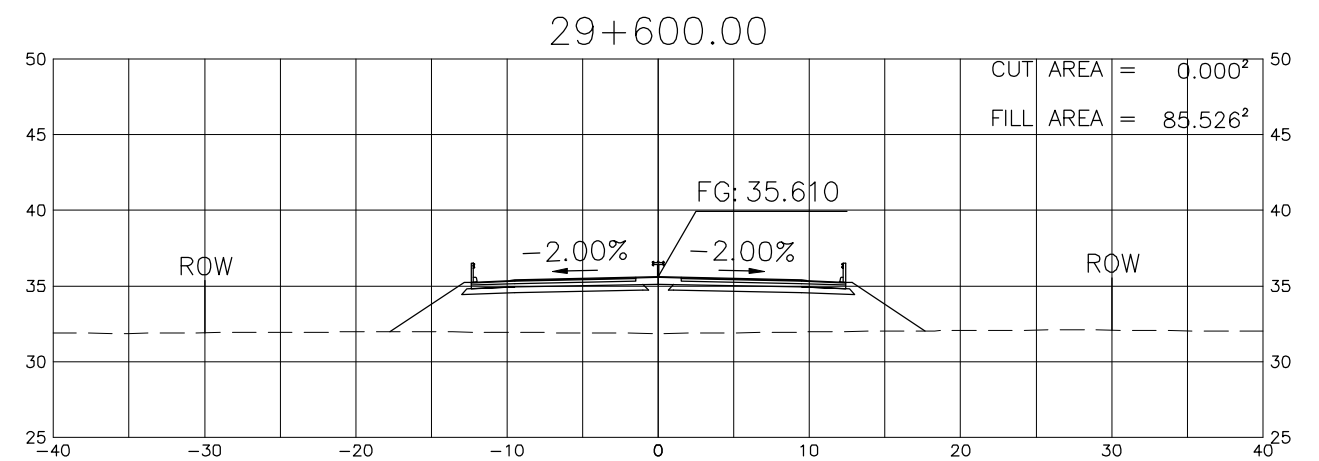
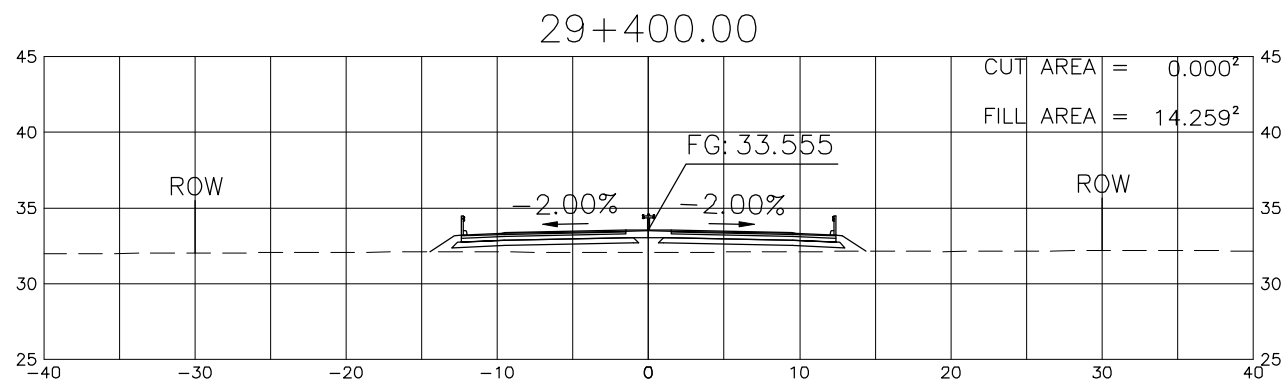
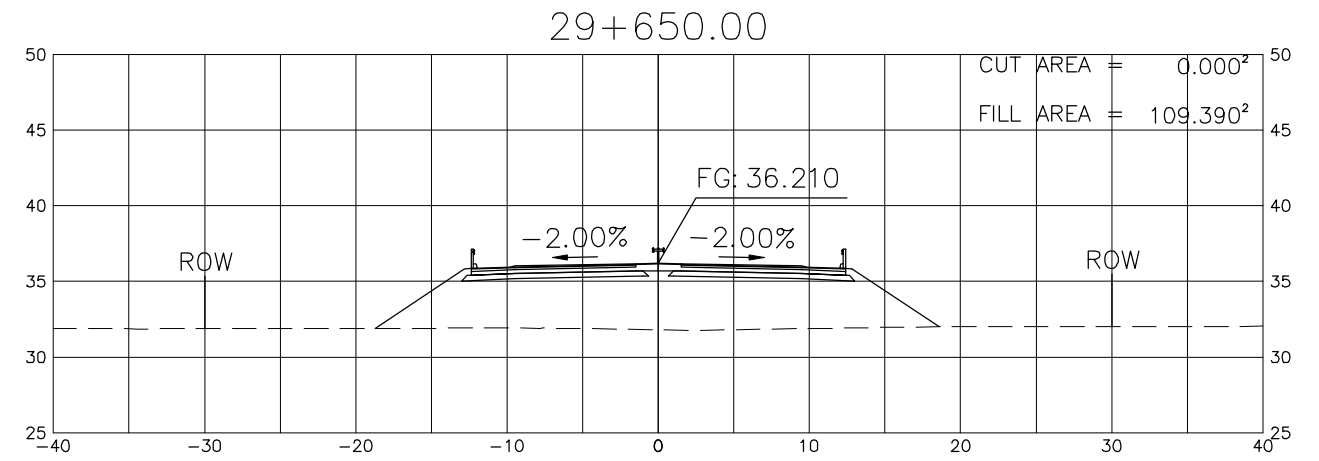
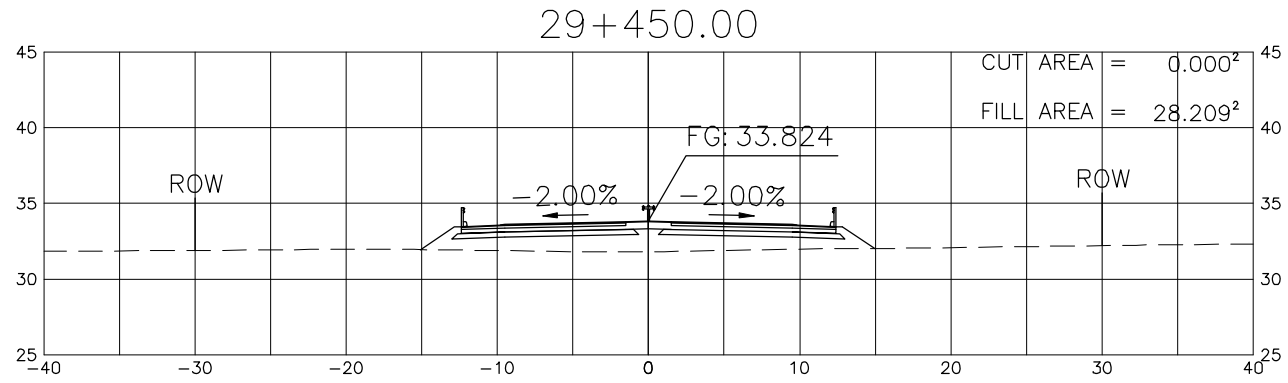
PROJECT TITLE	SCALE	SHEET CONTENT	DRAWING NO.
Preparatory survey for expressway project in Mega Manila Region CLLEX ( TARLAC - CABANATUAN )	A1 = 1:250 A3 = 1:500	CROSS SECTION (ULTIMATE 4 LANE) STA 29+100 TO STA 28+450	K-83
			SHEET NO.
			83 OF 90



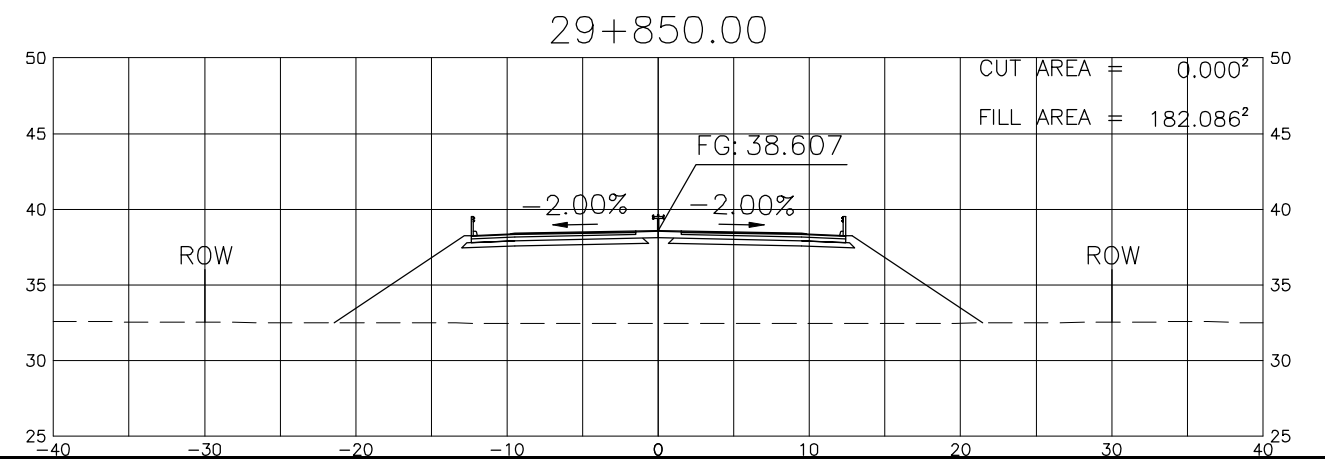
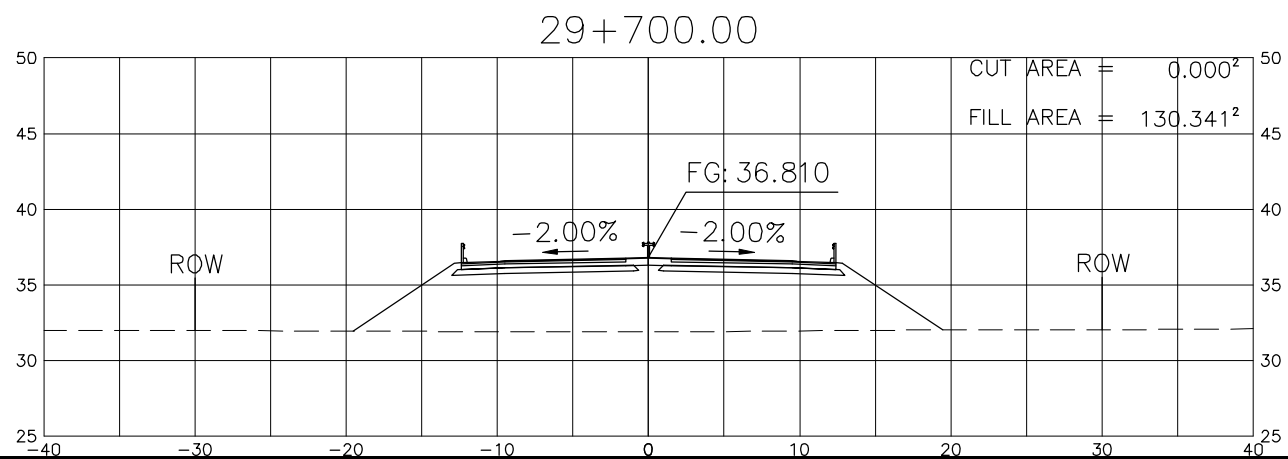
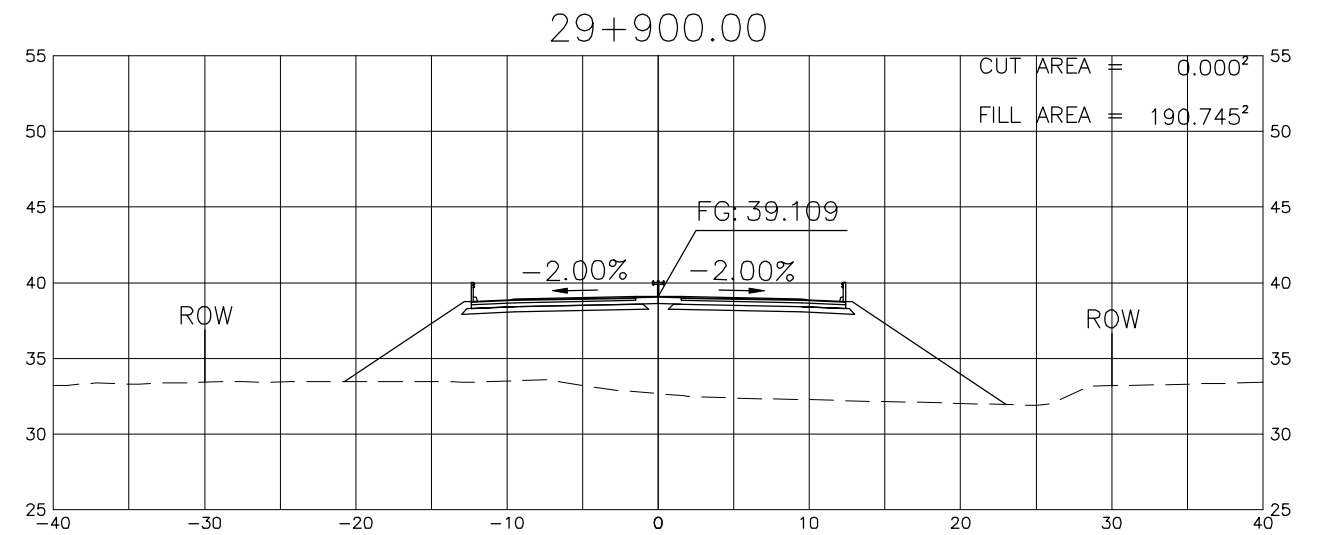
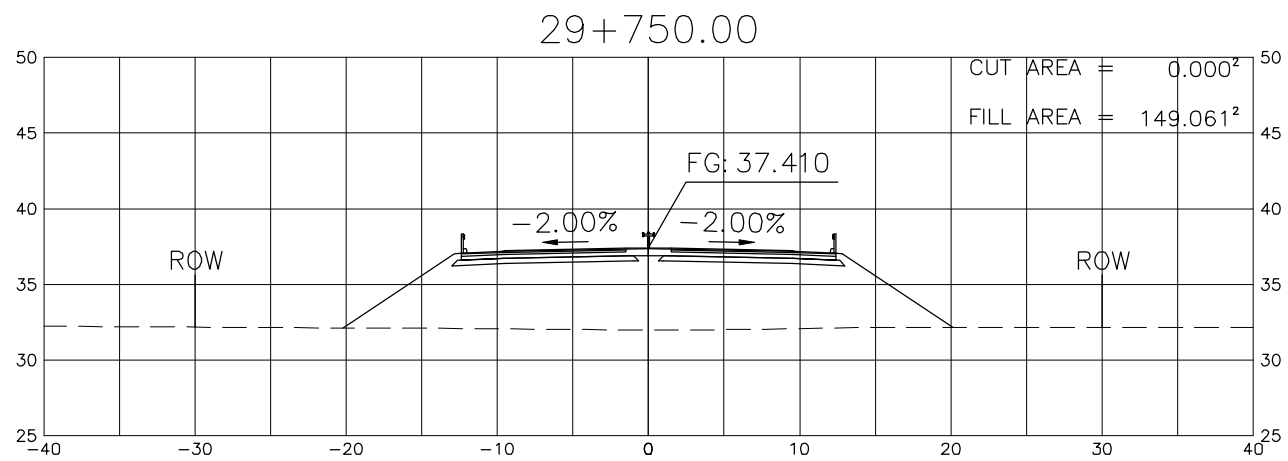
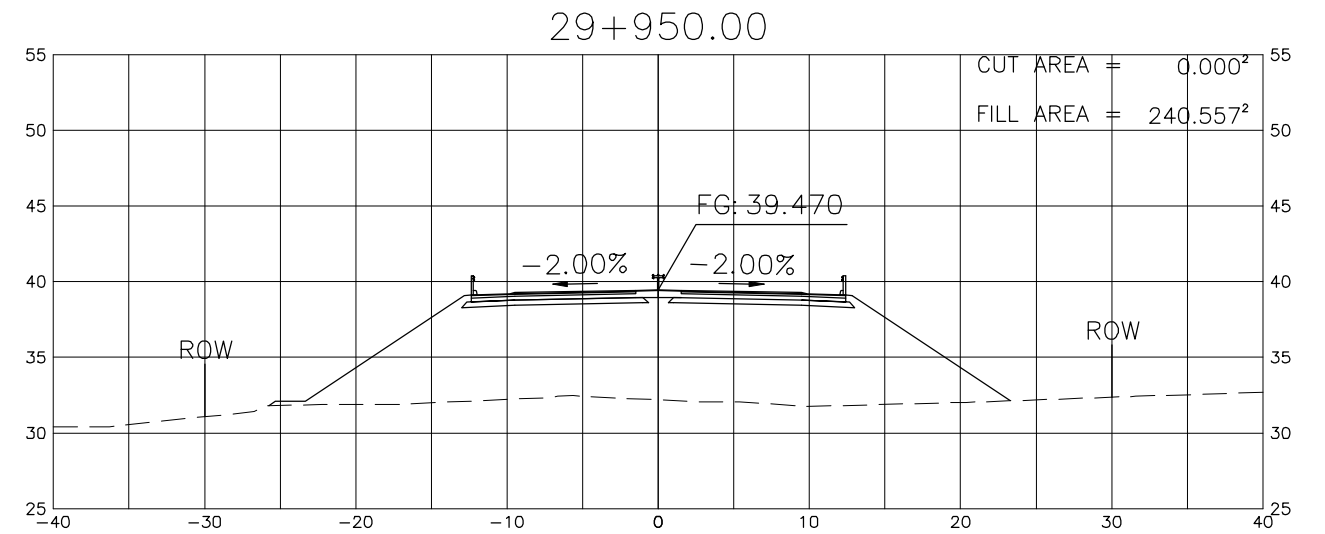
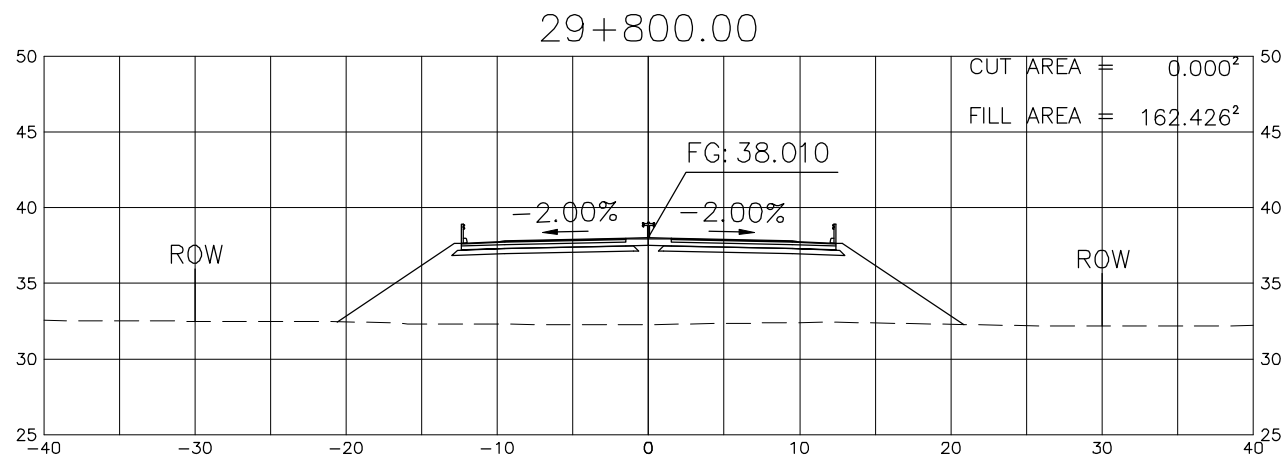
PROJECT TITLE	SCALE	SHEET CONTENT	DRAWING NO.
Preparatory survey for expressway project in Mega Manila Region CLLEX ( TARLAC - CABANATUAN )	A1 = 1:250 A3 = 1:500	CROSS SECTION ( ULTIMATE 4 LANE ) STA 28+500 TO STA 28+850	K-84
			SHEET NO.
			84 OF 90



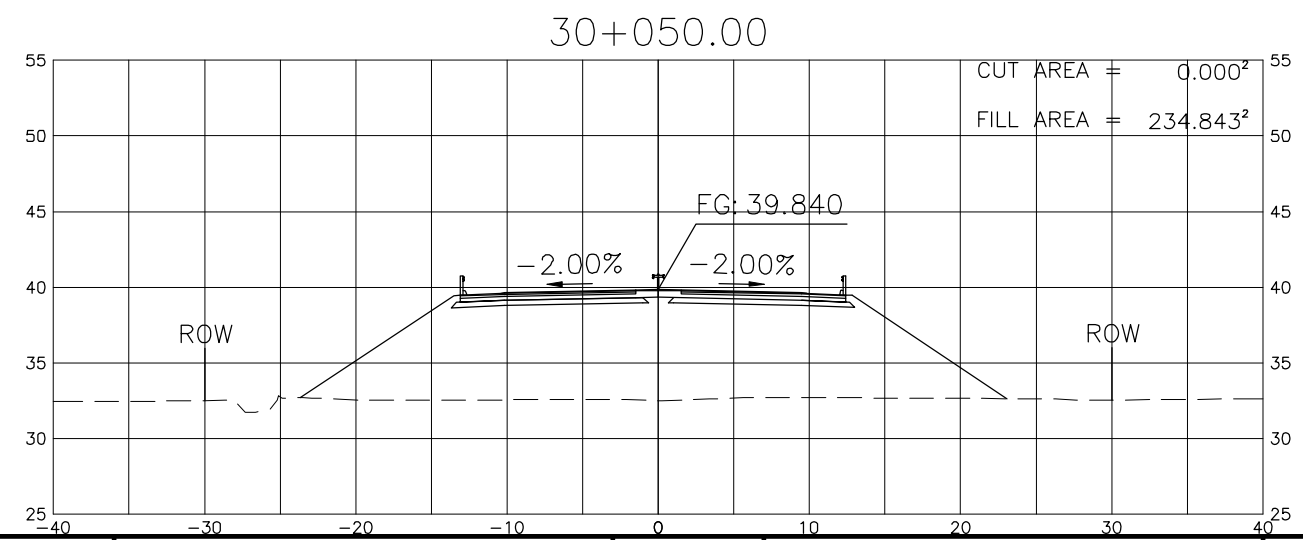
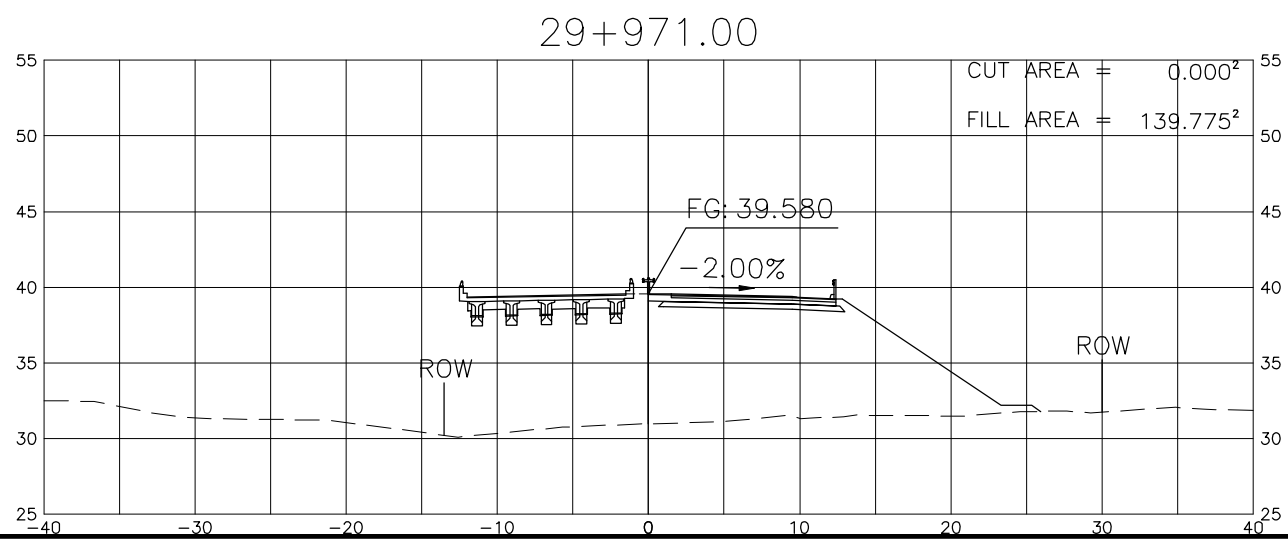
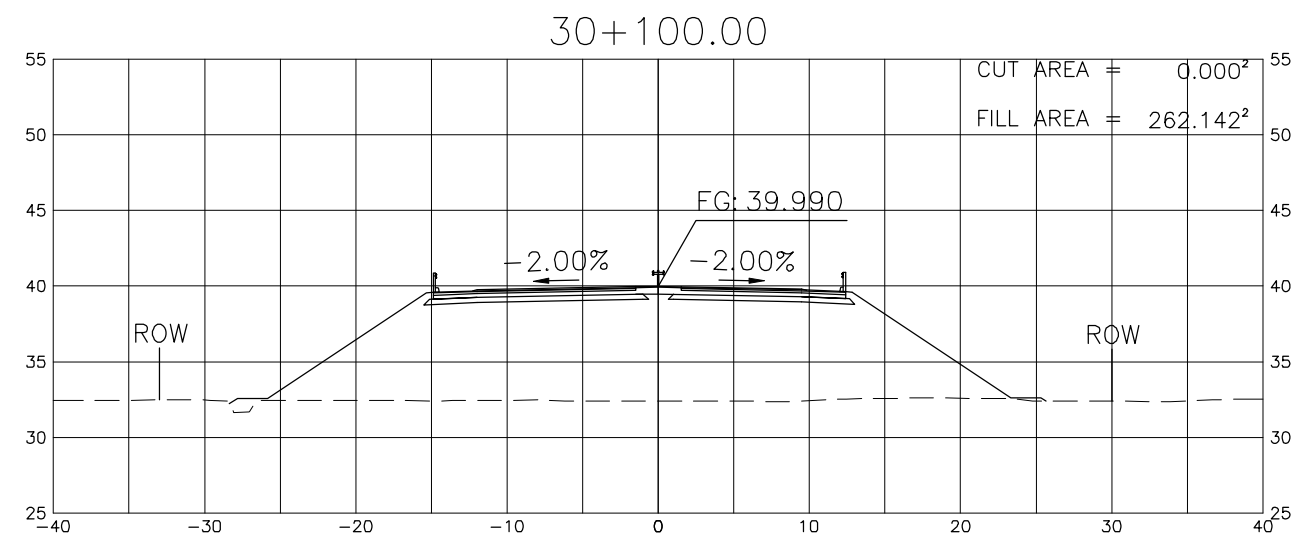
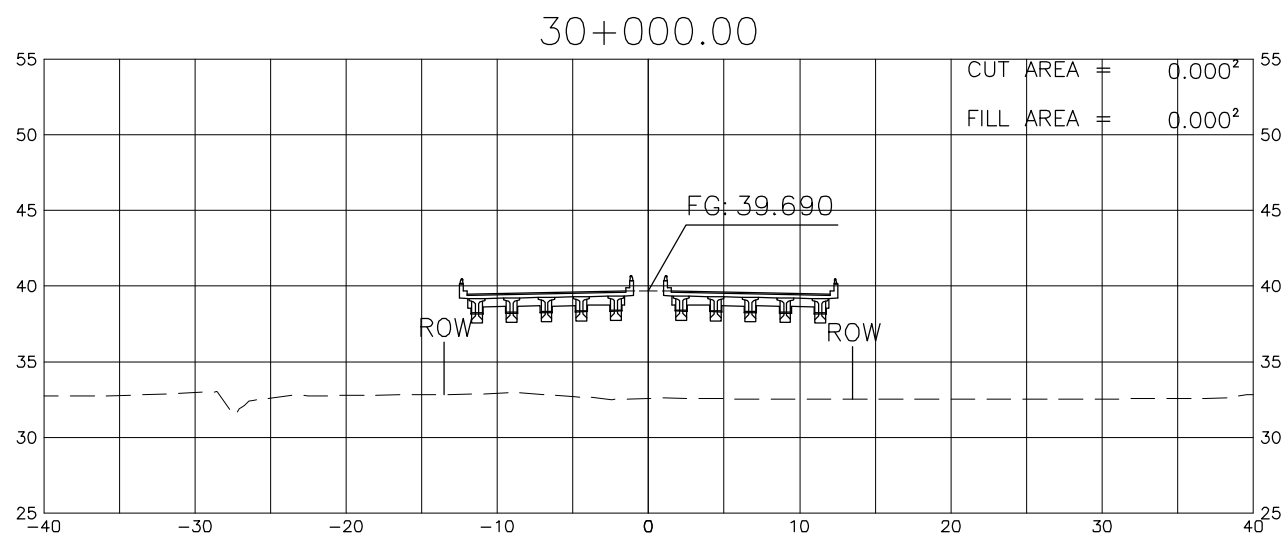
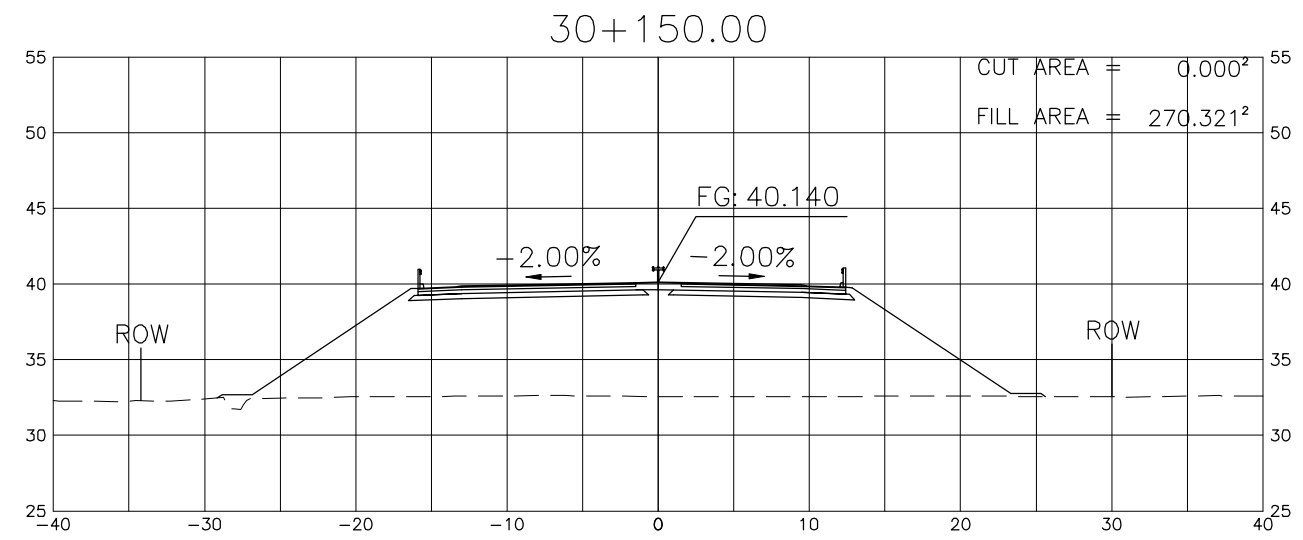
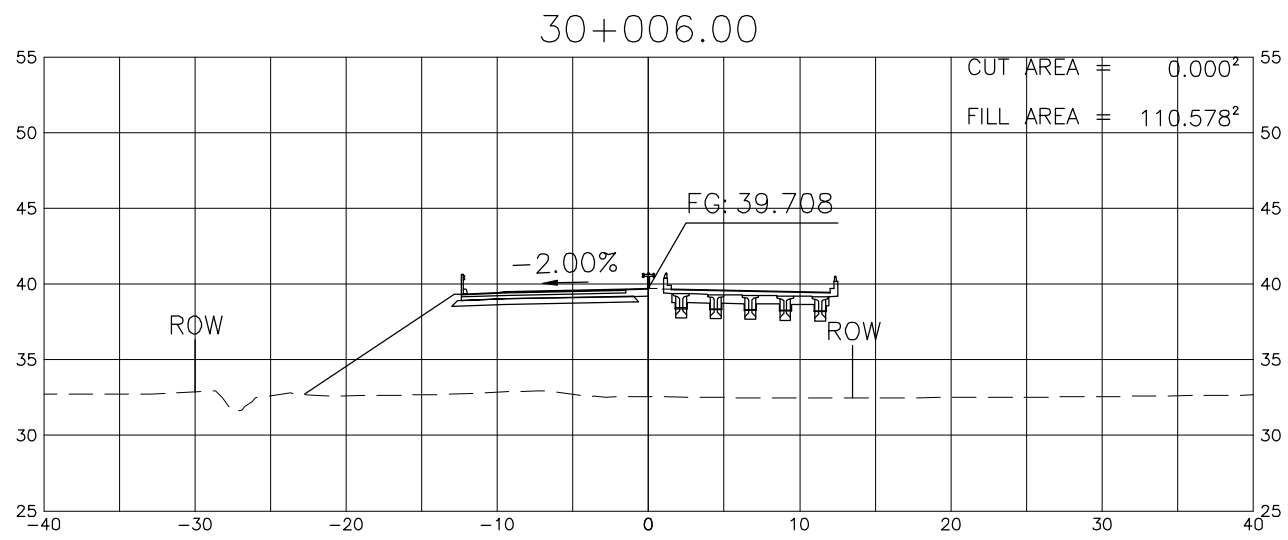
PROJECT TITLE	SCALE	SHEET CONTENT	DRAWING NO.
Preparatory survey for expressway project in Mega Manila Region CLLEX ( TARLAC - CABANATUAN )	A1 = 1:250 A3 = 1:500	CROSS SECTION (ULTIMATE 4 LANE) STA 28+900 TO STA 29+250	K-85
			SHEET NO.
			85 OF 90



PROJECT TITLE	SCALE	SHEET CONTENT	DRAWING NO.
Preparatory survey for expressway project in Mega Manila Region CLLEX ( TARLAC - CABANATUAN )	A1 = 1:250 A3 = 1:500	CROSS SECTION ( ULTIMATE 4 LANE ) STA 29+300 TO STA 29+650	K-86
			SHEET NO.
			86 OF 90

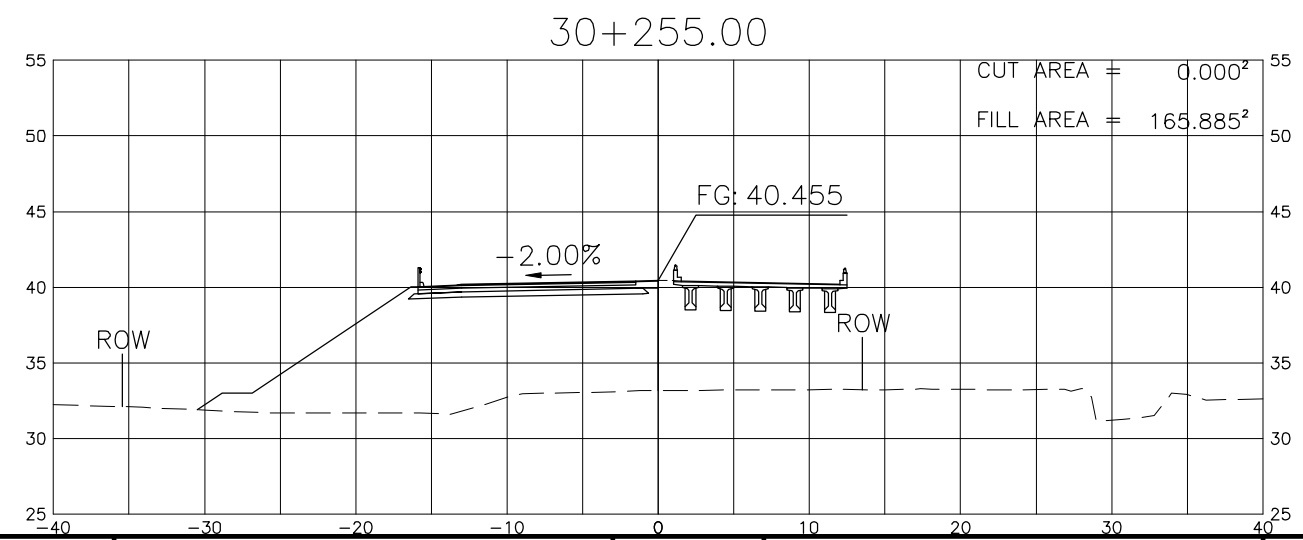
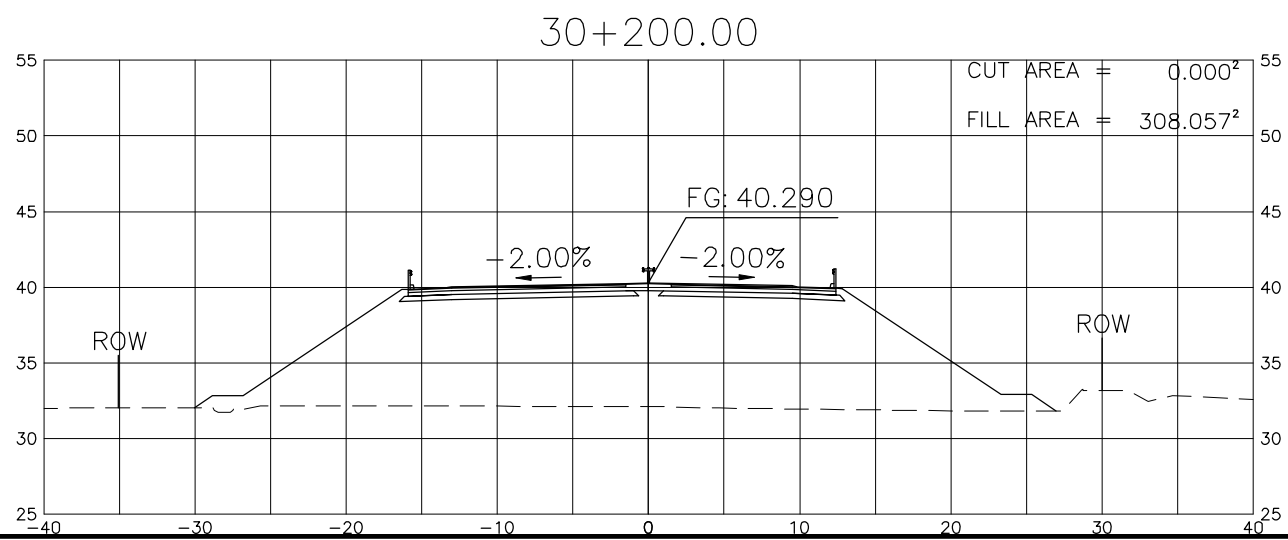
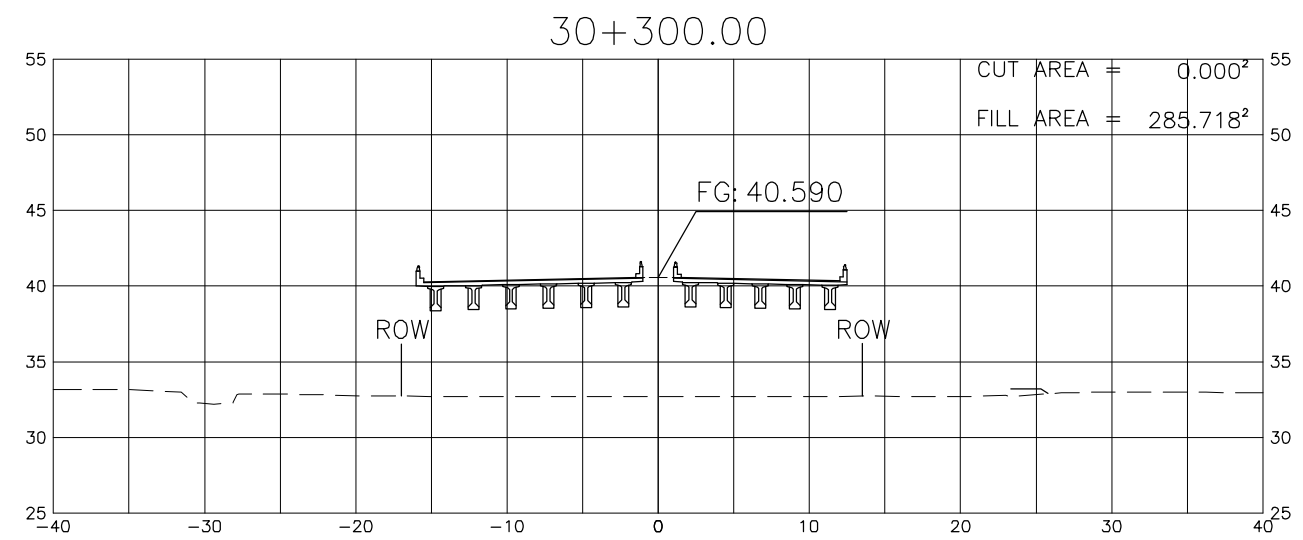
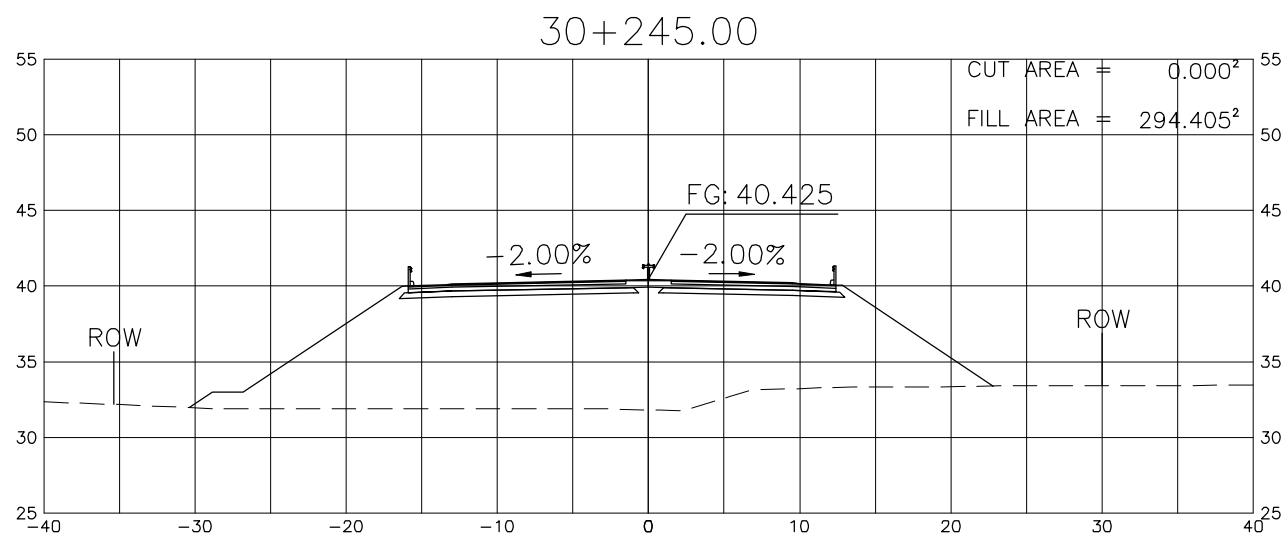
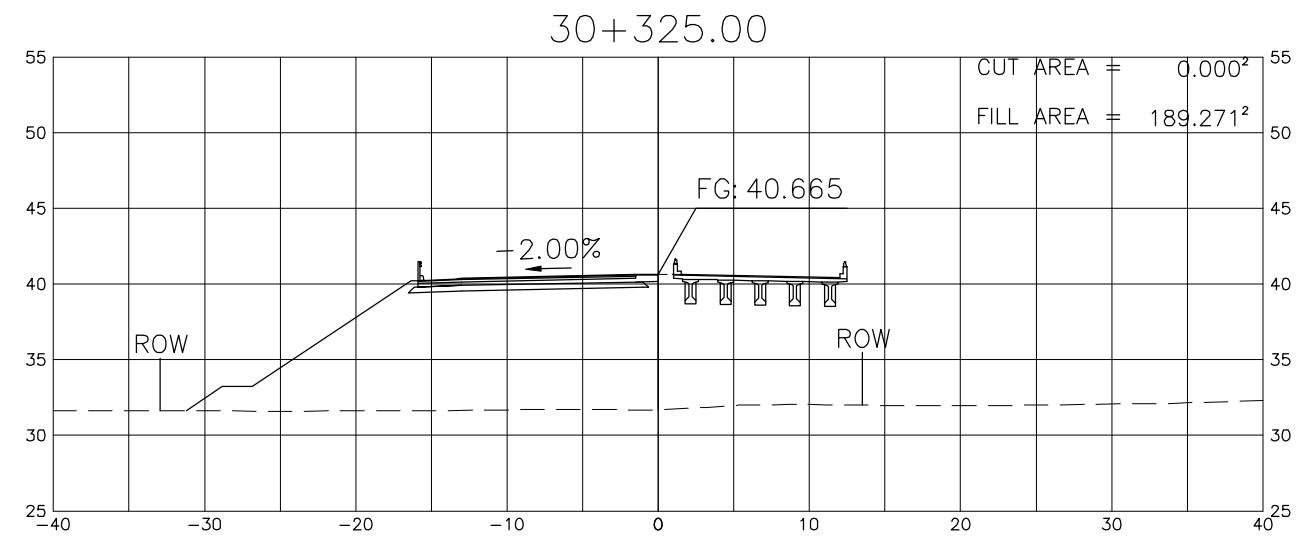
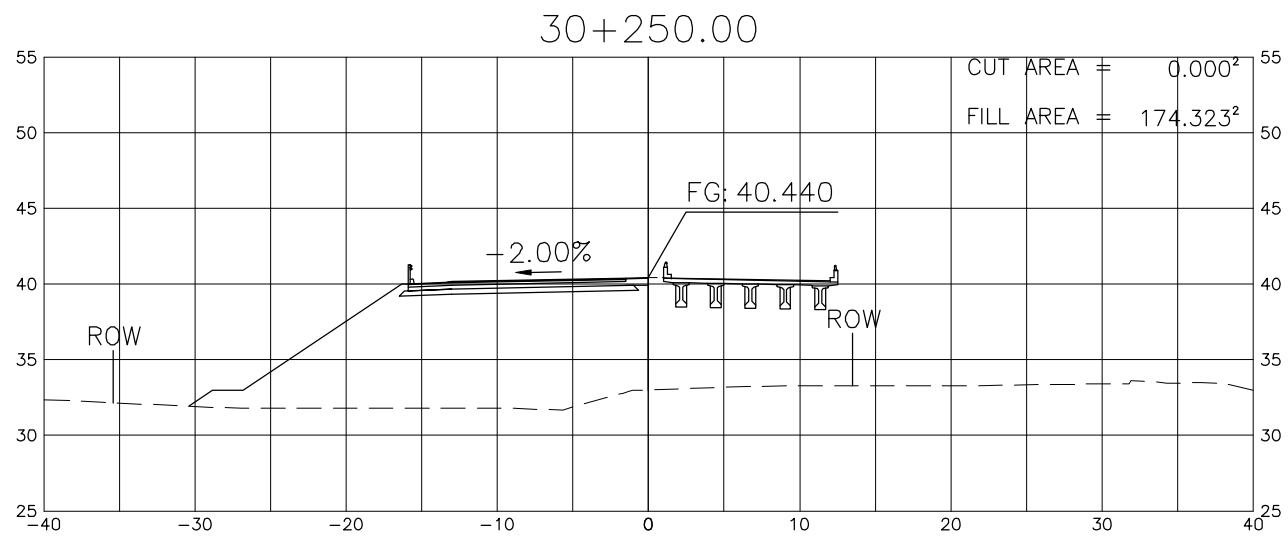


PROJECT TITLE	SCALE	SHEET CONTENT	DRAWING NO.
Preparatory survey for expressway project in Mega Manila Region CLLEX ( TARLAC - CABANATUAN )	A1 = 1:250 A3 = 1:500	CROSS SECTION (ULTIMATE 4 LANE) STA 29+700 TO STA 29+950	K-87
			SHEET NO.
			87 OF 90

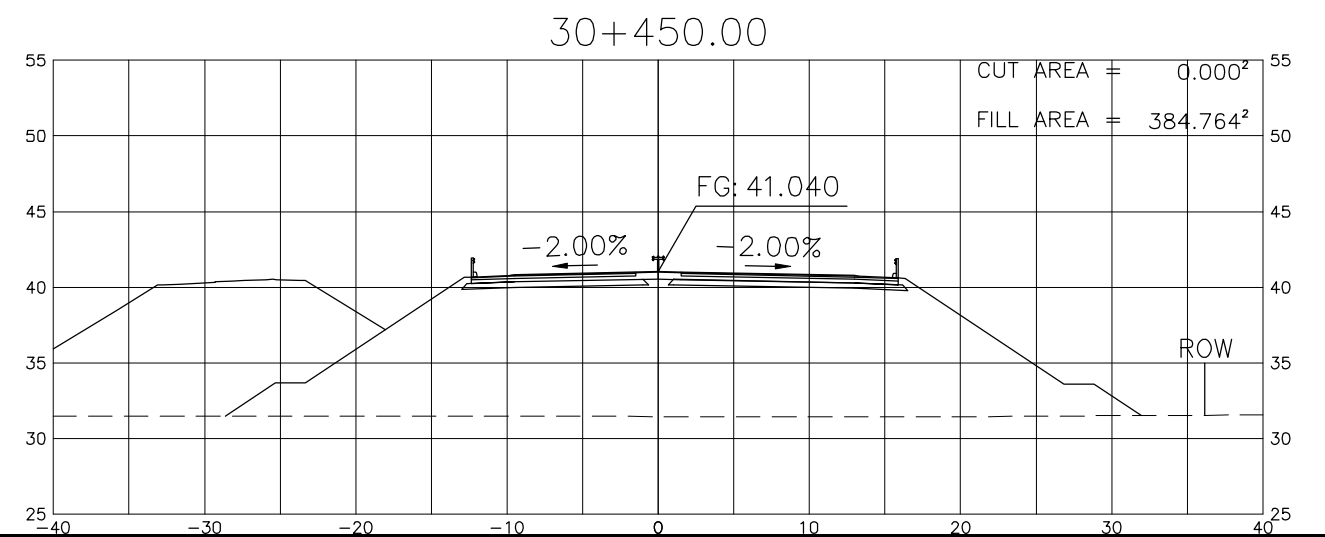
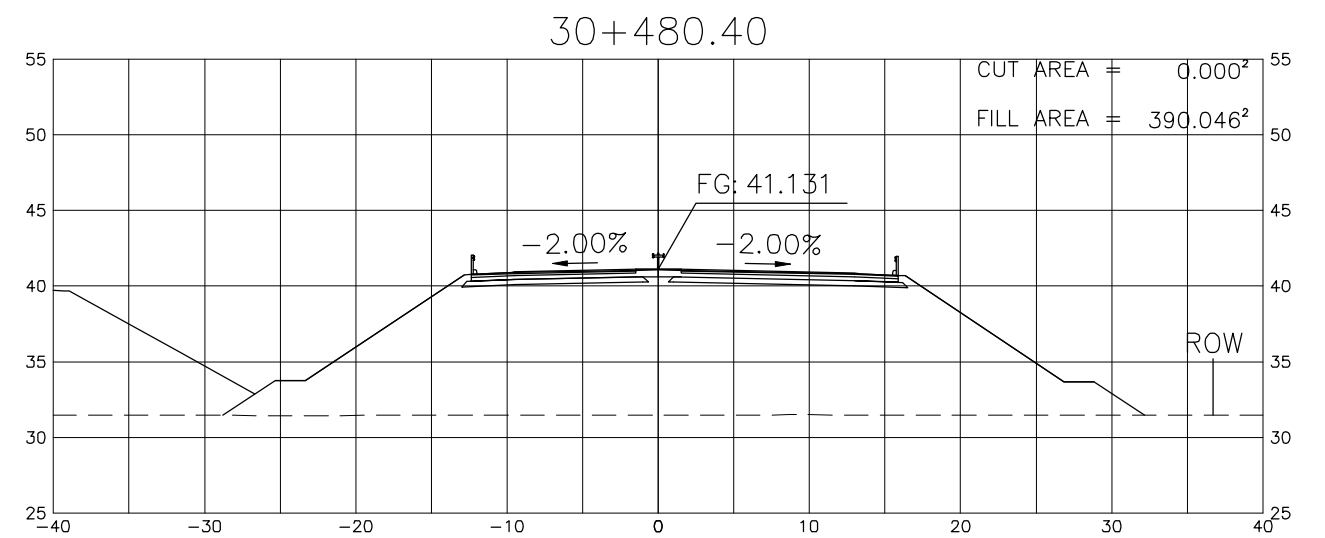
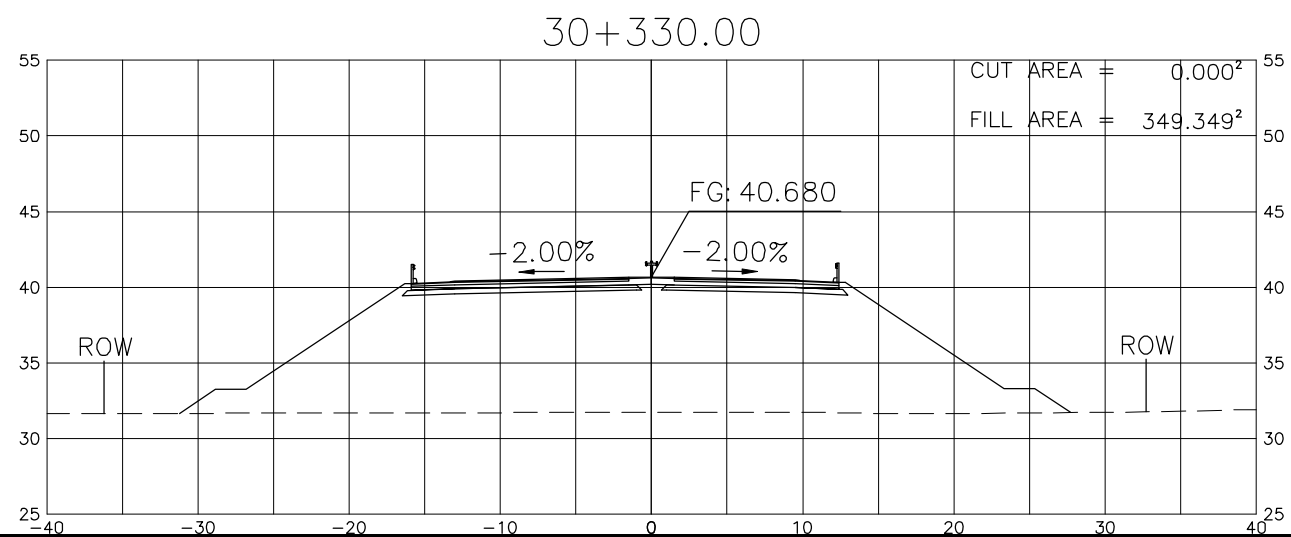
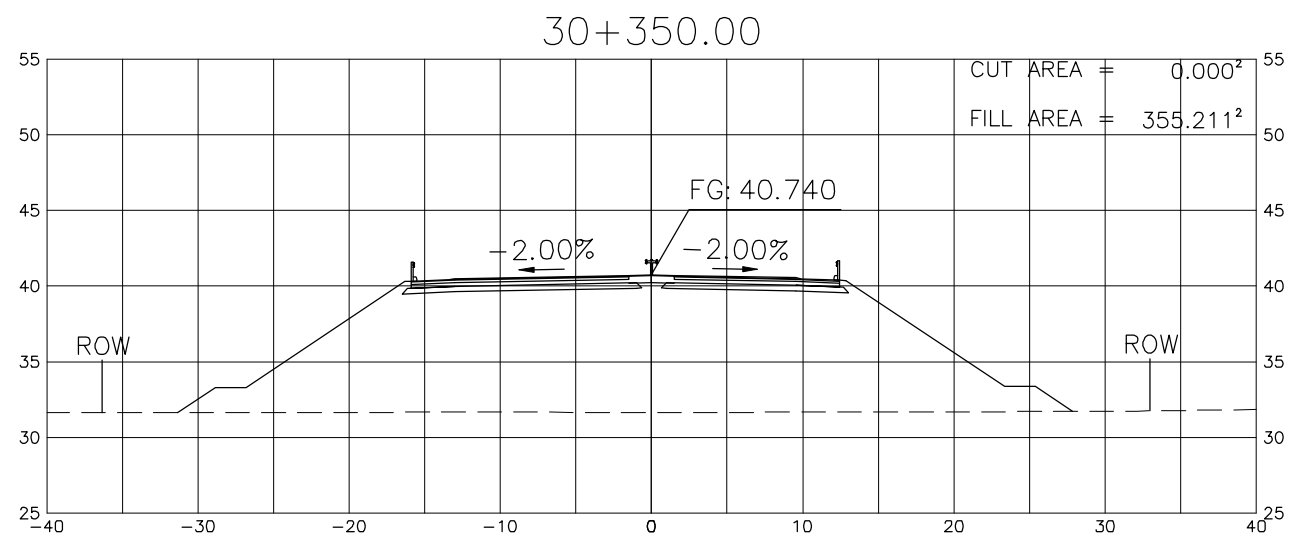
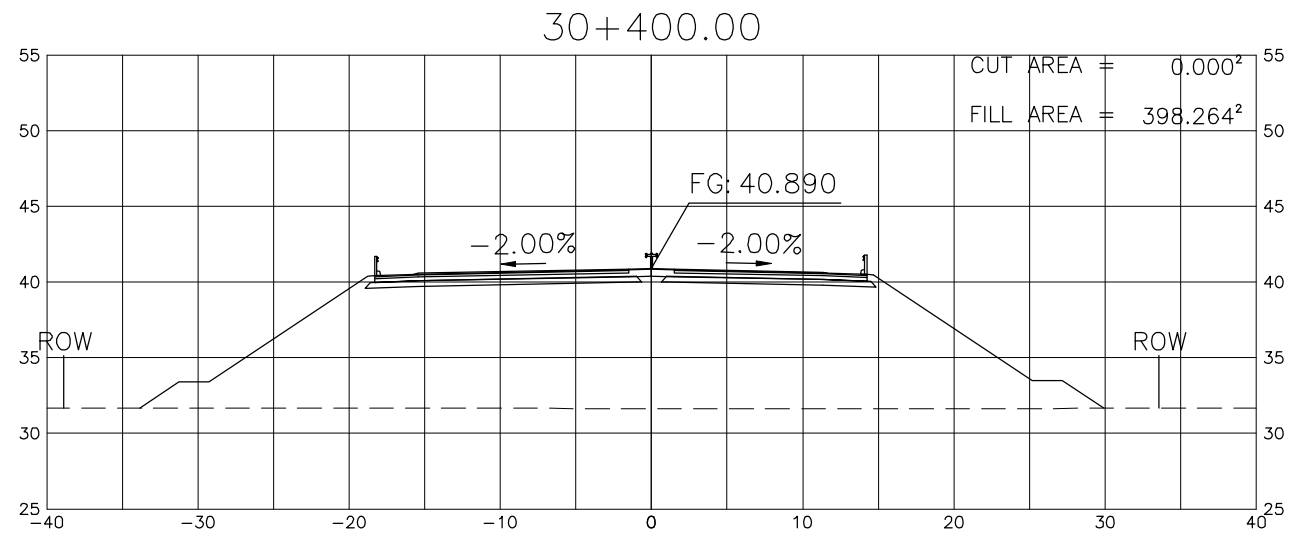


PROJECT TITLE	SCALE	SHEET CONTENT	DRAWING NO.
Preparatory survey for expressway project in Mega Manila Region CLLEX ( TARLAC - CABANATUAN )	A1 = 1:250 A3 = 1:500	CROSS SECTION ( ULTIMATE 4 LANE ) STA 29+971 TO STA 30+150	K-88
			SHEET NO. 88 OF 90

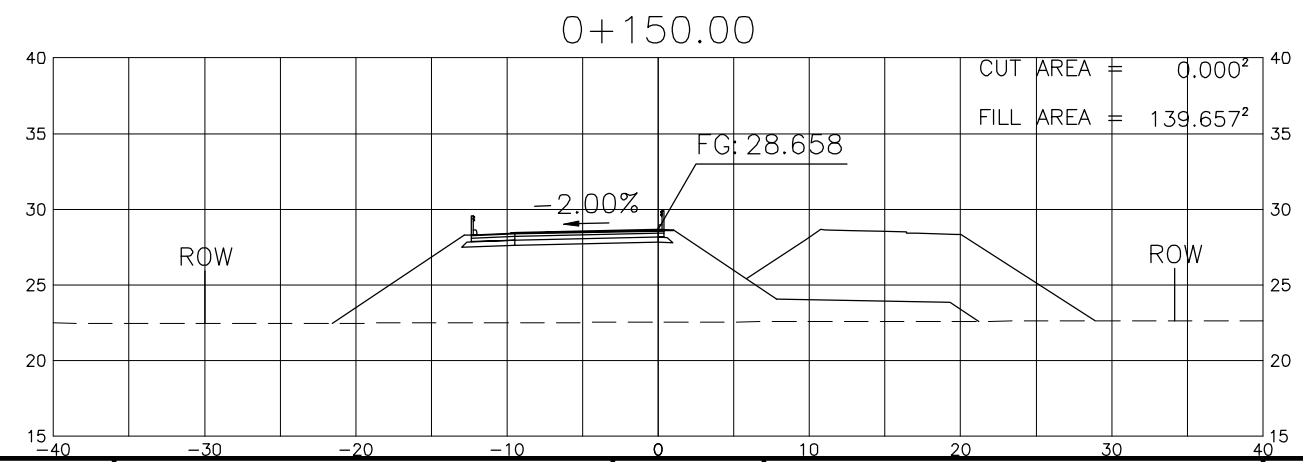
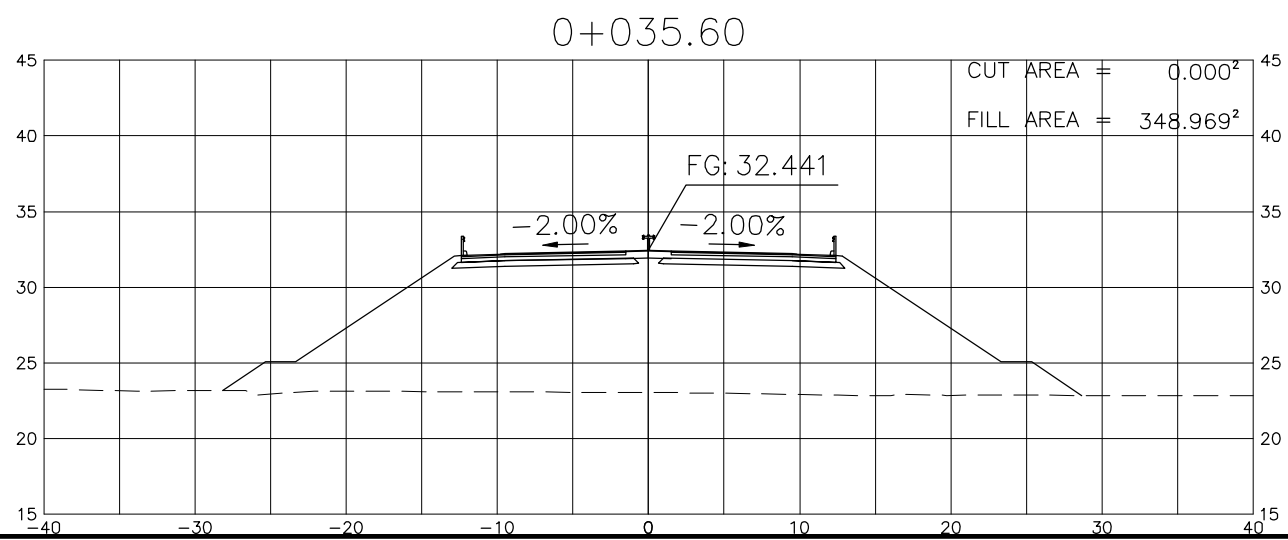
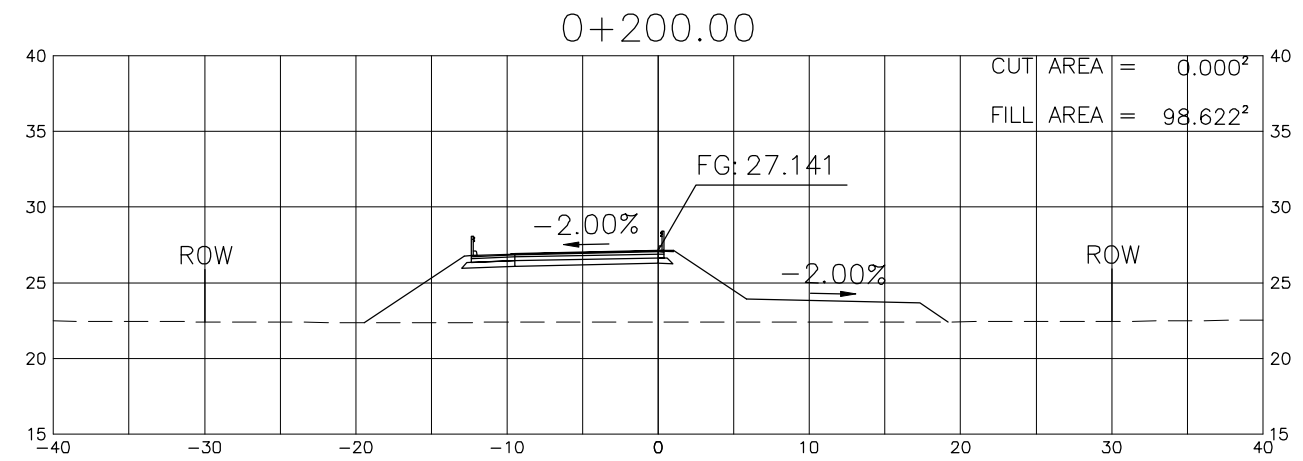
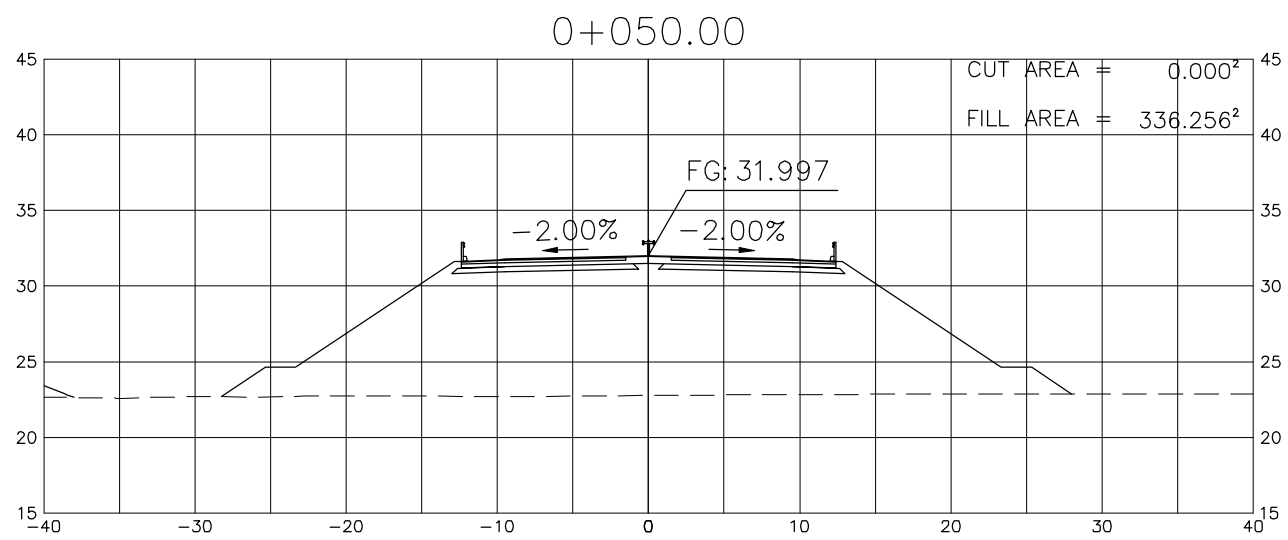
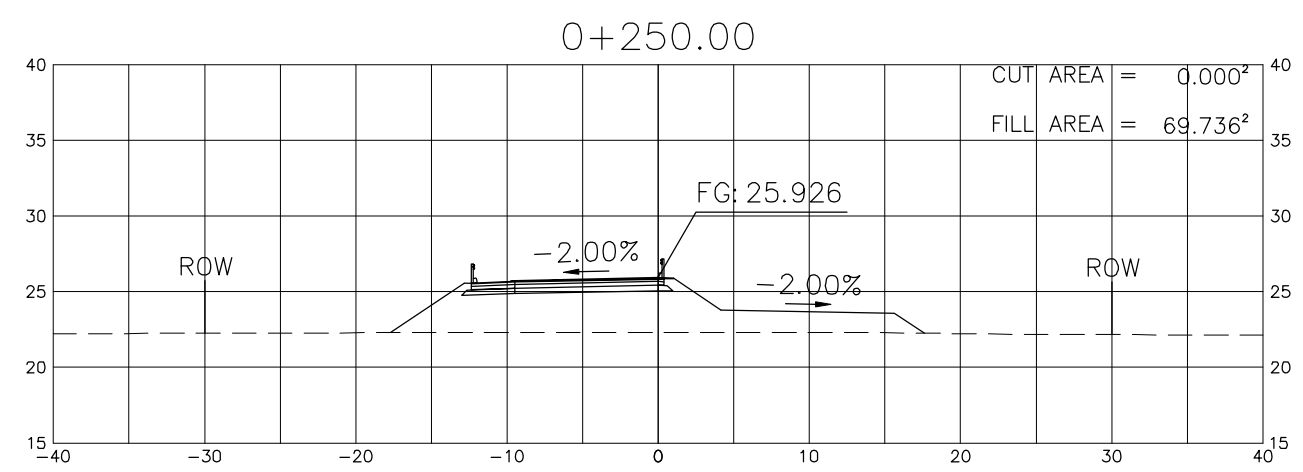
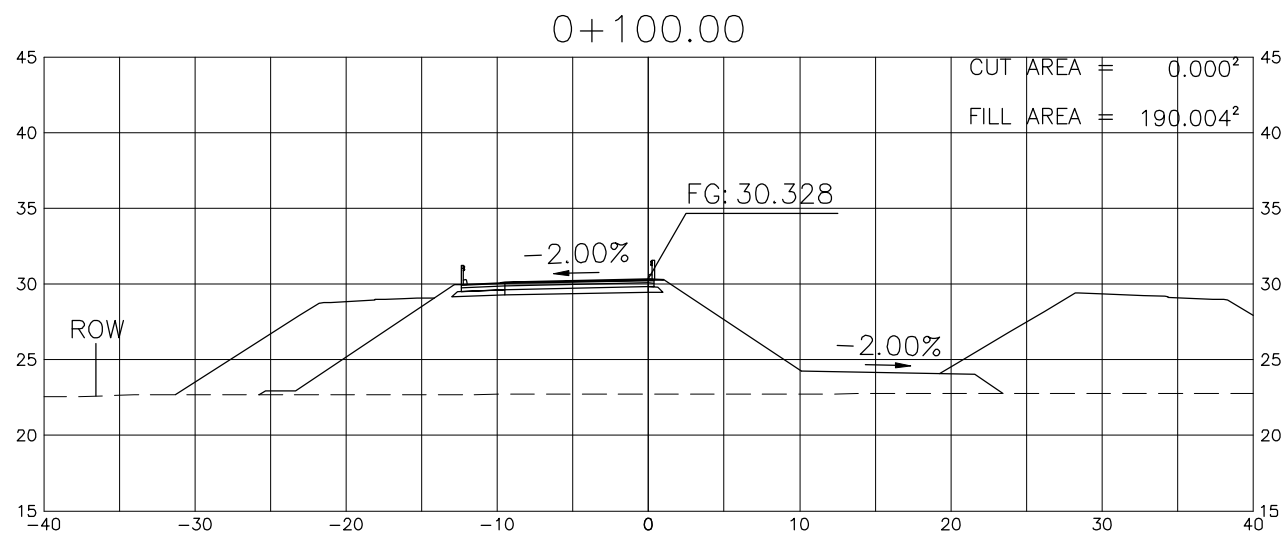




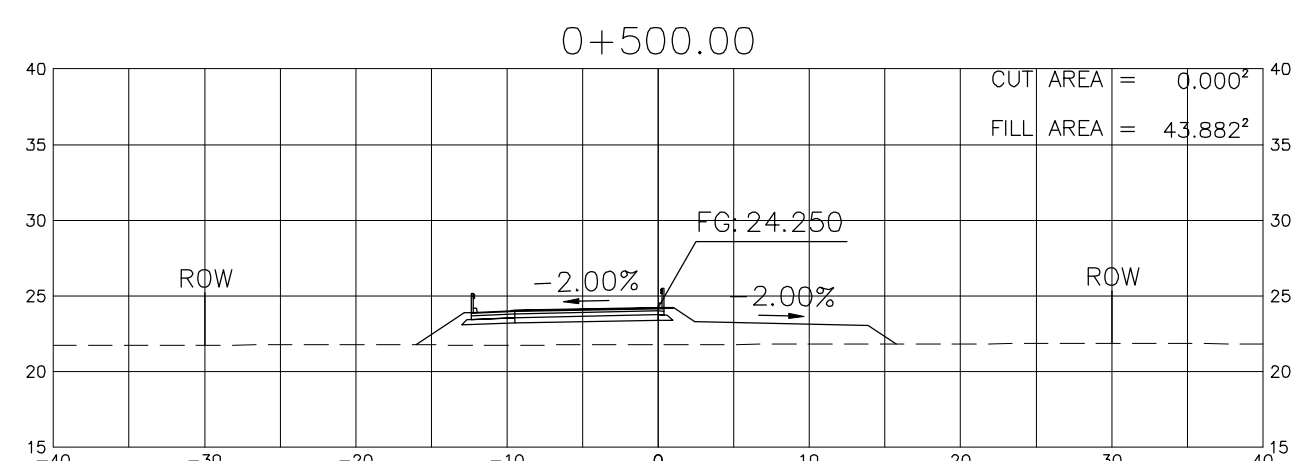
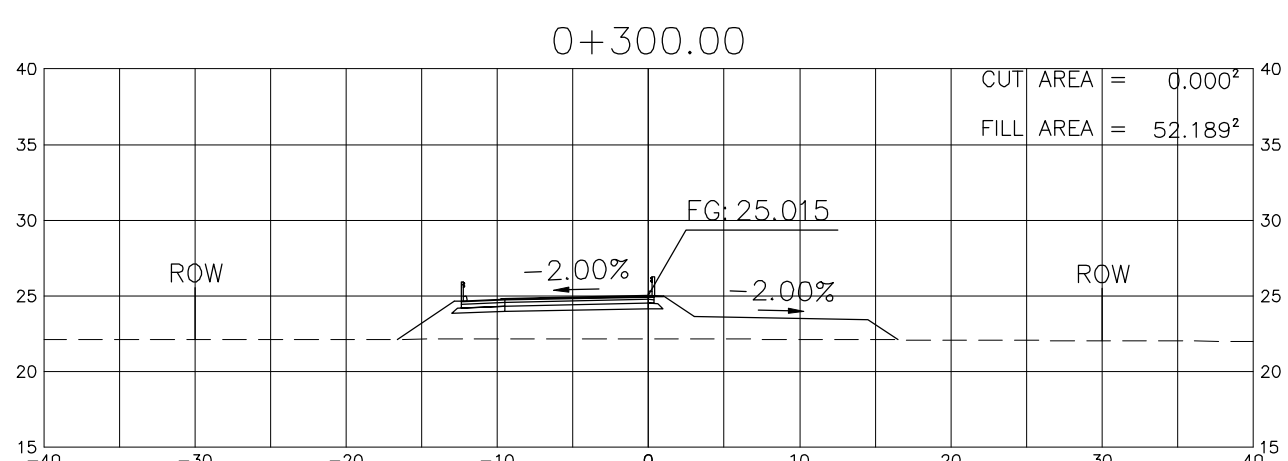
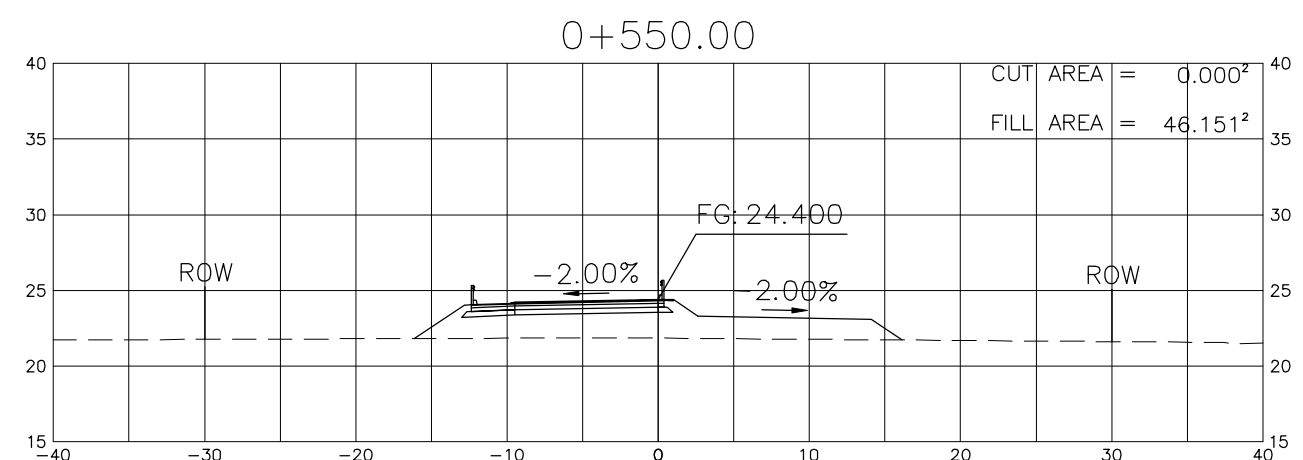
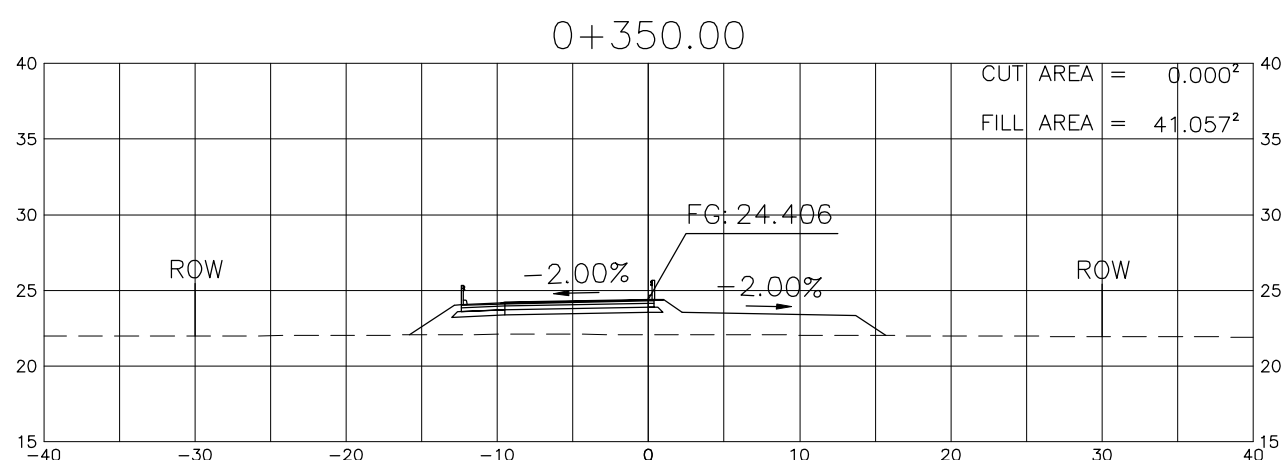
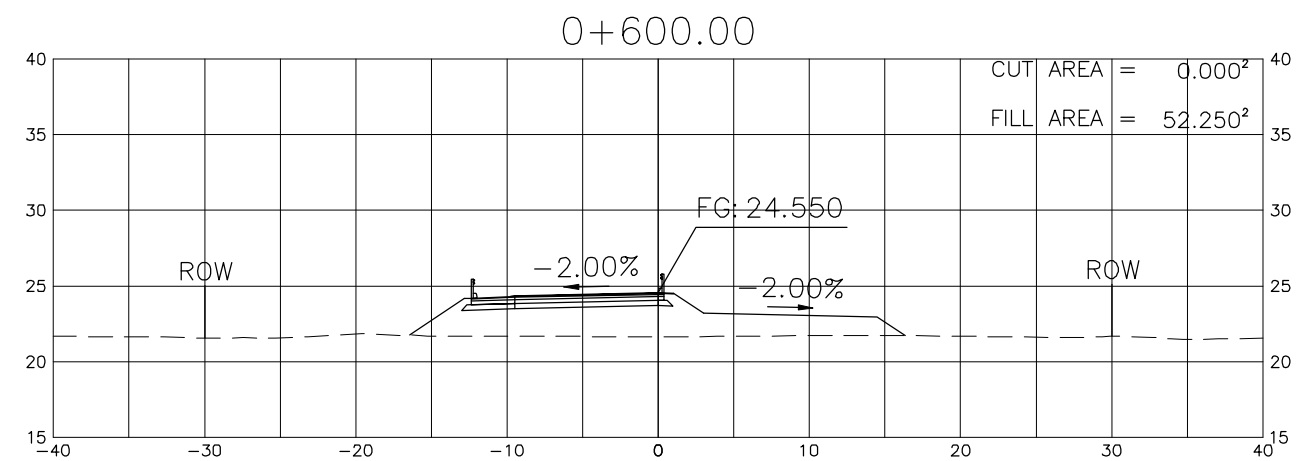
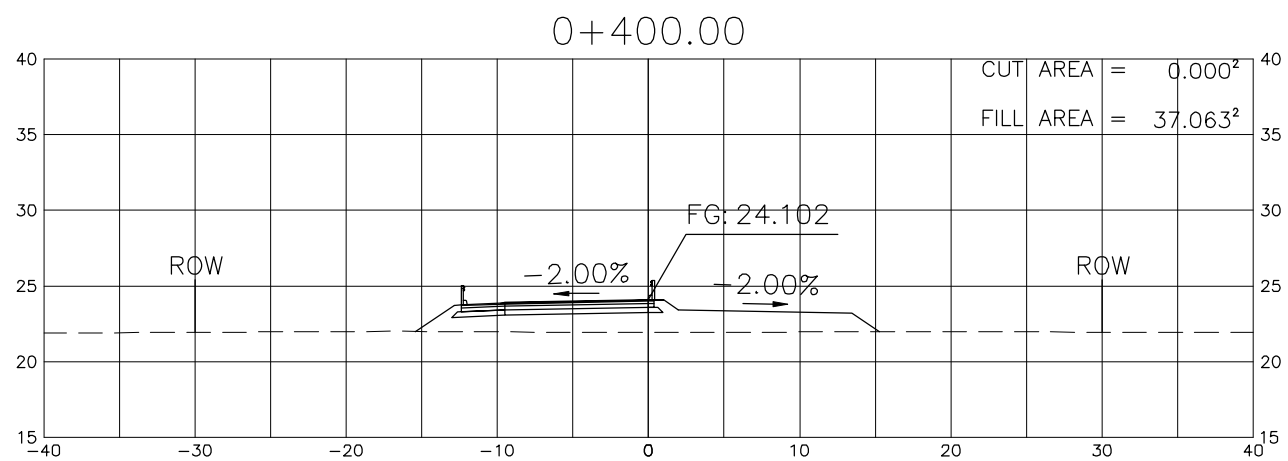
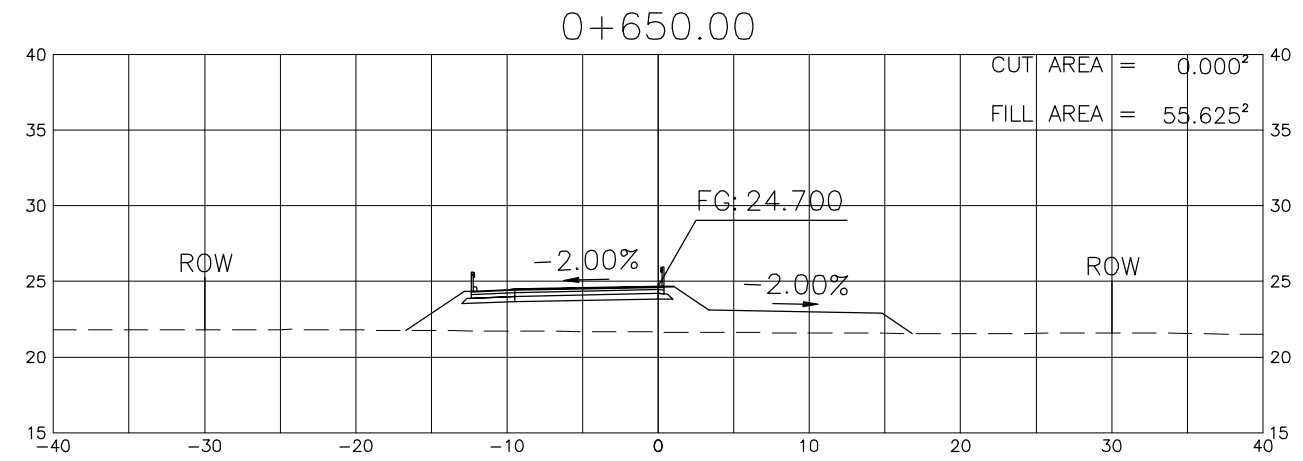
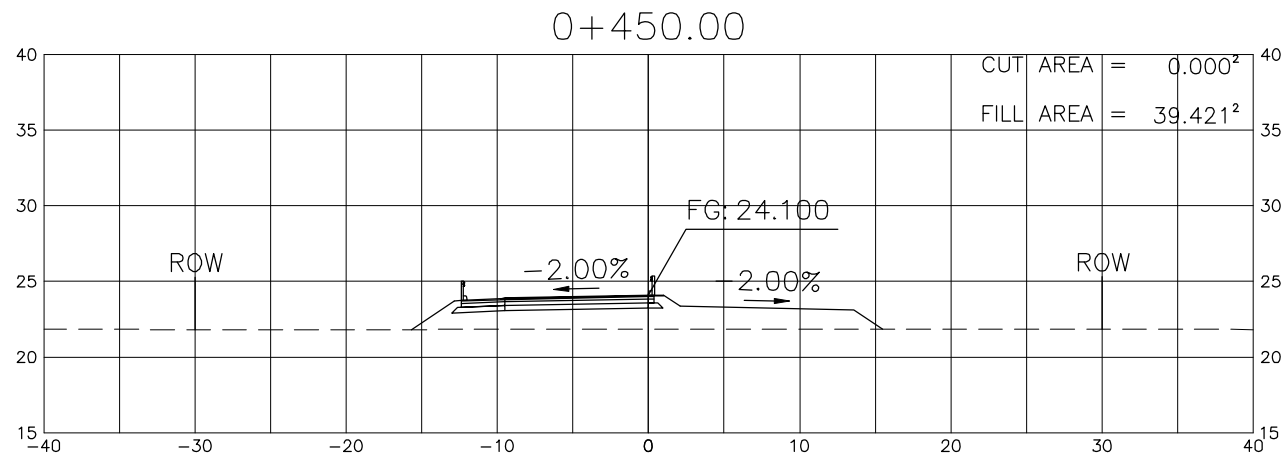
PROJECT TITLE	SCALE	SHEET CONTENT	DRAWING NO.
Preparatory survey for expressway project in Mega Manila Region CLLEX ( TARLAC - CABANATUAN )	A1 = 1:250 A3 = 1:500	CROSS SECTION ( ULTIMATE 4 LANE ) STA 30+200 TO STA 30+325	K-89
			SHEET NO.
			89 OF 90



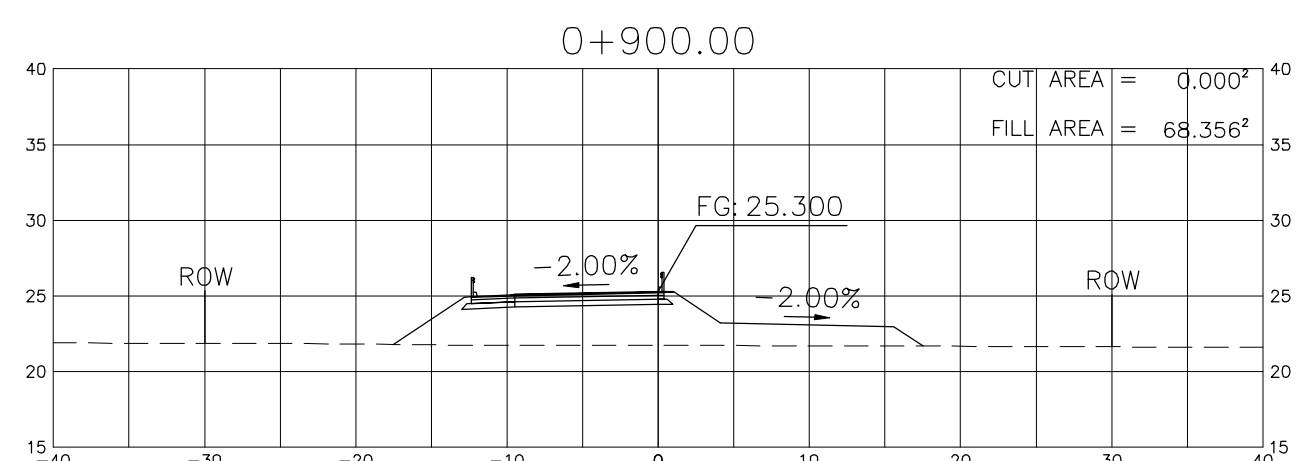
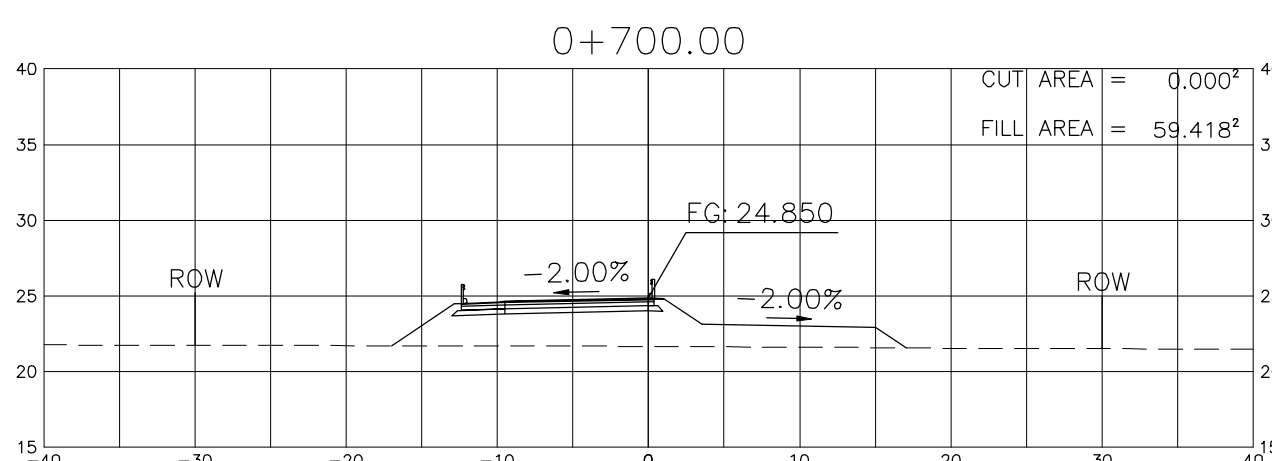
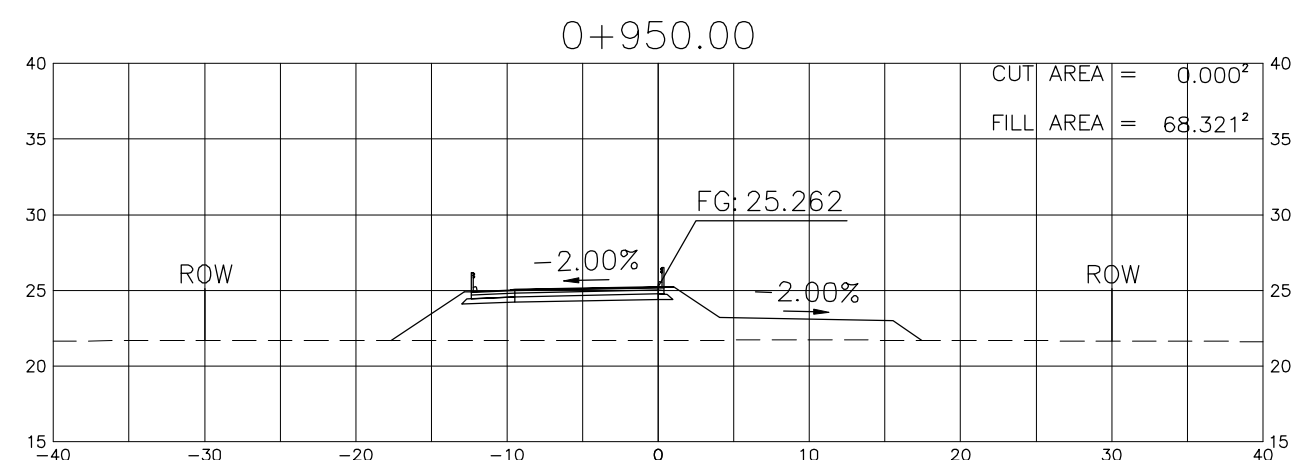
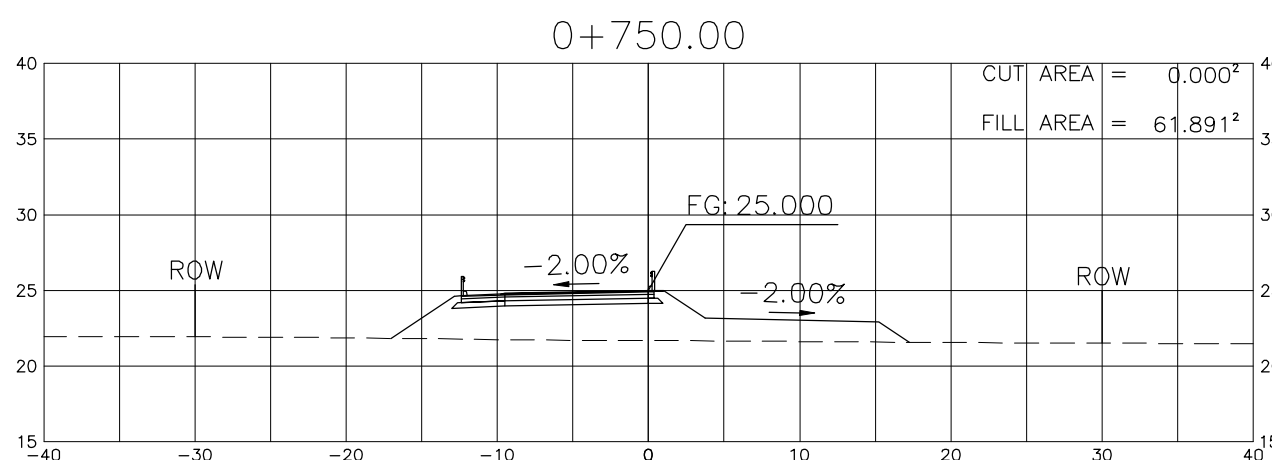
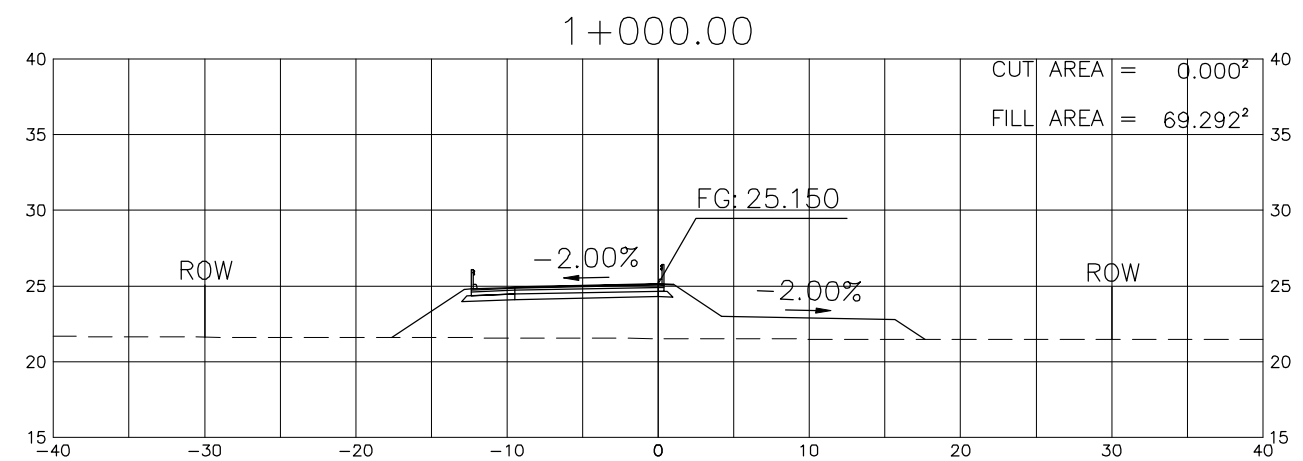
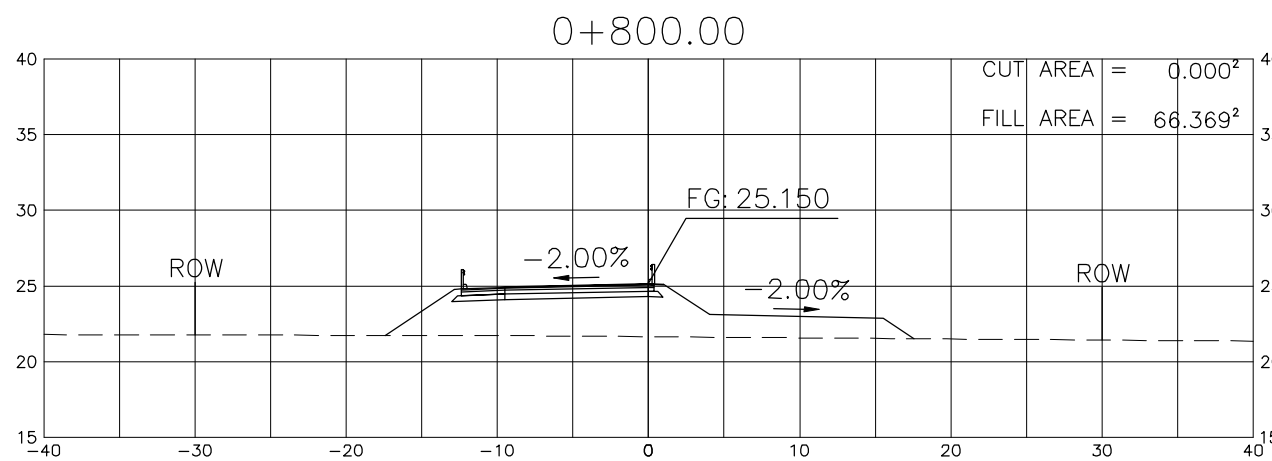
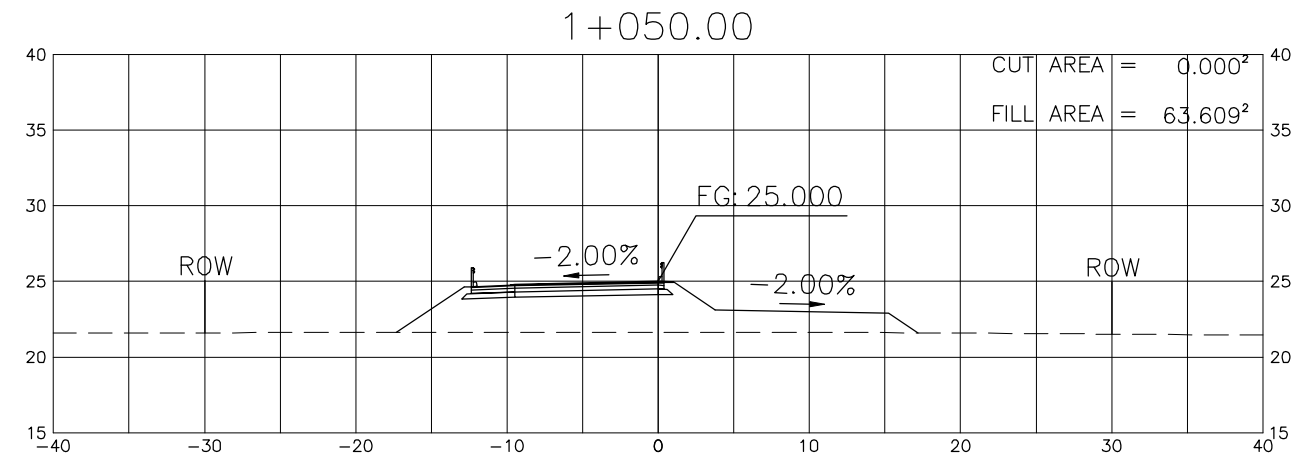
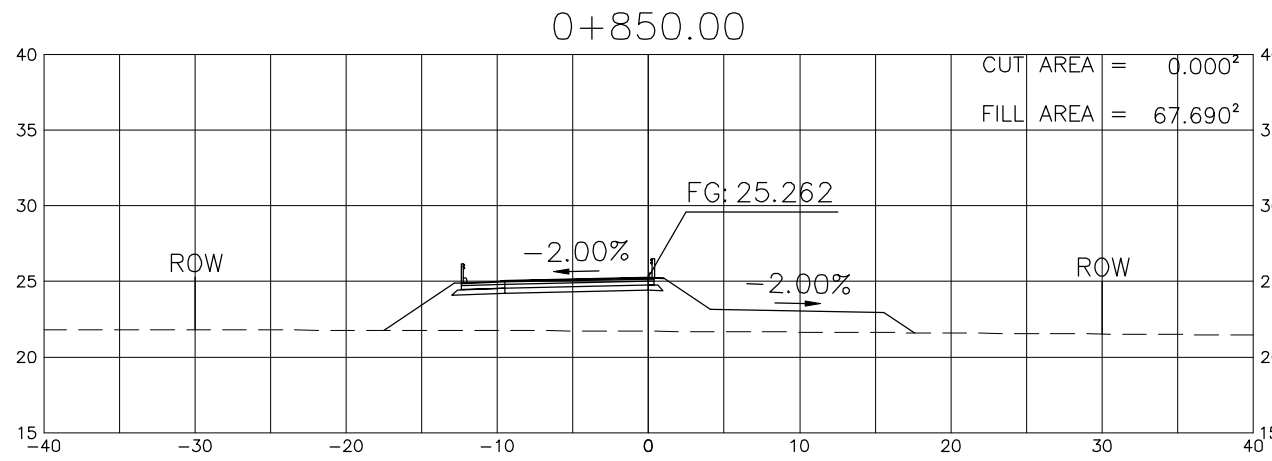
PROJECT TITLE	SCALE	SHEET CONTENT	DRAWING NO.
Preparatory survey for expressway project in Mega Manila Region CLLEX ( TARLAC - CABANATUAN )	A1 = 1:250 A3 = 1:500	CROSS SECTION ( ULTIMATE 4 LANE ) STA 30+330 TO STA 30+480.31	K-90
			SHEET NO.
			90 OF 90



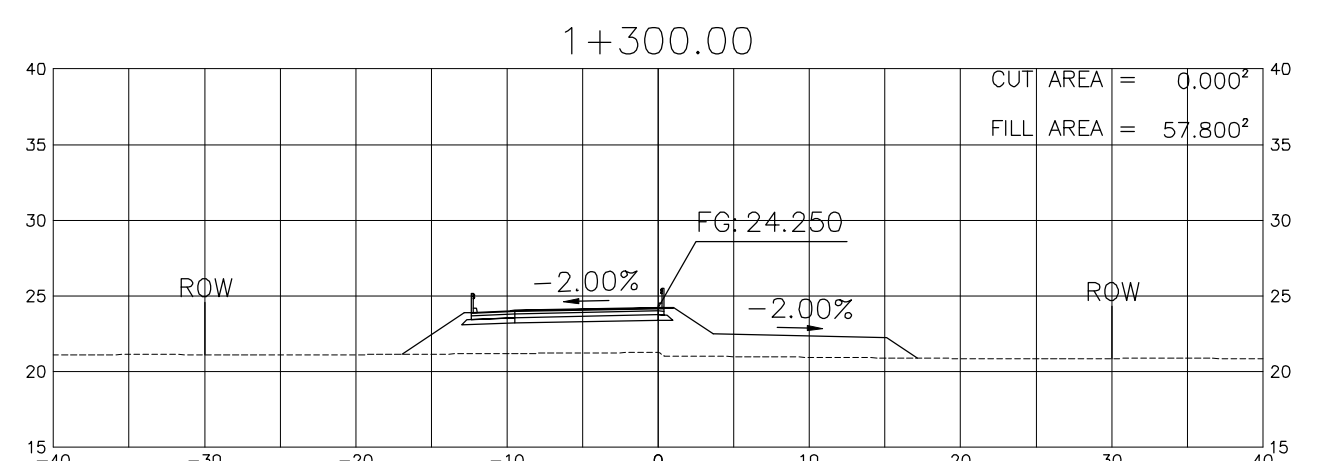
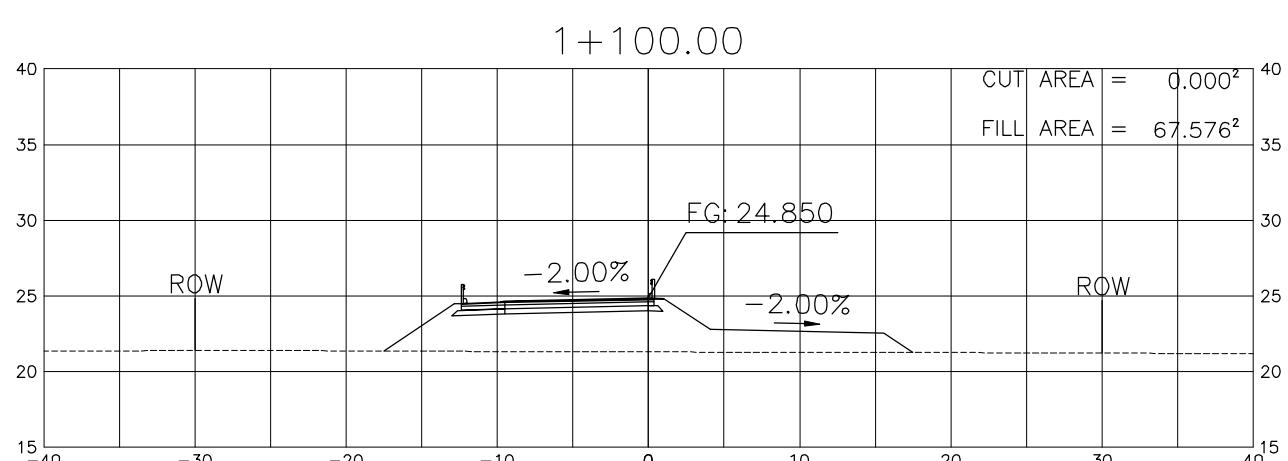
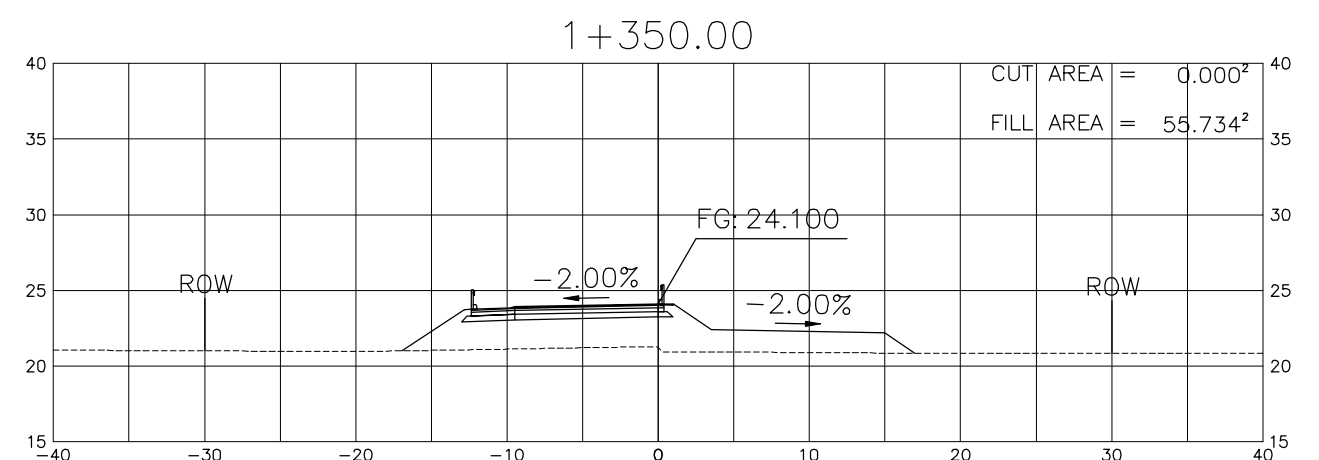
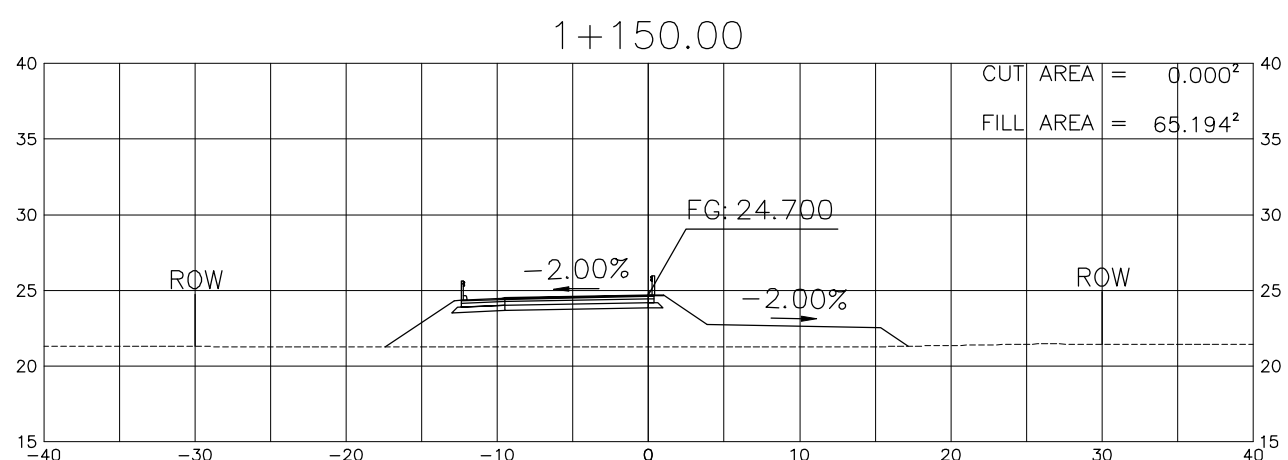
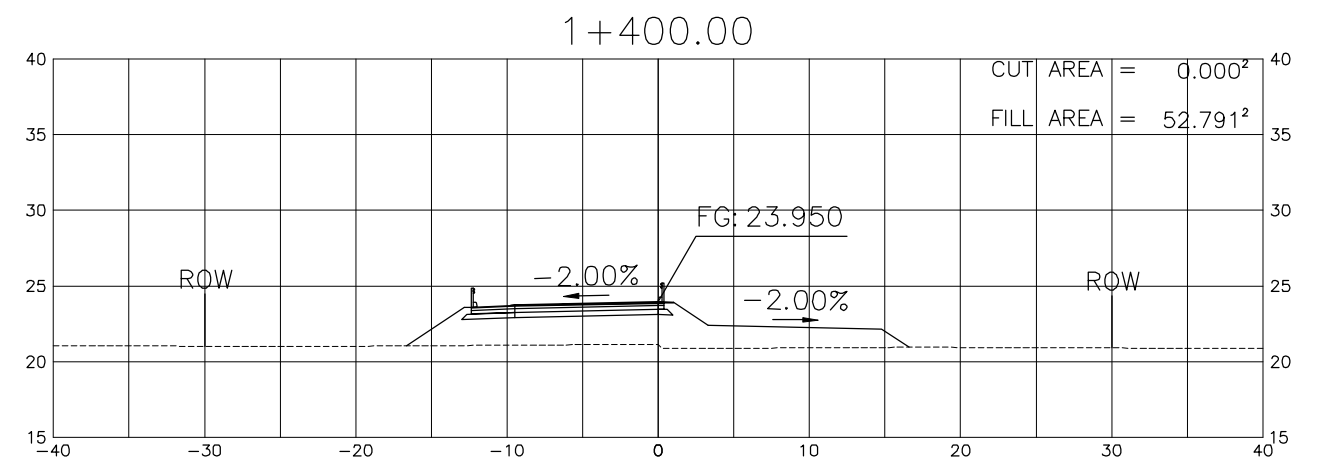
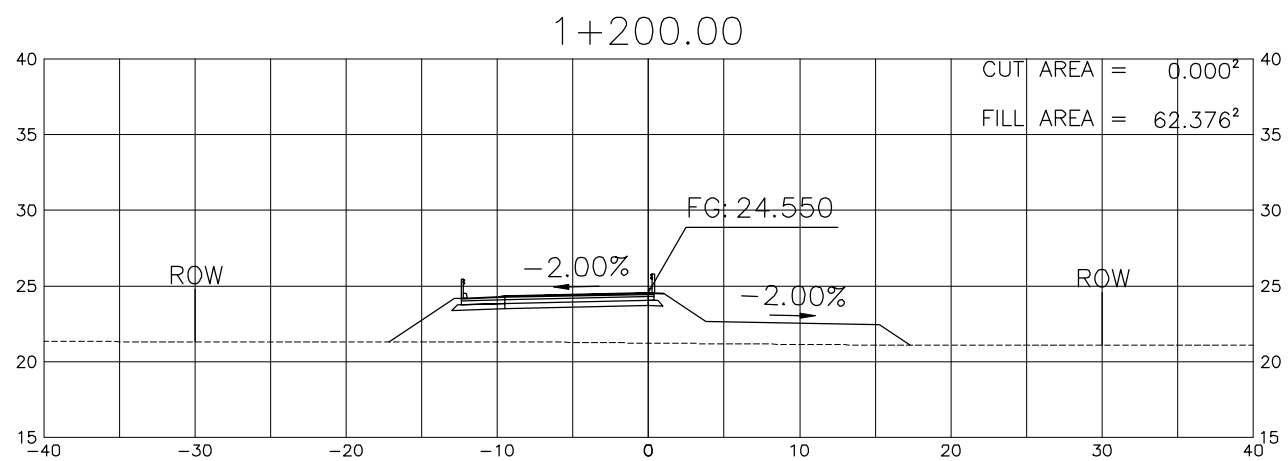
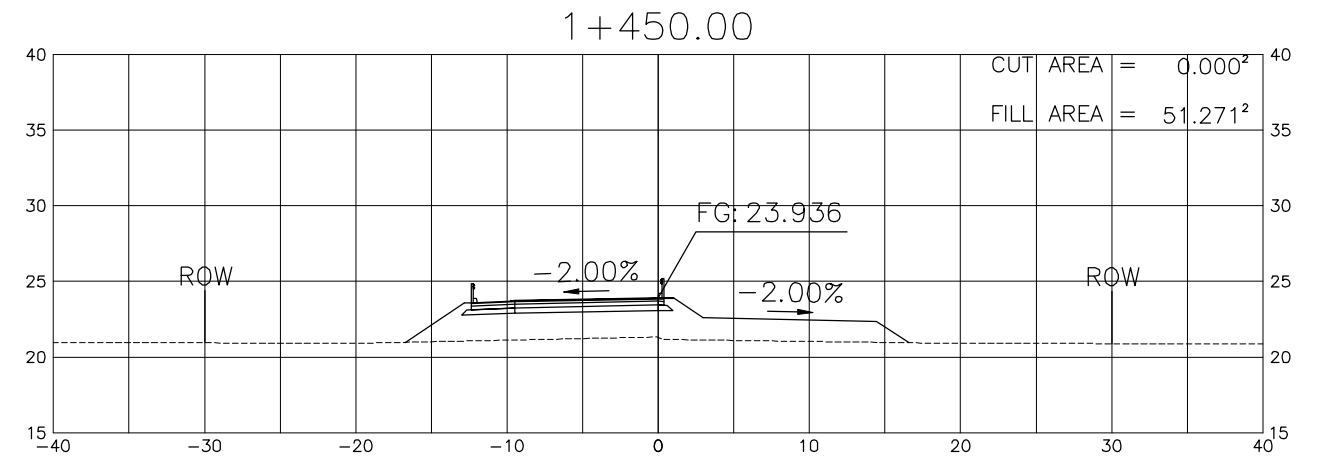
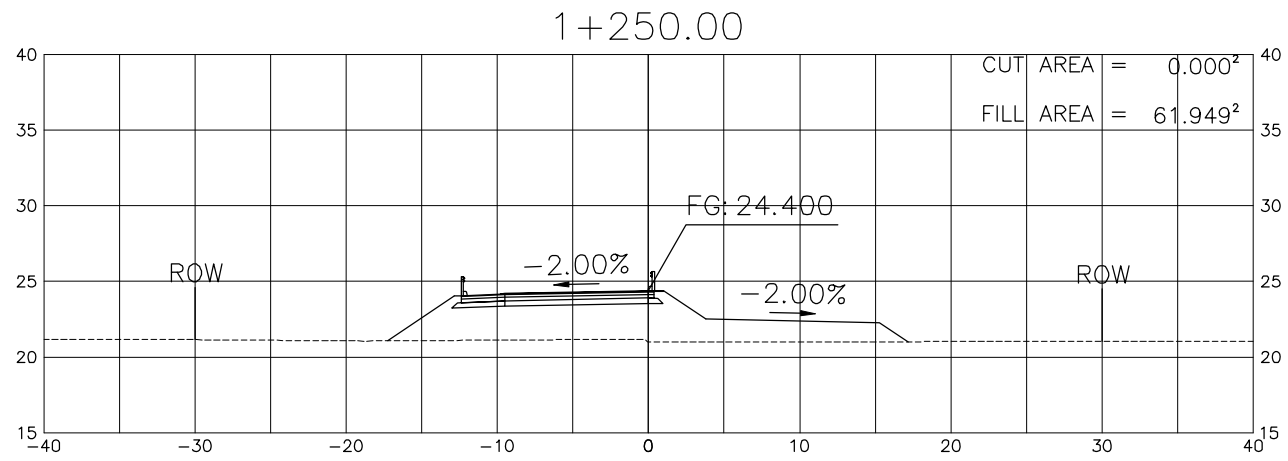
PROJECT TITLE	SCALE	SHEET CONTENT	DRAWING NO.
Preparatory survey for expressway project in Mega Manila Region CLLEX ( TARLAC - CABANATUAN )	A1 = 1:250 A3 = 1:500	CROSS SECTION (INTERIM 2 LANE) STA 0+035 TO STA 0+250	L-01
			SHEET NO.
			1 OF 90



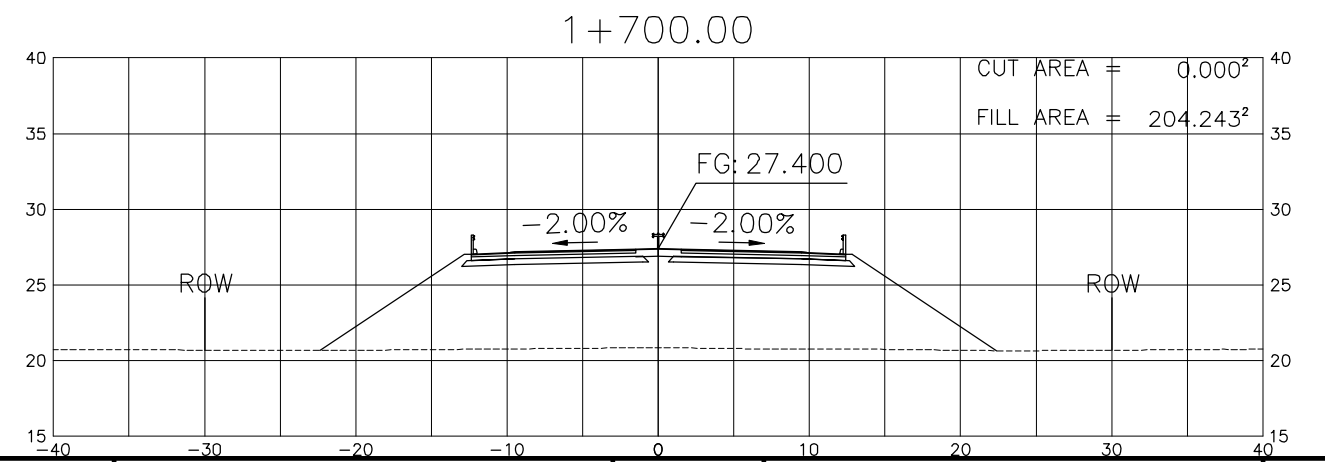
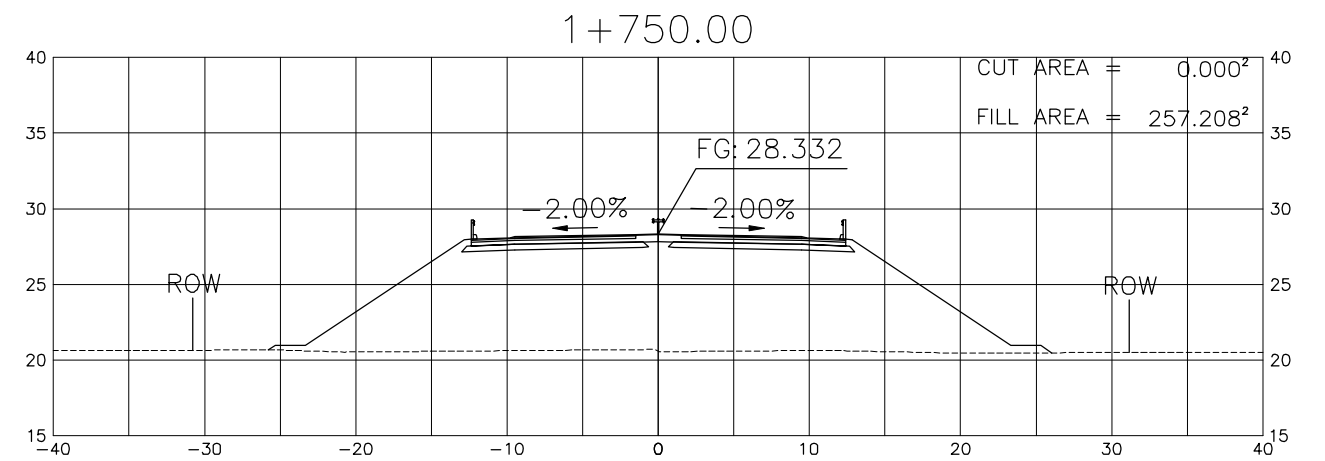
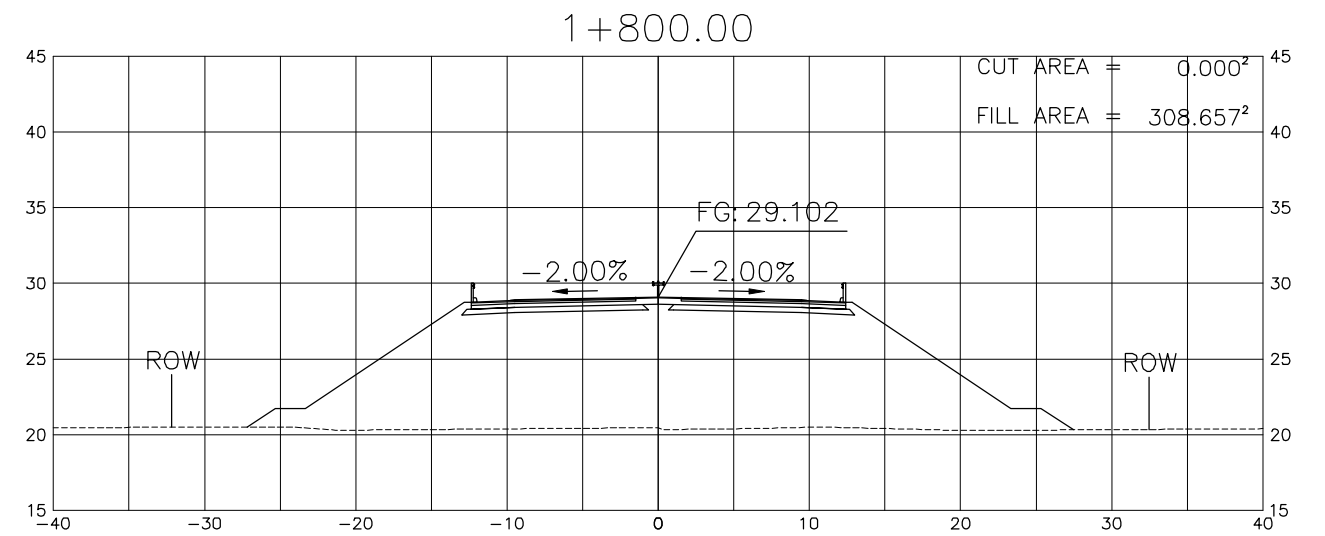
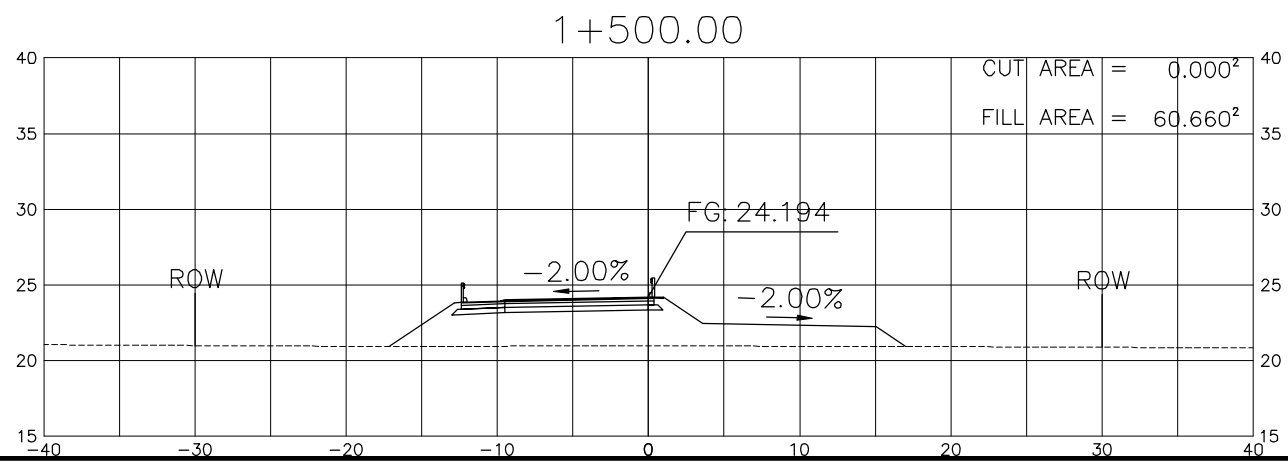
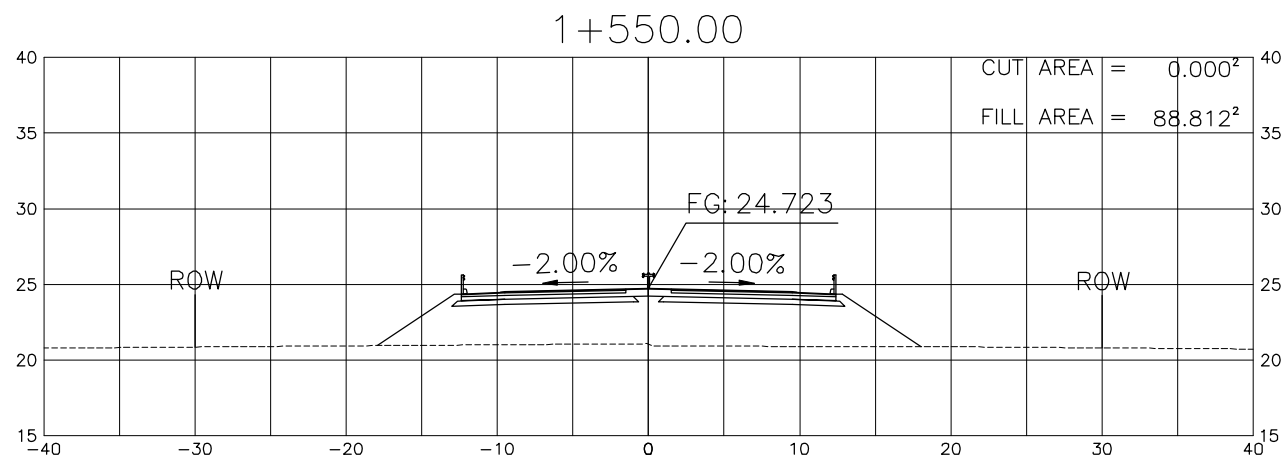
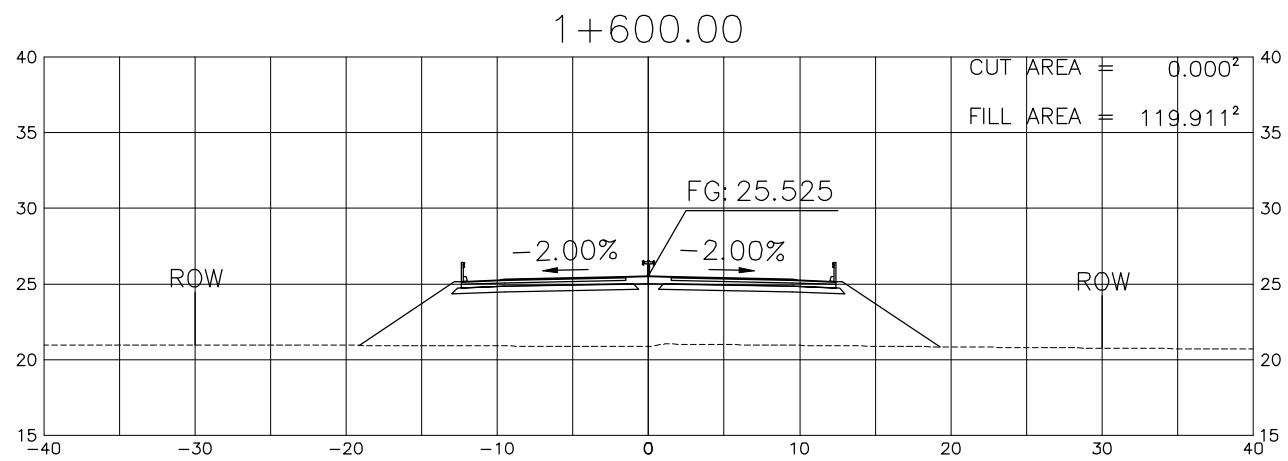
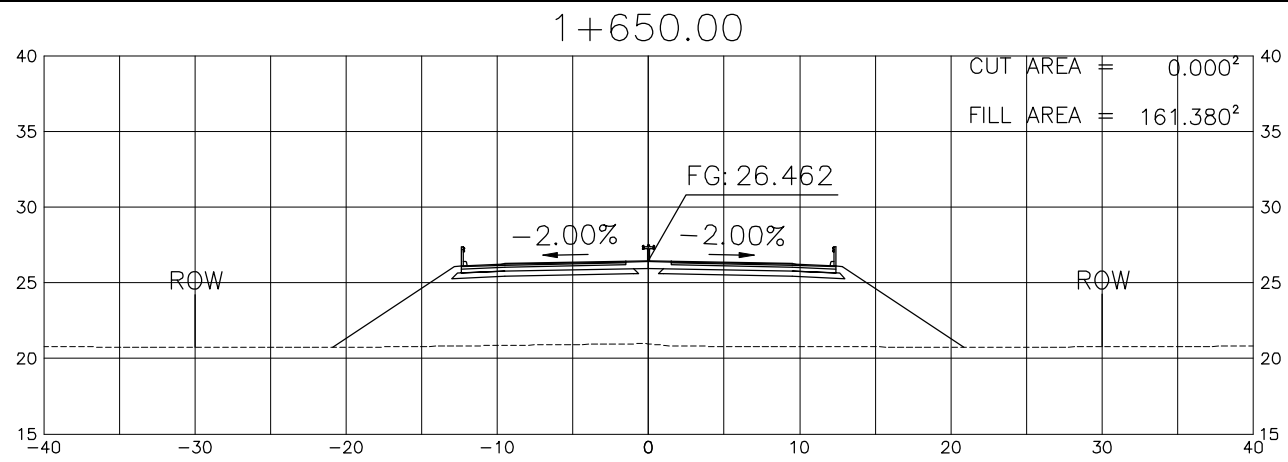
PROJECT TITLE	SCALE	SHEET CONTENT	DRAWING NO.
Preparatory survey for expressway project in Mega Manila Region CLLEX ( TARLAC - CABANATUAN )	A1 = 1:250 A3 = 1:500	CROSS SECTION (INTERIM 2 LANE) STA 0+300 TO STA 0+650	L-02
			SHEET NO.
			2 OF 90



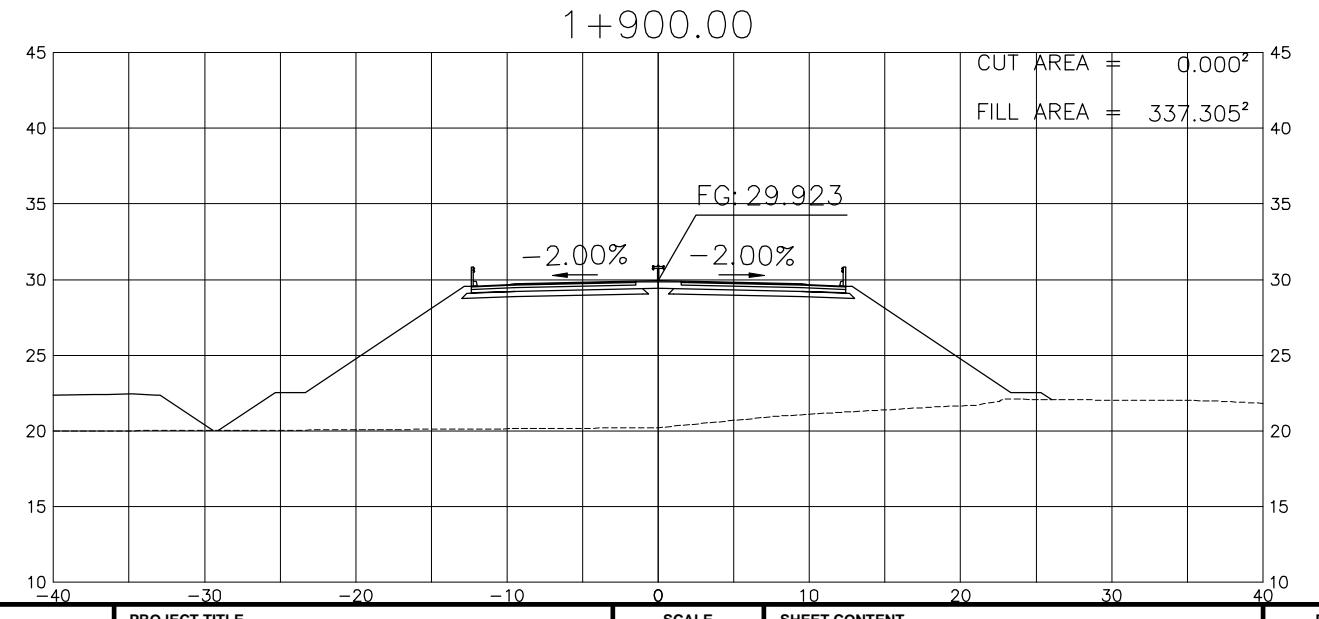
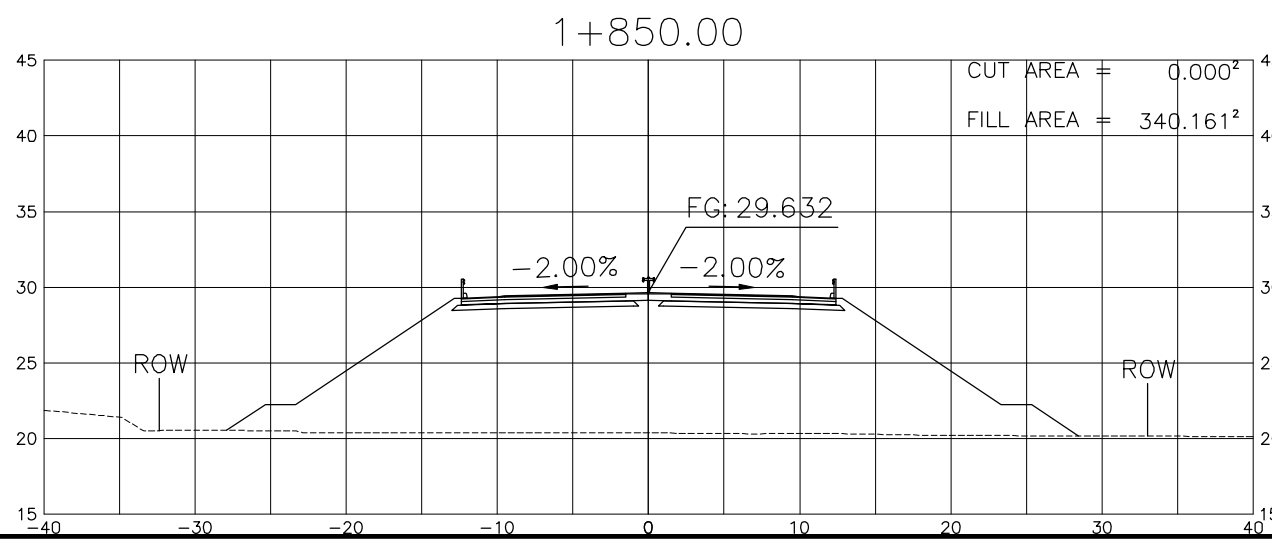
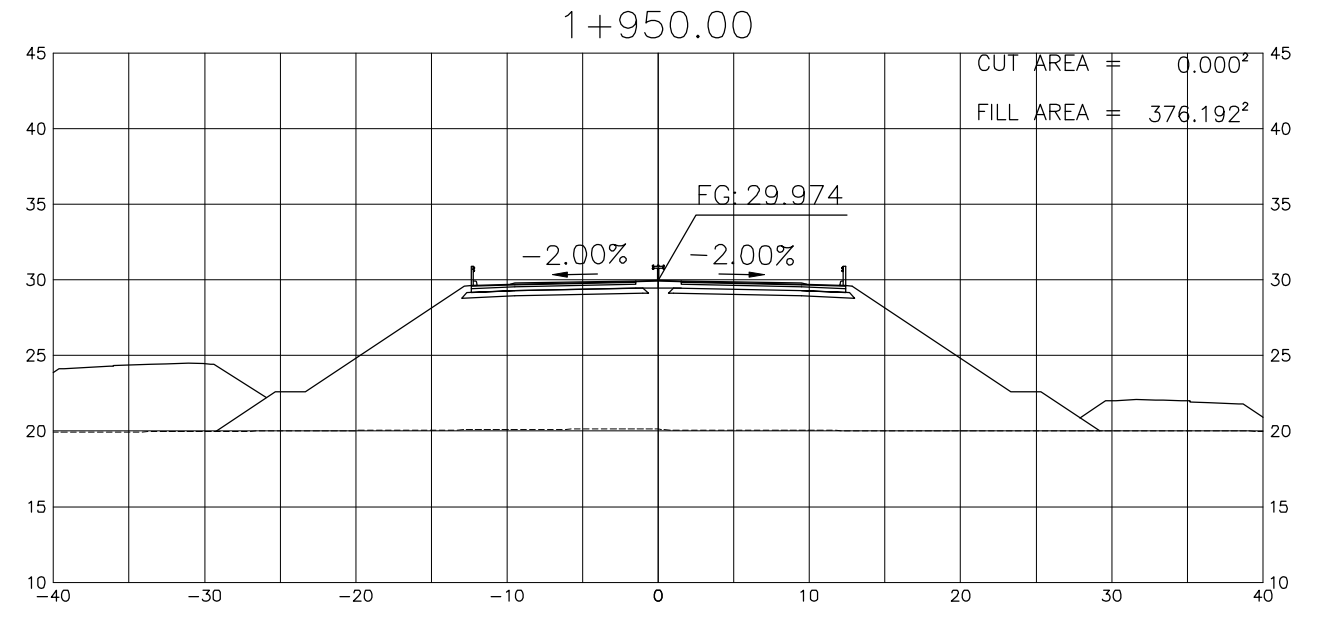
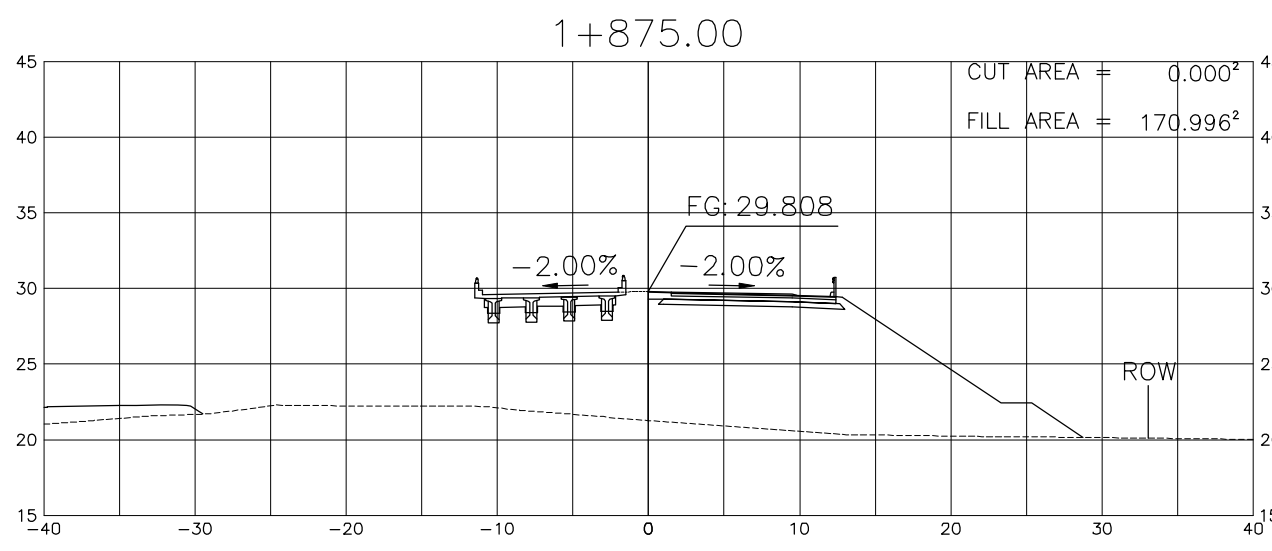
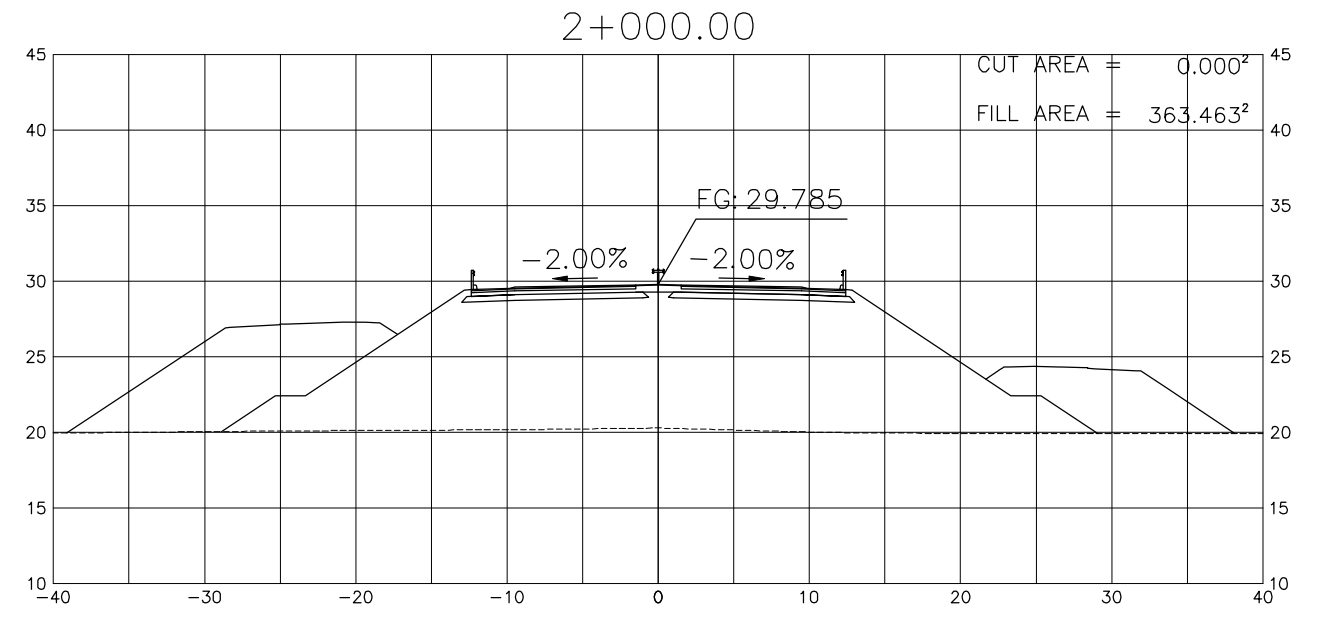
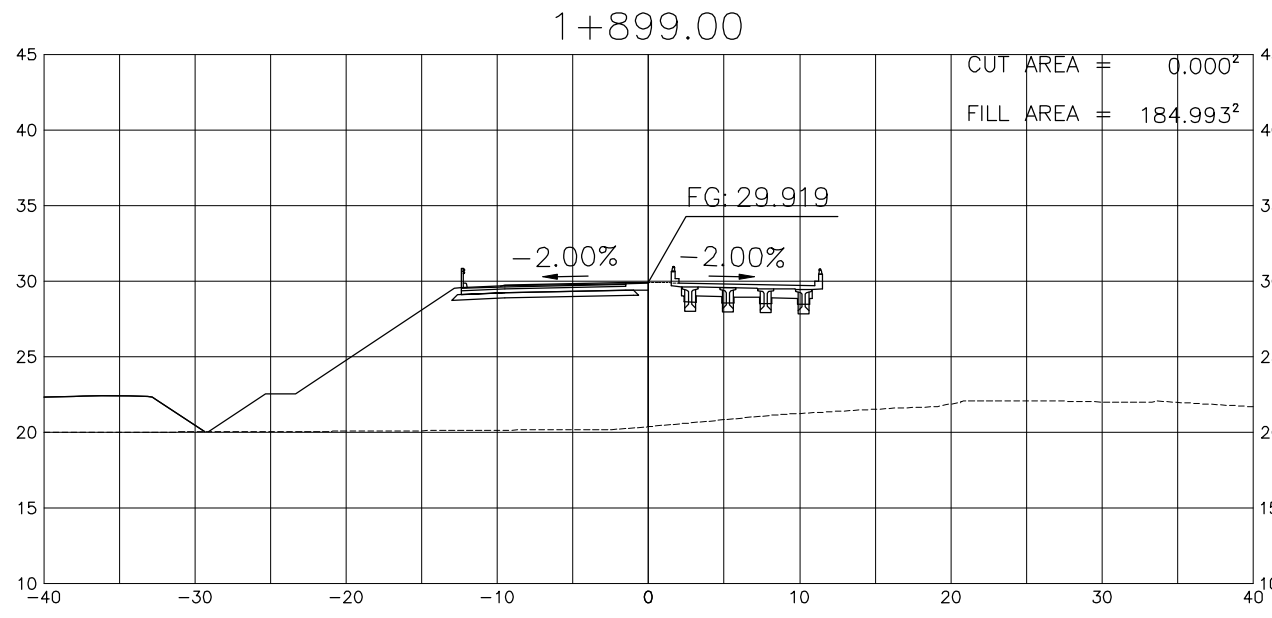
PROJECT TITLE	SCALE	SHEET CONTENT	DRAWING NO.
Preparatory survey for expressway project in Mega Manila Region CLLEX ( TARLAC - CABANATUAN )	A1 = 1:250 A3 = 1:500	CROSS SECTION (INTERIM 2 LANE) STA 0+700 TO STA 1+050	L-03
			SHEET NO.
			3 OF 90



PROJECT TITLE	SCALE	SHEET CONTENT	DRAWING NO.
Preparatory survey for expressway project in Mega Manila Region CLLEX ( TARLAC - CABANATUAN )	A1 = 1:250 A3 = 1:500	CROSS SECTION (INTERIM 2 LANE) STA 1+100 TO STA 1+450	L-04
			SHEET NO.
			4 OF 90

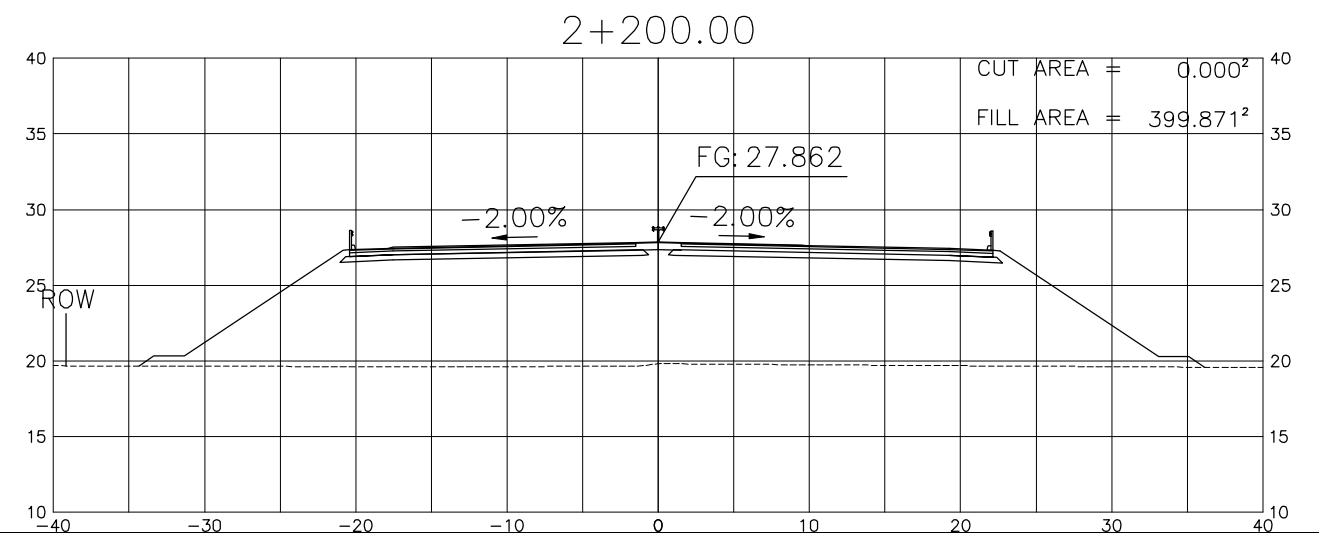
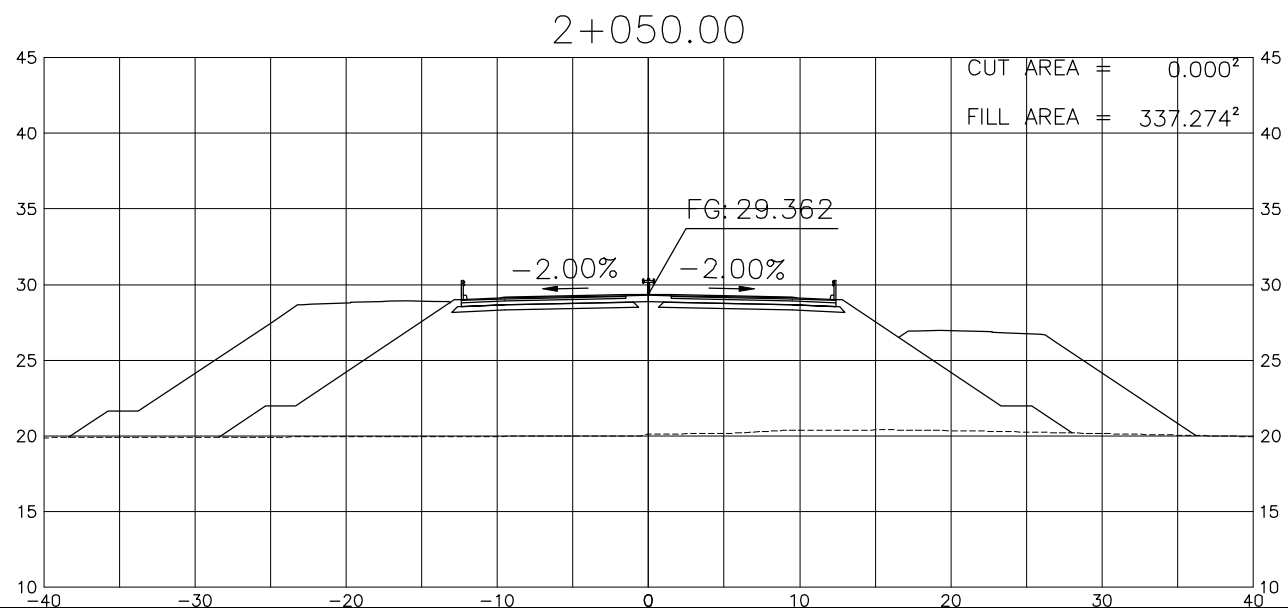
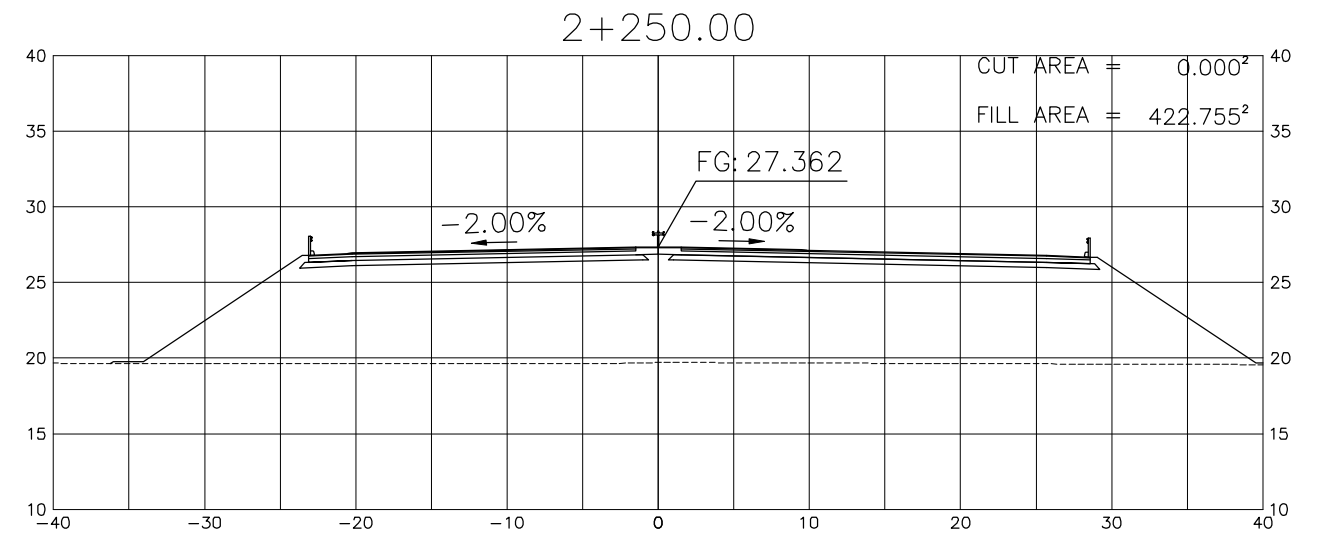
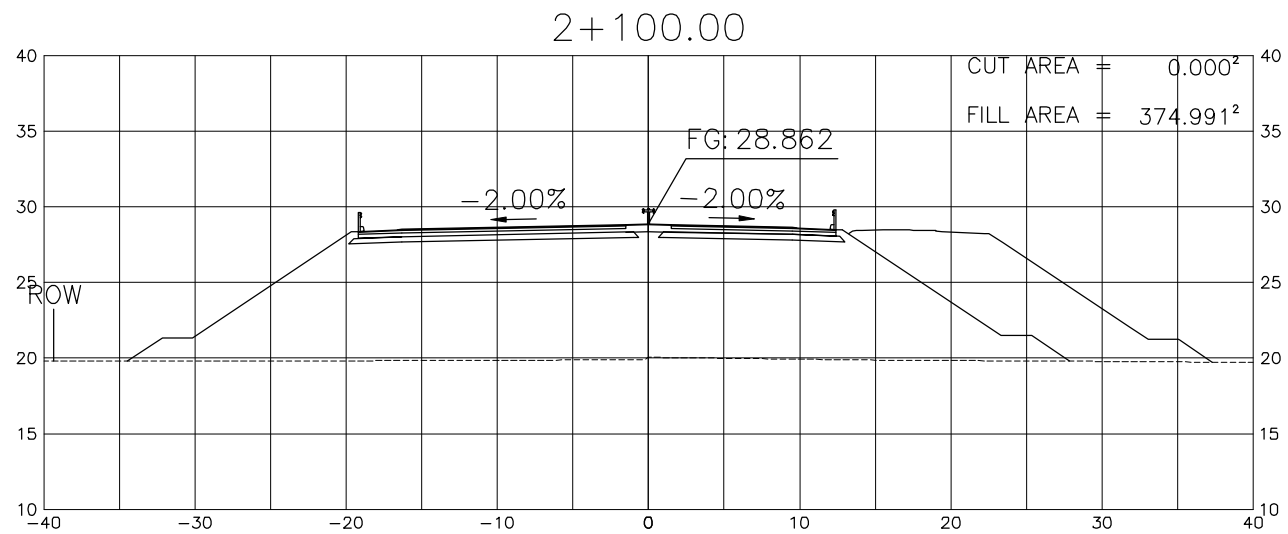
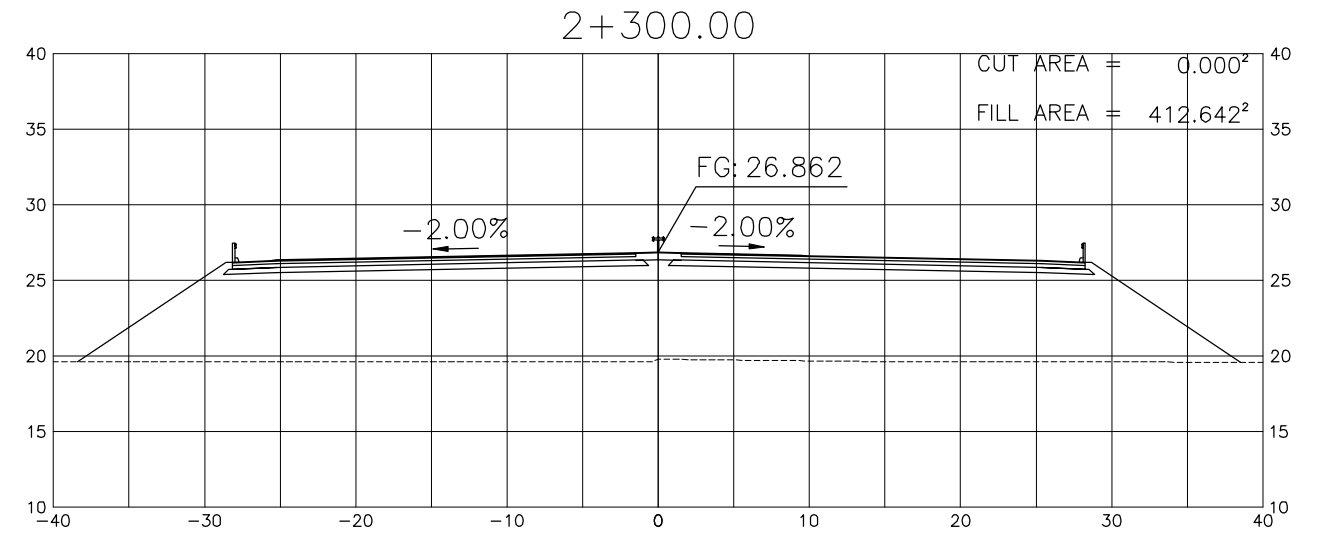
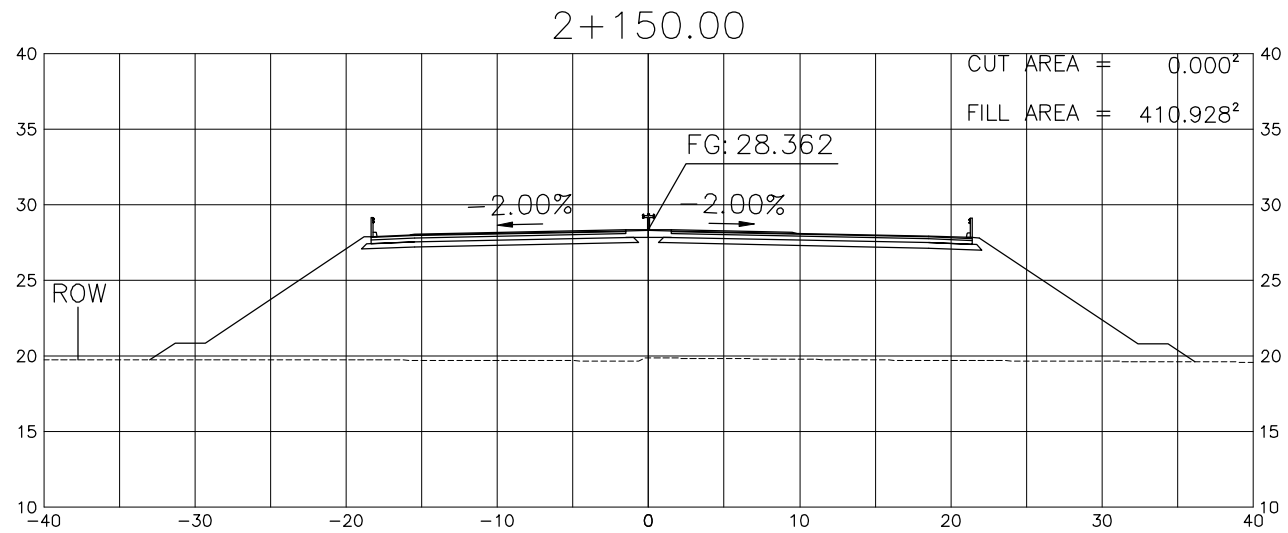


PROJECT TITLE	SCALE	SHEET CONTENT	DRAWING NO.
Preparatory survey for expressway project in Mega Manila Region CLLEX ( TARLAC - CABANATUAN )	A1 = 1:250 A3 = 1:500	CROSS SECTION (INTERIM 2 LANE) STA 1+500 TO STA 1+800	L-05
			SHEET NO.
			5 OF 90

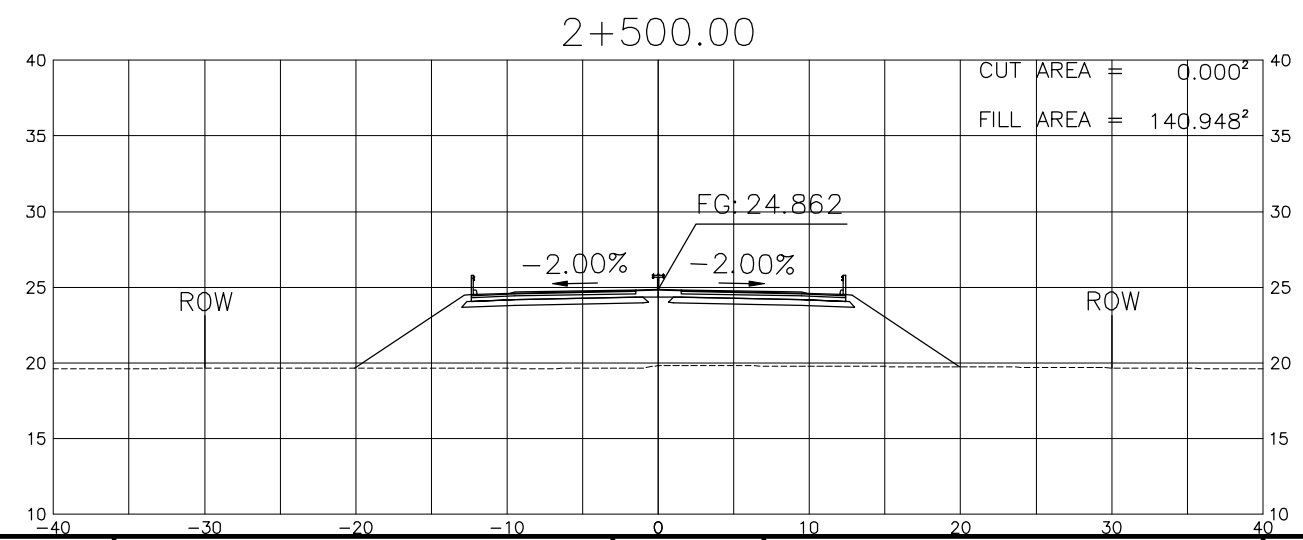
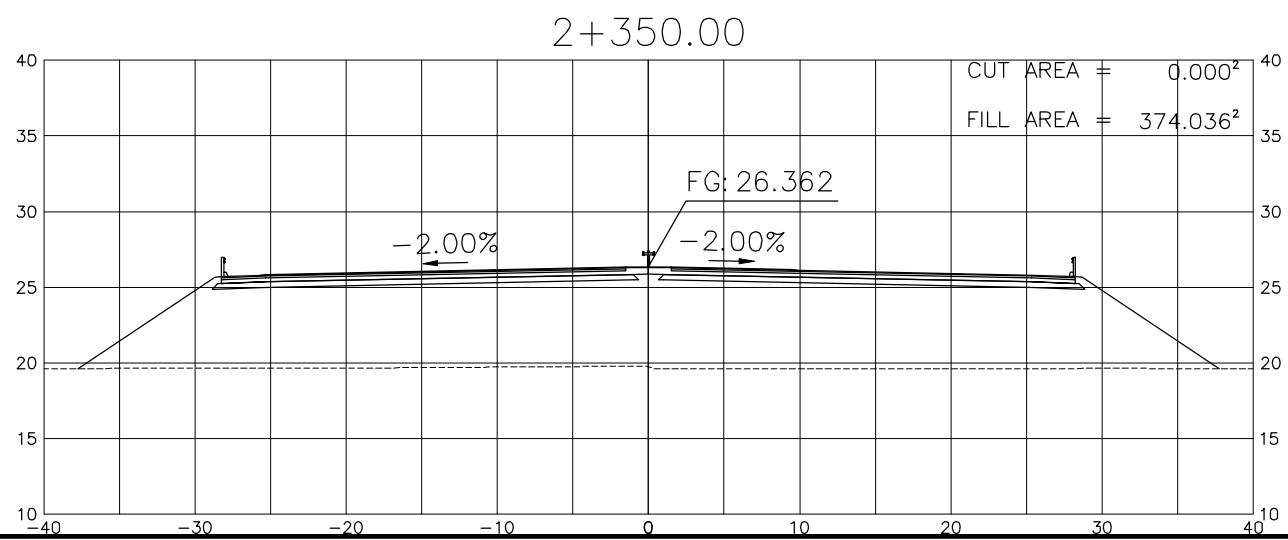
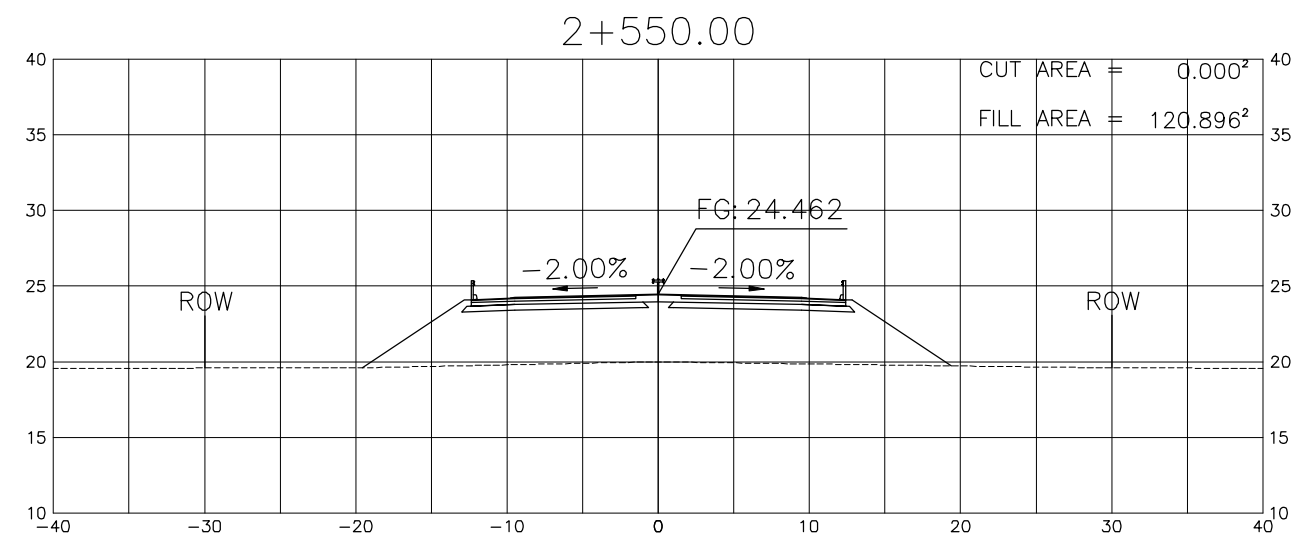
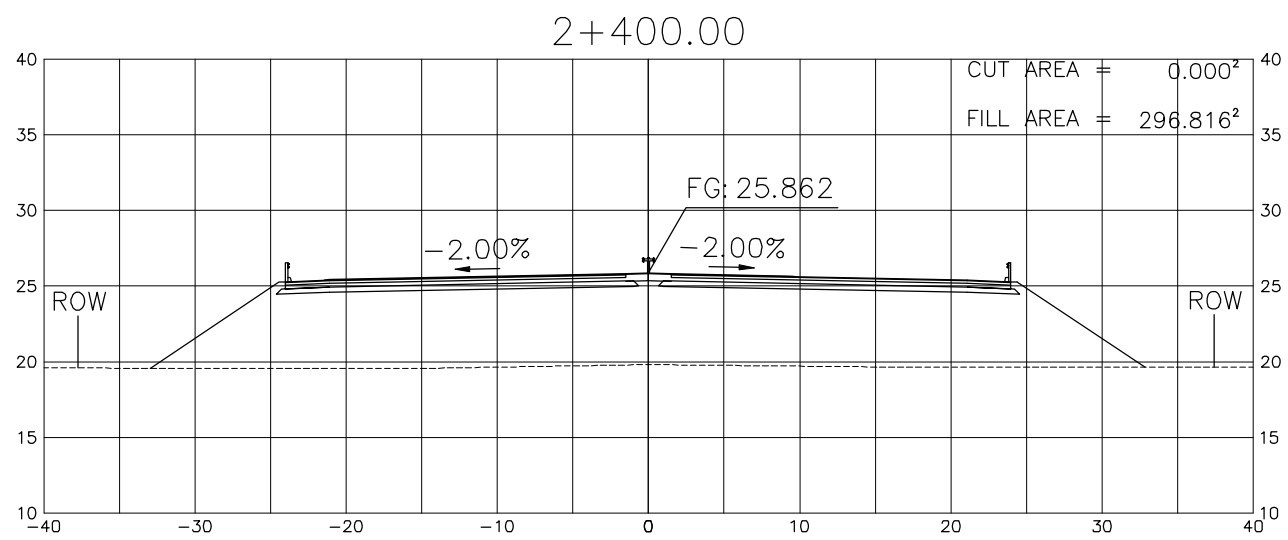
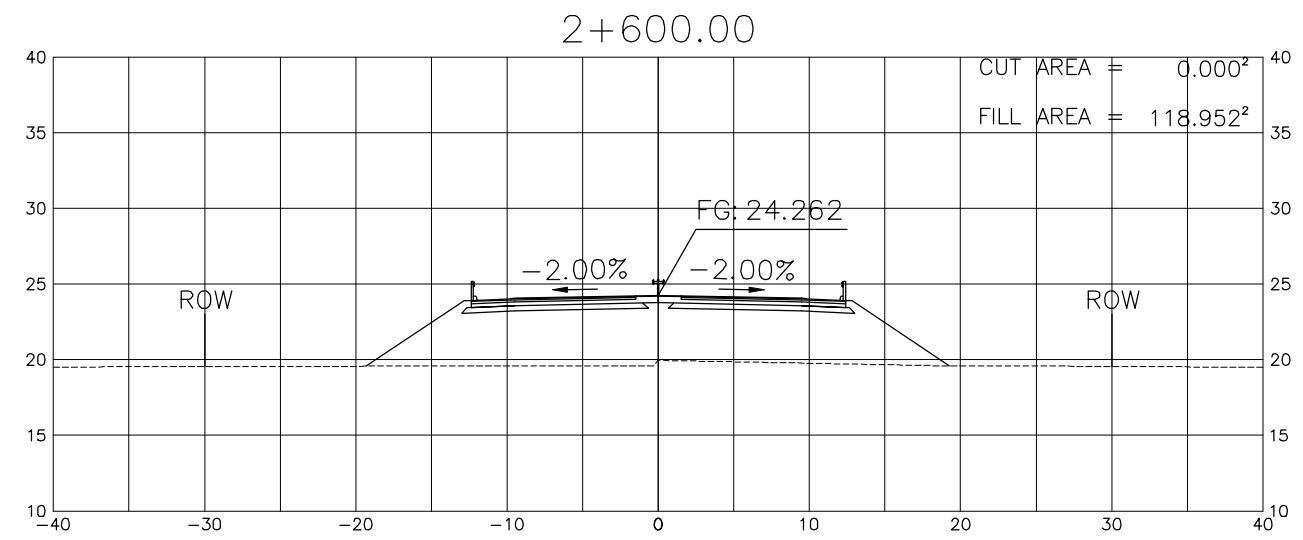
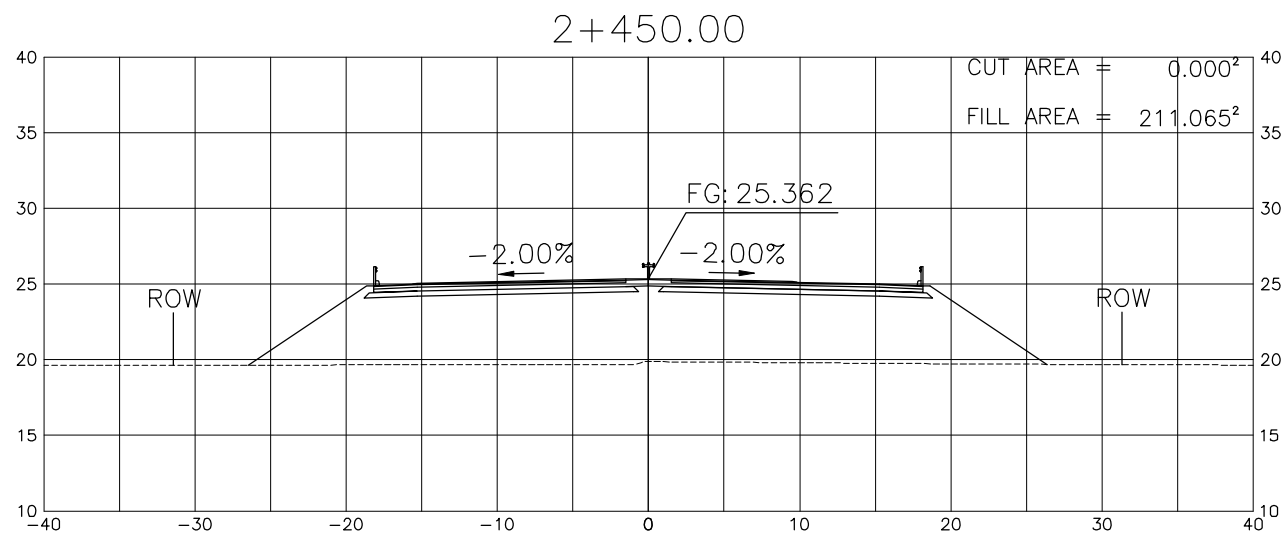


PROJECT TITLE	SCALE	SHEET CONTENT	DRAWING NO.
Preparatory survey for expressway project in Mega Manila Region CLLEX ( TARLAC - CABANATUAN )	A1 = 1:250 A3 = 1:500	CROSS SECTION (INTERIM 2 LANE) STA 1+850 TO STA 2+000	L-06
			SHEET NO.
			6 OF 90

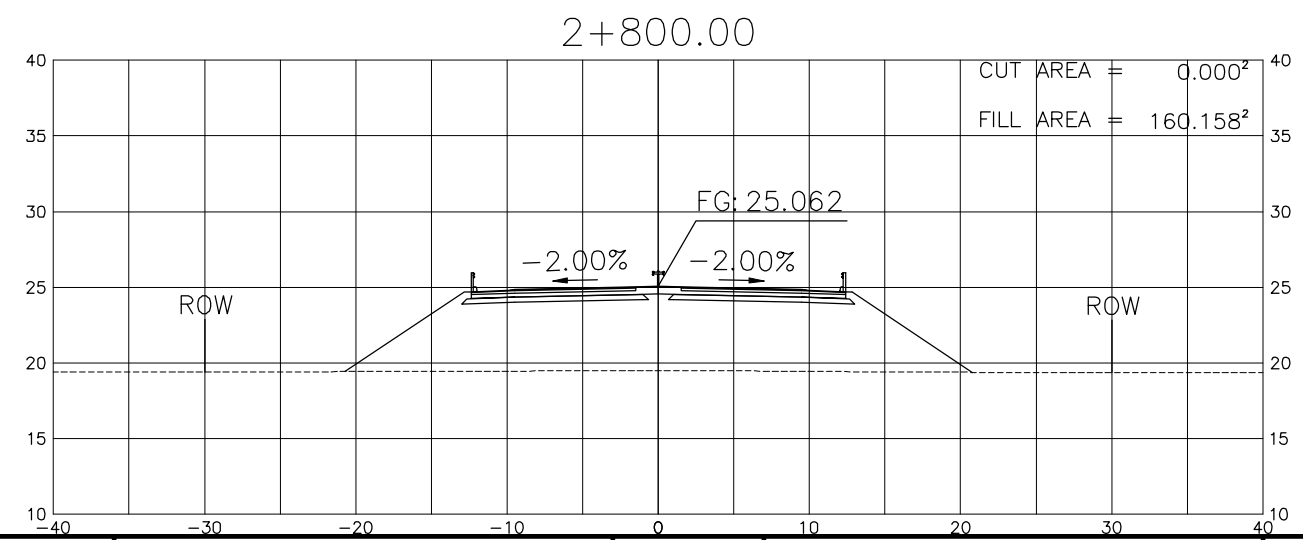
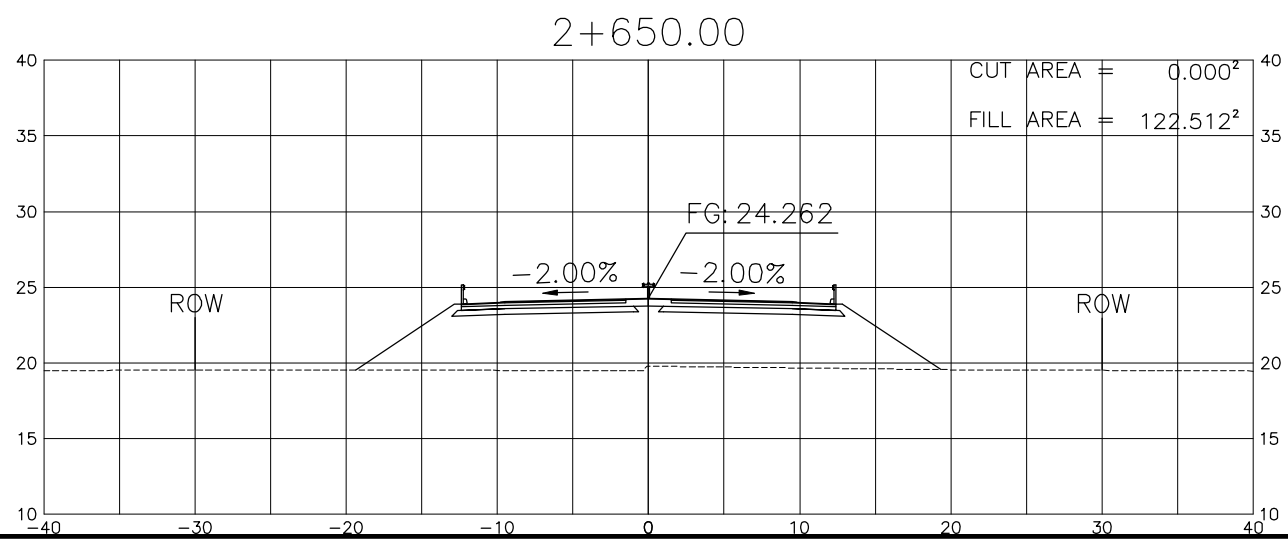
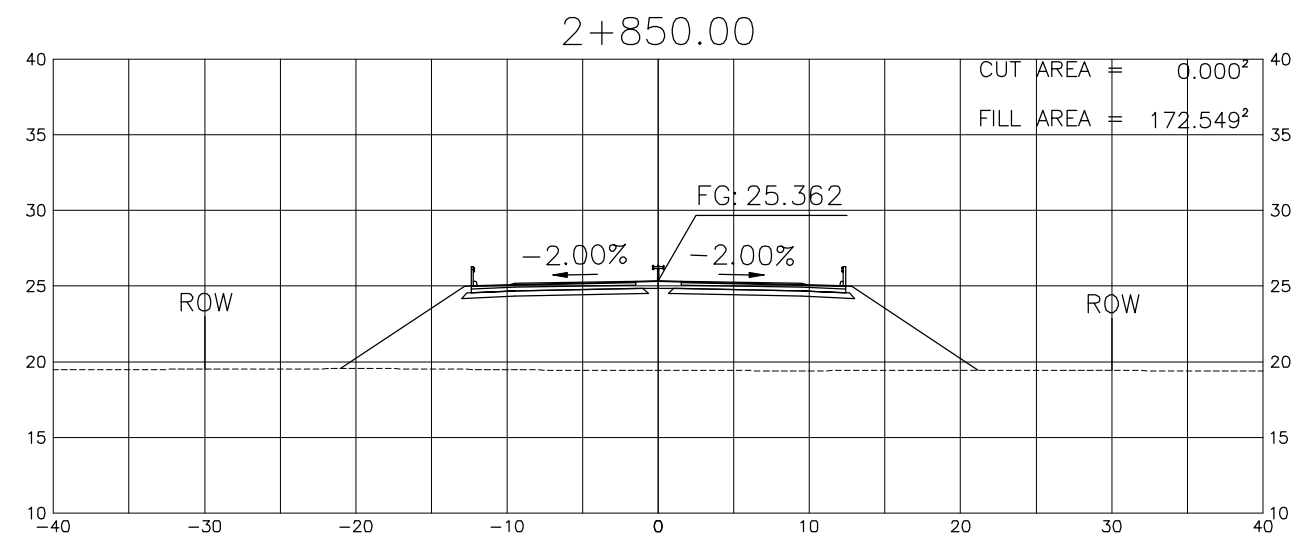
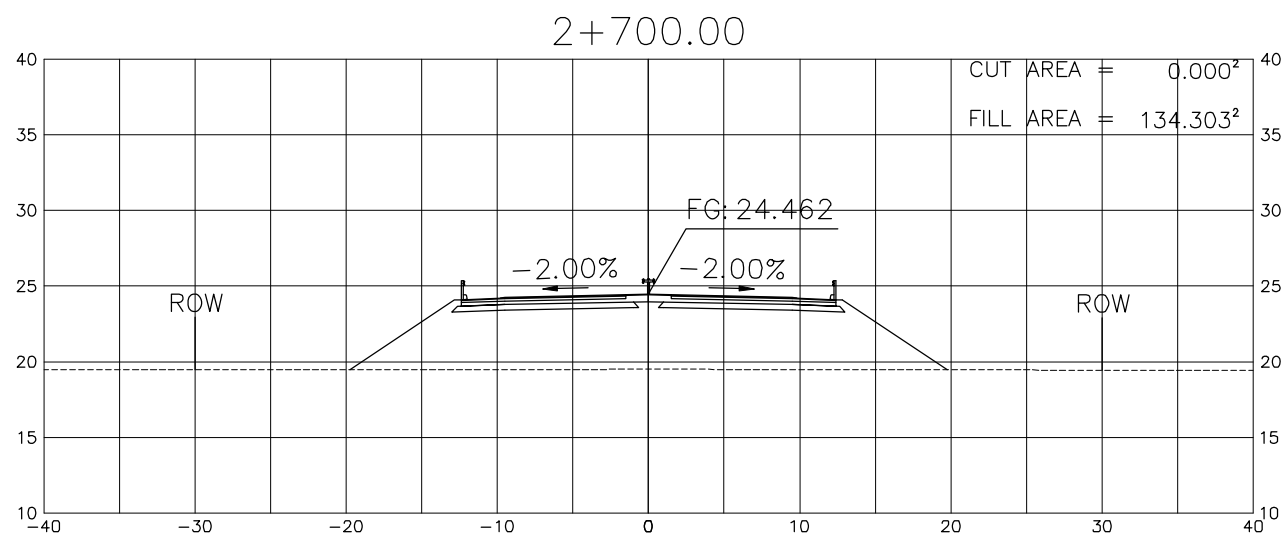
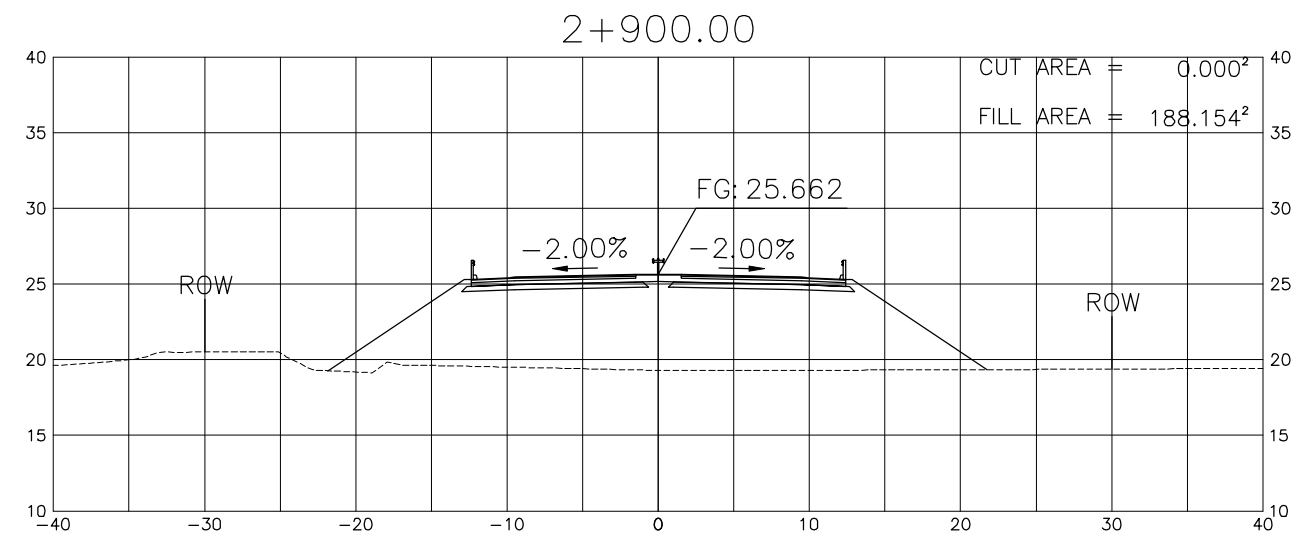
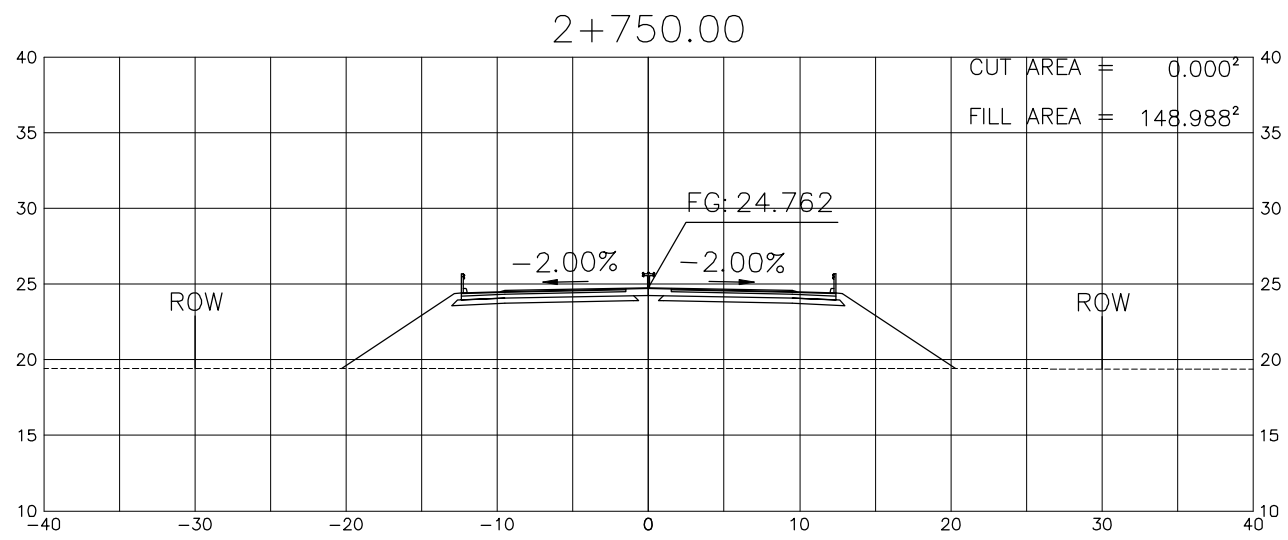




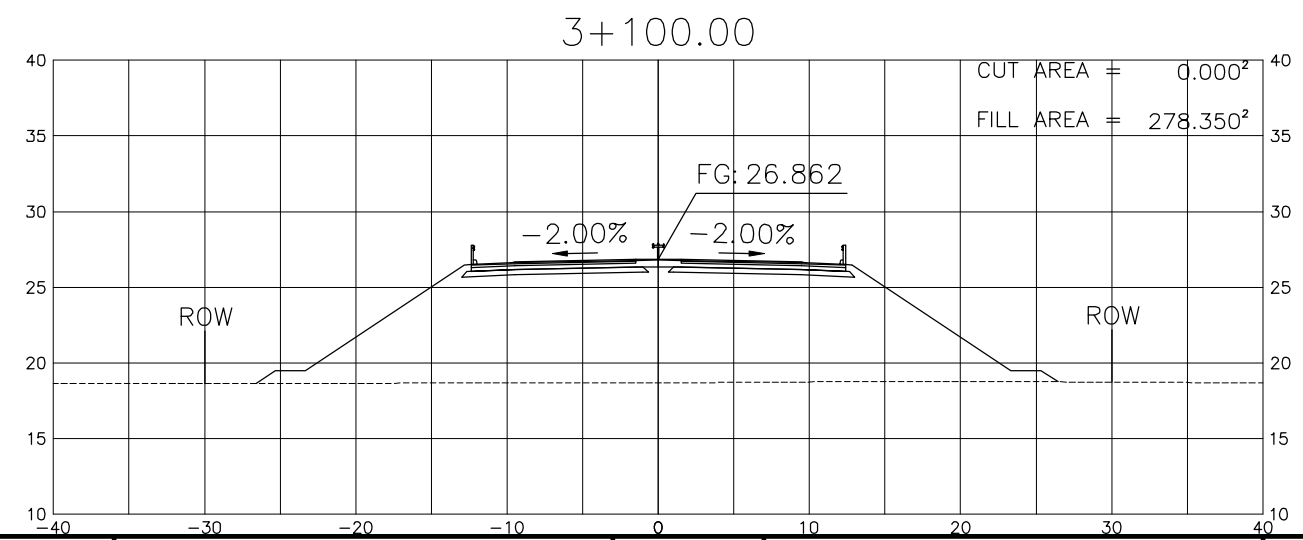
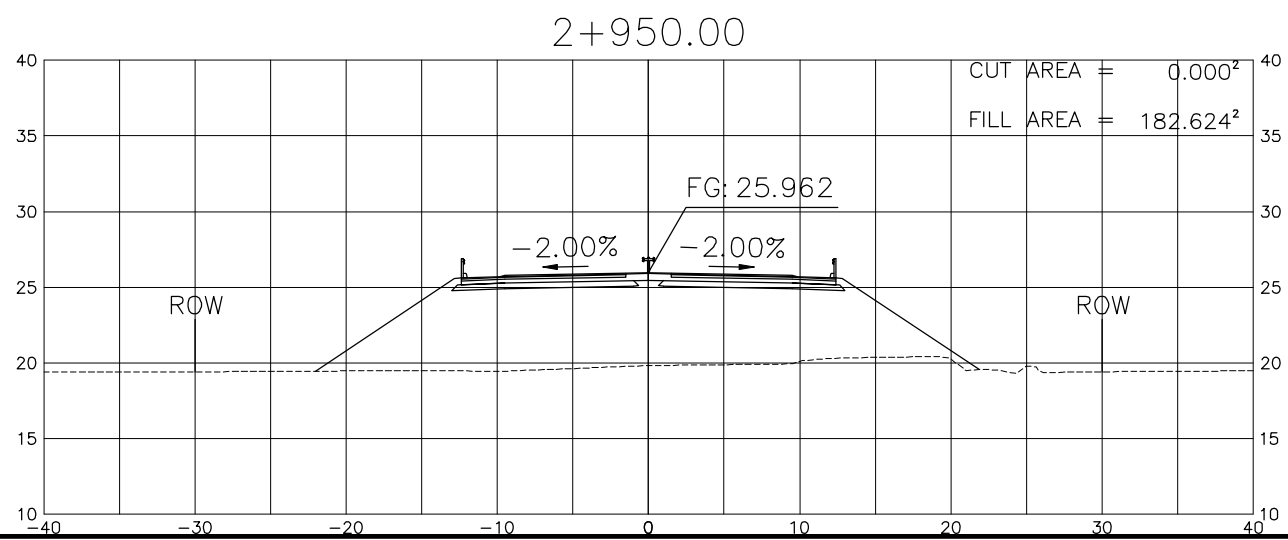
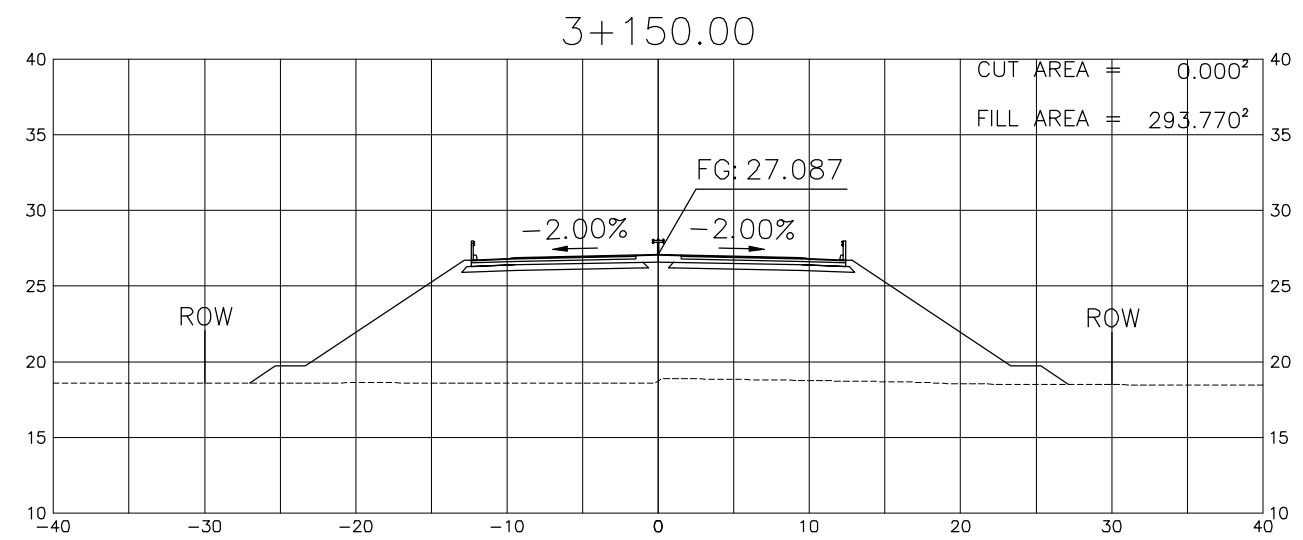
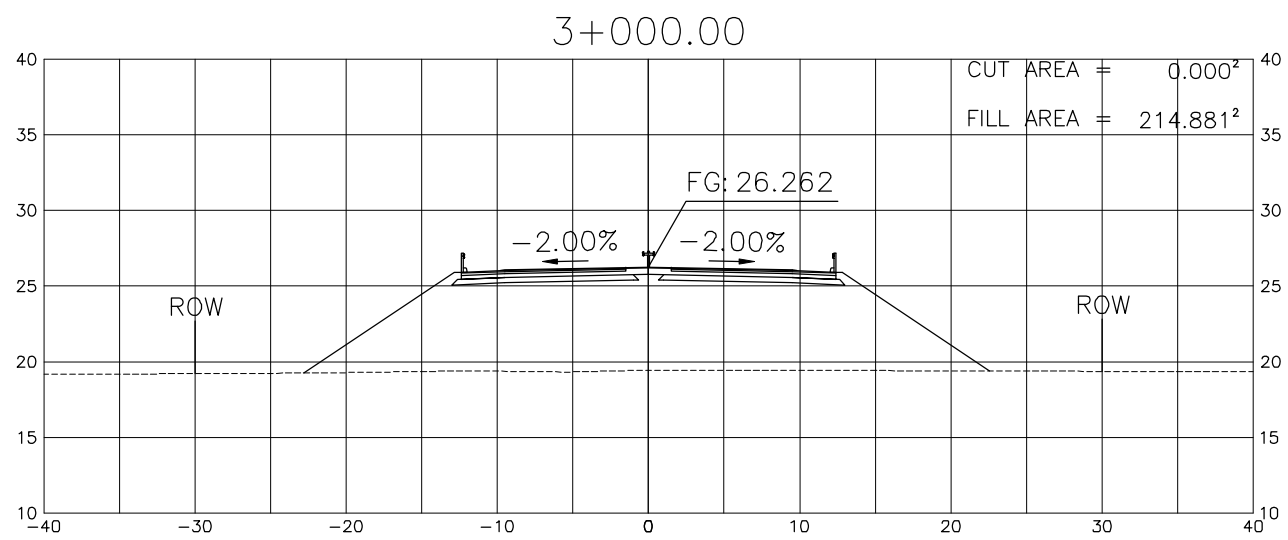
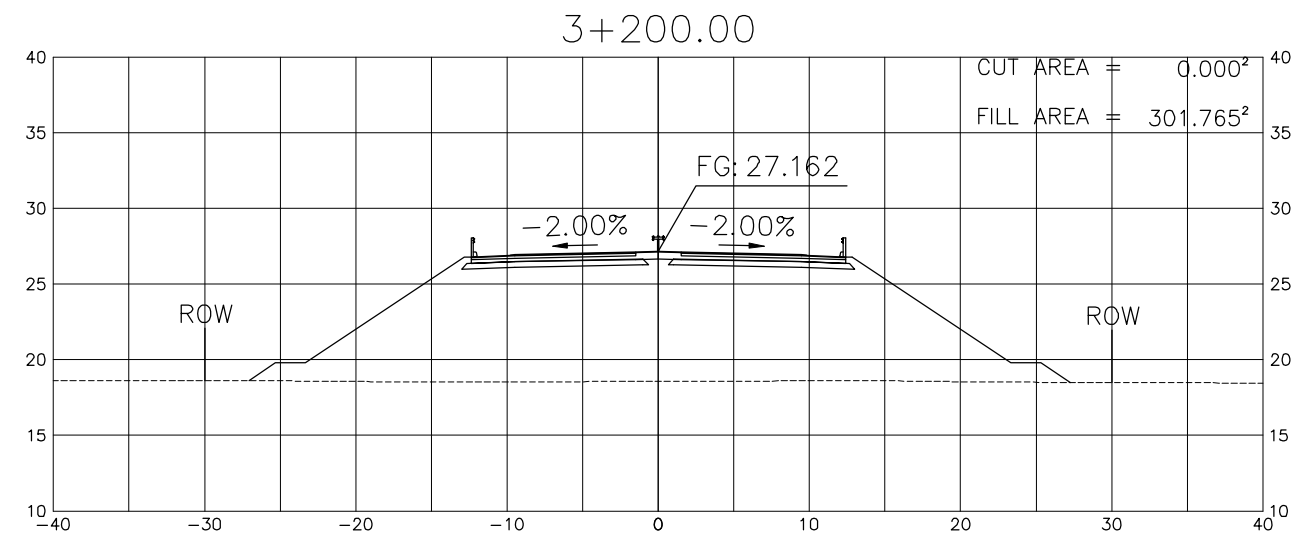
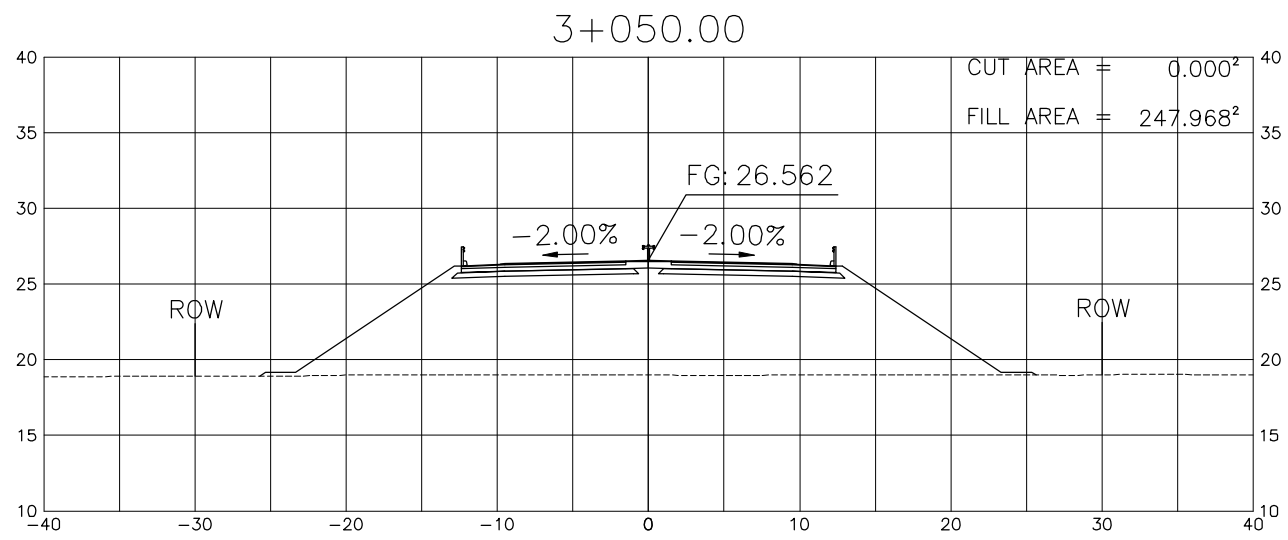
PROJECT TITLE	SCALE	SHEET CONTENT	DRAWING NO.
Preparatory survey for expressway project in Mega Manila Region CLLEX ( TARLAC - CABANATUAN )	A1 = 1:250 A3 = 1:500	CROSS SECTION (INTERIM 2 LANE) STA 2+0505 TO STA 2+300	L-07
			SHEET NO.
			7 OF 90



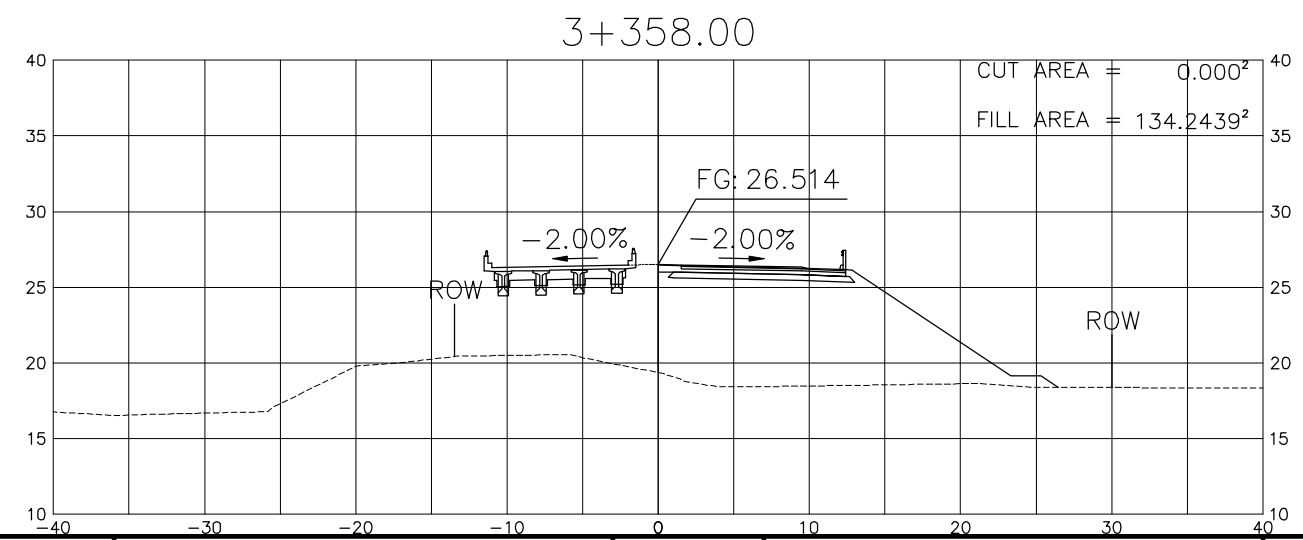
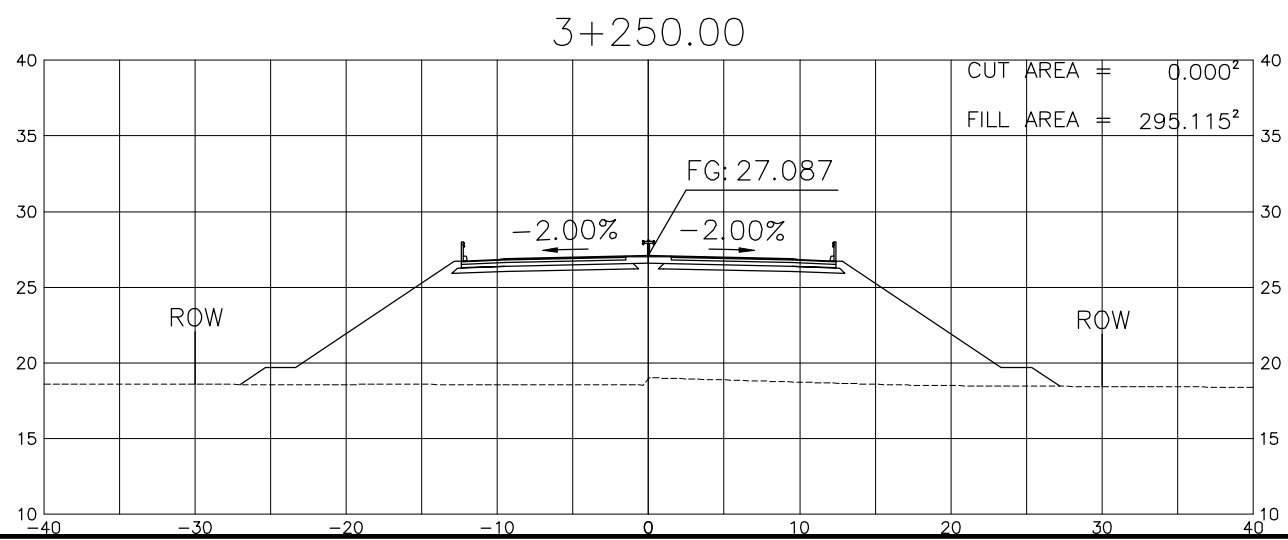
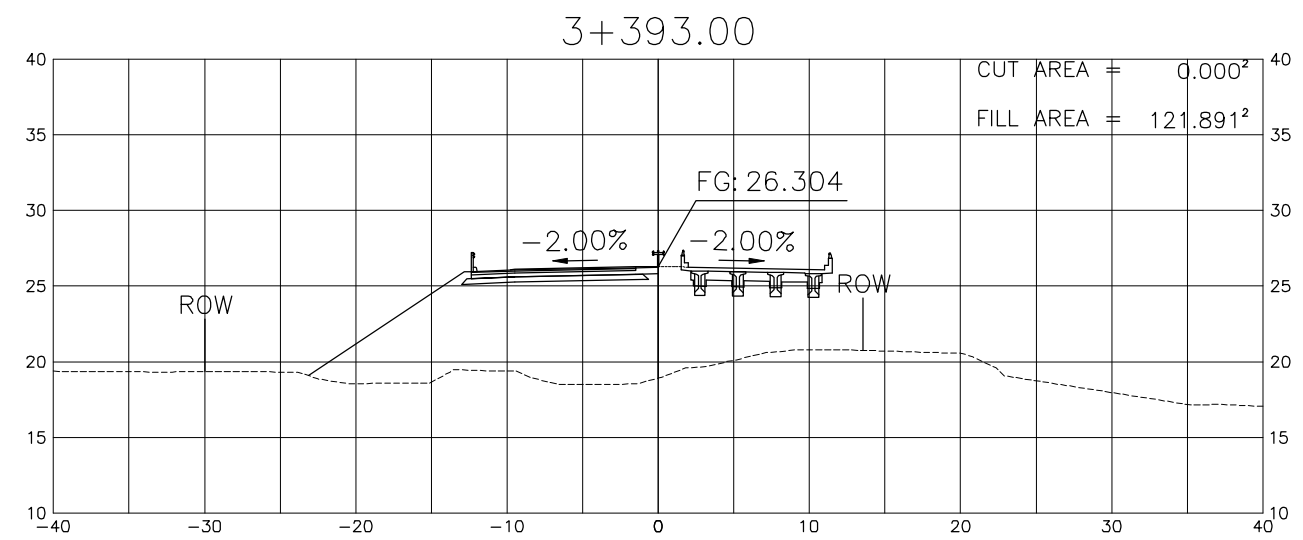
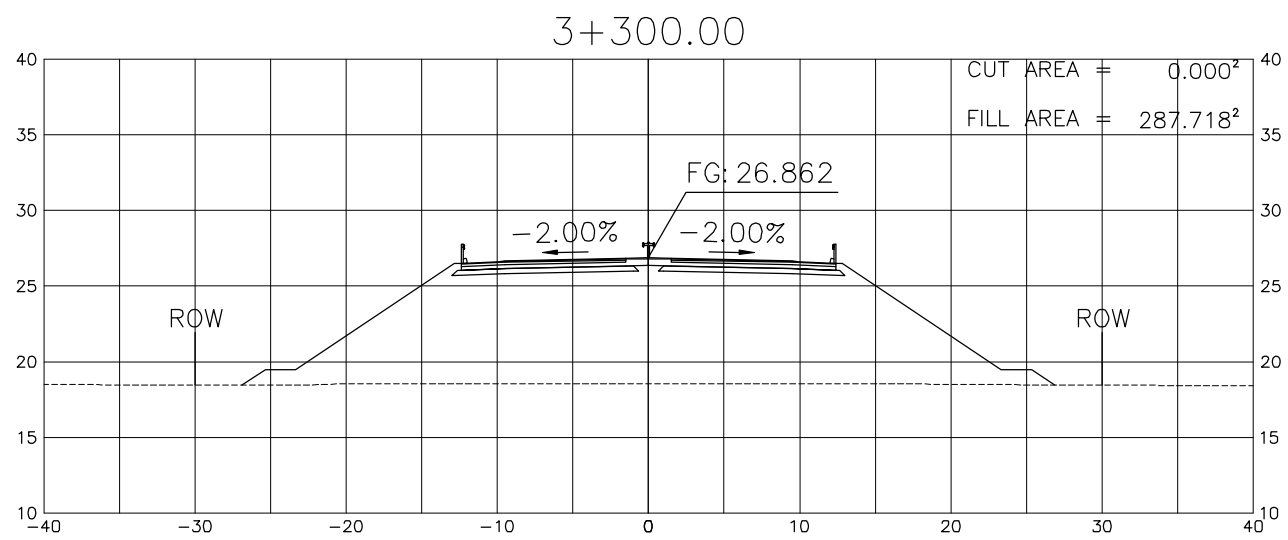
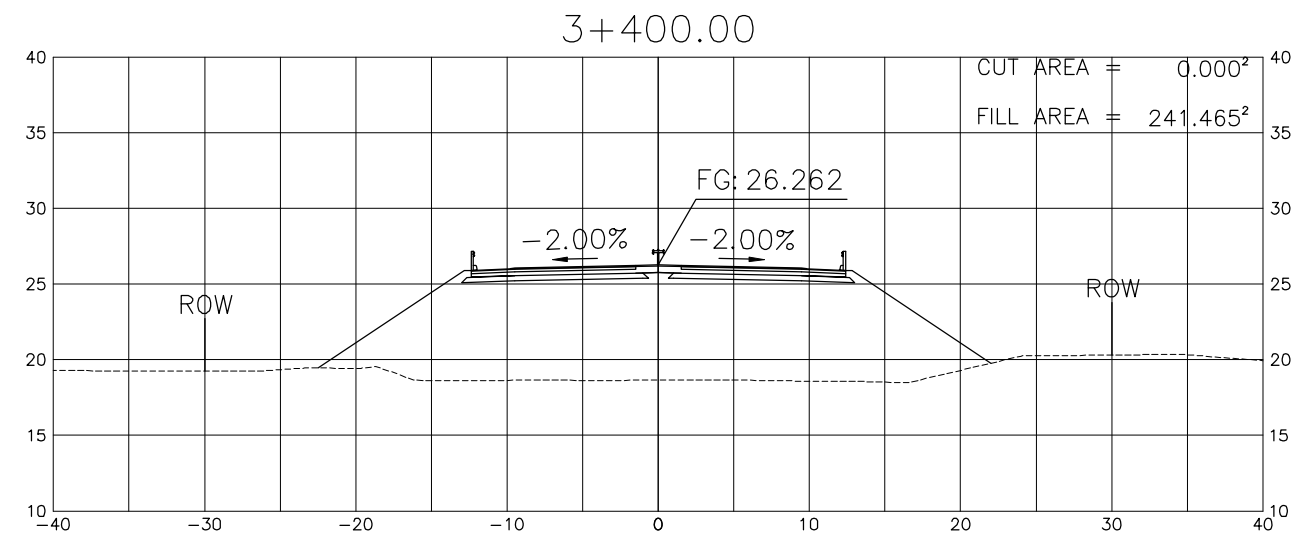
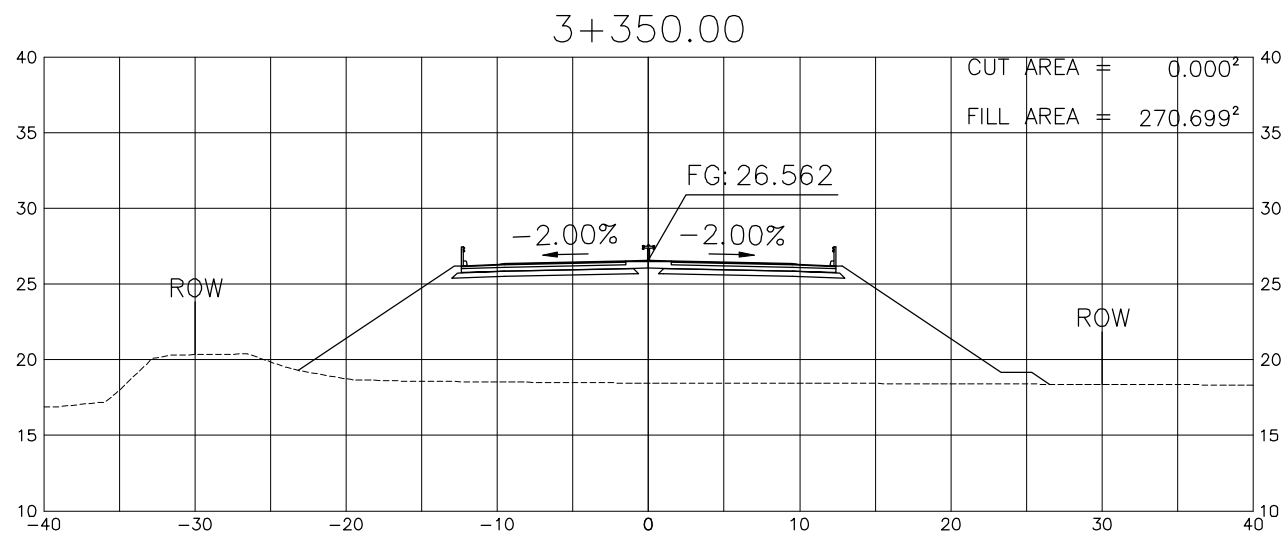
PROJECT TITLE	SCALE	SHEET CONTENT	DRAWING NO.
<b>Preparatory survey for expressway project in Mega Manila Region CLLEX ( TARLAC - CABANATUAN )</b>	A1 = 1:250 A3 = 1:500	<b>CROSS SECTION (INTERIM 2 LANE)</b> STA 2+350 TO STA 2+600	L-08
			SHEET NO.
			8 OF 90



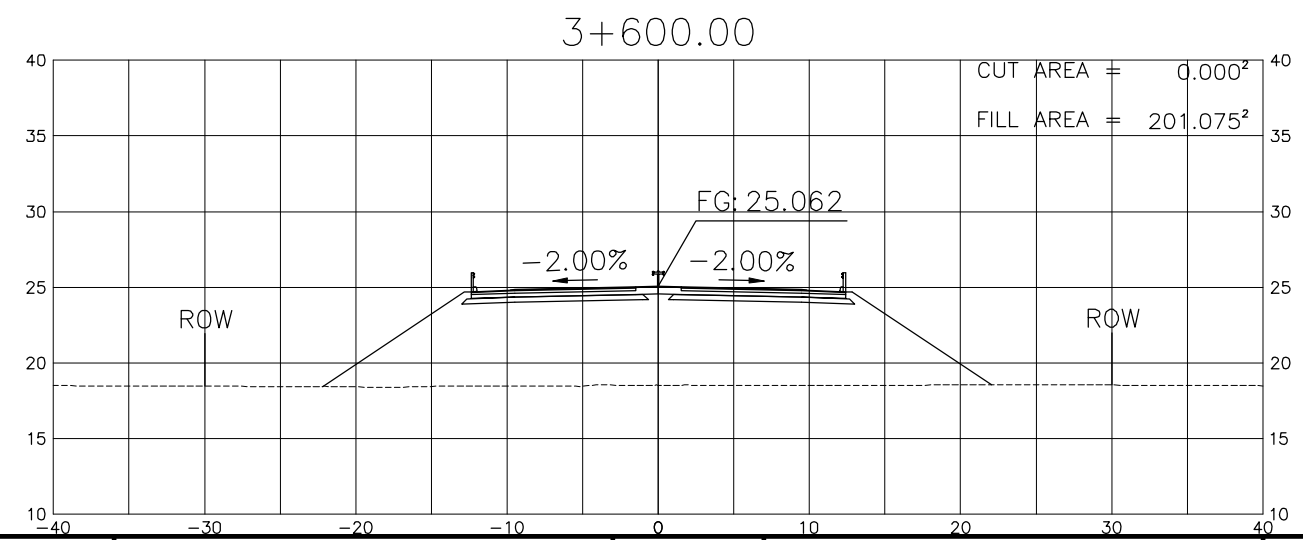
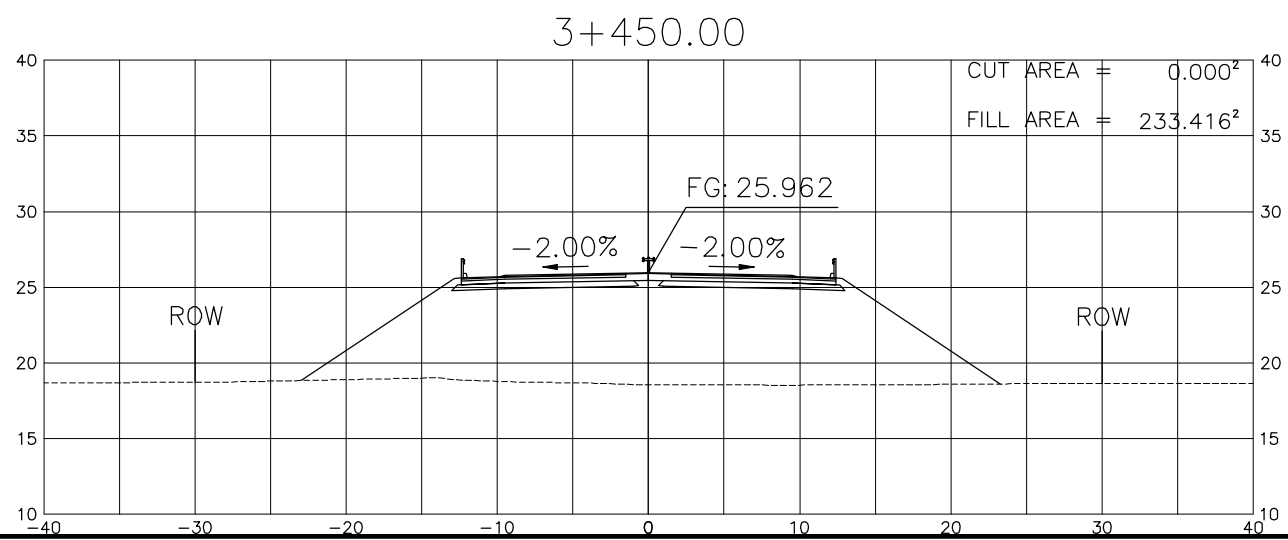
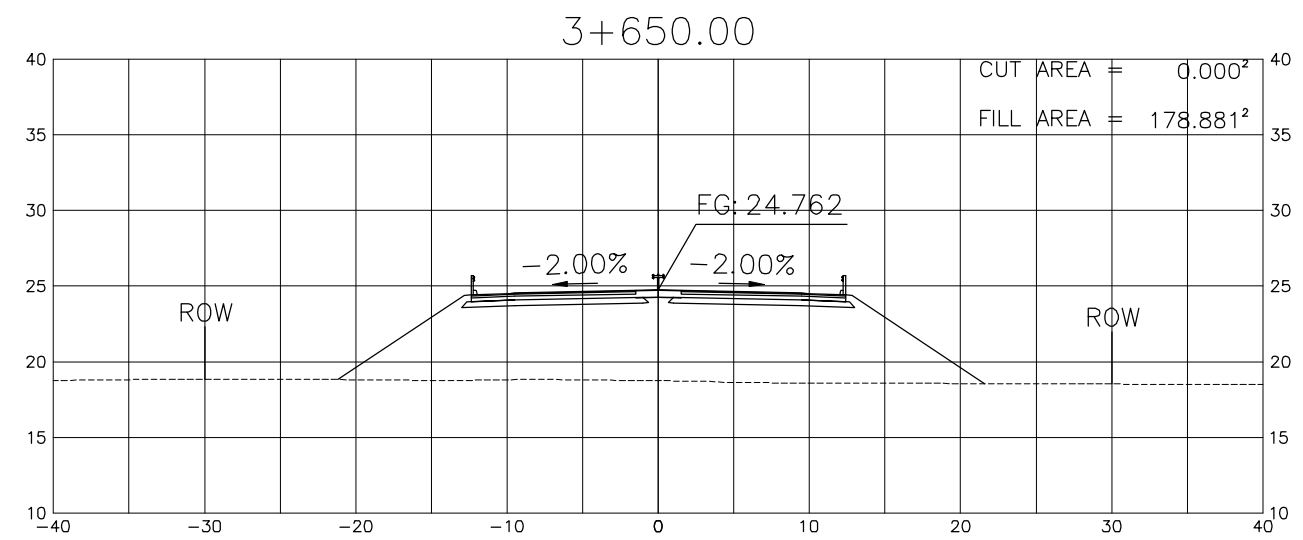
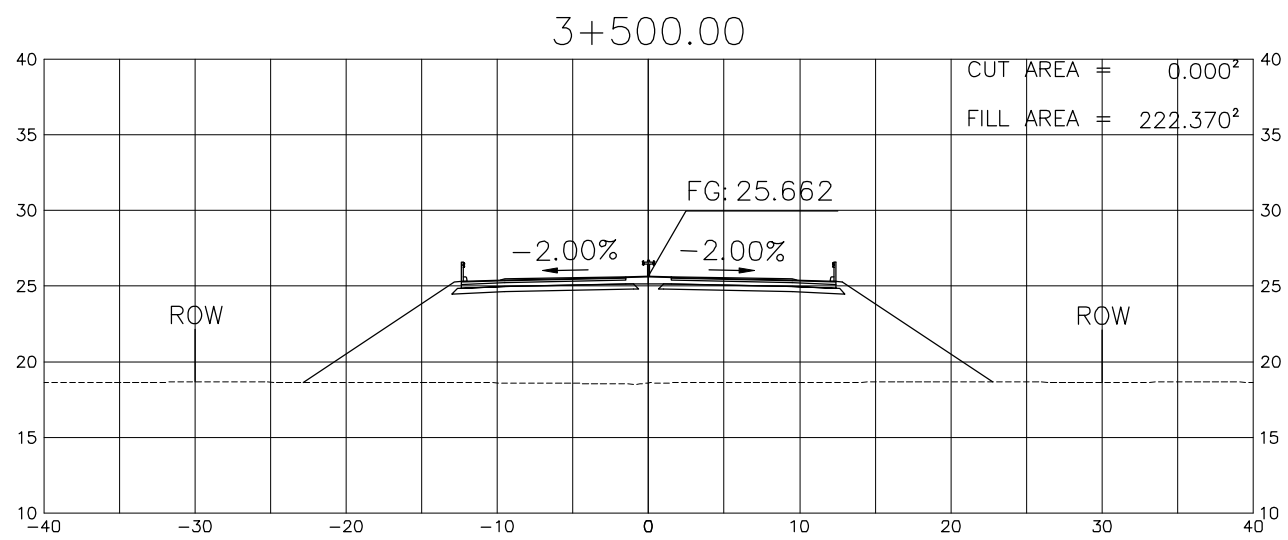
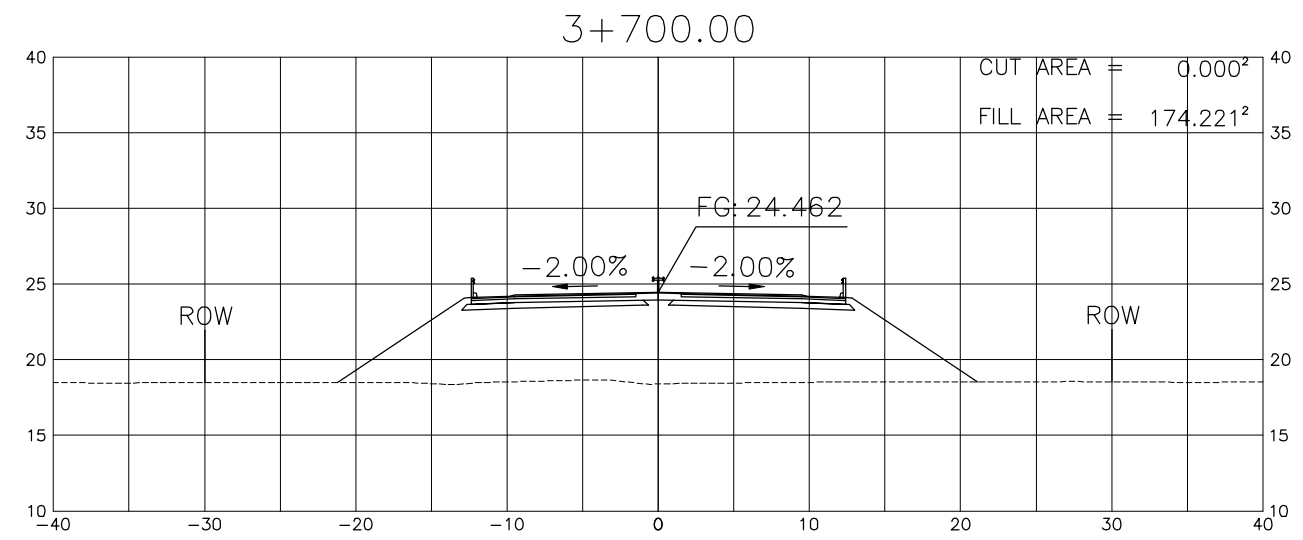
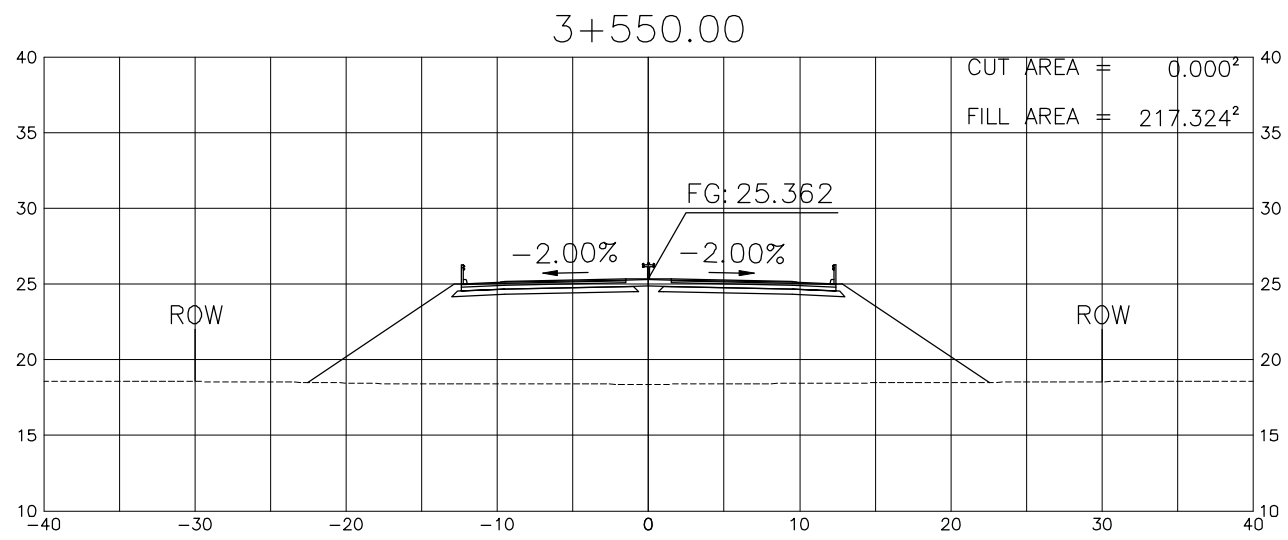
PROJECT TITLE	SCALE	SHEET CONTENT	DRAWING NO.
<b>Preparatory survey for expressway project in Mega Manila Region CLLEX ( TARLAC - CABANATUAN )</b>	A1 = 1:250 A3 = 1:500	<b>CROSS SECTION (INTERIM 2 LANE)</b> STA 2+650 TO STA 2+900	L-09
			SHEET NO.
			9 OF 90



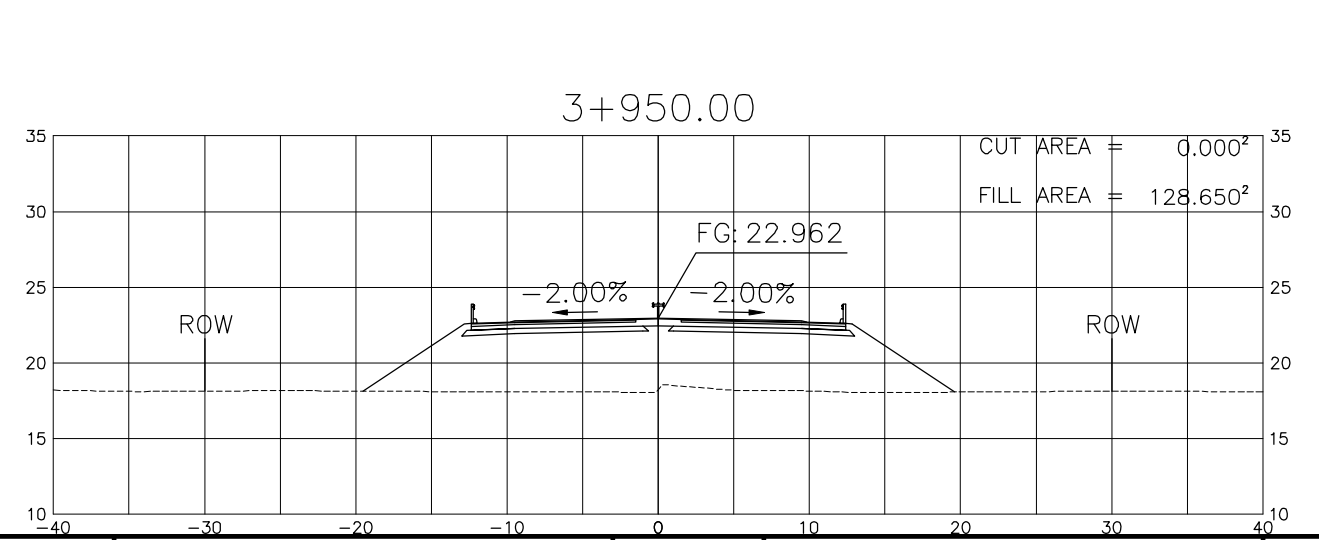
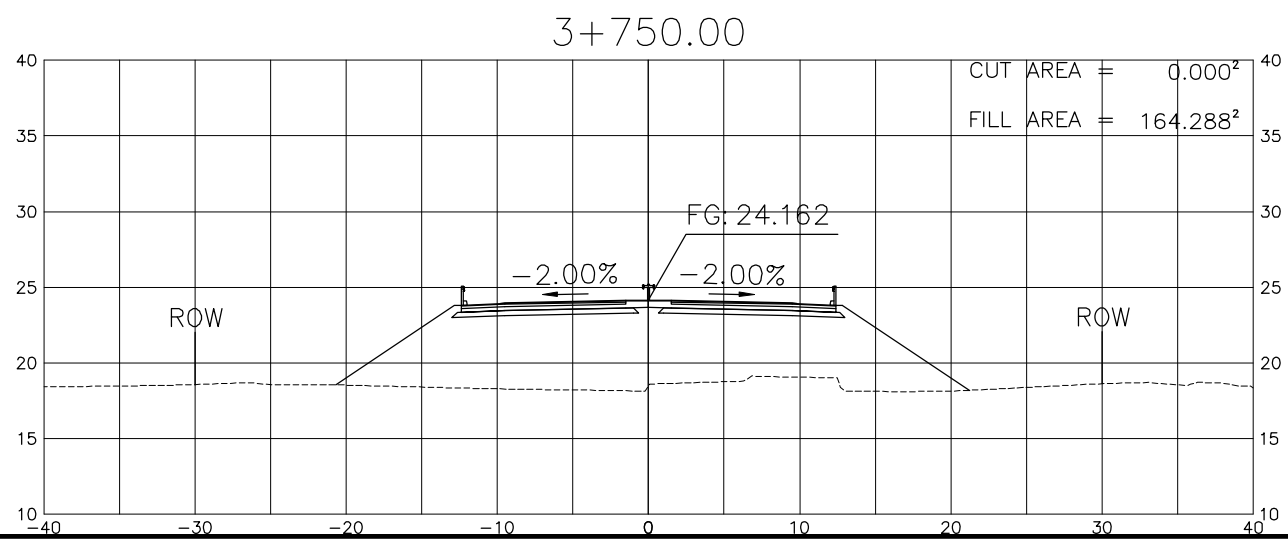
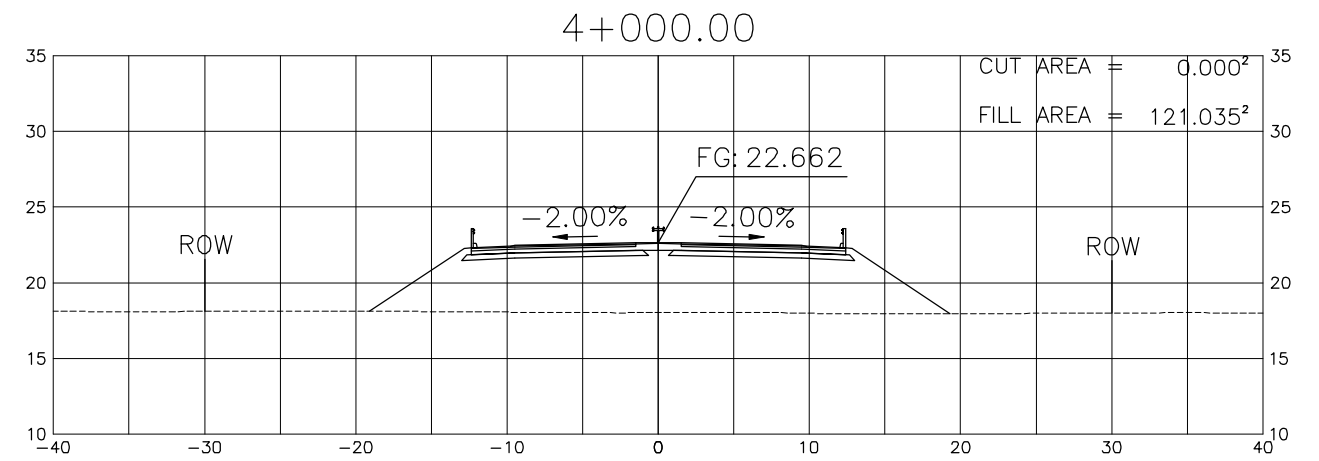
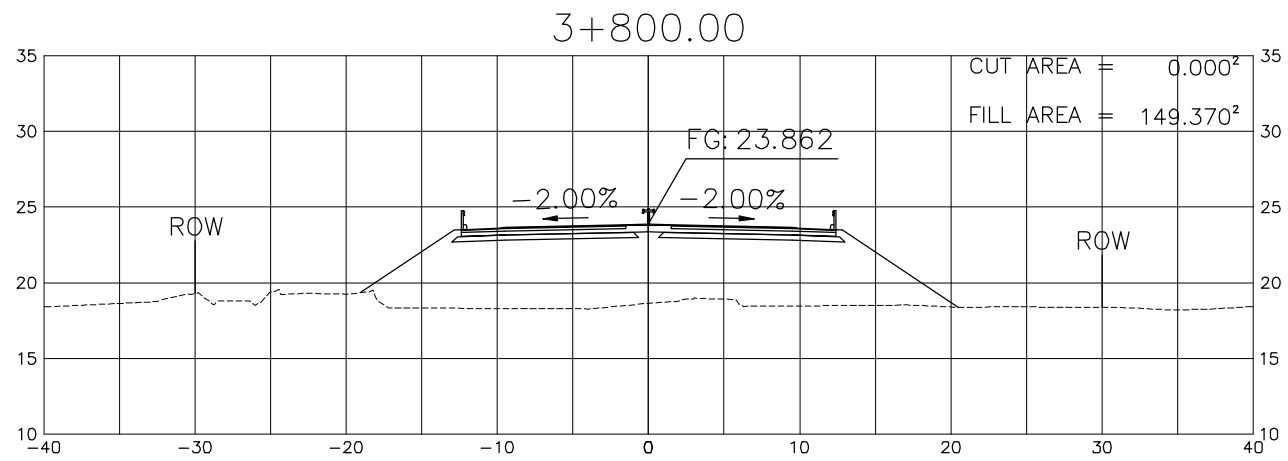
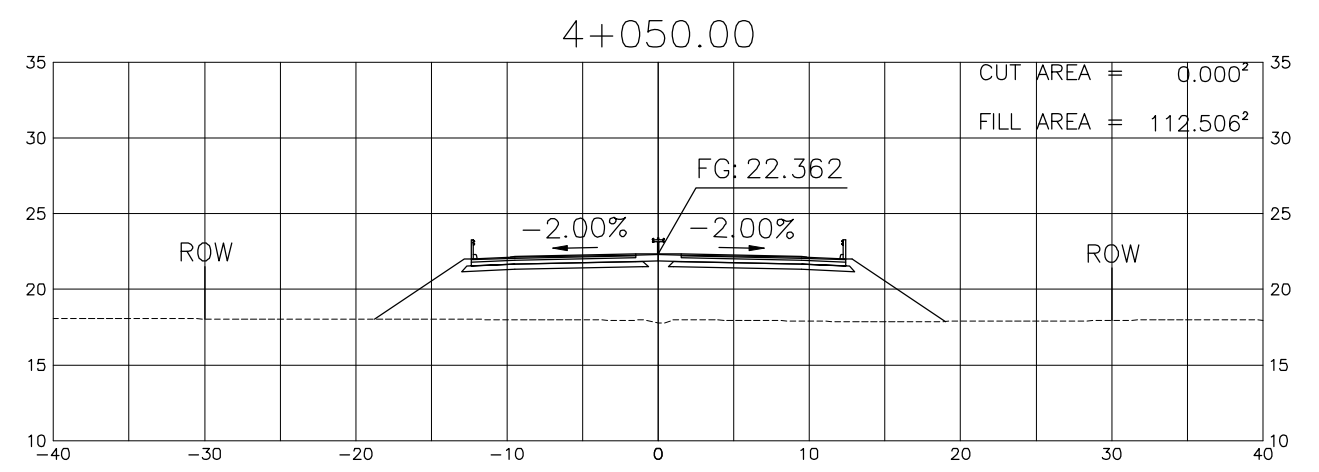
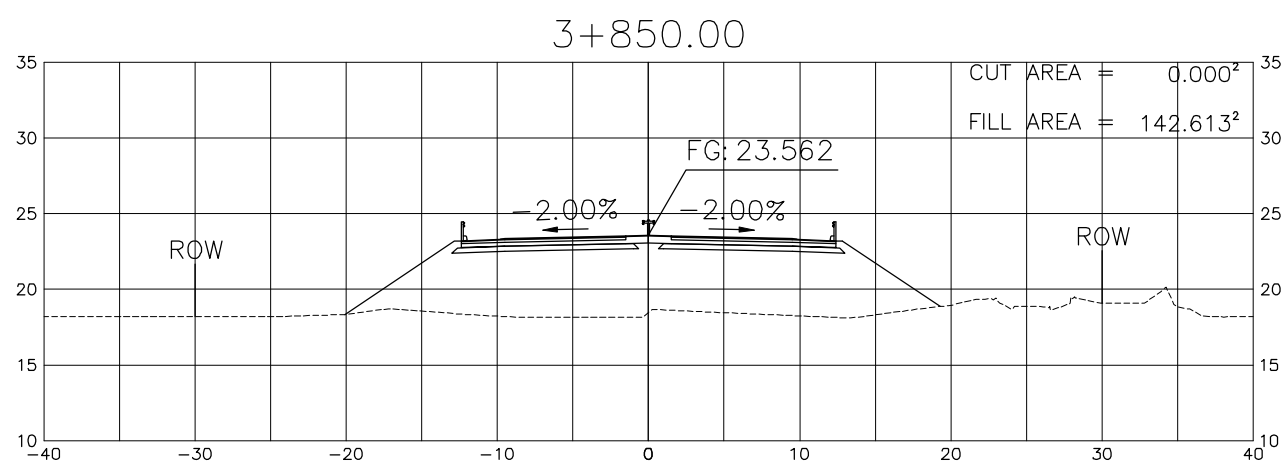
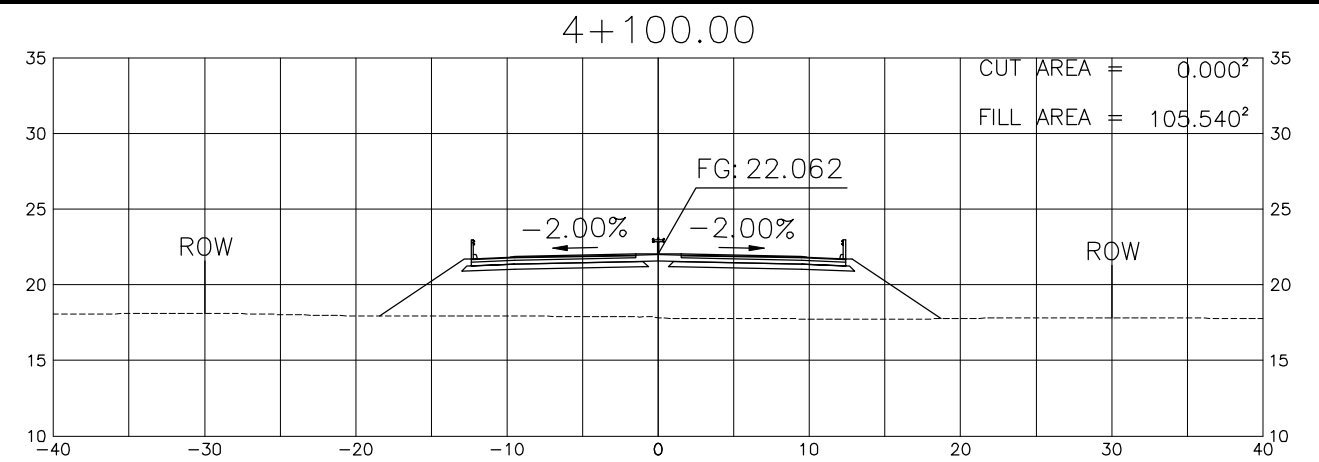
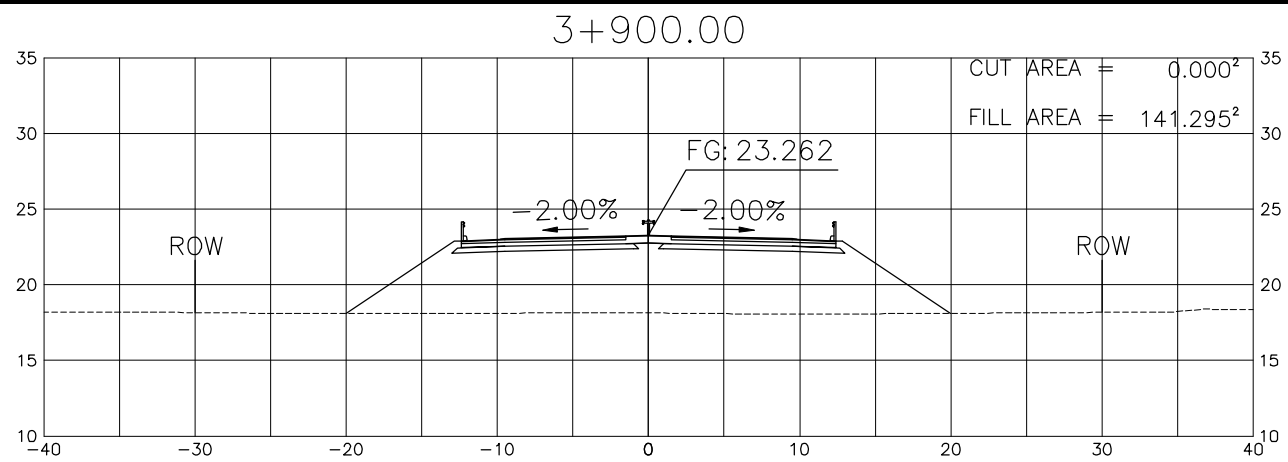
PROJECT TITLE	SCALE	SHEET CONTENT	DRAWING NO.
Preparatory survey for expressway project in Mega Manila Region CLLEX ( TARLAC - CABANATUAN )	A1 = 1:250 A3 = 1:500	CROSS SECTION (INTERIM 2 LANE) STA 2+950 TO STA 3+200	L-10
			SHEET NO.
			10 OF 90



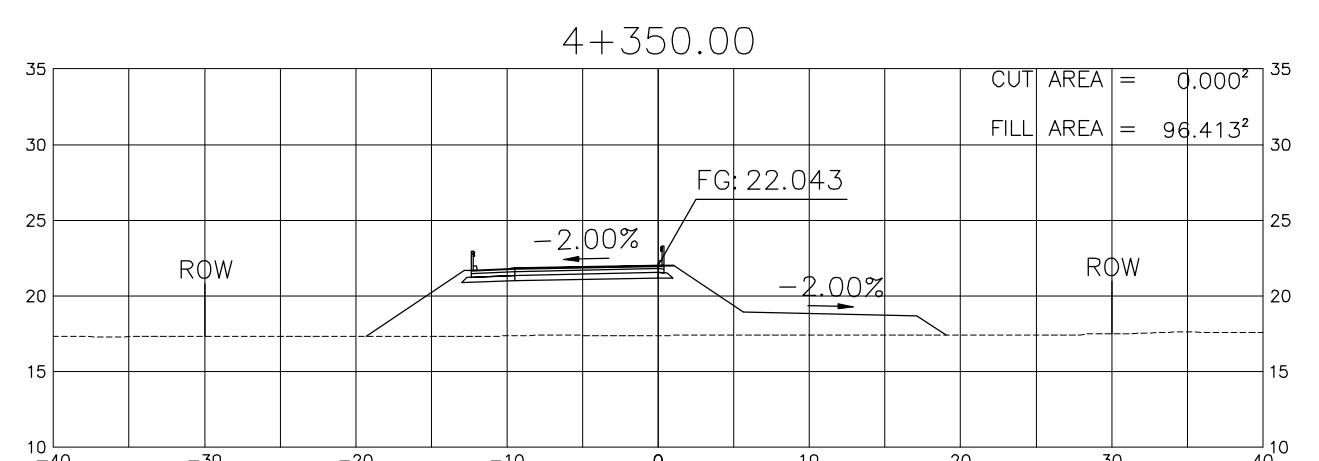
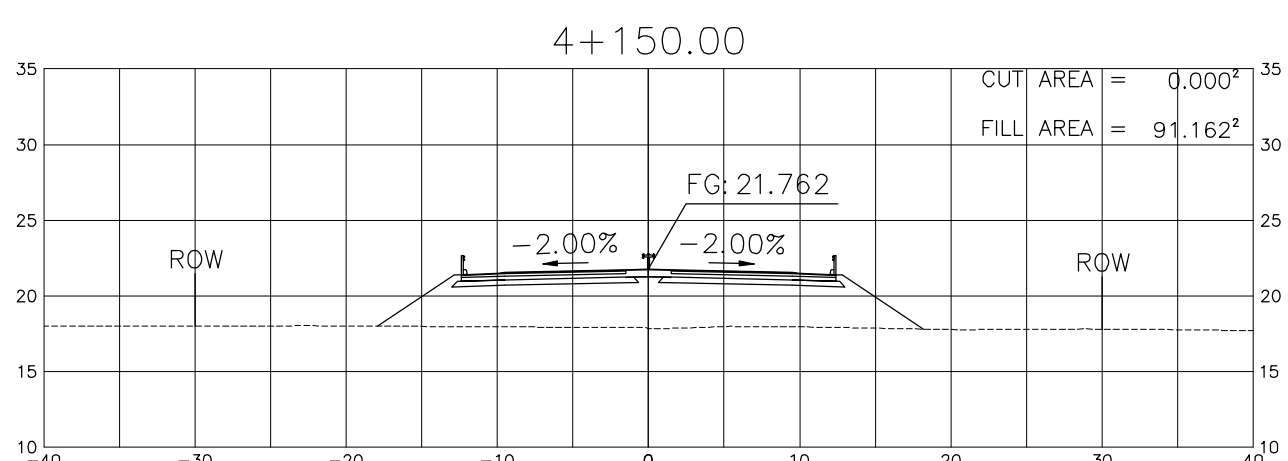
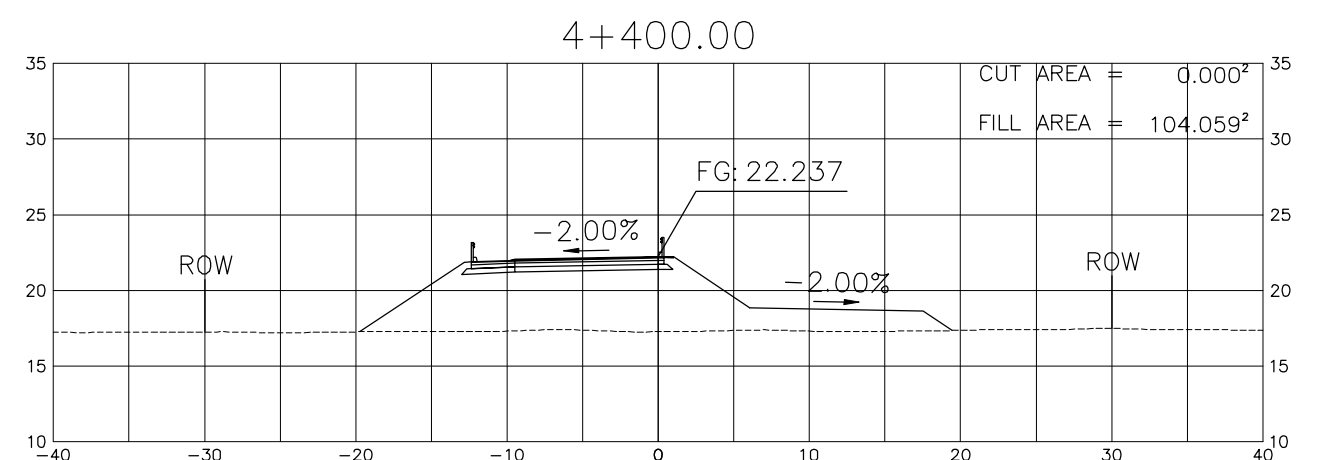
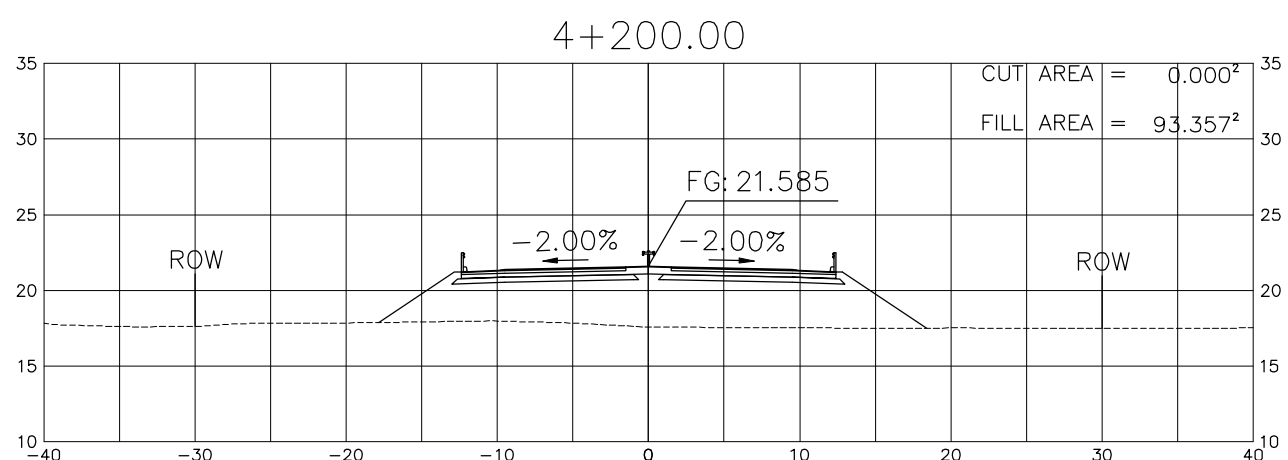
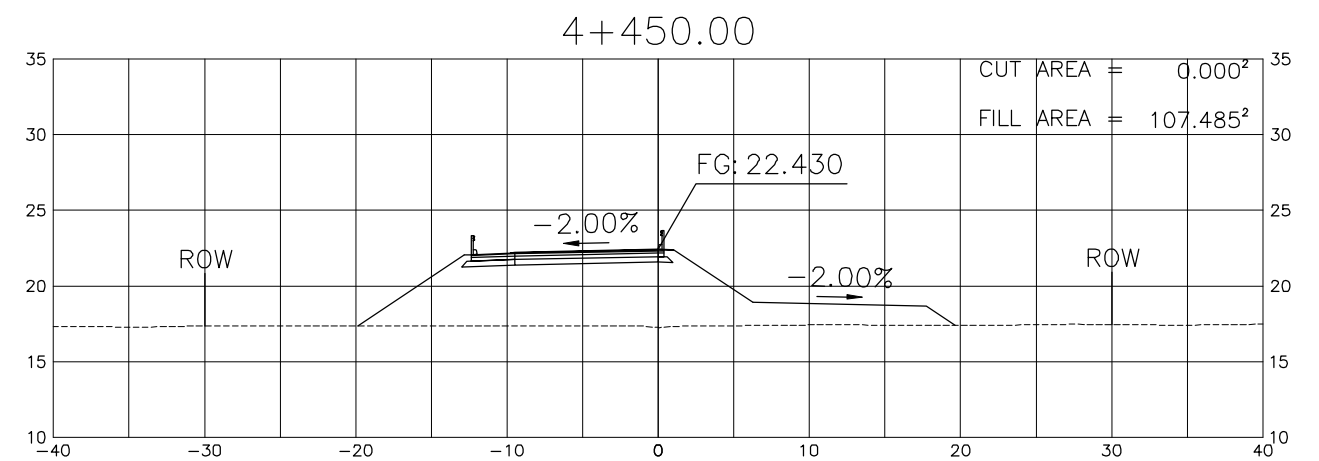
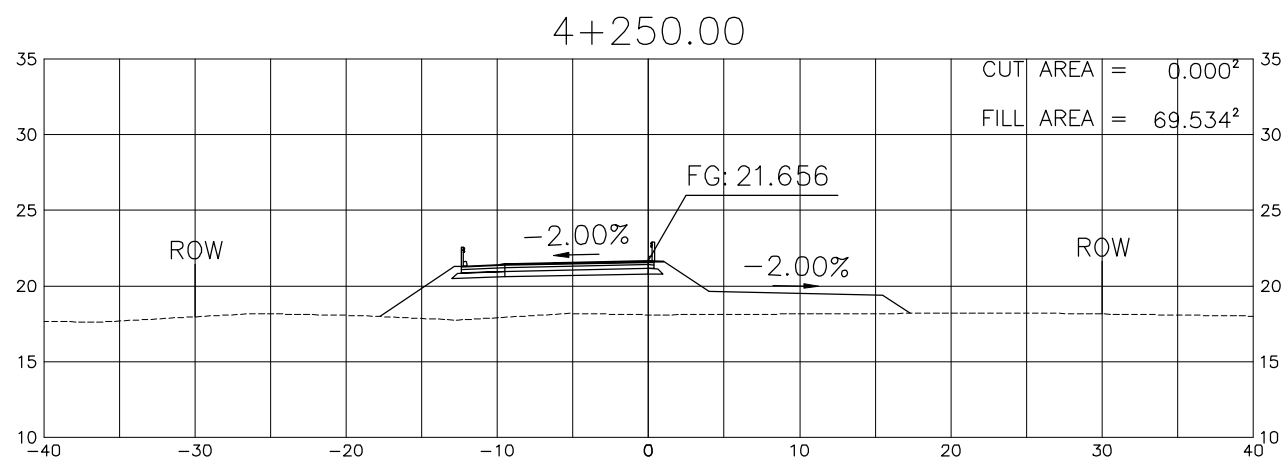
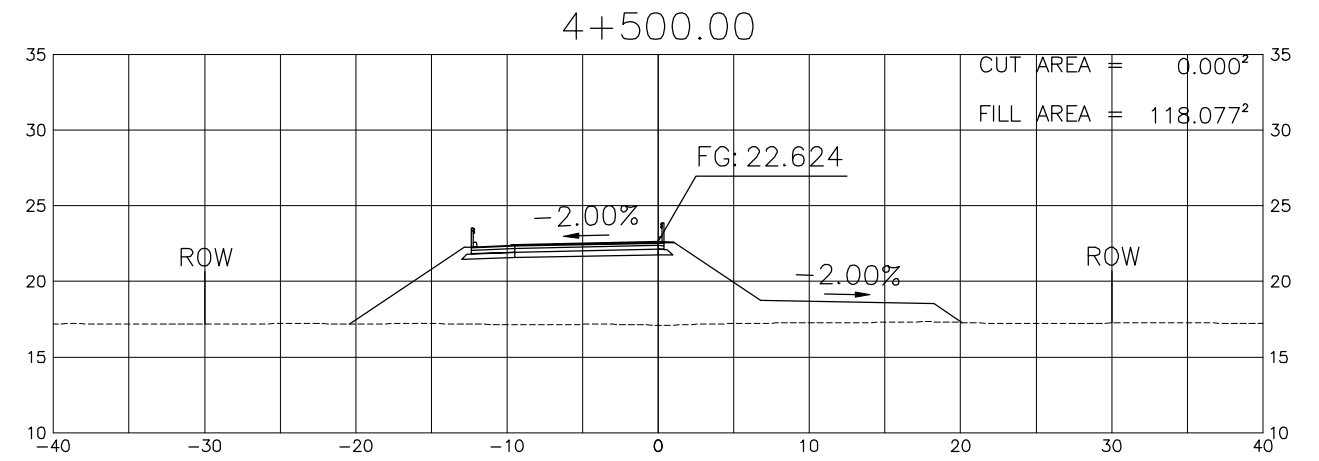
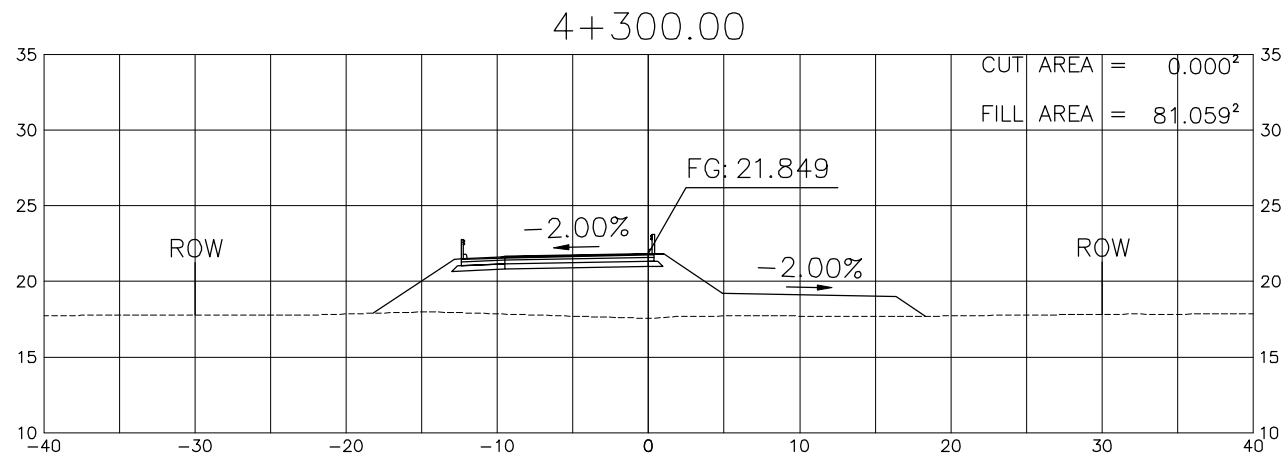
PROJECT TITLE	SCALE	SHEET CONTENT	DRAWING NO.
Preparatory survey for expressway project in Mega Manila Region CLLEX ( TARLAC - CABANATUAN )	A1 = 1:250 A3 = 1:500	CROSS SECTION (INTERIM 2 LANE) STA 3+250 TO STA 3+400	L-11
			SHEET NO.
			11 OF 90



PROJECT TITLE	SCALE	SHEET CONTENT	DRAWING NO.
<b>Preparatory survey for expressway project in Mega Manila Region CLLEX ( TARLAC - CABANATUAN )</b>	A1 = 1:250 A3 = 1:500	<b>CROSS SECTION (INTERIM 2 LANE)</b> STA 3+450 TO STA 3+700	L-12
			SHEET NO.
			12 OF 90

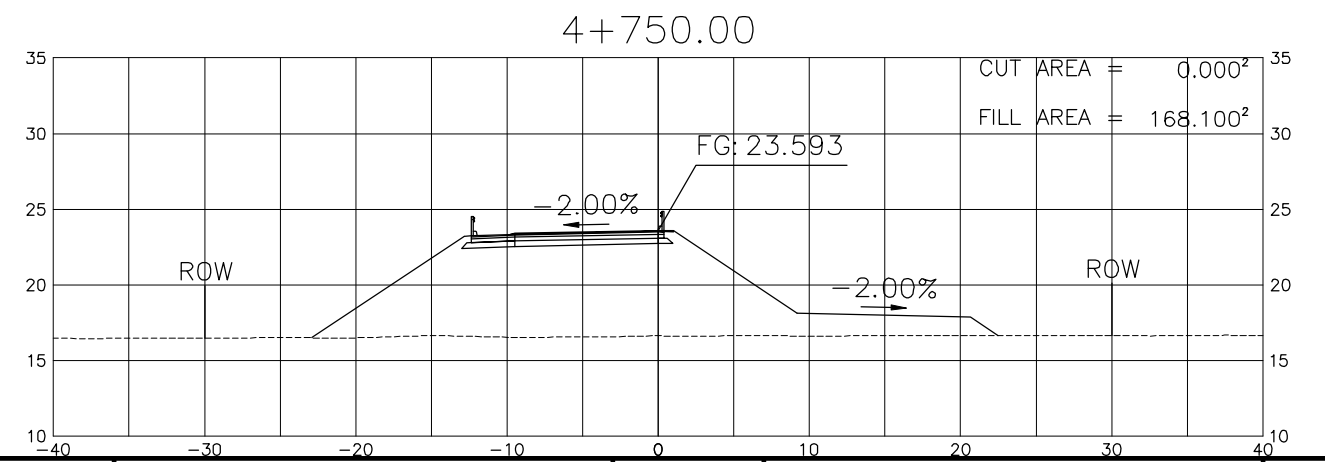
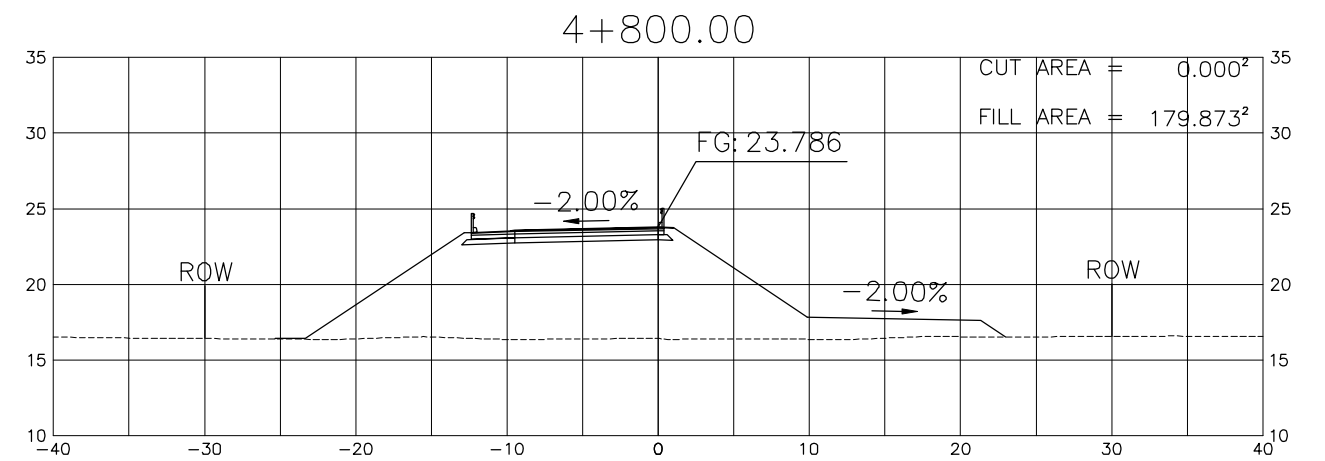
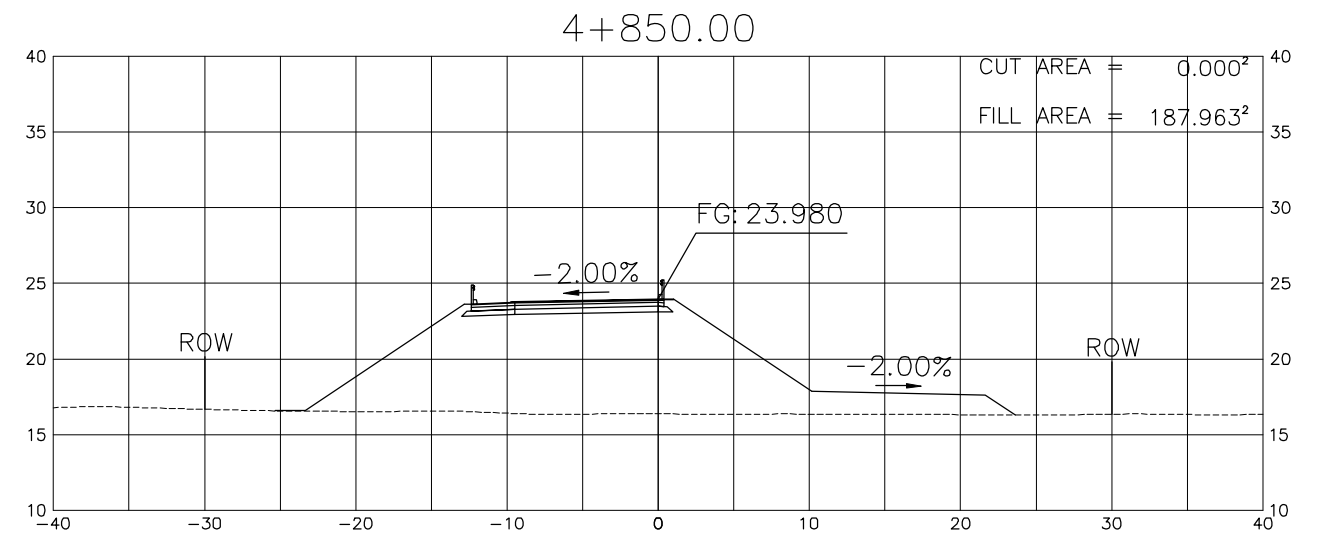
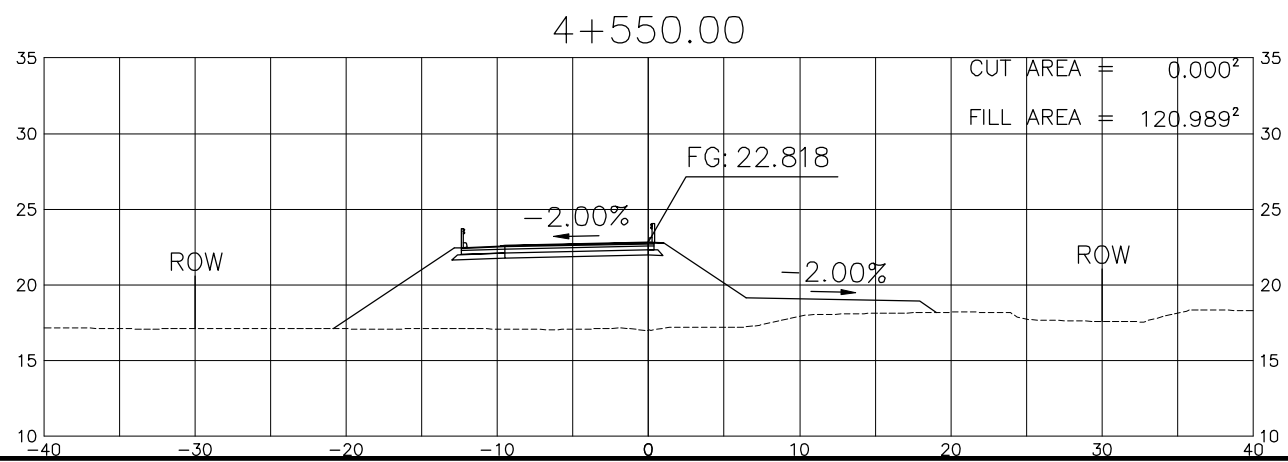
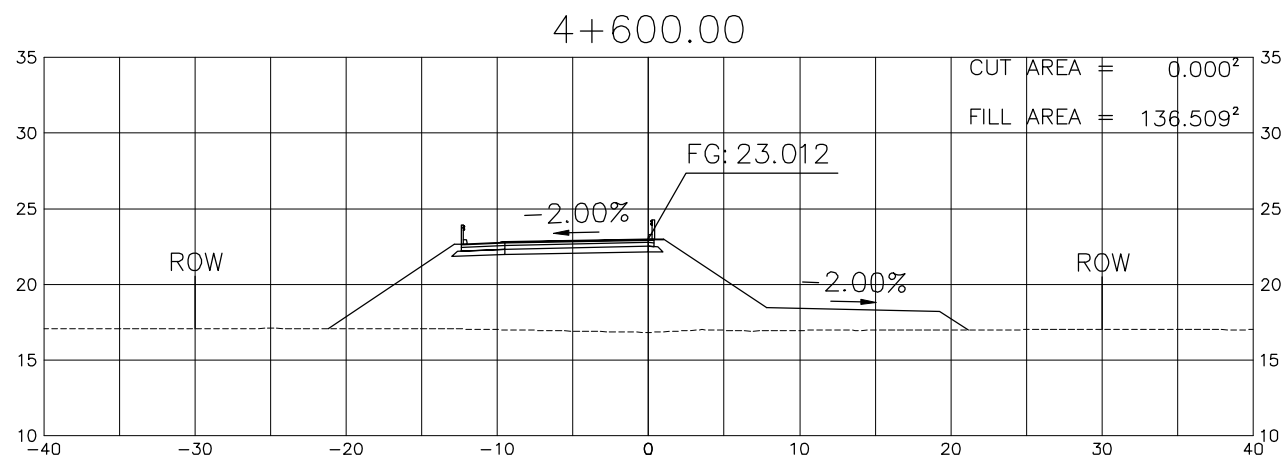
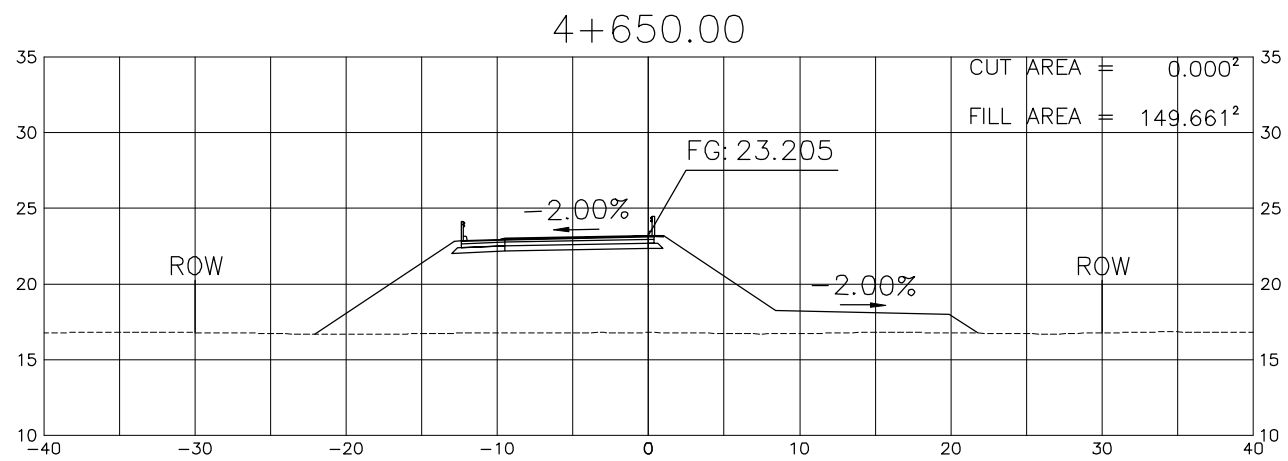
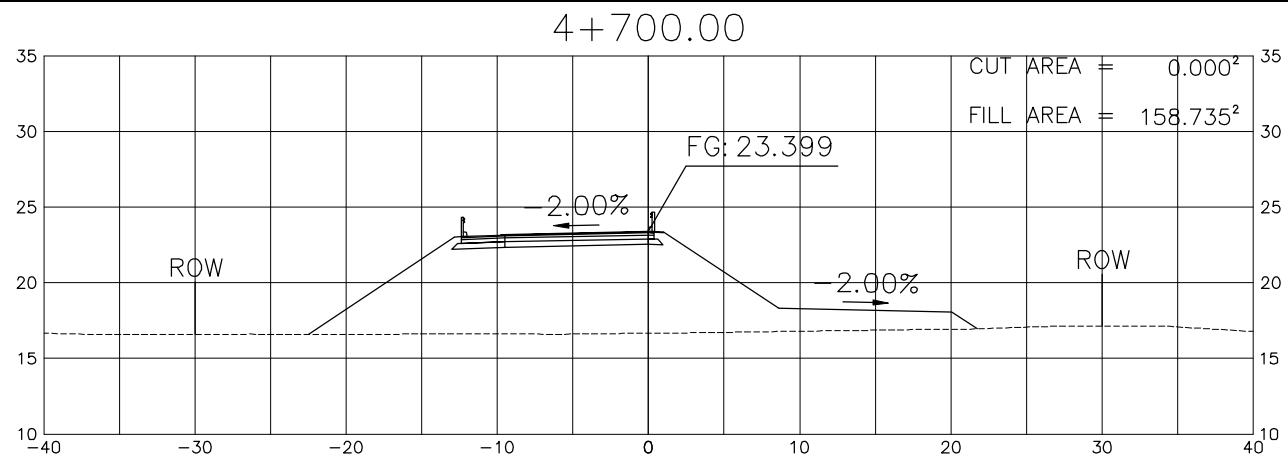


PROJECT TITLE	SCALE	SHEET CONTENT	DRAWING NO.
Preparatory survey for expressway project in Mega Manila Region CLLEX ( TARLAC - CABANATUAN )	A1 = 1:250 A3 = 1:500	CROSS SECTION (INTERIM 2 LANE) STA 3+750 TO STA 4+100	L-13
			SHEET NO.
			13 OF 90

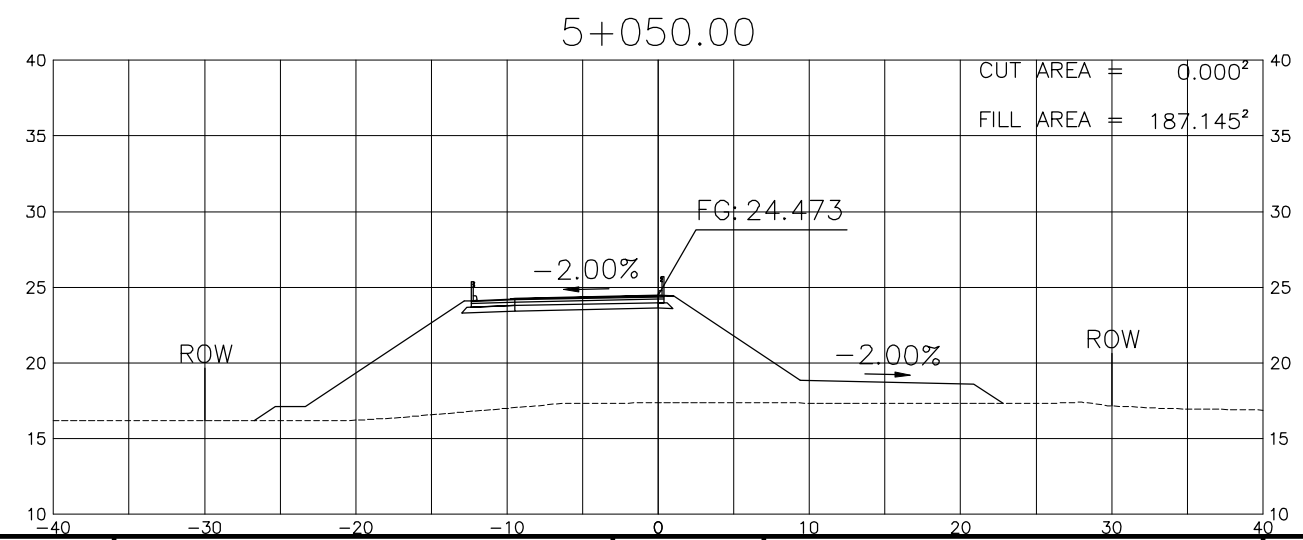
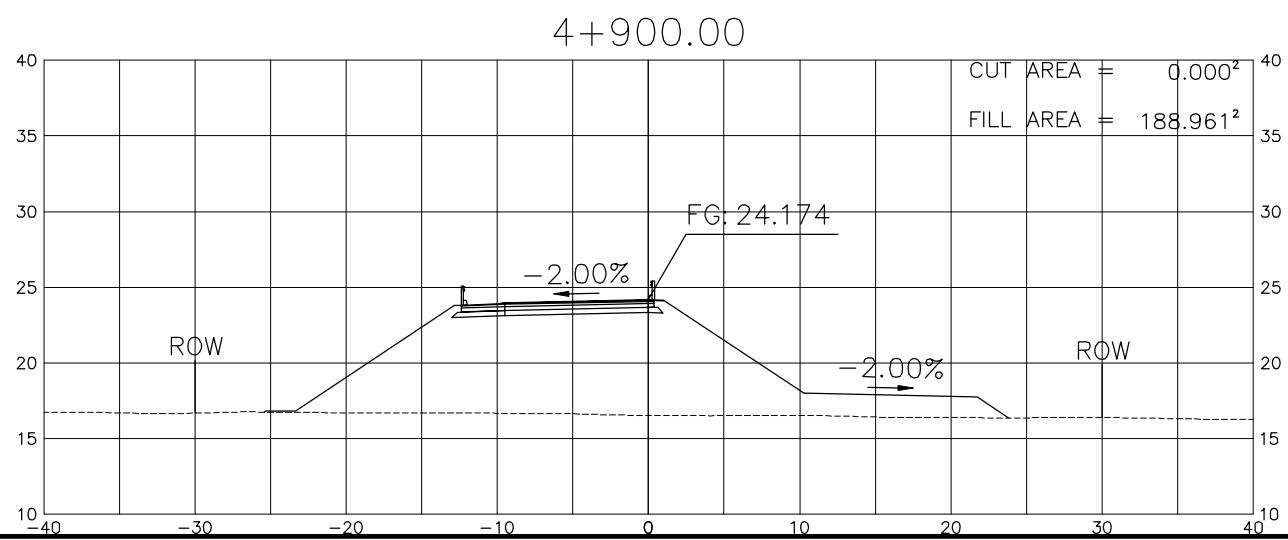
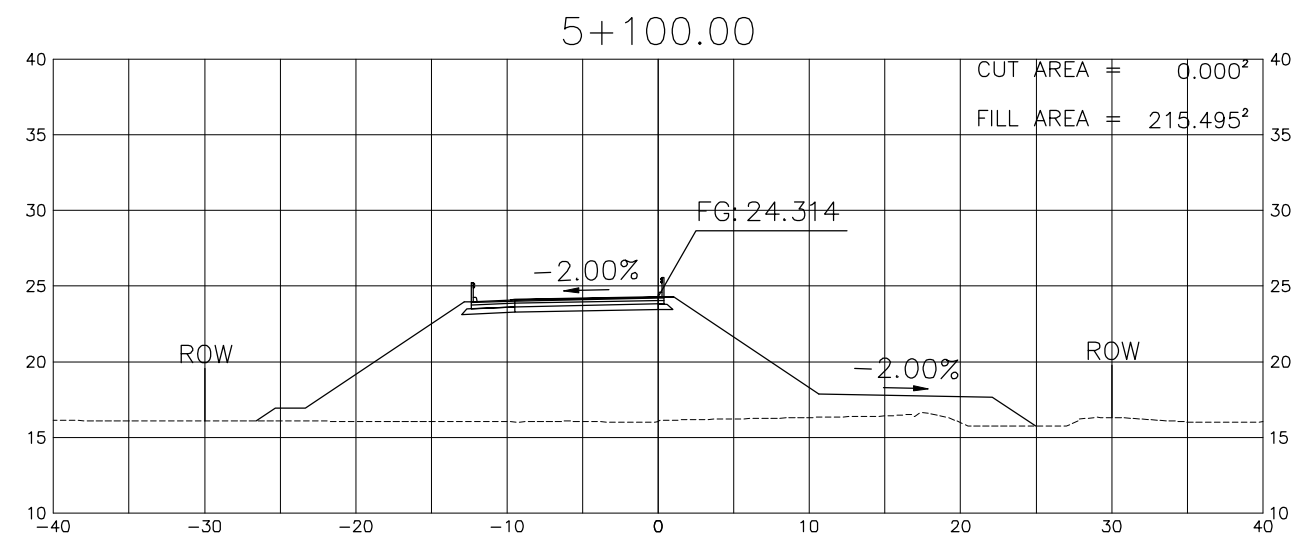
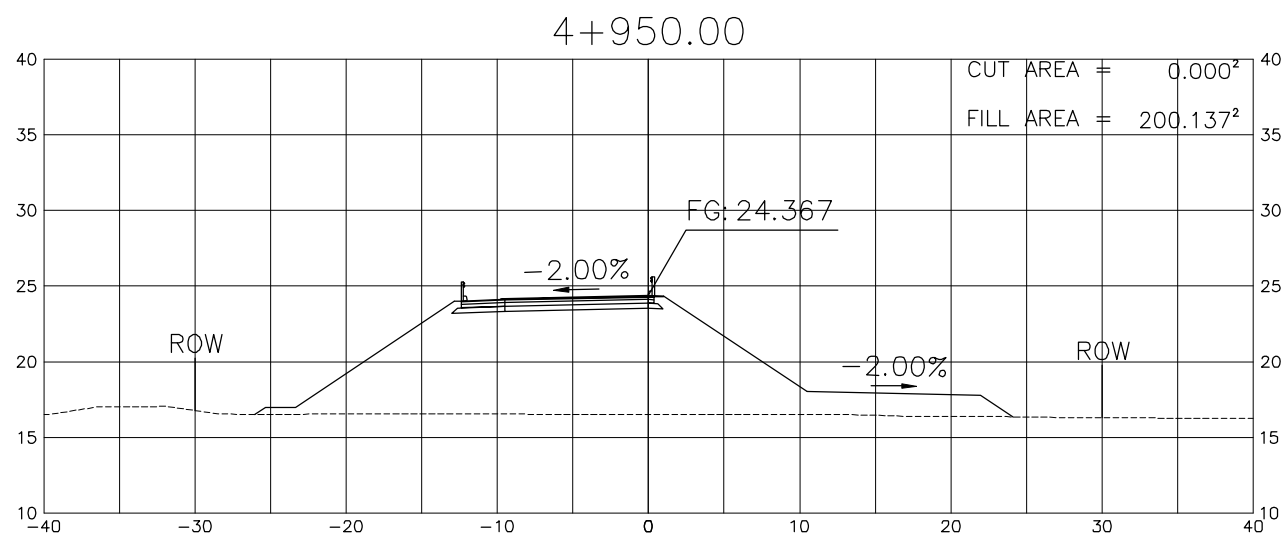
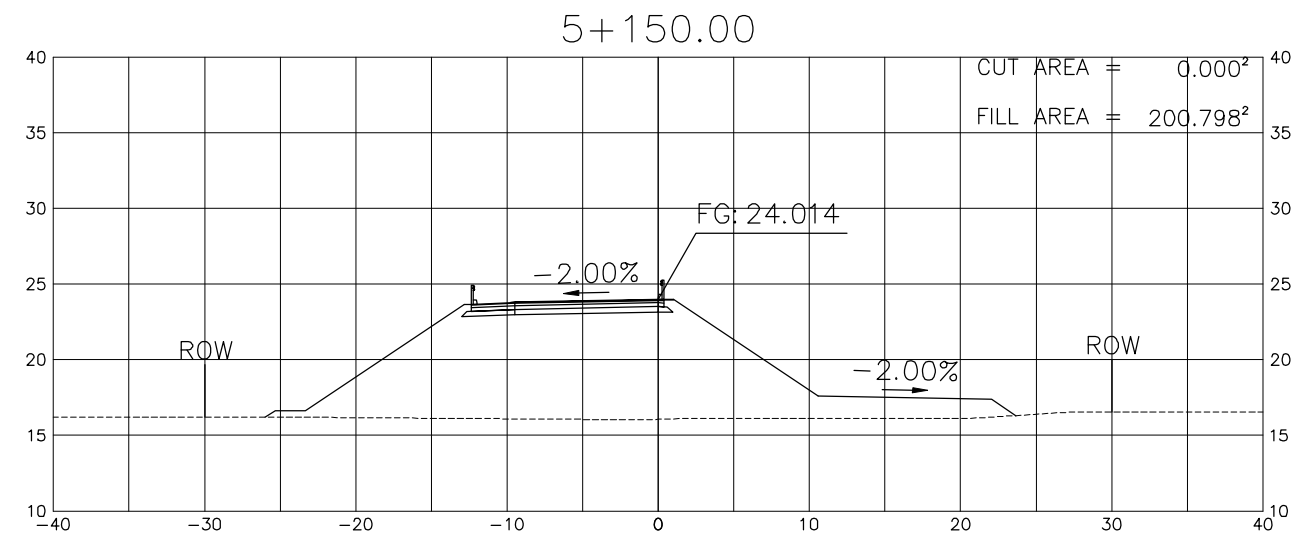
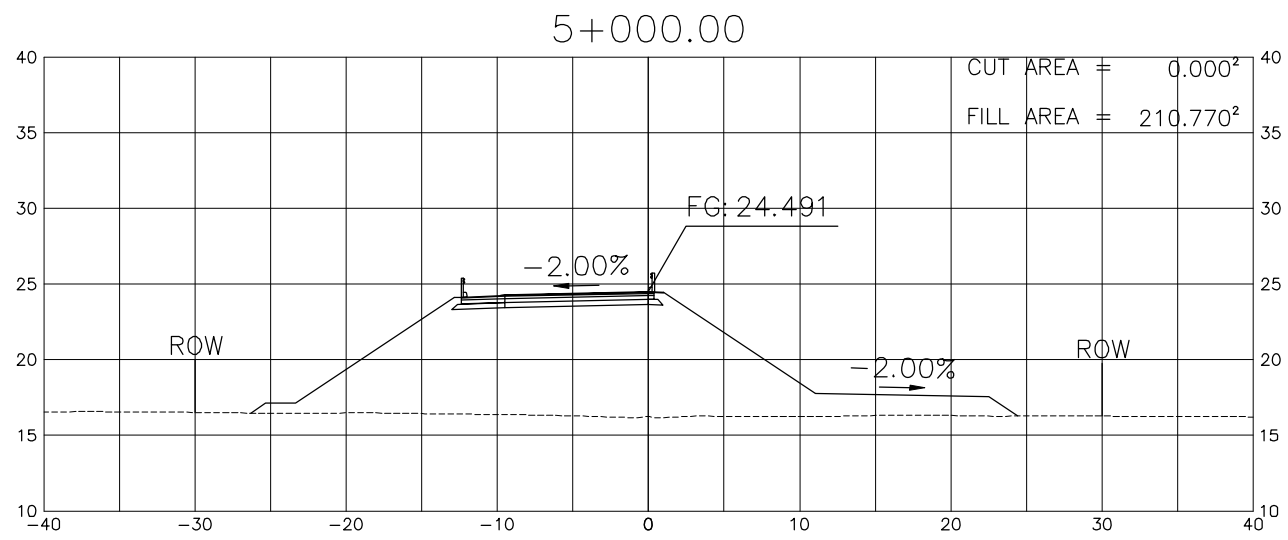


PROJECT TITLE	SCALE	SHEET CONTENT	DRAWING NO.
Preparatory survey for expressway project in Mega Manila Region CLLEX ( TARLAC - CABANATUAN )	A1 = 1:250 A3 = 1:500	CROSS SECTION (INTERIM 2 LANE) STA 4+150 TO STA 4+500	L-14
			SHEET NO. 14 OF 90

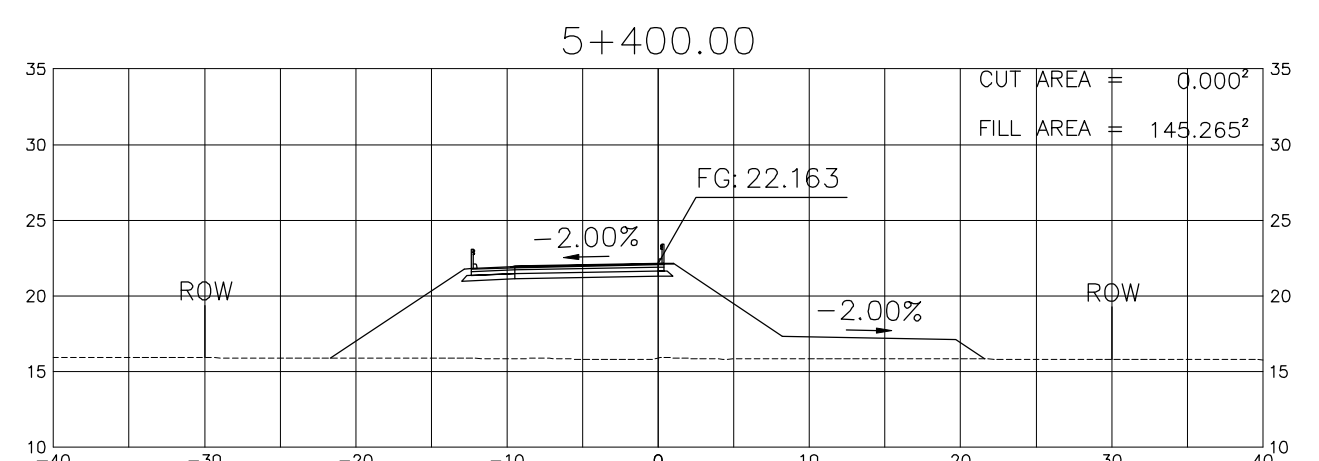
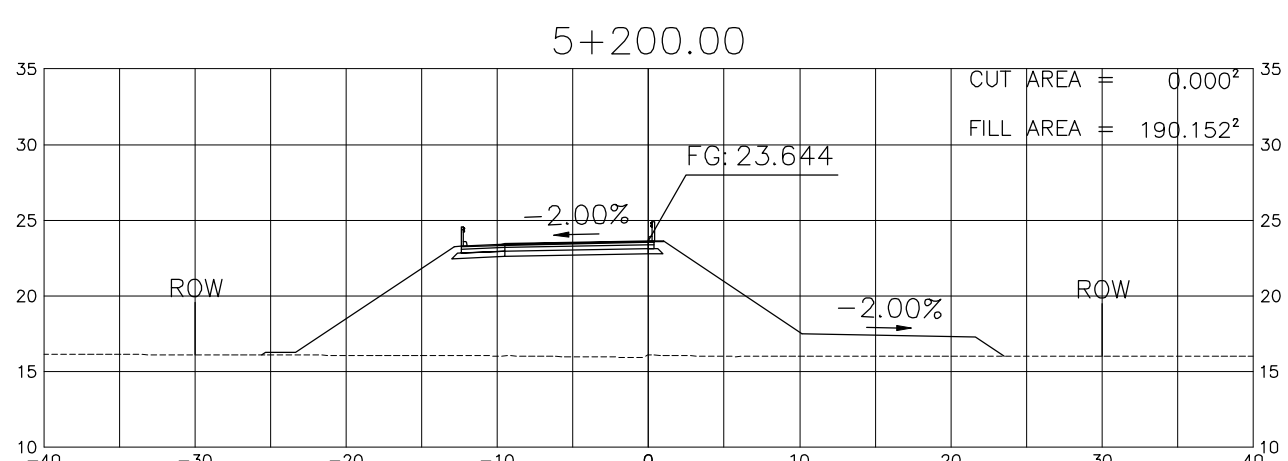
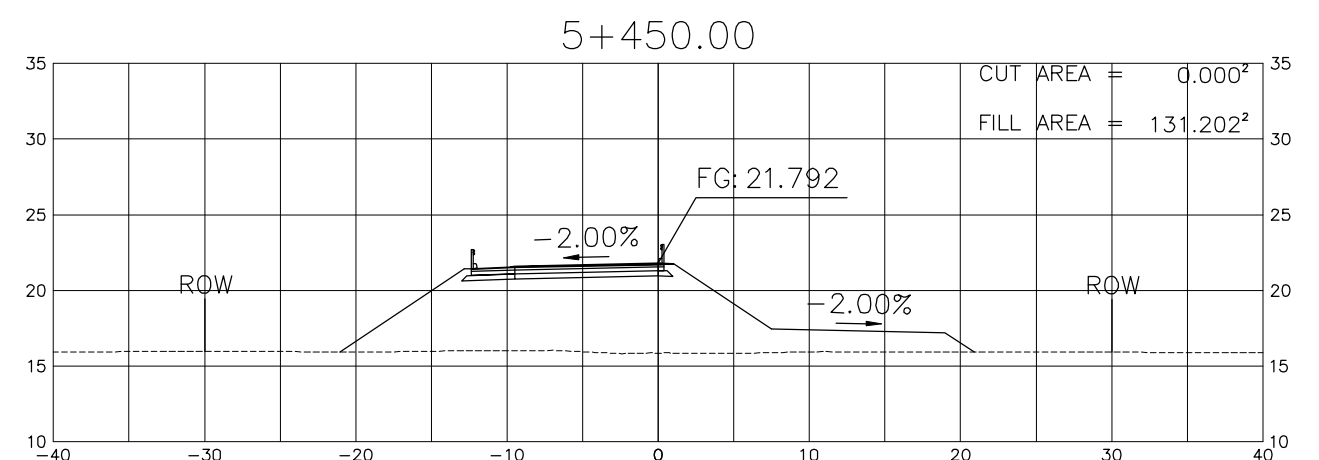
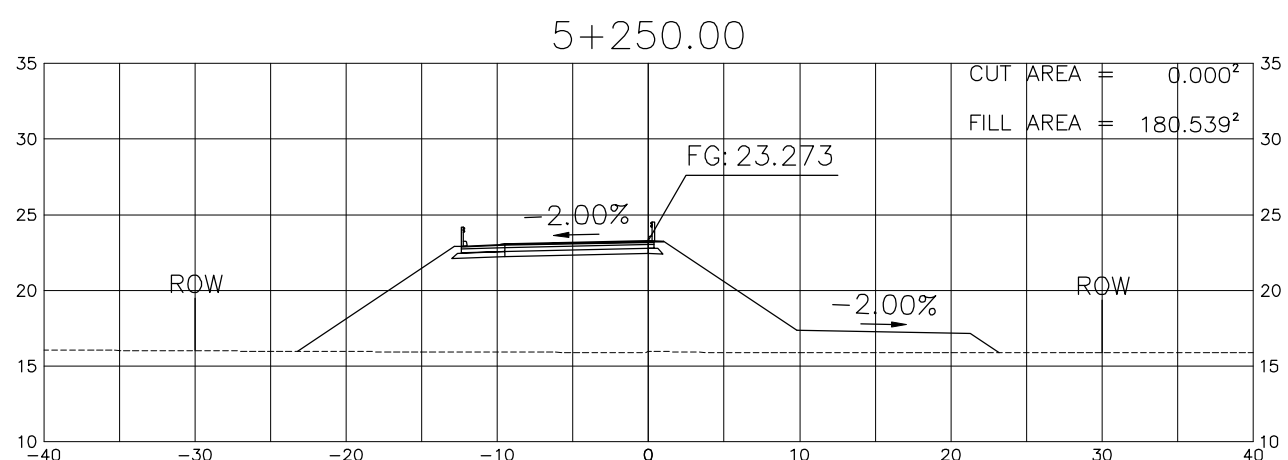
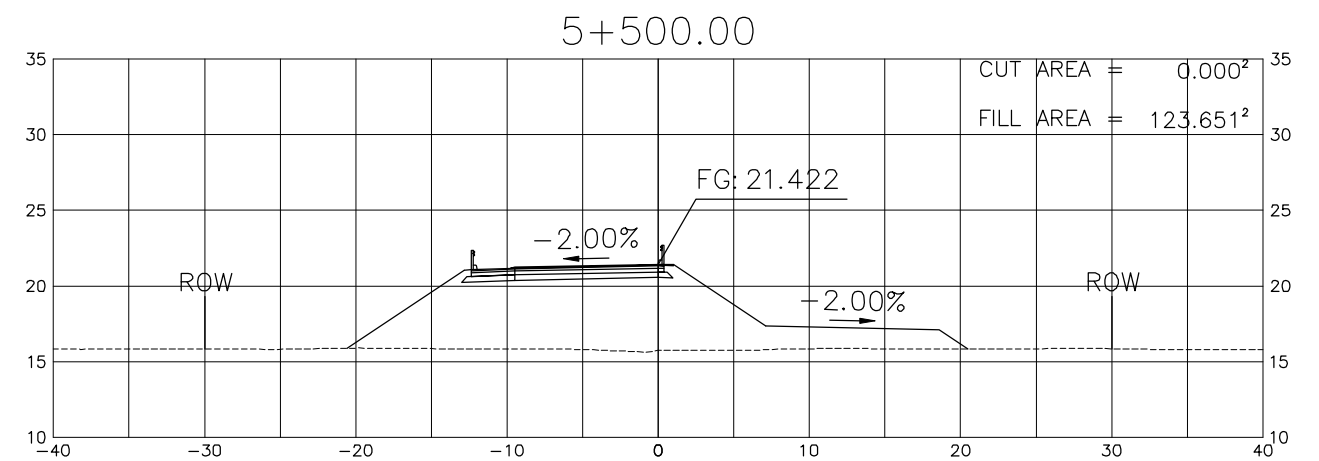
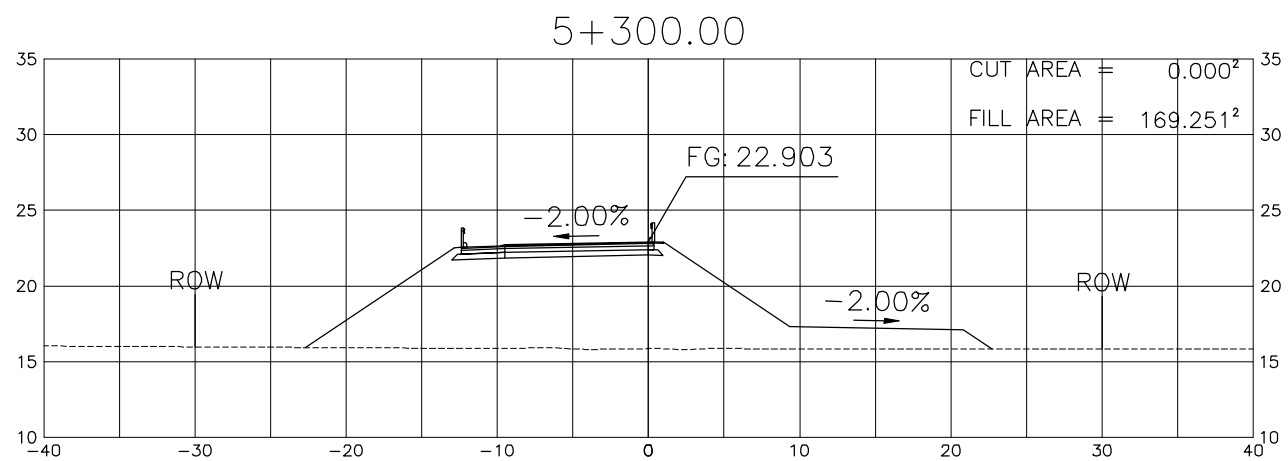
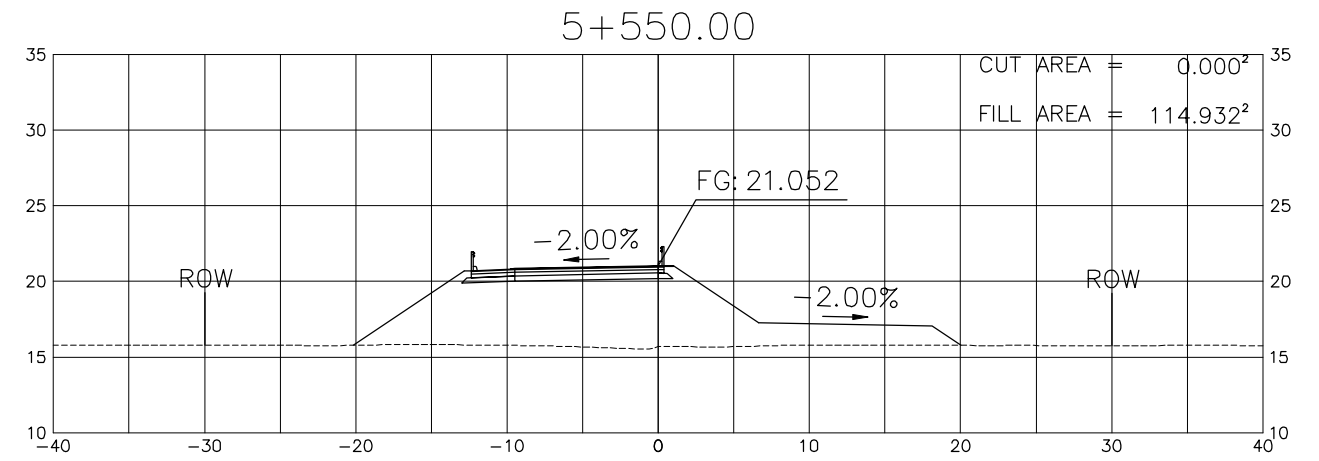
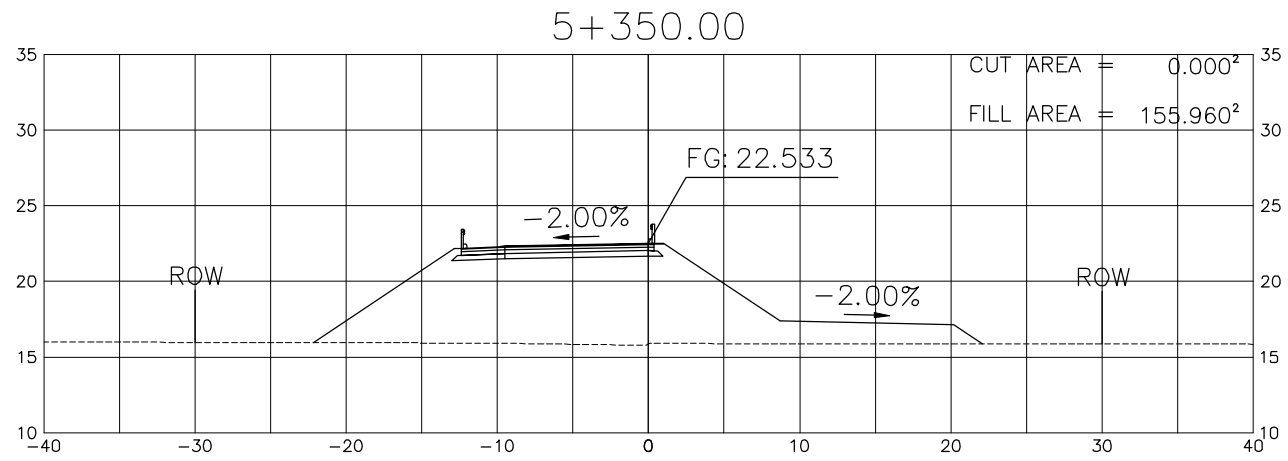




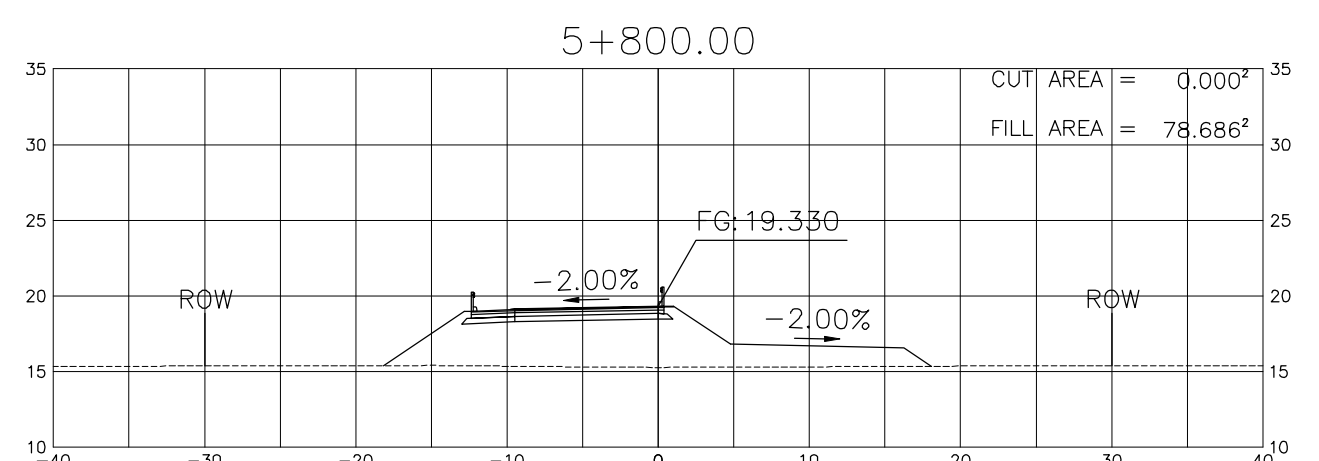
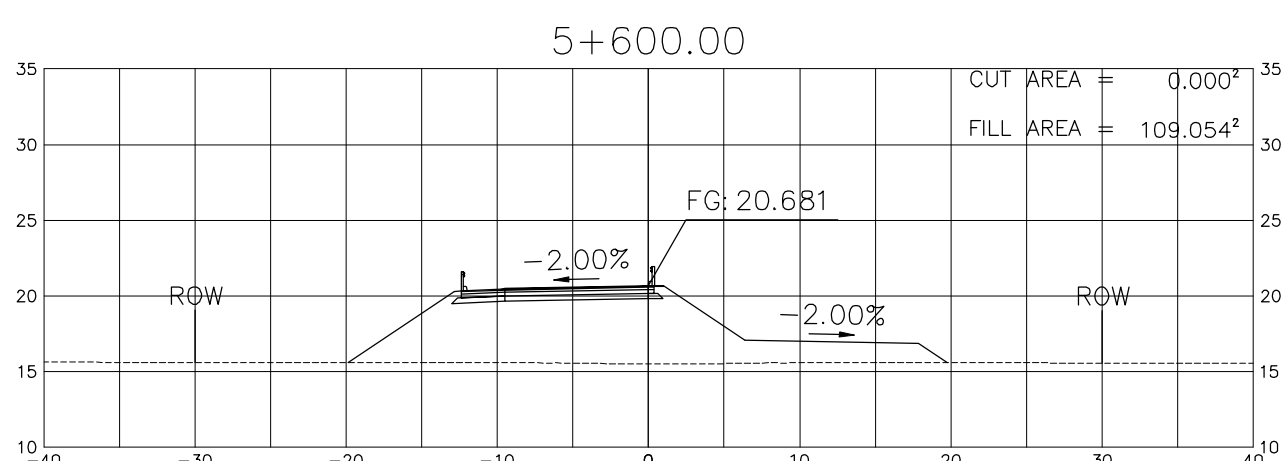
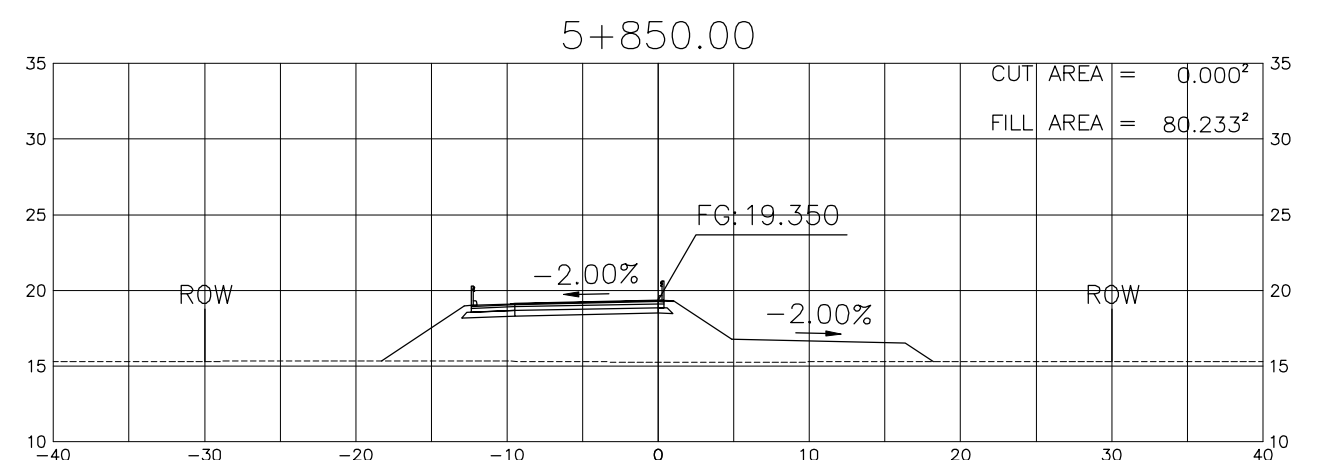
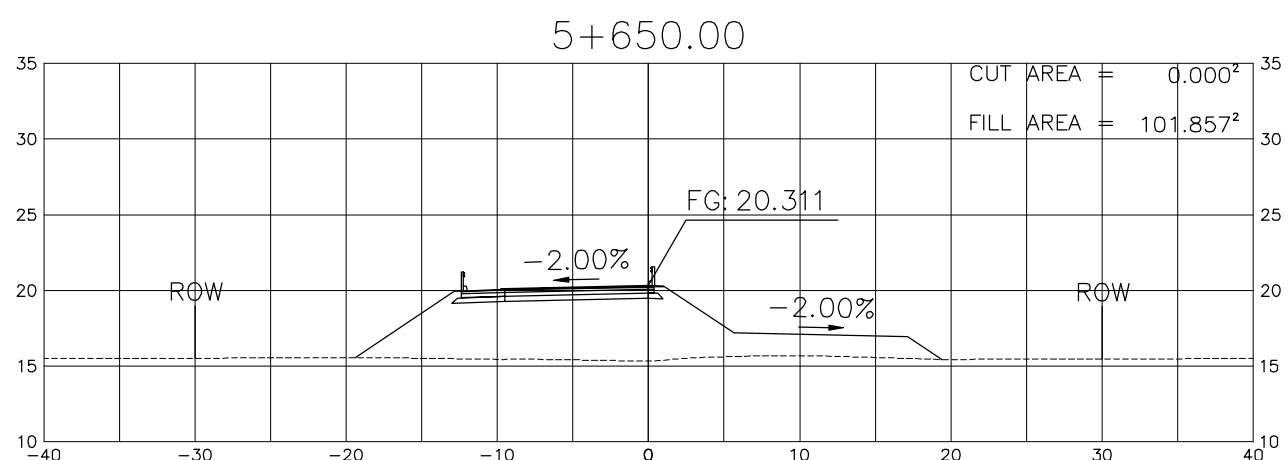
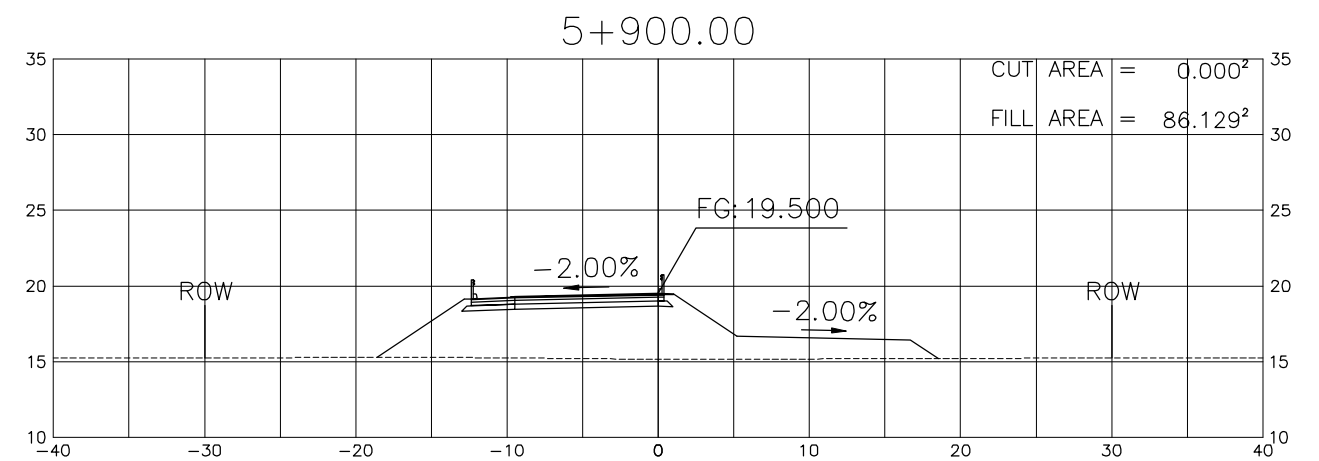
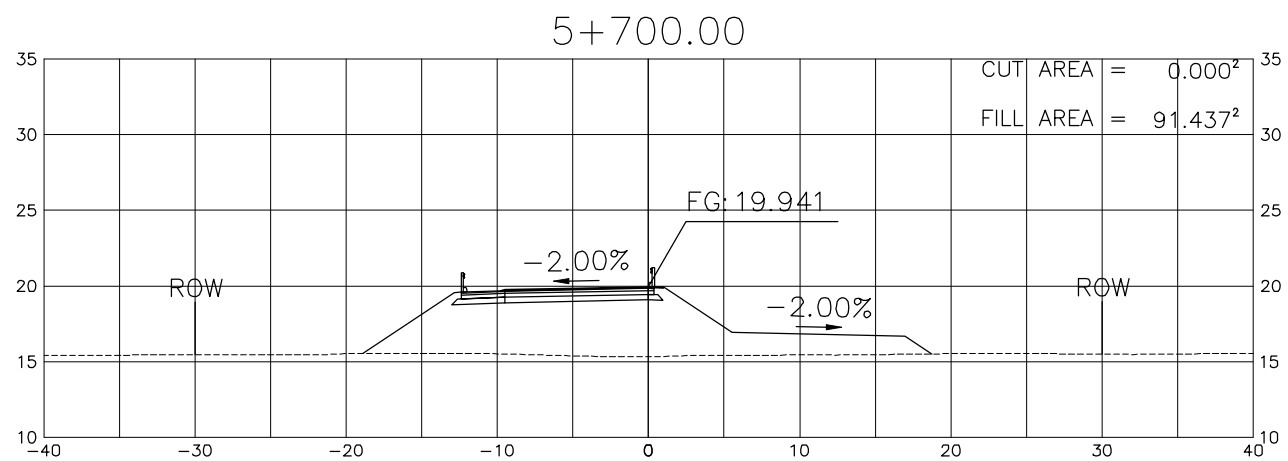
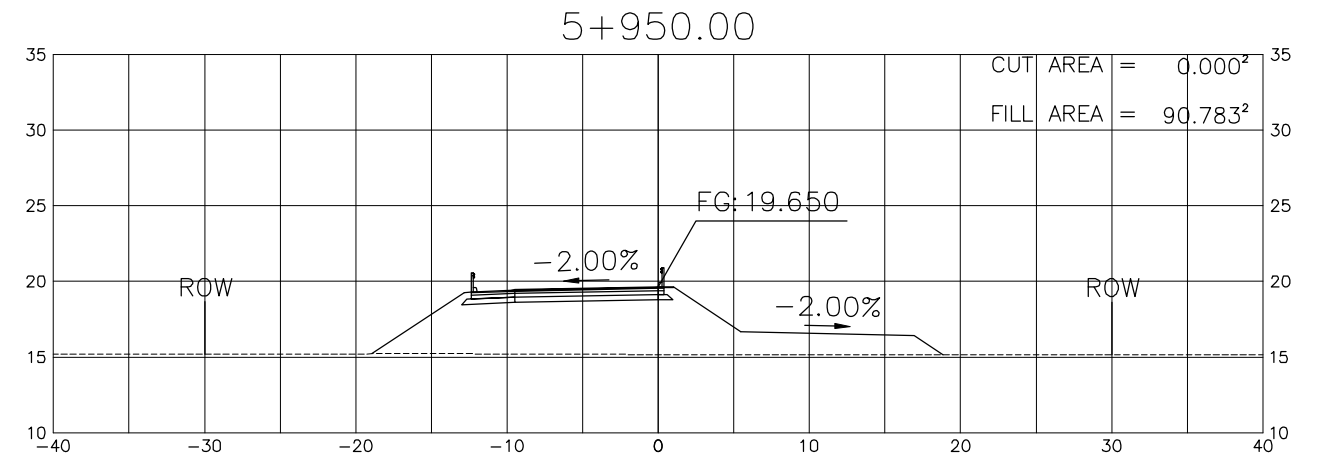
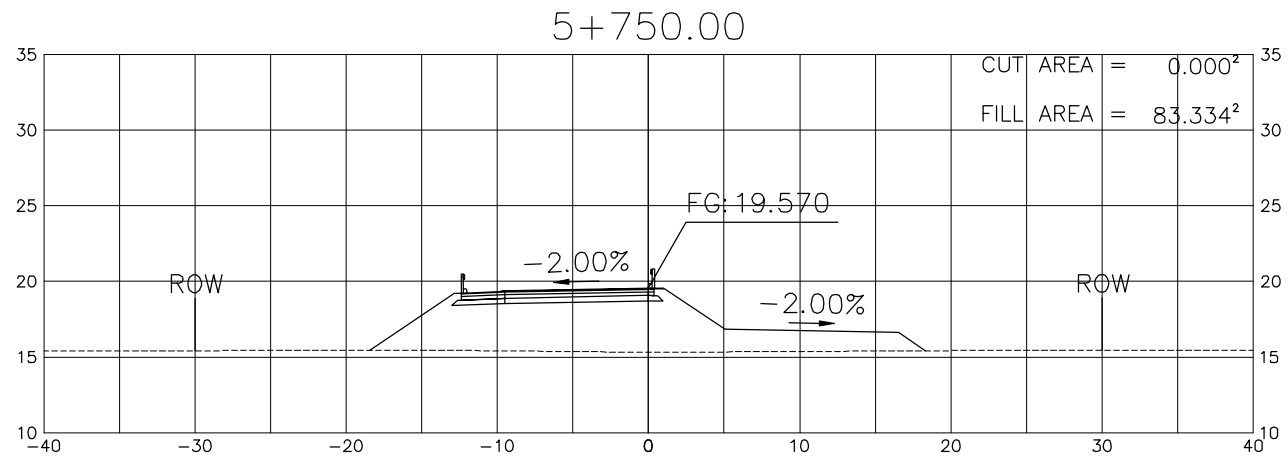
PROJECT TITLE	SCALE	SHEET CONTENT	DRAWING NO.
Preparatory survey for expressway project in Mega Manila Region CLLEX ( TARLAC - CABANATUAN )	A1 = 1:250 A3 = 1:500	CROSS SECTION (INTERIM 2 LANE) STA 4+550 TO STA 4+850	L-15
			SHEET NO.
			15 OF 90



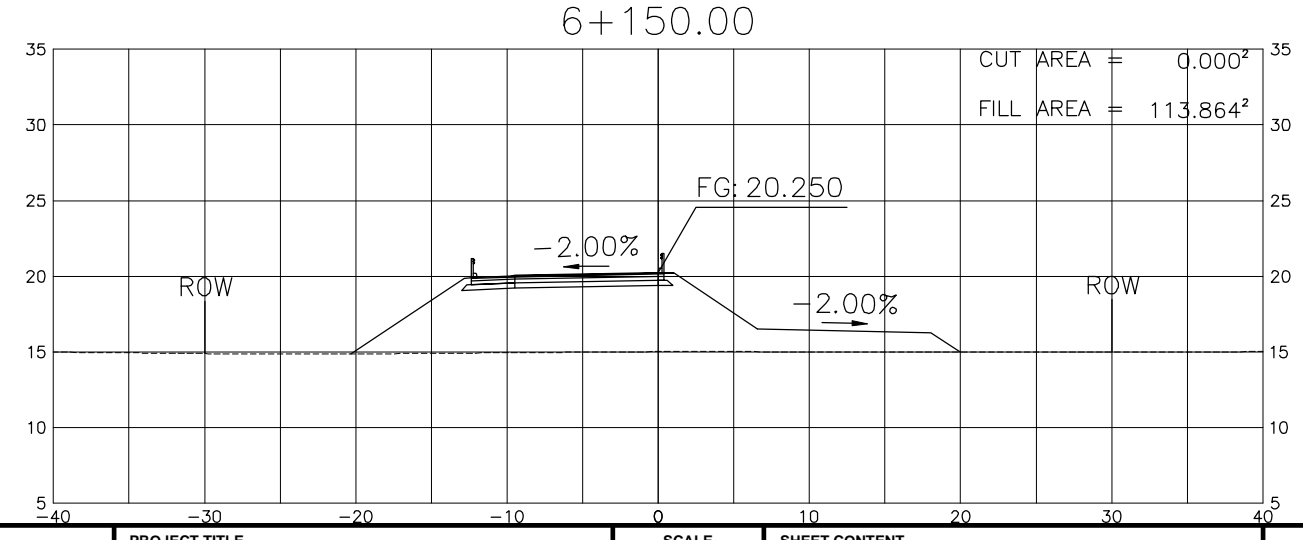
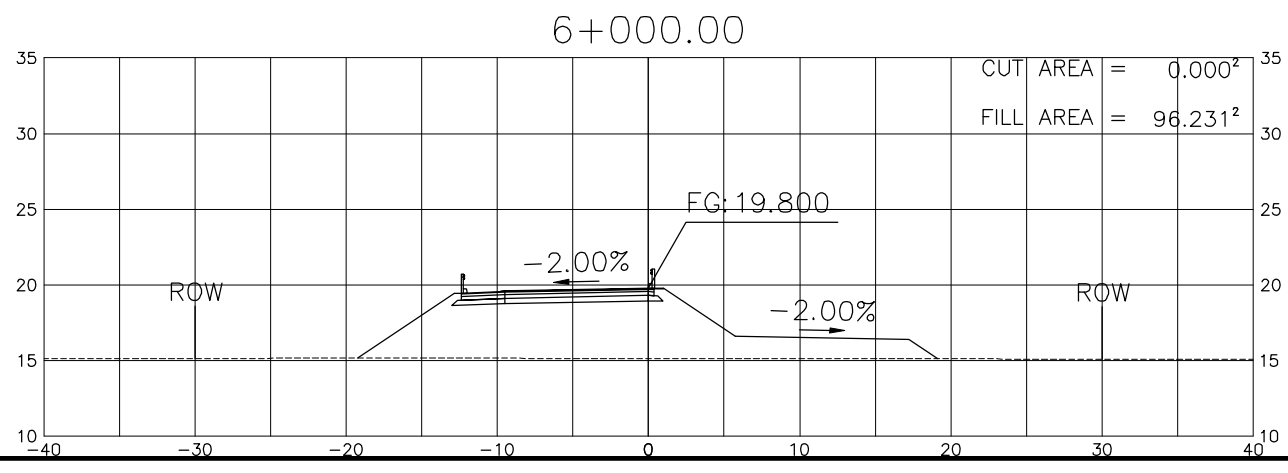
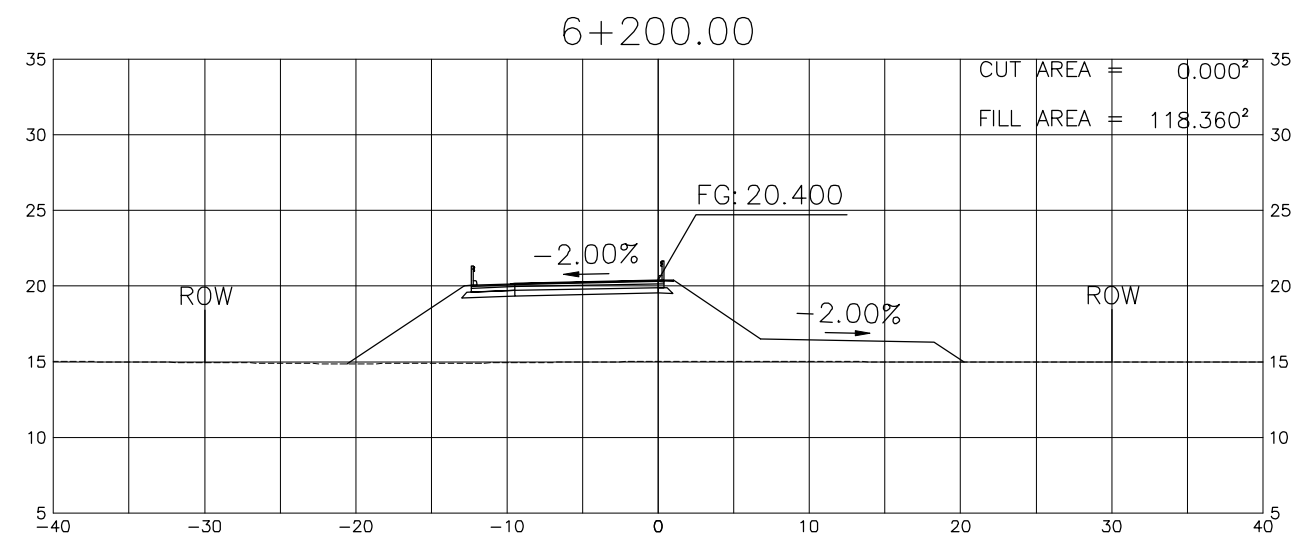
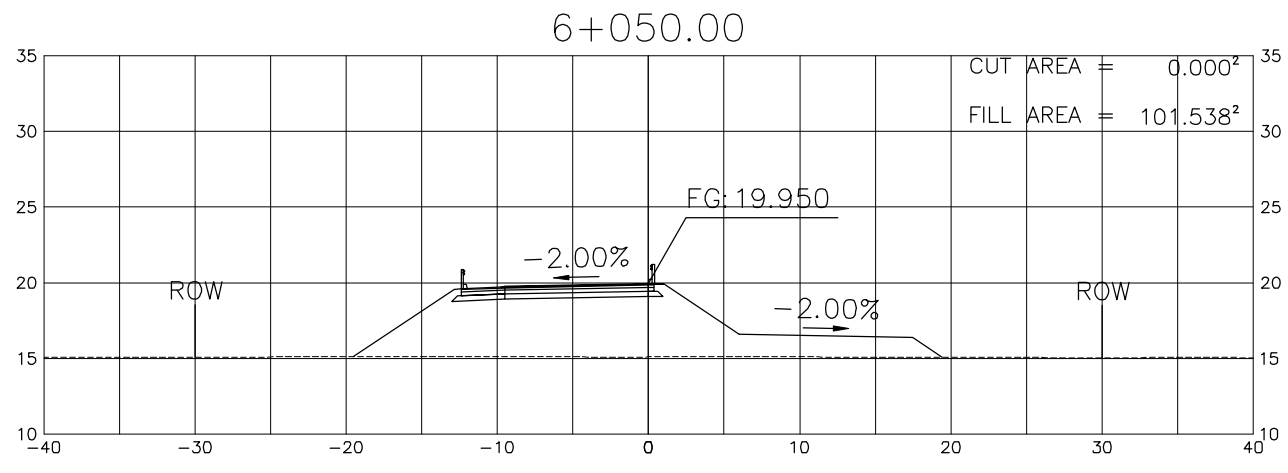
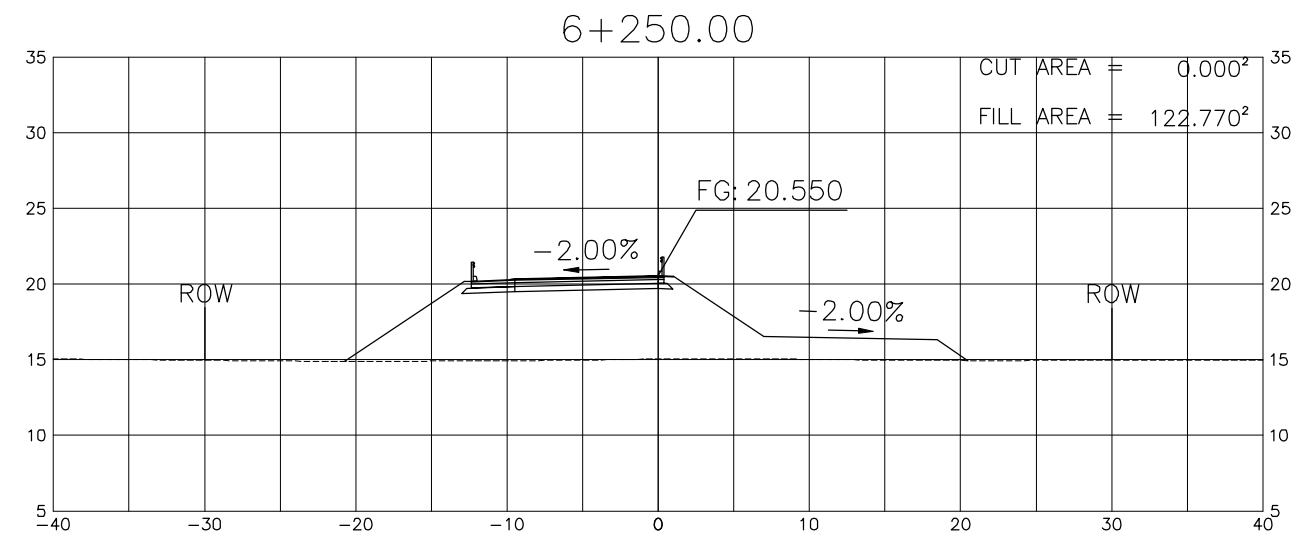
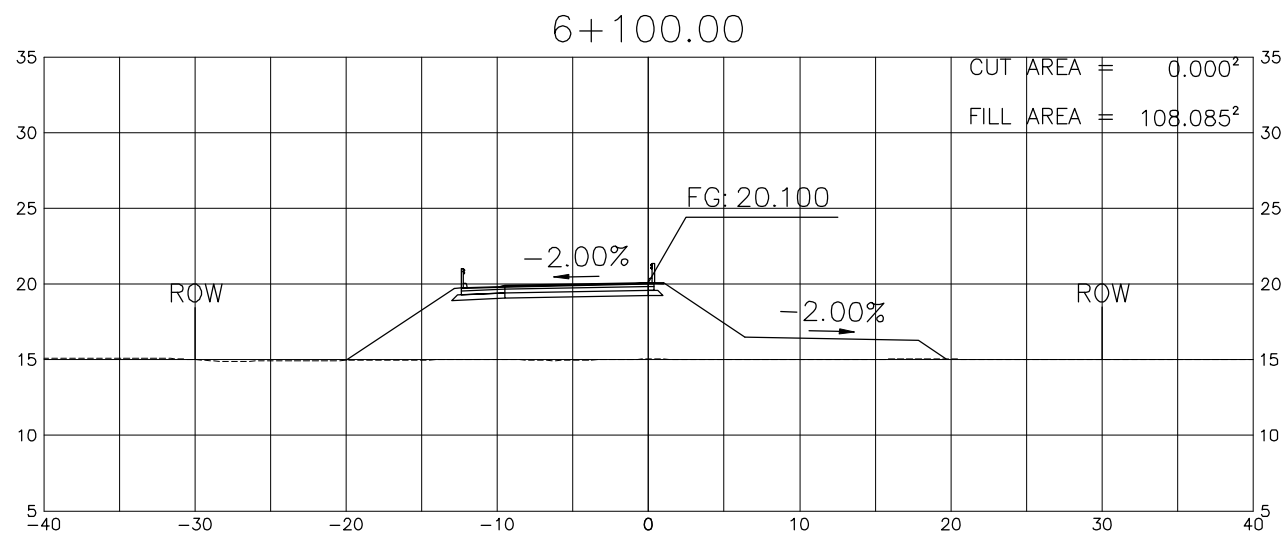
PROJECT TITLE	SCALE	SHEET CONTENT	DRAWING NO.
Preparatory survey for expressway project in Mega Manila Region CLLEX ( TARLAC - CABANATUAN )	A1 = 1:250 A3 = 1:500	CROSS SECTION (INTERIM 2 LANE) STA 4+900 TO STA 5+150	L-16
			SHEET NO.
			16 OF 90



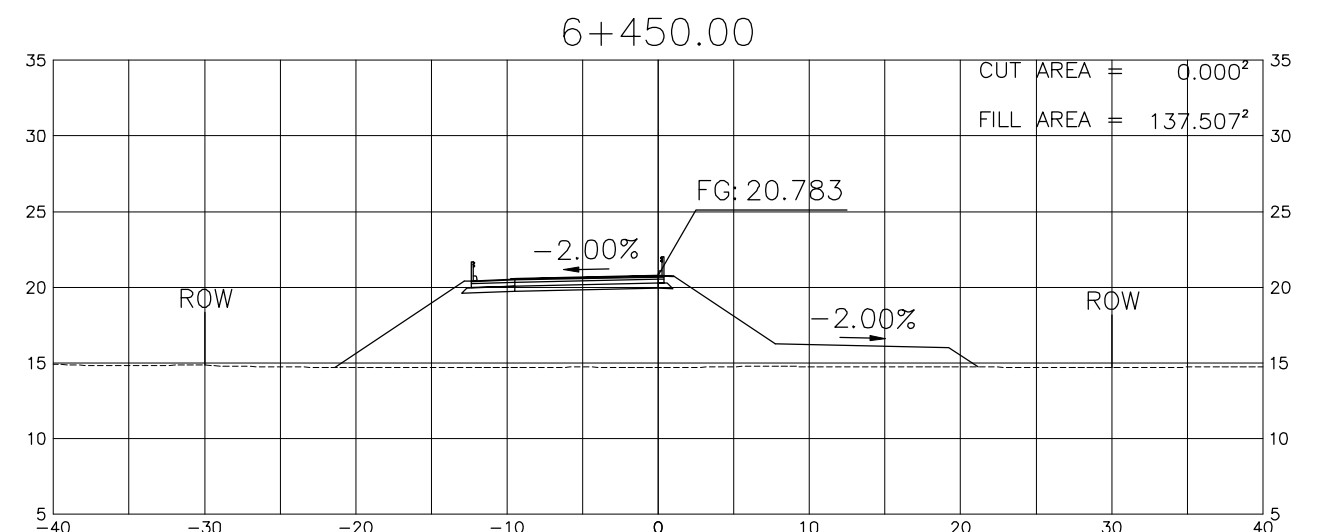
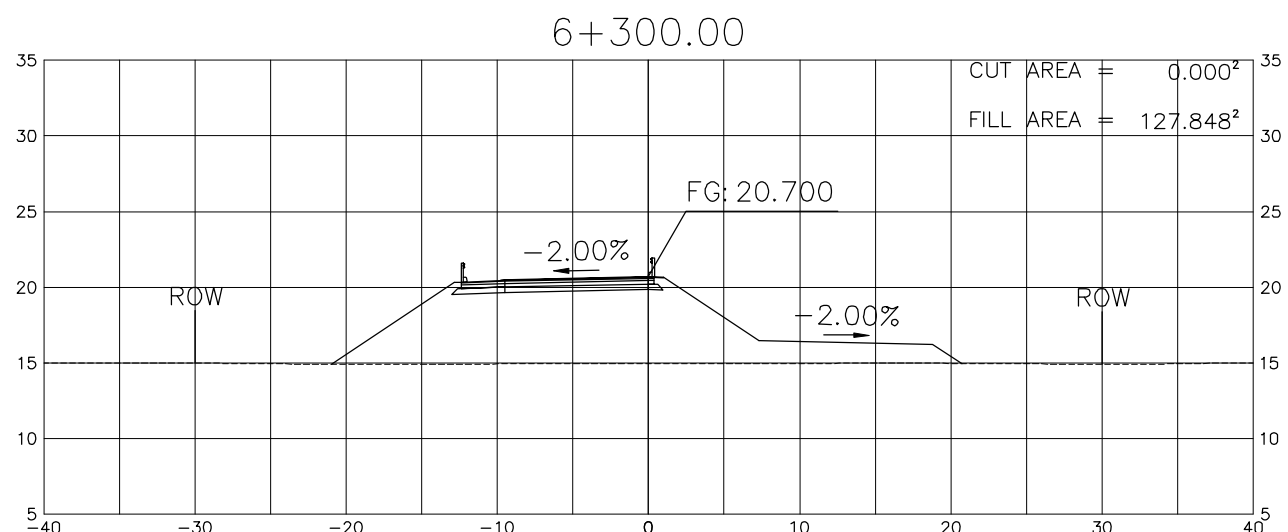
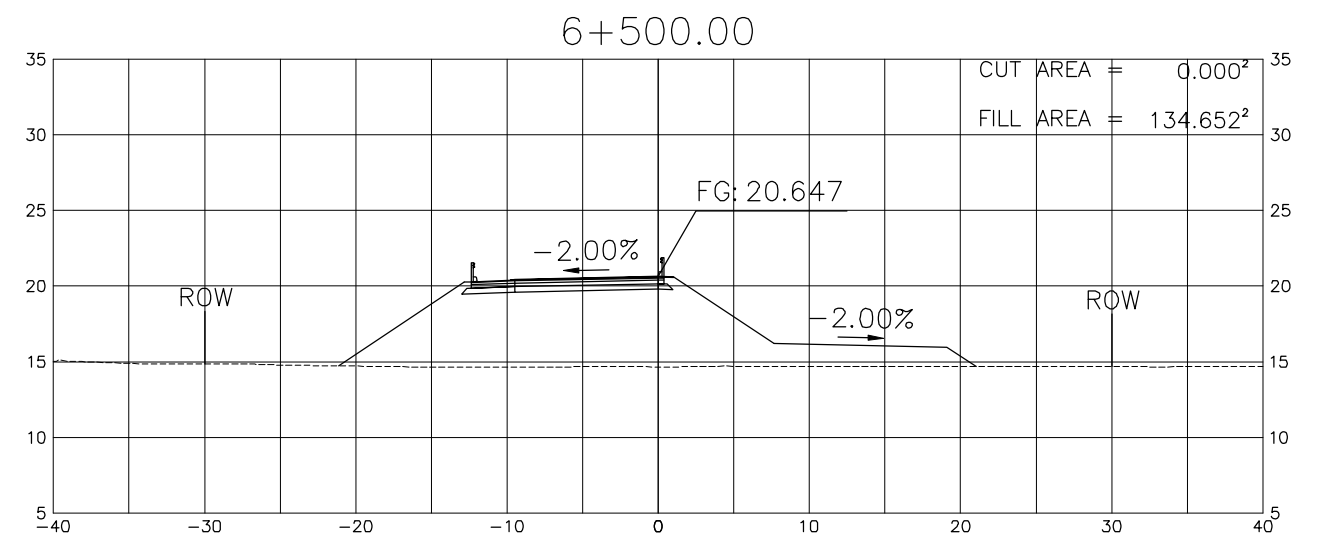
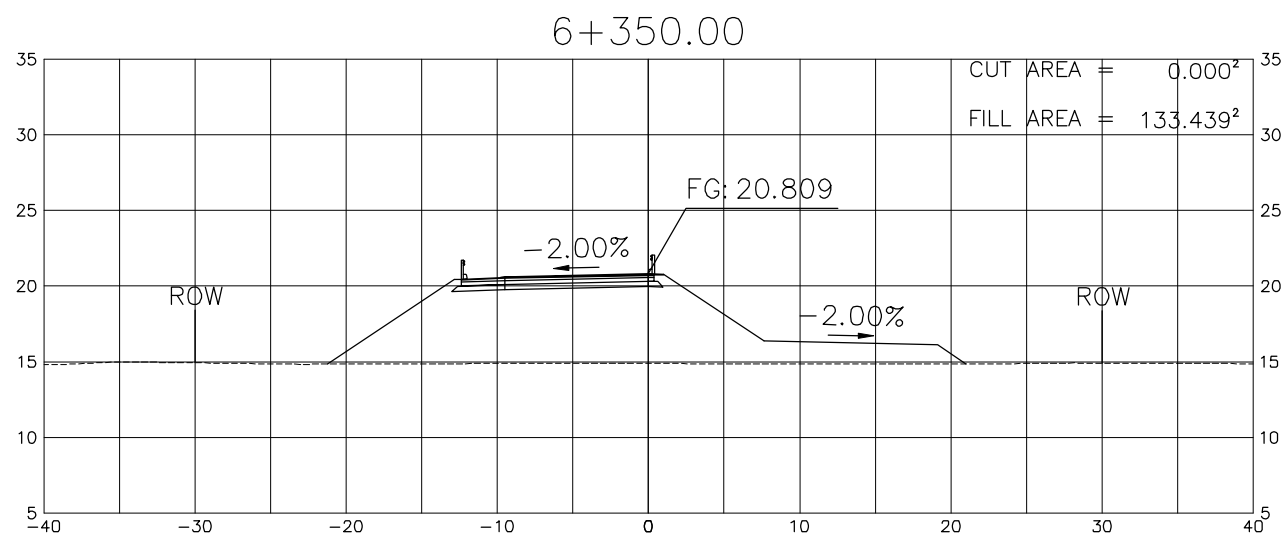
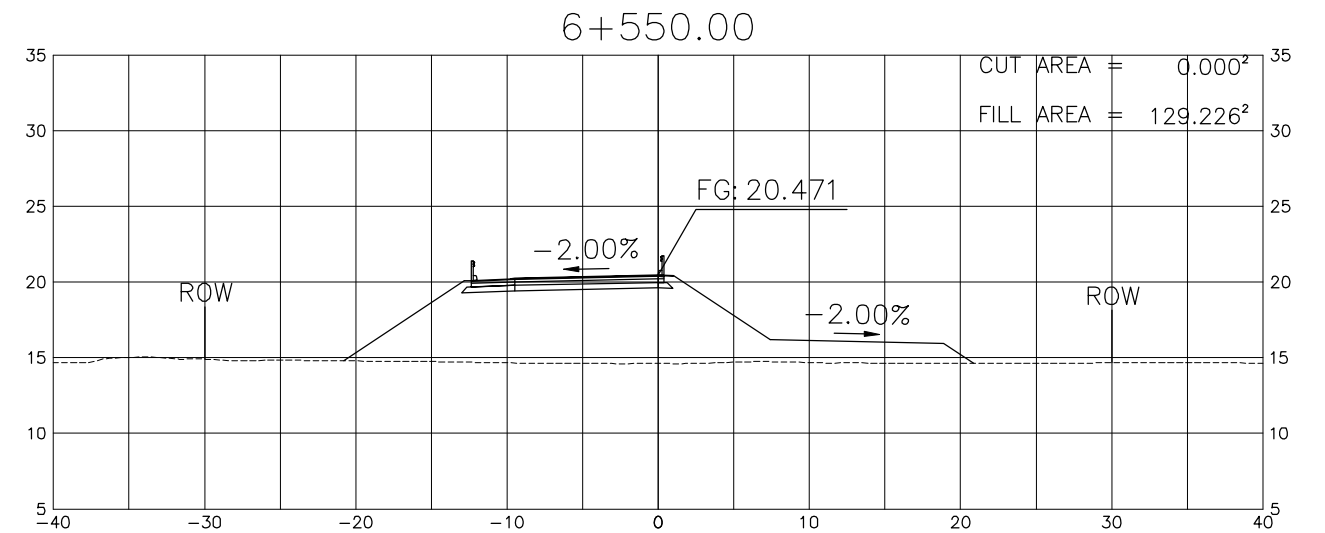
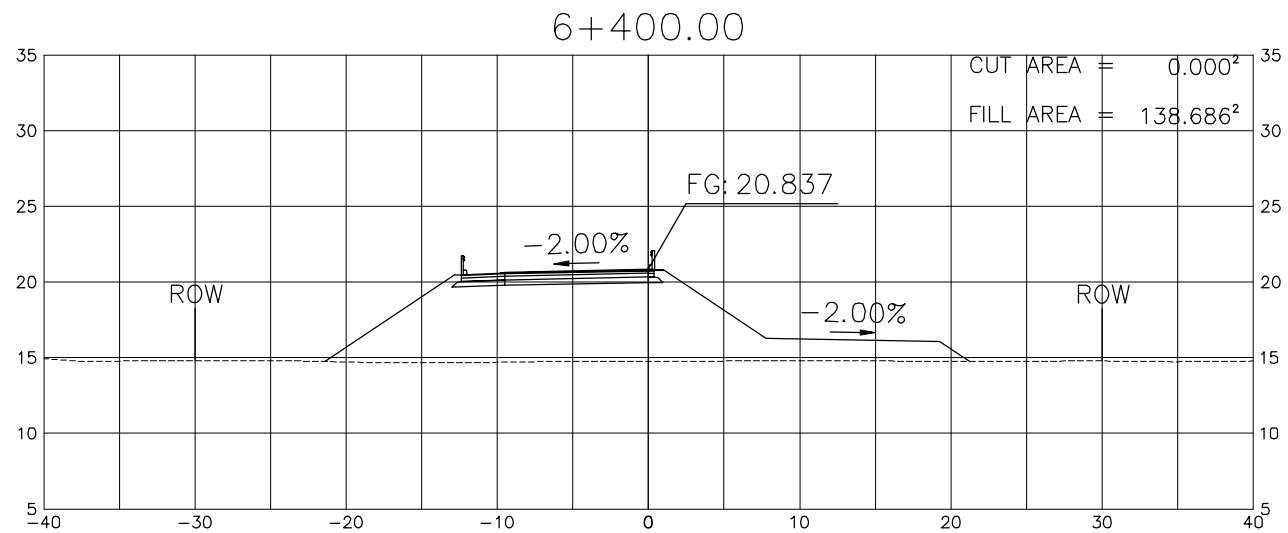
PROJECT TITLE	SCALE	SHEET CONTENT	DRAWING NO.
Preparatory survey for expressway project in Mega Manila Region CLLEX ( TARLAC - CABANATUAN )	A1 = 1:250 A3 = 1:500	CROSS SECTION (INTERIM 2 LANE) STA 5+200 TO STA 5+550	L-17
			SHEET NO.
			17 OF 90



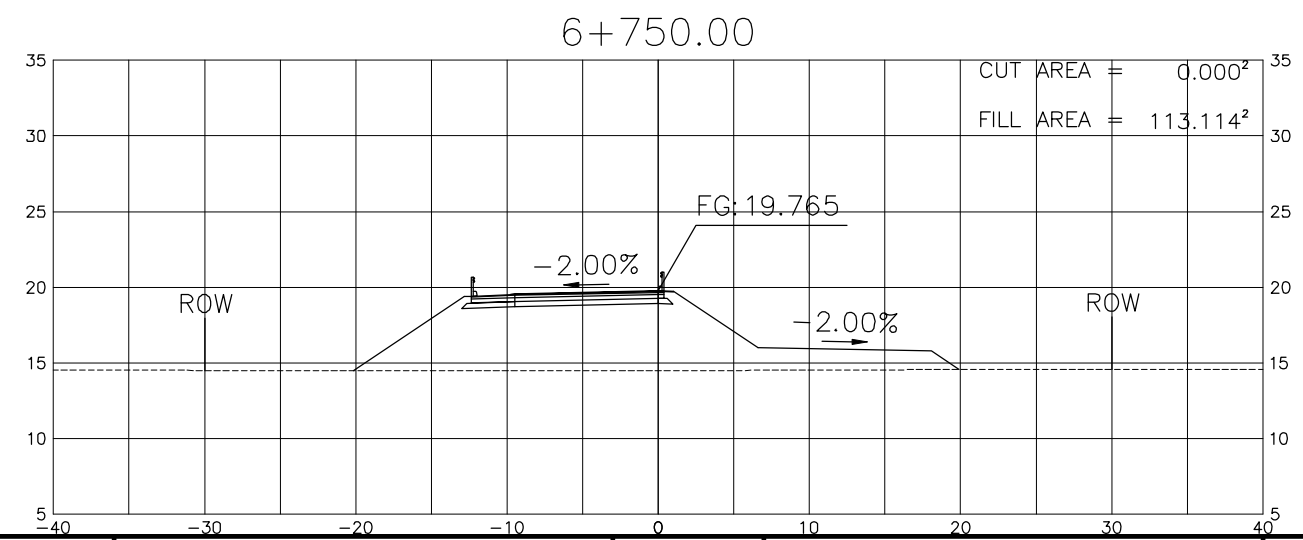
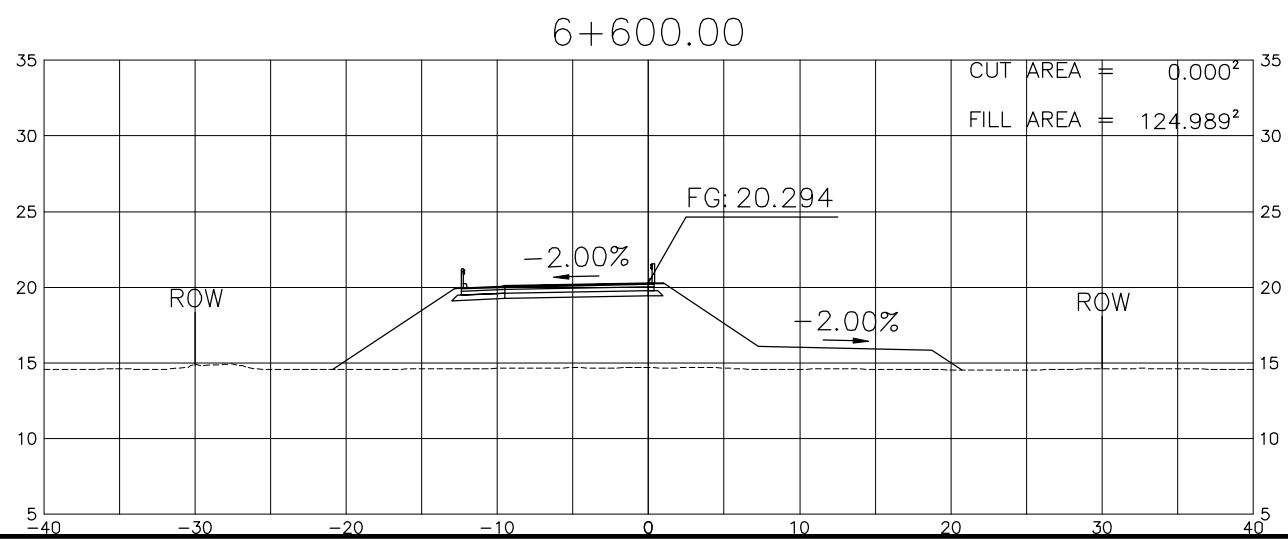
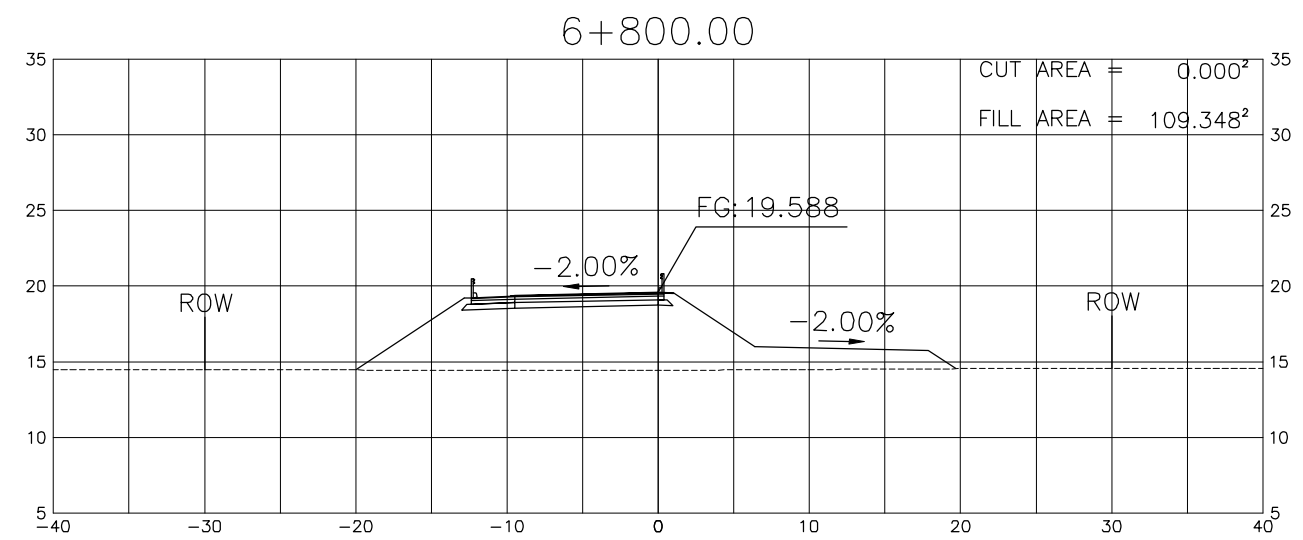
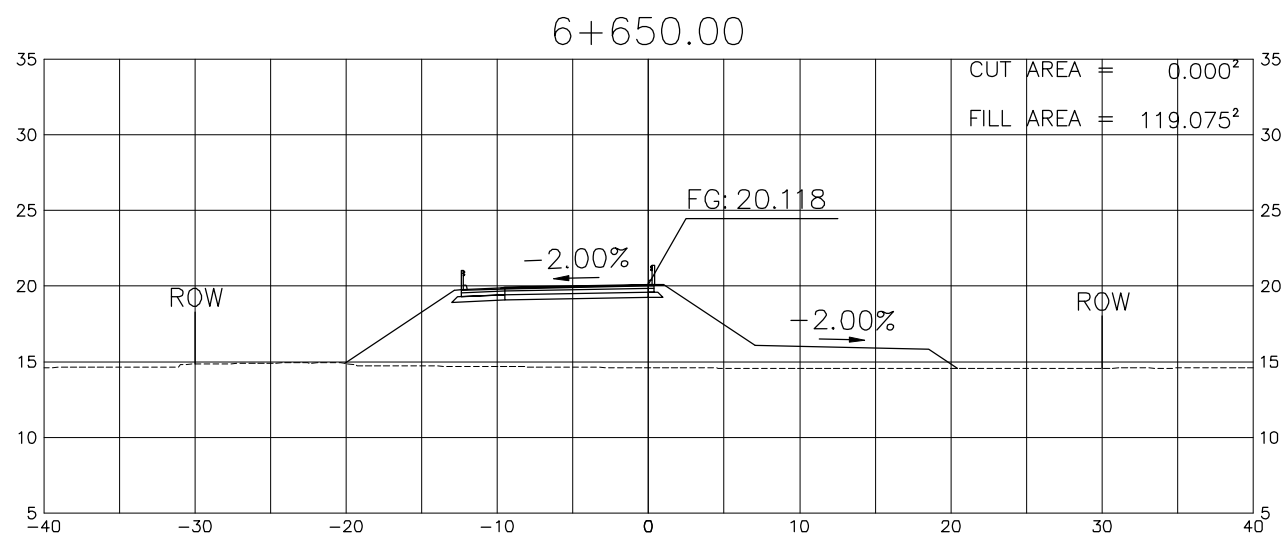
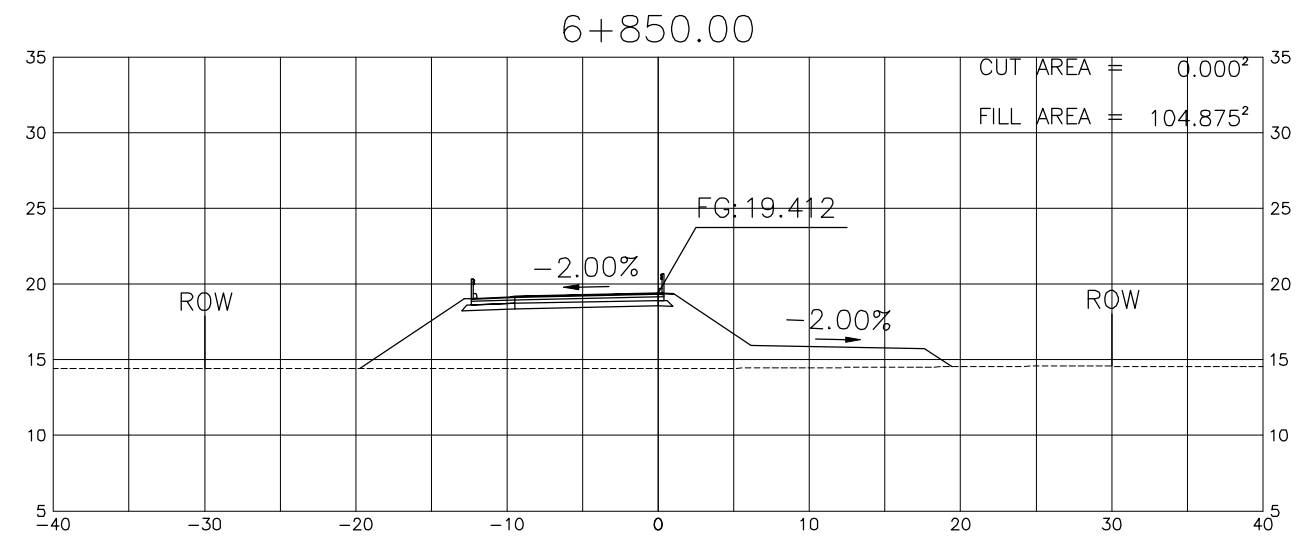
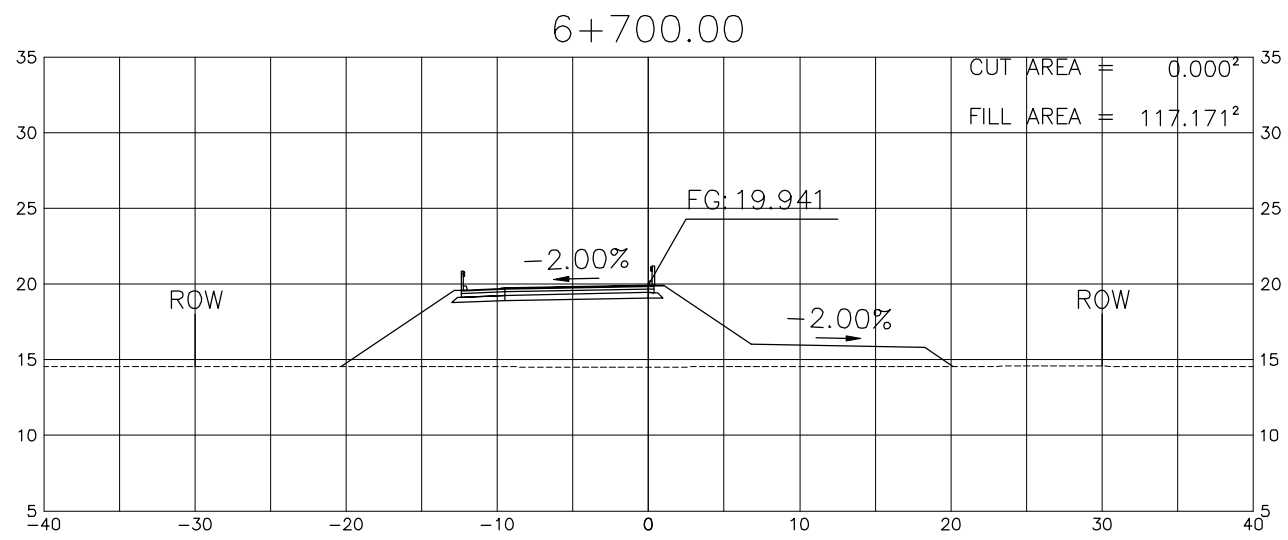
PROJECT TITLE	SCALE	SHEET CONTENT	DRAWING NO.
Preparatory survey for expressway project in Mega Manila Region CLLEX ( TARLAC - CABANATUAN )	A1 = 1:250 A3 = 1:500	CROSS SECTION (INTERIM 2 LANE) STA 5+600 TO STA 5+950	L-18
			SHEET NO.
			18 OF 90



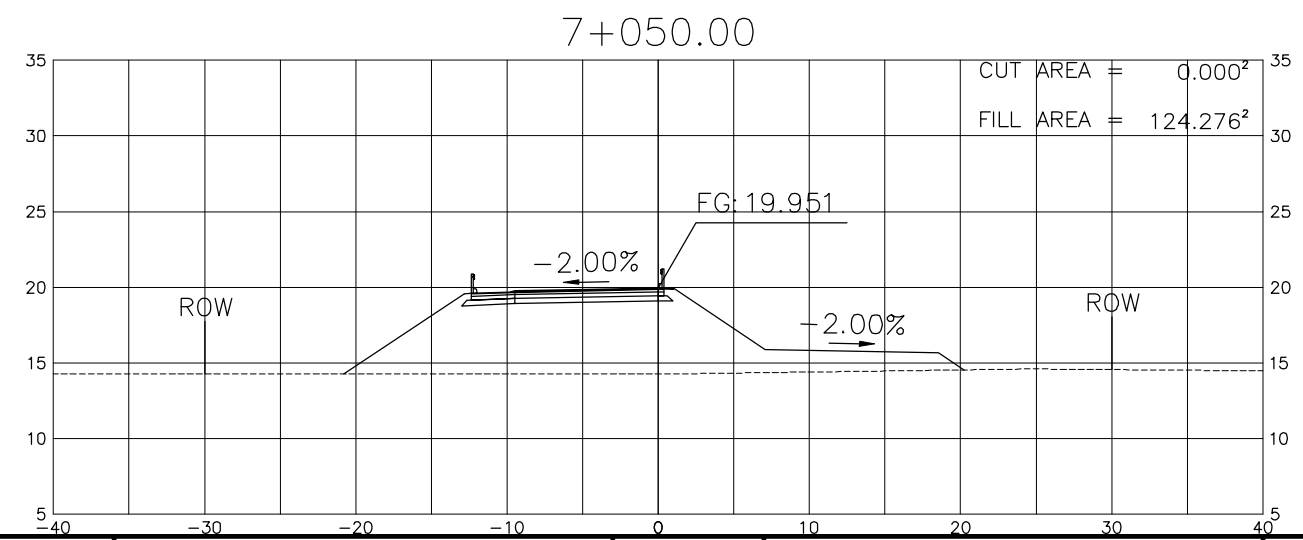
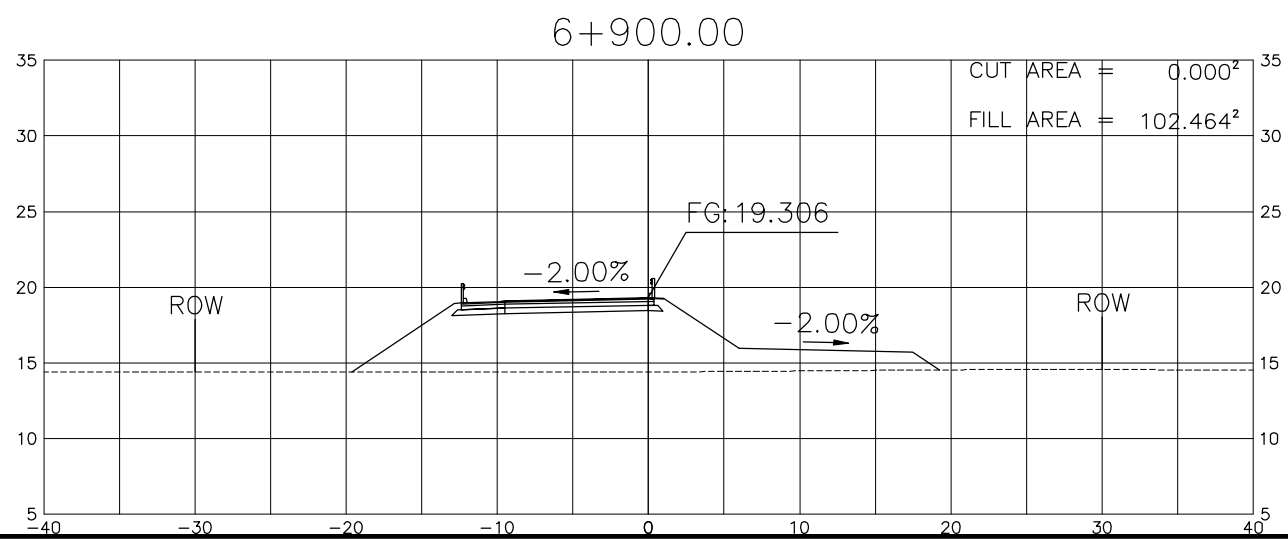
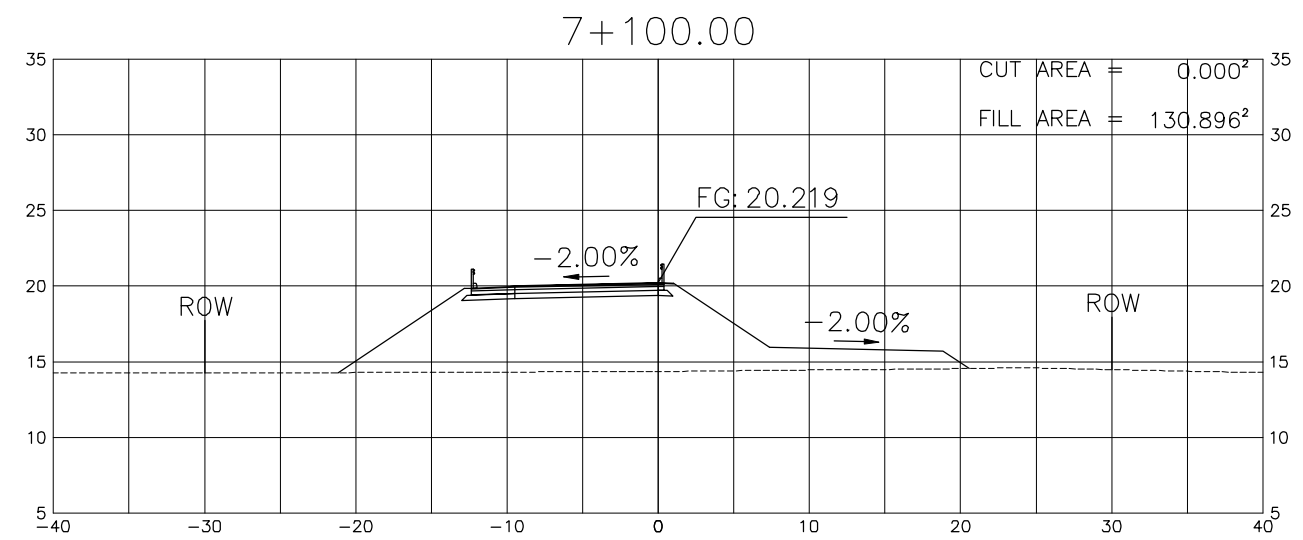
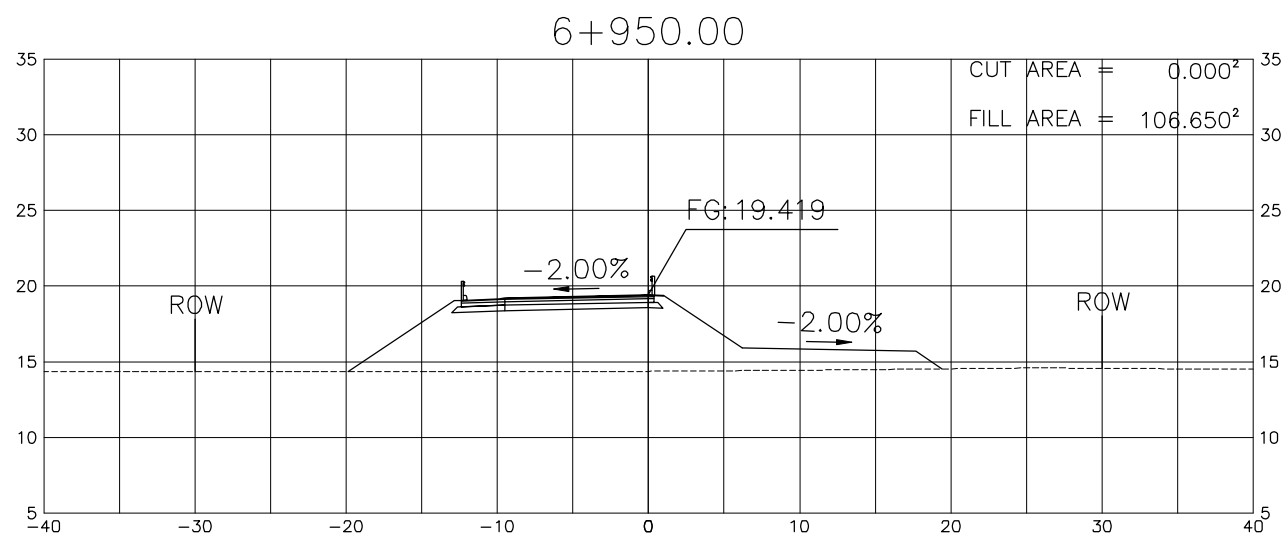
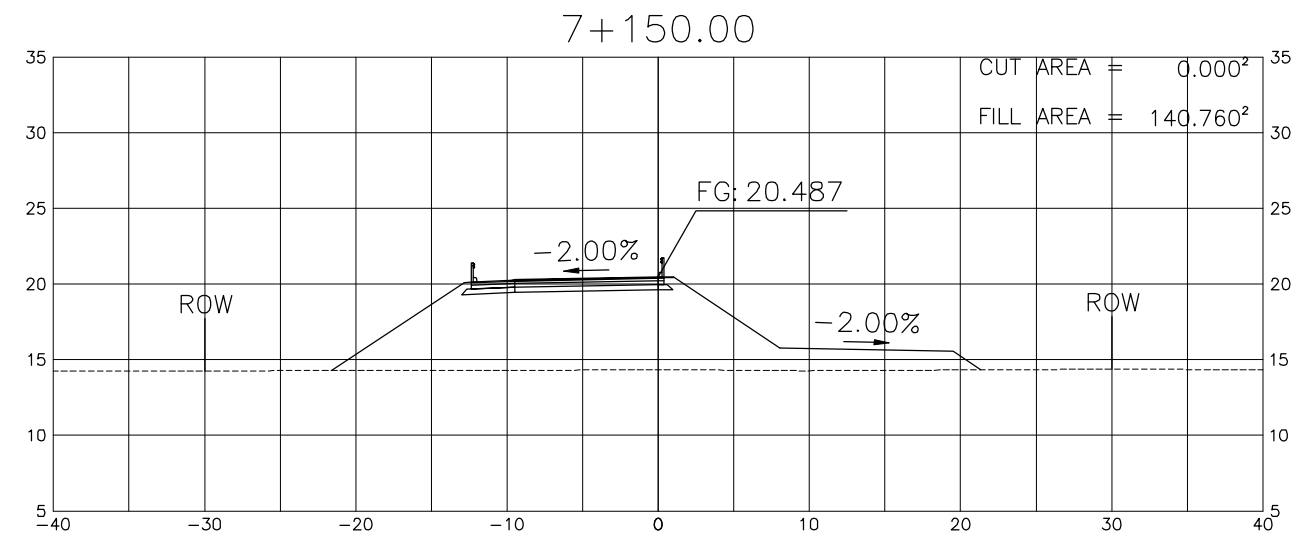
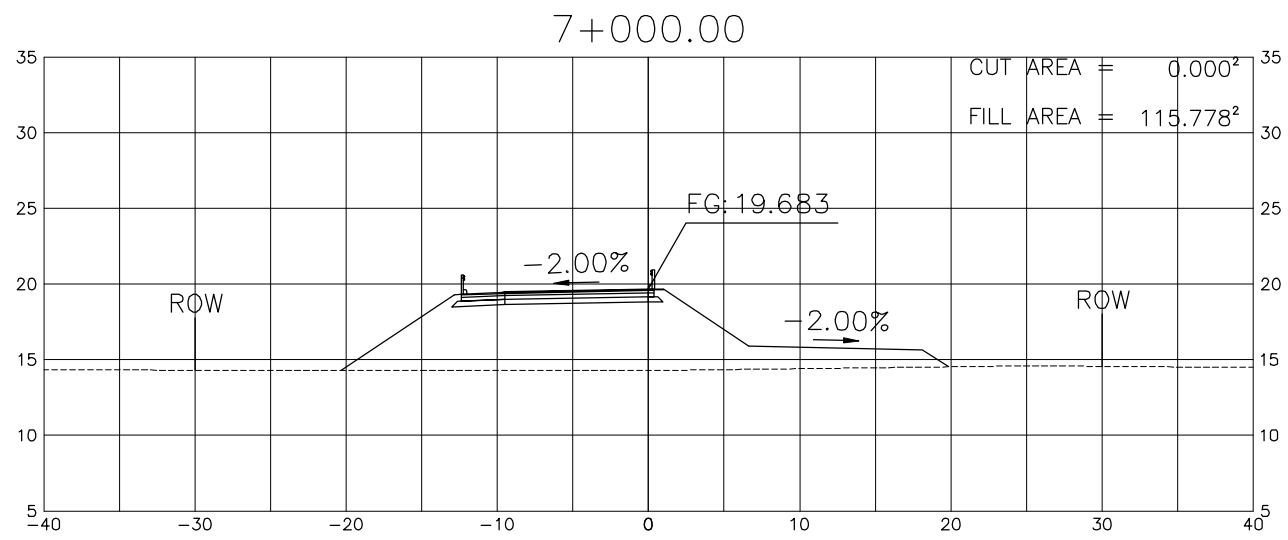
PROJECT TITLE	SCALE	SHEET CONTENT	DRAWING NO.
Preparatory survey for expressway project in Mega Manila Region CLLEX ( TARLAC - CABANATUAN )	A1 = 1:250 A3 = 1:500	CROSS SECTION (INTERIM 2 LANE) STA 6+000 TO STA 6+250	L-19
			SHEET NO.
			19 OF 90



PROJECT TITLE	SCALE	SHEET CONTENT	DRAWING NO.
Preparatory survey for expressway project in Mega Manila Region CLLEX ( TARLAC - CABANATUAN )	A1 = 1:250 A3 = 1:500	CROSS SECTION (INTERIM 2 LANE) STA 6+300 TO STA 6+550	L-20
			SHEET NO.
			20 OF 90

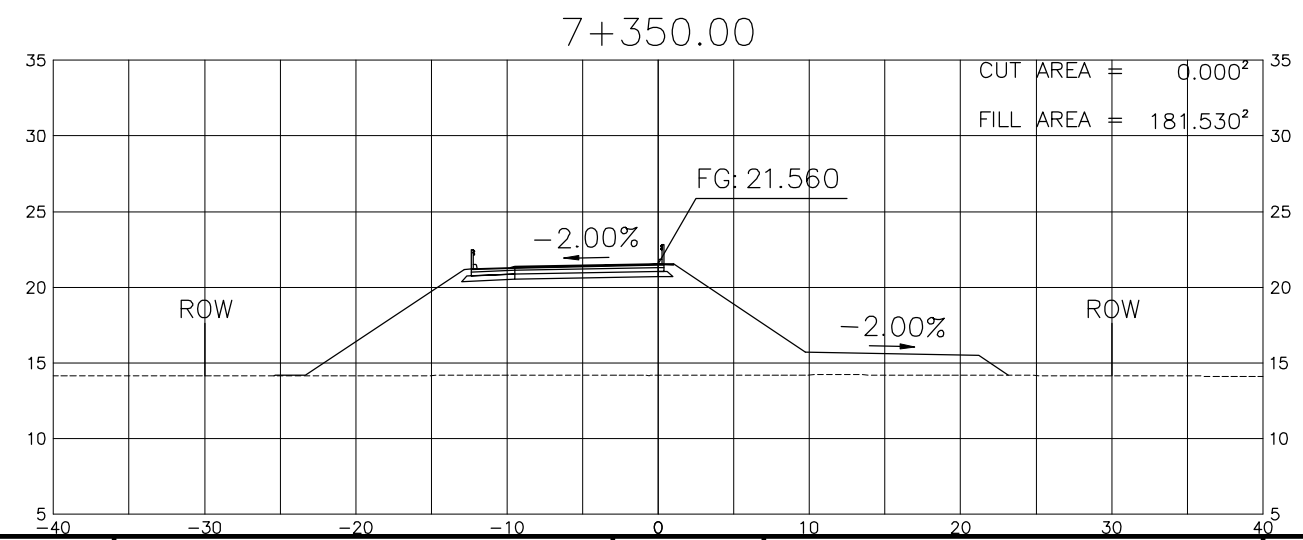
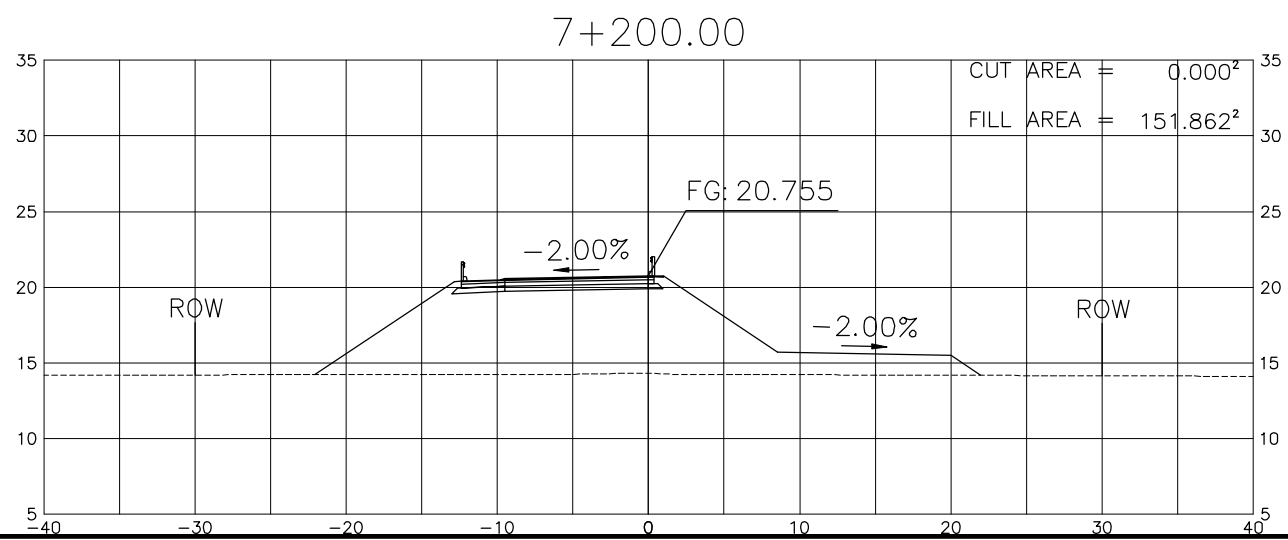
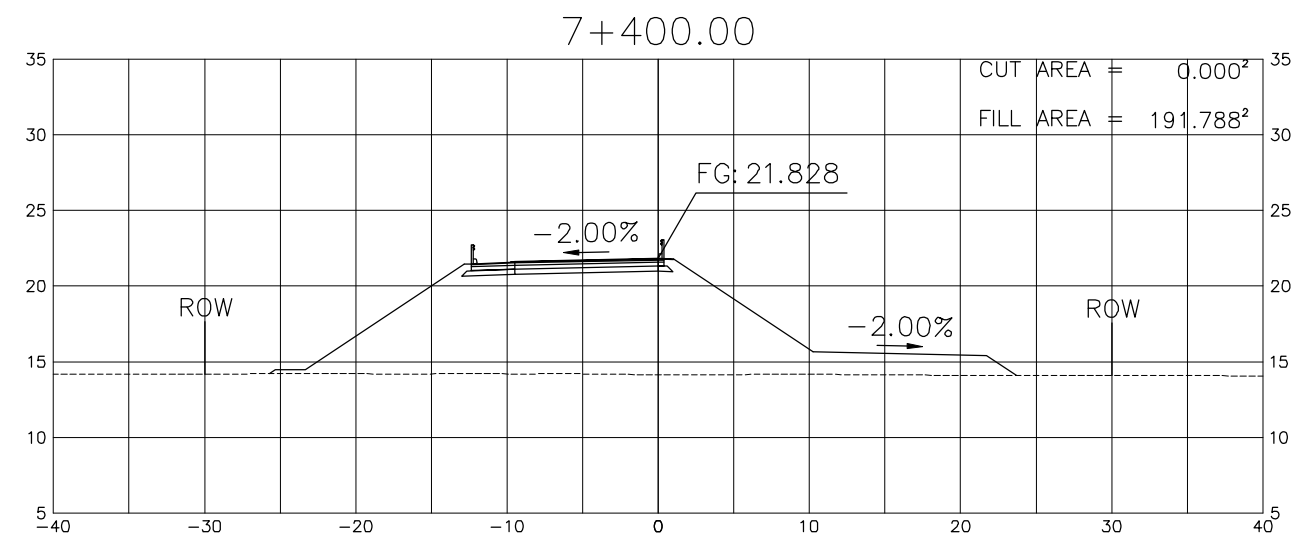
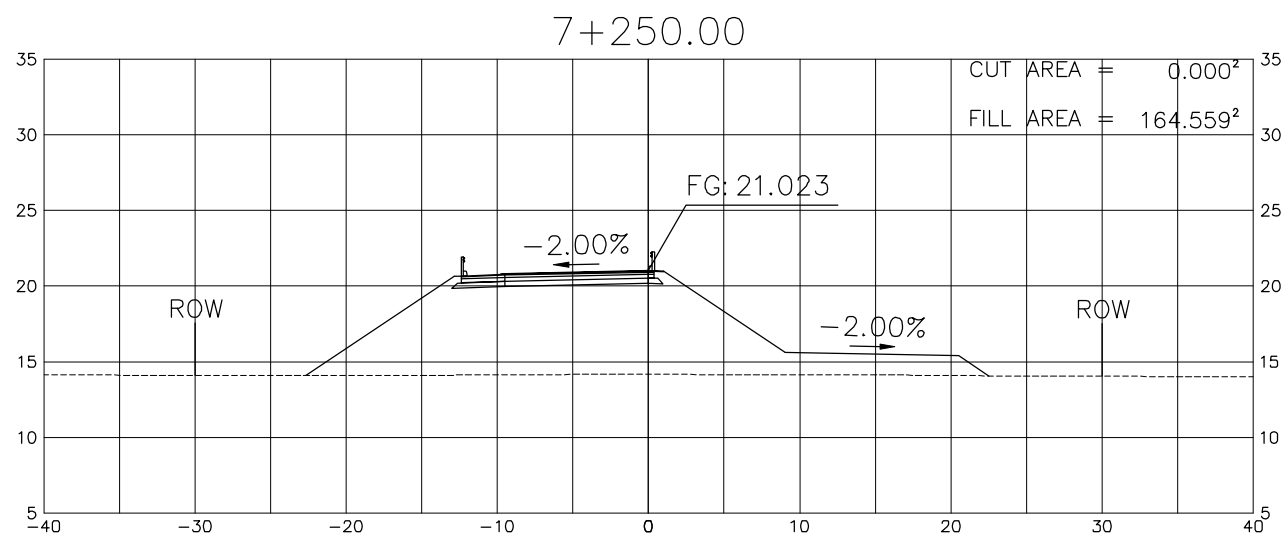
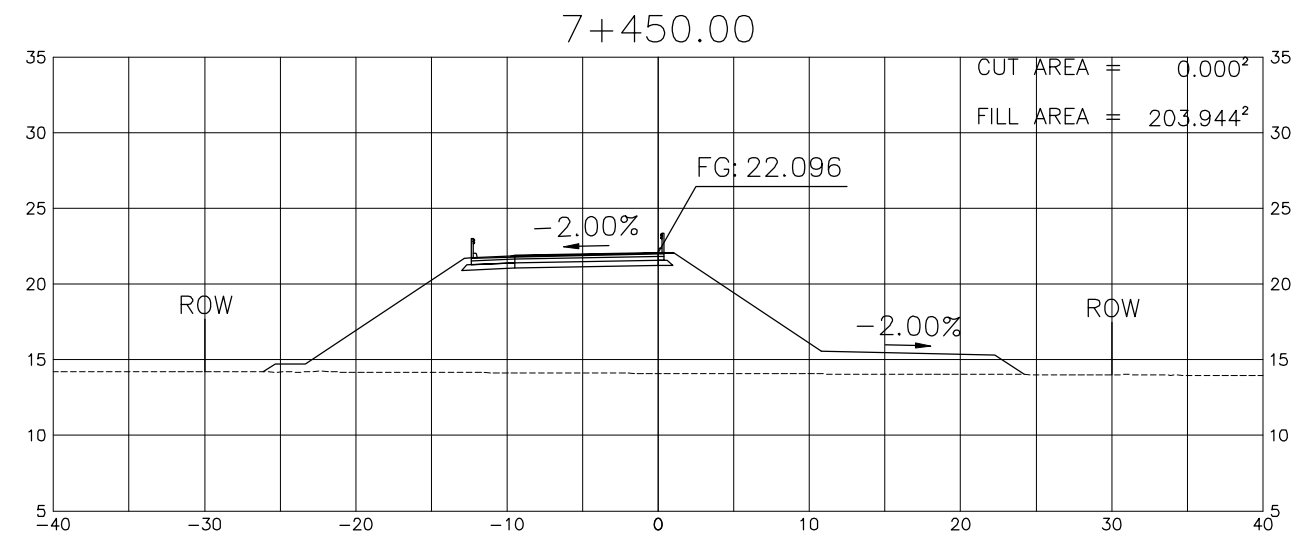
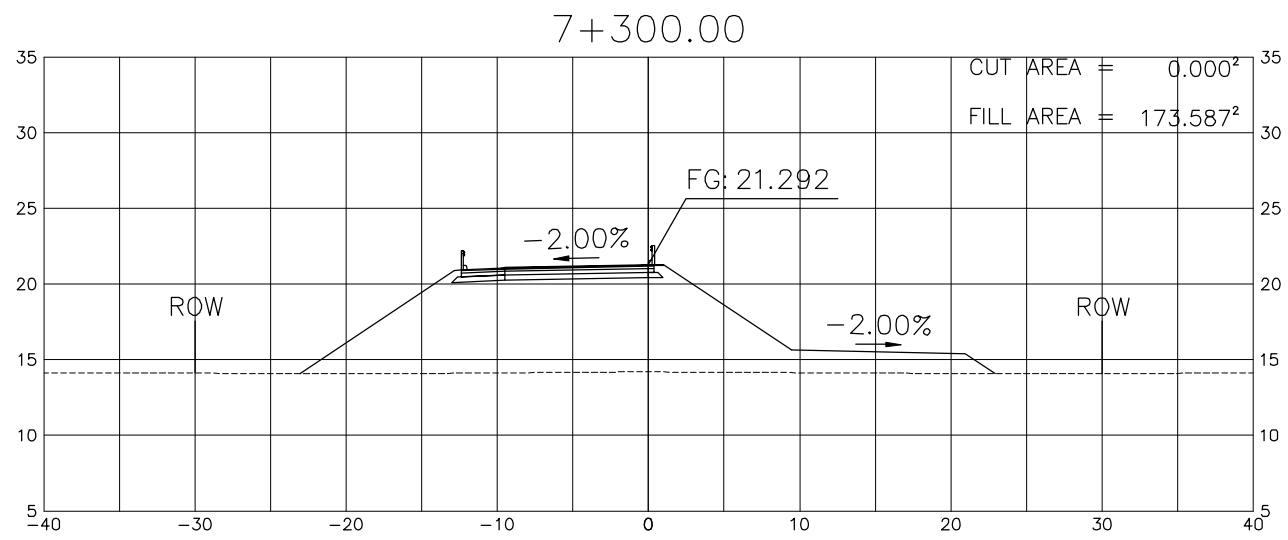


PROJECT TITLE	SCALE	SHEET CONTENT	DRAWING NO.
Preparatory survey for expressway project in Mega Manila Region CLLEX ( TARLAC - CABANATUAN )	A1 = 1:250 A3 = 1:500	CROSS SECTION (INTERIM 2 LANE) STA 6+600 TO STA 6+850	L-21
			SHEET NO.
			21 OF 90

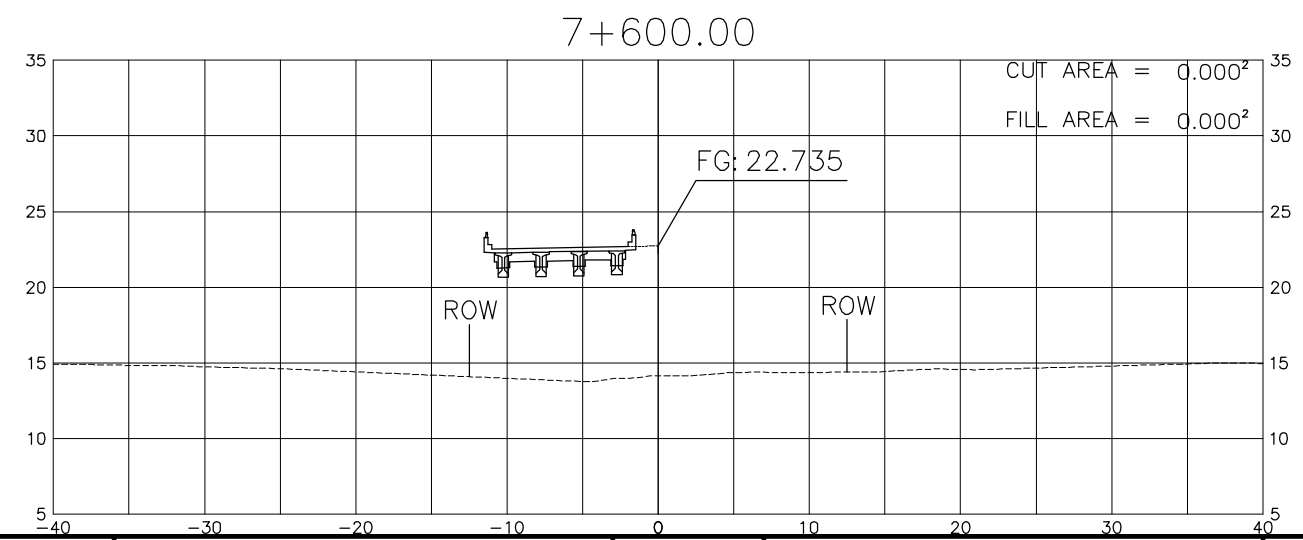
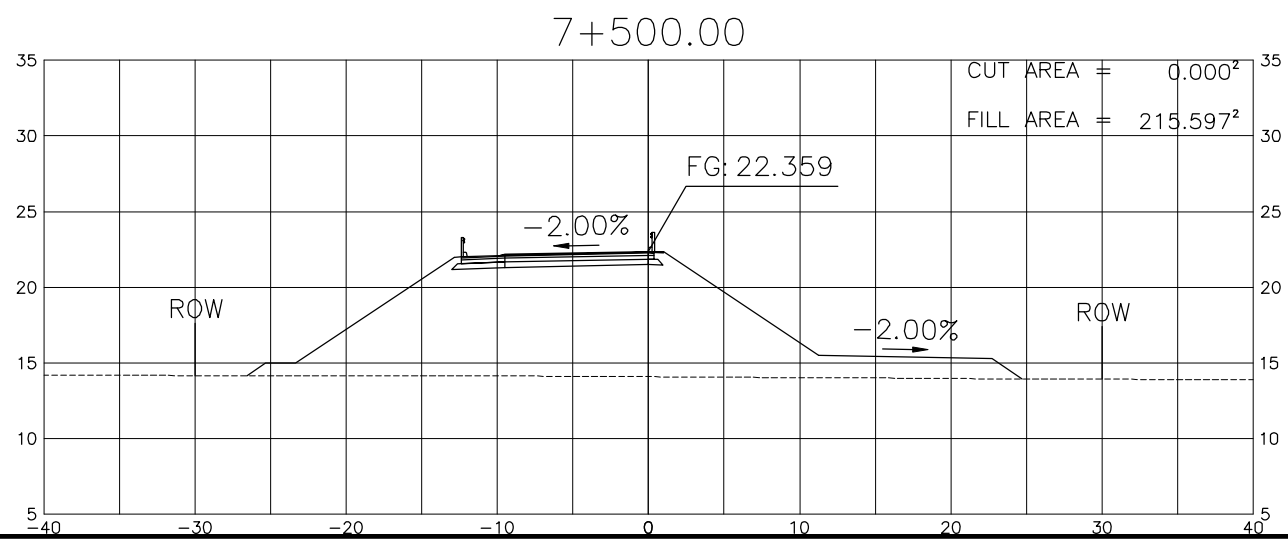
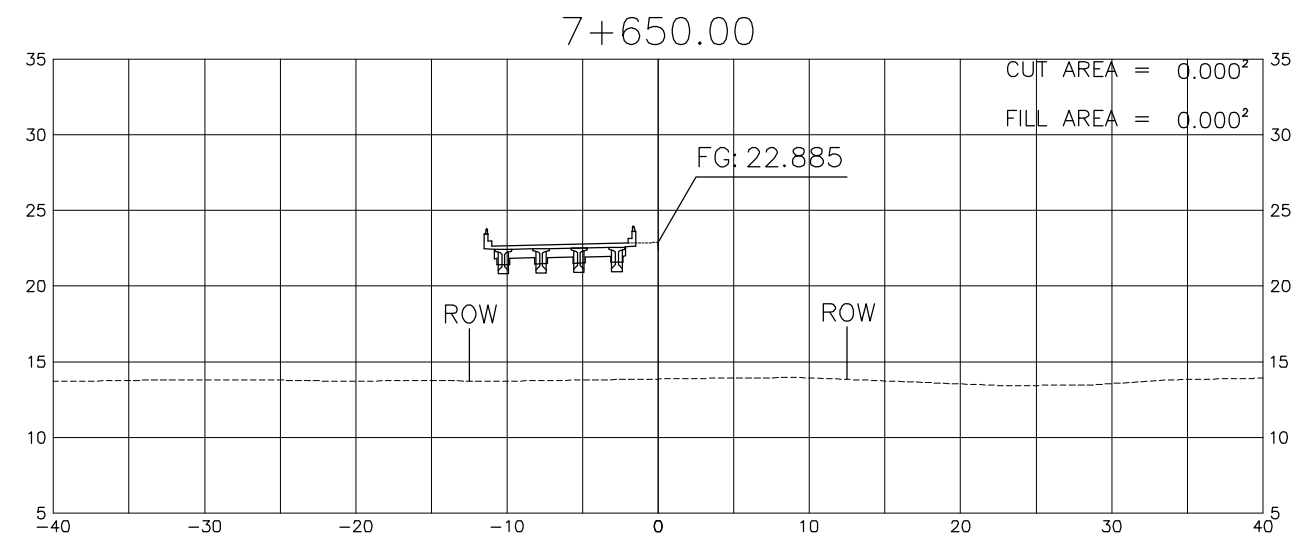
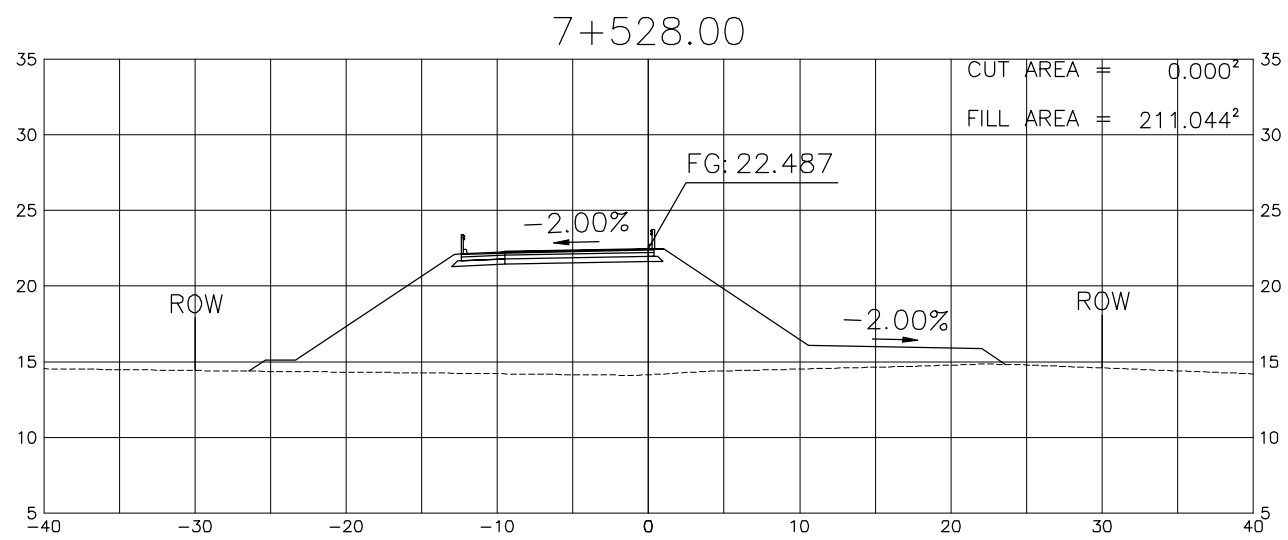
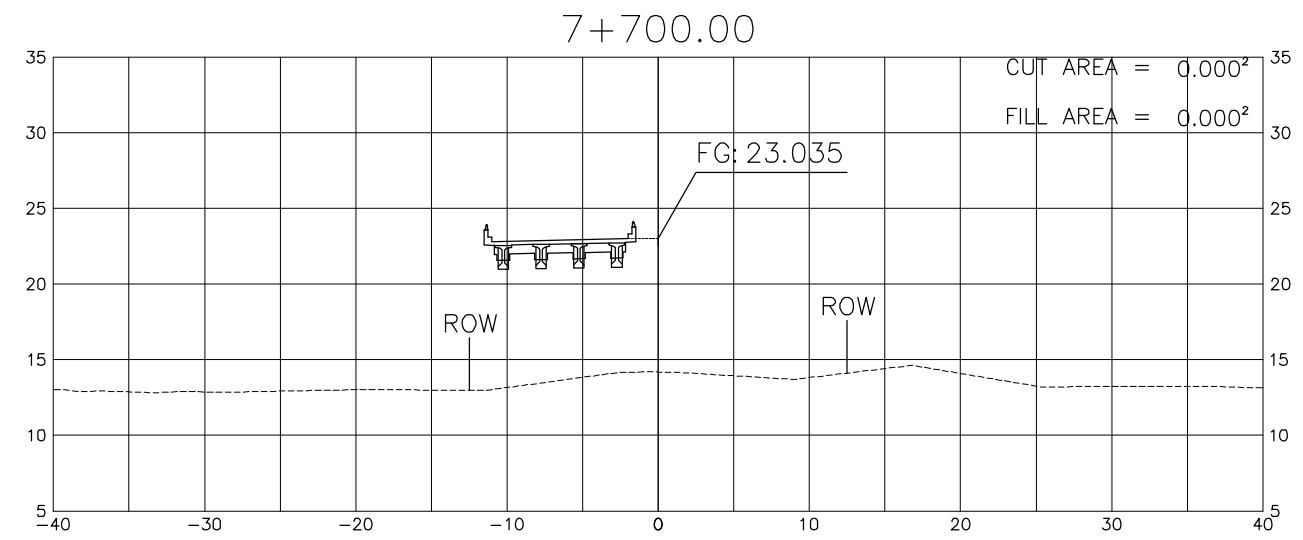
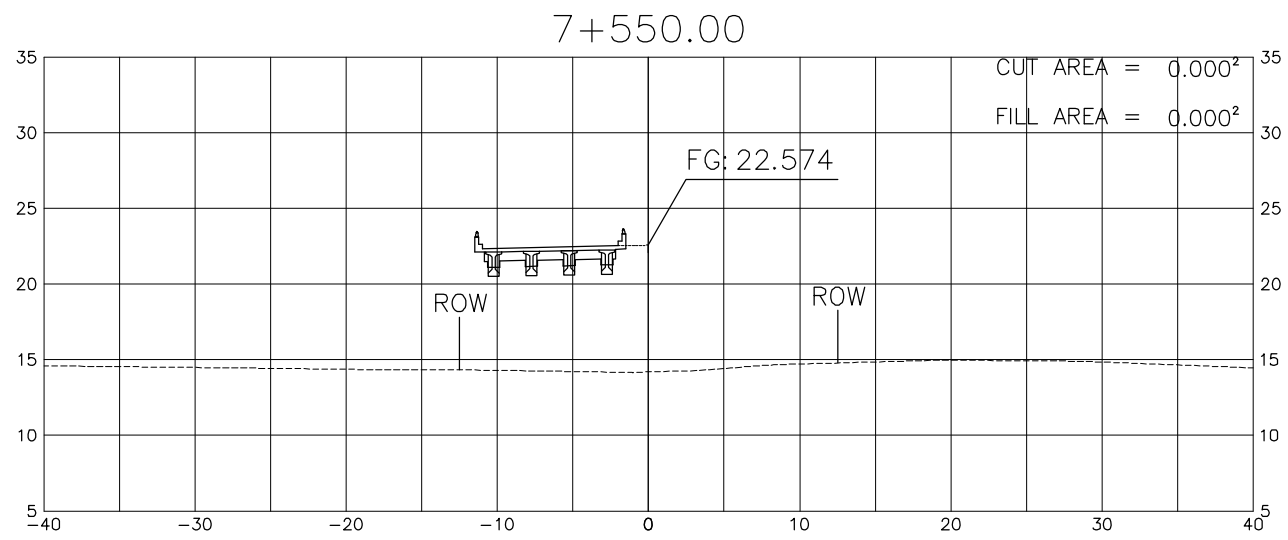


PROJECT TITLE	SCALE	SHEET CONTENT	DRAWING NO.
Preparatory survey for expressway project in Mega Manila Region CLLEX ( TARLAC - CABANATUAN )	A1 = 1:250 A3 = 1:500	CROSS SECTION (INTERIM 2 LANE) STA 6+900 TO STA 7+150	L-22
			SHEET NO.
			22 OF 90

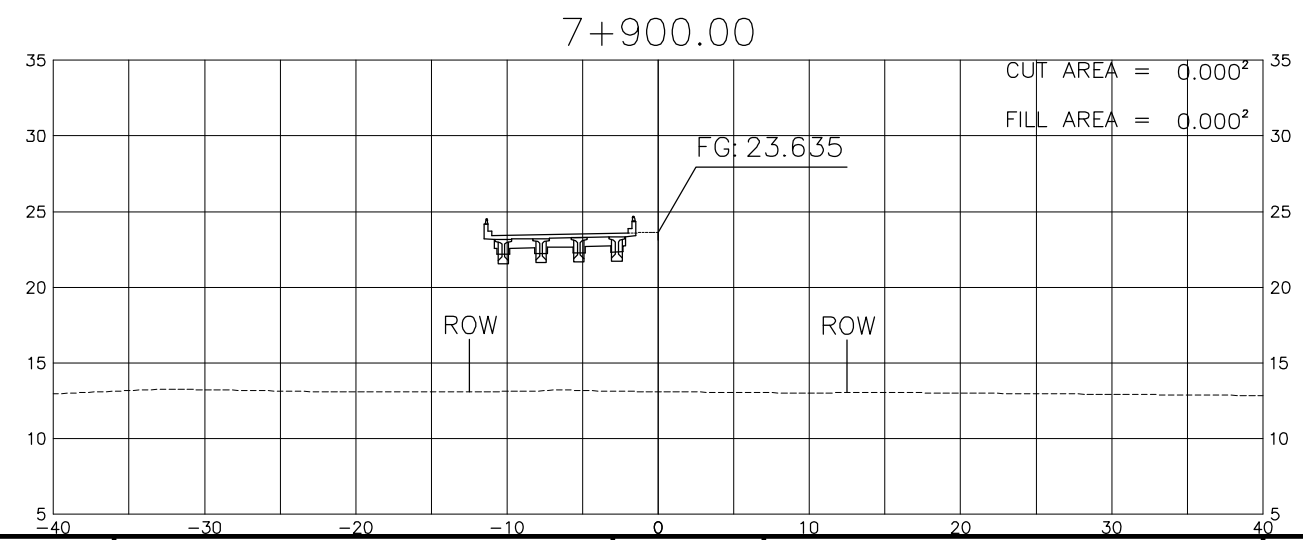
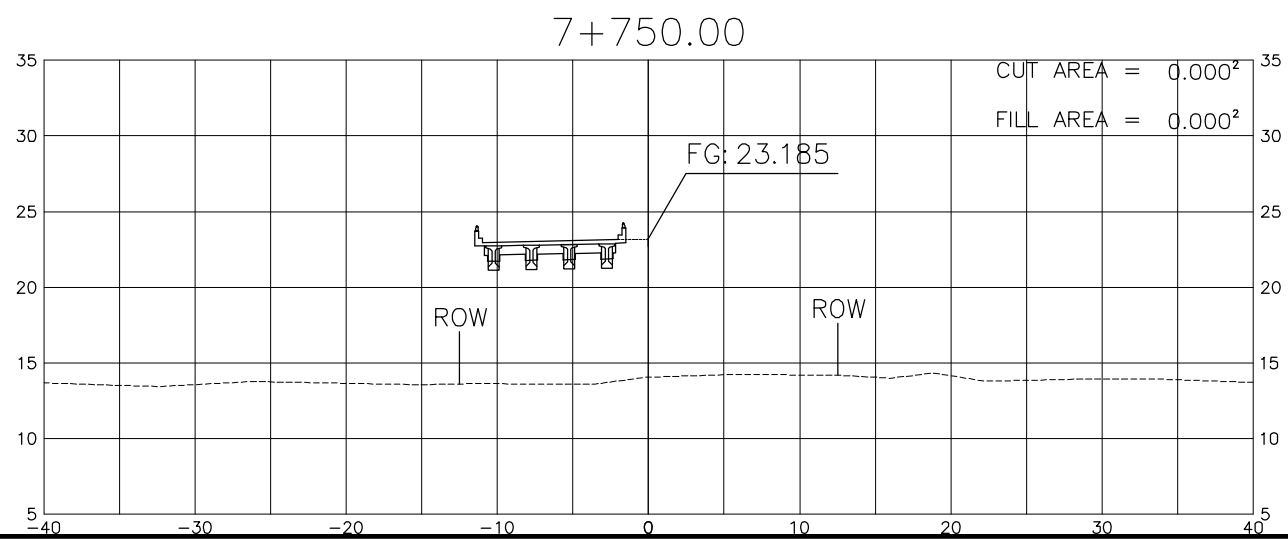
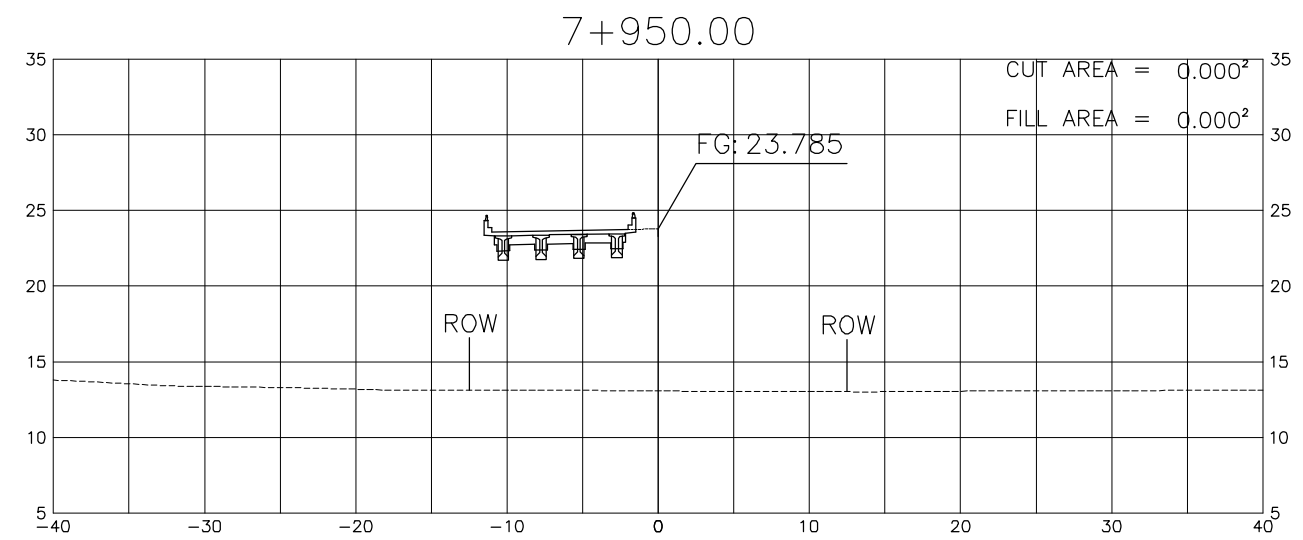
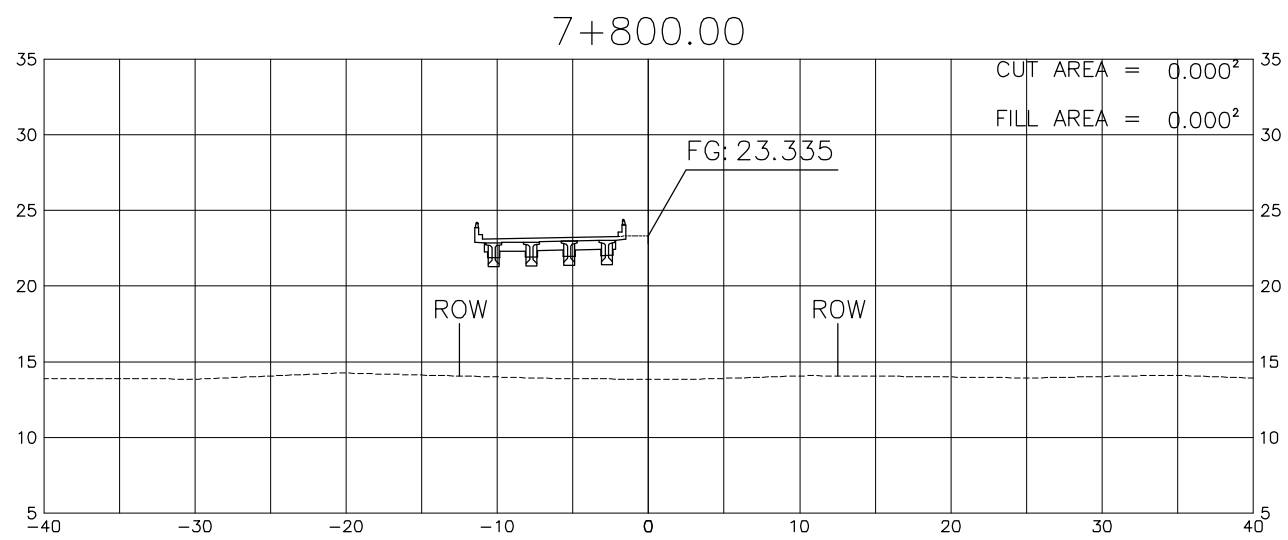
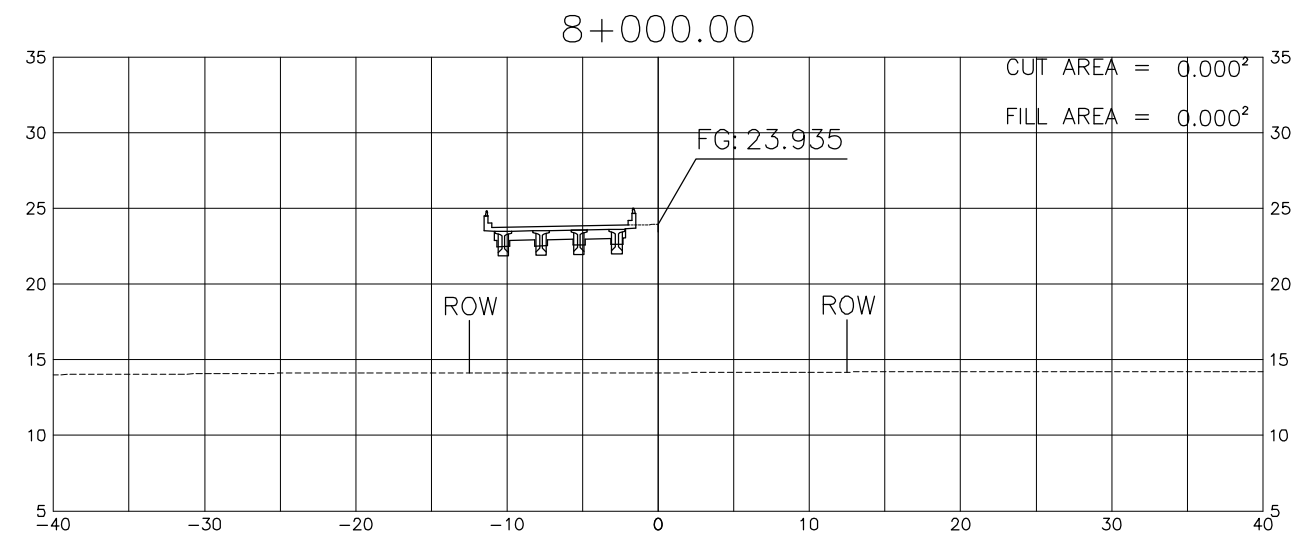
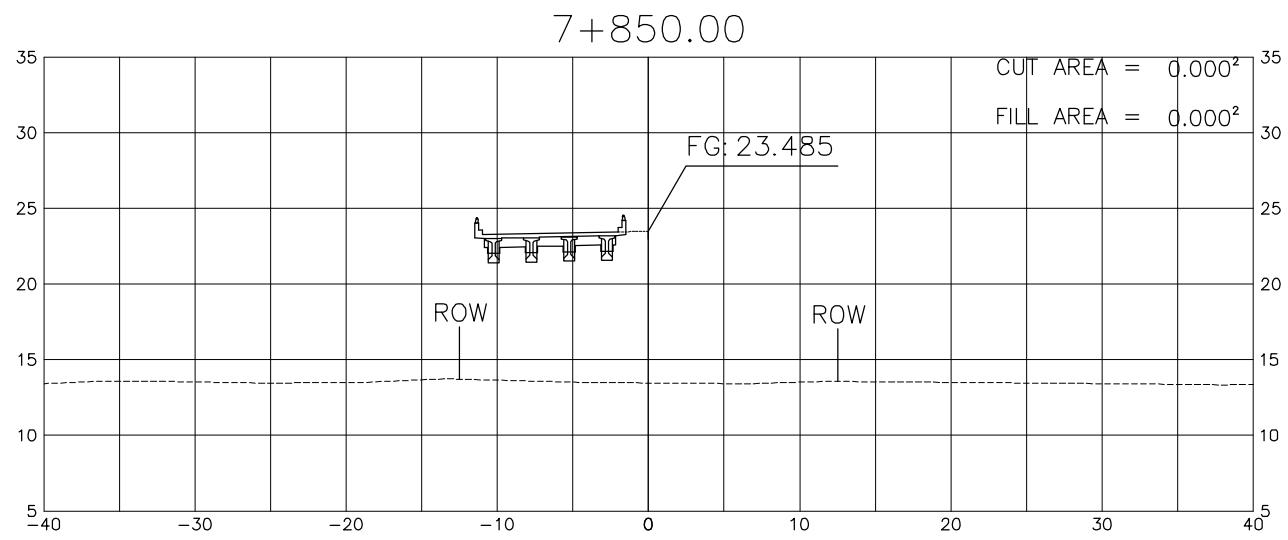




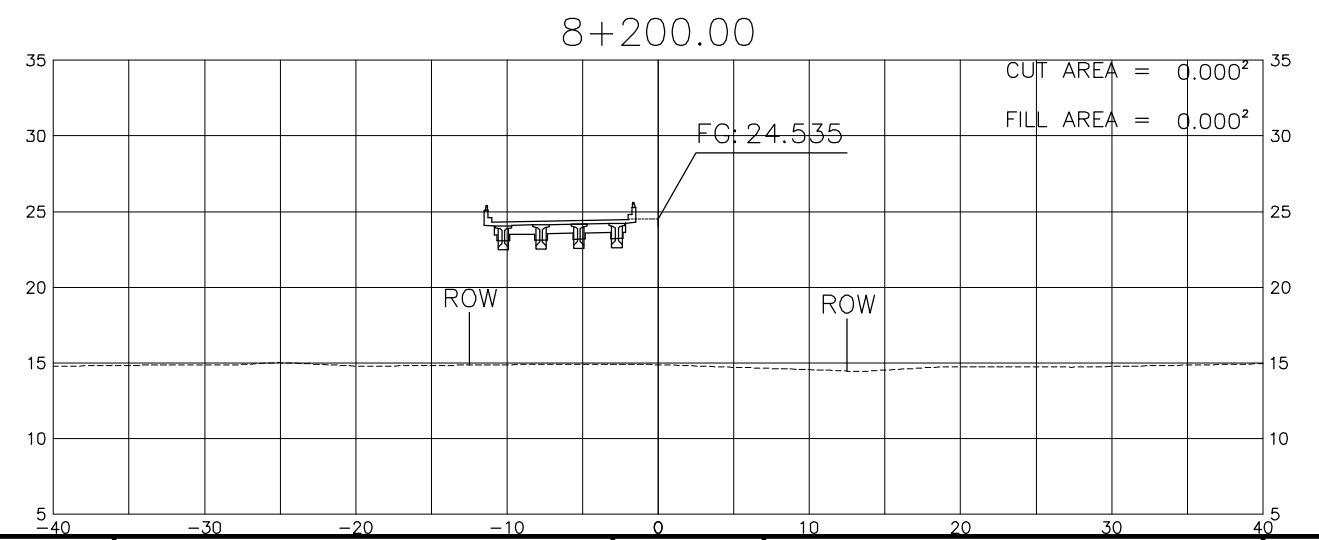
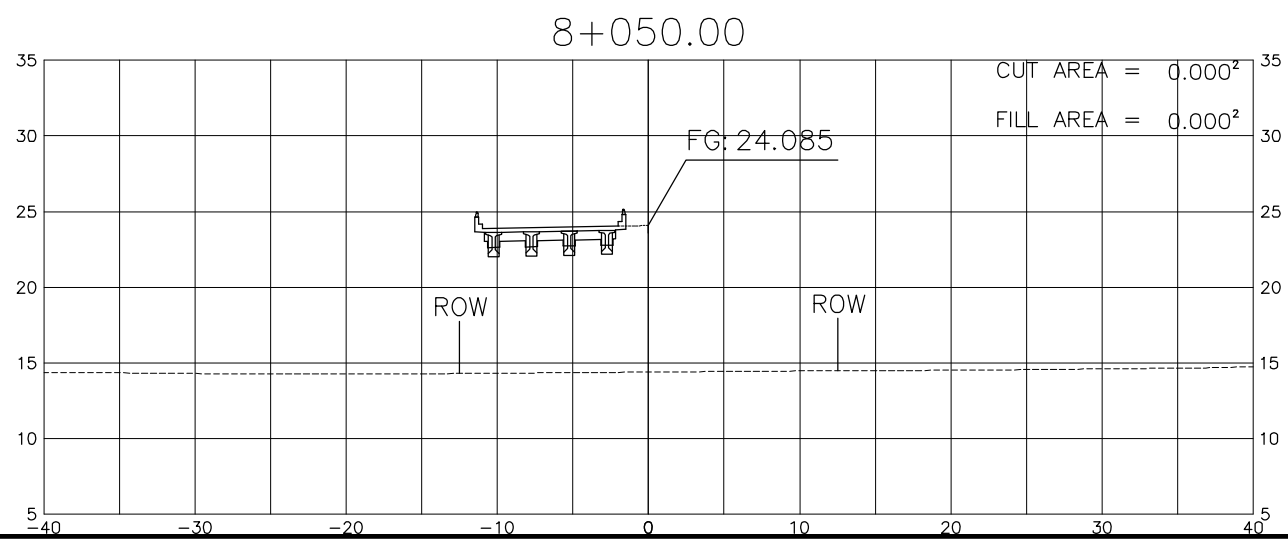
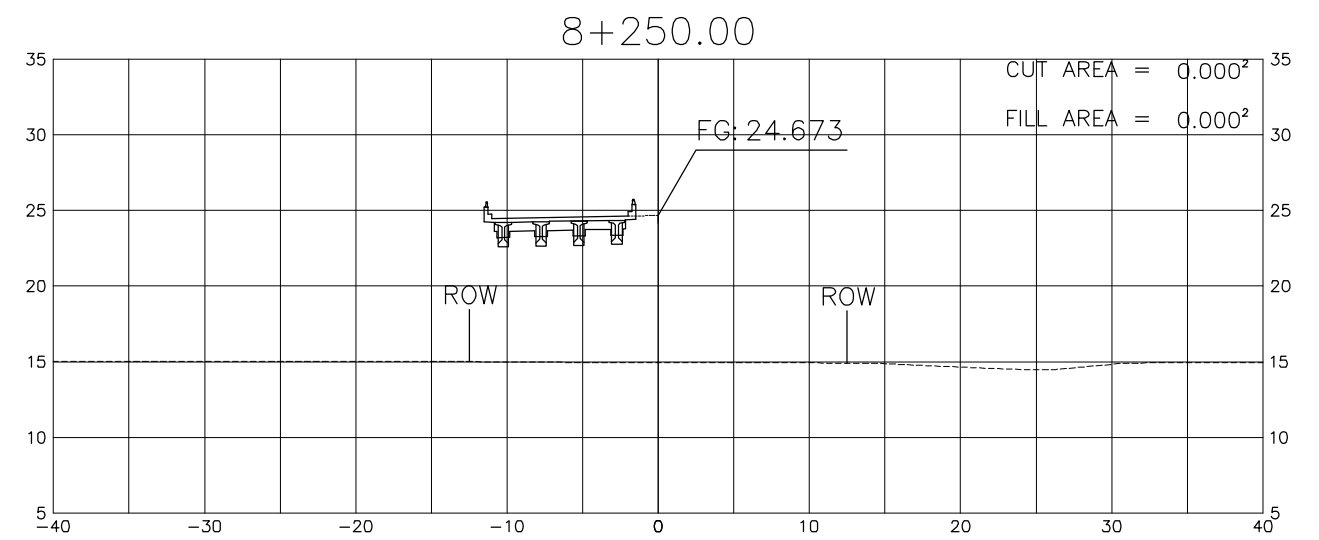
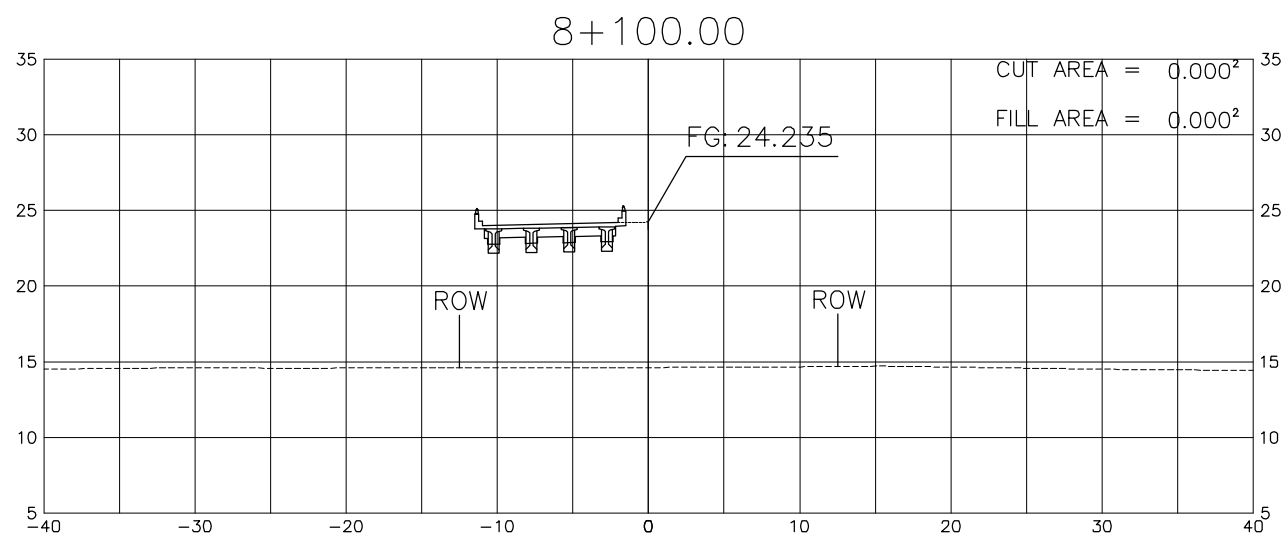
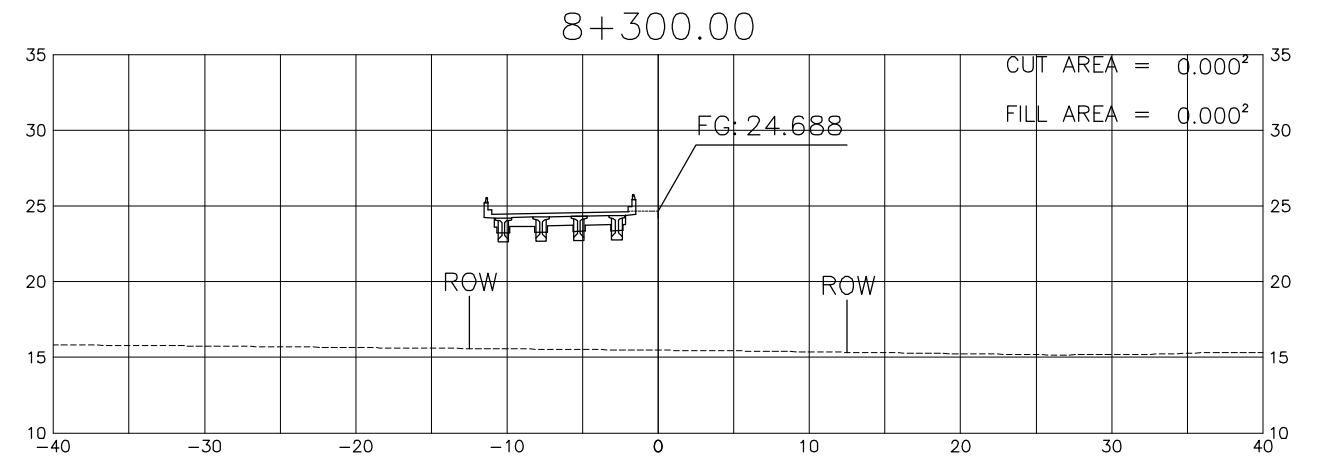
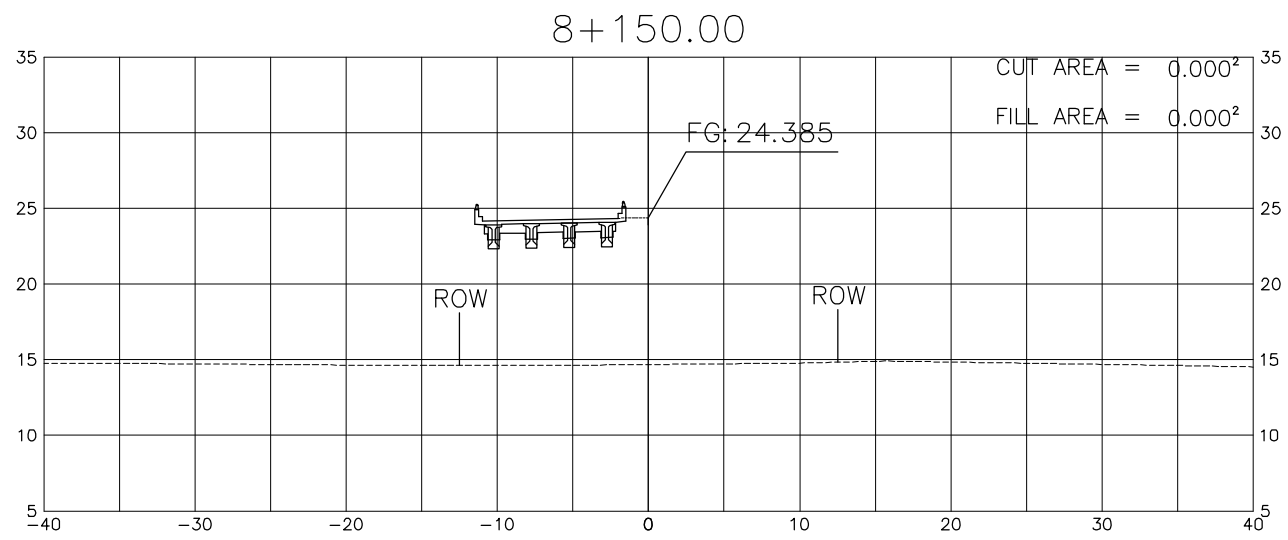
PROJECT TITLE	SCALE	SHEET CONTENT	DRAWING NO.
Preparatory survey for expressway project in Mega Manila Region CLLEX ( TARLAC - CABANATUAN )	A1 = 1:250 A3 = 1:500	CROSS SECTION (INTERIM 2 LANE) STA 7+200 TO STA 7+450	L-23
			SHEET NO.
			23 OF 90



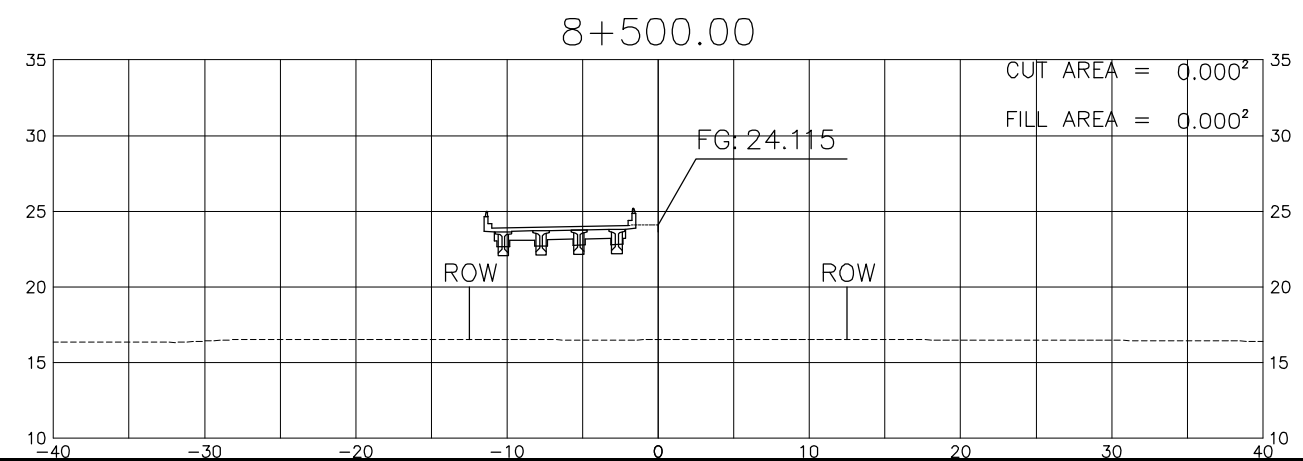
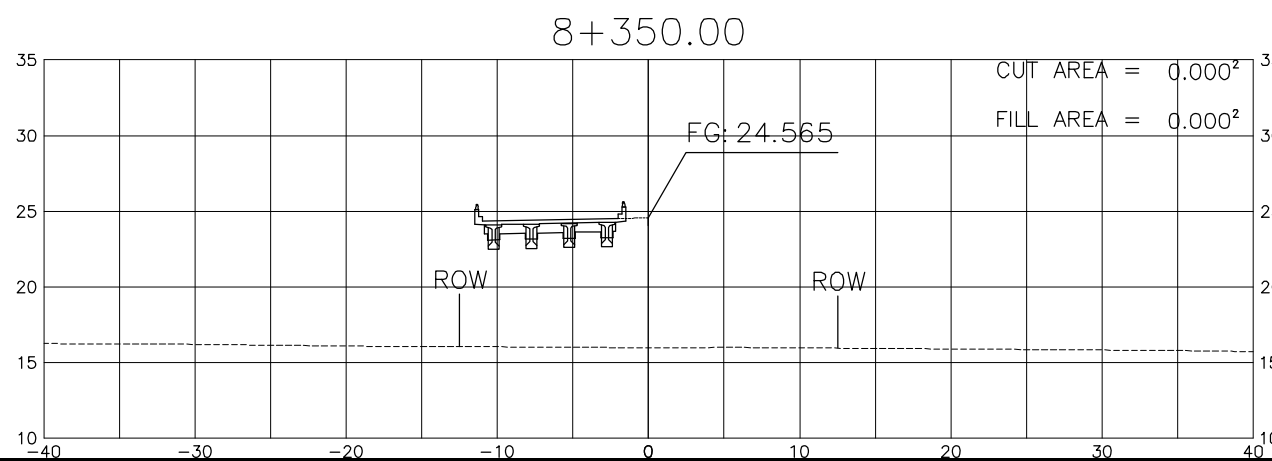
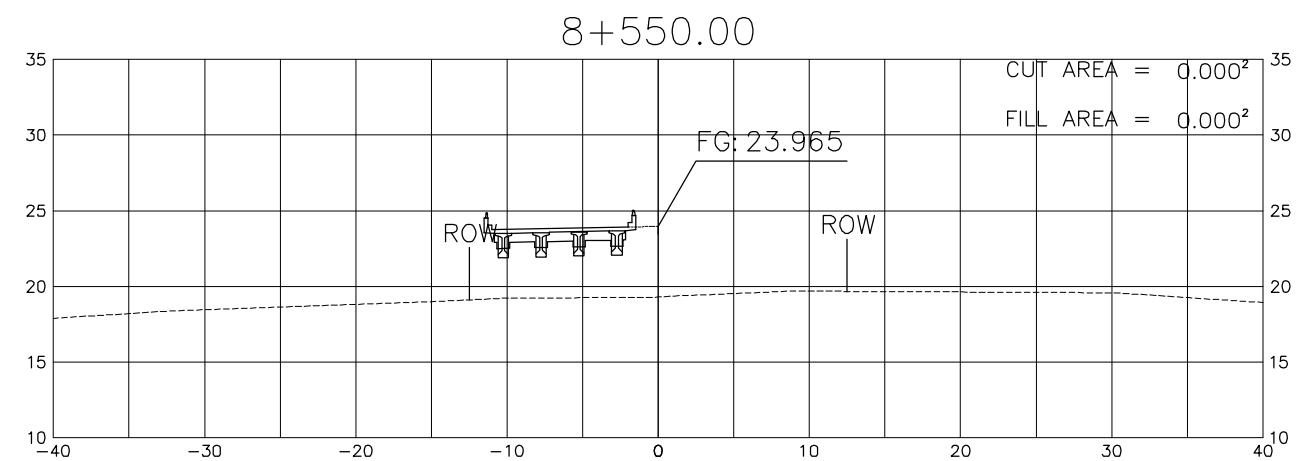
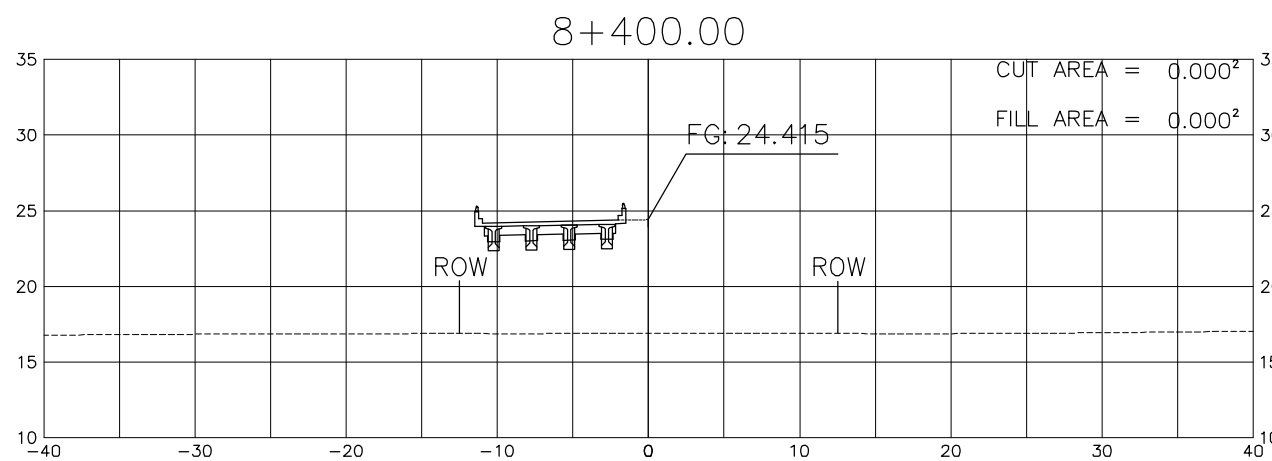
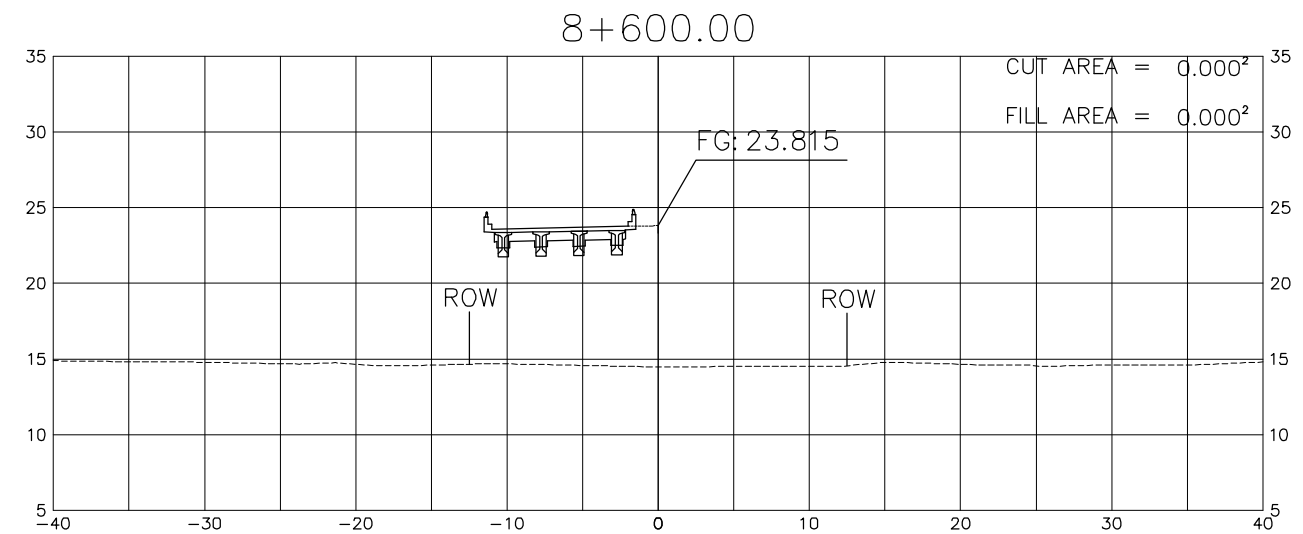
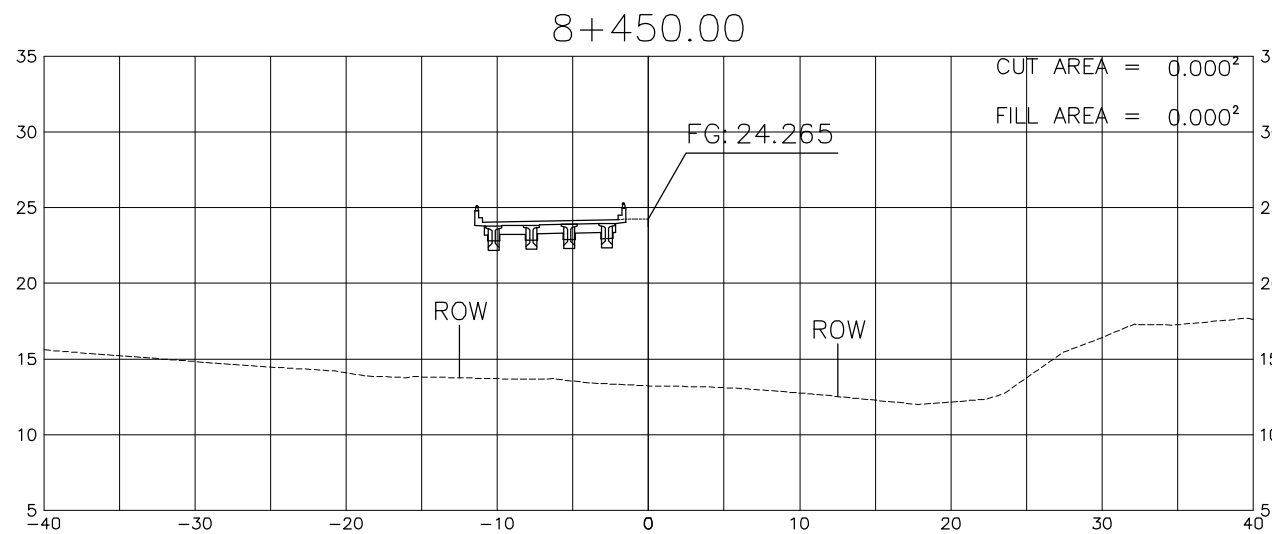
PROJECT TITLE	SCALE	SHEET CONTENT	DRAWING NO.
Preparatory survey for expressway project in Mega Manila Region CLLEX ( TARLAC - CABANATUAN )	A1 = 1:250 A3 = 1:500	CROSS SECTION (INTERIM 2 LANE) STA 7+500 TO STA 70+700	L-24
			SHEET NO.
			24 OF 90



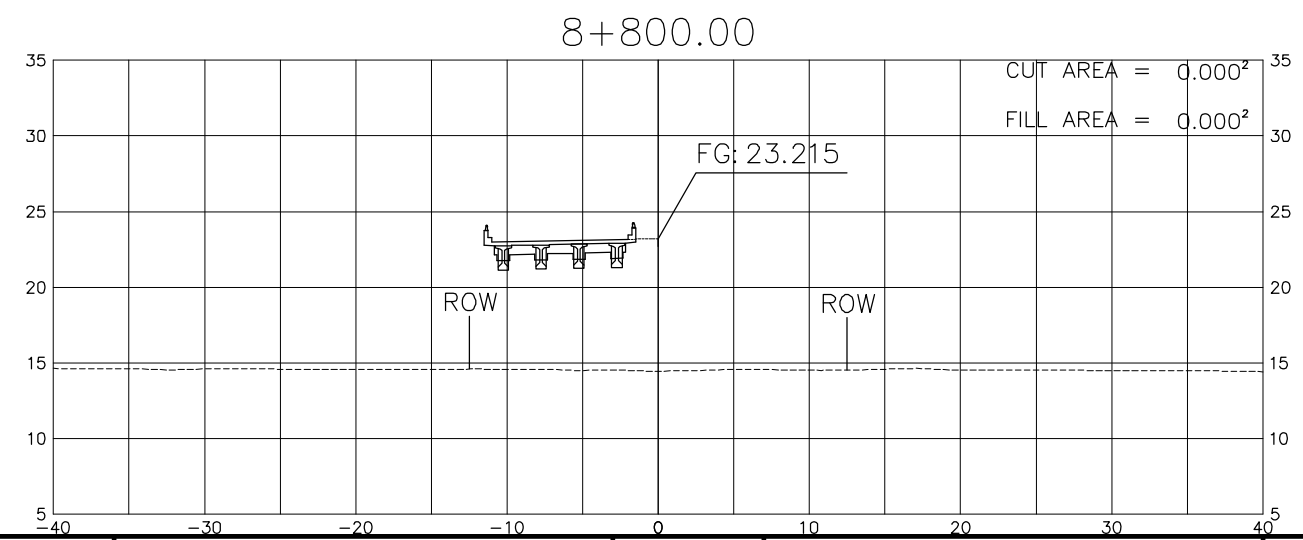
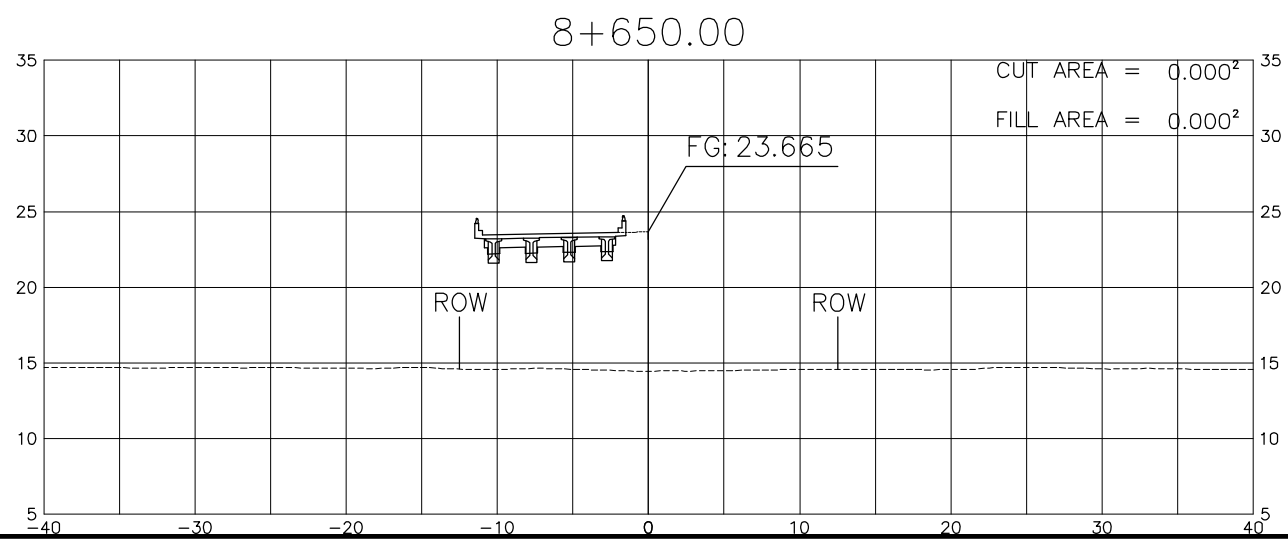
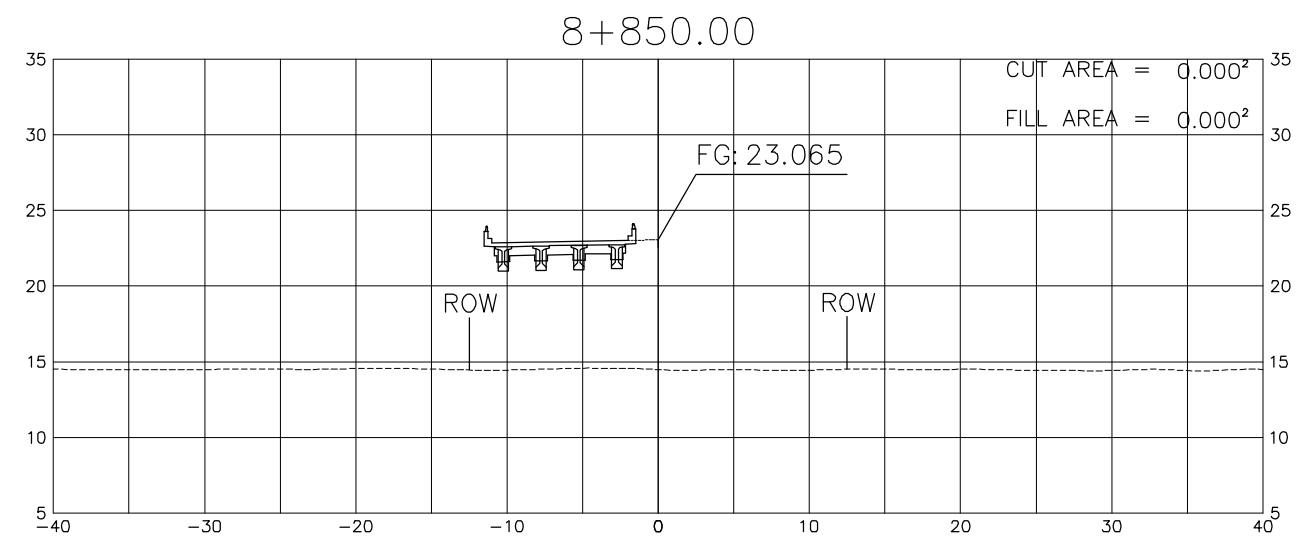
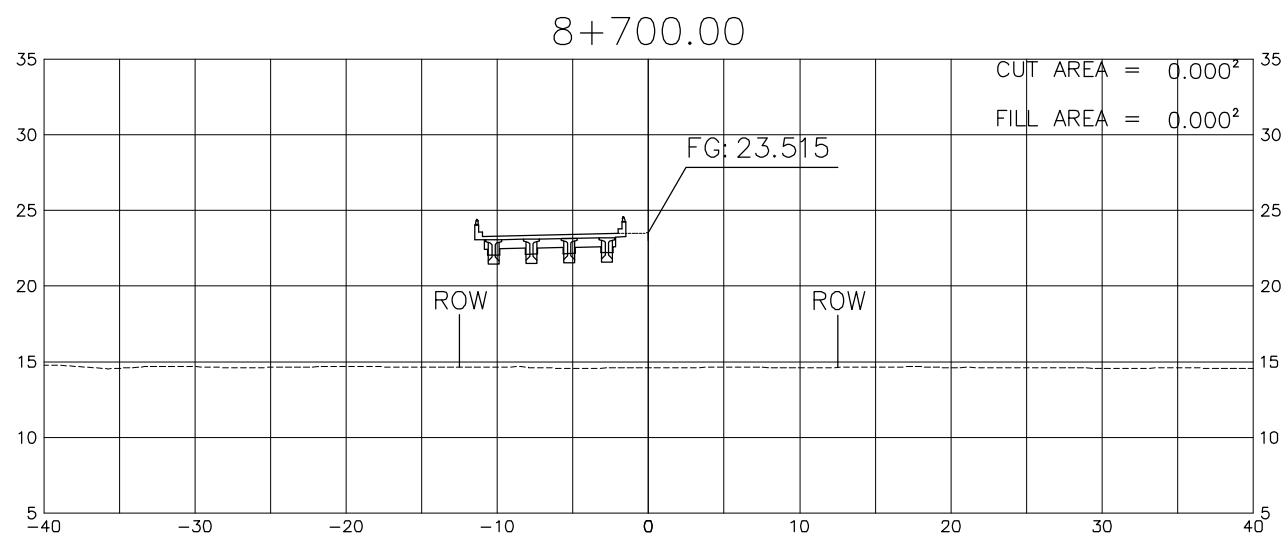
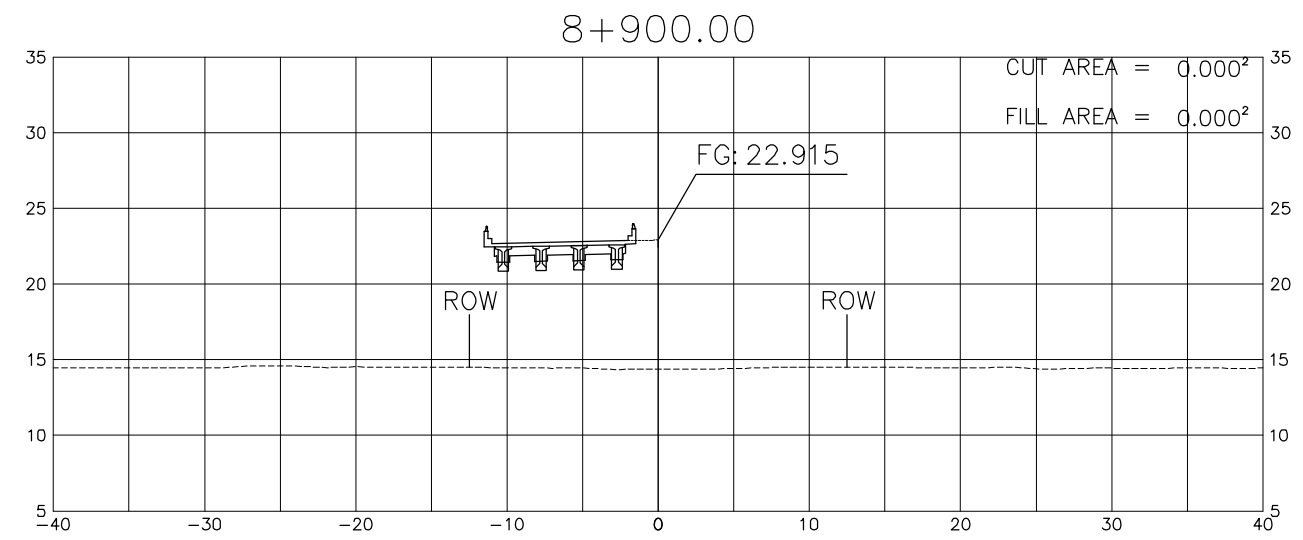
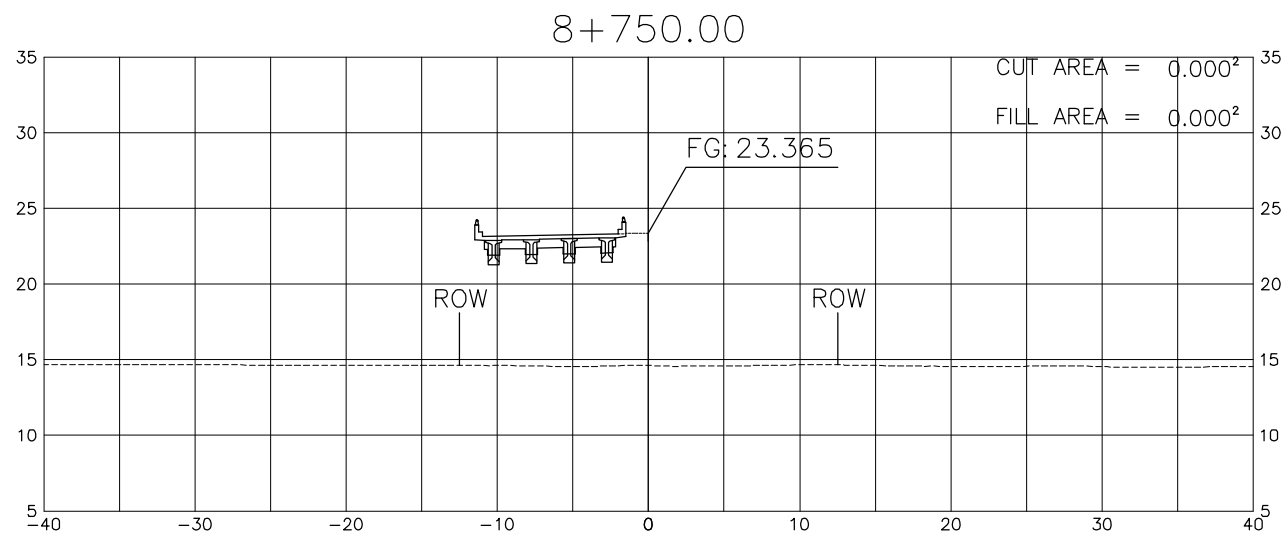
PROJECT TITLE	SCALE	SHEET CONTENT	DRAWING NO.
Preparatory survey for expressway project in Mega Manila Region CLLEX ( TARLAC - CABANATUAN )	A1 = 1:250 A3 = 1:500	CROSS SECTION (INTERIM 2 LANE) STA 7+750 TO STA 8+800	L-25
			SHEET NO.
			25 OF 90



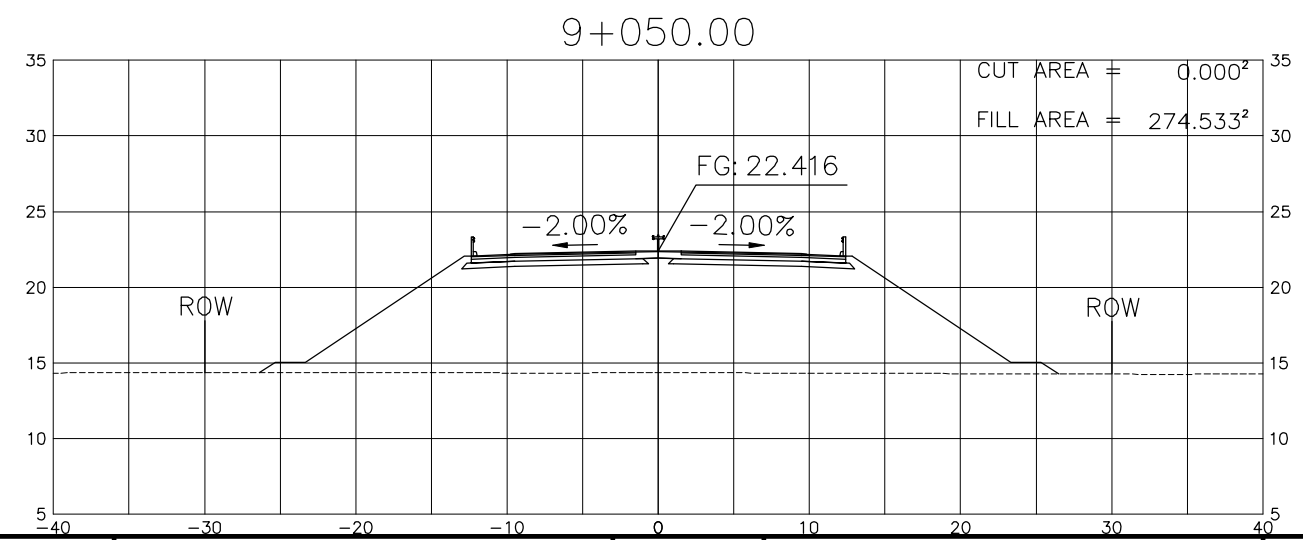
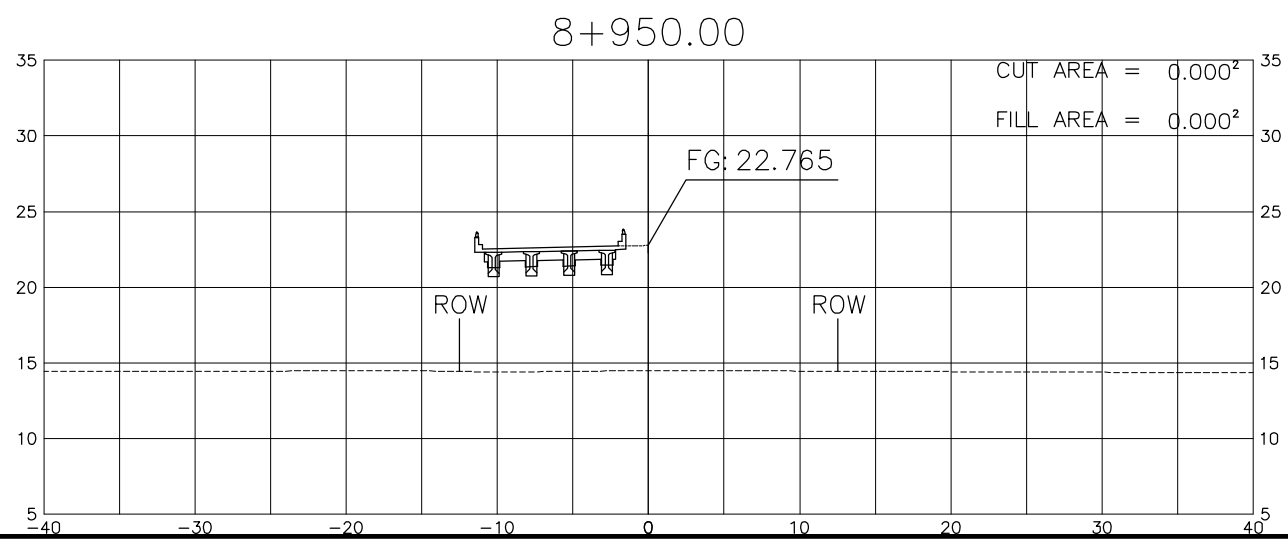
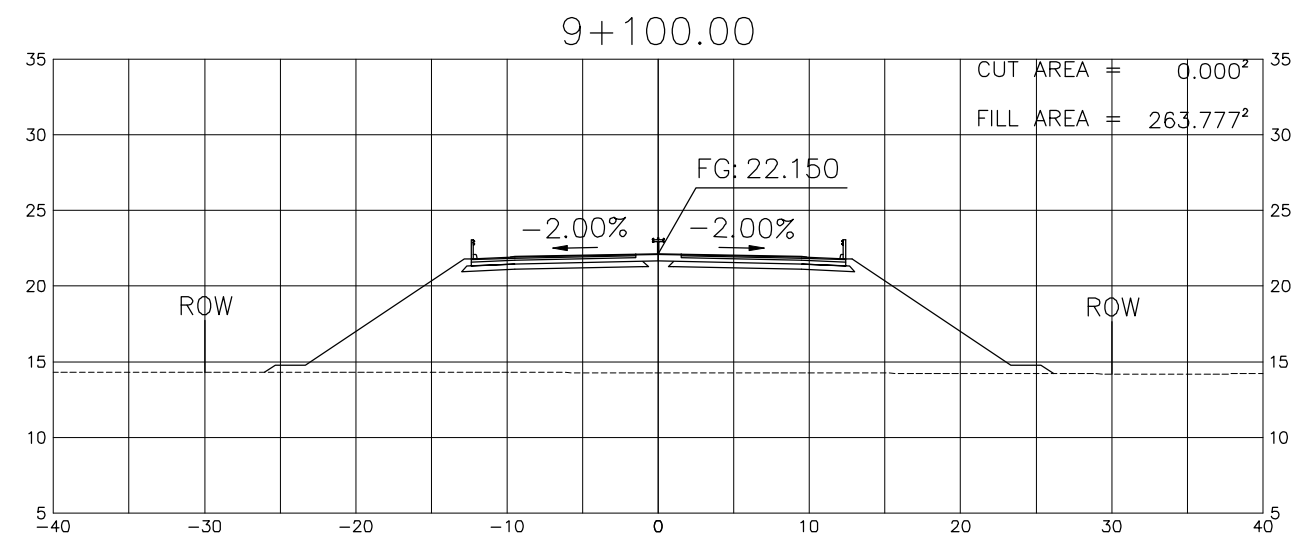
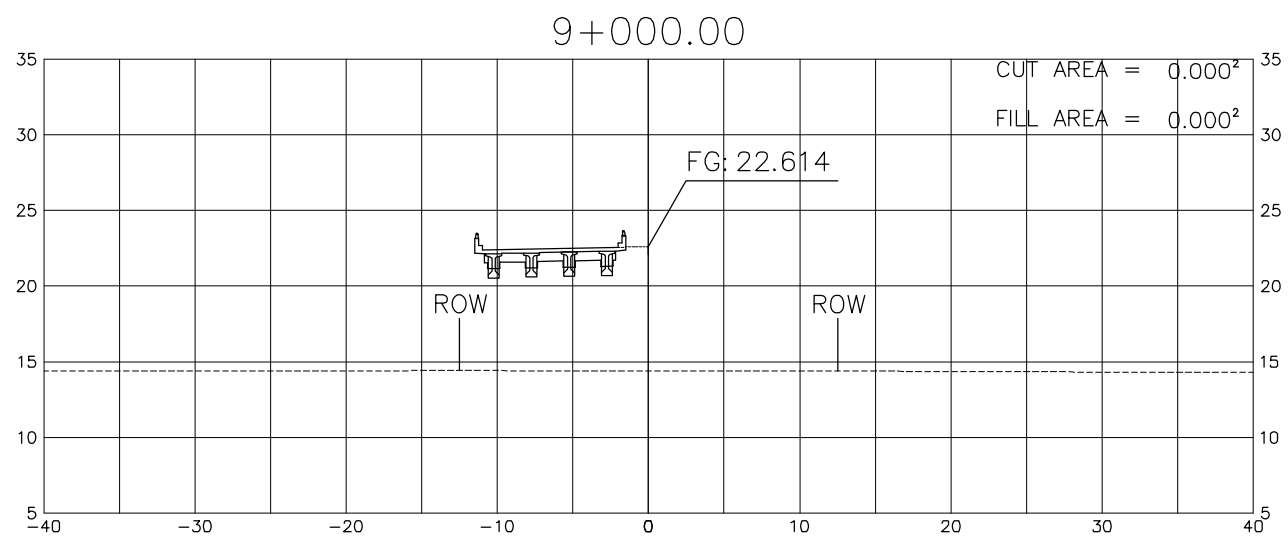
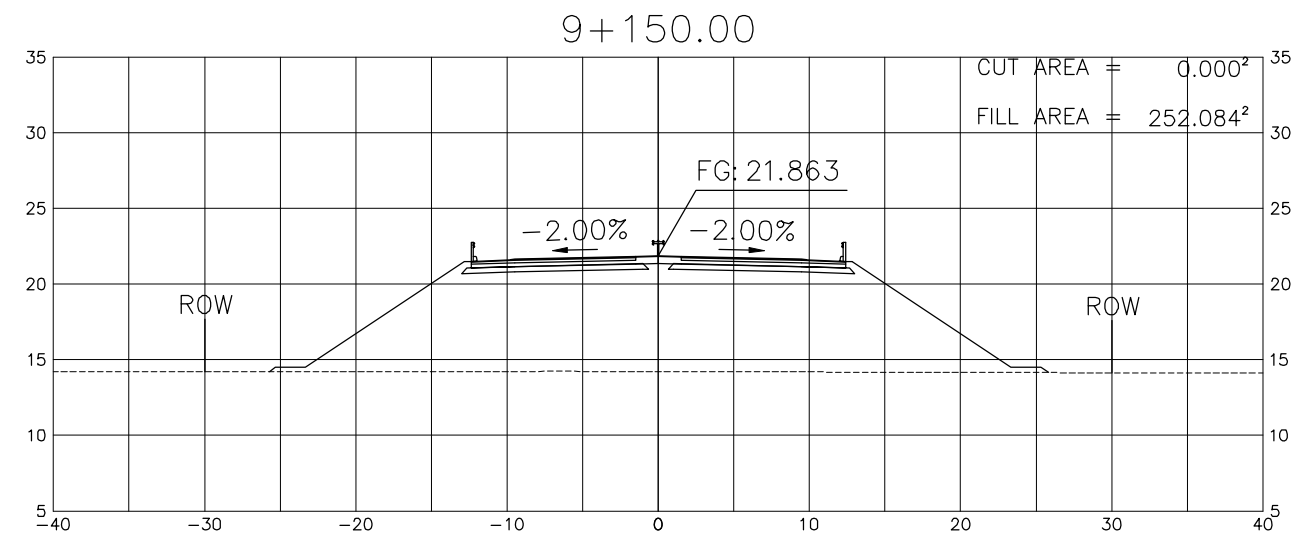
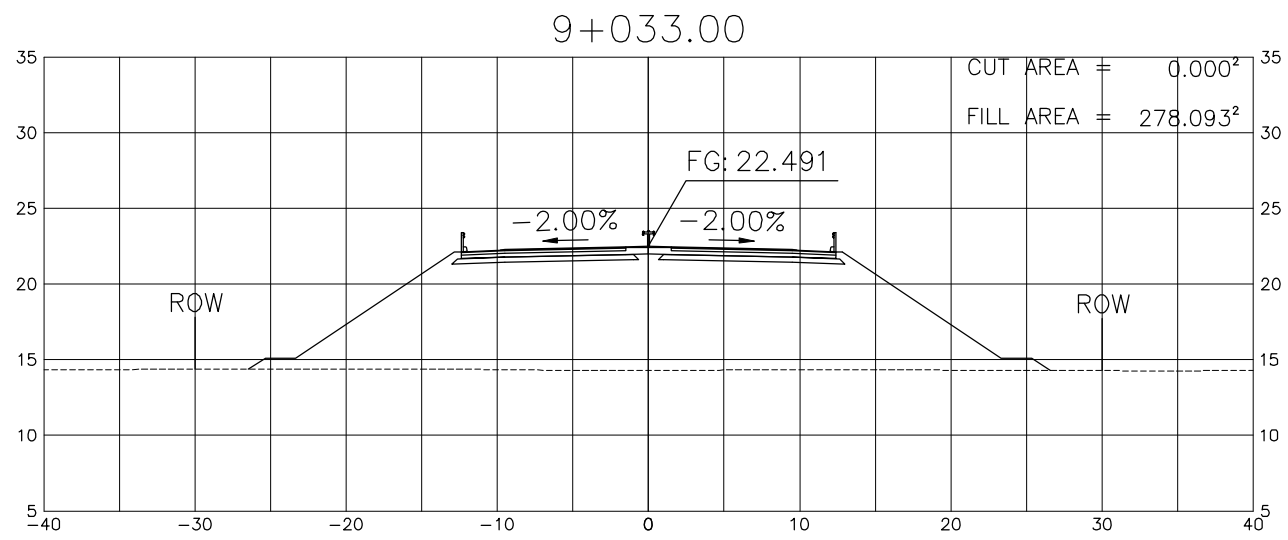
PROJECT TITLE	SCALE	SHEET CONTENT	DRAWING NO.
Preparatory survey for expressway project in Mega Manila Region CLLEX ( TARLAC - CABANATUAN )	A1 = 1:250 A3 = 1:500	CROSS SECTION (INTERIM 2 LANE) STA 8+050 TO STA 8+300	L-26
			SHEET NO.
			26 OF 90



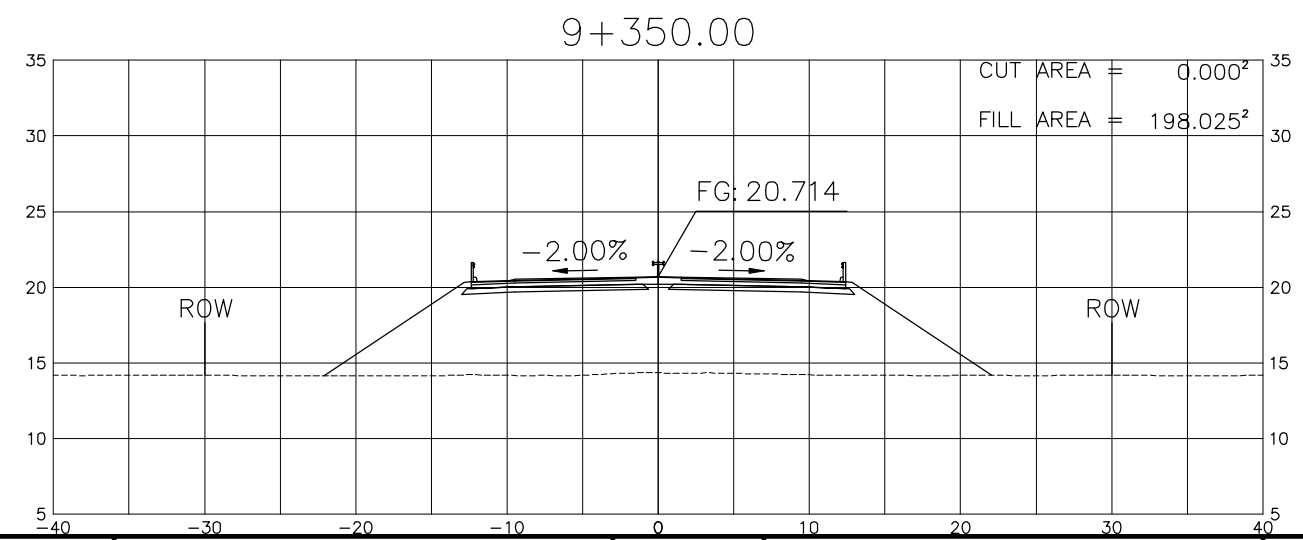
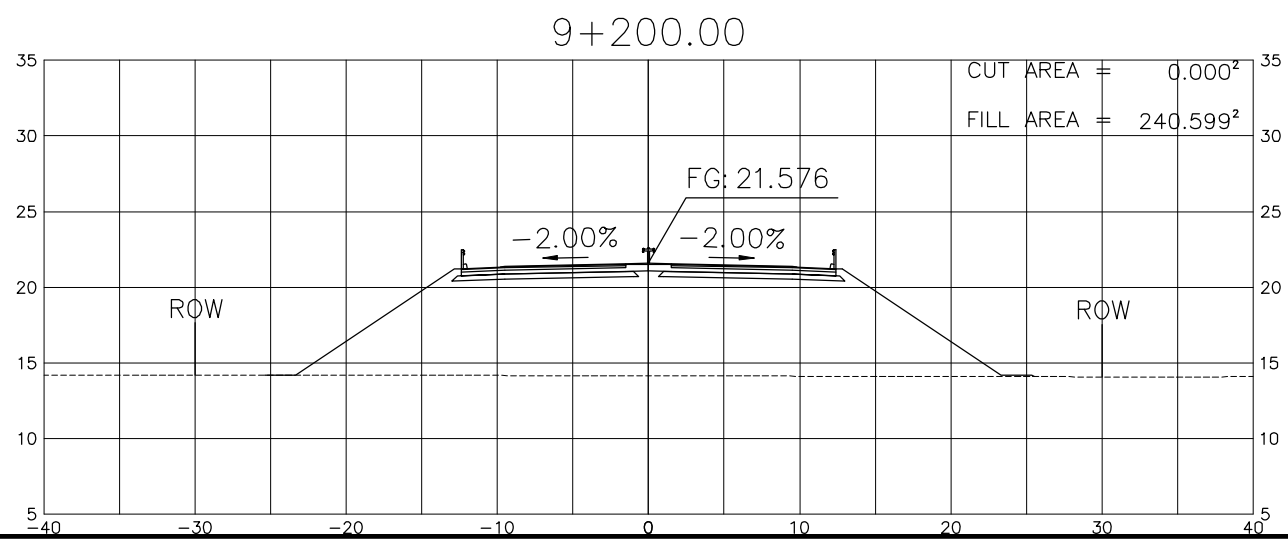
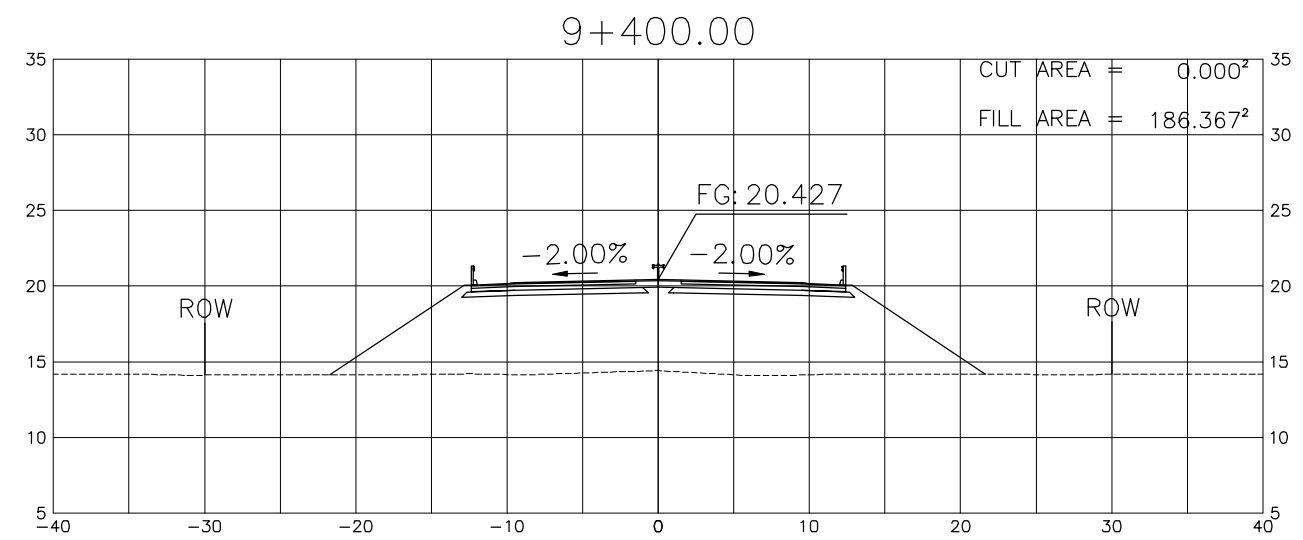
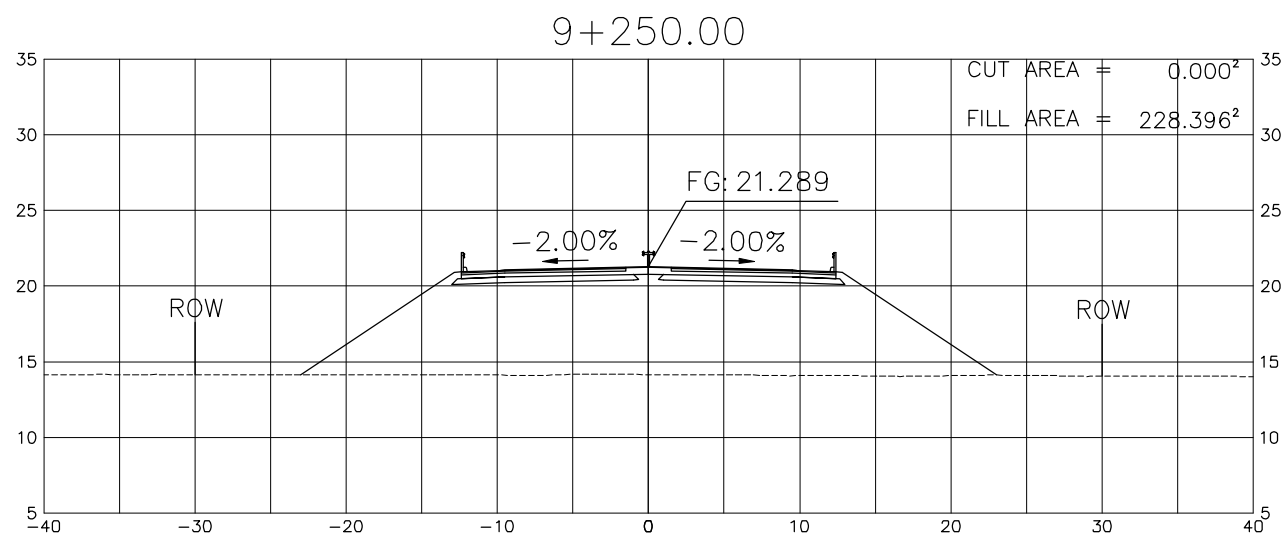
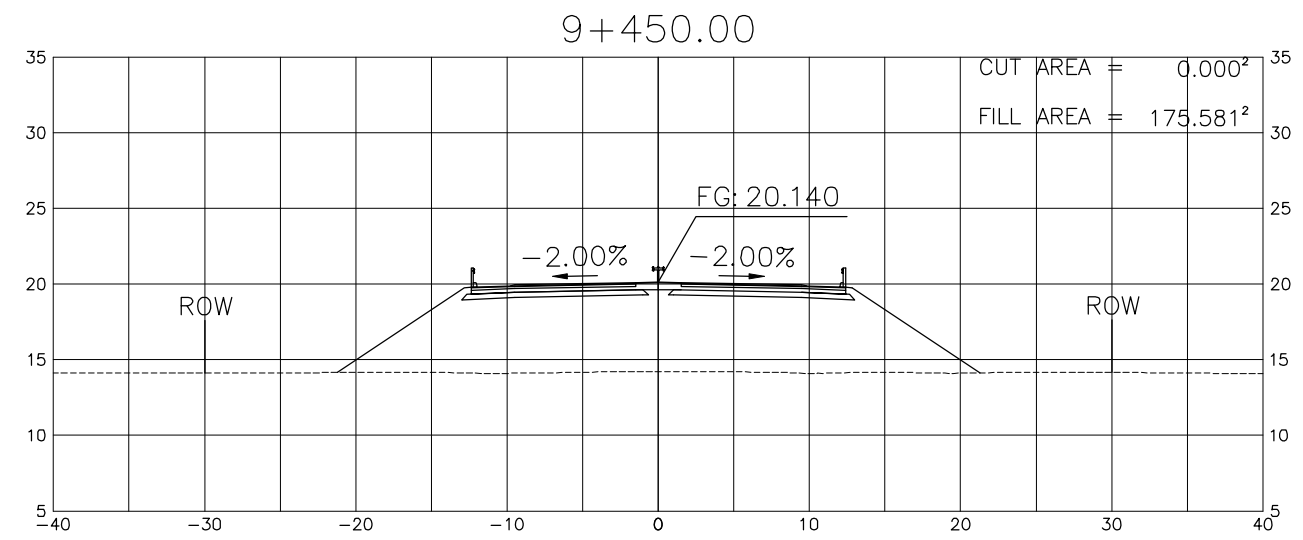
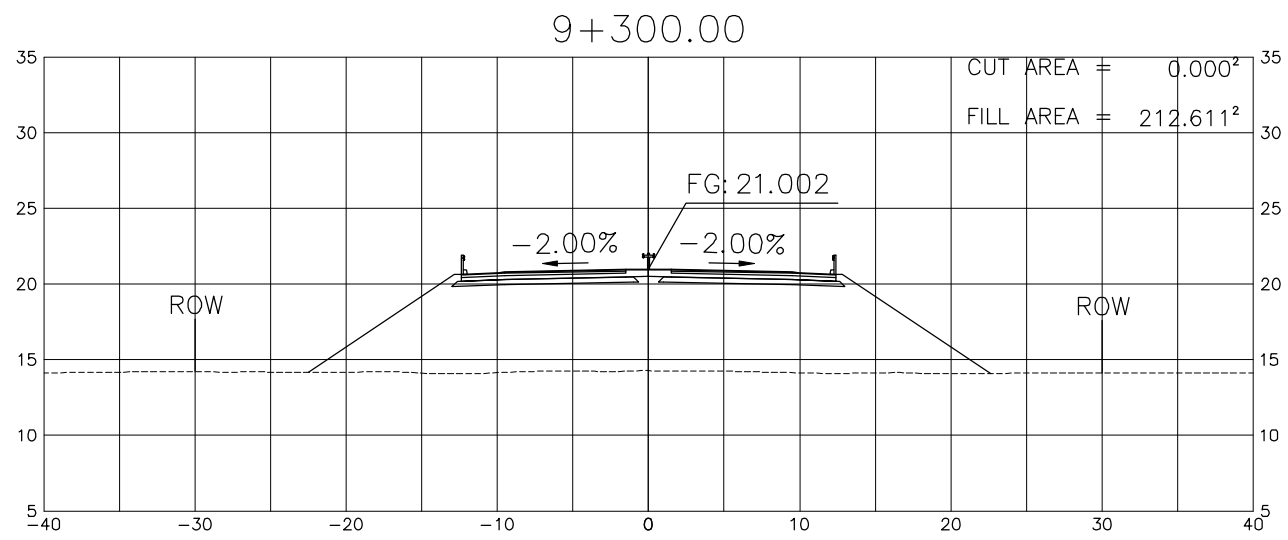
PROJECT TITLE	SCALE	SHEET CONTENT	DRAWING NO.
Preparatory survey for expressway project in Mega Manila Region CLLEX ( TARLAC - CABANATUAN )	A1 = 1:250 A3 = 1:500	CROSS SECTION (INTERIM 2 LANE) STA 8+350 TO STA 8+600	L-27
			SHEET NO.
			27 OF 90



PROJECT TITLE	SCALE	SHEET CONTENT	DRAWING NO.
Preparatory survey for expressway project in Mega Manila Region CLLEX ( TARLAC - CABANATUAN )	A1 = 1:250 A3 = 1:500	CROSS SECTION (INTERIM 2 LANE) STA 8+650 TO STA 8+900	L-28
			SHEET NO.
			28 OF 90

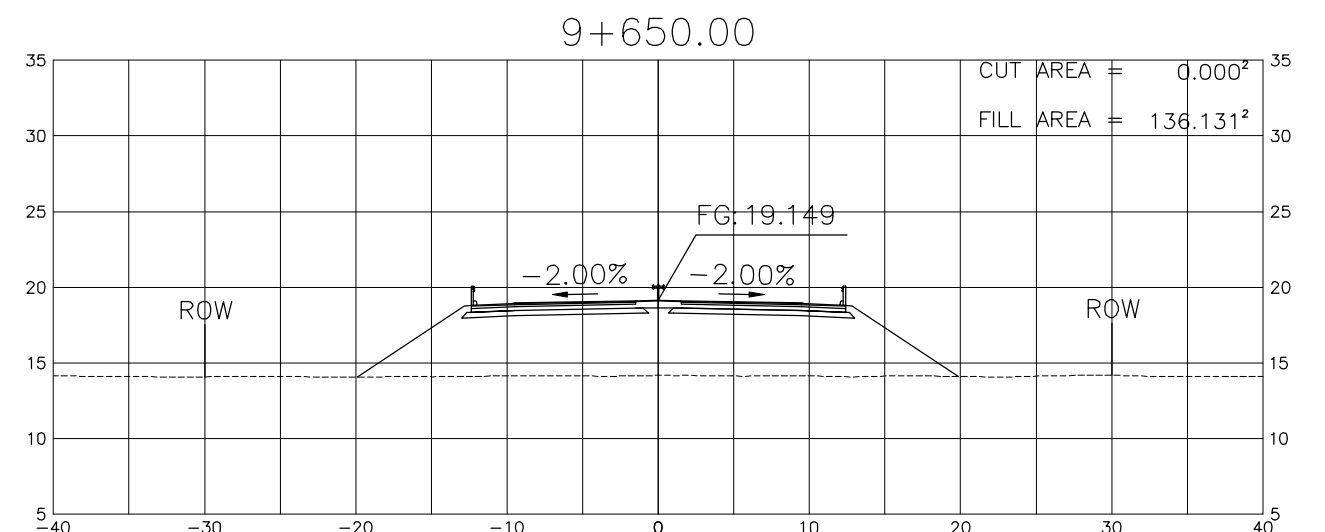
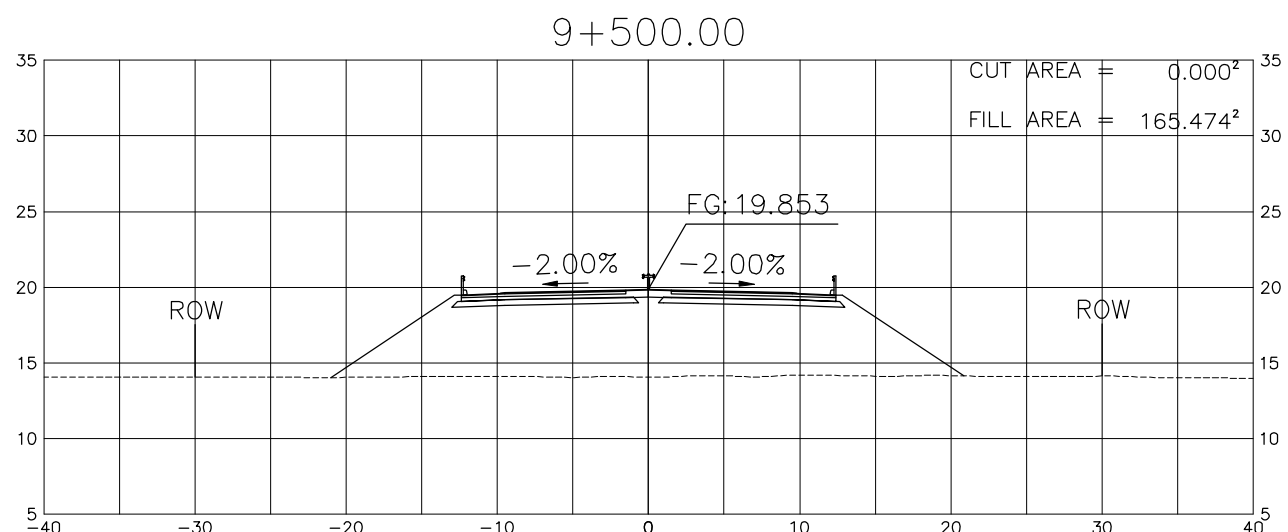
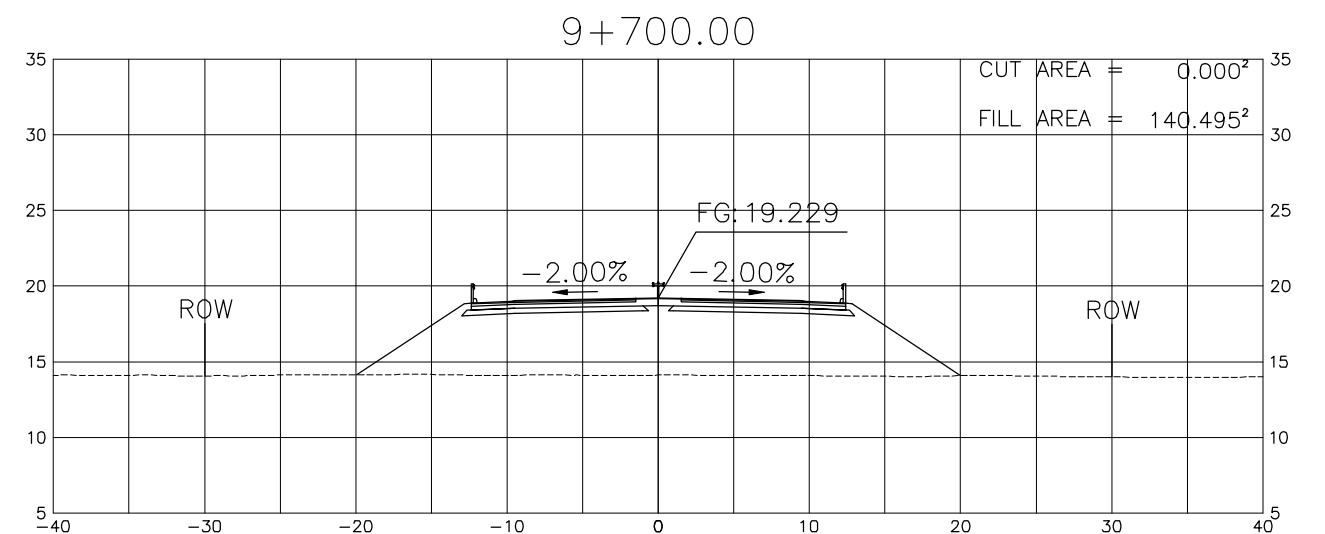
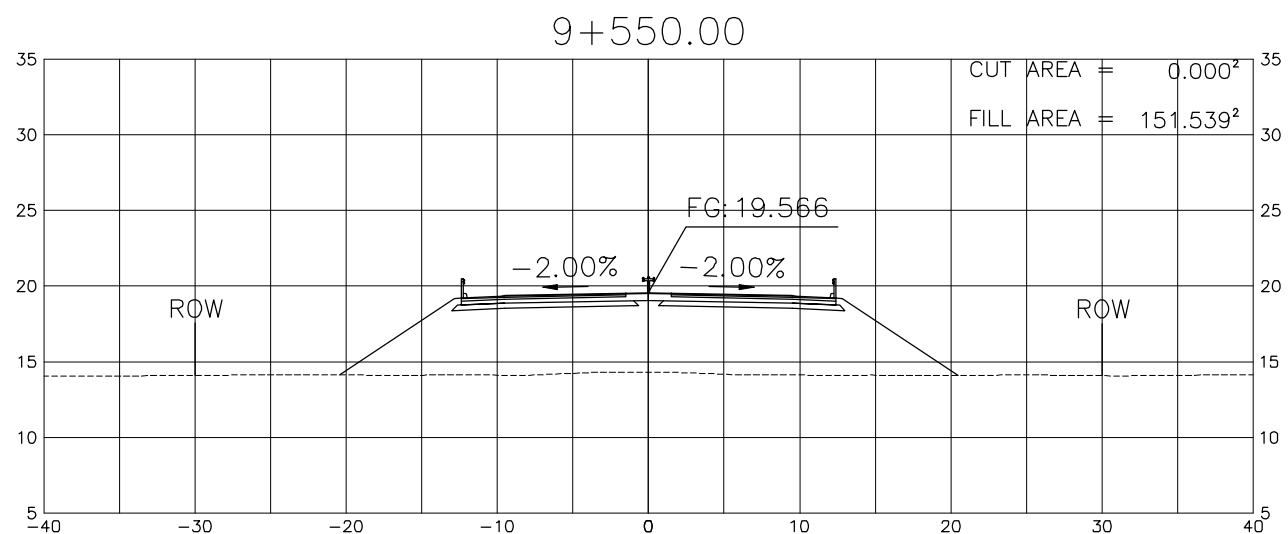
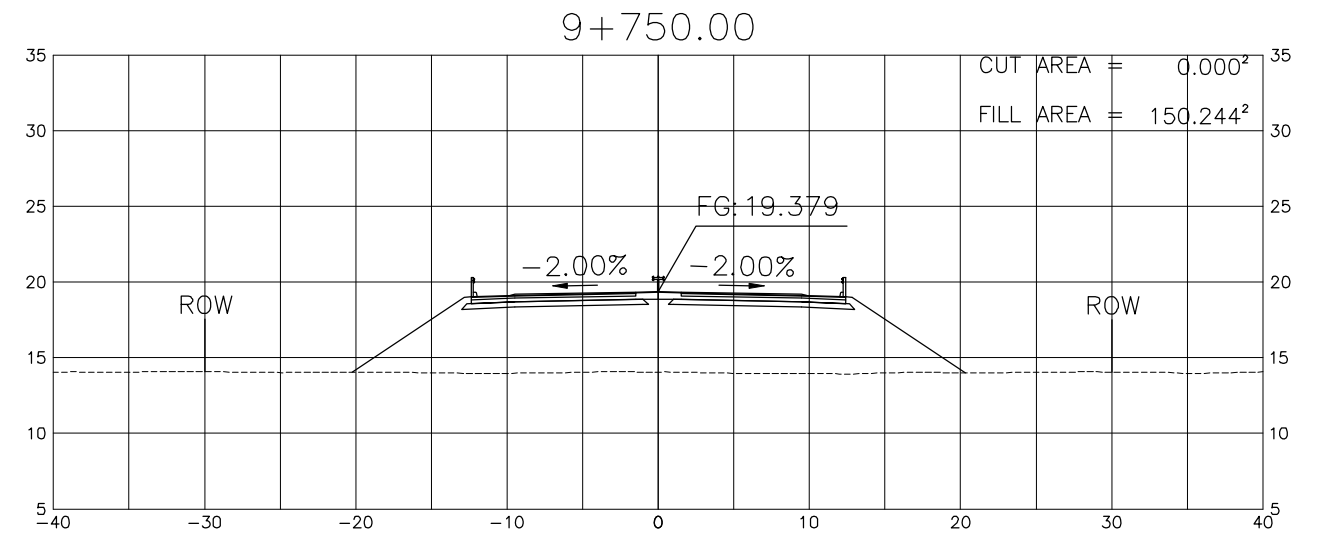
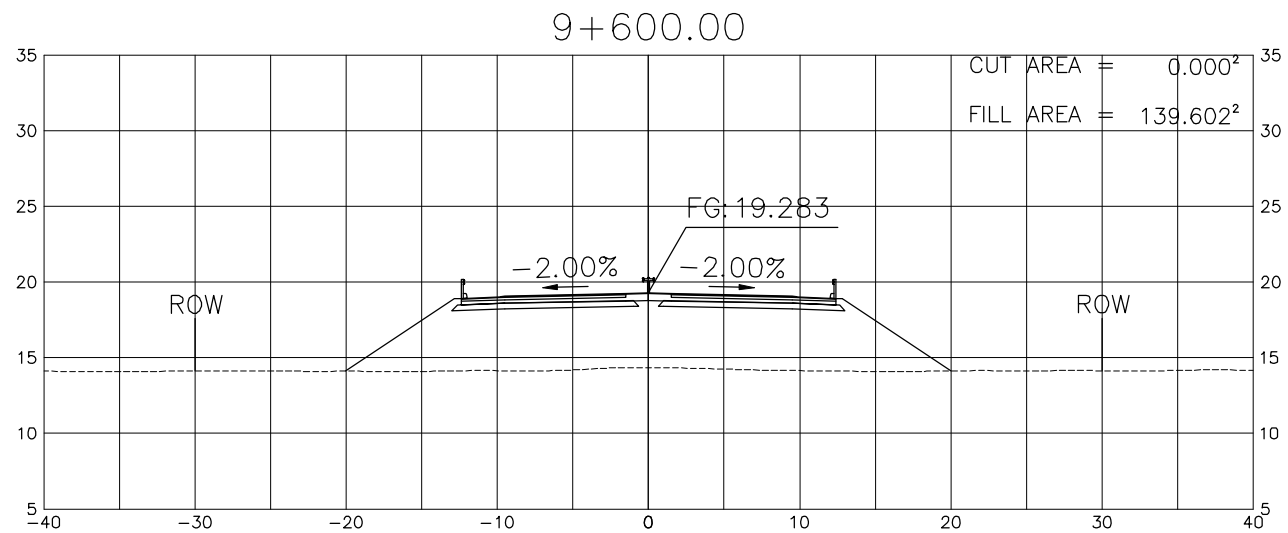


PROJECT TITLE	SCALE	SHEET CONTENT	DRAWING NO.
Preparatory survey for expressway project in Mega Manila Region CLLEX ( TARLAC - CABANATUAN )	A1 = 1:250 A3 = 1:500	CROSS SECTION (INTERIM 2 LANE) STA 8+950 TO STA 9+150	L-29
			SHEET NO.
			29 OF 90

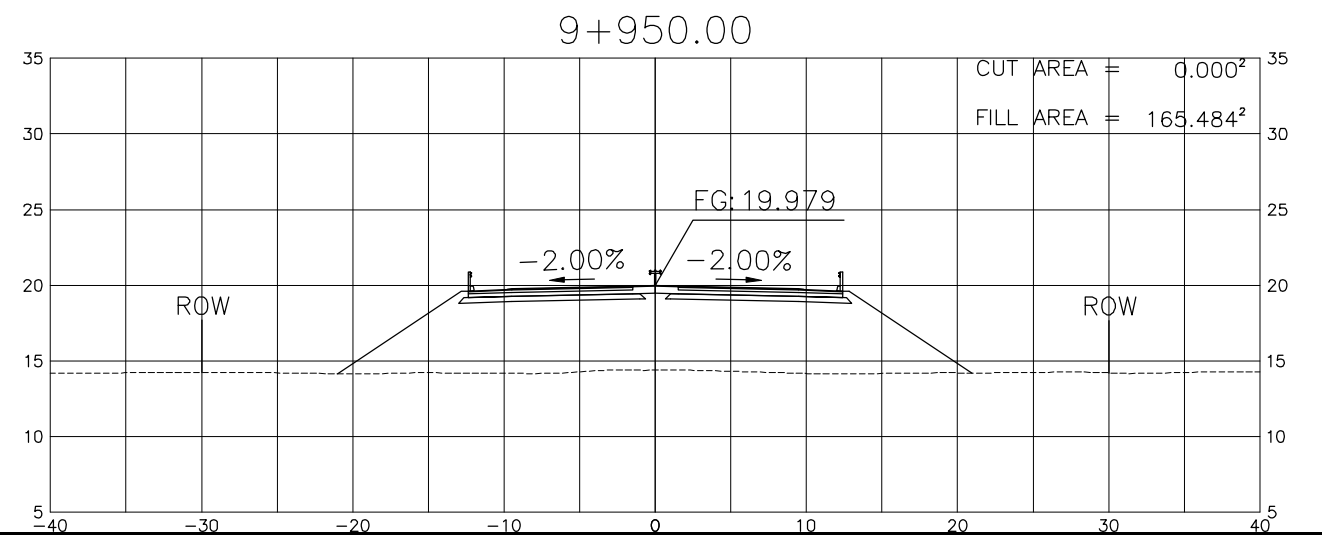
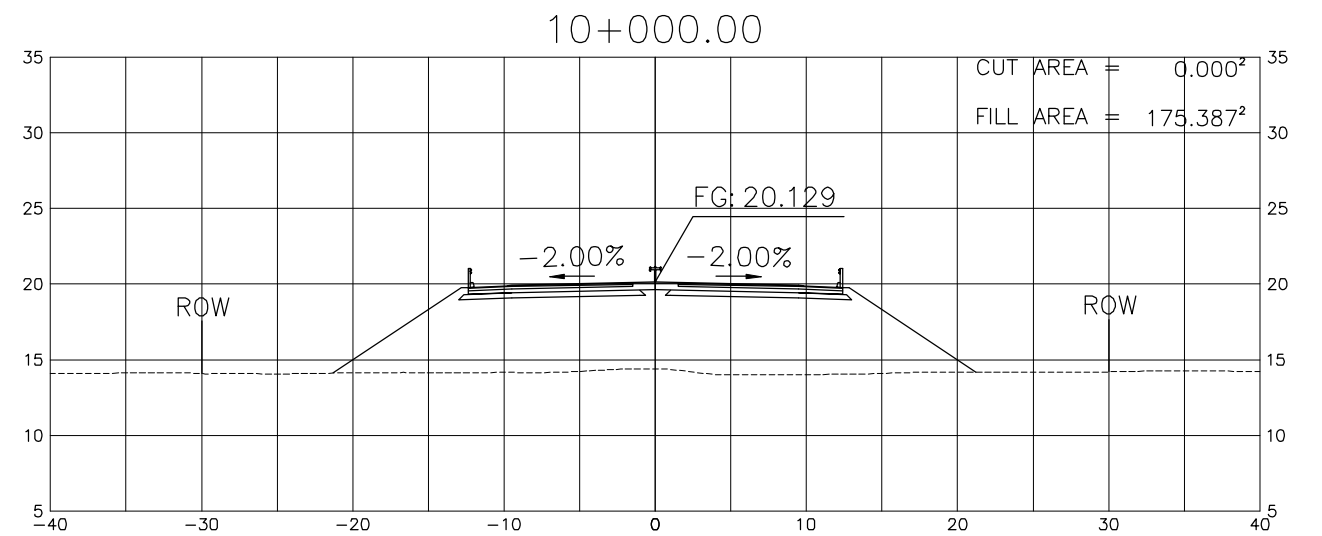
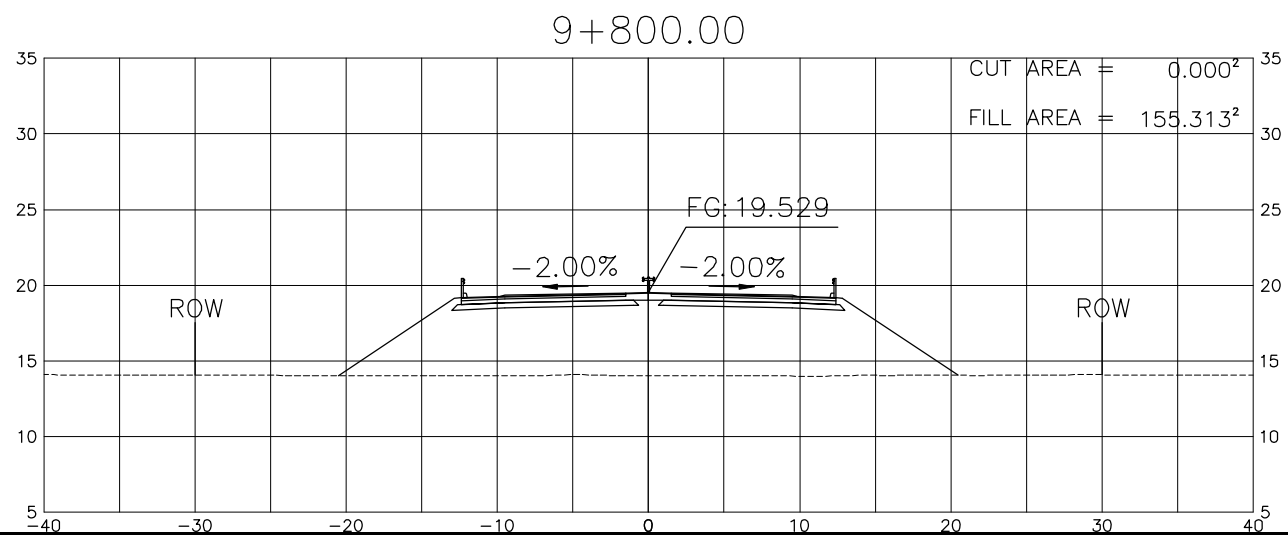
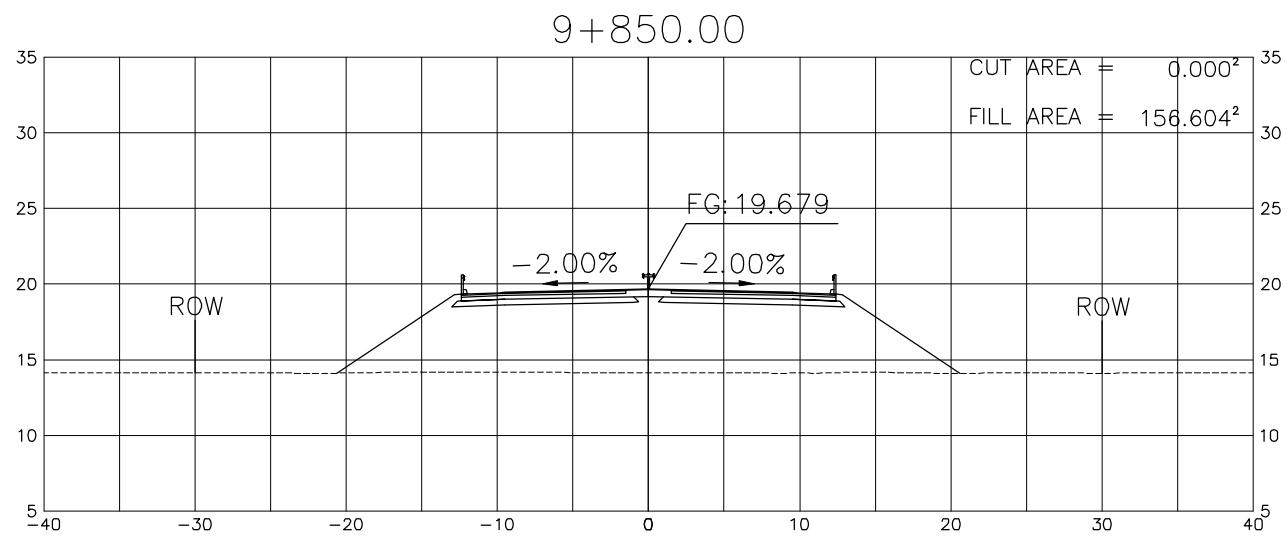
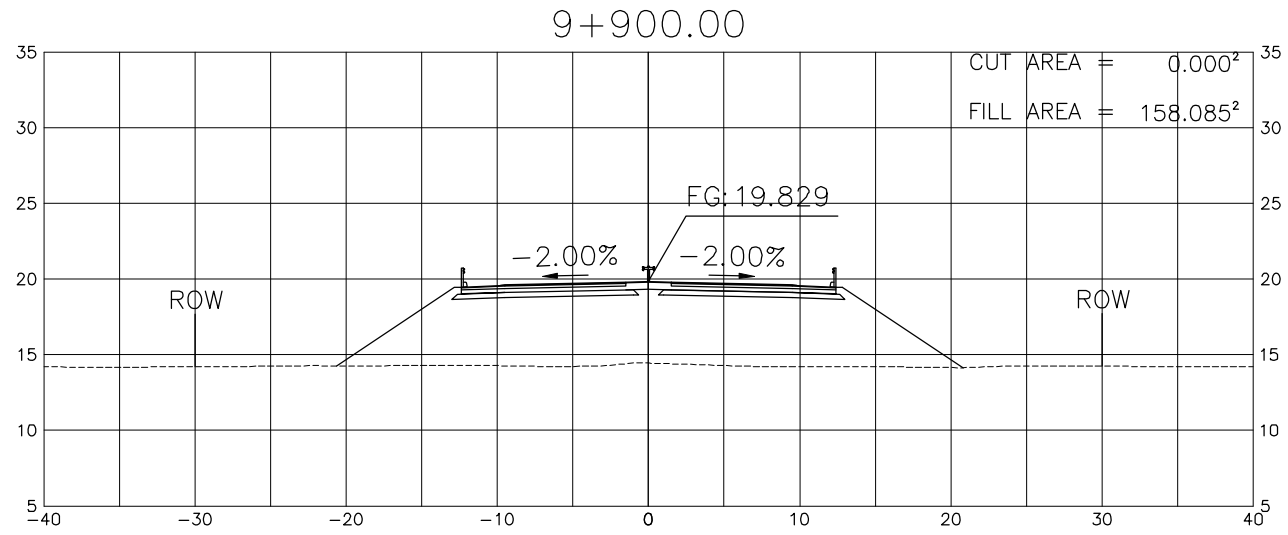


PROJECT TITLE	SCALE	SHEET CONTENT	DRAWING NO.
Preparatory survey for expressway project in Mega Manila Region CLLEX ( TARLAC - CABANATUAN )	A1 = 1:250 A3 = 1:500	CROSS SECTION (INTERIM 2 LANE) STA 9+200 TO STA 9+450	L-30
			SHEET NO.
			30 OF 90

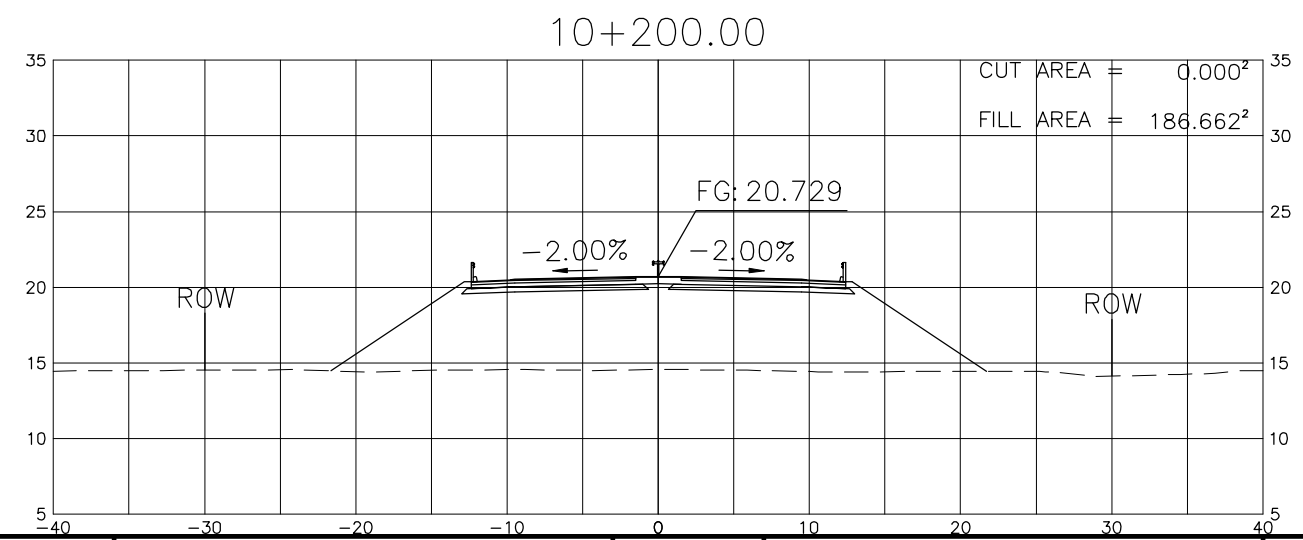
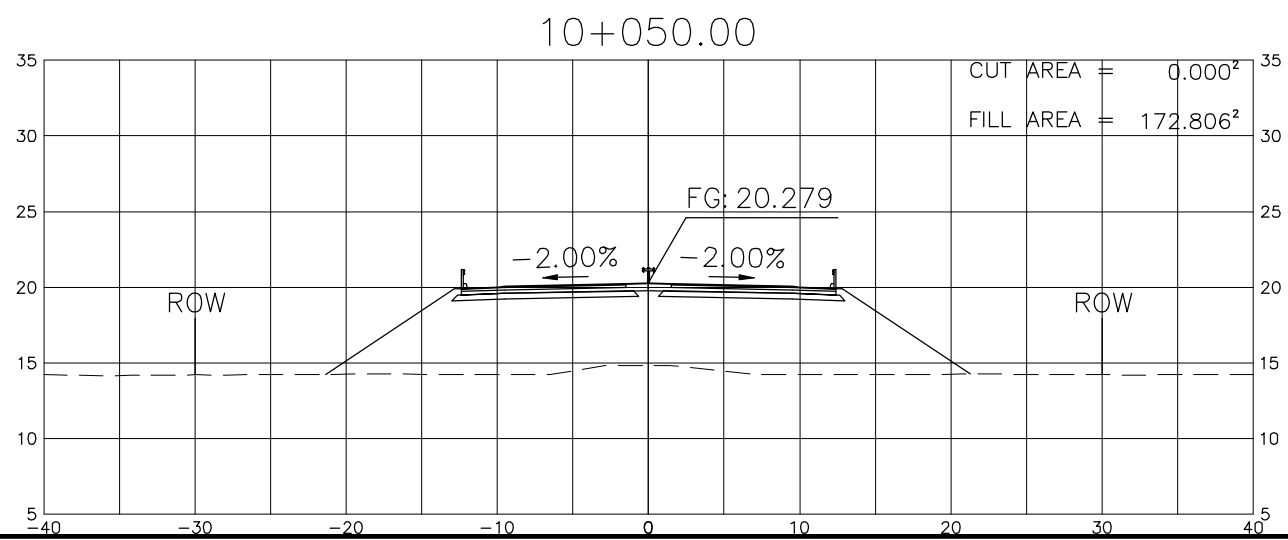
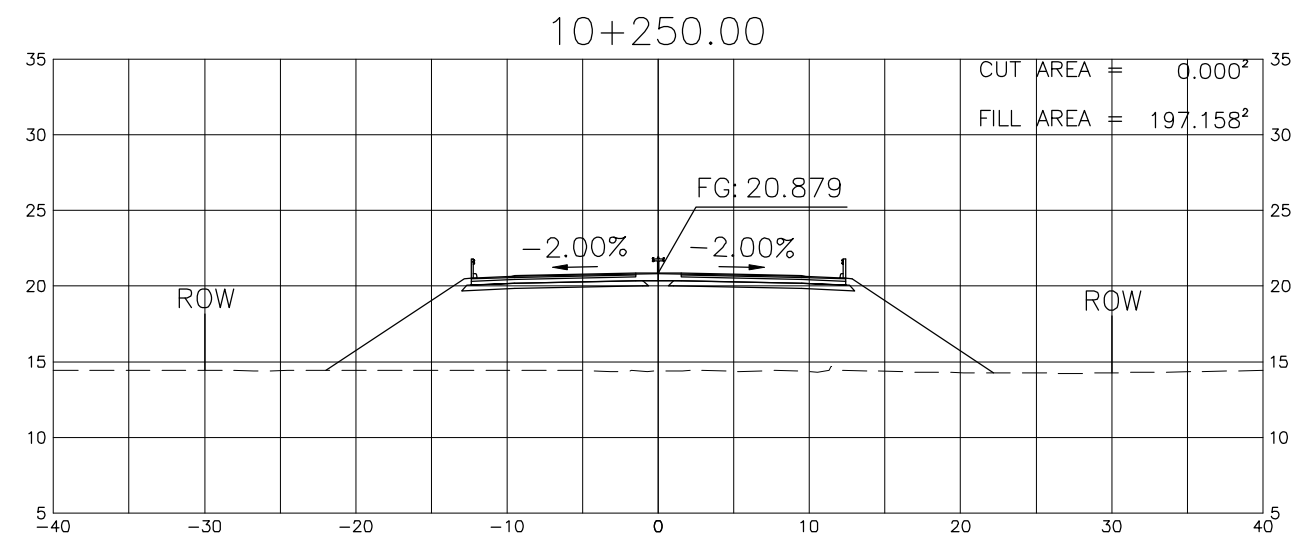
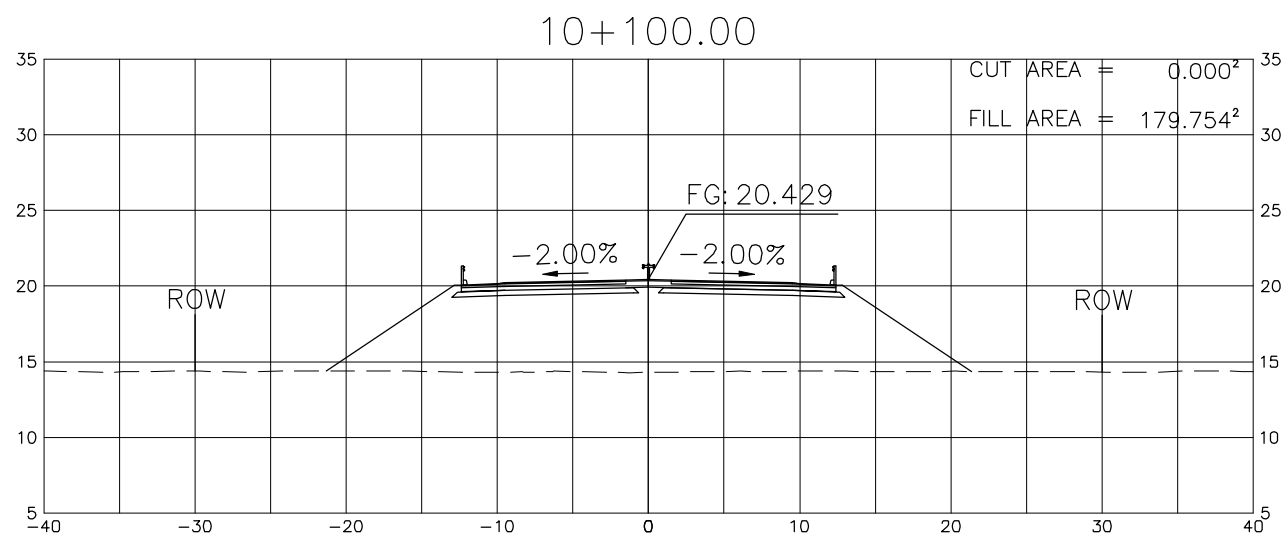
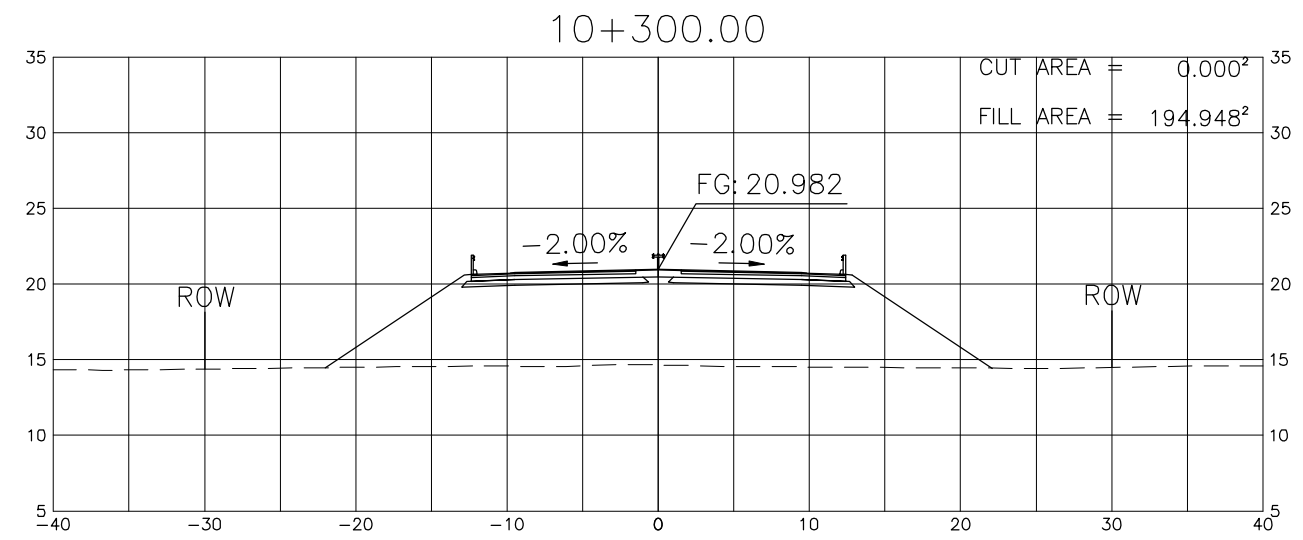
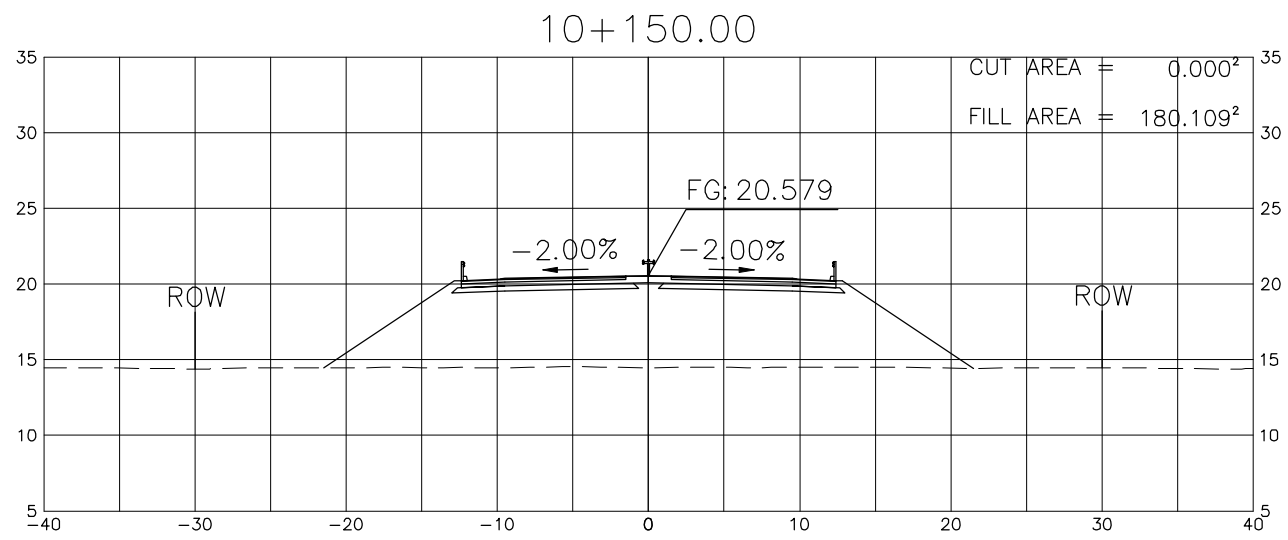




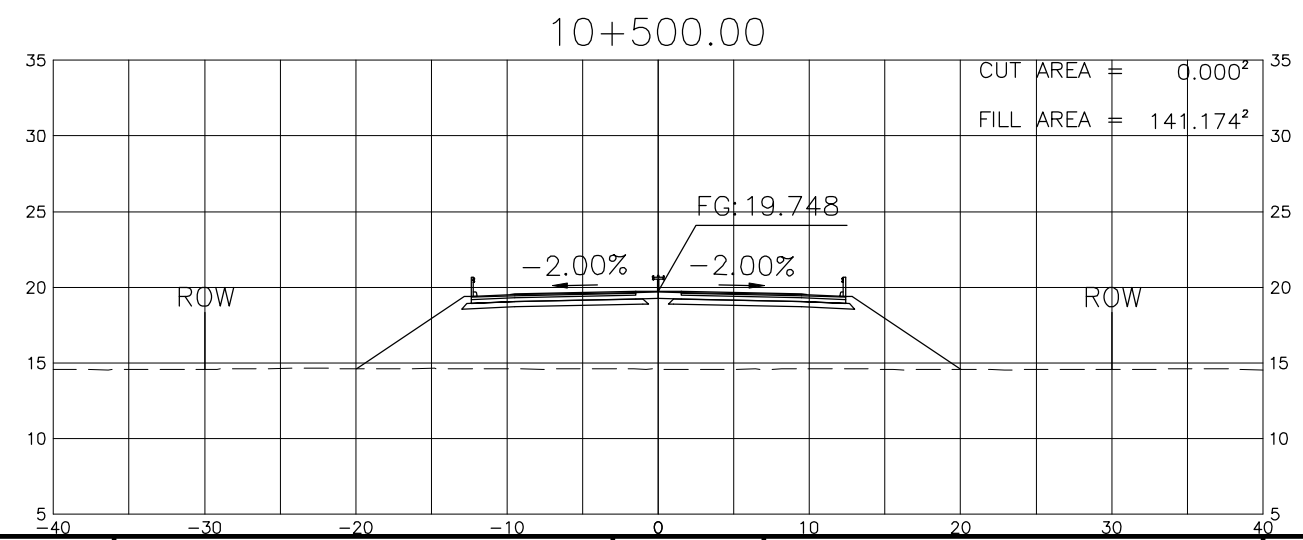
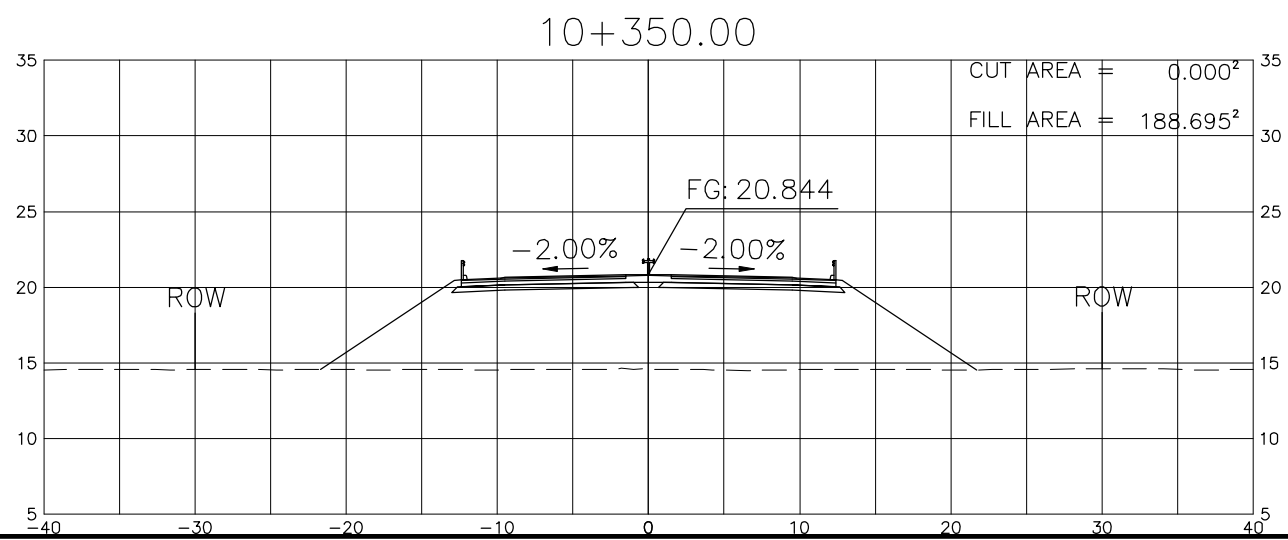
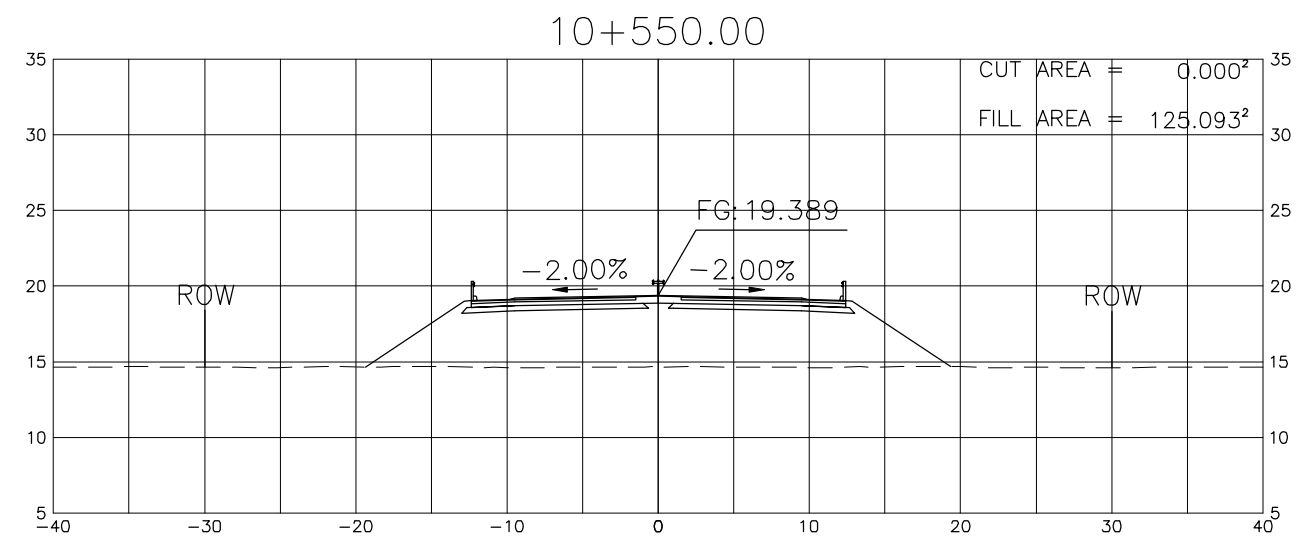
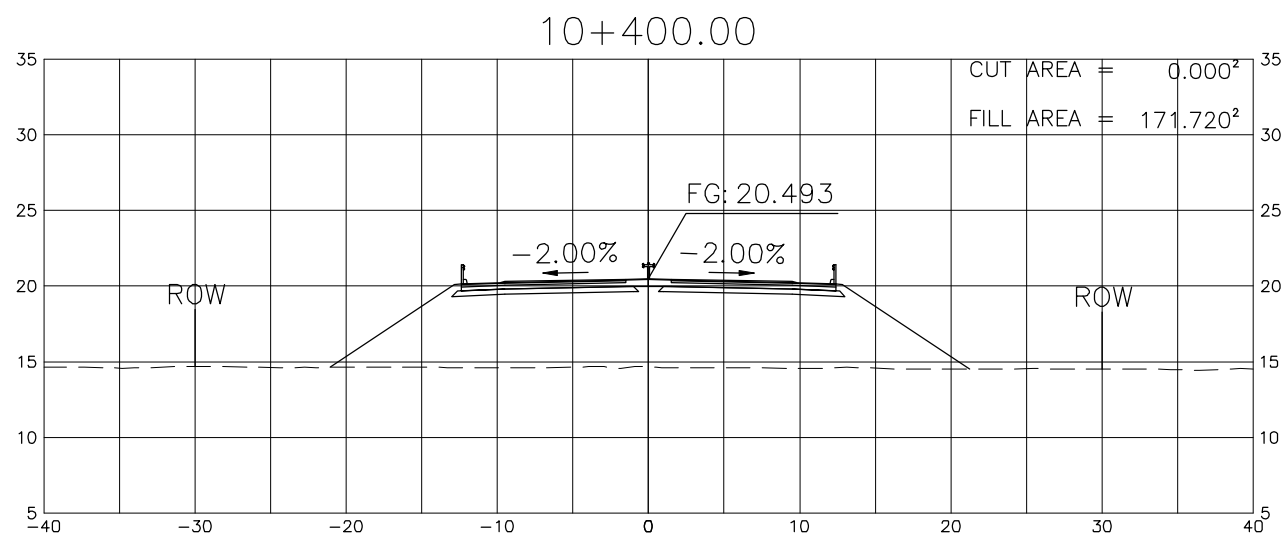
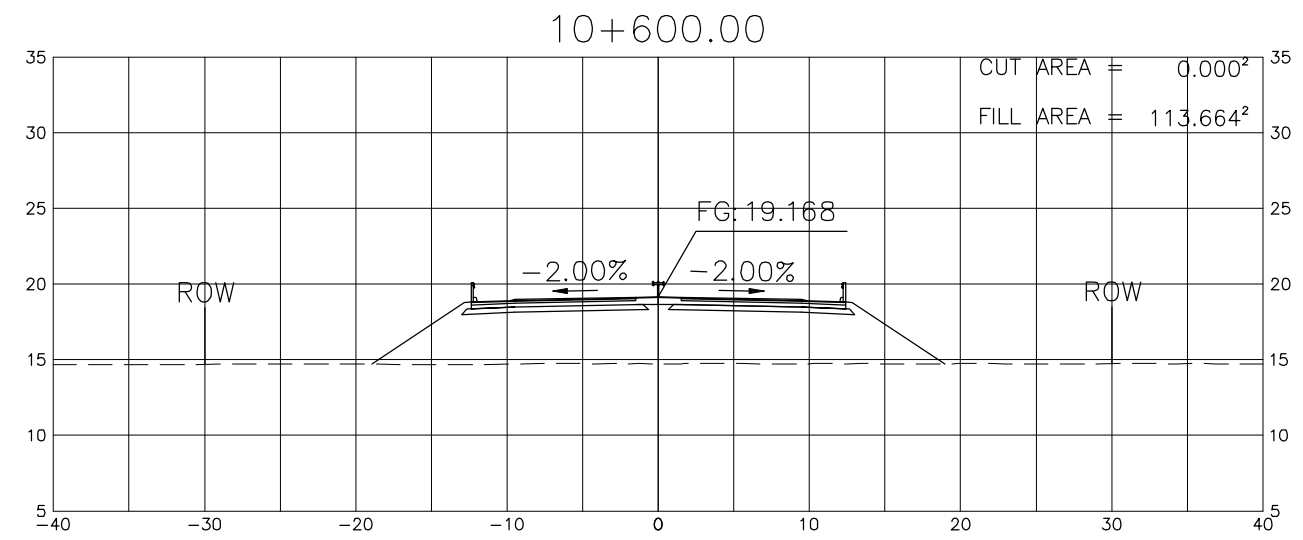
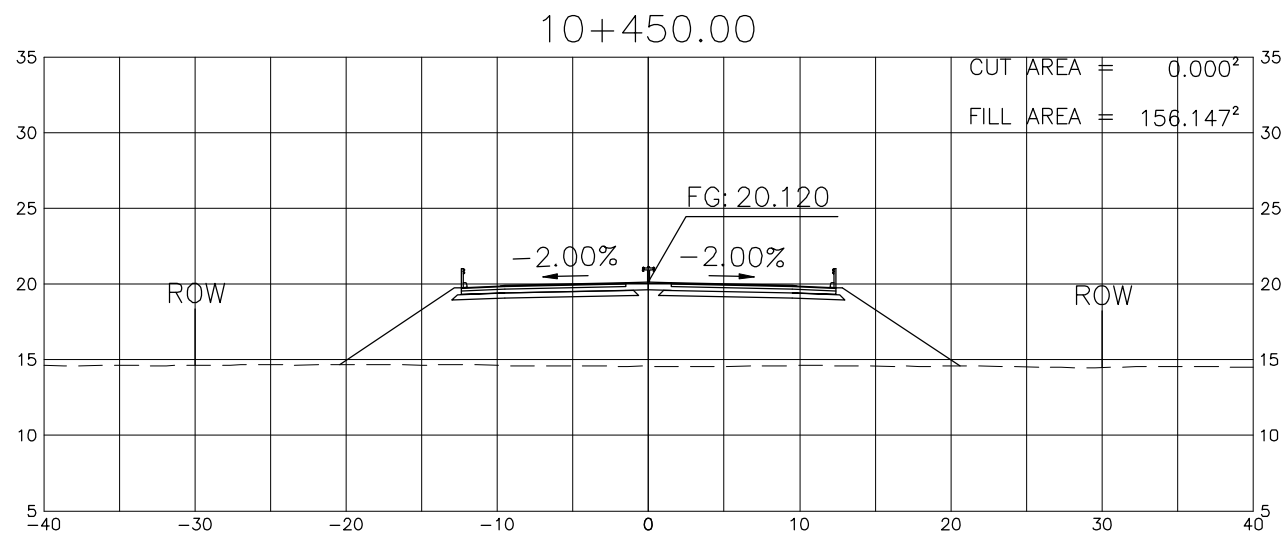
PROJECT TITLE	SCALE	SHEET CONTENT	DRAWING NO.
Preparatory survey for expressway project in Mega Manila Region CLLEX ( TARLAC - CABANATUAN )	A1 = 1:250 A3 = 1:500	CROSS SECTION (INTERIM 2 LANE) STA 9+500 TO STA 9+750	L-31
			SHEET NO.
			31 OF 90



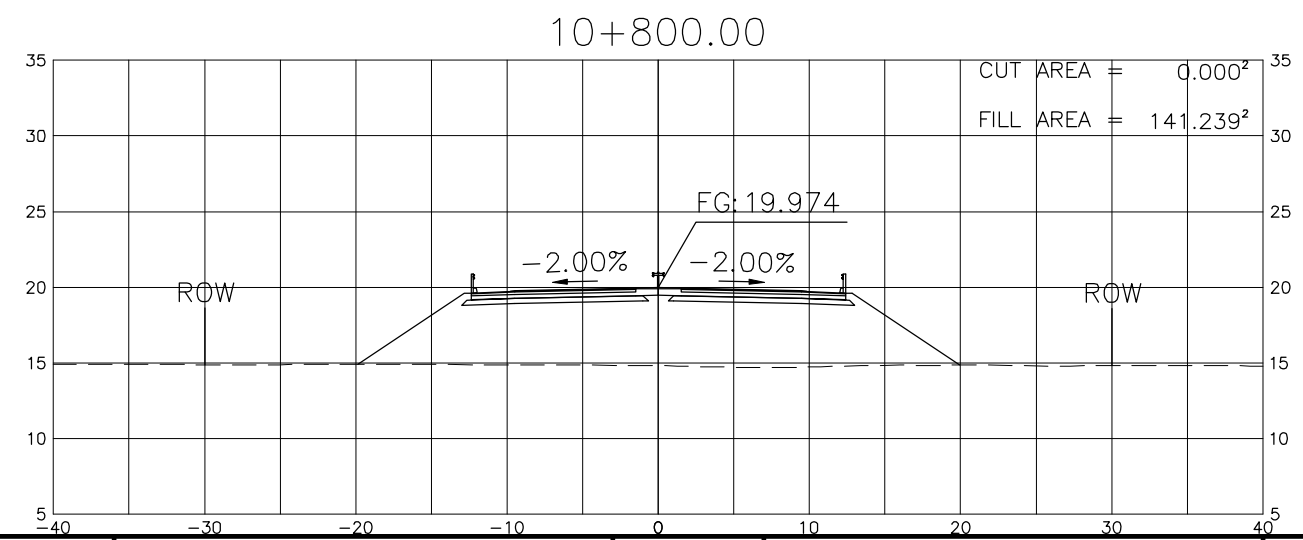
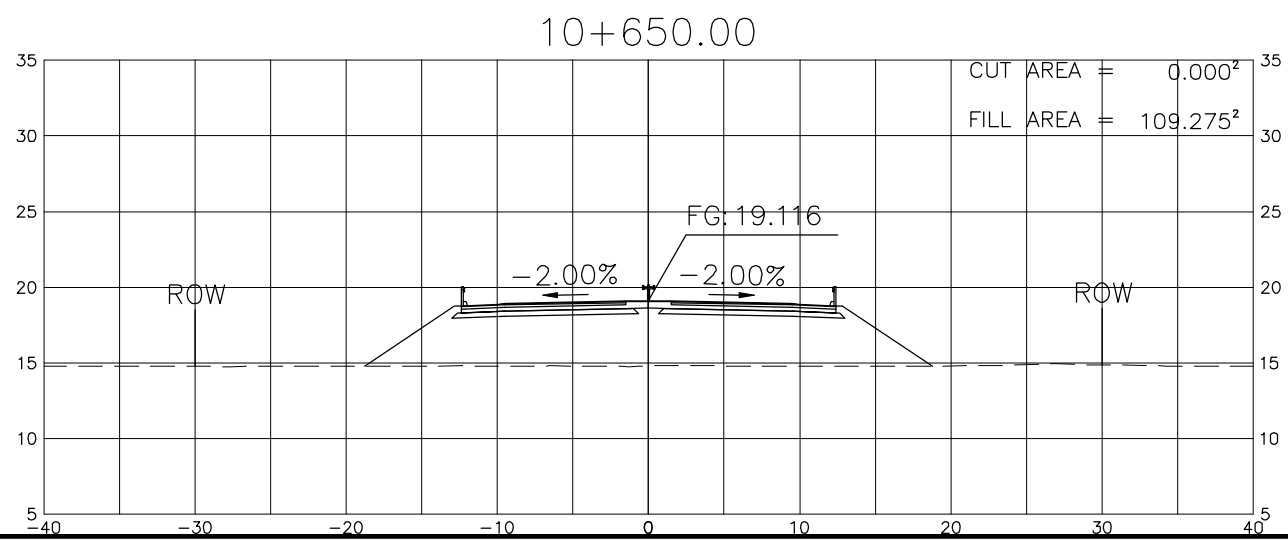
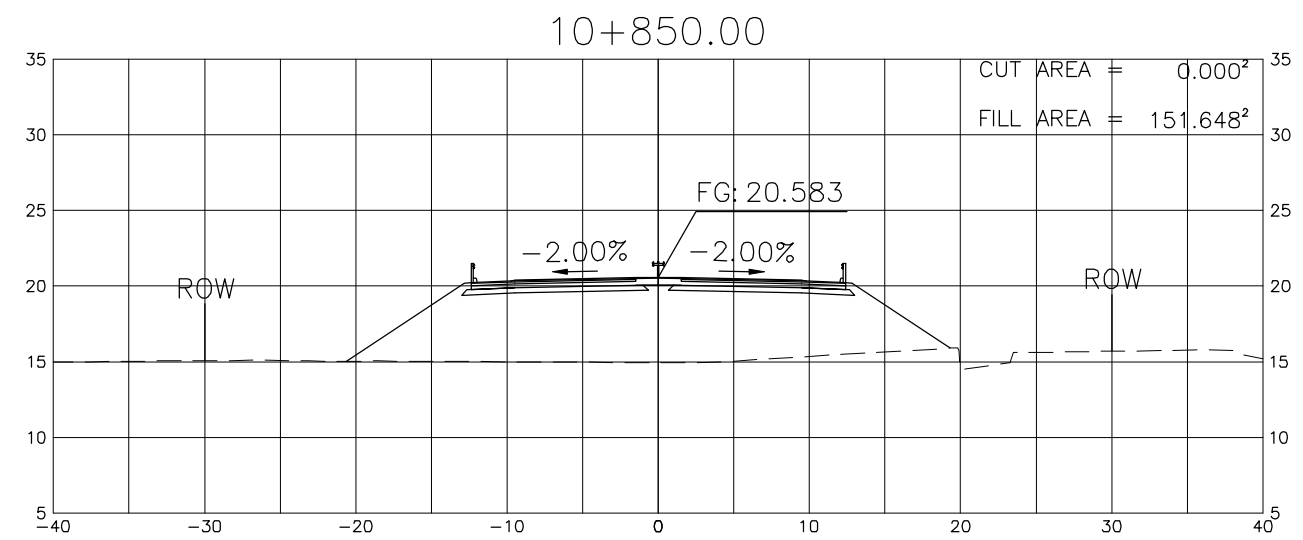
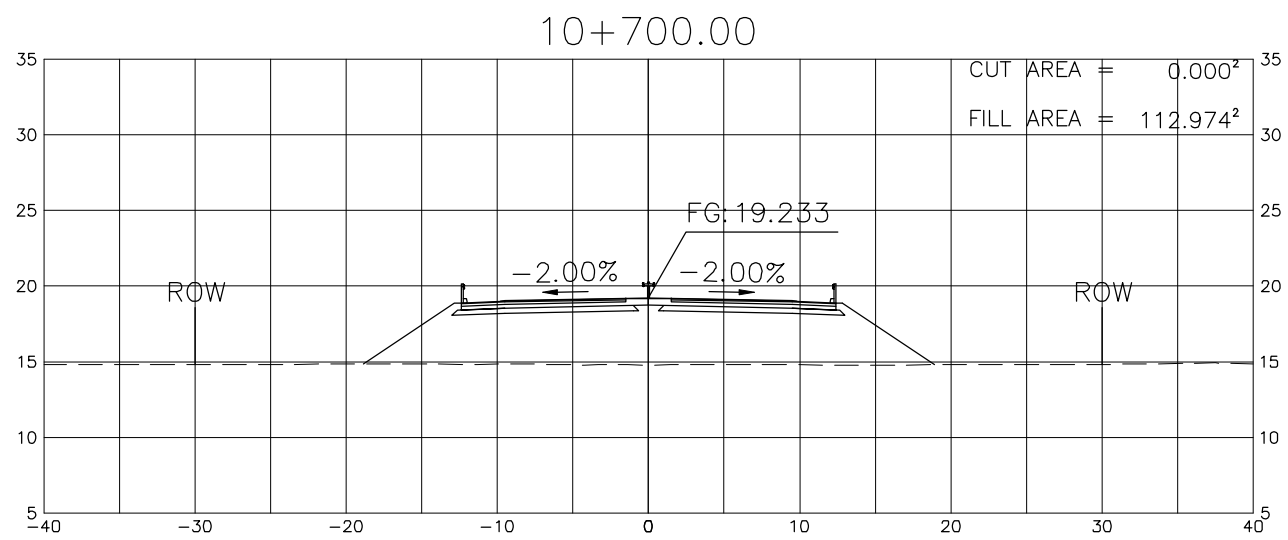
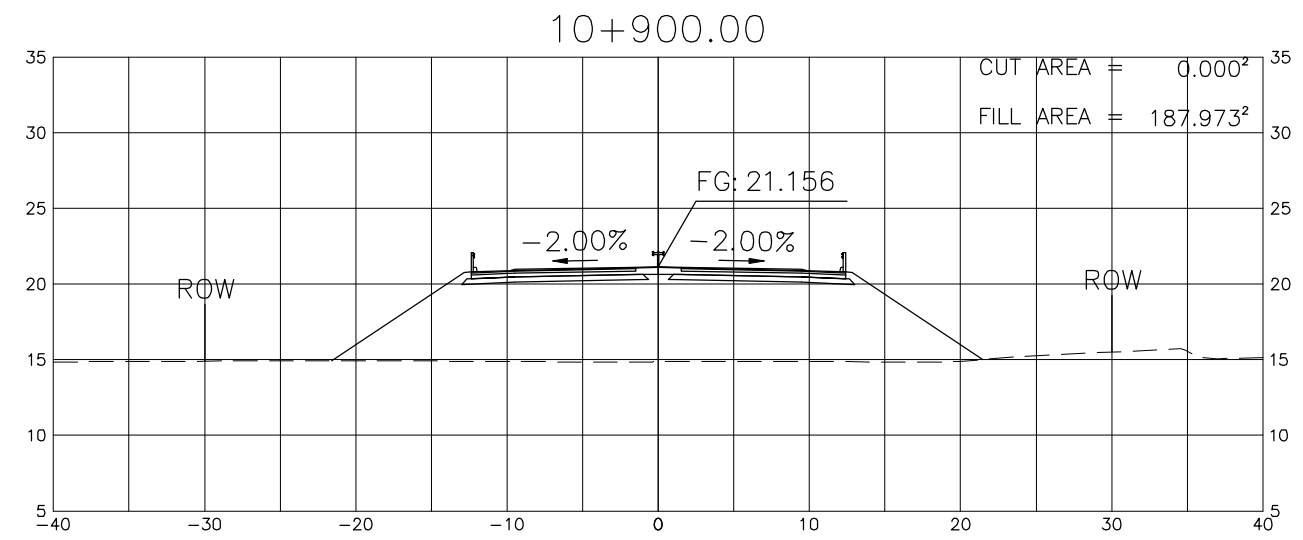
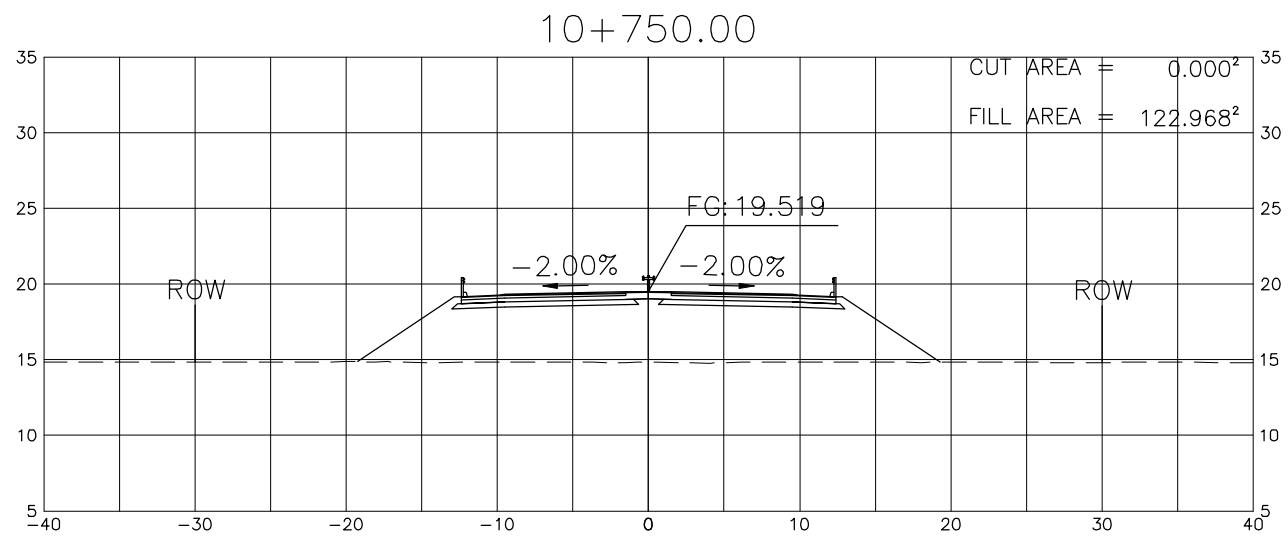
PROJECT TITLE	SCALE	SHEET CONTENT	DRAWING NO.
<b>Preparatory survey for expressway project in Mega Manila Region CLLEX ( TARLAC - CABANATUAN )</b>	A1 = 1:250 A3 = 1:500	<b>CROSS SECTION (INTERIM 2 LANE)</b> STA 9+800 TO STA 10+000	L-32
			SHEET NO.
			32 OF 90



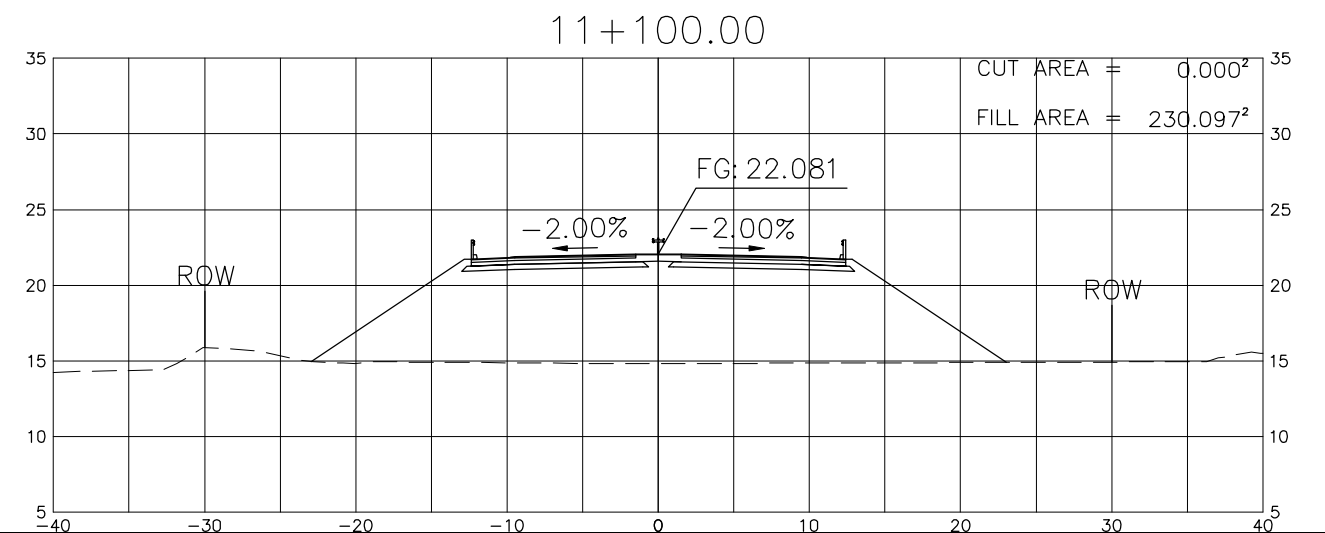
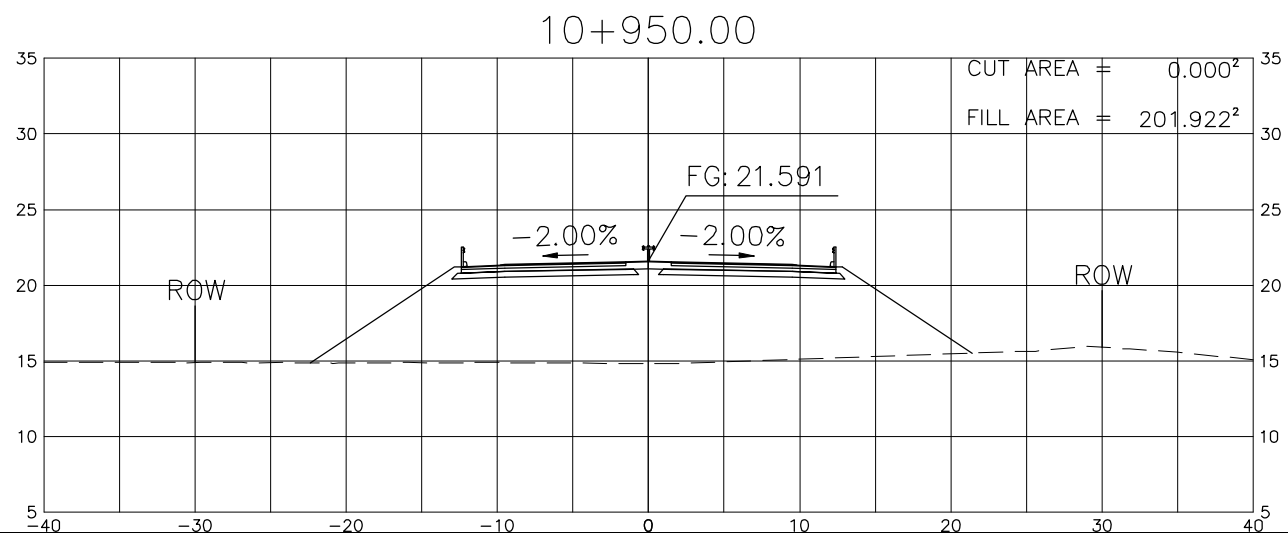
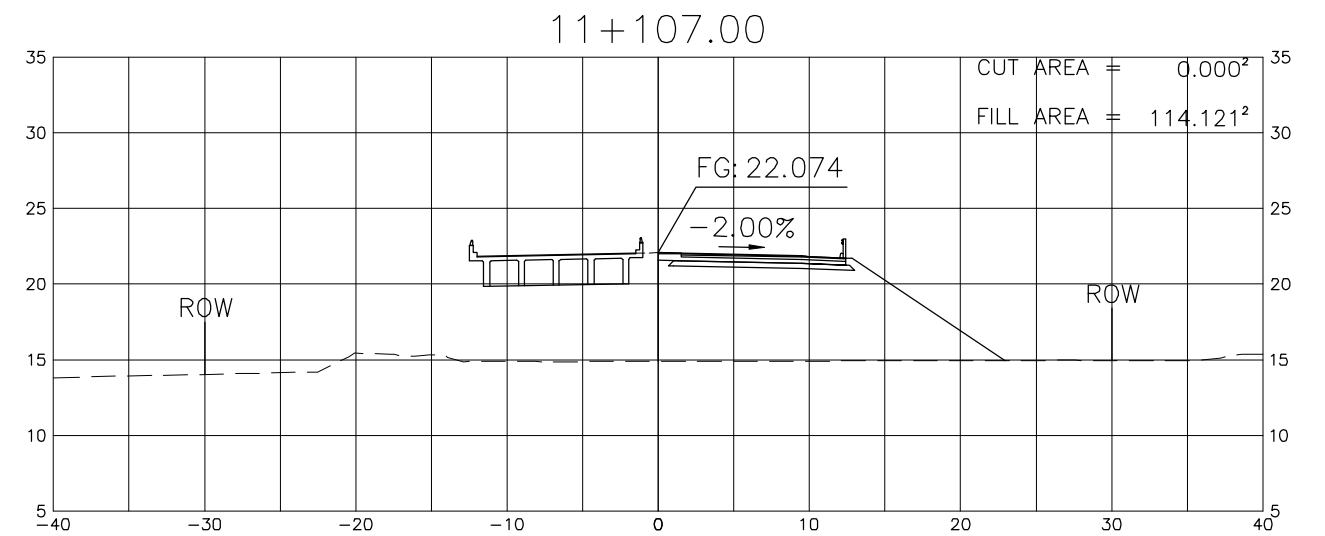
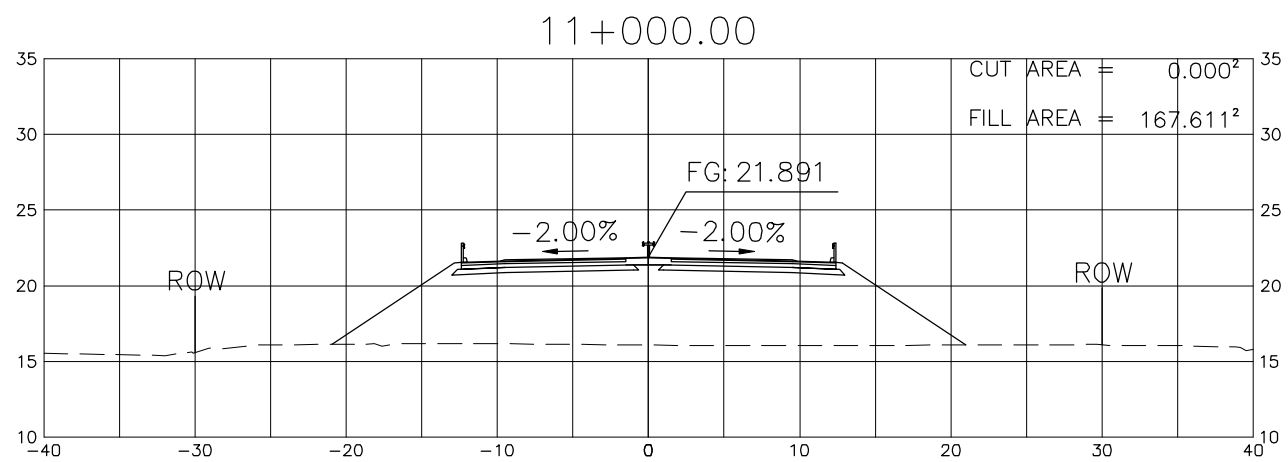
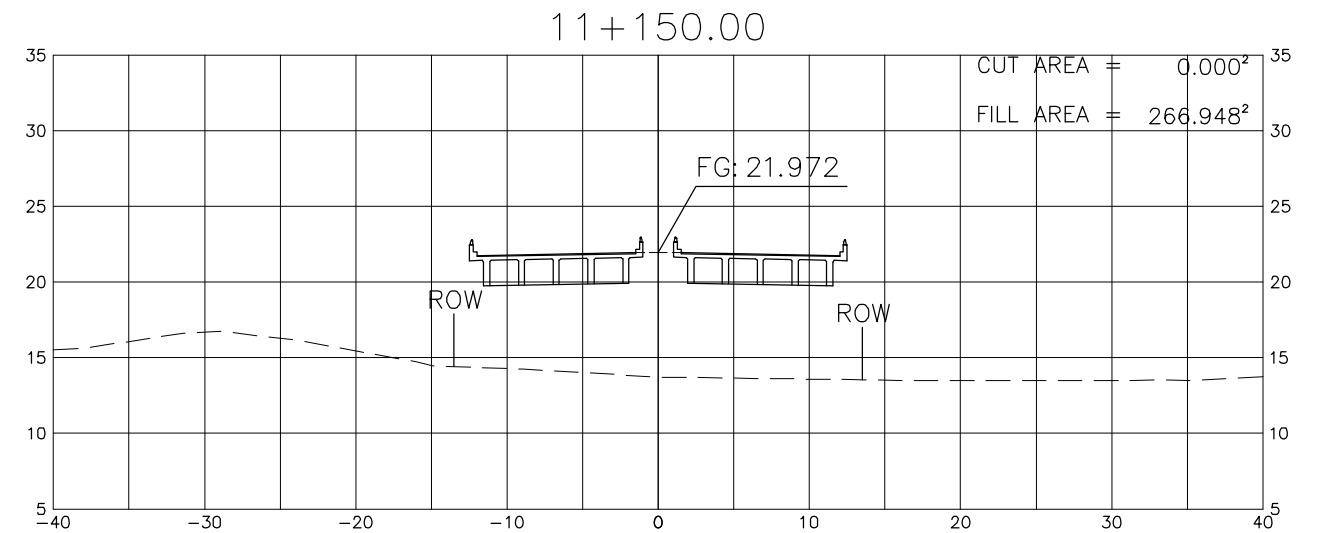
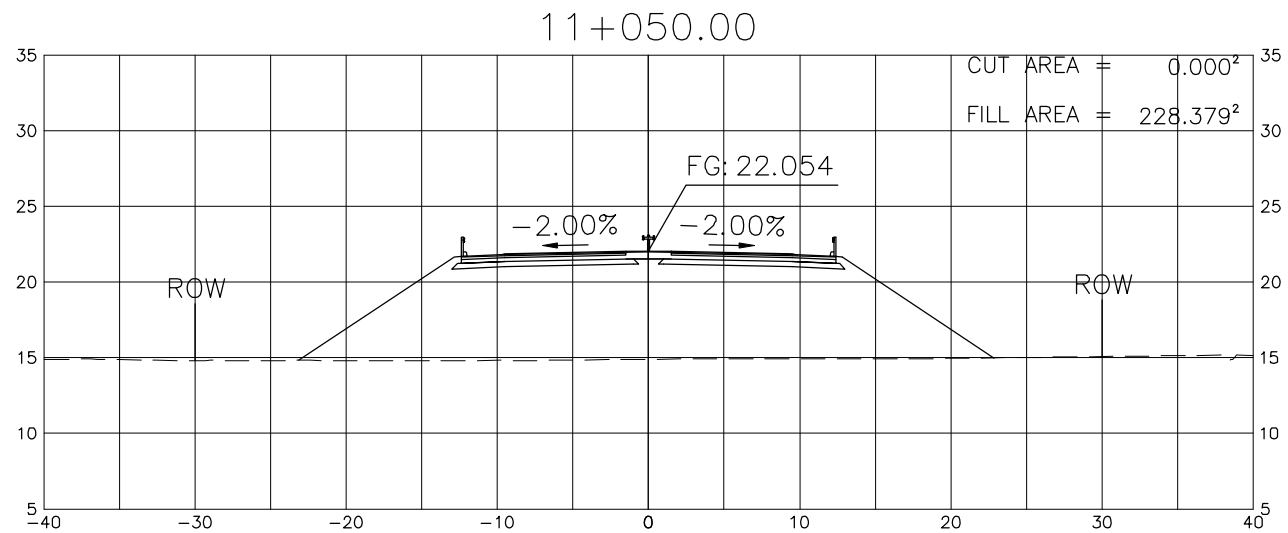
PROJECT TITLE	SCALE	SHEET CONTENT	DRAWING NO.
Preparatory survey for expressway project in Mega Manila Region CLLEX ( TARLAC - CABANATUAN )	A1 = 1:250 A3 = 1:500	CROSS SECTION (INTERIM 2 LANE) STA 10+050 TO STA 10+300	L-33
			SHEET NO.
			33 OF 90



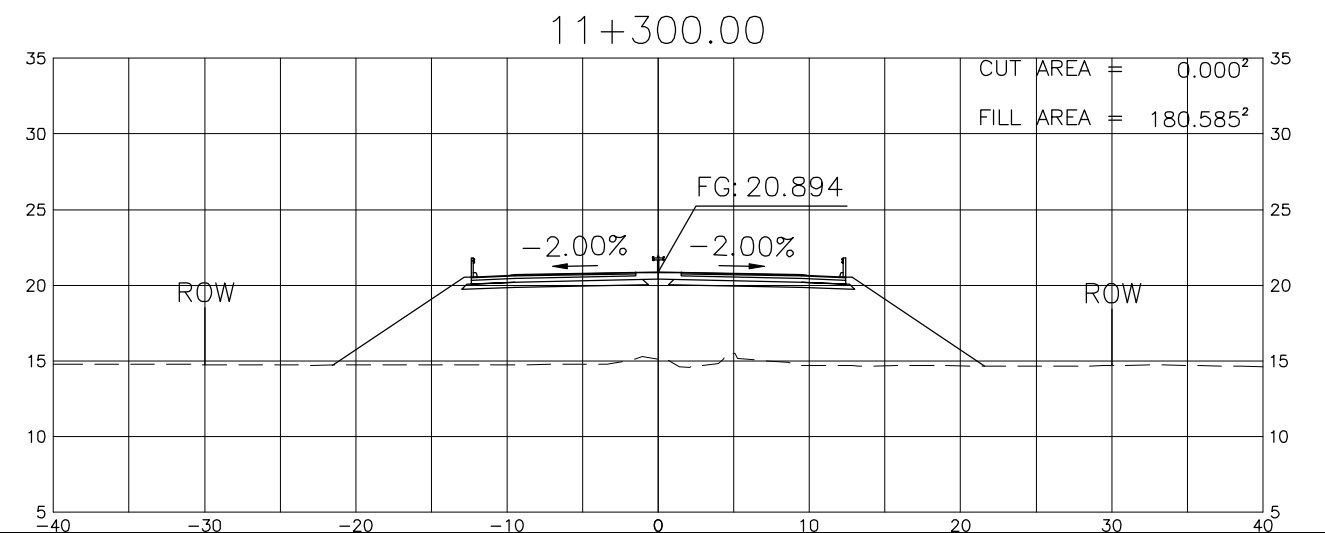
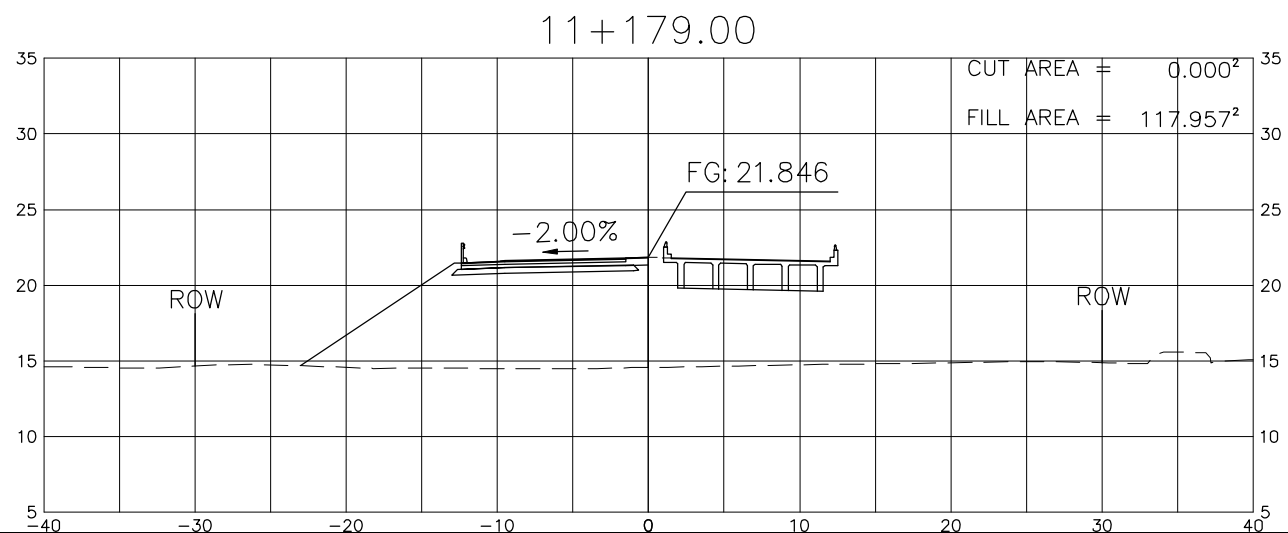
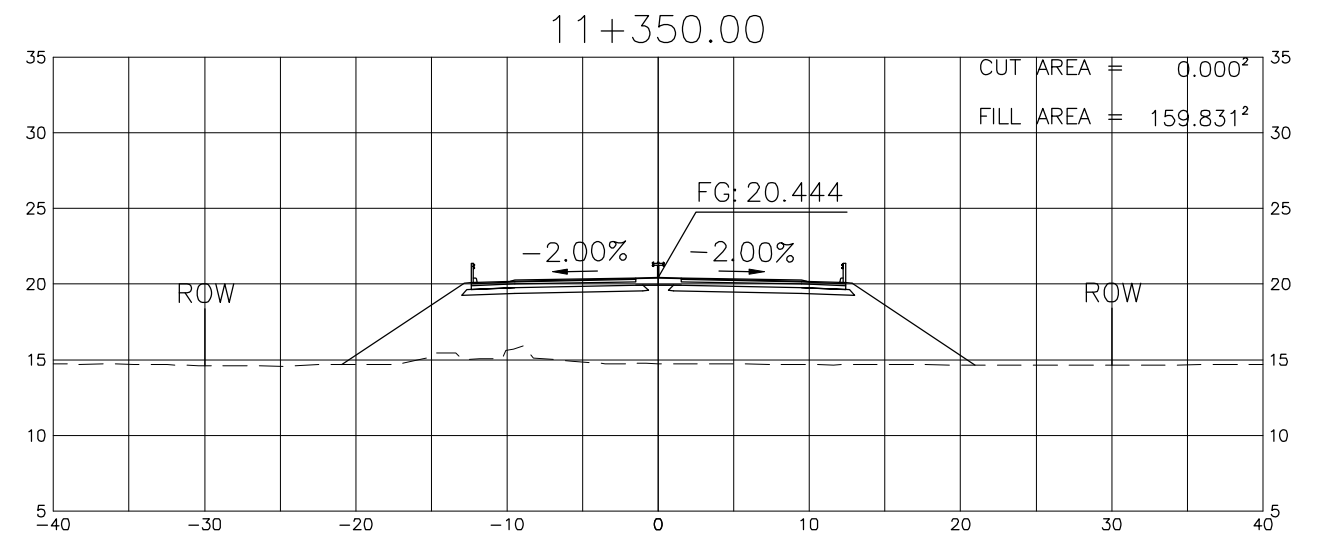
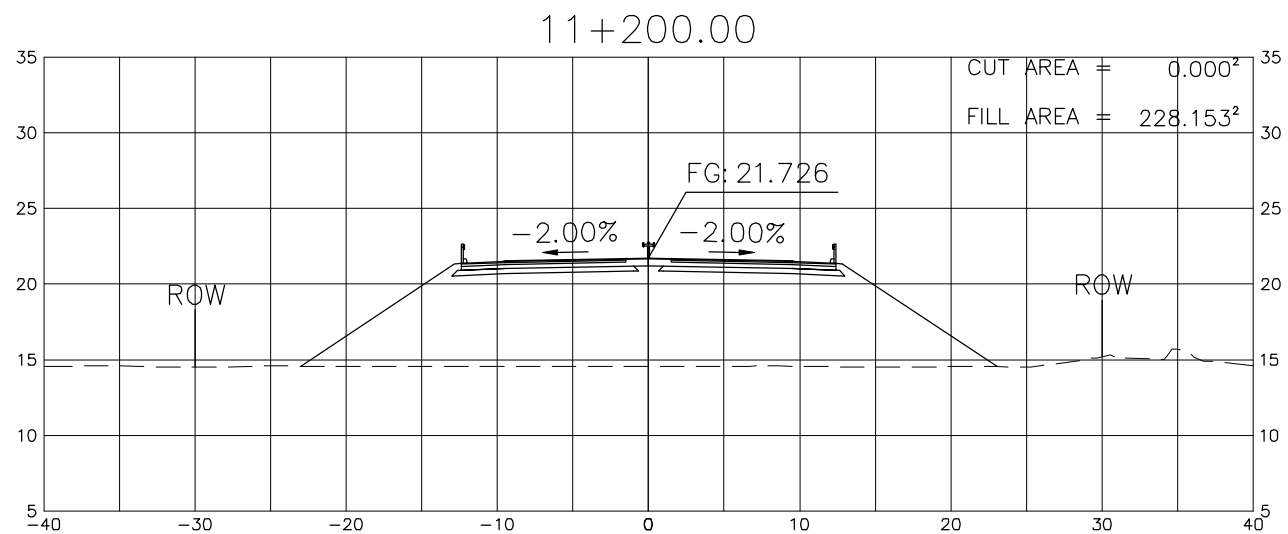
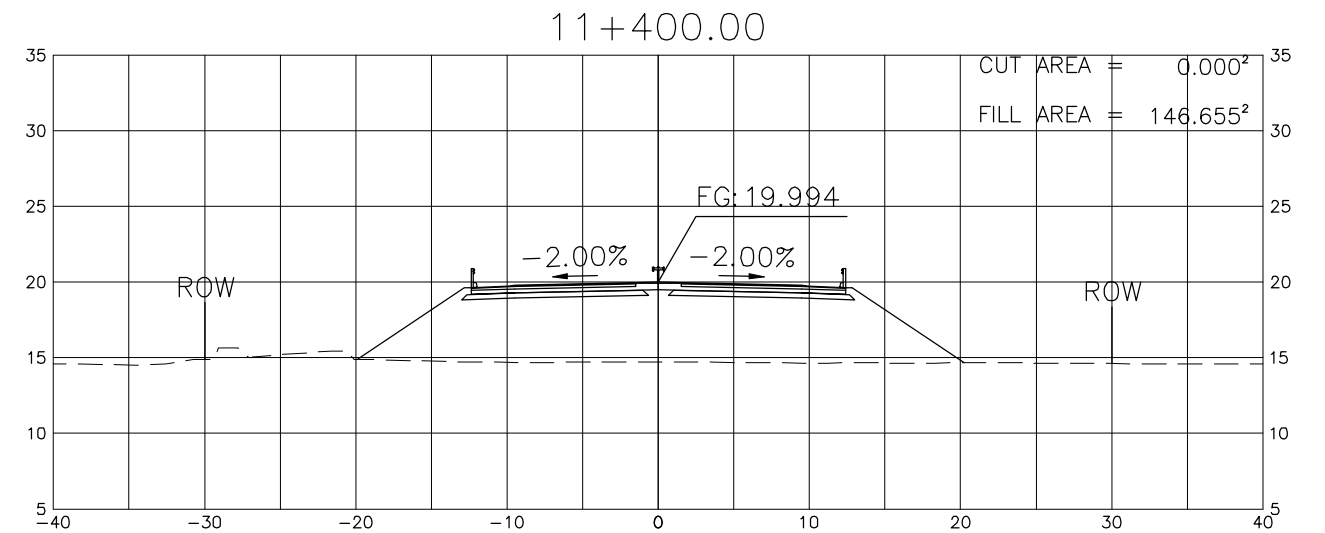
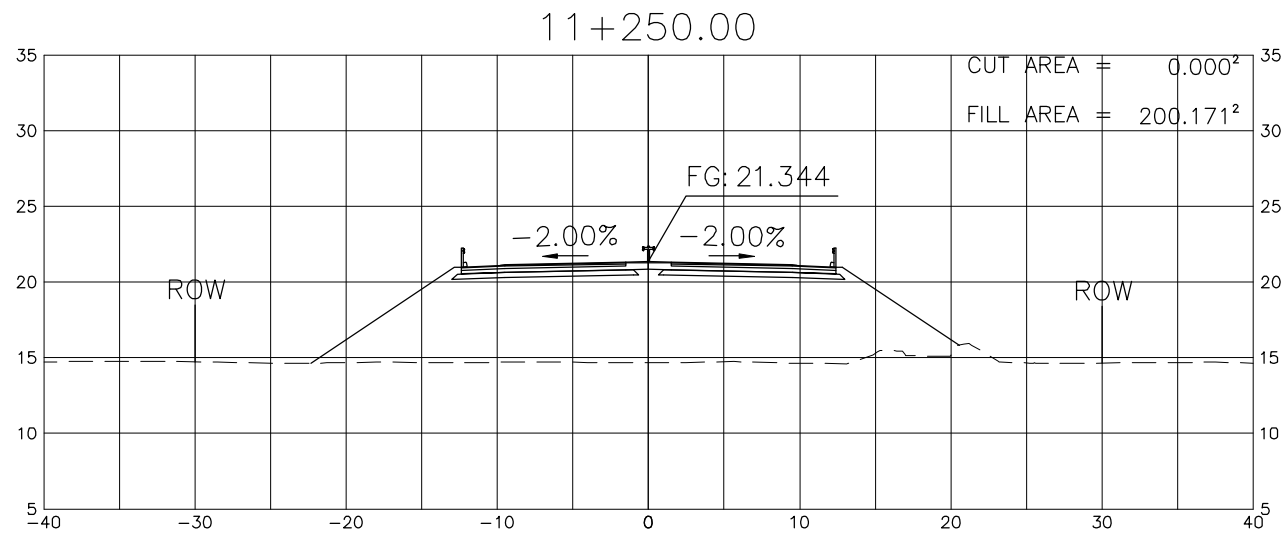
PROJECT TITLE	SCALE	SHEET CONTENT	DRAWING NO.
Preparatory survey for expressway project in Mega Manila Region CLLEX ( TARLAC - CABANATUAN )	A1 = 1:250 A3 = 1:500	CROSS SECTION (INTERIM 2 LANE) STA 10+350 TO STA 10+600	L-34
			SHEET NO.
			34 OF 90



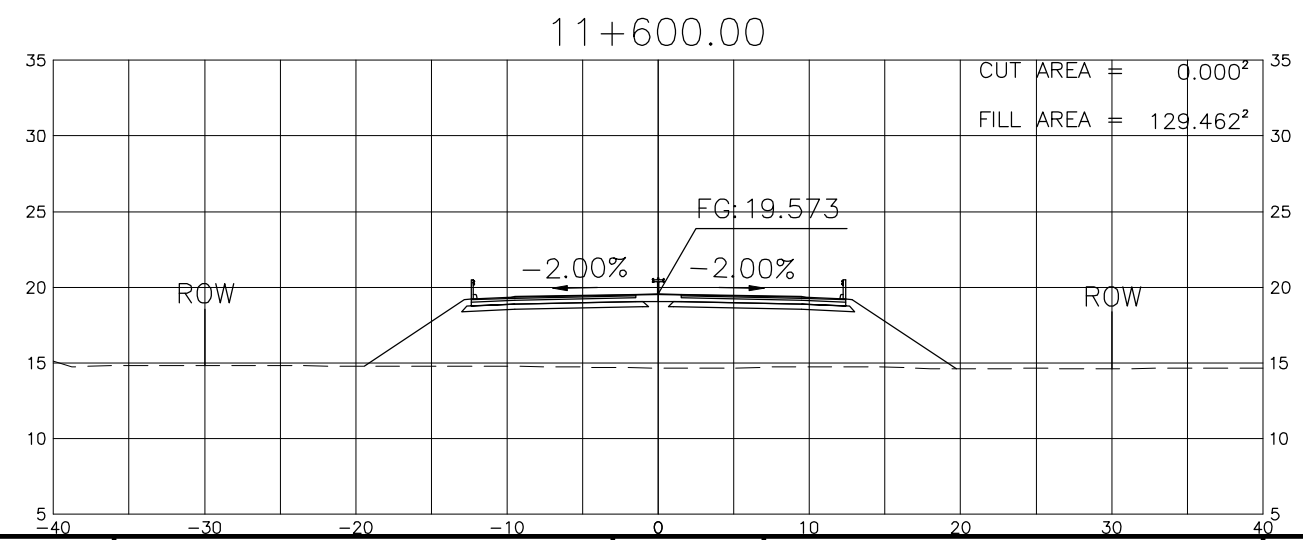
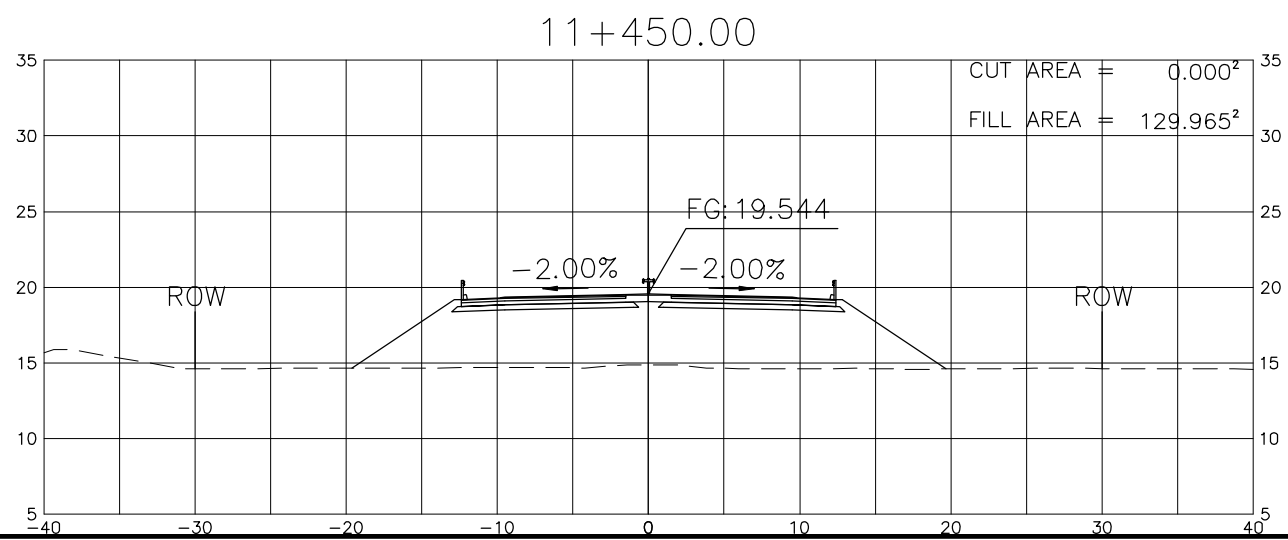
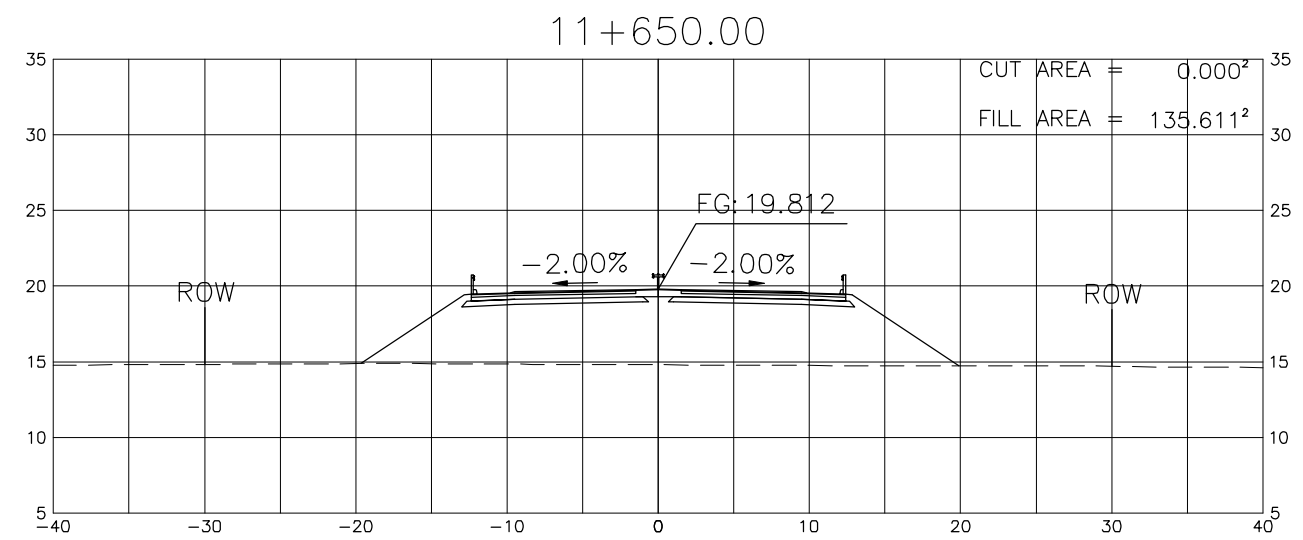
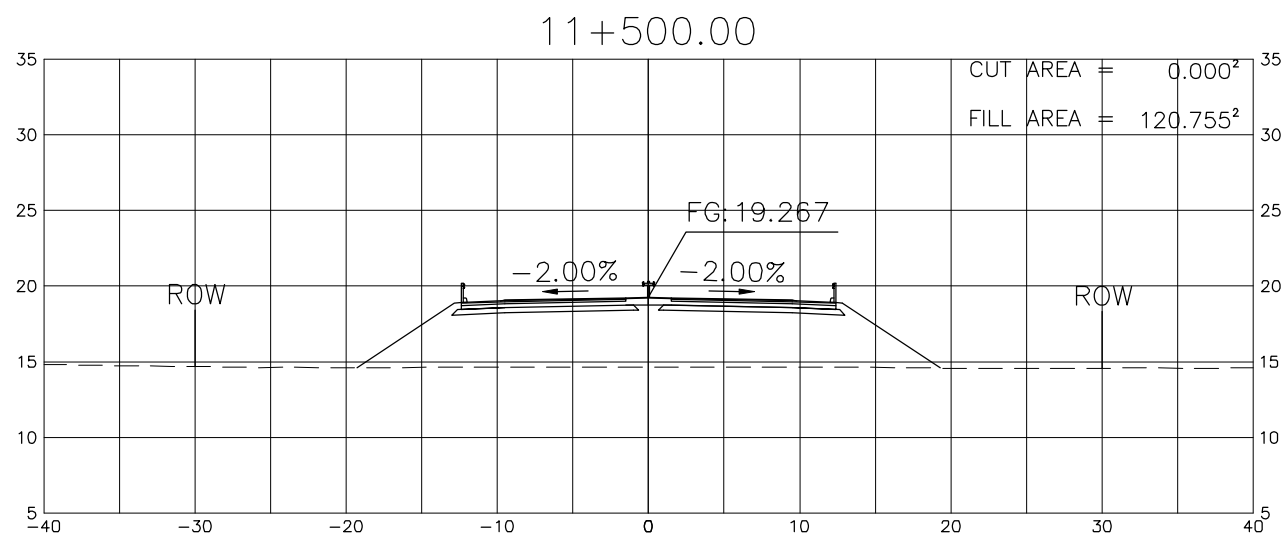
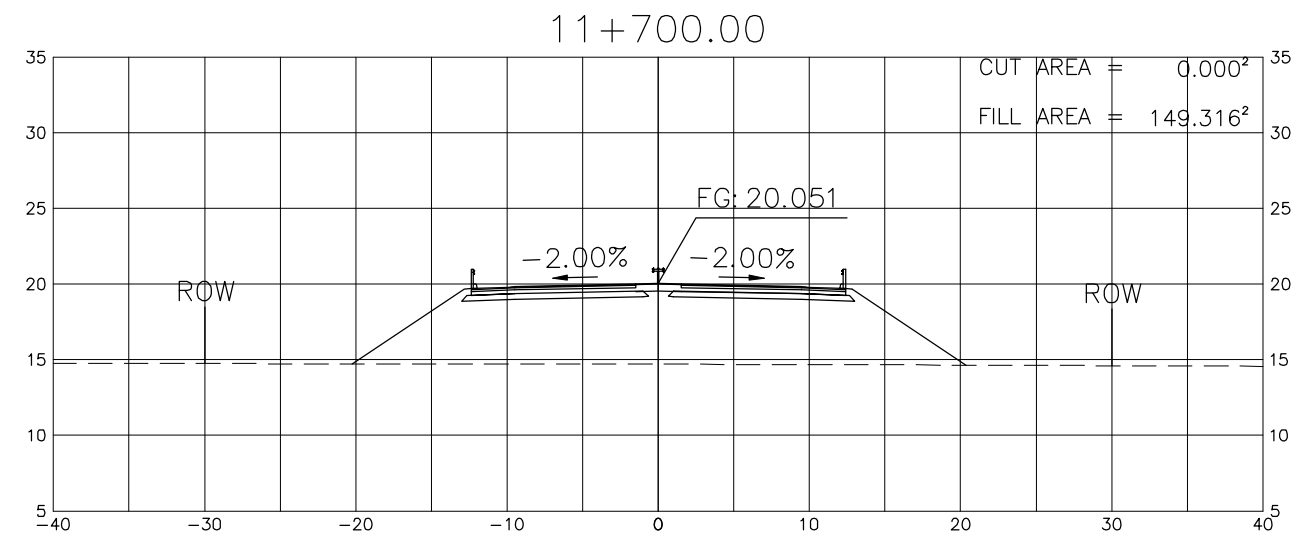
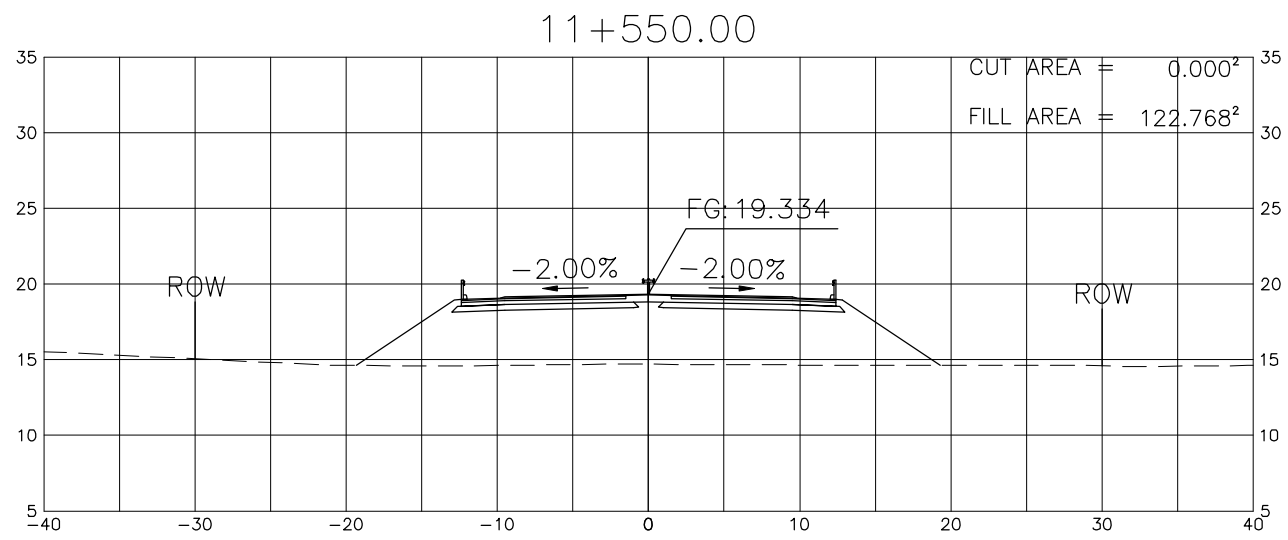
PROJECT TITLE	SCALE	SHEET CONTENT	DRAWING NO.
Preparatory survey for expressway project in Mega Manila Region CLLEX ( TARLAC - CABANATUAN )	A1 = 1:250 A3 = 1:500	CROSS SECTION (INTERIM 2 LANE) STA 10+650 TO STA 10+900	L-35
			SHEET NO.
			35 OF 90



PROJECT TITLE	SCALE	SHEET CONTENT	DRAWING NO.
Preparatory survey for expressway project in Mega Manila Region CLLEX ( TARLAC - CABANATUAN )	A1 = 1:250 A3 = 1:500	CROSS SECTION (INTERIM 2 LANE) STA 10+950 TO STA 11+150	L-36
			SHEET NO.
			36 OF 90

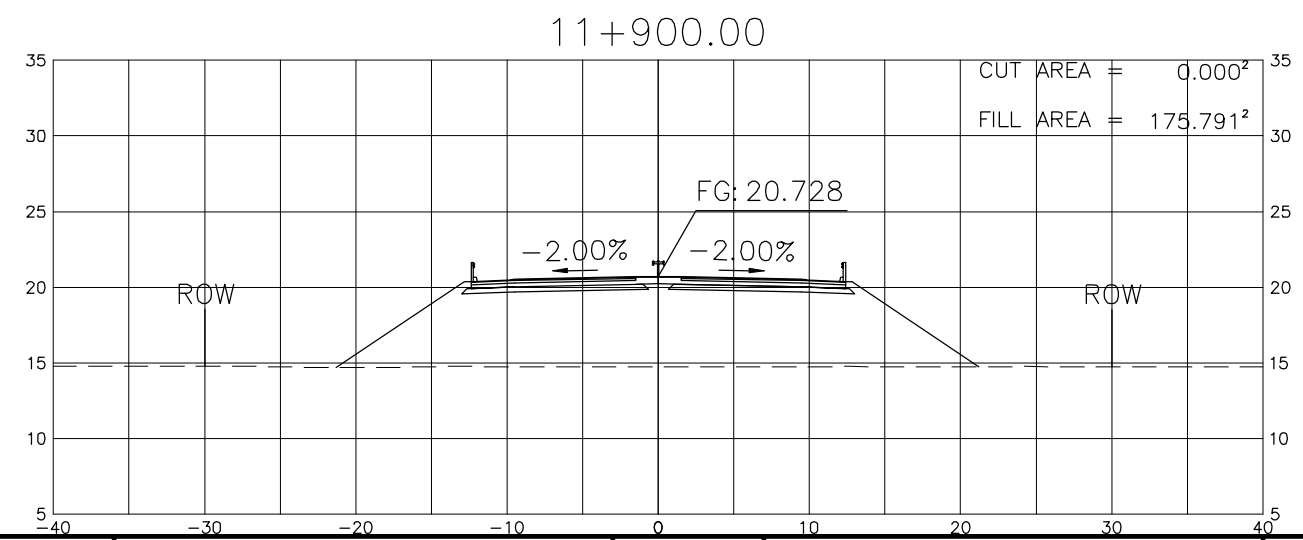
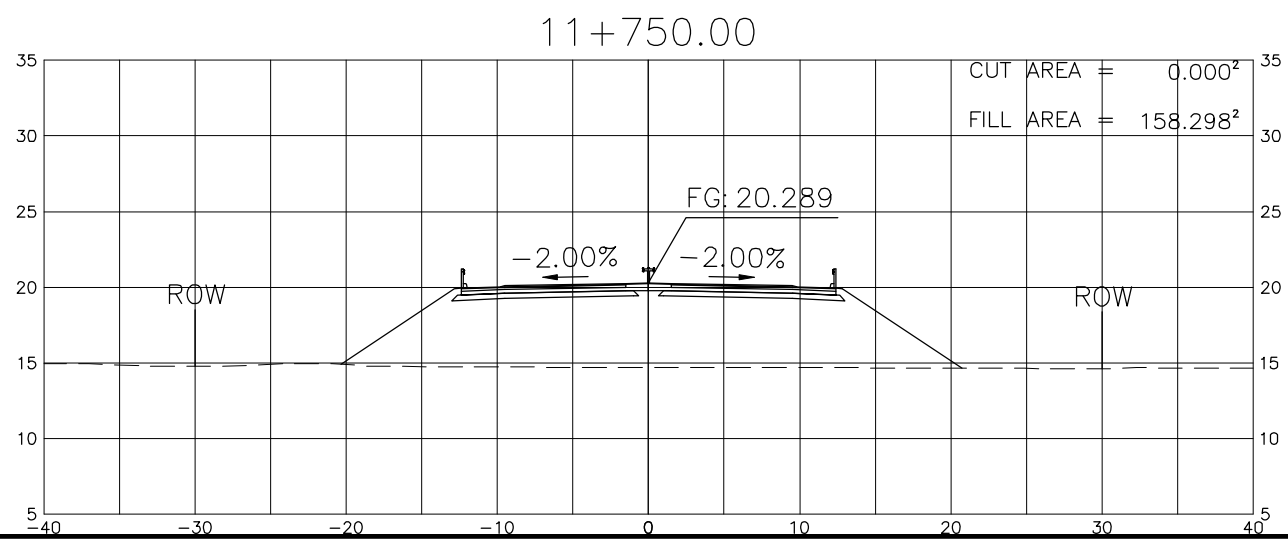
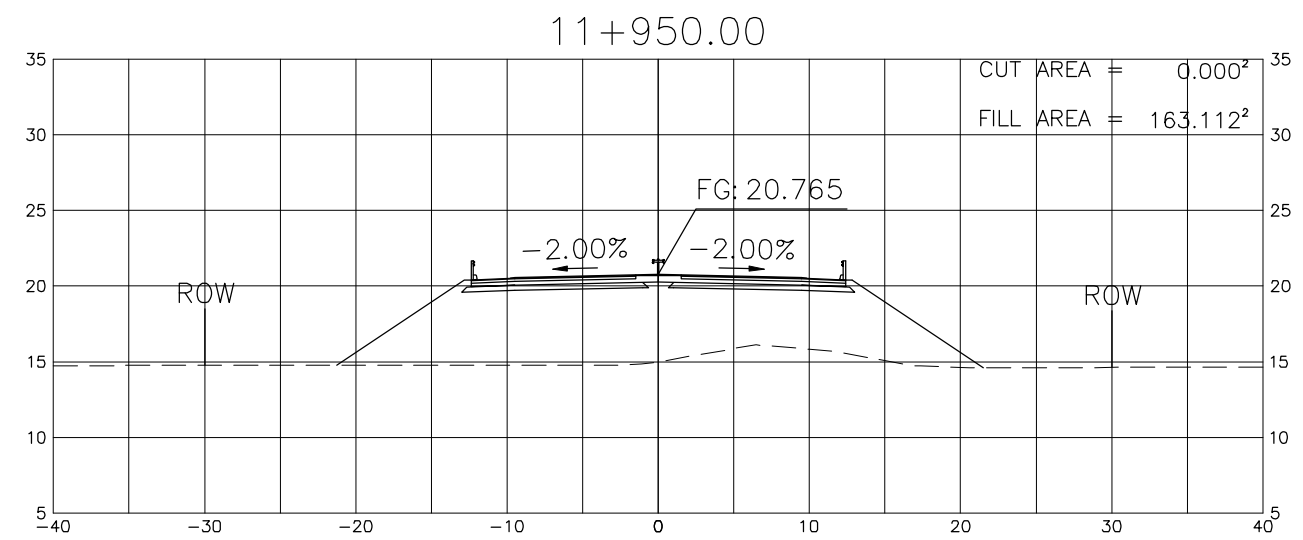
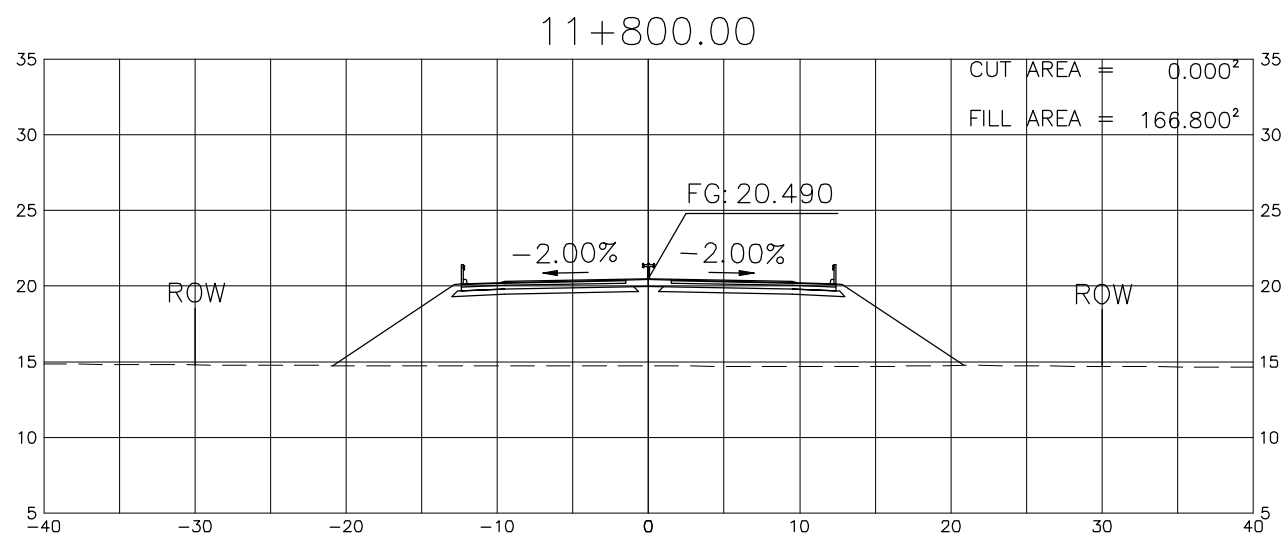
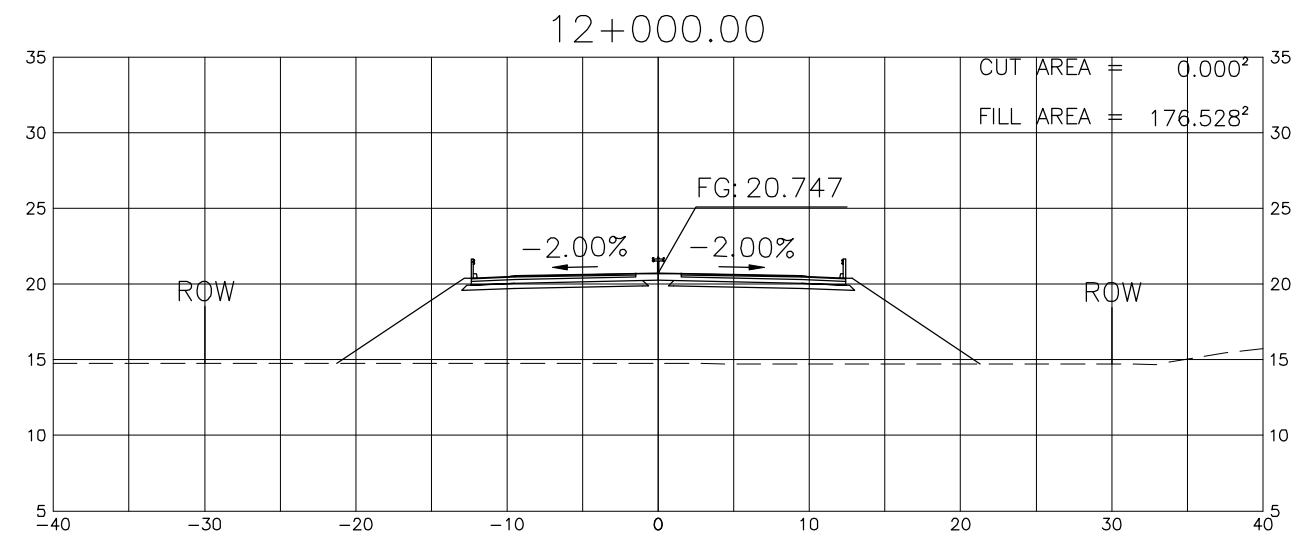
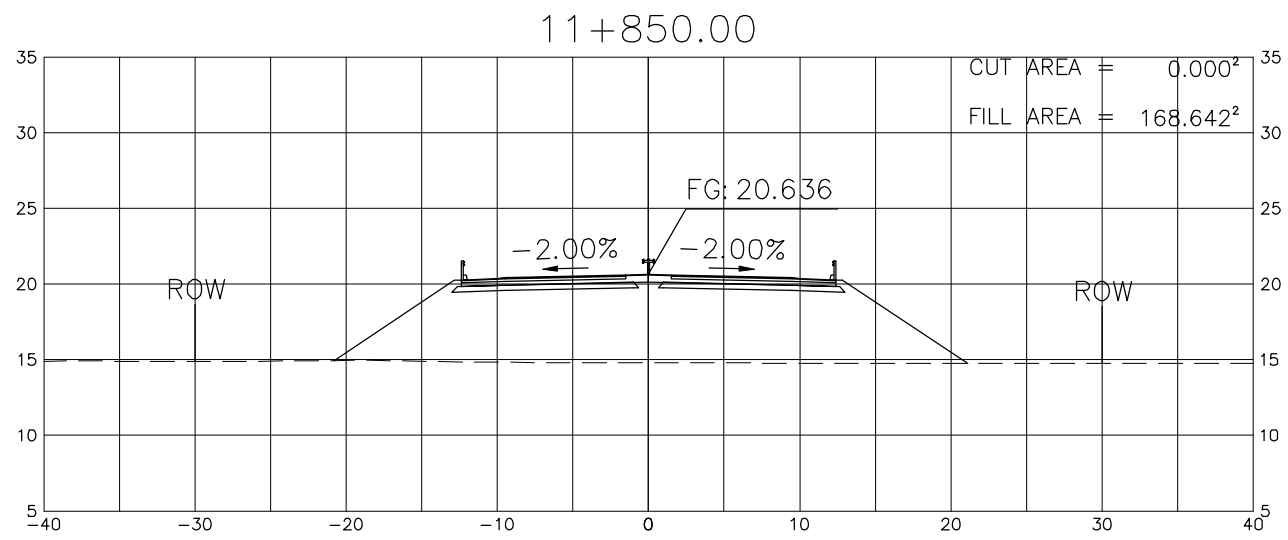


PROJECT TITLE	SCALE	SHEET CONTENT	DRAWING NO.
Preparatory survey for expressway project in Mega Manila Region CLLEX ( TARLAC - CABANATUAN )	A1 = 1:250 A3 = 1:500	CROSS SECTION (INTERIM 2 LANE) STA 11+179 TO STA 11+400	L-37
			SHEET NO.
			37 OF 90

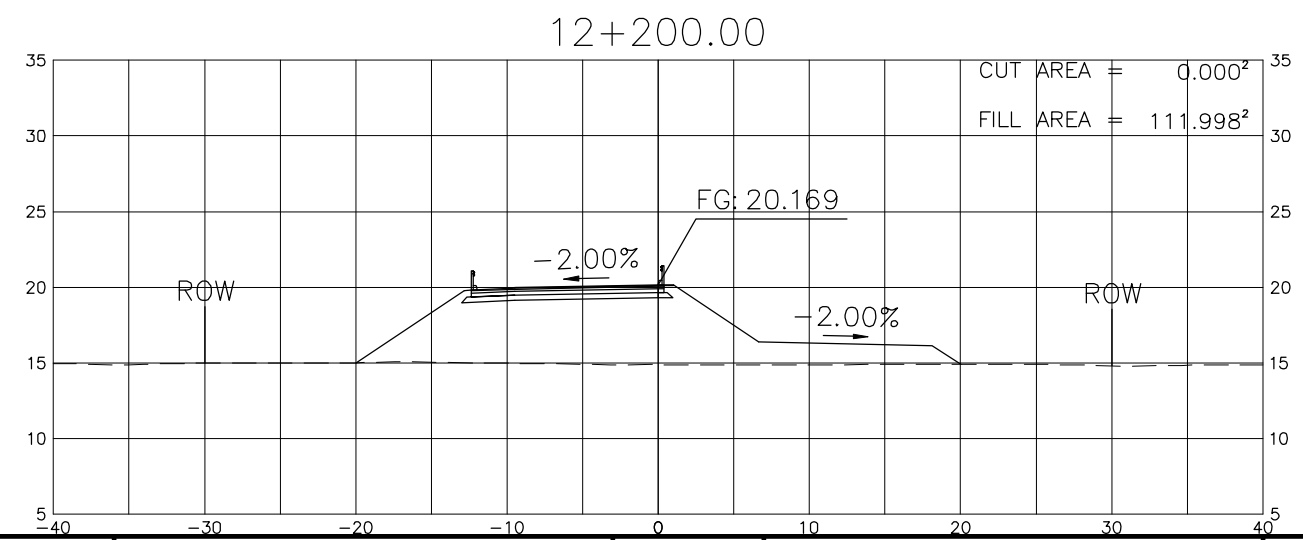
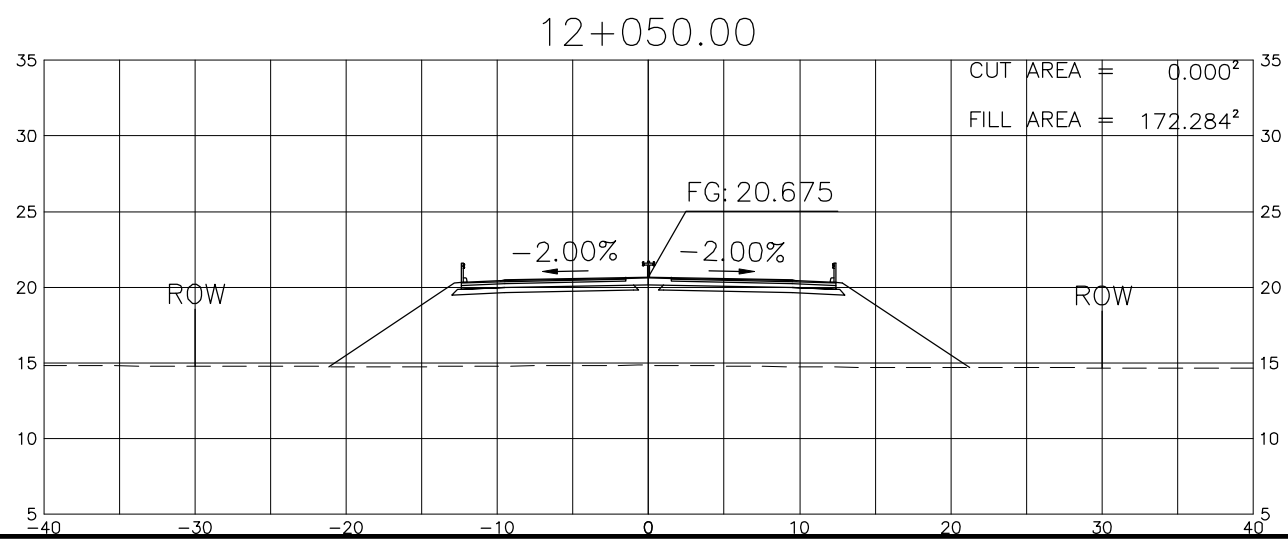
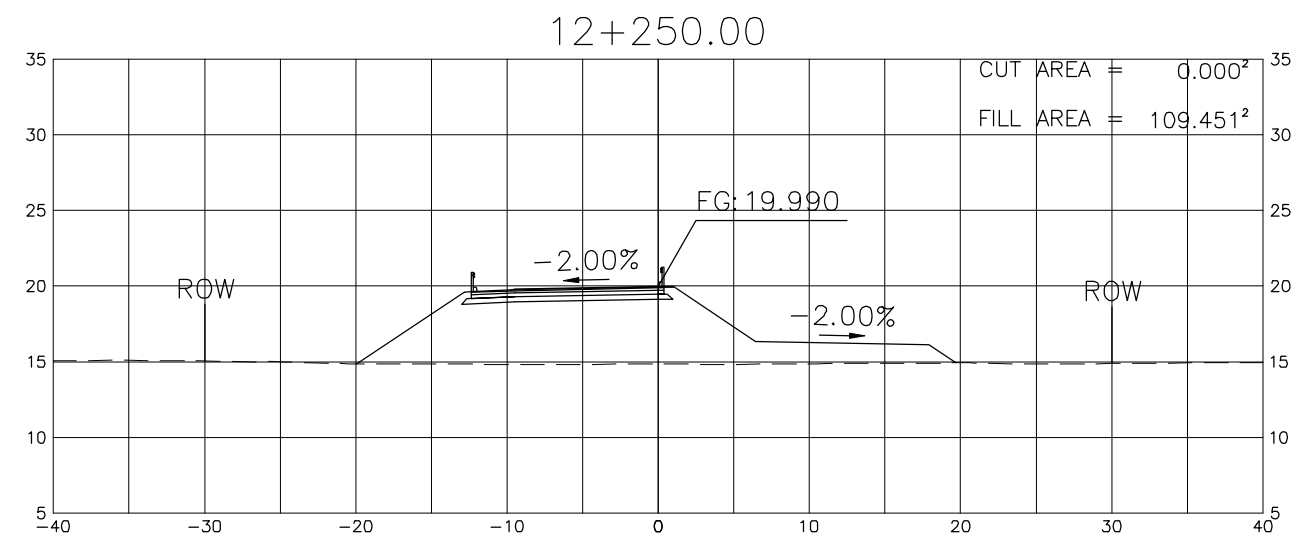
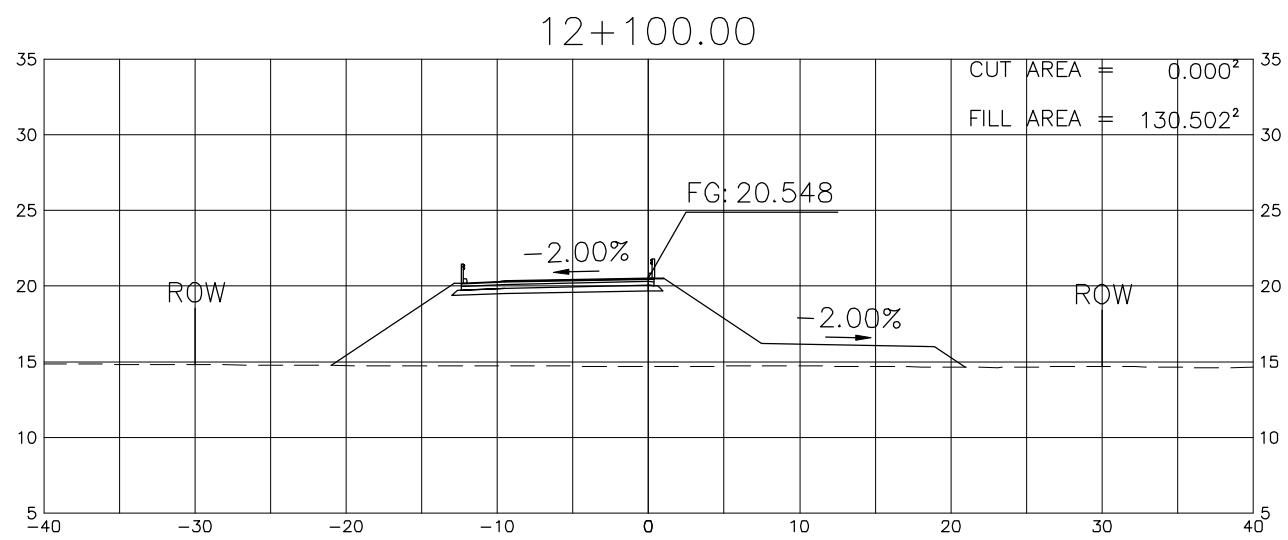
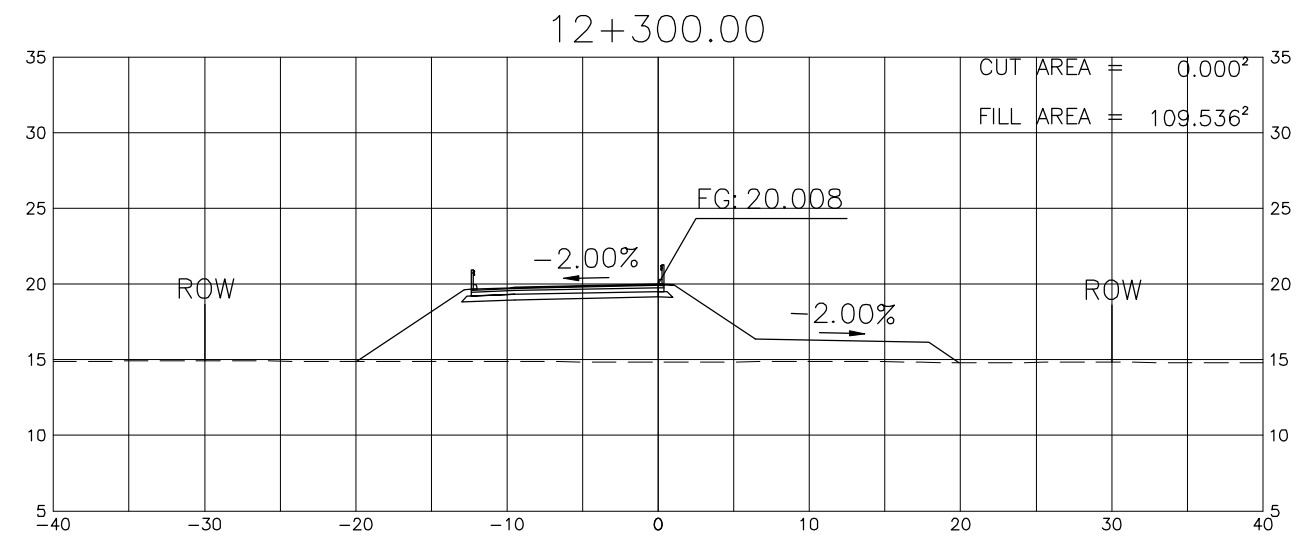
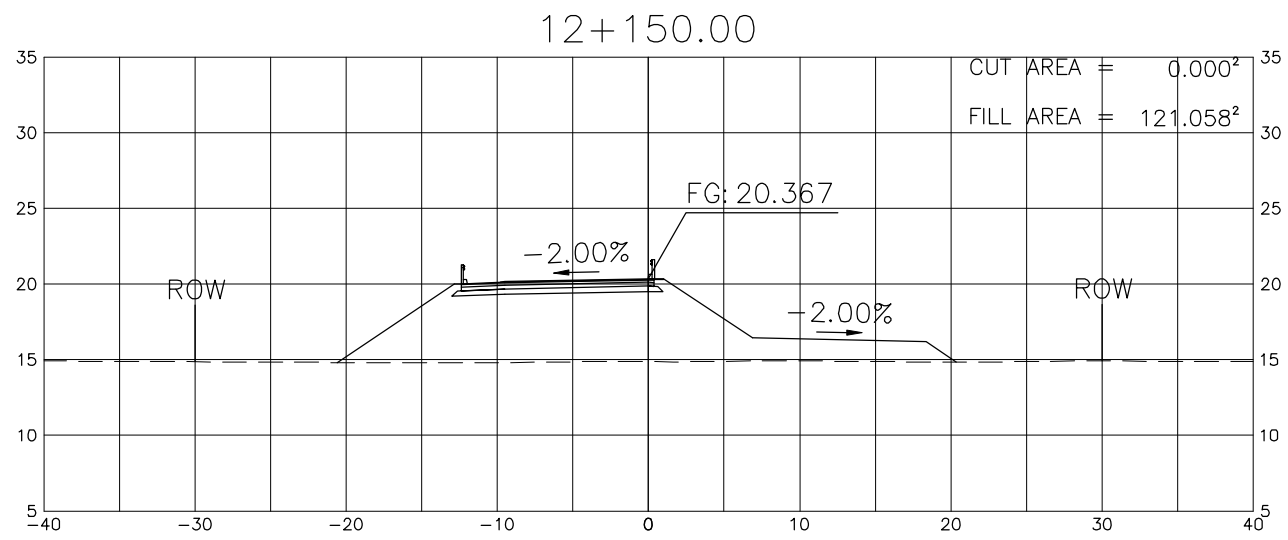


PROJECT TITLE	SCALE	SHEET CONTENT	DRAWING NO.
Preparatory survey for expressway project in Mega Manila Region CLLEX ( TARLAC - CABANATUAN )	A1 = 1:250 A3 = 1:500	CROSS SECTION (INTERIM 2 LANE) STA 11+450 TO STA 11+700	L-38
			SHEET NO.
			38 OF 90

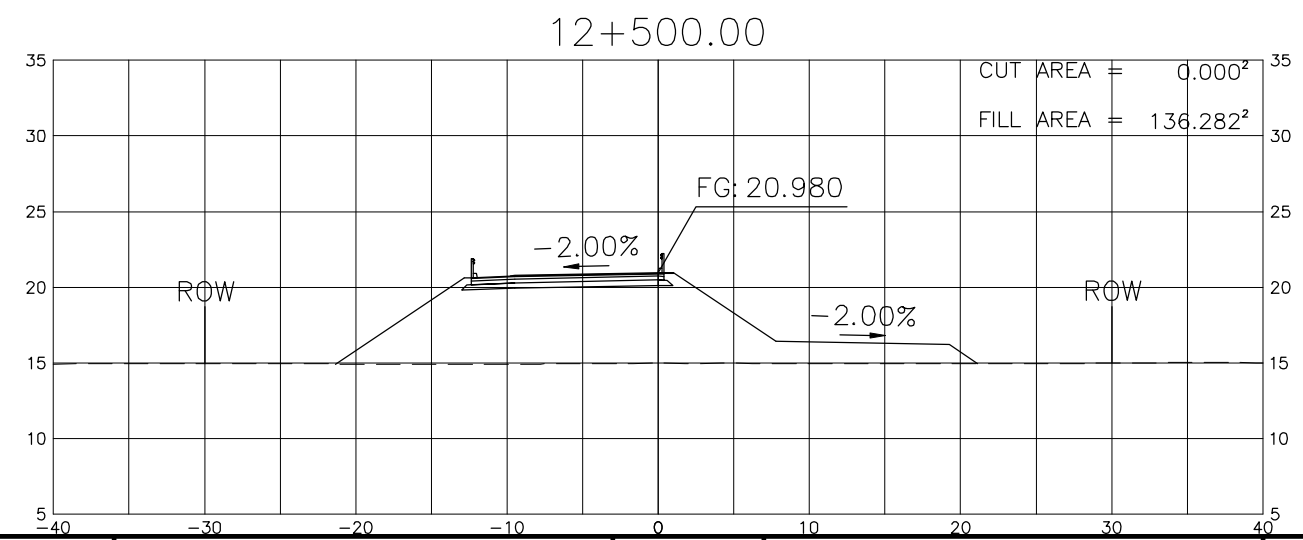
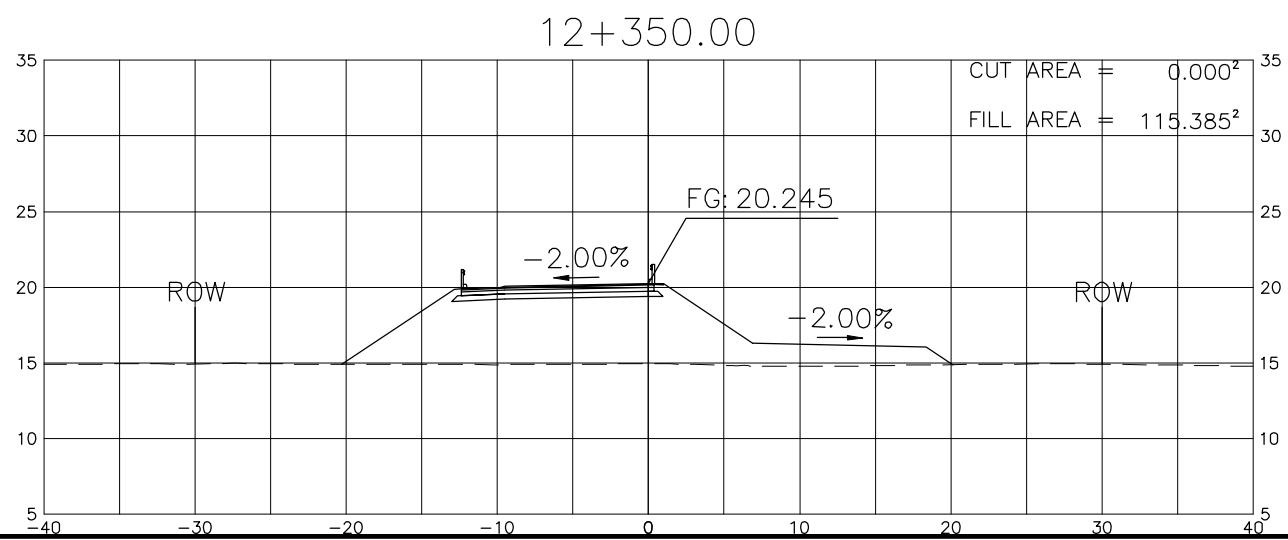
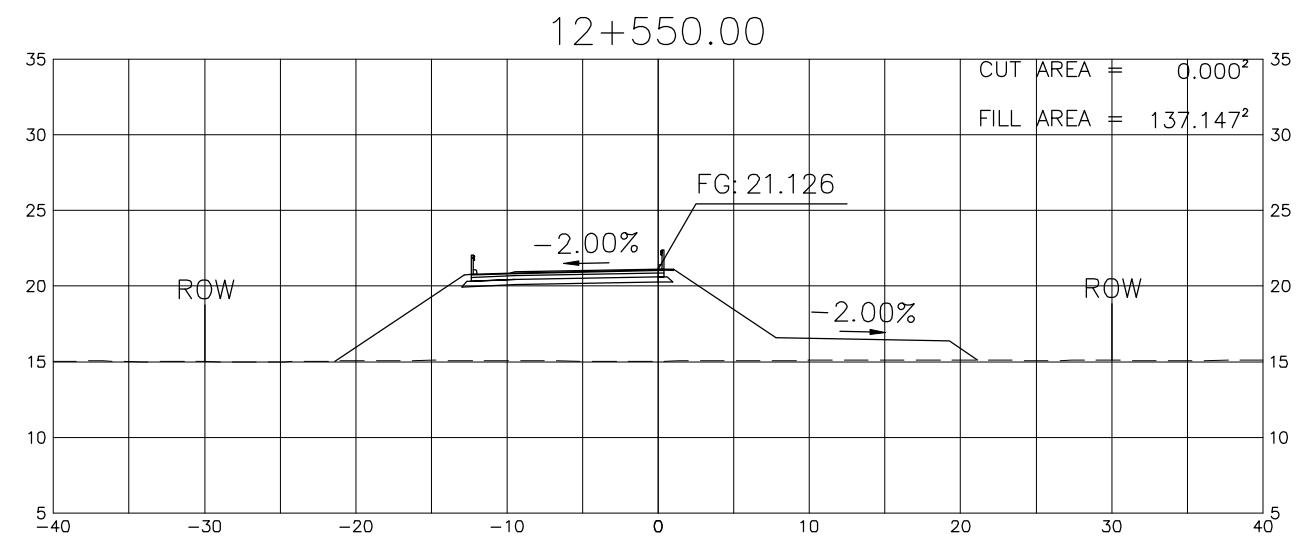
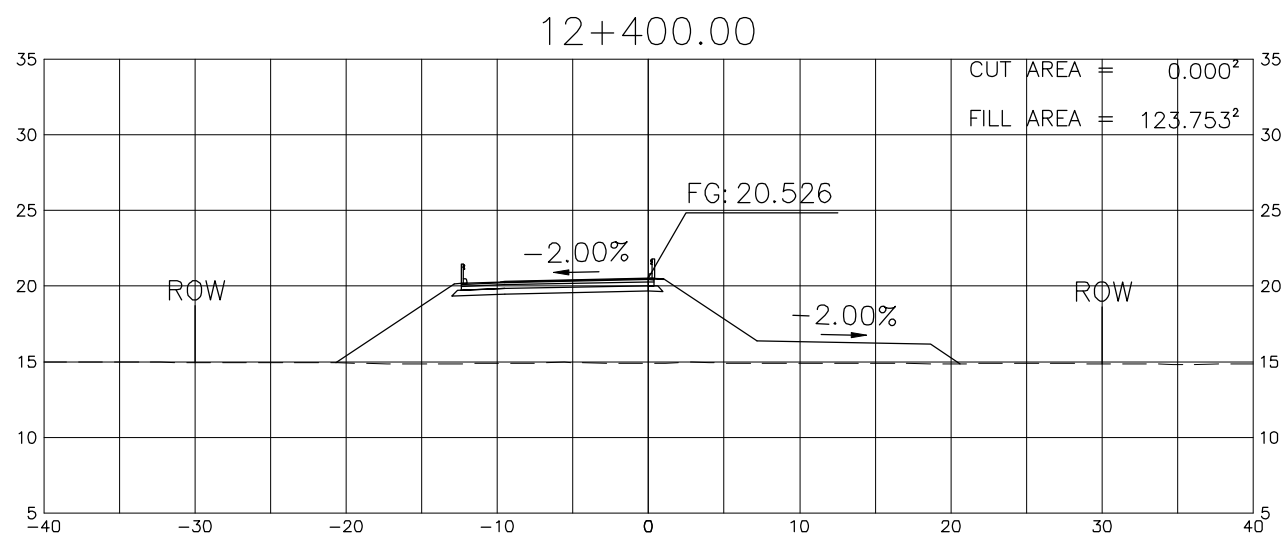
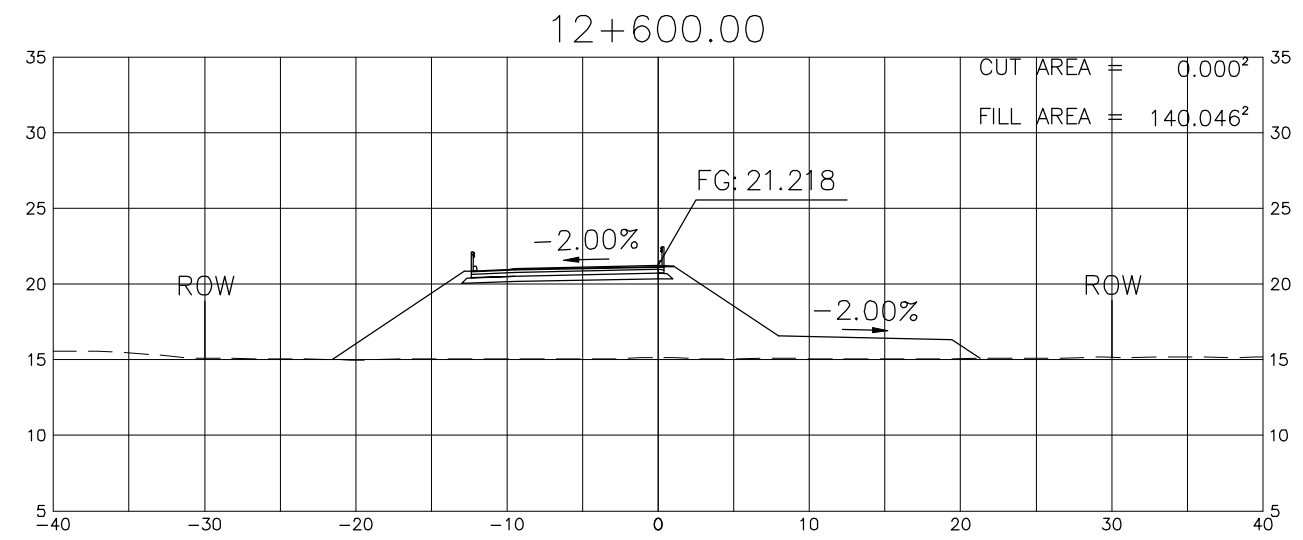
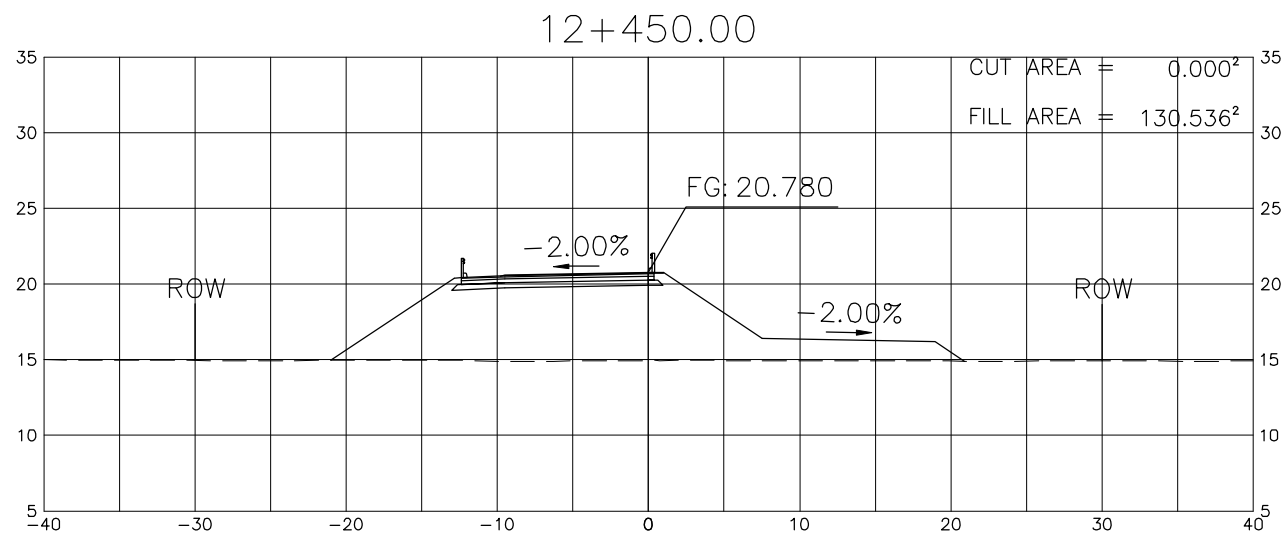




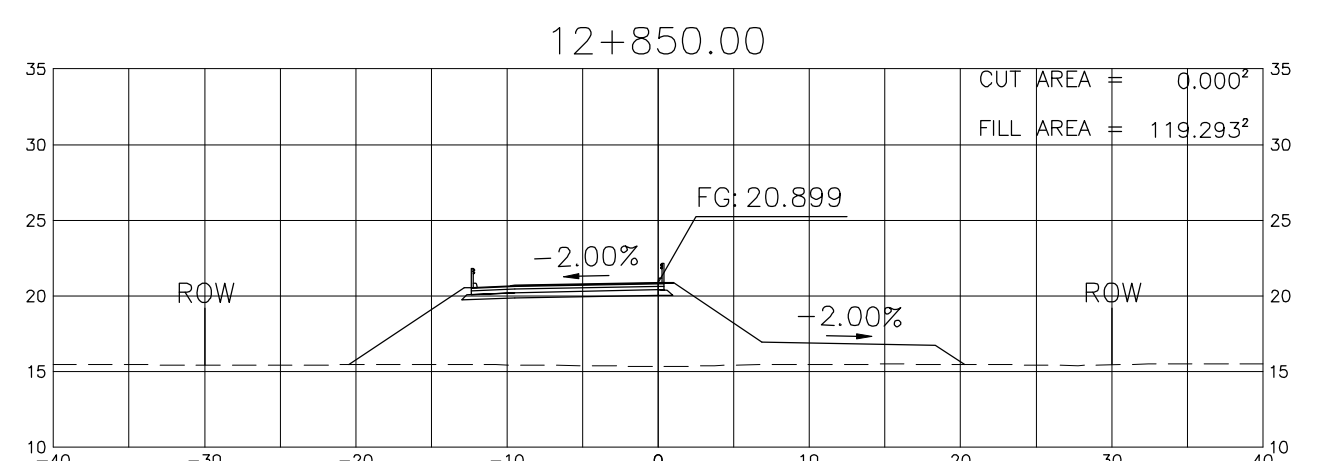
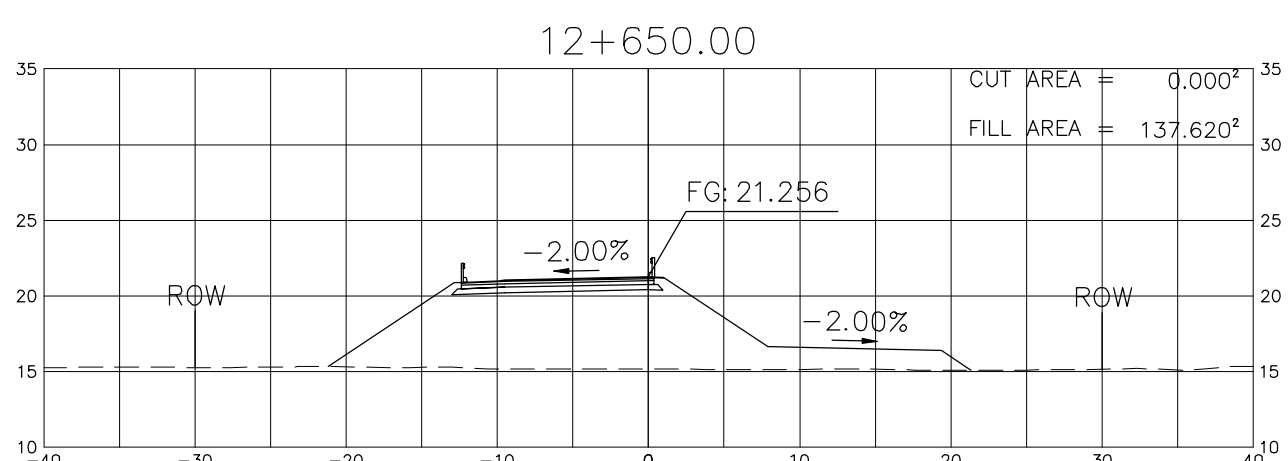
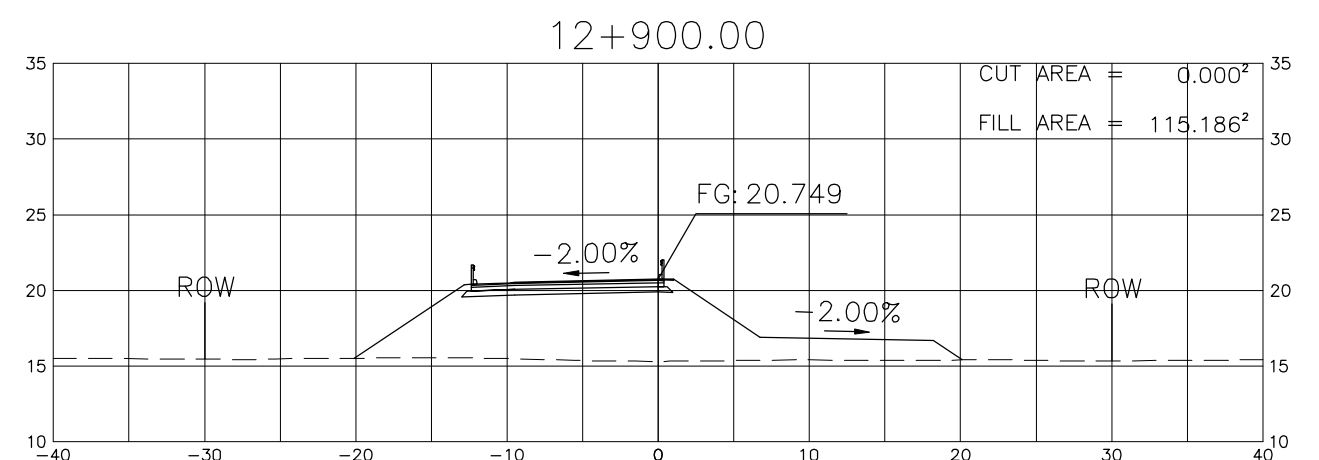
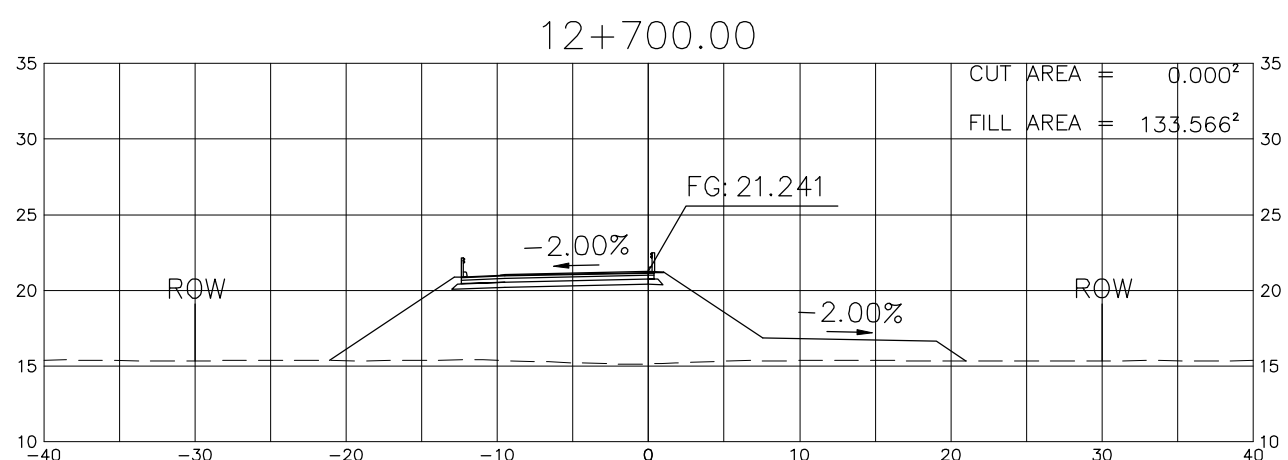
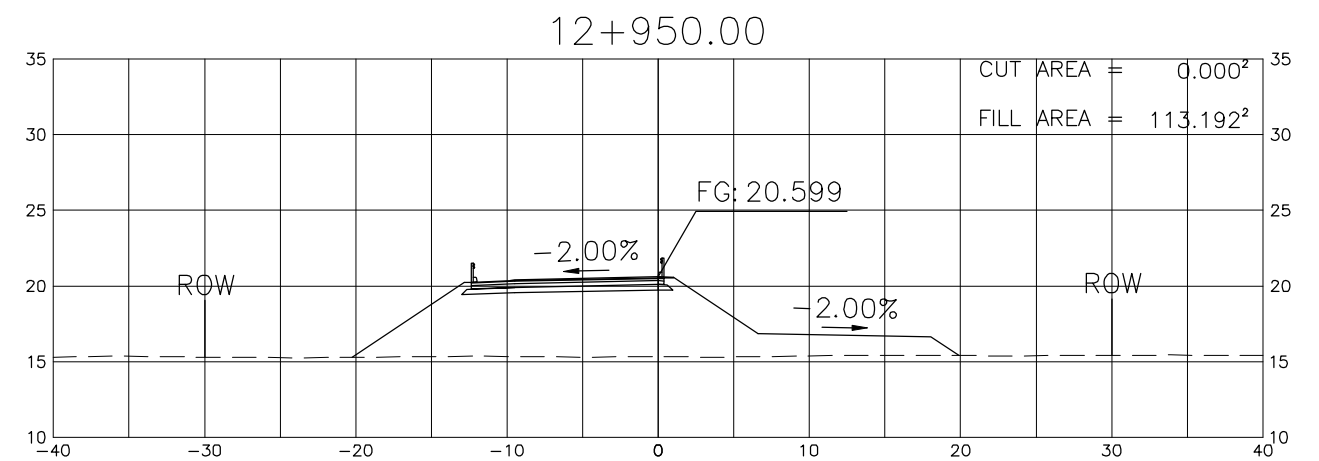
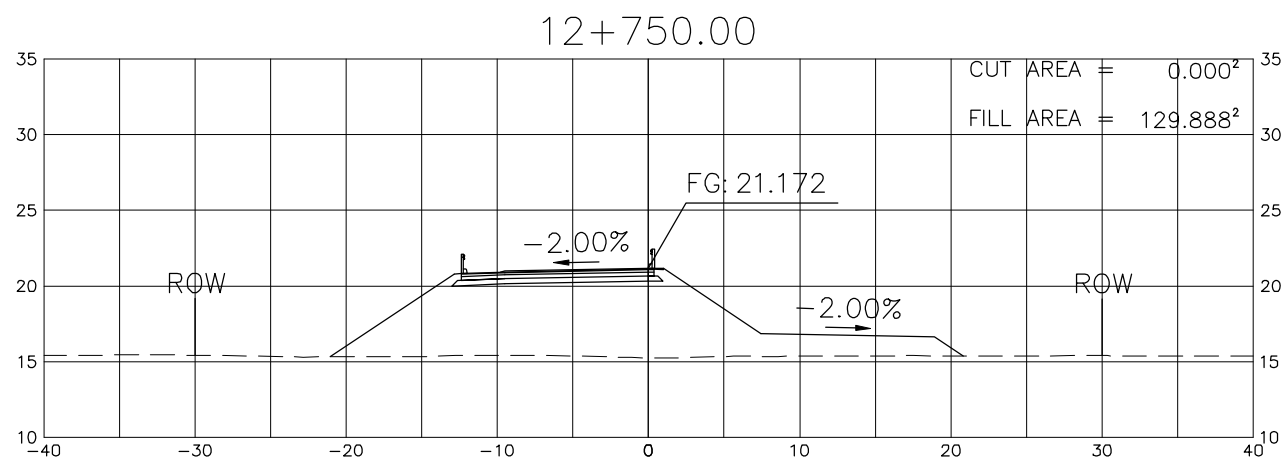
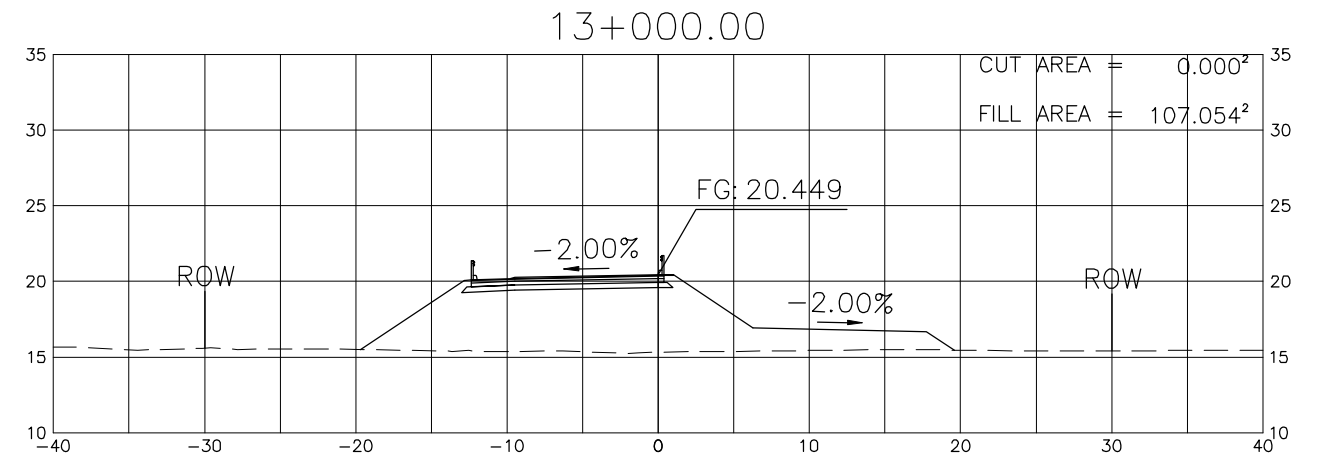
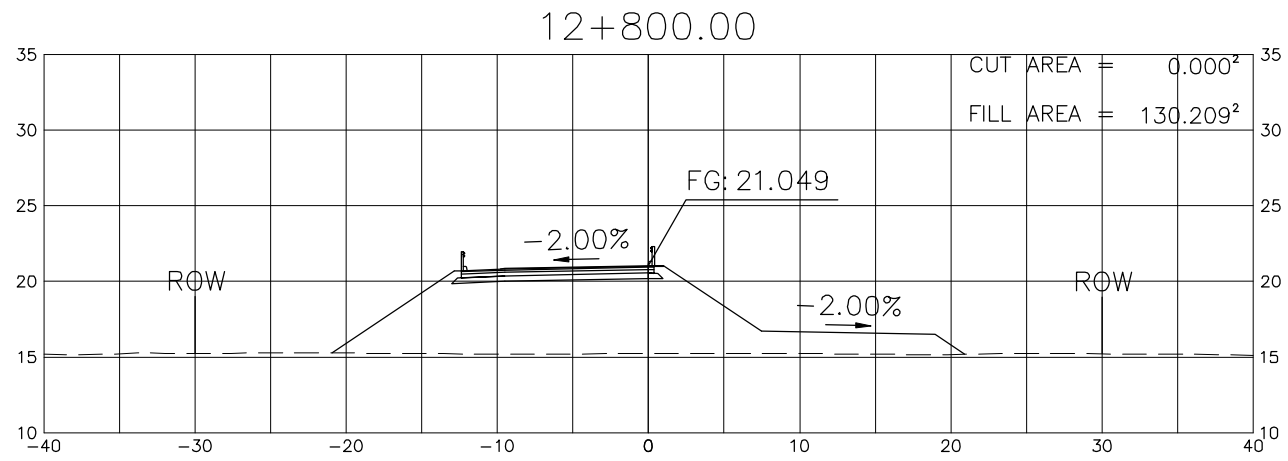
PROJECT TITLE	SCALE	SHEET CONTENT	DRAWING NO.
Preparatory survey for expressway project in Mega Manila Region CLLEX ( TARLAC - CABANATUAN )	A1 = 1:250 A3 = 1:500	CROSS SECTION (INTERIM 2 LANE) STA 11+750 TO STA 12+000	L-39
			SHEET NO.
			39 OF 90



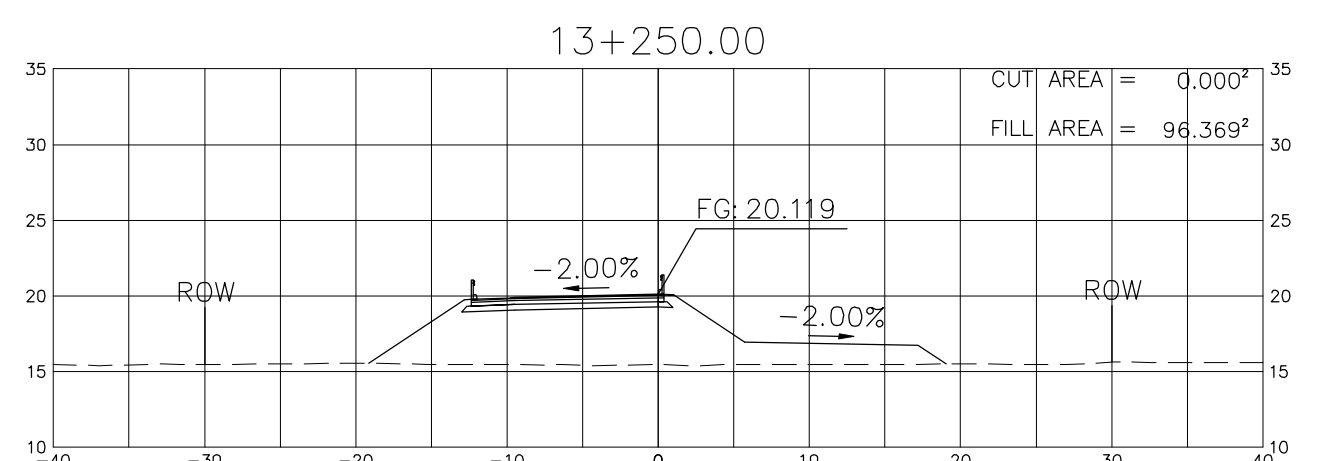
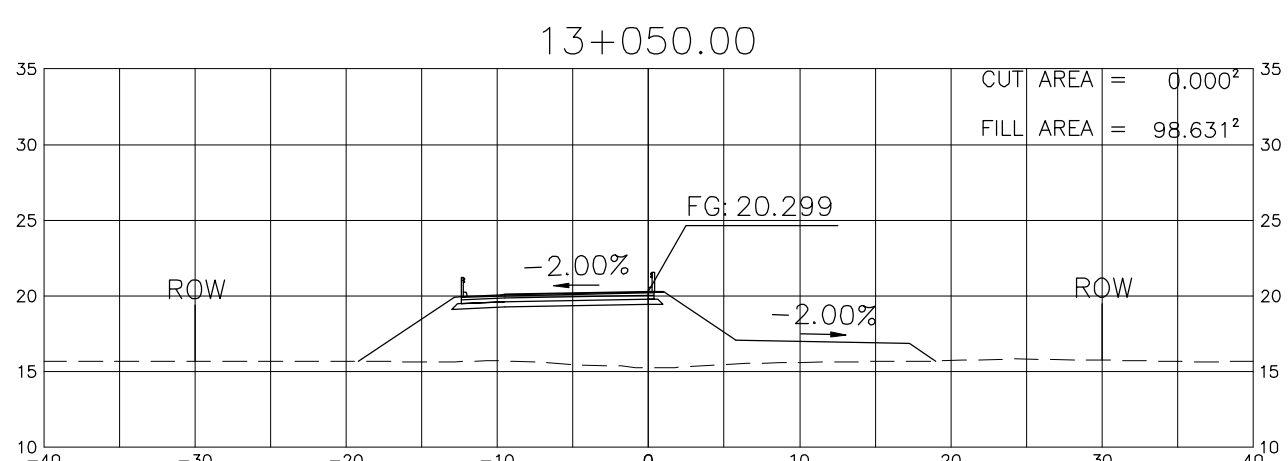
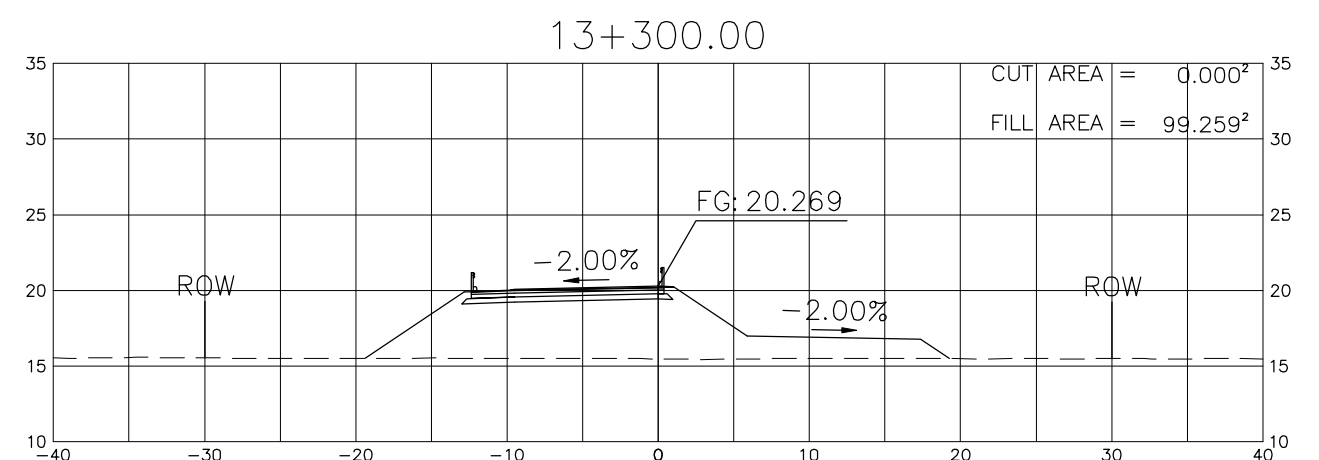
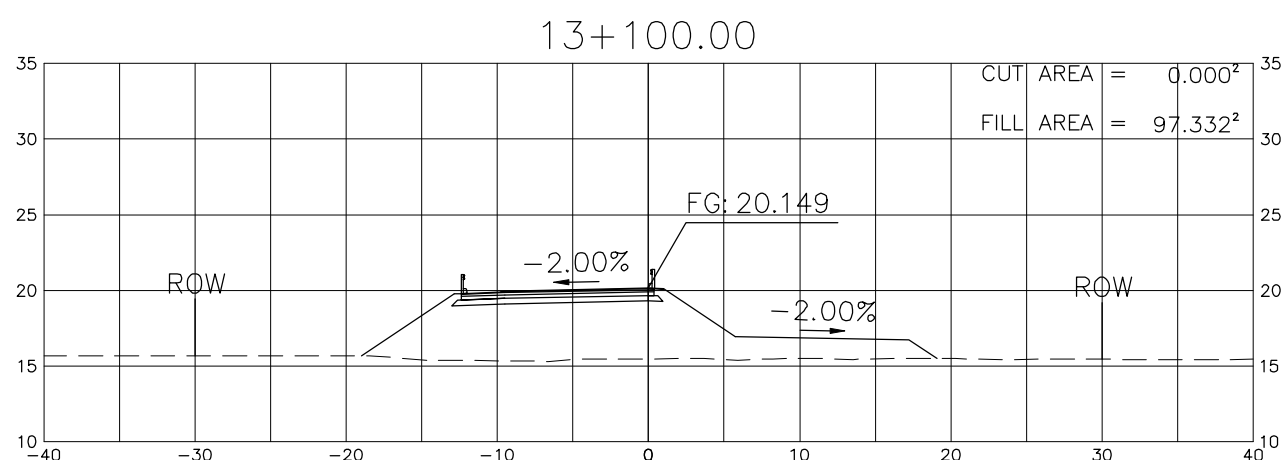
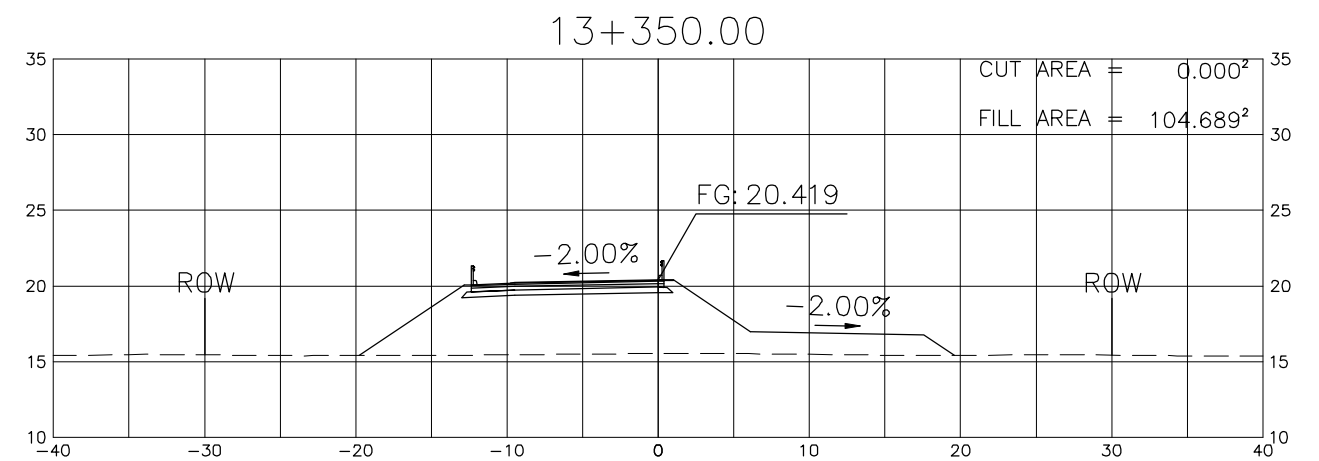
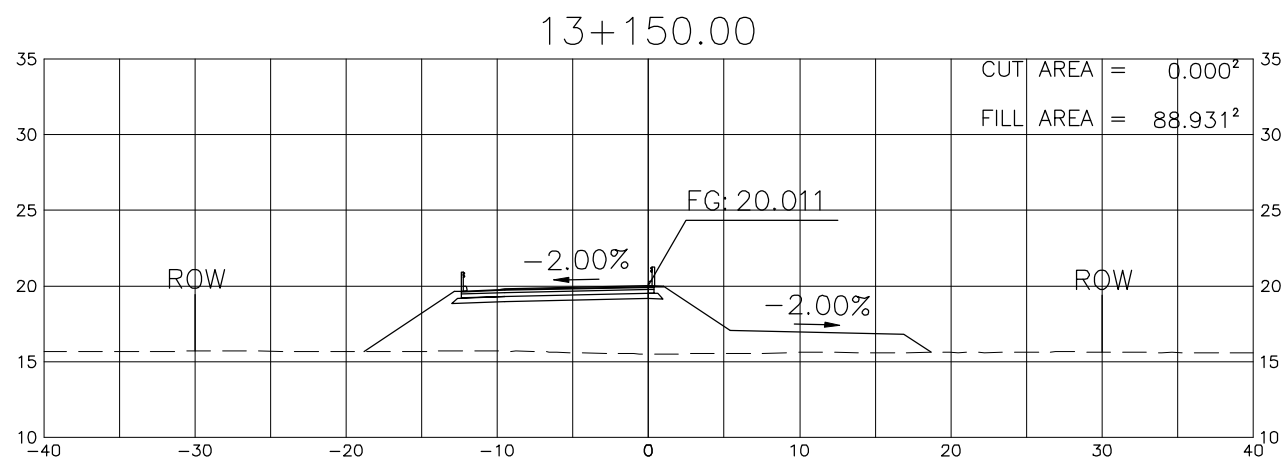
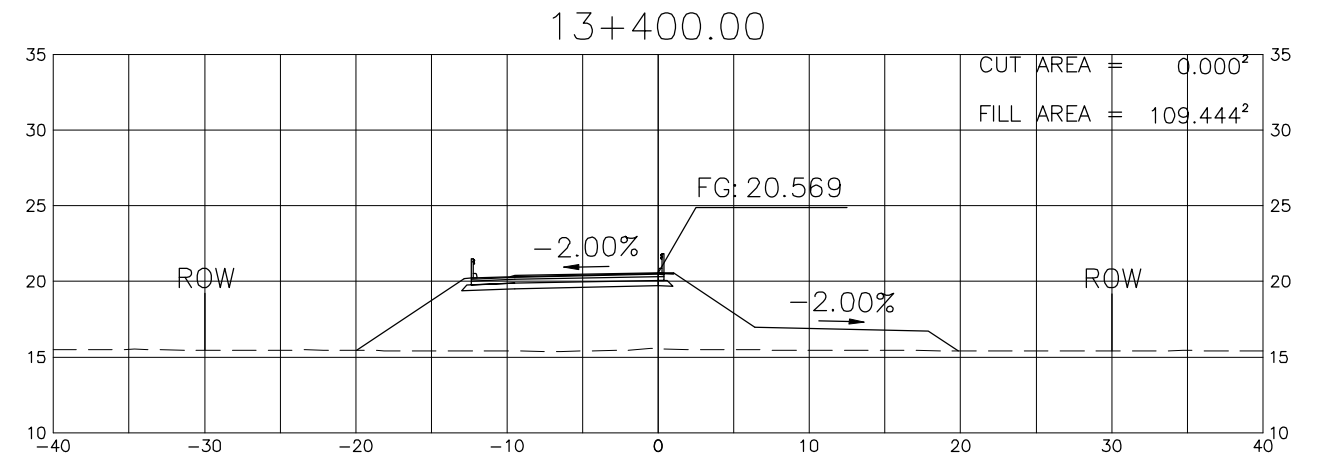
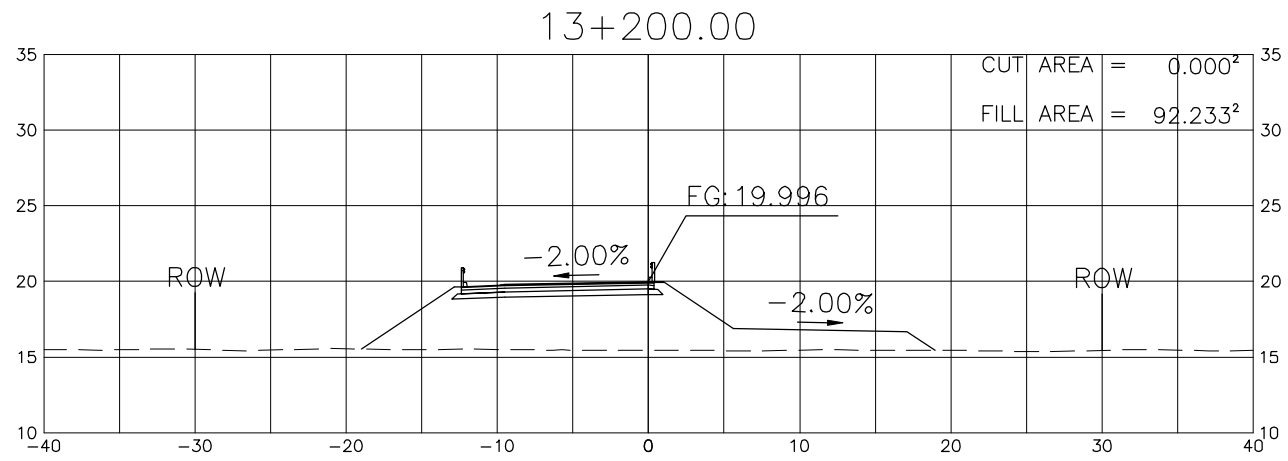
PROJECT TITLE	SCALE	SHEET CONTENT	DRAWING NO.
Preparatory survey for expressway project in Mega Manila Region CLLEX ( TARLAC - CABANATUAN )	A1 = 1:250 A3 = 1:500	CROSS SECTION (INTERIM 2 LANE) STA 12+050 TO STA 12+300	L-40
			SHEET NO.
			40 OF 90



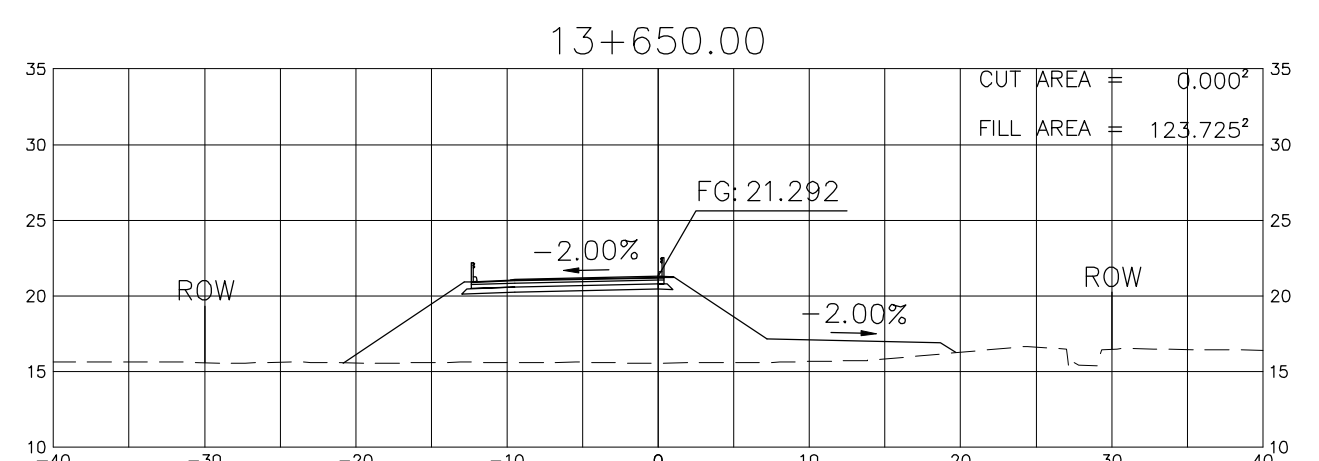
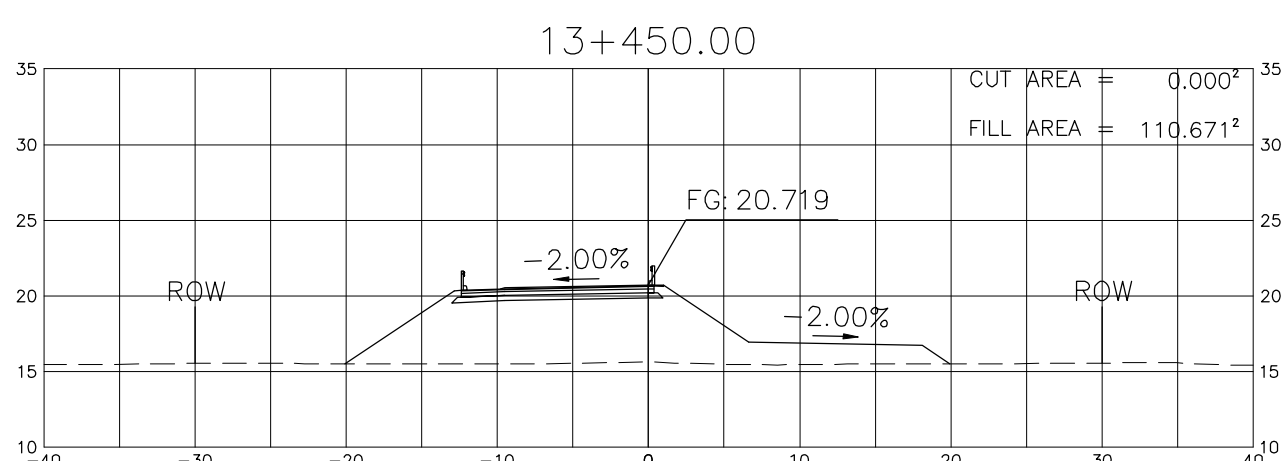
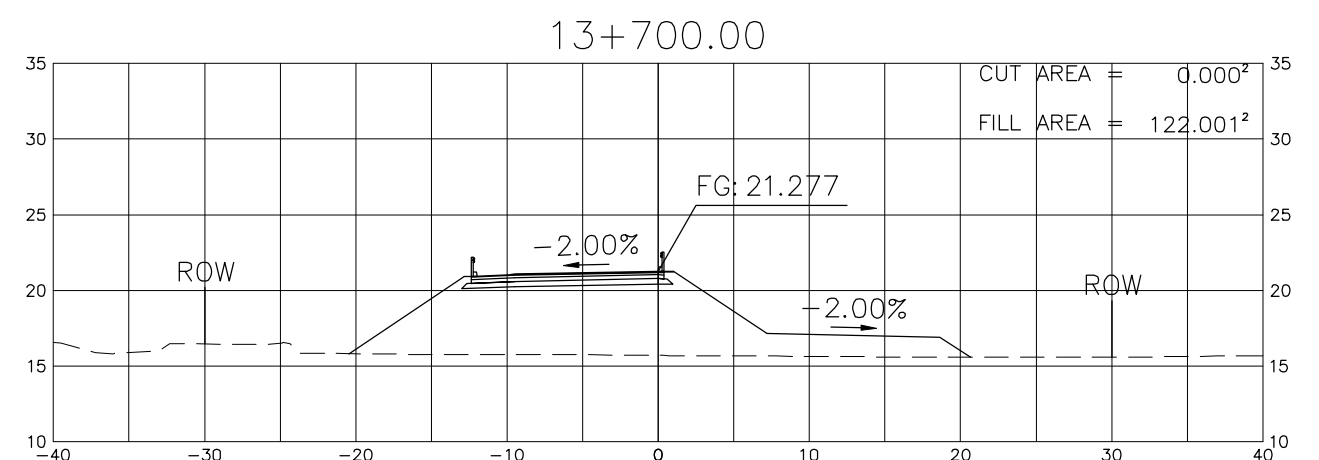
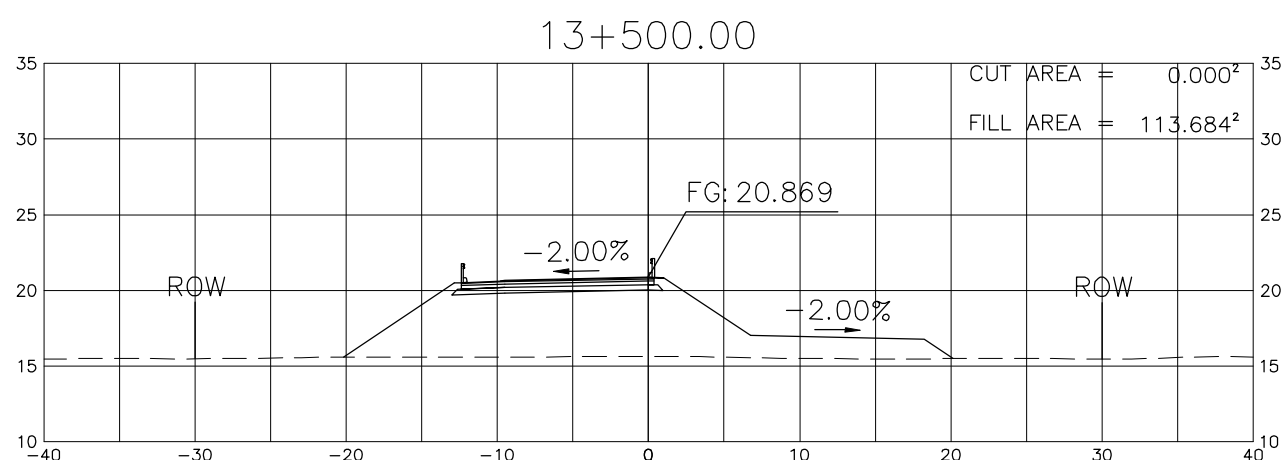
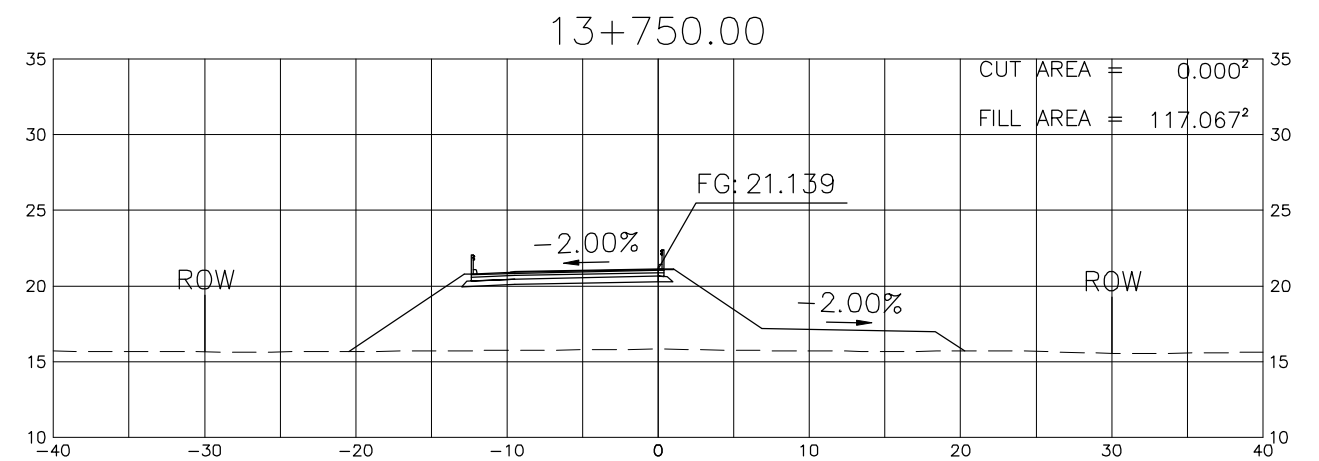
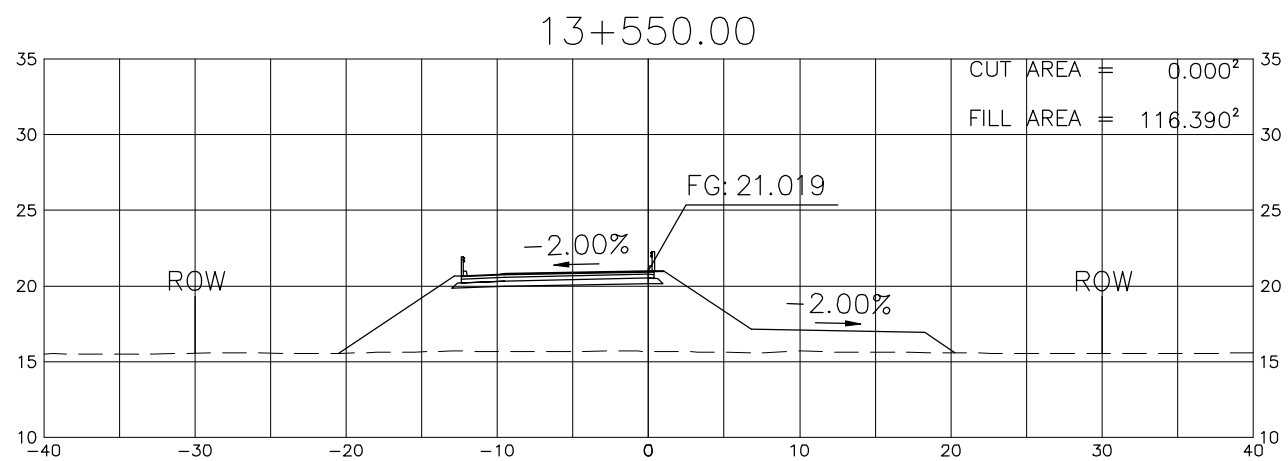
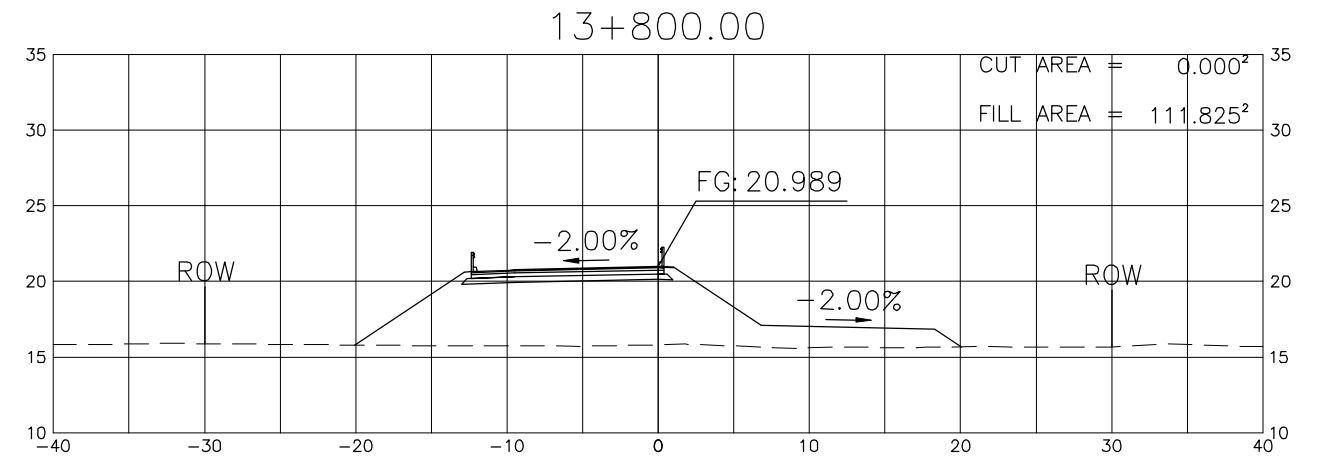
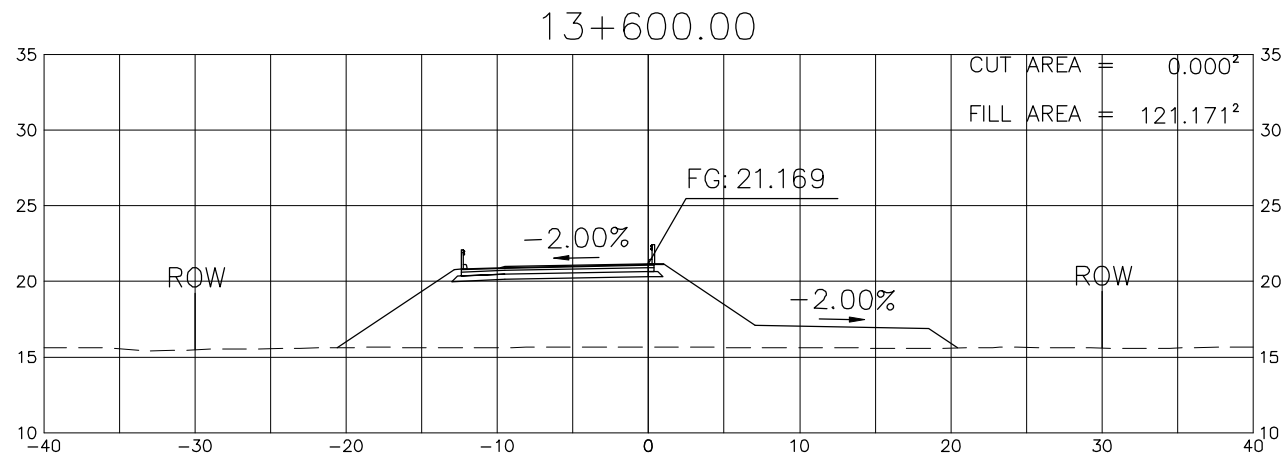
PROJECT TITLE	SCALE	SHEET CONTENT	DRAWING NO.
Preparatory survey for expressway project in Mega Manila Region CLLEX ( TARLAC - CABANATUAN )	A1 = 1:250 A3 = 1:500	CROSS SECTION (INTERIM 2 LANE) STA 12+350 TO STA 12+600	L-41
			SHEET NO.
			41 OF 90



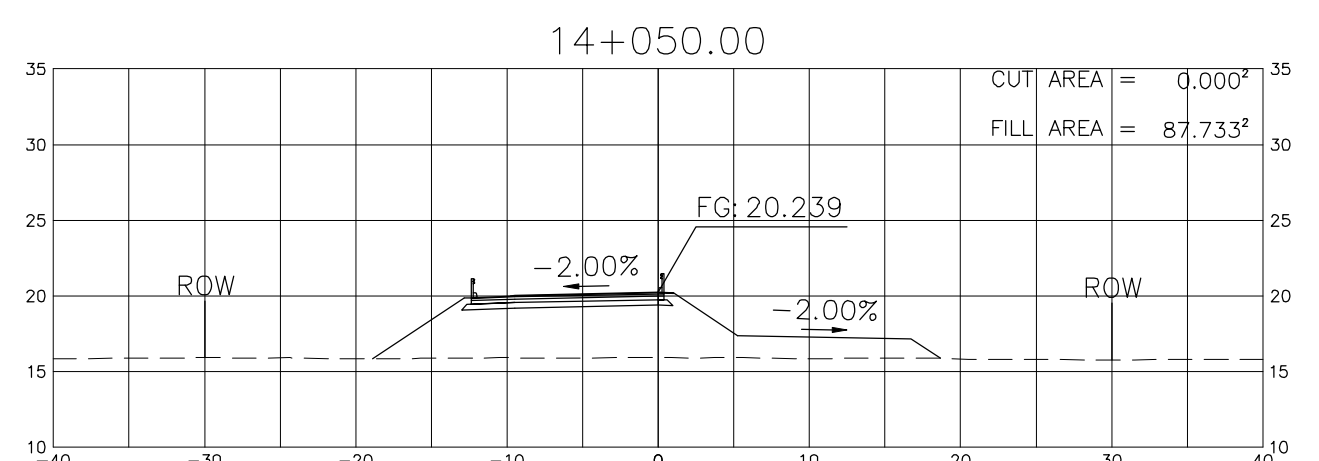
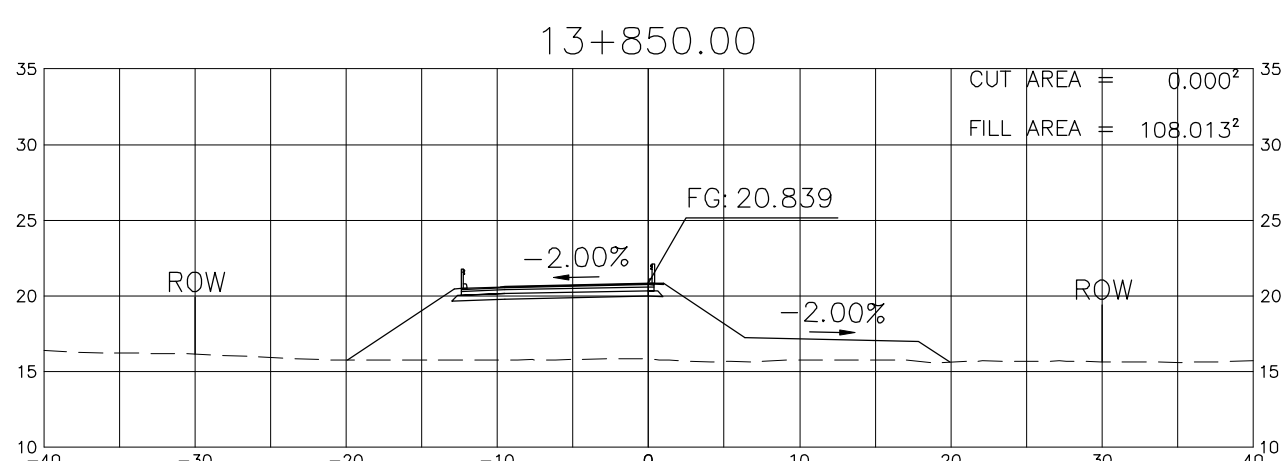
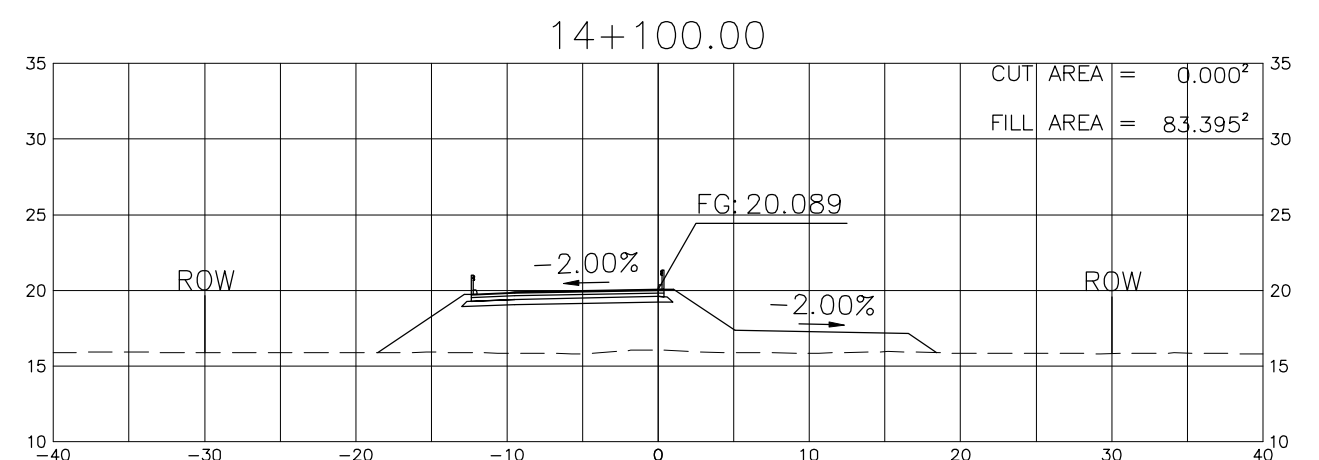
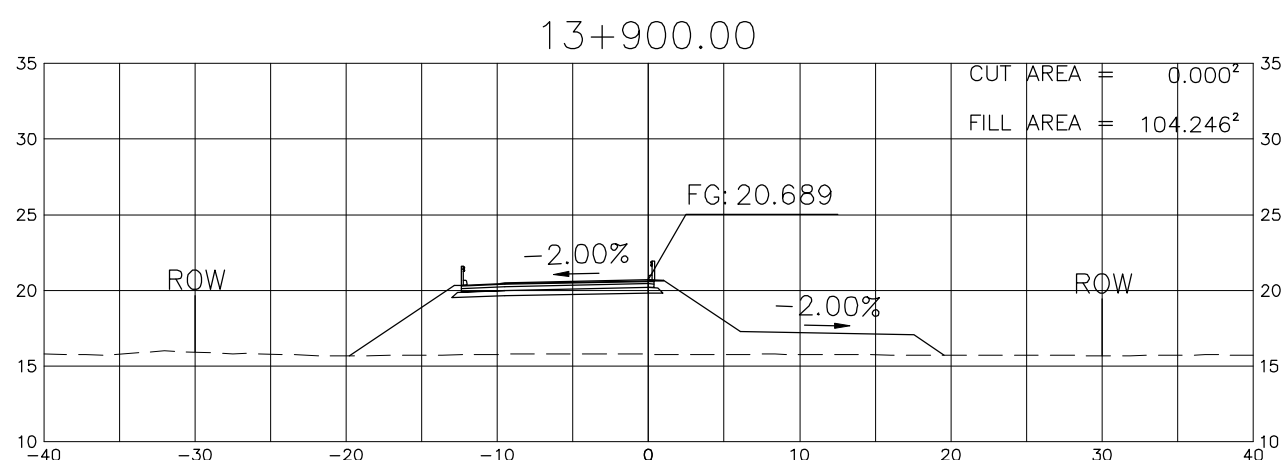
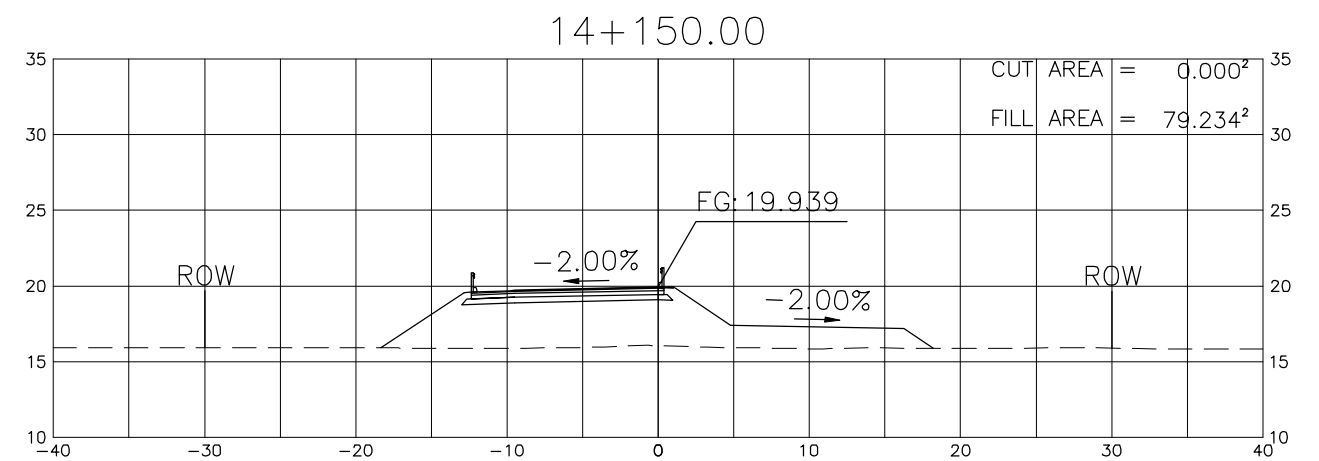
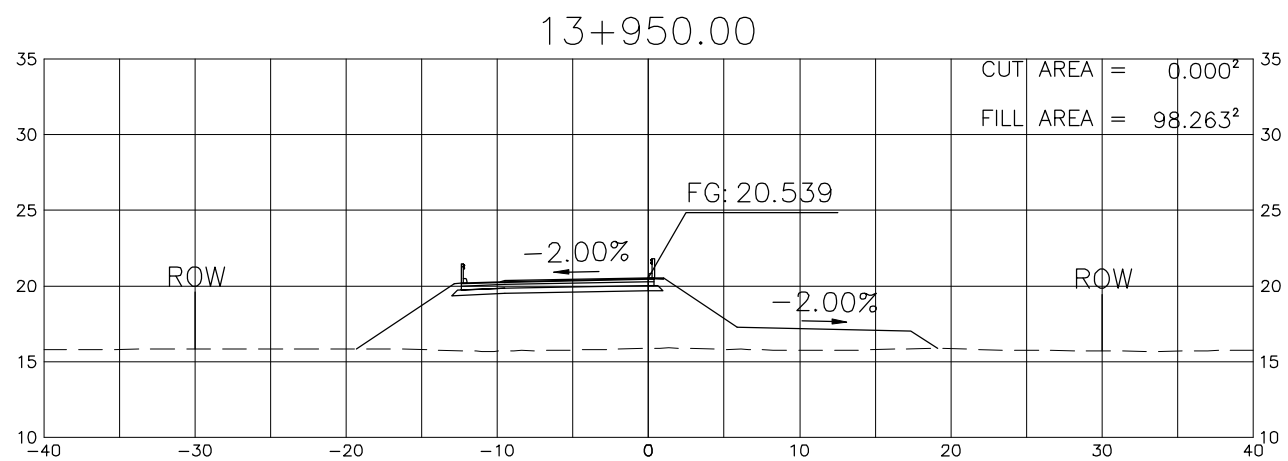
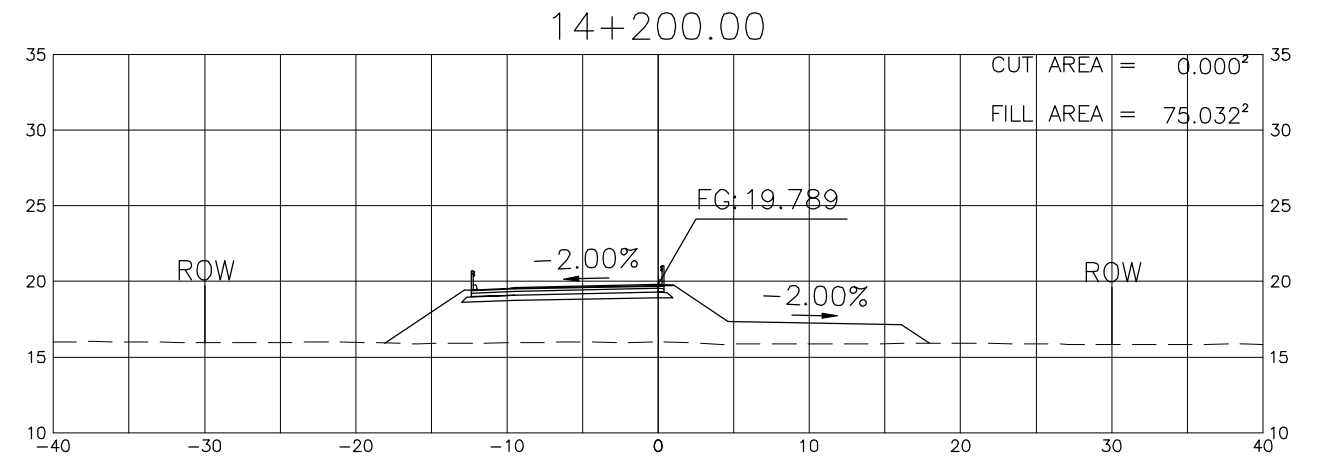
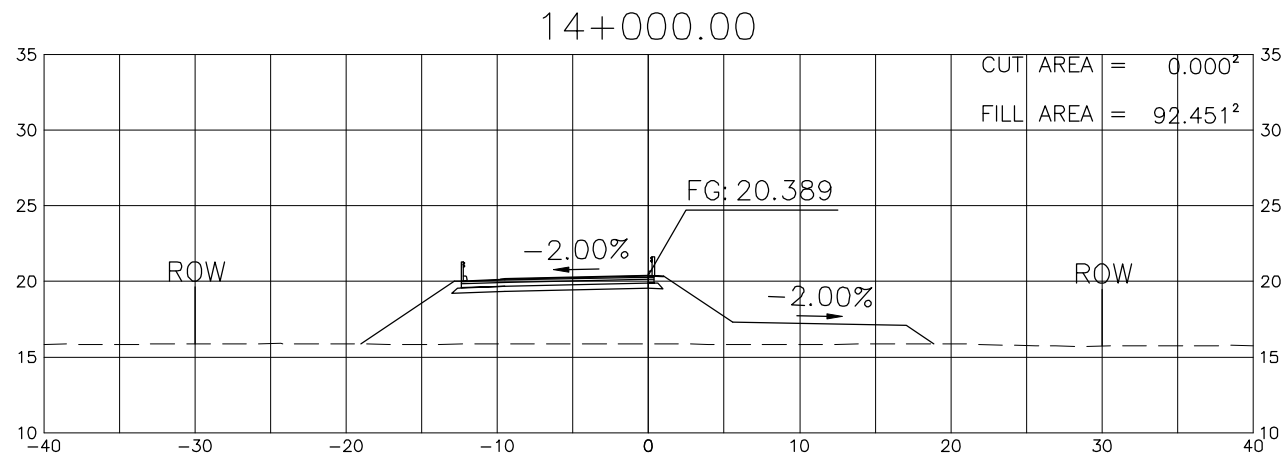
PROJECT TITLE	SCALE	SHEET CONTENT	DRAWING NO.
Preparatory survey for expressway project in Mega Manila Region CLLEX ( TARLAC - CABANATUAN )	A1 = 1:250 A3 = 1:500	CROSS SECTION (INTERIM 2 LANE) STA 12+650 TO STA 13+0300	L-42
			SHEET NO.
			42 OF 90



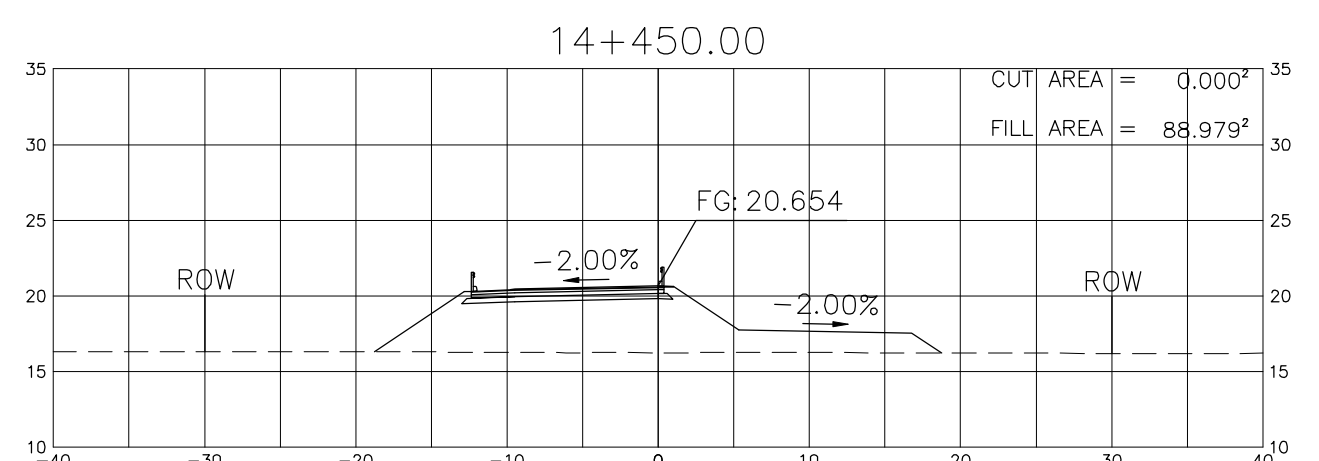
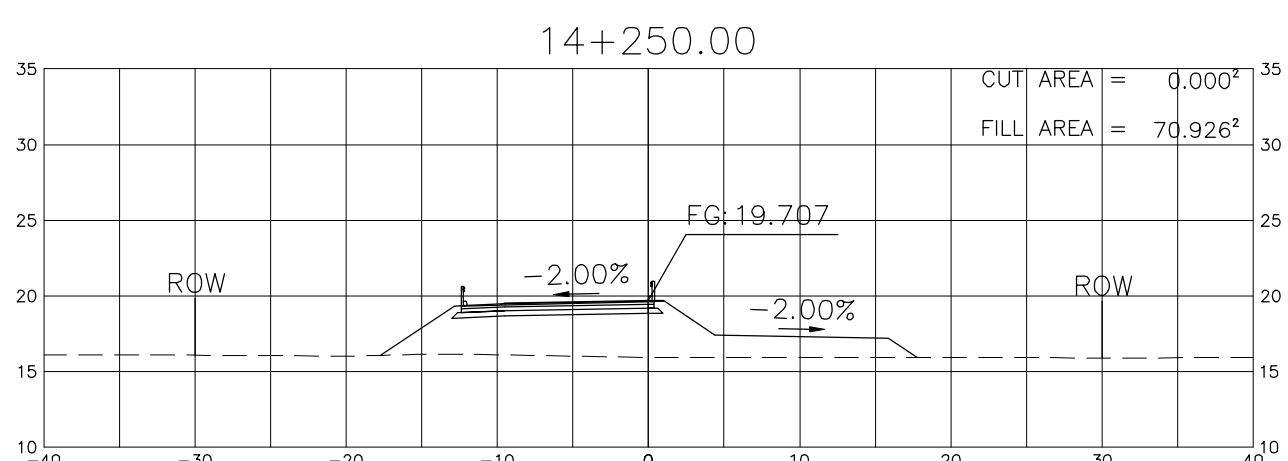
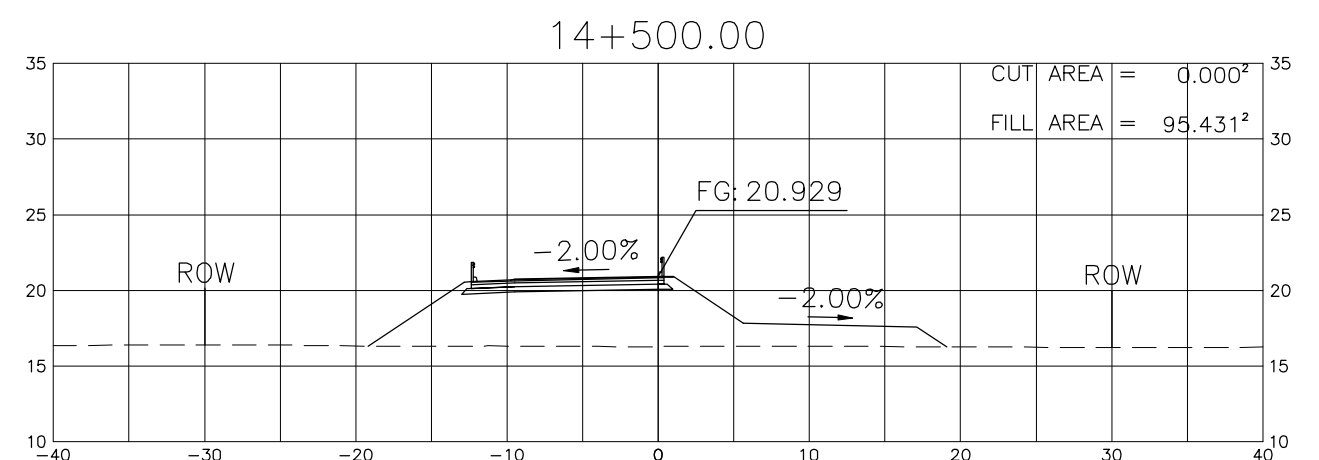
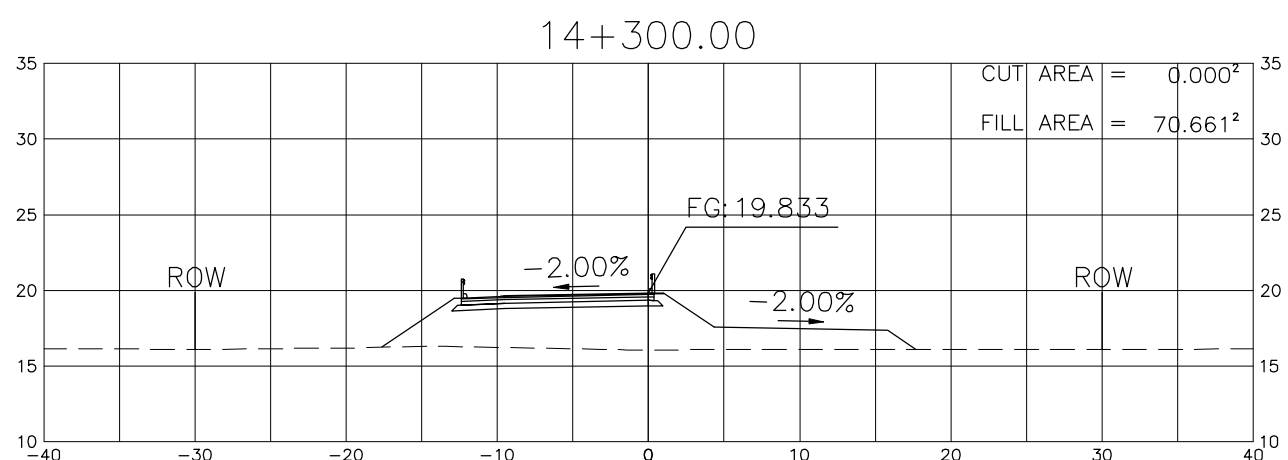
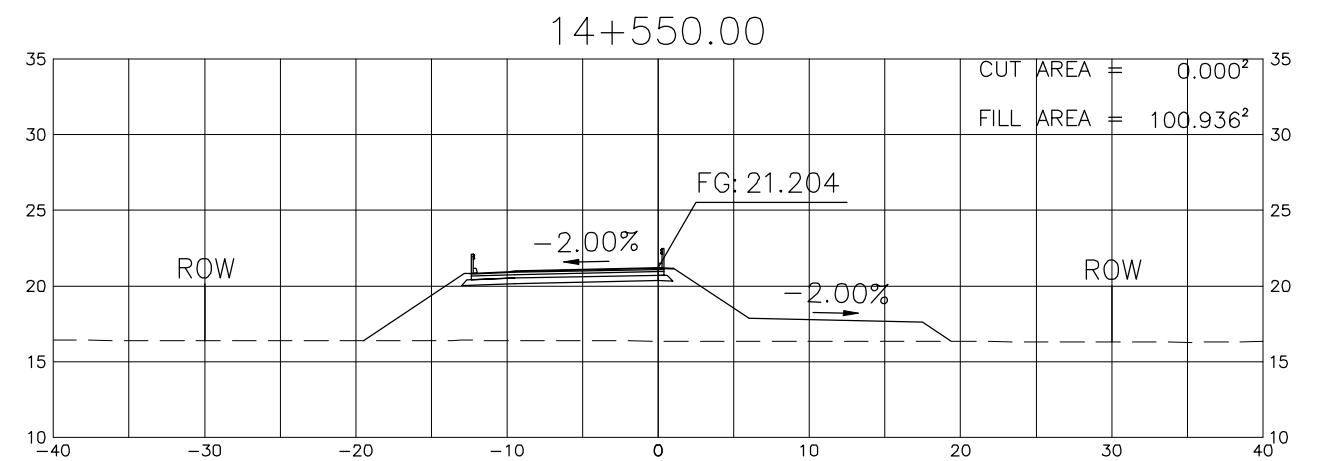
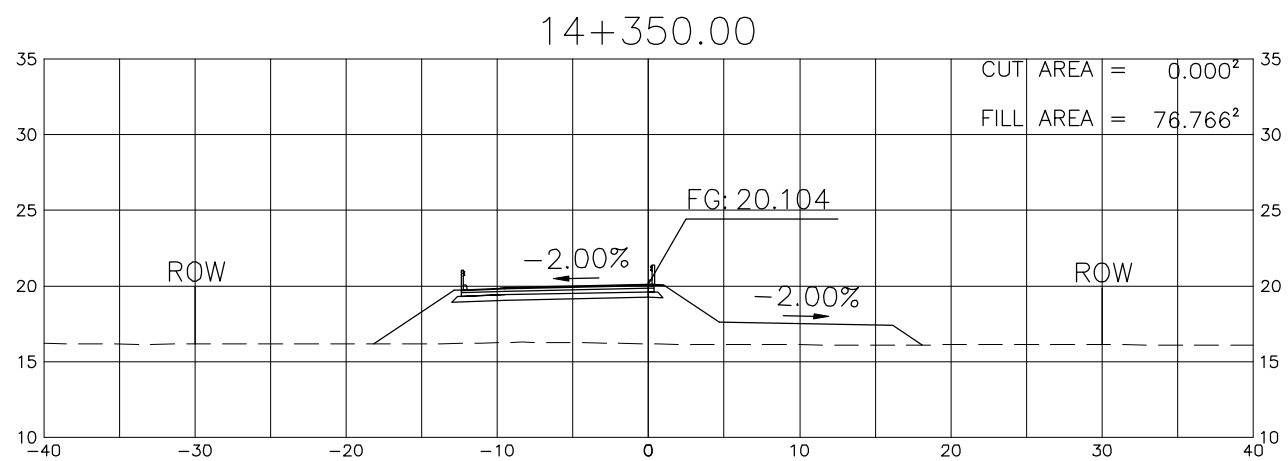
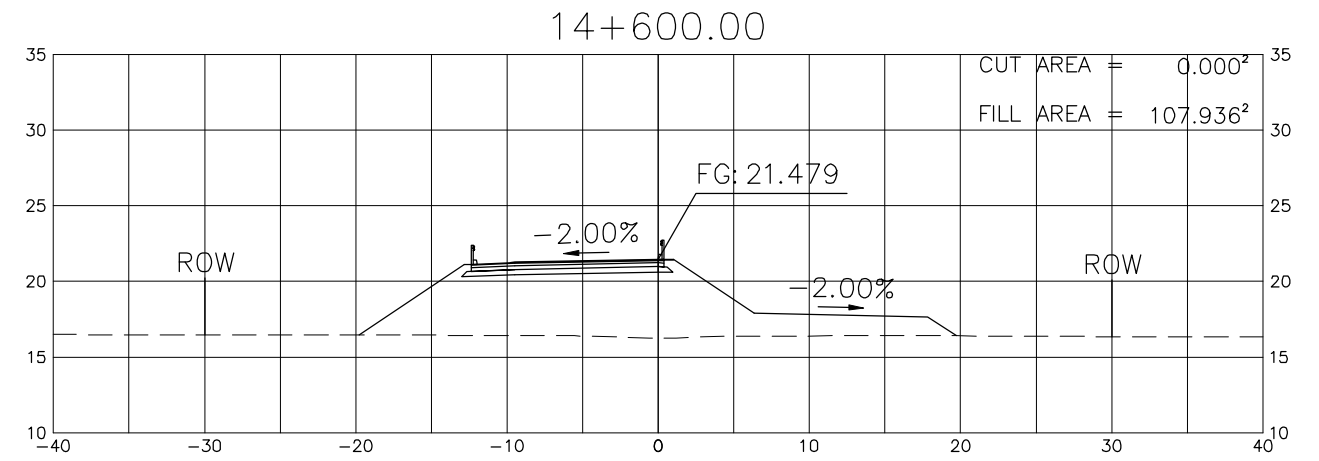
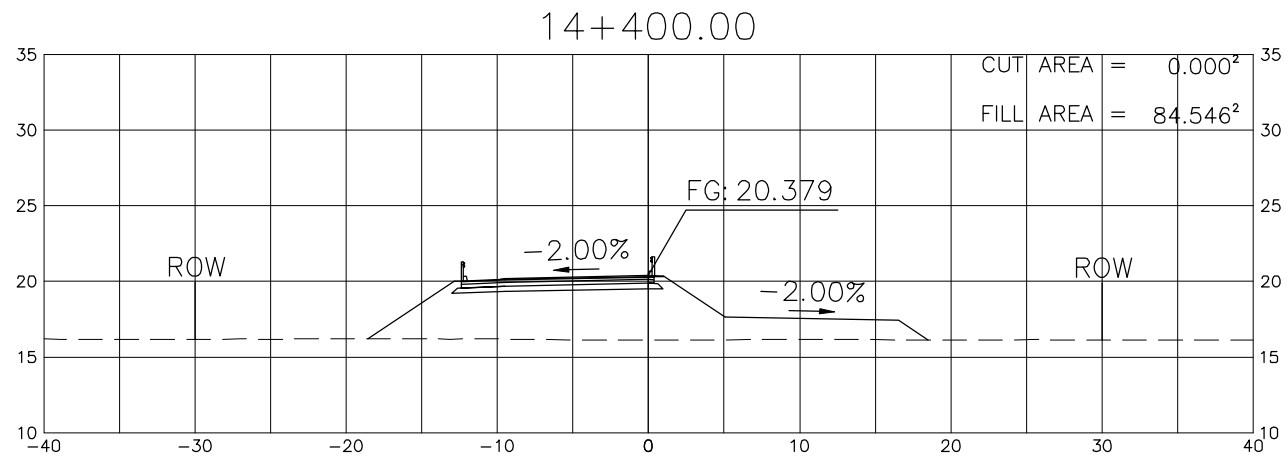
PROJECT TITLE	SCALE	SHEET CONTENT	DRAWING NO.
Preparatory survey for expressway project in Mega Manila Region CLLEX ( TARLAC - CABANATUAN )	A1 = 1:250 A3 = 1:500	CROSS SECTION (INTERIM 2 LANE) STA 13+050 TO STA 13+400	L-43
			SHEET NO.
			43 OF 90



PROJECT TITLE	SCALE	SHEET CONTENT	DRAWING NO.
Preparatory survey for expressway project in Mega Manila Region CLLEX ( TARLAC - CABANATUAN )	A1 = 1:250 A3 = 1:500	CROSS SECTION (INTERIM 2 LANE) STA 13+450 TO STA 13+800	L-44
			SHEET NO.
			44 OF 90

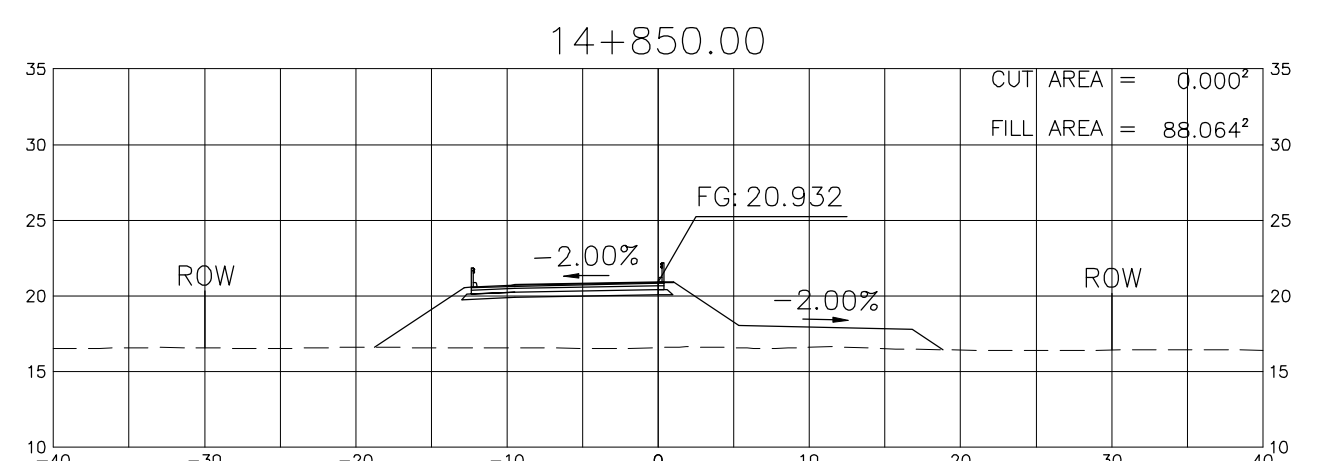
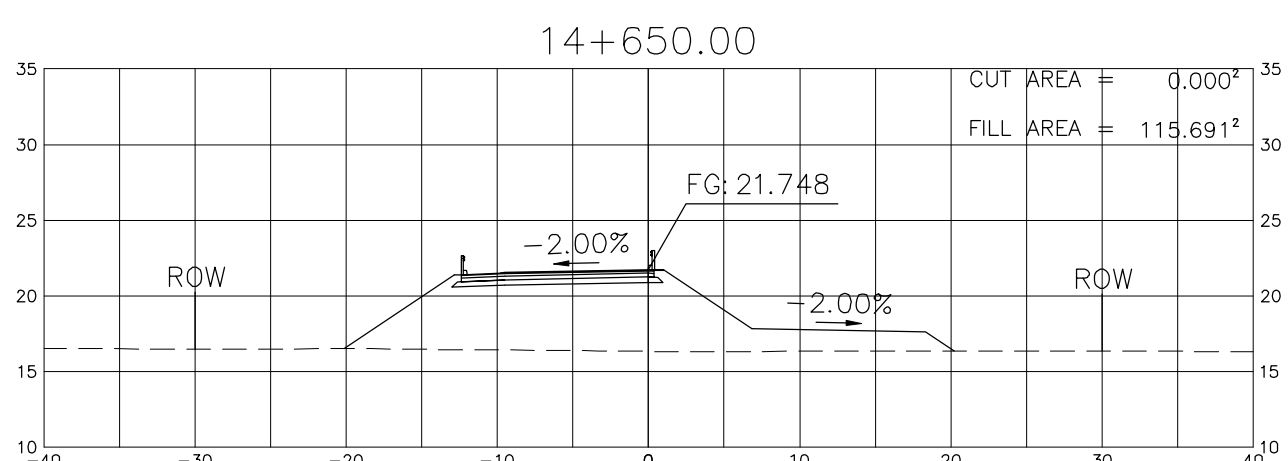
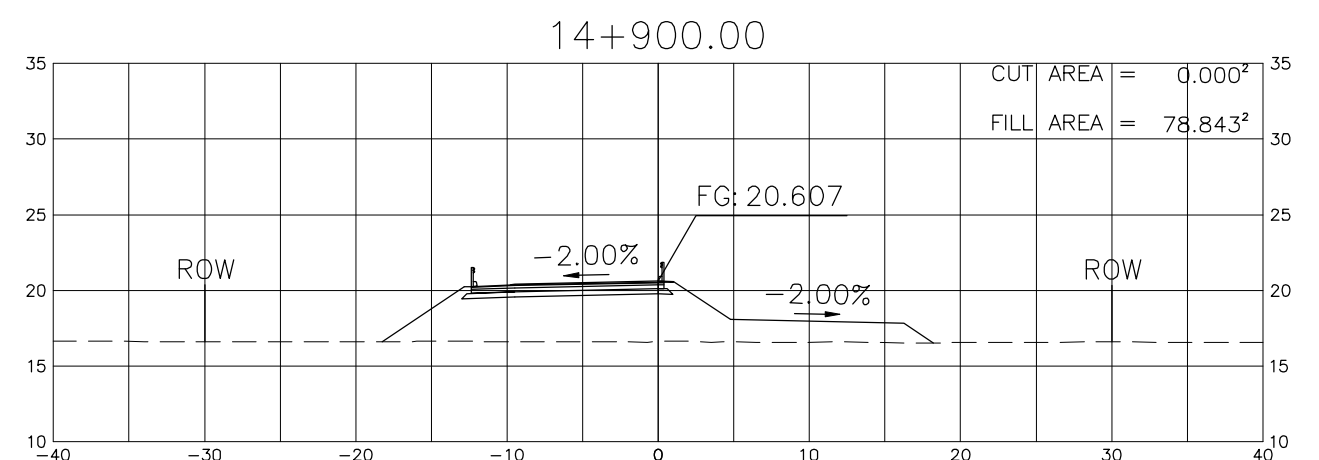
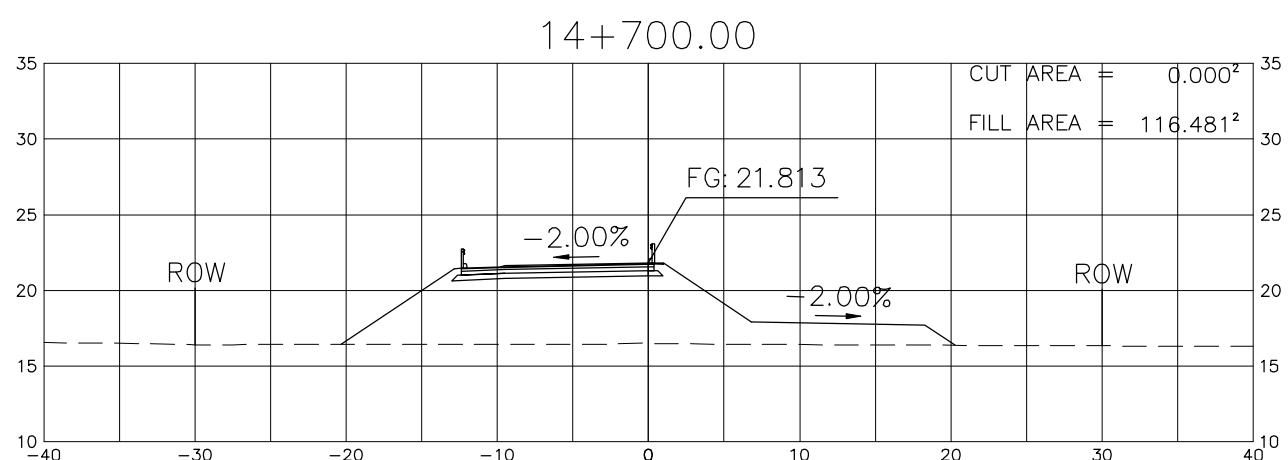
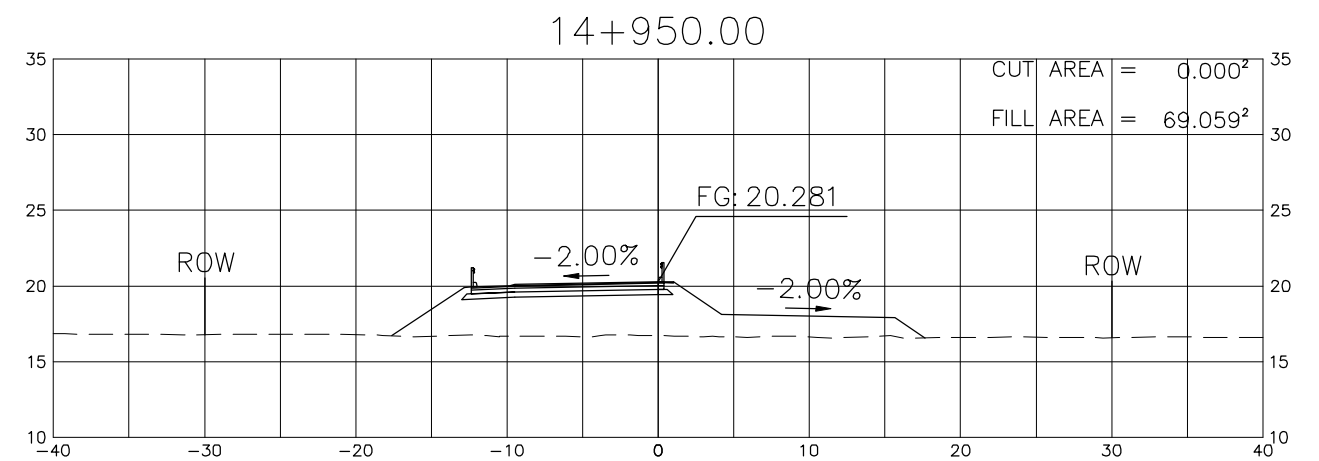
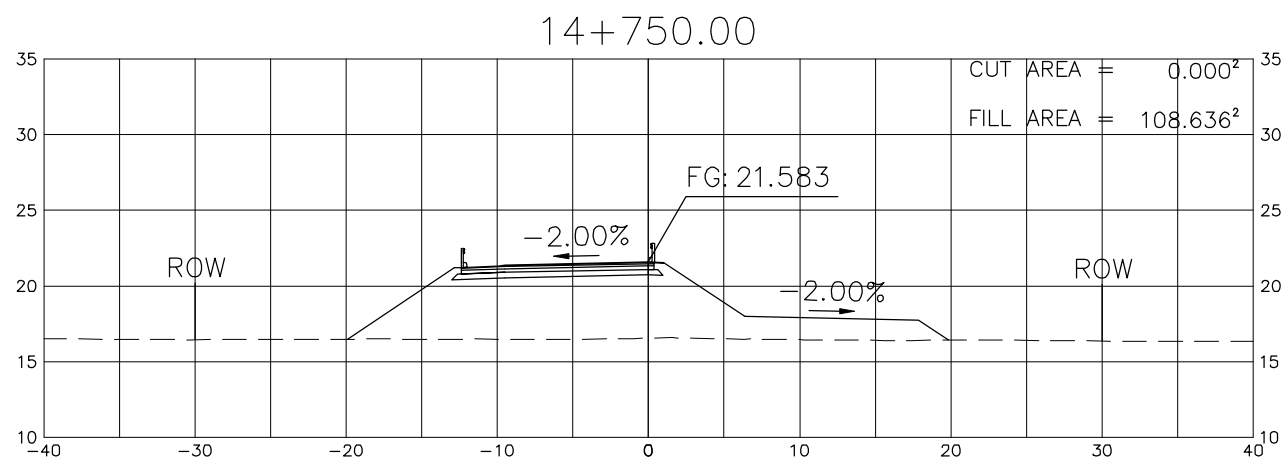
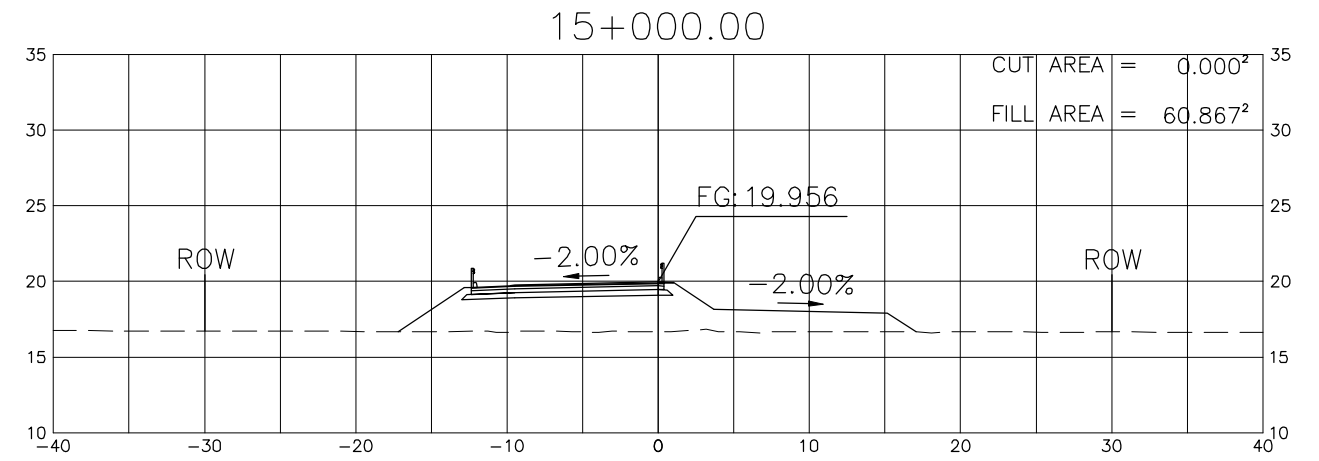
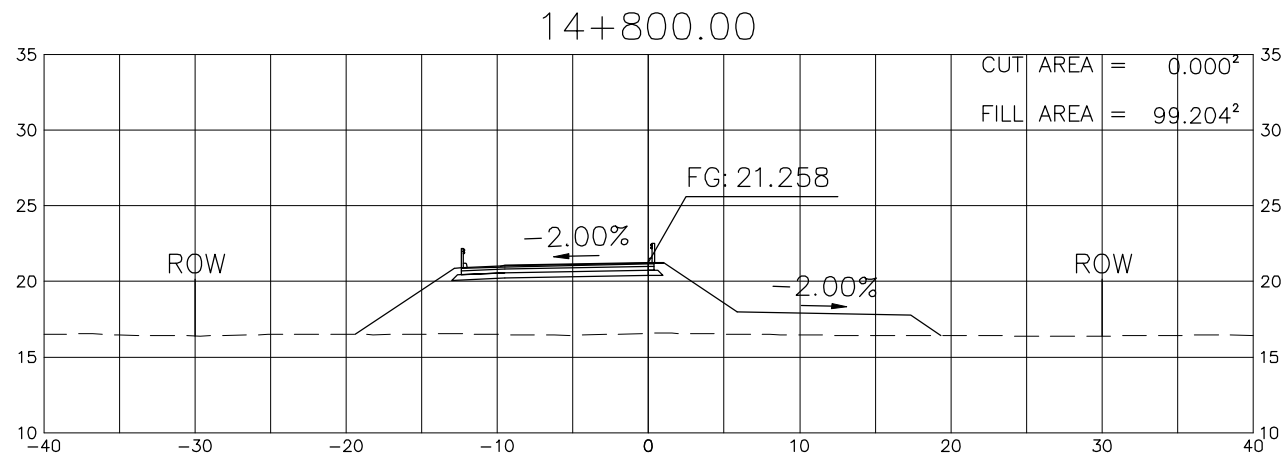


PROJECT TITLE	SCALE	SHEET CONTENT	DRAWING NO.
Preparatory survey for expressway project in Mega Manila Region CLLEX ( TARLAC - CABANATUAN )	A1 = 1:250 A3 = 1:500	CROSS SECTION (INTERIM 2 LANE) STA 13+850 TO STA 14+200	L-45
			SHEET NO.
			45 OF 90

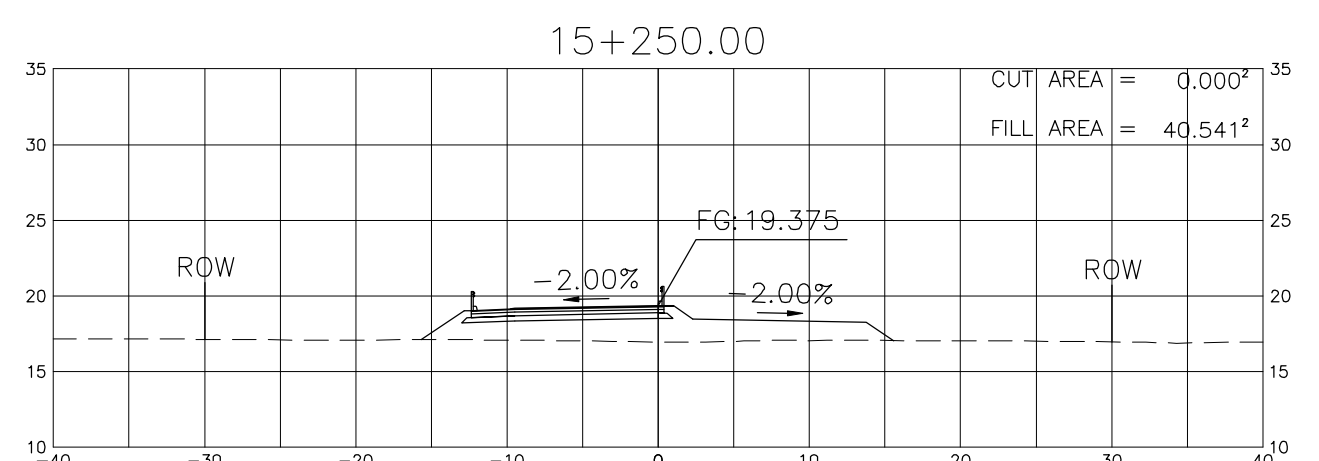
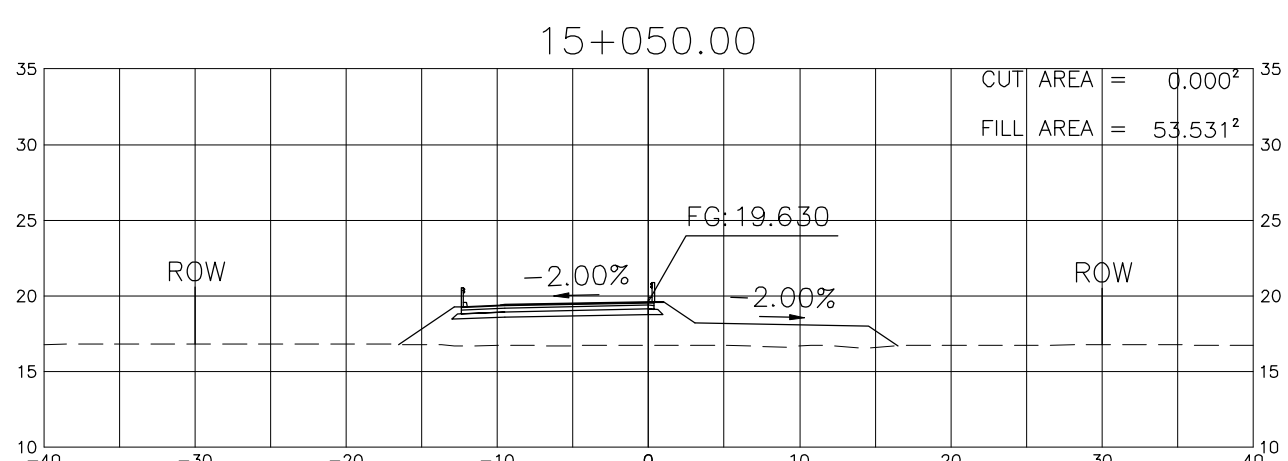
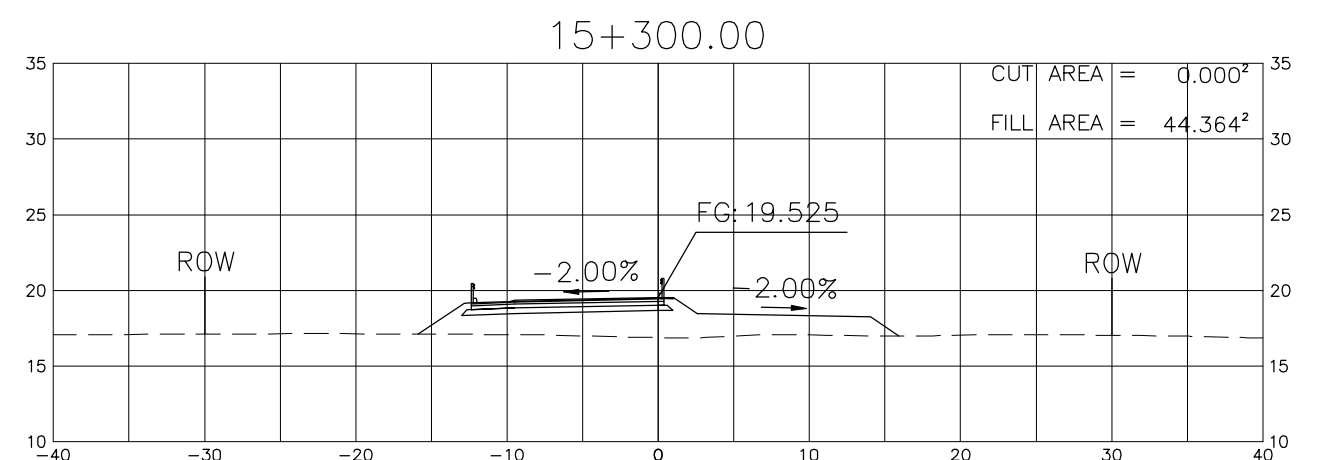
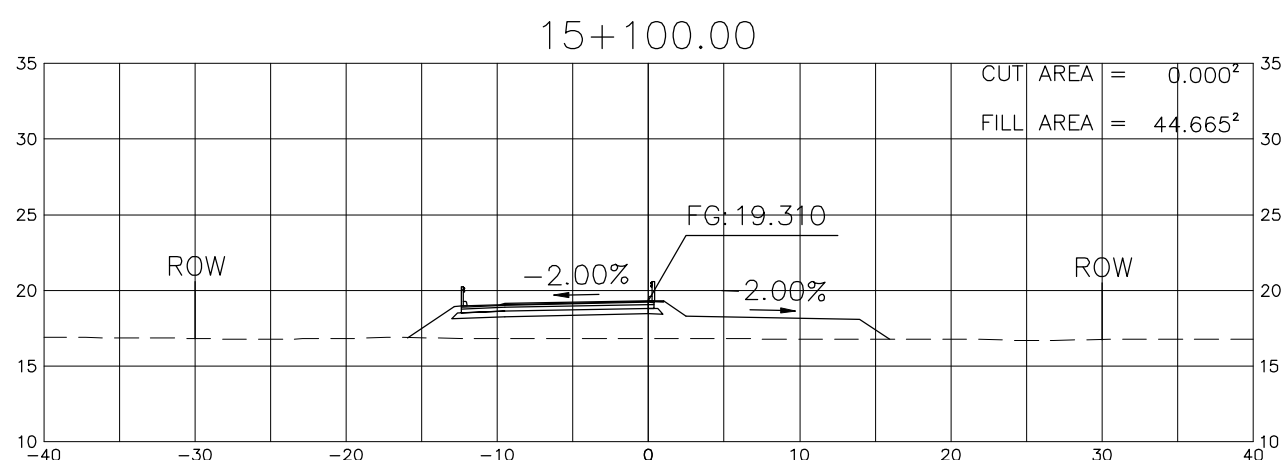
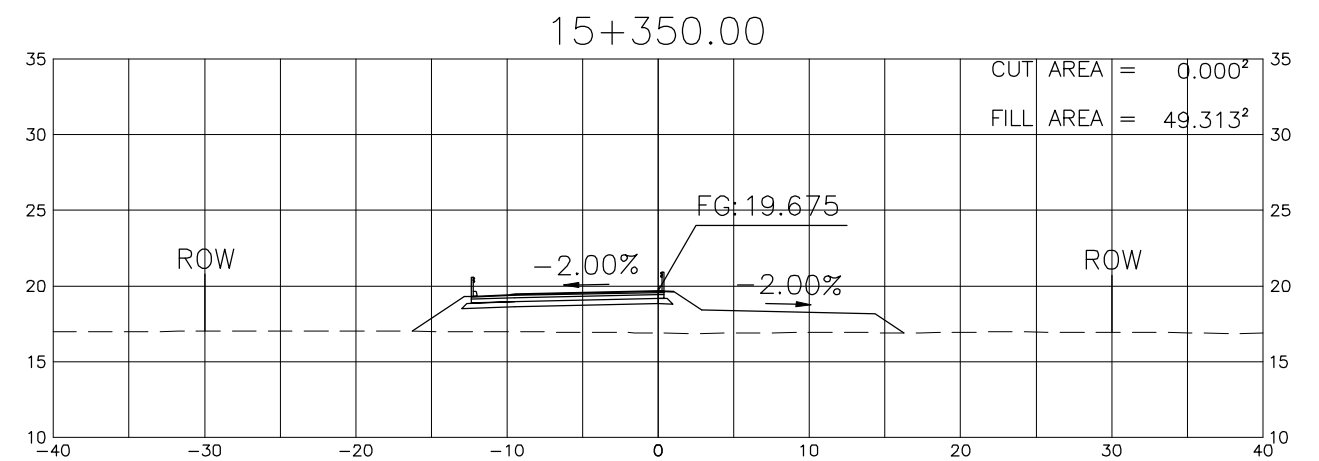
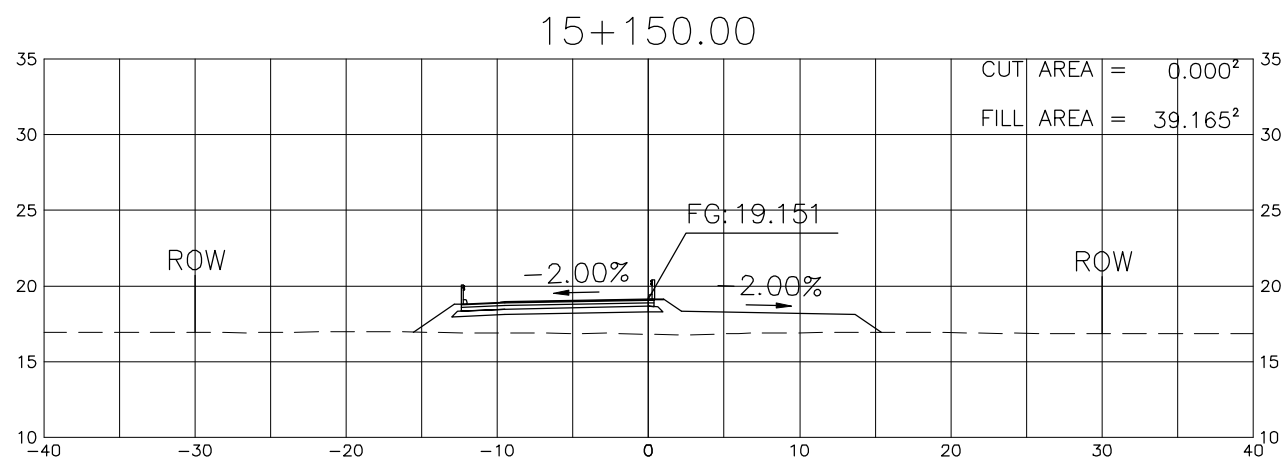
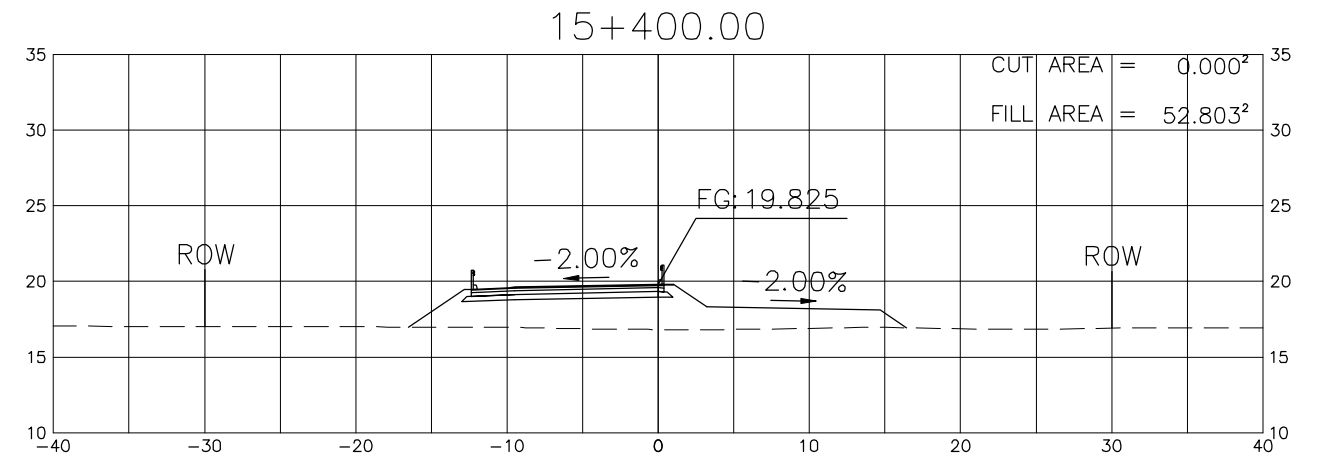
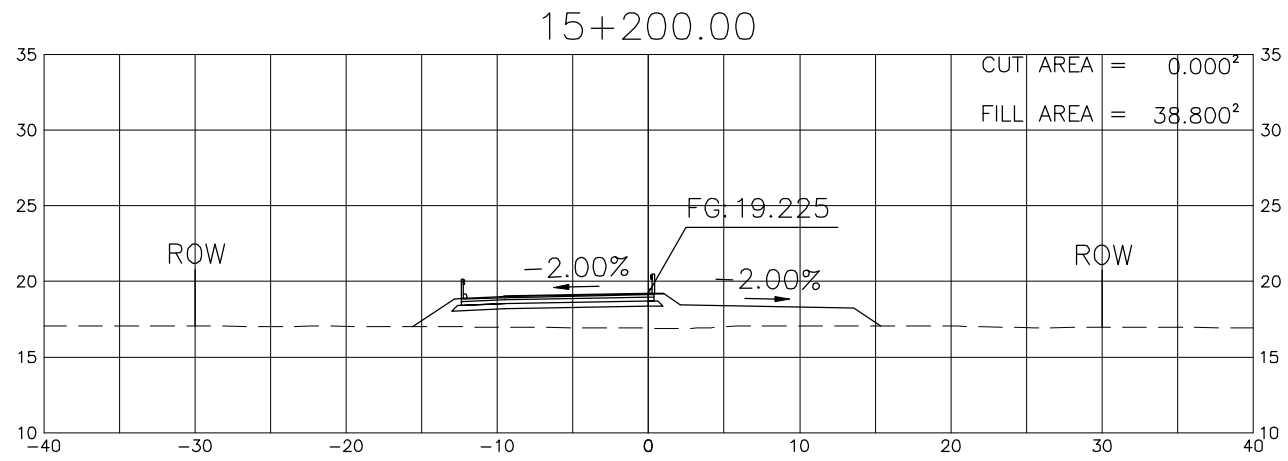


PROJECT TITLE	SCALE	SHEET CONTENT	DRAWING NO.
Preparatory survey for expressway project in Mega Manila Region CLLEX ( TARLAC - CABANATUAN )	A1 = 1:250 A3 = 1:500	CROSS SECTION (INTERIM 2 LANE) STA 14+250 TO STA 14+600	L-46
			SHEET NO.
			46 OF 90

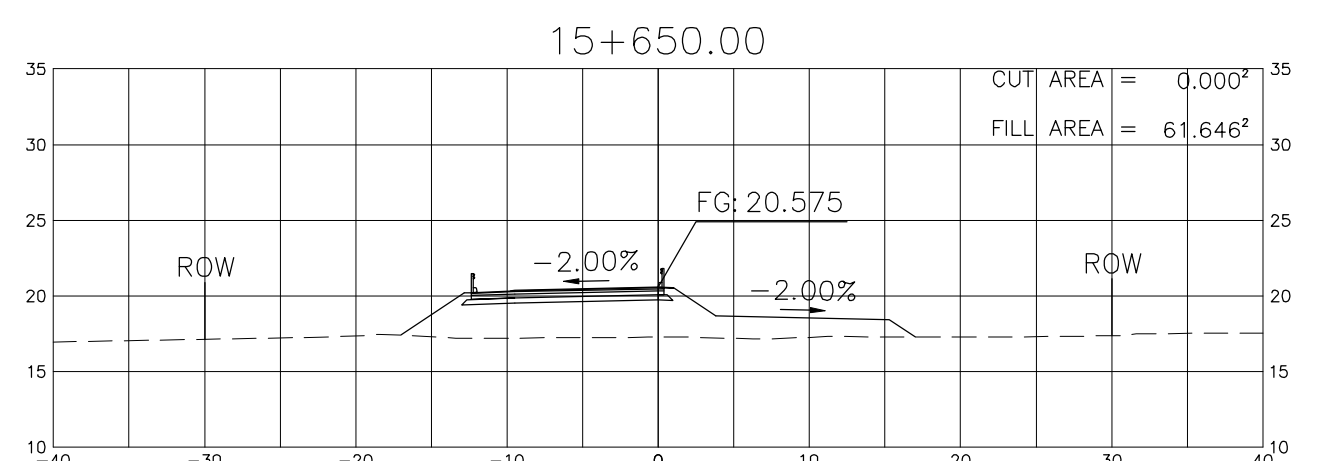
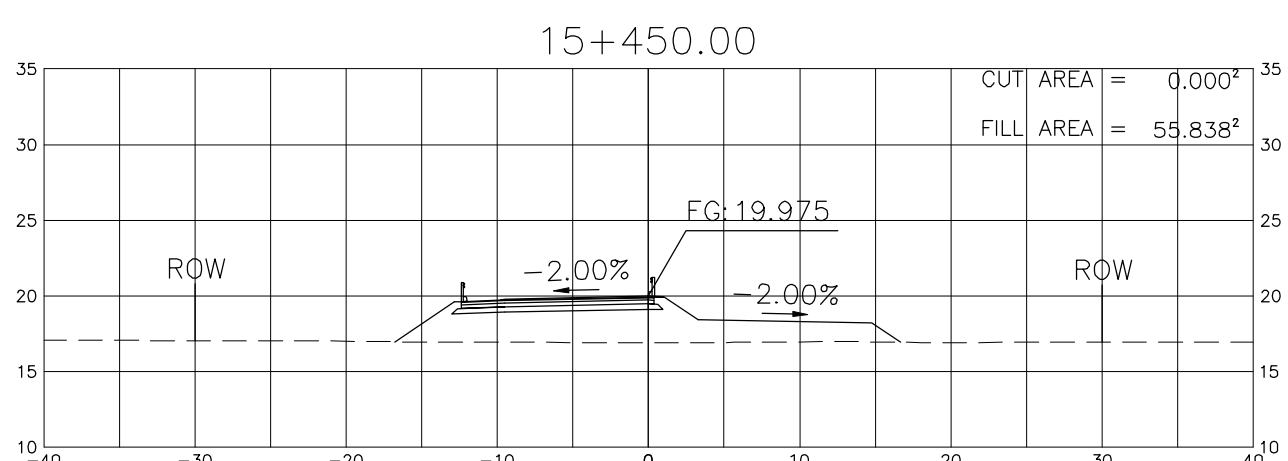
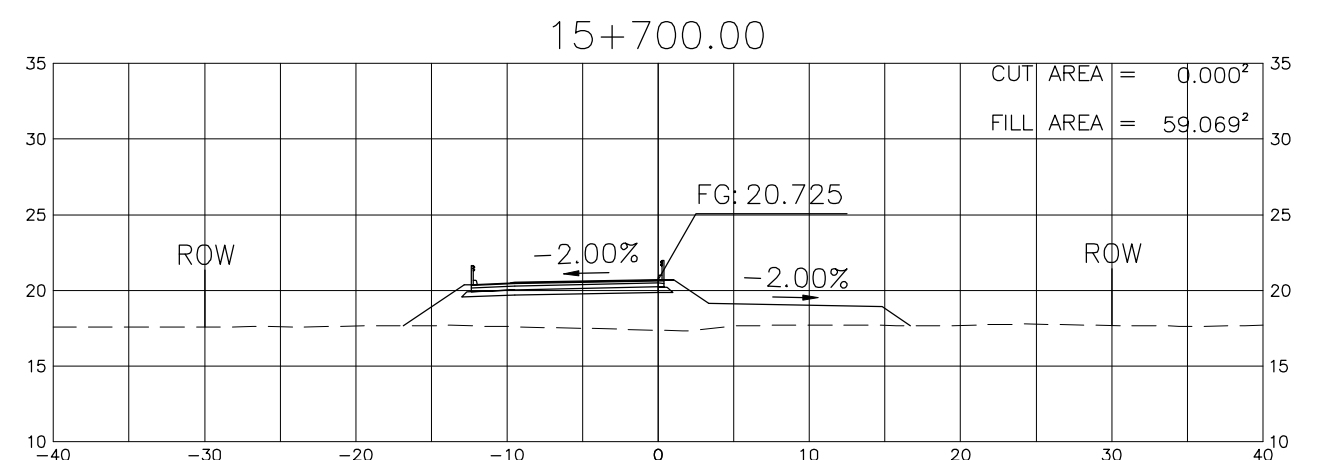
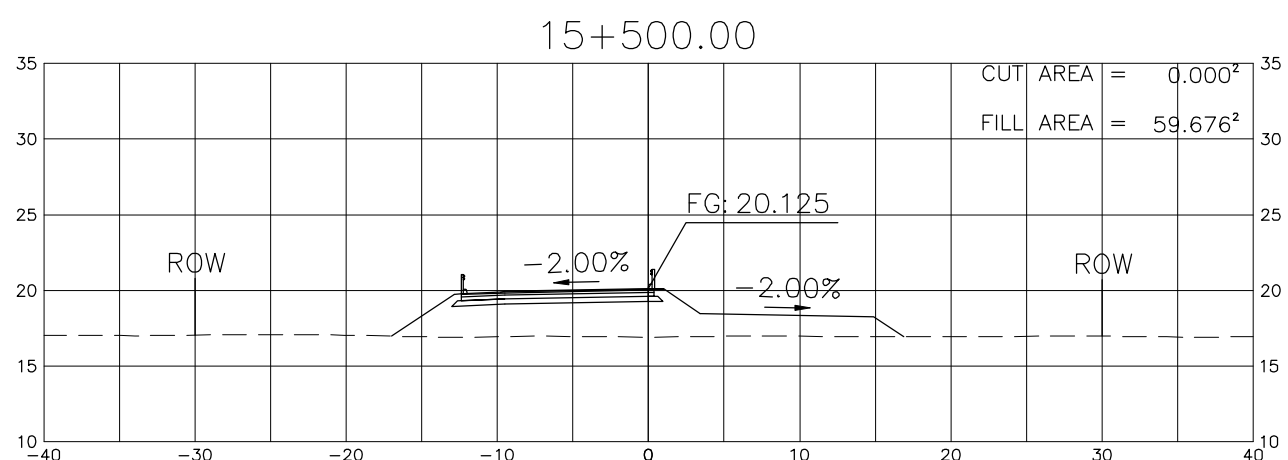
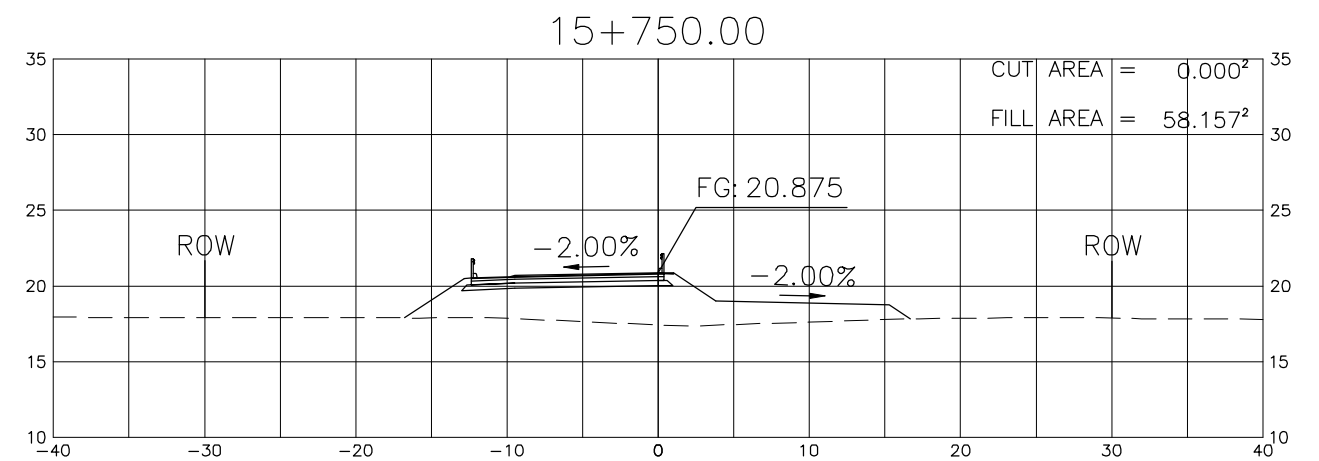
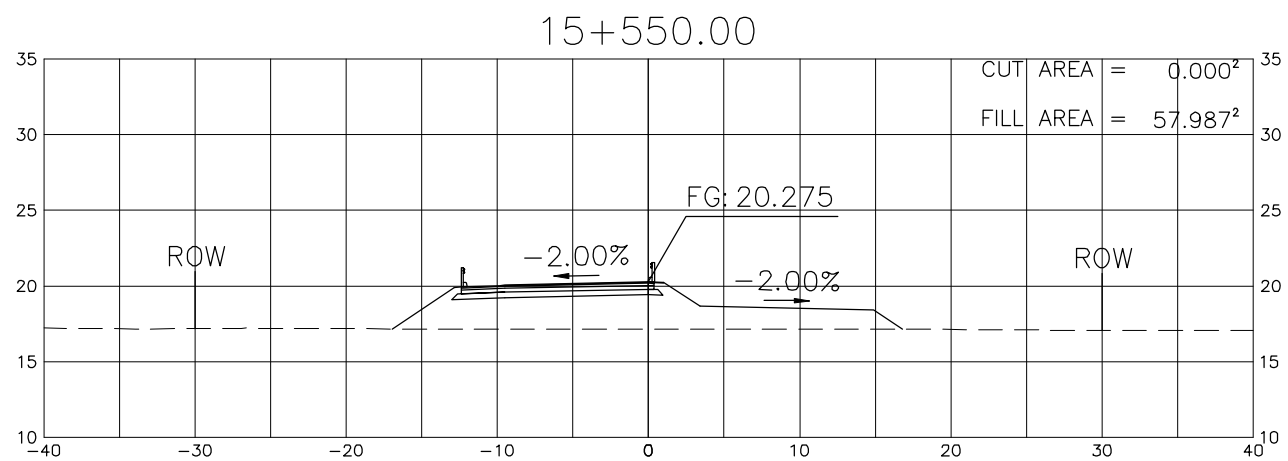
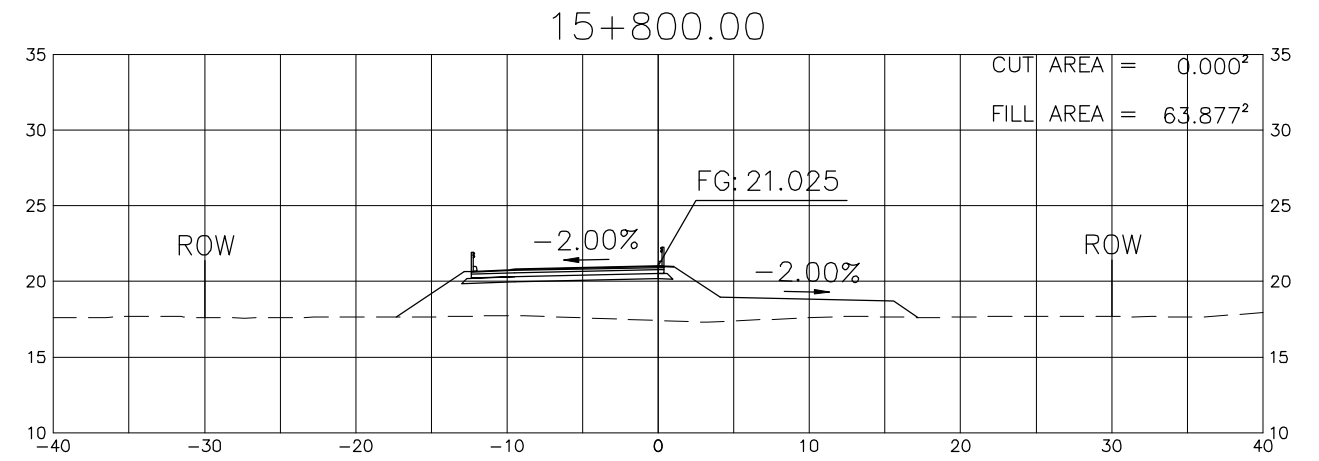
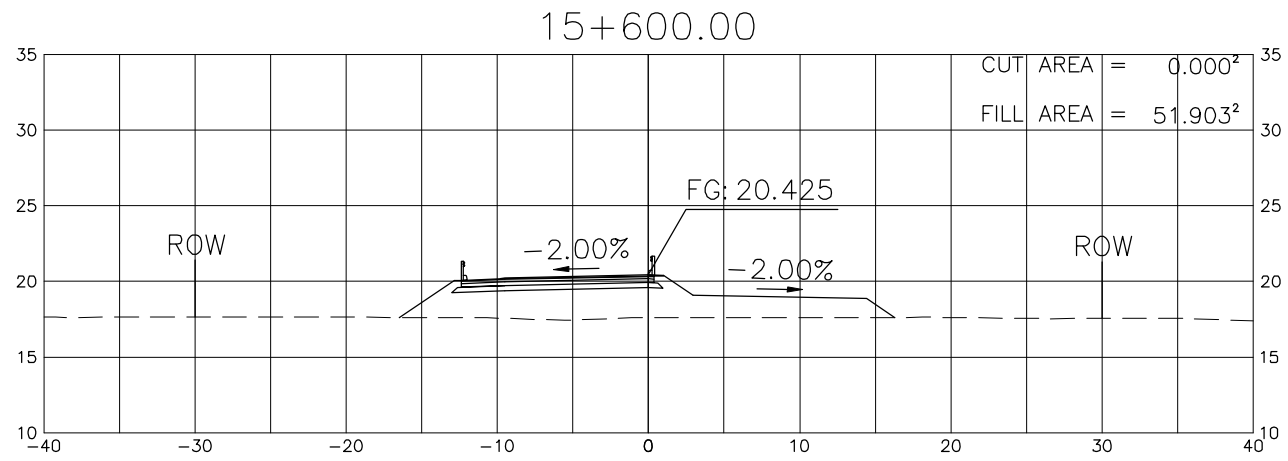




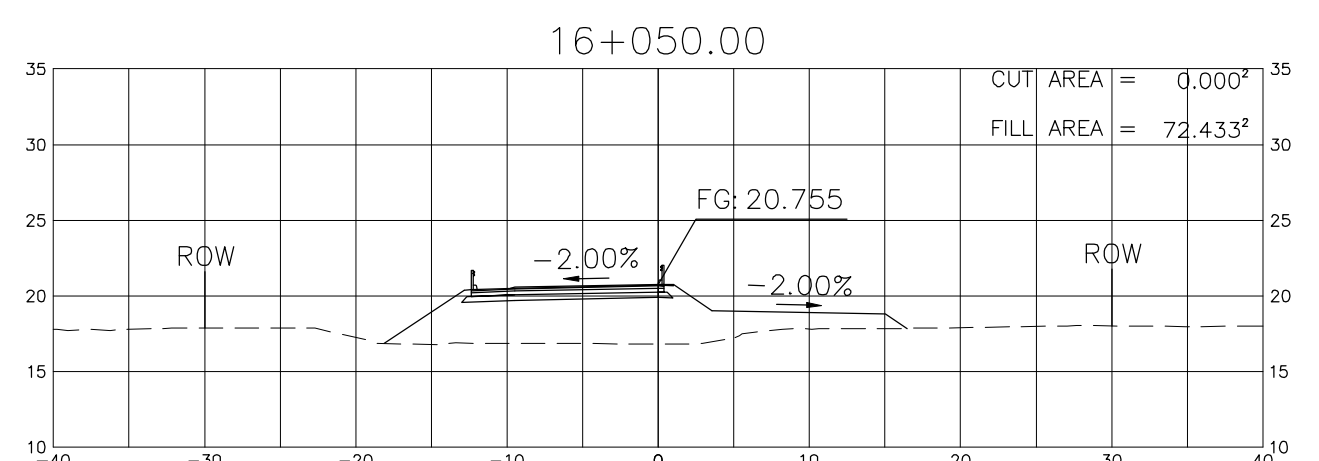
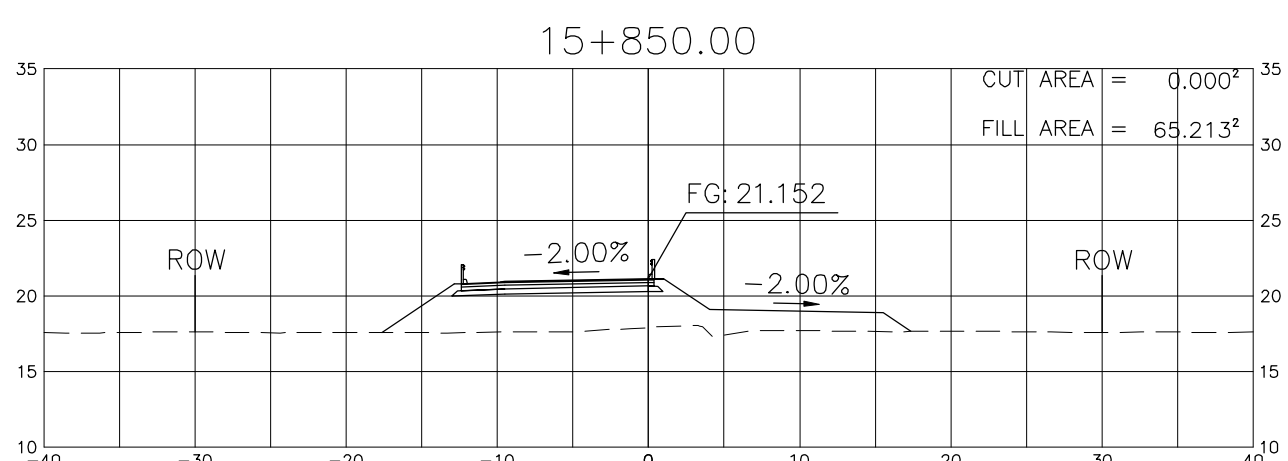
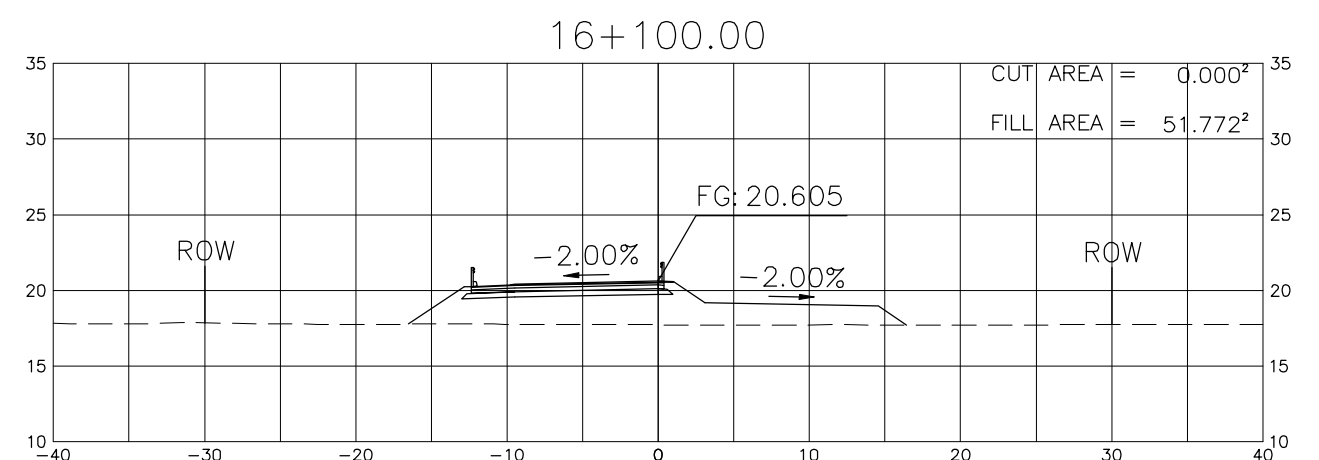
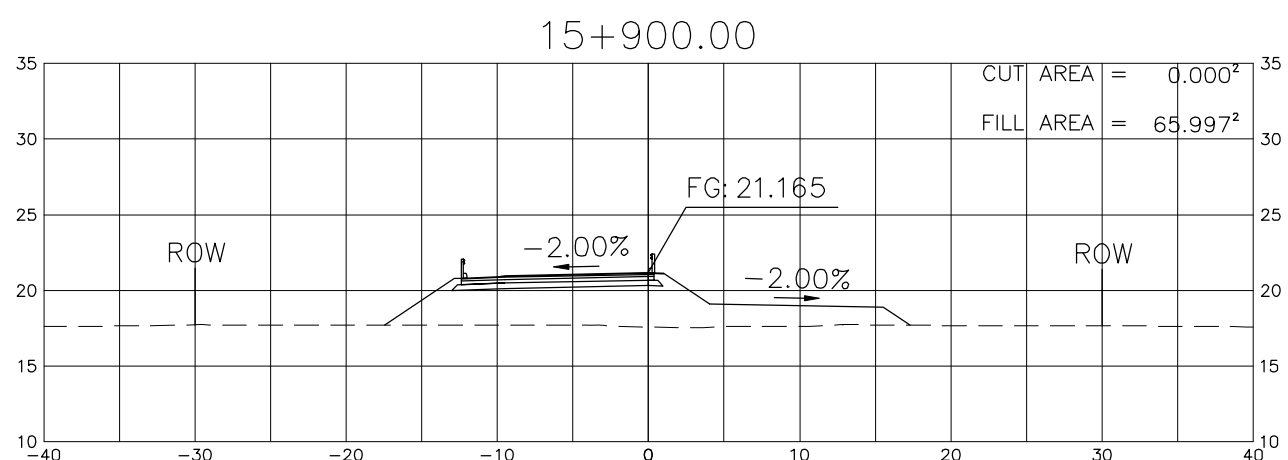
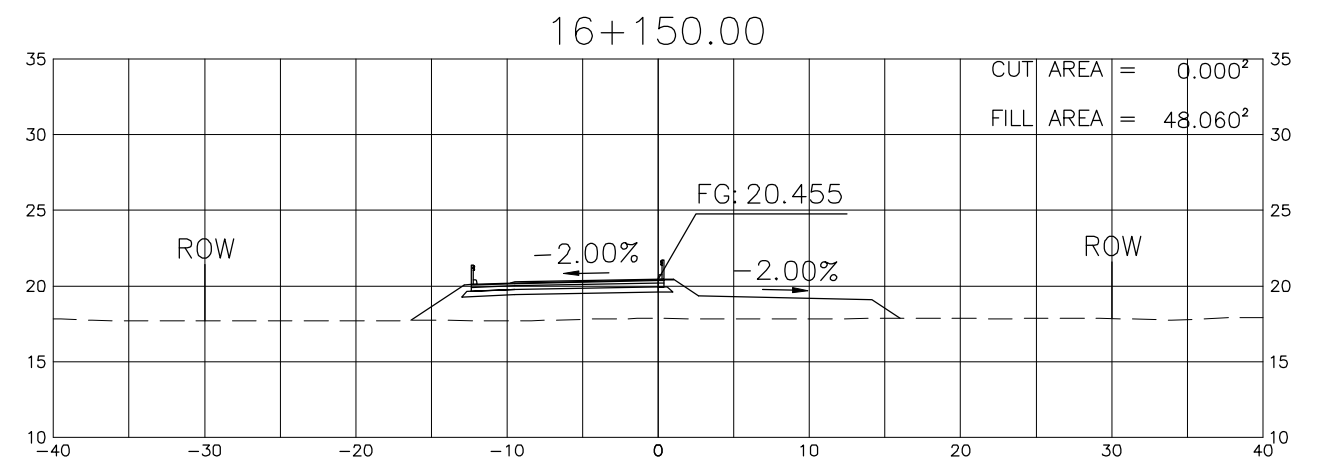
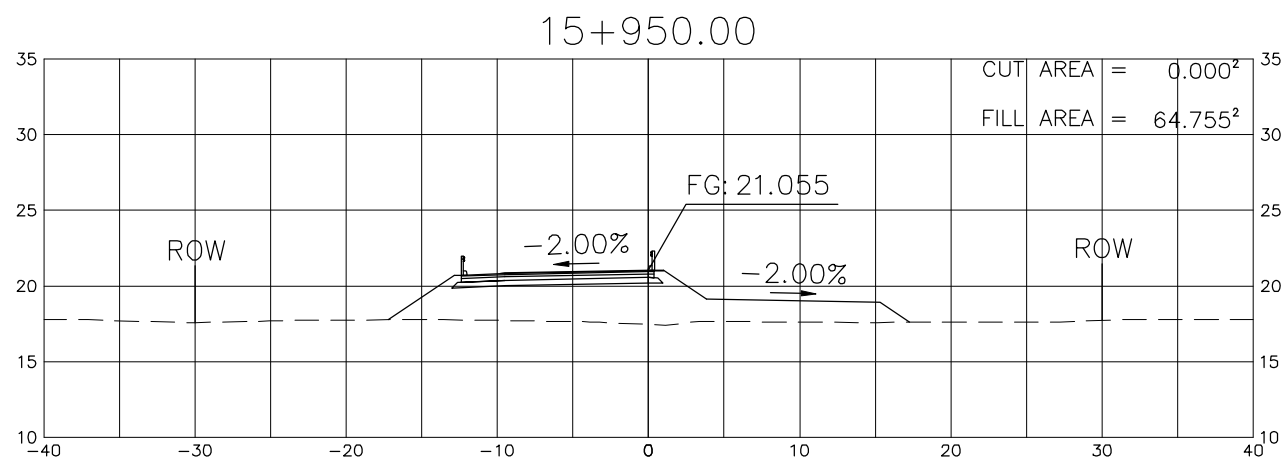
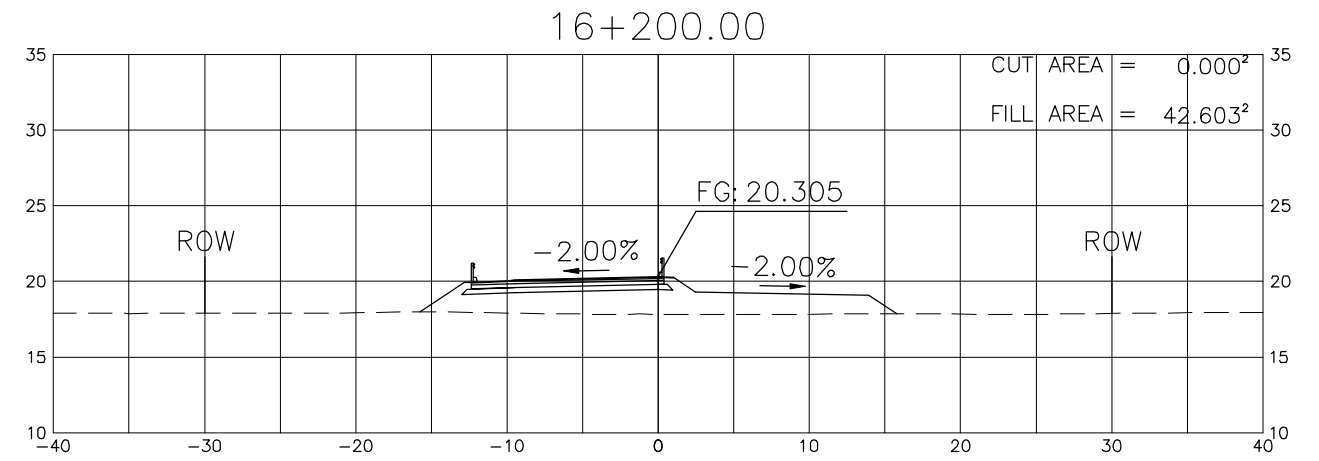
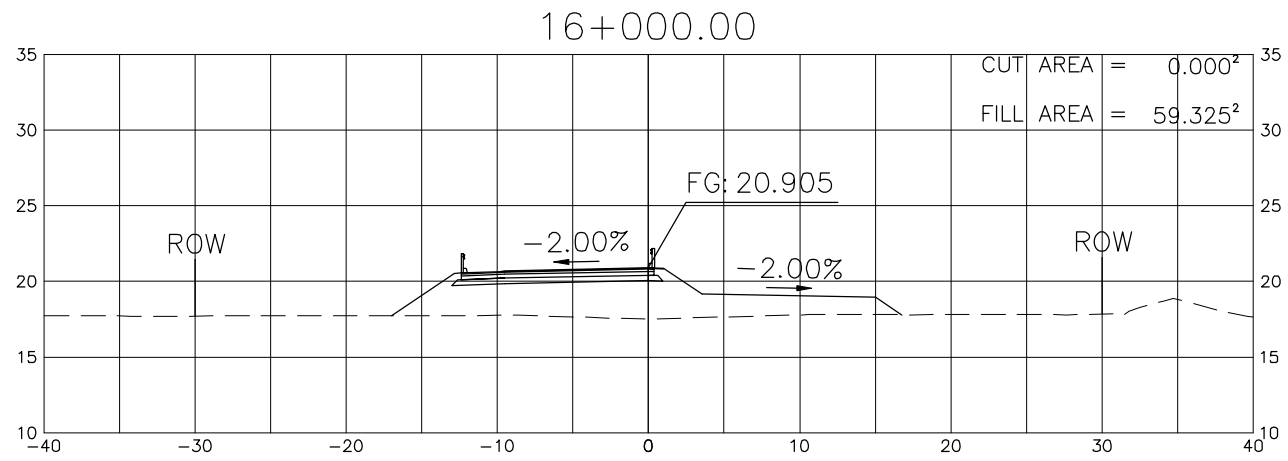
PROJECT TITLE	SCALE	SHEET CONTENT	DRAWING NO.
Preparatory survey for expressway project in Mega Manila Region CLLEX ( TARLAC - CABANATUAN )	A1 = 1:250 A3 = 1:500	CROSS SECTION (INTERIM 2 LANE) STA 14+650 TO STA 15+000	L-47
			SHEET NO.
			47 OF 90



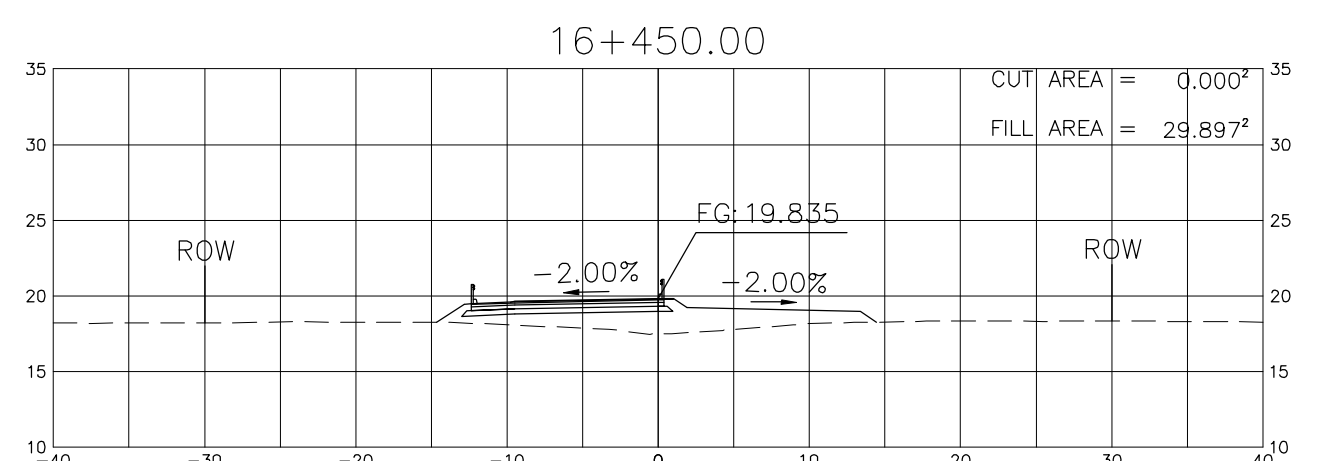
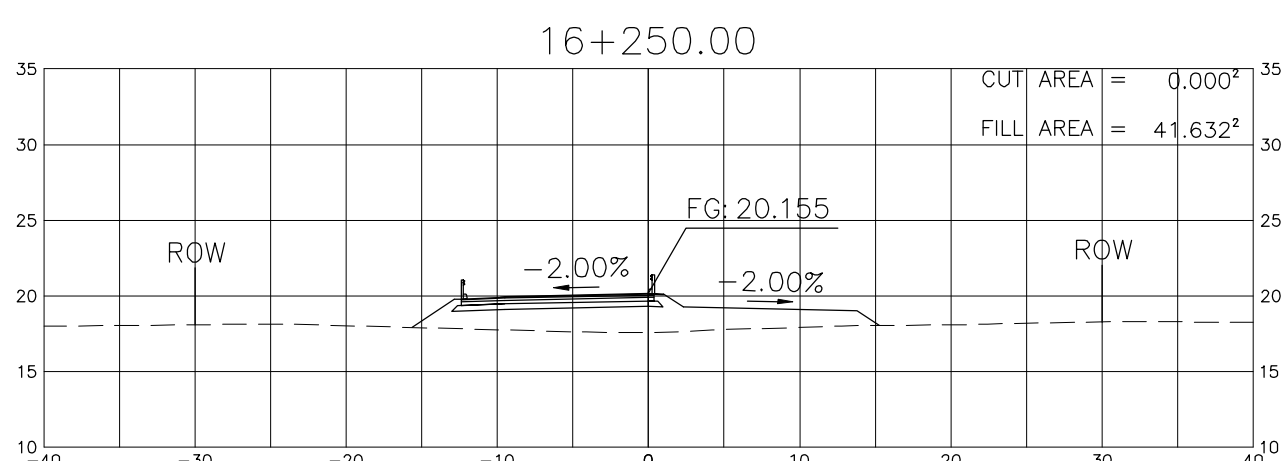
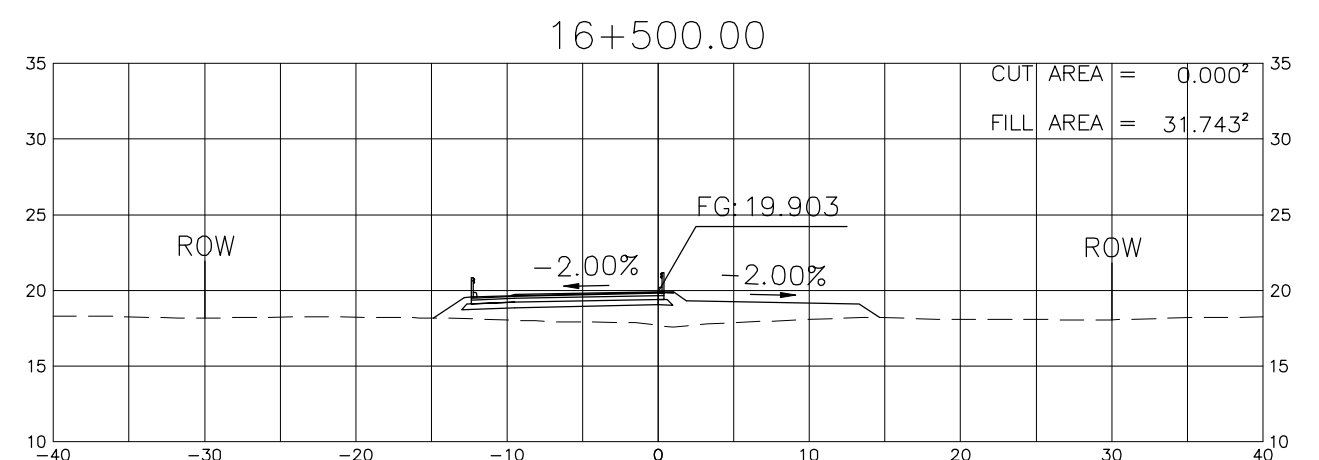
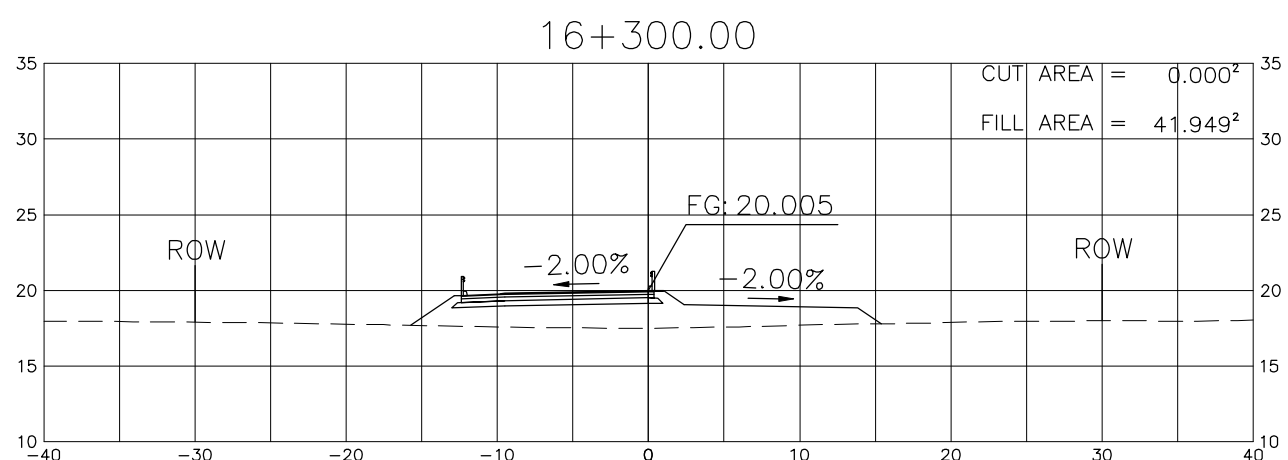
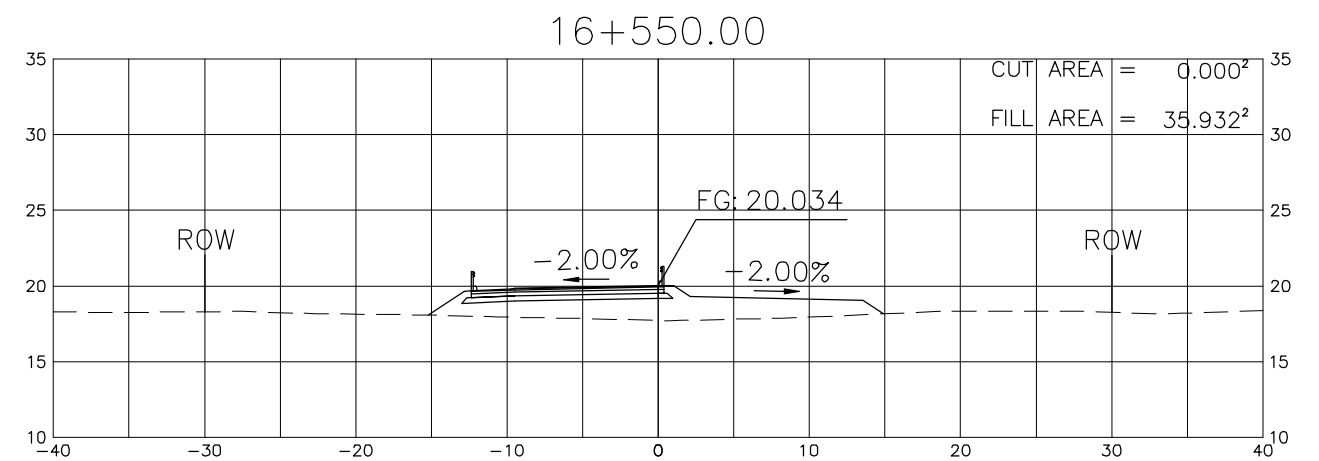
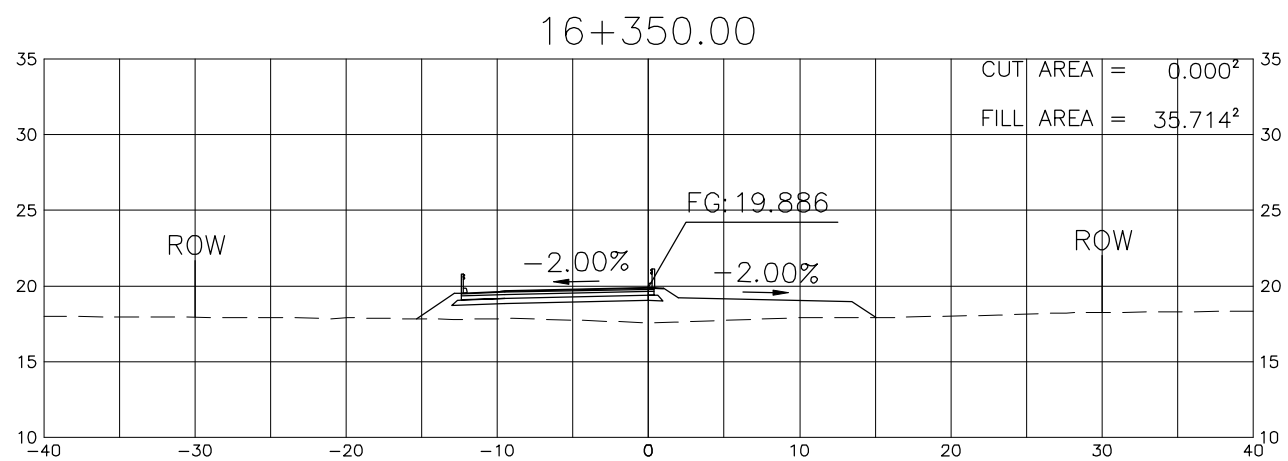
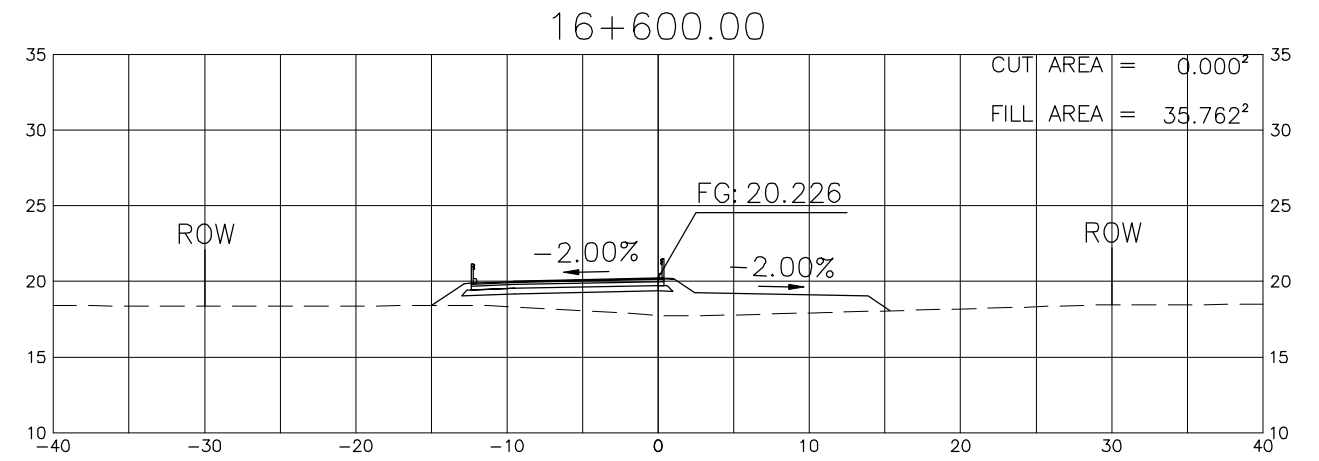
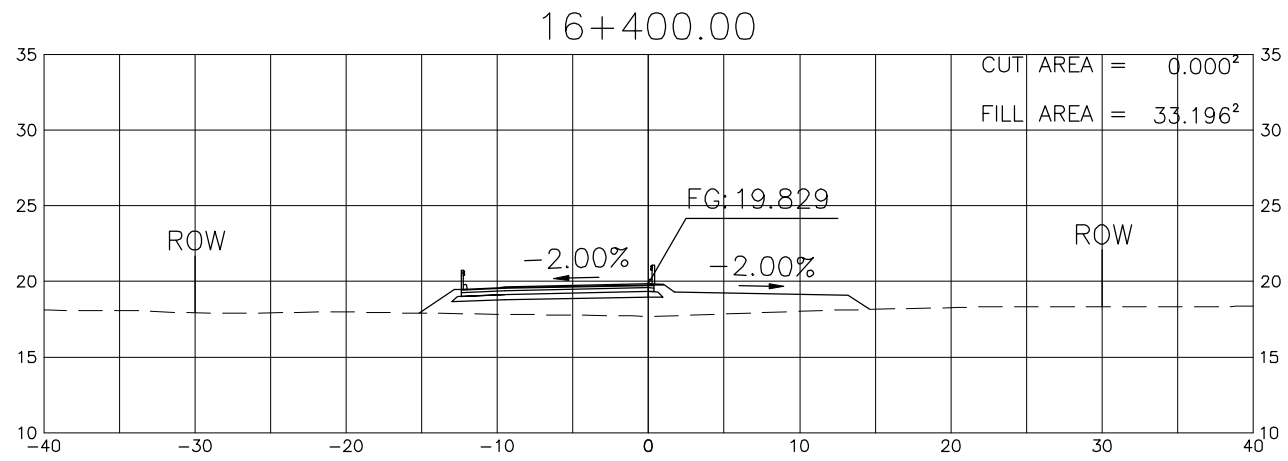
PROJECT TITLE	SCALE	SHEET CONTENT	DRAWING NO.
Preparatory survey for expressway project in Mega Manila Region CLLEX ( TARLAC - CABANATUAN )	A1 = 1:250 A3 = 1:500	CROSS SECTION (INTERIM 2 LANE) STA 15+050 TO STA 15+400	L-48
			SHEET NO.
			48 OF 90



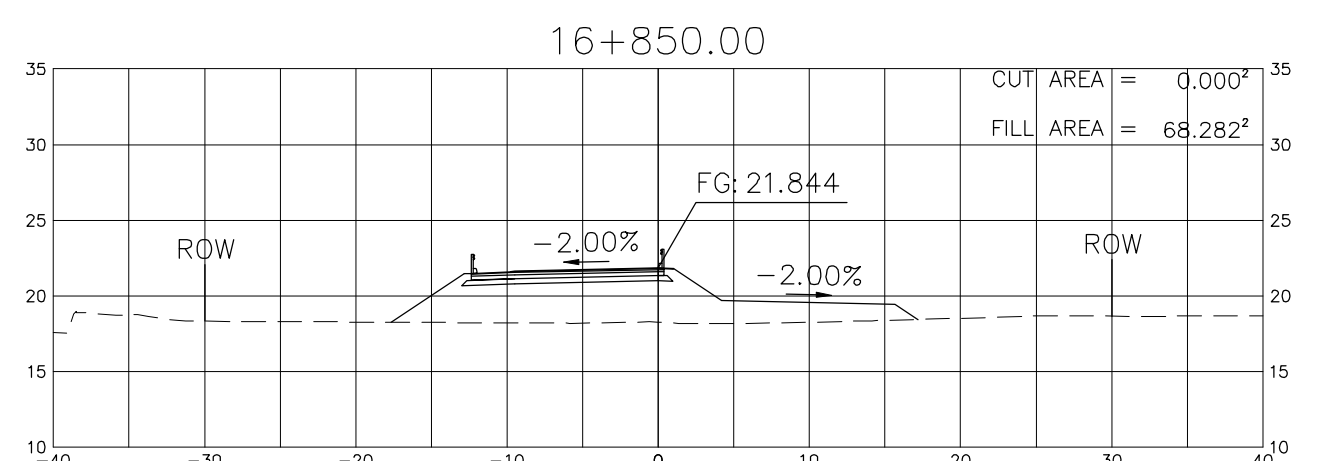
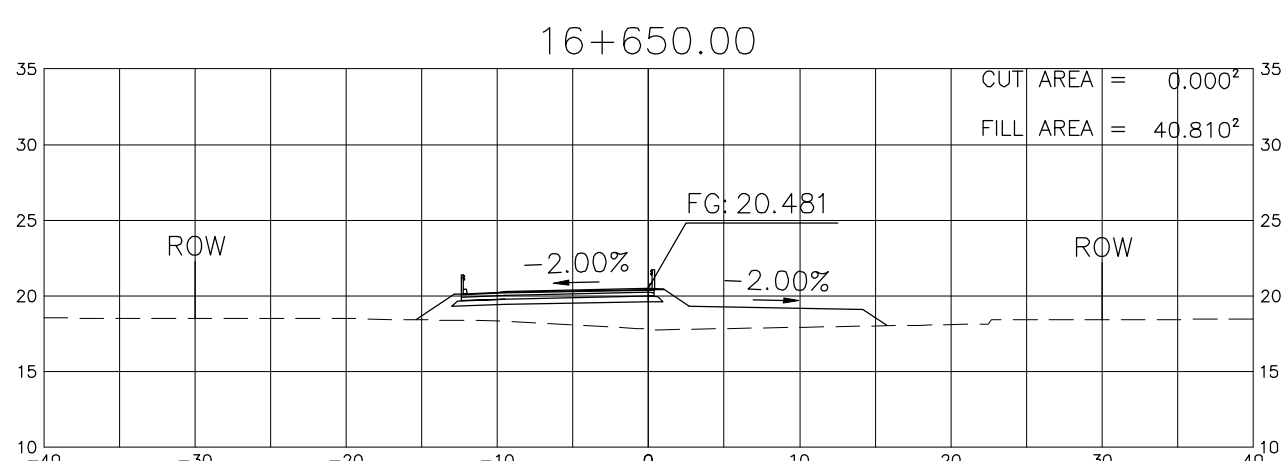
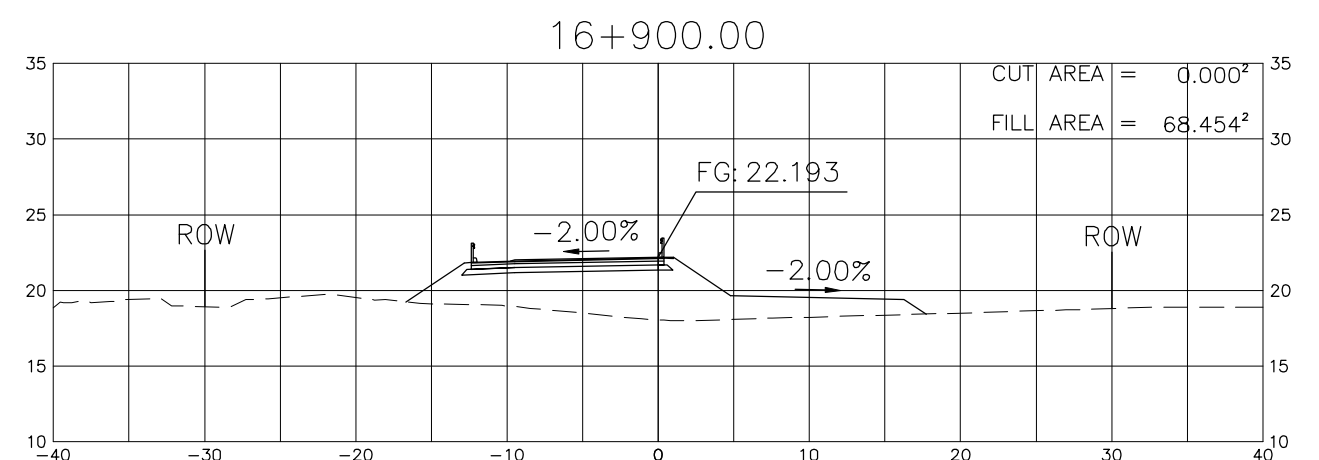
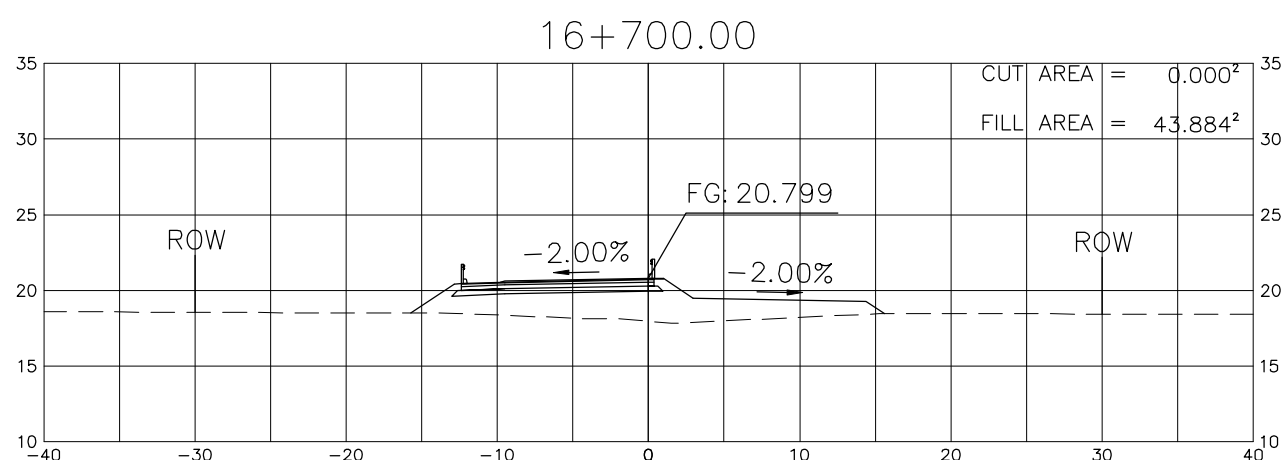
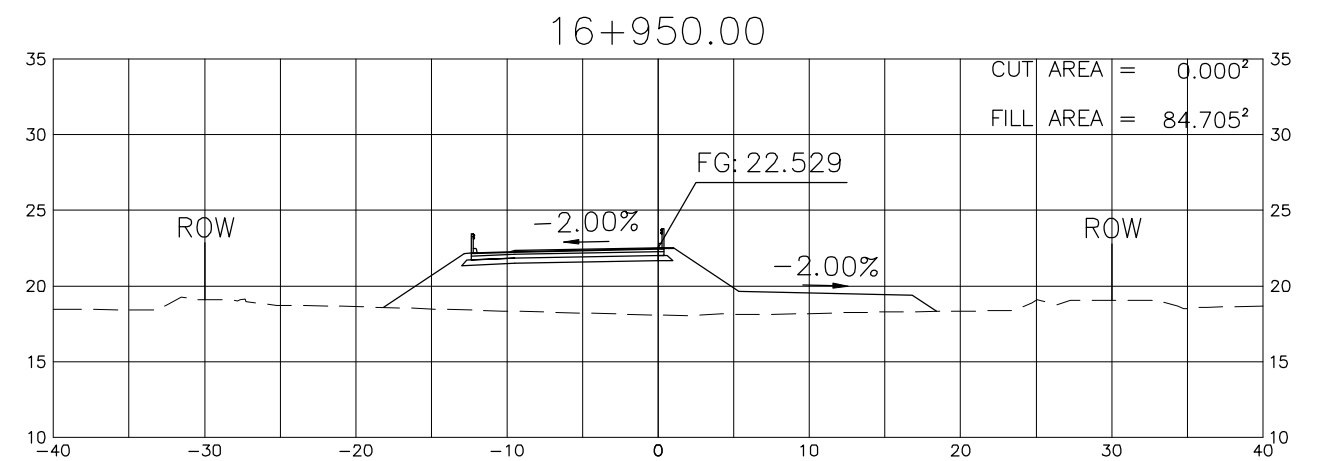
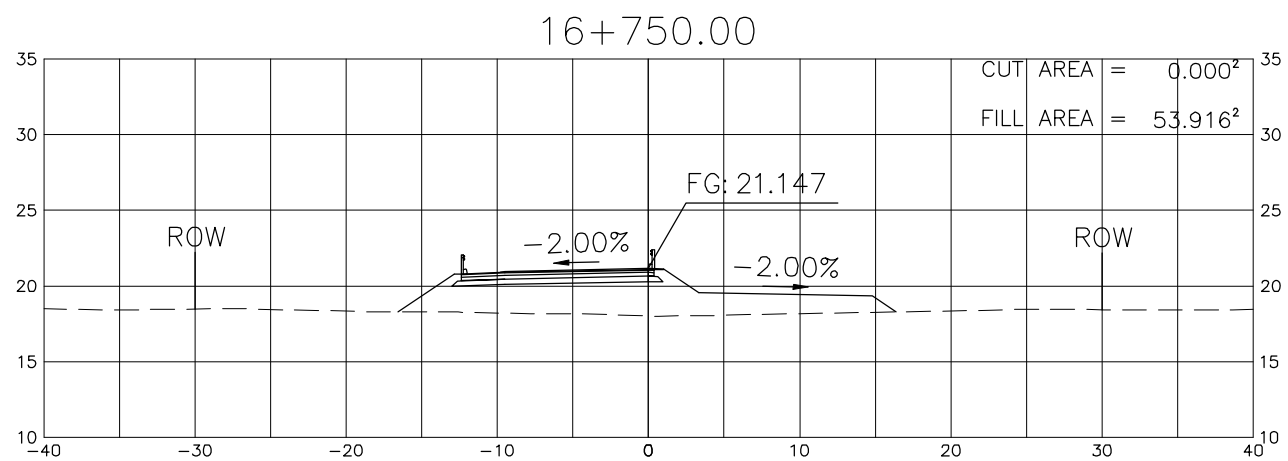
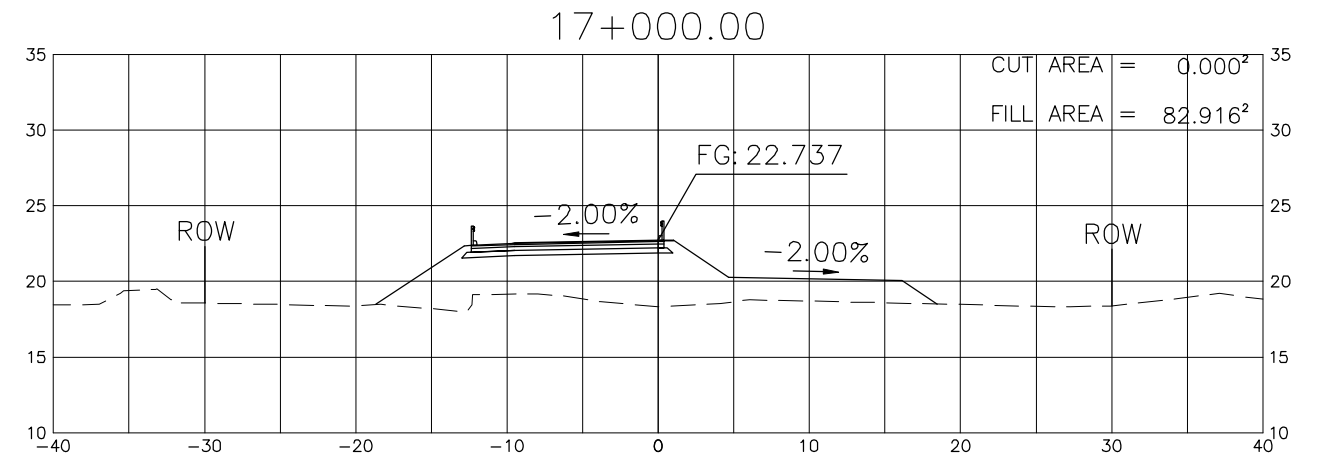
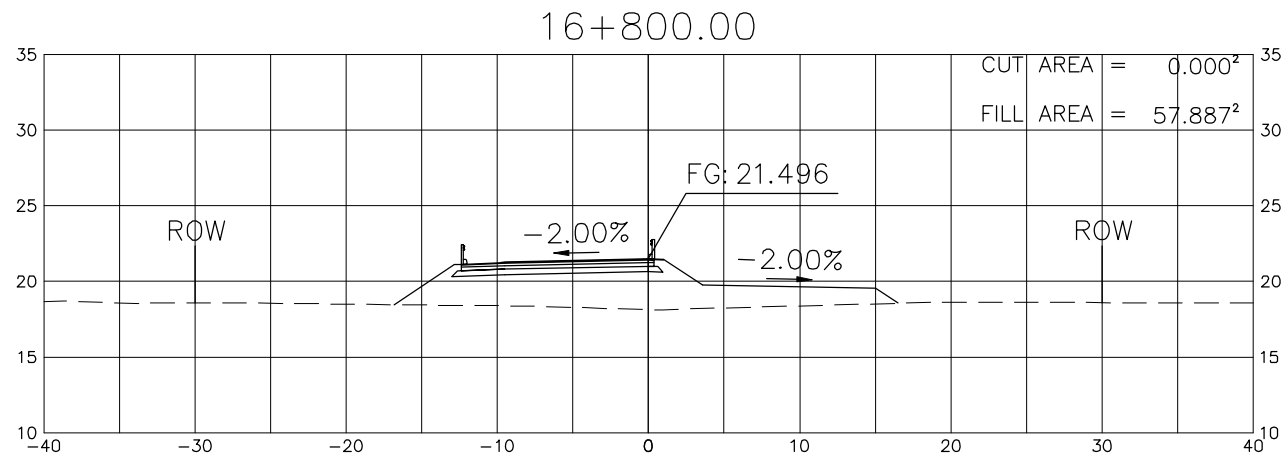
PROJECT TITLE	SCALE	SHEET CONTENT	DRAWING NO.
Preparatory survey for expressway project in Mega Manila Region CLLEX ( TARLAC - CABANATUAN )	A1 = 1:250 A3 = 1:500	CROSS SECTION (INTERIM 2 LANE) STA 15+450 TO STA 15+800	L-49
			SHEET NO.
			49 OF 90



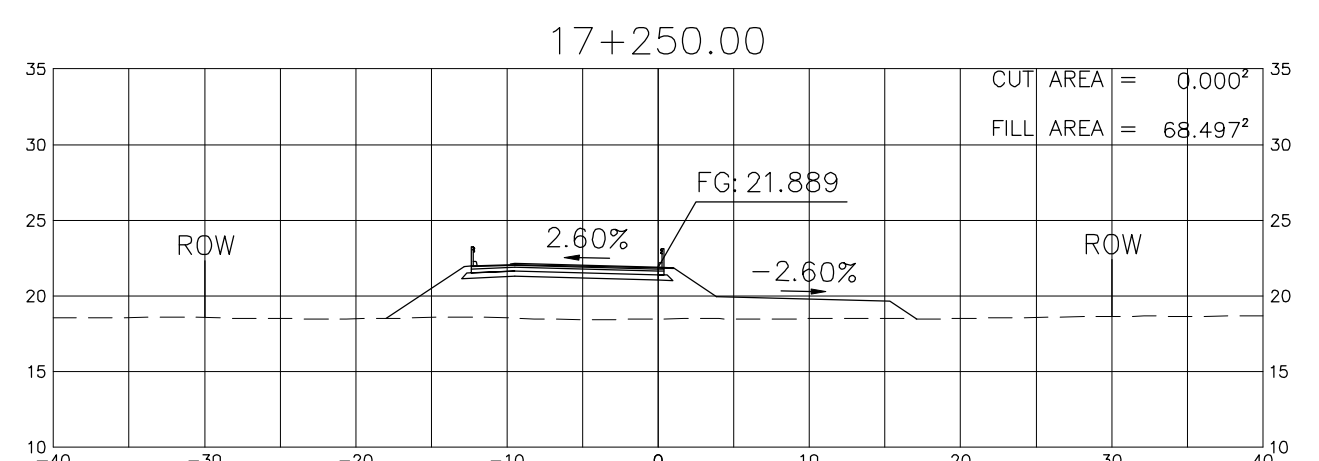
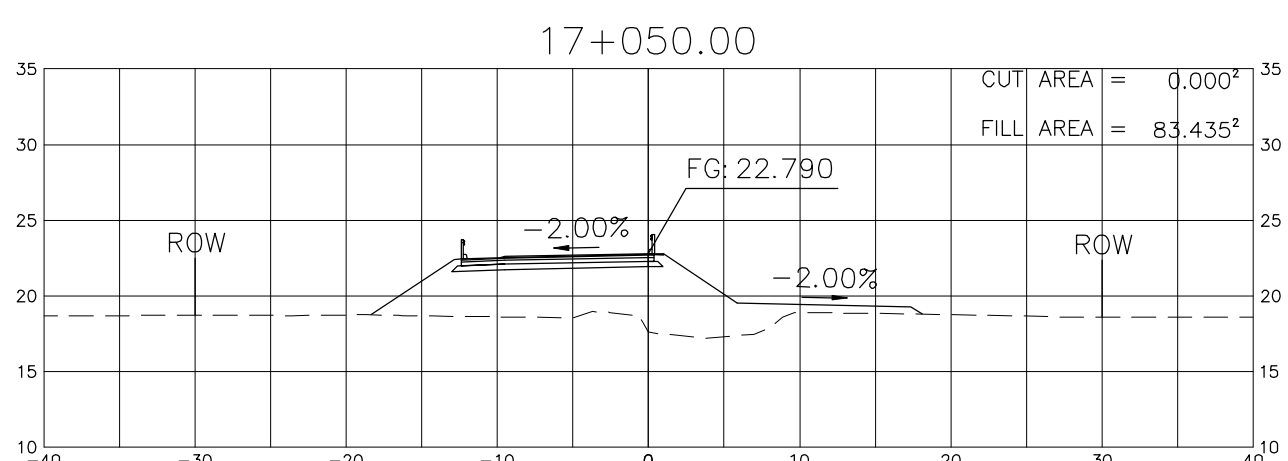
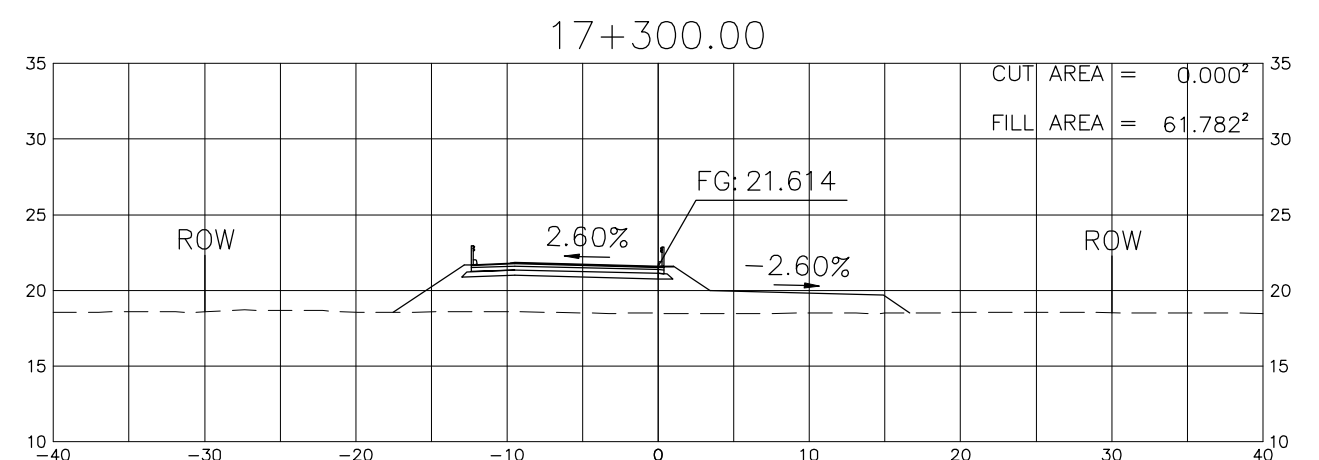
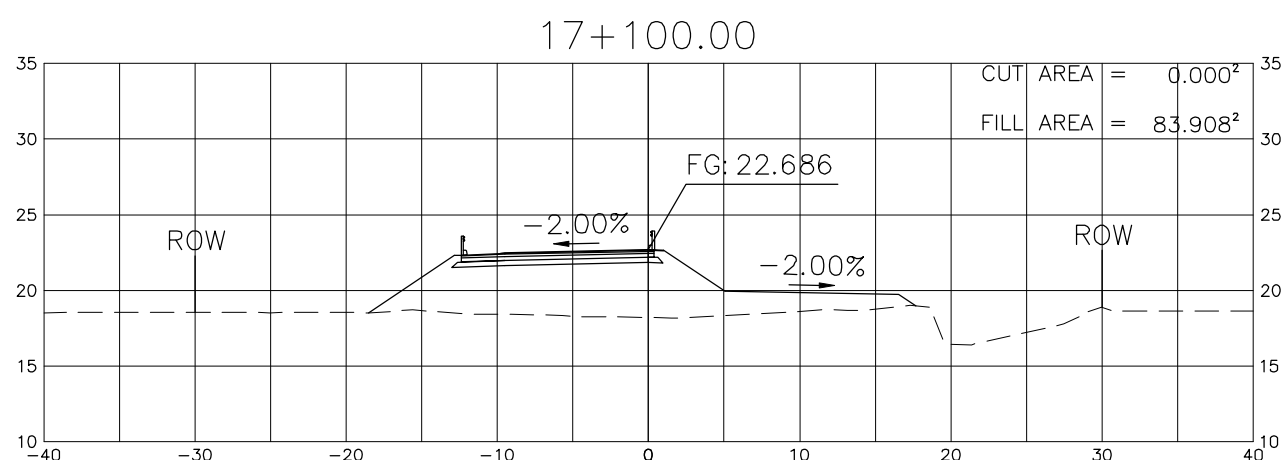
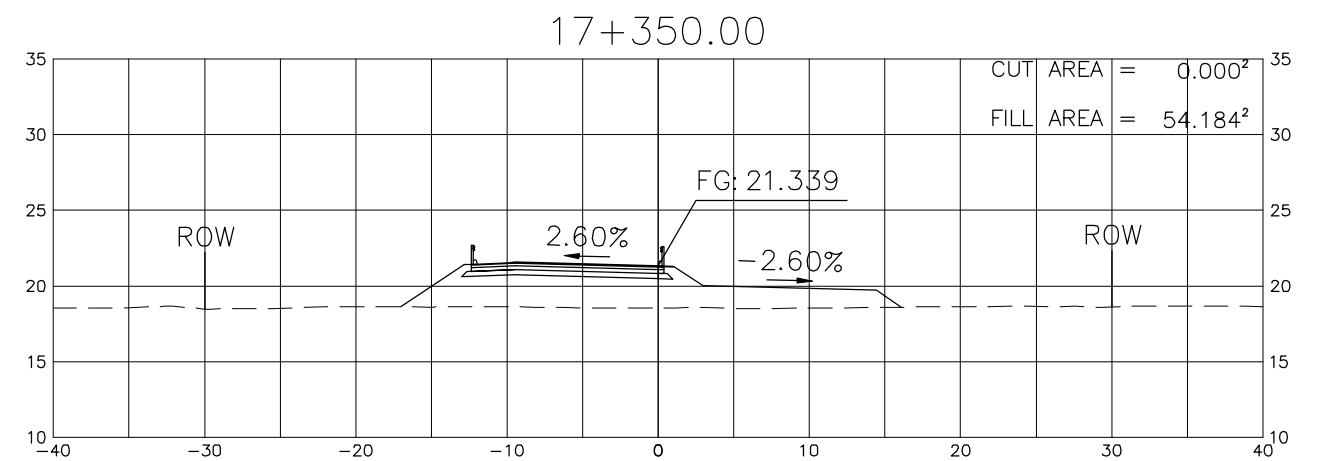
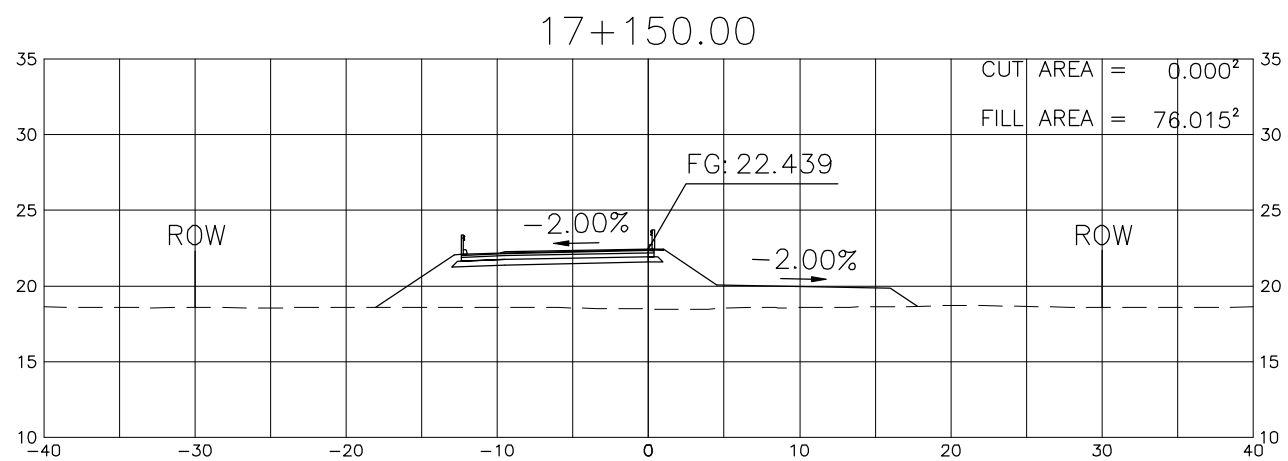
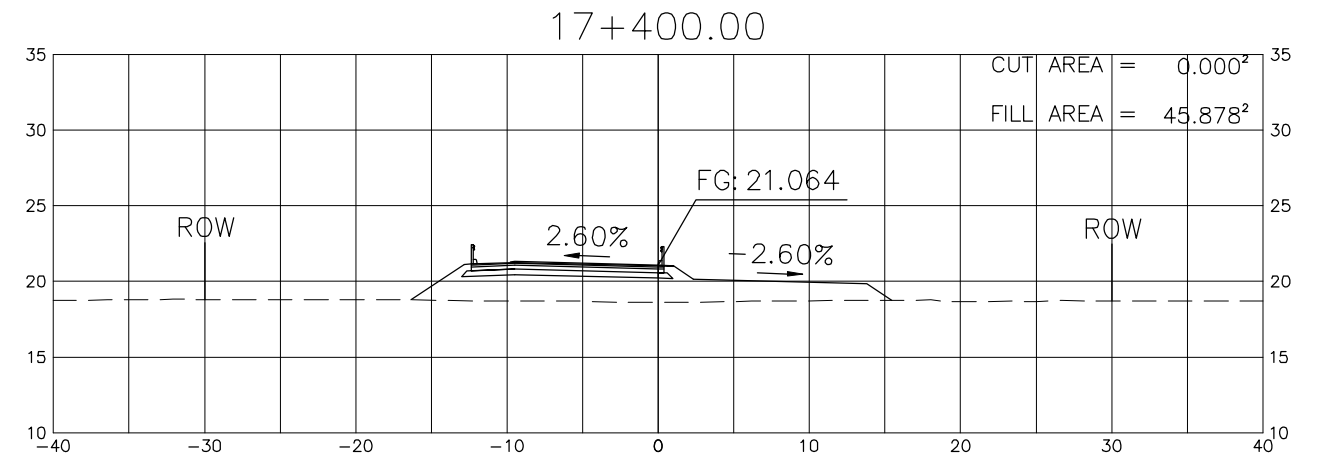
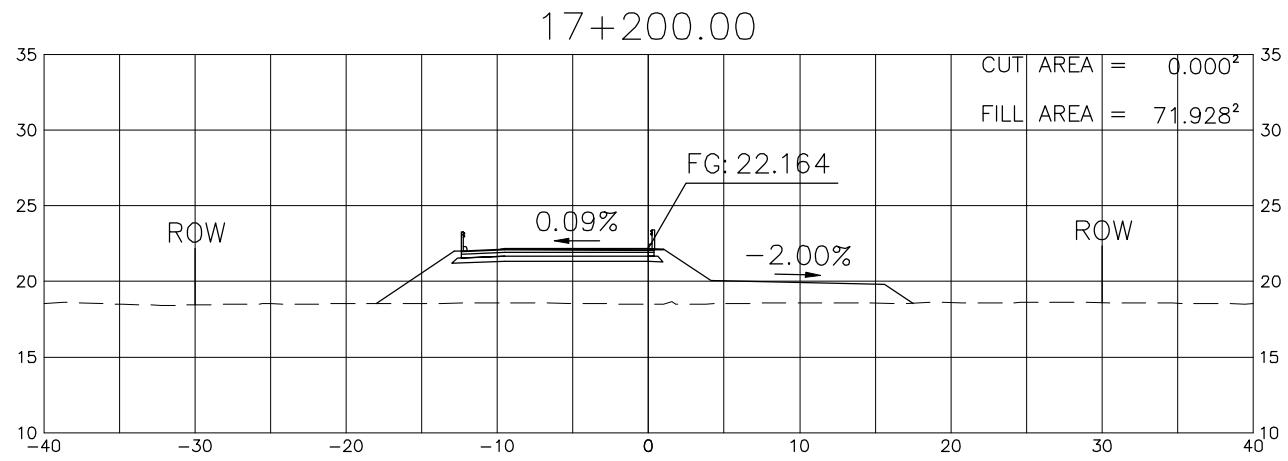
PROJECT TITLE	SCALE	SHEET CONTENT	DRAWING NO.
Preparatory survey for expressway project in Mega Manila Region CLLEX ( TARLAC - CABANATUAN )	A1 = 1:250 A3 = 1:500	CROSS SECTION (INTERIM 2 LANE) STA 15+850 TO STA 16+200	L-50
			SHEET NO.
			50 OF 90



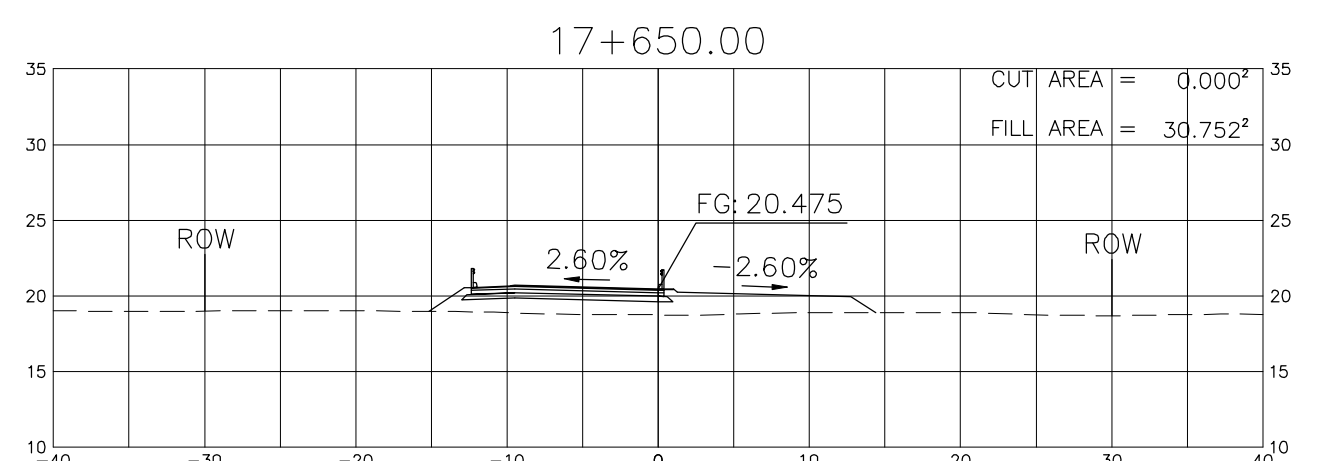
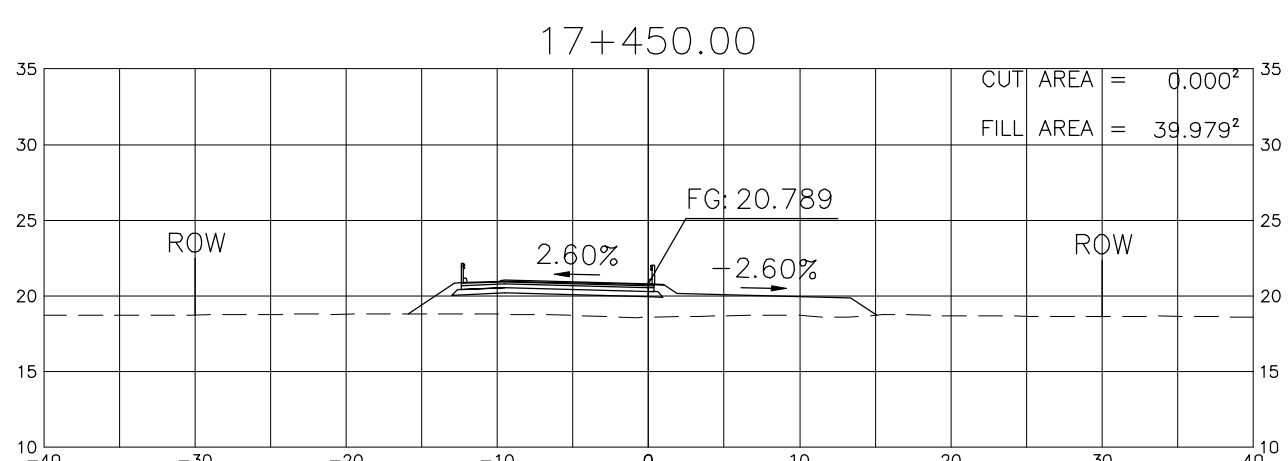
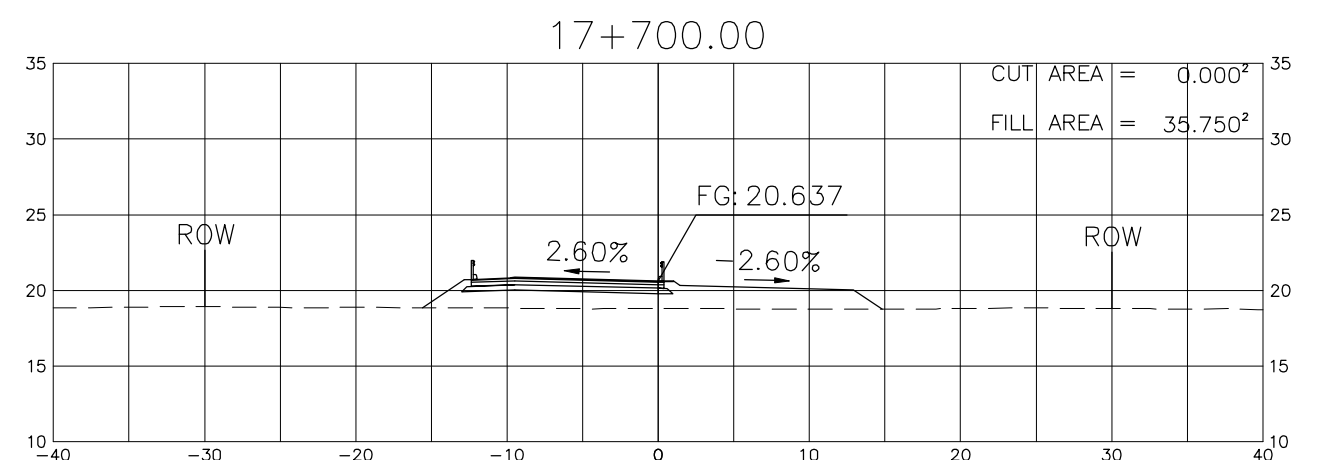
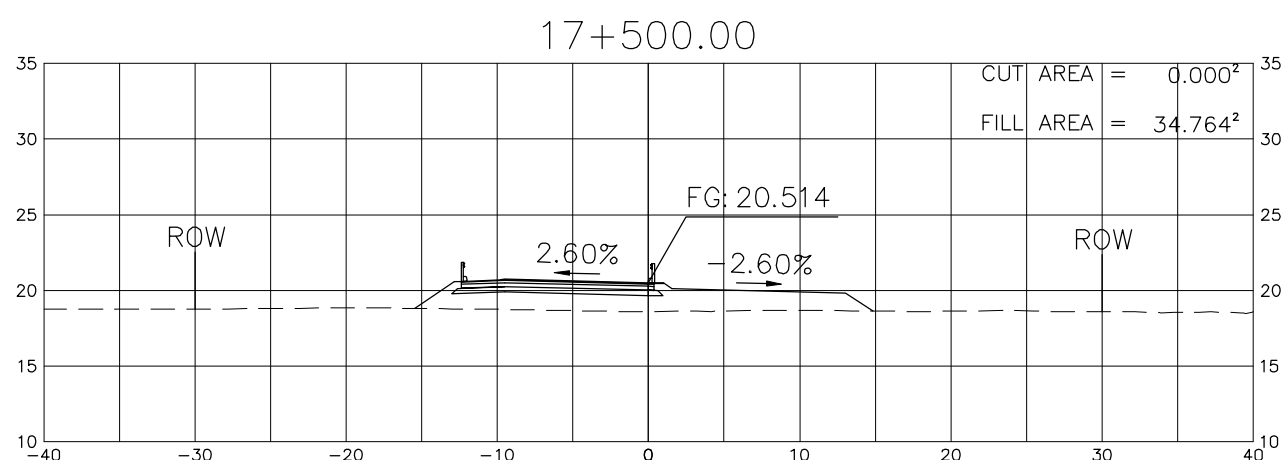
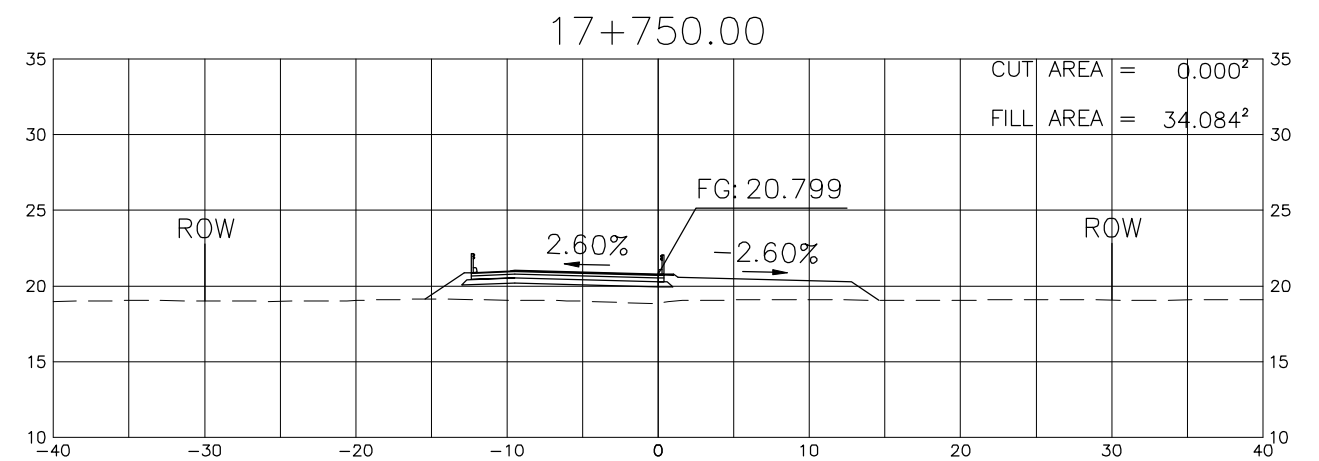
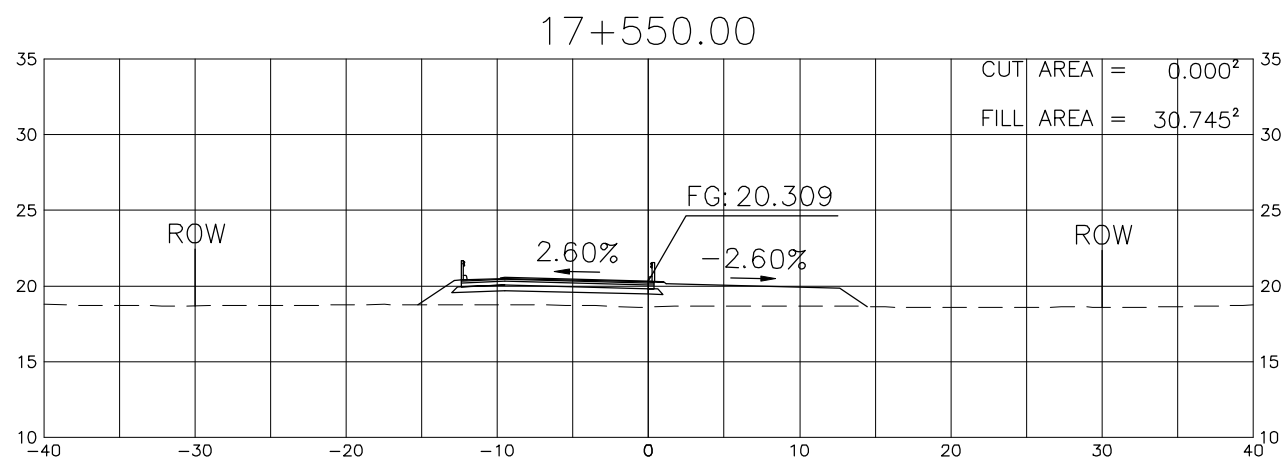
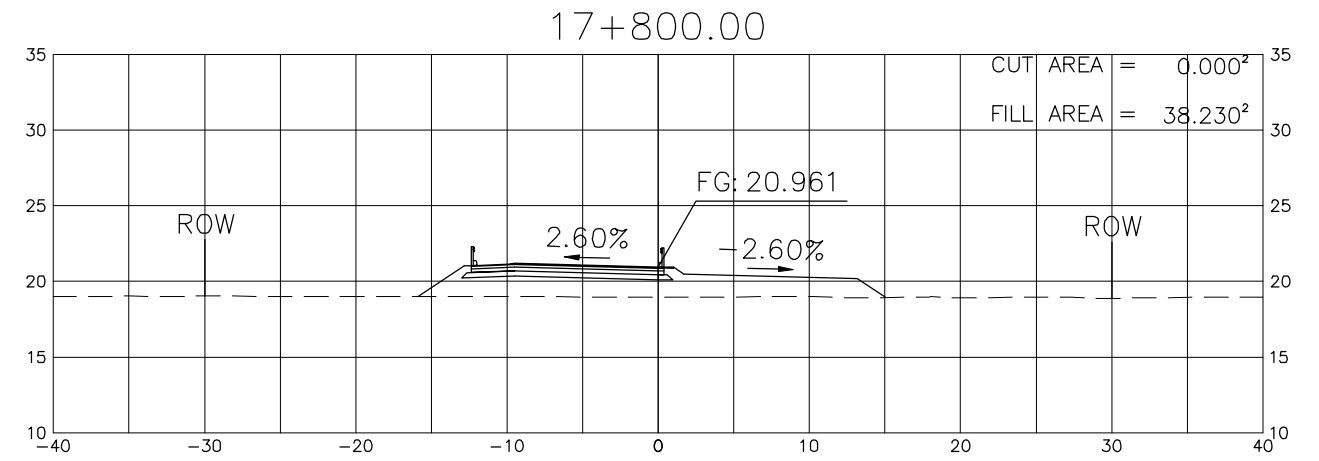
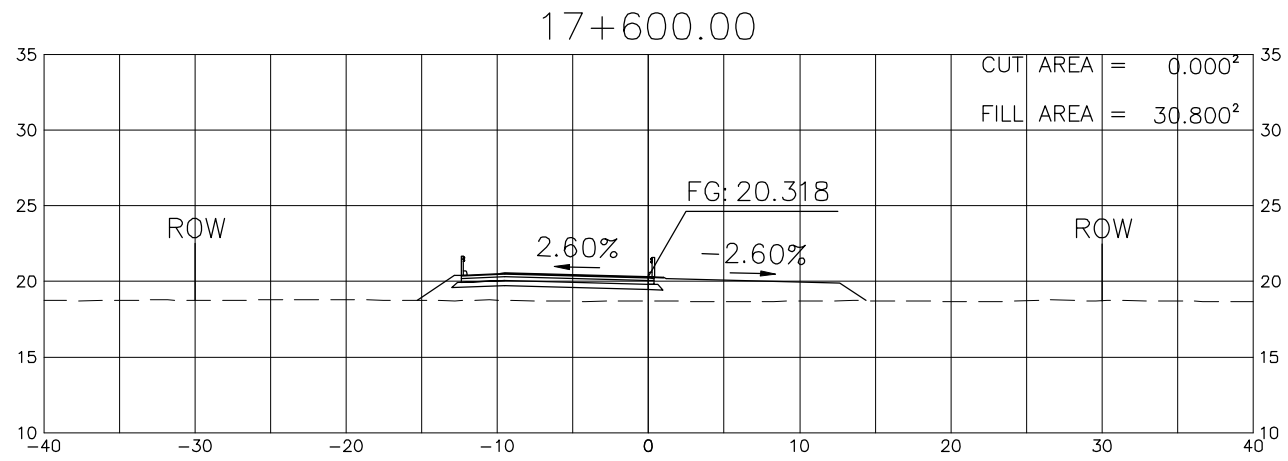
PROJECT TITLE	SCALE	SHEET CONTENT	DRAWING NO.
Preparatory survey for expressway project in Mega Manila Region CLLEX ( TARLAC - CABANATUAN )	A1 = 1:250 A3 = 1:500	CROSS SECTION (INTERIM 2 LANE) STA 16+250 TO STA 16+600	L-51
			SHEET NO.
			51 OF 90



PROJECT TITLE	SCALE	SHEET CONTENT	DRAWING NO.
Preparatory survey for expressway project in Mega Manila Region CLLEX ( TARLAC - CABANATUAN )	A1 = 1:250 A3 = 1:500	CROSS SECTION (INTERIM 2 LANE) STA 16+650 TO STA 17+000	L-52
			SHEET NO.
			52 OF 90

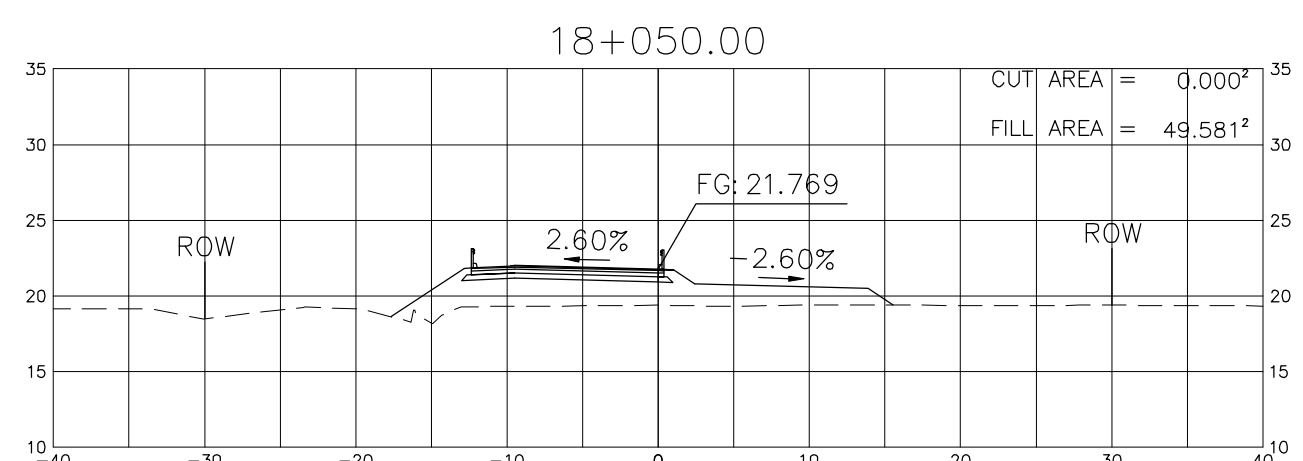
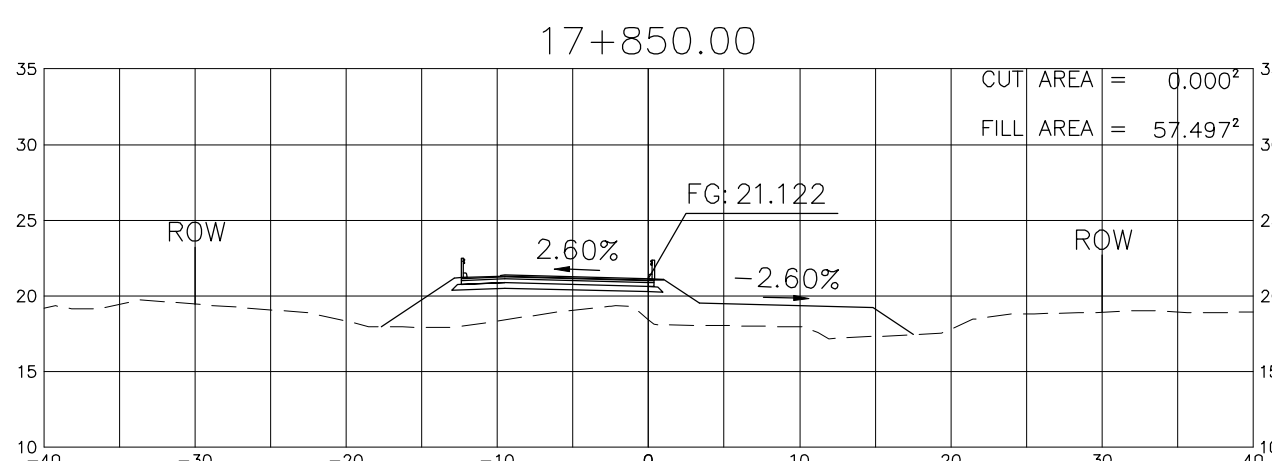
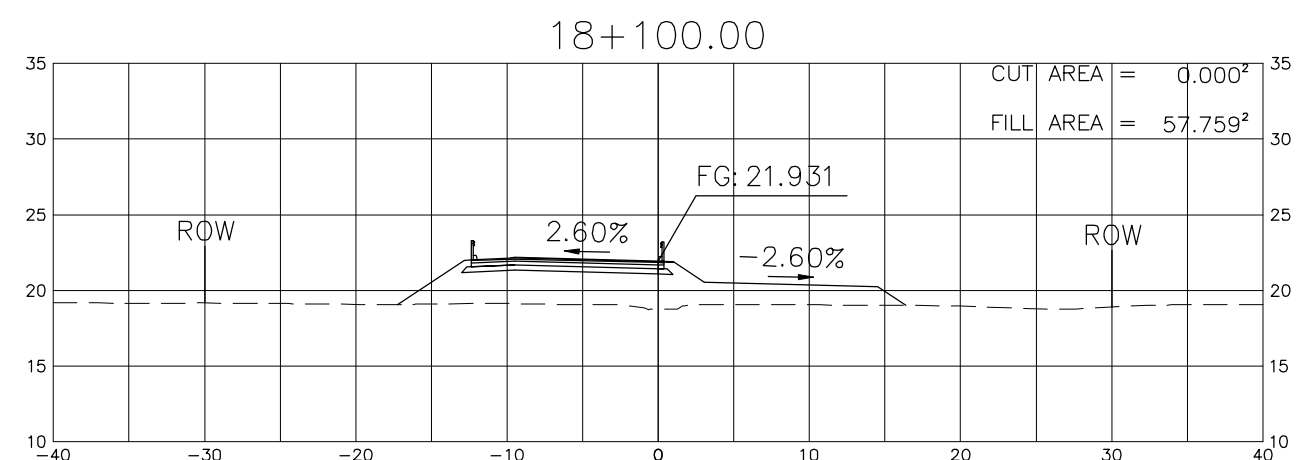
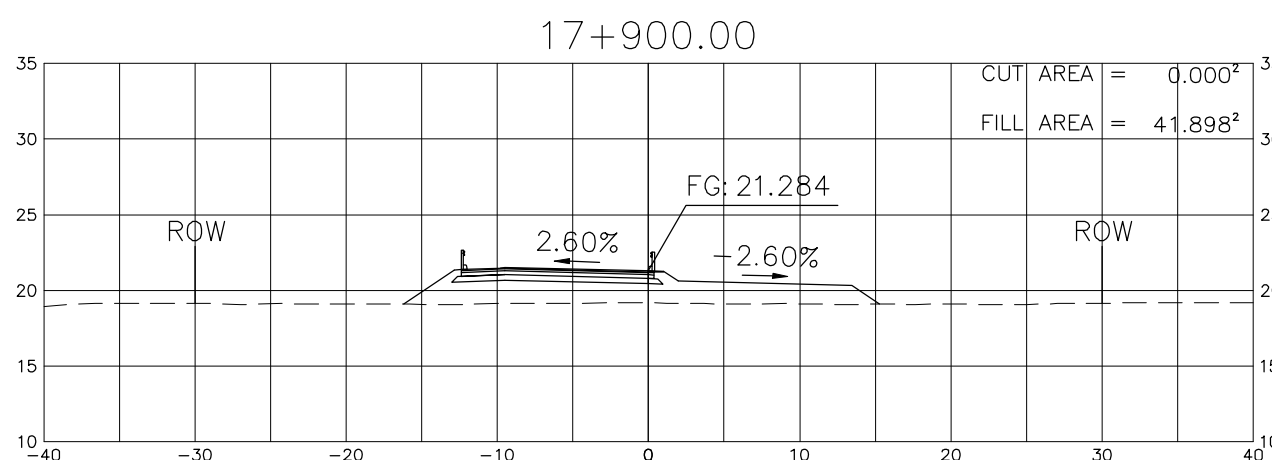
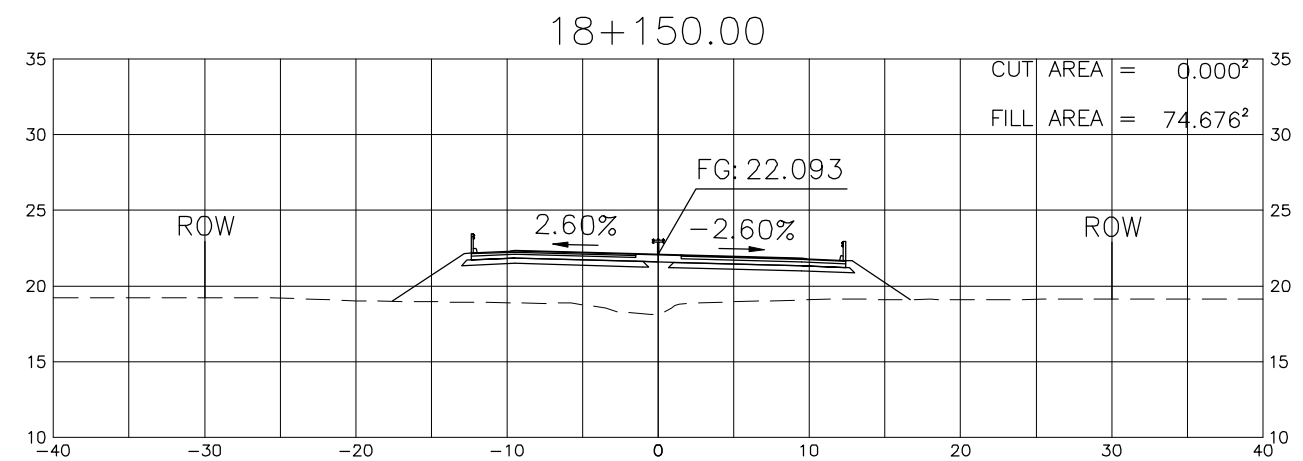
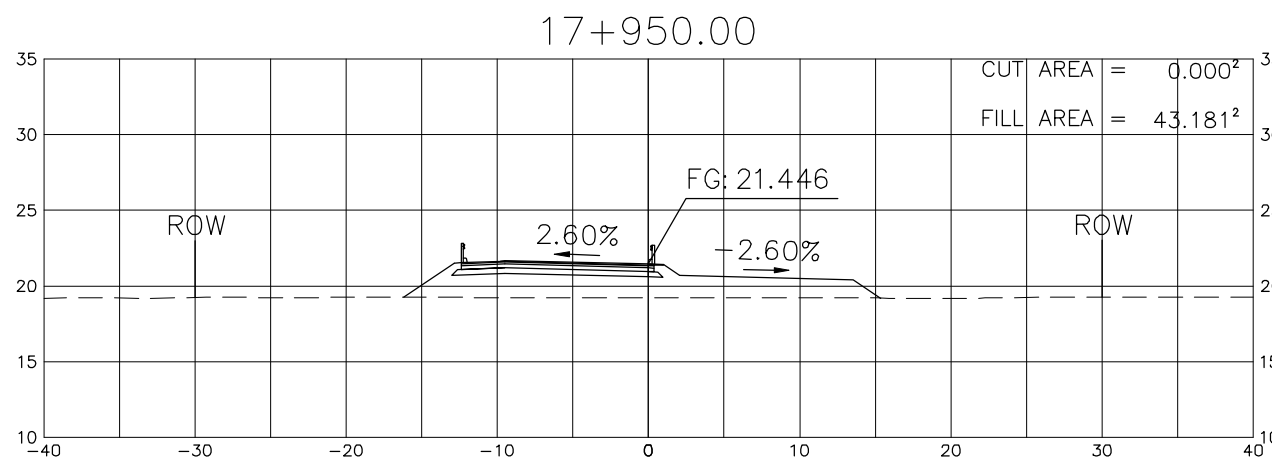
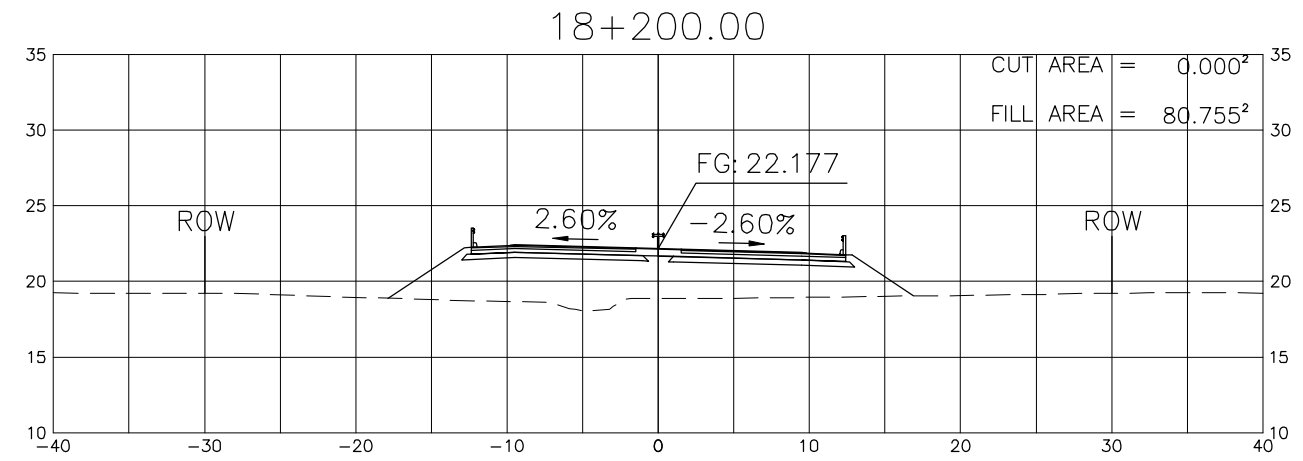
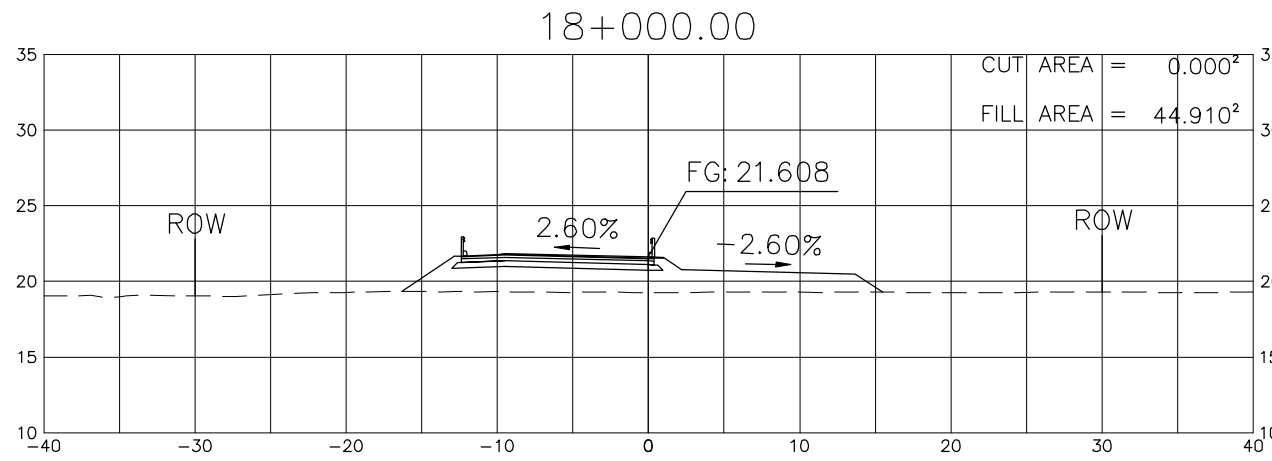


PROJECT TITLE	SCALE	SHEET CONTENT	DRAWING NO.
Preparatory survey for expressway project in Mega Manila Region CLLEX ( TARLAC - CABANATUAN )	A1 = 1:250 A3 = 1:500	CROSS SECTION (INTERIM 2 LANE) STA 17+050 TO STA 17+400	L-53
			SHEET NO.
			53 OF 90

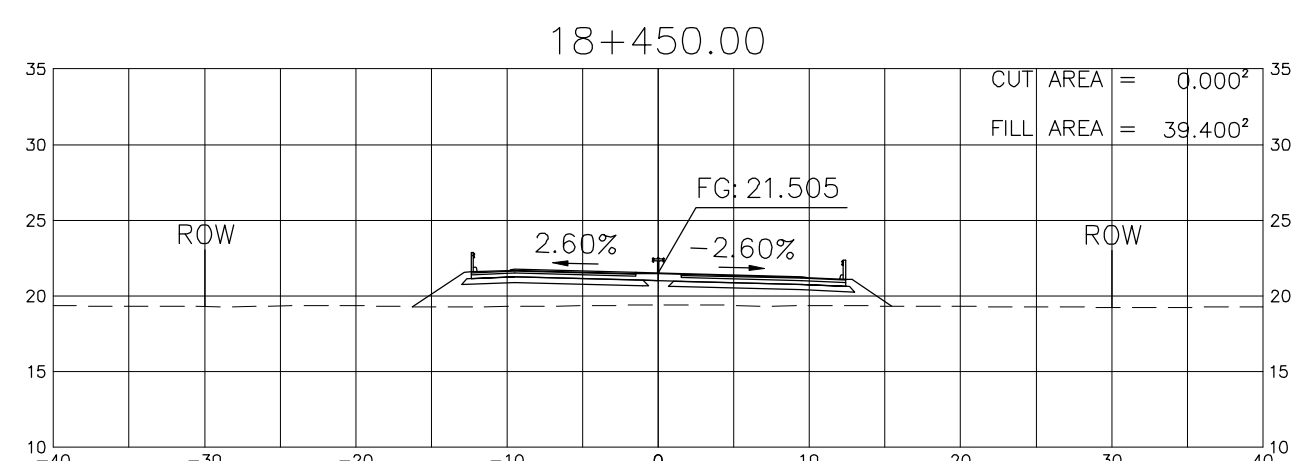
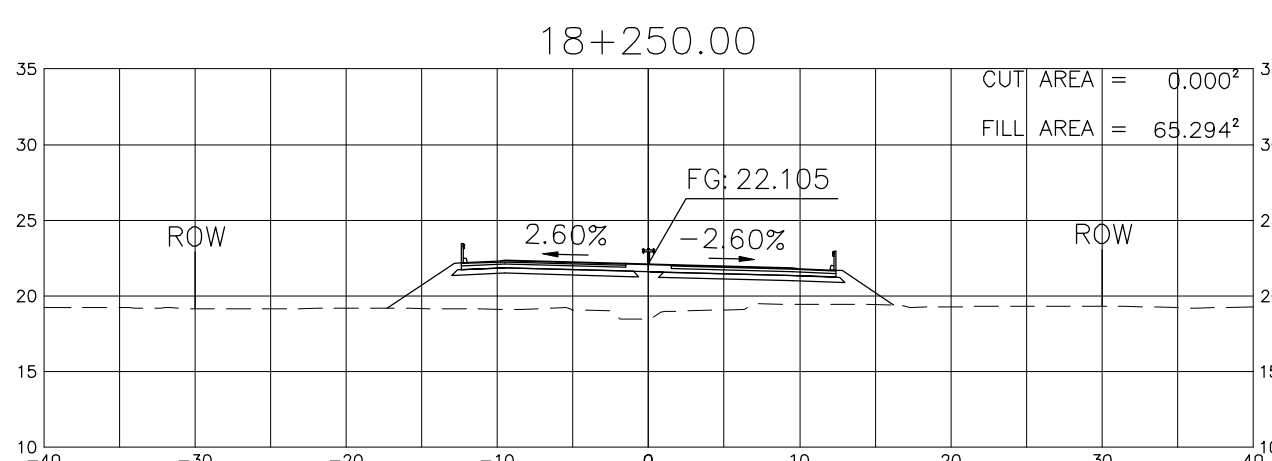
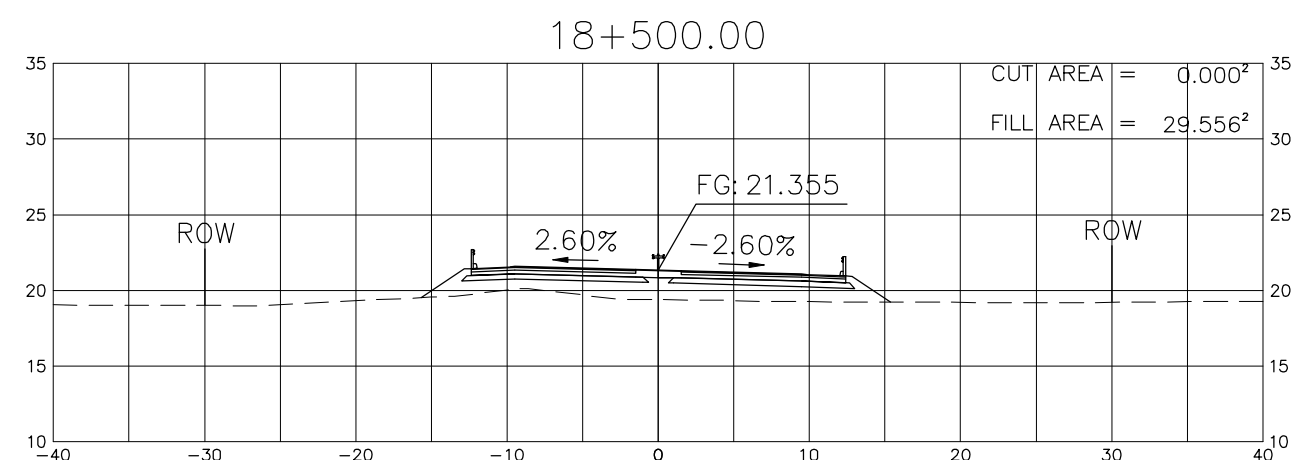
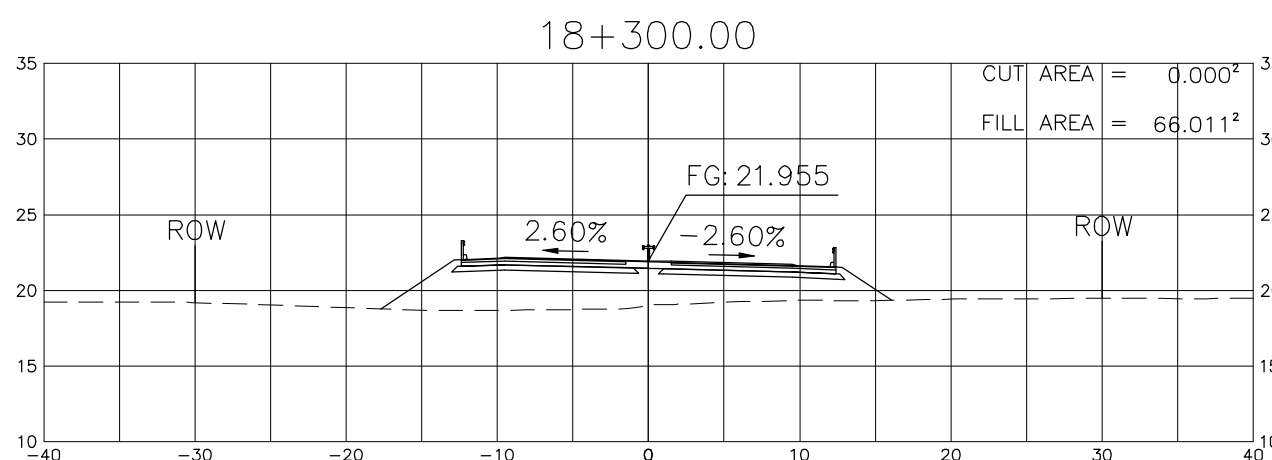
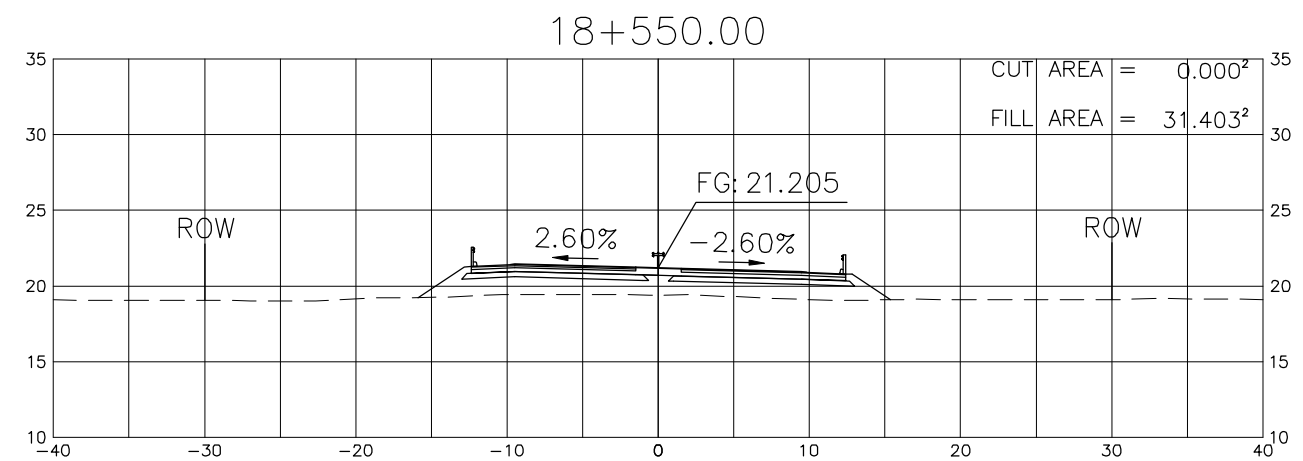
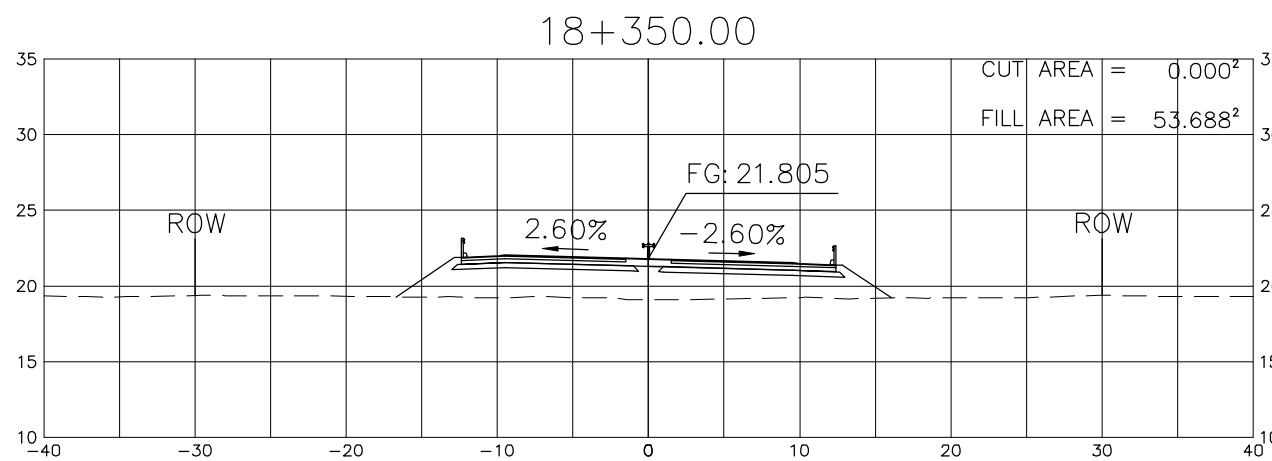
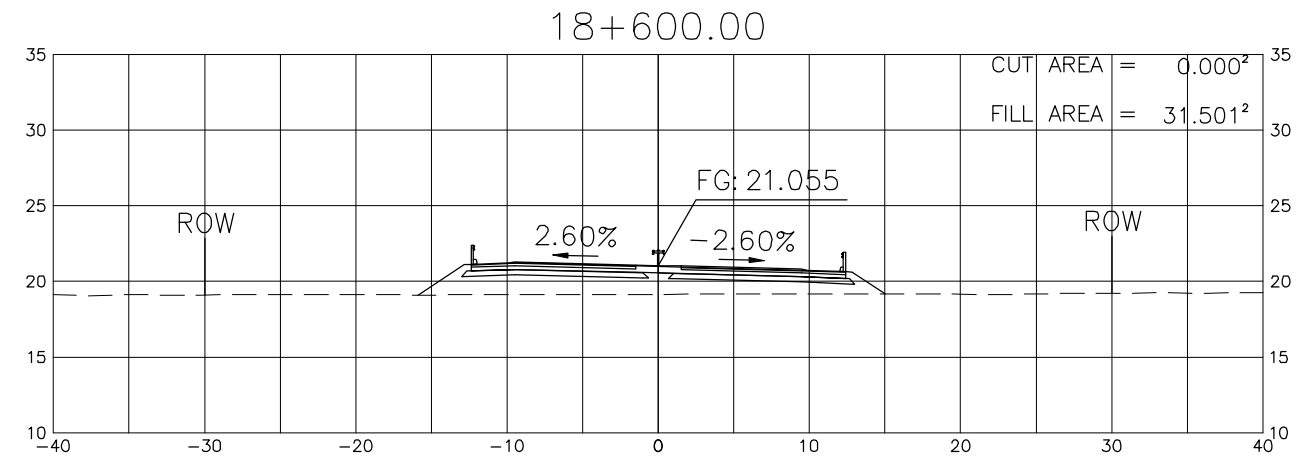
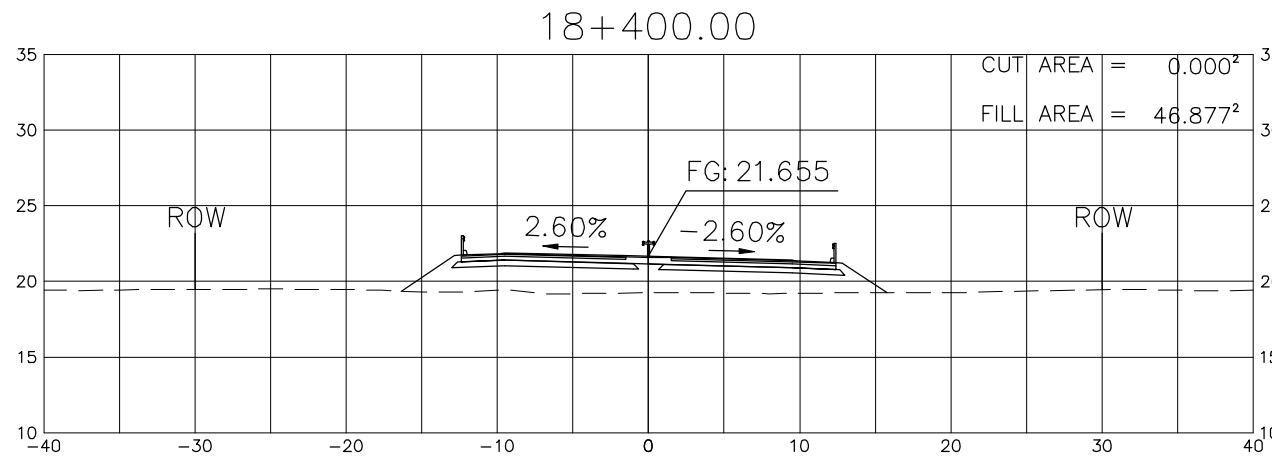


PROJECT TITLE	SCALE	SHEET CONTENT	DRAWING NO.
Preparatory survey for expressway project in Mega Manila Region CLLEX ( TARLAC - CABANATUAN )	A1 = 1:250 A3 = 1:500	CROSS SECTION (INTERIM 2 LANE) STA 17+450 TO STA 17+800	L-54
			SHEET NO.
			54 OF 90

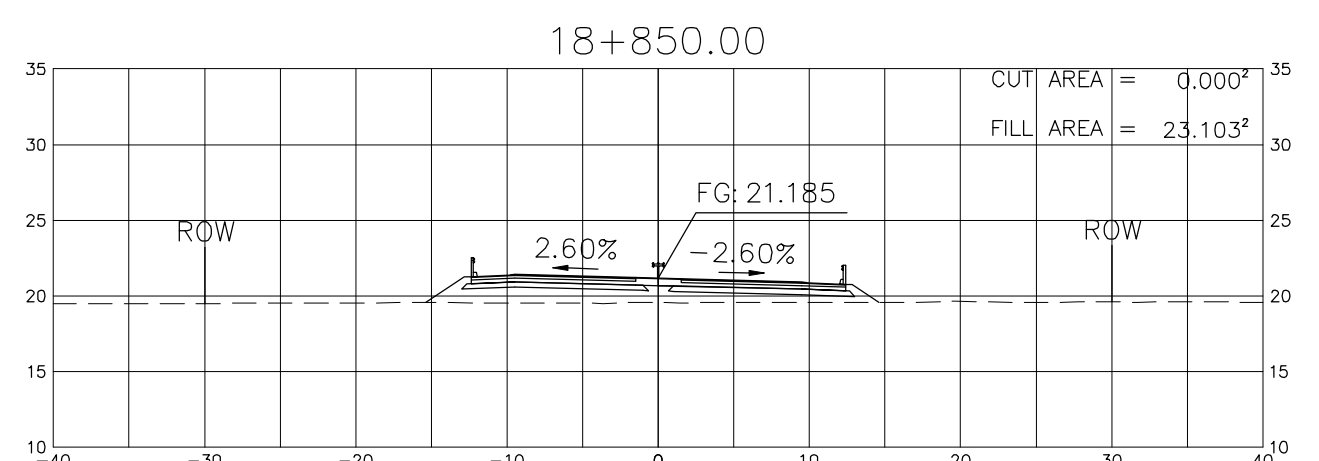
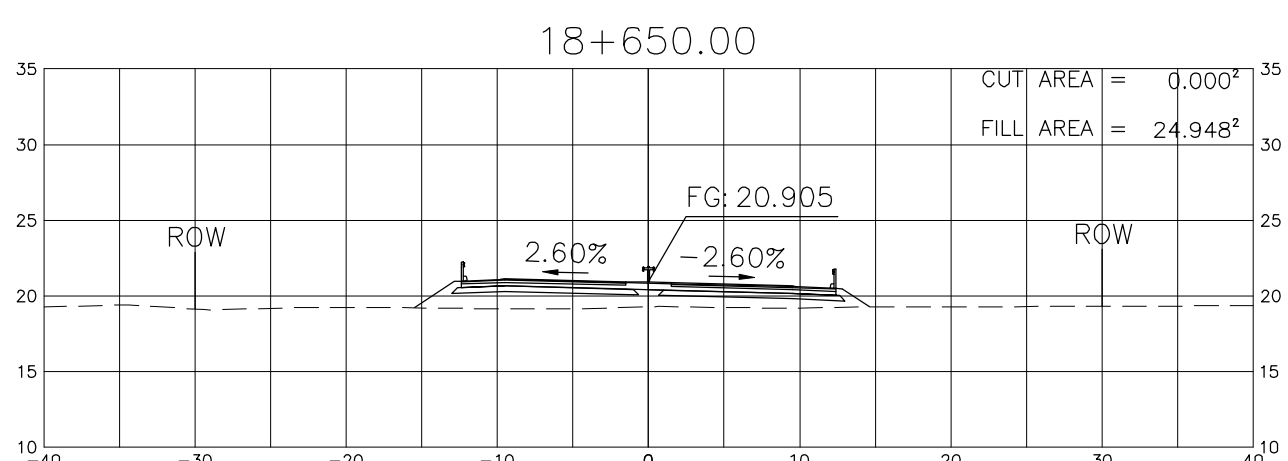
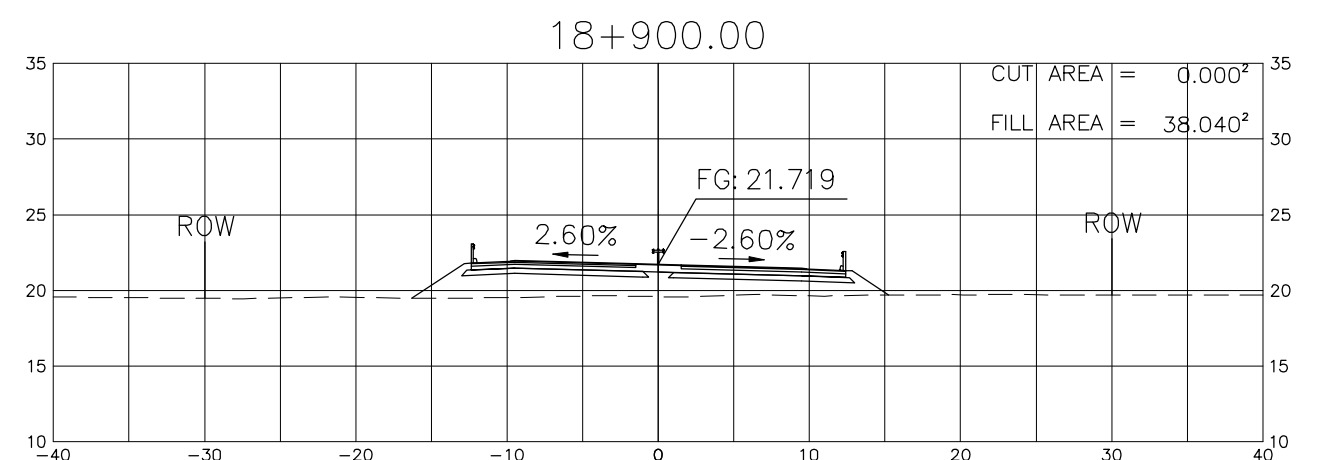
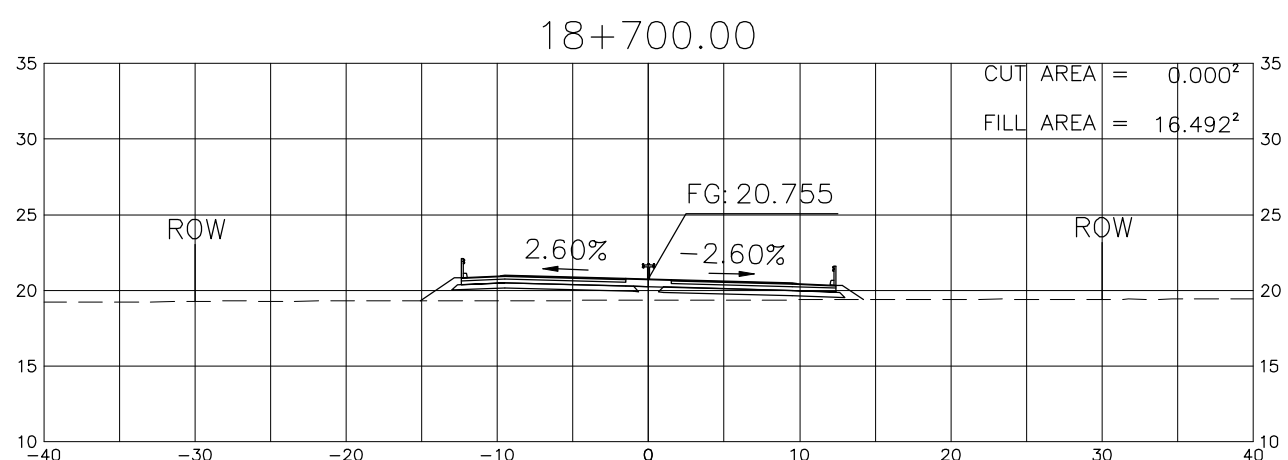
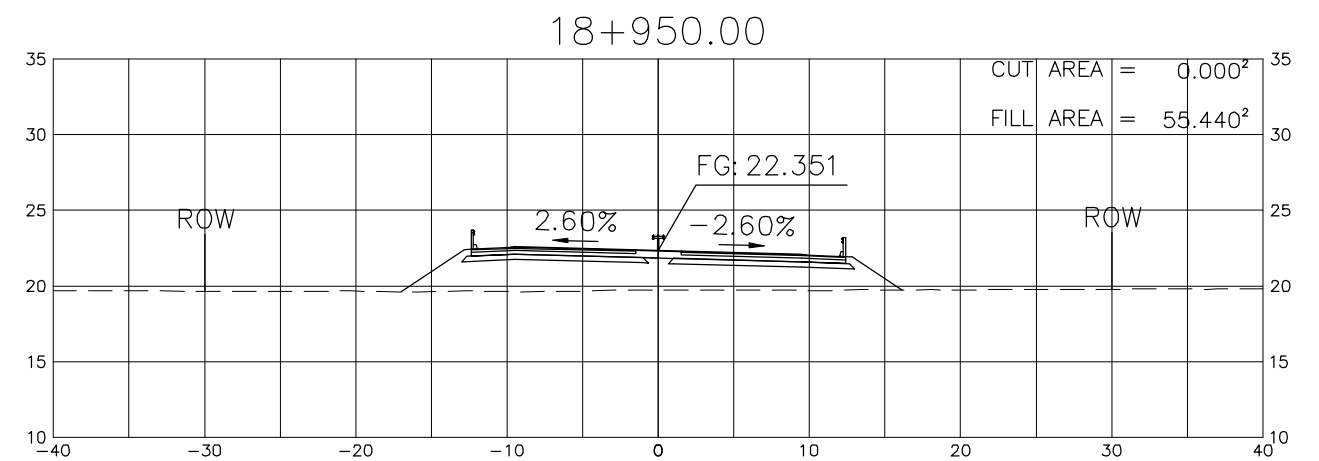
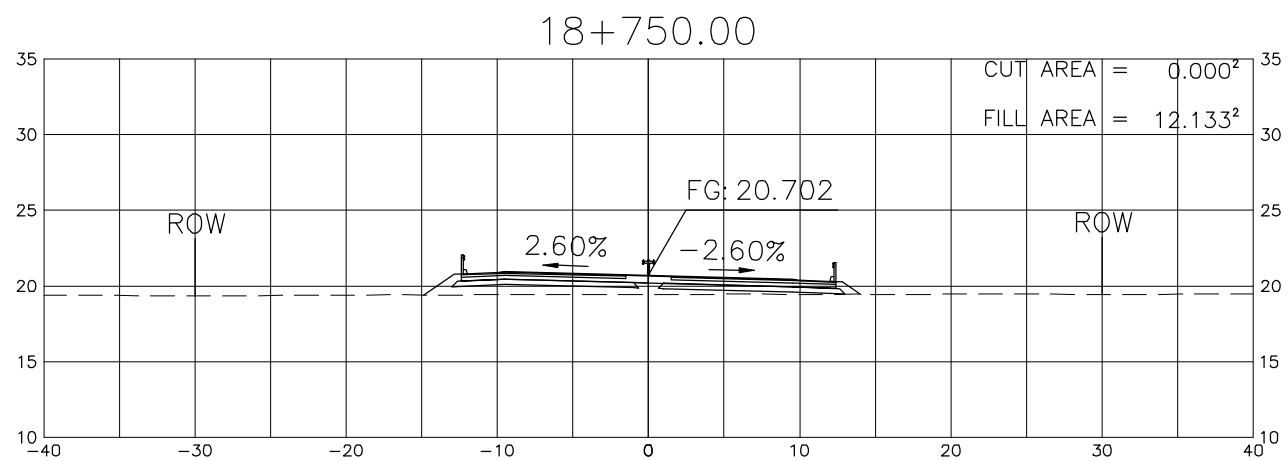
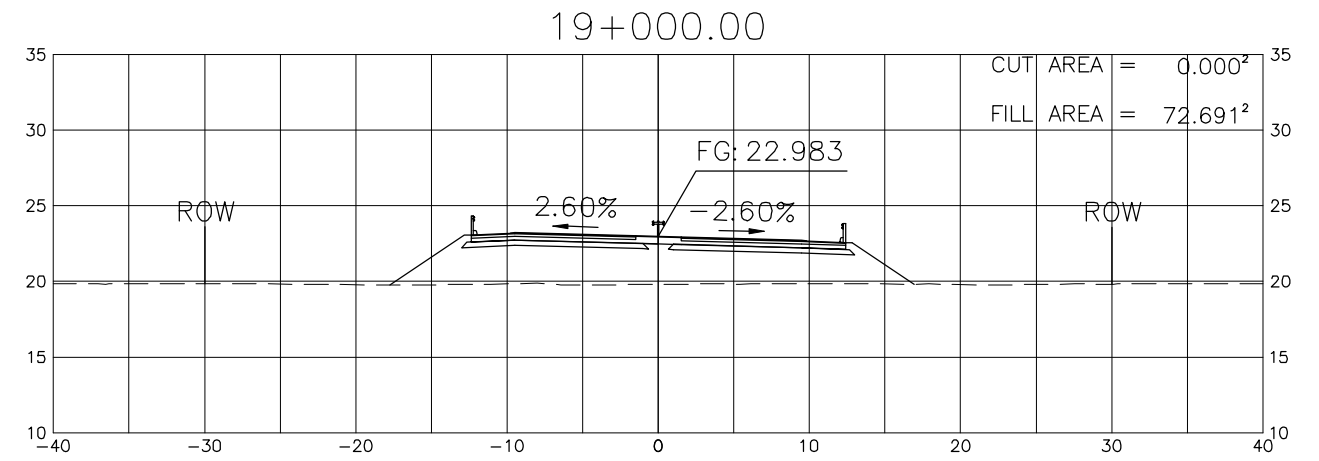
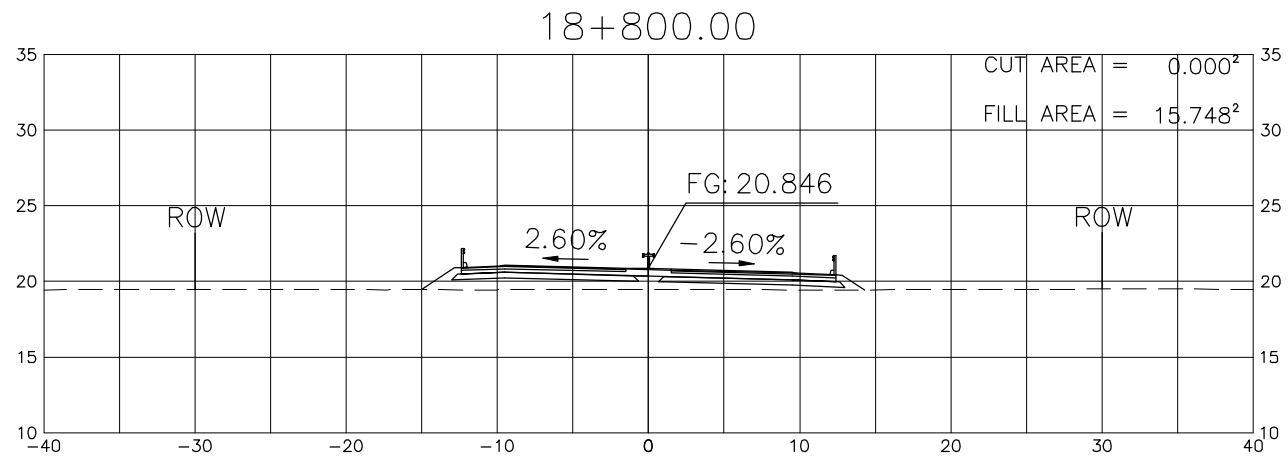




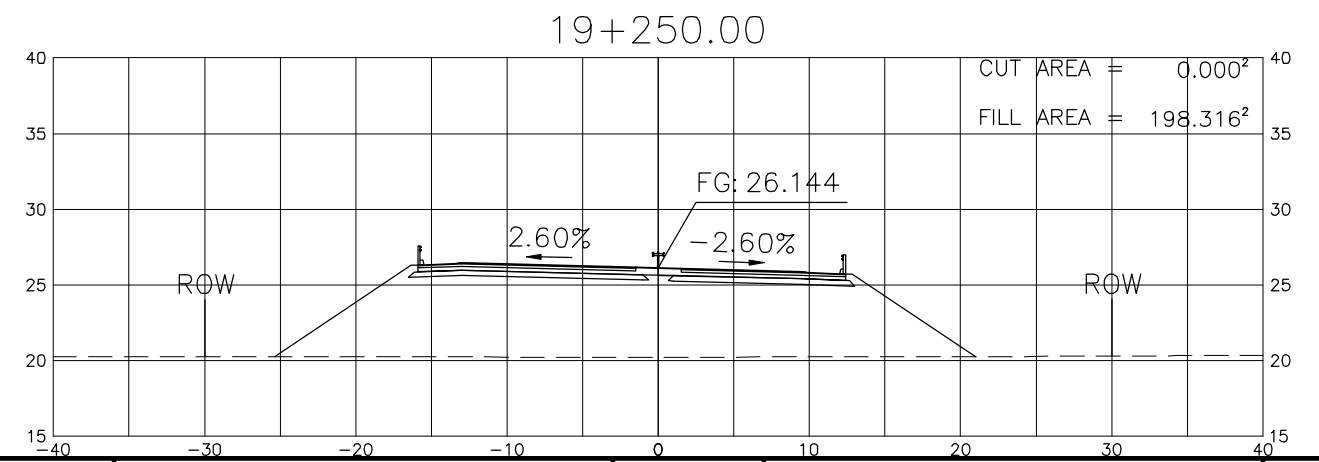
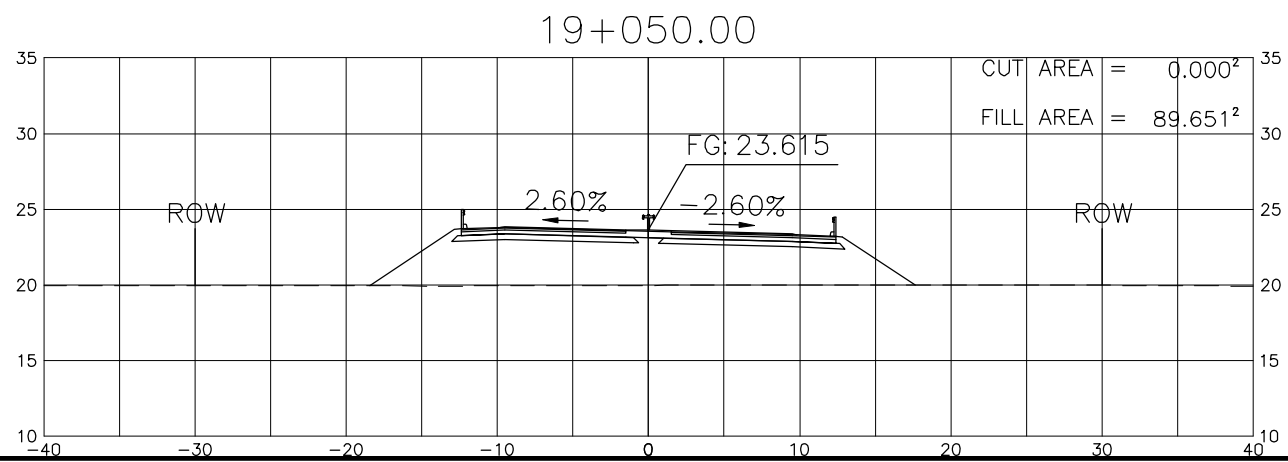
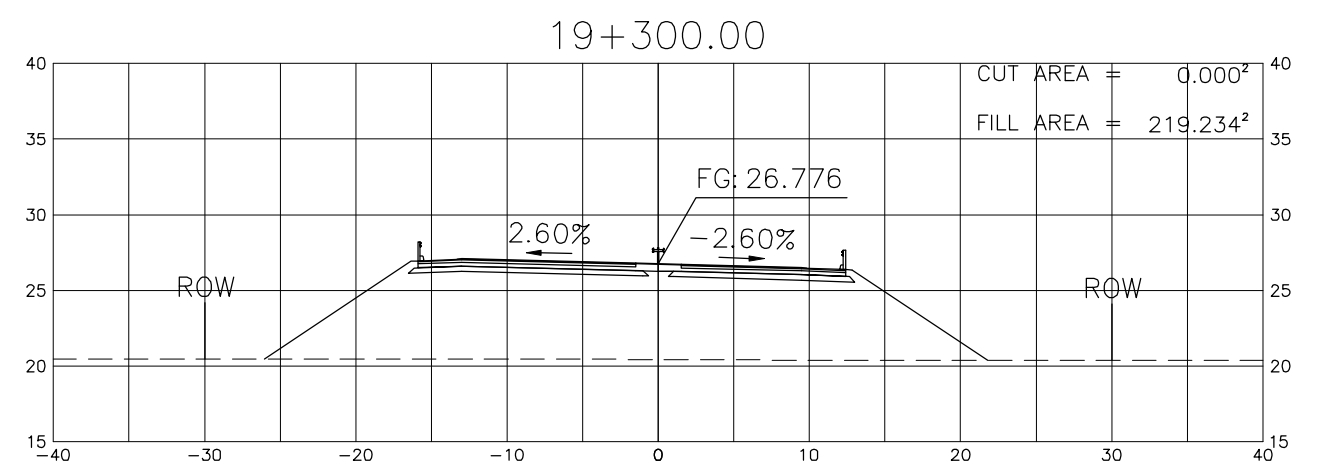
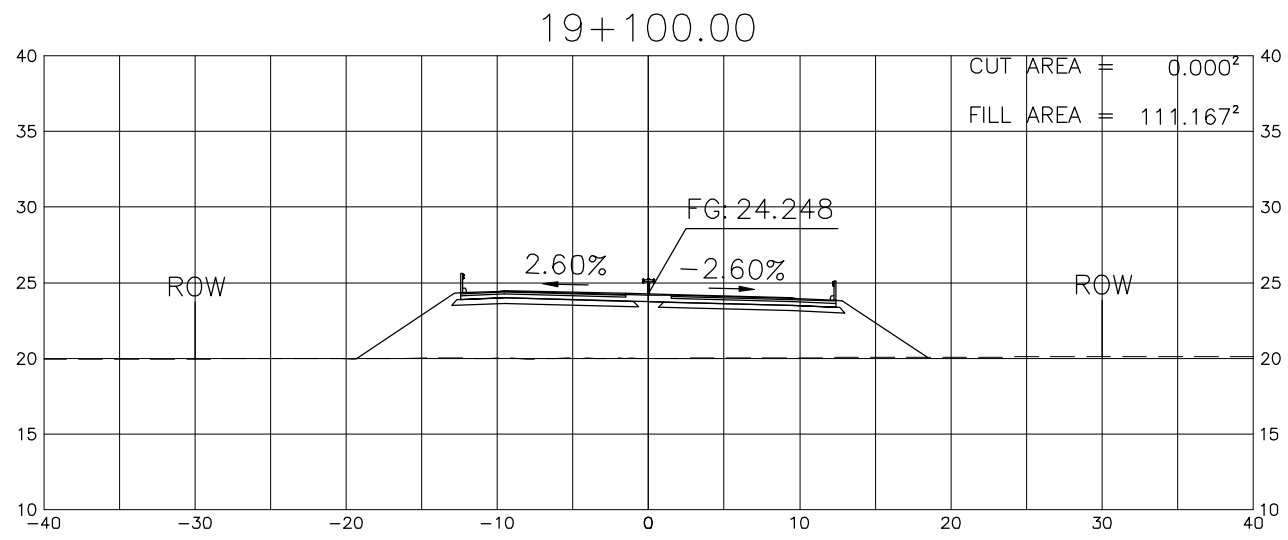
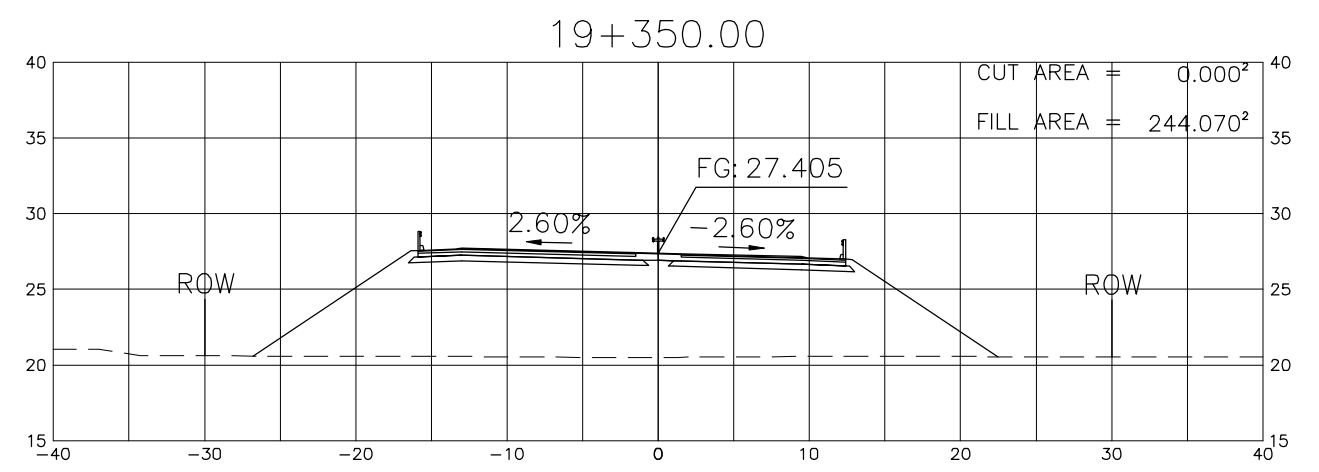
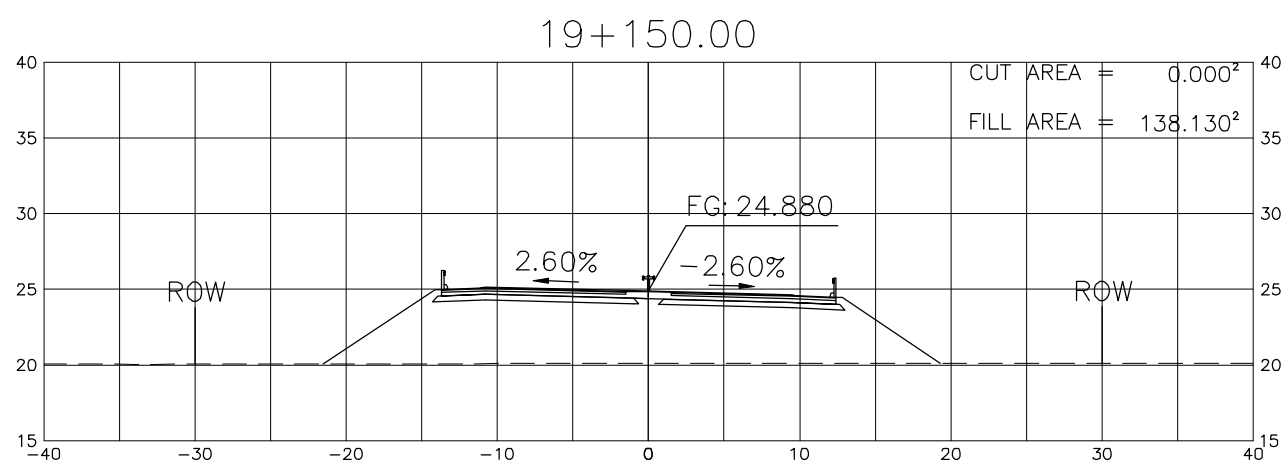
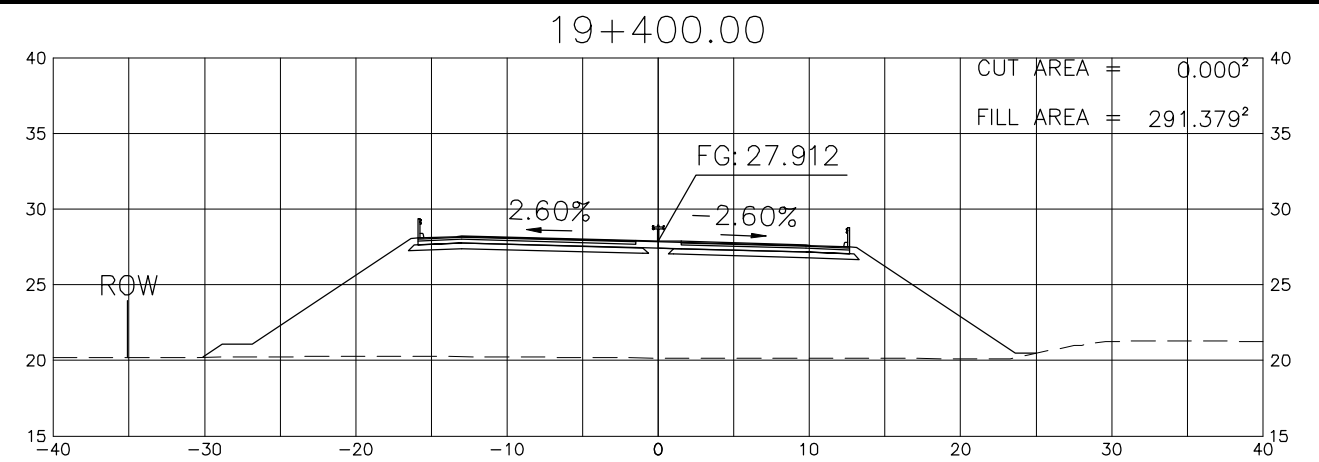
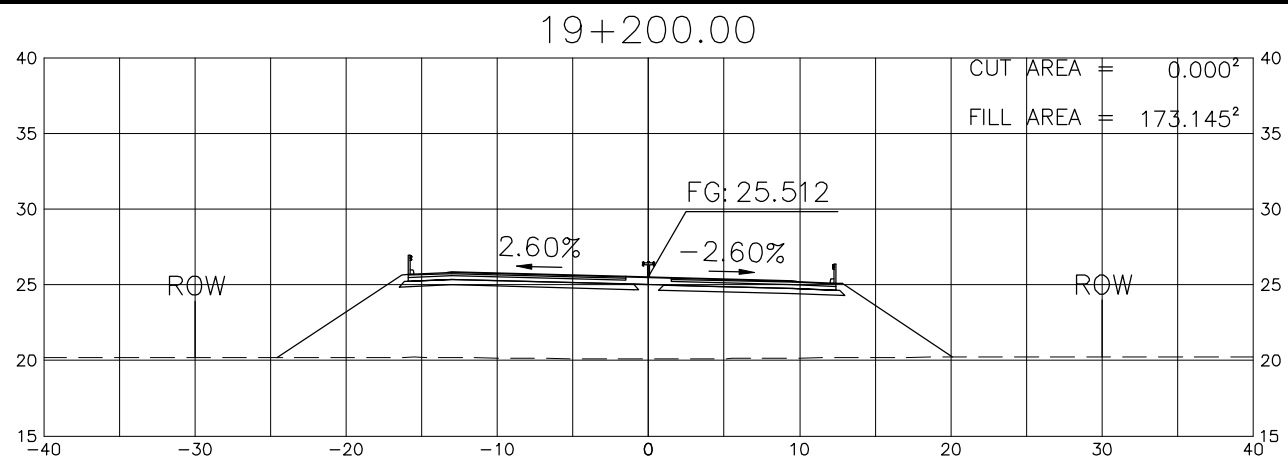
PROJECT TITLE	SCALE	SHEET CONTENT	DRAWING NO.
Preparatory survey for expressway project in Mega Manila Region CLLEX ( TARLAC - CABANATUAN )	A1 = 1:250 A3 = 1:500	CROSS SECTION (INTERIM 2 LANE) STA 17+850 TO STA 18+200	L-55
			SHEET NO.
			55 OF 90



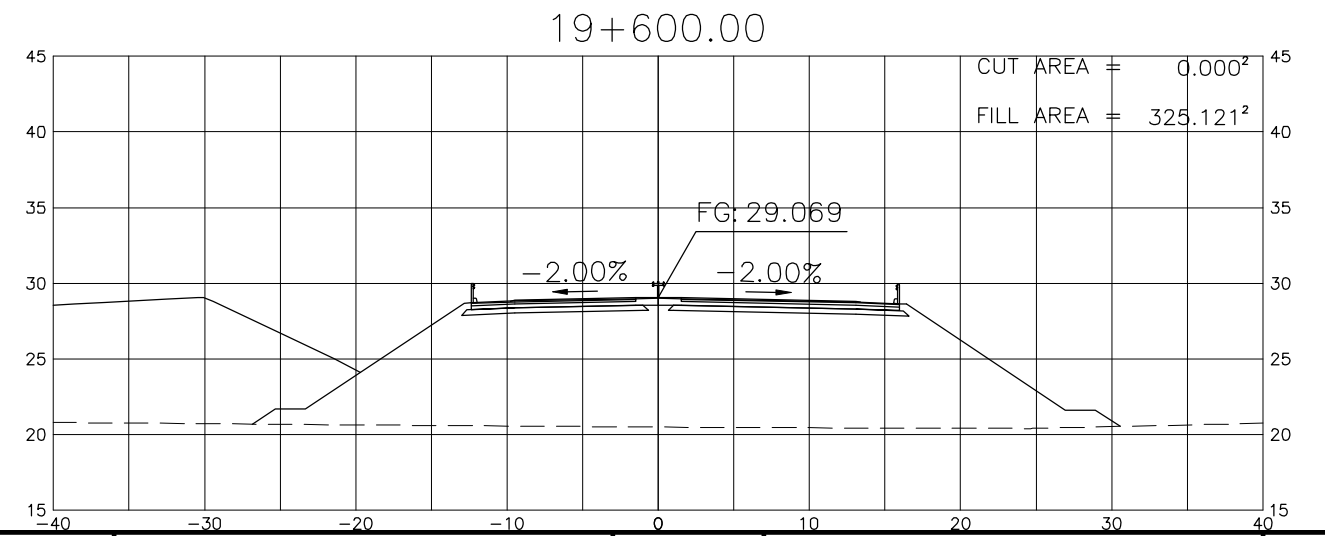
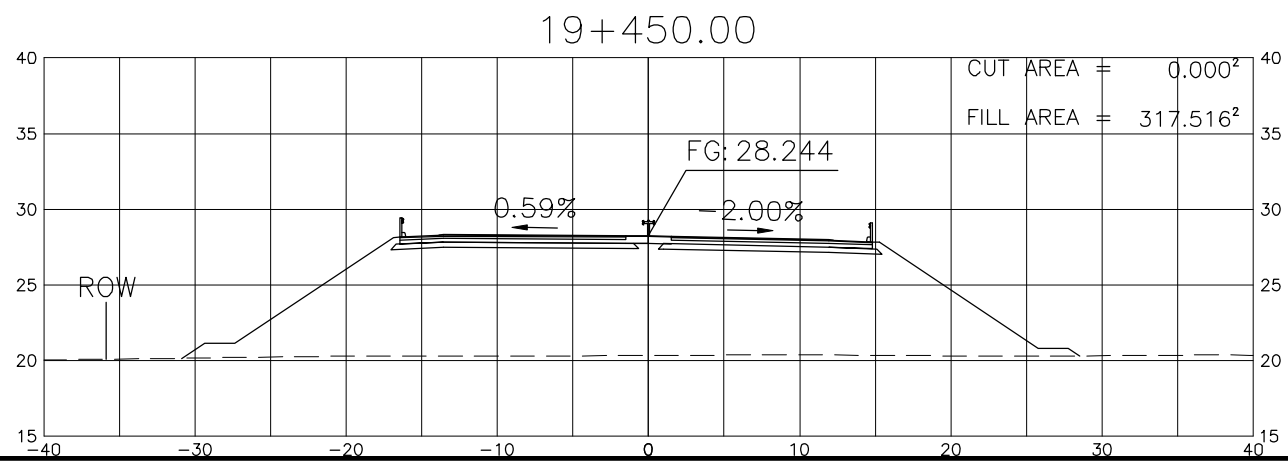
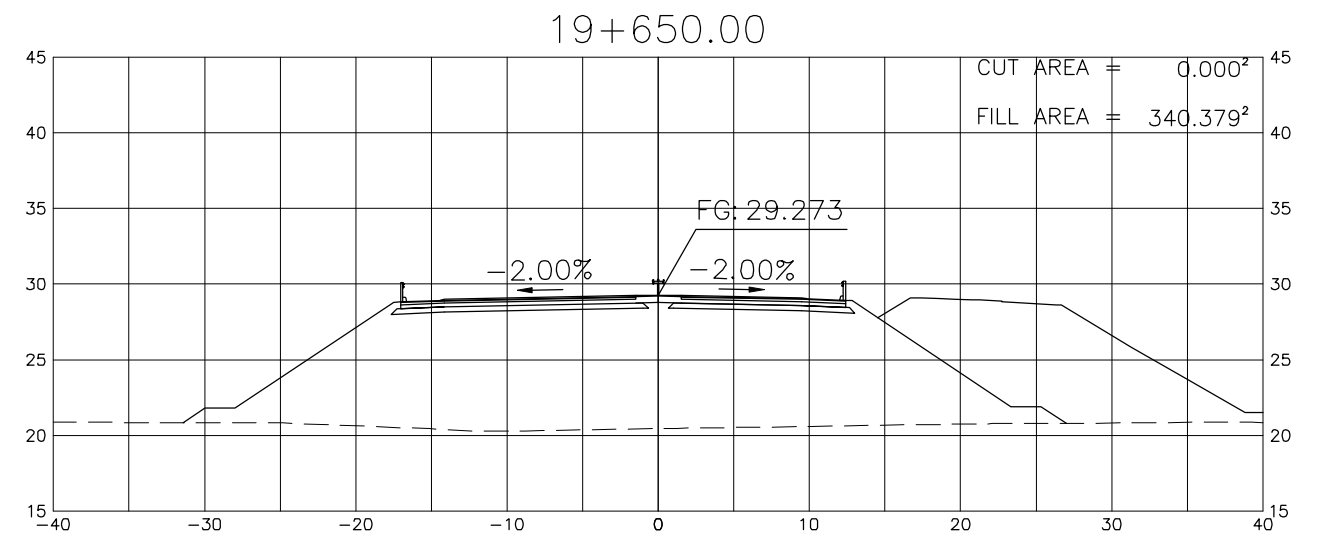
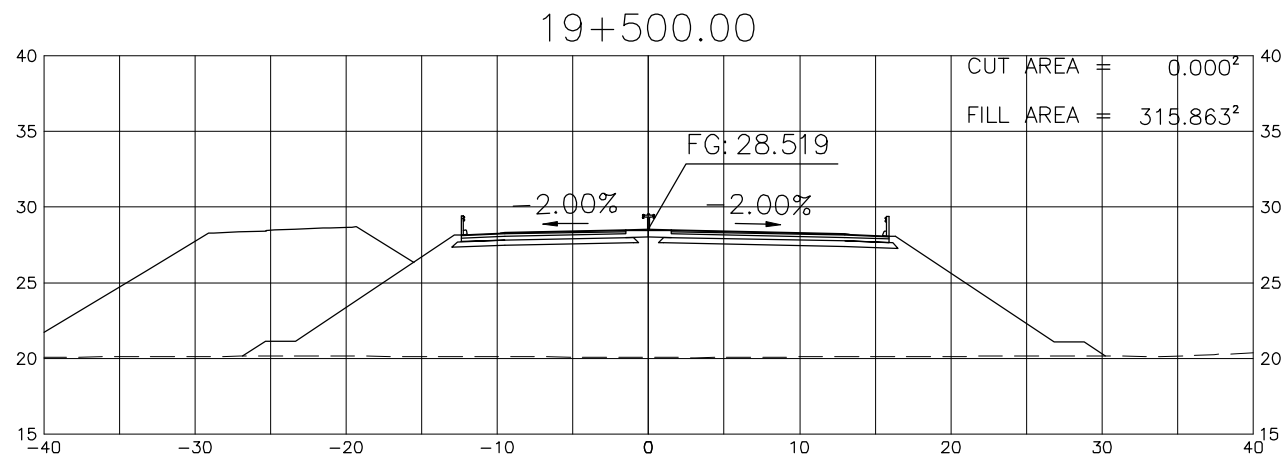
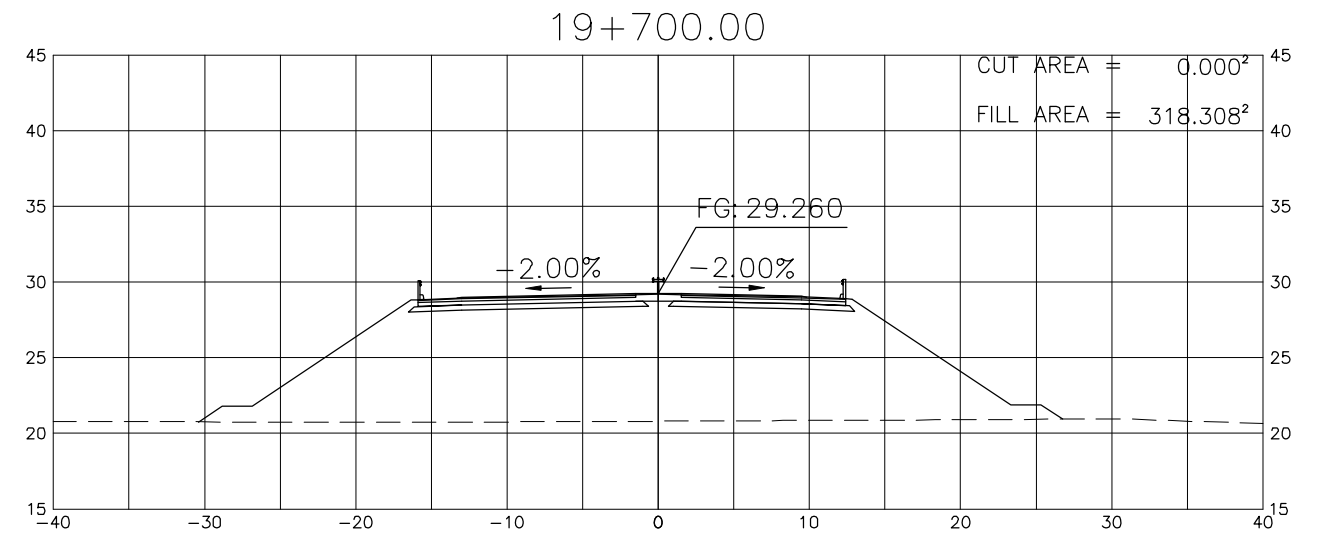
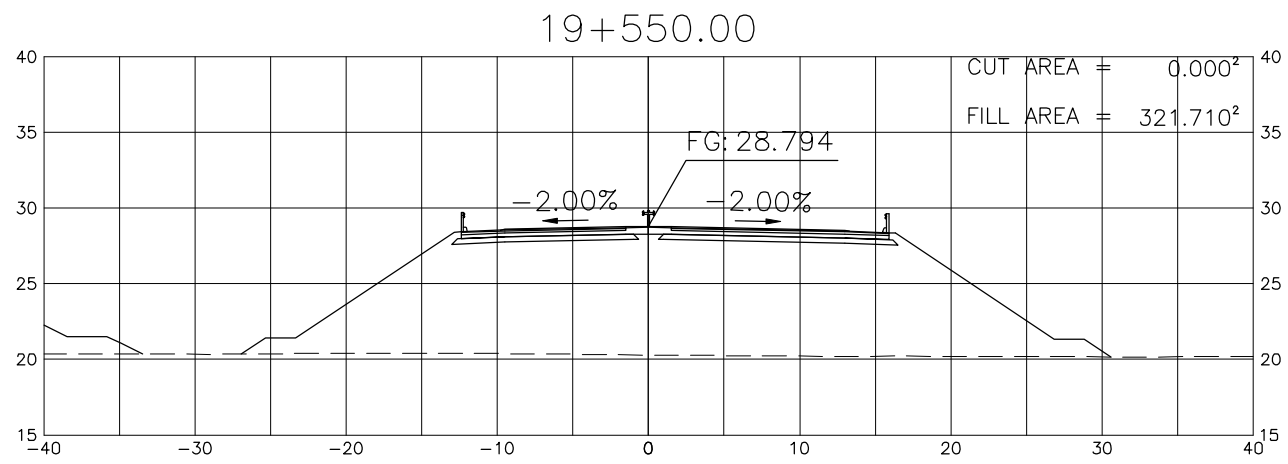
PROJECT TITLE	SCALE	SHEET CONTENT	DRAWING NO.
Preparatory survey for expressway project in Mega Manila Region CLLEX ( TARLAC - CABANATUAN )	A1 = 1:250 A3 = 1:500	CROSS SECTION (INTERIM 2 LANE) STA 18+250 TO STA 18+600	L-56
			SHEET NO.
			66 OF 90



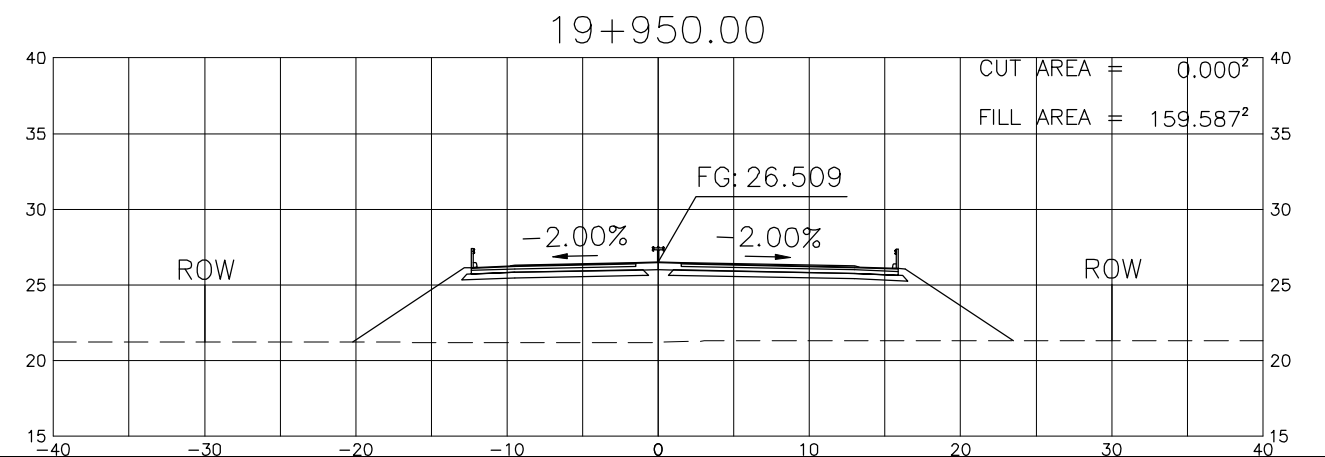
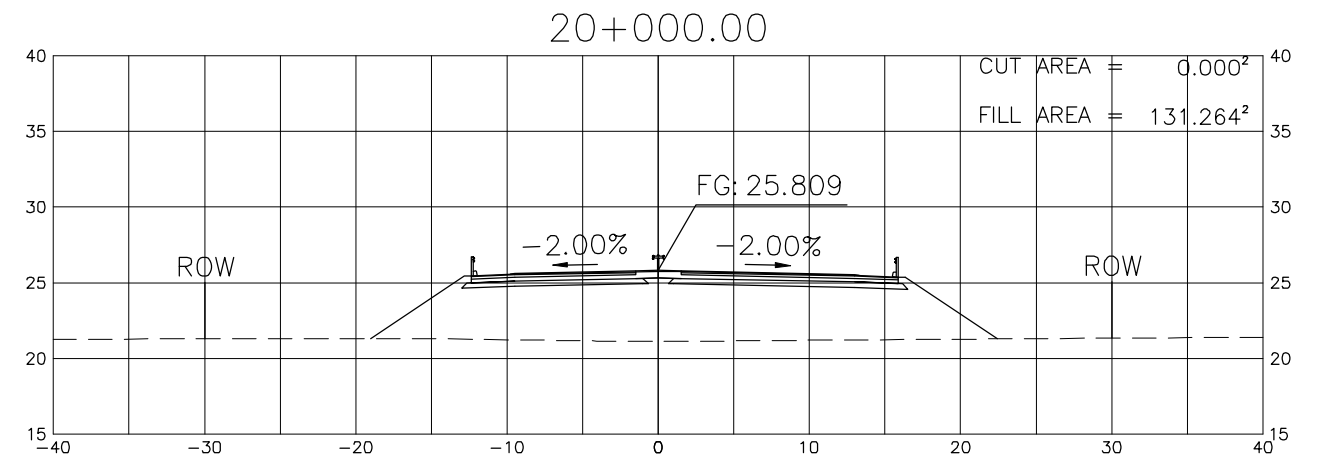
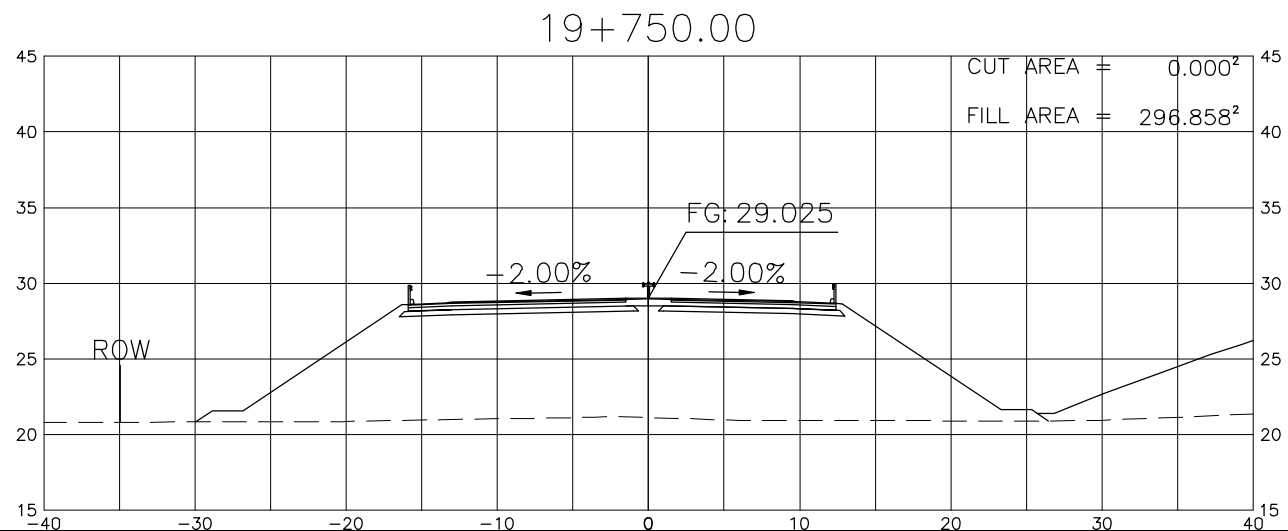
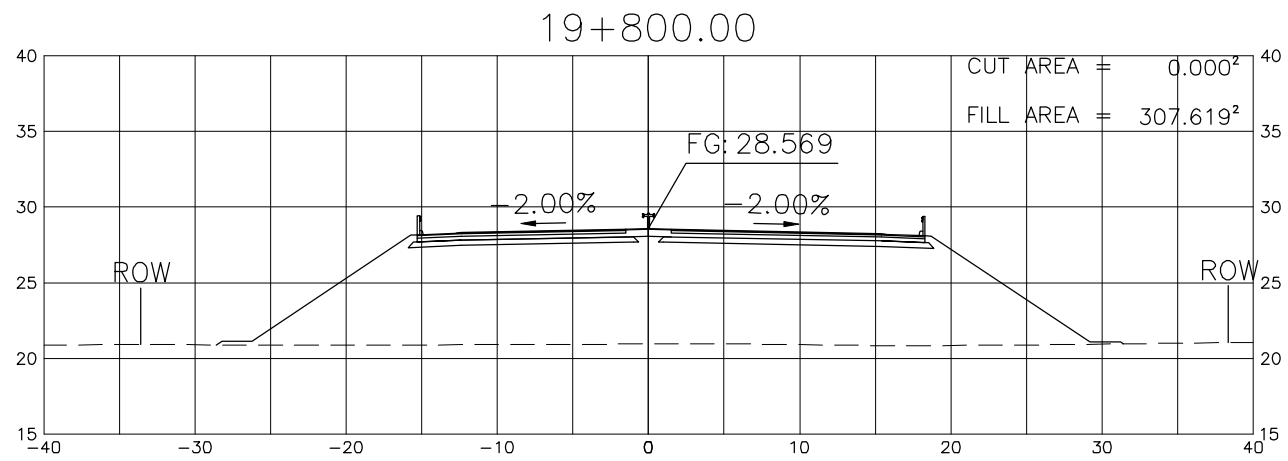
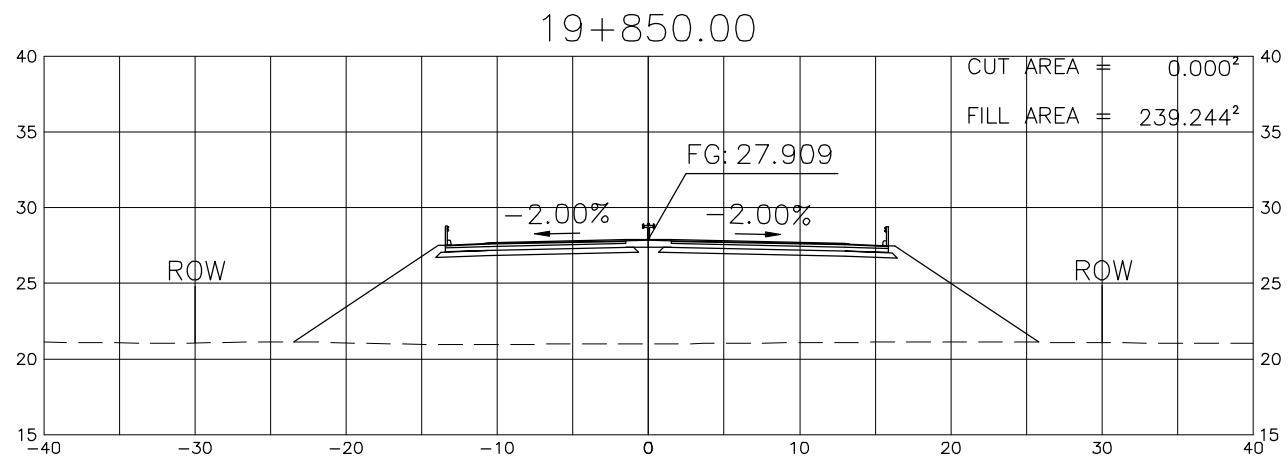
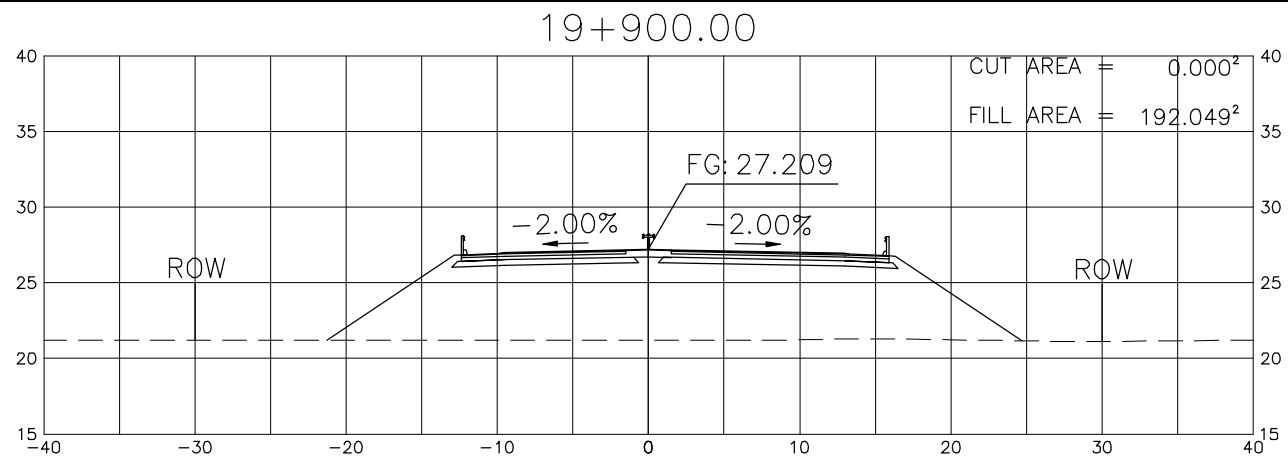
PROJECT TITLE	SCALE	SHEET CONTENT	DRAWING NO.
Preparatory survey for expressway project in Mega Manila Region CLLEX ( TARLAC - CABANATUAN )	A1 = 1:250 A3 = 1:500	CROSS SECTION (INTERIM 2 LANE) STA 18+650 TO STA 19+000	L-57
			SHEET NO.
			57 OF 90



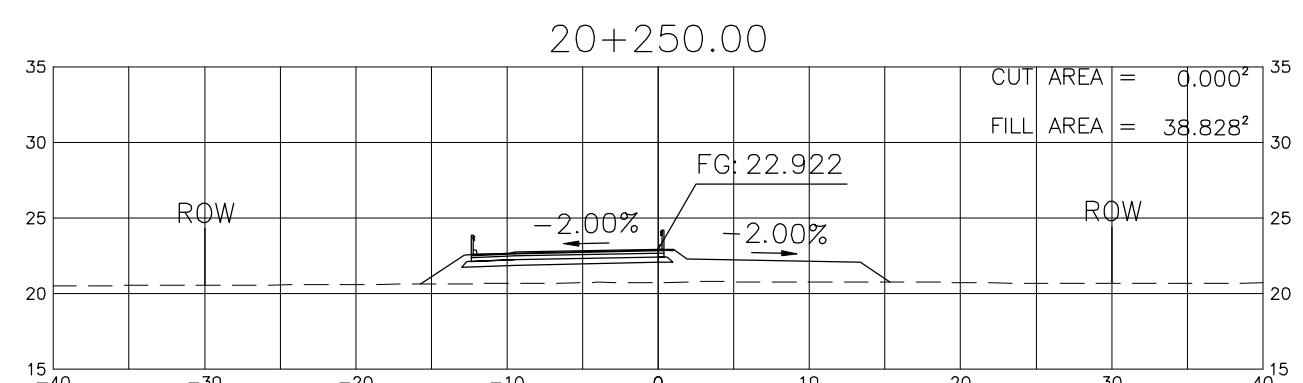
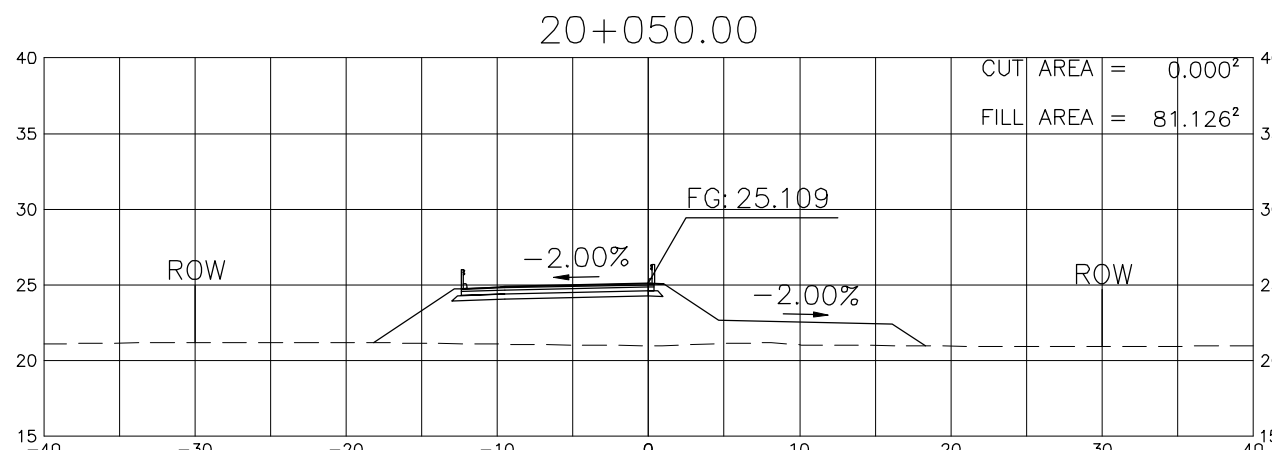
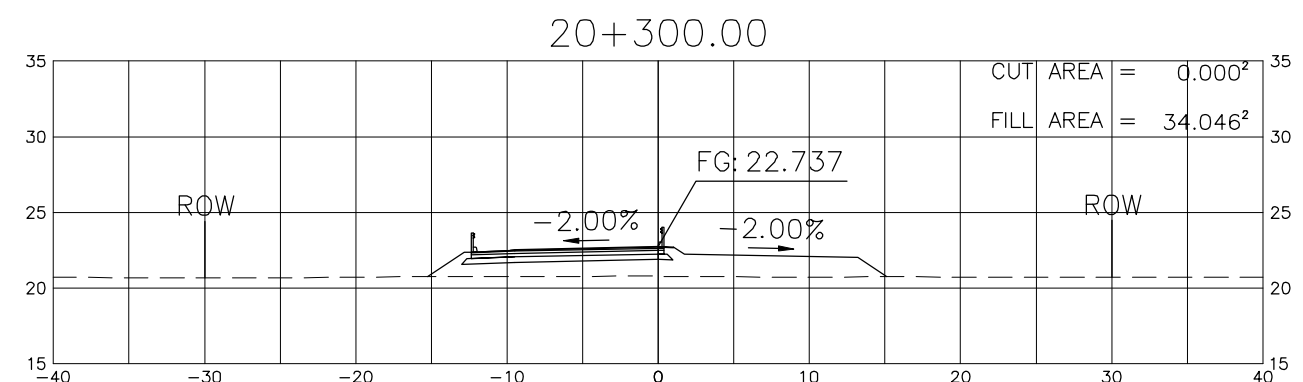
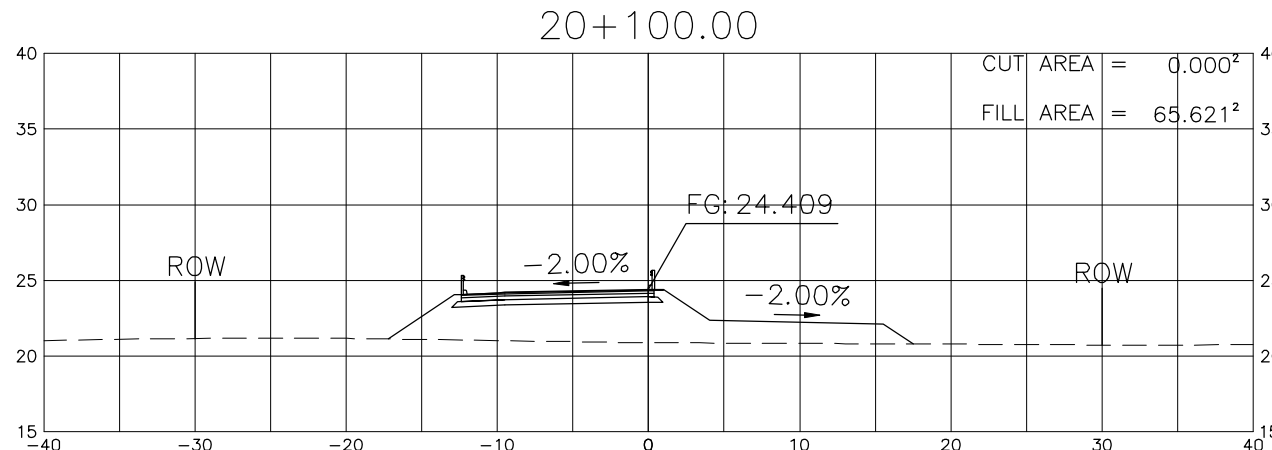
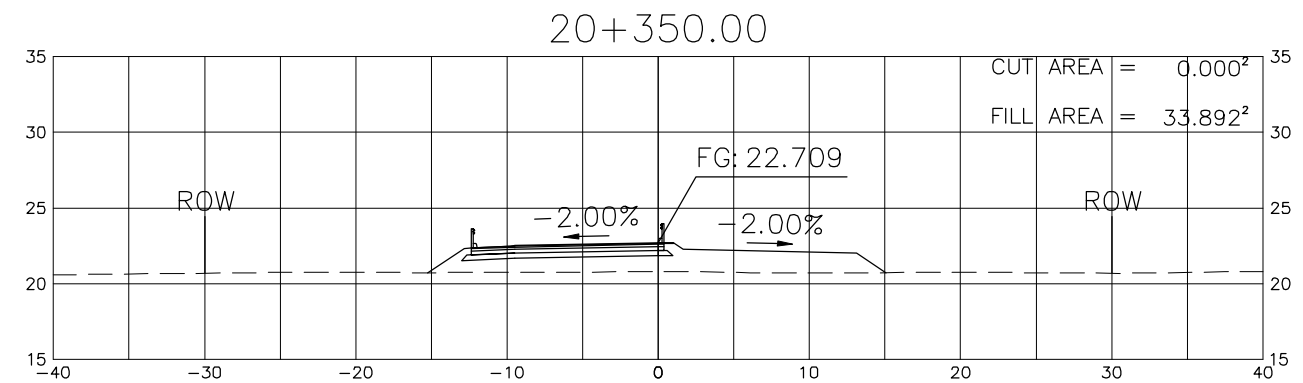
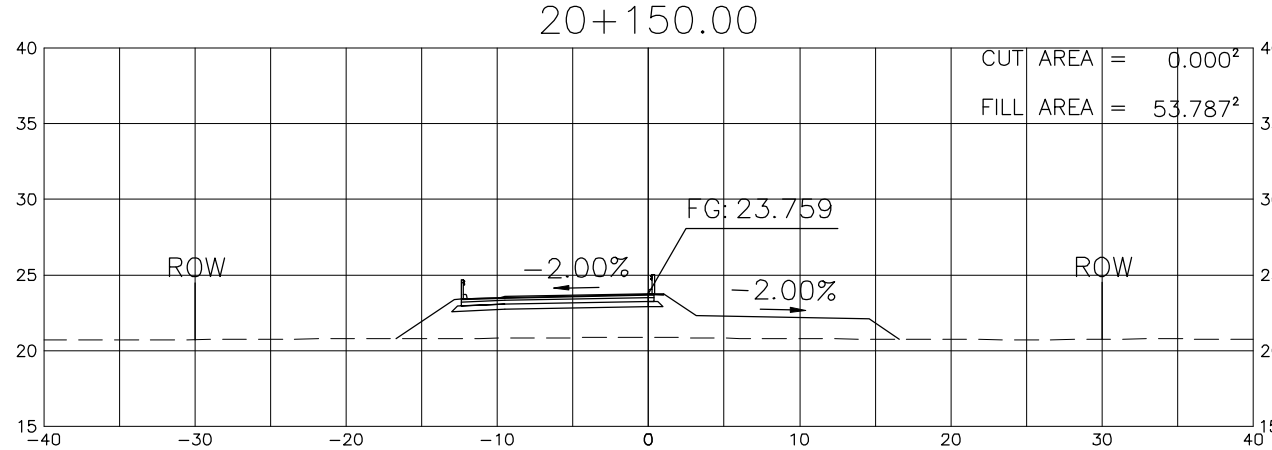
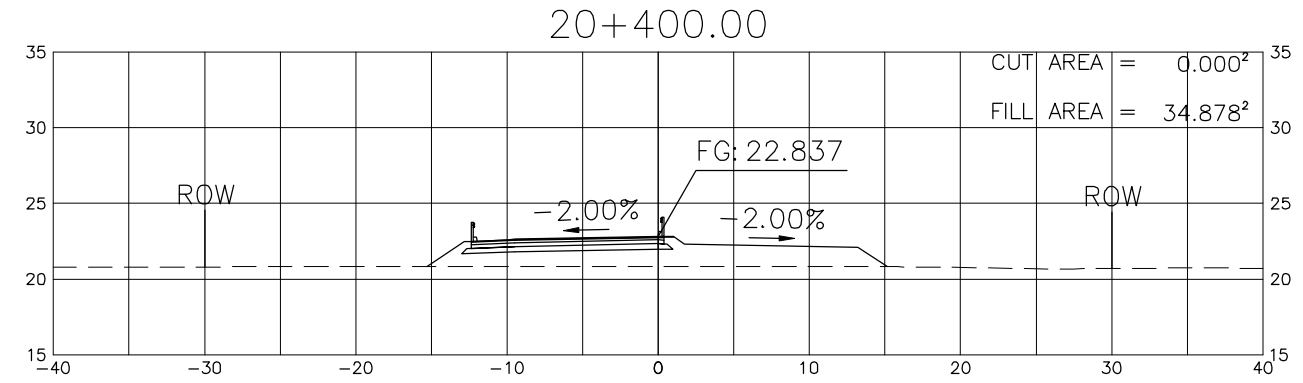
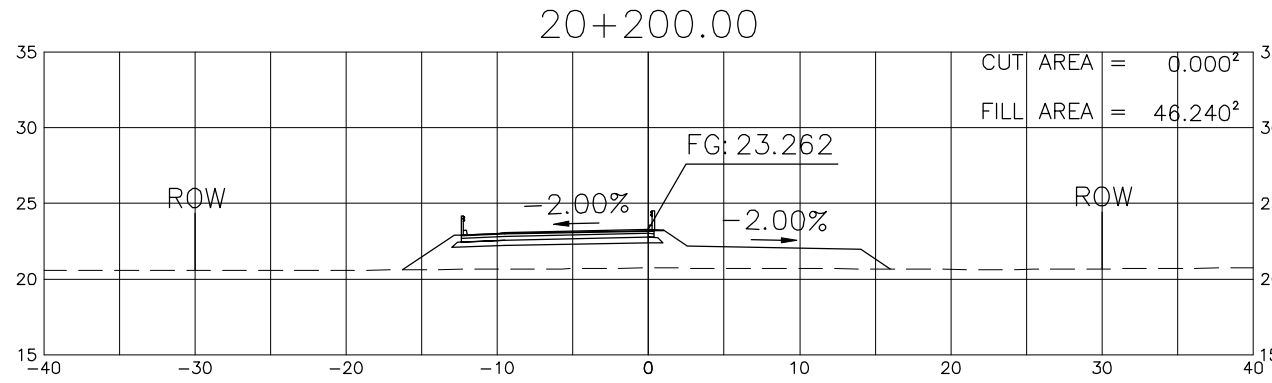
PROJECT TITLE	SCALE	SHEET CONTENT	DRAWING NO.
Preparatory survey for expressway project in Mega Manila Region CLLEX ( TARLAC - CABANATUAN )	A1 = 1:250 A3 = 1:500	CROSS SECTION (INTERIM 2 LANE) STA 19+050 TO STA 19+400	L-58
			SHEET NO.
			58 OF 90



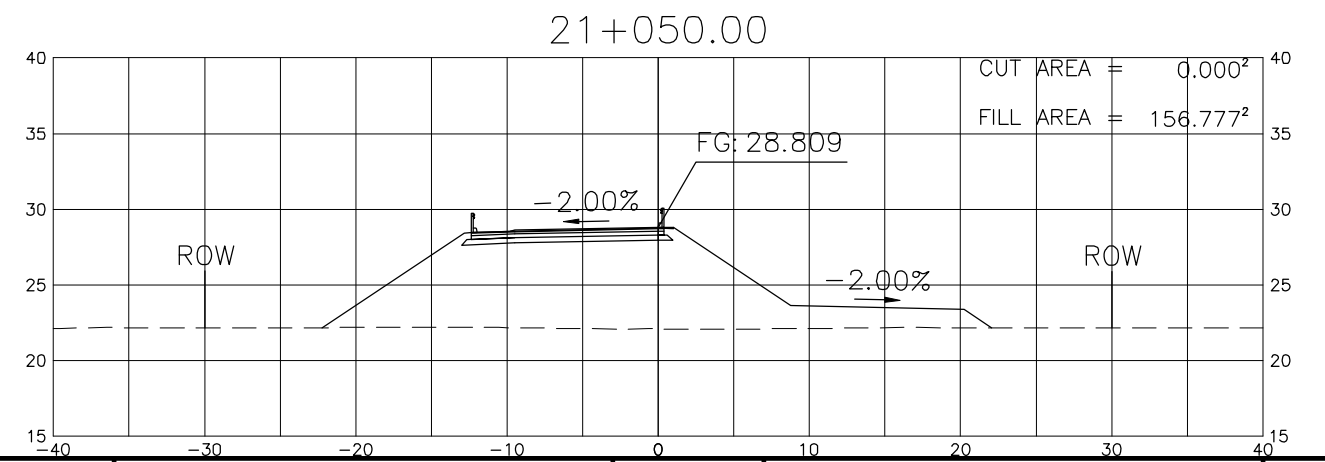
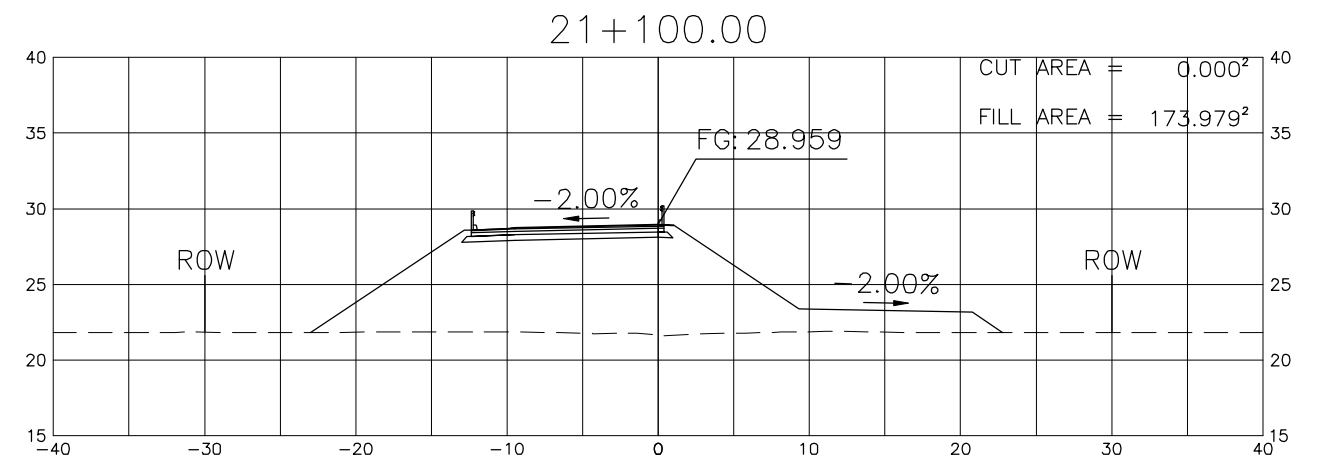
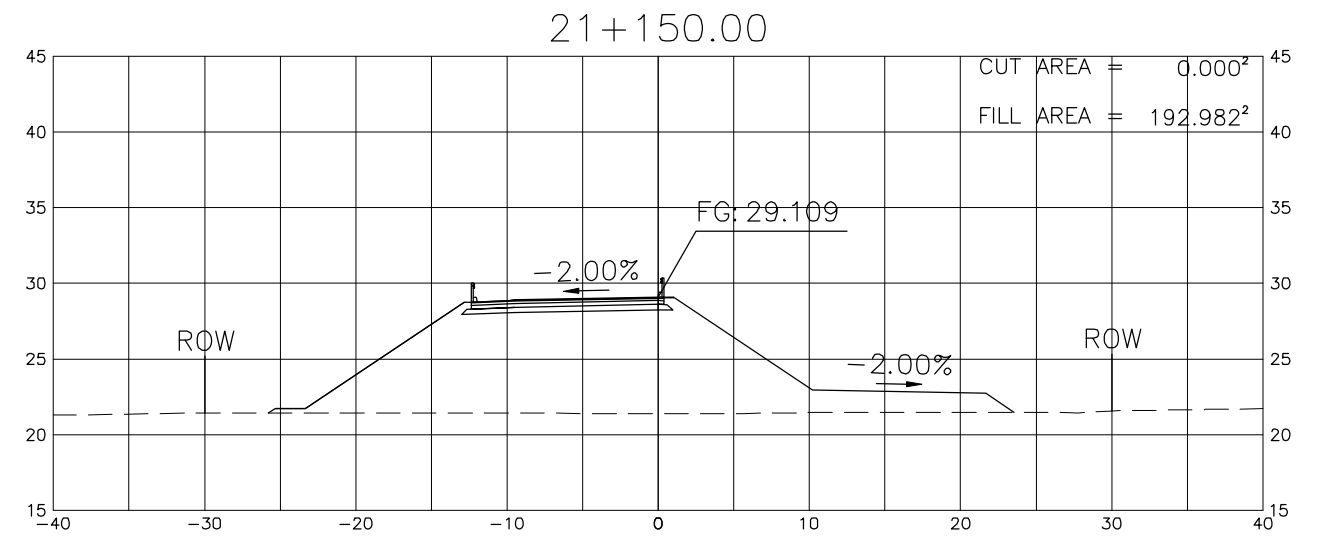
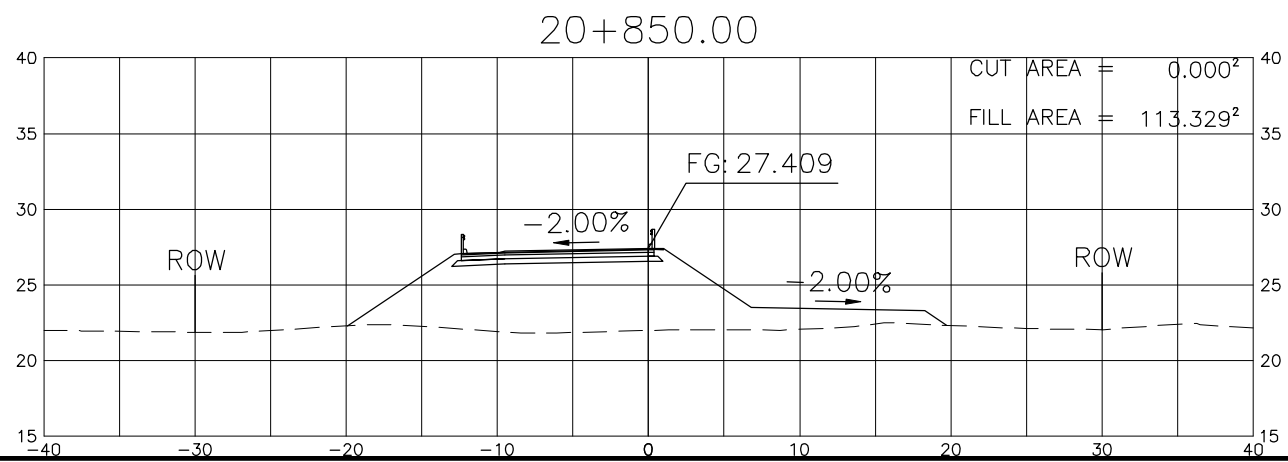
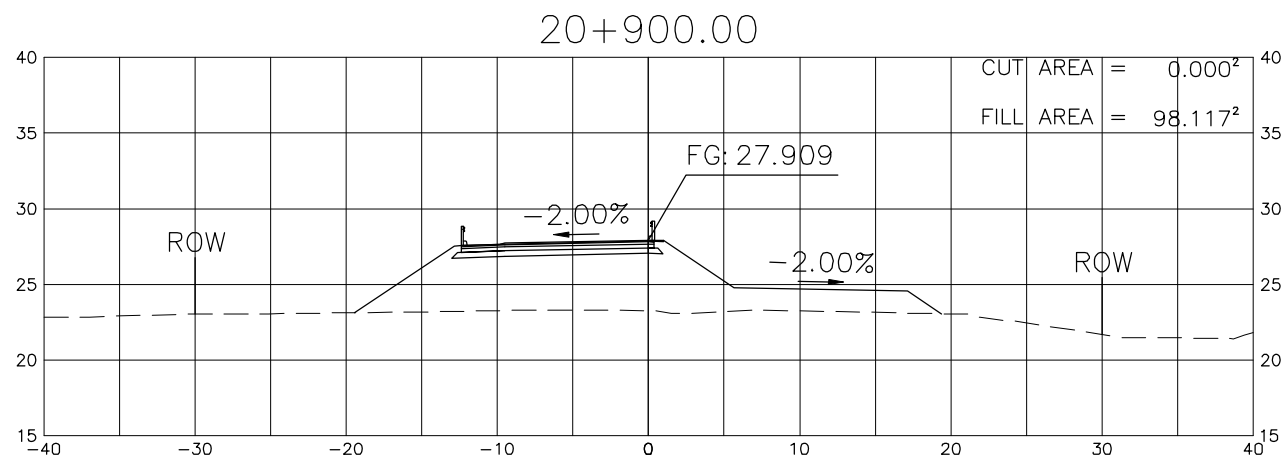
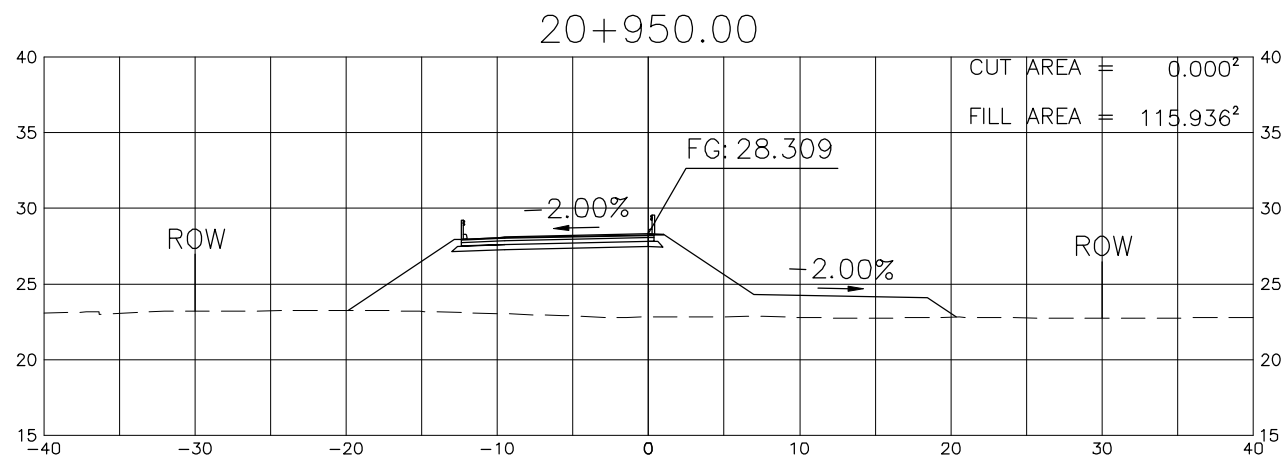
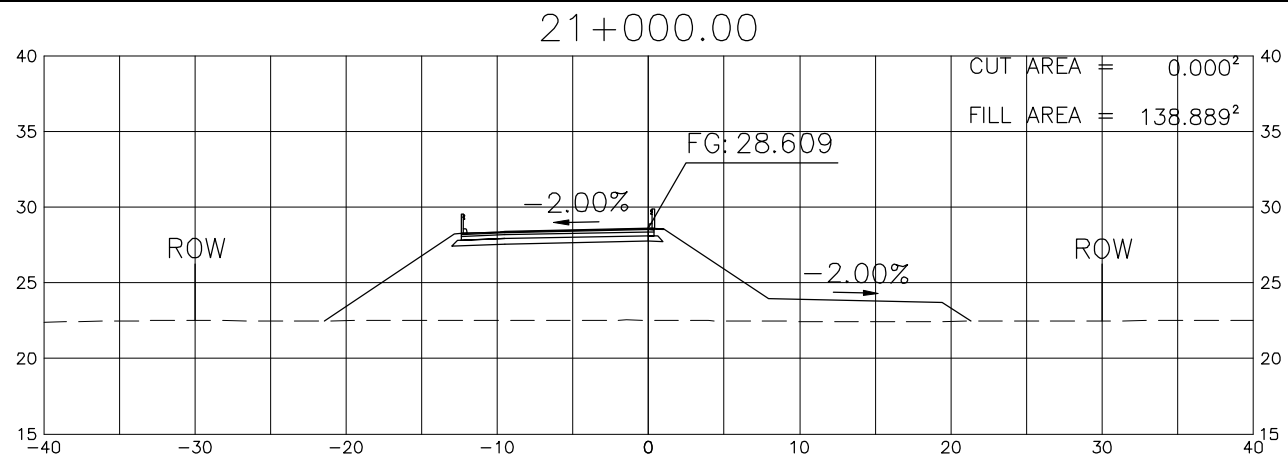
PROJECT TITLE	SCALE	SHEET CONTENT	DRAWING NO.
Preparatory survey for expressway project in Mega Manila Region CLLEX ( TARLAC - CABANATUAN )	A1 = 1:250 A3 = 1:500	CROSS SECTION (INTERIM 2 LANE) STA 19+450 TO STA 19+700	L-59
			SHEET NO. 59 OF 90



PROJECT TITLE	SCALE	SHEET CONTENT	DRAWING NO.
Preparatory survey for expressway project in Mega Manila Region CLLEX ( TARLAC - CABANATUAN )	A1 = 1:250 A3 = 1:500	CROSS SECTION (INTERIM 2 LANE) STA 19+750 TO STA 20+000	L-60
			SHEET NO.
			60 OF 90

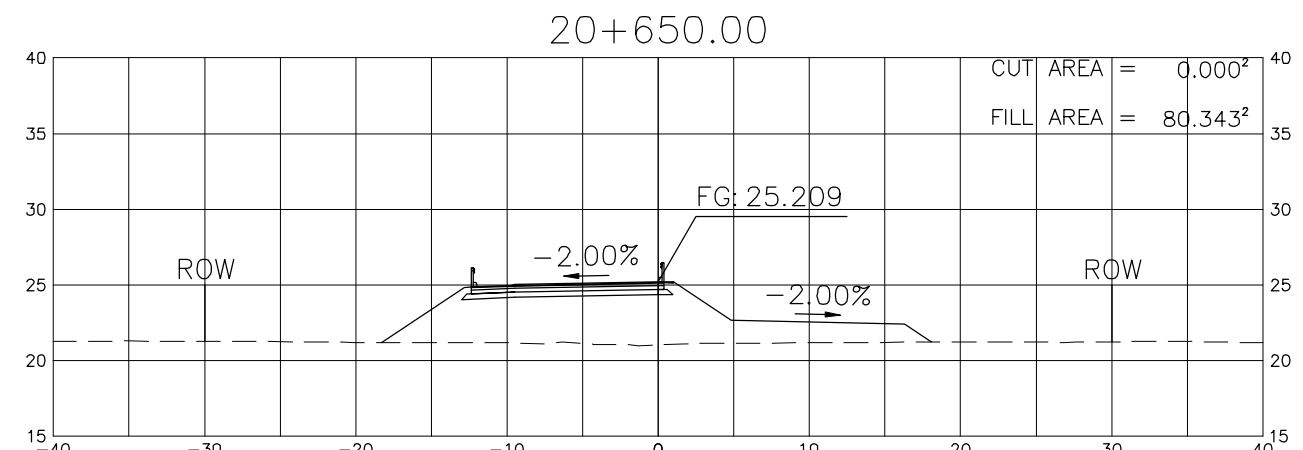
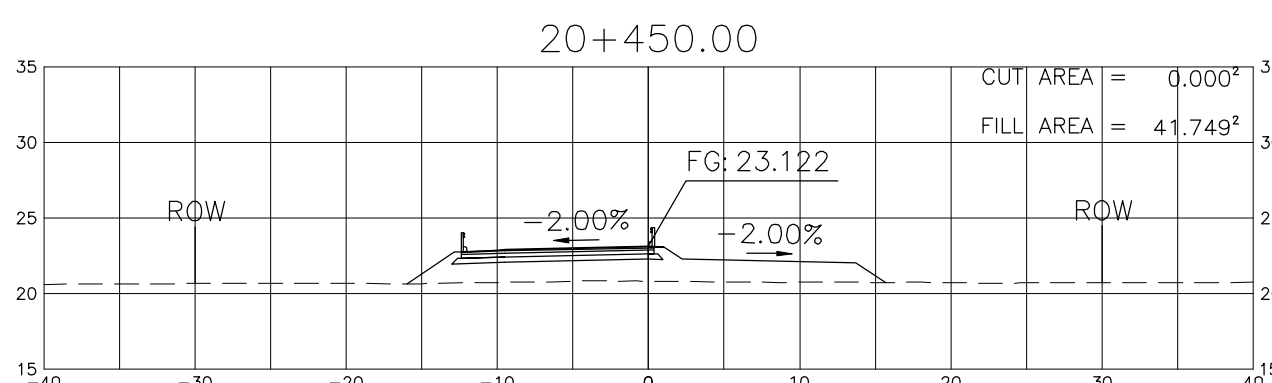
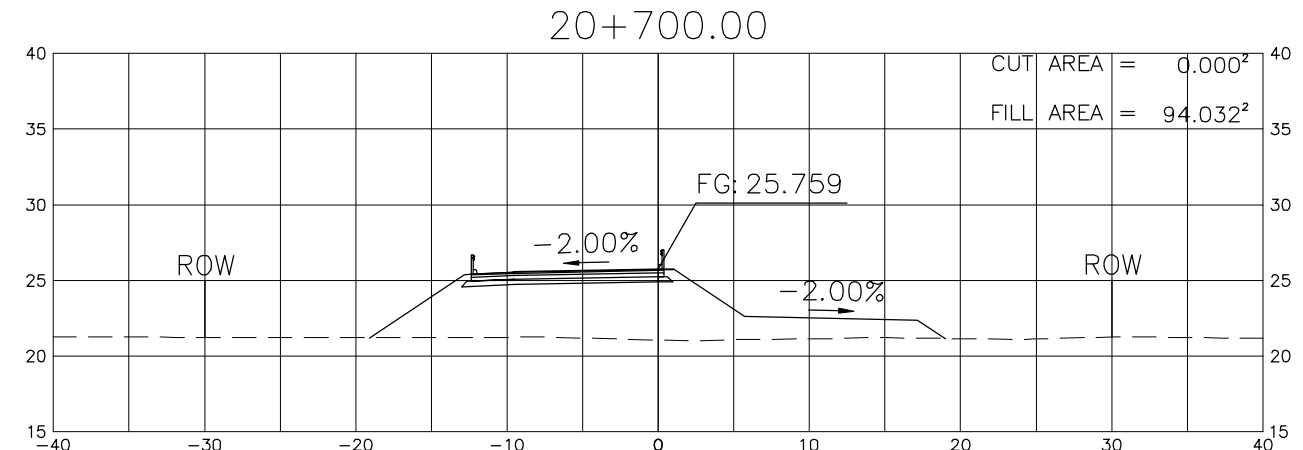
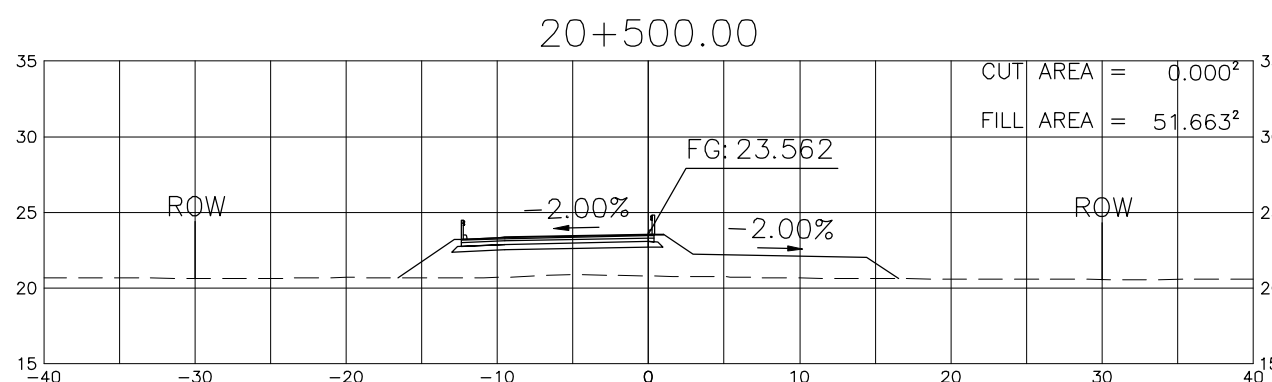
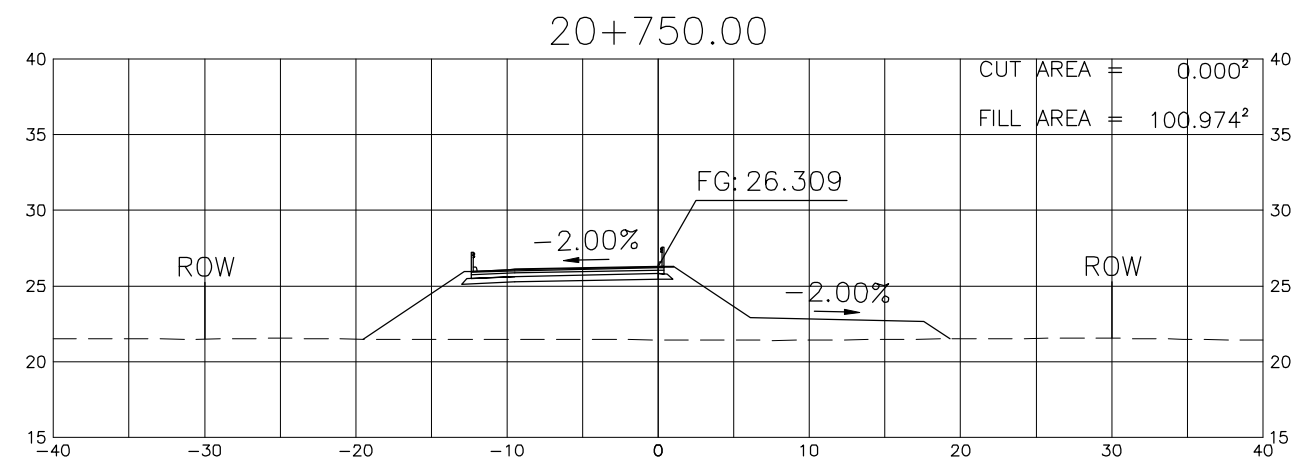
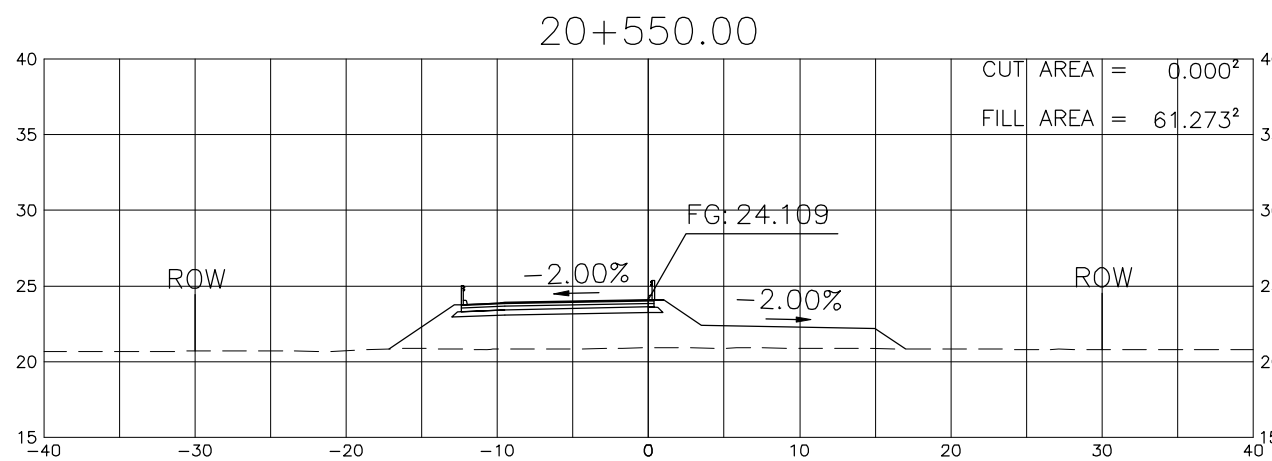
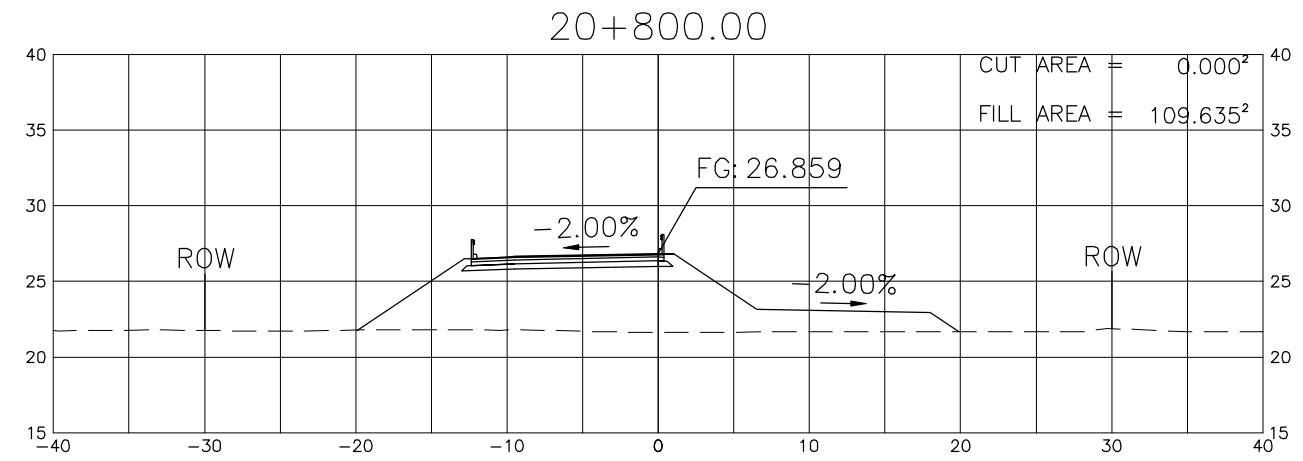
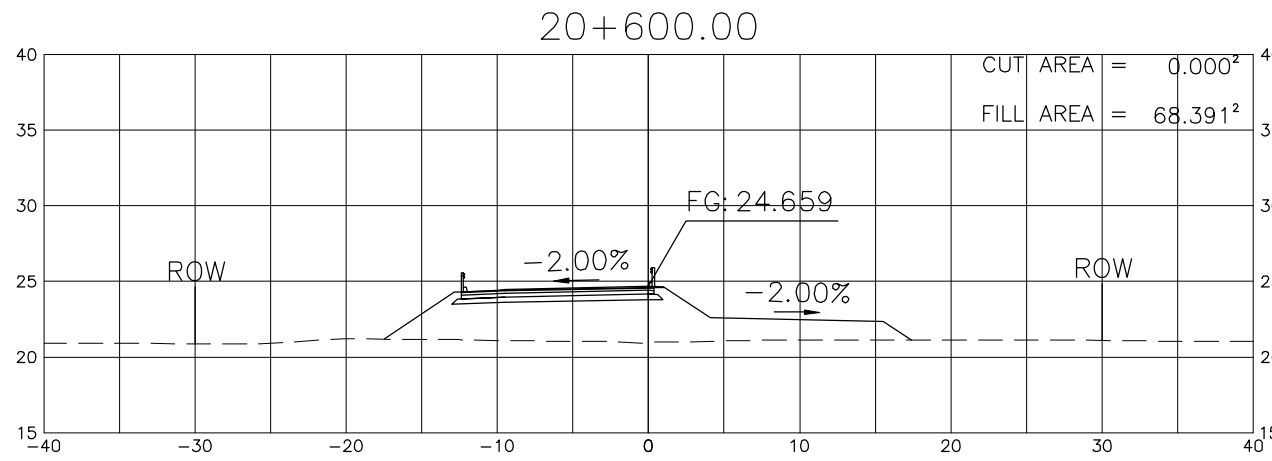


PROJECT TITLE	SCALE	SHEET CONTENT	DRAWING NO.
Preparatory survey for expressway project in Mega Manila Region CLLEX ( TARLAC - CABANATUAN )	A1 = 1:250 A3 = 1:500	CROSS SECTION (INTERIM 2 LANE) STA 20+050 TO STA 20+400	L-61
			SHEET NO.
			61 OF 90

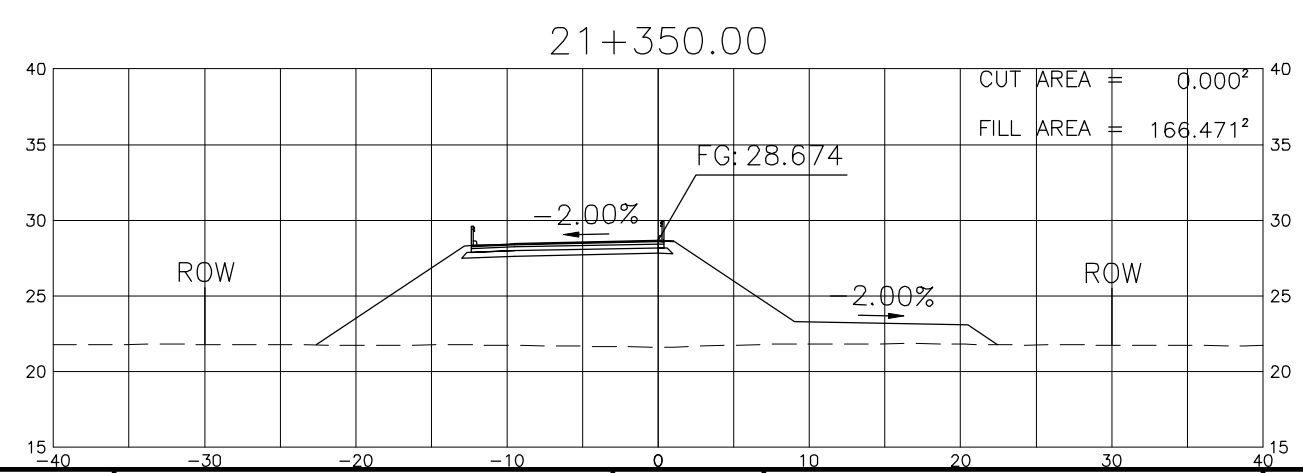
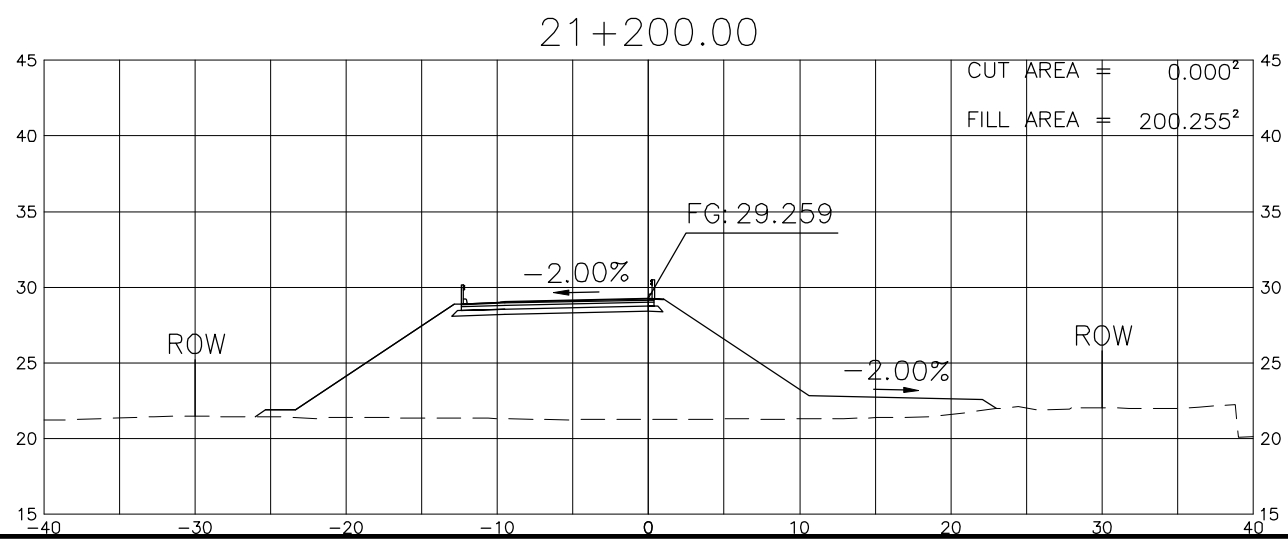
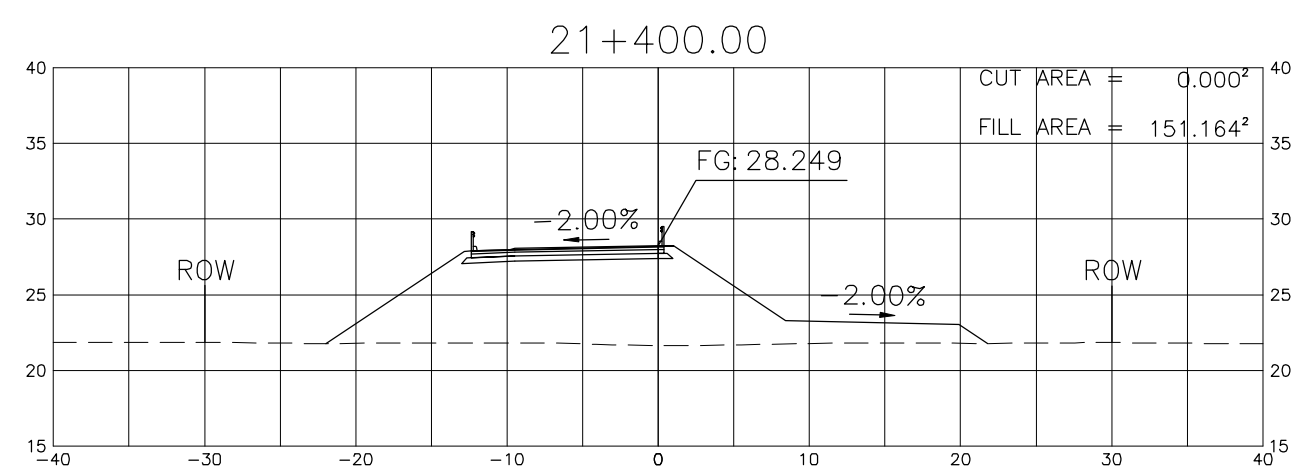
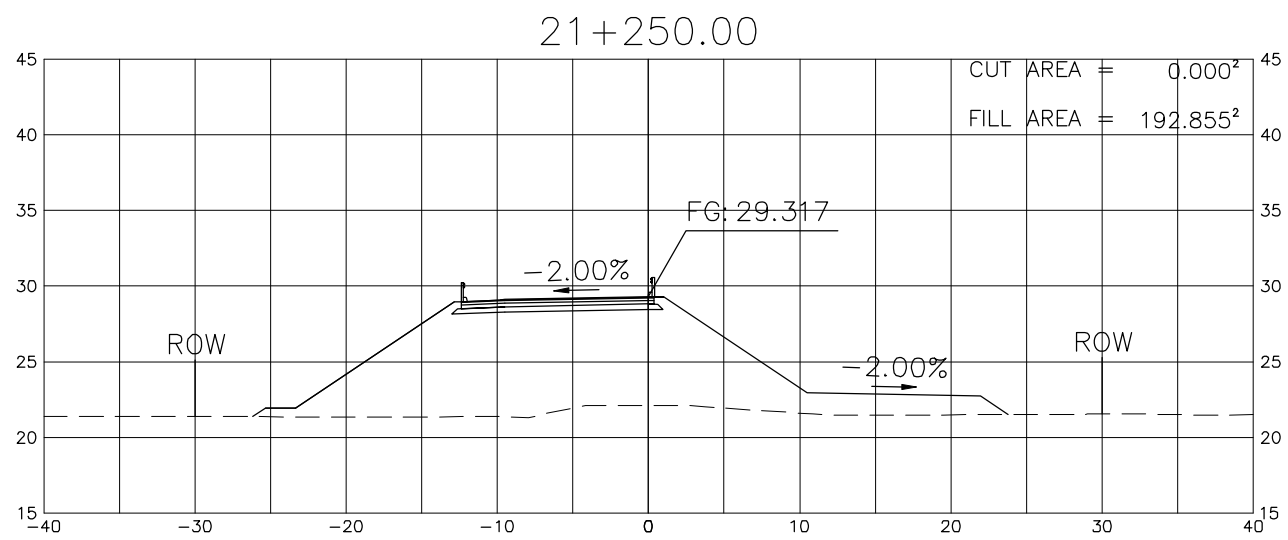
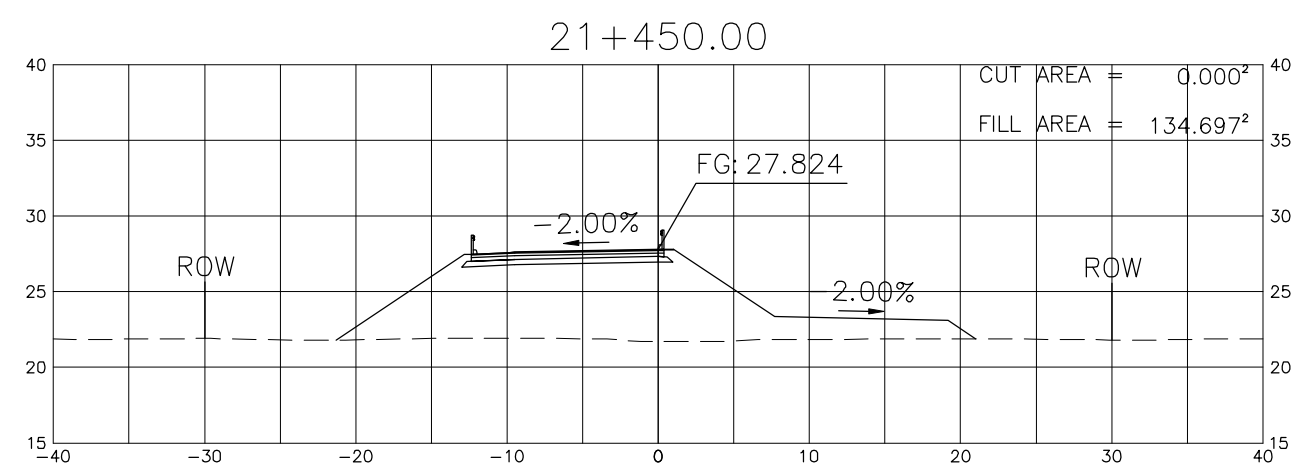
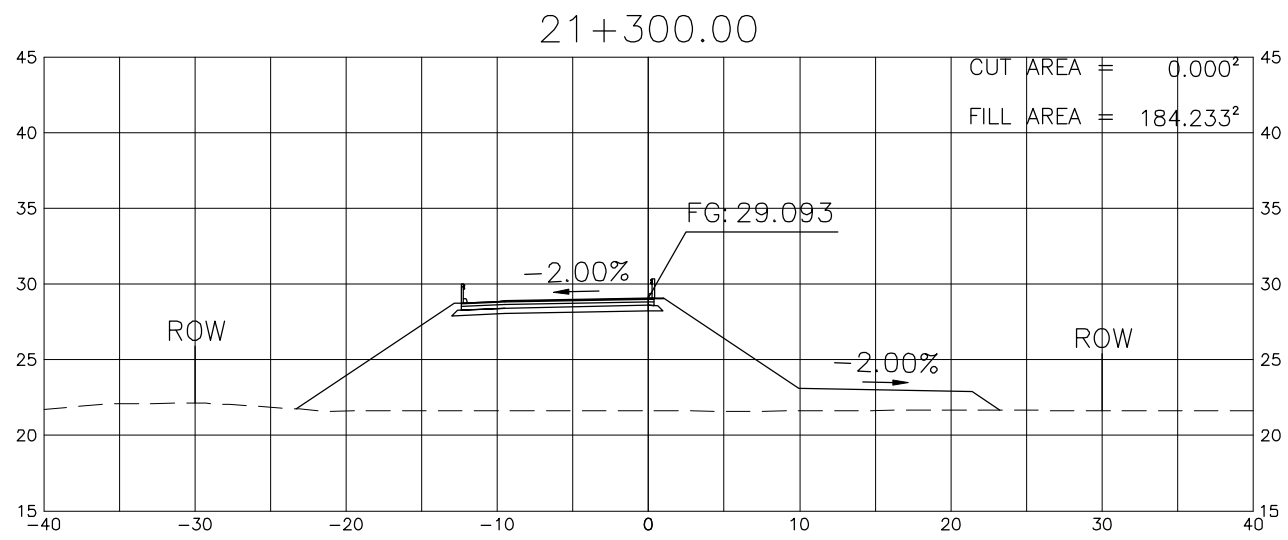


PROJECT TITLE	SCALE	SHEET CONTENT	DRAWING NO.
Preparatory survey for expressway project in Mega Manila Region CLLEX ( TARLAC - CABANATUAN )	A1 = 1:250 A3 = 1:500	CROSS SECTION (INTERIM 2 LANE) STA 20+850 TO STA 21+150	L-63
			SHEET NO.
			63 OF 90

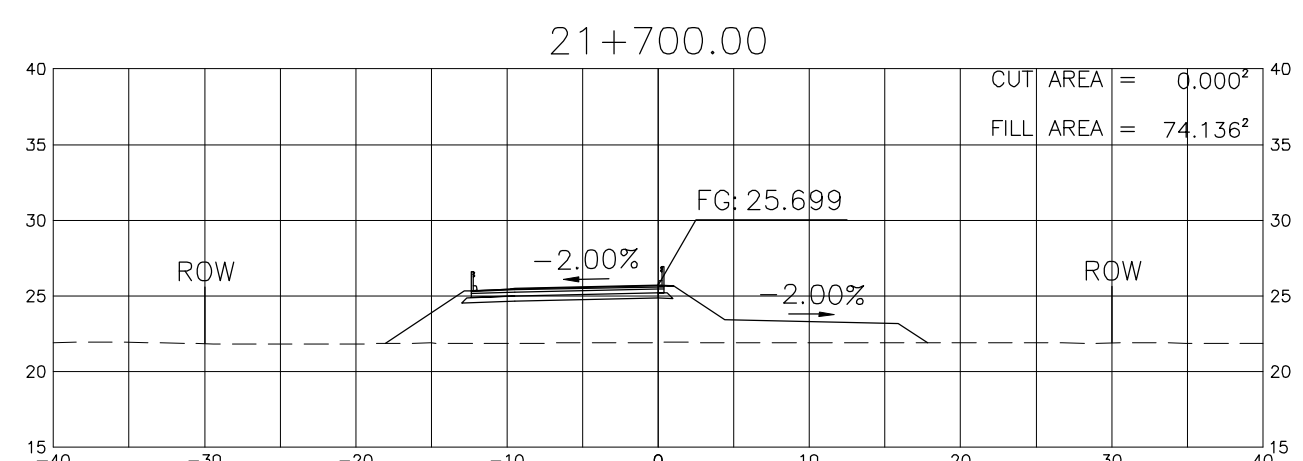
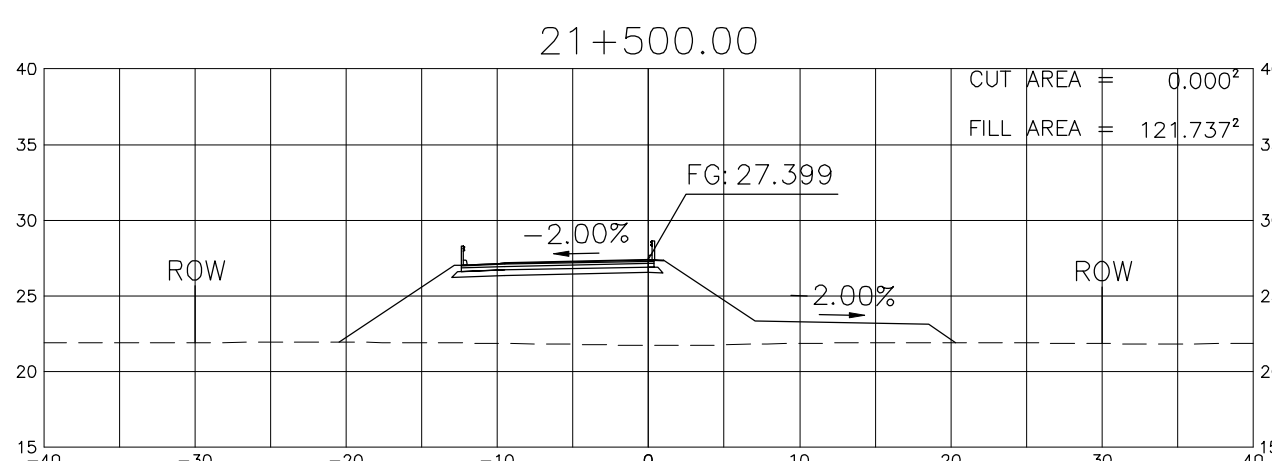
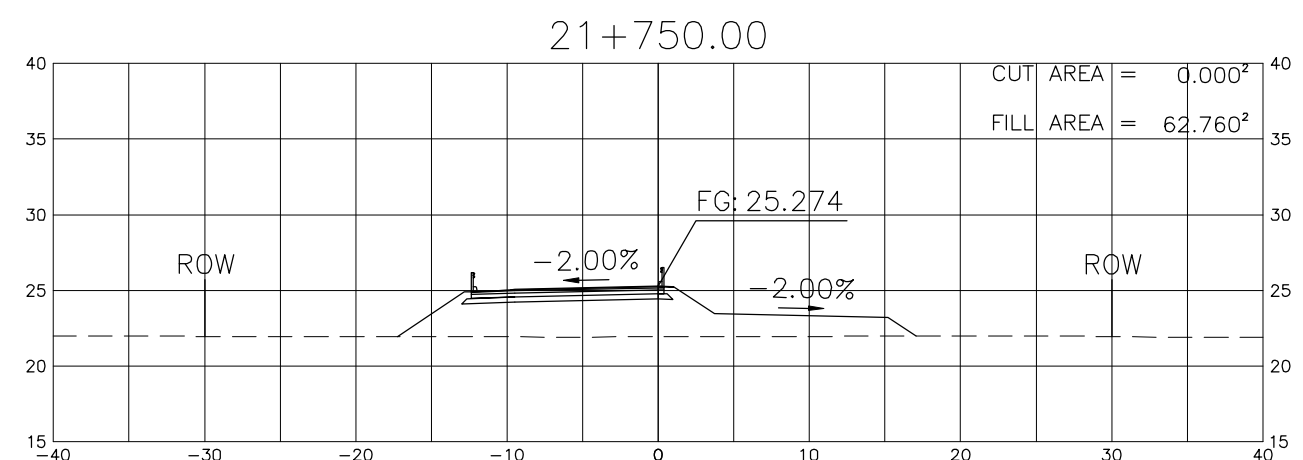
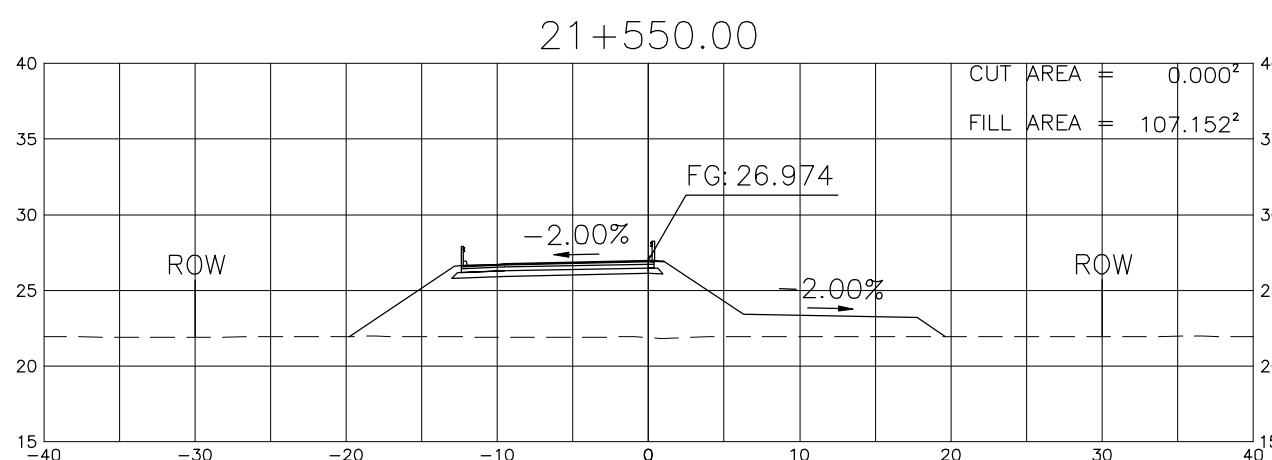
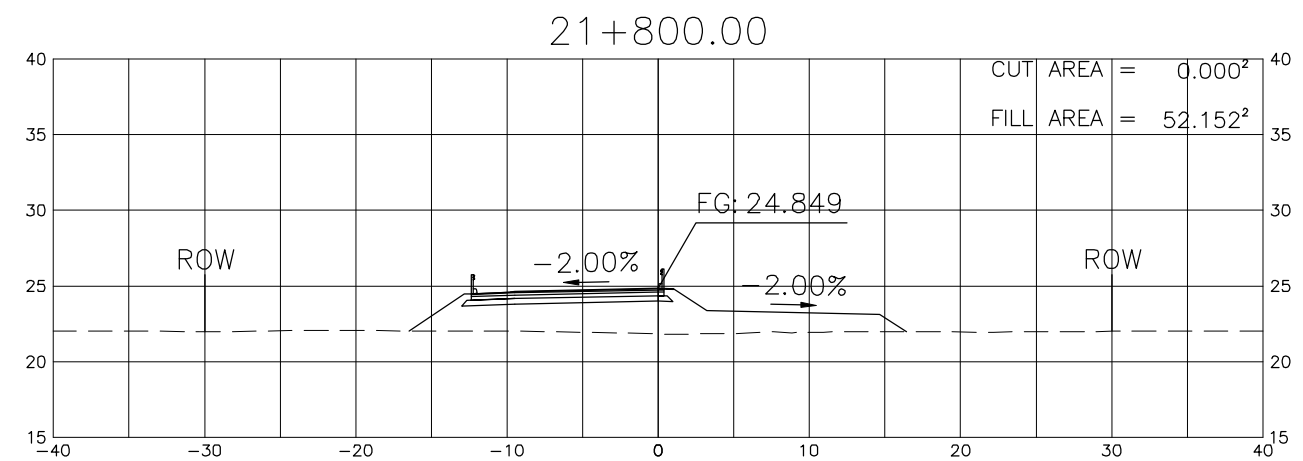
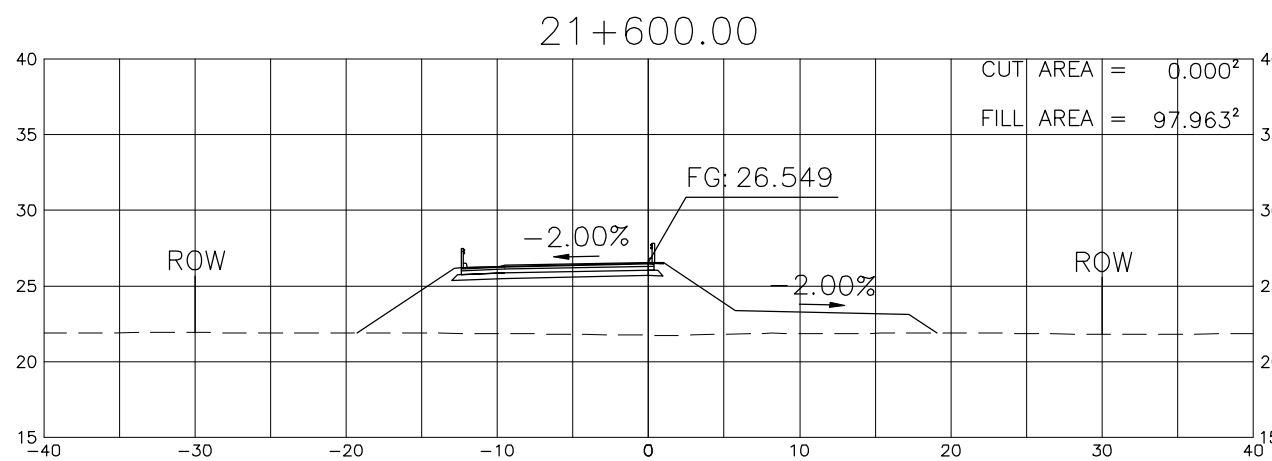
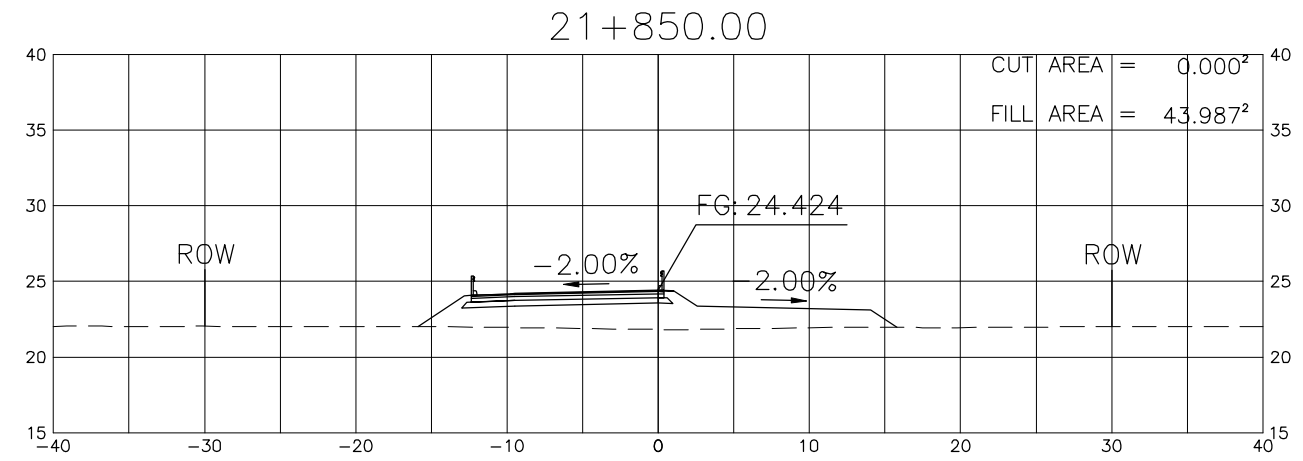
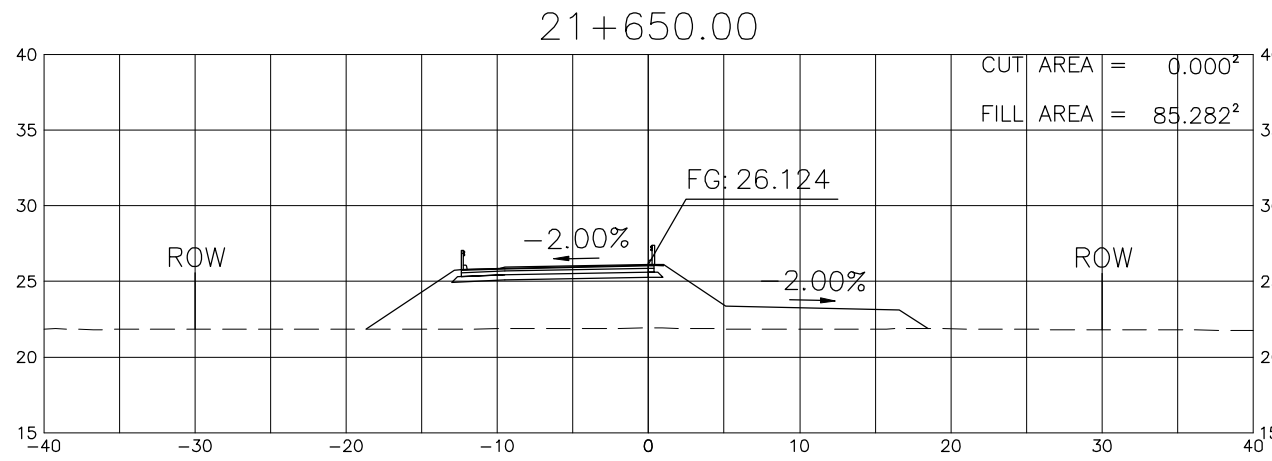




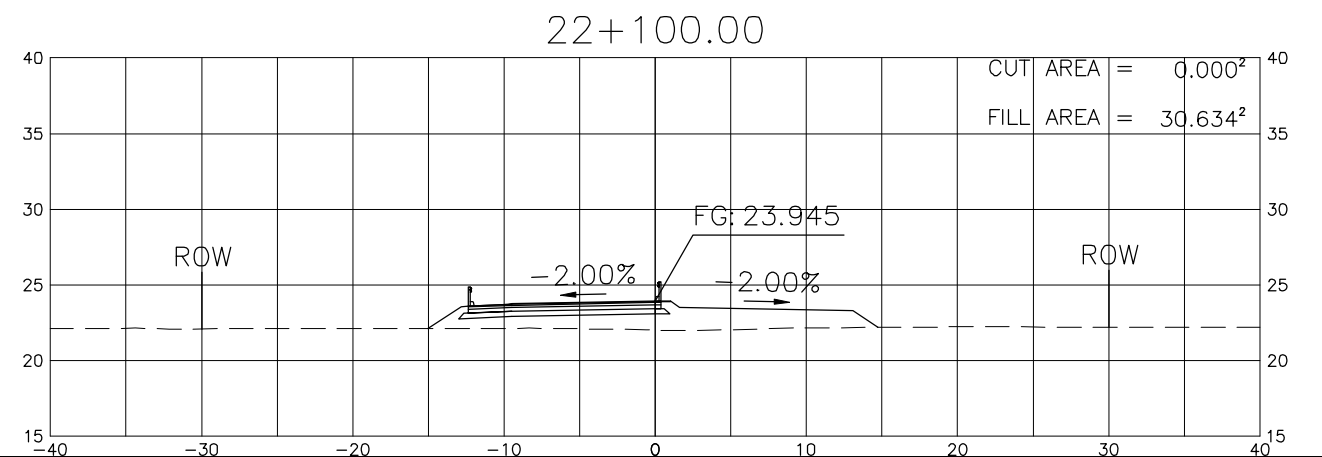
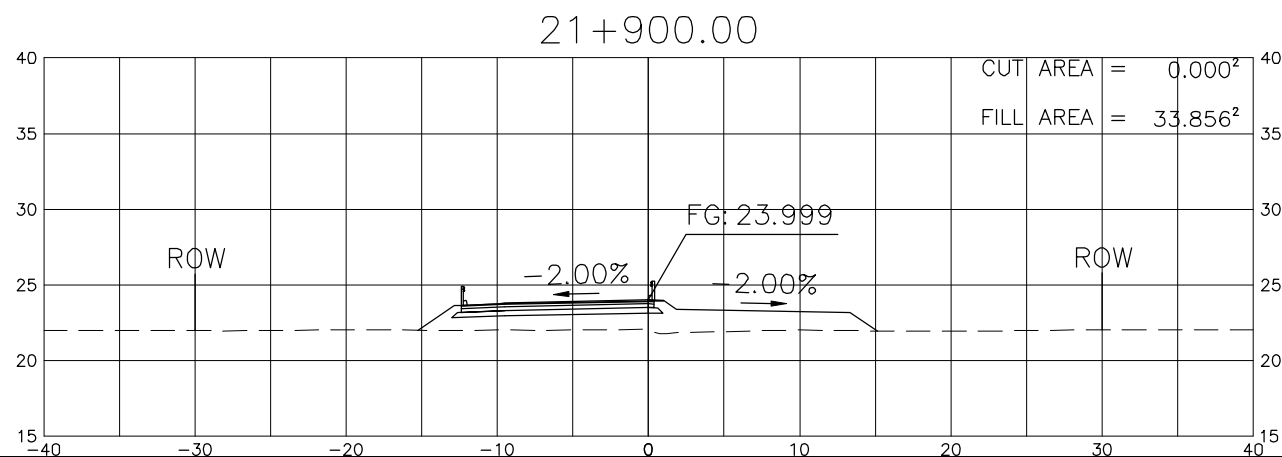
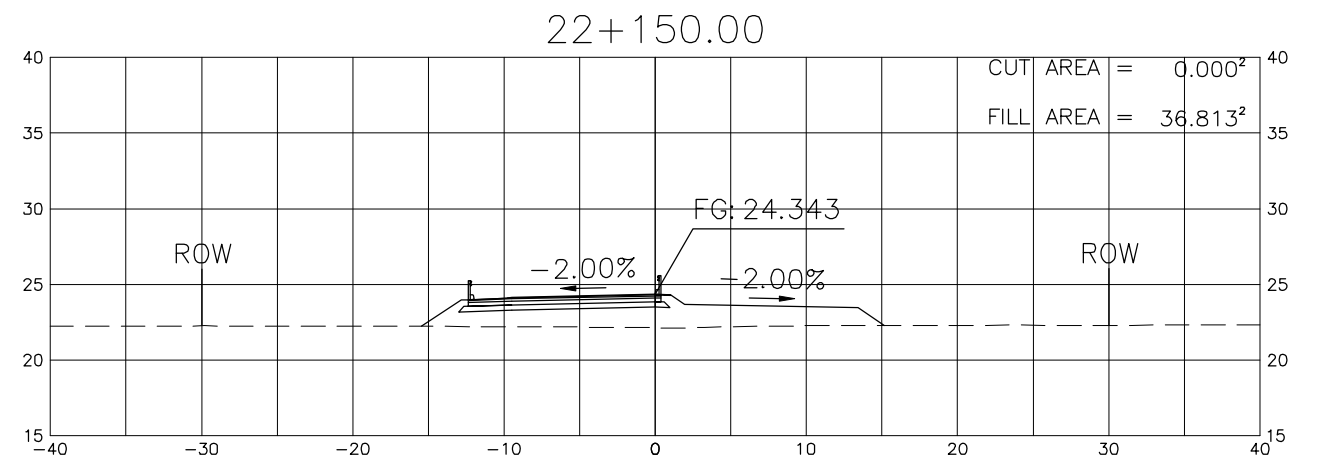
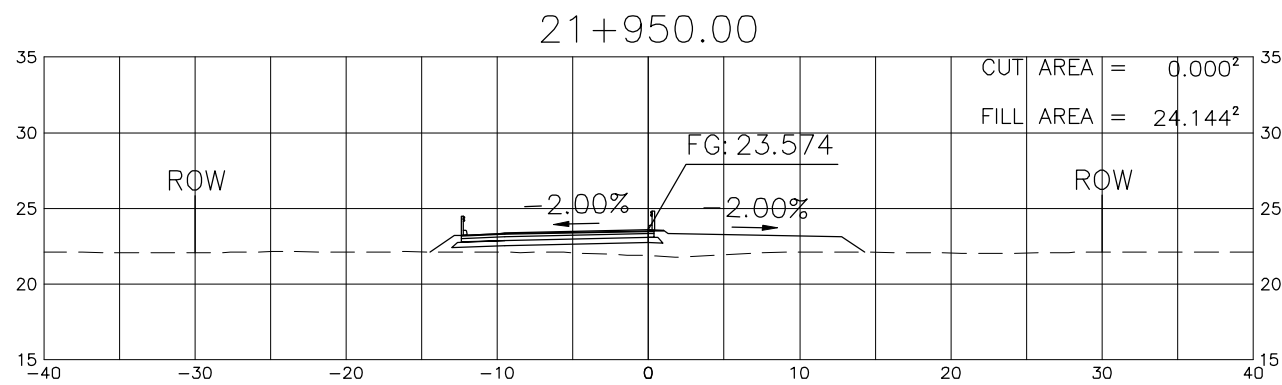
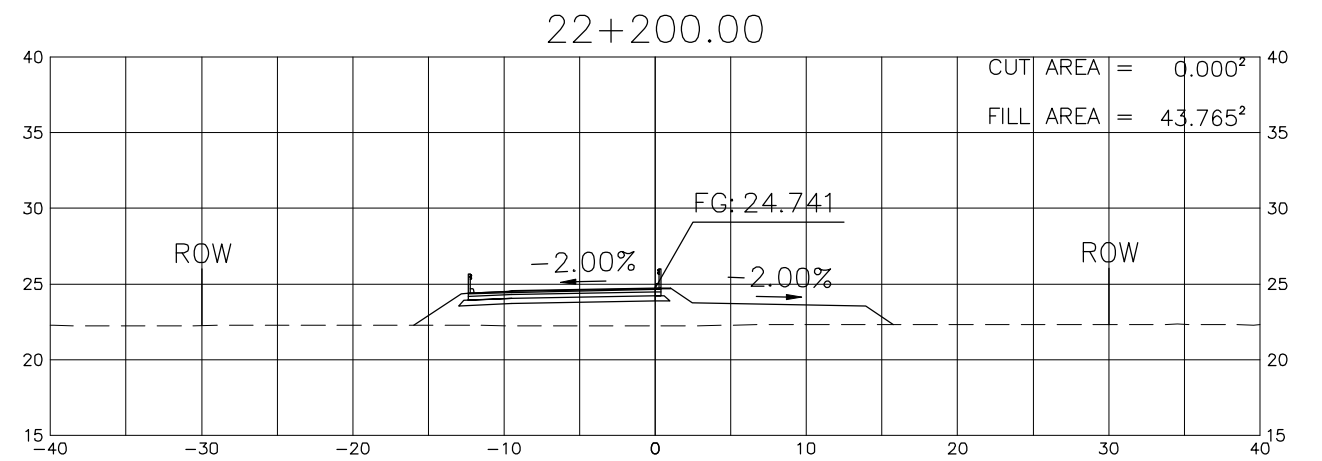
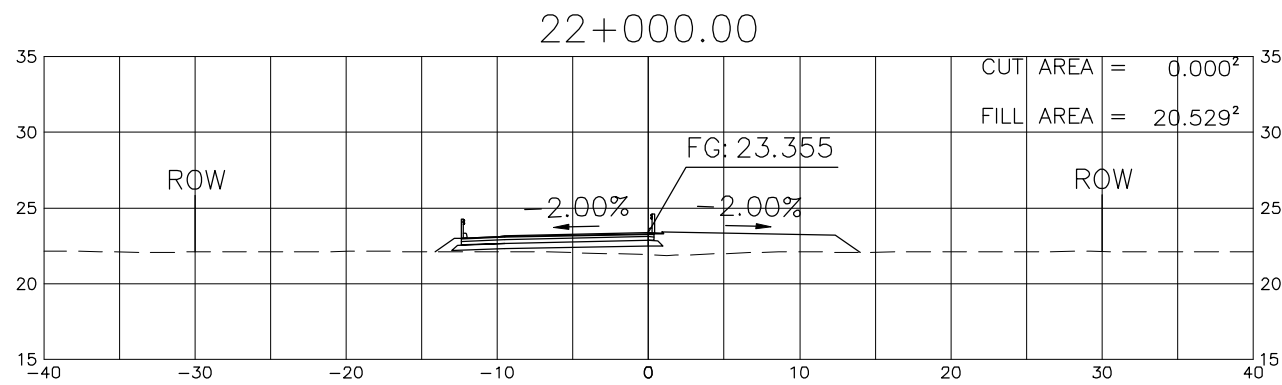
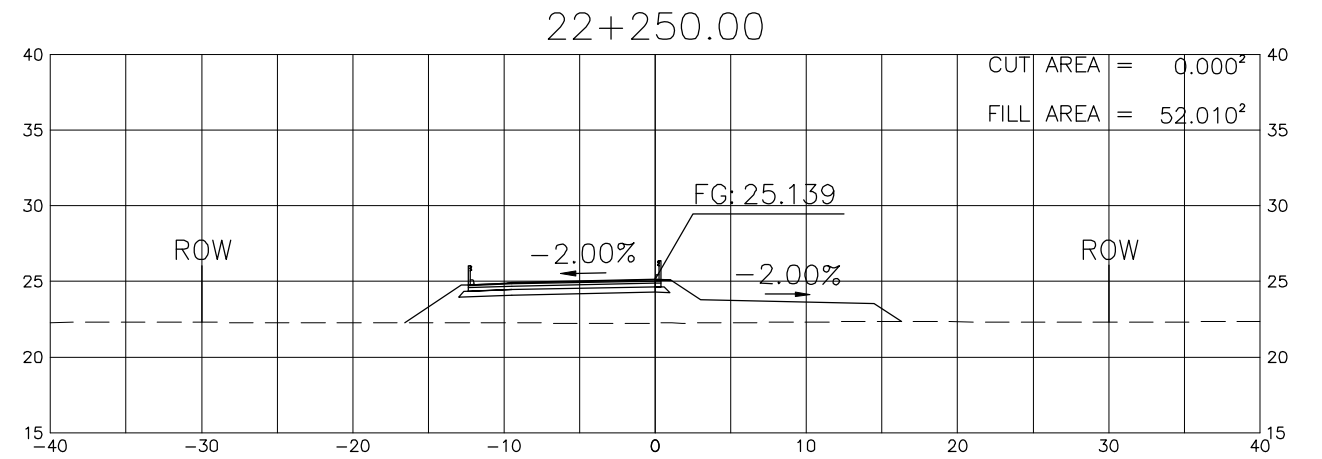
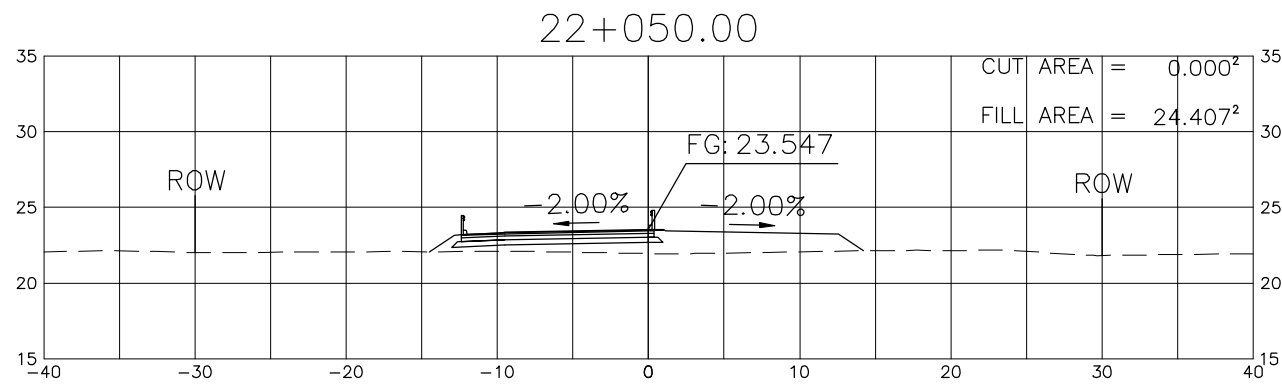
PROJECT TITLE	SCALE	SHEET CONTENT	DRAWING NO.
Preparatory survey for expressway project in Mega Manila Region CLLEX ( TARLAC - CABANATUAN )	A1 = 1:250 A3 = 1:500	CROSS SECTION (INTERIM 2 LANE) STA 20+450 TO STA 20+800	L-62
			SHEET NO.
			62 OF 90



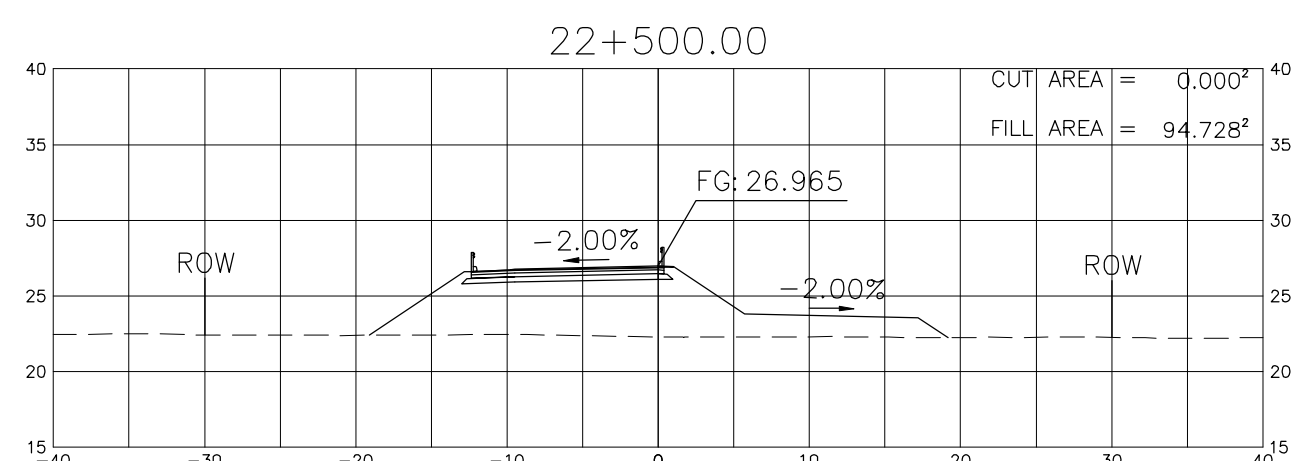
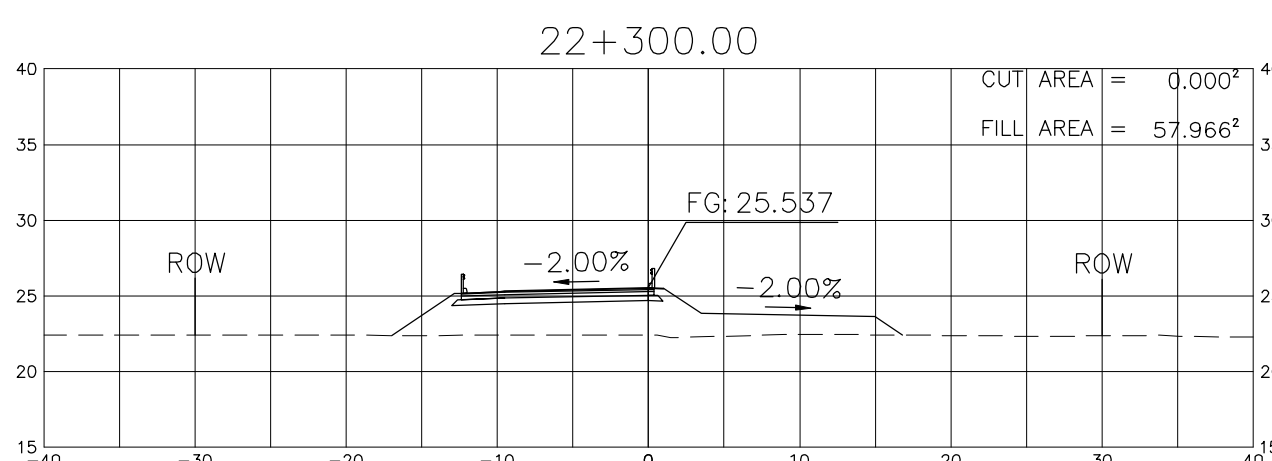
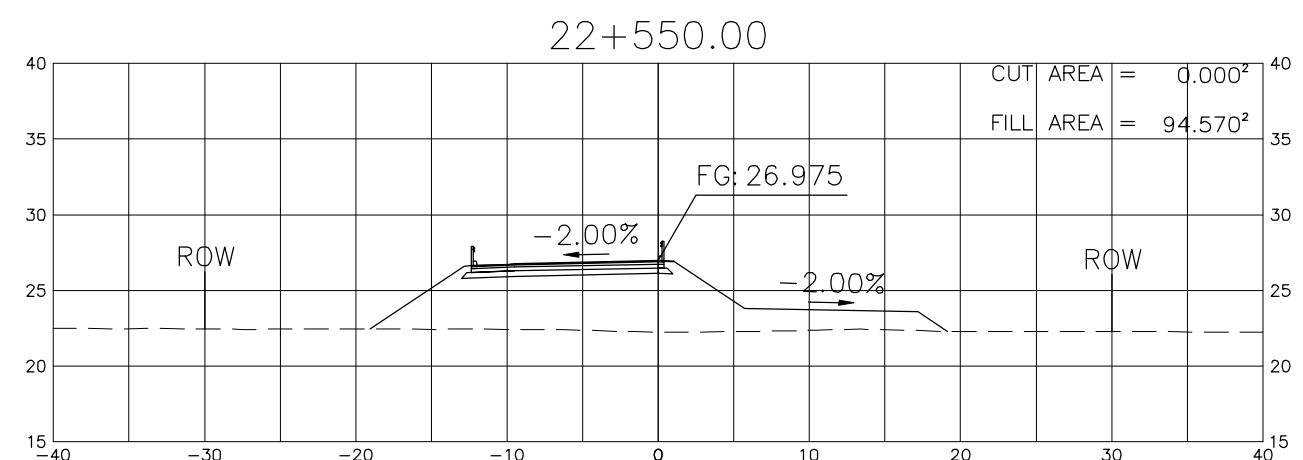
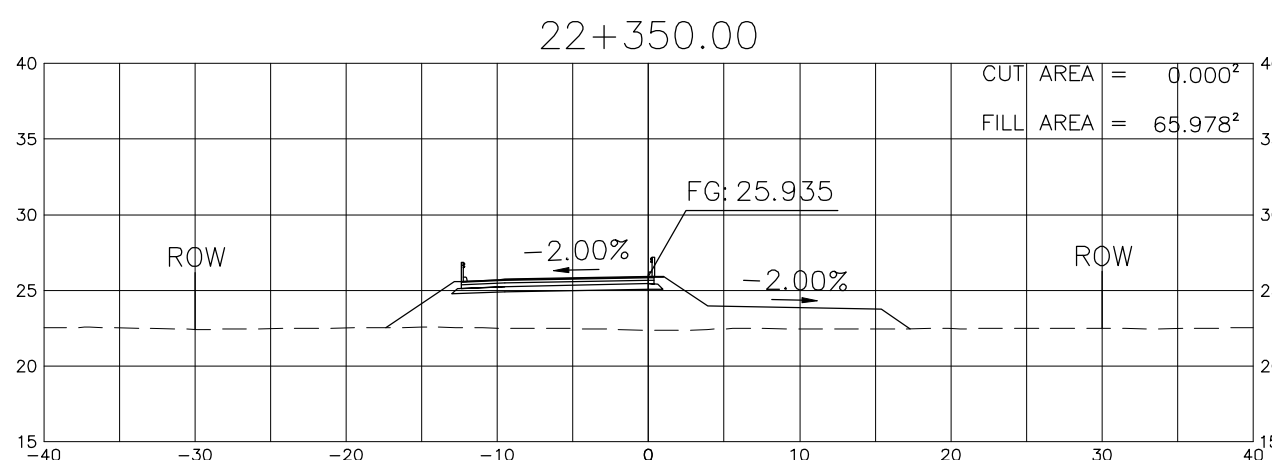
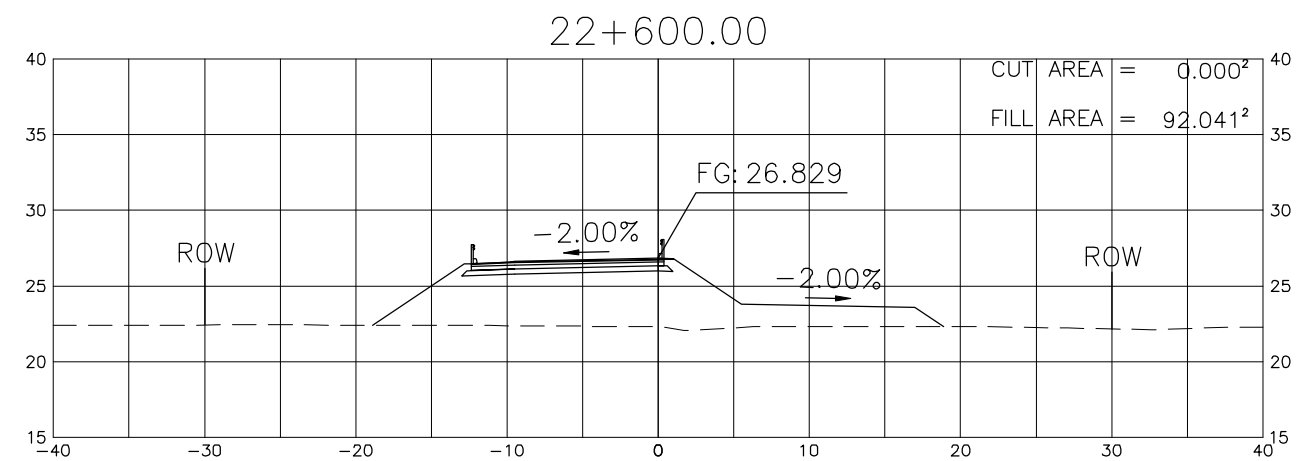
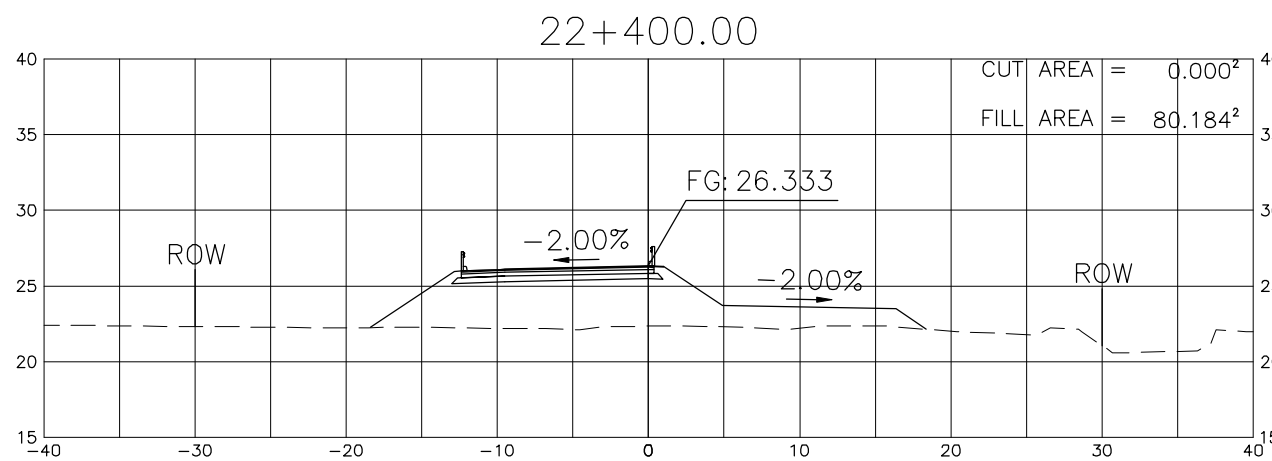
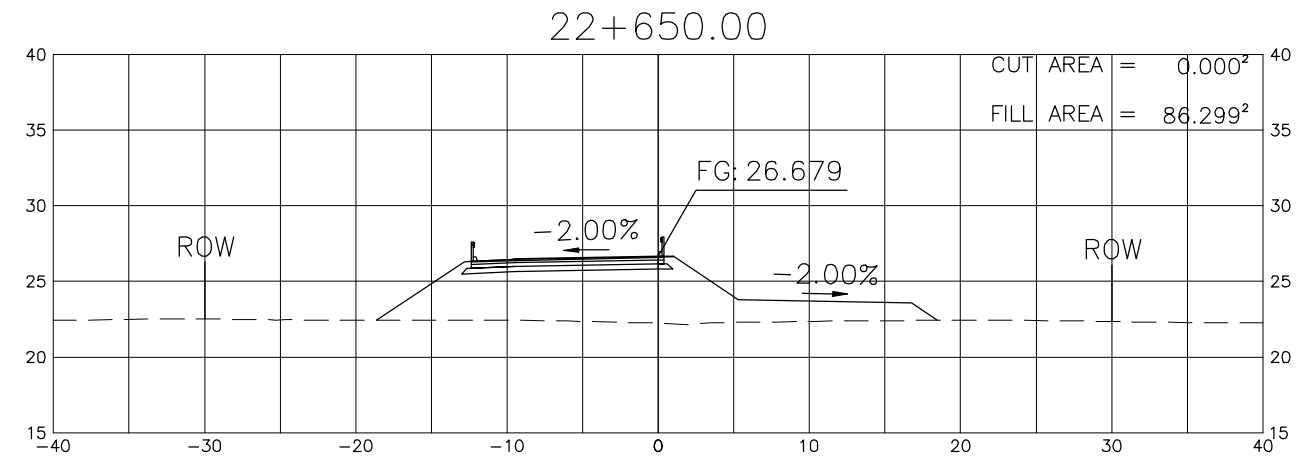
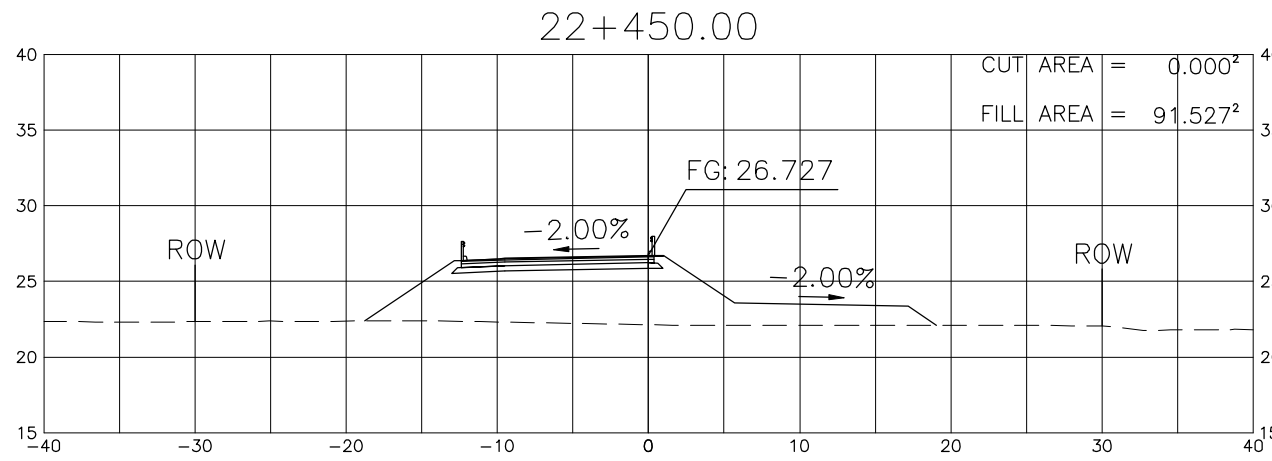
PROJECT TITLE	SCALE	SHEET CONTENT	DRAWING NO.
Preparatory survey for expressway project in Mega Manila Region CLLEX ( TARLAC - CABANATUAN )	A1 = 1:250 A3 = 1:500	CROSS SECTION (INTERIM 2 LANE) STA 21+200 TO STA 21+450	L-64
			SHEET NO.
			64 OF 90



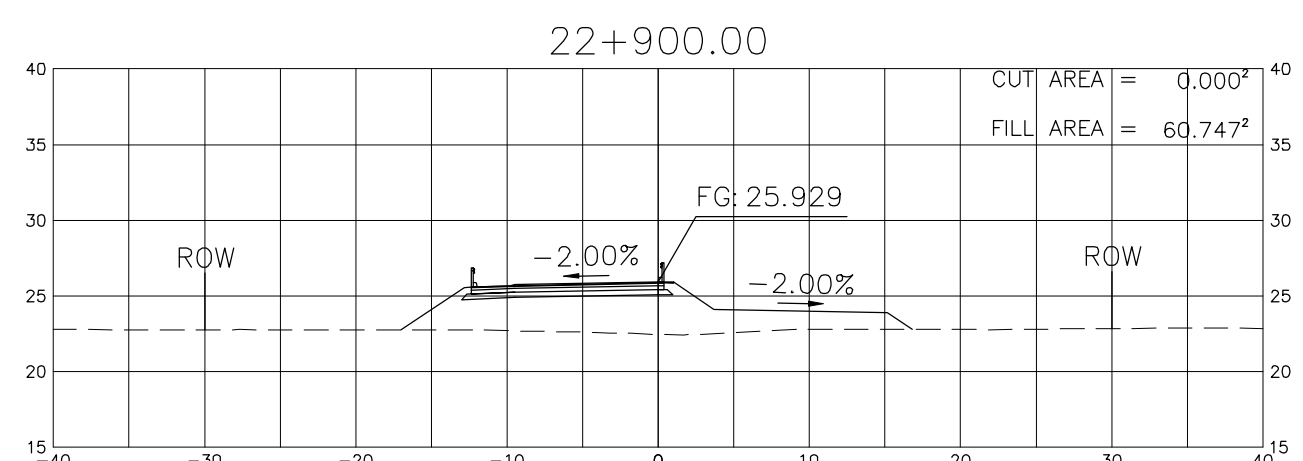
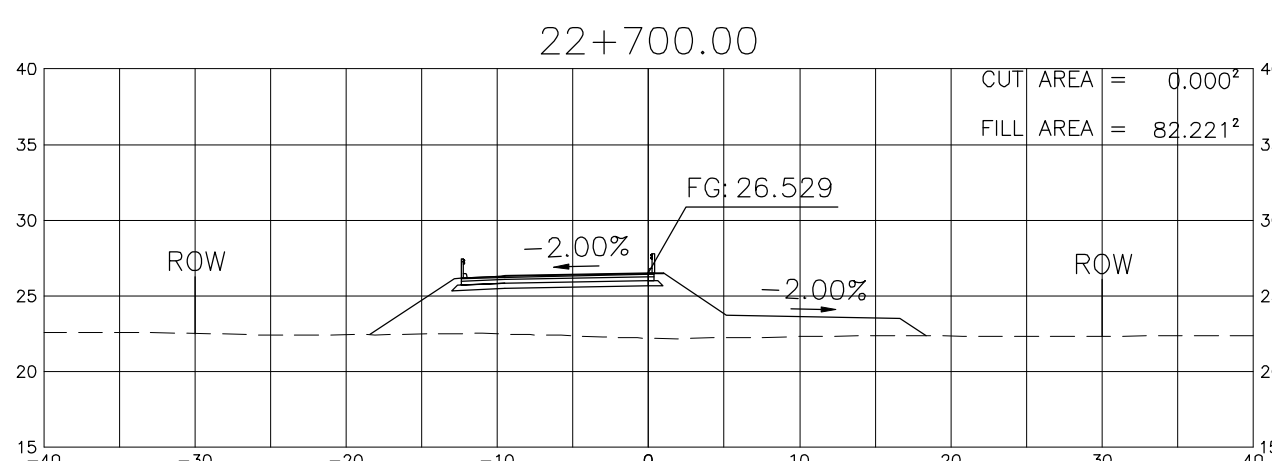
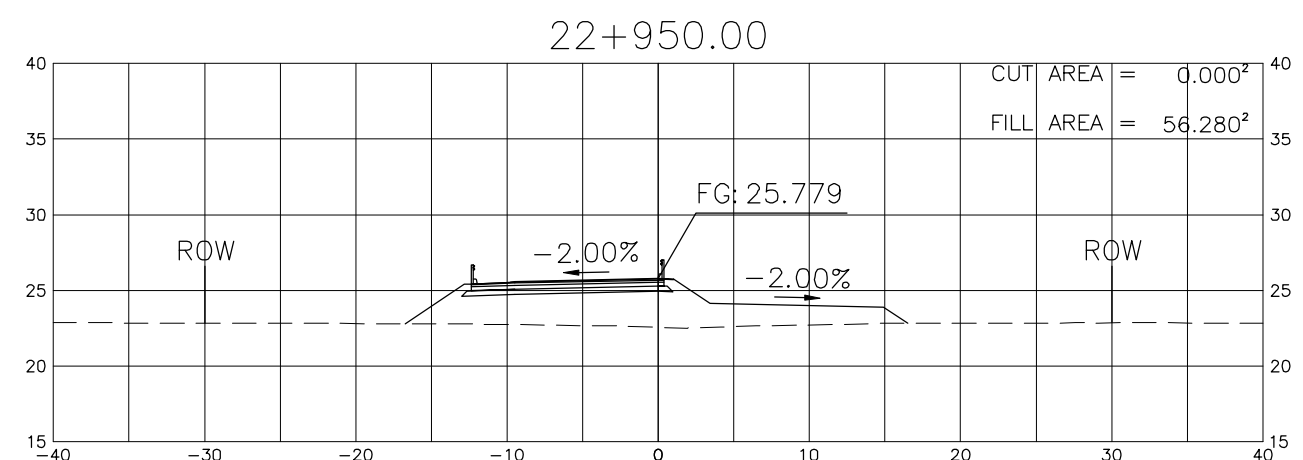
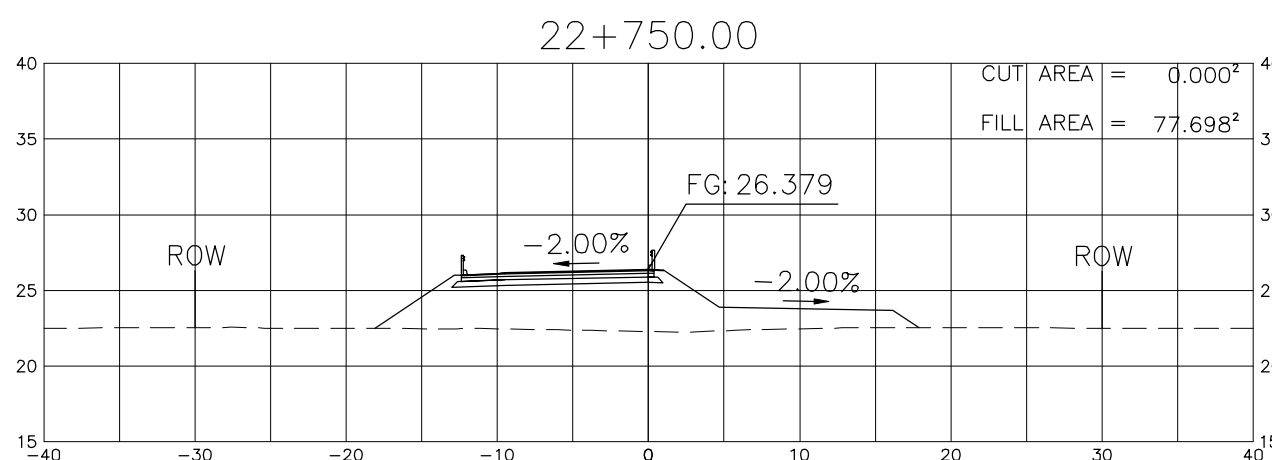
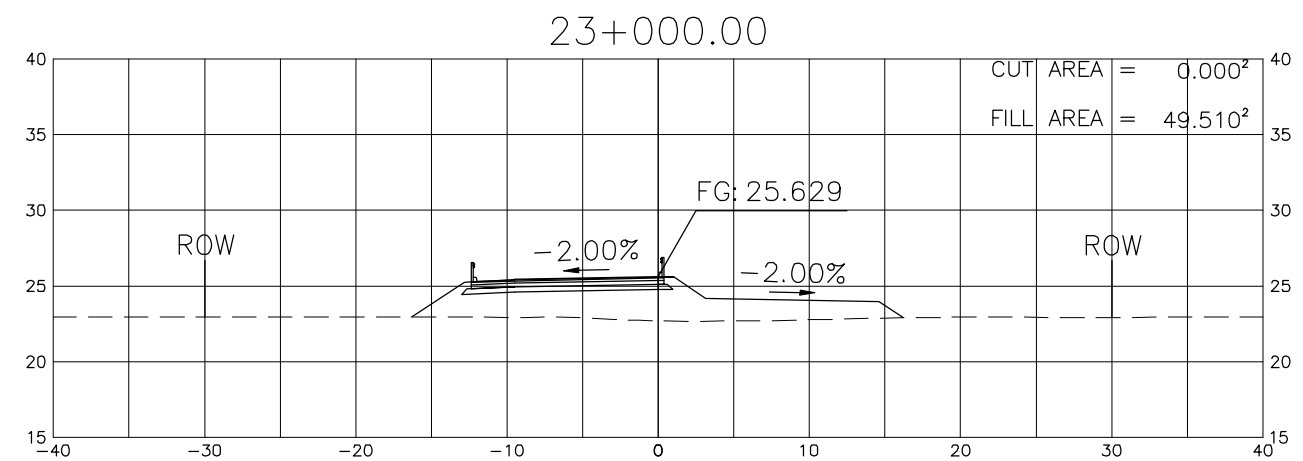
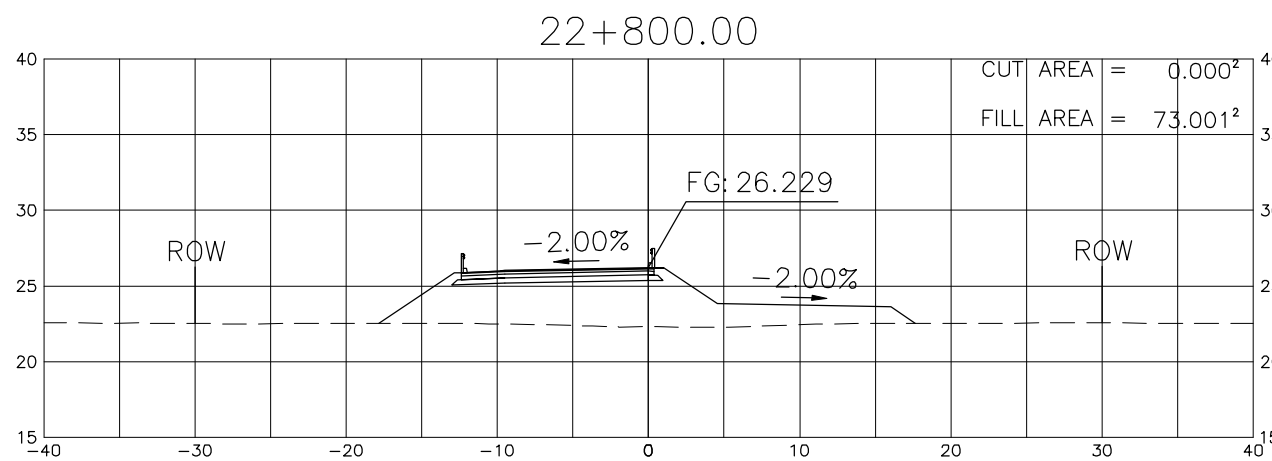
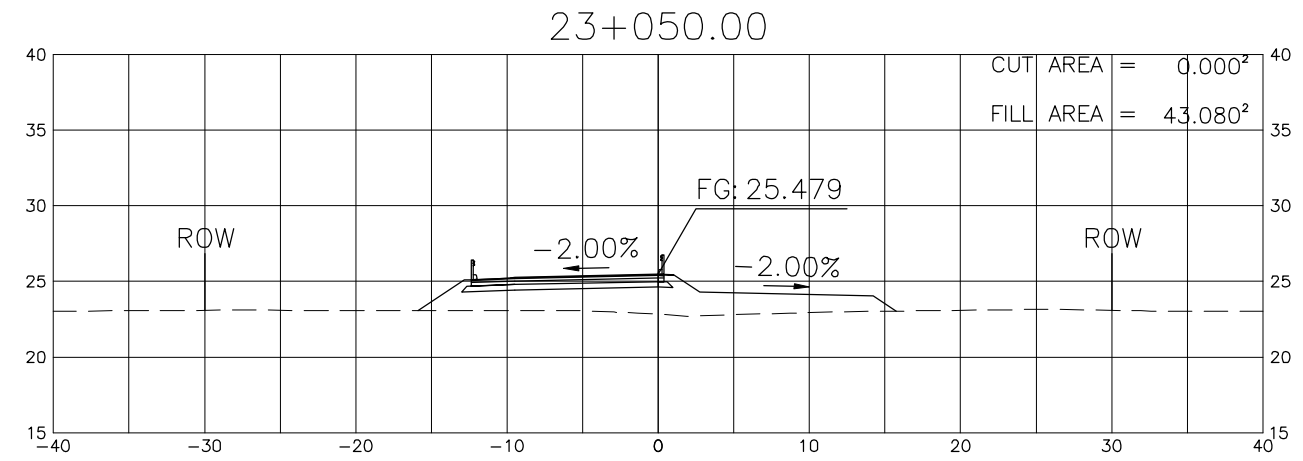
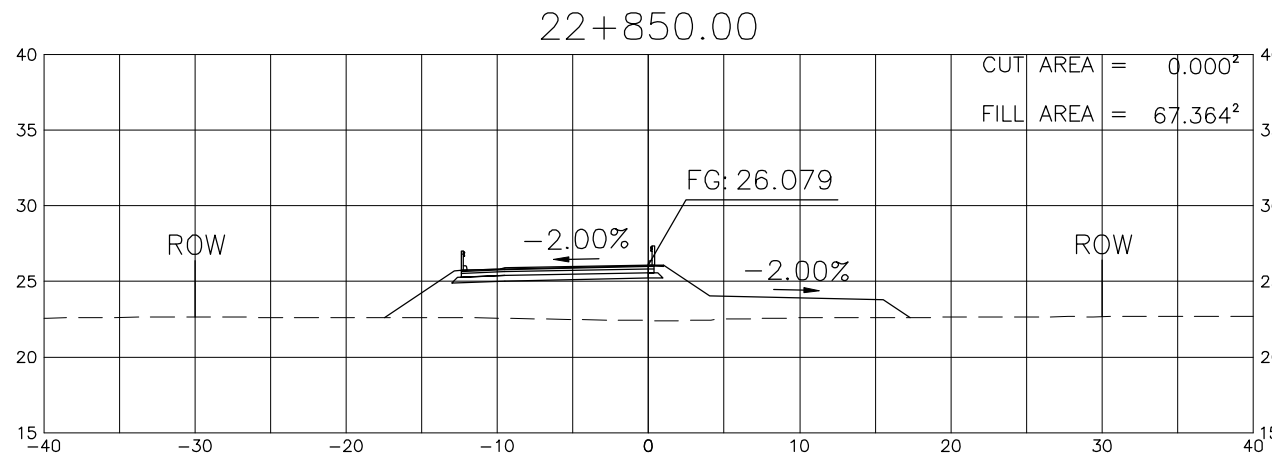
PROJECT TITLE	SCALE	SHEET CONTENT	DRAWING NO.
Preparatory survey for expressway project in Mega Manila Region CLLEX ( TARLAC - CABANATUAN )	A1 = 1:250 A3 = 1:500	CROSS SECTION (INTERIM 2 LANE) STA 21+500 TO STA 21+850	L-65
			SHEET NO.
			65 OF 90



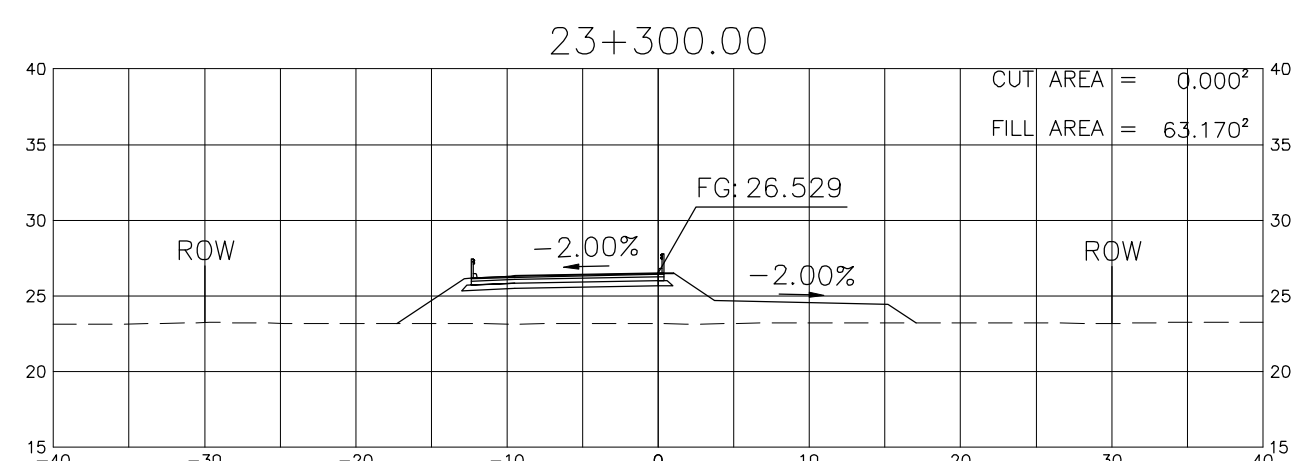
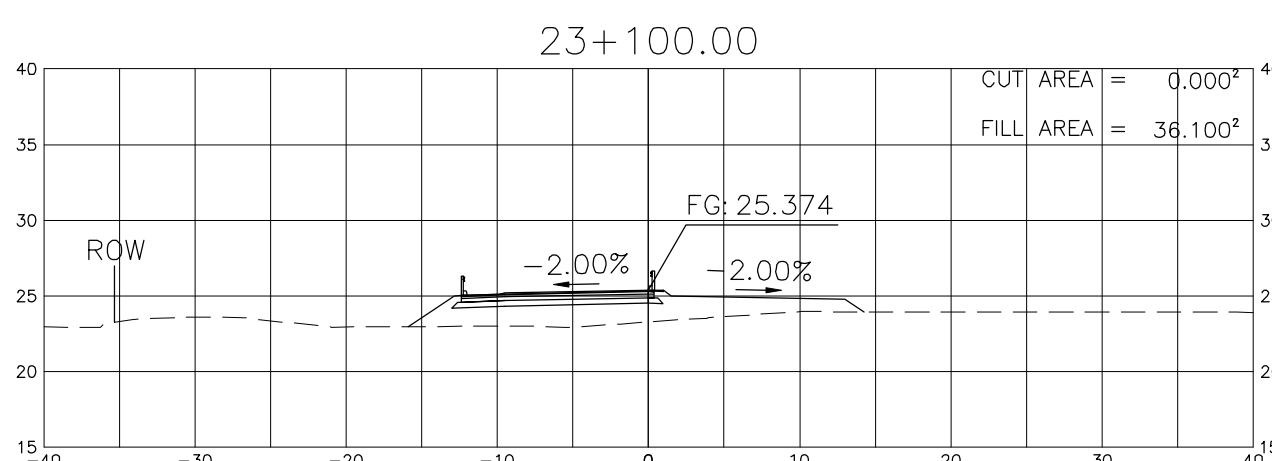
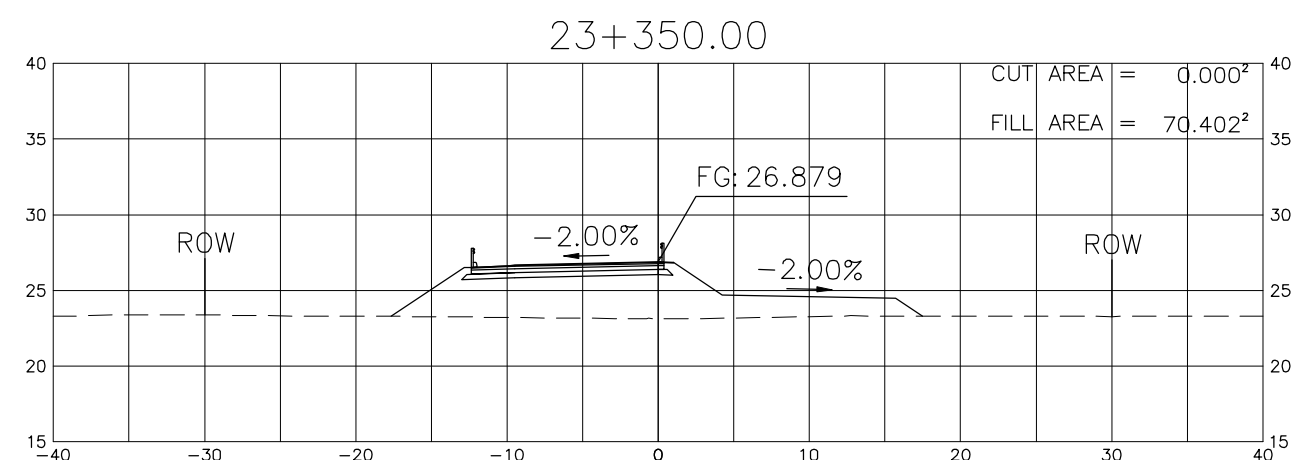
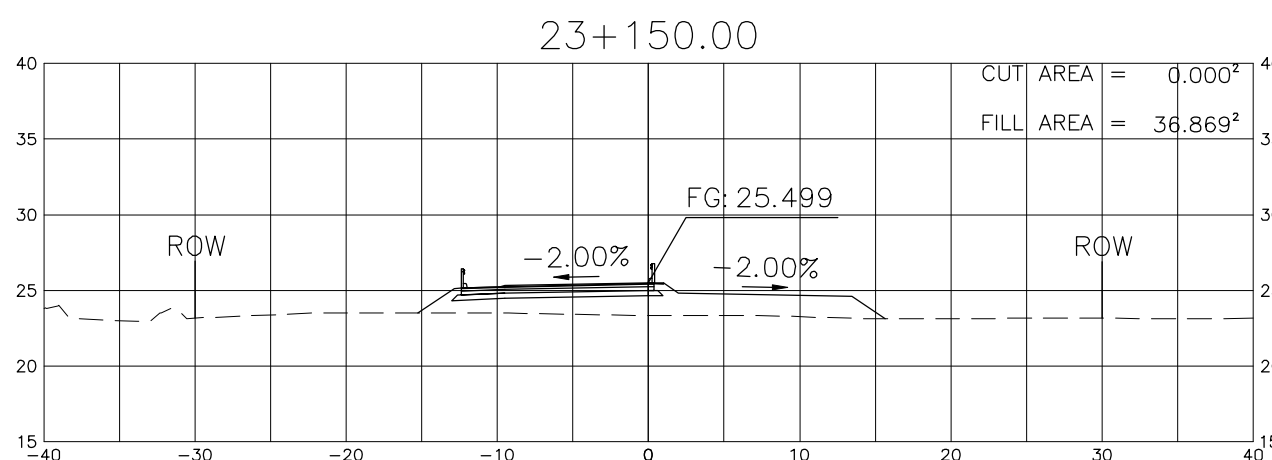
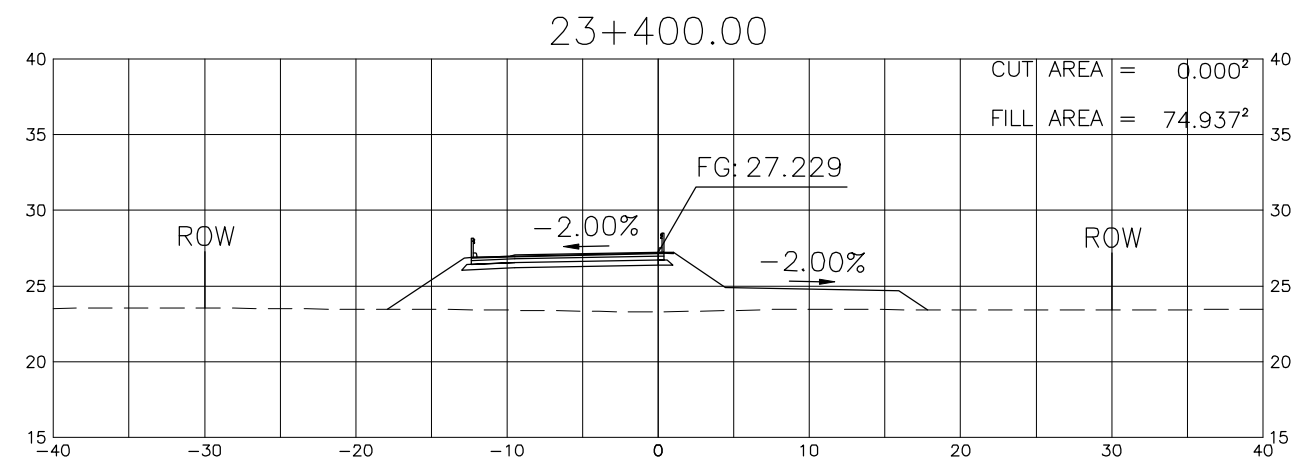
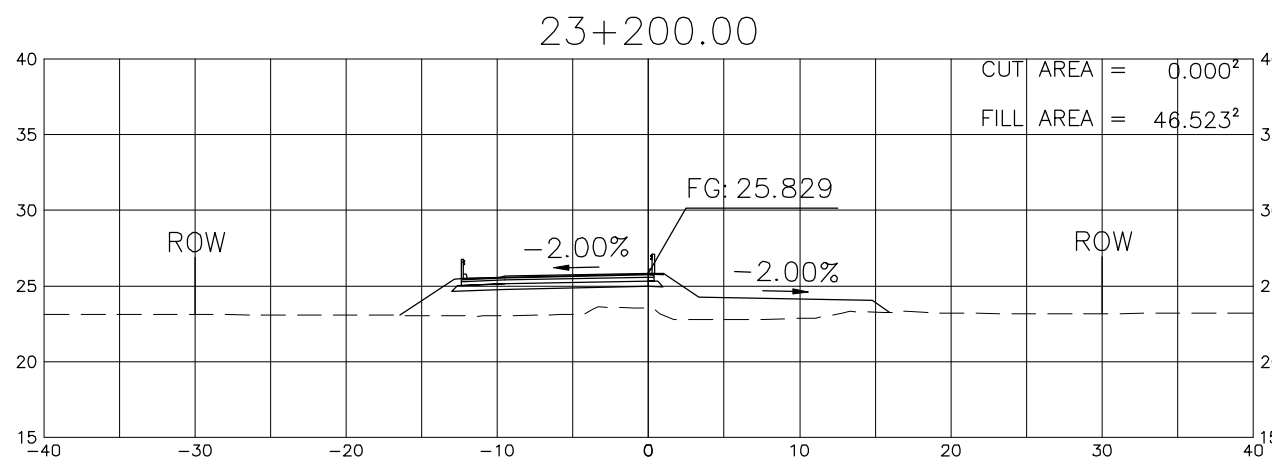
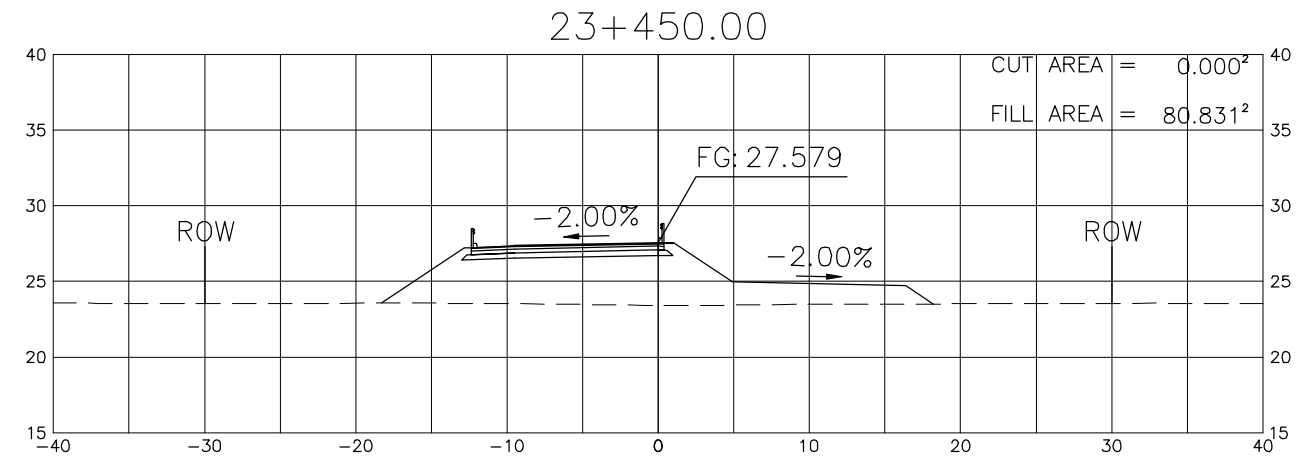
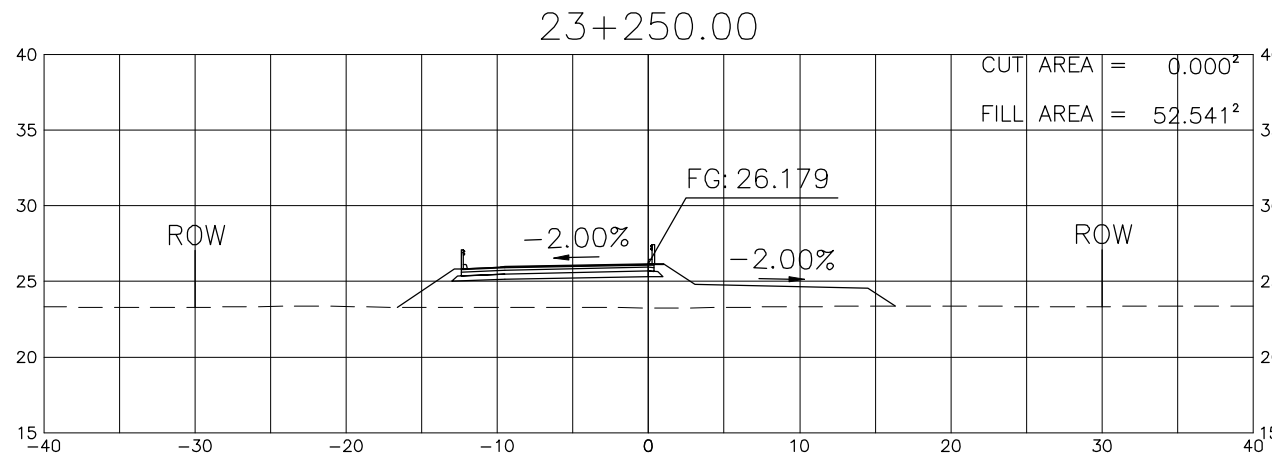
PROJECT TITLE	SCALE	SHEET CONTENT	DRAWING NO.
Preparatory survey for expressway project in Mega Manila Region CLLEX ( TARLAC - CABANATUAN )	A1 = 1:250 A3 = 1:500	CROSS SECTION (INTERIM 2 LANE) STA 21+900 TO STA 22+250	L-66
			SHEET NO.
			66 OF 90



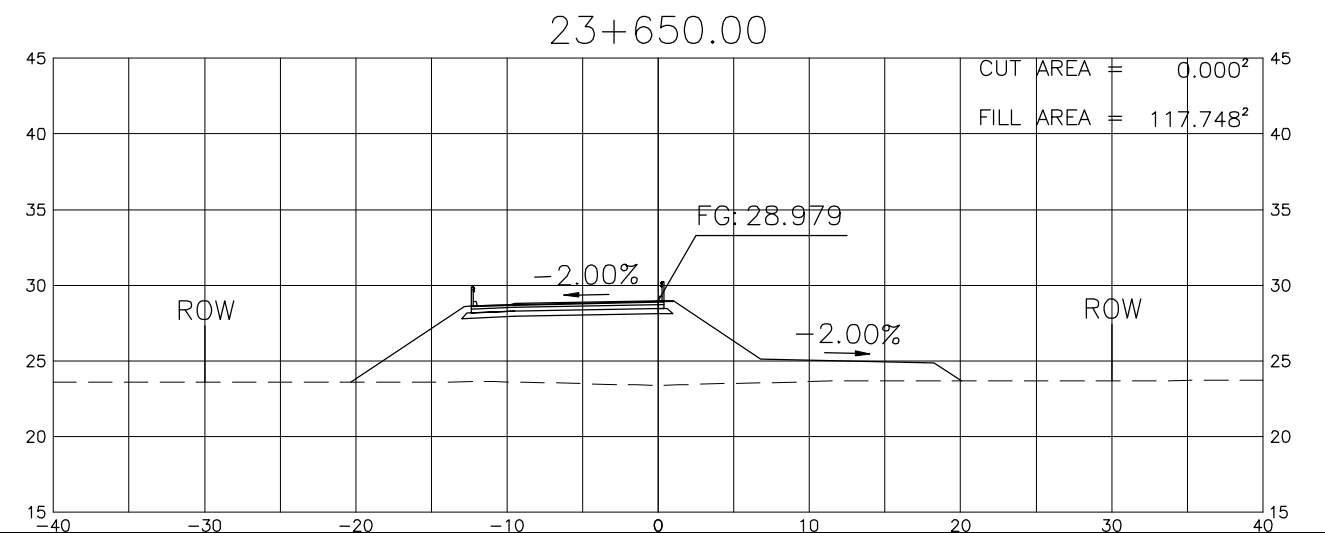
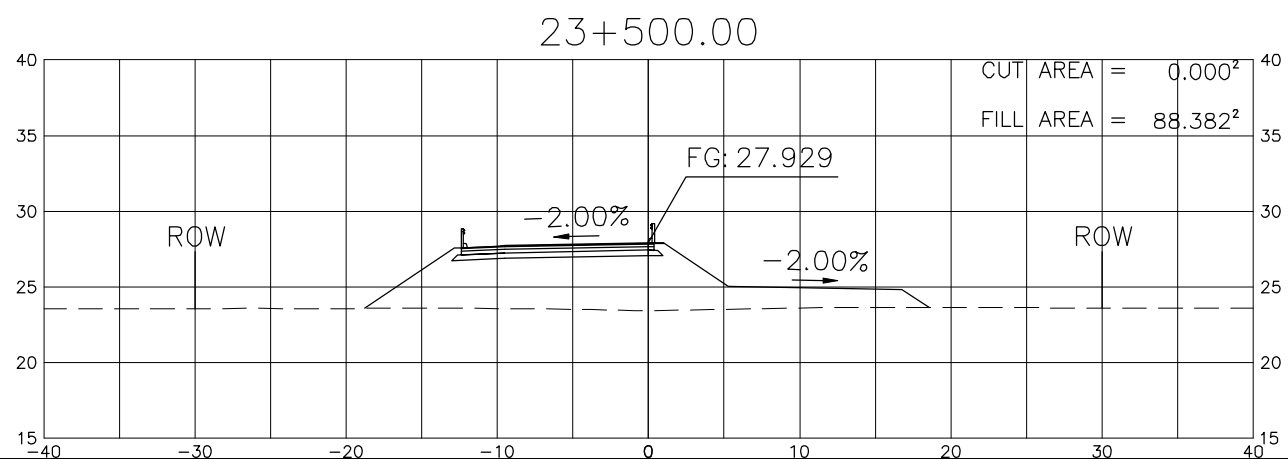
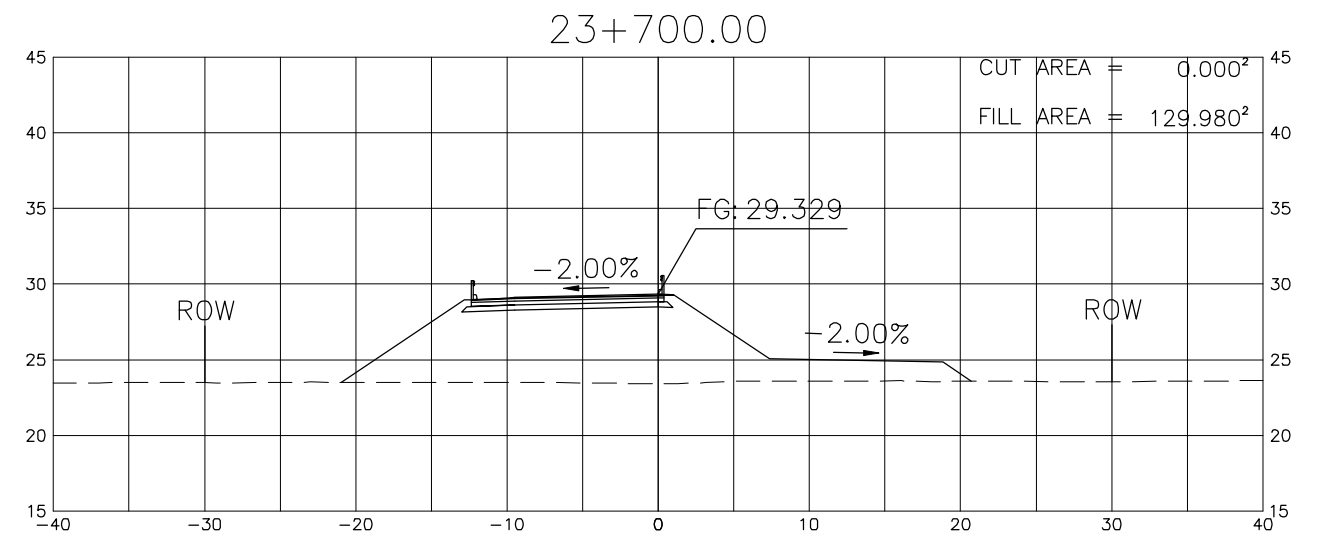
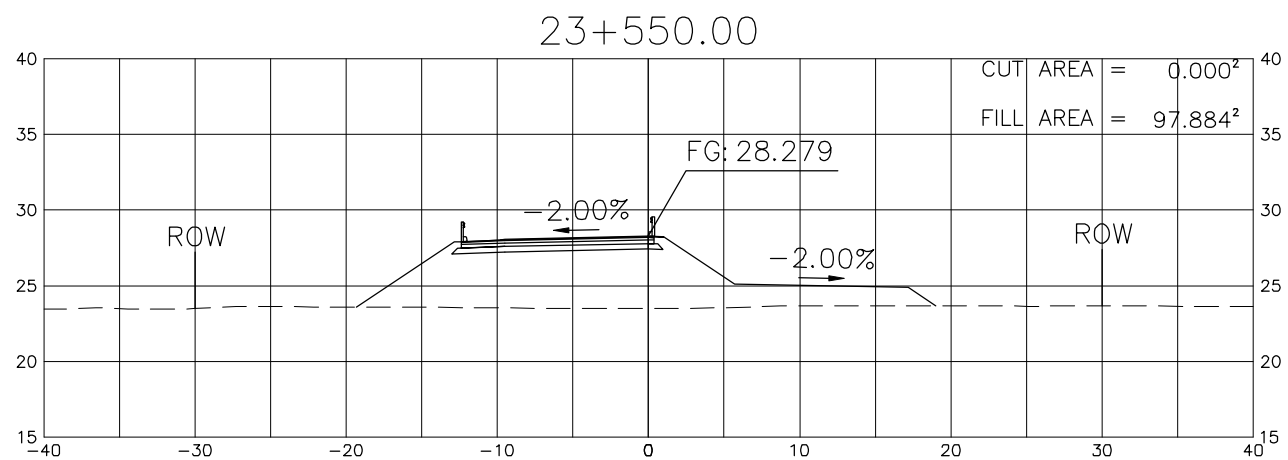
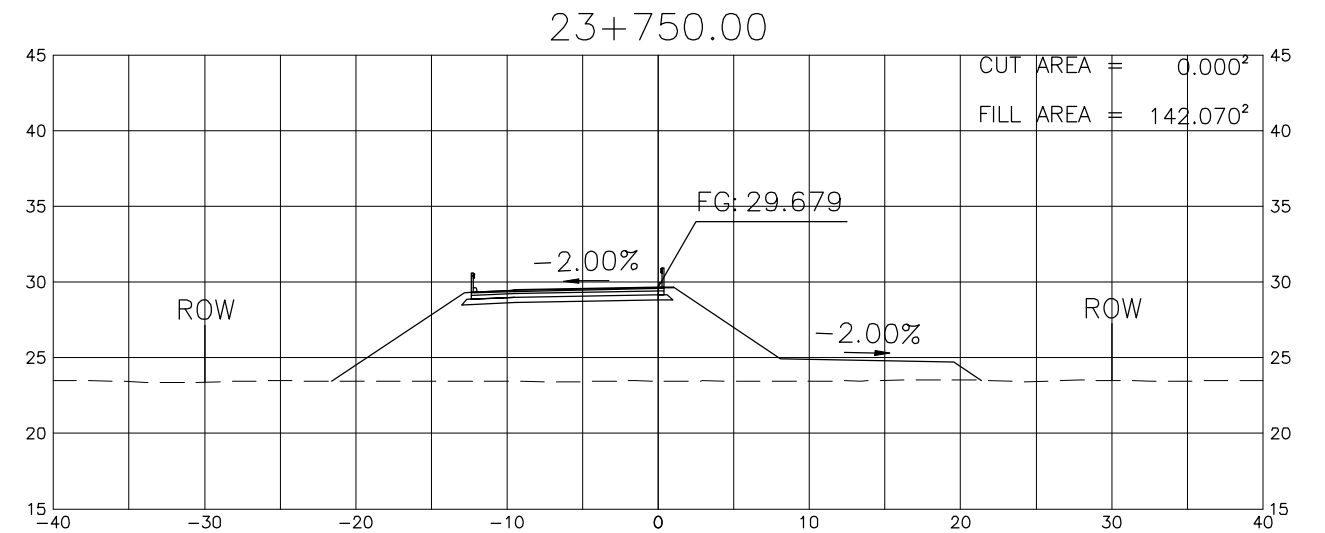
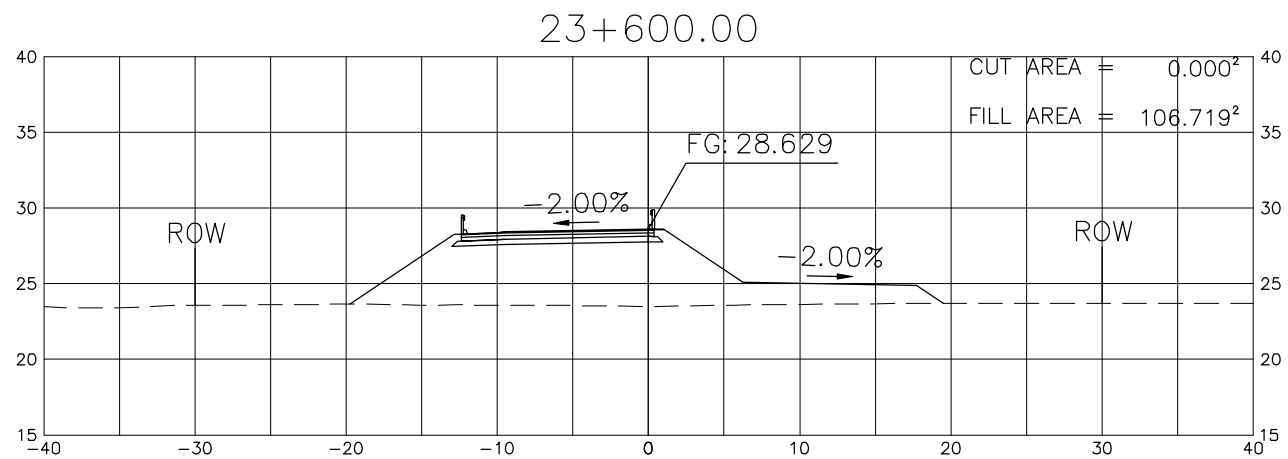
PROJECT TITLE	SCALE	SHEET CONTENT	DRAWING NO.
Preparatory survey for expressway project in Mega Manila Region CLLEX ( TARLAC - CABANATUAN )	A1 = 1:250 A3 = 1:500	CROSS SECTION (INTERIM 2 LANE) STA 22+300 TO STA 22+650	L-67
			SHEET NO.
			67 OF 90



PROJECT TITLE	SCALE	SHEET CONTENT	DRAWING NO.
Preparatory survey for expressway project in Mega Manila Region CLLEX ( TARLAC - CABANATUAN )	A1 = 1:250 A3 = 1:500	CROSS SECTION (INTERIM 2 LANE) STA 22+700 TO STA 23+050	L-68
			SHEET NO.
			68 OF 90

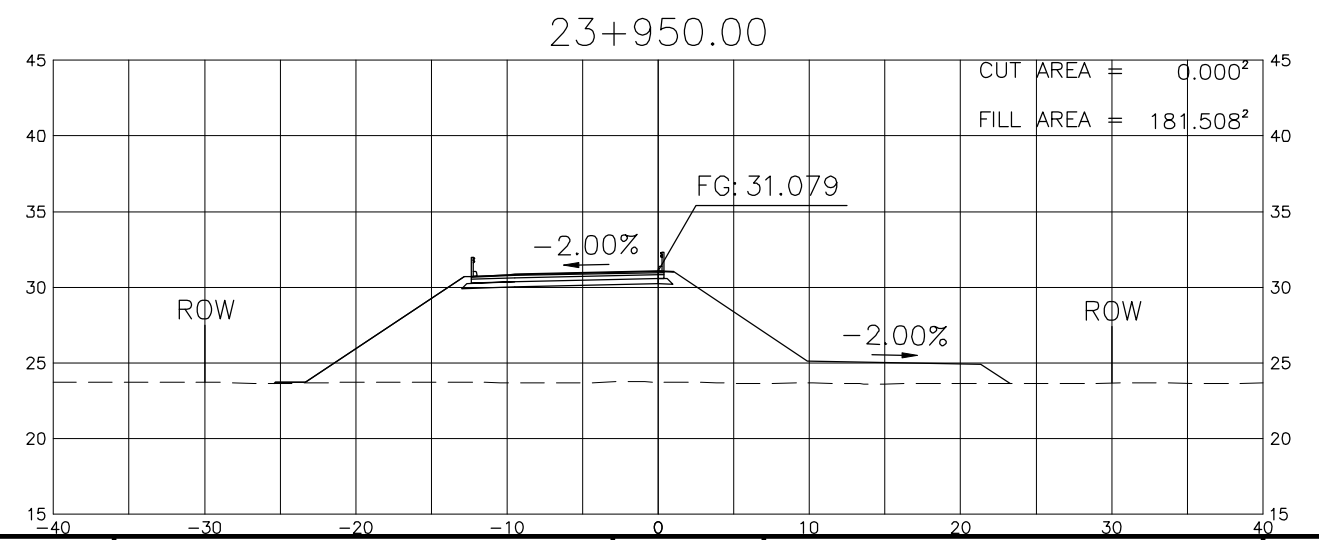
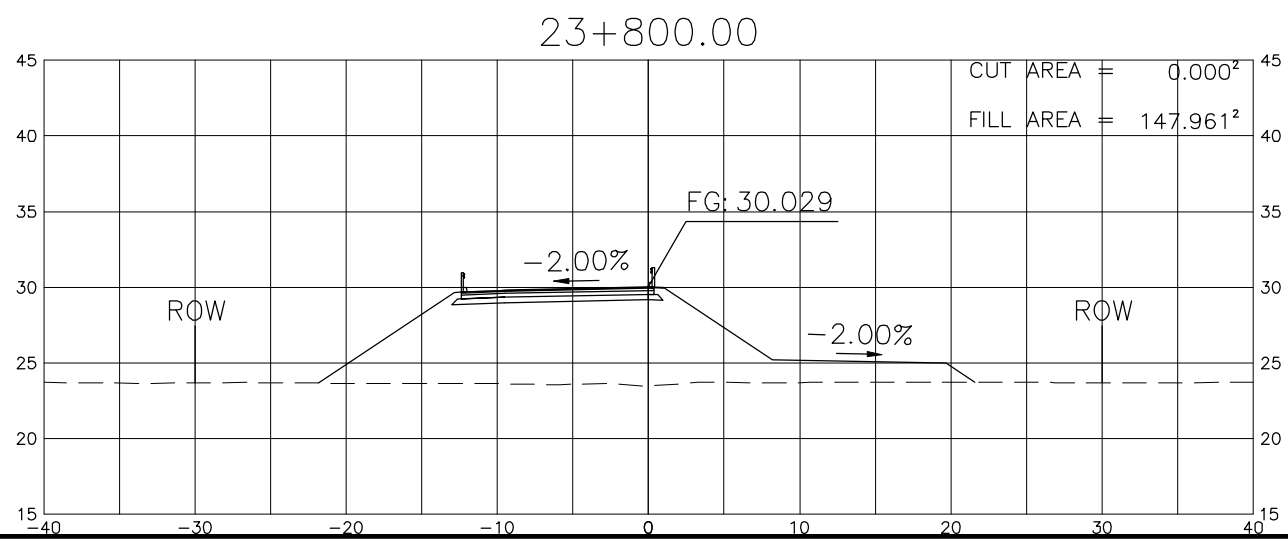
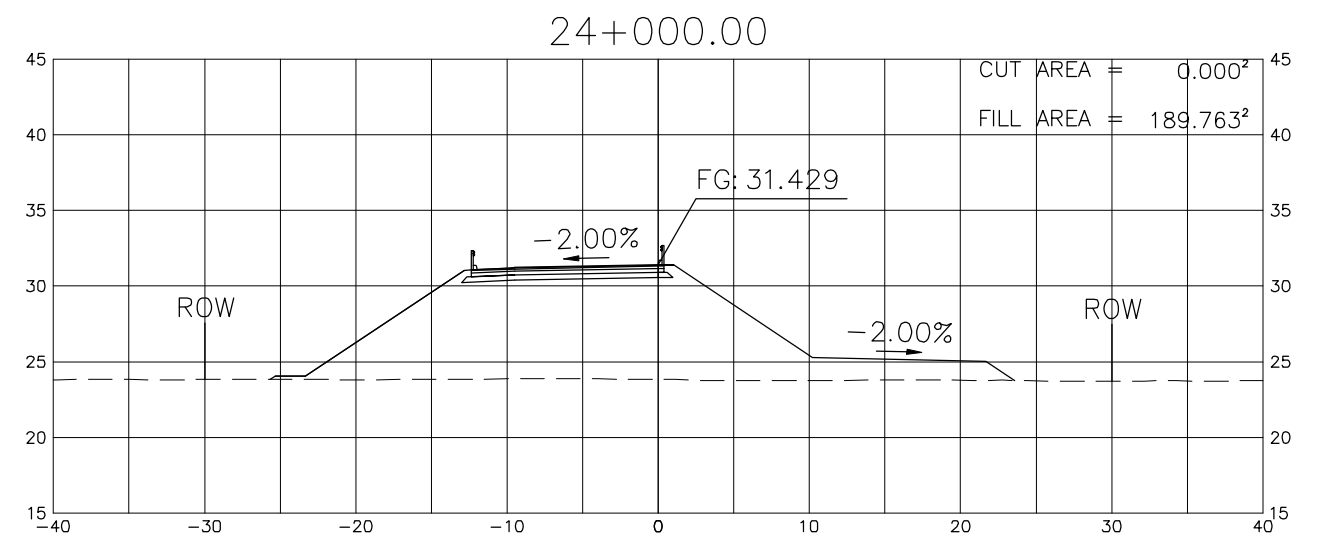
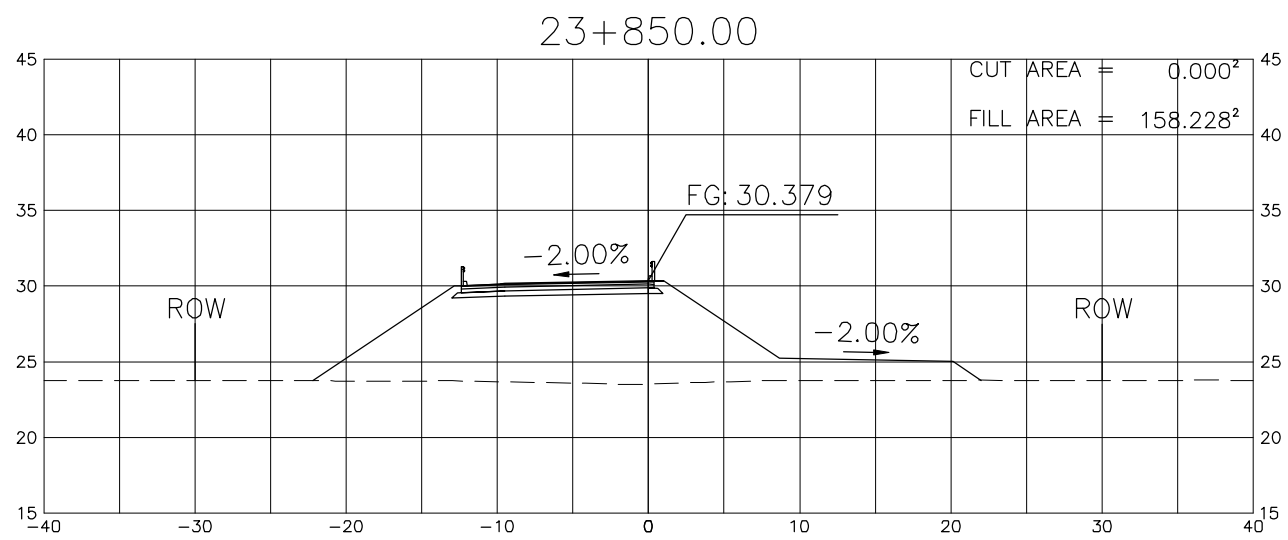
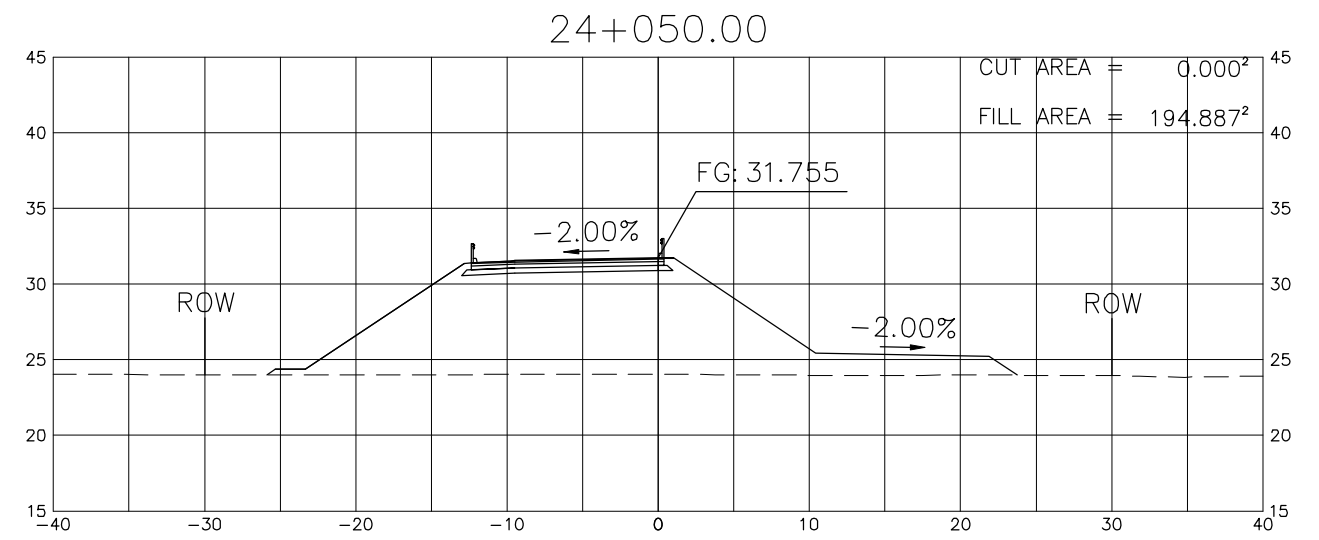
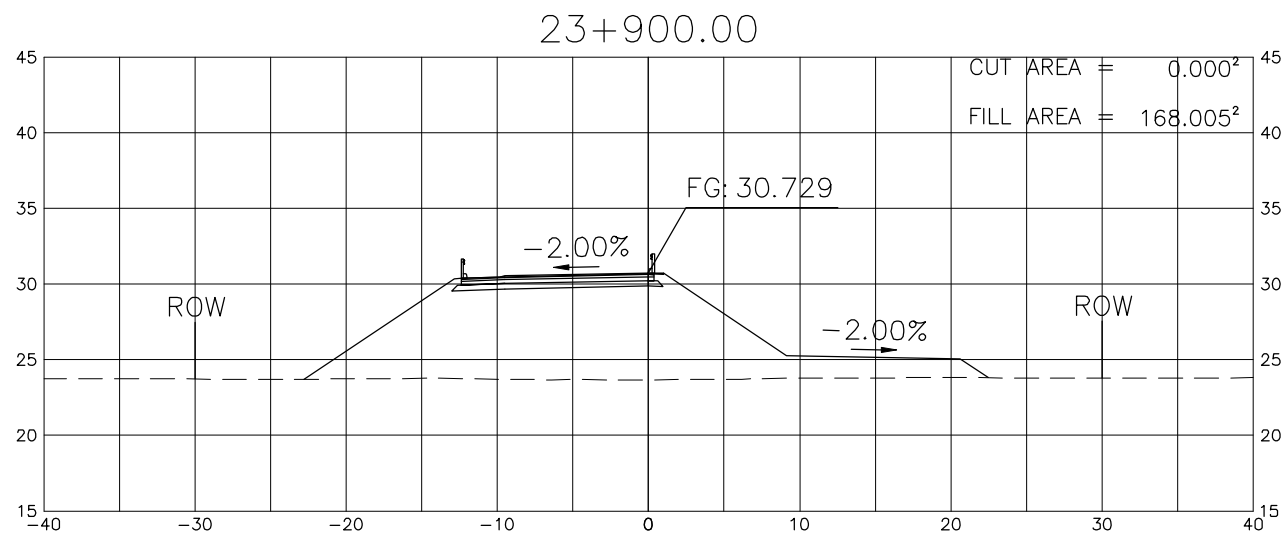


PROJECT TITLE	SCALE	SHEET CONTENT	DRAWING NO.
Preparatory survey for expressway project in Mega Manila Region CLLEX ( TARLAC - CABANATUAN )	A1 = 1:250 A3 = 1:500	CROSS SECTION (INTERIM 2 LANE) STA 23+100 TO STA 23+450	L-69
			SHEET NO.
			69 OF 90

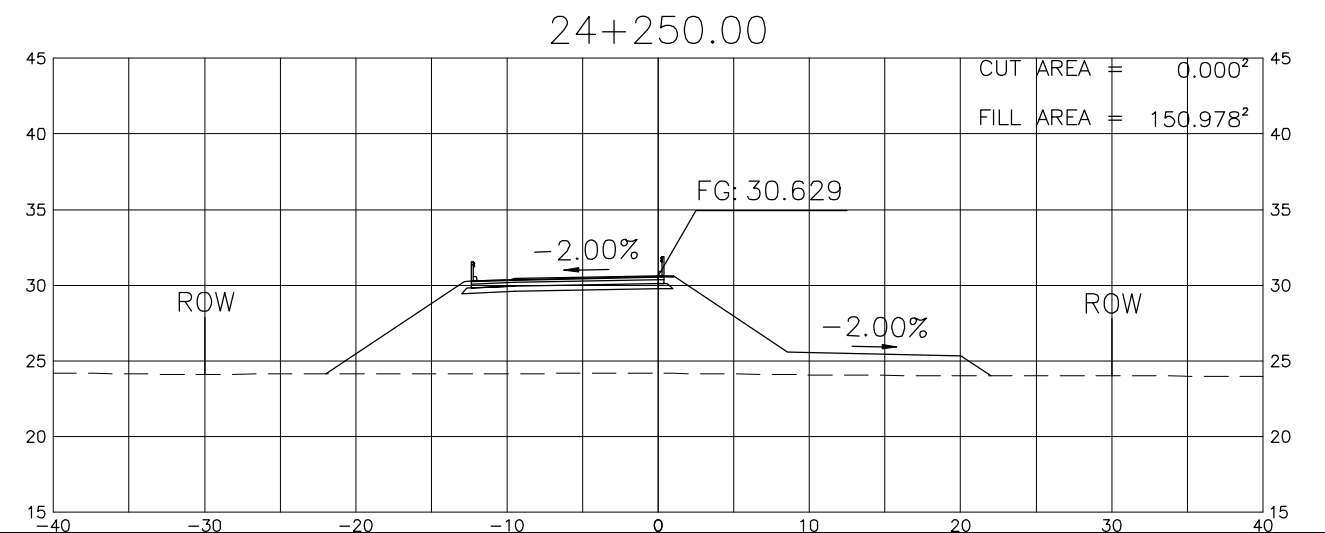
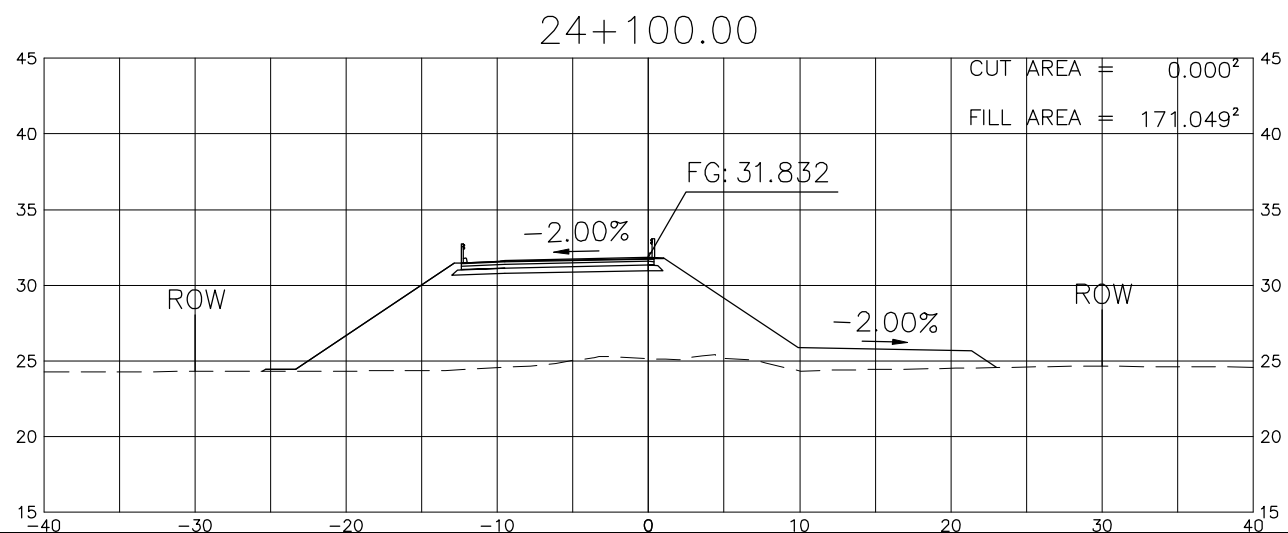
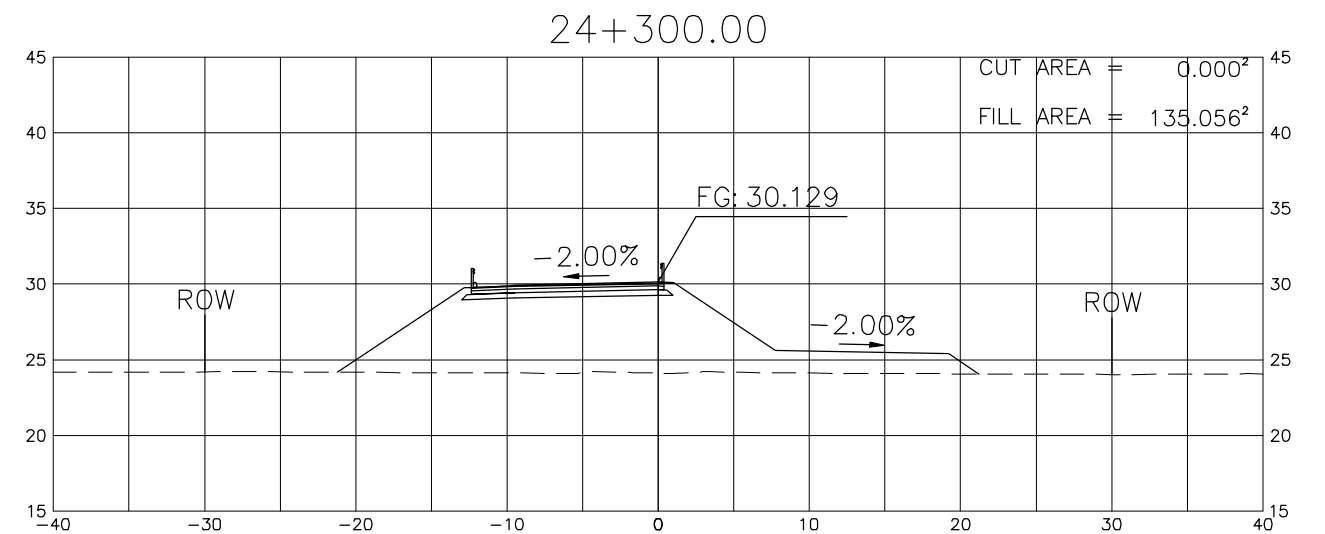
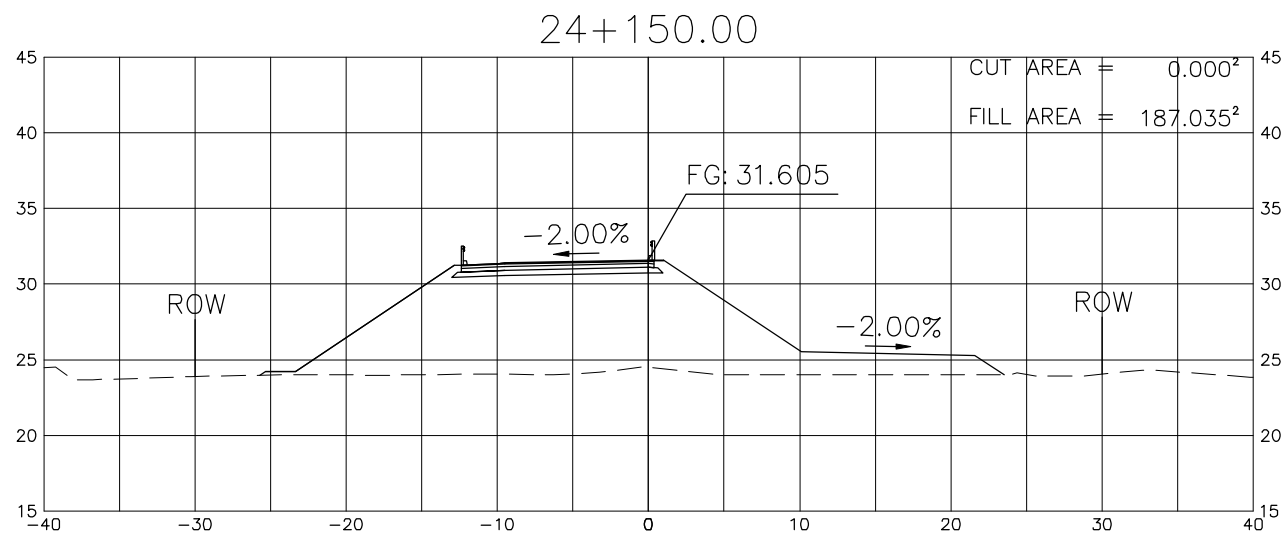
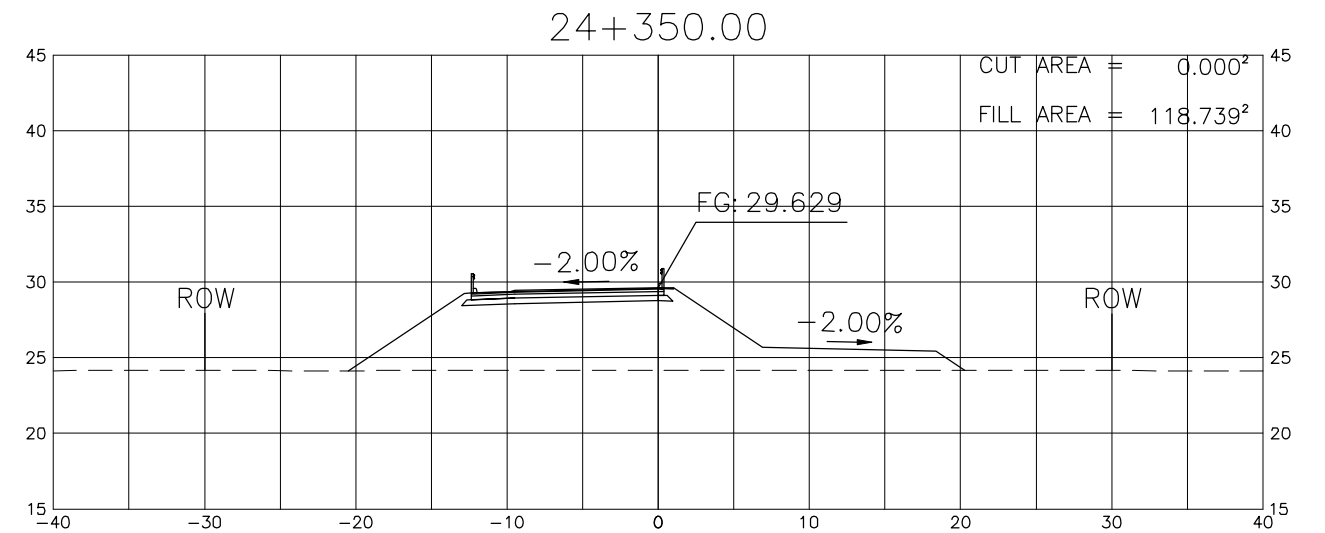
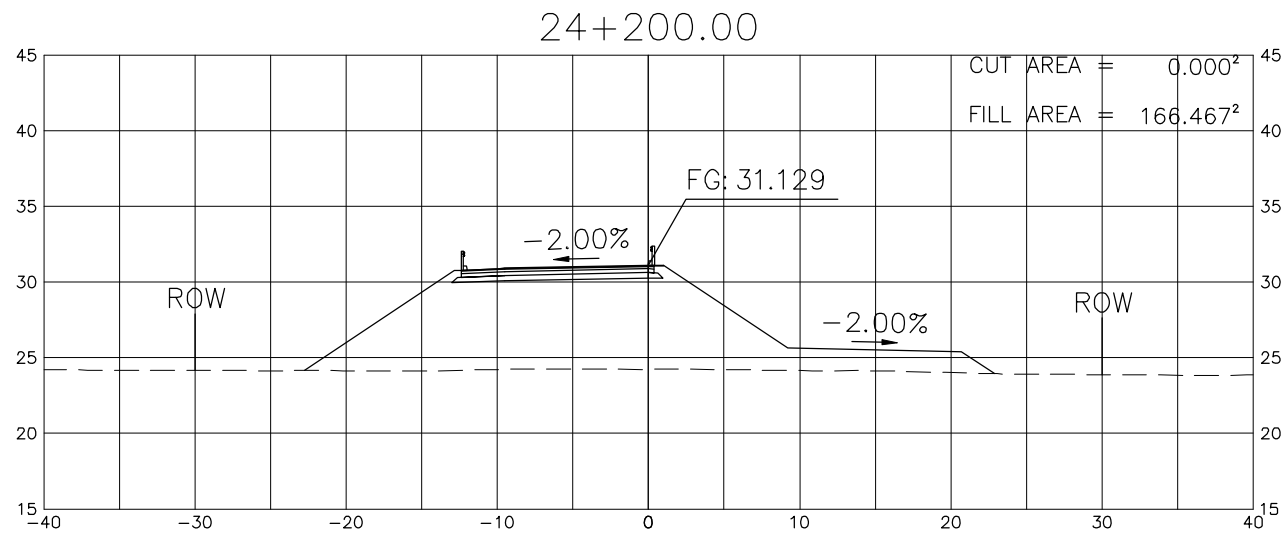


PROJECT TITLE	SCALE	SHEET CONTENT	DRAWING NO.
Preparatory survey for expressway project in Mega Manila Region CLLEX ( TARLAC - CABANATUAN )	A1 = 1:250 A3 = 1:500	CROSS SECTION (INTERIM 2 LANE) STA 23+500 TO STA 23+750	L-70
			SHEET NO.
			70 OF 90

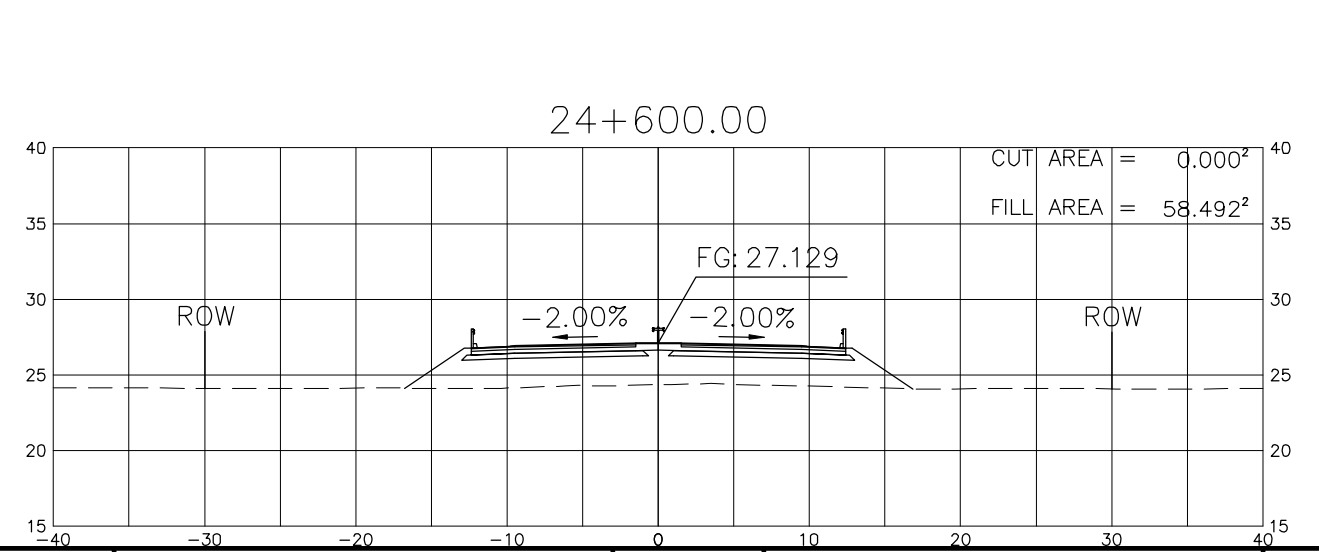
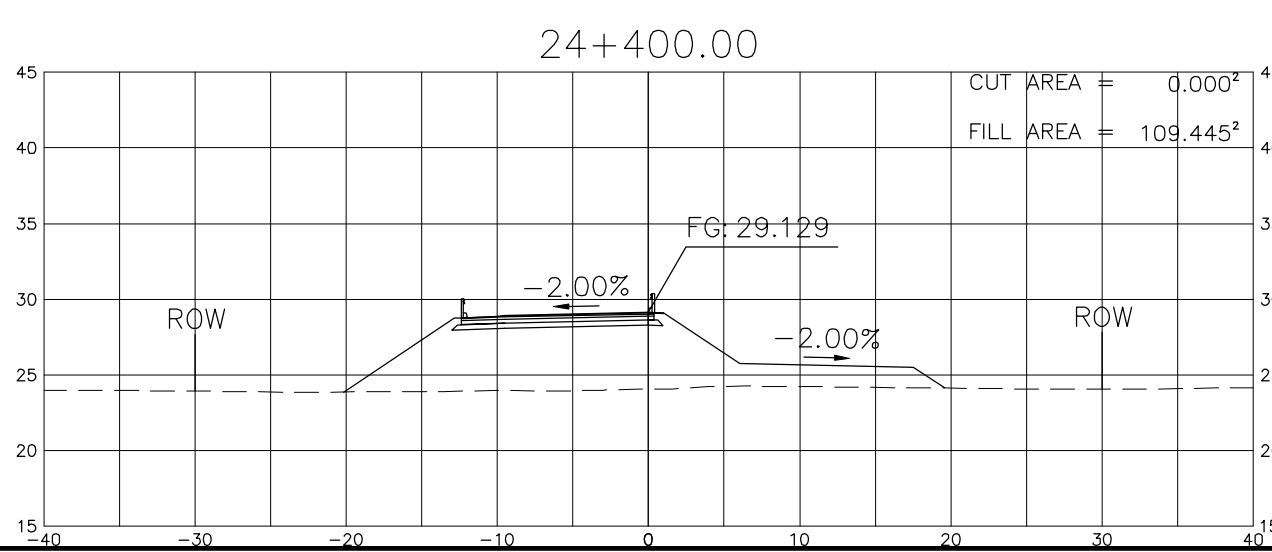
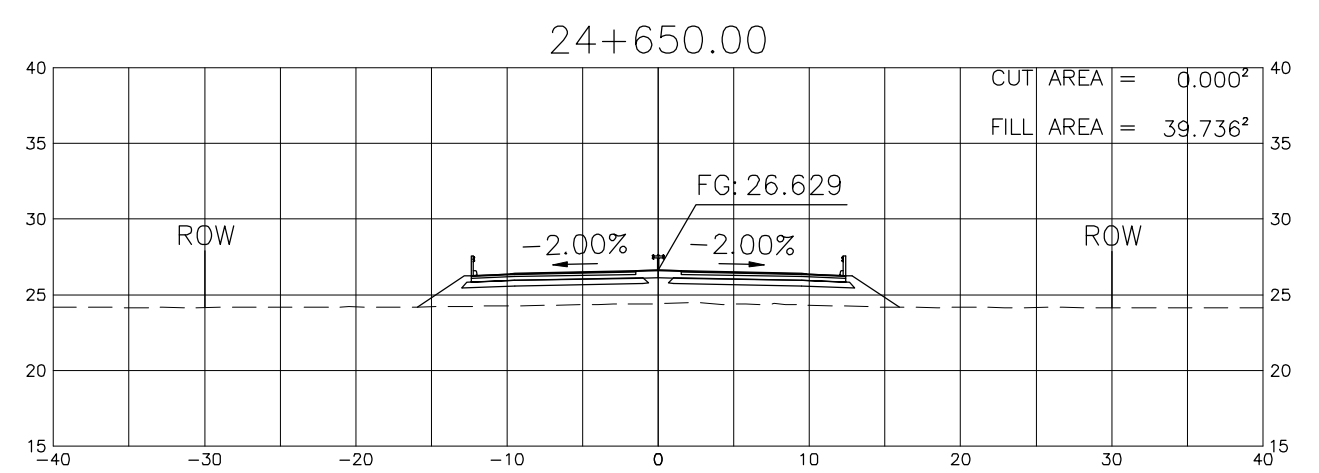
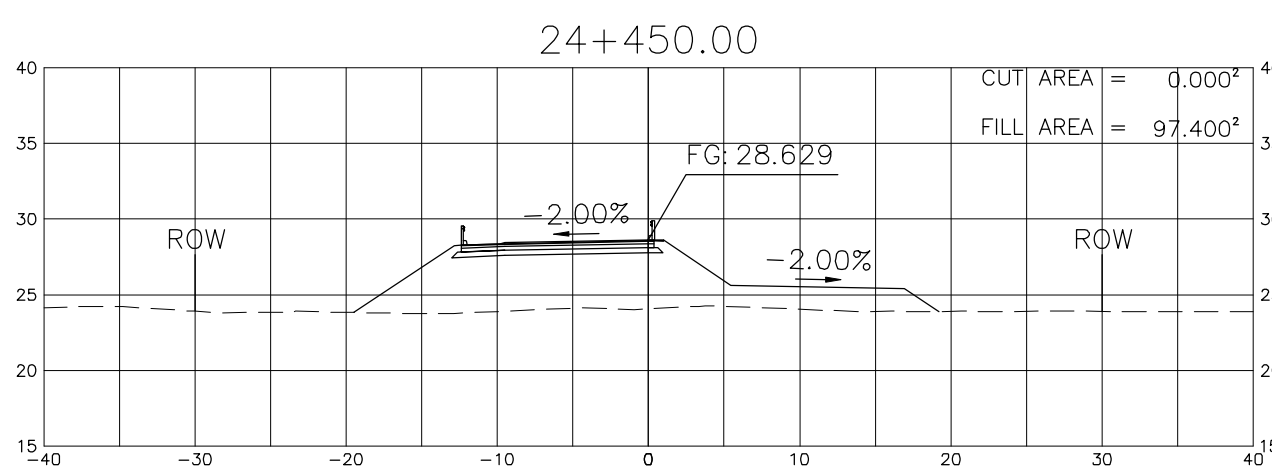
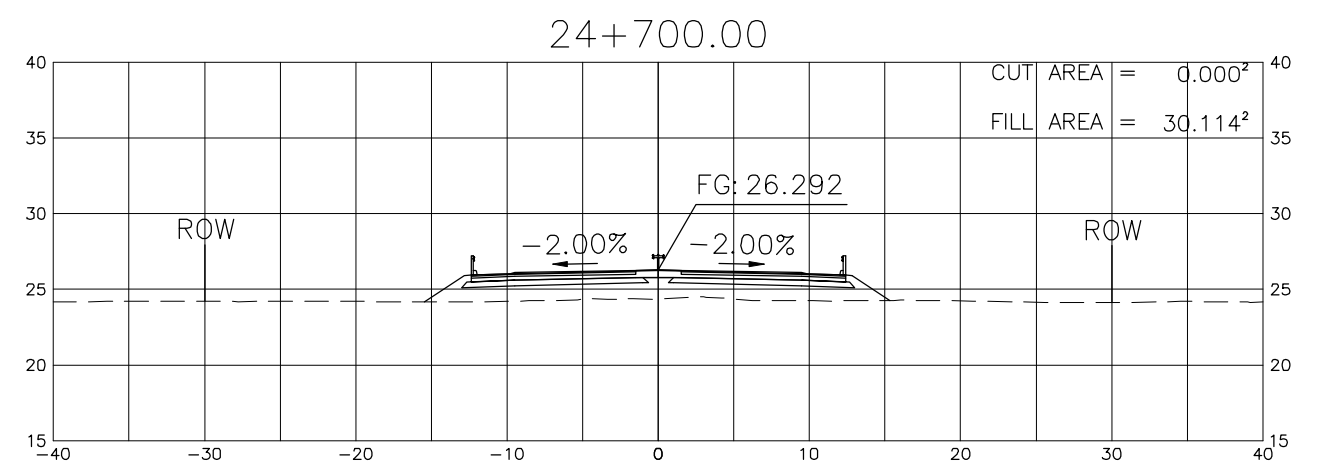
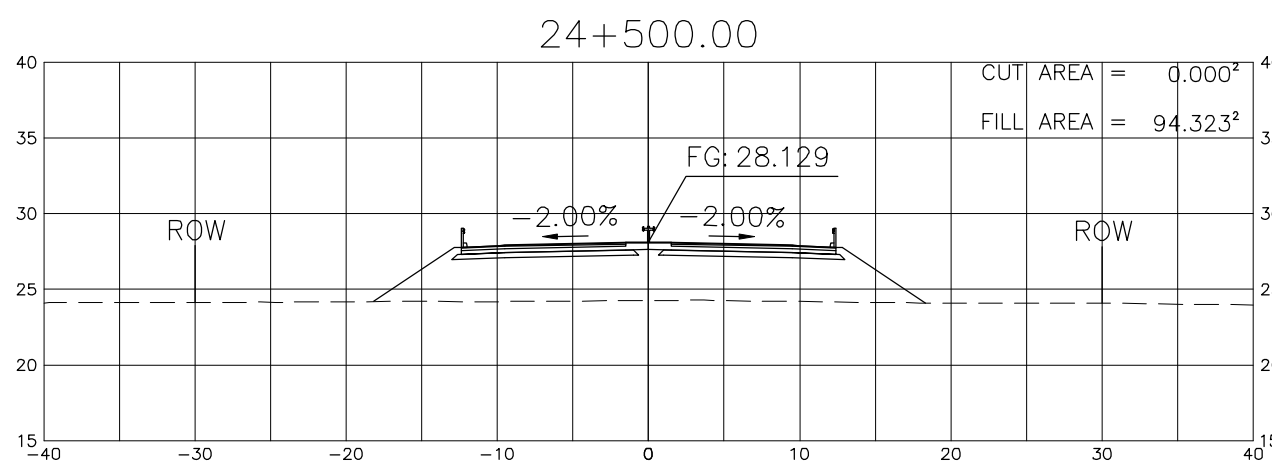
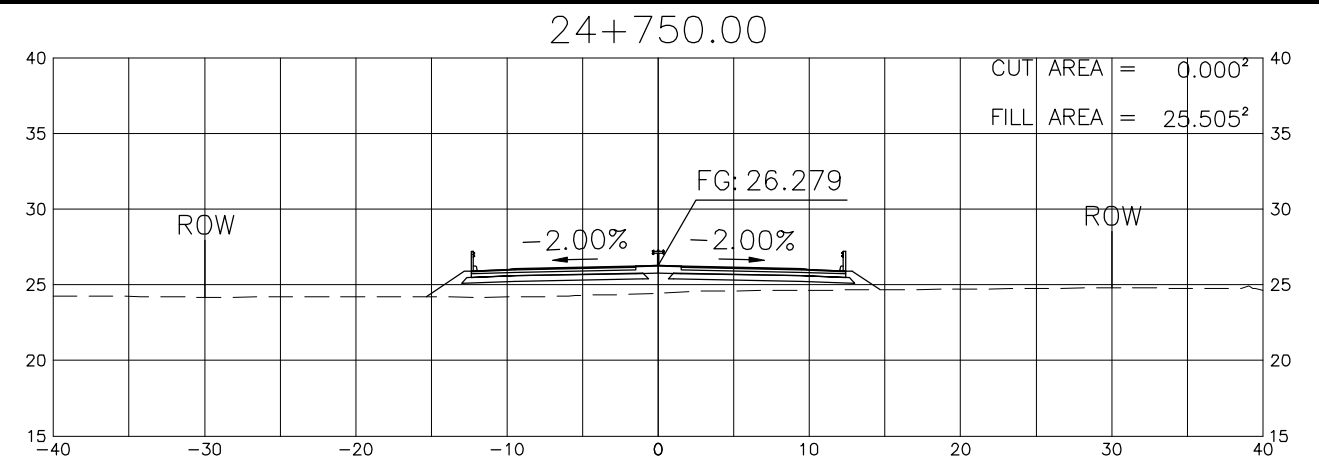
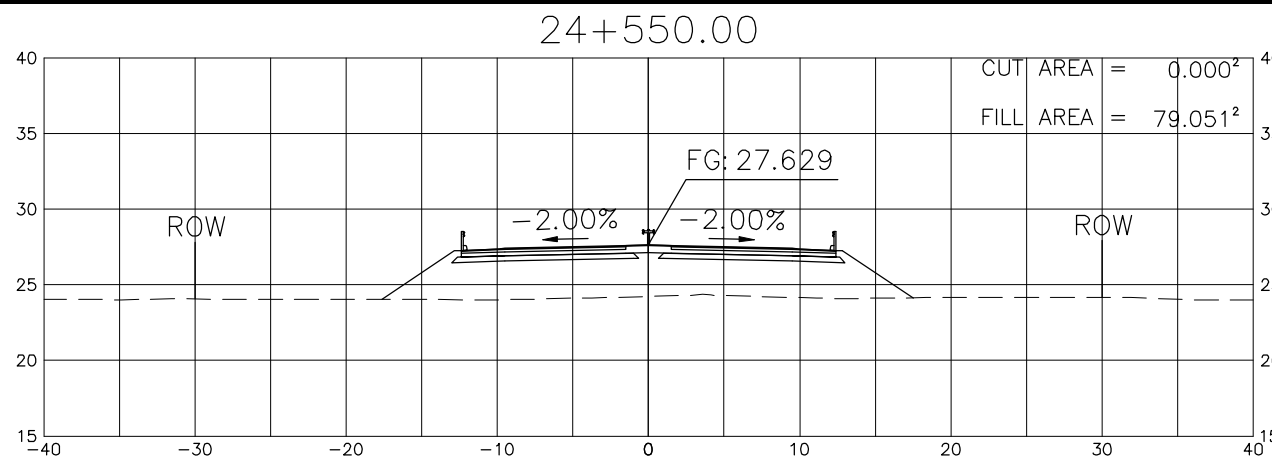




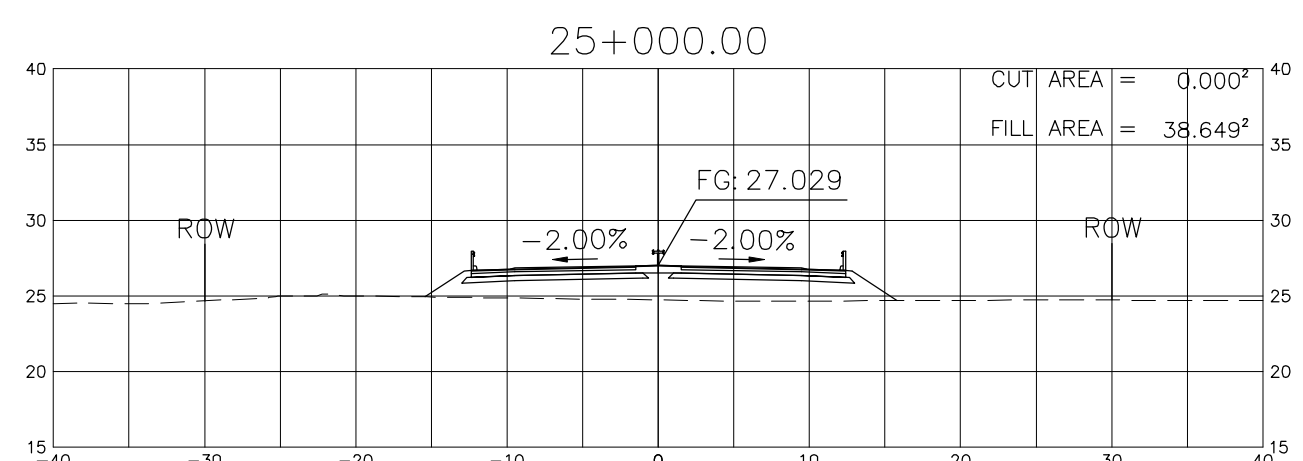
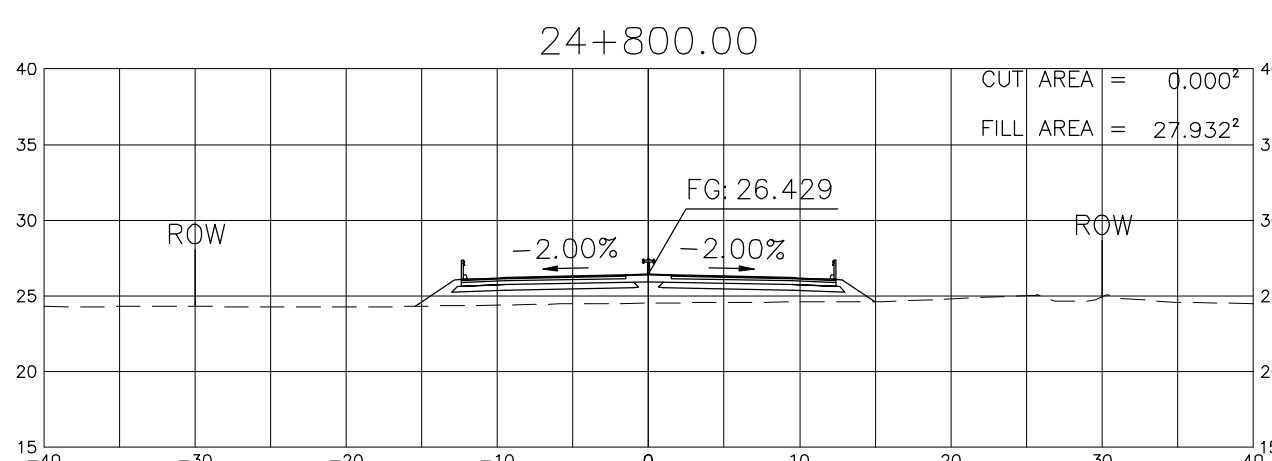
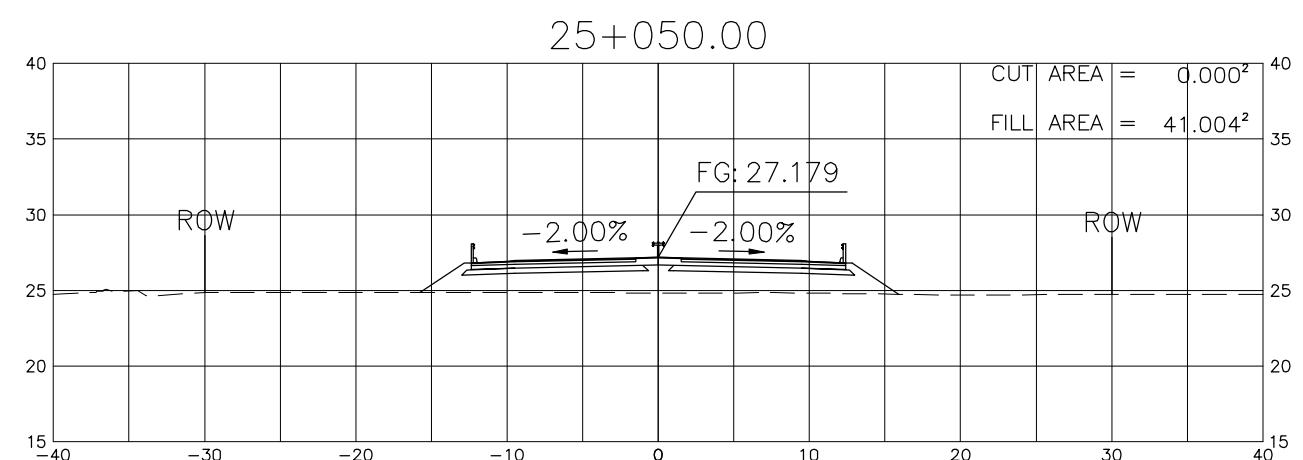
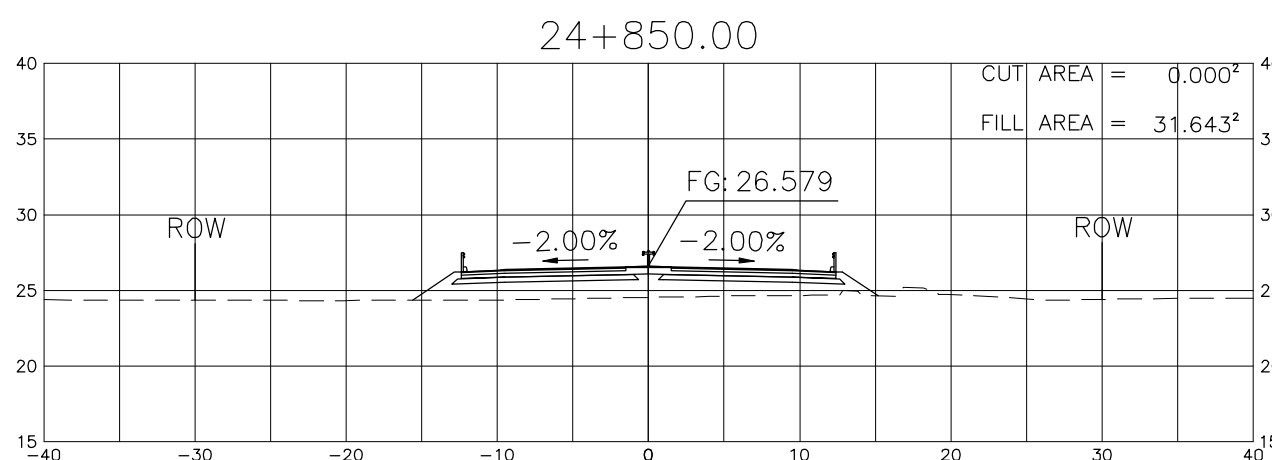
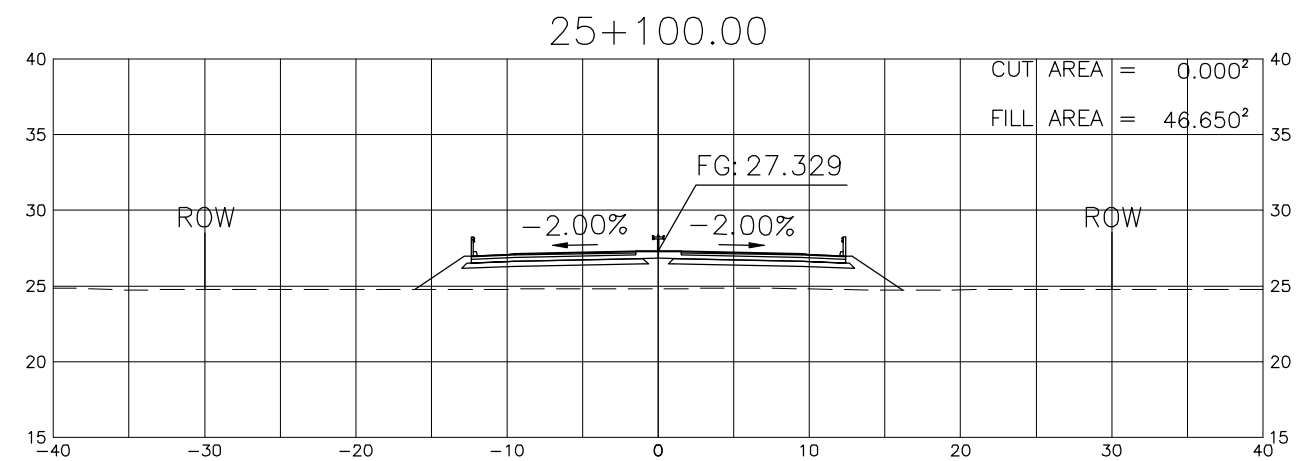
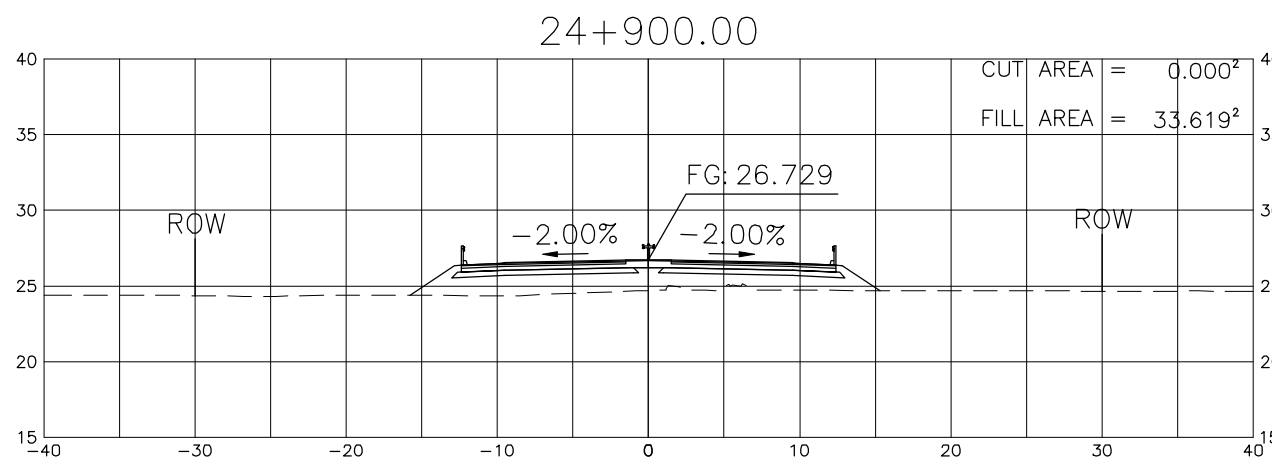
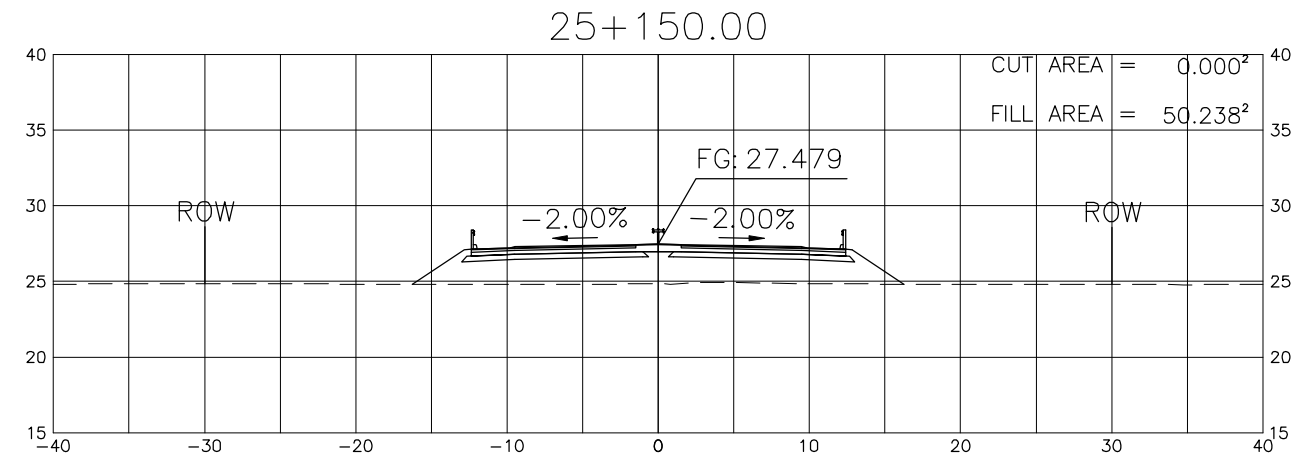
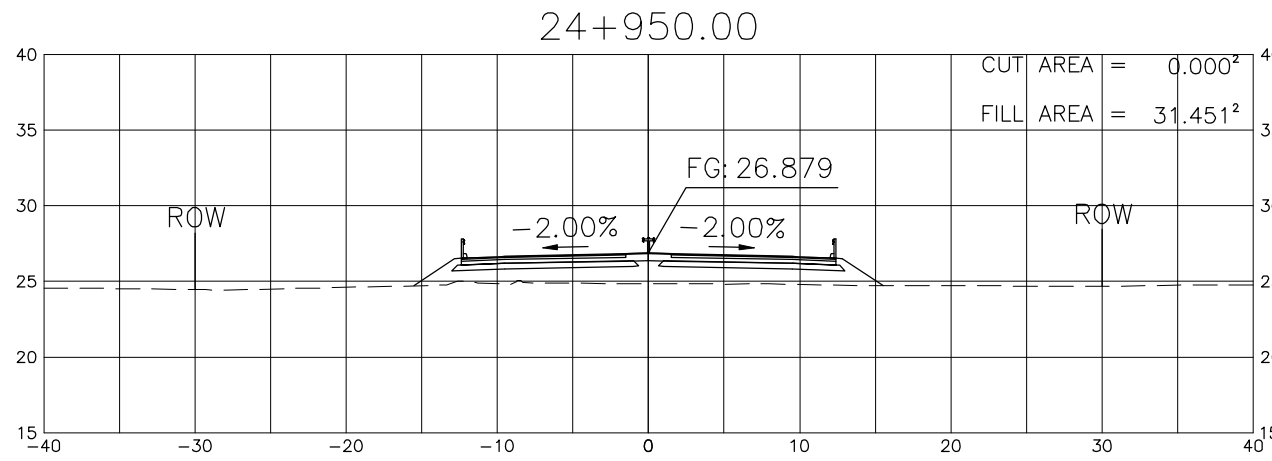
PROJECT TITLE	SCALE	SHEET CONTENT	DRAWING NO.
Preparatory survey for expressway project in Mega Manila Region CLLEX ( TARLAC - CABANATUAN )	A1 = 1:250 A3 = 1:500	CROSS SECTION (INTERIM 2 LANE) STA 23+800 TO STA 24+050	L-71
			SHEET NO.
			71 OF 90



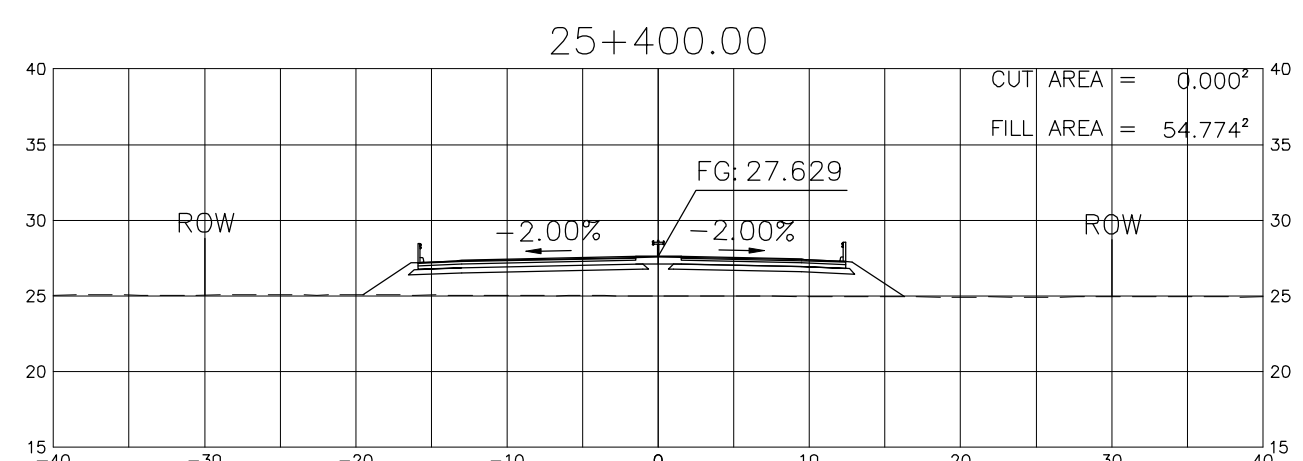
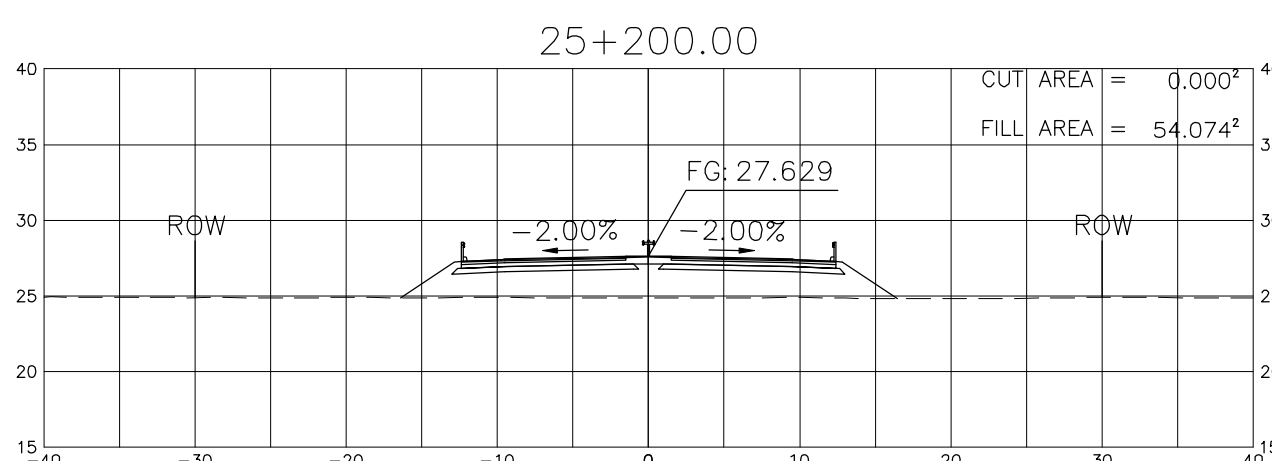
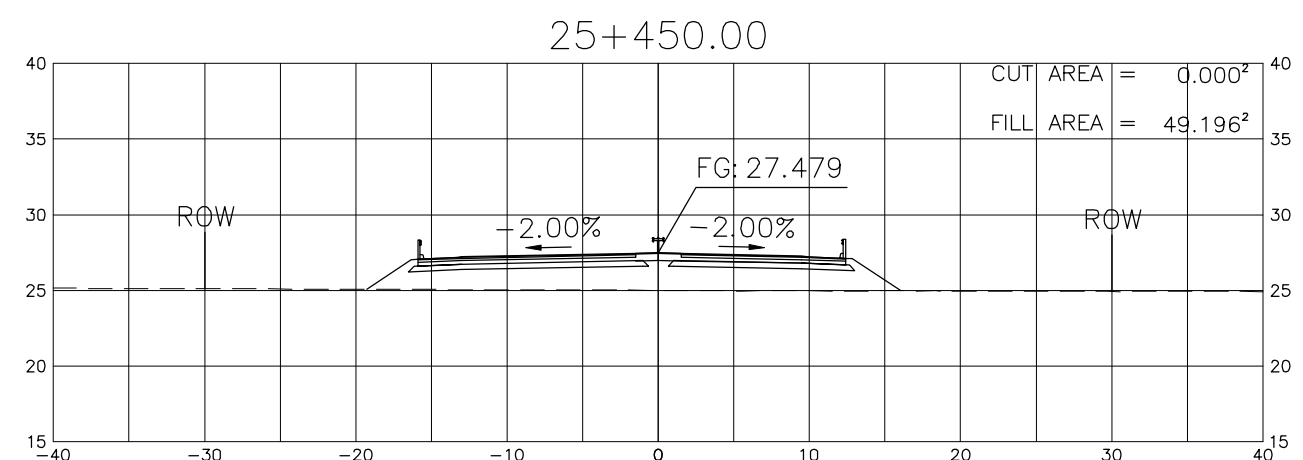
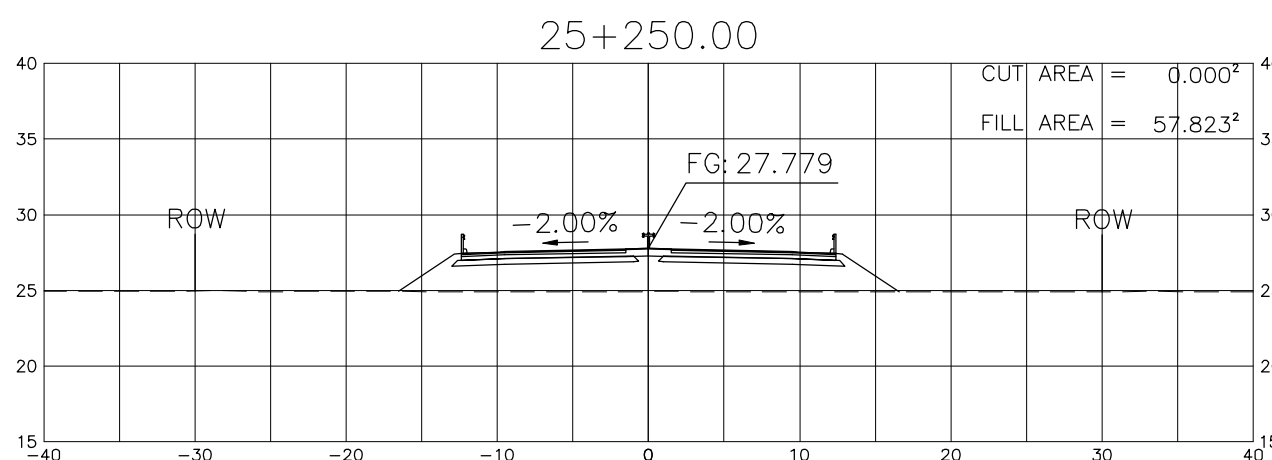
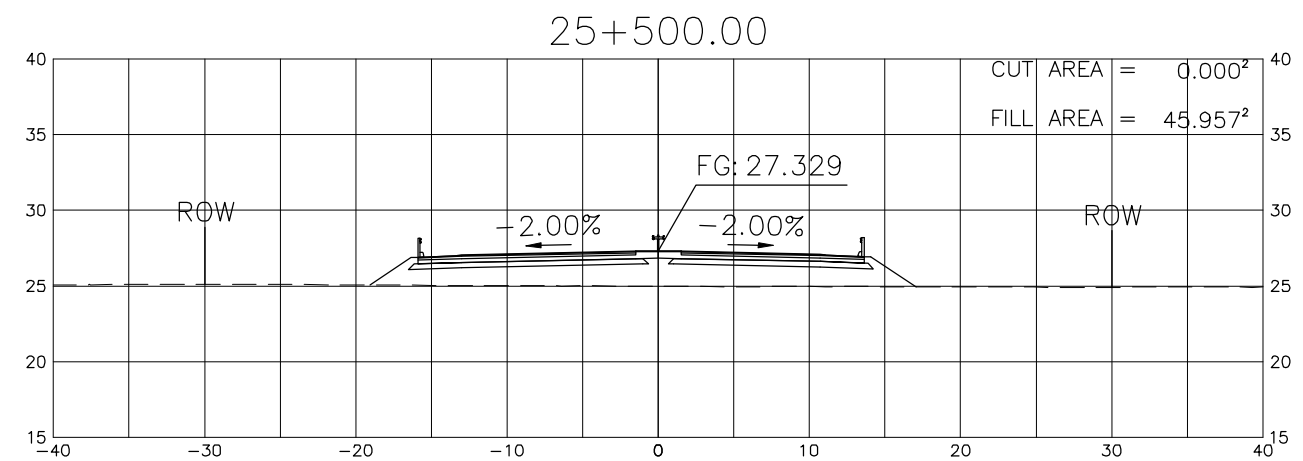
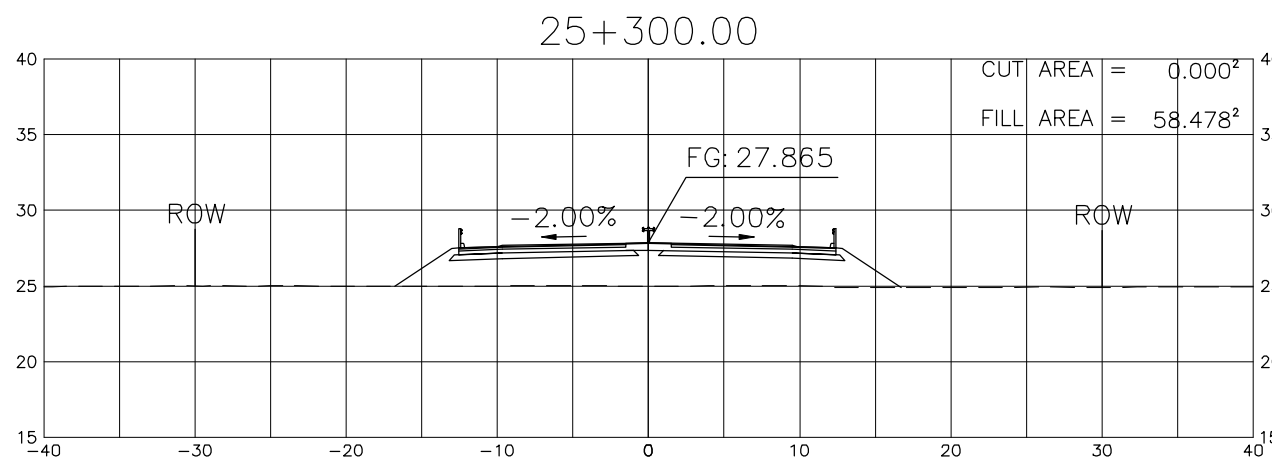
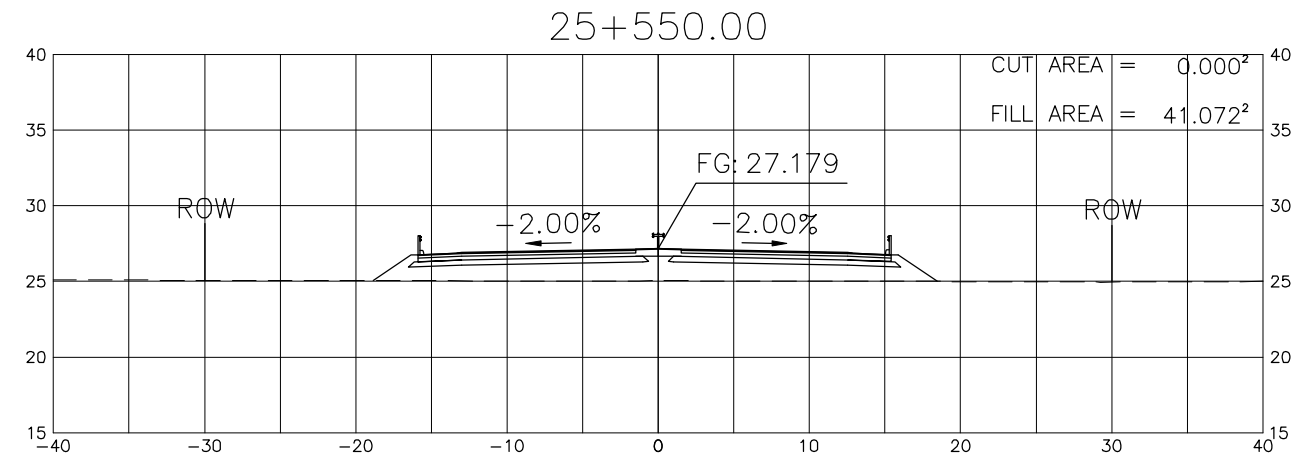
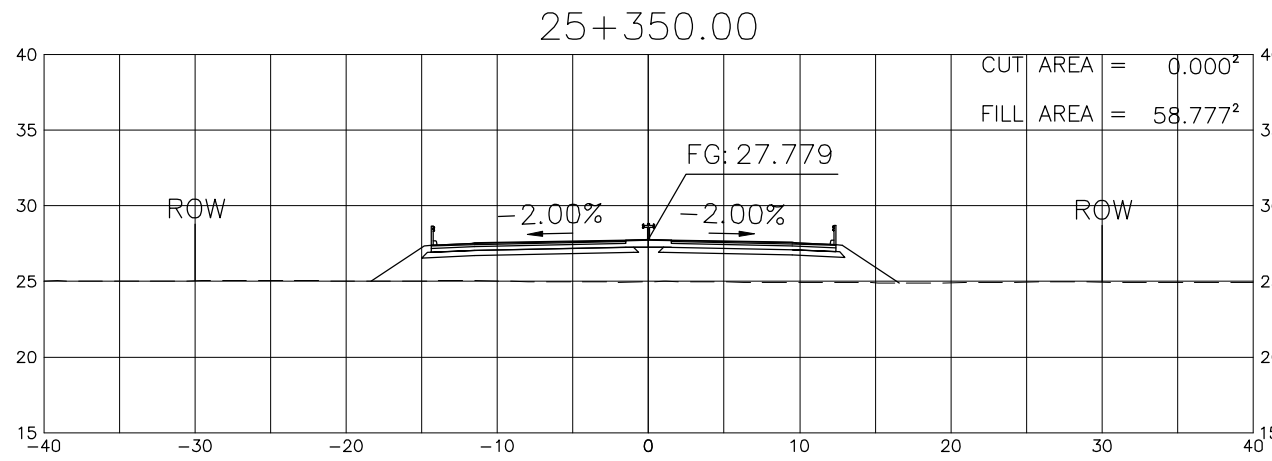
PROJECT TITLE	SCALE	SHEET CONTENT	DRAWING NO.
Preparatory survey for expressway project in Mega Manila Region CLLEX ( TARLAC - CABANATUAN )	A1 = 1:250 A3 = 1:500	CROSS SECTION (INTERIM 2 LANE) STA 24+100 TO STA 24+350	L-72
			SHEET NO.
			72 OF 90



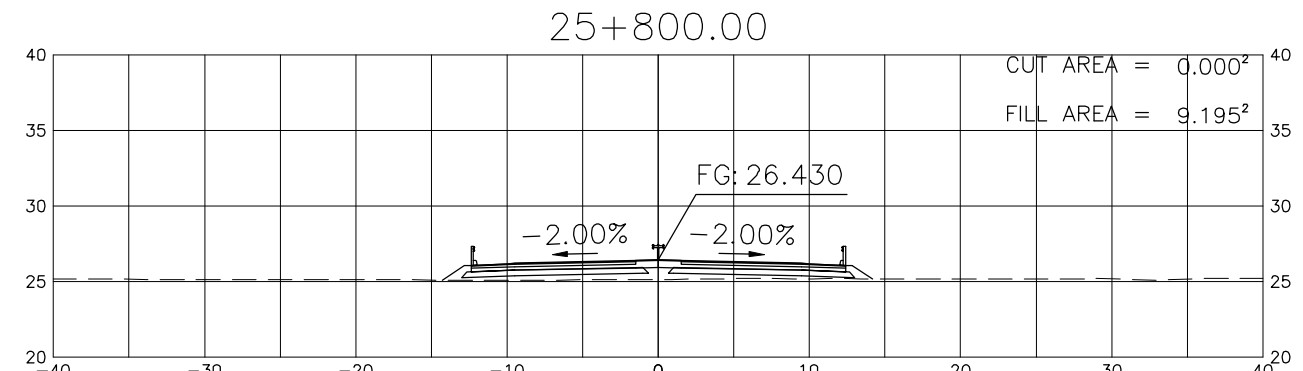
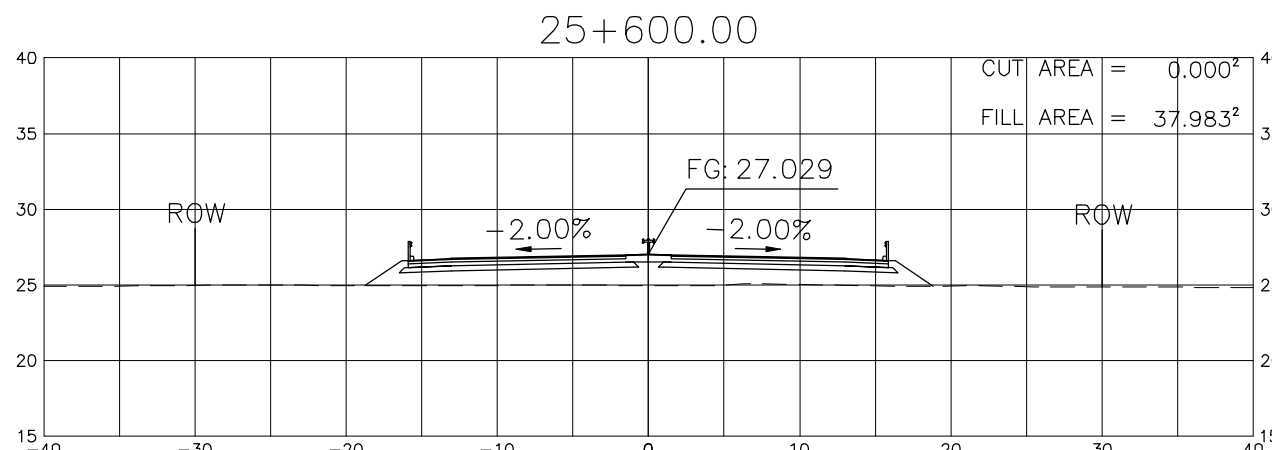
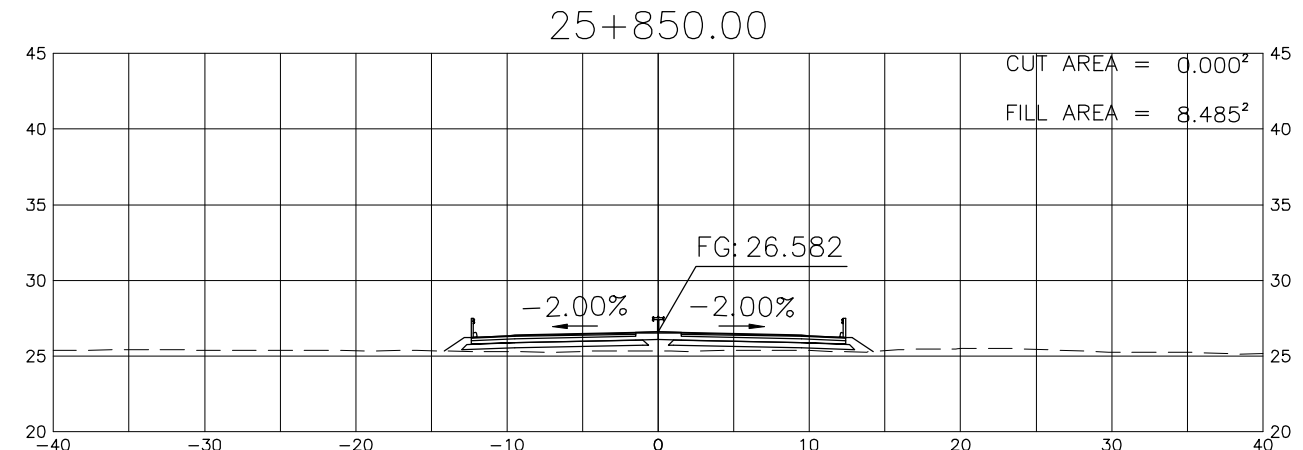
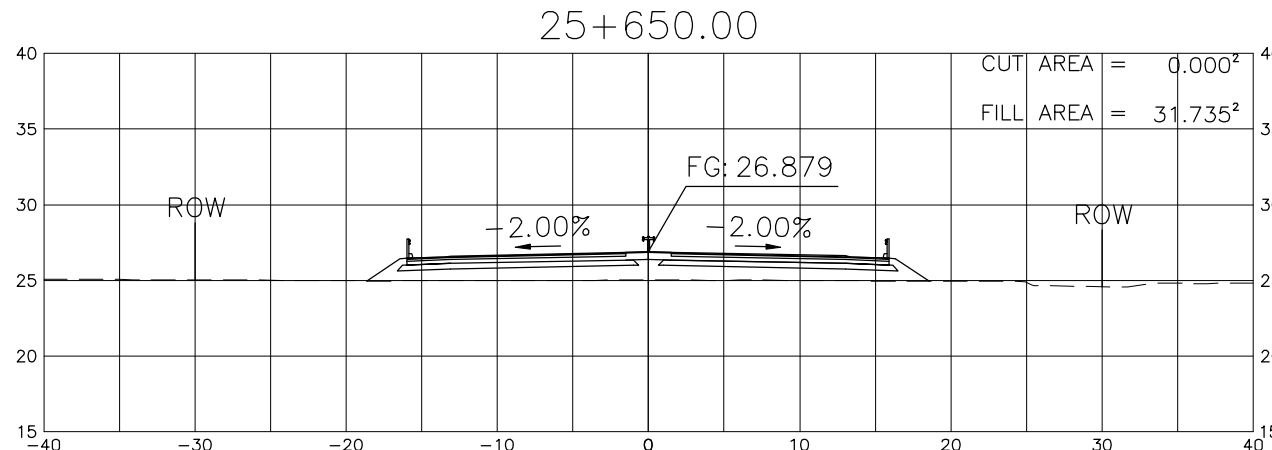
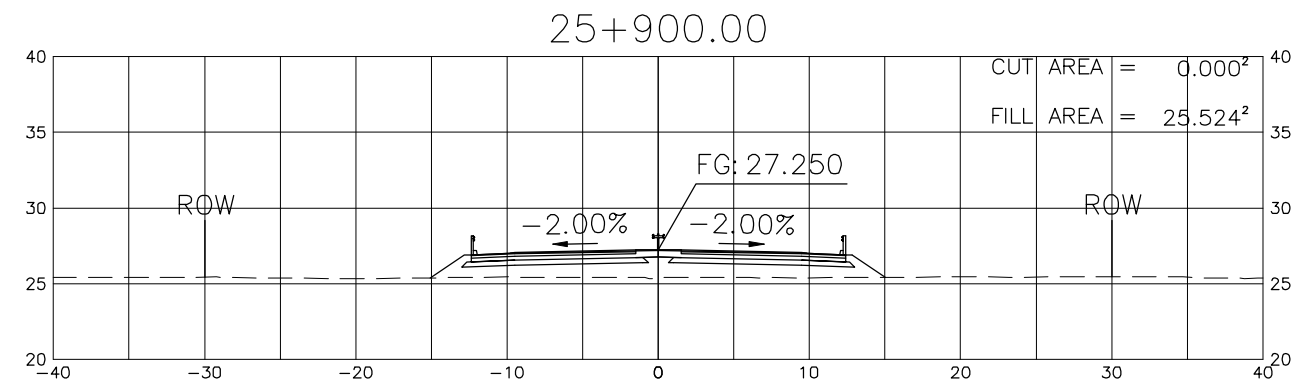
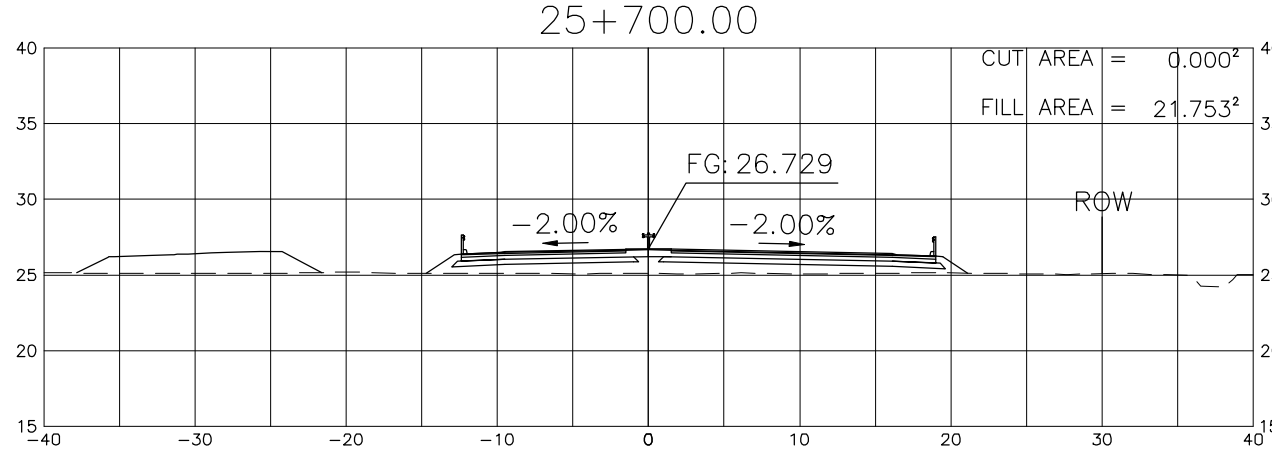
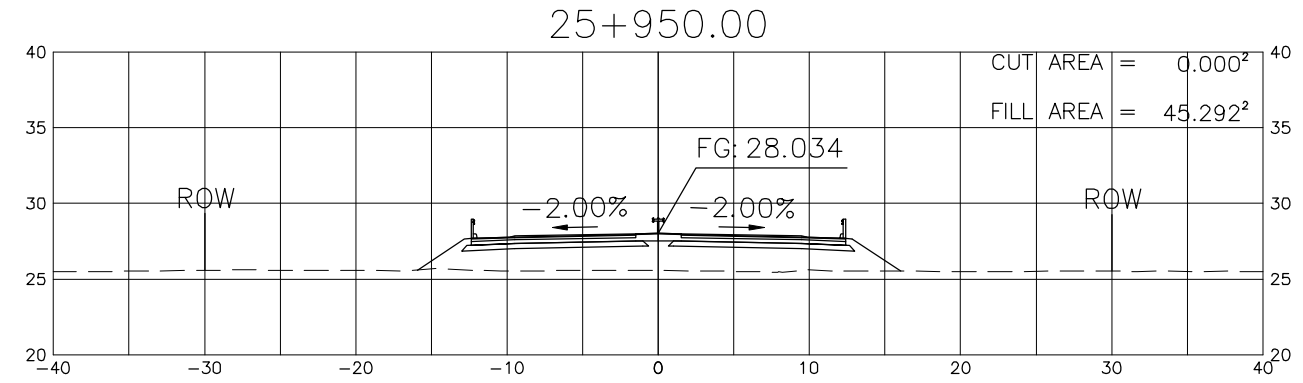
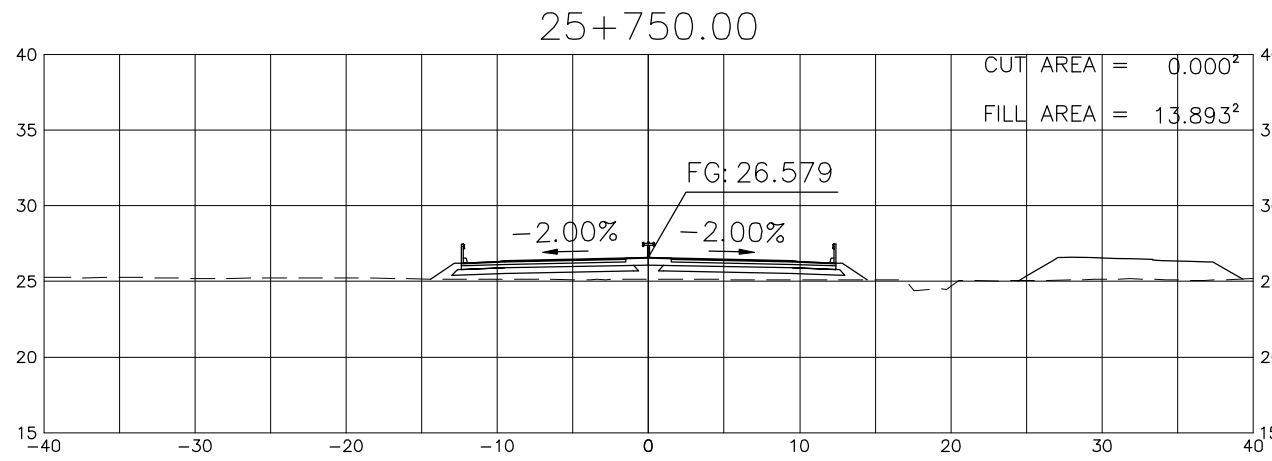
PROJECT TITLE	SCALE	SHEET CONTENT	DRAWING NO.
Preparatory survey for expressway project in Mega Manila Region CLLEX ( TARLAC - CABANATUAN )	A1 = 1:250 A3 = 1:500	CROSS SECTION (INTERIM 2 LANE) STA 24+400 TO STA 24+750	L-73
			SHEET NO.
			73 OF 90



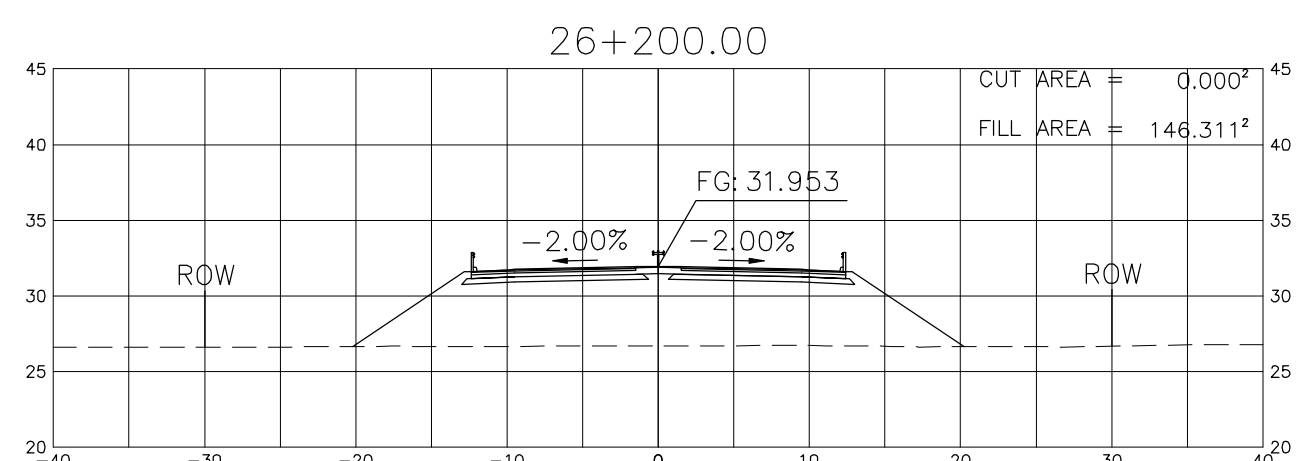
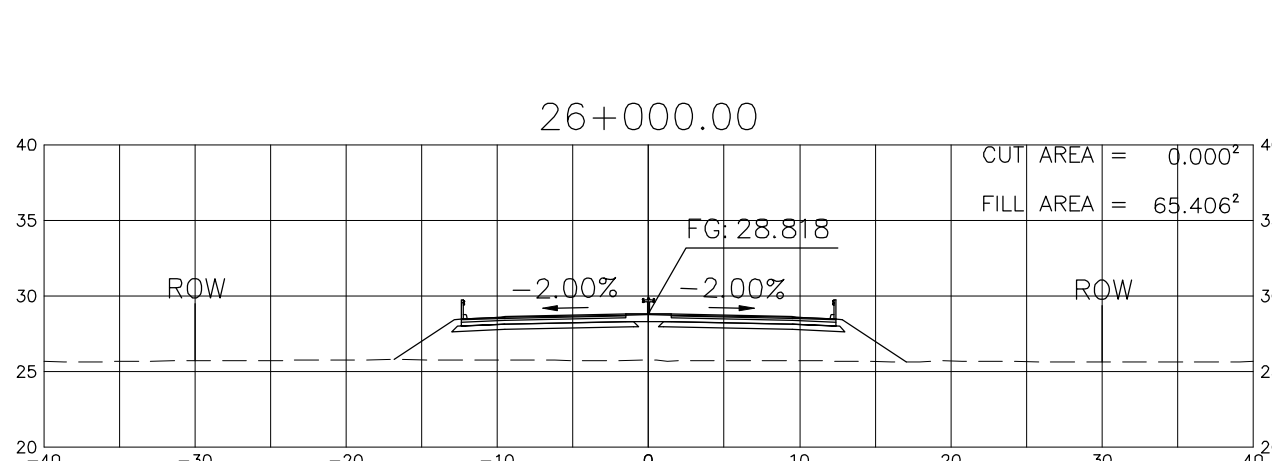
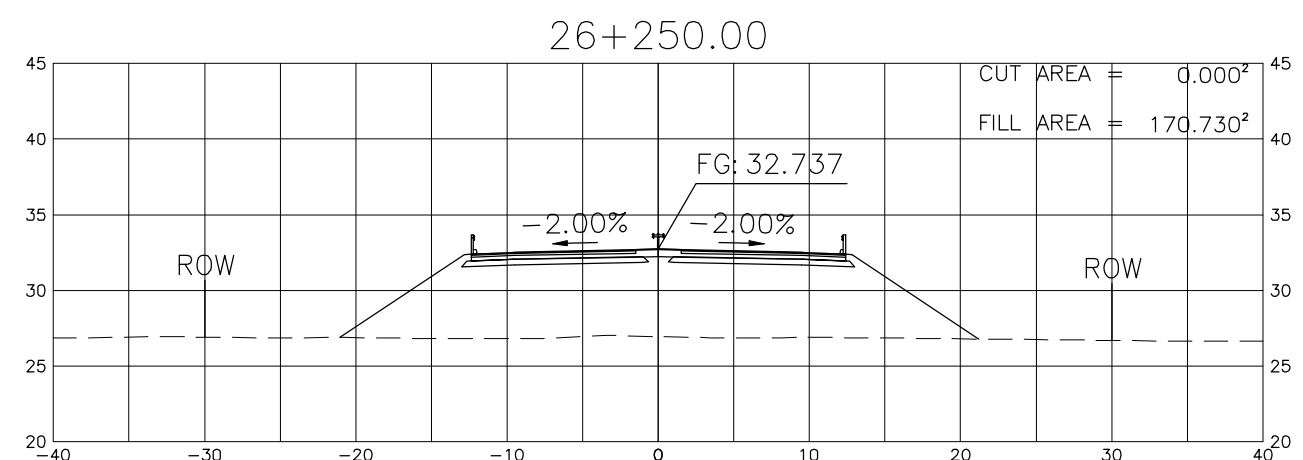
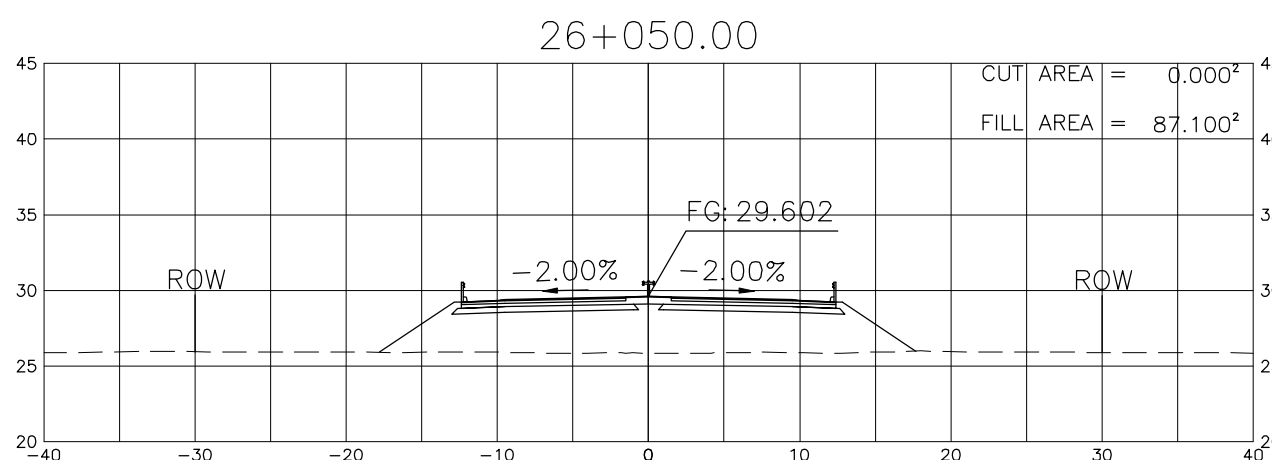
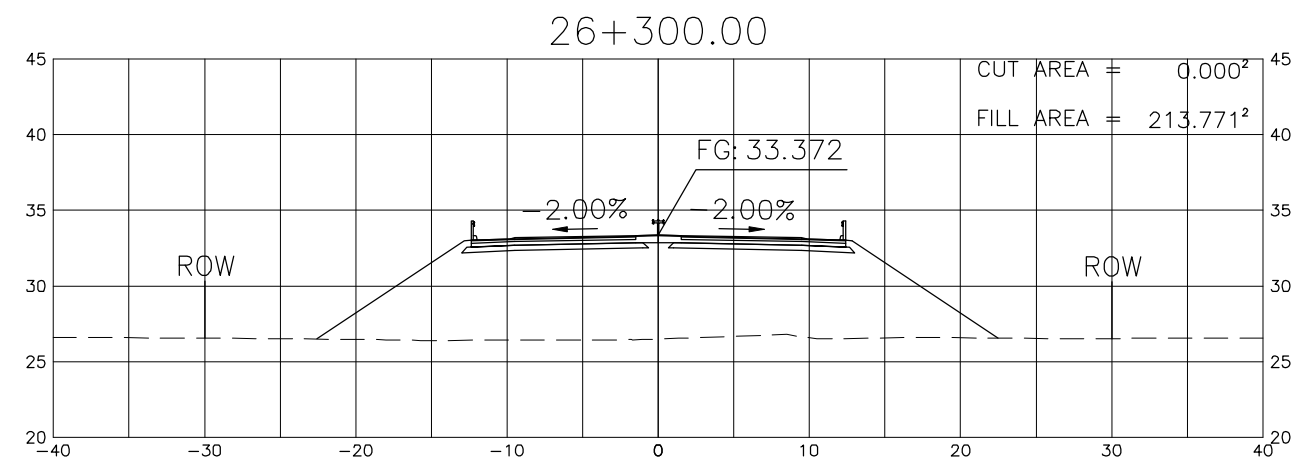
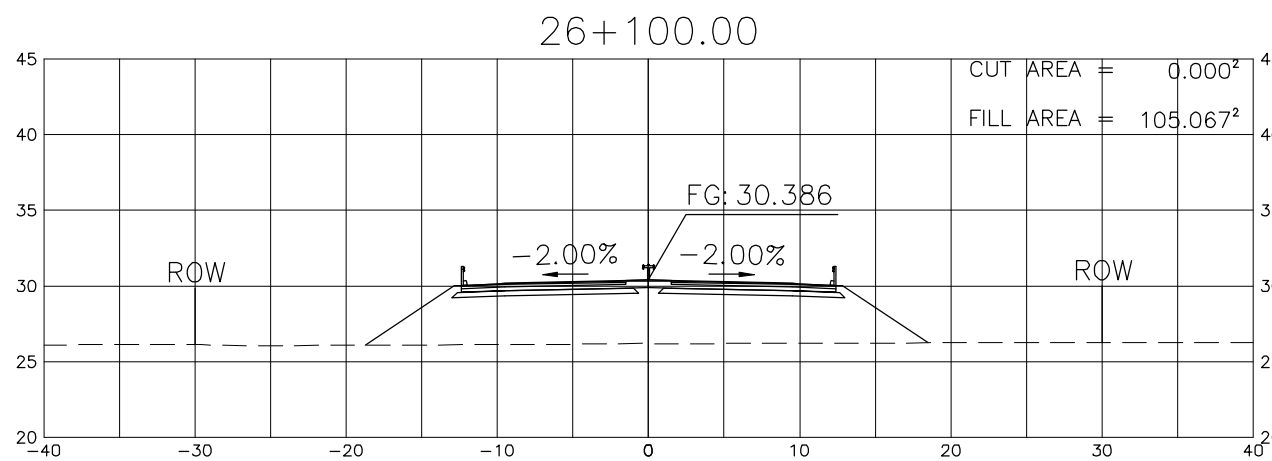
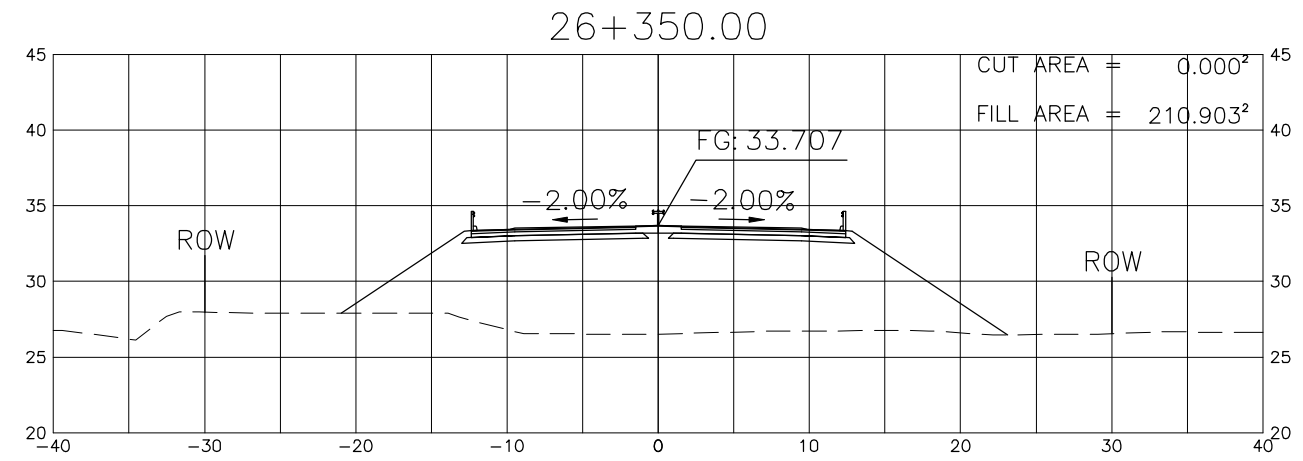
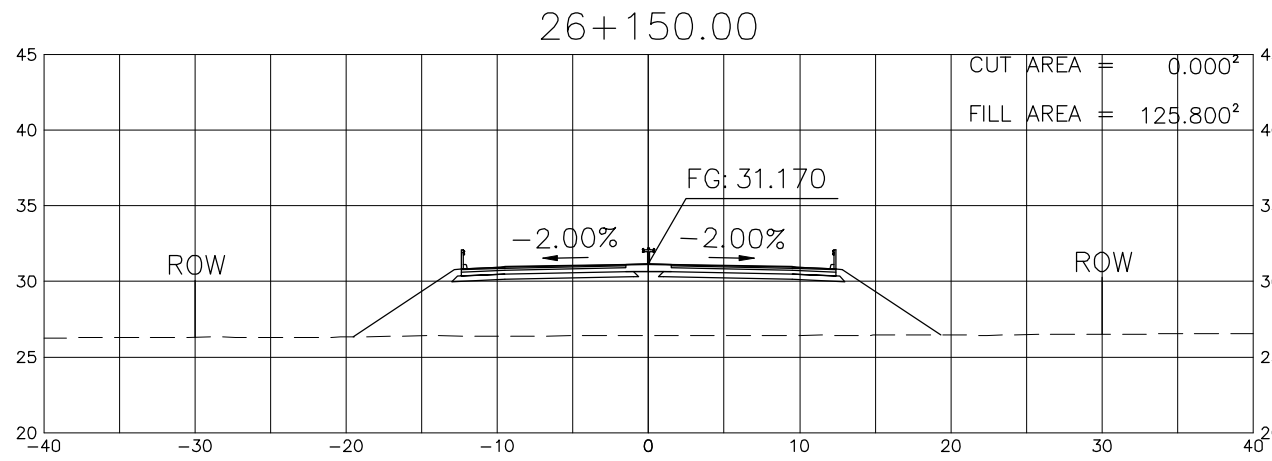
PROJECT TITLE	SCALE	SHEET CONTENT	DRAWING NO.
Preparatory survey for expressway project in Mega Manila Region CLLEX ( TARLAC - CABANATUAN )	A1 = 1:250 A3 = 1:500	CROSS SECTION (INTERIM 2 LANE) STA 24+800 TO STA 25+150	L-74
			SHEET NO.
			74 OF 90



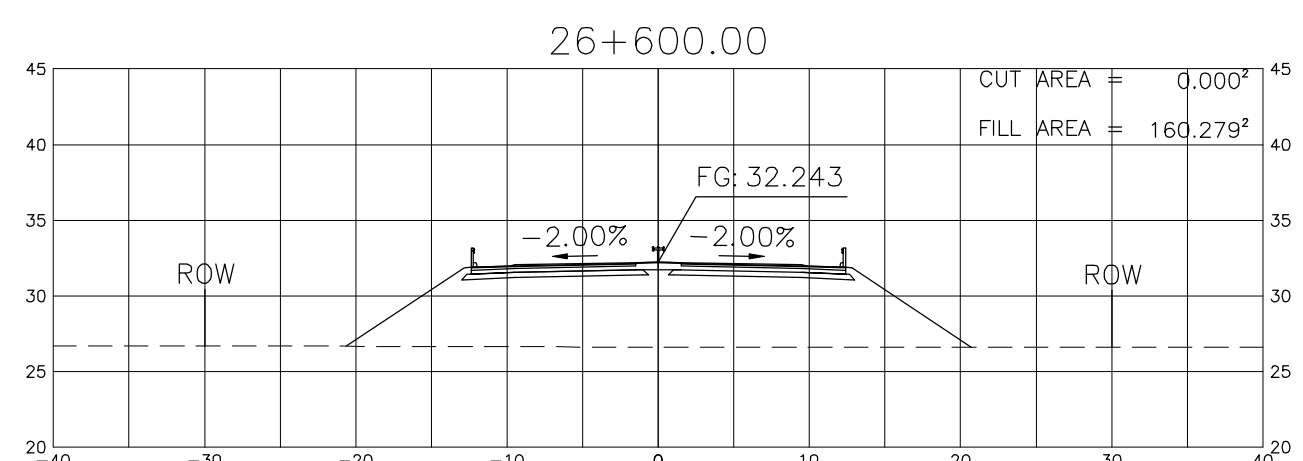
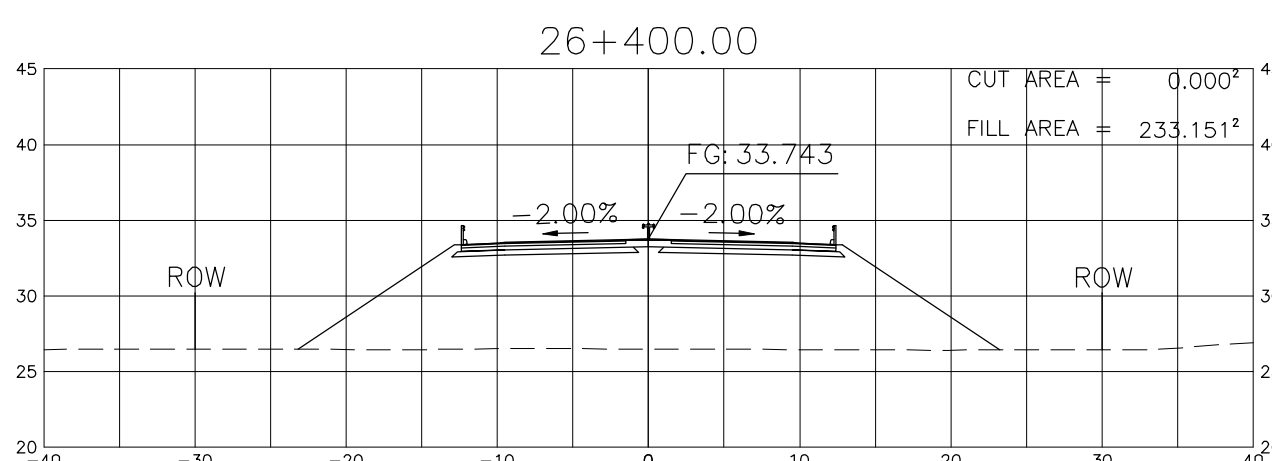
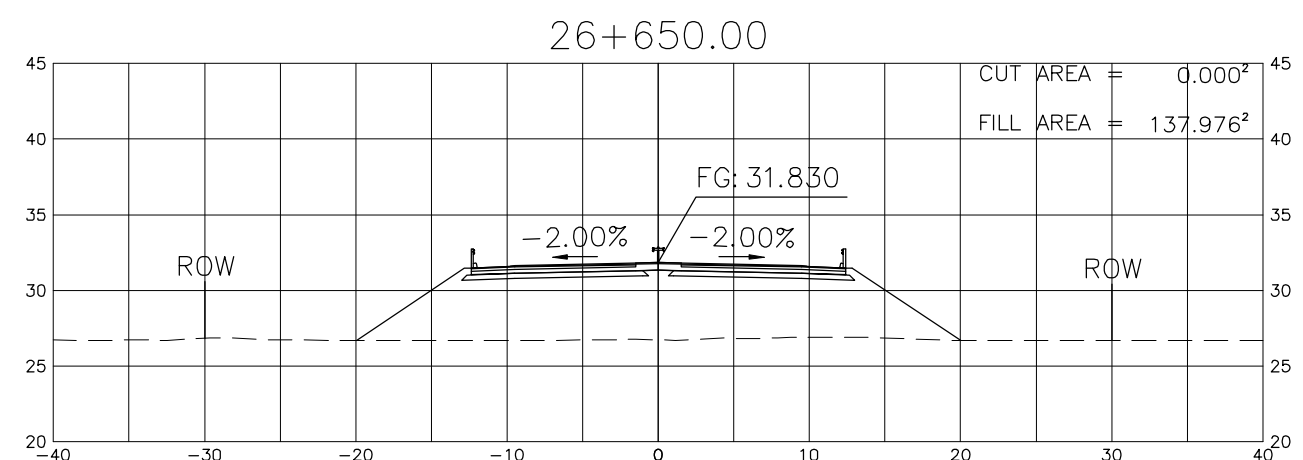
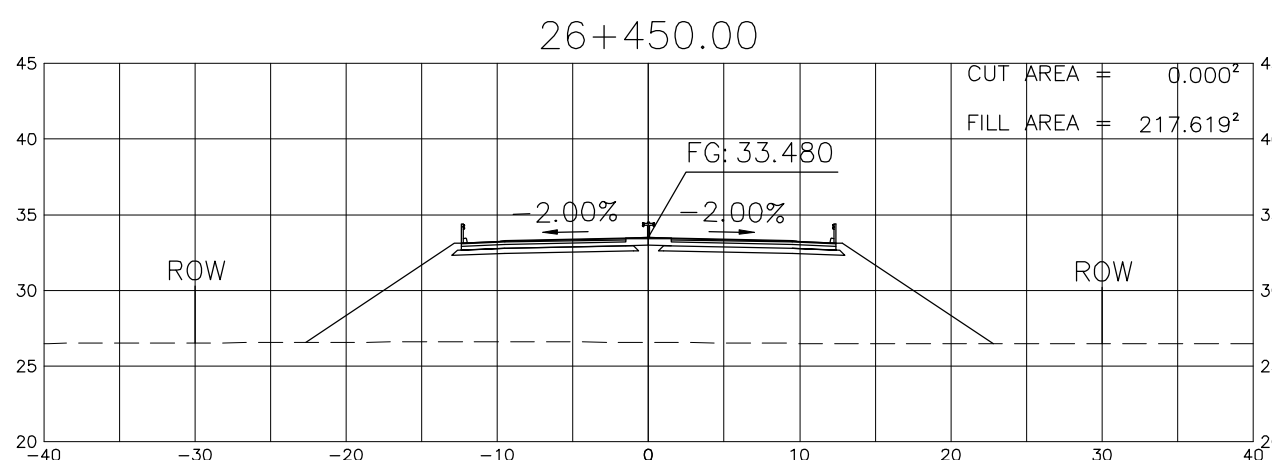
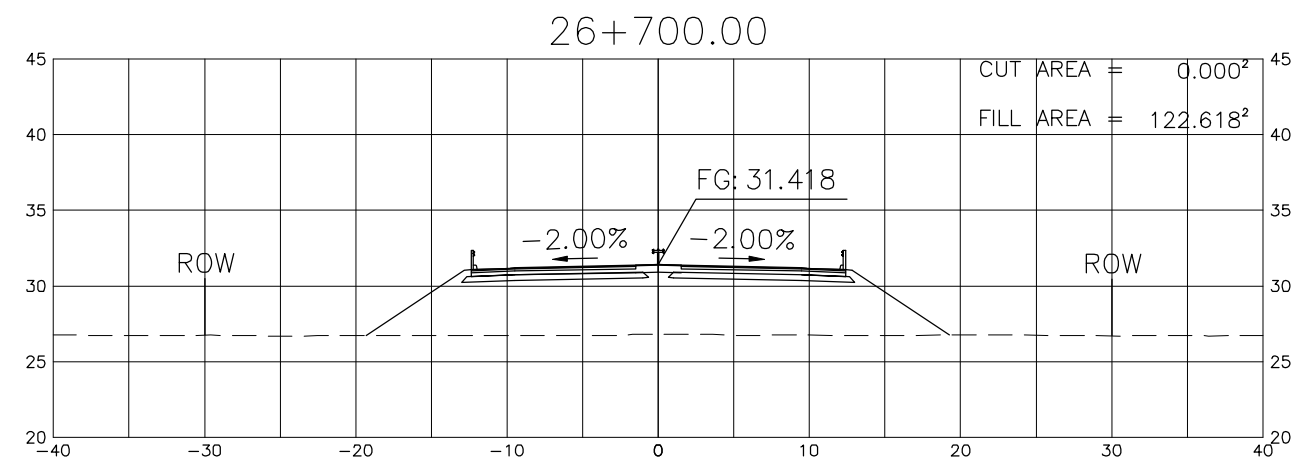
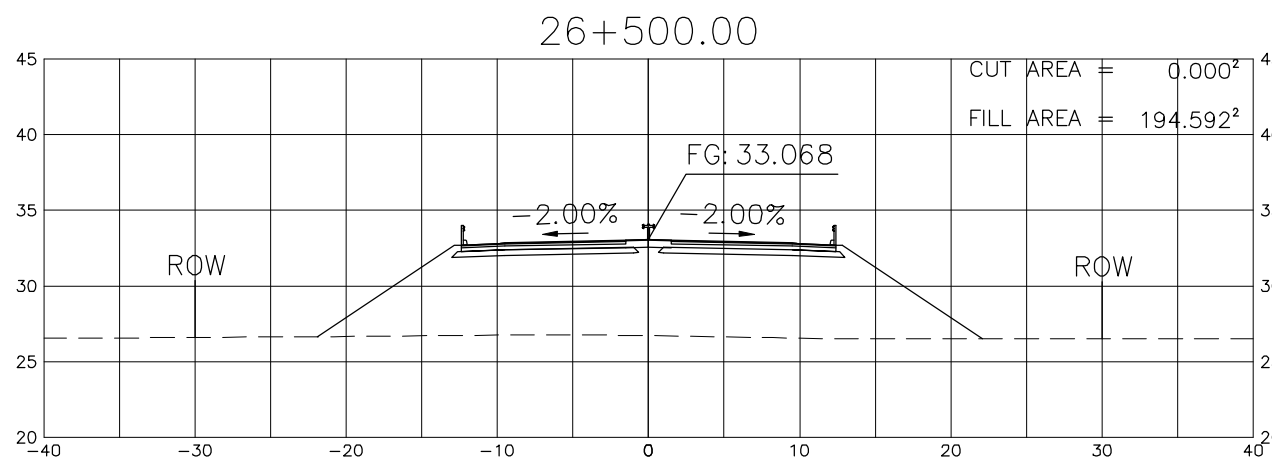
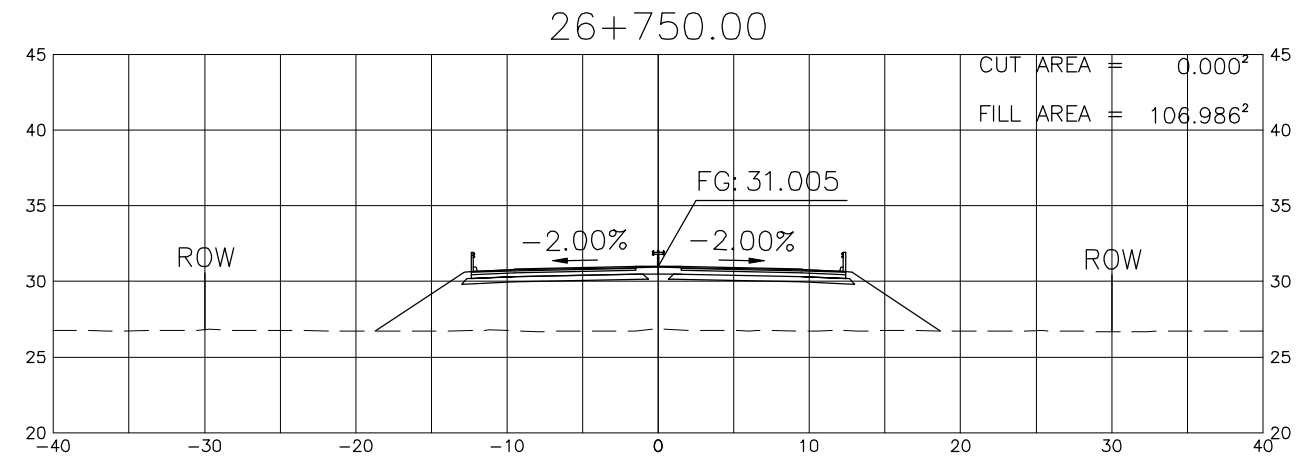
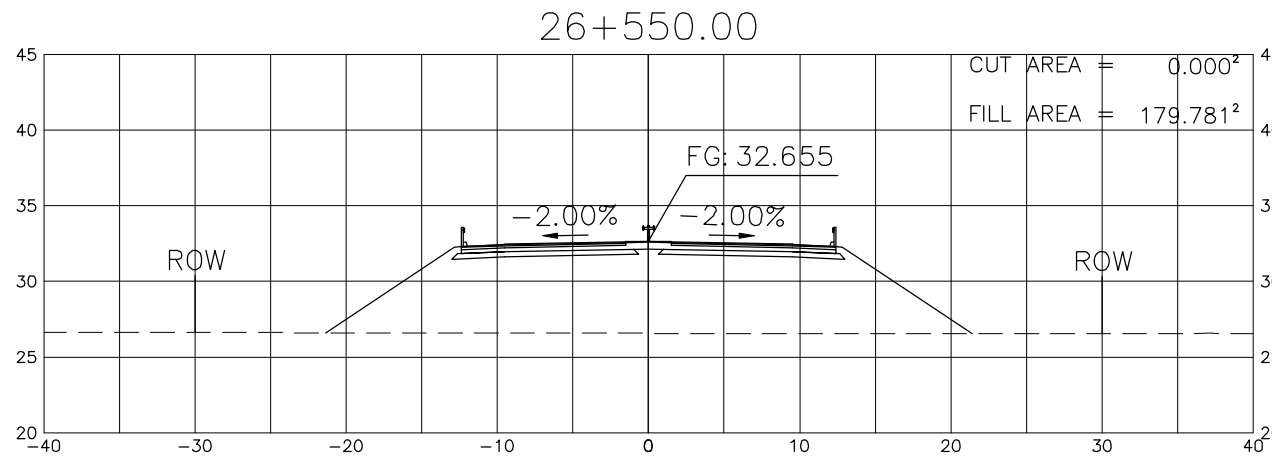
PROJECT TITLE	SCALE	SHEET CONTENT	DRAWING NO.
Preparatory survey for expressway project in Mega Manila Region CLLEX ( TARLAC - CABANATUAN )	A1 = 1:250 A3 = 1:500	CROSS SECTION (INTERIM 2 LANE) STA 25+200 TO STA 25+550	L-75
			SHEET NO.
			75 OF 90



PROJECT TITLE	SCALE	SHEET CONTENT	DRAWING NO.
Preparatory survey for expressway project in Mega Manila Region CLLEX ( TARLAC - CABANATUAN )	A1 = 1:250 A3 = 1:500	CROSS SECTION (INTERIM 2 LANE) STA 25+600 TO STA 25+950	L-76
			SHEET NO.
			76 OF 90

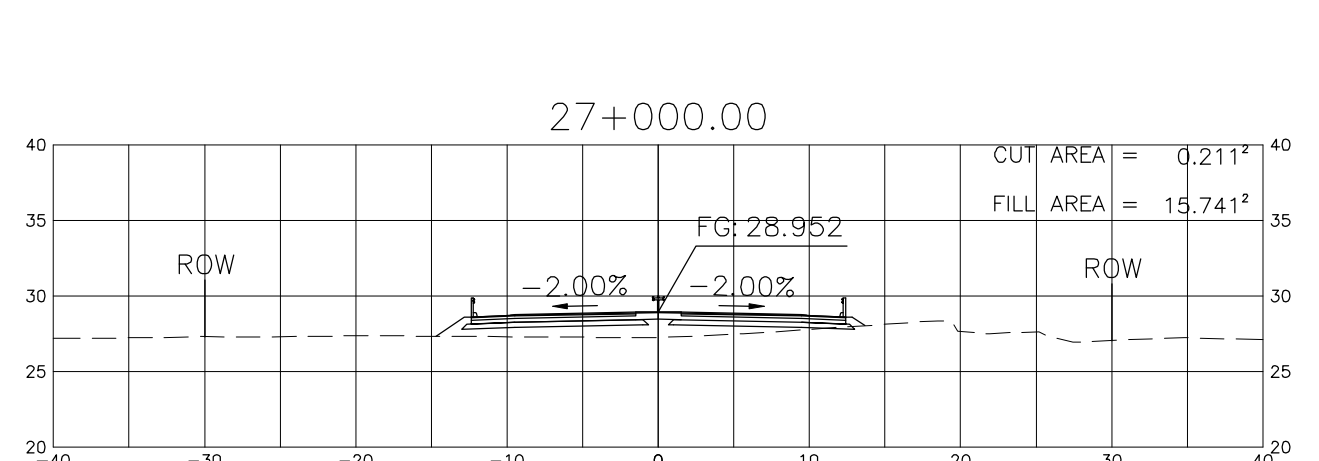
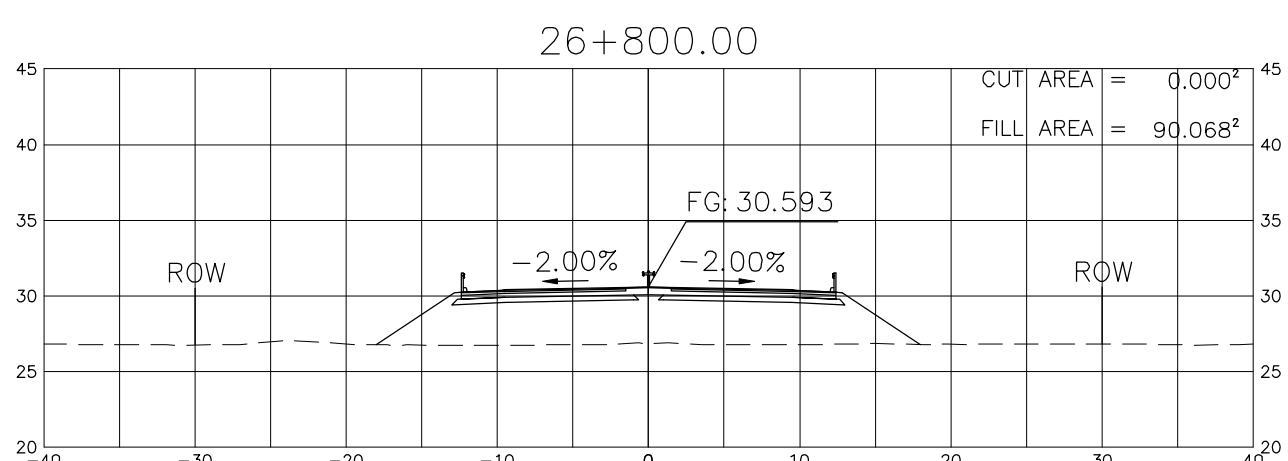
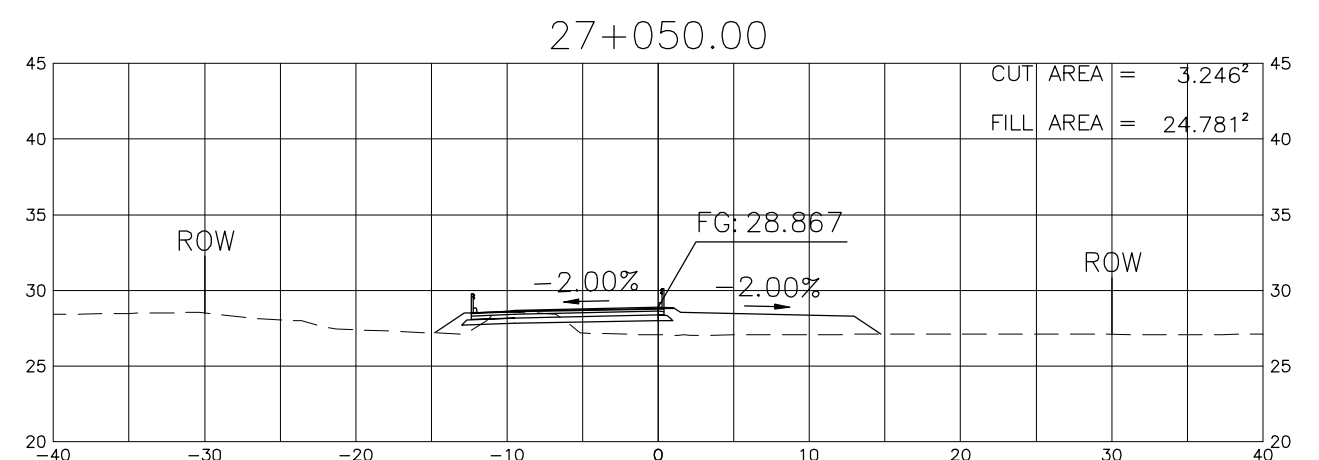
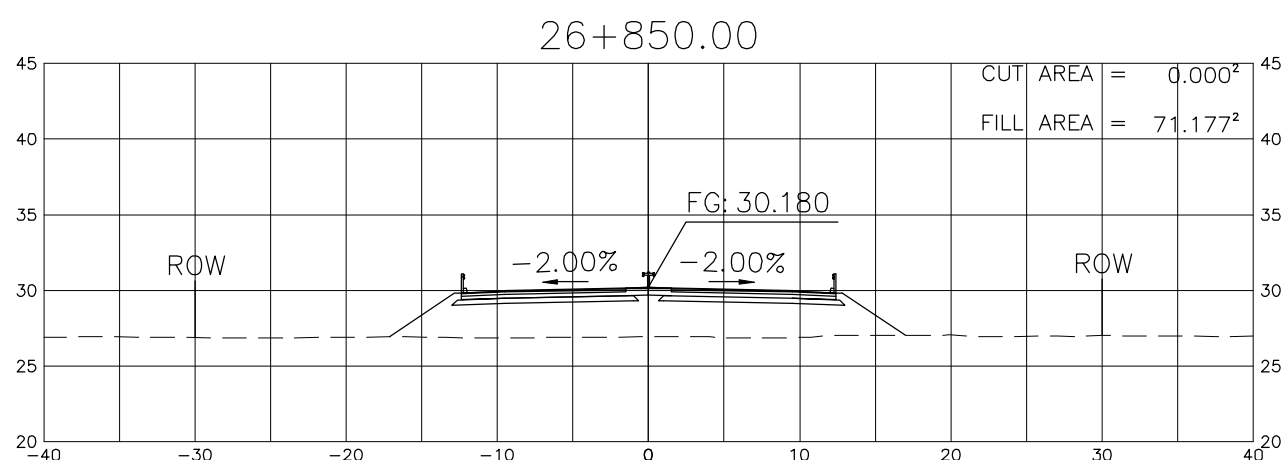
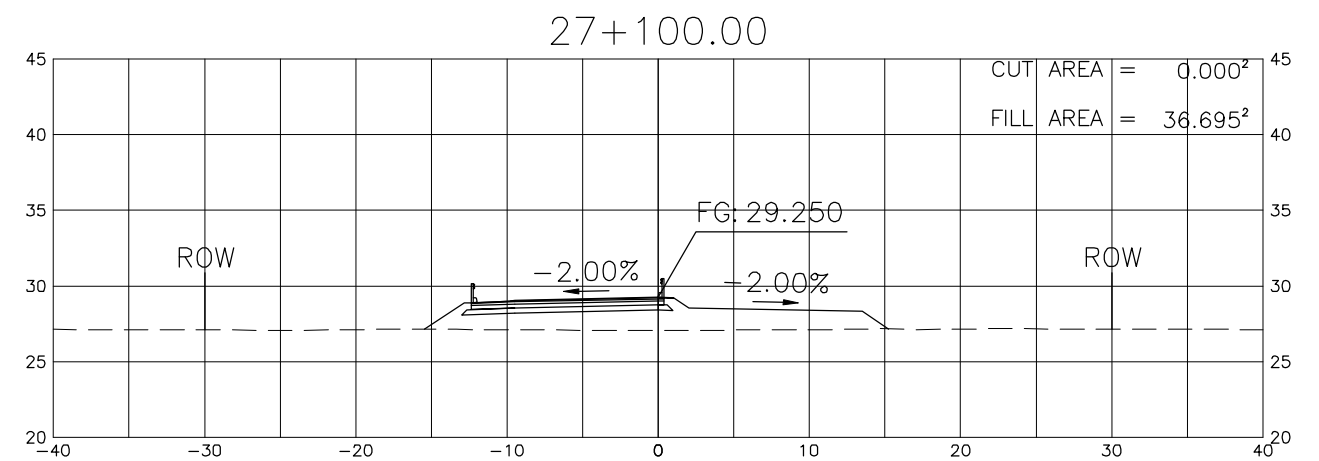
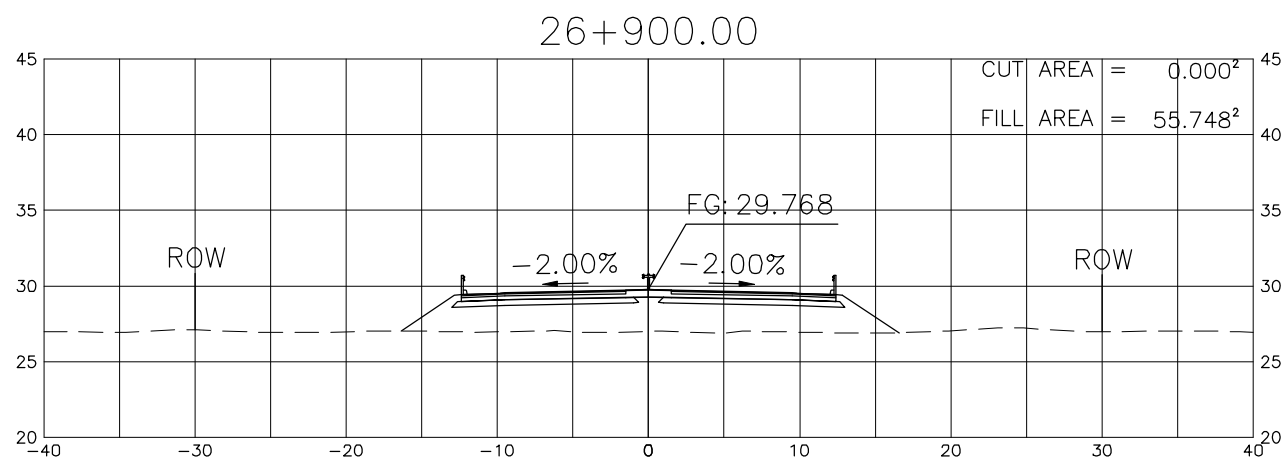
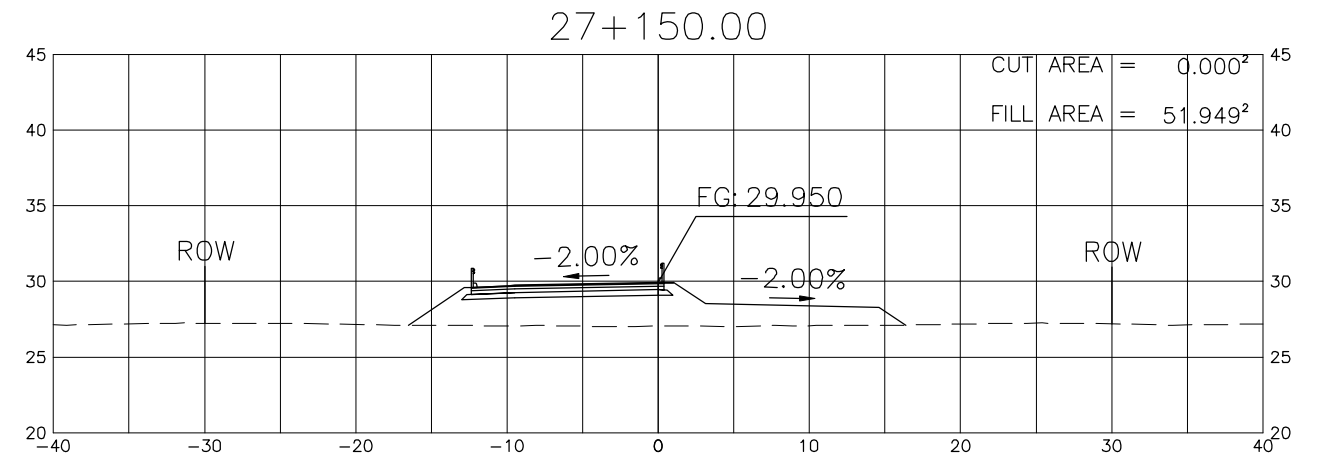
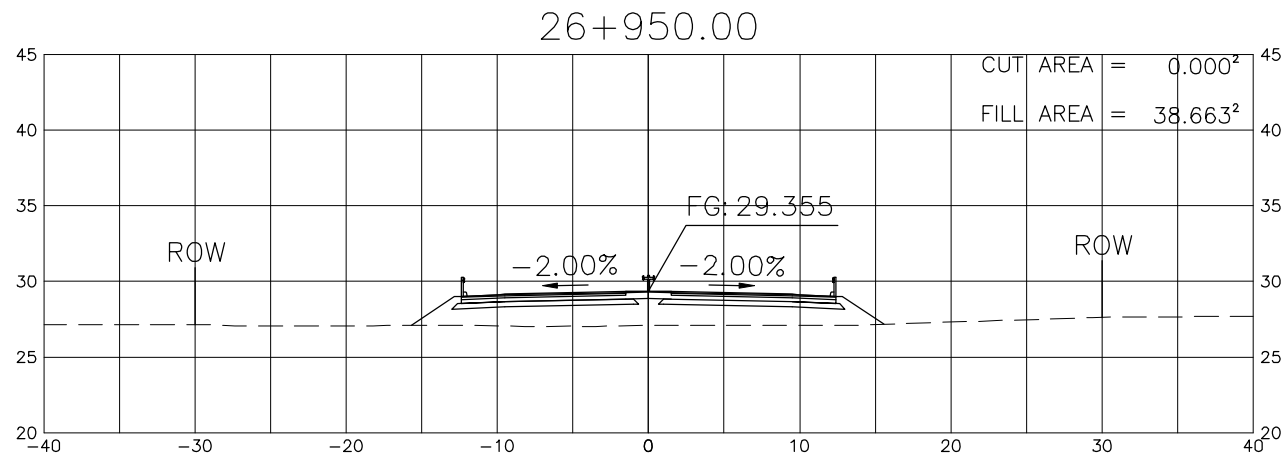


PROJECT TITLE	SCALE	SHEET CONTENT	DRAWING NO.
Preparatory survey for expressway project in Mega Manila Region CLLEX ( TARLAC - CABANATUAN )	A1 = 1:250 A3 = 1:500	CROSS SECTION (INTERIM 2 LANE) STA 26+000 TO STA 26+350	L-77
			SHEET NO. 77 OF 90

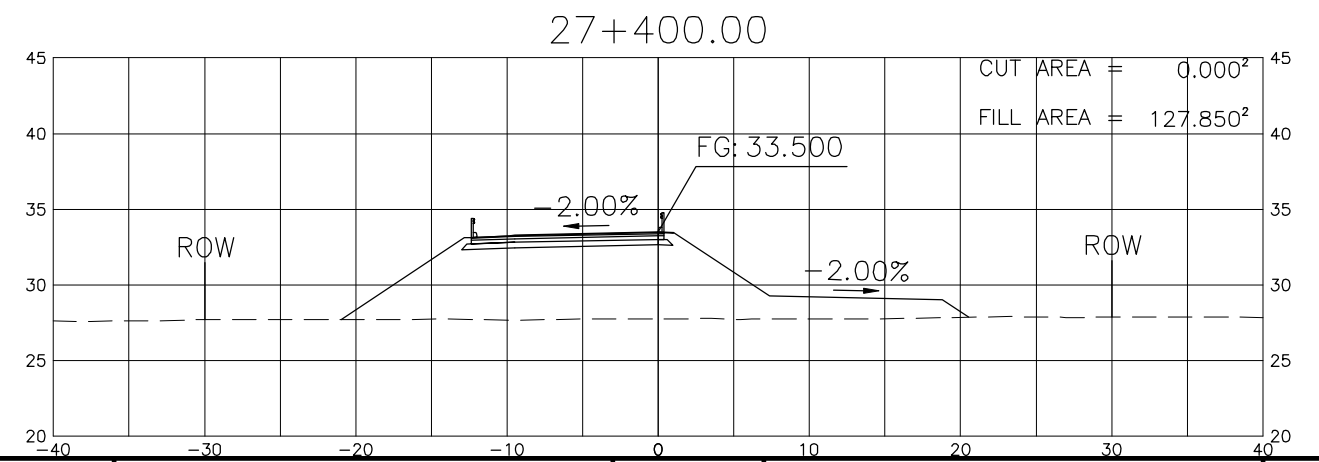
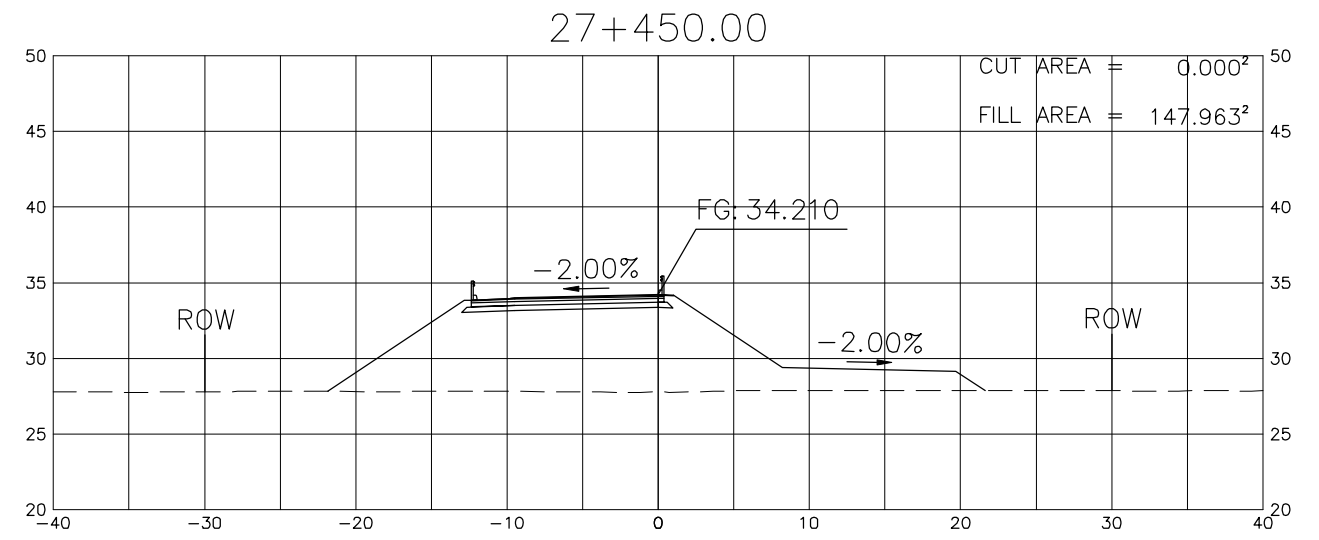
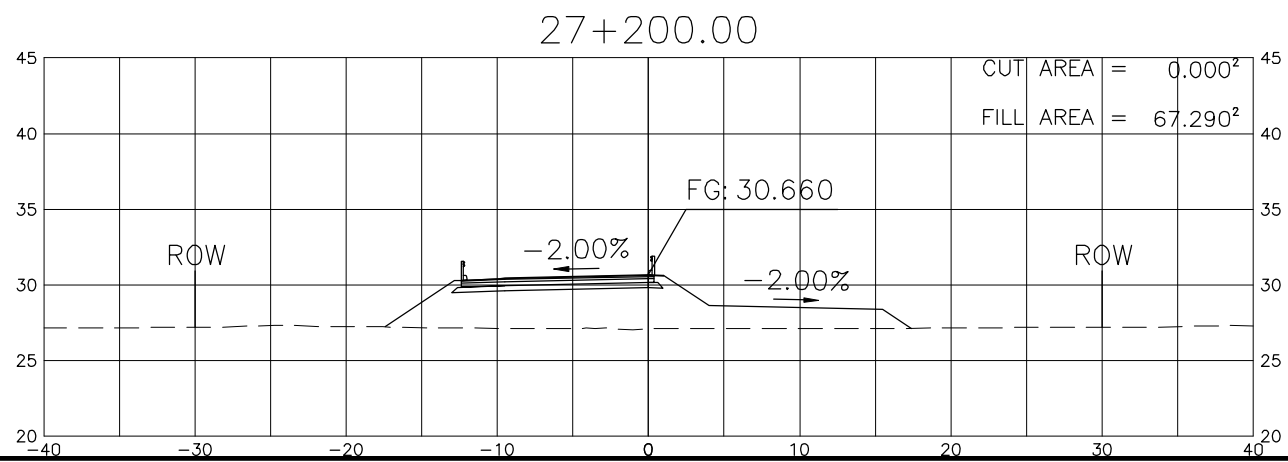
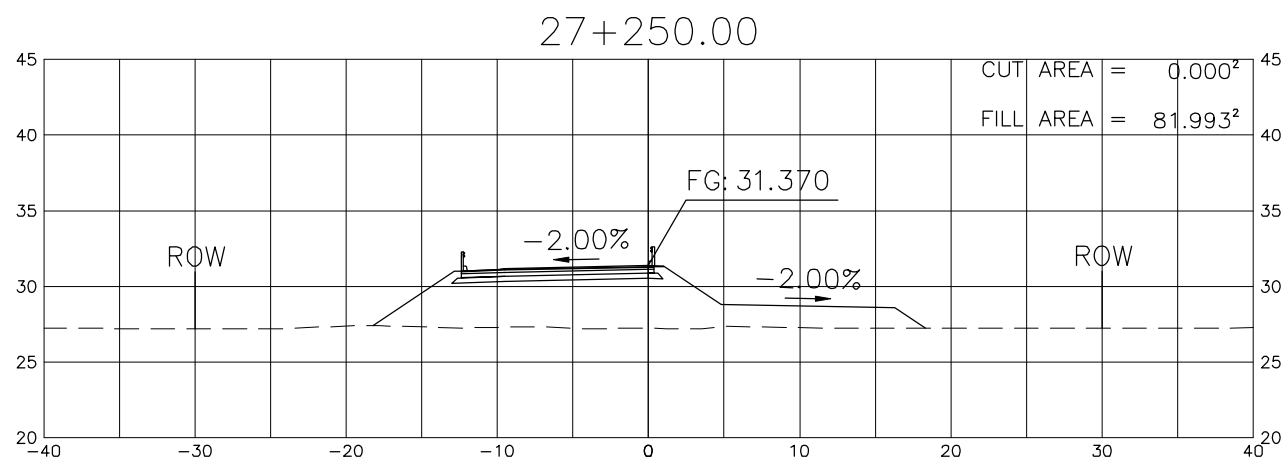
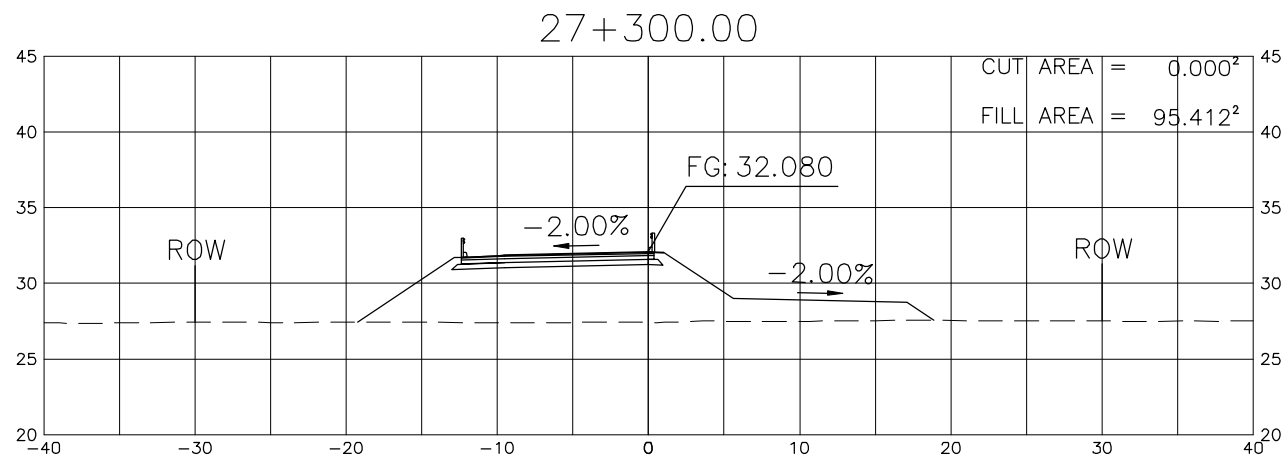
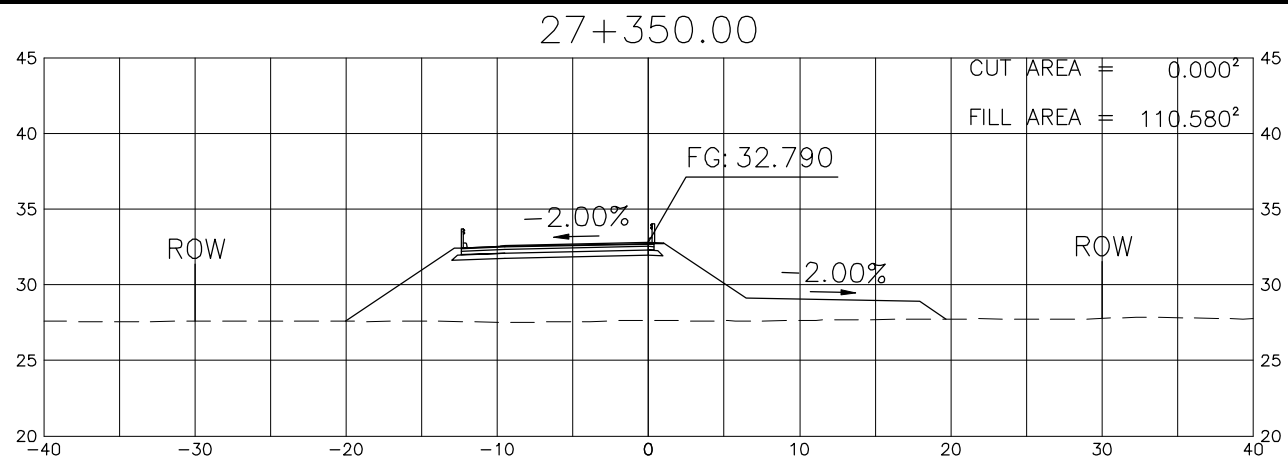


PROJECT TITLE	SCALE	SHEET CONTENT	DRAWING NO.
Preparatory survey for expressway project in Mega Manila Region CLLEX ( TARLAC - CABANATUAN )	A1 = 1:250 A3 = 1:500	CROSS SECTION (INTERIM 2 LANE) STA 26+400 TO STA 26+750	L-78
			SHEET NO.
			78 OF 90

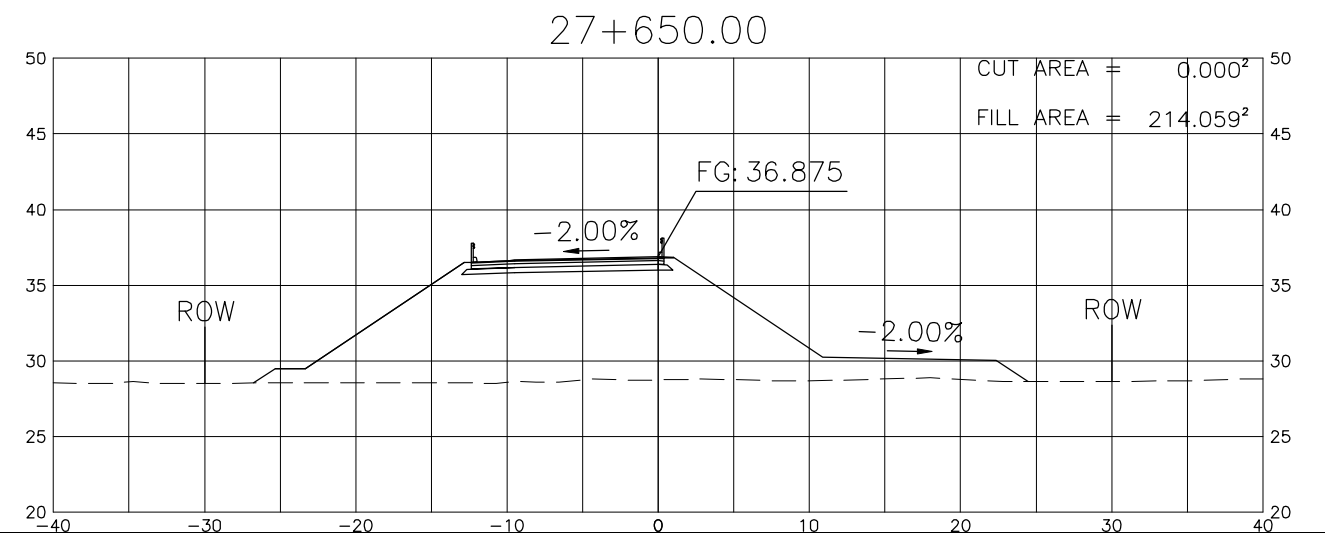
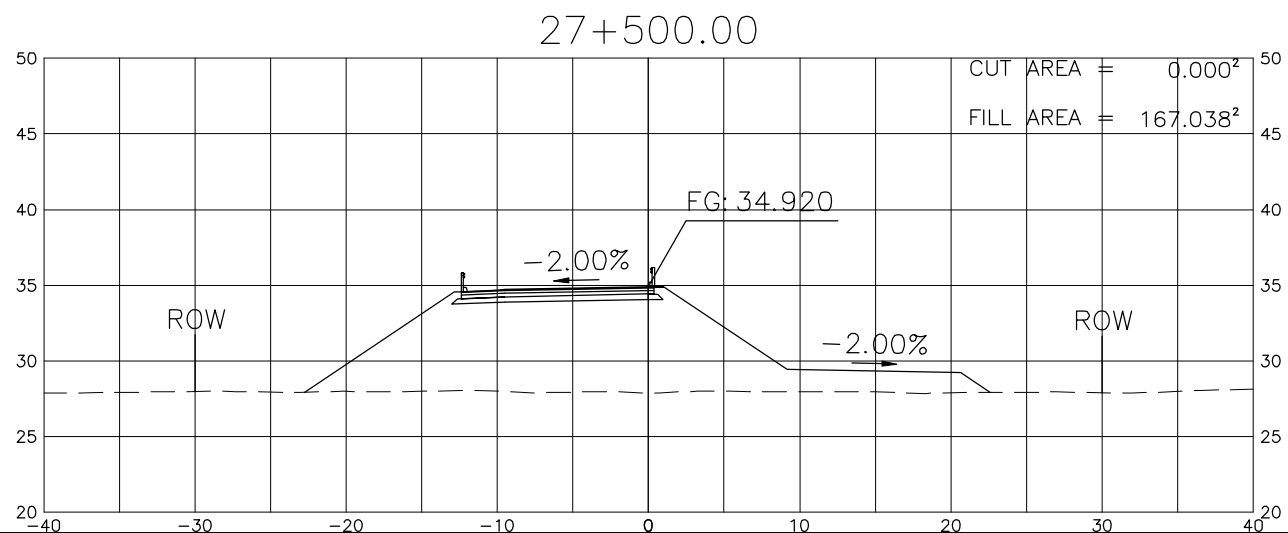
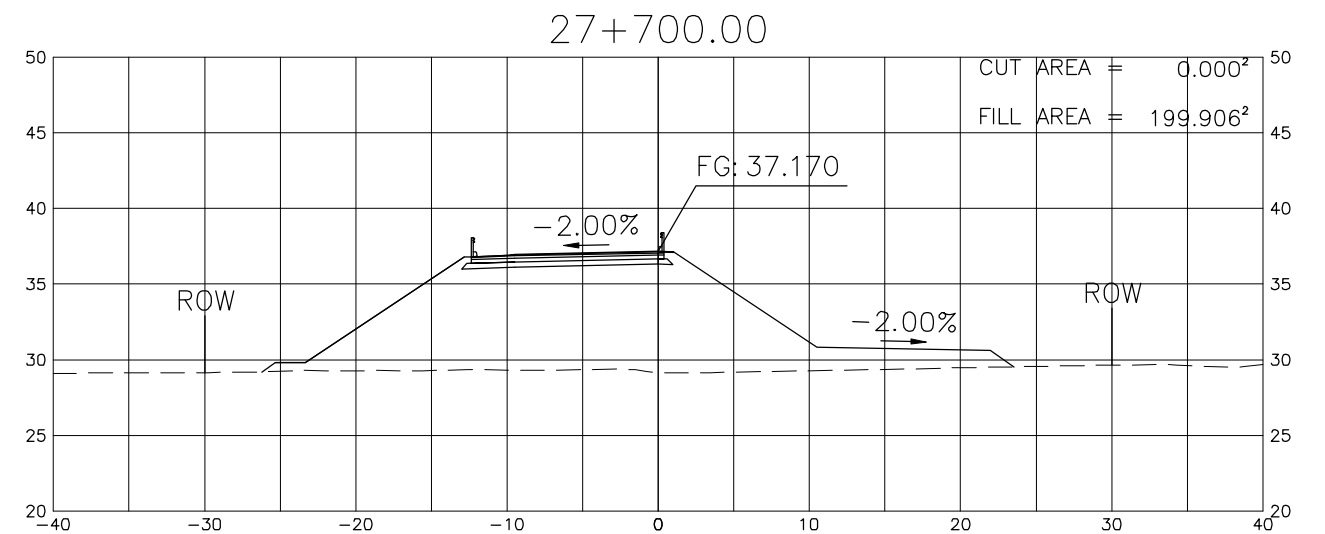
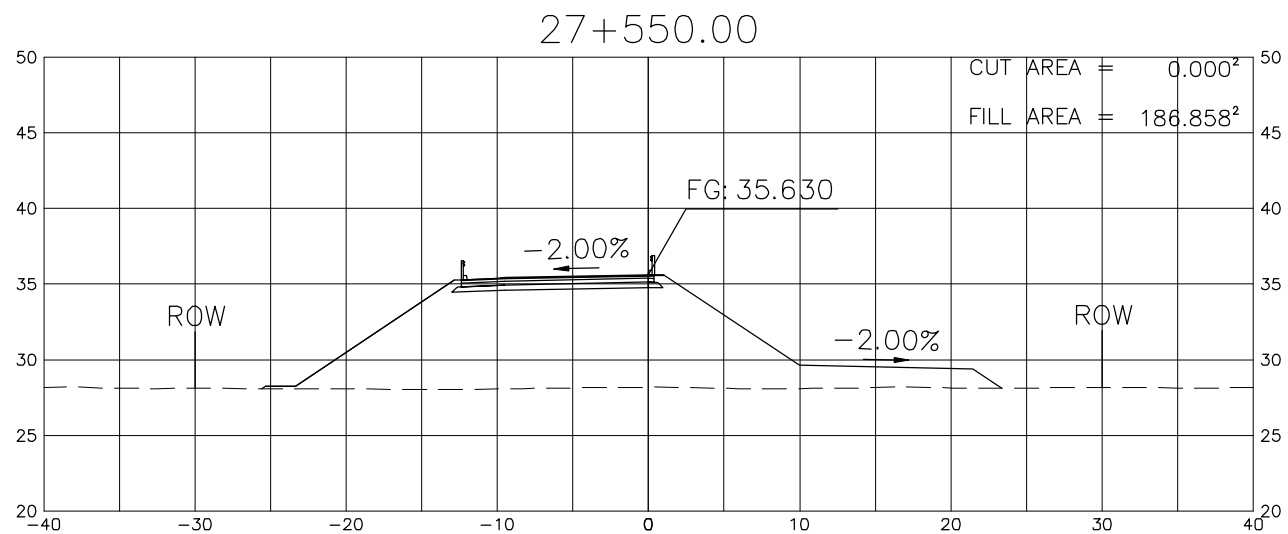
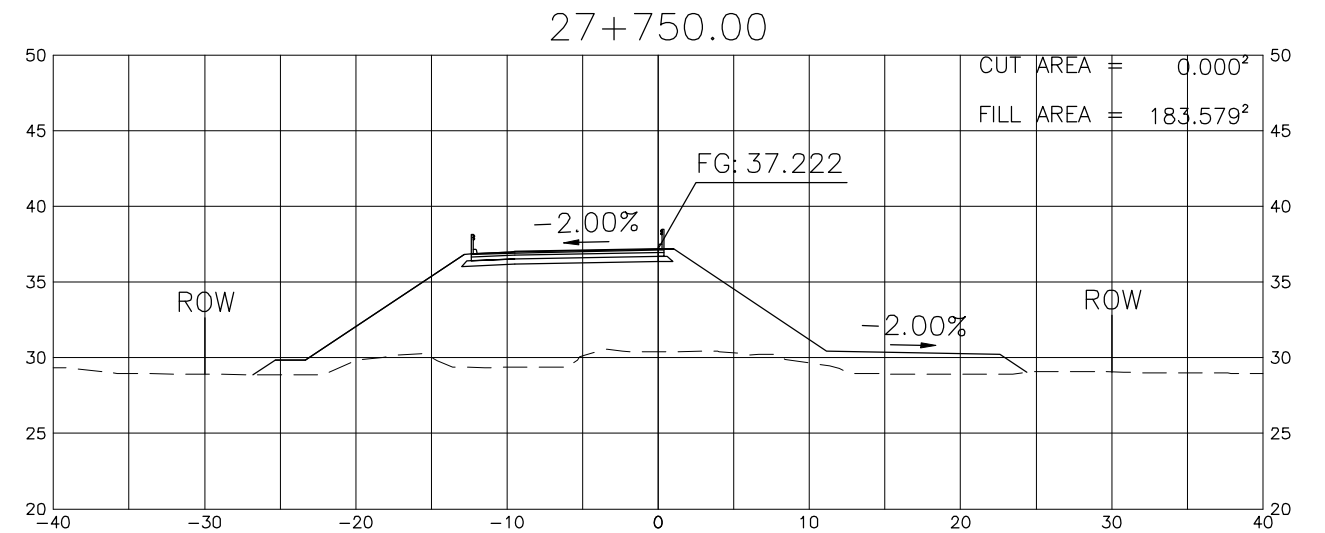
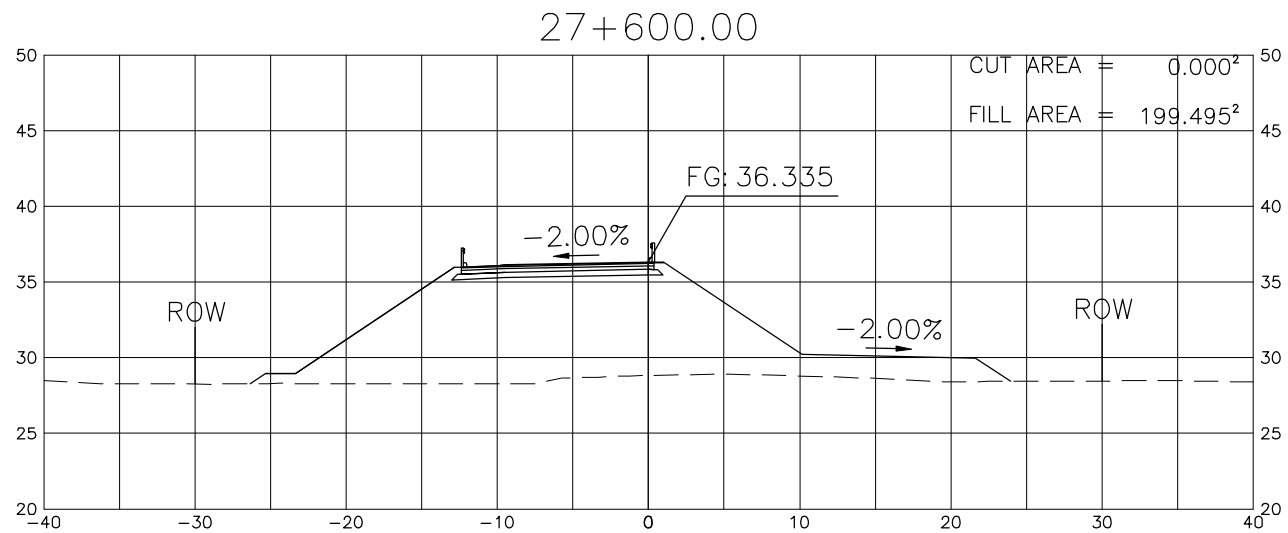




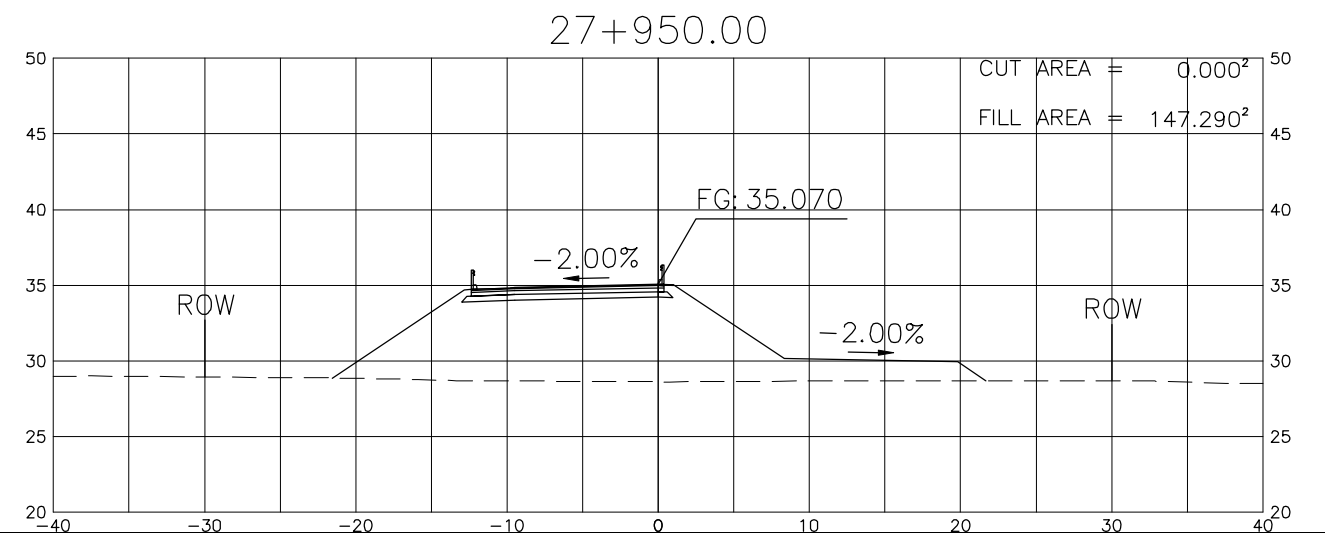
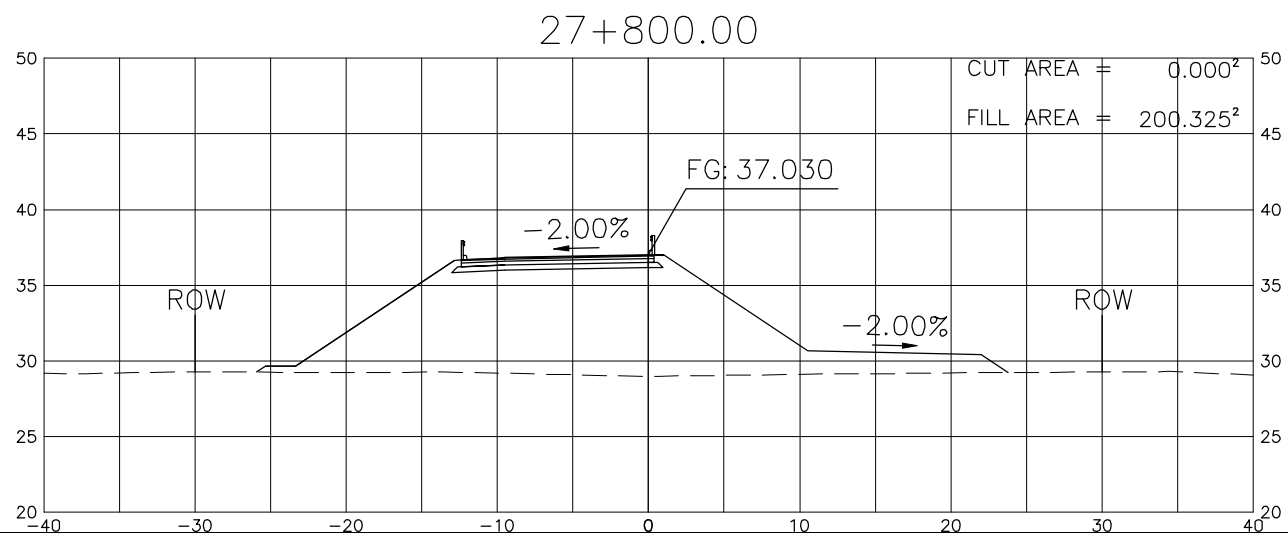
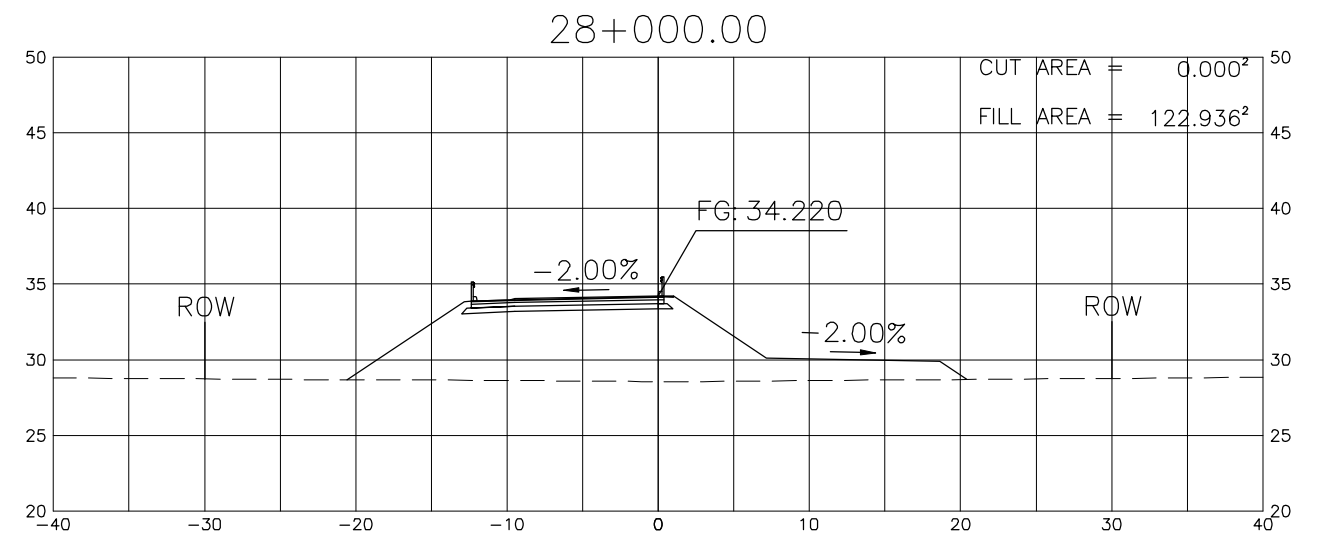
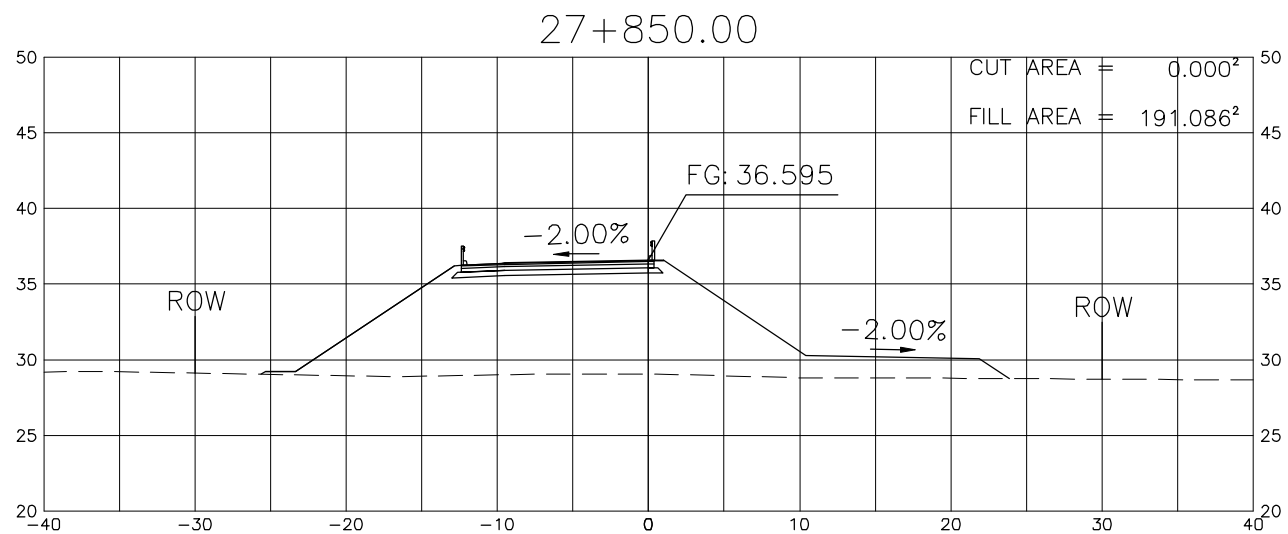
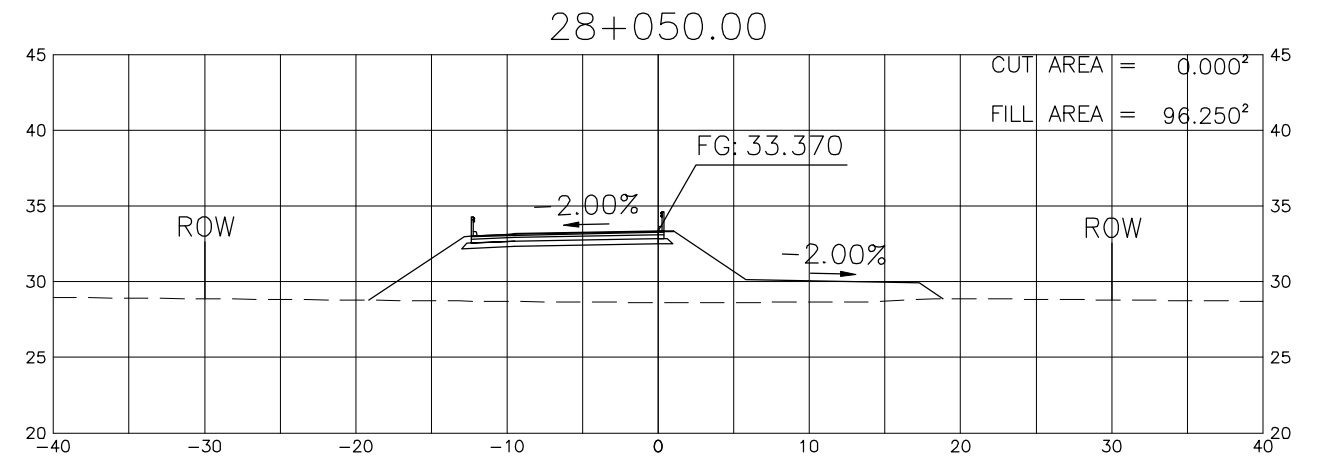
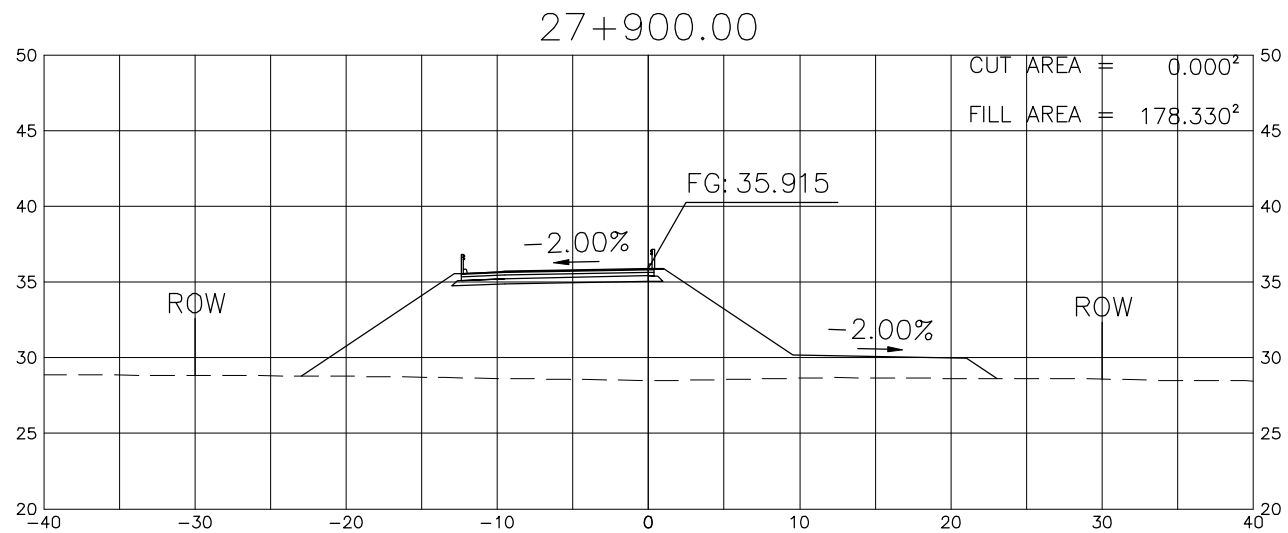
PROJECT TITLE	SCALE	SHEET CONTENT	DRAWING NO.
Preparatory survey for expressway project in Mega Manila Region CLLEX ( TARLAC - CABANATUAN )	A1 = 1:250 A3 = 1:500	CROSS SECTION (INTERIM 2 LANE) STA 26+800 TO STA 27+150	L-79
			SHEET NO.
			79 OF 90



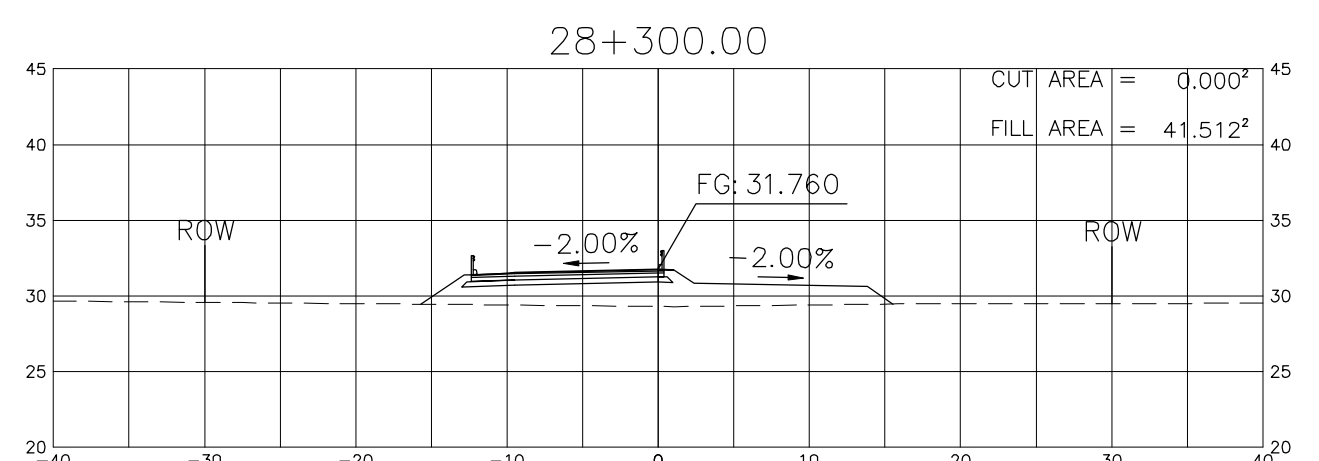
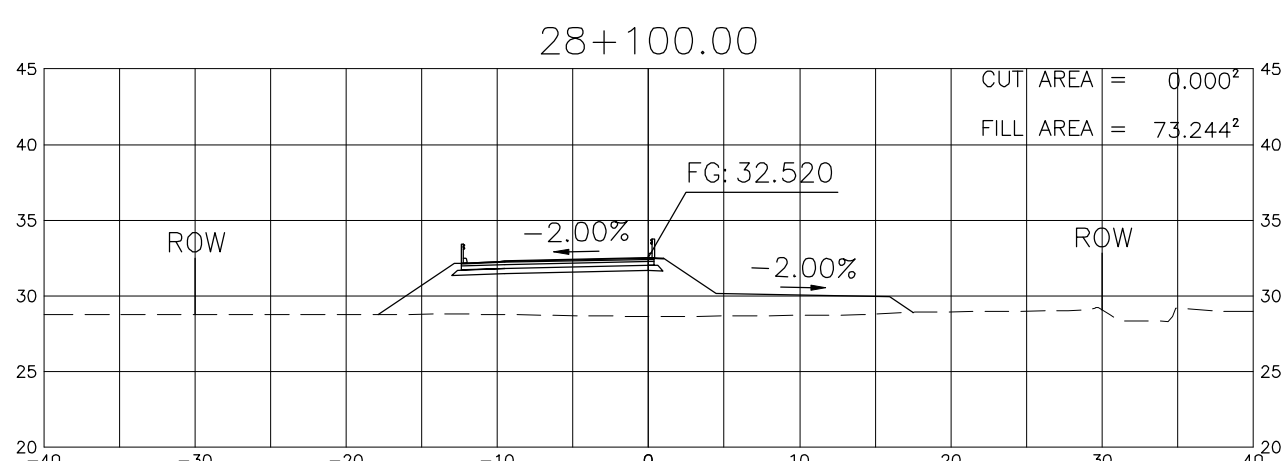
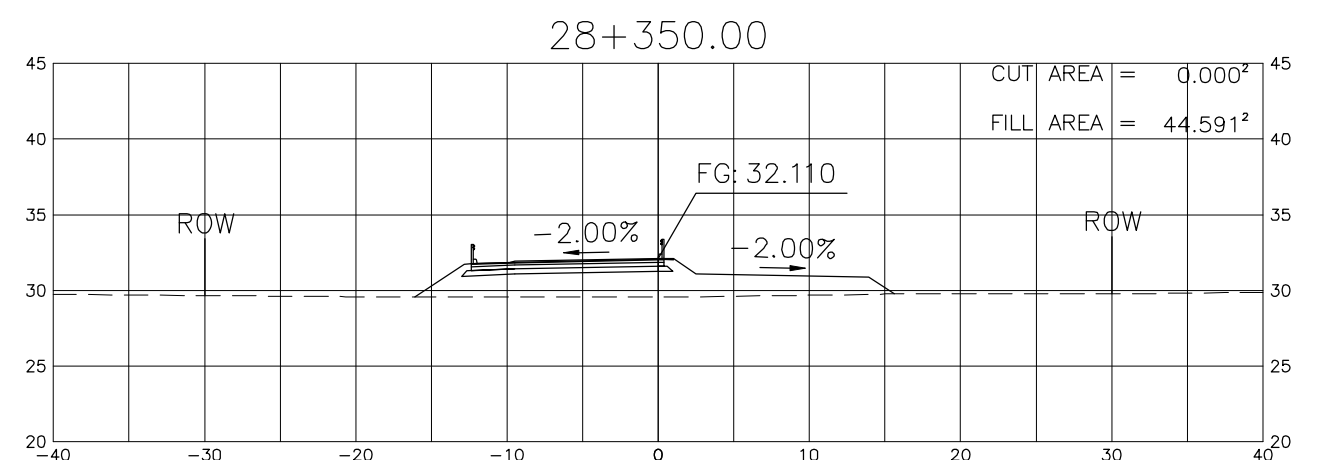
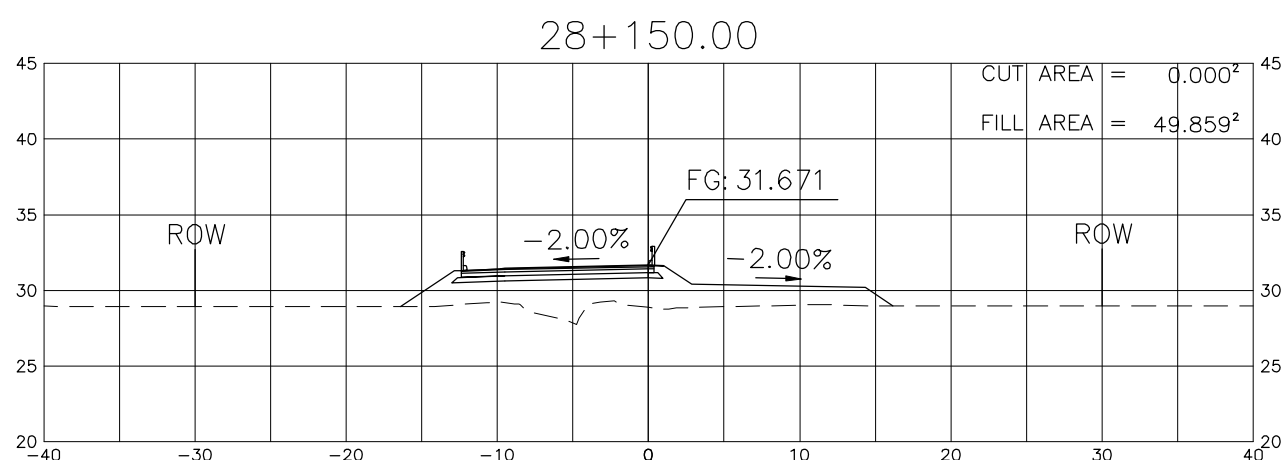
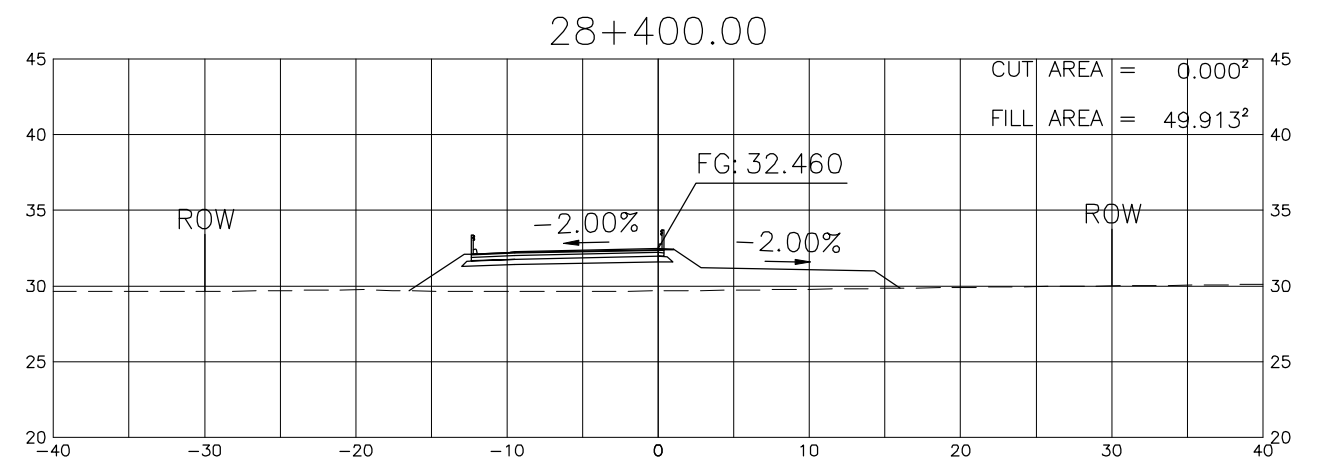
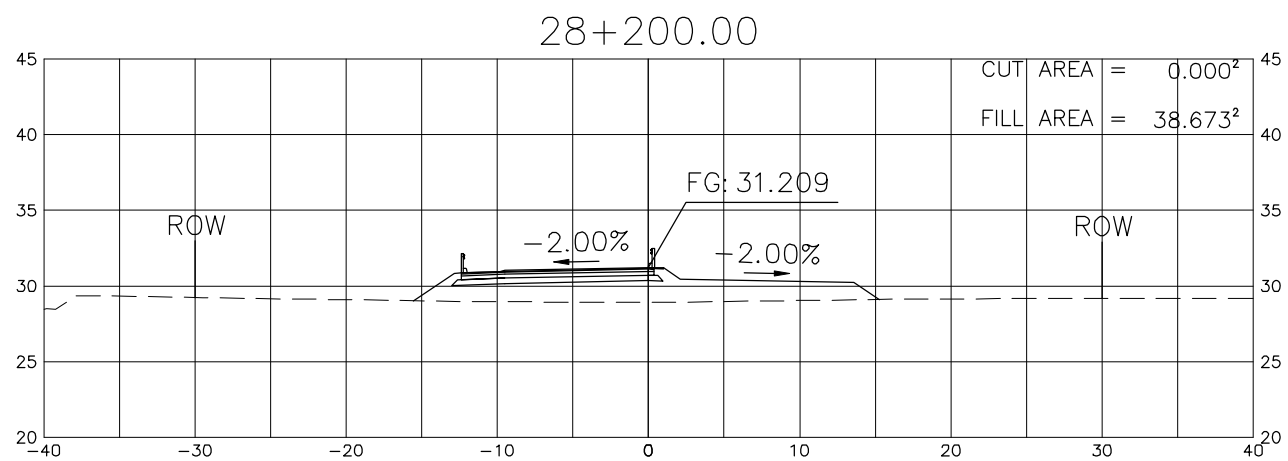
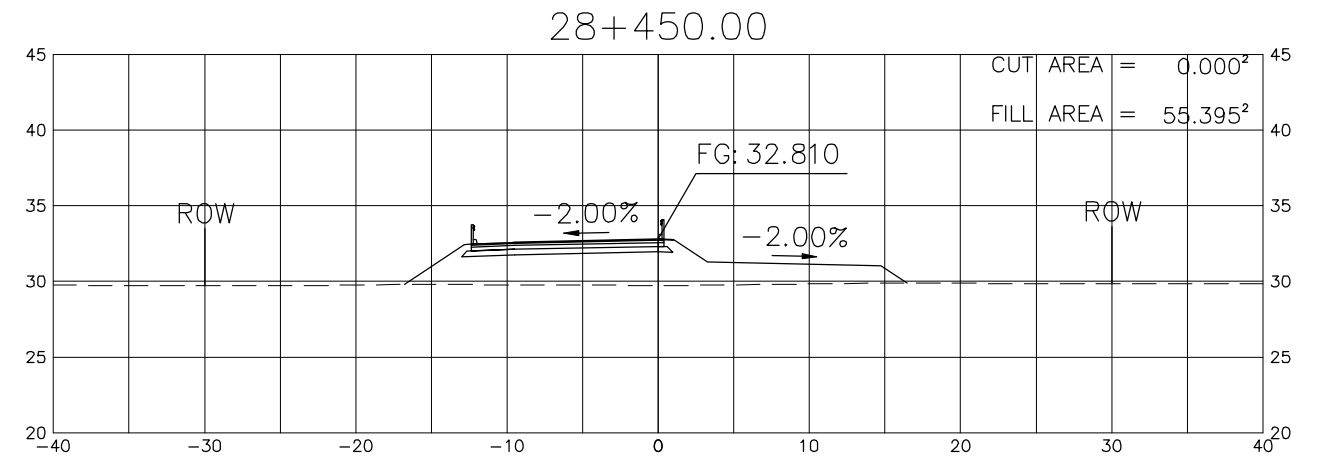
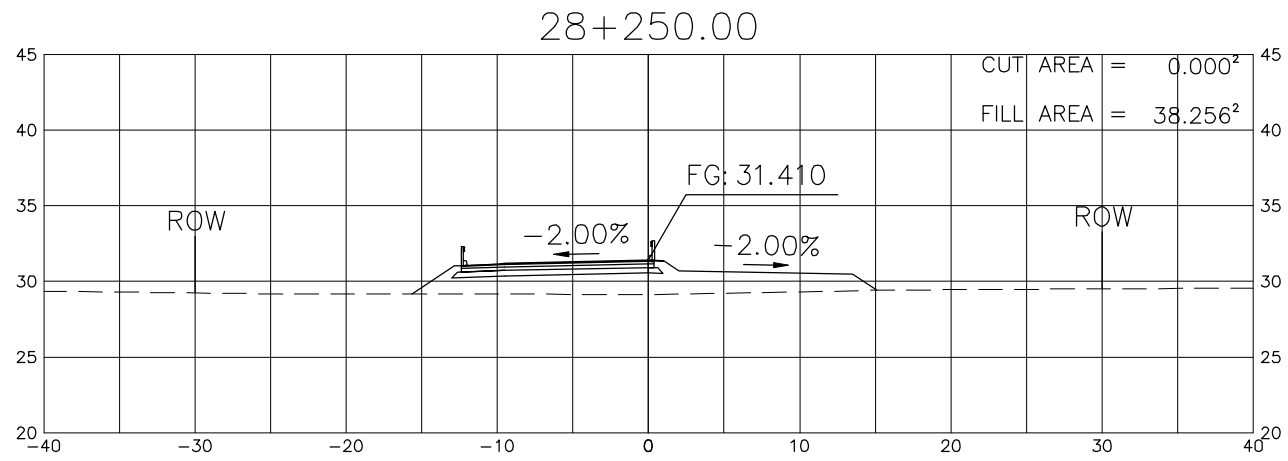
PROJECT TITLE	SCALE	SHEET CONTENT	DRAWING NO.
Preparatory survey for expressway project in Mega Manila Region CLLEX ( TARLAC - CABANATUAN )	A1 = 1:250 A3 = 1:500	CROSS SECTION (INTERIM 2 LANE) STA 27+200 TO STA 27+450	L-80
			SHEET NO.
			80 OF 90



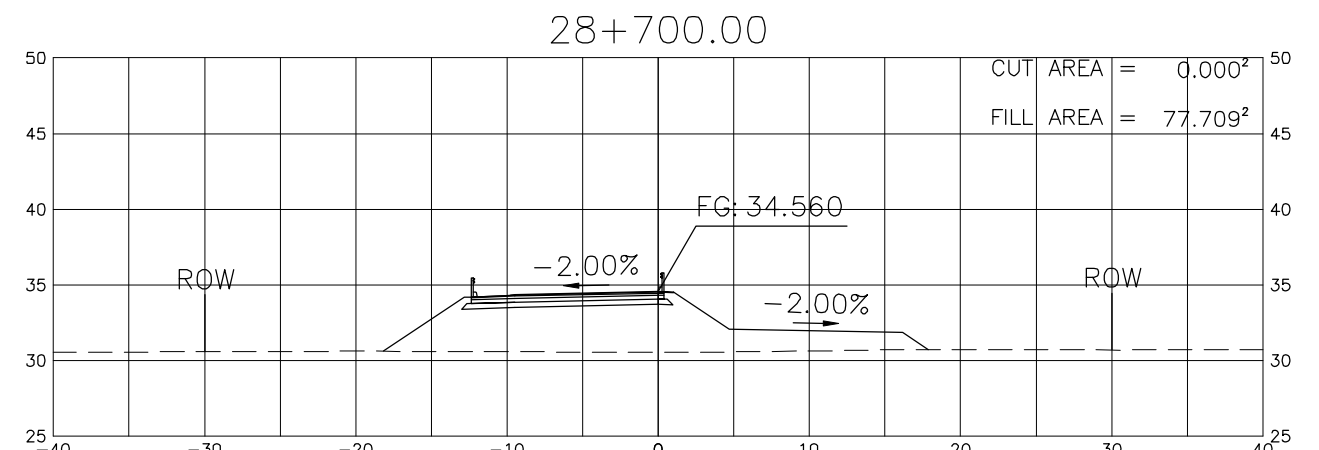
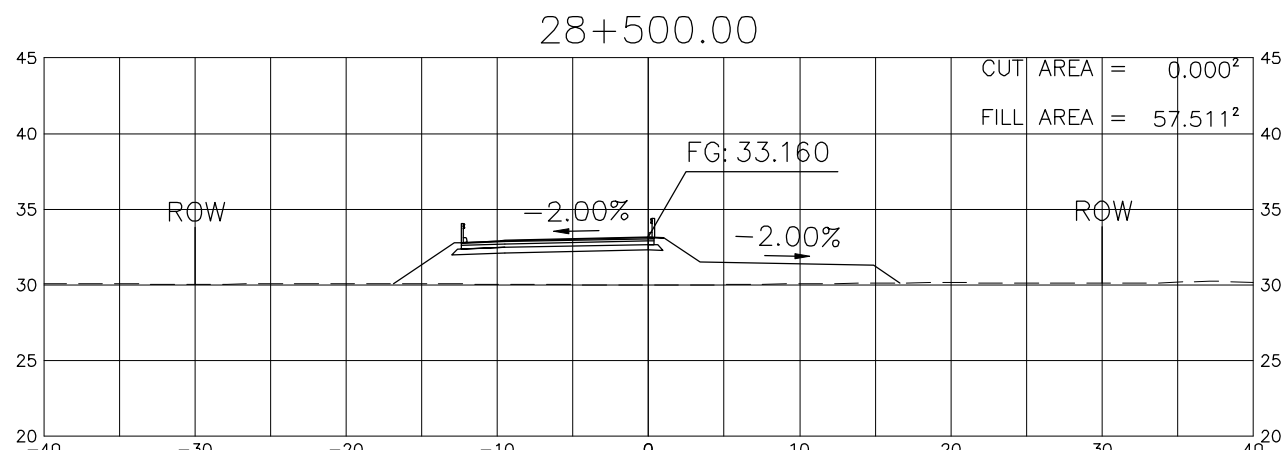
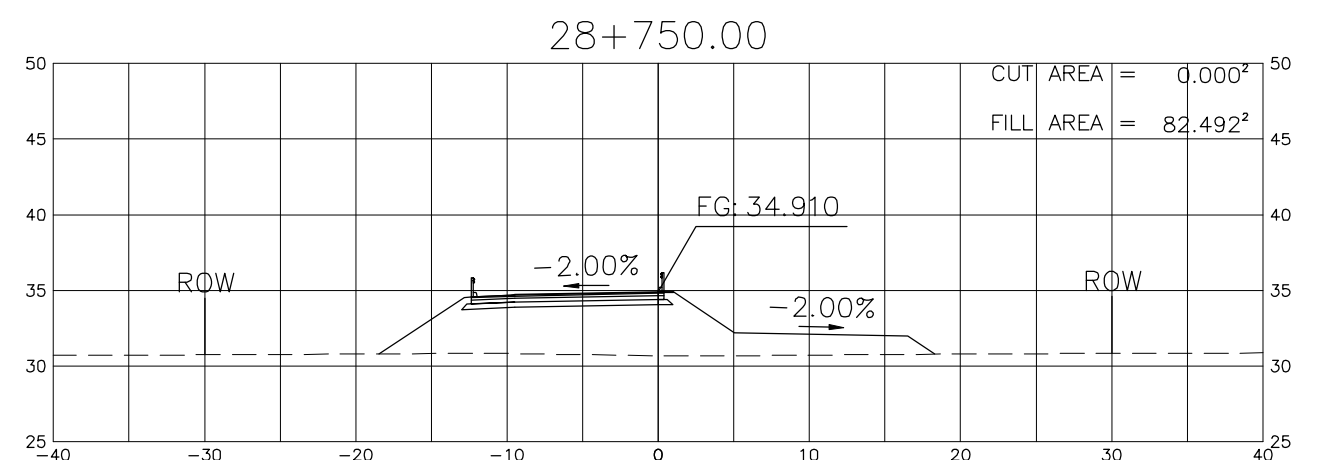
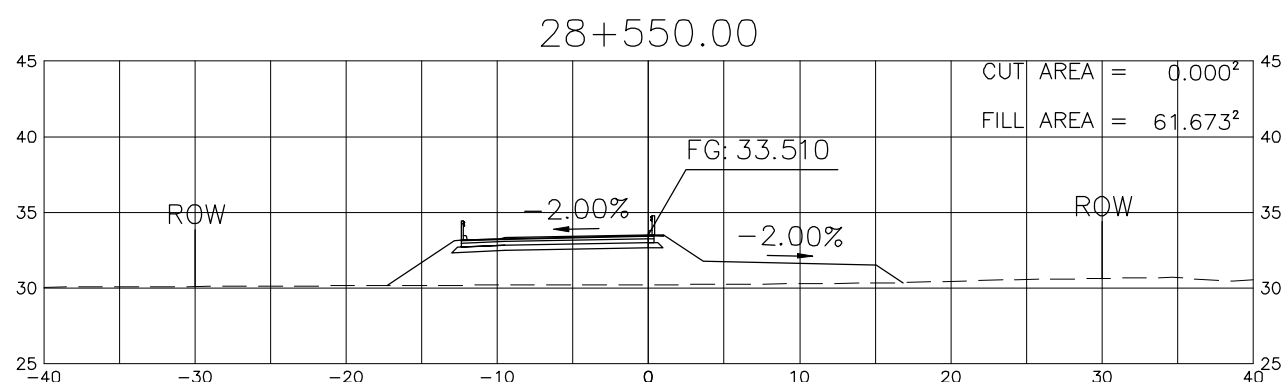
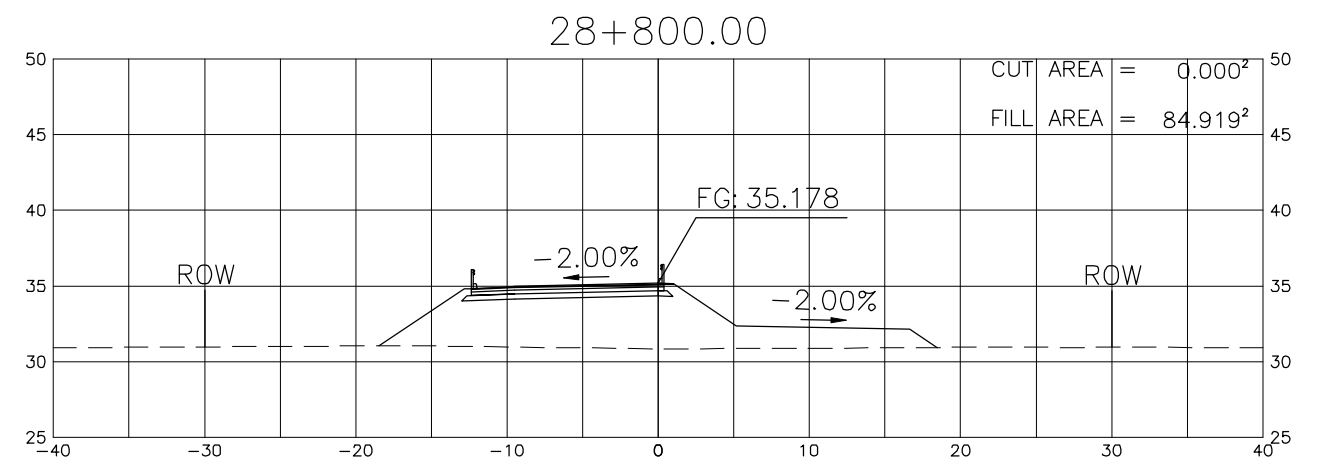
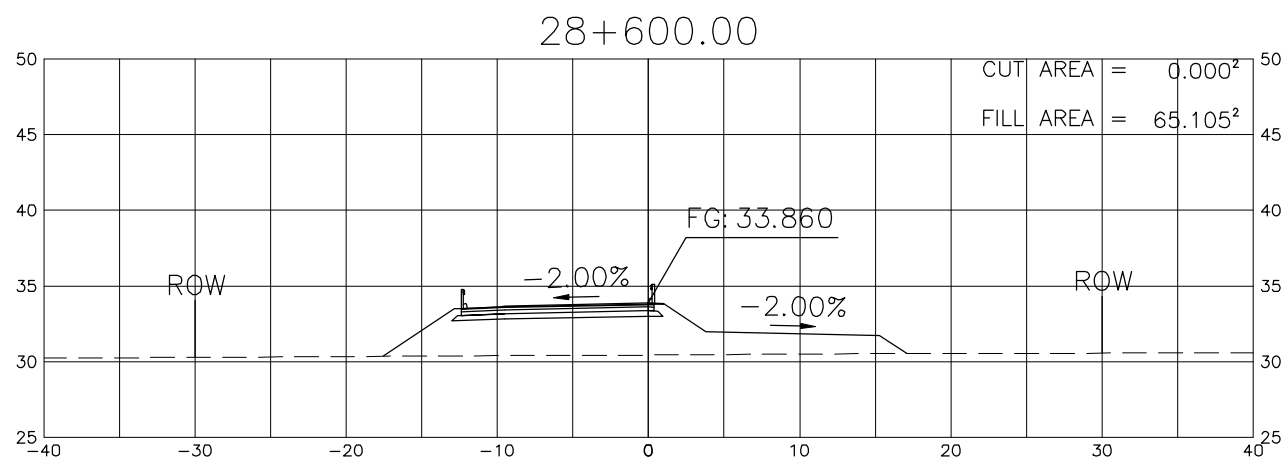
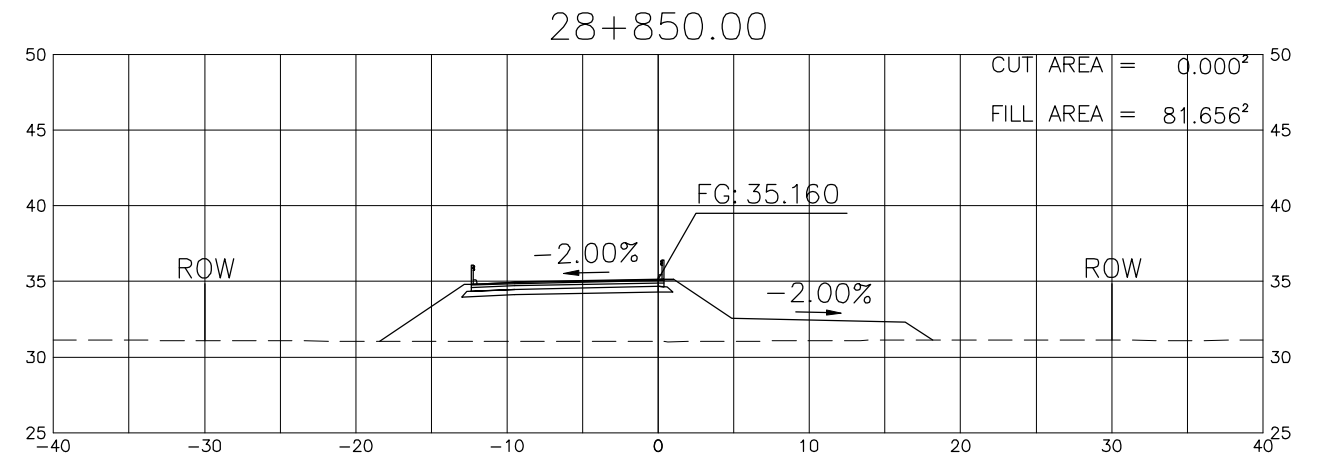
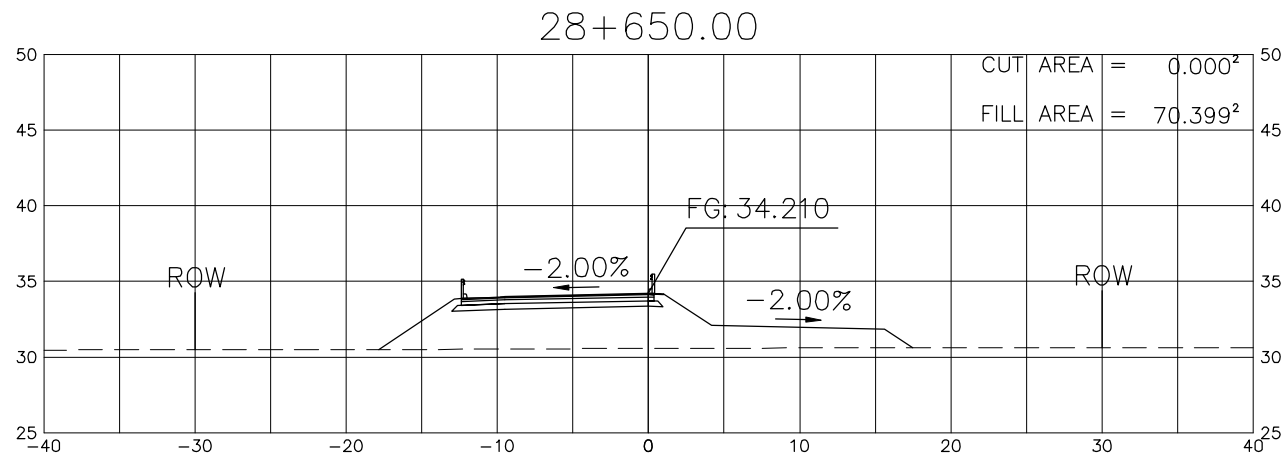
PROJECT TITLE	SCALE	SHEET CONTENT	DRAWING NO.
Preparatory survey for expressway project in Mega Manila Region CLLEX ( TARLAC - CABANATUAN )	A1 = 1:250 A3 = 1:500	CROSS SECTION (INTERIM 2 LANE) STA 27+500 TO STA 27+750	L-81
			SHEET NO.
			81 OF 90



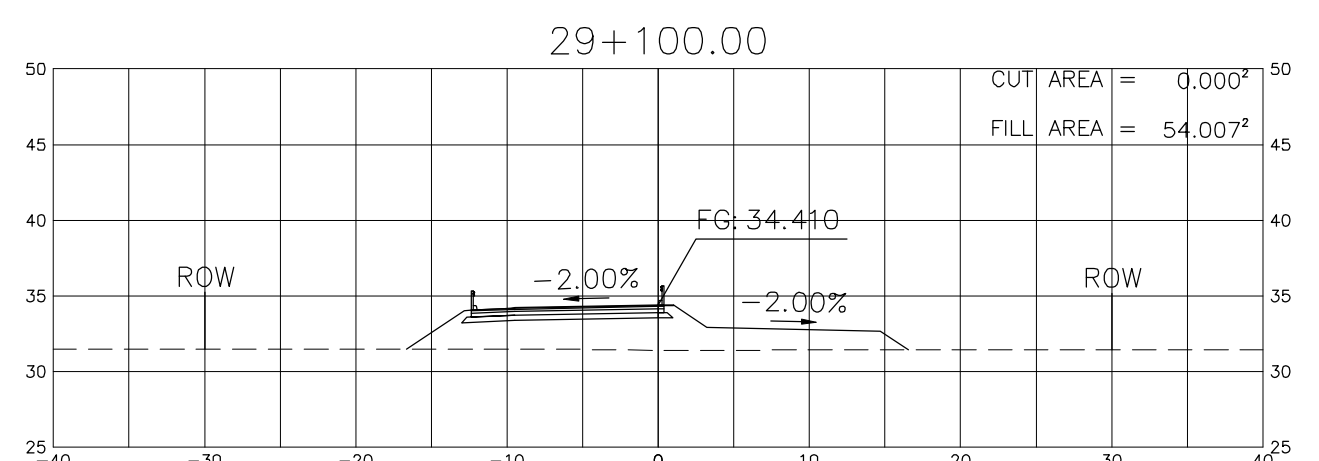
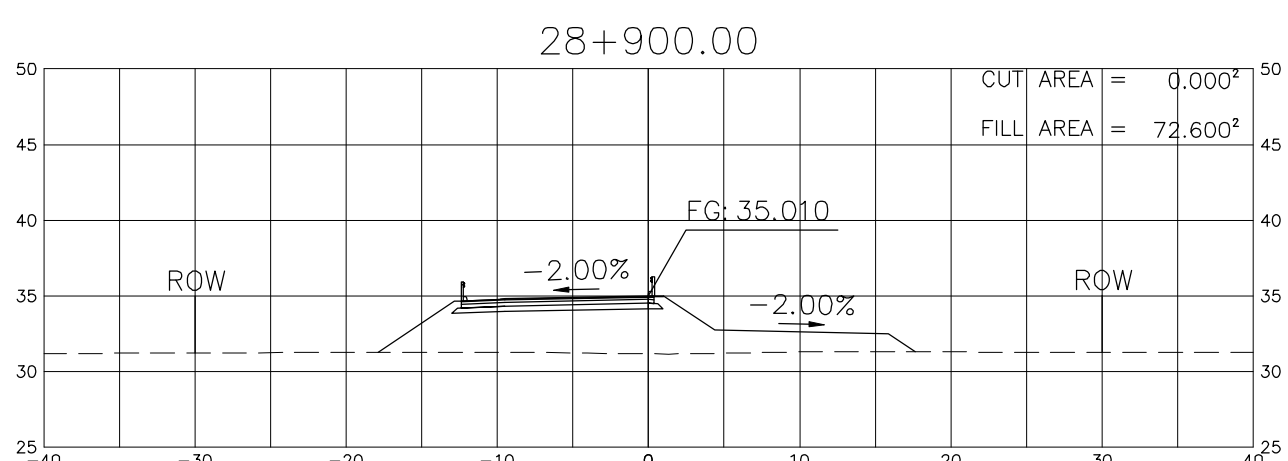
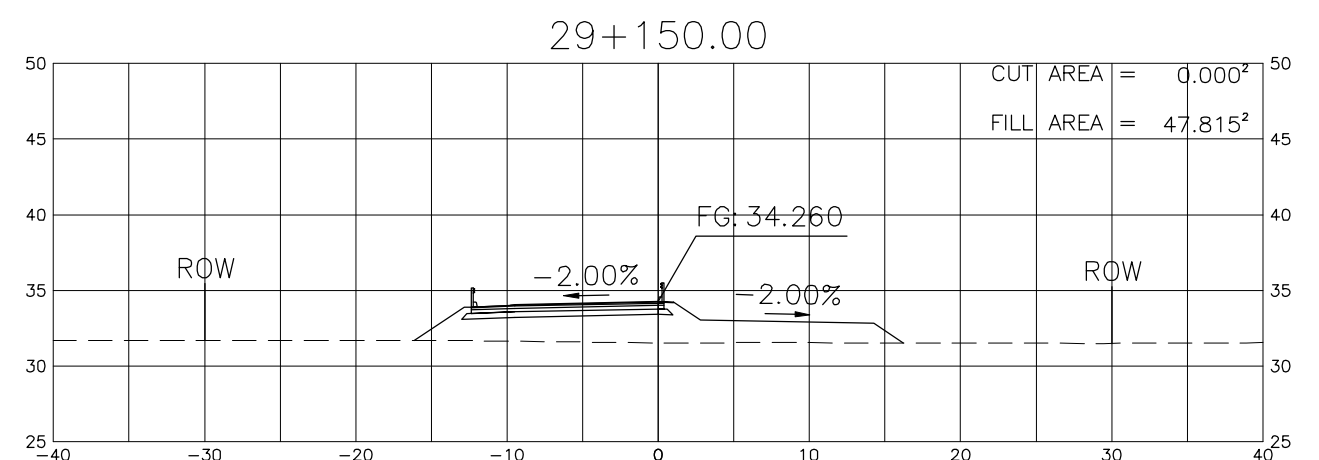
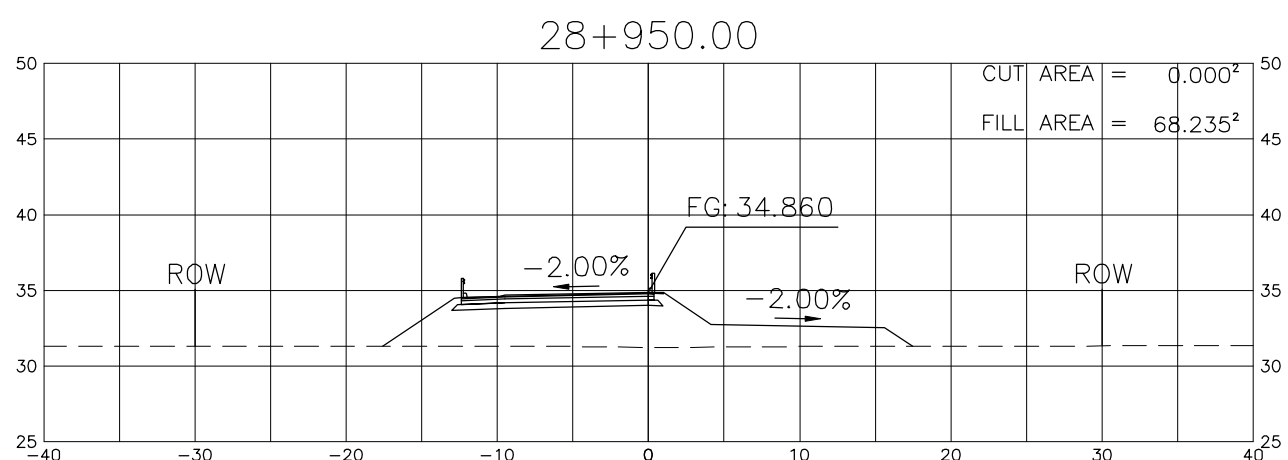
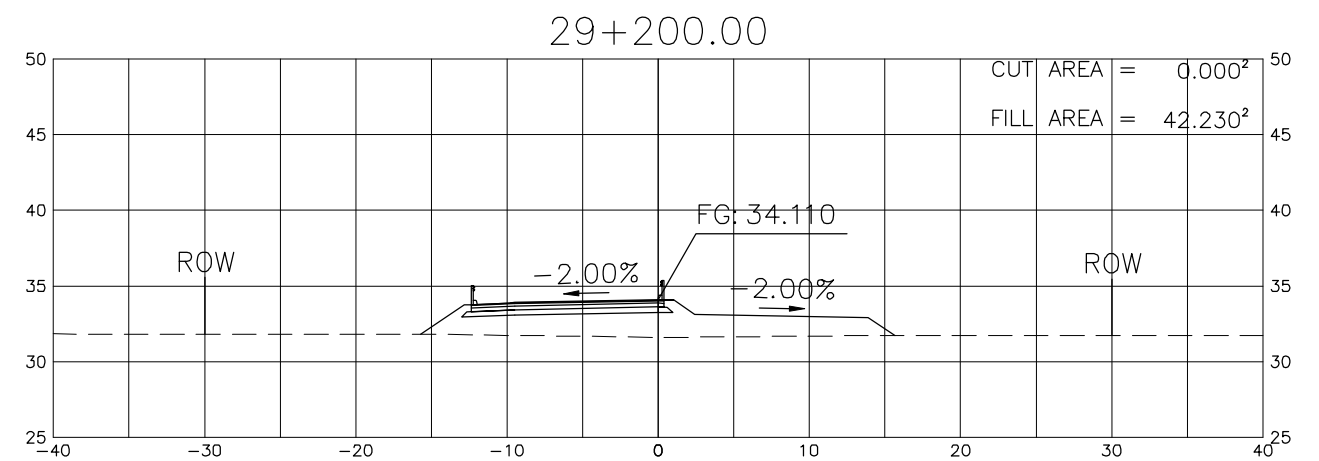
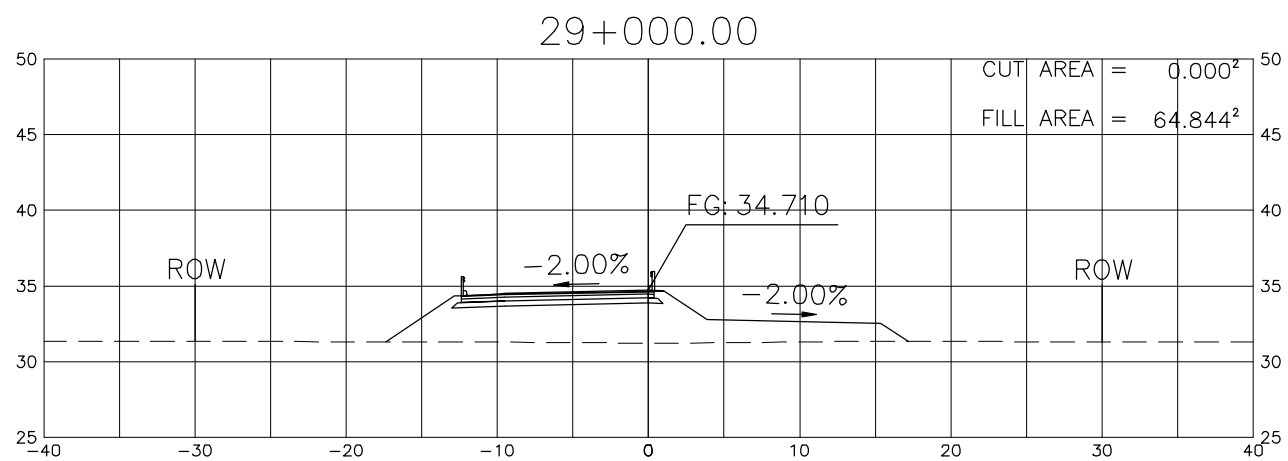
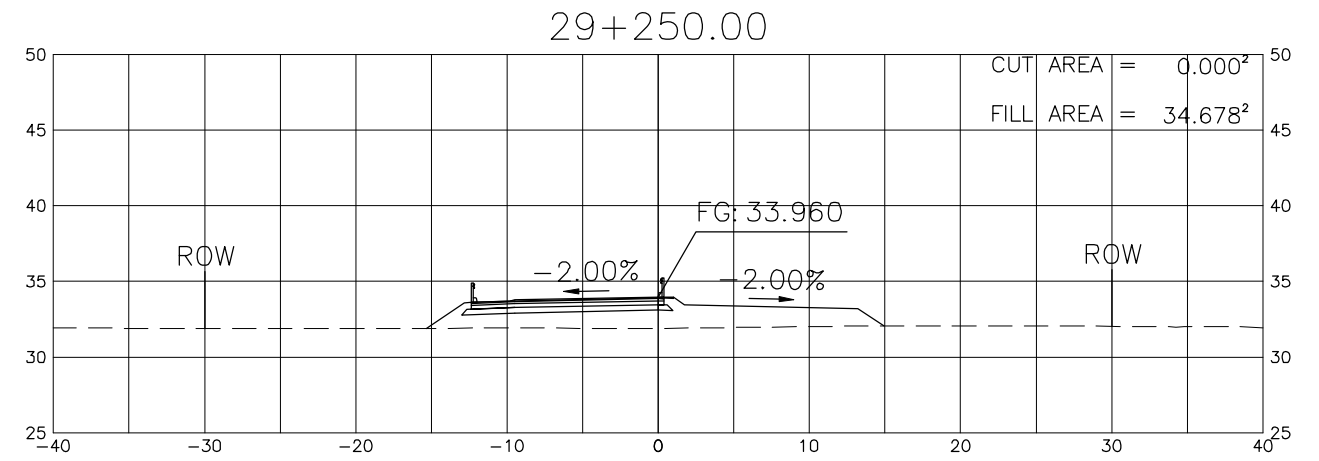
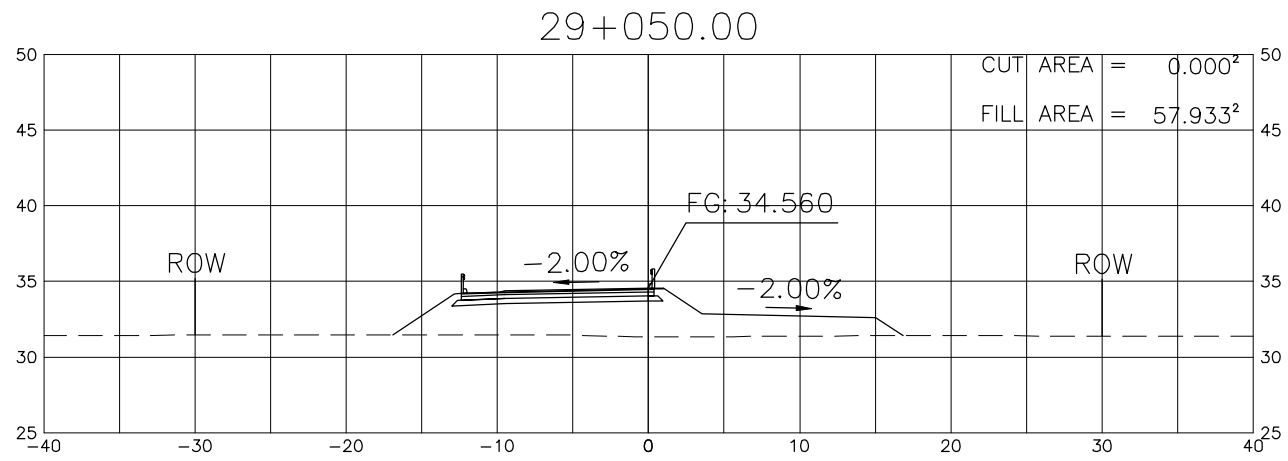
PROJECT TITLE	SCALE	SHEET CONTENT	DRAWING NO.
Preparatory survey for expressway project in Mega Manila Region CLLEX ( TARLAC - CABANATUAN )	A1 = 1:250 A3 = 1:500	CROSS SECTION (INTERIM 2 LANE) STA 27+800 TO STA 28+050	L-82
			SHEET NO.
			82 OF 90



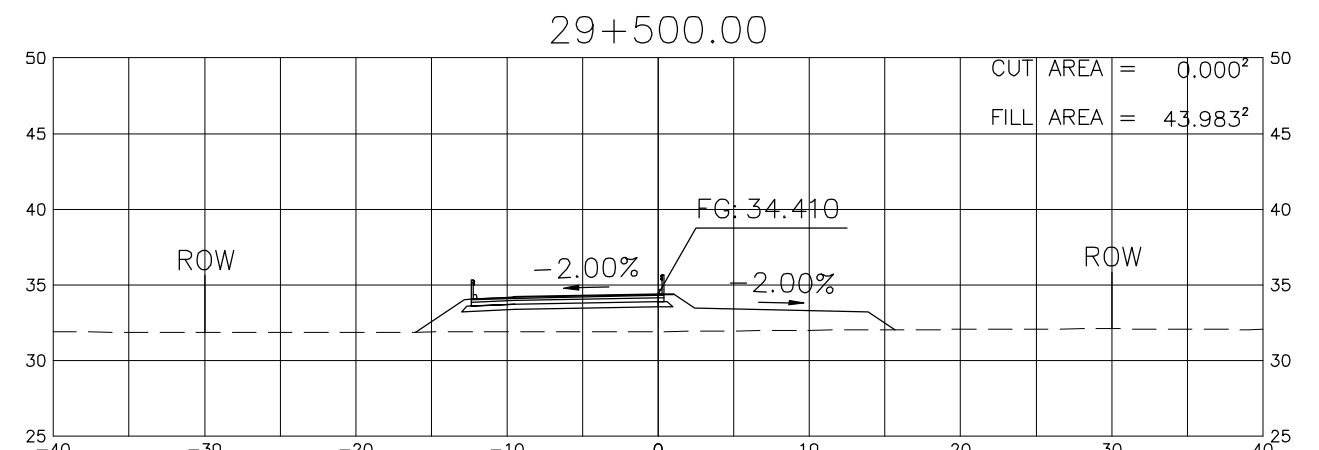
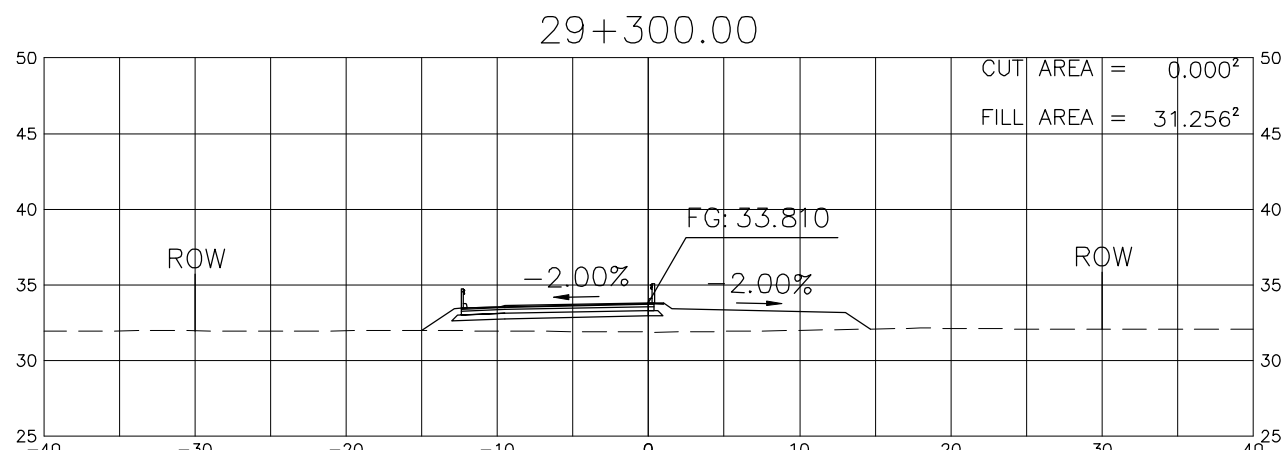
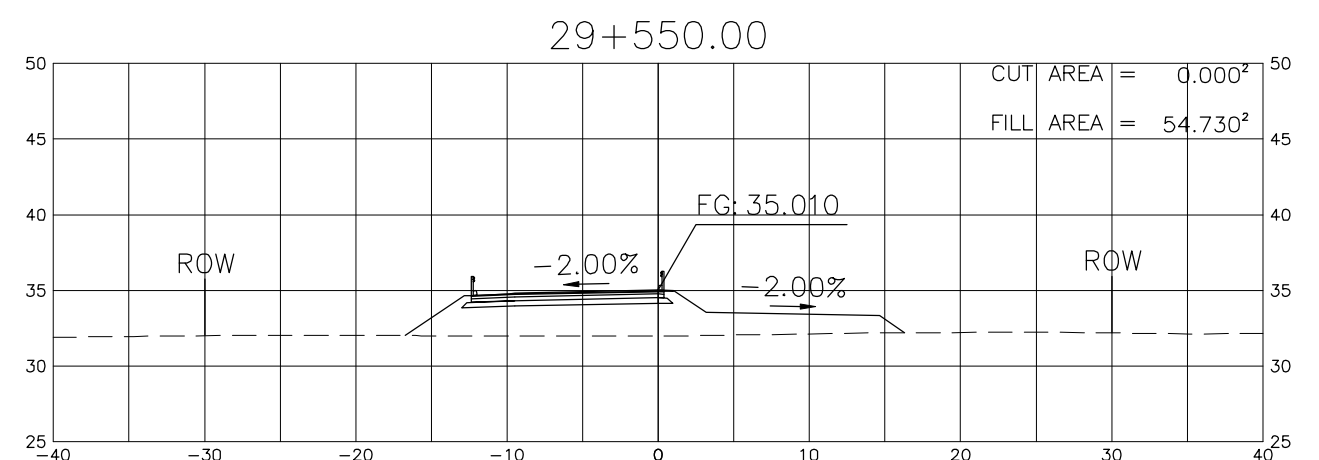
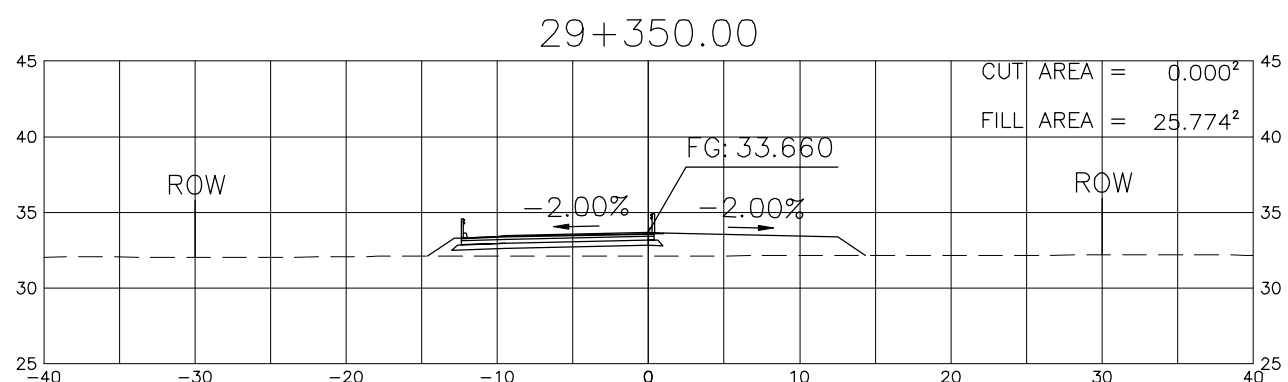
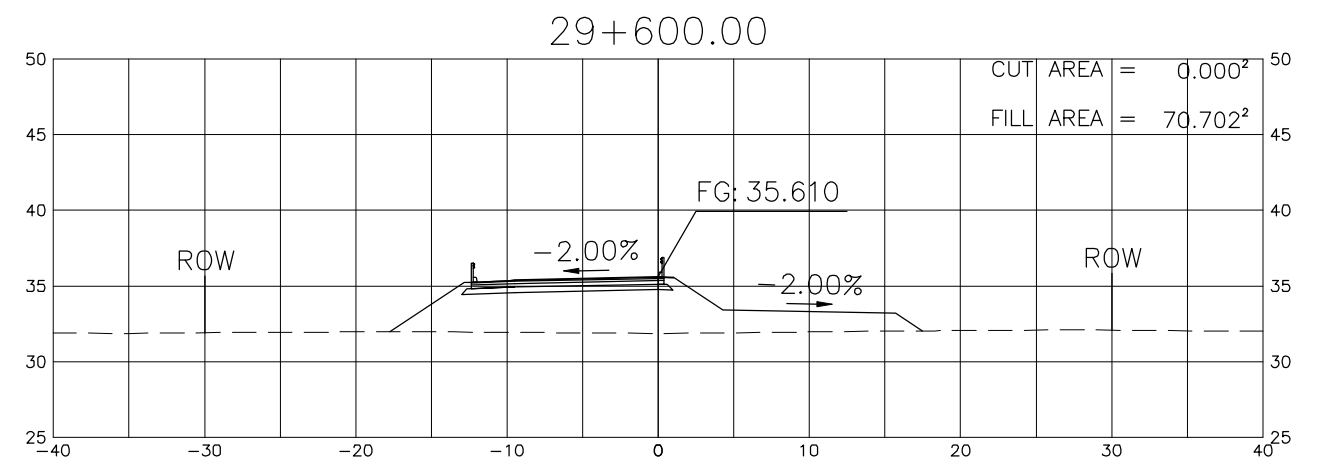
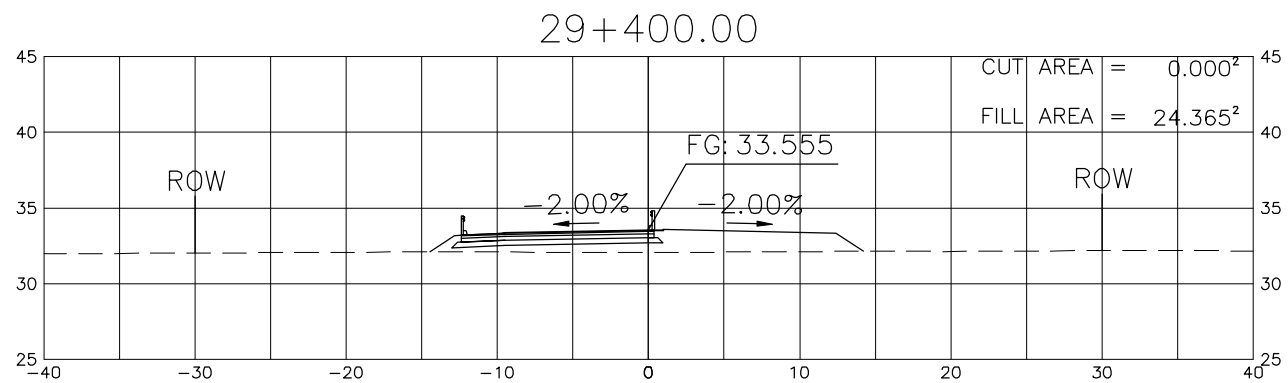
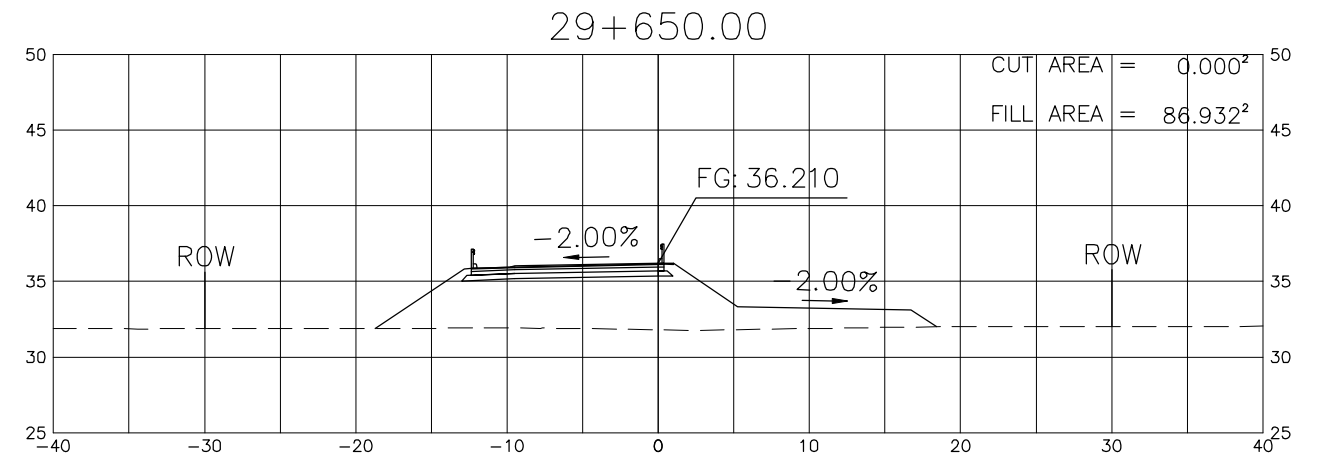
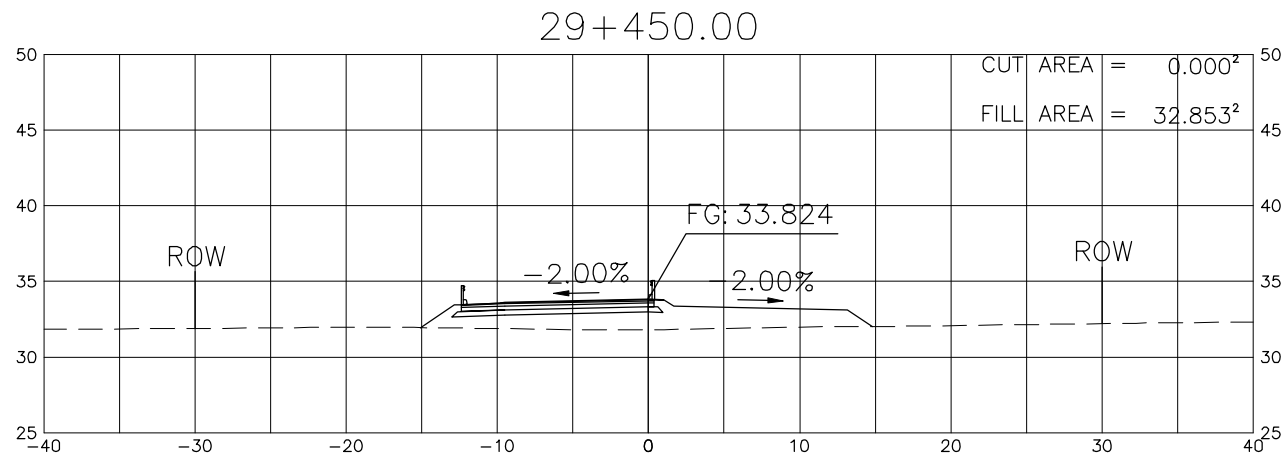
PROJECT TITLE	SCALE	SHEET CONTENT	DRAWING NO.
Preparatory survey for expressway project in Mega Manila Region CLLEX ( TARLAC - CABANATUAN )	A1 = 1:250 A3 = 1:500	CROSS SECTION (INTERIM 2 LANE) STA 29+100 TO STA 28+450	L-83
			SHEET NO.
			83 OF 90



PROJECT TITLE	SCALE	SHEET CONTENT	DRAWING NO.
Preparatory survey for expressway project in Mega Manila Region CLLEX ( TARLAC - CABANATUAN )	A1 = 1:250 A3 = 1:500	CROSS SECTION (INTERIM 2 LANE) STA 28+500 TO STA 28+850	L-84
			SHEET NO.
			84 OF 90

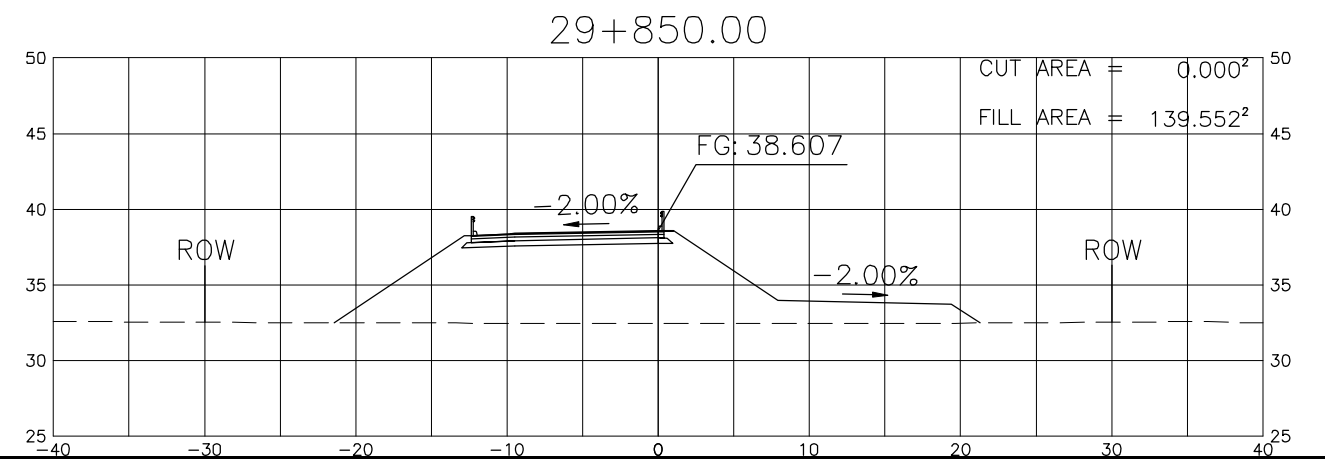
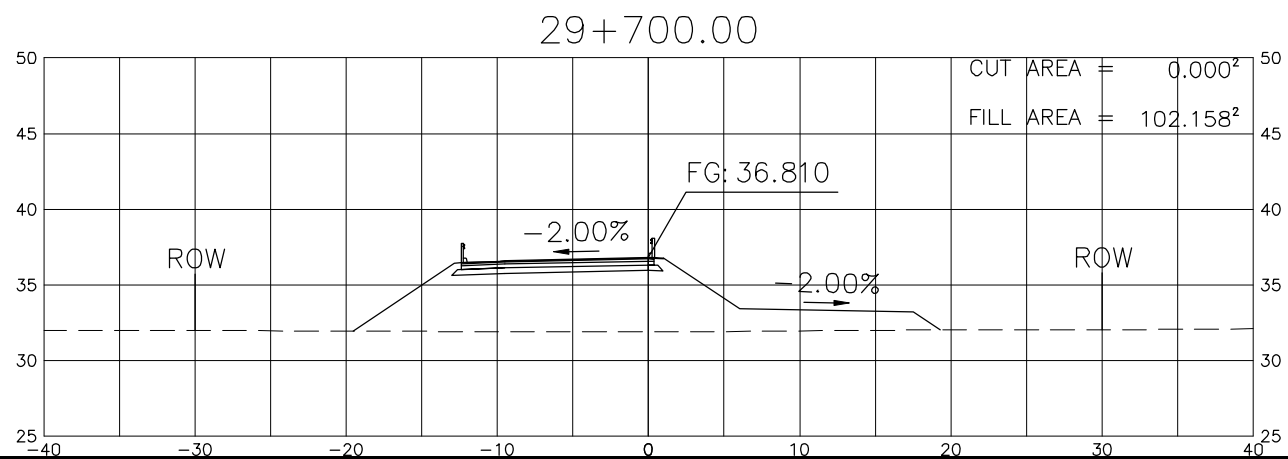
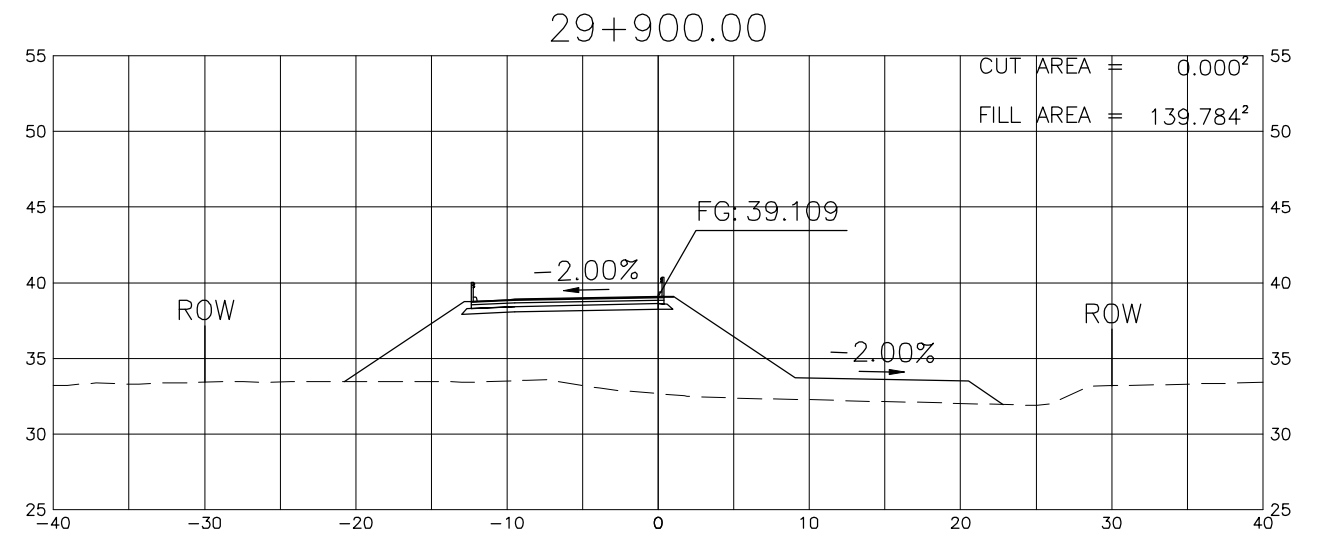
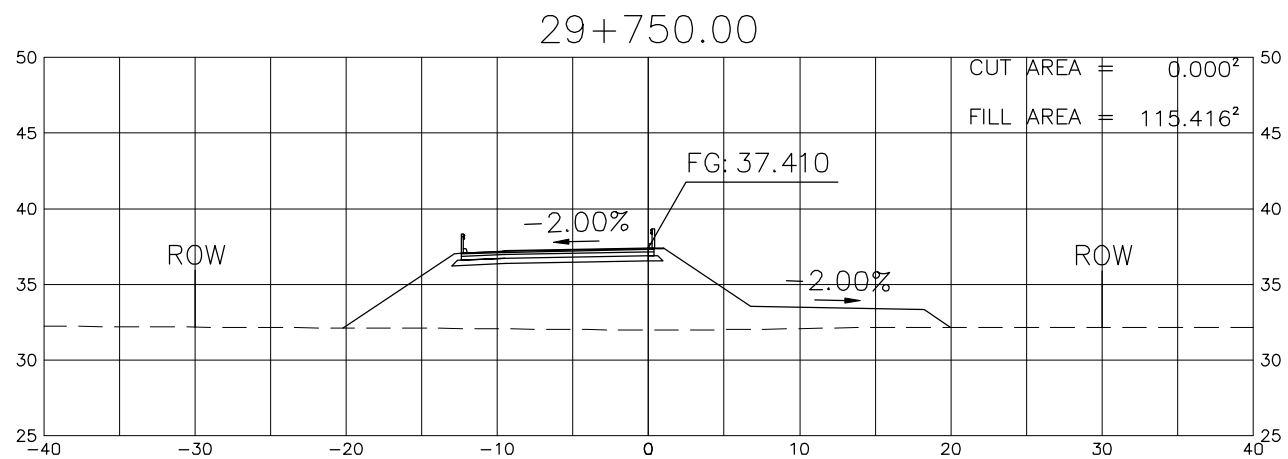
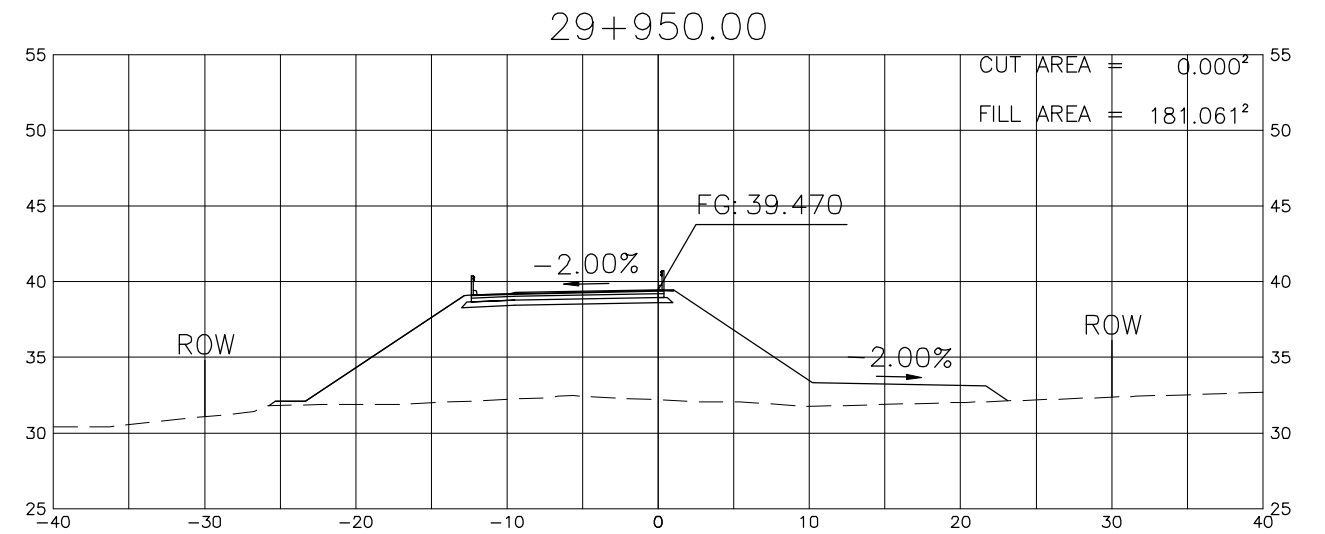
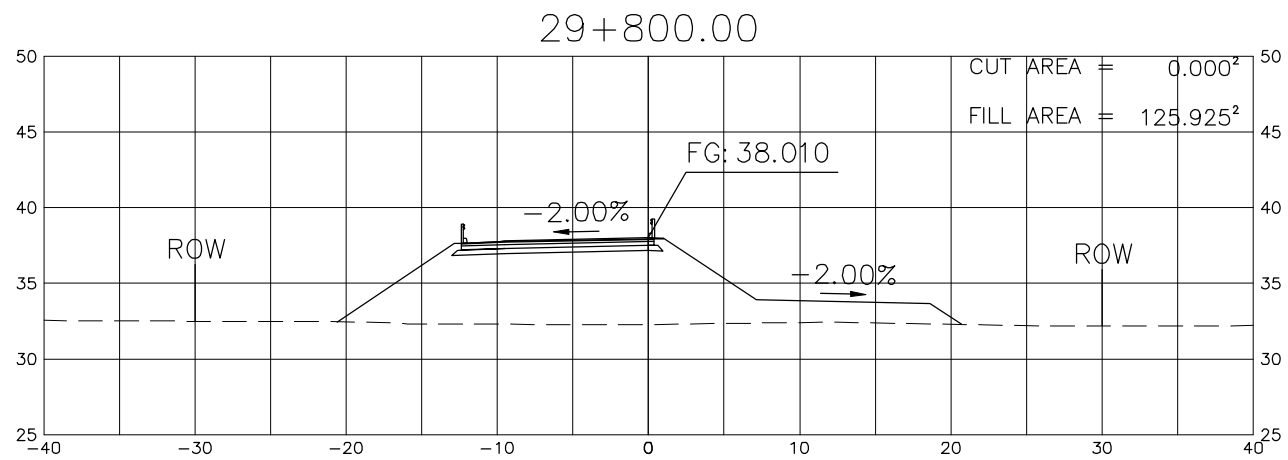


PROJECT TITLE	SCALE	SHEET CONTENT	DRAWING NO.
Preparatory survey for expressway project in Mega Manila Region CLLEX ( TARLAC - CABANATUAN )	A1 = 1:250 A3 = 1:500	CROSS SECTION (INTERIM 2 LANE) STA 28+900 TO STA 29+250	L-85
			SHEET NO.
			85 OF 90

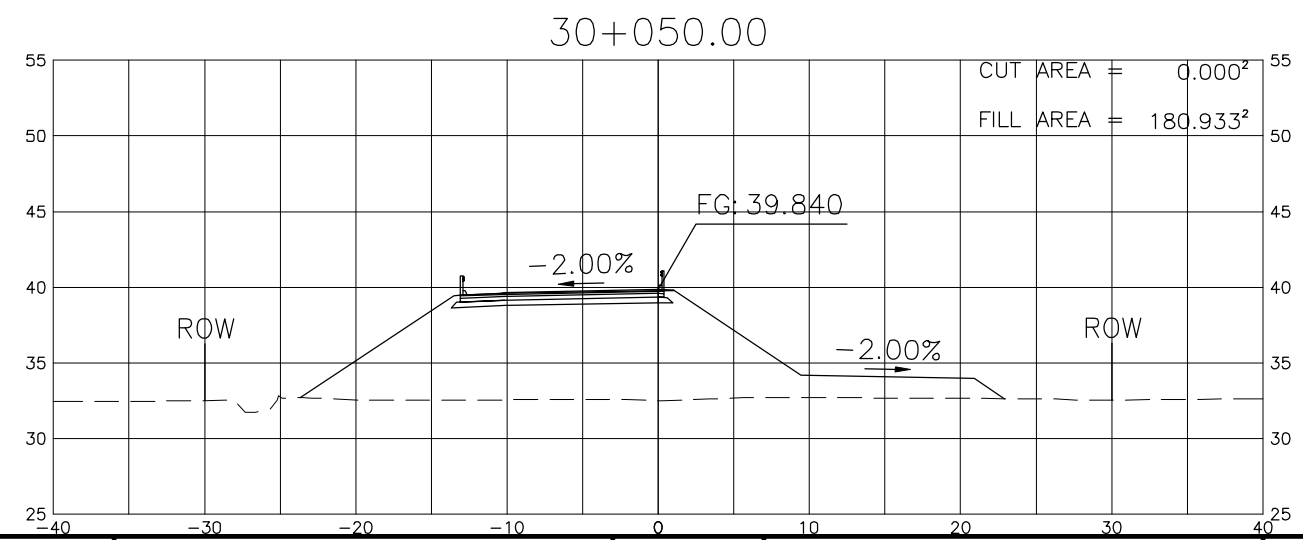
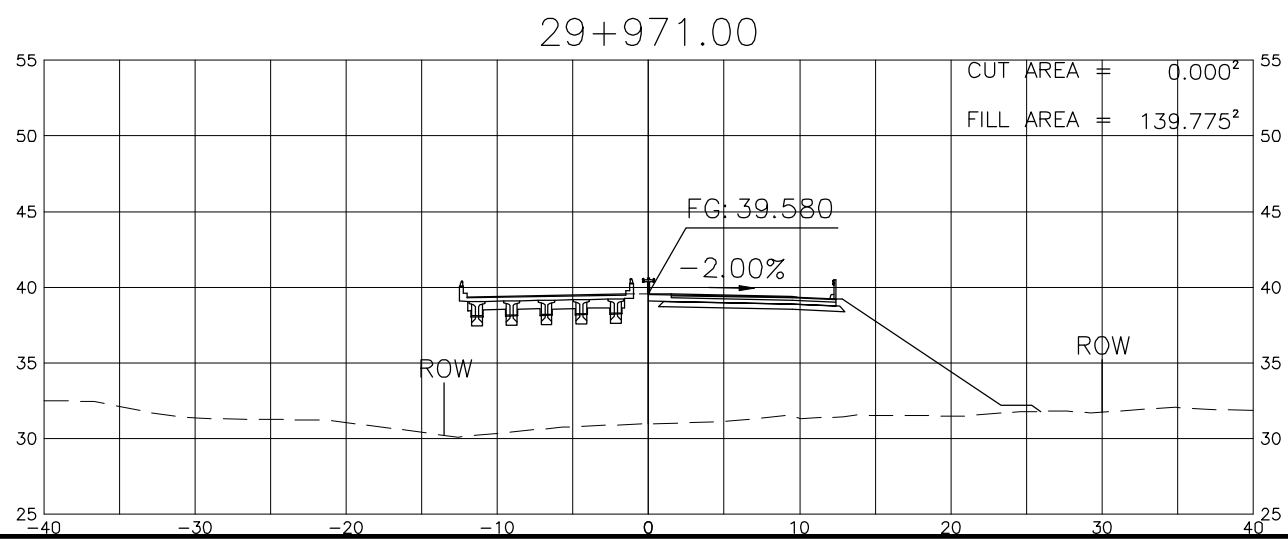
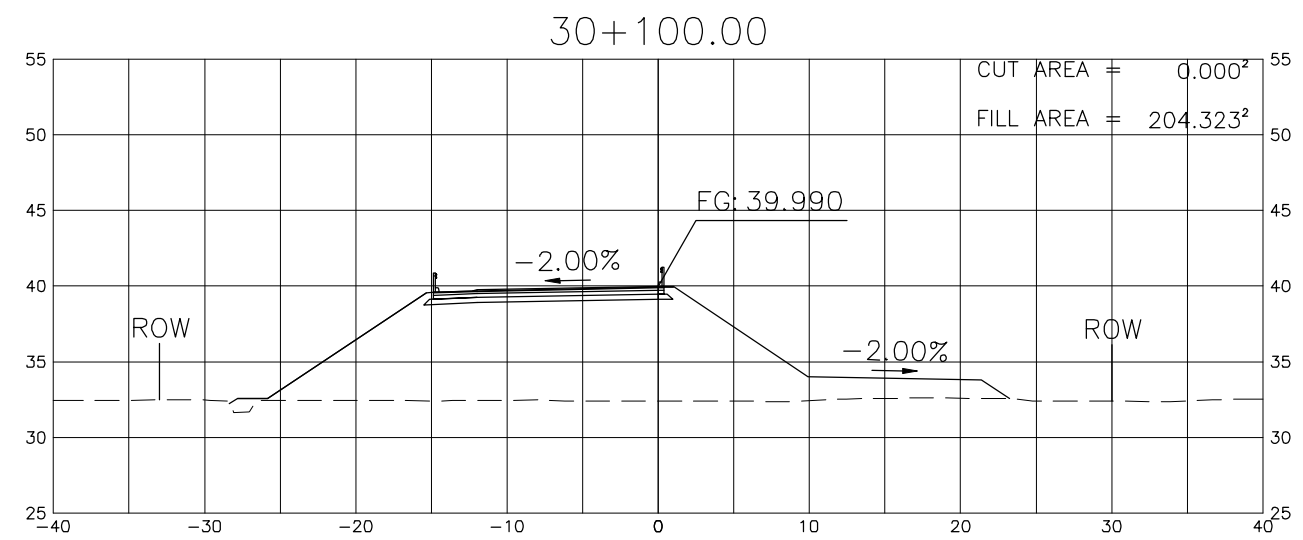
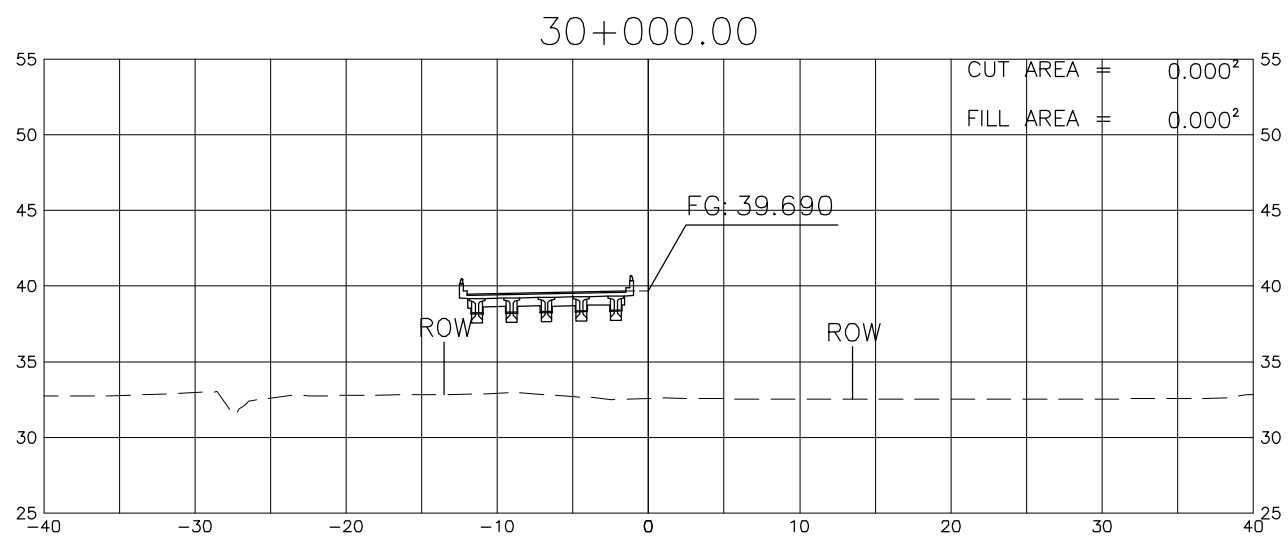
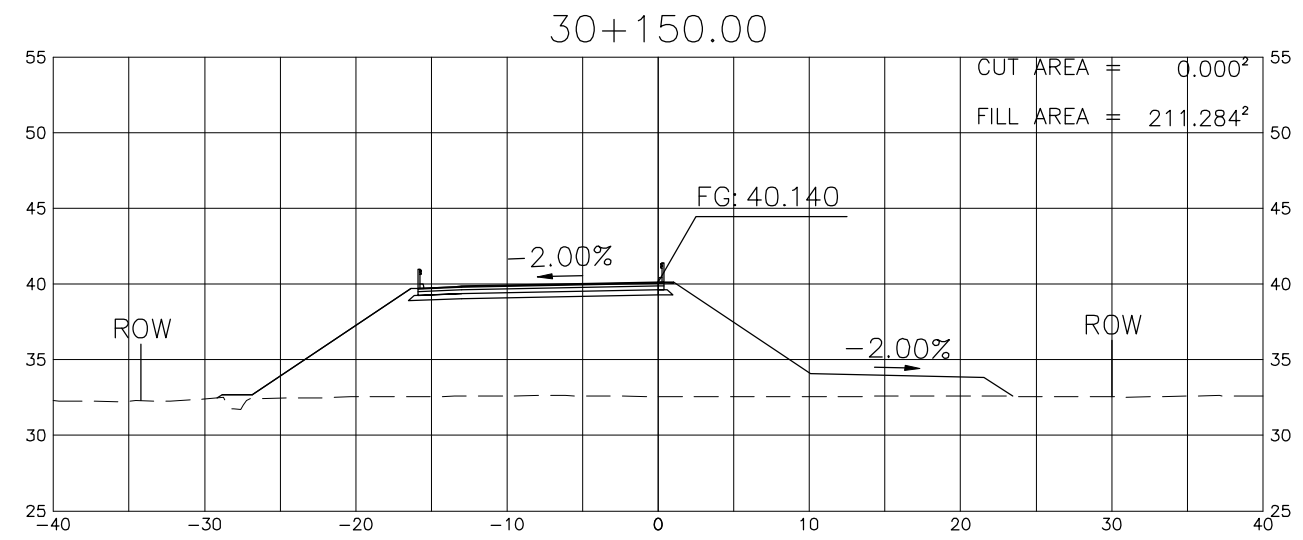
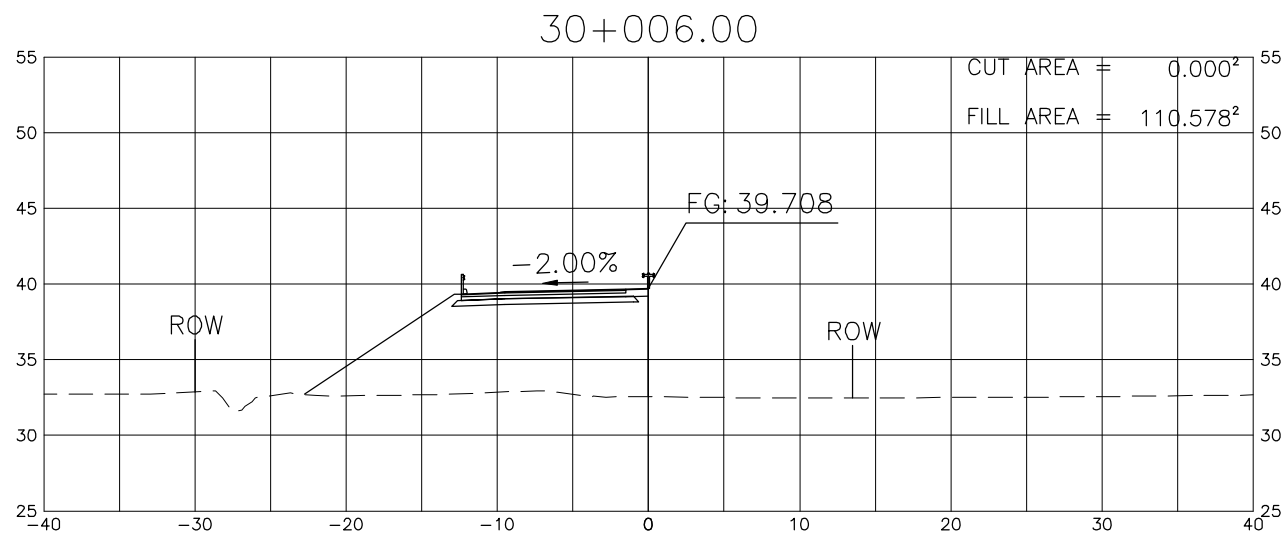


PROJECT TITLE	SCALE	SHEET CONTENT	DRAWING NO.
Preparatory survey for expressway project in Mega Manila Region CLLEX ( TARLAC - CABANATUAN )	A1 = 1:250 A3 = 1:500	CROSS SECTION (INTERIM 2 LANE) STA 29+300 TO STA 29+650	L-86
			SHEET NO.
			86 OF 90

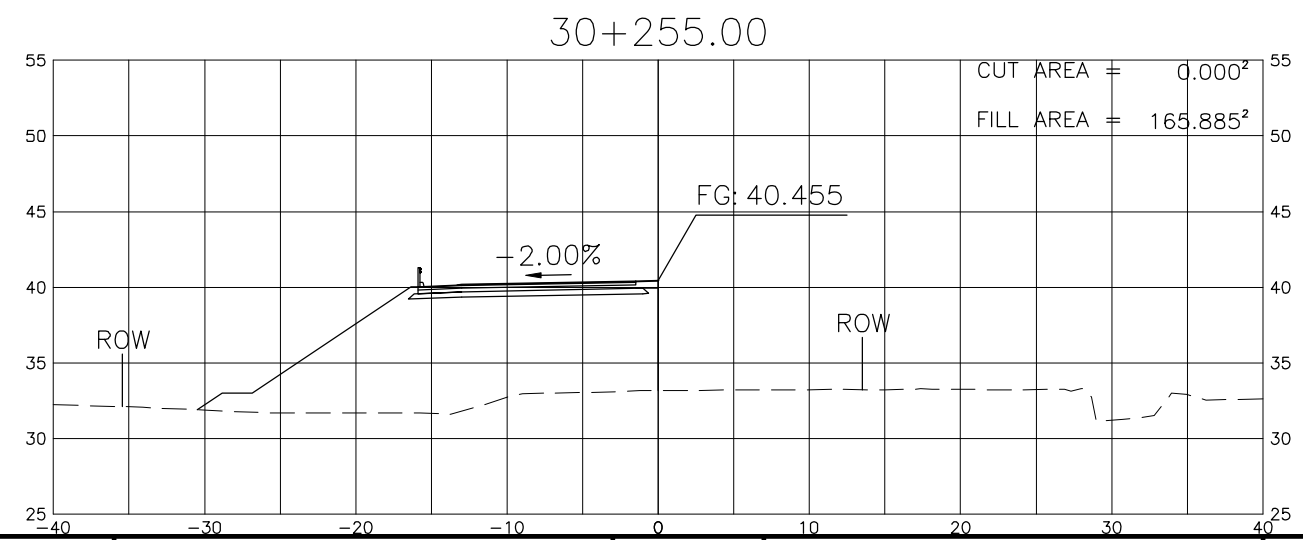
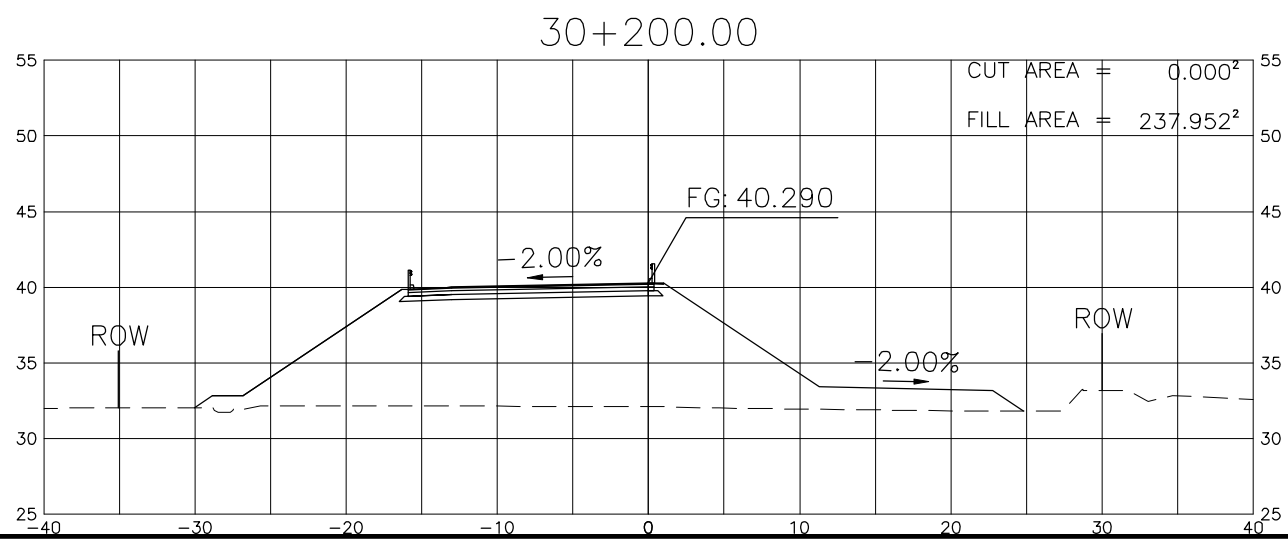
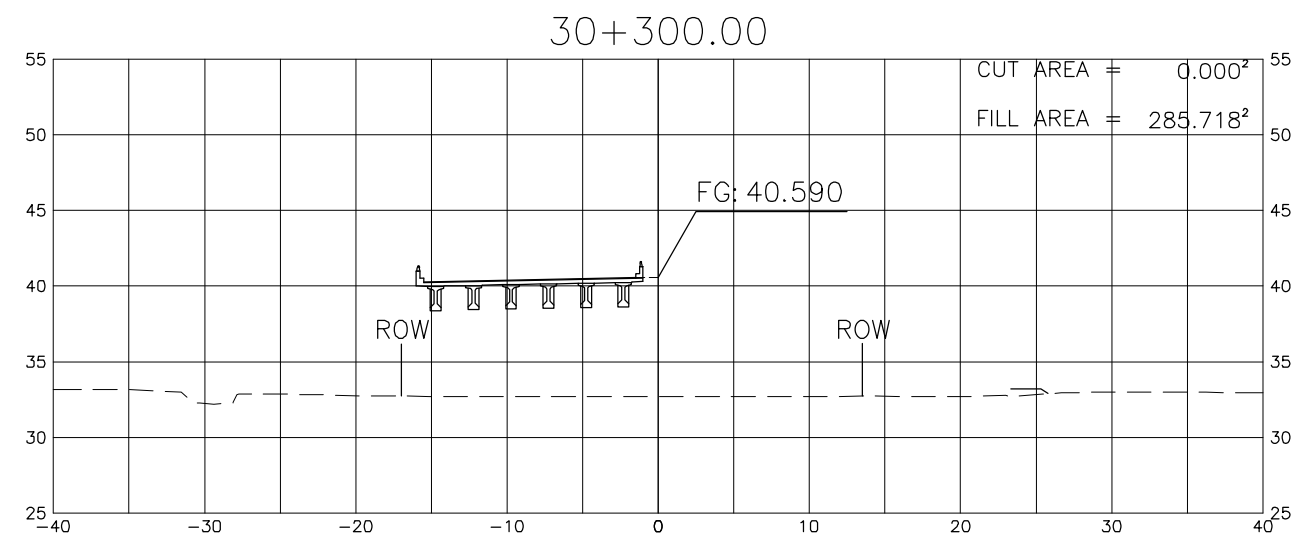
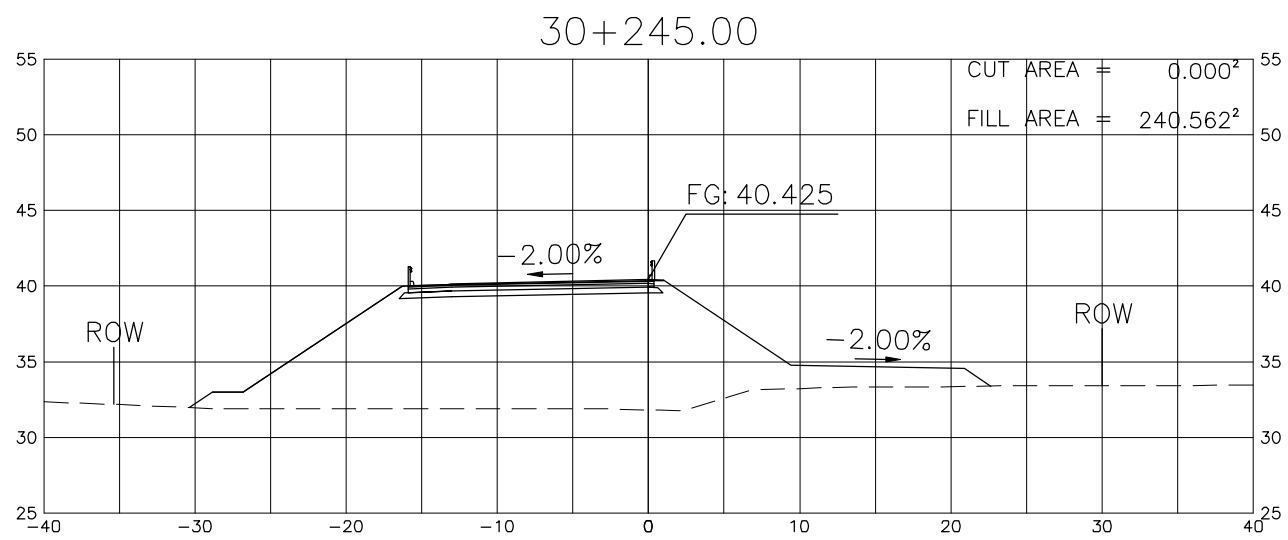
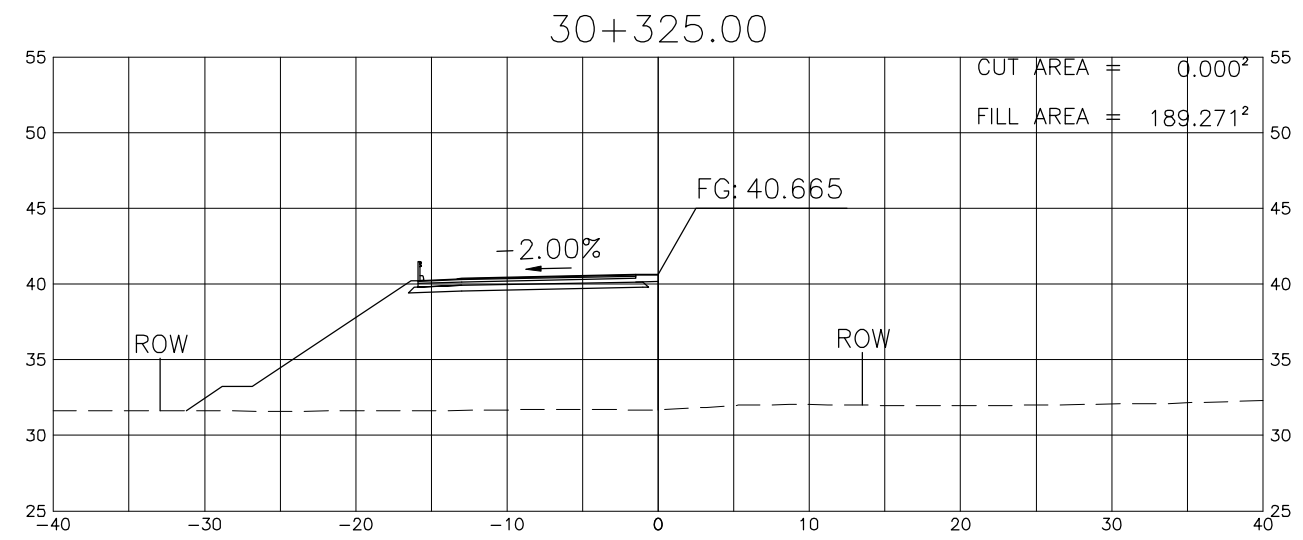
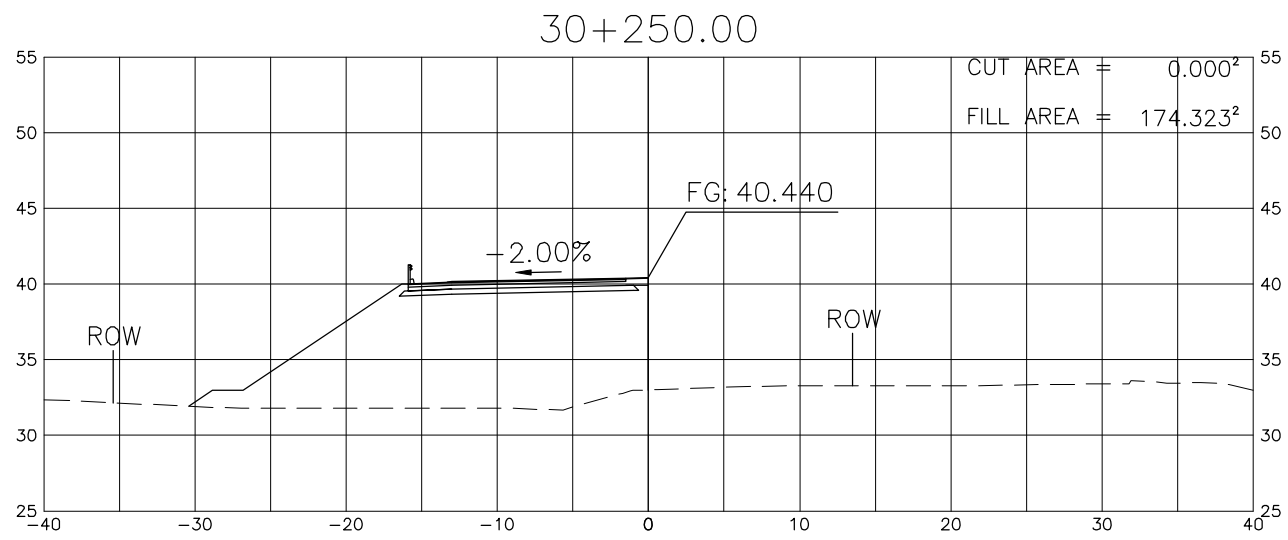




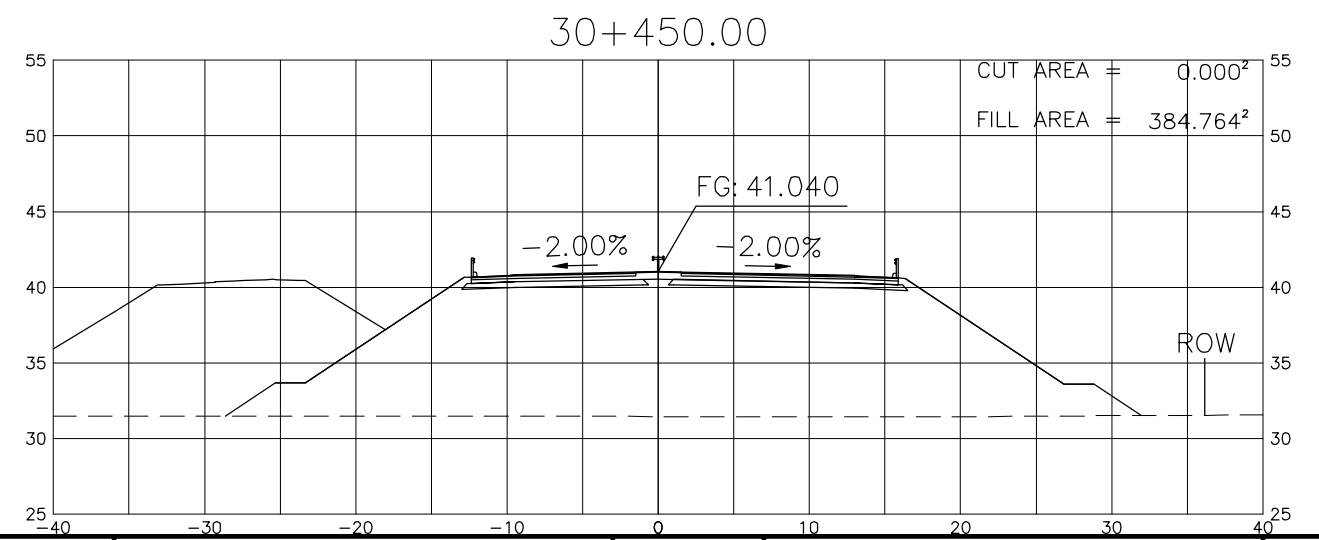
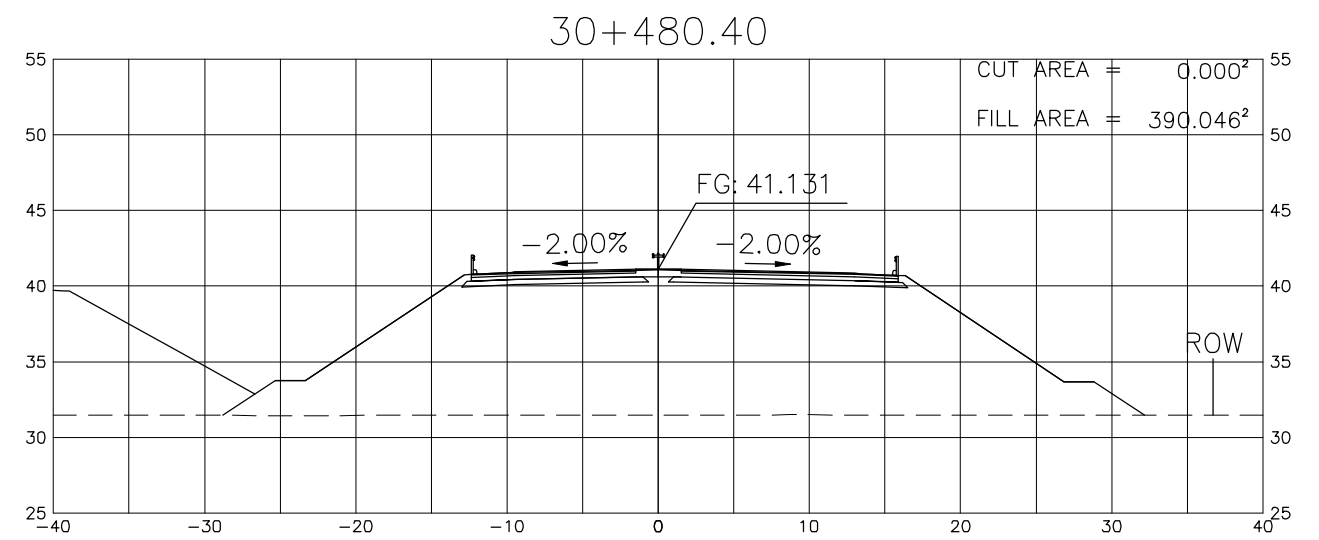
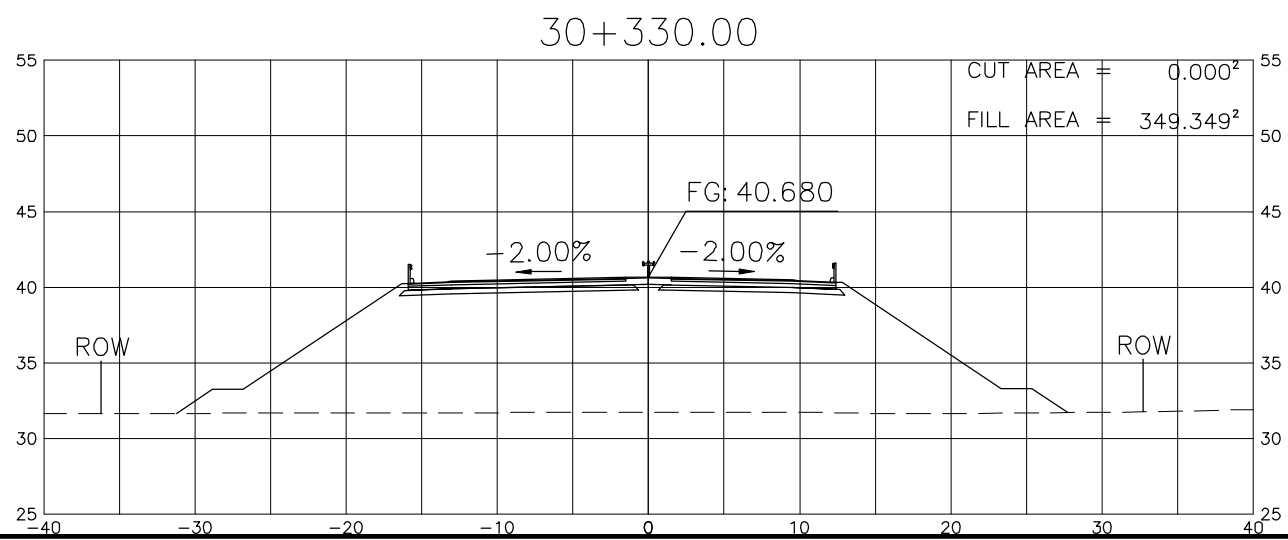
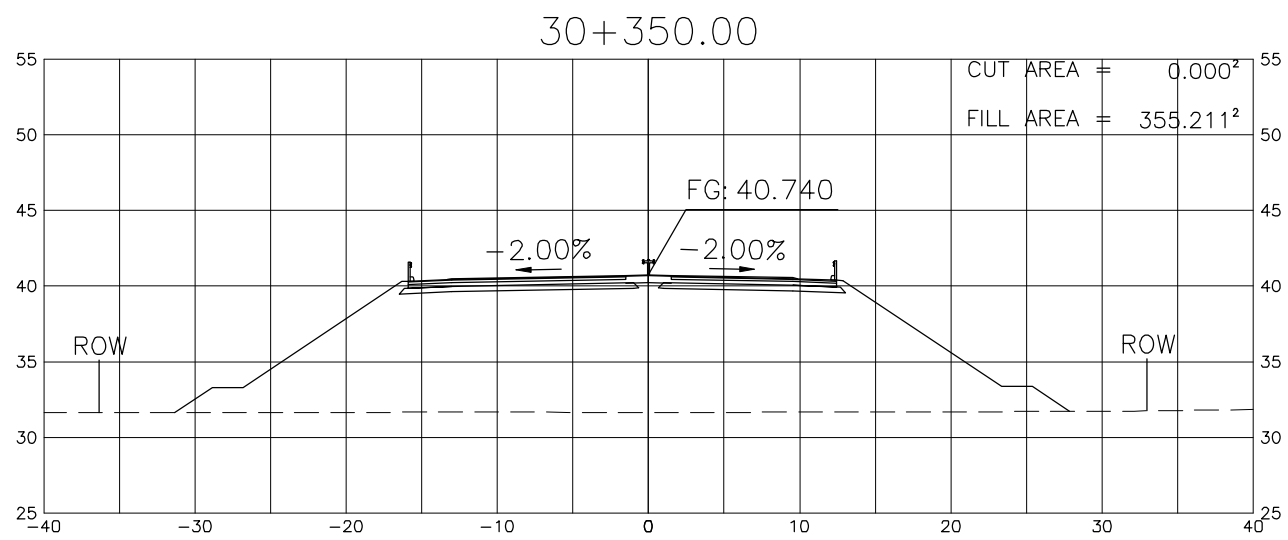
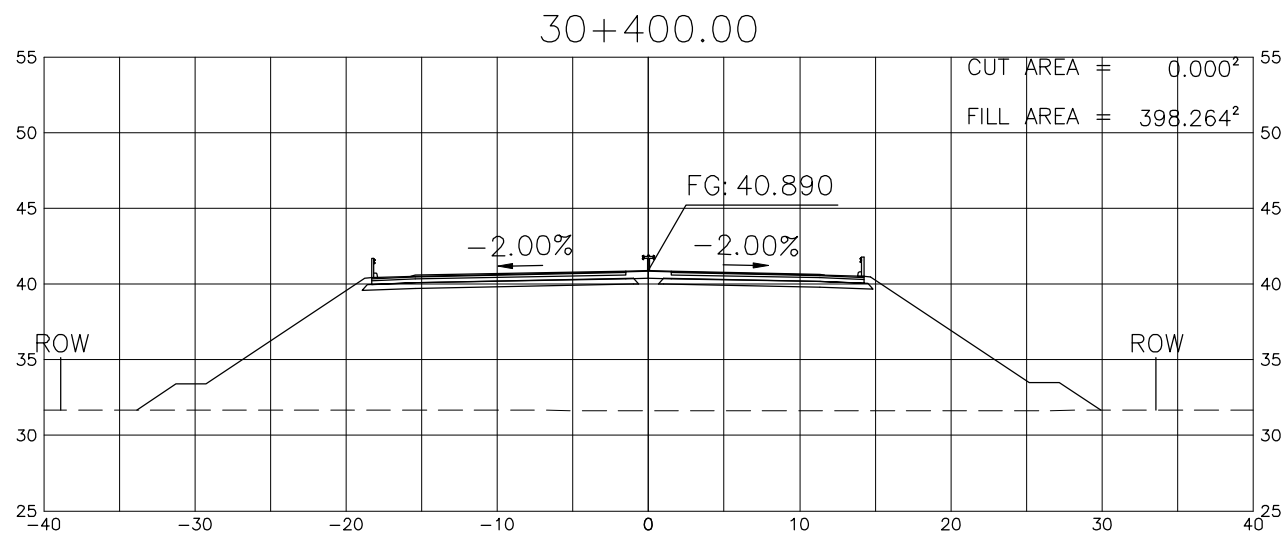
PROJECT TITLE	SCALE	SHEET CONTENT	DRAWING NO.
Preparatory survey for expressway project in Mega Manila Region CLLEX ( TARLAC - CABANATUAN )	A1 = 1:250 A3 = 1:500	CROSS SECTION (INTERIM 2 LANE) STA 29+700 TO STA 29+950	L-87
			SHEET NO.
			87 OF 90



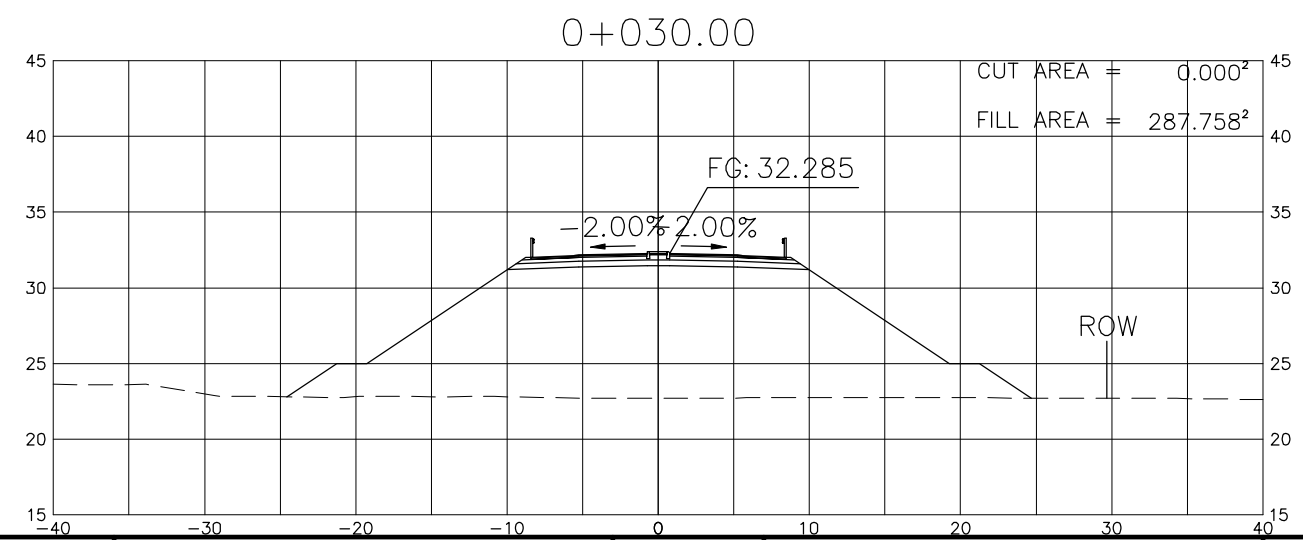
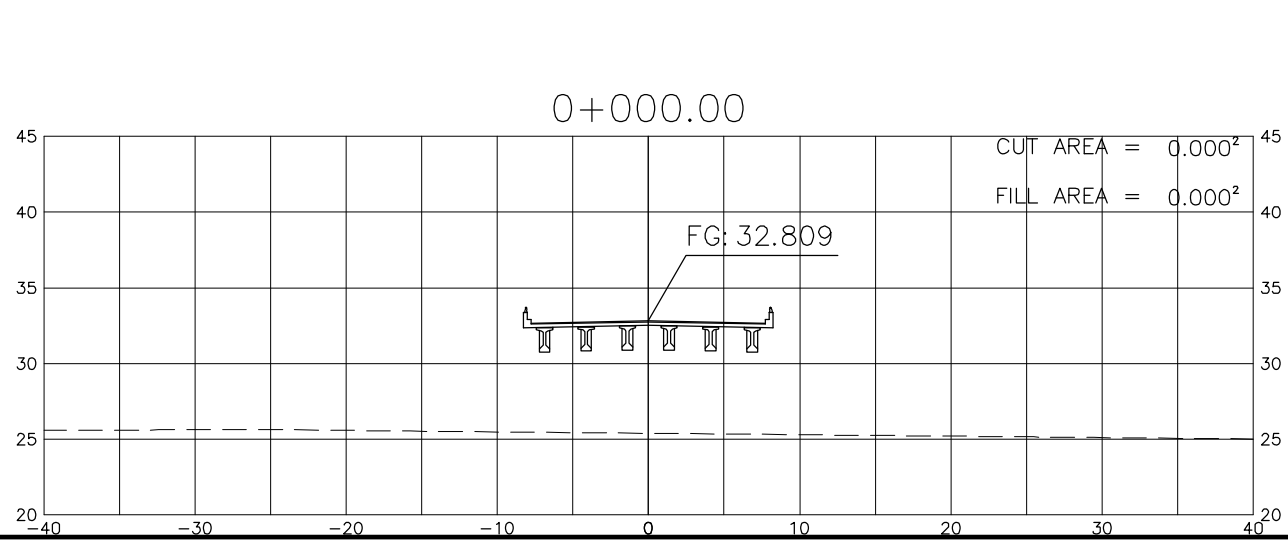
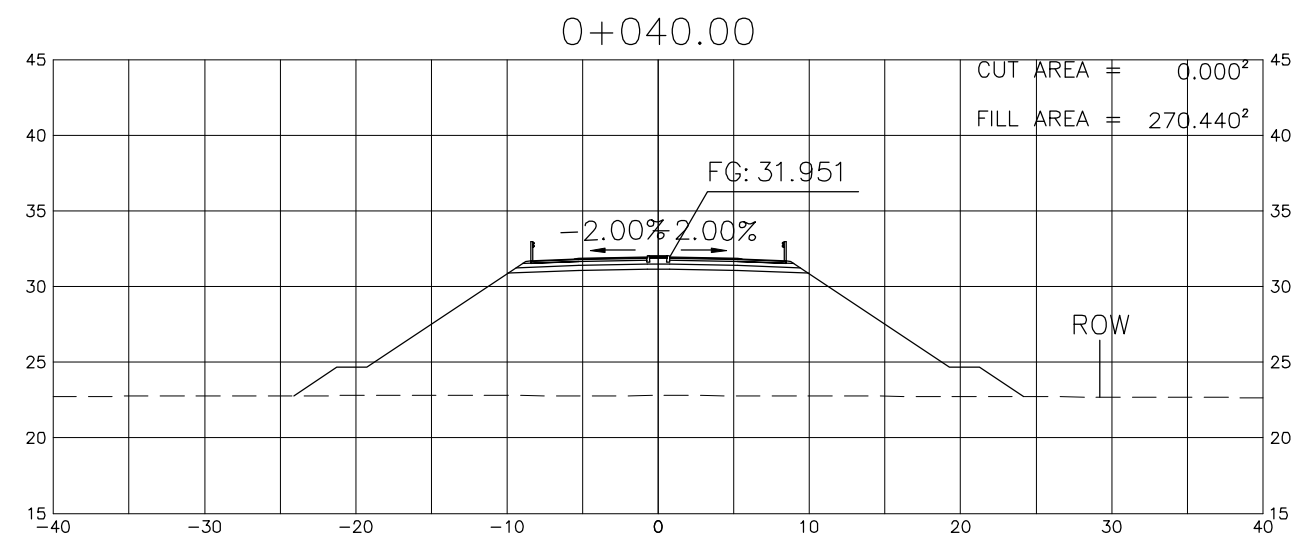
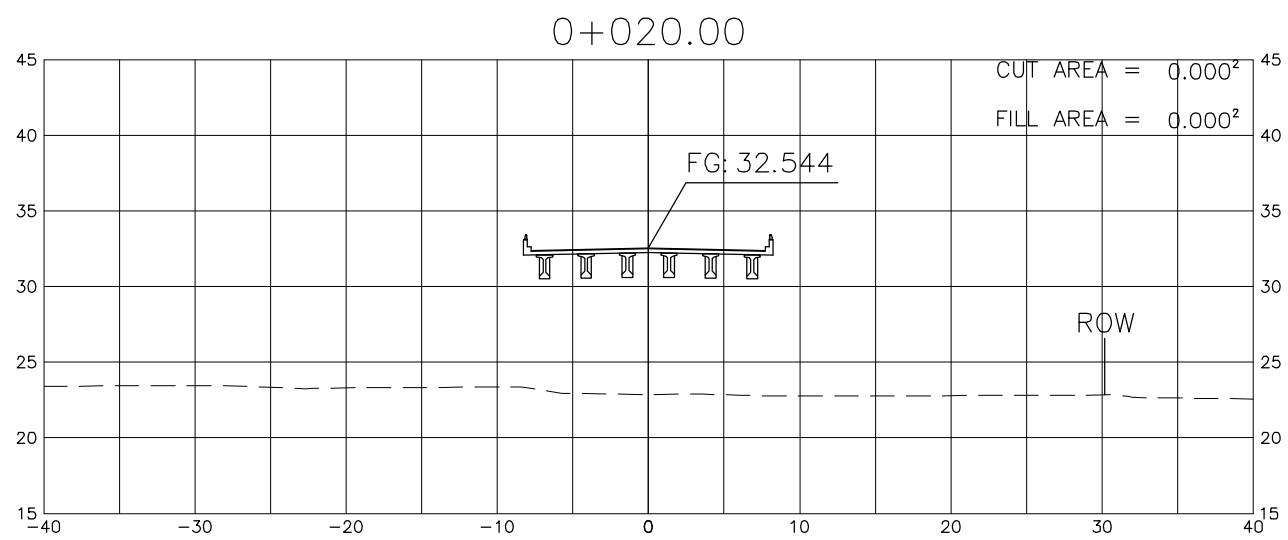
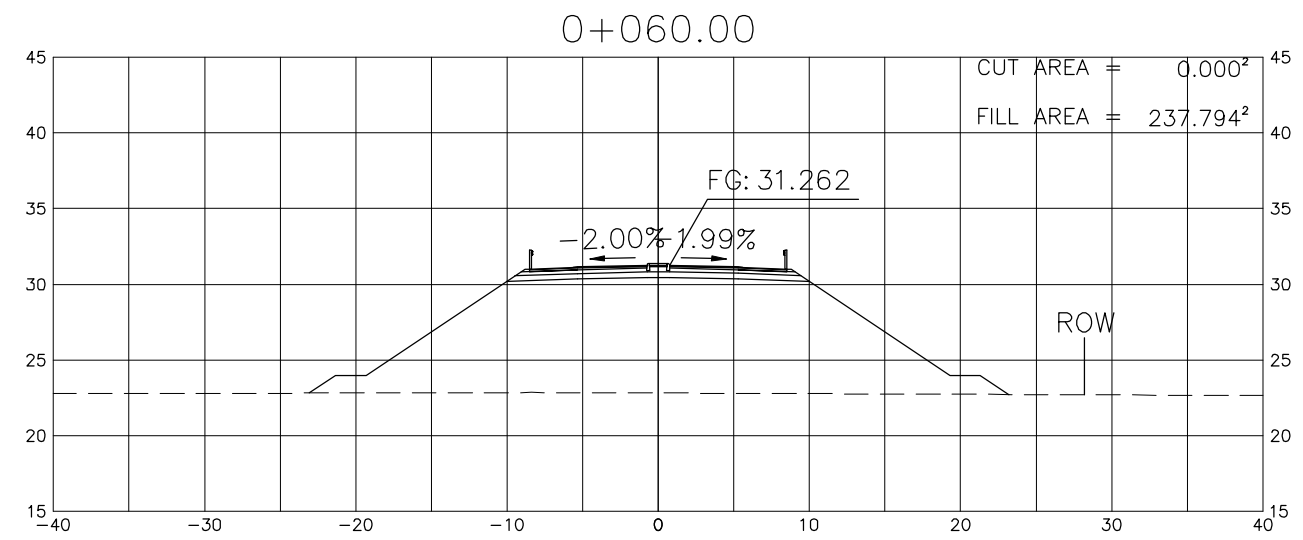
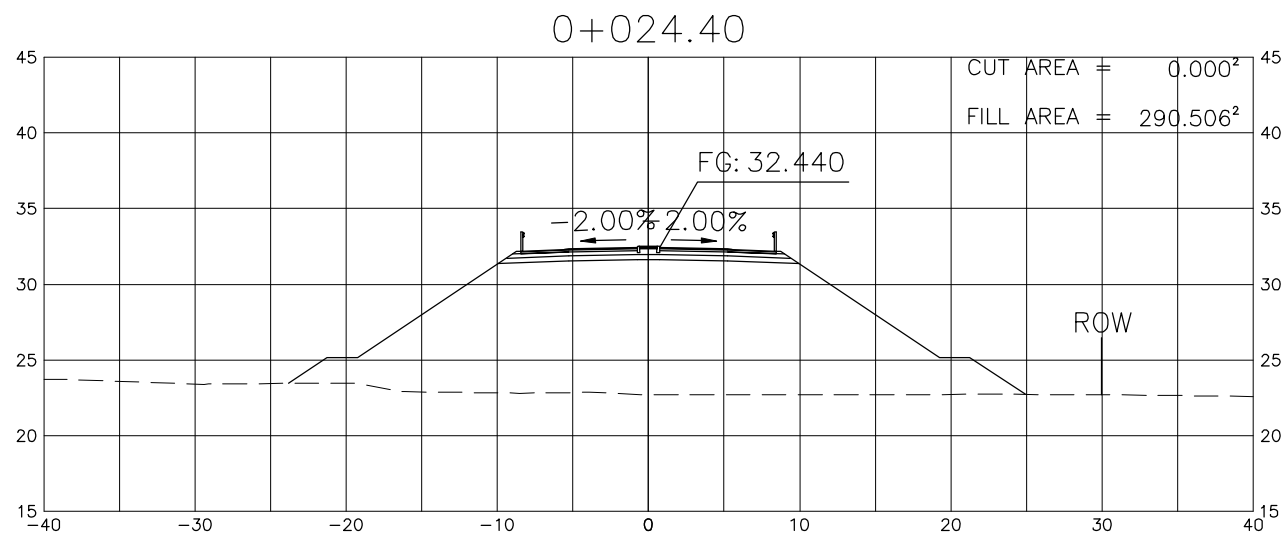
PROJECT TITLE	SCALE	SHEET CONTENT	DRAWING NO.
Preparatory survey for expressway project in Mega Manila Region CLLEX ( TARLAC - CABANATUAN )	A1 = 1:250 A3 = 1:500	CROSS SECTION (INTERIM 2 LANE) STA 29+971 TO STA 30+150	L-88
			SHEET NO.
			88 OF 90



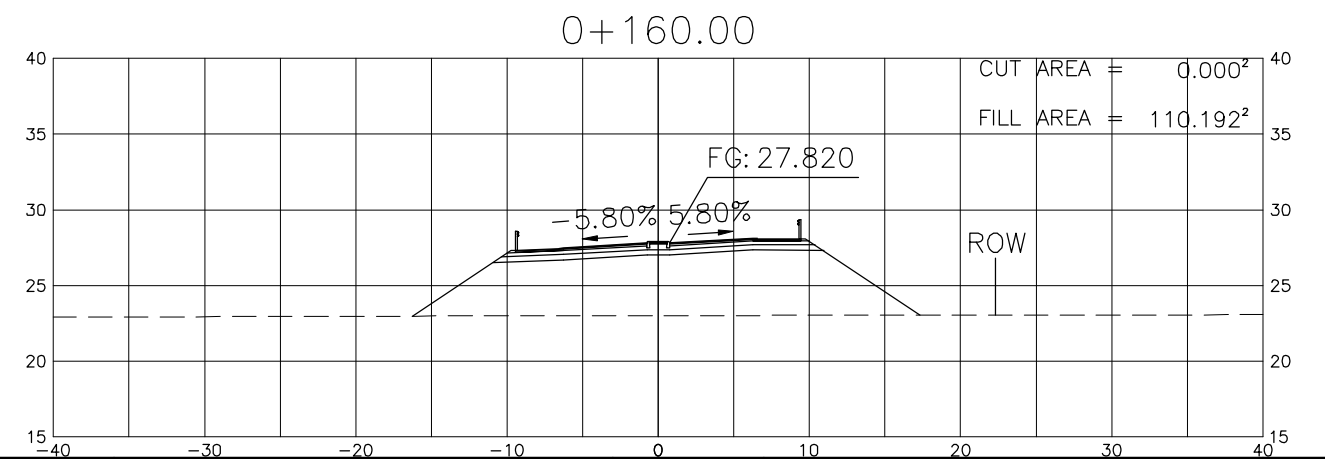
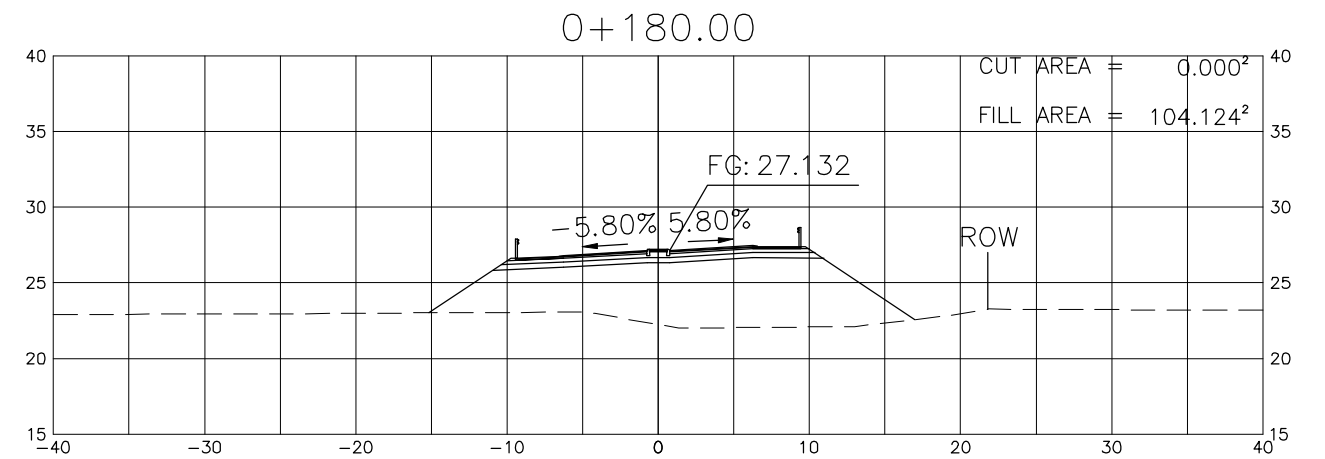
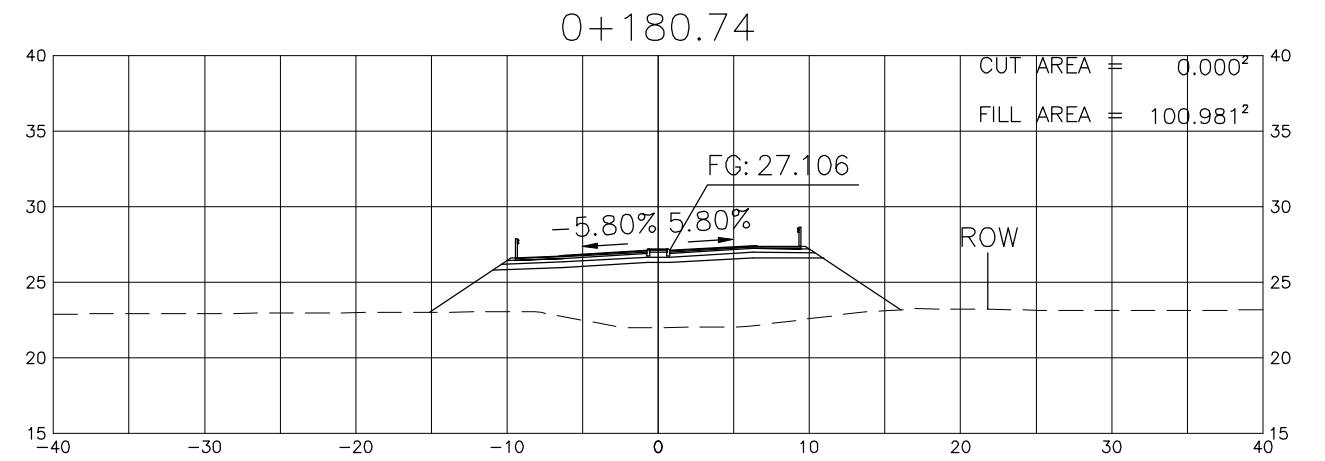
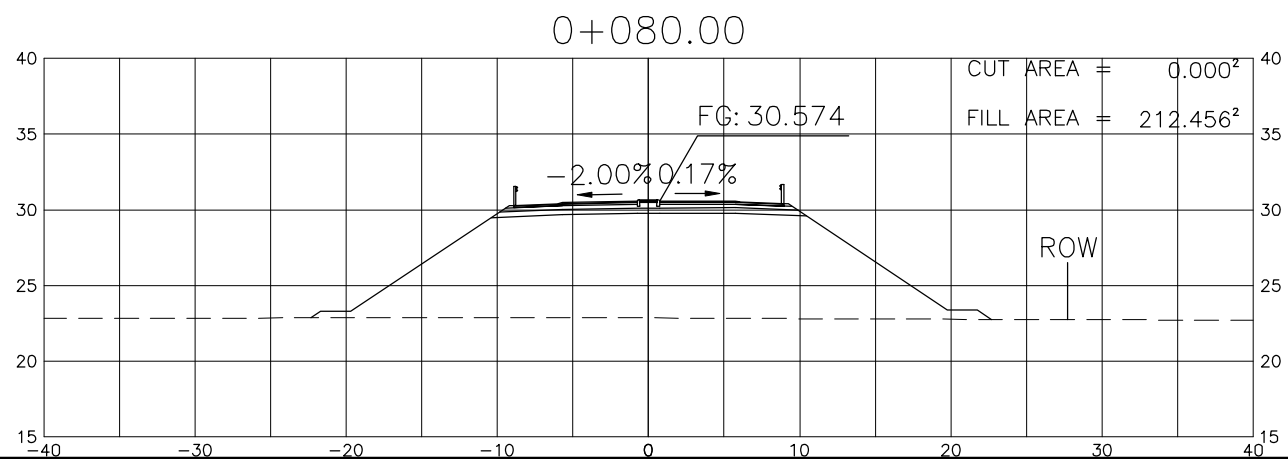
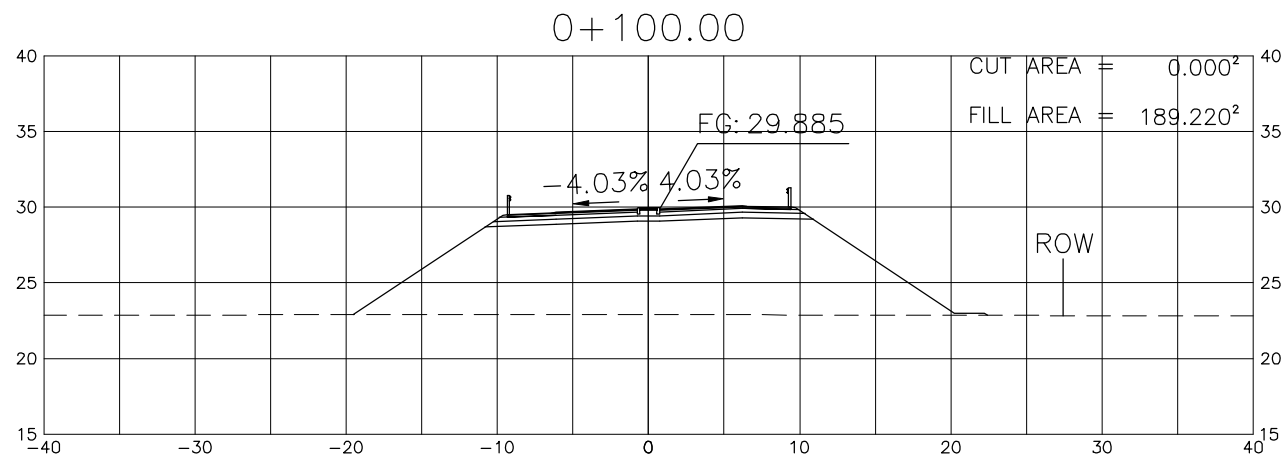
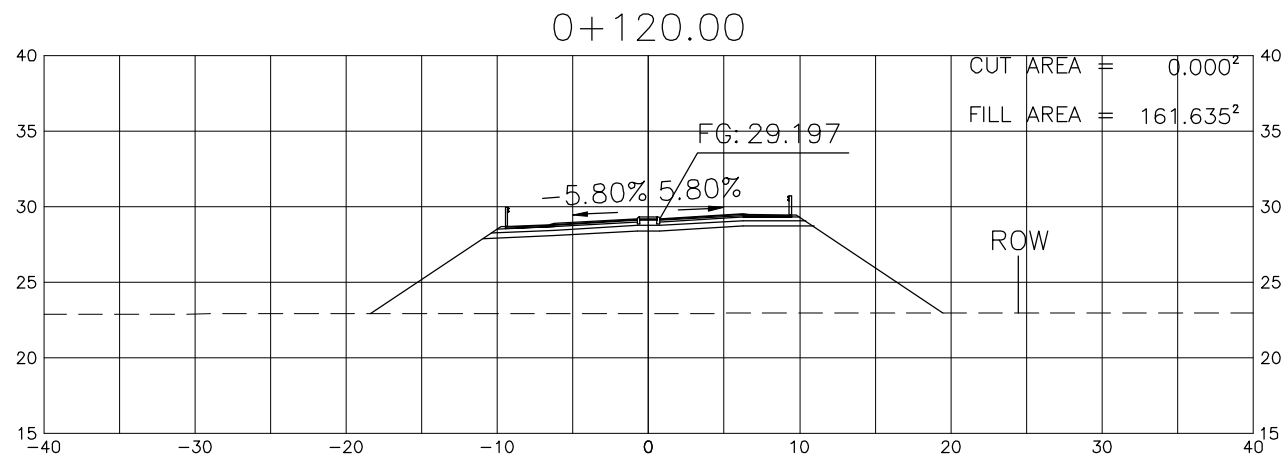
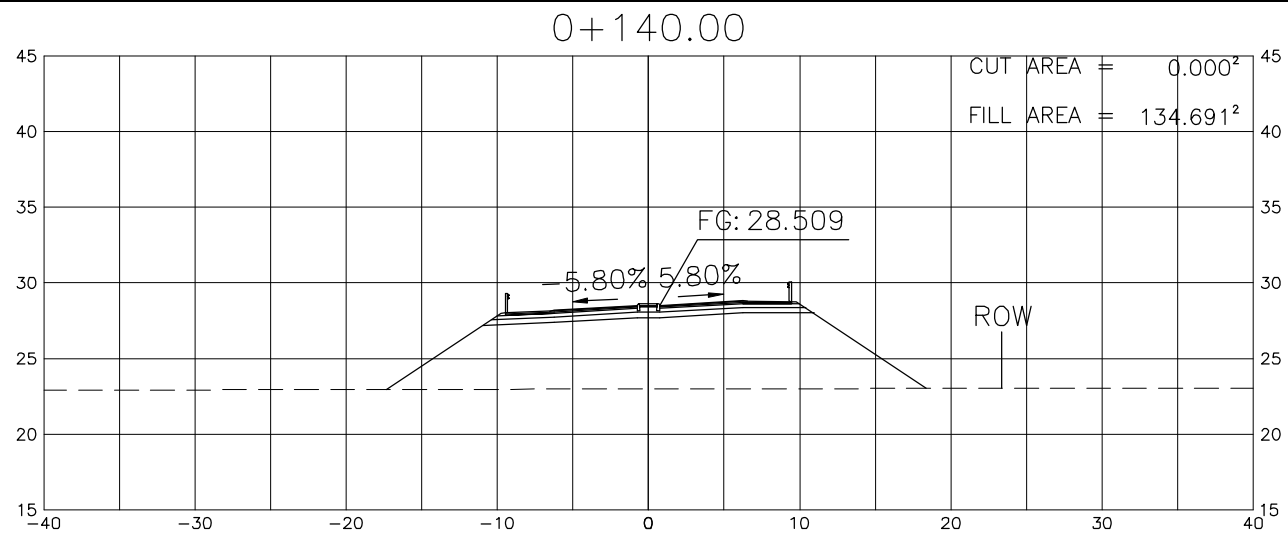
PROJECT TITLE	SCALE	SHEET CONTENT	DRAWING NO.
Preparatory survey for expressway project in Mega Manila Region CLLEX ( TARLAC - CABANATUAN )	A1 = 1:250 A3 = 1:500	CROSS SECTION (INTERIM 2 LANE) STA 30+200 TO STA 30+325	L-89
			SHEET NO.
			89 OF 90



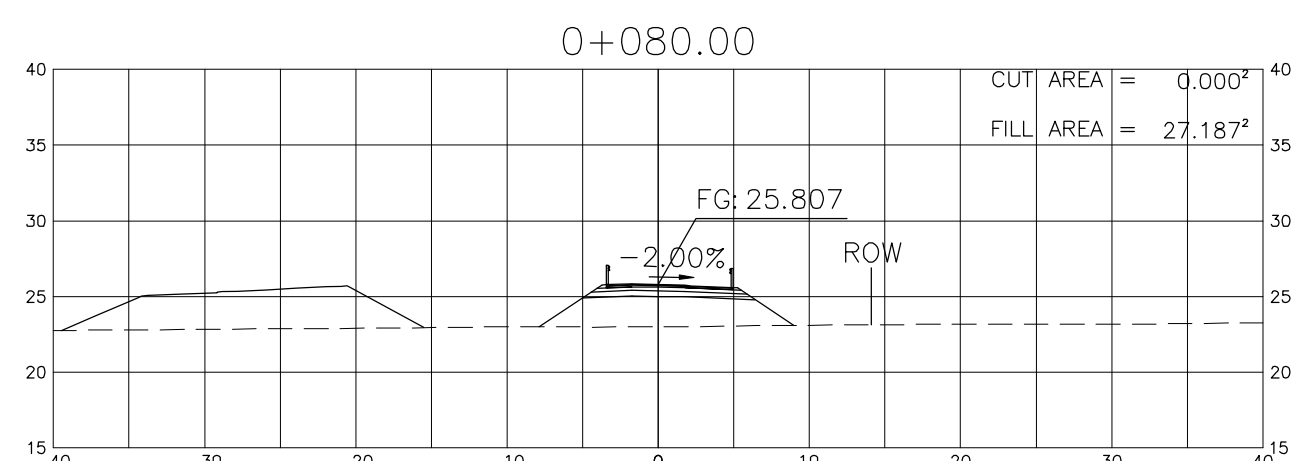
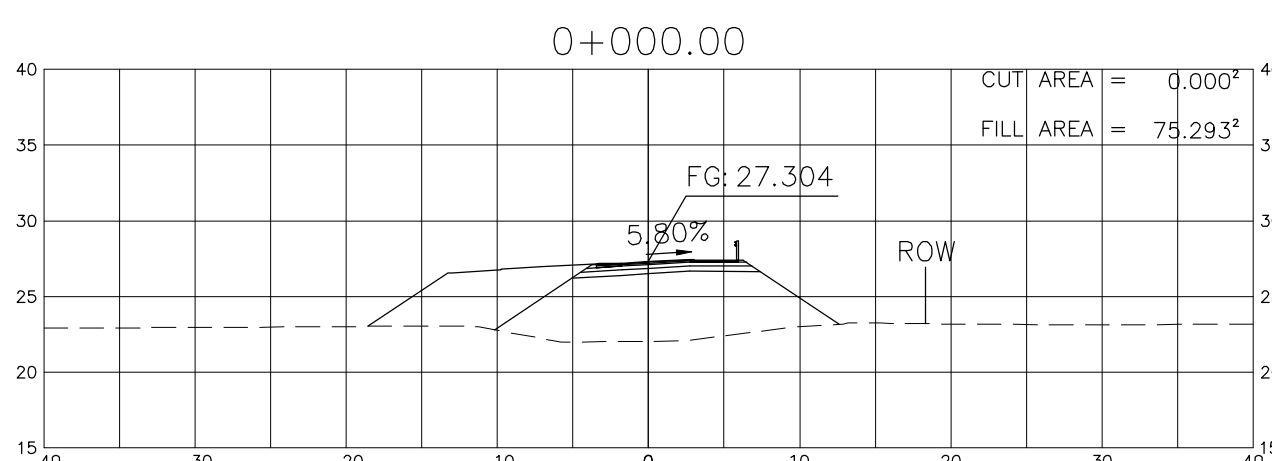
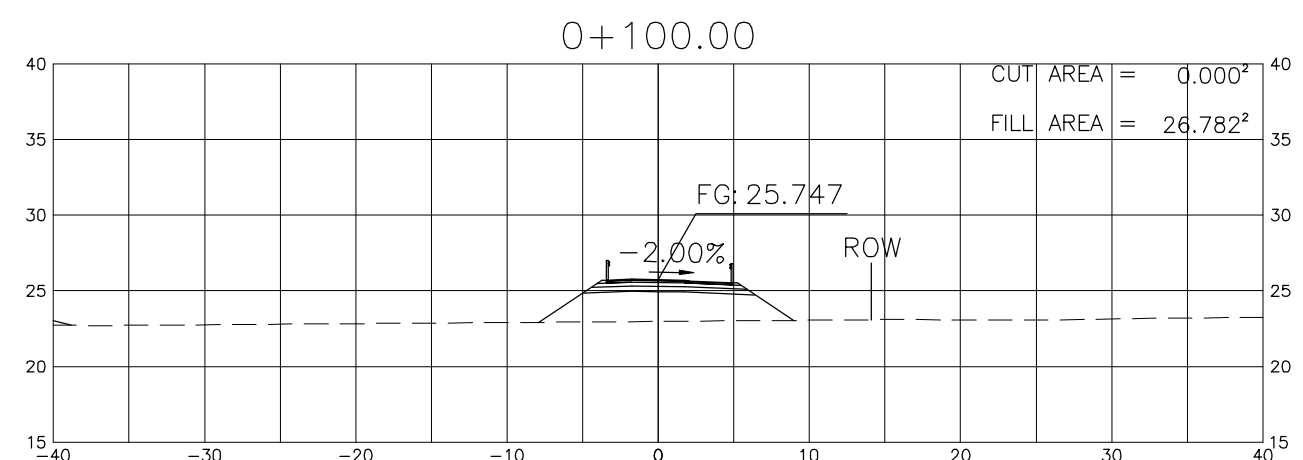
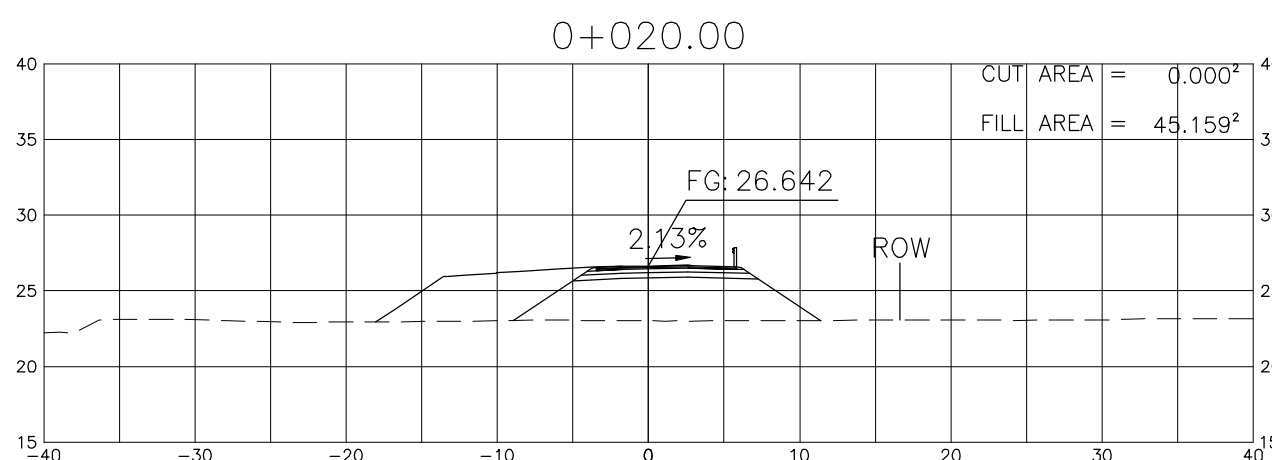
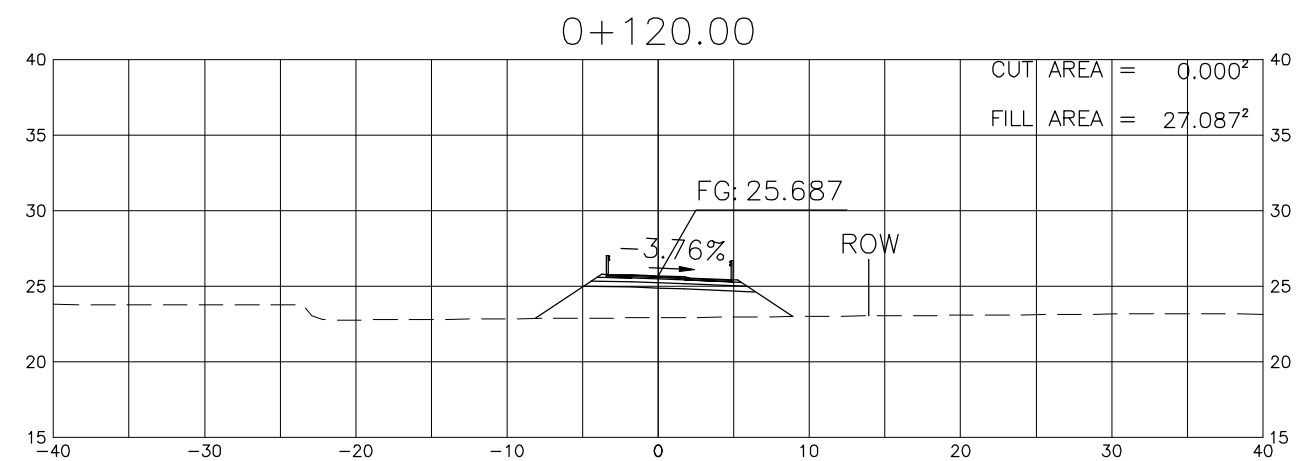
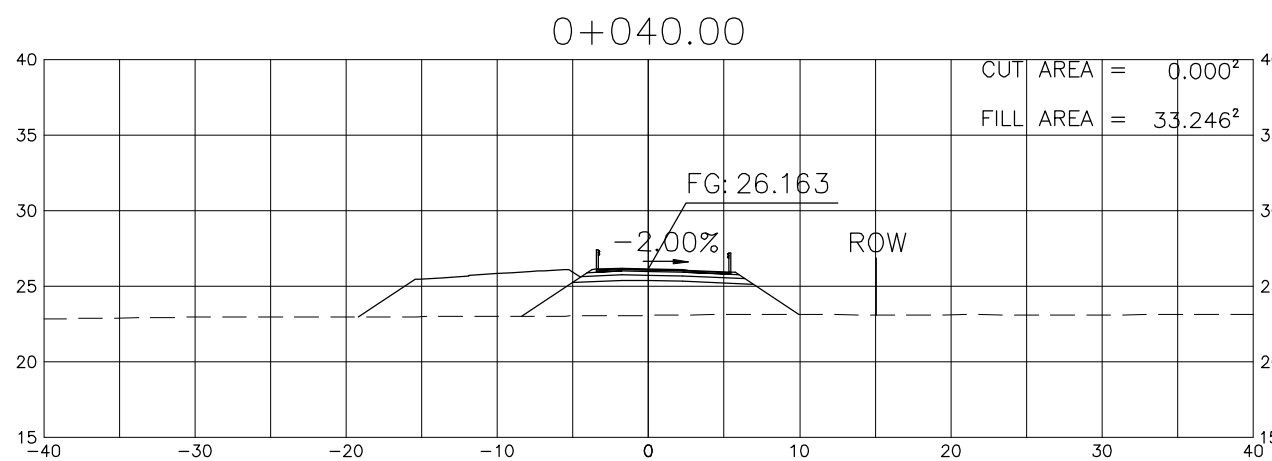
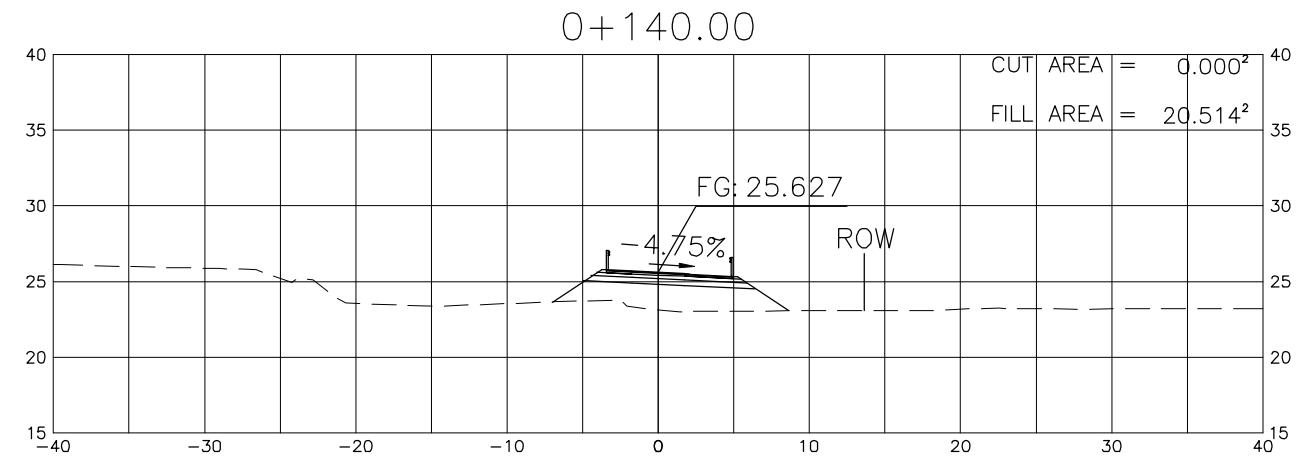
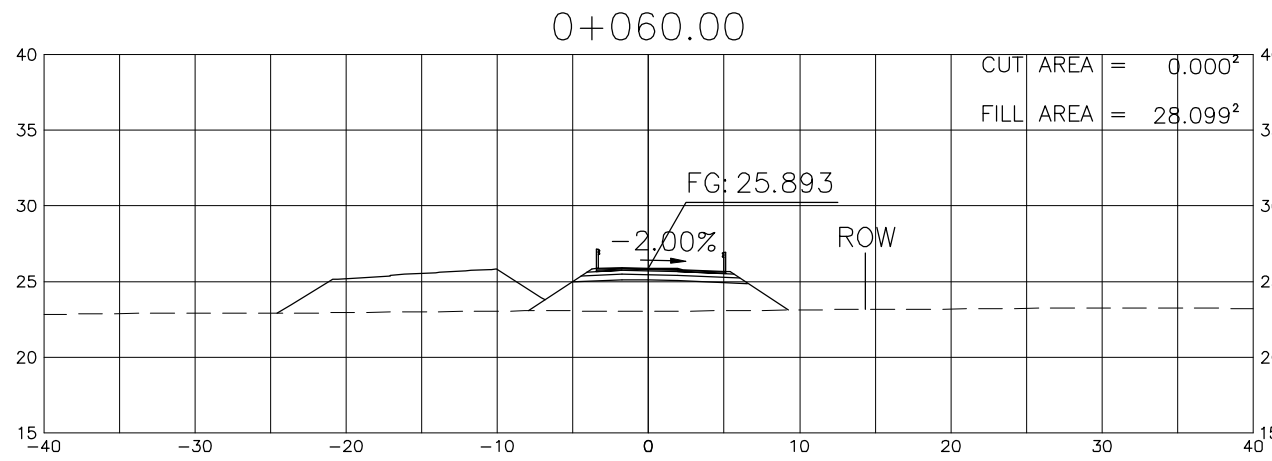
PROJECT TITLE	SCALE	SHEET CONTENT	DRAWING NO.
<b>Preparatory survey for expressway project in Mega Manila Region CLLEX ( TARLAC - CABANATUAN )</b>	A1 = 1:250 A3 = 1:500	<b>CROSS SECTION (INTERIM 2 LANE)</b> STA 30+330 TO STA 30+480.40	L-90
			SHEET NO.
			90 OF 90



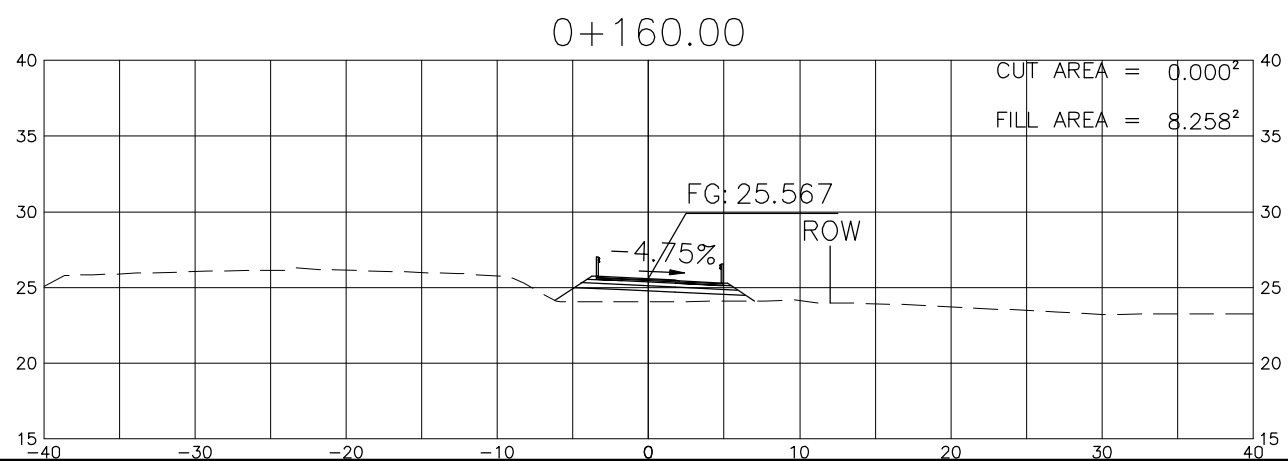
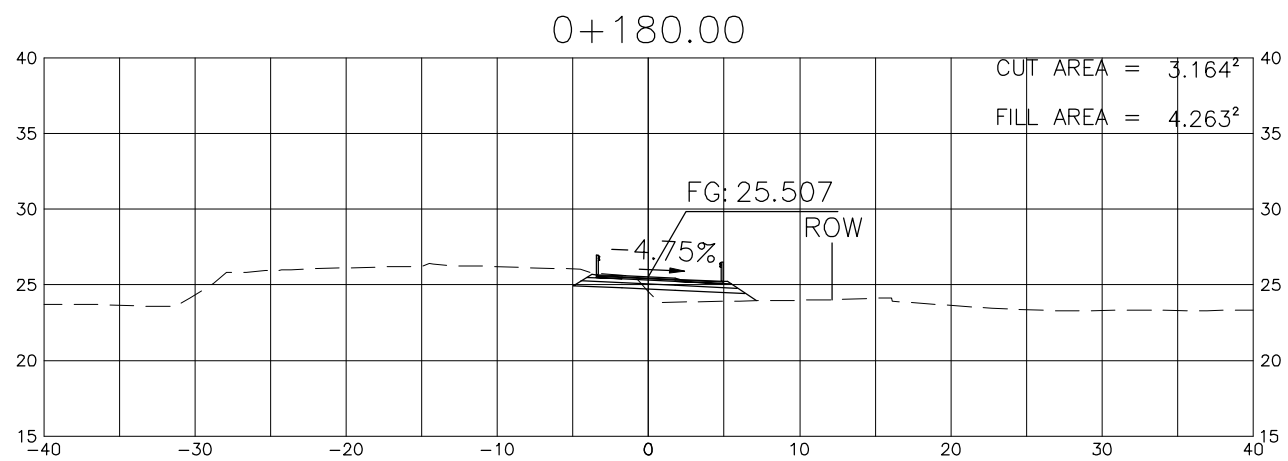
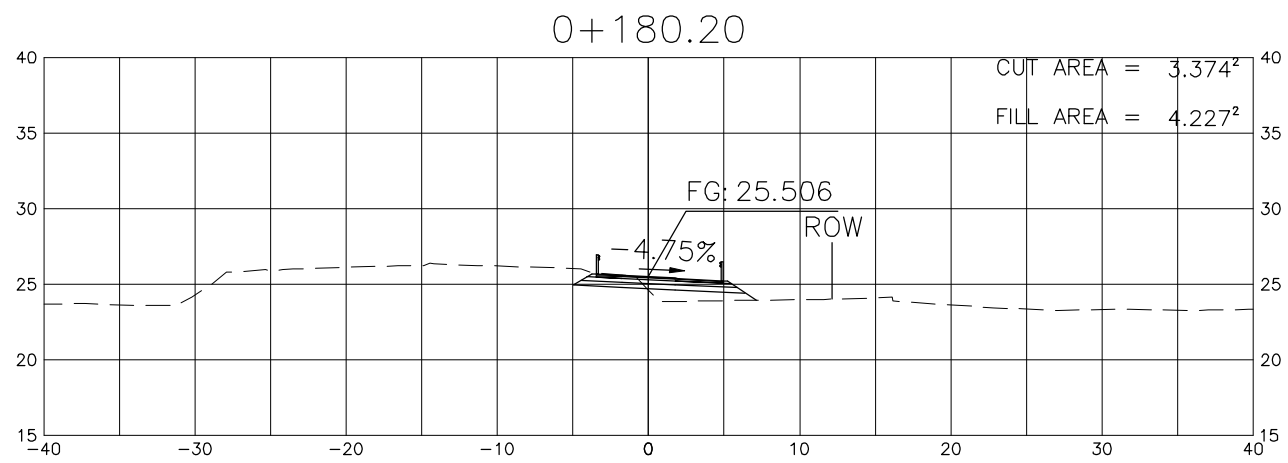
PROJECT TITLE	SCALE	SHEET CONTENT	DRAWING NO.
Preparatory survey for expressway project in Mega Manila Region CLLEX ( TARLAC - CABANATUAN )	A1 = 1:250 A3 = 1:500	CROSS SECTION (TARLAC INTERCHANGE) MAIN RAMP (1/2)	M-01
			SHEET NO. 1 OF 45



PROJECT TITLE	SCALE	SHEET CONTENT	DRAWING NO.
Preparatory survey for expressway project in Mega Manila Region CLLEX ( TARLAC - CABANATUAN )	A1 = 1:250 A3 = 1:500	CROSS SECTION (TARLAC INTERCHANGE) MAIN RAMP (2/2)	M-02
			SHEET NO.
			2 OF 45

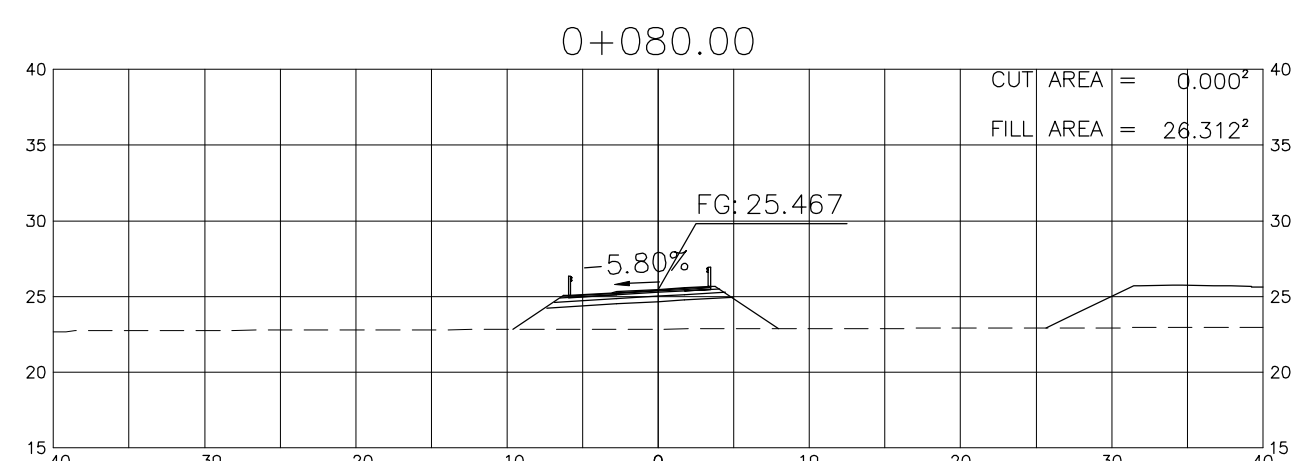
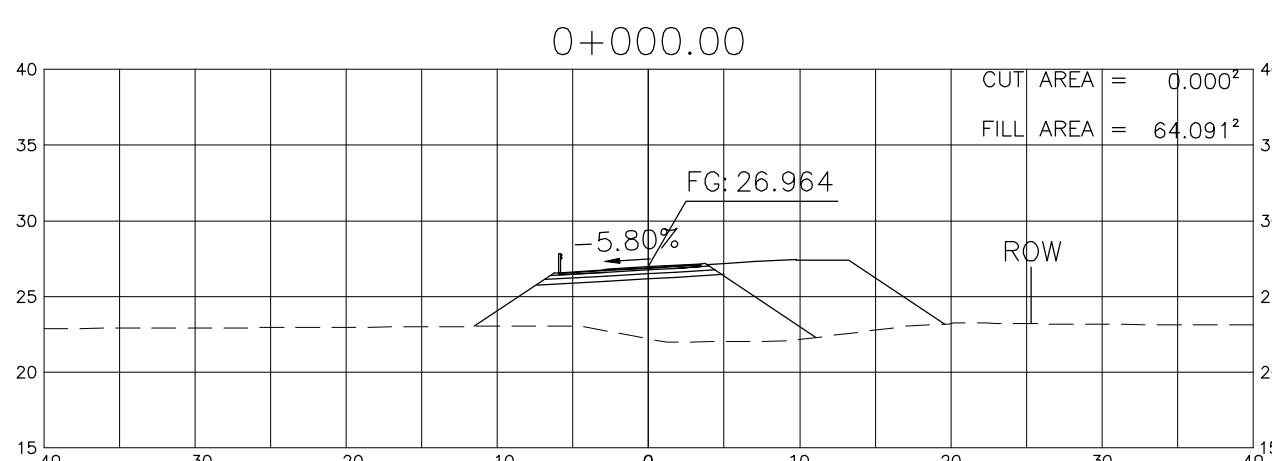
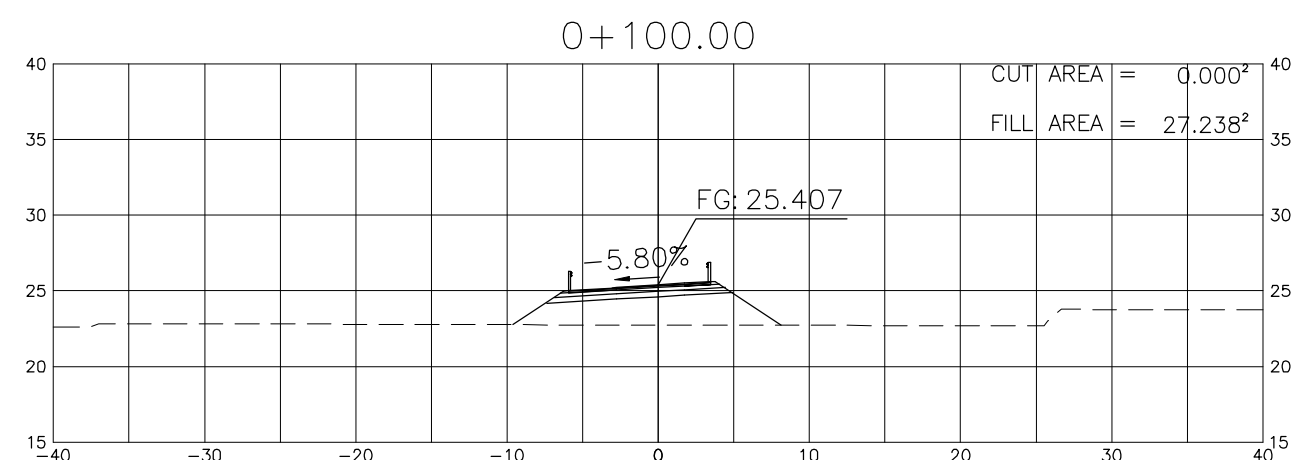
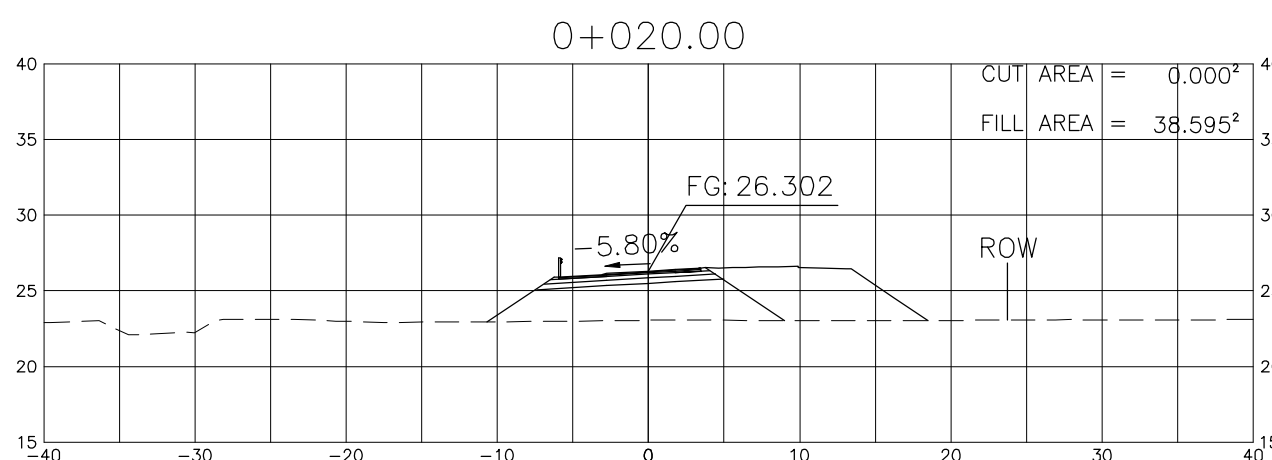
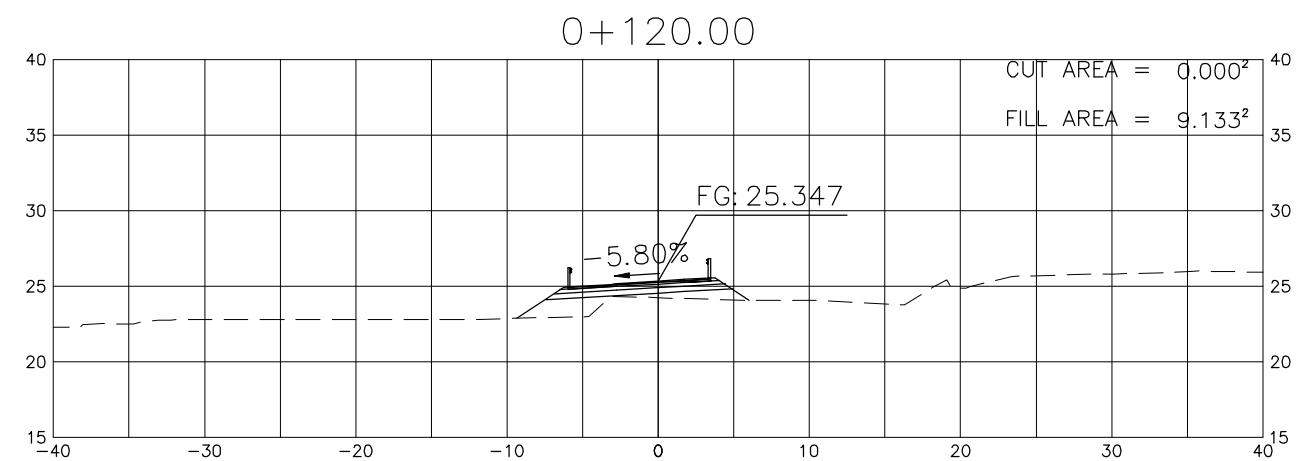
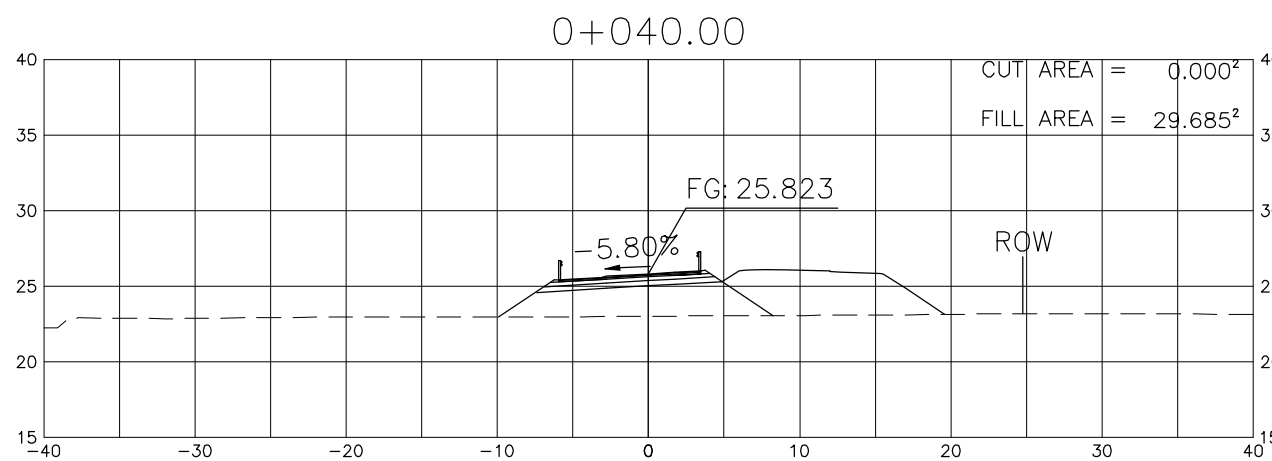
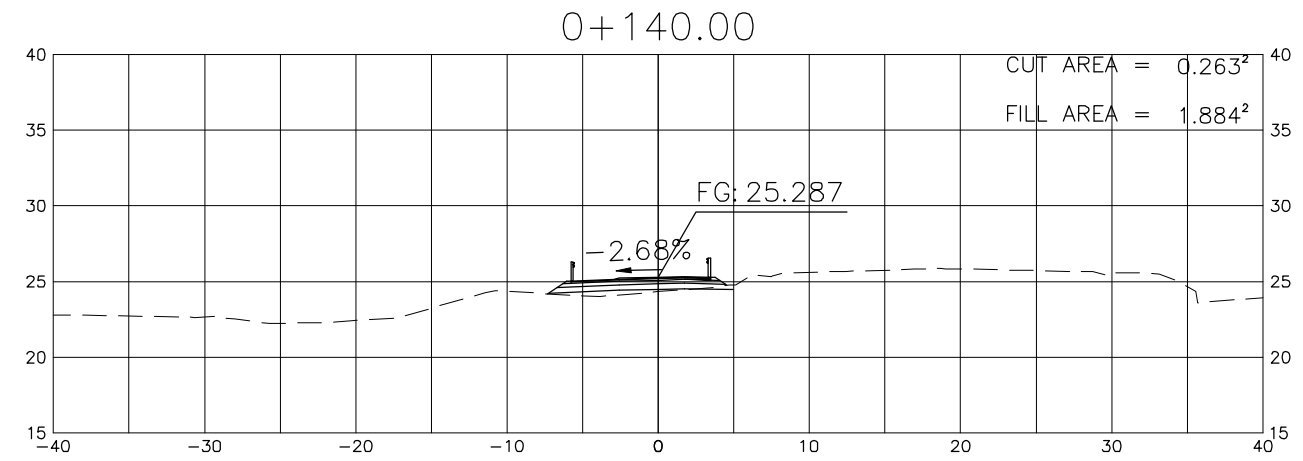
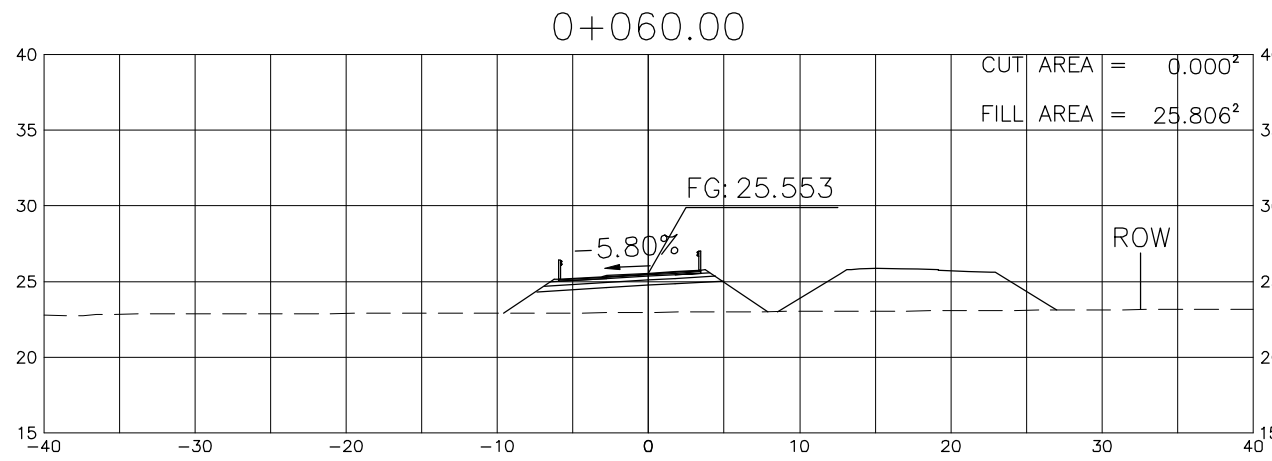


PROJECT TITLE	SCALE	SHEET CONTENT	DRAWING NO.
Preparatory survey for expressway project in Mega Manila Region CLLEX ( TARLAC - CABANATUAN )	A1 = 1:250 A3 = 1:500	CROSS SECTION (TARLAC INTERCHANGE) RAMP-A(1/2)	M-03
			SHEET NO.
			3 OF 45

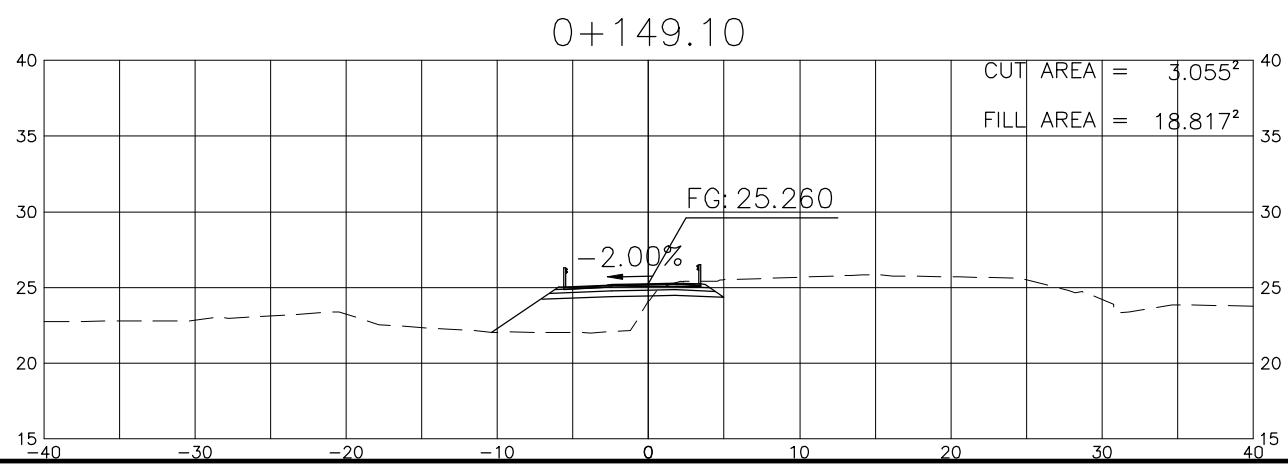


PROJECT TITLE	SCALE	SHEET CONTENT	DRAWING NO.
Preparatory survey for expressway project in Mega Manila Region CLLEX ( TARLAC - CABANATUAN )	A1 = 1:250 A3 = 1:500	CROSS SECTION (TARLAC INTERCHANGE) RAMP-A(2/2)	M-04
			SHEET NO.
			4 OF 45

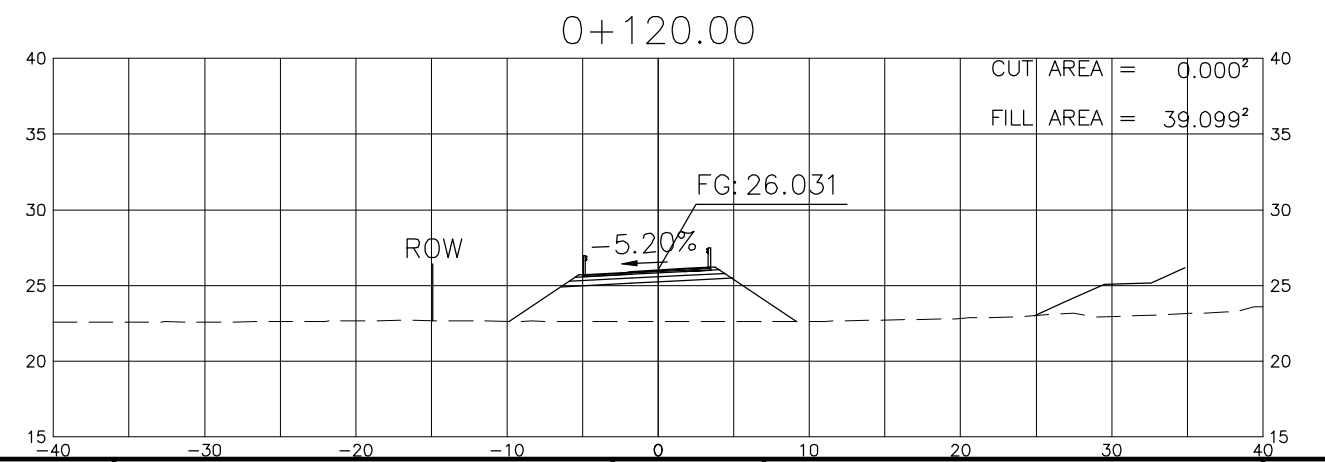
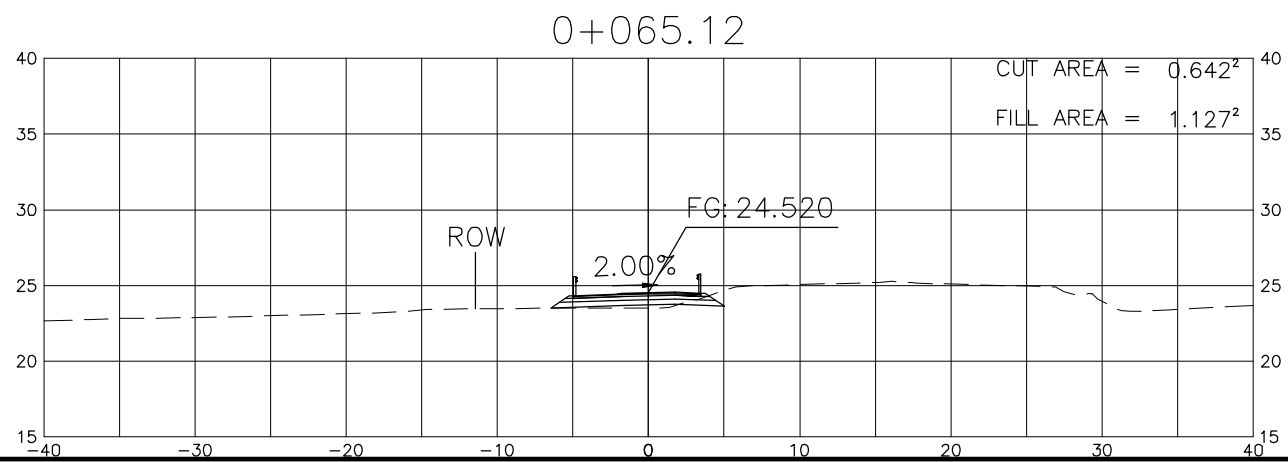
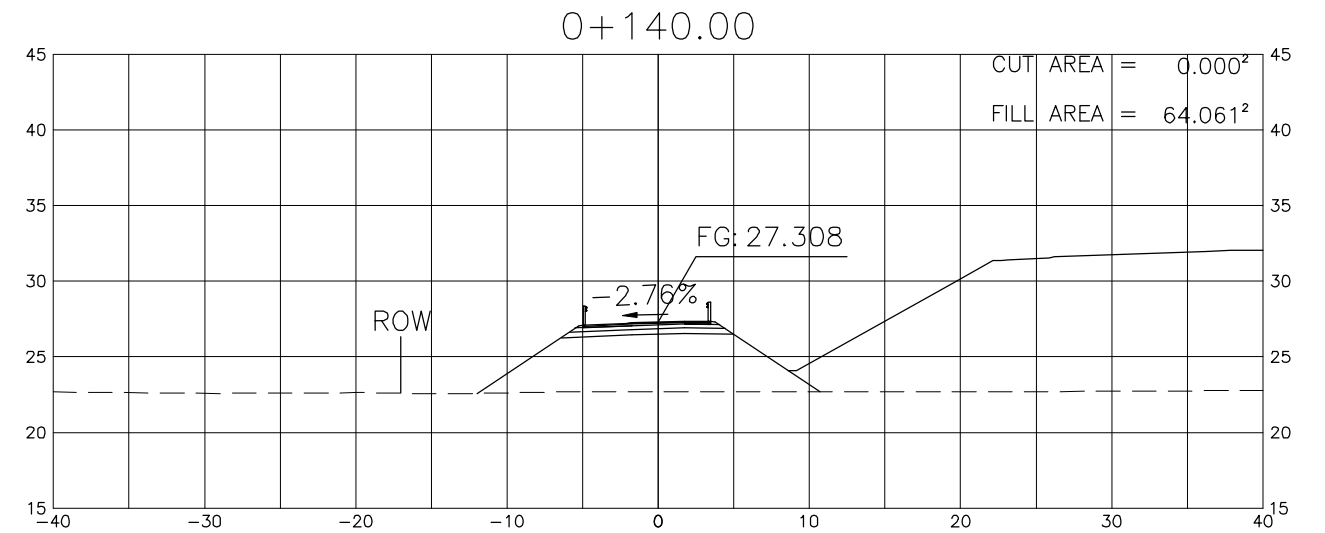
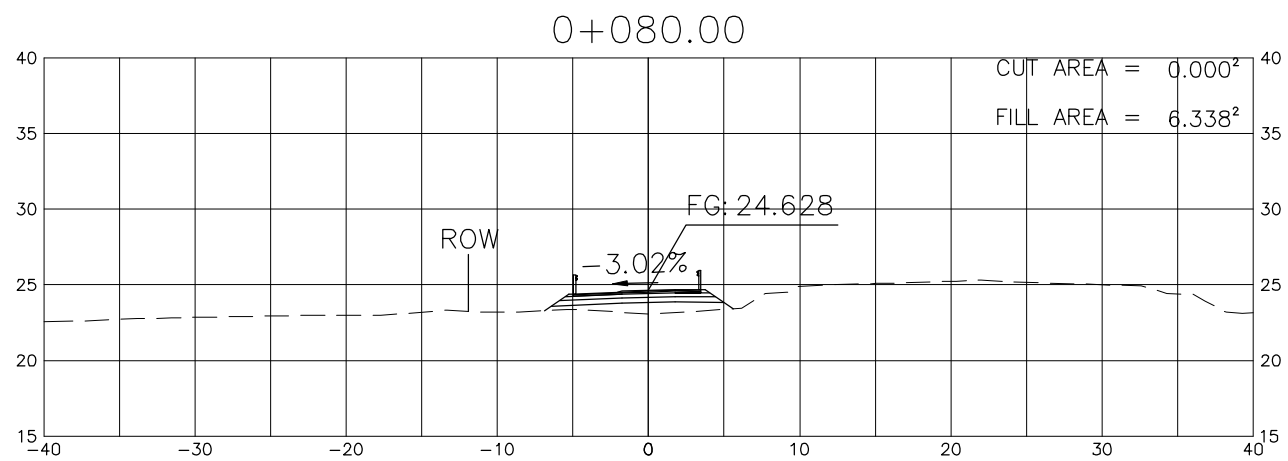
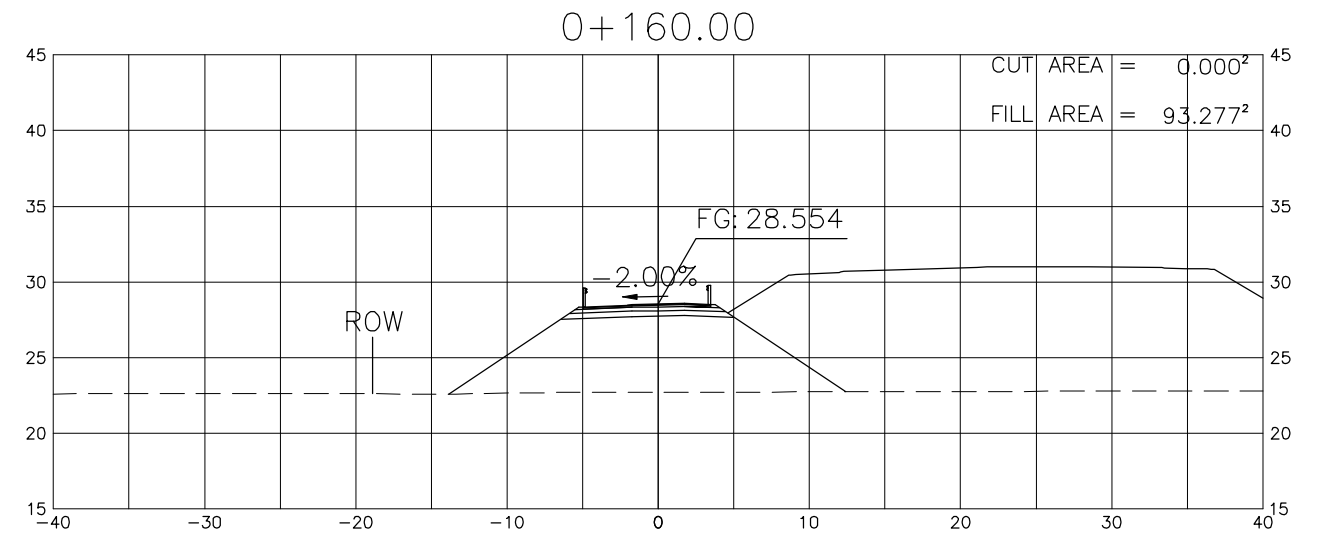
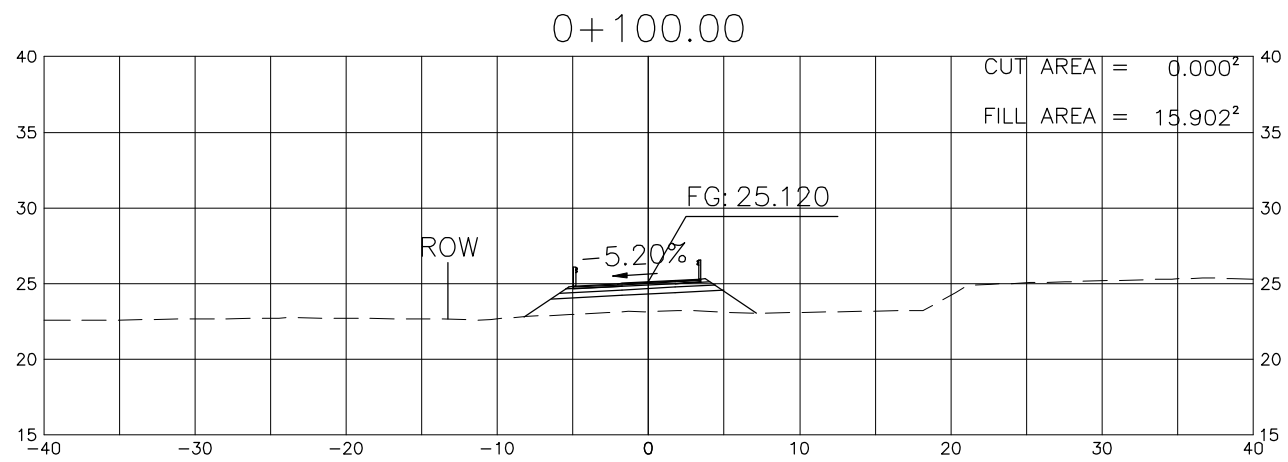




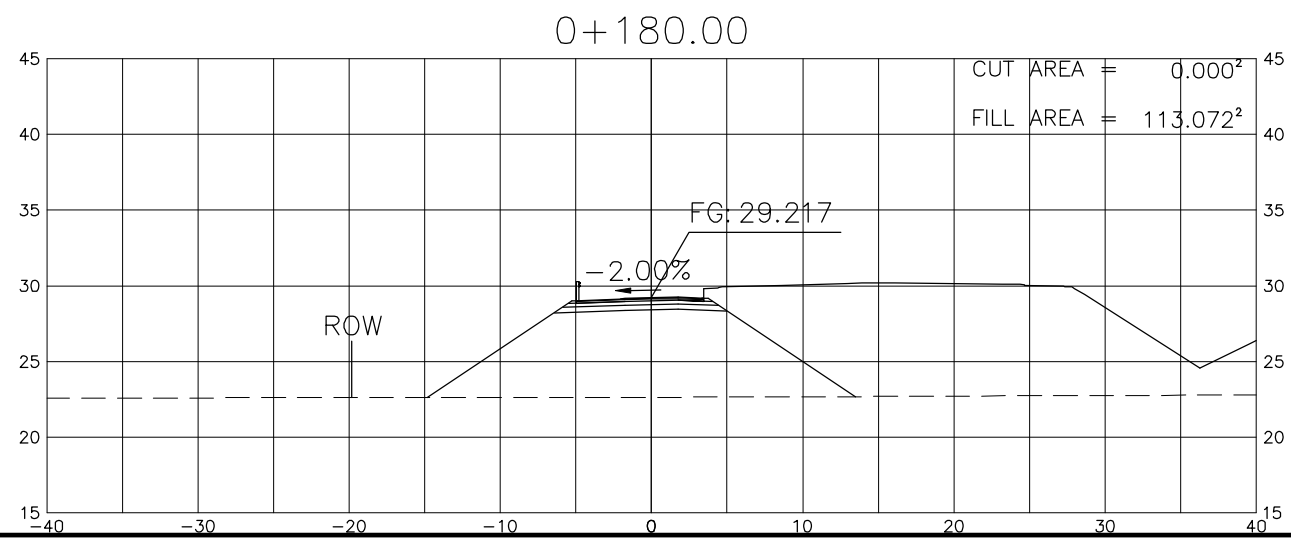
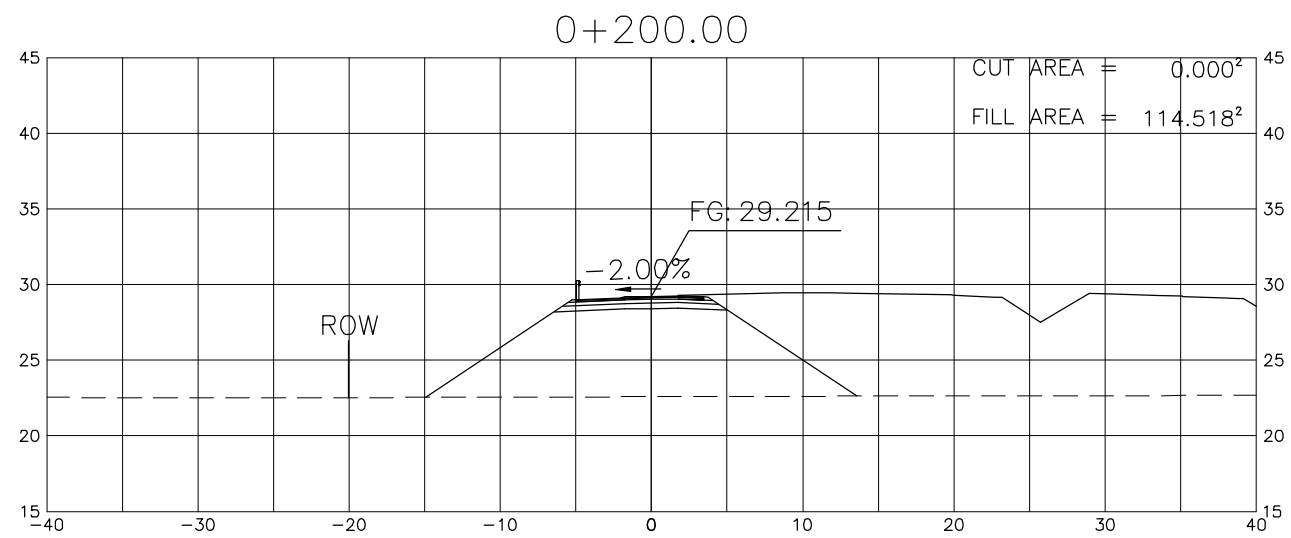
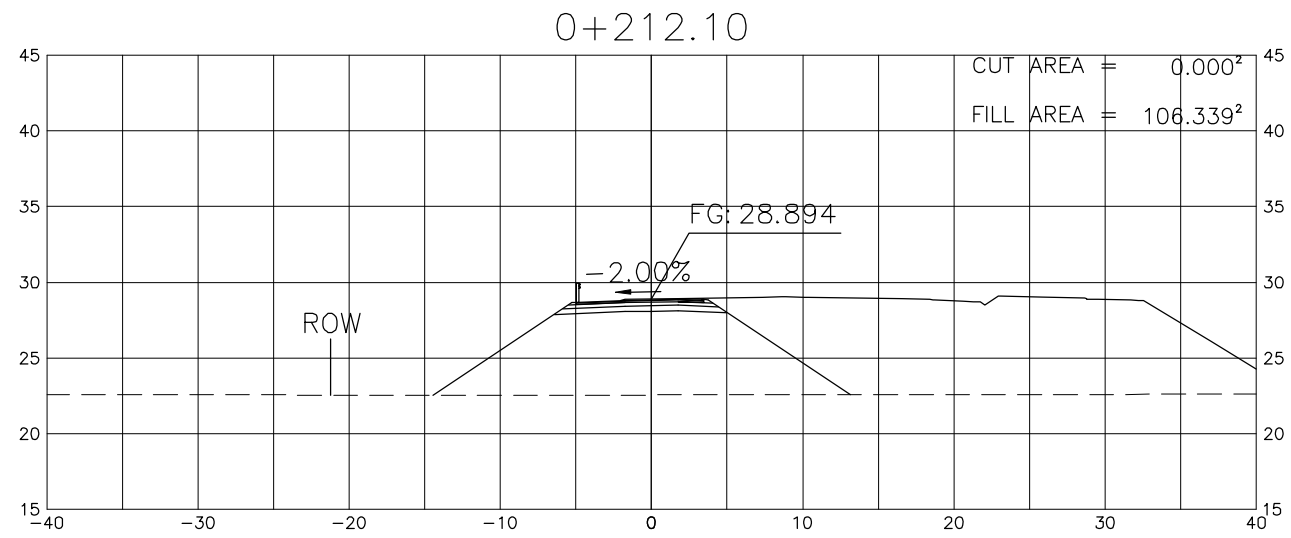
PROJECT TITLE	SCALE	SHEET CONTENT	DRAWING NO.
Preparatory survey for expressway project in Mega Manila Region CLLEX ( TARLAC - CABANATUAN )	A1 = 1:250 A3 = 1:500	CROSS SECTION (TARLAC INTERCHANGE) RAMP-B(1/2)	M-05
			SHEET NO.
			5 OF 45



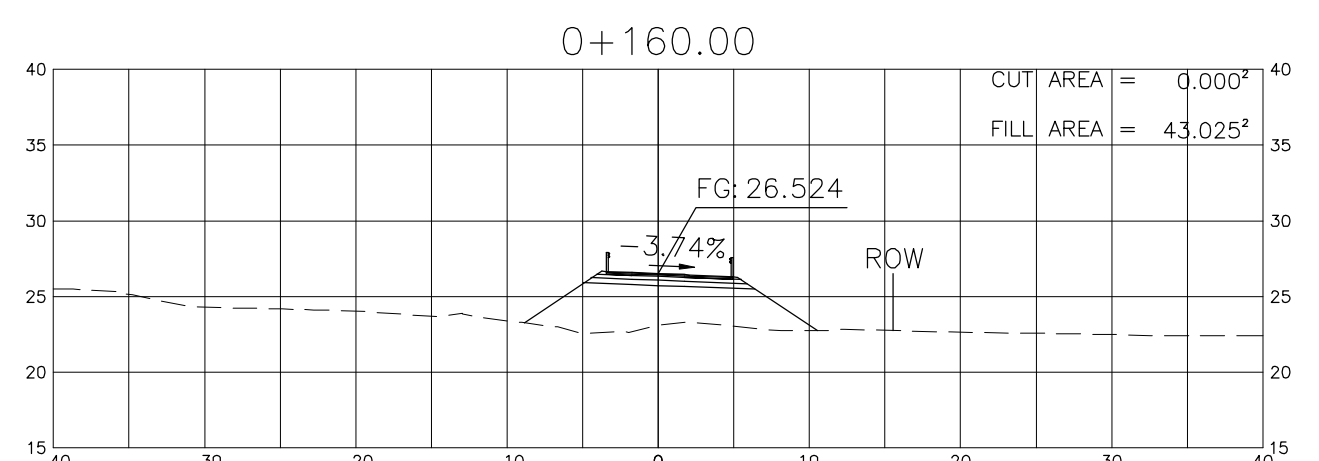
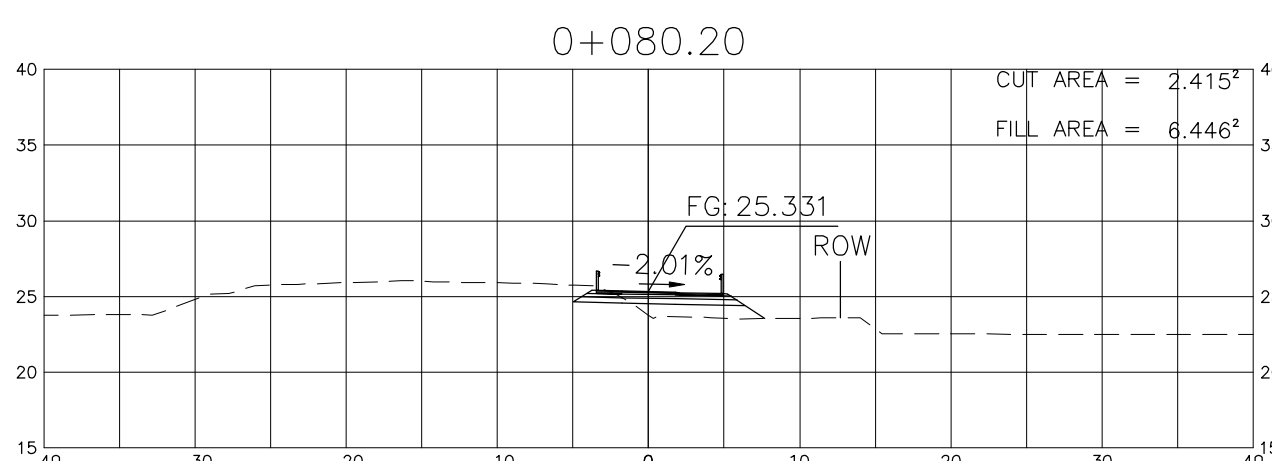
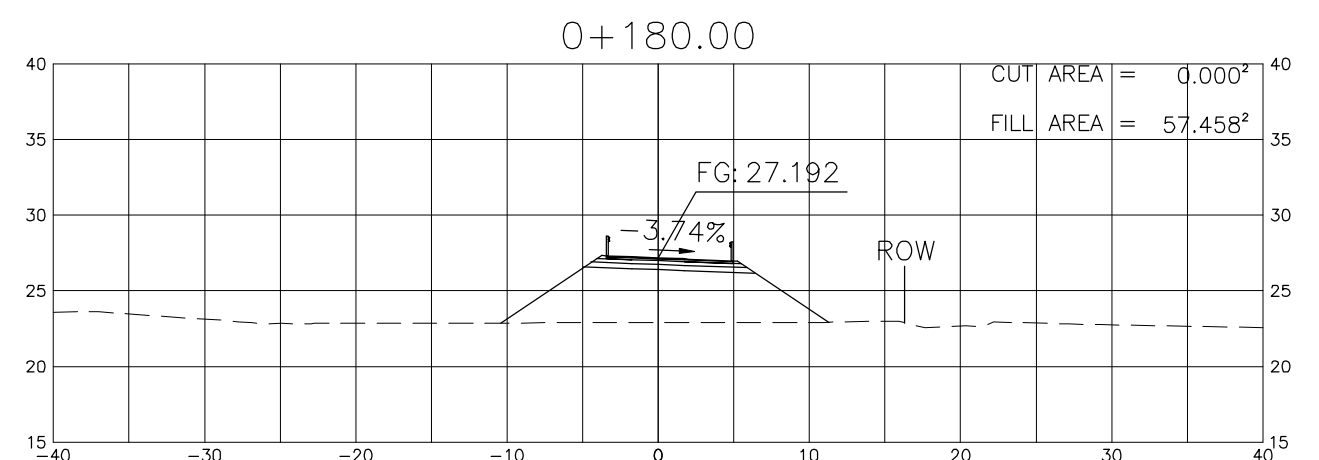
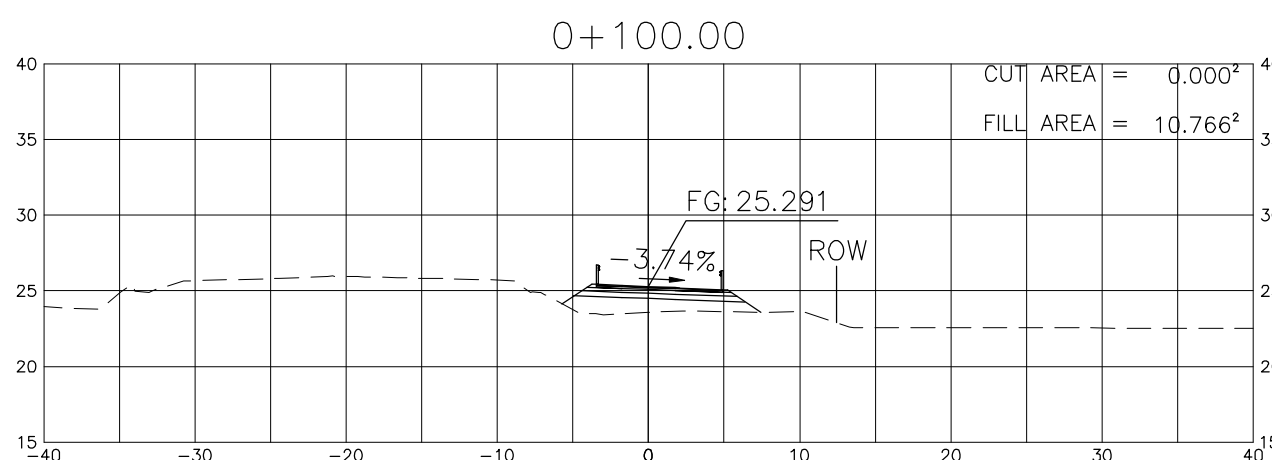
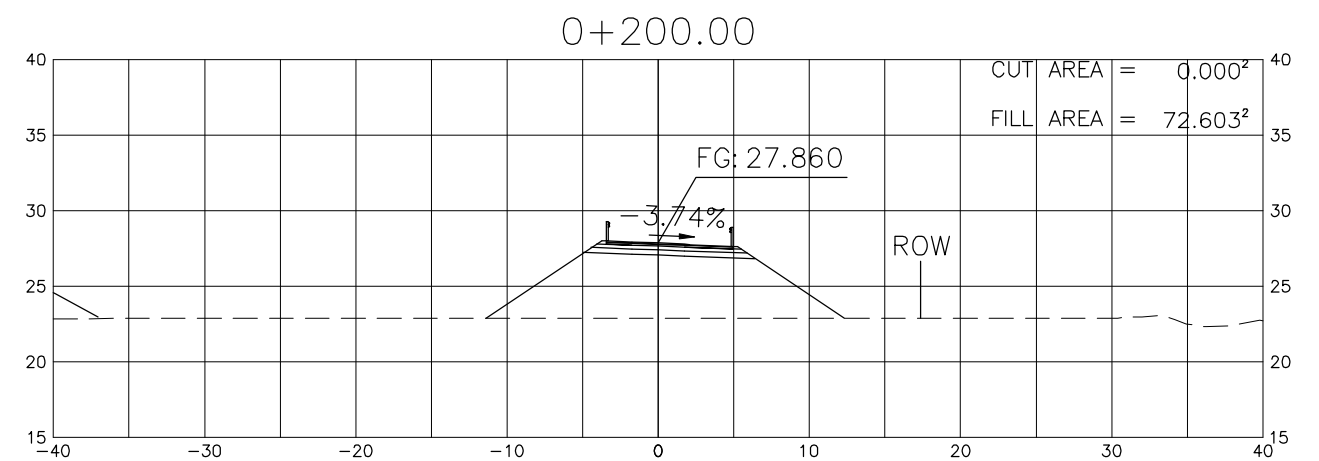
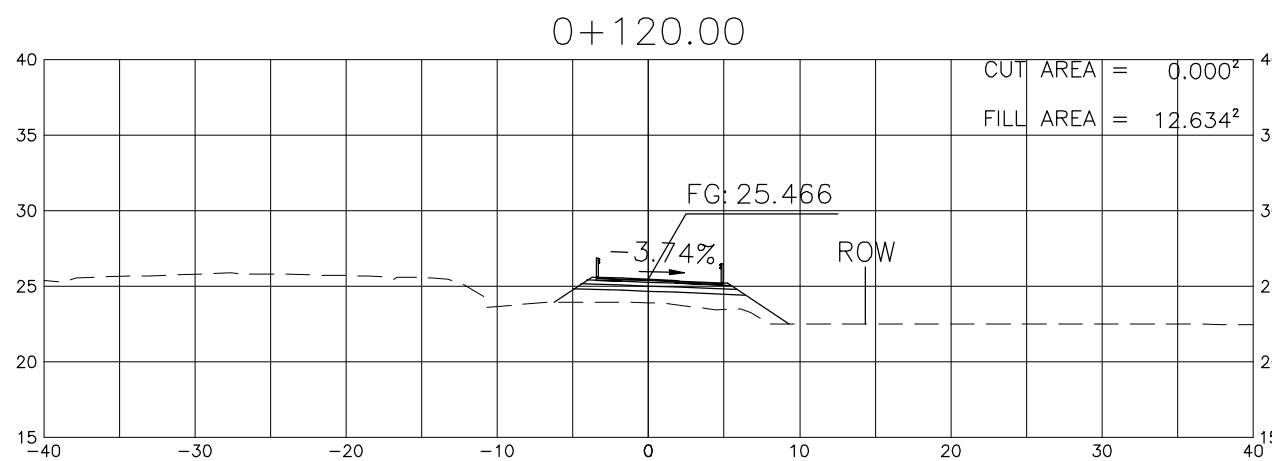
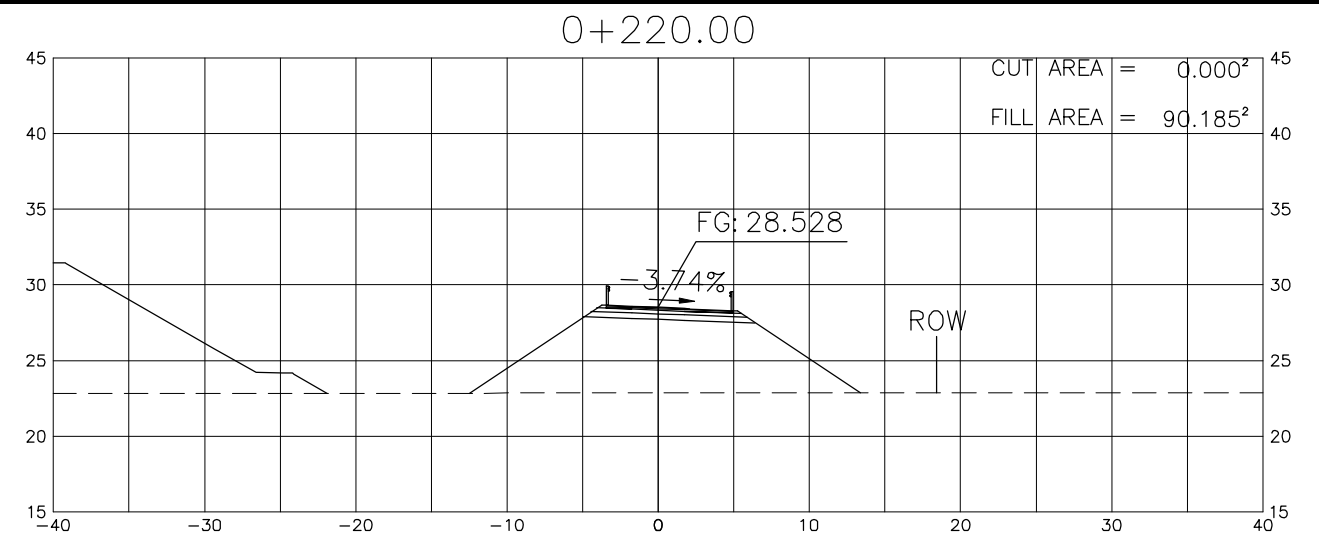
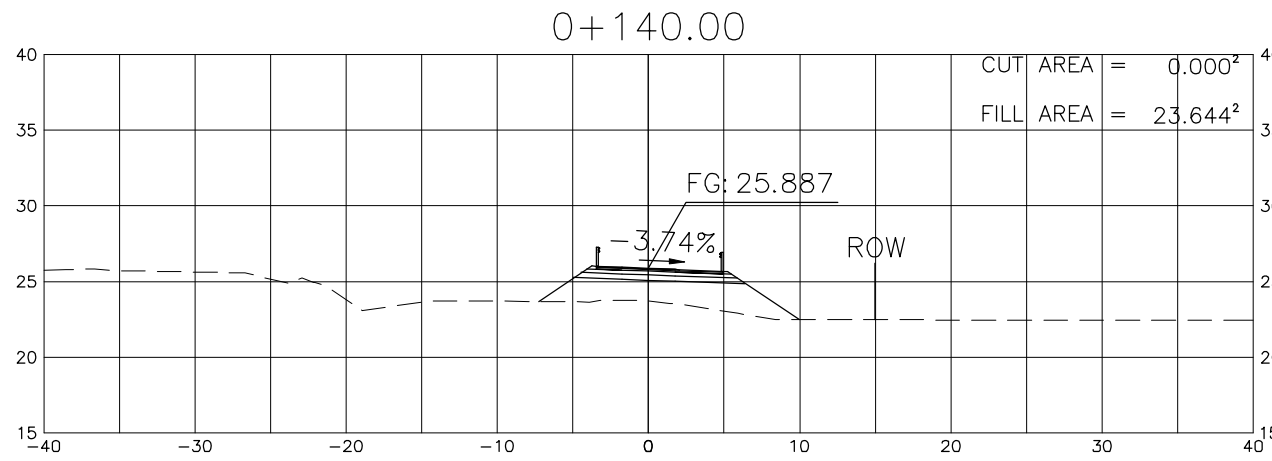
PROJECT TITLE	SCALE	SHEET CONTENT	DRAWING NO.
<b>Preparatory survey for expressway project in Mega Manila Region CLLEX ( TARLAC - CABANATUAN )</b>	A1 = 1:250 A3 = 1:500	<b>CROSS SECTION (TARLAC INTERCHANGE) RAMP-B(2/2)</b>	M-06
			SHEET NO.
			6 OF 45



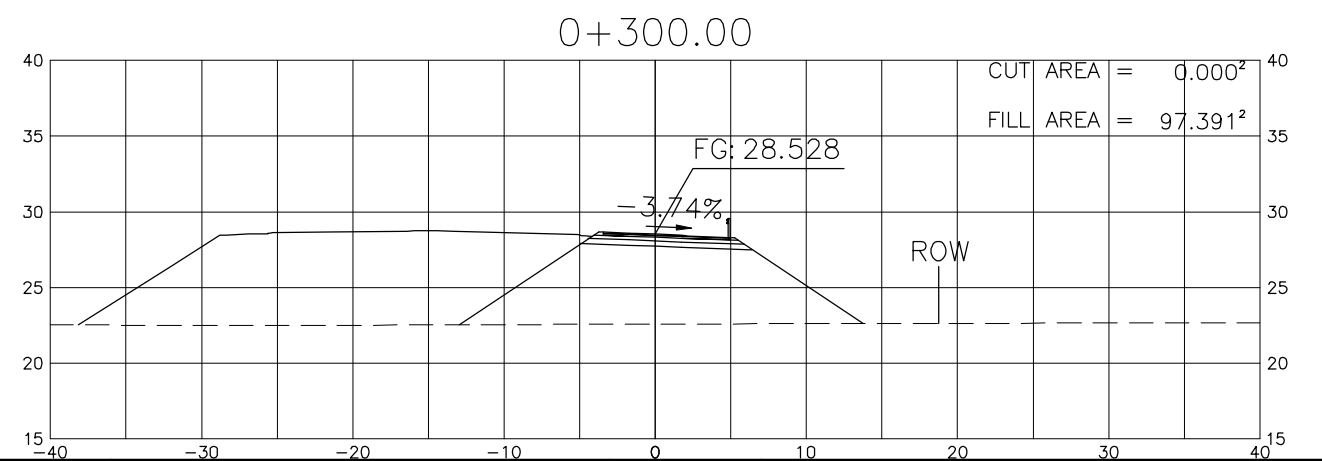
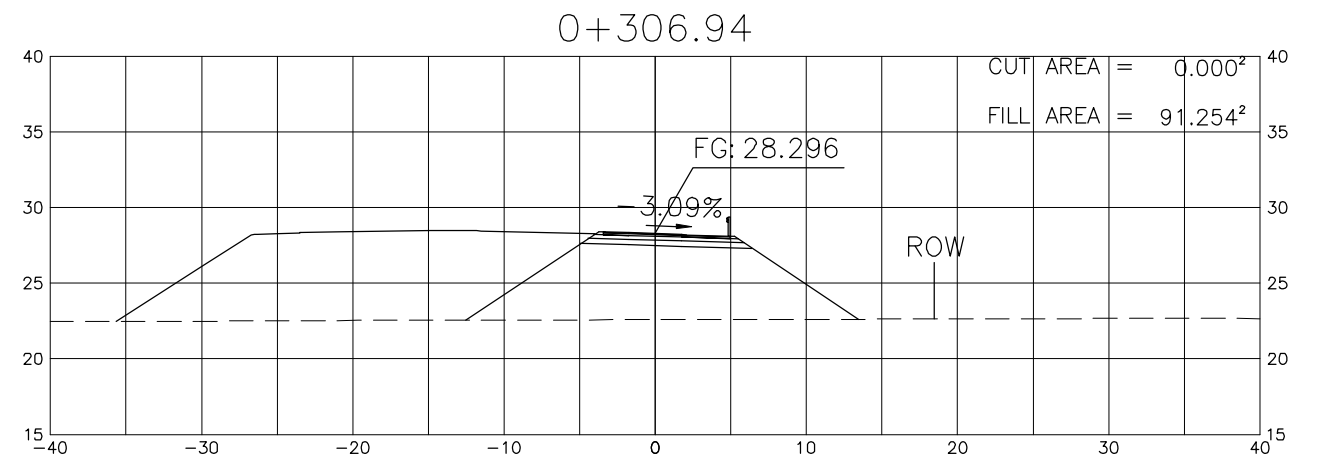
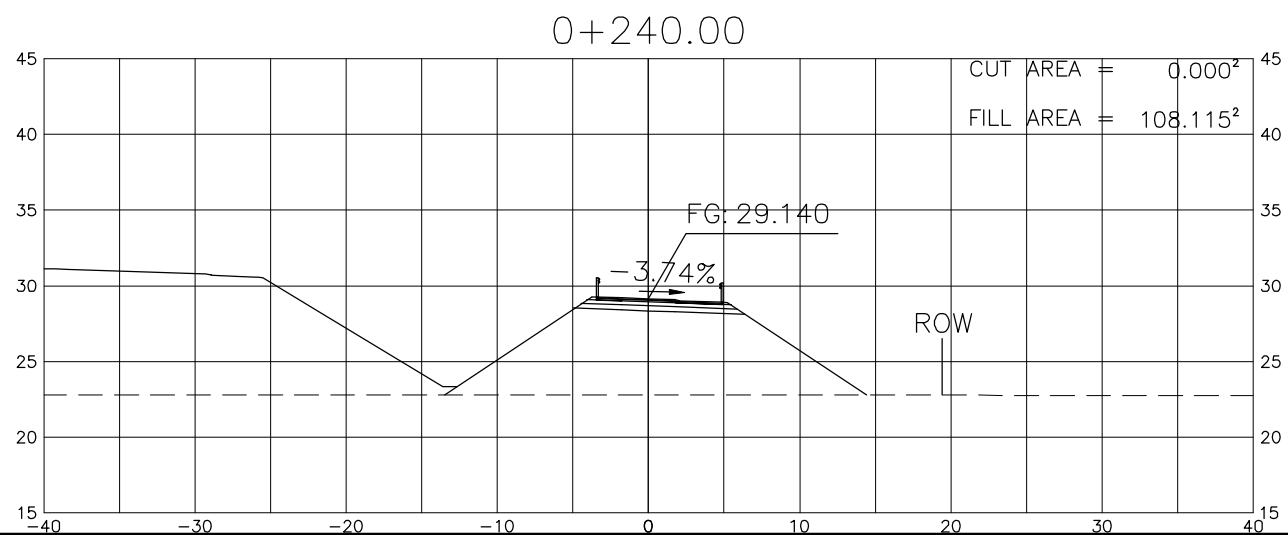
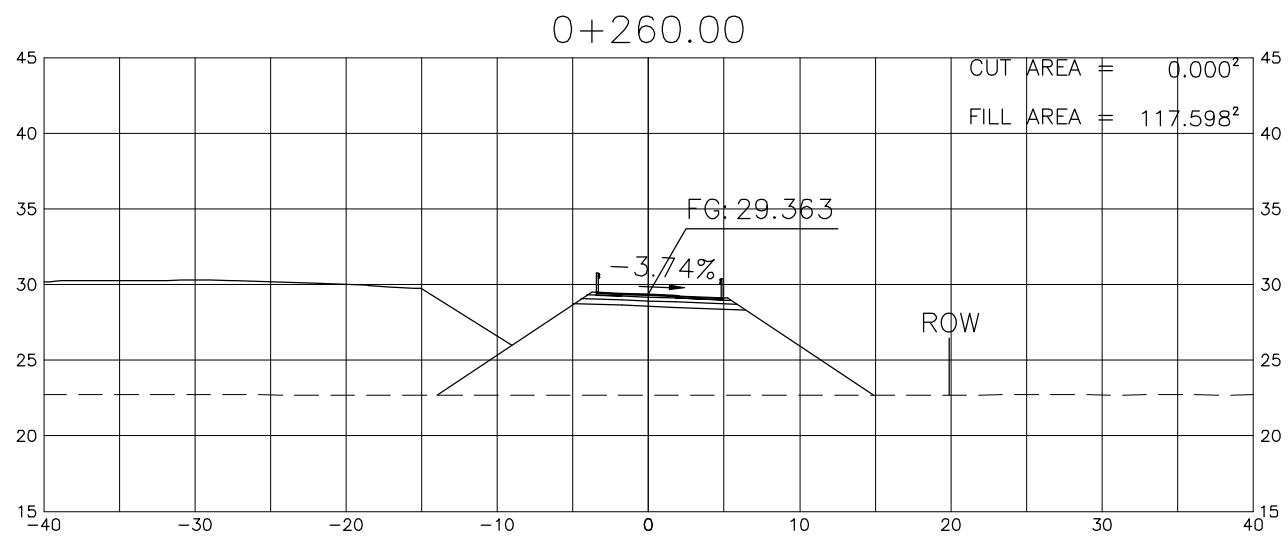
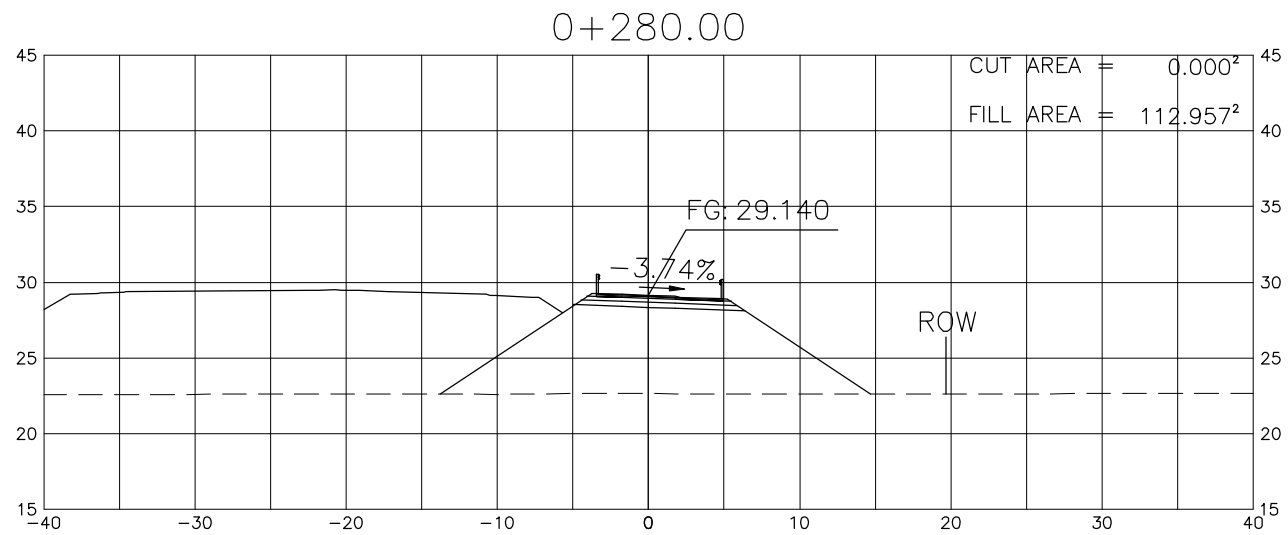
PROJECT TITLE	SCALE	SHEET CONTENT	DRAWING NO.
Preparatory survey for expressway project in Mega Manila Region CLLEX ( TARLAC - CABANATUAN )	A1 = 1:250 A3 = 1:500	CROSS SECTION (TARLAC INTERCHANGE) RAMP-C(1/2)	M-07
			SHEET NO.
			7 OF 45



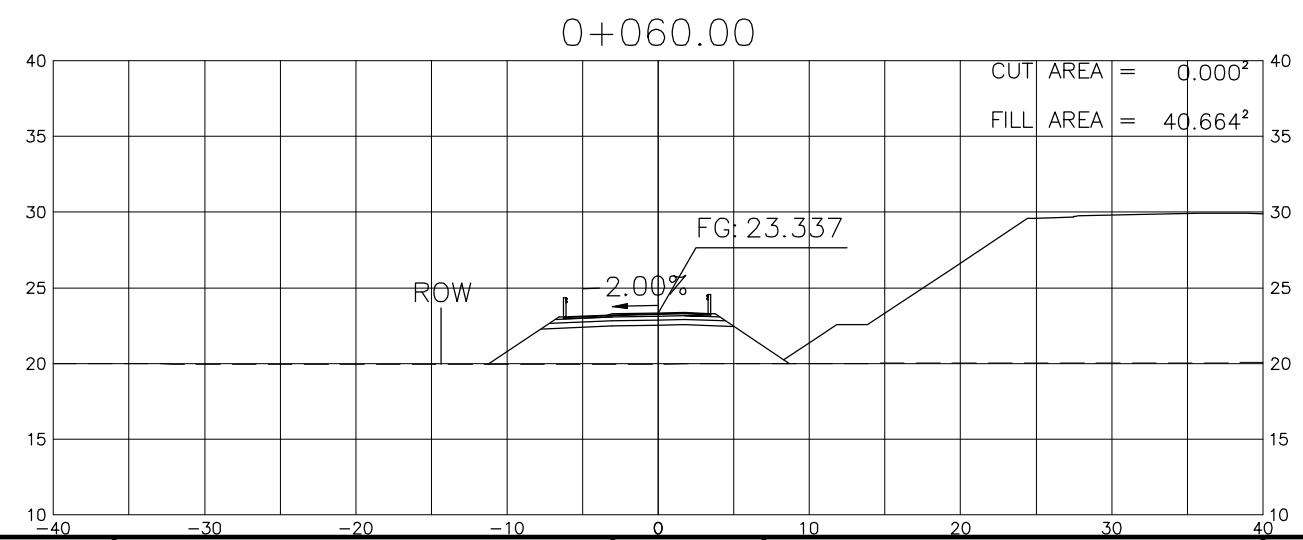
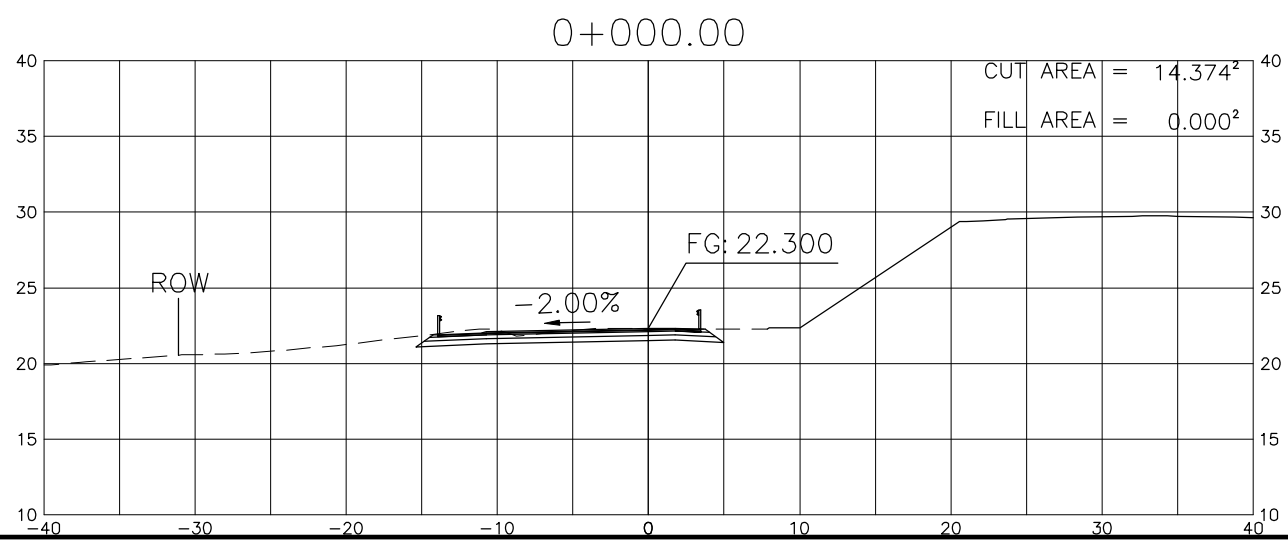
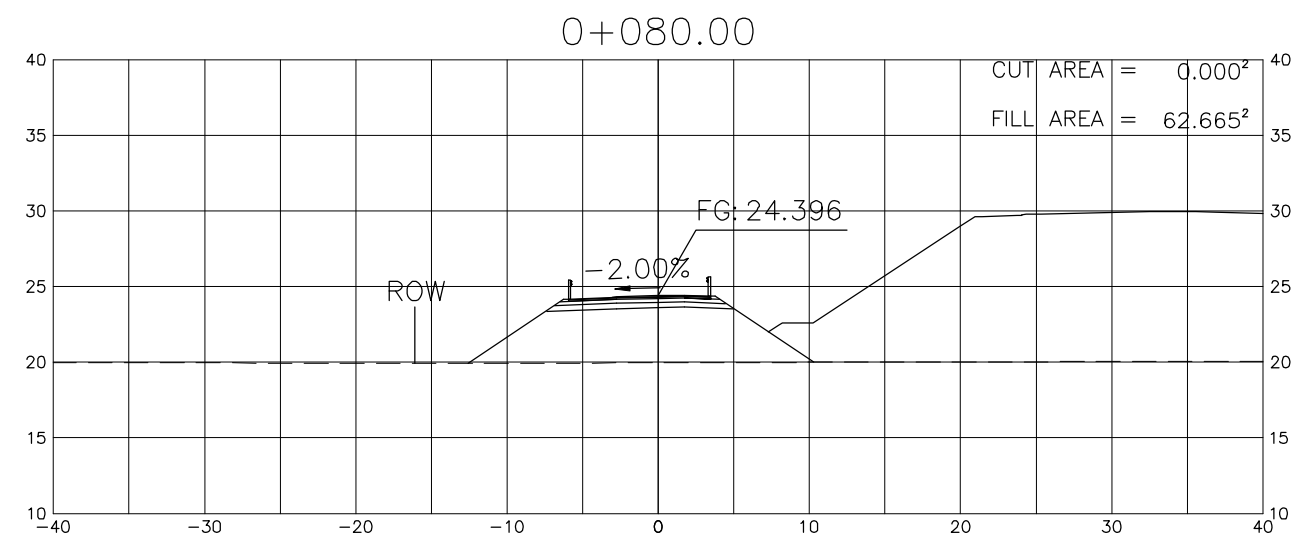
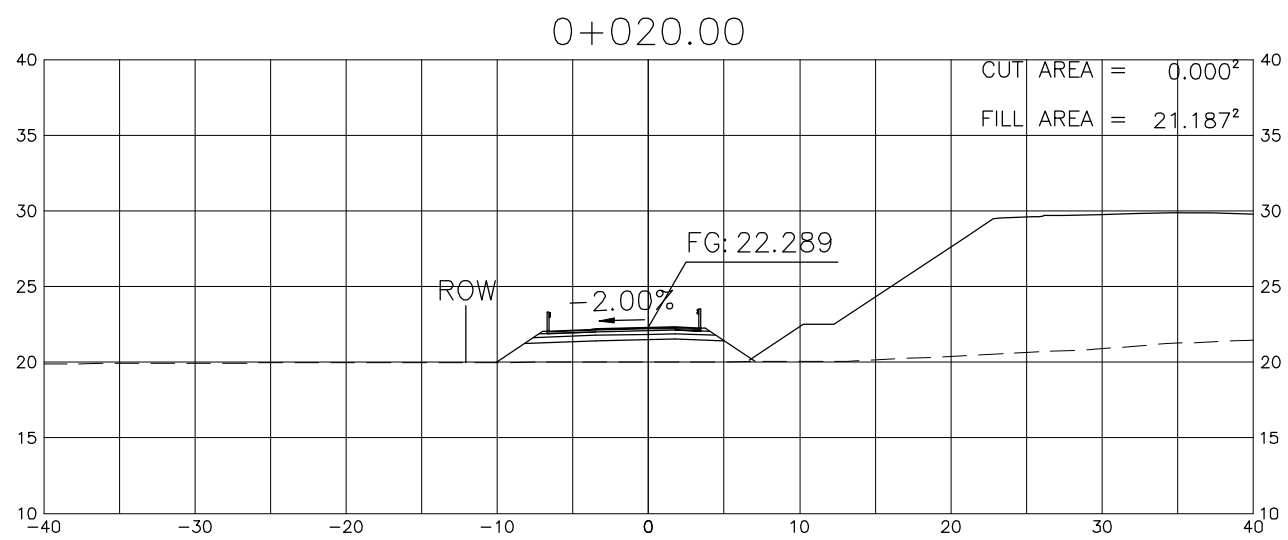
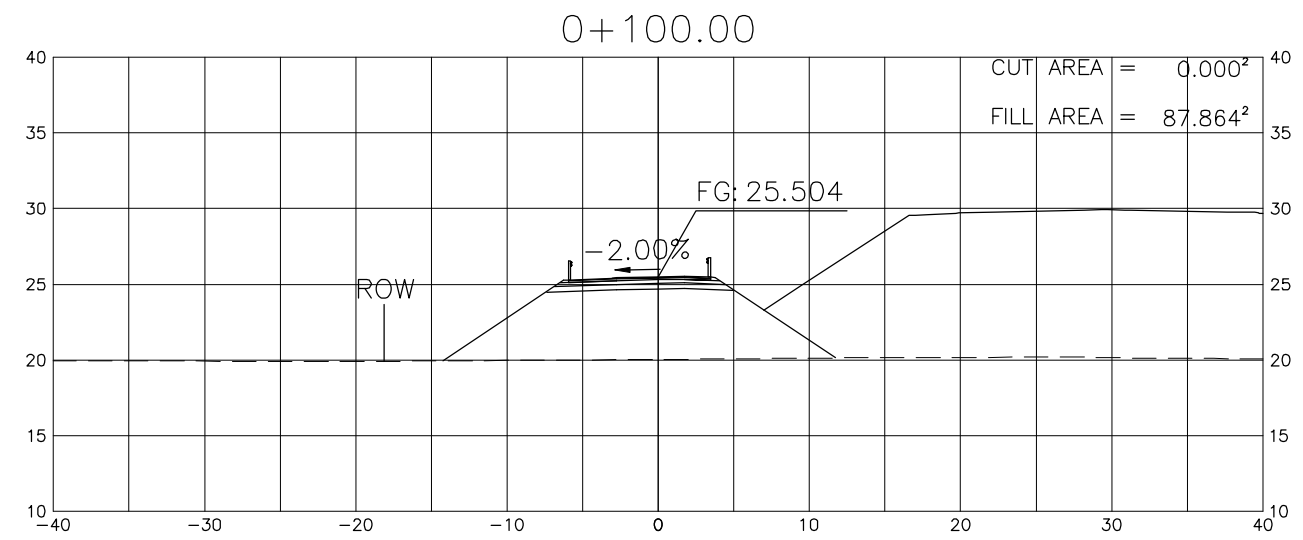
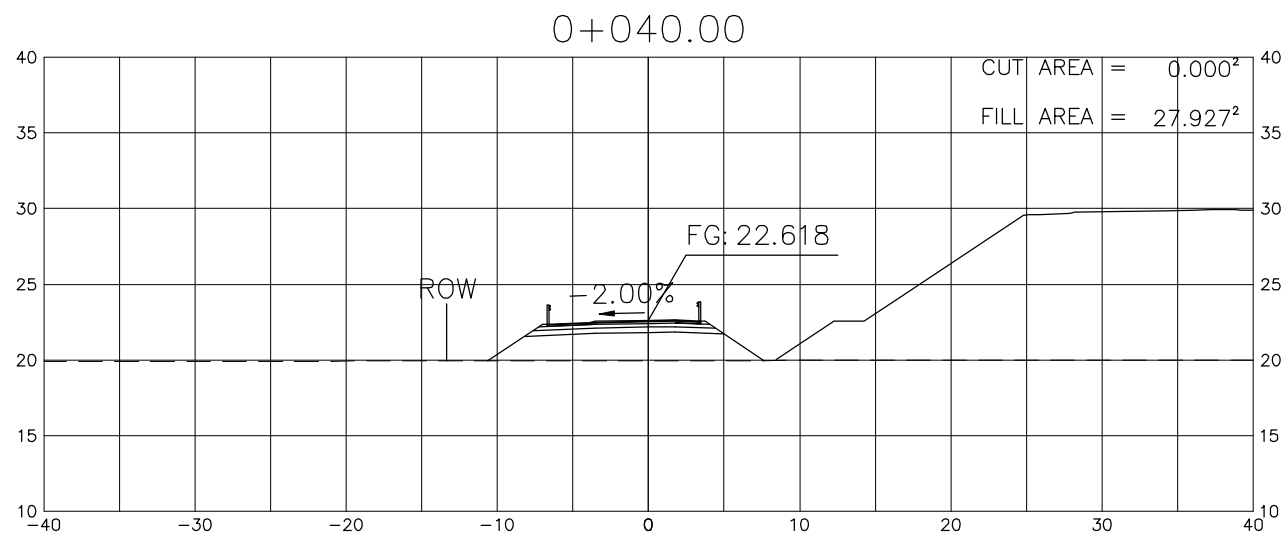
PROJECT TITLE	SCALE	SHEET CONTENT	DRAWING NO.
Preparatory survey for expressway project in Mega Manila Region CLLEX ( TARLAC - CABANATUAN )	A1 = 1:250 A3 = 1:500	CROSS SECTION (TARLAC INTERCHANGE) RAMP-C(2/2)	M-08
			SHEET NO.
			8 OF 45



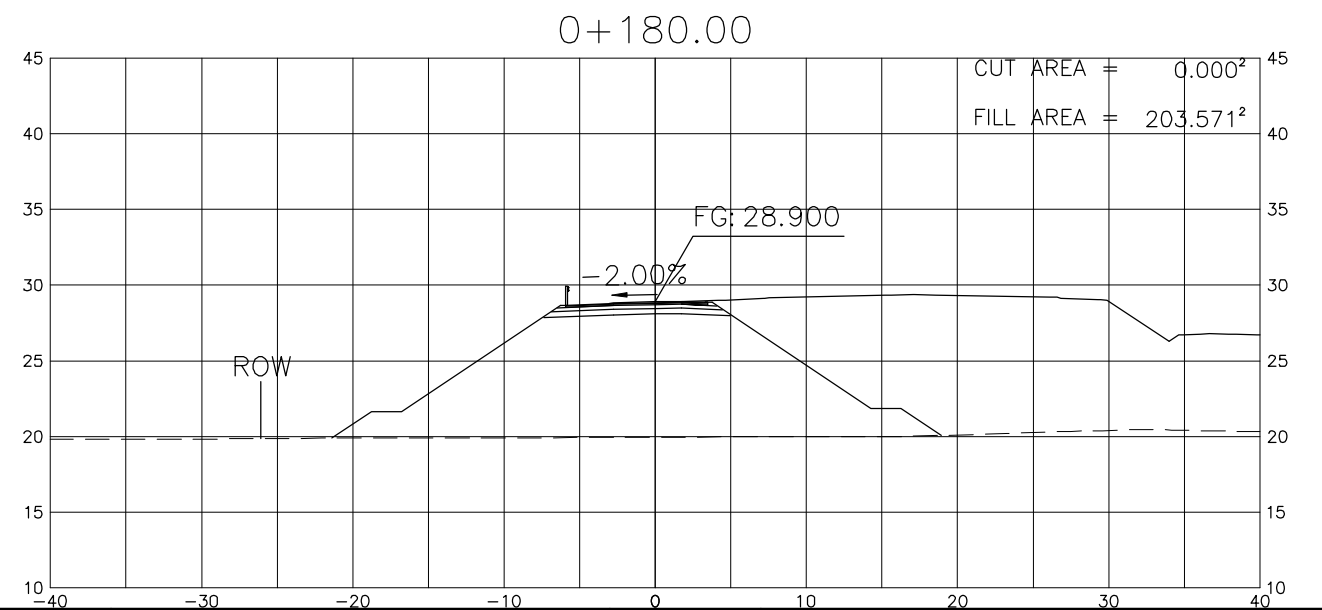
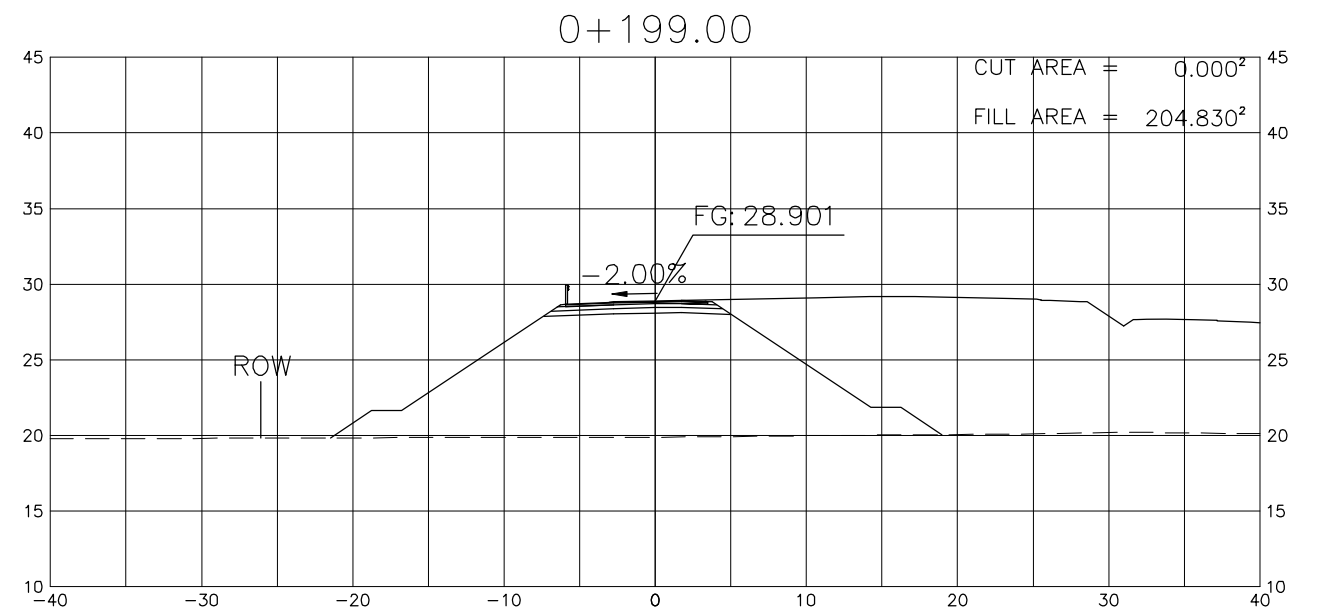
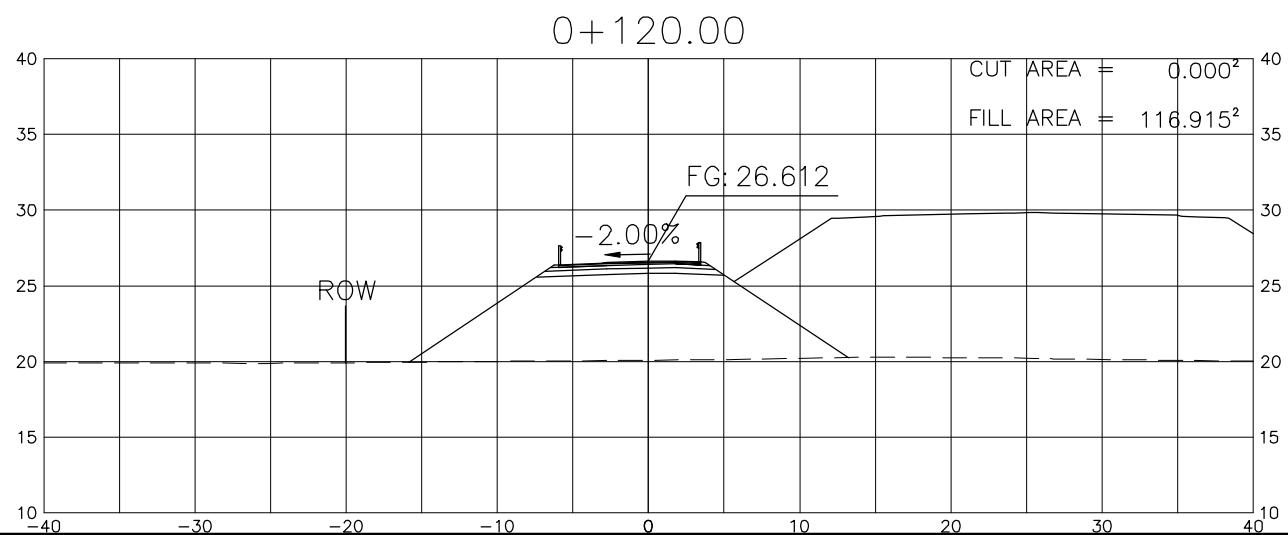
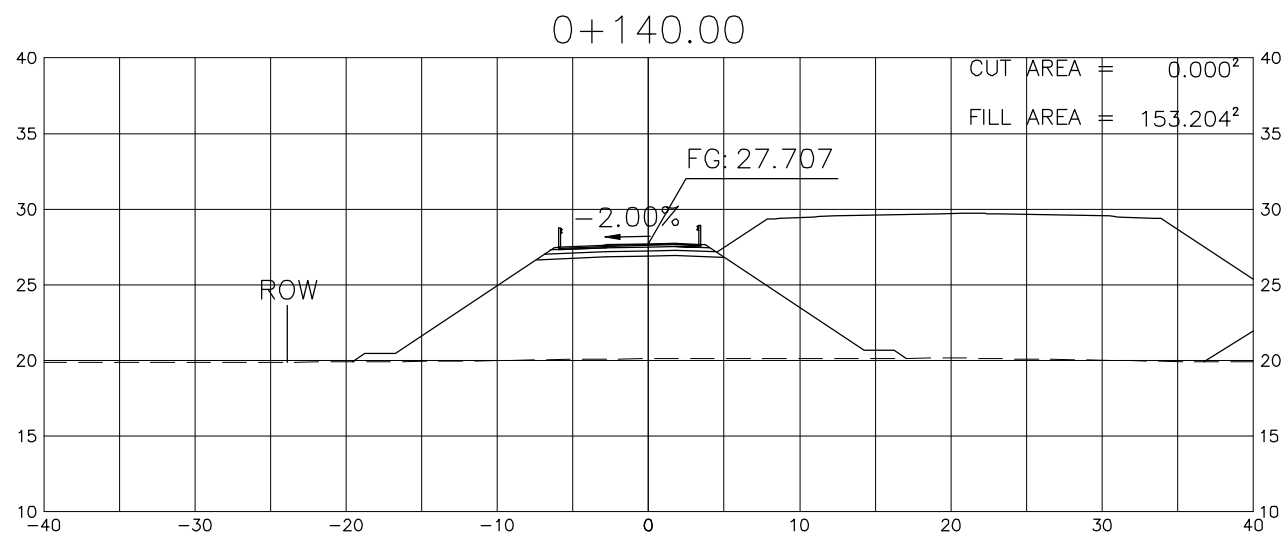
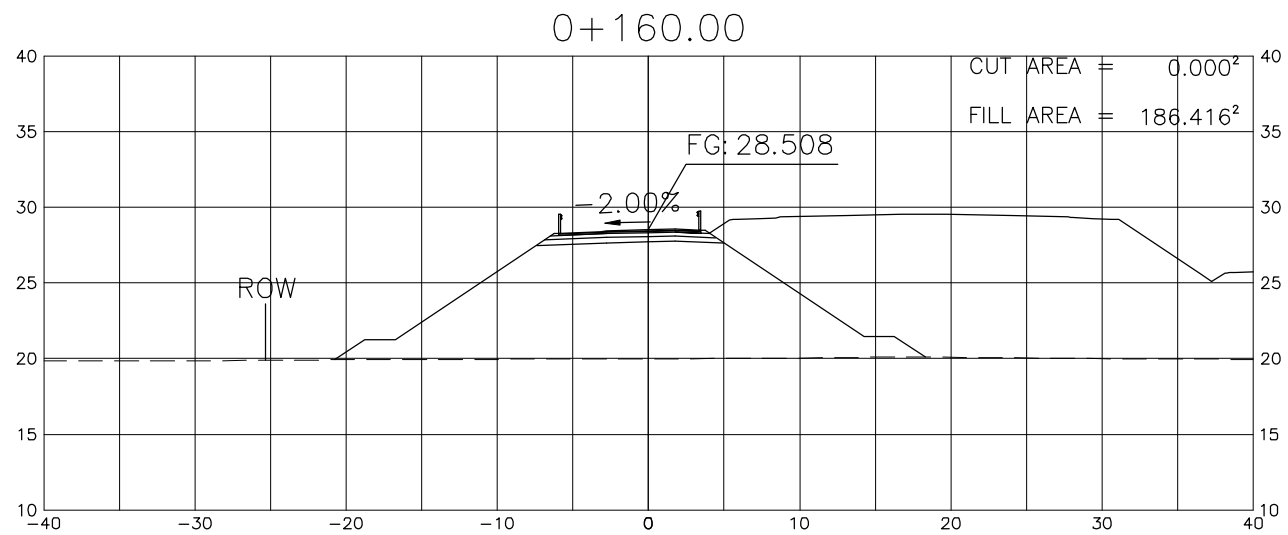
PROJECT TITLE	SCALE	SHEET CONTENT	DRAWING NO.
Preparatory survey for expressway project in Mega Manila Region CLLEX ( TARLAC - CABANATUAN )	A1 = 1:250 A3 = 1:500	CROSS SECTION (TARLAC INTERCHANGE) RAMP-D(1/2)	M-09
			SHEET NO.
			9 OF 45



PROJECT TITLE	SCALE	SHEET CONTENT	DRAWING NO.
Preparatory survey for expressway project in Mega Manila Region CLLEX ( TARLAC - CABANATUAN )	A1 = 1:250 A3 = 1:500	CROSS SECTION (TARLAC INTERCHANGE) RAMP-D(2/2)	M-10
			SHEET NO.
			10 OF 45

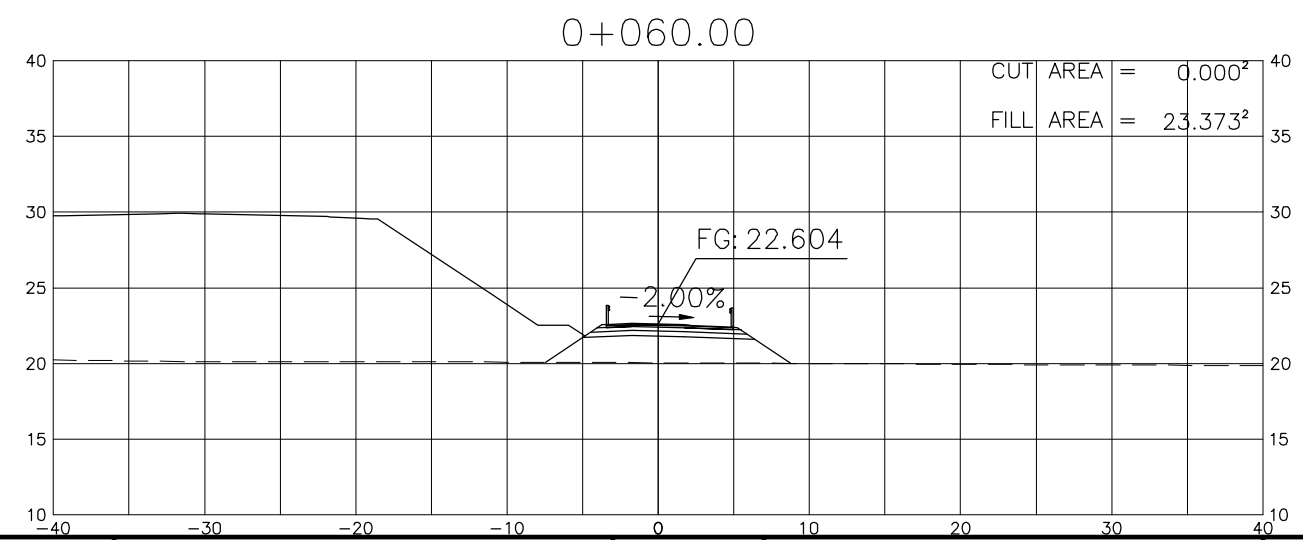
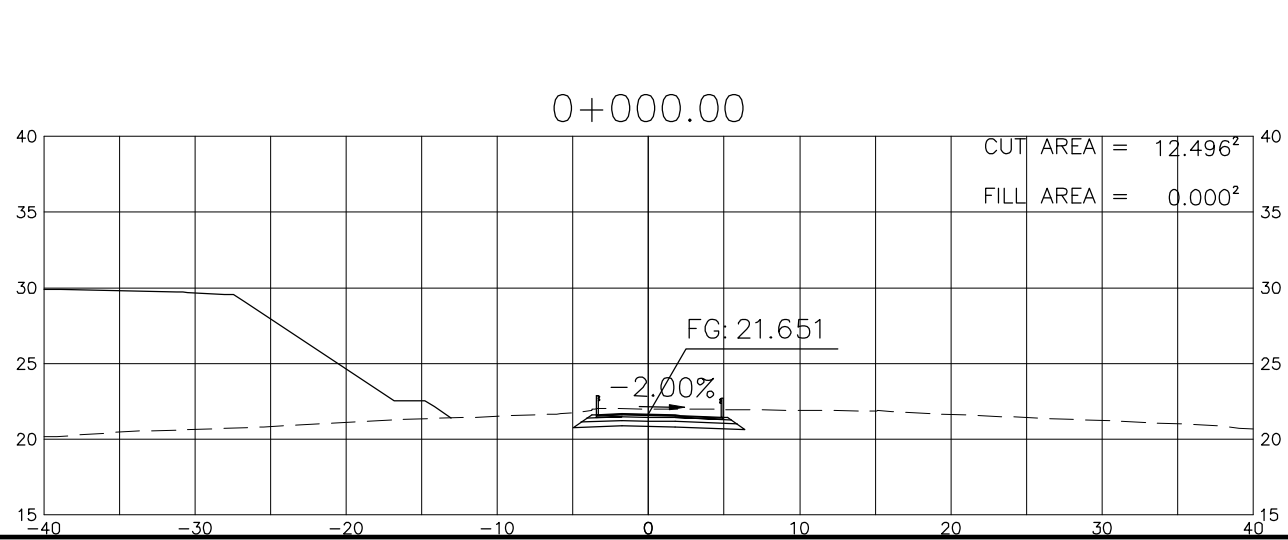
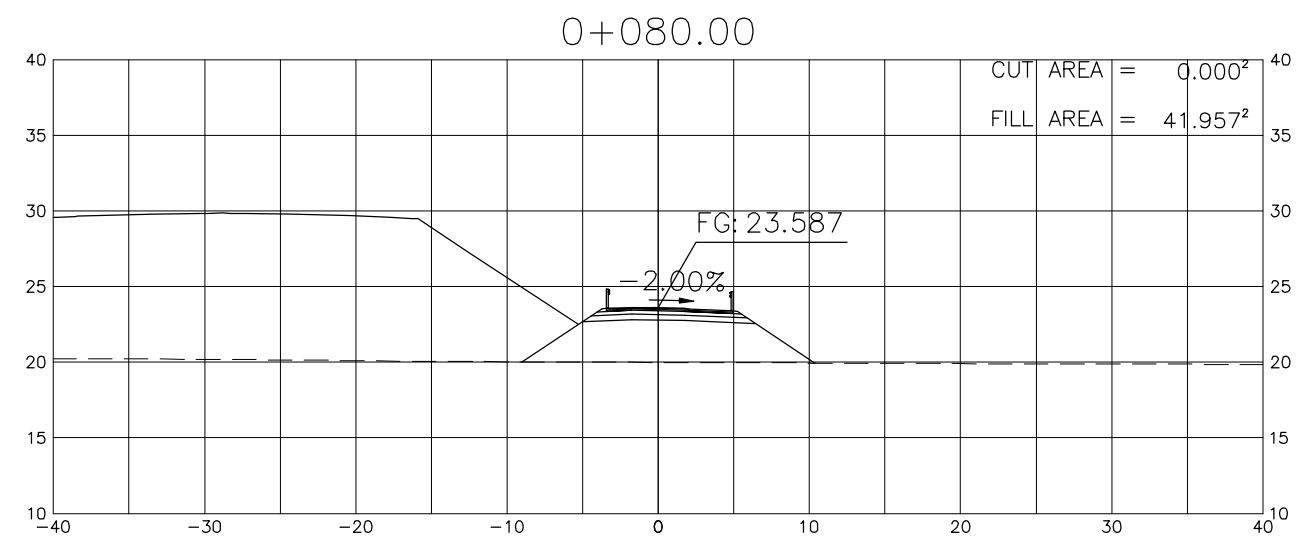
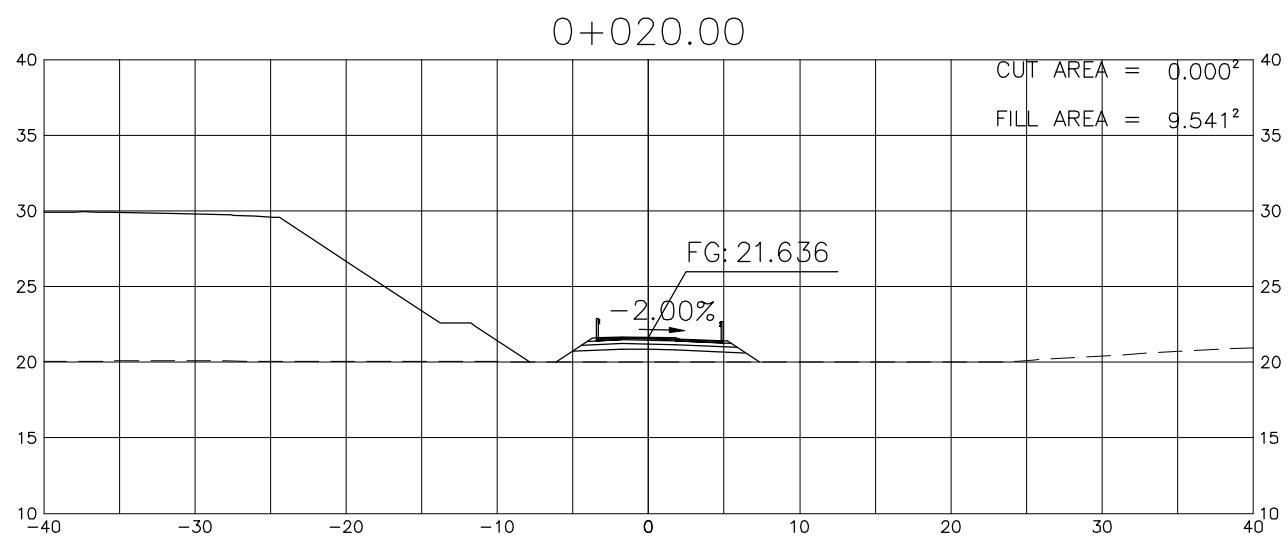
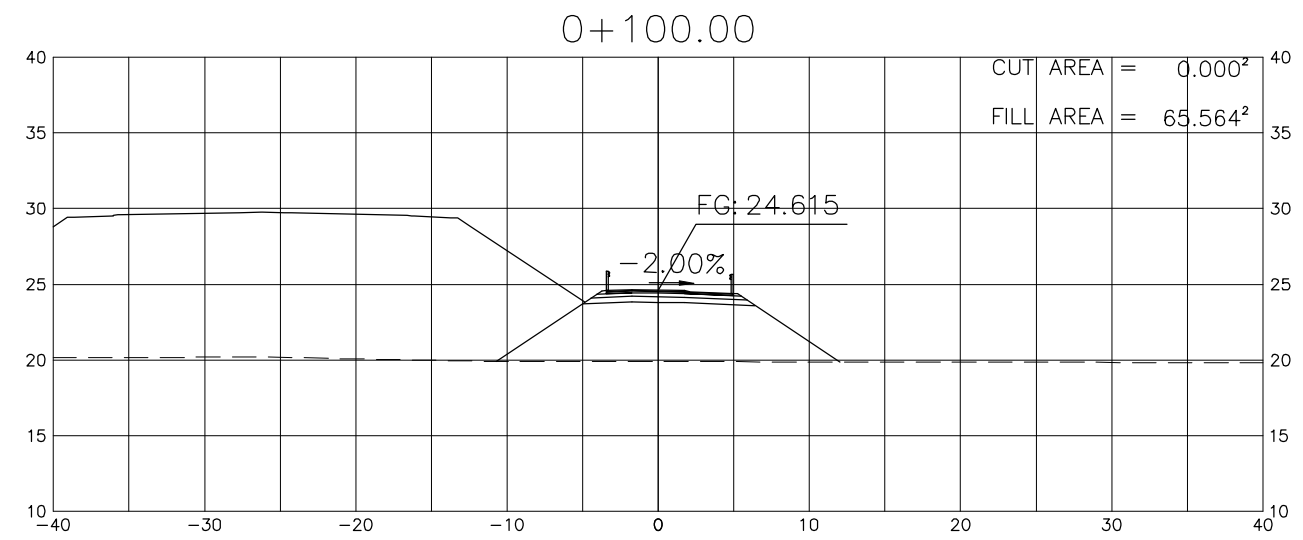
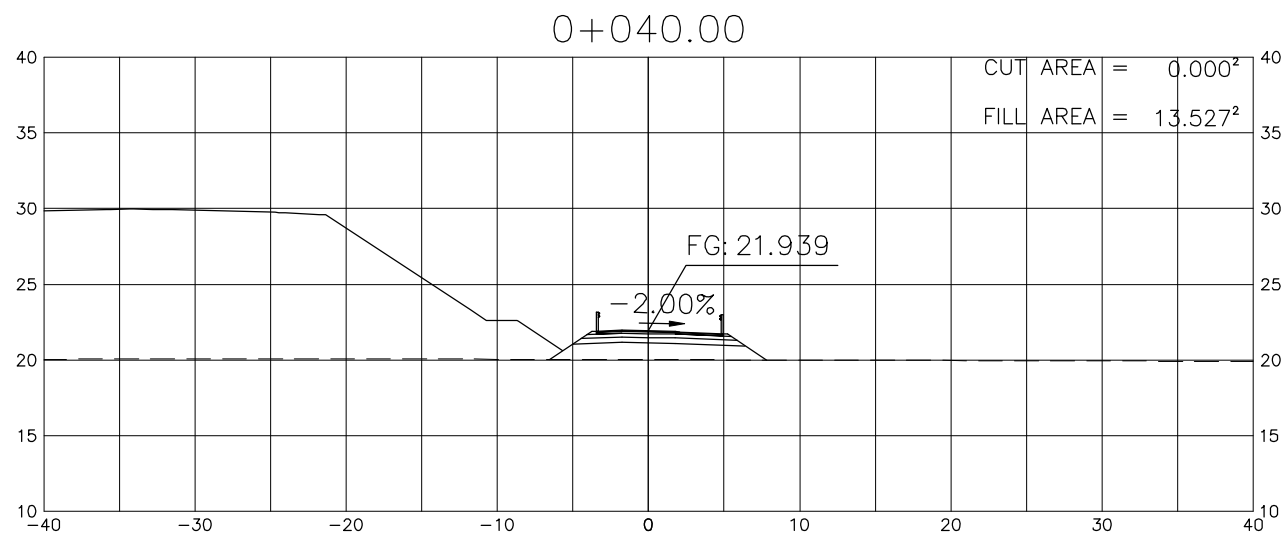


PROJECT TITLE	SCALE	SHEET CONTENT	DRAWING NO.
Preparatory survey for expressway project in Mega Manila Region CLLEX ( TARLAC - CABANATUAN )	A1 = 1:250 A3 = 1:500	CROSS SECTION (TARLAC INTERCHANGE) RAMP-E(1/2)	M-11
			SHEET NO. 11 OF 45

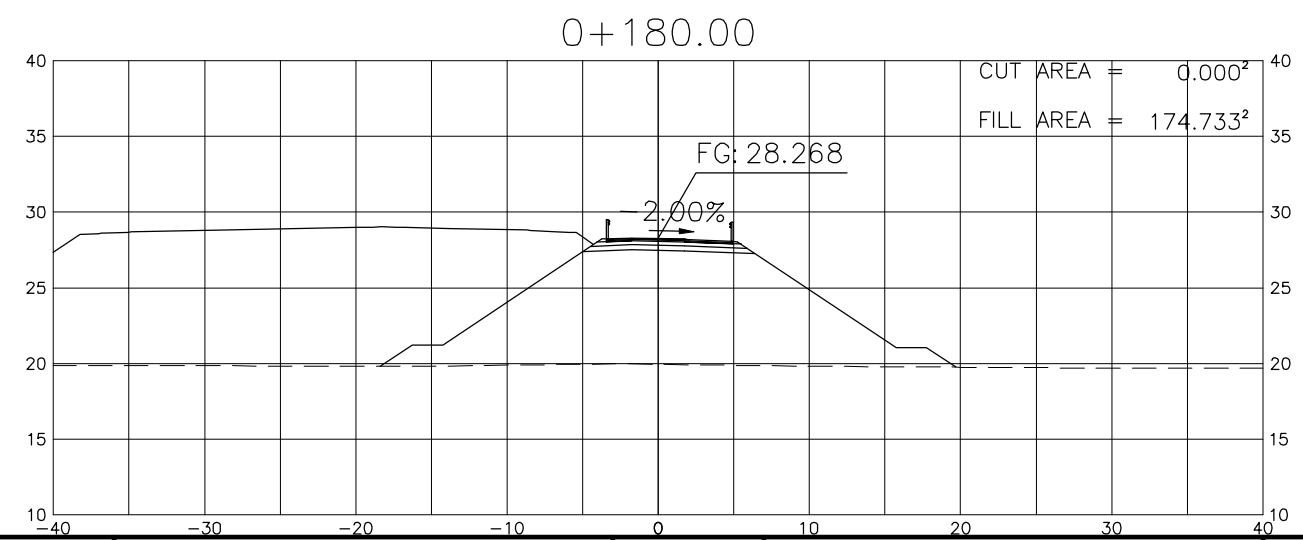
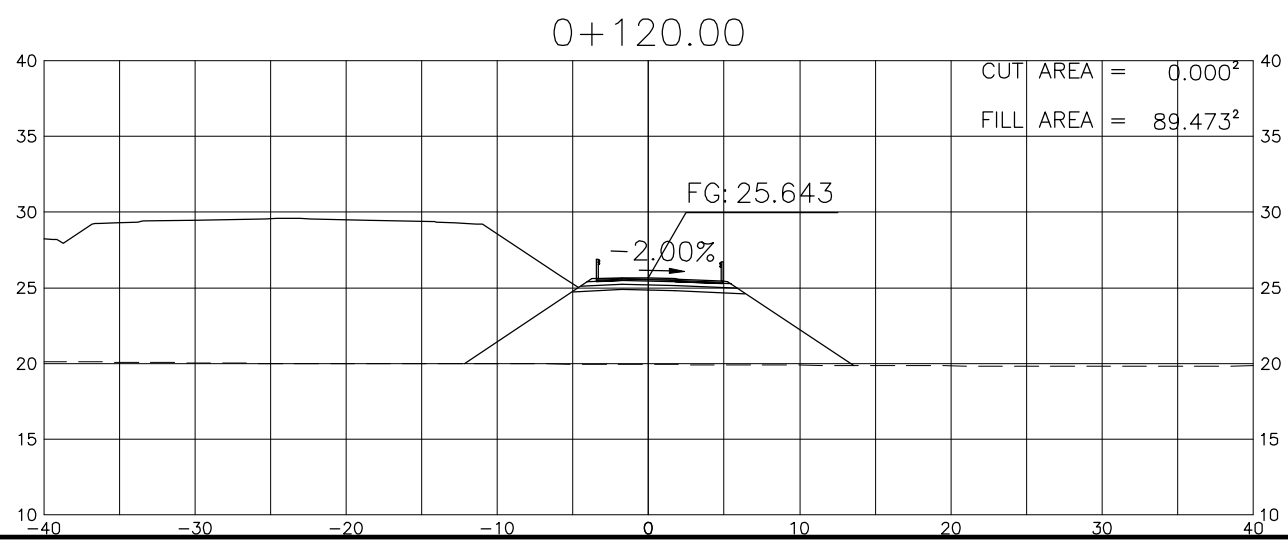
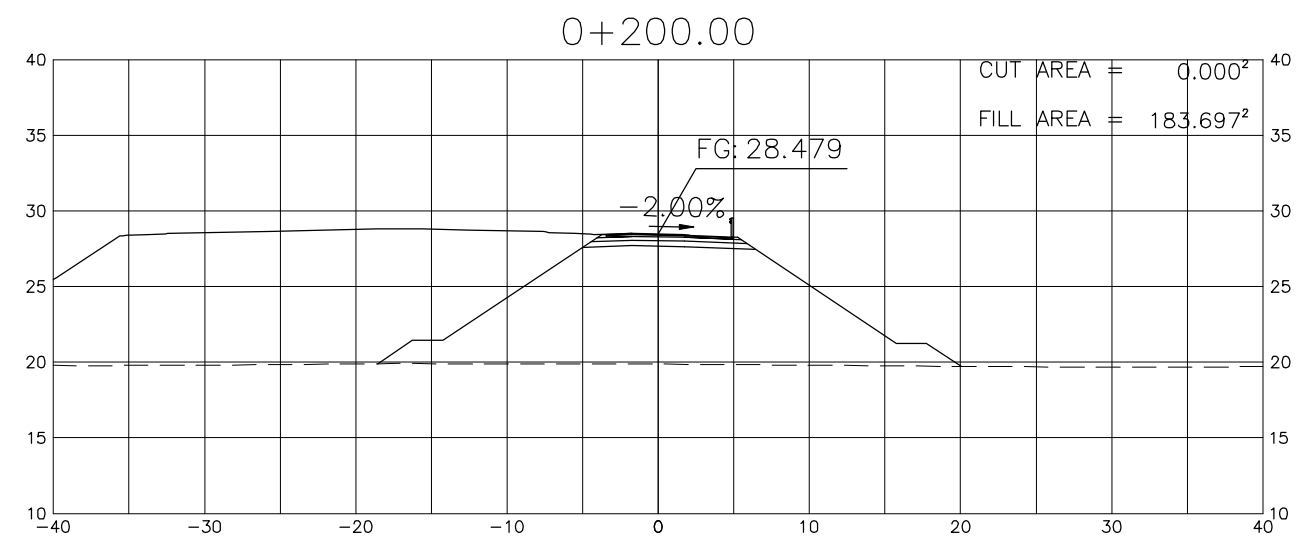
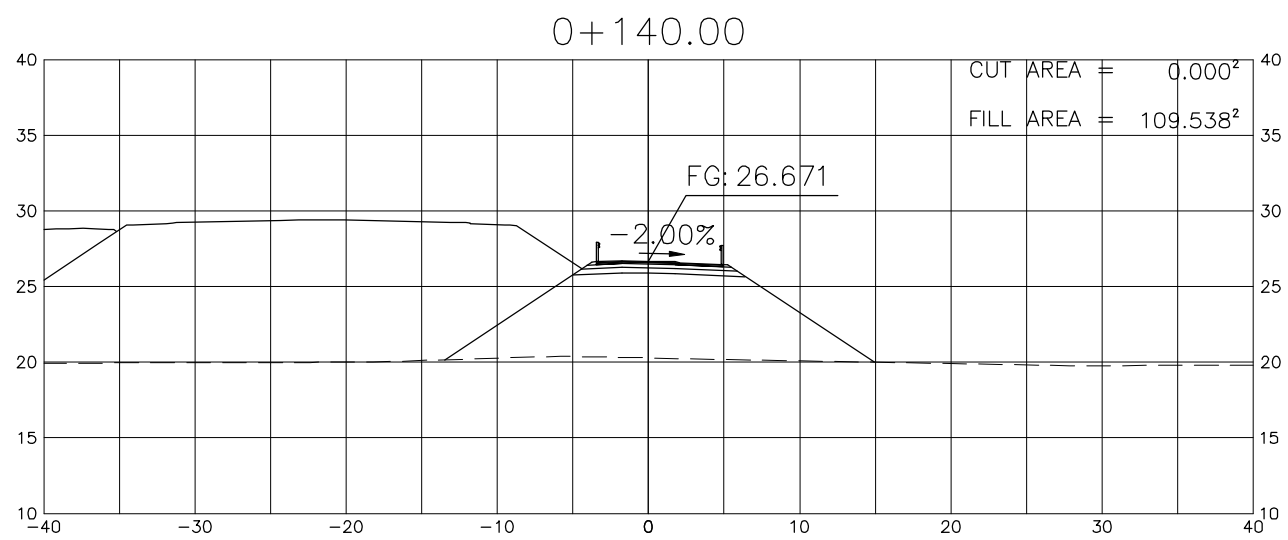
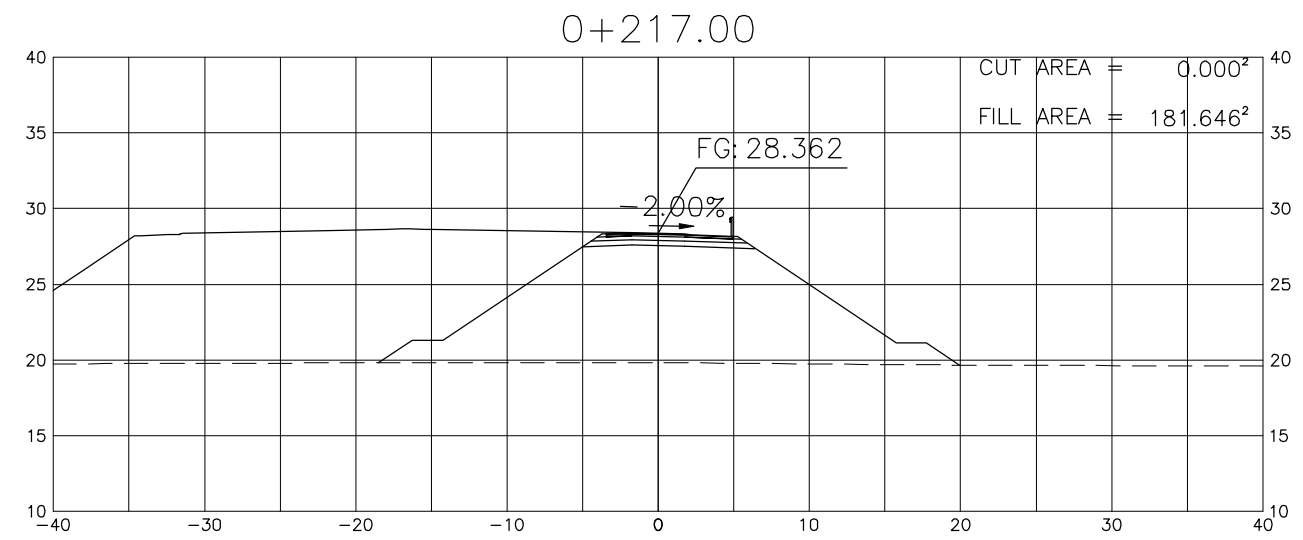
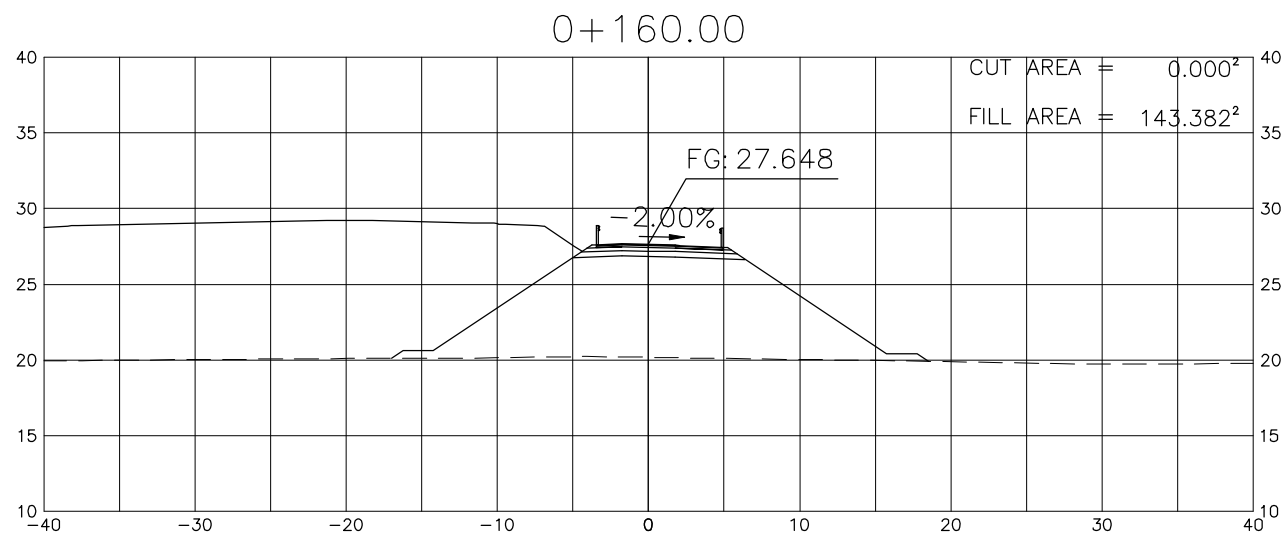


PROJECT TITLE	SCALE	SHEET CONTENT	DRAWING NO.
Preparatory survey for expressway project in Mega Manila Region CLLEX ( TARLAC - CABANATUAN )	A1 = 1:250 A3 = 1:500	CROSS SECTION (TARLAC INTERCHANGE) RAMP-E(2/2)	M-12
			SHEET NO.
			12 OF 45

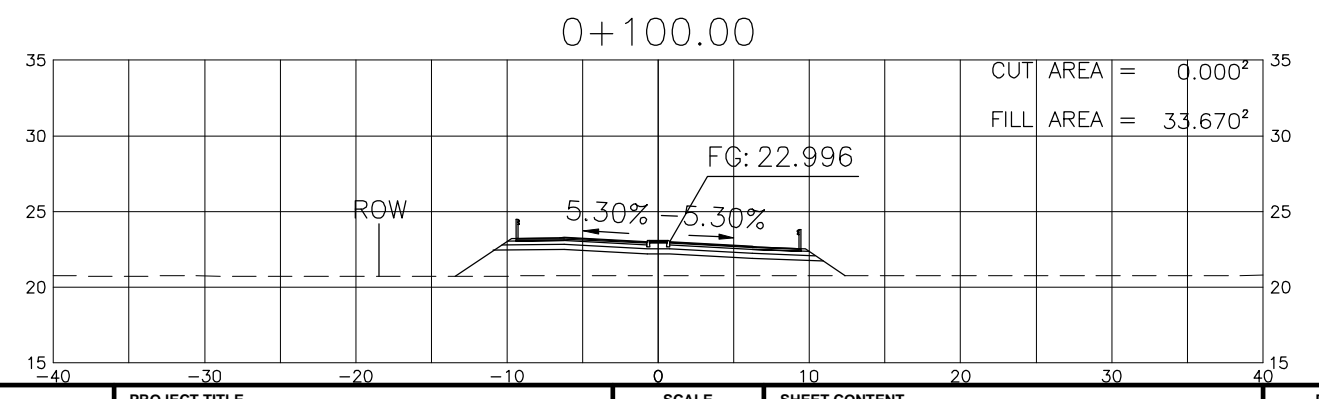
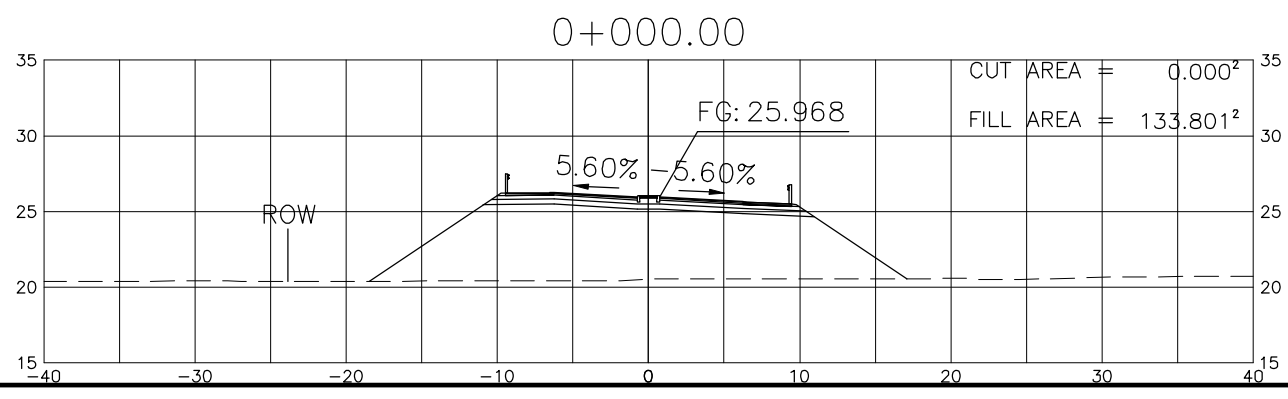
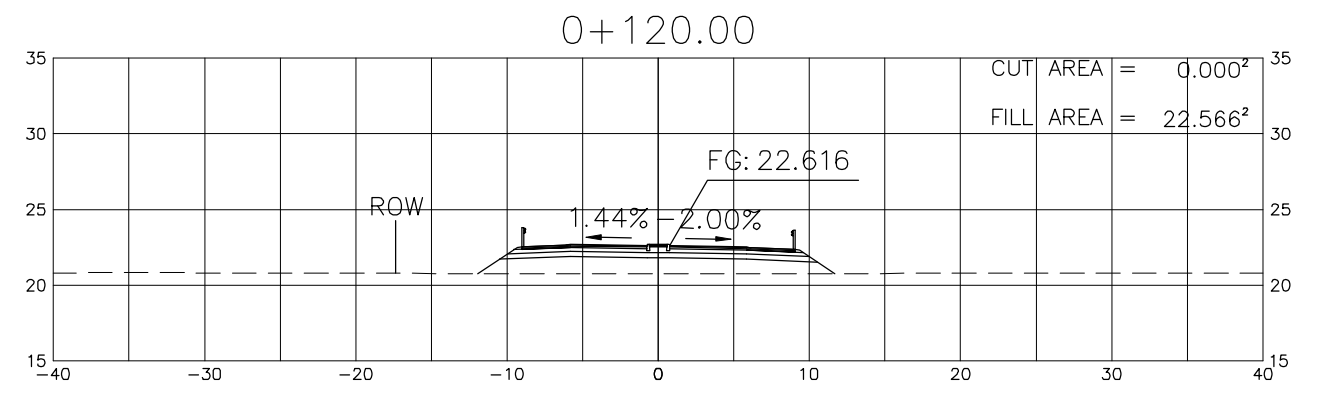
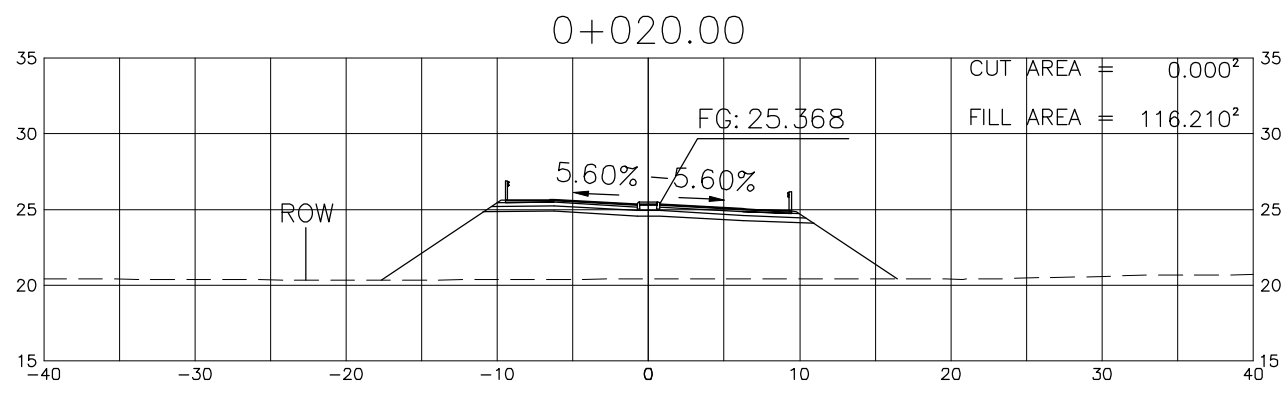
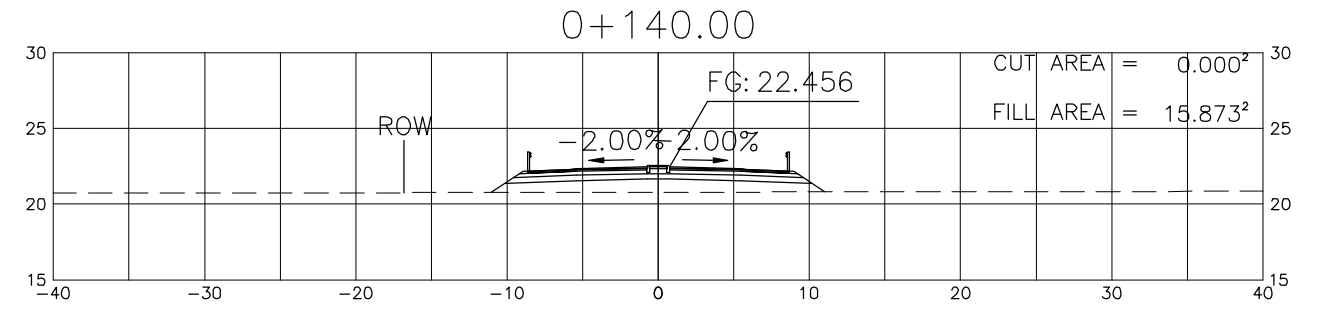
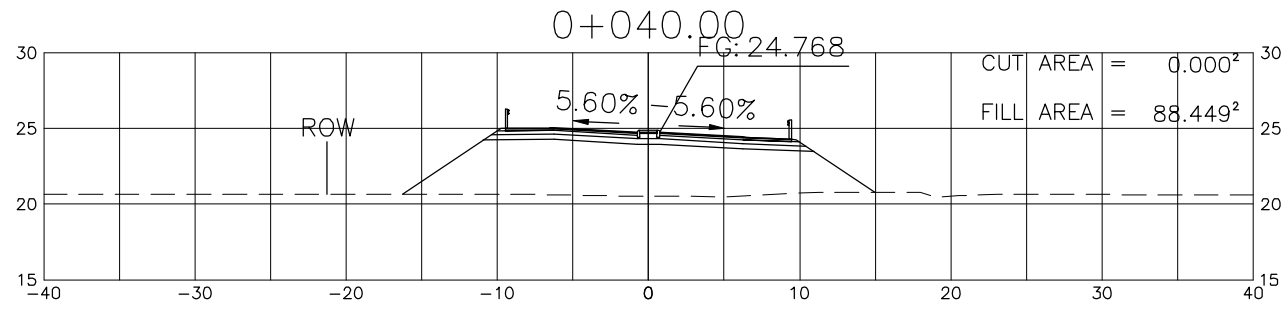
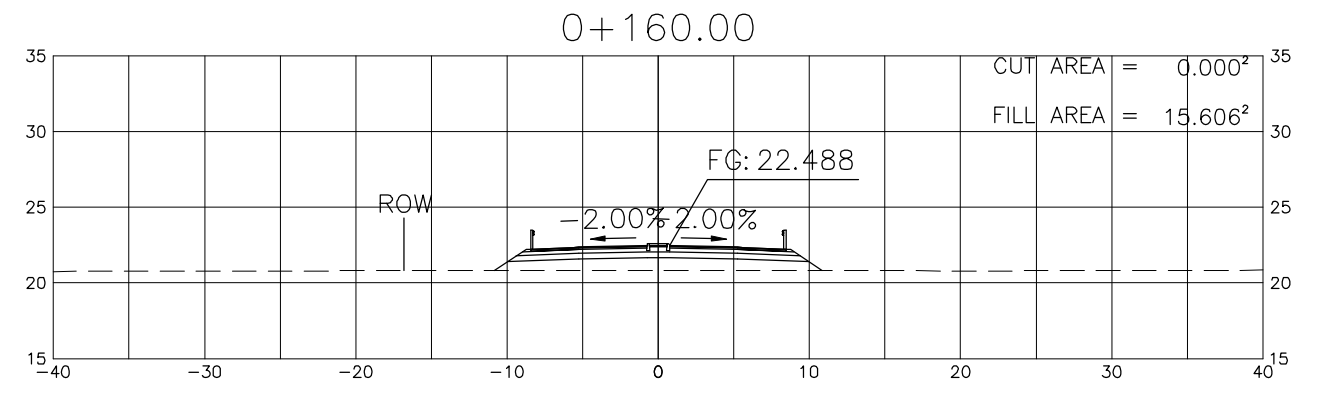
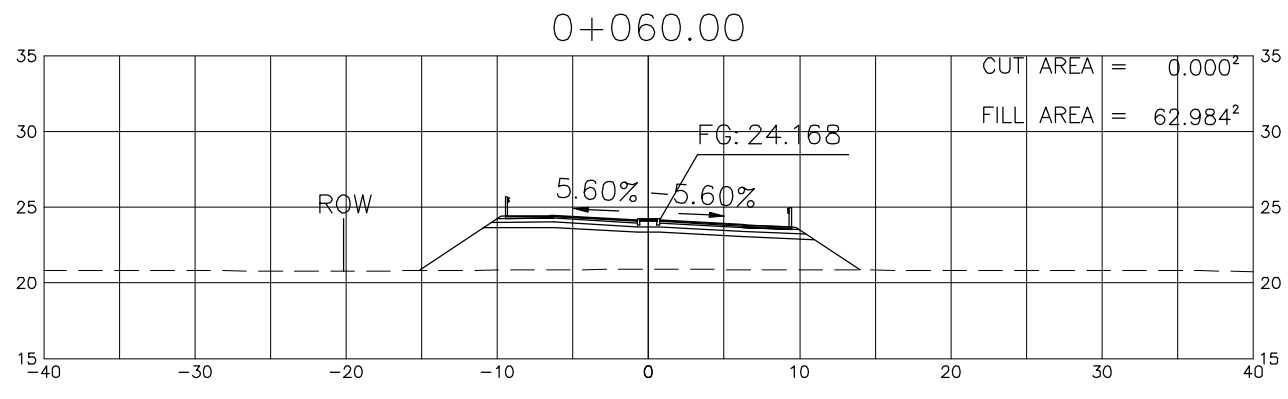
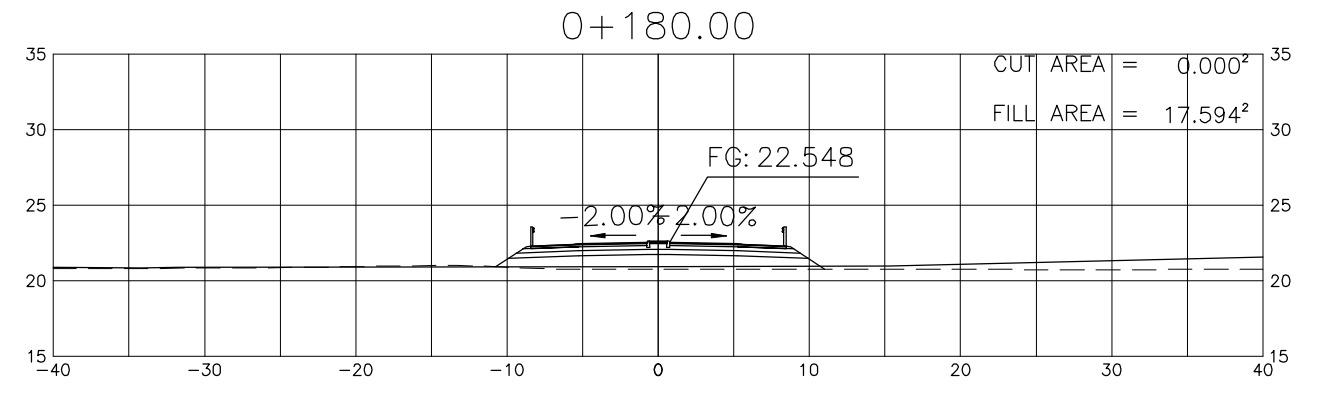
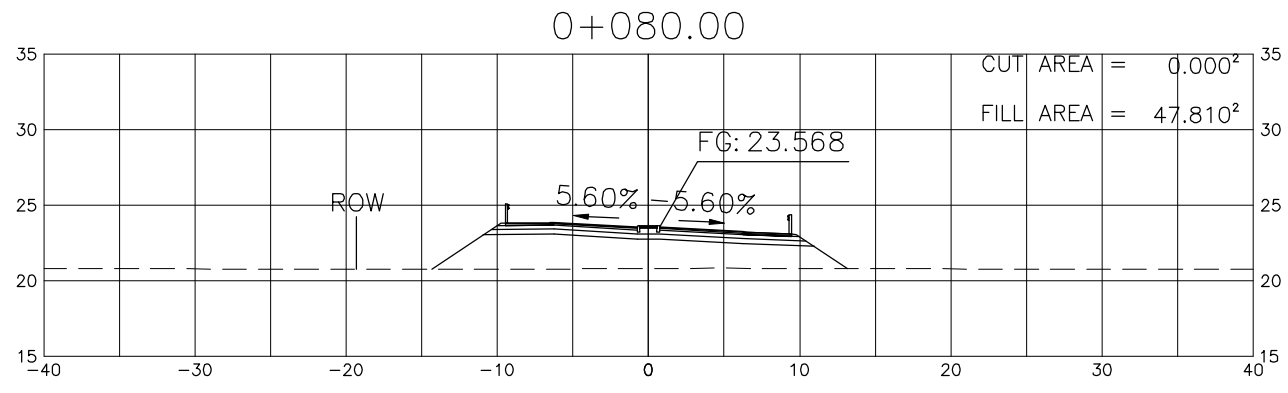




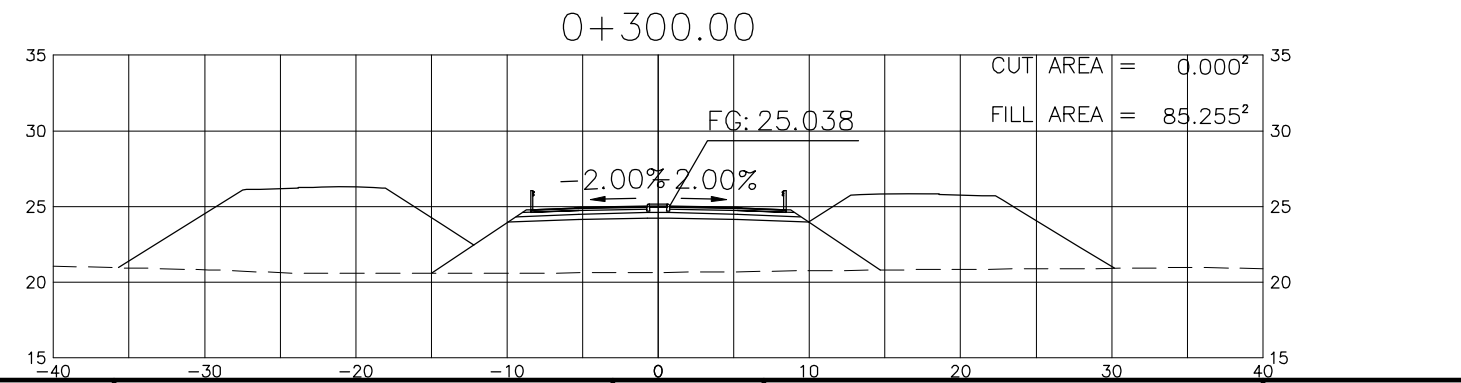
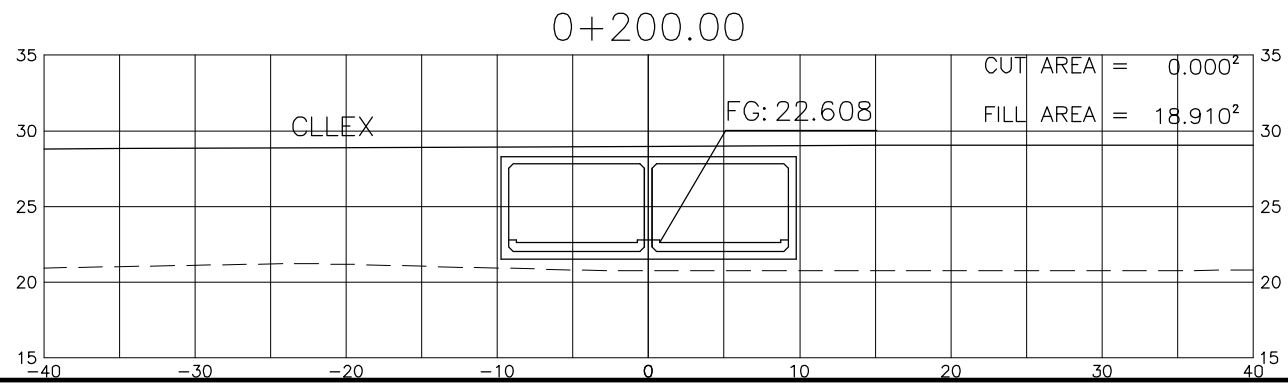
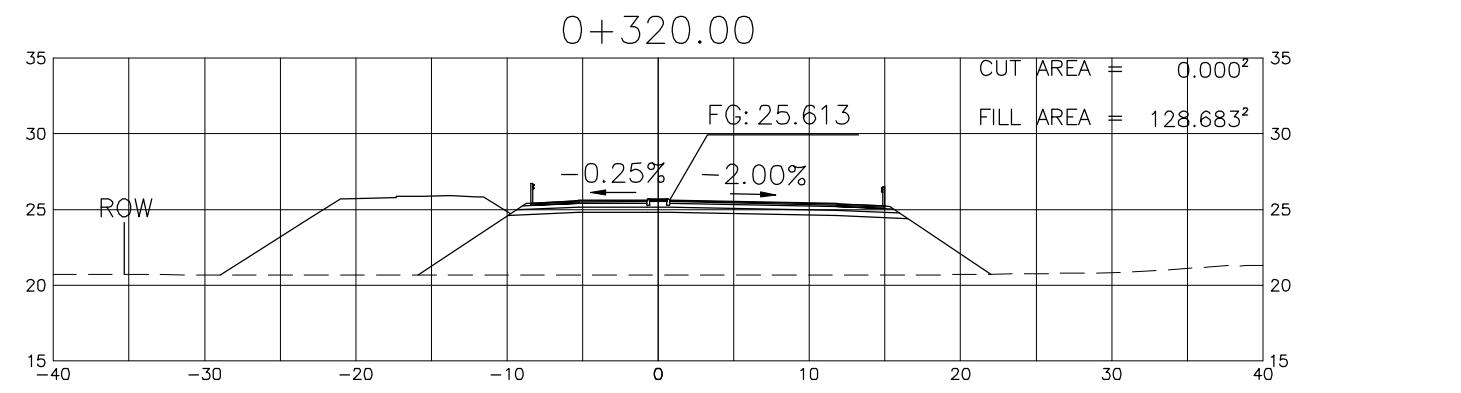
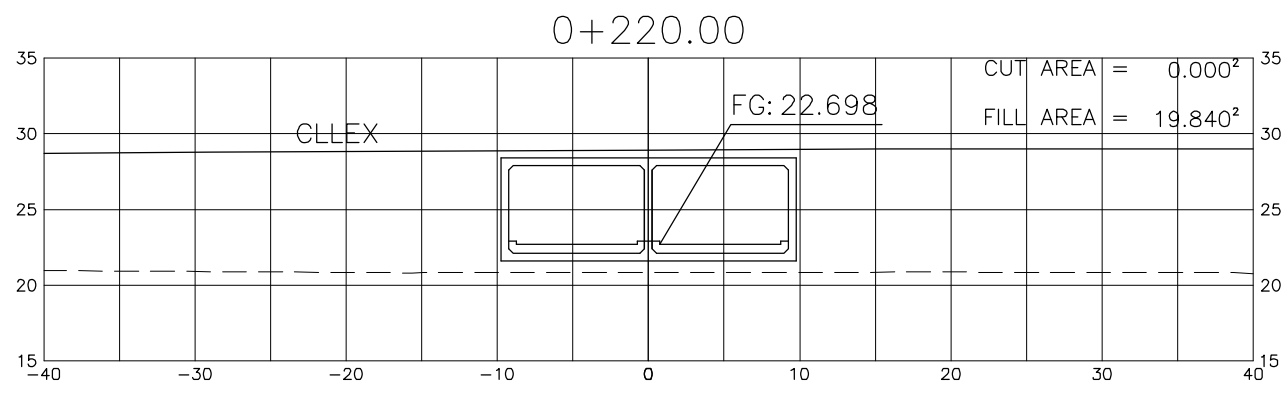
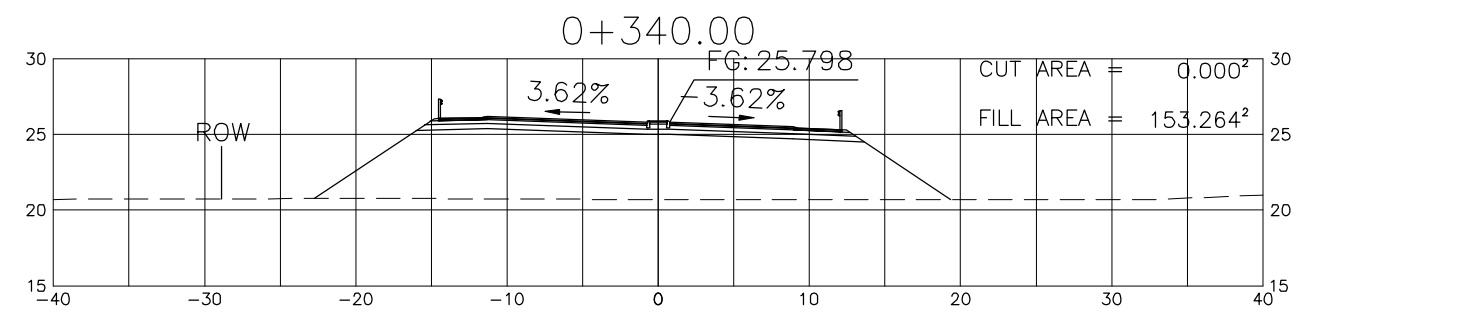
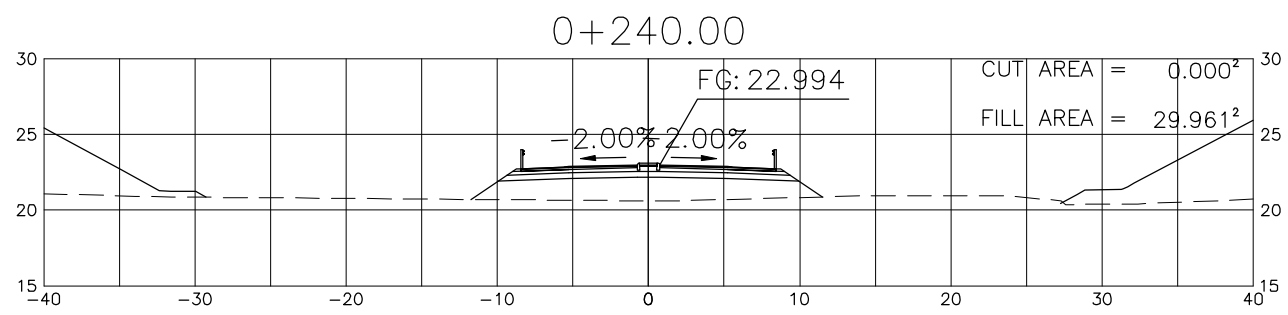
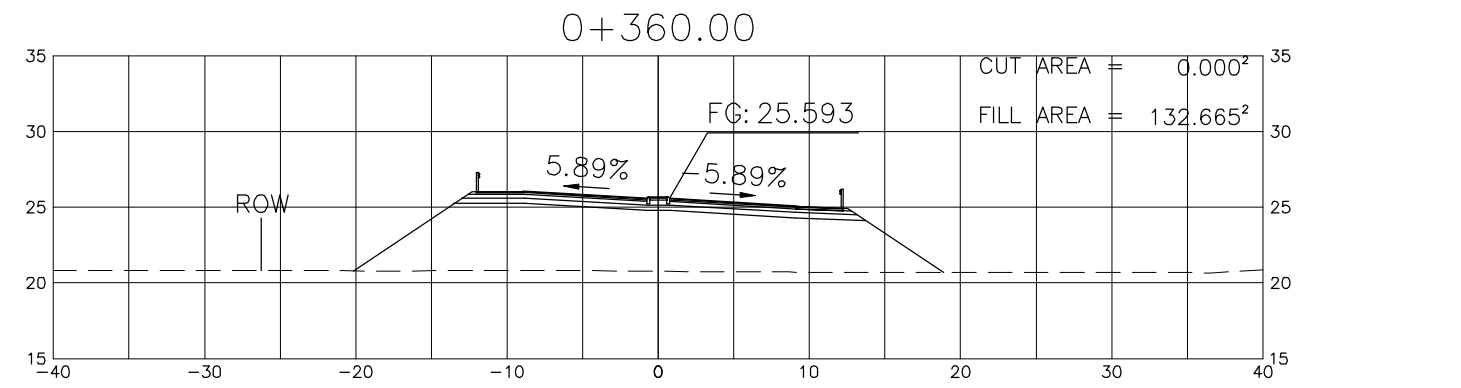
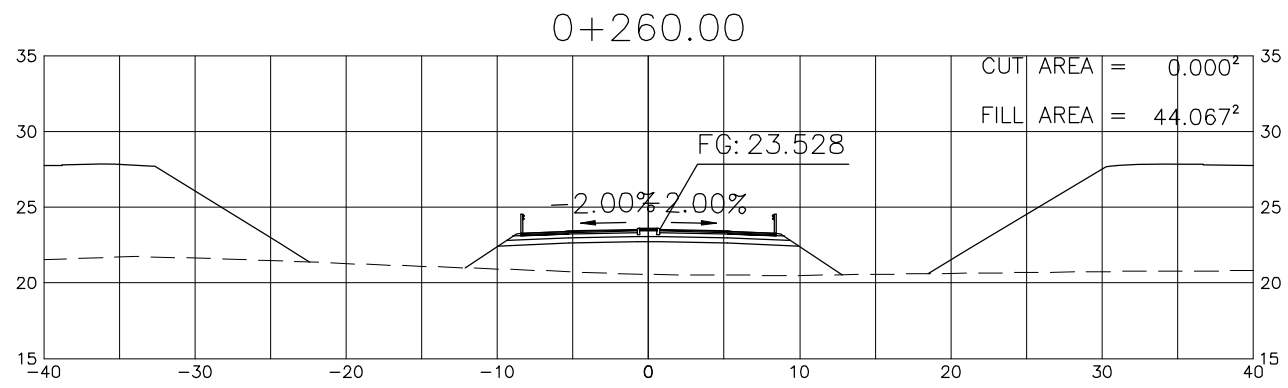
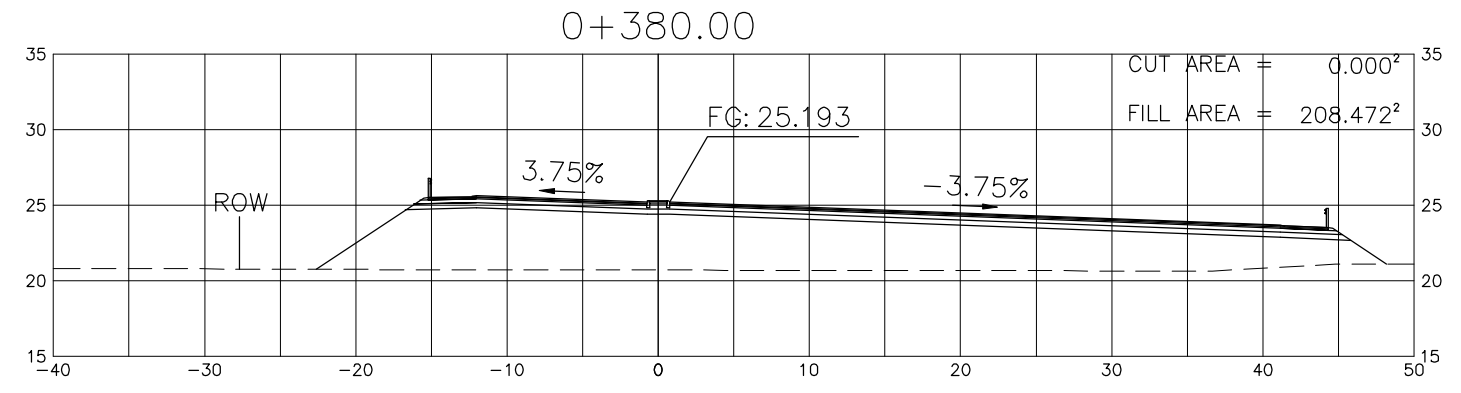
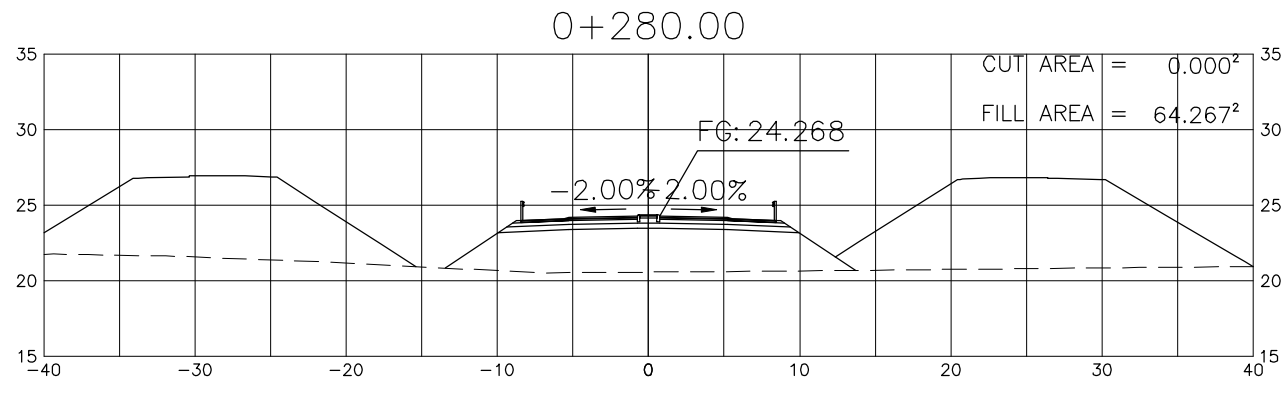
PROJECT TITLE	SCALE	SHEET CONTENT	DRAWING NO.
Preparatory survey for expressway project in Mega Manila Region CLLEX ( TARLAC - CABANATUAN )	A1 = 1:250 A3 = 1:500	CROSS SECTION (TARLAC INTERCHANGE) RAMP-F(1/2)	M-13
			SHEET NO. 13 OF 45



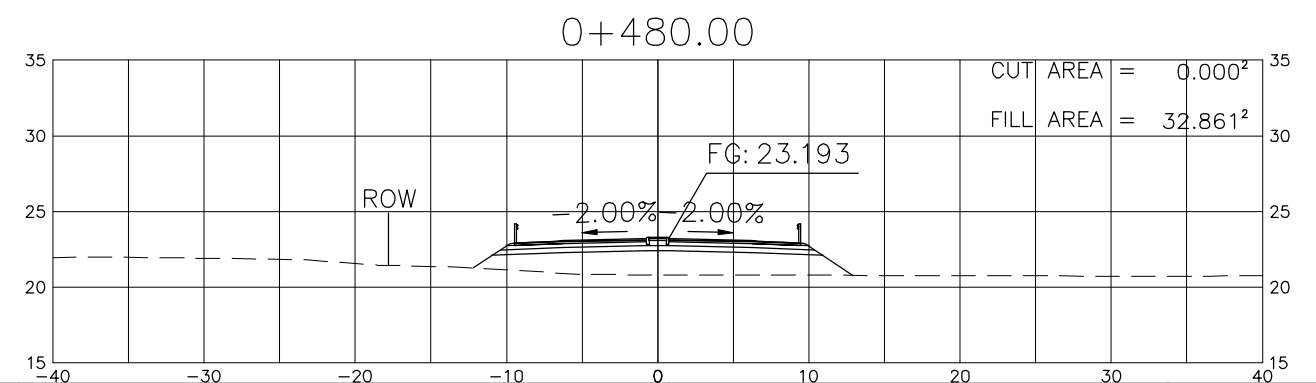
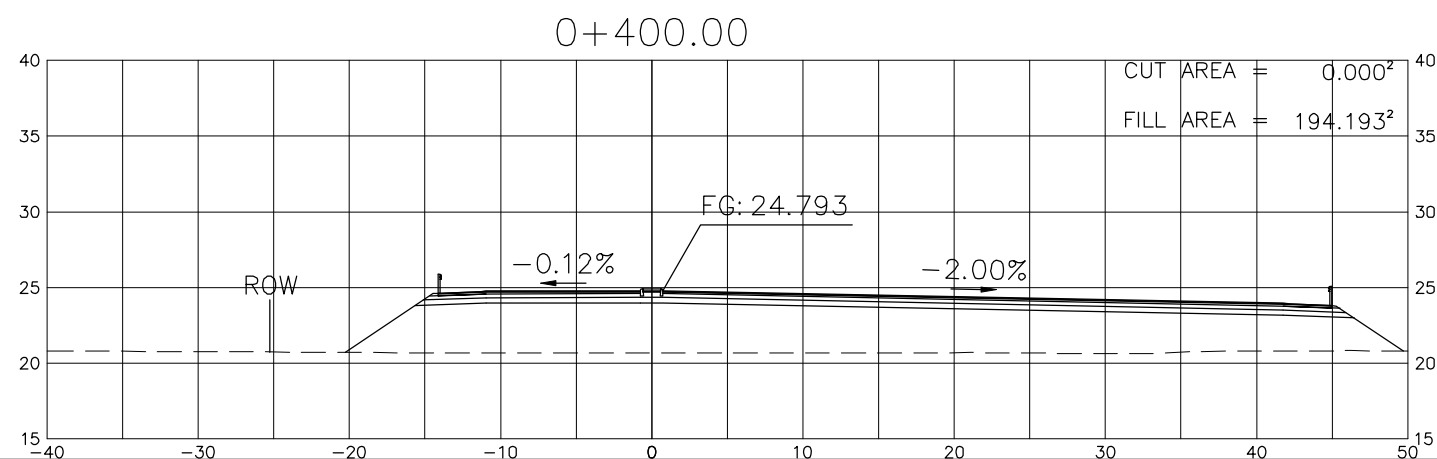
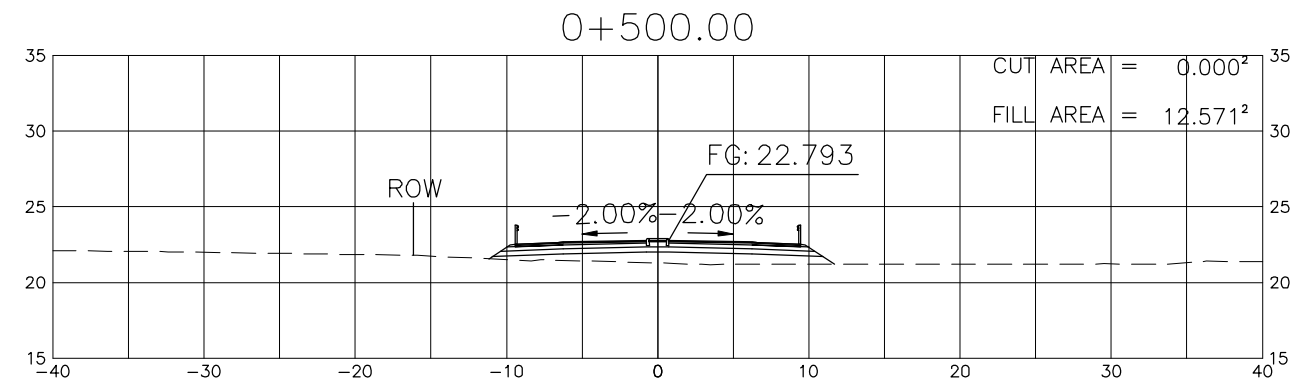
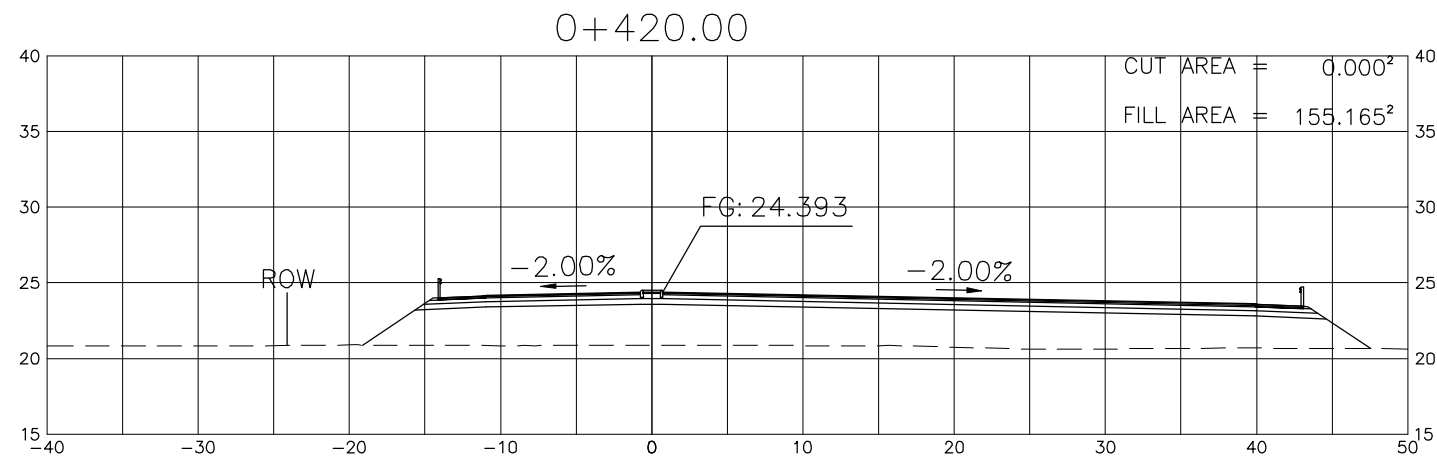
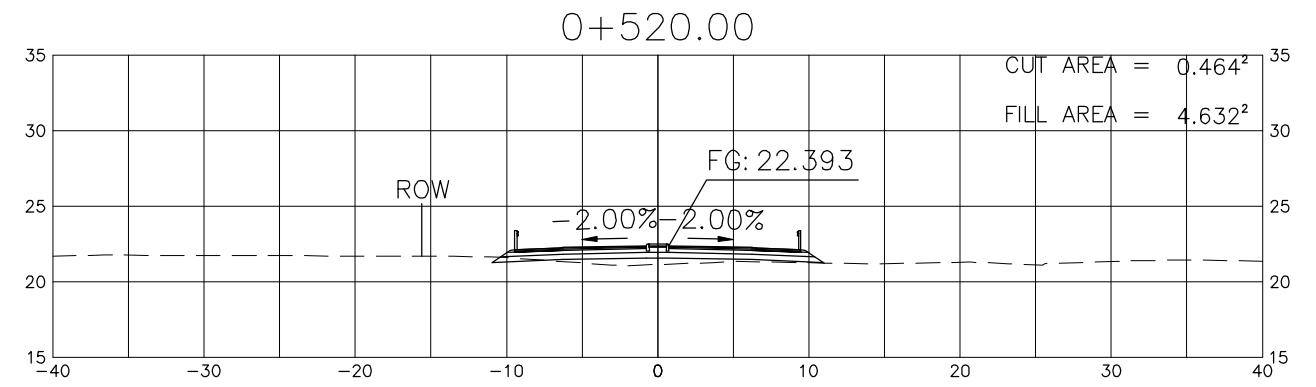
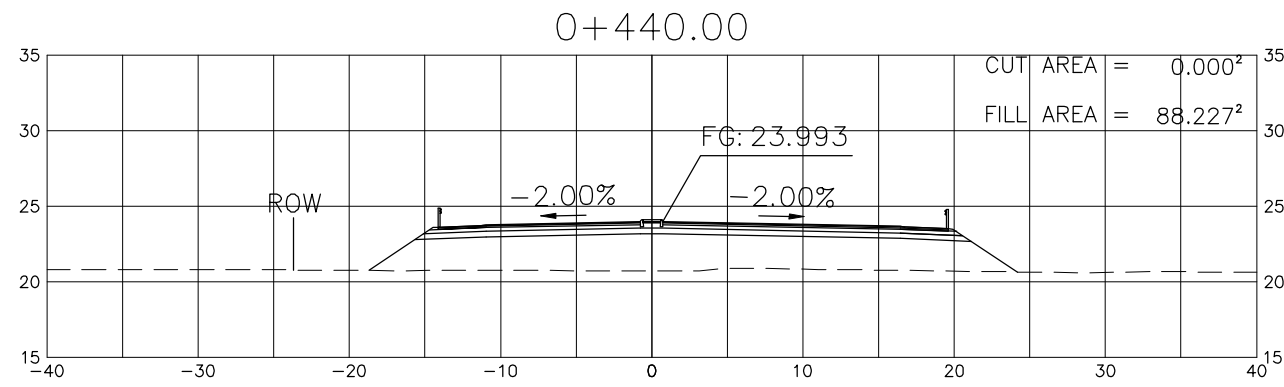
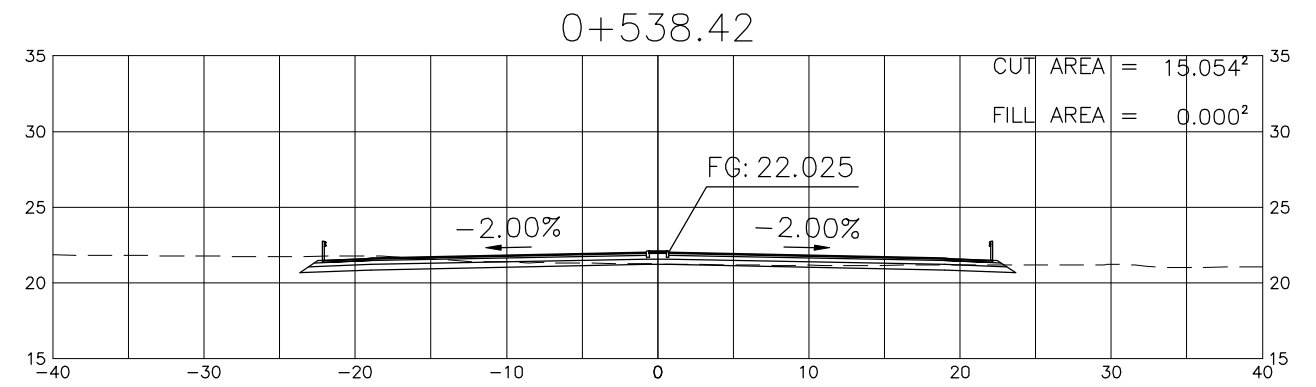
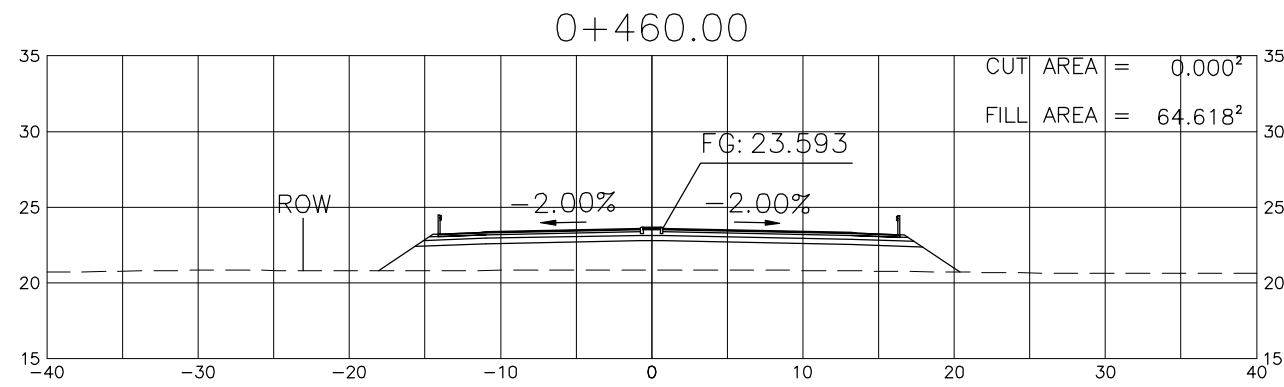
PROJECT TITLE	SCALE	SHEET CONTENT	DRAWING NO.
Preparatory survey for expressway project in Mega Manila Region CLLEX ( TARLAC - CABANATUAN )	A1 = 1:250 A3 = 1:500	CROSS SECTION (TARLAC INTERCHANGE) RAMP-F(2/2)	M-14
			SHEET NO.
			14 OF 45



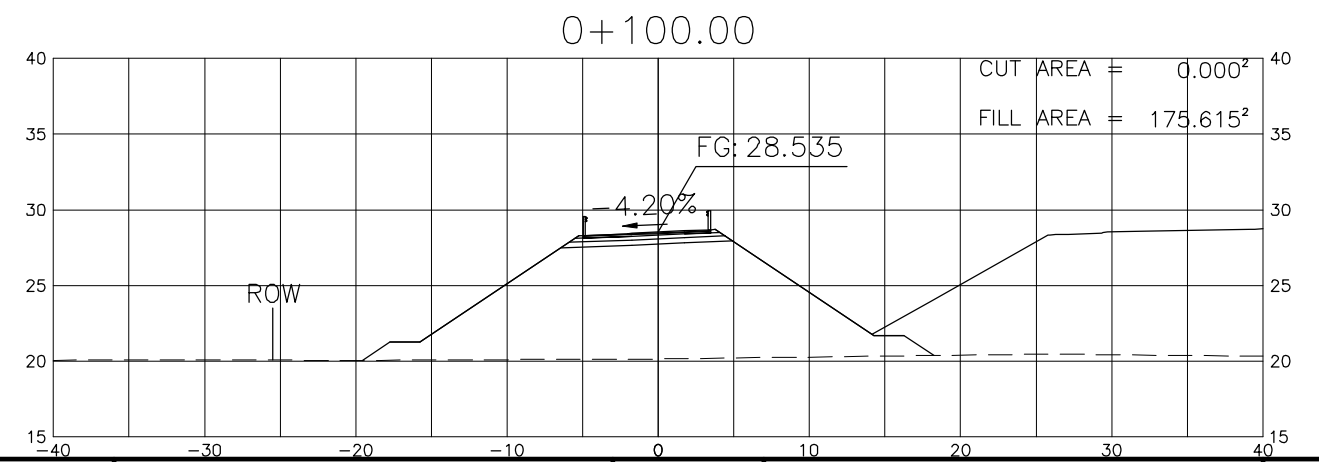
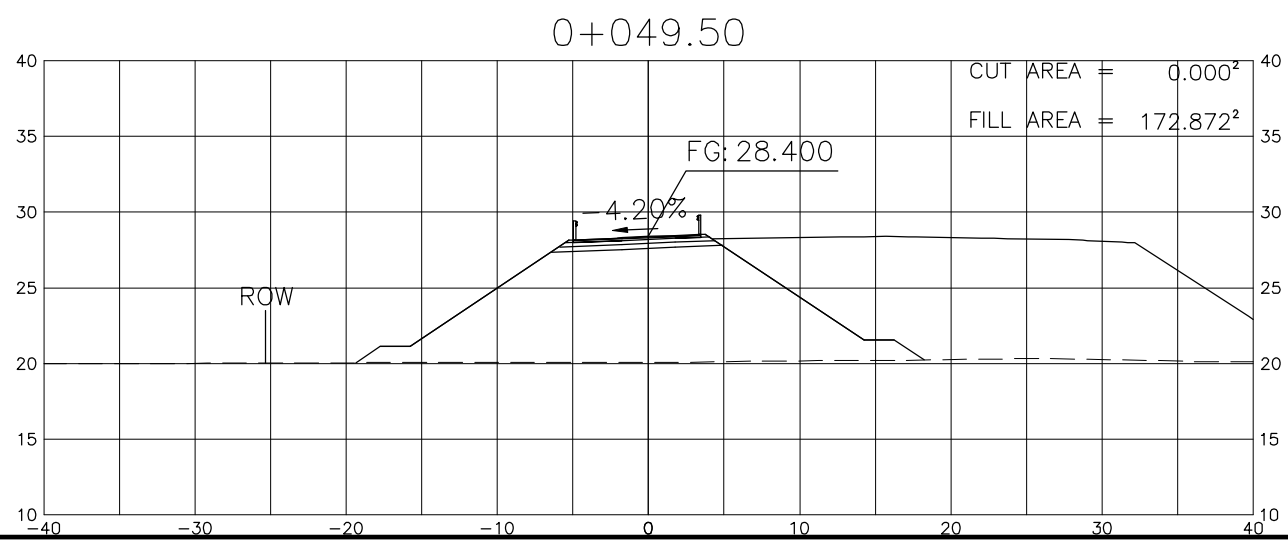
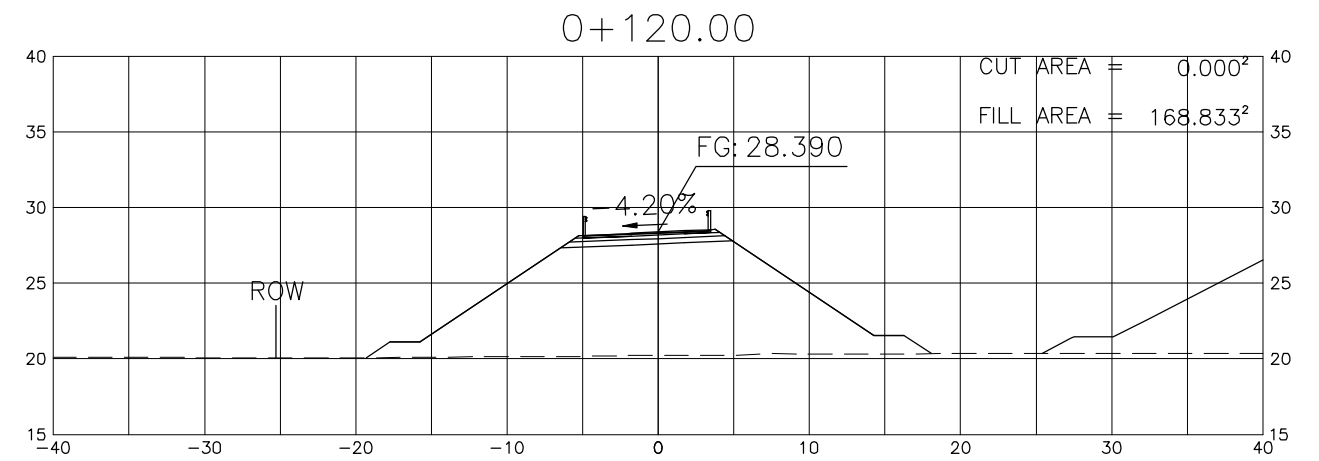
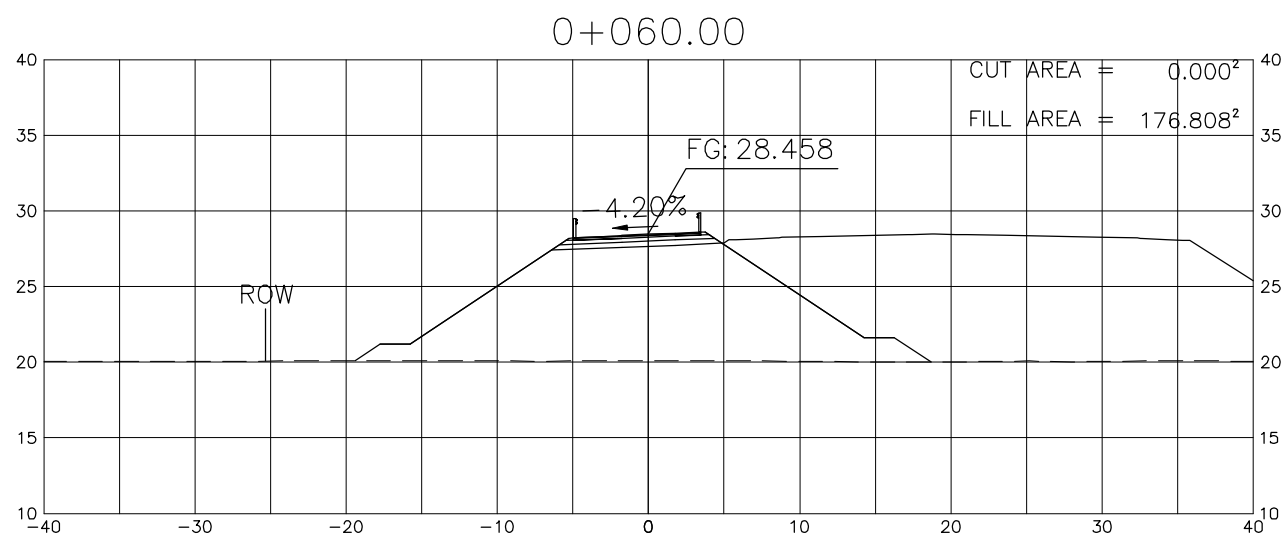
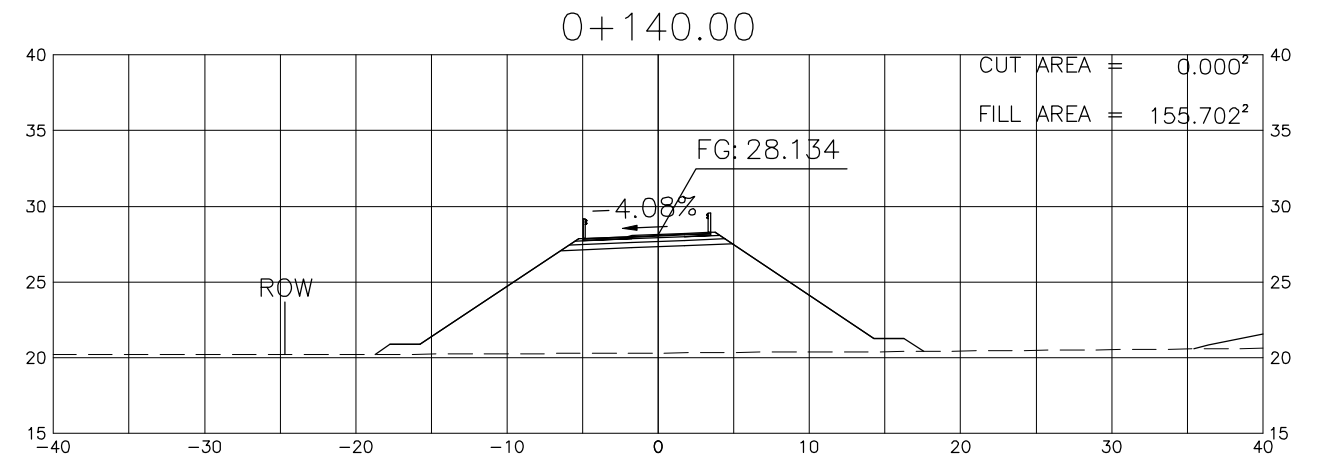
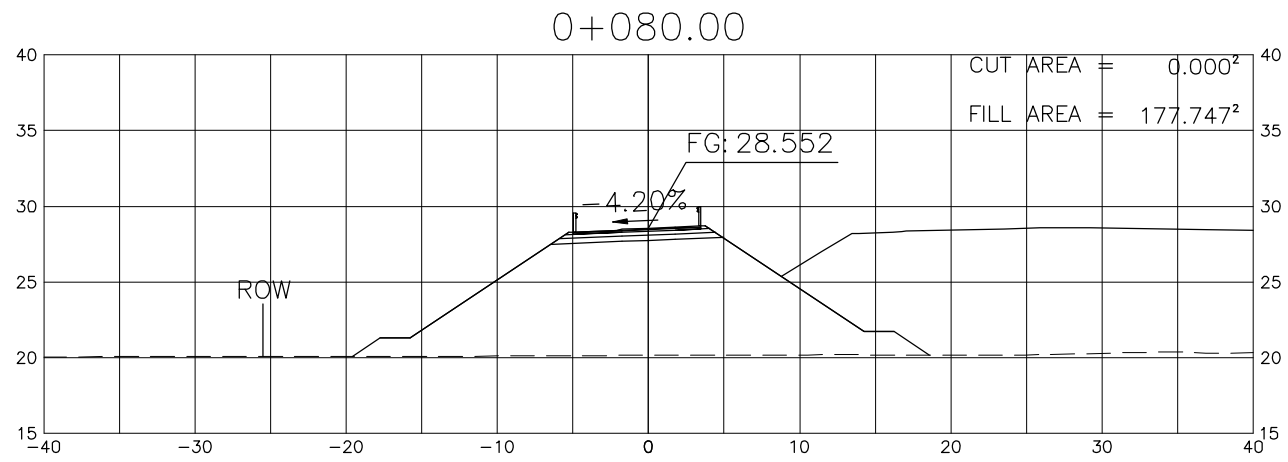
PROJECT TITLE	SCALE	SHEET CONTENT	DRAWING NO.
Preparatory survey for expressway project in Mega Manila Region CLLEX ( TARLAC - CABANATUAN )	A1 = 1:250 A3 = 1:500	CROSS SECTION (ALIAGA INTERCHANGE) MAIN RAMP (1/3)	M-15
			SHEET NO.
			1 OF 45



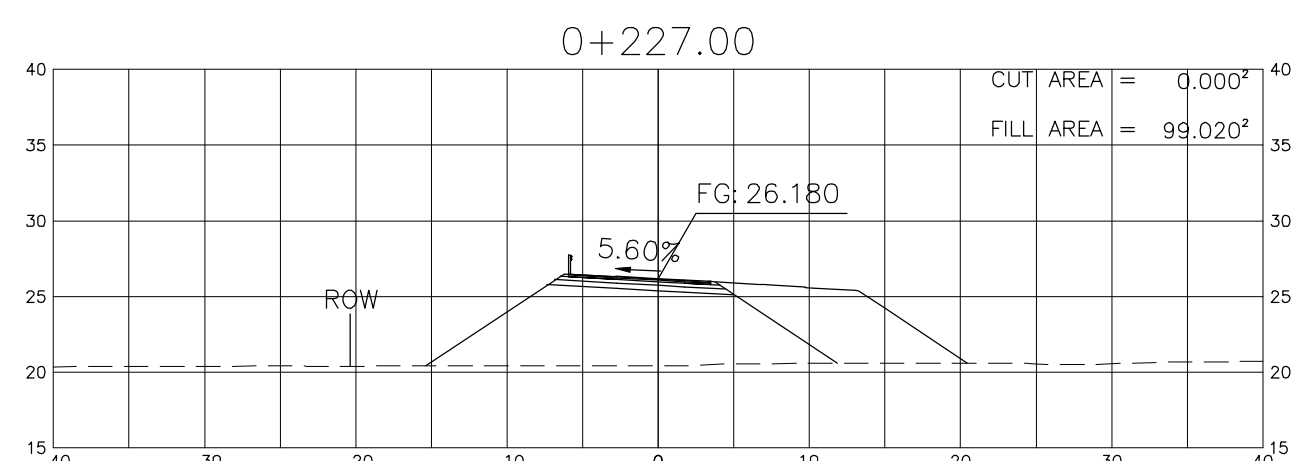
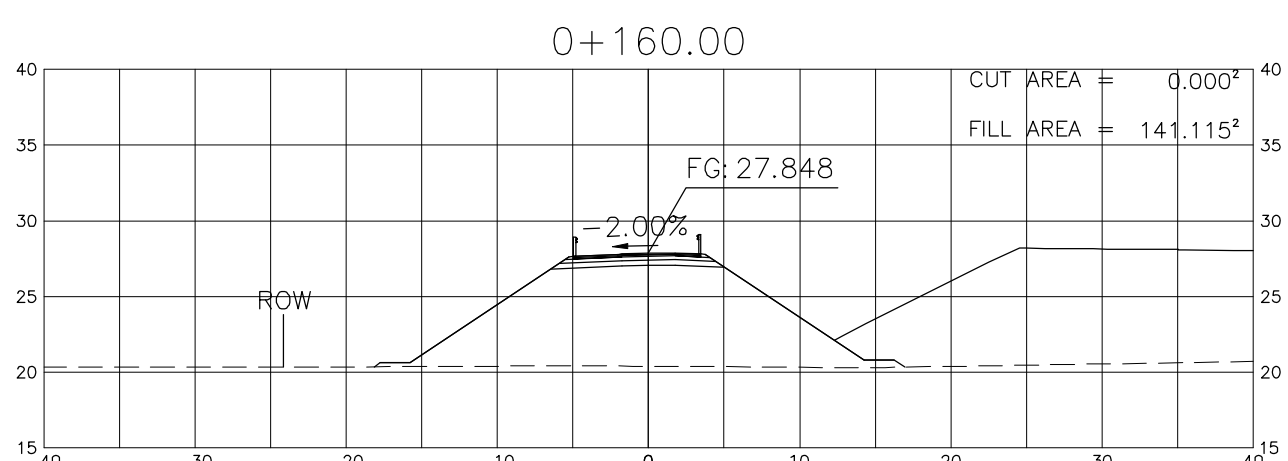
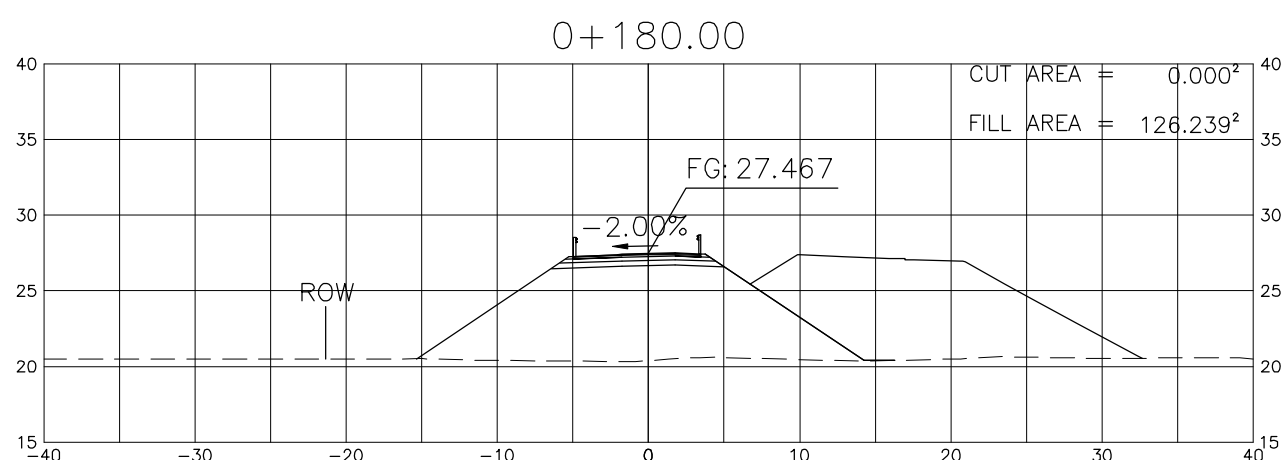
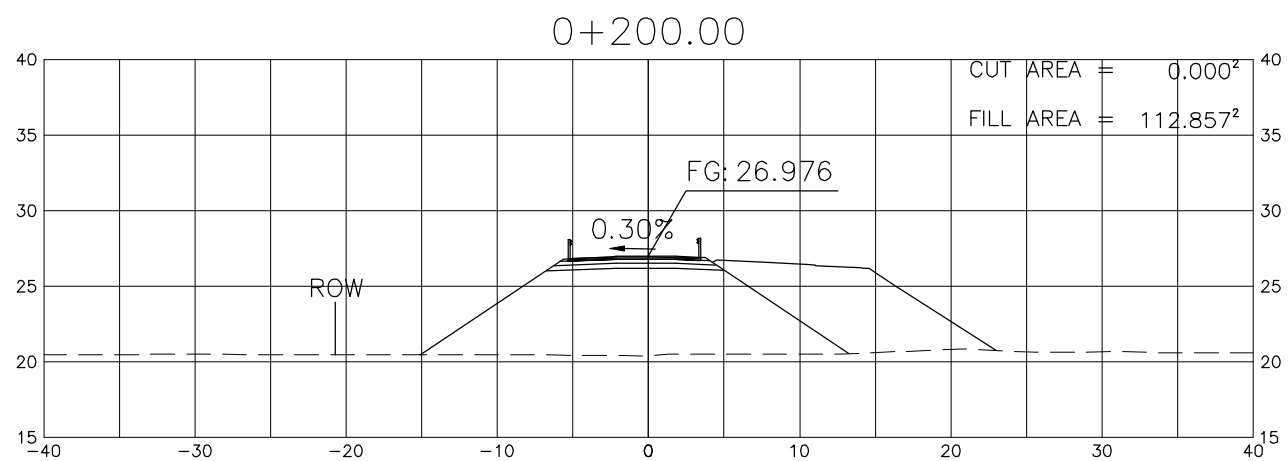
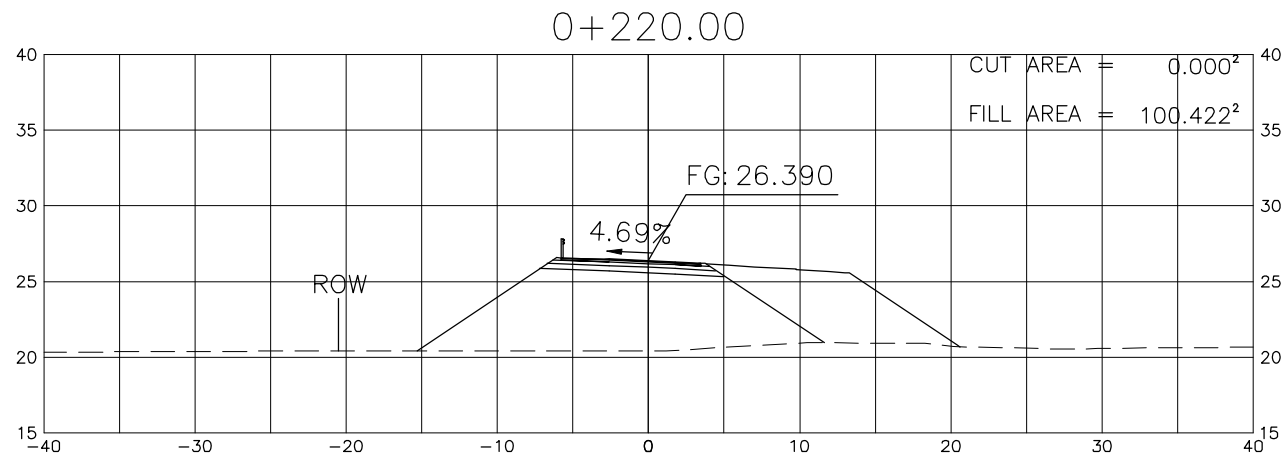
PROJECT TITLE	SCALE	SHEET CONTENT	DRAWING NO.
Preparatory survey for expressway project in Mega Manila Region CLLEX ( TARLAC - CABANATUAN )	A1 = 1:250 A3 = 1:500	CROSS SECTION (ALIAGA INTERCHANGE) MAIN RAMP (2/3)	M-16
			SHEET NO.
			2 OF 45



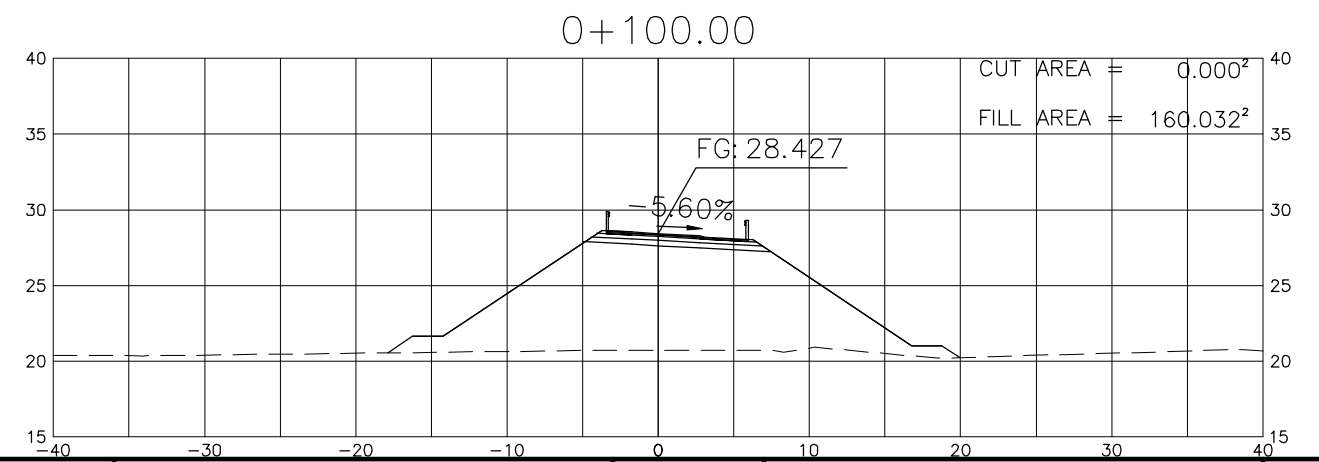
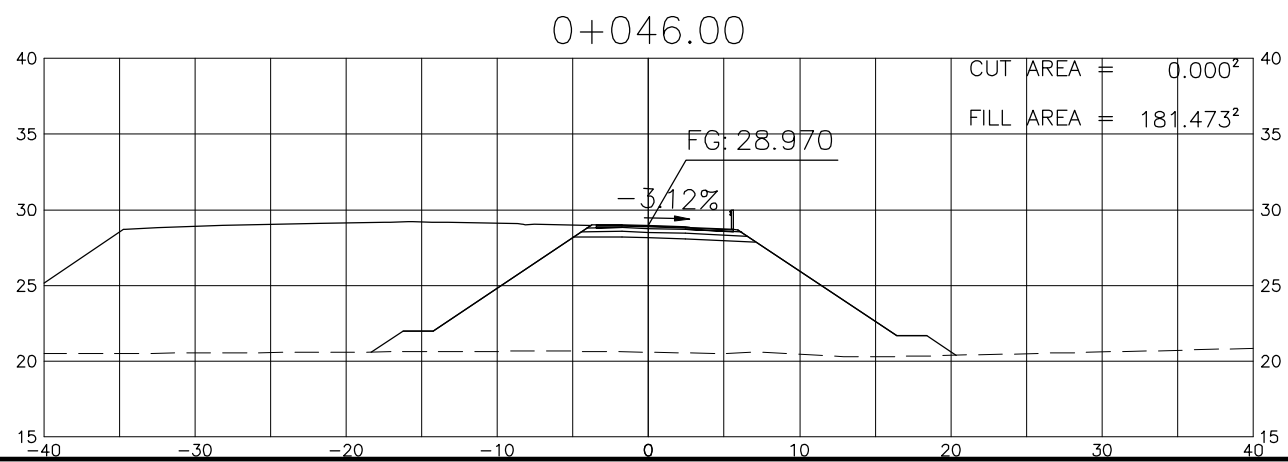
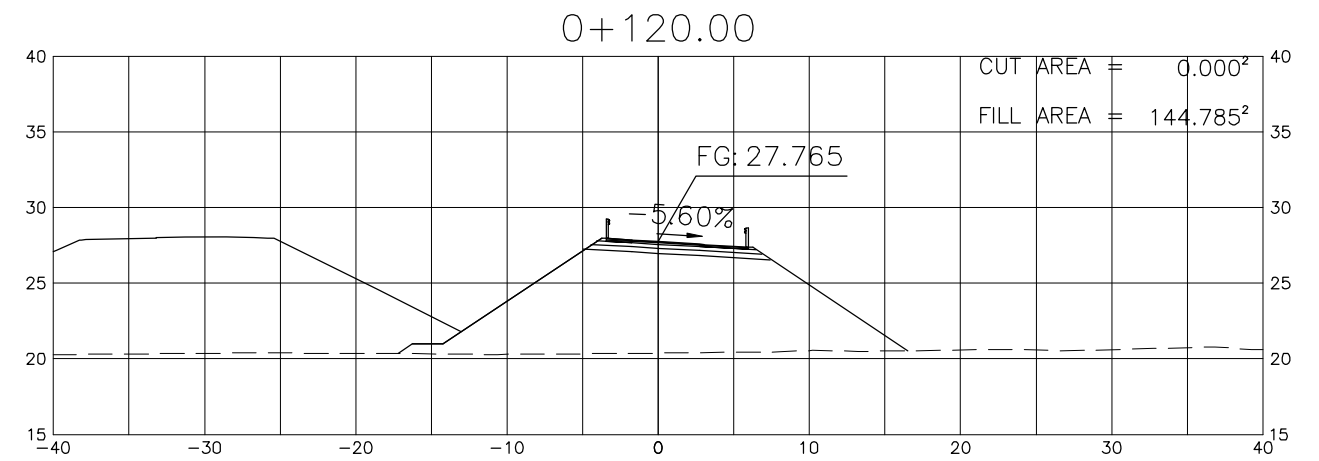
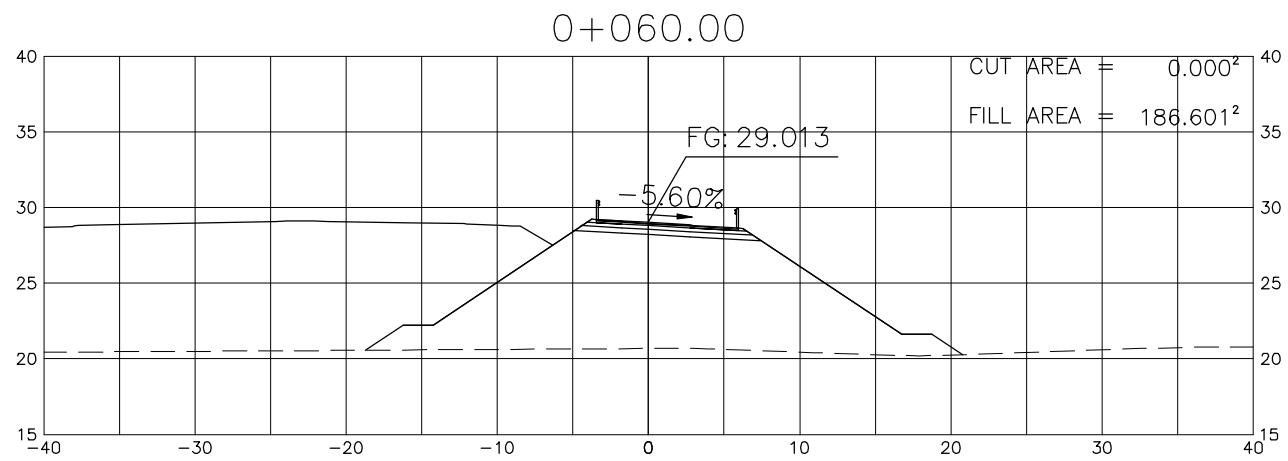
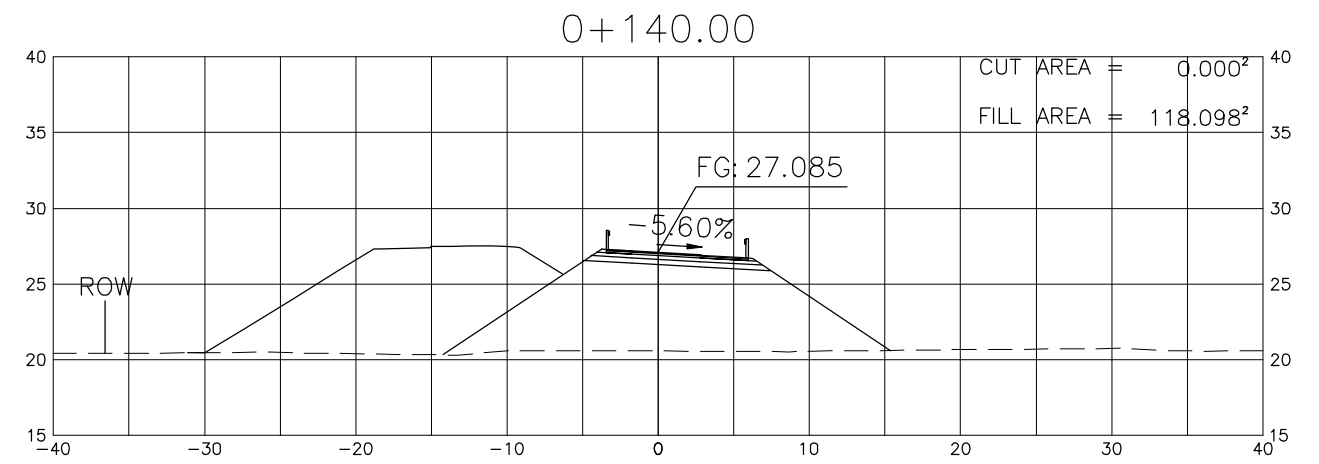
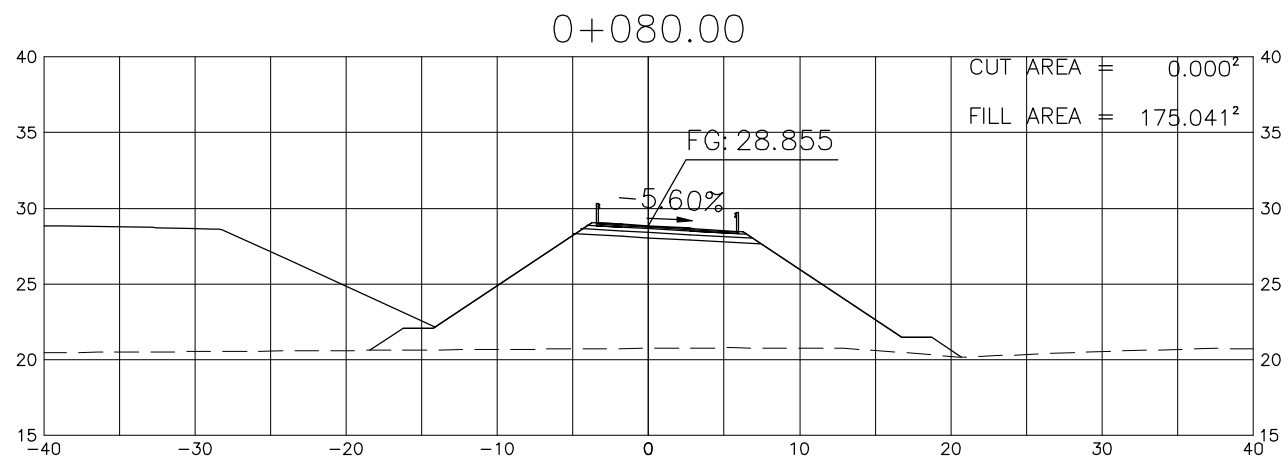
PROJECT TITLE	SCALE	SHEET CONTENT	DRAWING NO.
Preparatory survey for expressway project in Mega Manila Region CLLEX ( TARLAC - CABANATUAN )	A1 = 1:250 A3 = 1:500	CROSS SECTION (ALIAGA INTERCHANGE) MAIN RAMP (3/3)	M-17
			SHEET NO.
			3 OF 45



PROJECT TITLE	SCALE	SHEET CONTENT	DRAWING NO.
Preparatory survey for expressway project in Mega Manila Region CLLEX ( TARLAC - CABANATUAN )	A1 = 1:250 A3 = 1:500	CROSS SECTION (ALIAGA INTERCHANGE) RAMP-A(1/2)	M-18
			SHEET NO.
			4 OF 45

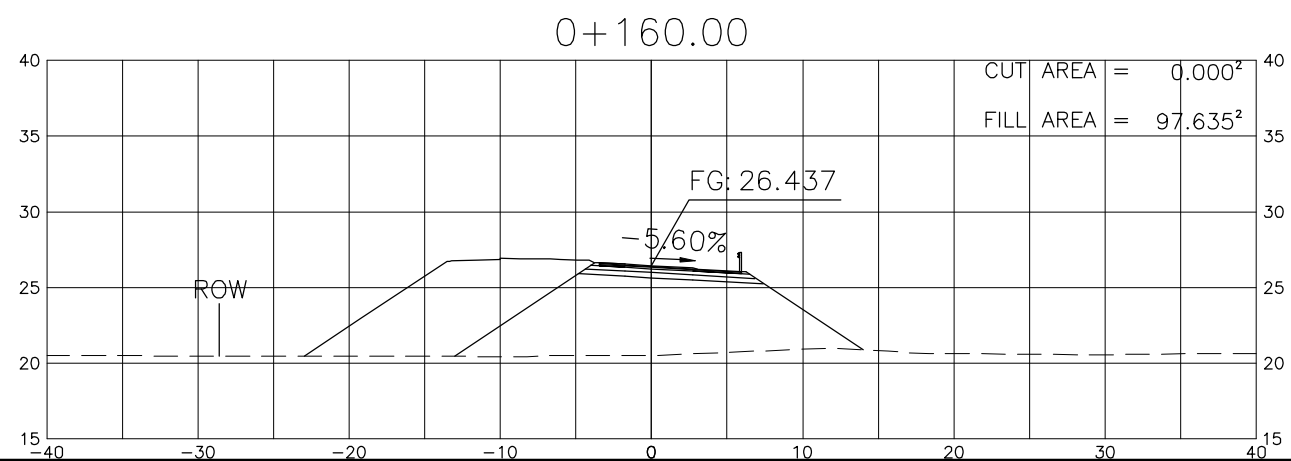
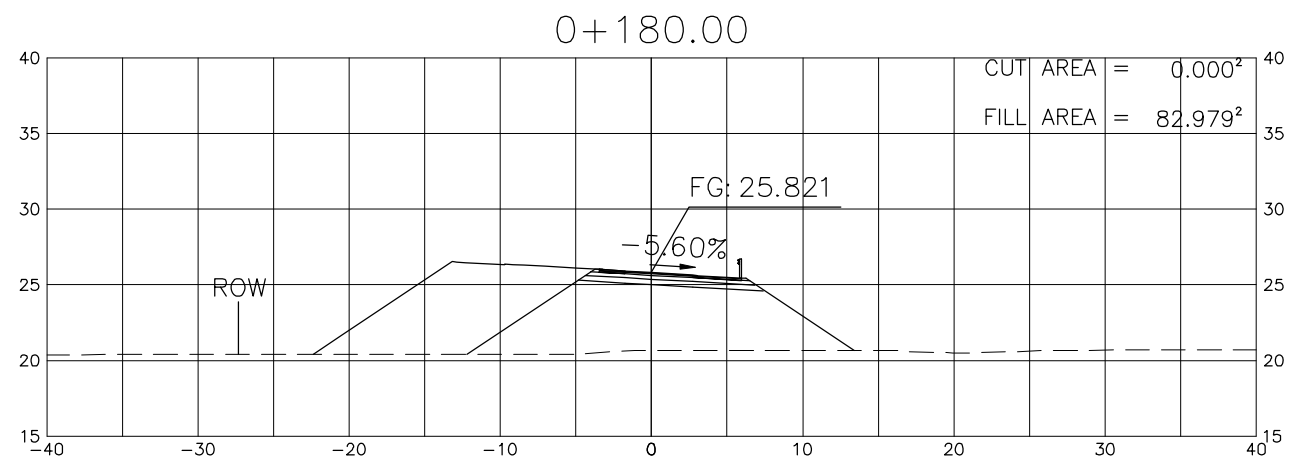
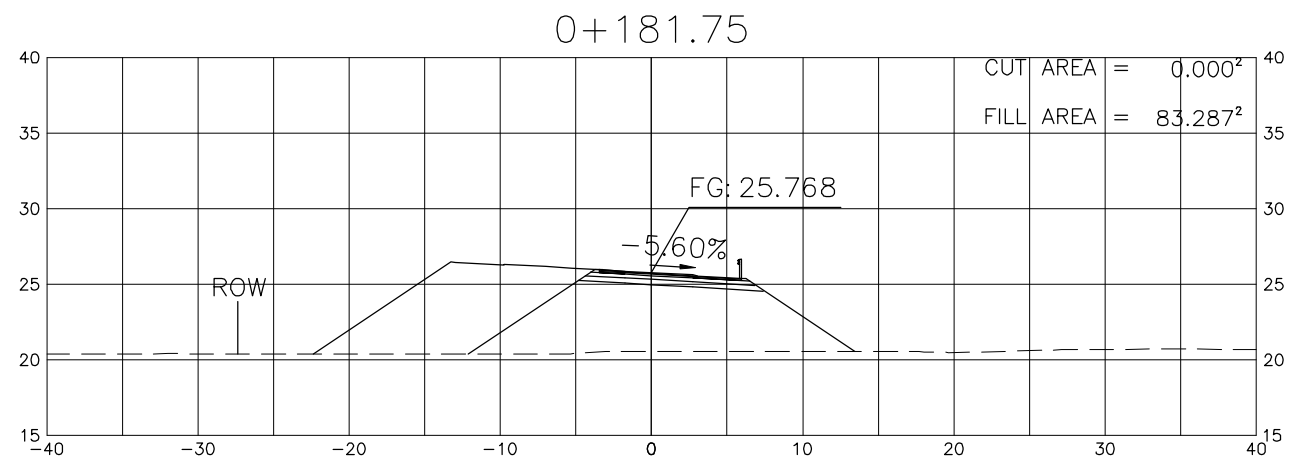


PROJECT TITLE	SCALE	SHEET CONTENT	DRAWING NO.
Preparatory survey for expressway project in Mega Manila Region CLLEX ( TARLAC - CABANATUAN )	A1 = 1:250 A3 = 1:500	CROSS SECTION (ALIAGA INTERCHANGE) RAMP-A(2/2)	M-19
			SHEET NO.
			5 OF 45

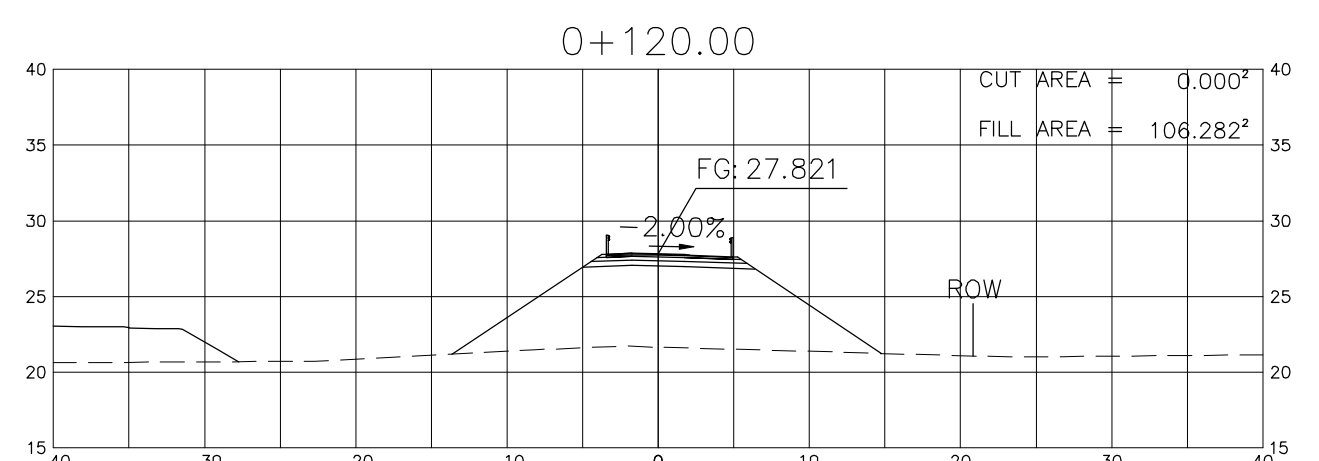
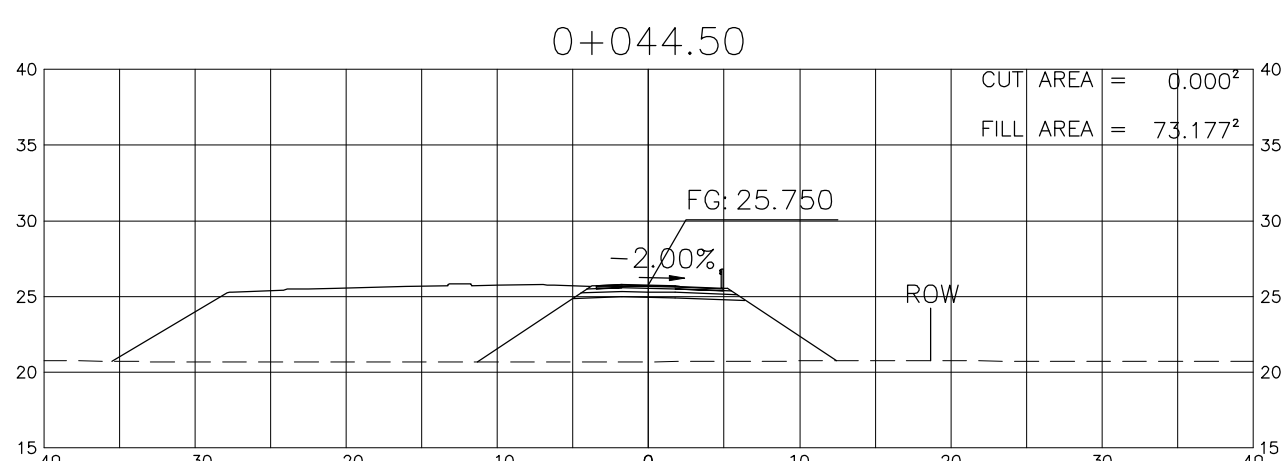
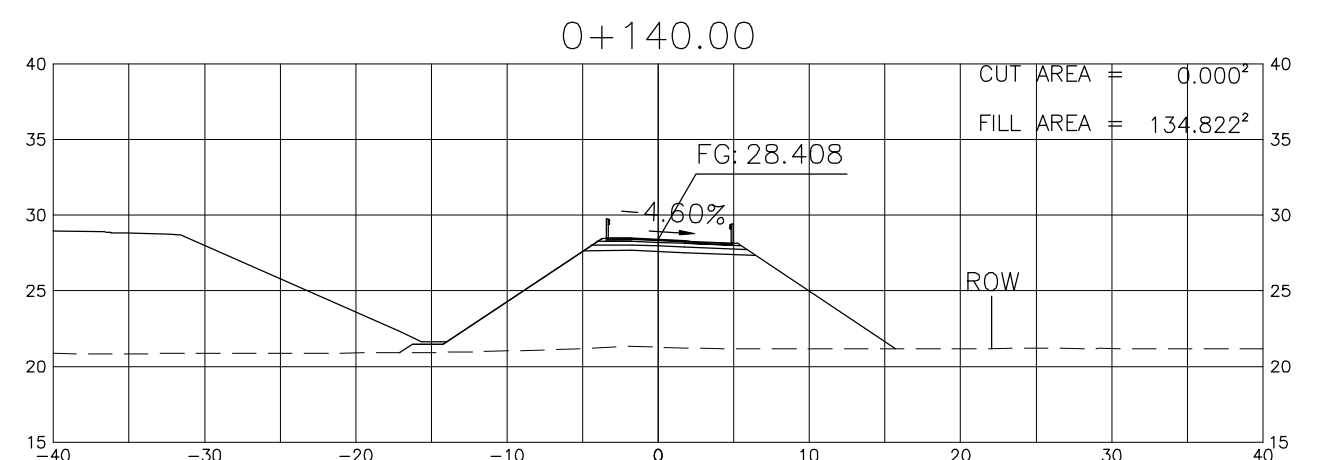
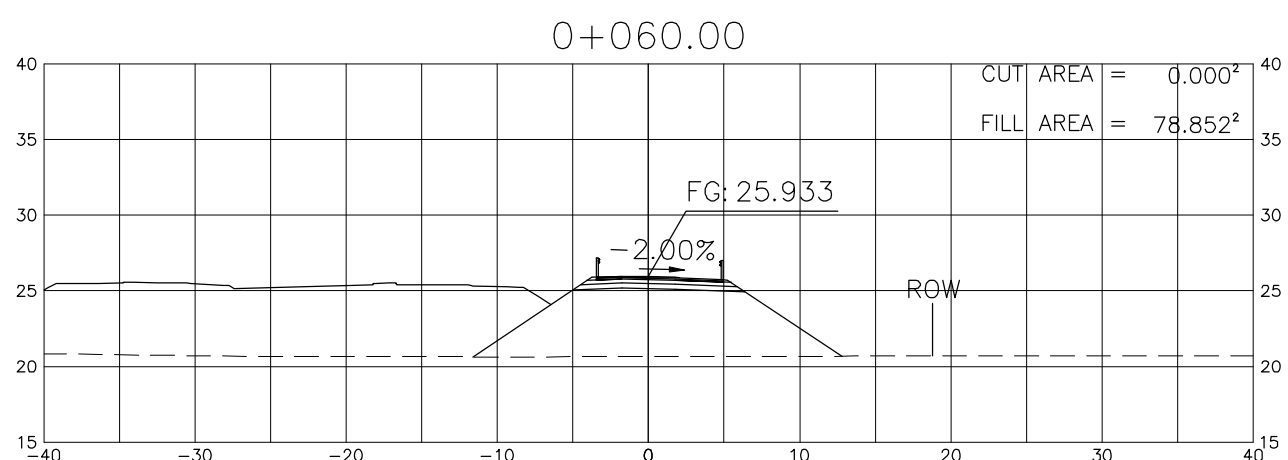
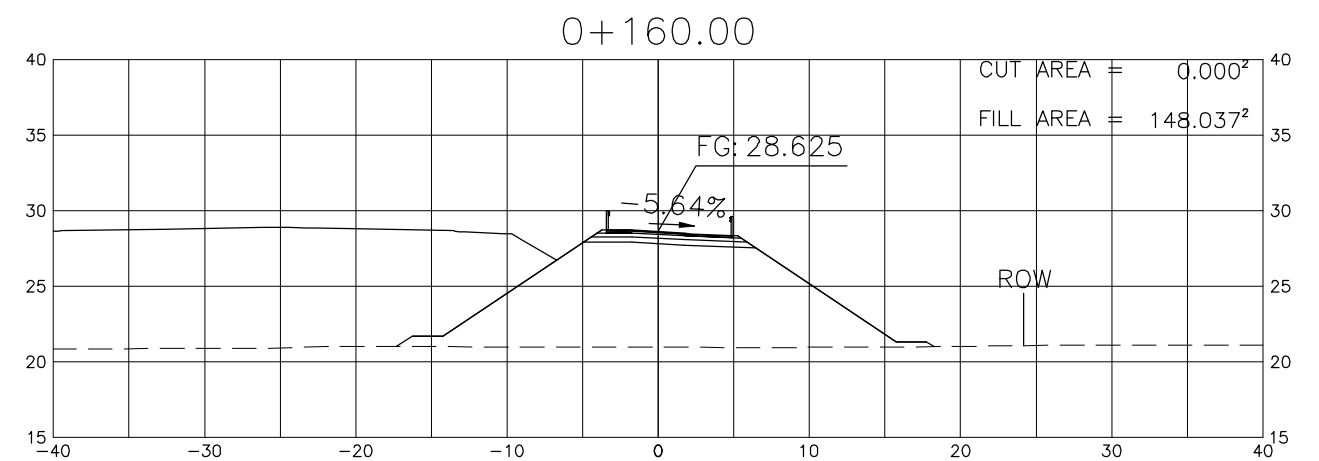
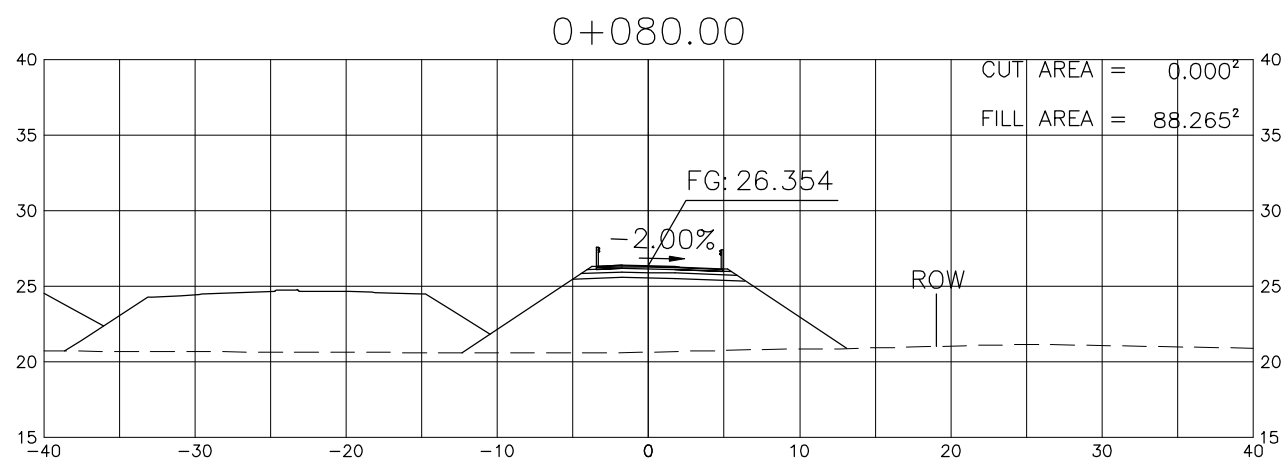
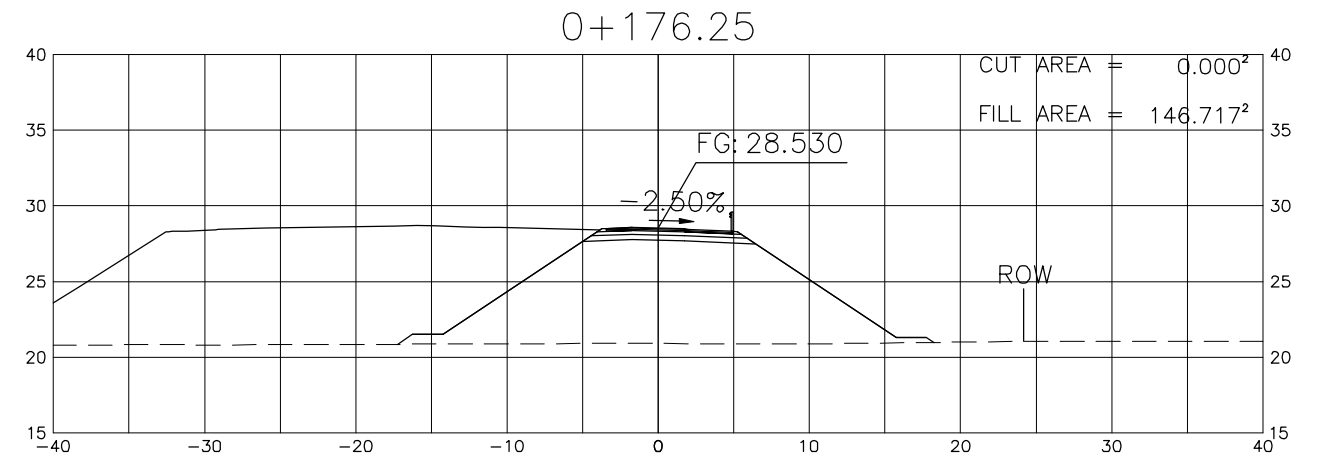
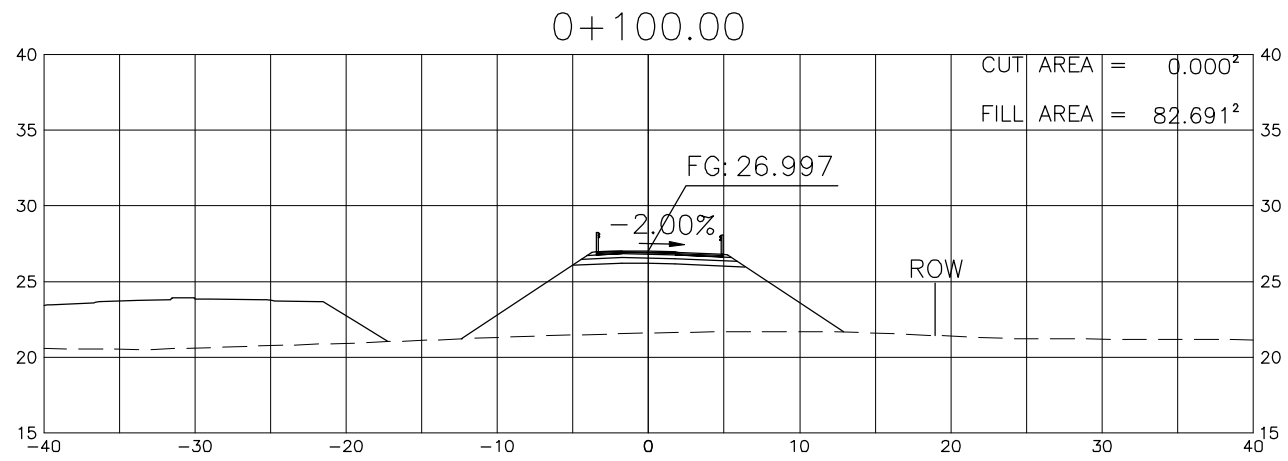


PROJECT TITLE	SCALE	SHEET CONTENT	DRAWING NO.
Preparatory survey for expressway project in Mega Manila Region CLLEX ( TARLAC - CABANATUAN )	A1 = 1:250 A3 = 1:500	CROSS SECTION (ALIAGA INTERCHANGE) RAMP-B(1/2)	M-20
			SHEET NO.
			6 OF 45

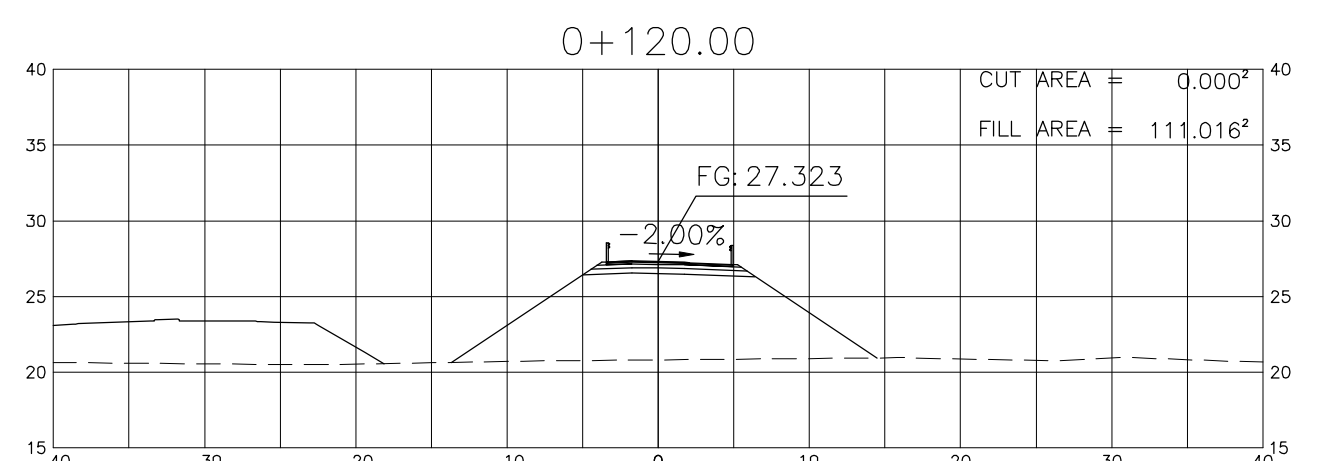
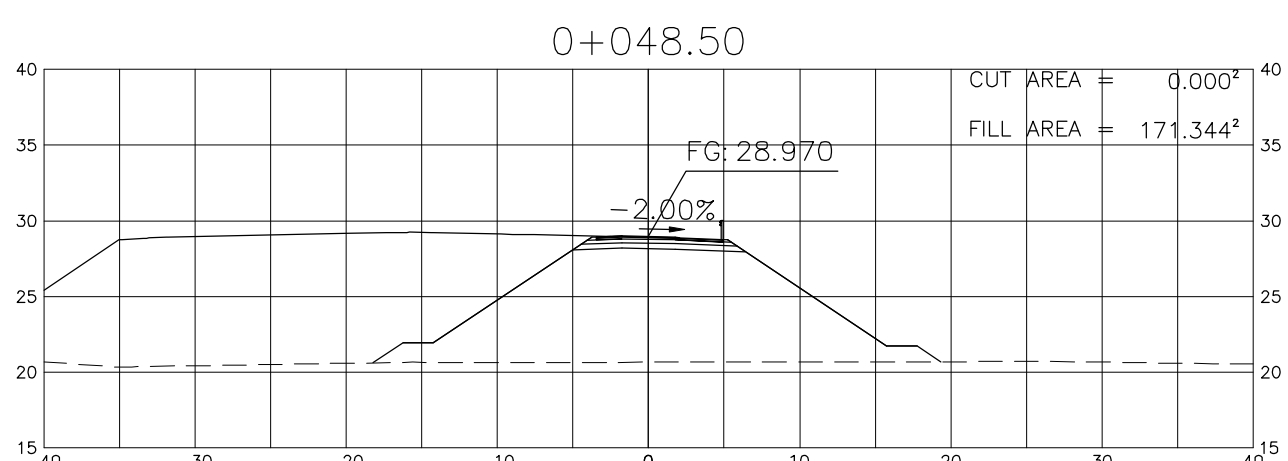
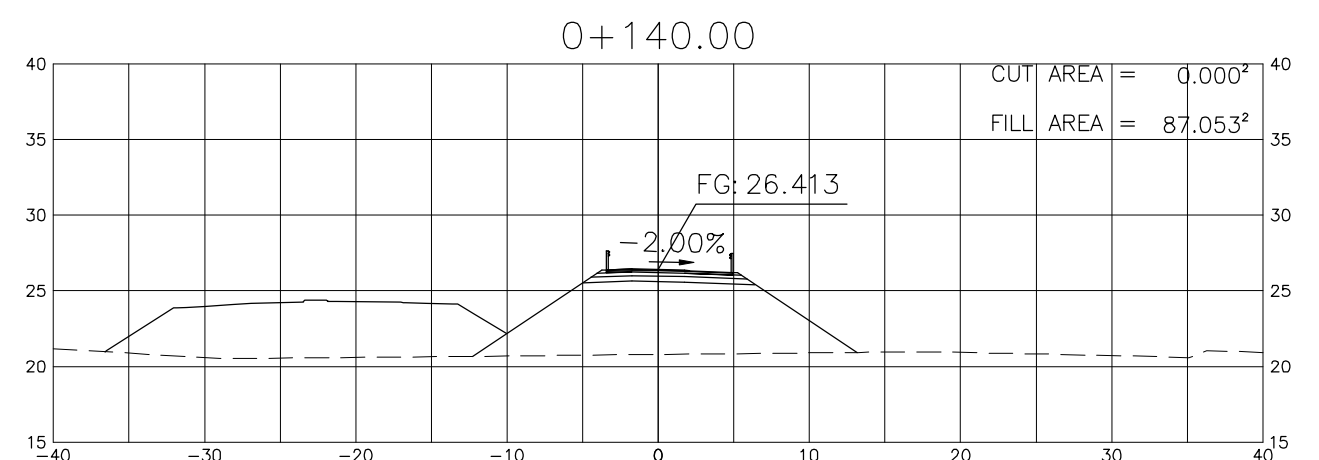
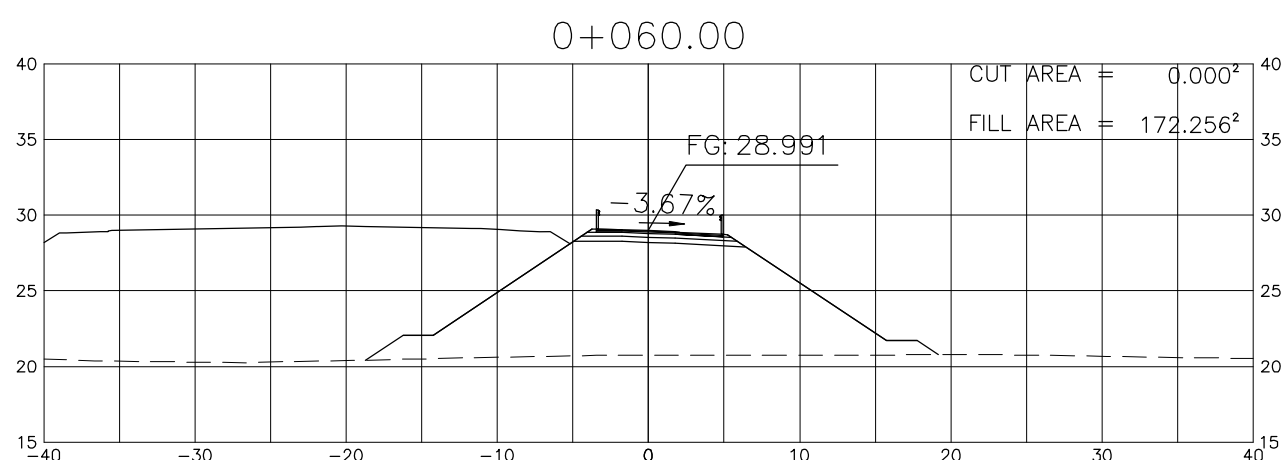
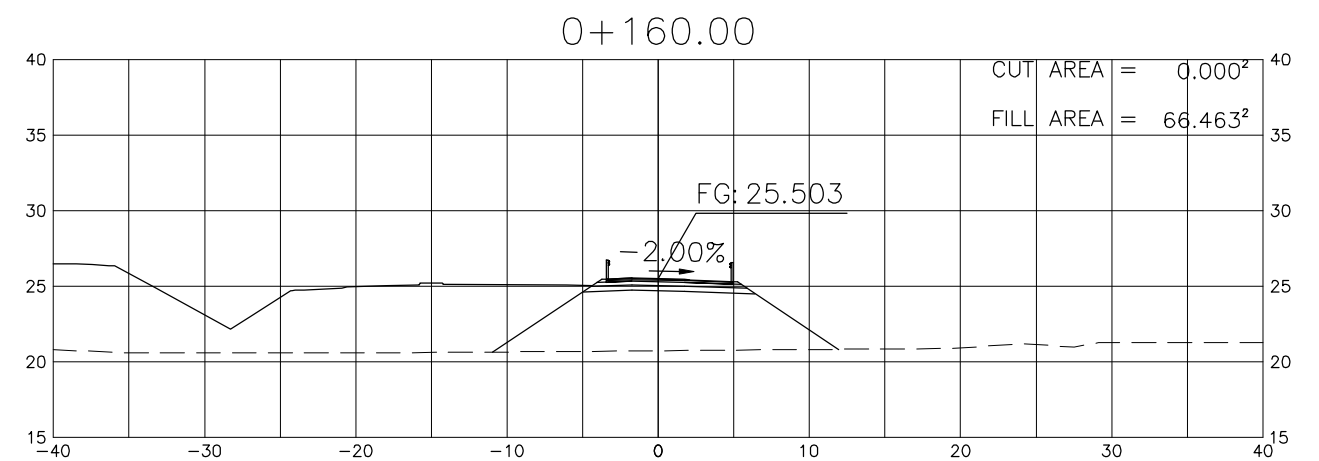
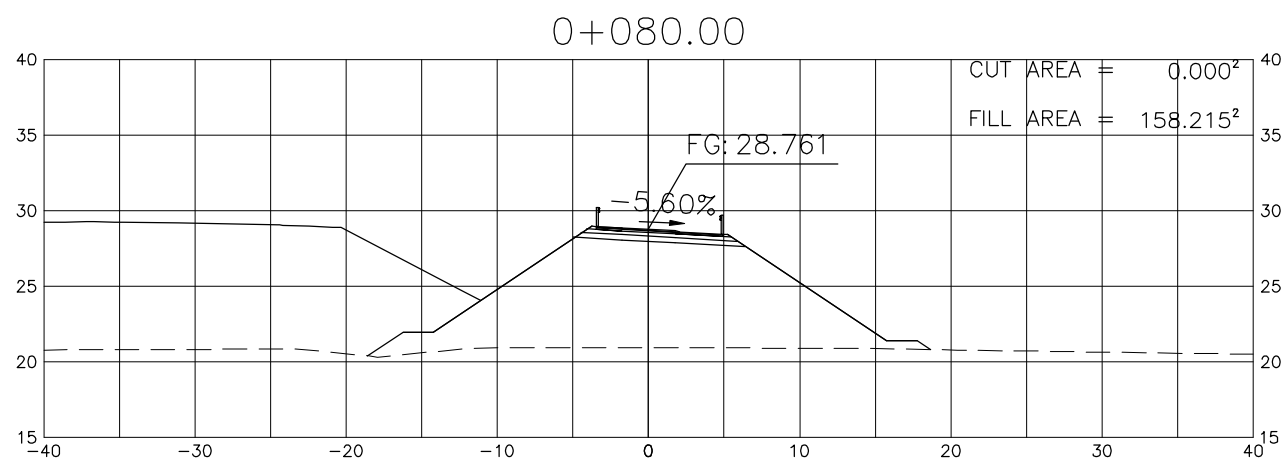
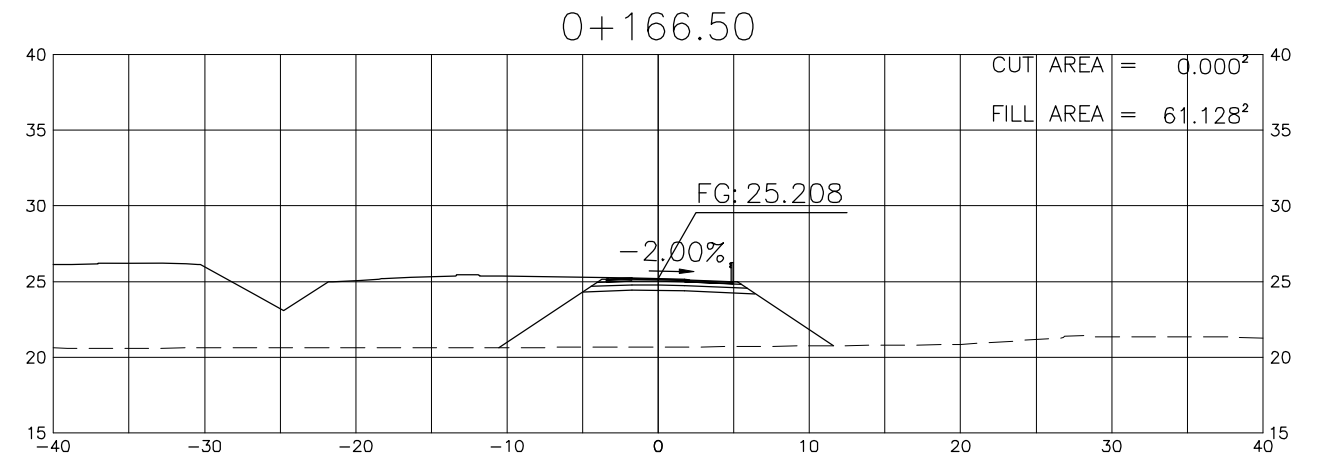
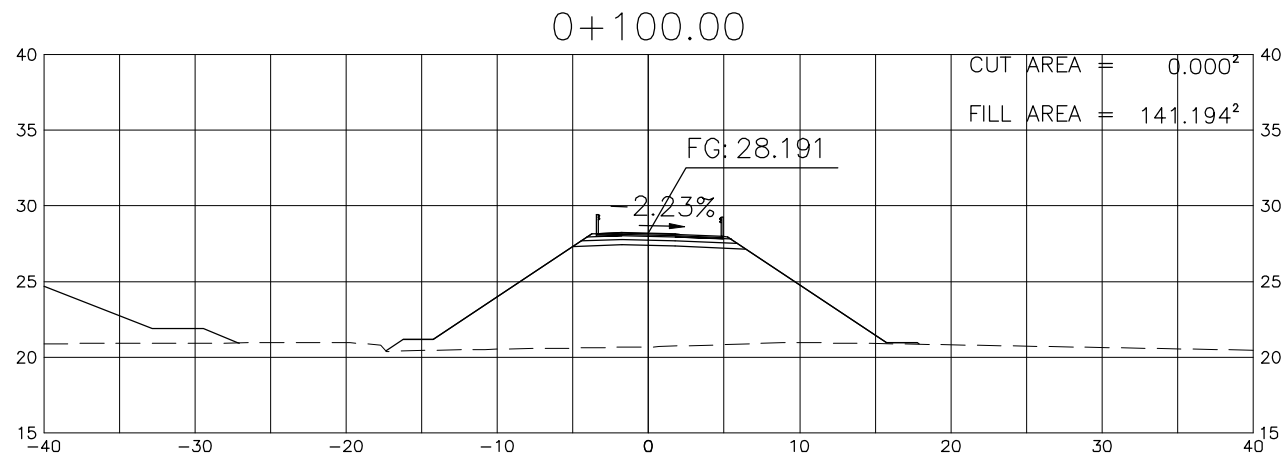




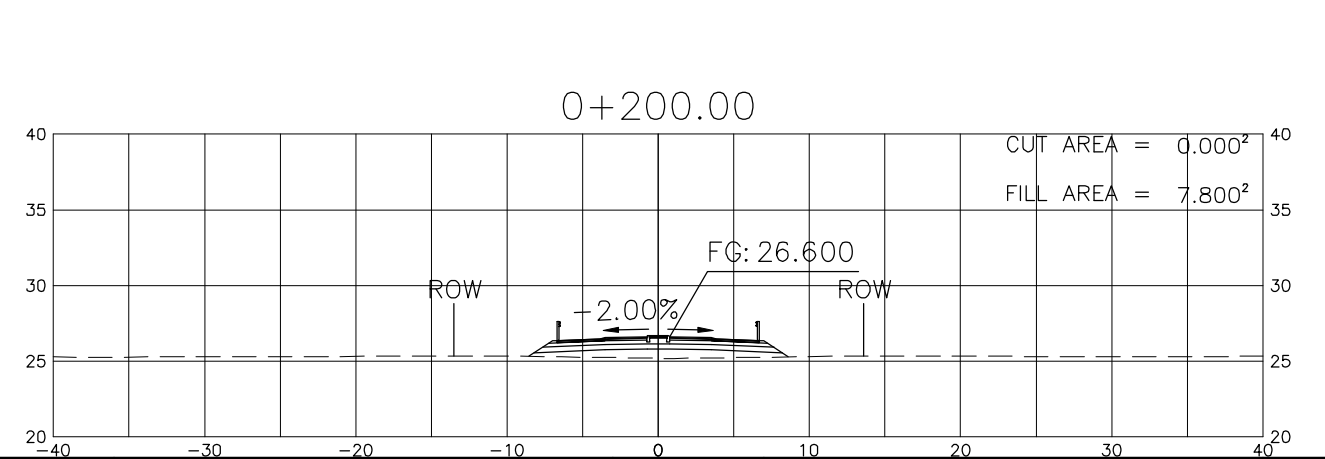
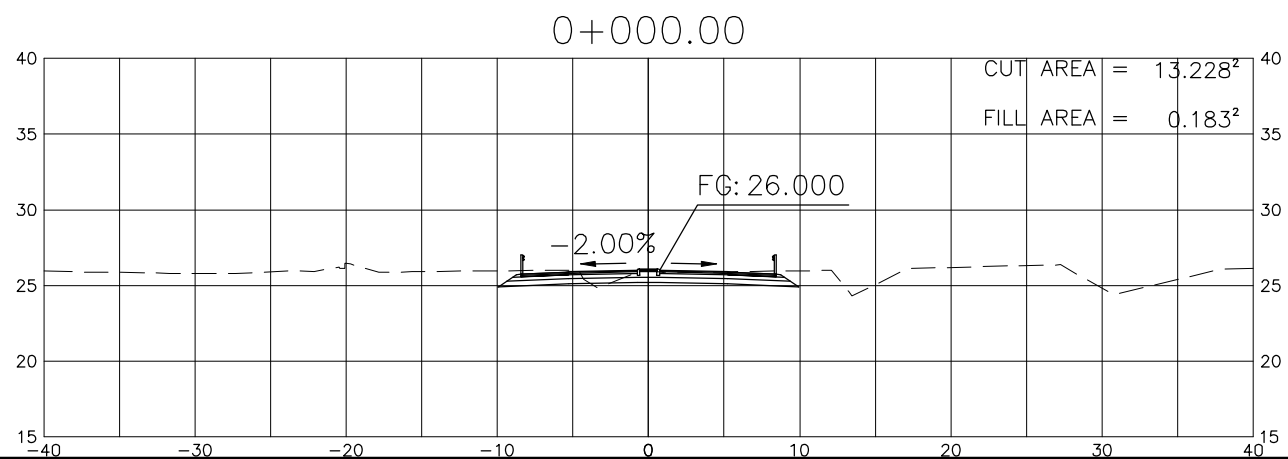
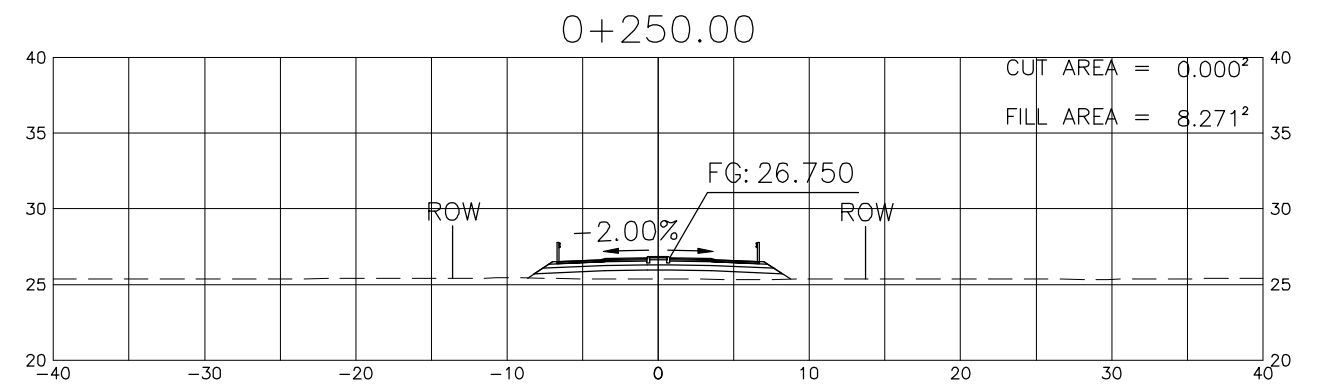
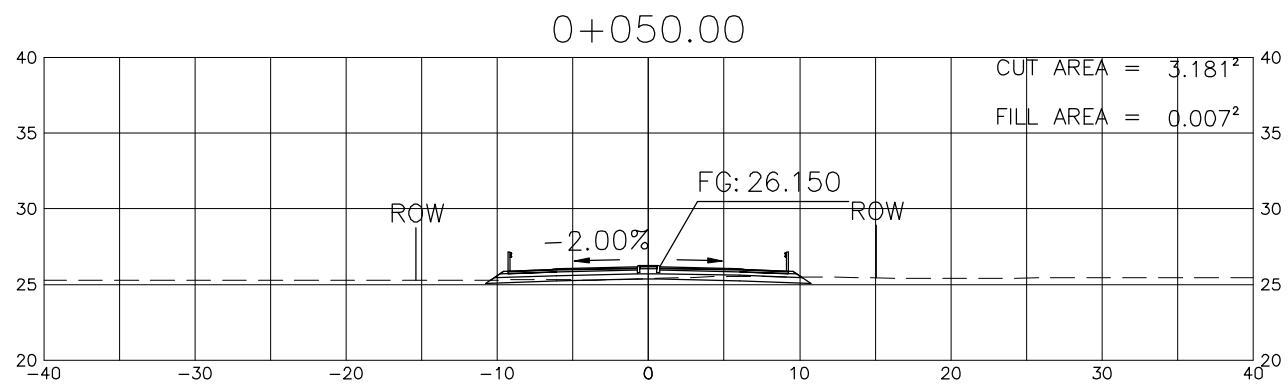
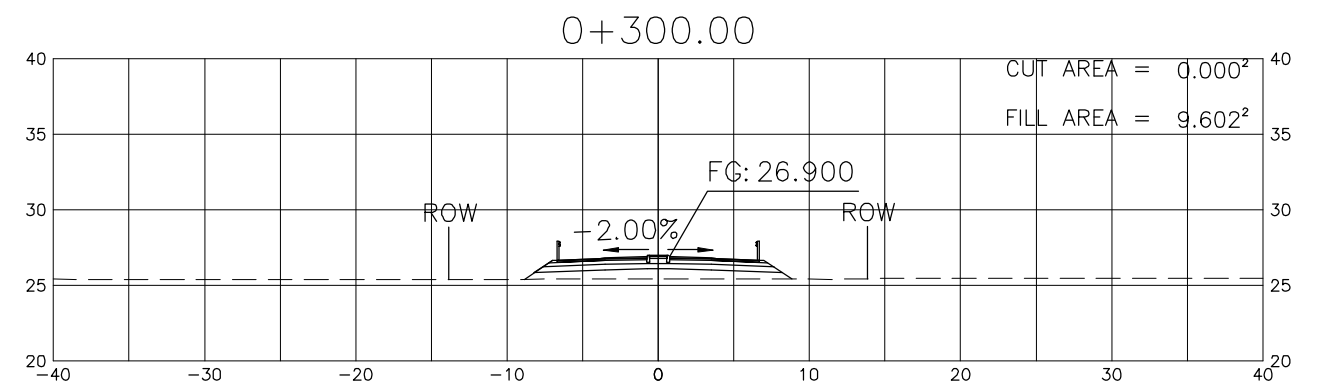
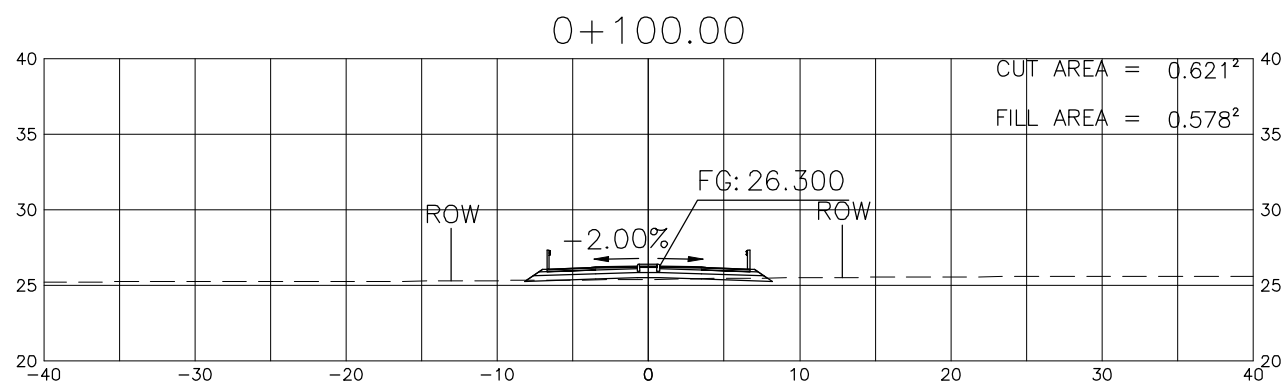
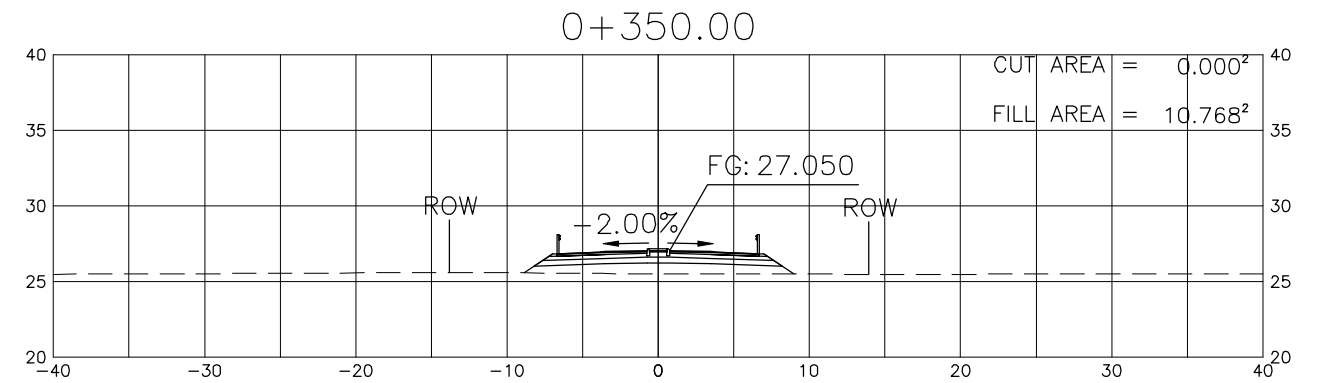
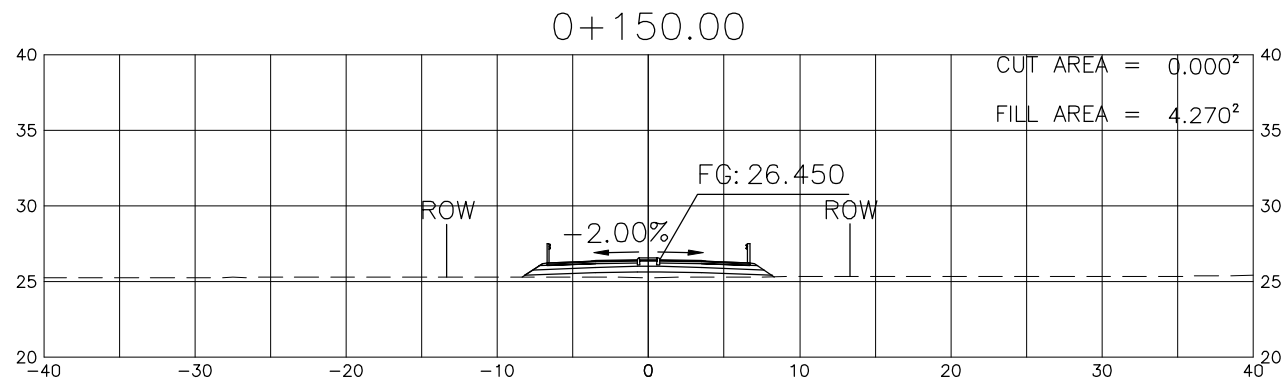
PROJECT TITLE	SCALE	SHEET CONTENT	DRAWING NO.
Preparatory survey for expressway project in Mega Manila Region CLLEX ( TARLAC - CABANATUAN )	A1 = 1:250 A3 = 1:500	CROSS SECTION (ALIAGA INTERCHANGE) RAMP-B(2/2)	M-21
			SHEET NO.
			7 OF 45



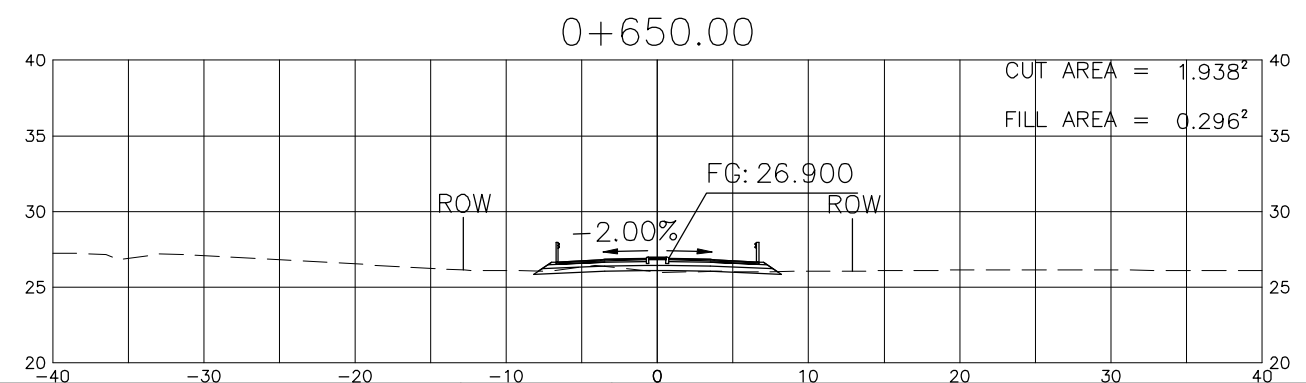
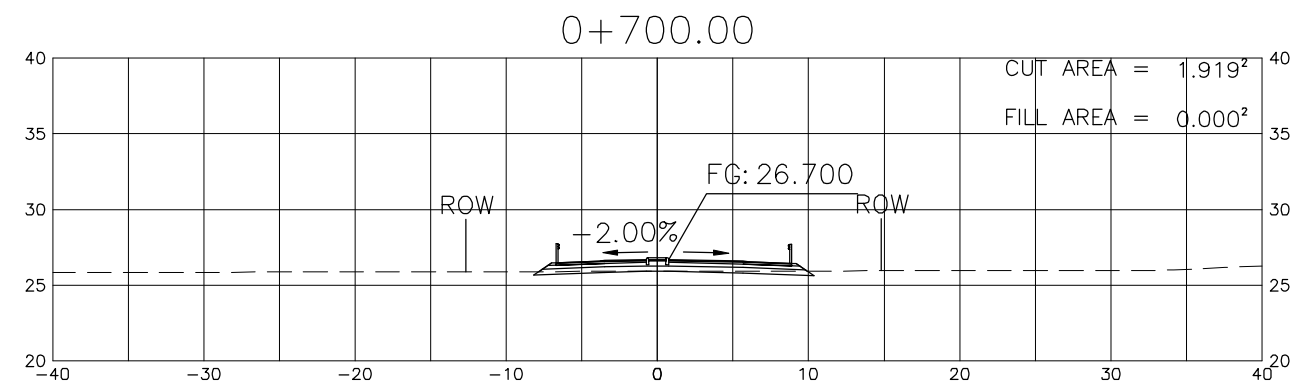
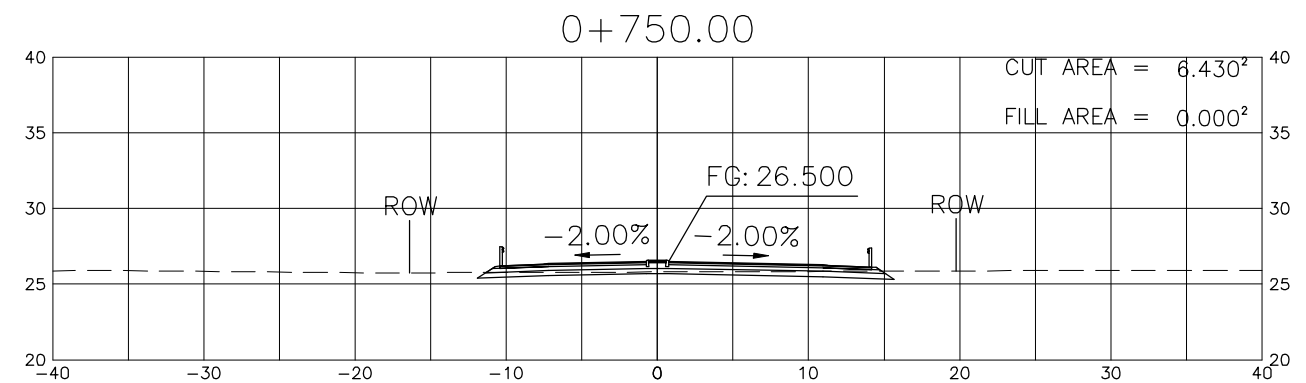
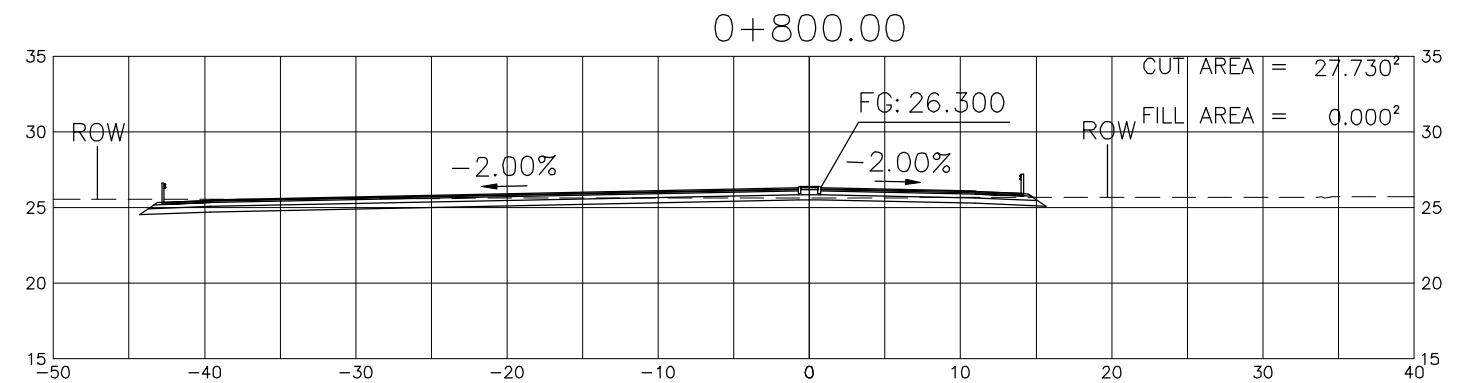
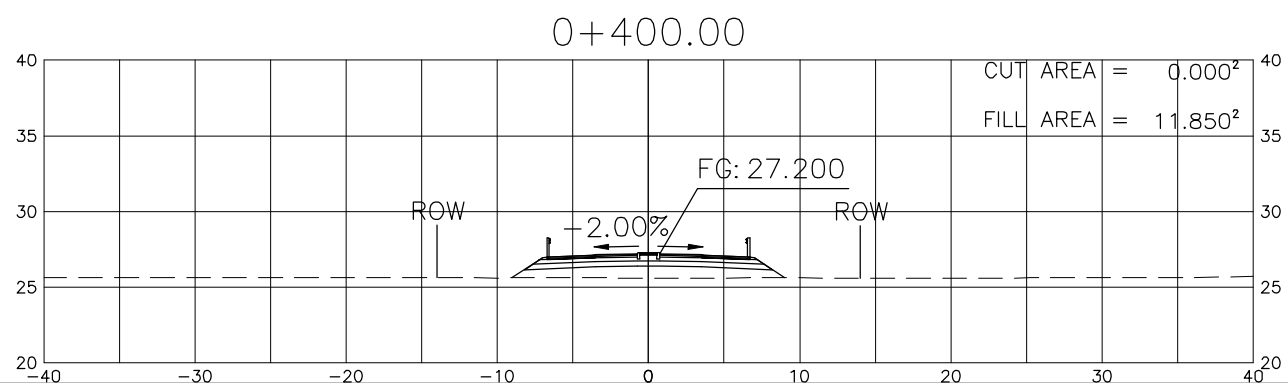
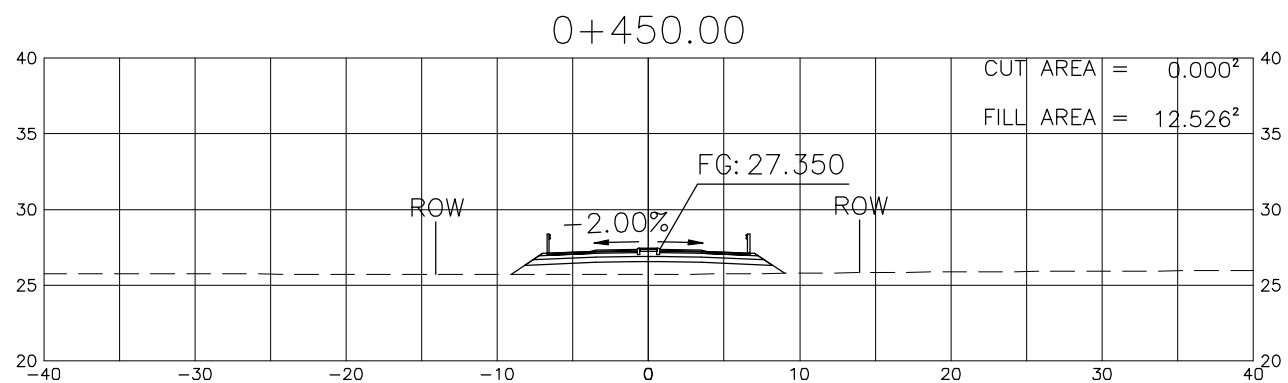
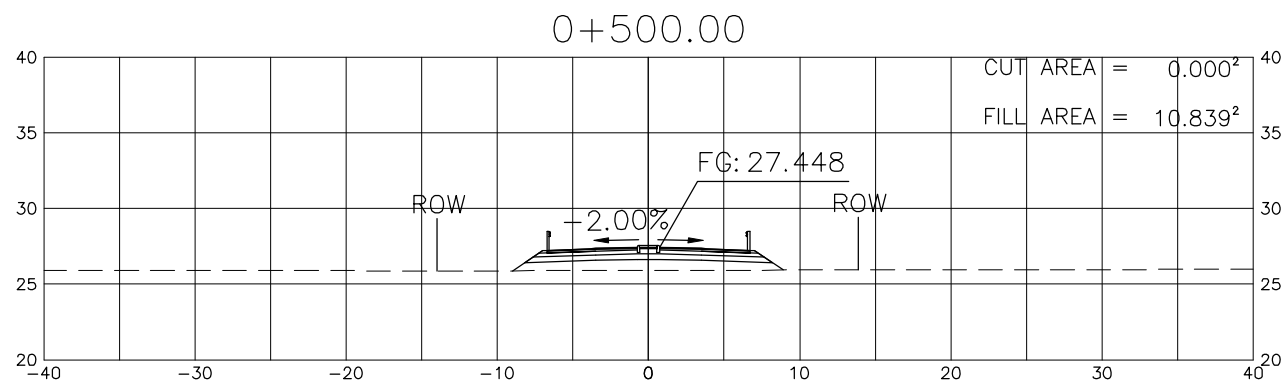
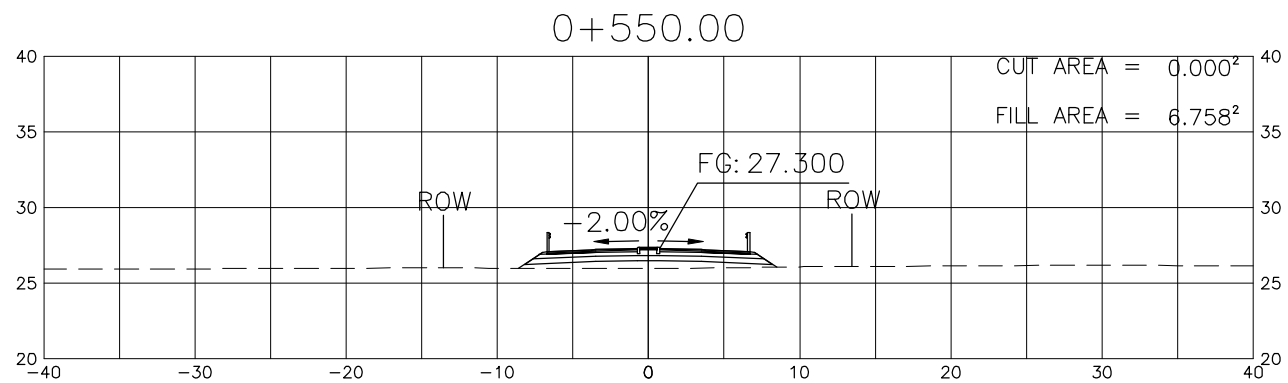
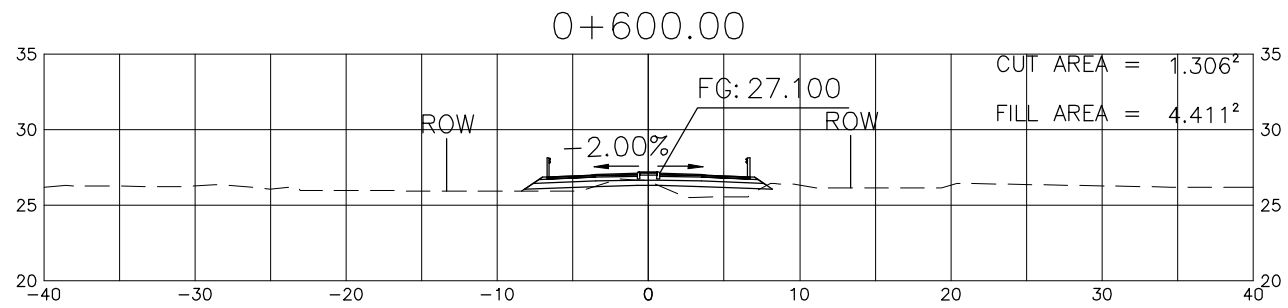
PROJECT TITLE	SCALE	SHEET CONTENT	DRAWING NO.
Preparatory survey for expressway project in Mega Manila Region CLLEX ( TARLAC - CABANATUAN )	A1 = 1:250 A3 = 1:500	CROSS SECTION (ALIAGA INTERCHANGE) RAMP-C	M-22
			SHEET NO.
			8 OF 45



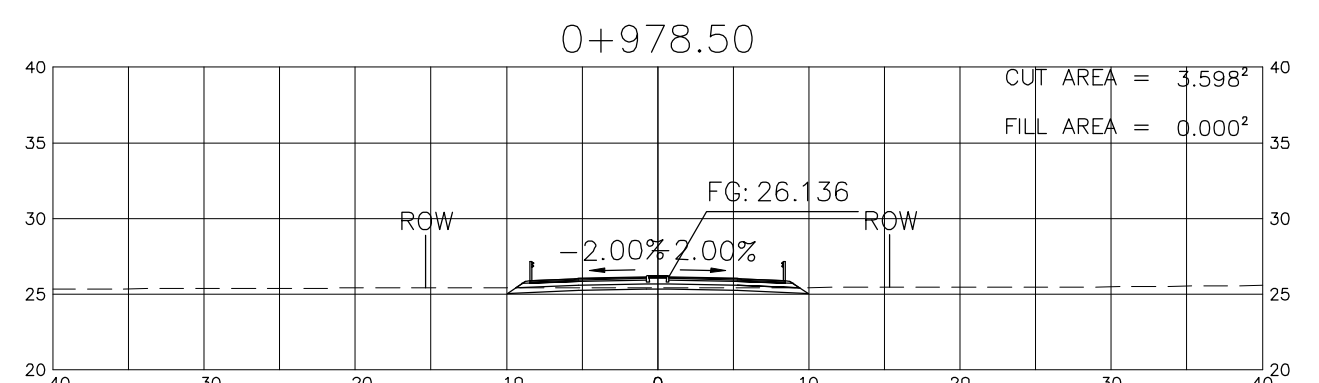
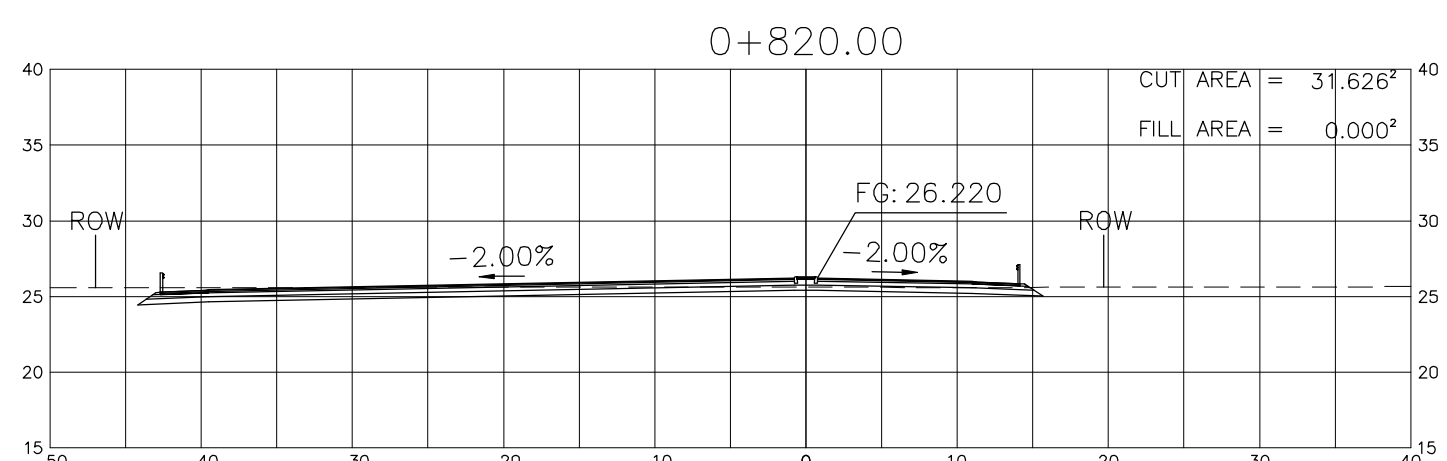
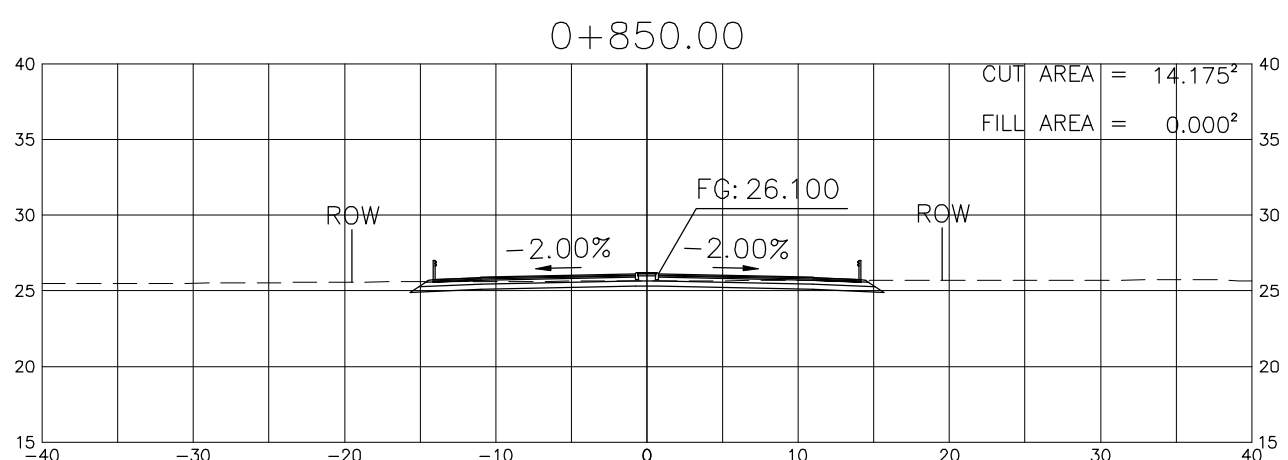
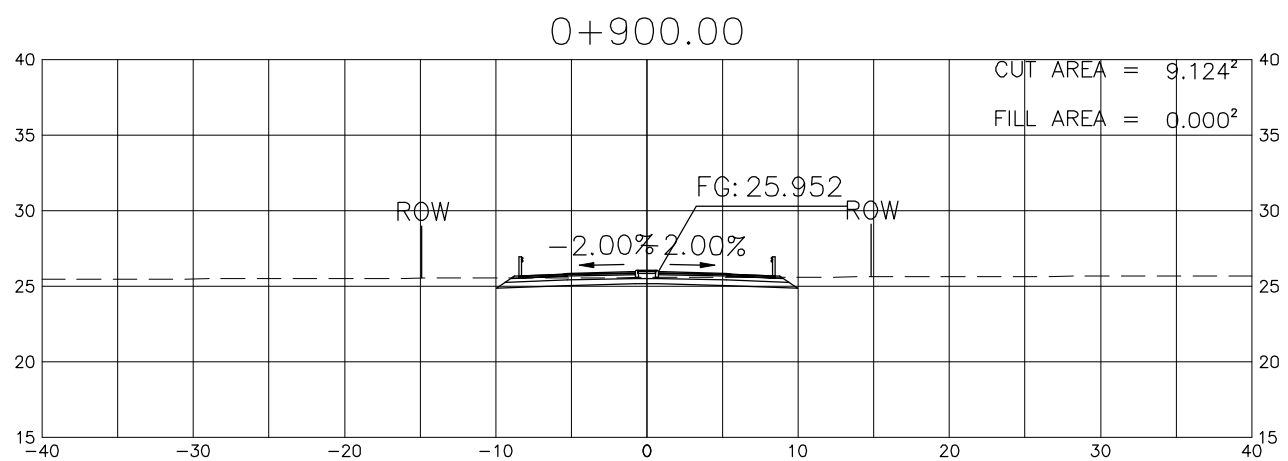
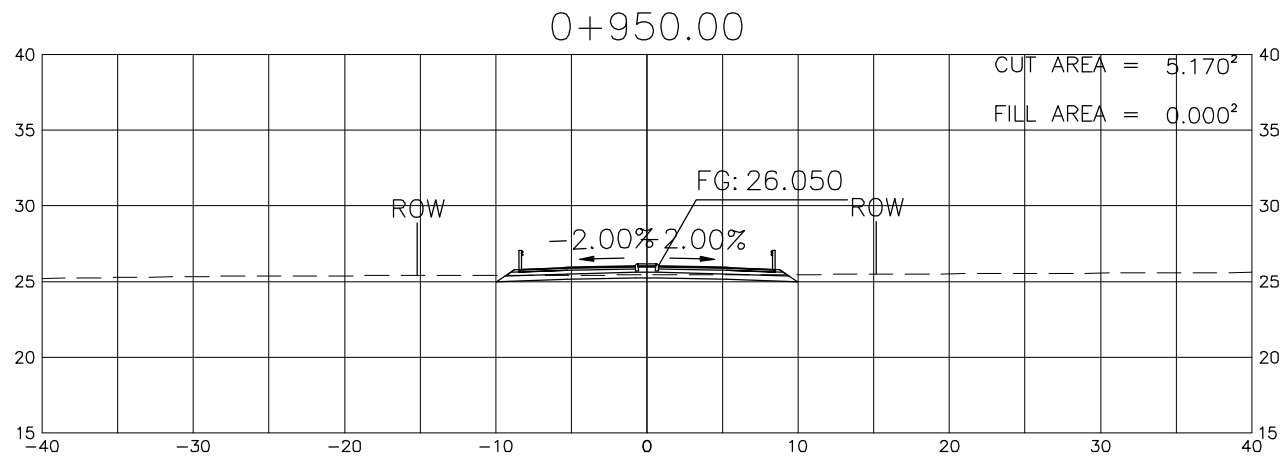
PROJECT TITLE	SCALE	SHEET CONTENT	DRAWING NO.
Preparatory survey for expressway project in Mega Manila Region CLLEX ( TARLAC - CABANATUAN )	A1 = 1:250 A3 = 1:500	CROSS SECTION (ALIAGA INTERCHANGE) RAMP-D	M-23
			SHEET NO.
			9 OF 45



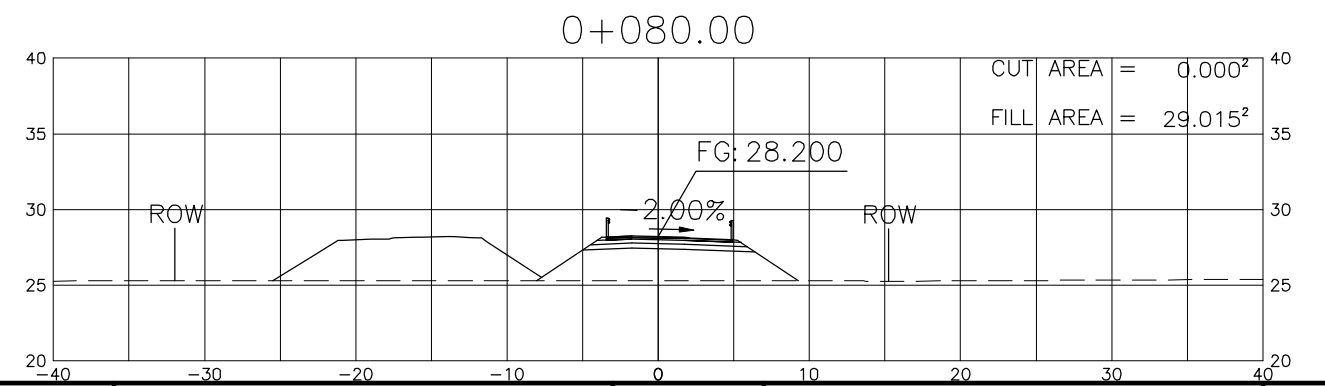
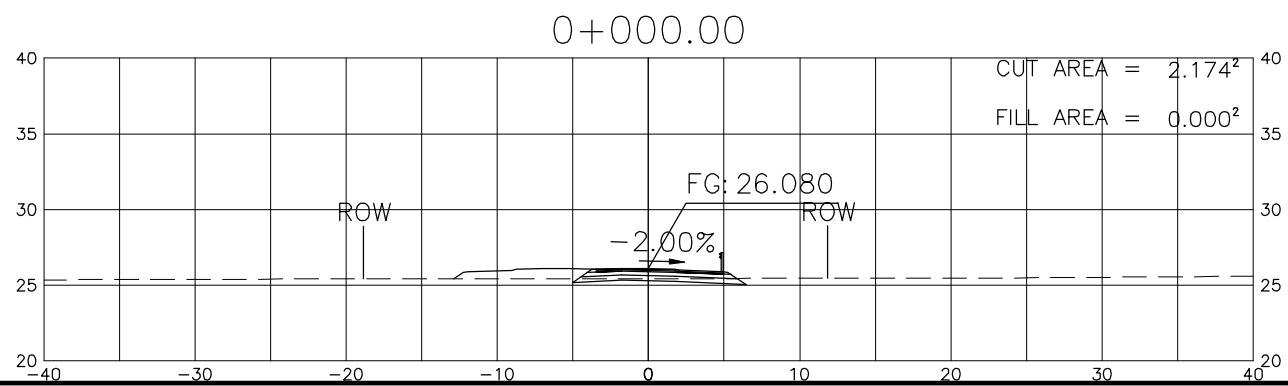
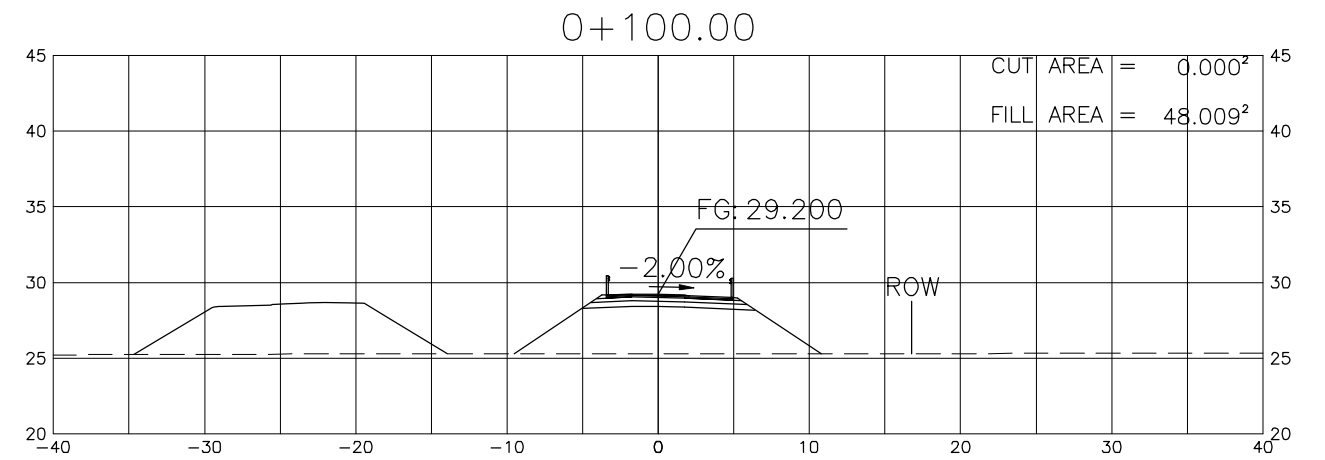
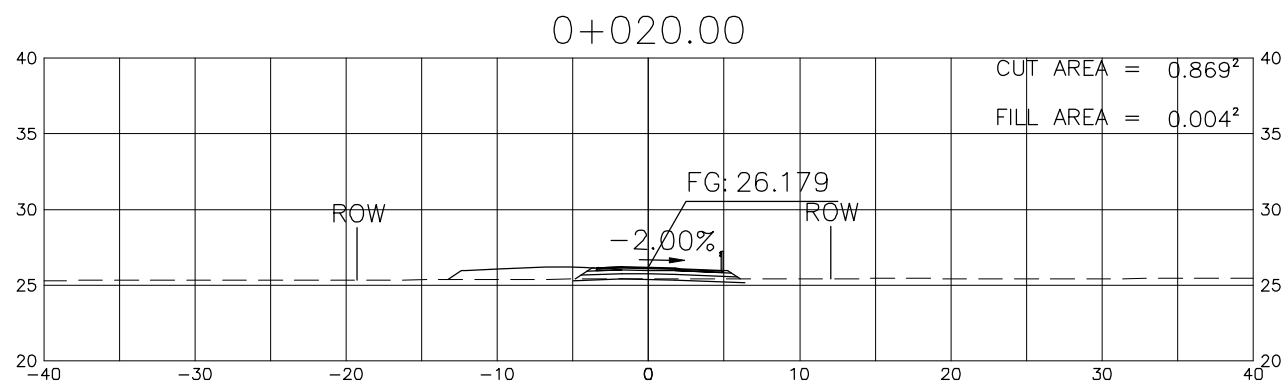
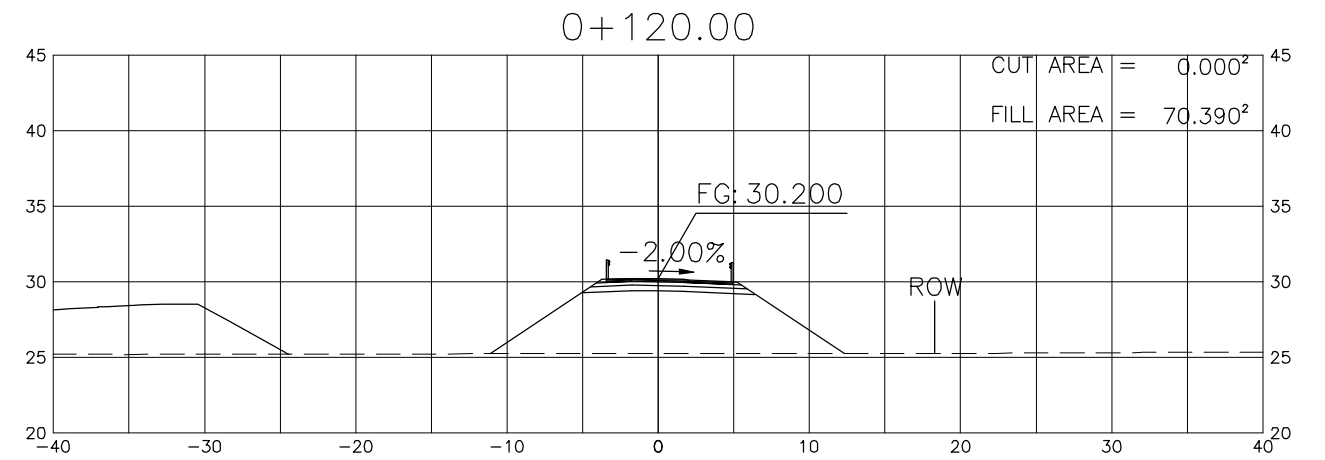
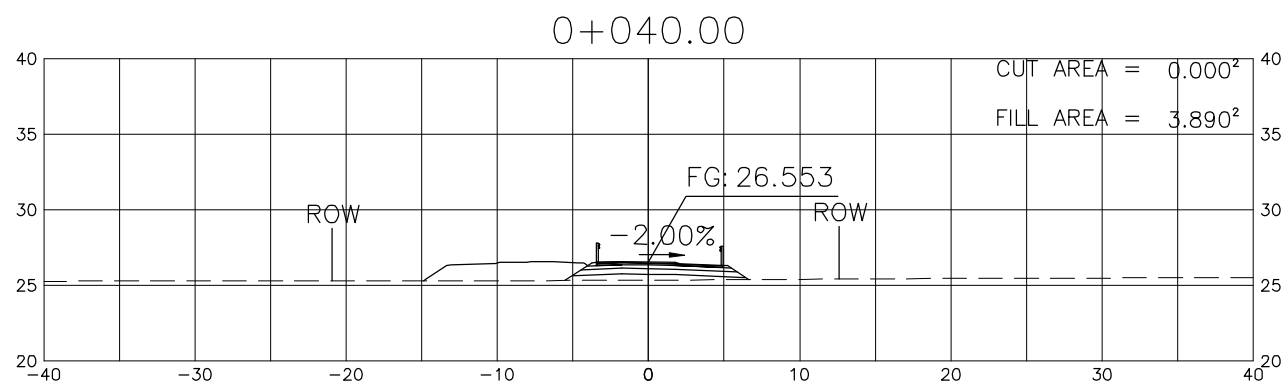
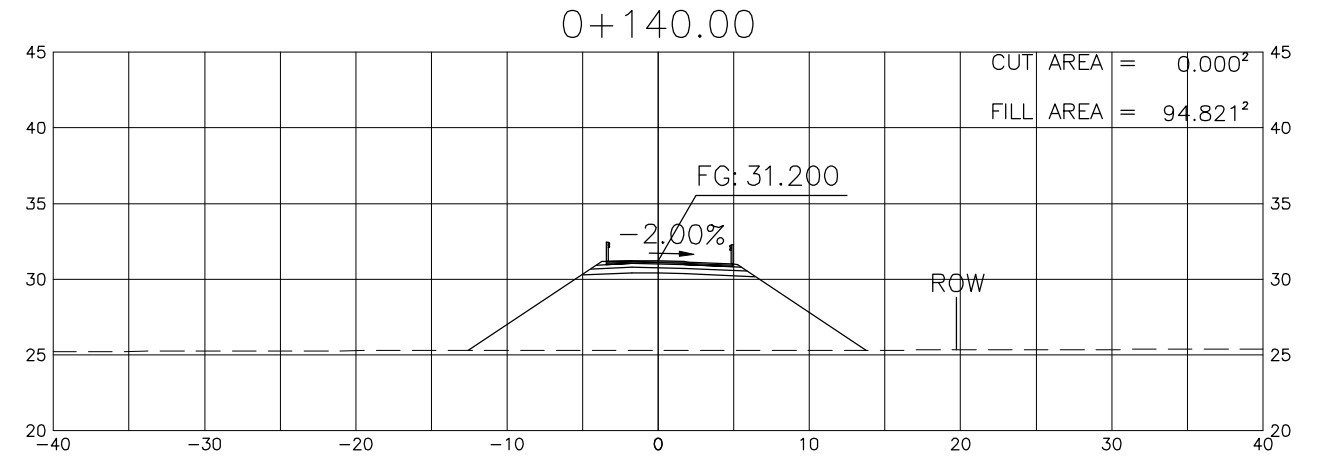
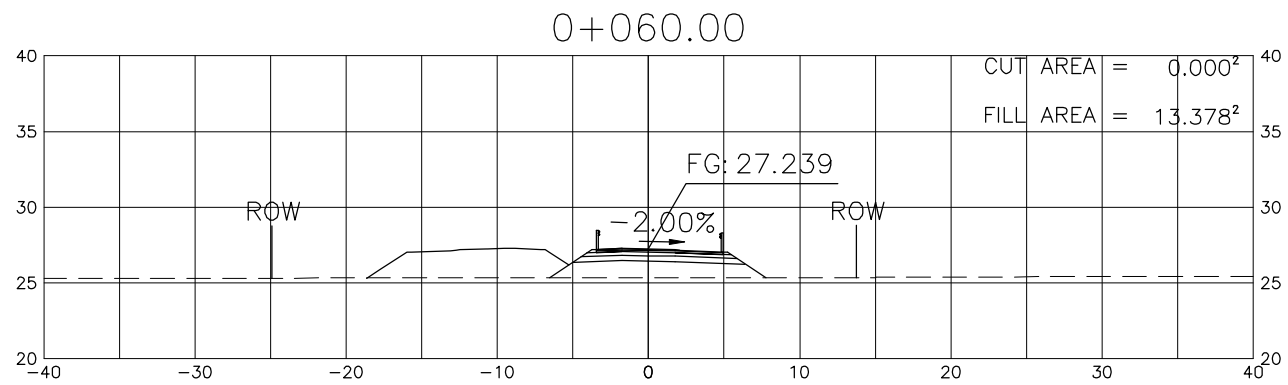
PROJECT TITLE	SCALE	SHEET CONTENT	DRAWING NO.
Preparatory survey for expressway project in Mega Manila Region CLLEX ( TARLAC - CABANATUAN )	A1 = 1:250 A3 = 1:500	CROSS SECTION (CABANATUAN HALF INTERCHANGE) MAIN RAMP (1/3)	M-24
			SHEET NO.
			24 OF 45



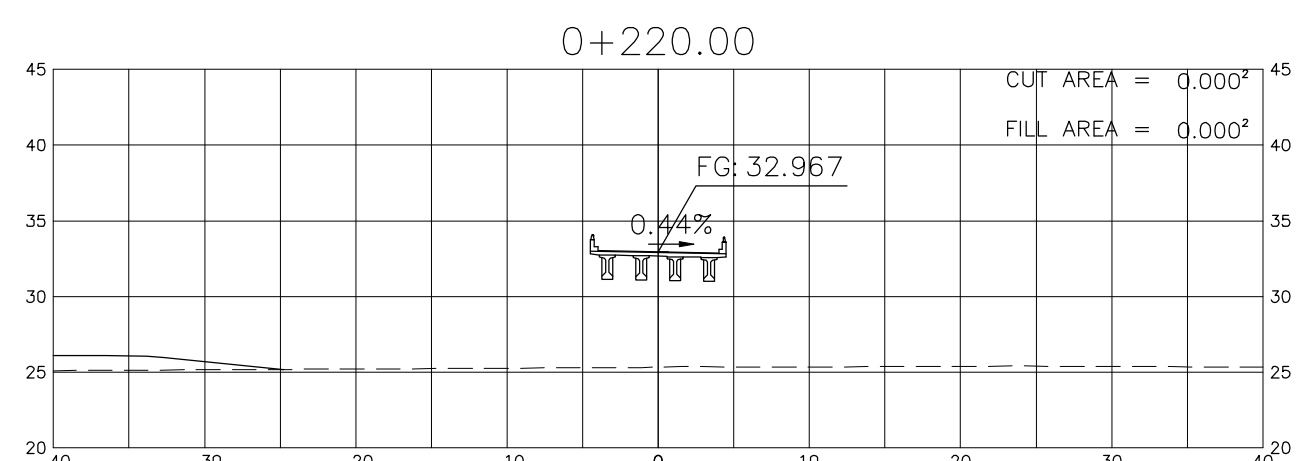
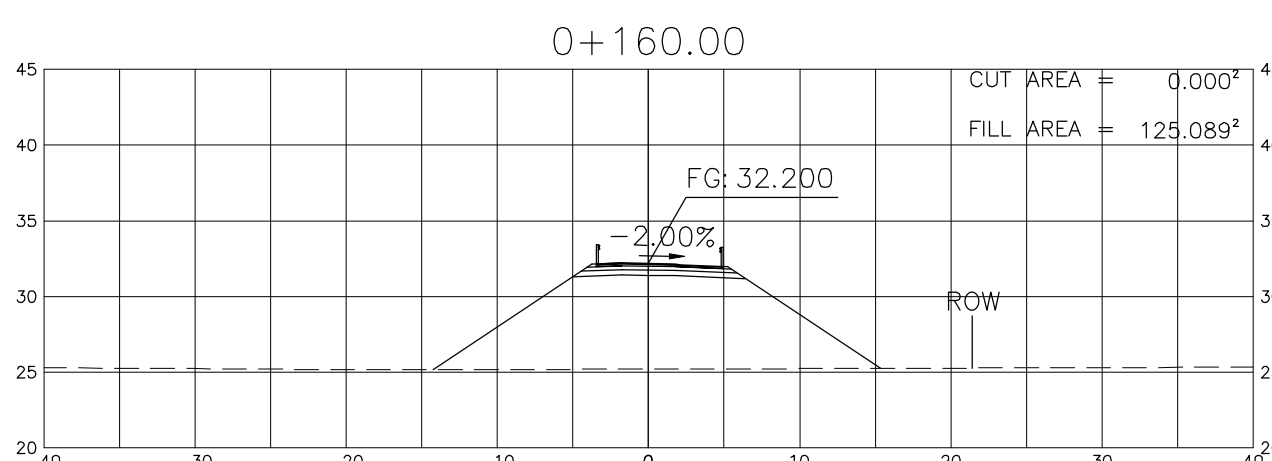
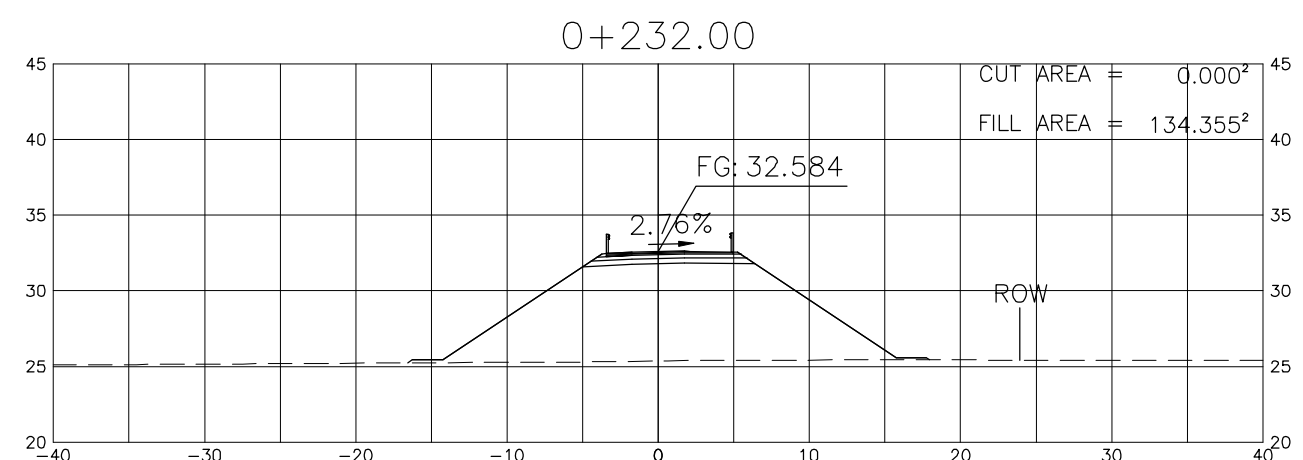
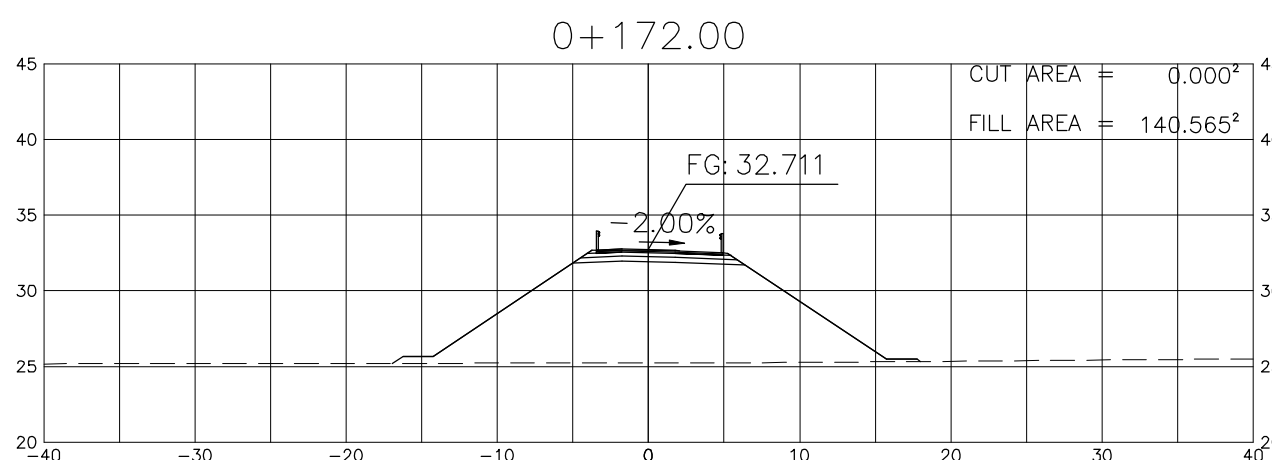
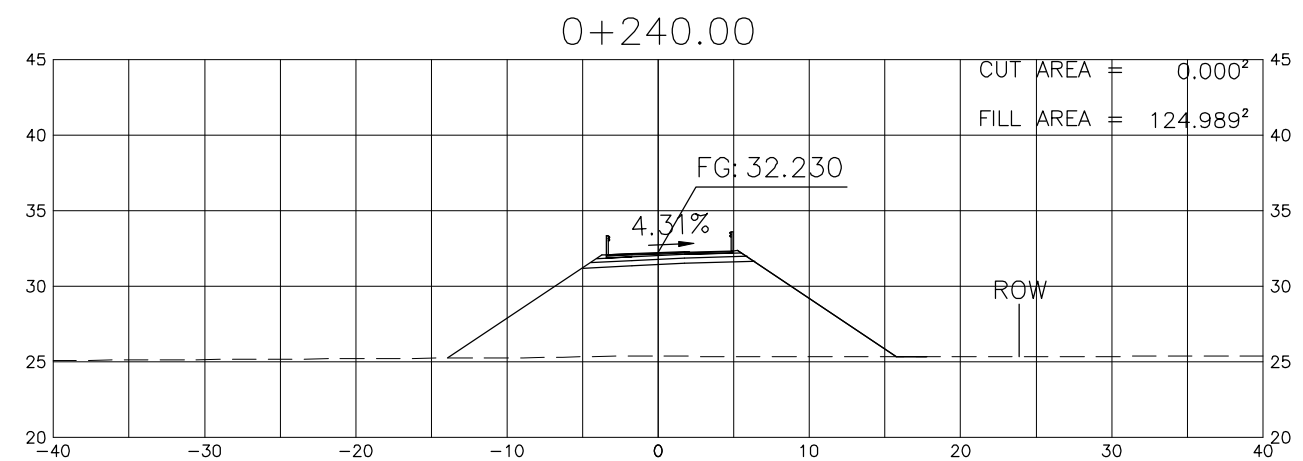
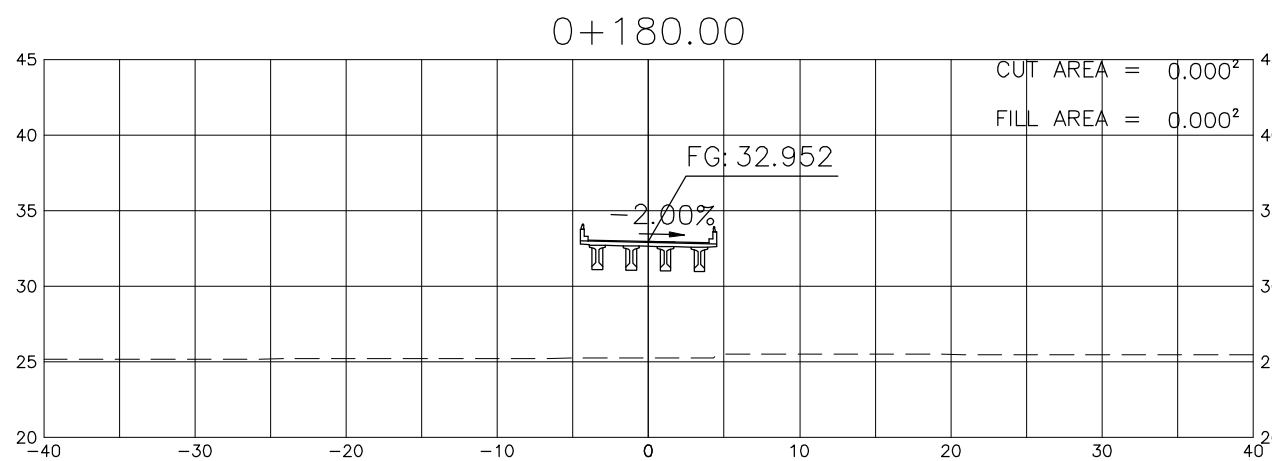
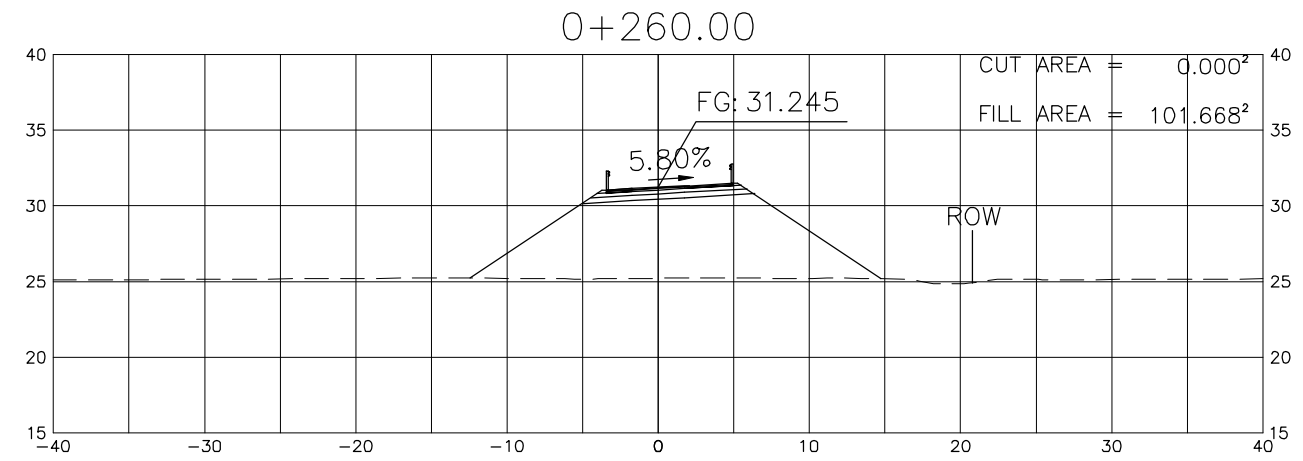
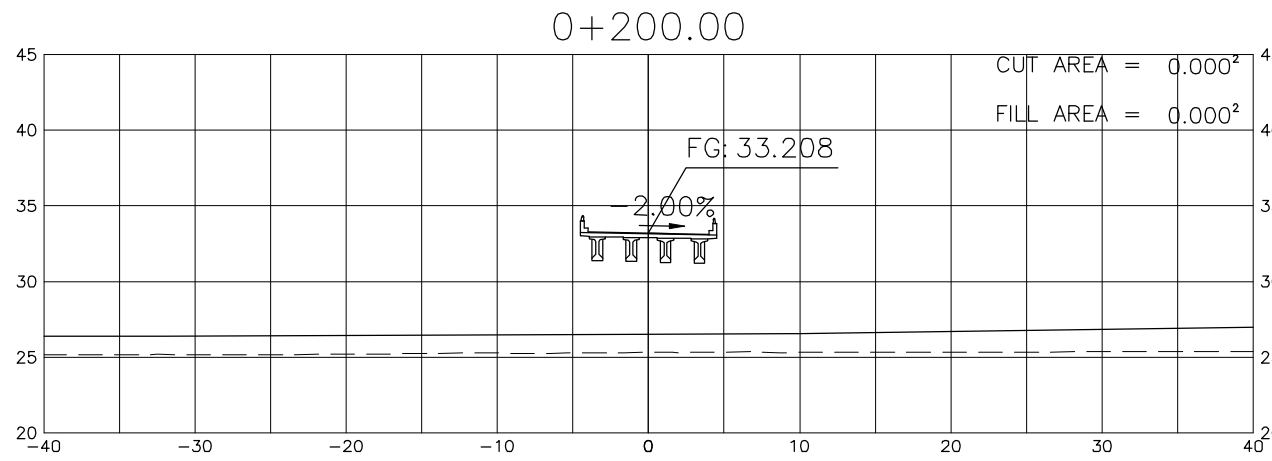
PROJECT TITLE	SCALE	SHEET CONTENT	DRAWING NO.
Preparatory survey for expressway project in Mega Manila Region CLLEX ( TARLAC - CABANATUAN )	A1 = 1:250 A3 = 1:500	CROSS SECTION (CABANATUAN HALF INTERCHANGE) MAIN RAMP (2/3)	M-25
			SHEET NO.
			25 OF 45



PROJECT TITLE	SCALE	SHEET CONTENT	DRAWING NO.
Preparatory survey for expressway project in Mega Manila Region CLLEX ( TARLAC - CABANATUAN )	A1 = 1:250 A3 = 1:500	CROSS SECTION (CABANATUAN HALF INTERCHANGE) MAIN RAMP (3/3)	M-26
			SHEET NO. 26 OF 45

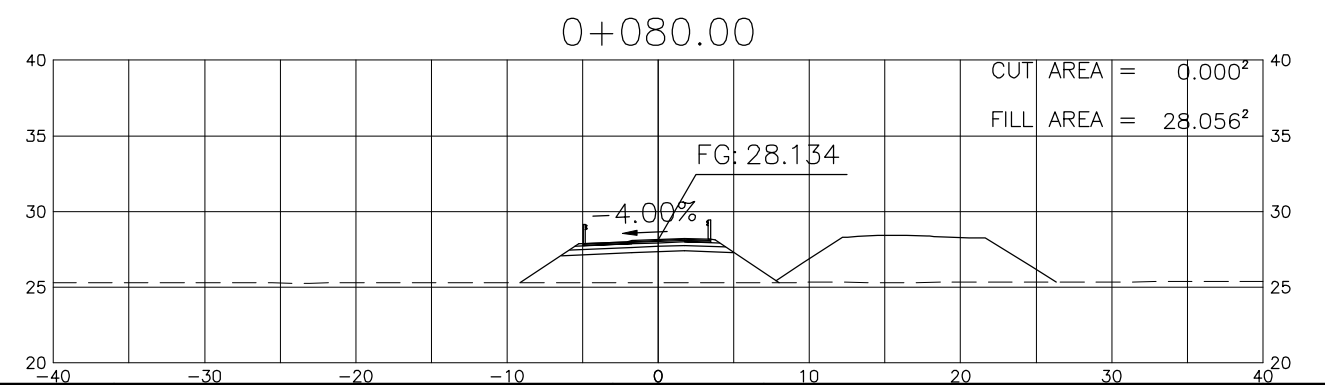
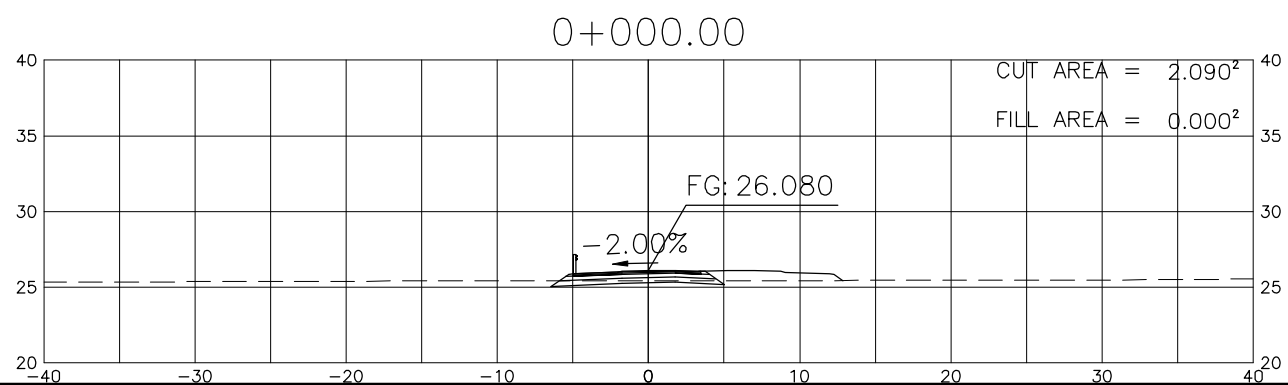
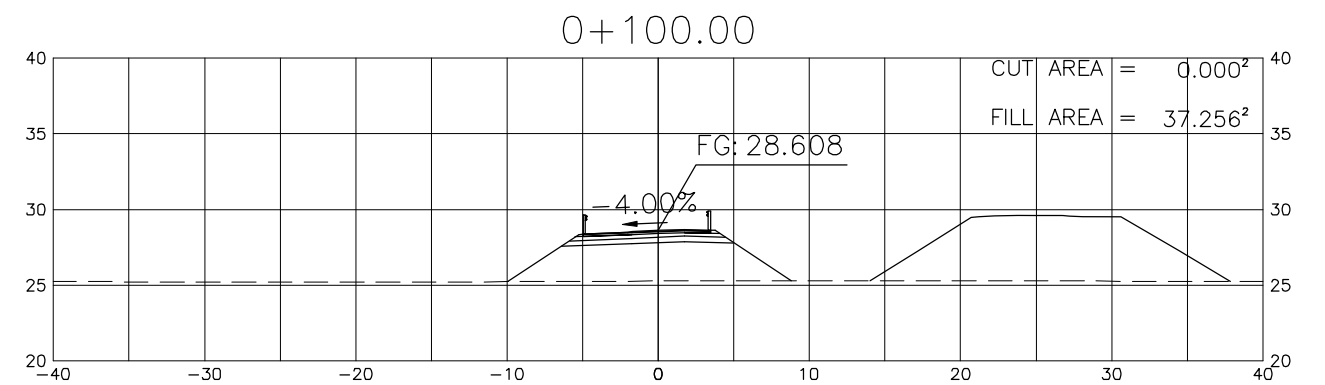
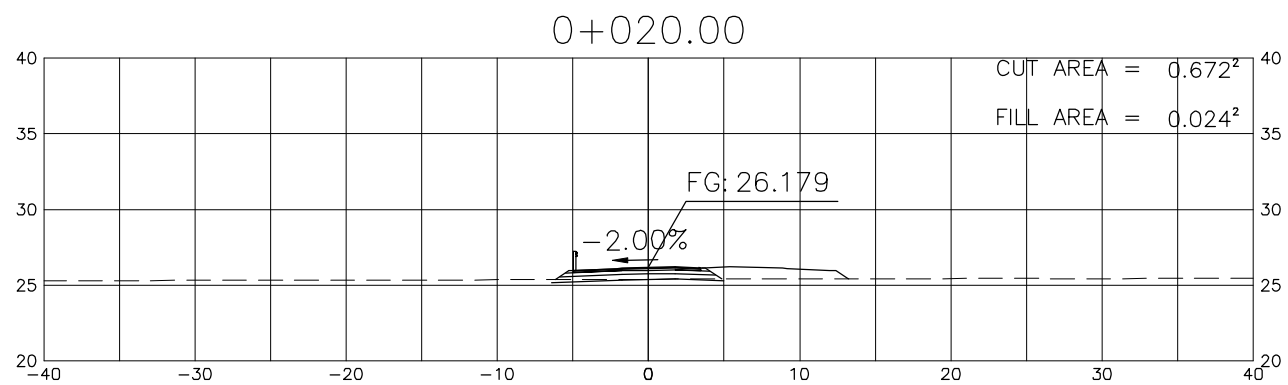
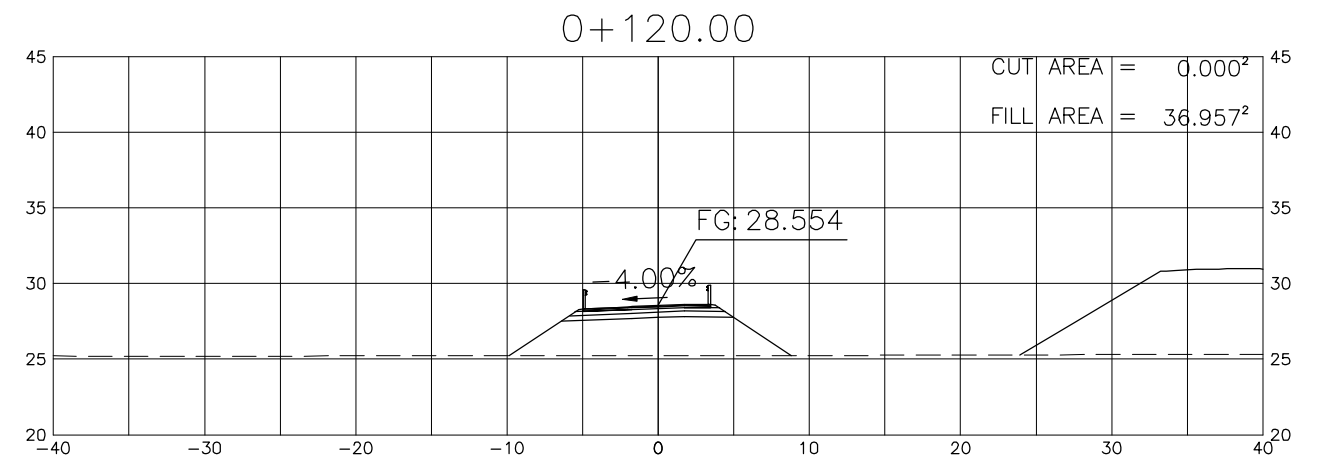
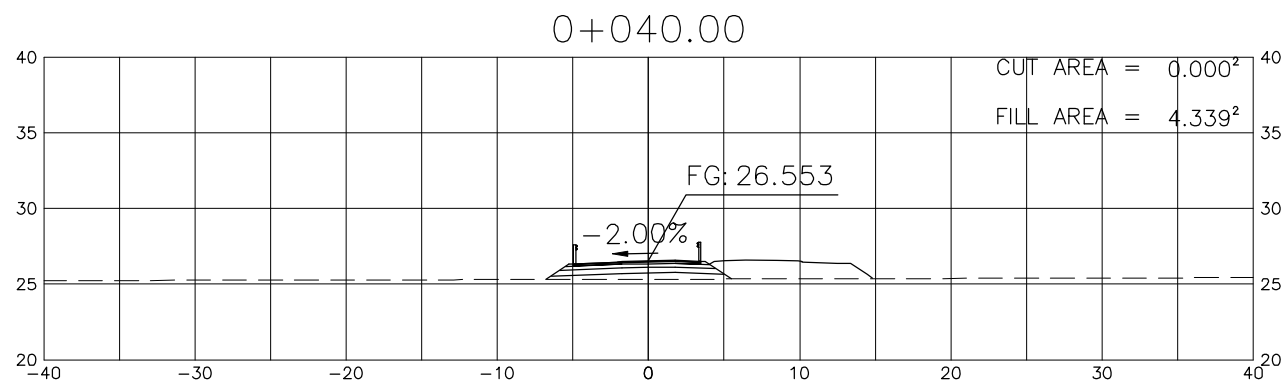
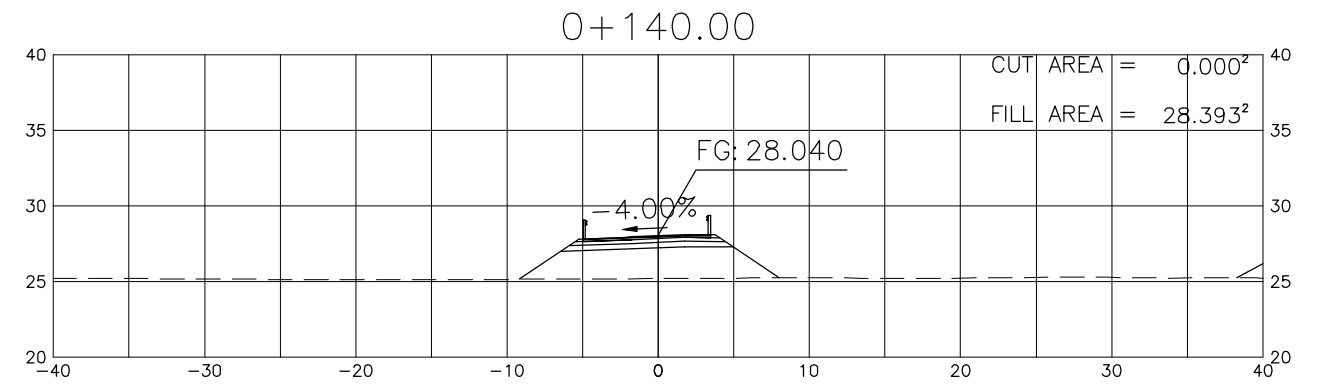
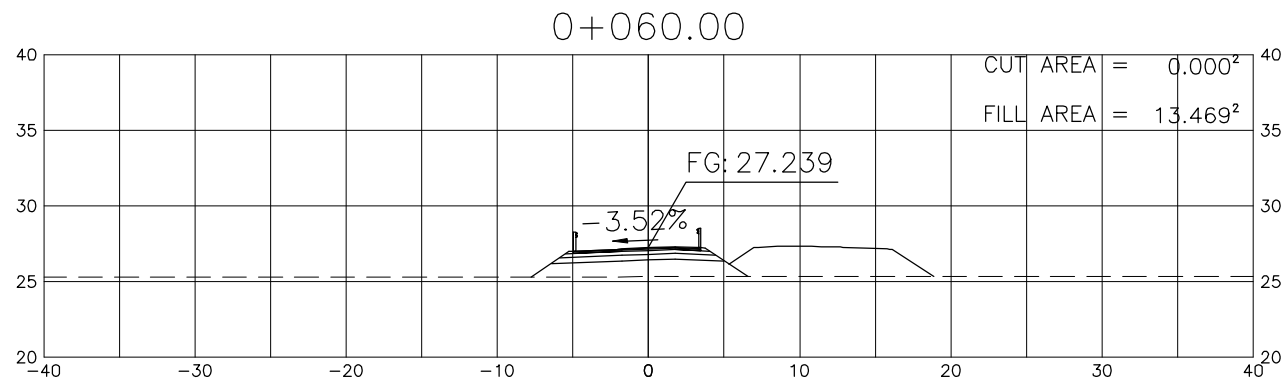


PROJECT TITLE	SCALE	SHEET CONTENT	DRAWING NO.
Preparatory survey for expressway project in Mega Manila Region CLLEX ( TARLAC - CABANATUAN )	A1 = 1:250 A3 = 1:500	CROSS SECTION (CABANATUAN HALF INTERCHANGE) RAMP-A(1/2)	M-27
			SHEET NO.
			27 OF 45

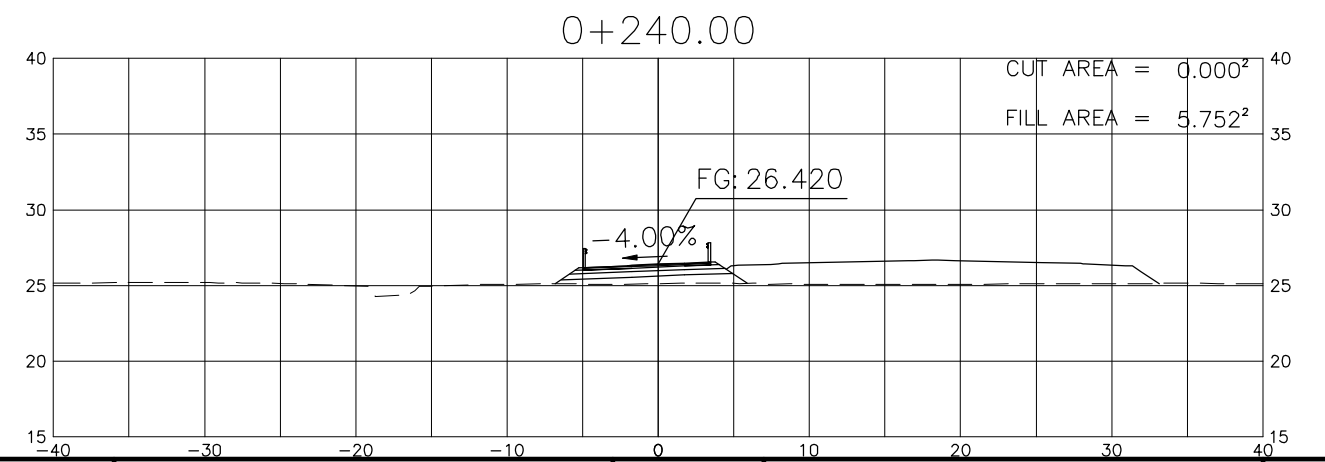
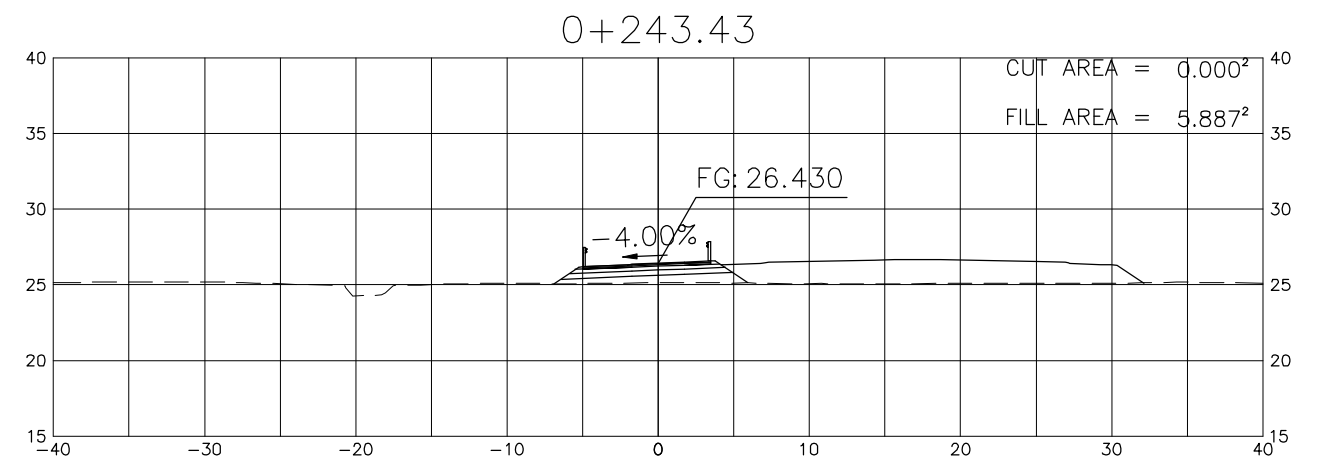
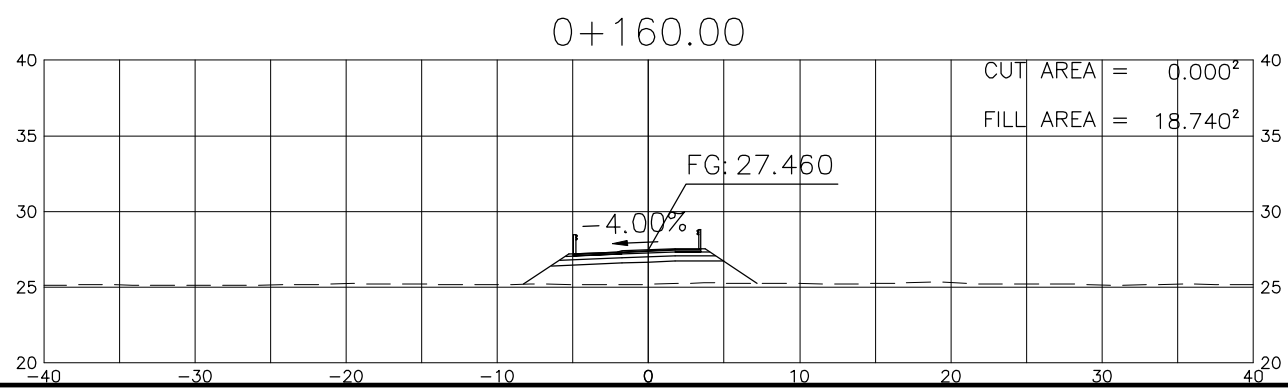
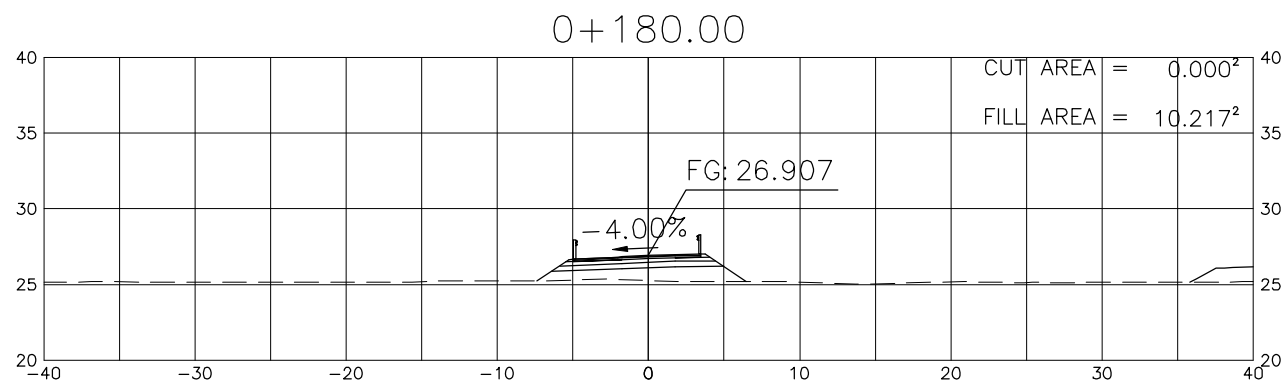
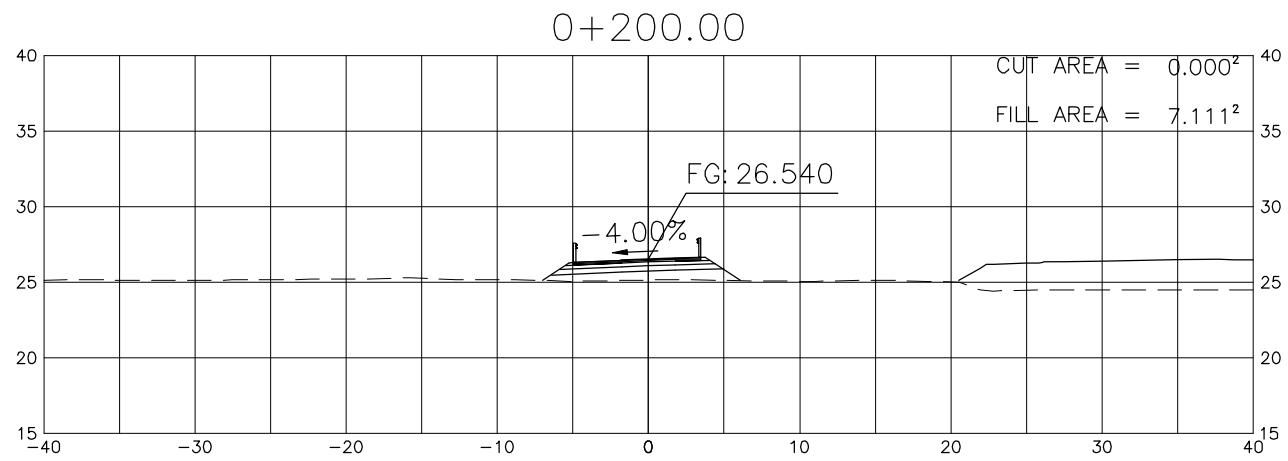
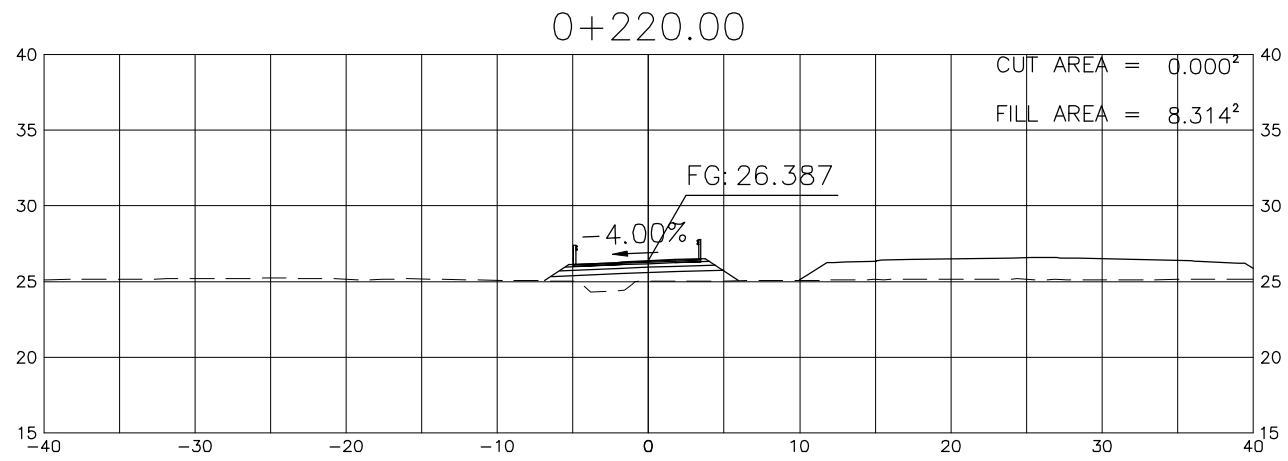


PROJECT TITLE	SCALE	SHEET CONTENT	DRAWING NO.
Preparatory survey for expressway project in Mega Manila Region CLLEX ( TARLAC - CABANATUAN )	A1 = 1:250 A3 = 1:500	CROSS SECTION (CABANATUAN HALF INTERCHANGE) RAMP-A(2/2)	M-28
			SHEET NO. 28 OF 45

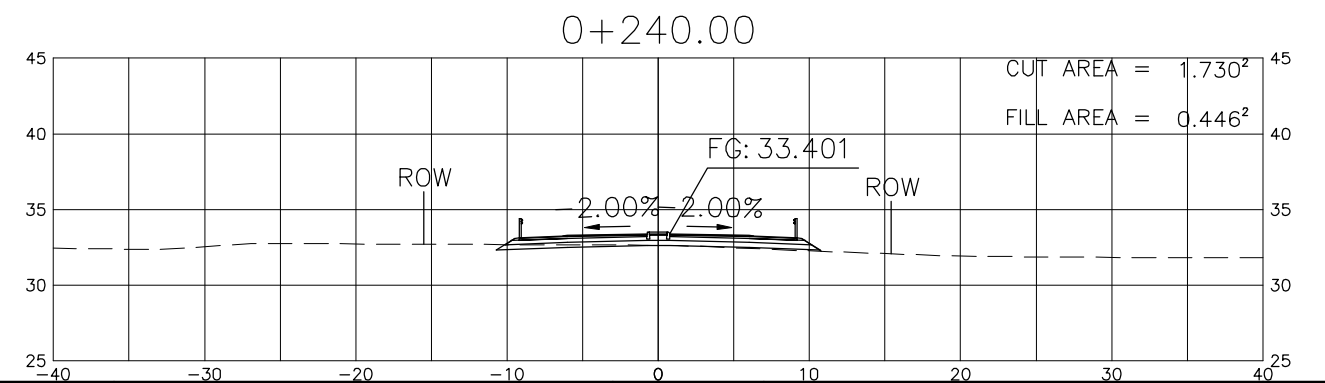
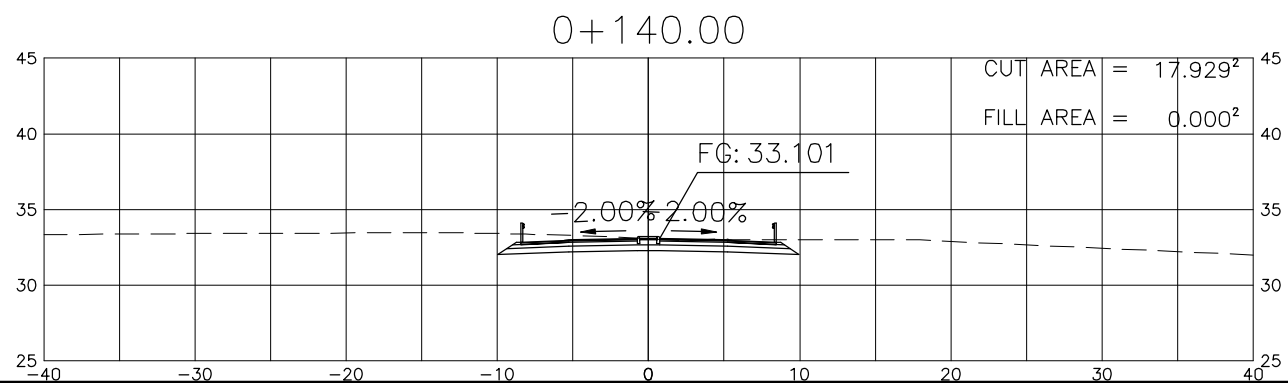
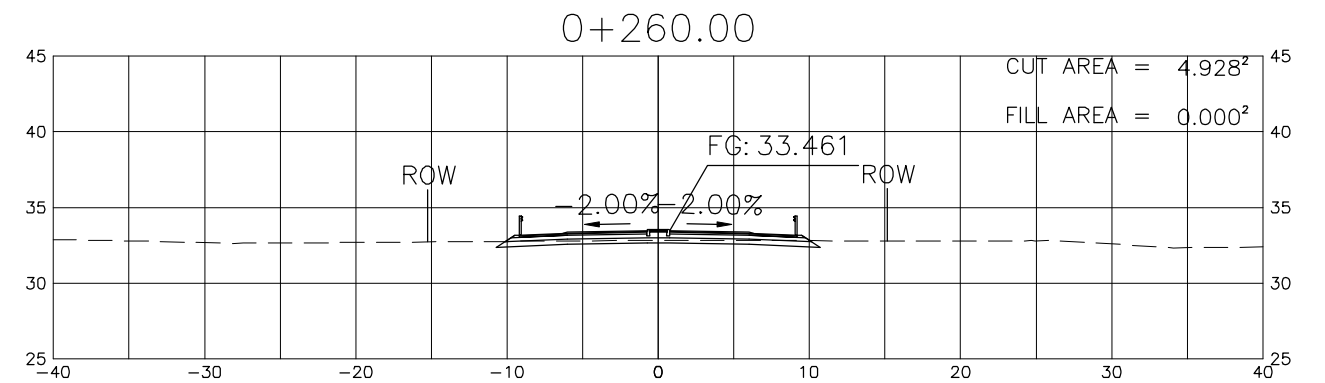
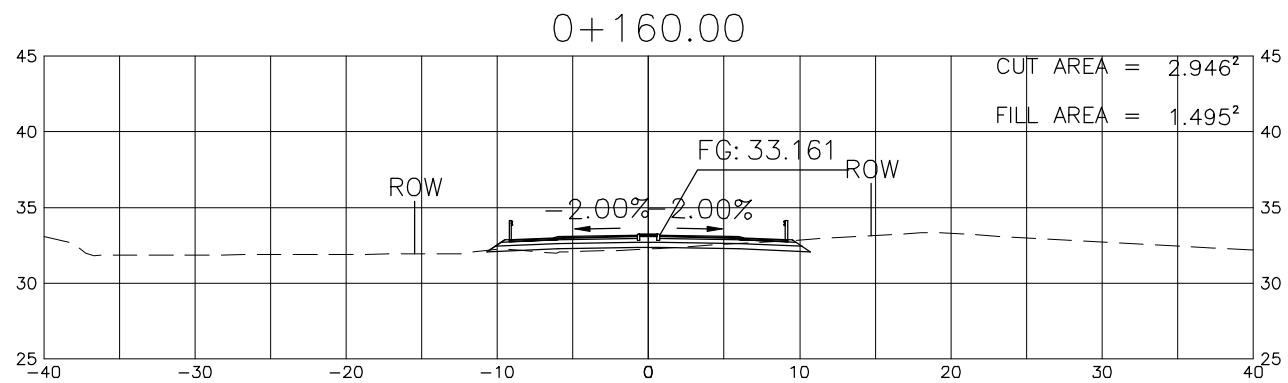
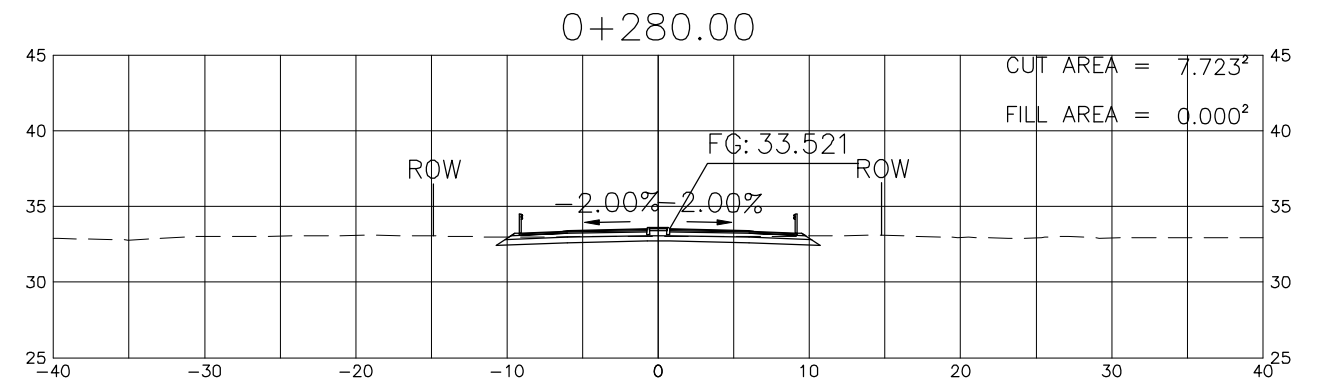
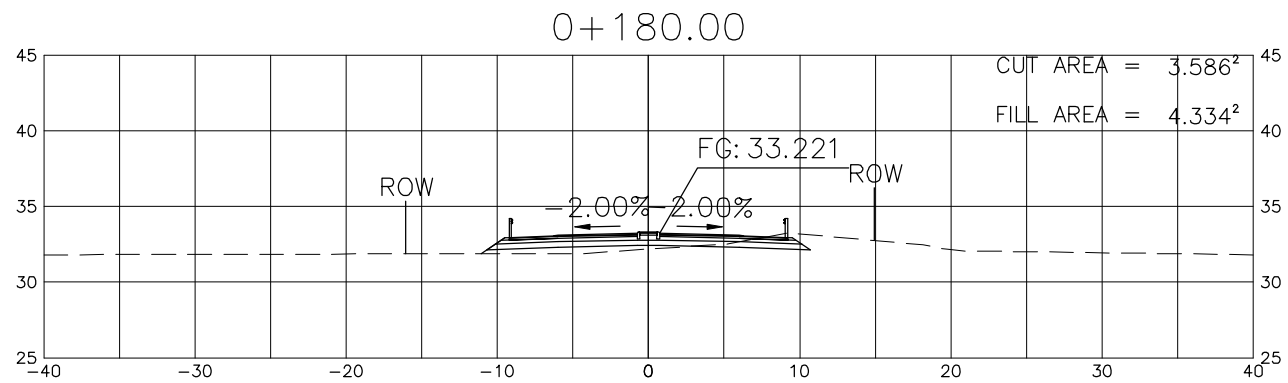
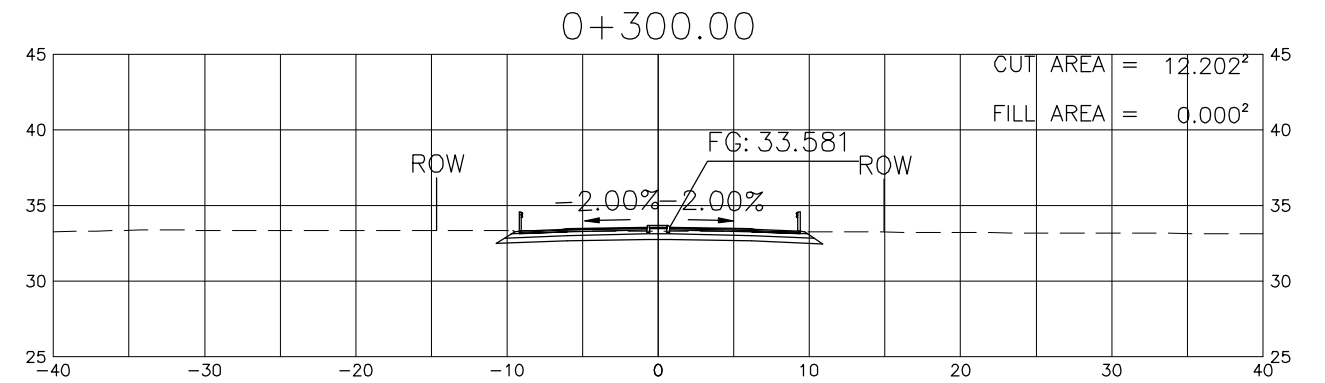
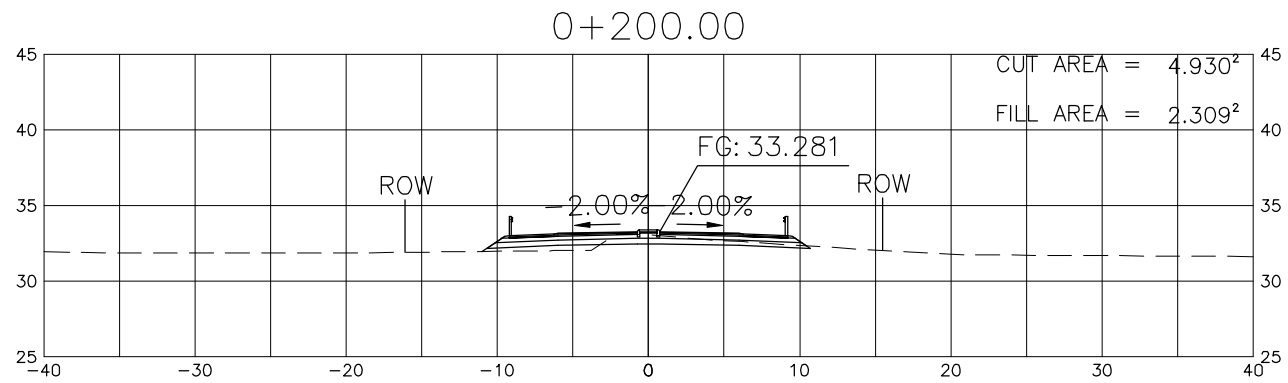
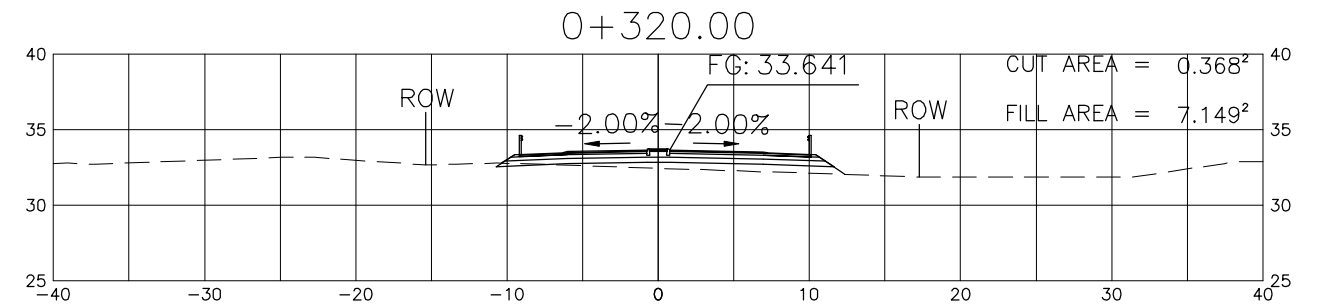
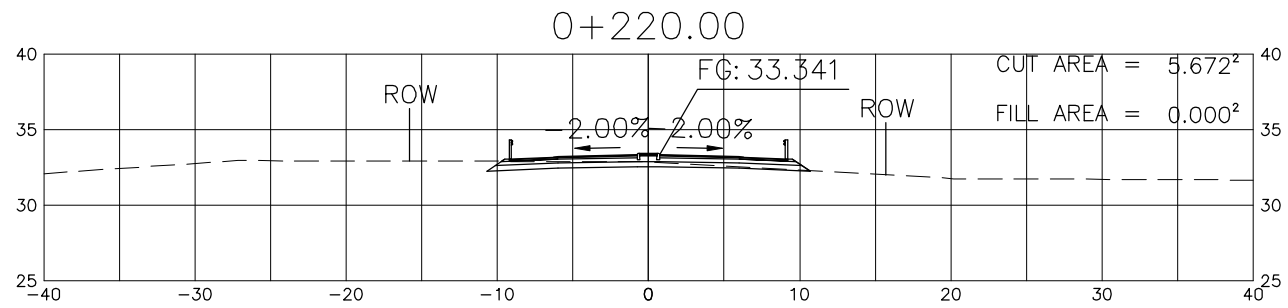




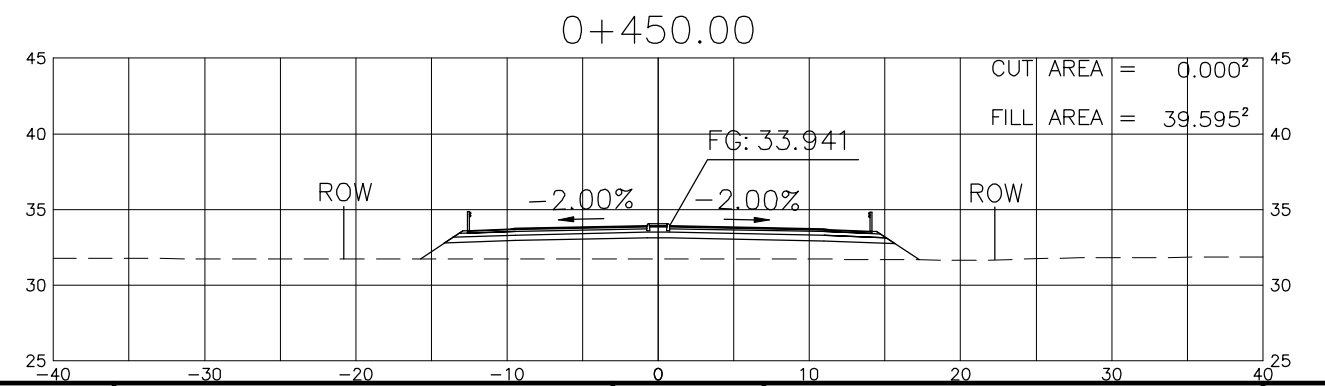
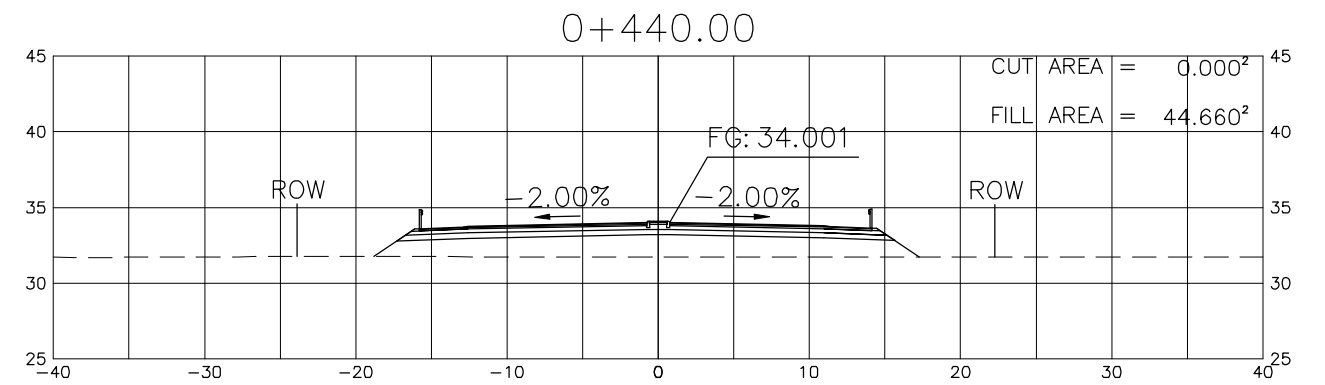
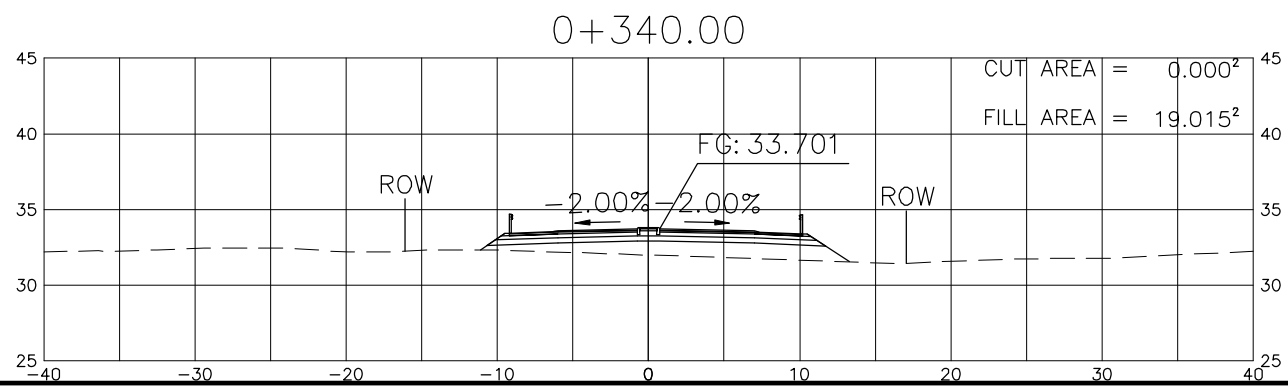
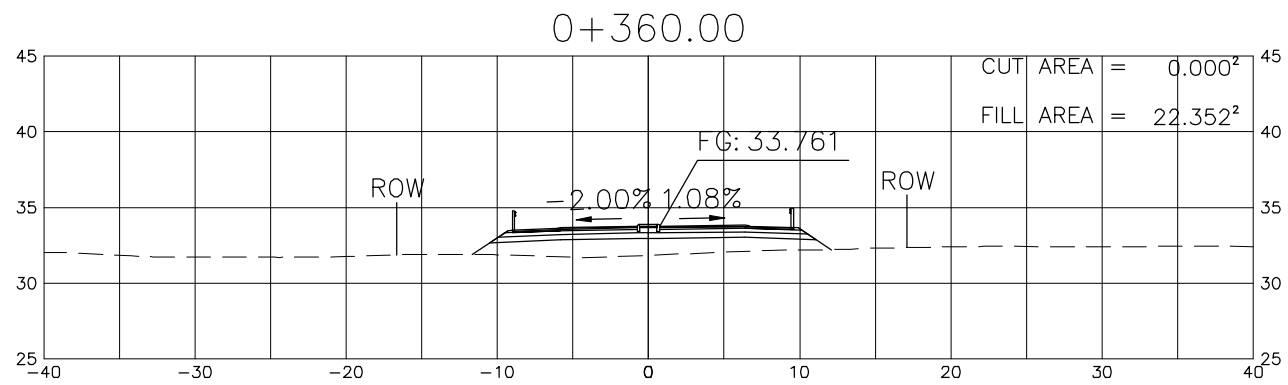
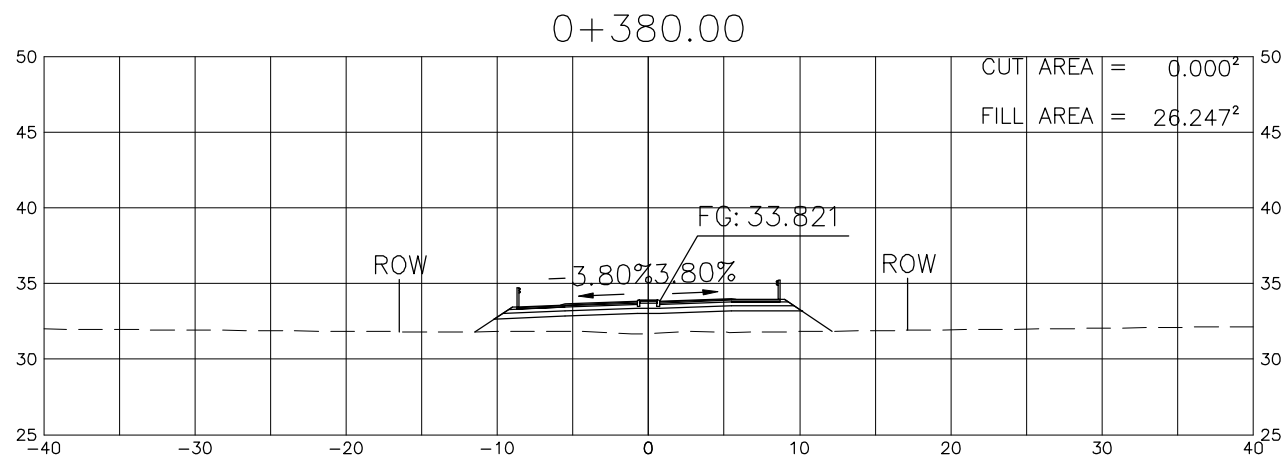
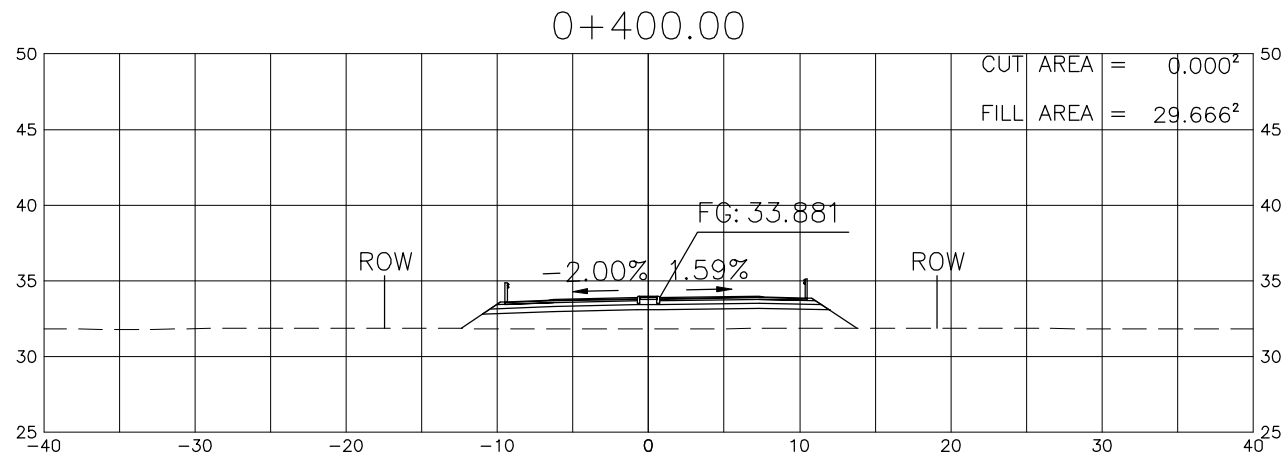
PROJECT TITLE	SCALE	SHEET CONTENT	DRAWING NO.
Preparatory survey for expressway project in Mega Manila Region CLLEX ( TARLAC - CABANATUAN )	A1 = 1:250 A3 = 1:500	CROSS SECTION (CABANATUAN HALF INTERCHANGE) RAMP-B(1/2)	M-29
			SHEET NO.
			29 OF 45



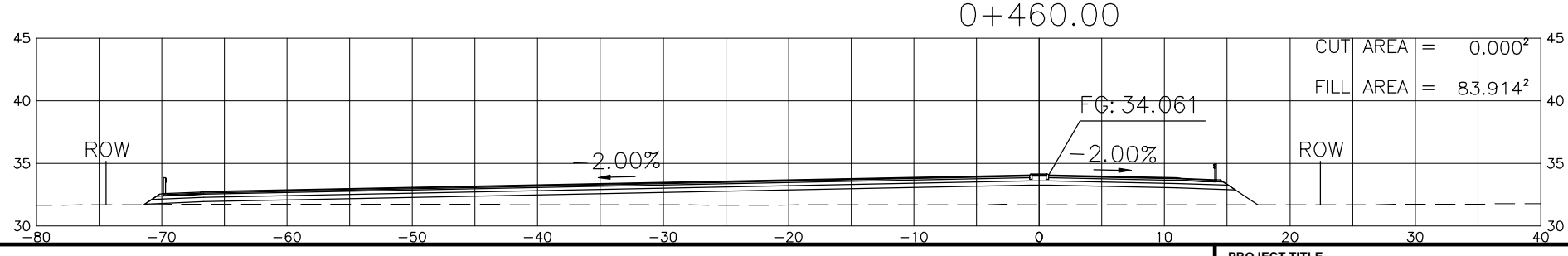
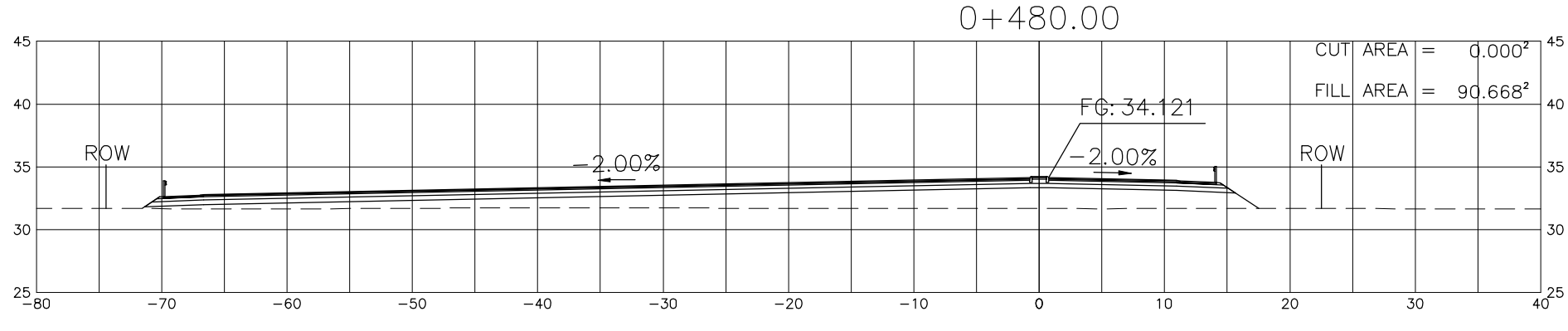
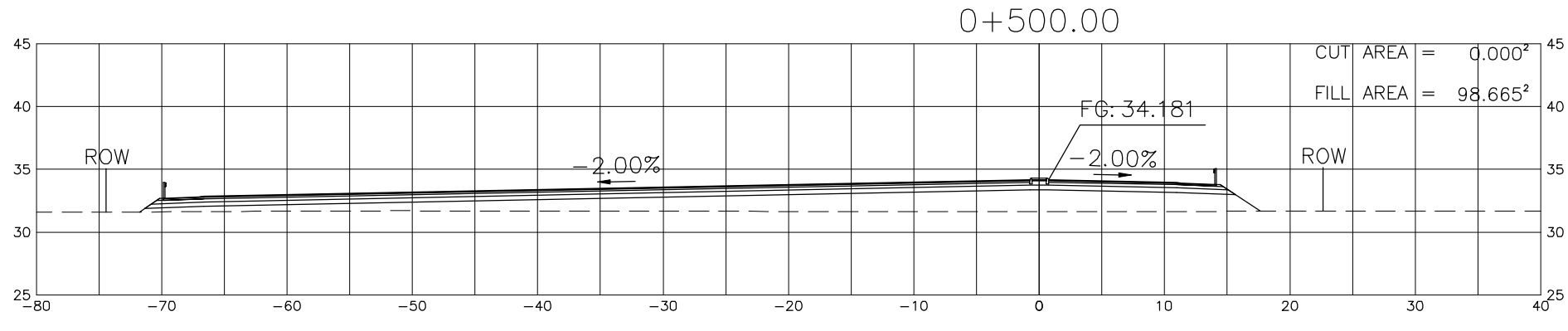
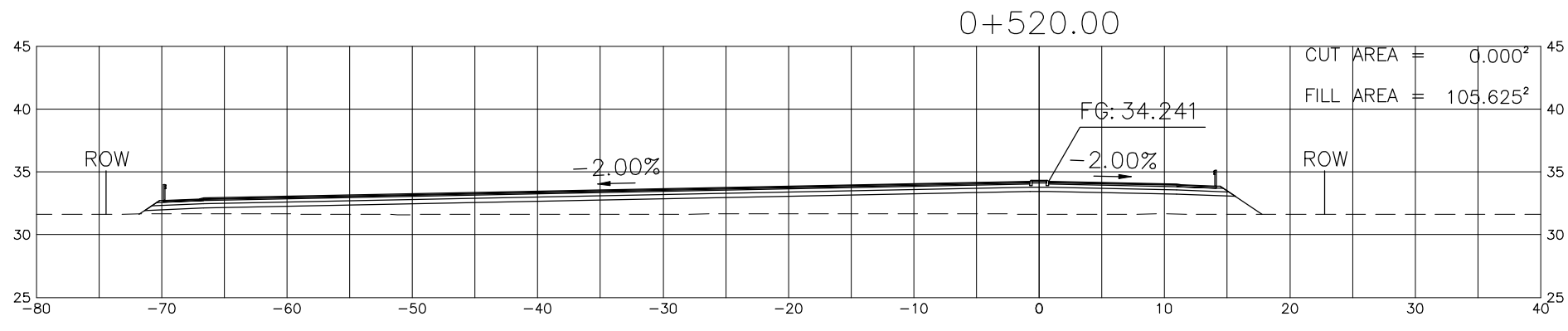
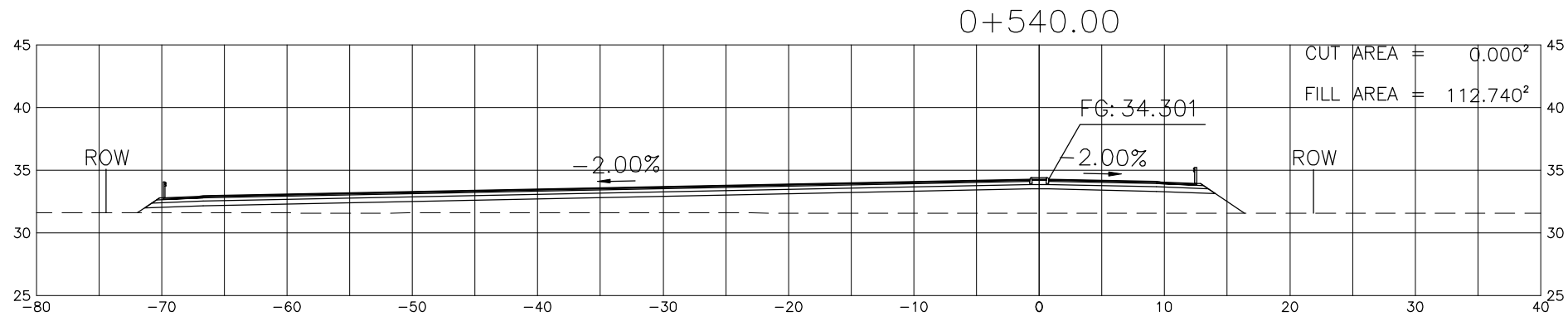
PROJECT TITLE	SCALE	SHEET CONTENT	DRAWING NO.
Preparatory survey for expressway project in Mega Manila Region CLLEX ( TARLAC - CABANATUAN )	A1 = 1:250 A3 = 1:500	CROSS SECTION (CABANATUAN HALF INTERCHANGE) RAMP-B(2/2)	M-30
			SHEET NO.
			30 OF 45



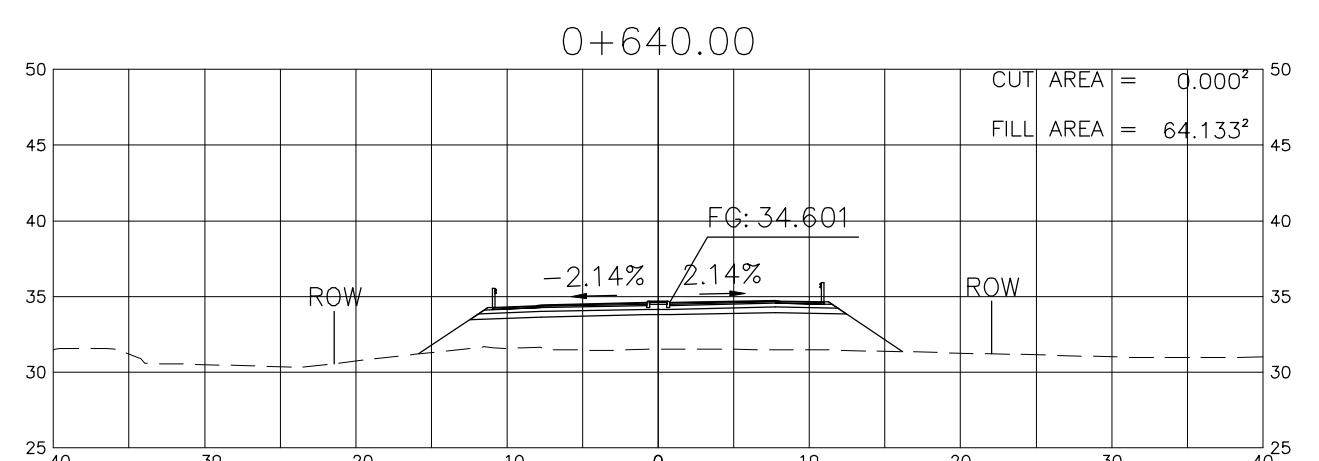
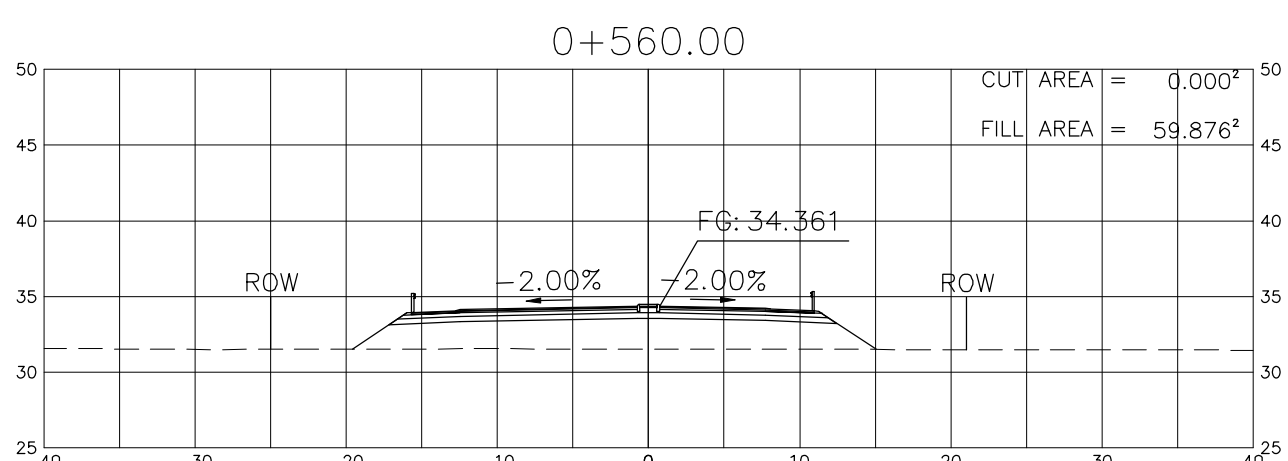
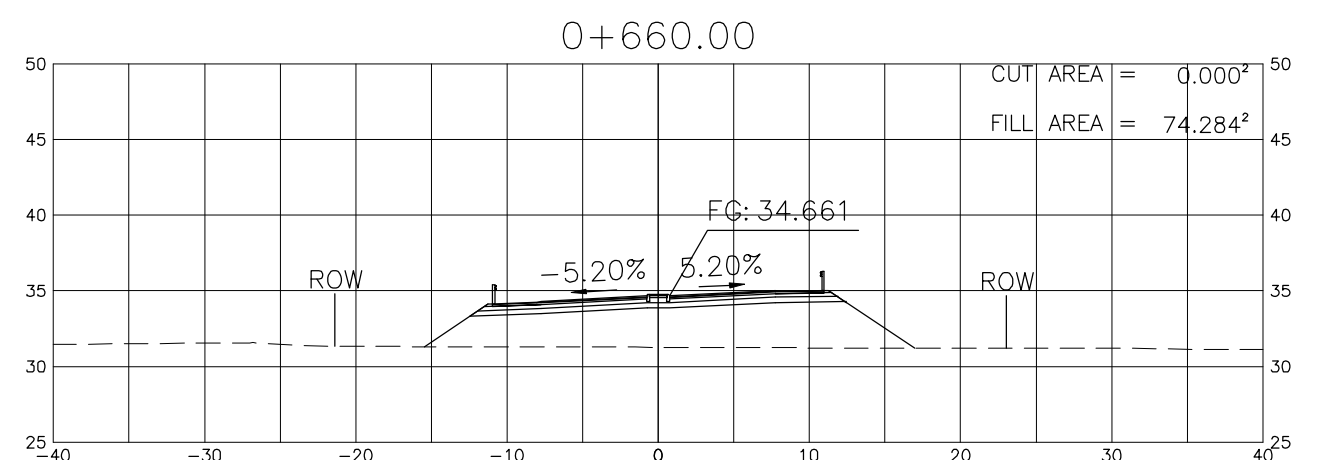
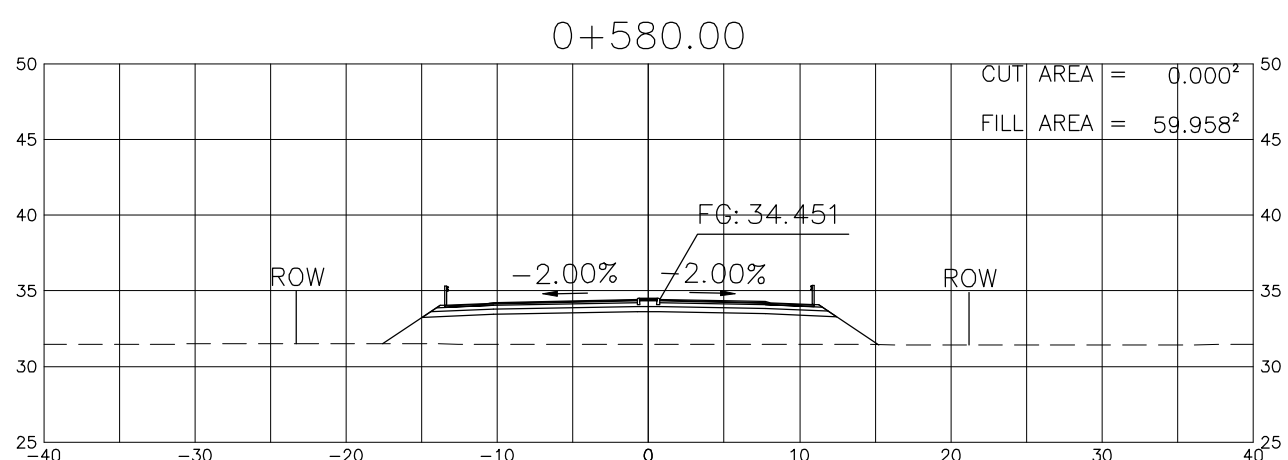
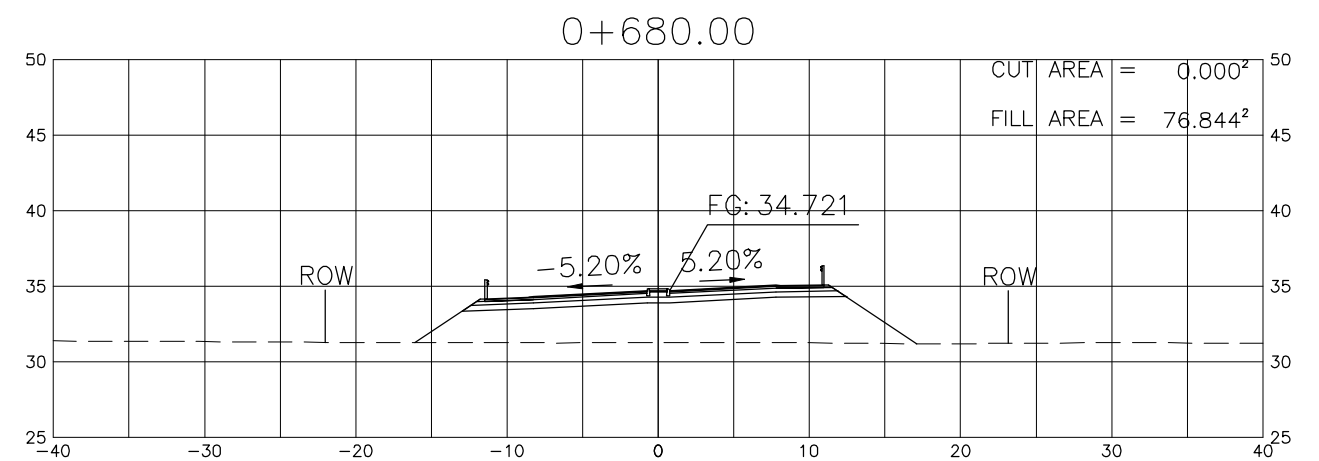
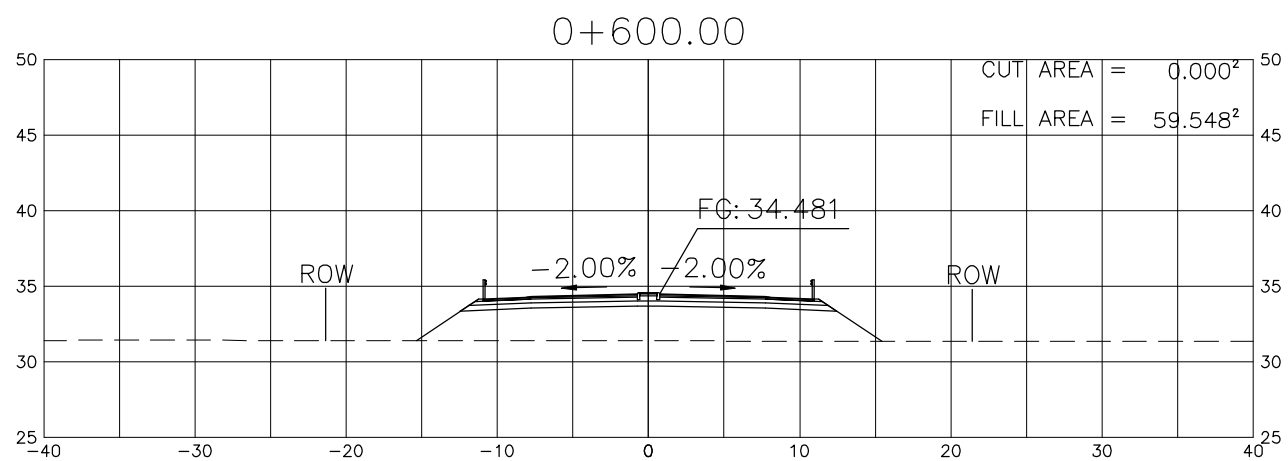
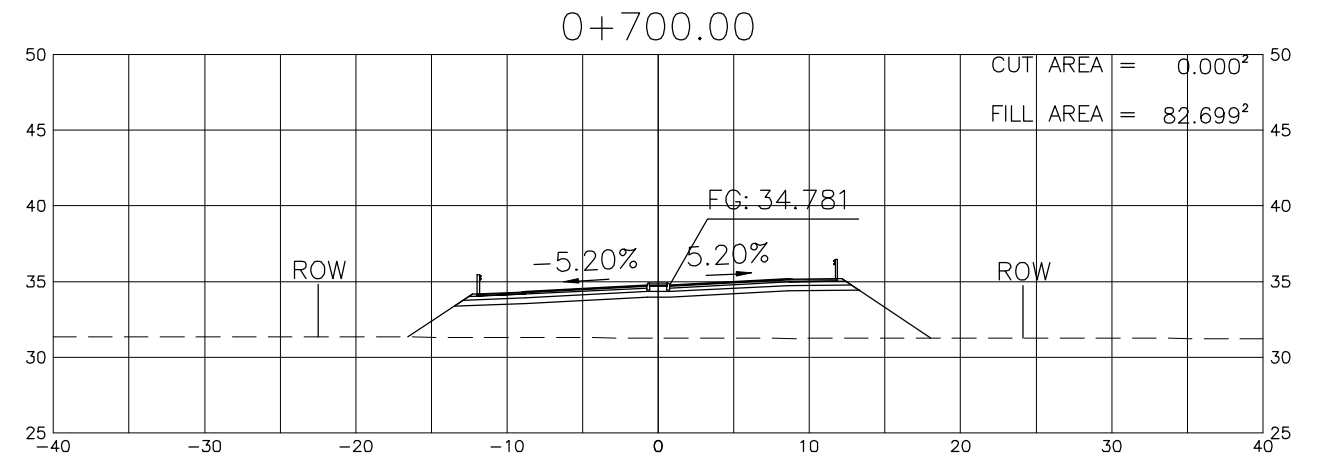
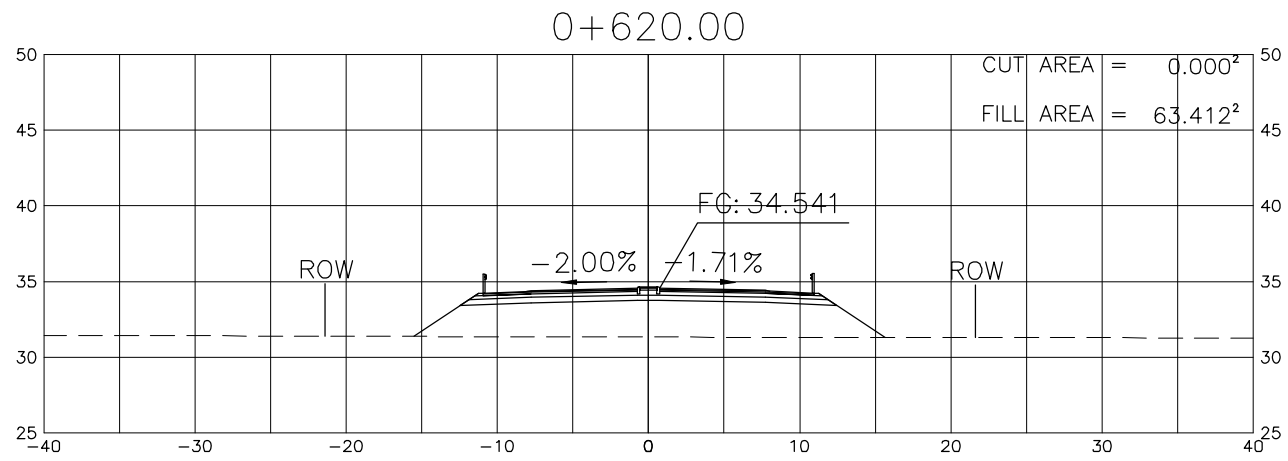
PROJECT TITLE	SCALE	SHEET CONTENT	DRAWING NO.
Preparatory survey for expressway project in Mega Manila Region CLLEX ( TARLAC - CABANATUAN )	A1 = 1:250 A3 = 1:500	CROSS SECTION (CABANATUAN INTERCHANGE) MAIN RAMP (1/7)	M-31
			SHEET NO. 31 OF 45



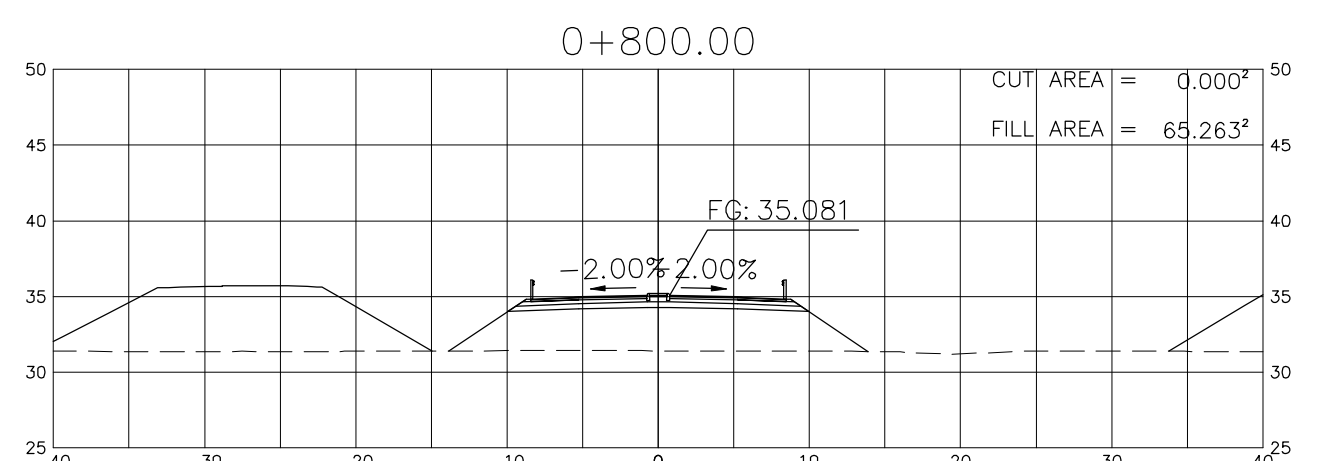
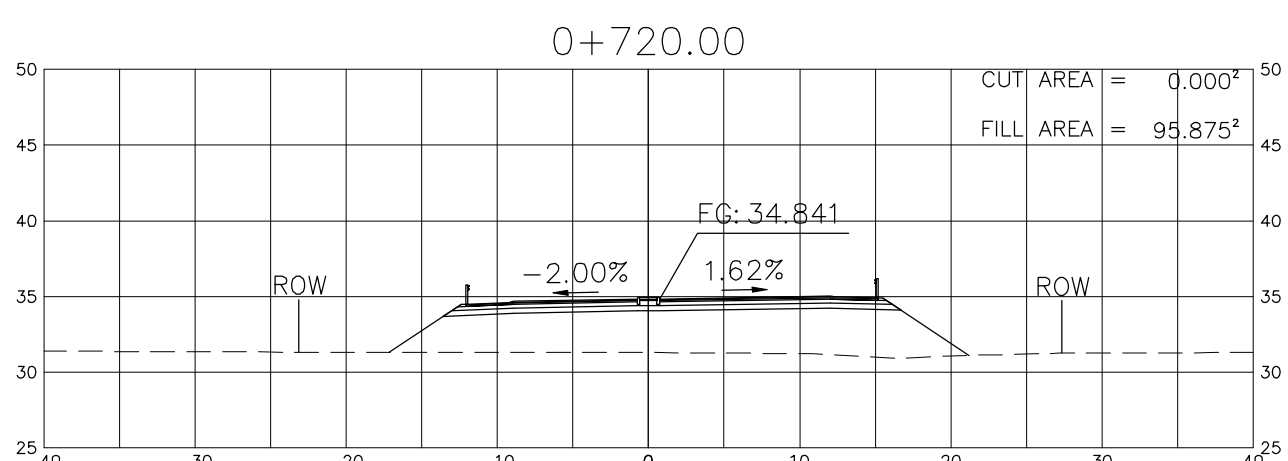
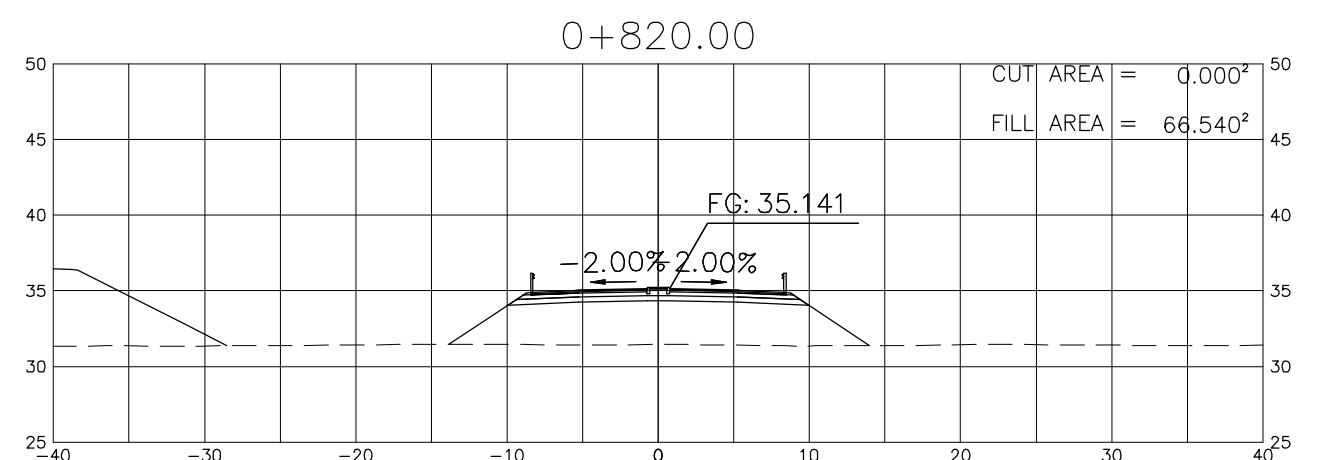
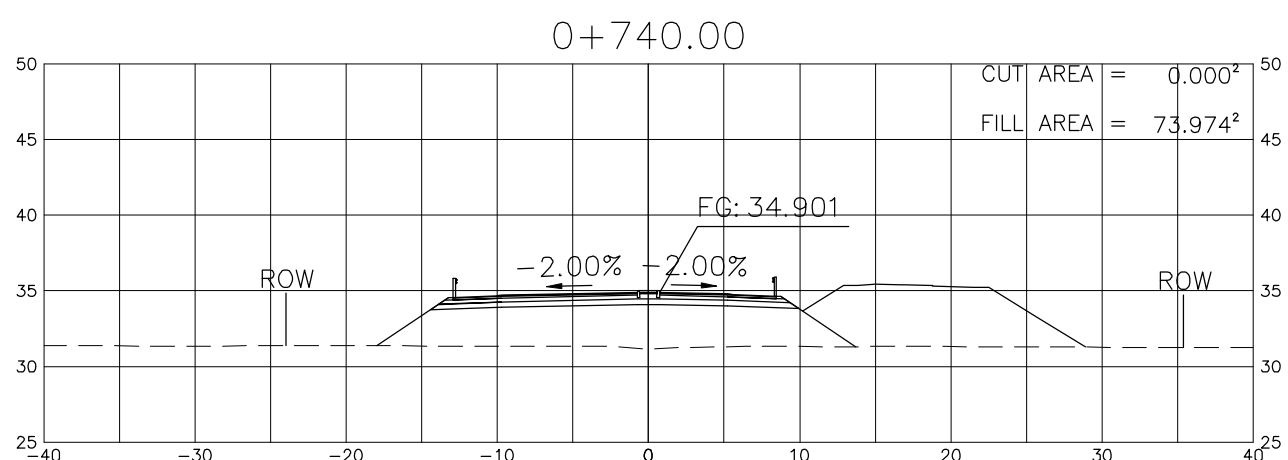
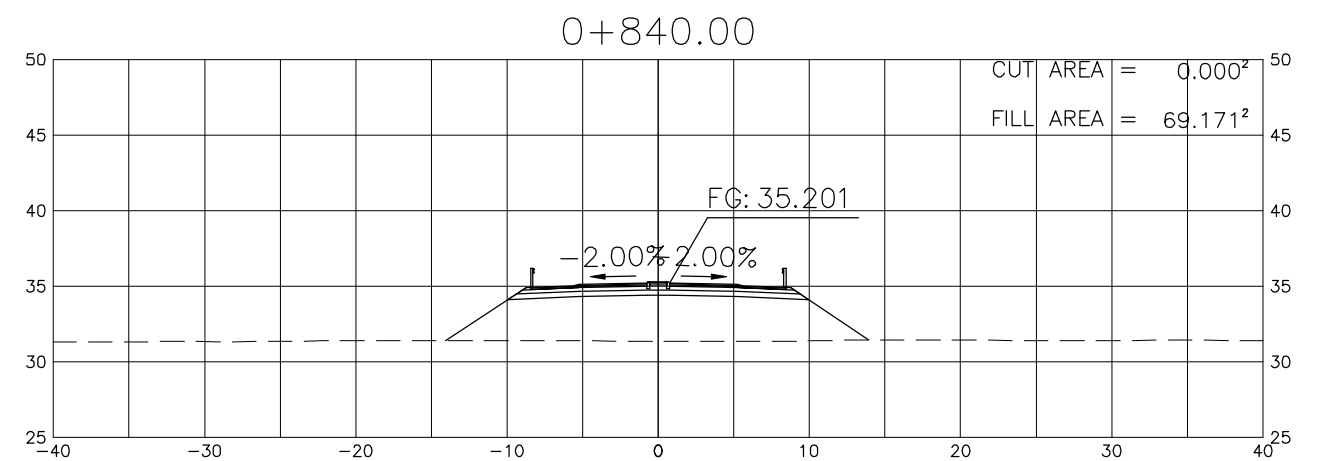
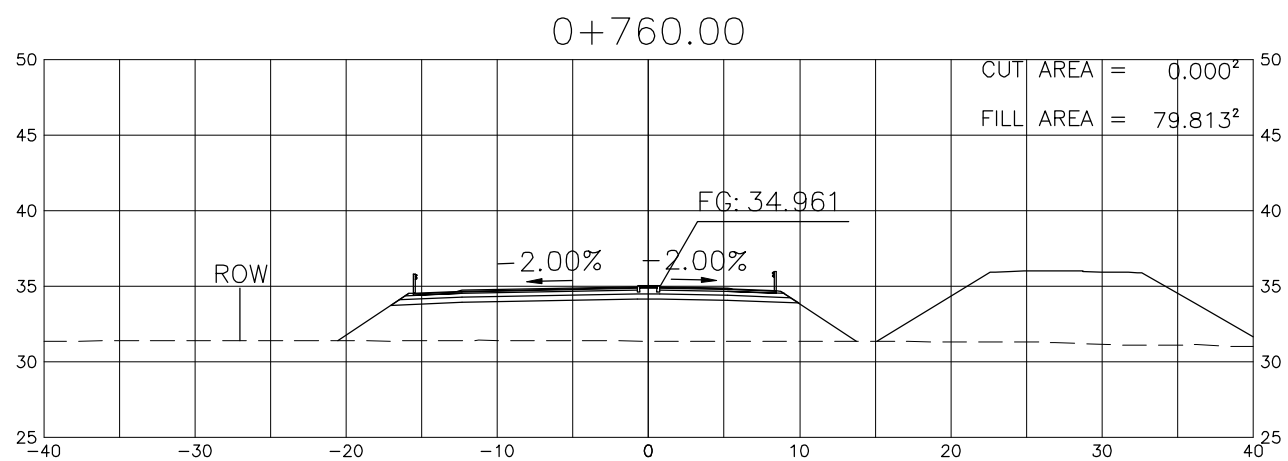
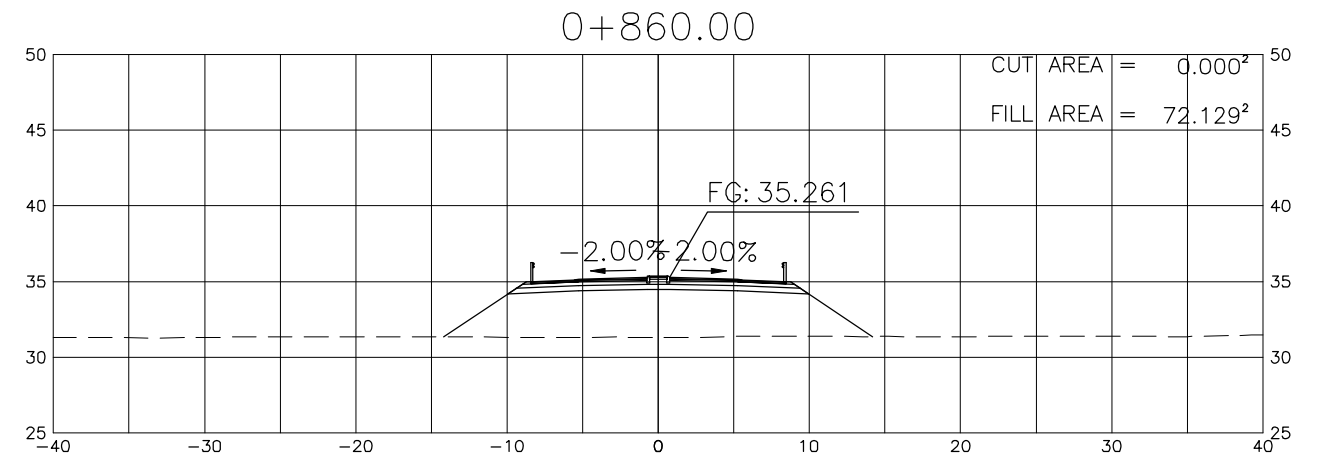
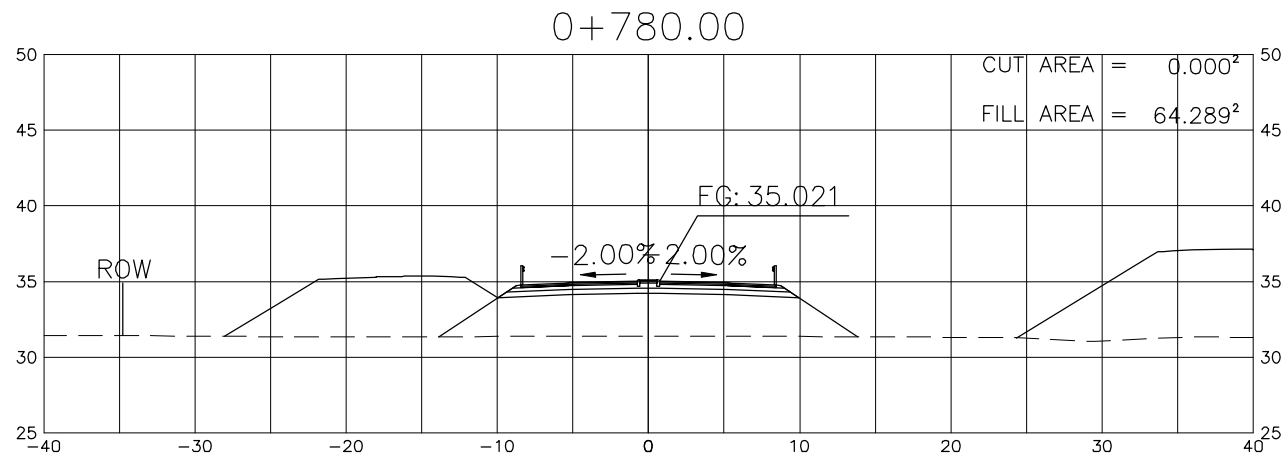
PROJECT TITLE	SCALE	SHEET CONTENT	DRAWING NO.
Preparatory survey for expressway project in Mega Manila Region CLLEX ( TARLAC - CABANATUAN )	A1 = 1:250 A3 = 1:500	CROSS SECTION (CABANATUAN INTERCHANGE) MAIN RAMP (2/7)	M-32
			SHEET NO.
			32 OF 45



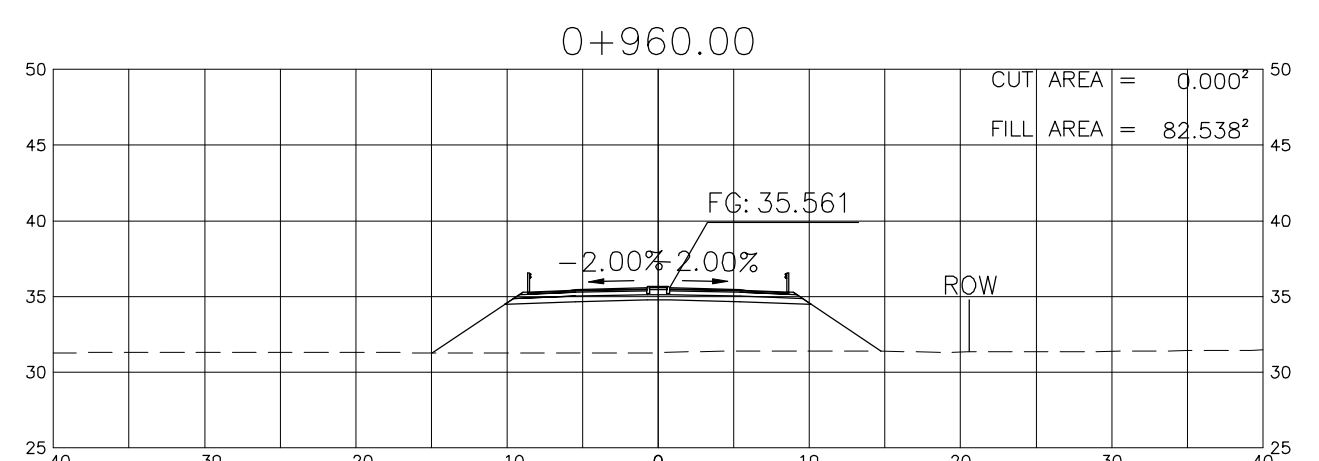
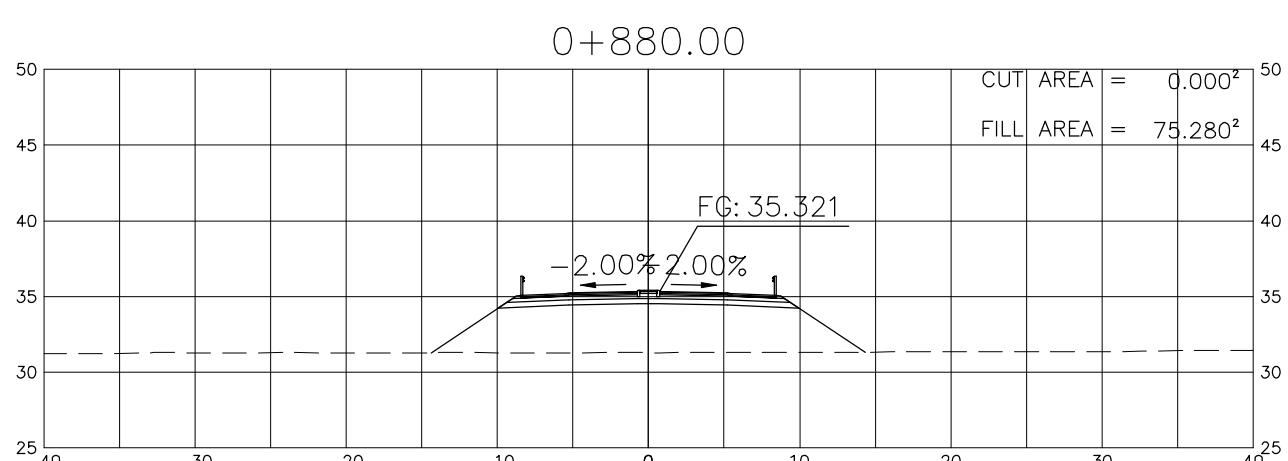
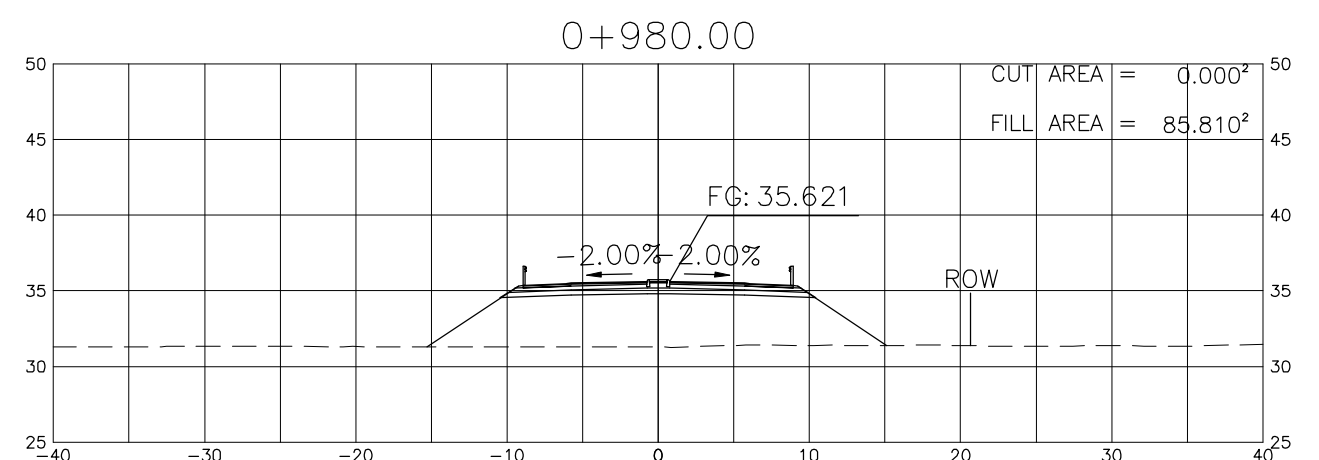
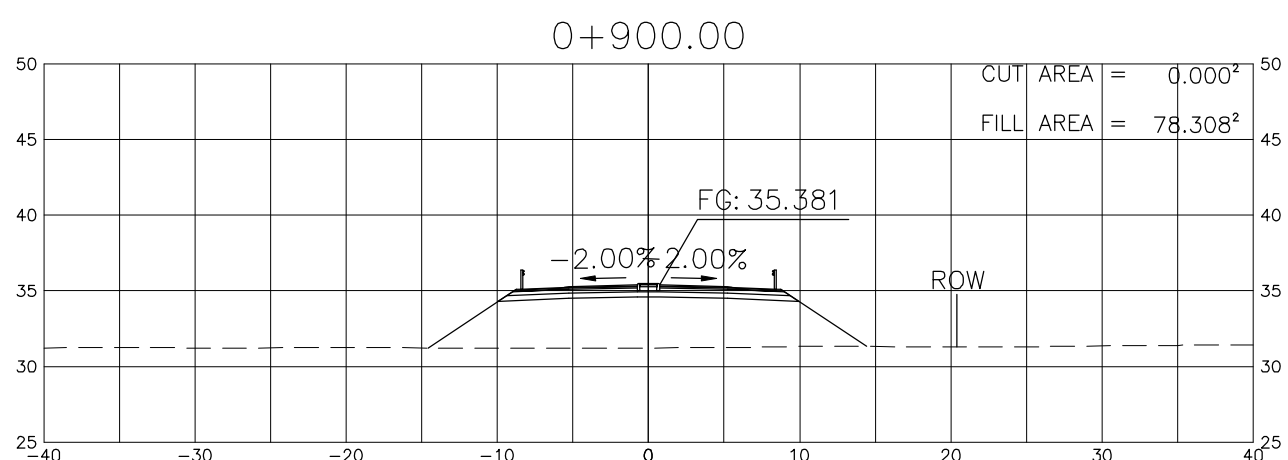
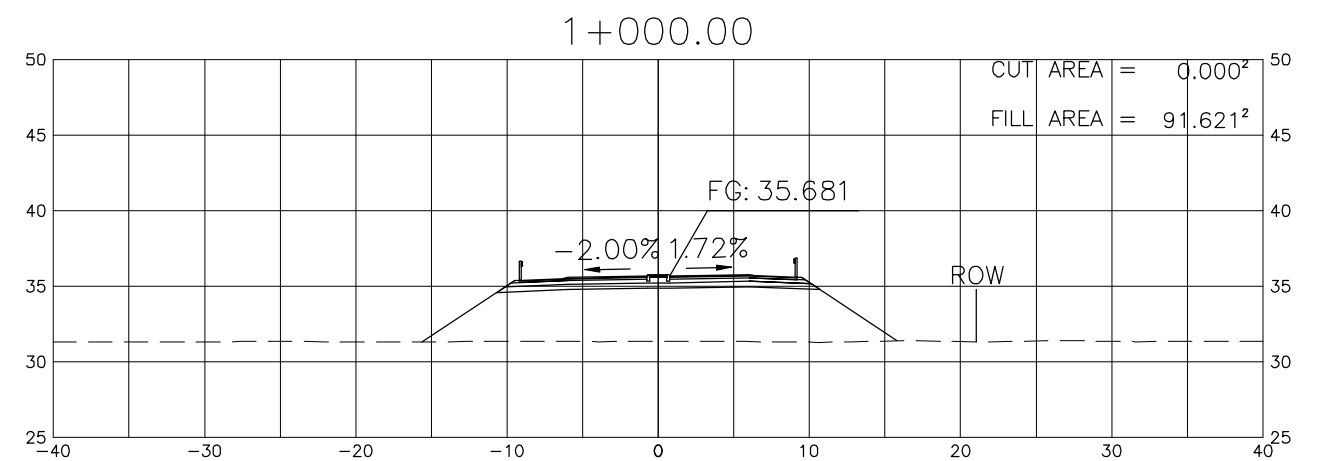
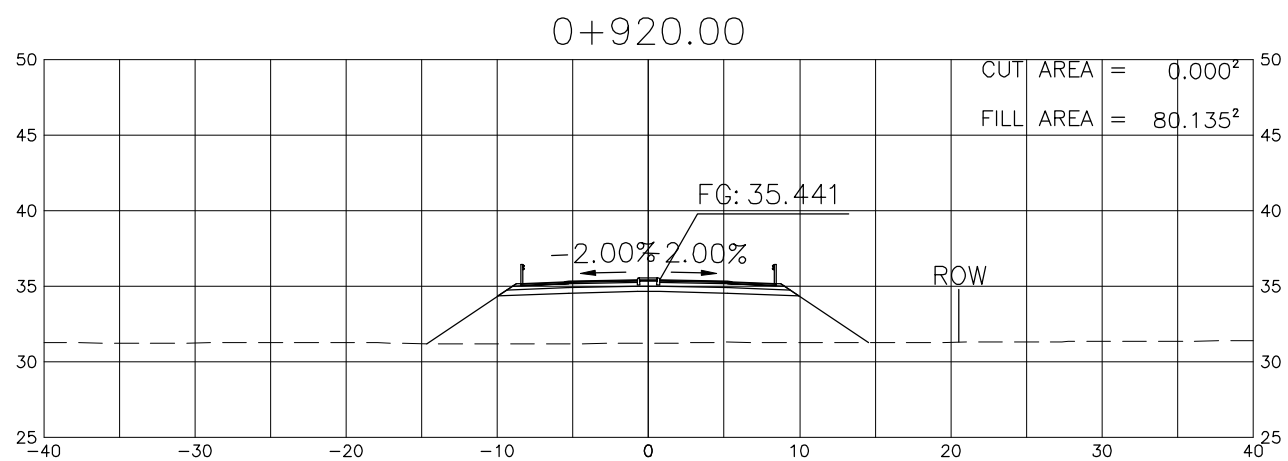
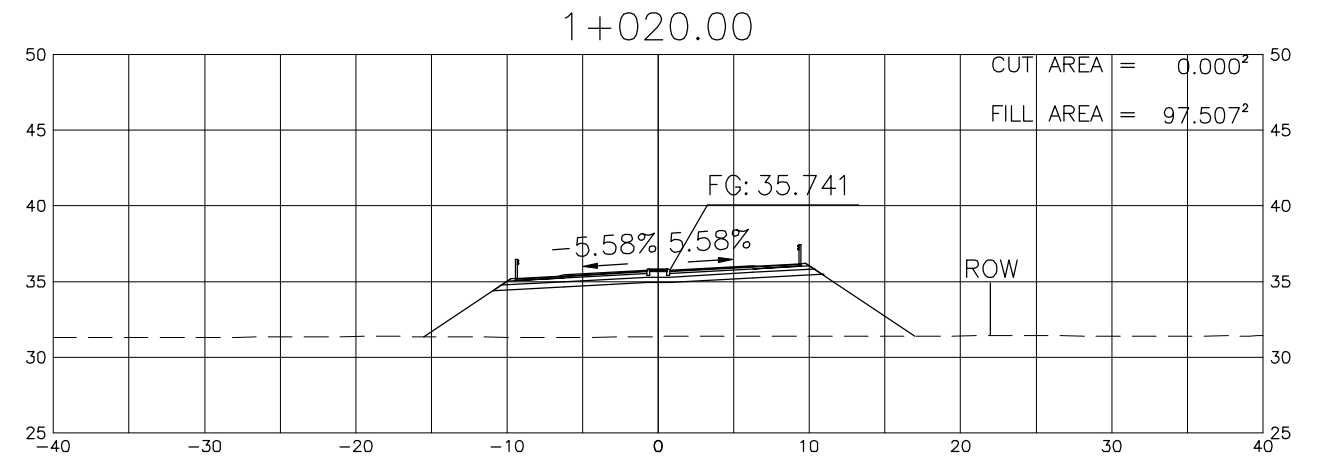
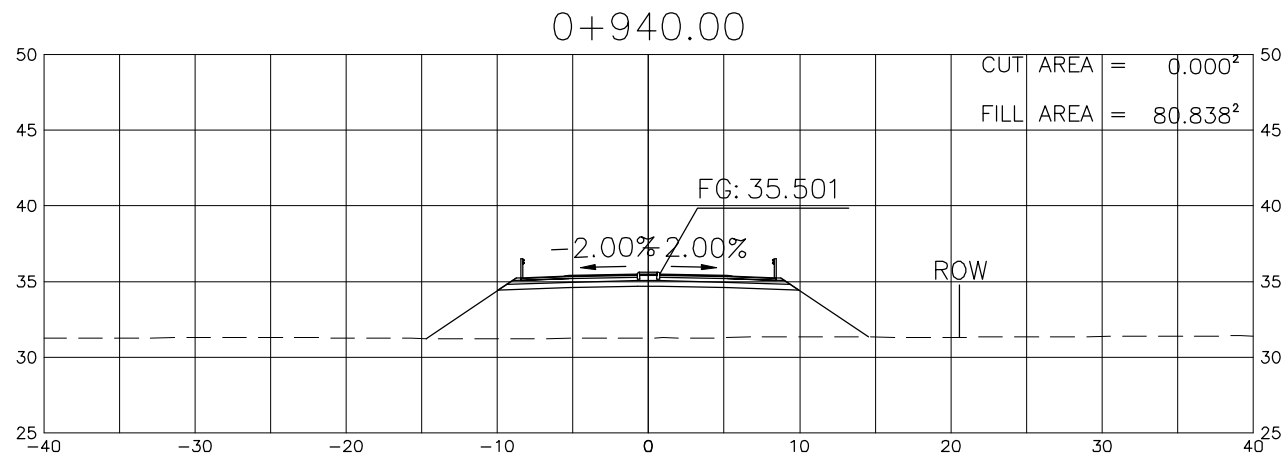
PROJECT TITLE	SCALE	SHEET CONTENT	DRAWING NO.
Preparatory survey for expressway project in Mega Manila Region CLLEX ( TARLAC - CABANATUAN )	A1 = 1:250 A3 = 1:500	CROSS SECTION (CABANATUAN INTERCHANGE) MAIN RAMP (3/7)	M-33
			SHEET NO.
			33 OF 45



PROJECT TITLE	SCALE	SHEET CONTENT	DRAWING NO.
Preparatory survey for expressway project in Mega Manila Region CLLEX ( TARLAC - CABANATUAN )	A1 = 1:250 A3 = 1:500	CROSS SECTION (CABANATUAN INTERCHANGE) MAIN RAMP (4/7)	M-34
			SHEET NO. 34 OF 45

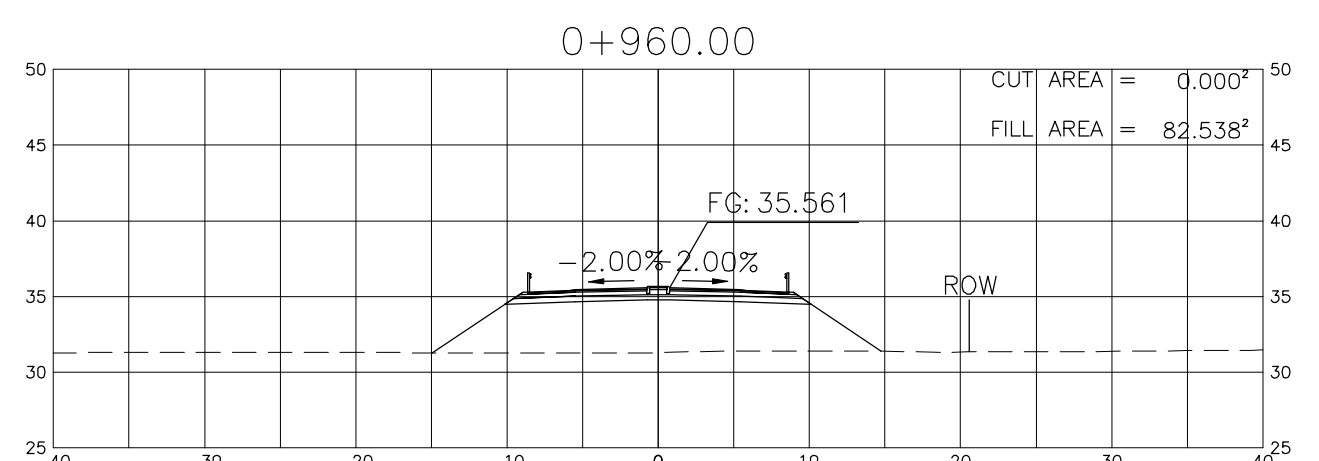
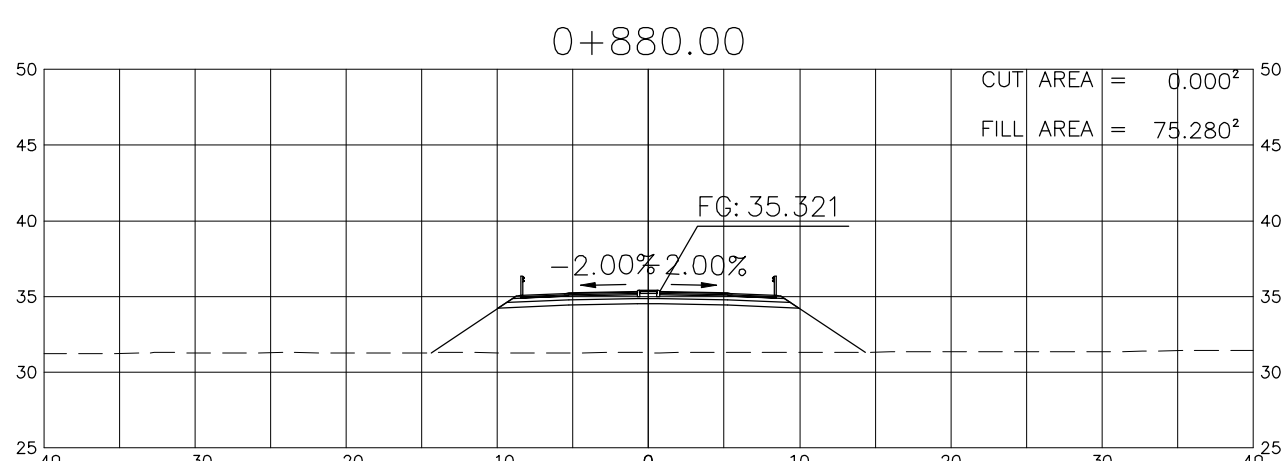
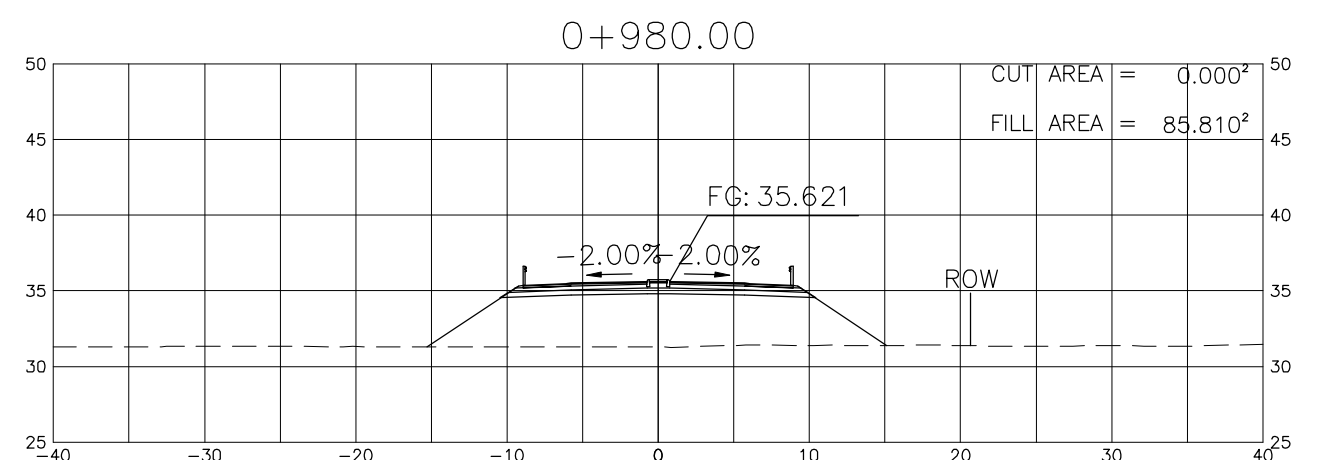
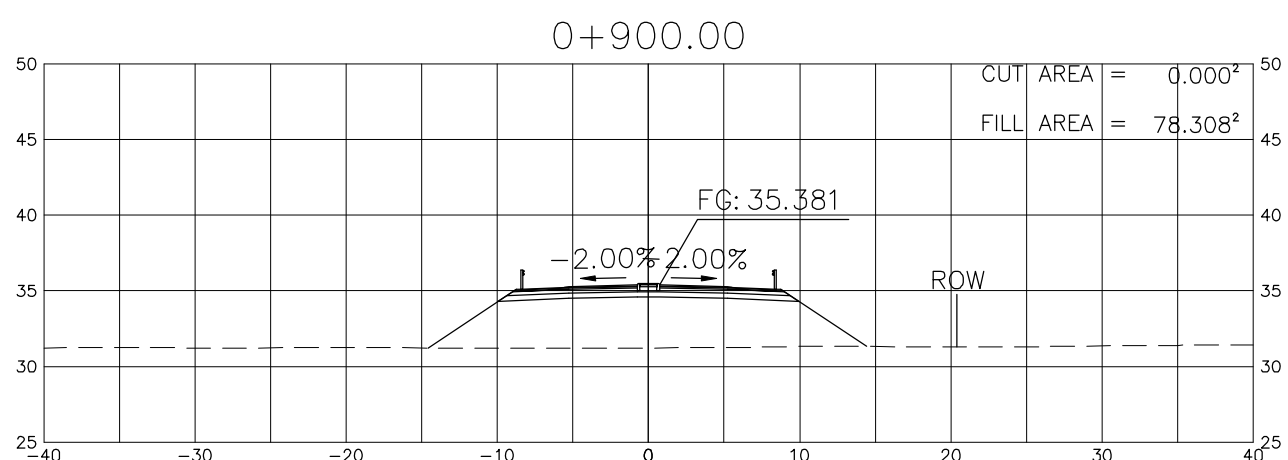
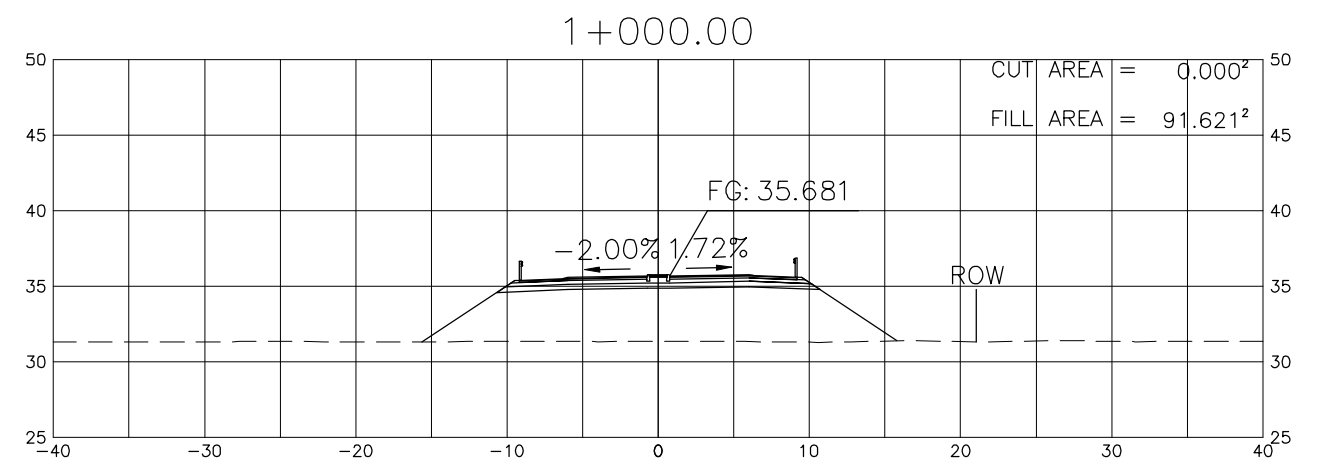
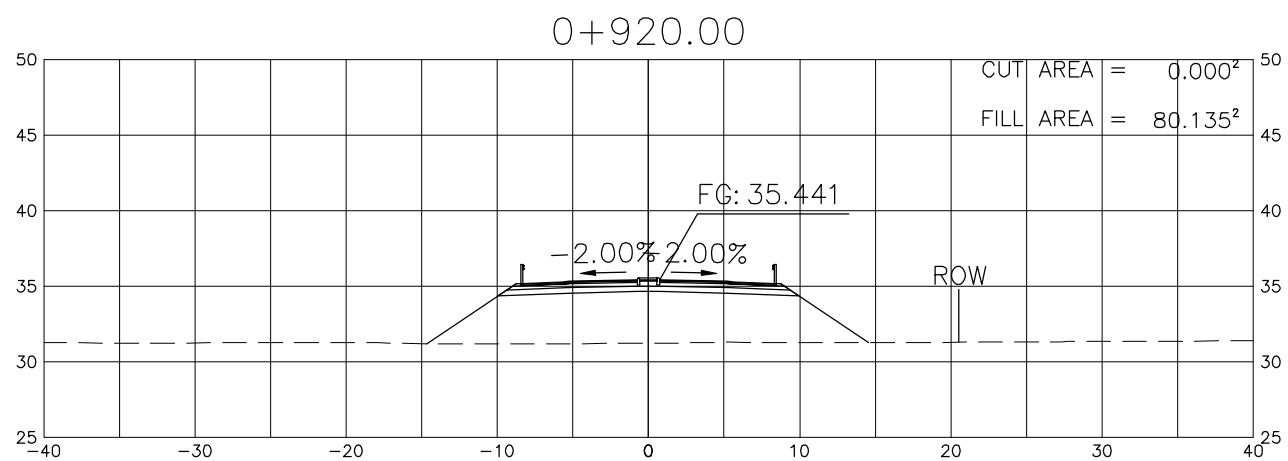
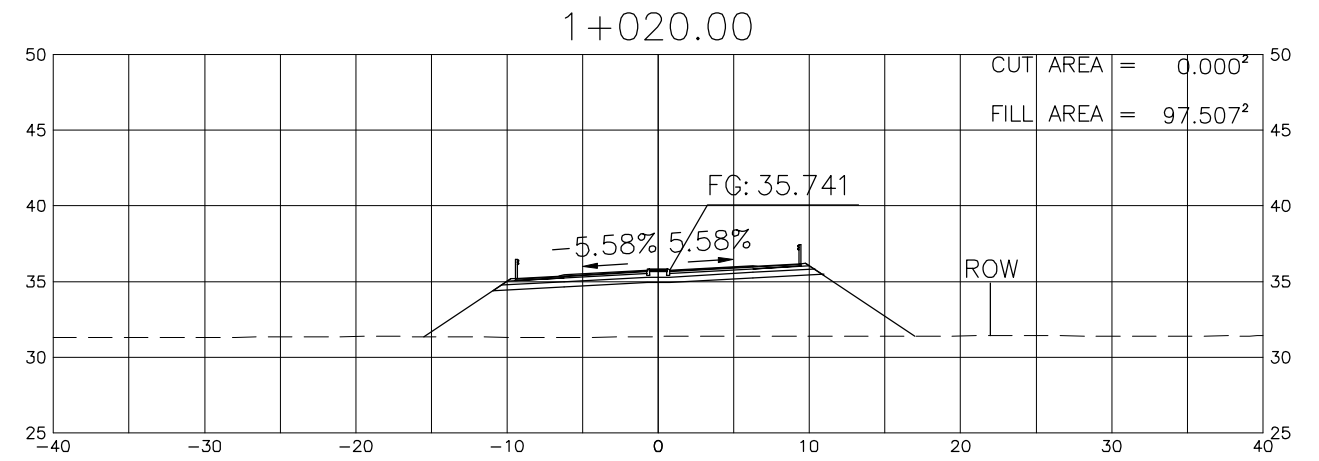
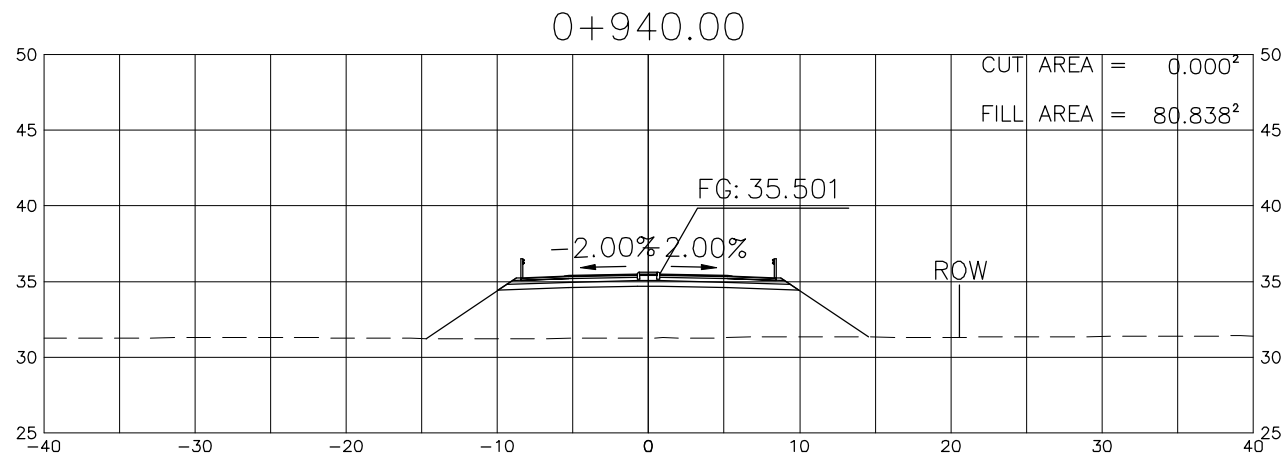


PROJECT TITLE	SCALE	SHEET CONTENT	DRAWING NO.
Preparatory survey for expressway project in Mega Manila Region CLLEX ( TARLAC - CABANATUAN )	A1 = 1:250 A3 = 1:500	CROSS SECTION (CABANATUAN INTERCHANGE) MAIN RAMP (5/7)	M-35
			SHEET NO. 35 OF 45

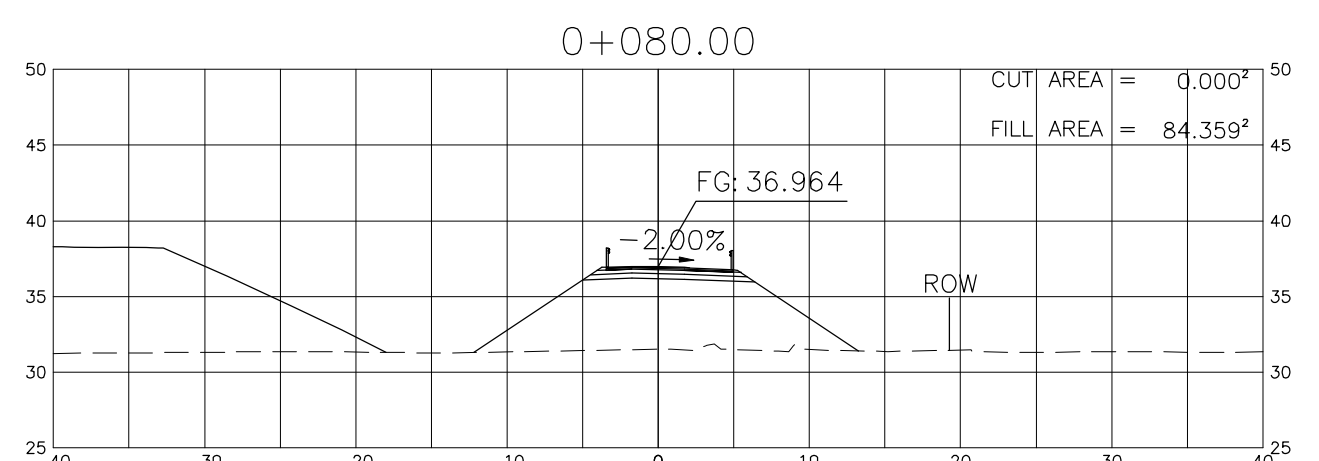
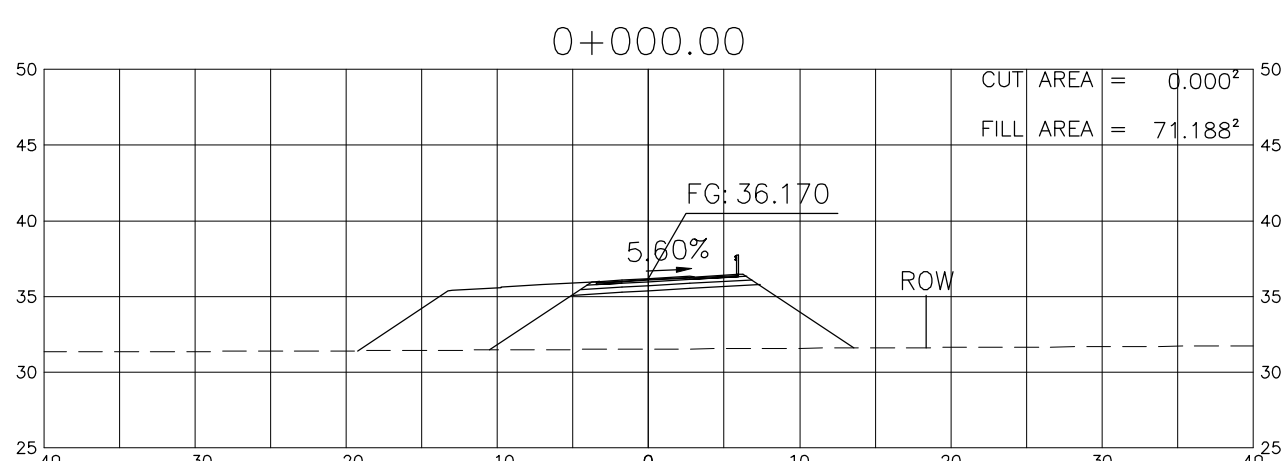
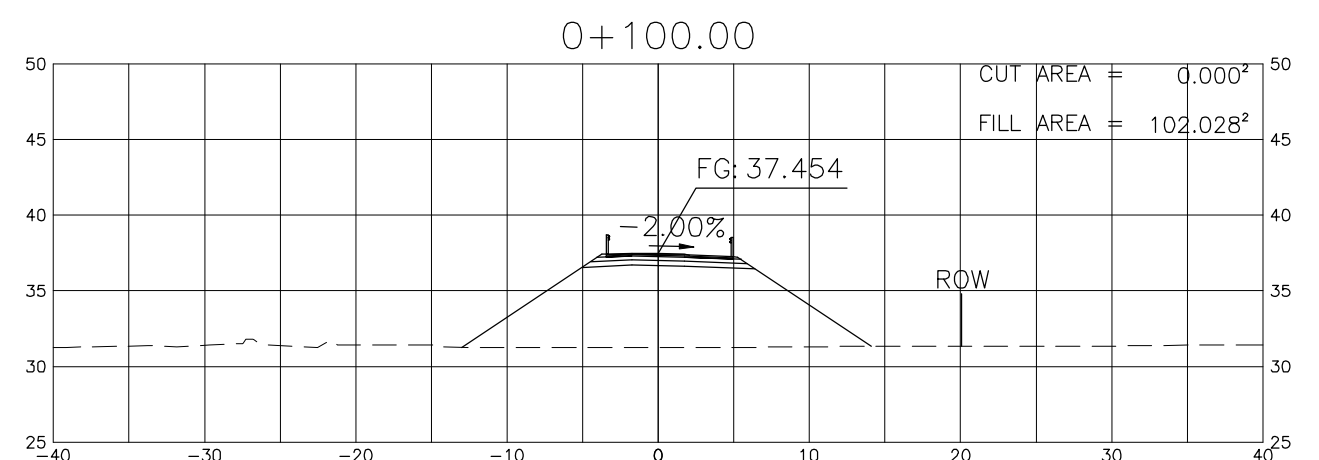
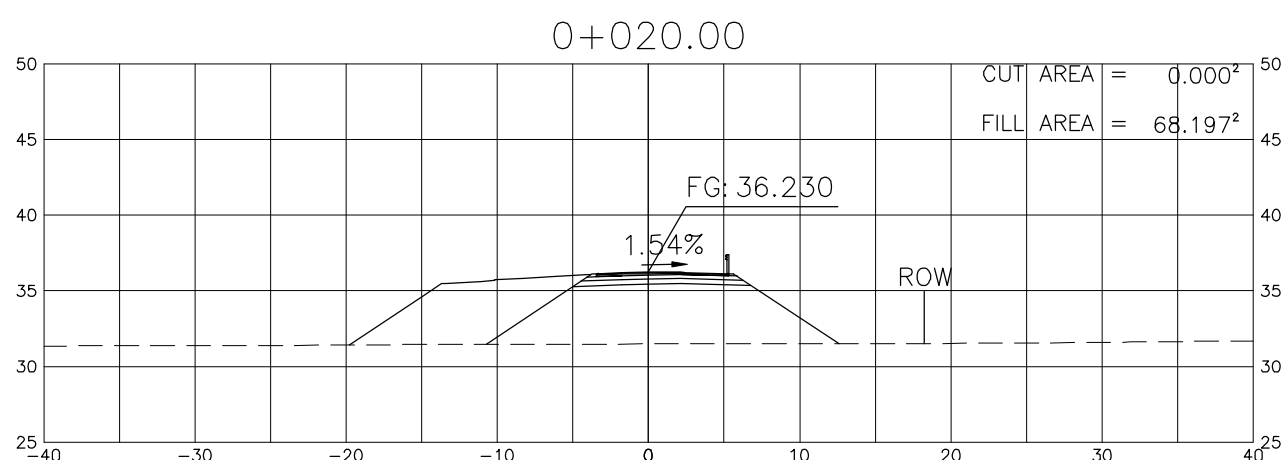
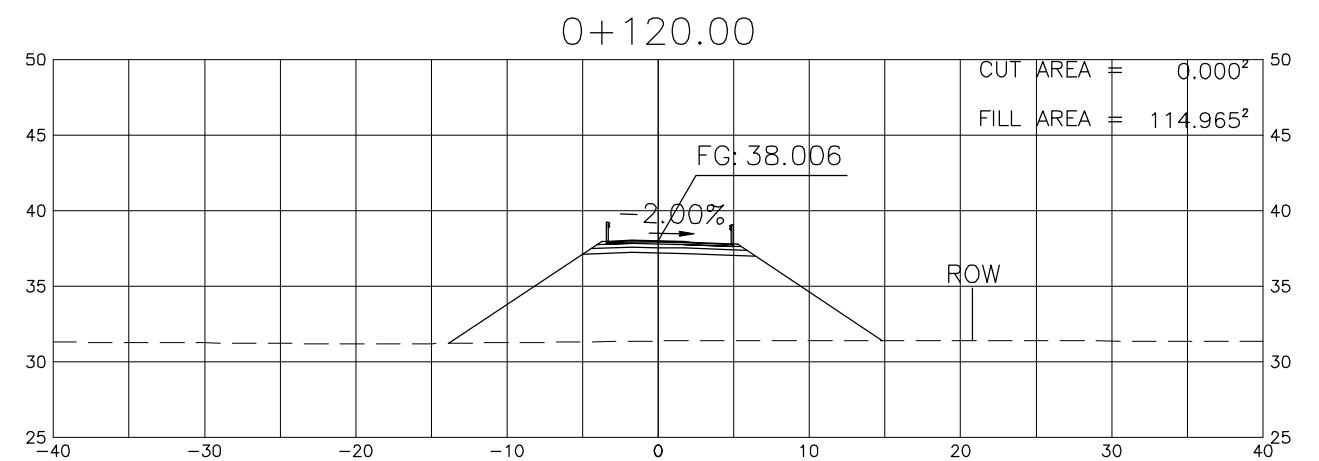
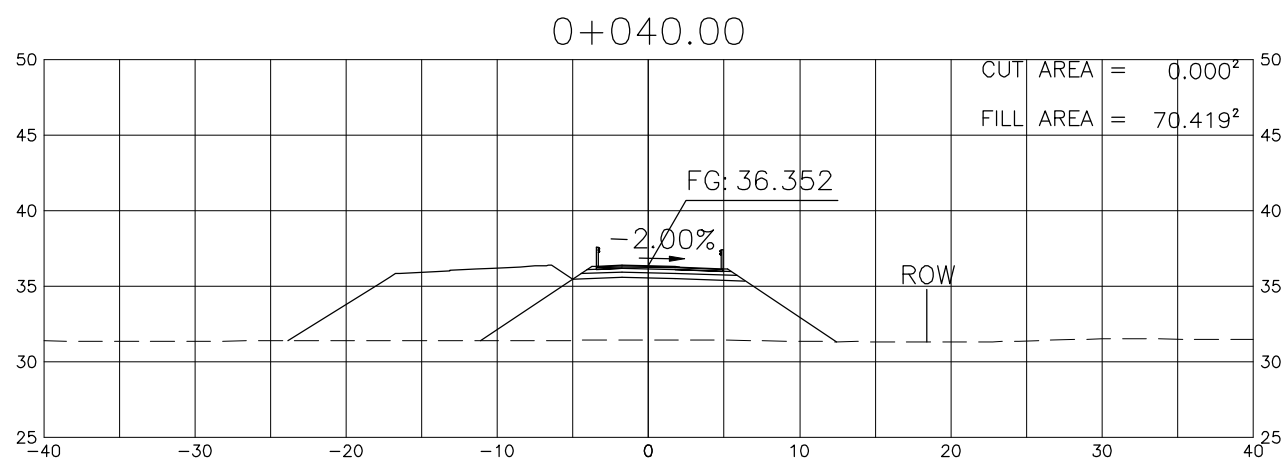
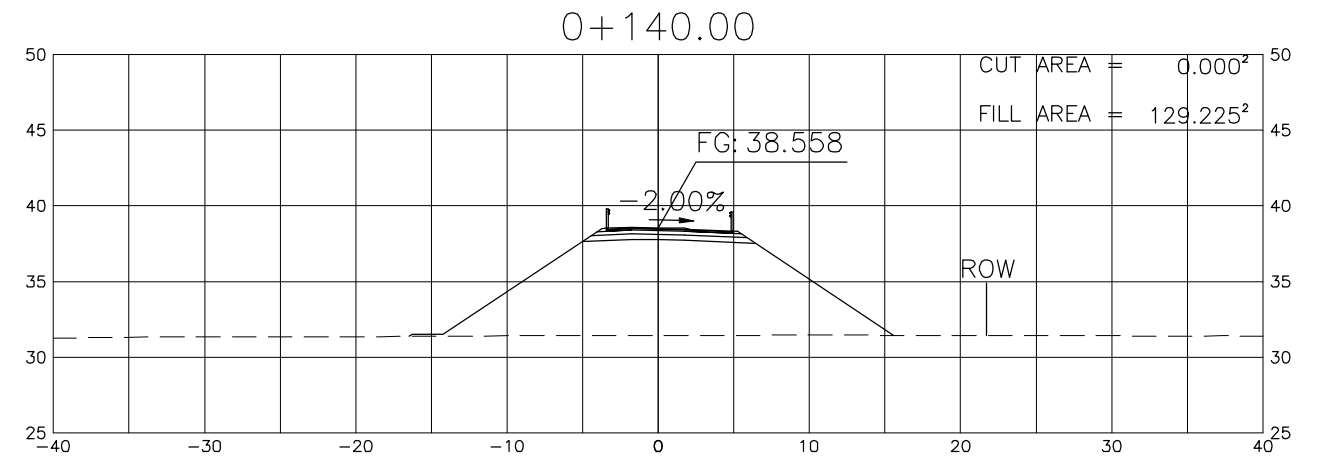
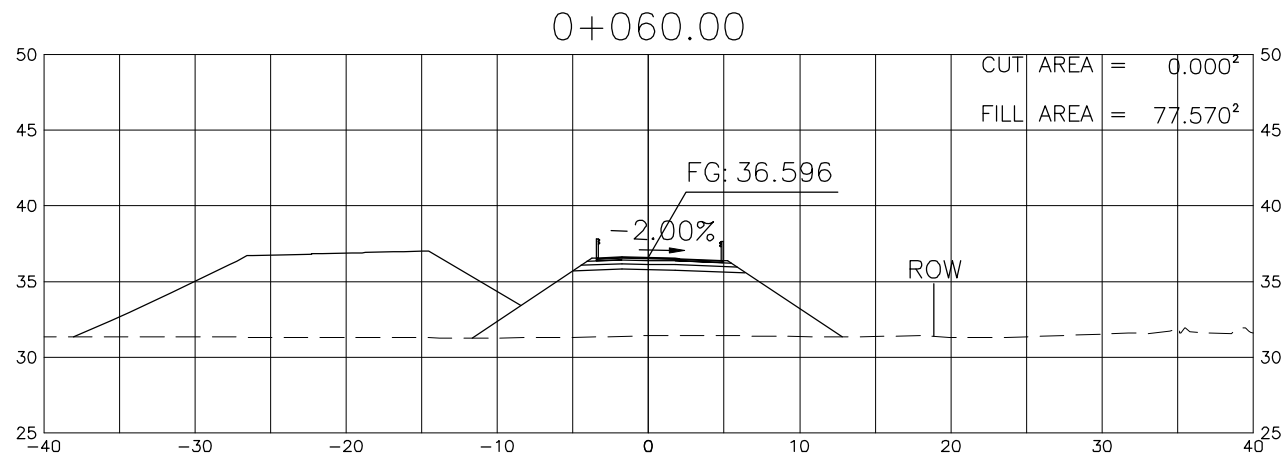


PROJECT TITLE	SCALE	SHEET CONTENT	DRAWING NO.
Preparatory survey for expressway project in Mega Manila Region CLLEX ( TARLAC - CABANATUAN )	A1 = 1:250 A3 = 1:500	CROSS SECTION (CABANATUAN INTERCHANGE) MAIN RAMP (6/7)	M-36
			SHEET NO. 36 OF 45

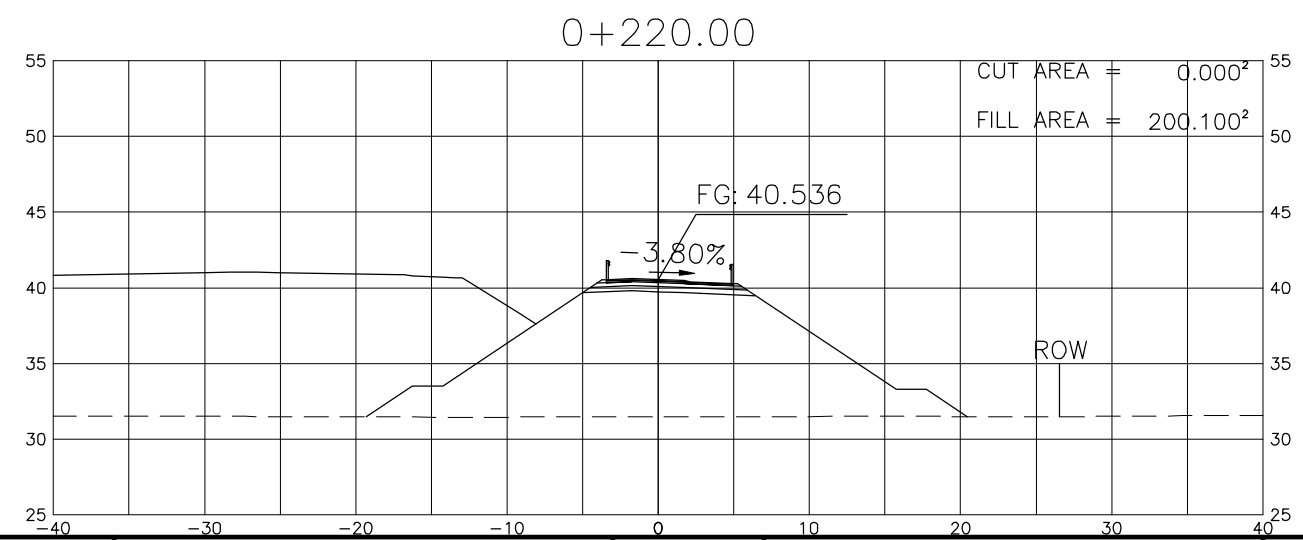
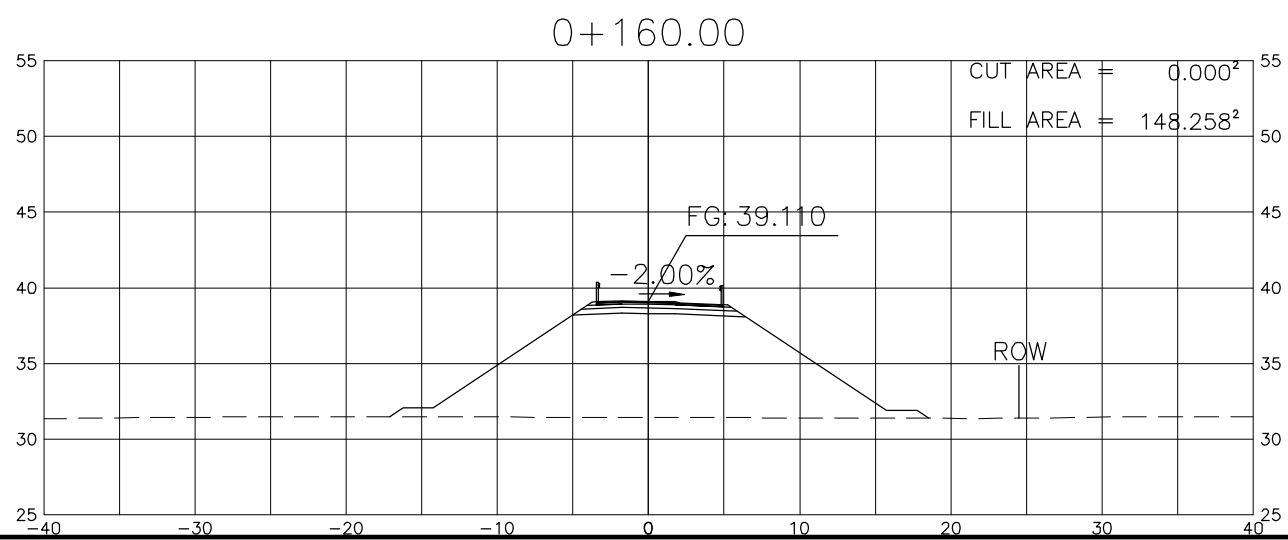
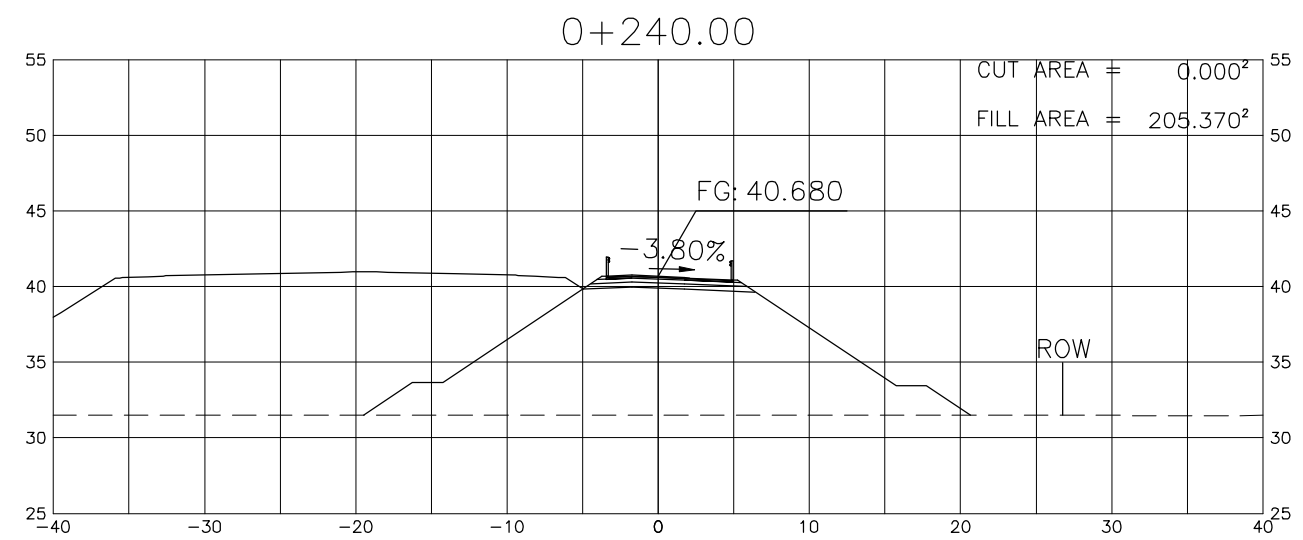
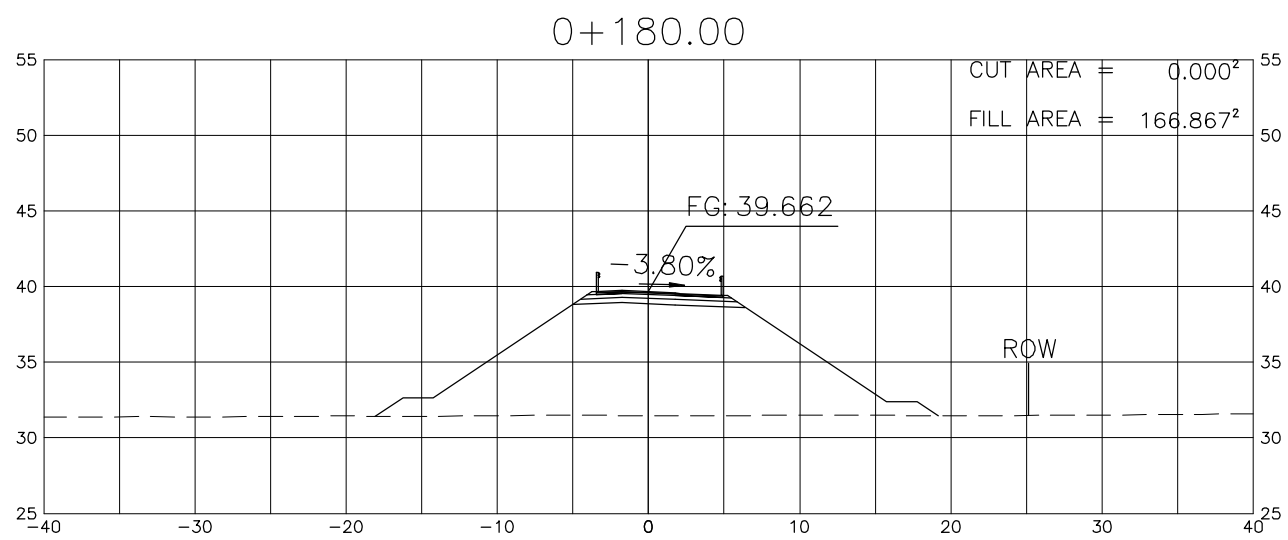
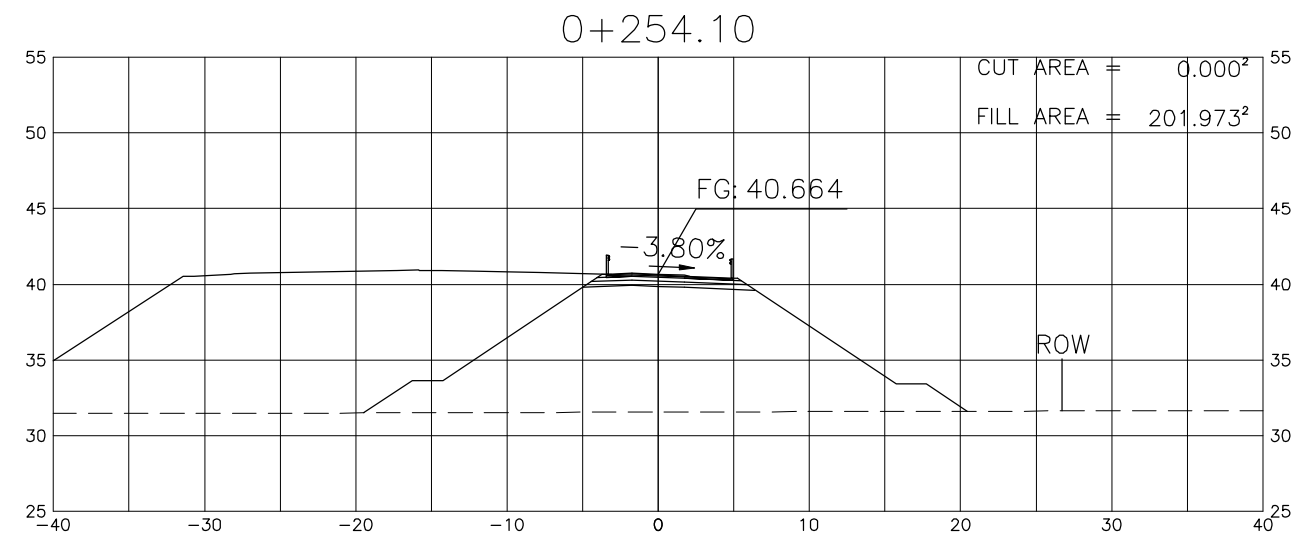
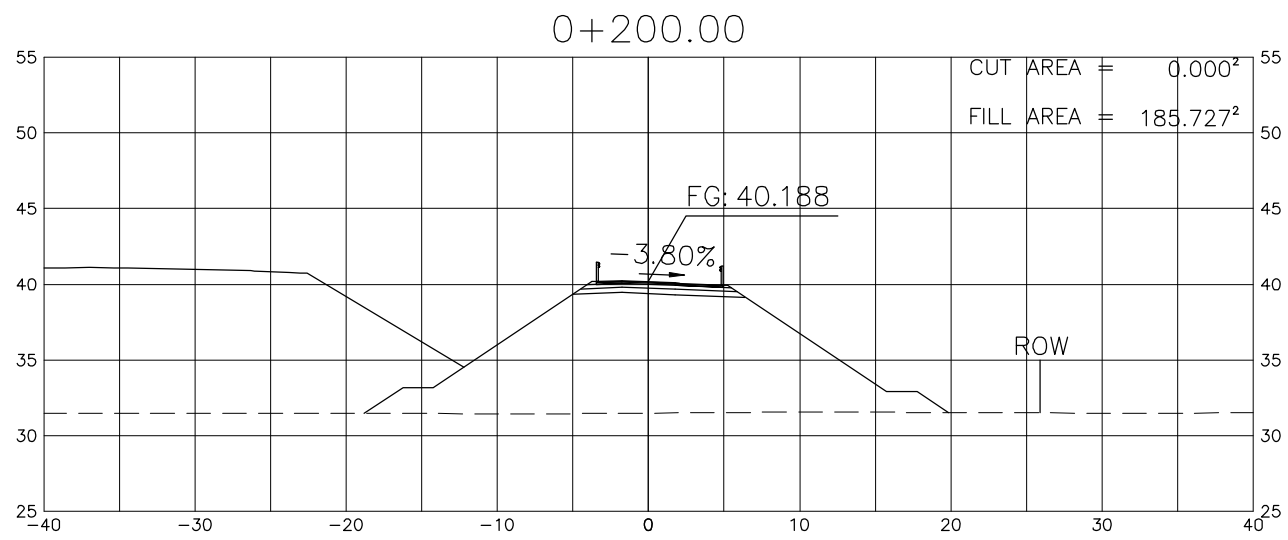




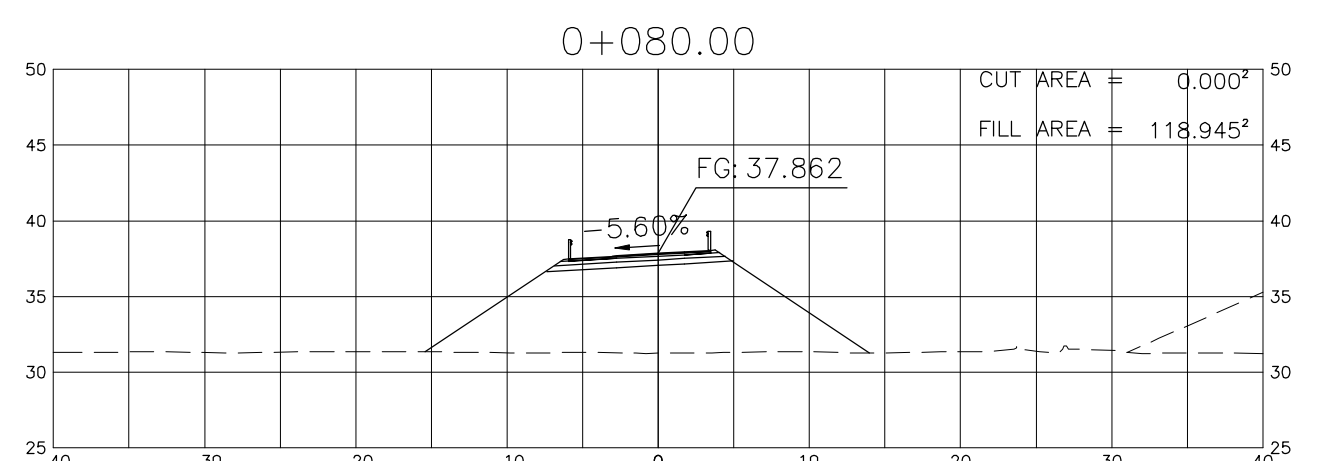
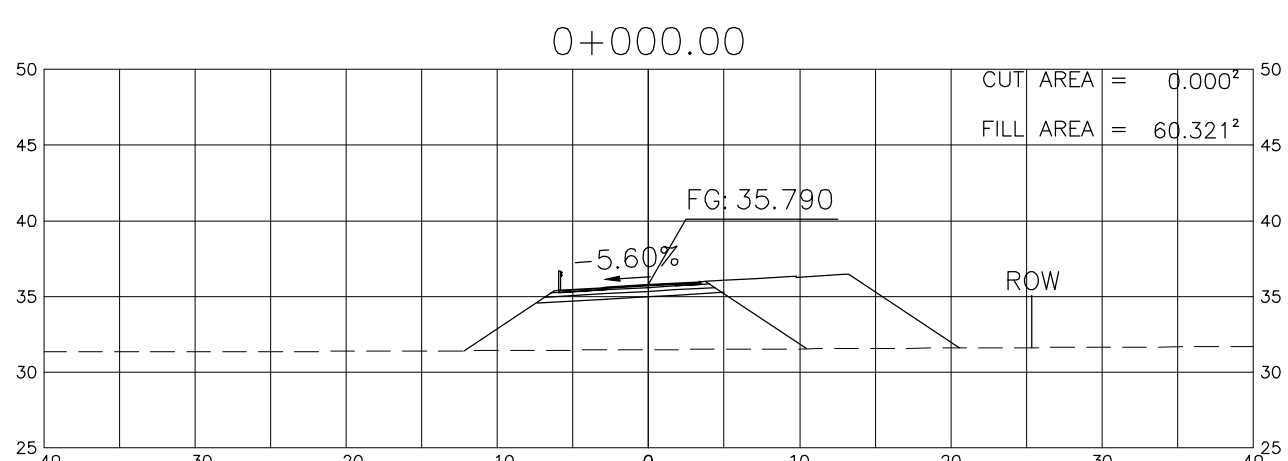
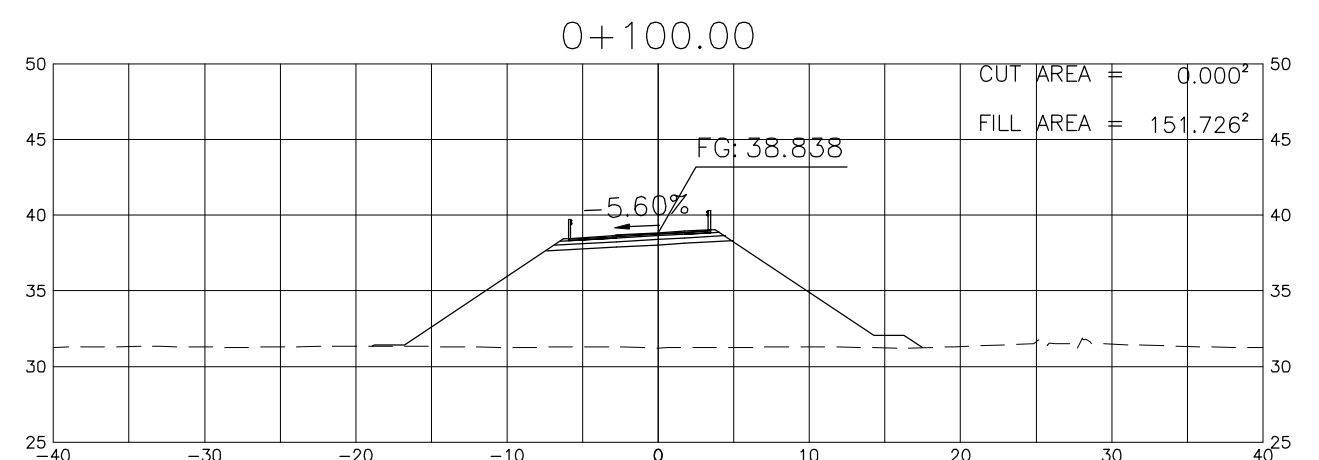
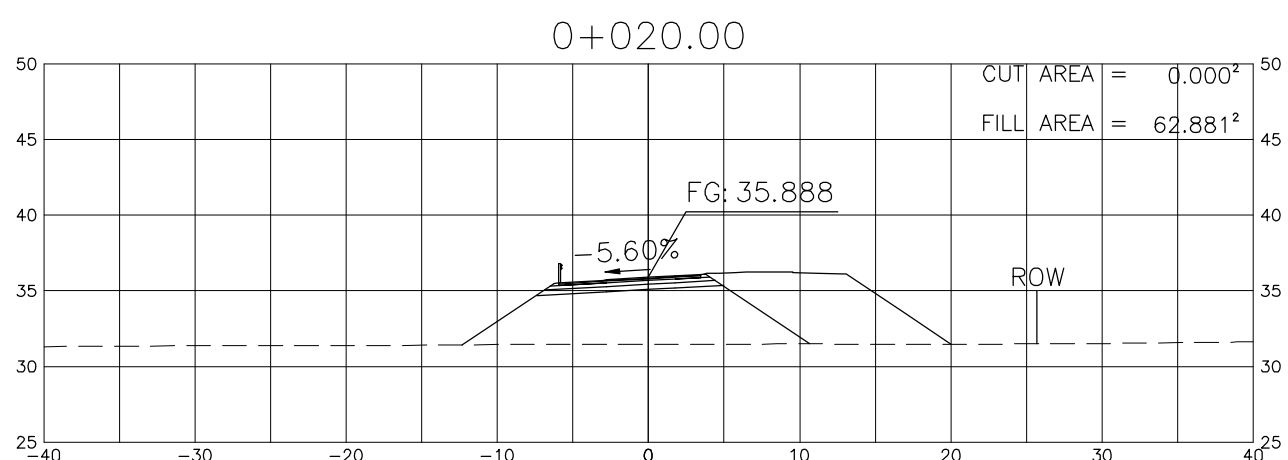
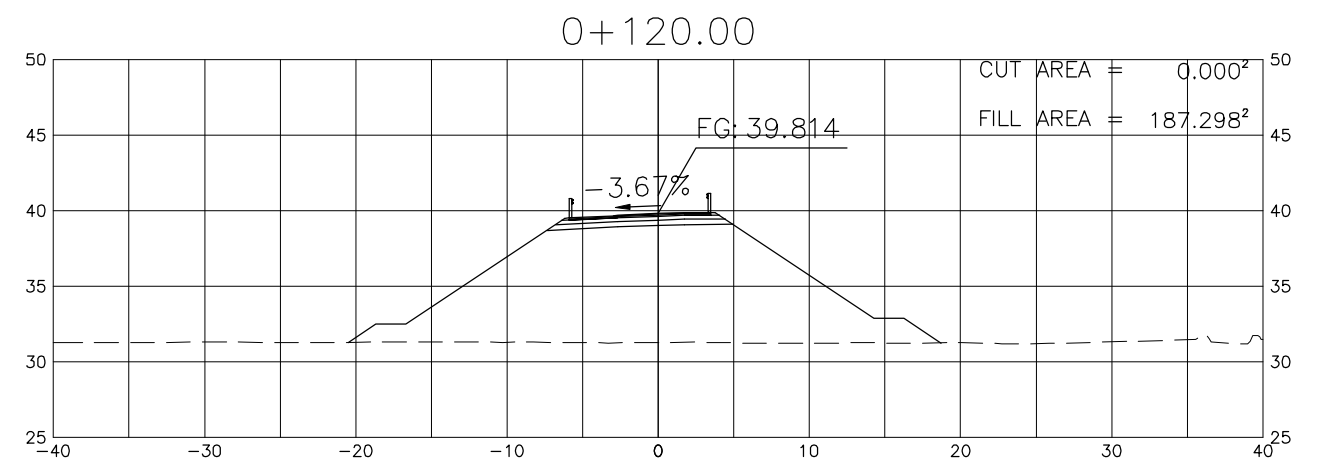
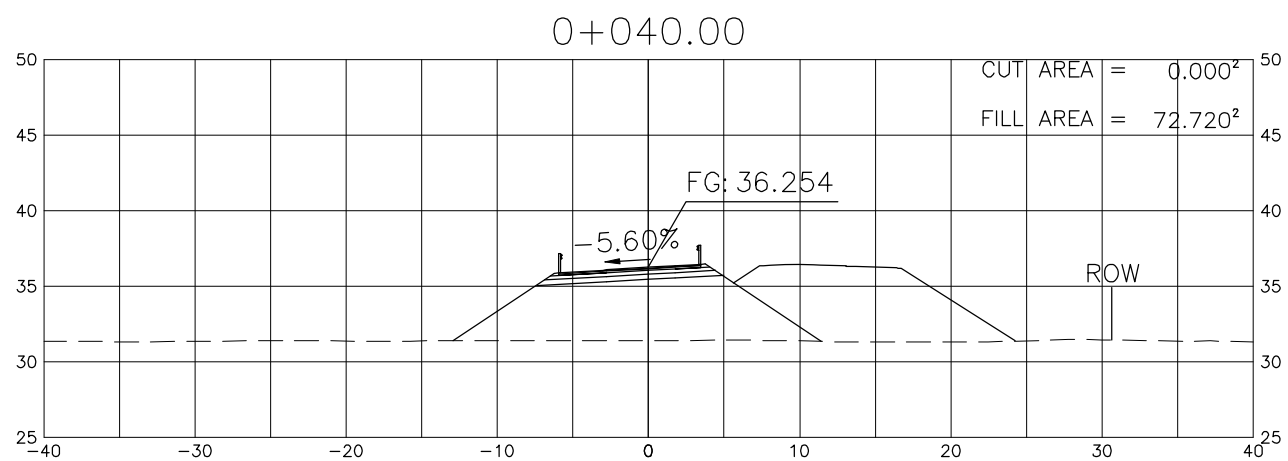
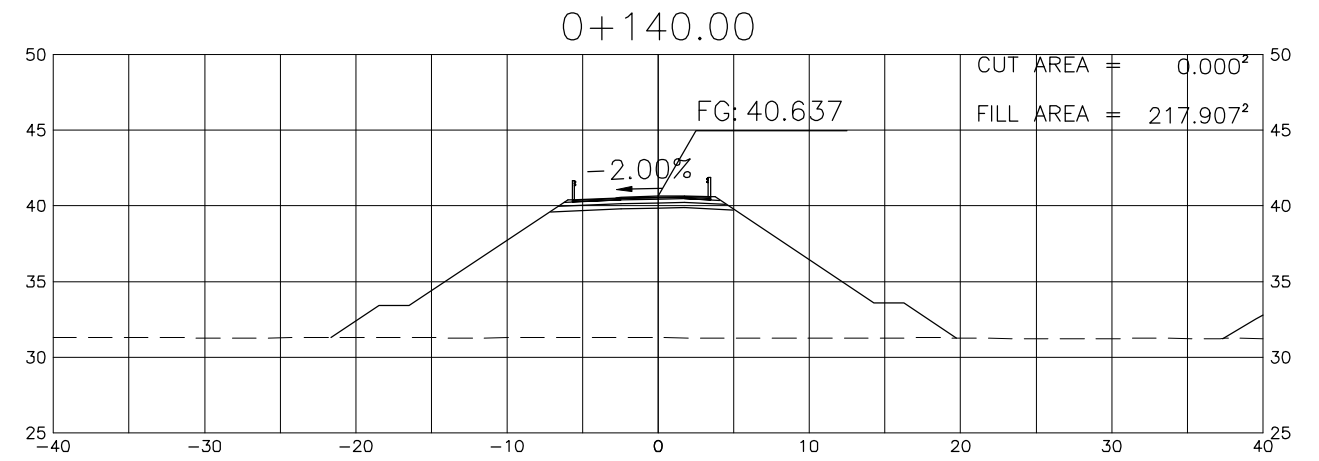
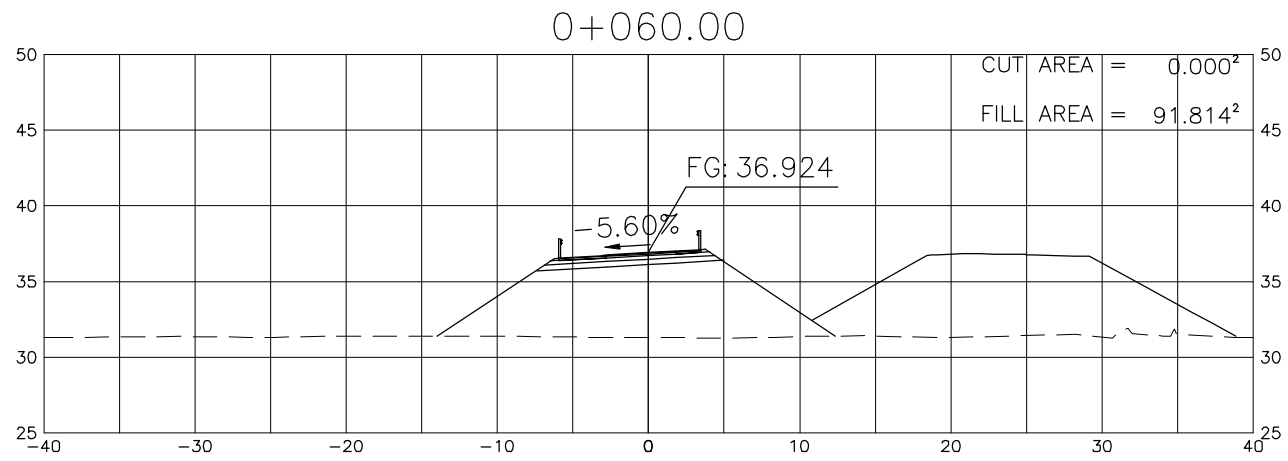
PROJECT TITLE	SCALE	SHEET CONTENT	DRAWING NO.
Preparatory survey for expressway project in Mega Manila Region CLLEX ( TARLAC - CABANATUAN )	A1 = 1:250 A3 = 1:500	CROSS SECTION (CABANATUAN INTERCHANGE) MAIN RAMP (7/7)	M-37
			SHEET NO. 37 OF 45



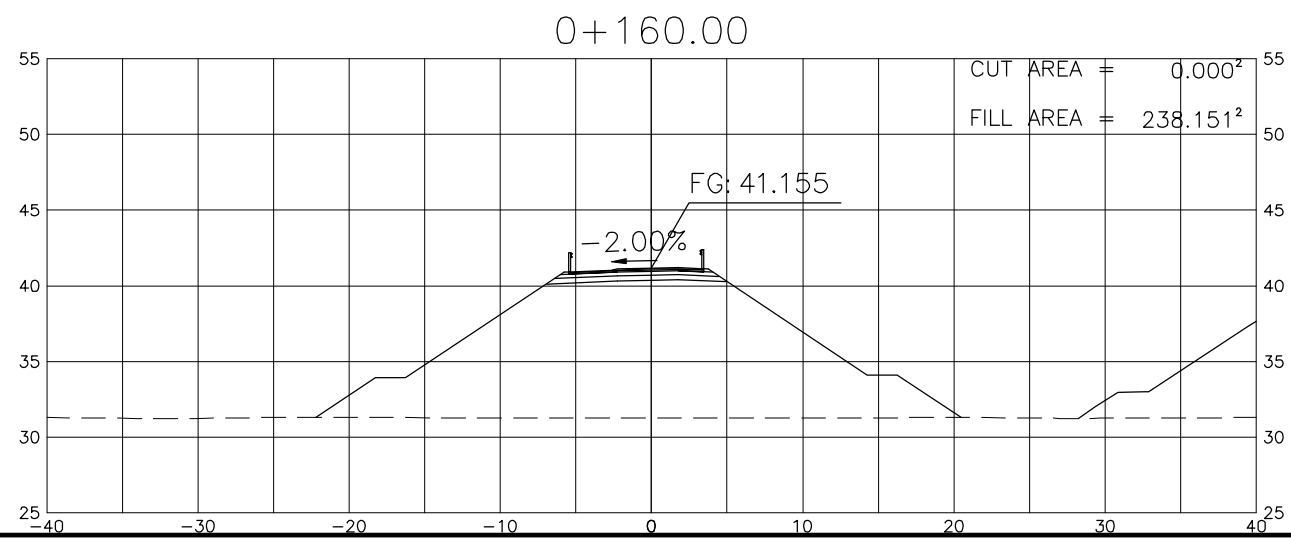
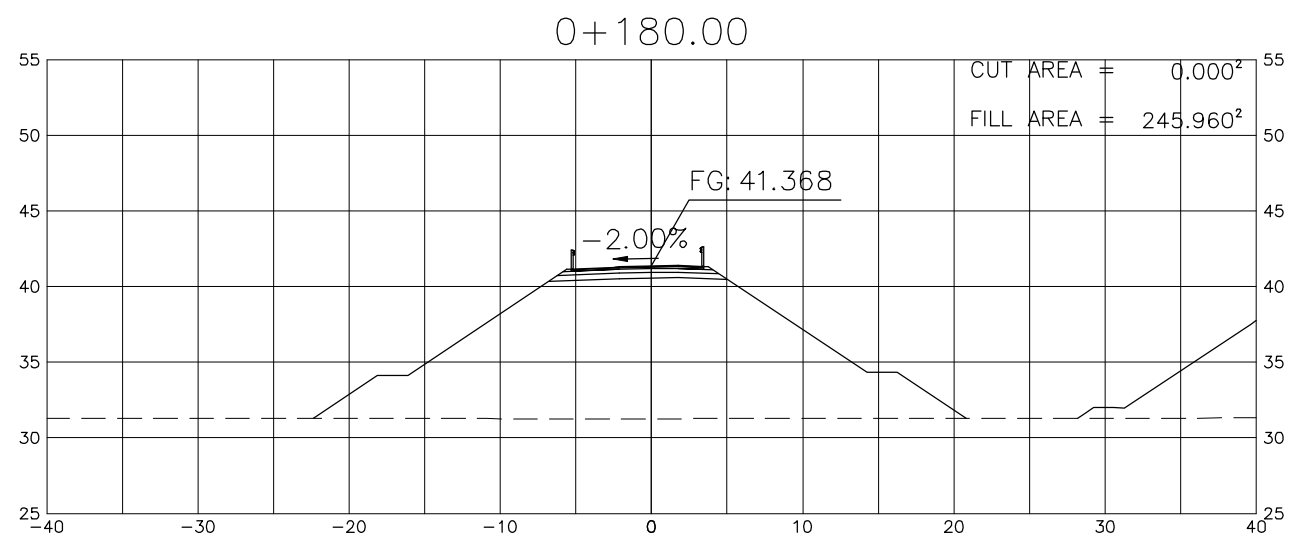
PROJECT TITLE	SCALE	SHEET CONTENT	DRAWING NO.
Preparatory survey for expressway project in Mega Manila Region CLLEX ( TARLAC - CABANATUAN )	A1 = 1:250 A3 = 1:500	CROSS SECTION (CABANATUAN INTERCHANGE) RAMP-A(1/2)	M-38
			SHEET NO. 38 OF 45



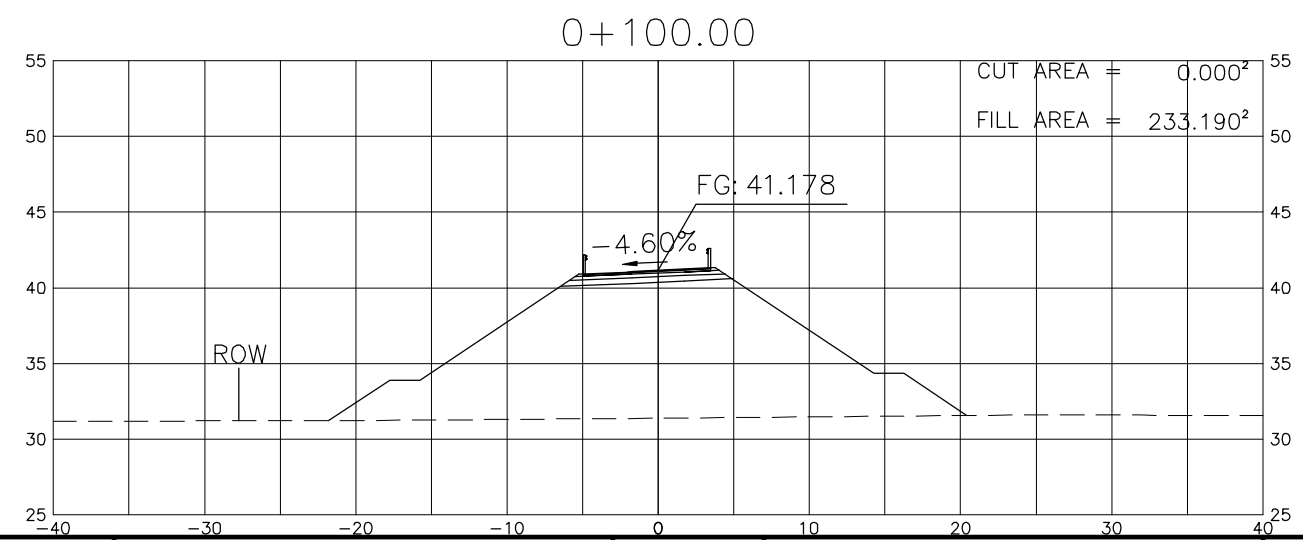
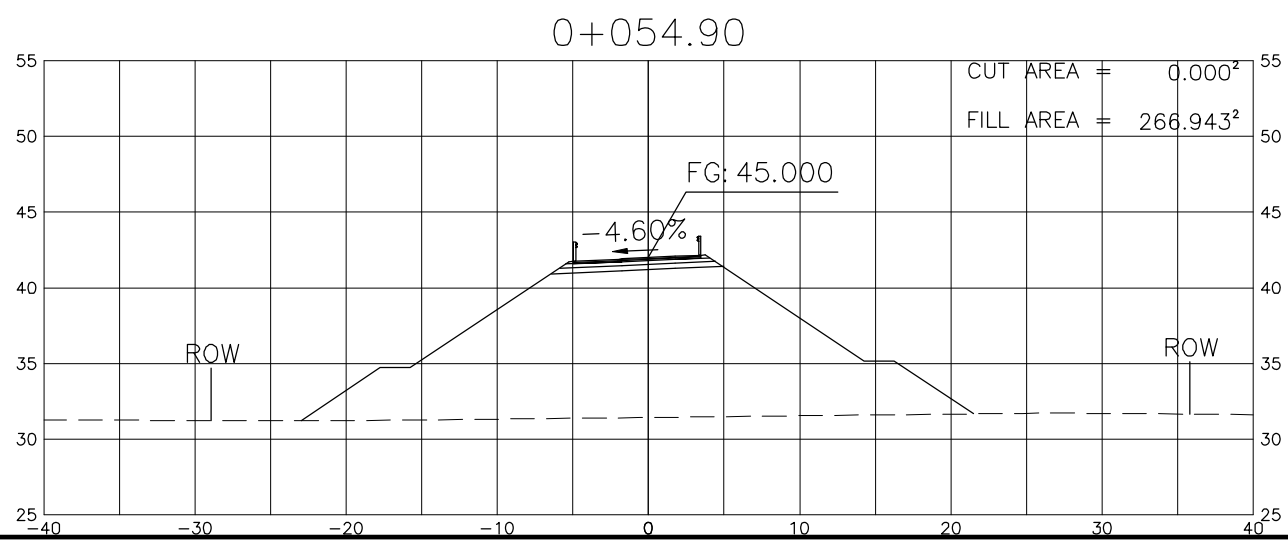
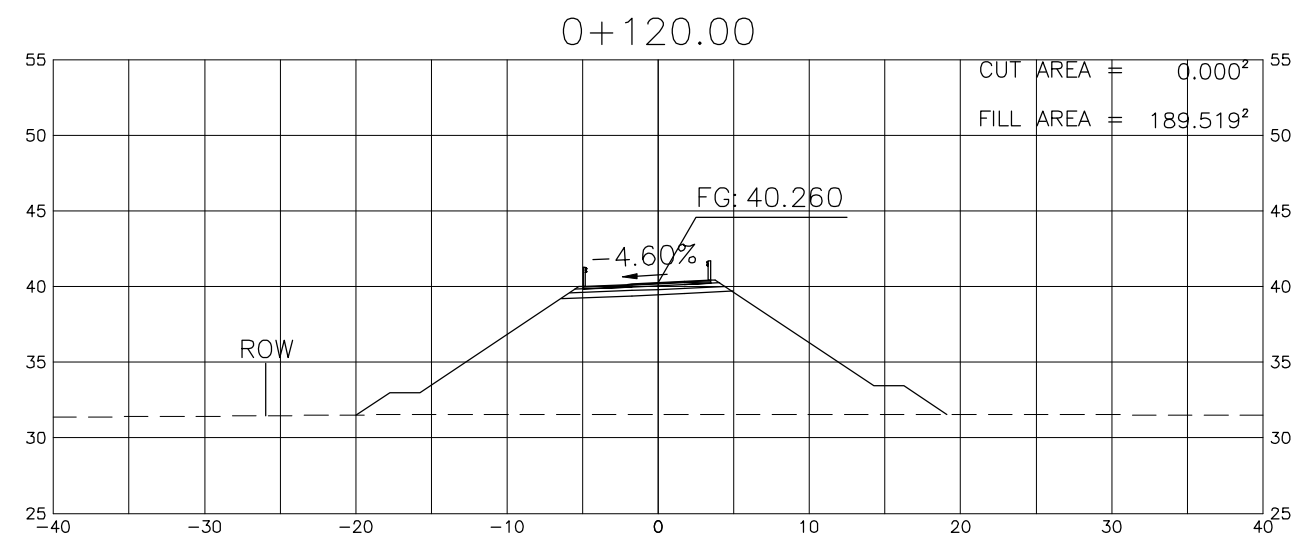
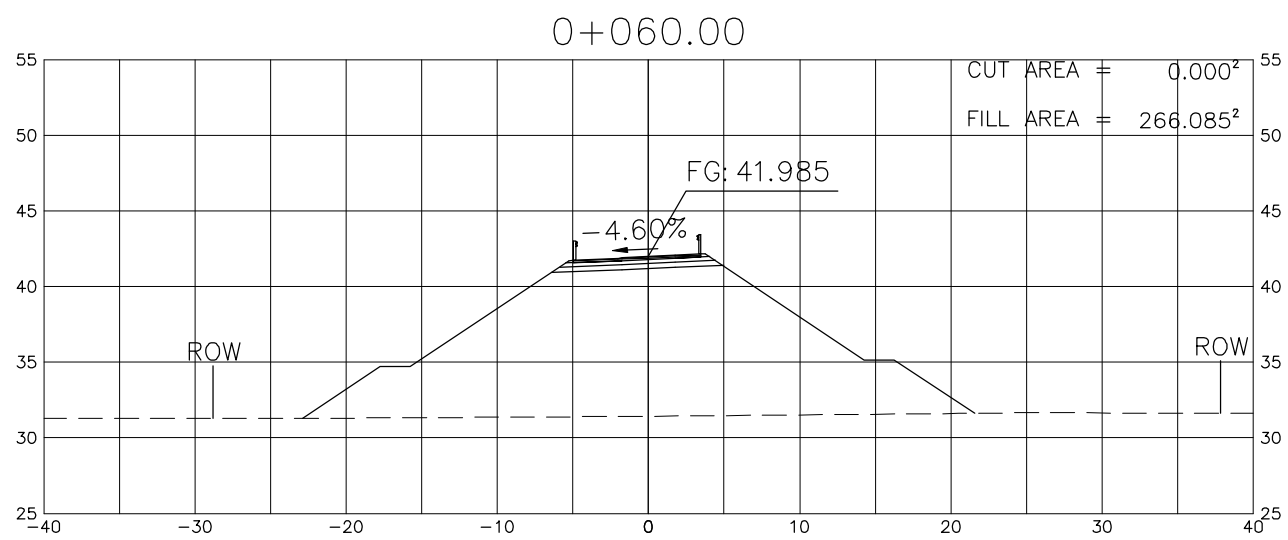
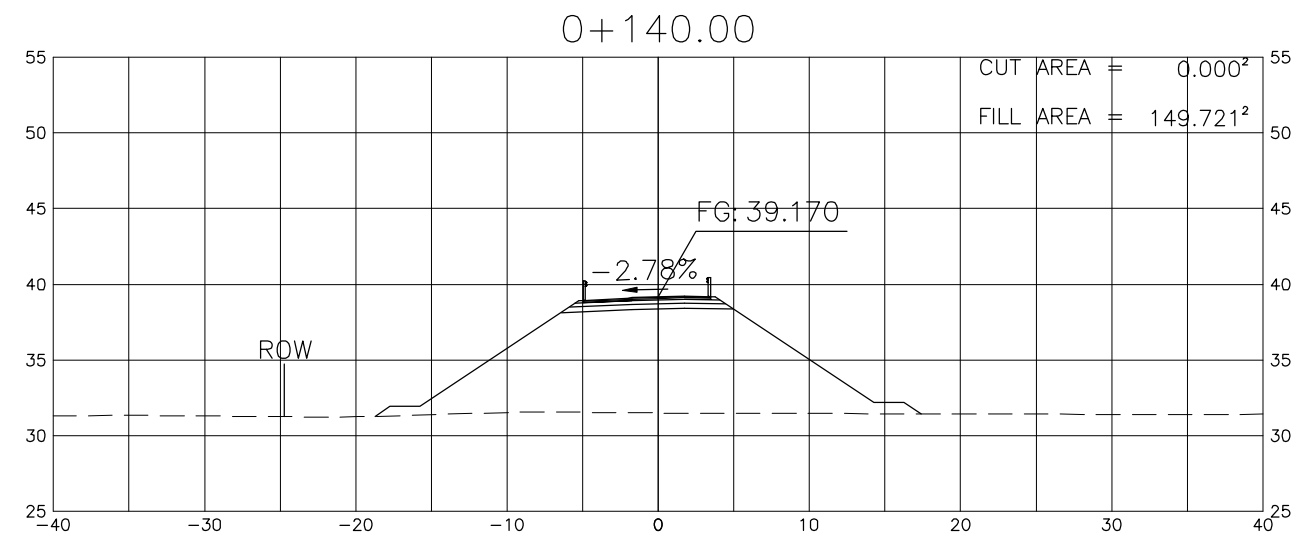
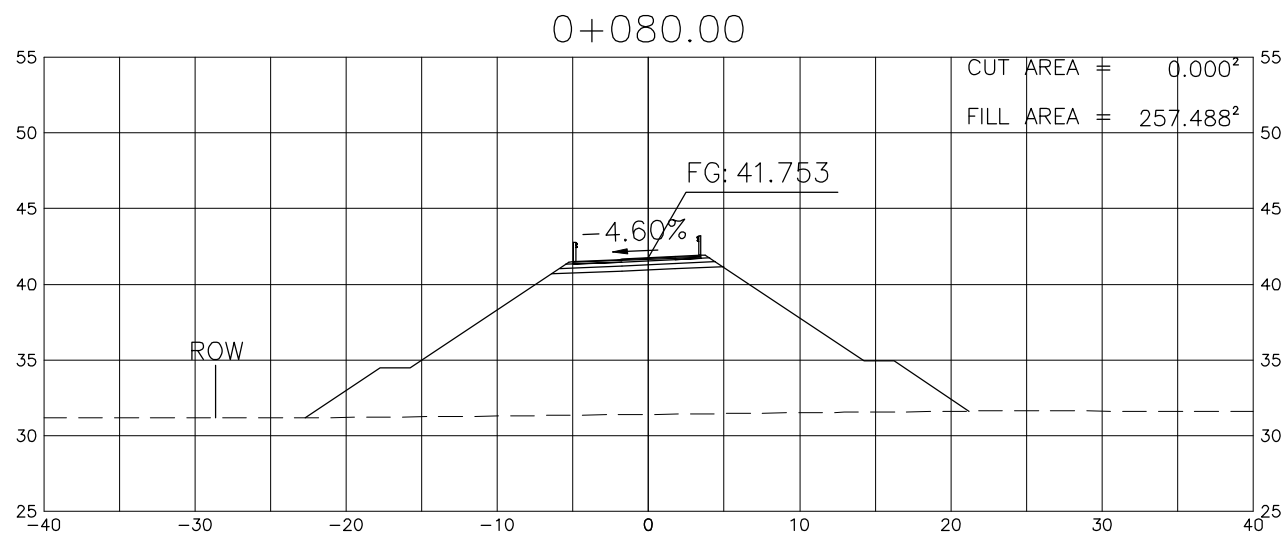
PROJECT TITLE	SCALE	SHEET CONTENT	DRAWING NO.
Preparatory survey for expressway project in Mega Manila Region CLLEX ( TARLAC - CABANATUAN )	A1 = 1:250 A3 = 1:500	CROSS SECTION (CABANATUAN INTERCHANGE) RAMP-A(2/2)	M-39
			SHEET NO. 39 OF 45



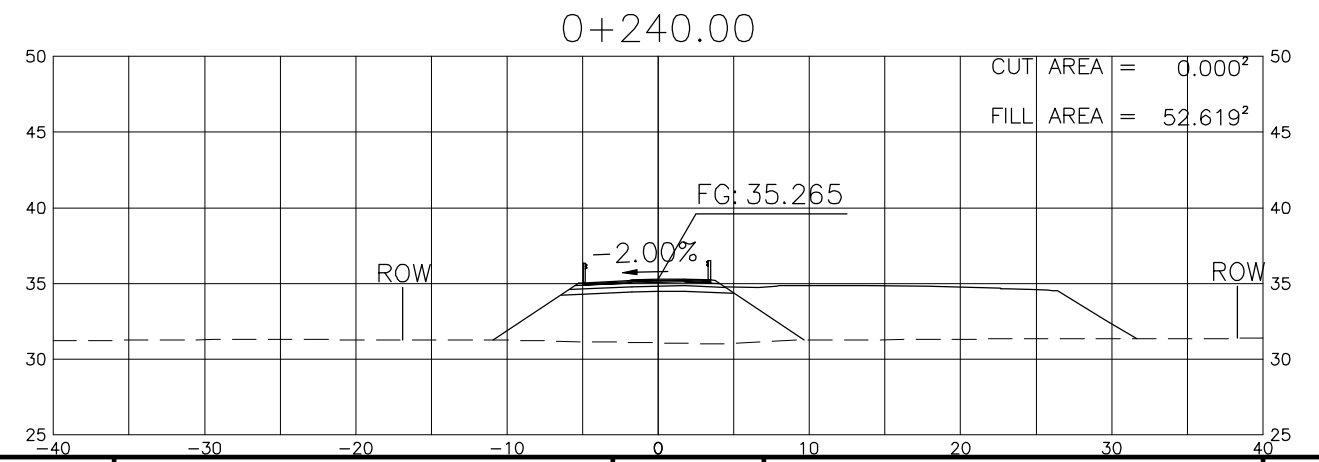
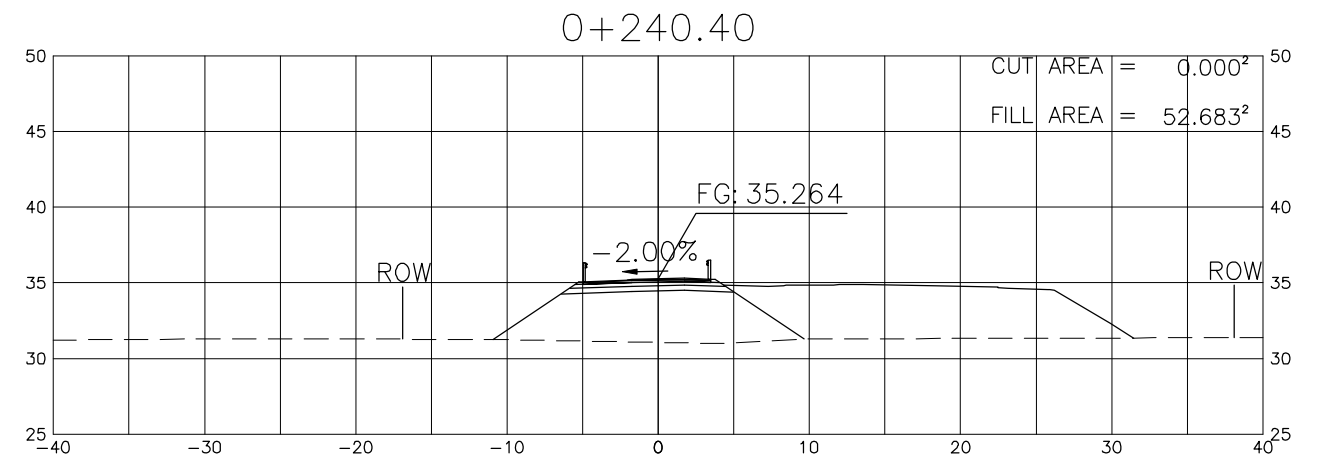
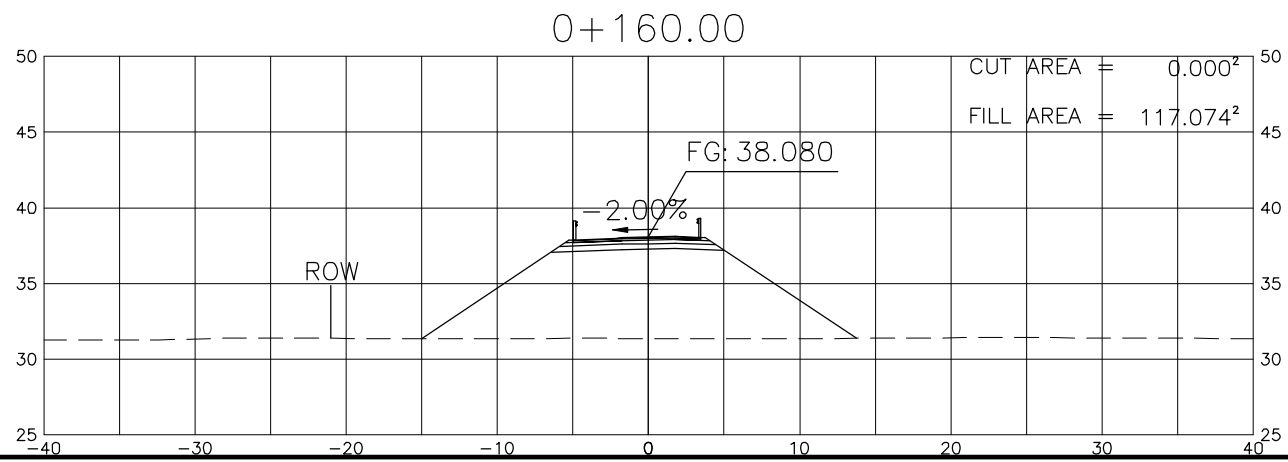
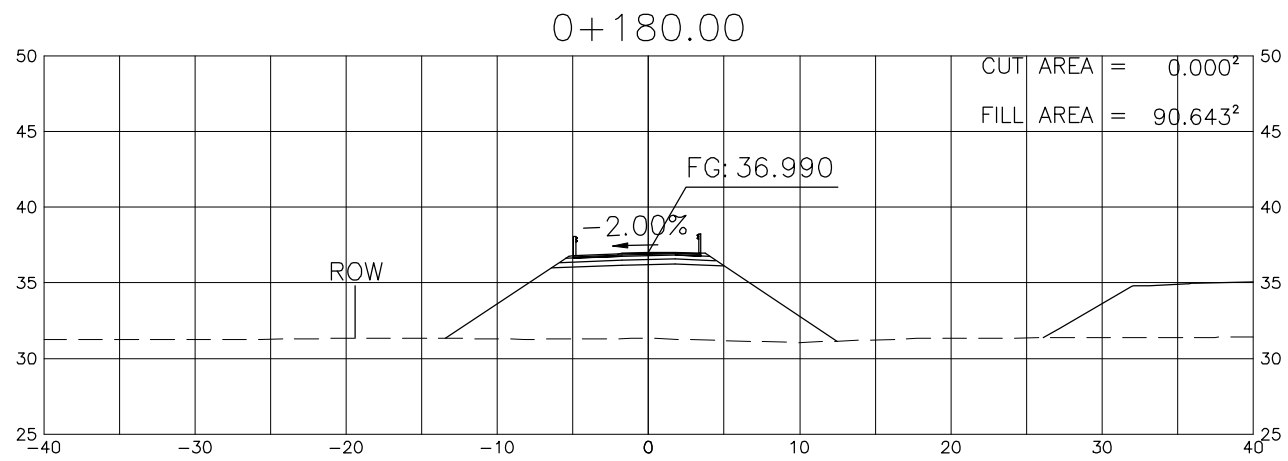
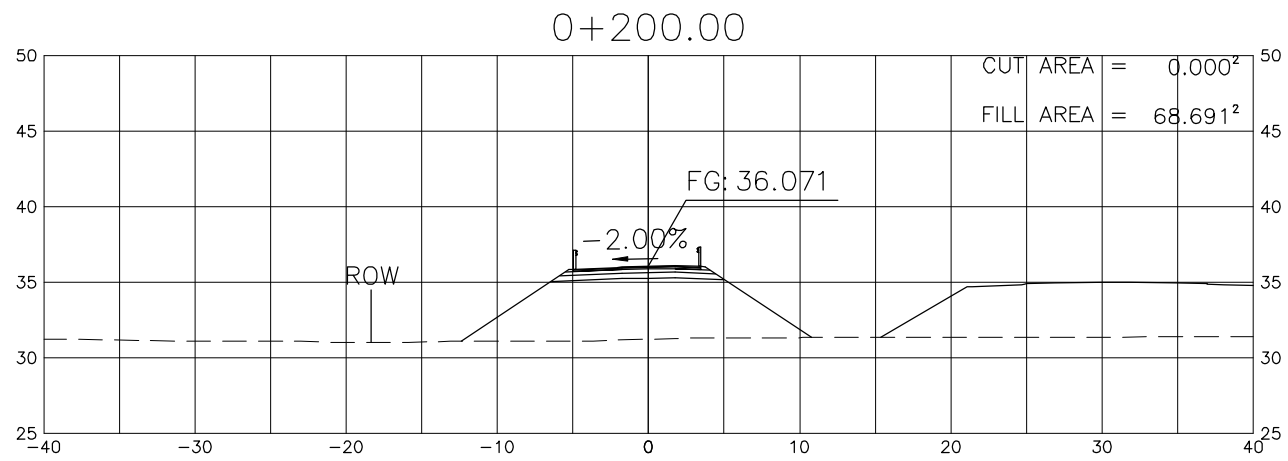
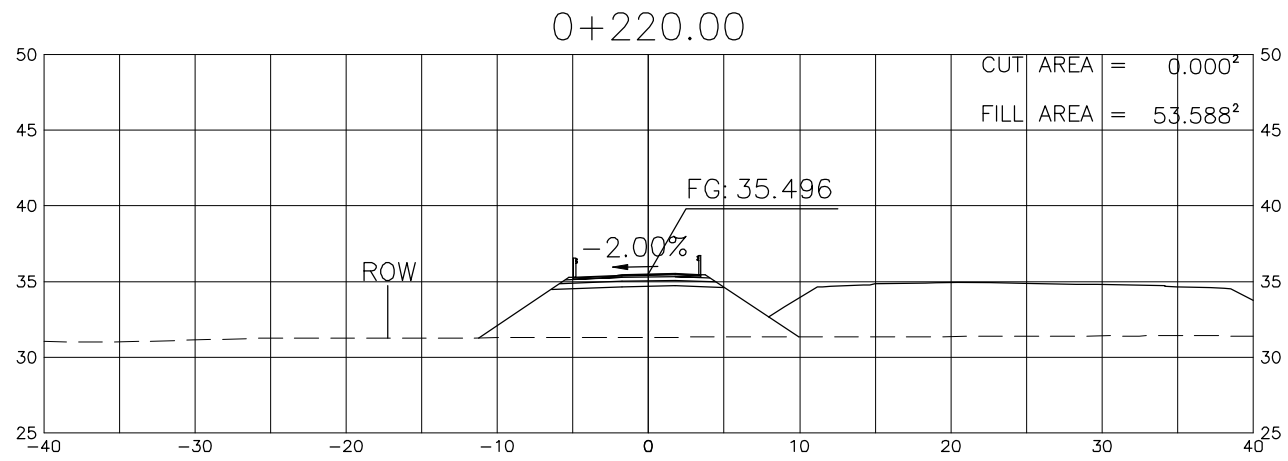
PROJECT TITLE	SCALE	SHEET CONTENT	DRAWING NO.
Preparatory survey for expressway project in Mega Manila Region CLLEX ( TARLAC - CABANATUAN )	A1 = 1:250 A3 = 1:500	CROSS SECTION (CABANATUAN INTERCHANGE) RAMP-B(1/2)	M-40
			SHEET NO. 40 OF 45



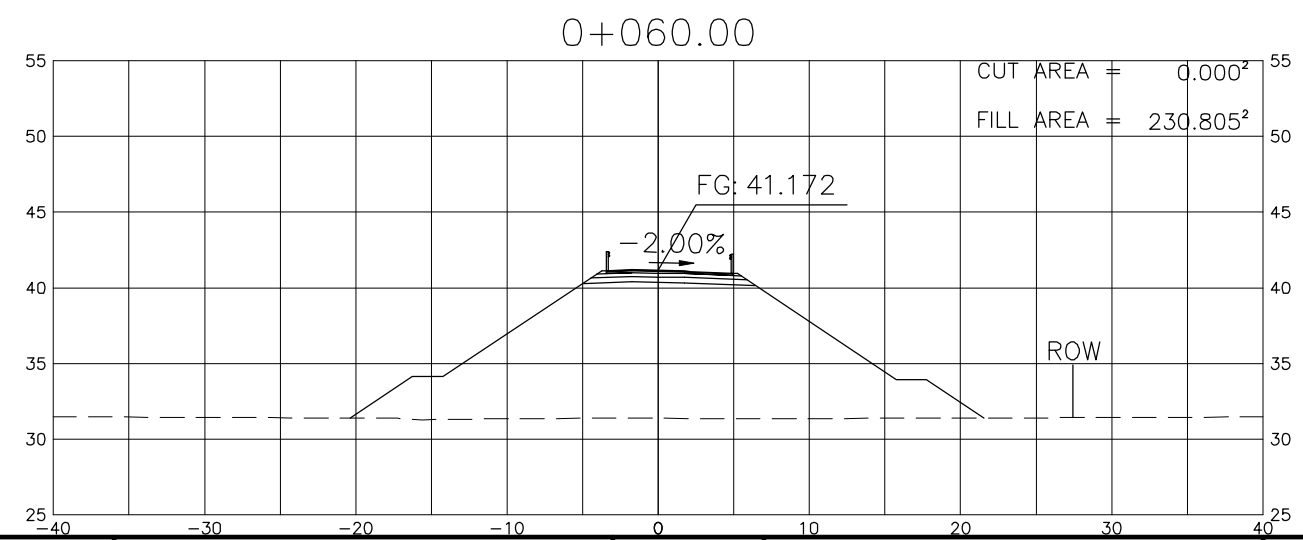
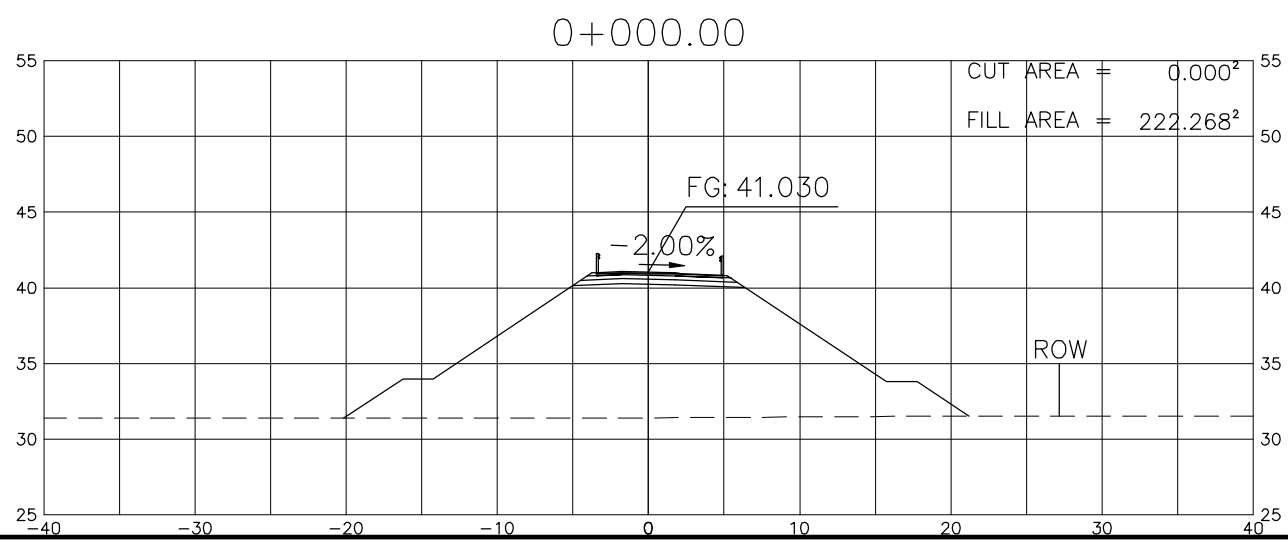
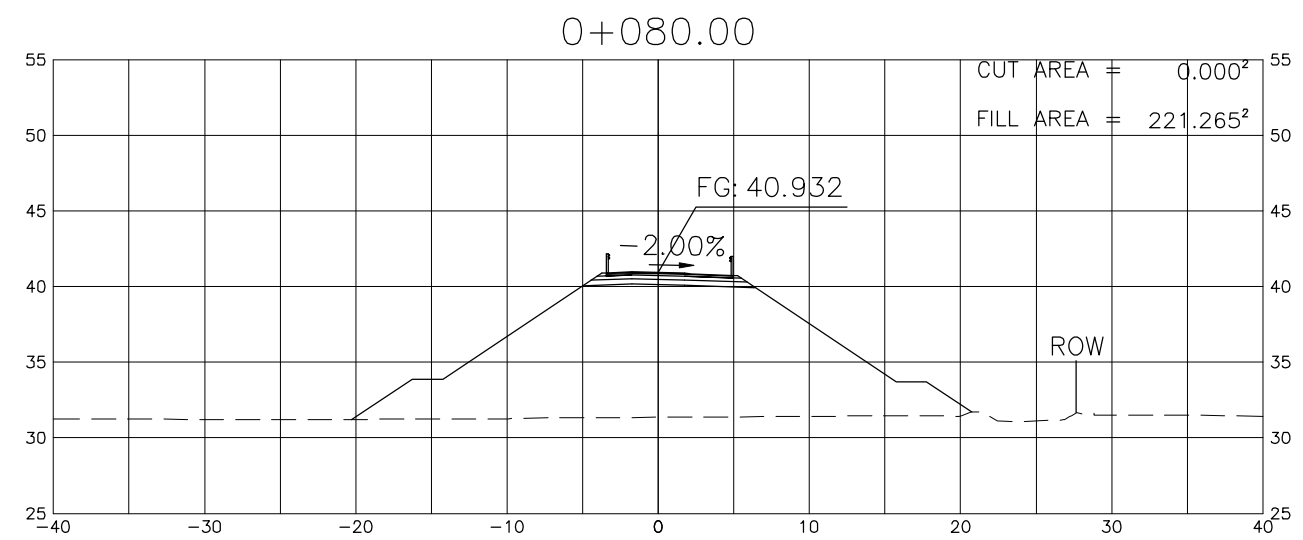
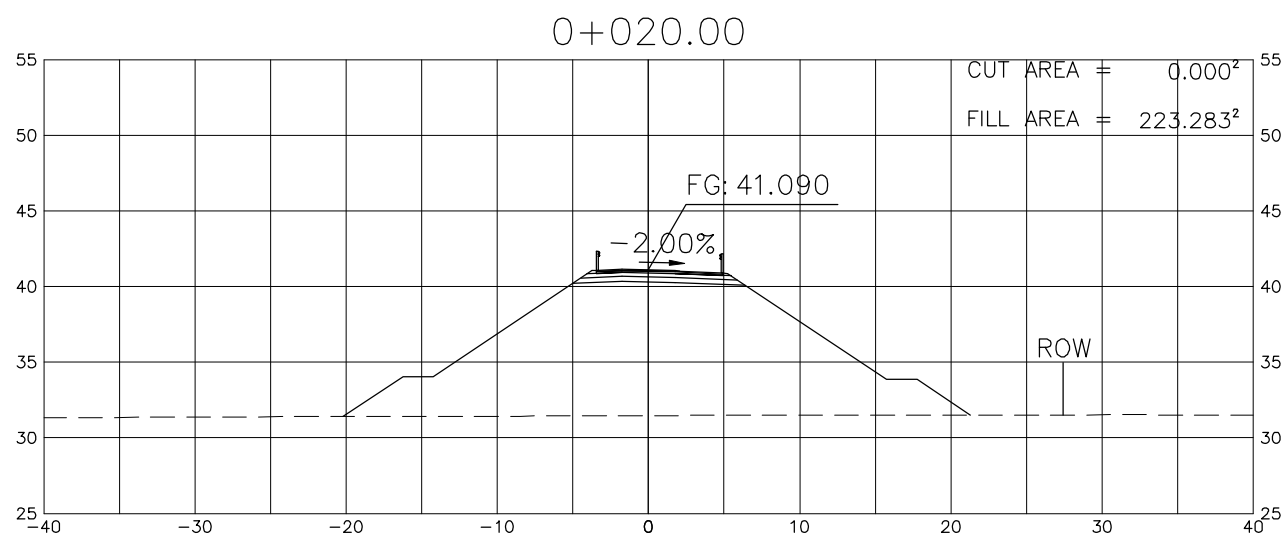
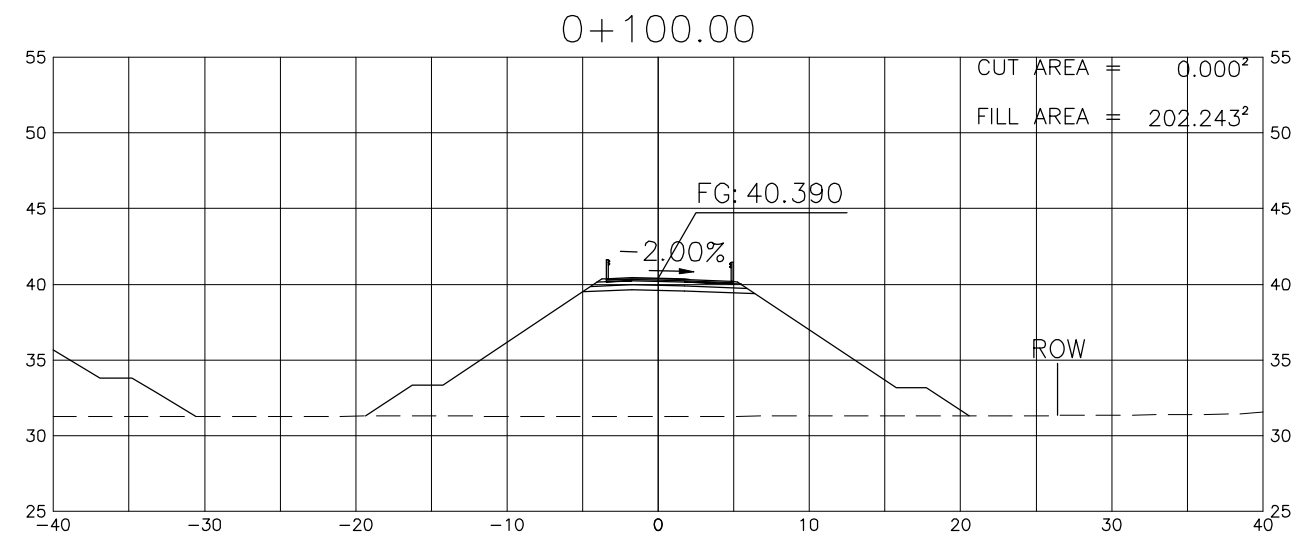
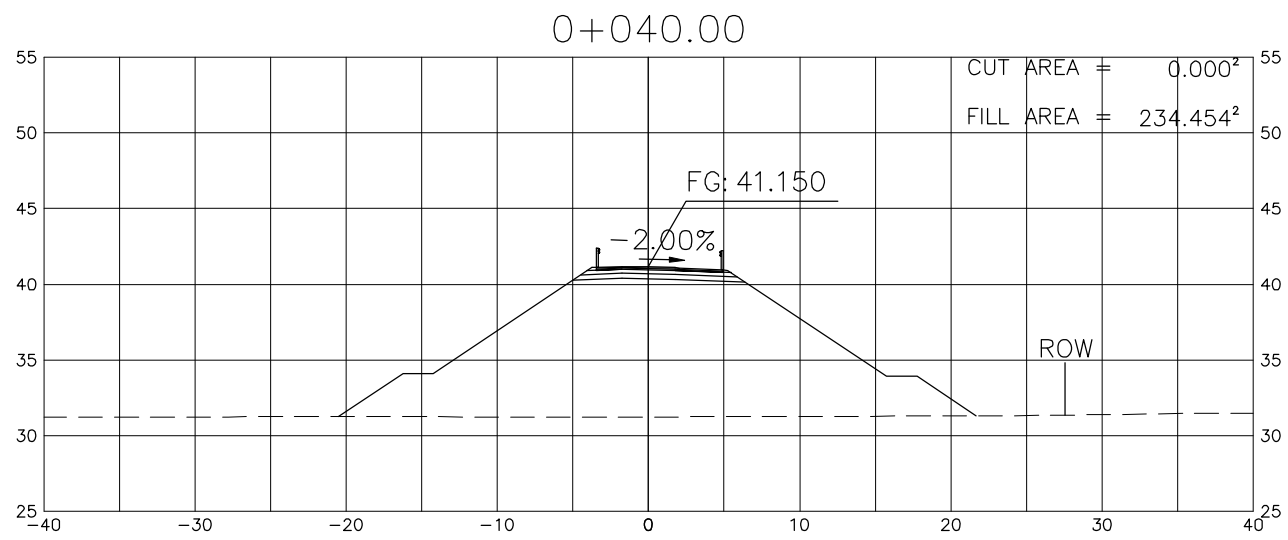
PROJECT TITLE	SCALE	SHEET CONTENT	DRAWING NO.
Preparatory survey for expressway project in Mega Manila Region CLLEX ( TARLAC - CABANATUAN )	A1 = 1:250 A3 = 1:500	CROSS SECTION (CABANATUAN INTERCHANGE) RAMP-B(2/2)	M-41
			SHEET NO.
			41 OF 45



PROJECT TITLE	SCALE	SHEET CONTENT	DRAWING NO.
Preparatory survey for expressway project in Mega Manila Region CLLEX ( TARLAC - CABANATUAN )	A1 = 1:250 A3 = 1:500	CROSS SECTION (CABANATUAN INTERCHANGE) RAMP-C(1/2)	M-42
			SHEET NO. 42 OF 45

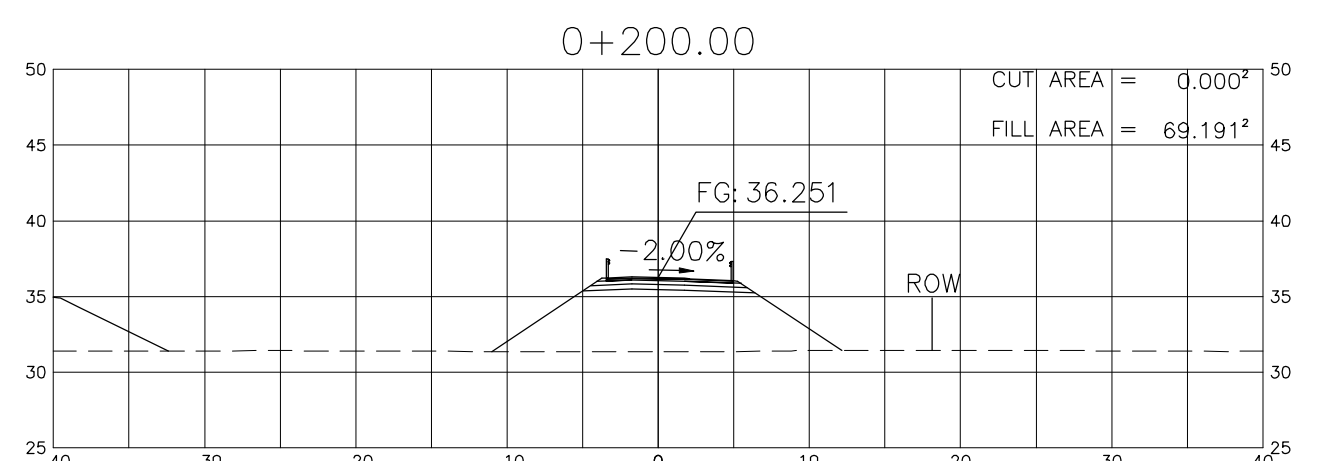
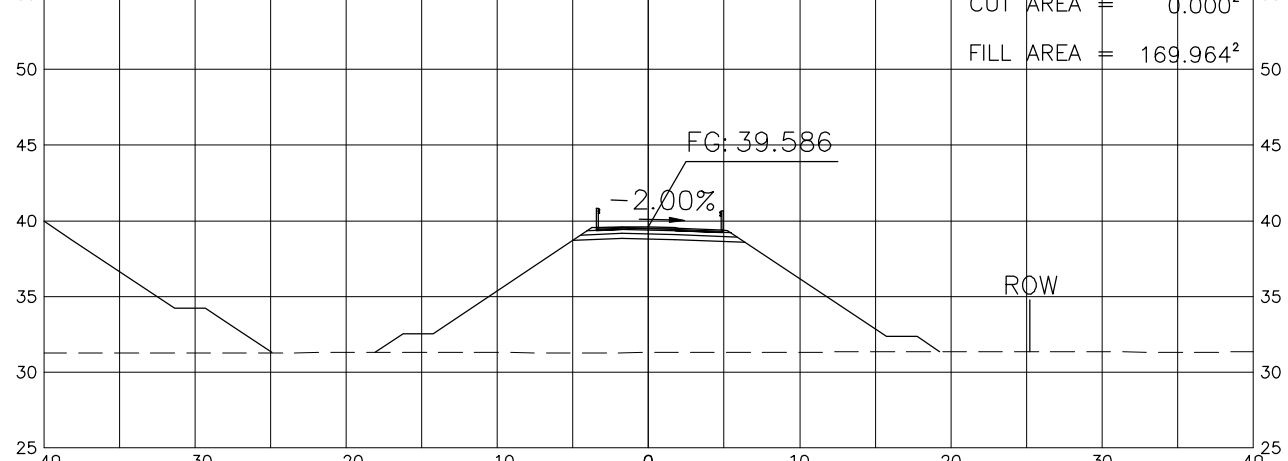
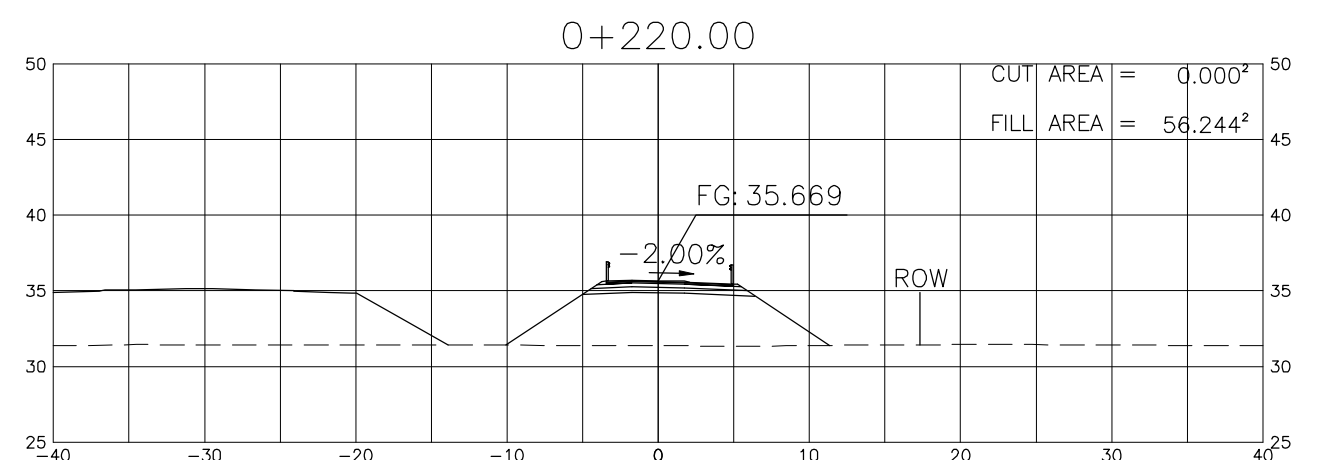
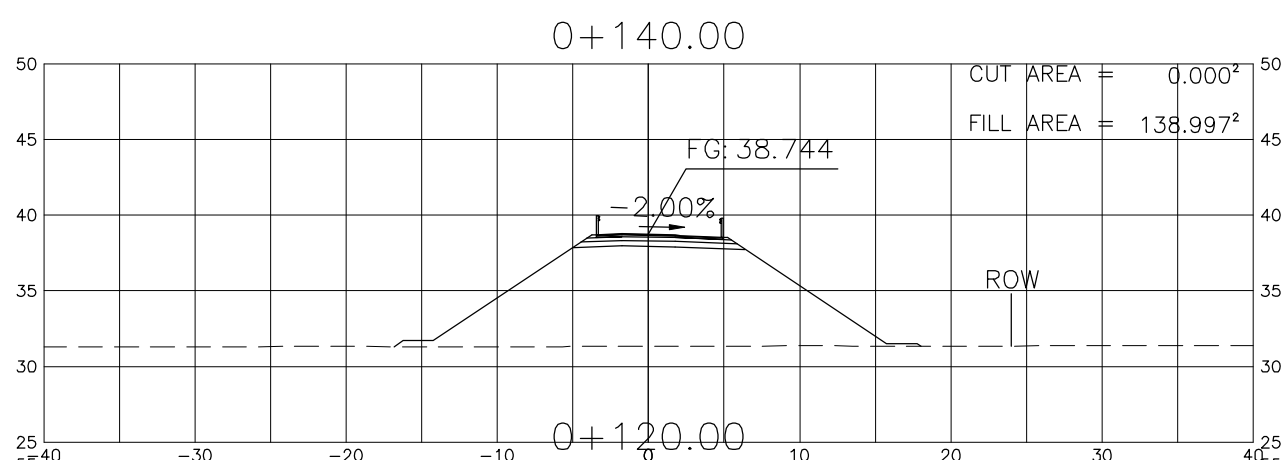
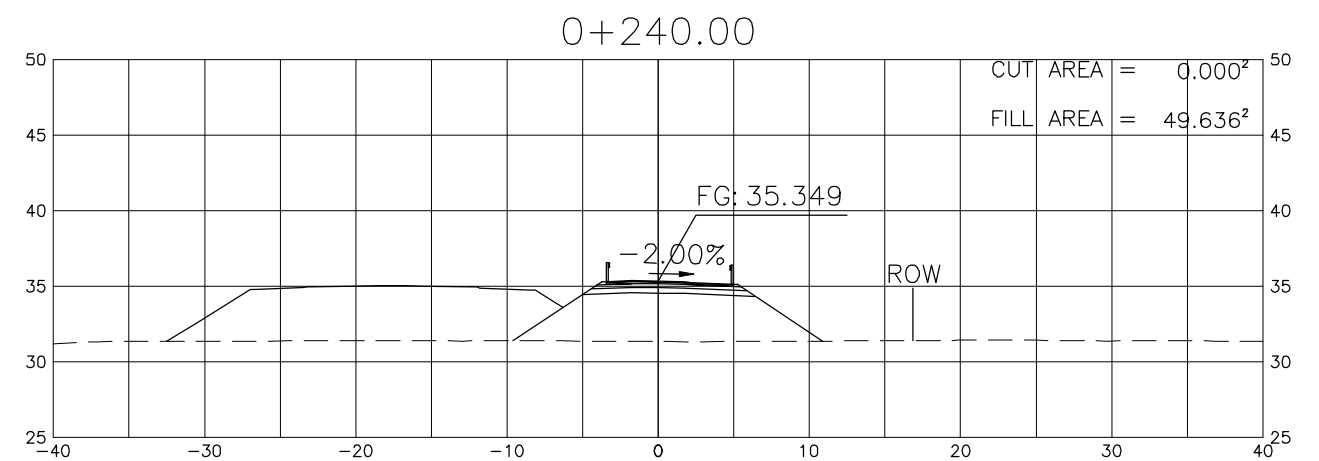
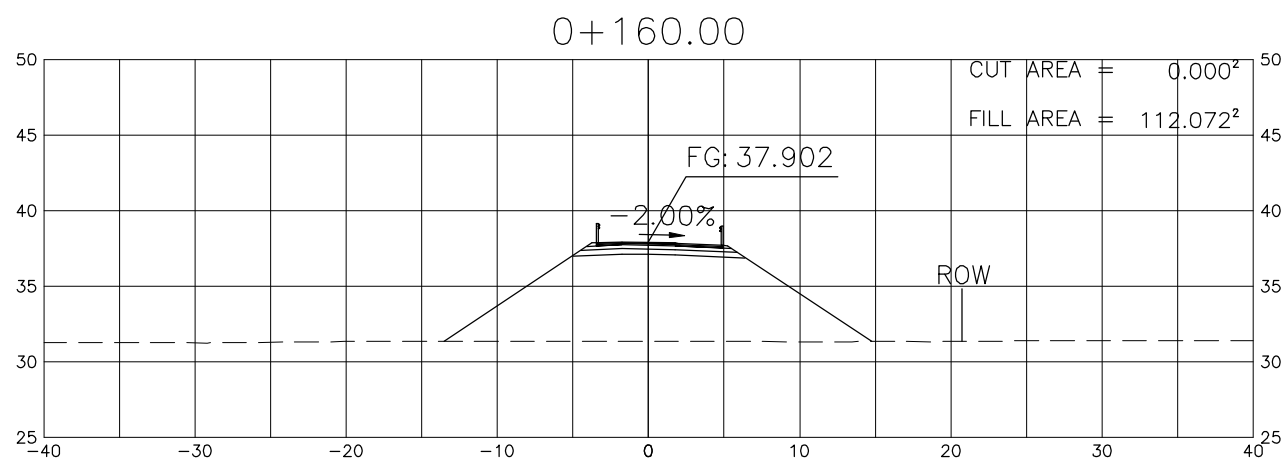
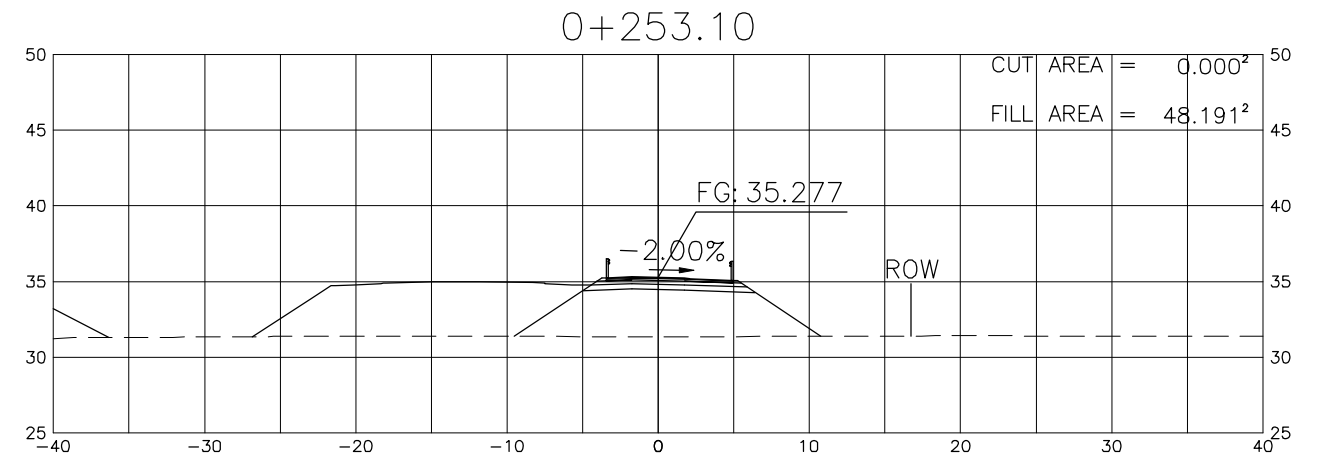
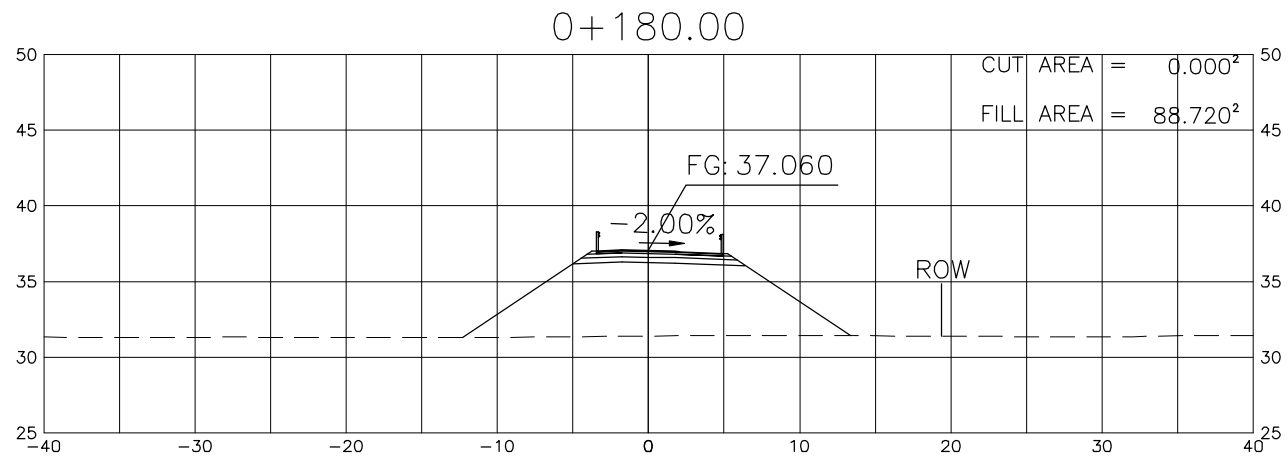


PROJECT TITLE	SCALE	SHEET CONTENT	DRAWING NO.
Preparatory survey for expressway project in Mega Manila Region CLLEX ( TARLAC - CABANATUAN )	A1 = 1:250 A3 = 1:500	CROSS SECTION (CABANATUAN INTERCHANGE) RAMP-C(2/2)	M-43
			SHEET NO. 43 OF 45



PROJECT TITLE	SCALE	SHEET CONTENT	DRAWING NO.
Preparatory survey for expressway project in Mega Manila Region CLLEX ( TARLAC - CABANATUAN )	A1 = 1:250 A3 = 1:500	CROSS SECTION (CABANATUAN INTERCHANGE) RAMP-D(1/2)	M-44
			SHEET NO.
			44 OF 45





PROJECT TITLE	SCALE	SHEET CONTENT	DRAWING NO.
Preparatory survey for expressway project in Mega Manila Region CLLEX ( TARLAC - CABANATUAN )	A1 = 1:250 A3 = 1:500	CROSS SECTION (CABANATUAN INTERCHANGE) RAMP-D(2/2)	M-45
			SHEET NO. 45 OF 45