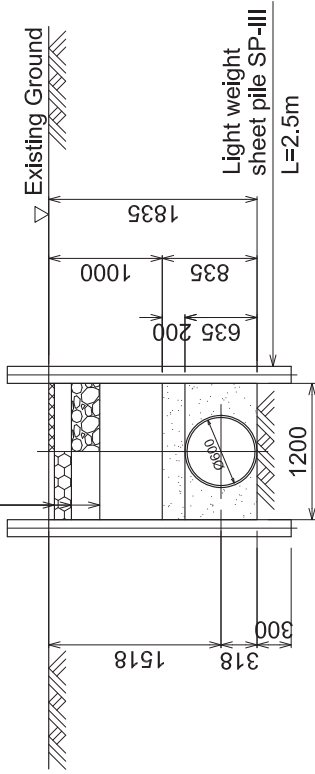


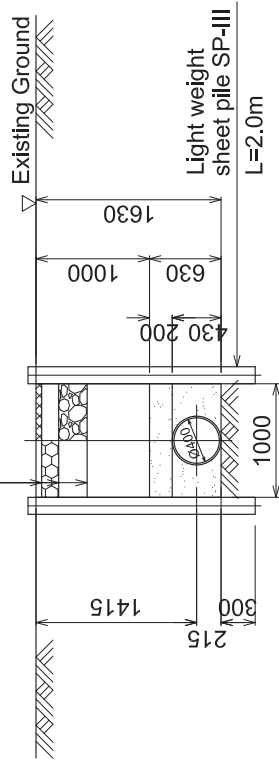
PROJECT	THE PREPARATORY SURVEY ON THE PROJECT ON ADDITIONAL NEW WATER TREATMENT PLANTS FOR KAMPONG CHAM AND BATTAMBANG WATERWORKS カンボジア国地方上水道拡張整備計画準備調査	
	PROJECT AREA	DESCRIPTION Route of Battambang Conveyance Pipe
APPROVE BY	DATE	DRAWING No B-PP-01
PREPARED BY	DATE	SCALE
NIHOH SUIDO CONSULTANTS CO., LTD. WATER AND SEWER BUREAU, CITY OF KITAKYUSHU C/I ENGINEERING INTERNATIONAL CO., LTD.		

Single Bituminous Surface Treatment (t50)  
 Mechanically Stabilized Base Course (t150)  
 Crusher - Run Subbase (t250)



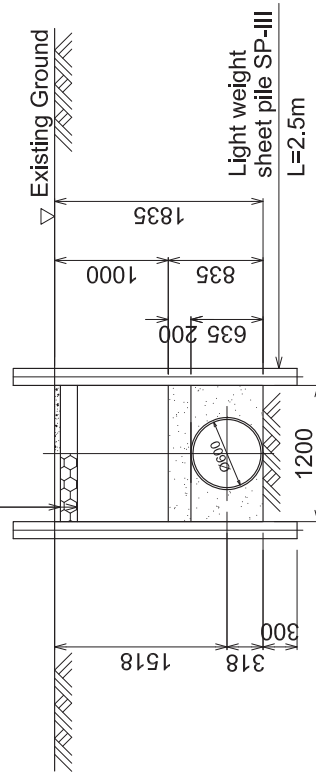
TYPE-2

Single Bituminous Surface Treatment (t50)  
 Mechanically Stabilized Base Course (t150)  
 Crusher - Run Subbase (t250)



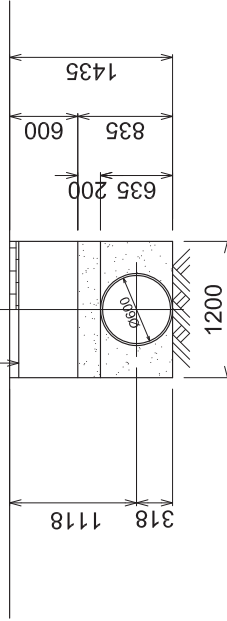
TYPE-1

Concrete Surface Course (t50)  
 Crusher - Run Subbase (t150)



TYPE-3

Sidewalk Block (t80)

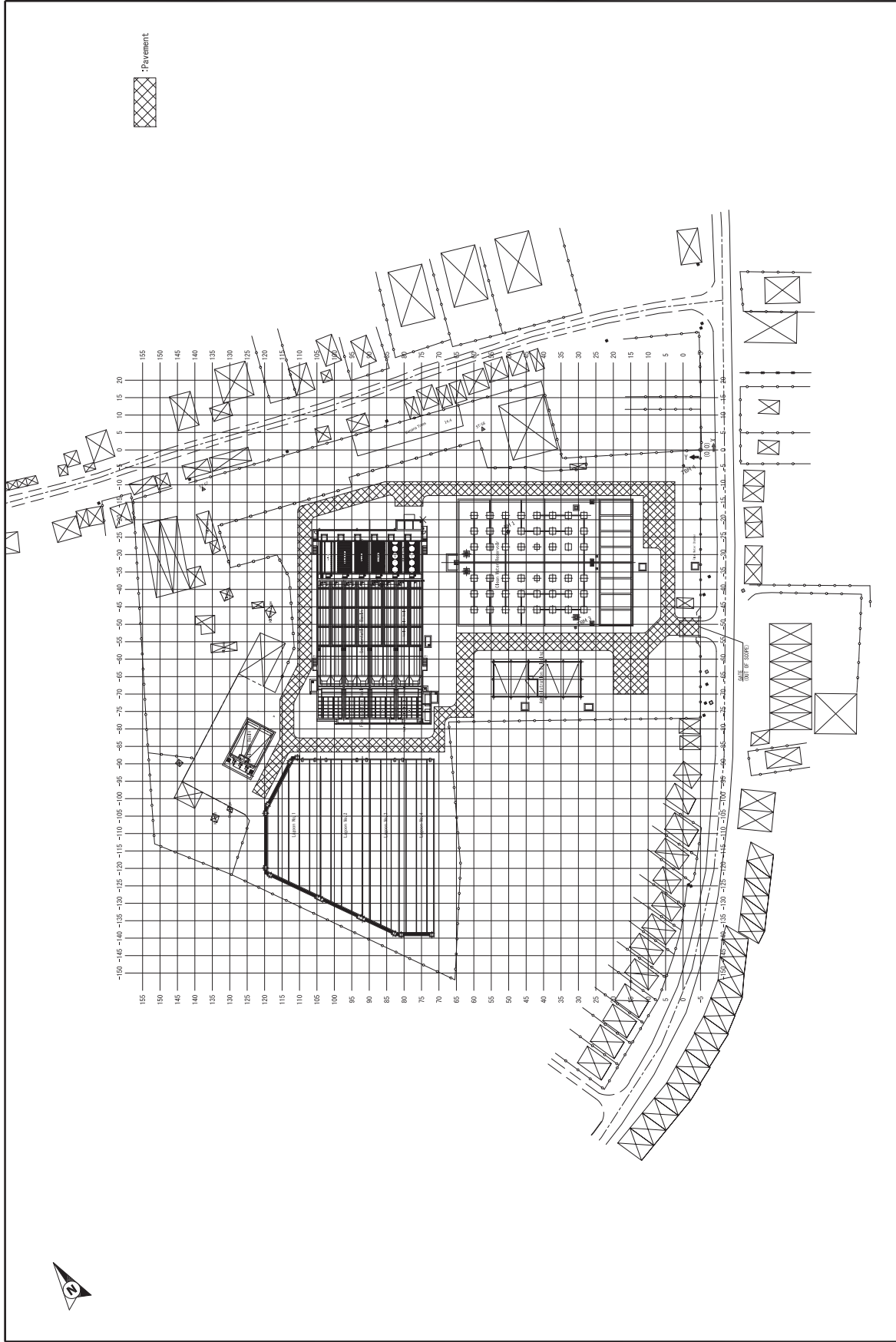


TYPE-4

TYPICAL CROSS SECTION OF CONVEYANCE PIPE

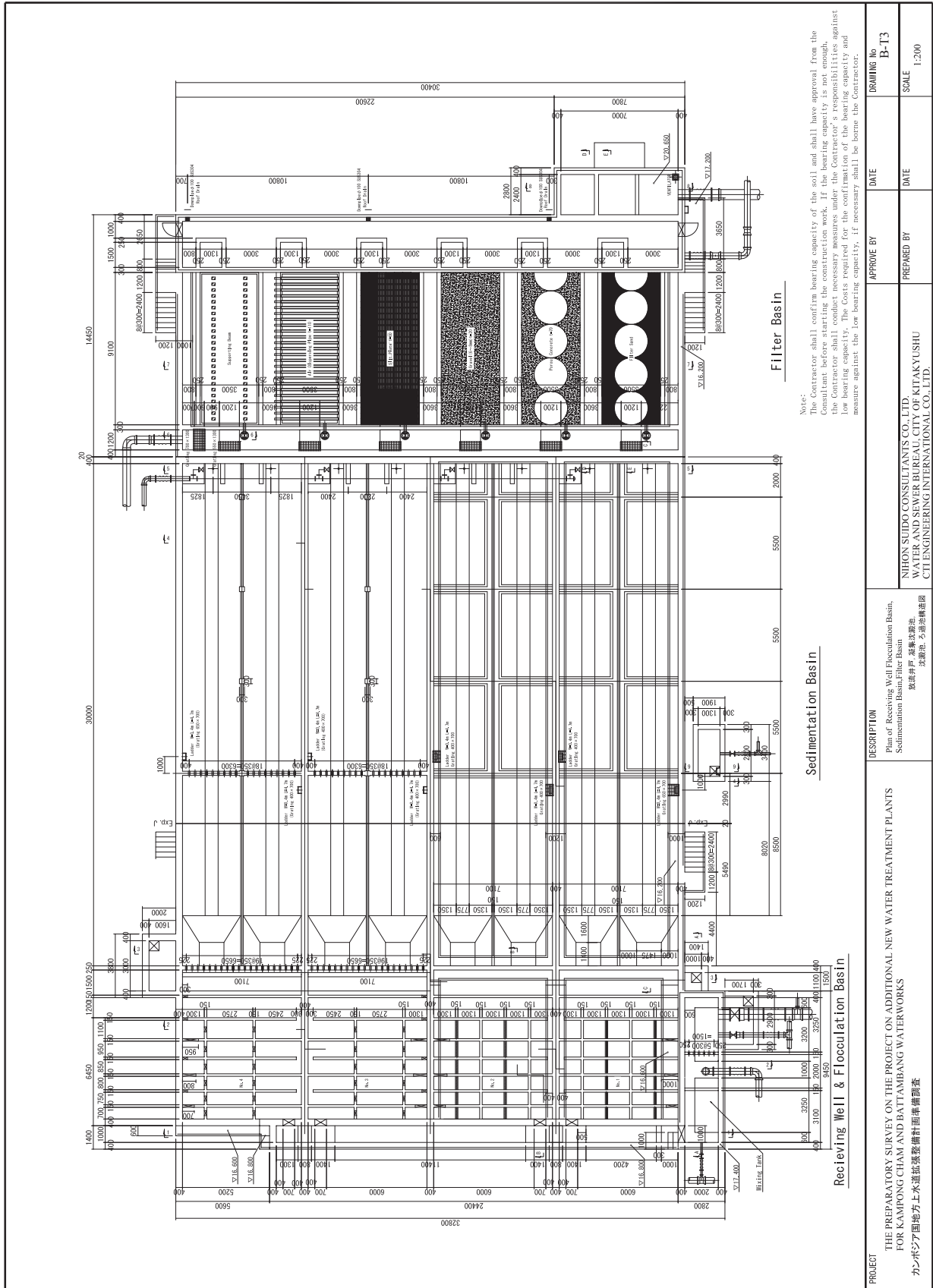
PROJECT	DESCRIPTION	APPROVE BY	DATE	DRAWING No
THE PREPARATORY SURVEY ON THE PROJECT ON ADDITIONAL NEW WATER TREATMENT PLANTS FOR KAMPONG CHAM AND BATTAMBANG WATERWORKS カンボジア国地方上水道拡張整備計画準備調査	Typical Cross Section for Conveyance Pipe			B-R2
		PREPARED BY	DATE	SCALE
				1:40





PROJECT	DESCRIPTION	APPROVE BY	DATE	DRAWING No
		PREPARED BY	DATE	SCALE
THE PREPARATORY SURVEY ON THE PROJECT ON ADDITIONAL NEW WATER TREATMENT PLANTS FOR KAMPONG CHAM AND BATTAMBANG WATERWORKS カンボジア圏地方上水道拡張整備計画準備調査		NIHON SUIDO CONSULTANTS CO., LTD. WATER AND SEWER BUREAU, CITY OF KITAKYUSHU CTE ENGINEERING INTERNATIONAL CO., LTD.		B-11 1:1000





Note:  
 The Contractor shall confirm bearing capacity of the soil and shall have approval from the Consultant before starting the construction work. If the bearing capacity is not enough, the Contractor shall conduct necessary measures under the Contractor's responsibilities against low bearing capacity. The costs required for the confirmation of the bearing capacity and measure against the low bearing capacity, if necessary shall be borne the Contractor.

PROJECT	THE PREPARATORY SURVEY ON THE PROJECT ON ADDITIONAL NEW WATER TREATMENT PLANTS FOR KAMPONG CHAM AND BATTAMBANG WATERWORKS カンボジア国地方上水道拡張整備計画準備調査	DESCRIPTION	Plan of Receiving Well Flocculation Basin, Sedimentation Basin, Filter Basin 配水井戸、絮凝沈降池、ろ過池、ろ過用集配池	APPROVE BY	DATE	DRAWING No	B-13
				PREPARED BY	DATE	SCALE	1:500