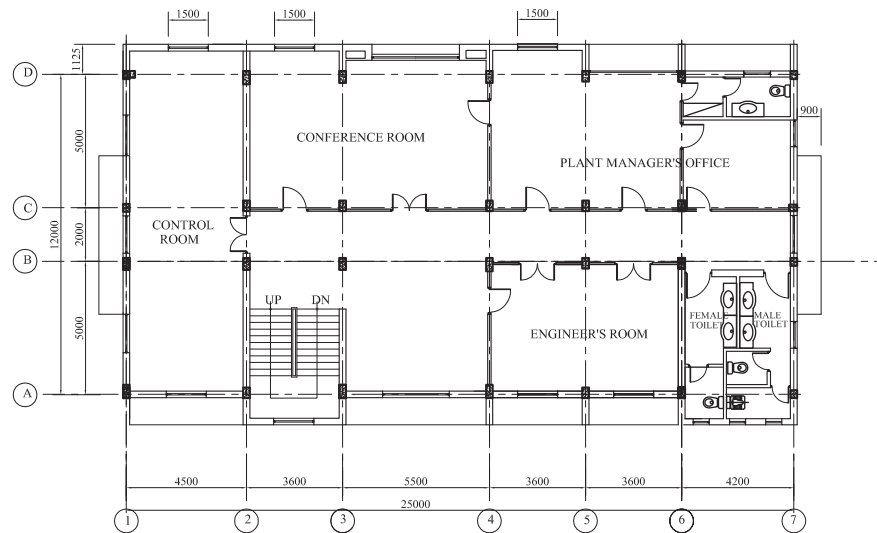


GROUND FLOOR PLAN
SCALE - 1 : 200



FIRST FLOOR PLAN
SCALE - 1 : 200

PROJECT: Preparatory Study for Anuradhapura North
Integrated Water Supply Project



JAPAN INTERNATIONAL
COOPERATION AGENCY

TITLE: ADMINISTRATION BUILDING

CLIENT: NATIONAL WATER SUPPLY
& DRAINAGE BOARD

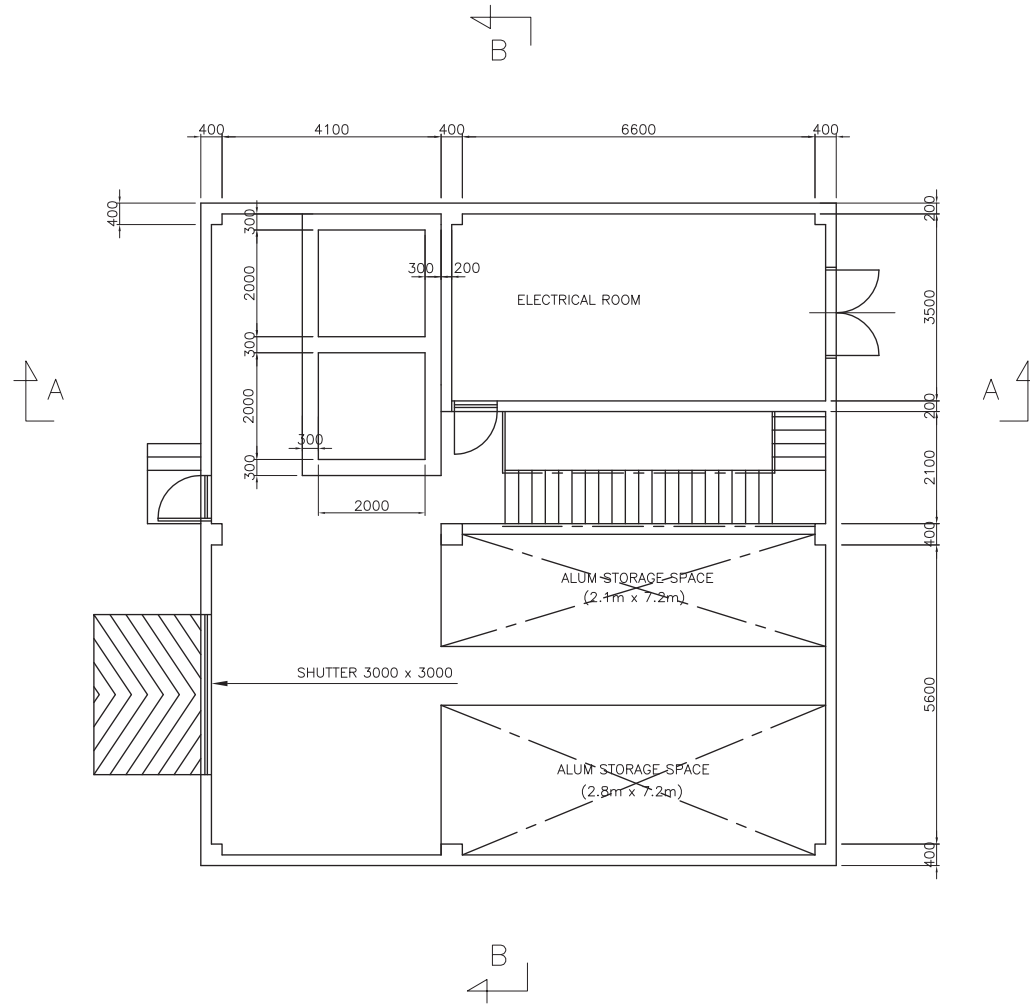


CONSULTANTS :
NJS CONSULTANTS CO., LTD. - JAPAN
NIHON SUIDO CONSULTANTS CO., LTD.-
JAPAN



REV.	DESCRIPTION	DATE	SIGN.

DESIGNED:	DRAWN: THARAKA	PM: (CONSULTANT)	DRAWING NO.: MWTP/AB/A/01	
CHECKED:	AGM: (P&D)	DGM: (P&D)	DATE: 16/07/2012	SCALE: As Given



PLAN S=1:100

PROJECT: Preparatory Study for Anuradhapura North Integrated Water Supply Project



JAPAN INTERNATIONAL COOPERATION AGENCY

TITLE: CHEMICAL BUILDING PLAN

CLIENT: NATIONAL WATER SUPPLY & DRAINAGE BOARD



CONSULTANTS:



NJS CONSULTANTS CO., LTD. - JAPAN
NIHON SUIDO CONSULTANTS CO., LTD. - JAPAN

REV.	DESCRIPTION	DATE	SIGN.

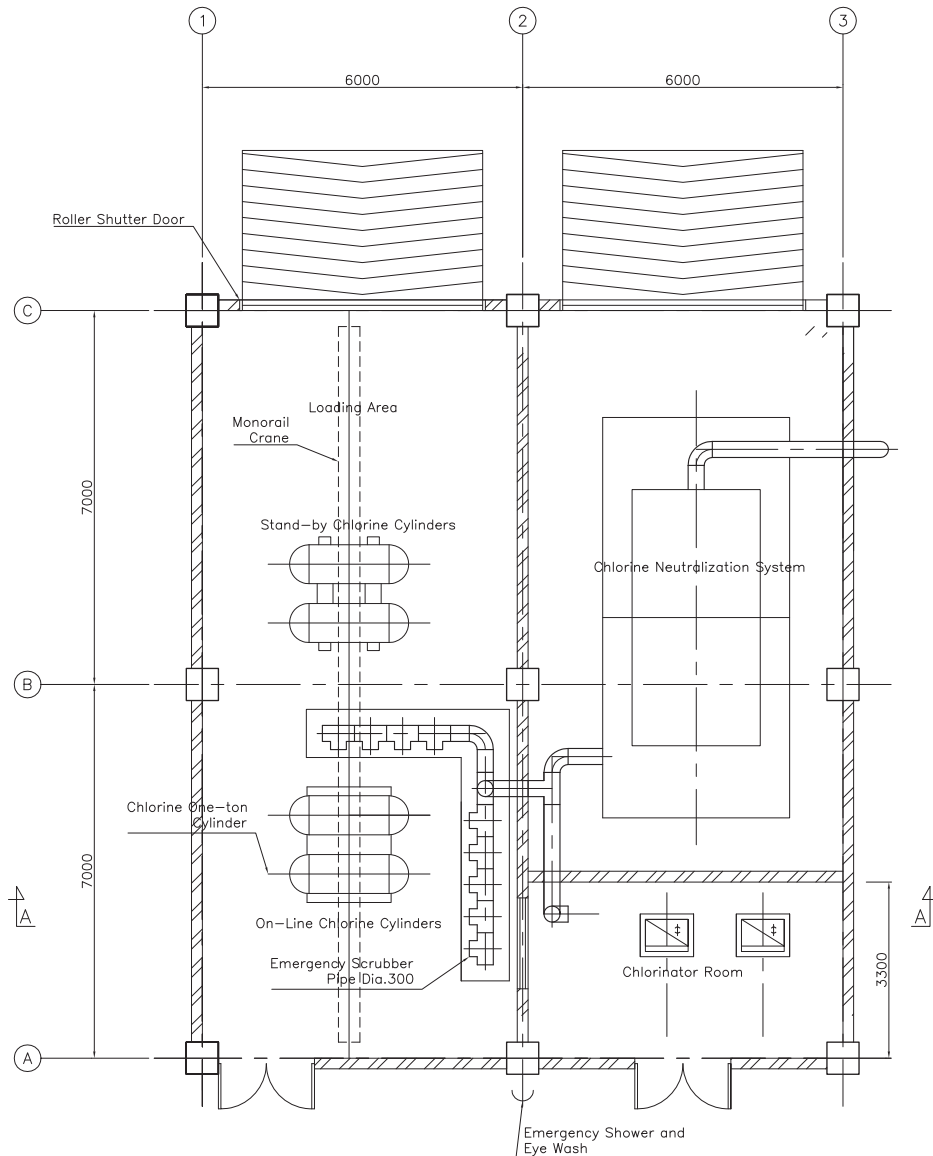
DESIGNED:
CHECKED:

DRAWN: R.O
AGM: (P&D)

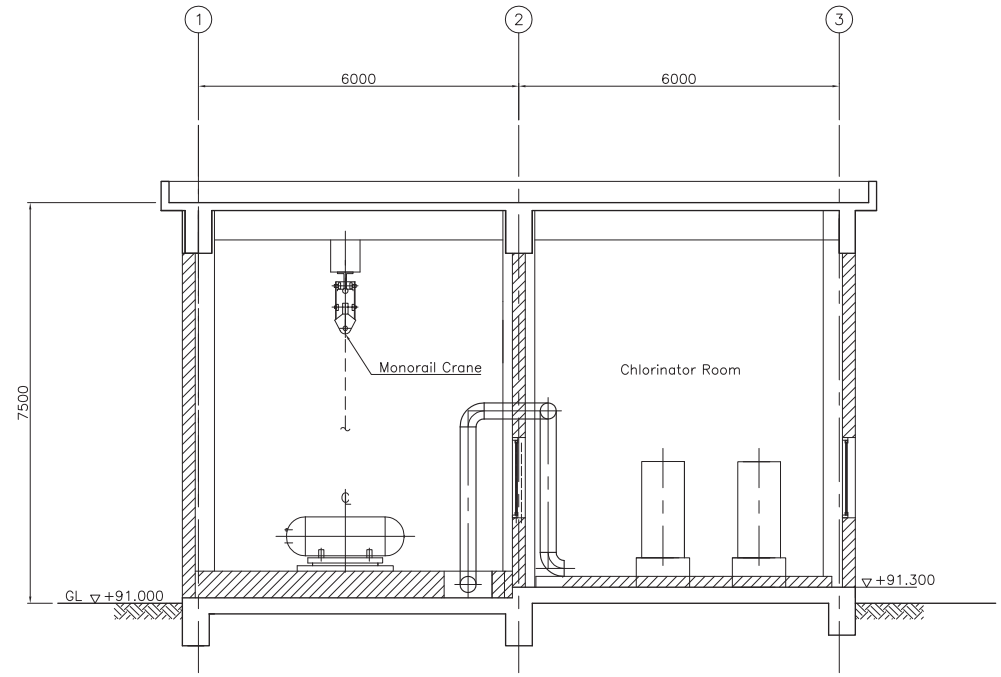
PM: (CONSULTANT)
DGM: (P&D)

DRAWING NO.: MWTP/CH/A/01
DATE: 04/09/2012

SCALE: As Given

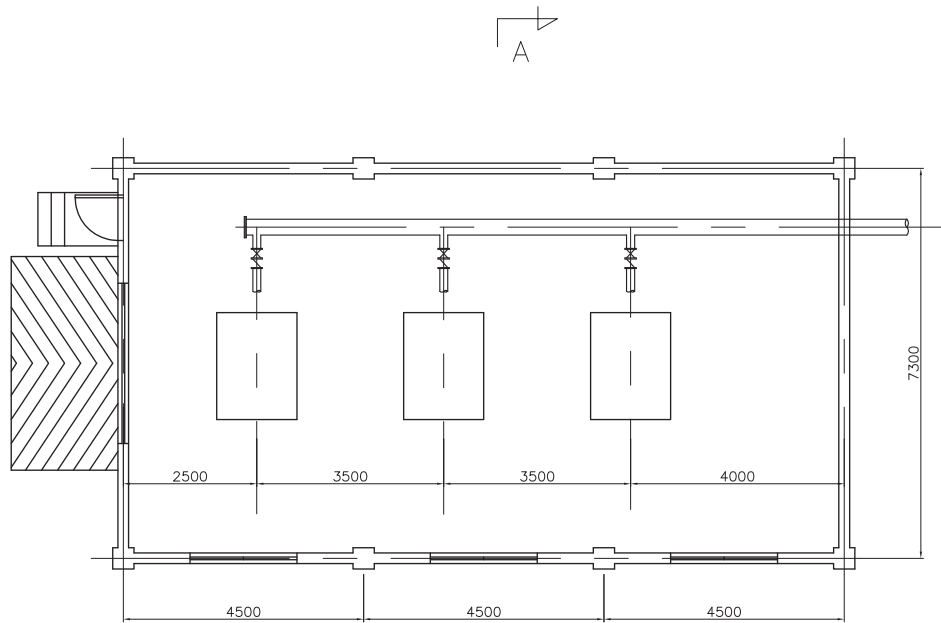


PLAN
SCALE 1: 100

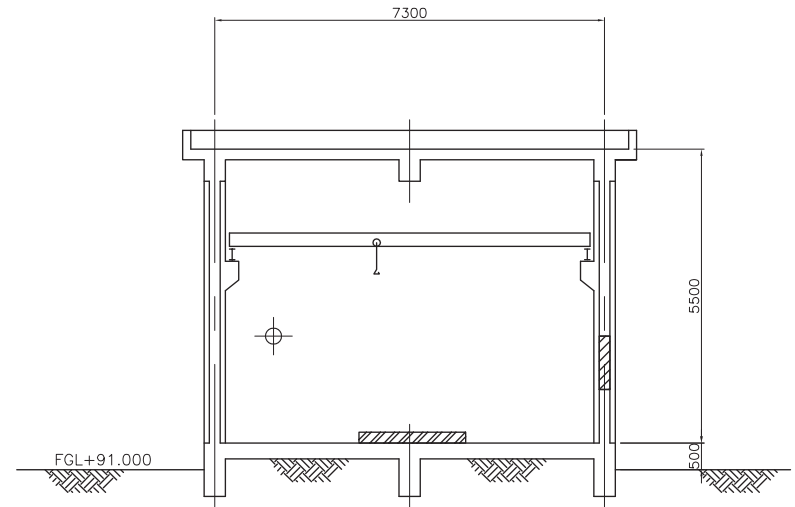


SECTION A-A
SCALE 1: 100

PROJECT: Preparatory Study for Anuradhapura North Integrated Water Supply Project		JAPAN INTERNATIONAL COOPERATION AGENCY		TITLE: CHLORINE BUILDING																													
CLIENT: NATIONAL WATER SUPPLY & DRAINAGE BOARD		CONSULTANTS: NJS CONSULTANTS CO., LTD. - JAPAN NIHON SUIDO CONSULTANTS CO., LTD. - JAPAN		<table border="1"> <thead> <tr> <th>REV.</th> <th>DESCRIPTION</th> <th>DATE</th> <th>SIGN.</th> </tr> </thead> <tbody> <tr><td> </td><td> </td><td> </td><td> </td></tr> <tr><td> </td><td> </td><td> </td><td> </td></tr> <tr><td> </td><td> </td><td> </td><td> </td></tr> <tr><td> </td><td> </td><td> </td><td> </td></tr> </tbody> </table>		REV.	DESCRIPTION	DATE	SIGN.																	DESIGNED:		DRAWN: THARAKA		PM: (CONSULTANT)		DRAWING NO.: MWTP/CL/A/01	
REV.	DESCRIPTION	DATE	SIGN.																														
				CHECKED:		AGM: (P&D)		DGM: (P&D)		DATE: 16/07/2012																							
				SCALE: As Given																													



PLAN S=1:100



SECTION A-A S=1:100

PROJECT: Preparatory Study for Anuradhapura North
Integrated Water Supply Project



JAPAN INTERNATIONAL
COOPERATION AGENCY

TITLE: **BLOWER ROOM**

CLIENT: NATIONAL WATER SUPPLY
& DRAINAGE BOARD

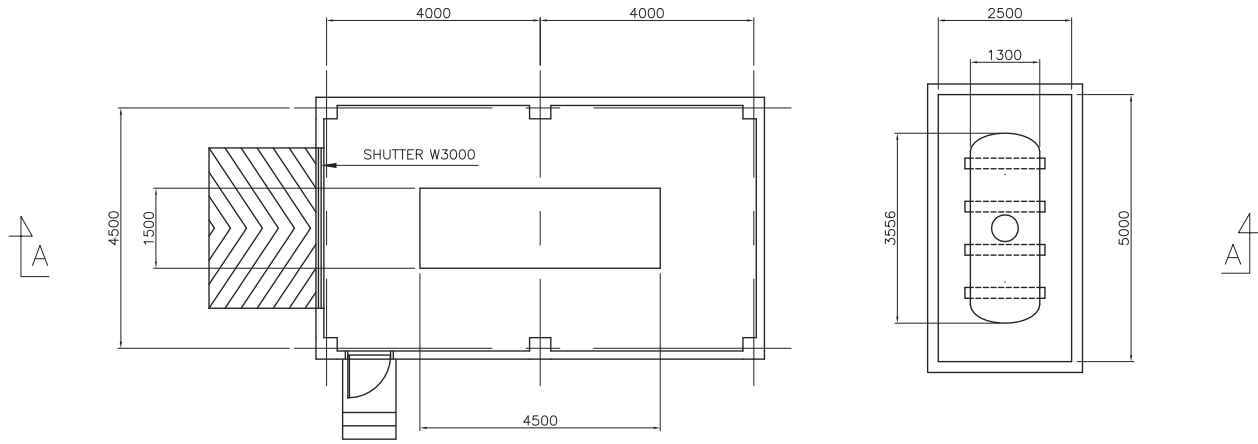


CONSULTANTS:
NJS CONSULTANTS CO., LTD. - JAPAN
NIHON SUIDO CONSULTANTS CO., LTD. - JAPAN

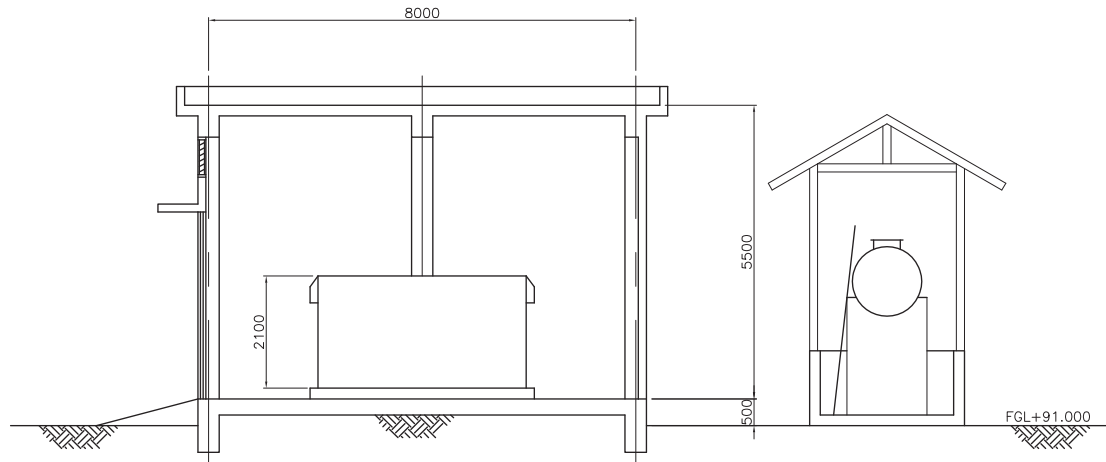


REV.	DESCRIPTION	DATE	SIGN.

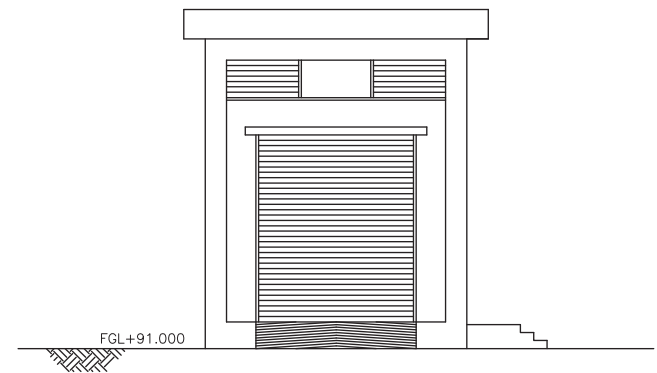
DESIGNED:	DRAWN: R.O	PM: (CONSULTANT)	DRAWING NO.: MWTP/BL/A/01	
CHECKED:	AGM: (P&D)	DGM: (P&D)	DATE: 06/09/2012	SCALE: As Given



PLAN S=1:100



SECTION A-A S=1:100



FRONT ELEVATION S=1:100

PROJECT: Preparatory Study for Anuradhapura North Integrated Water Supply Project



JAPAN INTERNATIONAL COOPERATION AGENCY

TITLE: GENERATOR BUILDING

CLIENT: NATIONAL WATER SUPPLY & DRAINAGE BOARD



CONSULTANTS:

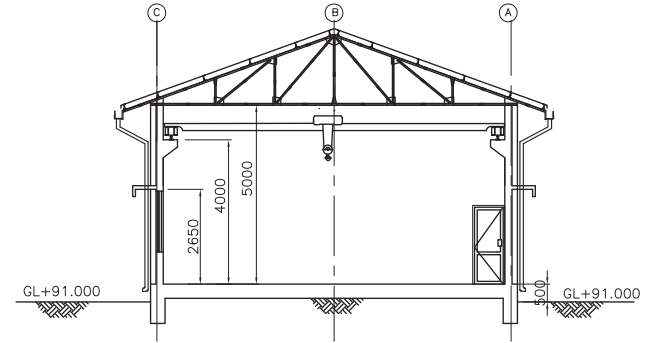


NJS CONSULTANTS CO., LTD. - JAPAN
NIHON SUIDO CONSULTANTS CO., LTD. - JAPAN

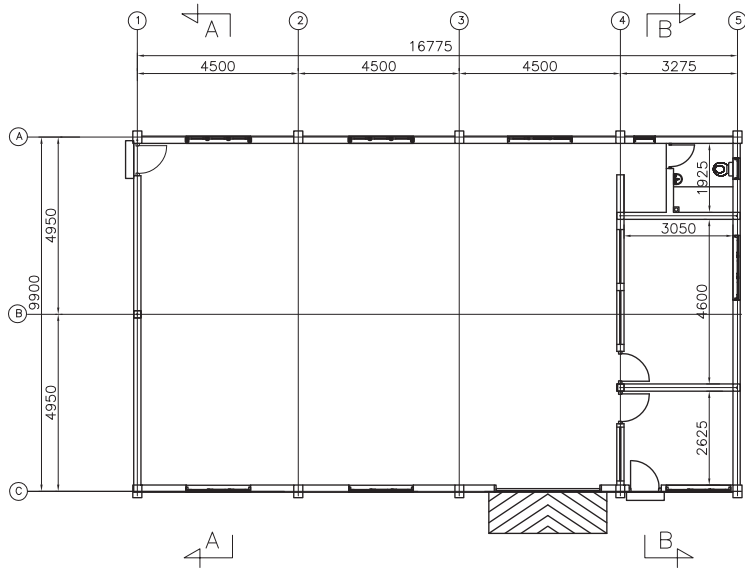
REV.	DESCRIPTION	DATE	SIGN.	DESIGNED:	DRAWN:	PM: (CONSULTANT)	DRAWING NO.:	
					R.O		MWTP/GB/A/01	
				CHECKED:	AGM: (P&D)	DGM: (P&D)	DATE:	SCALE:
							06/09/2012	As Given



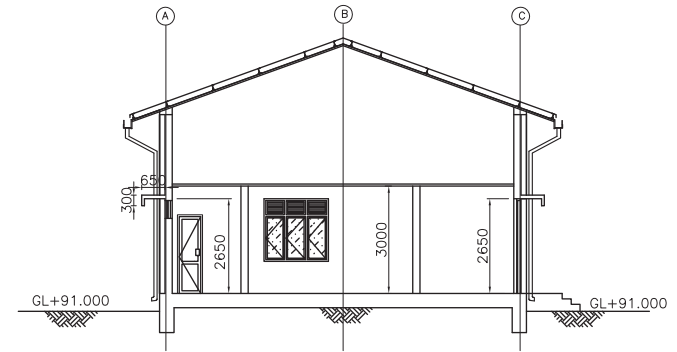
FRONT ELEVATION S=1:150



SECTION A-A S=1:150



PLAN S=1:150



SECTION B-B S=1:150



PROJECT: Preparatory Study for Anuradhapura North Integrated Water Supply Project



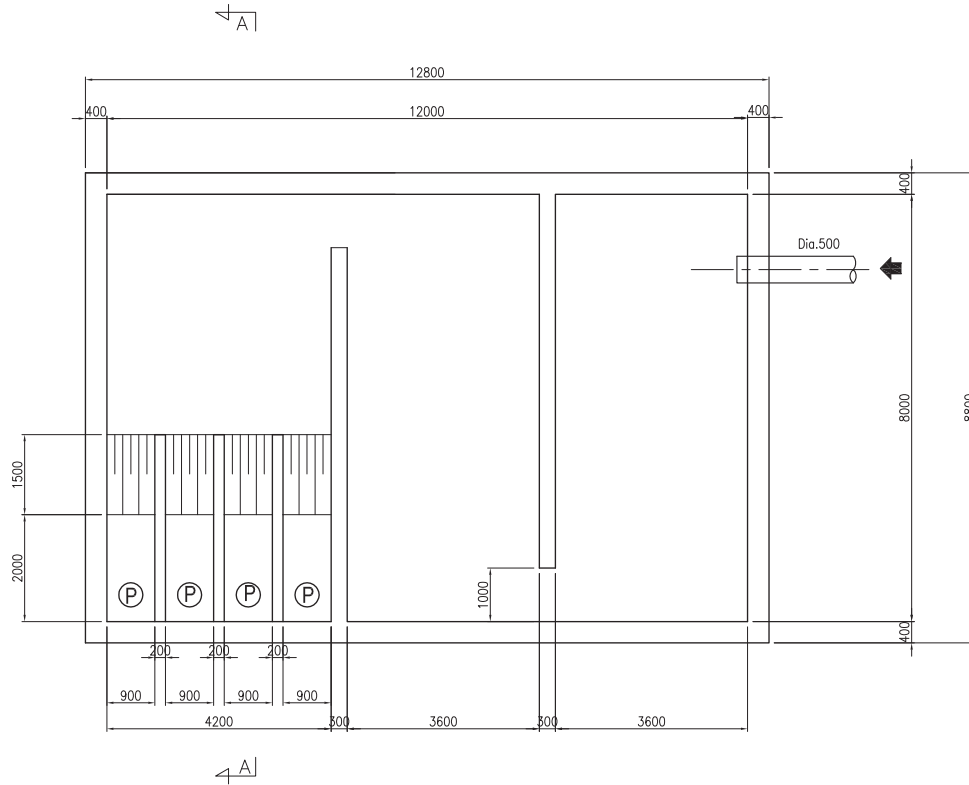
JAPAN INTERNATIONAL COOPERATION AGENCY

TITLE: WAREHOUSE

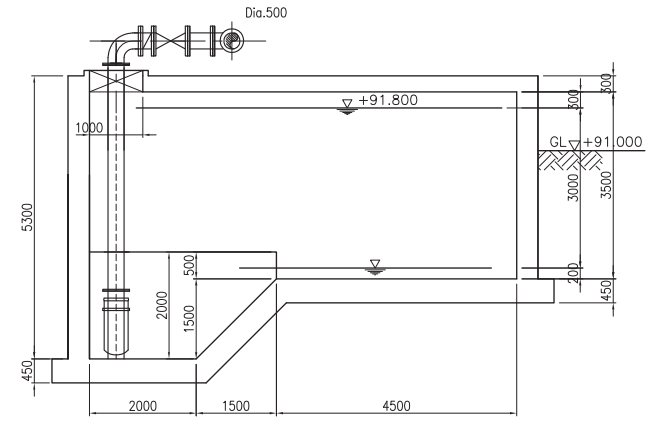
CLIENT: NATIONAL WATER SUPPLY & DRAINAGE BOARD

CONSULTANTS:
 NJS CONSULTANTS CO., LTD. - JAPAN
 NIHON SUIDO CONSULTANTS CO., LTD. - JAPAN

REV.	DESCRIPTION	DATE	SIGN.	DESIGNED:	DRAWN:	PM: (CONSULTANT)	DRAWING NO.:
					R.O		MWTP/WH/A/01
				CHECKED:	AGM: (P&D)	DGM: (P&D)	DATE: 07/09/2012
							SCALE: As Given



PLAN S=1:100



SECTION A-A S=1:100

PROJECT: Preparatory Study for Anuradhapura North
Integrated Water Supply Project



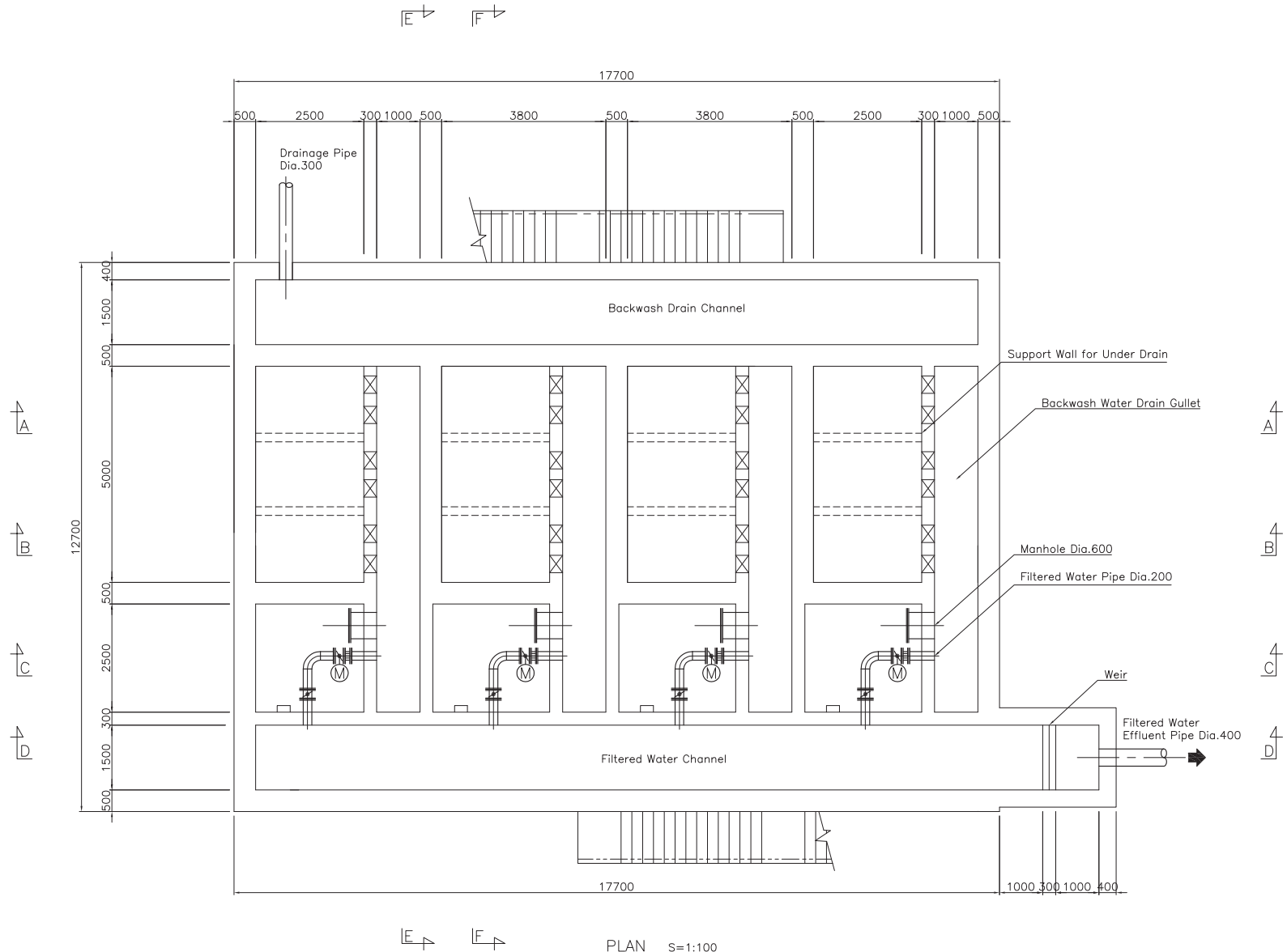
JAPAN INTERNATIONAL
COOPERATION AGENCY

TITLE: AC FILTER PUMP SUMP

CLIENT: NATIONAL WATER SUPPLY
& DRAINAGE BOARD

CONSULTANTS :
NJS CONSULTANTS CO., LTD. - JAPAN
NIHON SUIDO CONSULTANTS CO., LTD.-
JAPAN

REV.	DESCRIPTION	DATE	SIGN.	DESIGNED:	DRAWN:	PM: (CONSULTANT)	DRAWING NO.: MWTP/AP/C/01	
				CHECKED:	AGM: (P&D)	DGM: (P&D)	DATE: 24/08/2012	SCALE: As Given



PLAN S=1:100

PROJECT: Preparatory Study for Anuradhapura North Integrated Water Supply Project

JICA JAPAN INTERNATIONAL COOPERATION AGENCY

TITLE: ACTIVATED CARBON FILTER

CLIENT: NATIONAL WATER SUPPLY & DRAINAGE BOARD

CONSULTANTS: NJS CONSULTANTS CO., LTD. - JAPAN
NIHON SUIDO CONSULTANTS CO., LTD. - JAPAN

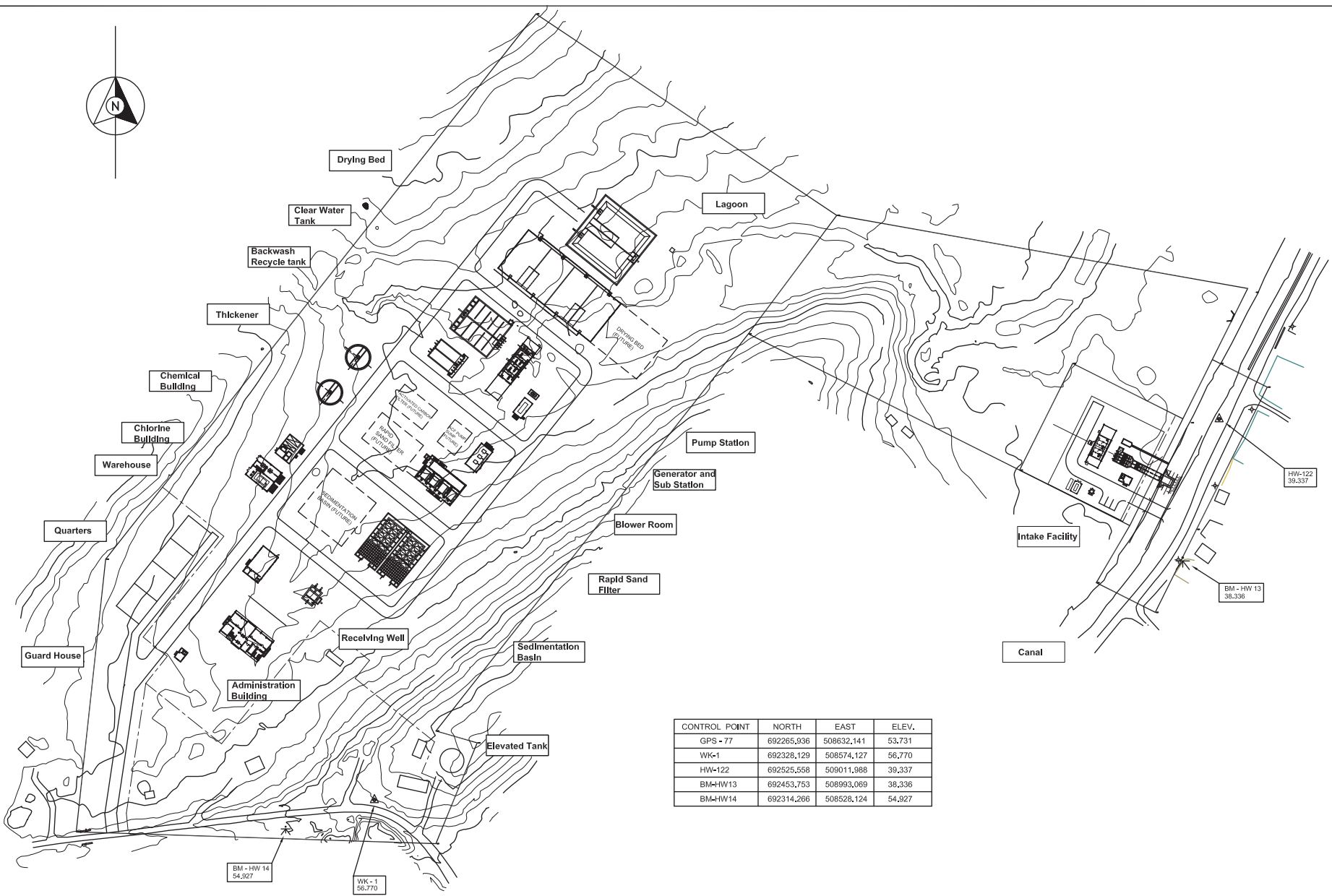
REV.	DESCRIPTION	DATE	SIGN.

DESIGNED:
CHECKED:

DRAWN: THARAKA
AGM: (P&D)

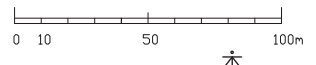
PM: (CONSULTANT)
DGM: (P&D)

DRAWING NO.: MWTP/AC/C/01
DATE: 16/07/2012
SCALE: As Given



CONTROL POINT	NORTH	EAST	ELEV.
GPS - 77	692265,936	508632,141	53,731
WK-1	692328,129	508574,127	56,770
HW-122	692525,558	509011,988	39,337
BM-HW13	692453,753	508993,069	38,336
BM-HW14	692314,266	508528,124	54,927

PLAN S=1:2,000



PROJECT: Preparatory Study for Anuradhapura North Integrated Water Supply Project

JICA JAPAN INTERNATIONAL COOPERATION AGENCY

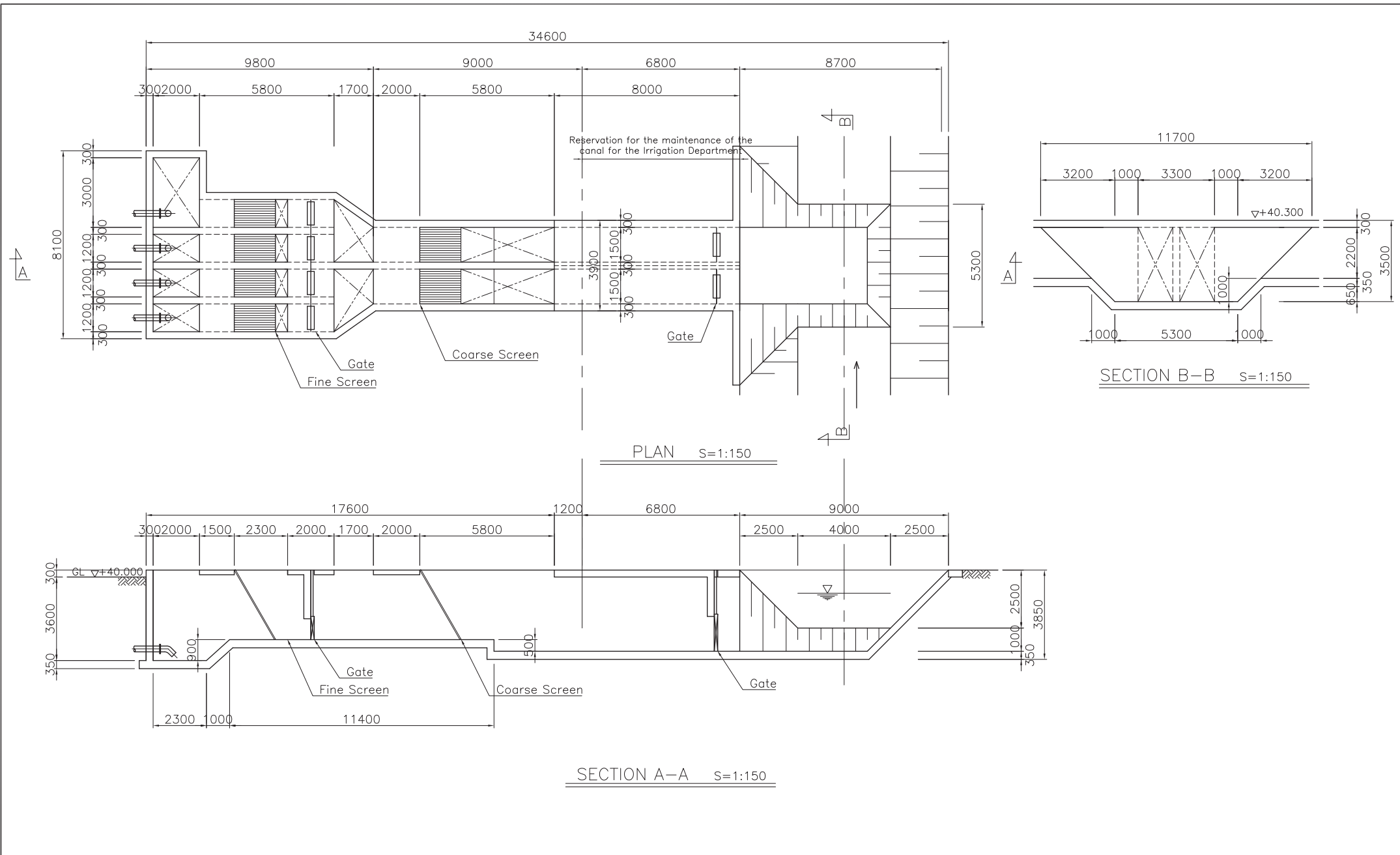
TITLE: GENERAL LAYOUT OF WAHALKADA WTP



NATIONAL WATER SUPPLY & DRAINAGE BOARD

CONSULTANTS:
 NJS CONSULTANTS CO., LTD. - JAPAN
 NIHON SUIDO CONSULTANTS CO., LTD. - JAPAN

REV.	DESCRIPTION	DATE	SIGN.	DESIGNED:	DRAWN:	PM. (CONSULTANT)	DRAWING NO.:
					THARAKA		WWTP/G/01
				CHECKED:	AGM: (P&D)	DGM: (P&D)	DATE: 16/07/2012
							SCALE: As Given





PROJECT: Preparatory Study for Anuradhapura North Integrated Water Supply Project



JAPAN INTERNATIONAL COOPERATION AGENCY

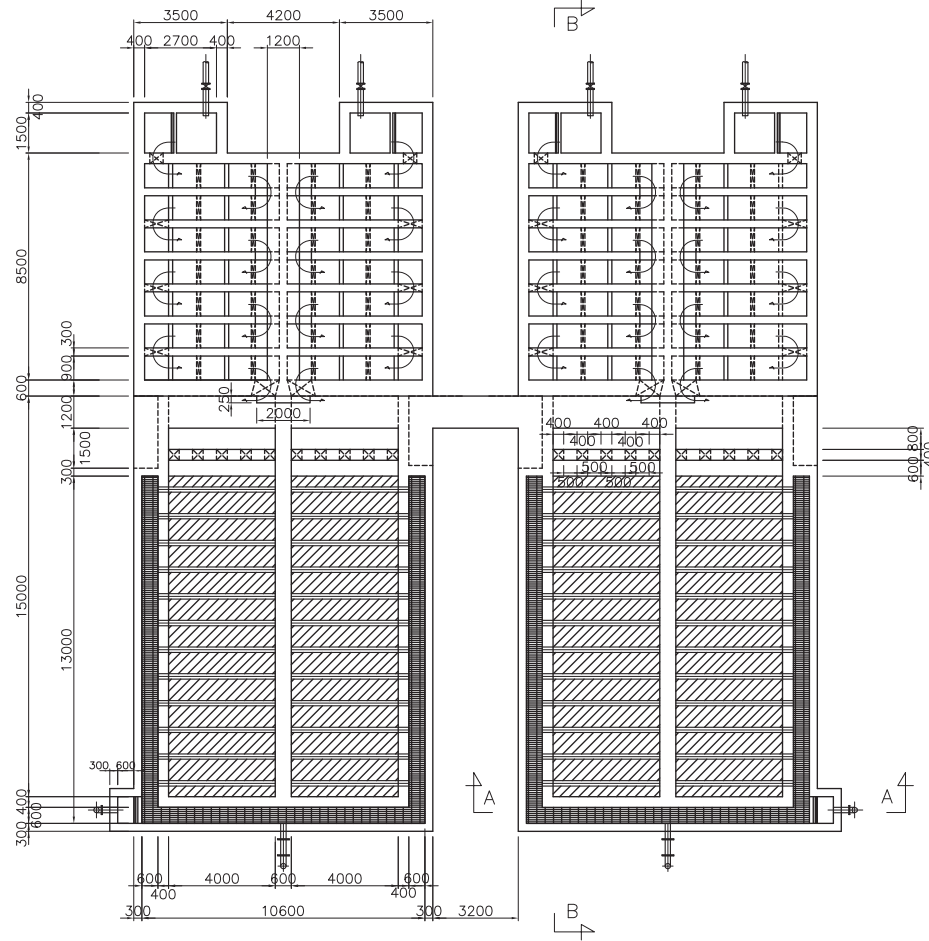
TITLE: INTAKE STRUCTURE

CLIENT: NATIONAL WATER SUPPLY & DRAINAGE BOARD

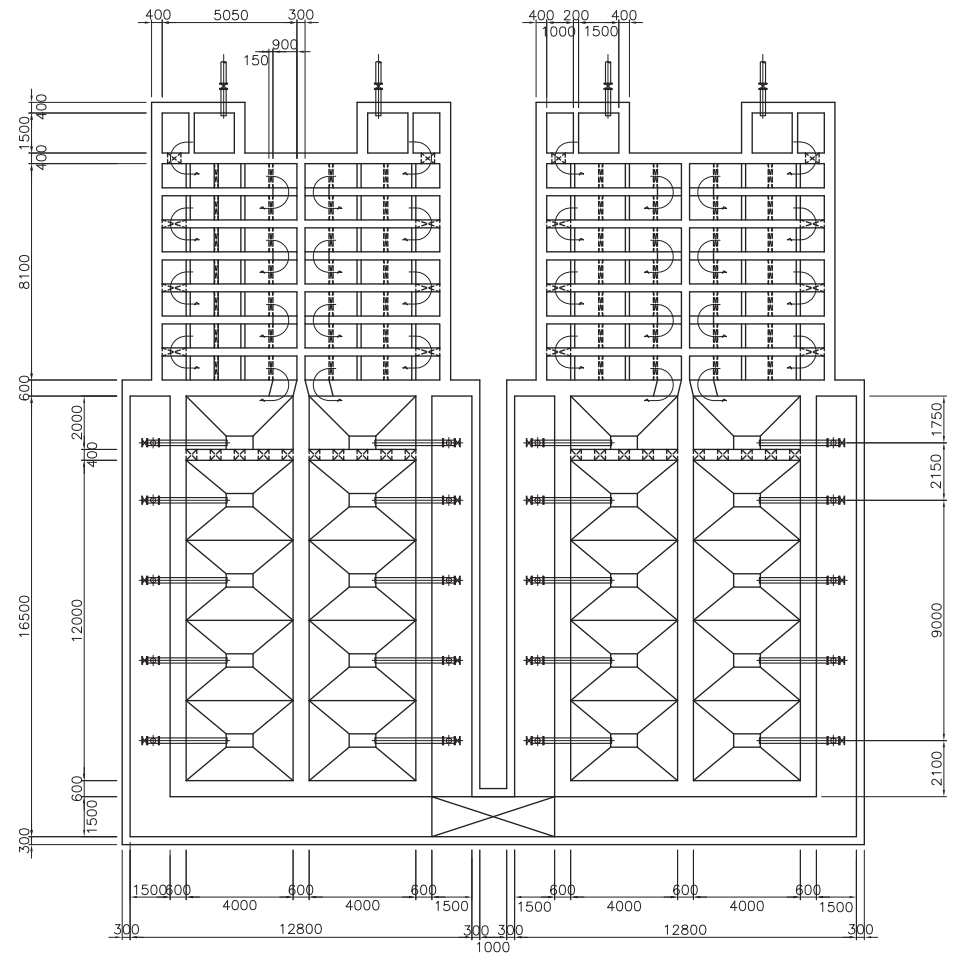
CONSULTANTS:
 NJS CONSULTANTS CO., LTD. - JAPAN
 NIHON SUIDO CONSULTANTS CO., LTD. - JAPAN

REV.	DESCRIPTION	DATE	SIGN.

DESIGNED:	DRAWN: THARAKA	PM. (CONSULTANT)	DRAWING NO.: WWTP/IS/C/01
CHECKED:	AGM: (P&D)	DGM: (P&D)	DATE: 16/07/2012
			SCALE: As Given



PLAN (TOP) S=1:200



PLAN (BOTTOM) S=1:200

PROJECT: Preparatory Study for Anuradhapura North
Integrated Water Supply Project



JAPAN INTERNATIONAL
COOPERATION AGENCY

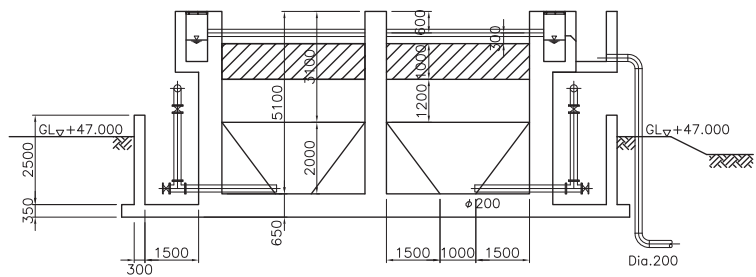
TITLE: SEDIMENTATION BASIN PLAN

CLIENT: NATIONAL WATER SUPPLY
& DRAINAGE BOARD

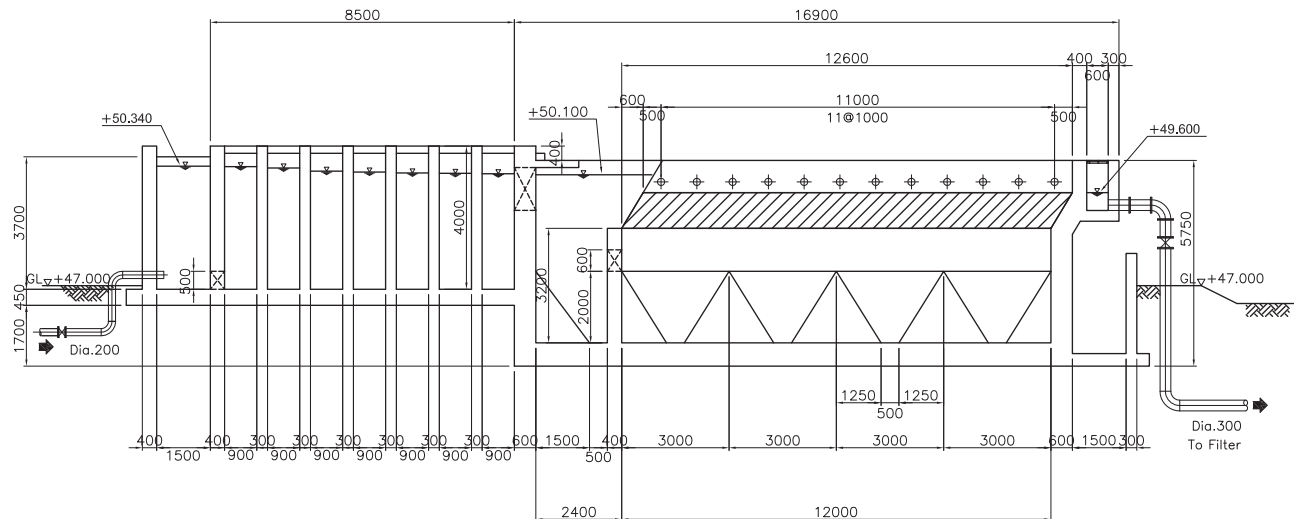
CONSULTANTS:
NJS CONSULTANTS CO., LTD. - JAPAN
NIHON SUIDO CONSULTANTS CO., LTD. - JAPAN

REV.	DESCRIPTION	DATE	SIGN.

DESIGNED:	DRAWN: R.O	PM: (CONSULTANT)	DRAWING NO.: WWTP/SB/C/01
CHECKED:	AGM: (P&D)	DGM: (P&D)	DATE: 04/09/2012
			SCALE: As Given



SECTION A-A S=1:150



SECTION B-B S=1:150

PROJECT: Preparatory Study for Anuradhapura North
Integrated Water Supply Project



JAPAN INTERNATIONAL
COOPERATION AGENCY

TITLE: SEDIMENTATION BASIN SECTION

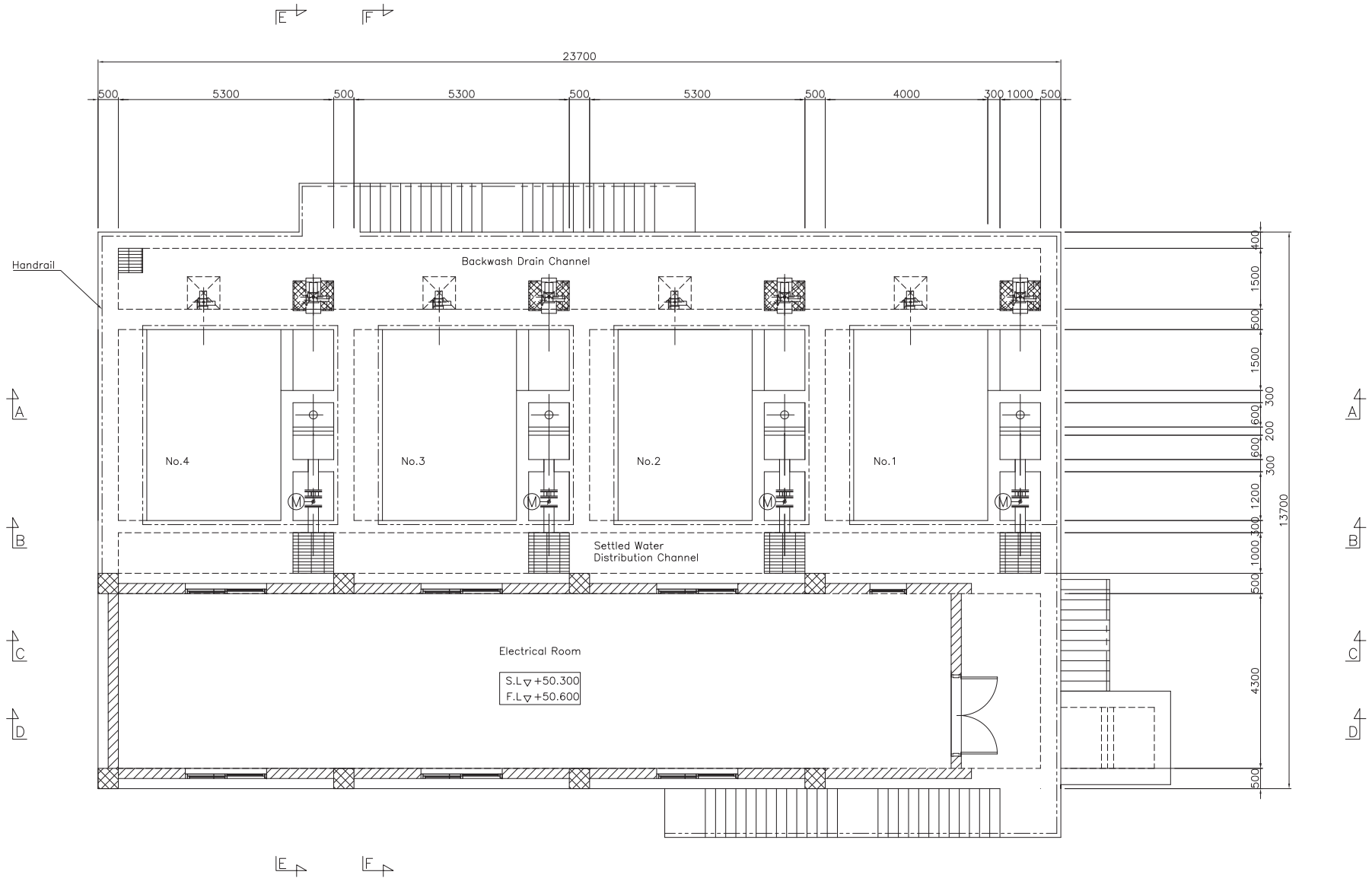
CLIENT: NATIONAL WATER SUPPLY
& DRAINAGE BOARD



CONSULTANTS:
NJS CONSULTANTS CO., LTD. - JAPAN
NIHON SUIDO CONSULTANTS CO., LTD. - JAPAN



REV.	DESCRIPTION	DATE	SIGN.	DESIGNED:	DRAWN:	PM: (CONSULTANT)	DRAWING NO.:
					R.O		WWTP/SB/C/02
				CHECKED:	AGM: (P&D)	DGM: (P&D)	DATE: 04/09/2012
							SCALE: As Given



PLAN ∇ +50.300
SCALE 1: 100

PROJECT: Preparatory Study for Anuradhapura North
Integrated Water Supply Project



JAPAN INTERNATIONAL
COOPERATION AGENCY

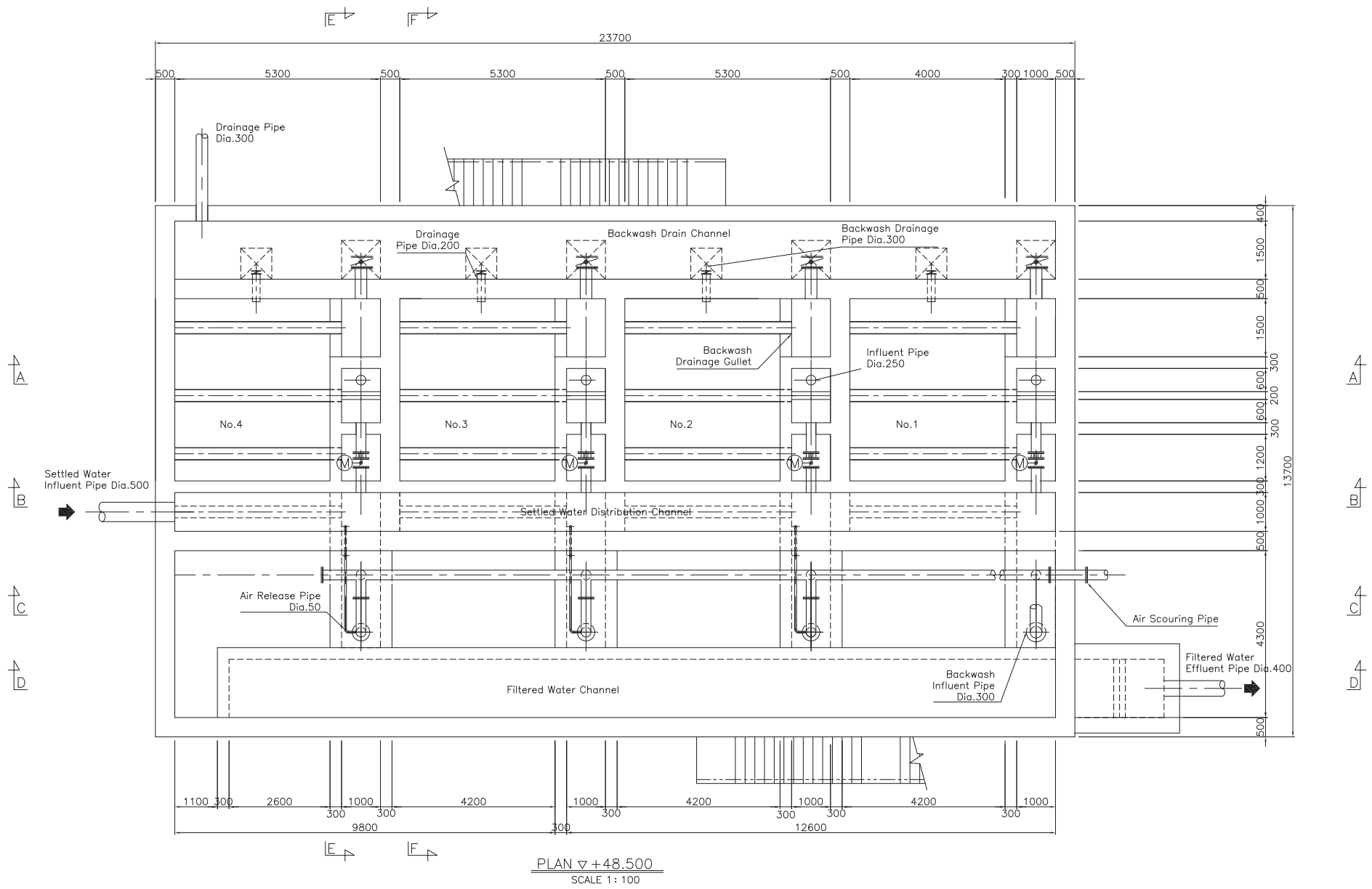
TITLE: RAPID SAND FILTER PLAN AT +50.300

CLIENT: NATIONAL WATER SUPPLY
& DRAINAGE BOARD

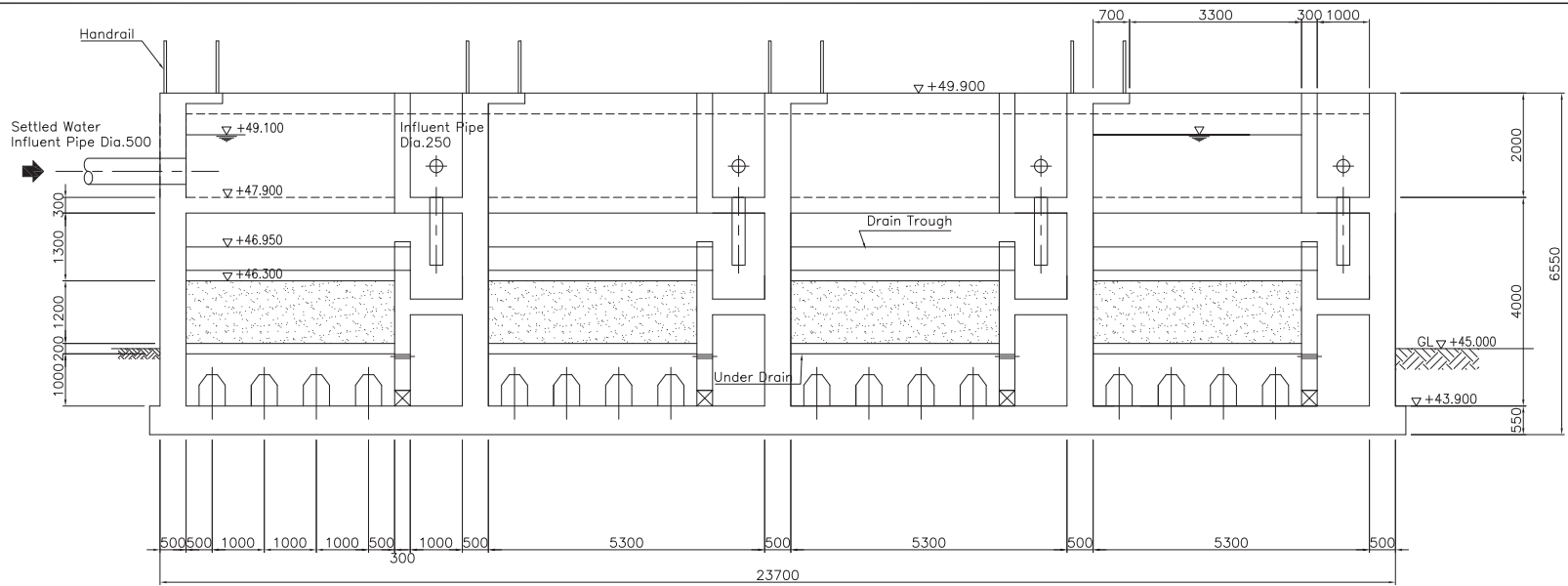
CONSULTANTS:
NJS CONSULTANTS CO., LTD. - JAPAN
NIHON SUIDO CONSULTANTS CO., LTD.-
JAPAN

REV.	DESCRIPTION	DATE	SIGN.	DESIGNED:	DRAWN:	PM. (CONSULTANT)	DRAWING NO.:
					R.O		WWTP/SF/C/01
				CHECKED:	AGM: (P&D)	DGM: (P&D)	DATE: 10/09/2012
							SCALE: As Given

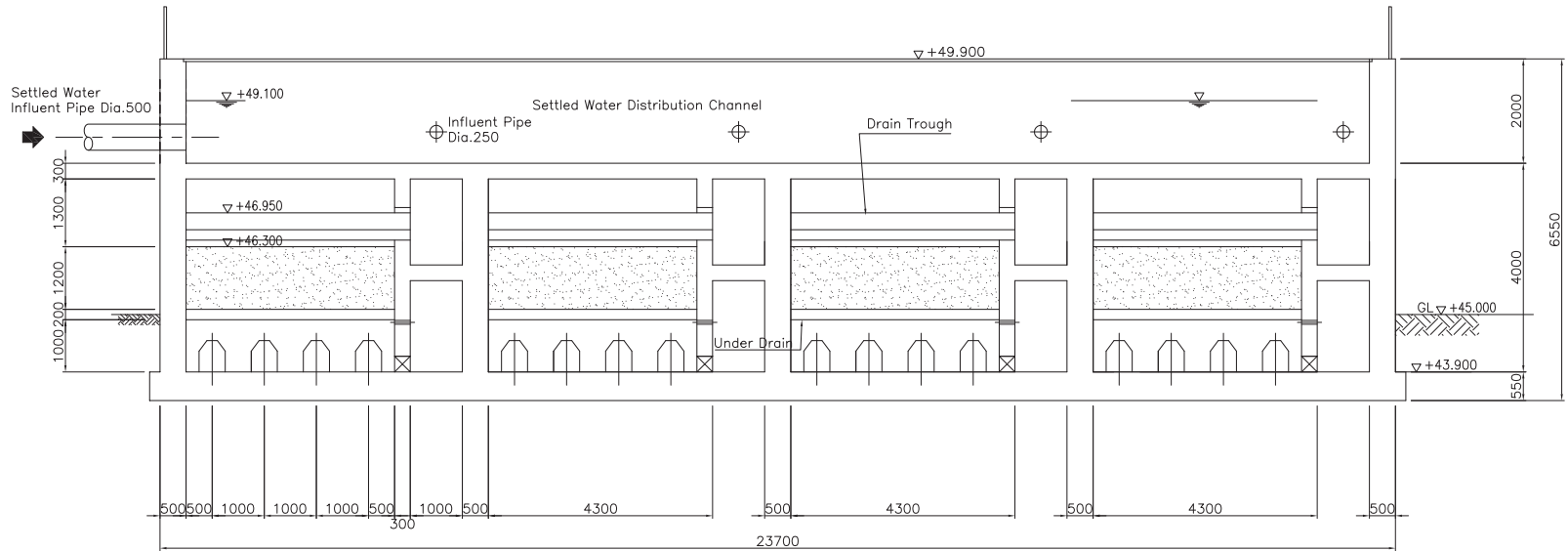




PROJECT: Preparatory Study for Anuradhapura North Integrated Water Supply Project	JAPAN INTERNATIONAL COOPERATION AGENCY	TITLE: RAPID SAND FILTER PLAN AT +48.500								
CLIENT: NATIONAL WATER SUPPLY & DRAINAGE BOARD	CONSULTANTS:									
	NJS CONSULTANTS CO., LTD. - JAPAN NIHON SUIDO CONSULTANTS CO., LTD. - JAPAN									
		REV.	DESCRIPTION	DATE	SIGN.	DESIGNED:	DRAWN: R.O	PM: (CONSULTANT)	DRAWING NO.: WWTP/SF/C/02	
						CHECKED:	AGM: (P&D)	DGM: (P&D)	DATE: 10/09/2012	SCALE: As Given



SECTION A-A
SCALE 1: 100



SECTION B-B
SCALE 1: 100

PROJECT: Preparatory Study for Anuradhapura North
Integrated Water Supply Project



JAPAN INTERNATIONAL
COOPERATION AGENCY

TITLE: RAPID SAND FILTER SECTIONS 01

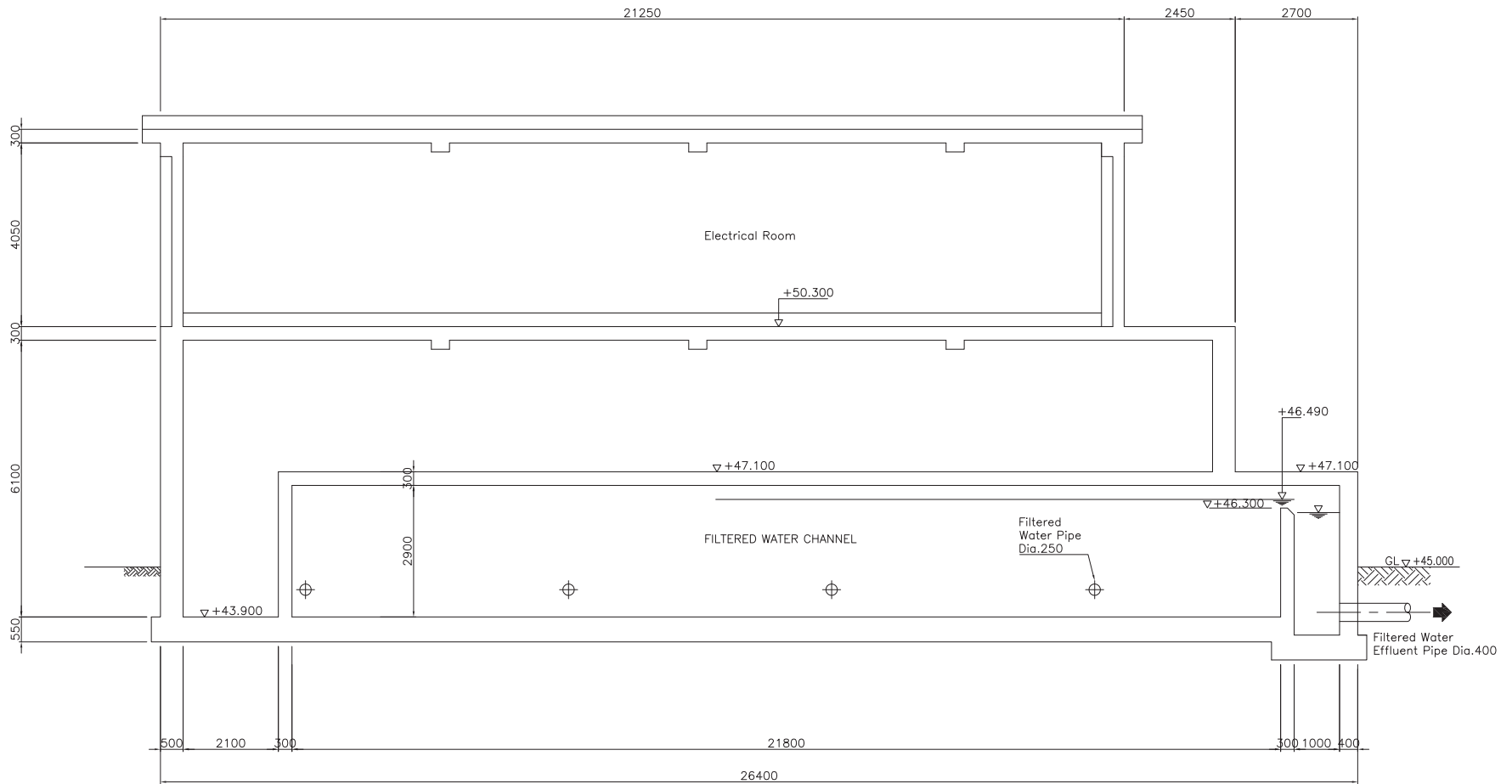
CLIENT: NATIONAL WATER SUPPLY
& DRAINAGE BOARD



CONSULTANTS:
NJS CONSULTANTS CO., LTD. - JAPAN
NIHON SUIDO CONSULTANTS CO., LTD.-
JAPAN



REV.	DESCRIPTION	DATE	SIGN.	DESIGNED:	DRAWN:	PM. (CONSULTANT)	DRAWING NO.:
					R.O		WWTP/SF/C/04
				CHECKED:	AGM: (P&D)	DGM: (P&D)	DATE: 10/09/2012
							SCALE: As Given



SECTION D-D
SCALE 1: 100

PROJECT: Preparatory Study for Anuradhapura North Integrated Water Supply Project

JICA JAPAN INTERNATIONAL COOPERATION AGENCY

TITLE: RAPID SAND FILTER SECTIONS 03

CLIENT: NATIONAL WATER SUPPLY & DRAINAGE BOARD

CONSULTANTS:
NJS CONSULTANTS CO., LTD. - JAPAN
NIHON SUIDO CONSULTANTS CO., LTD. - JAPAN

REV.	DESCRIPTION	DATE	SIGN.

DESIGNED:

CHECKED:

DRAWN: R.O.

AGM: (P&D)

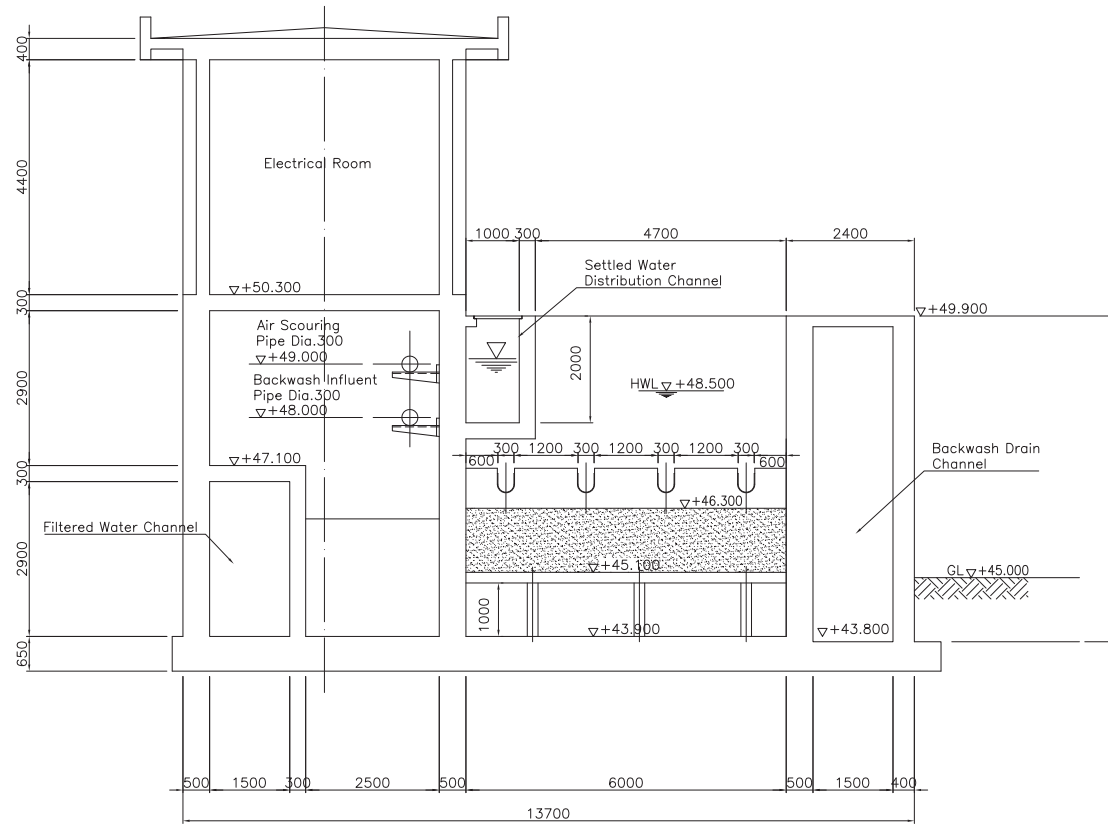
PM: (CONSULTANT)

DGM: (P&D)

DRAWING NO.: WWTP/SF/C/06

DATE: 10/09/2012

SCALE: As Given



SECTION F-F
SCALE 1: 100

PROJECT: Preparatory Study for Anuradhapura North Integrated Water Supply Project





JAPAN INTERNATIONAL COOPERATION AGENCY

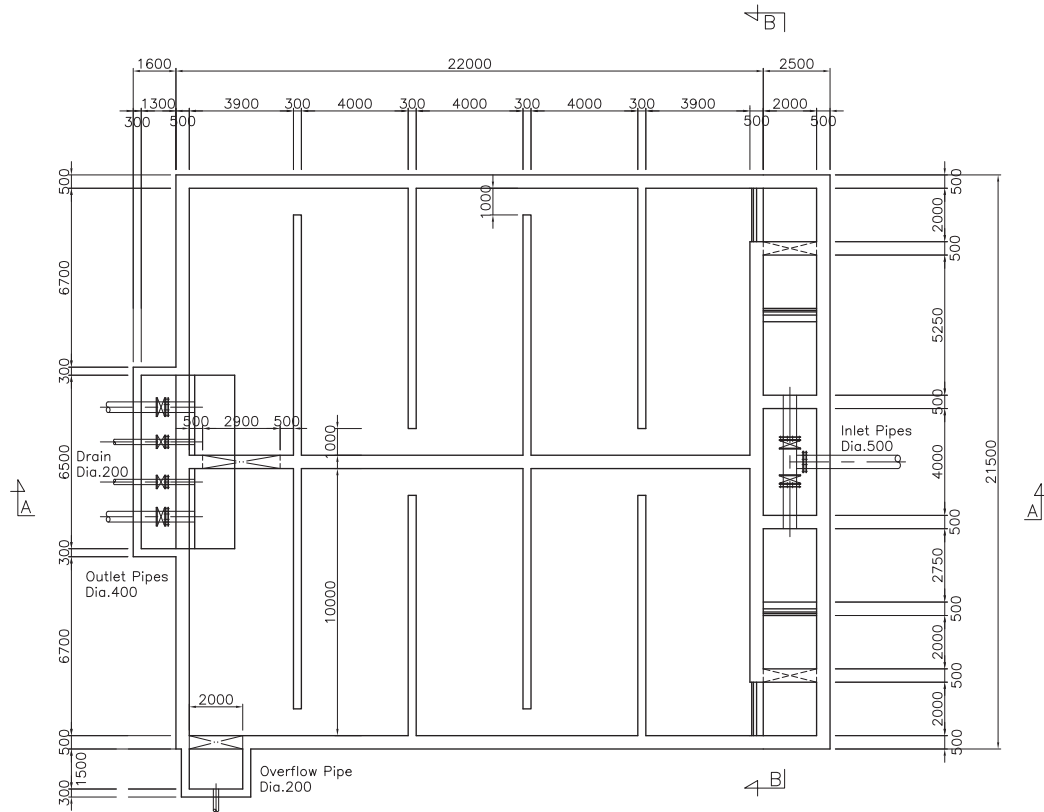
TITLE: RAPID SAND FILTER SECTIONS 05

CLIENT: NATIONAL WATER SUPPLY & DRAINAGE BOARD

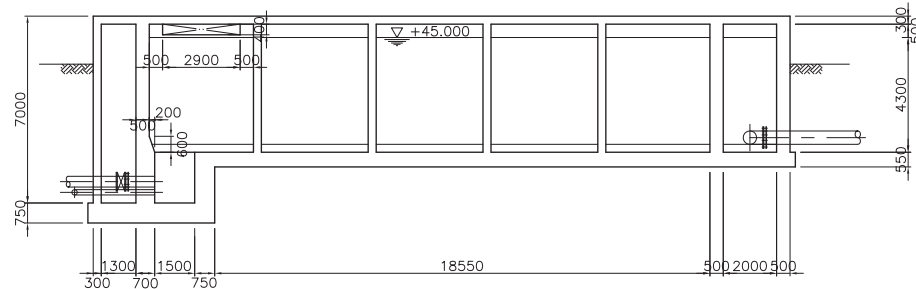


CONSULTANTS:
 NJS CONSULTANTS CO., LTD. - JAPAN
 NIHON SUIDO CONSULTANTS CO., LTD. - JAPAN

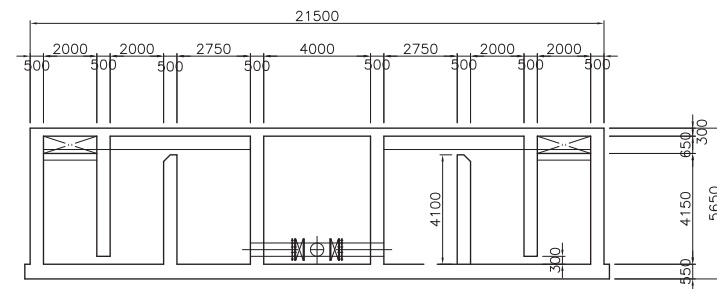
REV.	DESCRIPTION	DATE	SIGN.	DESIGNED:	DRAWN:	PM: (CONSULTANT)	DRAWING NO.:
					R.O		WWTP/SF/C/08
				CHECKED:	AGM: (P&D)	DGM: (P&D)	DATE: 10/09/2012
							SCALE: As Given



PLAN S=1:200



SECTION A-A S=1:200



SECTION B-B S=1:200

PROJECT: Preparatory Study for Anuradhapura North Integrated Water Supply Project





JAPAN INTERNATIONAL COOPERATION AGENCY

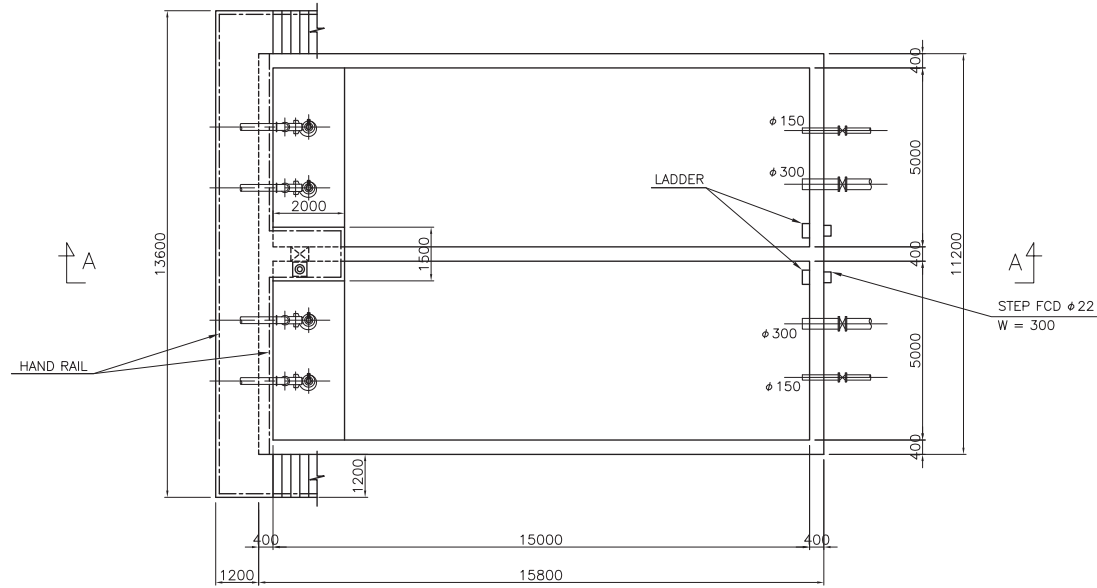
TITLE: CLEAR WATER TANK

CLIENT: NATIONAL WATER SUPPLY & DRAINAGE BOARD

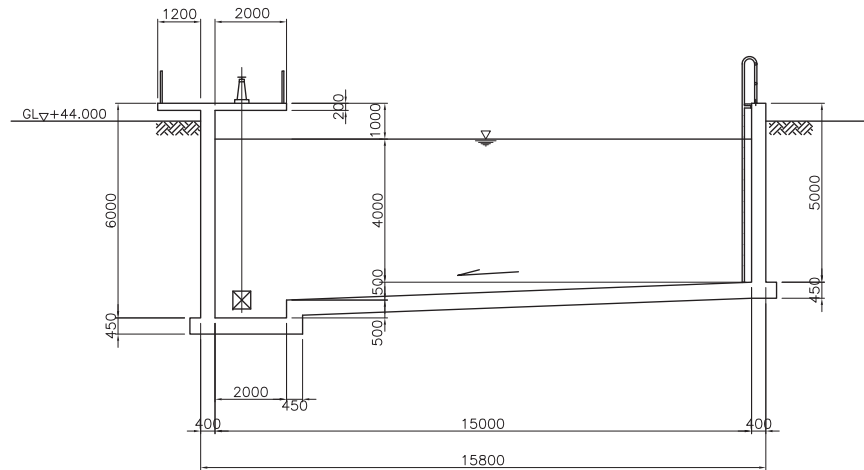


CONSULTANTS:
 NJS CONSULTANTS CO., LTD. - JAPAN
 NIHON SUIDO CONSULTANTS CO., LTD.- JAPAN

REV.	DESCRIPTION	DATE	SIGN.	DESIGNED:	DRAWN:	PM. (CONSULTANT)	DRAWING NO.:
					R.O		WWTP/CT/C/01
				CHECKED:	AGM: (P&D)	DGM: (P&D)	DATE: 07/09/2012
							SCALE: As Given



PLAN S=1:150



SECTION A-A S=1:150

PROJECT: Preparatory Study for Anuradhapura North Integrated Water Supply Project





JAPAN INTERNATIONAL COOPERATION AGENCY

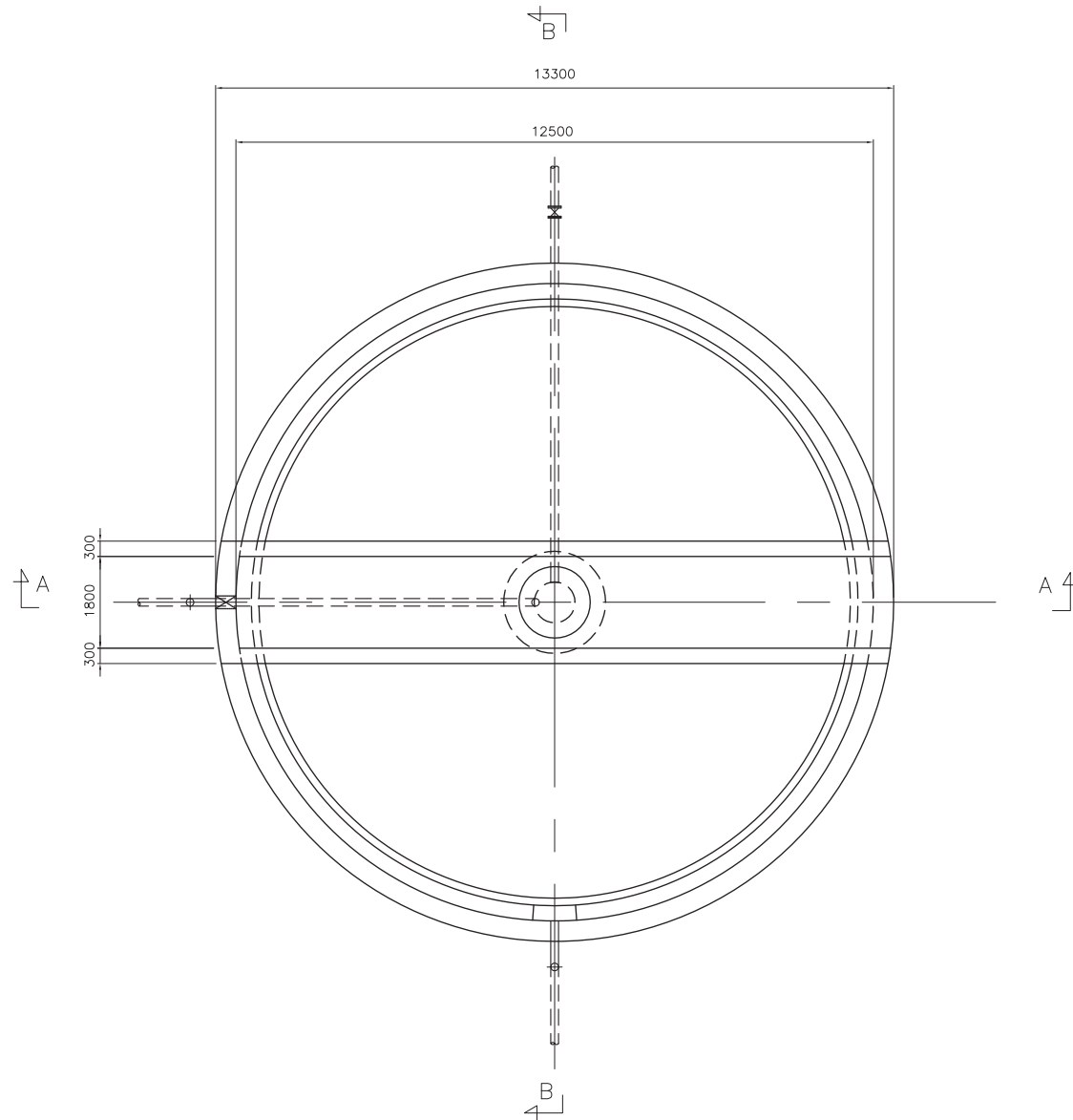
TITLE: BACKWASH WATER RECYCLE TANK

CLIENT: NATIONAL WATER SUPPLY & DRAINAGE BOARD



CONSULTANTS:
 NJS CONSULTANTS CO., LTD. - JAPAN
 NIHON SUIDO CONSULTANTS CO., LTD. - JAPAN

REV.	DESCRIPTION	DATE	SIGN.	DESIGNED:	DRAWN:	PM. (CONSULTANT)	DRAWING NO.:
					R.O		WWTP/BW/C/01
				CHECKED:	AGM: (P&D)	DGM: (P&D)	DATE: 04/09/2012
							SCALE: As Given



PLAN S=1:100



PROJECT: Preparatory Study for Anuradhapura North Integrated Water Supply Project



JAPAN INTERNATIONAL COOPERATION AGENCY

TITLE: THICKENER PLAN

CLIENT: NATIONAL WATER SUPPLY & DRAINAGE BOARD

CONSULTANTS:
 NJS CONSULTANTS CO., LTD. - JAPAN
 NIHON SUIDO CONSULTANTS CO., LTD. - JAPAN

REV.	DESCRIPTION	DATE	SIGN.

DESIGNED:

CHECKED:

DRAWN: R.O

AGM: (P&D)

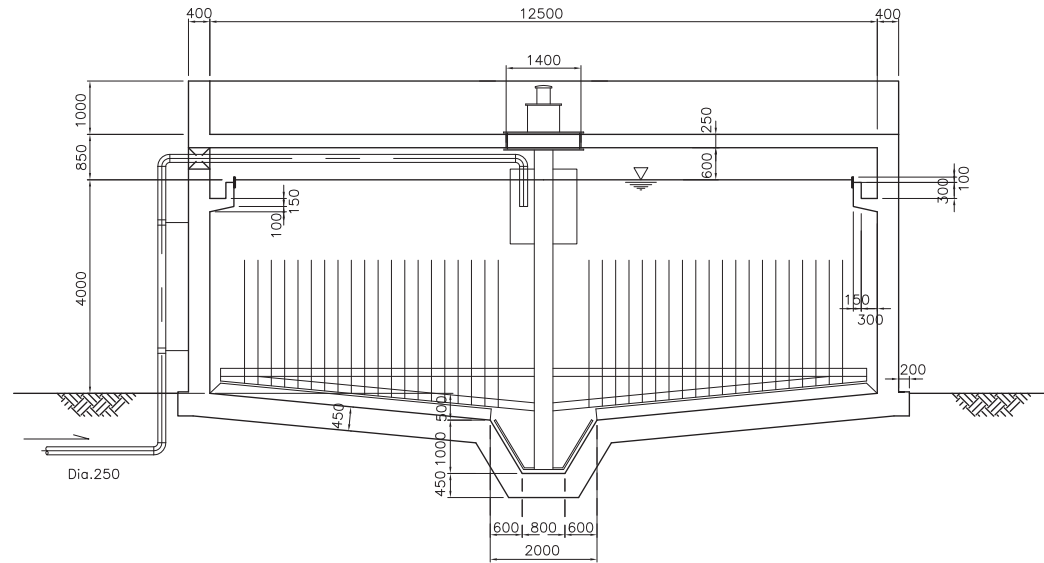
PM: (CONSULTANT)

DGM: (P&D)

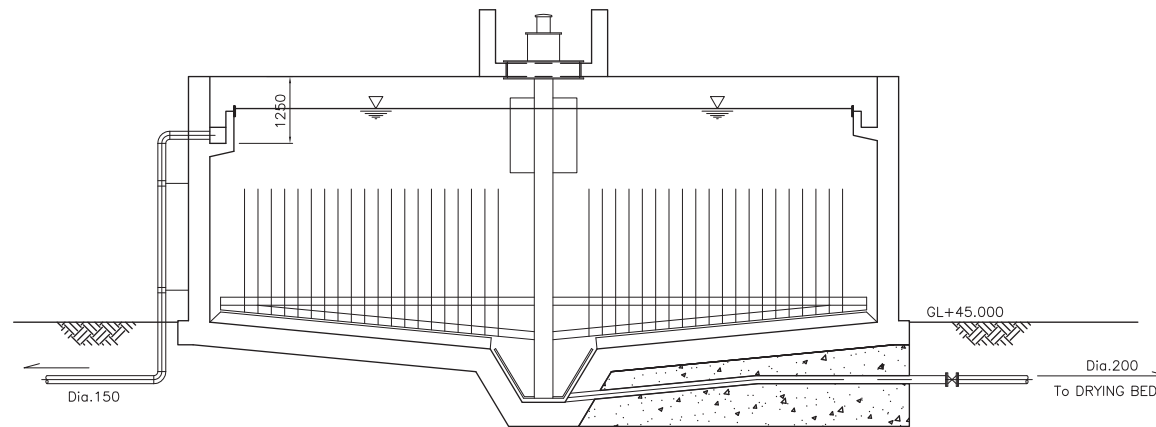
DRAWING NO.: WWTP/TK/C/01

DATE: 04/09/2012

SCALE: As Given



SECTION A-A S=1:100



SECTION B-B S=1:100

PROJECT: Preparatory Study for Anuradhapura North
Integrated Water Supply Project



JAPAN INTERNATIONAL
COOPERATION AGENCY

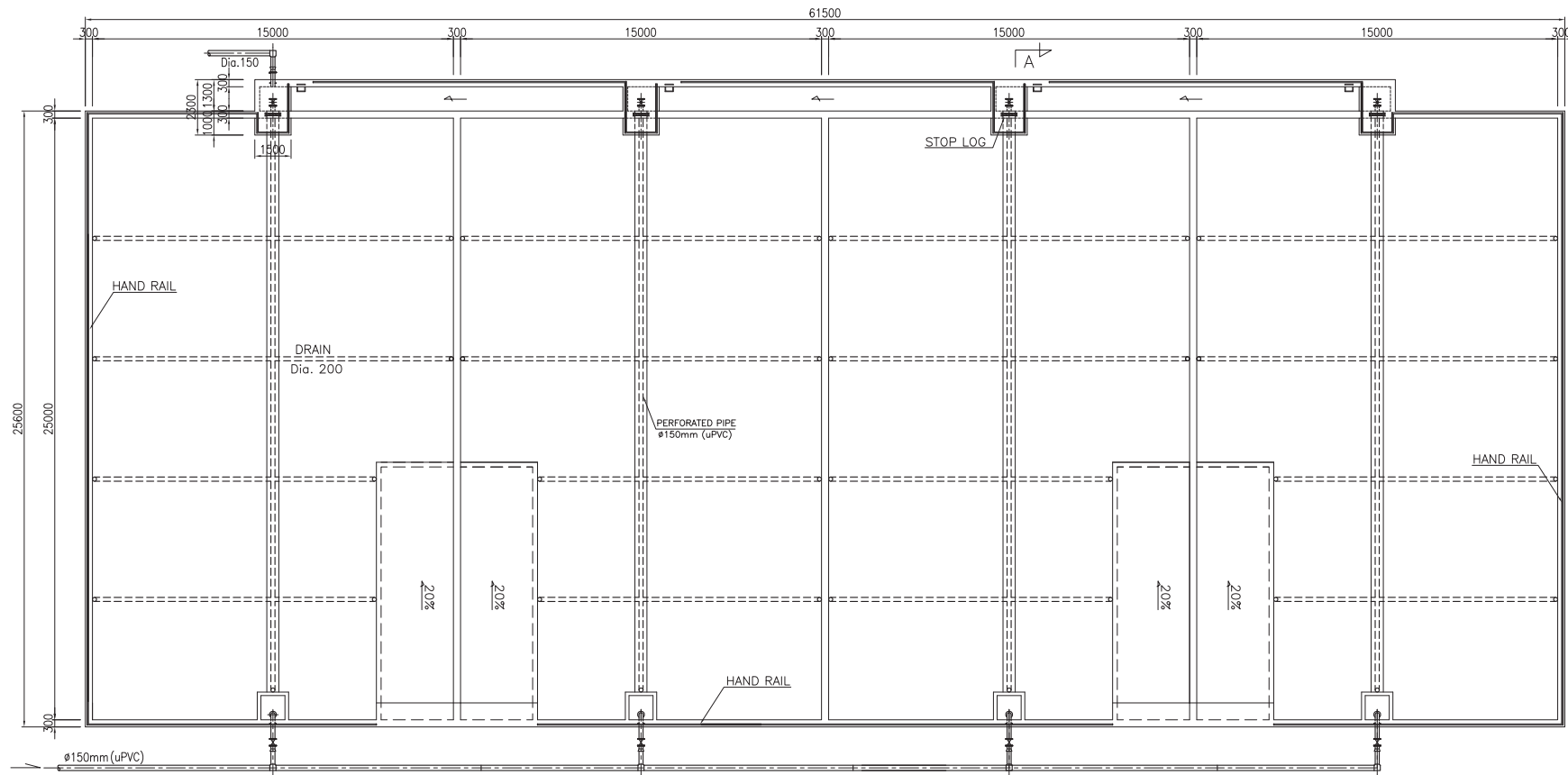
TITLE: THICKENER SECTIONS

CLIENT: NATIONAL WATER SUPPLY
& DRAINAGE BOARD

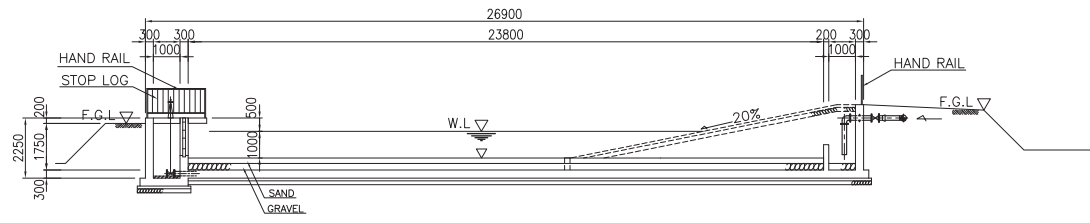


CONSULTANTS:
NJS CONSULTANTS CO., LTD. - JAPAN
NIHON SUIDO CONSULTANTS CO., LTD.-
JAPAN

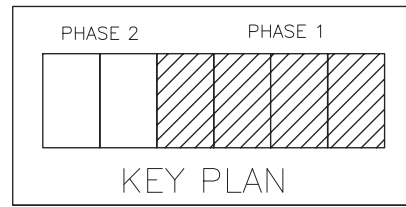
REV.	DESCRIPTION	DATE	SIGN.	DESIGNED:	DRAWN: R.O	PM: (CONSULTANT)	DRAWING NO.: WWTP/TK/C/02
				CHECKED:	AGM: (P&D)	DGM: (P&D)	DATE: 07/09/2012
							SCALE: As Given



PLAN S=1:200



SECTION A-A S=1:200



PROJECT: Preparatory Study for Anuradhapura North Integrated Water Supply Project

JICA JAPAN INTERNATIONAL COOPERATION AGENCY

TITLE: DRYING BED

CLIENT: NATIONAL WATER SUPPLY & DRAINAGE BOARD

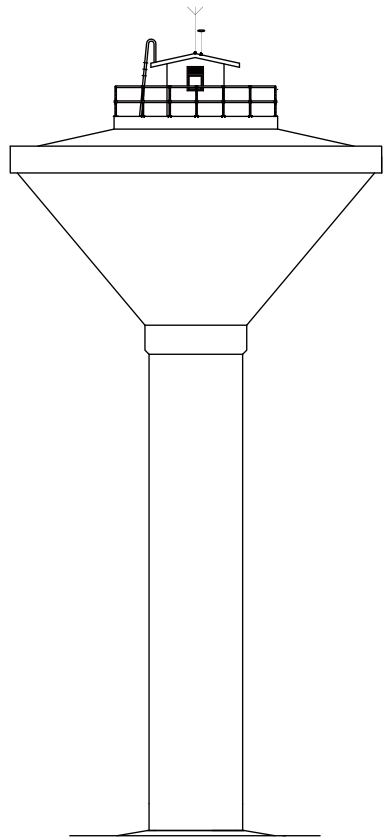
CONSULTANTS: NJS CONSULTANTS CO., LTD. - JAPAN
NIHON SUIDO CONSULTANTS CO., LTD. - JAPAN

REV.	DESCRIPTION	DATE	SIGN.

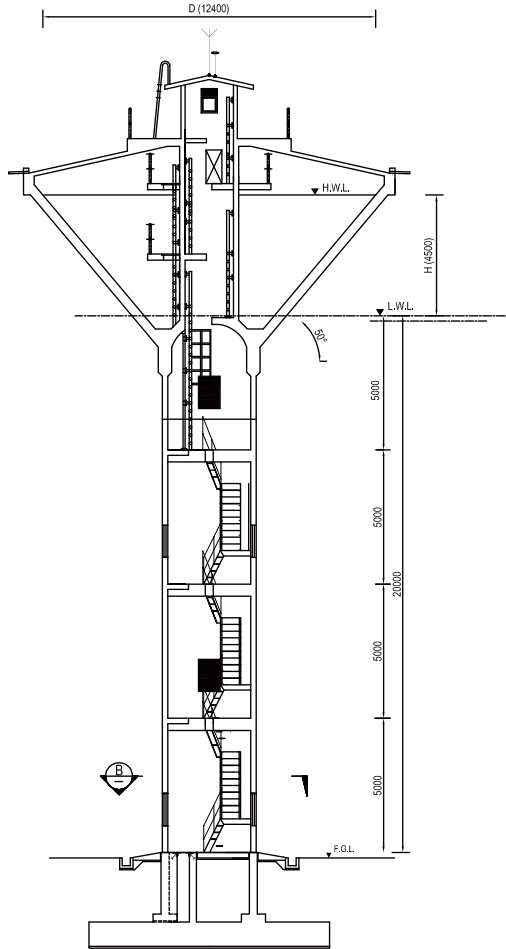
DESIGNED: DRAWN: R.O.
CHECKED: AGM: (P&D)

PM: (CONSULTANT) DGM: (P&D)

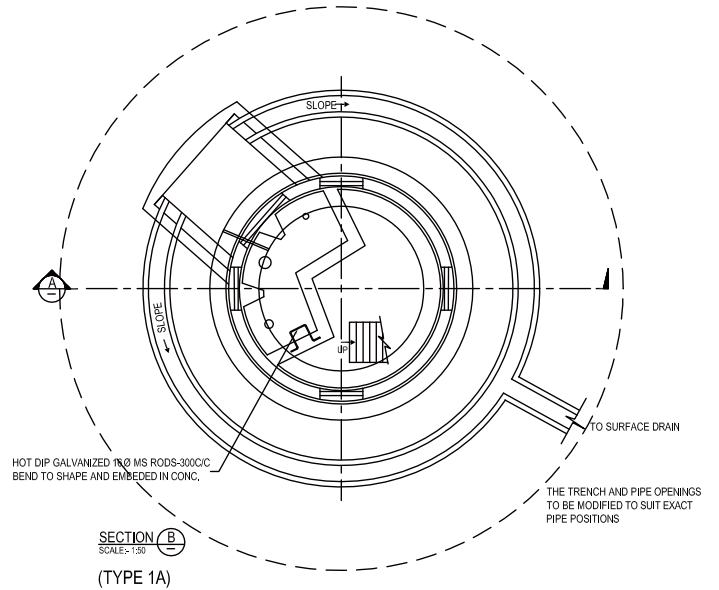
DRAWING NO.: WWTP/DB/C/01
DATE: 10/09/2012 SCALE: As Given



ELEVATION
(TYPE 1A)



SECTION A-A
SCALE: 1:100
(TYPE 1A)



SECTION B-B
SCALE: 1:50
(TYPE 1A)

STANDARD DIMENSION OF WATER TOWER

TYPE 1	VOLUME (m ³)	D (m)	H (m)
1A	250	12.4	4.5
1B	500	15.4	5.5

- NOTE - 01. ALL PIPES MATERIAL ARE DI.
02. STRUCTURE MEMBERS ARE R/F CONCRETE.
03. ALL DIMENSIONS ARE IN MILLIMETERS.

**PRELIMINARY DRAWING
NOT FOR CONSTRUCTION**

PROJECT: Preparatory Study for Anuradhapura North
Integrated Water Supply Project



JAPAN INTERNATIONAL
COOPERATION AGENCY

TITLE: ELEVATED TANK

CLIENT:
 NATIONAL WATER SUPPLY
& DRAINAGE BOARD

CONSULTANTS:
 NJS CONSULTANTS CO., LTD. - JAPAN
 NIHON SUIDO CONSULTANTS CO., LTD. - JAPAN

REV.	DESCRIPTION	DATE	SIGN.	DESIGNED:	DRAWN:	PM. (CONSULTANT)	DRAWING NO.:	
							WWTP/ET/C/01	
				CHECKED:	AGM: (P&D)	DGM: (P&D)	DATE:	SCALE:
							05-09-2012	AS SHOWN