

D.
GUMTI BRIDGE DESIGN

GUMTI BRIDGE: LOCATION MAP S=1/5000



Client:
ROADS & HIGHWAYS DEPARTMENT, MOC

Consultant:
ORIENTAL CONSULTANTS Co. Ltd
KATAHIRA & ENGINEERS INTERNATIONAL

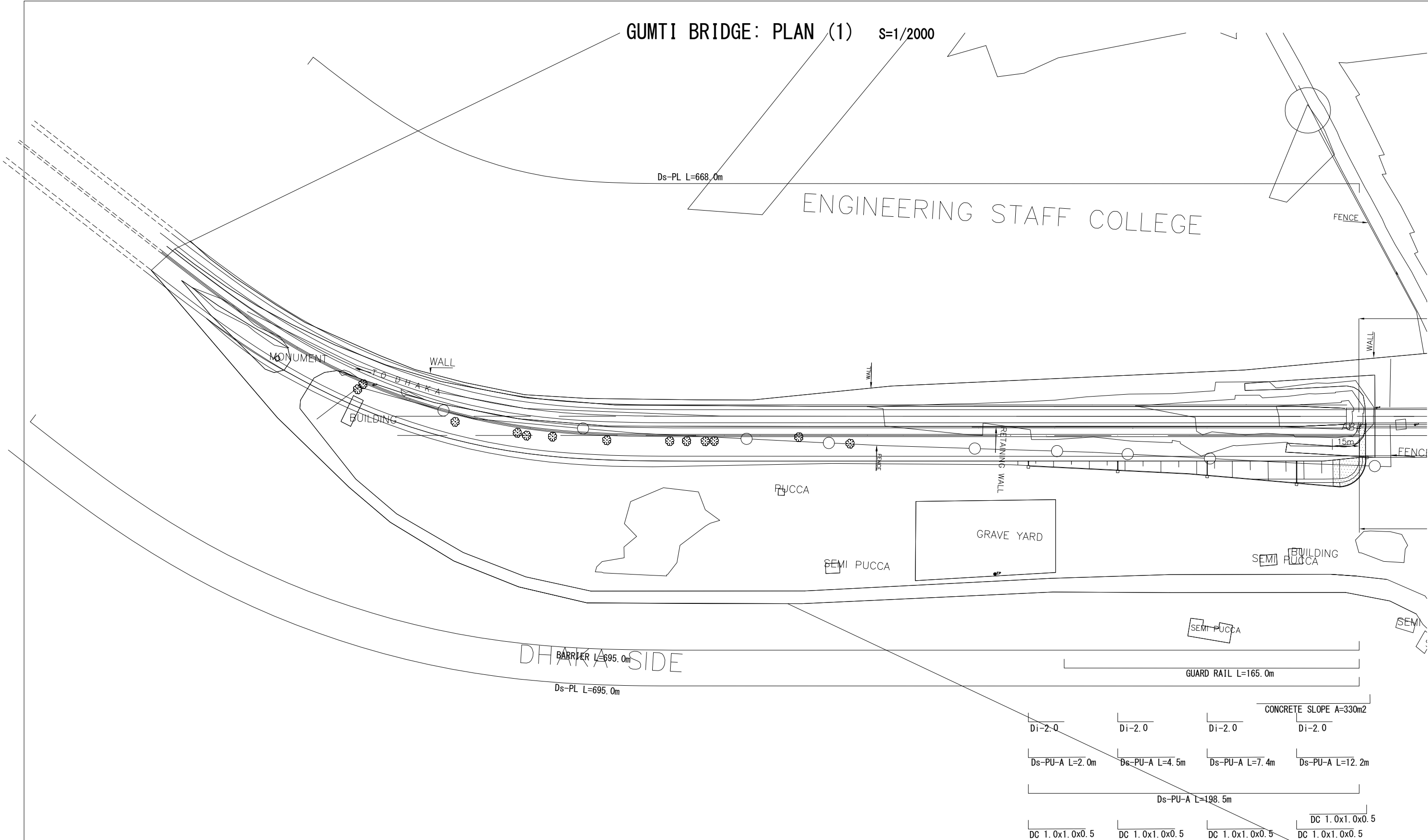
GUMTI BRIDGE

LOCATION MAP

SCALE : AS NOTED
DATE: 3/2013

SHEET NO:
D-01

GUMTI BRIDGE: PLAN (1) S=1/2000



List of drainage type

Title	Name	Remarks
Ds-PL	Drainage side ditch - precast L-shape gutter	
Ds-PU-A	Drainage side ditch - precast - type A	Width 0.3m, Depth 0.2m
Dc 1.0 X 1.0 X 0.5	Drainage catch pit	Width 1.0m, Depth 0.5m, Length 1.0m
Di-2.0	Drainage intake pit	Width 0.2m, Depth 0.3m, Length 2.0m

Client:
ROADS & HIGHWAYS DEPARTMENT, MOC

Consultant:
ORIENTAL CONSULTANTS Co. Ltd
KATAHIRA & ENGINEERS INTERNATIONAL

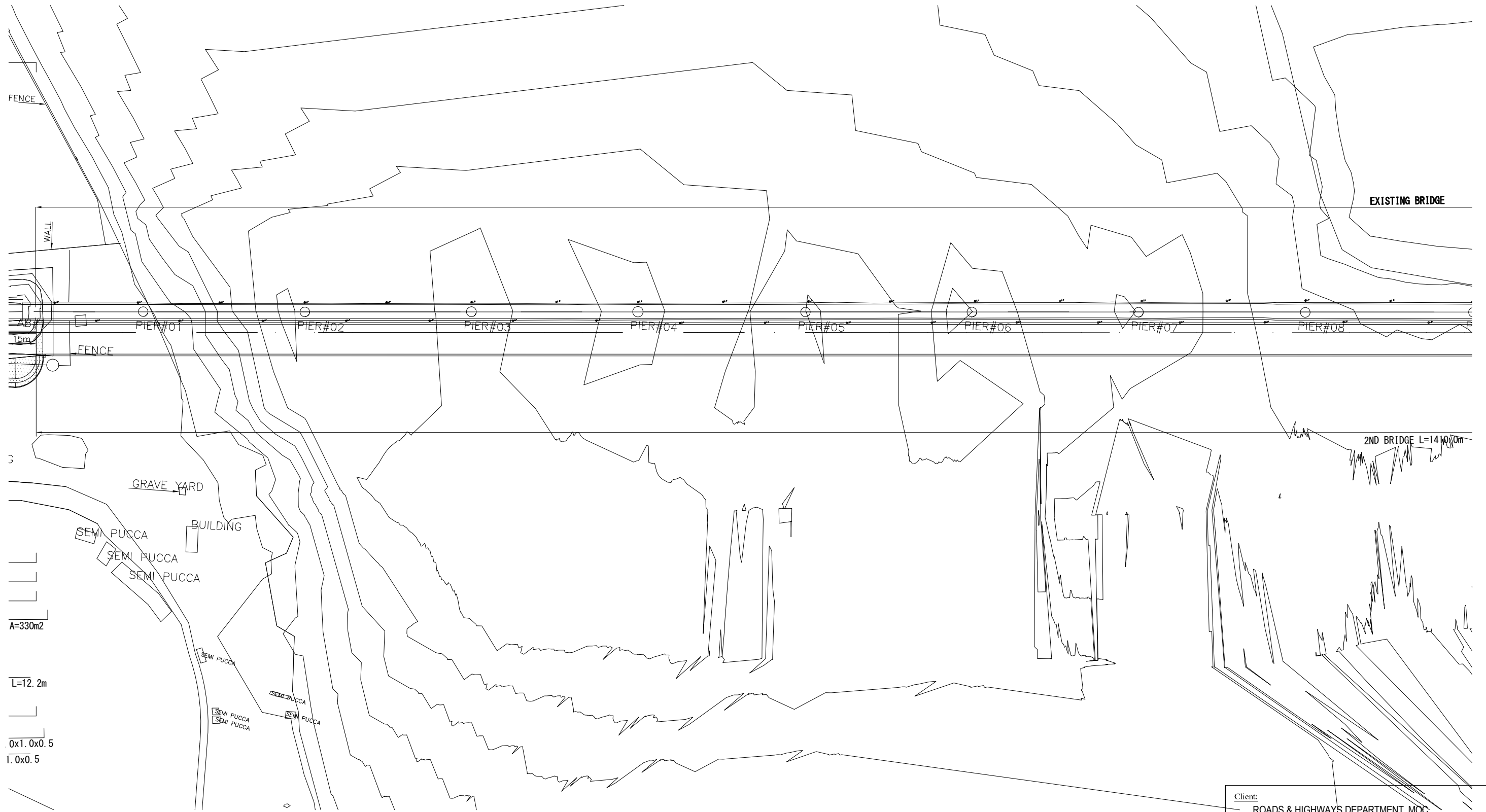
GUMTI BRIDGE

PLAN (1)

SCALE : AS NOTED
DATE: 3/2013

SHEET NO:
D-02

GUMTI BRIDGE: PLAN (2) S=1/2000



List of drainage type

Title	Name	Remarks
Ds-PL	Drainage side ditch - precast L-shape gutter	
Ds-PU-A	Drainage side ditch - precast - type A	Width 0.3m, Depth 0.2m
Dc 1.0 X 1.0 X 0.5	Drainage catch pit	Width 1.0m, Depth 0.5m, Length 1.0m
Di-2.0	Drainage intake pit	Width 0.2m, Depth 0.3m, Length 2.0m

Client:
ROADS & HIGHWAYS DEPARTMENT, MOC

Consultant:
ORIENTAL CONSULTANTS Co. Ltd
KATAHIRA & ENGINEERS INTERNATIONAL

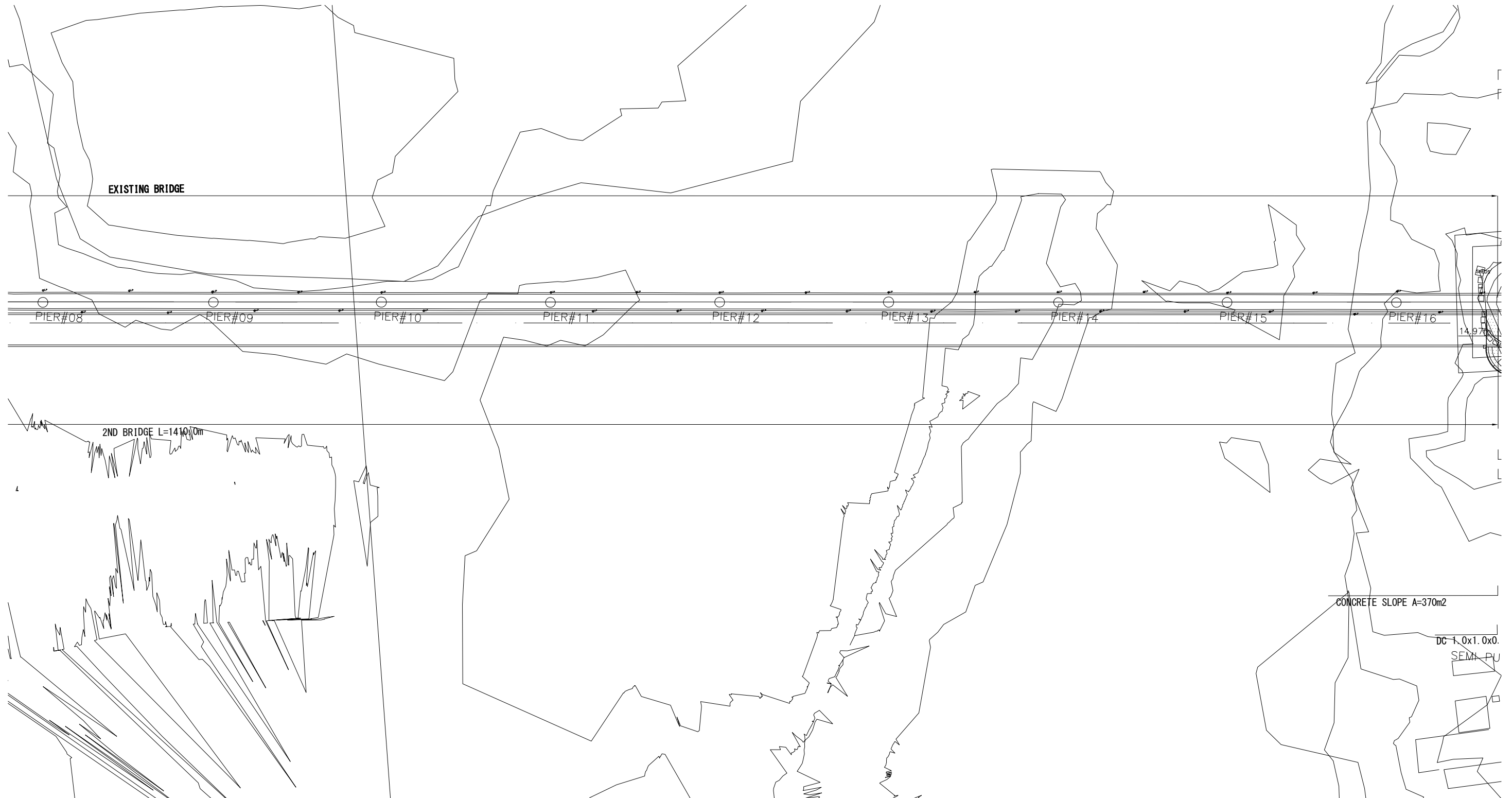
GUMTI BRIDGE

PLAN (2)

SCALE : AS NOTED
DATE: 3/2013

SHEET NO:
D-03

GUMTI BRIDGE: PLAN (3) S=1/2000

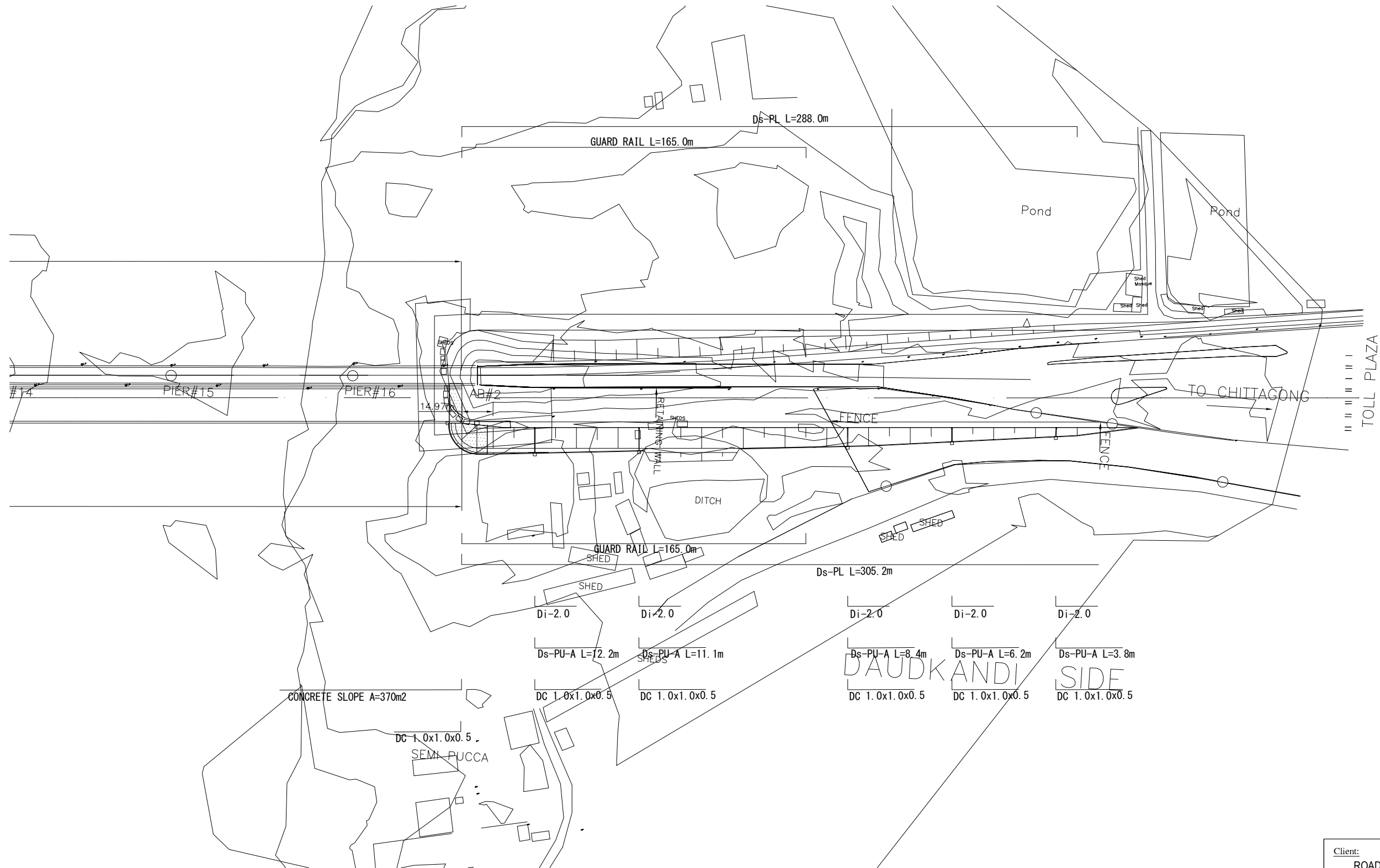


List of drainage type

Title	Name	Remarks
Ds-PL	Drainage side ditch - precast L-shape gutter	
Ds-PU-A	Drainage side ditch - precast - type A	Width 0.3m, Depth 0.2m
Dc 1.0 X 1.0 X 0.5	Drainage catch pit	Width 1.0m, Depth 0.5m, Length 1.0m
Di-2.0	Drainage intake pit	Width 0.2m, Depth 0.3m, Length 2.0m

Client: ROADS & HIGHWAYS DEPARTMENT, MOC	
Consultant: ORIENTAL CONSULTANTS Co. Ltd KATAHIRA & ENGINEERS INTERNATIONAL	
GUMTI BRIDGE	
PLAN (3)	
SCALE : AS NOTED DATE: 3/2013	SHEET NO: D-04

GUMTI BRIDGE: PLAN (4) S=1/2000



List of drainage type

Title	Name	Remarks
Ds-PL	Drainage side ditch - precast L-shape gutter	
Ds-PU-A	Drainage side ditch - precast - type A	Width 0.3m, Depth 0.2m
Dc 1.0 X 1.0 X 0.5	Drainage catch pit	Width 1.0m, Depth 0.5m, Length 1.0m
Di-2.0	Drainage intake pit	Width 0.2m, Depth 0.3m, Length 2.0m

Client:
ROADS & HIGHWAYS DEPARTMENT, MOC

Consultant:
ORIENTAL CONSULTANTS Co. Ltd
KATAHIRA & ENGINEERS INTERNATIONAL

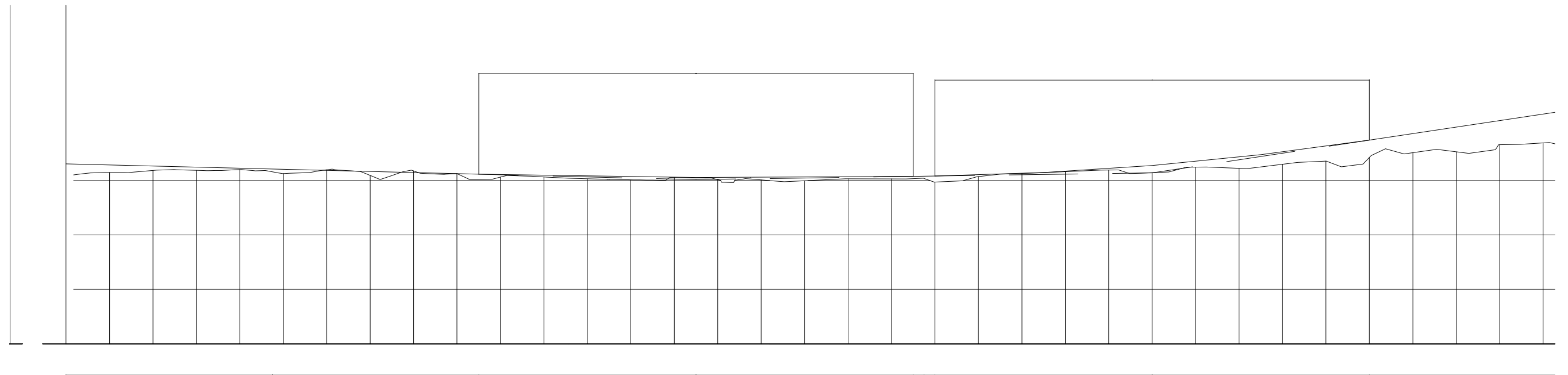
GUMTI BRIDGE

PLAN (4)

SCALE : AS NOTED
DATE: 3/2013

SHEET NO:
D-05

GUMTI BRIDGE: PROFILE (1)



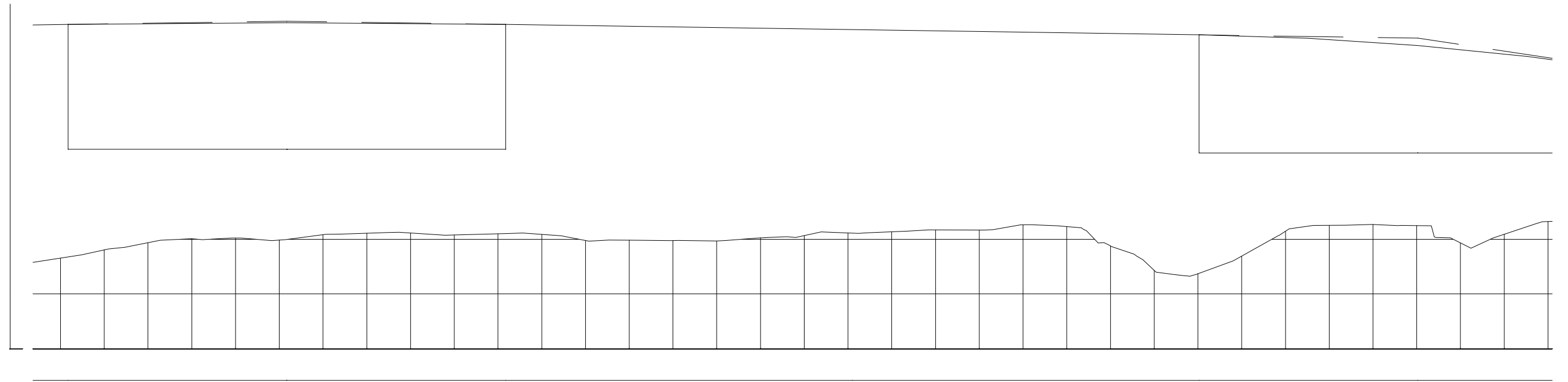
Client: ROADS & HIGHWAYS DEPARTMENT, MOC	
Consultant: ORIENTAL CONSULTANTS Co. Ltd KATAHIRA & ENGINEERS INTERNATIONAL	
GUMTI BRIDGE	
PROFILE (1)	
SCALE : AS NOTED DATE: 3/2013	SHEET NO: D-06

GUMTI BRIDGE: PROFILE (2)



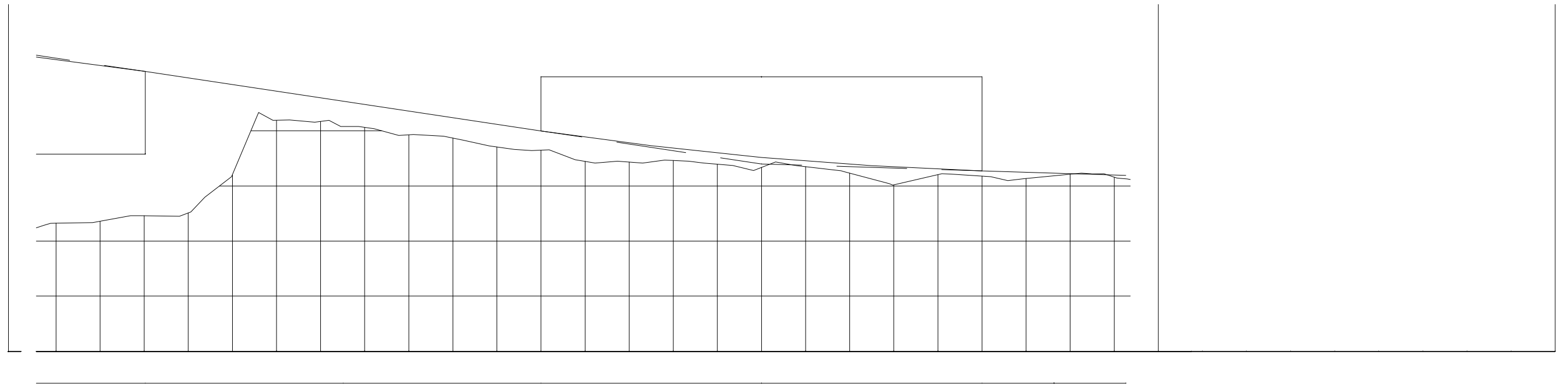
Client: ROADS & HIGHWAYS DEPARTMENT, MOC	
Consultant: ORIENTAL CONSULTANTS Co. Ltd KATAHIRA & ENGINEERS INTERNATIONAL	
GUMTI BRIDGE	
PROFILE (2)	
SCALE : AS NOTED DATE: 3/2013	SHEET NO: D-07

GUMTI BRIDGE: PROFILE (3)



Client: ROADS & HIGHWAYS DEPARTMENT, MOC	
Consultant: ORIENTAL CONSULTANTS Co. Ltd KATAHIRA & ENGINEERS INTERNATIONAL	
GUMTI BRIDGE	
PROFILE (3)	
SCALE : AS NOTED DATE: 3/2013	SHEET NO: D-08

GUMTI BRIDGE: PROFILE (4)



Client:
ROADS & HIGHWAYS DEPARTMENT, MOC

Consultant:
ORIENTAL CONSULTANTS Co. Ltd
KATAHIRA & ENGINEERS INTERNATIONAL

GUMTI BRIDGE

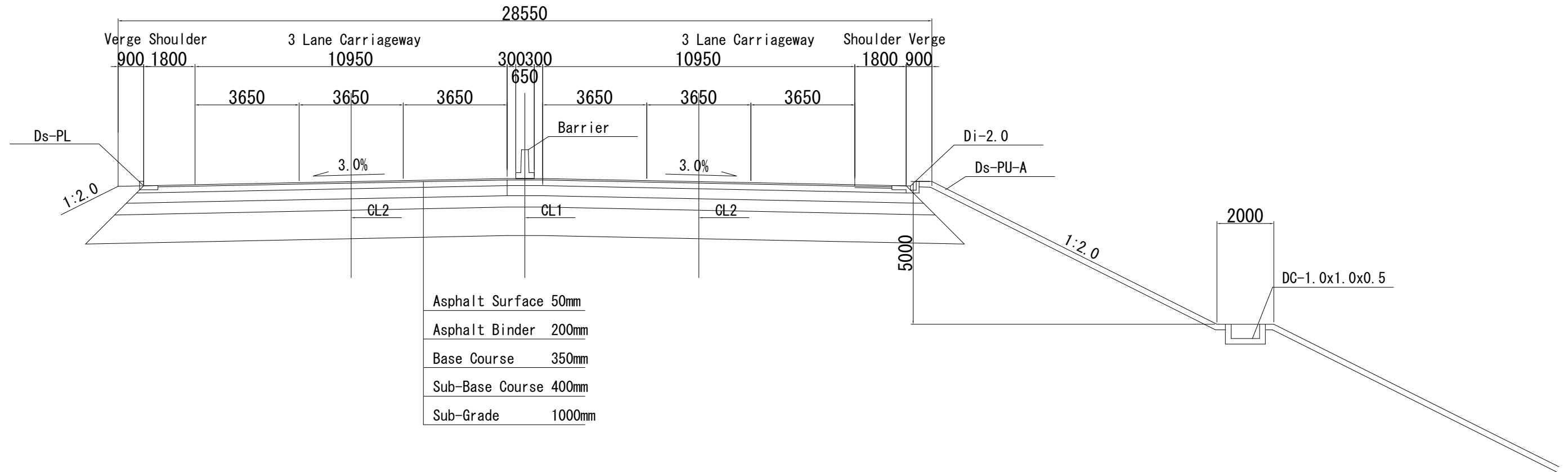
PROFILE (4)

SCALE : AS NOTED
DATE: 3/2013

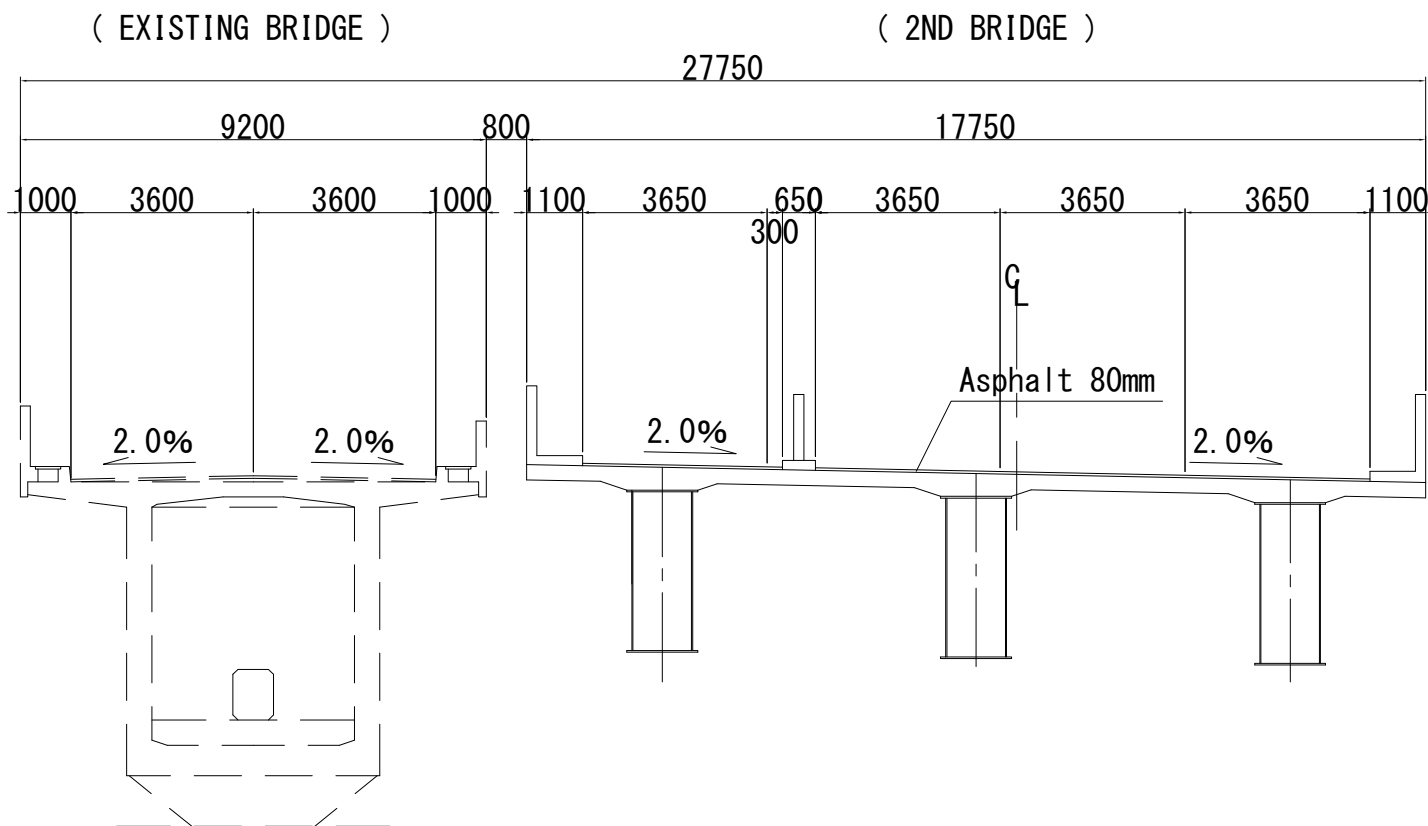
SHEET NO:
D-09

GUMTI BRIDGE: TYPICAL CROSS SECTION S=1/150

ROAD SECTION



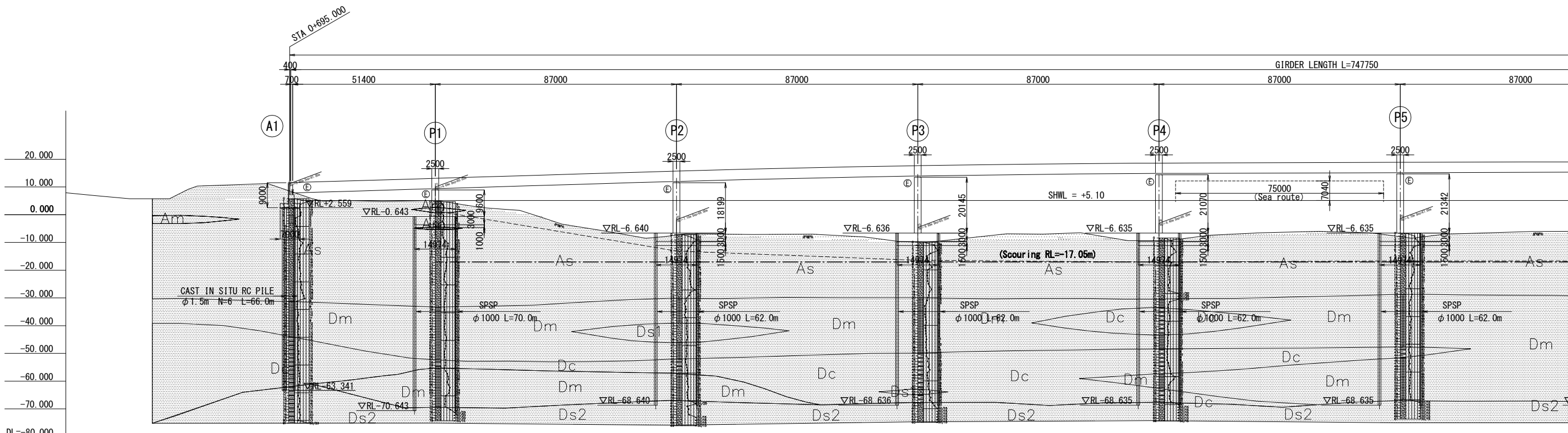
BRIDGE SECTION



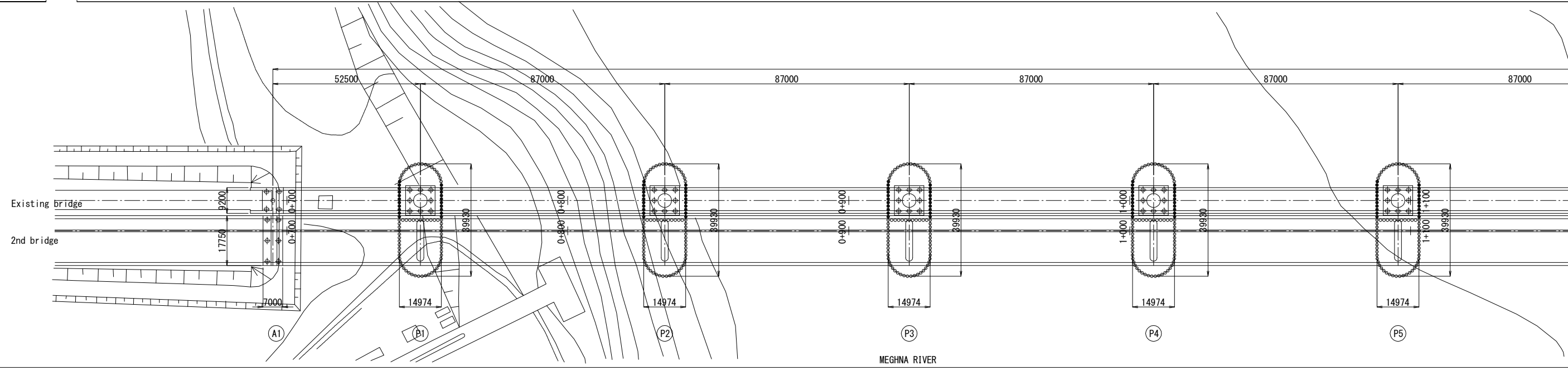
List of drainage type

Title	Name	Remarks
Ds-PL	Drainage side ditch - precast L-shape gutter	
Ds-PU-A	Drainage side ditch - precast - type A	Width 0.3m, Depth 0.2m
Dc 1.0 X 1.0 X 0.5	Drainage catch pit	Width 1.0m, Depth 0.5m, Length 1.0m
Di-2.0	Drainage intake pit	Width 0.2m, Depth 0.3m, Length 2.0m

Client: ROADS & HIGHWAYS DEPARTMENT, MOC	
Consultant: ORIENTAL CONSULTANTS Co. Ltd KATAHIRA & ENGINEERS INTERNATIONAL	
GUMTI BRIDGE	
TYPICAL SECTION	
SCALE : AS NOTED DATE: 3/2013	SHEET NO: D-10



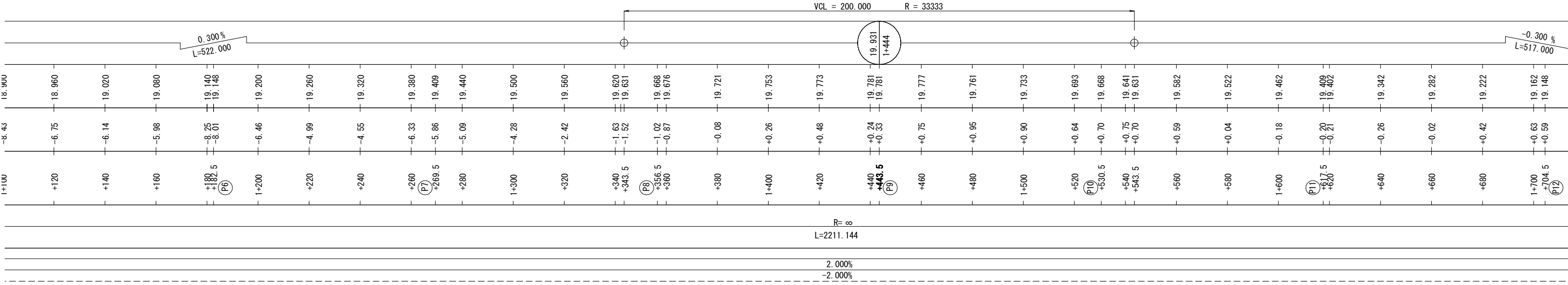
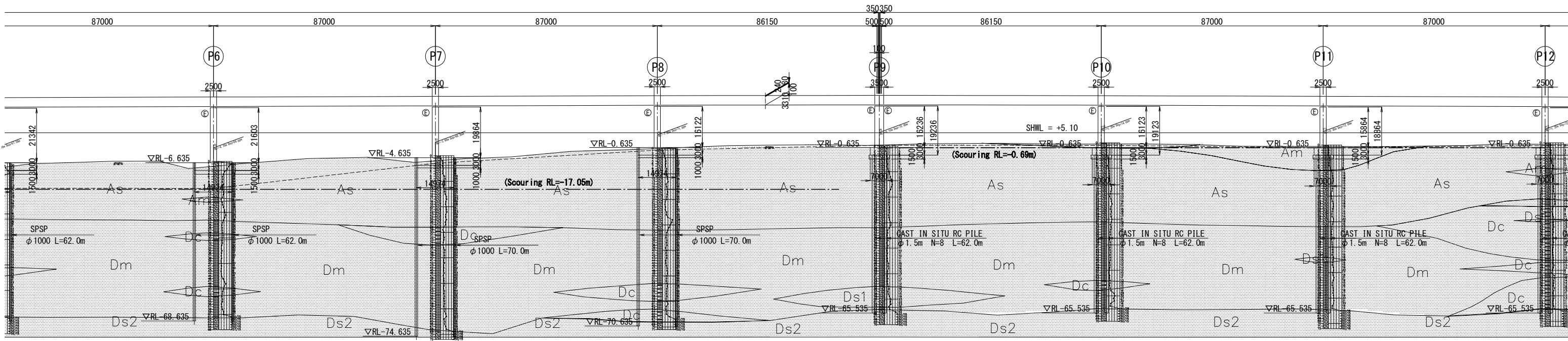
GRADIENT	3.005% L=421.500																																				
PROPOSED HEIGHT	11.559	11.709	12.310	12.911	13.137	13.512	14.113	14.714	15.315	15.360	15.739	15.893	16.417	16.887	17.302	17.664	17.689	17.971	18.225	18.424	18.569	18.615	18.660	18.665	18.720	18.780	18.840	18.887	18.900	18.960	19.020						
GROUND HEIGHT	+8.56	+6.85	+5.01	+4.97	+4.99	+3.26	+0.92	-4.47	-7.95	-8.10	-7.32	-6.90	-7.11	-7.01	-7.86	-9.83	-9.87	-8.32	-6.94	-6.49	-9.35	-9.34	-8.87	-8.66	-6.74	-6.15	-6.41	-7.91	-8.43	-6.75	-6.14						
STATION	A1 +695.0 0+700		+720	+740	P1 +747.5	+760	+780	0+800	+820	+821.5	P2 +834.5	+840	+860	+880	0+900	+920	P3 +921.5	+940	+960	+980	1+000	P4 +008.5	+020	+021.5	+040	+060	+080	P5 +095.5	+100	+120	+140						
HORIZONTAL CURVE																																					
SUPER ELEVATION																																					



GUMTI BRIDGE: GENERAL VIEW OF 2ND BRIDGE

PROFILE S=1:1500

BRIDGE LENGTH L=1410000



PLAN S=1:1500

