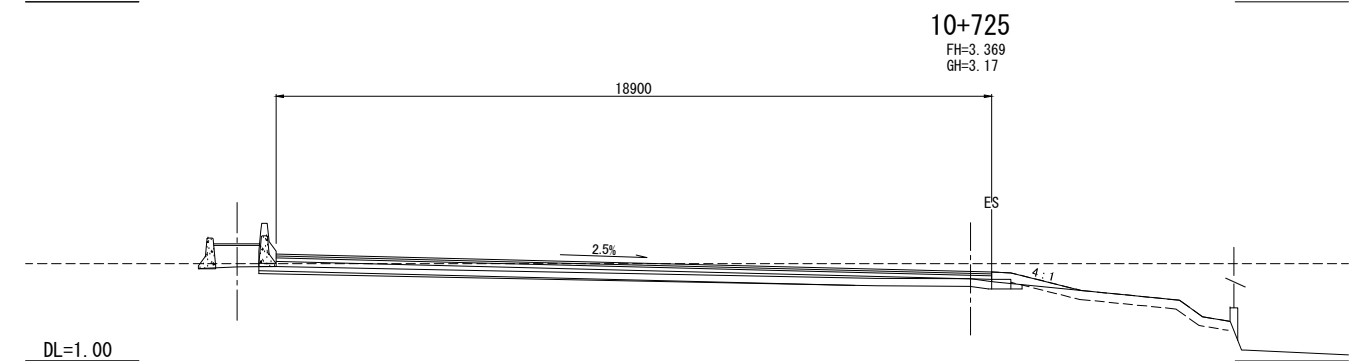
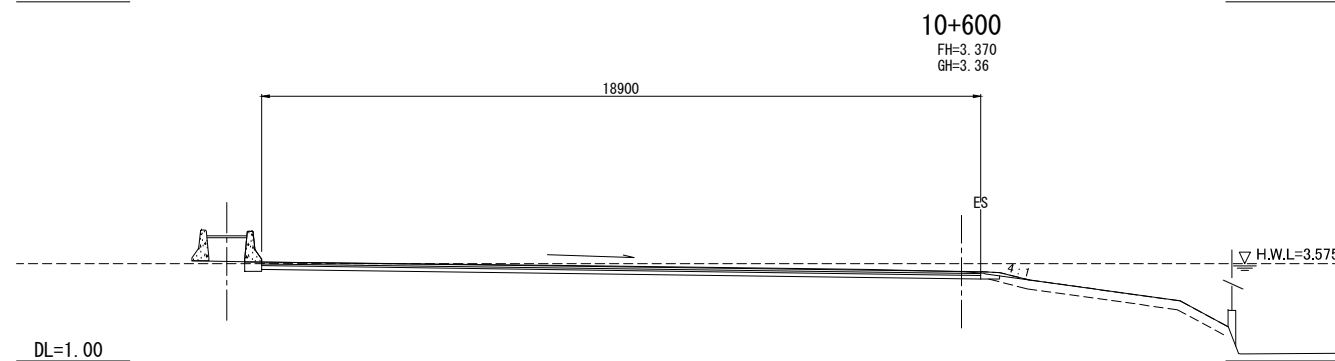
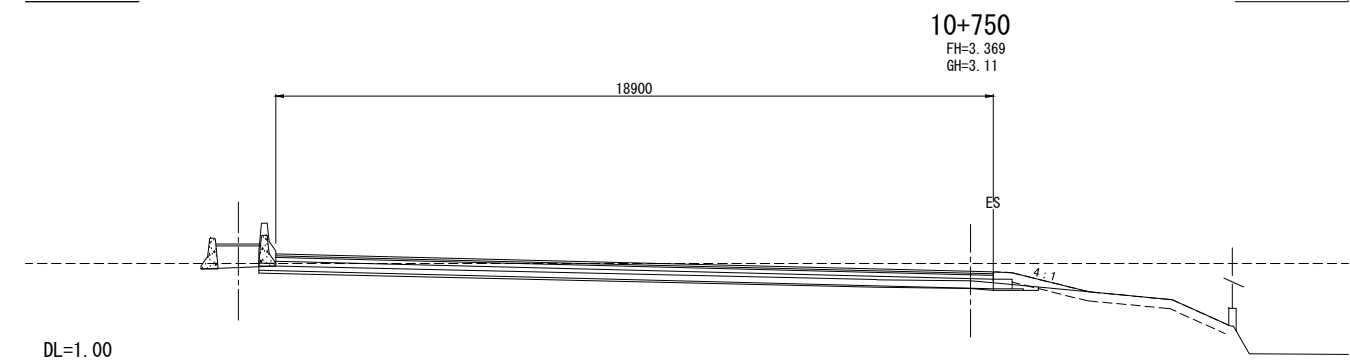
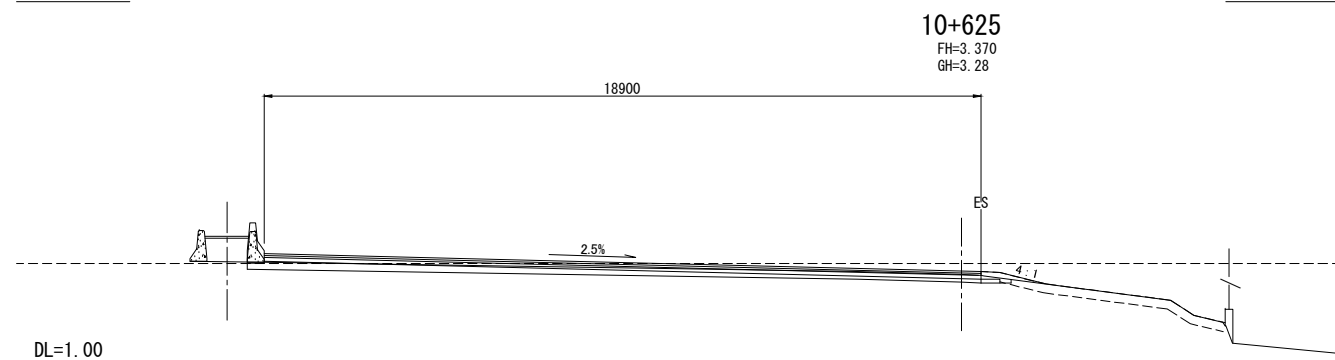
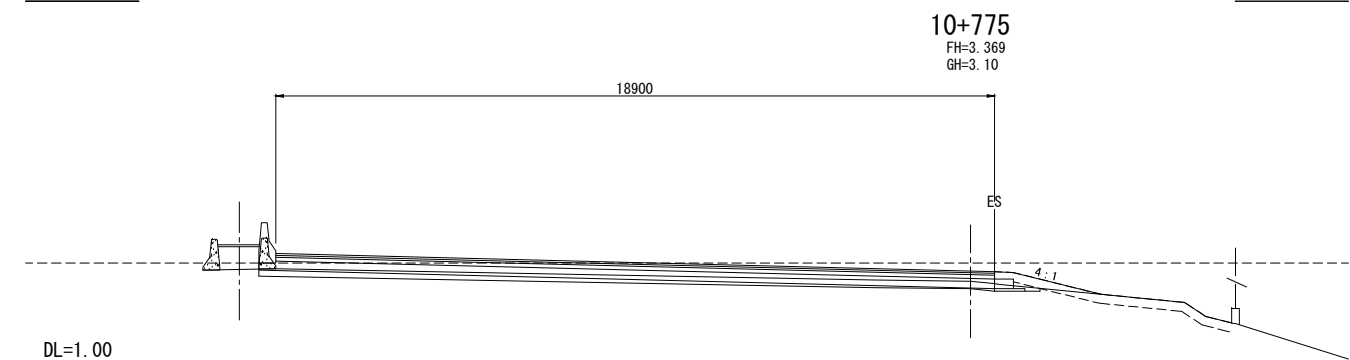
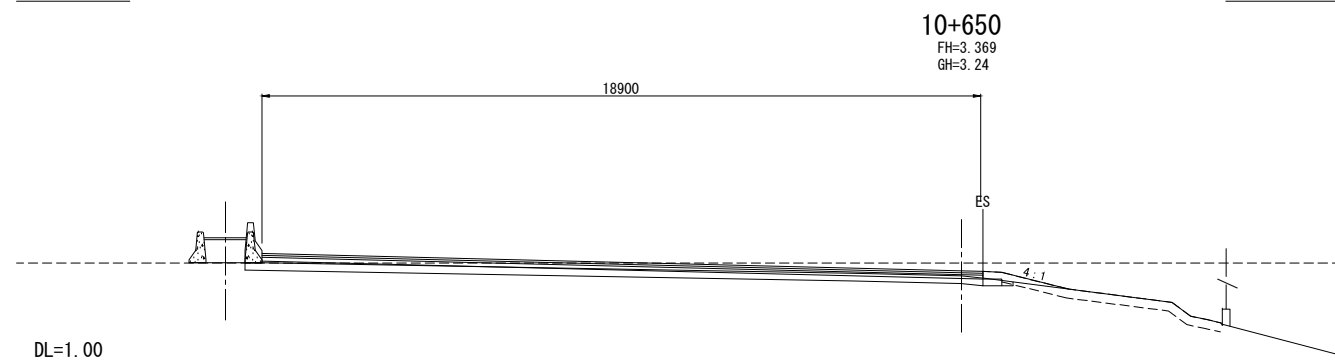
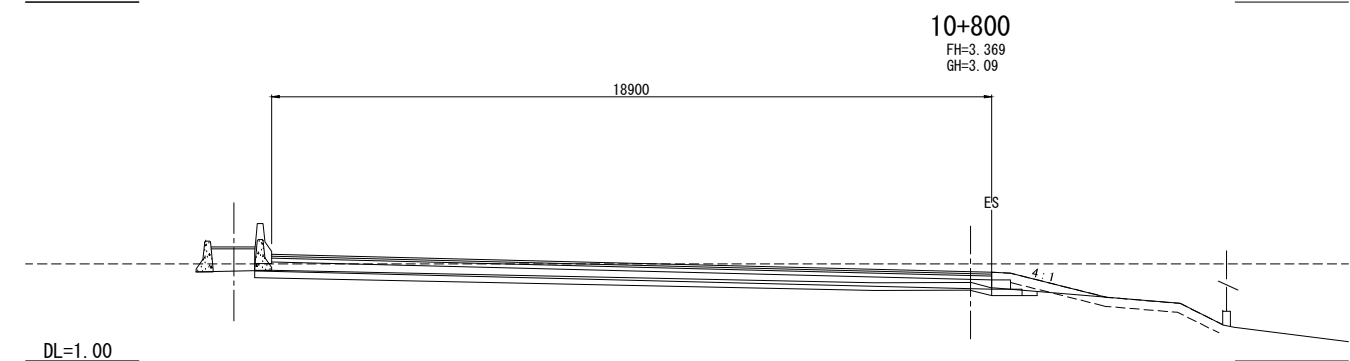
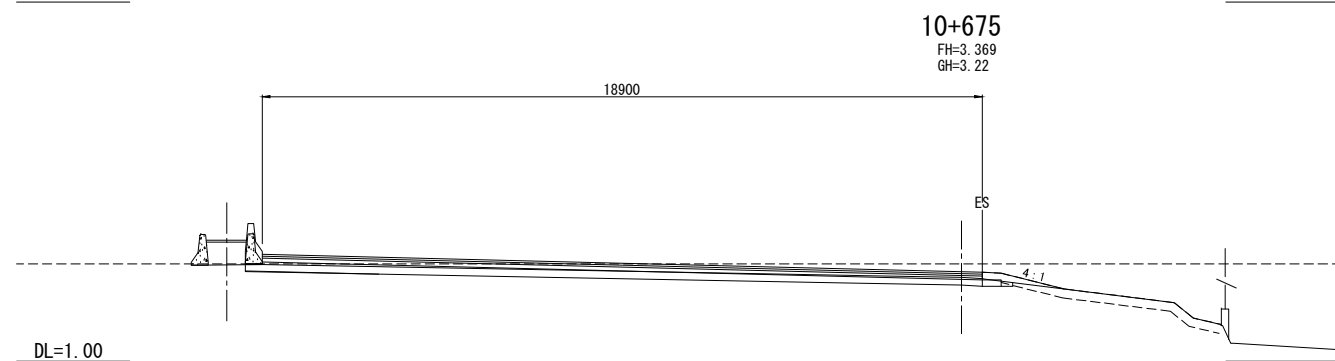
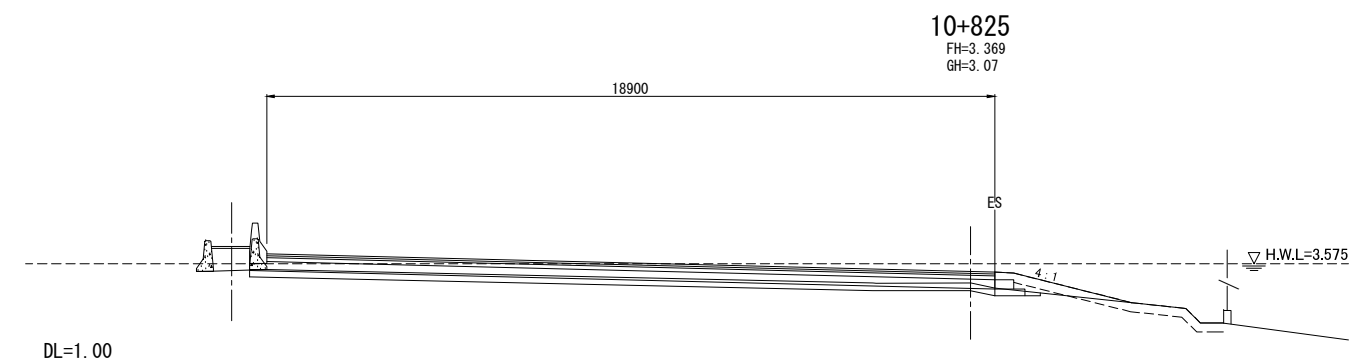
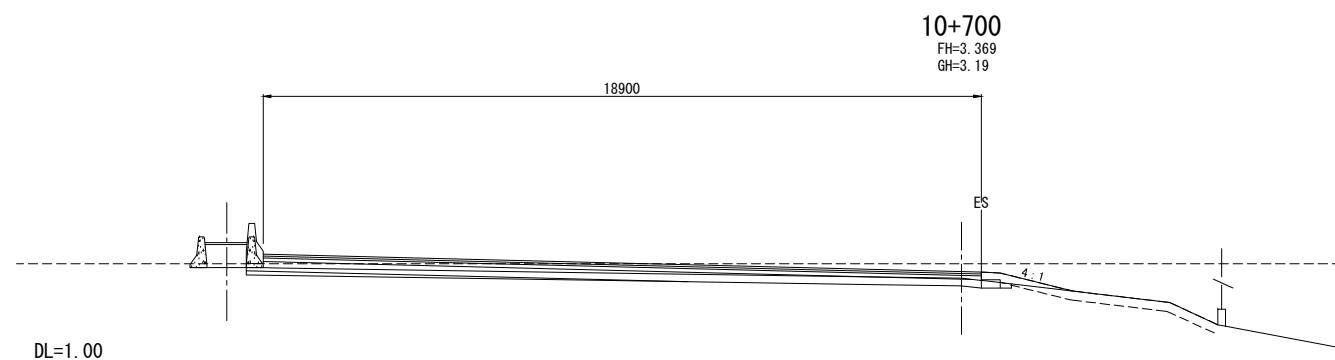


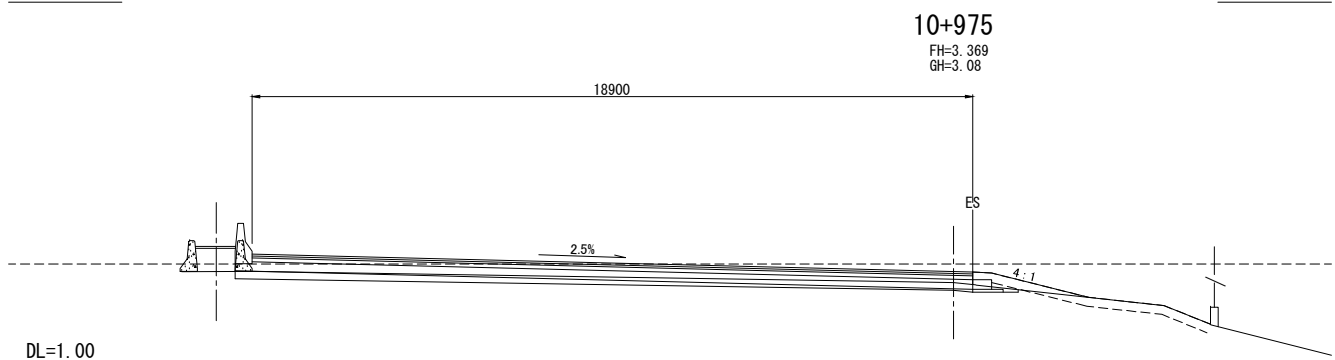
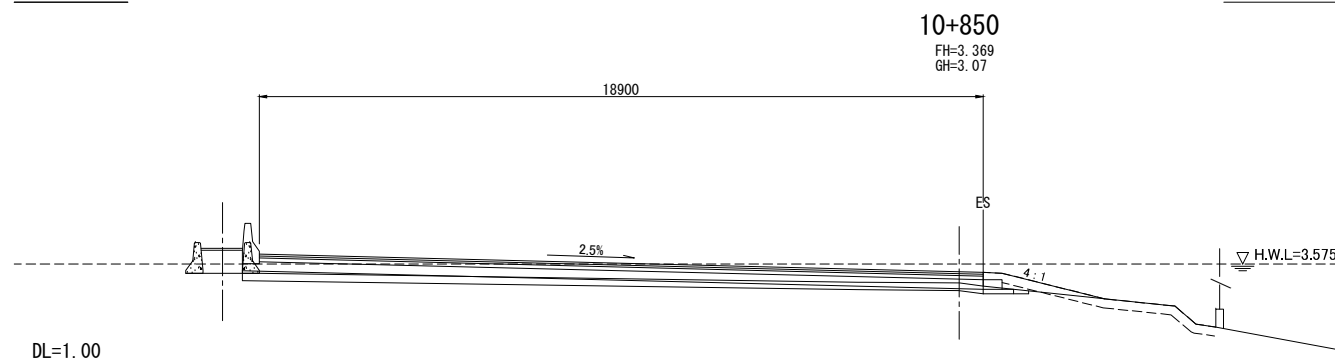
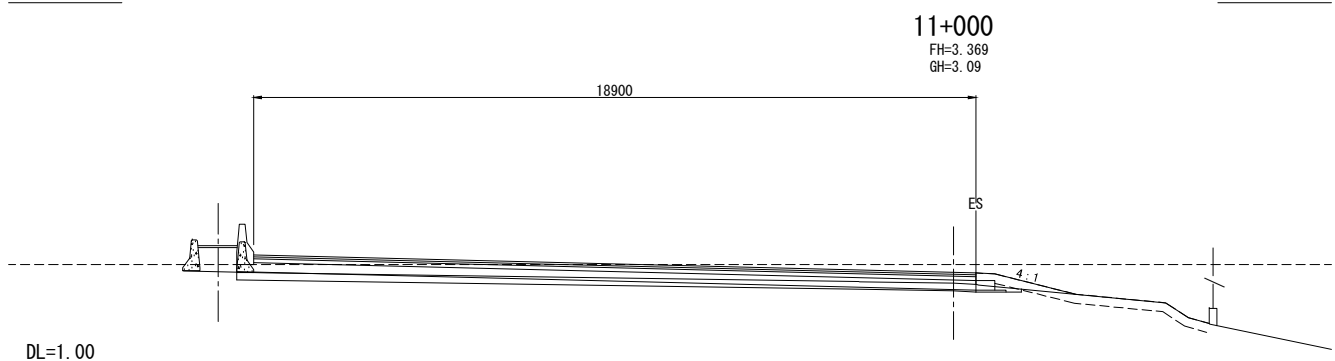
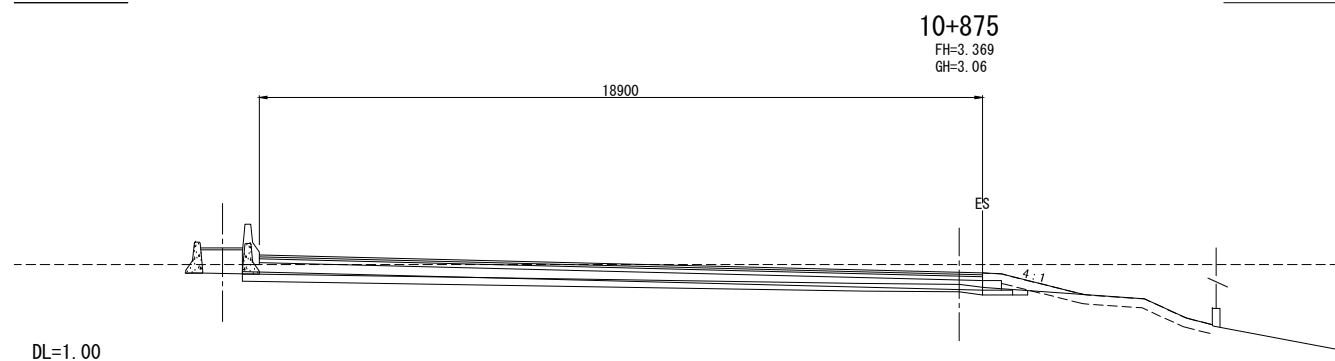
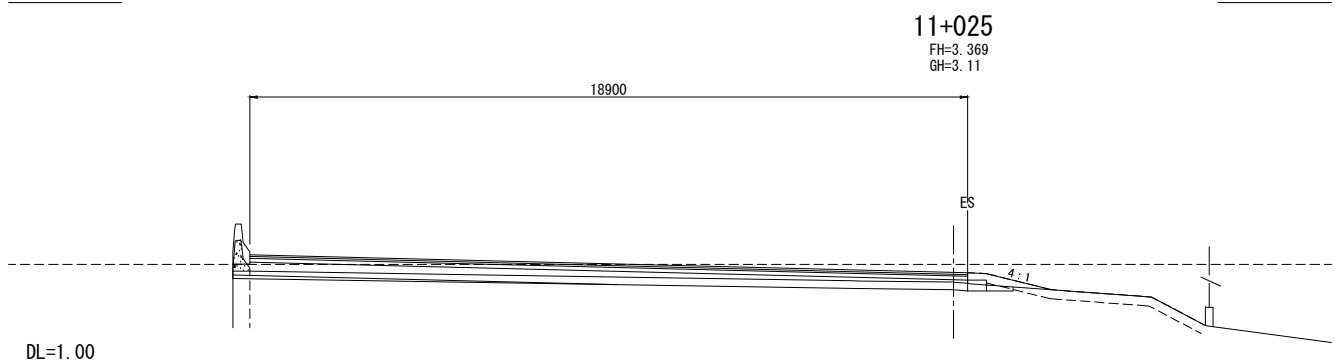
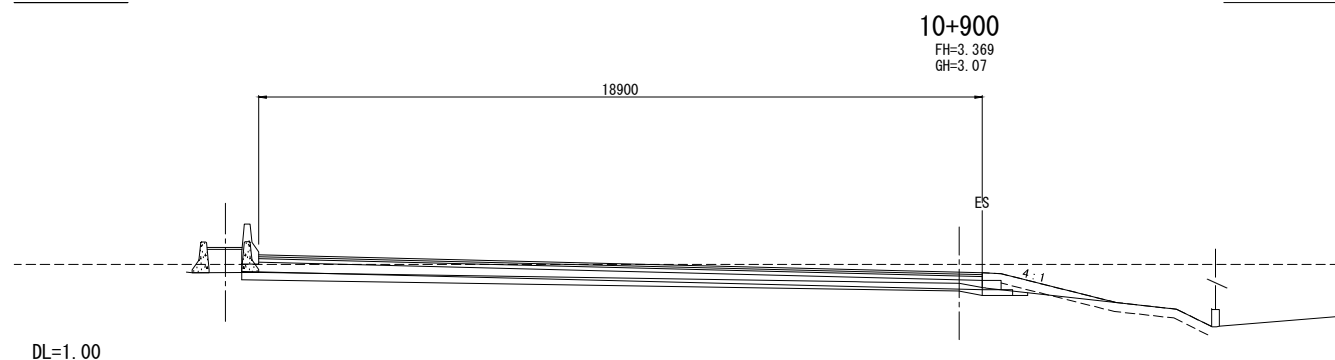
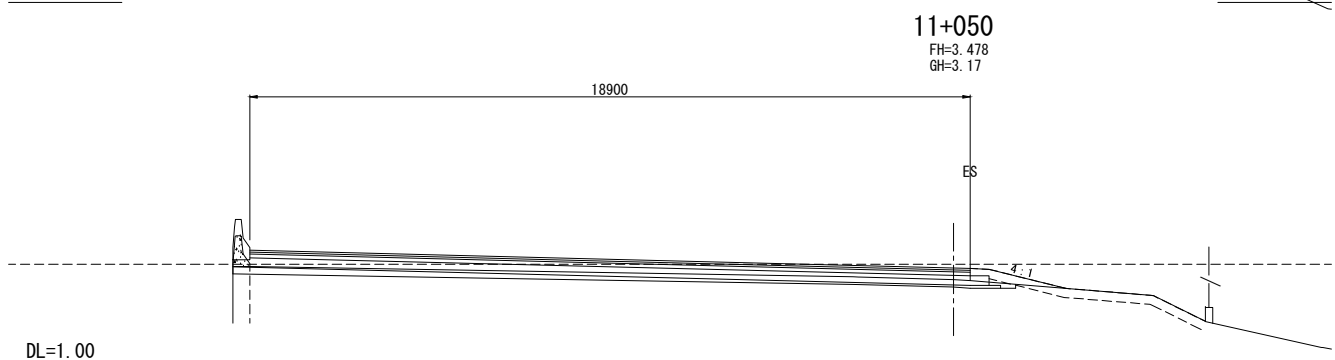
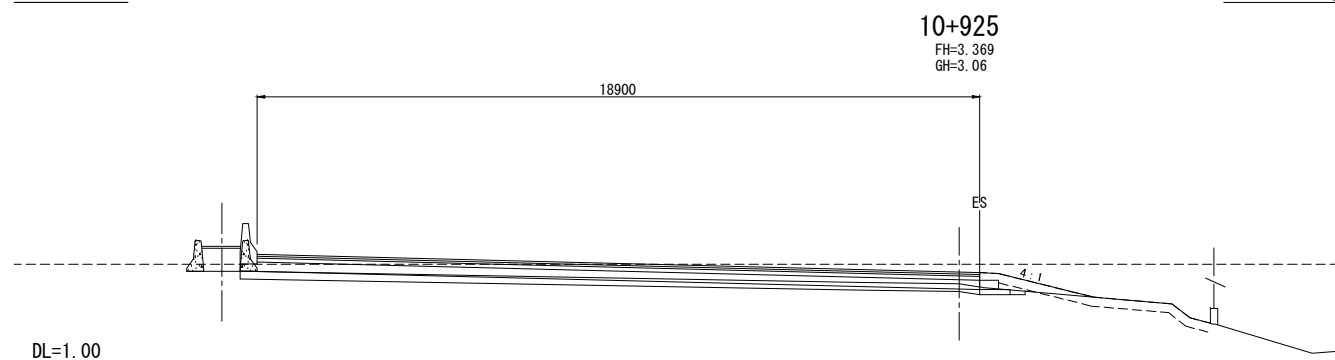
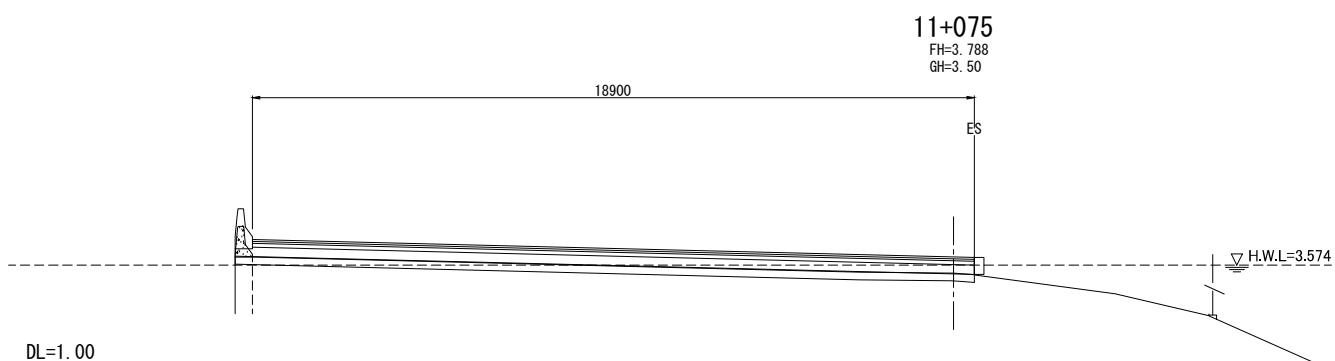
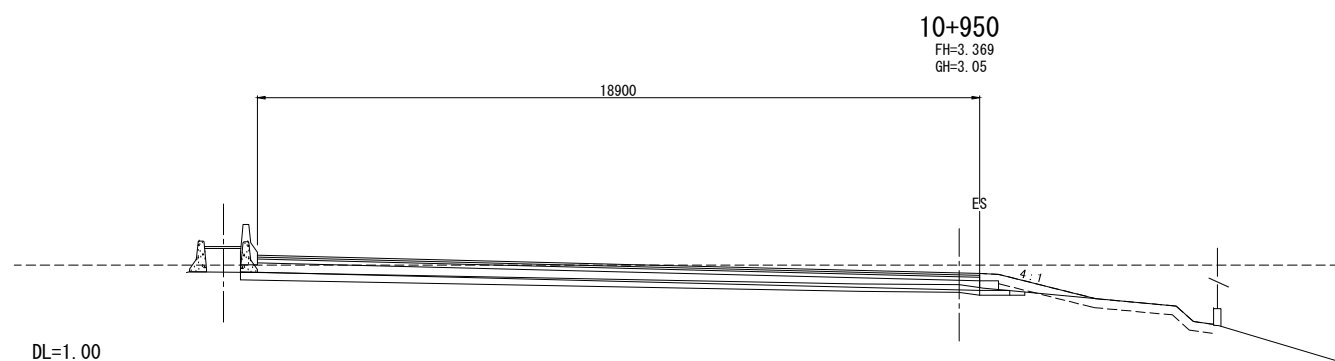
## **2-4 CROSS SECTIONS**





NOTES :  
 1. H.W.L. : THE HISTORICAL HIGHEST FLOOD LEVEL RECORDED IN 2011.  
 2. CROSS SECTIONS ONLY WHERE RAISING ROAD HEIGHT ARE SHOWN.

REV. NO.	DESCRIPTION	ENGINEER		DOH		REV. NO.	APPROVED BY	KINGDOM OF THAILAND MINISTRY OF TRANSPORT DEPARTMENT OF HIGHWAYS	HIGHWAY ROUTE NO. 9	OWNER	PROJECT TITLE	CTI ENGINEERING INTERNATIONAL CO., LTD. ORIENTAL CONSULTANTS CO., LTD. NIPPON KOEI CO., LTD. CTI ENGINEERING CO., LTD.	DESIGNED BY	CHECKED BY	DATE	SCALE
		CHECKED	DATE	CHECKED	DATE				CROSS SECTIONS ( 1 / 70 )	The Inter-City Motorways Division Department of Highways Ministry of Transport	The Preparatory Survey on the Rehabilitation Project of the Outer Bangkok Ring Road		SAGARA Hidetaka ROAD ENGINEER	WATANABE Ryohei CHIEF ENGINEER	AUGUST 2012	SCALE 1:100
														DWG. NO.	SHEET NO.	
														MW-52	57	



REV. NO.	DESCRIPTION	ENGINEER		DOH		REV. NO.	APPROVED BY		HIGHWAY ROUTE NO. 9	OWNER	PROJECT TITLE		DESIGNED BY	CHECKED BY	DATE:	SCALE:
		CHECKED	DATE	CHECKED	DATE										AUGUST 2012	SCALE 1:100
								KINGDOM OF THAILAND MINISTRY OF TRANSPORT DEPARTMENT OF HIGHWAYS	CROSS SECTIONS (2 / 70)	The Inter-City Motorways Division Department of Highways Ministry of Transport	The Preparatory Survey on the Rehabilitation Project of the Outer Bangkok Ring Road		SAGARA Hidetaka ROAD ENGINEER	WATANABE Ryohei CHIEF ENGINEER	DWG. NO. MW-53	SHEET NO. 58

11+185  
FH=  
GH=7.05

BRIDGE

DL=4.00

11+175  
FH=  
GH=6.73

BRIDGE

DL=4.00

11+150  
FH=  
GH=5.90

BRIDGE

DL=3.00

11+124  
FH=4.979  
GH=4.98

BRIDGE

19432

DL=2.00






11+100  
FH=4.299  
GH=4.17

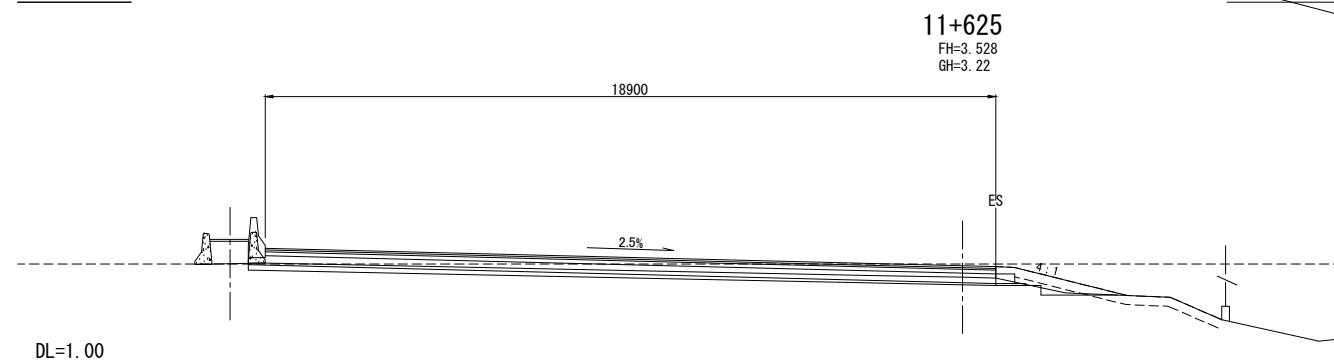
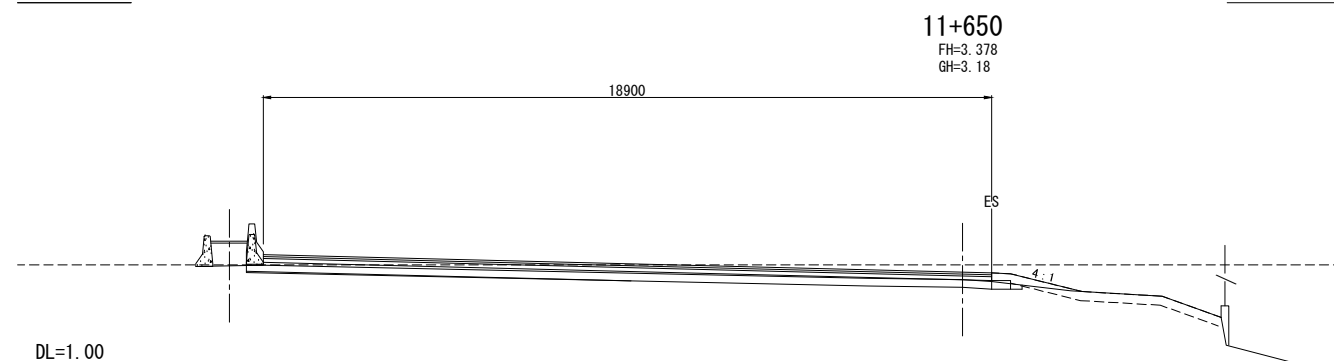
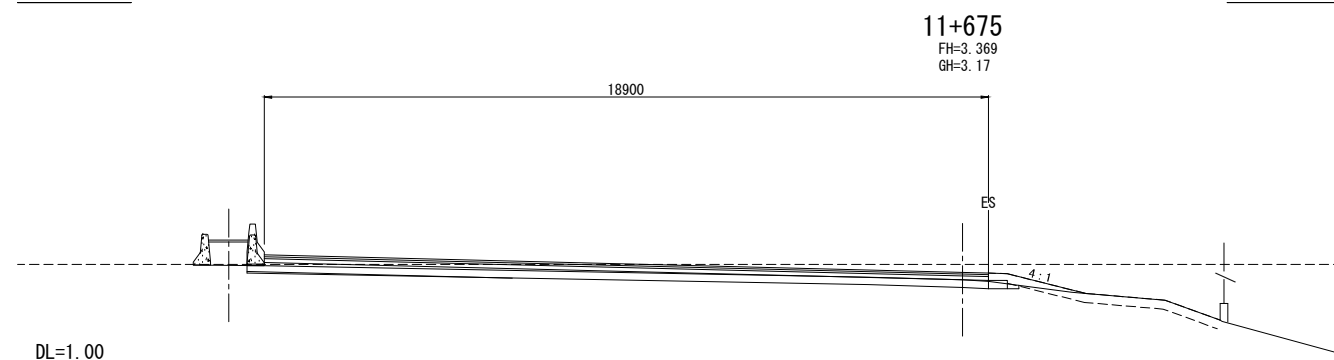
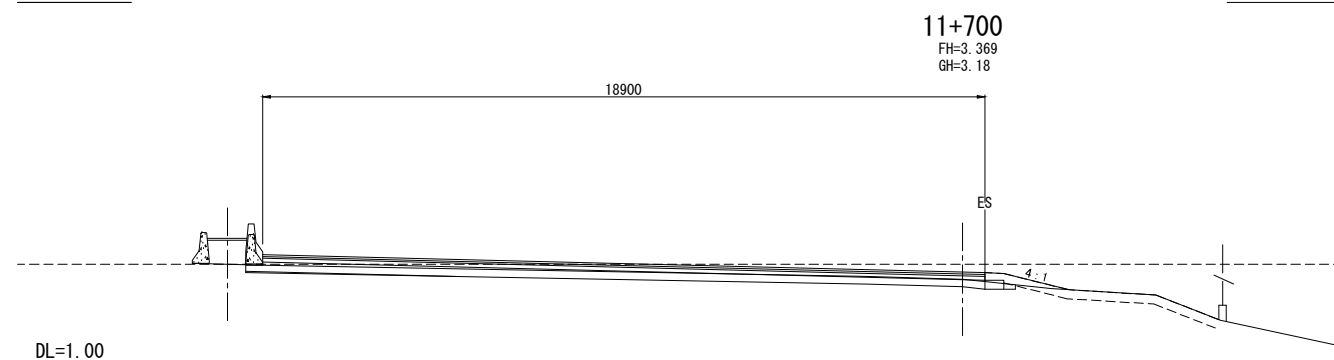
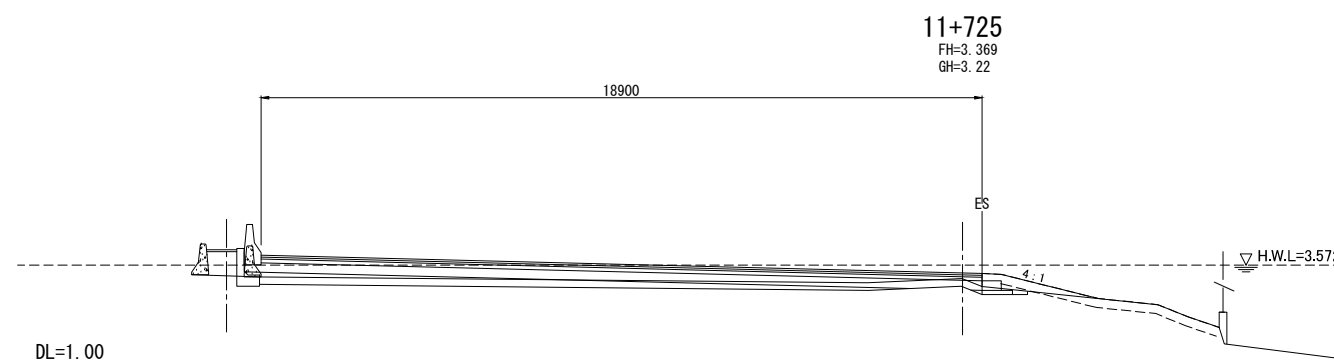
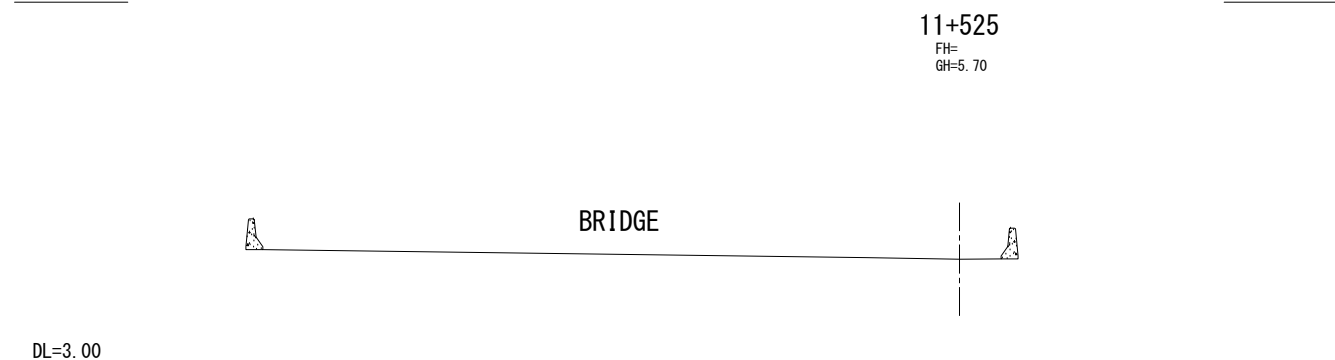
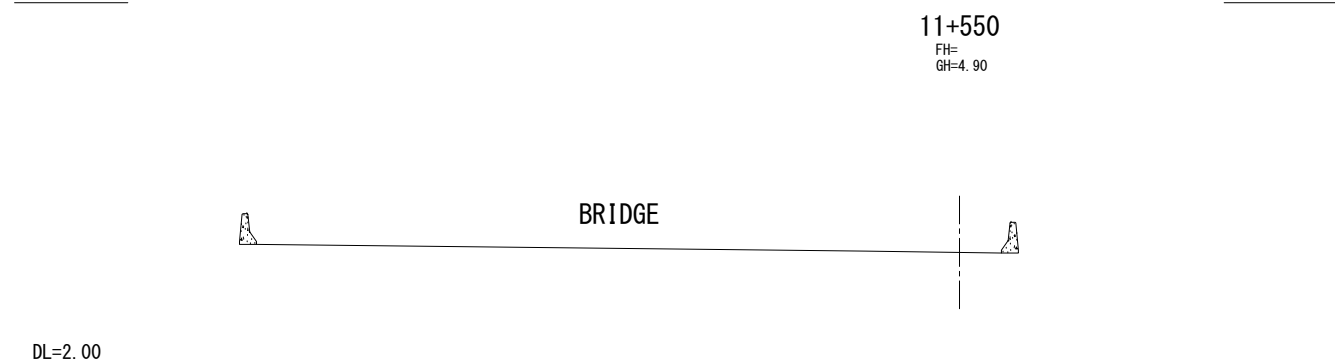
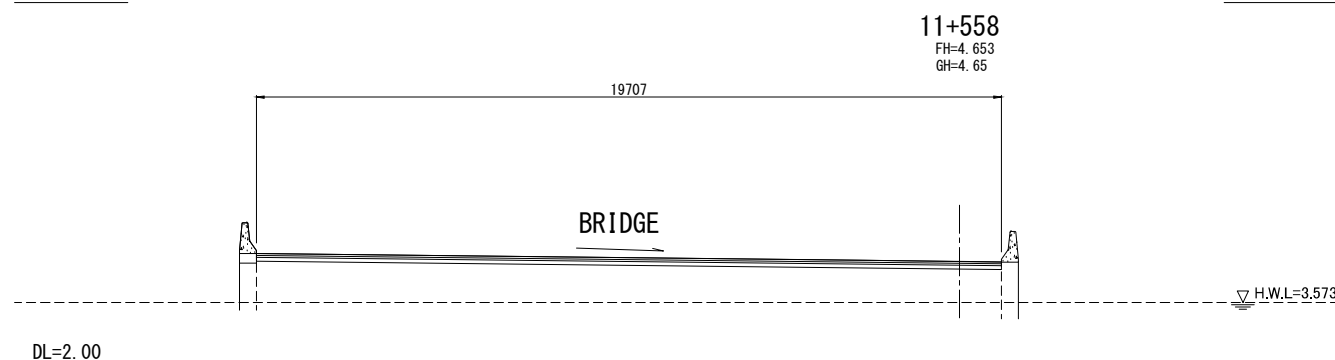
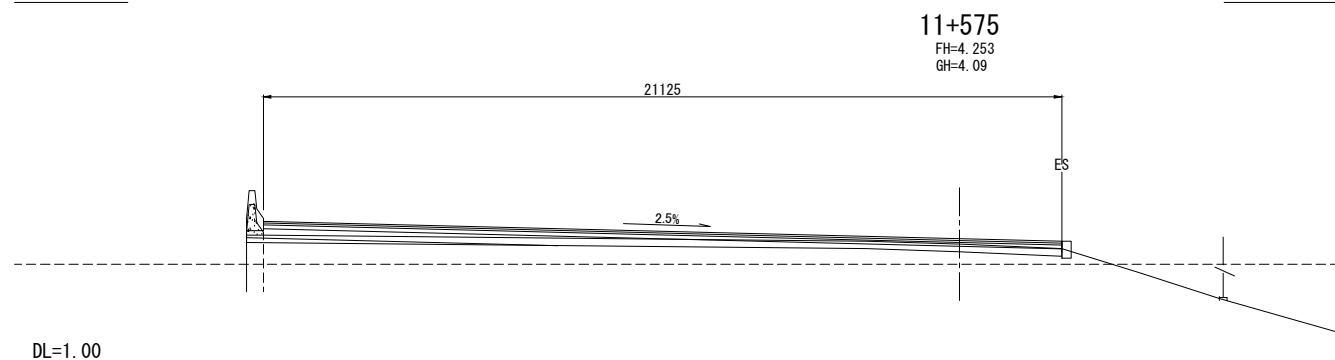
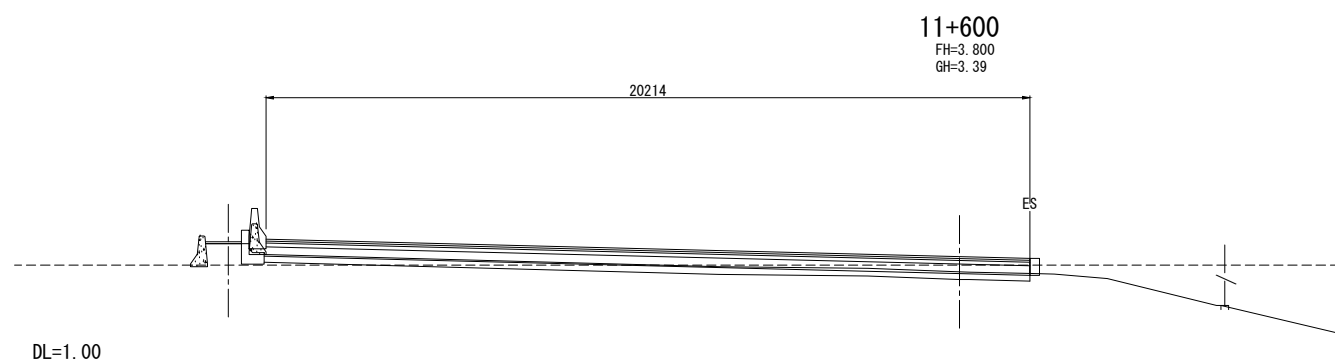
19840

2.5%

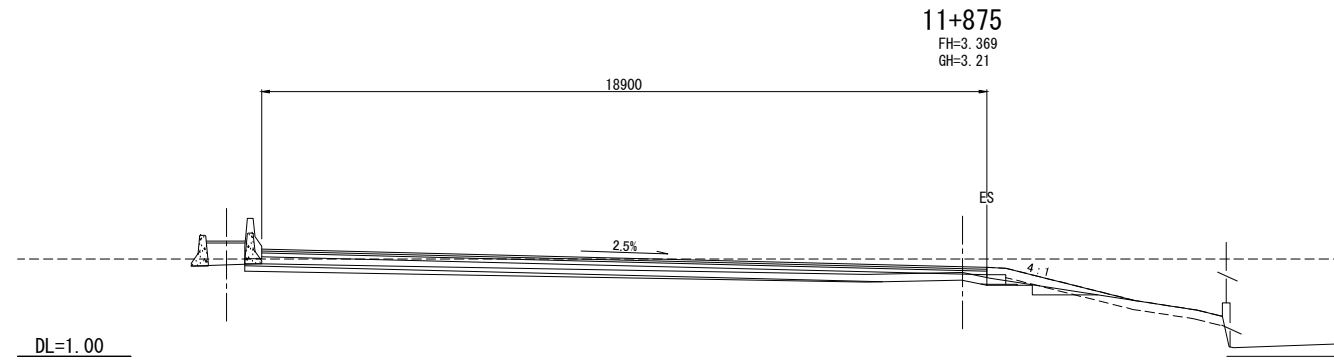
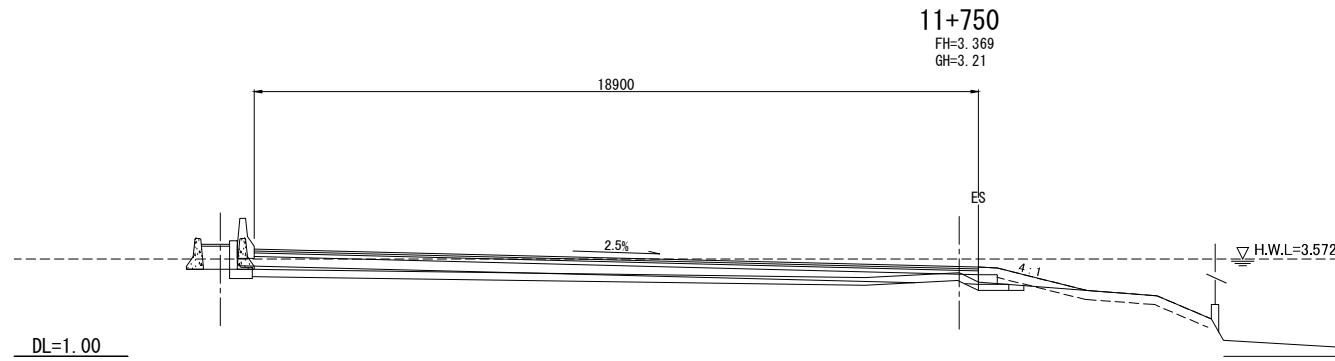
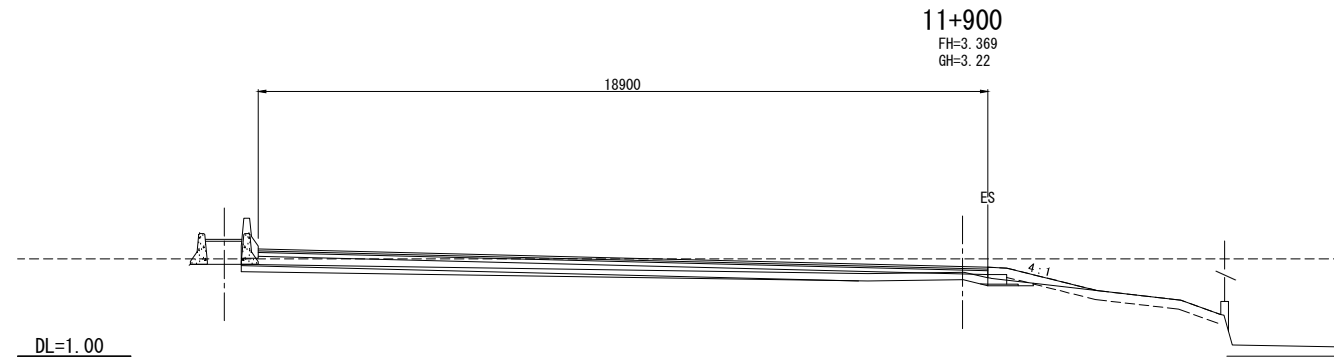
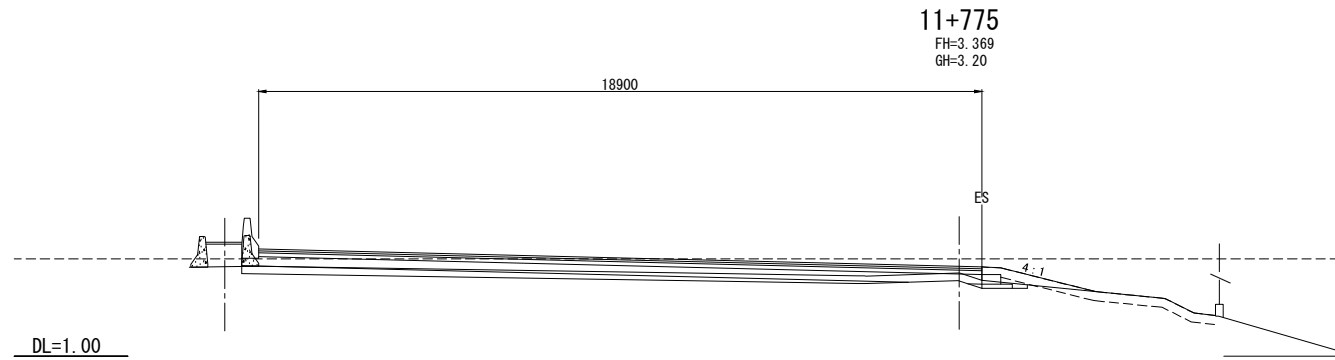
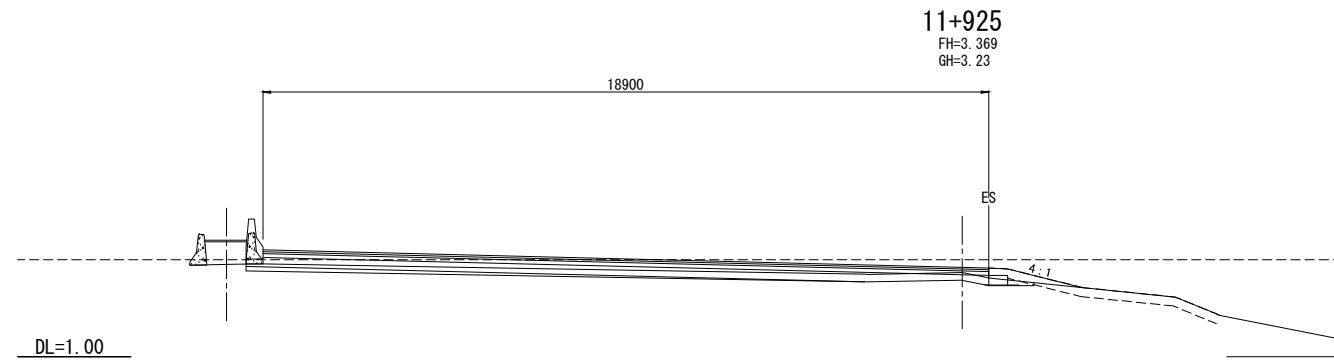
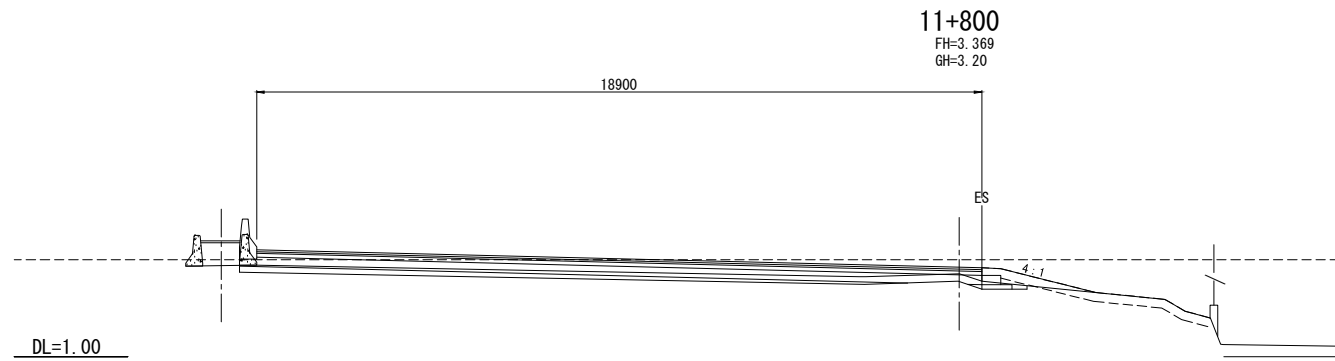
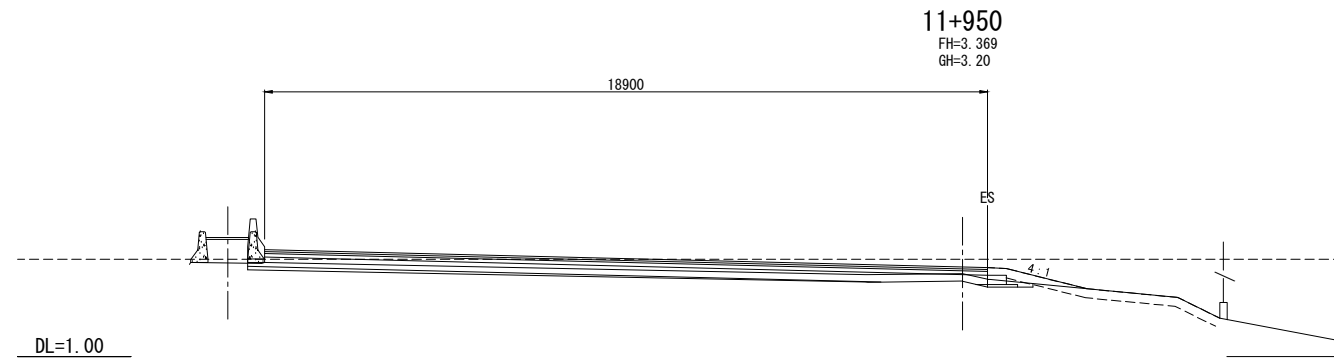
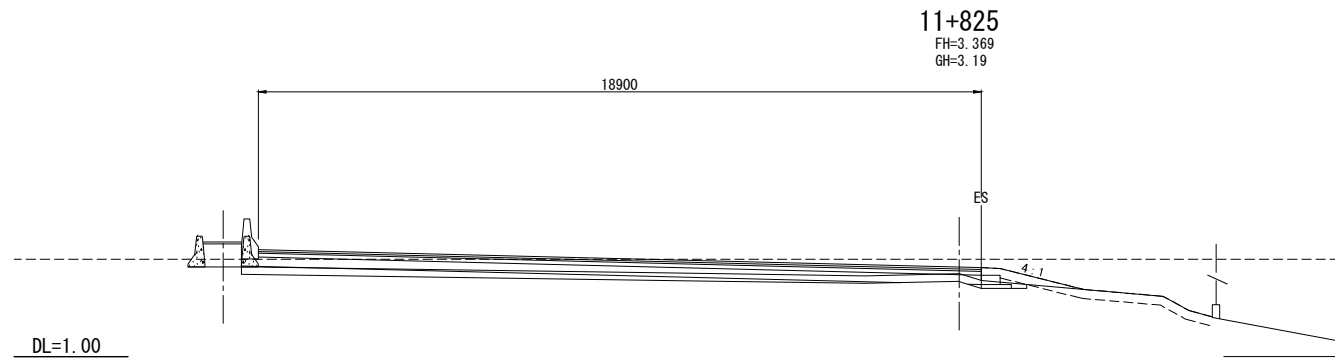
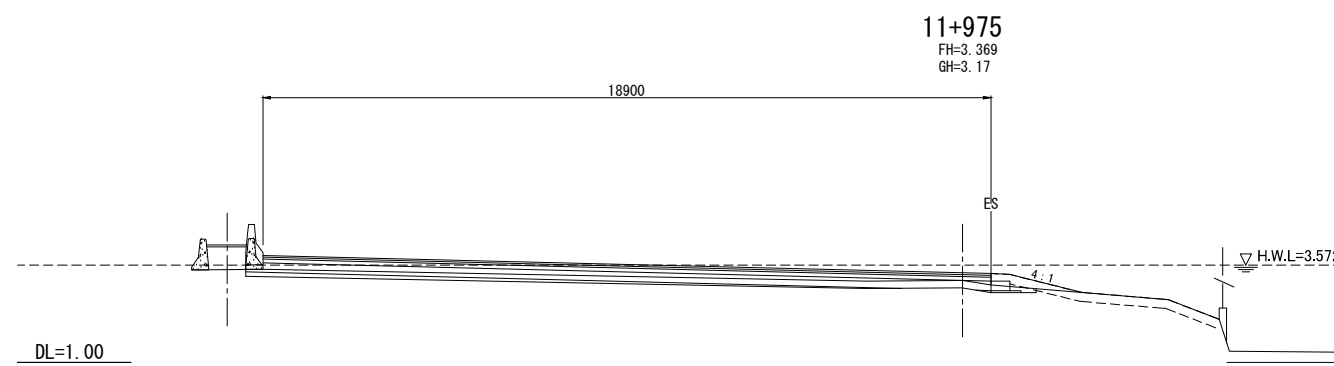
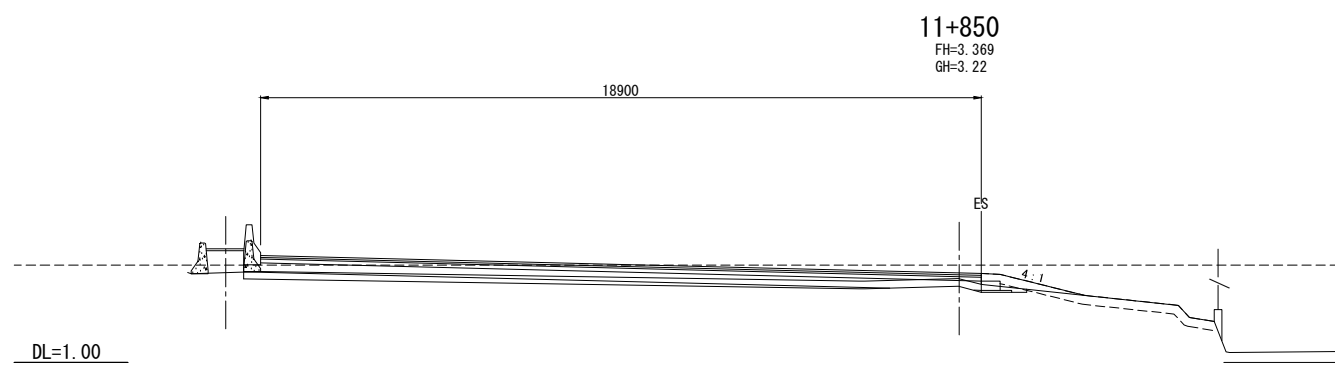
H.W.L=3.574

DL=1.00

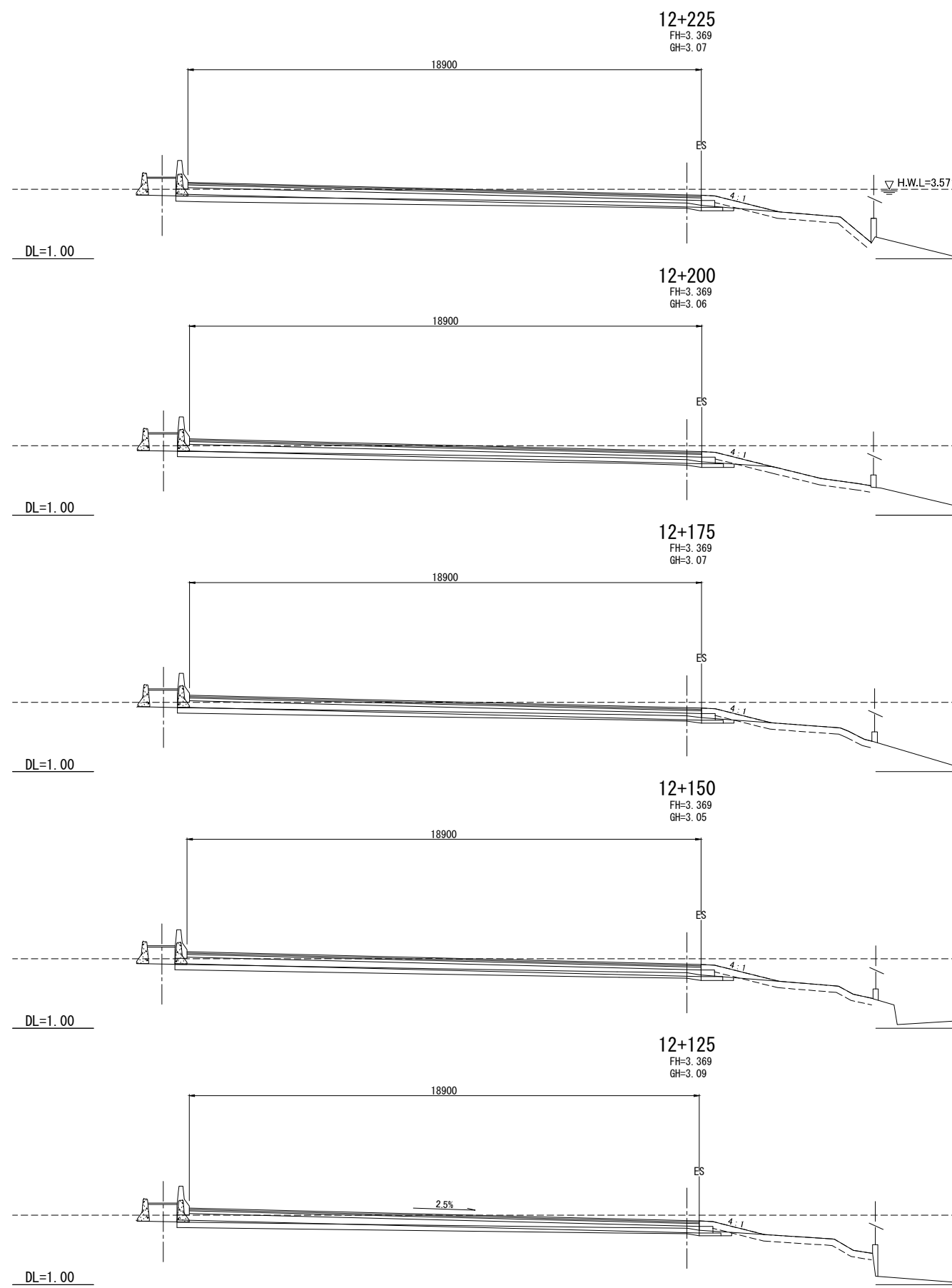
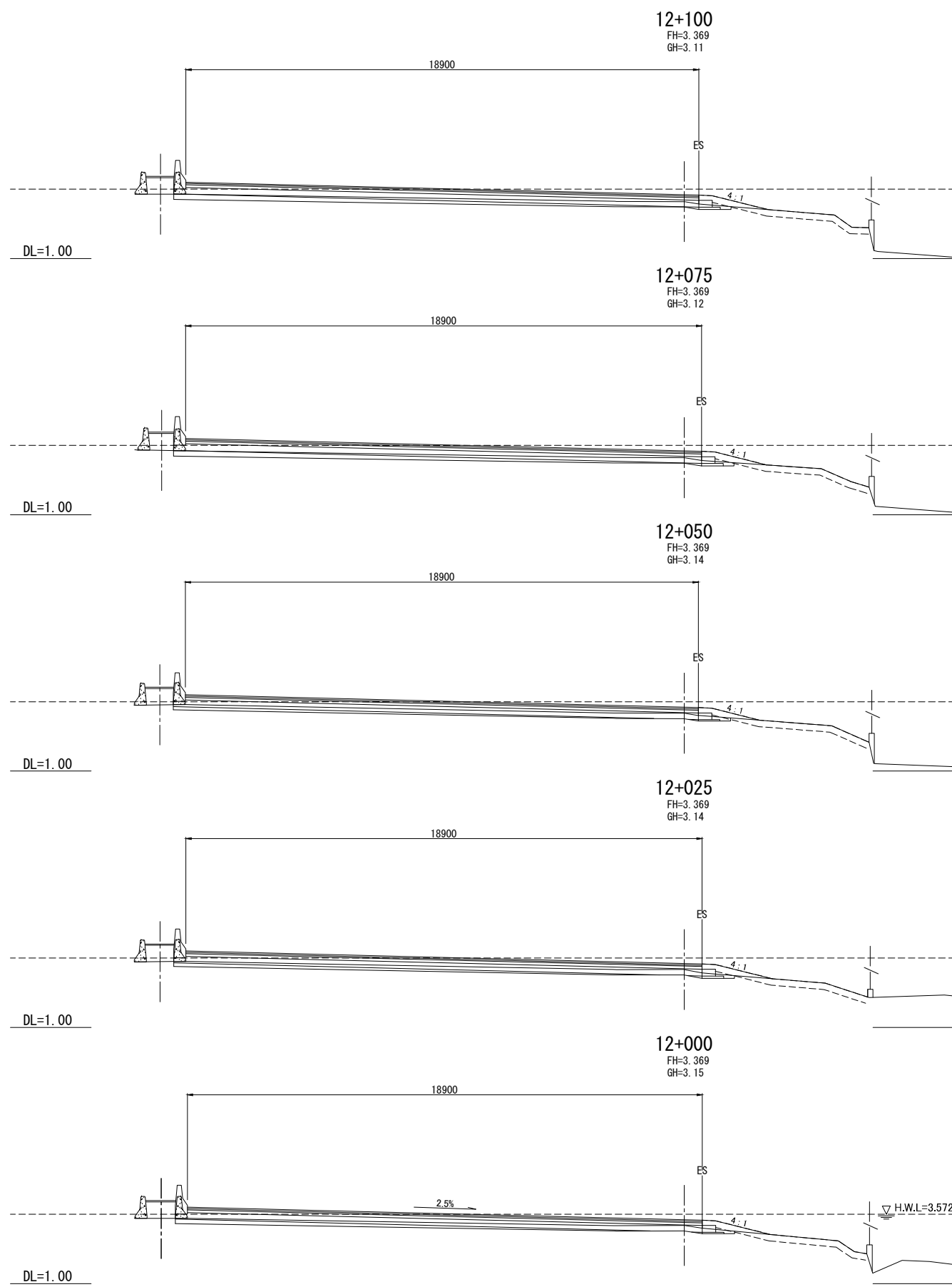
REV. NO.	DESCRIPTION	ENGINEER		DOH		REV. NO.	APPROVED BY	 <b>KINGDOM OF THAILAND</b> MINISTRY OF TRANSPORT DEPARTMENT OF HIGHWAYS	HIGHWAY ROUTE NO. 9	OWNER	PROJECT TITLE	 CTI ENGINEERING INTERNATIONAL CO., LTD.  ORIENTAL CONSULTANTS CO., LTD.  NIPPON KOEI CO., LTD.  CTI ENGINEERING CO., LTD.	DESIGNED BY	CHECKED BY	DATE :	SCALE :
		CHECKED	DATE	CHECKED	DATE								SAGARA Hidetaka ROAD ENGINEER	WATANABE Ryohei CHIEF ENGINEER	AUGUST 2012	SCALE 1:100
									The Inter-City Motorways Division Department of Highways Ministry of Transport	The Preparatory Survey on the Rehabilitation Project of the Outer Bangkok Ring Road					DWG. NO. <b>MW-54</b>	SHEET NO. <b>59</b>



REV. NO.	DESCRIPTION	ENGINEER		DOH		REV. NO.	APPROVED BY	KINGDOM OF THAILAND MINISTRY OF TRANSPORT DEPARTMENT OF HIGHWAYS	HIGHWAY ROUTE NO. 9	OWNER The Inter-City Motorways Division Department of Highways Ministry of Transport	PROJECT TITLE The Preparatory Survey on the Rehabilitation Project of the Outer Bangkok Ring Road	DESIGNED BY SAGARA Hidetaka ROAD ENGINEER	CHECKED BY WATANABE Ryohei CHIEF ENGINEER	DATE	SCALE
		CHECKED	DATE	CHECKED	DATE									AUGUST 2012	SCALE 1:100
									CROSS SECTIONS (4 / 70)					DWG. NO. MW-55	SHEET NO. 60



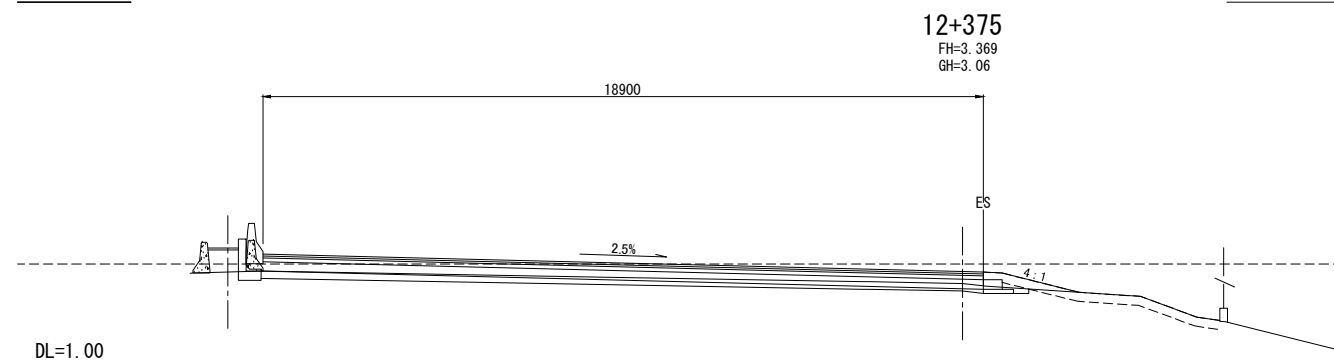
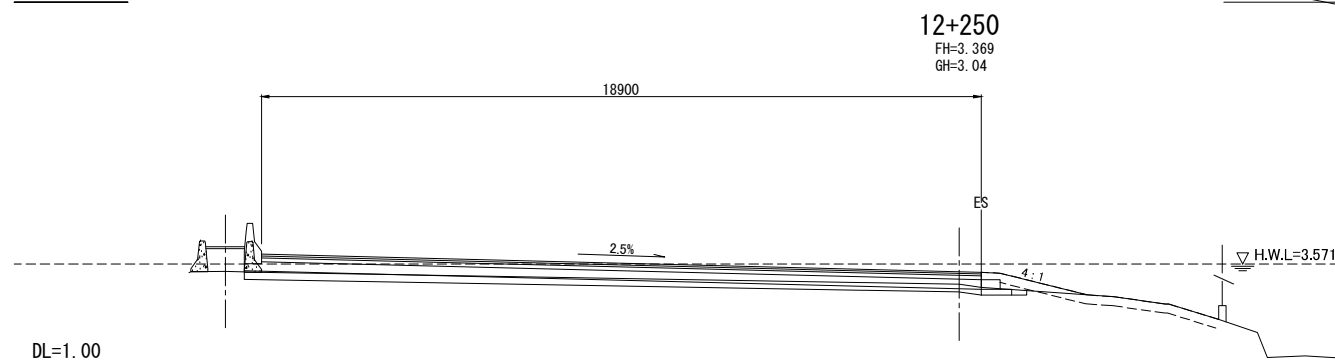
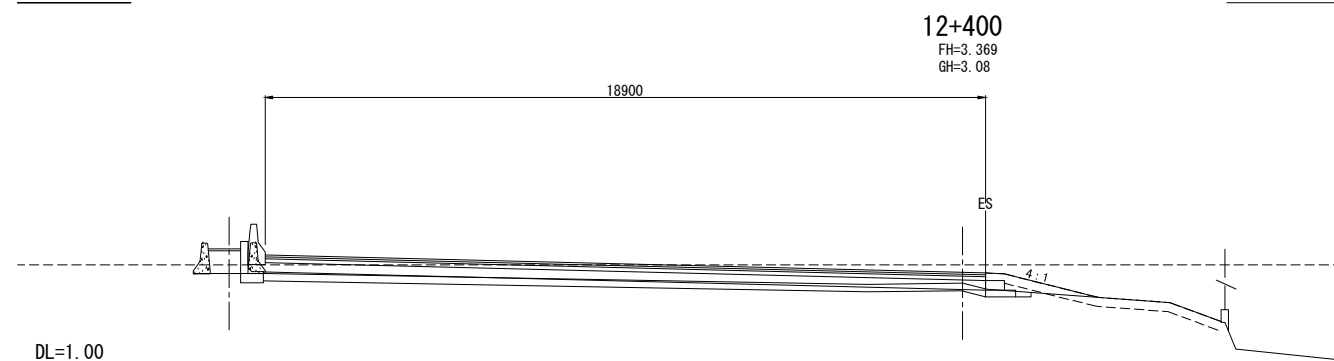
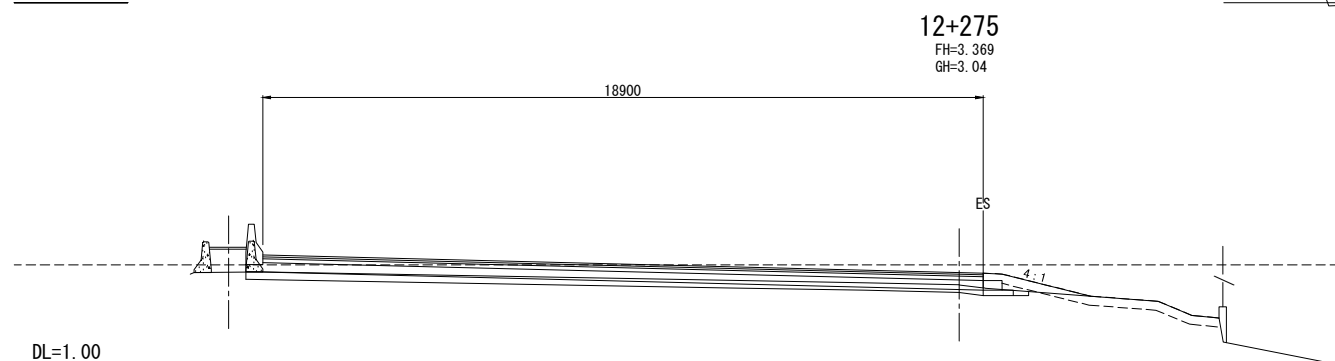
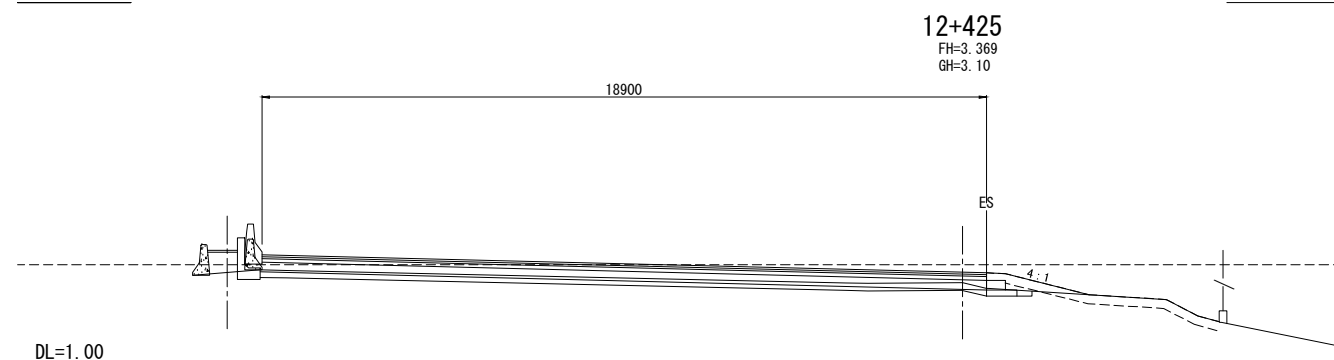
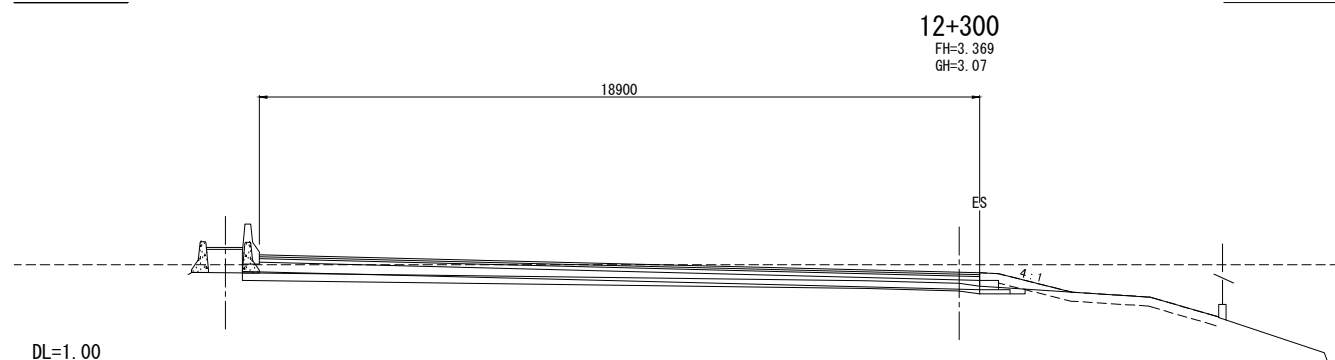
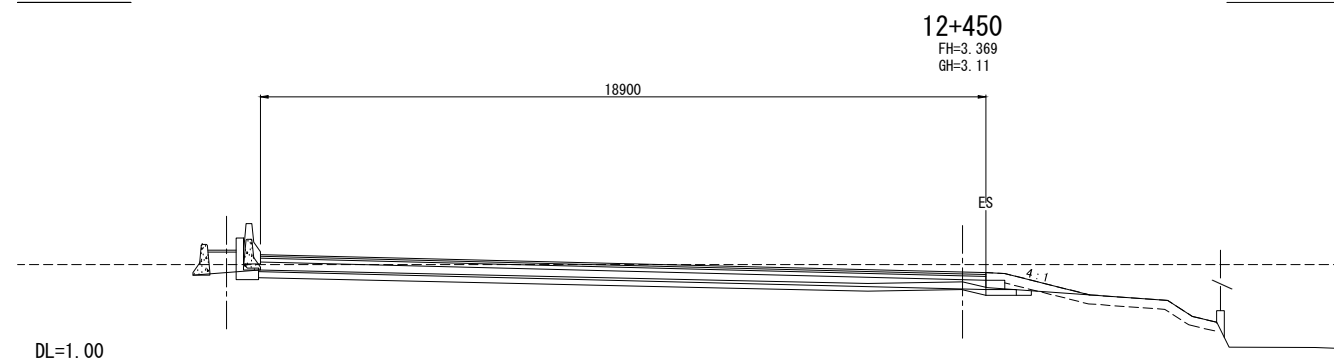
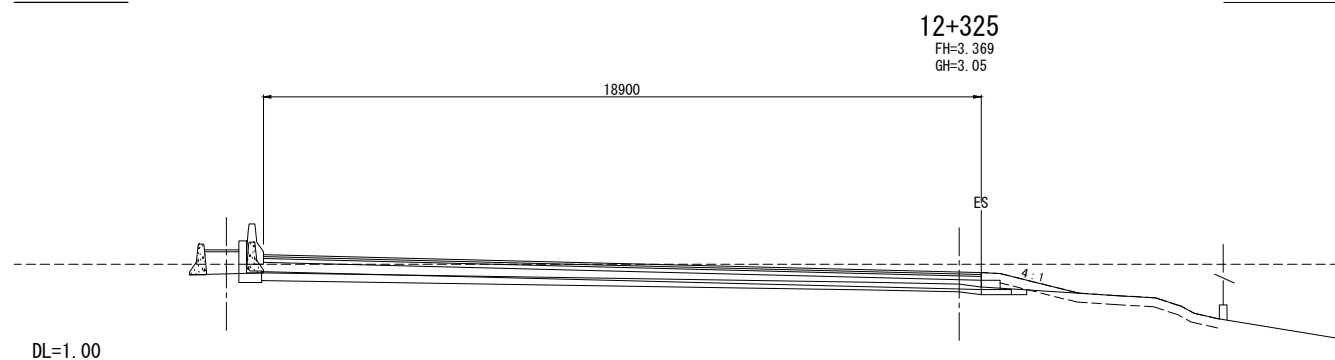
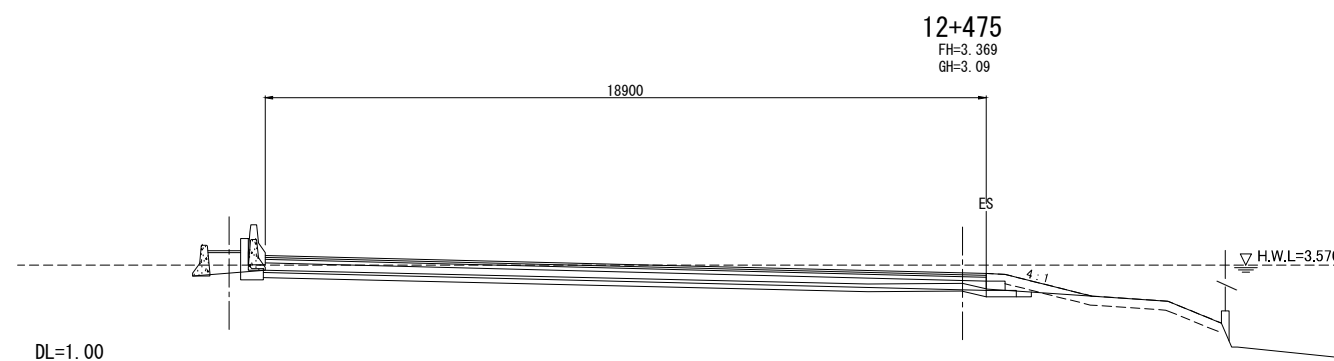
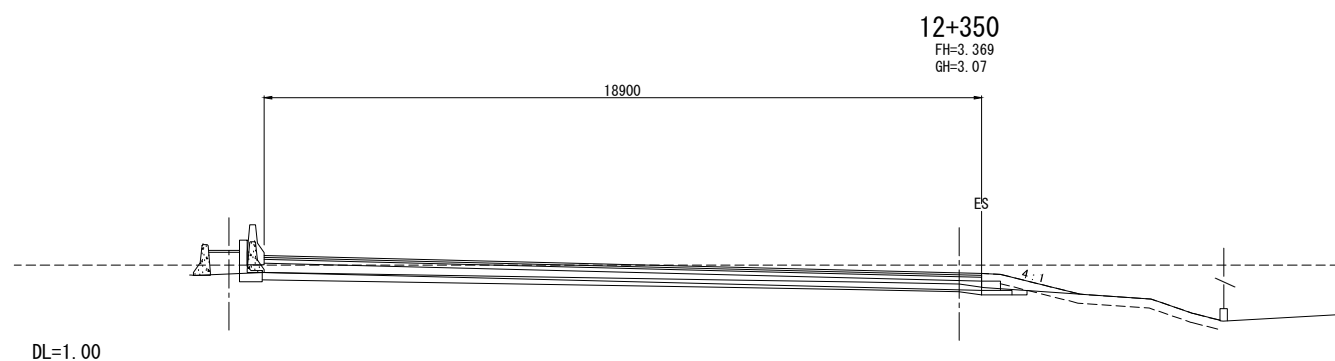
REV. NO.	DESCRIPTION	ENGINEER		DOH		REV. NO.	APPROVED BY	KINGDOM OF THAILAND MINISTRY OF TRANSPORT DEPARTMENT OF HIGHWAYS	HIGHWAY ROUTE NO. 9	OWNER The Inter-City Motorways Division Department of Highways Ministry of Transport	PROJECT TITLE The Preparatory Survey on the Rehabilitation Project of the Outer Bangkok Ring Road	DESIGNED BY SAGARA Hidetaka ROAD ENGINEER	CHECKED BY WATANABE Ryohei CHIEF ENGINEER	DATE:	SCALE:
		CHECKED	DATE	CHECKED	DATE									AUGUST 2012	SCALE 1:100
														DWG. NO. MW-56	SHEET NO. 61



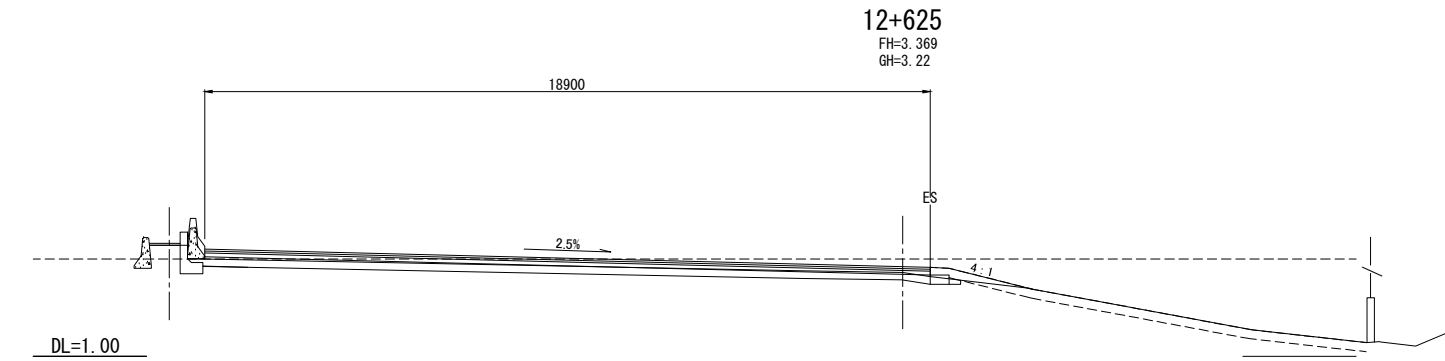
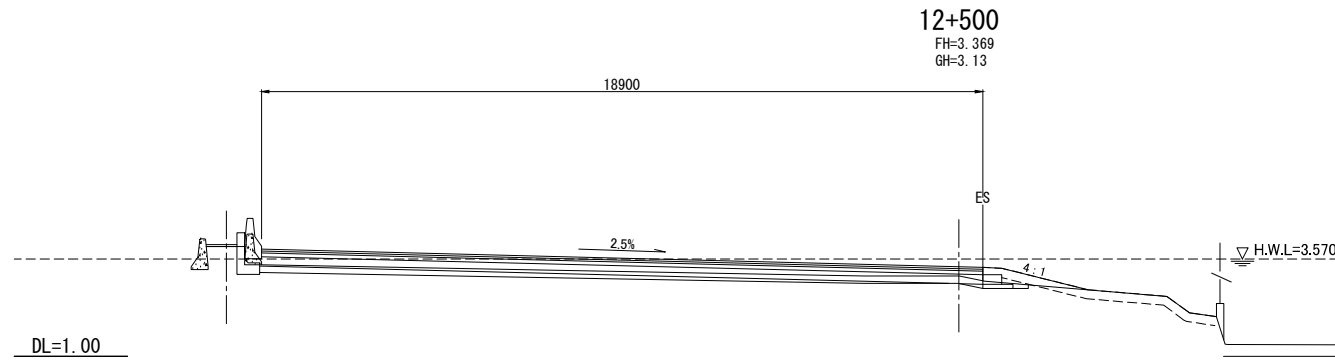
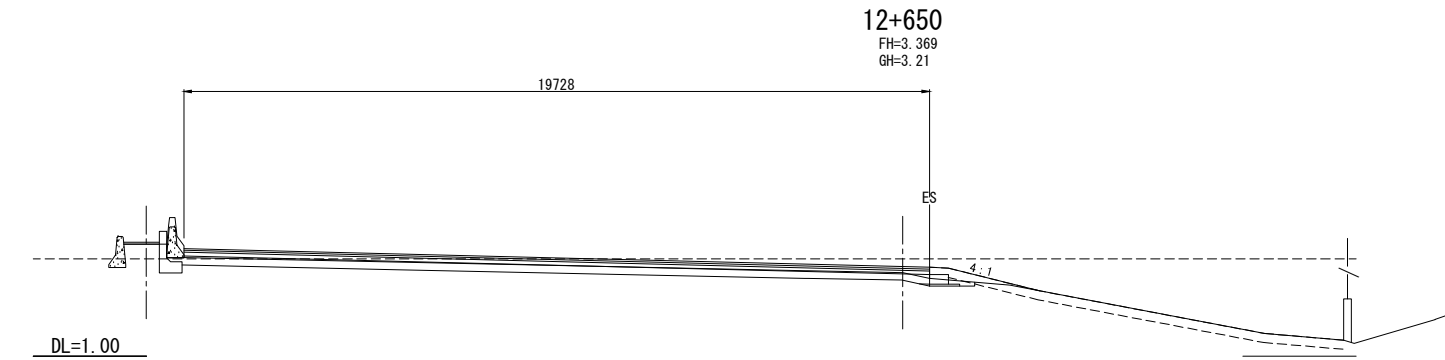
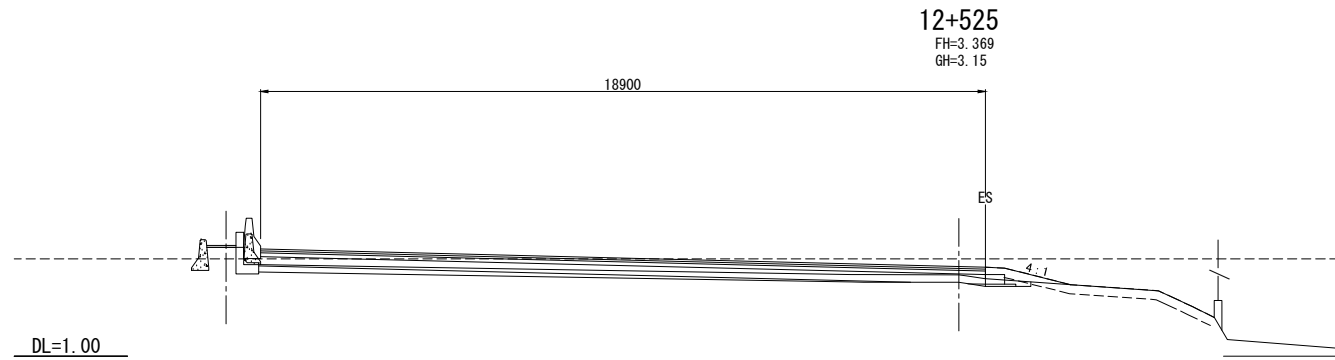
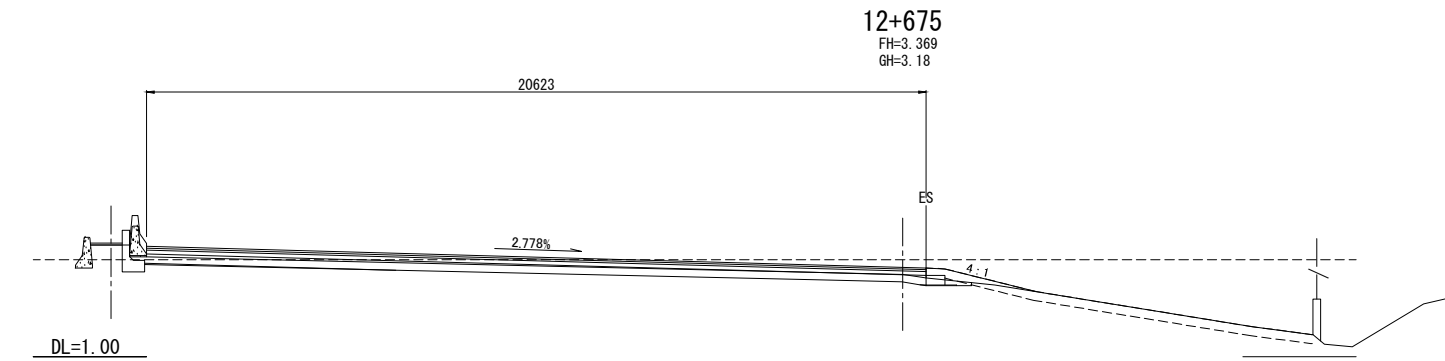
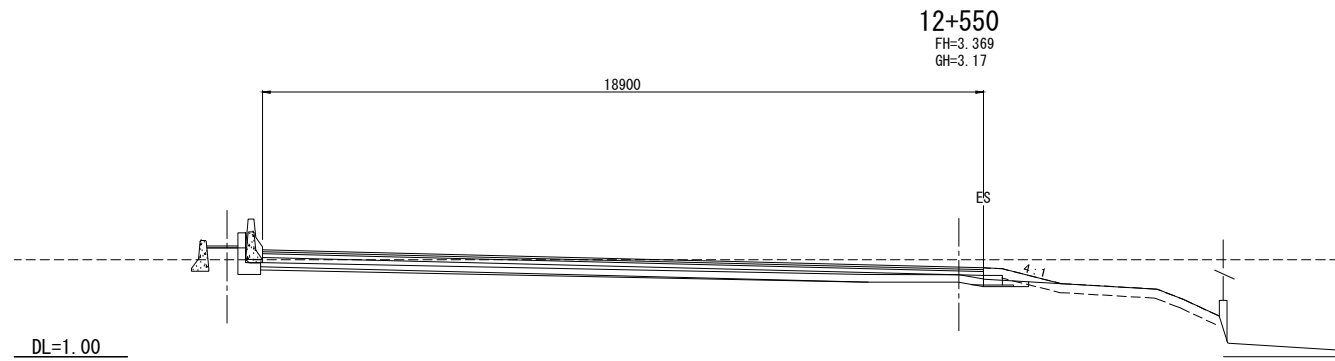
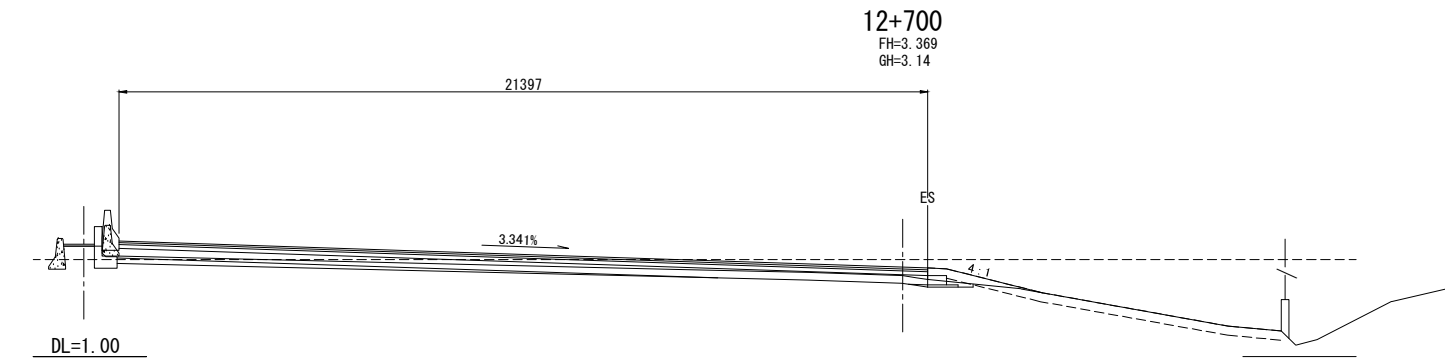
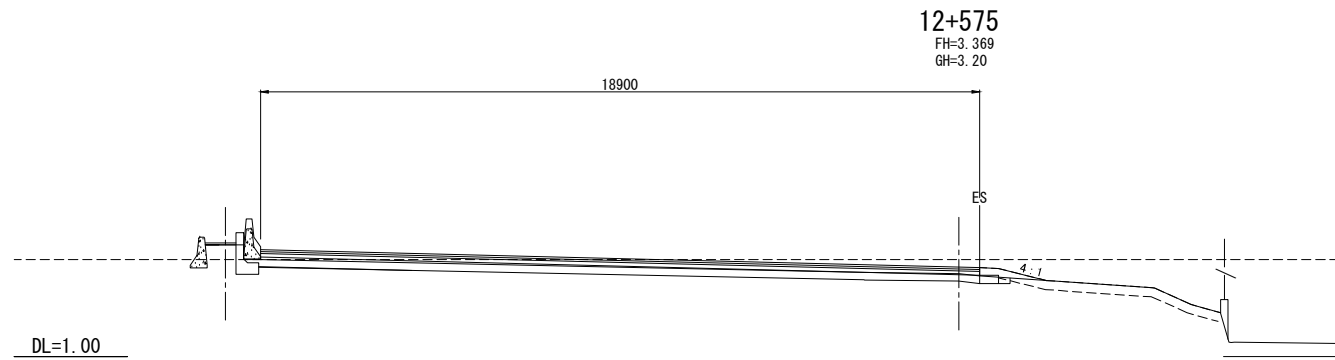
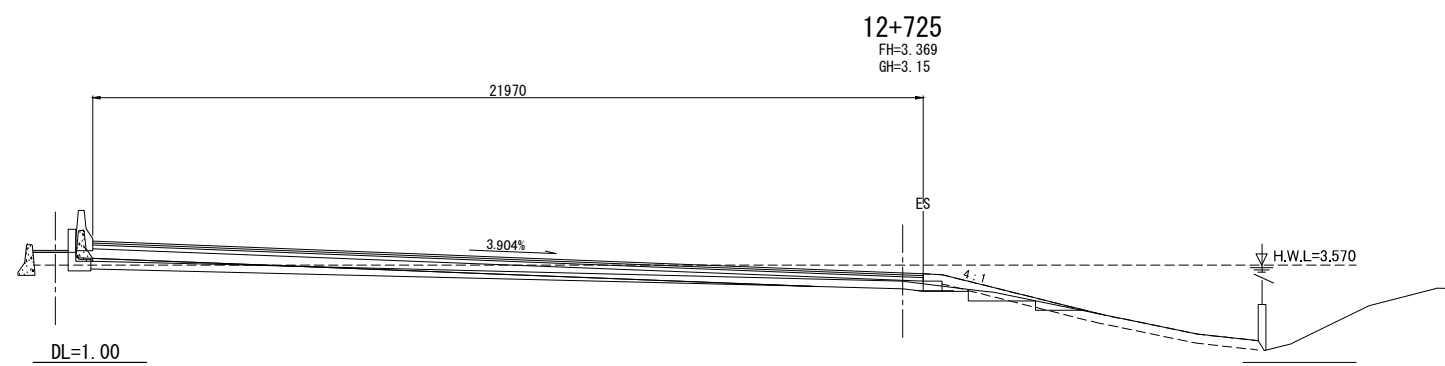
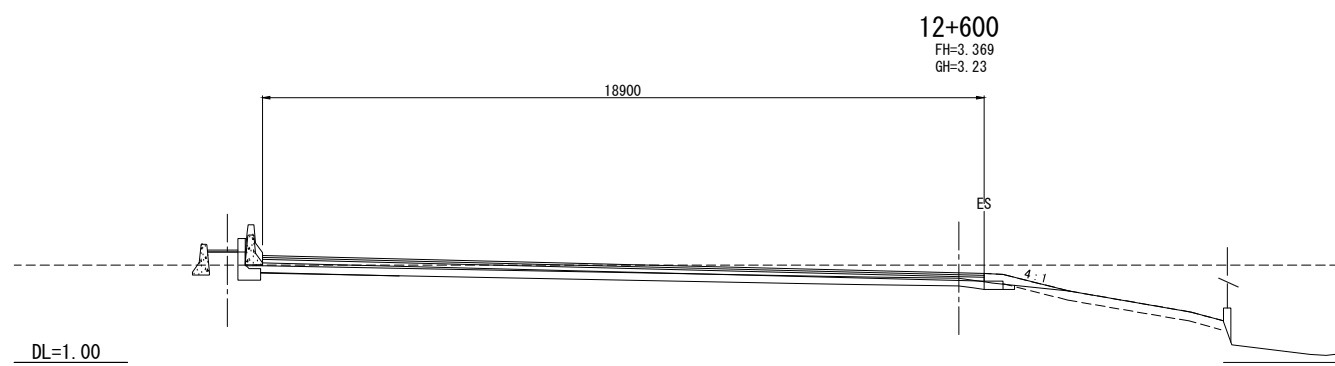
REV. NO.	DESCRIPTION	ENGINEER		DOH		REV. NO.	APPROVED BY	KINGDOM OF THAILAND MINISTRY OF TRANSPORT DEPARTMENT OF HIGHWAYS	HIGHWAY ROUTE NO. 9	OWNER The Inter-City Motorways Division Department of Highways Ministry of Transport	PROJECT TITLE The Preparatory Survey on the Rehabilitation Project of the Outer Bangkok Ring Road	DESIGNED BY SAGARA Hidetaka ROAD ENGINEER	CHECKED BY WATANABE Ryohei CHIEF ENGINEER	DATE:	SCALE:
		CHECKED	DATE	CHECKED	DATE									AUGUST 2012	SCALE 1:100
														DWG. NO. MW-57	SHEET NO. 62

CTI ENGINEERING INTERNATIONAL CO., LTD.  
 ORIENTAL CONSULTANTS CO., LTD.  
 NIPPON KOEI CO., LTD.  
 CTI ENGINEERING CO., LTD.

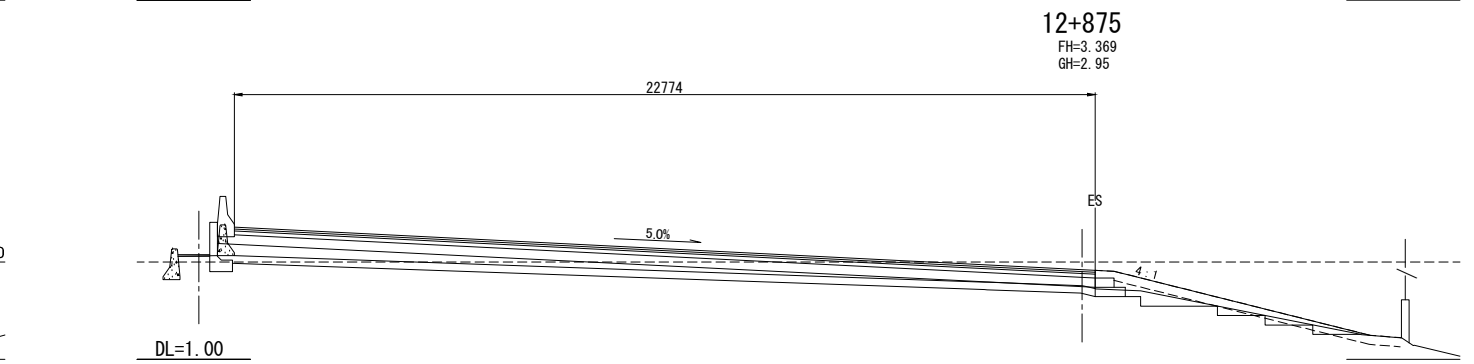
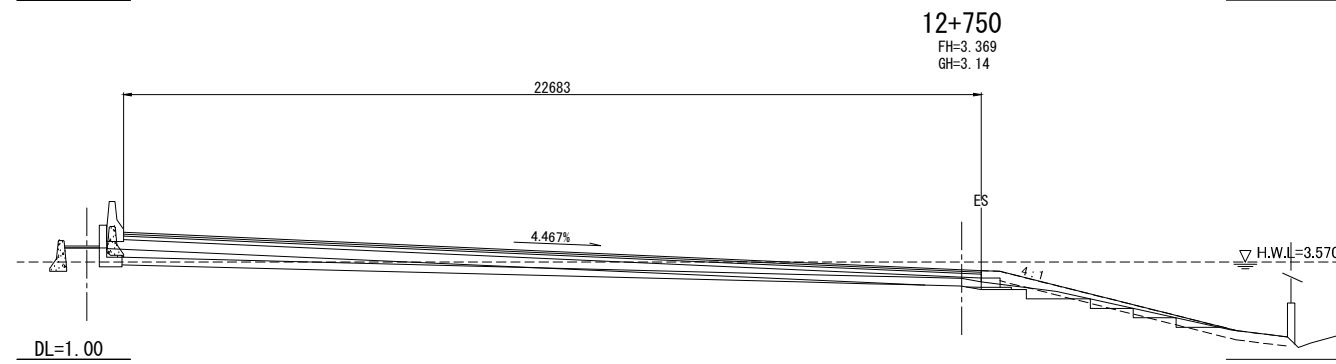
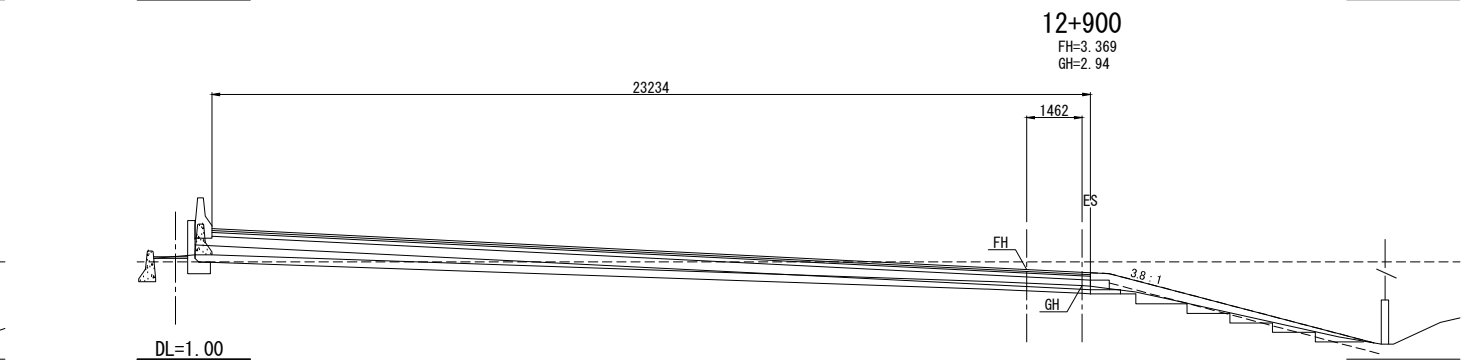
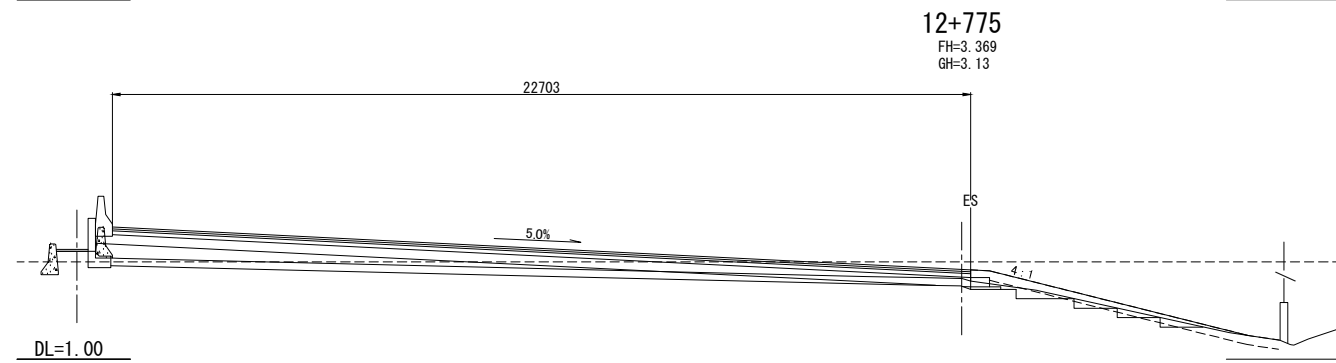
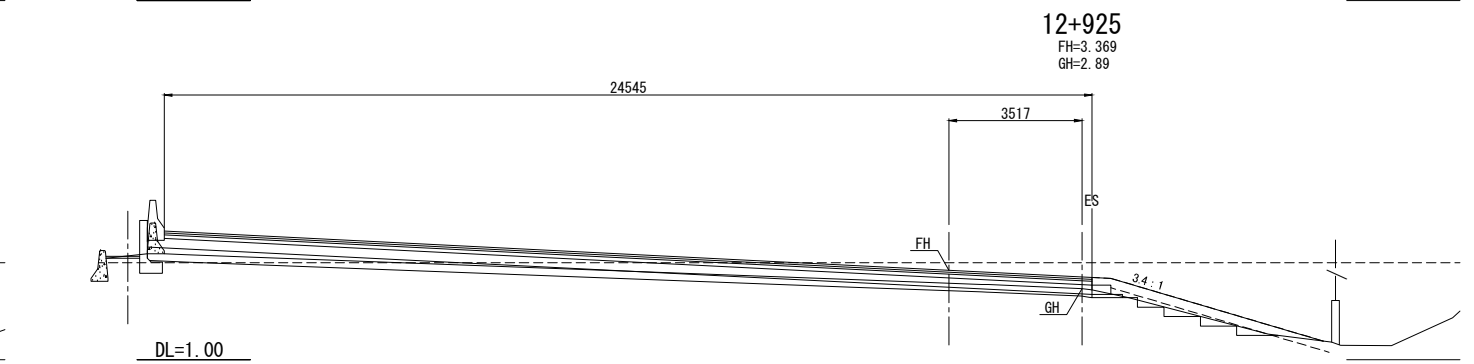
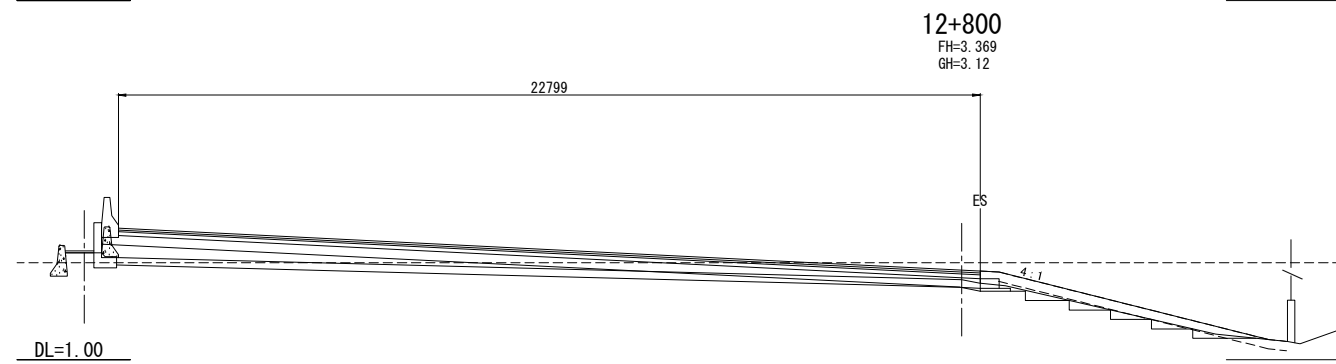
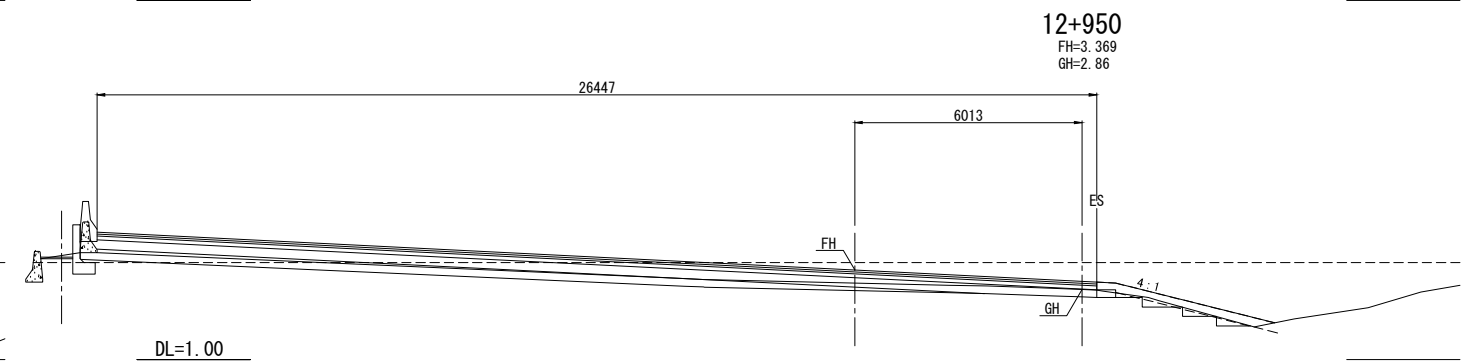
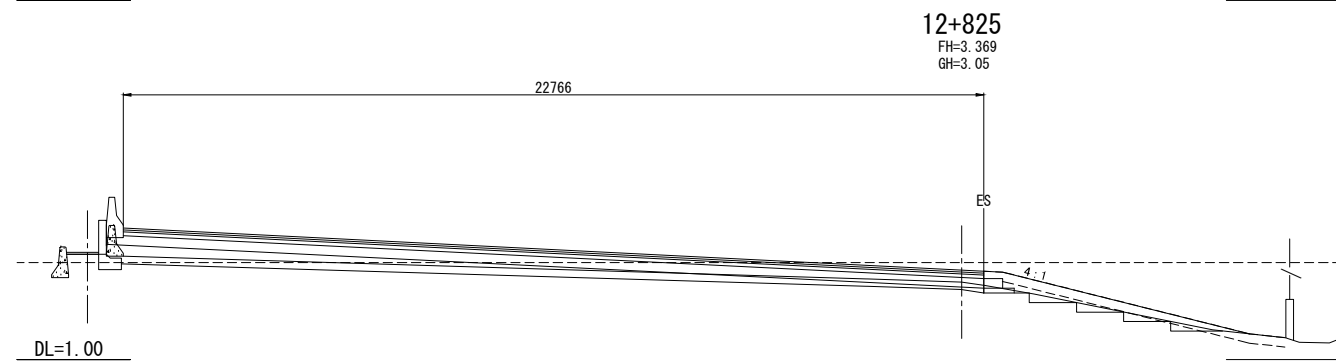
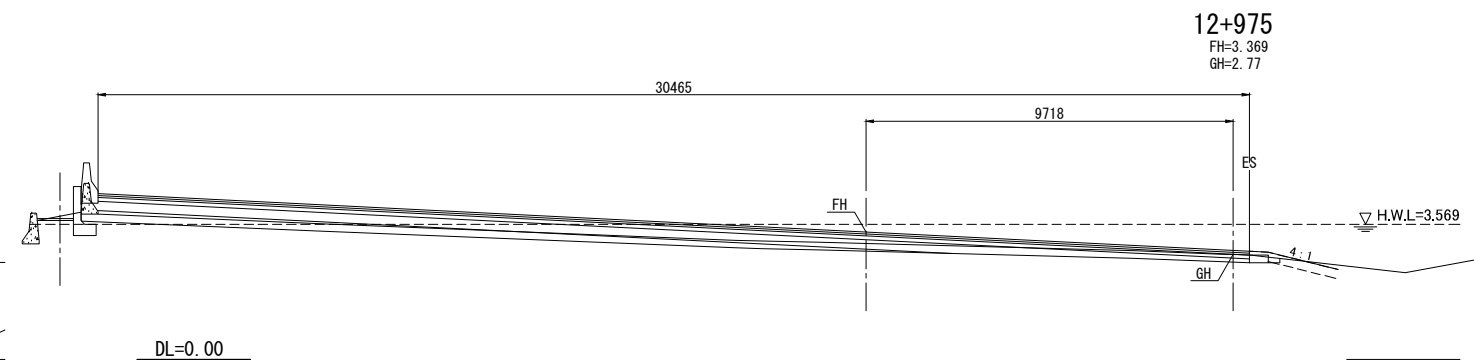
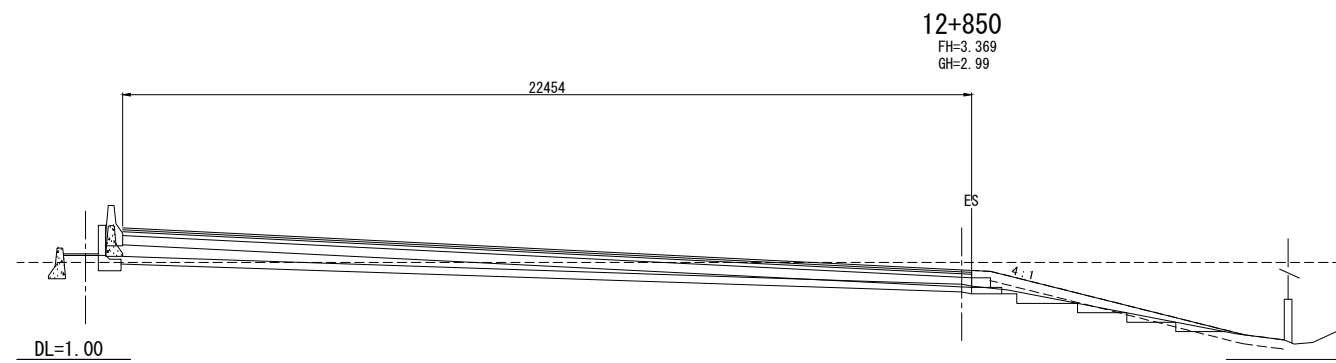




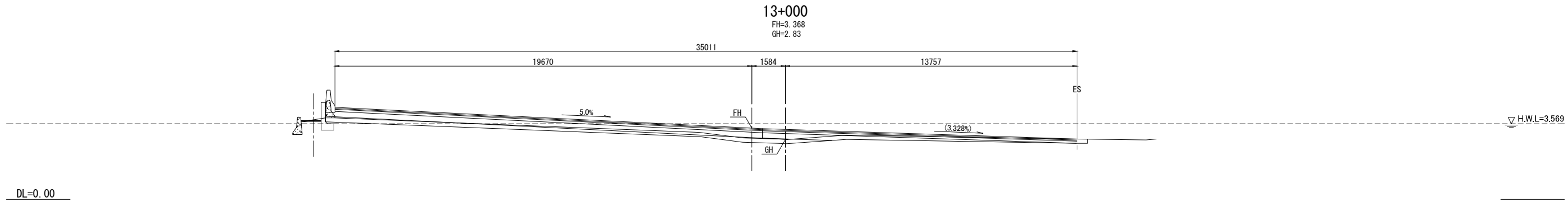
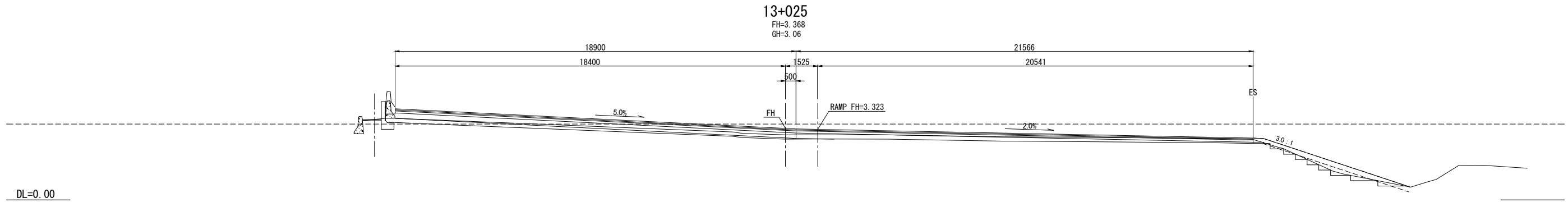
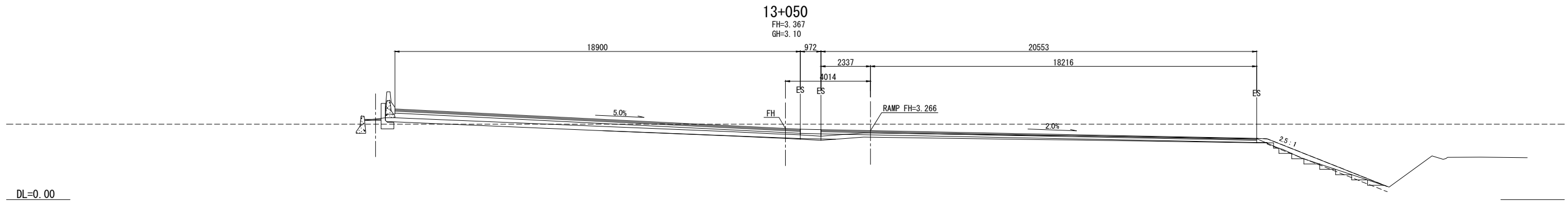
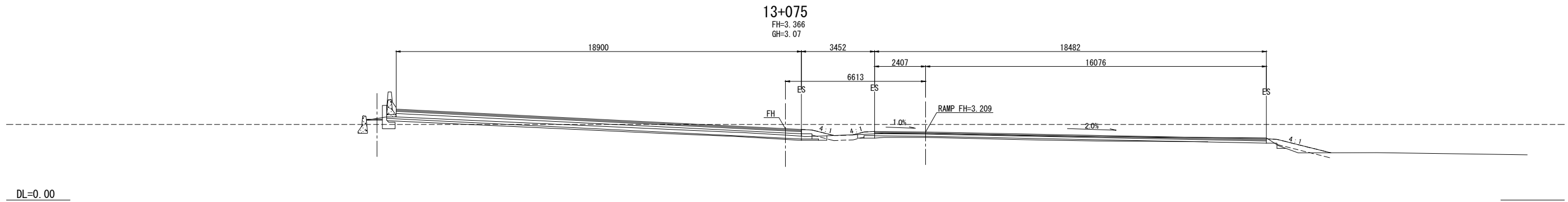
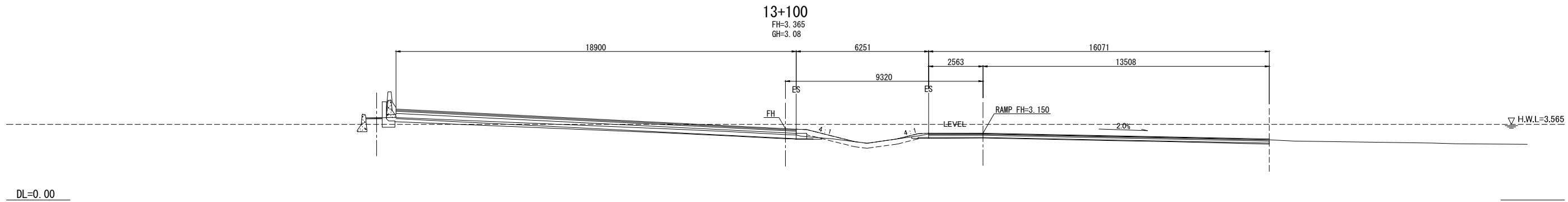
REV. NO.	DESCRIPTION	ENGINEER		DOH		REV. NO.	APPROVED BY	KINGDOM OF THAILAND MINISTRY OF TRANSPORT DEPARTMENT OF HIGHWAYS	HIGHWAY ROUTE NO. 9	OWNER The Inter-City Motorways Division Department of Highways Ministry of Transport	PROJECT TITLE The Preparatory Survey on the Rehabilitation Project of the Outer Bangkok Ring Road	DESIGNED BY SAGARA Hidetaka ROAD ENGINEER	CHECKED BY WATANABE Ryohei CHIEF ENGINEER	DATE:	SCALE:
		CHECKED	DATE	CHECKED	DATE									AUGUST 2012	SCALE 1:100
														DWG. NO. MW-58	SHEET NO. 63



REV. NO.	DESCRIPTION	ENGINEER		DOH		REV. NO.	APPROVED BY	KINGDOM OF THAILAND MINISTRY OF TRANSPORT DEPARTMENT OF HIGHWAYS	HIGHWAY ROUTE NO. 9	OWNER The Inter-City Motorways Division Department of Highways Ministry of Transport	PROJECT TITLE The Preparatory Survey on the Rehabilitation Project of the Outer Bangkok Ring Road	DESIGNED BY SAGARA Hidetaka ROAD ENGINEER	CHECKED BY WATANABE Ryohei CHIEF ENGINEER	DATE:	SCALE:
		CHECKED	DATE	CHECKED	DATE									AUGUST 2012	SCALE 1:100
														DWG. NO. MW-59	SHEET NO. 64

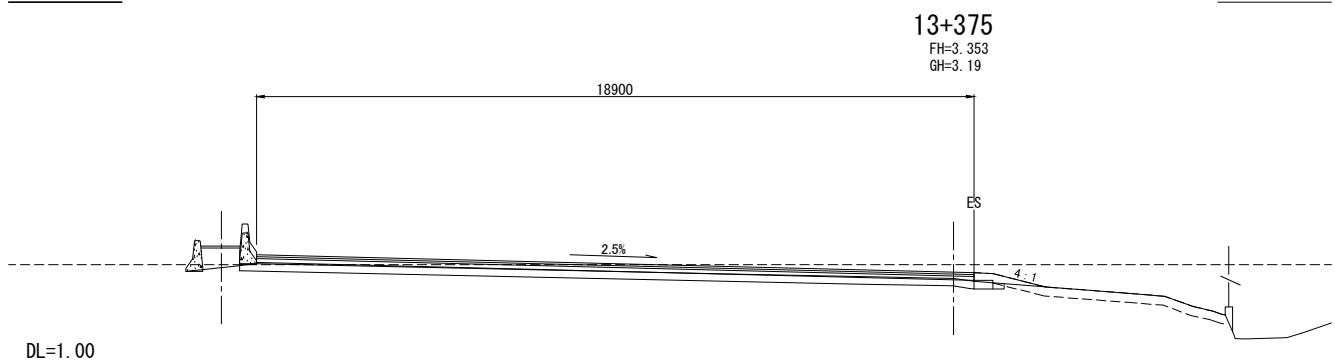
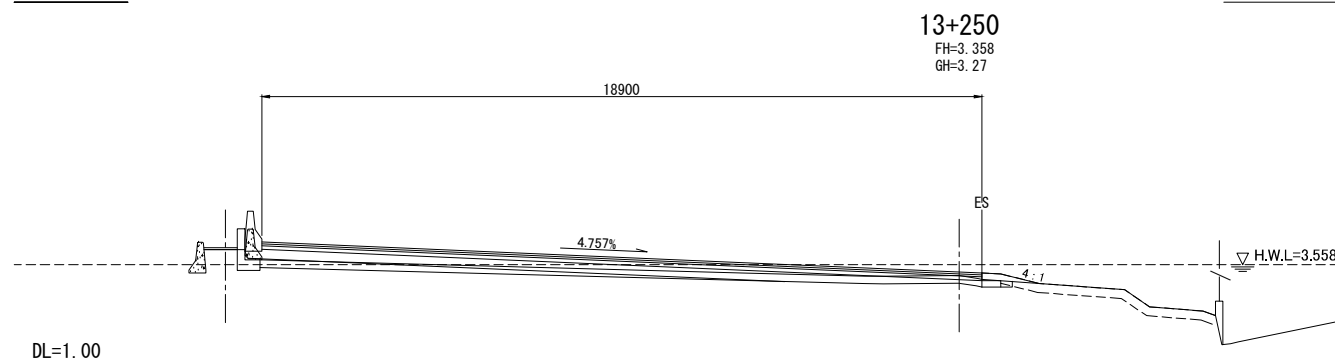
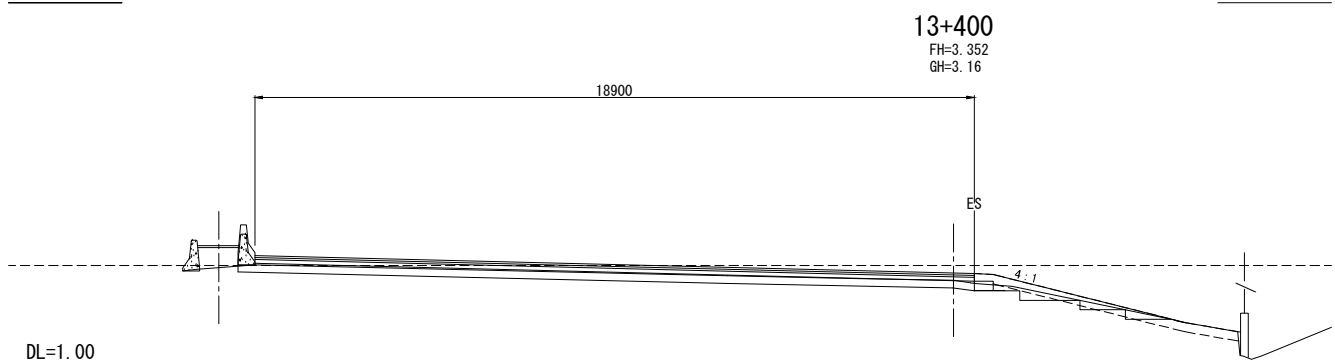
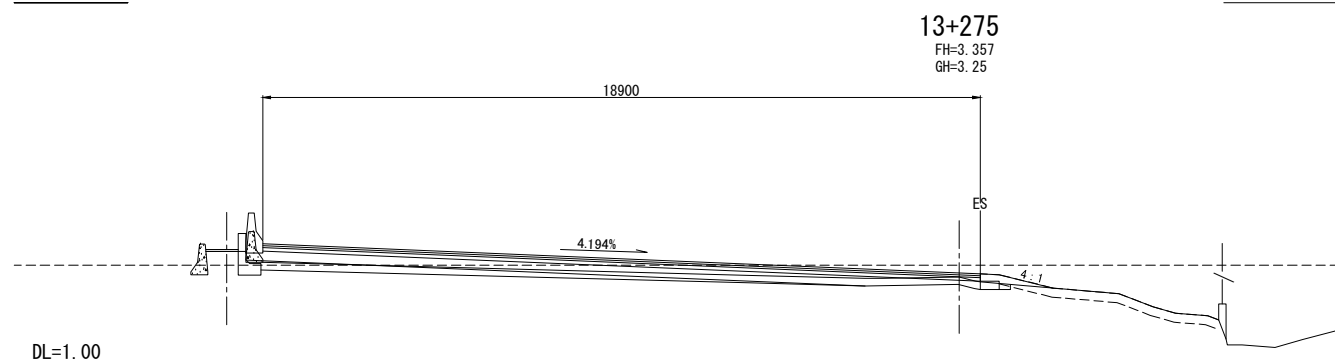
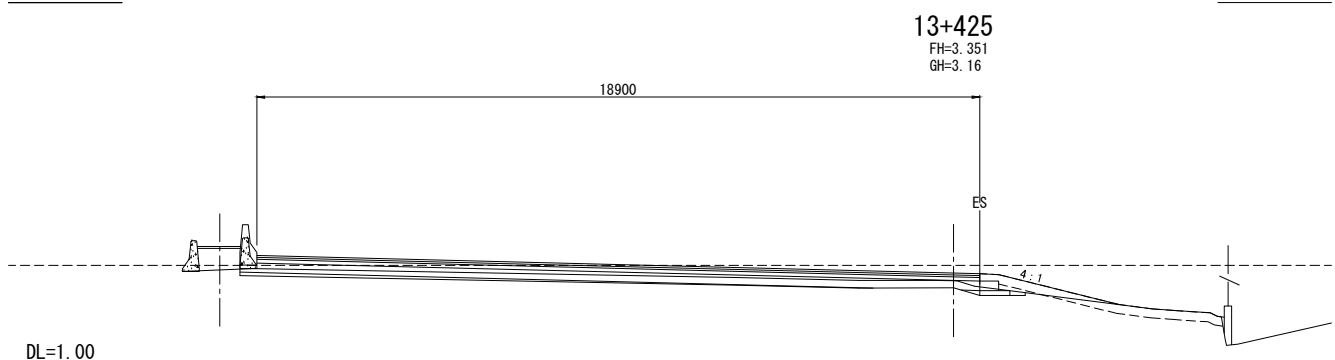
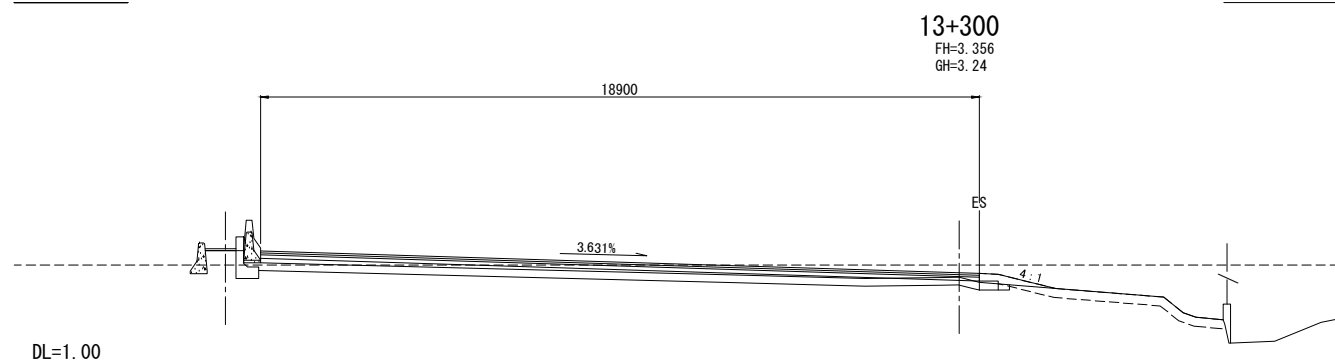
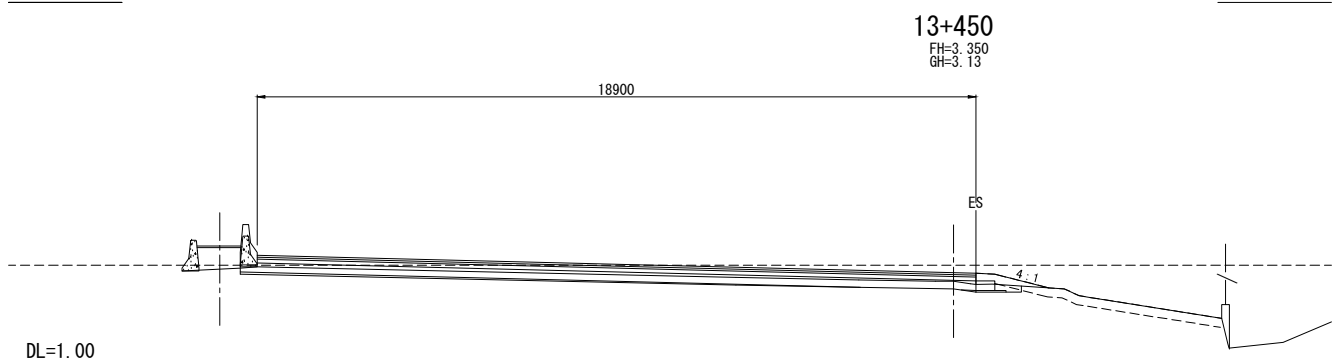
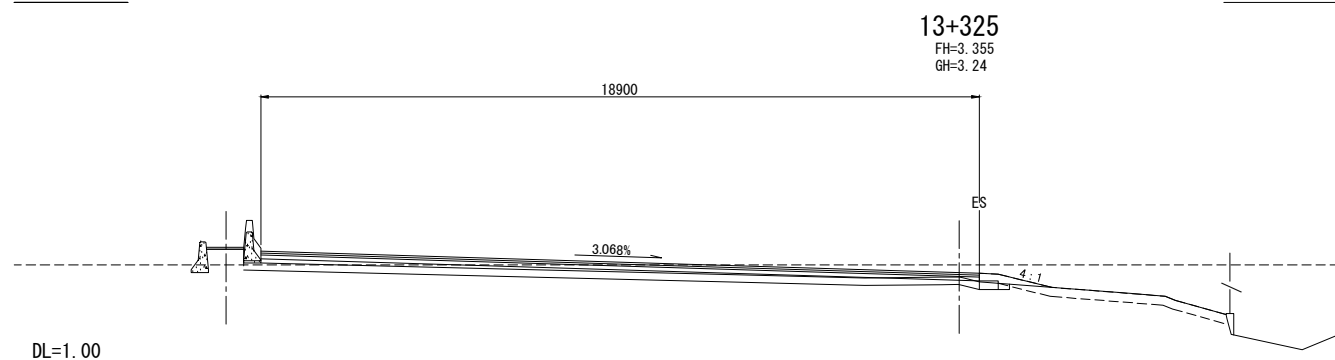
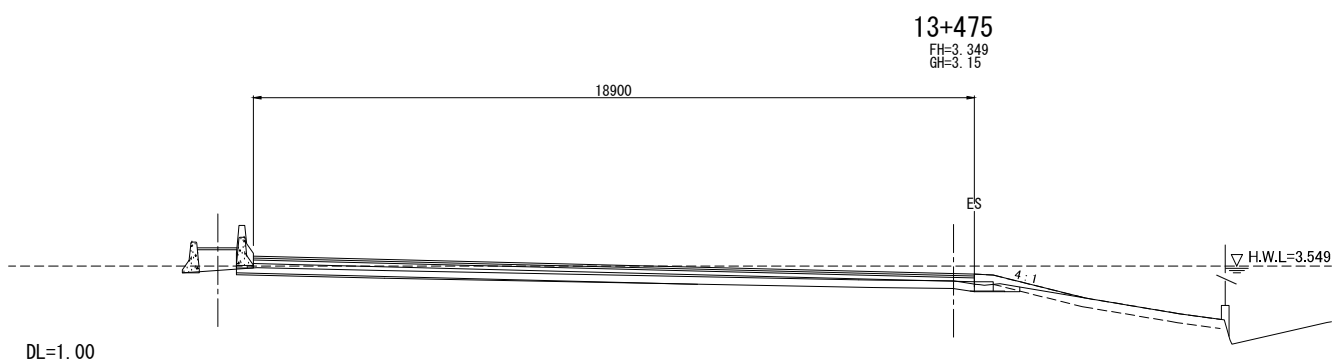
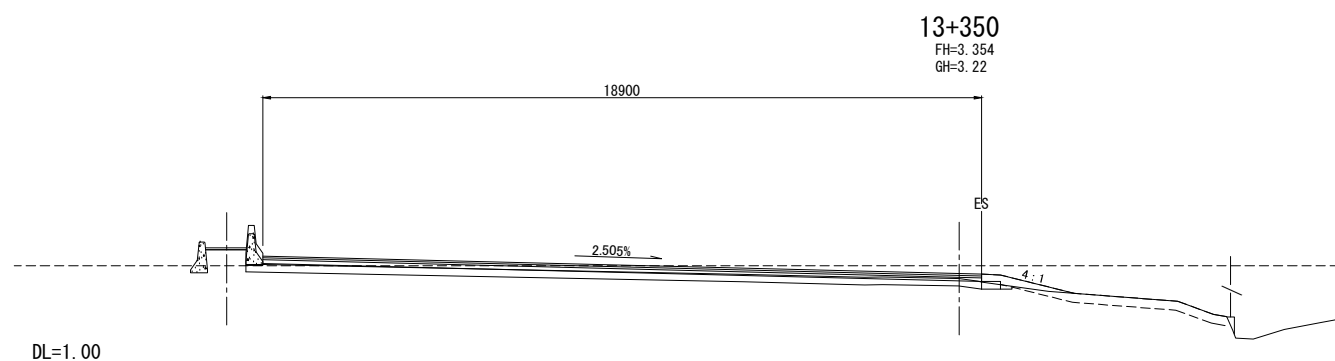


REV. NO.	DESCRIPTION	ENGINEER		DOH		REV. NO.	APPROVED BY	KINGDOM OF THAILAND MINISTRY OF TRANSPORT DEPARTMENT OF HIGHWAYS	HIGHWAY ROUTE NO. 9	OWNER The Inter-City Motorways Division Department of Highways Ministry of Transport	PROJECT TITLE The Preparatory Survey on the Rehabilitation Project of the Outer Bangkok Ring Road	DESIGNED BY SAGARA Hidetaka ROAD ENGINEER	CHECKED BY WATANABE Ryohei CHIEF ENGINEER	DATE:	SCALE:
		CHECKED	DATE	CHECKED	DATE									AUGUST 2012	SCALE 1:100
														DWG. NO.	SHEET NO.
														MW-60	65

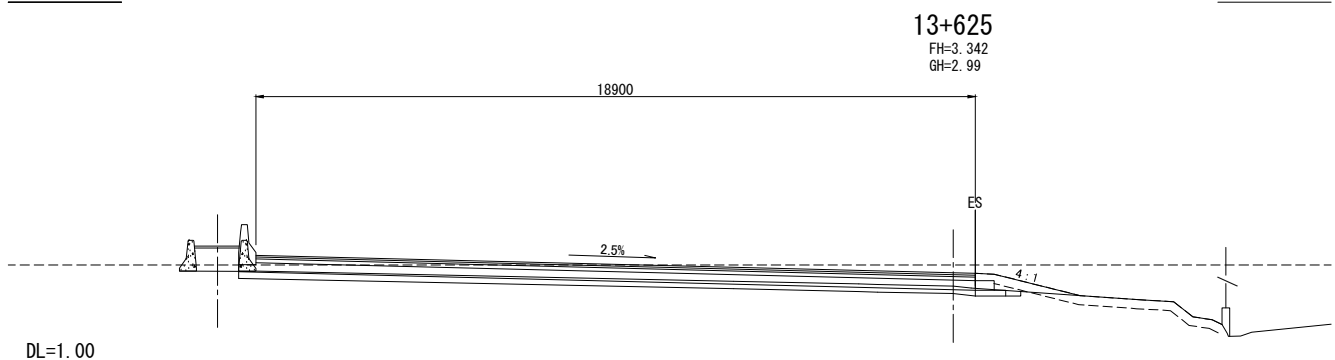
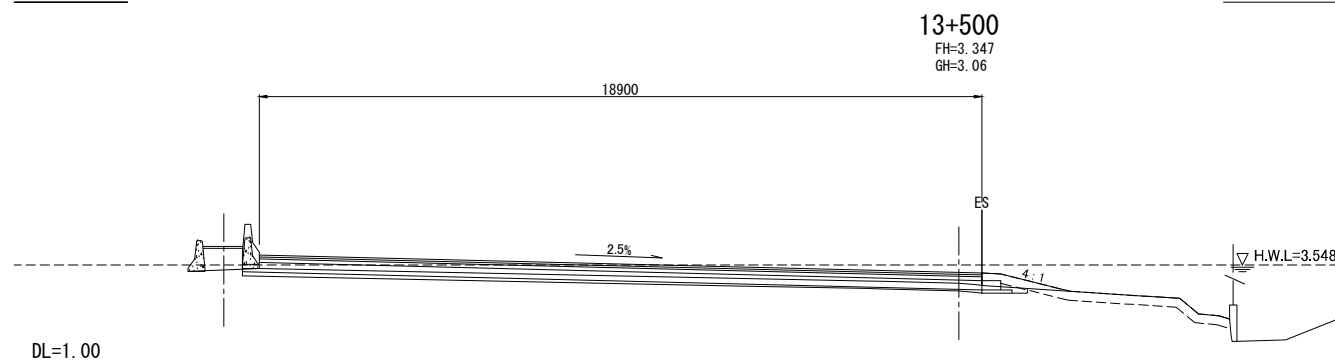
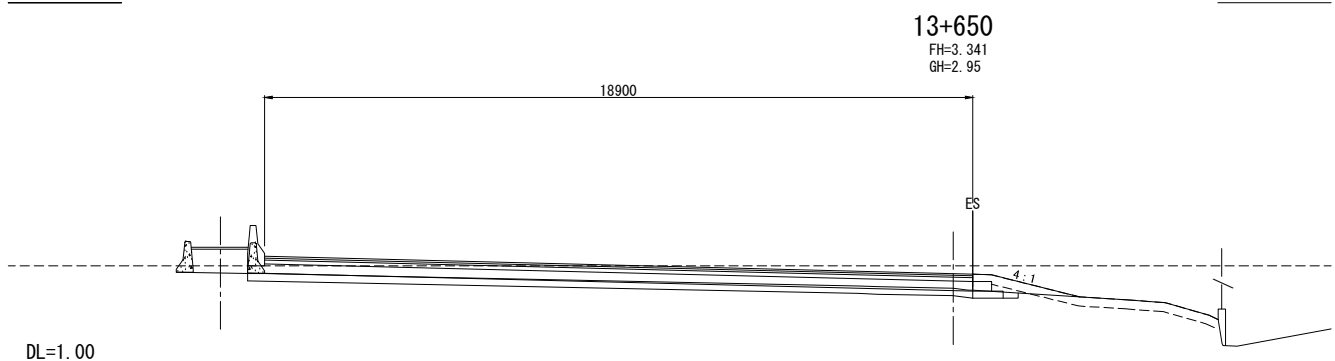
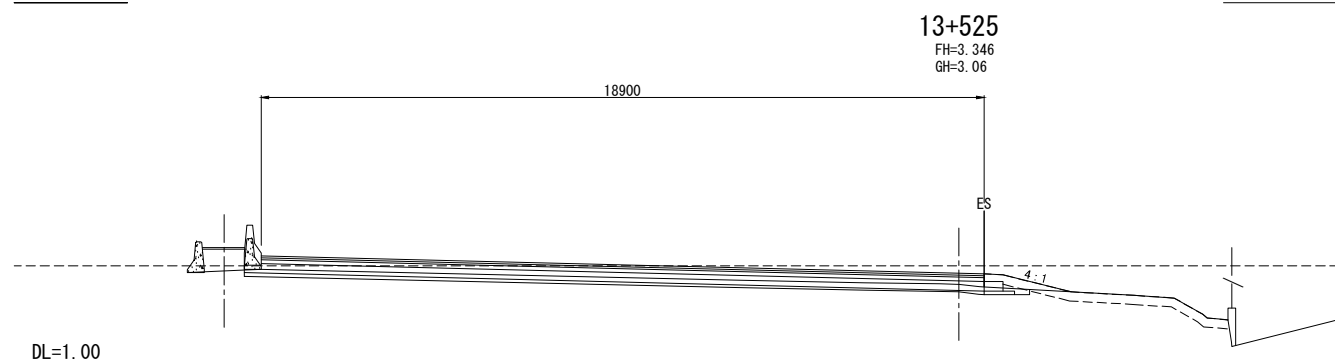
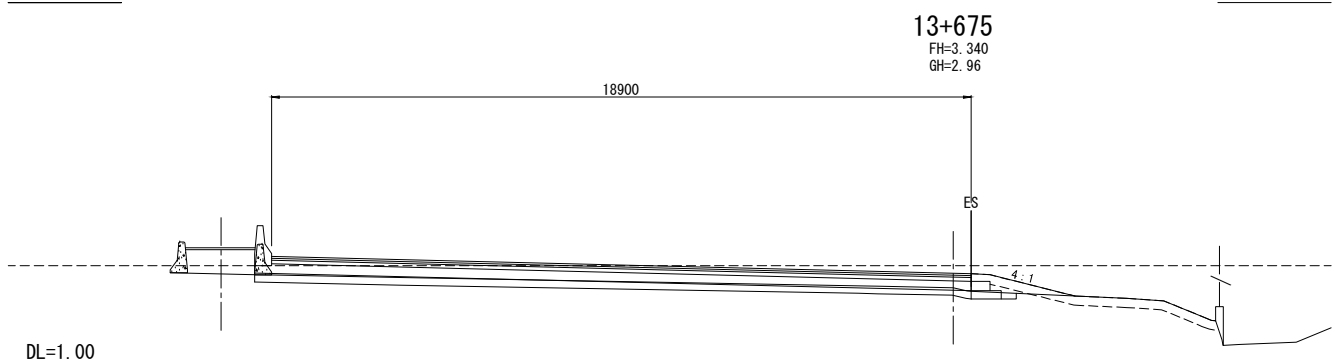
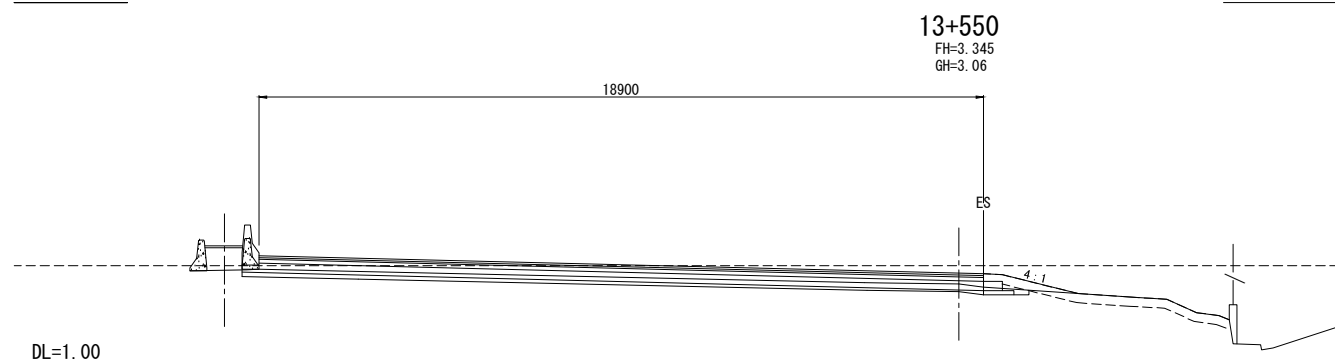
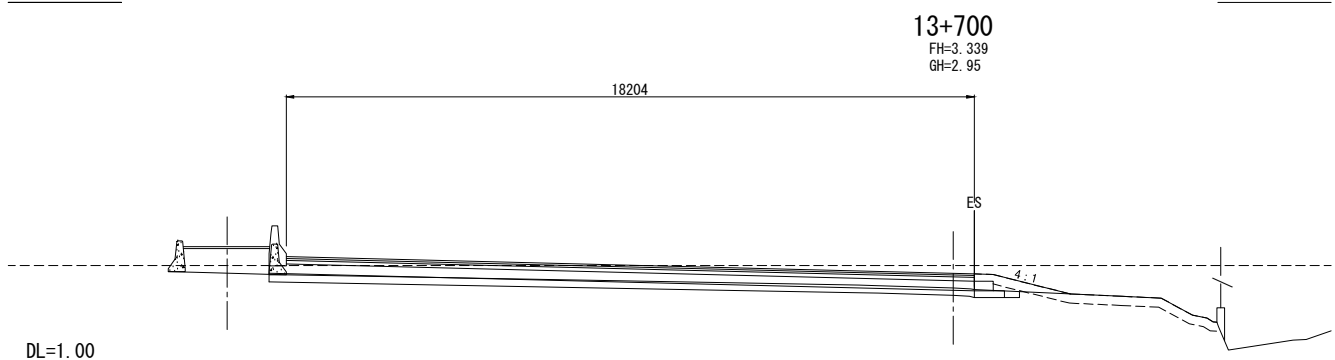
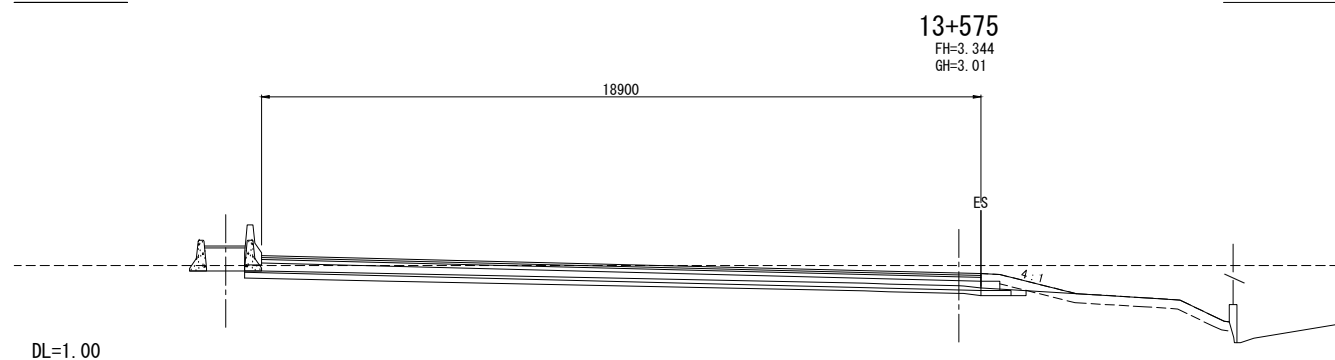
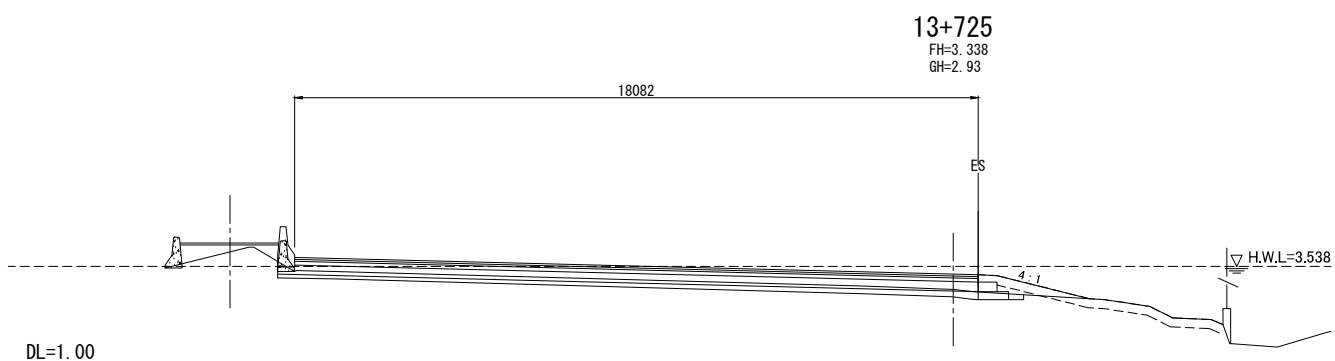
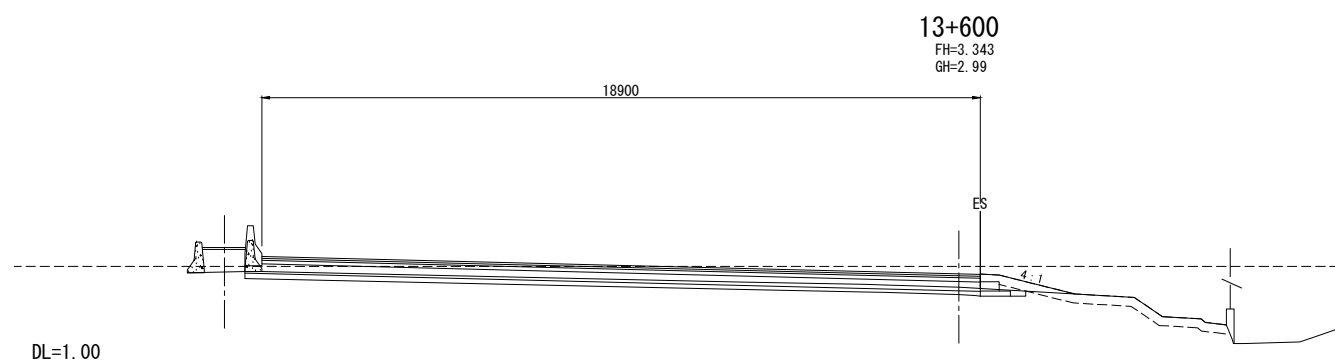


REV. NO.	DESCRIPTION	ENGINEER		DOH		REV. NO.	APPROVED BY	KINGDOM OF THAILAND MINISTRY OF TRANSPORT DEPARTMENT OF HIGHWAYS	HIGHWAY ROUTE NO. 9	OWNER The Inter-City Motorways Division Department of Highways Ministry of Transport	PROJECT TITLE The Preparatory Survey on the Rehabilitation Project of the Outer Bangkok Ring Road	DESIGNED BY SAGARA Hidetaka ROAD ENGINEER	CHECKED BY WATANABE Ryohei CHIEF ENGINEER	DATE:	SCALE:
		CHECKED	DATE	CHECKED	DATE									AUGUST 2012	SCALE 1:100
														DWG. NO. <b>MW-61</b>	SHEET NO. <b>66</b>

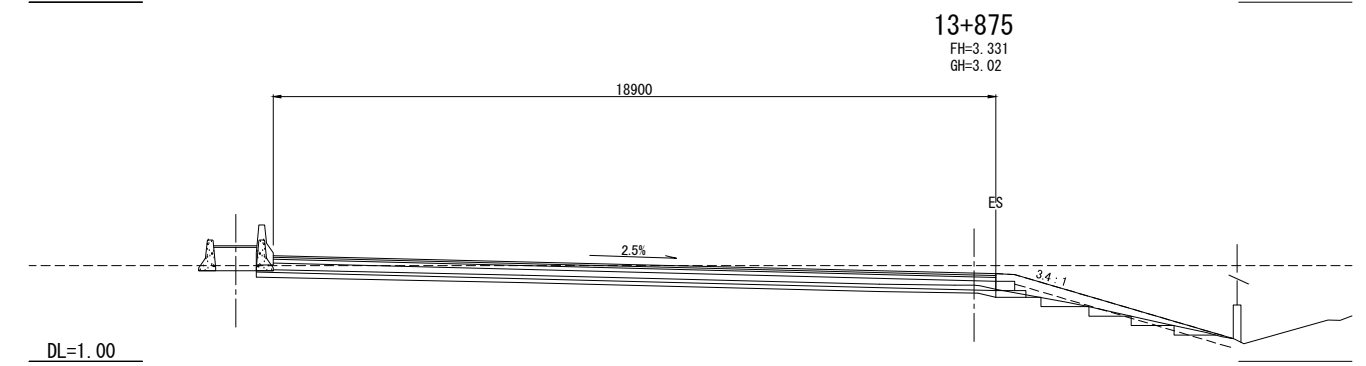
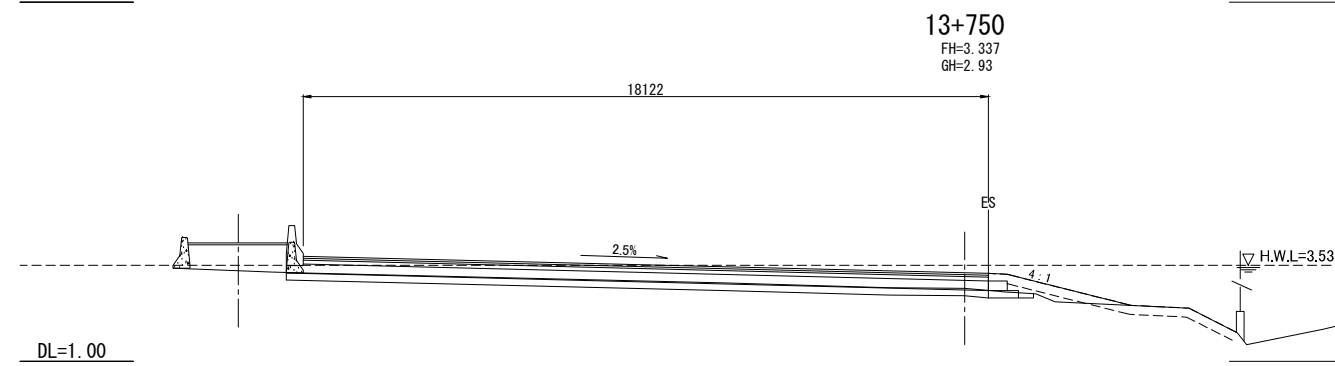
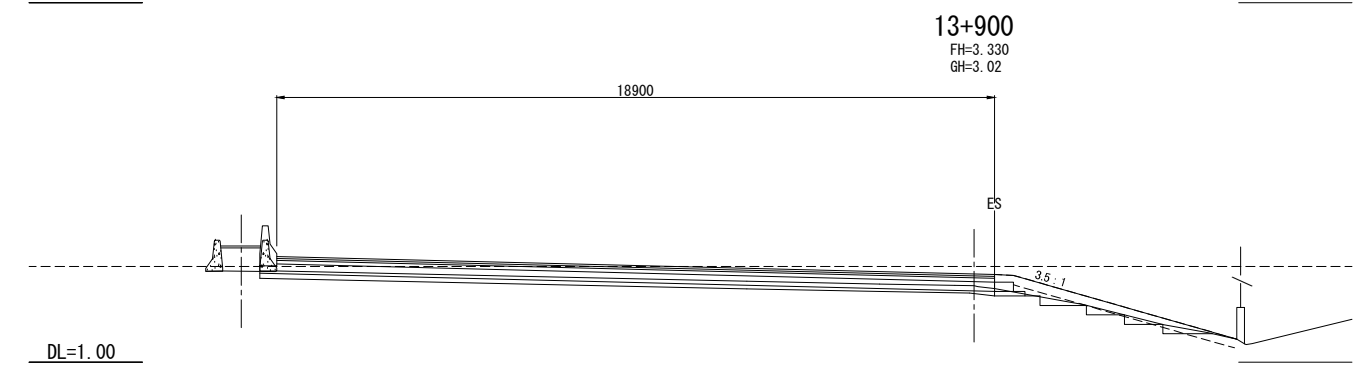
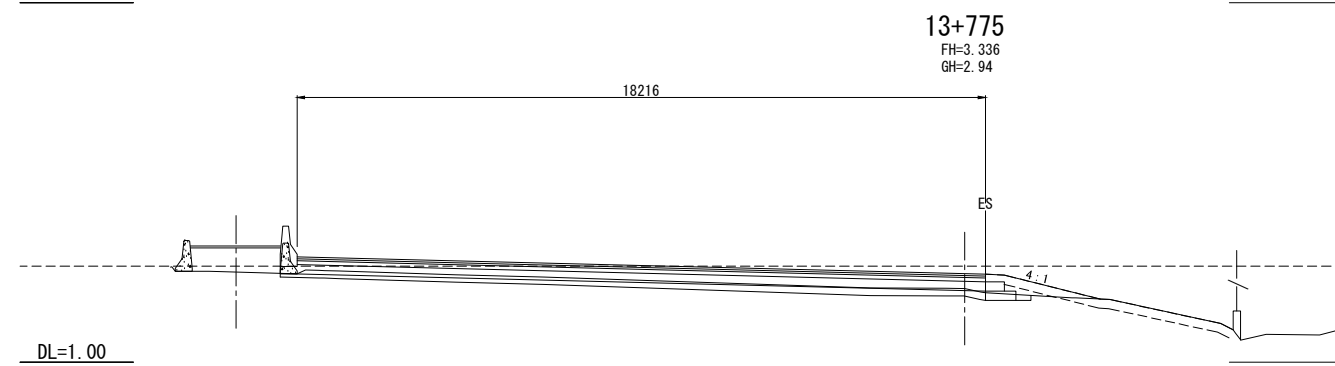
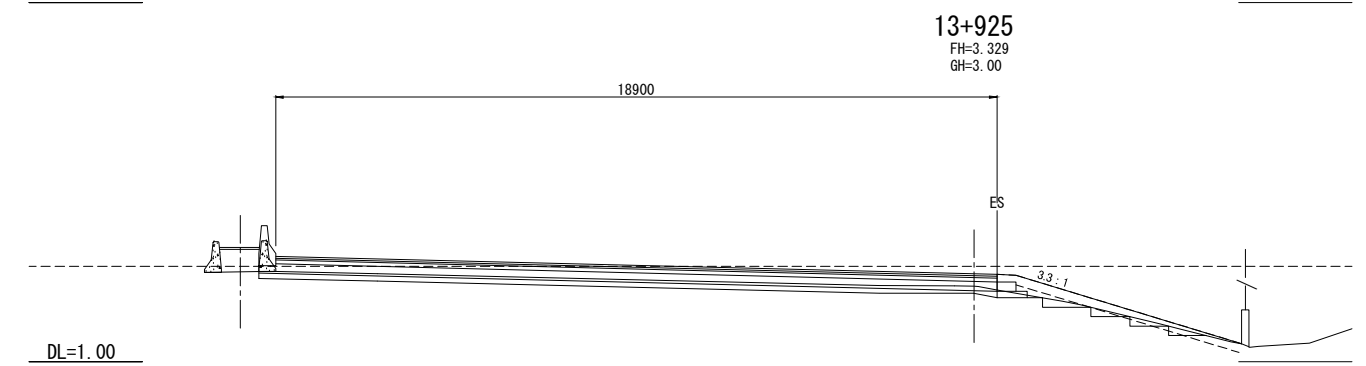
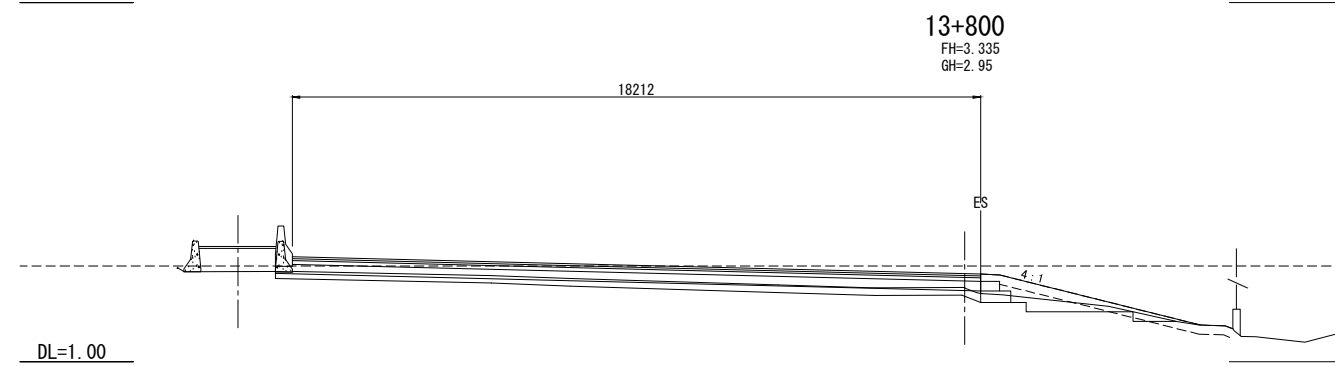
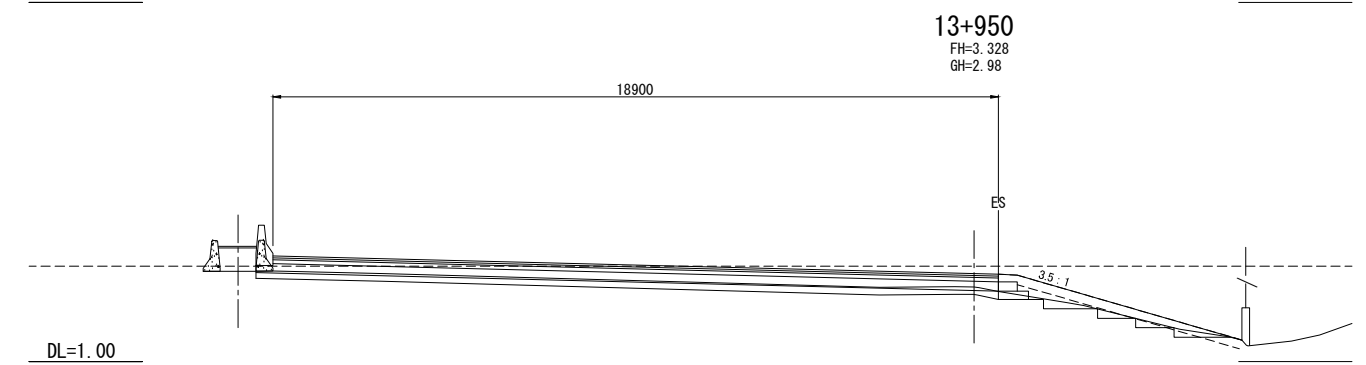
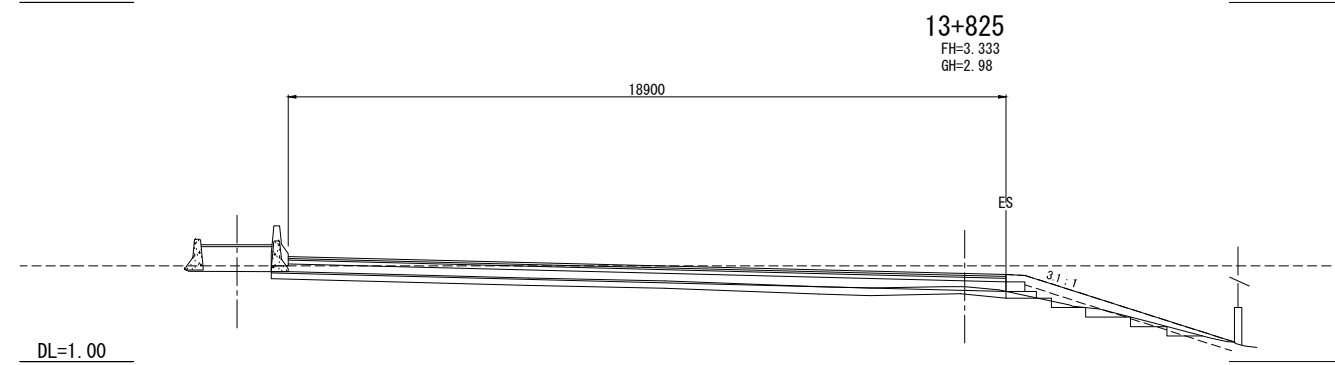
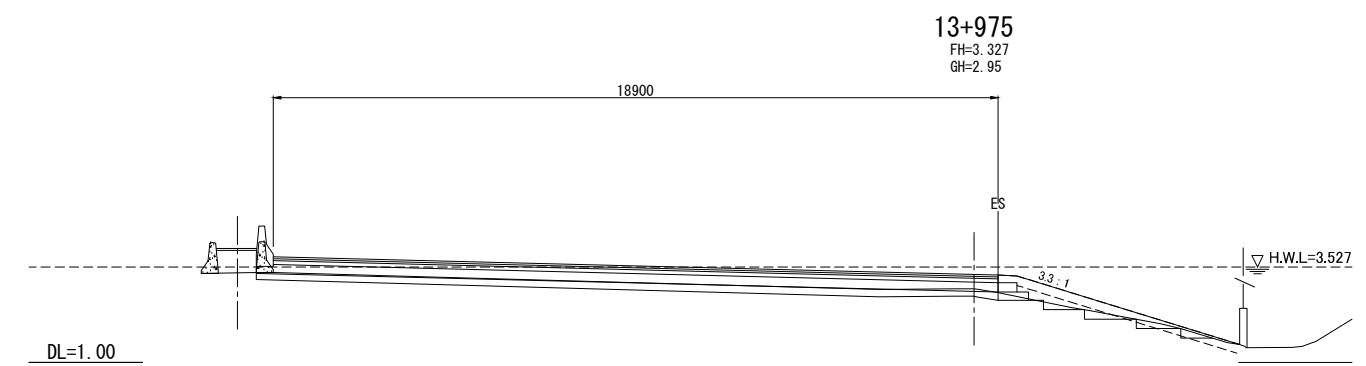
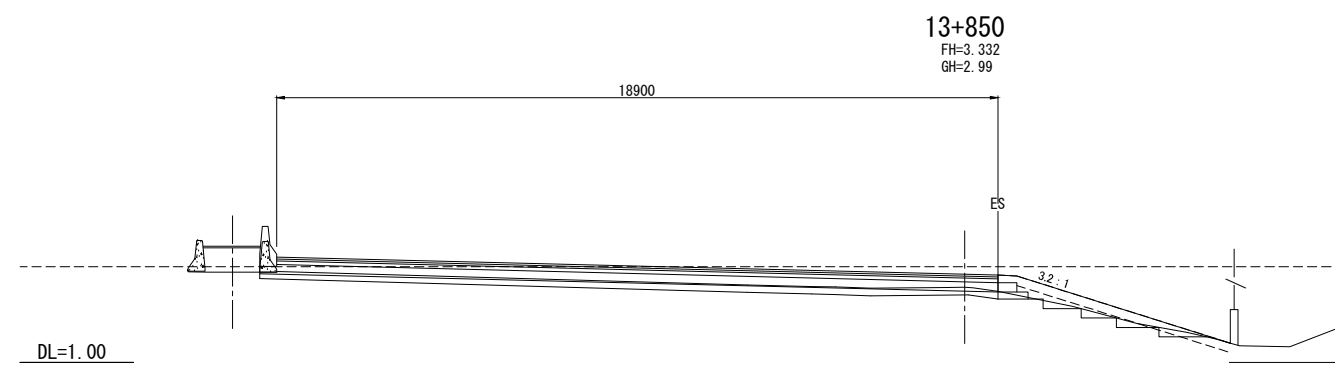




REV. NO.	DESCRIPTION	ENGINEER		DOH		REV. NO.	APPROVED BY	KINGDOM OF THAILAND MINISTRY OF TRANSPORT DEPARTMENT OF HIGHWAYS	HIGHWAY ROUTE NO. 9	OWNER The Inter-City Motorways Division Department of Highways Ministry of Transport	PROJECT TITLE The Preparatory Survey on the Rehabilitation Project of the Outer Bangkok Ring Road	DESIGNED BY SAGARA Hidetaka ROAD ENGINEER	CHECKED BY WATANABE Ryohei CHIEF ENGINEER	DATE:	SCALE:
		CHECKED	DATE	CHECKED	DATE									AUGUST 2012	SCALE 1:100
														DWG. NO. MW-63	SHEET NO. 68



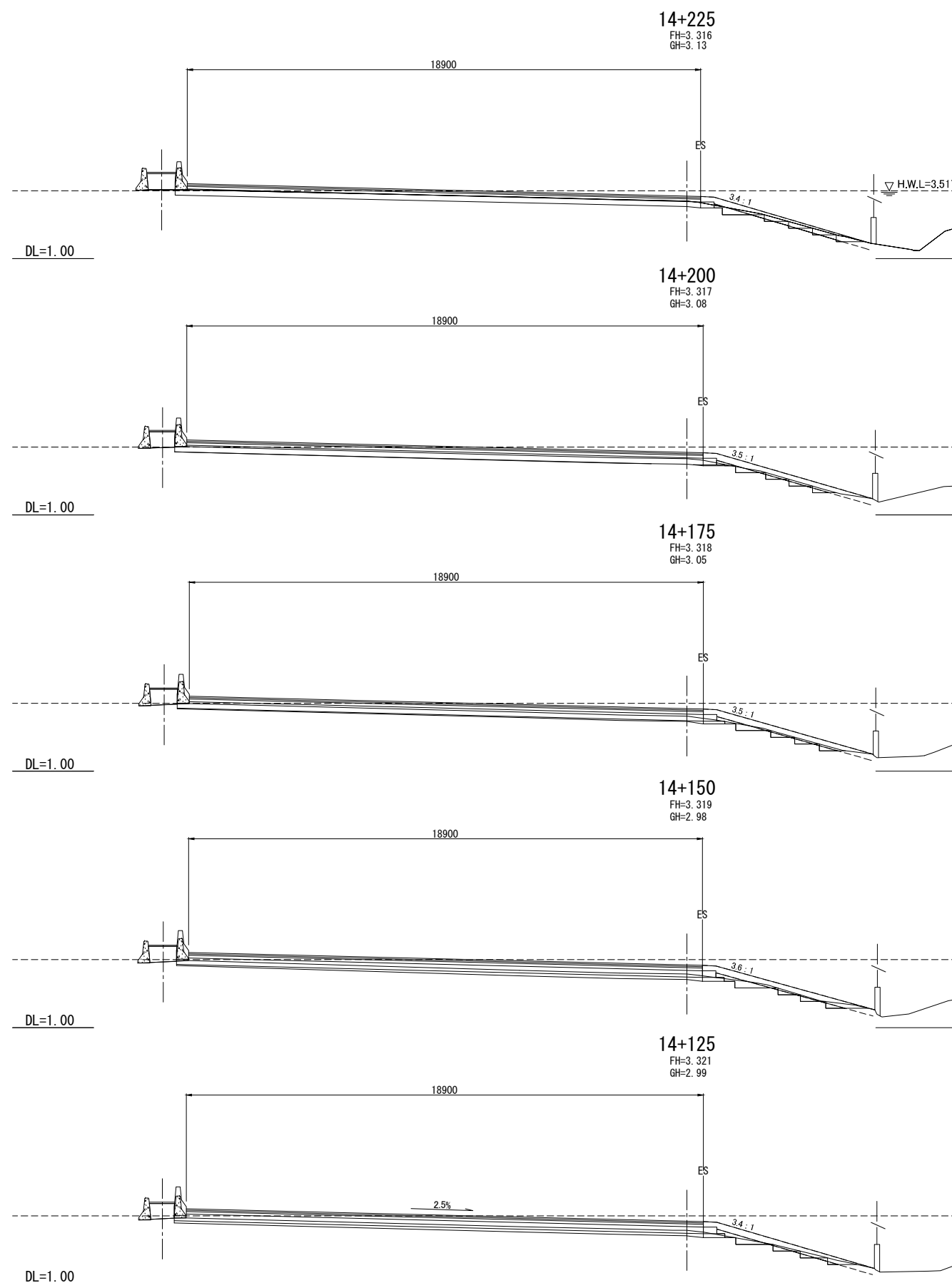
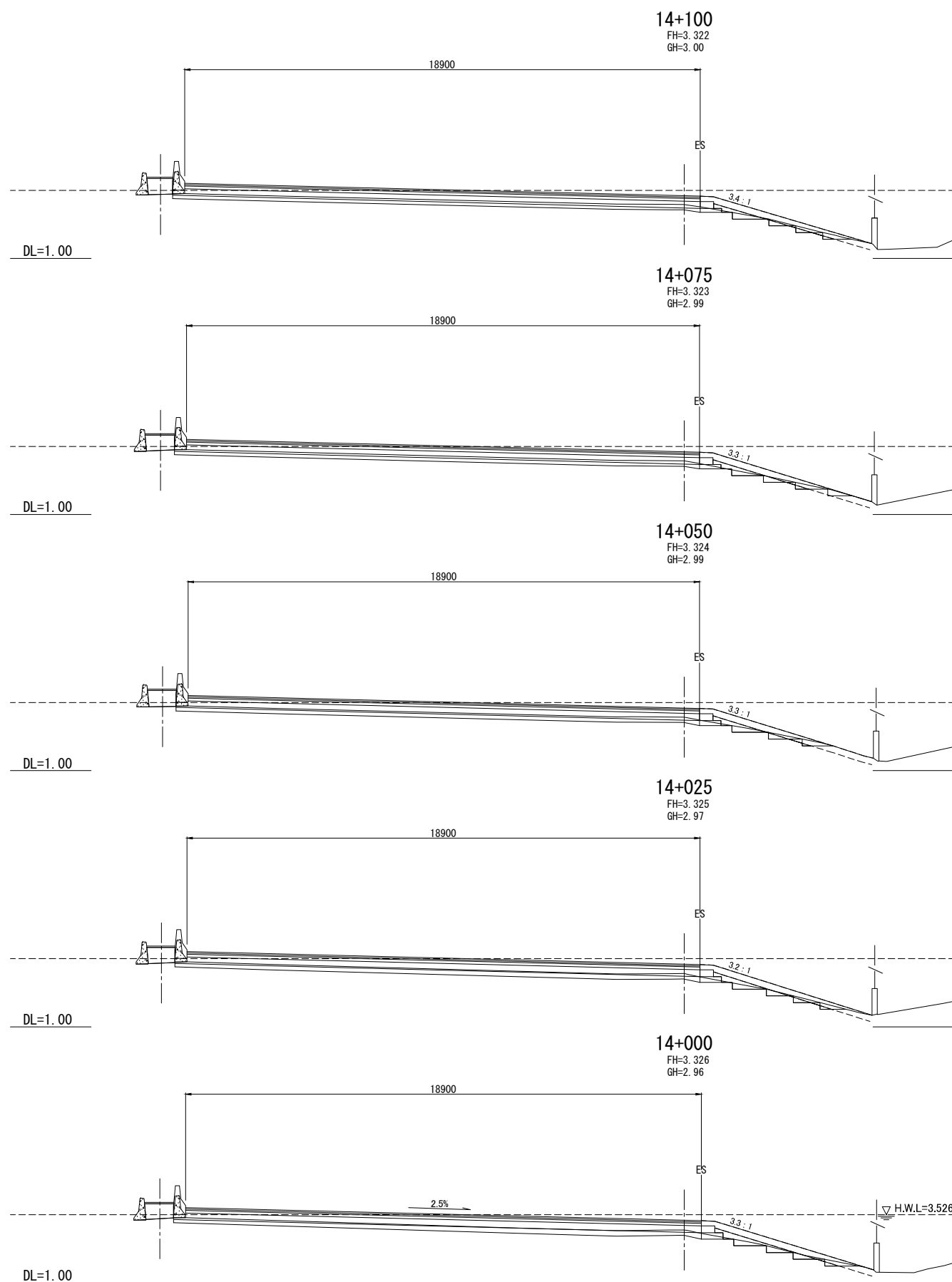
REV. NO.	DESCRIPTION	ENGINEER		DOH		REV. NO.	APPROVED BY	KINGDOM OF THAILAND MINISTRY OF TRANSPORT DEPARTMENT OF HIGHWAYS	HIGHWAY ROUTE NO. 9	OWNER The Inter-City Motorways Division Department of Highways Ministry of Transport	PROJECT TITLE The Preparatory Survey on the Rehabilitation Project of the Outer Bangkok Ring Road	DESIGNED BY SAGARA Hidetaka ROAD ENGINEER	CHECKED BY WATANABE Ryohei CHIEF ENGINEER	DATE	SCALE
		CHECKED	DATE	CHECKED	DATE									AUGUST 2012	SCALE 1:100
									CROSS SECTIONS (13 / 70)					DWG. NO. MW-64	SHEET NO. 69



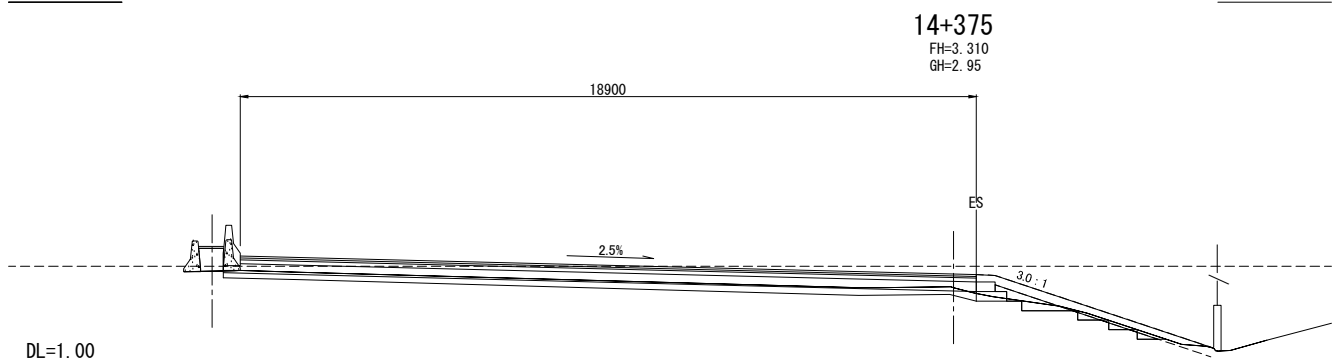
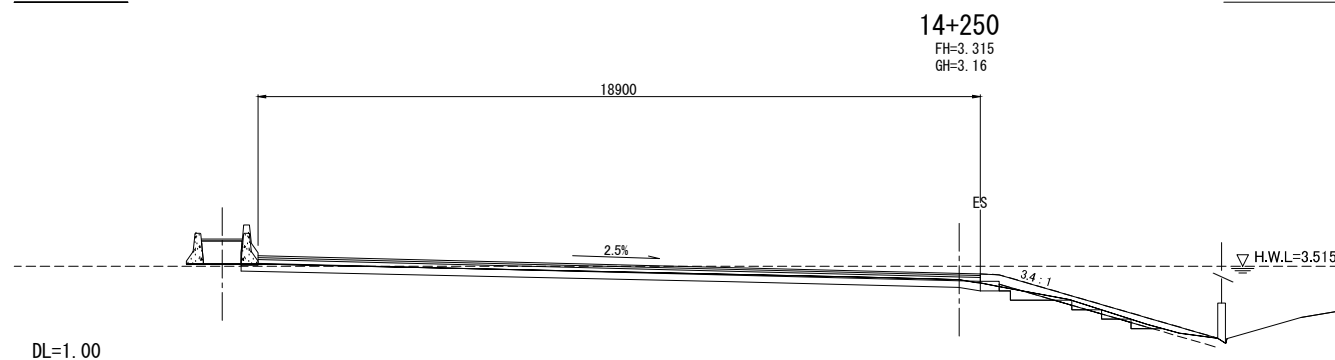
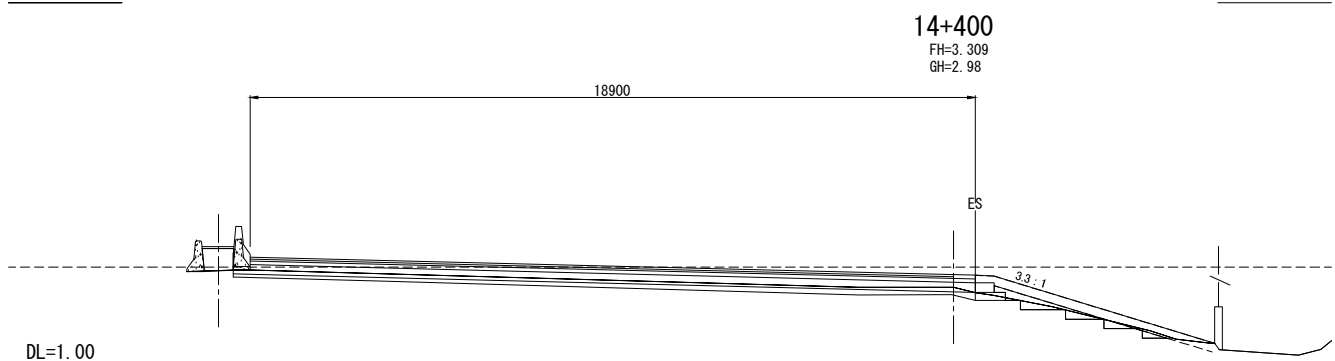
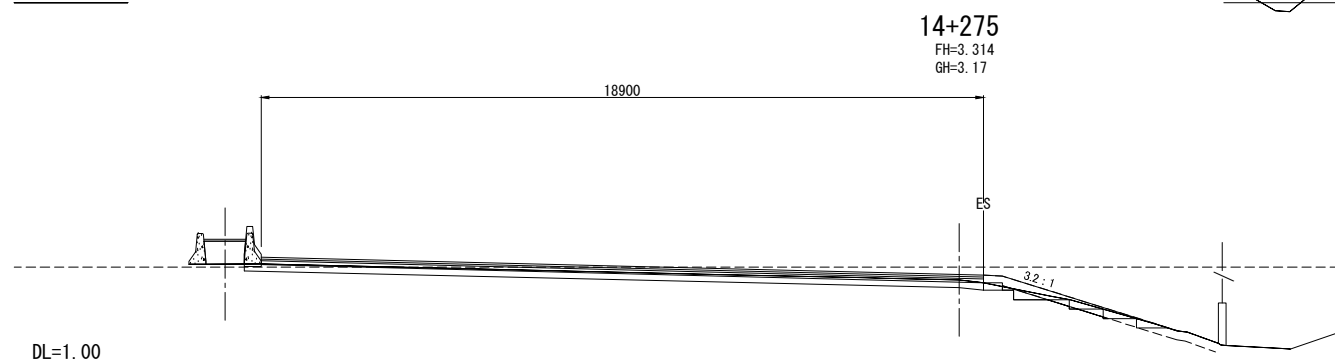
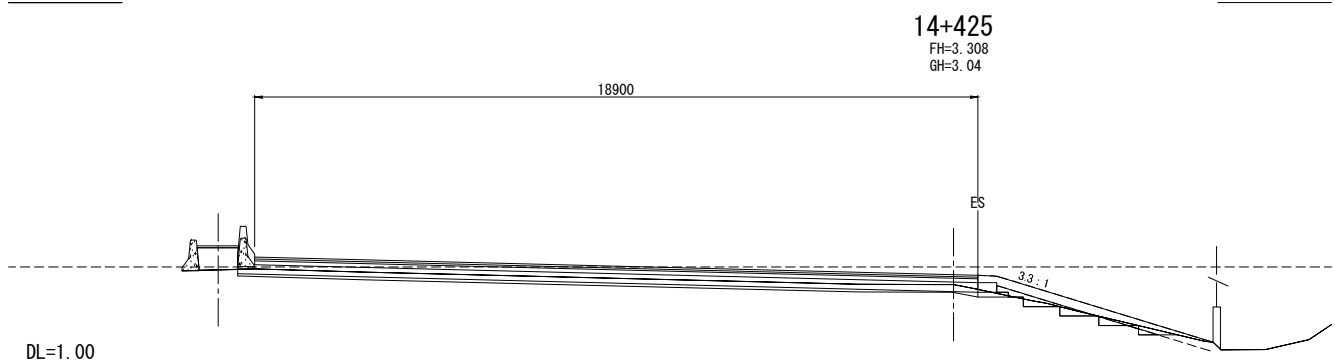
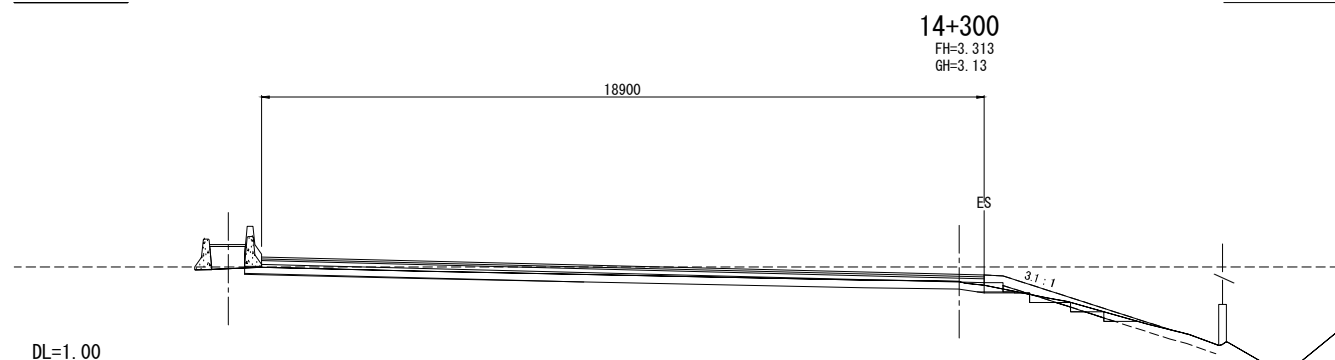
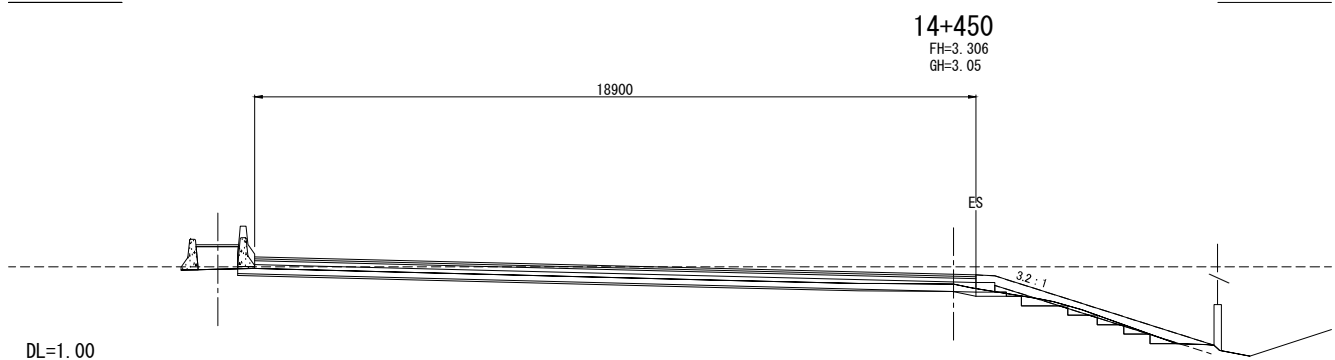
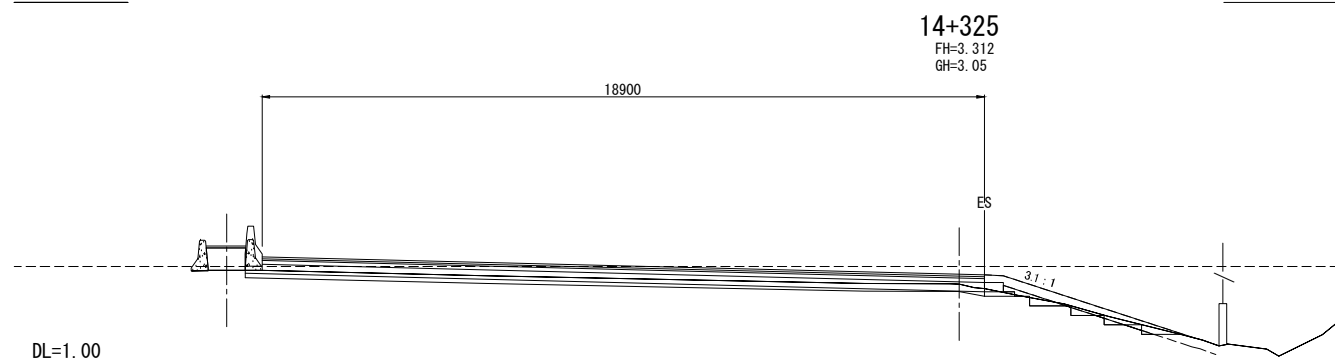
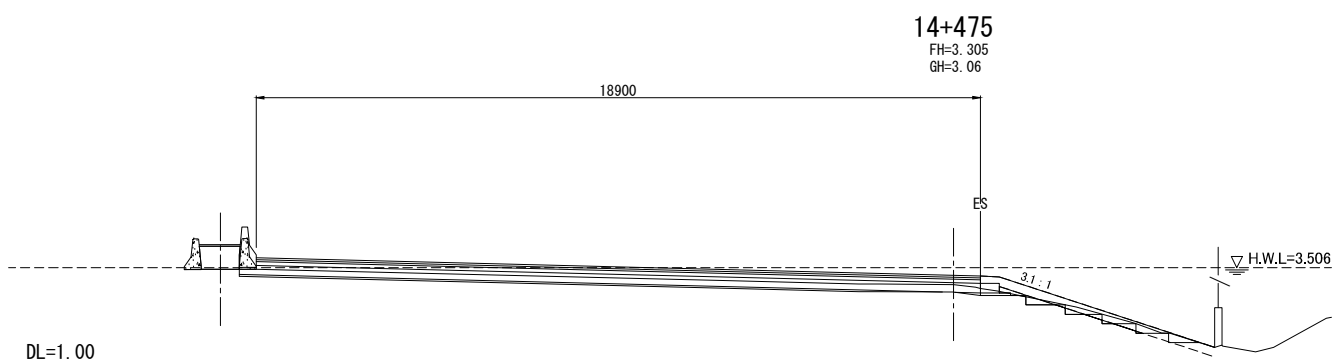
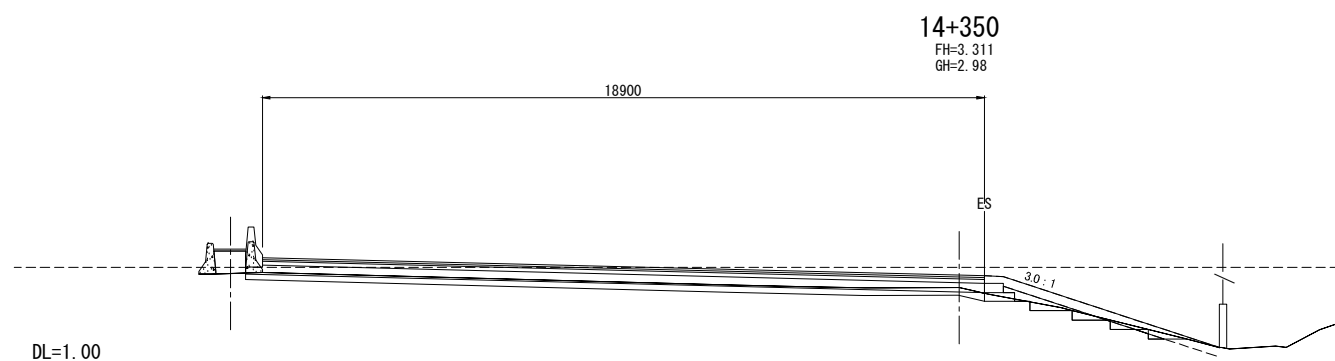
REV. NO.	DESCRIPTION	ENGINEER		DOH		REV. NO.	APPROVED BY	KINGDOM OF THAILAND MINISTRY OF TRANSPORT DEPARTMENT OF HIGHWAYS	HIGHWAY ROUTE NO. 9	OWNER The Inter-City Motorways Division Department of Highways Ministry of Transport	PROJECT TITLE The Preparatory Survey on the Rehabilitation Project of the Outer Bangkok Ring Road	DESIGNED BY SAGARA Hidetaka ROAD ENGINEER	CHECKED BY WATANABE Ryohei CHIEF ENGINEER	DATE:	SCALE:
		CHECKED	DATE	CHECKED	DATE									AUGUST 2012	SCALE 1:100
									CROSS SECTIONS (14 / 70)					DWG. NO. MW-65	SHEET NO. 70

CTI ENGINEERING INTERNATIONAL CO., LTD.  
 ORIENTAL CONSULTANTS CO., LTD.  
 NIPPON KOEI CO., LTD.  
 CTI ENGINEERING CO., LTD.

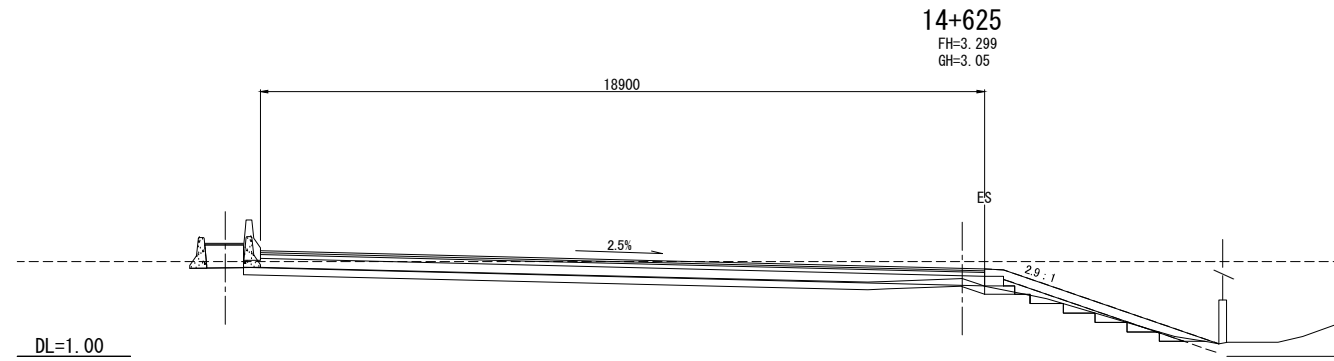
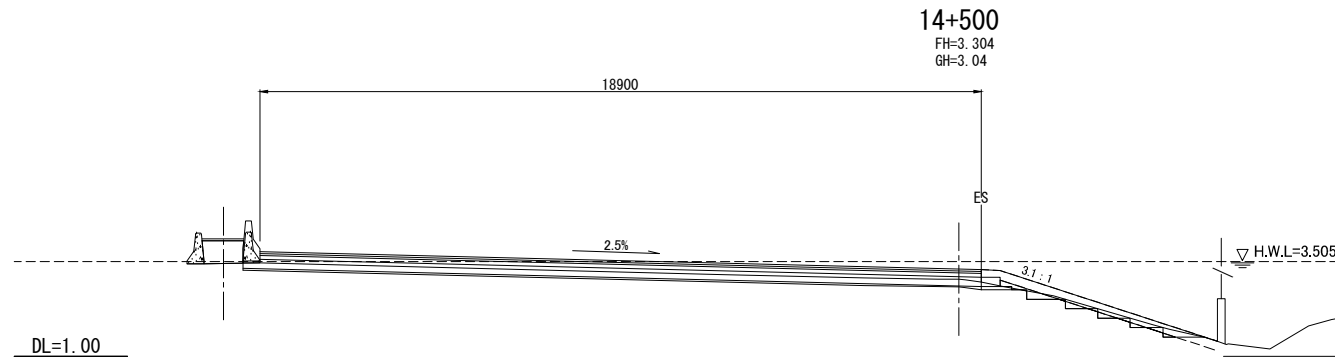
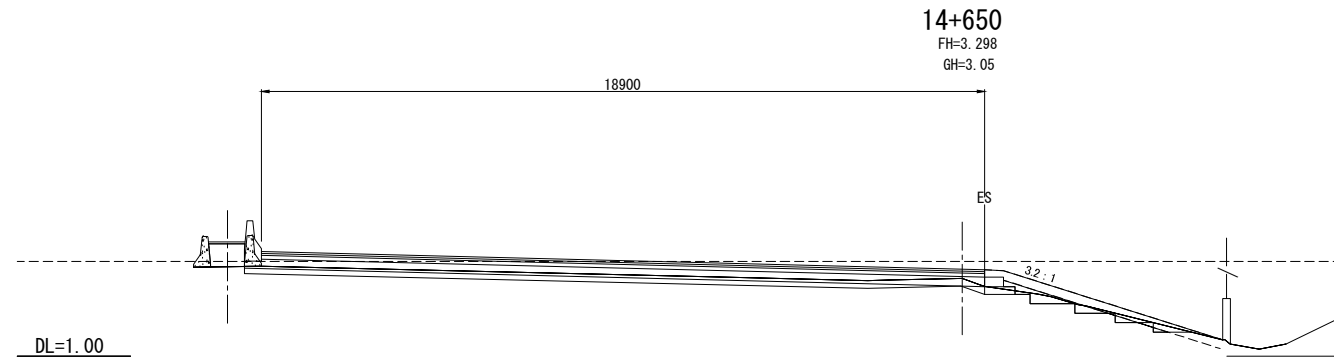
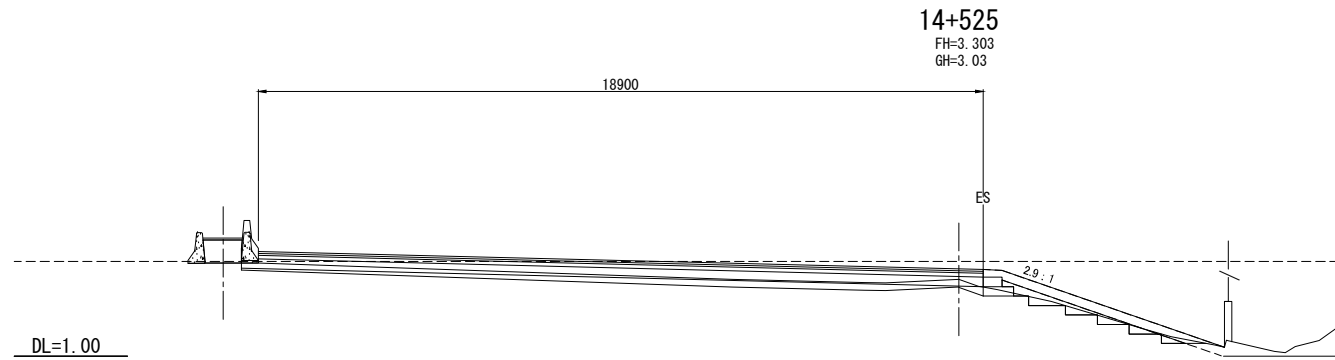
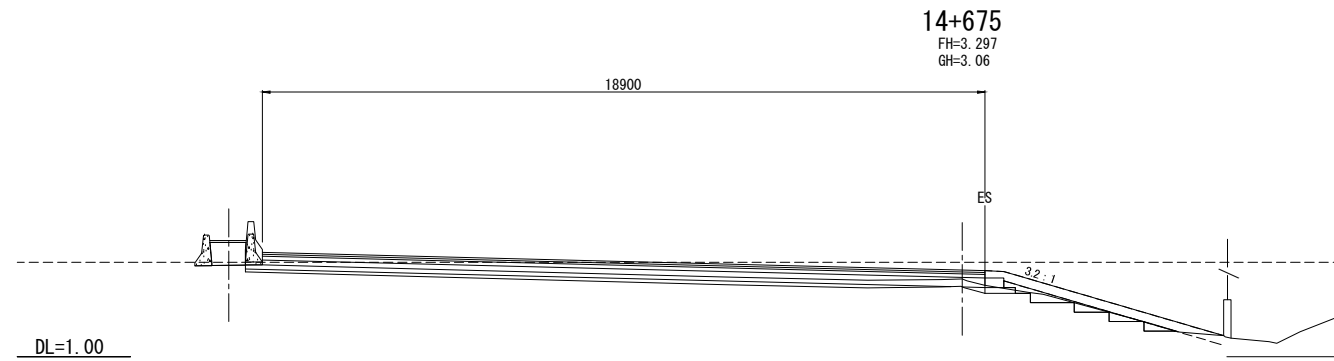
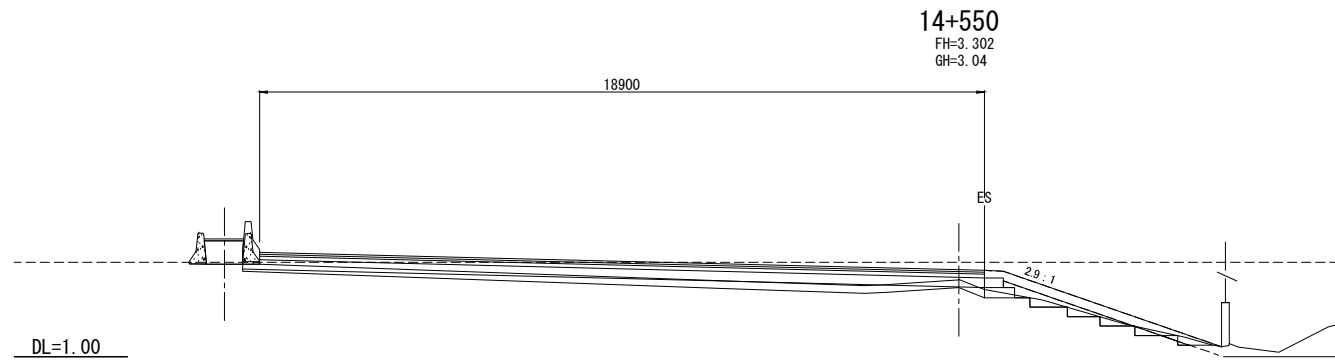
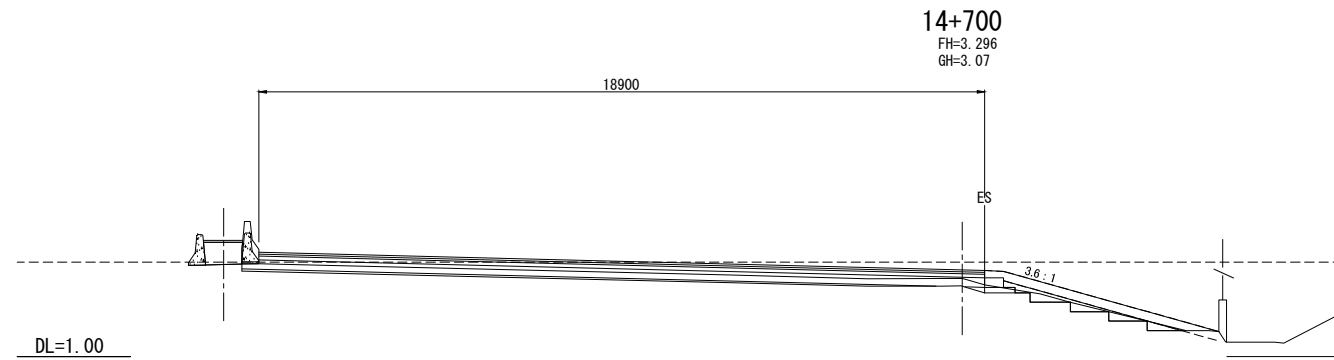
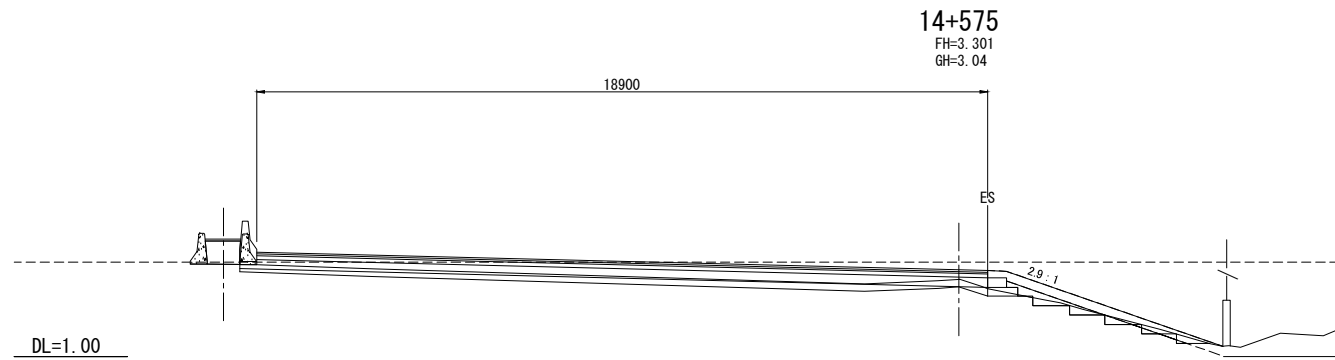
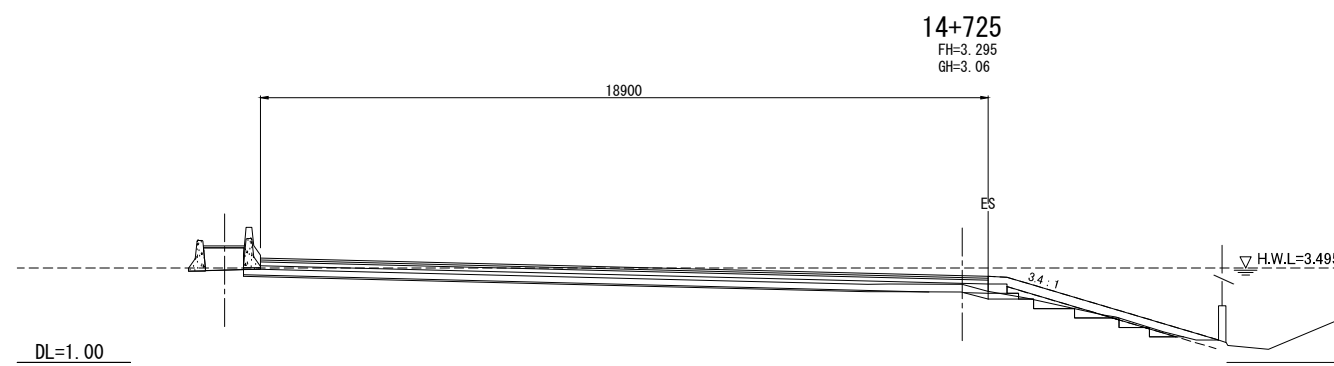
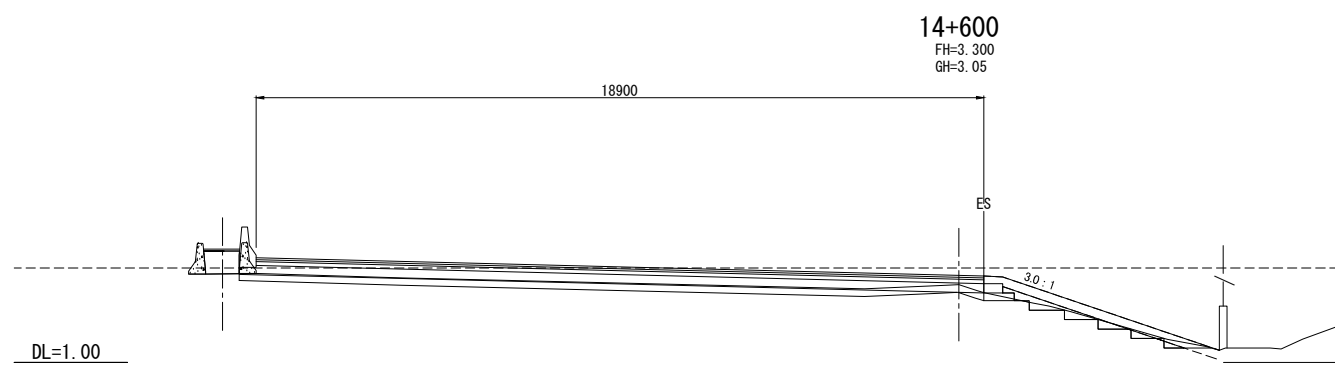




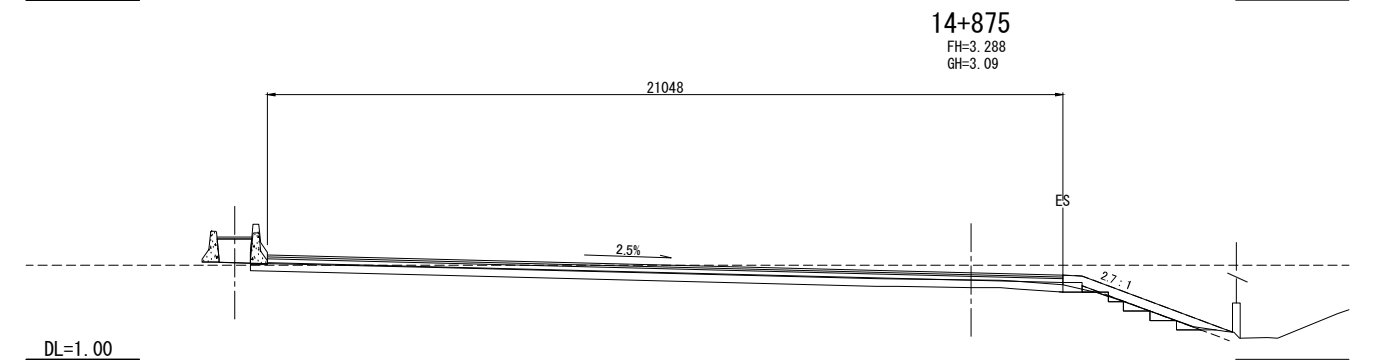
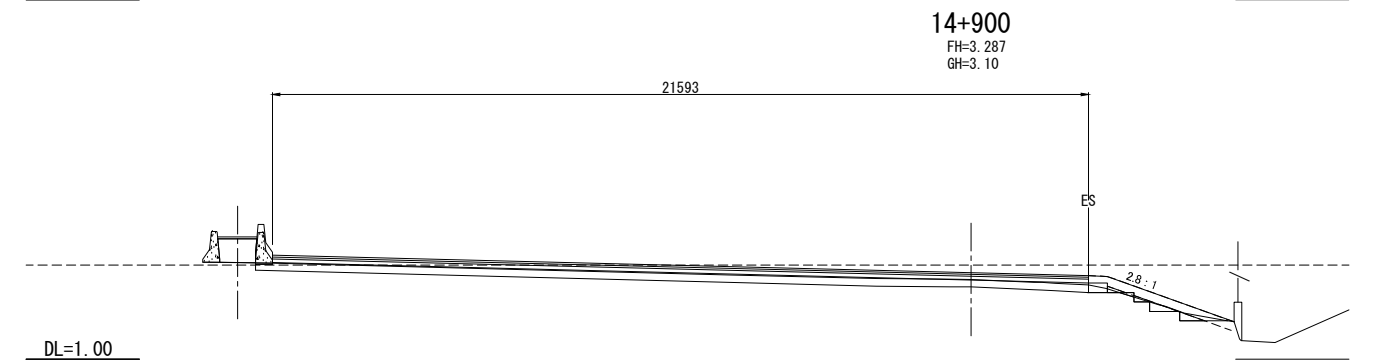
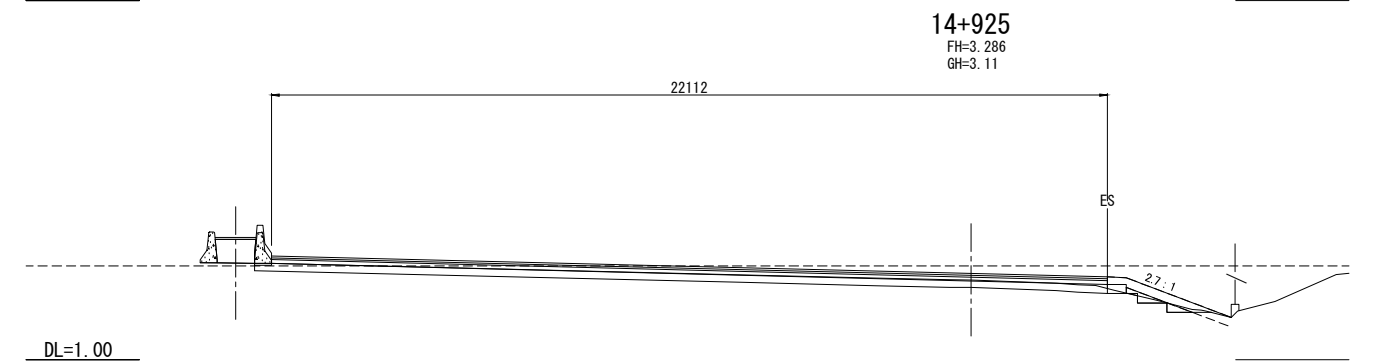
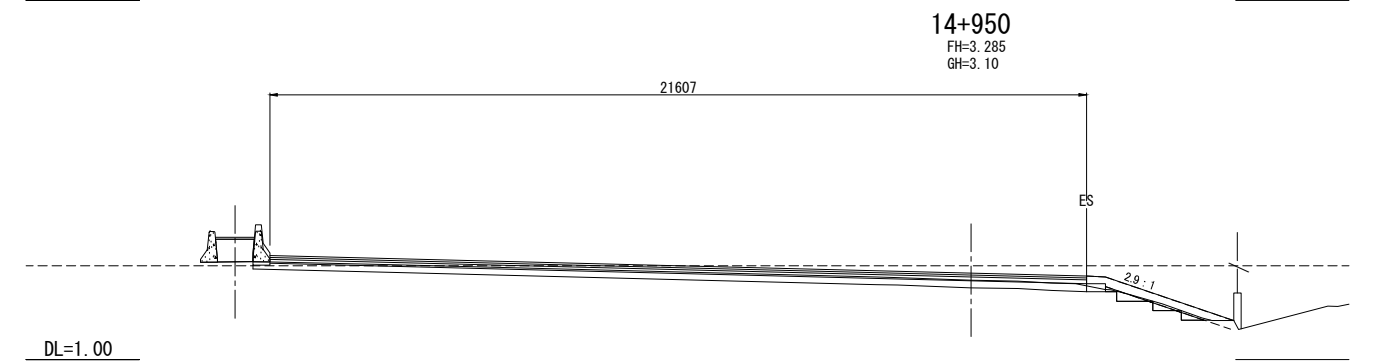
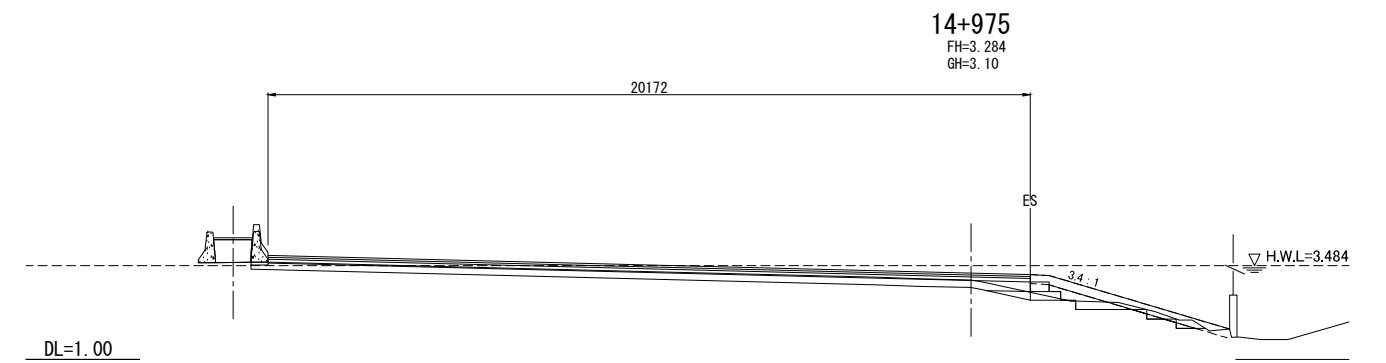
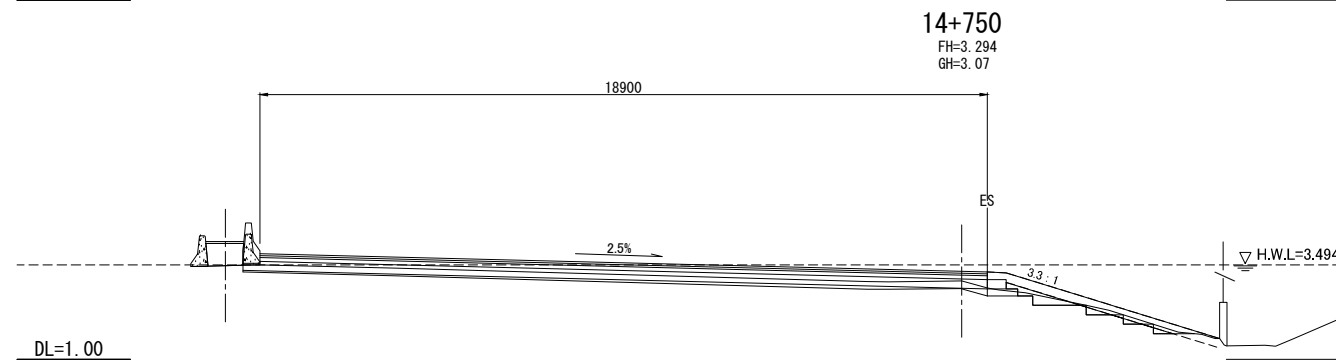
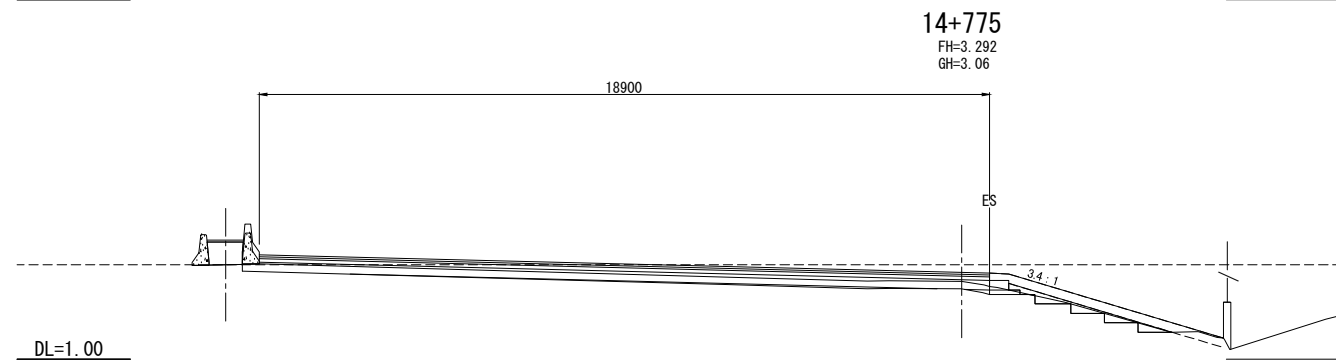
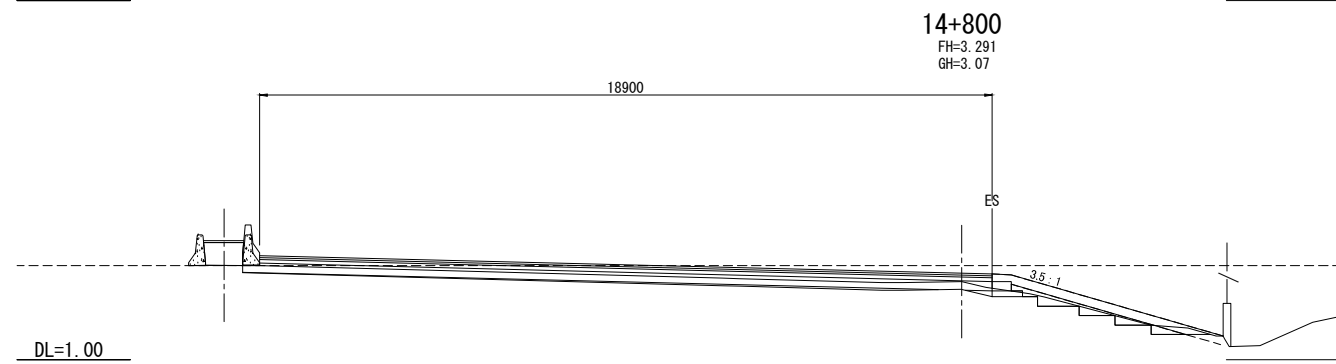
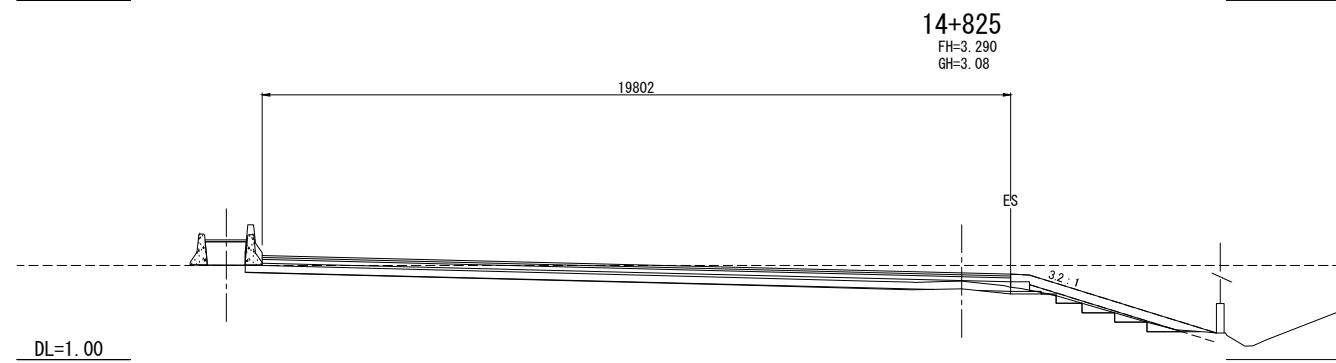
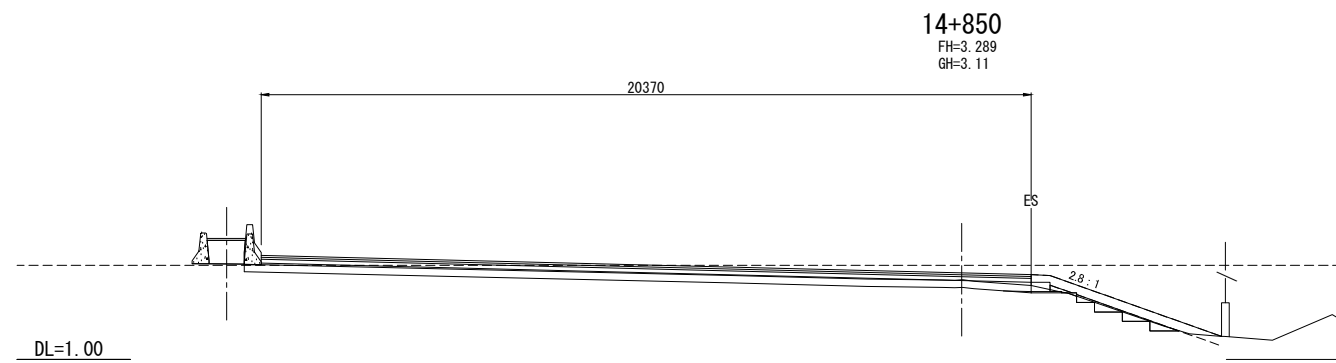
REV. NO.	DESCRIPTION	ENGINEER		DOH		REV. NO.	APPROVED BY	KINGDOM OF THAILAND MINISTRY OF TRANSPORT DEPARTMENT OF HIGHWAYS	HIGHWAY ROUTE NO. 9	OWNER The Inter-City Motorways Division Department of Highways Ministry of Transport	PROJECT TITLE The Preparatory Survey on the Rehabilitation Project of the Outer Bangkok Ring Road	DESIGNED BY SAGARA Hidetaka ROAD ENGINEER	CHECKED BY WATANABE Ryohei CHIEF ENGINEER	DATE:	SCALE:
		CHECKED	DATE	CHECKED	DATE									AUGUST 2012	SCALE 1:100
														DWG. NO. <b>MW-66</b>	SHEET NO. <b>71</b>



REV. NO.	DESCRIPTION	ENGINEER		DOH		REV. NO.	APPROVED BY	KINGDOM OF THAILAND MINISTRY OF TRANSPORT DEPARTMENT OF HIGHWAYS	HIGHWAY ROUTE NO. 9	OWNER The Inter-City Motorways Division Department of Highways Ministry of Transport	PROJECT TITLE The Preparatory Survey on the Rehabilitation Project of the Outer Bangkok Ring Road	DESIGNED BY SAGARA Hidetaka ROAD ENGINEER	CHECKED BY WATANABE Ryohei CHIEF ENGINEER	DATE:	SCALE:
		CHECKED	DATE	CHECKED	DATE									AUGUST 2012	SCALE 1:100
									CROSS SECTIONS (16 / 70)					DWG. NO. MW-67	SHEET NO. 72



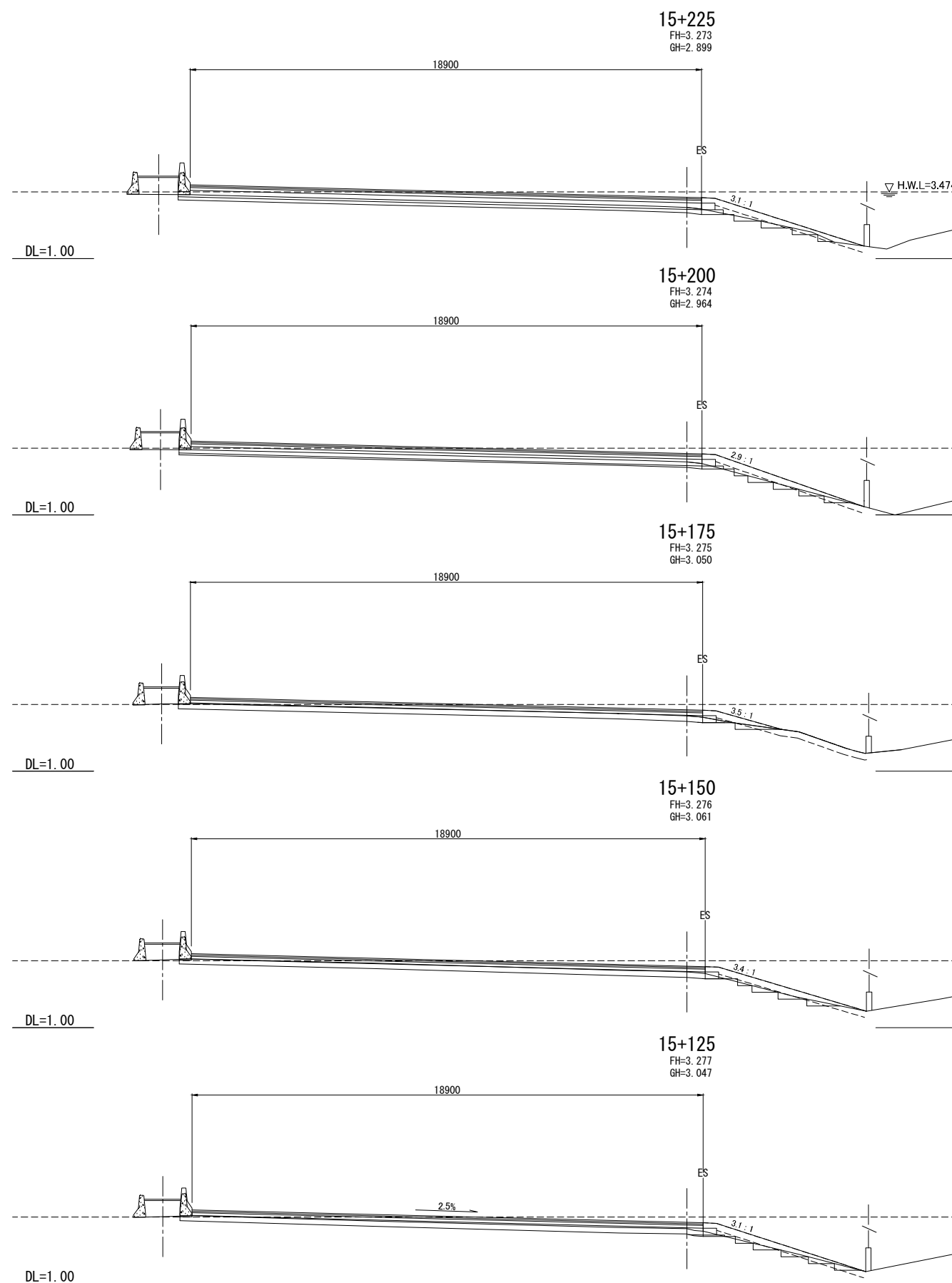
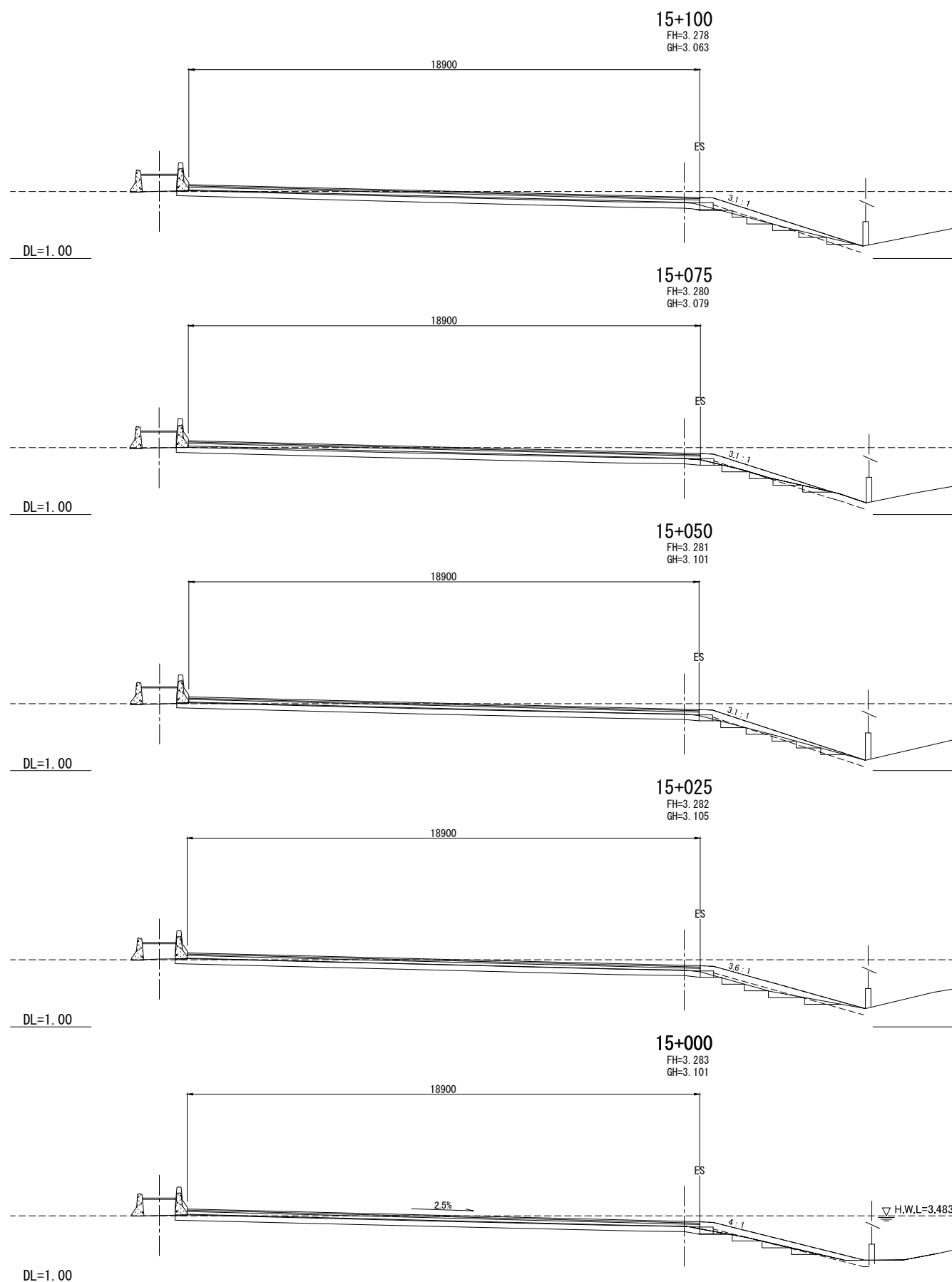
REV. NO.	DESCRIPTION	ENGINEER		DOH		REV. NO.	APPROVED BY	KINGDOM OF THAILAND MINISTRY OF TRANSPORT DEPARTMENT OF HIGHWAYS	HIGHWAY ROUTE NO. 9	OWNER The Inter-City Motorways Division Department of Highways Ministry of Transport	PROJECT TITLE The Preparatory Survey on the Rehabilitation Project of the Outer Bangkok Ring Road	DESIGNED BY SAGARA Hidetaka ROAD ENGINEER	CHECKED BY WATANABE Ryohei CHIEF ENGINEER	DATE :	SCALE :
		CHECKED	DATE	CHECKED	DATE									AUGUST 2012	SCALE 1:100
														DWG. NO. MW-68	SHEET NO. 73



REV. NO.	DESCRIPTION	ENGINEER		DOH		REV. NO.	APPROVED BY	KINGDOM OF THAILAND MINISTRY OF TRANSPORT DEPARTMENT OF HIGHWAYS	HIGHWAY ROUTE NO. 9	OWNER The Inter-City Motorways Division Department of Highways Ministry of Transport	PROJECT TITLE The Preparatory Survey on the Rehabilitation Project of the Outer Bangkok Ring Road	DESIGNED BY SAGARA Hidetaka ROAD ENGINEER	CHECKED BY WATANABE Ryohei CHIEF ENGINEER	DATE:	SCALE:
		CHECKED	DATE	CHECKED	DATE									AUGUST 2012	SCALE 1:100
									CROSS SECTIONS (18 / 70)					DWG. NO. MW-69	SHEET NO. 74

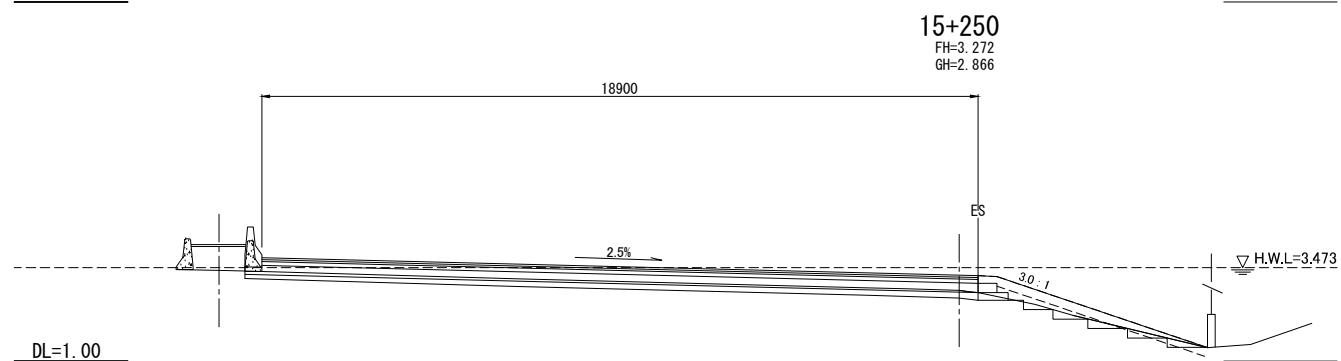
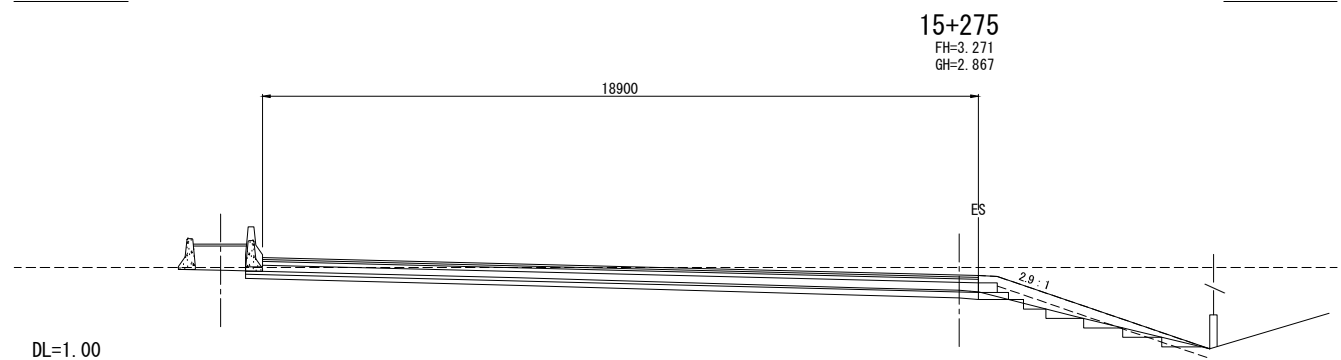
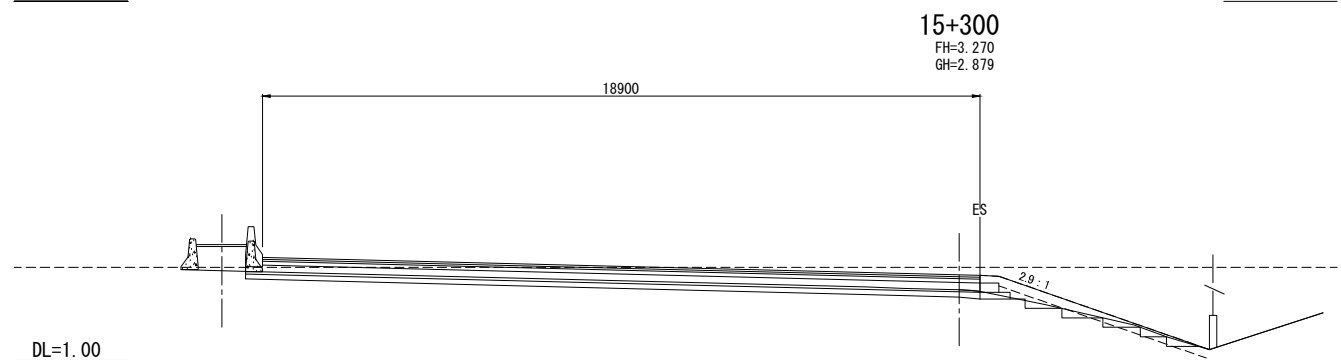
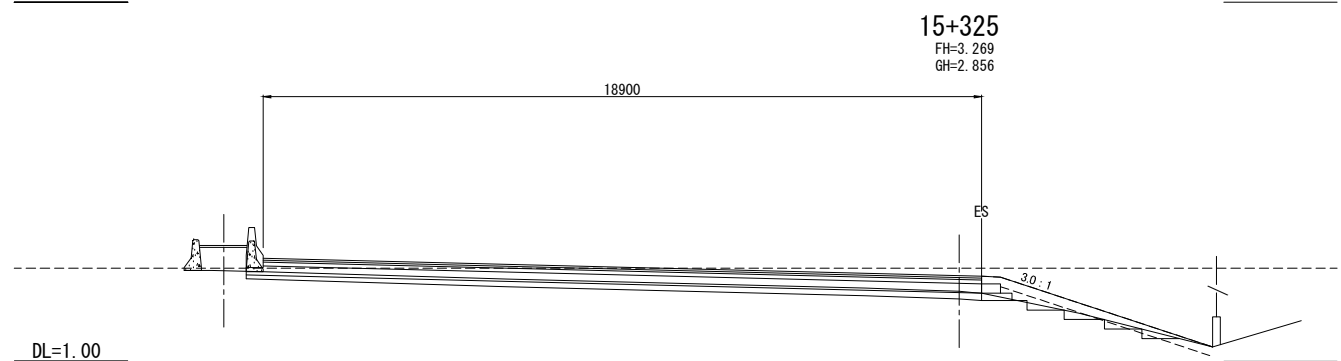
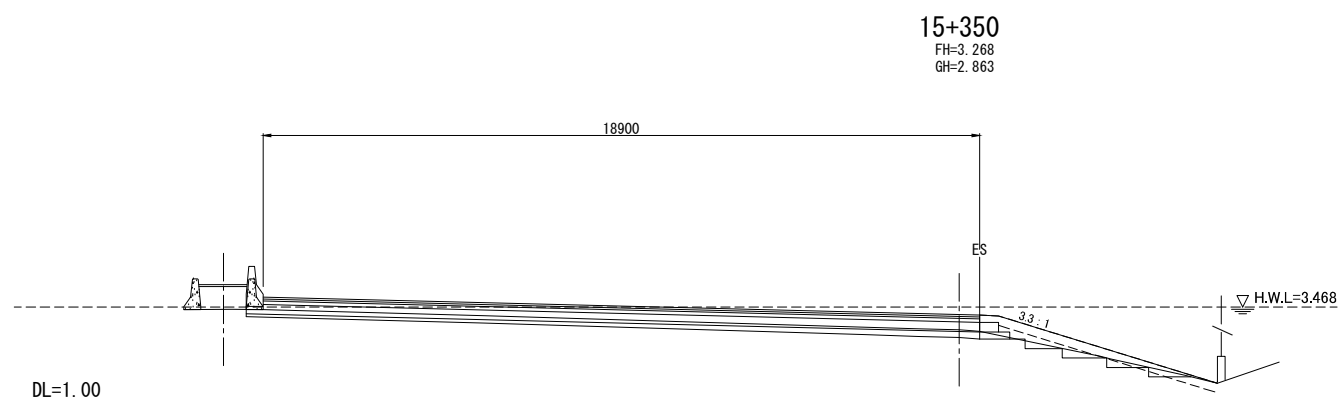


CTI ENGINEERING INTERNATIONAL CO., LTD.  
ORIENTAL CONSULTANTS CO., LTD.  
NIPPON KOEI CO., LTD.  
CTI ENGINEERING CO., LTD.



REV. NO.	DESCRIPTION	ENGINEER		DOH		REV. NO.	APPROVED BY	KINGDOM OF THAILAND MINISTRY OF TRANSPORT DEPARTMENT OF HIGHWAYS	HIGHWAY ROUTE NO. 9  CROSS SECTIONS (19/70)	OWNER The Inter-City Motorways Division Department of Highways Ministry of Transport	PROJECT TITLE The Preparatory Survey on the Rehabilitation Project of the Outer Bangkok Ring Road	DESIGNED BY SAGARA Hidetaka ROAD ENGINEER	CHECKED BY WATANABE Ryohei CHIEF ENGINEER	DATE:	SCALE:
		CHECKED	DATE	CHECKED	DATE									AUGUST 2012	SCALE 1:100
														DWG. NO. <b>MW-70</b>	SHEET NO. <b>75</b>

CTI ENGINEERING INTERNATIONAL CO., LTD.  
ORIENTAL CONSULTANTS CO., LTD.  
NIPPON KOEI CO., LTD.  
CTI ENGINEERING CO., LTD.



DL=1.00

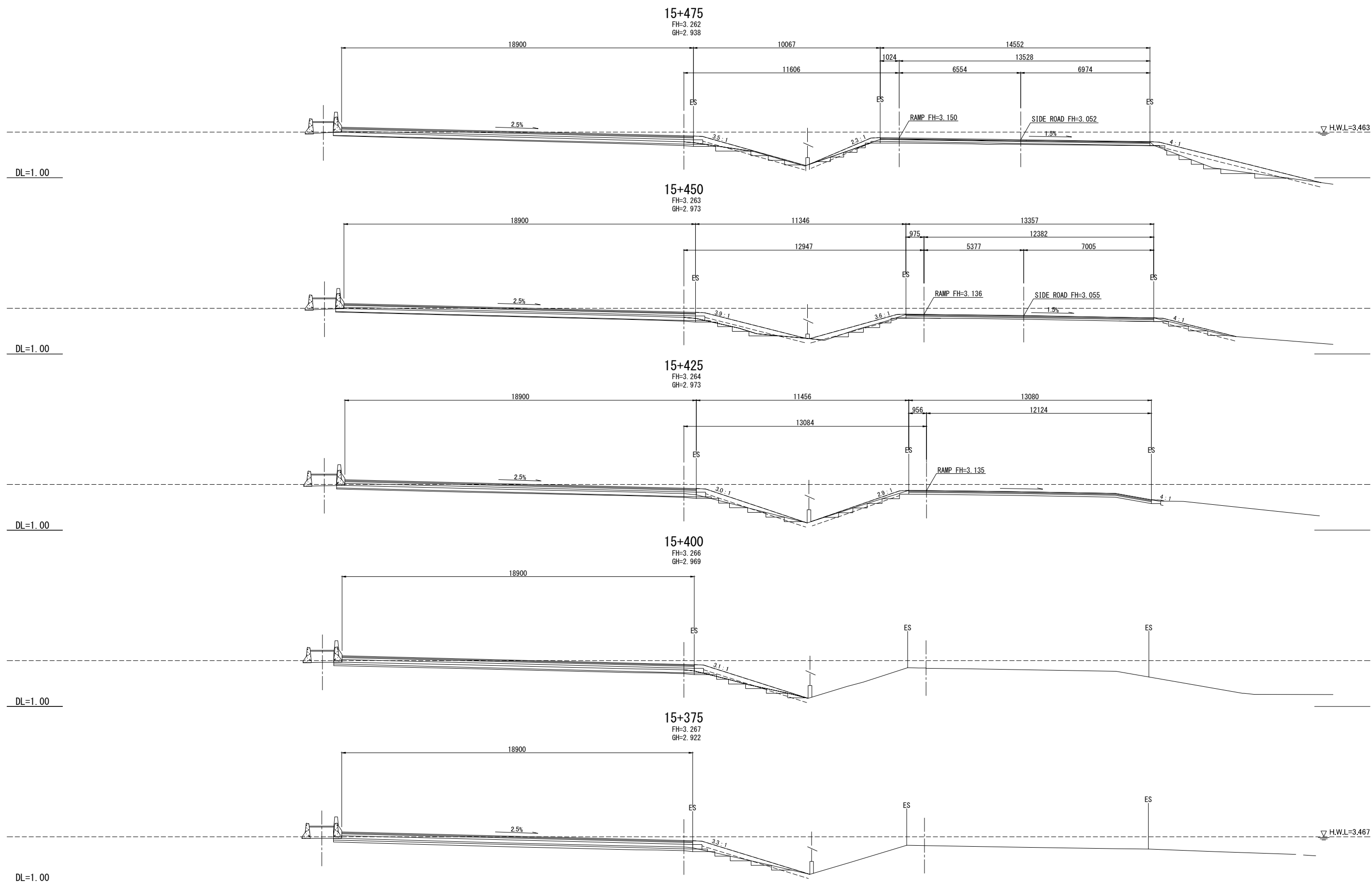
DL=1.00





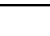
DL=1.00

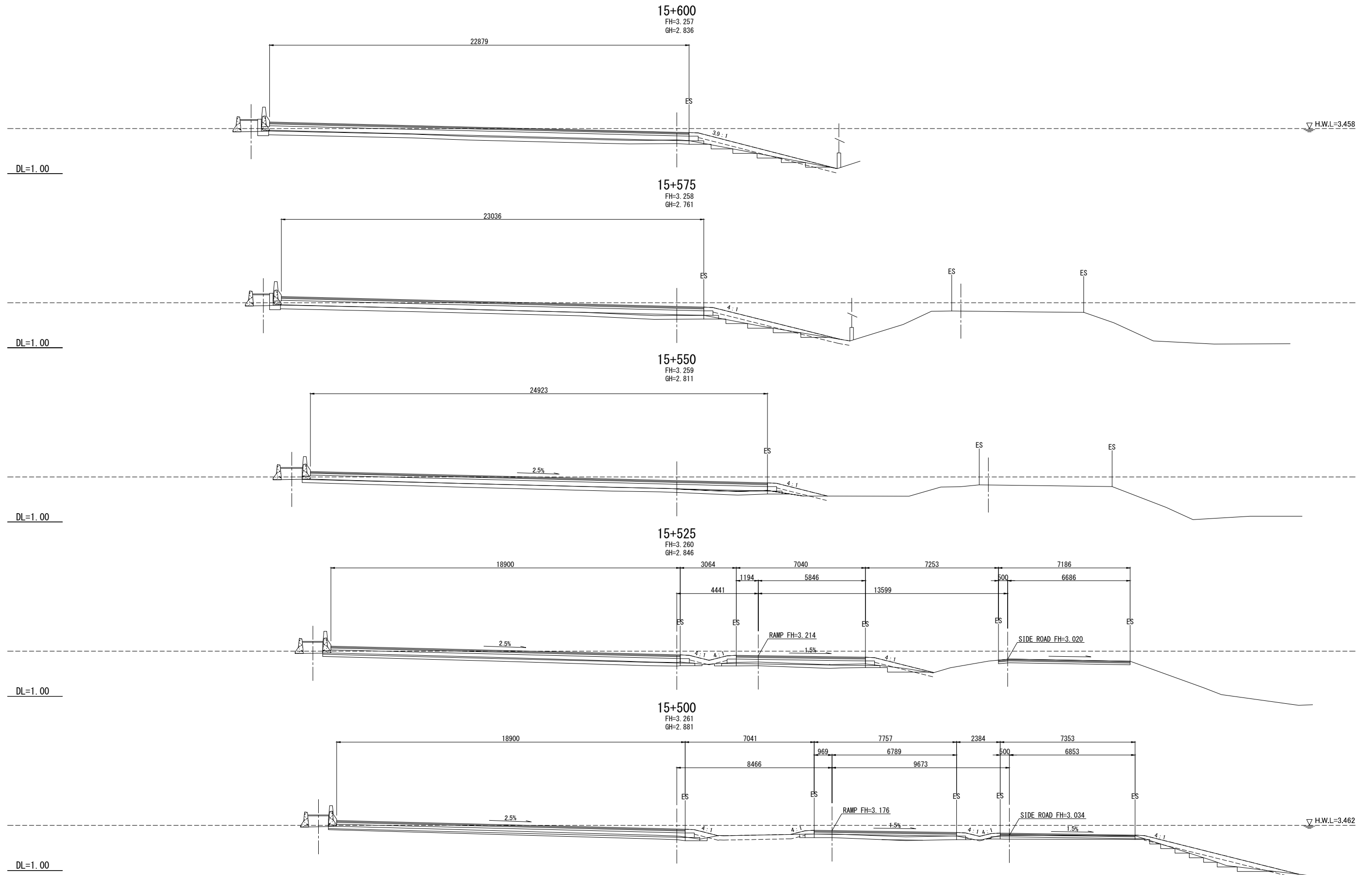
DL=1.00






DL=1.00

REV. NO.	DESCRIPTION	ENGINEER		DOH		REV. NO.	APPROVED BY	KINGDOM OF THAILAND MINISTRY OF TRANSPORT DEPARTMENT OF HIGHWAYS	HIGHWAY ROUTE NO. 9	OWNER The Inter-City Motorways Division Department of Highways Ministry of Transport	PROJECT TITLE The Preparatory Survey on the Rehabilitation Project of the Outer Bangkok Ring Road	DESIGNED BY SAGARA Hidetaka ROAD ENGINEER	CHECKED BY WATANABE Ryohei CHIEF ENGINEER	DATE :	SCALE :
		CHECKED	DATE	CHECKED	DATE									AUGUST 2012	SCALE 1:100
														DWG. NO. MW-71	SHEET NO. 76



REV. NO.	DESCRIPTION	ENGINEER		DOH		REV. NO.	APPROVED BY	 <b>KINGDOM OF THAILAND</b> MINISTRY OF TRANSPORT DEPARTMENT OF HIGHWAYS	HIGHWAY ROUTE NO. 9	OWNER	PROJECT TITLE	 CTI ENGINEERING INTERNATIONAL CO., LTD.  ORIENTAL CONSULTANTS CO., LTD.  NIPPON KOEI CO., LTD.  CTI ENGINEERING CO., LTD.	DESIGNED BY	CHECKED BY	DATE :	SCALE :
		CHECKED	DATE	CHECKED	DATE								SAGARA Hidetaka ROAD ENGINEER	WATANABE Ryohei CHIEF ENGINEER	AUGUST 2012	SCALE 1:100
									CROSS SECTIONS ( 21 / 70 )	The Inter-City Motorways Division Department of Highways Ministry of Transport	The Preparatory Survey on the Rehabilitation Project of the Outer Bangkok Ring Road			DWG. NO.	SHEET NO.	
														MW-72	77	



REV. NO.	DESCRIPTION	ENGINEER		DOH		REV. NO.	APPROVED BY	 <b>KINGDOM OF THAILAND</b> MINISTRY OF TRANSPORT DEPARTMENT OF HIGHWAYS	HIGHWAY ROUTE NO. 9	OWNER	PROJECT TITLE	 CTI ENGINEERING INTERNATIONAL CO., LTD.  ORIENTAL CONSULTANTS CO., LTD.  NIPPON KOEI CO., LTD.  CTI ENGINEERING CO., LTD.	DESIGNED BY	CHECKED BY	DATE :	SCALE :
		CHECKED	DATE	CHECKED	DATE										AUGUST 2012 DWG. NO. <b>MW-73</b>	SCALE 1:100 SHEET NO. <b>78</b>
									The Inter-City Motorways Division Department of Highways Ministry of Transport	The Preparatory Survey on the Rehabilitation Project of the Outer Bangkok Ring Road	SAGARA Hidetaka ROAD ENGINEER	WATANABE Ryohei CHIEF ENGINEER				



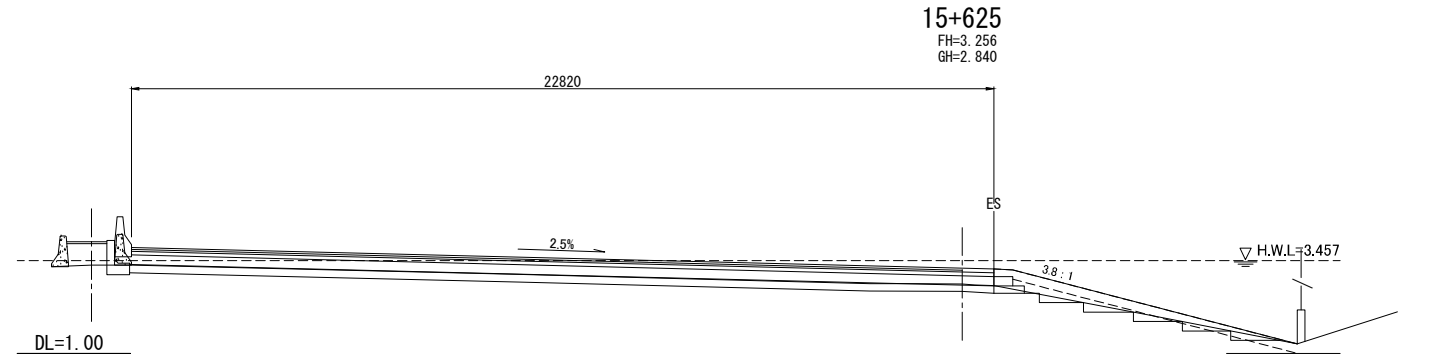
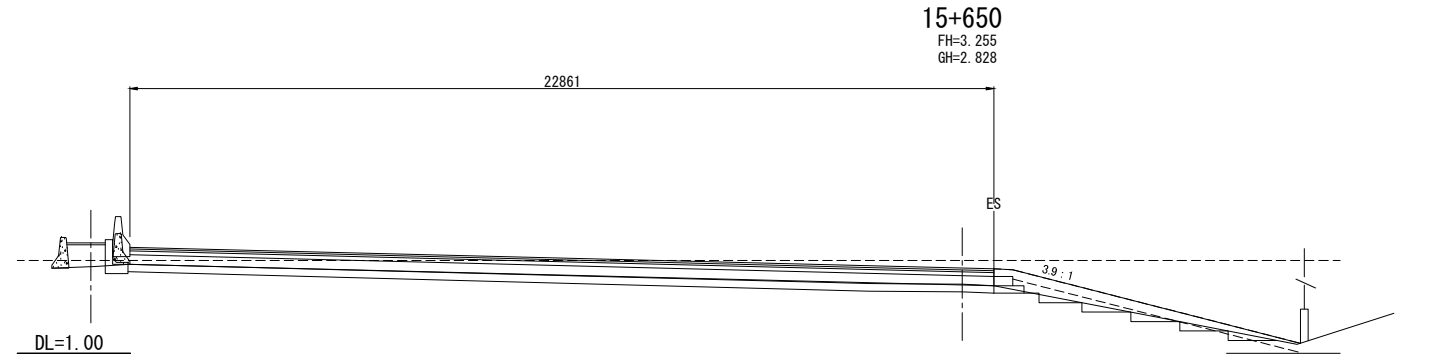
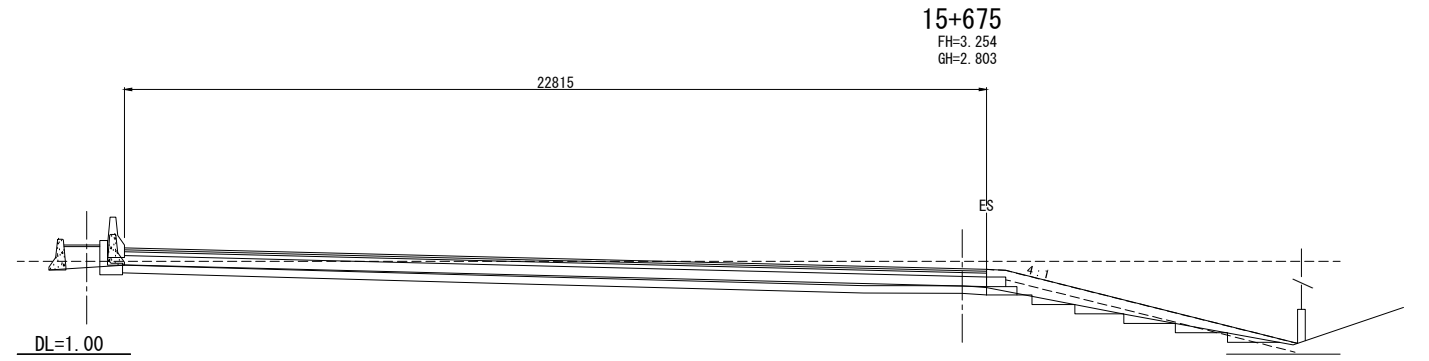
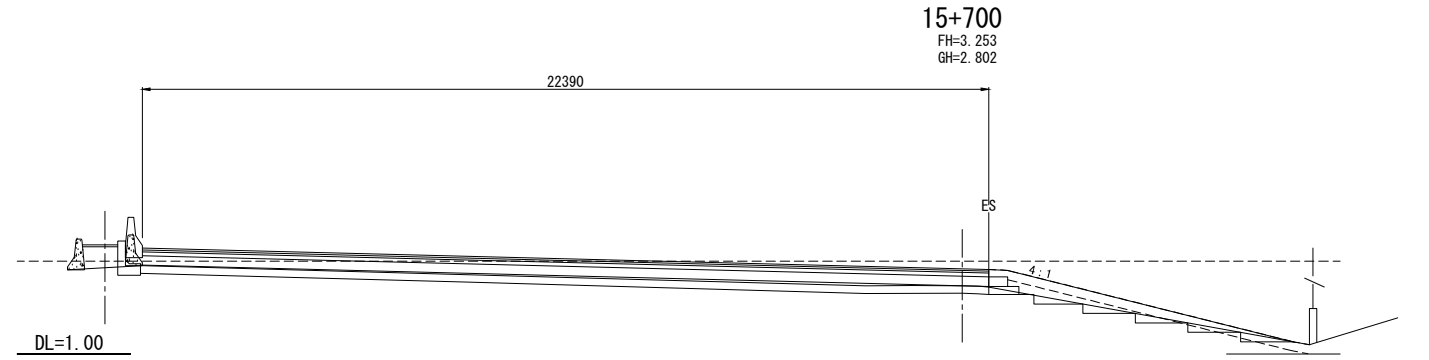
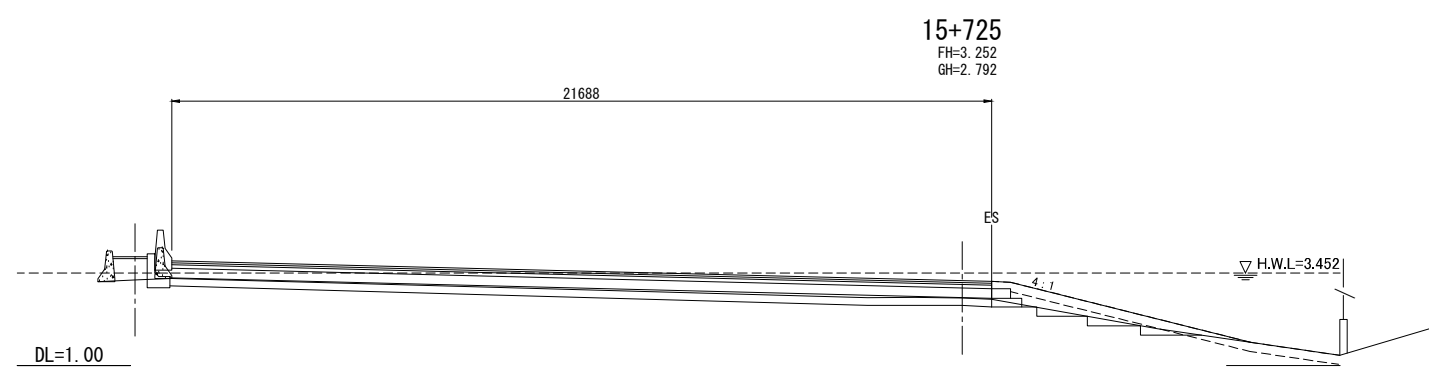
DL=1.00

DL=1.00

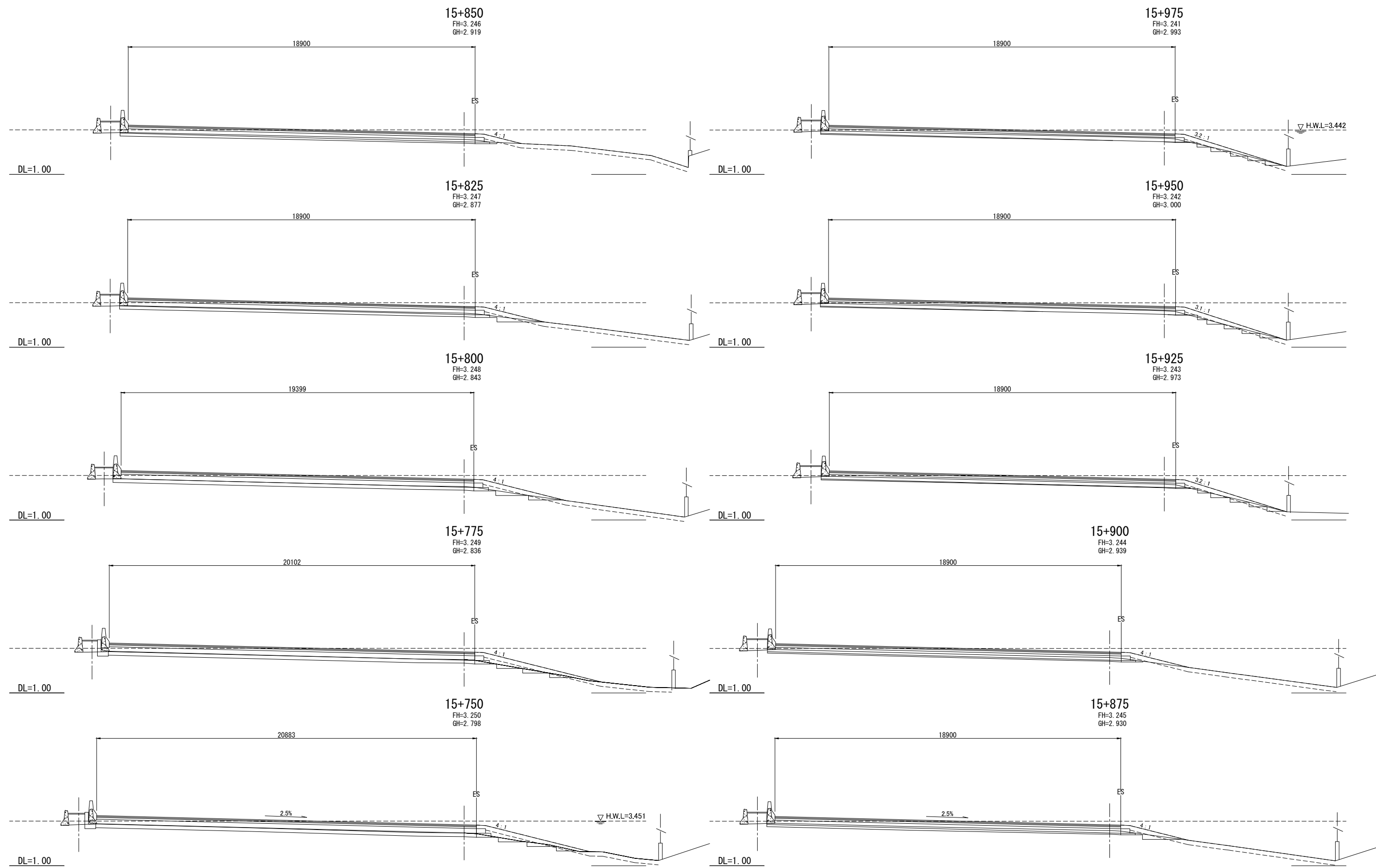
DL=1.00

DL=1.00

DL=1.00

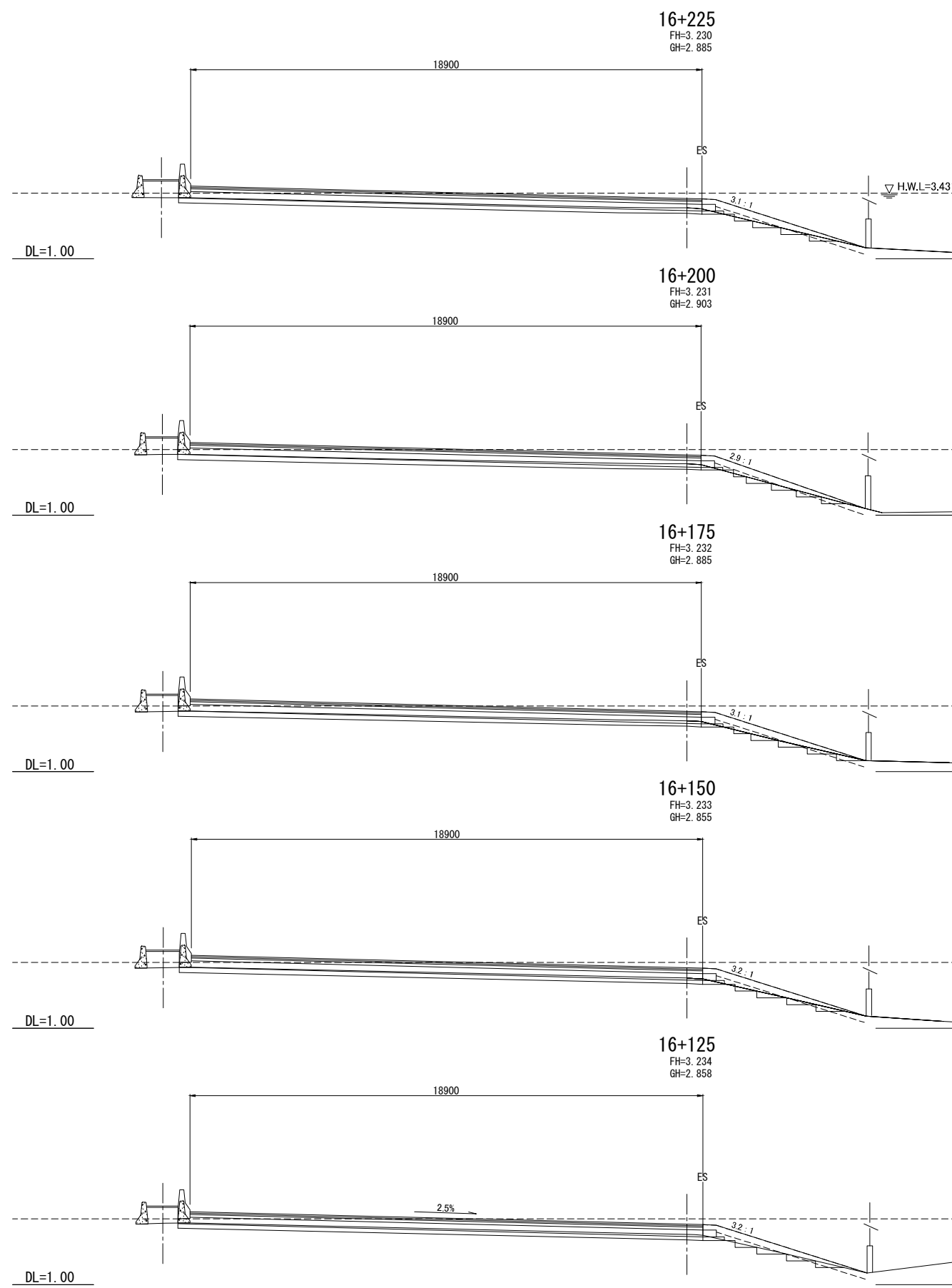
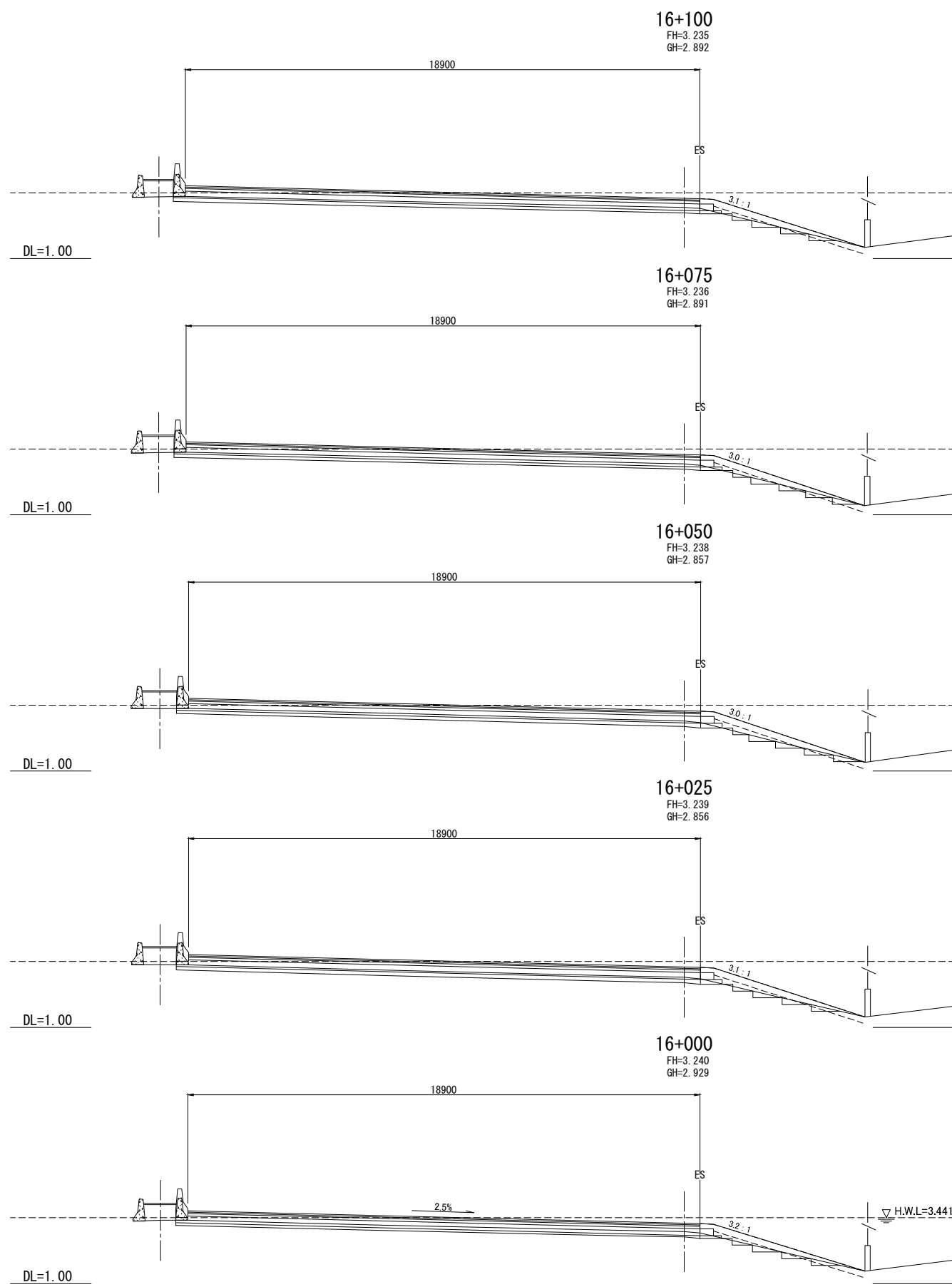


REV. NO.	DESCRIPTION	ENGINEER		DOH		REV. NO.	APPROVED BY	KINGDOM OF THAILAND MINISTRY OF TRANSPORT DEPARTMENT OF HIGHWAYS	HIGHWAY ROUTE NO. 9	OWNER The Inter-City Motorways Division Department of Highways Ministry of Transport	PROJECT TITLE The Preparatory Survey on the Rehabilitation Project of the Outer Bangkok Ring Road	DESIGNED BY SAGARA Hidetaka ROAD ENGINEER	CHECKED BY WATANABE Ryohei CHIEF ENGINEER	DATE :	SCALE :
		CHECKED	DATE	CHECKED	DATE									AUGUST 2012	SCALE 1:100
														DWG. NO. MW-74	SHEET NO. 79



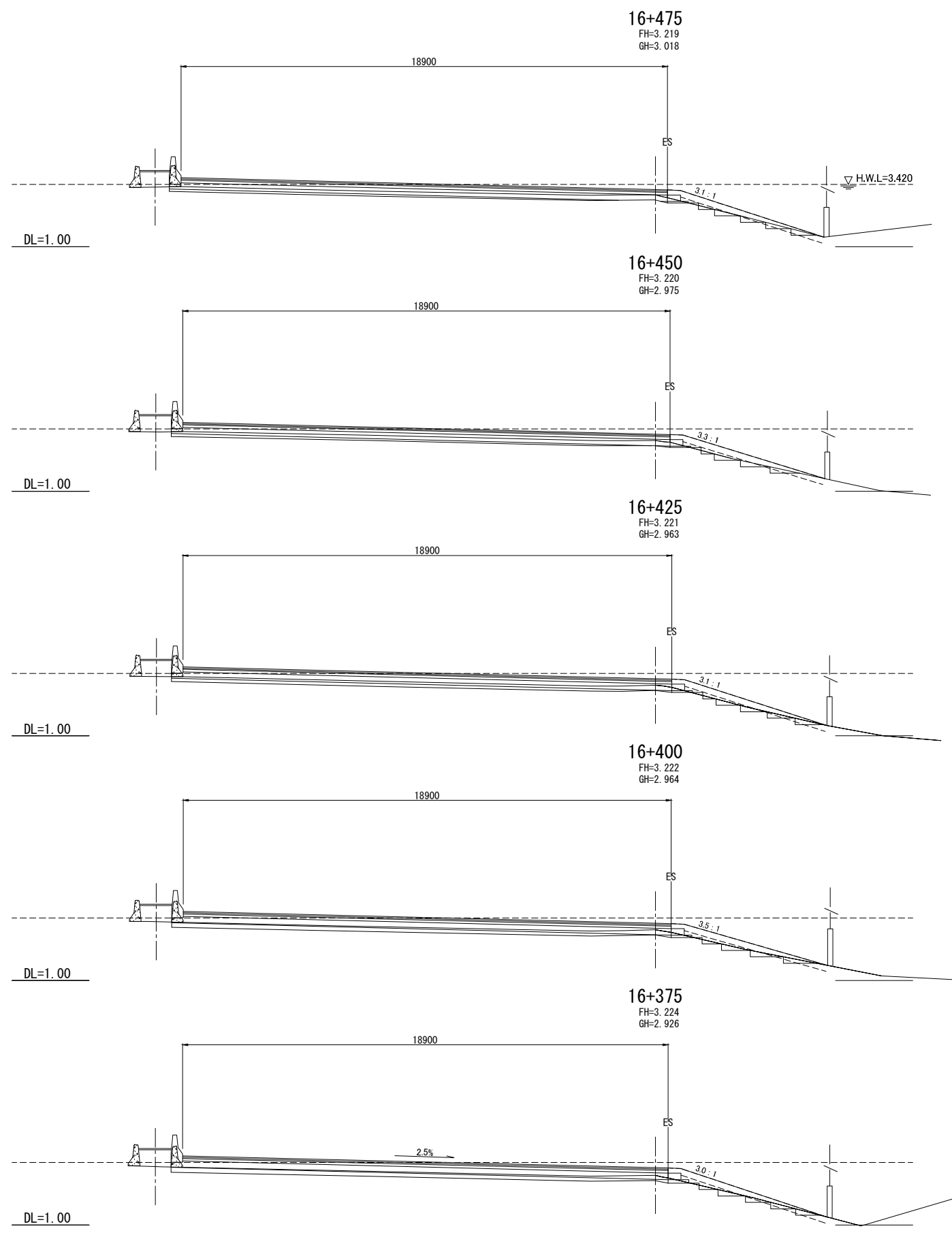
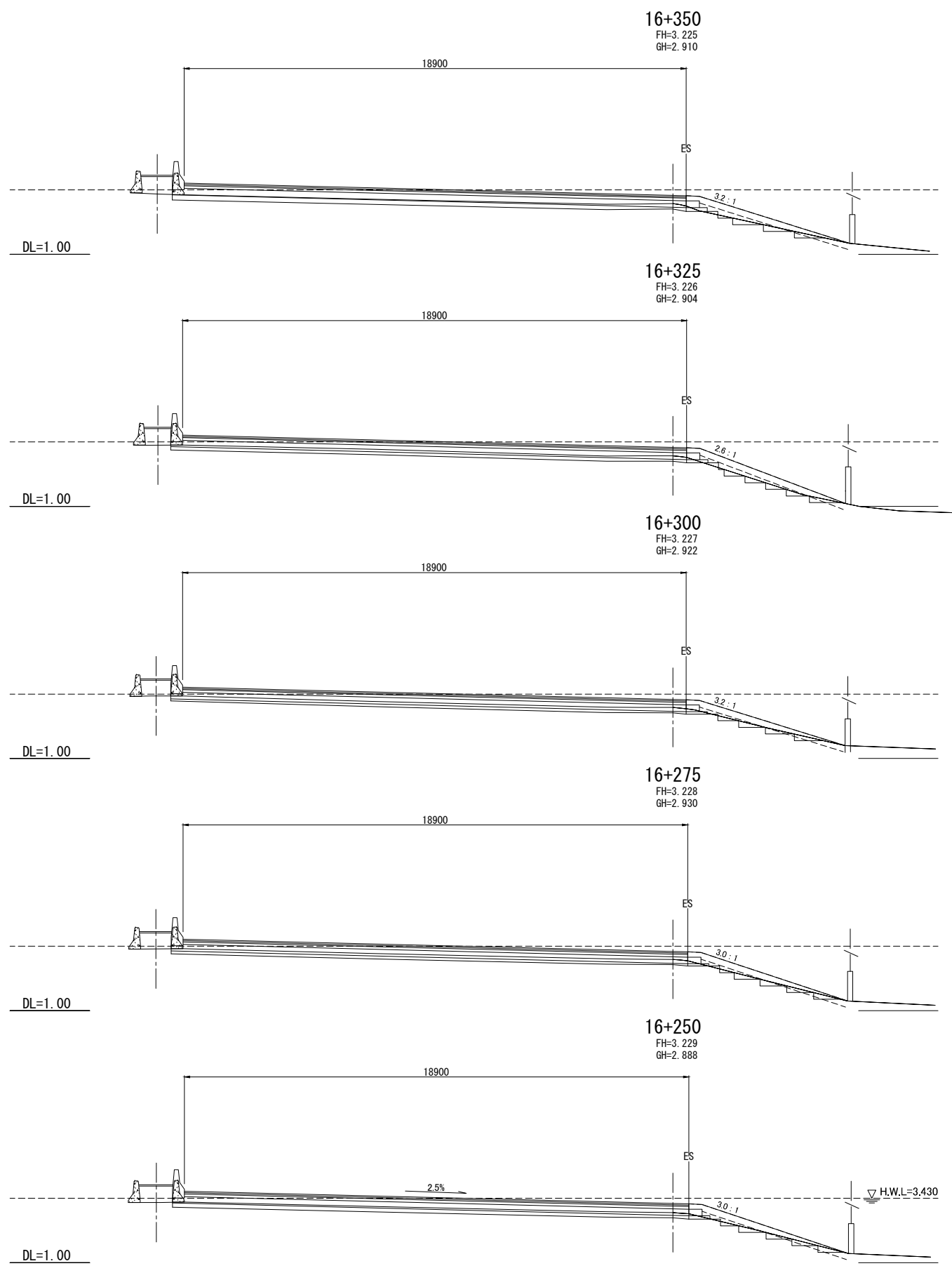
REV. NO.	DESCRIPTION	ENGINEER		DOH		REV. NO.	APPROVED BY	KINGDOM OF THAILAND MINISTRY OF TRANSPORT DEPARTMENT OF HIGHWAYS	HIGHWAY ROUTE NO. 9	OWNER The Inter-City Motorways Division Department of Highways Ministry of Transport	PROJECT TITLE The Preparatory Survey on the Rehabilitation Project of the Outer Bangkok Ring Road	DESIGNED BY SAGARA Hidetaka ROAD ENGINEER	CHECKED BY WATANABE Ryohei CHIEF ENGINEER	DATE:	SCALE:
		CHECKED	DATE	CHECKED	DATE									AUGUST 2012	SCALE 1:100
														DWG. NO. MW-75	SHEET NO. 80

CTI ENGINEERING INTERNATIONAL CO., LTD.  
ORIENTAL CONSULTANTS CO., LTD.  
NIPPON KOEI CO., LTD.  
CTI ENGINEERING CO., LTD.

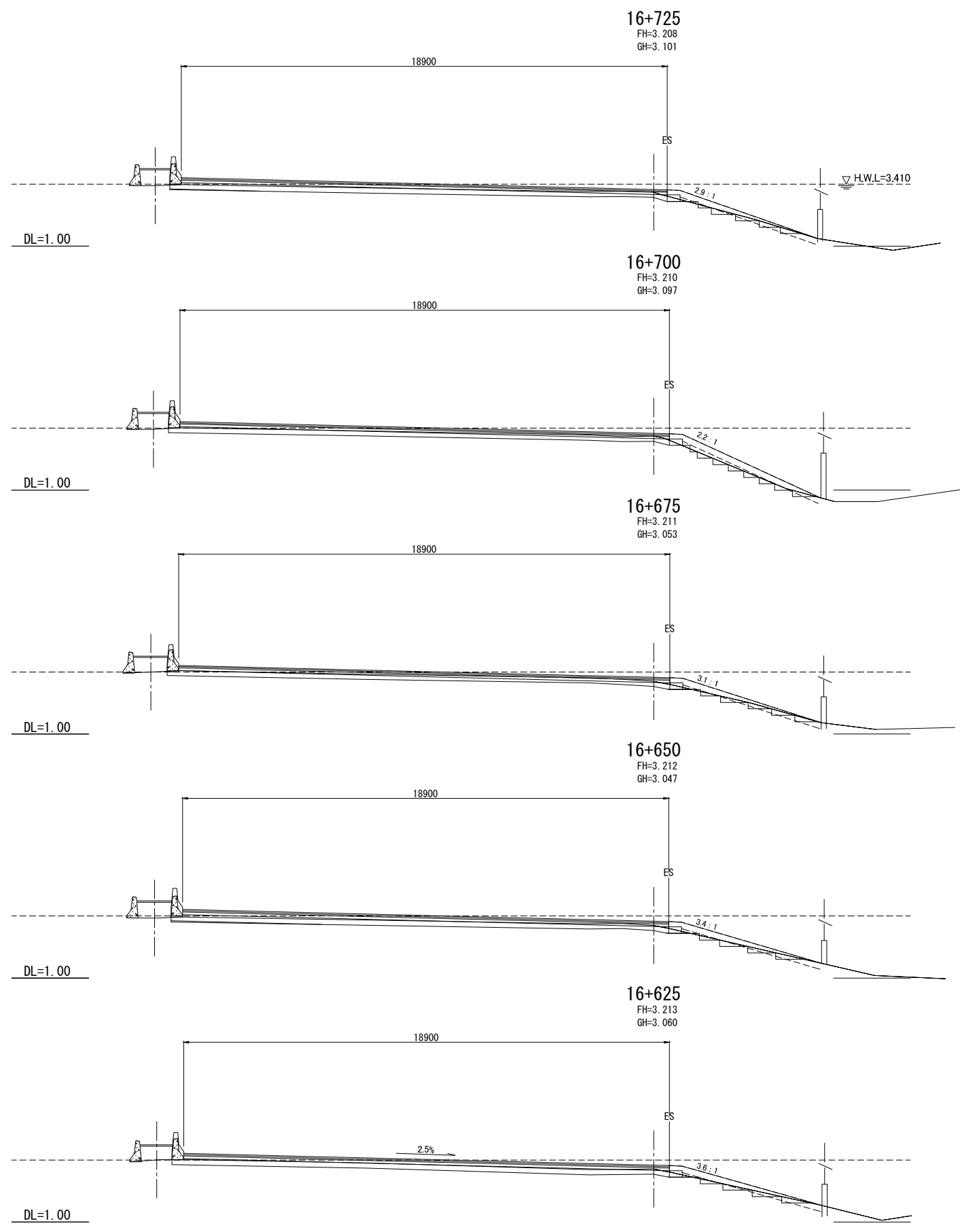
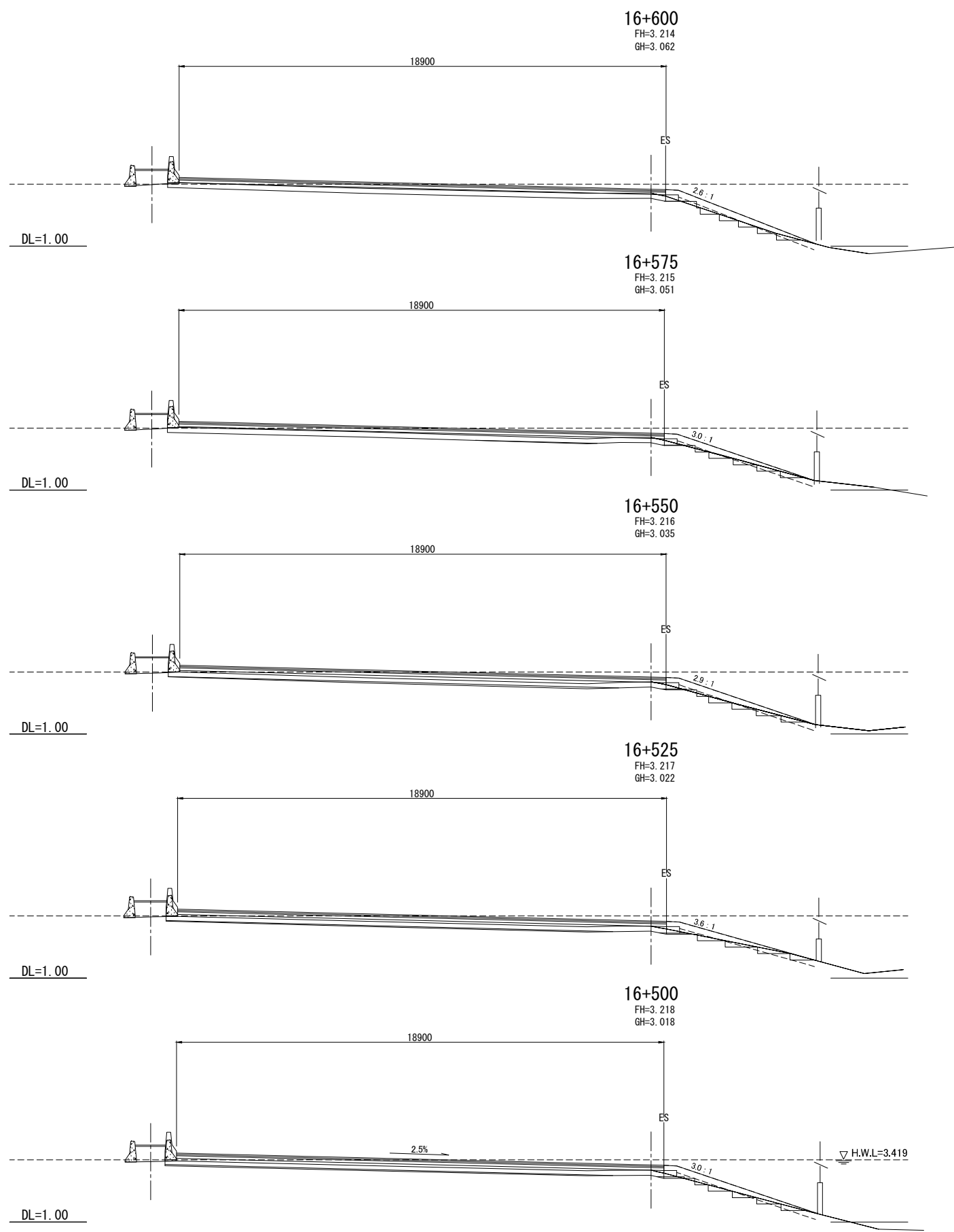


REV. NO.	DESCRIPTION	ENGINEER		DOH		REV. NO.	APPROVED BY	KINGDOM OF THAILAND MINISTRY OF TRANSPORT DEPARTMENT OF HIGHWAYS	HIGHWAY ROUTE NO. 9	OWNER The Inter-City Motorways Division Department of Highways Ministry of Transport	PROJECT TITLE The Preparatory Survey on the Rehabilitation Project of the Outer Bangkok Ring Road	DESIGNED BY SAGARA Hidetaka ROAD ENGINEER	CHECKED BY WATANABE Ryohei CHIEF ENGINEER	DATE:	SCALE:
		CHECKED	DATE	CHECKED	DATE									AUGUST 2012	SCALE 1:100
														DWG. NO. <b>MW-76</b>	SHEET NO. <b>81</b>

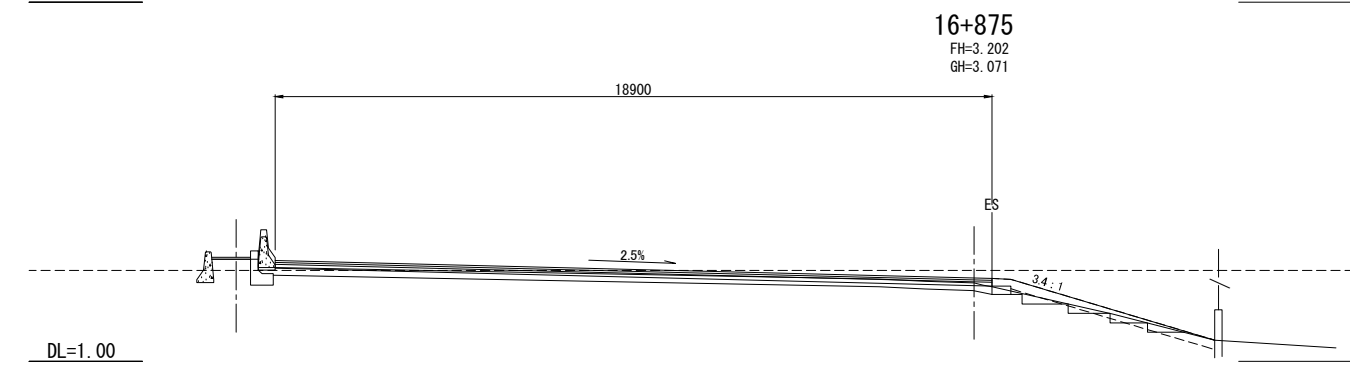
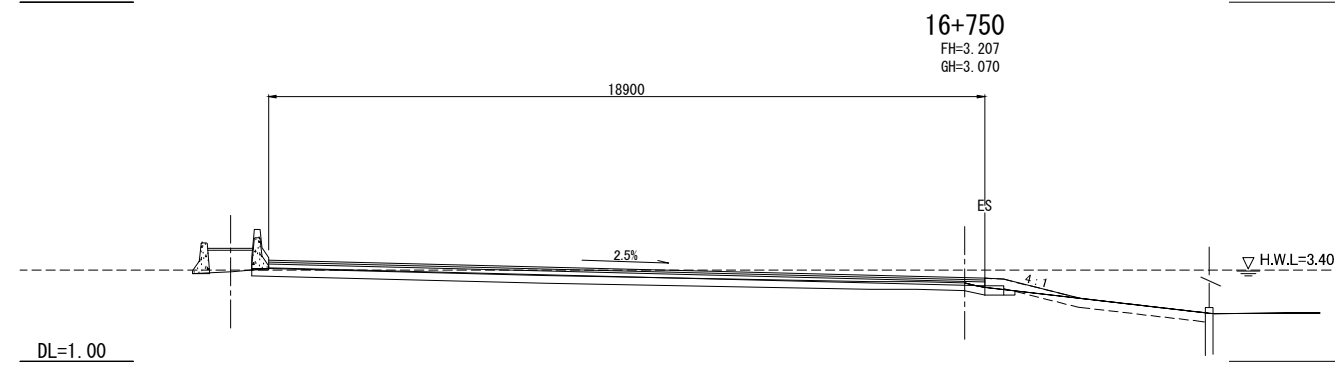
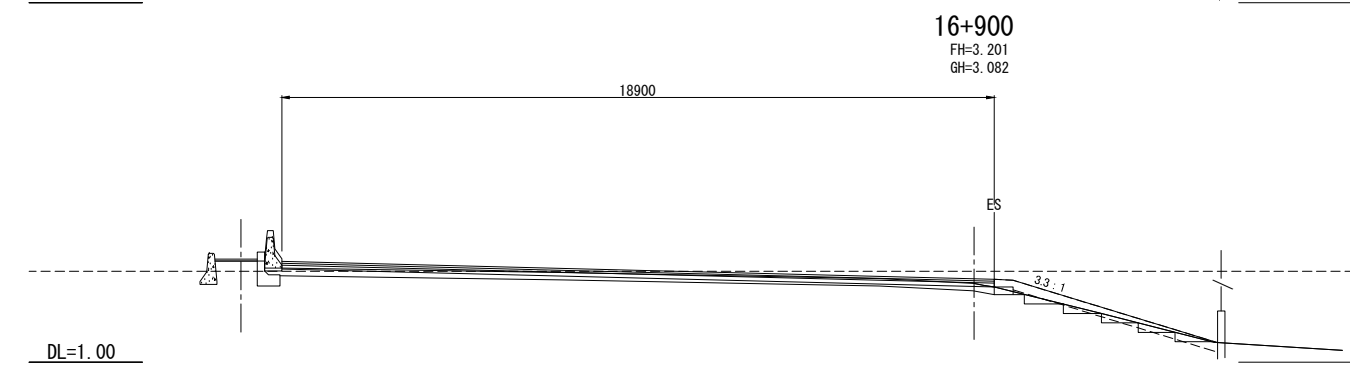
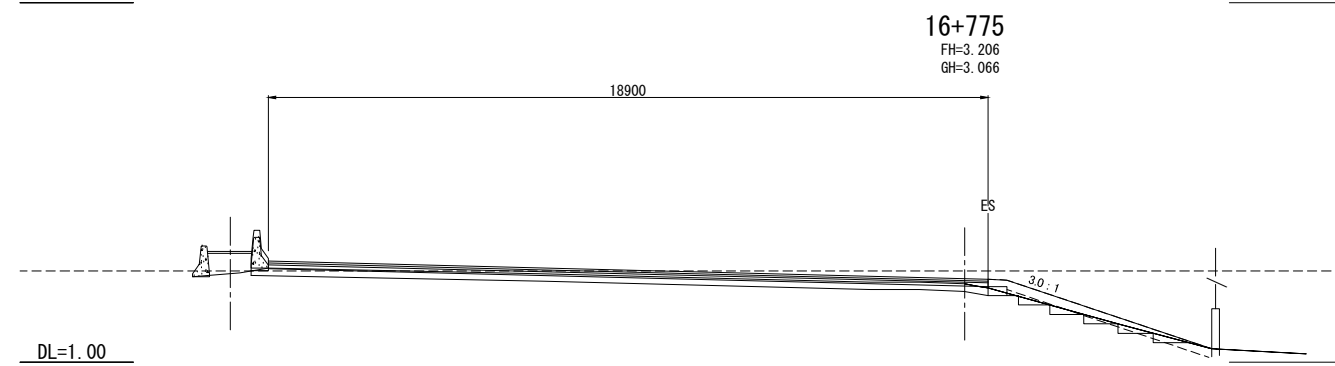
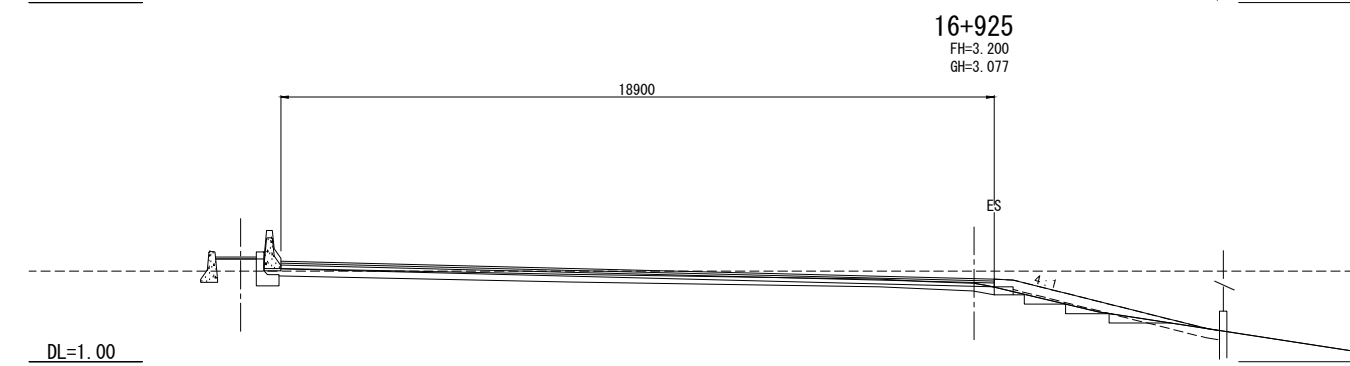
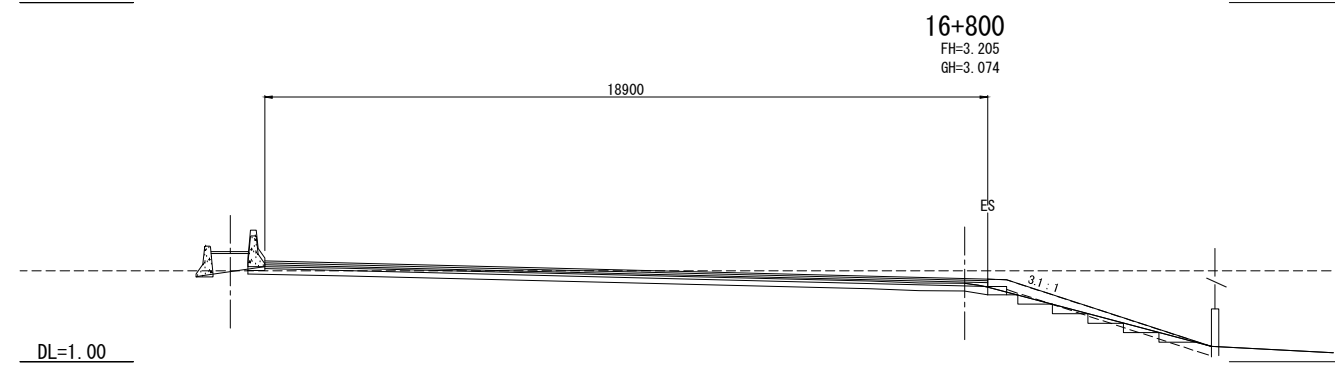
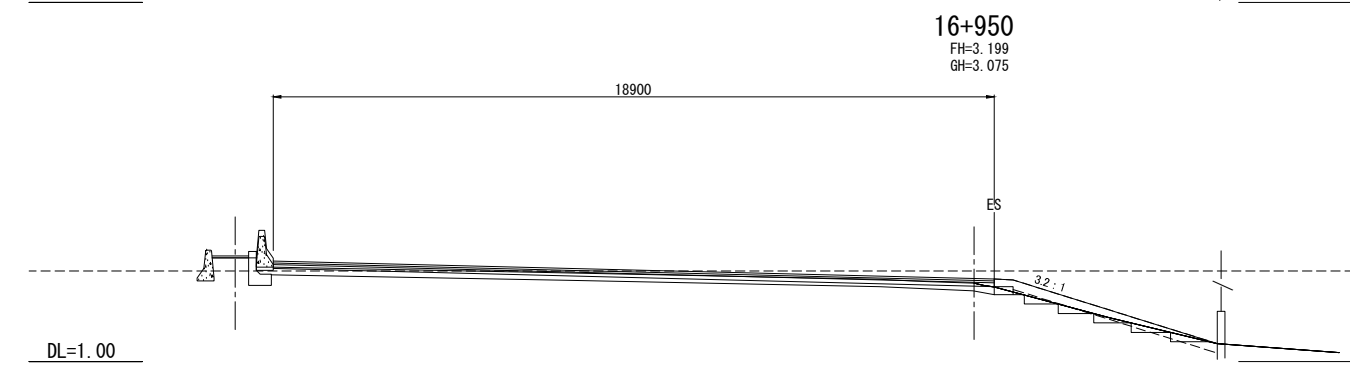
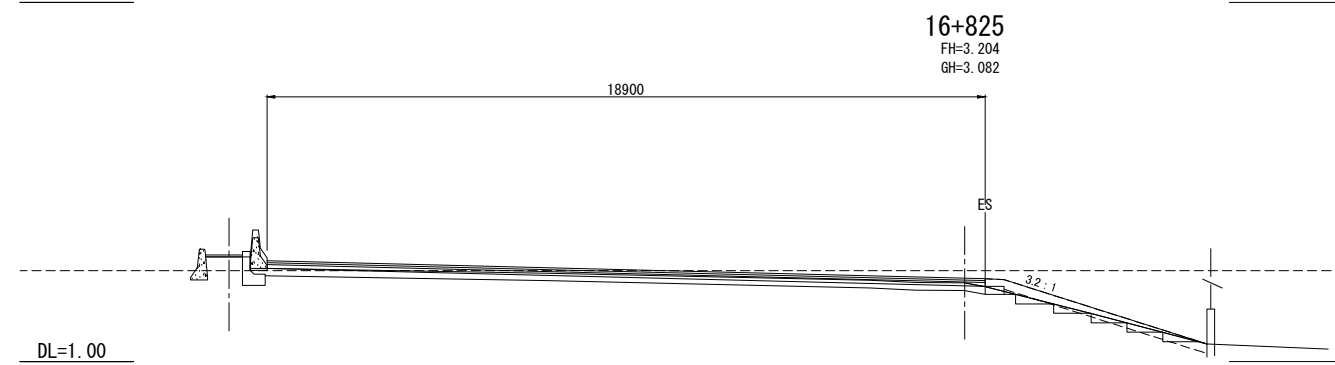
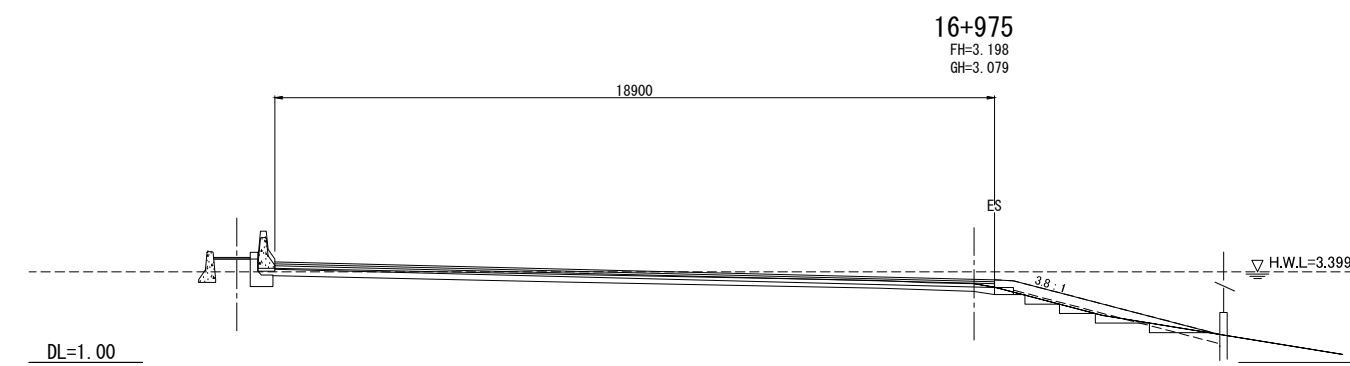
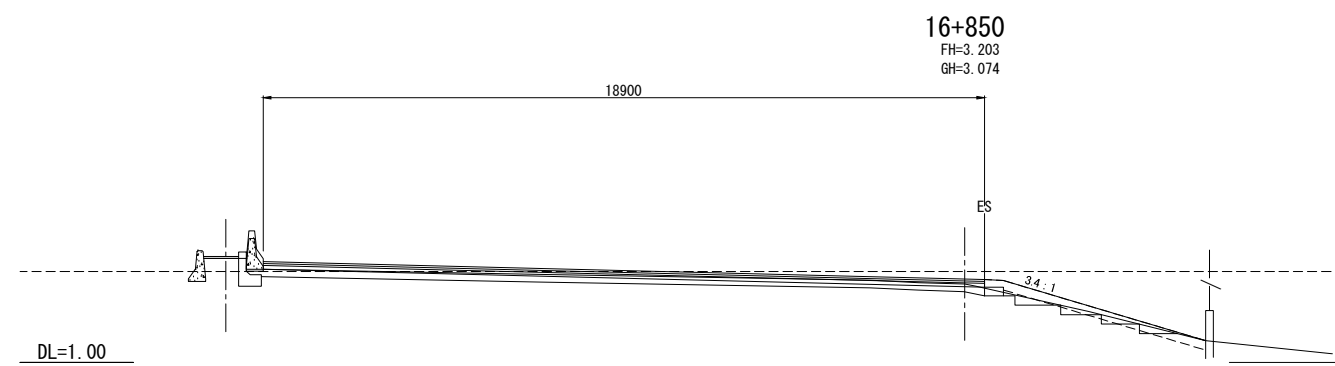
CTI ENGINEERING INTERNATIONAL CO., LTD.  
ORIENTAL CONSULTANTS CO., LTD.  
NIPPON KOEI CO., LTD.  
CTI ENGINEERING CO., LTD.



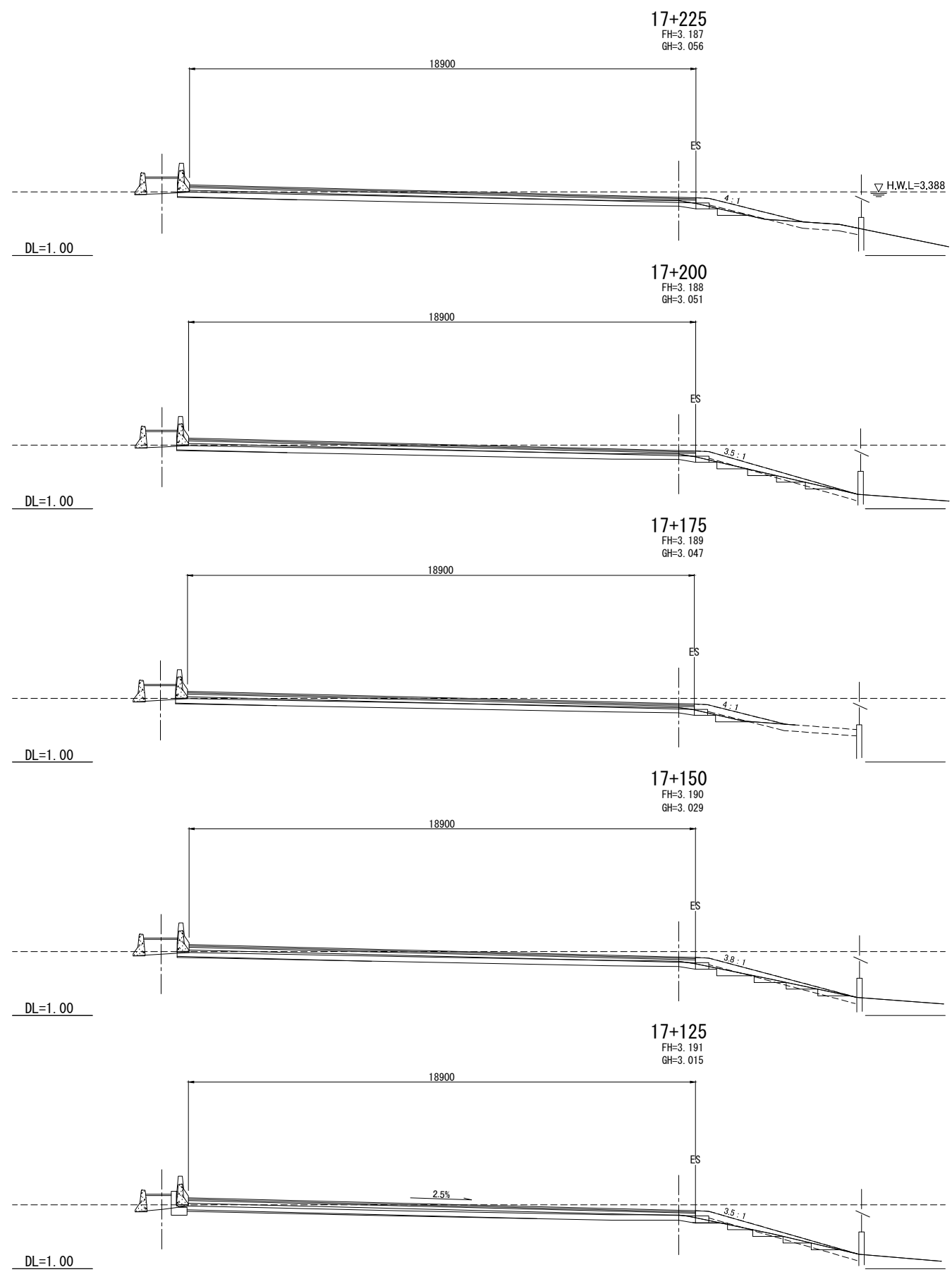
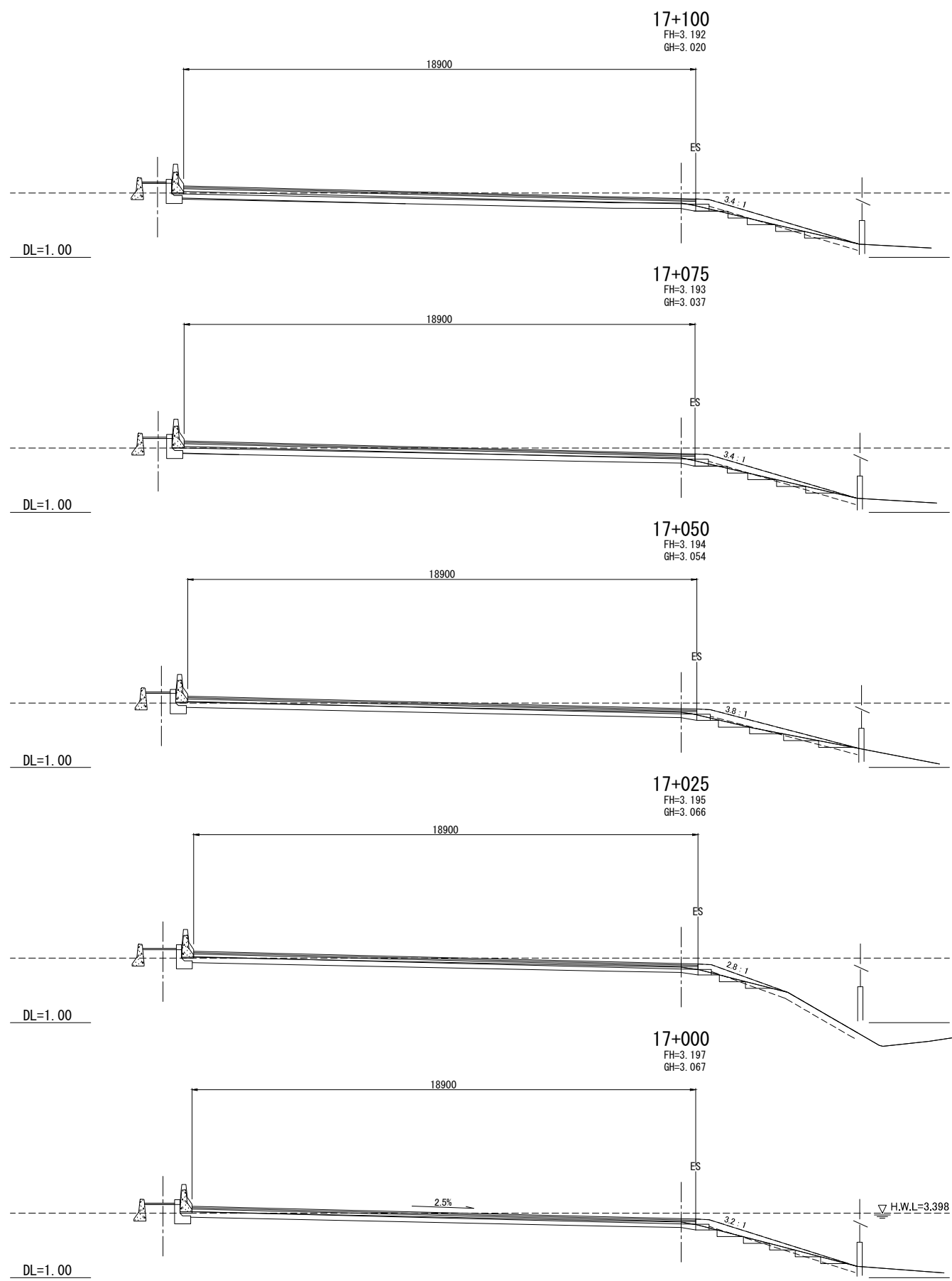
REV. NO.	DESCRIPTION	ENGINEER		DOH		REV. NO.	APPROVED BY	KINGDOM OF THAILAND MINISTRY OF TRANSPORT DEPARTMENT OF HIGHWAYS	HIGHWAY ROUTE NO. 9	OWNER The Inter-City Motorways Division Department of Highways Ministry of Transport	PROJECT TITLE The Preparatory Survey on the Rehabilitation Project of the Outer Bangkok Ring Road	DESIGNED BY SAGARA Hidetaka ROAD ENGINEER	CHECKED BY WATANABE Ryohei CHIEF ENGINEER	DATE:	SCALE:
		CHECKED	DATE	CHECKED	DATE									AUGUST 2012	SCALE 1:100
														DWG. NO. MW-77	SHEET NO. 82



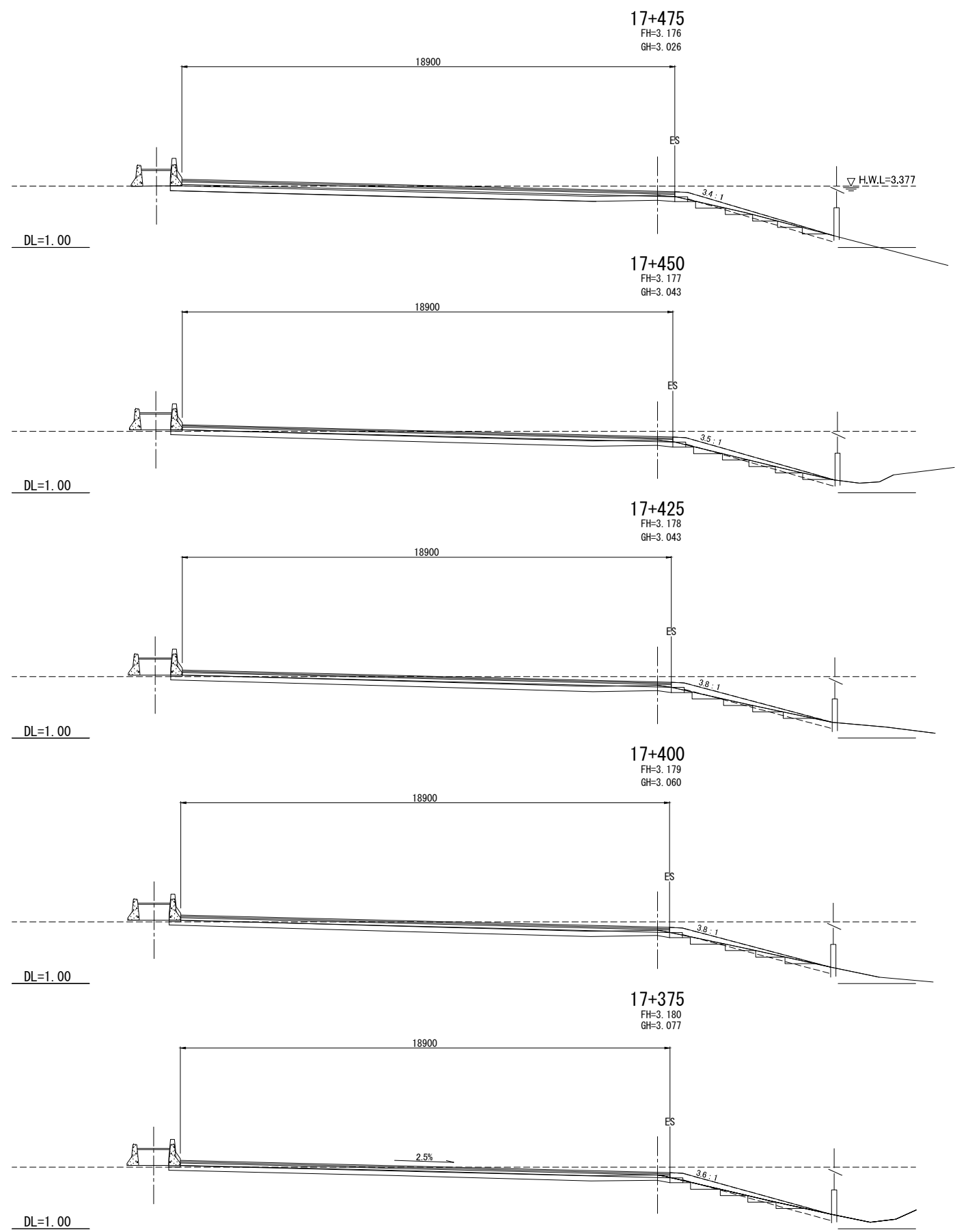
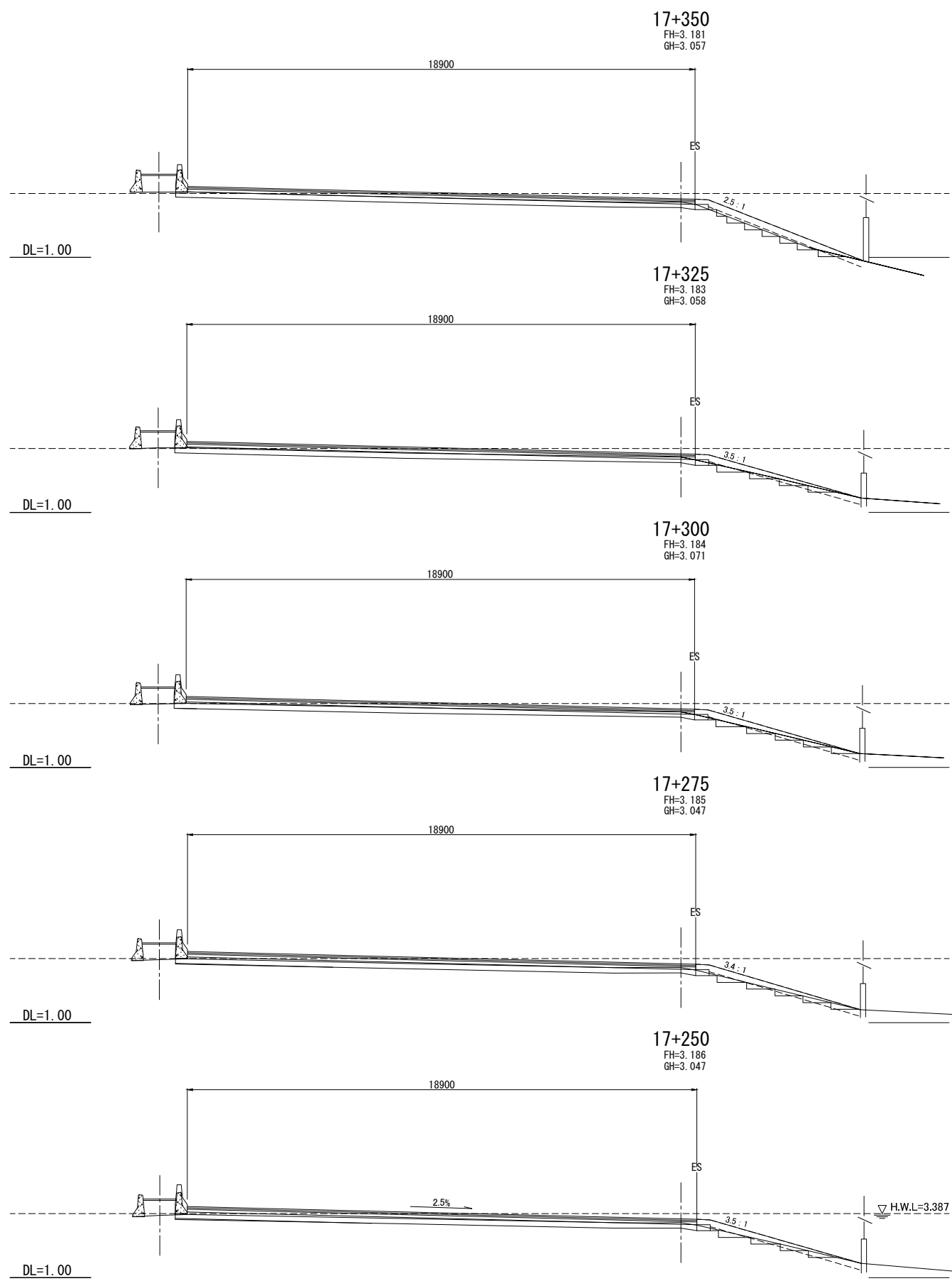
REV. NO.	DESCRIPTION	ENGINEER		DOH		REV. NO.	APPROVED BY	KINGDOM OF THAILAND MINISTRY OF TRANSPORT DEPARTMENT OF HIGHWAYS	HIGHWAY ROUTE NO. 9	OWNER The Inter-City Motorways Division Department of Highways Ministry of Transport	PROJECT TITLE The Preparatory Survey on the Rehabilitation Project of the Outer Bangkok Ring Road	DESIGNED BY SAGARA Hidetaka ROAD ENGINEER	CHECKED BY WATANABE Ryohei CHIEF ENGINEER	DATE:	SCALE:
		CHECKED	DATE	CHECKED	DATE									AUGUST 2012	SCALE 1:100
														DWG. NO. MW-78	SHEET NO. 83



REV. NO.	DESCRIPTION	ENGINEER		DOH		REV. NO.	APPROVED BY	KINGDOM OF THAILAND MINISTRY OF TRANSPORT DEPARTMENT OF HIGHWAYS	HIGHWAY ROUTE NO. 9	OWNER The Inter-City Motorways Division Department of Highways Ministry of Transport	PROJECT TITLE The Preparatory Survey on the Rehabilitation Project of the Outer Bangkok Ring Road	DESIGNED BY SAGARA Hidetaka ROAD ENGINEER	CHECKED BY WATANABE Ryohei CHIEF ENGINEER	DATE	SCALE
		CHECKED	DATE	CHECKED	DATE									AUGUST 2012	SCALE 1:100
									CROSS SECTIONS (28 / 70)					DWG. NO. MW-79	SHEET NO. 84



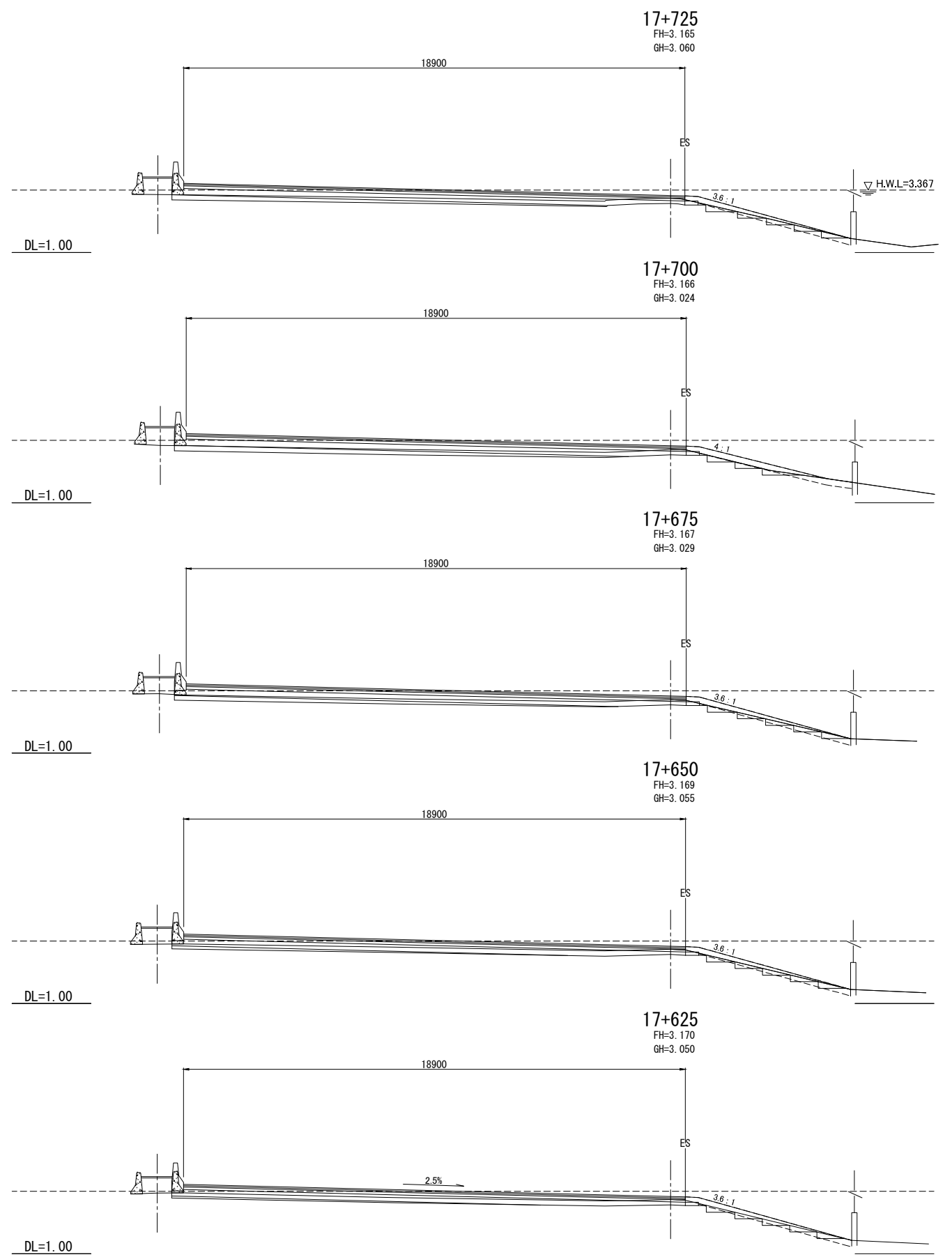
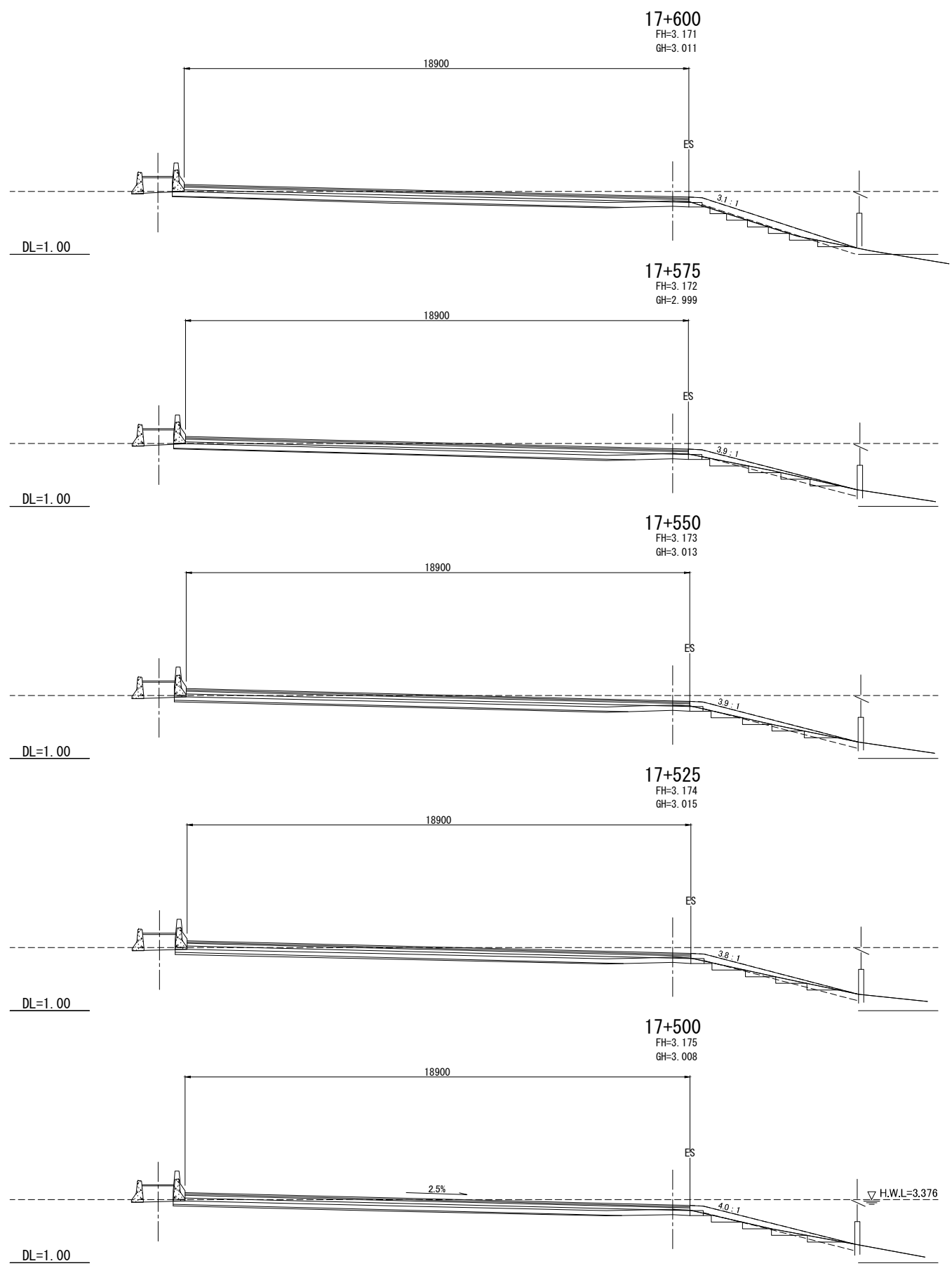
REV. NO.	DESCRIPTION	ENGINEER		DOH		REV. NO.	APPROVED BY	KINGDOM OF THAILAND MINISTRY OF TRANSPORT DEPARTMENT OF HIGHWAYS	HIGHWAY ROUTE NO. 9	OWNER The Inter-City Motorways Division Department of Highways Ministry of Transport	PROJECT TITLE The Preparatory Survey on the Rehabilitation Project of the Outer Bangkok Ring Road	DESIGNED BY SAGARA Hidetaka ROAD ENGINEER	CHECKED BY WATANABE Ryohei CHIEF ENGINEER	DATE	SCALE
		CHECKED	DATE	CHECKED	DATE									AUGUST 2012	SCALE 1:100
														DWG. NO. MW-80	SHEET NO. 85



REV. NO.	DESCRIPTION	ENGINEER		DOH		REV. NO.	APPROVED BY	KINGDOM OF THAILAND MINISTRY OF TRANSPORT DEPARTMENT OF HIGHWAYS	HIGHWAY ROUTE NO. 9	OWNER The Inter-City Motorways Division Department of Highways Ministry of Transport	PROJECT TITLE The Preparatory Survey on the Rehabilitation Project of the Outer Bangkok Ring Road	DESIGNED BY SAGARA Hidetaka ROAD ENGINEER	CHECKED BY WATANABE Ryohei CHIEF ENGINEER	DATE:	SCALE:
		CHECKED	DATE	CHECKED	DATE									AUGUST 2012	SCALE 1:100
														DWG. NO. <b>MW-81</b>	SHEET NO. <b>86</b>

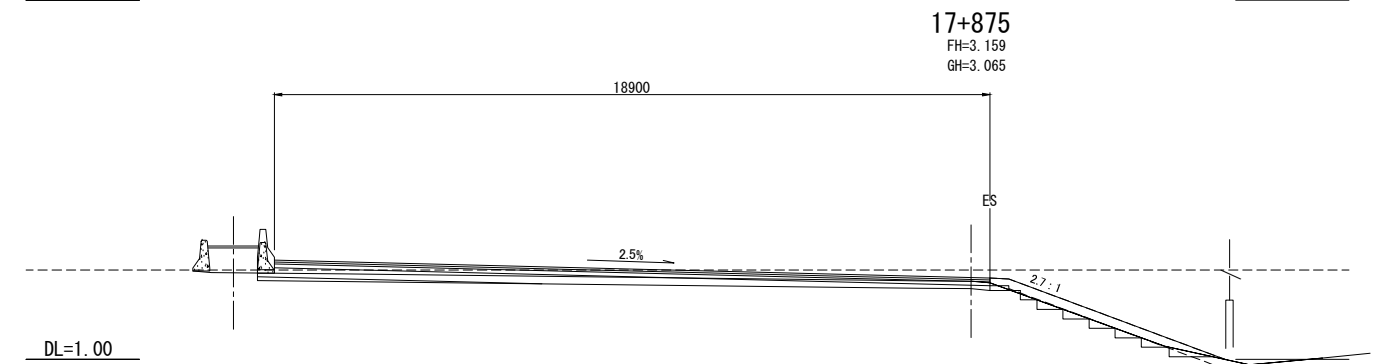
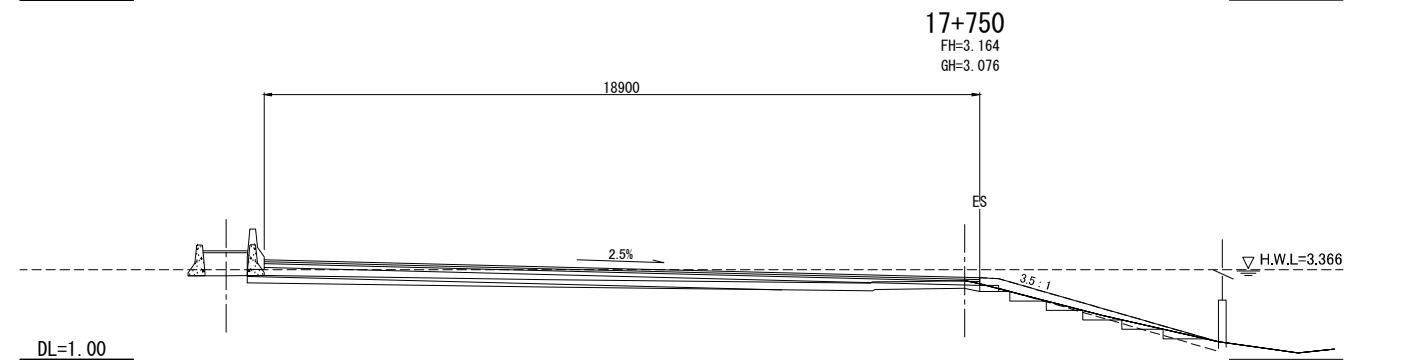
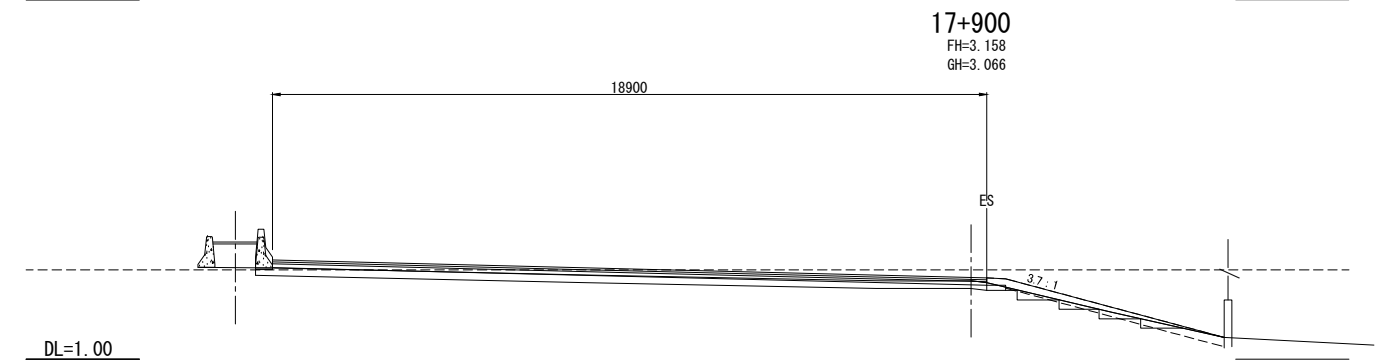
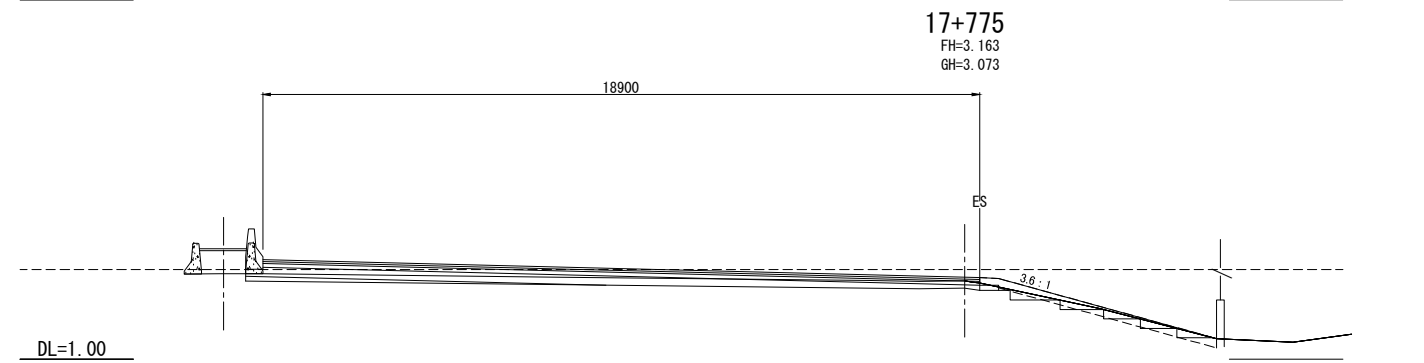
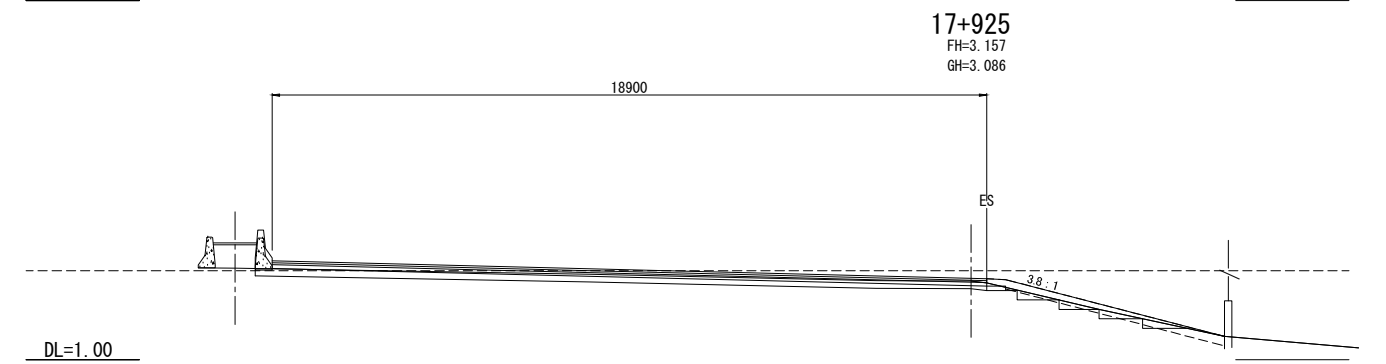
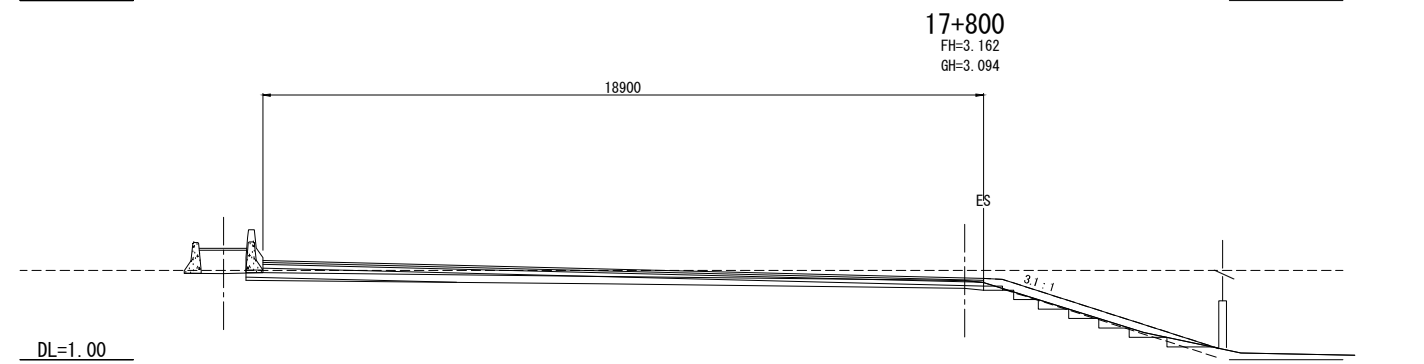
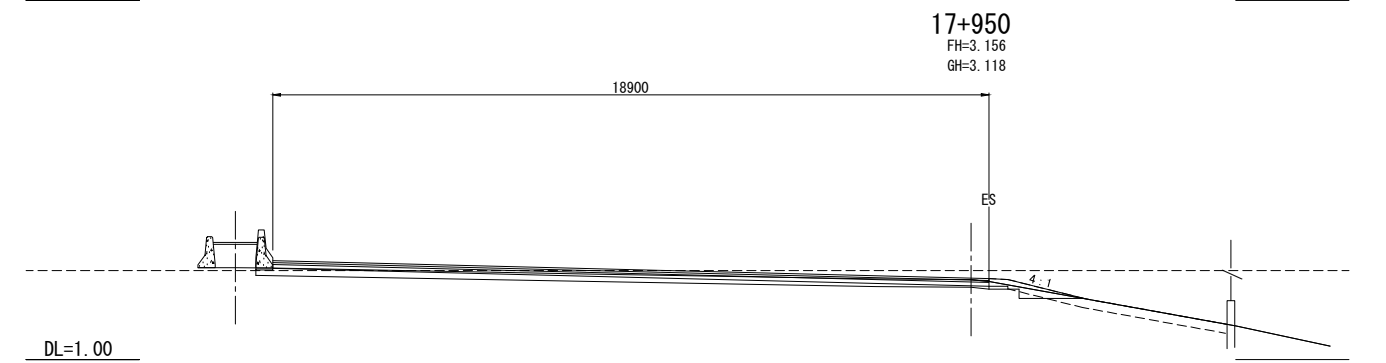
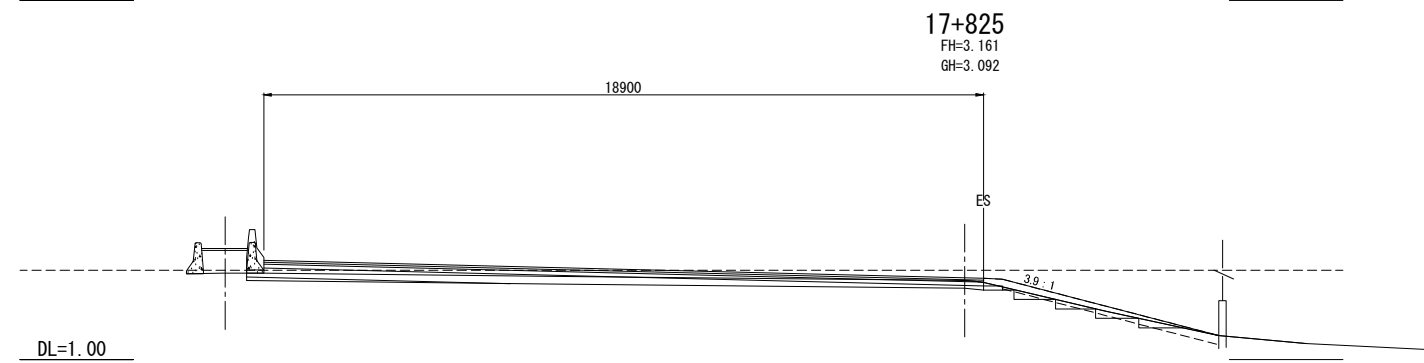
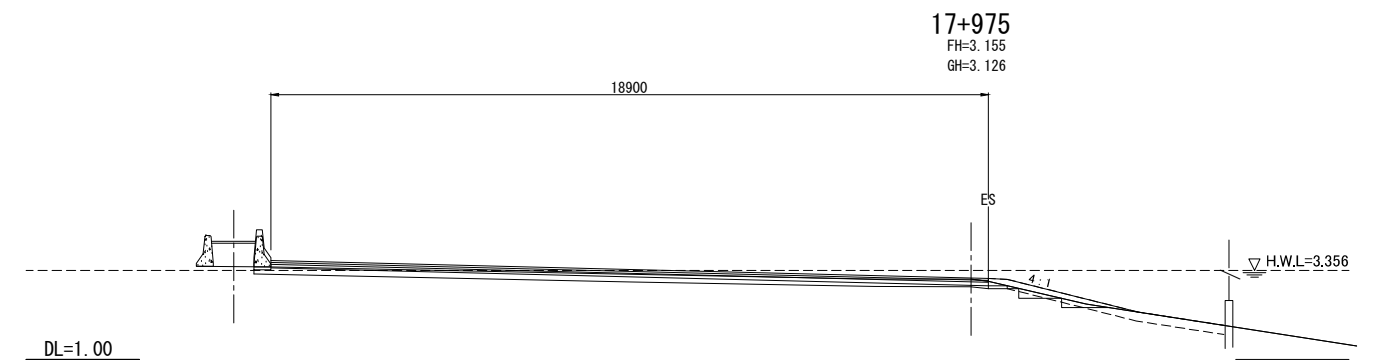
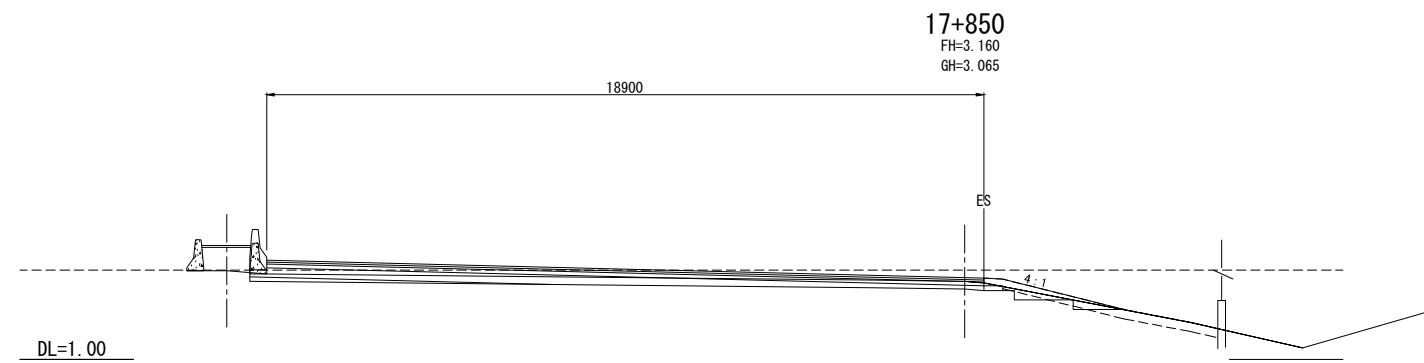
CTI ENGINEERING INTERNATIONAL CO., LTD.  
ORIENTAL CONSULTANTS CO., LTD.  
NIPPON KOEI CO., LTD.  
CTI ENGINEERING CO., LTD.





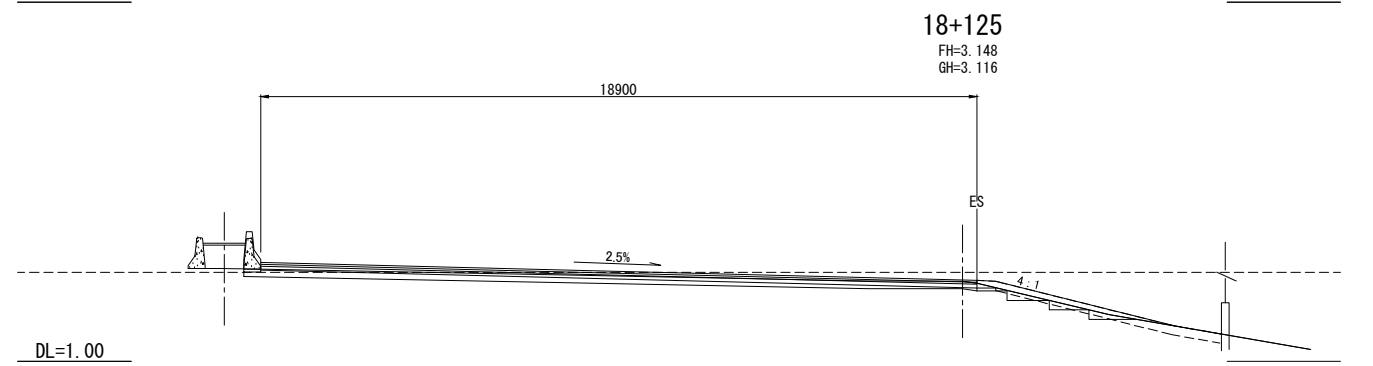
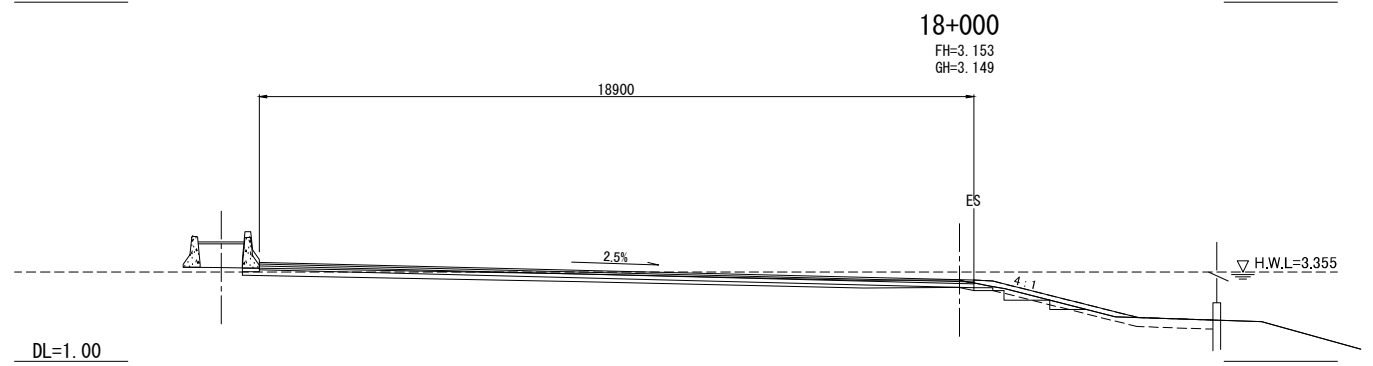
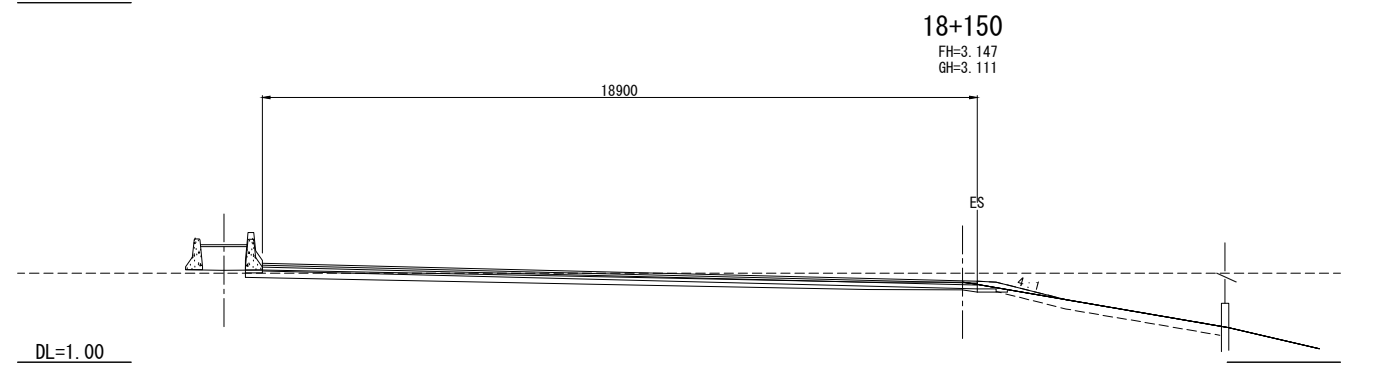
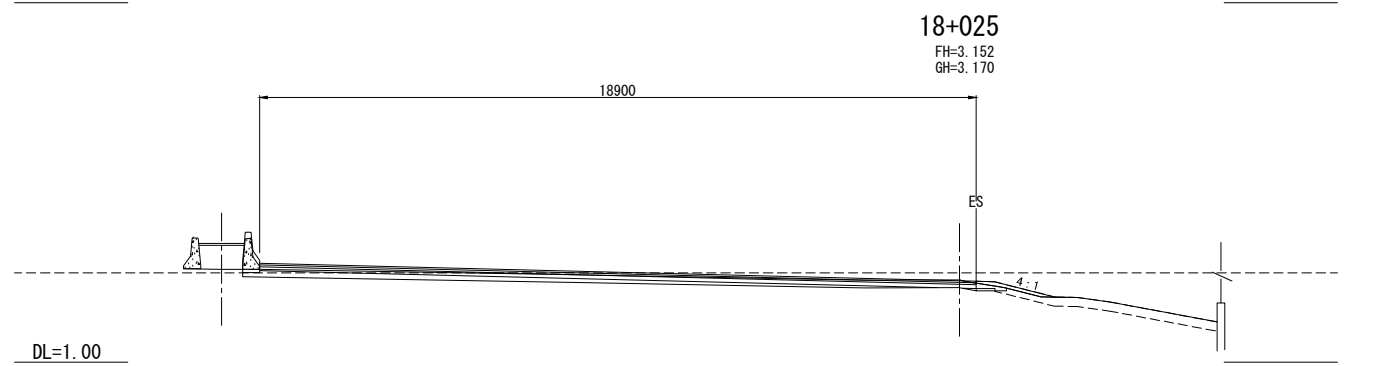
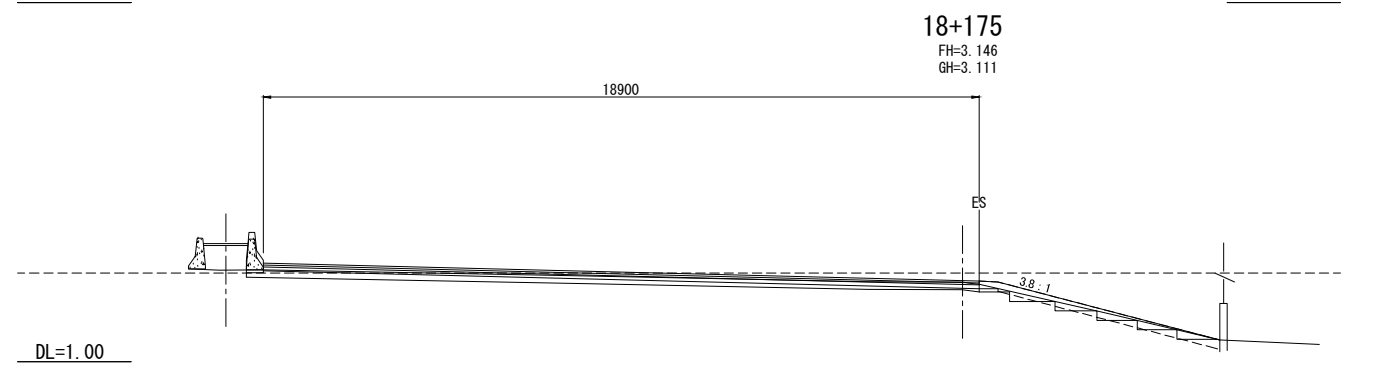
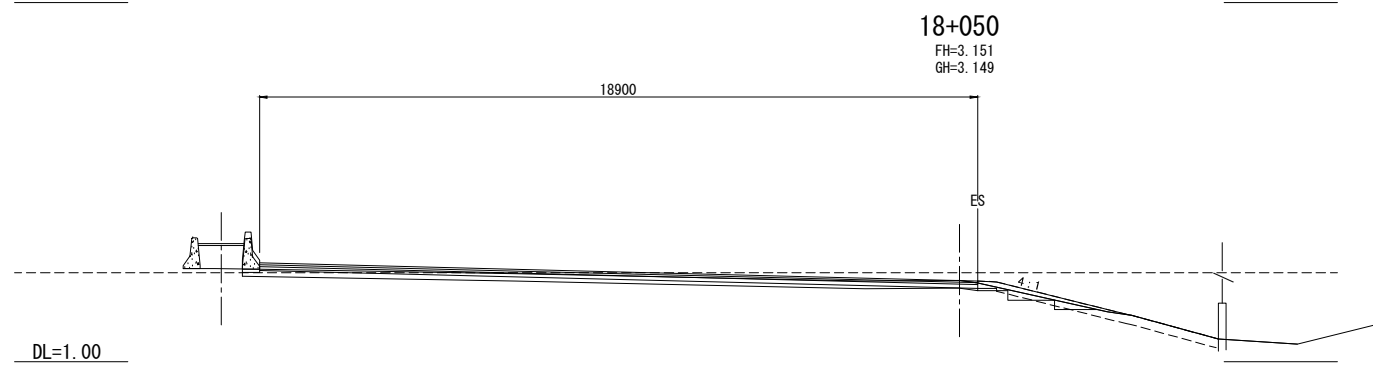
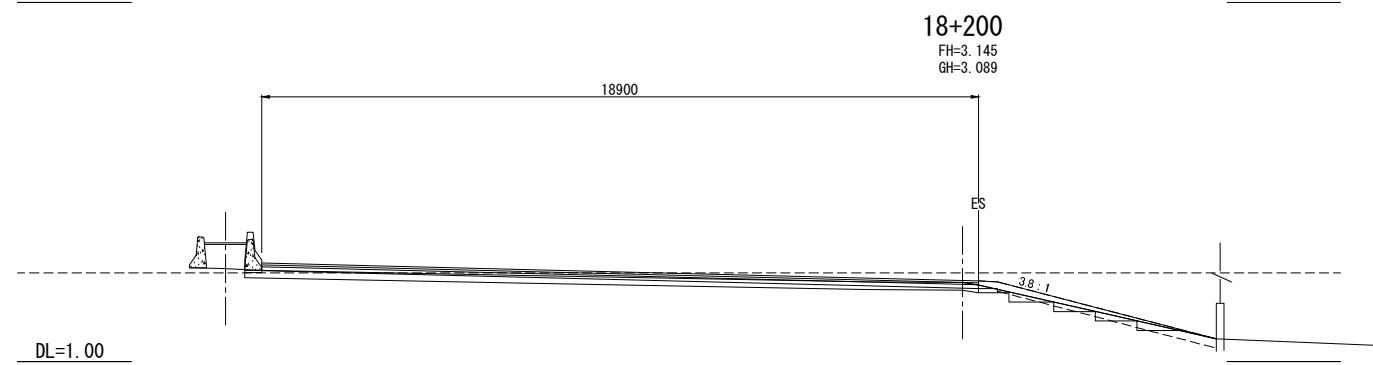
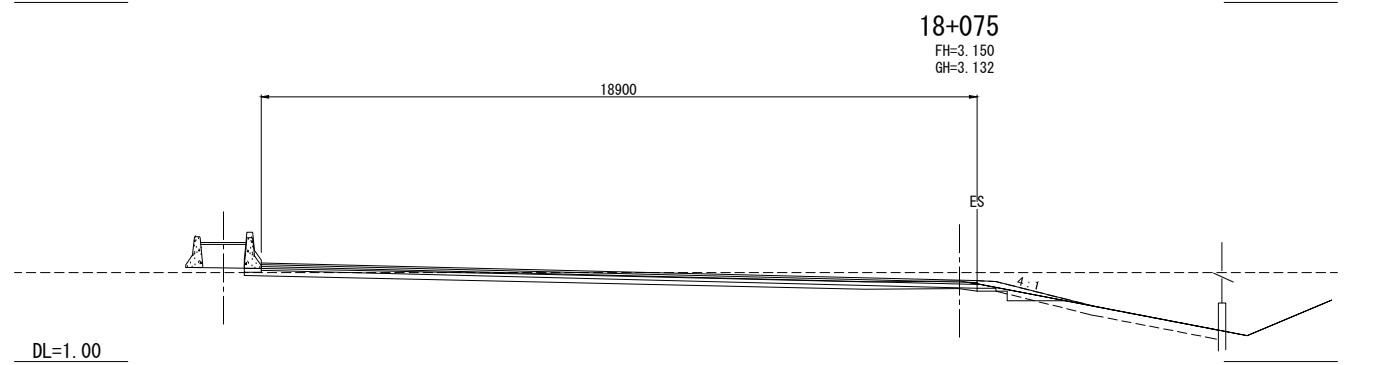
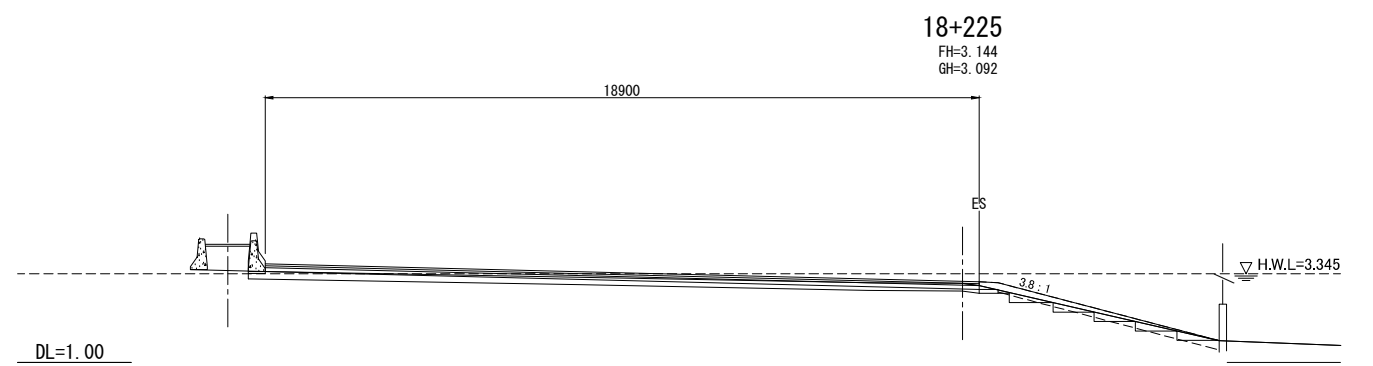
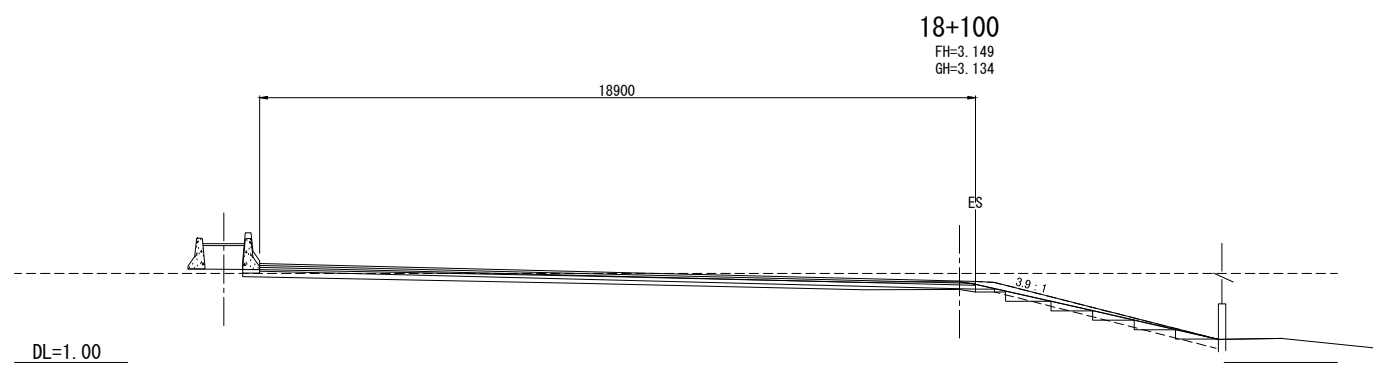
REV. NO.	DESCRIPTION	ENGINEER		DOH		REV. NO.	APPROVED BY	KINGDOM OF THAILAND MINISTRY OF TRANSPORT DEPARTMENT OF HIGHWAYS	HIGHWAY ROUTE NO. 9	OWNER The Inter-City Motorways Division Department of Highways Ministry of Transport	PROJECT TITLE The Preparatory Survey on the Rehabilitation Project of the Outer Bangkok Ring Road	DESIGNED BY SAGARA Hidetaka ROAD ENGINEER	CHECKED BY WATANABE Ryohei CHIEF ENGINEER	DATE:	SCALE:
		CHECKED	DATE	CHECKED	DATE									AUGUST 2012	SCALE 1:100
														DWG. NO. MW-82	SHEET NO. 87

CTI ENGINEERING INTERNATIONAL CO., LTD.  
ORIENTAL CONSULTANTS CO., LTD.  
NIPPON KOEI CO., LTD.  
CTI ENGINEERING CO., LTD.

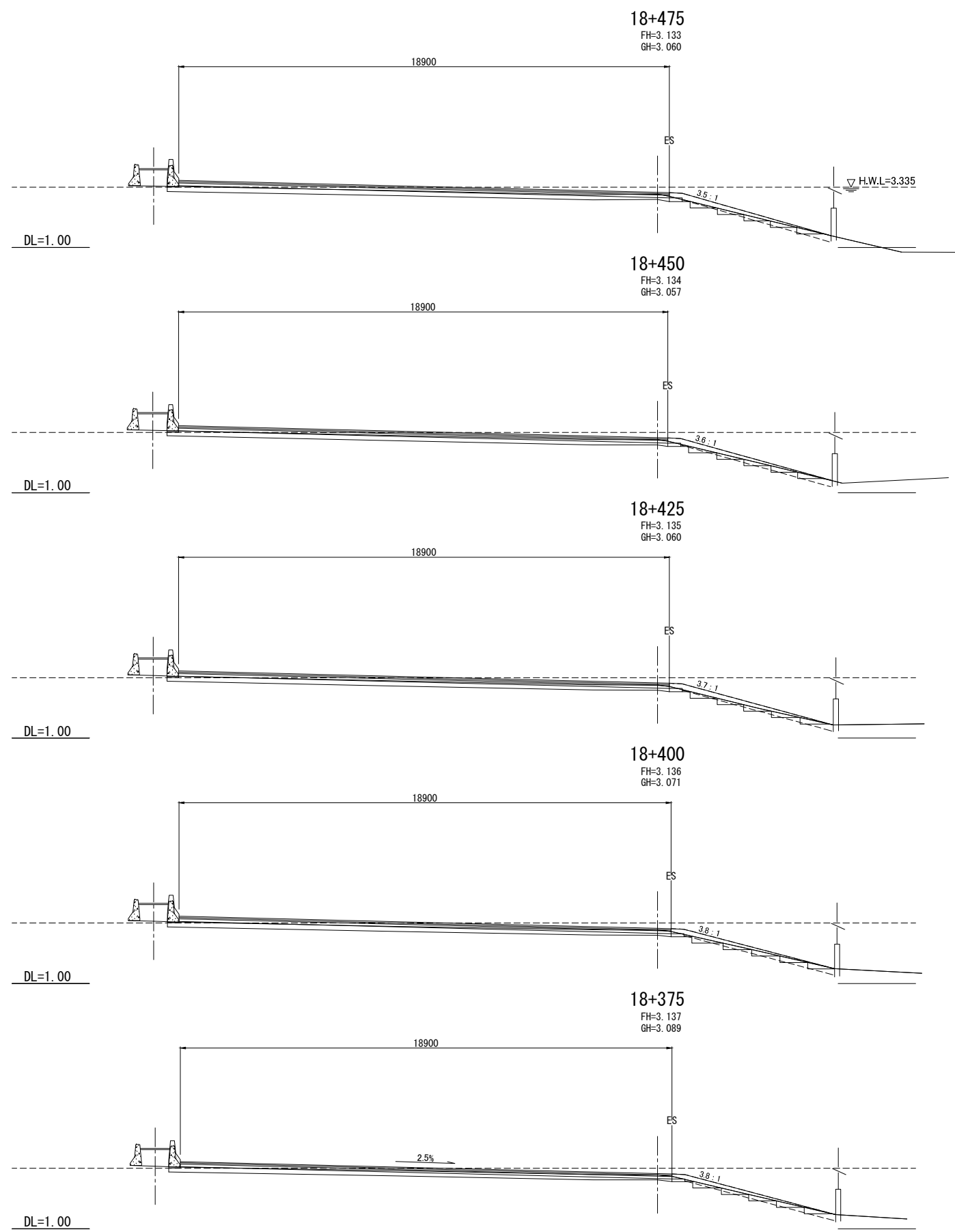
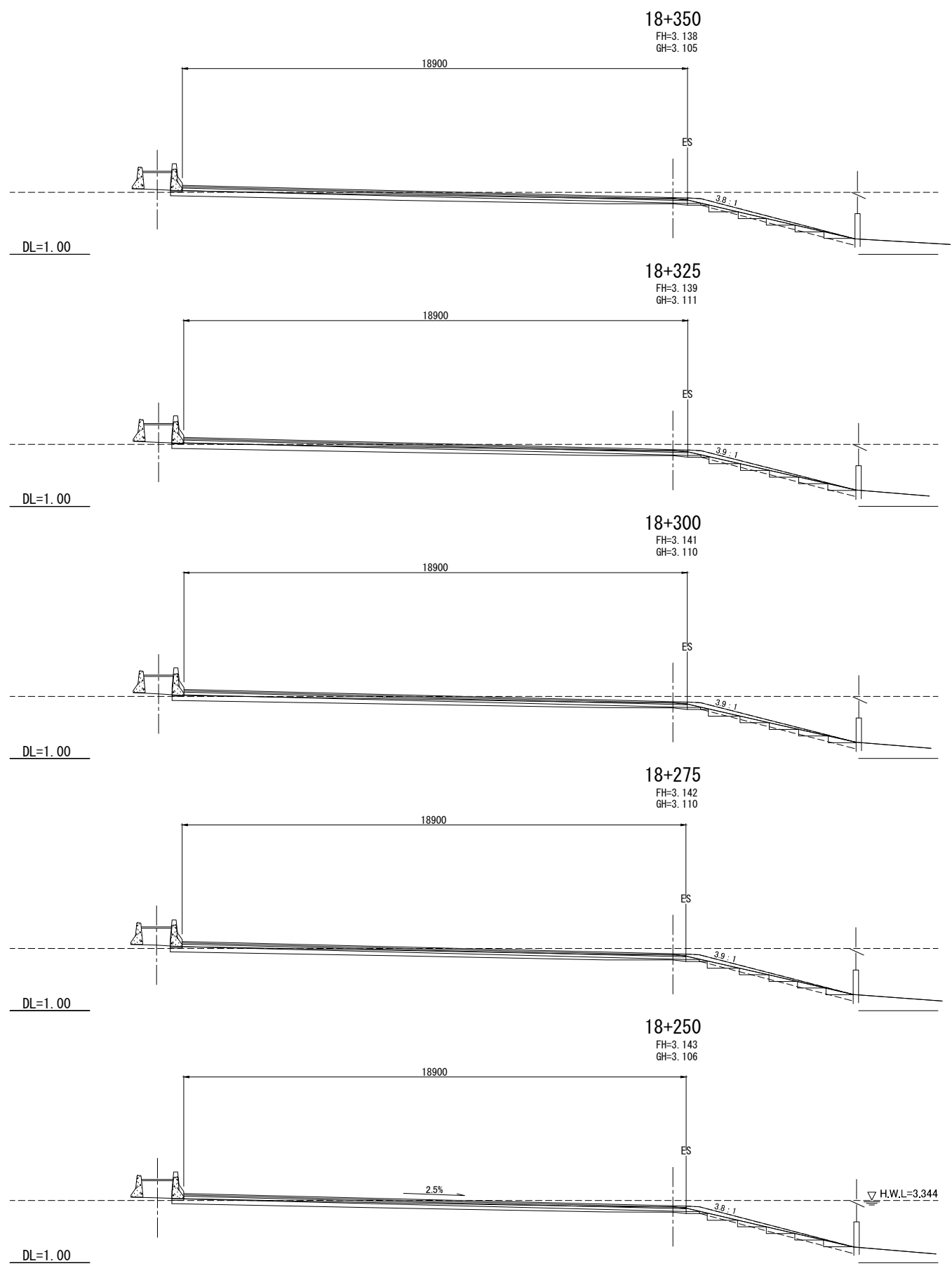


REV. NO.	DESCRIPTION	ENGINEER		DOH		REV. NO.	APPROVED BY	KINGDOM OF THAILAND MINISTRY OF TRANSPORT DEPARTMENT OF HIGHWAYS	HIGHWAY ROUTE NO. 9	OWNER The Inter-City Motorways Division Department of Highways Ministry of Transport	PROJECT TITLE The Preparatory Survey on the Rehabilitation Project of the Outer Bangkok Ring Road	DESIGNED BY SAGARA Hidetaka ROAD ENGINEER	CHECKED BY WATANABE Ryohei CHIEF ENGINEER	DATE	SCALE
		CHECKED	DATE	CHECKED	DATE									AUGUST 2012	SCALE 1:100
									CROSS SECTIONS (32 / 70)					DWG. NO. MW-83	SHEET NO. 88

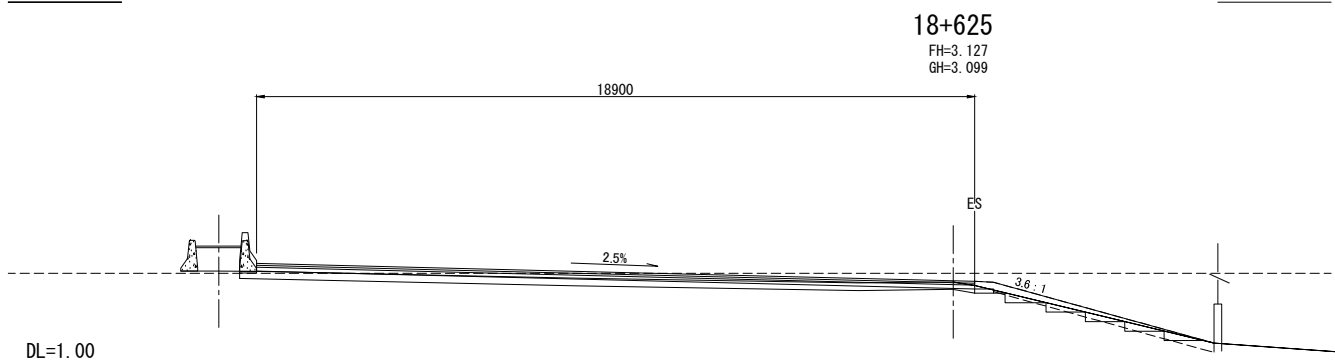
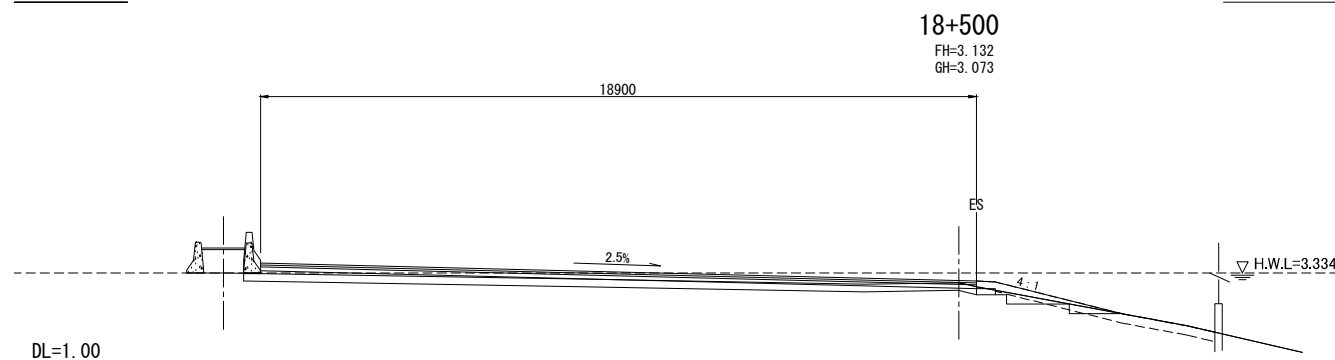
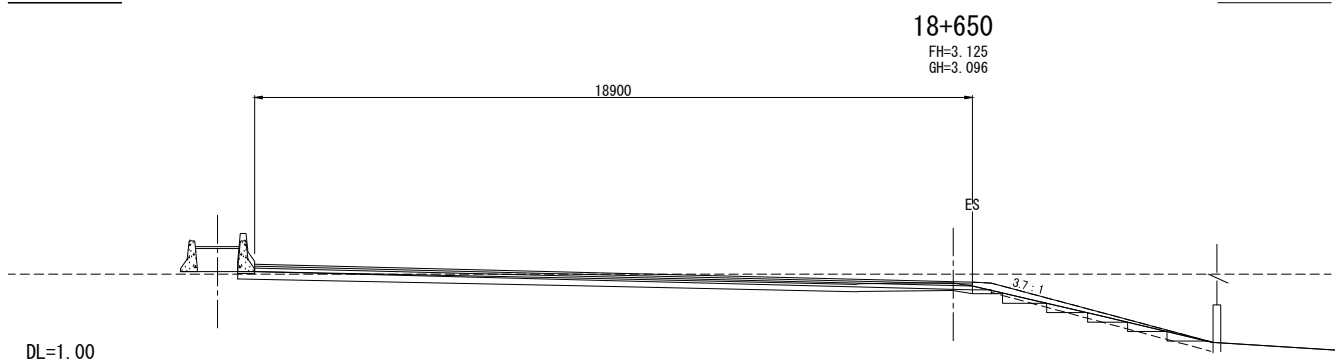
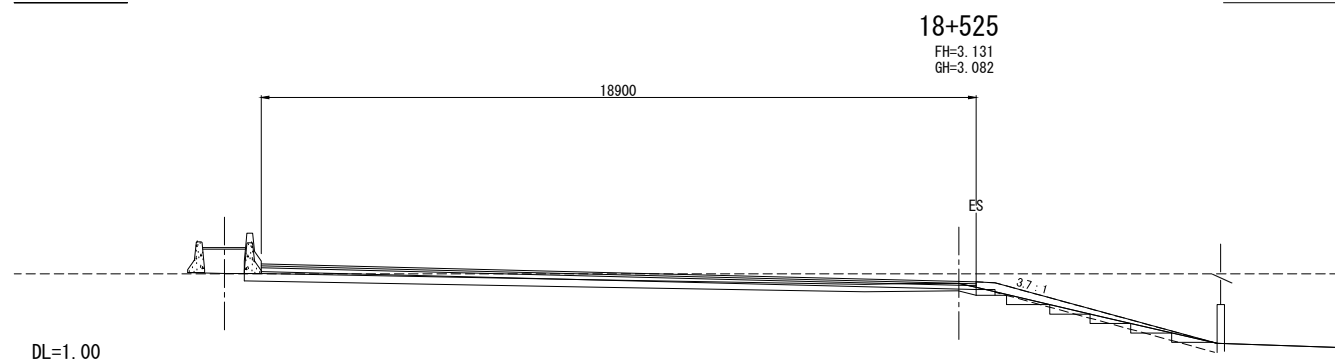
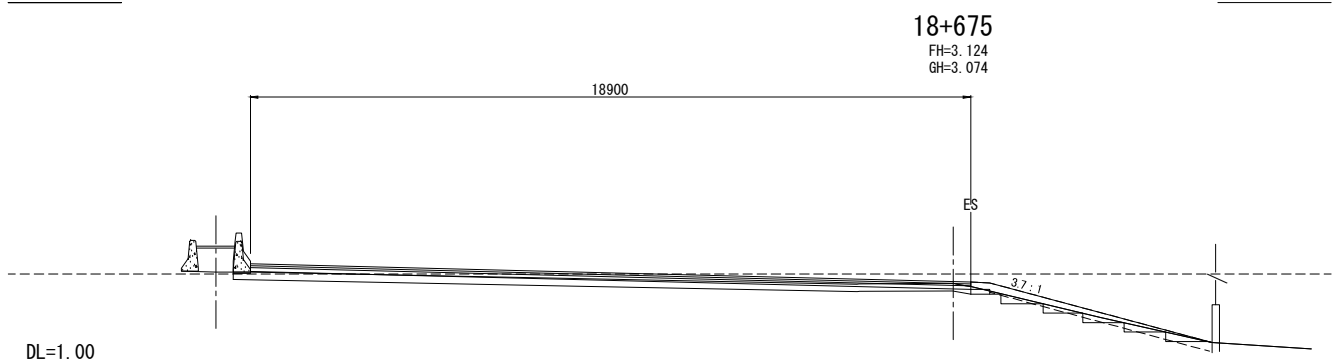
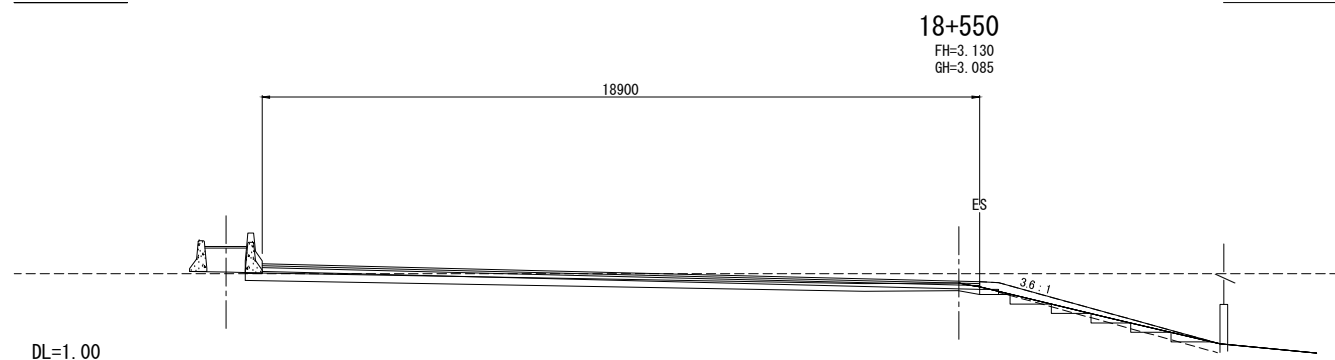
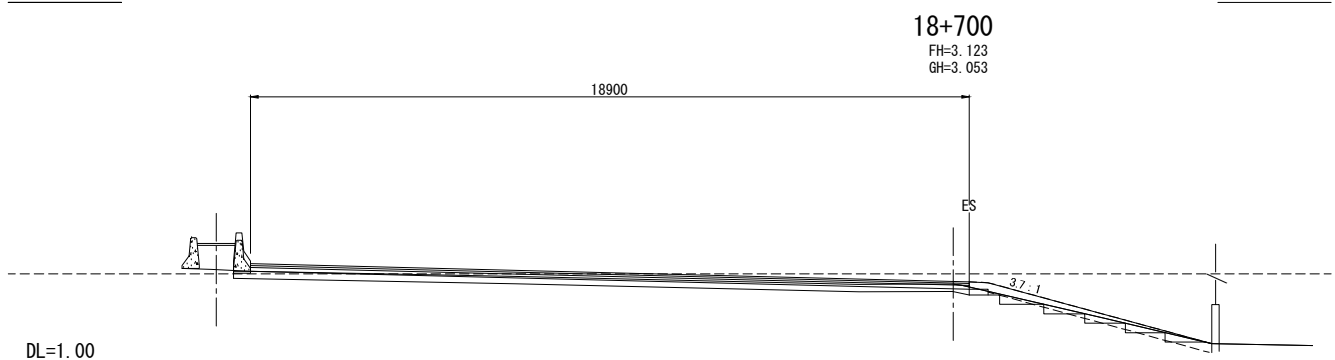
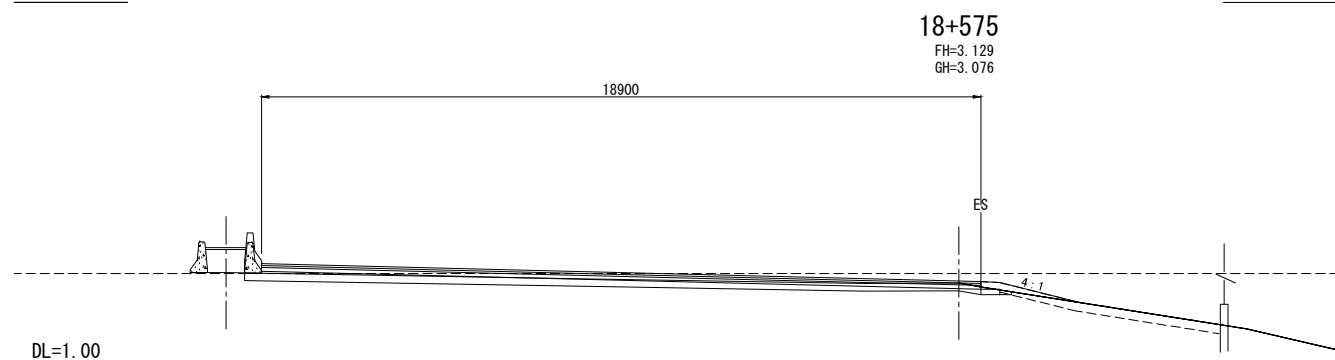
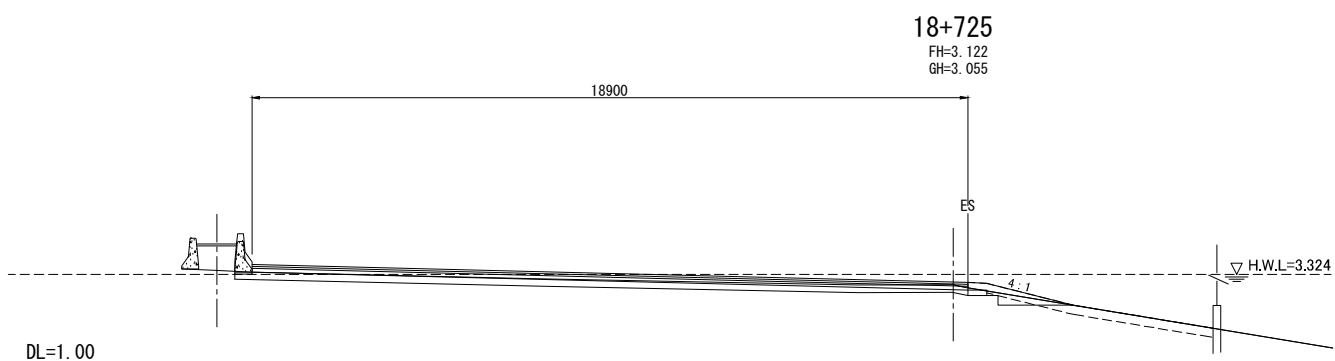
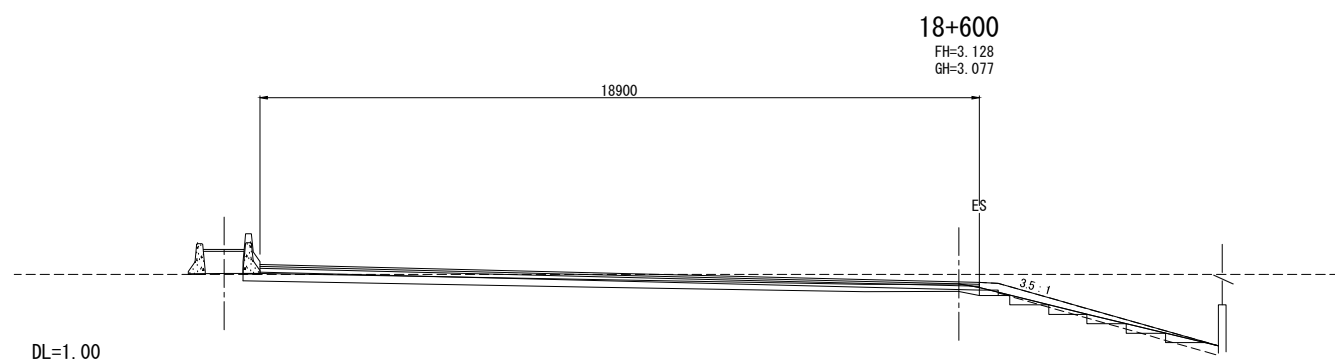
CTI ENGINEERING INTERNATIONAL CO., LTD.  
 ORIENTAL CONSULTANTS CO., LTD.  
 NIPPON KOEI CO., LTD.  
 CTI ENGINEERING CO., LTD.



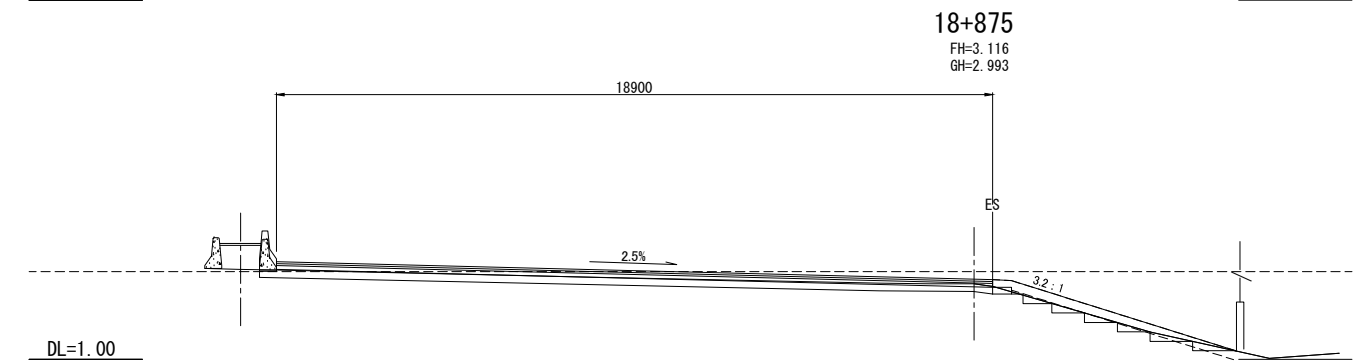
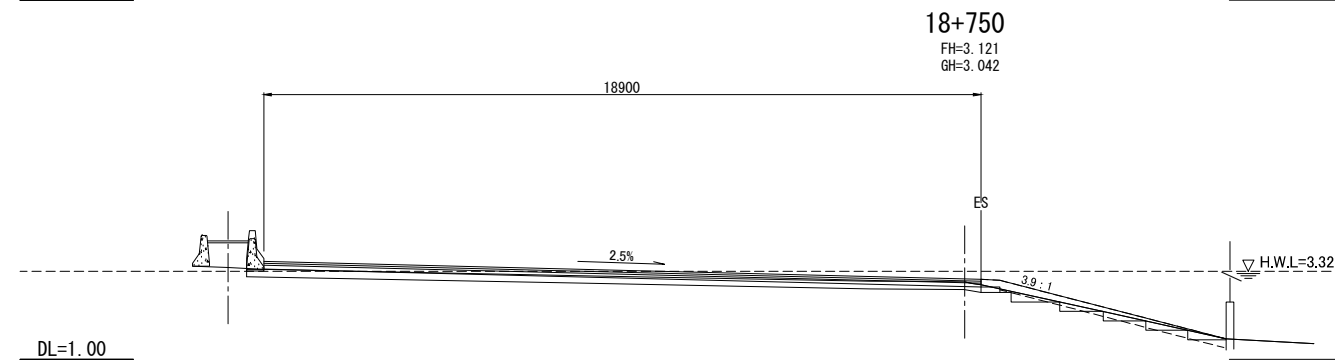
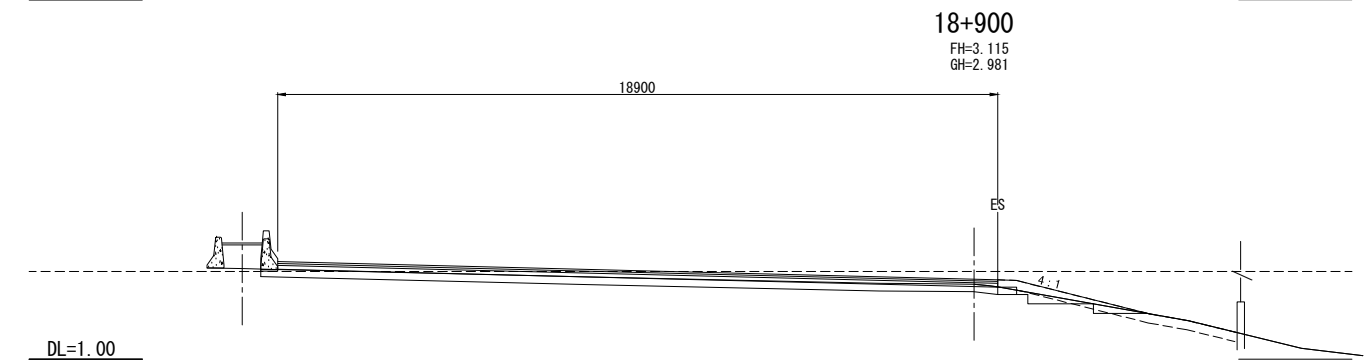
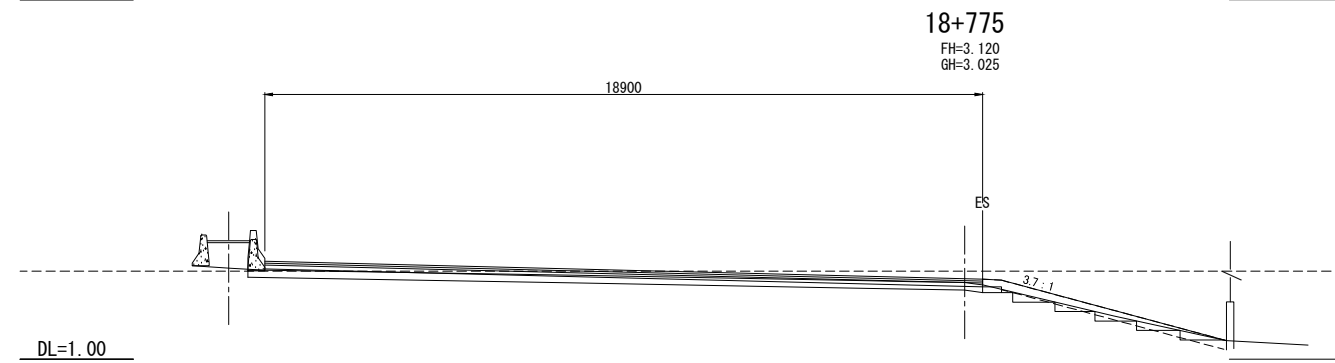
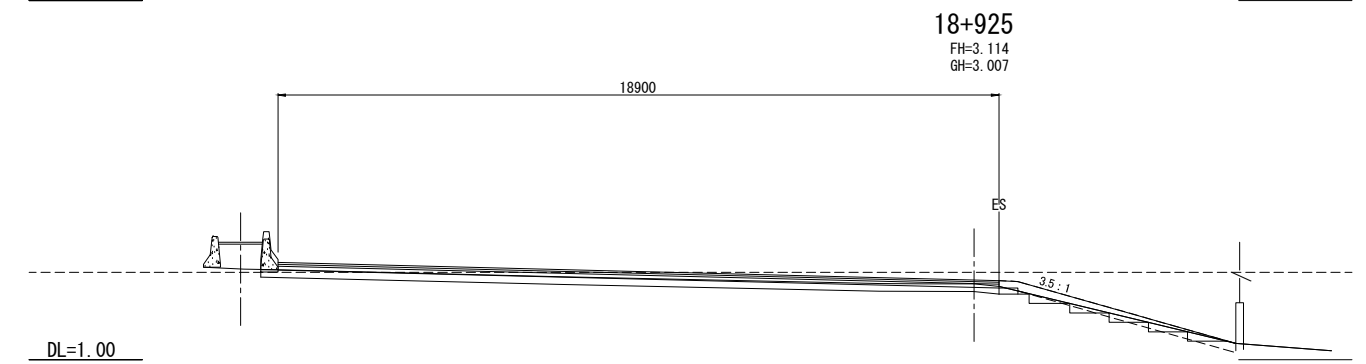
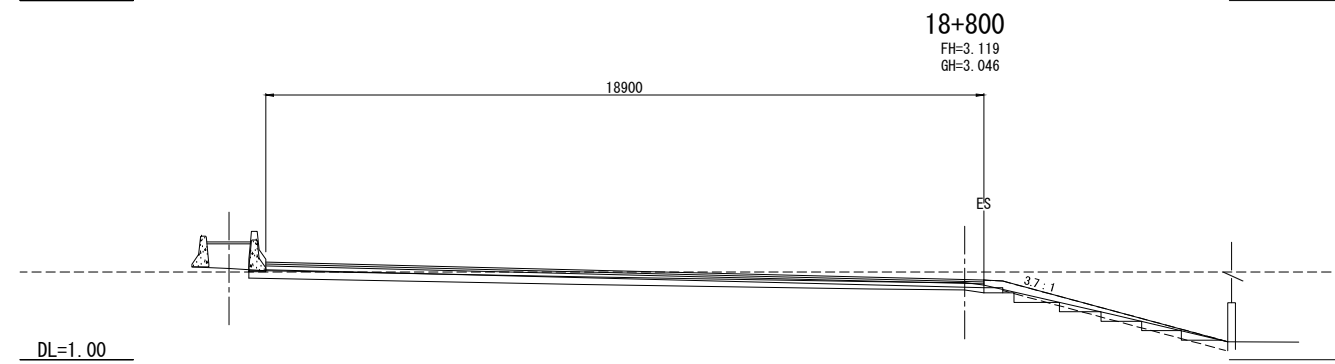
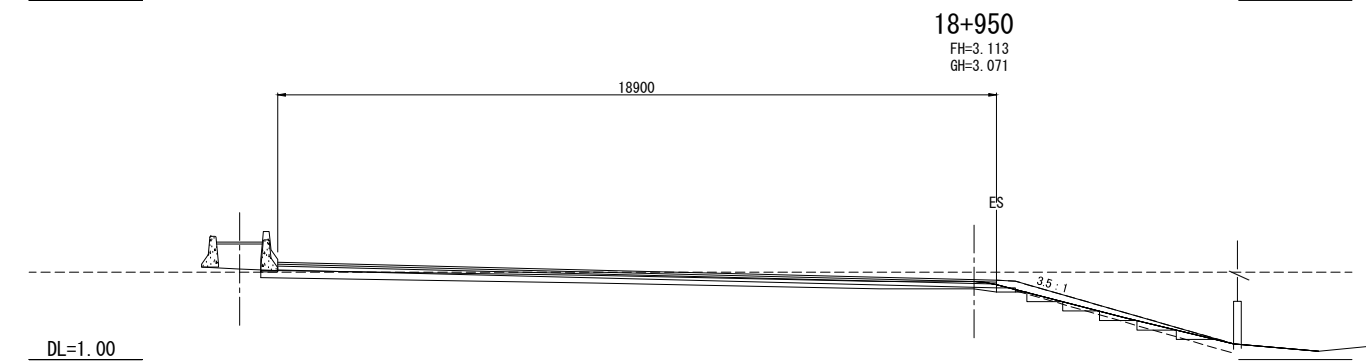
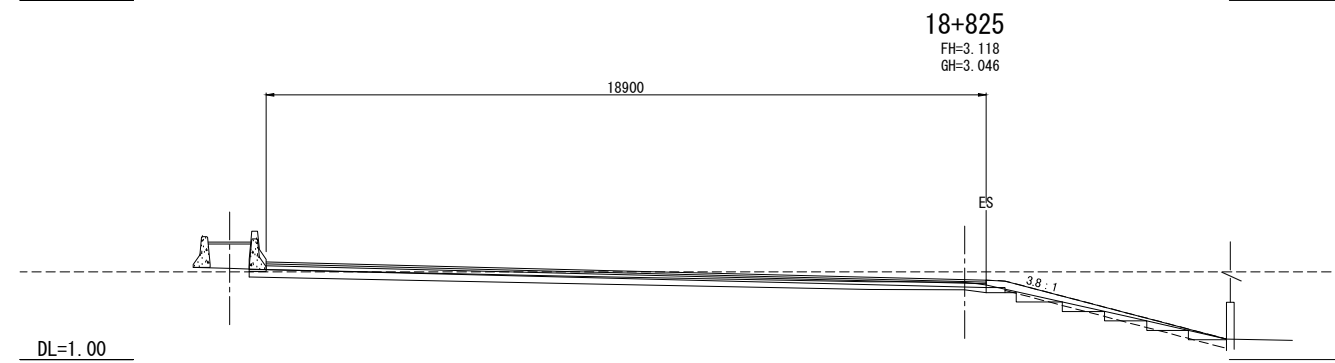
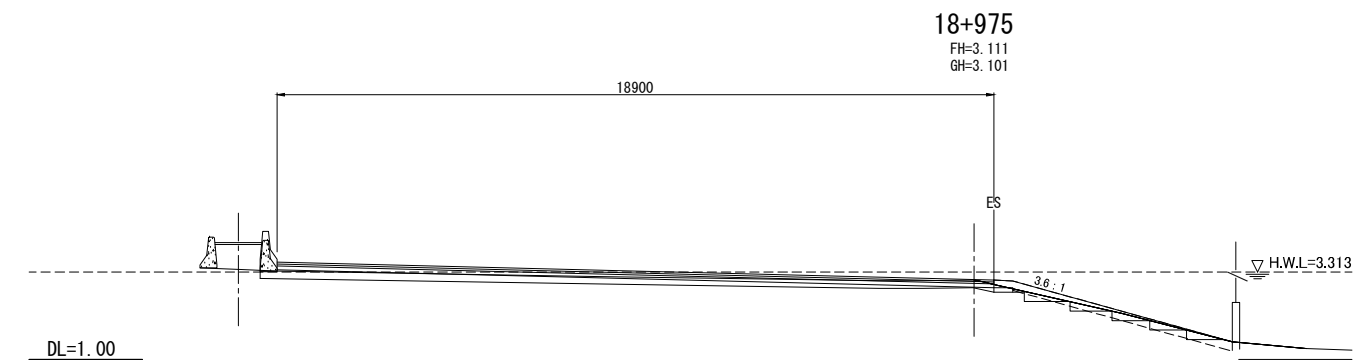
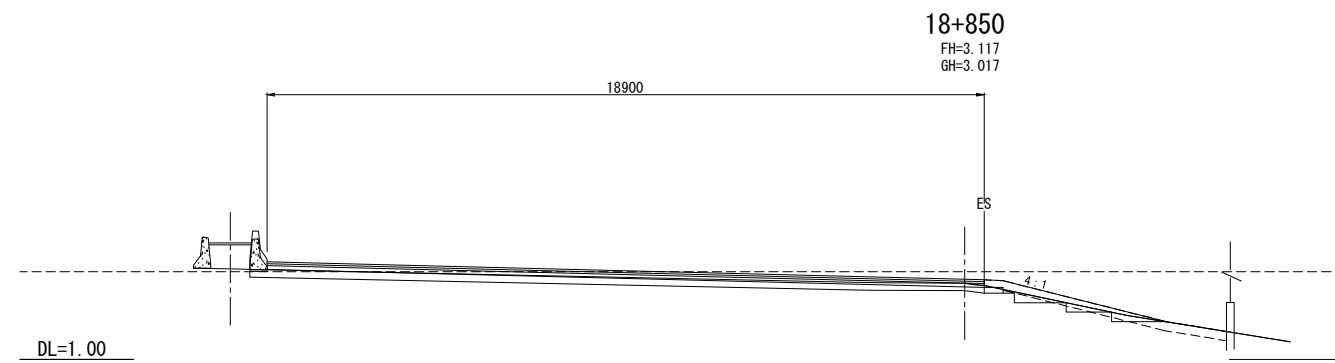
REV. NO.	DESCRIPTION	ENGINEER		DOH		REV. NO.	APPROVED BY	KINGDOM OF THAILAND MINISTRY OF TRANSPORT DEPARTMENT OF HIGHWAYS	HIGHWAY ROUTE NO. 9	OWNER The Inter-City Motorways Division Department of Highways Ministry of Transport	PROJECT TITLE The Preparatory Survey on the Rehabilitation Project of the Outer Bangkok Ring Road	DESIGNED BY SAGARA Hidetaka ROAD ENGINEER	CHECKED BY WATANABE Ryohei CHIEF ENGINEER	DATE:	SCALE:
		CHECKED	DATE	CHECKED	DATE									AUGUST 2012	SCALE 1:100
														DWG. NO. MW-84	SHEET NO. 89



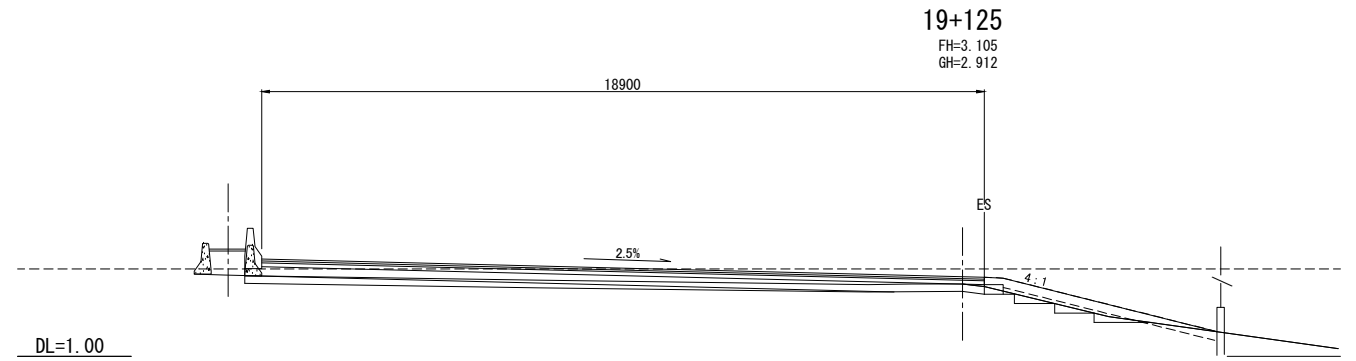
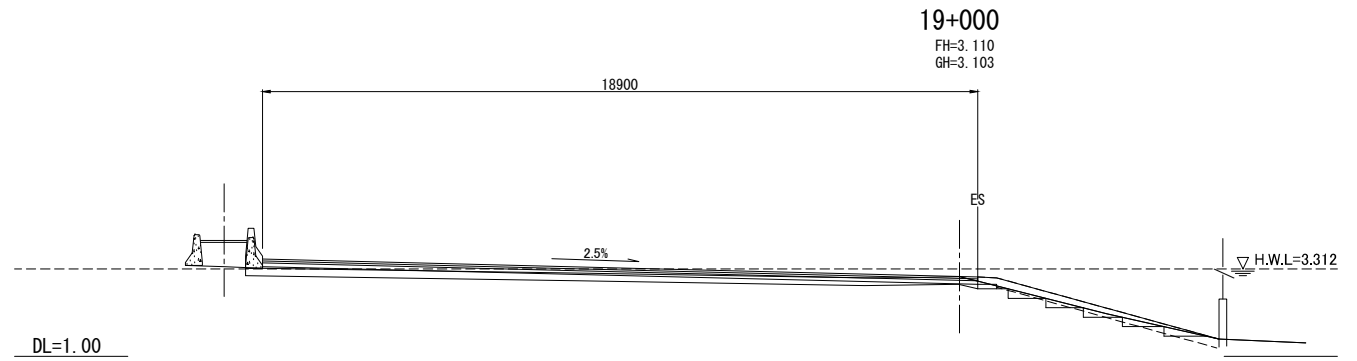
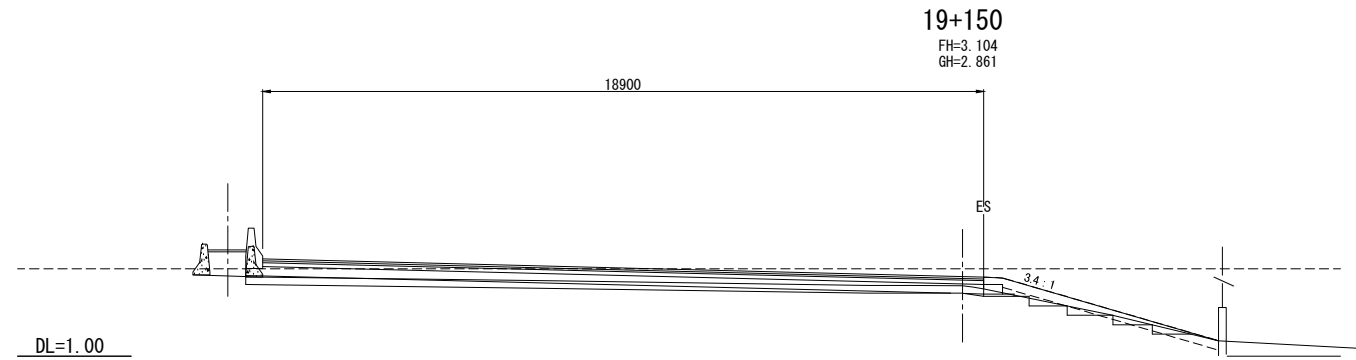
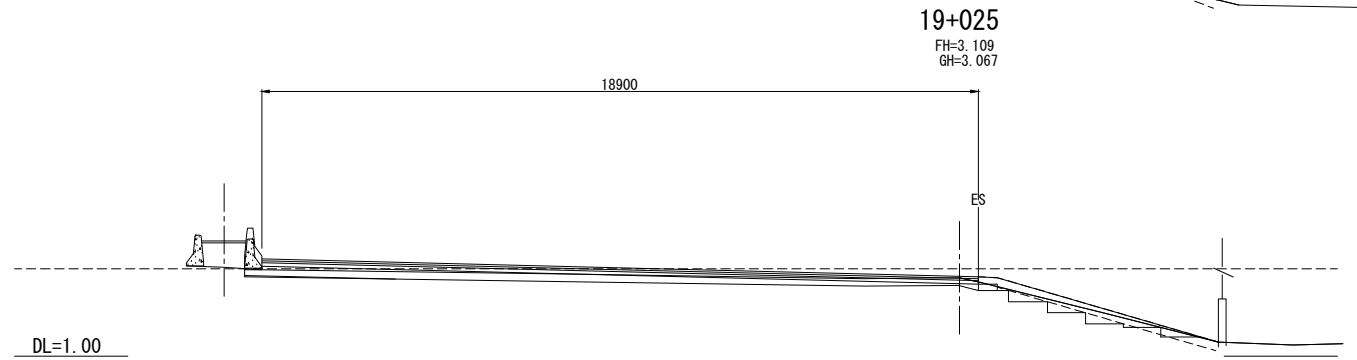
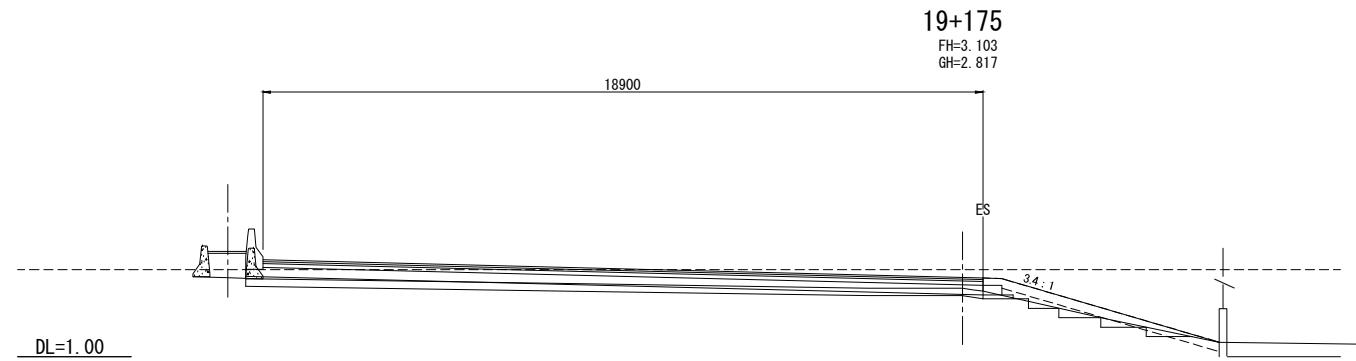
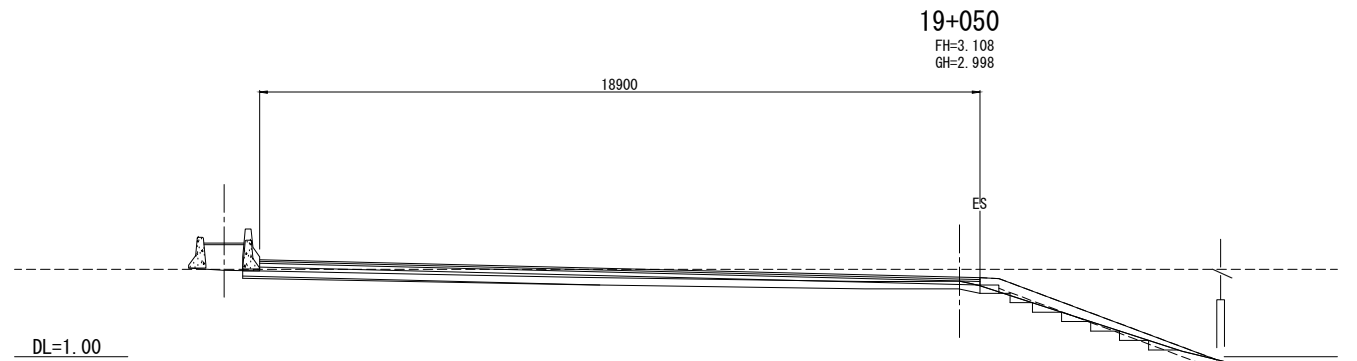
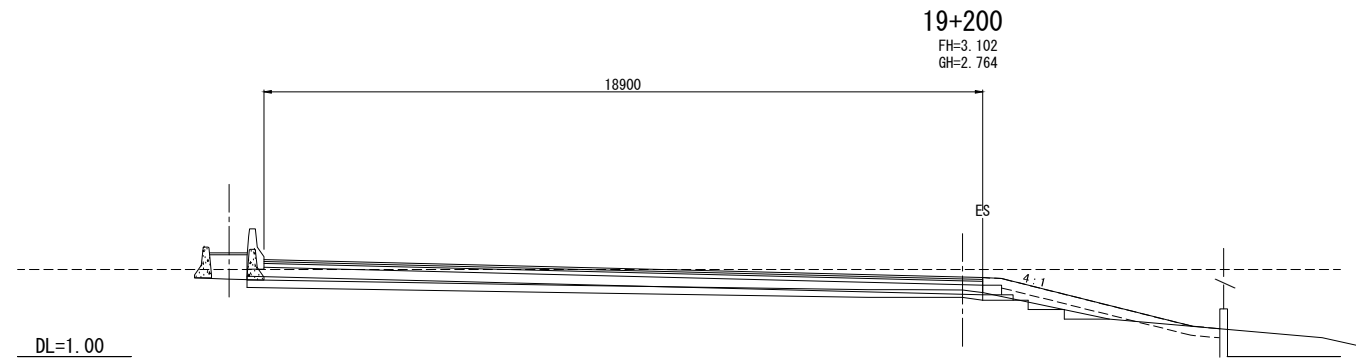
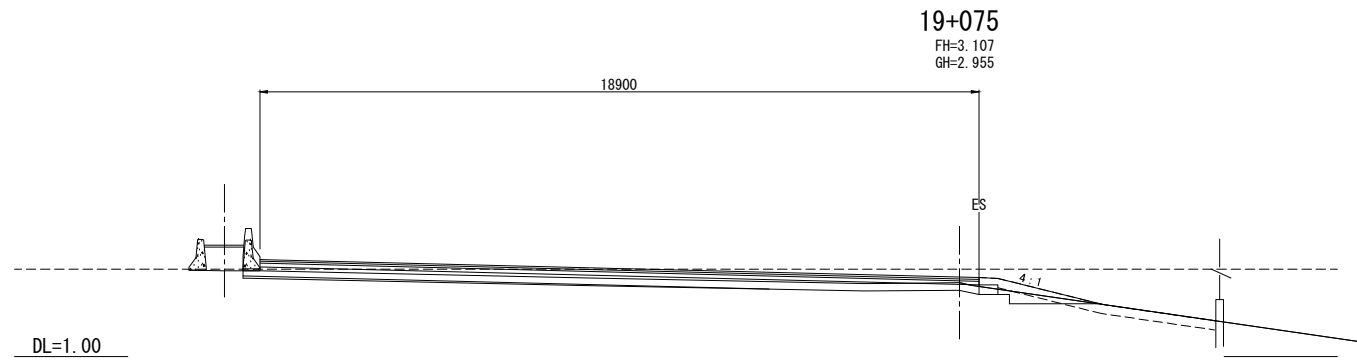
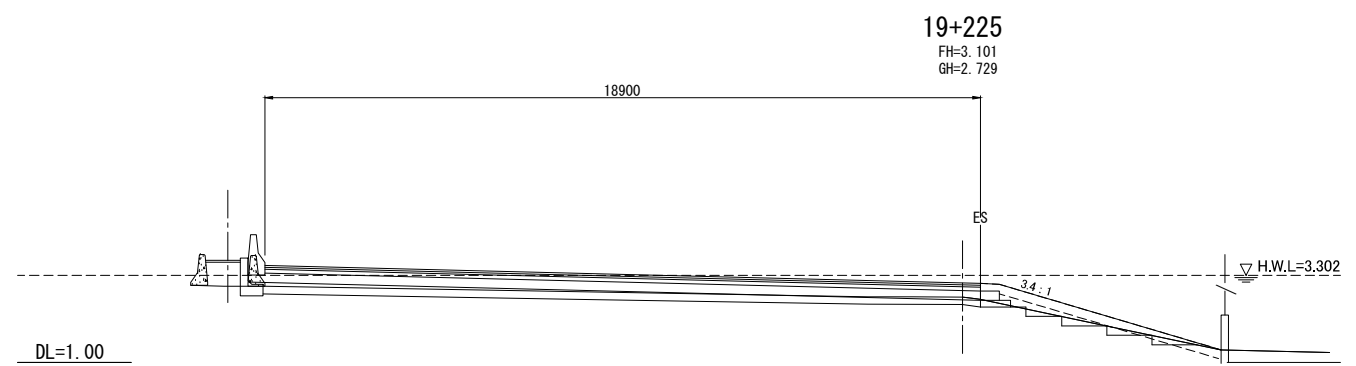
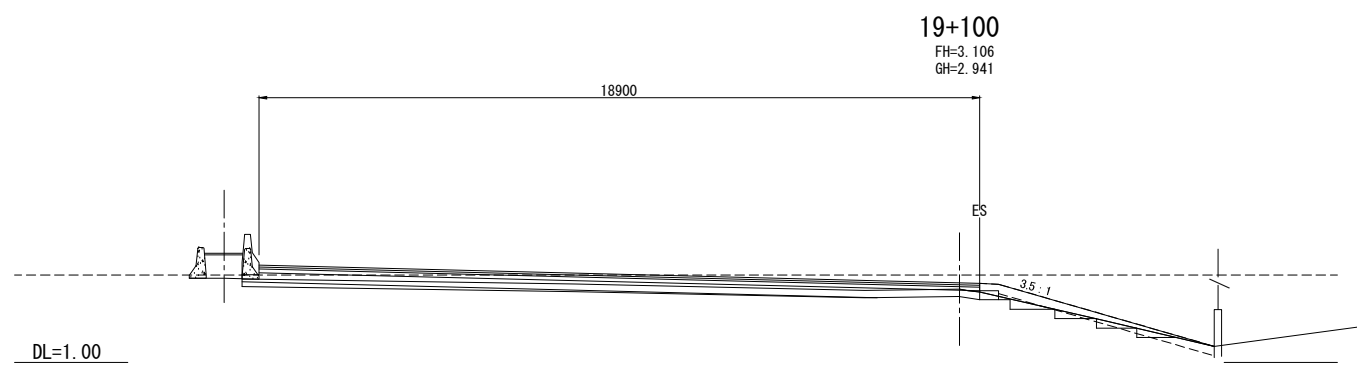
REV. NO.	DESCRIPTION	ENGINEER		DOH		REV. NO.	APPROVED BY	KINGDOM OF THAILAND MINISTRY OF TRANSPORT DEPARTMENT OF HIGHWAYS	HIGHWAY ROUTE NO. 9	OWNER The Inter-City Motorways Division Department of Highways Ministry of Transport	PROJECT TITLE The Preparatory Survey on the Rehabilitation Project of the Outer Bangkok Ring Road	DESIGNED BY SAGARA Hidetaka ROAD ENGINEER	CHECKED BY WATANABE Ryohei CHIEF ENGINEER	DATE	SCALE
		CHECKED	DATE	CHECKED	DATE									AUGUST 2012	SCALE 1:100
														DWG. NO. MW-85	SHEET NO. 90



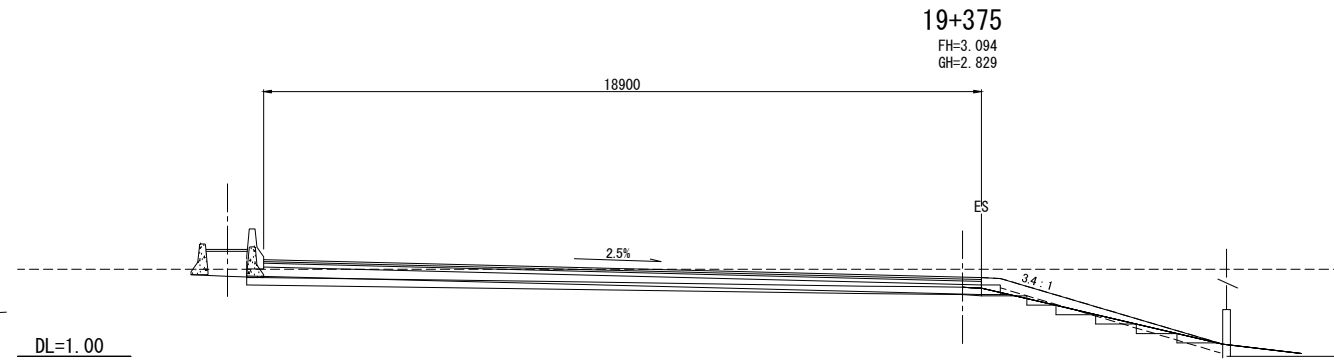
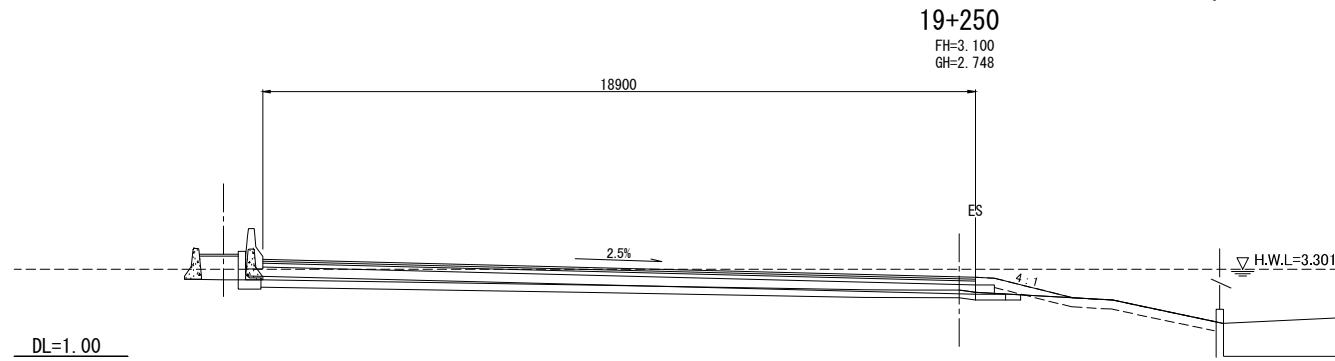
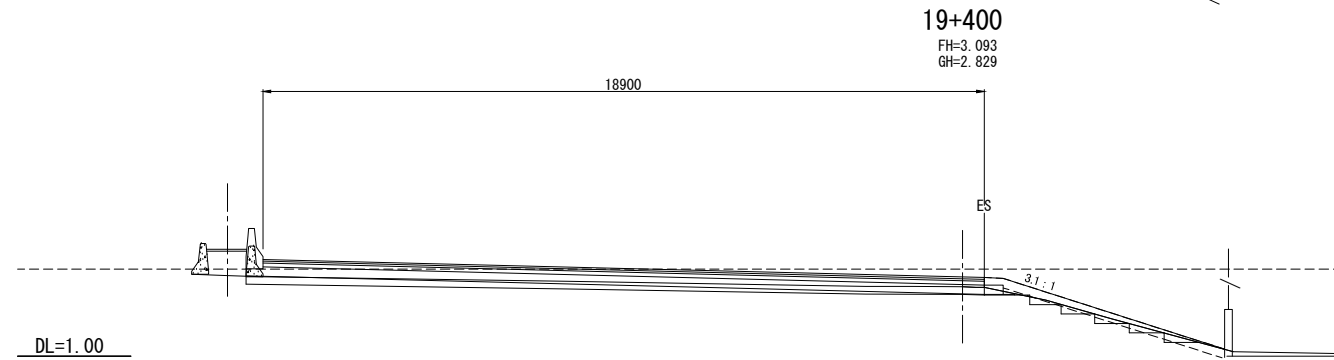
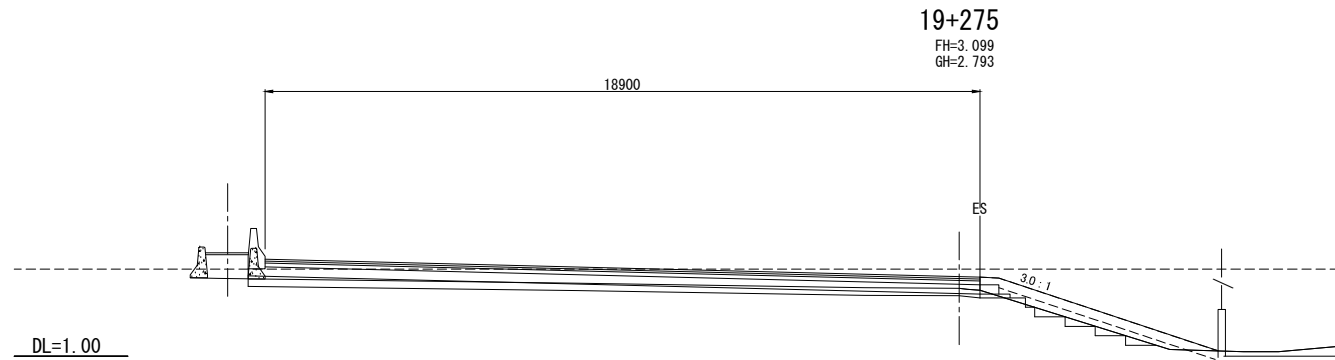
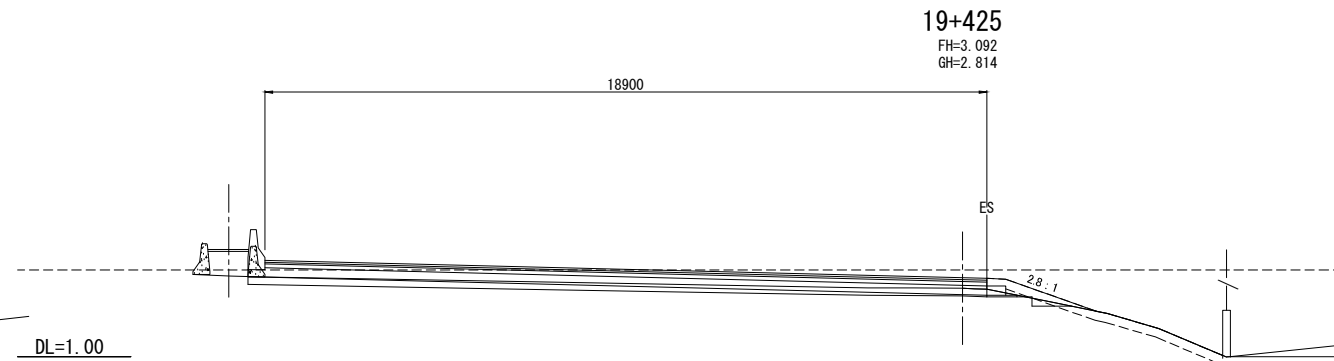
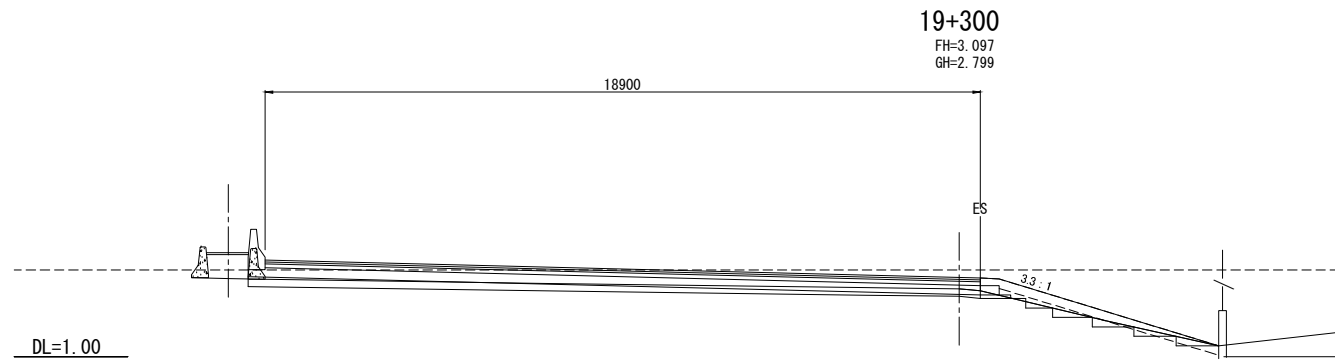
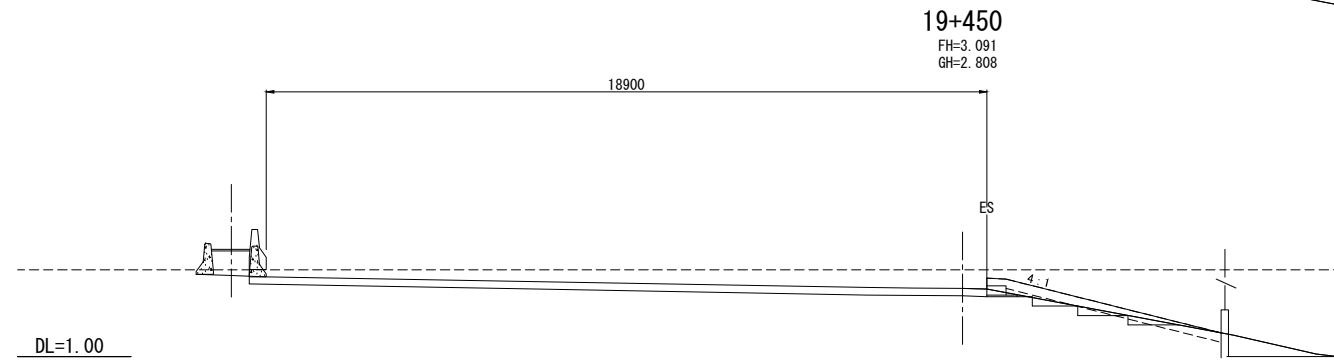
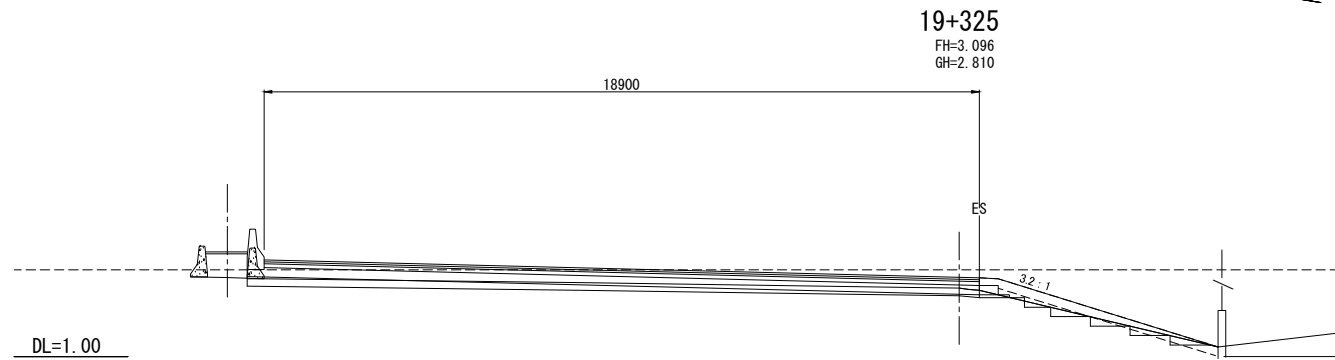
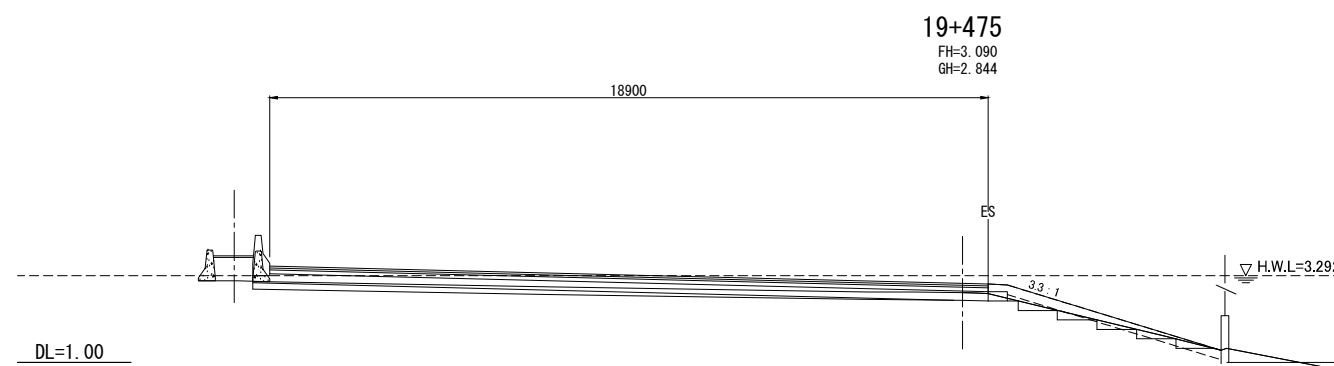
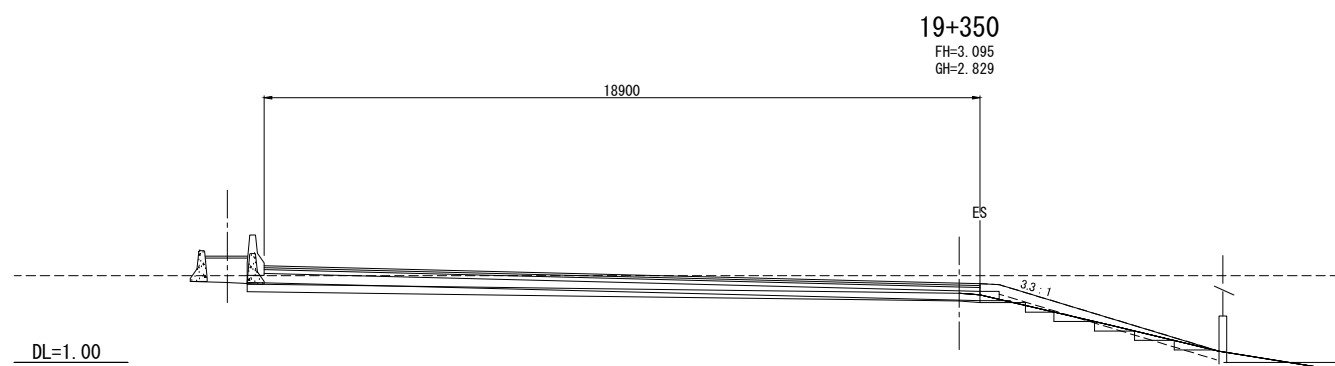
REV. NO.	DESCRIPTION	ENGINEER		DOH		REV. NO.	APPROVED BY	KINGDOM OF THAILAND MINISTRY OF TRANSPORT DEPARTMENT OF HIGHWAYS	HIGHWAY ROUTE NO. 9	OWNER The Inter-City Motorways Division Department of Highways Ministry of Transport	PROJECT TITLE The Preparatory Survey on the Rehabilitation Project of the Outer Bangkok Ring Road	DESIGNED BY SAGARA Hidetaka ROAD ENGINEER	CHECKED BY WATANABE Ryohei CHIEF ENGINEER	DATE	SCALE
		CHECKED	DATE	CHECKED	DATE									AUGUST 2012	SCALE 1:100
														DWG. NO. MW-86	SHEET NO. 91



REV. NO.	DESCRIPTION	ENGINEER		DOH		REV. NO.	APPROVED BY	KINGDOM OF THAILAND MINISTRY OF TRANSPORT DEPARTMENT OF HIGHWAYS	HIGHWAY ROUTE NO. 9	OWNER The Inter-City Motorways Division Department of Highways Ministry of Transport	PROJECT TITLE The Preparatory Survey on the Rehabilitation Project of the Outer Bangkok Ring Road	DESIGNED BY SAGARA Hidetaka ROAD ENGINEER	CHECKED BY WATANABE Ryohei CHIEF ENGINEER	DATE:	SCALE:
		CHECKED	DATE	CHECKED	DATE									AUGUST 2012	SCALE 1:100
									CROSS SECTIONS (36 / 70)					DWG. NO. MW-87	SHEET NO. 92

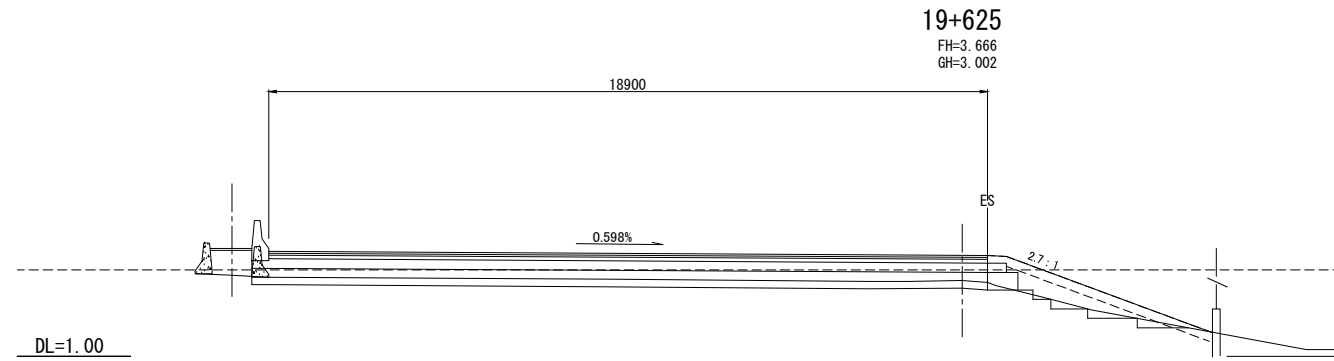
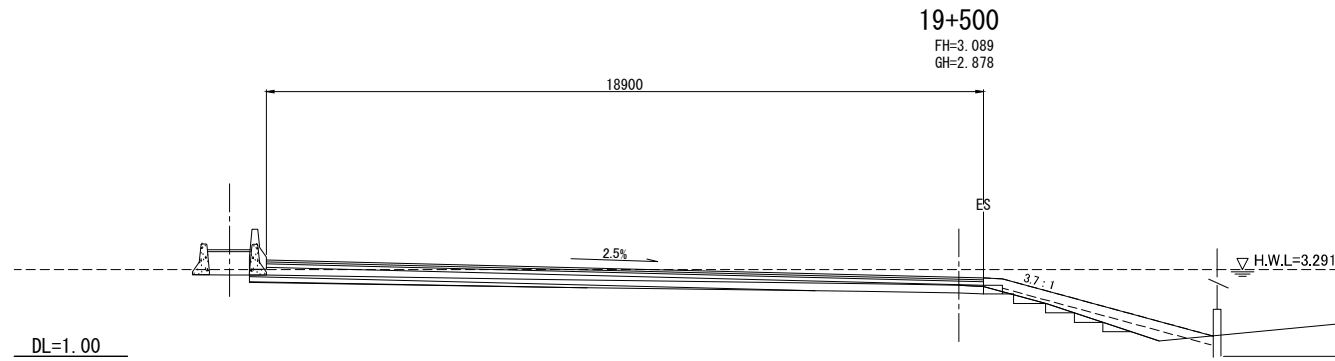
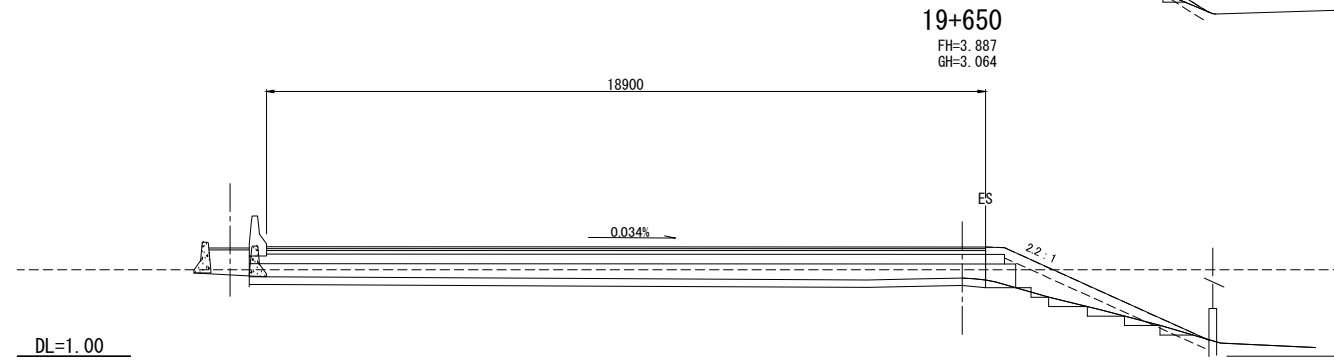
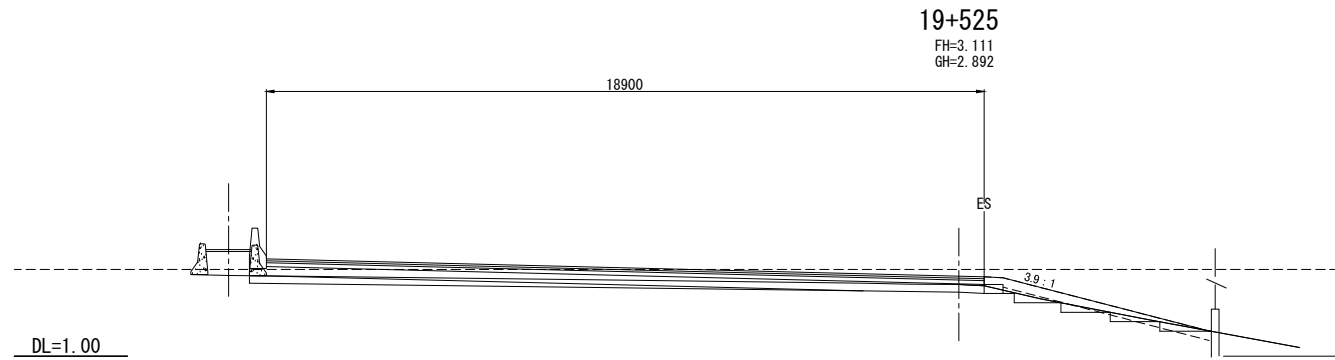
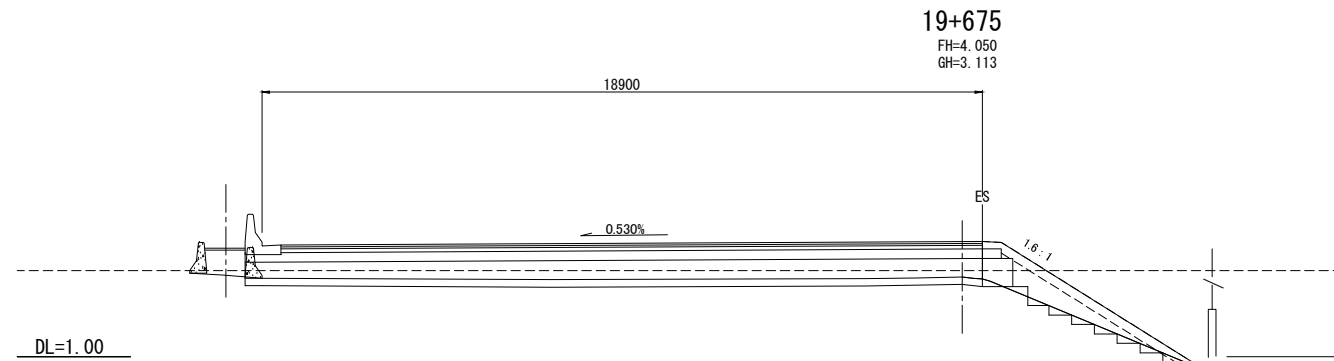
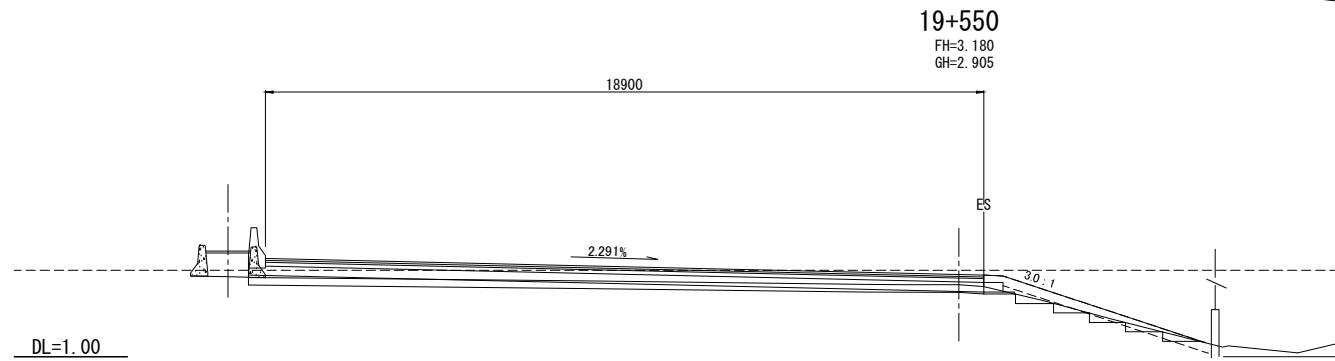
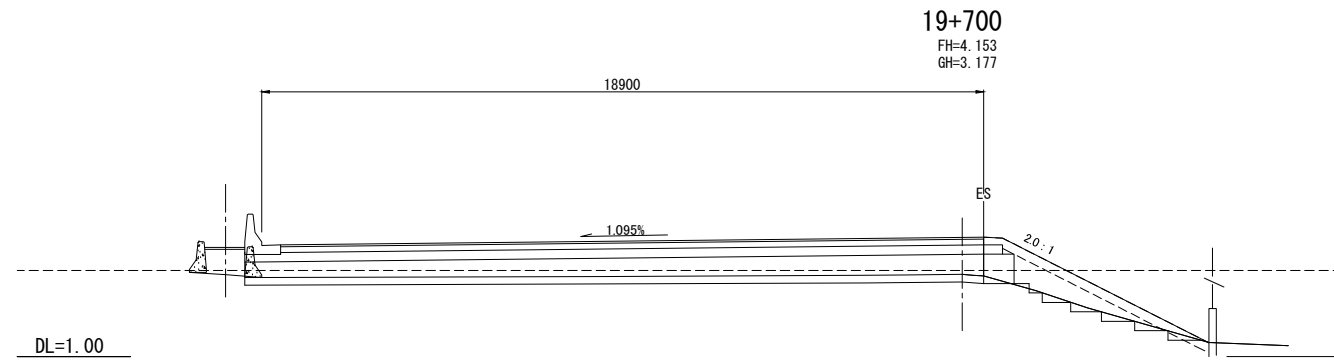
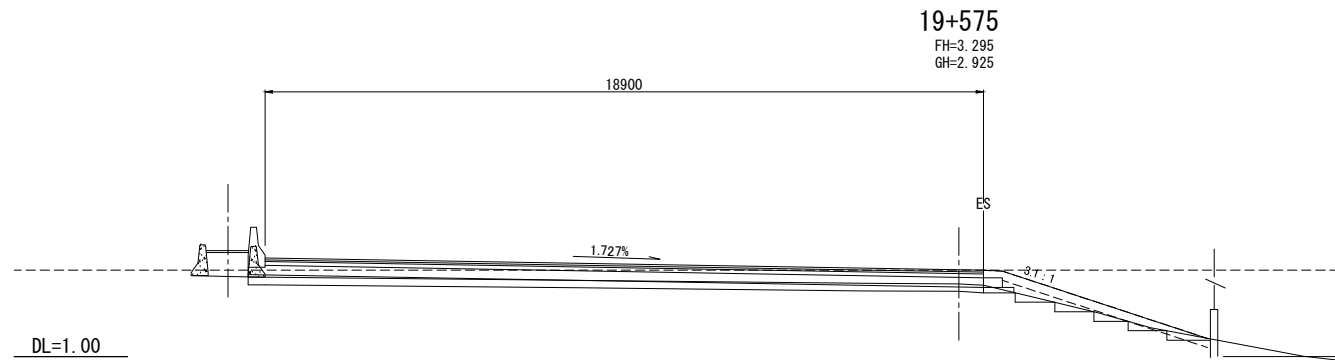
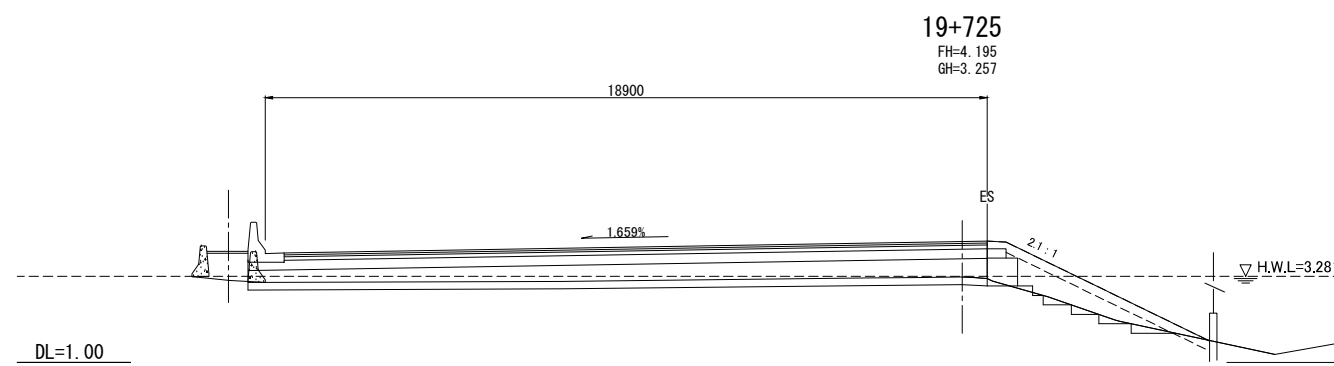
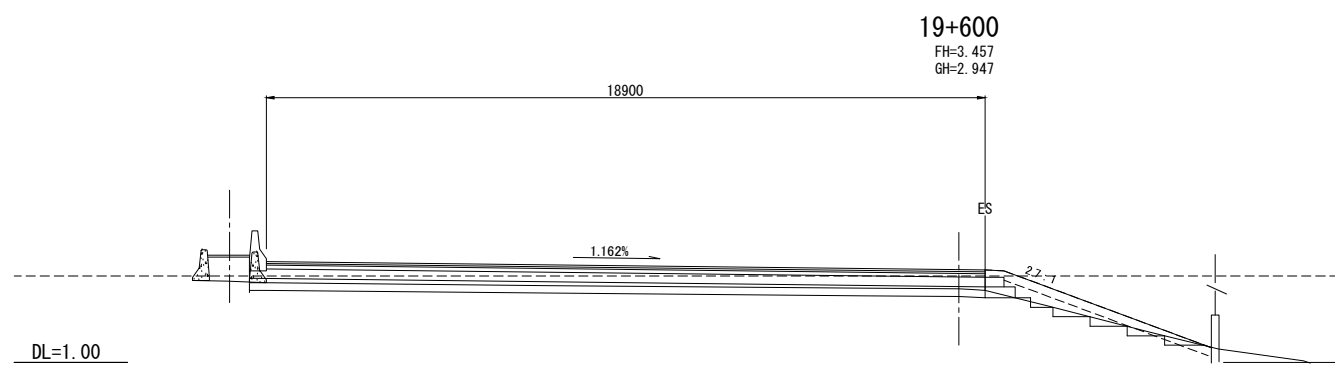


REV. NO.	DESCRIPTION	ENGINEER		DOH		REV. NO.	APPROVED BY	HIGHWAY ROUTE NO. 9	OWNER	PROJECT TITLE	DESIGNED BY	CHECKED BY	DATE	SCALE
		CHECKED	DATE	CHECKED	DATE									
								KINGDOM OF THAILAND MINISTRY OF TRANSPORT DEPARTMENT OF HIGHWAYS	The Inter-City Motorways Division Department of Highways Ministry of Transport	CTI ENGINEERING INTERNATIONAL CO., LTD. ORIENTAL CONSULTANTS CO., LTD. NIPPON KOEI CO., LTD. CTI ENGINEERING CO., LTD.	SAGARA Hidetaka ROAD ENGINEER	WATANABE Ryohei CHIEF ENGINEER	AUGUST 2012	SCALE 1:100
								CROSS SECTIONS The Preparatory Survey on the Rehabilitation Project of the Outer Bangkok Ring Road					DWG. NO. MW-88	SHEET NO. 93

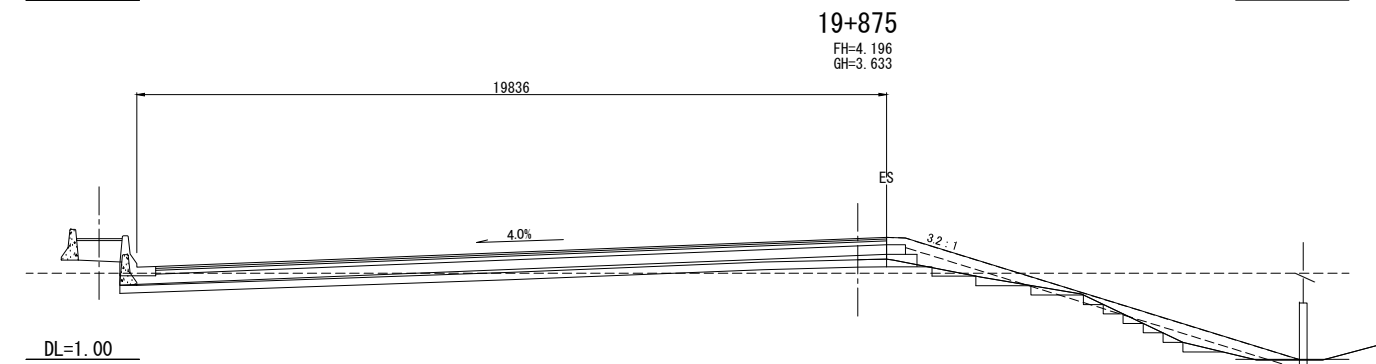
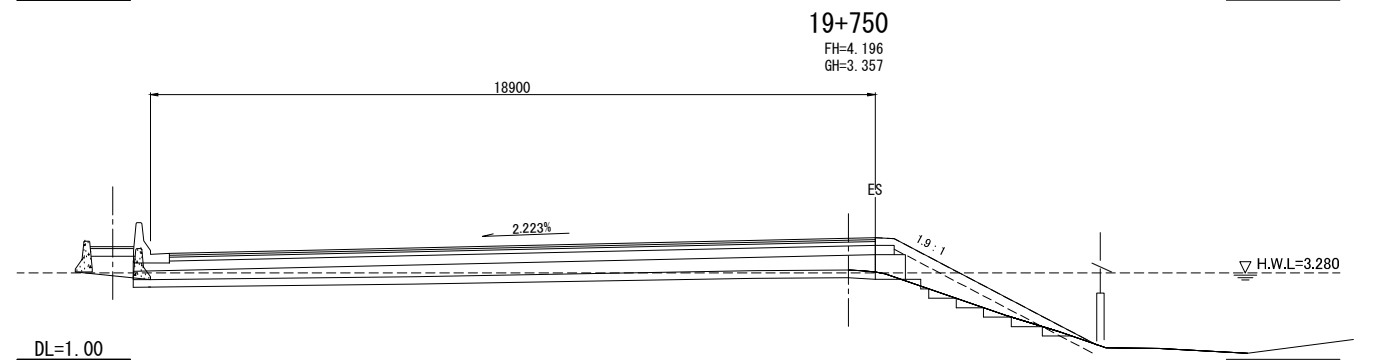
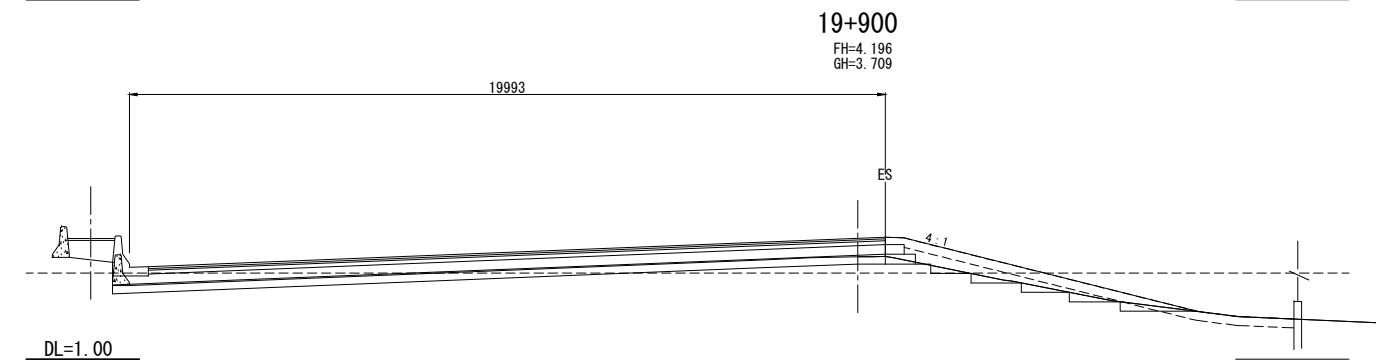
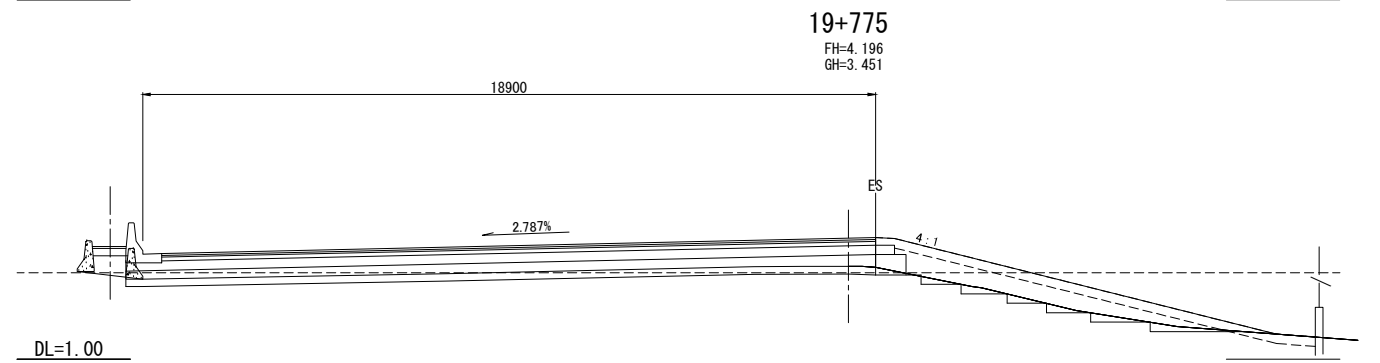
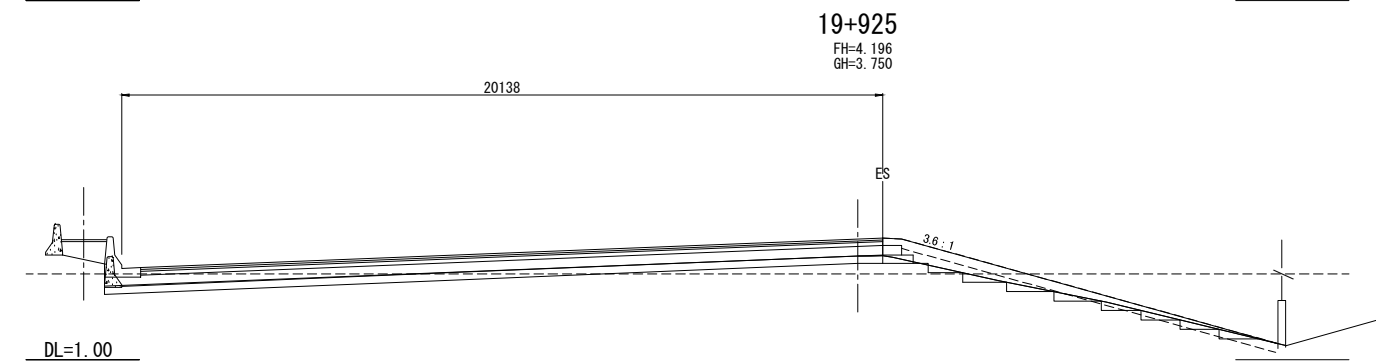
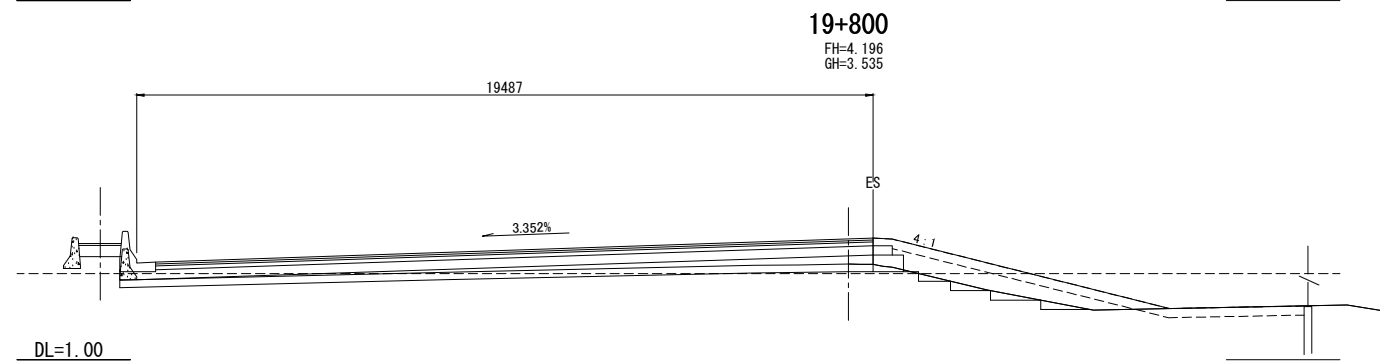
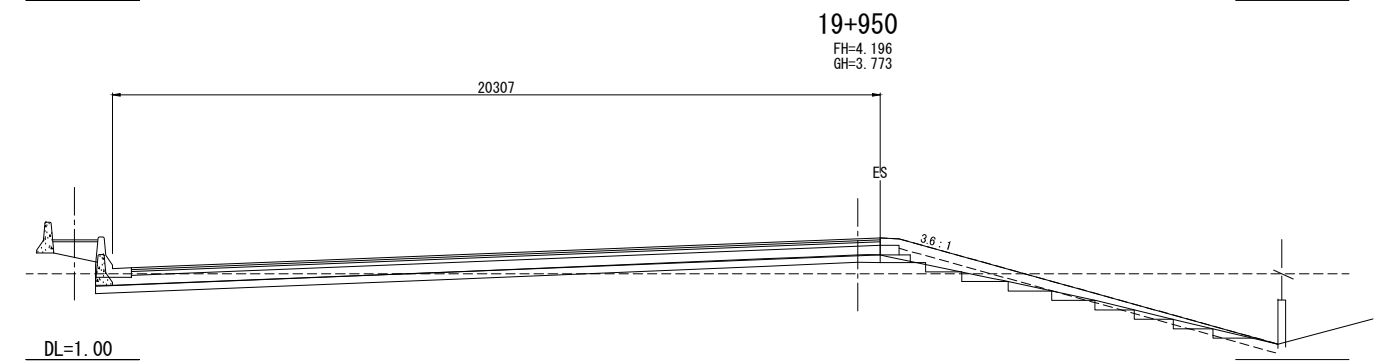
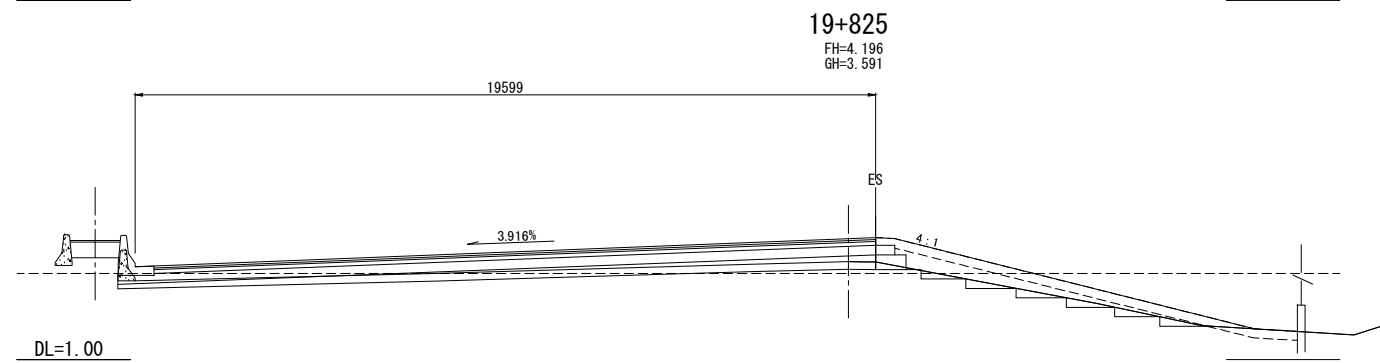
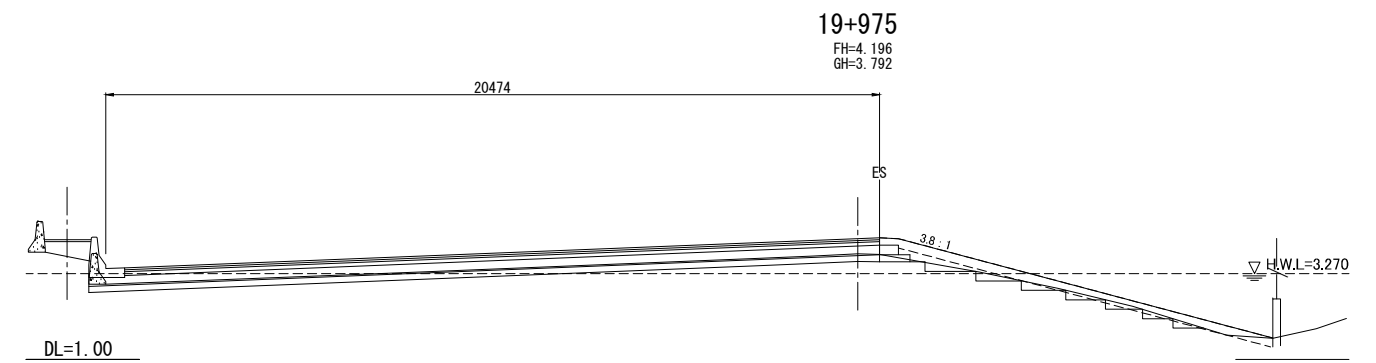
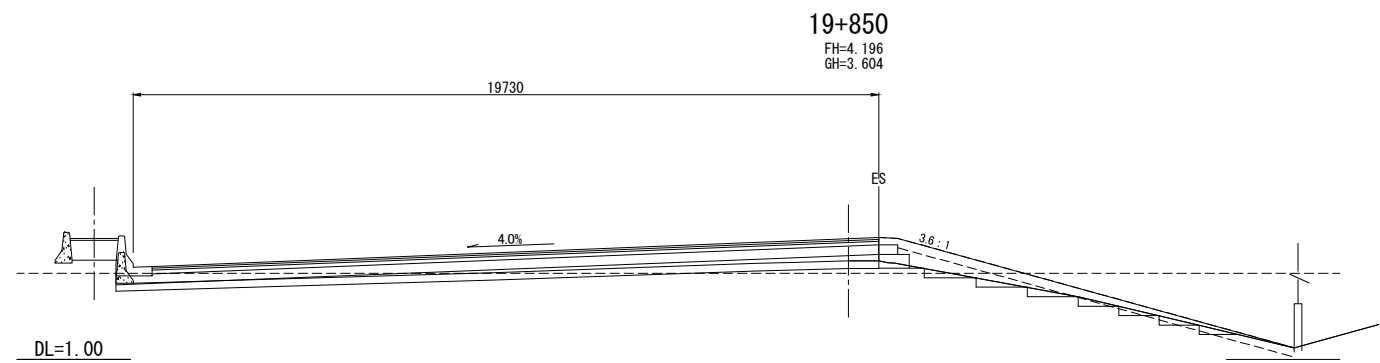


REV. NO.	DESCRIPTION	ENGINEER		DOH		REV. NO.	APPROVED BY	KINGDOM OF THAILAND MINISTRY OF TRANSPORT DEPARTMENT OF HIGHWAYS	HIGHWAY ROUTE NO. 9 The Preparatory Survey on the Rehabilitation Project of the Outer Bangkok Ring Road	OWNER The Inter-City Motorways Division Department of Highways Ministry of Transport	PROJECT TITLE	CTI ENGINEERING INTERNATIONAL CO., LTD. ORIENTAL CONSULTANTS CO., LTD. NIPPON KOEI CO., LTD. CTI ENGINEERING CO., LTD.	DESIGNED BY SAGARA Hidetaka ROAD ENGINEER	CHECKED BY WATANABE Ryohei CHIEF ENGINEER	DATE:	SCALE:
		CHECKED	DATE	CHECKED	DATE										AUGUST 2012	SCALE 1:100
															DWG. NO. MW-89	SHEET NO. 94

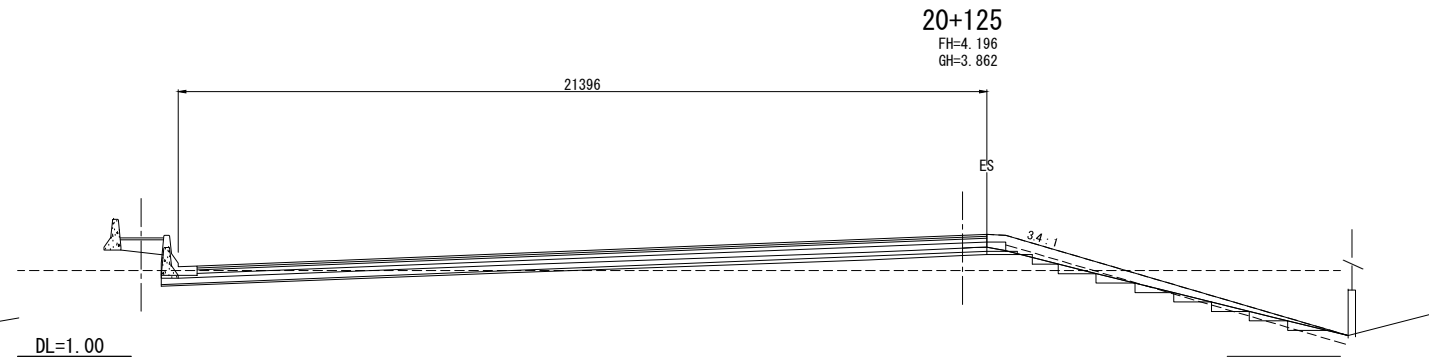
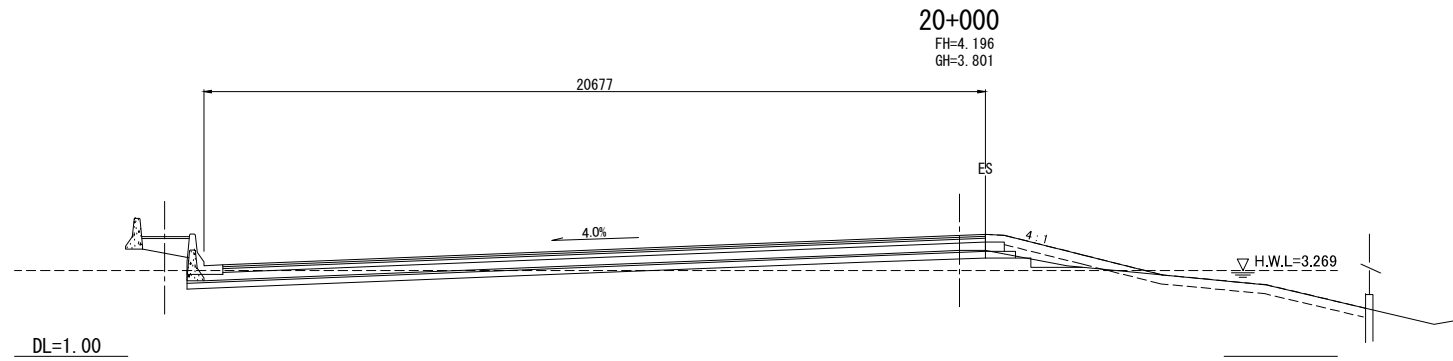
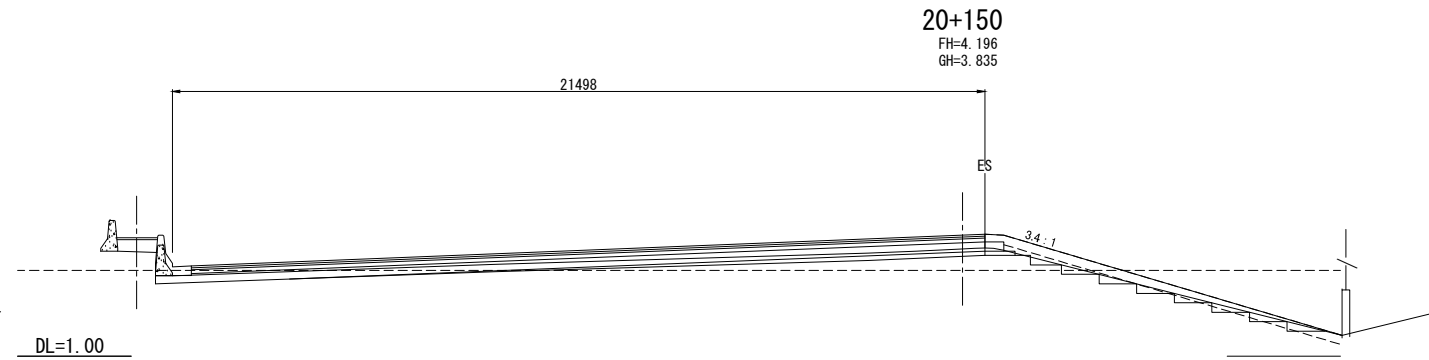
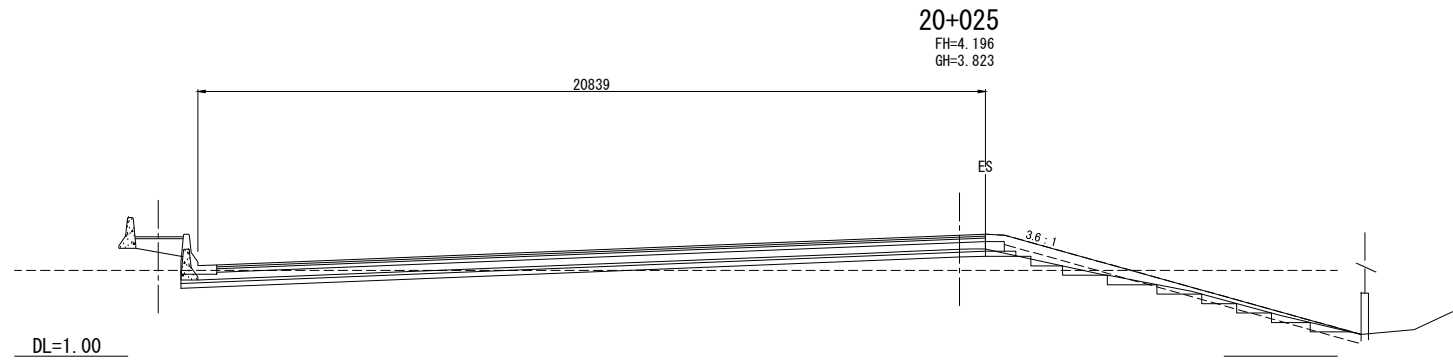
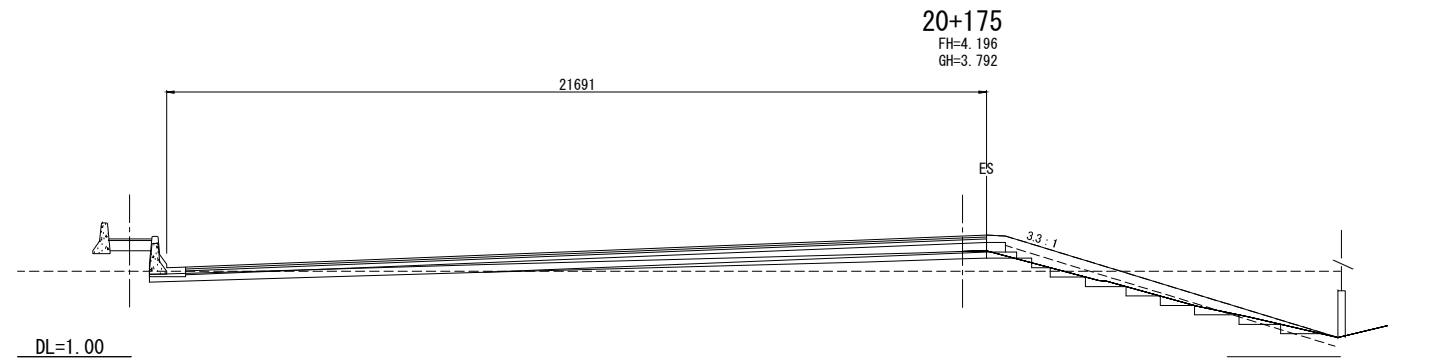
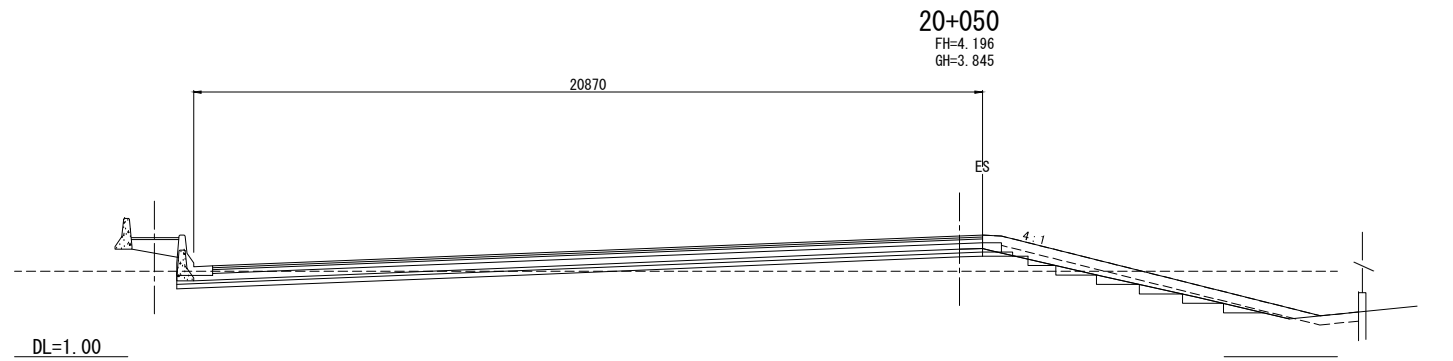
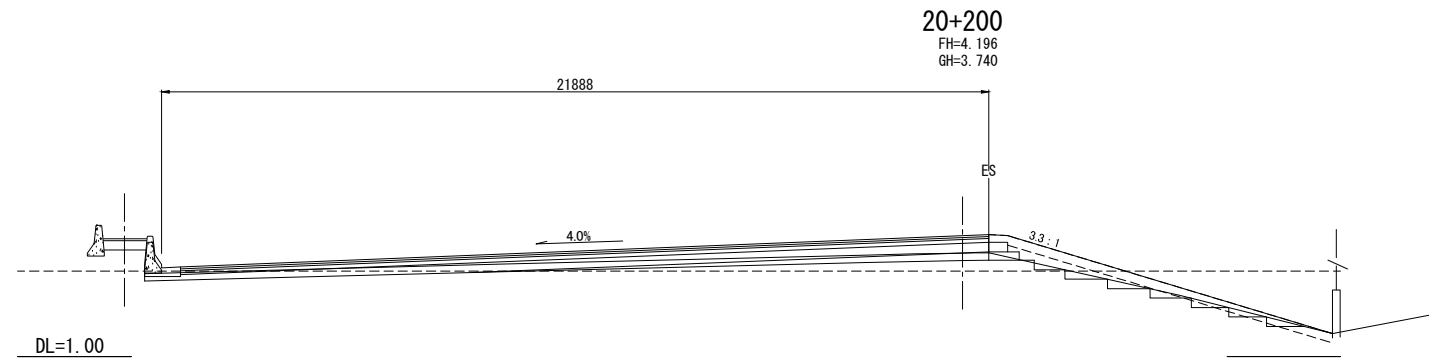
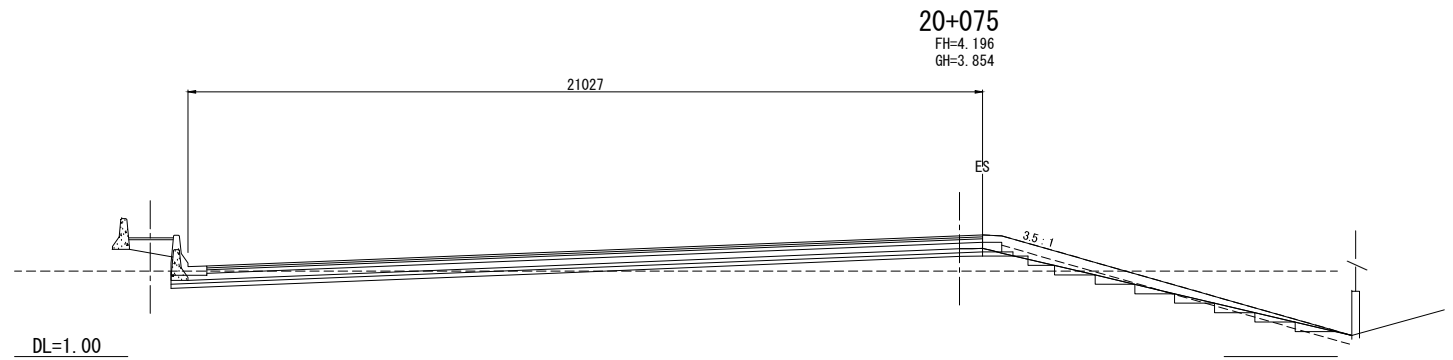
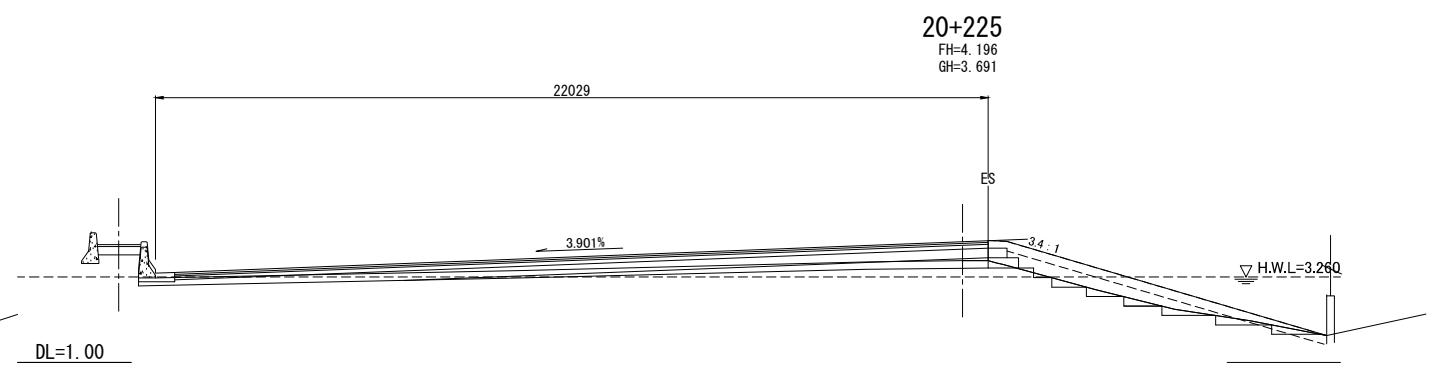
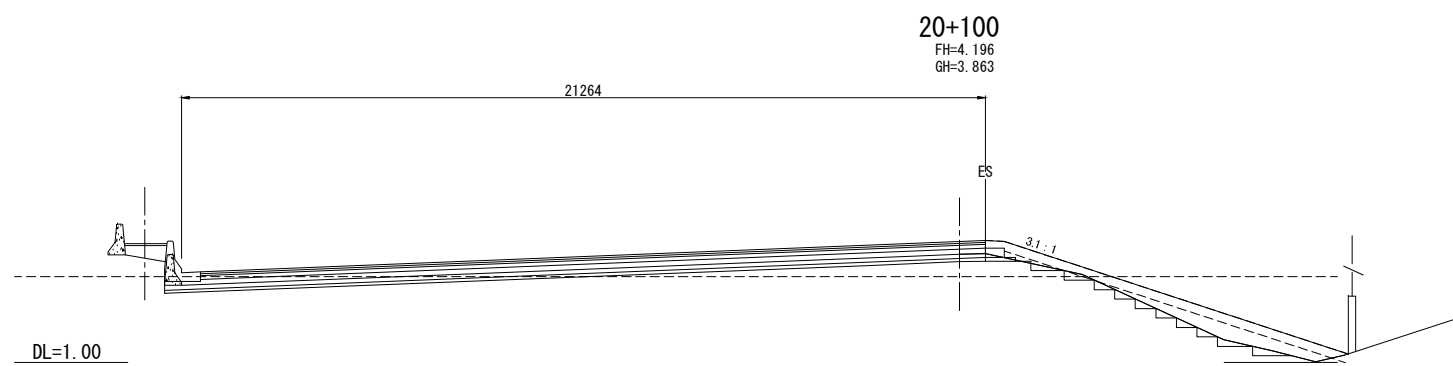




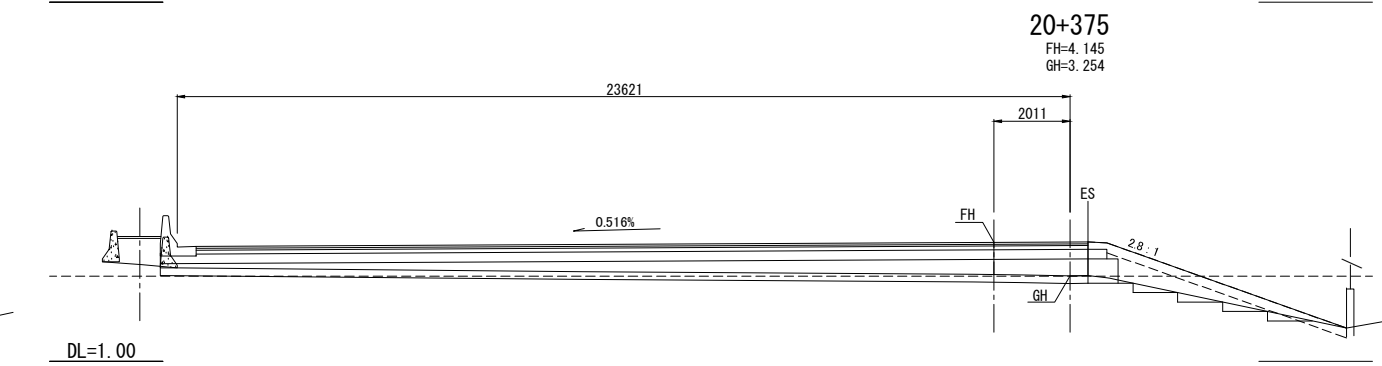
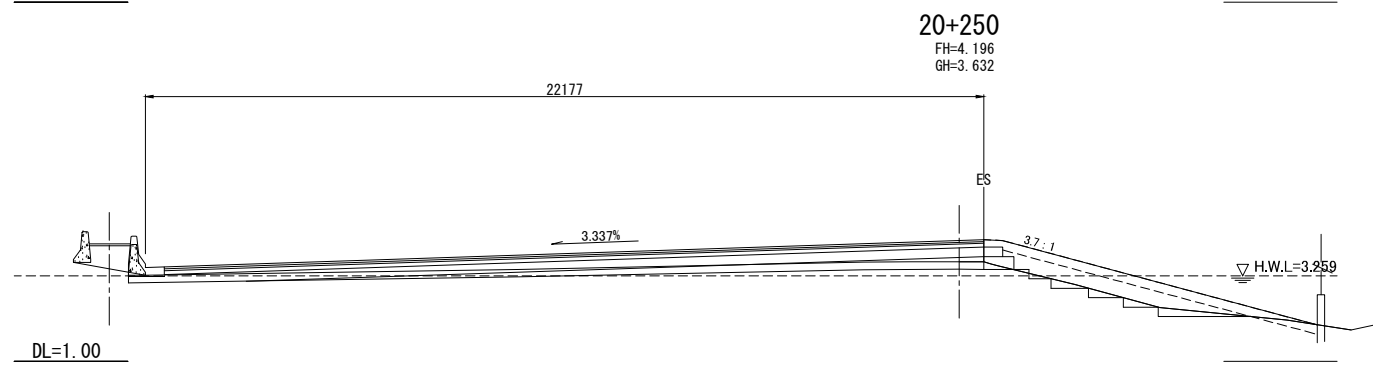
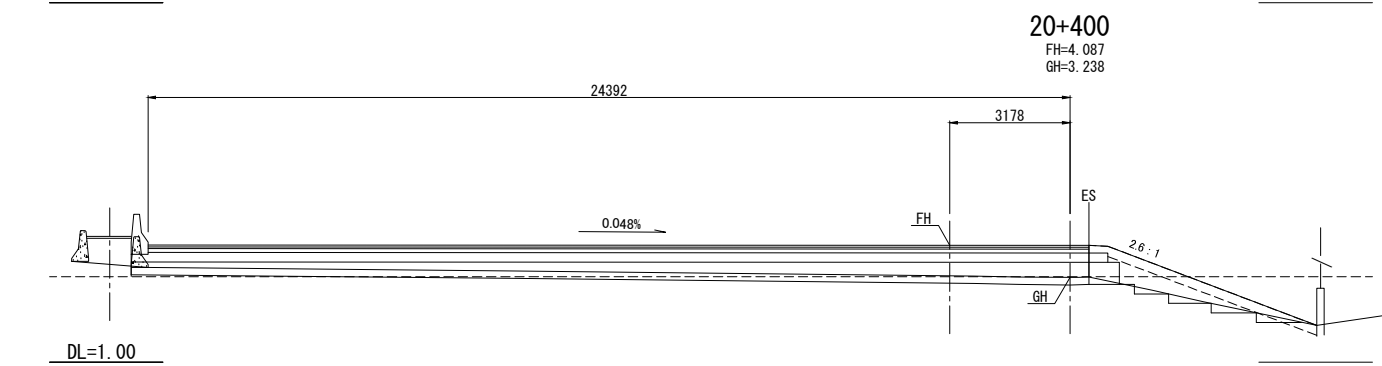
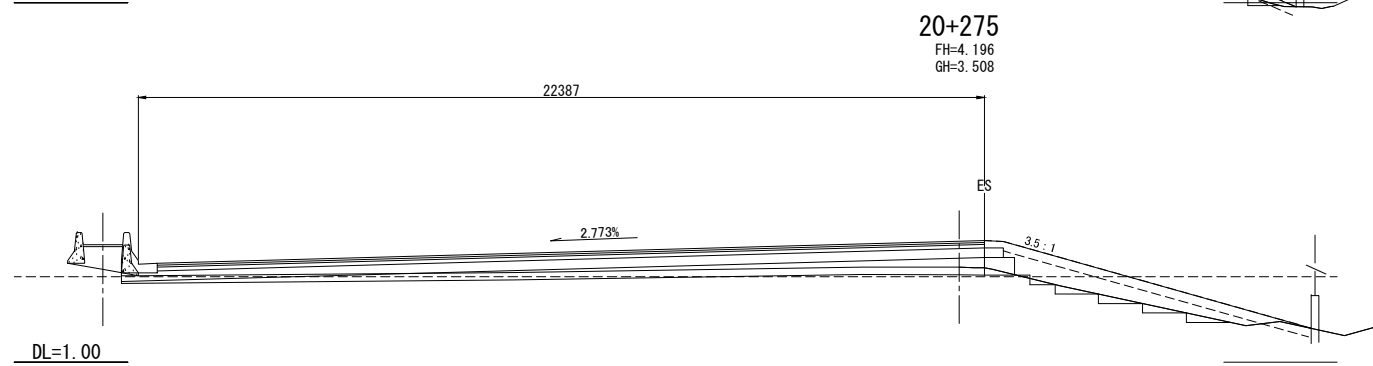
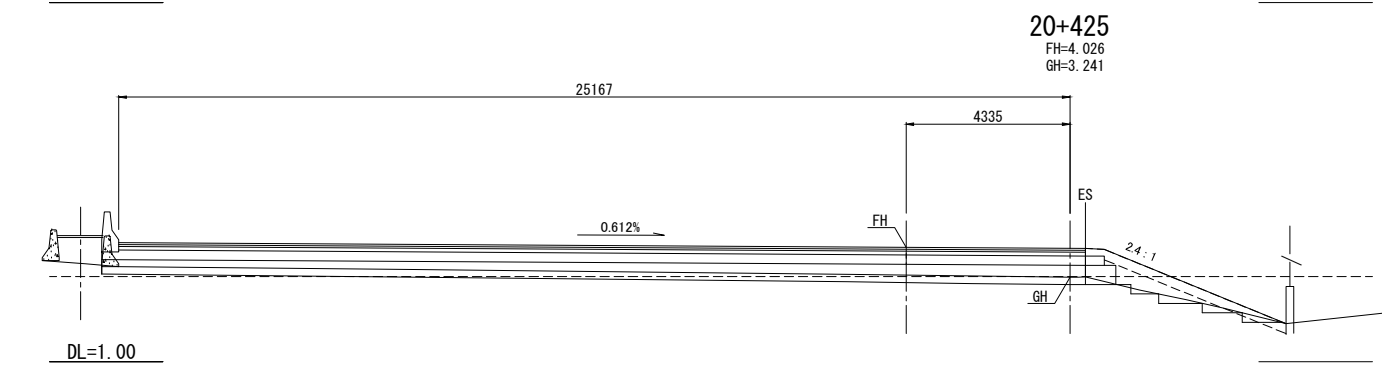
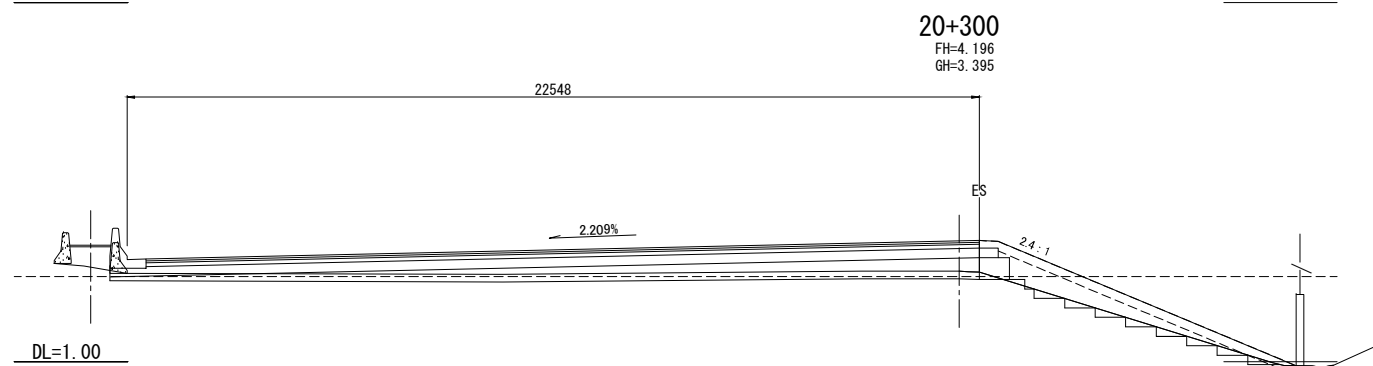
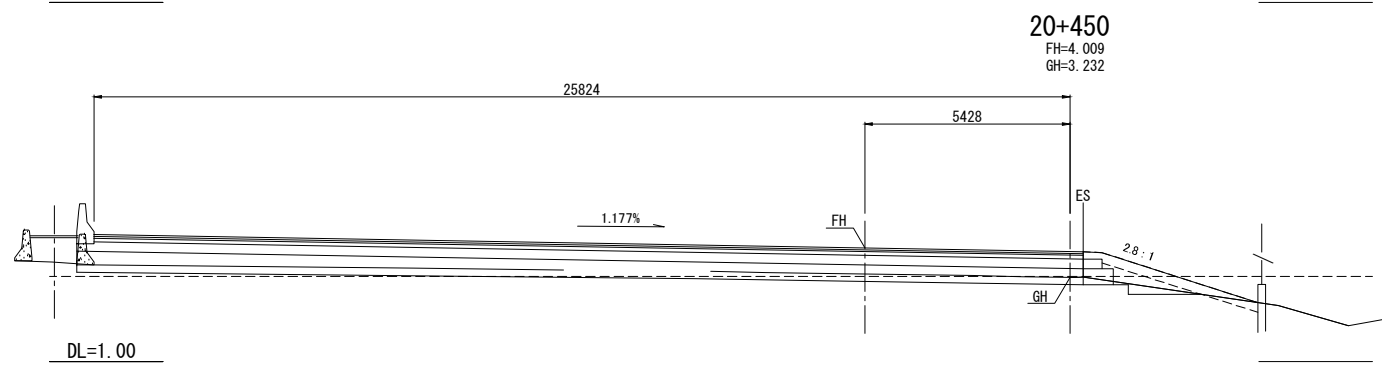
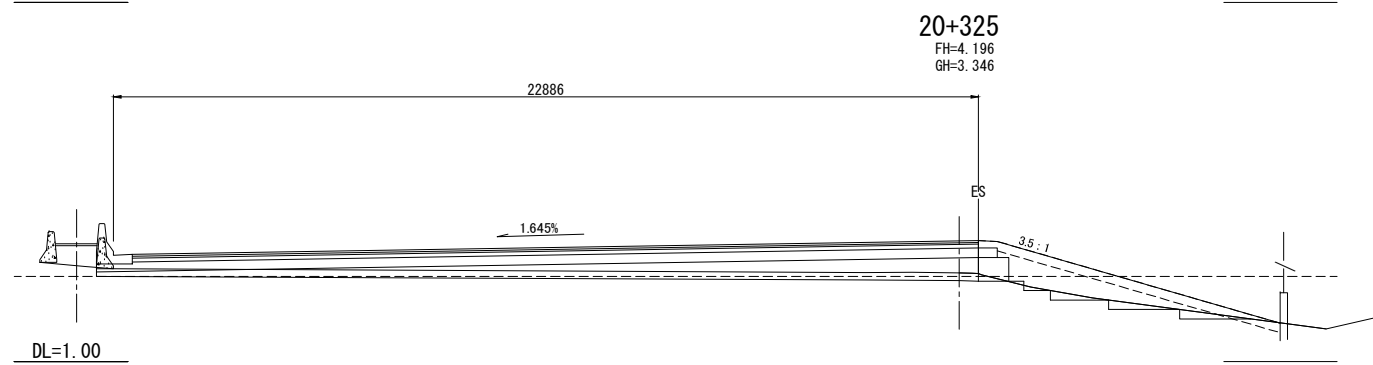
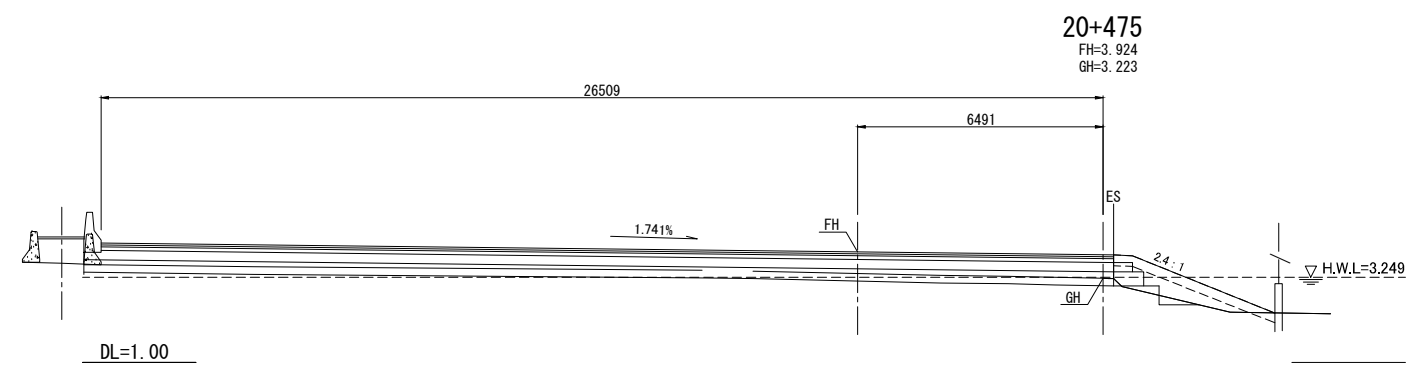
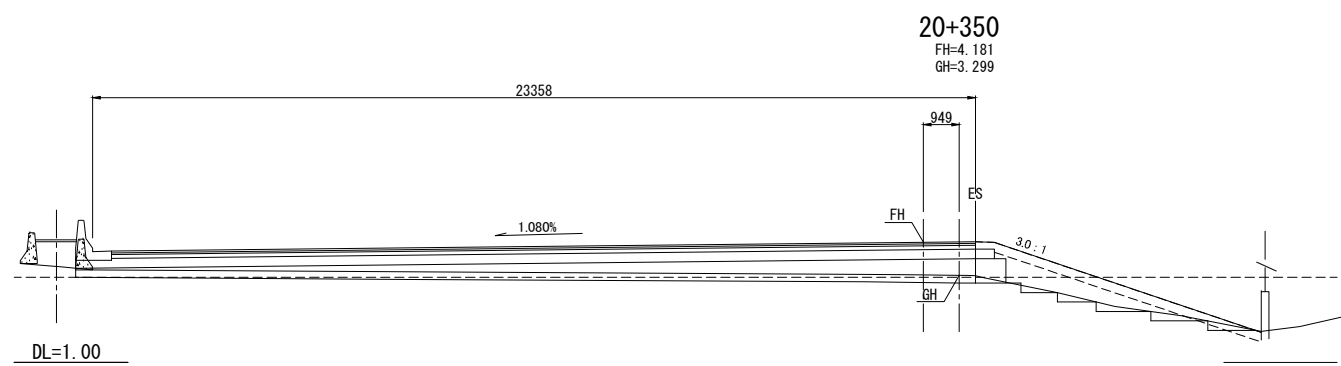
REV. NO.	DESCRIPTION	ENGINEER		DOH		REV. NO.	APPROVED BY	KINGDOM OF THAILAND MINISTRY OF TRANSPORT DEPARTMENT OF HIGHWAYS	HIGHWAY ROUTE NO. 9 The Preparatory Survey on the Rehabilitation Project of the Outer Bangkok Ring Road	OWNER The Inter-City Motorways Division Department of Highways Ministry of Transport	PROJECT TITLE	CTI ENGINEERING INTERNATIONAL CO., LTD. ORIENTAL CONSULTANTS CO., LTD. NIPPON KOEI CO., LTD. CTI ENGINEERING CO., LTD.	DESIGNED BY SAGARA Hidetaka ROAD ENGINEER	CHECKED BY WATANABE Ryohei CHIEF ENGINEER	DATE:	SCALE:
		CHECKED	DATE	CHECKED	DATE										AUGUST 2012	SCALE 1:100
															DWG. NO. MW-90	SHEET NO. 95



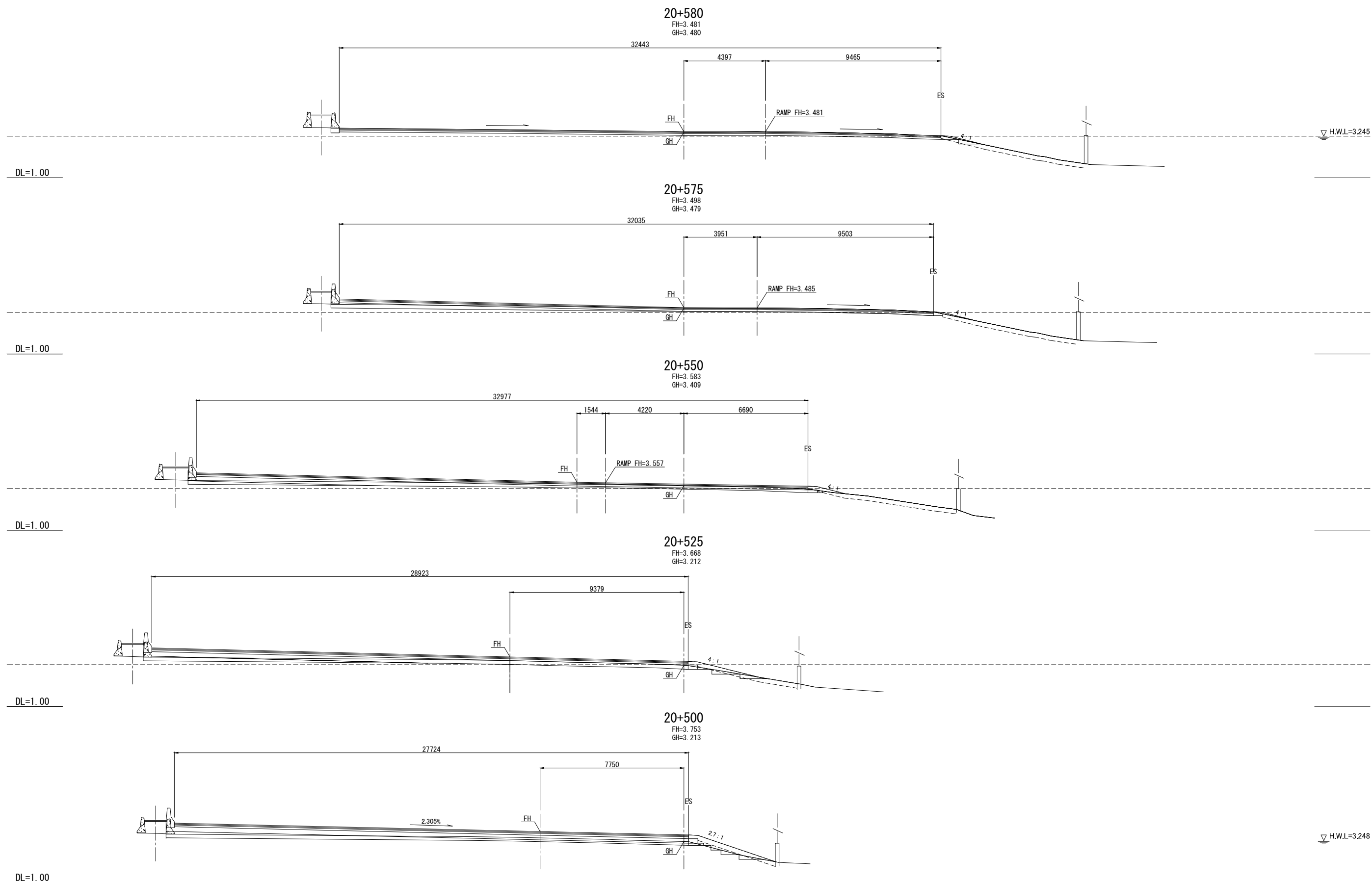
REV. NO.	DESCRIPTION	ENGINEER		DOH		REV. NO.	APPROVED BY	KINGDOM OF THAILAND MINISTRY OF TRANSPORT DEPARTMENT OF HIGHWAYS	HIGHWAY ROUTE NO. 9 The Preparatory Survey on the Rehabilitation Project of the Outer Bangkok Ring Road	OWNER The Inter-City Motorways Division Department of Highways Ministry of Transport	PROJECT TITLE	CTI ENGINEERING INTERNATIONAL CO., LTD. ORIENTAL CONSULTANTS CO., LTD. NIPPON KOEI CO., LTD. CTI ENGINEERING CO., LTD.	DESIGNED BY	CHECKED BY	DATE	SCALE
		CHECKED	DATE	CHECKED	DATE								SAGARA Hidetaka ROAD ENGINEER	WATANABE Ryohei CHIEF ENGINEER	AUGUST 2012	SCALE 1:100
															DWG. NO. <b>MW-91</b>	SHEET NO. <b>96</b>



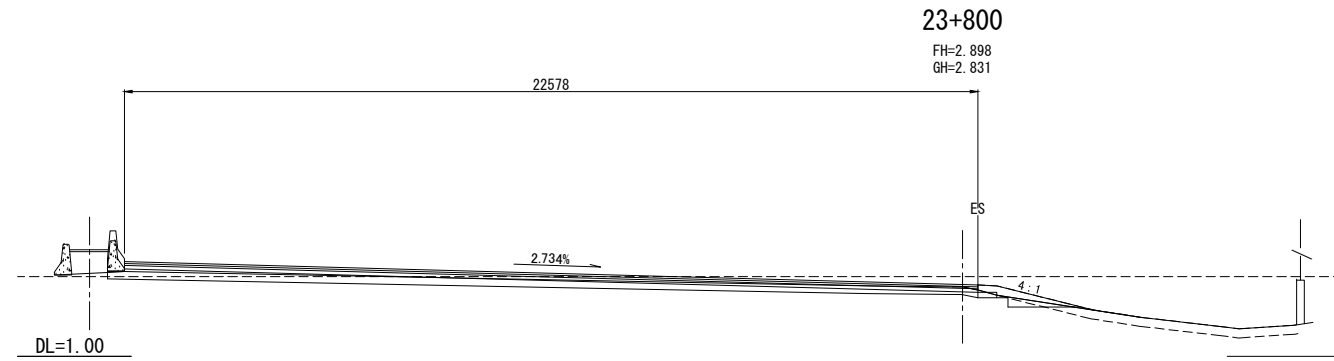
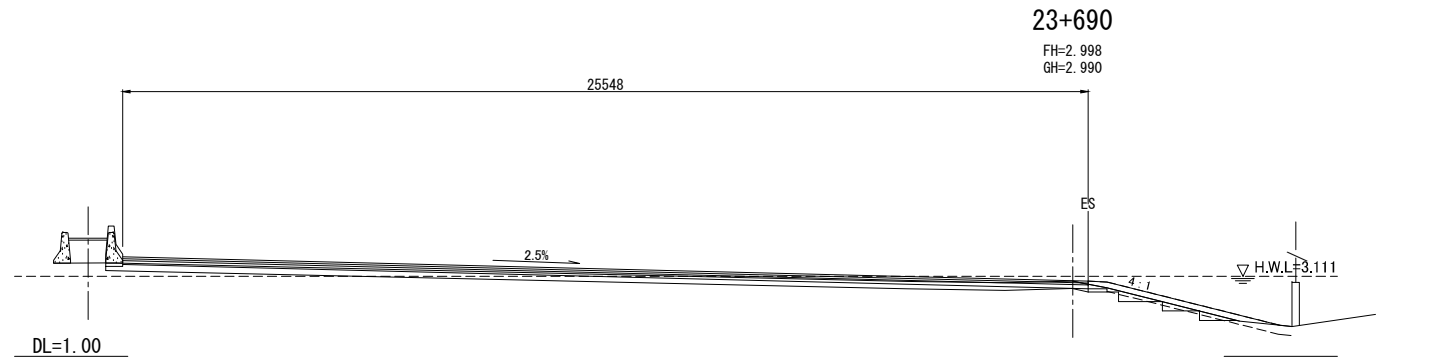
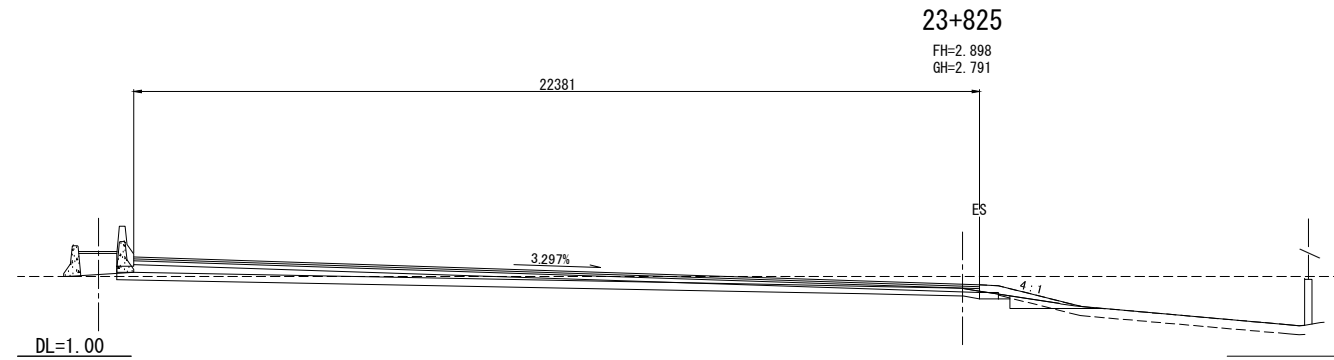
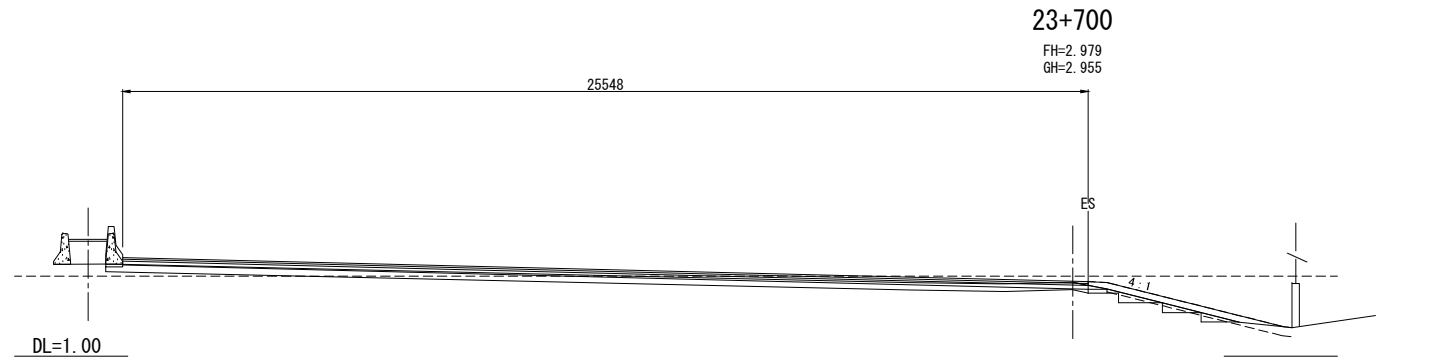
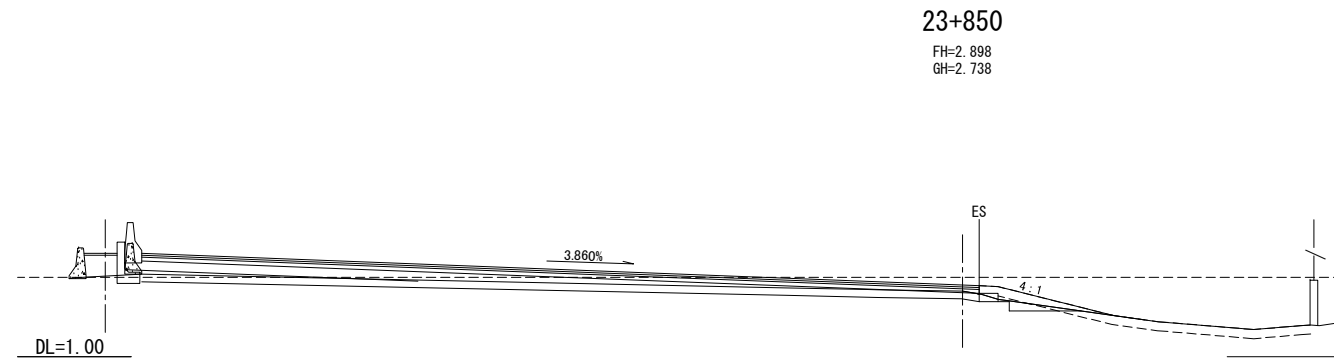
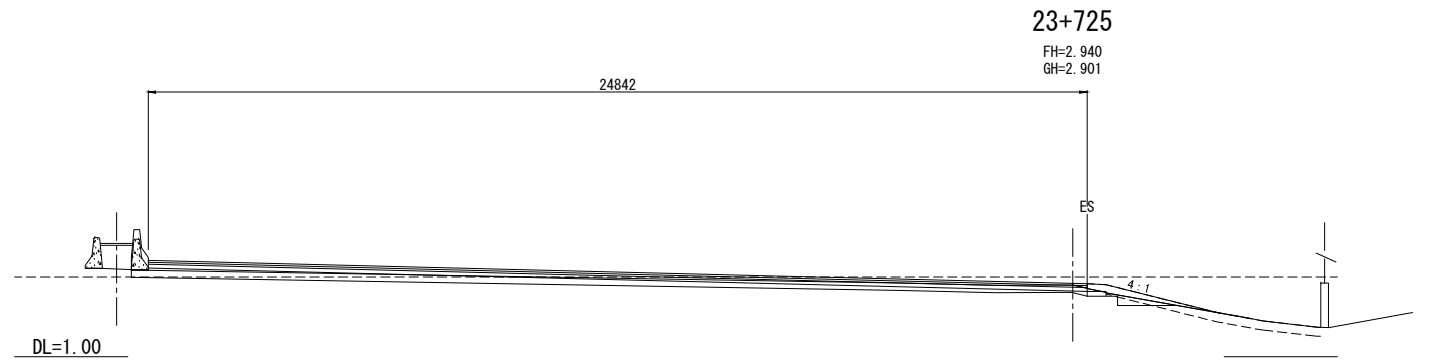
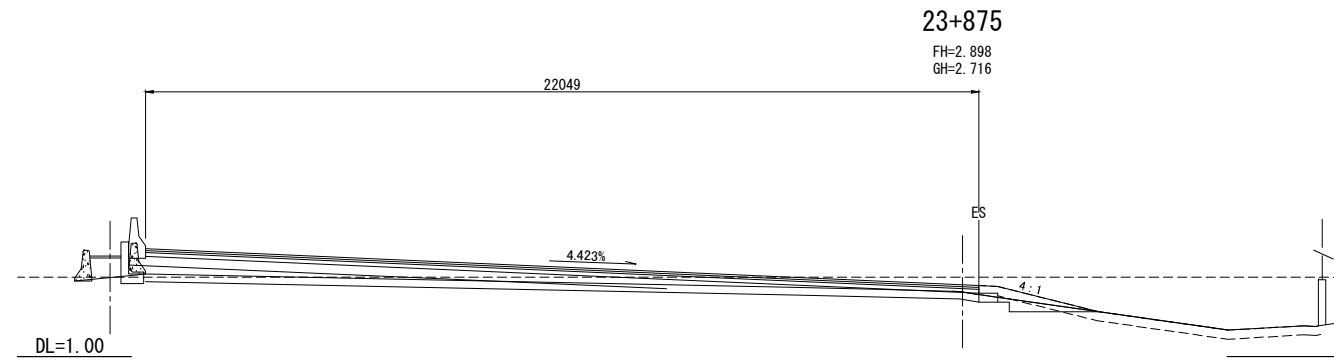
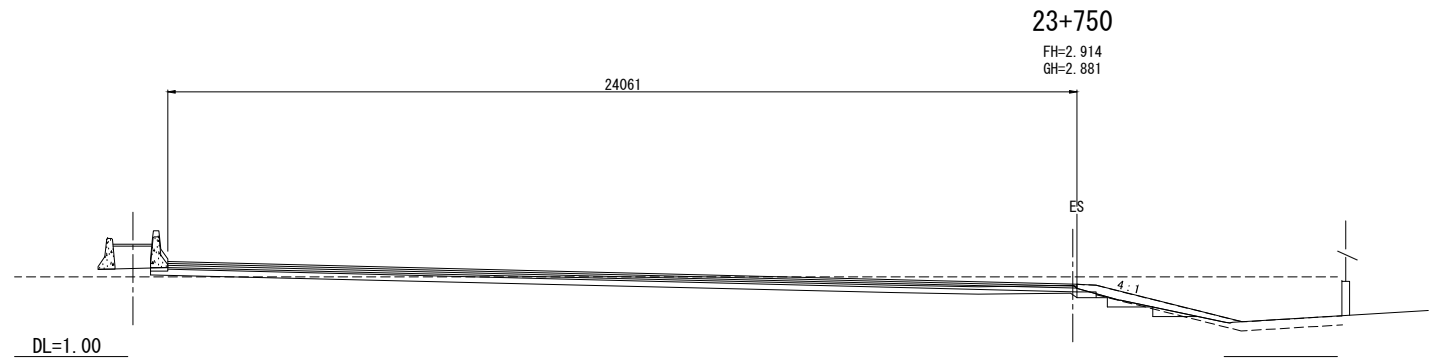
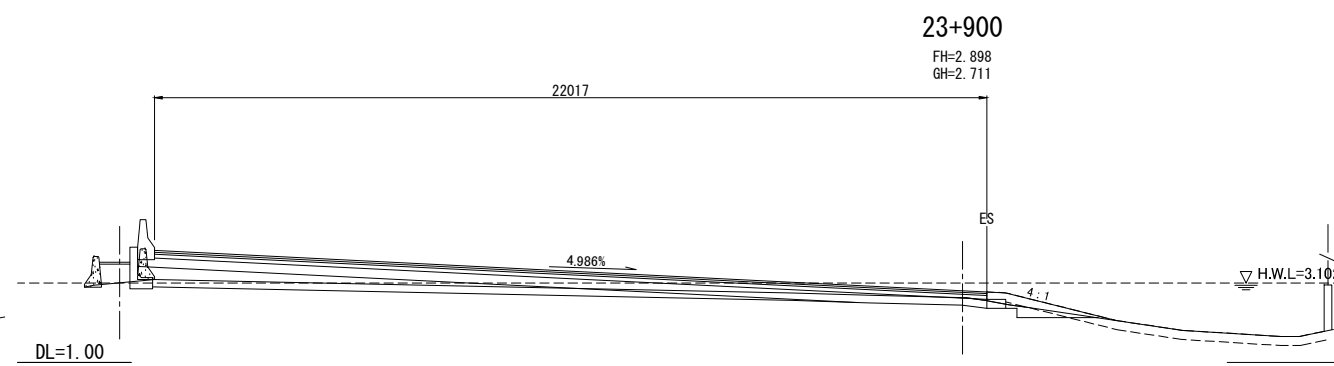
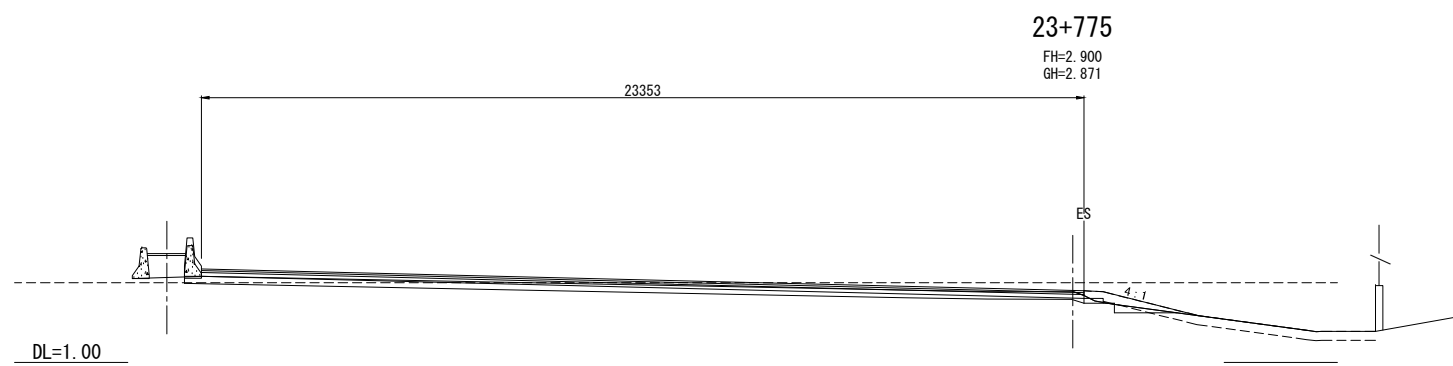
REV. NO.	DESCRIPTION	ENGINEER		DOH		REV. NO.	APPROVED BY	KINGDOM OF THAILAND MINISTRY OF TRANSPORT DEPARTMENT OF HIGHWAYS	HIGHWAY ROUTE NO. 9	OWNER The Inter-City Motorways Division Department of Highways Ministry of Transport	PROJECT TITLE The Preparatory Survey on the Rehabilitation Project of the Outer Bangkok Ring Road	DESIGNED BY SAGARA Hidetaka ROAD ENGINEER	CHECKED BY WATANABE Ryohei CHIEF ENGINEER	DATE AUGUST 2012	SCALE SCALE 1:100
		CHECKED	DATE	CHECKED	DATE										
									CROSS SECTIONS (41 / 70)					DWG. NO. MW-92	SHEET NO. 97



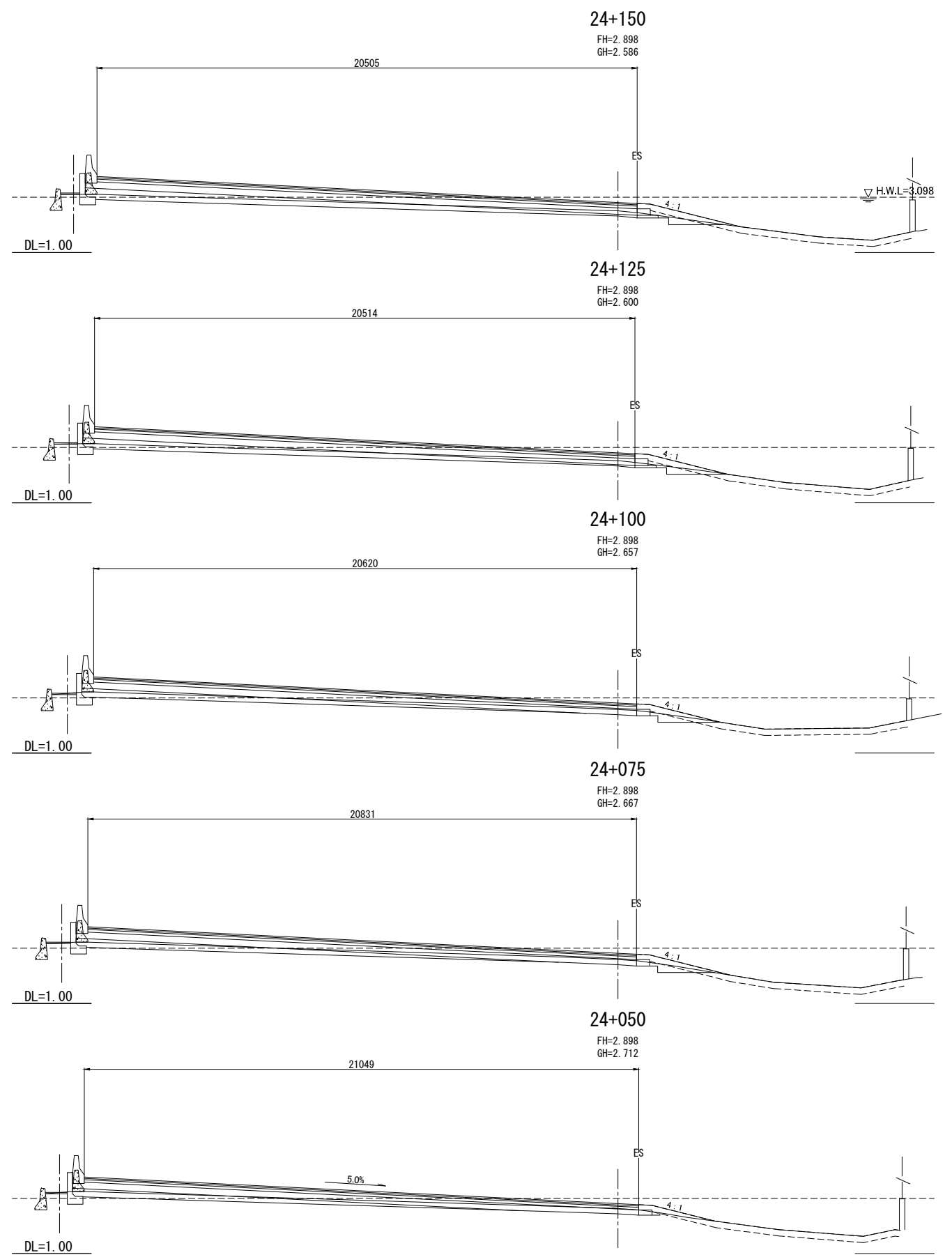
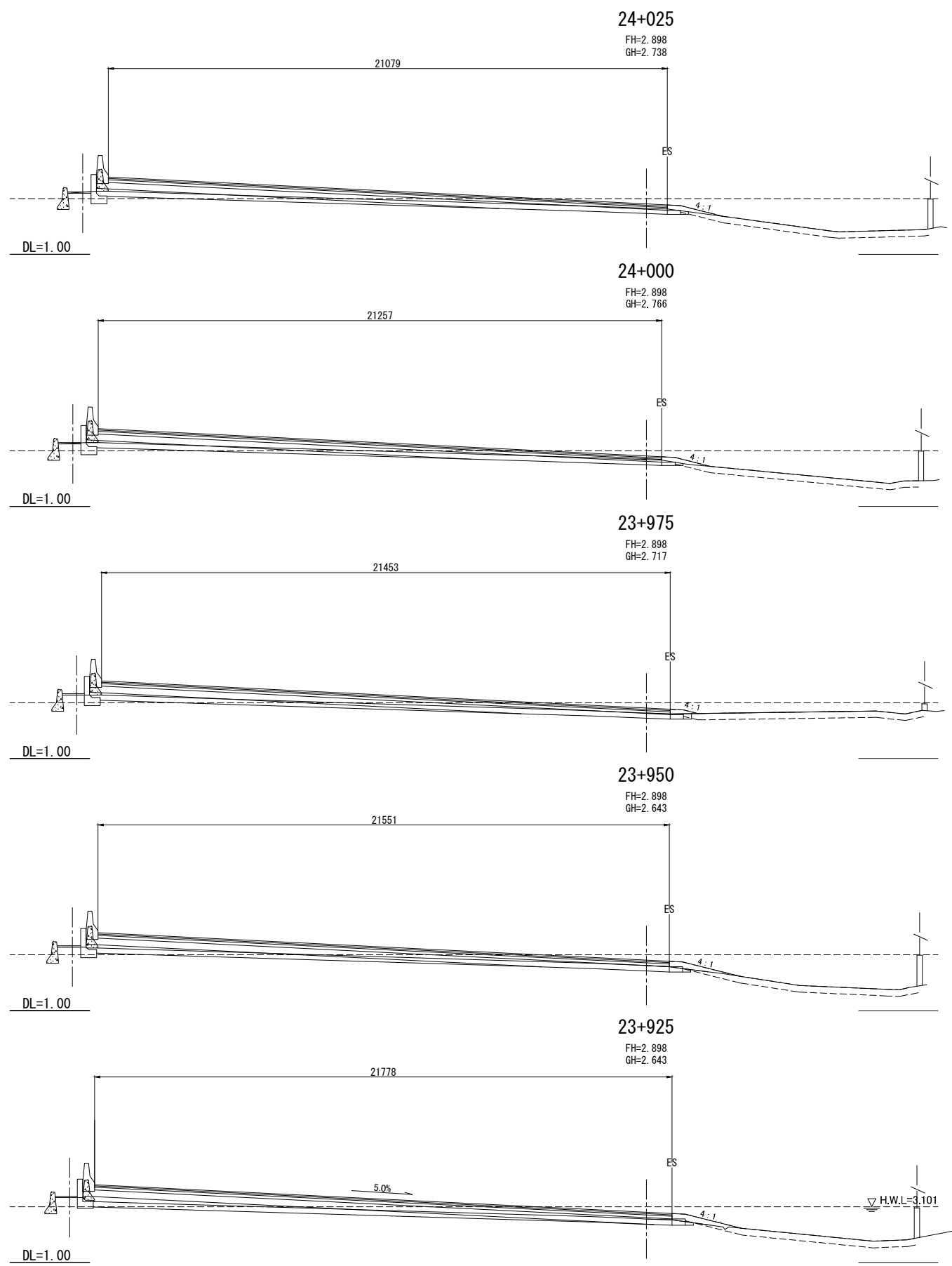
REV. NO.	DESCRIPTION	ENGINEER CHECKED DATE	DOH CHECKED DATE	REV. NO.	APPROVED BY	<p><b>KINGDOM OF THAILAND</b> MINISTRY OF TRANSPORT DEPARTMENT OF HIGHWAYS</p>	HIGHWAY ROUTE NO. 9	OWNER The Inter-City Motorways Division Department of Highways Ministry of Transport	PROJECT TITLE The Preparatory Survey on the Rehabilitation Project of the Outer Bangkok Ring Road		DESIGNED BY SAGARA Hidetaka ROAD ENGINEER	CHECKED BY WATANABE Ryohei CHIEF ENGINEER	DATE AUGUST 2012	SCALE SCALE 1:100
							CROSS SECTIONS (42 / 70)							DWG. NO. <b>MW-93</b>



REV. NO.	DESCRIPTION	ENGINEER		DOH		REV. NO.	APPROVED BY	 <b>KINGDOM OF THAILAND</b> MINISTRY OF TRANSPORT DEPARTMENT OF HIGHWAYS	HIGHWAY ROUTE NO. 9	OWNER	PROJECT TITLE	 CTI ENGINEERING INTERNATIONAL CO., LTD. ORIENTAL CONSULTANTS CO., LTD. NIPPON KOEI CO., LTD. CTI ENGINEERING CO., LTD.	DESIGNED BY	CHECKED BY	DATE :	SCALE :
		CHECKED	DATE	CHECKED	DATE				CROSS SECTIONS ( 43 / 70 )	The Inter-City Motorways Division Department of Highways Ministry of Transport	The Preparatory Survey on the Rehabilitation Project of the Outer Bangkok Ring Road		SAGARA Hidetaka ROAD ENGINEER	WATANABE Ryohei CHIEF ENGINEER	AUGUST 2012	SCALE 1:100
														DWG. NO.	SHEET NO.	
														<b>MW-94</b>	<b>99</b>	

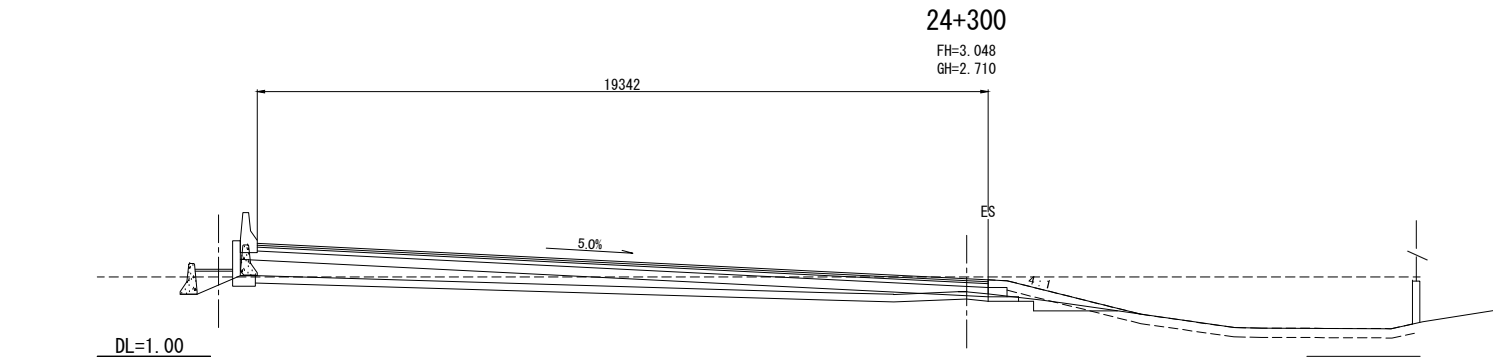
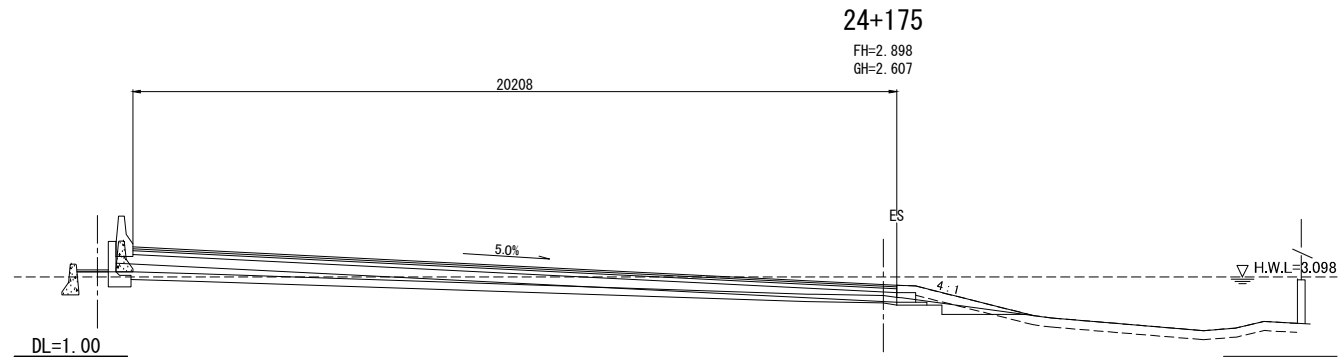
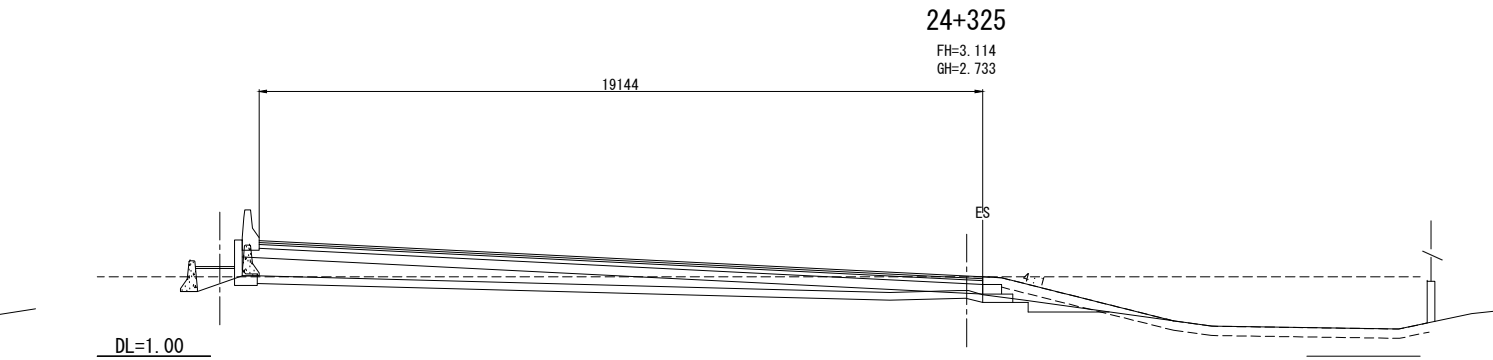
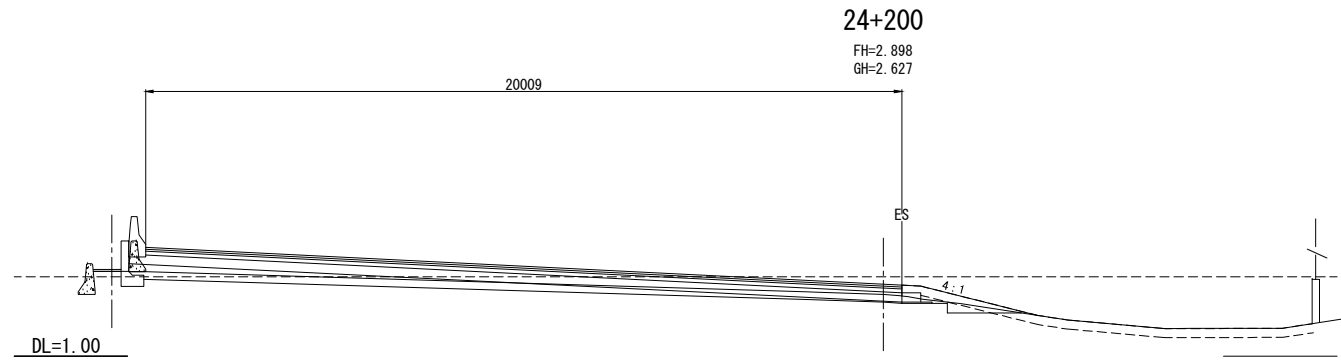
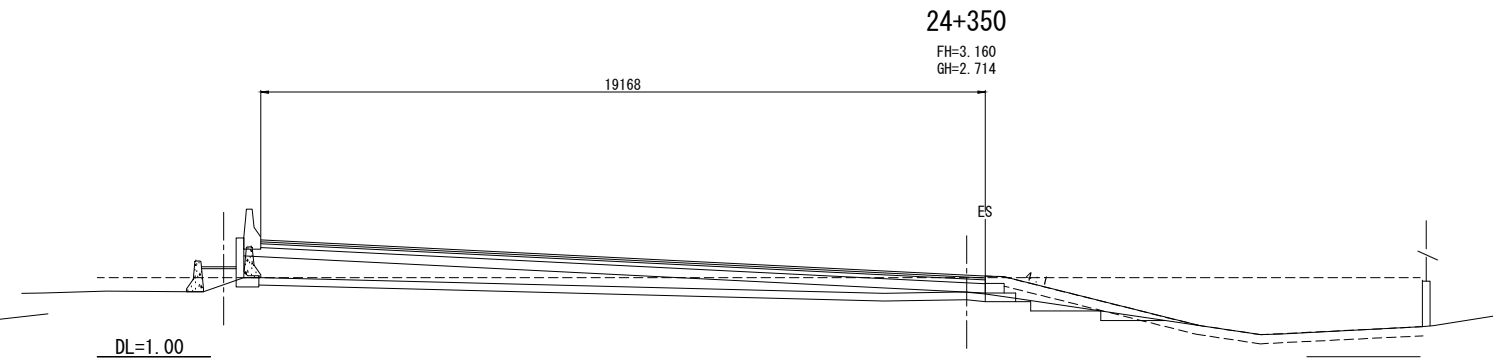
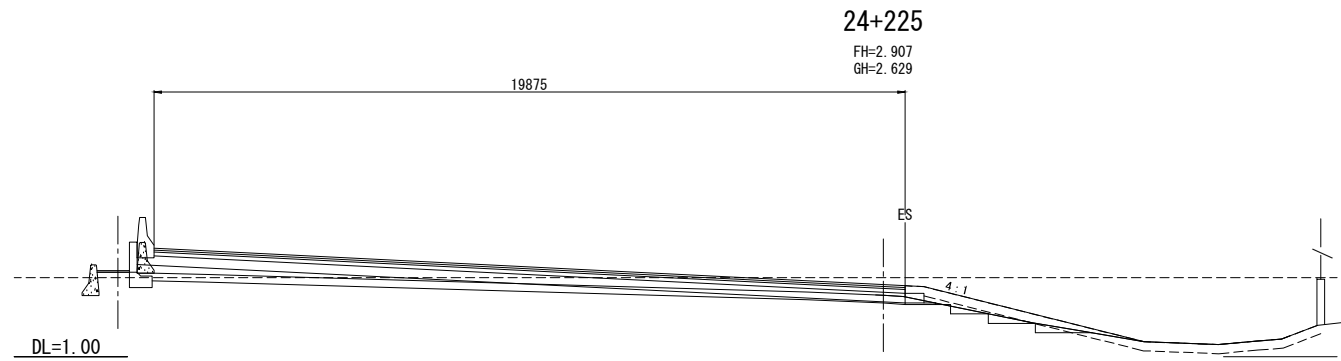
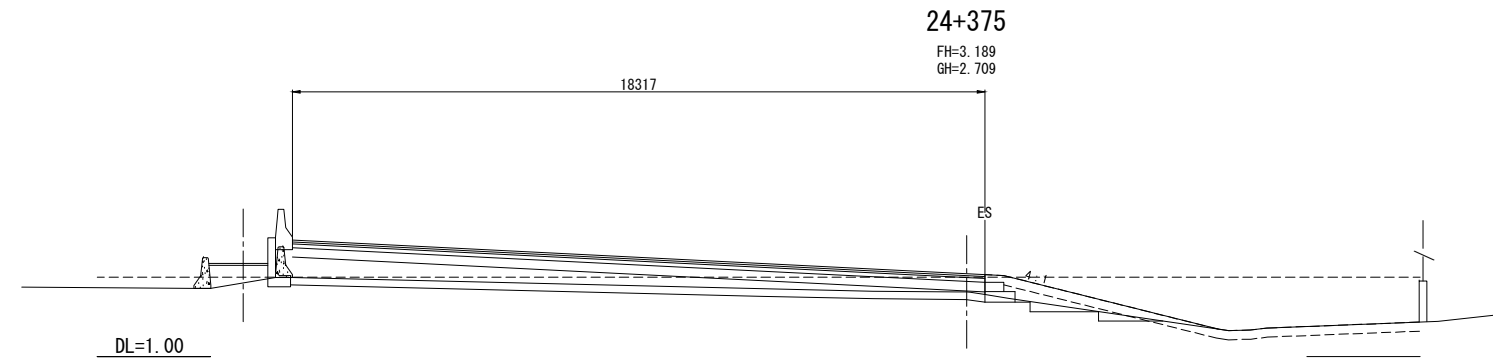
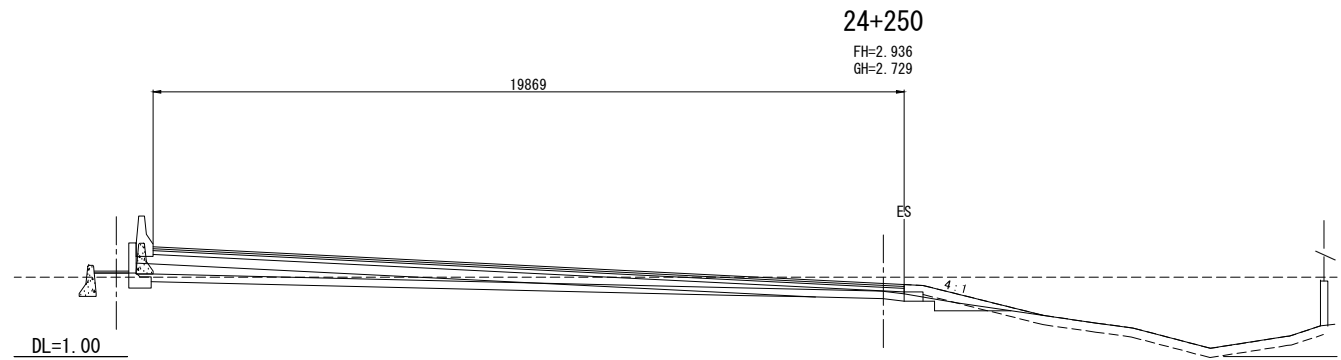
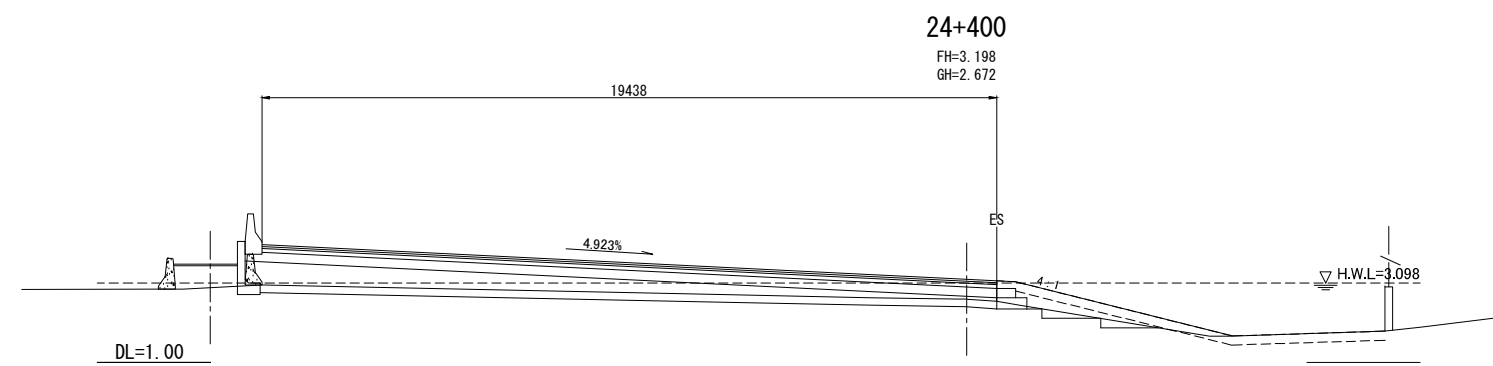
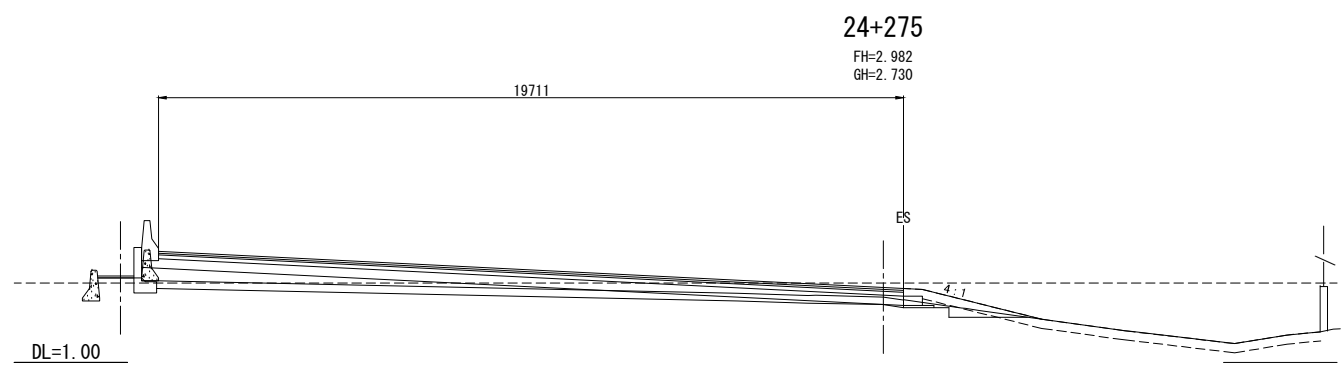


REV. NO.	DESCRIPTION	ENGINEER CHECKED DATE	DOH CHECKED DATE	REV. NO.	APPROVED BY	 <b>KINGDOM OF THAILAND</b> MINISTRY OF TRANSPORT DEPARTMENT OF HIGHWAYS	HIGHWAY ROUTE NO. 9	OWNER	PROJECT TITLE	 CTI ENGINEERING INTERNATIONAL CO., LTD. ORIENTAL CONSULTANTS CO., LTD. NIPPON KOEI CO., LTD. CTI ENGINEERING CO., LTD.	DESIGNED BY	CHECKED BY	DATE	SCALE
							CROSS SECTIONS ( 44 / 70 )	The Inter-City Motorways Division Department of Highways Ministry of Transport	The Preparatory Survey on the Rehabilitation Project of the Outer Bangkok Ring Road		SAGARA Hidetaka ROAD ENGINEER	WATANABE Ryohei CHIEF ENGINEER	AUGUST 2012	SCALE 1:100
													DWG. NO. <b>MW-95</b>	SHEET NO. <b>100</b>



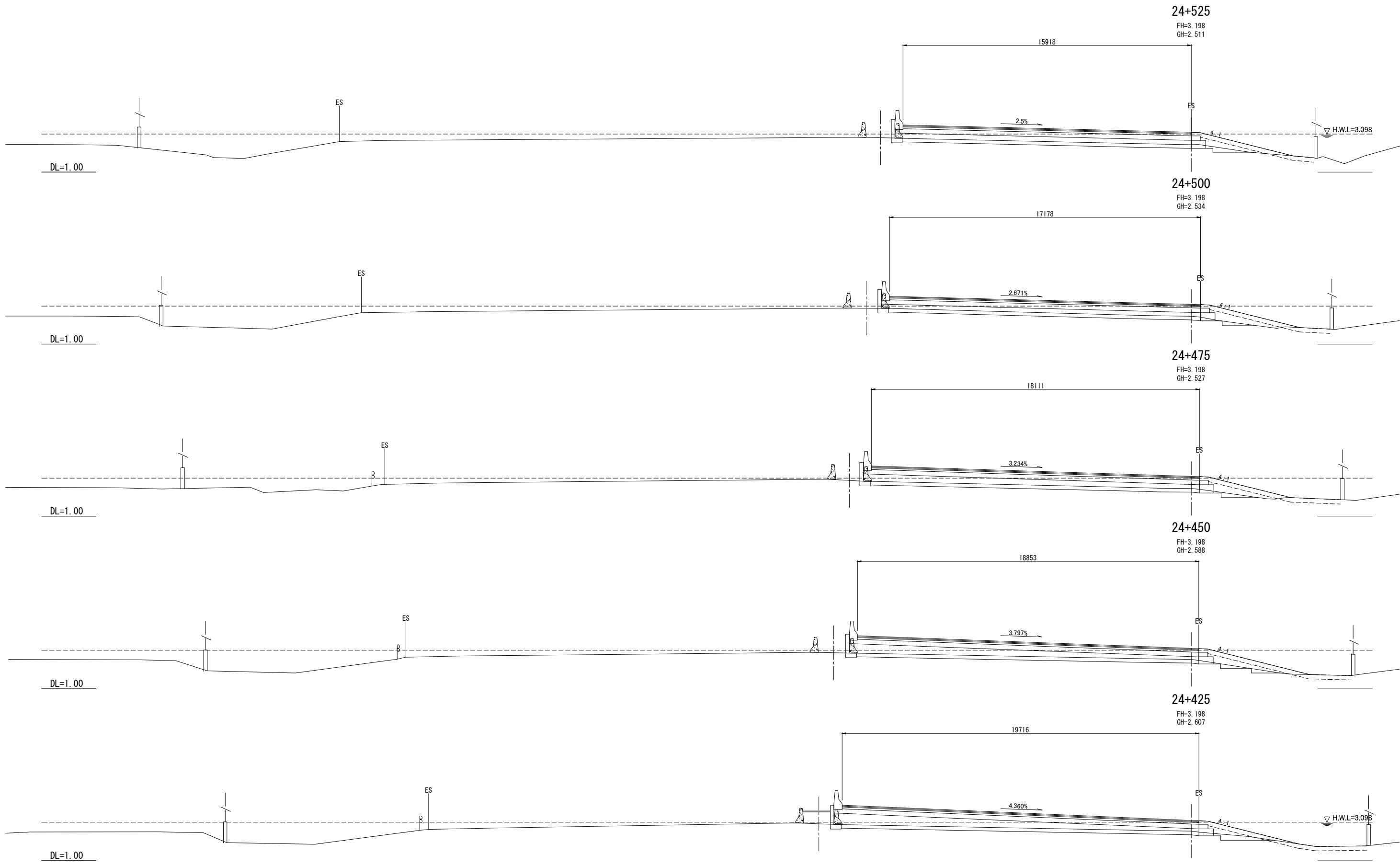
REV. NO.	DESCRIPTION	ENGINEER		DOH		REV. NO.	APPROVED BY	KINGDOM OF THAILAND MINISTRY OF TRANSPORT DEPARTMENT OF HIGHWAYS	HIGHWAY ROUTE NO. 9	OWNER The Inter-City Motorways Division Department of Highways Ministry of Transport	PROJECT TITLE The Preparatory Survey on the Rehabilitation Project of the Outer Bangkok Ring Road	DESIGNED BY SAGARA Hidetaka ROAD ENGINEER	CHECKED BY WATANABE Ryohei CHIEF ENGINEER	DATE :	SCALE :
		CHECKED	DATE	CHECKED	DATE									AUGUST 2012	SCALE 1:100
									CROSS SECTIONS (45 / 70)					DWG. NO. MW-96	SHEET NO. 101






CTI ENGINEERING INTERNATIONAL CO., LTD.  
ORIENTAL CONSULTANTS CO., LTD.  
NIPPON KOEI CO., LTD.  
CTI ENGINEERING CO., LTD.

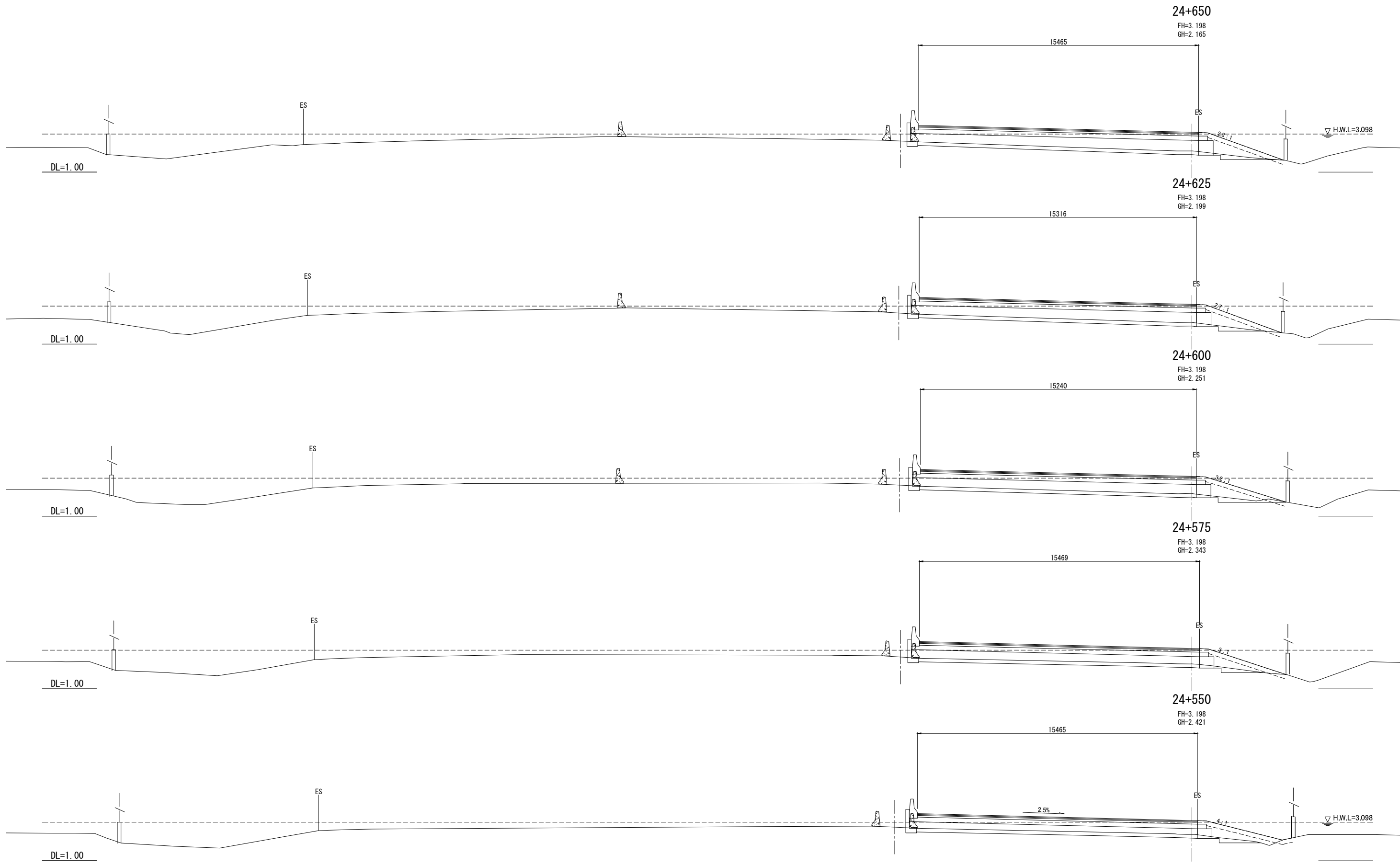


REV. NO.	DESCRIPTION	ENGINEER		DOH		REV. NO.	APPROVED BY	KINGDOM OF THAILAND MINISTRY OF TRANSPORT DEPARTMENT OF HIGHWAYS	HIGHWAY ROUTE NO. 9	OWNER The Inter-City Motorways Division Department of Highways Ministry of Transport	PROJECT TITLE The Preparatory Survey on the Rehabilitation Project of the Outer Bangkok Ring Road	DESIGNED BY SAGARA Hidetaka ROAD ENGINEER	CHECKED BY WATANABE Ryohei CHIEF ENGINEER	DATE:	SCALE:
		CHECKED	DATE	CHECKED	DATE									AUGUST 2012	SCALE 1:100
														DWG. NO. MW-97	SHEET NO. 102

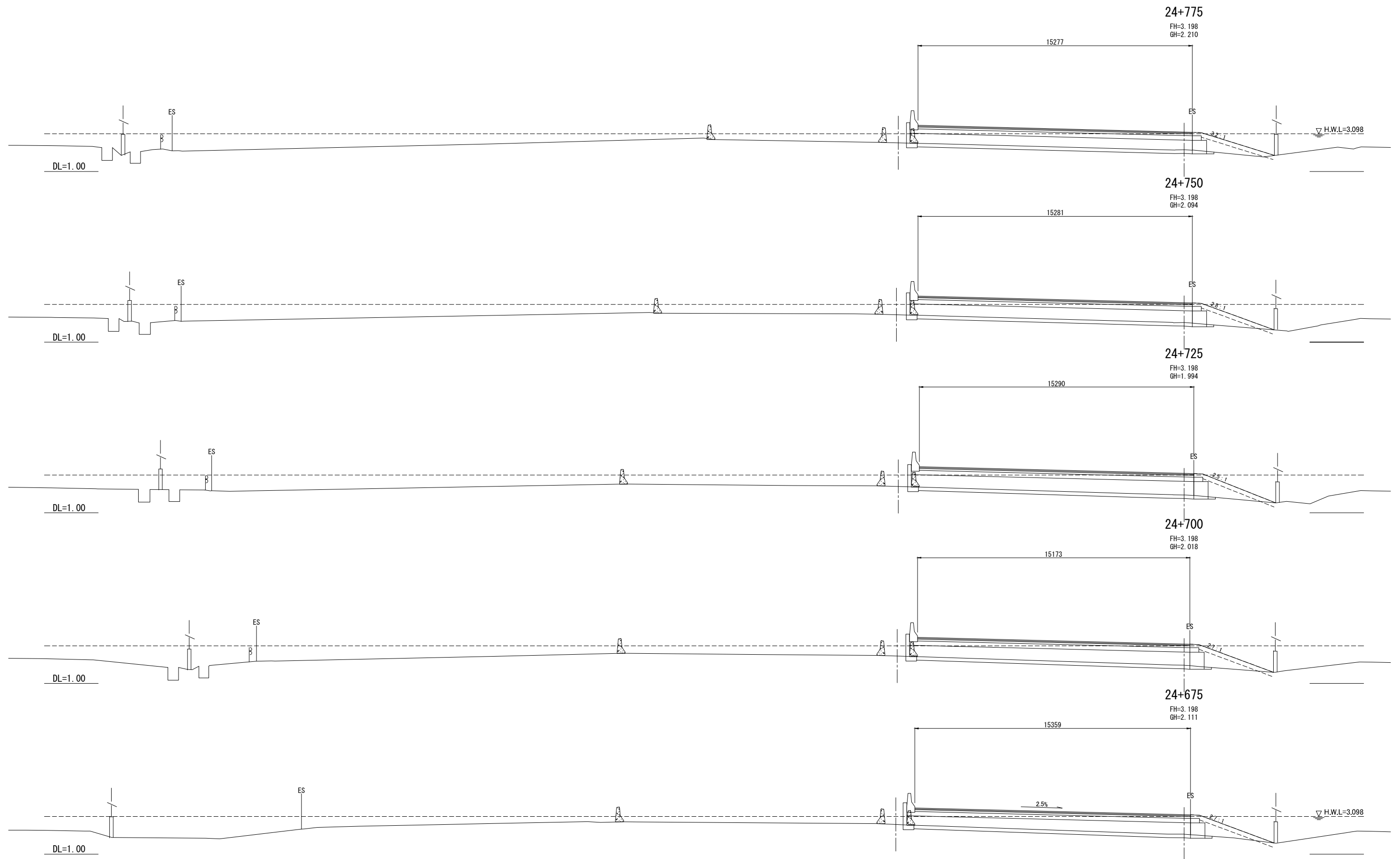




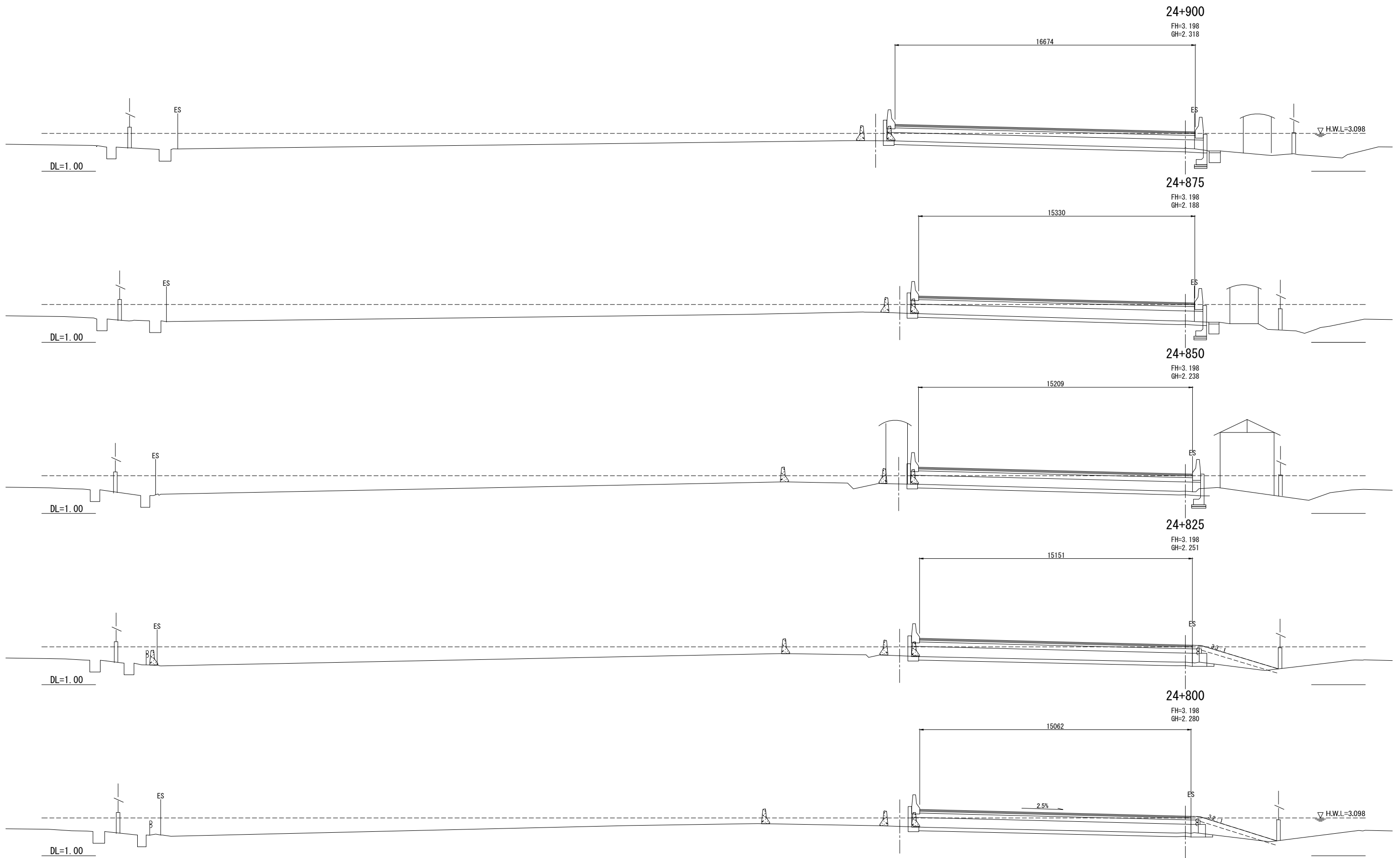
REV. NO.	DESCRIPTION	ENGINEER		DOH		REV. NO.	APPROVED BY	 <b>KINGDOM OF THAILAND</b> MINISTRY OF TRANSPORT DEPARTMENT OF HIGHWAYS	HIGHWAY ROUTE NO. 9	OWNER	PROJECT TITLE	 CTI ENGINEERING INTERNATIONAL CO., LTD.  ORIENTAL CONSULTANTS CO., LTD.  NIPPON KOEI CO., LTD.  CTI ENGINEERING CO., LTD.	DESIGNED BY	CHECKED BY	DATE :	SCALE :
		CHECKED	DATE	CHECKED	DATE				The Inter-City Motorways Division Department of Highways Ministry of Transport	The Preparatory Survey on the Rehabilitation Project of the Outer Bangkok Ring Road	SAGARA Hidetaka ROAD ENGINEER		WATANABE Ryohei CHIEF ENGINEER	AUGUST 2012	SCALE 1:100	
								<b>CROSS SECTIONS</b> ( 47 / 70 )						DWG. NO.	SHEET NO.	
														<b>MW-98</b>	<b>103</b>	



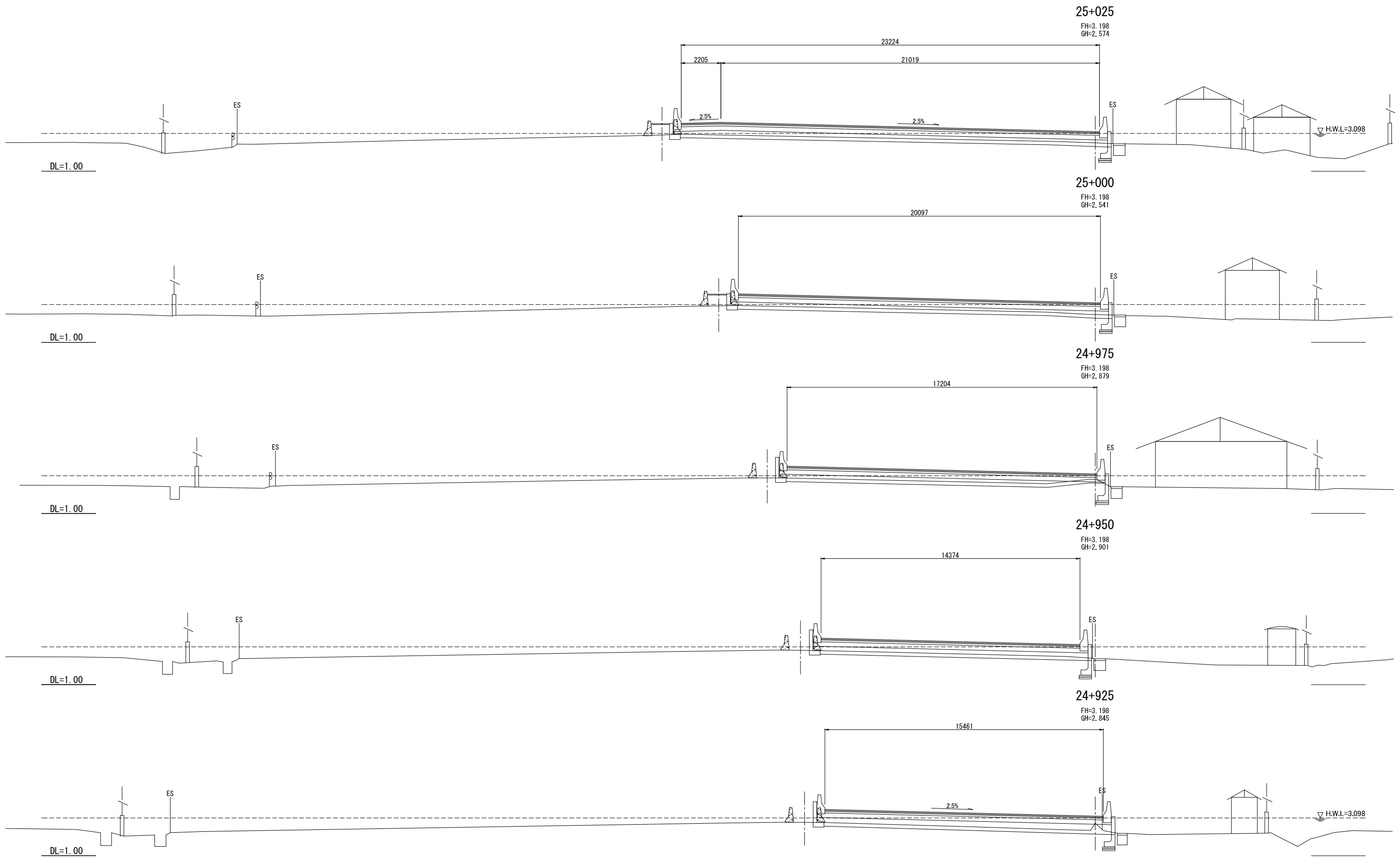
REV. NO.	DESCRIPTION	ENGINEER		DOH		REV. NO.	APPROVED BY	KINGDOM OF THAILAND MINISTRY OF TRANSPORT DEPARTMENT OF HIGHWAYS	HIGHWAY ROUTE NO. 9	OWNER The Inter-City Motorways Division Department of Highways Ministry of Transport	PROJECT TITLE The Preparatory Survey on the Rehabilitation Project of the Outer Bangkok Ring Road	DESIGNED BY SAGARA Hidetaka ROAD ENGINEER	CHECKED BY WATANABE Ryohei CHIEF ENGINEER	DATE:	SCALE:
		CHECKED	DATE	CHECKED	DATE									AUGUST 2012	SCALE 1:100
														DWG. NO. MW-99	SHEET NO. 104



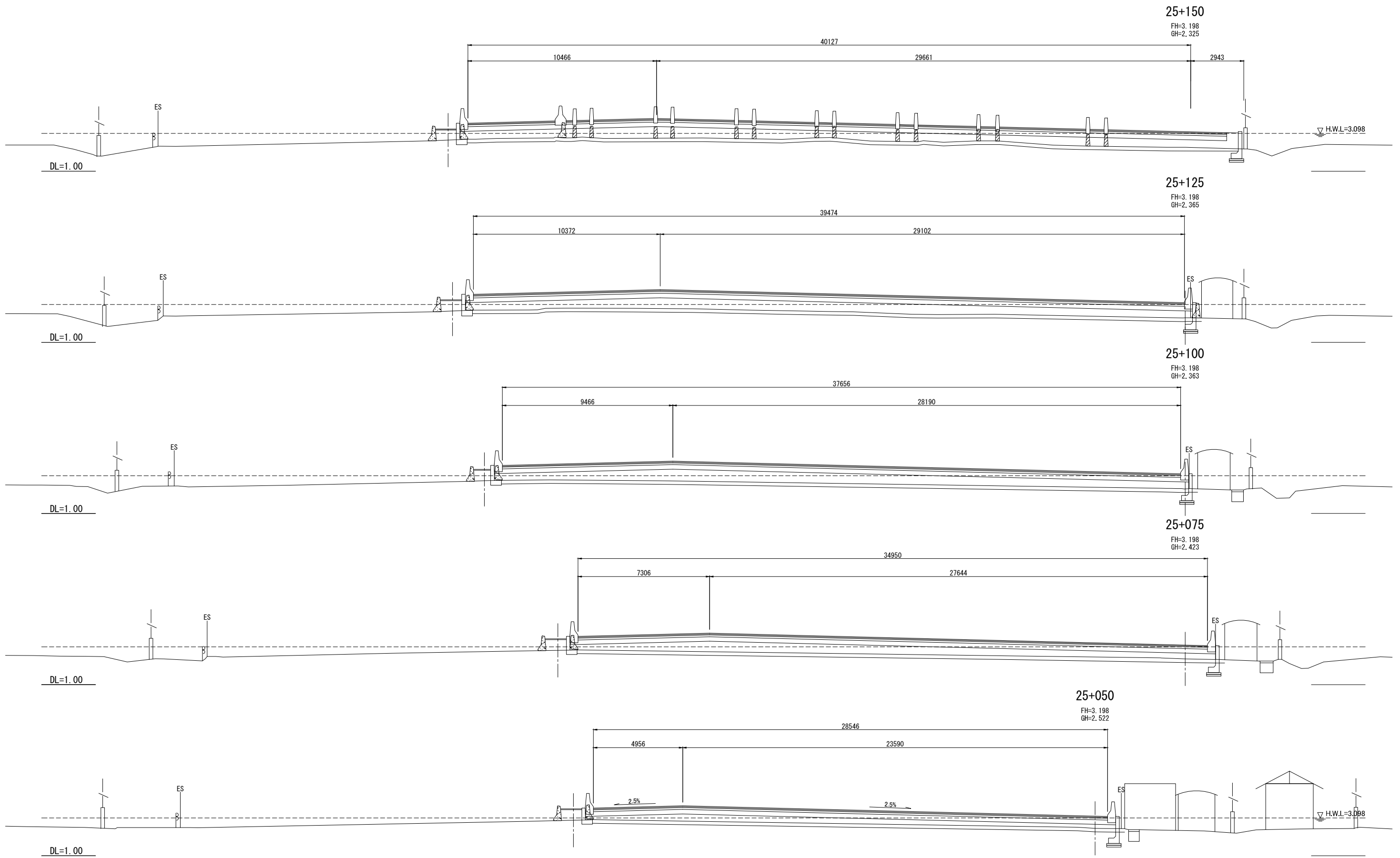
REV. NO.	DESCRIPTION	ENGINEER		DOH		REV. NO.	APPROVED BY	KINGDOM OF THAILAND MINISTRY OF TRANSPORT DEPARTMENT OF HIGHWAYS	HIGHWAY ROUTE NO. 9	OWNER The Inter-City Motorways Division Department of Highways Ministry of Transport	PROJECT TITLE The Preparatory Survey on the Rehabilitation Project of the Outer Bangkok Ring Road	CTI ENGINEERING INTERNATIONAL CO., LTD. ORIENTAL CONSULTANTS CO., LTD. NIPPON KOEI CO., LTD. CTI ENGINEERING CO., LTD.	DESIGNED BY	CHECKED BY	DATE	SCALE
		CHECKED	DATE	CHECKED	DATE								SAGARA Hidetaka ROAD ENGINEER	WATANABE Ryohei CHIEF ENGINEER	AUGUST 2012	SCALE 1:100
															DWG. NO. <b>MW-100</b>	SHEET NO. <b>105</b>



REV. NO.	DESCRIPTION	ENGINEER		DOH		REV. NO.	APPROVED BY	KINGDOM OF THAILAND MINISTRY OF TRANSPORT DEPARTMENT OF HIGHWAYS	HIGHWAY ROUTE NO. 9	OWNER The Inter-City Motorways Division Department of Highways Ministry of Transport	PROJECT TITLE The Preparatory Survey on the Rehabilitation Project of the Outer Bangkok Ring Road	CTI ENGINEERING INTERNATIONAL CO., LTD. ORIENTAL CONSULTANTS CO., LTD. NIPPON KOEI CO., LTD. CTI ENGINEERING CO., LTD.	DESIGNED BY SAGARA Hidetaka ROAD ENGINEER	CHECKED BY WATANABE Ryohei CHIEF ENGINEER	DATE :	SCALE :
		CHECKED	DATE	CHECKED	DATE										AUGUST 2012	SCALE 1:100
															DWG. NO. MW-101	SHEET NO. 106



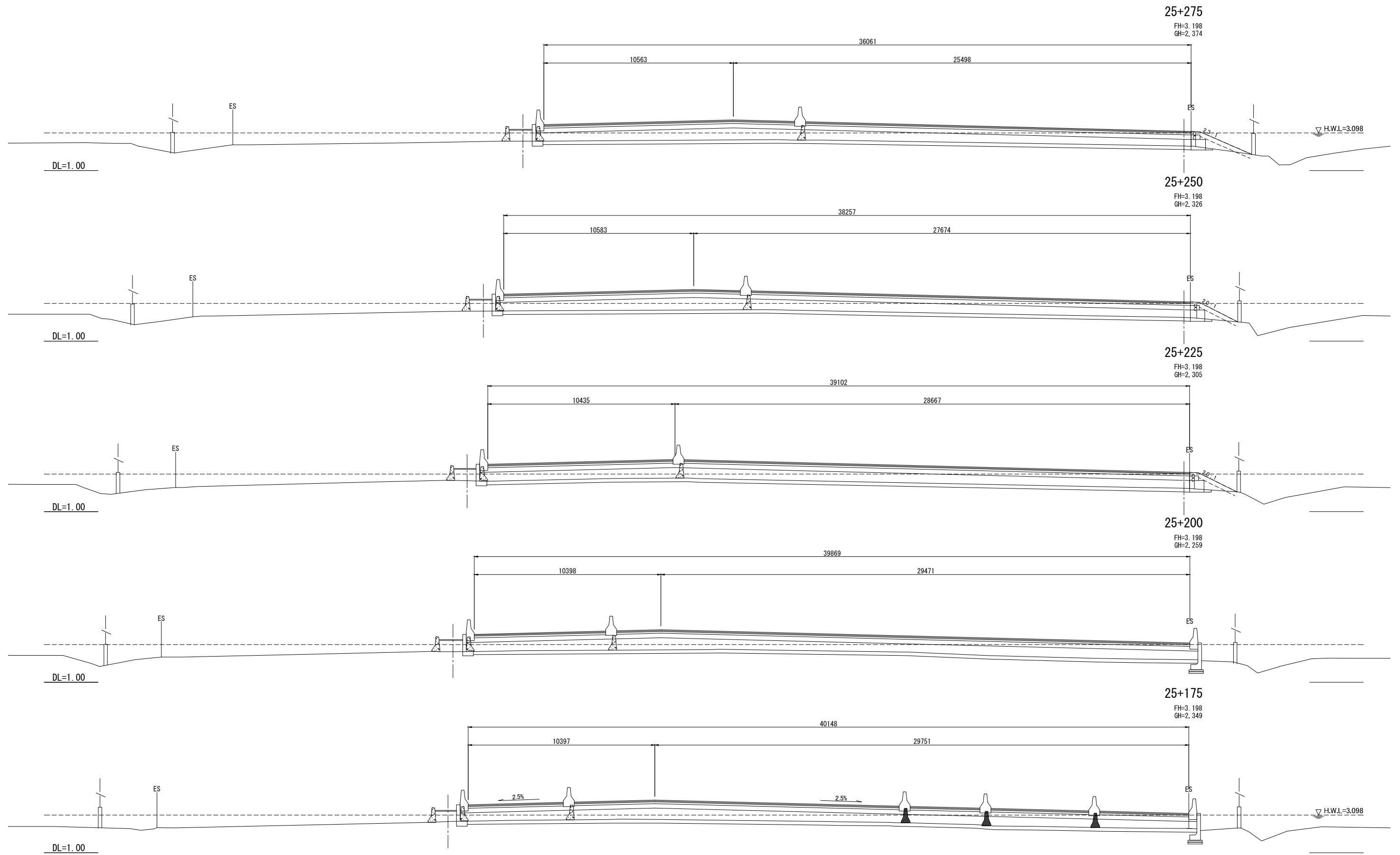
REV. NO.	DESCRIPTION	ENGINEER		DOH		REV. NO.	APPROVED BY	KINGDOM OF THAILAND MINISTRY OF TRANSPORT DEPARTMENT OF HIGHWAYS	HIGHWAY ROUTE NO. 9	OWNER The Inter-City Motorways Division Department of Highways Ministry of Transport	PROJECT TITLE The Preparatory Survey on the Rehabilitation Project of the Outer Bangkok Ring Road	CTI ENGINEERING INTERNATIONAL CO., LTD. NIPPON KOEI CO., LTD. CTI ENGINEERING CO., LTD.	DESIGNED BY SAGARA Hidetaka ROAD ENGINEER	CHECKED BY WATANABE Ryohei CHIEF ENGINEER	DATE :	SCALE :
		CHECKED	DATE	CHECKED	DATE										AUGUST 2012	SCALE 1:100
															DWG. NO. MW-102	SHEET NO. 107



REV. NO.	DESCRIPTION	ENGINEER		DOH		REV. NO.	APPROVED BY	KINGDOM OF THAILAND MINISTRY OF TRANSPORT DEPARTMENT OF HIGHWAYS	HIGHWAY ROUTE NO. 9	OWNER The Inter-City Motorways Division Department of Highways Ministry of Transport	PROJECT TITLE The Preparatory Survey on the Rehabilitation Project of the Outer Bangkok Ring Road	DESIGNED BY SAGARA Hidetaka ROAD ENGINEER	CHECKED BY WATANABE Ryohei CHIEF ENGINEER	DATE:	SCALE:
		CHECKED	DATE	CHECKED	DATE									AUGUST 2012	SCALE 1:100
														DWG. NO. MW-103	SHEET NO. 108



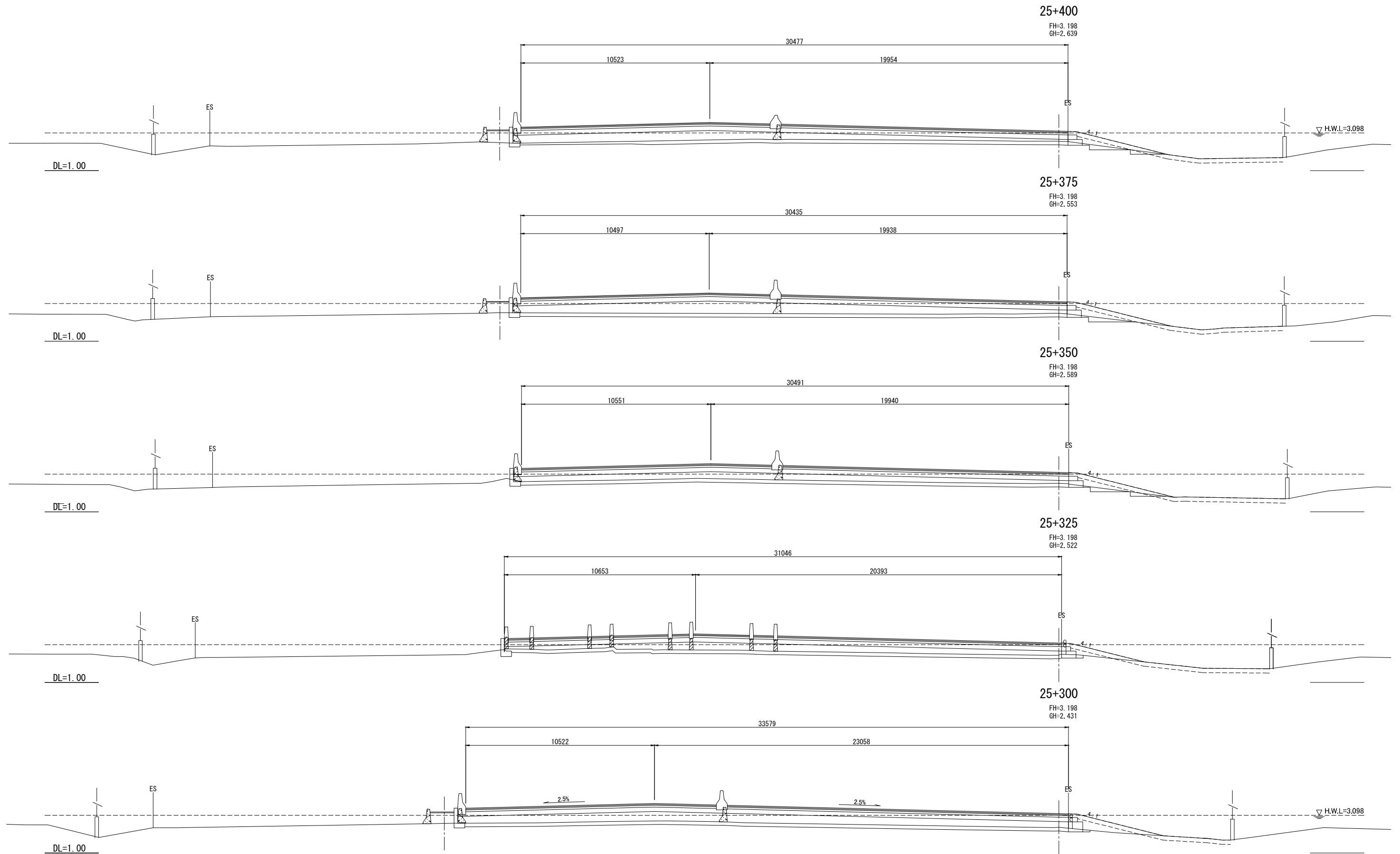
CTI ENGINEERING INTERNATIONAL CO., LTD.  
 ORIENTAL CONSULTANTS CO., LTD.  
 NIPPON KOEI CO., LTD.  
 CTI ENGINEERING CO., LTD.



REV. NO.	DESCRIPTION	ENGINEER		DOH		REV. NO.	APPROVED BY	KINGDOM OF THAILAND MINISTRY OF TRANSPORT DEPARTMENT OF HIGHWAYS	HIGHWAY ROUTE NO. 9	OWNER The Inter-City Motorways Division Department of Highways Ministry of Transport	PROJECT TITLE The Preparatory Survey on the Rehabilitation Project of the Outer Bangkok Ring Road	DESIGNED BY SAGARA Hidetaka ROAD ENGINEER	CHECKED BY WATANABE Ryohei CHIEF ENGINEER	DATE:	SCALE:
		CHECKED	DATE	CHECKED	DATE									AUGUST 2012	SCALE 1:100
														DWG. NO. MW-104	SHEET NO. 109

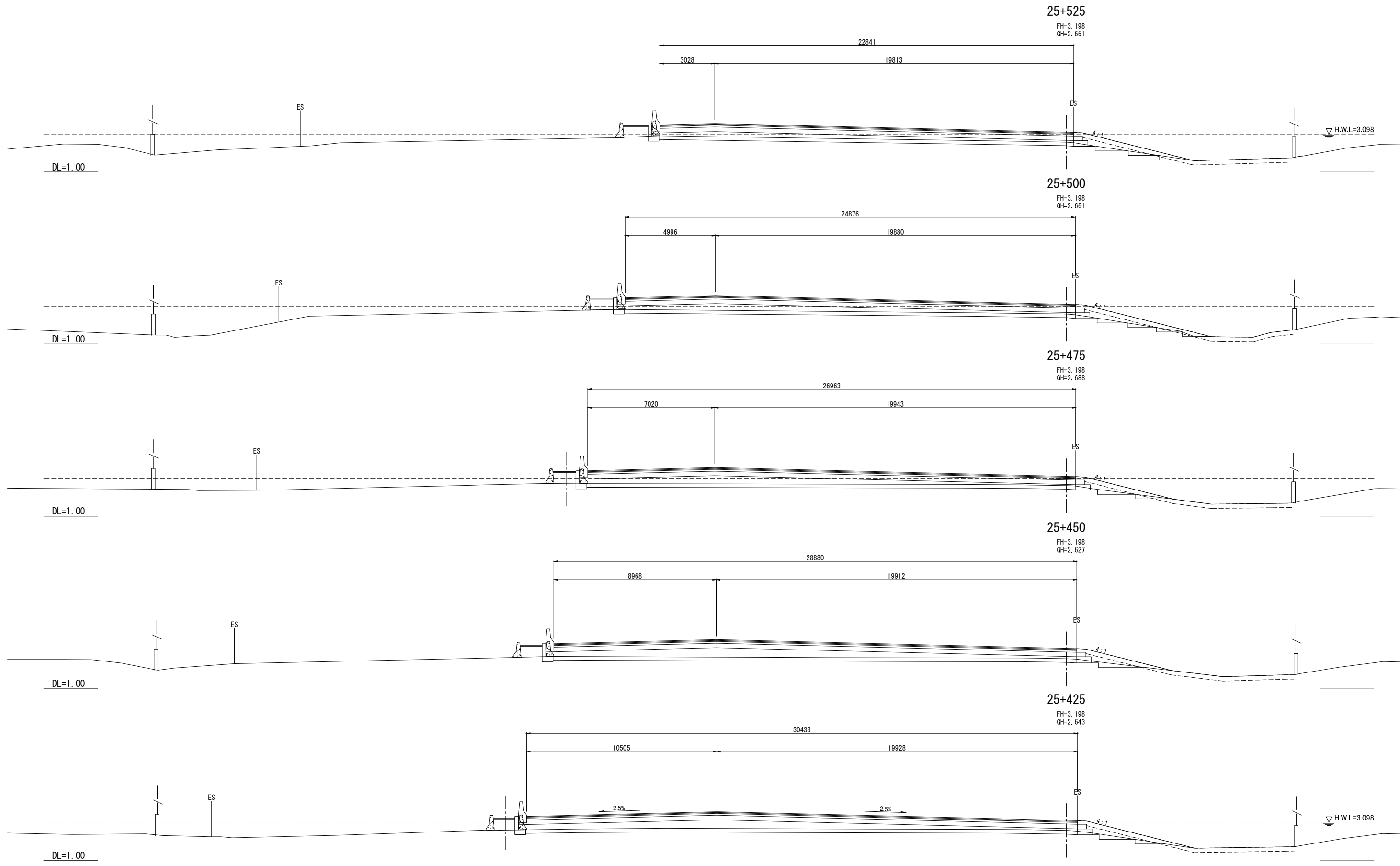


CTI ENGINEERING INTERNATIONAL CO., LTD.  
 ORIENTAL CONSULTANTS CO., LTD.  
 NIPPON KOEI CO., LTD.  
 CTI ENGINEERING CO., LTD.

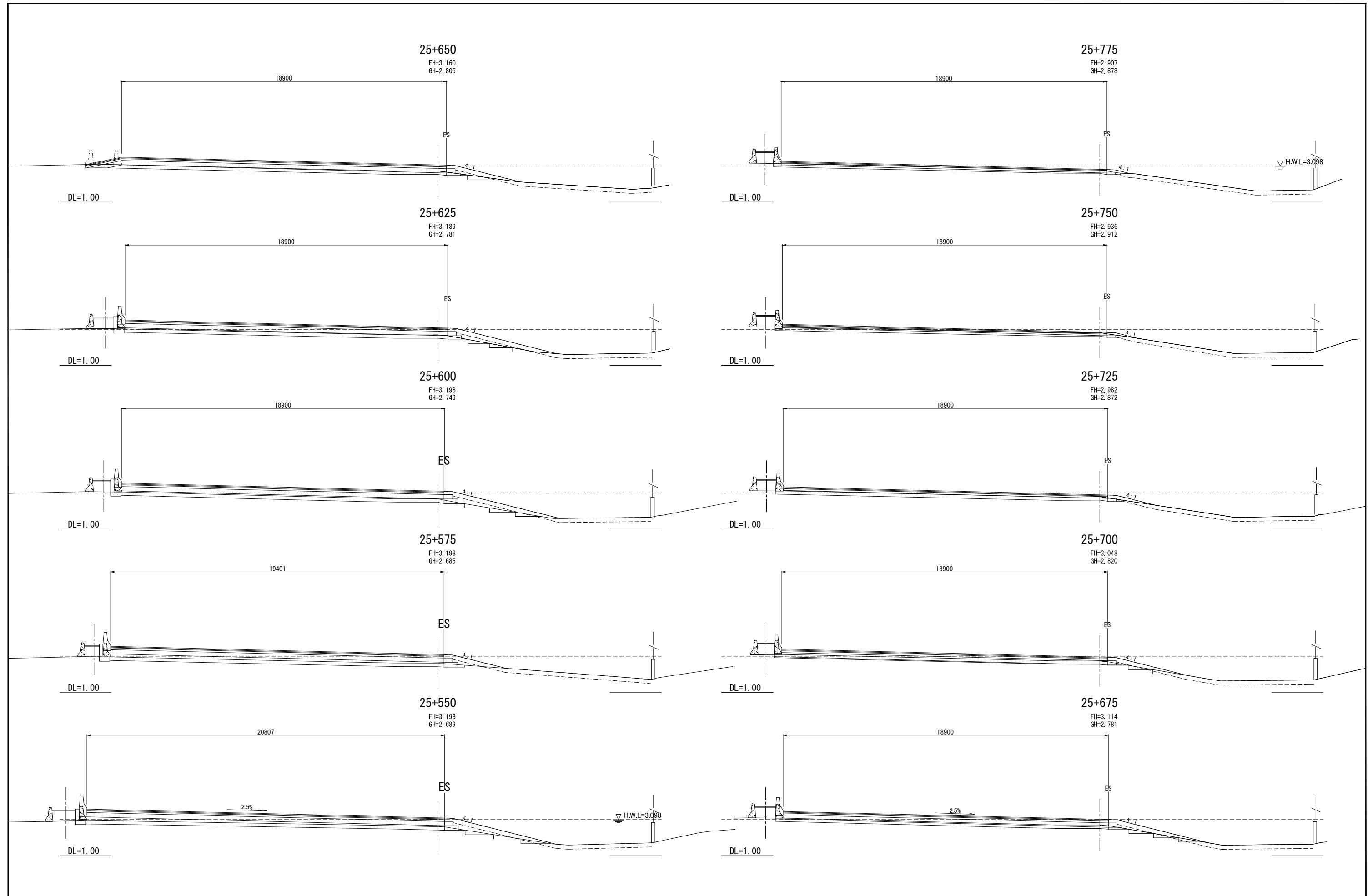







REV. NO.	DESCRIPTION	ENGINEER		DOH		REV. NO.	APPROVED BY	KINGDOM OF THAILAND MINISTRY OF TRANSPORT DEPARTMENT OF HIGHWAYS	HIGHWAY ROUTE NO. 9	OWNER The Inter-City Motorways Division Department of Highways Ministry of Transport	PROJECT TITLE The Preparatory Survey on the Rehabilitation Project of the Outer Bangkok Ring Road	CTI ENGINEERING INTERNATIONAL CO., LTD. NIPPON KOEI CO., LTD. CTI ENGINEERING CO., LTD.	DESIGNED BY	CHECKED BY	DATE	SCALE
		CHECKED	DATE	CHECKED	DATE								SAGARA Hidetaka ROAD ENGINEER	WATANABE Ryohei CHIEF ENGINEER	AUGUST 2012	SCALE 1:100
															DWG. NO. <b>MW-105</b>	SHEET NO. <b>110</b>

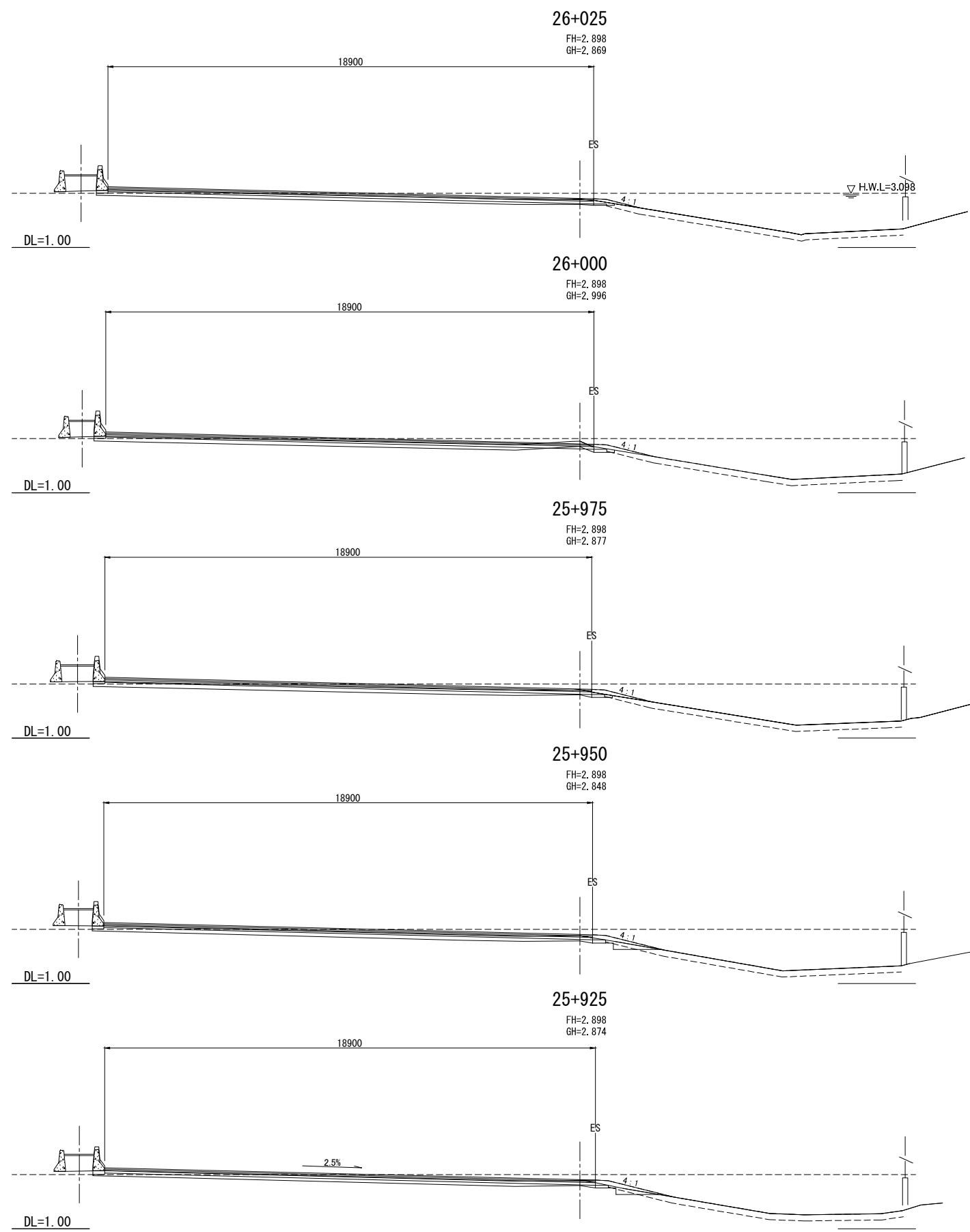
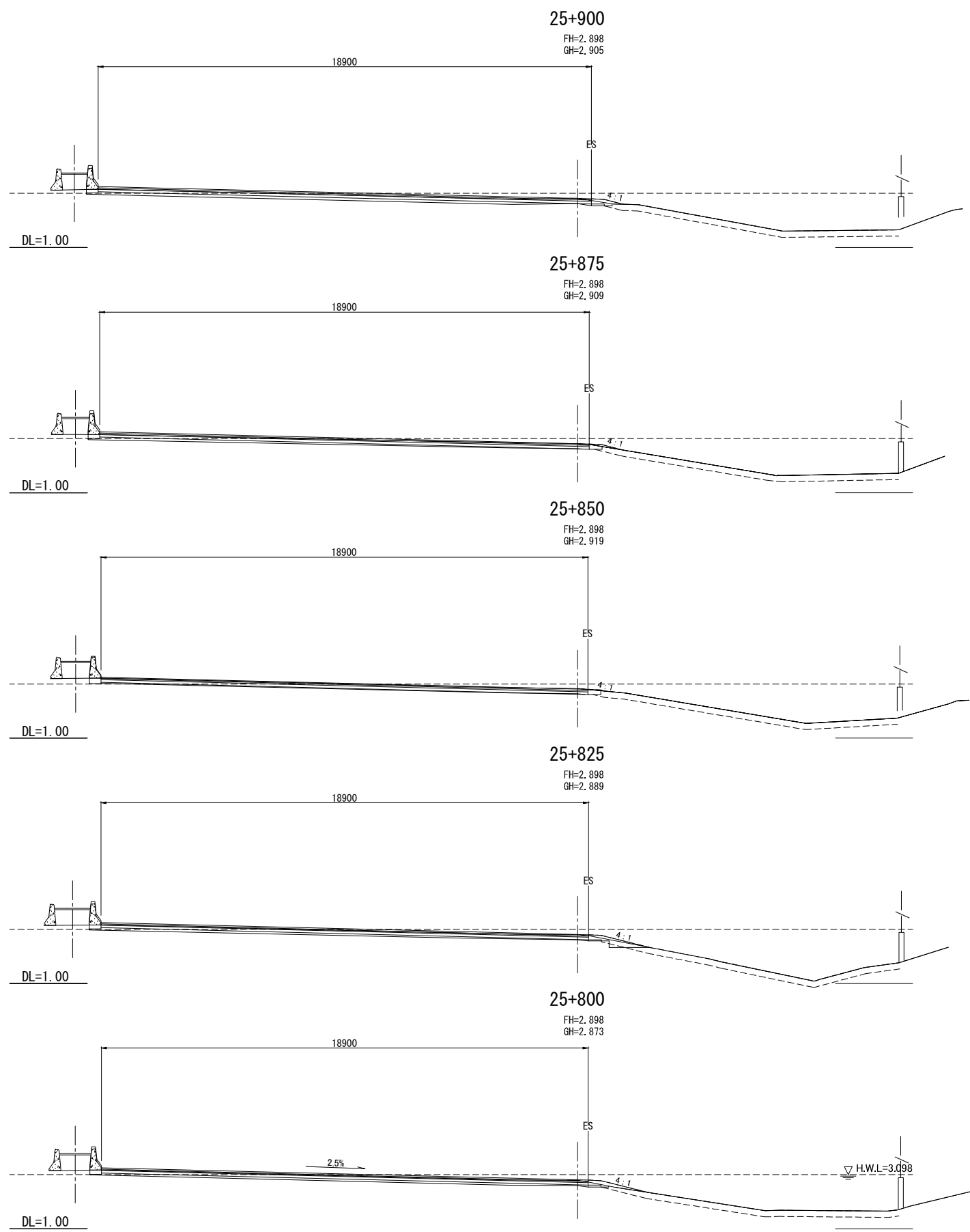




REV. NO.	DESCRIPTION	ENGINEER		DOH		REV. NO.	APPROVED BY	KINGDOM OF THAILAND MINISTRY OF TRANSPORT DEPARTMENT OF HIGHWAYS	HIGHWAY ROUTE NO. 9	OWNER The Inter-City Motorways Division Department of Highways Ministry of Transport	PROJECT TITLE The Preparatory Survey on the Rehabilitation Project of the Outer Bangkok Ring Road	CTI ENGINEERING INTERNATIONAL CO., LTD. ORIENTAL CONSULTANTS CO., LTD. NIPPON KOEI CO., LTD. CTI ENGINEERING CO., LTD.	DESIGNED BY SAGARA Hidetaka ROAD ENGINEER	CHECKED BY WATANABE Ryohei CHIEF ENGINEER	DATE :	SCALE :
		CHECKED	DATE	CHECKED	DATE										AUGUST 2012	SCALE 1:100
															DWG. NO.	SHEET NO.
															MW-106	111



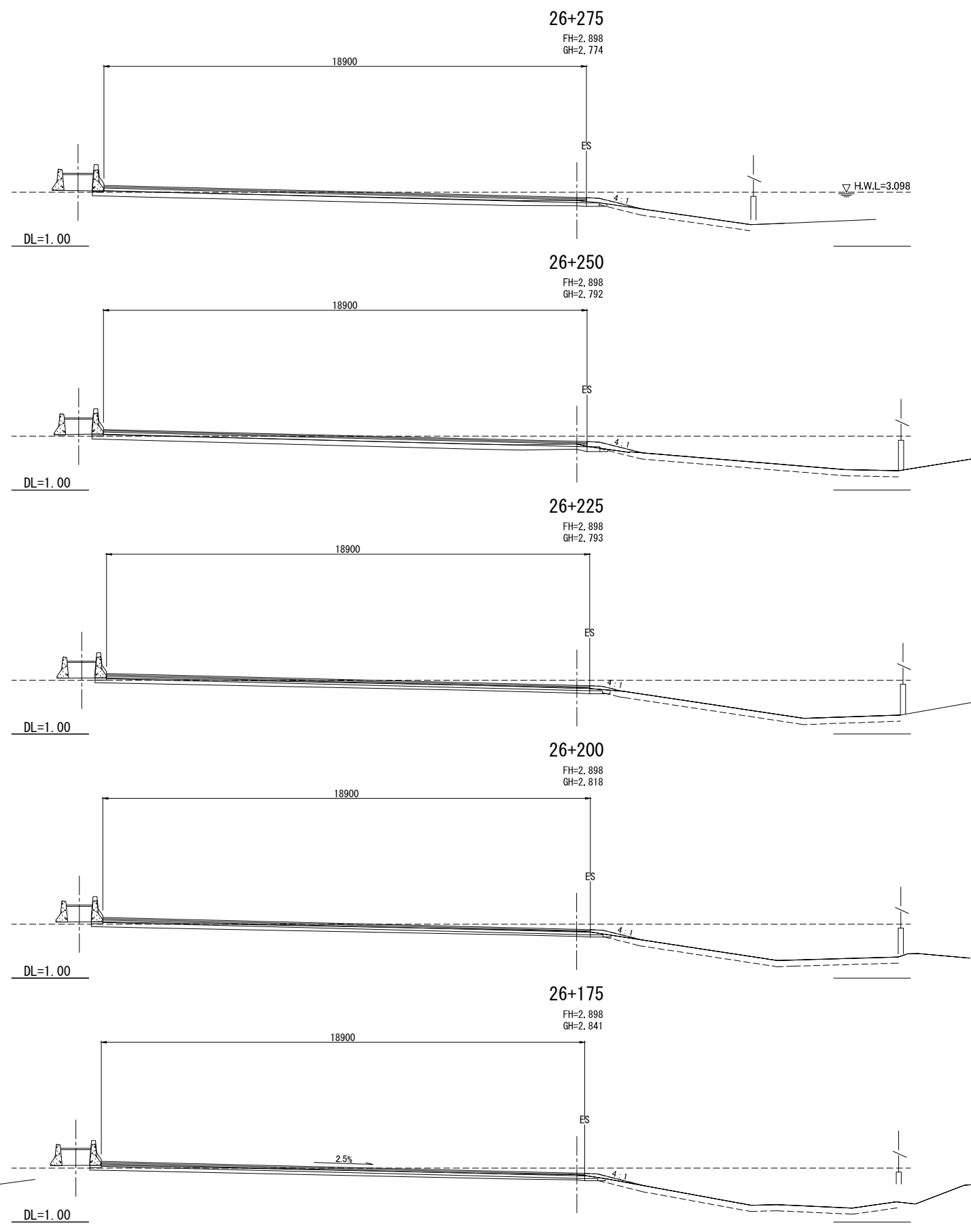
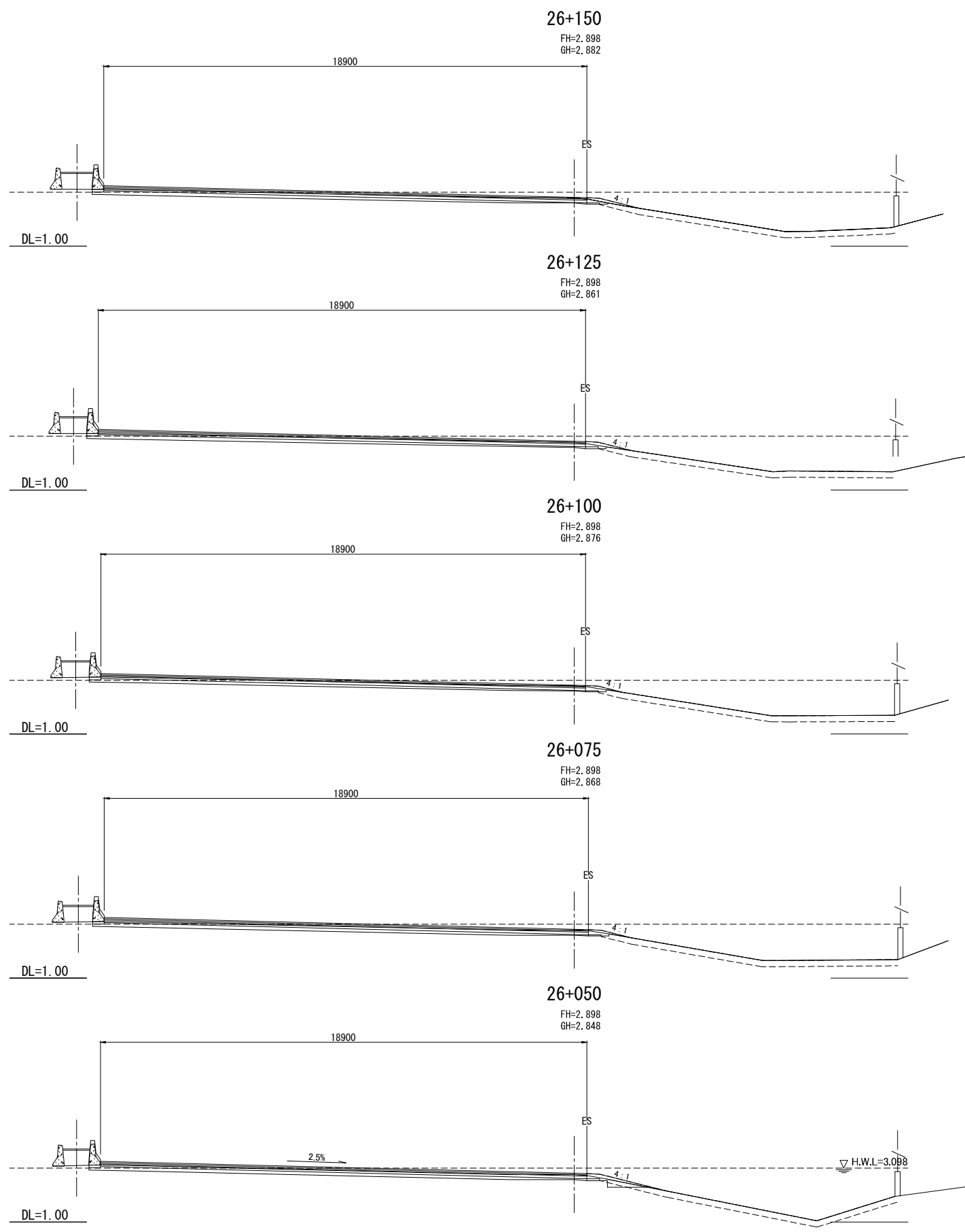
REV. NO.	DESCRIPTION	ENGINEER		DOH		REV. NO.	APPROVED BY	 <b>KINGDOM OF THAILAND</b> MINISTRY OF TRANSPORT DEPARTMENT OF HIGHWAYS	HIGHWAY ROUTE NO. 9	OWNER	PROJECT TITLE	 CTI ENGINEERING INTERNATIONAL CO., LTD.  ORIENTAL CONSULTANTS CO., LTD.  NIPPON KOEI CO., LTD.  CTI ENGINEERING CO., LTD.	DESIGNED BY	CHECKED BY	DATE	SCALE
		CHECKED	DATE	CHECKED	DATE								SAGARA Hidetaka ROAD ENGINEER	WATANABE Ryohei CHIEF ENGINEER	AUGUST 2012	SCALE 1:100
									CROSS SECTIONS (56 / 70)	The Inter-City Motorways Division Department of Highways Ministry of Transport	The Preparatory Survey on the Rehabilitation Project of the Outer Bangkok Ring Road			DWG. NO. <b>MW-107</b>	SHEET NO. <b>112</b>	



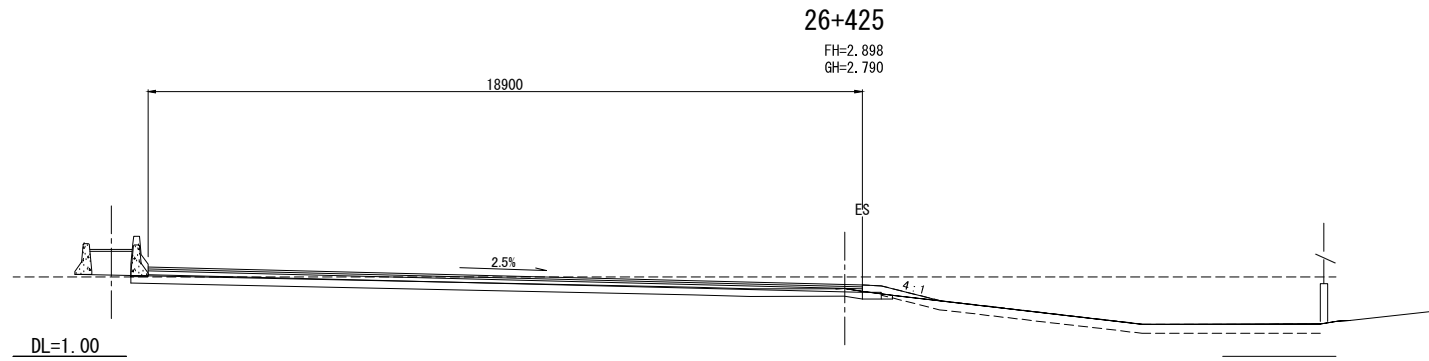
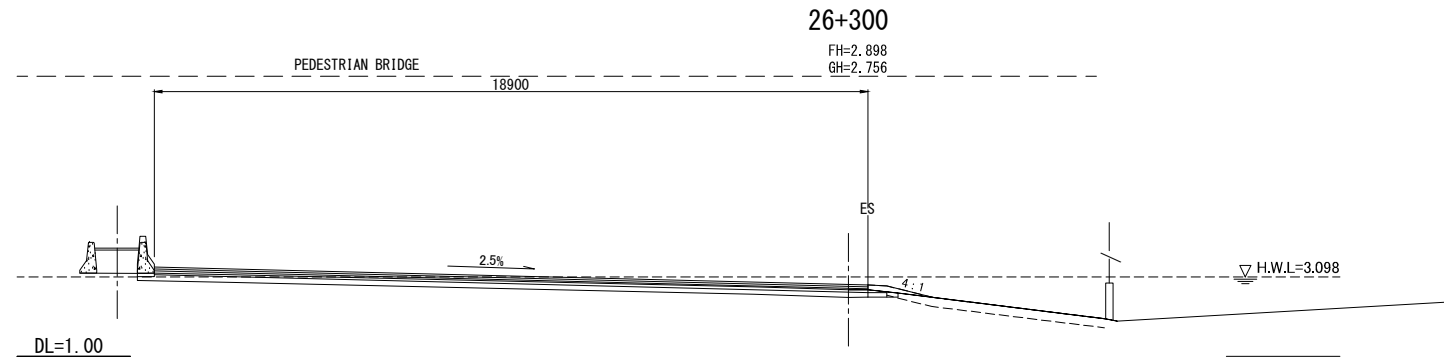
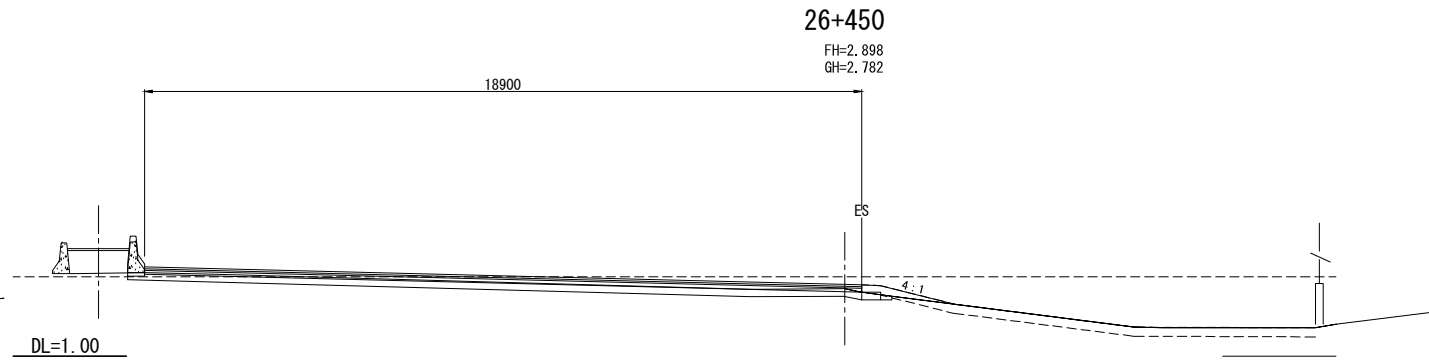
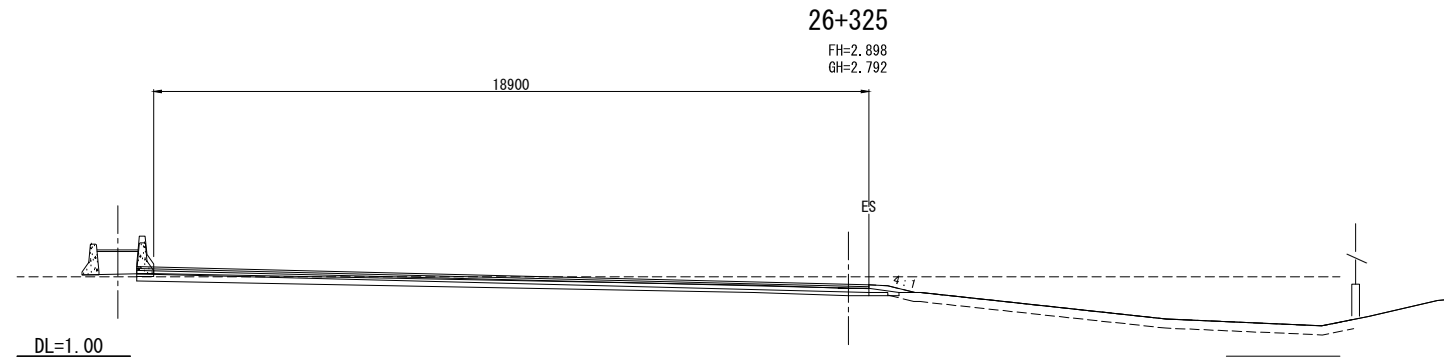
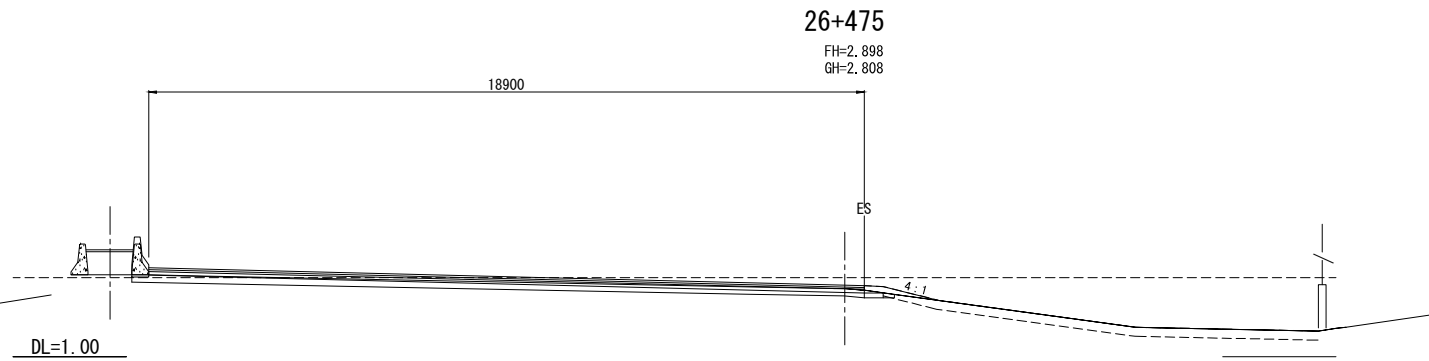
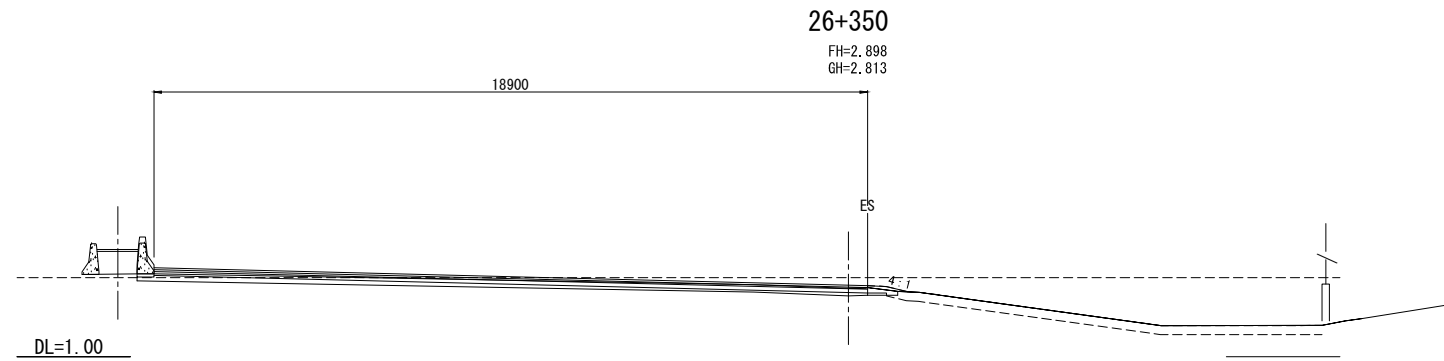
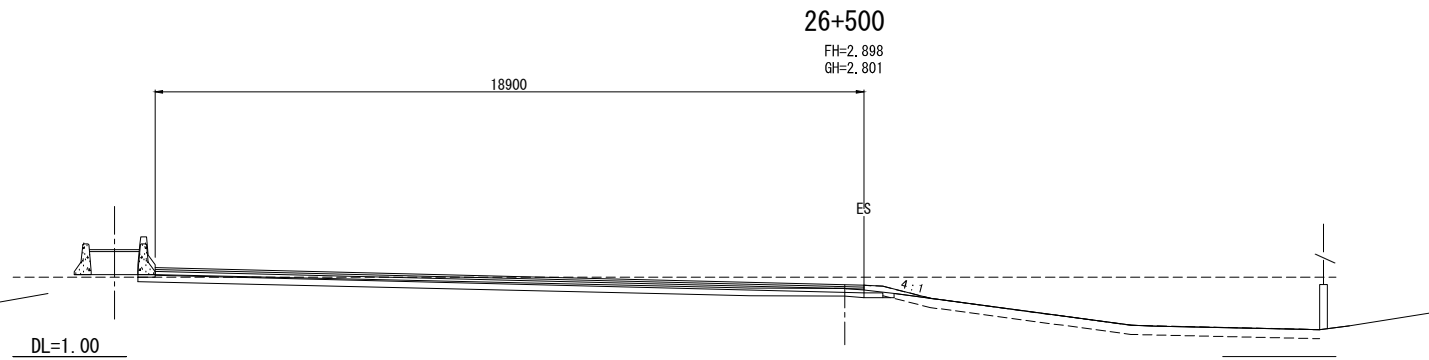
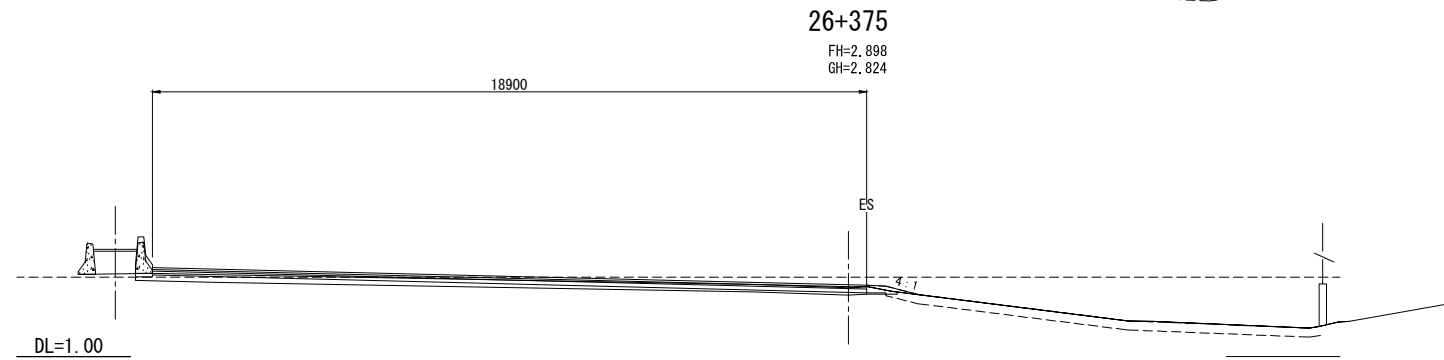
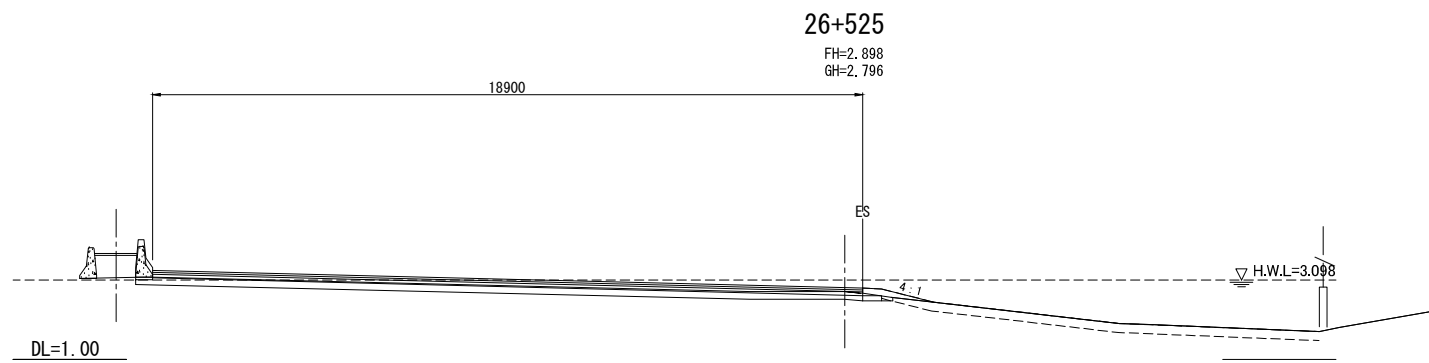
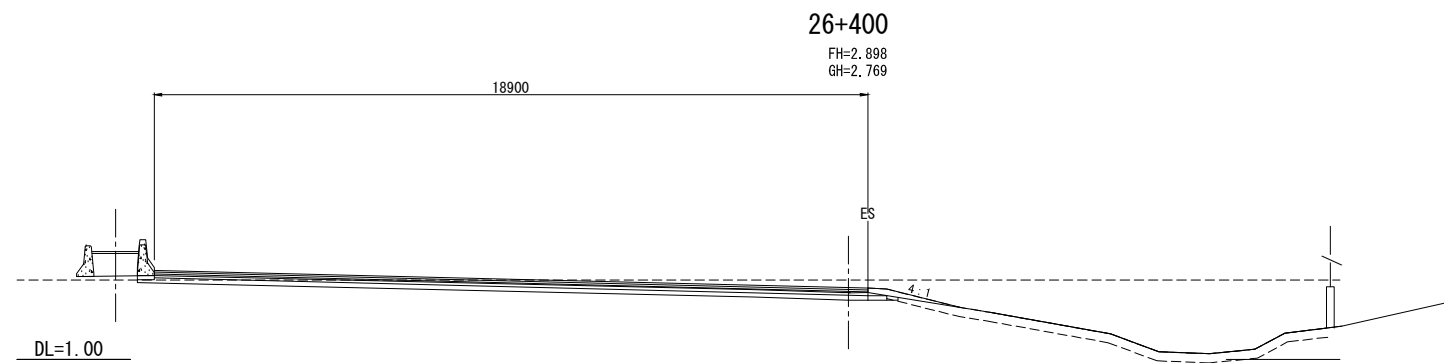
REV. NO.	DESCRIPTION	ENGINEER		DOH		REV. NO.	APPROVED BY	KINGDOM OF THAILAND MINISTRY OF TRANSPORT DEPARTMENT OF HIGHWAYS	HIGHWAY ROUTE NO. 9  CROSS SECTIONS (57 / 70)	OWNER The Inter-City Motorways Division Department of Highways Ministry of Transport	PROJECT TITLE The Preparatory Survey on the Rehabilitation Project of the Outer Bangkok Ring Road	DESIGNED BY SAGARA Hidetaka ROAD ENGINEER	CHECKED BY WATANABE Ryohei CHIEF ENGINEER	DATE :	SCALE :
		CHECKED	DATE	CHECKED	DATE									AUGUST 2012	SCALE 1:100
														DWG. NO. MW-108	SHEET NO. 113








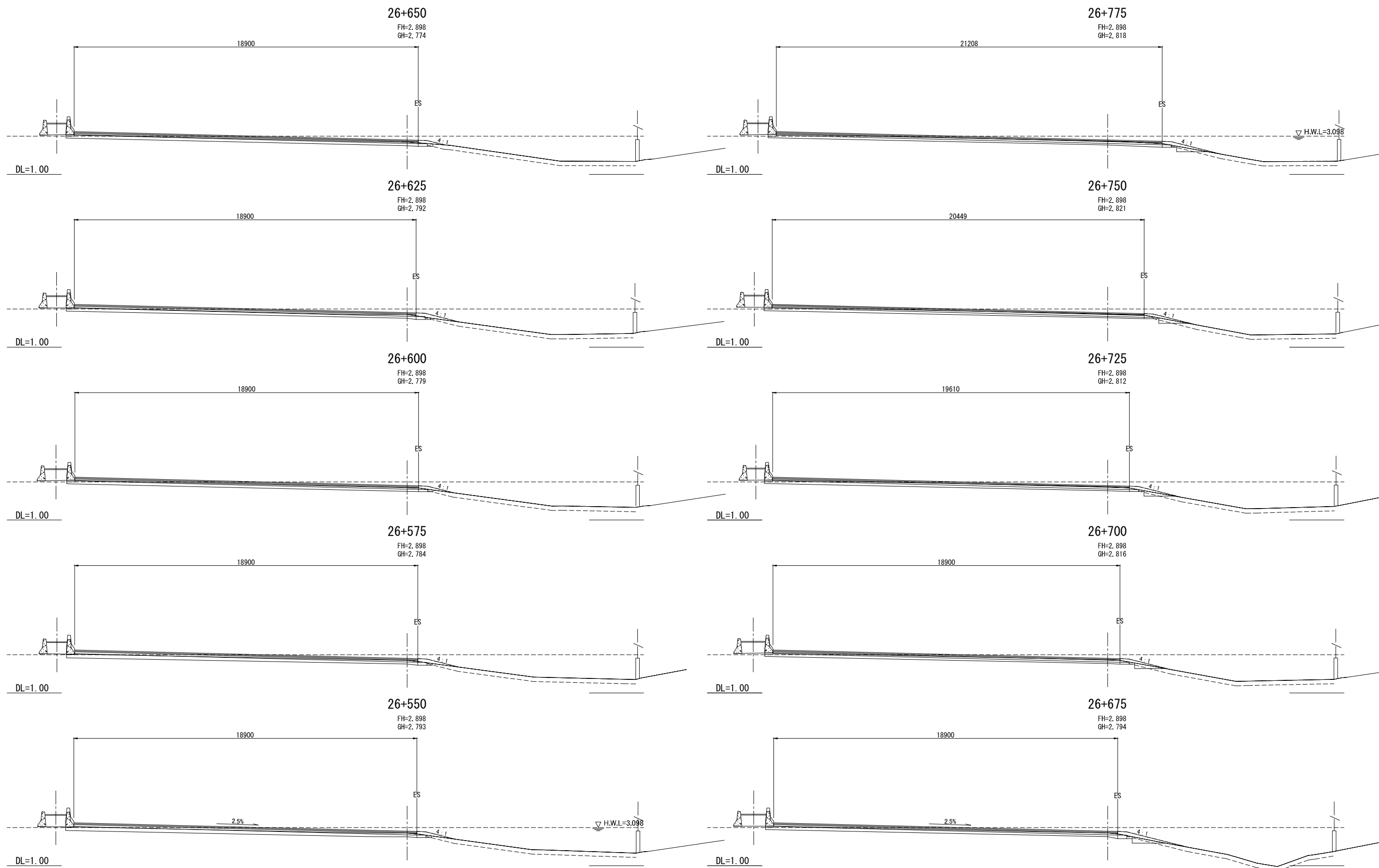
CTI ENGINEERING INTERNATIONAL CO., LTD.  
ORIENTAL CONSULTANTS CO., LTD.  
NIPPON KOEI CO., LTD.  
CTI ENGINEERING CO., LTD.



REV. NO.	DESCRIPTION	ENGINEER		DOH		REV. NO.	APPROVED BY	KINGDOM OF THAILAND MINISTRY OF TRANSPORT DEPARTMENT OF HIGHWAYS	HIGHWAY ROUTE NO. 9  CROSS SECTIONS (58 / 70)	OWNER The Inter-City Motorways Division Department of Highways Ministry of Transport	PROJECT TITLE The Preparatory Survey on the Rehabilitation Project of the Outer Bangkok Ring Road	DESIGNED BY SAGARA Hidetaka ROAD ENGINEER	CHECKED BY WATANABE Ryohei CHIEF ENGINEER	DATE :	SCALE :
		CHECKED	DATE	CHECKED	DATE									AUGUST 2012	SCALE 1:100
														DWG. NO. MW-109	SHEET NO. 114

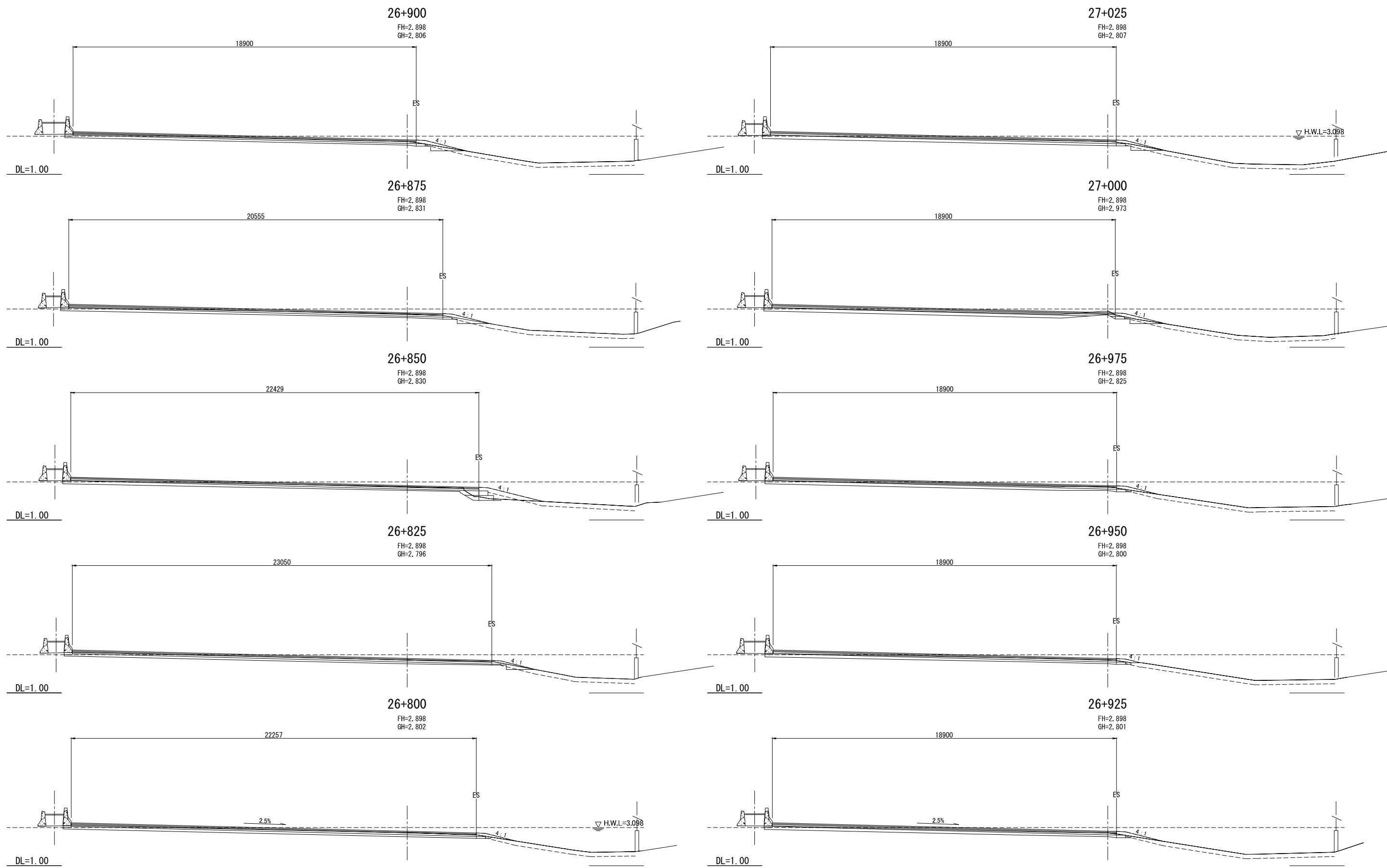


REV. NO.	DESCRIPTION	ENGINEER		DOH		REV. NO.	APPROVED BY	 <b>KINGDOM OF THAILAND</b> MINISTRY OF TRANSPORT DEPARTMENT OF HIGHWAYS	HIGHWAY ROUTE NO. 9  <b>CROSS SECTIONS</b> (59 / 70)	OWNER  The Inter-City Motorways Division Department of Highways Ministry of Transport	PROJECT TITLE  The Preparatory Survey on the Rehabilitation Project of the Outer Bangkok Ring Road	 CTI ENGINEERING INTERNATIONAL CO., LTD.  ORIENTAL CONSULTANTS CO., LTD.  NIPPON KOEI CO., LTD.  CTI ENGINEERING CO., LTD.	DESIGNED BY  SAGARA Hidetaka ROAD ENGINEER	CHECKED BY  WATANABE Ryohei CHIEF ENGINEER	DATE : AUGUST 2012	SCALE : SCALE 1:100
		CHECKED	DATE	CHECKED	DATE				DWG. NO.	SHEET NO.						
						<b>MW-110</b>	<b>115</b>									

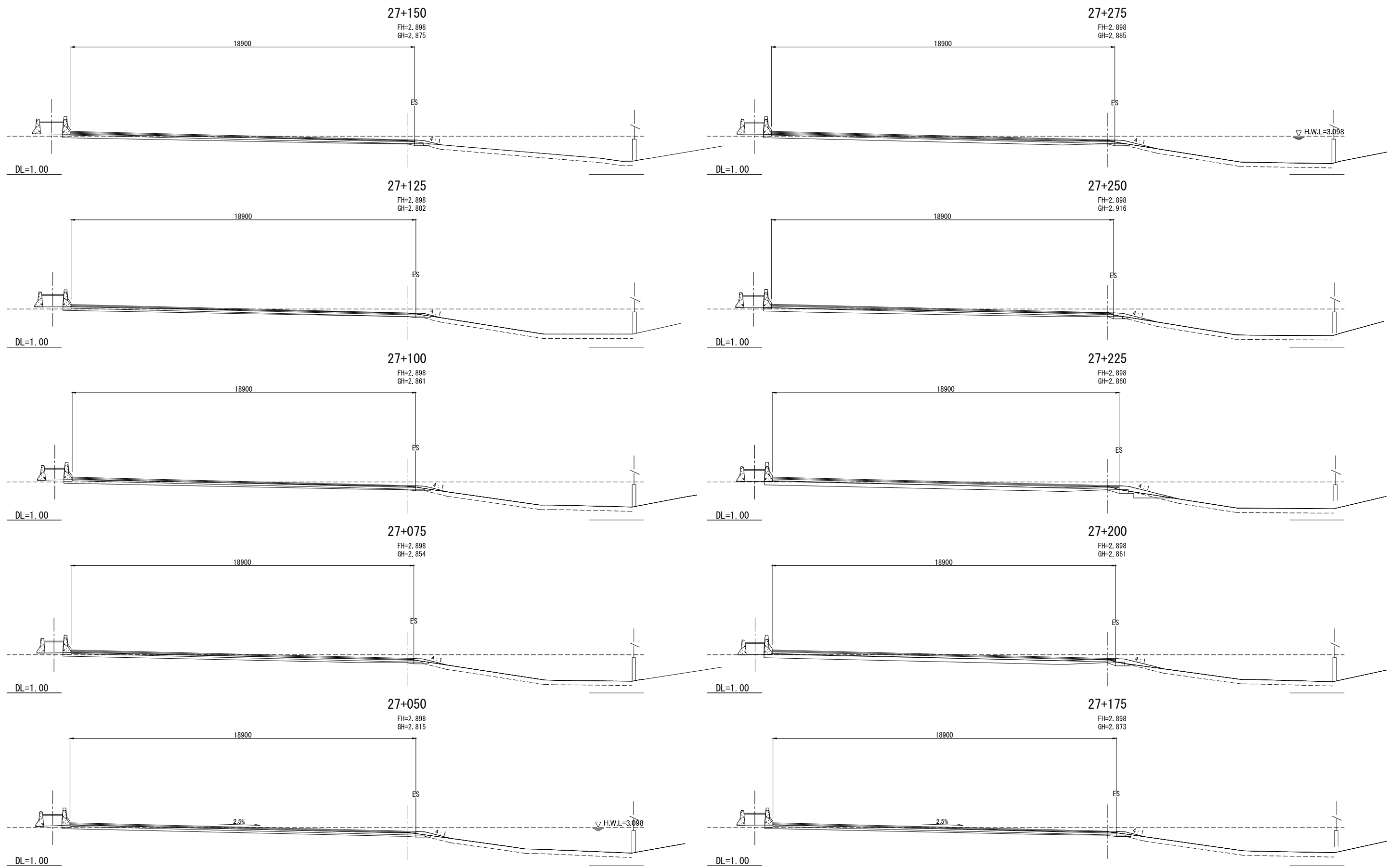


REV. NO.	DESCRIPTION	ENGINEER		DOH		REV. NO.	APPROVED BY	KINGDOM OF THAILAND MINISTRY OF TRANSPORT DEPARTMENT OF HIGHWAYS	HIGHWAY ROUTE NO. 9	OWNER The Inter-City Motorways Division Department of Highways Ministry of Transport	PROJECT TITLE The Preparatory Survey on the Rehabilitation Project of the Outer Bangkok Ring Road	DESIGNED BY SAGARA Hidetaka ROAD ENGINEER	CHECKED BY WATANABE Ryohei CHIEF ENGINEER	DATE:	SCALE:
		CHECKED	DATE	CHECKED	DATE									AUGUST 2012	SCALE 1:100
														DWG. NO. <b>MW-111</b>	SHEET NO. <b>116</b>

CTI ENGINEERING INTERNATIONAL CO., LTD.  
 ORIENTAL CONSULTANTS CO., LTD.  
 NIPPON KOEI CO., LTD.  
 CTI ENGINEERING CO., LTD.

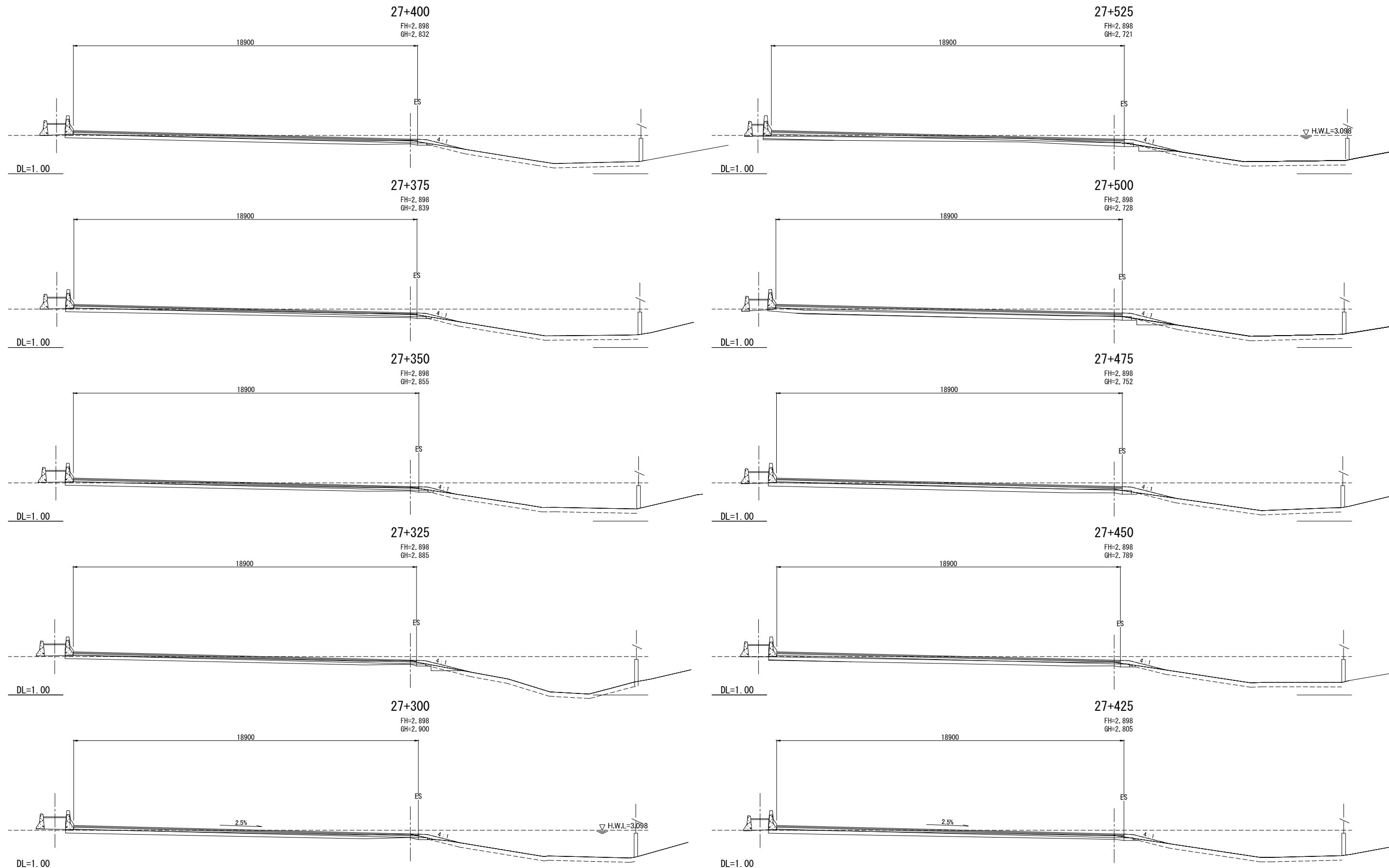


REV. NO.	DESCRIPTION	ENGINEER		DOH		REV. NO.	APPROVED BY	KINGDOM OF THAILAND MINISTRY OF TRANSPORT DEPARTMENT OF HIGHWAYS	HIGHWAY ROUTE NO. 9  CROSS SECTIONS (61 / 70)	OWNER The Inter-City Motorways Division Department of Highways Ministry of Transport	PROJECT TITLE The Preparatory Survey on the Rehabilitation Project of the Outer Bangkok Ring Road	CTI ENGINEERING INTERNATIONAL CO., LTD. ORIENTAL CONSULTANTS CO., LTD. NIPPON KOEI CO., LTD. CTI ENGINEERING CO., LTD.	DESIGNED BY	CHECKED BY	DATE	SCALE
		CHECKED	DATE	CHECKED	DATE								SAGARA Hidetaka ROAD ENGINEER	WATANABE Ryohei CHIEF ENGINEER	AUGUST 2012	SCALE 1:100
															DWG. NO. <b>MW-112</b>	SHEET NO. <b>117</b>



REV. NO.	DESCRIPTION	ENGINEER		DOH		REV. NO.	APPROVED BY	KINGDOM OF THAILAND MINISTRY OF TRANSPORT DEPARTMENT OF HIGHWAYS	HIGHWAY ROUTE NO. 9	OWNER The Inter-City Motorways Division Department of Highways Ministry of Transport	PROJECT TITLE The Preparatory Survey on the Rehabilitation Project of the Outer Bangkok Ring Road	DESIGNED BY SAGARA Hidetaka ROAD ENGINEER	CHECKED BY WATANABE Ryohei CHIEF ENGINEER	DATE :	SCALE :
		CHECKED	DATE	CHECKED	DATE									AUGUST 2012	SCALE 1:100
														DWG. NO. <b>MW-113</b>	SHEET NO. <b>118</b>





REV. NO.	DESCRIPTION	ENGINEER		DOH		REV. NO.	APPROVED BY	KINGDOM OF THAILAND MINISTRY OF TRANSPORT DEPARTMENT OF HIGHWAYS	HIGHWAY ROUTE NO. 9	OWNER The Inter-City Motorways Division Department of Highways Ministry of Transport	PROJECT TITLE The Preparatory Survey on the Rehabilitation Project of the Outer Bangkok Ring Road	DESIGNED BY SAGARA Hidetaka ROAD ENGINEER	CHECKED BY WATANABE Ryohei CHIEF ENGINEER	DATE:	SCALE:
		CHECKED	DATE	CHECKED	DATE									AUGUST 2012	SCALE 1:100
														DWG. NO. MW-114	SHEET NO. 119



CTI ENGINEERING INTERNATIONAL CO., LTD.  
 ORIENTAL CONSULTANTS CO., LTD.  
 NIPPON KOEI CO., LTD.  
 CTI ENGINEERING CO., LTD.