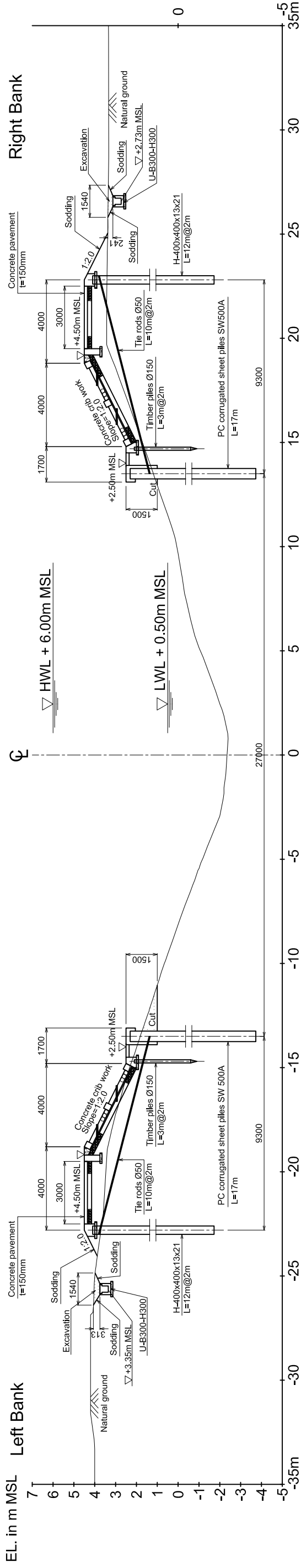


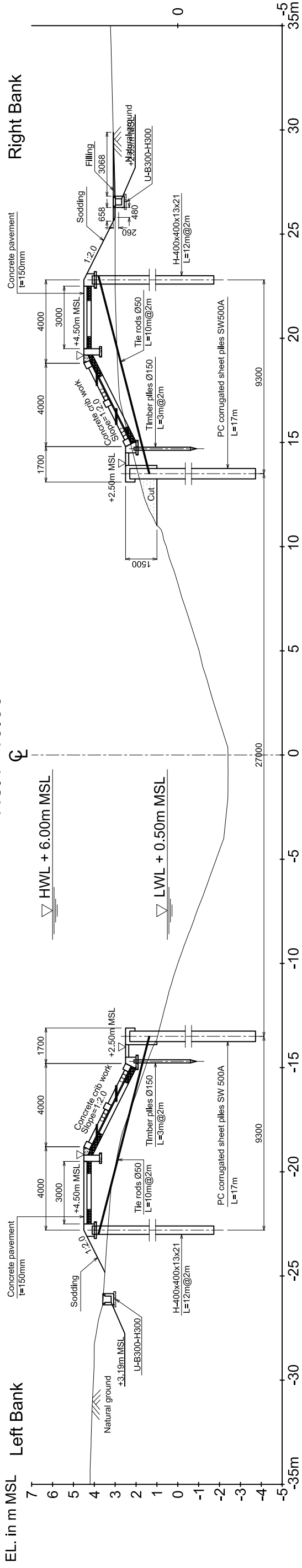
REV. NO.	DESCRIPTION	CONSULTANT CHECKED	DATE	RID CHECKED	DATE	REV. NO.	APPROVED BY

 CTI ENGINEERING INTERNATIONAL CO., LTD. ORIENTAL CONSULTANTS CO., LTD. NIPPON KOEI CO., LTD. CTI ENGINEERING CO., LTD.	PROJECT TITLE Preparatory Survey on the Flood Prevention Project of East Side of the Pasak River in Ayutthaya in the Kingdom of Thailand	OWNER Royal Irrigation Department Ministry of Agriculture and Cooperatives	SHEET CONTENTS BANK PROTECTION OF HAN TRA CANAL CROSS SECTIONS (2/6) NO.0+60.00 TO NO.1	DATE: JULY 2012 DWG. NO.: HT-BP-006 CHECKED BY: MISHIMA Takahiro DESIGNED BY: JSHI Masami STRUCTURAL ENGINEER: TEAM LEADER	SCALE: SHEET NO.
---	--	---	---	---	----------------------------

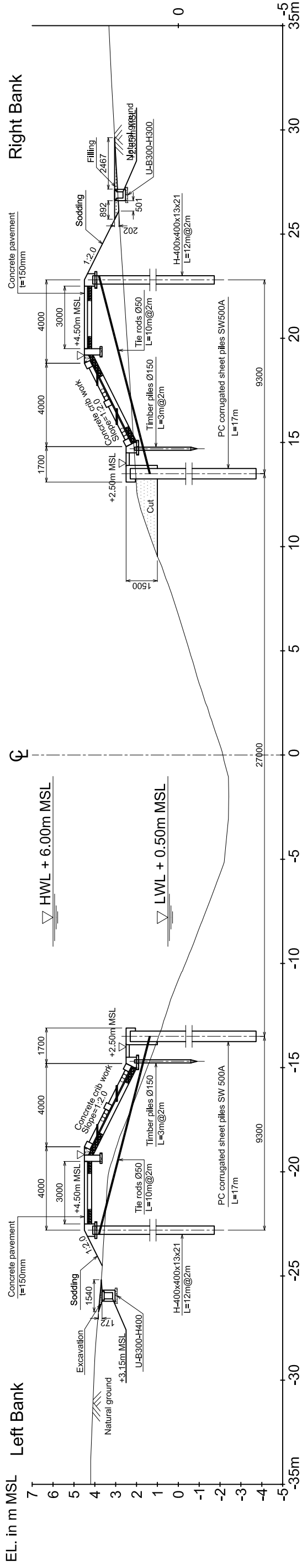
No.1+20.00



No.1+40.00



No.1+60.00



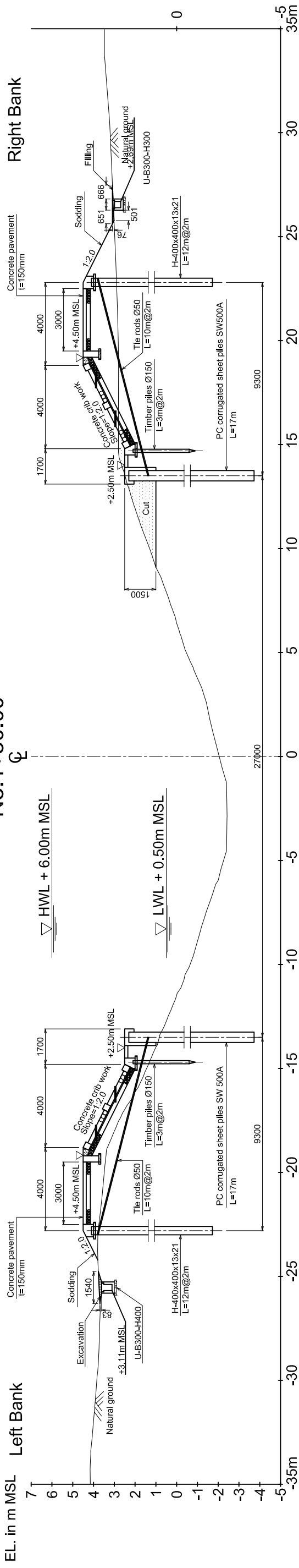
REV. NO.	DESCRIPTION	CONSULTANT CHECKED	DATE	R/D CHECKED	DATE	REV. NO.	APPROVED BY

DESIGNED BY	JSHI Masahiko	CHECKED BY	MISHINA Takahiro	DATE:	JULY 2012	SCALE:	
DESIGNED BY	JSHI Masahiko	CHECKED BY	MISHINA Takahiro	DATE:	JULY 2012	SCALE:	
DESIGNED BY	JSHI Masahiko	CHECKED BY	MISHINA Takahiro	DATE:	JULY 2012	SCALE:	

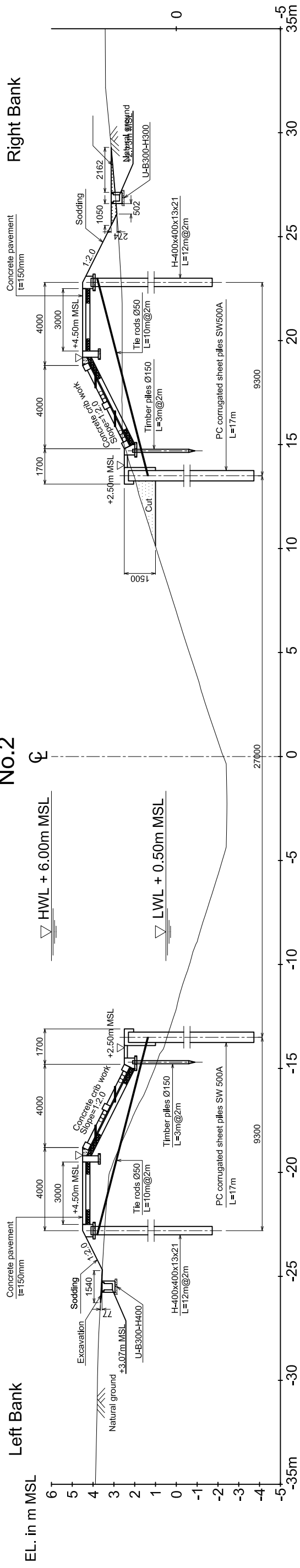
PROJECT TITLE	Preparatory Survey on the Flood Prevention Project of East Side of the Pasak River in Ayutthaya in the Kingdom of Thailand
OWNER	Royal Irrigation Department Ministry of Agriculture and Cooperatives
SHEET CONTENTS	BANK PROTECTION OF HAN TRA CANAL CROSS SECTIONS (3/6) NO.1+20.00 TO NO.1+60.00
PROJECT TITLE	Preparatory Survey on the Flood Prevention Project of East Side of the Pasak River in Ayutthaya in the Kingdom of Thailand

CTI ENGINEERING INTERNATIONAL CO., LTD.	ORIENTAL CONSULTANTS CO., LTD.	NIPPON KOEI CO., LTD.	CTI ENGINEERING CO., LTD.
---	--------------------------------	-----------------------	---------------------------

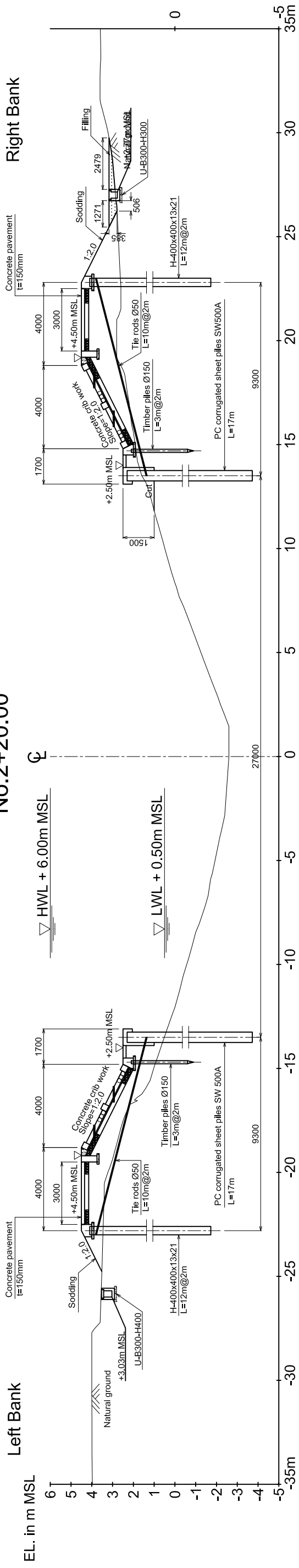
No.1+80.00



No.2

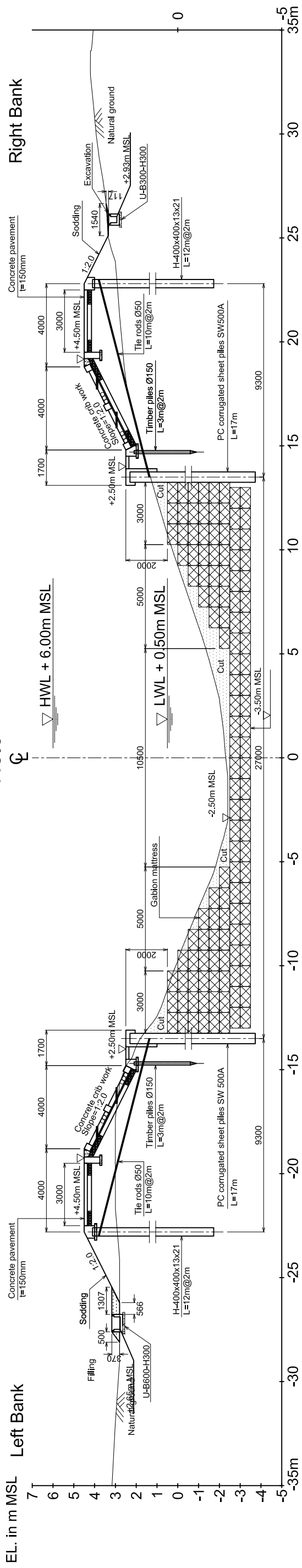


No.2+20.00

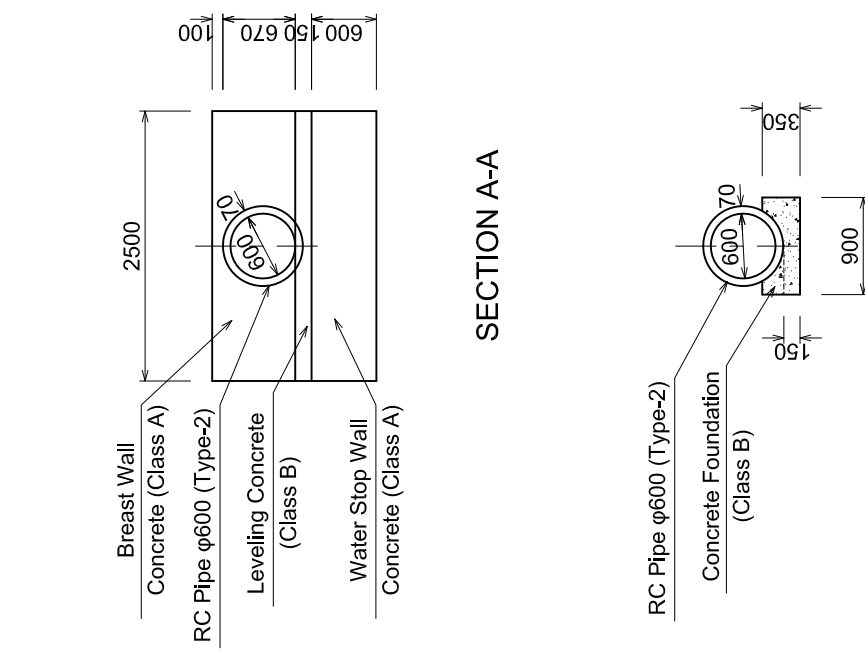
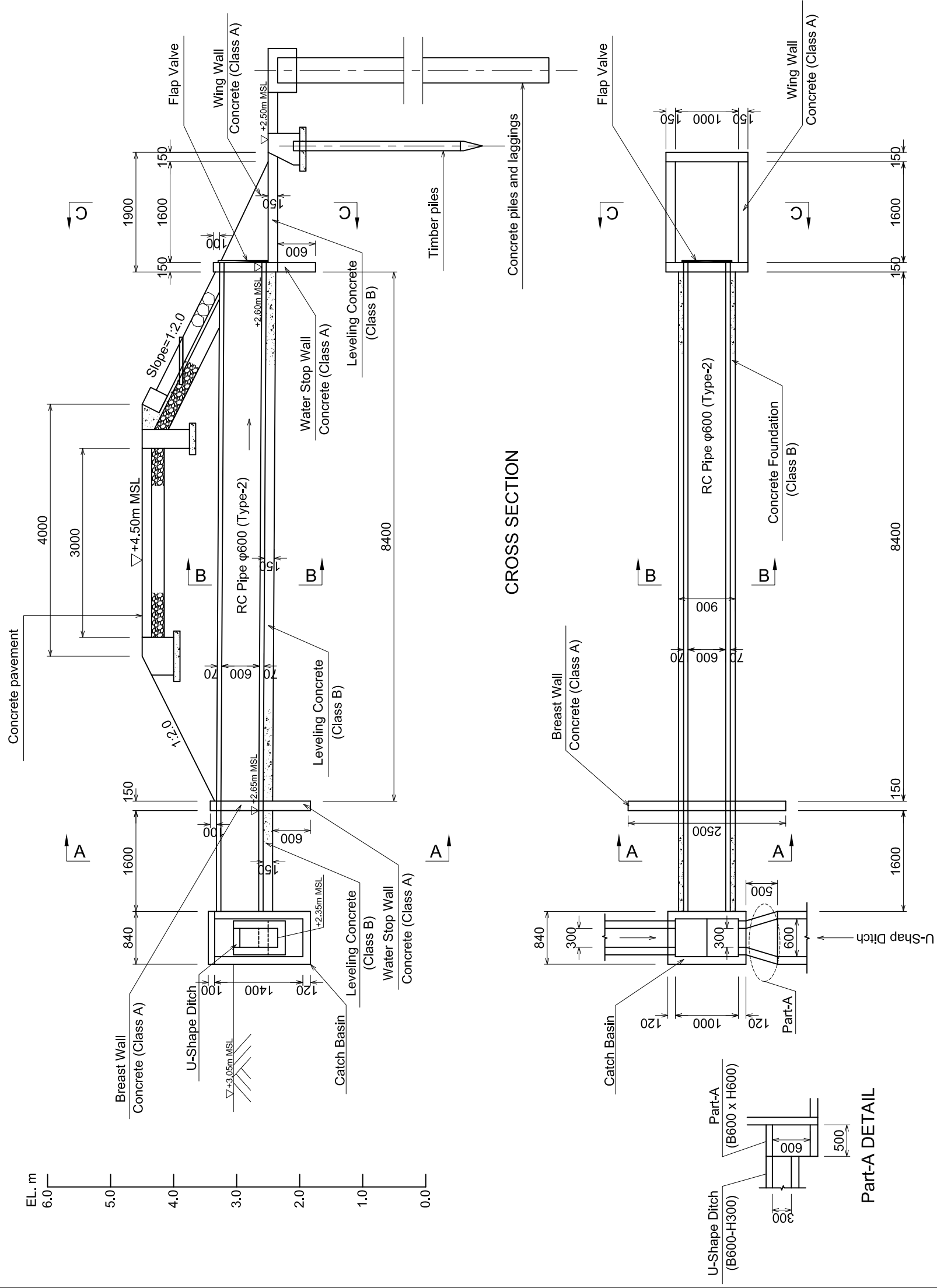


REV. NO.	DESCRIPTION	CONSULTANT CHECKED	DATE	R/D CHECKED	DATE	REV. NO.	APPROVED BY	KINGDOM OF THAILAND MINISTRY OF AGRICULTURE AND COOPERATIVES ROYAL IRRIGATION DEPARTMENT	BANK PROTECTION OF HAN TRA CANAL CROSS SECTIONS (4/6) NO. 1+80.00 TO NO. 2+20.00	OWNER Royal Irrigation Department Ministry of Agriculture and Cooperatives	PROJECT TITLE Preparatory Survey on the Flood Prevention Project of East Side of the Pasak River in Ayutthaya in the Kingdom of Thailand	DESIGNED BY JSHI Masahiro STRUCTURAL ENGINEER	CHECKED BY MISHINA Takahiro TEAM LEADER	DATE: JULY 2012	SCALE: SHEET NO. HT-8P-008
----------	-------------	--------------------	------	-------------	------	----------	-------------	--	--	--	---	---	---	--------------------	----------------------------------

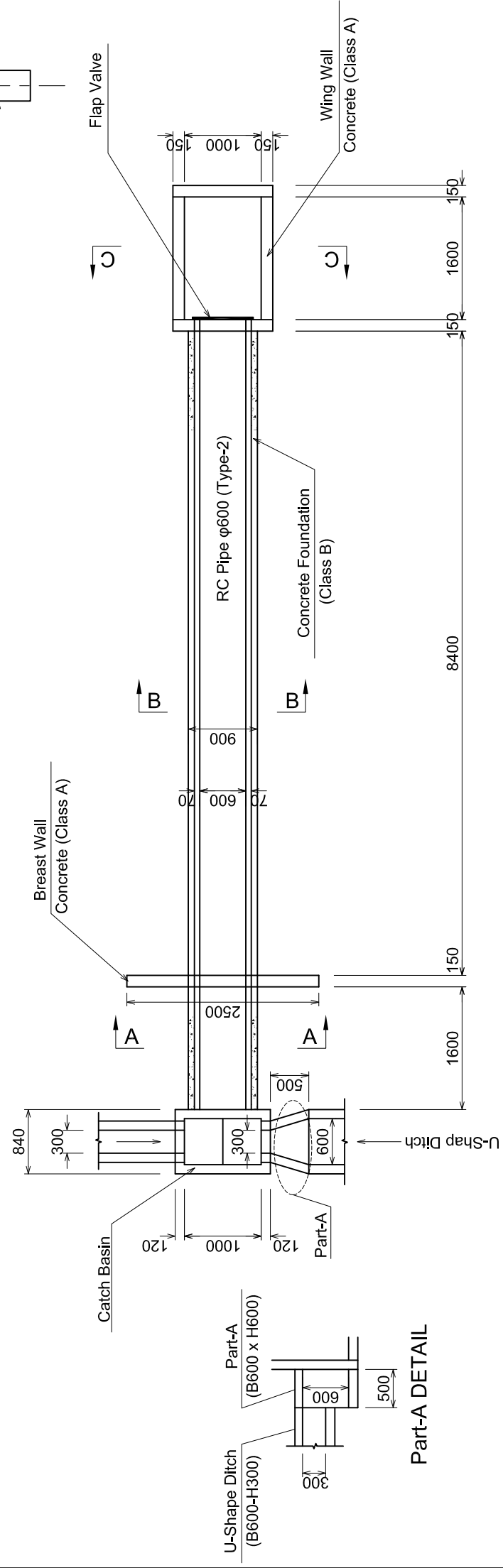
No.3



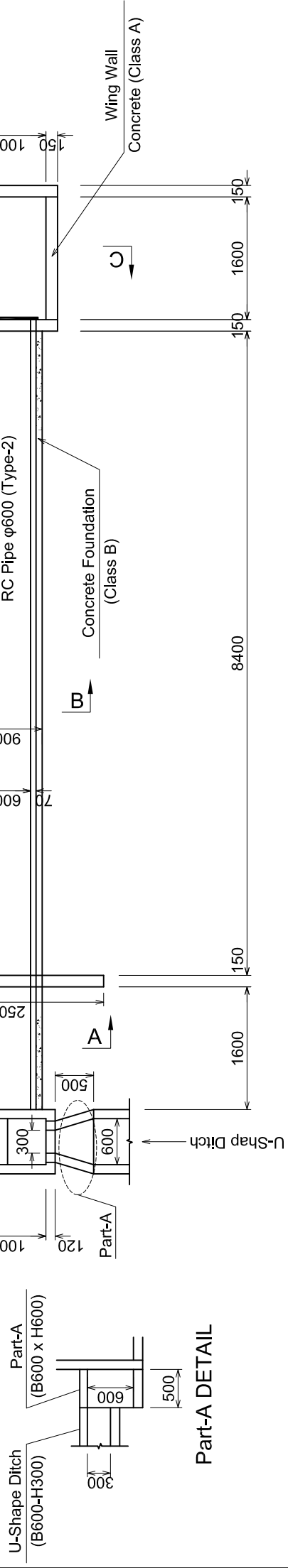
REV. NO.	DESCRIPTION	CONSULTANT CHECKED	DATE	RID CHECKED	DATE	REV. NO.	APPROVED BY	KINGDOM OF THAILAND MINISTRY OF AGRICULTURE AND COOPERATIVES ROYAL IRRIGATION DEPARTMENT	SHEET CONTENTS (CIVIL WORKS) BANK PROTECTION OF HAN TRA CANAL CROSS SECTIONS (6/6) NO.3	OWNER Royal Irrigation Department Ministry of Agriculture and Cooperatives	PROJECT TITLE Preparatory Survey on the Flood Prevention Project of East Side of the Pasak River in Ayutthaya in the Kingdom of Thailand	DESIGNED BY JSHI Masahiro STRUCTURAL ENGINEER	CHECKED BY MISHINA Takahiro TEAM LEADER	DATE: JULY 2012	SCALE: SHEET NO. HT-BP-010
								CTI ENGINEERING INTERNATIONAL CO., LTD. ORIENTAL CONSULTANTS CO., LTD. NIPPON KOEI CO., LTD. CTI ENGINEERING CO., LTD.							



SECTION A-A



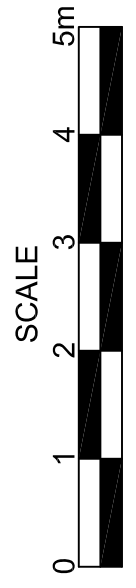
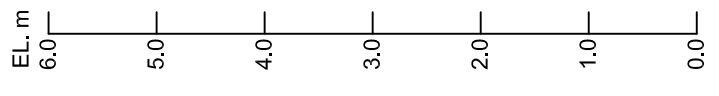
SECTION B-B



SECTION C-C

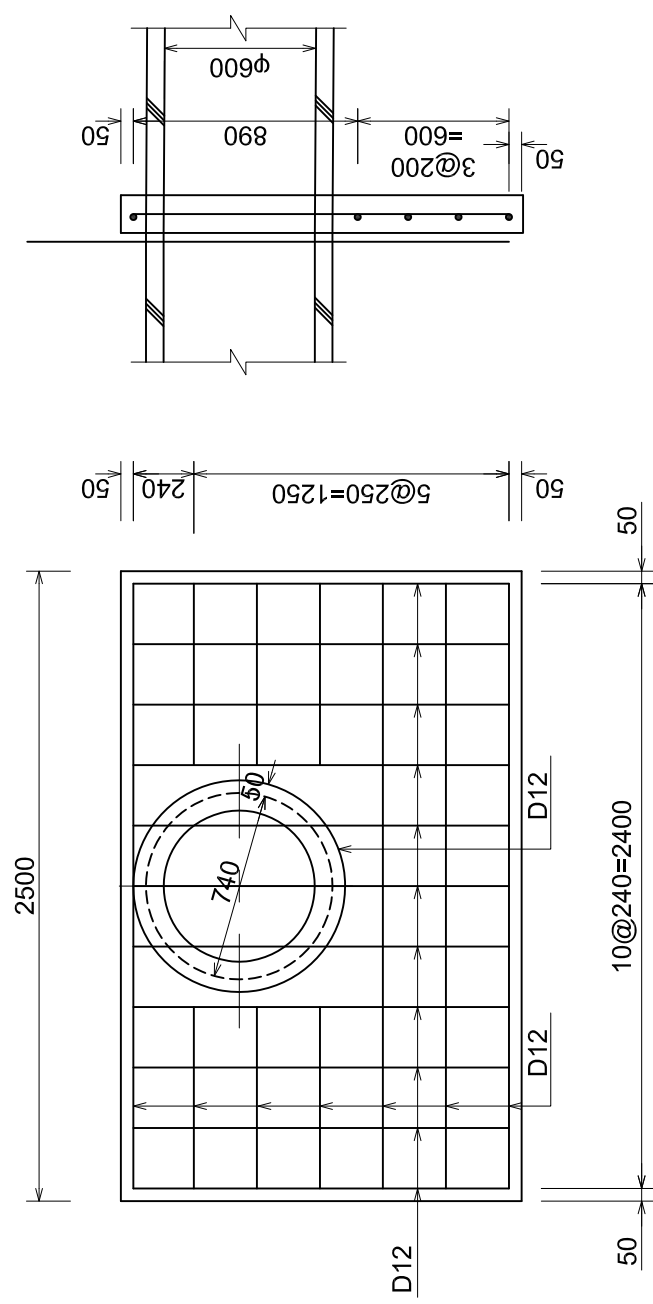
CROSS SECTION

PLAN

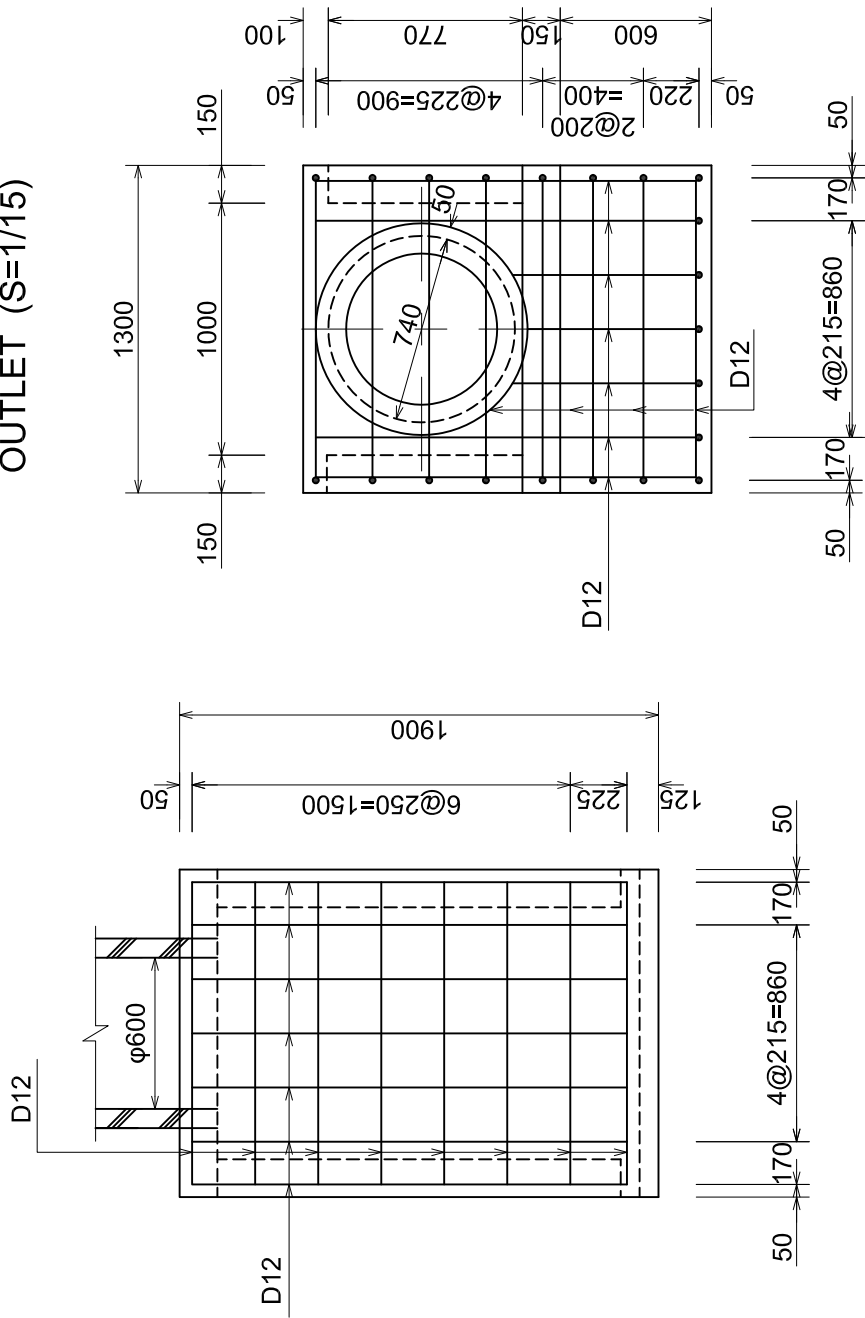


REV. NO.	DESCRIPTION	CONSULTANT CHECKED	DATE	RID CHECKED	DATE	REV. NO.	APPROVED BY	KINGDOM OF THAILAND MINISTRY OF AGRICULTURE AND COOPERATIVES ROYAL IRRIGATION DEPARTMENT	SHEET CONTENTS (CIVIL WORKS) BANK PROTECTION OF HAN TRA CANAL SLUICeway	OWNER Royal Irrigation Department Ministry of Agriculture and Cooperatives	PROJECT TITLE Preparatory Survey on the Flood Prevention Project of East Side of the Pasak River in Ayutthaya in the Kingdom of Thailand	CTI ENGINEERING INTERNATIONAL CO., LTD. ORIENTAL CONSULTANTS CO., LTD. NIPPON KOEI CO., LTD. CTI ENGINEERING CO., LTD.	DESIGNED BY KAJURA Takemi STRUCTURAL ENGINEER	CHECKED BY MISHIMA Takahiro TEAM LEADER	DATE: JULY 2012	SCALE: SHEET NO. HT-SP-011

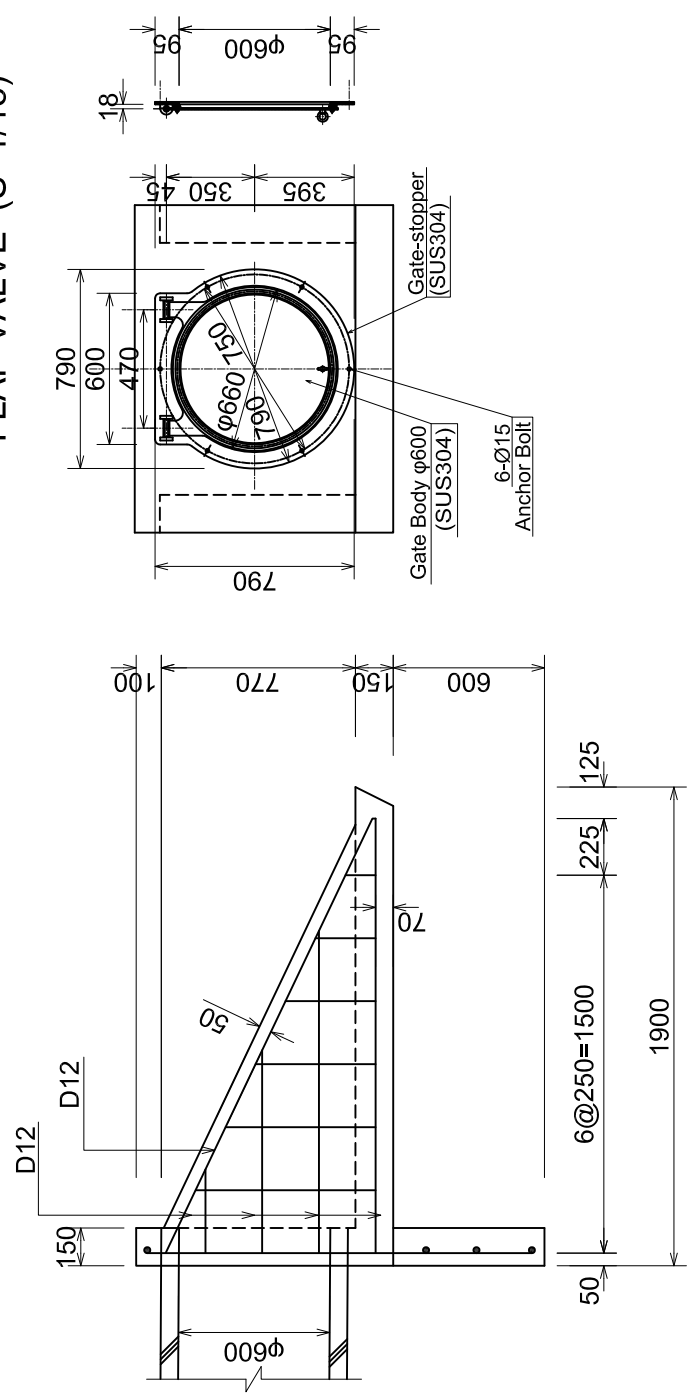
INLET (S=1/15)



OUTLET (S=1/15)



FLAP VALVE (S=1/15)



REV. NO.	DESCRIPTION	CONSULTANT CHECKED DATE	RID CHECKED DATE	REV. NO.	APPROVED BY	KINGDOM OF THAILAND MINISTRY OF AGRICULTURE AND COOPERATIVES ROYAL IRRIGATION DEPARTMENT	SHEET CONTENTS (CIVIL WORKS) BANK PROTECTION OF HAN TRA CANAL SLUICeway	OWNER Royal Irrigation Department Ministry of Agriculture and Cooperatives	PROJECT TITLE Preparatory Survey on the Flood Prevention Project of East Side of the Pasak River in Ayutthaya in the Kingdom of Thailand	CTI ENGINEERING INTERNATIONAL CO., LTD. ORIENTAL CONSULTANTS CO., LTD. NIPPON KOEI CO., LTD. CTI ENGINEERING CO., LTD.	DESIGNED BY JSHI Masaki STRUCTURAL ENGINEER	CHECKED BY MISHINA Takahiro TEAM LEADER	DATE: JULY 2012 DWG. NO. HT-BP-012	SCALE: SHEET NO.

