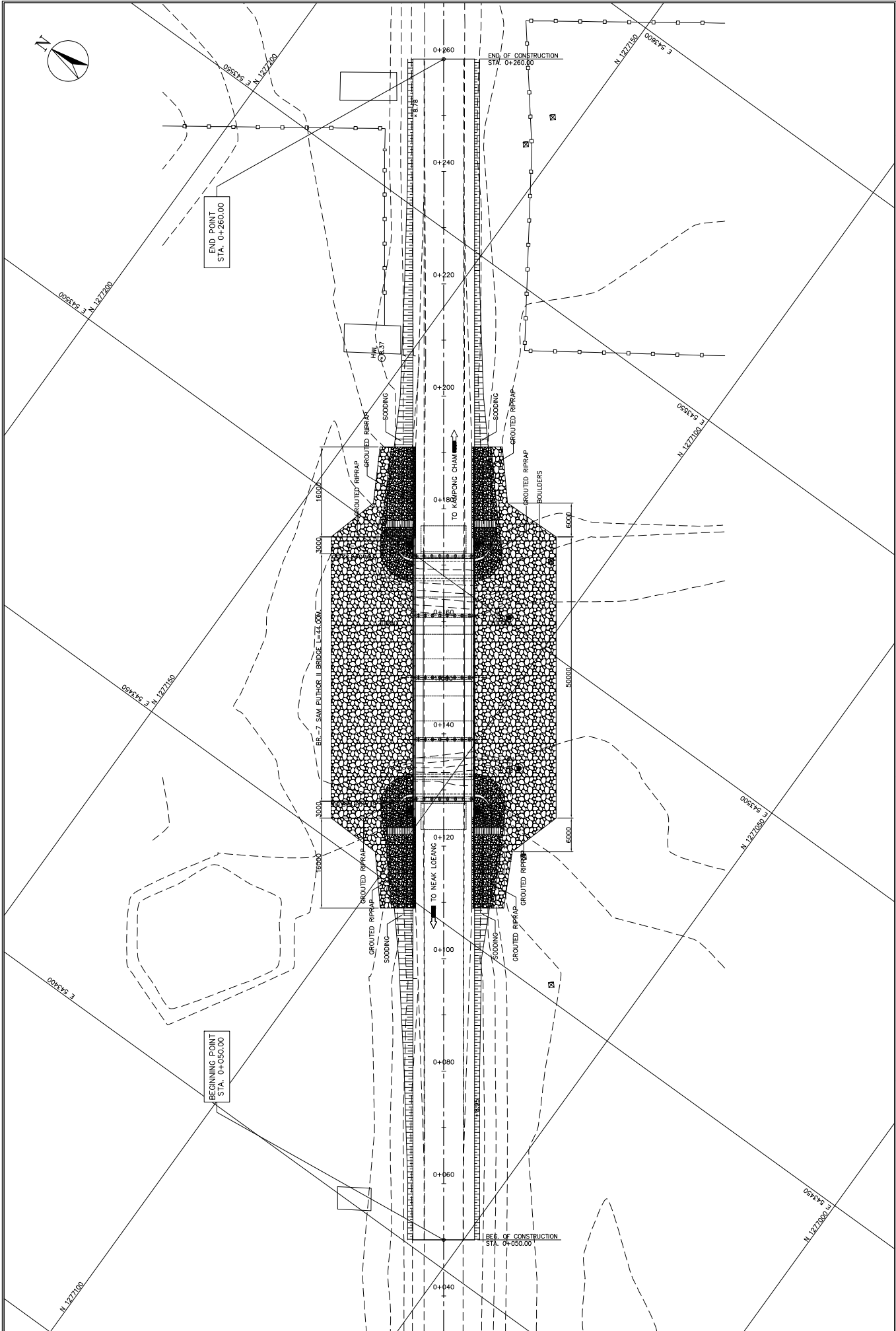
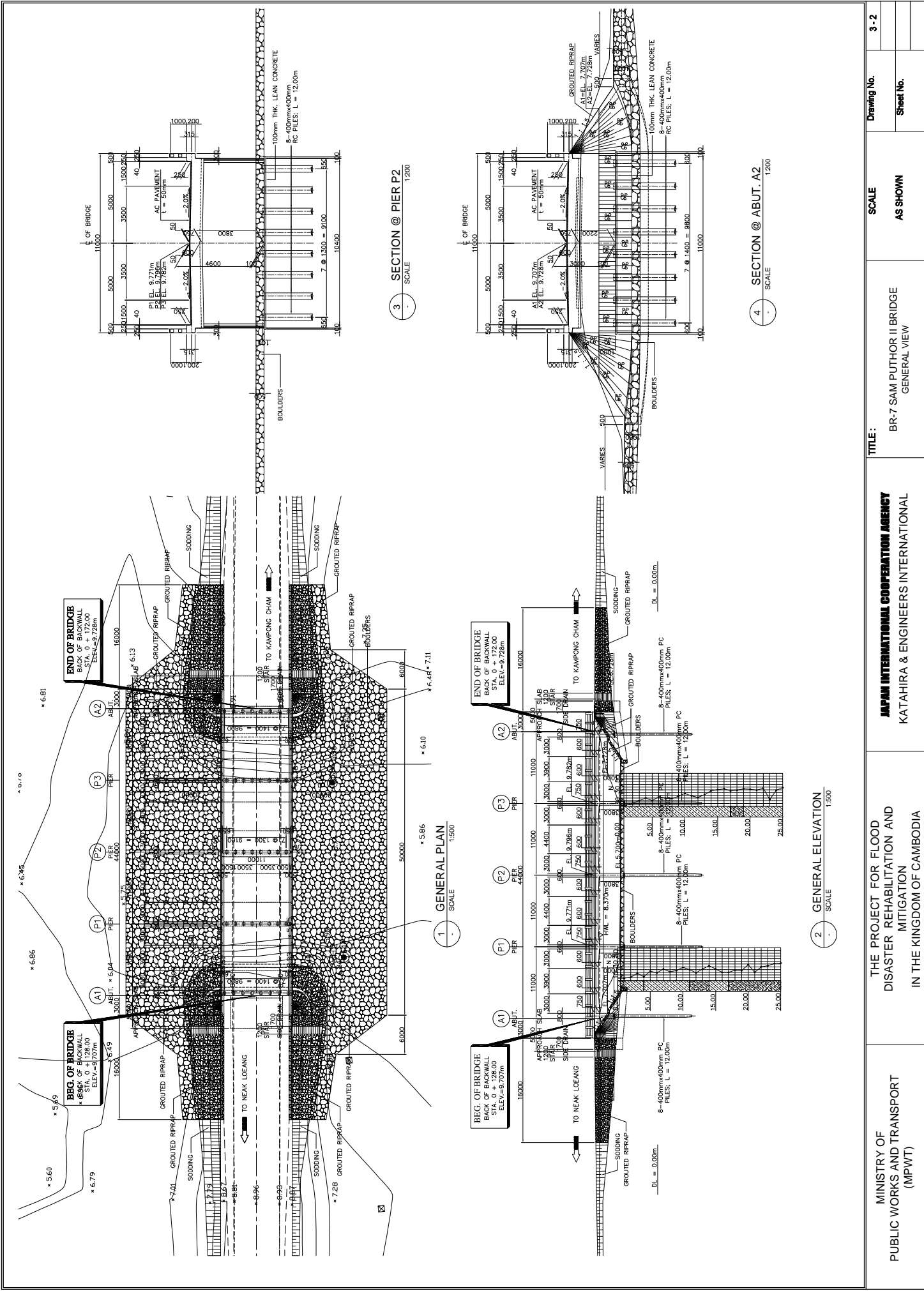

BR-7 SAM PUTHOR BRIDGE



MINISTRY OF PUBLIC WORKS AND TRANSPORT (MPWT)	THE PROJECT FOR FLOOD DISASTER REHABILITATION AND MITIGATION IN THE KINGDOM OF CAMBODIA	JAPAN INTERNATIONAL COOPERATION AGENCY KATAHIRA & ENGINEERS INTERNATIONAL	TITLE: BR-7 SAM PUTHOR II BRIDGE GENERAL SITE PLAN	SCALE	Drawing No.
				1:800	3 - 1
					Sheet No.



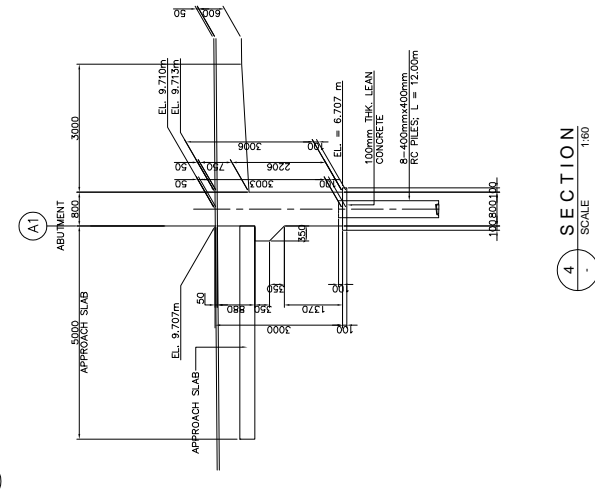
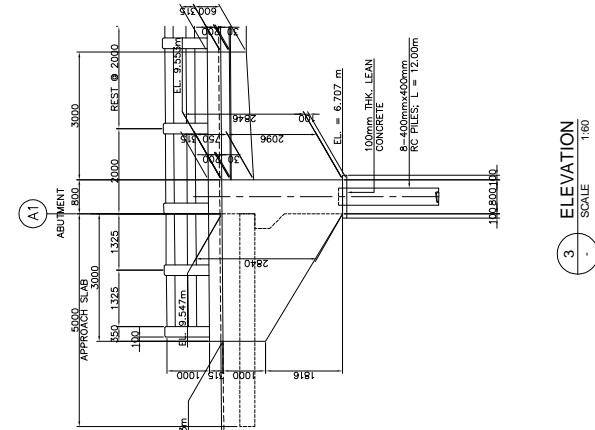
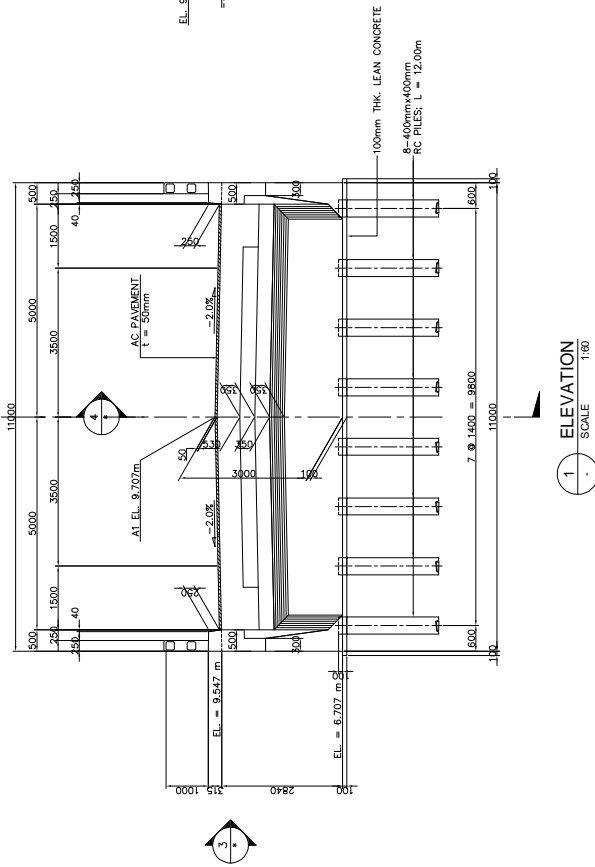
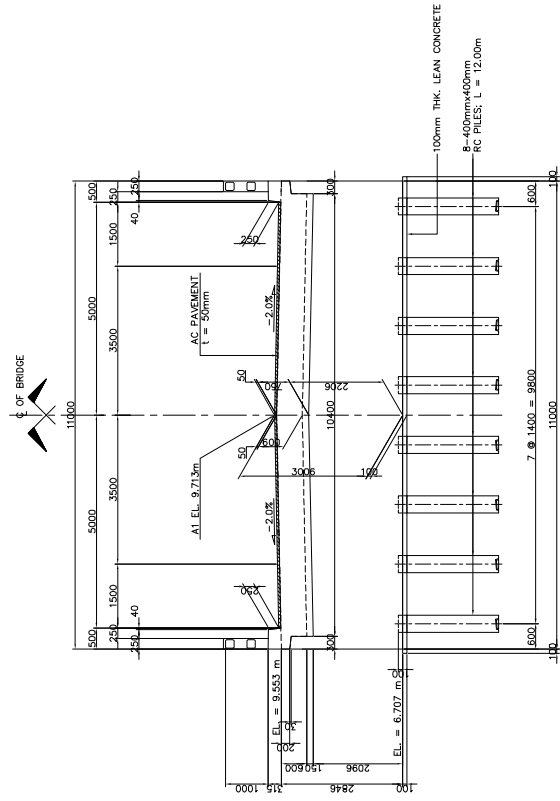
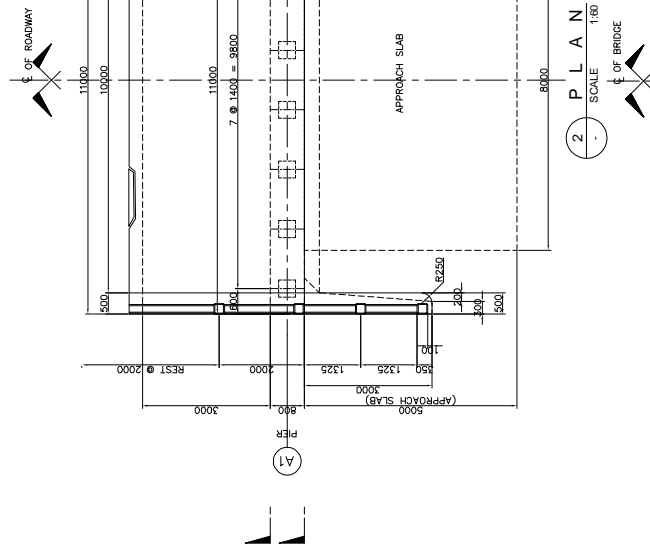
3 SECTION @ PIER P2
SCALE 1:200

4 SECTION @ ABUT. A2
SCALE 1:200

1 GENERAL PLAN
SCALE 1:500

2 GENERAL ELEVATION
SCALE 1:500

MINISTRY OF PUBLIC WORKS AND TRANSPORT (MPWT)	THE PROJECT FOR FLOOD DISASTER REHABILITATION AND MITIGATION IN THE KINGDOM OF CAMBODIA	JAPAN INTERNATIONAL COOPERATION AGENCY KATAHIRA & ENGINEERS INTERNATIONAL	TITLE:	BR-7 SAM PUTHOR II BRIDGE GENERAL VIEW	SCALE	AS SHOWN	Drawing No.	3-2
							Sheet No.	



MINISTRY OF
PUBLIC WORKS AND TRANSPORT
(MPWT)

THE PROJECT FOR FLOOD
DISASTER REHABILITATION AND
MITIGATION
IN THE KINGDOM OF CAMBODIA

JAPAN INTERNATIONAL COOPERATION AGENCY
KATAHIRA & ENGINEERS INTERNATIONAL

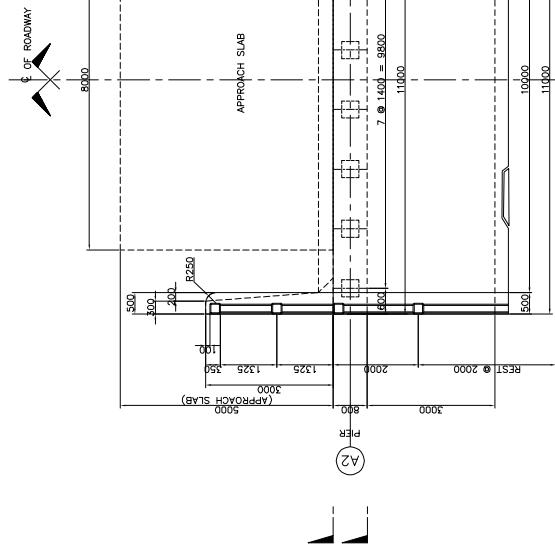
TITLE:
BR-7 SAM PUTHOR II BRIDGE
SUBSTRUCTURE STRUCTURAL DIMENSION
(ABUT. A1)

SCALE
AS SHOWN

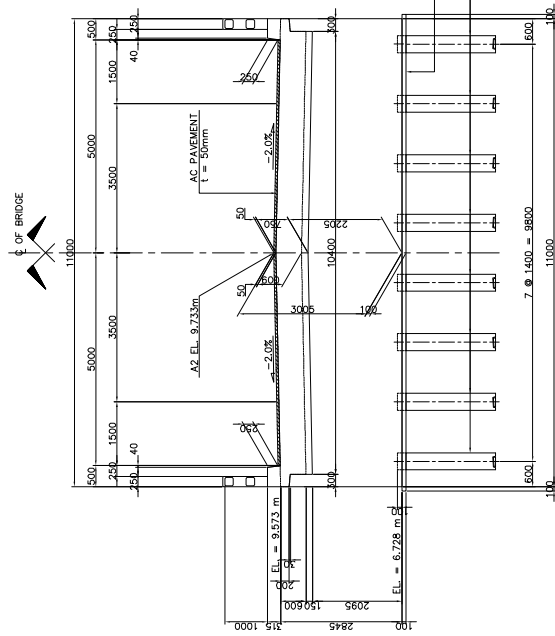
Drawing No.

Sheet No.

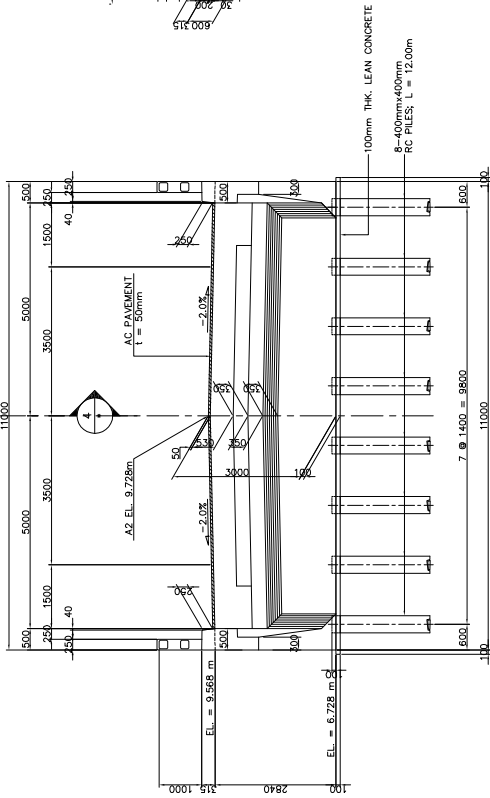
3-3



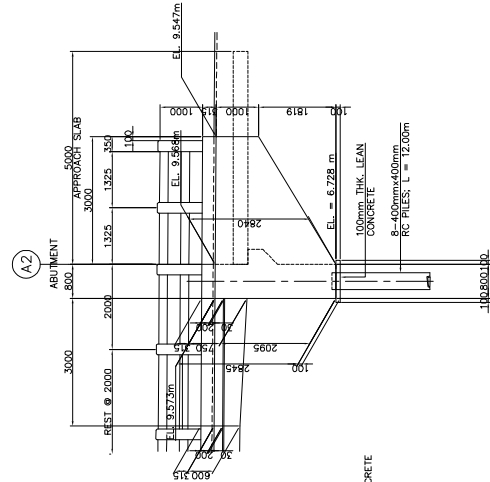
2 PLAN
SCALE 1:150



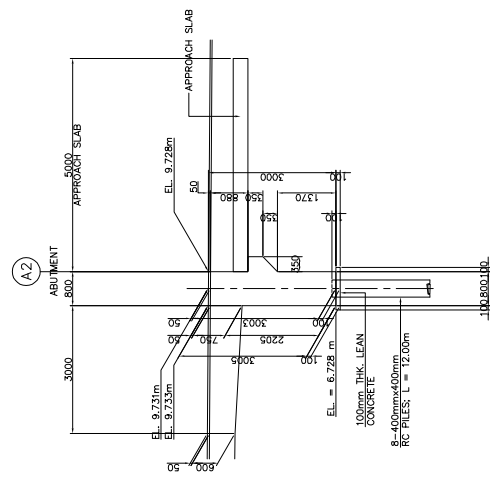
5 ELEVATION
SCALE 1:150



1 ELEVATION
SCALE 1:150



3 ELEVATION
SCALE 1:150



4 SECTION
SCALE 1:150



MINISTRY OF
PUBLIC WORKS AND TRANSPORT
(MPWT)

THE PROJECT FOR FLOOD
DISASTER REHABILITATION AND
MITIGATION
IN THE KINGDOM OF CAMBODIA

JAPAN INTERNATIONAL COOPERATION AGENCY
KATAHIRA & ENGINEERS INTERNATIONAL

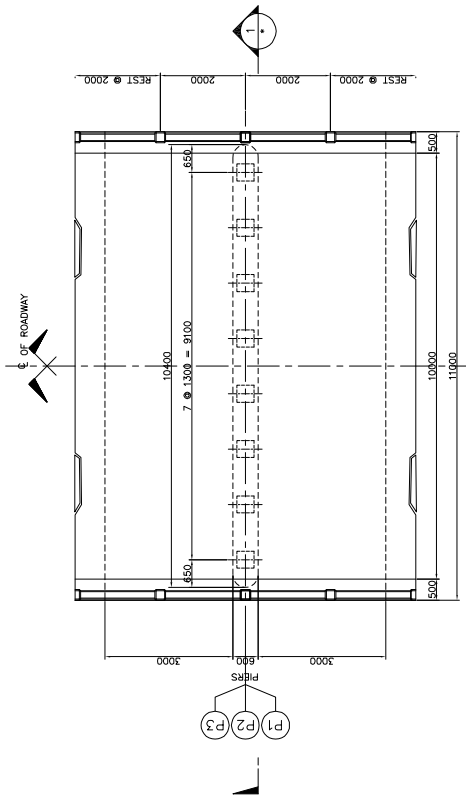
TITLE :
BR-7 SAM PUTHOR II BRIDGE
SUBSTRUCTURE STRUCTURAL DIMENSION
(ABUT. A2)

SCALE
AS SHOWN

Drawing No.

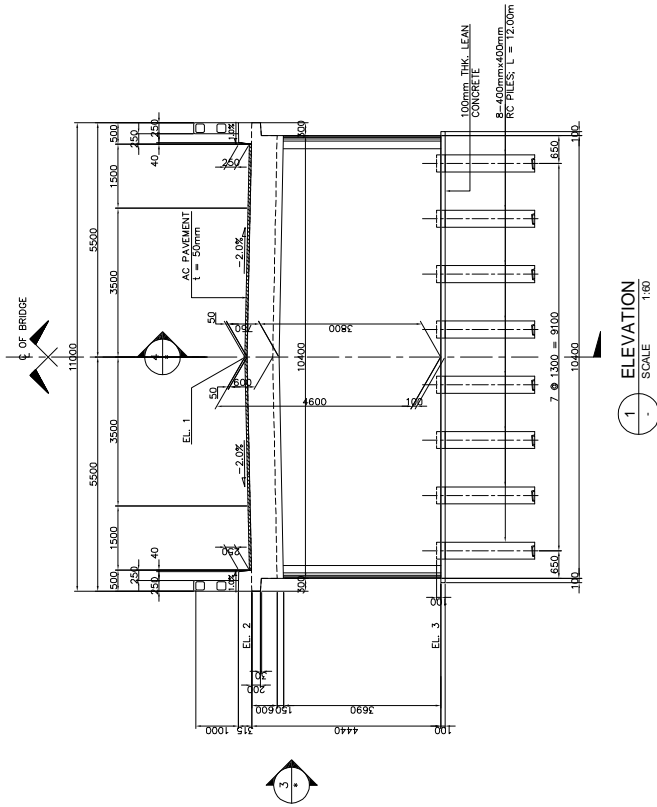
Sheet No.

3-4

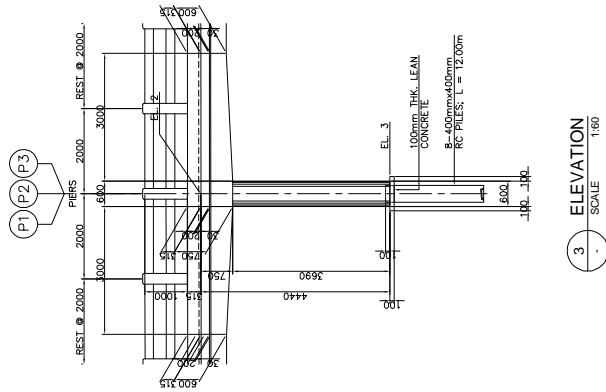


2 PLAN SCALE 1:100

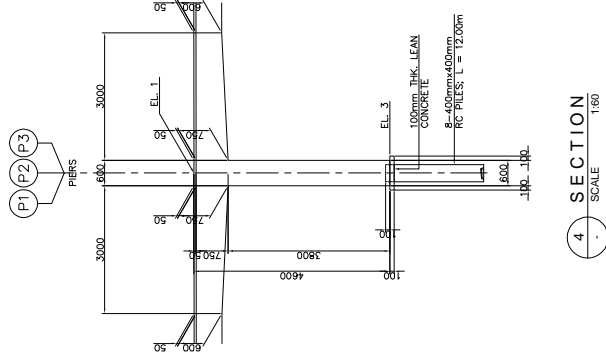
TABLE OF ELEVATIONS			
LOCATION	EL. 1	EL. 2	EL. 3
PIER 1	9.771m	9.611m	5.171m
PIER 2	9.796m	9.636m	5.196m
PIER 3	9.782m	9.622m	5.182m



1 ELEVATION SCALE 1:100



3 ELEVATION SCALE 1:100



4 SECTION SCALE 1:100

MINISTRY OF
PUBLIC WORKS AND TRANSPORT
(MPWT)

THE PROJECT FOR FLOOD
DISASTER REHABILITATION AND
MITIGATION
IN THE KINGDOM OF CAMBODIA

JAPAN INTERNATIONAL COOPERATION AGENCY
KATAHIRA & ENGINEERS INTERNATIONAL

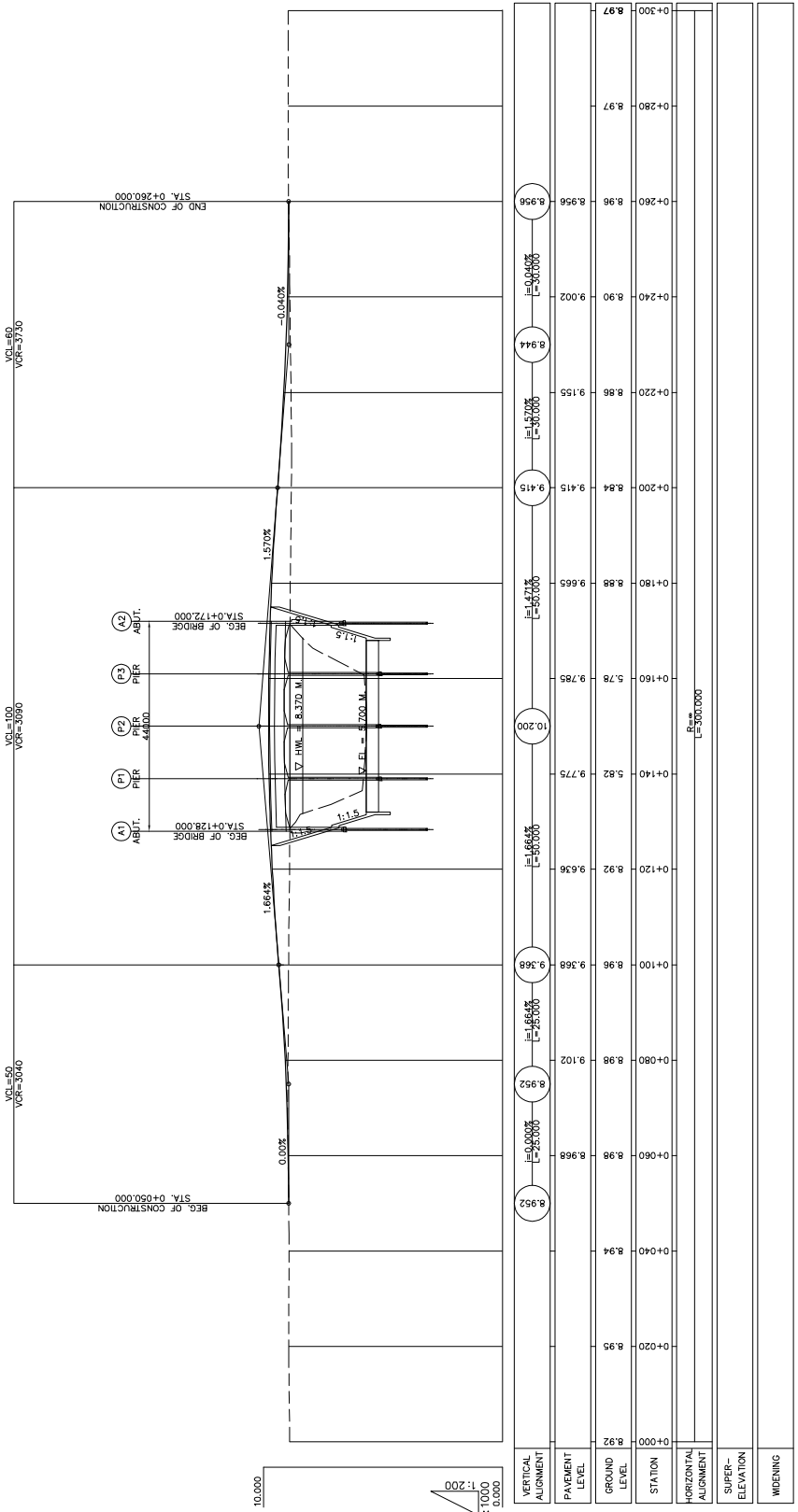
TITLE:
BR-7 SAM PUTHOR II BRIDGE
SUBSTRUCTURE STRUCTURAL DIMENSION
(PIER P1, P2 & P3)

SCALE
AS SHOWN

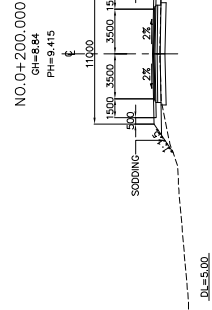
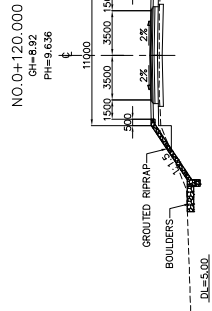
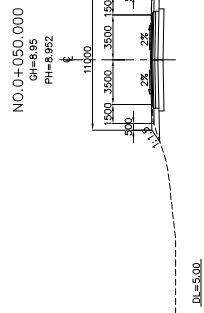
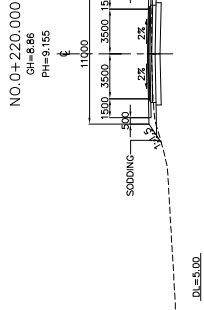
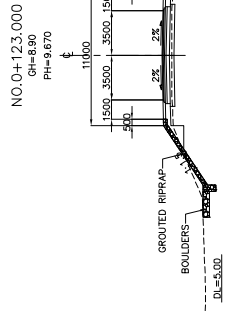
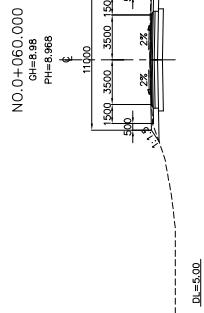
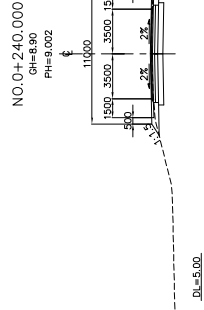
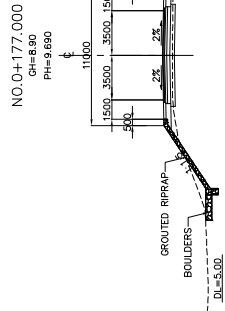
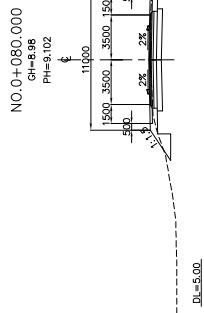
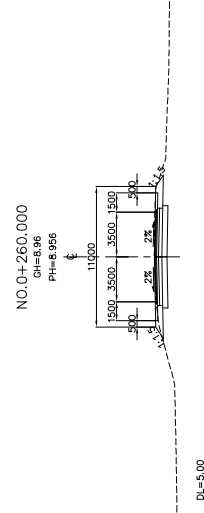
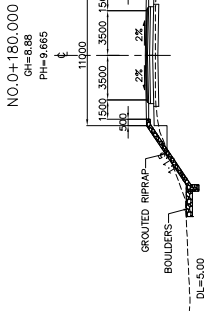
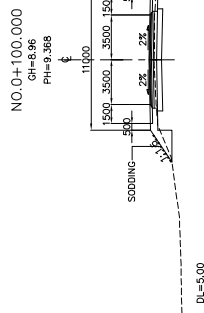
Drawing No.

Sheet No.

3-5



VERTICAL ALIGNMENT	PAVEMENT LEVEL	GROUND LEVEL	STATION
8.952	8.952	8.958	0+000
8.952	8.952	8.958	0+040
8.952	8.952	8.958	0+060
8.952	8.952	8.958	0+080
8.952	8.952	8.958	0+100
8.952	8.952	8.958	0+120
8.952	8.952	8.958	0+140
8.952	8.952	8.958	0+160
8.952	8.952	8.958	0+180
8.952	8.952	8.958	0+200
8.952	8.952	8.958	0+220
8.952	8.952	8.958	0+240
8.952	8.952	8.958	0+260
8.952	8.952	8.958	0+280
8.952	8.952	8.958	0+300



MINISTRY OF
PUBLIC WORKS AND TRANSPORT
(MPWT)

THE PROJECT FOR FLOOD
DISASTER REHABILITATION AND
MITIGATION
IN THE KINGDOM OF CAMBODIA

JAPAN INTERNATIONAL COOPERATION AGENCY
KATAHIRA & ENGINEERS INTERNATIONAL

TITLE:
BR-7 SAM PUTHOR II BRIDGE
APPROACH ROAD CROSS SECTIONS

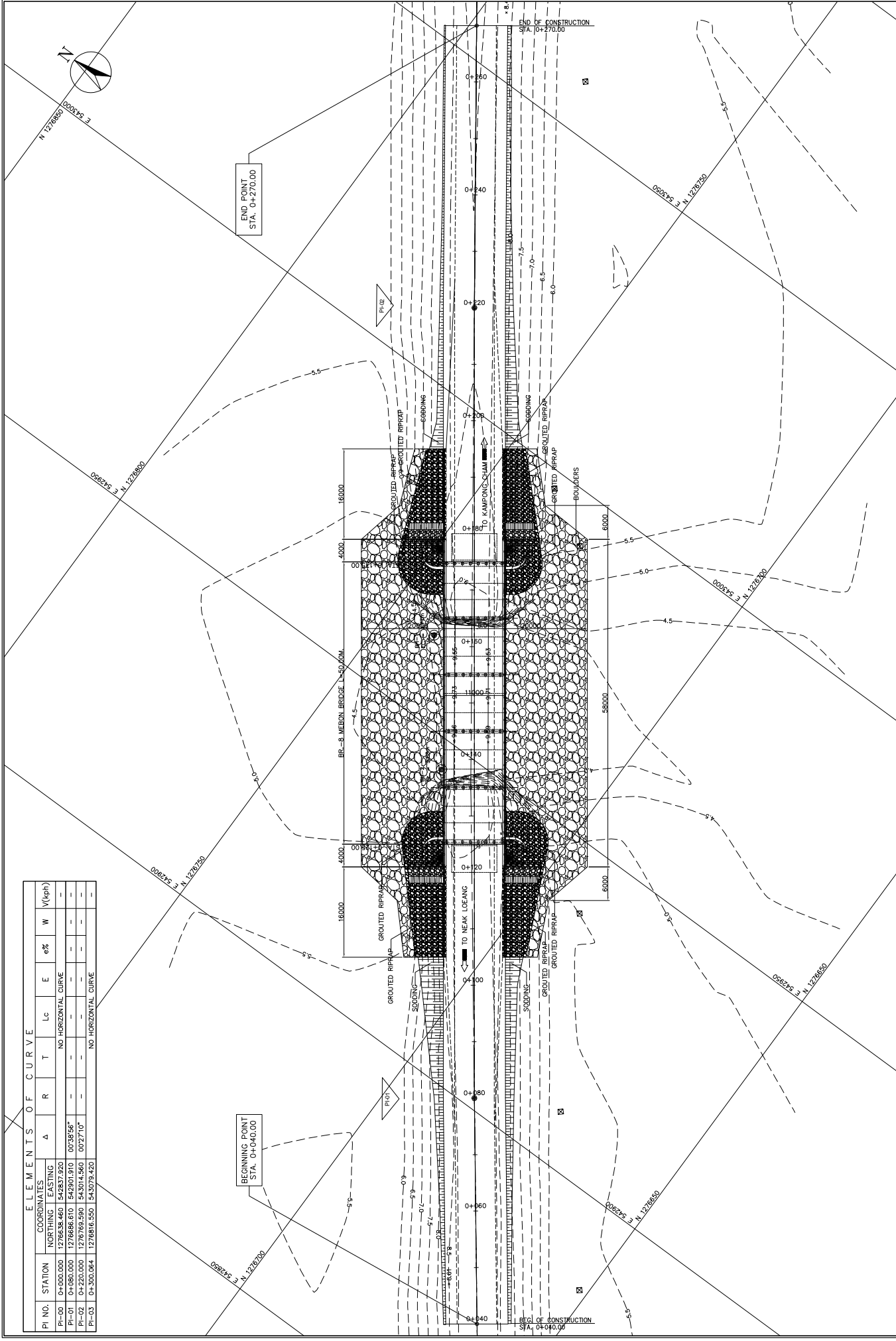
SCALE

Drawing No.
1 : 400
Sheet No.

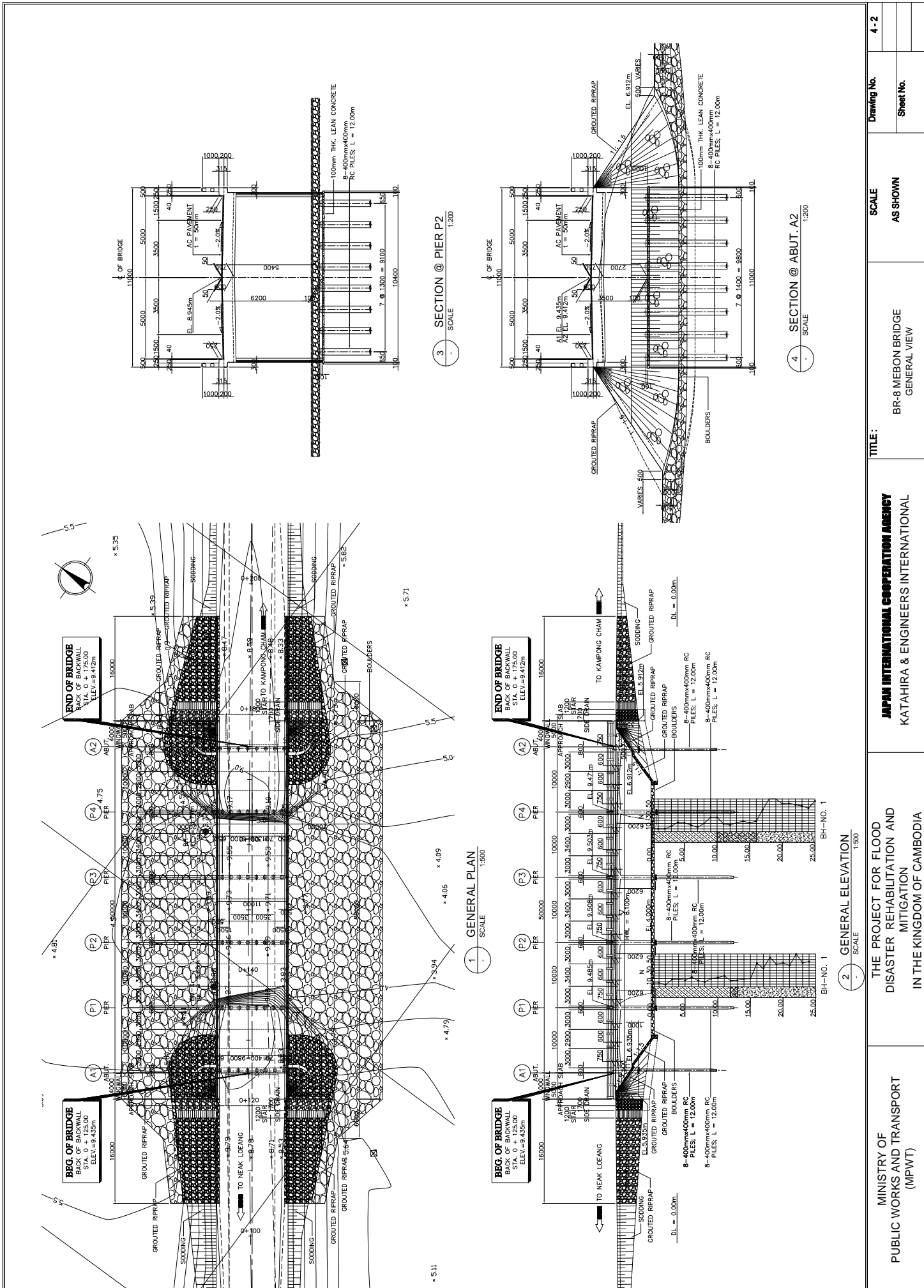
3 - 7

BR-8 MEBON BRIDGE

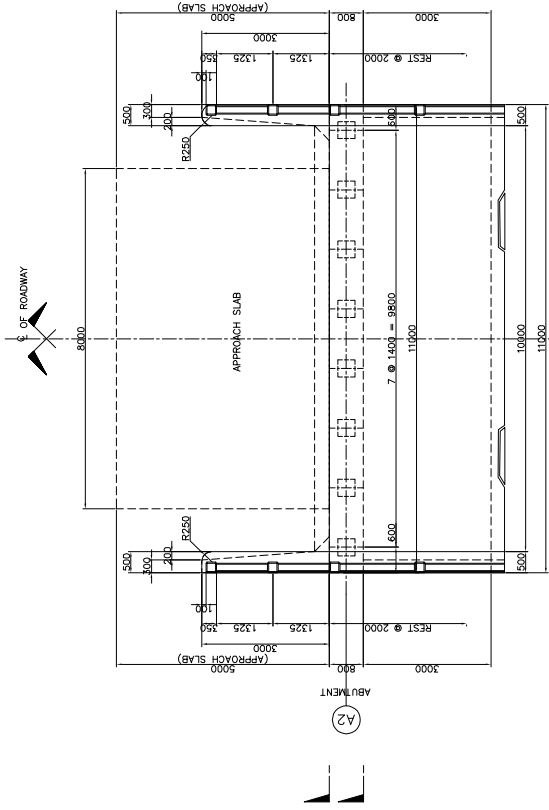
ELEMENTS OF CURVE											
PI NO.	STATION	COORDINATES		Δ	R	T	Lc	E	e%	W	V(kph)
		NORTHING	EASTING								
PI-00	0+000.000	1276638.460	542837.920				NO HORIZONTAL CURVE				
PI-01	0+080.000	1276686.610	542300.130	0°38'56"							
PI-02	0+220.000	1276769.590	543014.560	0°27'10"			NO HORIZONTAL CURVE				
PI-03	0+300.064	1276816.550	543079.420								



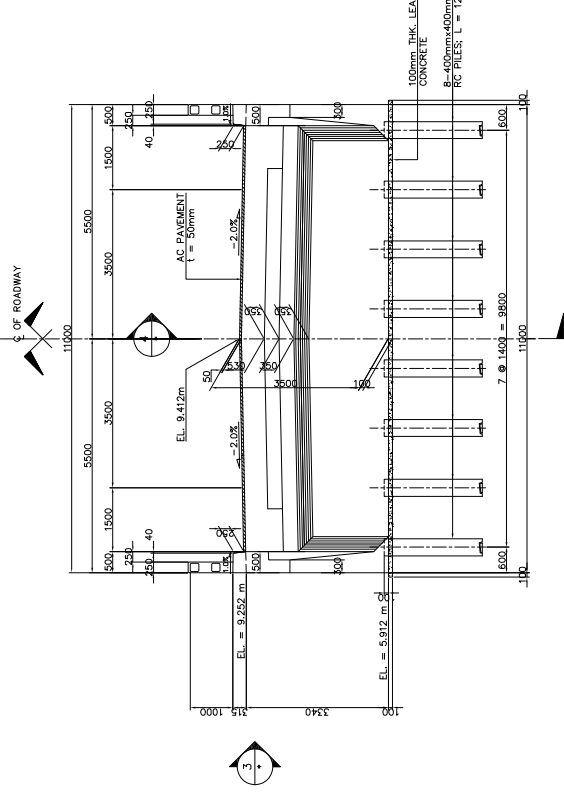
MINISTRY OF PUBLIC WORKS AND TRANSPORT (MPWT)	THE PROJECT FOR FLOOD DISASTER REHABILITATION AND MITIGATION IN THE KINGDOM OF CAMBODIA	JAPAN INTERNATIONAL COOPERATION AGENCY KATAHIRA & ENGINEERS INTERNATIONAL	TITLE :	BR-8 MEBON BRIDGE GENERAL SITE PLAN	SCALE	1:800
					Drawing No.	4 - 1
					Sheet No.	



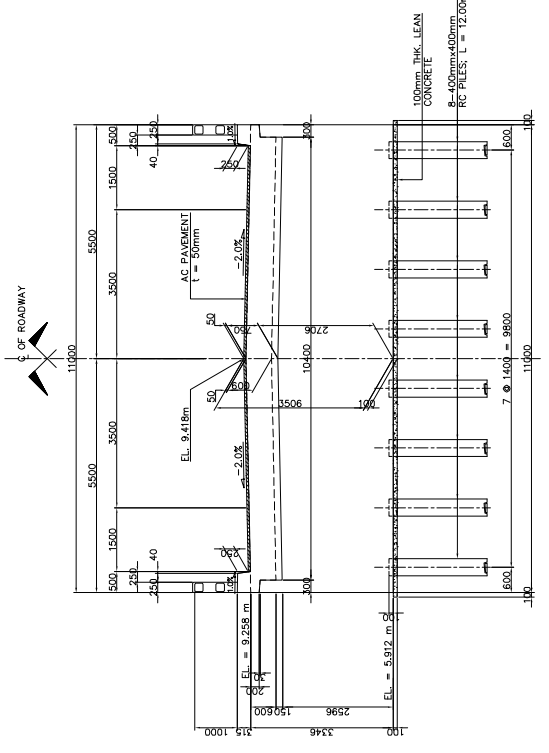
MINISTRY OF PUBLIC WORKS AND TRANSPORT (MPWT)	THE PROJECT FOR FLOOD DISASTER REHABILITATION AND MITIGATION IN THE KINGDOM OF CAMBODIA	JAPAN INTERNATIONAL COOPERATION AGENCY KATAHIRA & ENGINEERS INTERNATIONAL	TITLE: BR-8 MEBON BRIDGE GENERAL VIEW	SCALE	Drawing No.
				AS SHOWN	
					Sheet No.



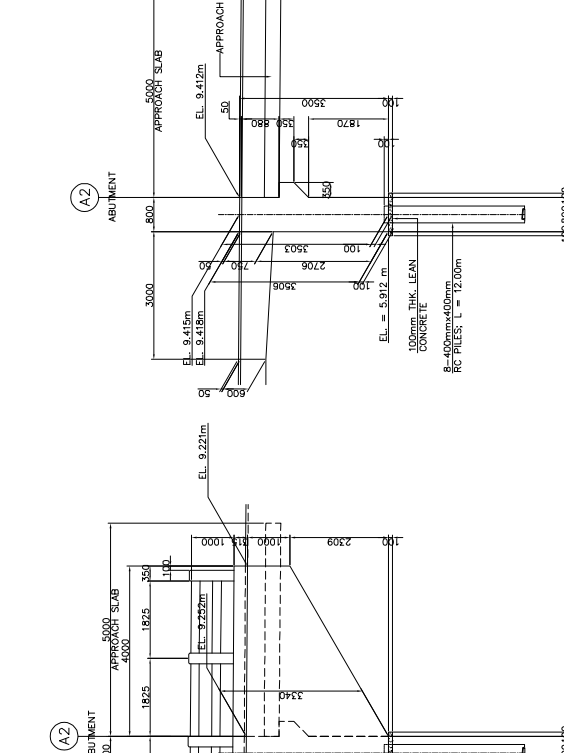
2 PLAN SCALE 1:50



1 ELEVATION SCALE 1:50



3 ELEVATION SCALE 1:50



4 SECTION SCALE 1:50

<p>MINISTRY OF PUBLIC WORKS AND TRANSPORT (MPWT)</p>	<p>THE PROJECT FOR FLOOD DISASTER REHABILITATION AND MITIGATION IN THE KINGDOM OF CAMBODIA</p>	<p>JAPAN INTERNATIONAL COOPERATION AGENCY KATAHIRA & ENGINEERS INTERNATIONAL</p>	<p>TITLE: BR-8 MEBON BRIDGE SUBSTRUCTURE STRUCTURAL DIMENSION (ABUT. A2)</p>	<p>SCALE AS SHOWN</p>	<p>Drawing No. 4-4 Sheet No.</p>
--	--	--	--	-----------------------	--------------------------------------

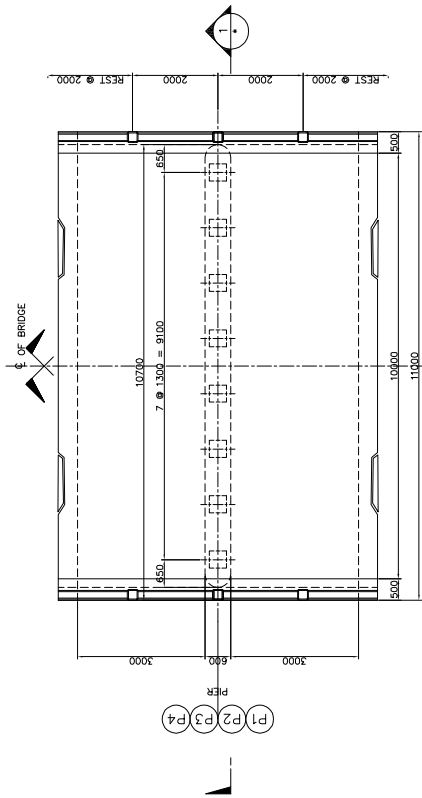
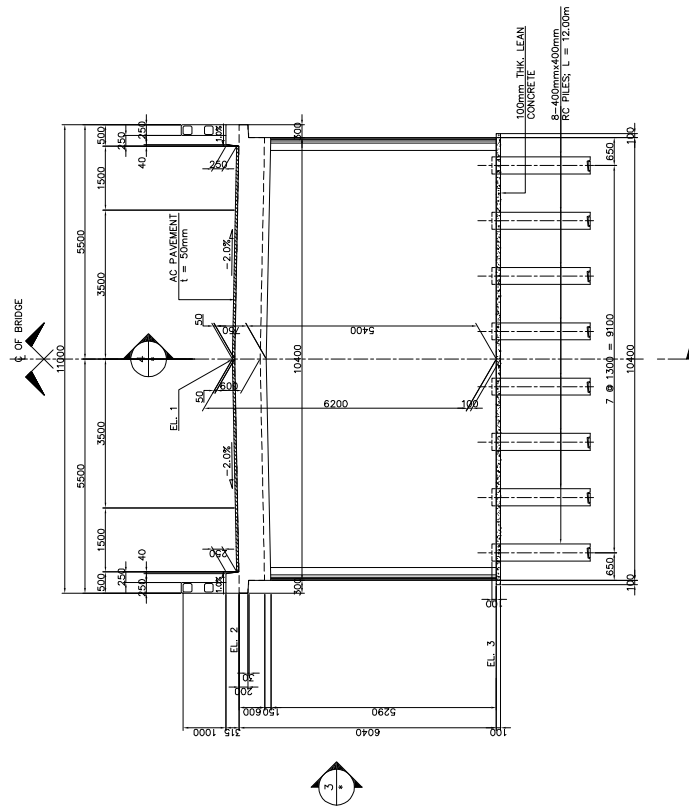


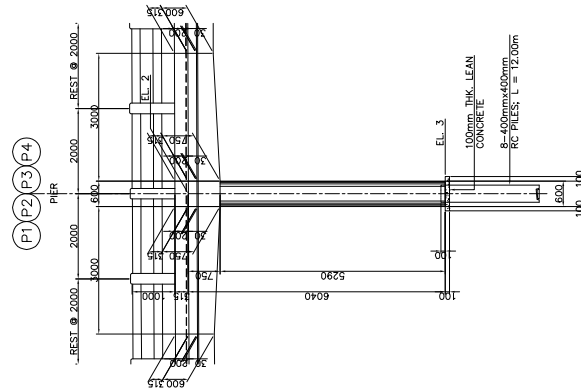
TABLE OF ELEVATIONS

LOCATION	EL. 1	EL. 2	EL. 3
PIER 1	9.485m	9.325m	3.285m
PIER 2	9.508m	9.348m	3.308m
PIER 3	9.503m	9.343m	3.303m
PIER 4	9.471m	9.311m	3.271m

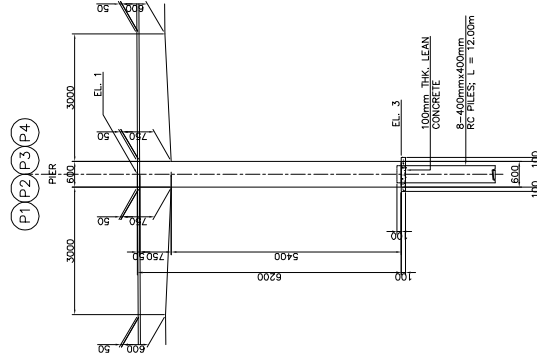
2 PLAN
SCALE 1:80



1 ELEVATION
SCALE 1:80



3 ELEVATION
SCALE 1:80



4 SECTION
SCALE 1:80

MINISTRY OF
PUBLIC WORKS AND TRANSPORT
(MPWT)

THE PROJECT FOR FLOOD
DISASTER REHABILITATION AND
MITIGATION
IN THE KINGDOM OF CAMBODIA

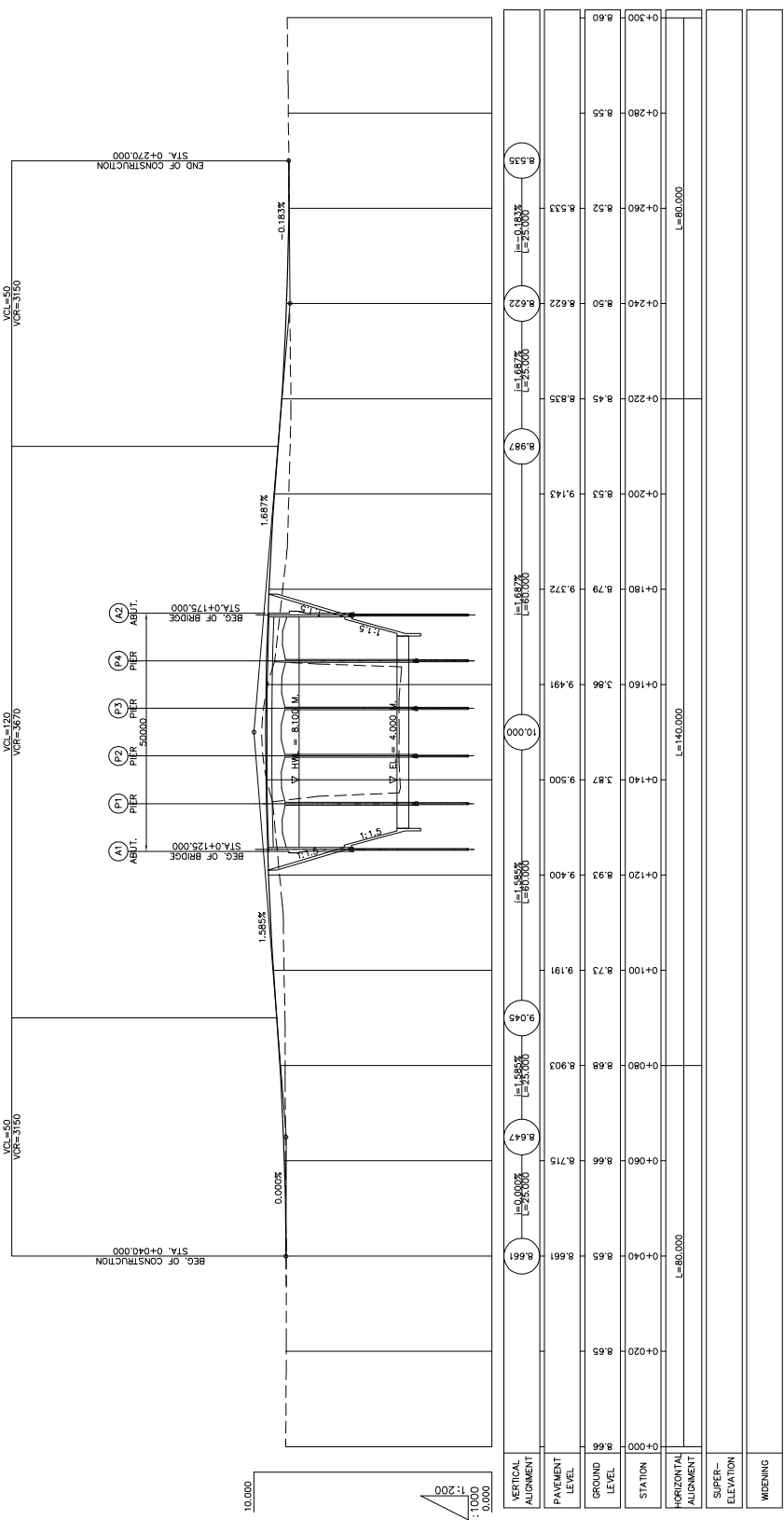
JAPAN INTERNATIONAL COOPERATION AGENCY
KATAHIRA & ENGINEERS INTERNATIONAL

TITLE:
BR-8 MEBON BRIDGE
SUBSTRUCTURE STRUCTURAL DIMENSION
(PIER P1, P2, P3 & P4)

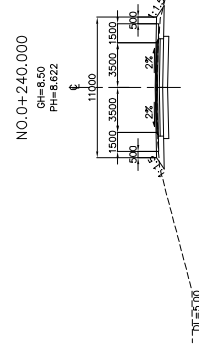
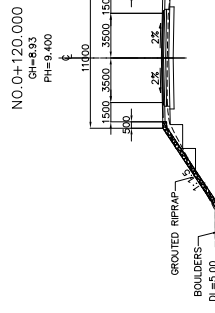
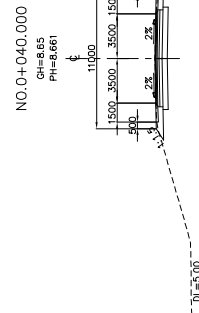
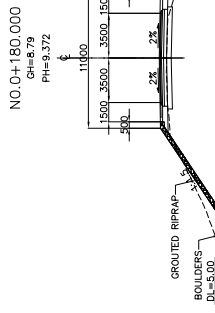
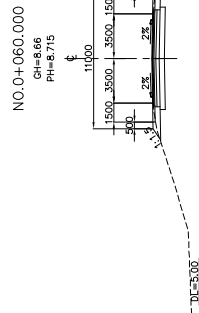
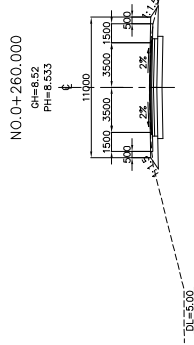
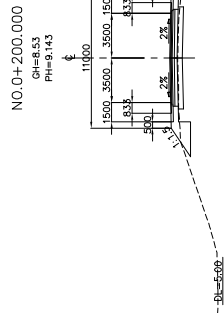
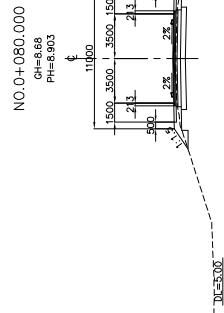
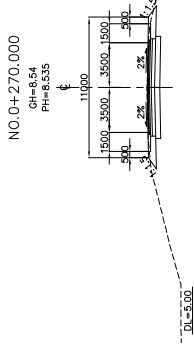
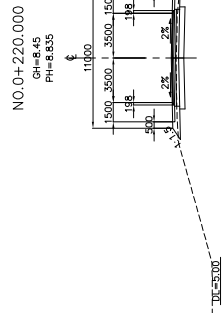
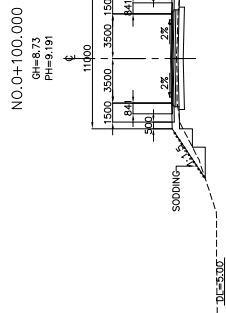
SCALE
AS SHOWN

Drawing No.
Sheet No.

4-5



VERTICAL ALIGNMENT	PAVEMENT LEVEL	GROUND LEVEL	STATION	HORIZONTAL ALIGNMENT
8.61	8.61	8.65	+0+00	L=80.000
8.64	8.66	8.73	+0+60	
8.67	8.715	8.803	+0+80	
9.045	9.191	9.191	+0+100	
9.400	9.400	9.400	+0+120	
9.500	9.500	9.500	+0+140	
9.919	9.919	9.919	+0+160	L=140.000
9.372	9.372	9.372	+0+180	
9.143	9.143	9.143	+0+200	
8.987	8.987	8.987	+0+220	
8.835	8.835	8.835	+0+240	
8.622	8.622	8.622	+0+260	
8.533	8.533	8.533	+0+280	L=80.000
8.535	8.535	8.60	+0+300	



MINISTRY OF
PUBLIC WORKS AND TRANSPORT
(MPWT)

THE PROJECT FOR FLOOD
DISASTER REHABILITATION AND
MITIGATION
IN THE KINGDOM OF CAMBODIA

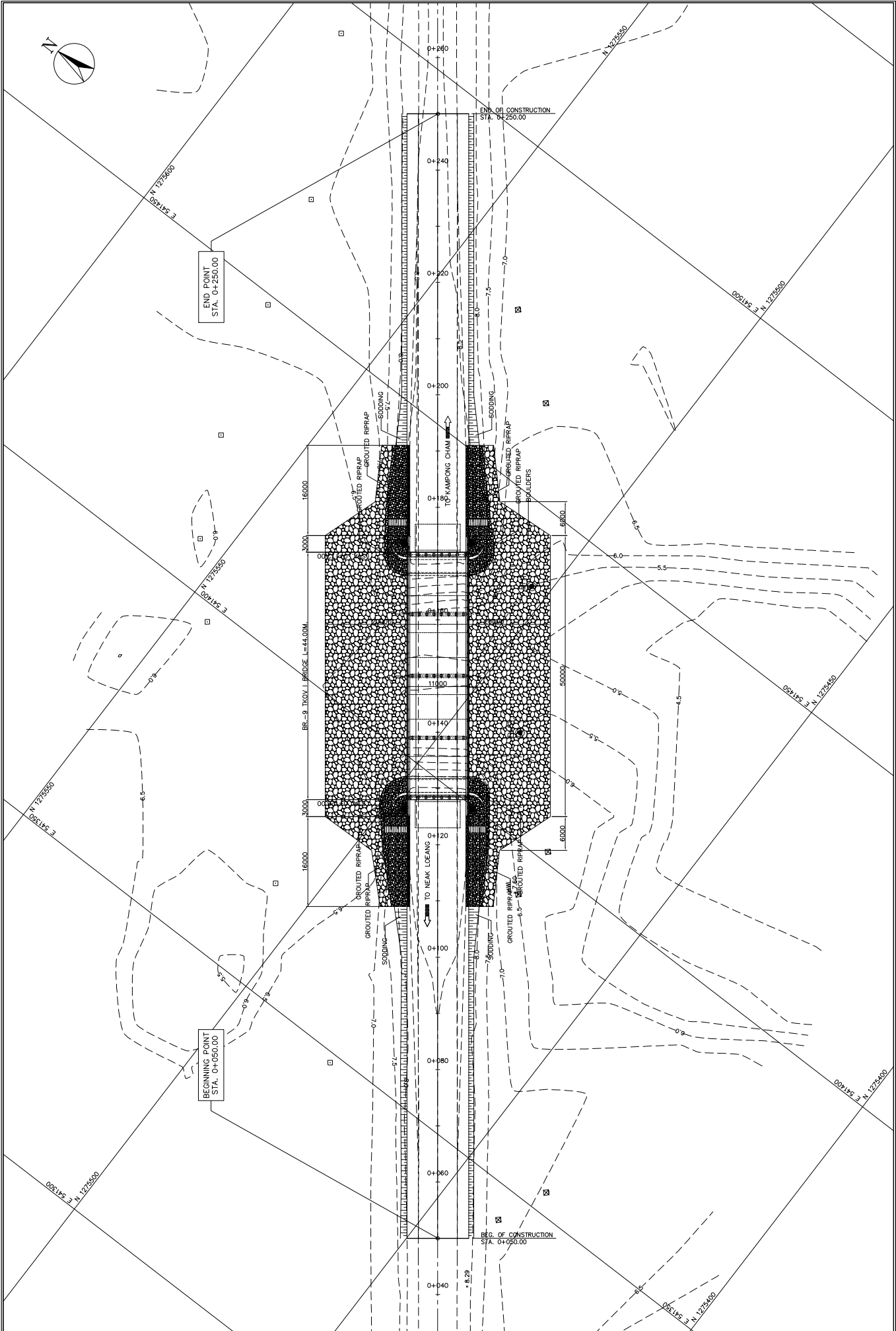
JAPAN INTERNATIONAL COOPERATION AGENCY
KATAHIRA & ENGINEERS INTERNATIONAL

TITLE :
BR-8 MEBON BRIDGE
APPROACH ROAD CROSS SECTIONS

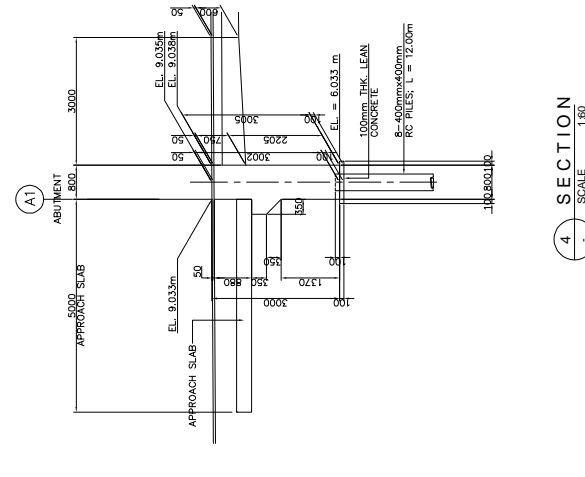
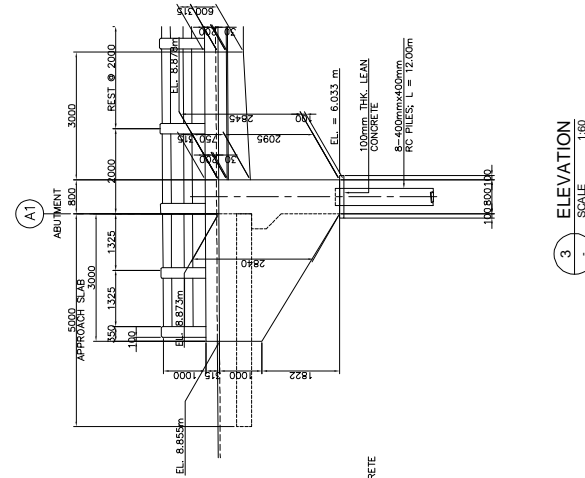
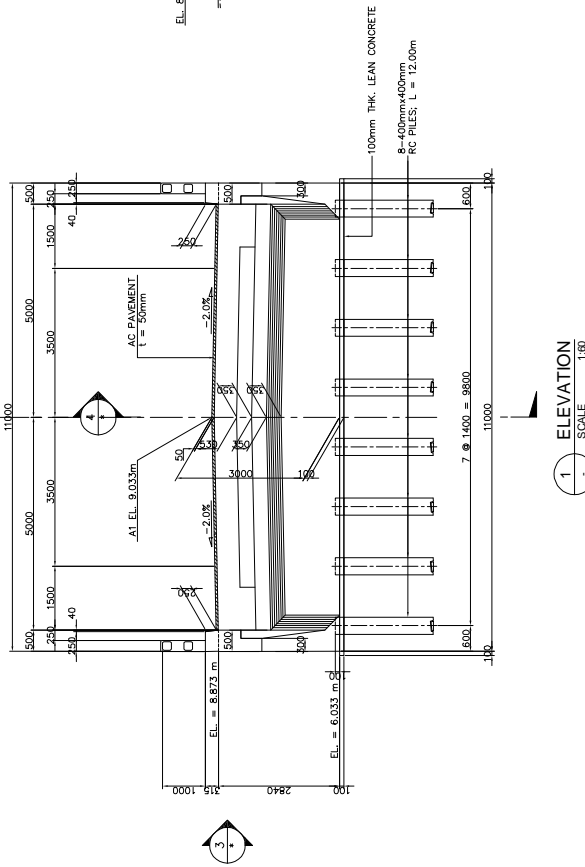
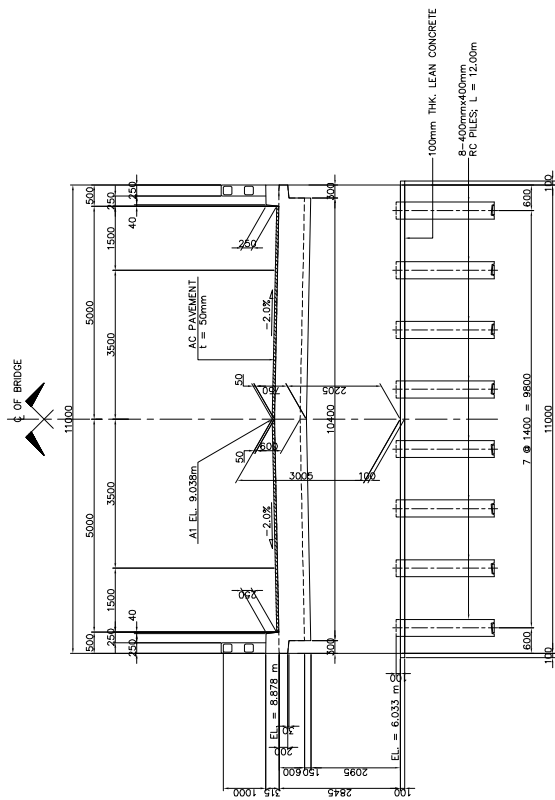
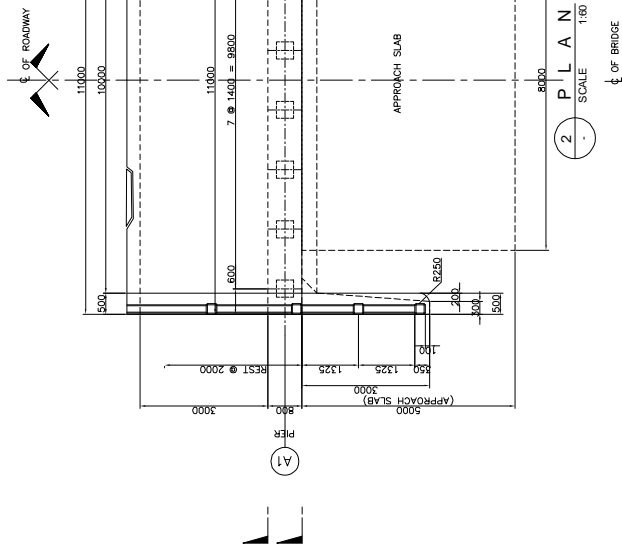
SCALE
1:400

Drawing No. 4-7
Sheet No.

BR-9 TKOV | BRIDGE



MINISTRY OF PUBLIC WORKS AND TRANSPORT (MPWT)	THE PROJECT FOR FLOOD DISASTER REHABILITATION AND MITIGATION IN THE KINGDOM OF CAMBODIA	JAPAN INTERNATIONAL COOPERATION AGENCY KATAHIRA & ENGINEERS INTERNATIONAL	TITLE: BR-9 TKOV I BRIDGE GENERAL SITE PLAN	SCALE	Drawing No.
				1:600	5 - 1
					Sheet No.



SECTION
SCALE 1:80

ELEVATION
SCALE 1:80

ELEVATION
SCALE 1:80

SECTION
SCALE 1:80

MINISTRY OF
PUBLIC WORKS AND TRANSPORT
(MPWT)

THE PROJECT FOR FLOOD
DISASTER REHABILITATION AND
MITIGATION
IN THE KINGDOM OF CAMBODIA

JAPAN INTERNATIONAL COOPERATION AGENCY
KATAHIRA & ENGINEERS INTERNATIONAL

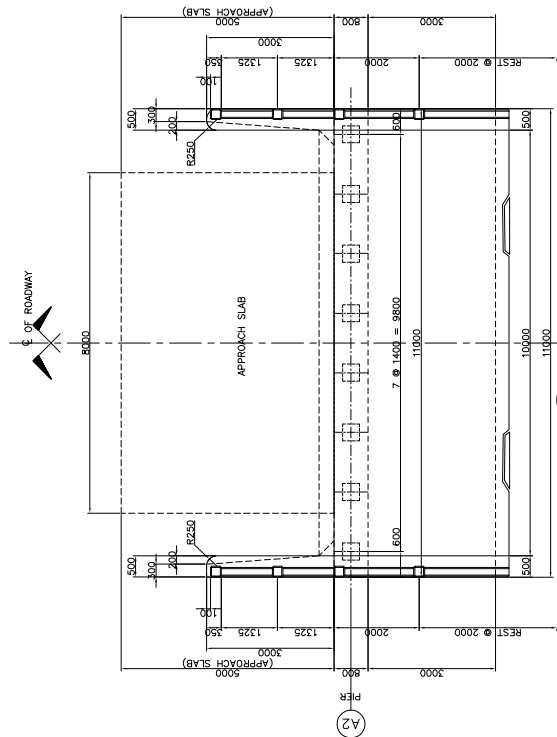
TITLE: BR-9 TIKOV / BRIDGE
SUBSTRUCTURE STRUCTURAL DIMENSION
(ABUT. A1)

SCALE
AS SHOWN

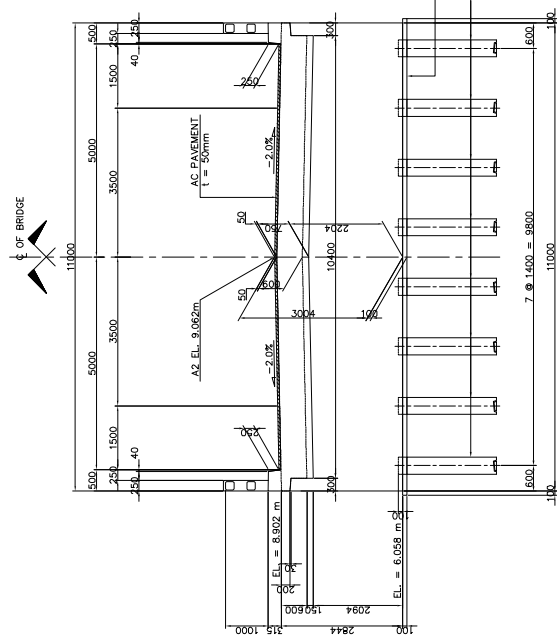
Drawing No.

5-3

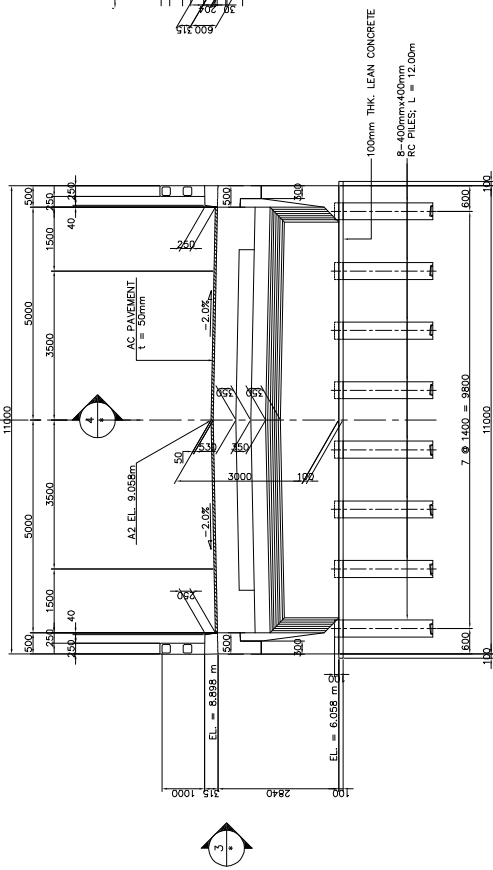
Sheet No.



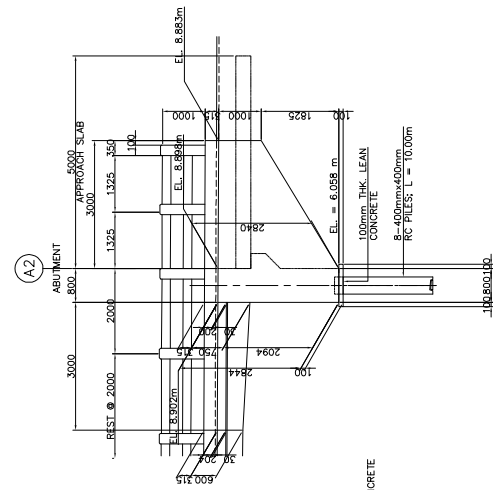
2 PLAN SCALE 1:60



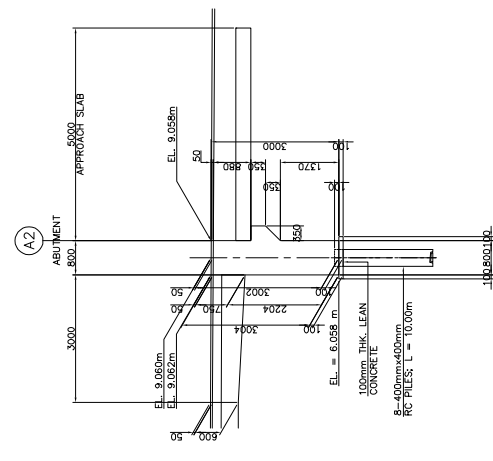
3 ELEVATION SCALE 1:60



1 ELEVATION SCALE 1:60



3 ELEVATION SCALE 1:60



4 SECTION SCALE 1:60

MINISTRY OF PUBLIC WORKS AND TRANSPORT (MPWT)

THE PROJECT FOR FLOOD DISASTER REHABILITATION AND MITIGATION IN THE KINGDOM OF CAMBODIA

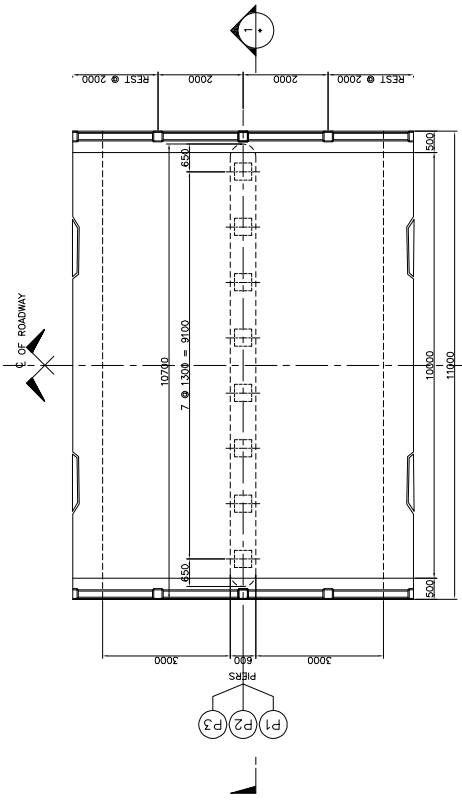
JAPAN INTERNATIONAL COOPERATION AGENCY KATAHIRA & ENGINEERS INTERNATIONAL

TITLE: BR-9 TIKOV I BRIDGE SUBSTRUCTURE STRUCTURAL DIMENSION (ABUT. A2)

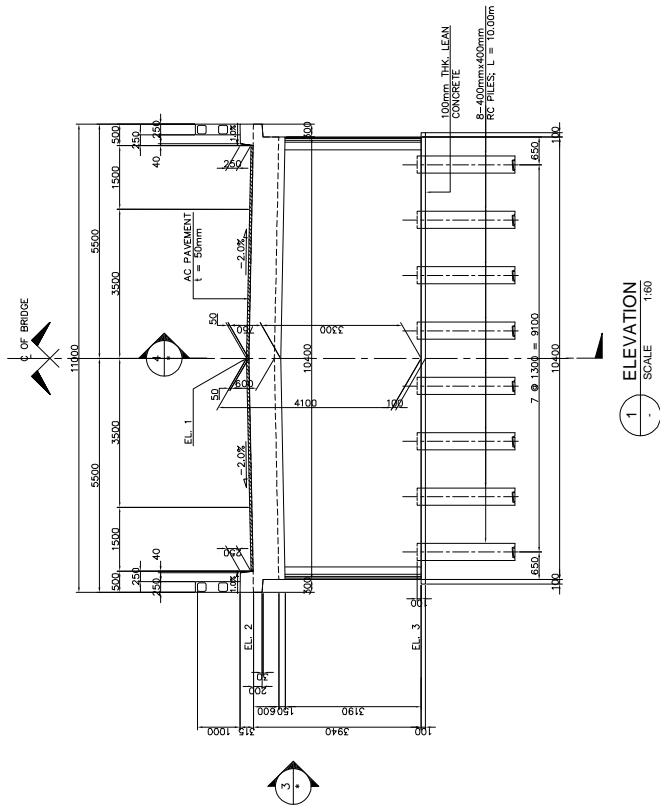
SCALE AS SHOWN

Drawing No. 5-4

Sheet No.

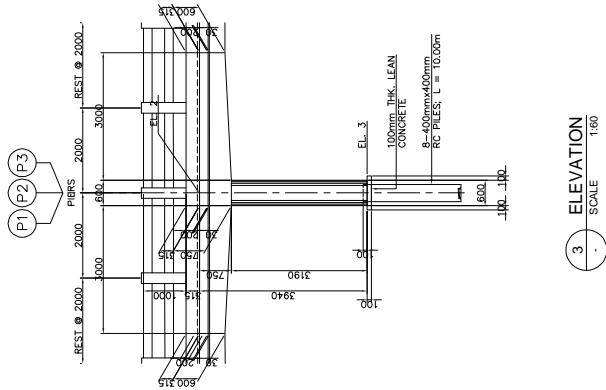


2 PLAN SCALE 1:80

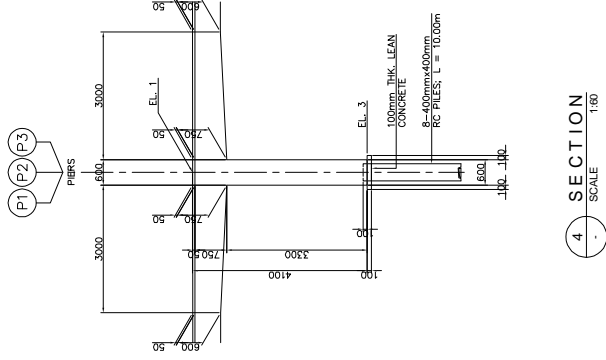


1 ELEVATION SCALE 1:80

TABLE OF ELEVATIONS			
LOCATION	EL. 1	EL. 2	EL. 3
PIER 1	9.085m	8.925m	4.985m
PIER 2	9.103m	8.943m	5.033m
PIER 3	9.097m	8.927m	4.997m



3 ELEVATION SCALE 1:80



4 SECTION SCALE 1:80

MINISTRY OF
PUBLIC WORKS AND TRANSPORT
(MPWT)

THE PROJECT FOR FLOOD
DISASTER REHABILITATION AND
MITIGATION
IN THE KINGDOM OF CAMBODIA

JAPAN INTERNATIONAL COOPERATION AGENCY
KATAHIRA & ENGINEERS INTERNATIONAL

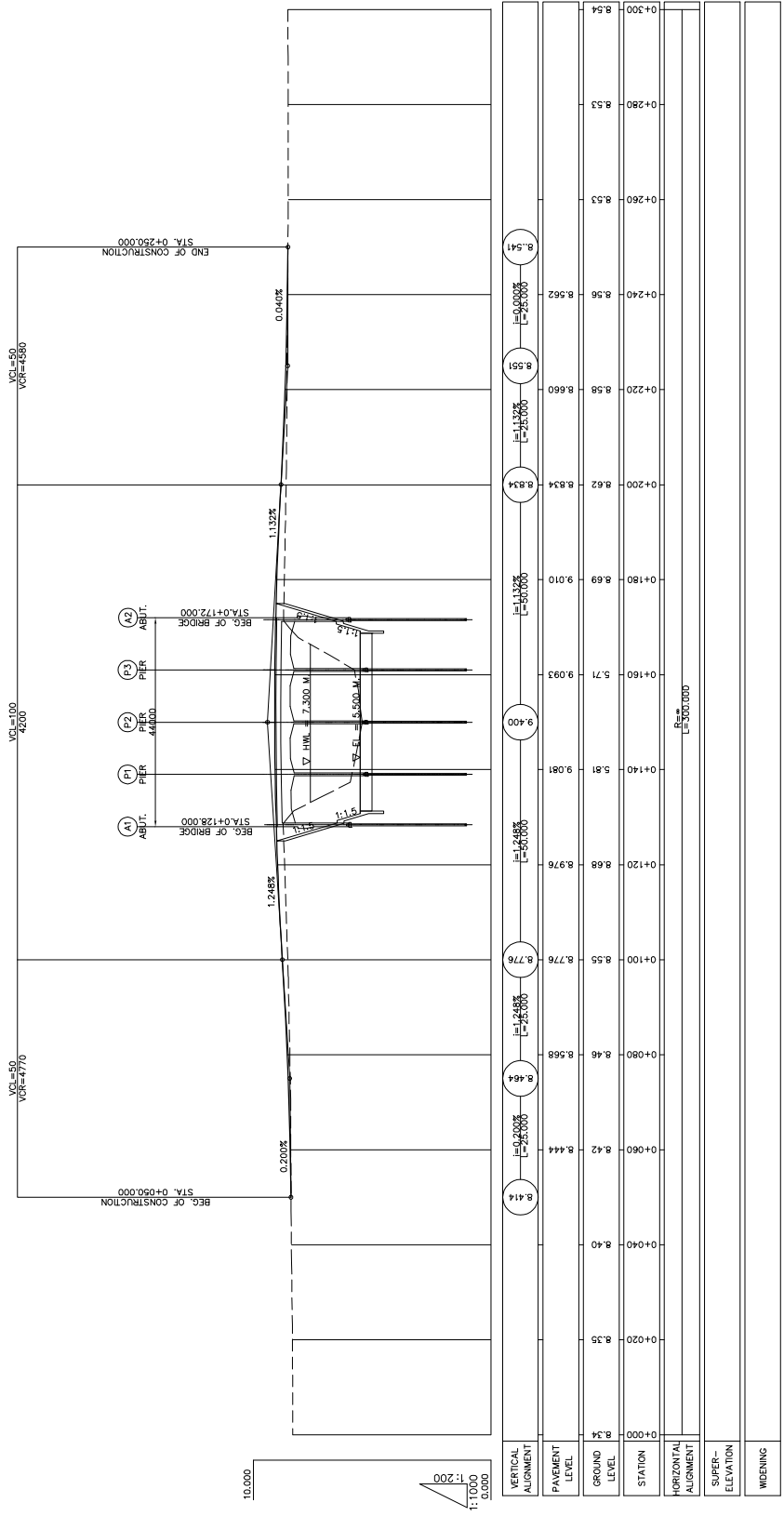
TITLE :
BR-9 TIKOV I BRIDGE
SUBSTRUCTURE STRUCTURAL DIMENSION
(PIER P1, P2 & P3)

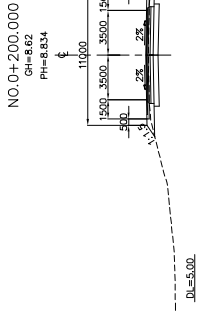
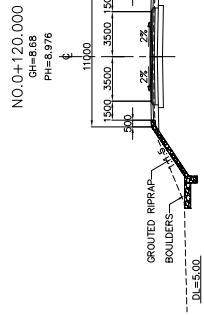
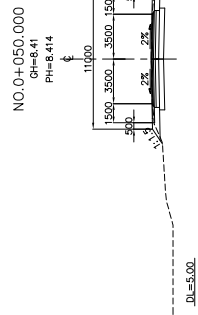
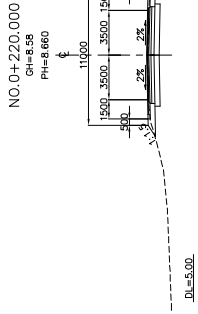
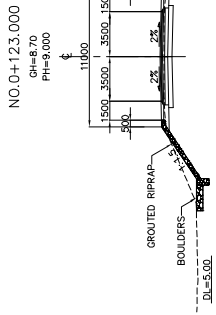
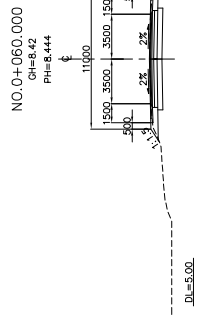
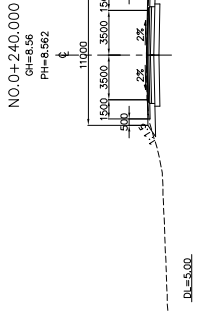
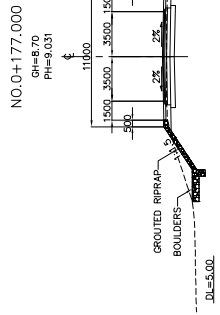
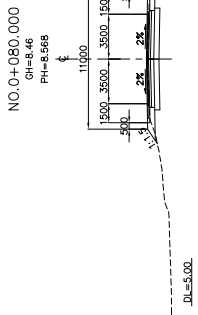
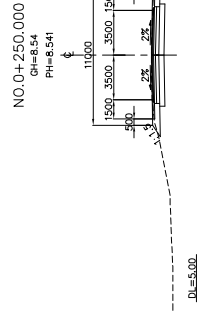
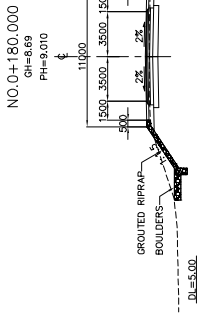
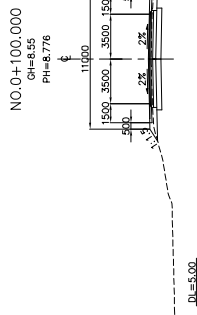
SCALE
AS SHOWN

Drawing No.

Sheet No.

5-5





MINISTRY OF
PUBLIC WORKS AND TRANSPORT
(MPWT)

THE PROJECT FOR FLOOD
DISASTER REHABILITATION AND
MITIGATION
IN THE KINGDOM OF CAMBODIA

JAPAN INTERNATIONAL COOPERATION AGENCY
KATAHIRA & ENGINEERS INTERNATIONAL

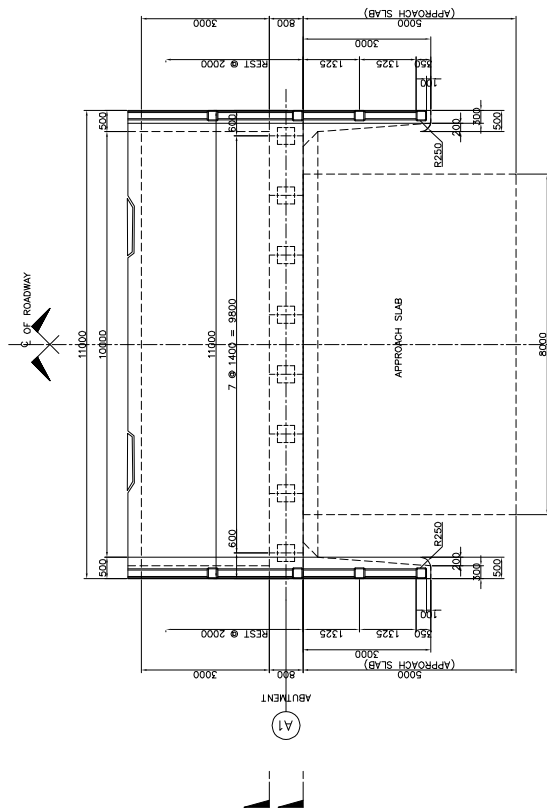
TITLE:
BR-9 TKOVI I BRIDGE
APPROACH ROAD CROSS SECTIONS

SCALE
1 : 400

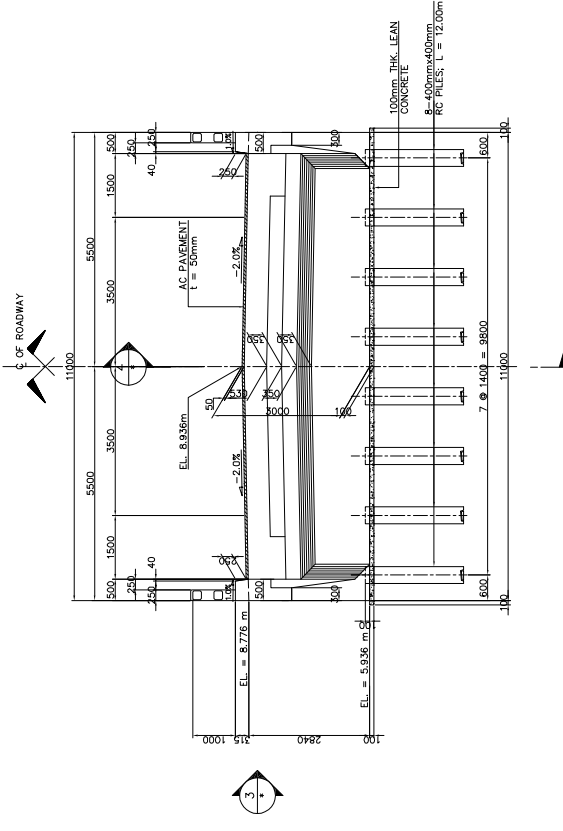
Drawing No.
Sheet No.

5 - 7

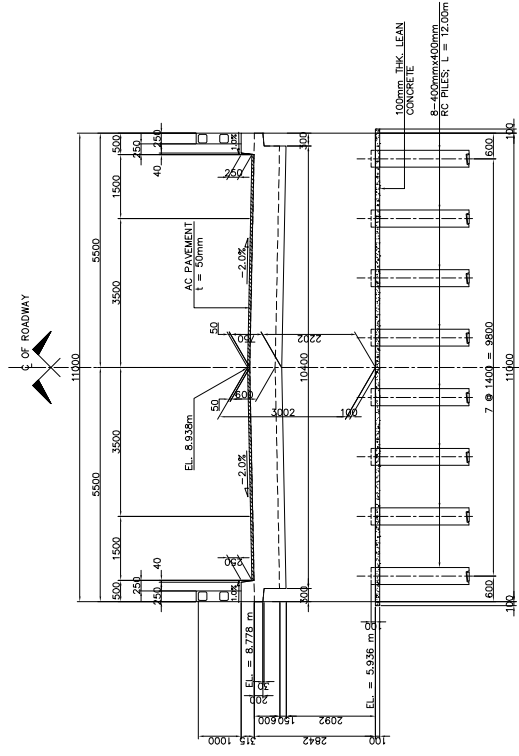
CLV-1 TKOV II BRIDGE



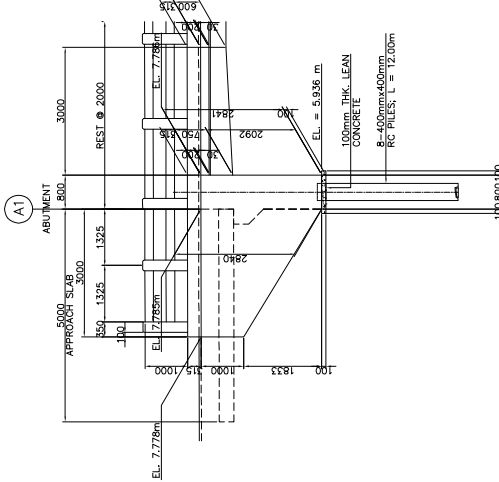
2 PLAN SCALE 1:80



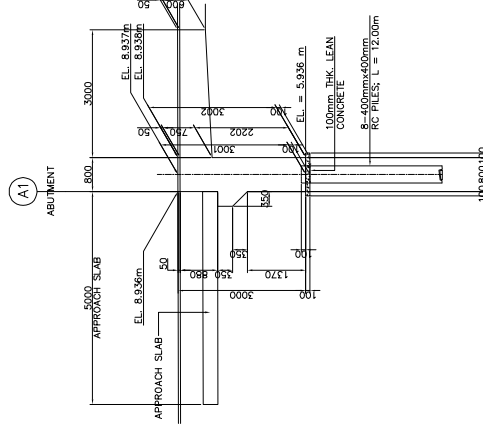
1 ELEVATION SCALE 1:80



5 ELEVATION SCALE 1:80



3 ELEVATION SCALE 1:80



4 SECTION SCALE 1:80

MINISTRY OF PUBLIC WORKS AND TRANSPORT (MPWT)

THE PROJECT FOR FLOOD DISASTER REHABILITATION AND MITIGATION IN THE KINGDOM OF CAMBODIA

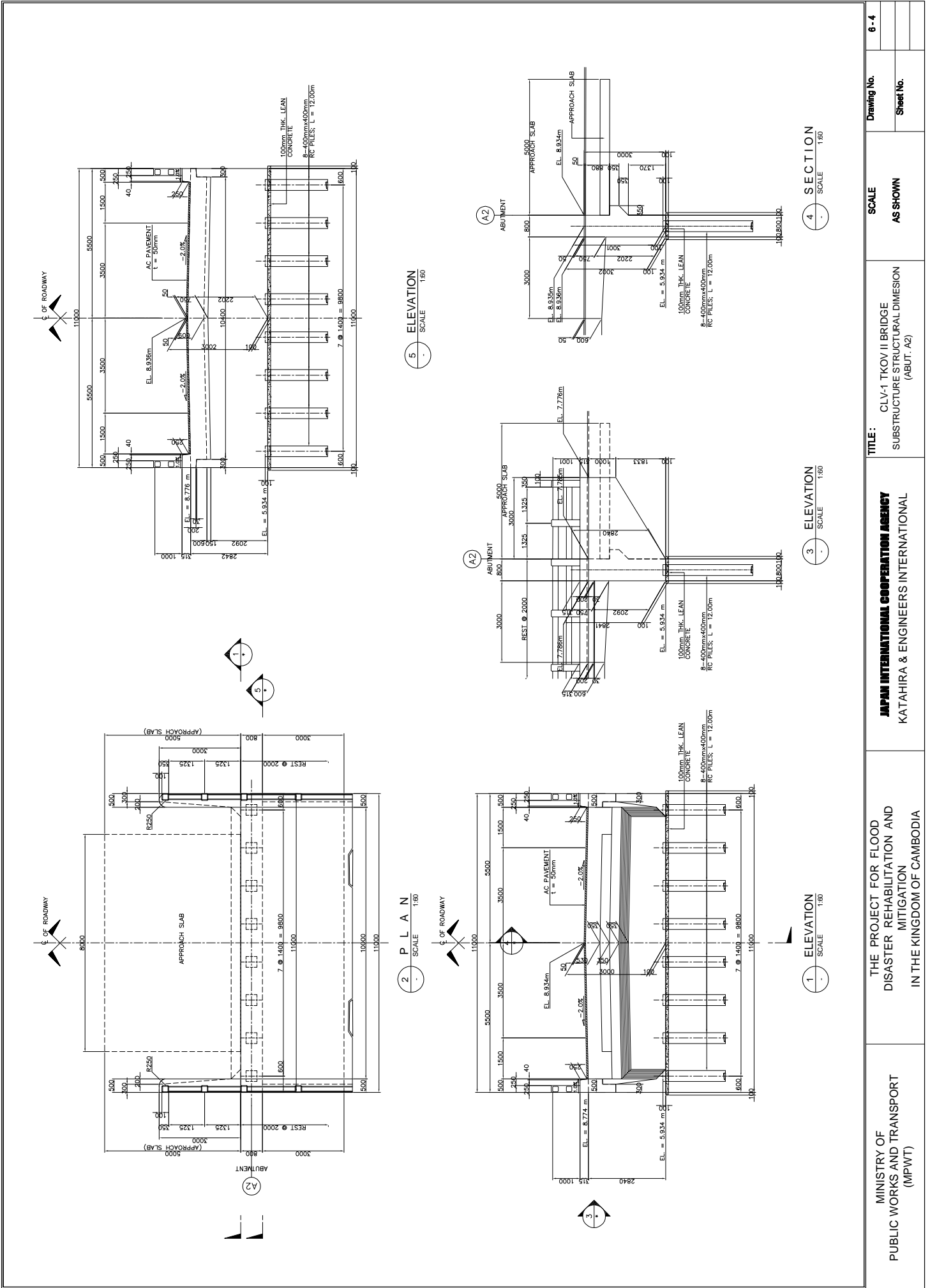
JAPAN INTERNATIONAL COOPERATION AGENCY KATAHIRA & ENGINEERS INTERNATIONAL

TITLE: CLV-1 TKOV II BRIDGE SUBSTRUCTURE STRUCTURAL DIMENSION (ABUT. A1)

SCALE AS SHOWN

Drawing No. Sheet No.

6-3



MINISTRY OF PUBLIC WORKS AND TRANSPORT (MPWT)	THE PROJECT FOR FLOOD DISASTER REHABILITATION AND MITIGATION IN THE KINGDOM OF CAMBODIA	JAPAN INTERNATIONAL COOPERATION AGENCY KATAHIRA & ENGINEERS INTERNATIONAL	TITLE : CLV-1 TKOV II BRIDGE SUBSTRUCTURE STRUCTURAL DIMENSION (ABUT. A2)	SCALE	Drawing No.	6-4
				AS SHOWN		