

川床防護工

橋脚基礎および橋台防護工基礎等を浸食から防護する目的で、川床防護工（床固め工）を設置する。川床防護工として、玉石（既存の玉石防護工を見るとサイズが 20cm 以上の玉石は流失していないことから最小サイズを 20cm とする。）を厚さ 50cm で図 3-2-18 に示す範囲に敷均す。

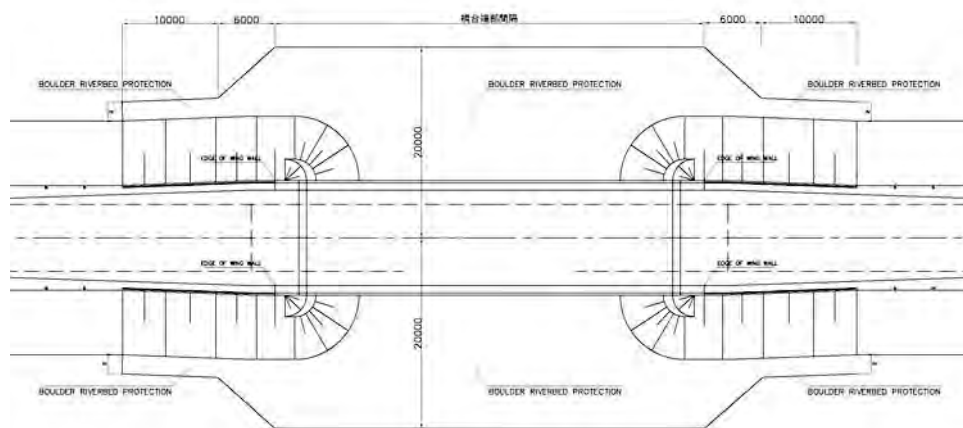


図 3-2-17 川床防護工の設置範囲

3-2-4 概略設計図

本プロジェクトの協力対象事業の内容は次の通りである。

表 3-2-14-1 施設概要

施設名称	仕様
コンポンチュナン市内の道路・排水施設改修	<u>コンポンチュナン市内中心区間の国道 5 号線改修</u>
	5 号線改修延長：2.2km
	土工事：掘削(既設舗装撤去)
	車道舗装工：アスファルト表層工(50mm 厚) アスファルト基層工(50mm 厚)
	車道路盤工：アスファルト安定処理路盤(80mm 厚) 上層路盤工(粒調碎石 200mm 厚) 下層路盤工(切込碎石 300mm 厚)
	歩道舗装工：インターロッキングブロック
	排水路工：コンクリート管(内径 300mm)、現場打側溝(400x600mm) 集水桝、マンホール
	縁石工：歩車道境界ブロック(200 (w) x300 & 200 (h) mm)
	付帯施設：道路区画線工、蛇籠工
	<u>コンポンチュナン市内主要街路改修及び市内排水路整備</u>
主要街路改修延長：2.4km 排水路整備：2.6km	
土工事：掘削、路体築堤盛土	
車道舗装工：アスファルト表層(50mm 厚) 砂利舗装 (200mm 厚)	
車道路盤工：アスファルト安定処理路盤(50mm 厚) 路盤(切込碎石 200mm 厚)	
公共市場舗装工：インターロッキングブロック	
排水路工：コンクリート管(内径 300~1,750mm)、集水桝、マンホール 現場打側溝(400x600mm、1,000x1,000mm)	
縁石工：歩車道境界ブロック(200 (w) x300 & 200 (h) mm)	
付帯施設工：道路区画線	

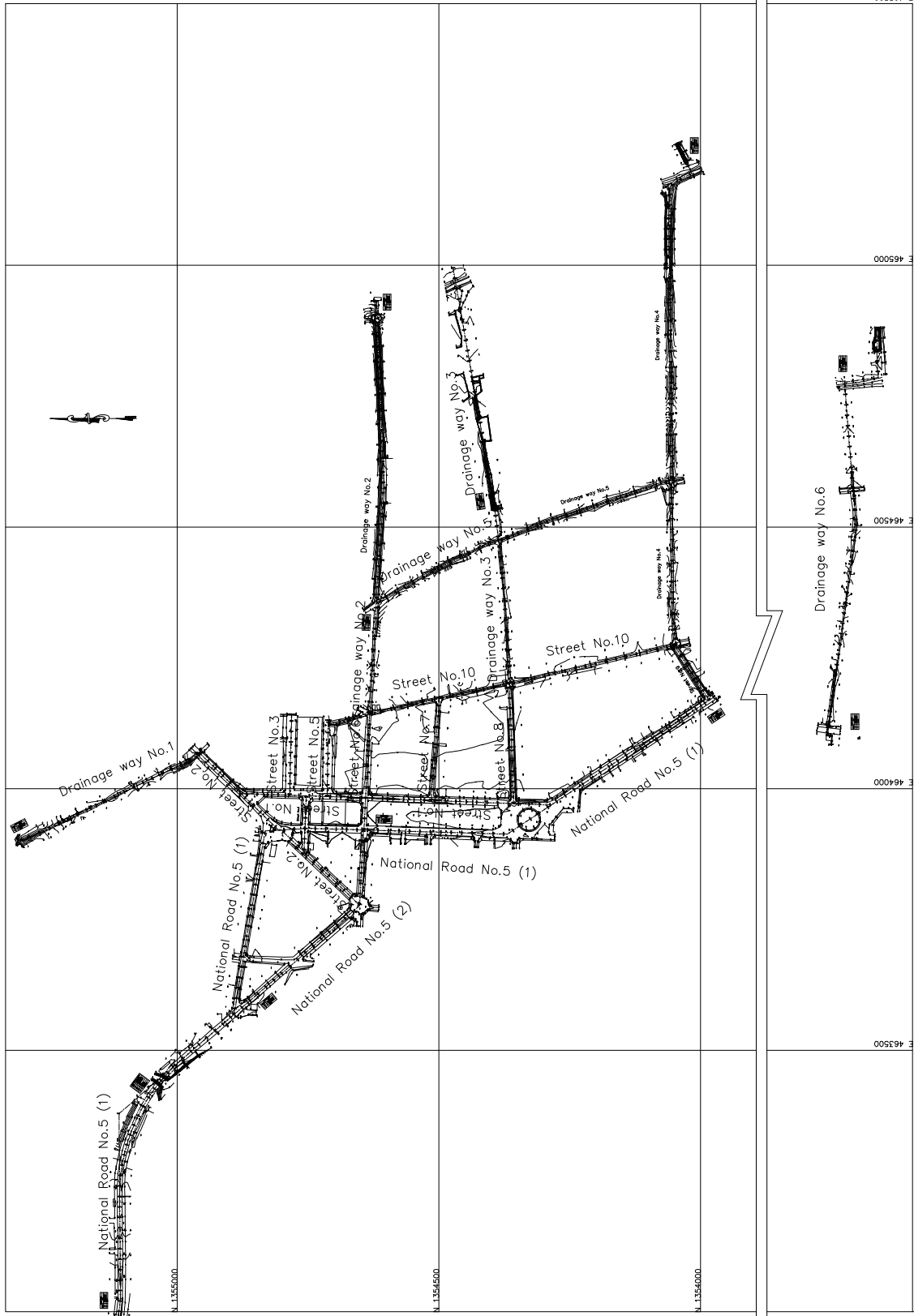
施設名称	仕様			
国道 11 号線橋梁の改修	橋梁番号	橋梁名	橋長 (m)	径間数 (no)
	BR-4	Kbal Boeung	33.0	3
	BR-5	Snate	40.0	4
	BR-7	Sam Puthor II	44.0	4
	BR-8	Mebon	50.0	5
	BR-9	Tkov I	44.0	4
	Clv-1	Tkov II	20.0	2
	BR-11	Ek Ream	33.0	3
	Clv-2	Rom Lech	44.0	4
	合計		308.0	29
	<p>車道幅員：10.0 m</p> <p>上部工型式：RC 床版 (インテグラル型式)</p> <p>基礎工型式：RC プレキャスト杭(400 mm x 400 mm)</p> <p>道路舗装工：アスファルト表層工 (50 mm 厚) アスファルト基層工 (50 mm 厚)</p> <p>車道路盤工：アスファルト安定処理路盤 (80 mm 厚) 上層路盤工(粒調碎石 180, 150, 130 mm 厚) 下層路盤工 (切込碎石 250 mm 厚)</p> <p>車道路床工：セメント改良路床工(400 mm 厚)</p> <p>法面防護工：法面植生、法面・練石積、護床</p> <p>橋台防護工：護床、練石積、蛇籠</p> <p>付帯施設：ガイドポスト、ガードレール、道路区画線</p>			

概略設計図を次頁以降に示す。

ABBREVIATION LIST

CLASSIFICATION	ABBREVIATION	DESCRIPTION	DRAWING NO.	CLASSIFICATION	ABBREVIATION	DESCRIPTION	DRAWING NO.
CURB STONE	CG-H 200	For boundary between carriage way and side walk. Allow car crossing	KS-01	CATCH BASIN	CB(G)400x400x500	Concrete catch basin with grating cover	DR-04
	CG-H 300	For boundary between carriage way and side walk			CB(C)-600x600x1000	Concrete catch basin with concrete cover for CP-D300, 400	
DRAINAGE	UD(C)-400x600	Concrete ditch with concrete cover	DR-01	DRAINAGE	CB(C)-800x600x1200	Concrete catch basin with concrete cover for CP-D500, 600	DR-05
	RG-500x100	Concrete ditch of rolled gutter type			CB(G)-1000x1000x1400	Concrete catch basin with concrete cover for CP-D800	
	Ww-U(R)1000x1000	Reinforced concrete water way			CB(C)-1400x750x1200	Concrete catch basin with concrete cover for CP-D1000, Ww-U(R)1000x1000	
	CP-D 300(90)	Concrete pipe with 90 degree concrete base. Diameter=300mm			CB-1400x1400x1200	Concrete catch basin for Ww-U(R)1000x1000	
	CP-D 400(90)	Concrete pipe with 90 degree concrete base. Diameter=400mm			MH(C)-1300x1300x1900	Concrete manhole with steel cover for CP-D1000	
	CP-D 500(90)	Concrete pipe with 90 degree concrete base. Diameter=500mm			MH(C)-1600x1600x2200	Concrete manhole with steel cover for CP-D1200	
	CP-D 1750(90)	Concrete pipe with 90 degree concrete base. Diameter=1750mm			MH(C)-2000x2000x2600	Concrete manhole with steel cover for CP-D1500	
	CP-D 300(90)S	Concrete pipe with 90 degree concrete base. Diameter=300mm, Excavation with sheet pile			MH(C)-2300x2300x2900	Concrete manhole with steel cover for CP-D1750	
	CP-D 400(90)S	Concrete pipe with 90 degree concrete base. Diameter=400mm, Excavation with sheet pile			SM350(H3.50)	Grouted riprap masonry t=350mm, H=3.50m	
	CP-D 500(90)S	Concrete pipe with 90 degree concrete base. Diameter=500mm, Excavation with sheet pile			SM200(H6.00)	Grouted riprap masonry t=200mm, H=6.00m	
	CP-D 600(90)S	Concrete pipe with 90 degree concrete base. Diameter=600mm, Excavation with sheet pile			SW(W a)	Interlocking block surfacing side walk, a=width(m)	
	CP-D 800(90)S	Concrete pipe with 90 degree concrete base. Diameter=800mm, Excavation with sheet pile			Rd(G) a	Gravel surface road, a= width (m)	
CP-D 1000(90)S	Concrete pipe with 90 degree concrete base. Diameter=1000mm, Excavation with sheet pile	Rd(As) a	Asphalt surface road, a= width (m)				
CP-D 1200(90)S	Concrete pipe with 90 degree concrete base. Diameter=1200mm, Excavation with sheet pile	Gabion (D45) 5.00	Steel gabion, diameter=45cm, length=5.00m				
CP-D 1500(90)S	Concrete pipe with 90 degree concrete base. Diameter=1500mm, Excavation with sheet pile	Gabion (D45) 4.00	Steel gabion, diameter=45cm, length=4.00m				
CP-D 400(360)	Concrete pipe with 360 degree concrete base. Diameter=400mm						
CP-D 500(360)	Concrete pipe with 360 degree concrete base. Diameter=500mm						
CP-D 600(360)S	Concrete pipe with 360 degree concrete base. Diameter=600mm, Excavation with sheet pile						
CP-D 800(360)S	Concrete pipe with 360 degree concrete base. Diameter=800mm, Excavation with sheet pile						
CP-D 1000(360)S	Concrete pipe with 360 degree concrete base. Diameter=1000mm, Excavation with sheet pile						

MINISTRY OF PUBLIC WORKS AND TRANSPORT (MPWT)	THE PROJECT FOR FLOOD DISASTER REHABILITATION AND MITIGATION IN THE KINGDOM OF CAMBODIA	JAPAN INTERNATIONAL COOPERATION AGENCY KATAHIRA & ENGINEERS INTERNATIONAL	TITLE :	ABBREVIATION LIST	SCALE	Drawing No.	AB-01
					NON SCALE	Sheet No.	



MINISTRY OF
PUBLIC WORKS AND TRANSPORT
(MPWT)

THE PROJECT FOR FLOOD
DISASTER REHABILITATION AND
MITIGATION
IN THE KINGDOM OF CAMBODIA

JAPAN INTERNATIONAL COOPERATION AGENCY
KATAHIRA & ENGINEERS INTERNATIONAL

TITLE :
KEY PLAN OF
KOMPONG CHHNANG CITY

SCALE

Drawing No.

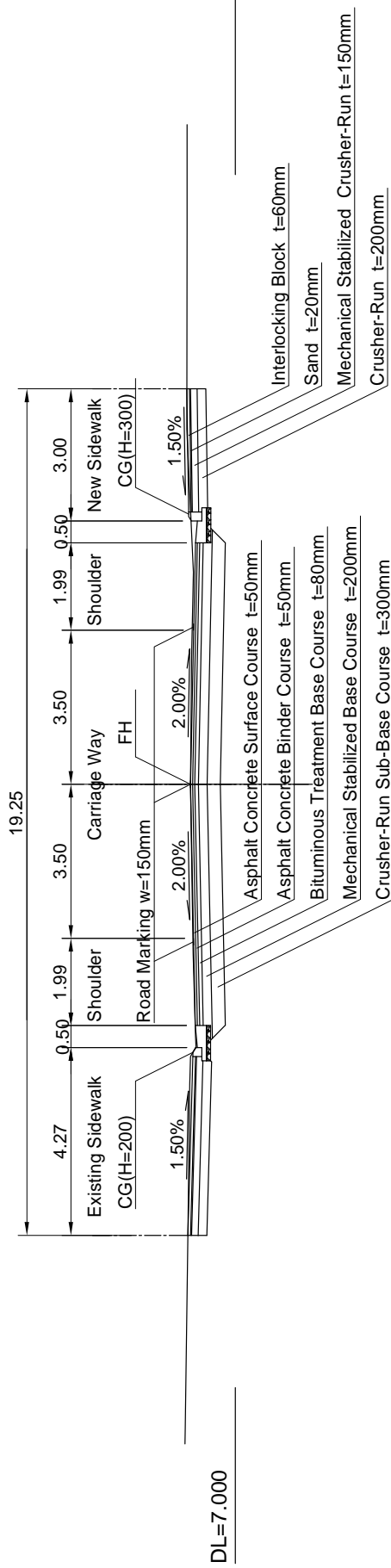
KP-1

Sheet No.

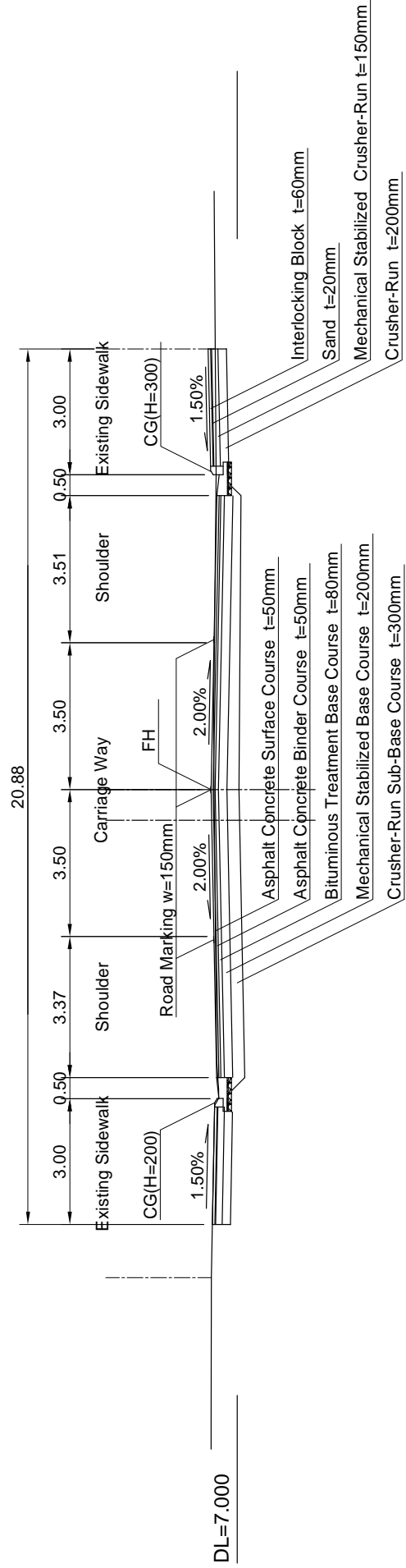
02

NATIONAL ROAD No.5 (1)

STA.0+000~STA.0+300



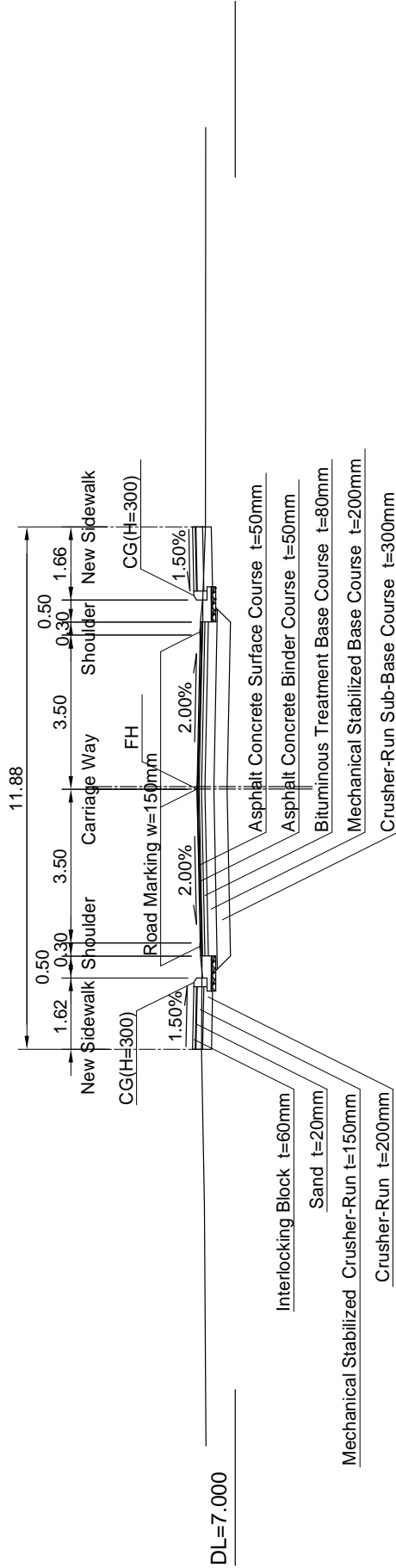
STA.0+500~STA.0+960



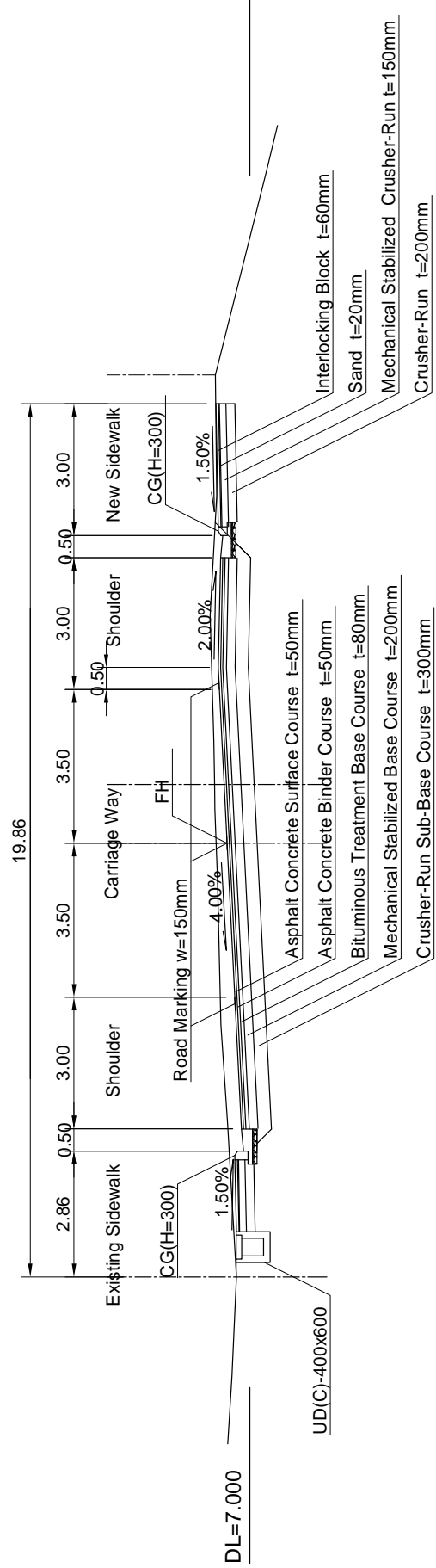
MINISTRY OF PUBLIC WORKS AND TRANSPORT (MPWT)	THE PROJECT FOR FLOOD DISASTER REHABILITATION AND MITIGATION IN THE KINGDOM OF CAMBODIA	JAPAN INTERNATIONAL COOPERATION AGENCY KATAHIRA & ENGINEERS INTERNATIONAL	TITLE : TYPICAL CROSS SECTIONS NATIONAL ROAD No.5 (1)	SCALE	Drawing No.	TC-1
				1/100	Sheet No.	xx

NATIONAL ROAD No.5 (1)

STA.0+960~STA.1+270



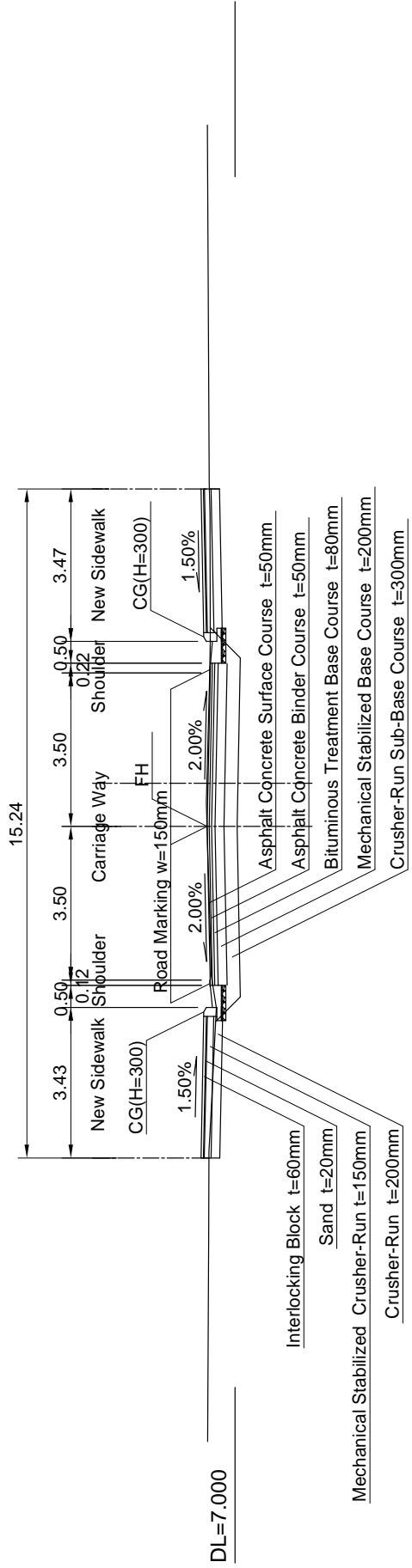
STA.1+270~STA.1+760



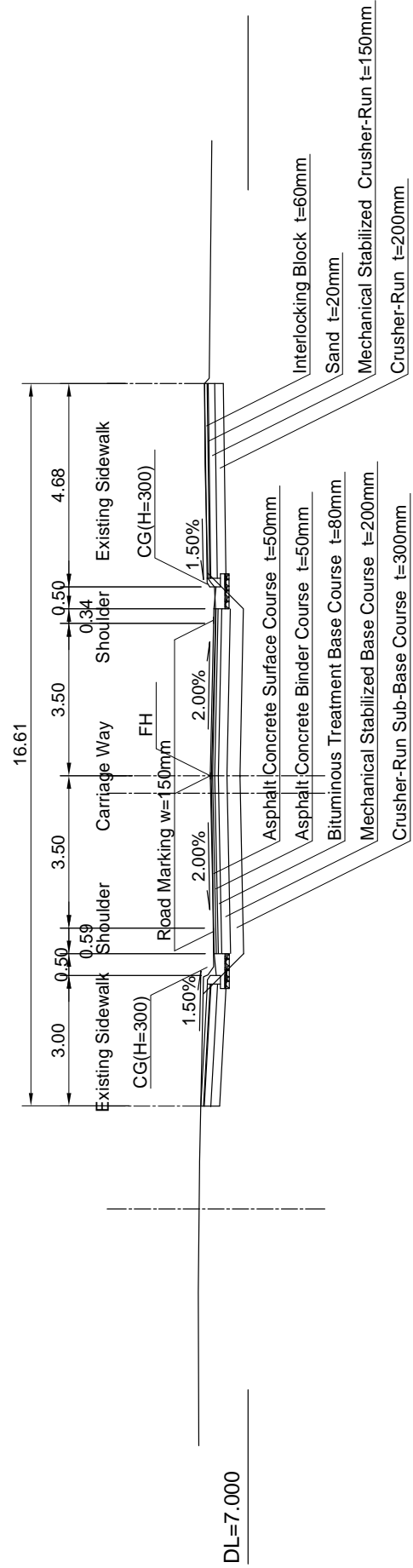
MINISTRY OF PUBLIC WORKS AND TRANSPORT (MPWT)	THE PROJECT FOR FLOOD DISASTER REHABILITATION AND MITIGATION IN THE KINGDOM OF CAMBODIA	JAPAN INTERNATIONAL COOPERATION AGENCY KATAHIRA & ENGINEERS INTERNATIONAL	TITLE : TYPICAL CROSS SECTIONS NATIONAL ROAD No.5 (1)	SCALE	Drawing No.	TC-2
				1/100	Sheet No.	xx

NATIONAL ROAD No.5 (2)

STA.0+000~STA.0+120



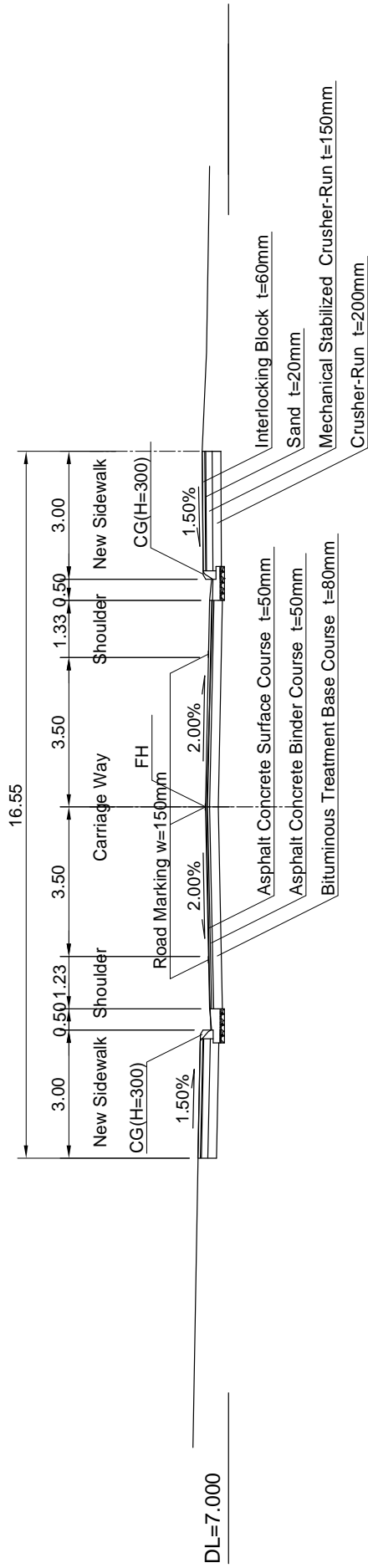
STA.0+120~STA.0+430



MINISTRY OF PUBLIC WORKS AND TRANSPORT (MPWT)	THE PROJECT FOR FLOOD DISASTER REHABILITATION AND MITIGATION IN THE KINGDOM OF CAMBODIA	JAPAN INTERNATIONAL COOPERATION AGENCY KATAHIRA & ENGINEERS INTERNATIONAL	TITLE : TYPICAL CROSS SECTIONS NATIONAL ROAD No.5 (2)	SCALE	Drawing No.	TC-3
				1/100	Sheet No.	xx

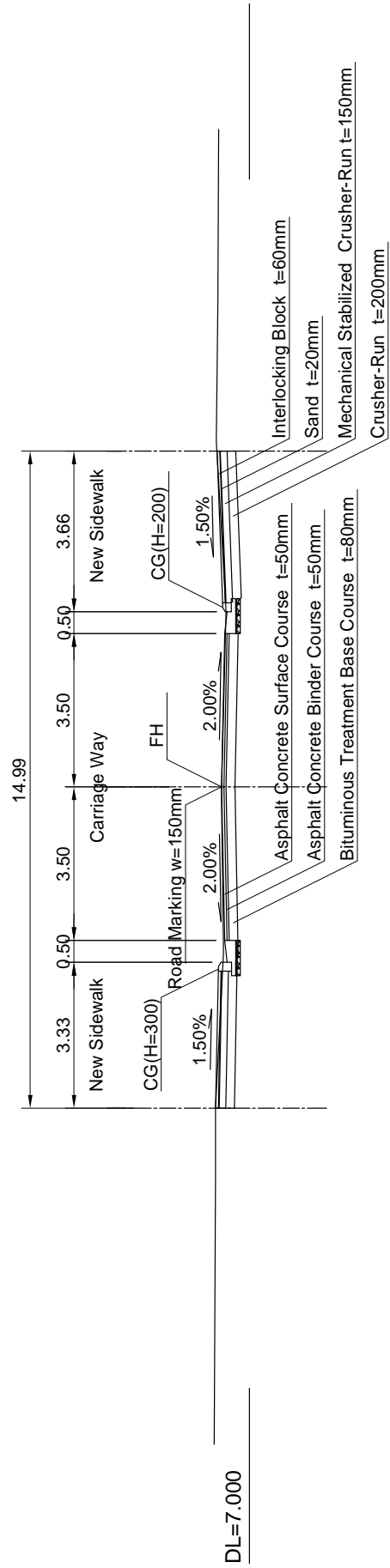
KAMPONG CHHUNAG CITY ROAD

STREET No.1



DL=7.000

STREET No.2

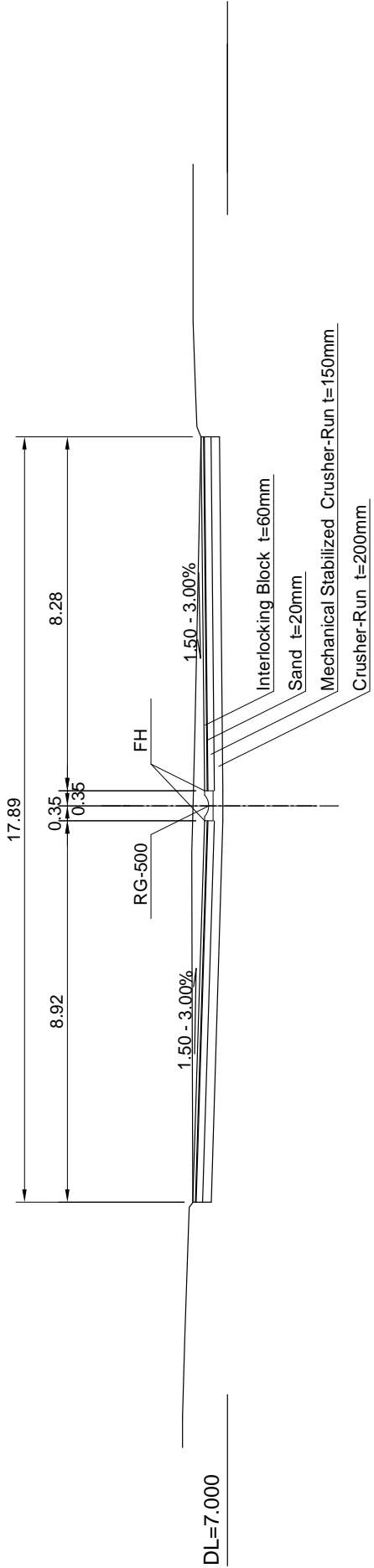


DL=7.000

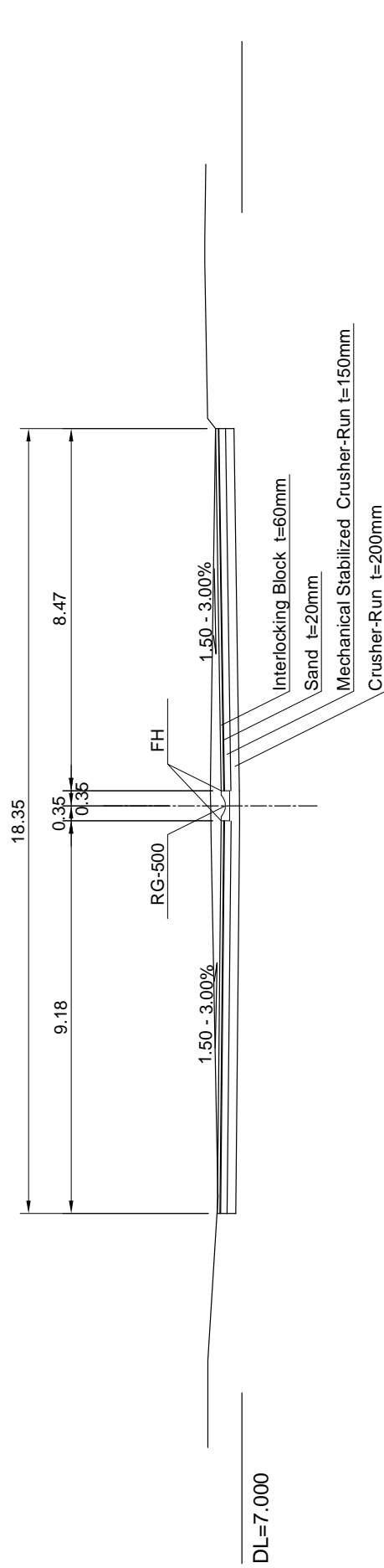
MINISTRY OF PUBLIC WORKS AND TRANSPORT (MPWT)	THE PROJECT FOR FLOOD DISASTER REHABILITATION AND MITIGATION IN THE KINGDOM OF CAMBODIA	JAPAN INTERNATIONAL COOPERATION AGENCY KATAHIRA & ENGINEERS INTERNATIONAL	TITLE : TYPICAL CROSS SECTIONS STREET (1)	SCALE 1/100	Drawing No.	TC-4
					Sheet No.	xx

KAMPONG CHHUNAG CITY ROAD

STREET No.3



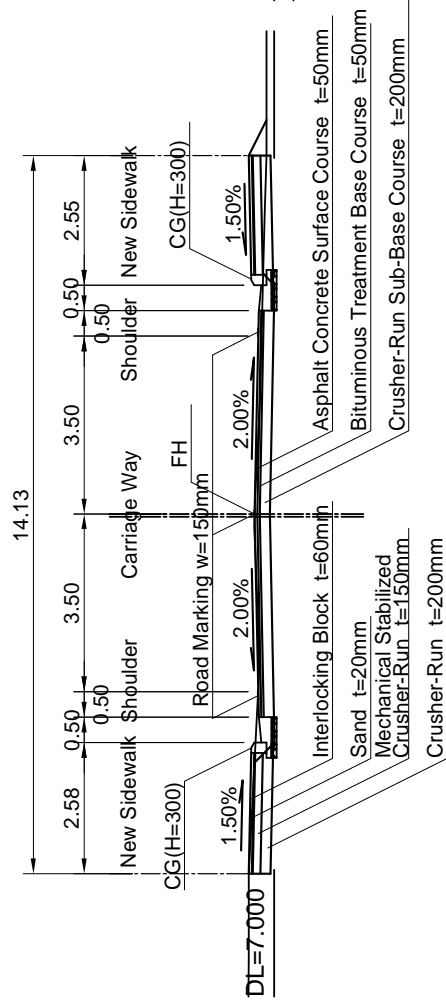
STREET No.5



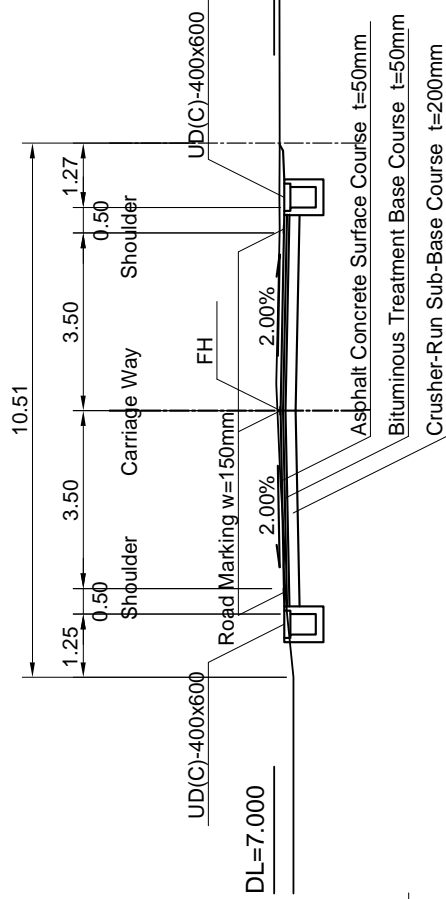
MINISTRY OF PUBLIC WORKS AND TRANSPORT (MPWT)	THE PROJECT FOR FLOOD DISASTER REHABILITATION AND MITIGATION IN THE KINGDOM OF CAMBODIA	JAPAN INTERNATIONAL COOPERATION AGENCY KATAHIRA & ENGINEERS INTERNATIONAL	TITLE : TYPICAL CROSS SECTIONS STREET (2)	SCALE 1/100	Drawing No.	TC-5
					Sheet No.	20

KAMPONG CHHUNAG CITY ROAD

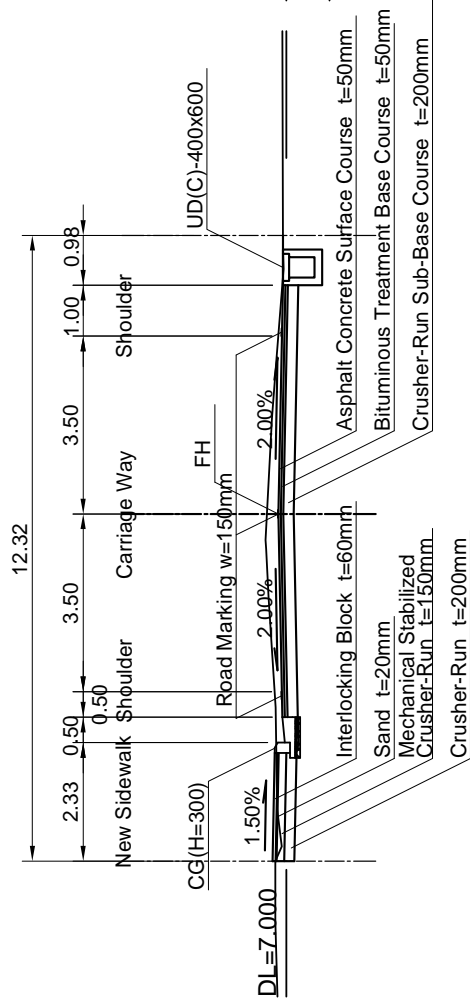
STREET No.6



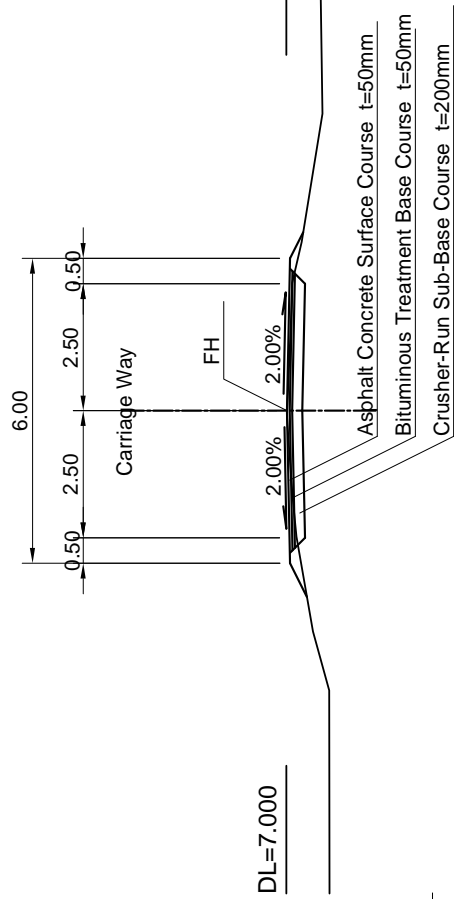
STREET No.7



STREET No.8



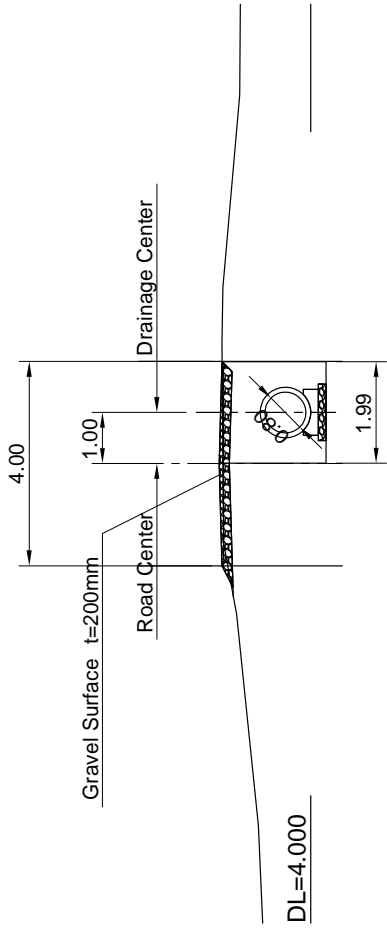
STREET No.10



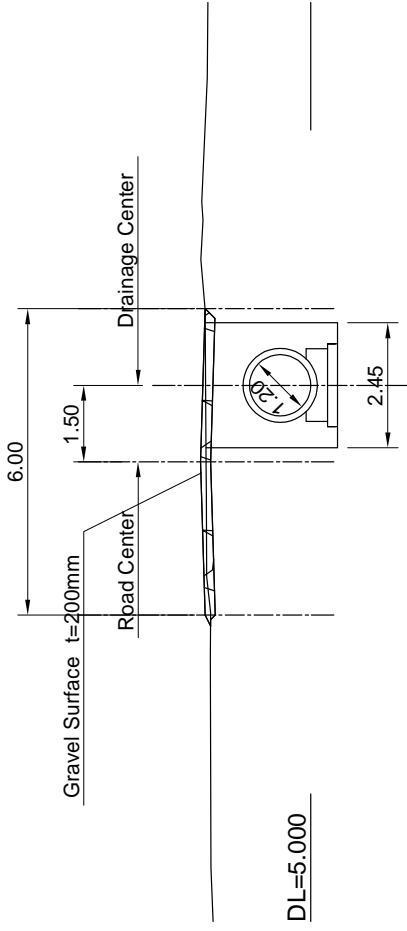
MINISTRY OF PUBLIC WORKS AND TRANSPORT (MPWT)	THE PROJECT FOR FLOOD DISASTER REHABILITATION AND MITIGATION IN THE KINGDOM OF CAMBODIA	JAPAN INTERNATIONAL COOPERATION AGENCY KATAHIRA & ENGINEERS INTERNATIONAL	TITLE : TYPICAL CROSS SECTIONS STREET (3)	SCALE 1/100	Drawing No.	TC-6
					Sheet No.	20

DRAINAGE WAY

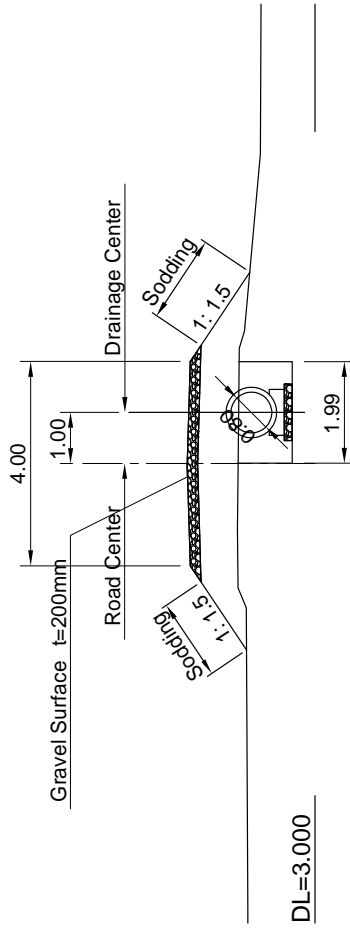
Drainage Way No.1
STA.0+000 - STA.0+280



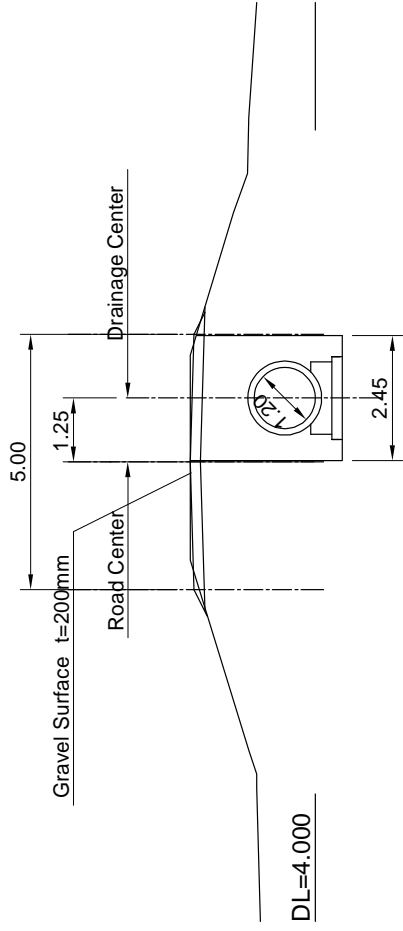
Drainage Way No.2



Drainage Way No.1
STA.0+280 - STA.0+360



Drainage Way No.5



MINISTRY OF
PUBLIC WORKS AND TRANSPORT
(MPWT)

THE PROJECT FOR FLOOD
DISASTER REHABILITATION AND
MITIGATION
IN THE KINGDOM OF CAMBODIA

JAPAN INTERNATIONAL COOPERATION AGENCY
KATAHIRA & ENGINEERS INTERNATIONAL

TITLE :
TYPICAL CROSS SECTIONS
DRAINAGE WAY No.1, 2, 5

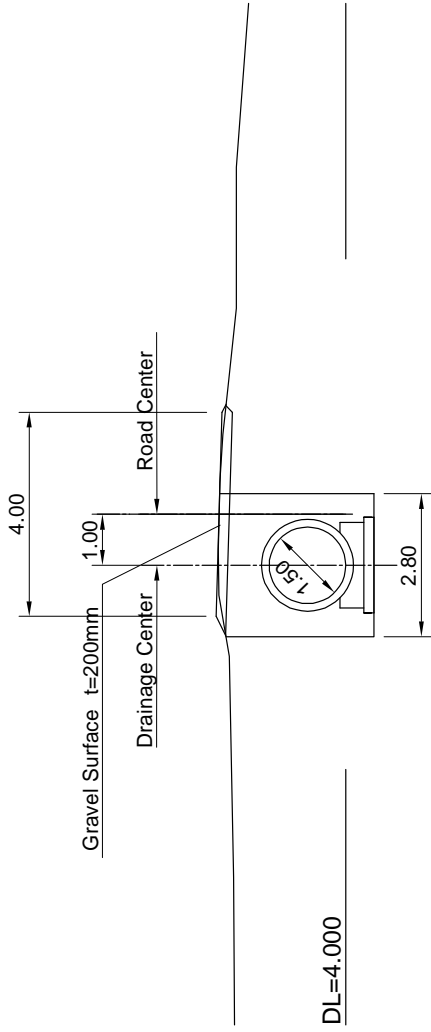
SCALE
1/100

Drawing No.
Sheet No.

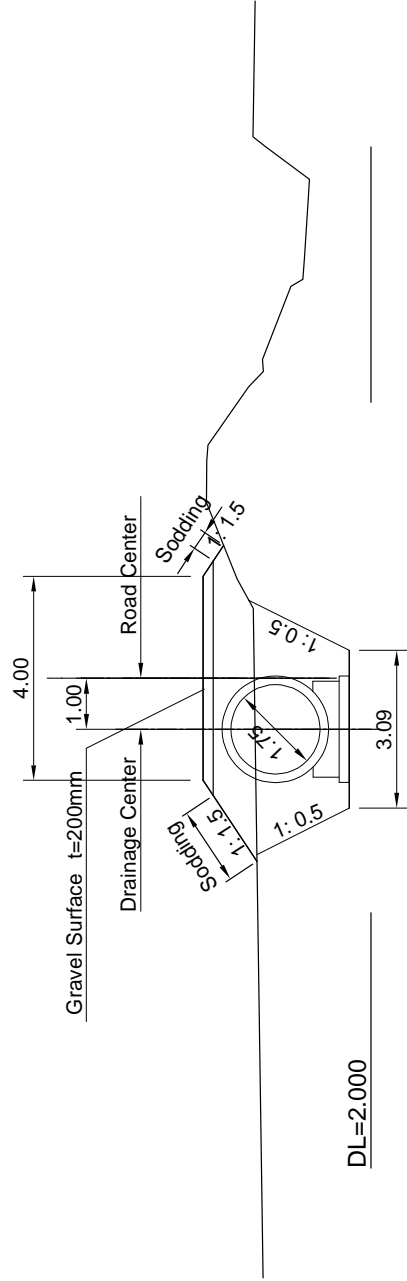
TC-7
xx

DRAINAGE WAY

Drainage Way No.3
STA.0+000 - STA.0+240



Drainage Way No.3
STA.0+240 - STA.0+800



MINISTRY OF
PUBLIC WORKS AND TRANSPORT
(MPWT)

THE PROJECT FOR FLOOD
DISASTER REHABILITATION AND
MITIGATION
IN THE KINGDOM OF CAMBODIA

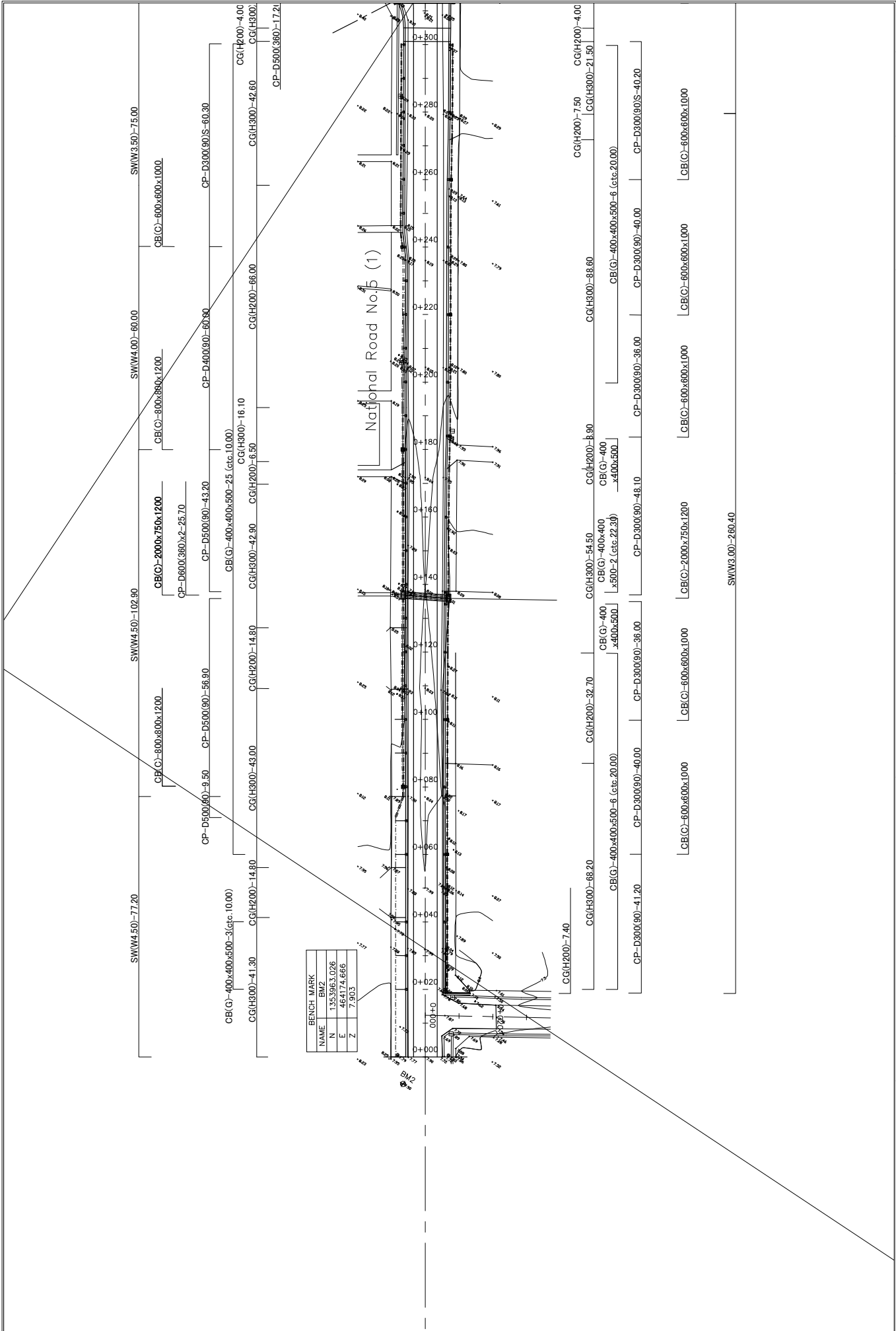
JAPAN INTERNATIONAL COOPERATION AGENCY
KATAHIRA & ENGINEERS INTERNATIONAL

TITLE :
TYPICAL CROSS SECTIONS
DRAINAGE WAY No.3

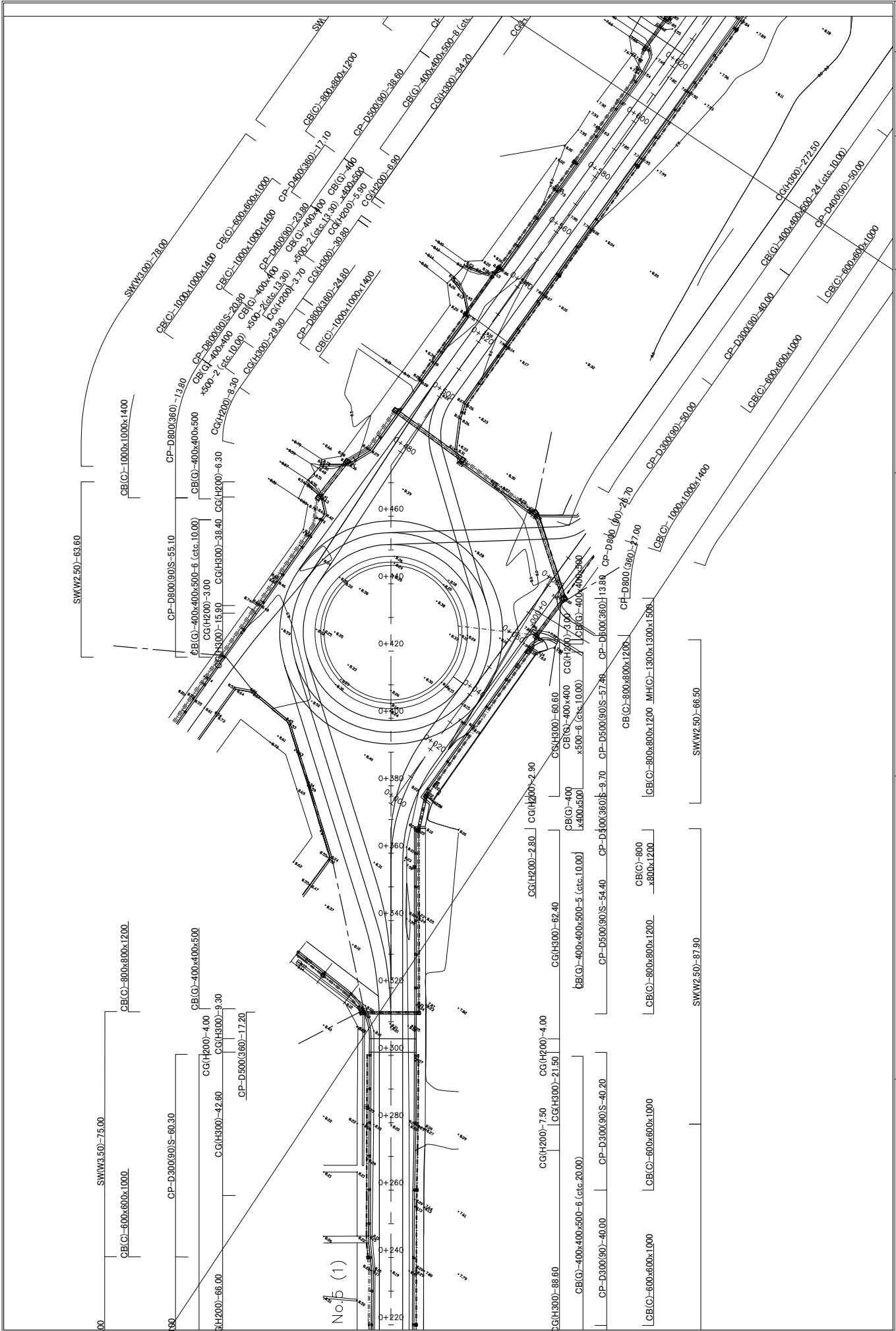
SCALE
1/100

Drawing No.
Sheet No.

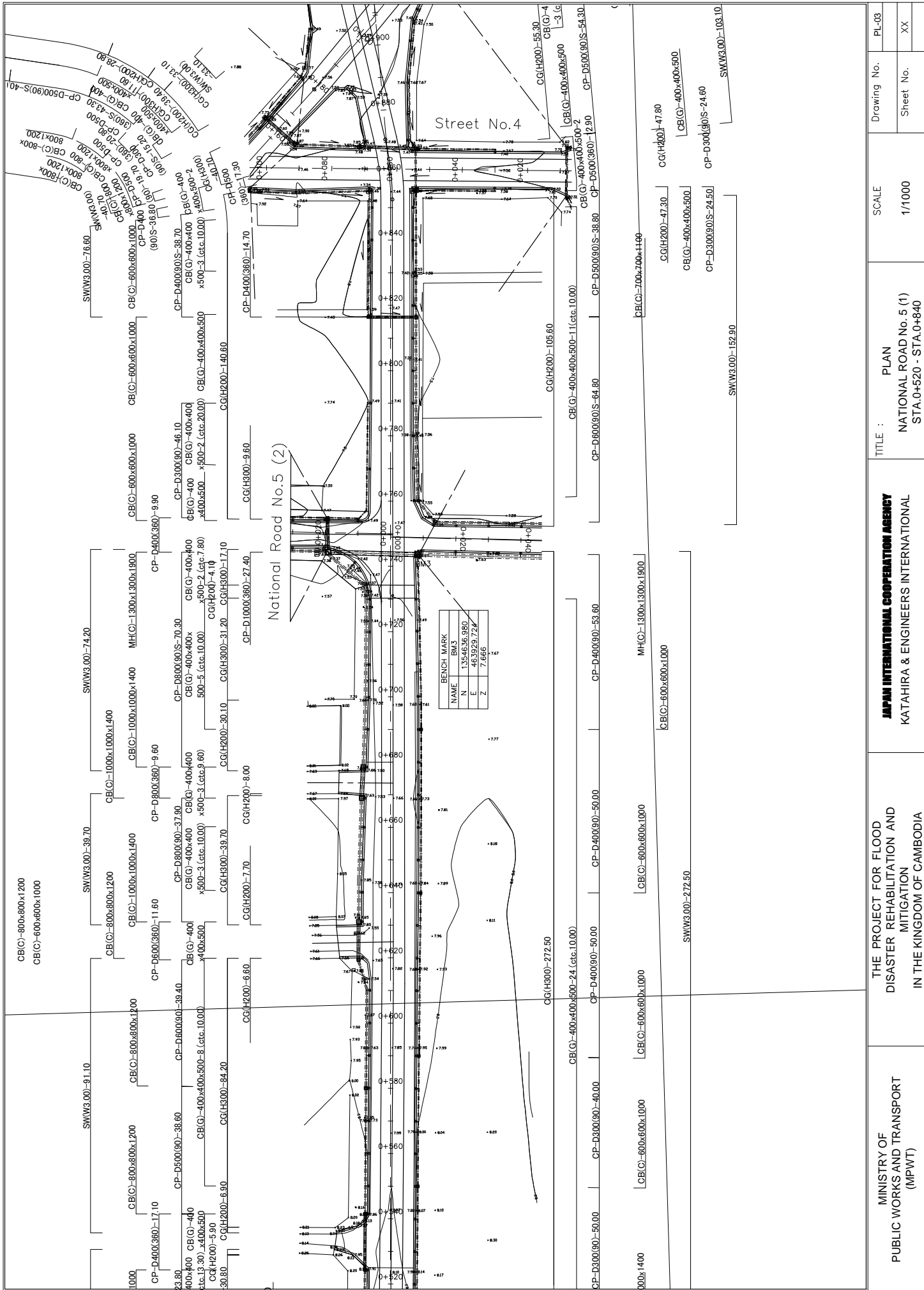
TC-8
xx



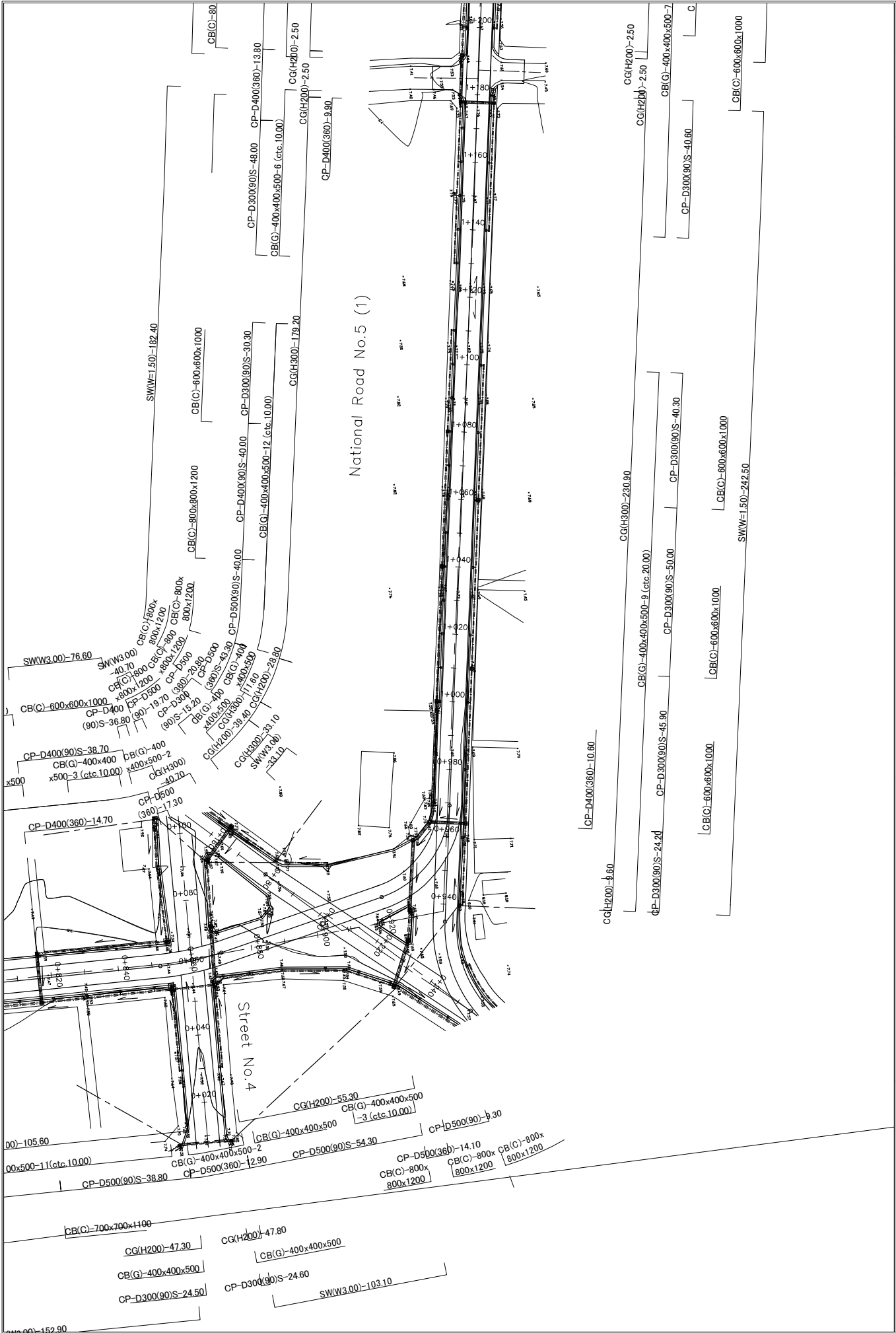
MINISTRY OF PUBLIC WORKS AND TRANSPORT (MPWT)	THE PROJECT FOR FLOOD DISASTER REHABILITATION AND MITIGATION IN THE KINGDOM OF CAMBODIA	JAPAN INTERNATIONAL COOPERATION AGENCY KATAHIRA & ENGINEERS INTERNATIONAL	TITLE :	PLAN	SCALE 1/1000	Drawing No.	PL-01
			NATIONAL ROAD No. 5 (1) STA. 0+000 - STA. 0+280	Sheet No.		XX	



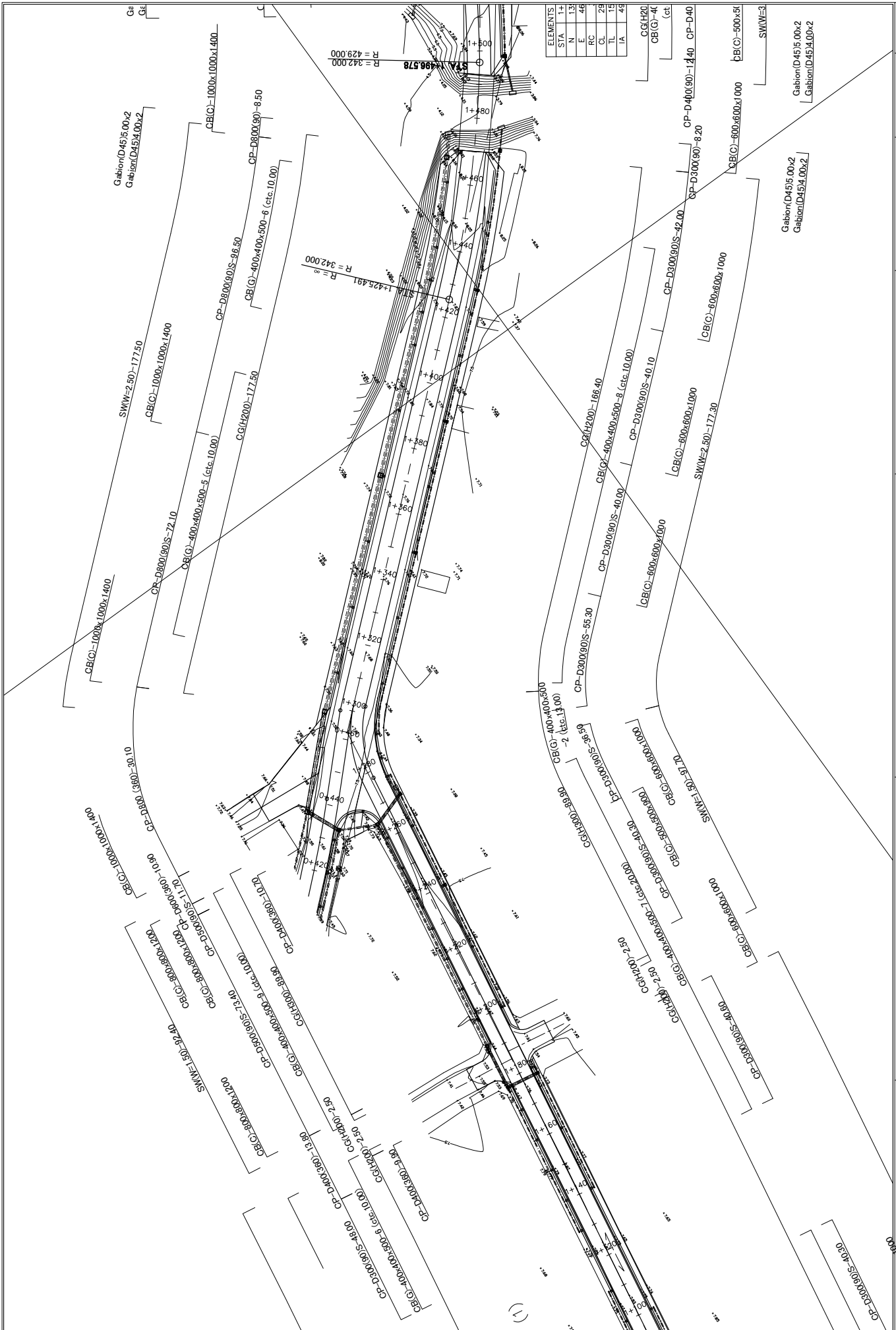
MINISTRY OF PUBLIC WORKS AND TRANSPORT (MPWT)	THE PROJECT FOR FLOOD DISASTER REHABILITATION AND MITIGATION IN THE KINGDOM OF CAMBODIA	JAPAN INTERNATIONAL COOPERATION AGENCY KATAHIRA & ENGINEERS INTERNATIONAL	TITLE :	PLAN	SCALE	1/1000	Drawing No.	PL-02
			NATIONAL ROAD No. 5 (1) STA. 0+280 - STA. 0+520				Sheet No.	XX



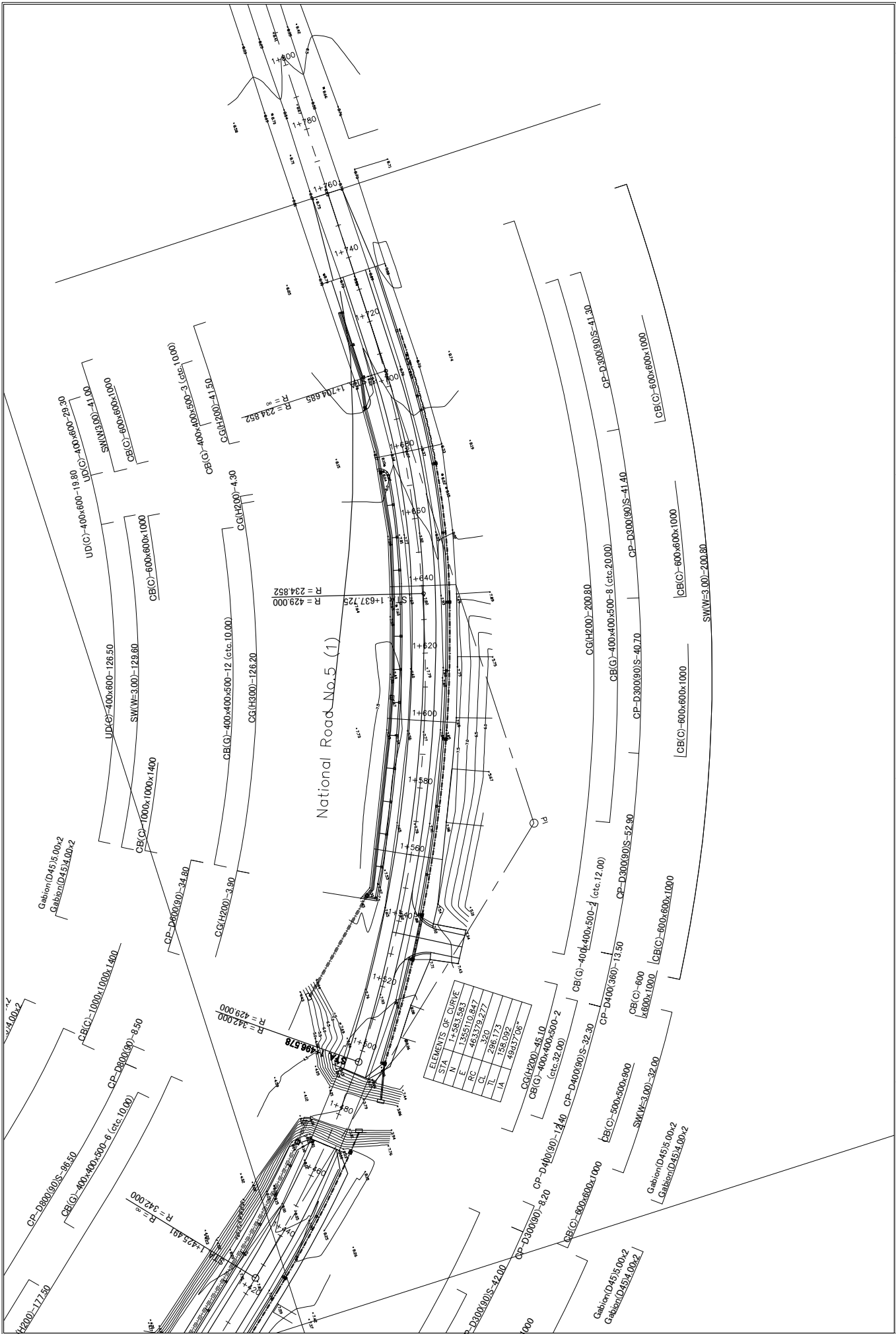
MINISTRY OF PUBLIC WORKS AND TRANSPORT (MPWT)	THE PROJECT FOR FLOOD DISASTER REHABILITATION AND MITIGATION IN THE KINGDOM OF CAMBODIA	JAPAN INTERNATIONAL COOPERATION AGENCY KATAHIRA & ENGINEERS INTERNATIONAL	TITLE :	PLAN	Drawing No.	PL-03
			NATIONAL ROAD No. 5 (1) STA. 0+520 - STA. 0+840	SCALE	Sheet No.	XX
				1/1000		



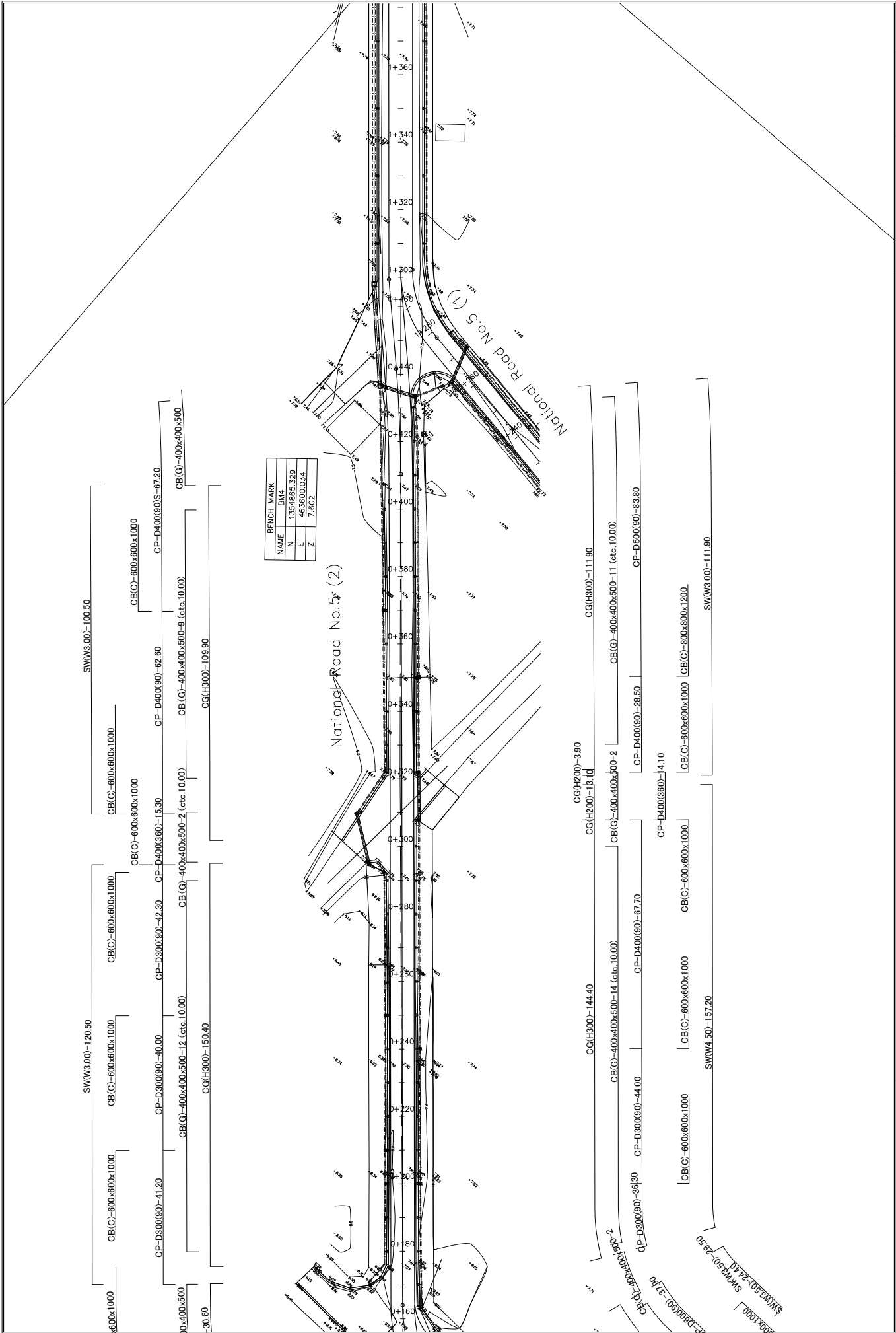
MINISTRY OF PUBLIC WORKS AND TRANSPORT (MPWT)	THE PROJECT FOR FLOOD DISASTER REHABILITATION AND MITIGATION IN THE KINGDOM OF CAMBODIA	JAPAN INTERNATIONAL COOPERATION AGENCY KATAHIRA & ENGINEERS INTERNATIONAL	TITLE :	SCALE	Drawing No.	PL-04
			PLAN NATIONAL ROAD No. 5 (1) STA. 0+840 - STA. 1+180	1/1000	Sheet No.	XX



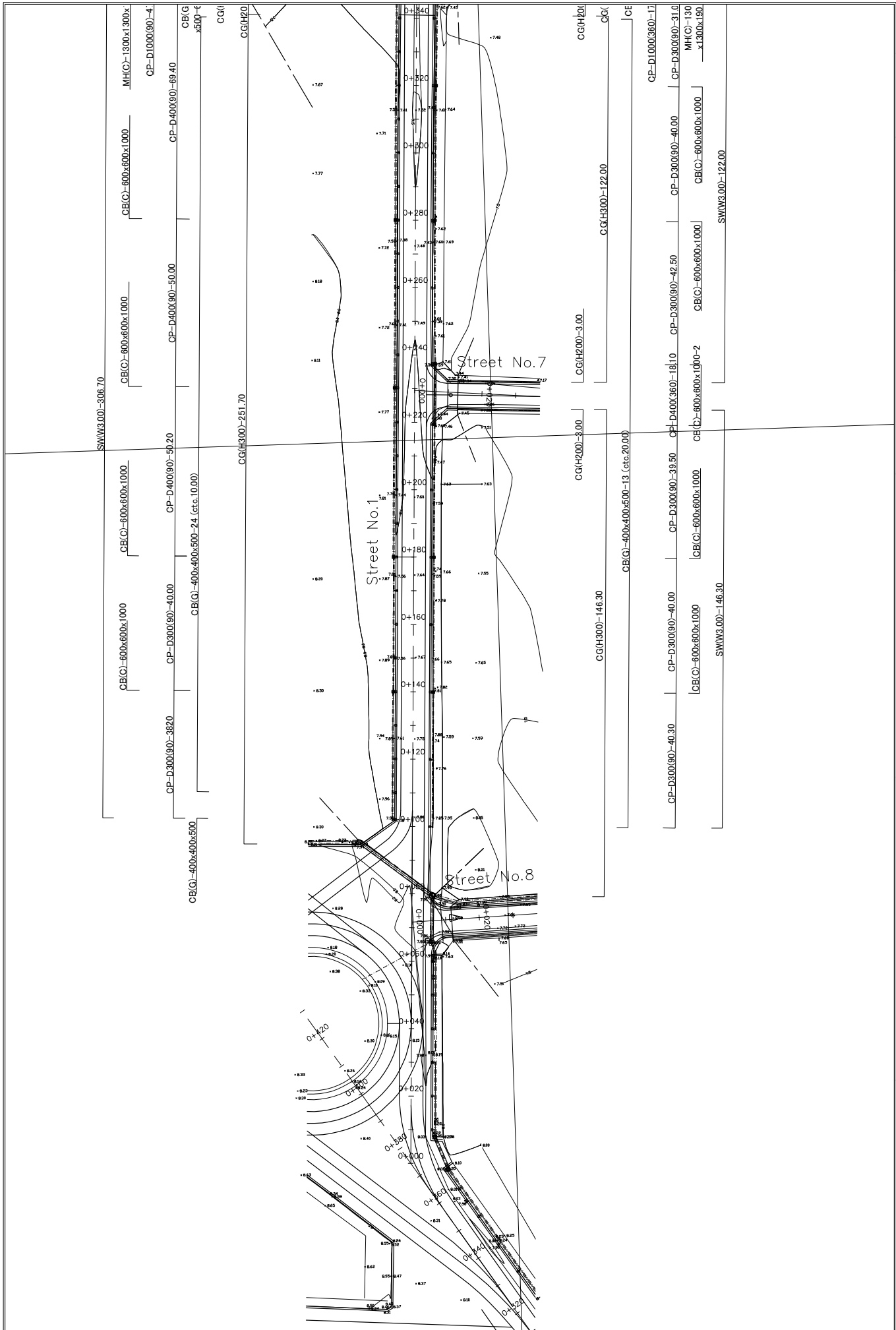
MINISTRY OF PUBLIC WORKS AND TRANSPORT (MPWT)	THE PROJECT FOR FLOOD DISASTER REHABILITATION AND MITIGATION IN THE KINGDOM OF CAMBODIA	JAPAN INTERNATIONAL COOPERATION AGENCY KATAHIRA & ENGINEERS INTERNATIONAL	TITLE :	SCALE	Drawing No.	PL-05
			NATIONAL ROAD No.5 (1) STA.1+180 - STA.1+480	1/1000	Sheet No.	XX



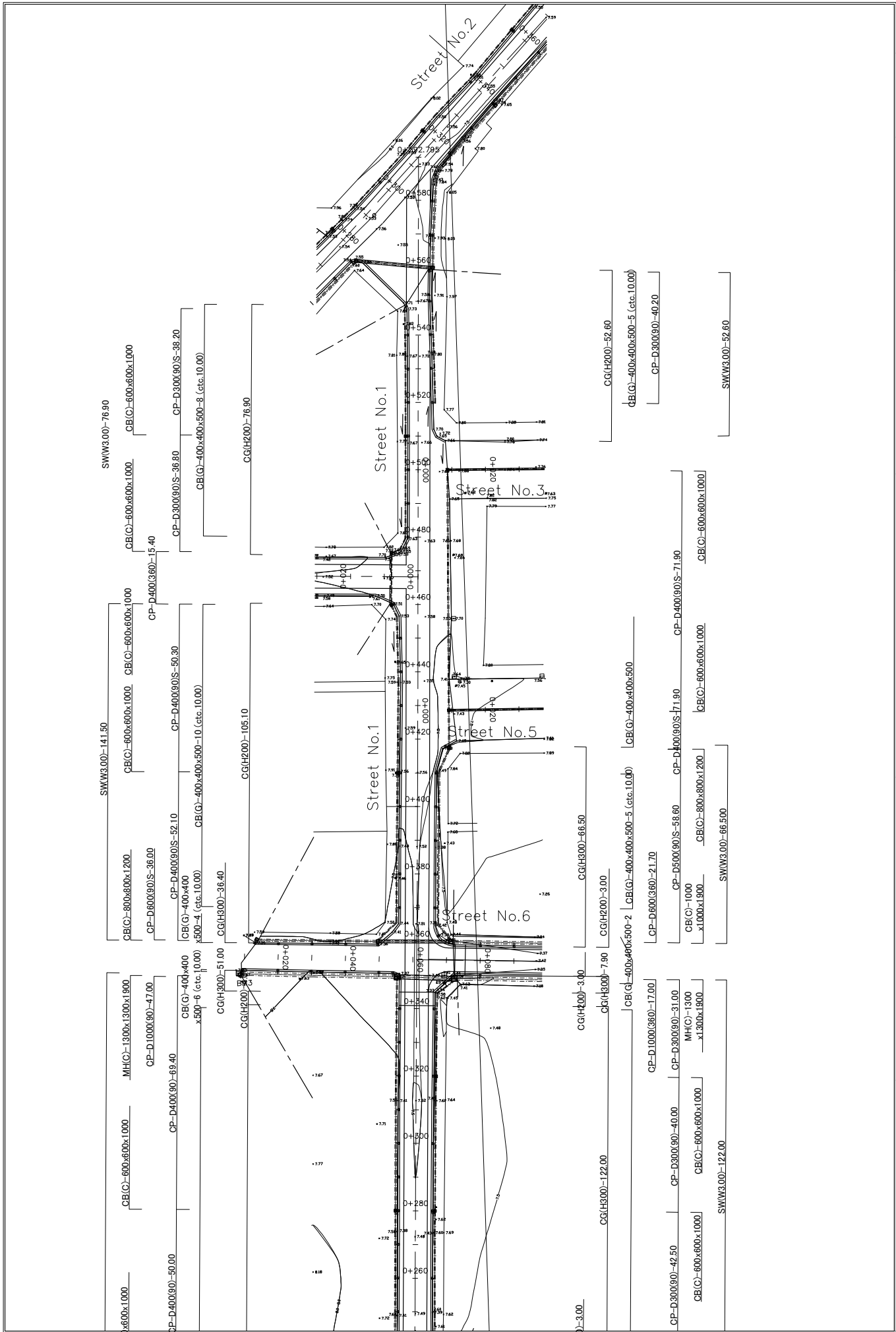
MINISTRY OF PUBLIC WORKS AND TRANSPORT (MPWT)	THE PROJECT FOR FLOOD DISASTER REHABILITATION AND MITIGATION IN THE KINGDOM OF CAMBODIA	JAPAN INTERNATIONAL COOPERATION AGENCY KATAHIRA & ENGINEERS INTERNATIONAL	TITLE : PLAN NATIONAL ROAD No. 5 (1) STA. 1+480 - STA. 1+760	SCALE 1/1000	Drawing No. PL-06	Sheet No. XX



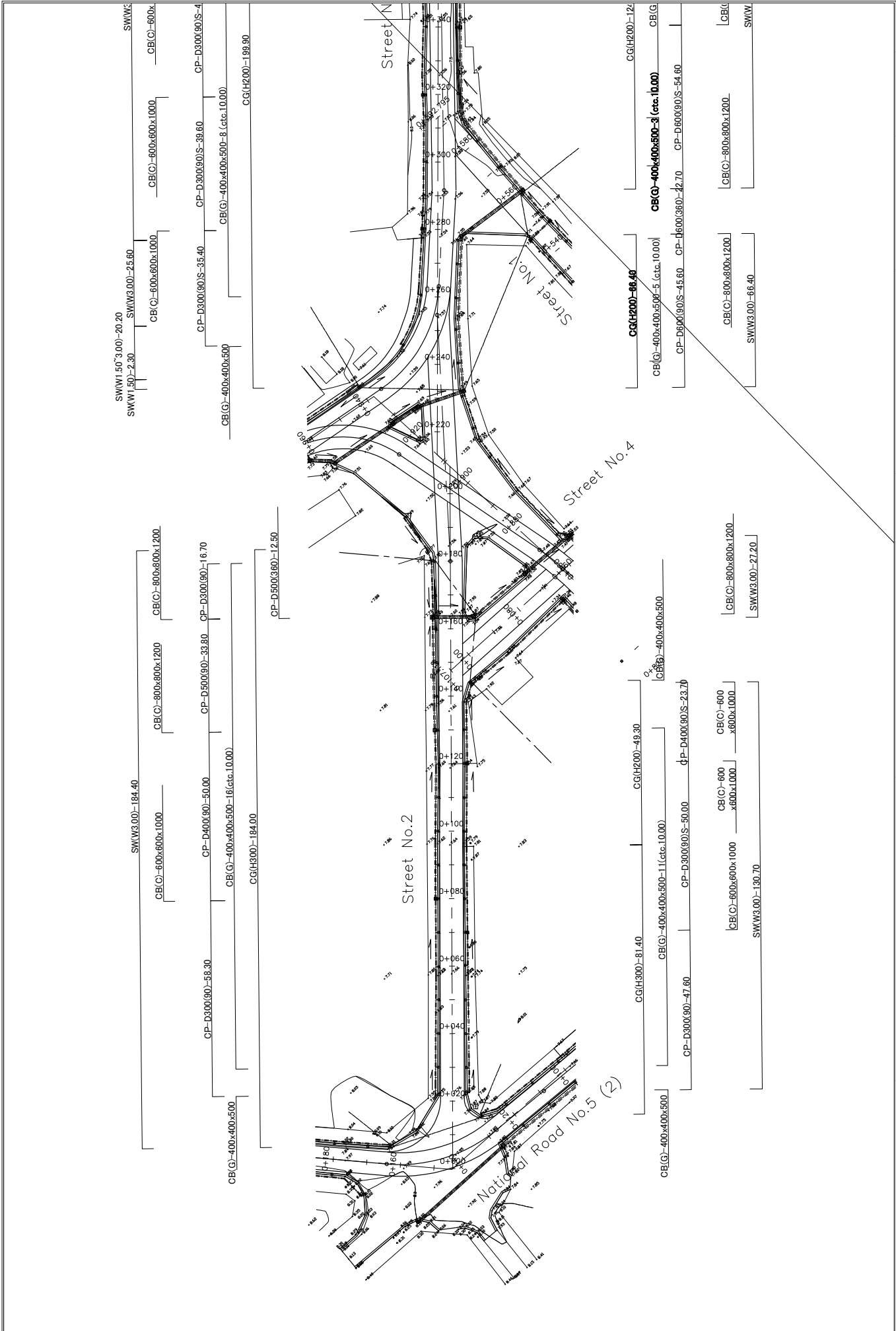
MINISTRY OF PUBLIC WORKS AND TRANSPORT (MPWT)	THE PROJECT FOR FLOOD DISASTER REHABILITATION AND MITIGATION IN THE KINGDOM OF CAMBODIA	JAPAN INTERNATIONAL COOPERATION AGENCY KATAHIRA & ENGINEERS INTERNATIONAL	TITLE : PLAN NATIONAL ROAD No. 5 (2) STA. 0+180 - STA. 0+460	SCALE 1/1000	Drawing No.	PL-08
					Sheet No.	XX



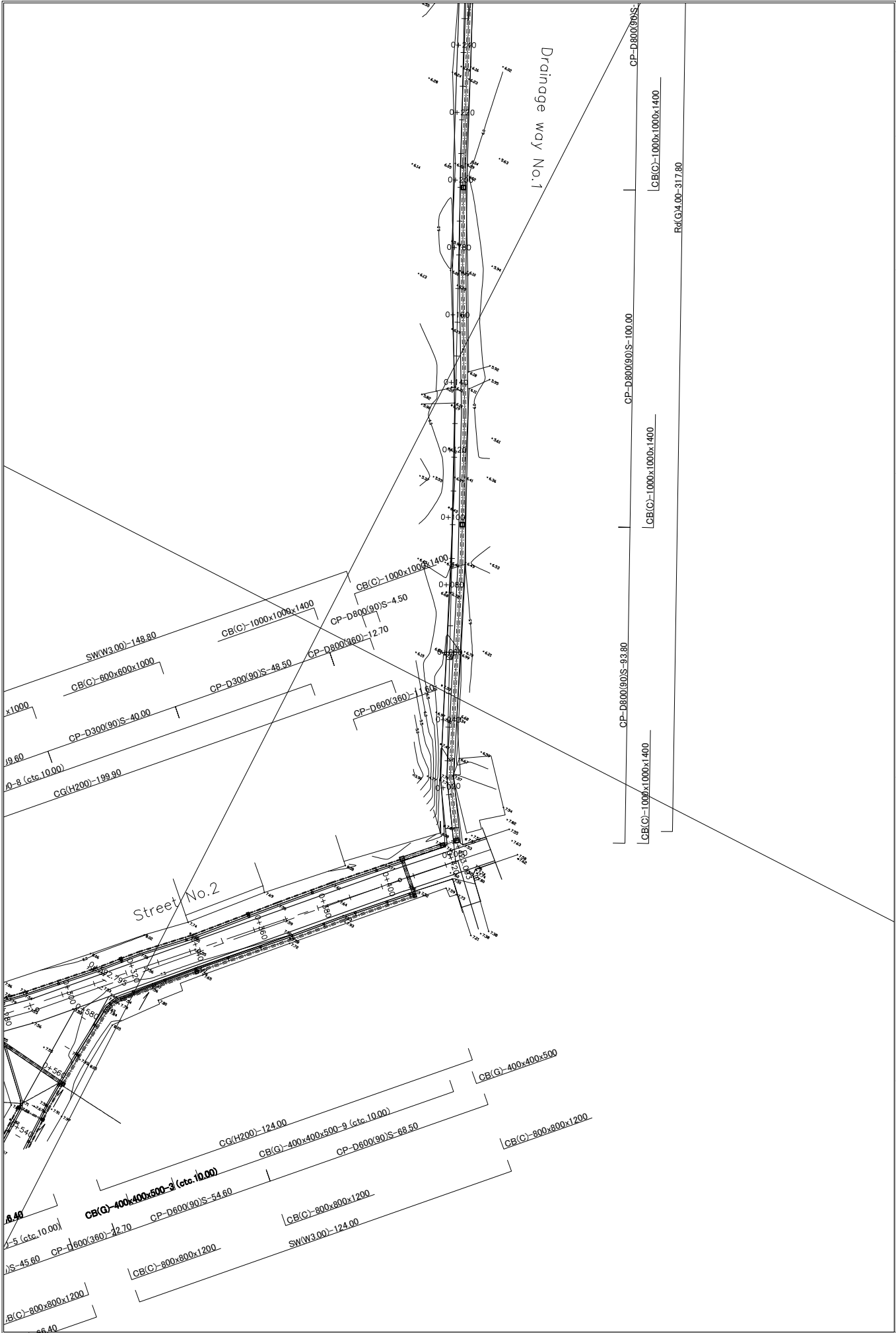
MINISTRY OF PUBLIC WORKS AND TRANSPORT (MPWT)	THE PROJECT FOR FLOOD DISASTER REHABILITATION AND MITIGATION IN THE KINGDOM OF CAMBODIA	JAPAN INTERNATIONAL COOPERATION AGENCY KATAHIRA & ENGINEERS INTERNATIONAL	TITLE :	PLAN	SCALE	Drawing No.	PL-09
				STREET No. 1	1/1000	Sheet No.	XX
				STA. 0+000 - STA. 0+300			



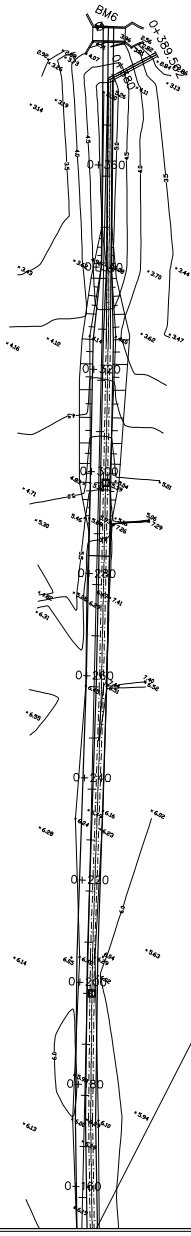
MINISTRY OF PUBLIC WORKS AND TRANSPORT (MPWT)	THE PROJECT FOR FLOOD DISASTER REHABILITATION AND MITIGATION IN THE KINGDOM OF CAMBODIA	JAPAN INTERNATIONAL COOPERATION AGENCY KATAHIRA & ENGINEERS INTERNATIONAL	TITLE :	PLAN	SCALE	Drawing No.	PL-010
			STREET No. 1 STA. 0+300 - STA. 0+560	1/1000			Sheet No.



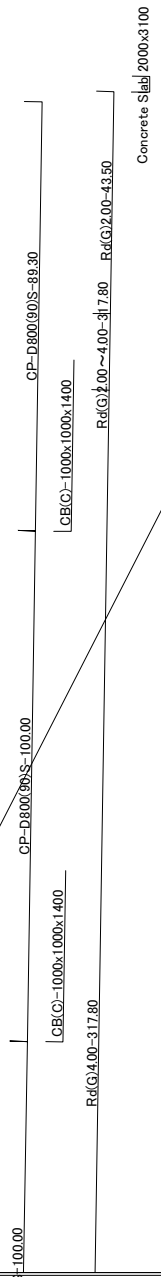
MINISTRY OF PUBLIC WORKS AND TRANSPORT (MPWT)	THE PROJECT FOR FLOOD DISASTER REHABILITATION AND MITIGATION IN THE KINGDOM OF CAMBODIA	JAPAN INTERNATIONAL COOPERATION AGENCY KATAHIRA & ENGINEERS INTERNATIONAL	TITLE :	PLAN	SCALE	Drawing No.	PL-11
			STREET No.2 - DRAINAGE WAY No.1 (1/3)	STREET No.2	1/1000	Sheet No.	XX



MINISTRY OF PUBLIC WORKS AND TRANSPORT (MPWT)	THE PROJECT FOR FLOOD DISASTER REHABILITATION AND MITIGATION IN THE KINGDOM OF CAMBODIA	JAPAN INTERNATIONAL COOPERATION AGENCY KATAHIRA & ENGINEERS INTERNATIONAL	TITLE :	SCALE	Drawing No.	PL-12
			PLAN STREET No.2 - DRAINAGE WAY No.1 (2/3)	1/1000	Sheet No.	XX



BENCH MARK	
NAME	BM6
N	1355304.706
E	4638923.321
Z	5.411



MINISTRY OF
PUBLIC WORKS AND TRANSPORT
(MPWT)

THE PROJECT FOR FLOOD
DISASTER REHABILITATION AND
MITIGATION
IN THE KINGDOM OF CAMBODIA

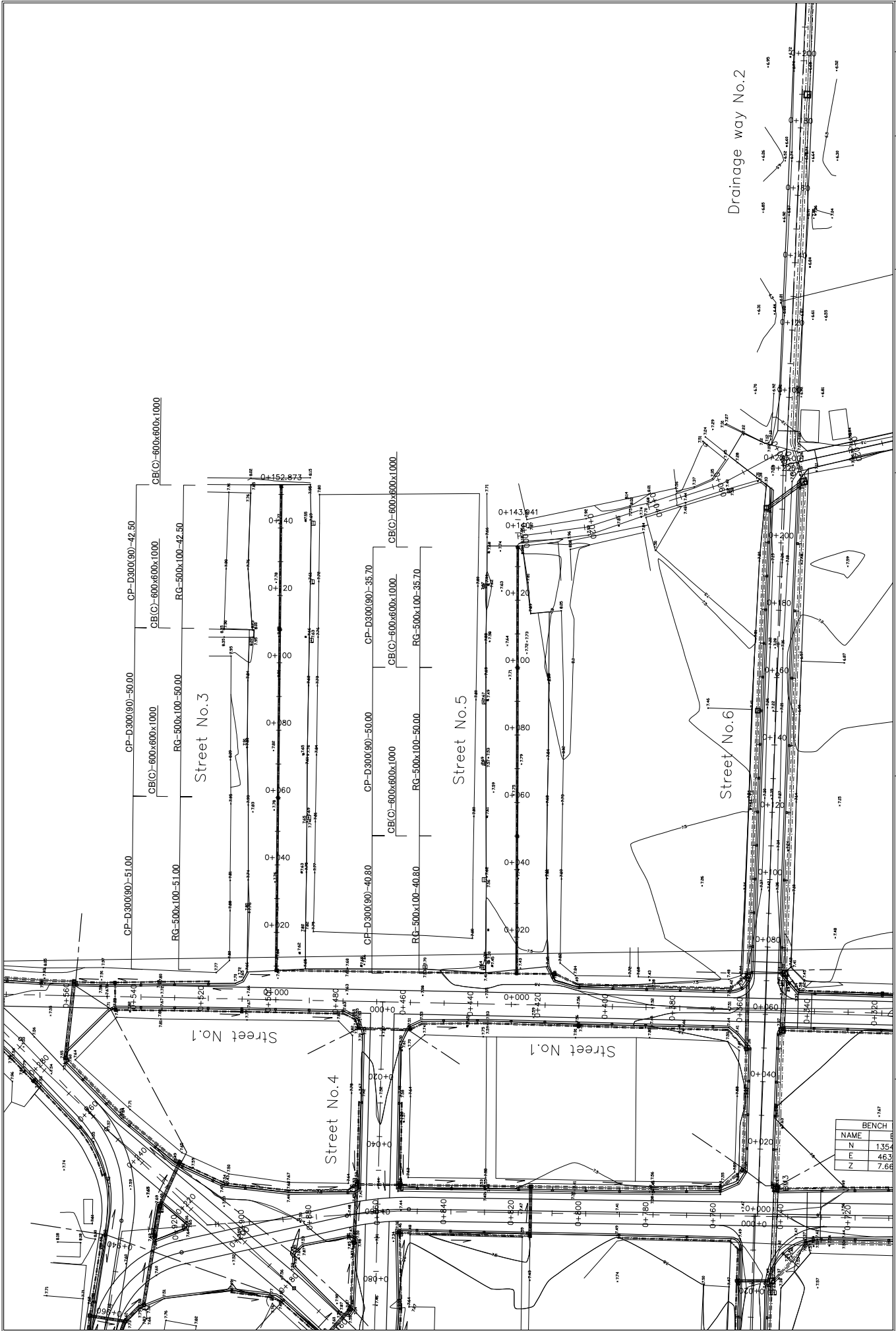
JAPAN INTERNATIONAL COOPERATION AGENCY
KATAHIRA & ENGINEERS INTERNATIONAL

TITLE :
PLAN
STREET No.2
- DRAINAGE WAY No.1 (3/3)

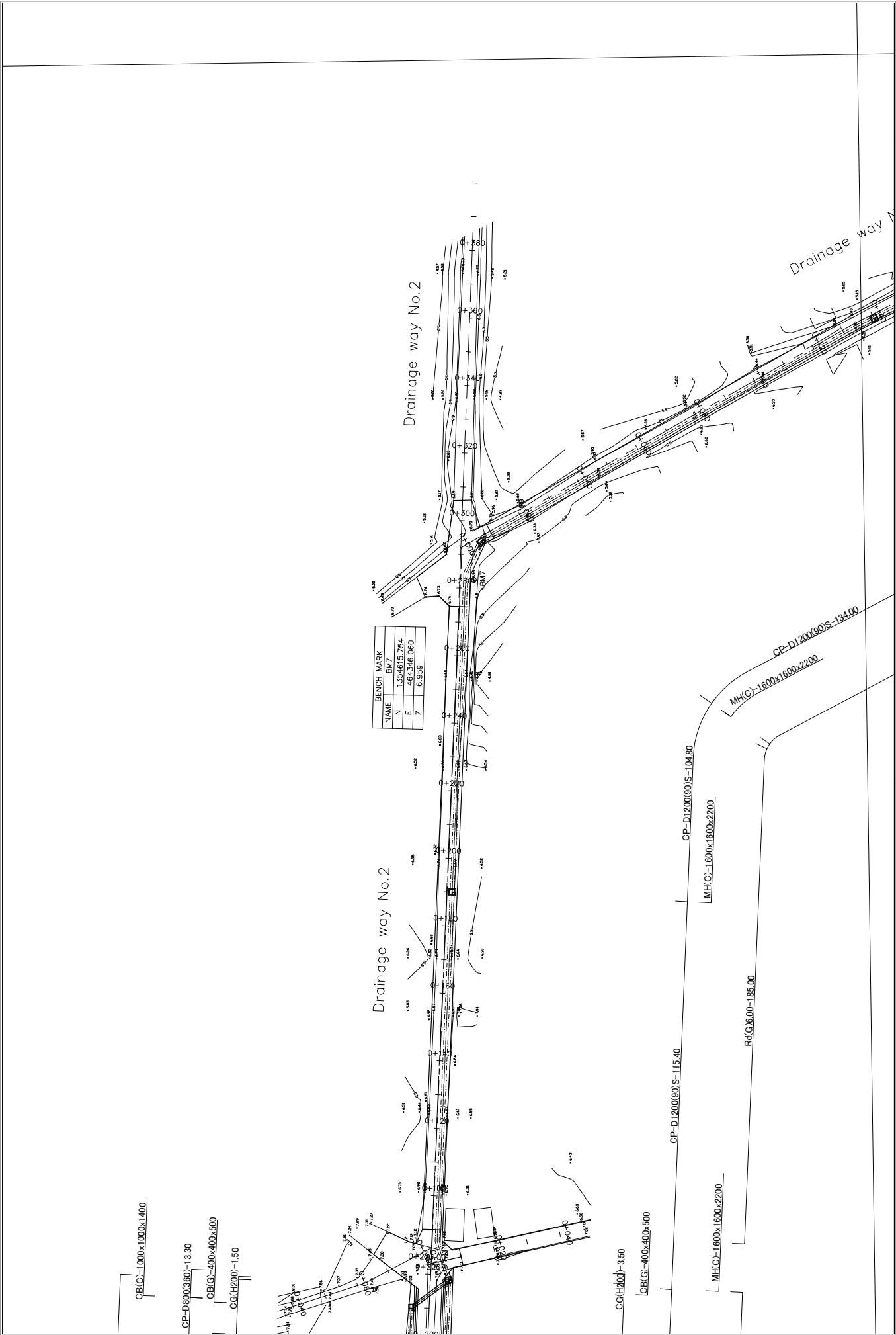
SCALE
1/1000

Drawing No.
Sheet No.

PL-13
XX

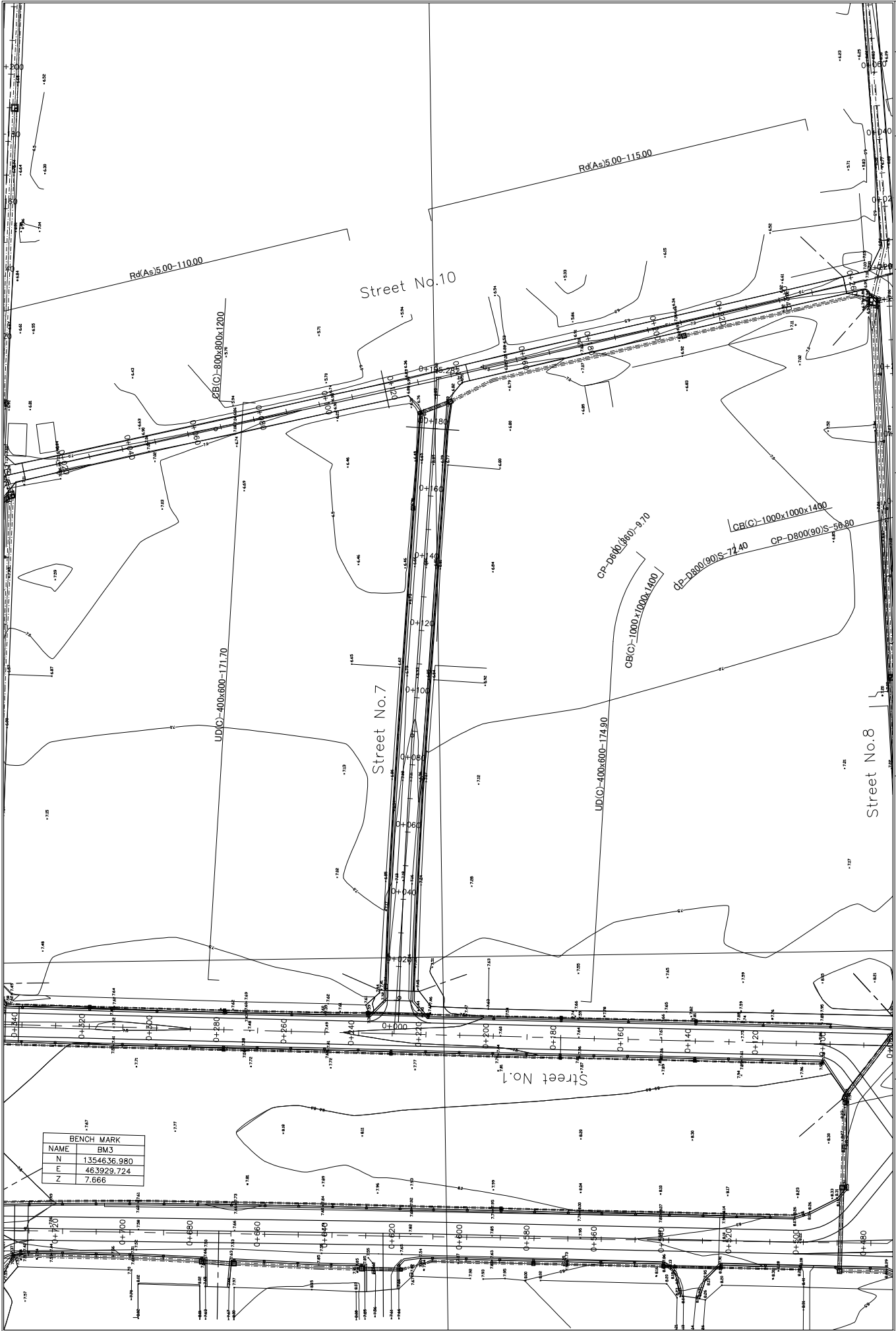


MINISTRY OF PUBLIC WORKS AND TRANSPORT (MPWT)	THE PROJECT FOR FLOOD DISASTER REHABILITATION AND MITIGATION IN THE KINGDOM OF CAMBODIA	JAPAN INTERNATIONAL COOPERATION AGENCY KATAHIRA & ENGINEERS INTERNATIONAL	TITLE : PLAN STREET No.3, No.5	SCALE 1/1000	Drawing No.	PL-14
					Sheet No.	XX

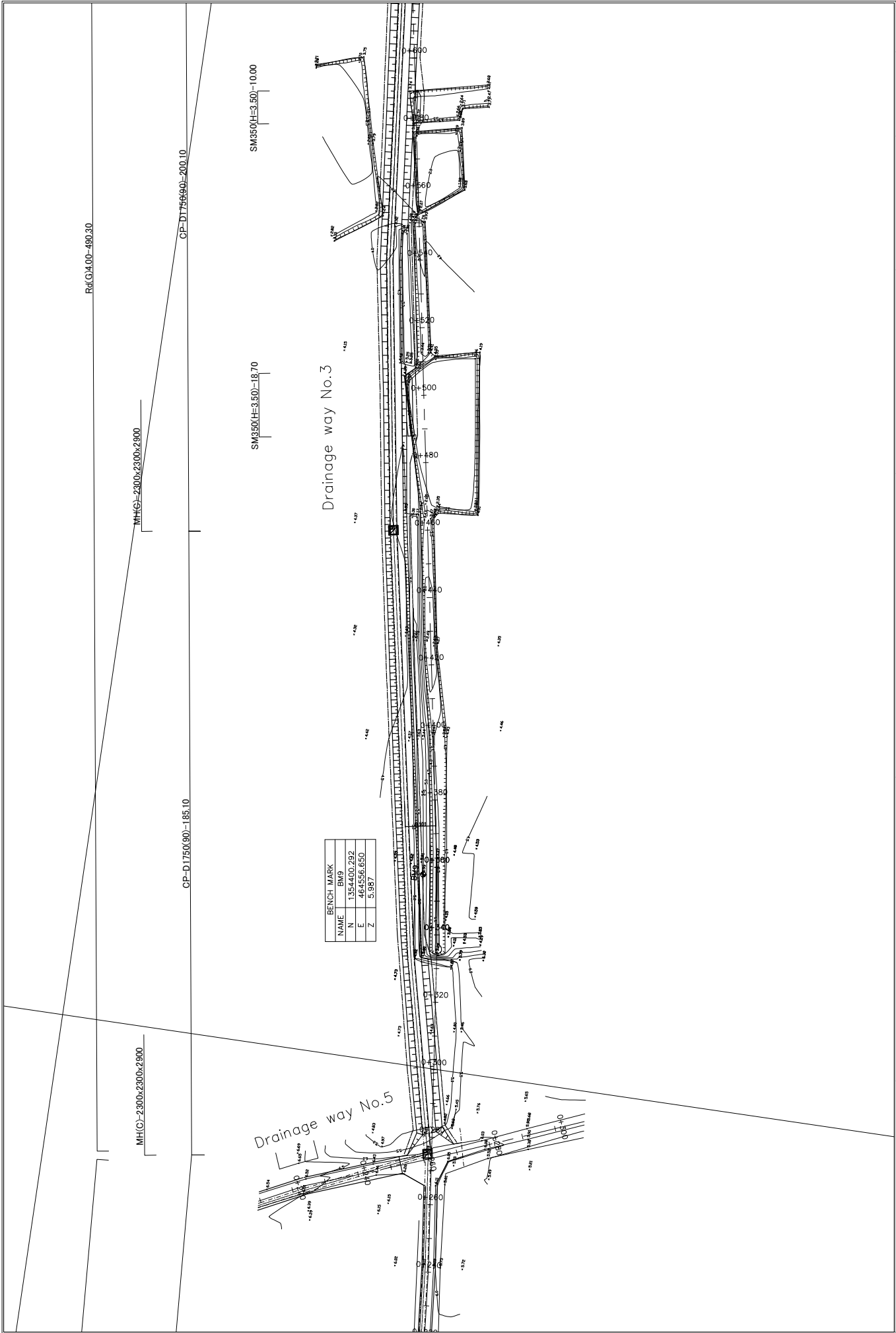


BENCH MARK	
NAME	BM7
N	1354615.754
E	464346.060
Z	6.959

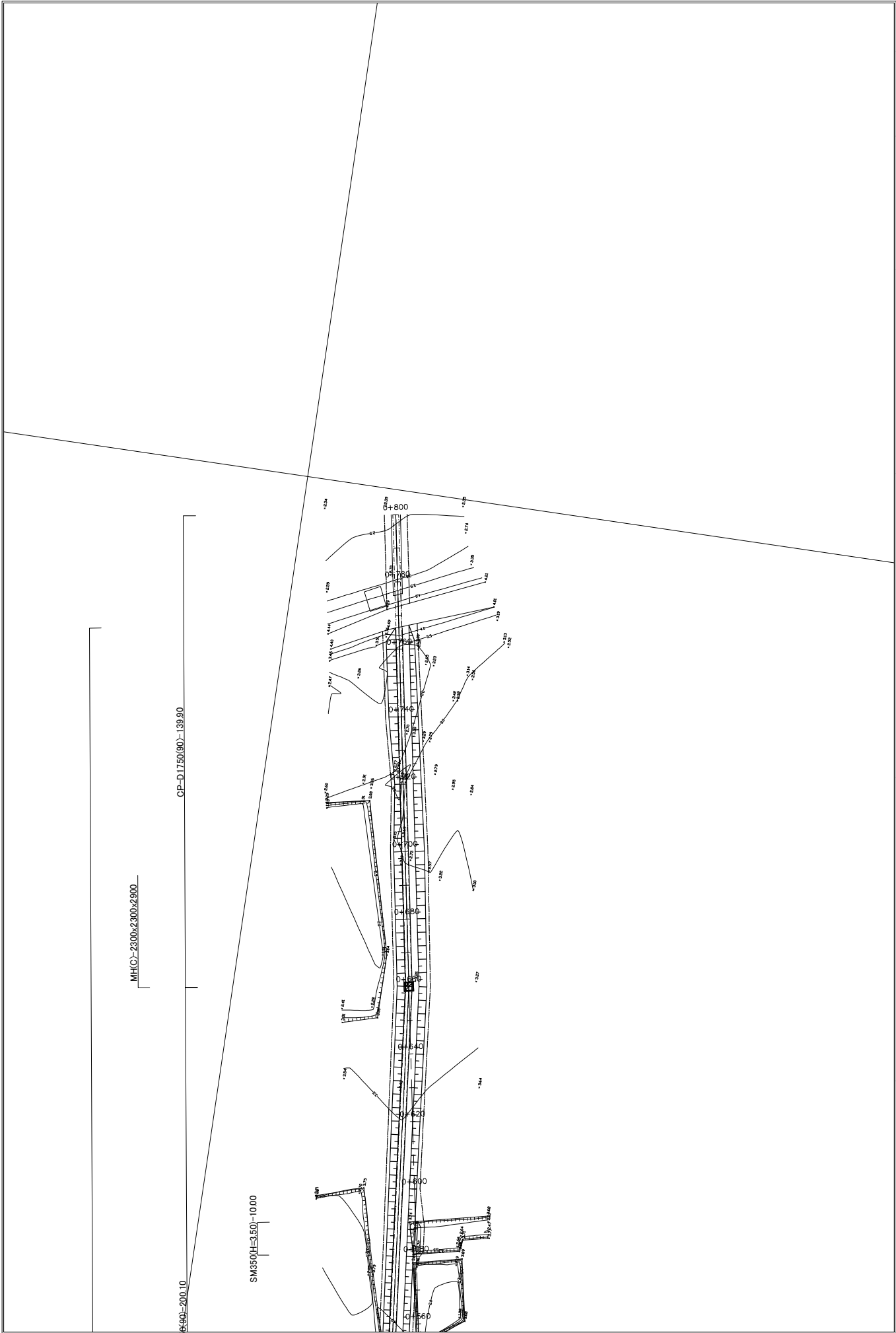
MINISTRY OF PUBLIC WORKS AND TRANSPORT (MPWT)	THE PROJECT FOR FLOOD DISASTER REHABILITATION AND MITIGATION IN THE KINGDOM OF CAMBODIA	JAPAN INTERNATIONAL COOPERATION AGENCY KATAHIRA & ENGINEERS INTERNATIONAL	TITLE : PLAN STREET No.6 - DRAINAGE WAY No.2 - DRAINAGE WAY No.5 (2/3)	SCALE 1/1000	Drawing No.	PL-16
					Sheet No.	XX



Drawing No.	PL-18
	Sheet No.
SCALE	1/1000
TITLE :	PLAN STREET No.7, No.10 (1/2)
	JAPAN INTERNATIONAL COOPERATION AGENCY KATAHIRA & ENGINEERS INTERNATIONAL
	THE PROJECT FOR FLOOD DISASTER REHABILITATION AND MITIGATION IN THE KINGDOM OF CAMBODIA
	MINISTRY OF PUBLIC WORKS AND TRANSPORT (MPWT)



MINISTRY OF PUBLIC WORKS AND TRANSPORT (MPWT)	THE PROJECT FOR FLOOD DISASTER REHABILITATION AND MITIGATION IN THE KINGDOM OF CAMBODIA	JAPAN INTERNATIONAL COOPERATION AGENCY KATAHIRA & ENGINEERS INTERNATIONAL	TITLE :	SCALE	Drawing No.
			PLAN STREET No.8 - DRAINAGE WAY No.3 (3/4)		
					Sheet No. XX

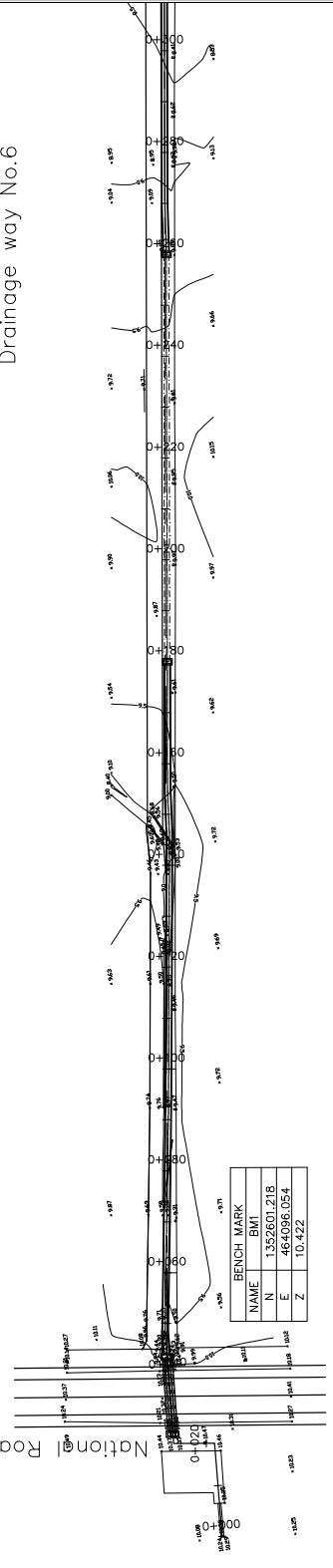


MINISTRY OF PUBLIC WORKS AND TRANSPORT (MPWT)	THE PROJECT FOR FLOOD DISASTER REHABILITATION AND MITIGATION IN THE KINGDOM OF CAMBODIA	JAPAN INTERNATIONAL COOPERATION AGENCY KATAHIRA & ENGINEERS INTERNATIONAL	TITLE :	SCALE 1/1000	Drawing No.	PL-23
			PLAN STREET No.8 - DRAINAGE WAY No.3 (4/4)		Sheet No.	XX

Nation Road No.5 (1)

Drainage way No.6

Rd/G



Wvr-(UR)1000x1000(S)-136.50

CP-D600(360)x2-29.00

CB(C)-2000x750x1200

BMI

CP-D1000(90)S-80.00

CB(C)-1400x750x1200

CB(C)-1400x750x1200

MINISTRY OF
PUBLIC WORKS AND TRANSPORT
(MPWT)

THE PROJECT FOR FLOOD
DISASTER REHABILITATION AND
MITIGATION
IN THE KINGDOM OF CAMBODIA

JAPAN INTERNATIONAL COOPERATION AGENCY
KATAHIRA & ENGINEERS INTERNATIONAL

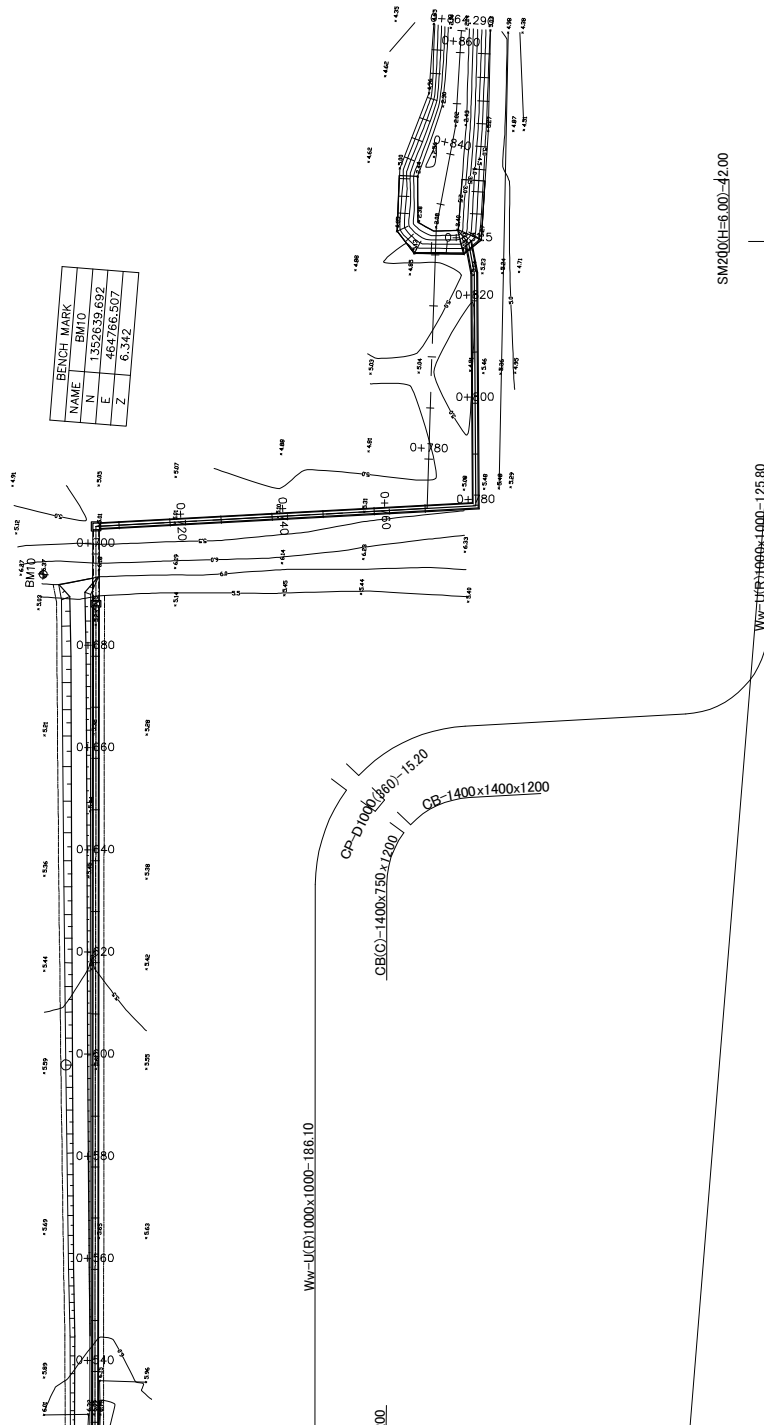
TITLE : PLAN
DRAINAGE WAY No.6 (1/3)

SCALE
1/1000

Drawing No. PL-24
Sheet No. XX

Rd(G)03.00-194.10

Drainage way No.6



MINISTRY OF
PUBLIC WORKS AND TRANSPORT
(MPWT)

THE PROJECT FOR FLOOD
DISASTER REHABILITATION AND
MITIGATION
IN THE KINGDOM OF CAMBODIA

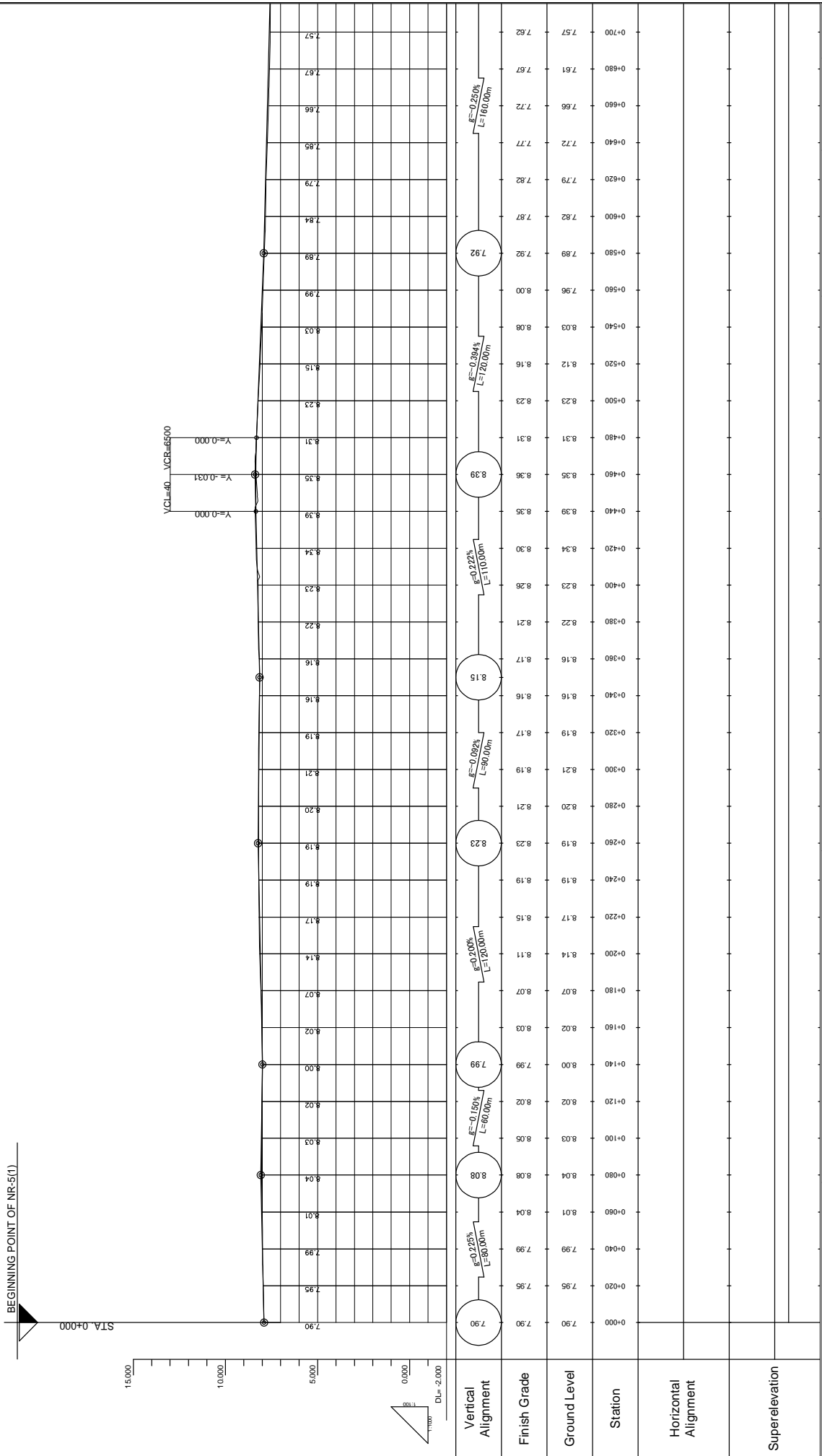
JAPAN INTERNATIONAL COOPERATION AGENCY
KATAHIRA & ENGINEERS INTERNATIONAL

TITLE : PLAN
DRAINAGE WAY No.6 (3/3)

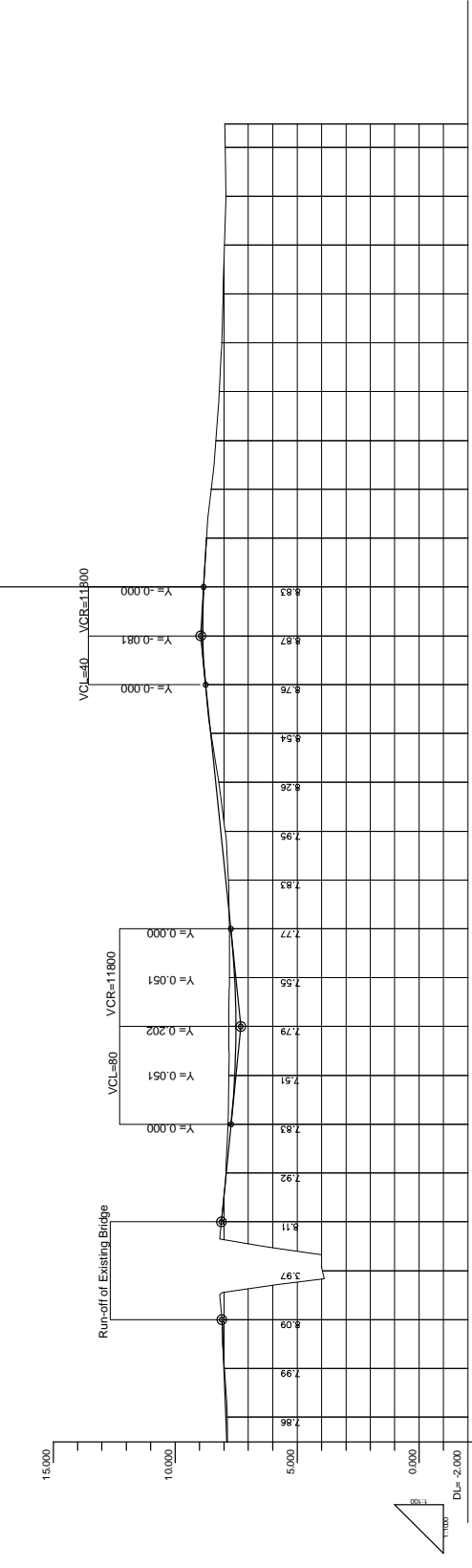
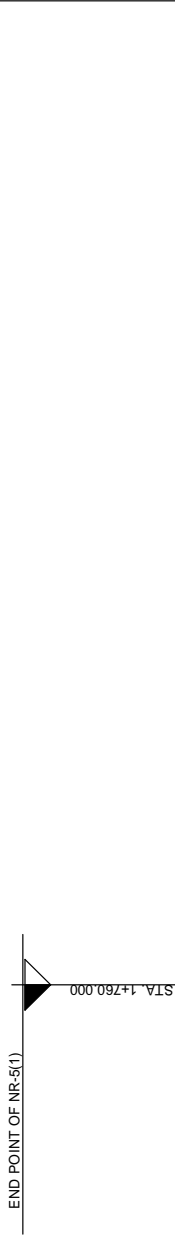
SCALE
1/1000

Drawing No.
Sheet No.

PL-26
XX



MINISTRY OF PUBLIC WORKS AND TRANSPORT (MPWT)	THE PROJECT FOR FLOOD DISASTER REHABILITATION AND MITIGATION IN THE KINGDOM OF CAMBODIA	JAPAN INTERNATIONAL COOPERATION AGENCY KATAHIRA & ENGINEERS INTERNATIONAL	TITLE :	PROFILE NATIONAL ROAD No.5 (1) STA.0+000 - STA.0+700	SCALE	H = 1/2000, V = 1/200	Drawing No.	PR-01
			Sheet No.	XX				



Vertical Alignment	8.83	8.87	8.76	8.54	8.26	7.95	7.83	7.77	7.57	7.51	7.56	7.80	7.83	7.91	7.92	8.11	3.97	8.09	8.01	7.96	7.92							
Finish Grade	8.83	8.87	8.75	8.54	8.34	8.13	7.93	7.72	7.57	7.51	7.56	7.80	7.83	7.91	7.92	8.11	3.97	8.09	8.01	7.96	7.92							
Ground Level	7.96	7.95	7.92	7.98	8.04	8.09	8.19	8.33	8.52	8.71	8.83	8.87	8.87	8.76	8.75	8.83	8.83	8.87	8.87	8.83	8.83							
Station	1+420	1+440	1+460	1+480	1+500	1+520	1+540	1+560	1+580	1+600	1+620	1+640	1+660	1+680	1+700	1+720	1+740	1+760	1+780	1+800	1+820	1+840	1+860	1+880	1+900	1+920	1+940	1+960
Horizontal Alignment	R=429.000m L=141.147m		R=542.000m L=71.087m		R=456.578		R=637.725		R=234.852m L=66.960m		R=704.685		R=756.000		R=756.000		R=756.000		R=756.000		R=756.000		R=756.000		R=756.000			
Superelevation	0.160 (4.00%)		0.160 (4.00%)		0.160 (4.00%)		0.160 (4.00%)		0.160 (4.00%)		0.160 (4.00%)		0.160 (4.00%)		0.160 (4.00%)		0.160 (4.00%)		0.160 (4.00%)		0.160 (4.00%)		0.160 (4.00%)		0.160 (4.00%)			

MINISTRY OF PUBLIC WORKS AND TRANSPORT (MPWT)

THE PROJECT FOR FLOOD DISASTER REHABILITATION AND MITIGATION IN THE KINGDOM OF CAMBODIA

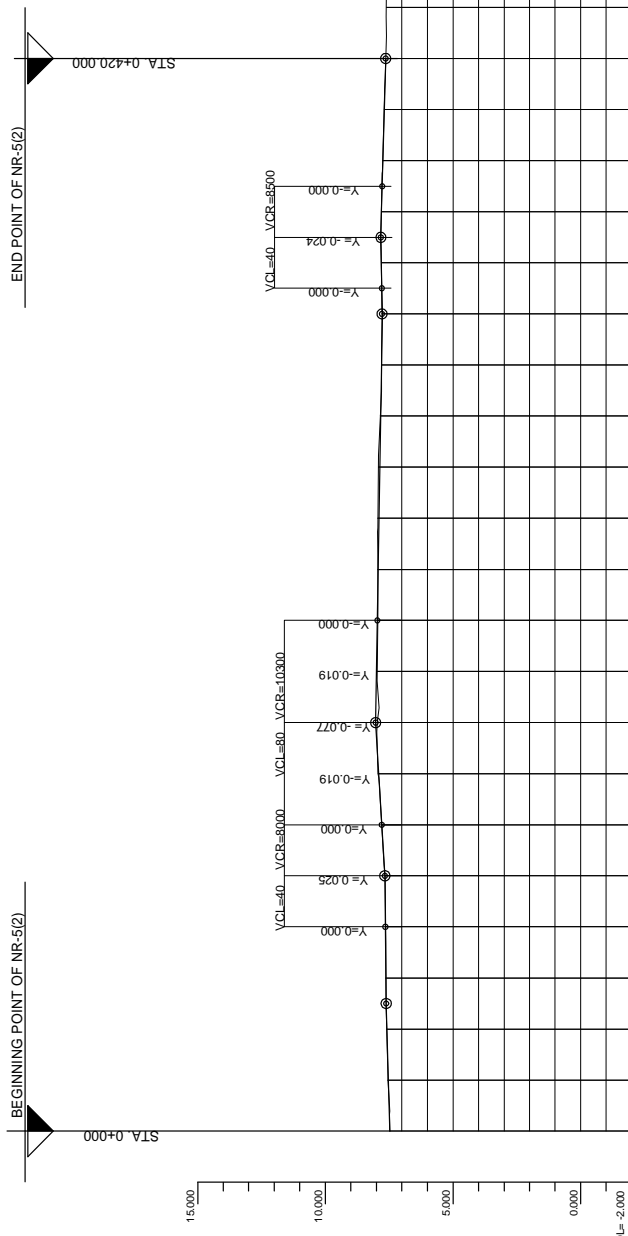
JAPAN INTERNATIONAL COOPERATION AGENCY KATAHIRA & ENGINEERS INTERNATIONAL

TITLE : PROFILE NATIONAL ROAD No. 5 (1) STA. 1+420 - STA. 1+940

SCALE H = 1/2000, V = 1/200

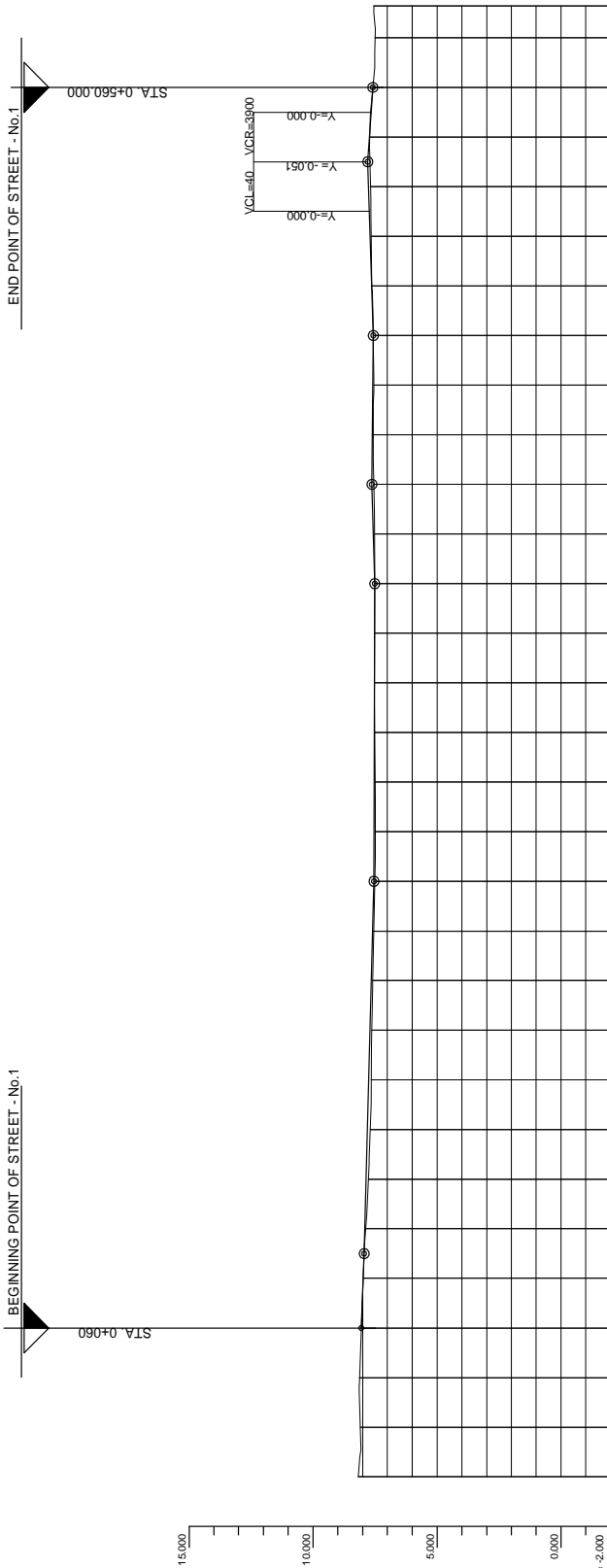
Drawing No. PR-03

Sheet No. XX



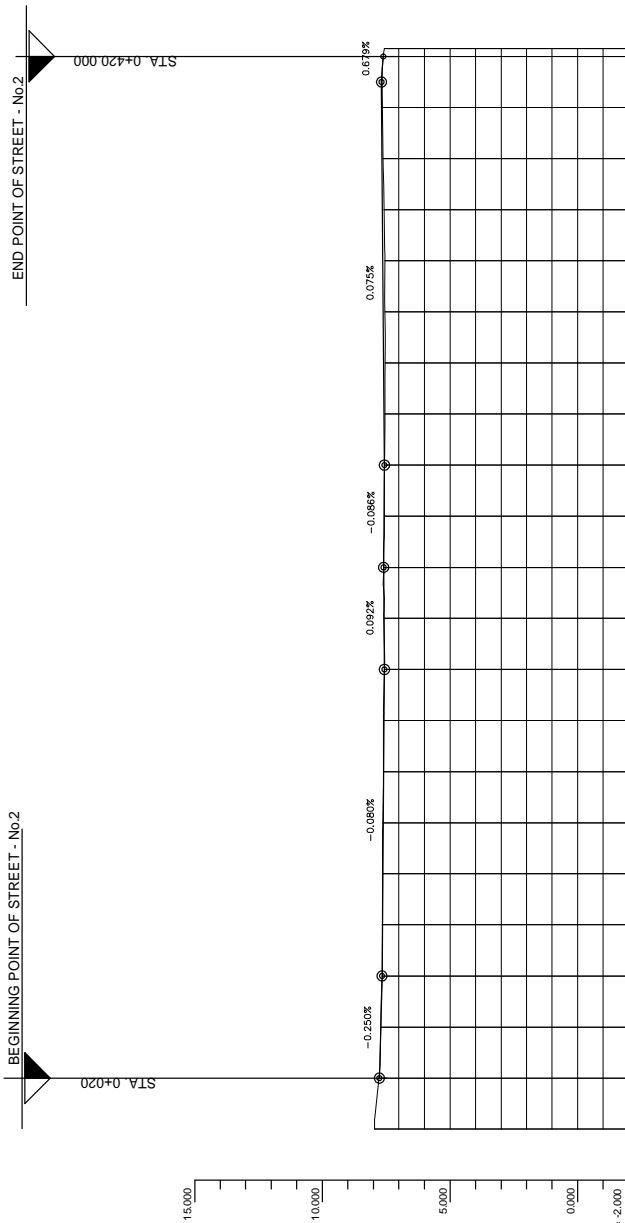
Vertical Alignment	7.47	7.53	7.54	7.53	7.64	7.65	7.67	7.69	7.67	7.79	7.79	7.83	7.89	7.95	7.96	7.96	7.98	7.97	7.94	7.94	7.90	7.87	7.83	7.80	7.80	7.76	7.80	7.80	7.80	7.79	7.75	7.69	7.69	7.63	7.61	7.59
Finish Grade	7.47	7.53	7.54	7.53	7.64	7.65	7.67	7.69	7.67	7.79	7.79	7.83	7.89	7.95	7.96	7.96	7.98	7.97	7.94	7.94	7.90	7.87	7.83	7.80	7.80	7.76	7.80	7.80	7.79	7.75	7.69	7.69	7.63	7.61	7.59	
Ground Level	7.47	7.53	7.54	7.53	7.64	7.65	7.67	7.69	7.67	7.79	7.79	7.83	7.89	7.95	7.96	7.96	7.98	7.97	7.94	7.94	7.90	7.87	7.83	7.80	7.80	7.76	7.80	7.80	7.79	7.75	7.69	7.69	7.63	7.61	7.59	
Station	0+000	0+020	0+040	0+060	0+080	0+100	0+120	0+140	0+160	0+180	0+200	0+220	0+240	0+260	0+280	0+300	0+320	0+340	0+360	0+380	0+400	0+420	0+440	0+460												
Horizontal Alignment	Reverse L=20.000m																																			
Superelevation	0.080 (2.00%)																																			

MINISTRY OF PUBLIC WORKS AND TRANSPORT (MPWT)	THE PROJECT FOR FLOOD DISASTER REHABILITATION AND MITIGATION IN THE KINGDOM OF CAMBODIA	JAPAN INTERNATIONAL COOPERATION AGENCY KATAHIRA & ENGINEERS INTERNATIONAL	TITLE : PROFILE NATIONAL ROAD No. 5 (2)	SCALE H = 1/2000, V = 1/200	Drawing No.	PR-04
					Sheet No.	XX



Vertical Alignment	Finish Grade	Ground Level	Station	Horizontal Alignment	Superelevation
8.05	8.05	8.17	0+000		
7.945	7.97	8.13	0+040		
7.945	7.97	8.10	0+080		
7.945	7.97	8.05	0+100		
7.945	7.87	7.98	0+120		
7.945	7.86	7.96	0+140		
7.945	7.80	7.86	0+160		
7.945	7.65	7.75	0+180		
7.945	7.63	7.70	0+200		
7.945	7.64	7.64	0+220		
7.945	7.55	7.55	0+240		
7.945	7.54	7.54	0+260		
7.945	7.49	7.49	0+280		
7.945	7.53	7.53	0+300		
7.945	7.49	7.52	0+320		
7.945	7.52	7.52	0+340		
7.945	7.51	7.51	0+360		
7.945	7.50	7.50	0+380		
7.945	7.56	7.56	0+400		
7.945	7.62	7.62	0+420		
7.945	7.56	7.56	0+440		
7.945	7.54	7.54	0+460		
7.945	7.57	7.57	0+480		
7.945	7.56	7.63	0+500		
7.945	7.66	7.66	0+520		
7.945	7.68	7.68	0+540		
7.945	7.71	7.71	0+560		
7.945	7.58	7.58	0+580		
7.945	7.49	7.49	0+592.795		

MINISTRY OF PUBLIC WORKS AND TRANSPORT (MPWT)	THE PROJECT FOR FLOOD DISASTER REHABILITATION AND MITIGATION IN THE KINGDOM OF CAMBODIA	JAPAN INTERNATIONAL COOPERATION AGENCY KATAHIRA & ENGINEERS INTERNATIONAL	TITLE : PROFILE STREET No. 1	SCALE H = 1/2000, V = 1/200	Drawing No.	PR-05
					Sheet No.	XX



Vertical Alignment	7.68	7.61	7.67	7.65	7.62	7.66	7.64	7.58	7.63	7.55	7.61	7.55	7.60	7.53	7.54	7.57	7.56	7.57	7.58	7.60	7.58	7.58	7.56	7.56	7.58	7.56	7.58	7.60	7.61	7.63	7.64	7.65	7.66	7.66	7.71	7.76	7.95
Finish Grade	7.68	7.61	7.67	7.65	7.62	7.66	7.64	7.58	7.63	7.55	7.61	7.55	7.60	7.53	7.54	7.57	7.56	7.57	7.58	7.60	7.58	7.58	7.56	7.56	7.58	7.56	7.58	7.60	7.61	7.63	7.64	7.65	7.66	7.66	7.71	7.76	7.95
Ground Level	7.61	7.61	7.65	7.65	7.62	7.66	7.64	7.58	7.63	7.55	7.61	7.55	7.60	7.53	7.54	7.57	7.56	7.57	7.58	7.60	7.58	7.58	7.56	7.56	7.58	7.56	7.58	7.60	7.61	7.63	7.64	7.65	7.66	7.66	7.71	7.76	7.95
Station	0+420.000	0+400.000	0+380.000	0+360.000	0+340.000	0+320.000	0+300.000	0+280.000	0+260.000	0+240.000	0+220.000	0+200.000	0+180.000	0+160.000	0+140.000	0+120.000	0+100.000	0+080.000	0+060.000	0+040.000	0+020.000	0+000.000															
Horizontal Alignment	R=400.000m																																				
Superelevation	0.080 (2.00%)																																				

MINISTRY OF PUBLIC WORKS AND TRANSPORT (MPWT)	THE PROJECT FOR FLOOD DISASTER REHABILITATION AND MITIGATION IN THE KINGDOM OF CAMBODIA	JAPAN INTERNATIONAL COOPERATION AGENCY KATAHIRA & ENGINEERS INTERNATIONAL	TITLE : PROFILE STREET No. 2	SCALE	Drawing No.	PR-06
				H = 1/2000, V = 1/200		Sheet No.